

Model
HC331 HC361

Logbook code
7880629_H.1
Edition
10/2014



Page	Table code	Q.ty	Table heading	Q.ty	Validity
9	5501505-1.0	1	Plate kit (Version)		
11	5501692-1.0	1	Plate kit (Version)		
12	5502000-3.0	1	Plate kit (CRANES)		
13	5420075-1.0	1	Base		
15	6240119-1.0	1	Slewing		
16	6240119-2.0	1	Slewing Hydraulic jack (Hydraulic system)		
17	5760037-1.0	1	Stabilizers rods		
18	5760037-2.0	1	Stabilizers rods		
19	6200054-1.0	1	HYDRAULIC SYSTEM (Stabilizer Hydraulic jack)		
20	6400054-1.0	1	STABILISER RAM		
21	6200249-1.0	1	Stabilizer Hydraulic jack (Hydraulic system)		
22	6200249-2.0	1	Stabilizer Hydraulic jack (Hydraulic system)		
23	6400249-1.0	1	Stabilizer Hydraulic jack		
24	5411204-4.0	1	CONTROL DEVICES LOCKING FOR OUTRIGGERS LEGS		
25	5411385-1.0	1	CONTROL DEVICES LOCKING FOR OUTRIGGERS LEGS		
26	5411204-8.0	1	STABILITY CONTROL (EN12999-A3)		
27	5411385-2.0	1	STABILITY CONTROL (EN12999-A3)		
29	5411205-5.0	1	ROTATION CONTROL (EN12999-A3)		
30	5411205-8.0	1	ROTATION CONTROL (EN12999-A3)		
32	5411367-4.0	1	ROTATION CONTROL (EN12999-A3)		

Page	Table code	Q.ty	Table heading	Q.ty	Validity
34	5760040-1.0	1	Stabilizers rods (Revolving)		
35	5760040-2.0	1	Stabilizers rods (Revolving)		
36	6200172-1.0	1	HYDRAULIC SYSTEM (Stabilizer Hydraulic jack)		
37	6400172-1.0	1	STABILISER RAM		
38	6200250-1.0	1	Stabilizer Hydraulic jack (Hydraulic system)		
39	6400250-1.0	1	Stabilizer Hydraulic jack		
40	5760244-1.0	1	Stabilizers rods (Revolving)		
41	5411104-1.0	1	SLEWING ASS'Y (STABILISER RAM)		
43	5411305-1.0	1	SLEWING ASS'Y (STABILISER RAM)		
46	5760244-2.0	1	Stabilizer with mechanical stop		
47	5400729-5.0	1	Stabilizer Hydraulic jack (Hydraulic system)		
48	6200277-1.0	1	Stabilizer Hydraulic jack (Hydraulic system)		
49	5380010-1.0	1	ROD EXSTENSION HYDRAULIC CYLINDER		
50	6200160-1.0	1	HYDRAULIC SYSTEM (ROD EXTENSION HYDRAULIC)		
51	6400160-1.0	1	ROD EXTENSION HYDRAULIC CYLINDER EXTRA-EXTENSIBLE		
52	5400729-1.0	1	CONTROLS (stabilizers standard)		
53	5400729-2.0	1	ROD EXSTENSION HYDRAULIC CYLINDER (Hydraulic system)		
54	5400729-3.0	1	Stabilizer Hydraulic jack (Hydraulic system)		
55	5400729-4.0	1	Stabilizer Hydraulic jack (Hydraulic system)		
56	5220346-1.0	1	STABILIZER CONTROL VALVE		

Page	Table code	Q.ty	Table heading		Validity
57	5400548-1.0	1	DOUBLE CONTROLS		
59	5440084-1.0	1	A.V.P.S. (Hydraulic system)		
60	5430215-1.0	1	Hydraulic system (not CE)		
62	5430135-1.0	1	Hydraulic system		
64	5430135-2.0	1	Hydraulic system (not CE)		
66	5220291-1.0	1	Control valve (4 section)		
68	5430012-1.1	1	HYDRAULIC SYSTEM (Moment limiting device)		
70	5400723-1.0	1	DOUBLE CONTROLS		
71	5400810-1.0	1	DOUBLE CONTROLS		
73	5440107-1.0	1	Solenoid valve (STABILIZER CONTROL VALVE)		
74	5440108-1.0	1	A.V.P.S. (Hydraulic system)		
75	5220292-1.0	1	Control valve (4 section)		
77	3310616-1.0	1	Electric components		
78	5401366-1.0	1	DOUBLE CONTROLS (CE)		
81	5220465-1.0	1	Control valve (4 section)		
83	5401729-1.0	1	DOUBLE CONTROLS (CE)		
84	5401366-3.0	1	DOUBLE CONTROLS (CE)		
85	5401366-6.0	1	DOUBLE CONTROLS (CE)		
86	5401366-7.0	1	DOUBLE CONTROLS (CE)		
87	5400072-3.0	1	5th extra function kit open center spool		

Page	Table code	Q.ty	Table heading		Validity
89	5400072-1.0	1	5th extra function kit closed center spool		
91	5400072-4.0	1	6th extra function kit open center spool		
93	5400072-2.0	1	6th extra function kit closed center spool		
95	5400072-5.0	1	7th extra function kit open center spool		
97	5212019-1.0	1	5th extra function kit open center spool		
99	5212015-1.0	1	5th extra function kit closed center spool		
101	5212015-2.0	1	6th extra function kit closed center spool		
103	5400126-1.1	1	Hydraulic oil tank (not CE)		
104	5400992-1.0	1	Hydraulic oil tank (not CE)		
105	5400127-1.0	1	Hydraulic oil tank (CE)		
107	3180105-1.0	1	Oil filter		
108	5400127-1.1	1	Hydraulic oil tank (CE)		
110	5400993-1.0	1	Hydraulic oil tank (CE)		
112	5400993-2.0	1	Hydraulic oil tank (CE)		
114	3180197-1.0	1	Oil filter		
115	5400806-1.0	1	Hydraulic oil tank (LIG NO CE)		
117	5400997-1.0	1	Hydraulic oil tank (LIG NO CE)		
119	3180118-1.0	1	Oil filter		
120	7888001-1.0	1	Heat exchange unit (24V)		
121	7888001-2.0	1	Heat exchange unit (24V)		

Table index

Logbook code

7880629_H.1

3/7

Page	Table code	Q.ty	Table heading		Validity
122	5460059-1.0	1	Column		
123	6230161-1.0	1	LIFTING HYDRAULIC CYLINDER (Hydraulic system)		
124	6430161-1.0	1	LIFTING HYDRAULIC CYLINDER		
125	6230164-1.0	1	LIFTING HYDRAULIC CYLINDER (Hydraulic system)		
126	6430164-1.0	1	LIFTING HYDRAULIC CYLINDER		
127	5360016-1.0	1	COLUMN CONNECTING RODS		
128	5470075-1.0	1	1ST BOOM		
129	5360008-1.0	1	Linkage 1th e 2nd boom		
130	6230105-2.0	1	Articulation Hydraulic jack (Hydraulic system)		
131	6430105-1.0	1	Articulation Hydraulic jack		
132	5480089-1.0	1	2nd BOOM		
134	5490083-1.0	1	1st EXTENSION		
135	6210309-1.0	1	HYDRAULIC SYSTEM (1st EXSTENSION HYDRAULIC)		
137	6210485-1.0	1	HYDRAULIC SYSTEM (1st EXSTENSION HYDRAULIC)		
139	6210021-1.0	1	HYDRAULIC SYSTEM (1st EXSTENSION HYDRAULIC)		
141	6210509-1.0	1	HYDRAULIC SYSTEM (1st EXSTENSION HYDRAULIC)		
143	6410184-2.0	1	1st EXSTENSION HYDRAULIC		
144	6410485-1.0	1	1st EXSTENSION HYDRAULIC		
145	5370037-1.0	1	2nd extension		
147	6210310-1.0	1	HYDRAULIC SYSTEM (2nd EXTENSION HYDRAULIC JACK)		

Page	Table code	Q.ty	Table heading		Validity
148	6210486-1.0	1	HYDRAULIC SYSTEM (2nd EXTENSION HYDRAULIC JACK)		
149	6410185-2.0	1	2nd EXTENSION HYDRAULIC JACK		
150	6410486-1.0	1	2nd EXTENSION HYDRAULIC JACK		
151	5540049-1.0	1	3rd extension		
152	6210311-2.0	1	3rd extension Hydraulic jack (Hydraulic system)		
153	6210487-1.0	1	3rd extension Hydraulic jack (Hydraulic system)		
154	6410202-1.0	1	3rd and 4th extension hydraulic cylinder		
155	6410487-1.0	1	3rd and 4th extension hydraulic cylinder		
156	5560036-1.0	1	4th extension		
158	6210312-2.0	1	4th extension Hydraulic jack (Hydraulic system)		
159	5560064-1.0	1	4th extension		
161	6210488-1.0	1	4th extension Hydraulic jack (Hydraulic system)		
162	5570015-1.0	1	5th extension ("C" Version)		
163	6210271-2.0	1	HYDRAULIC SYSTEM (5th extension Hydraulic jack)		
164	6410203-1.0	1	5th and 6th extension hydraulic cylinder		
165	5570031-1.0	1	5th extension		
166	6210489-1.0	1	HYDRAULIC SYSTEM (5th extension Hydraulic jack)		
167	6410489-1.0	1	5th and 6th extension hydraulic cylinder		
168	5580003-1.0	1	6th extension		
169	5580012-1.0	1	6th extension		

Page	Table code	Q.ty	Table heading		Validity
170	6210314-1.0	1	HYDRAULIC SYSTEM (6th extension Hydraulic jack)		
171	5580029-1.0	1	6th extension		
172	5580033-1.0	1	6th extension		
173	6210490-1.0	1	HYDRAULIC SYSTEM (6th extension Hydraulic jack)		
174	5330001-2.0	1	7th extension		
175	5330002-2.0	1	7th extension		
177	6210315-1.0	1	7th extension Hydraulic jack (Hydraulic system)		
178	6410286-1.0	1	7th extension Hydraulic jack		
179	5330013-1.0	1	7th extension		
181	6210491-1.0	1	7th extension Hydraulic jack (Hydraulic system)		
182	6410491-1.0	1	7th extension Hydraulic jack		
183	5320001-1.0	1	8th extension		
185	6210316-1.0	1	8th extension Hydraulic jack (Hydraulic system)		
187	6410208-1.0	1	8th extension Hydraulic jack		
188	6410208-1.1	1	8th extension Hydraulic jack		
189	5320011-1.0	1	8th extension		
191	6210492-1.0	1	8th extension Hydraulic jack (Hydraulic system)		
192	6410492-1.0	1	8th extension Hydraulic jack		
193	7880377-1.0	1	Assembly kit		
194	5590149-1.0	1	1st ACTIVATION FOR 2S		

Page	Table code	Q.ty	Table heading		Validity
196	5590150-1.0	1	1st ADDITIONAL ACTUATION		
197	5600117-1.0	1	2nd ADDITIONAL ACTUATION		
198	5600031-1.0	1	2nd ADDITIONAL ACTUATION		
199	5740196-1.0	1	ACTUATION FOR WINCH (Hydraulic system)		
200	7800288-1.0	1	Manual extension		
201	7800289-1.0	1	Manual extension		
202	7800287-1.0	1	Manual extension		
203	7800290-1.0	1	Manual extension		
204	7800291-1.0	1	Manual extension		
205	7800292-1.0	1	Manual extension		
206	7800286-1.0	1	Manual extension		
207	7881825-1.0	1	LOAD INDICATION SYSTEM		
209			HC331-361 J4		
210	5400216-3.0	1	5th and 6th ELEMENT FOR OPERATION JIB (CE)		
212	5430027-1.0	1	HYDRAULIC SYSTEM (Moment limiting device)		
214	5780012-1.0	1	Coupling (Articulated extension)		
215	5780013-1.0	1	Coupling (Articulated extension)		
216	5630005-1.0	1	JIB ARM		
217	5360010-1.0	1	KIT CONNECTING ROD (JIB)		
218	5590152-1.0	1	Kit activation hydraulic input (Articulated extension)		

Page	Table code	Q.ty	Table heading		Validity
219	5590151-1.0	1	Kit activation hydraulic input (Articulated extension)		
220	5401366-4.0	1	DOUBLE CONTROLS (CE)		
221	5401366-5.0	1	DOUBLE CONTROLS (CE)		
222	6230120-1.0	1	Articulation Hydraulic jack (Hydraulic system)		
223	6430120-1.0	1	Articulation Hydraulic jack (Articulated extension)		
224	5490052-1.0	1	1st EXTENSION (JIB)		
225	6210242-1.0	1	HYDRAULIC SYSTEM (1th extension hydraulic cylinder)		
226	6410242-1.0	1	1st EXSTENSION HYDRAULIC		
227	5650004-1.0	1	2nd EXTENSION (JIB)		
228	6210243-1.0	1	HYDRAULIC SYSTEM (2nd extension hydraulic cylinder)		
229	6410243-1.0	1	2nd and 3rd extension hydraulic cylinder		
230	5660002-1.0	1	3rd extension (JIB)		
231	6210244-1.0	1	3rd extension Hydraulic jack (Hydraulic system)		
232	5560013-1.0	1	4th extension (JIB)		
233	6210245-1.0	1	4th extension Hydraulic jack (Hydraulic system)		
234	6410245-1.0	1	4th extension Hydraulic jack		
235	5400328-1.0	1	Support (Articulated extension)		
237			HC331-HC361 X		
238	5400831-1.0	1	CONTROLS		
239	5220373-1.0	1	Control valve (4 section)		

Page	Table code	Q.ty	Table heading		Validity
240	7892112-1.0	1	Wireless control kit		
241	7892113-1.0	1	Wireless control kit		
242	5400730-1.0	1	High pressure filter (Hydraulic system)		
243	3180159-1.0	1	High pressure filter		
245			HC331-HC361 TCU		
246	5400512-1.0	1	CONTROLS (X TCU)		
247	5220372-1.0	1	Control valve (5 section)		
248	5400723-3.0	1	CONTROLS		
249	5400723-4.0	1	CONTROLS		
250	5400723-5.0	1	CONTROLS		
251	5400723-6.0	1	CONTROLS		
252	5400723-7.0	1	CONTROLS		
253	5400723-8.0	1	CONTROLS		
254	7885015-1.0	1	Pilot lamp		
255	5400723-8.1	1	CONTROLS		
256	5400723-9.0	1	CONTROLS		
257	7881785-1.0	1	LOAD INDICATION SYSTEM (RDC-EBB)		
259			HC331-HC361 TCU EN12999-A3		
260	5411204-9.0	1	STABILITY CONTROL (RDC)		
261	5411385-3.0	1	STABILITY CONTROL (RDC)		

Page	Table code	Q.ty	Table heading		Validity
263	5401370-1.0	1	CONTROLS WITH THERMOFORMABLE (RDC EBB-X		
265	5401384-1.0	1	CONTROLS (RDC EBB-X TCU-ECM4)		
266	5401218-3.0	1	CONTROLS (RDC EBB-X TCU-ECM4)		
267	5401218-6.0	1	CONTROLS (RDC EBB-X TCU-ECM4)		
268	5401218-4.0	1	CONTROLS (RDC EBB-X TCU-ECM4)		
269	5401218-5.0	1	CONTROLS (RDC EBB-X TCU-ECM4)		
270	5401370-3.0	1	CONTROLS (RDC EBB-X TCU-ECM4)		
271	7892197-1.0	1	Wireless control kit (CAN BUS)		
272	7892198-1.0	1	Wireless control kit (CAN BUS)		
273	7892207-1.0	1	Wireless control kit (CAN BUS)		
275			HC331-HC361 F		
276	5420036-1.0	1	BASE		
277	6240081-1.0	1	SLEWING ASS'Y		
278	6240081-2.0	1	HYDRAULIC SYSTEM (Slewing Hydraulic jack)		
279	5460082-1.0	1	Column		
280	5450055-1.0	1	LIFTING HYDRAULIC CYLINDER (Hydraulic system)		
281	5400752-1.0	1	Control station		
282	5430128-1.0	1	Moment limiting device		
284	5220378-1.0	1	Control valve (6 section)		
285	5400341-1.0	1	High pressure filter		

Page	Table code	Q.ty	Table heading		Validity
286	5740168-1.0	1	ACTUATION FOR WINCH		
287			HC331-HC361 M		
288	6240116-1.0	1	SLEWING ASS'Y		
289	6240116-2.0	1	HYDRAULIC SYSTEM (Slewing Hydraulic jack)		
290	5440019-1.0	1	Solenoid valve		
291	6230185-1.0	1	HYDRAULIC SYSTEM (LIFTING HYDRAULIC CYLINDER)		
292	6430185-1.0	1	LIFTING HYDRAULIC CYLINDER (marine)		
293	5450084-1.0	1	LIFTING HYDRAULIC CYLINDER (Hydraulic system)		
294	6230235-1.0	1	HYDRAULIC SYSTEM (LIFTING HYDRAULIC CYLINDER)		
295	6430235-1.0	1	LIFTING HYDRAULIC CYLINDER (marine)		
296	6230147-1.0	1	HYDRAULIC SYSTEM (ARTICULATION HYDRAULIC JACK)		
297	6430147-1.0	1	Articulation Hydraulic jack (marine)		
298	6210306-1.0	1	HYDRAULIC SYSTEM (1st EXSTENSION HYDRAULIC)		
299	6410342-1.0	1	1th extension hydraulic cylinder (marine)		
300	6210307-1.0	1	HYDRAULIC SYSTEM (2nd EXTENSION HYDRAULIC JACK)		
301	6410340-1.0	1	2nd EXTENSION HYDRAULIC JACK (marine)		
302	6210404-1.0	1	HYDRAULIC SYSTEM (3rd extension Hydraulic jack)		
303	6410305-1.0	1	3rd and 4th extension hydraulic cylinder (marine)		
304	6210364-1.0	1	HYDRAULIC SYSTEM (4th extension Hydraulic jack)		
305	6210365-1.0	1	HYDRAULIC SYSTEM (5th extension Hydraulic jack)		

Table index

Logbook code

7880629_H.1

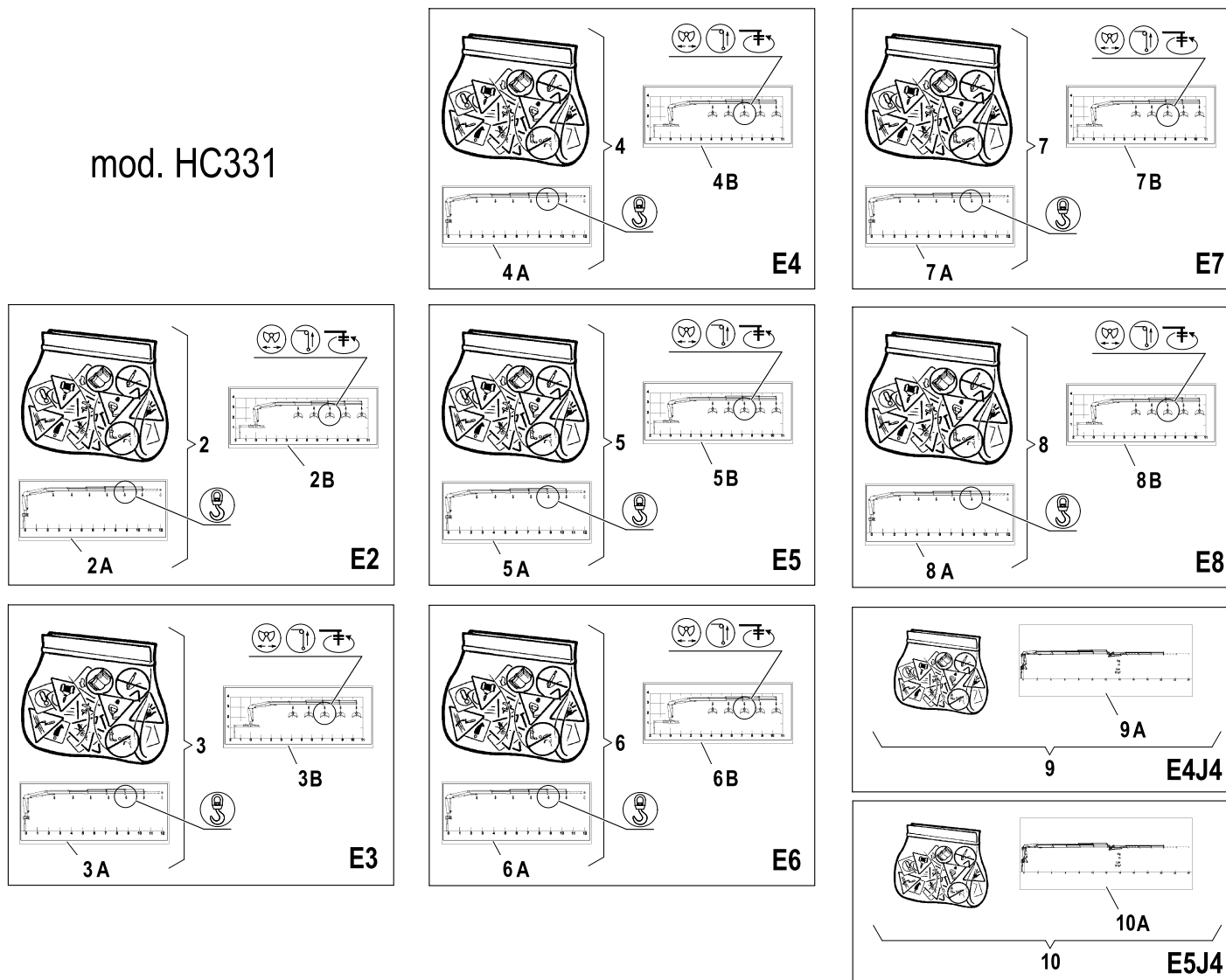
7/7

Page	Table code	Q.ty	Table heading	Validity
306	6410365-1.0	1	5th and 6th extension hydraulic cylinder (marine)	
307	6210419-1.0	1	HYDRAULIC SYSTEM (6th extension Hydraulic jack)	
308	6210016-1.0	1	HYDRAULIC SYSTEM (7th extension Hydraulic jack)	
309	6410016-1.0	1	7th extension Hydraulic jack (marine)	
310	6210017-1.0	1	HYDRAULIC SYSTEM (8th extension Hydraulic jack)	
311	6410017-1.0	1	8th extension Hydraulic jack (marine)	

Page	Table code	Q.ty	Table heading	Validity
------	------------	------	---------------	----------



mod. HC331



R	Pos.	Code Variant	Q.ty	Description
	2	5501505	1	
	2 A	5812548	2	
	2 B	5813110	2	
	3	5501506	1	
	3 A	5812549	2	
	3 B	5813111	2	
	4	5501507	1	
	4 A	5812566	2	
	4 B	5813112	2	
	5	5501508	1	
	5 A	5812567	2	
	5 B	5813113	2	
	6	5501509	1	
	6 A	5812568	2	
	6 B	5813114	2	
	7	5501510	1	
	7 A	5812594	2	
	7 B	5813115	2	
	8	5501511	1	
	8 A	5812595	2	

Plate kit (Version)

Code

5501505-1.0

2/2

mod. HC331

R	Pos.	Code Variant	Q.ty	Description
	8 B	5813116	2	
	9	5501512	1	
	9 A	5813108	2	
	10	5501513	1	
	10 A	5813109	2	

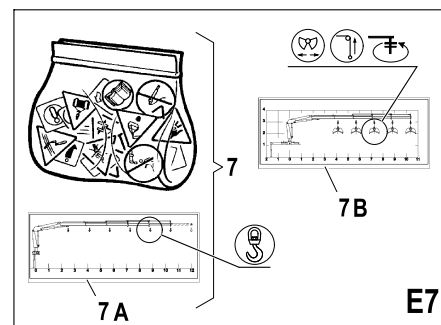
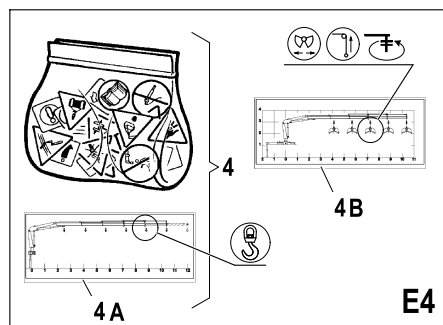
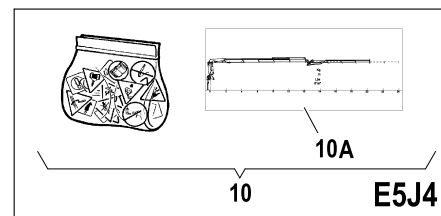
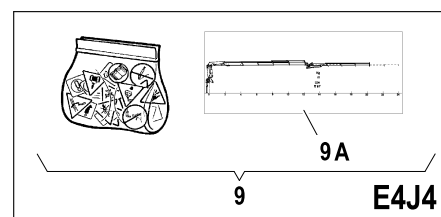
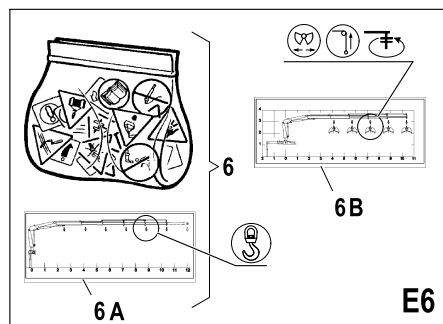
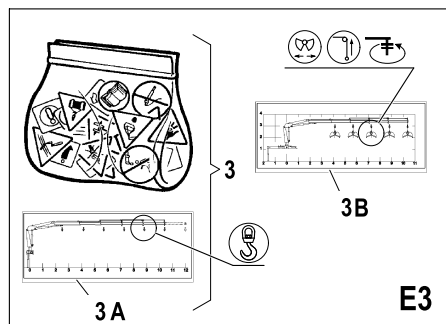
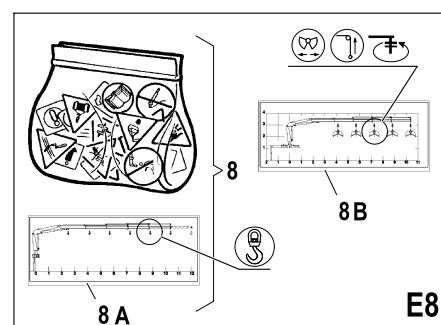
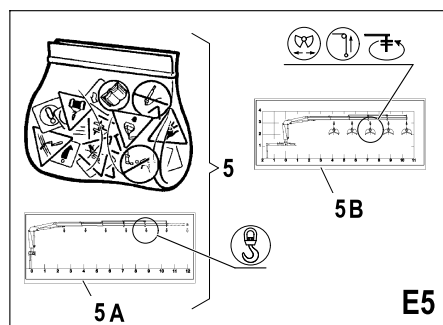
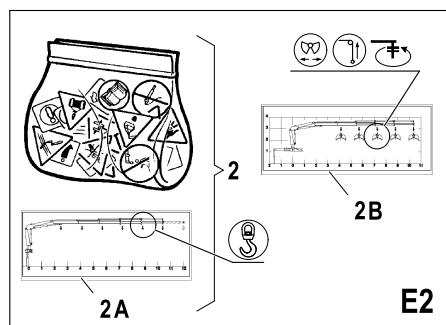


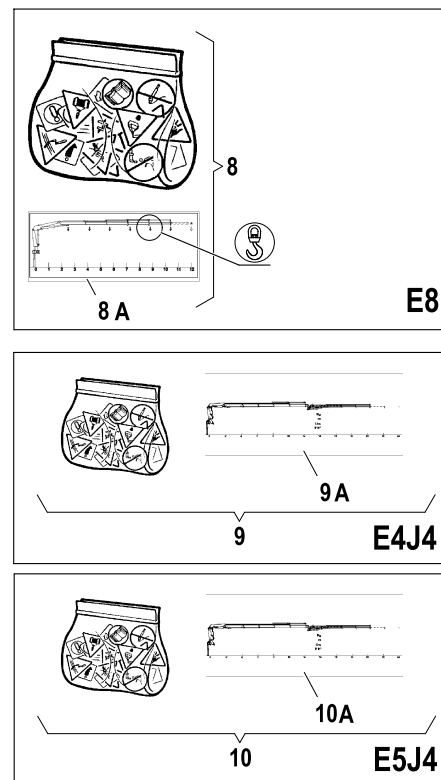
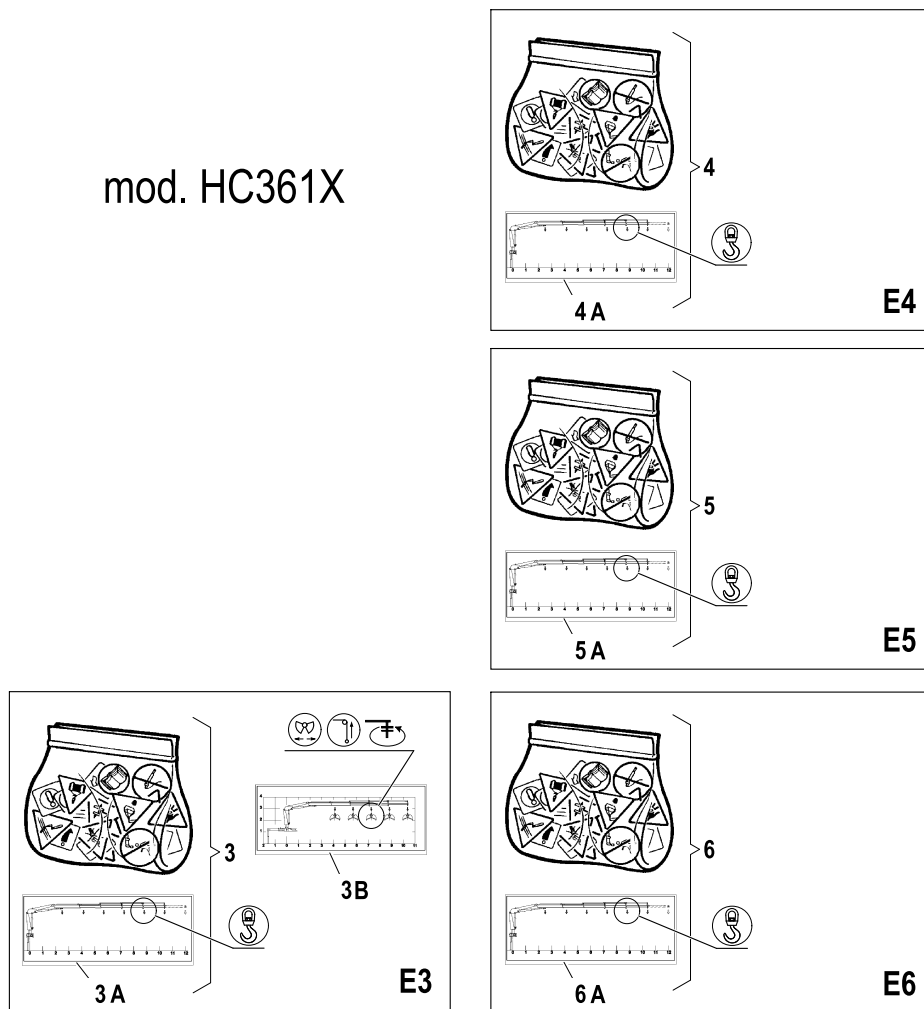
Plate kit (Version)

Code

5501692-1.0

1/1

mod. HC361X



R	Pos.	Code Variant	Q.ty	Description
	3	5501692	1	
	3 A	5813010	2	
	3 B	5813568	2	
	4	5501345	1	
	4 A	5813011	2	
	5	5501722	1	
	5 A	5813012	2	
	6	5501516	1	
	6 A	5813013	2	
	8	5501519	1	
	8 A	5813008	2	
	9	5501388	1	
	9 A	5813006	2	
	10	5501646	1	
	10 A	5813007	2	

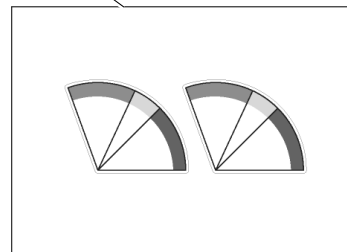
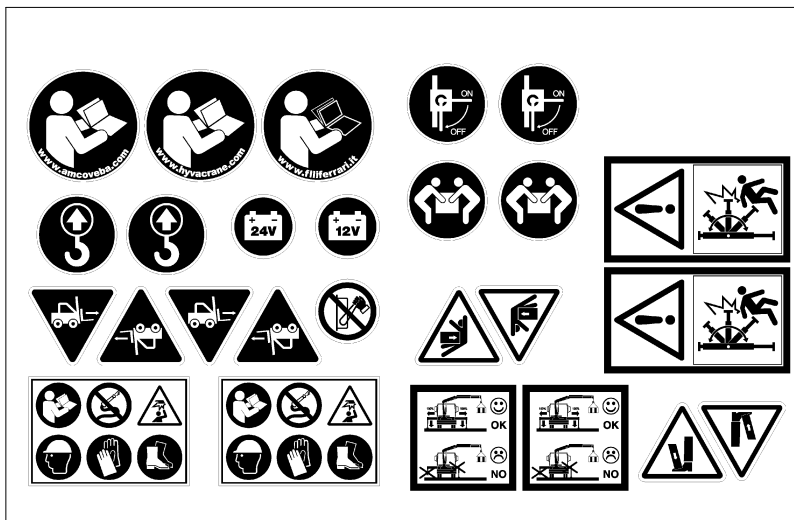
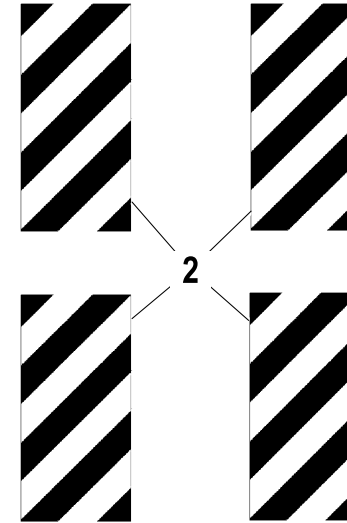
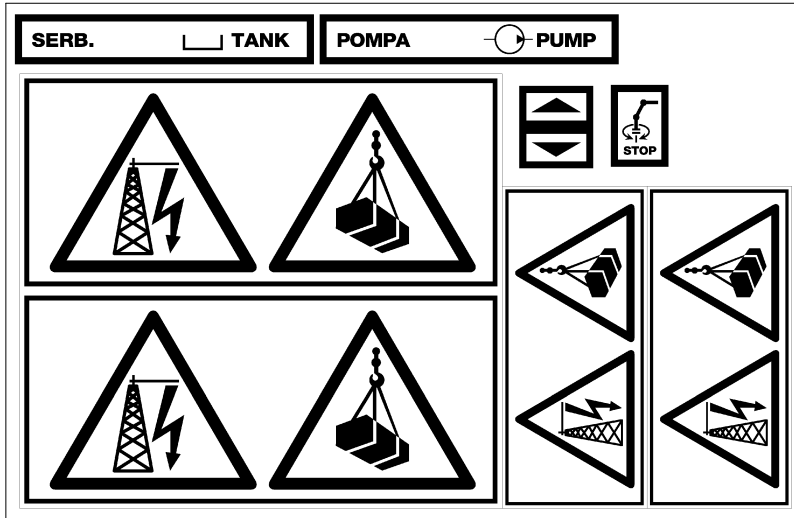
Plate kit (CRANES)

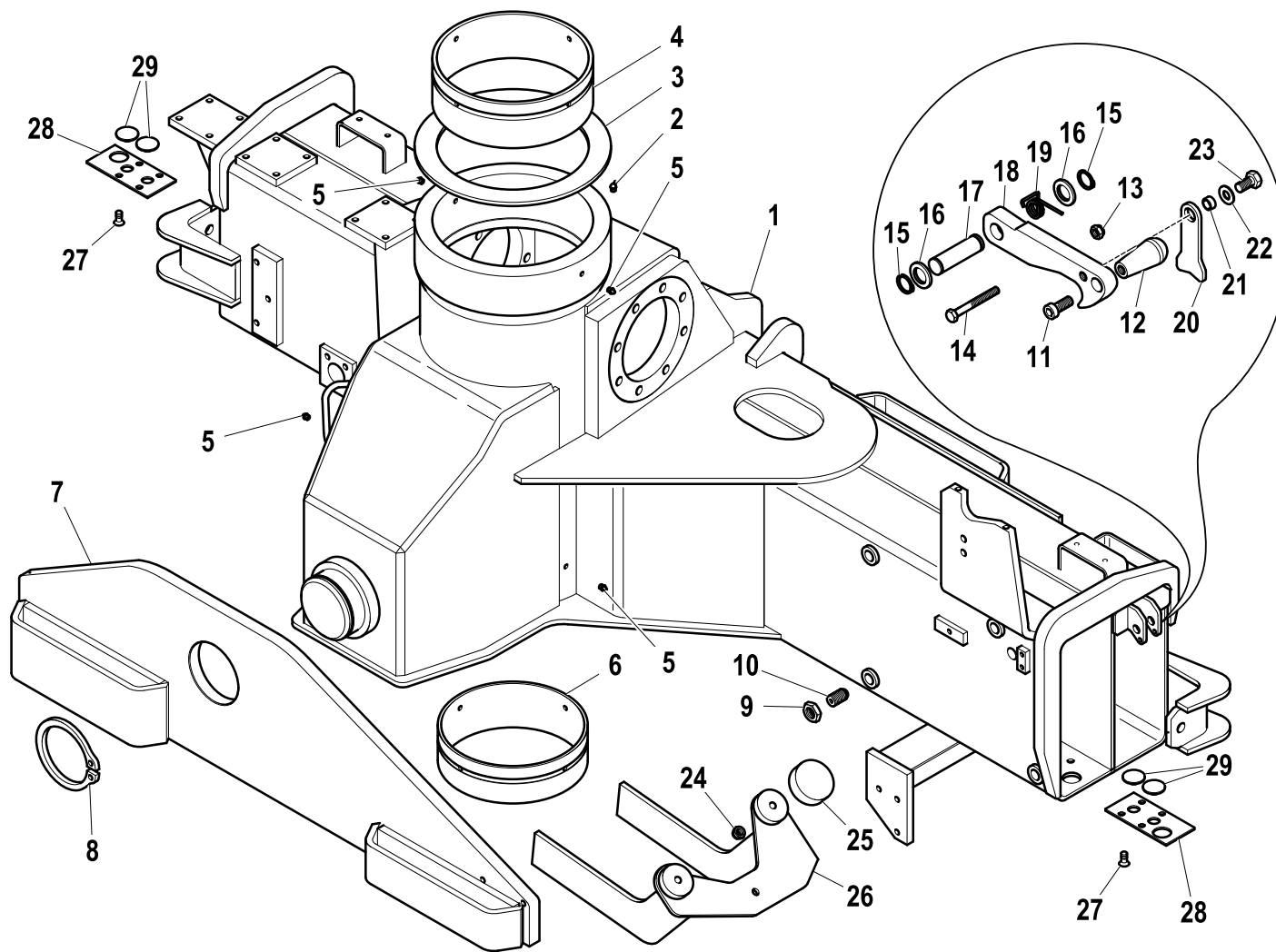
Code

5502000-3.0

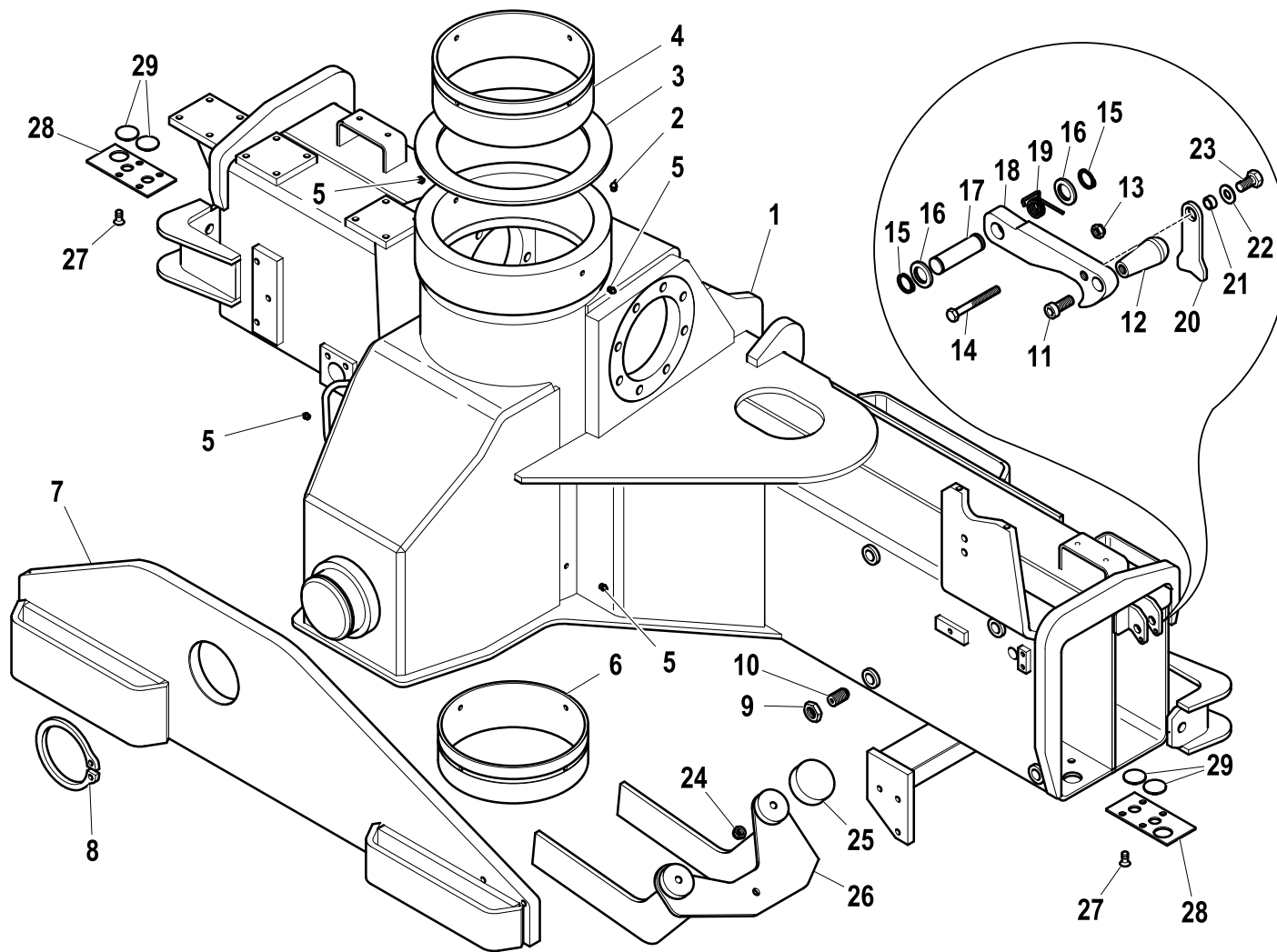
1/1

R	Pos.	Code Variant	Q.ty	Description
1	5502000		1	kit Standard instructions sticker
2	5813851		4	

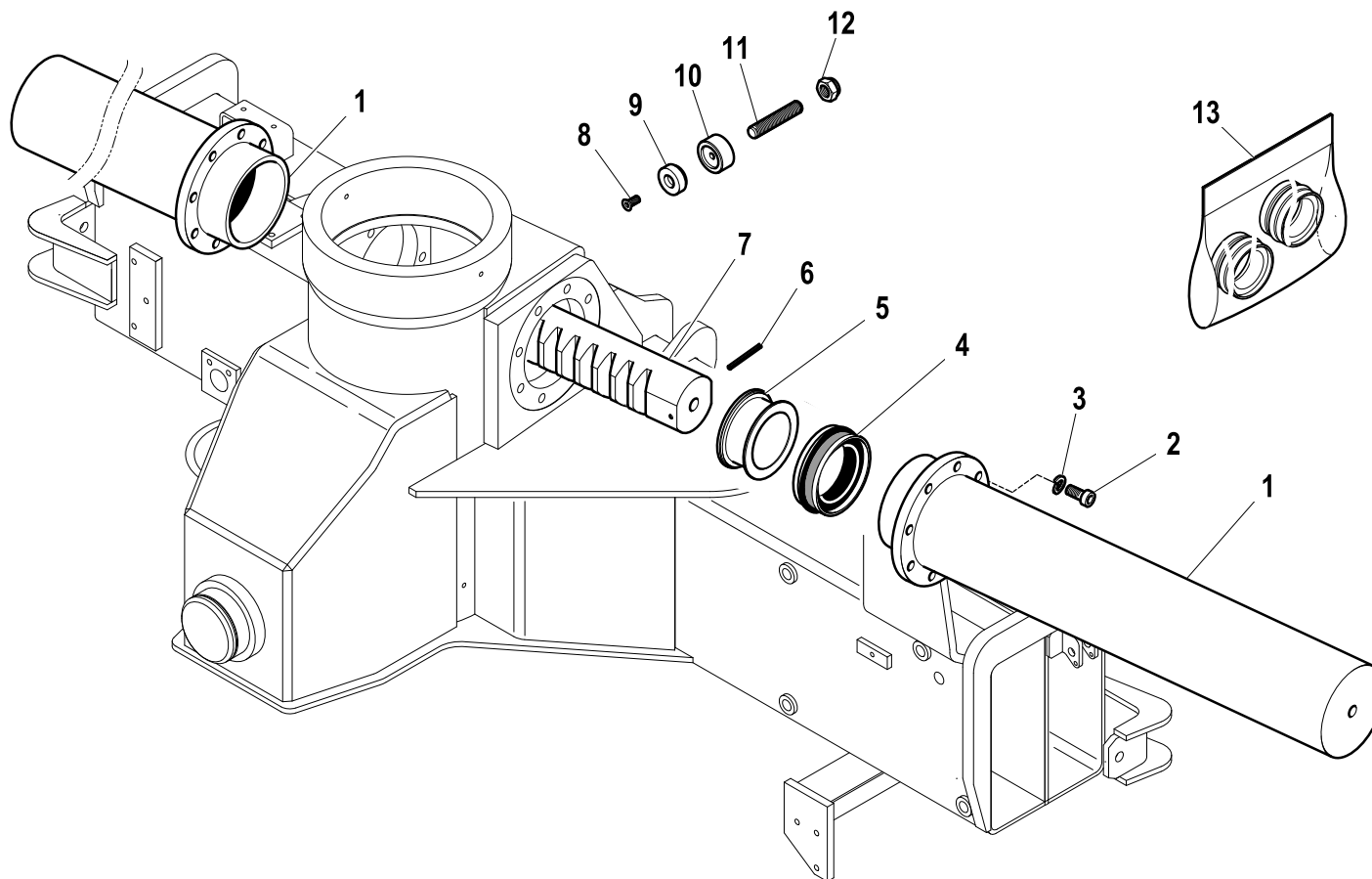




R	Pos.	Code Variant	Q.ty	Description
	1	5060167	1	Base
	2	3080512	1	Grease nipple
	3	5140684	1	
	4	5140685	1	
	5	3080501	4	Grease nipple
	6	5140686	1	
	7	5090569	1	
	8	3070083	1	Seeger
	9	3040089	8	Lock nut
	10	5000771	8	Adjusting screw
	11	3020875	2	Socket head cap screw [M8X20 ZC UNI 5931]
	12	3190201	2	
	13	3040519	2	Stopnut
	14	3010397	2	Hex screw [M6X50 8.8 ZC UNI 5737]
	15	3070148	4	Seeger
	16	5140714	4	
	17	5150601	2	
	18	5000966	2	
	19	3060932	2	
	20	5001681	2	



R	Pos.	Code Variant	Q.ty	Description
	21	W102116	2	
	22	3060006	2	Flat washer [D.8 UNI 6592 ZC]
	23	3010337	2	Hex screw [M8X16 8.8 ZC UNI 5739]
	24	3040305	2	Stopnut
	25	3190100	3	
	26	5091075	1	
	27	3020496	8	TSEI screw [M10X16 10.9 ZC UNI 5933]
	28	5002187	2	
	29	5140789	4	



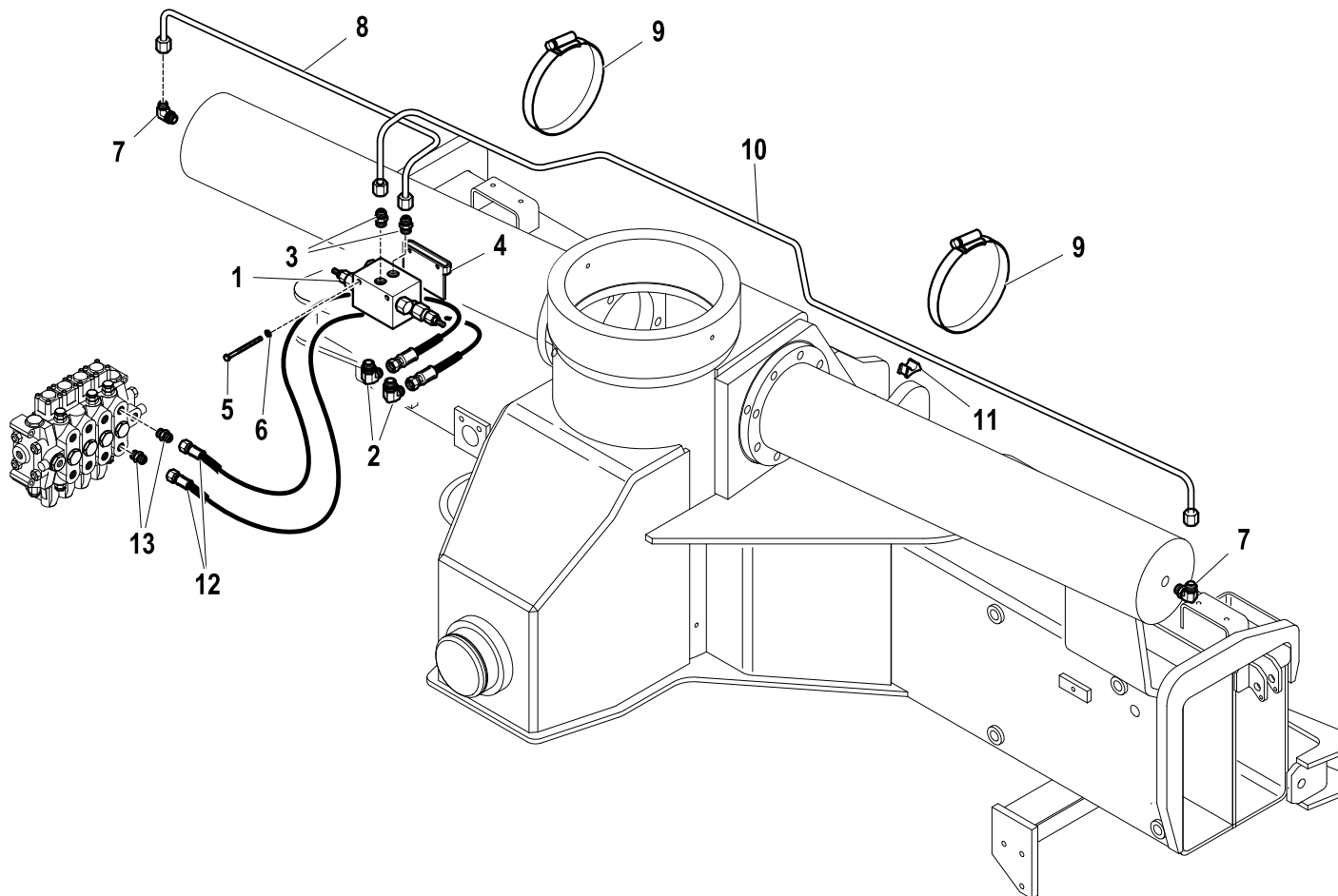
R	Pos.	Code Variant	Q.ty	Description
	1	6070415	2	
	2	3020128	16	Socketed head cap screw [M16X45 8.8 ZC UNI 5931]
	3	3060059	16	Split lock washer [D=16 C72 ZC]
	4	3400526	2	
	5	6050265	2	
	6	3060607	2	Spring pin
	7	5050085	1	
	8	3020499	2	TSEI screw [M10X25 10.9 ZC UNI 5933]
	9	5140600	2	
	10	4160328	2	
	11	3060919	2	Grub screw
	12	3040309	2	Stopnut
	13	5550730	1	

Slewing Hydraulic jack (Hydraulic system)

Code

6240119-2.0

1/1



R	Pos.	Code Variant	Q.ty	Description
	1	5220707	1	
	2	3101127	2	90° Connection
	3	3101043	2	Straight pipe fitting
	4	5001707	1	
	5	3010026	2	Hex screw [M6X80 8.8 ZC UNI 5737]
	6	3060053	2	Split lock washer [D=6.4 C72 ZC]
	7	3101128	2	90° Connection
	8	5392174	1	
	9	3190027	3	Clamp
	10	5392175	1	
	11	5140133	1	Piping mounting
	12	5271767	2	Flexible hose
	13	3101044	2	Straight pipe fitting

Stabilizers rods

Code

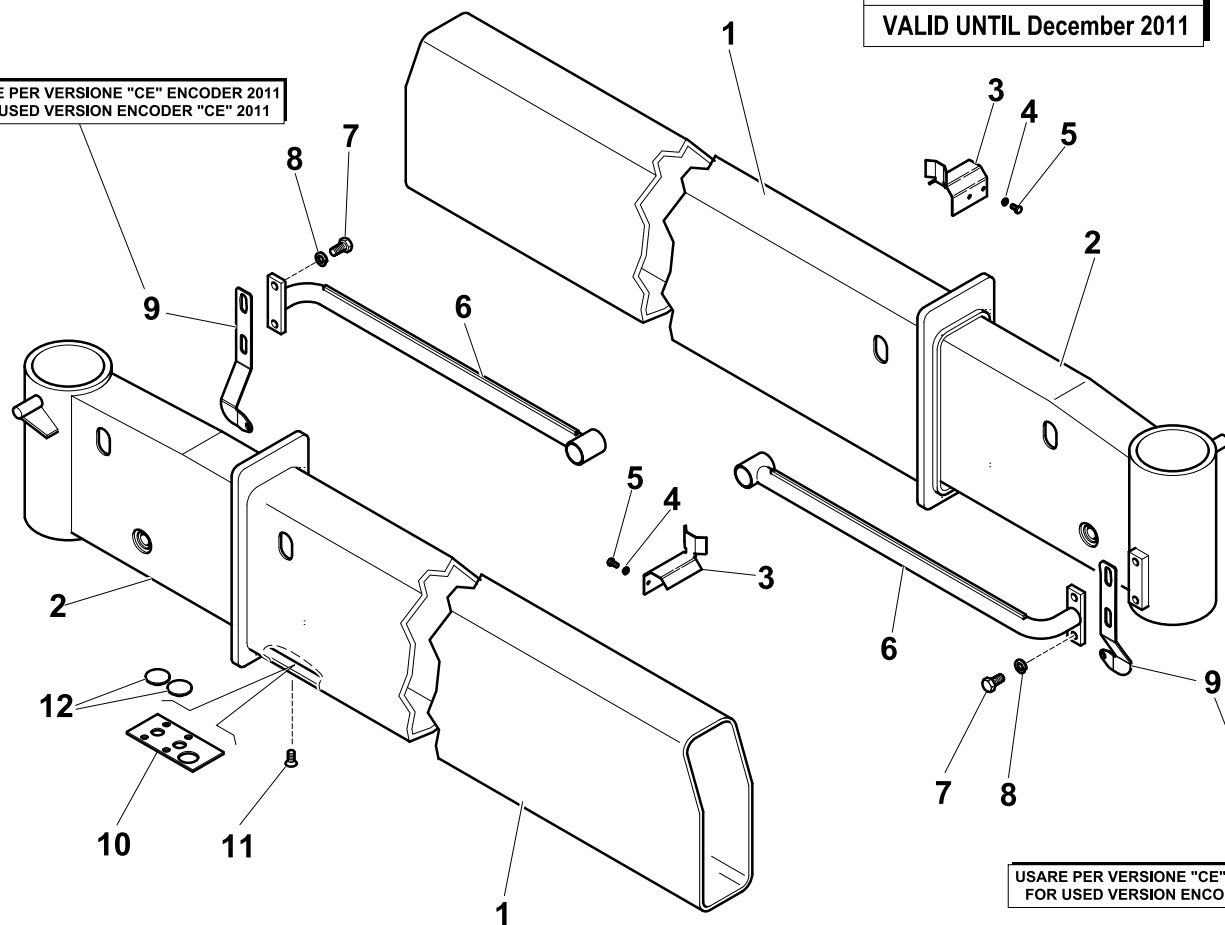
5760037-1.0

1/1

R	Pos.	Code Variant	Q.ty	Description
	1	5070276	2	
	2	5070275	2	
	3	5090595	2	
	4	3060053	4	Split lock washer [D=6.4 C72 ZC]
	5	3010323	4	Hex screw [M6X10 8.8 ZC UNI 5739]
	6	5090594	2	
	7	3010369	4	Hex screw [M12X25 8.8 ZC UNI 5739]
	8	3060057	4	Split lock washer [D=12 C72 ZC]
	9	5000435	2	
	10	5002187	2	
	11	3020496	8	TSEI screw [M10X16 10.9 ZC UNI 5933]
	12	5140789	4	

VALIDO FINO A Dicembre 2011
VALID UNTIL December 2011

USARE PER VERSIONE "CE" ENCODER 2011
FOR USED VERSION ENCODER "CE" 2011



USARE PER VERSIONE "CE" ENCODER 2011
FOR USED VERSION ENCODER "CE" 2011

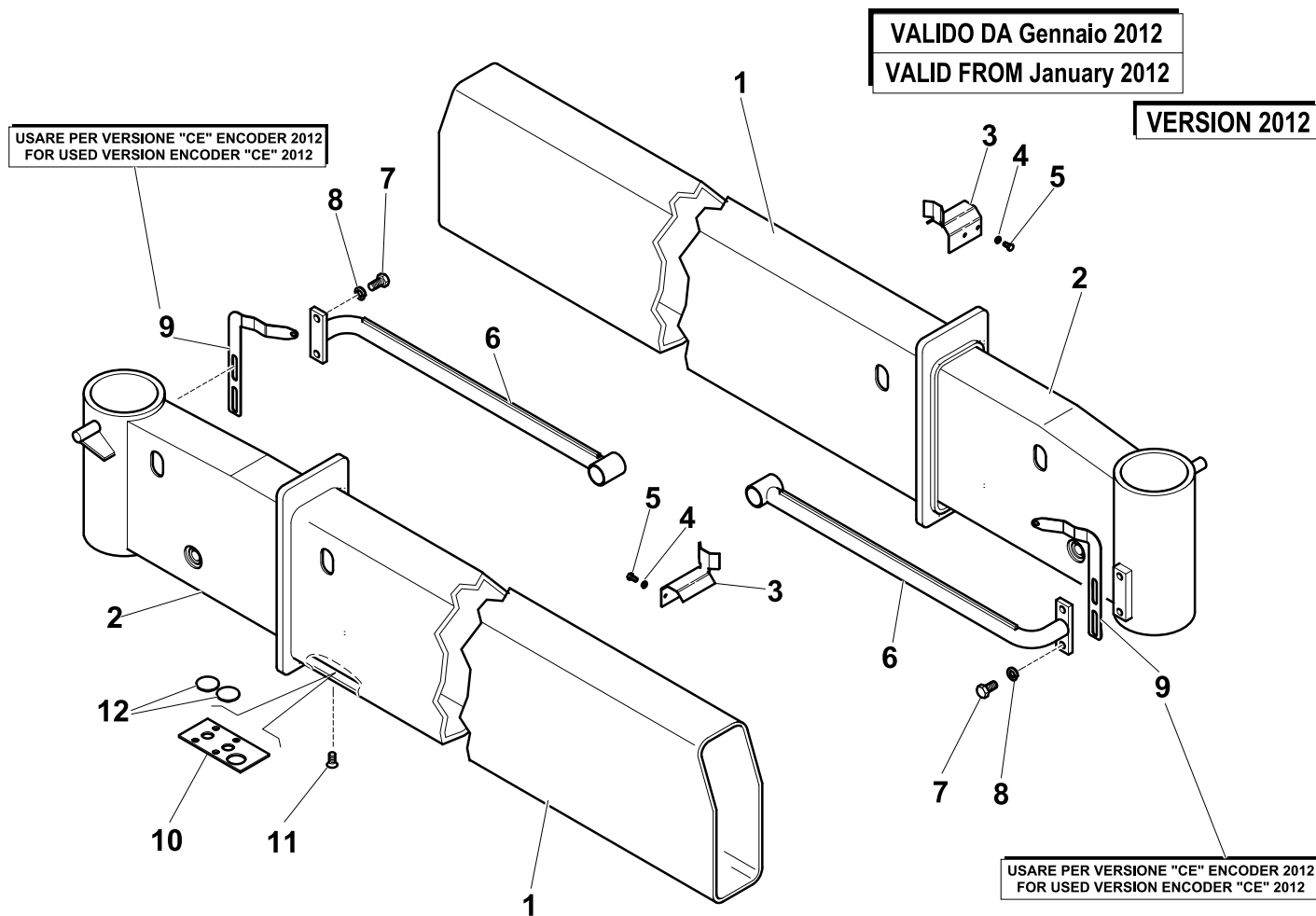
Stabilizers rods

Code

5760037-2.0

1/1

R	Pos.	Code Variant	Q.ty	Description
	1	5070276	2	
	2	5070275	2	
	3	5090595	2	
	4	3060053	4	Split lock washer [D=6.4 C72 ZC]
	5	3010323	4	Hex screw [M6X10 8.8 ZC UNI 5739]
	6	5090594	2	
	7	3010369	4	Hex screw [M12X25 8.8 ZC UNI 5739]
	8	3060057	4	Split lock washer [D=12 C72 ZC]
	9	5002183	2	
	10	5002187	2	
	11	3020496	8	TSEI screw [M10X16 10.9 ZC UNI 5933]
	12	5140789	4	

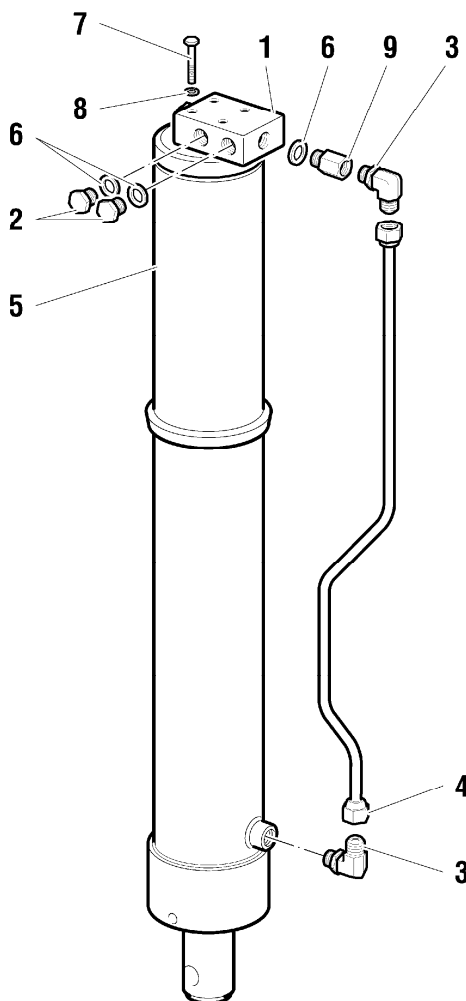


HYDRAULIC SYSTEM (Stabilizer Hydraulic jack)

Code

6200054-1.0

1/1



VALID FINO A mat. 19456
VALID TO Serial nuber 19456

R	Pos.	Code Variant	Q.ty	Description
	1	5220518	1	
	2	3110065	2	Plug
	3	3101128	2	90° Connection
	4	5390964	1	
	5	6400054	1	
	6	3060145	2	Sealing washer [BSP 1/2"]
	7	3010032	4	Hex screw [M8X45 8.8 ZC UNI 5737]
	8	3060055	4	Split lock washer [D=8.4 C72 ZC]
	9	3110113	1	Straight pipe fitting

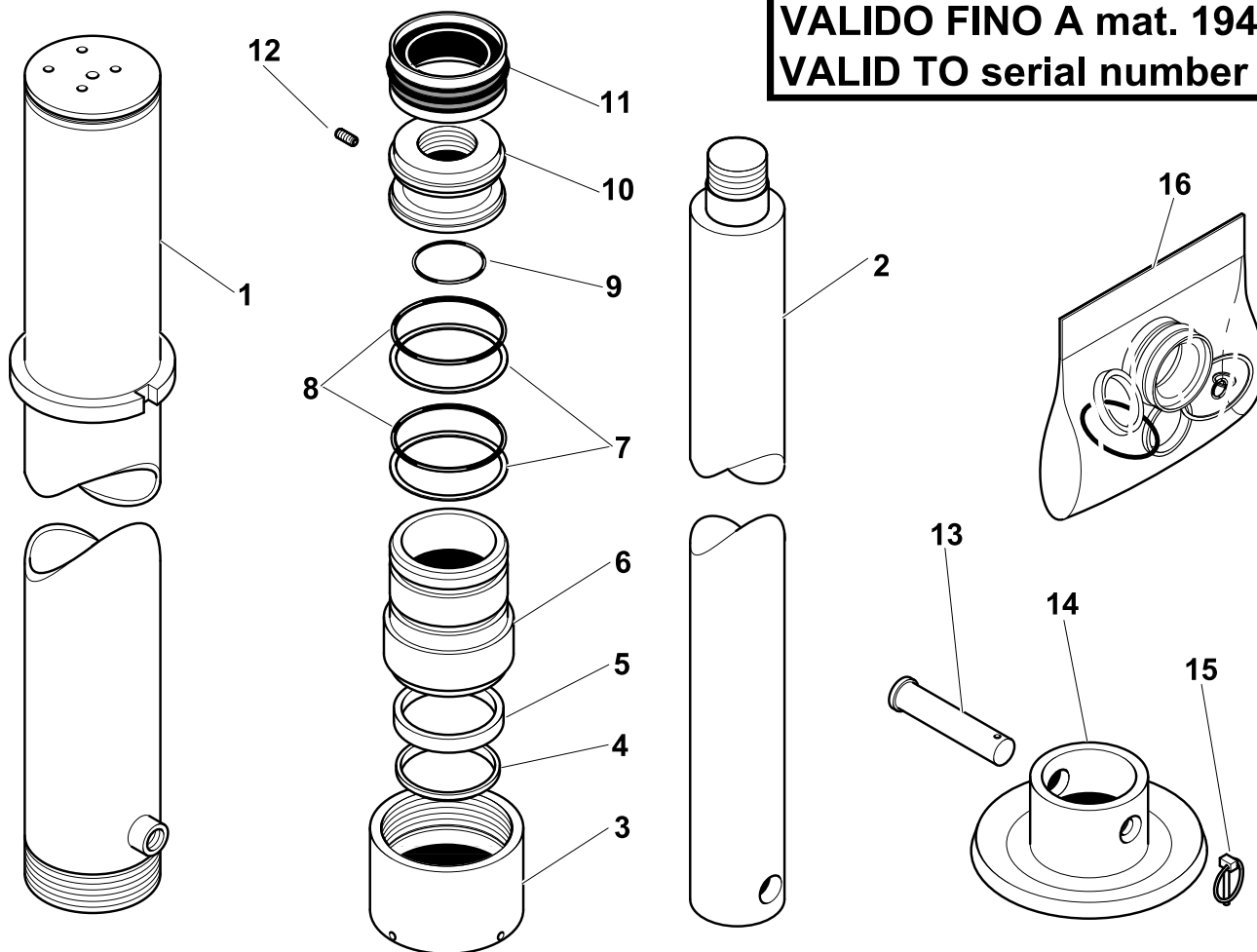
STABILISER RAM

Code

6400054-1.0

1/1

**VALIDO FINO A mat. 19456
VALID TO serial number 19456**



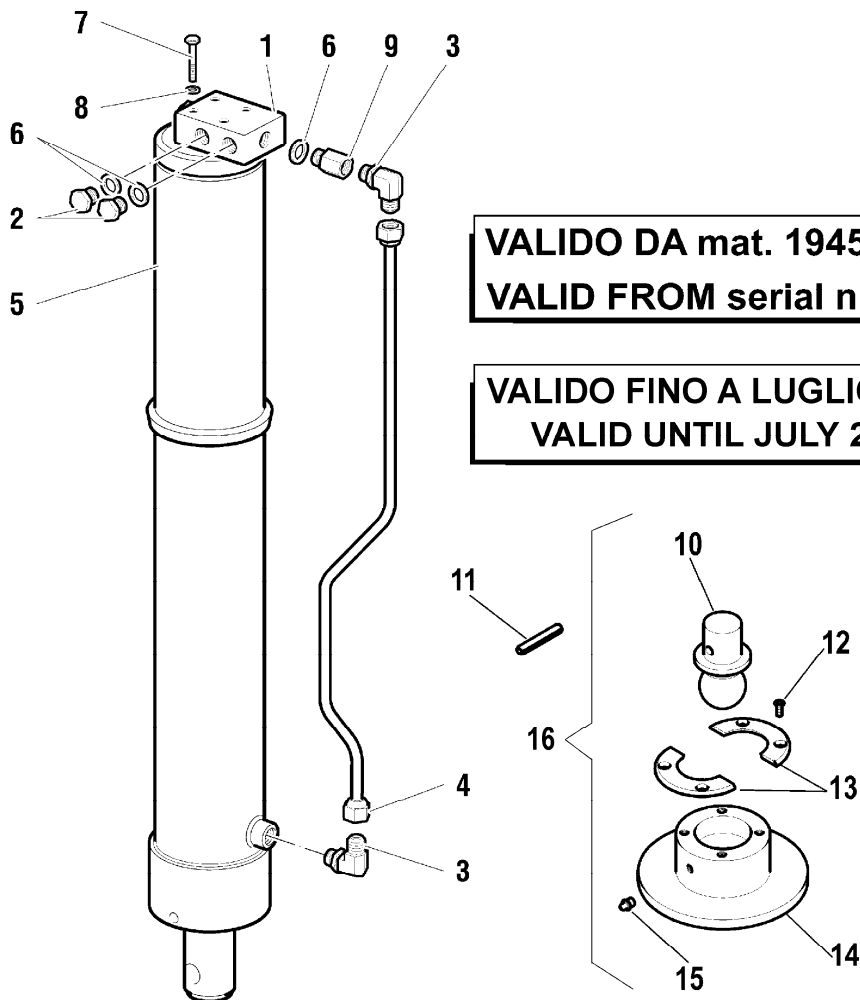
R	Pos.	Code Variant	Q.ty	Description
	1	6070212	1	
	2	6030169	1	
	3	6040150	1	Ring nut
	4	3420040	1	
	5	3400184	1	
	6	6400149	1	Stabilizer Hydraulic jack
	7	3460383	2	
	8	3450219	2	
	9	3450205	1	
	10	6050141	1	
	11	3400516	1	
	12	3060234	1	Grub screw
	13	5150321	1	
	14	5090275	1	
	15	3060753	1	Cotter pin (Locking ring)
	16	5550631	1	

Stabilizer Hydraulic jack (Hydraulic system)

Code

6200249-1.0

1/1



**VALIDO DA mat. 19457
VALID FROM serial number 19457**

**VALIDO FINO A LUGLIO 2011
VALID UNTIL JULY 2011**

R	Pos.	Code Variant	Q.ty	Description
	1	5220518	1	
	2	3110065	2	Plug
	3	3101128	2	90° Connection
	4	5390964	1	
	5	6400249	1	Stabilizer Hydraulic jack
	6	3060145	2	Sealing washer [BSP 1/2"]
	7	3010032	4	Hex screw [M8X45 8.8 ZC UNI 5737]
	8	3060055	4	Split lock washer [D=8.4 C72 ZC]
	9	3110113	1	Straight pipe fitting
	10	4160489	1	
	11	3060627	1	Spring pin
	12	3020899	4	TSEI screw [M8X20 10.9 ZC UNI 5933]
	13	4160490	1	
	14	5091207	1	
	15	3080512	1	Grease nipple
	16	5920004	1	

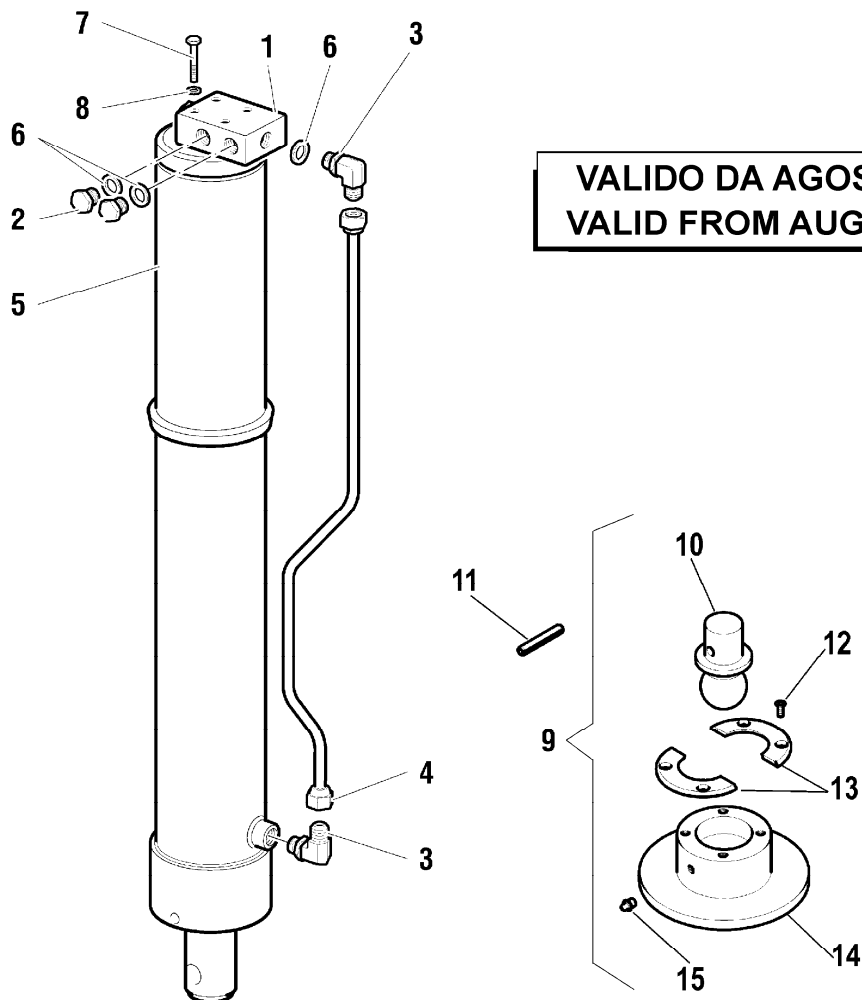
Stabilizer Hydraulic jack (Hydraulic system)

Code

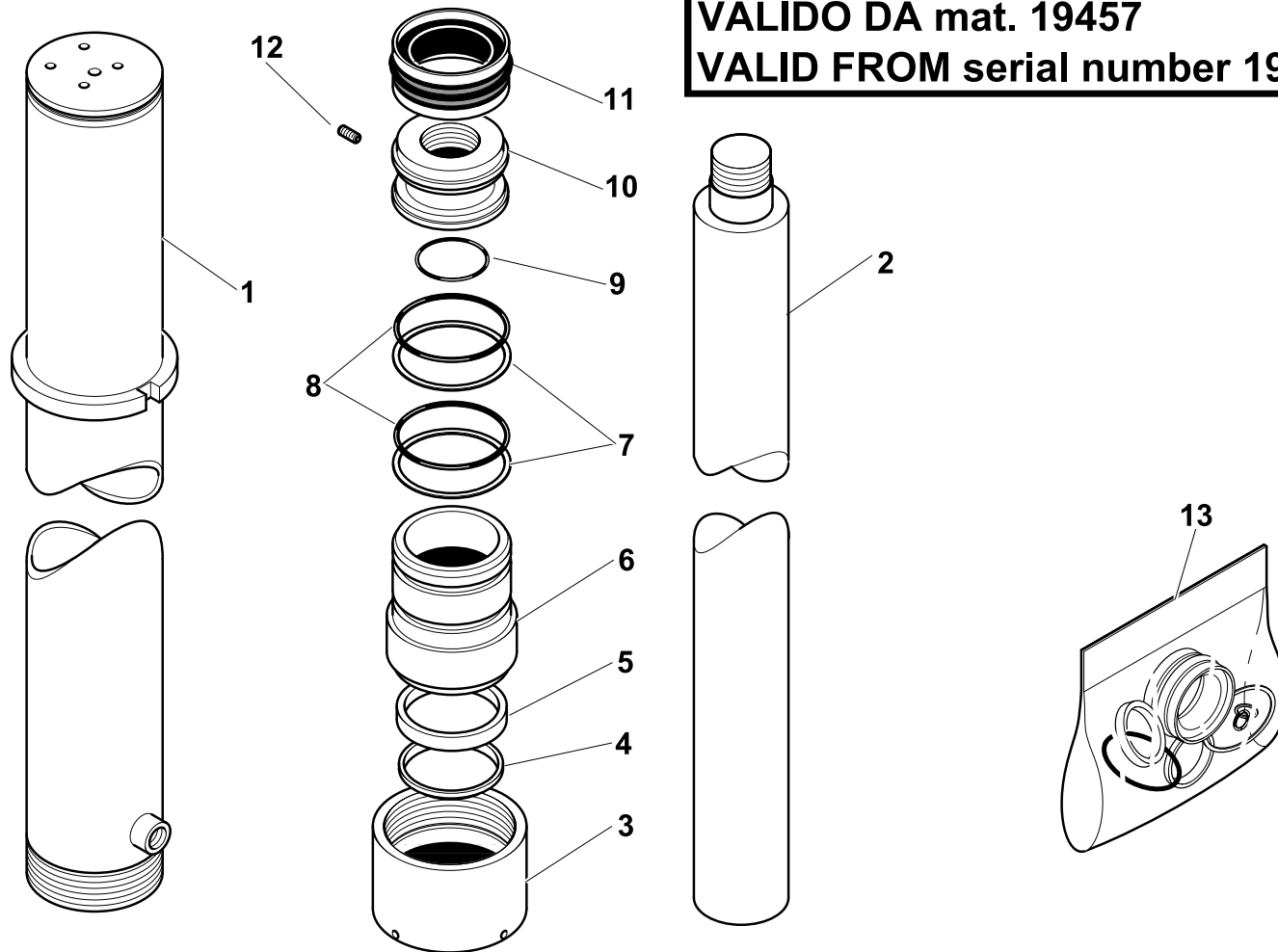
6200249-2.0

1/1

R	Pos.	Code Variant	Q.ty	Description
	1	5220518	1	
	2	3110065	2	Plug
	3	3101128	2	90° Connection
	4	5390602	1	
	5	6400249	1	Stabilizer Hydraulic jack
	6	3060145	2	Sealing washer [BSP 1/2"]
	7	3010032	4	Hex screw [M8X45 8.8 ZC UNI 5737]
	8	3060055	4	Split lock washer [D=8.4 C72 ZC]
	9	5920004	1	
	10	4160489	1	
	11	3060627	1	Spring pin
	12	3020899	4	TSEI screw [M8X20 10.9 ZC UNI 5933]
	13	4160490	1	
	14	5091207	1	
	15	3080512	1	Grease nipple



**VALIDO DA AGOSTO 2011
VALID FROM AUGUST 2011**



R	Pos.	Code Variant	Q.ty	Description
	1	6070212	1	
	2	6030805	1	
	3	6040150	1	Ring nut
	4	3420040	1	
	5	3400184	1	
	6	6040149	1	
	7	3460383	2	
	8	3450219	2	
	9	3450205	1	
	10	6050141	1	
	11	3400516	1	
	12	3060234	1	Grub screw
	13	5550631	1	

CONTROL DEVICES LOCKING FOR OUTRIGGERS LEGS

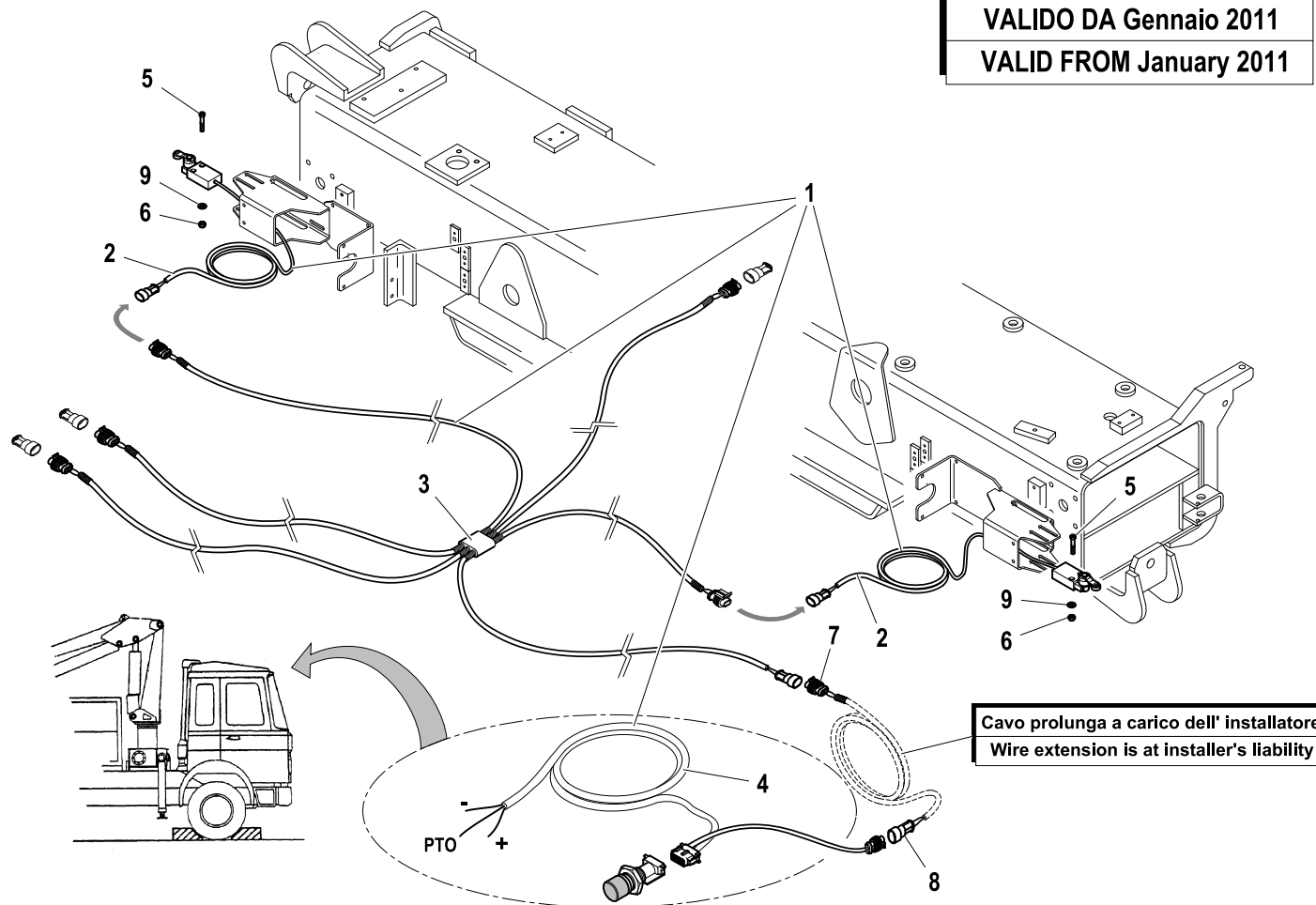
Code

5411204-4.0

1/1

R	Pos.	Code Variant	Q.ty	Description
	1	3311352	1	
	2	3311356	2	
	3	3311353	1	
	4	3311354	1	
	5	3020014	4	Socket head cap screw [M4X25X0.7 8.8 ZC UNI 5931]
	6	3040518	4	Stopnut
	7	3310431	1	
	8	3310432	1	
	9	3060003	4	Flat washer [D.4 UNI 6592 ZC]

**VALIDO DA Gennaio 2011
VALID FROM January 2011**



CONTROL DEVICES LOCKING FOR OUTRIGGERS LEGS

Code

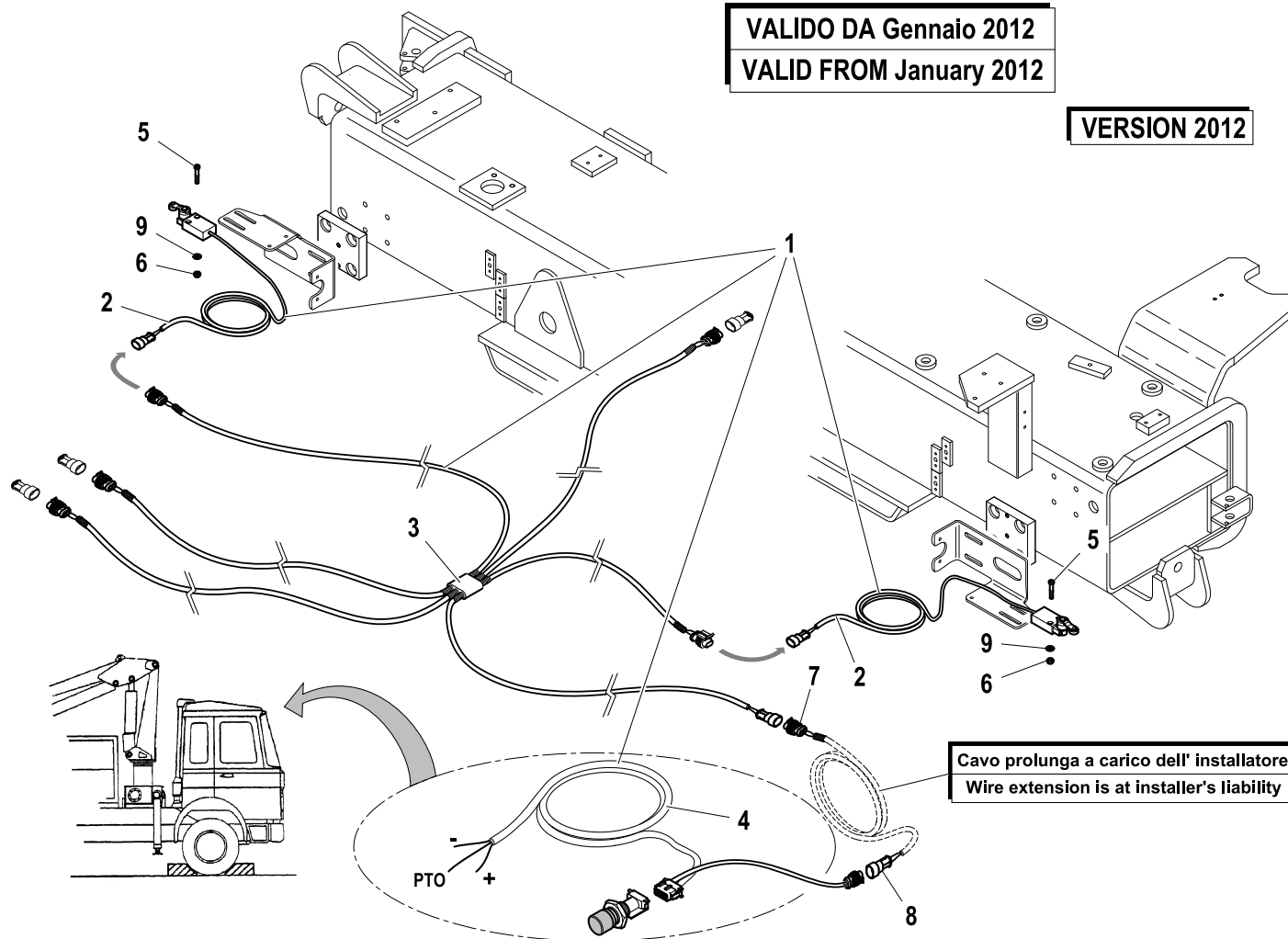
5411385-1.0

1/1

R	Pos.	Code Variant	Q.ty	Description
	1	3311352	1	
	2	3311356	2	
	3	3311353	1	
	4	3311354	1	
	5	3020014	4	Socket head cap screw [M4X25X0.7 8.8 ZC UNI 5931]
	6	3040518	4	Stopnut
	7	3310431	1	
	8	3310432	1	
	9	3060003	4	Flat washer [D.4 UNI 6592 ZC]

VALIDO DA Gennaio 2012
VALID FROM January 2012

VERSION 2012



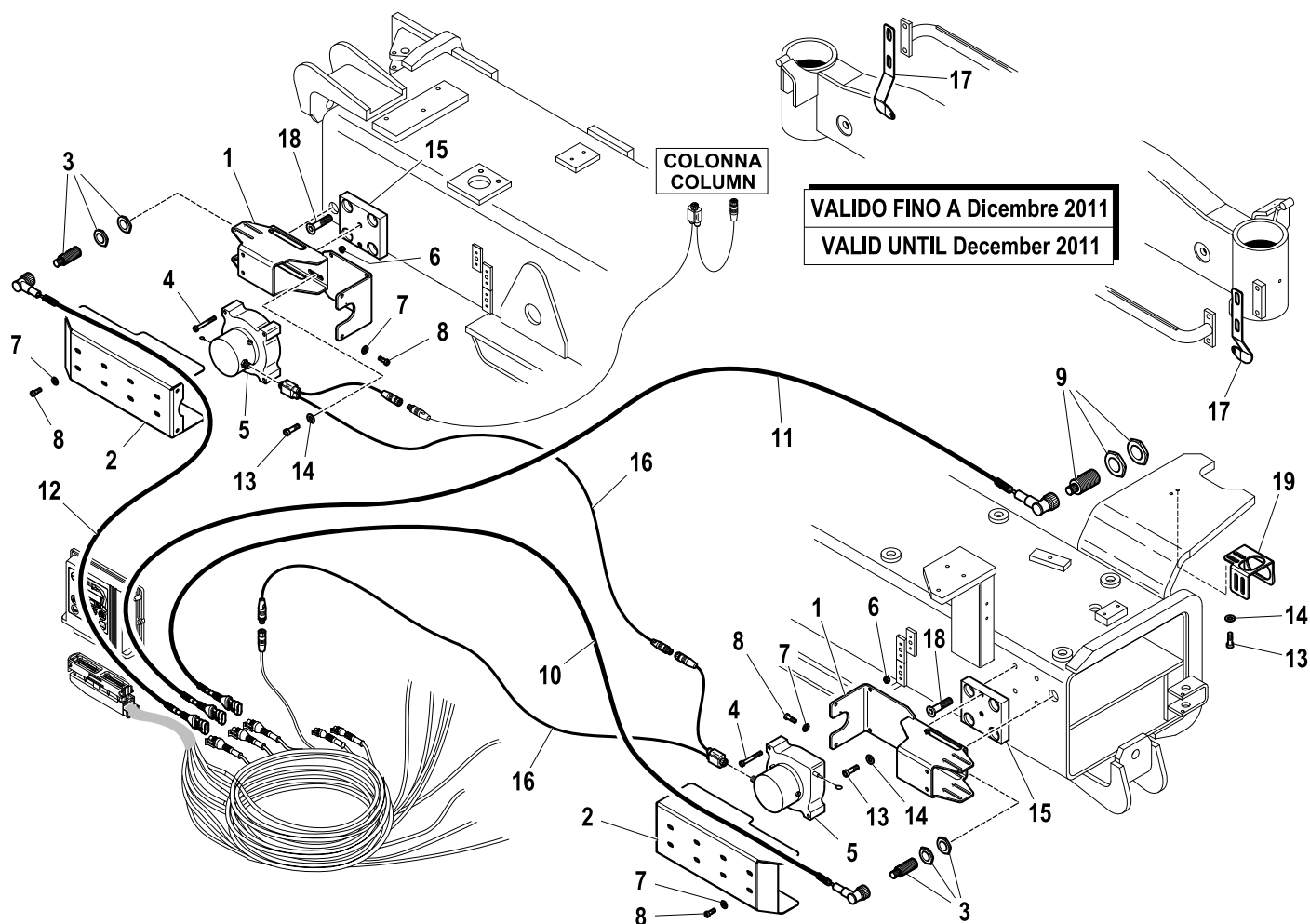
STABILITY CONTROL (EN12999-A3)

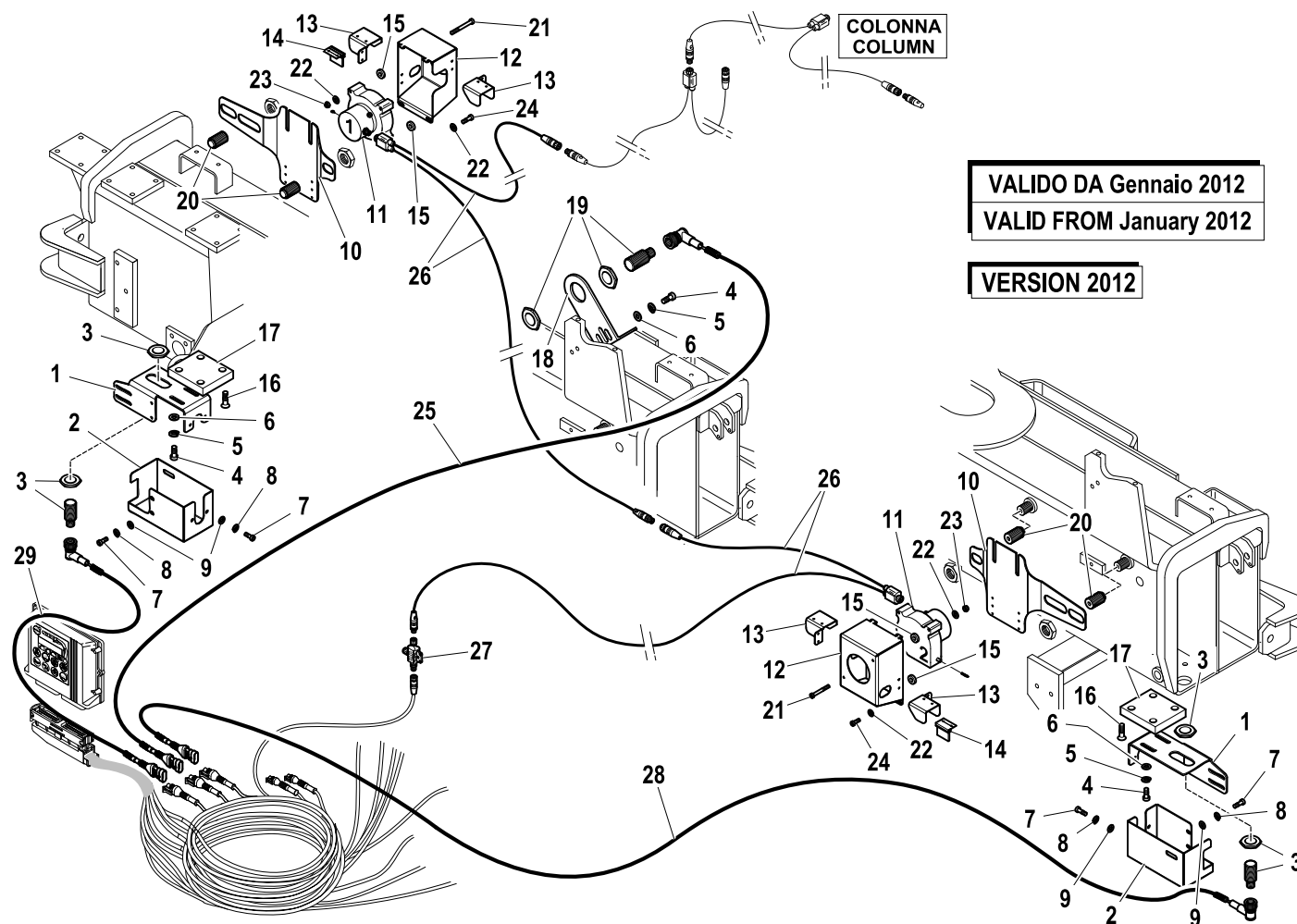
Code

5411204-8.0

1/1

R	Pos.	Code Variant	Q.ty	Description
	1	5091299	2	
	2	5002060	2	
	3	3311311	2	Proximity switch
	4	3020019	6	Socket head cap screw [M4X40 8.8 ZC UNI 5931]
	5	3311313	2	
	6	3040518	6	Stopnut
	7	3060004	8	Flat washer [D.5 UNI 6592 ZC]
	8	3020022	8	Socket head cap screw [M5X10 8.8 ZC UNI 5931]
	9	3311312	1	Proximity switch
	10	3311377	1	
	11	3311350	1	Electric wiring
	12	3311332	1	
	13	3020034	6	Socket head cap screw [M6X16 8.8 ZC UNI 5931]
	14	3060030	6	Flat washer [D.6.6X18 UNI 6593 ZC]
	15	5002023	2	
	16	3311325	2	
	17	5000435	2	
	18	3020408	8	TSEI screw [M10X30 8.8 UNI 5933]
	19	5002051	1	





R	Pos.	Code Variant	Q.ty	Description
	1	5091395	2	
	2	5002189	2	
	3	3311311	2	Proximity switch
	4	3020034	6	Socket head cap screw [M6X16 8.8 ZC UNI 5931]
	5	3060053	6	Split lock washer [D=6.4 C72 ZC]
	6	3060030	6	Flat washer [D.6.6X18 UNI 6593 ZC]
	7	3020022	8	Socket head cap screw [M5X10 8.8 ZC UNI 5931]
	8	3060052	8	Split lock washer [D=5.5 C72 ZC]
	9	3060004	8	Flat washer [D.5 UNI 6592 ZC]
	10	5002184	1	
	11	3311313	2	
	12	5091392	2	
	13	5002181	4	
	14	5002175	2	
	15	3190039	4	Insulator
	16	3020408	8	TSEI screw [M10X30 8.8 UNI 5933]
	17	5002023	2	
	18	5000453	1	
	19	3311312	1	Proximity switch
	20	5001917	4	

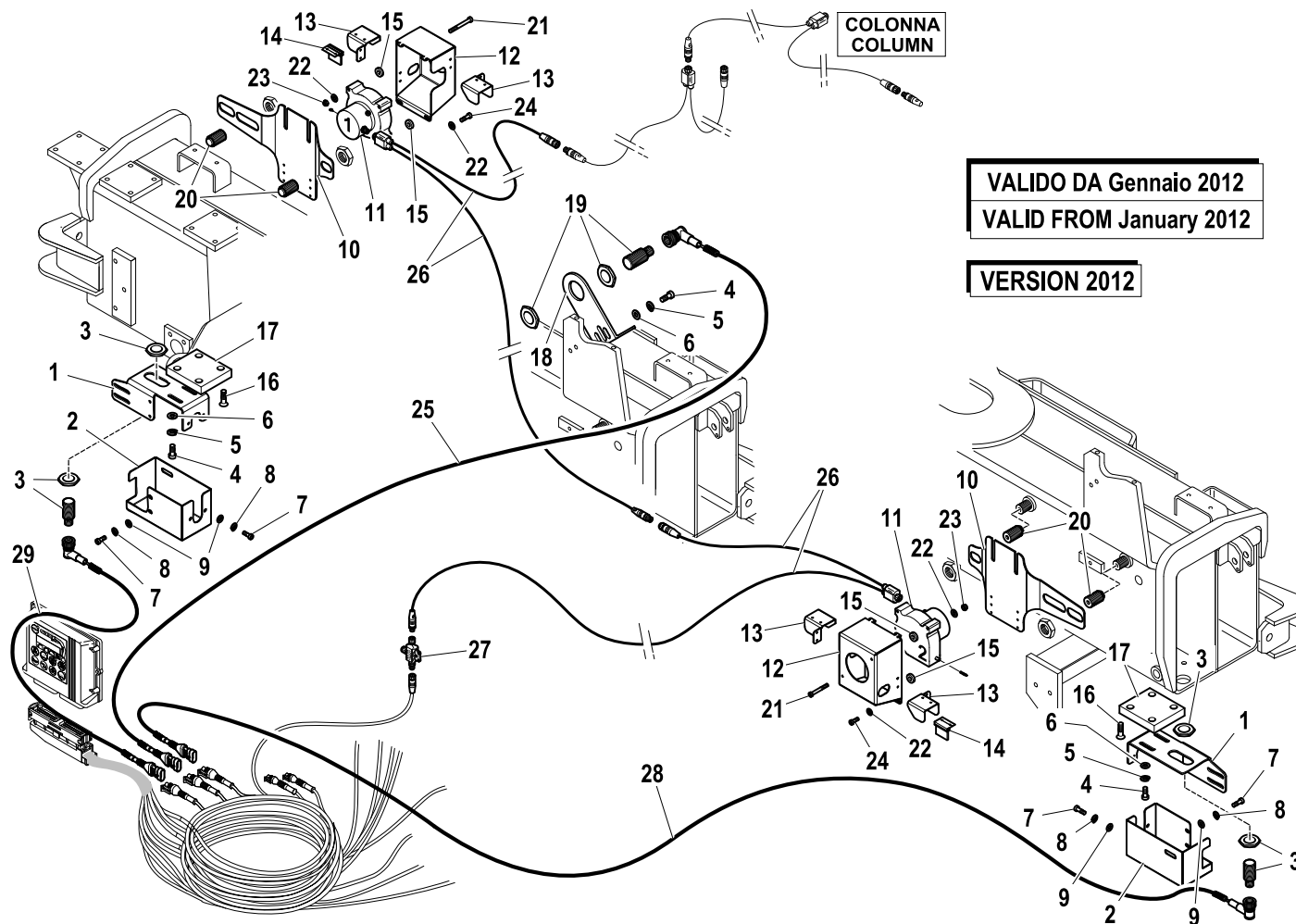
STABILITY CONTROL (EN12999-A3)

Code

5411385-2.0

2/2

R	Pos.	Code Variant	Q.ty	Description
	21	3020019	4	Socket head cap screw [M4X10 8.8 ZC UNI 5931]
	22	3060003	8	Flat washer [D.4 UNI 6592 ZC]
	23	3040518	4	Stopnut
	24	3020895	4	Socket head cap screw [M4X10 8.8 ZC UNI 5931]
	25	3311350	1	Electric wiring
	26	3311325	2	
	27	3311323	1	
	28	3311377	1	
	29	3311332	1	



ROTATION CONTROL (EN12999-A3)

Code

5411205-5.0

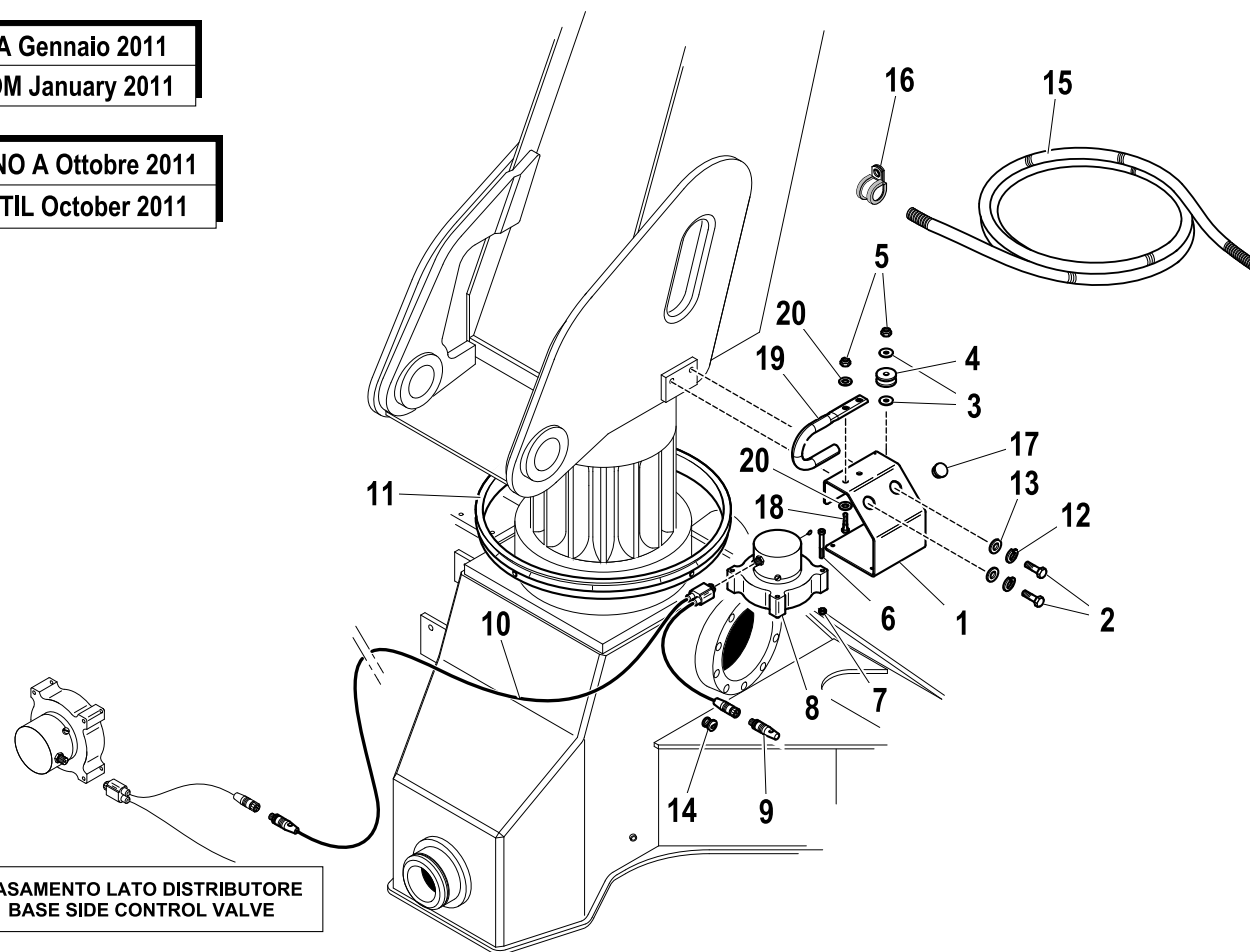
1/1

VALIDO DA Gennaio 2011

VALID FROM January 2011

VALIDO FINO A Ottobre 2011

VALID UNTIL October 2011

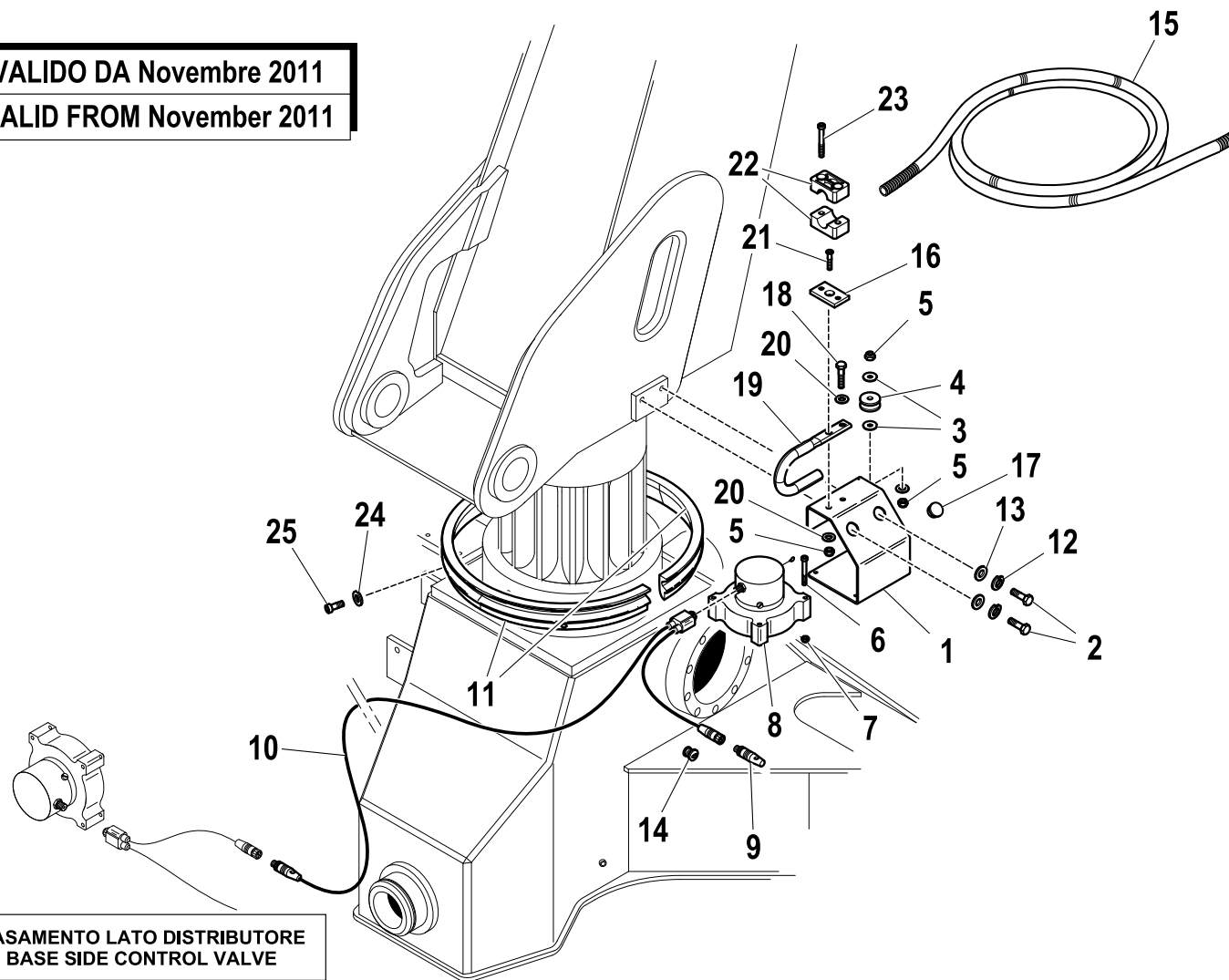


BASAMENTO LATO DISTRIBUTORE
BASE SIDE CONTROL VALVE

R	Pos.	Code Variant	Q.ty	Description
	1	5091301	1	
	2	3020080	2	Socket head cap screw [M10X16 12.9 ZC UNI 5931]
	3	3060030	2	Flat washer [D.6.6X18 UNI 6593 ZC]
	4	5141080	1	
	5	3040372	3	Stopnut
	6	3020019	3	Socket head cap screw [M4X40 8.8 ZC UNI 5931]
	7	3040518	3	Stopnut
	8	3311313	1	
	9	3311327	1	Connector (Electric)
	10	3311325	1	
	11	5141087	1	
	12	3060056	2	Split lock washer [D=10 C72 ZC]
	13	3060914	2	Flat washer [D.10.5X21X2 UNI 6592 ZC]
	14	3311326	1	
	15	3190295	mt2.5	
	16	3190036	1	
	17	3190301	2	
	18	3010022	2	Hex screw [M6X25 8.8 ZC UNI 5739]
	19	5002124	1	
	20	3060005	4	Flat washer [D.6.4 UNI 6592 ZC]

VALIDO DA Novembre 2011

VALID FROM November 2011

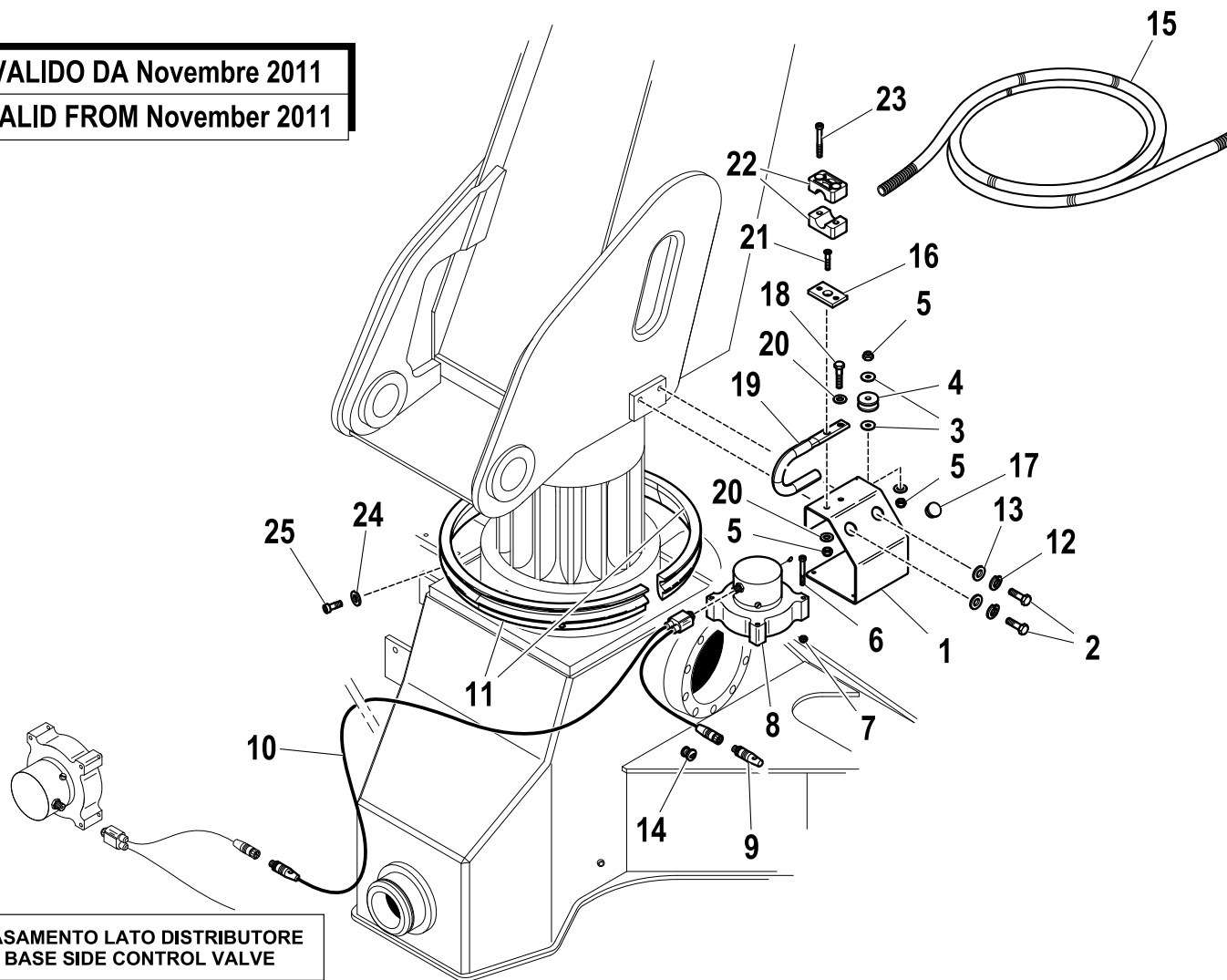


BASAMENTO LATO DISTRIBUTORE
BASE SIDE CONTROL VALVE

R	Pos.	Code Variant	Q.ty	Description
	1	5091301	1	
	2	3020080	2	Socket head cap screw [M10X16 12.9 ZC UNI 5931]
	3	3060030	2	Flat washer [D.6.6X18 UNI 6593 ZC]
	4	5141080	1	
	5	3040372	3	Stopnut
	6	3020019	3	Socket head cap screw [M4X40 8.8 ZC UNI 5931]
	7	3040518	3	Stopnut
	8	3311313	1	
	9	3311327	1	Connector (Electric)
	10	3311325	1	
	11	5141121	2	
	12	3060056	2	Split lock washer [D=10 C72 ZC]
	13	3060914	2	Flat washer [D.10.5X21X2 UNI 6592 ZC]
	14	3311326	1	
	15	3190295	mt2.5	
	16	5000454	1	
	17	3190301	2	
	18	3010022	2	Hex screw [M6X25 8.8 ZC UNI 5739]
	19	5002124	1	
	20	3060005	4	Flat washer [D.6.4 UNI 6592 ZC]

VALIDO DA Novembre 2011
VALID FROM November 2011

R	Pos.	Code Variant	Q.ty	Description
	21	3020907	1	TSEI screw [M6X25 10.9 ZC UNI 5933]
	22	3190185	2	
	23	3020039	2	Socket head cap screw [M6X35 8.8 ZC UNI 5931]
	24	3060004	4	Flat washer [D.5 UNI 6592 ZC]
	25	3020021	4	Socket head cap screw [M5X12X0.8 8.8 ZC UNI 5931]



BASAMENTO LATO DISTRIBUTORE
BASE SIDE CONTROL VALVE

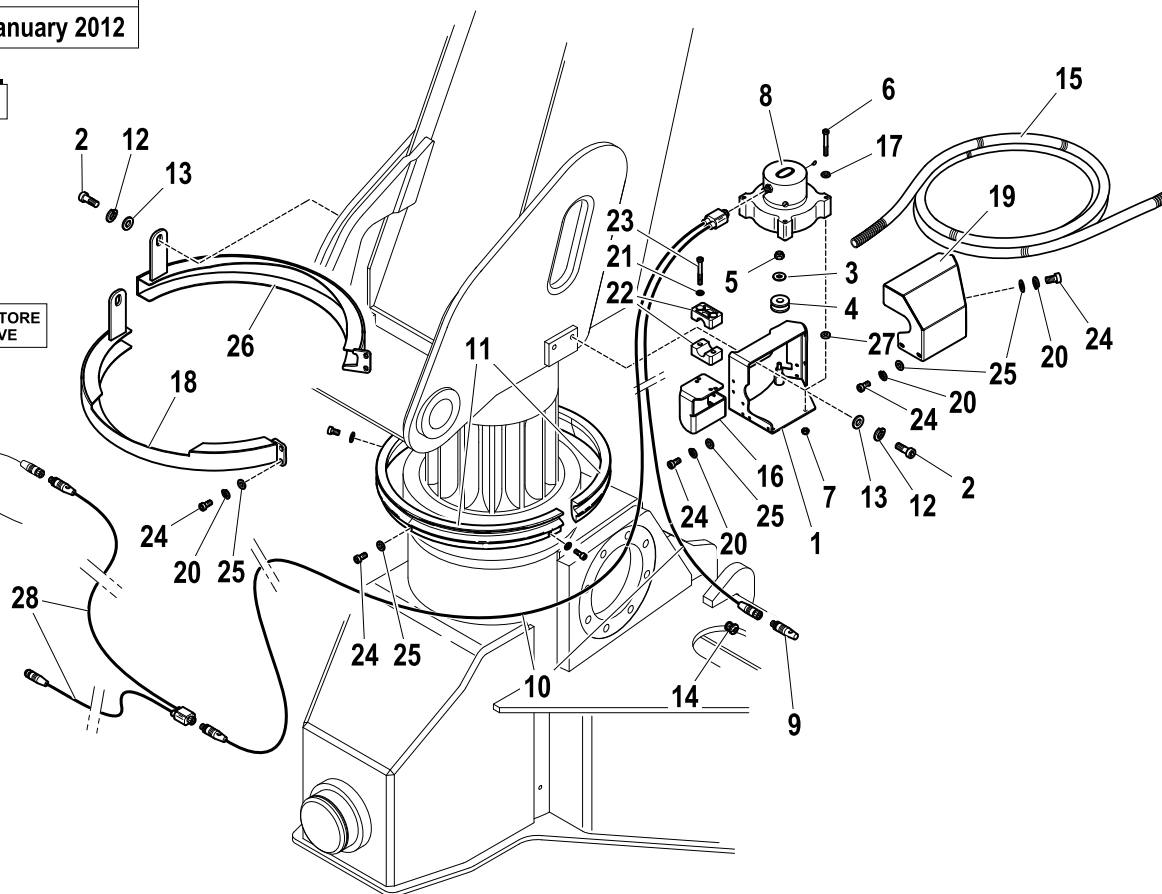
R	Pos.	Code Variant	Q.ty	Description
	1	5091398	1	
	2	3020080	4	Socket head cap screw [M10X16 12.9 ZC UNI 5931]
	3	3060030	1	Flat washer [D.6.6X18 UNI 6593 ZC]
	4	5141135	1	
	5	3040372	1	Stopnut
	6	3020019	2	Socket head cap screw [M4X40 8.8 ZC UNI 5931]
	7	3040518	2	Stopnut
	8	3311313	1	
	9	3311327	1	Connector (Electric)
	10	3311325	1	
	11	5141121	2	
	12	3060056	4	Split lock washer [D=10 C72 ZC]
	13	3060914	4	Flat washer [D.10.5X21X2 UNI 6592 ZC]
	14	3311326	1	
	15	3190295	mt2.5	
	16	5002193	1	
	17	3060003	2	Flat washer [D.4 UNI 6592 ZC]
	18	5091394	1	
	19	5002177	1	
	20	3060052	10	Split lock washer [D=5.5 C72 ZC]

VALIDO DA Gennaio 2012

VALID FROM January 2012

VERSION 2012

BASAMENTO LATO DISTRIBUTORE
BASE SIDE CONTROL VALVE



ROTATION CONTROL (EN12999-A3)

Code

5411367-4.0

2/2

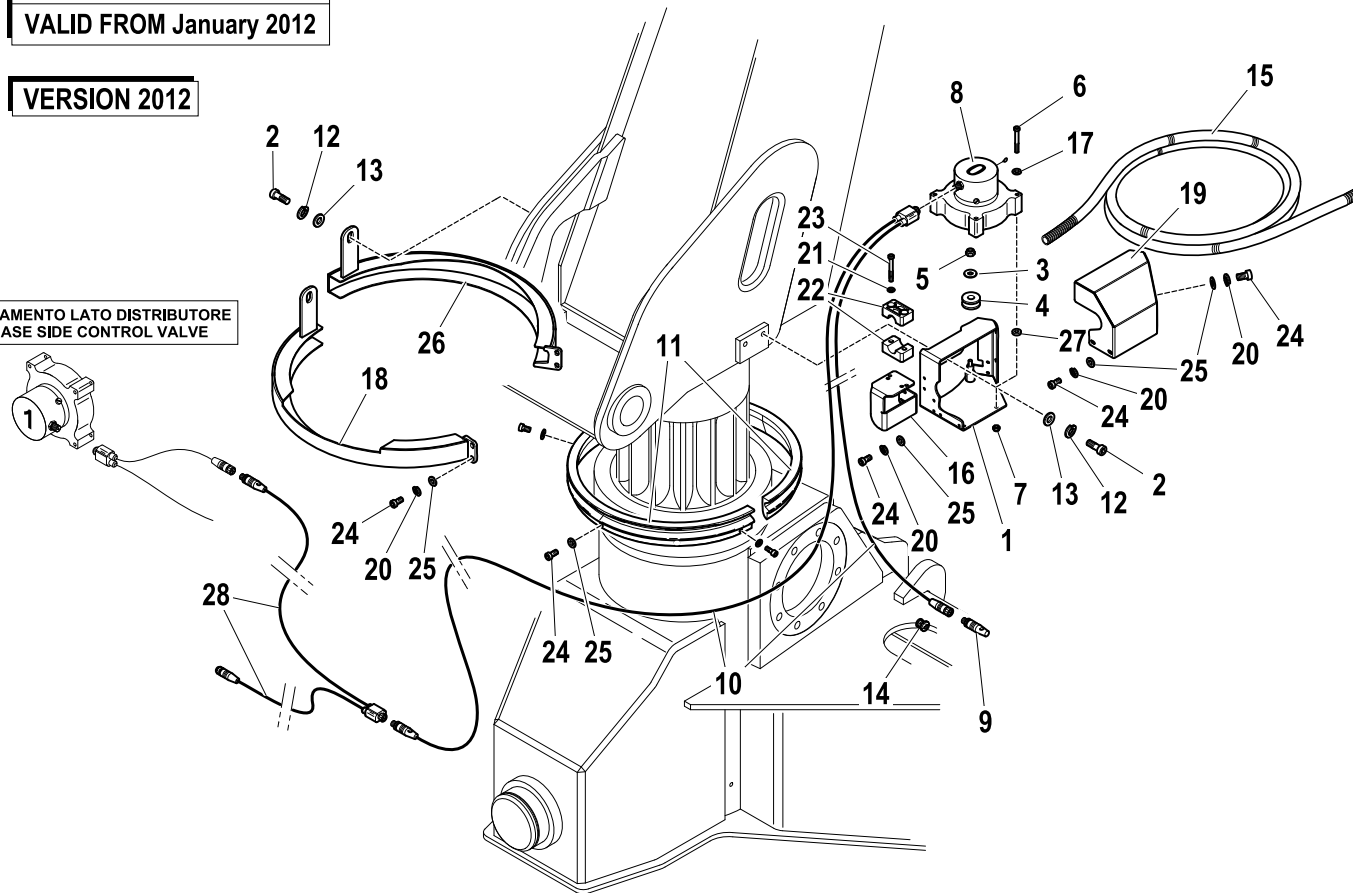
R	Pos.	Code Variant	Q.ty	Description
	21	3190178	2	
	22	3190185	2	
	23	3020039	2	Socket head cap screw [M6X35 8.8 ZC UNI 5931]
	24	3020022	16	Socket head cap screw [M5X10 8.8 ZC UNI 5931]
	25	3060004	16	Flat washer [D.5 UNI 6592 ZC]
	26	5091391	1	
	27	3190039	2	Insulator
	28	3311398	1	

VALIDO DA Gennaio 2012

VALID FROM January 2012

VERSION 2012

BASAMENTO LATO DISTRIBUTORE
BASE SIDE CONTROL VALVE



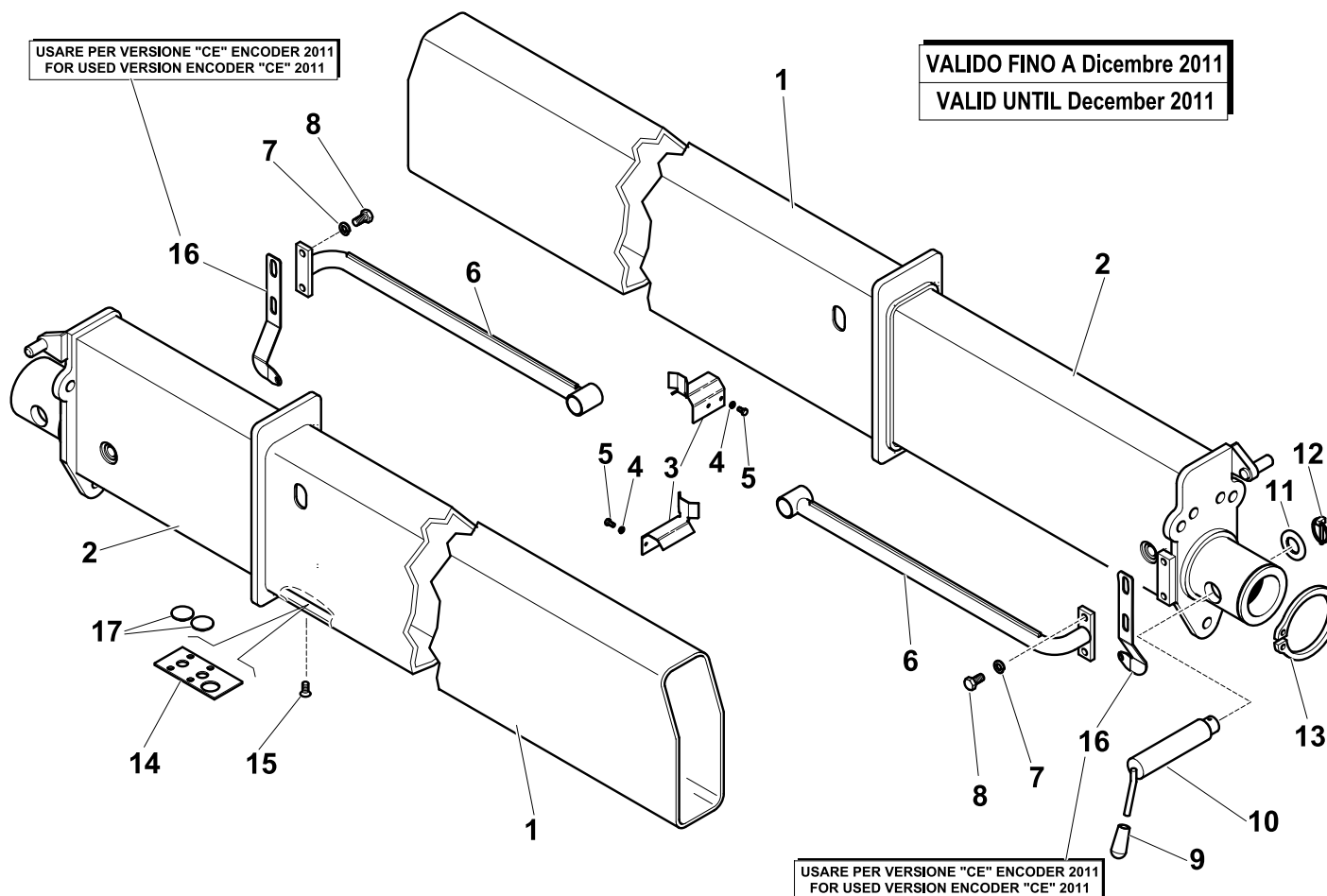
Stabilizers rods (Revolving)

Code

5760040-1.0

1/1

R	Pos.	Code Variant	Q.ty	Description
	1	5070276	2	
	2	5070279	2	
	3	5090595	2	
	4	3060053	4	Split lock washer [D=6.4 C72 ZC]
	5	3010323	4	Hex screw [M6X10 8.8 ZC UNI 5739]
	6	5090594	2	
	7	3060057	4	Split lock washer [D=12 C72 ZC]
	8	3010369	4	Hex screw [M12X25 8.8 ZC UNI 5739]
	9	3190010	2	Knob
	10	5150604	2	
	11	3060016	2	Flat washer [D.31X56X4 UNI 6592 ZC]
	12	3060753	2	Cotter pin (Locking ring)
	13	3070080	2	Seeger
	14	5002187	2	
	15	3020496	8	TSEI screw [M10X16 10.9 ZC UNI 5933]
	16	5000435	2	
	17	5140789	4	



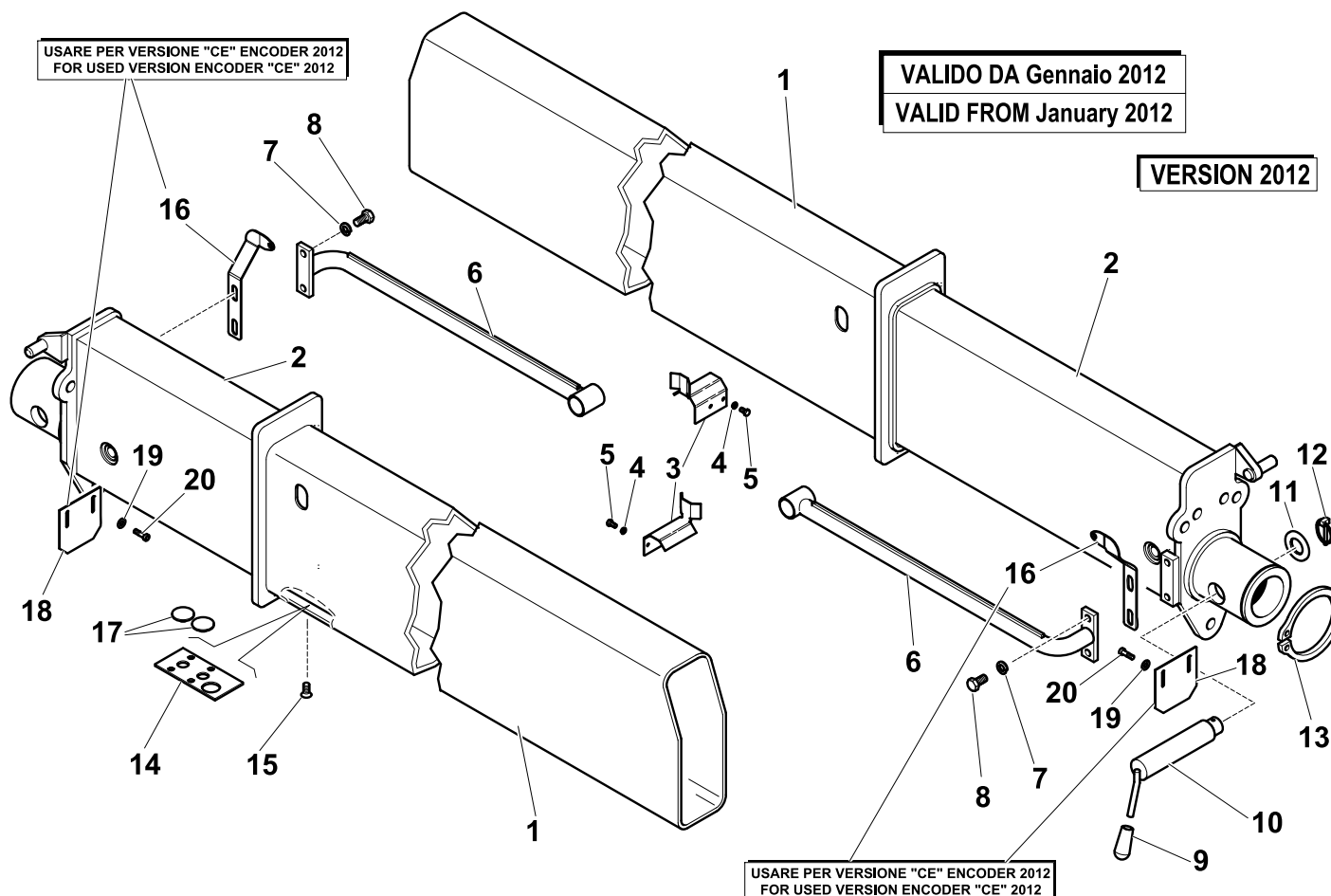
Stabilizers rods (Revolving)

Code

5760040-2.0

1/1

R	Pos.	Code Variant	Q.ty	Description
	1	5070276	2	
	2	5070279	2	
	3	5090595	2	
	4	3060053	4	Split lock washer [D=6.4 C72 ZC]
	5	3010323	4	Hex screw [M6X10 8.8 ZC UNI 5739]
	6	5090594	2	
	7	3060057	4	Split lock washer [D=12 C72 ZC]
	8	3010369	4	Hex screw [M12X25 8.8 ZC UNI 5739]
	9	3190010	2	Knob
	10	5150604	2	
	11	3060016	2	Flat washer [D.31X56X4 UNI 6592 ZC]
	12	3060753	2	Cotter pin (Locking ring)
	13	3070080	2	Seeger
	14	5002187	2	
	15	3020496	8	TSEI screw [M10X16 10.9 ZC UNI 5933]
	16	5002114	2	
	17	5140789	4	
	18	5002186	2	
	19	3060030	4	Flat washer [D.6.6X18 UNI 6593 ZC]
	20	3020034	4	Socket head cap screw [M6X16 8.8 ZC UNI 5931]



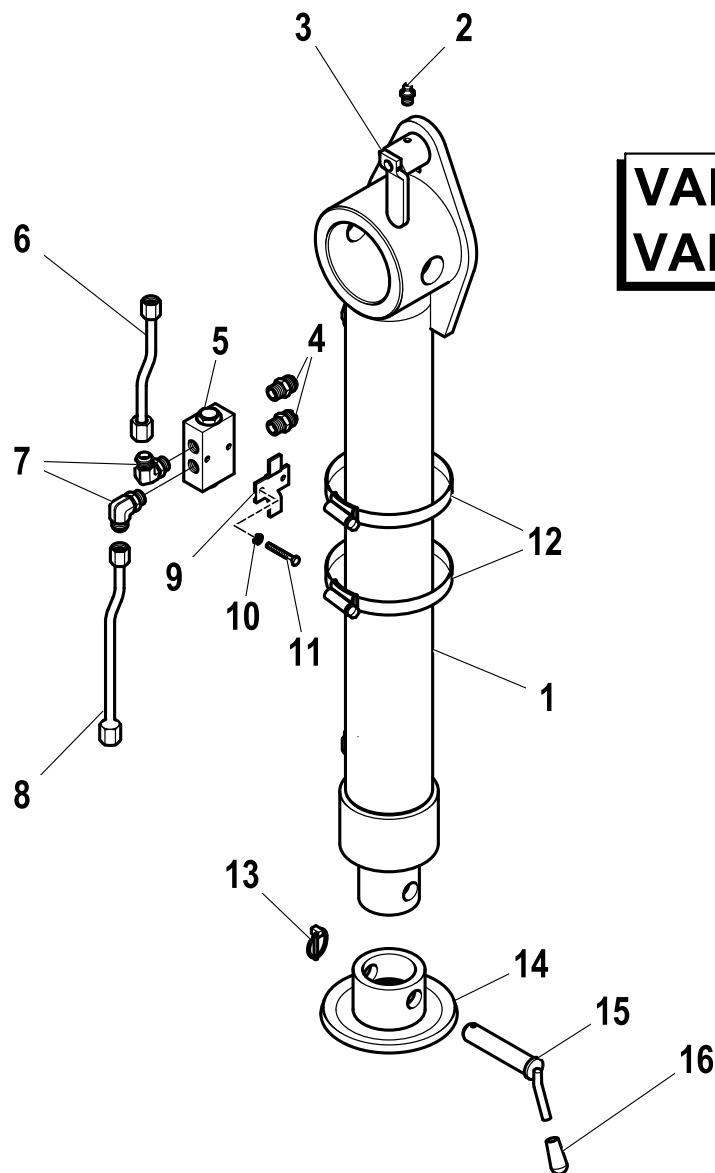
HYDRAULIC SYSTEM (Stabilizer Hydraulic jack)

Code

6200172-1.0

1/1

**VALIDO FINO A mat. 19456
VALID TO serial number 19456**



R	Pos.	Code Variant	Q.ty	Description
	1	6400172	1	Stabilizer Hydraulic jack
	2	3080501	1	Grease nipple
	3	5000898	1	
	4	3101043	2	Straight pipe fitting
	5	5220653	1	
	6	5391887	1	
	7	3120012	2	90° Connection
	8	5391888	1	
	9	2091241	1	Plate (Valve support)
	10	3060053	2	Split lock washer [D=6.4 C72 ZC]
	11	3010019	2	Hex screw [M6X45 8.8 ZC UNI 5737]
	12	3190024	2	Clamp
	13	3060753	2	Cotter pin (Locking ring)
	14	5090275	1	
	15	5150321	1	
	16	3190010	1	Knob

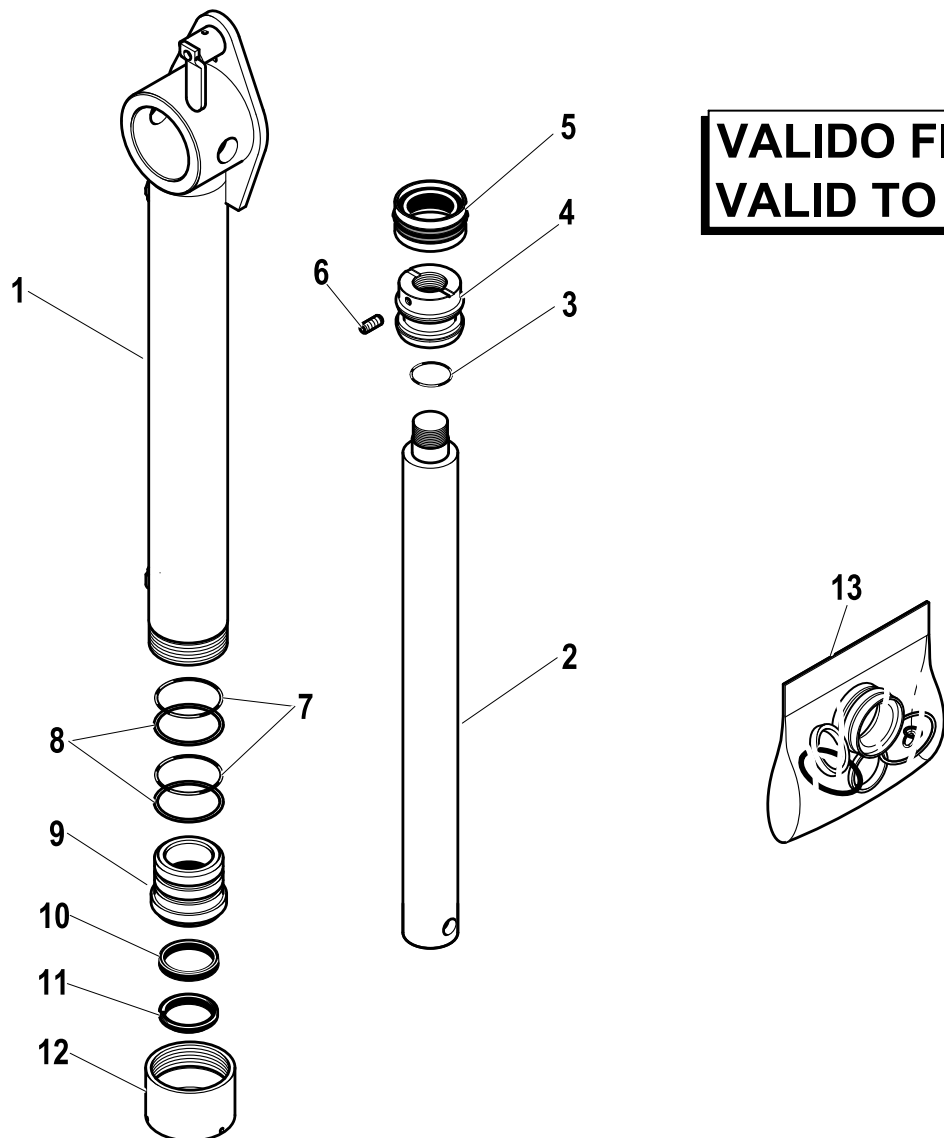
STABILISER RAM

Code

6400172-1.0

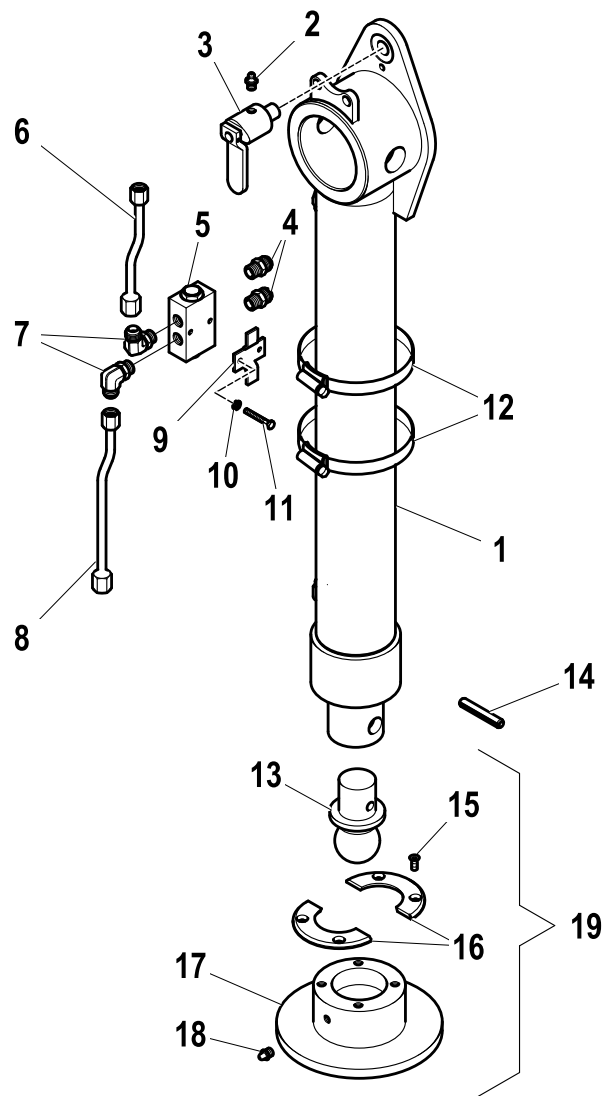
1/1

**VALIDO FINO A mat. 19456
VALID TO serial number 19456**



R	Pos.	Code Variant	Q.ty	Description
	1	6070444	1	
	2	6030523	1	
	3	3450205	1	
	4	6050141	1	
	5	3400516	1	
	6	3060234	1	Grub screw
	7	3450219	2	
	8	3460383	2	
	9	6040149	1	
	10	3400184	1	
	11	3420040	1	
	12	6040150	1	Ring nut
	13	5550631	1	

VALIDO DA mat. 19457
VALID FROM serial number 19457



R	Pos.	Code Variant	Q.ty	Description
	1	6400250	1	Stabilizer Hydraulic jack
	2	3080500	1	Grease nipple
	3	5000898	1	
	4	3101043	2	Straight pipe fitting
	5	5220653	1	
	6	5391887	1	
	7	3120012	2	90° Connection
	8	5391888	1	
	9	2091241	1	Plate (Valve support)
	10	3060053	2	Split lock washer [D=6.4 C72 ZC]
	11	3010019	2	Hex screw [M6X45 8.8 ZC UNI 5737]
	12	3190024	2	Clamp
	13	4160489	1	
	14	3060627	1	Spring pin
	15	3020899	4	TSEI screw [M8X20 10.9 ZC UNI 5933]
	16	4160490	1	
	17	5091207	1	
	18	3080512	1	Grease nipple
	19	5920004	1	

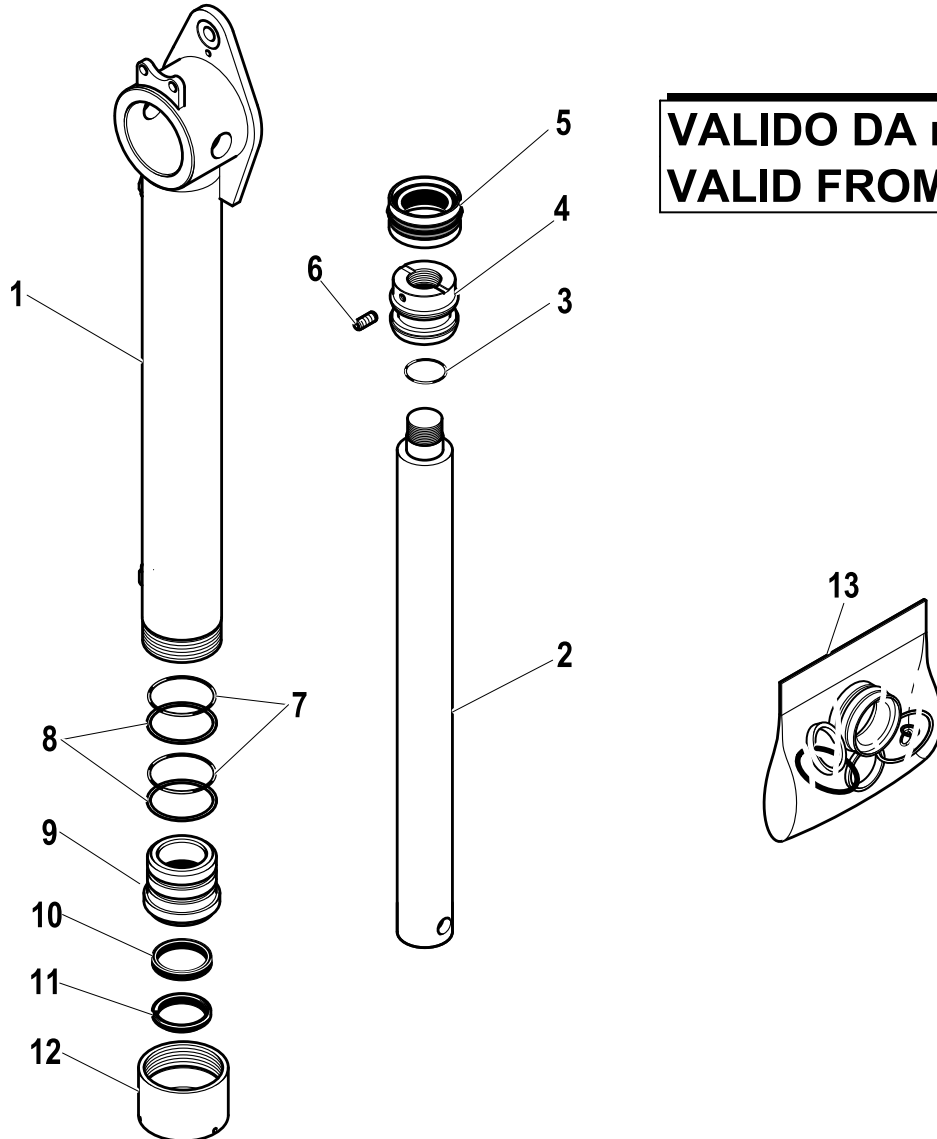
Stabilizer Hydraulic jack

Code

6400250-1.0

1/1

**VALIDO DA mat. 19457
VALID FROM serial number 19457**

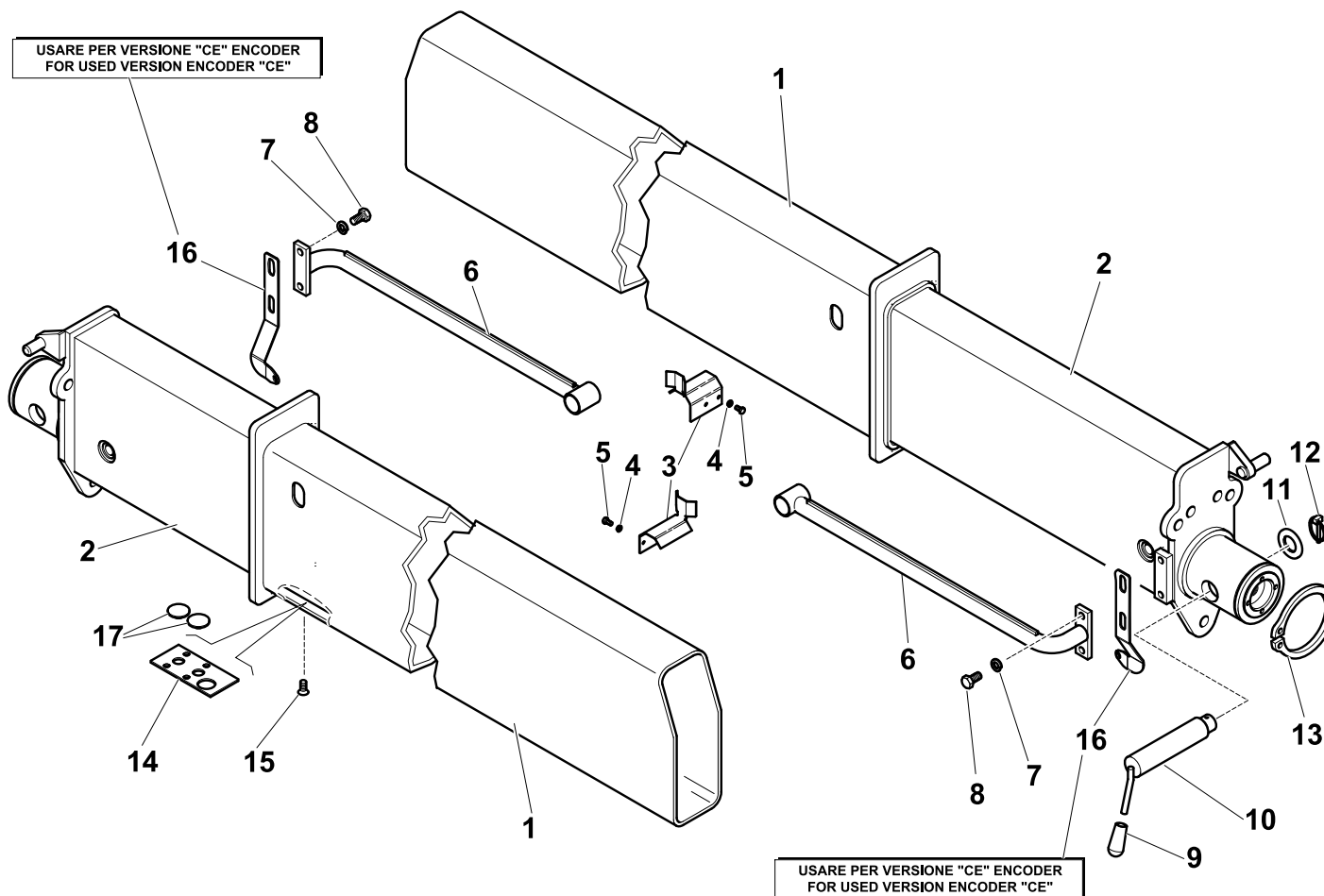


R	Pos.	Code Variant	Q.ty	Description
	1	6070444	1	
	2	6030806	1	
	3	3450205	1	
	4	6050141	1	
	5	3400516	1	
	6	3060234	1	Grub screw
	7	3450219	2	
	8	3460383	2	
	9	6040149	1	
	10	3400184	1	
	11	3420040	1	
	12	6040150	1	Ring nut
	13	5550631	1	

Stabilizers rods (Revolving)

Code	
5760244-1.0	1/1

R	Pos.	Code Variant	Q.ty	Description
	1	5070276	2	
	2	5070430	2	
	3	5090595	2	
	4	3060053	4	Split lock washer [D=6.4 C72 ZC]
	5	3010323	4	Hex screw [M6X10 8.8 ZC UNI 5739]
	6	5090594	2	
	7	3060057	4	Split lock washer [D=12 C72 ZC]
	8	3010369	4	Hex screw [M12X25 8.8 ZC UNI 5739]
	9	3190010	2	Knob
	10	5150604	2	
	11	3060016	2	Flat washer [D.31X56X4 UNI 6592 ZC]
	12	3060753	2	Cotter pin (Locking ring)
	13	3070080	2	Seeger
	14	5002187	2	
	15	3020496	8	TSEI screw [M10X16 10.9 ZC UNI 5933]
	16	5000435	2	
	17	5140789	4	

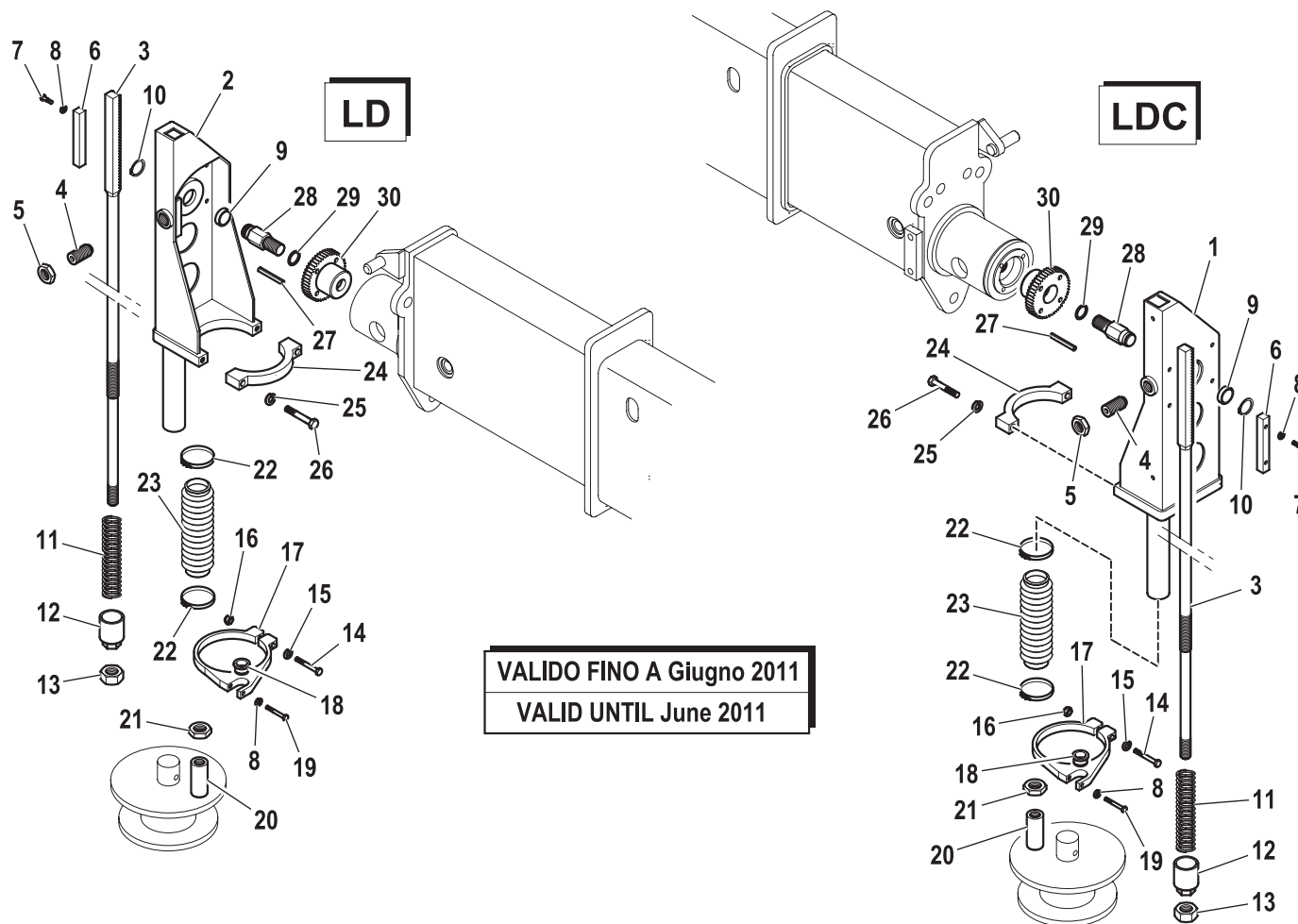


SLEWING ASS'Y (STABILISER RAM)

Code

5411104-1.0

1/2



R	Pos.	Code Variant	Q.ty	Description
	1	5091255	1	
	2	5091256	1	
	3	W610402000	2	
	4	W420305400	2	
	5	3040251	2	Lock nut [M24 8.G basso UNI 5589]
	6	W610402600	2	Rack adjuster
	7	3010015	4	Hex screw [M6X20 8.8 ZC UNI 5739]
	8	3060053	6	Split lock washer [D=6.4 C72 ZC]
	9	5141076	2	
	10	3070022	2	Seeger
	11	W641011	2	Spring
	12	W610402100	2	Adjuster (Rod guide)
	13	3040055	2	Tall headed nut
	14	3010039	2	Hex screw [M8X80 8.8 ZC UNI 5737]
	15	3060055	2	Split lock washer [D=8.4 C72 ZC]
	16	3040303	2	Stopnut
	17	5001979	2	
	18	W590306400	2	
	19	3010019	2	Hex screw [M6X45 8.8 ZC UNI 5737]
	20	5001980	2	

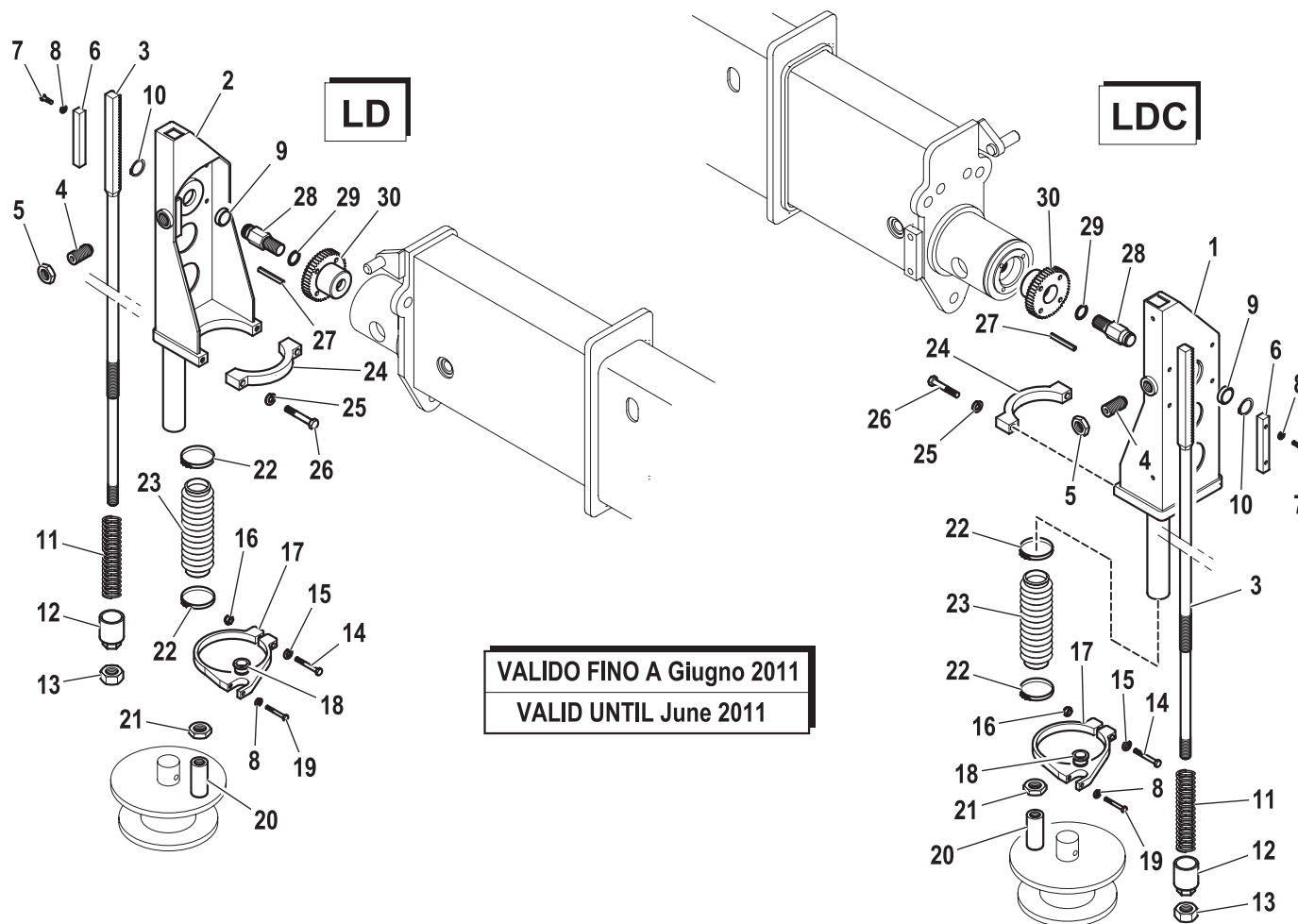
SLEWING ASS'Y (STABILISER RAM)

Code

5411104-1.0

2/2

R	Pos.	Code Variant	Q.ty	Description
	21	3040088	2	Lock nut
	22	W582002	4	
	23	W610402200	2	Rubber protective boot
	24	5001987	2	
	25	3060056	4	Split lock washer [D=10 C72 ZC]
	26	3010047	4	Hex screw [M10X50 8.8 ZC UNI 5737]
	27	W726016	8	
	28	5001982	2	
	29	W694122	2	
	30	W610401700	2	

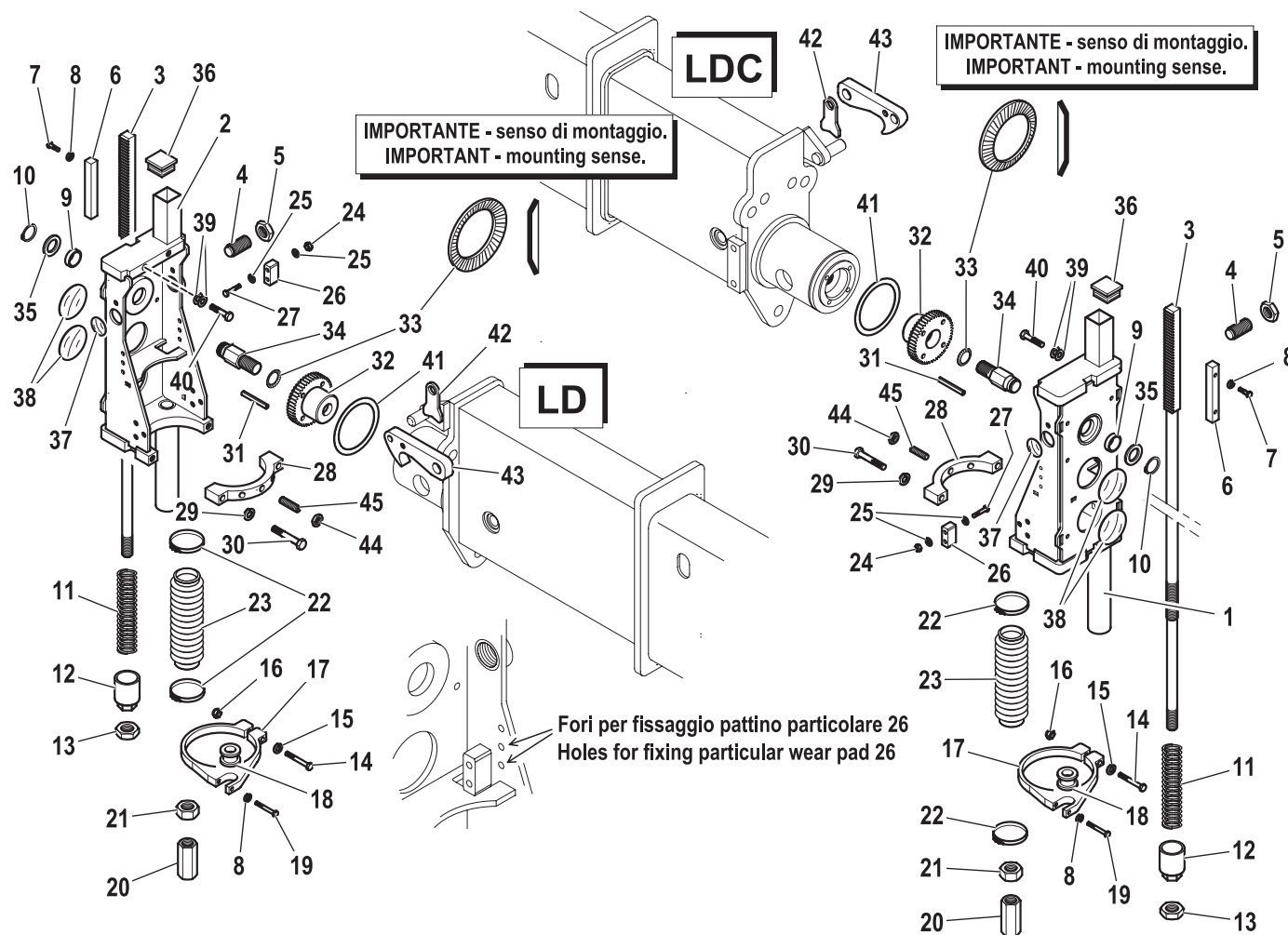


SLEWING ASS'Y (STABILISER RAM)

Code

5411305-1.0

1/3



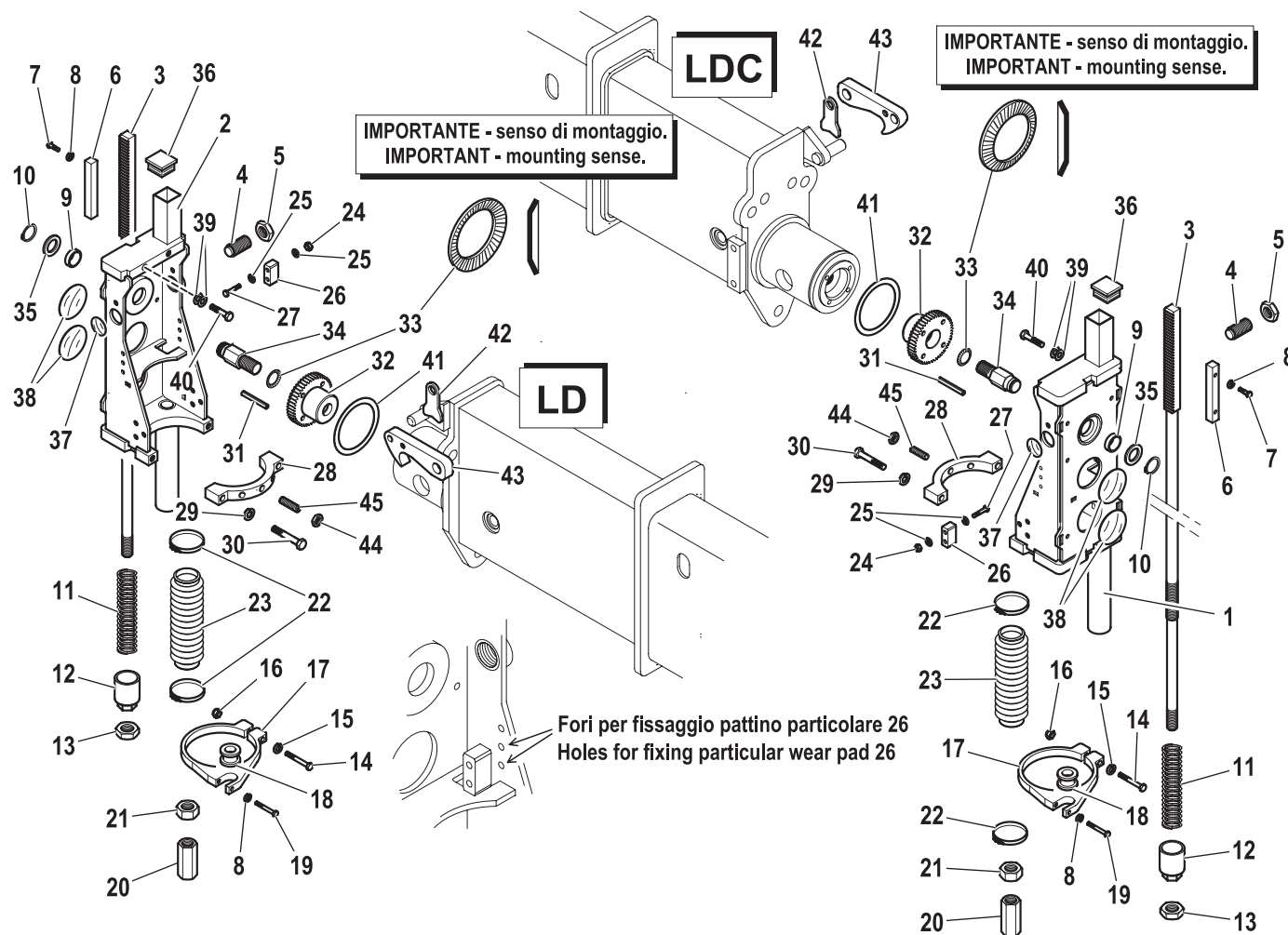
R	Pos.	Code Variant	Q.ty	Description
	1	5091353	1	
	2	5091355	1	
	3	5091328	2	
	4	W061333	2	Adjusting screw
	5	3040251	2	Lock nut [M24 8.G basso UNI 5589]
	6	W610402600	2	Rack adjuster
	7	3010015	4	Hex screw [M6X20 8.8 ZC UNI 5739]
	8	3060053	6	Split lock washer [D=6.4 C72 ZC]
	9	5141076	2	
	10	3070022	2	Seeger
	11	W641011	2	Spring
	12	W610402100	2	Adjuster (Rod guide)
	13	3040216	2	Lock nut
	14	3010039	2	Hex screw [M8X80 8.8 ZC UNI 5737]
	15	3060055	2	Split lock washer [D=8.4 C72 ZC]
	16	3040303	2	Stopnut
	17	5001979	2	
	18	5141133	2	
	19	3010018	2	Hex screw [M6X40 8.8 ZC UNI 5737]
	20	5001980	2	

SLEWING ASS'Y (STABILISER RAM)

Code

5411305-1.0

2/3



R	Pos.	Code Variant	Q.ty	Description
	21	3040185	2	Nut
	22	3190059	4	Clamp
	23	3190113	0.5	Rubber protective boot
	24	3040519	4	Stopnut
	25	3060005	4	Flat washer [D.6.4 UNI 6592 ZC]
	26	5141113	2	
	27	3010016	4	Hex screw [M6X30 8.8 ZC UNI 5737]
	28	5002729	2	Collar (Stabilizer Hydraulic jack)
	29	3060056	4	Split lock washer [D=10 C72 ZC]
	30	3010415	4	Hex screw [M10X55 8.8 ZC UNI 5737]
	31	W726016	8	
	32	W610401700	2	
	33	W694122	2	
	34	5001982	2	
	35	3060938	2	Flat washer [D.25X39X4 UNI 1749 ZC]
	36	3190307	2	
	37	3190309	2	
	38	3190308	4	
	39	3060958	8	
	40	3010044	4	Hex screw [M10X35 8.8 ZC UNI 5737]

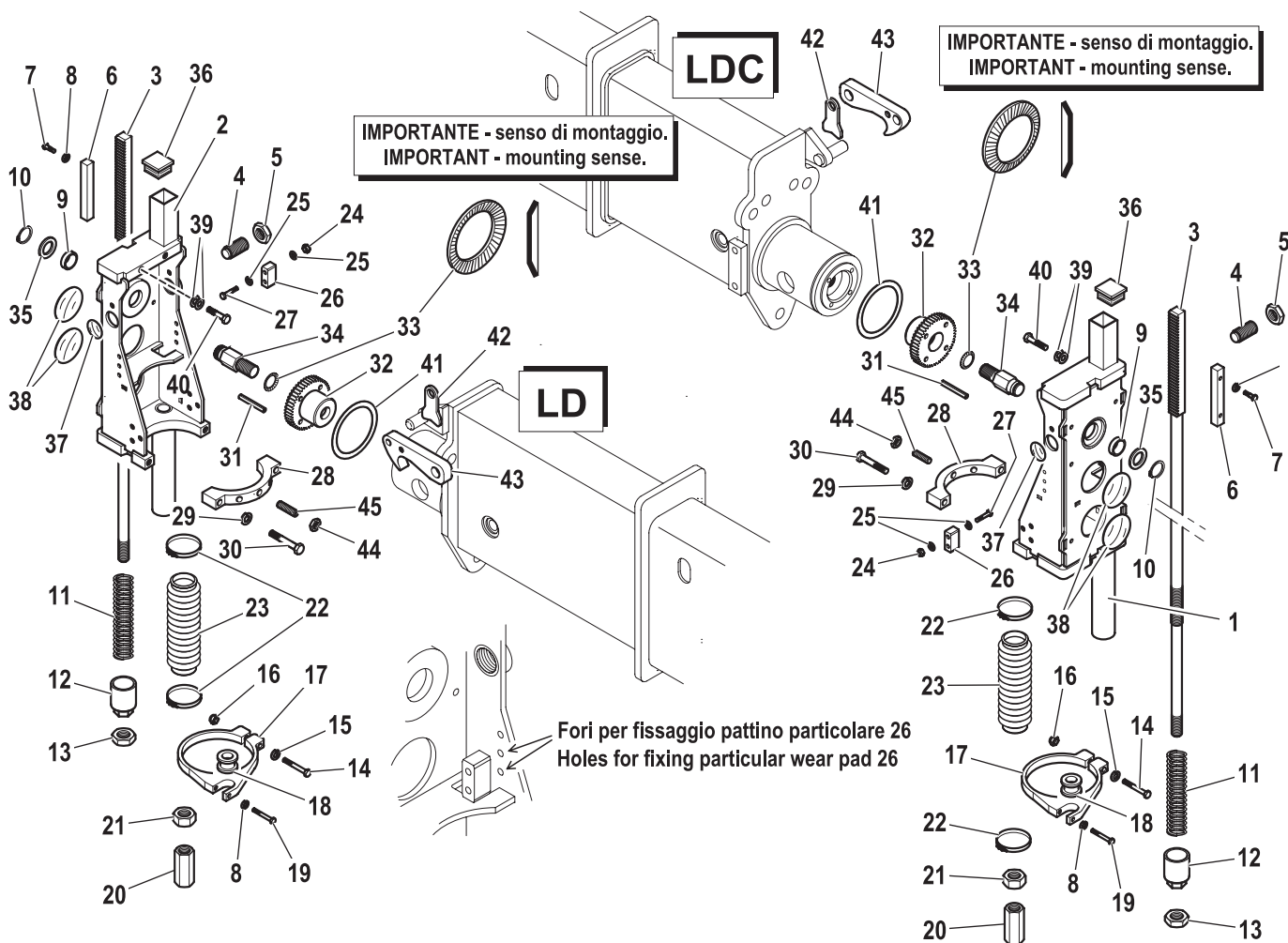
SLEWING ASS'Y (STABILISER RAM)

Code

5411305-1.0

3/3

R	Pos.	Code Variant	Q.ty	Description
	41	3061008	2	Washer
	42	5001989	2	
	43	5001988	2	
	44	3040084	6	Lock nut [M10 basso UNI 5589]
	45	3060503	6	Grub screw [Grano M10X30 UNI 5923 ZC.]



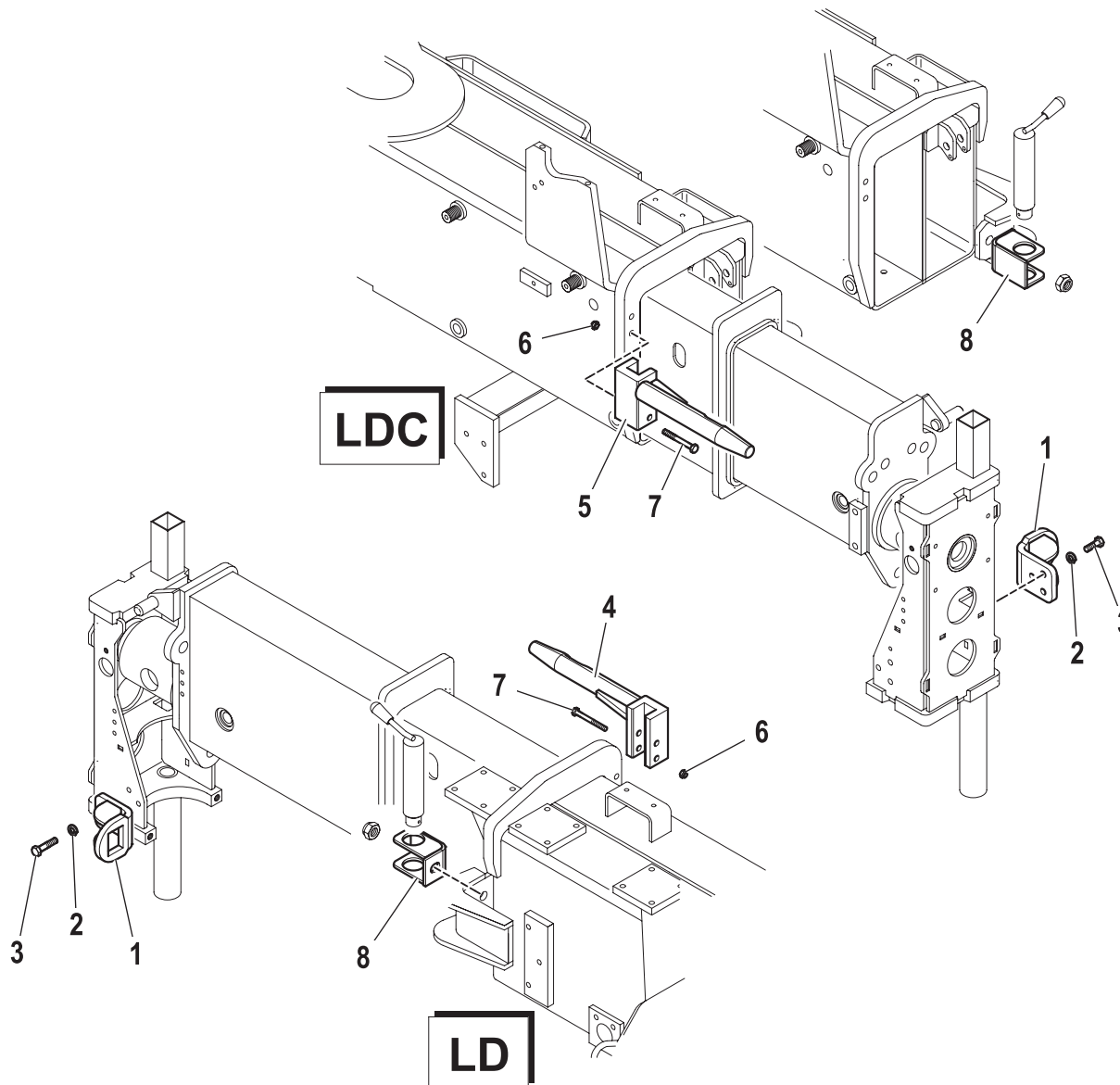
Stabilizer with mechanical stop

Code

5760244-2.0

1/1

R	Pos.	Code Variant	Q.ty	Description
	1	5091698	2	centering strut
	2	3060055	6	Split lock washer [D=8.4 C72 ZC]
	3	3010027	6	Hex screw [M8X20 8.8 ZC IF UNI 5739]
	4	5091714	1	Strut (Locking device)
	5	5091713	1	Strut (Locking device)
	6	3040303	4	Stopnut
	7	3010035	4	Hex screw [M8X60 8.8 ZC UNI 5737]
	8	5091715	2	PORT EQUIPMENT (Pin)



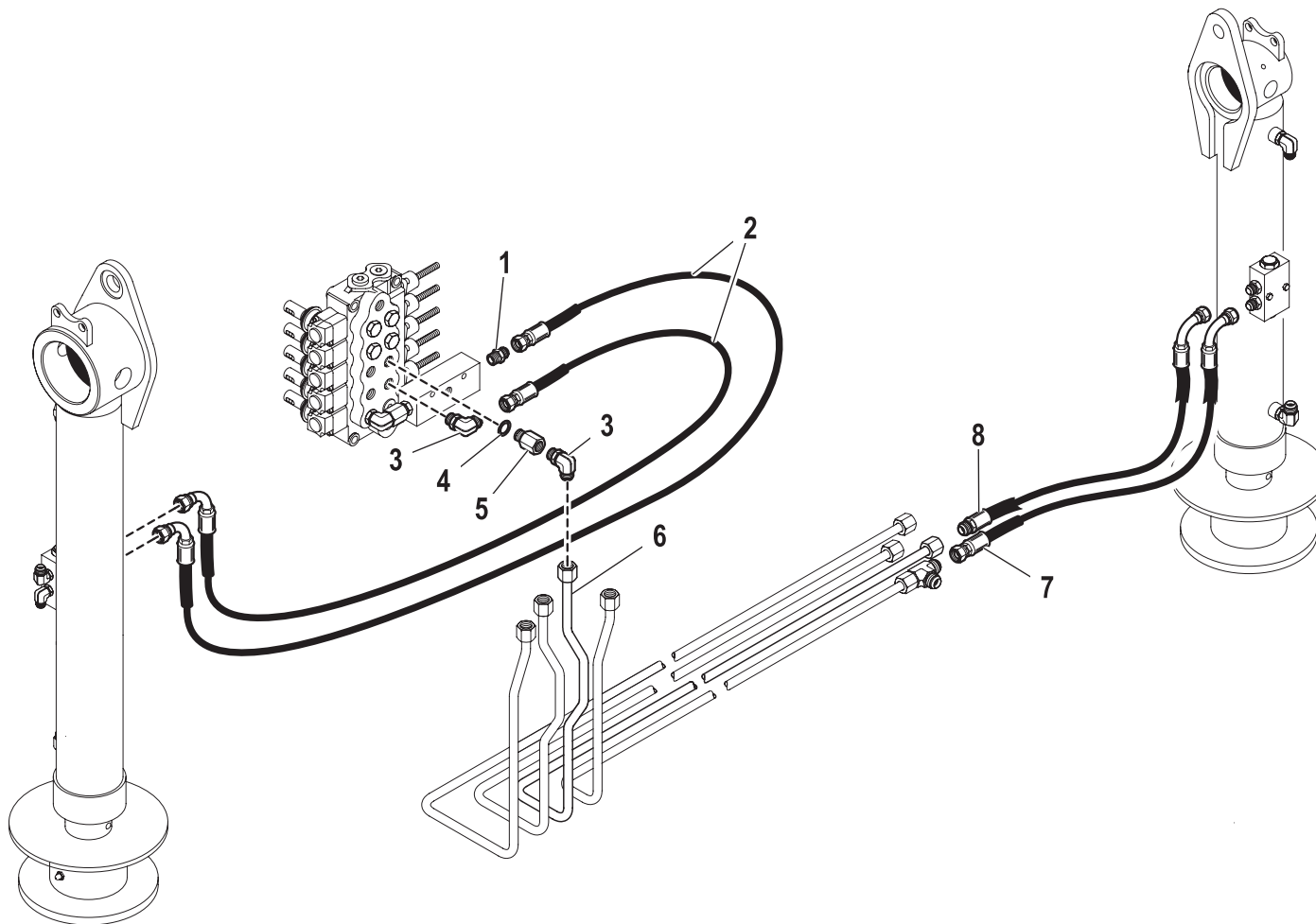
Stabilizer Hydraulic jack (Hydraulic system)

Code

5400729-5.0

1/1

R	Pos.	Code Variant	Q.ty	Description
	1	3101043	1	Straight pipe fitting
	2	5271954	2	Flexible hose
	3	3101127	2	90° Connection
	4	3060144	1	Sealing washer [BSP 3/8"]
	5	3110112	1	Straight pipe fitting
	6	5392200	1	
	7	5271953	1	Flexible hose
	8	5271952	1	Flexible hose

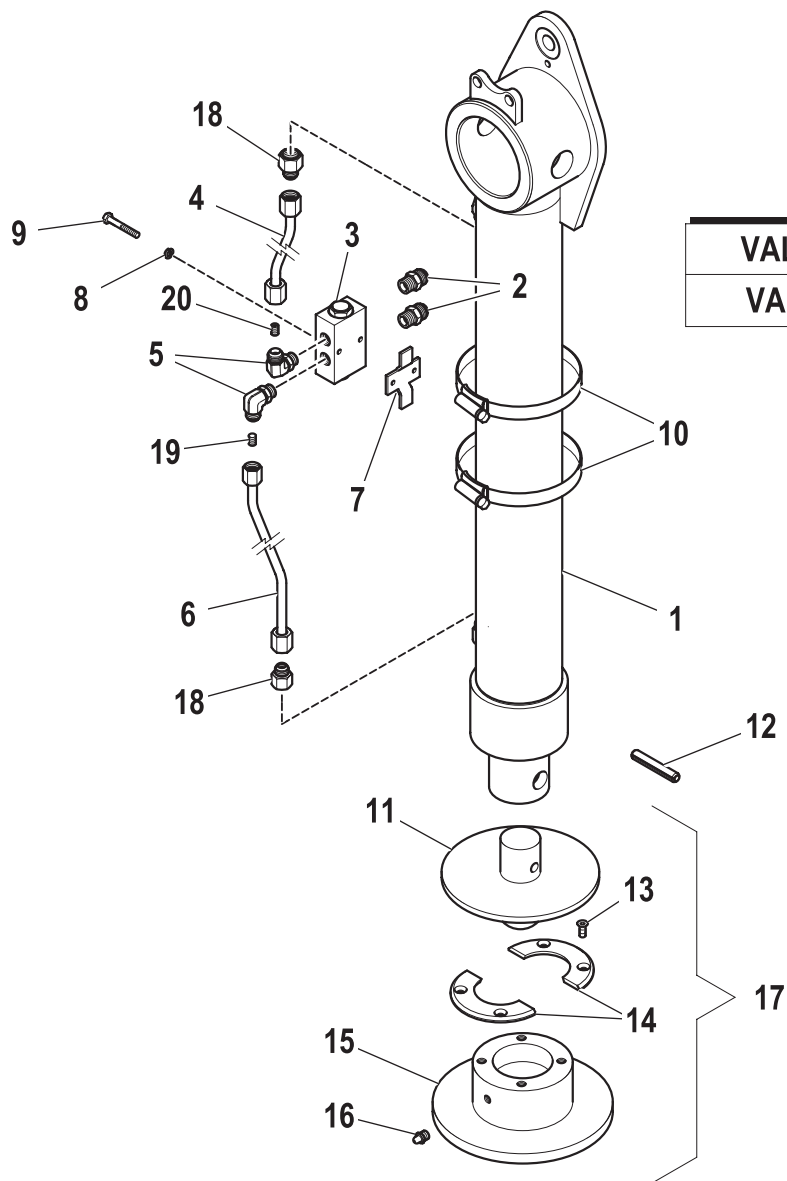


Stabilizer Hydraulic jack (Hydraulic system)

Code

6200277-1.0

1/1



VALIDO DA Luglio 2011
VALID FROM July 2011

R	Pos.	Code Variant	Q.ty	Description
	1	6400250	1	Stabilizer Hydraulic jack
	2	3101043	2	Straight pipe fitting
	3	5220653	1	
	4	5390528	1	
	5	W470424	2	90° Connection (Rotary)
	6	5390529	1	
	7	2091241	1	Plate (Valve support)
	8	3060053	2	Split lock washer [D=6.4 C72 ZC]
	9	3010019	2	Hex screw [M6X45 8.8 ZC UNI 5737]
	10	3190024	2	Clamp
	11	4160524	1	
	12	3060627	1	Spring pin
	13	3020899	4	TSEI screw [M8X20 10.9 ZC UNI 5933]
	14	4160490	1	
	15	5091207	1	
	16	3080512	1	Grease nipple
	17	5920010	1	ARTICULATED JOINT TANG
	18	3120213	2	Reducing fitting
	19	W470425	1	Throttle (fixed)
	20	W470427	1	Throttle (fixed)

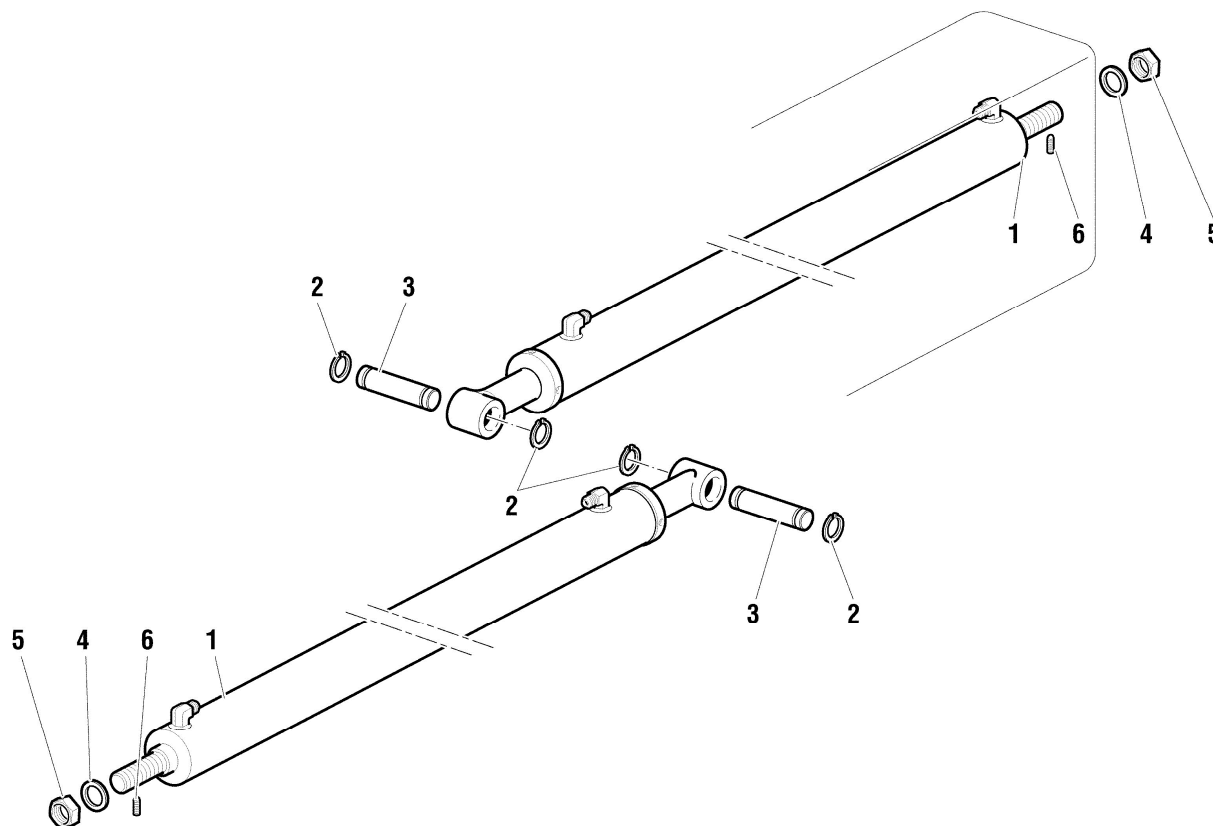
ROD EXTENSION HYDRAULIC CYLINDER

Code

5380010-1.0

1/1

R	Pos.	Code Variant	Q.ty	Description
	1	6200160	2	
	2	3070017	4	Seeger
	3	5150540	2	
	4	3060010	2	Flat washer [D.17X30X3 UNI 6592 ZC]
	5	3040307	2	Stopnut
	6	3060399	2	Grub screw

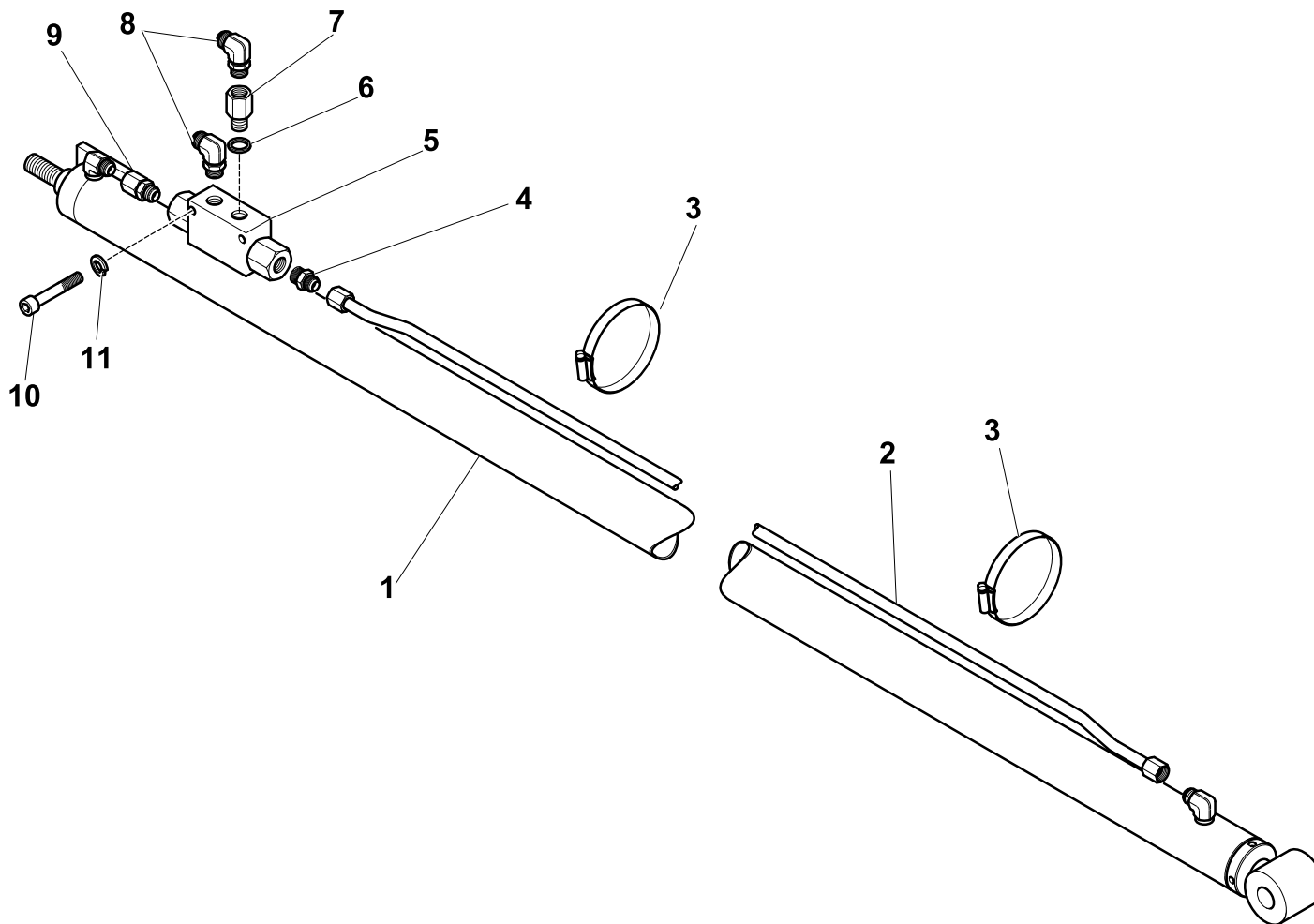


5380010-1.0

HYDRAULIC SYSTEM (ROD EXTENSION HYDRAULIC CYLINDER EXTRA-EXTENSIBLE)

Code		
6200160-1.0		1/1

R	Pos.	Code Variant	Q.ty	Description
	1	6400160	1	
	2	5391496	1	
	3	3190025	2	Clamp
	4	3101039	1	Straight pipe fitting
	5	5220559	1	
	6	3060143	1	Sealing washer [BSP 1/4"]
	7	3110270	1	Straight pipe fitting
	8	3101124	2	90° Connection
	9	3120064	1	Straight pipe fitting
	10	3020040	1	Socked head cap screw [M6X40 8.8 ZC UNI 5931]
	11	3060053	1	Split lock washer [D=6.4 C72 ZC]

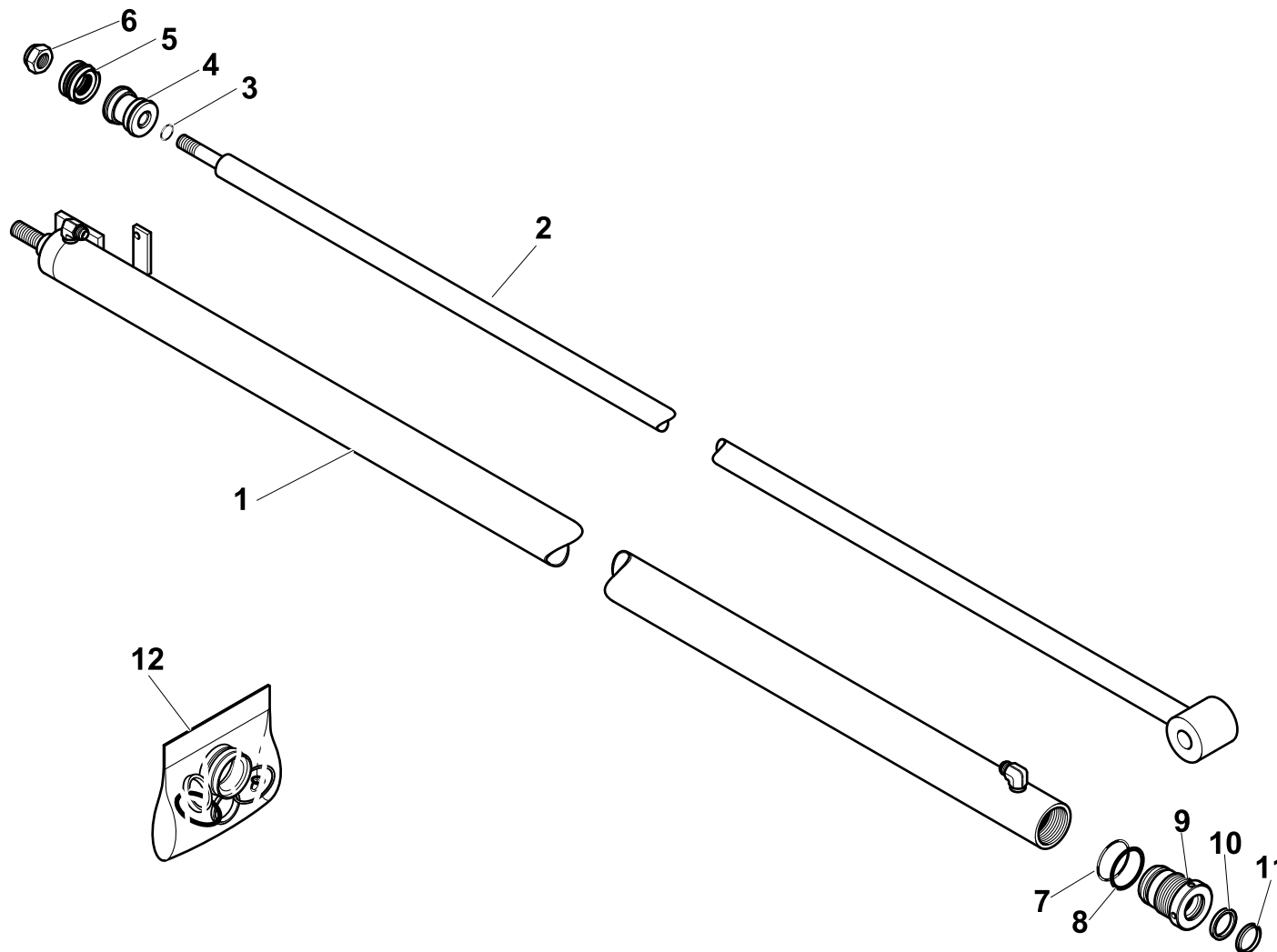


ROD EXTENSION HYDRAULIC CYLINDER EXTRA-EXTENSIBLE

Code

6400160-1.0

1/1



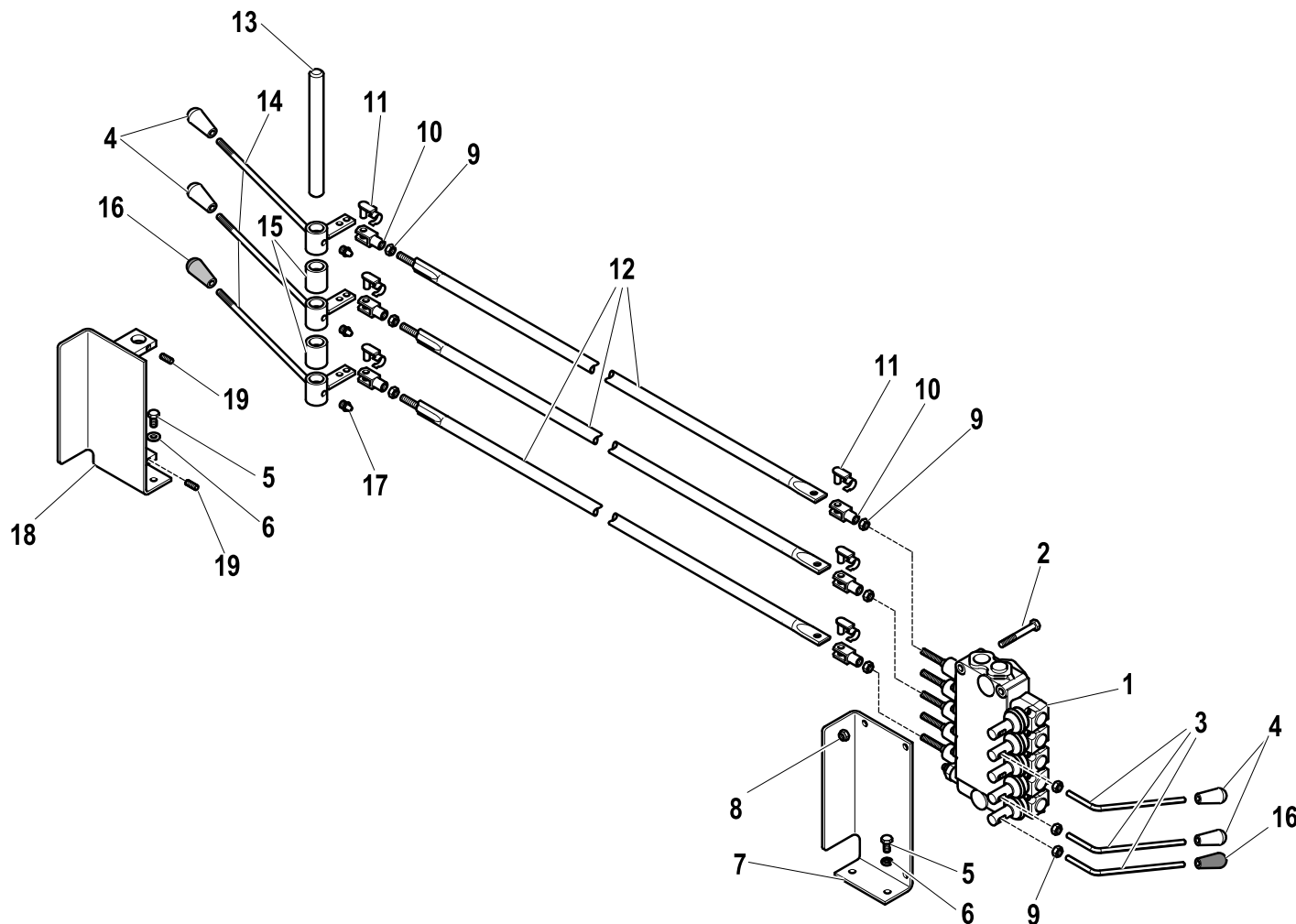
R	Pos.	Code Variant	Q.ty	Description
	1	6070409	1	
	2	6030439	1	
	3	3450006	1	
	4	6050142	1	
	5	3400503	1	
	6	3040306	1	Stopnut
	7	3450067	1	
	8	3460067	1	
	9	6040154	1	
	10	3400029	1	
	11	3420011	1	
	12	5550709	1	

CONTROLS (stabilizers standard)

Code

5400729-1.0

1/1



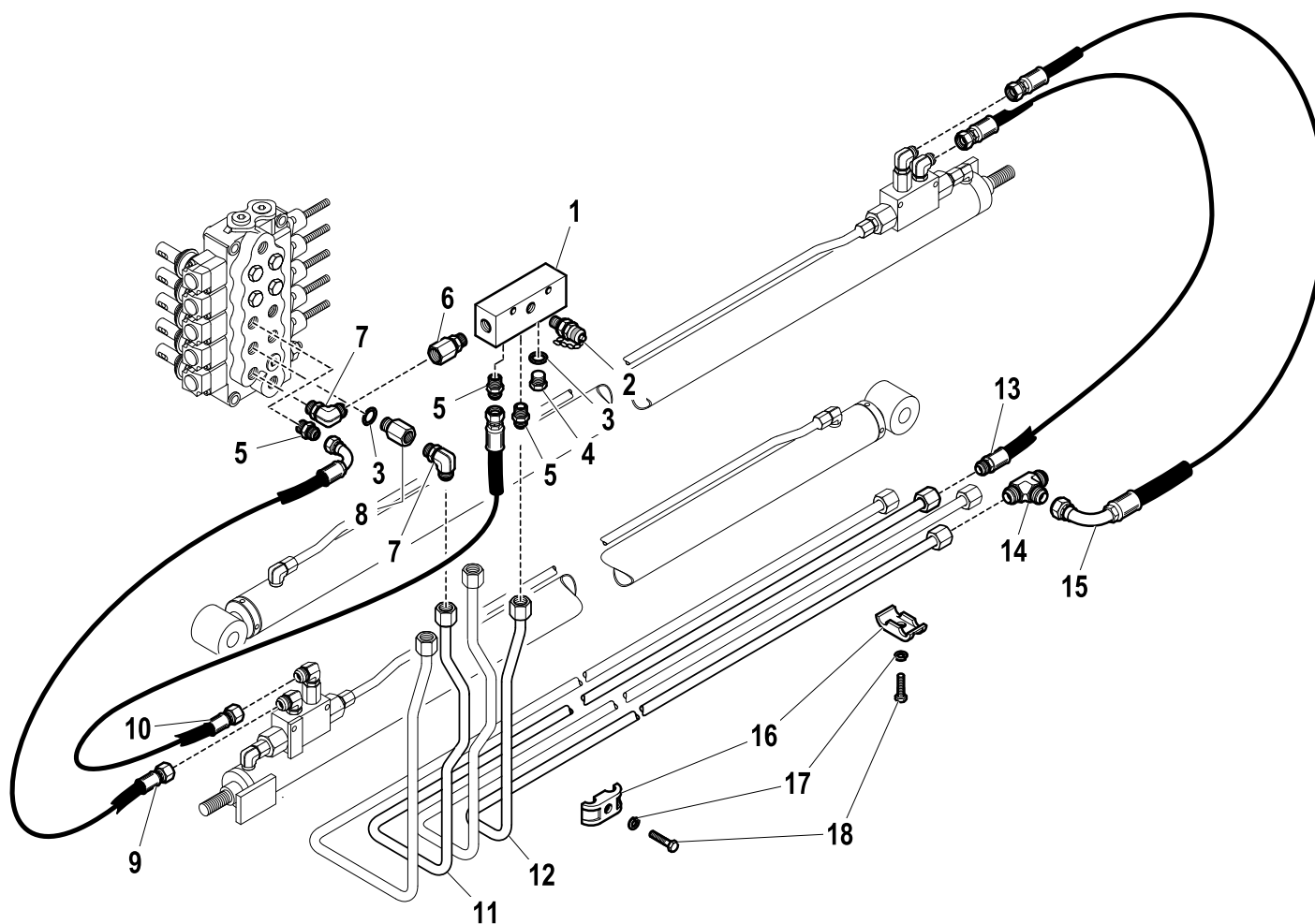
R	Pos.	Code Variant	Q.ty	Description
	1	5220346	1	
	2	3010036	3	Hex screw [M8X65 8.8 ZC UNI 5739]
	3	5000207	3	Control lever
	4	3190006	4	Knob
	5	3010339	4	Hex screw [M8X25 8.8 ZC IF UNI 5739]
	6	3060055	4	Split lock washer [D=8.4 C72 ZC]
	7	5090716	1	
	8	3040303	3	Stopnut
	9	3040045	9	Nut
	10	3300431	6	
	11	3300451	6	
	12	5090456	3	
	13	5150647	1	
	14	5090568	3	Control lever
	15	5140737	2	
	16	3190188	2	
	17	3080500	3	Grease nipple
	18	5090717	1	
	19	3060936	2	Grub screw

ROD EXTENSION HYDRAULIC CYLINDER (Hydraulic system)

Code

5400729-2.0

1/1



R	Pos.	Code Variant	Q.ty	Description
	1	5001159	1	
	2	3111523	1	Pipe fitting (Tapping point) [RACC. MILITES 16X2-1/4"G]
	3	3060144	2	Sealing washer [BSP 3/8"]
	4	3110061	1	Plug
	5	3101043	3	Straight pipe fitting
	6	3120066	1	Straight pipe fitting
	7	3101127	2	90° Connection
	8	3110112	1	Straight pipe fitting
	9	5260347	1	Flexible hose
	10	5260894	1	Flexible hose
	11	5392199	1	
	12	5392201	1	
	13	5260892	1	Flexible hose
	14	3101081	1	Tee fitting
	15	5260893	1	Flexible hose
	16	5000077	6	
	17	3060055	6	Split lock washer [D=8.4 C72 ZC]
	18	3010029	6	Hex screw [M8X30 8.8 ZC UNI 5737]

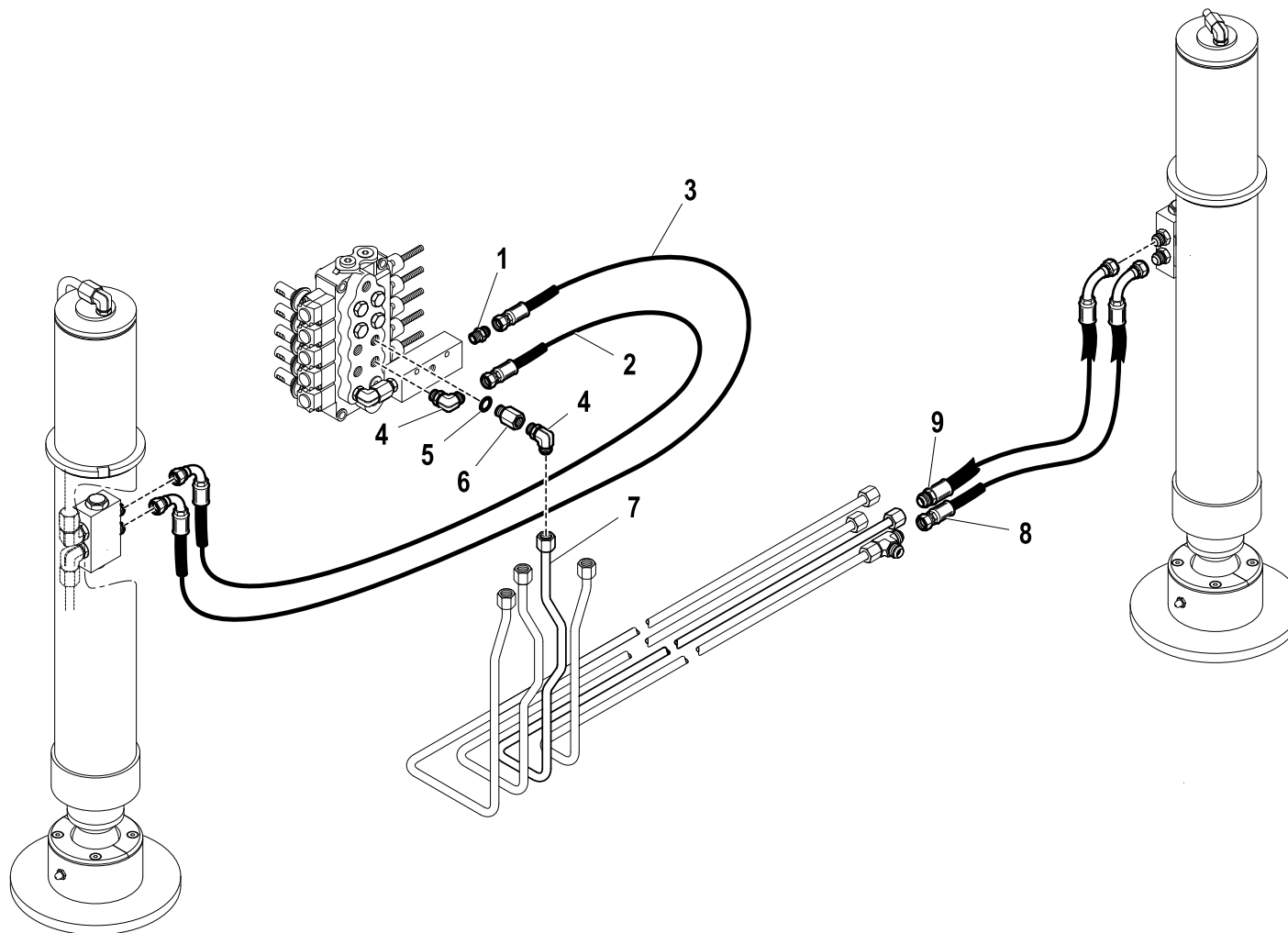
Stabilizer Hydraulic jack (Hydraulic system)

Code

5400729-3.0

1/1

R	Pos.	Code Variant	Q.ty	Description
	1	3101043	1	Straight pipe fitting
	2	5271859	1	Flexible hose
	3	5271860	1	Flexible hose
	4	3101127	2	90° Connection
	5	3060144	1	Sealing washer [BSP 3/8"]
	6	3110112	1	Straight pipe fitting
	7	5392200	1	
	8	5271861	1	Flexible hose
	9	5271862	1	Flexible hose

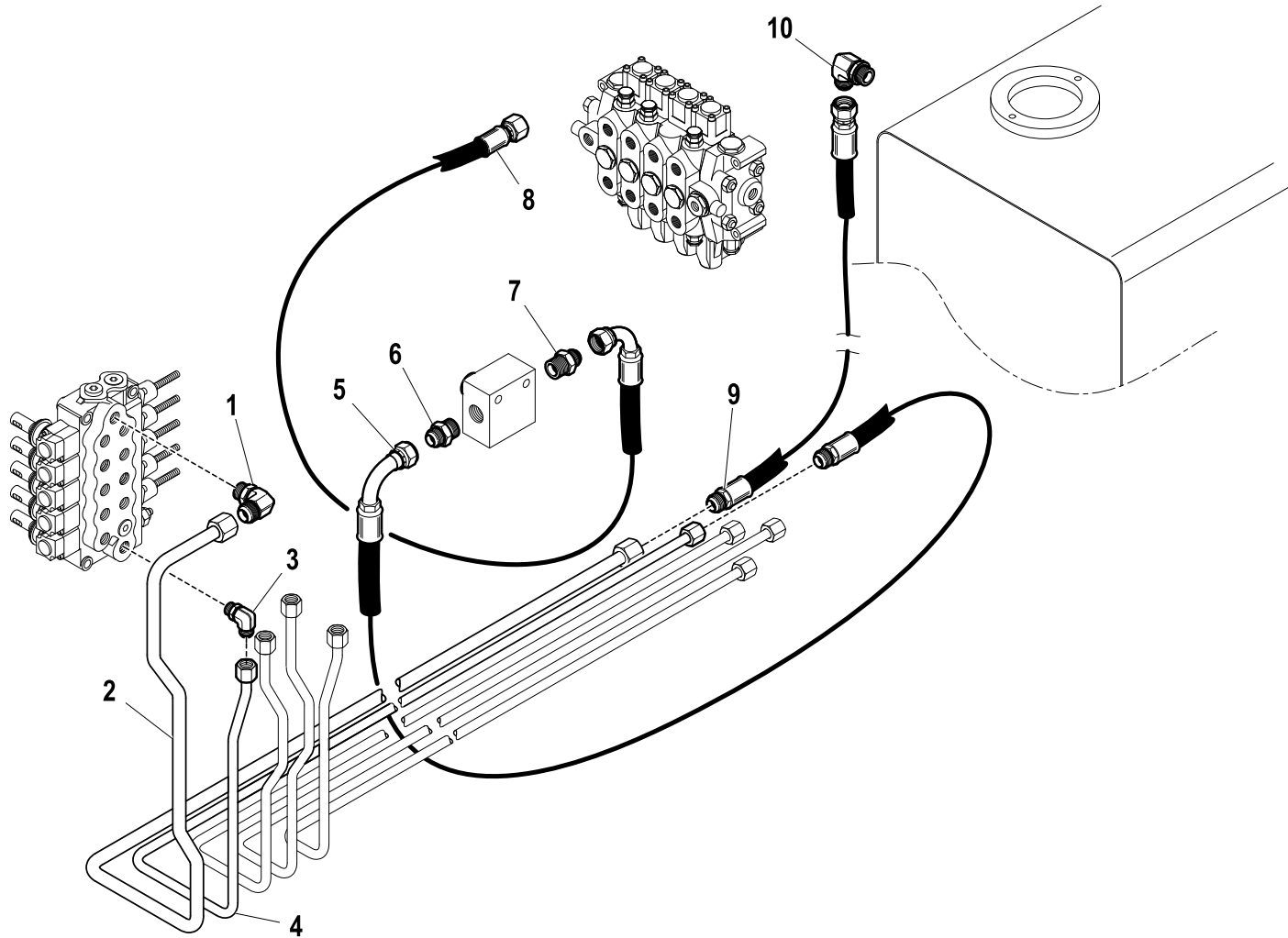


Stabilizer Hydraulic jack (Hydraulic system)

Code

5400729-4.0

1/1



R	Pos.	Code Variant	Q.ty	Description
	1	3120012	1	90° Connection
	2	5392197	1	
	3	3101127	1	90° Connection
	4	5392198	1	
	5	5271764	1	Flexible hose
	6	3101045	1	Straight pipe fitting
	7	3101056	1	Straight pipe fitting
	8	5290150	1	
	9	5280782	1	Flexible hose
	10	3101131	1	90° Connection

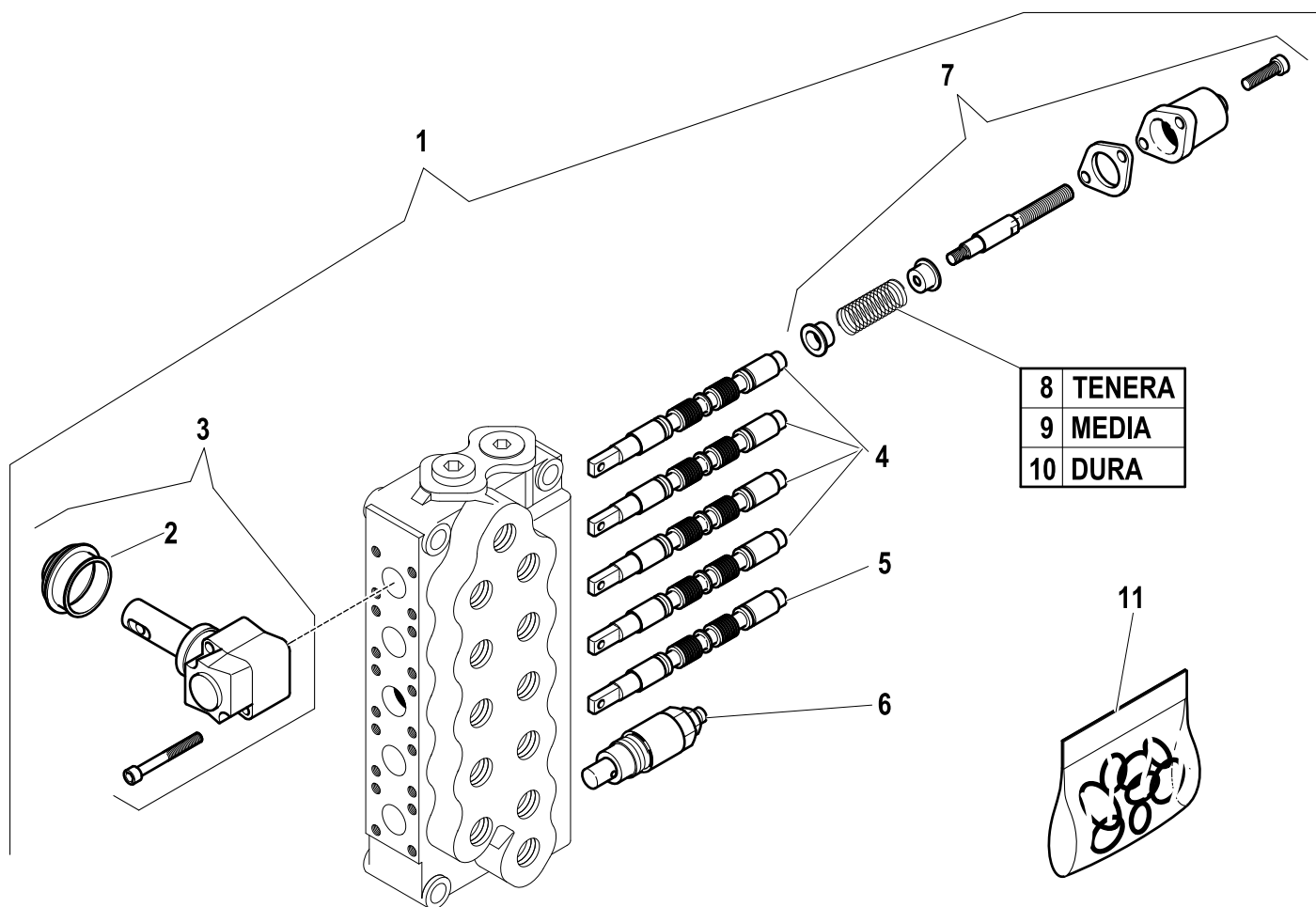
STABILIZER CONTROL VALVE

Code

5220346-1.0

1/1

R	Pos.	Code Variant	Q.ty	Description
	1	5220346	1	
	2	5225022	5	
	3	5225261	5	
	4	5225258	4	
	5	5225480	1	
	6	5225257	1	
	7	5225268	5	
	8	5225479	5	
	9	5225281	5	
	10	5225285	5	
	11	5225263	1	

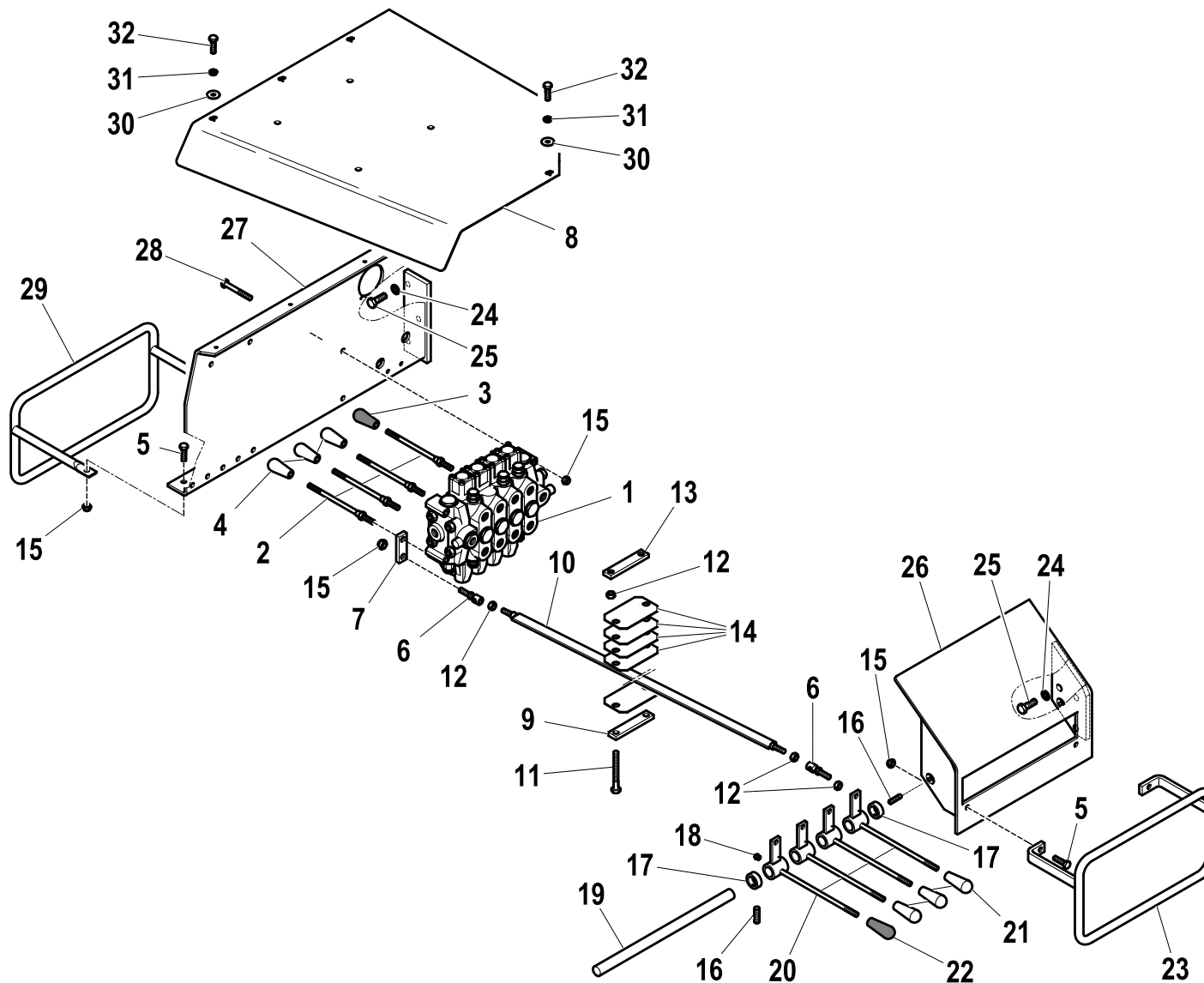


DOUBLE CONTROLS

Code

5400548-1.0

1/2



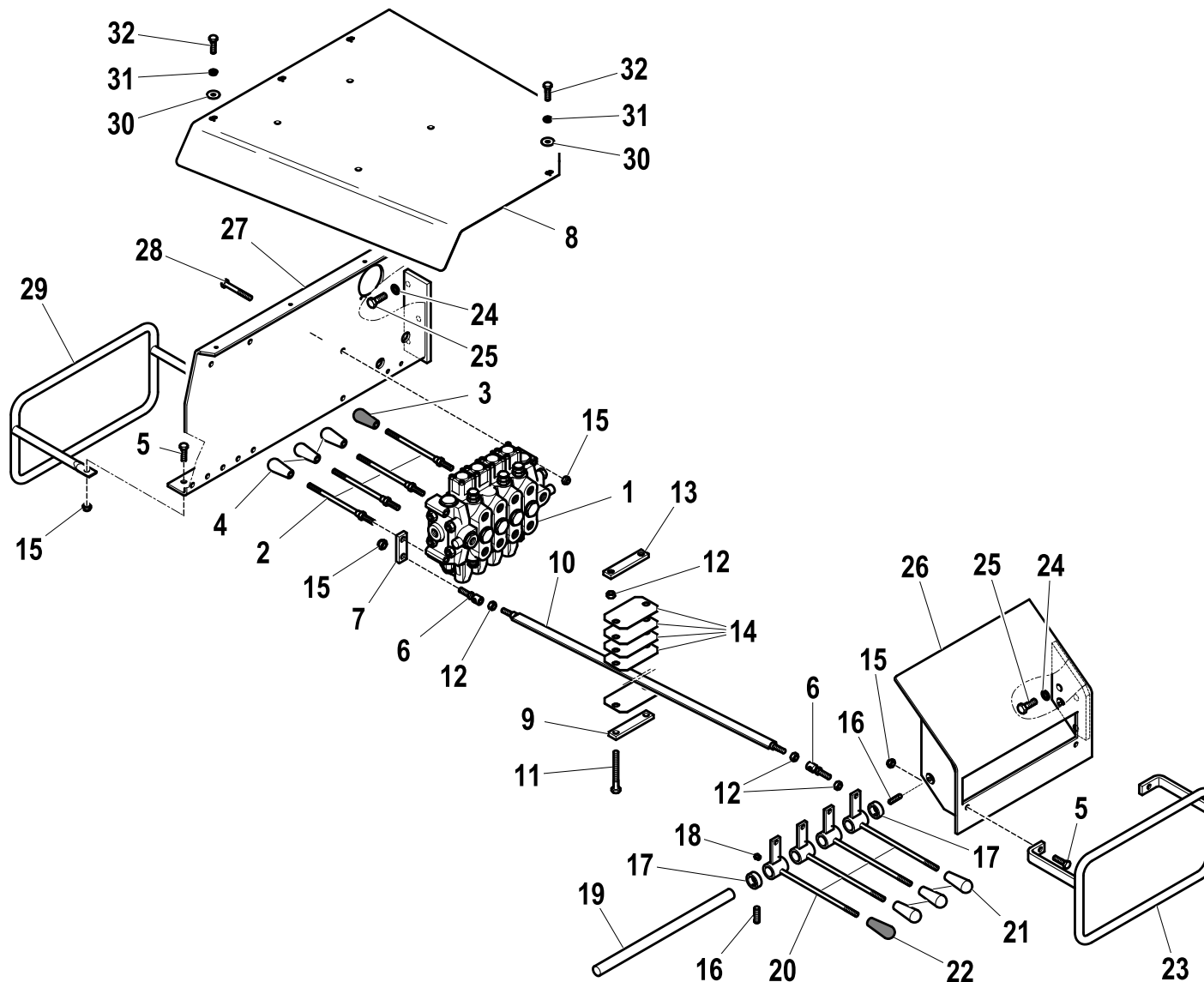
R	Pos.	Code Variant	Q.ty	Description
	1	5220291	1	
	2	5220224	4	
	3	3190189	1	
	4	3190010	3	Knob
	5	3010339	4	Hex screw [M8X25 8.8 ZC IF UNI 5739]
	6	3300503	8	
	7	5000708	4	
	8	5000829	1	Protective guard
	9	5001191	1	
	10	5091116	4	
	11	3010038	2	Hex screw [M8X75 8.8 ZC UNI 5737]
	12	3040045	14	Nut
	13	5001190	1	
	14	5140748	5	
	15	3040303	11	Stopnut
	16	3060234	2	Grub screw
	17	5000670	2	
	18	3080500	4	Grease nipple
	19	5150459	1	
	20	5091111	4	Control lever

DOUBLE CONTROLS

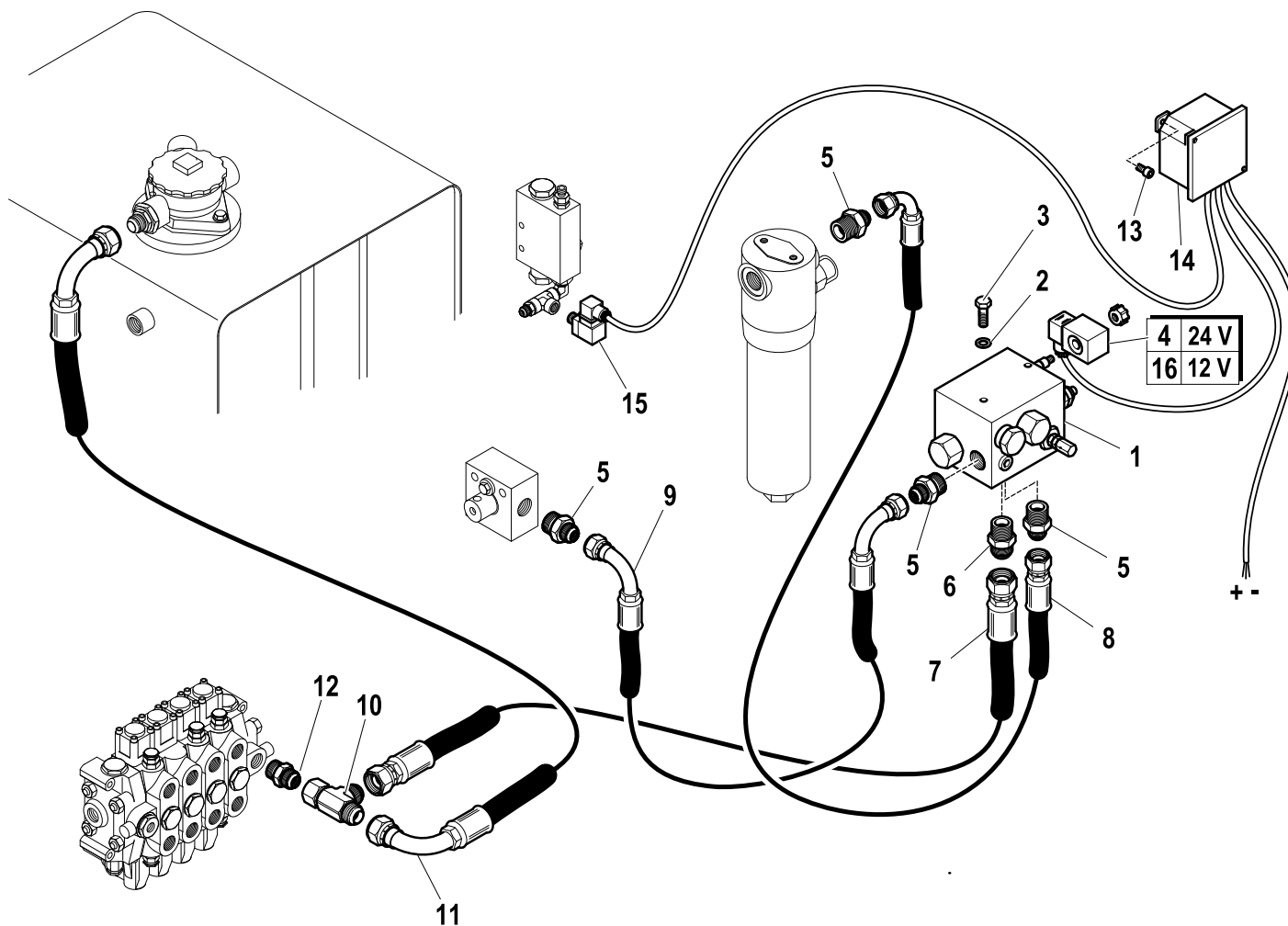
Code

5400548-1.0

2/2



R	Pos.	Code Variant	Q.ty	Description
	21	3190006	3	Knob
	22	3190188	1	
	23	5090460	1	
	24	3060056	6	Split lock washer [D=10 C72 ZC]
	25	3010355	6	Hex screw [M10X25 8.8 ZC IF UNI 5739]
	26	5090455	1	
	27	5090570	1	
	28	3010036	3	Hex screw [M8X65 8.8 ZC UNI 5739]
	29	5090459	1	
	30	3060030	4	Flat washer [D.6.6X18 UNI 6593 ZC]
	31	3060053	4	Split lock washer [D=6.4 C72 ZC]
	32	3010323	4	Hex screw [M6X10 8.8 ZC UNI 5739]



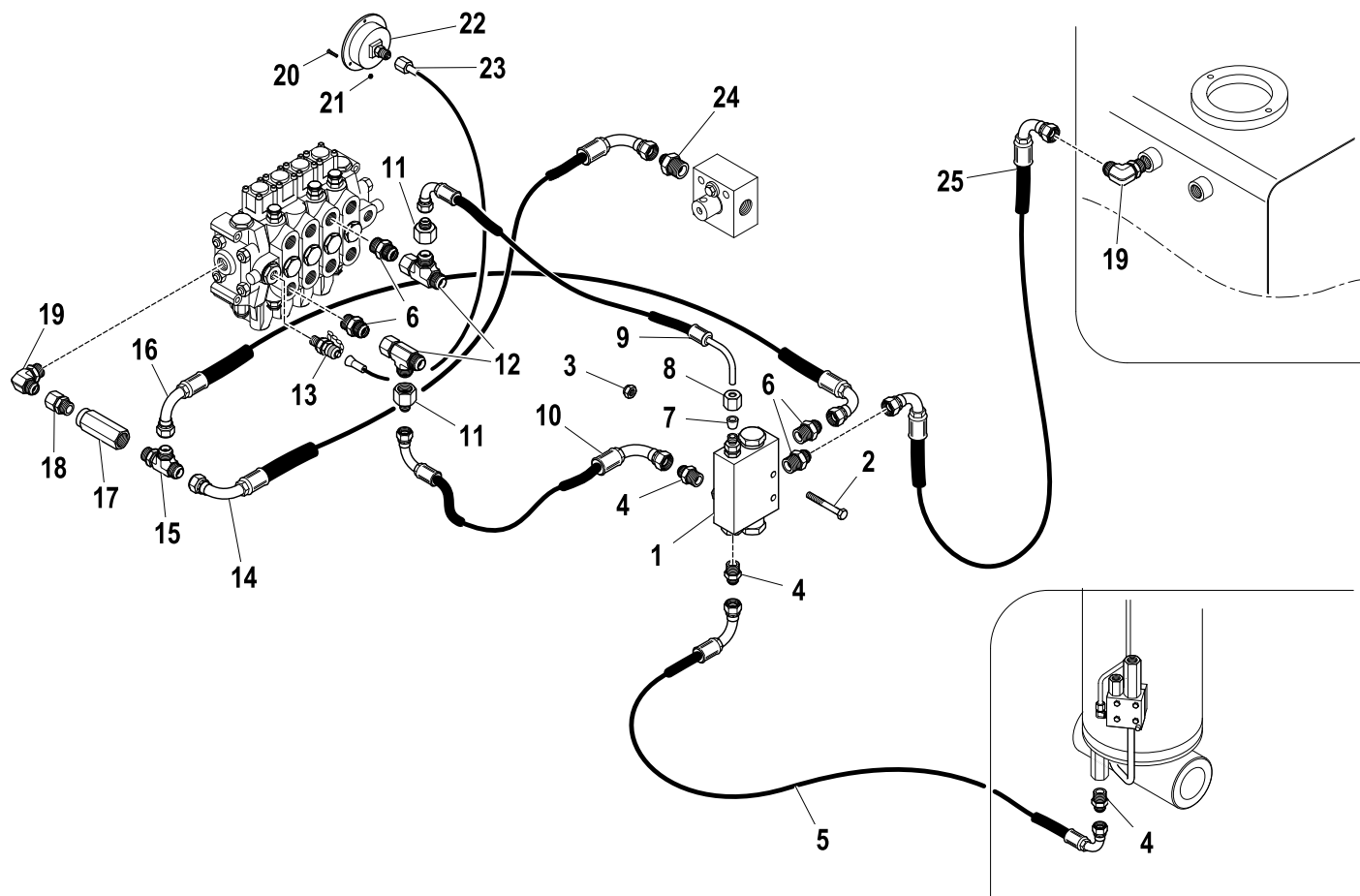
R	Pos.	Code Variant	Q.ty	Description
	1	5220639	1	
	2	3060055	2	Split lock washer [D=8.4 C72 ZC]
	3	3010339	2	Hex screw [M8X25 8.8 ZC IF UNI 5739]
	4	3310242	1	
	5	3120073	3	Straight pipe fitting
	6	3101056	1	Straight pipe fitting
	7	5290152	1	Flexible hose
	8	5280790	1	
	9	5280484	1	
	10	3120331	1	Tee fitting
	11	5290153	1	Flexible hose
	12	3101058	1	Straight pipe fitting
	13	3020022	2	Socket head cap screw [M5X10 8.8 ZC UNI 5931]
	14	3310388	1	
	15	3310153	1	Pressure monitor [PPC300 ATTACCO MASCHIO]
	16	3310238	1	

Hydraulic system (not CE)

Code

5430215-1.0

1/2



R	Pos.	Code Variant	Q.ty	Description
	1	5220135	1	
	2	3010035	2	Hex screw [M8X60 8.8 ZC UNI 5737]
	3	3040303	2	Stopnut
	4	3101039	3	Straight pipe fitting
	5	5260352	1	Flexible hose
	6	3101051	4	Straight pipe fitting
	7	3100956	1	
	8	3100952	1	Nut
	9	5260350	1	Flexible hose
	10	5260351	1	Flexible hose
	11	3120209	2	Reducing fitting
	12	3120008	2	Tee fitting
	13	3111523	1	Pipe fitting (Tapping point) [RACC. MILITES 16X2-1/4"G]
	14	5280341	1	
	15	3101179	1	Tee fitting
	16	5280416	1	
	17	5220635	1	Non-return valve
	18	3120067	1	Straight pipe fitting
	19	3101131	2	90° Connection
	20	3020880	3	

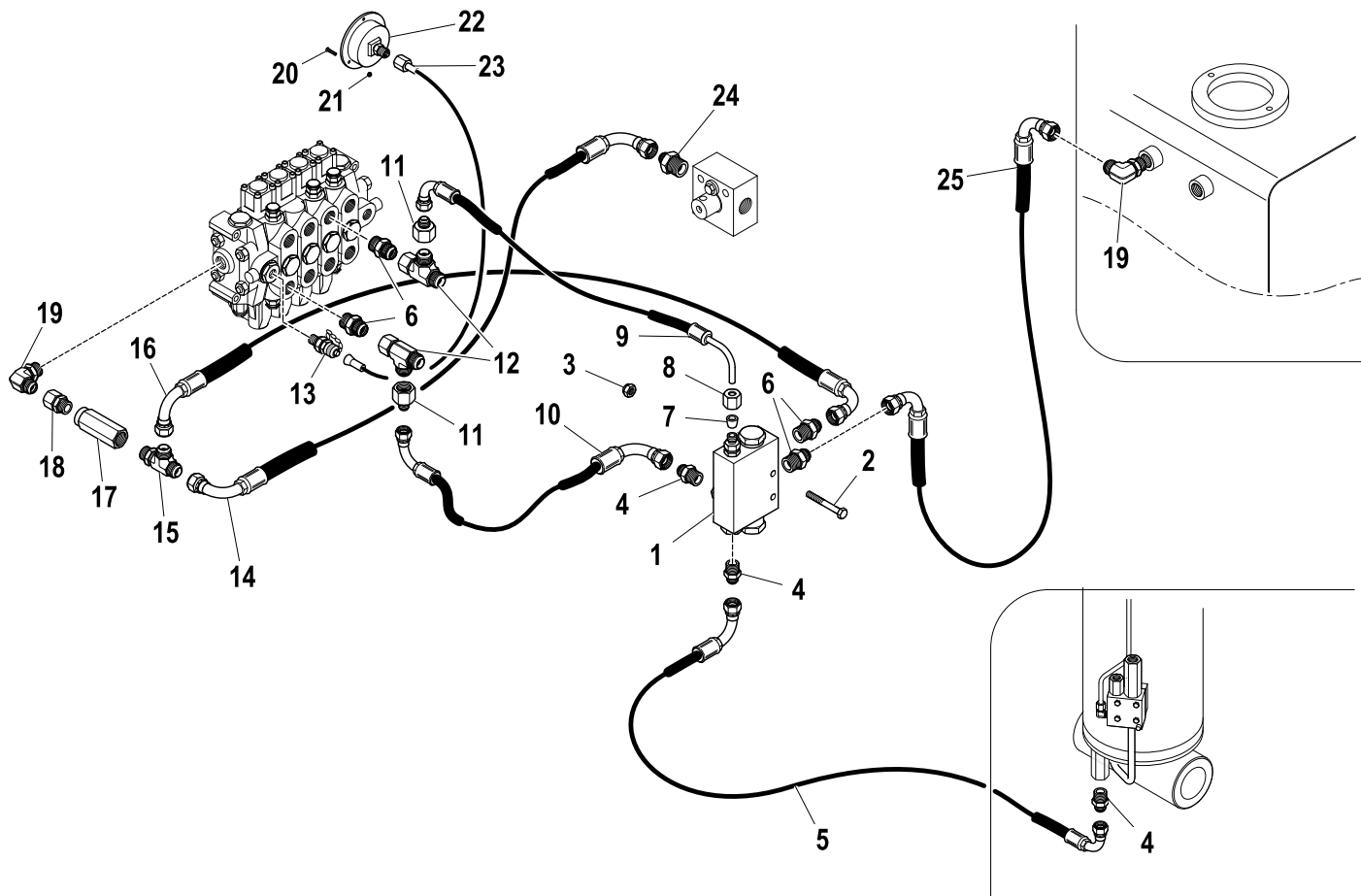
Hydraulic system (not CE)

Code

5430215-1.0

2/2

R	Pos.	Code Variant	Q.ty	Description
	21	3040516	3	Stopnut
	22	3180150	1	
	23	5300086	1	
	24	3120073	1	Straight pipe fitting
	25	5280417	1	Flexible hose

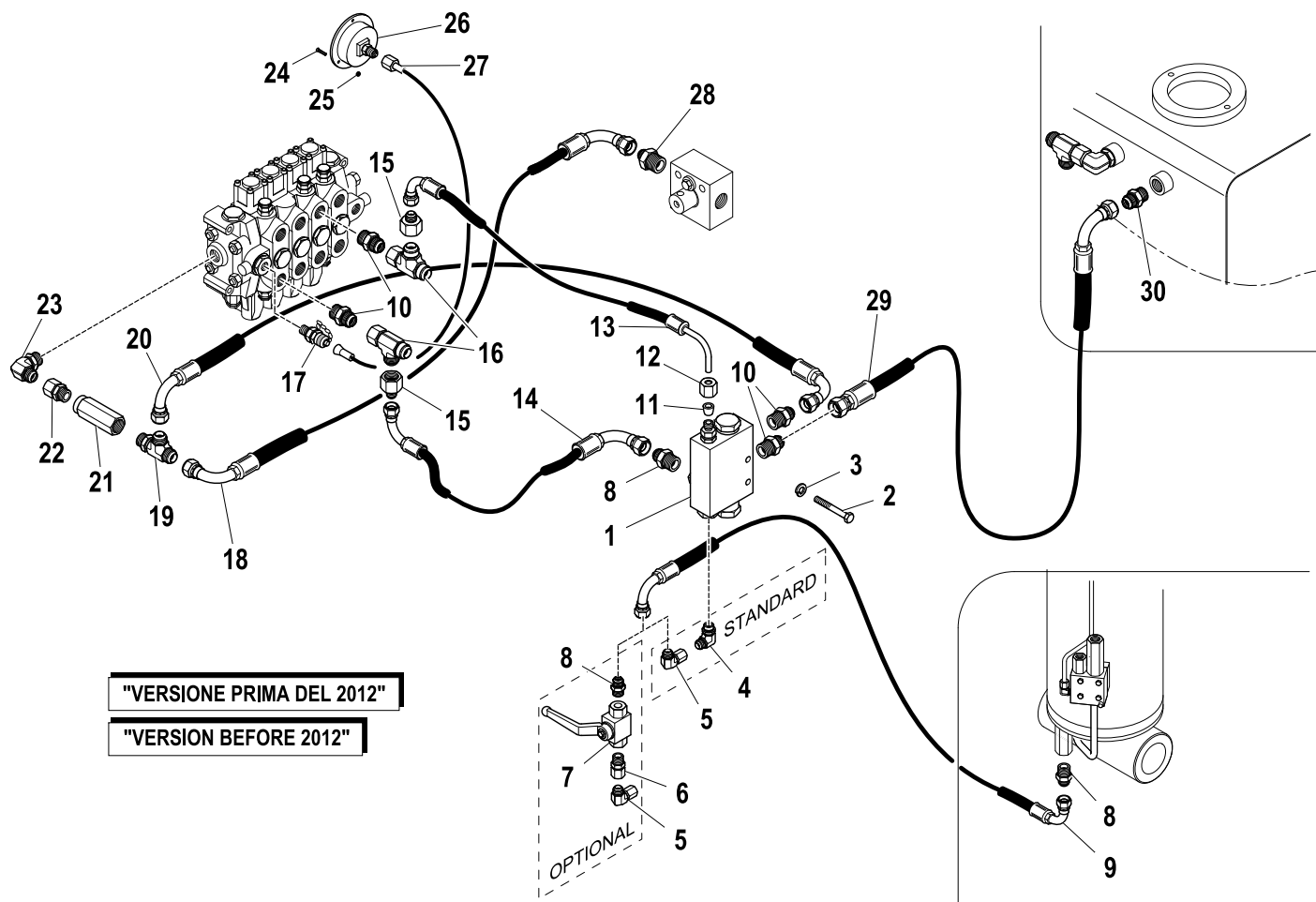


Hydraulic system

Code

5430135-1.0

1/2



R	Pos.	Code Variant	Q.ty	Description
	1	5220135	1	
	2	3010035	2	Hex screw [M8X60 8.8 ZC UNI 5737]
	3	3040303	2	Stopnut
	4	3101124	1	90° Connection
	5	3120011	1	90° Connection
	6	3120064	1	Straight pipe fitting
	7	5220063	1	
	8	3101039	2	Straight pipe fitting
	9	5260352	1	Flexible hose
	10	3101051	3	Straight pipe fitting
	11	3100956	1	
	12	3100952	1	Nut
	13	5260350	1	Flexible hose
	14	5260351	1	Flexible hose
	15	3120209	1	Reducing fitting
	16	3120008	3	Tee fitting
	17	3111523	1	Pipe fitting (Tapping point) [RACC. MILITES 16X2-1/4"G]
	18	5280341	1	
	19	3101179	1	Tee fitting
	20	5280416	1	

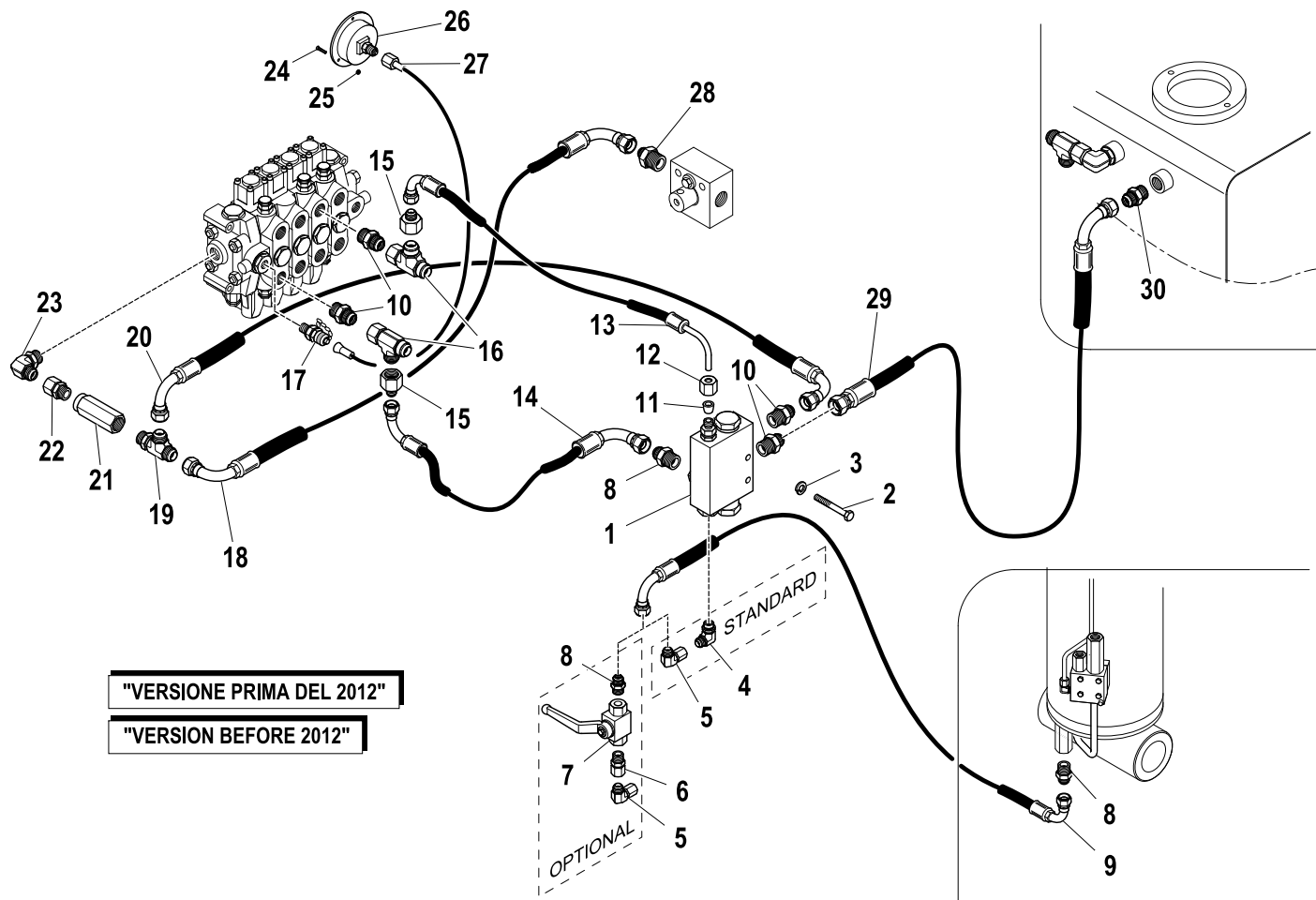
Hydraulic system

Code

5430135-1.0

2/2

R	Pos.	Code Variant	Q.ty	Description
	21	5220635	1	Non-return valve
	22	3120067	1	Straight pipe fitting
	23	3101131	1	90° Connection
	24	3020880	3	
	25	3040516	3	Stopnut
	26	3180109	1	
	27	5300019	1	
	28	3120073	1	Straight pipe fitting
	29	5280789	1	Flexible hose

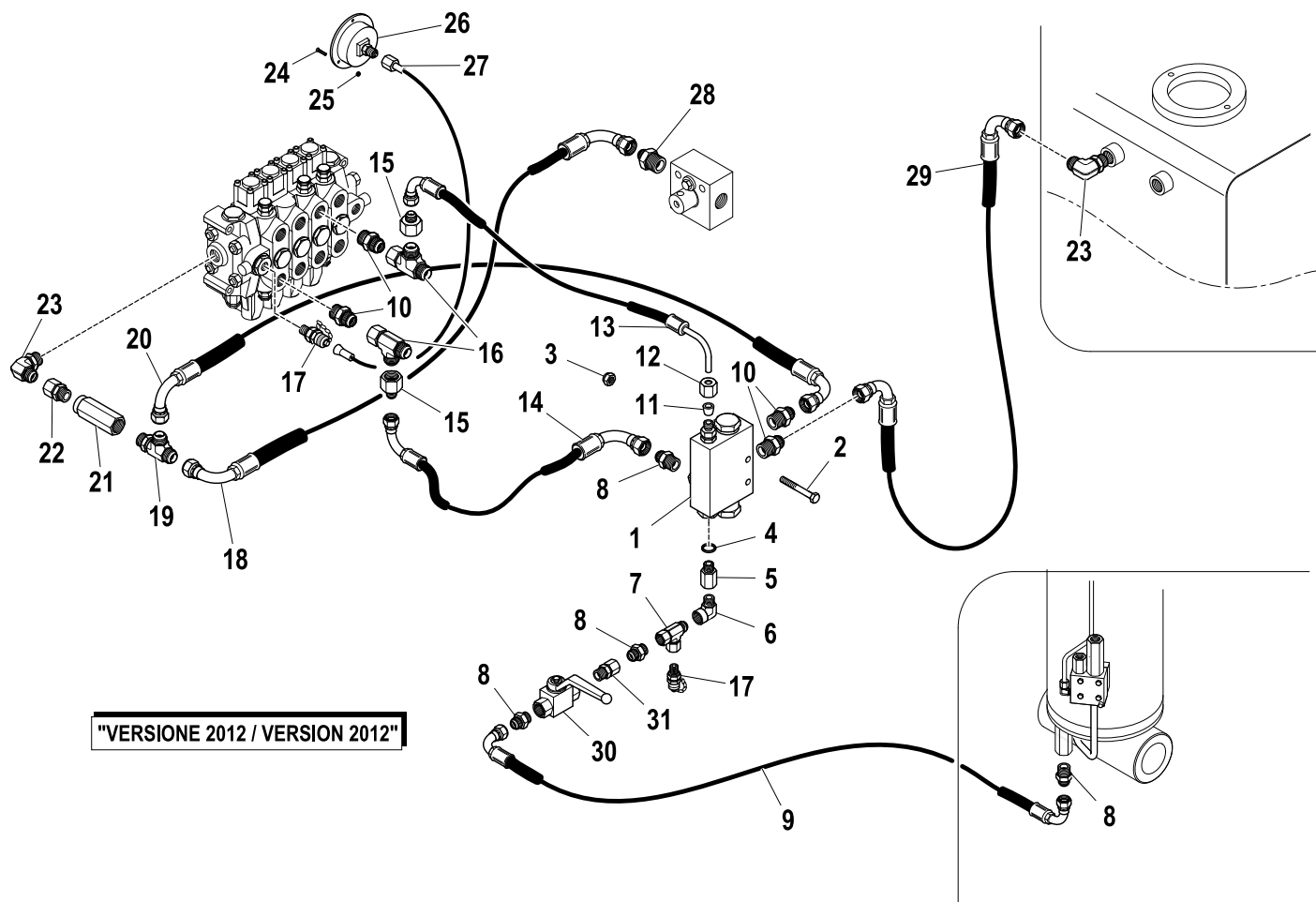


Hydraulic system (not CE)

Code

5430135-2.0

1/2



"VERSIONE 2012 / VERSION 2012"

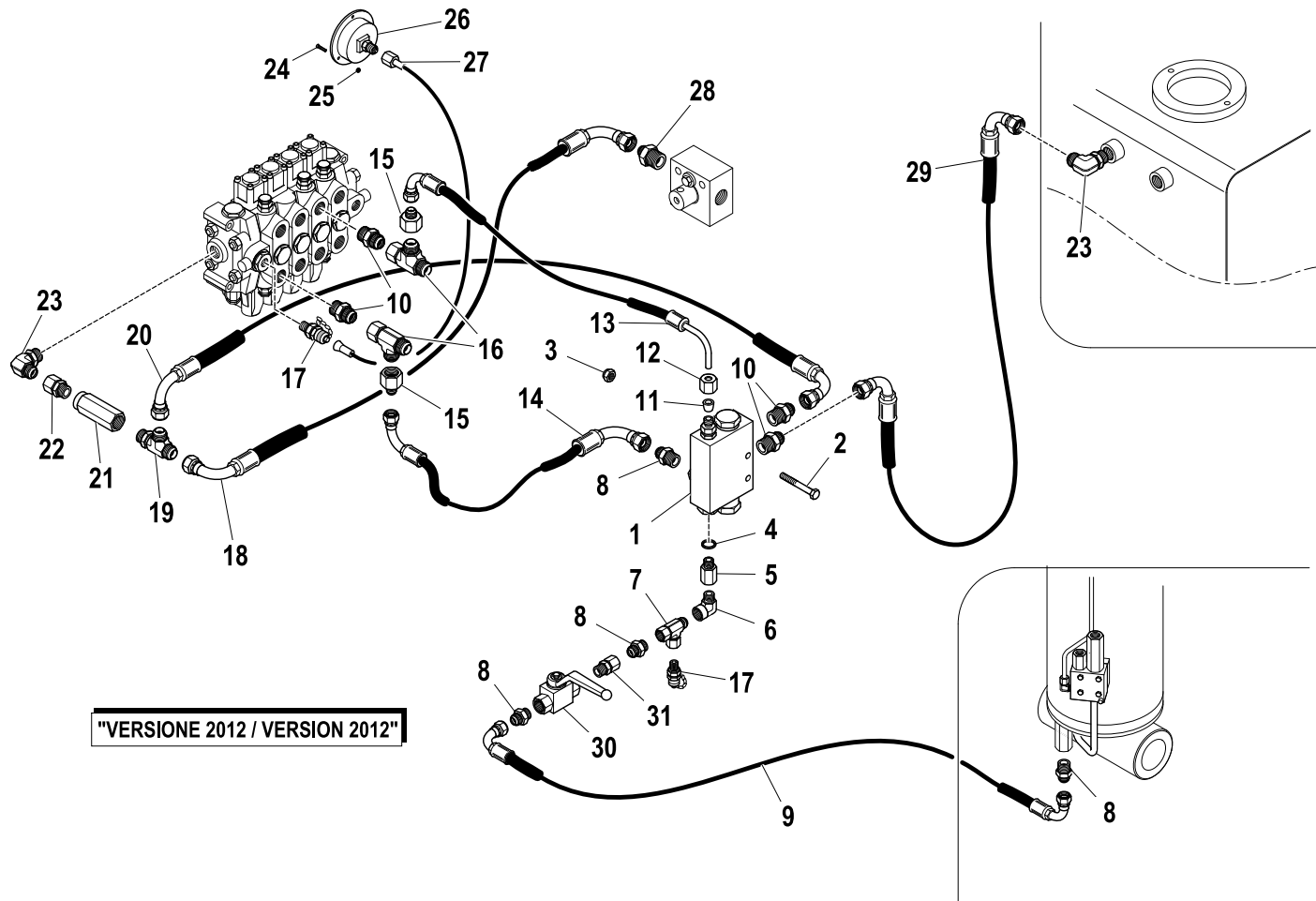
R	Pos.	Code Variant	Q.ty	Description
	1	5220135	1	
	2	3010035	2	Hex screw [M8X60 8.8 ZC UNI 5737]
	3	3040303	2	Stopnut
	4	3060143	1	Sealing washer [BSP 1/4"]
	5	3110270	1	Straight pipe fitting
	6	3111512	1	90° Connection
	7	3101215	1	Tee fitting
	8	3101039	4	Straight pipe fitting
	9	5260352	1	Flexible hose
	10	3101051	4	Straight pipe fitting
	11	3100956	1	
	12	3100952	1	Nut
	13	5260350	1	Flexible hose
	14	5260351	1	Flexible hose
	15	3120209	2	Reducing fitting
	16	3120008	2	Tee fitting
	17	3111523	2	Pipe fitting (Tapping point) [RACC. MILITES 16X2-1/4"G]
	18	5280341	1	
	19	3101179	1	Tee fitting
	20	5280416	1	

Hydraulic system (not CE)

Code

5430135-2.0

2/2



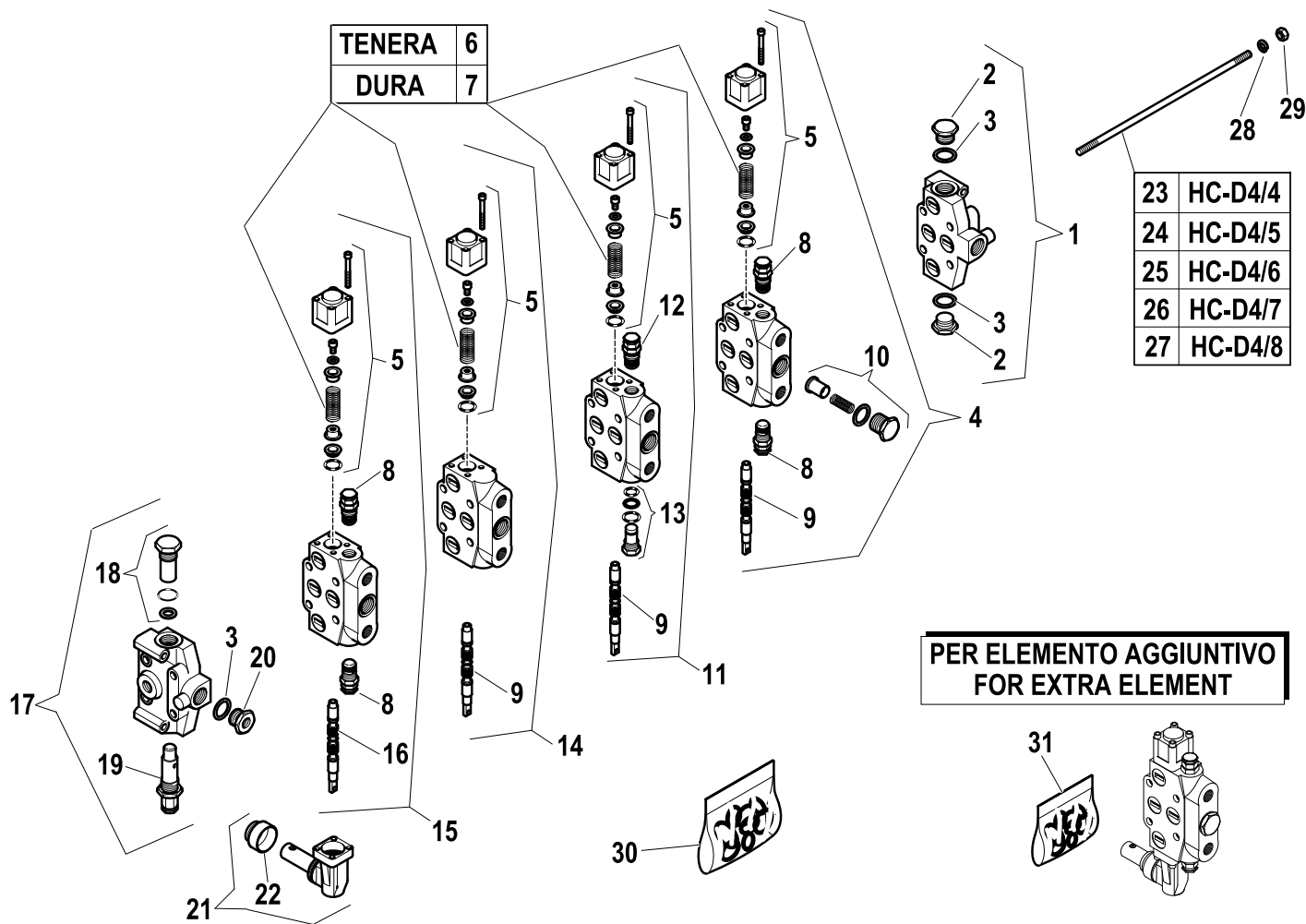
R	Pos.	Code Variant	Q.ty	Description
	21	5220635	1	Non-return valve
	22	3120067	1	Straight pipe fitting
	23	3101131	2	90° Connection
	24	3020880	3	
	25	3040516	3	Stopnut
	26	3180150	1	
	27	5300086	1	
	28	3120073	1	Straight pipe fitting
	29	5280417	1	Flexible hose
	30	5220063	1	
	31	3120064	1	Straight pipe fitting

Control valve (4 section)

Code

5220291-1.0

1/2



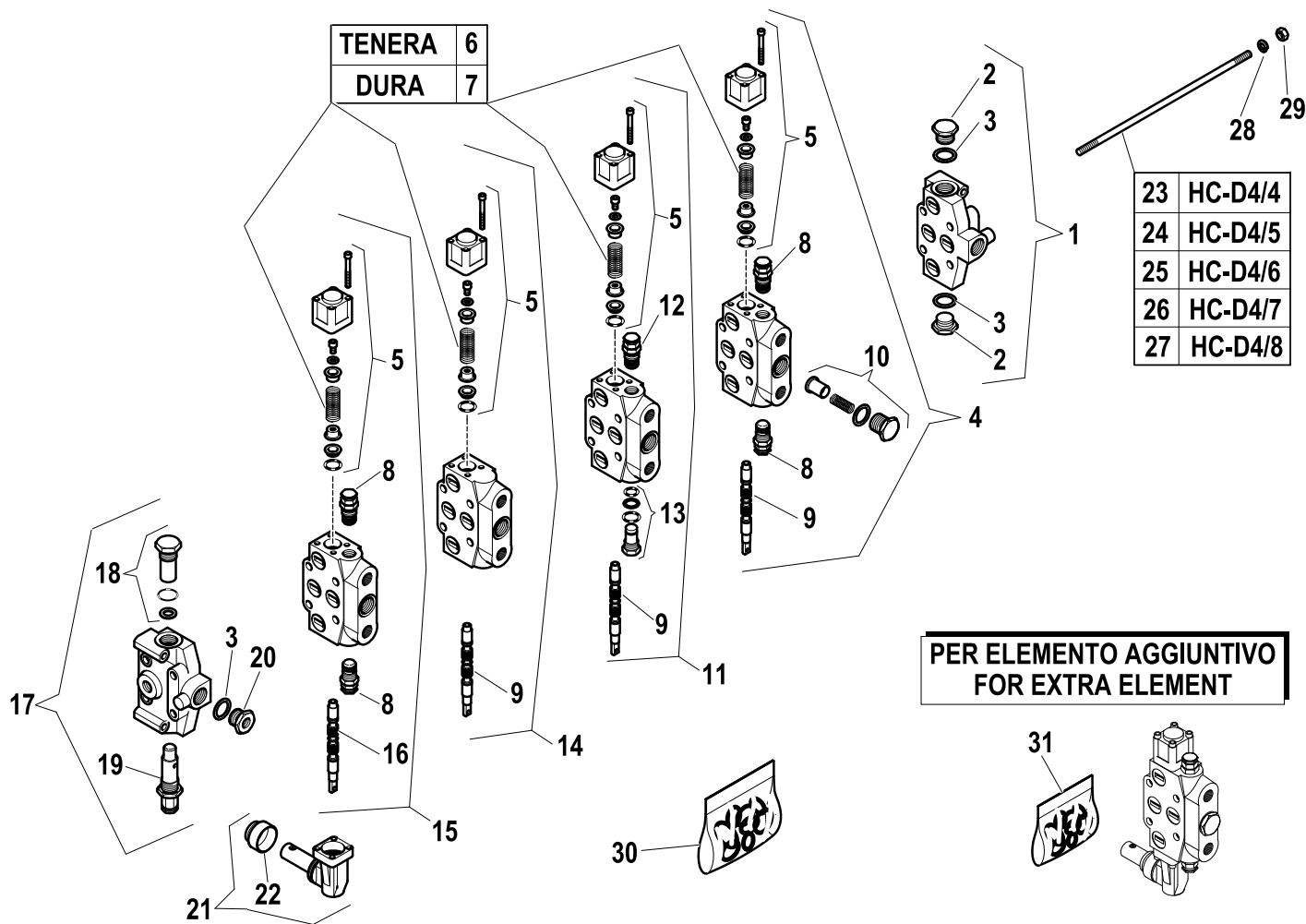
R	Pos.	Code Variant	Q.ty	Description
	1	5225477	1	
	2	3110065	2	Plug
	3	3060145	3	Sealing washer [BSP 1/2"]
	4	5225476	1	
	5	5225130	4	
	6	5225461	4	
	7	5225463	4	
	8	5225200	4	
	9	5225311	3	
	10	5225469	4	
	11	5225484	1	
	12	5225145	1	
	13	5225470	1	
	14	5225483	1	
	15	5225482	1	
	16	5225177	1	
	17	5225472	1	
	18	5225428	1	
	19	5225546	1	
	20	3110161	1	Reducing fitting

Control valve (4 section)

Code

5220291-1.0

2/2



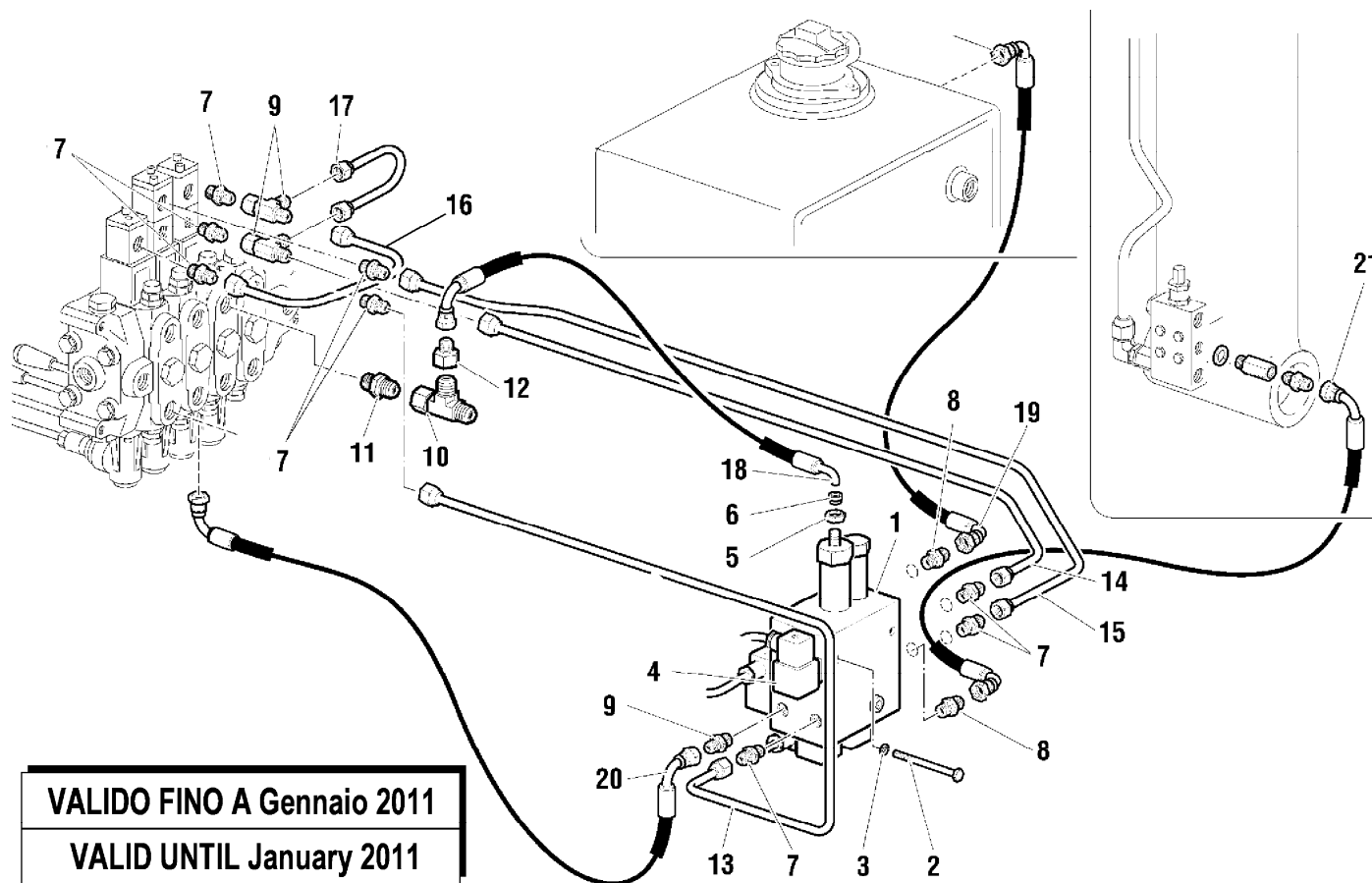
R	Pos.	Code Variant	Q.ty	Description
	21	5225126	4	
	22	5225128	4	
	23	5225224	4	
	24	5225213	4	
	25	5225214	4	
	26	5225215	4	Screw (Tie rod)
	27	5225216	4	
	28	3060056	8	Split lock washer [D=10 C72 ZC]
	29	3040046	8	Nut
	30	5225561	1	
	31	5225031	1	Seal kit

HYDRAULIC SYSTEM (Moment limiting device)

Code

5430012-1.1

1/2



VALIDO FINO A Gennaio 2011

VALID UNTIL January 2011

R	Pos.	Code Variant	Q.ty	Description
	1	5220544	1	
	2	3010027	2	Hex screw [M8X20 8.8 ZC IF UNI 5739]
	3	3060055	2	Split lock washer [D=8.4 C72 ZC]
	4	3310153	2	Pressure monitor [PPC300 ATTACCO MASCHIO]
	5	3100952	1	Nut
	6	3100956	1	
	7	3101034	8	Straight pipe fitting
	8	3101039	3	Straight pipe fitting
	9	3120001	2	Tee fitting
	10	3120008	1	Tee fitting
	11	3101051	1	Straight pipe fitting
	12	3120209	1	Reducing fitting
	13	5391510	1	
	14	5391508	1	
	15	5391509	1	
	16	5391443	1	
	17	5391442	1	
	18	5260350	1	Flexible hose
	19	5260353	1	Flexible hose
	20	5260351	1	Flexible hose

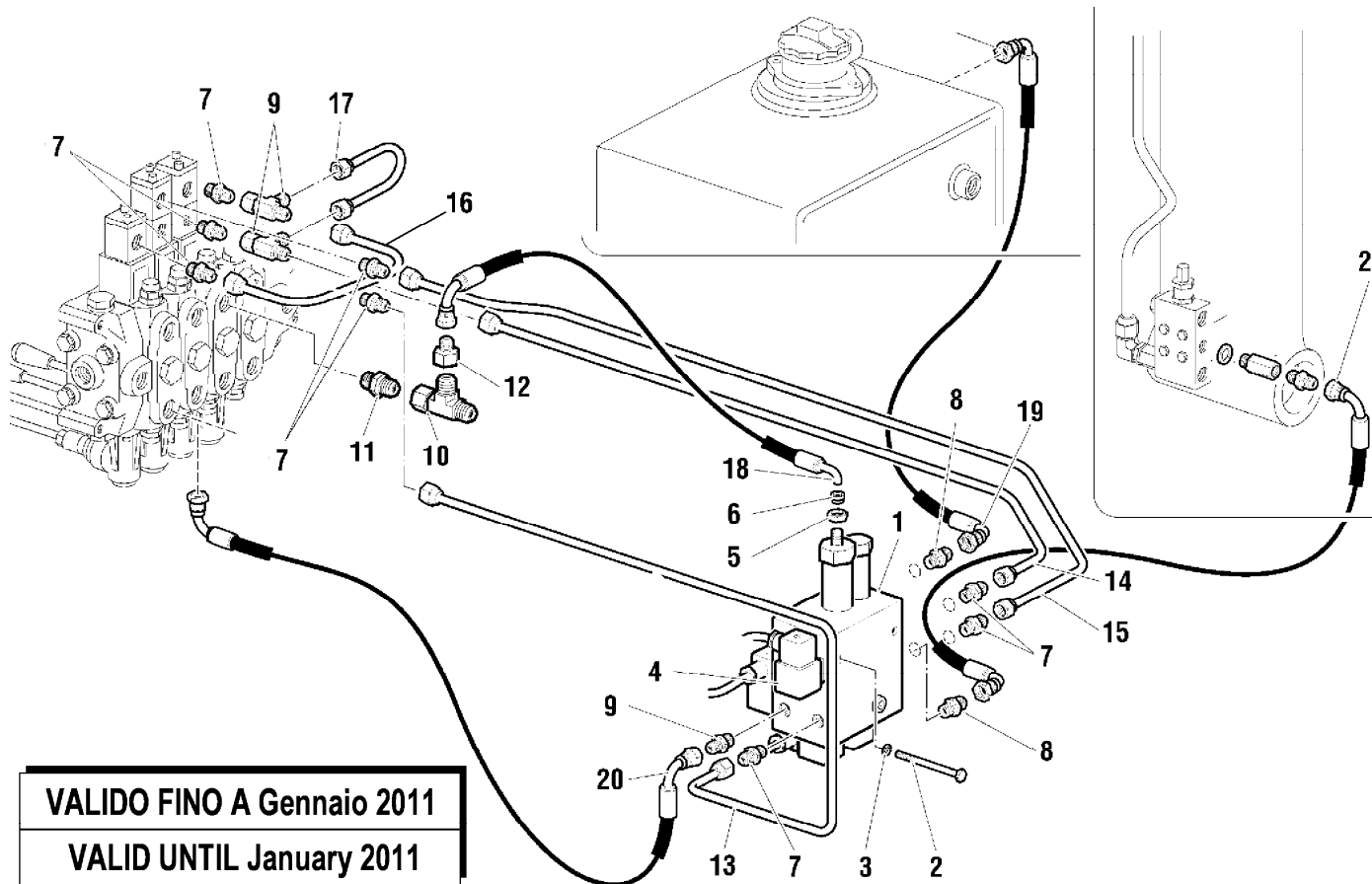
HYDRAULIC SYSTEM (Moment limiting device)

Code

5430012-1.1

2/2

R	Pos.	Code Variant	Q.ty	Description
	21	5260352	1	Flexible hose



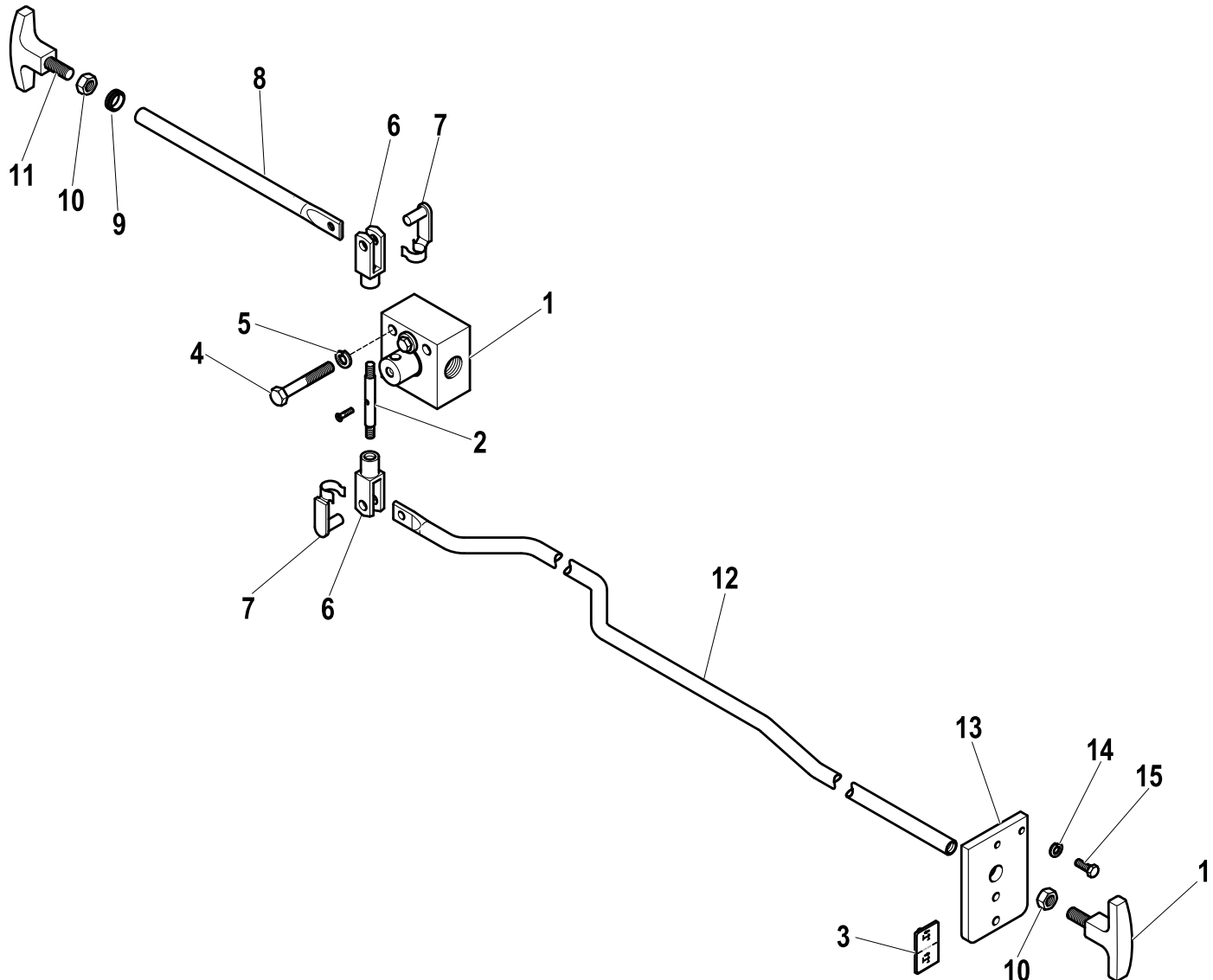
VALIDO FINO A Gennaio 2011
VALID UNTIL January 2011

DOUBLE CONTROLS

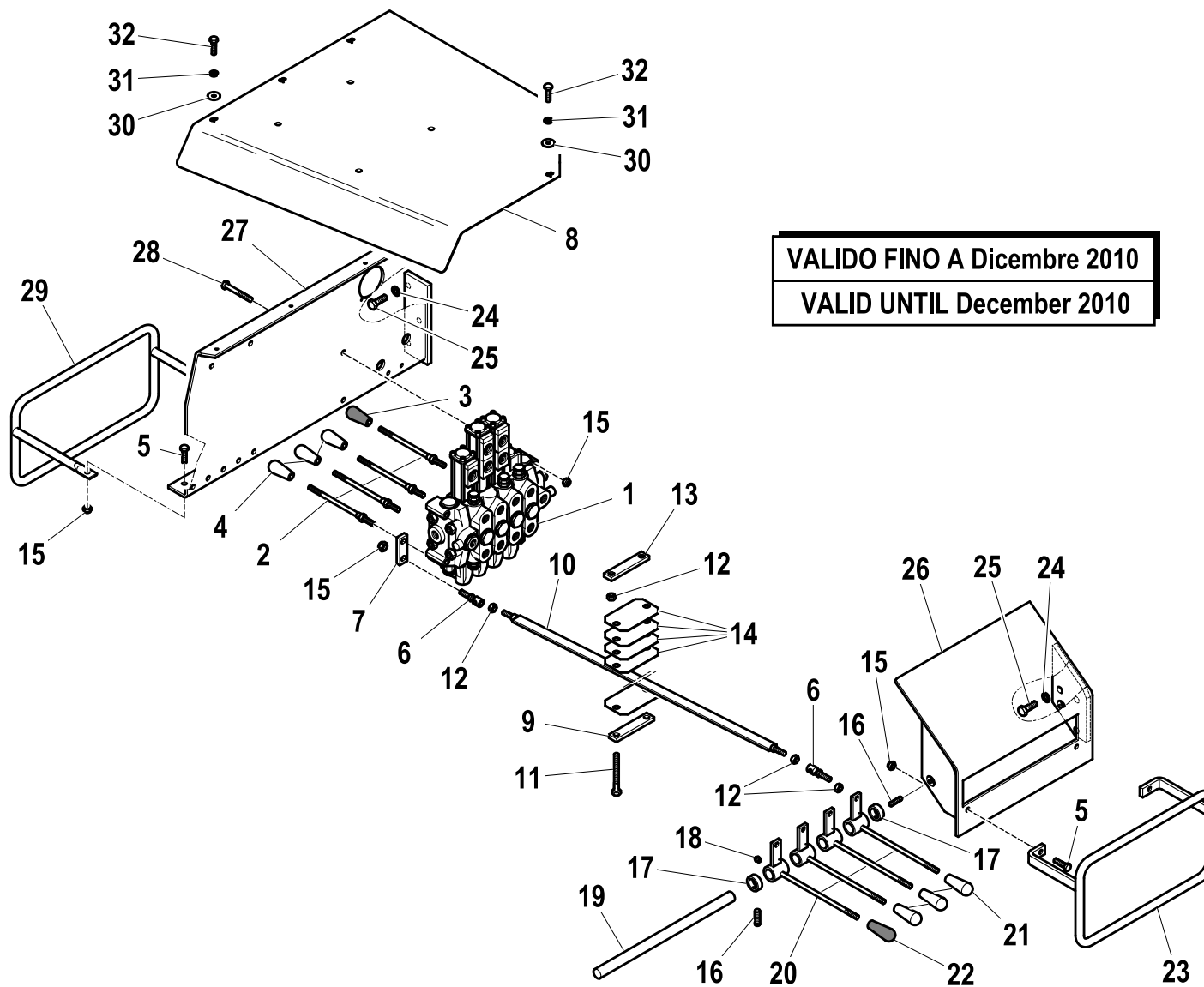
Code

5400723-1.0

1/1



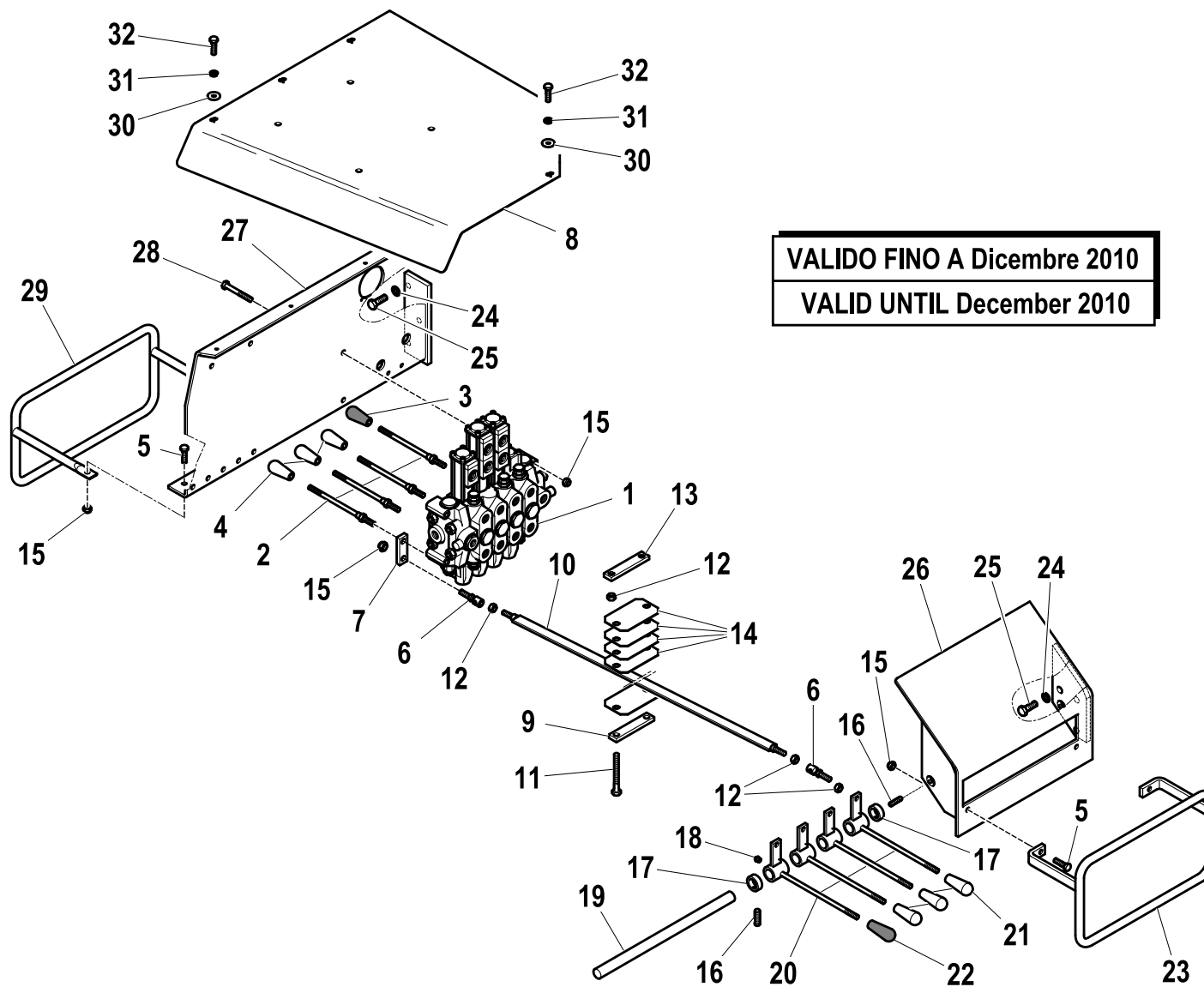
R	Pos.	Code Variant	Q.ty	Description
	1	5220599	1	
	2	5001170	1	
	3	5813516	1	
	4	3010415	2	Hex screw [M10X55 8.8 ZC UNI 5737]
	5	3060056	2	Split lock washer [D=10 C72 ZC]
	6	3300433	2	
	7	3300453	2	
	8	5090715	1	
	9	3190214	1	
	10	3040047	2	Nut
	11	3190213	2	
	12	5091074	1	
	13	5140738	1	
	14	3060053	2	Split lock washer [D=6.4 C72 ZC]
	15	3010015	2	Hex screw [M6X20 8.8 ZC UNI 5739]



VALIDO FINO A Dicembre 2010

VALID UNTIL December 2010

R	Pos.	Code Variant	Q.ty	Description
	1	5220292	1	
	2	5220224	4	
	3	3190189	1	
	4	3190010	3	Knob
	5	3010339	4	Hex screw [M8X25 8.8 ZC IF UNI 5739]
	6	3300503	8	
	7	5000708	4	
	8	5000829	1	Protective guard
	9	5001191	1	
	10	5091116	4	
	11	3010038	2	Hex screw [M8X75 8.8 ZC UNI 5737]
	12	3040045	14	Nut
	13	5001190	1	
	14	5140748	5	
	15	3040303	11	Stopnut
	16	3060234	2	Grub screw
	17	5000670	2	
	18	3080500	4	Grease nipple
	19	5150459	1	
	20	5091111	4	Control lever



VALIDO FINO A Dicembre 2010

VALID UNTIL December 2010

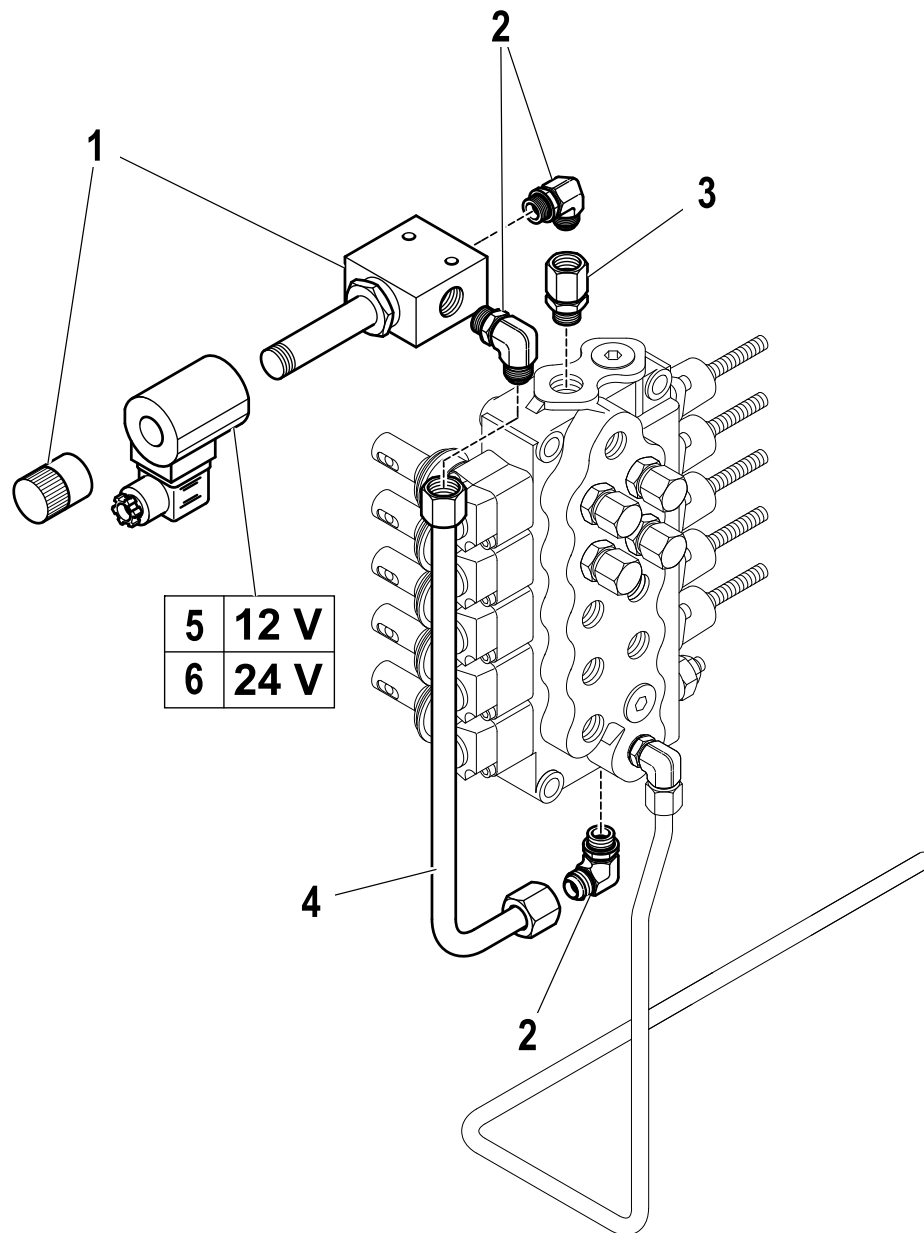
R	Pos.	Code Variant	Q.ty	Description
	21	3190006	3	Knob
	22	3190188	1	
	23	5090460	1	
	24	3060056	6	Split lock washer [D=10 C72 ZC]
	25	3010355	6	Hex screw [M10X25 8.8 ZC IF UNI 5739]
	26	5090455	1	
	27	5090570	1	
	28	3010036	3	Hex screw [M8X65 8.8 ZC UNI 5739]
	29	5090459	1	
	30	3060030	4	Flat washer [D.6.6X18 UNI 6593 ZC]
	31	3060053	4	Split lock washer [D=6.4 C72 ZC]
	32	3010323	4	Hex screw [M6X10 8.8 ZC UNI 5739]

Solenoid valve (STABILIZER CONTROL VALVE)

Code

5440107-1.0

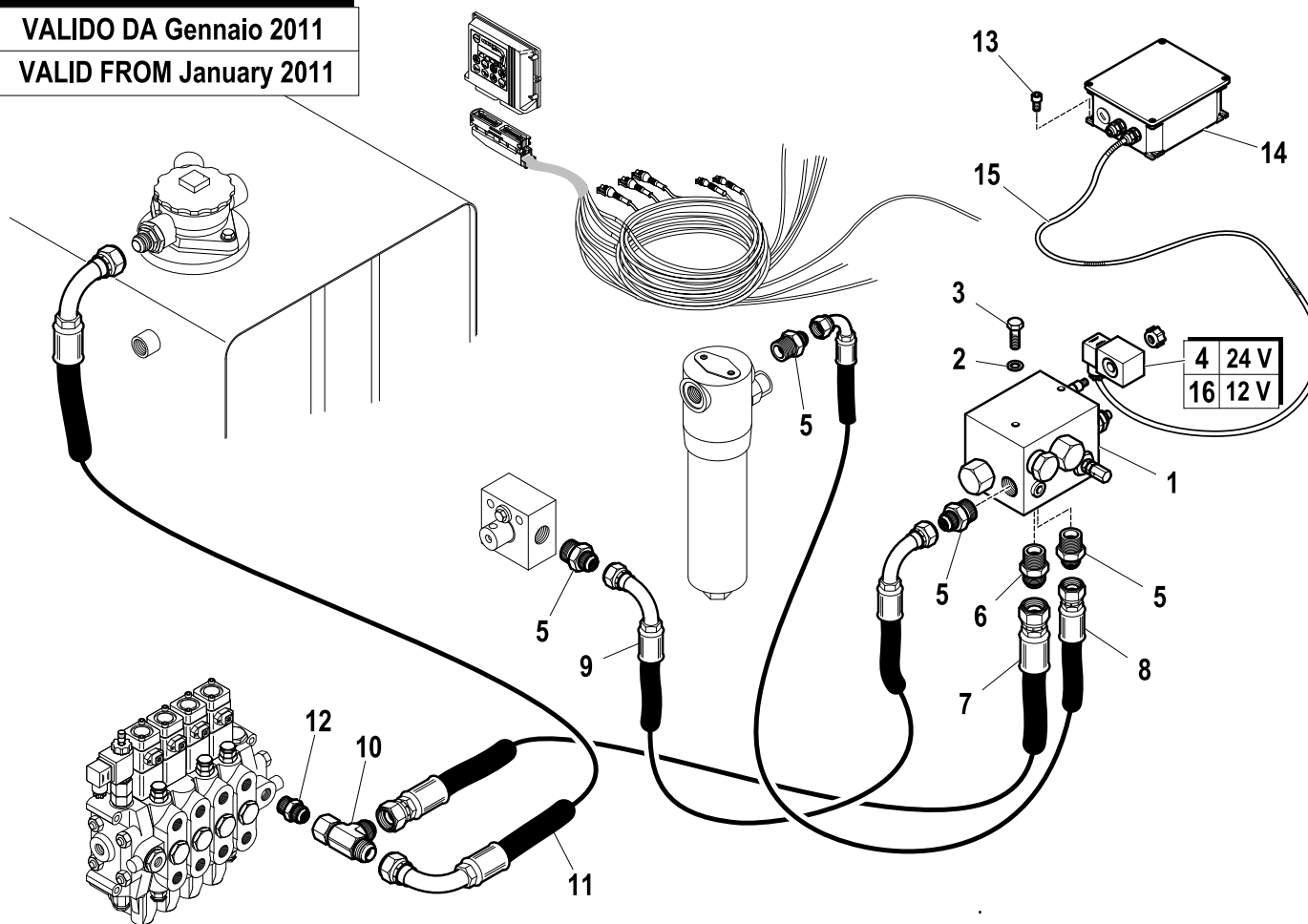
1/1



5	12 V
6	24 V

R	Pos.	Code Variant	Q.ty	Description
	1	5220182	1	
	2	3101127	3	90° Connection
	3	3120066	1	Straight pipe fitting
	4	5390557	1	
	5	3310042	1	
	6	3310043	1	

VALIDO DA Gennaio 2011
VALID FROM January 2011



R	Pos.	Code Variant	Q.ty	Description
	1	5220639	1	
	2	3060055	2	Split lock washer [D=8.4 C72 ZC]
	3	3010339	2	Hex screw [M8X25 8.8 ZC IF UNI 5739]
	4	3310242	1	
	5	3120073	3	Straight pipe fitting
	6	3101056	1	Straight pipe fitting
	7	5290152	1	Flexible hose
	8	5280790	1	
	9	5280484	1	
	10	3120331	1	Tee fitting
	11	5290153	1	Flexible hose
	12	3101058	1	Straight pipe fitting
	13	3020022	4	Socket head cap screw [M5X10 8.8 ZC UNI 5931]
	14	3311395	1	
	15	5160051	1	
	16	3310238	1	

Control valve (4 section)

Code

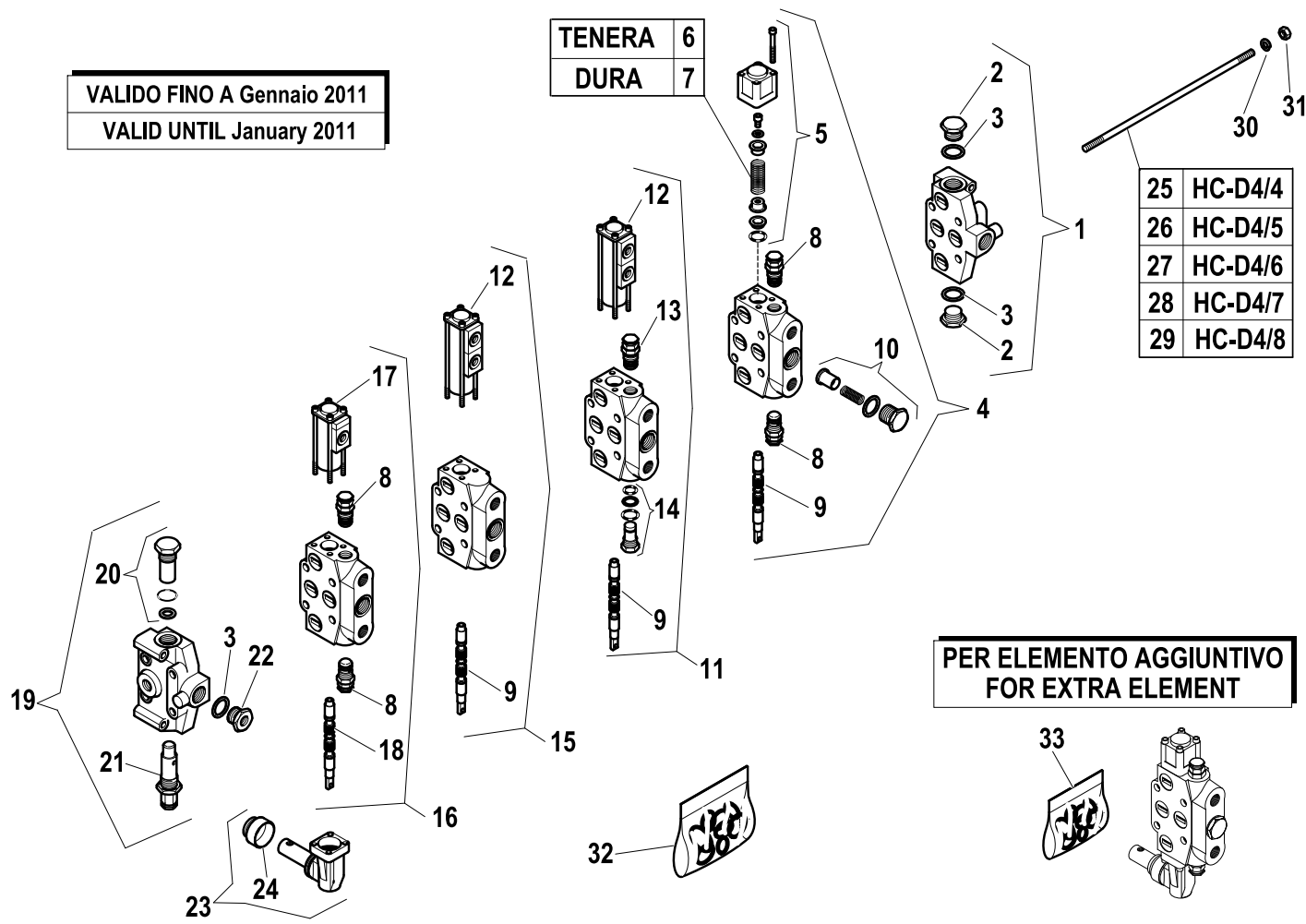
5220292-1.0

1/2

R	Pos.	Code Variant	Q.ty	Description
	1	5225477	1	
	2	3110065	2	Plug
	3	3060145	3	Sealing washer [BSP 1/2"]
	4	5225476	1	
	5	5225130	1	
	6	5225461	1	
	7	5225463	1	
	8	5225200	4	
	9	5225311	3	
	10	5225469	4	
	11	5225475	1	
	12	5225313	2	
	13	5225145	1	
	14	5225470	1	
	15	5225474	1	
	16	5225473	1	
	17	5225312	1	
	18	5225177	1	
	19	5225472	1	
	20	5225428	1	

VALIDO FINO A Gennaio 2011
VALID UNTIL January 2011

TENERA 6
DURA 7



25	HC-D4/4
26	HC-D4/5
27	HC-D4/6
28	HC-D4/7
29	HC-D4/8

PER ELEMENTO AGGIUNTIVO
FOR EXTRA ELEMENT

Control valve (4 section)

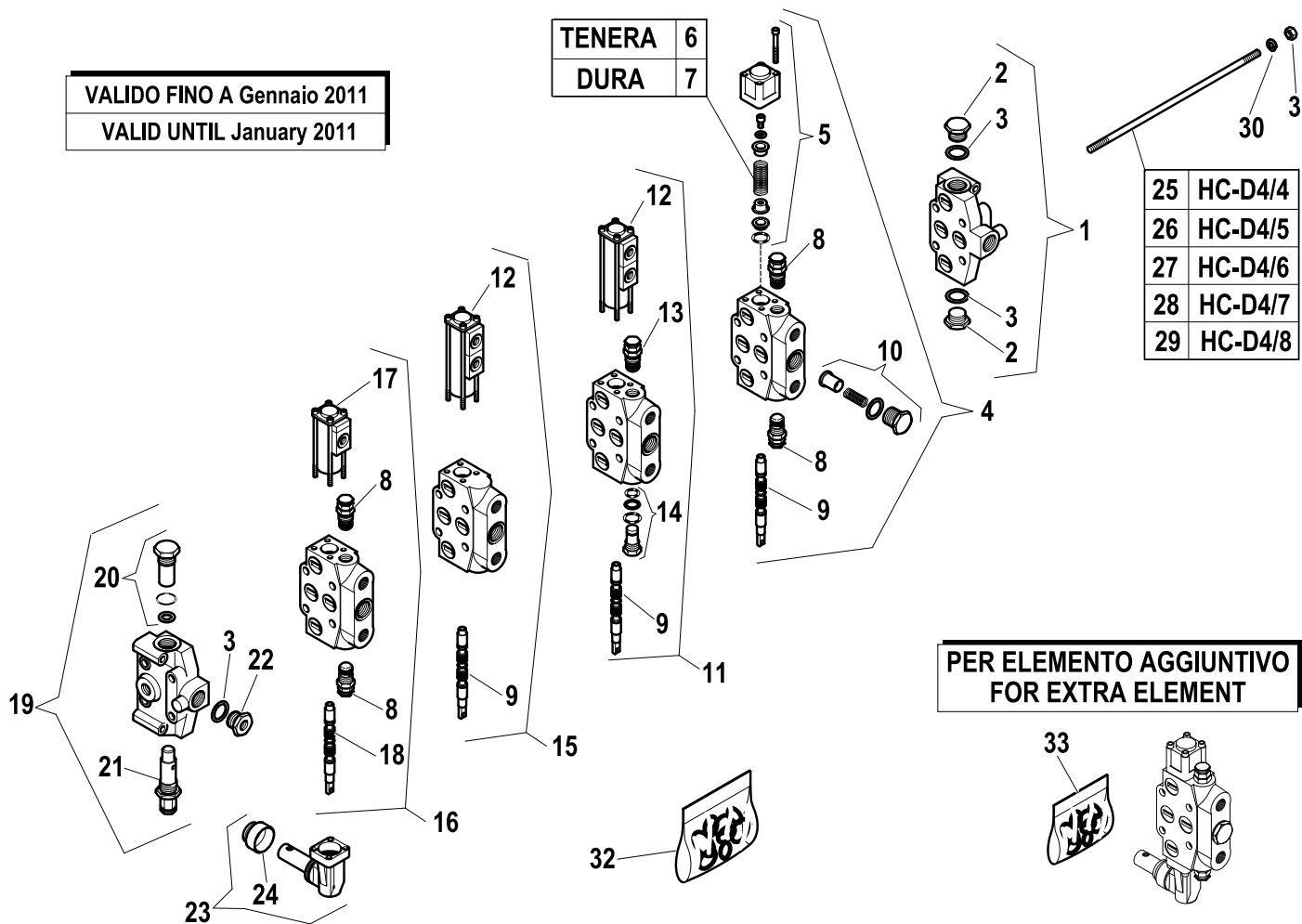
Code

5220292-1.0

2/2

VALIDO FINO A Gennaio 2011
VALID UNTIL January 2011

TENERA 6
DURA 7

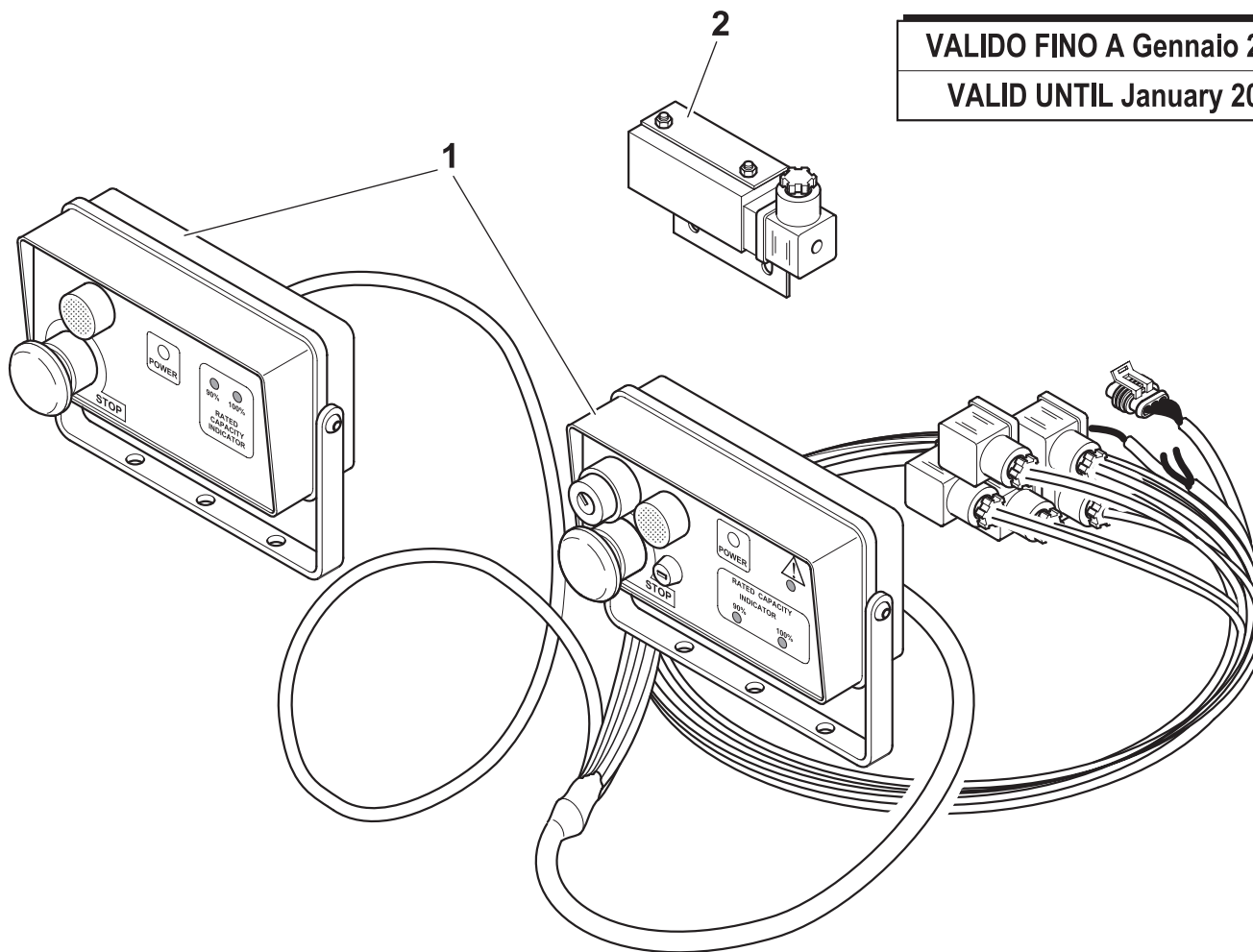


**PER ELEMENTO AGGIUNTIVO
 FOR EXTRA ELEMENT**

R	Pos.	Code Variant	Q.ty	Description
	21	5225546	1	
	22	3110161	1	Reducing fitting
	23	5225126	4	
	24	5225128	4	
	25	5225224	4	
	26	5225213	4	
	27	5225214	4	
	28	5225215	4	Screw (Tie rod)
	29	5225216	4	
	30	3060056	8	Split lock washer [D=10 C72 ZC]
	31	3040046	8	Nut
	32	5225310	1	
	33	5225031	1	Seal kit

R	Pos.	Code Variant	Q.ty	Description
	1	3310616	1	Dashboard (Electric)
	2	3310154	1	Tiltmeter

VALIDO FINO A Gennaio 2011
VALID UNTIL January 2011

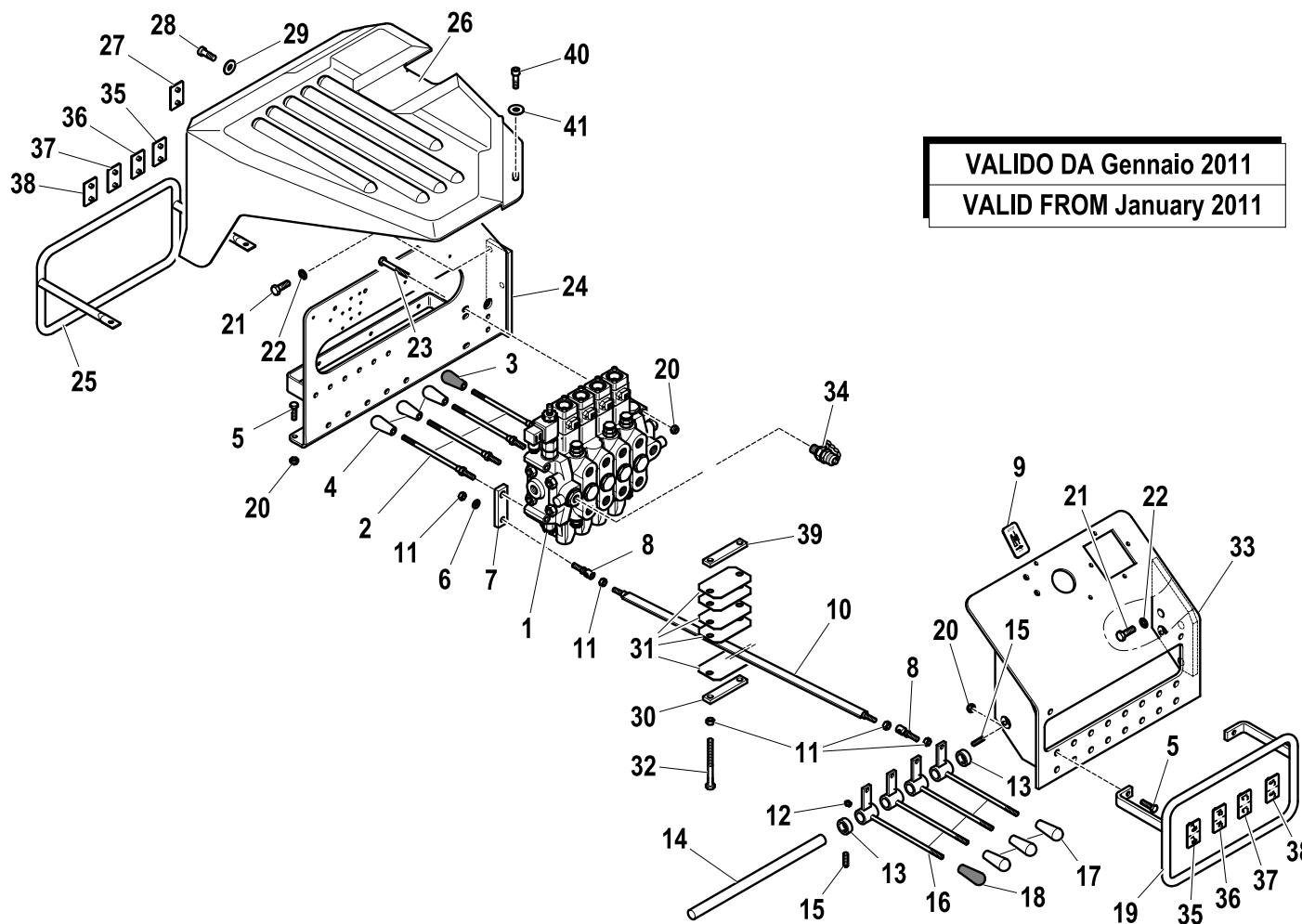


DOUBLE CONTROLS (CE)

Code

5401366-1.0

1/3



VALIDO DA Gennaio 2011
VALID FROM January 2011

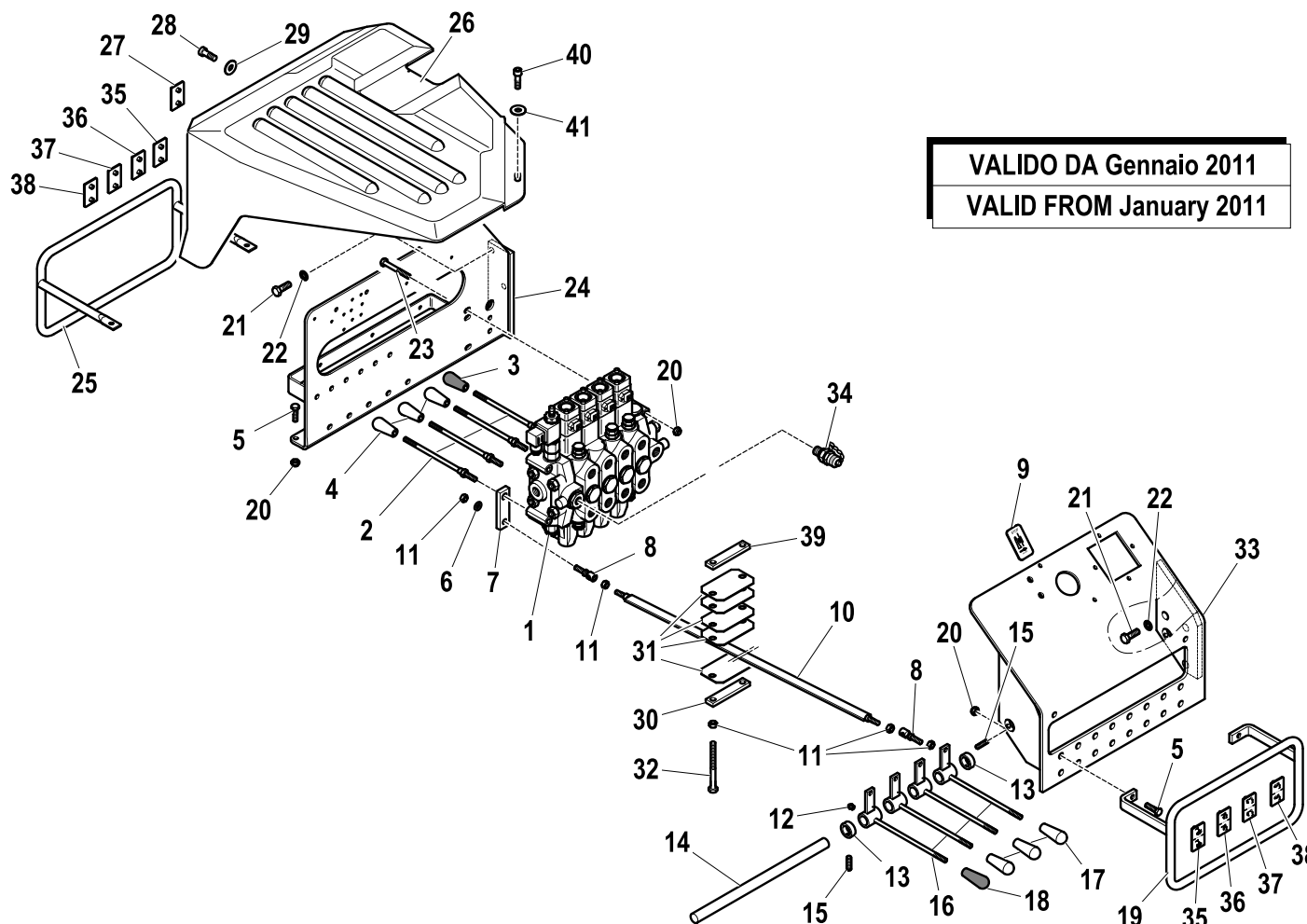
R	Pos.	Code Variant	Q.ty	Description
	1	5220465	1	
	2	5220224	4	
	3	3190189	1	
	4	3190010	3	Knob
	5	3010339	4	Hex screw [M8X25 8.8 ZC IF UNI 5739]
	6	3060006	4	Flat washer [D.8 UNI 6592 ZC]
	7	5000708	4	
	8	3300503	8	
	9	5813567	1	
	10	5091116	4	
	11	3040045	18	Nut
	12	3080500	4	Grease nipple
	13	5000670	2	
	14	5150459	1	
	15	3060234	2	Grub screw
	16	5091111	4	Control lever
	17	3190006	3	Knob
	18	3190188	1	
	19	5090460	1	
	20	3040303	7	Stopnut

DOUBLE CONTROLS (CE)

Code

5401366-1.0

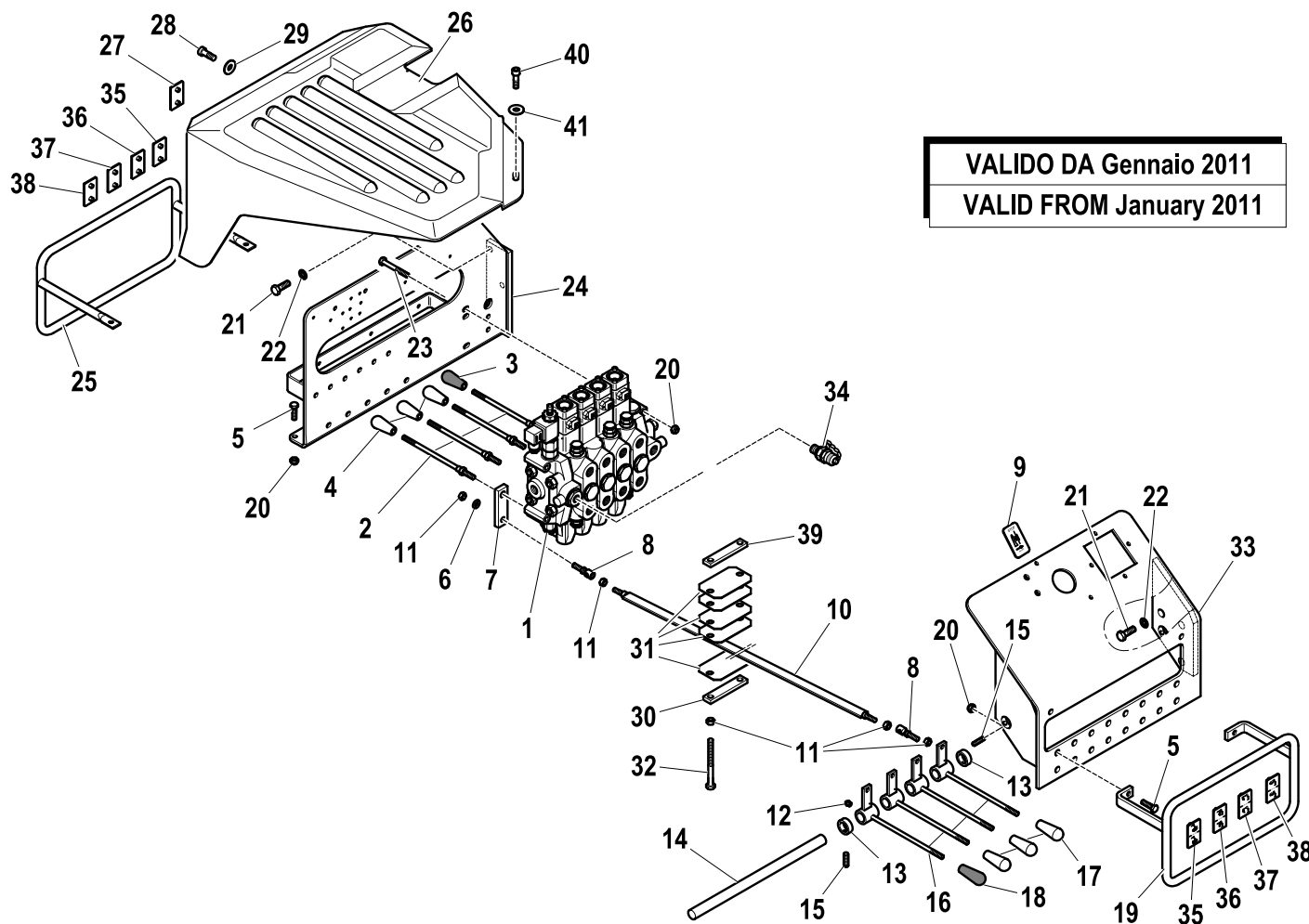
2/3



VALIDO DA Gennaio 2011
VALID FROM January 2011

R	Pos.	Code Variant	Q.ty	Description
	21	3010355	6	Hex screw [M10X25 8.8 ZC IF UNI 5739]
	22	3060056	6	Split lock washer [D=10 C72 ZC]
	23	3010036	3	Hex screw [M8X65 8.8 ZC UNI 5739]
	24	5090132	1	
	25	5090459	1	
	26	5091076	1	
	27	5813516	1	
	28	3020023	3	Socketed head cap screw [M5X16 8.8 ZC UNI 5931]
	29	3060004	3	Flat washer [D.5 UNI 6592 ZC]
	30	5001191	1	
	31	5140748	5	
	32	3010038	2	Hex screw [M8X75 8.8 ZC UNI 5737]
	33	5091329	1	
	34	3111523	1	Pipe fitting (Tapping point) [RACC. MILITES 16X2-1/4"G]
	35	W573266	2	Small plate (CONTROL SYMBOLS)
	36	W573267	2	Small plate (CONTROL SYMBOLS)
	37	W573269	2	Small plate (CONTROL SYMBOLS)
	38	W573270	2	Small plate (CONTROL SYMBOLS)
	39	5001190	1	
	40	3020034	1	Socketed head cap screw [M6X16 8.8 ZC UNI 5931]

R	Pos.	Code Variant	Q.ty	Description
	41	3060030	1	Flat washer [D.6.6X18 UNI 6593 ZC]



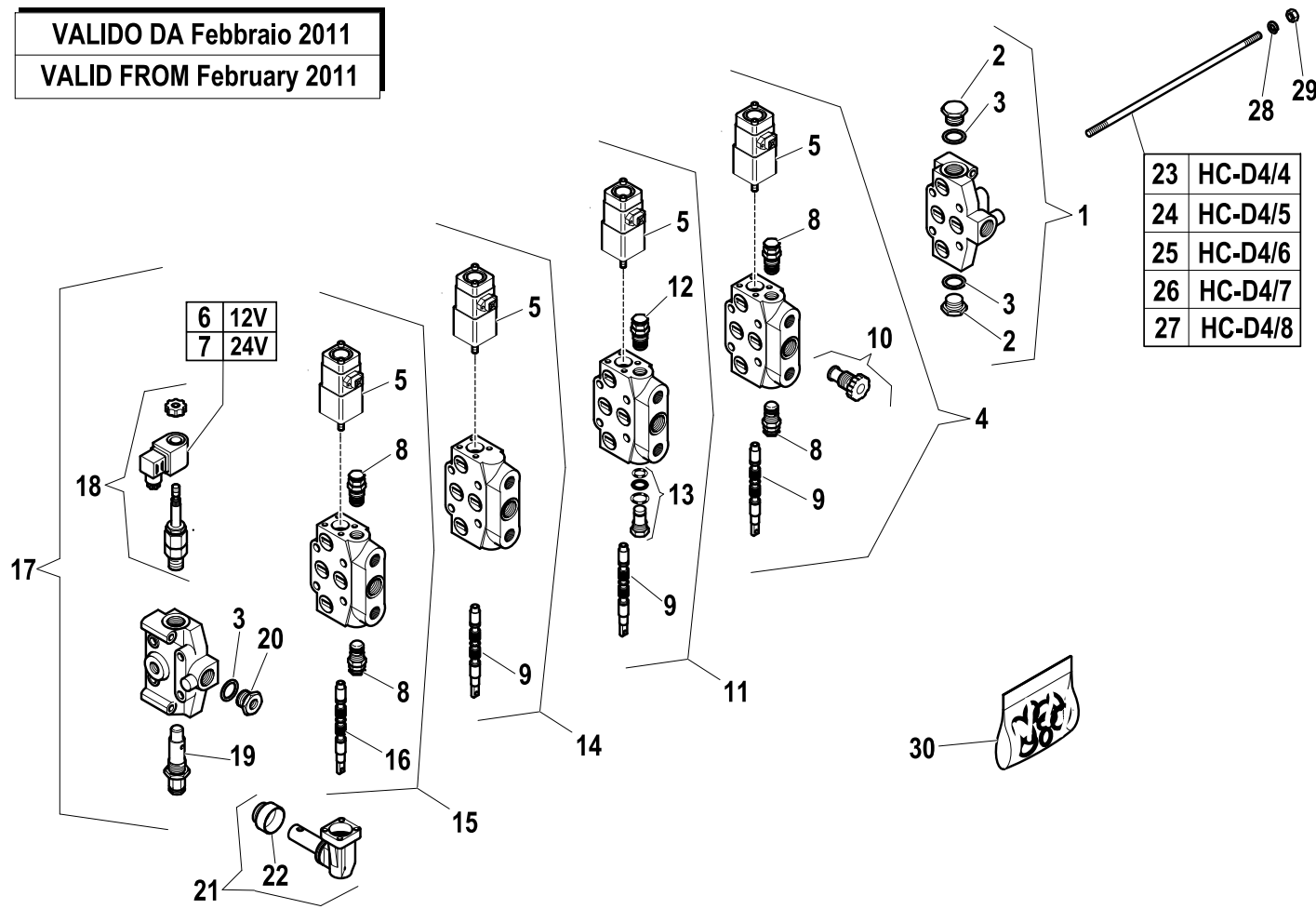
Control valve (4 section)

Code

5220465-1.0

1/2

VALIDO DA Febbraio 2011
VALID FROM February 2011



R	Pos.	Code Variant	Q.ty	Description
	1	5225477	1	
	2	3110065	2	Plug
	3	3060145	3	Sealing washer [BSP 1/2"]
	4	5225698	1	
	5	5225372	4	
	6	3311046	1	
	7	3311047	1	
	8	5225200	4	
	9	5225311	3	
	10	5225865	4	
	11	5225699	1	
	12	5225145	1	
	13	5225470	1	
	14	5225860	1	
	15	5225861	1	
	16	5225177	1	
	17	5225862	1	
	18	5225429	1	
	19	5225546	1	
	20	3110161	1	Reducing fitting

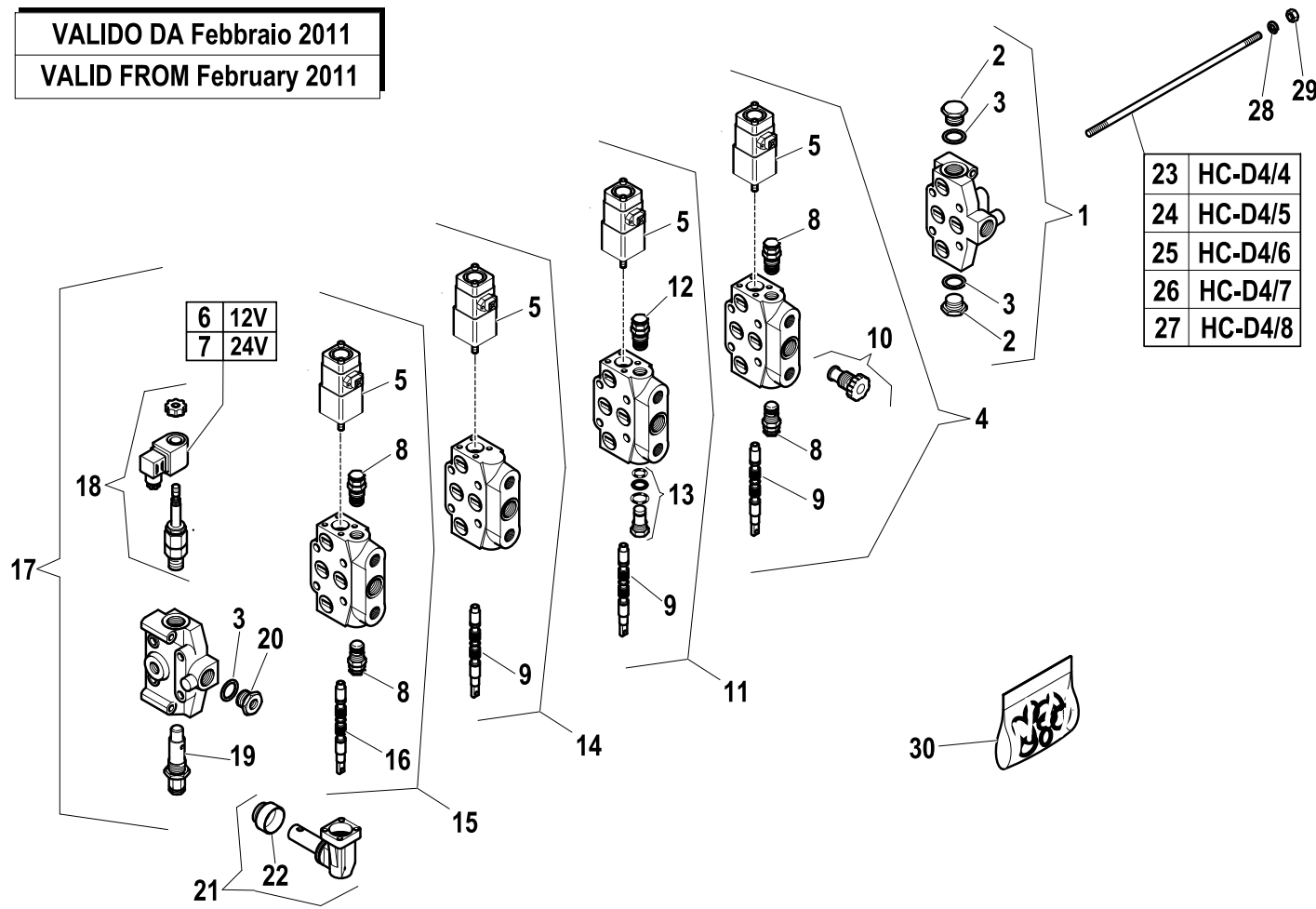
Control valve (4 section)

Code

5220465-1.0

2/2

VALIDO DA Febbraio 2011
VALID FROM February 2011



R	Pos.	Code Variant	Q.ty	Description
	21	5225126	4	
	22	5225128	4	
	23	5225224	4	
	24	5225213	4	
	25	5225214	4	
	26	5225215	4	Screw (Tie rod)
	27	5225216	4	
	28	3060056	8	Split lock washer [D=10 C72 ZC]
	29	3040046	8	Nut
	30	5225863	1	

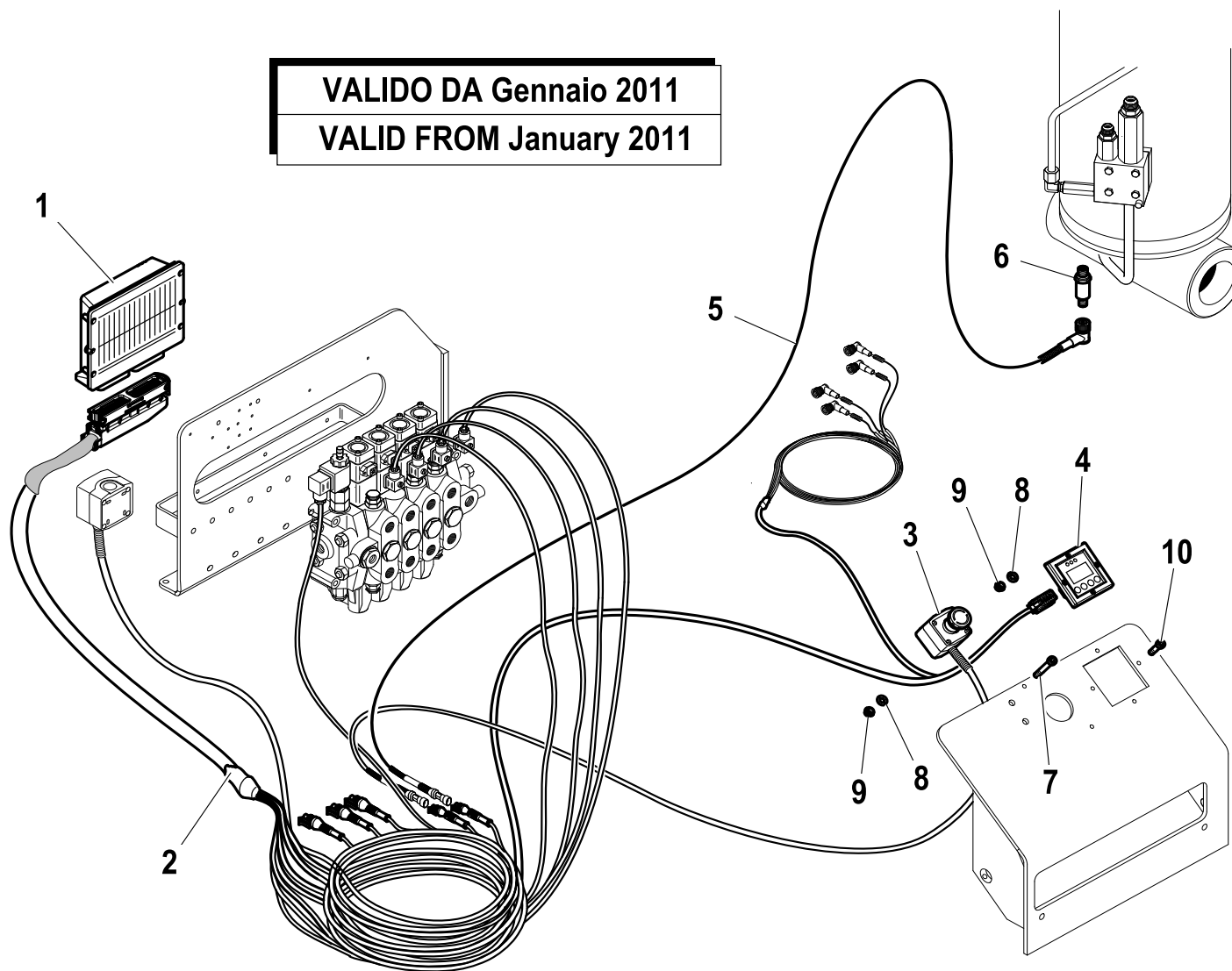
DOUBLE CONTROLS (CE)

Code

5401729-1.0

1/1

VALIDO DA Gennaio 2011
VALID FROM January 2011



R	Pos.	Code Variant	Q.ty	Description
	1	3311423	1	Moment limiting device [SUPERATO]
	2	5160085	1	Electric wiring
	3	3311400	1	Electric wiring
	4	3311328	1	DIGITAL INSTRUMENT PANEL (Moment limiting device)
	5	5160084	1	Electric wiring
	6	3310612	1	Pressure sensor
	7	3020013	2	Socket head cap screw [M4X60 8.8 ZC UNI 5931]
	8	3060030	4	Flat washer [D.6.6X18 UNI 6593 ZC]
	9	3040518	4	Stopnut
	10	3020885	2	Socket head cap screw [M4X20 8.8 ZC UNI 5931]

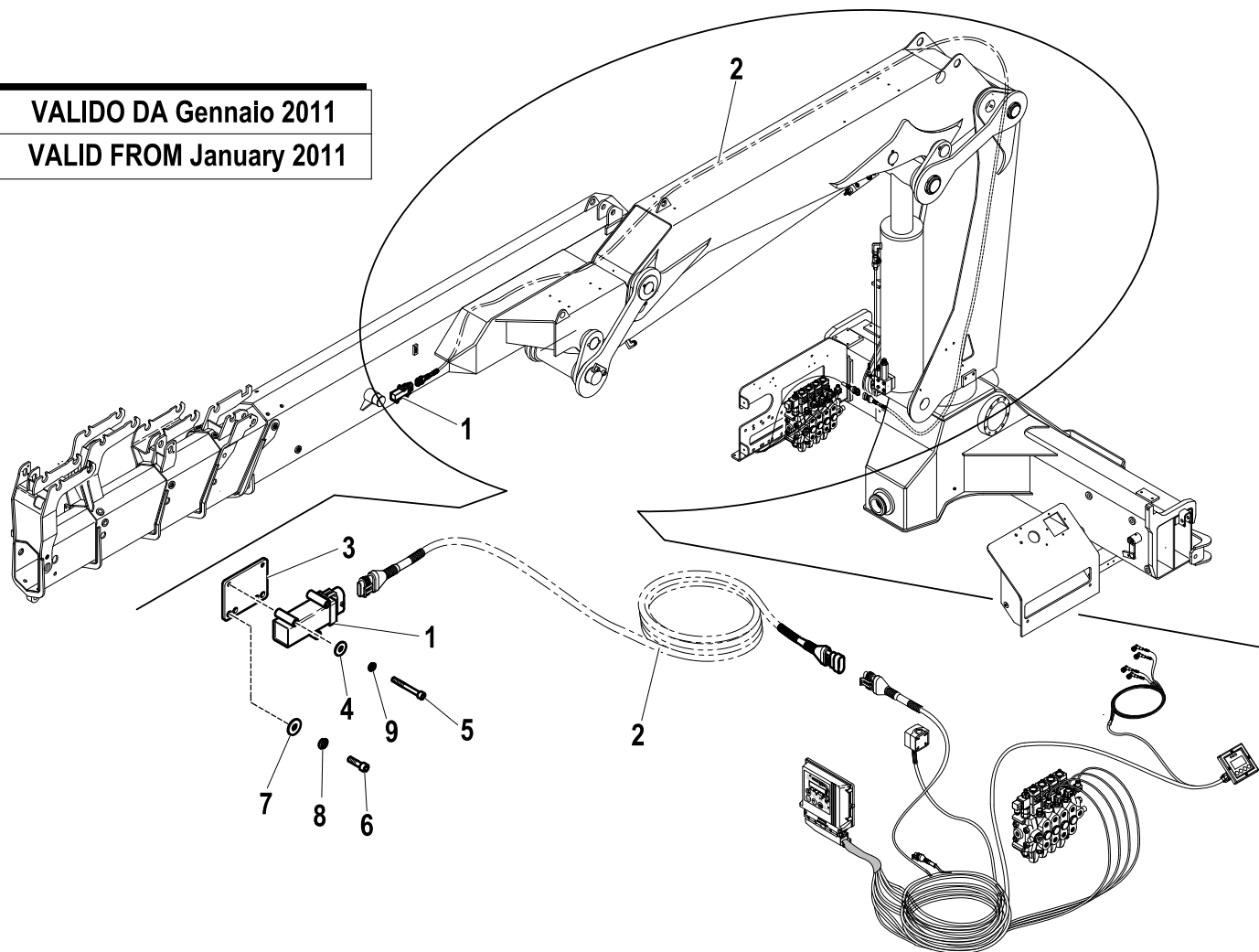
DOUBLE CONTROLS (CE)

Code

5401366-3.0

1/1

VALIDO DA Gennaio 2011
VALID FROM January 2011



R	Pos.	Code Variant	Q.ty	Description
	1	3311150	1	Tiltmeter
	2	5160076	1	
	3	5002108	1	Support plate (Tiltmeter)
	4	3060003	2	Flat washer [D.4 UNI 6592 ZC]
	5	3020018	2	Socketed head cap screw [M4X30 8.8 ZC UNI 5931]
	6	3020033	2	Socketed head cap screw [M6X10 8.8 ZC UNI 5931]
	7	3060005	2	Flat washer [D.6.4 UNI 6592 ZC]
	8	3060053	2	Split lock washer [D=6.4 C72 ZC]
	9	3060065	2	Split lock washer [D=4.1 C72 ZC]

DOUBLE CONTROLS (CE)

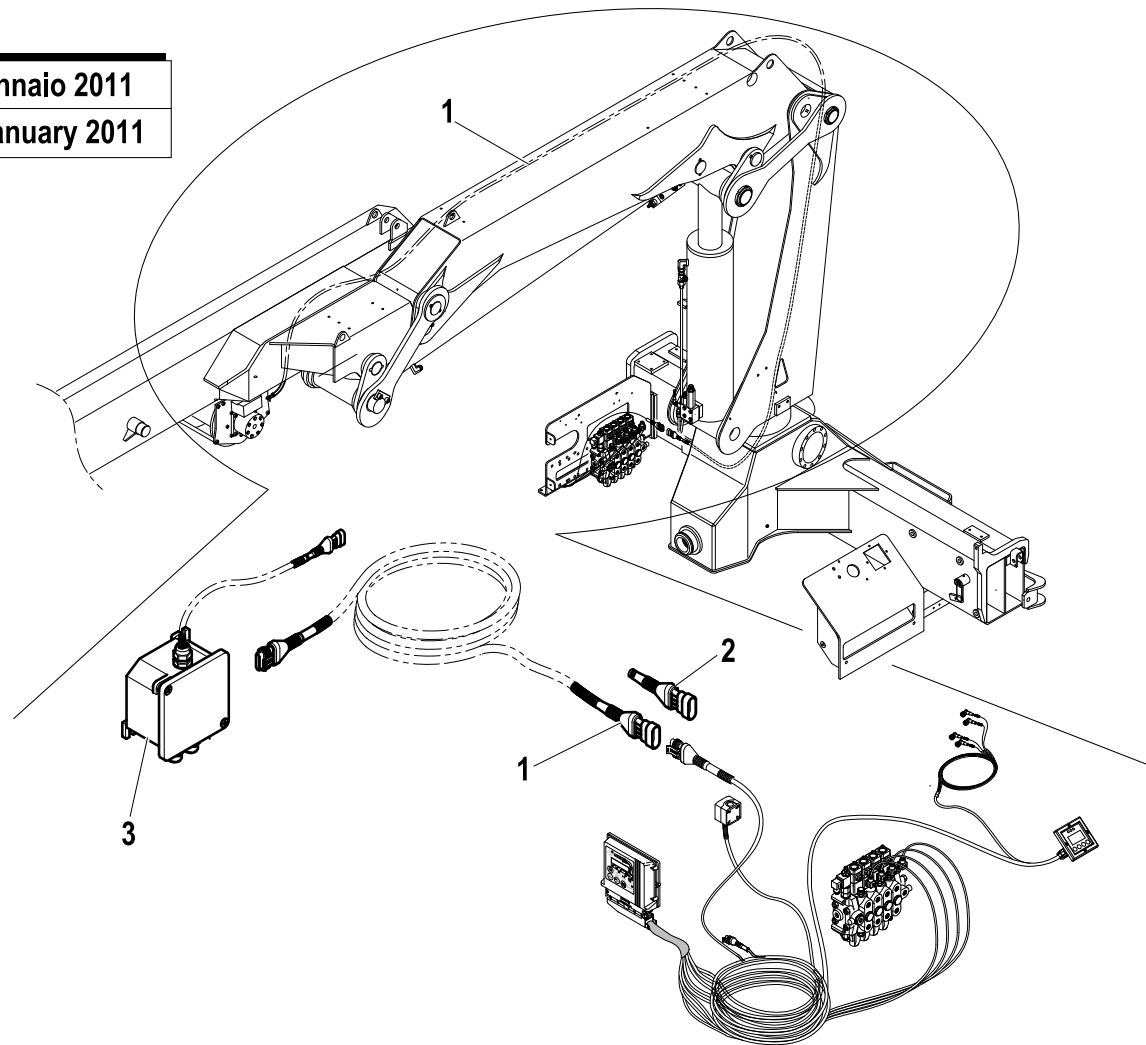
Code

5401366-6.0

1/1

VALIDO DA Gennaio 2011
VALID FROM January 2011

R	Pos.	Code Variant	Q.ty	Description
	1	5160004	1	
	2	5160013	1	
	3	3310663	1	



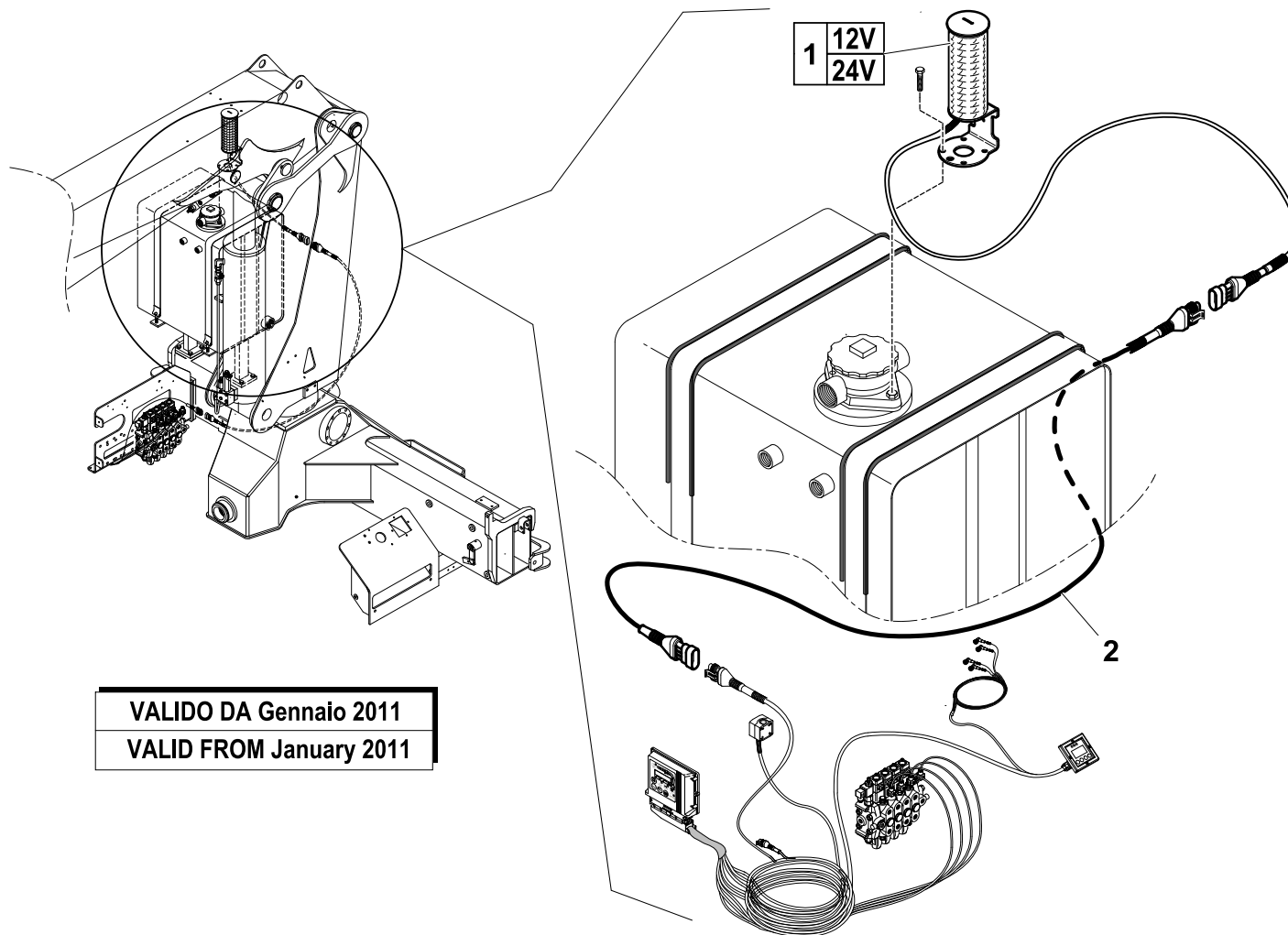
DOUBLE CONTROLS (CE)

Code

5401366-7.0

1/1

R	Pos.	Code Variant	Q.ty	Description
1		3311159	1	Signal Columns
2		5160003	1	Electric wiring



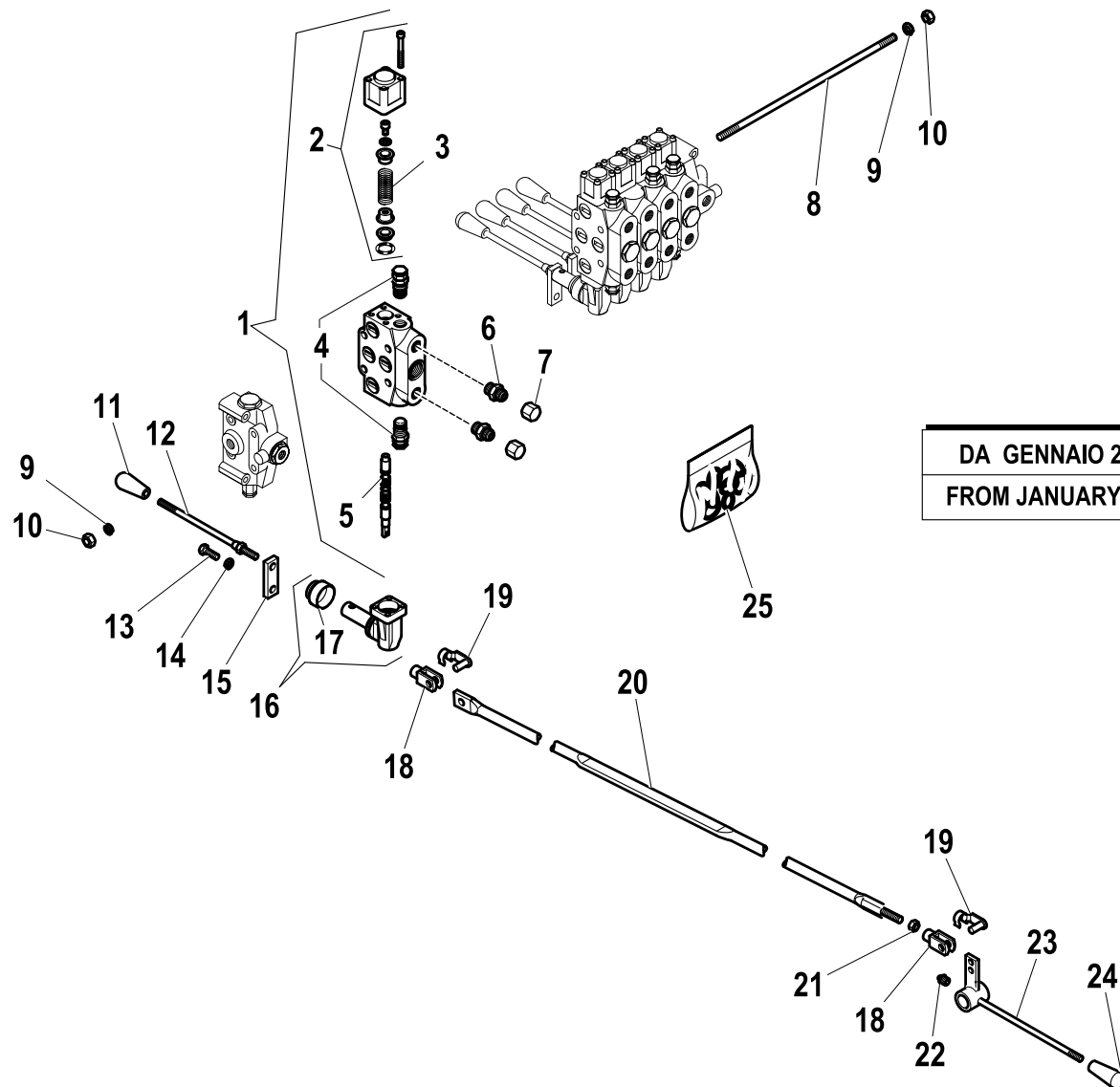
VALIDO DA Gennaio 2011
VALID FROM January 2011

5th extra function kit open center spool

Code

5400072-3.0

1/2



**DA GENNAIO 2011 SOLO "NO CE"
FROM JANUARY 2011 ONLY "NO CE"**

R	Pos.	Code Variant	Q.ty	Description
	1	5225187	1	
	2	5225130	1	
	3	5225462	1	
	4	5225200	2	
	5	5225177	1	
	6	3101051	2	Straight pipe fitting
	7	3110050	2	Female plug
	8	5225213	4	
	9	3060056	4	Split lock washer [D=10 C72 ZC]
	10	3040046	4	Nut
	11	3190010	1	Knob
	12	5220224	2	
	13	3010339	2	Hex screw [M8X25 8.8 ZC IF UNI 5739]
	14	3060055	2	Split lock washer [D=8.4 C72 ZC]
	15	5000708	2	
	16	5225126	2	
	17	5225128	2	
	18	3300431	2	
	19	3300451	2	
	20	5090456	2	

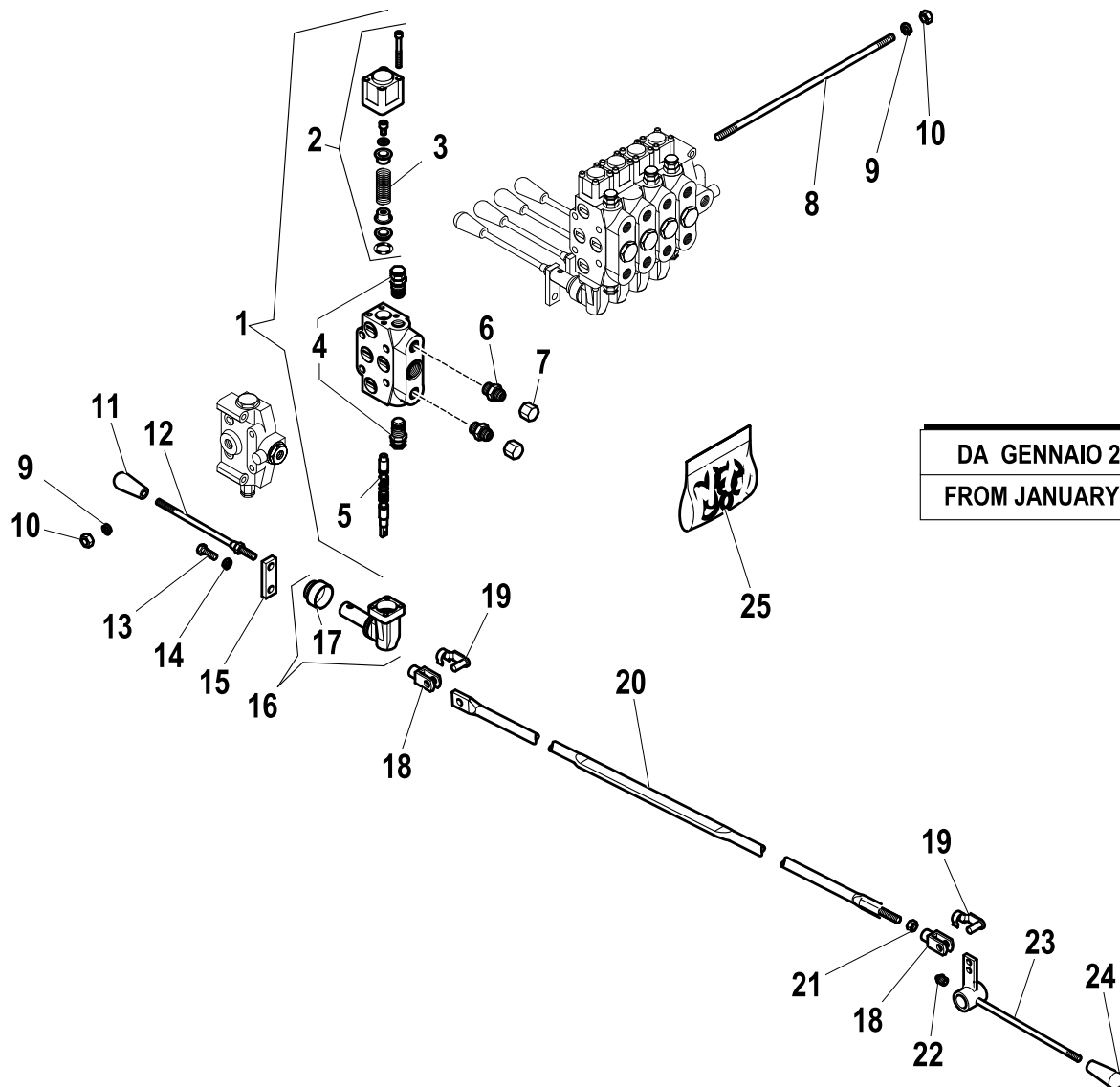
5th extra function kit open center spool

Code

5400072-3.0

2/2

R	Pos.	Code Variant	Q.ty	Description
	21	3040045	2	Nut
	22	3080500	2	Grease nipple
	23	5090433	2	Control lever
	24	3190006	1	Knob
	25	5225031	1	Seal kit



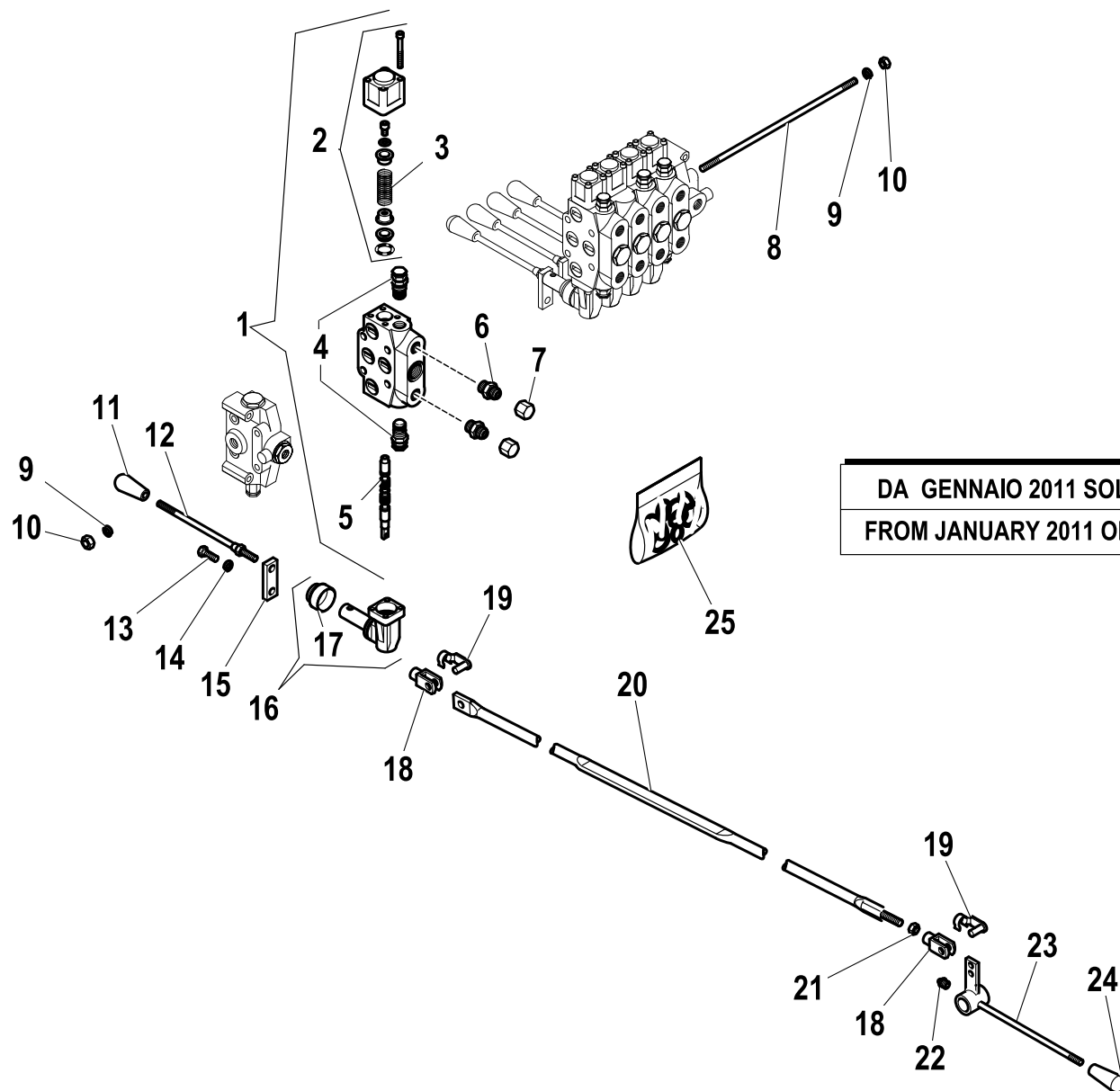
DA GENNAIO 2011 SOLO "NO CE"
FROM JANUARY 2011 ONLY "NO CE"

5th extra function kit closed center spool

Code

5400072-1.0

1/2



**DA GENNAIO 2011 SOLO "NO CE"
FROM JANUARY 2011 ONLY "NO CE"**

R	Pos.	Code Variant	Q.ty	Description
	1	5225190	1	
	2	5225130	1	
	3	5225462	1	
	4	5225200	2	
	5	5225143	1	Slider
	6	3101051	2	Straight pipe fitting
	7	3110050	2	Female plug
	8	5225213	4	
	9	3060056	4	Split lock washer [D=10 C72 ZC]
	10	3040046	4	Nut
	11	3190010	1	Knob
	12	5220224	2	
	13	3010339	2	Hex screw [M8X25 8.8 ZC IF UNI 5739]
	14	3060055	2	Split lock washer [D=8.4 C72 ZC]
	15	5000708	2	
	16	5225126	2	
	17	5225128	2	
	18	3300431	2	
	19	3300451	2	
	20	5090456	2	

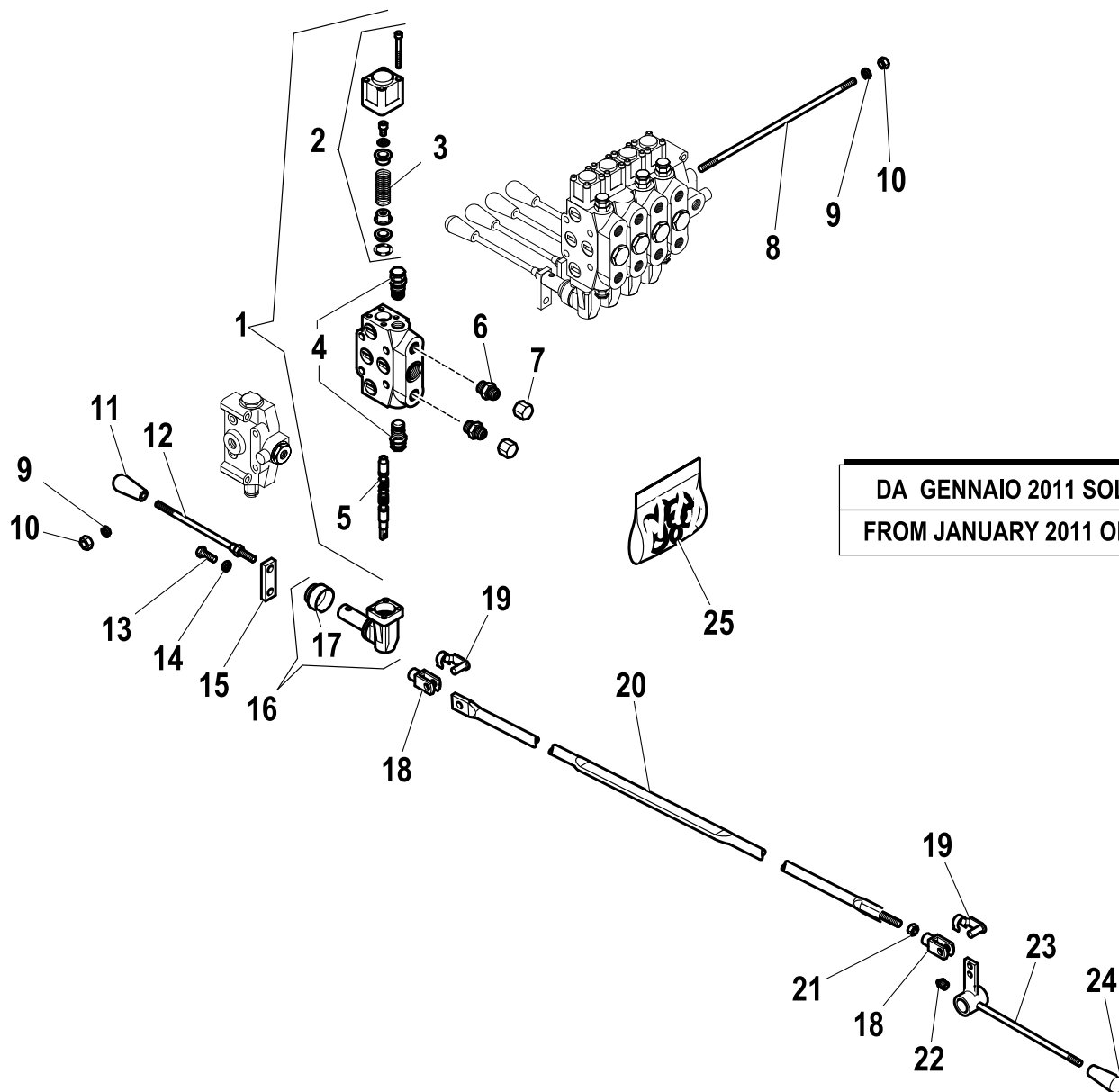
5th extra function kit closed center spool

Code

5400072-1.0

2/2

R	Pos.	Code Variant	Q.ty	Description
	21	3040045	2	Nut
	22	3080500	2	Grease nipple
	23	5090433	2	Control lever
	24	3190006	1	Knob
	25	5225031	1	Seal kit



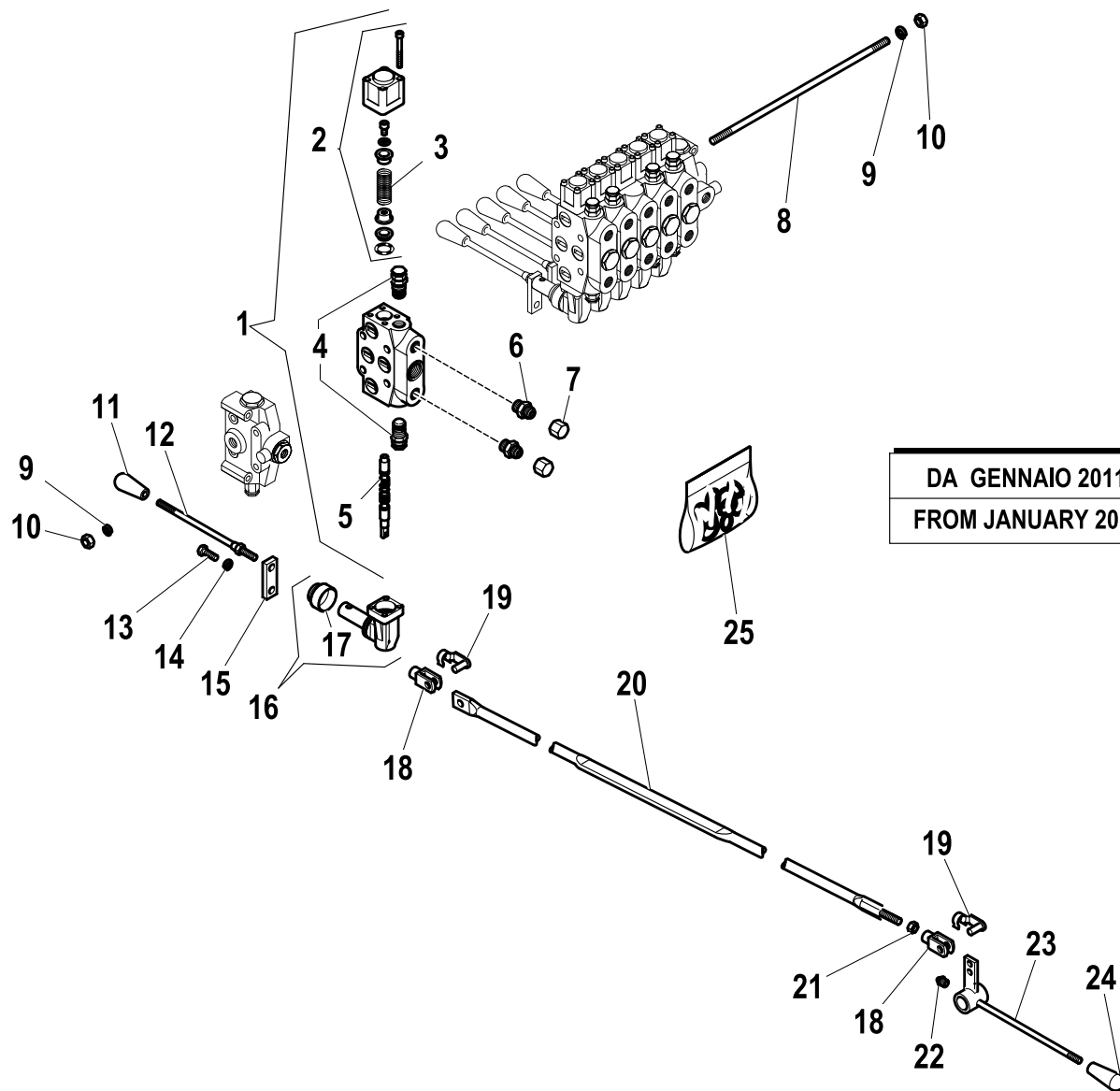
**DA GENNAIO 2011 SOLO "NO CE"
FROM JANUARY 2011 ONLY "NO CE"**

6th extra function kit open center spool

Code

5400072-4.0

1/2



**DA GENNAIO 2011 SOLO "NO CE"
FROM JANUARY 2011 ONLY "NO CE"**

R	Pos.	Code Variant	Q.ty	Description
	1	5225187	1	
	2	5225130	1	
	3	5225462	1	
	4	5225200	2	
	5	5225177	1	
	6	3101051	2	Straight pipe fitting
	7	3110050	2	Female plug
	8	5225214	4	
	9	3060056	4	Split lock washer [D=10 C72 ZC]
	10	3040046	4	Nut
	11	3190006	2	Knob
	12	5220224	2	
	13	3010339	2	Hex screw [M8X25 8.8 ZC IF UNI 5739]
	14	3060055	2	Split lock washer [D=8.4 C72 ZC]
	15	5000708	2	
	16	5225126	2	
	17	5225128	2	
	18	3300431	2	
	19	3300451	2	
	20	5090456	1	

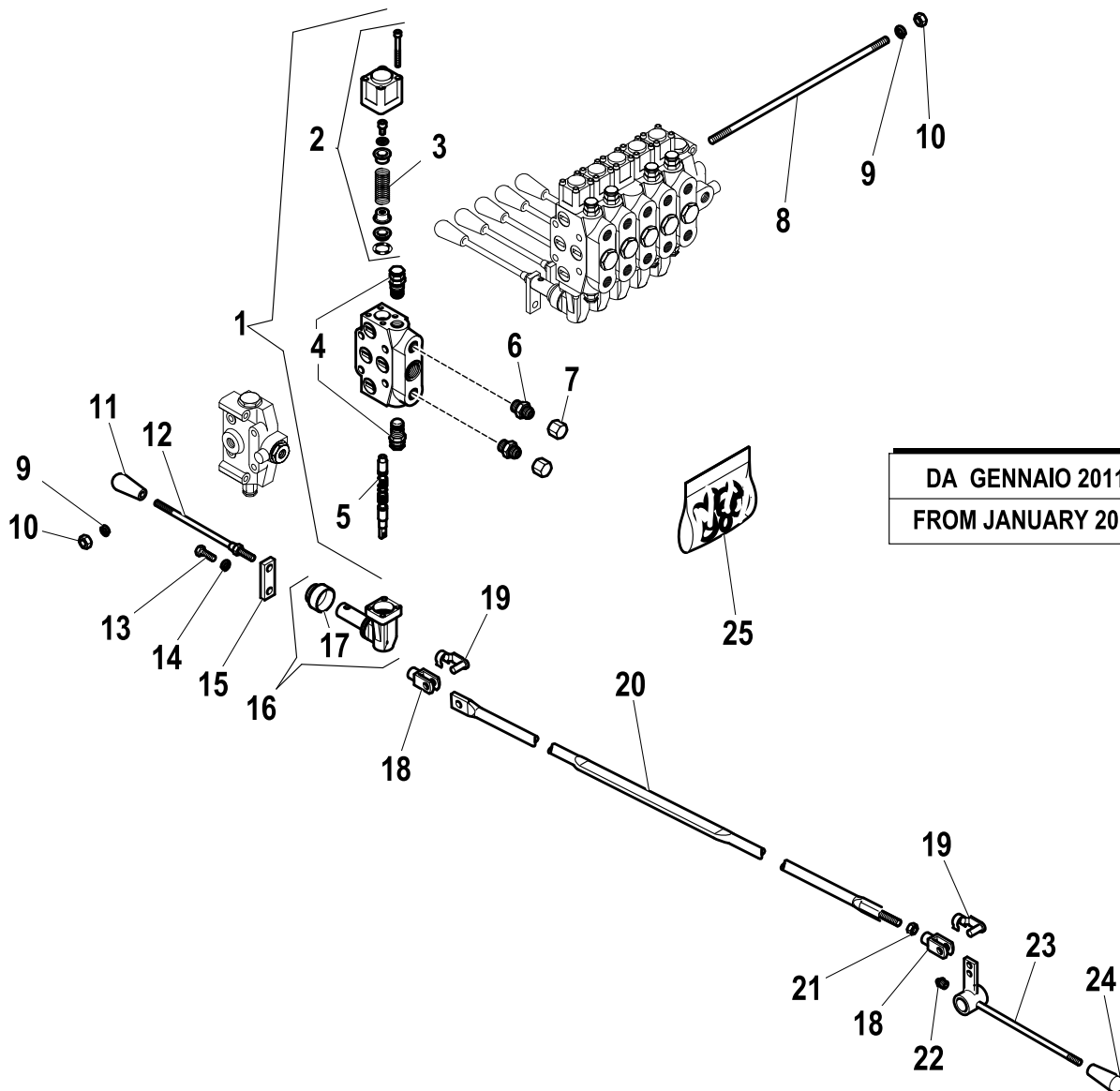
6th extra function kit open center spool

Code

5400072-4.0

2/2

R	Pos.	Code Variant	Q.ty	Description
	21	3040045	2	Nut
	22	3080500	2	Grease nipple
	23	5090433	2	Control lever
	24	3190010	2	Knob
	25	5225031	1	Seal kit



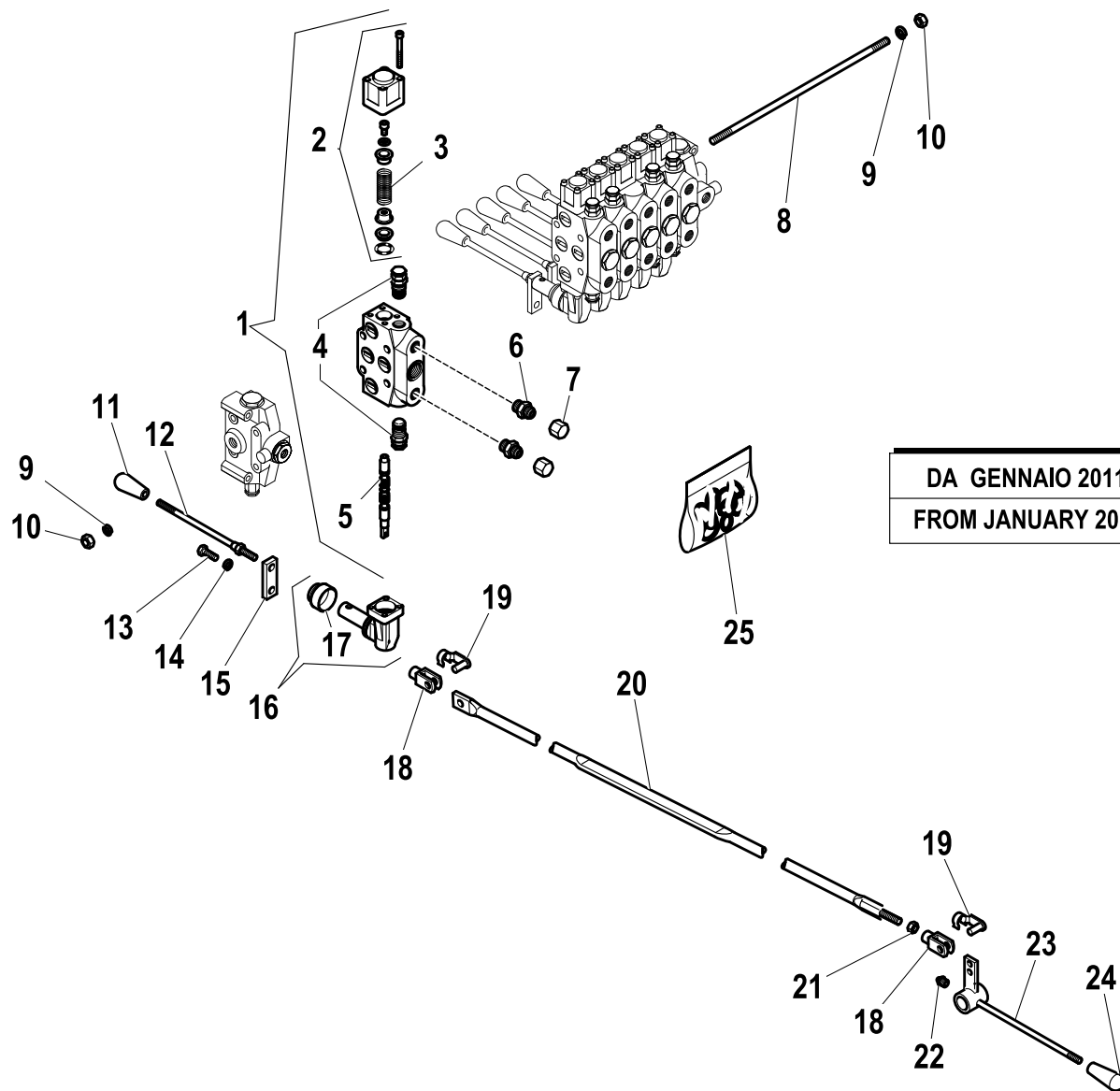
DA GENNAIO 2011 SOLO "NO CE"
FROM JANUARY 2011 ONLY "NO CE"

6th extra function kit closed center spool

Code

5400072-2.0

1/2



**DA GENNAIO 2011 SOLO "NO CE"
FROM JANUARY 2011 ONLY "NO CE"**

R	Pos.	Code Variant	Q.ty	Description
	1	5225190	1	
	2	5225130	1	
	3	5225462	1	
	4	5225200	2	
	5	5225143	1	Slider
	6	3101051	2	Straight pipe fitting
	7	3110050	2	Female plug
	8	5225214	4	
	9	3060056	4	Split lock washer [D=10 C72 ZC]
	10	3040046	4	Nut
	11	3190010	1	Knob
	12	5220224	2	
	13	3010339	2	Hex screw [M8X25 8.8 ZC IF UNI 5739]
	14	3060055	2	Split lock washer [D=8.4 C72 ZC]
	15	5000708	2	
	16	5225126	2	
	17	5225128	2	
	18	3300431	2	
	19	3300451	2	
	20	5090456	2	

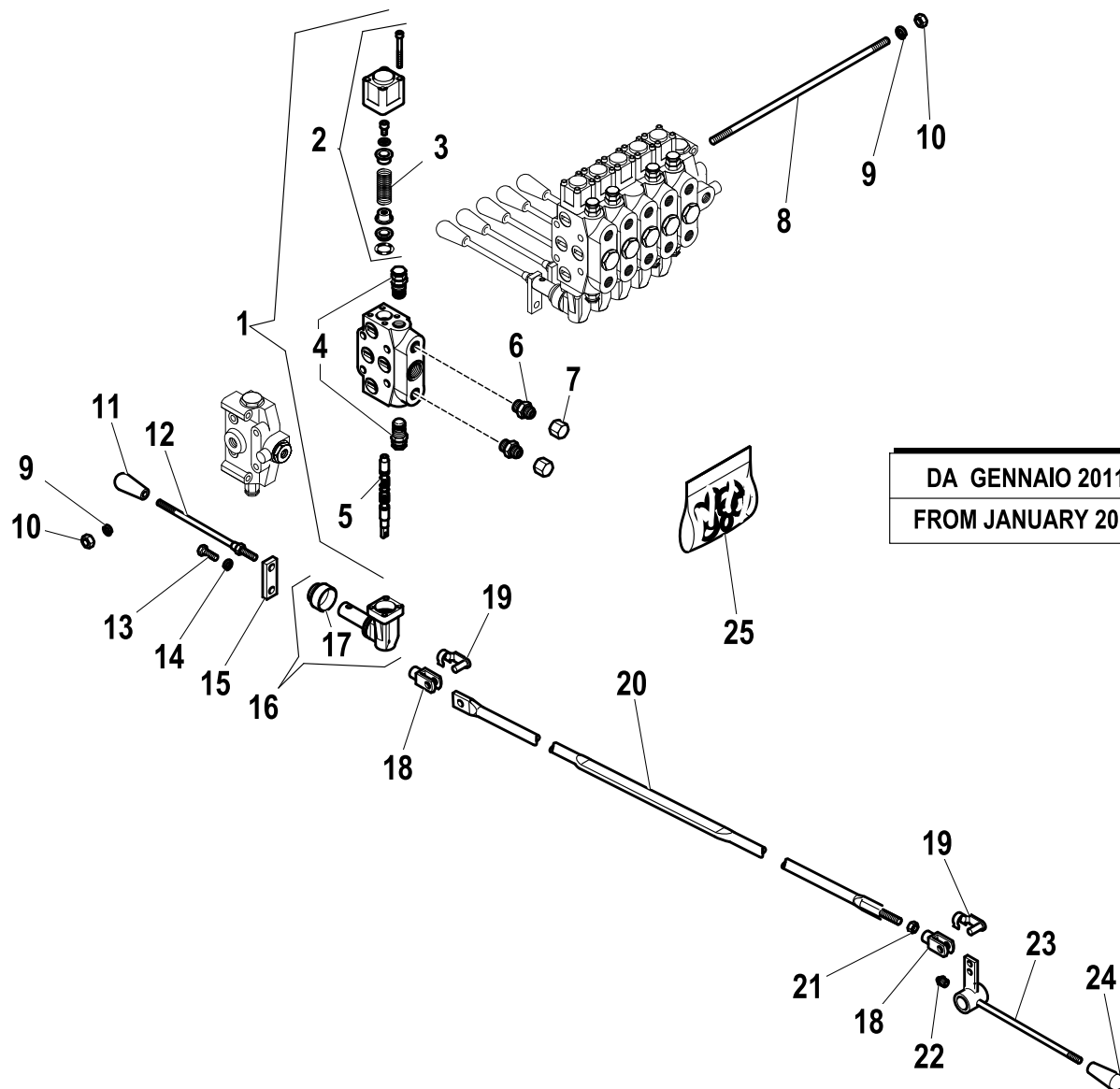
6th extra function kit closed center spool

Code

5400072-2.0

2/2

R	Pos.	Code Variant	Q.ty	Description
	21	3040045	2	Nut
	22	3080500	2	Grease nipple
	23	5090433	2	Control lever
	24	3190006	1	Knob
	25	5225031	1	Seal kit



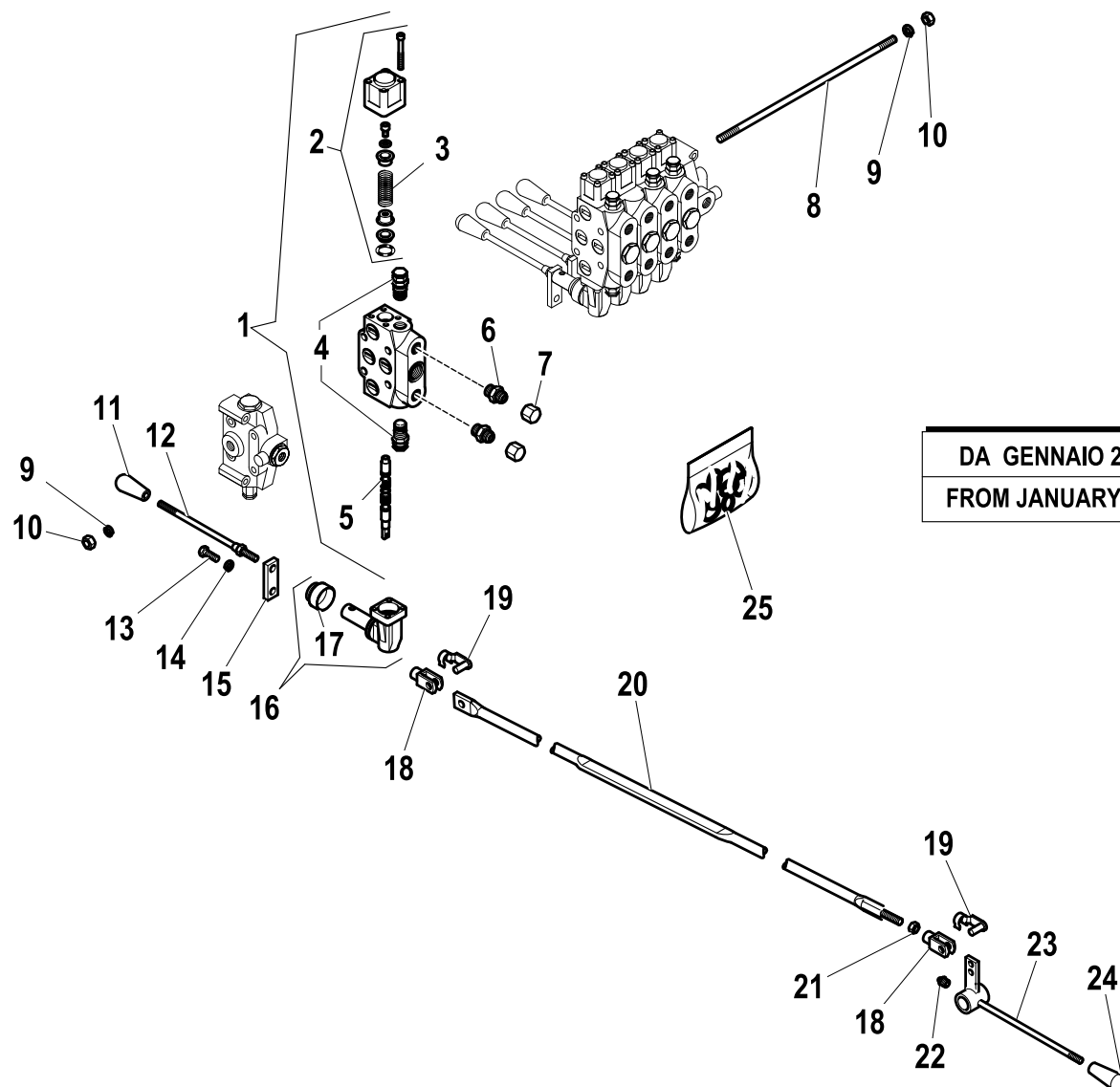
DA GENNAIO 2011 SOLO "NO CE"
FROM JANUARY 2011 ONLY "NO CE"

7th extra function kit open center spool

Code

5400072-5.0

1/2



DA GENNAIO 2011 SOLO "NO CE"
FROM JANUARY 2011 ONLY "NO CE"

R	Pos.	Code Variant	Q.ty	Description
	1	5225187	1	
	2	5225130	1	
	3	5225462	1	
	4	5225200	2	
	5	5225177	1	
	6	3101051	2	Straight pipe fitting
	7	3110050	2	Female plug
	8	5225215	4	Screw (Tie rod)
	9	3060056	4	Split lock washer [D=10 C72 ZC]
	10	3040046	4	Nut
	11	3190006	2	Knob
	12	5220224	2	
	13	3010339	2	Hex screw [M8X25 8.8 ZC IF UNI 5739]
	14	3060055	2	Split lock washer [D=8.4 C72 ZC]
	15	5000708	2	
	16	5225126	2	
	17	5225128	2	
	18	3300431	2	
	19	3300451	2	
	20	5090456	1	

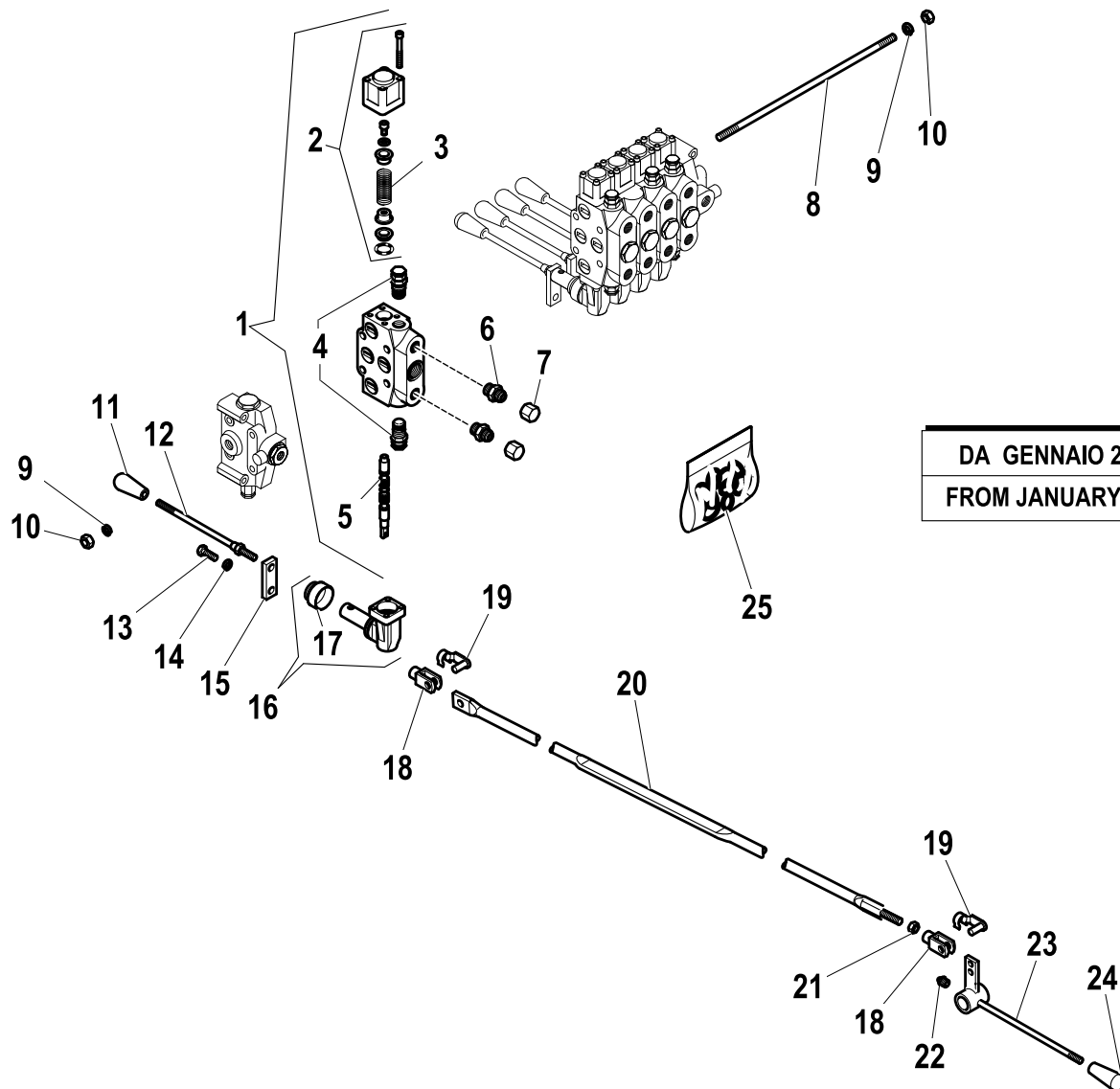
7th extra function kit open center spool

Code

5400072-5.0

2/2

R	Pos.	Code Variant	Q.ty	Description
	21	3040045	2	Nut
	22	3080500	2	Grease nipple
	23	5090433	2	Control lever
	24	3190010	2	Knob
	25	5225031	1	Seal kit



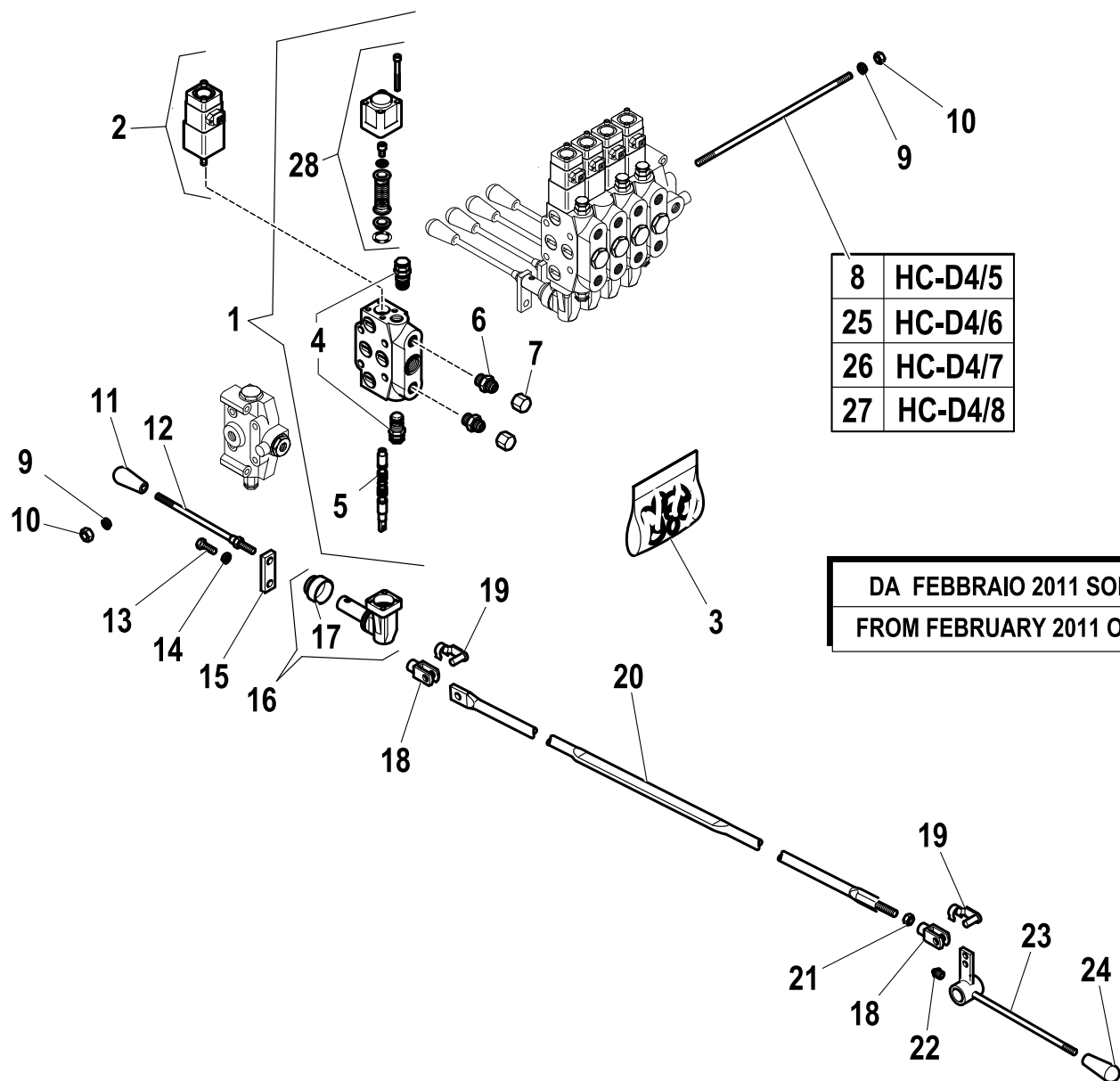
DA GENNAIO 2011 SOLO "NO CE"
FROM JANUARY 2011 ONLY "NO CE"

5th extra function kit open center spool

Code

5212019-1.0

1/2



8	HC-D4/5
25	HC-D4/6
26	HC-D4/7
27	HC-D4/8

**DA FEBBRAIO 2011 SOLO "CE"
FROM FEBRUARY 2011 ONLY "CE"**

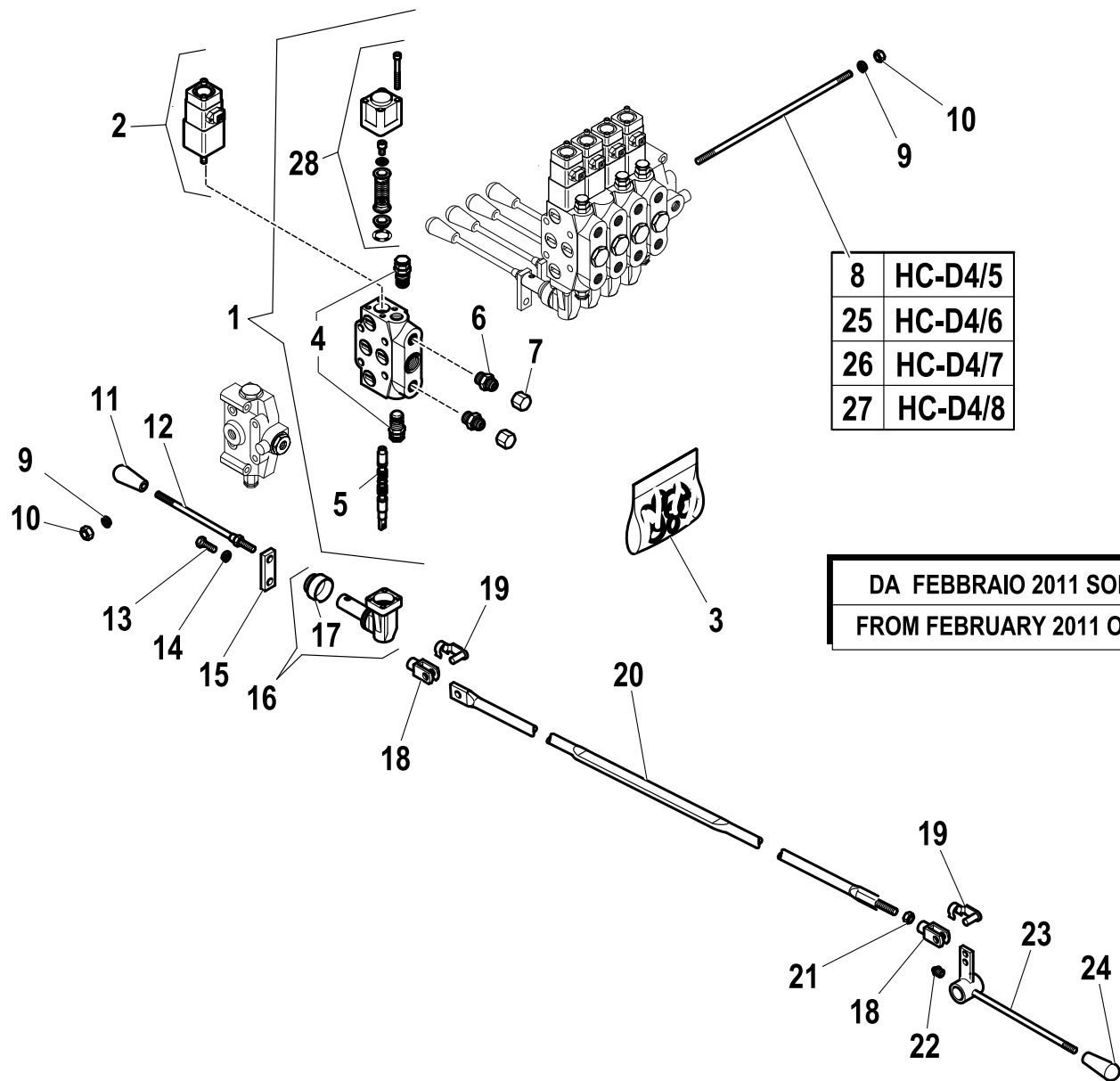
R	Pos.	Code Variant	Q.ty	Description
	1	5225187	1	
	2	5225372	1	
	3	5225031	1	Seal kit
	4	5225200	2	
	5	5225177	1	
	6	3101051	2	Straight pipe fitting
	7	3110050	2	Female plug
	8	5225213	4	
	9	3060056	4	Split lock washer [D=10 C72 ZC]
	10	3040046	4	Nut
	11	3190010	1	Knob
	12	5220224	1	
	13	3010339	1	Hex screw [M8X25 8.8 ZC IF UNI 5739]
	14	3060055	1	Split lock washer [D=8.4 C72 ZC]
	15	5000708	1	
	16	5225126	1	
	17	5225128	1	
	18	3300431	2	
	19	3300451	2	
	20	5090851	1	

5th extra function kit open center spool

Code

5212019-1.0

2/2



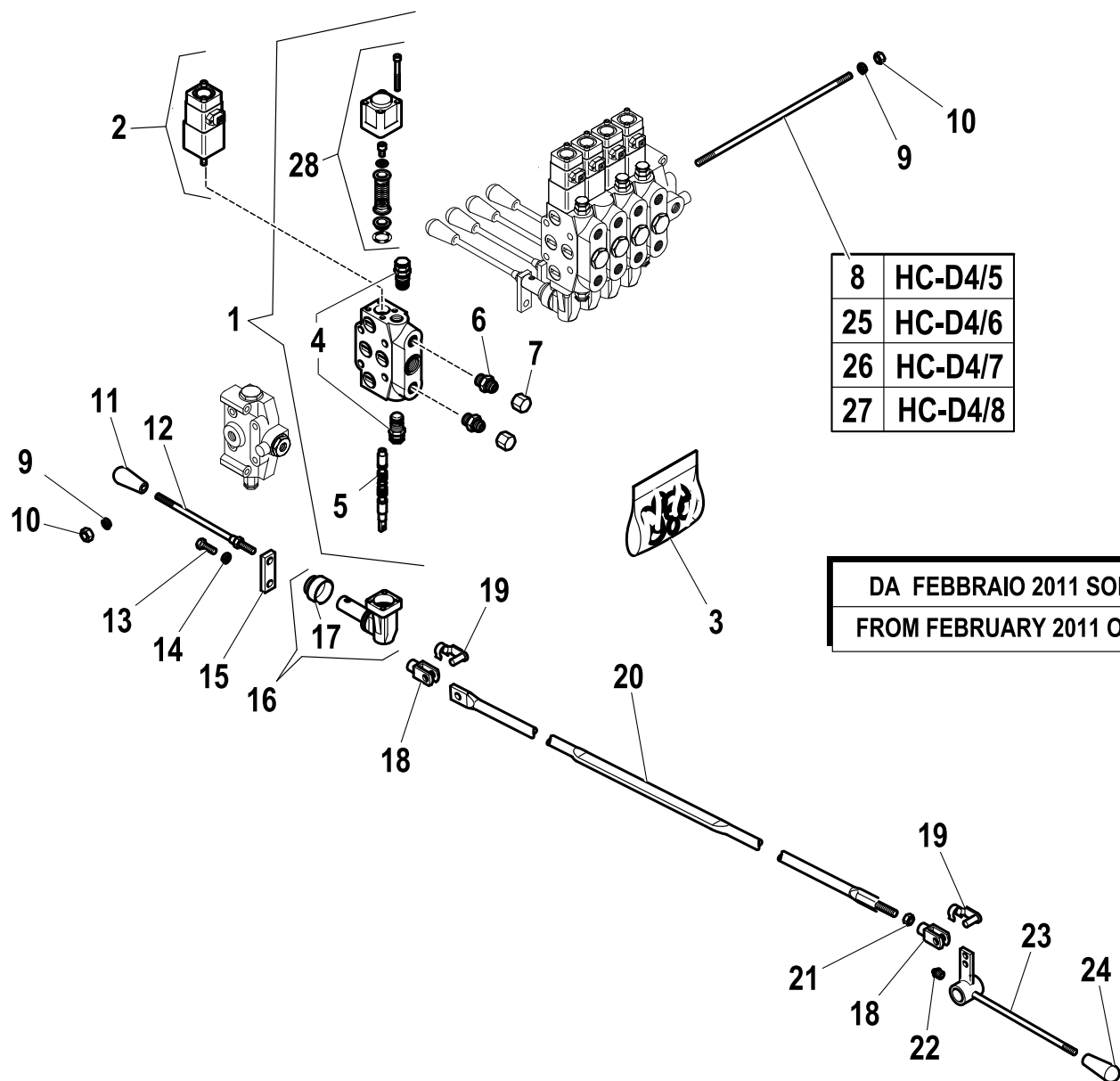
R	Pos.	Code Variant	Q.ty	Description
	21	3040045	1	Nut
	22	3080500	1	Grease nipple
	23	5090433	1	Control lever
	24	3190006	1	Knob
	25	5225214	4	
	26	5225215	4	Screw (Tie rod)
	27	5225216	4	
	28	5225130	1	

5th extra function kit closed center spool

Code

5212015-1.0

1/2



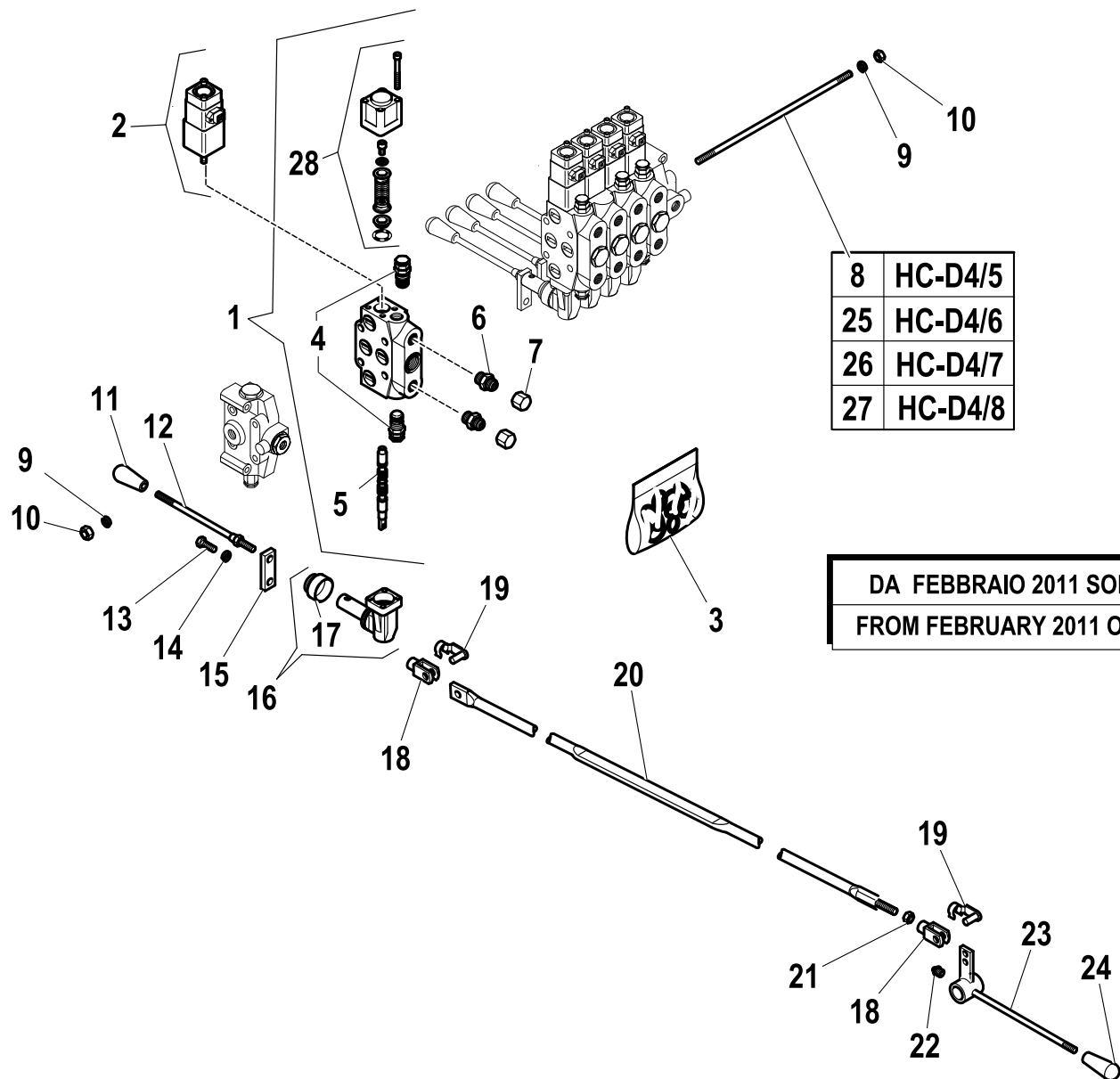
R	Pos.	Code Variant	Q.ty	Description
	1	5225190	1	
	2	5225372	1	
	3	5225031	1	Seal kit
	4	5225200	2	
	5	5225143	1	Slider
	6	3101051	2	Straight pipe fitting
	7	3110050	2	Female plug
	8	5225213	4	
	9	3060056	4	Split lock washer [D=10 C72 ZC]
	10	3040046	4	Nut
	11	3190010	1	Knob
	12	5220224	1	
	13	3010339	1	Hex screw [M8X25 8.8 ZC IF UNI 5739]
	14	3060055	1	Split lock washer [D=8.4 C72 ZC]
	15	5000708	1	
	16	5225126	1	
	17	5225128	1	
	18	3300431	2	
	19	3300451	2	
	20	5090851	1	

5th extra function kit closed center spool

Code

5212015-1.0

2/2



DA FEBBRAIO 2011 SOLO "CE"
FROM FEBRUARY 2011 ONLY "CE"

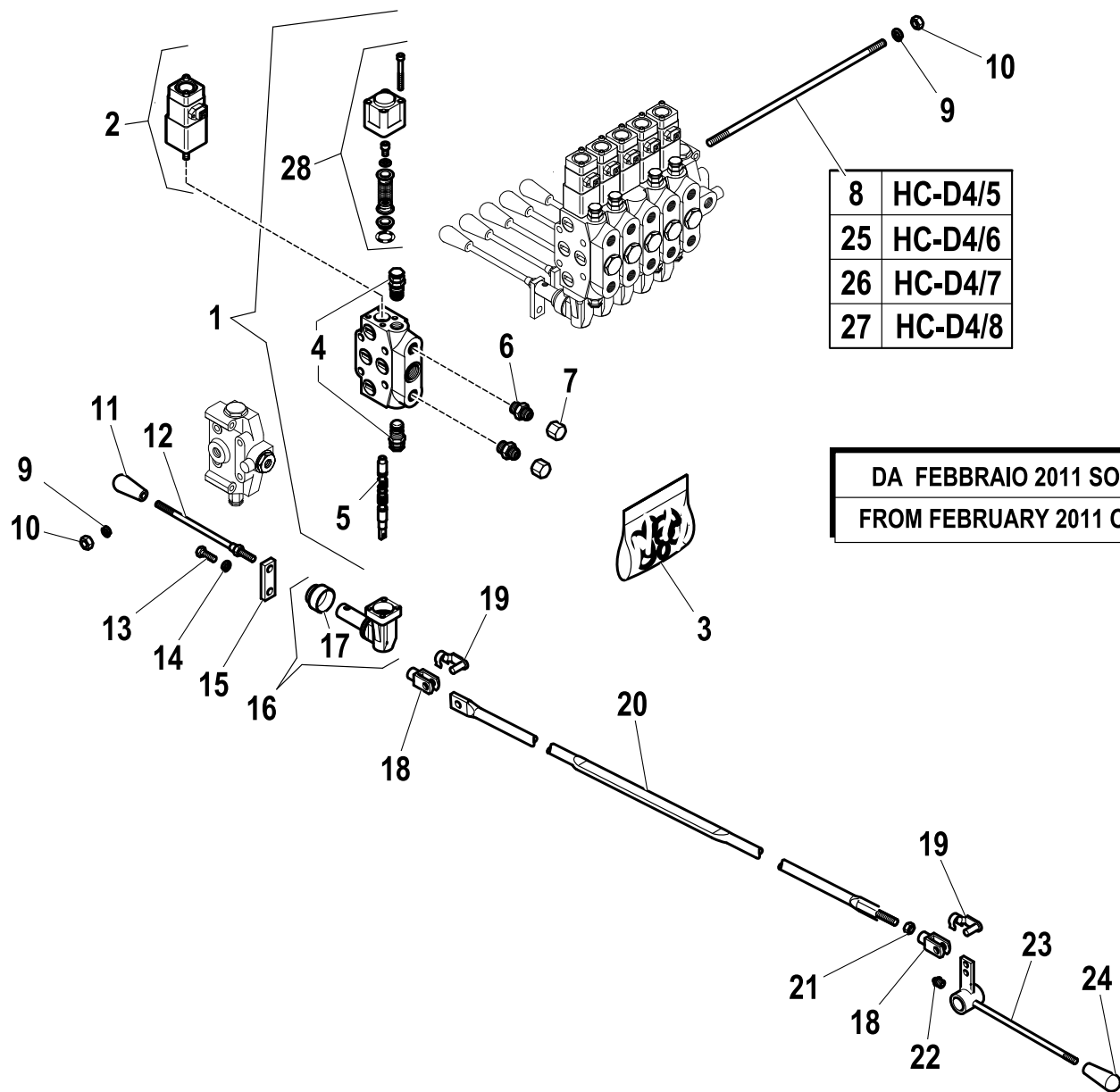
R	Pos.	Code Variant	Q.ty	Description
	21	3040045	1	Nut
	22	3080500	1	Grease nipple
	23	5090433	1	Control lever
	24	3190006	1	Knob
	25	5225214	4	
	26	5225215	4	Screw (Tie rod)
	27	5225216	4	
	28	5225130	1	

6th extra function kit closed center spool

Code

5212015-2.0

1/2



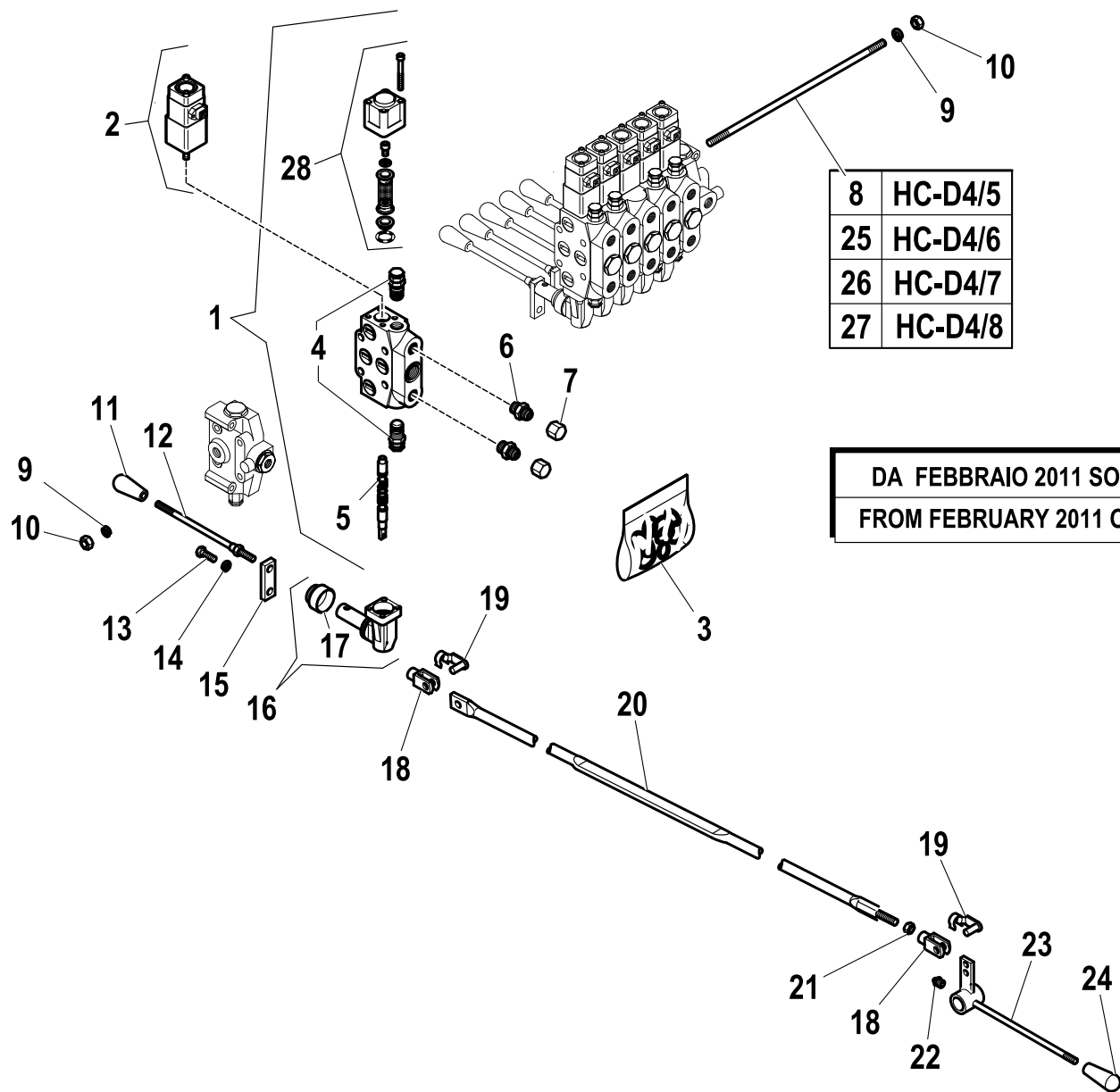
R	Pos.	Code Variant	Q.ty	Description
	1	5225190	1	
	2	5225372	1	
	3	5225031	1	Seal kit
	4	5225200	2	
	5	5225143	1	Slider
	6	3101051	2	Straight pipe fitting
	7	3110050	2	Female plug
	8	5225213	4	
	9	3060056	4	Split lock washer [D=10 C72 ZC]
	10	3040046	4	Nut
	11	3190010	1	Knob
	12	5220224	1	
	13	3010339	1	Hex screw [M8X25 8.8 ZC IF UNI 5739]
	14	3060055	1	Split lock washer [D=8.4 C72 ZC]
	15	5000708	1	
	16	5225126	1	
	17	5225128	1	
	18	3300431	2	
	19	3300451	2	
	20	5090851	1	

6th extra function kit closed center spool

Code

5212015-2.0

2/2



8	HC-D4/5
25	HC-D4/6
26	HC-D4/7
27	HC-D4/8

DA FEBBRAIO 2011 SOLO "CE"
FROM FEBRUARY 2011 ONLY "CE"

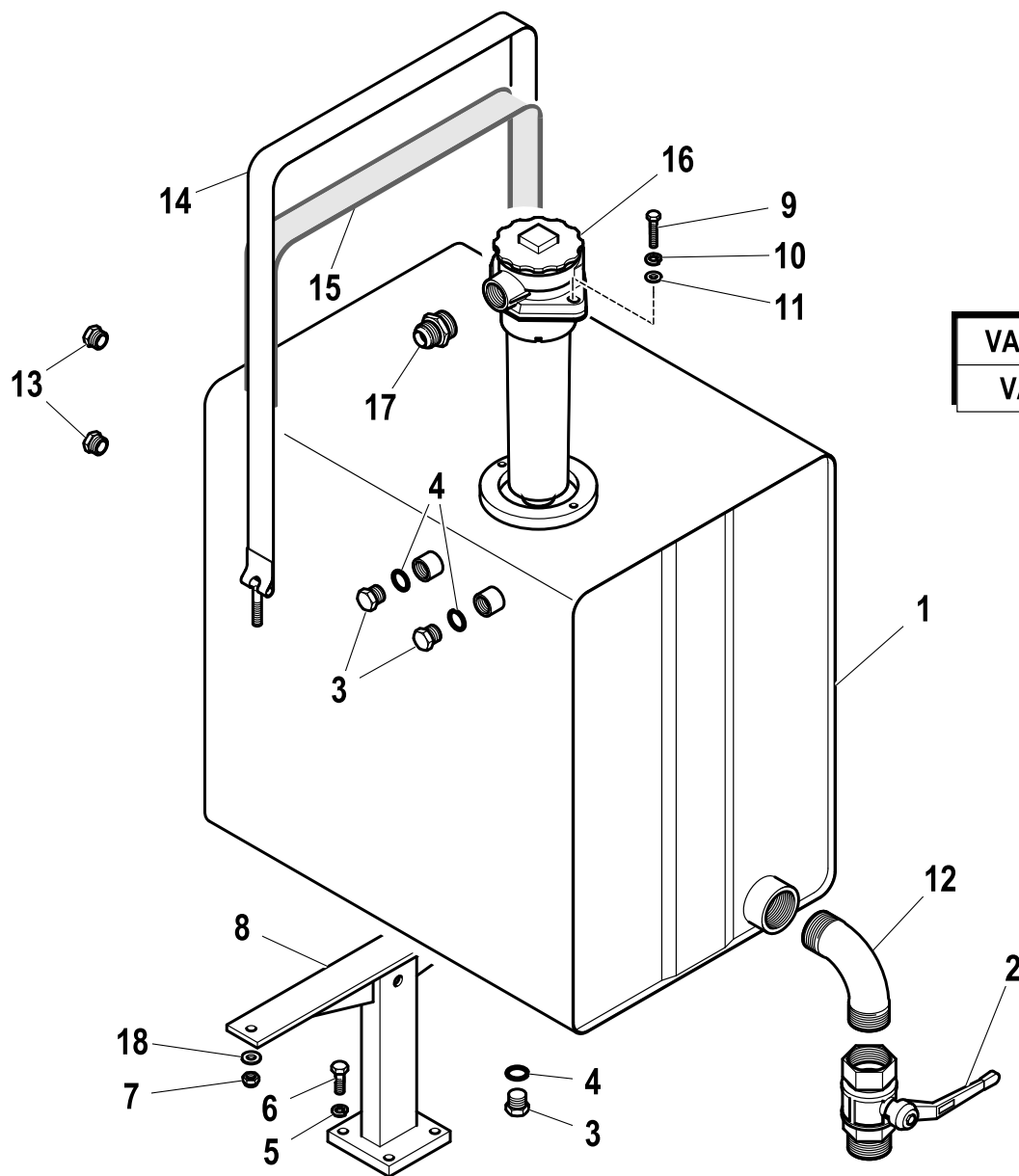
R	Pos.	Code Variant	Q.ty	Description
	21	3040045	1	Nut
	22	3080500	1	Grease nipple
	23	5090433	1	Control lever
	24	3190006	1	Knob
	25	5225214	4	
	26	5225215	4	Screw (Tie rod)
	27	5225216	4	
	28	5225130	1	

Hydraulic oil tank (not CE)

Code

5400126-1.1

1/1



VALIDO FINO A Ottobre 2008
VALID UNTIL October 2008

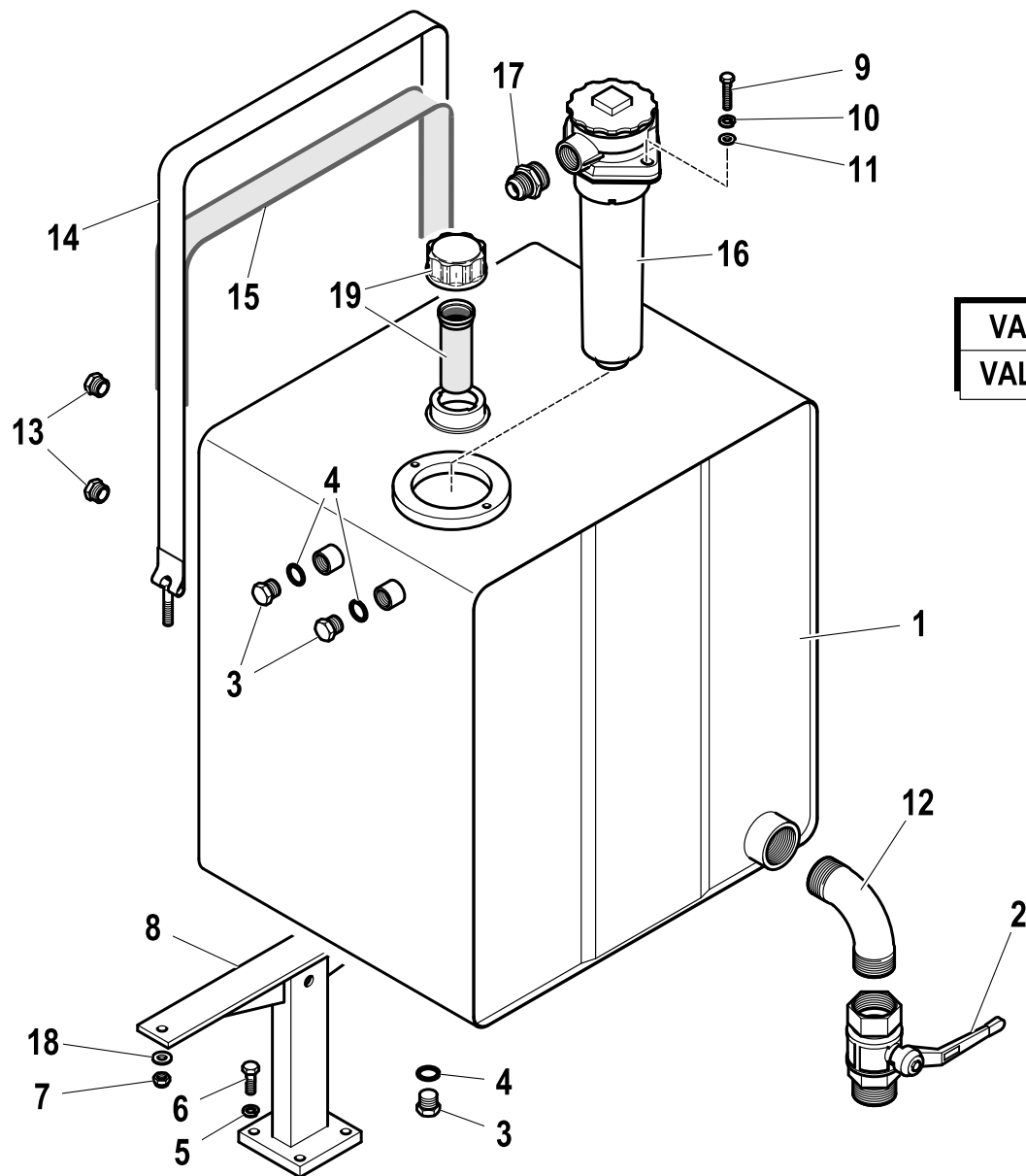
R	Pos.	Code Variant	Q.ty	Description
	1	5090529	1	
	2	3140304	1	
	3	3110065	3	Plug
	4	3060145	3	Sealing washer [BSP 1/2"]
	5	3060056	8	Split lock washer [D=10 C72 ZC]
	6	3010355	8	Hex screw [M10X25 8.8 ZC IF UNI 5739]
	7	3040304	4	Stopnut
	8	5090561	2	
	9	3010030	2	Hex screw [M8X35 8.8 ZC UNI 5737]
	10	3060055	2	Split lock washer [D=8.4 C72 ZC]
	11	3060006	2	Flat washer [D.8 UNI 6592 ZC]
	12	3101300	1	
	13	3180099	2	
	14	5000521	2	
	15	3190020	2 m	
	16	3180197	1	Oil filter
	17	3101057	1	Straight pipe fitting
	18	3060914	4	Flat washer [D.10.5X21X2 UNI 6592 ZC]

Hydraulic oil tank (not CE)

Code

5400992-1.0

1/1



VALIDO DA Novembre 2008
VALID FROM November 2008

R	Pos.	Code Variant	Q.ty	Description
	1	5090019	1	
	2	3140304	1	
	3	3110065	3	Plug
	4	3060145	3	Sealing washer [BSP 1/2"]
	5	3060056	8	Split lock washer [D=10 C72 ZC]
	6	3010355	8	Hex screw [M10X25 8.8 ZC IF UNI 5739]
	7	3040304	4	Stopnut
	8	5090020	2	
	9	3010030	2	Hex screw [M8X35 8.8 ZC UNI 5737]
	10	3060055	2	Split lock washer [D=8.4 C72 ZC]
	11	3060006	2	Flat washer [D.8 UNI 6592 ZC]
	12	3101300	1	
	13	3180099	2	
	14	5000116	2	
	15	3190020	2 m	
	16	3180197	1	Oil filter
	17	3101057	1	Straight pipe fitting
	18	3060914	4	Flat washer [D.10.5X21X2 UNI 6592 ZC]
	19	W449012	1	

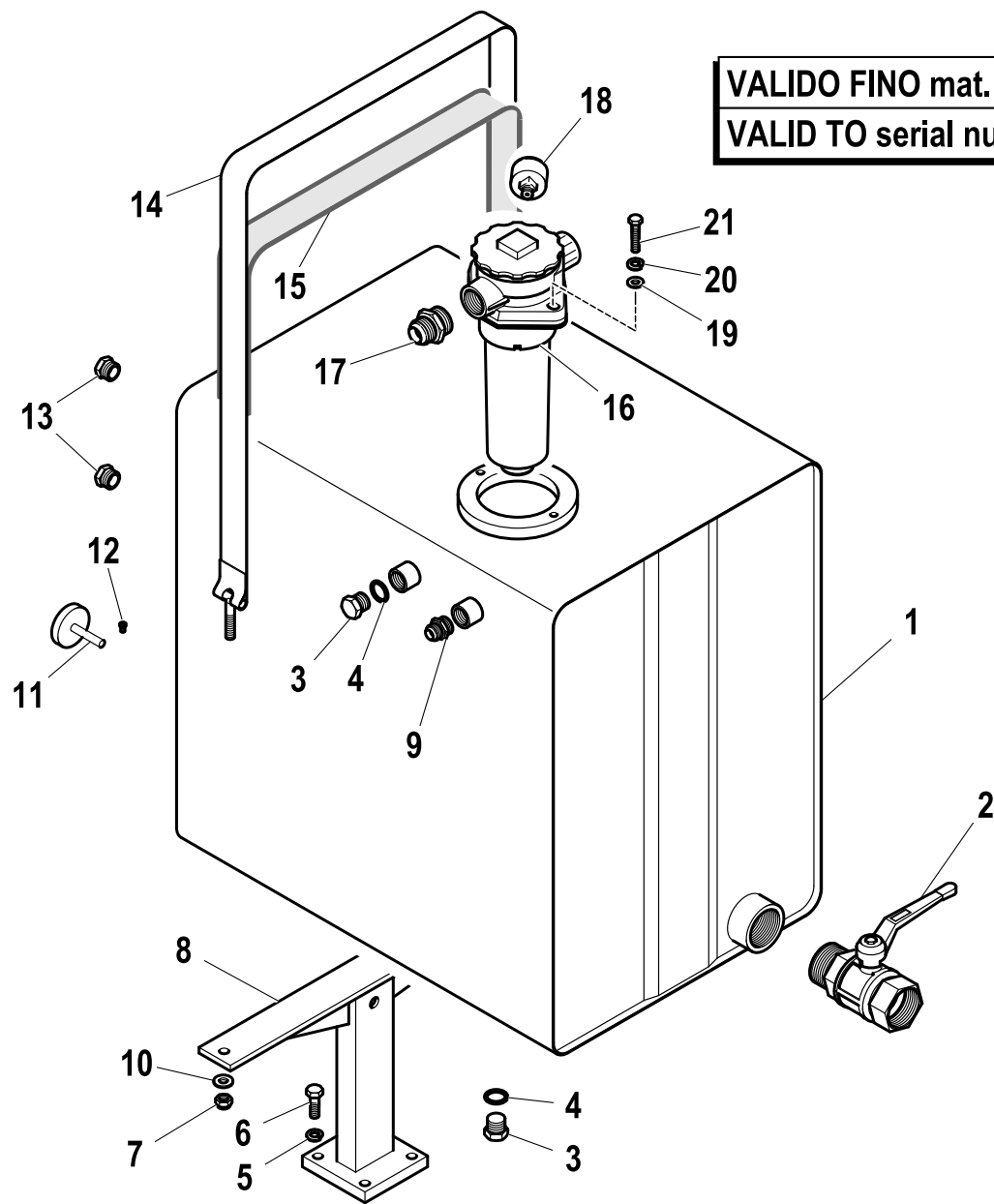
Hydraulic oil tank (CE)

Code

5400127-1.0

1/2

VALIDO FINO mat. 19696 - 15/06/06
VALID TO serial number 19696 - 15/06/06



R	Pos.	Code Variant	Q.ty	Description
	1	5090529	1	
	2	3140304	1	
	3	3110065	2	Plug
	4	3060145	2	Sealing washer [BSP 1/2"]
	5	3060056	8	Split lock washer [D=10 C72 ZC]
	6	3010355	8	Hex screw [M10X25 8.8 ZC IF UNI 5739]
	7	3040304	4	Stopnut
	8	5090561	2	
	9	3101041	1	Straight pipe fitting
	10	3060914	4	Flat washer [D.10.5X21X2 UNI 6592 ZC]
	11	3180097	1	
	12	3020880	1	
	13	3180099	2	
	14	5000521	2	
	15	3190020	2m	
	16	3180105	1	Oil filter
	17	3101057	1	Straight pipe fitting
	18	3180147	1	Pressure gauge (Clogging indicator)
	19	3060006	2	Flat washer [D.8 UNI 6592 ZC]
	20	3060055	2	Split lock washer [D=8.4 C72 ZC]

Hydraulic oil tank (CE)

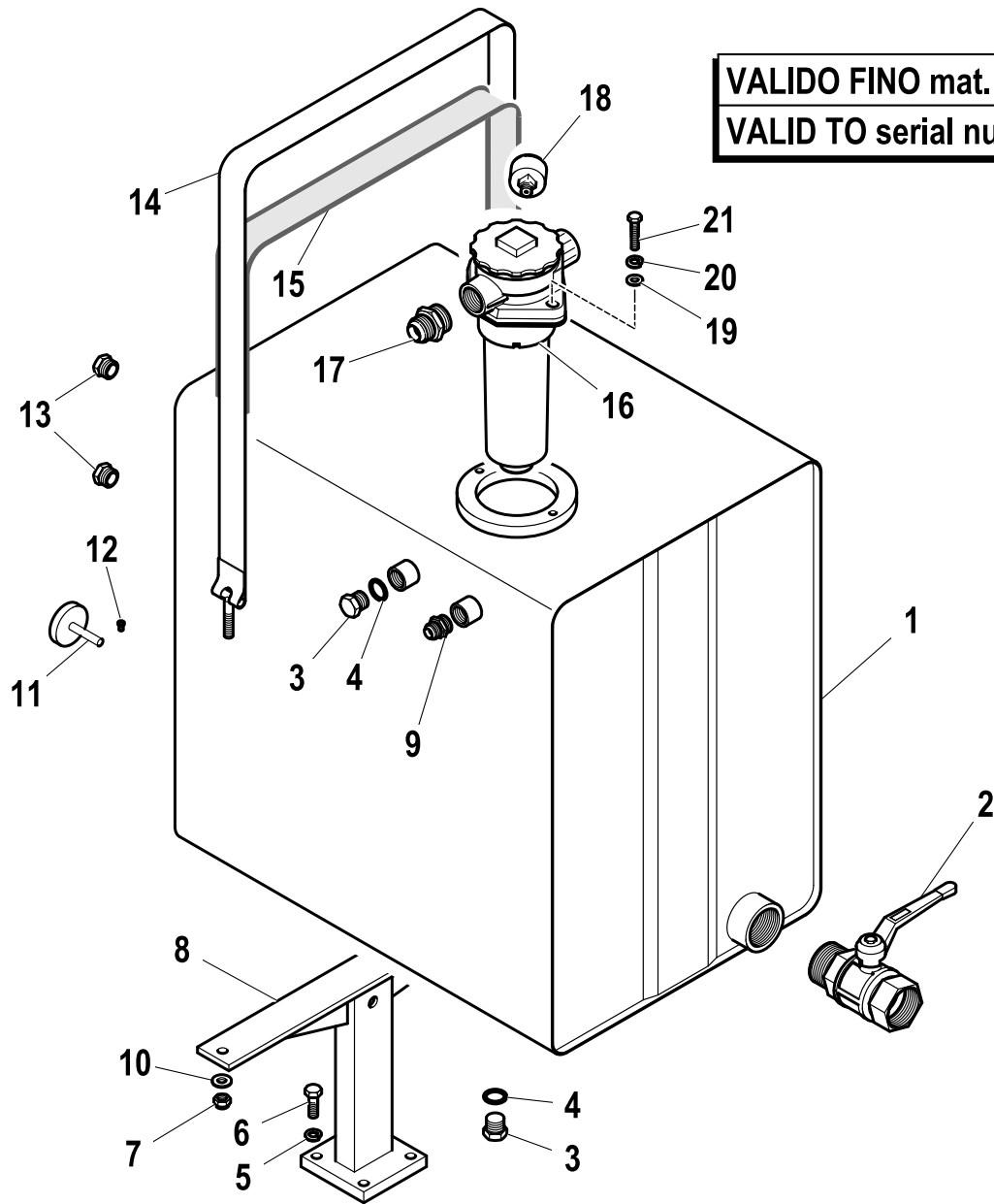
Code

5400127-1.0

2/2

R	Pos.	Code Variant	Q.ty	Description
	21	3010030	2	Hex screw [M8X35 8.8 ZC UNI 5737]

VALIDO FINO mat. 19696 - 15/06/06
VALID TO serial number 19696 - 15/06/06

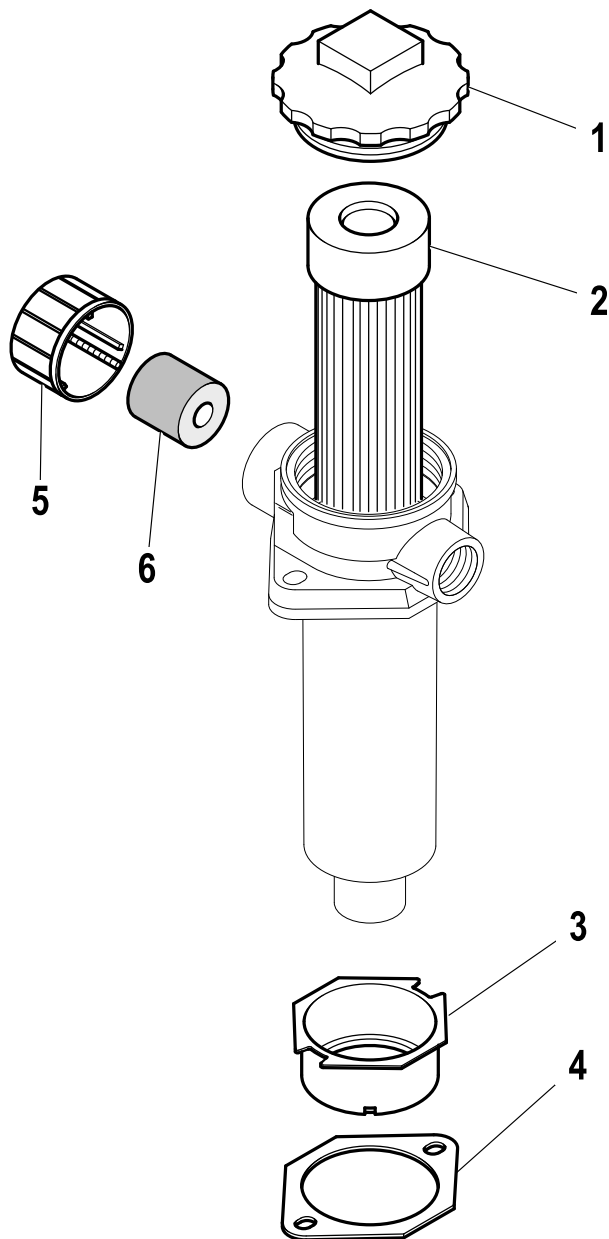


Oil filter

Code

3180105-1.0

1/1



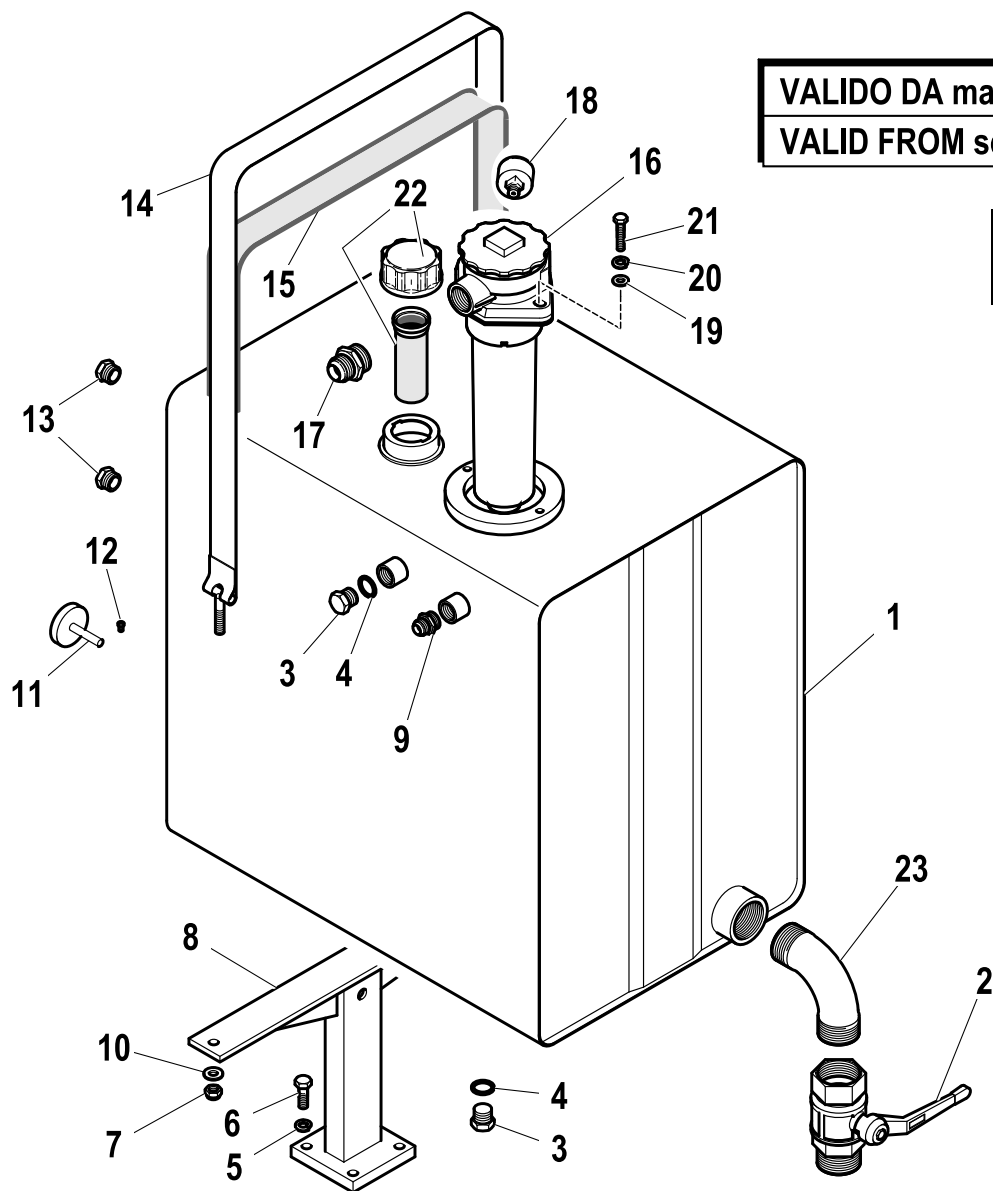
R	Pos.	Code Variant	Q.ty	Description
	1	3180111	1	
	2	3180110	1	Filtering cartridge
	3	3180156	1	
	4	3180158	1	
	5	3180119	1	
	6	3180135	1	Oil filter

Hydraulic oil tank (CE)

Code

5400127-1.1

1/2



VALIDO DA mat. 19697 - 15/06/06
VALID FROM serial number 19697 - 15/06/06

VALIDO FINO A Ottobre 2008
VALID UNTIL October 2008

R	Pos.	Code Variant	Q.ty	Description
	1	5090529	1	
	2	3140304	1	
	3	3110065	2	Plug
	4	3060145	2	Sealing washer [BSP 1/2"]
	5	3060056	8	Split lock washer [D=10 C72 ZC]
	6	3010355	8	Hex screw [M10X25 8.8 ZC IF UNI 5739]
	7	3040304	4	Stopnut
	8	5090561	2	
	9	3101041	1	Straight pipe fitting
	10	3060914	4	Flat washer [D.10.5X21X2 UNI 6592 ZC]
	11	3180097	1	
	12	3020880	1	
	13	3180099	2	
	14	5000521	2	
	15	3190020	2m	
	16	3180197	1	Oil filter
	17	3101057	1	Straight pipe fitting
	18	3180147	1	Pressure gauge (Clogging indicator)
	19	3060006	2	Flat washer [D.8 UNI 6592 ZC]
	20	3060055	2	Split lock washer [D=8.4 C72 ZC]

Hydraulic oil tank (CE)

Code

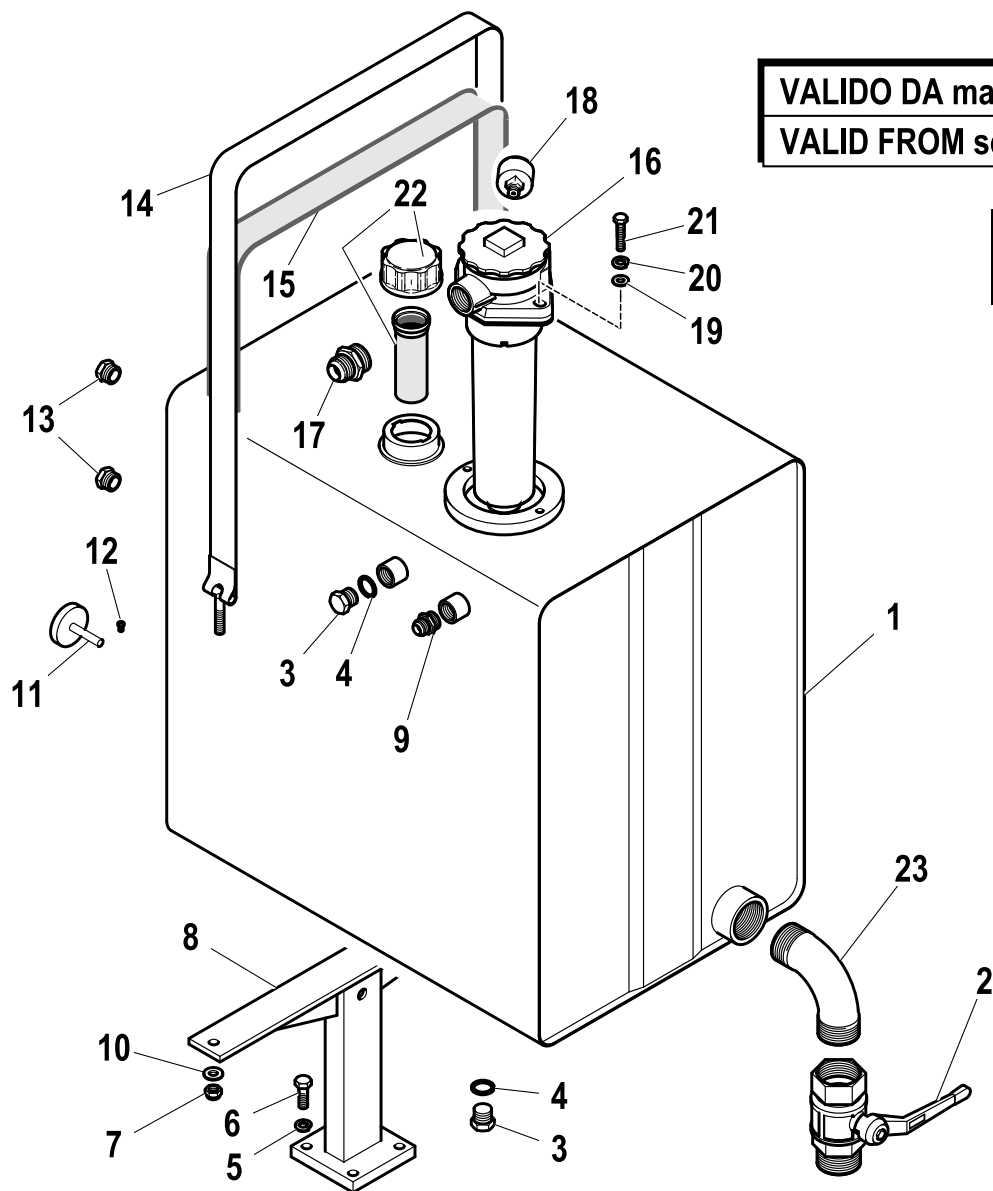
5400127-1.1

2/2

R	Pos.	Code Variant	Q.ty	Description
	21	3010030	2	Hex screw [M8X35 8.8 ZC UNI 5737]
	22	W449012	1	
	23	3101300	1	

VALIDO DA mat. 19697 - 15/06/06
VALID FROM serial number 19697 - 15/06/06

VALIDO FINO A Ottobre 2008
VALID UNTIL October 2008

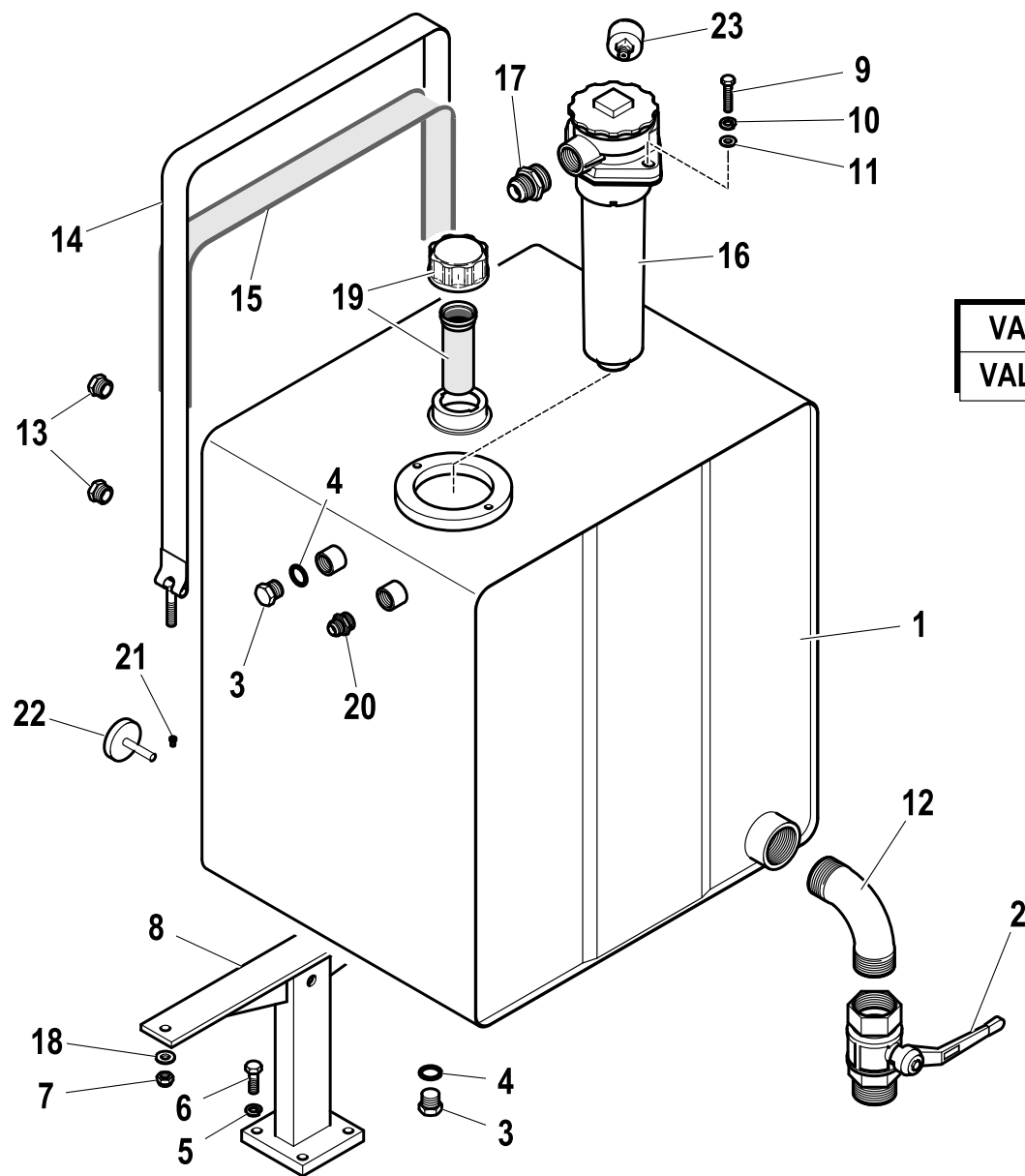


Hydraulic oil tank (CE)

Code

5400993-1.0

1/2



VALIDO DA Novembre 2008
VALID FROM November 2008

R	Pos.	Code Variant	Q.ty	Description
1		5090019	1	
2		3140304	1	
3		3110065	2	Plug
4		3060145	2	Sealing washer [BSP 1/2"]
5		3060056	8	Split lock washer [D=10 C72 ZC]
6		3010355	8	Hex screw [M10X25 8.8 ZC IF UNI 5739]
7		3040304	4	Stopnut
8		5090020	2	
9		3010030	2	Hex screw [M8X35 8.8 ZC UNI 5737]
10		3060055	2	Split lock washer [D=8.4 C72 ZC]
11		3060006	2	Flat washer [D.8 UNI 6592 ZC]
12		3101300	1	
13		3180099	2	
14		5000116	2	
15		3190020	2m	
16		3180197	1	Oil filter
17		3101057	1	Straight pipe fitting
18		3060914	4	Flat washer [D.10.5X21X2 UNI 6592 ZC]
19		W449012	1	
20		3101041	1	Straight pipe fitting

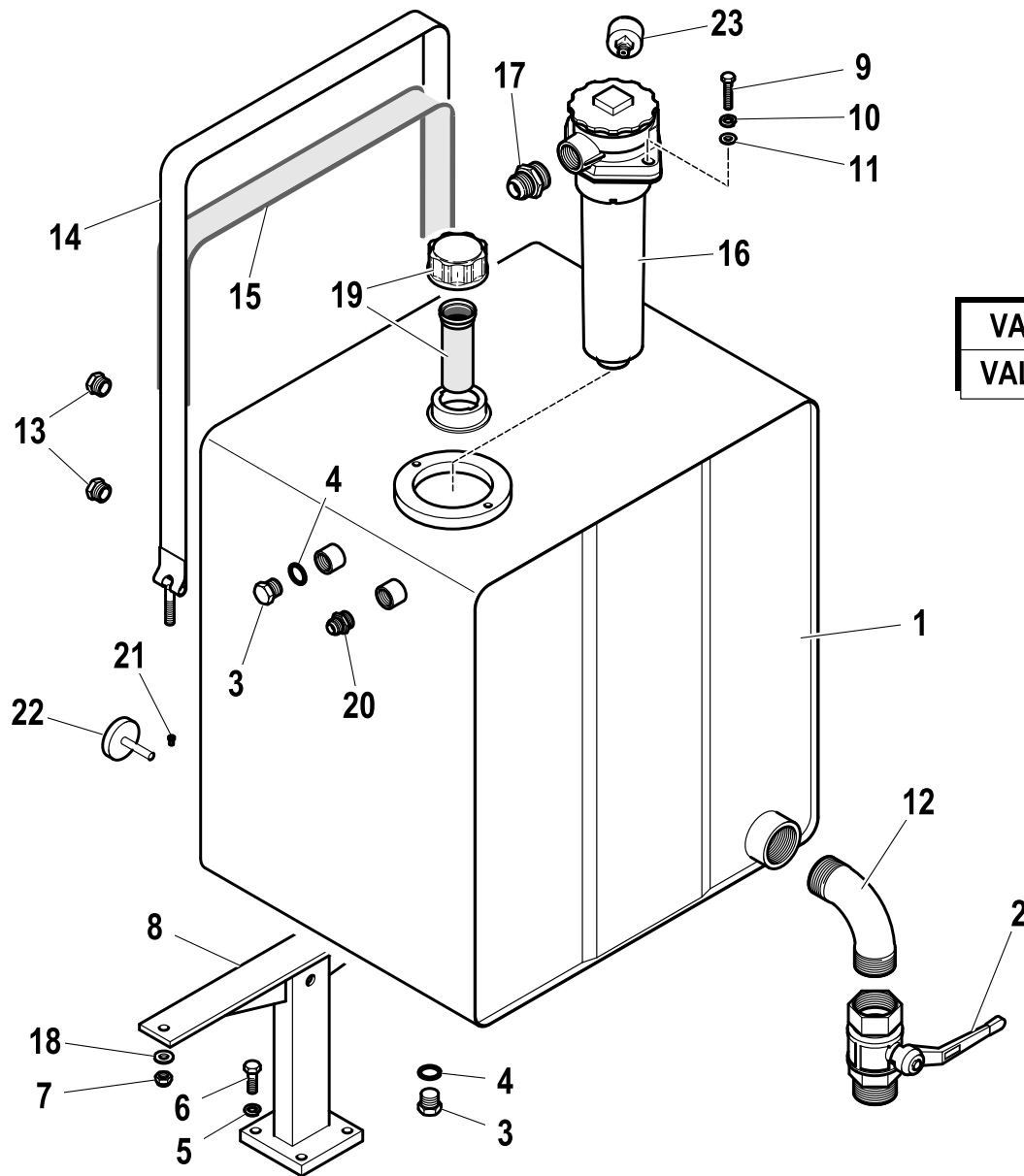
Hydraulic oil tank (CE)

Code

5400993-1.0

2/2

R	Pos.	Code Variant	Q.ty	Description
	21	3020880	1	
	22	3180097	1	
	23	3180147	1	Pressure gauge (Clogging indicator)



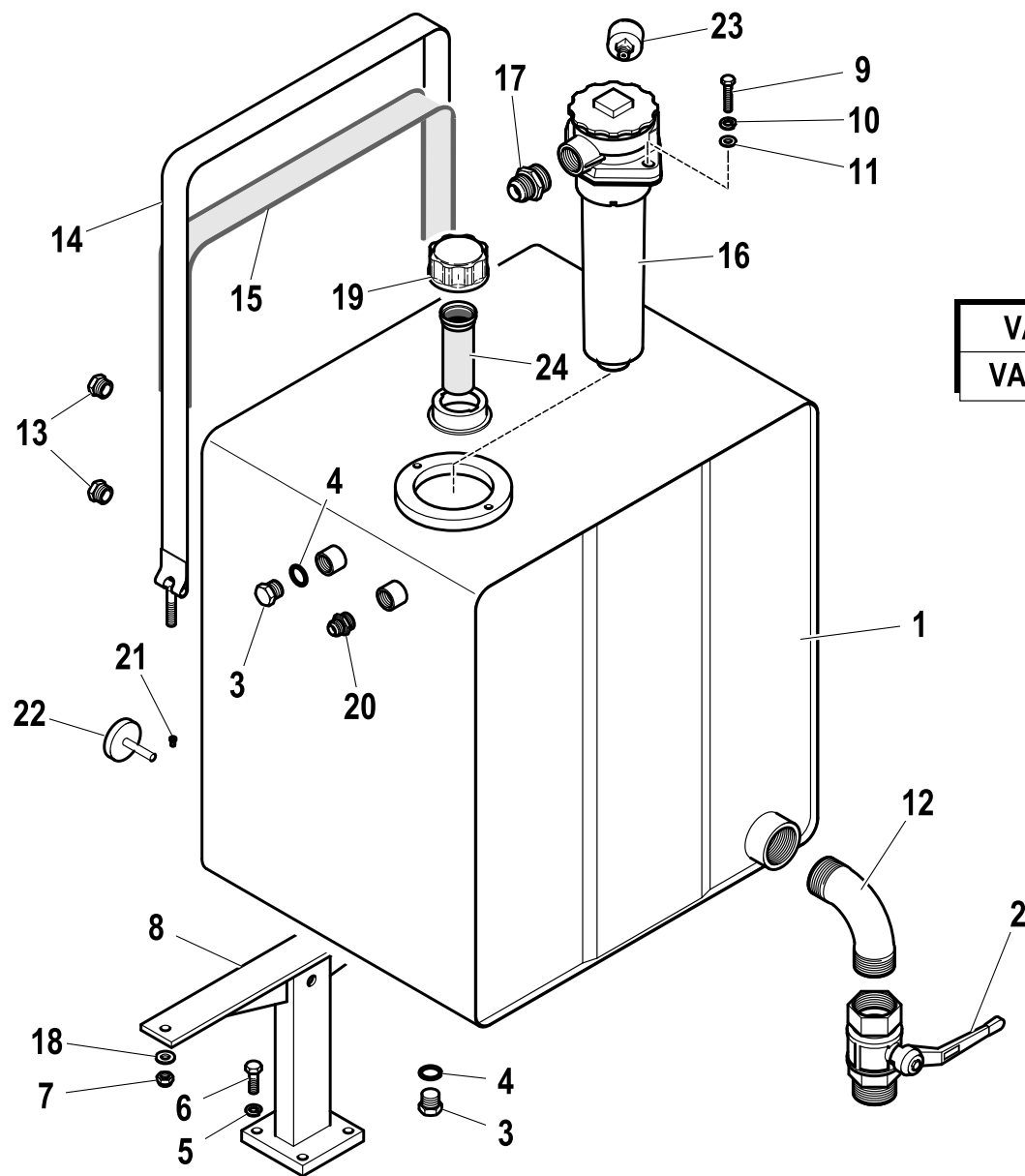
VALIDO DA Novembre 2008
VALID FROM November 2008

Hydraulic oil tank (CE)

Code

5400993-2.0

1/2



VALIDO DA Ottobre 2009
VALID FROM October 2009

R	Pos.	Code Variant	Q.ty	Description
1		5090019	1	
2		3140304	1	
3		3110065	2	Plug
4		3060145	2	Sealing washer [BSP 1/2"]
5		3060056	8	Split lock washer [D=10 C72 ZC]
6		3010355	8	Hex screw [M10X25 8.8 ZC IF UNI 5739]
7		3040304	4	Stopnut
8		5090020	2	
9		3010030	2	Hex screw [M8X35 8.8 ZC UNI 5737]
10		3060055	2	Split lock washer [D=8.4 C72 ZC]
11		3060006	2	Flat washer [D.8 UNI 6592 ZC]
12		3101300	1	
13		3180099	2	
14		5000116	2	
15		3190020	2m	
16		3180197	1	Oil filter
17		3101057	1	Straight pipe fitting
18		3060914	4	Flat washer [D.10.5X21X2 UNI 6592 ZC]
19		W449014	1	
20		3101041	1	Straight pipe fitting

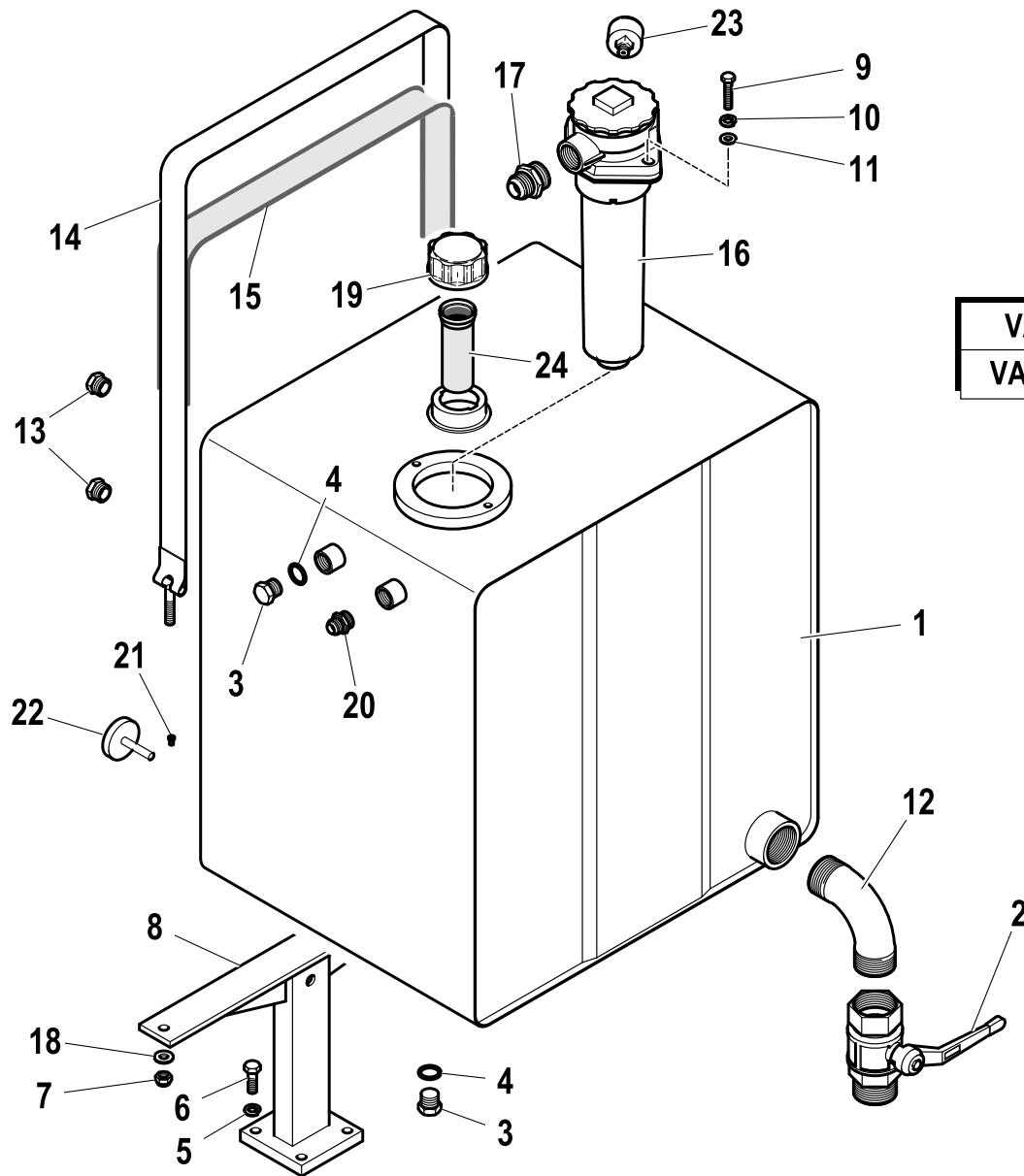
Hydraulic oil tank (CE)

Code

5400993-2.0

2/2

R	Pos.	Code Variant	Q.ty	Description
	21	3020880	1	
	22	3180097	1	
	23	3180147	1	Pressure gauge (Clogging indicator)
	24	W449015	1	



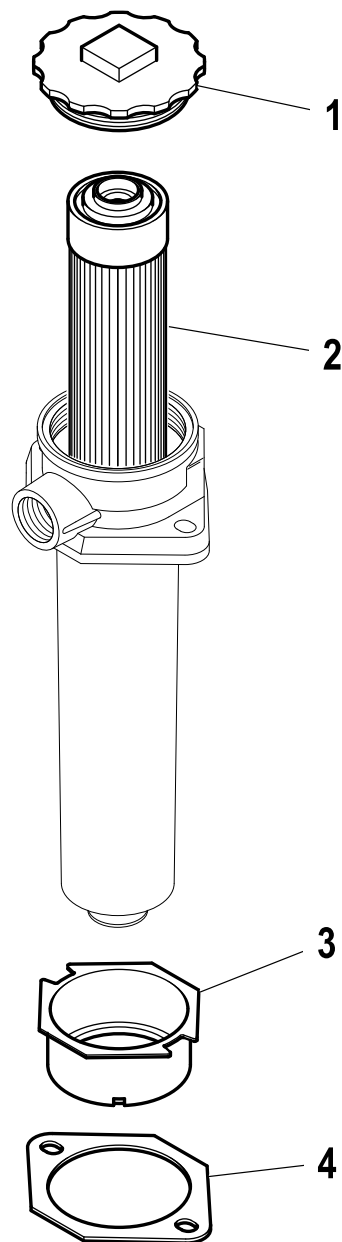
VALIDO DA Ottobre 2009
VALID FROM October 2009

Oil filter

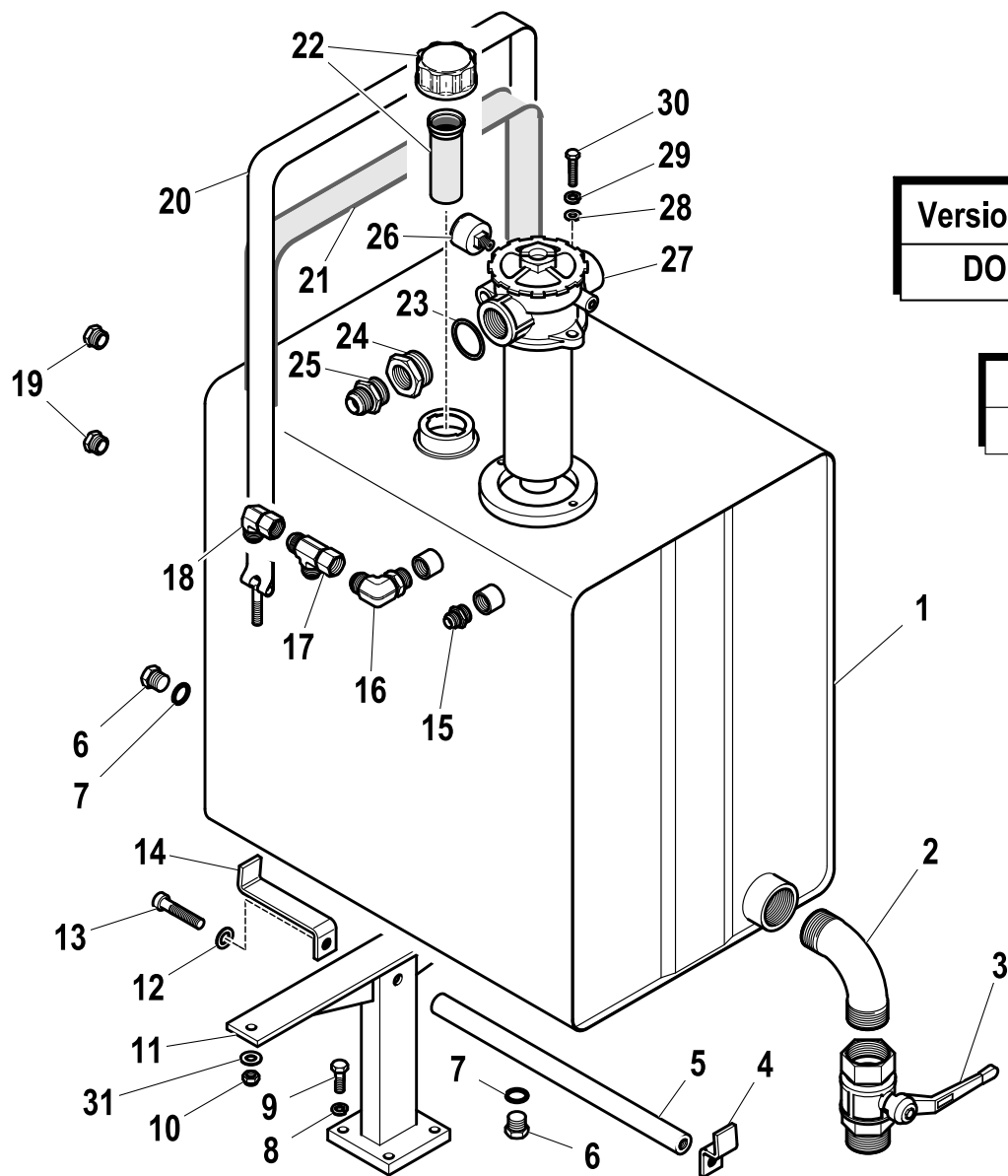
Code

3180197-1.0

1/1



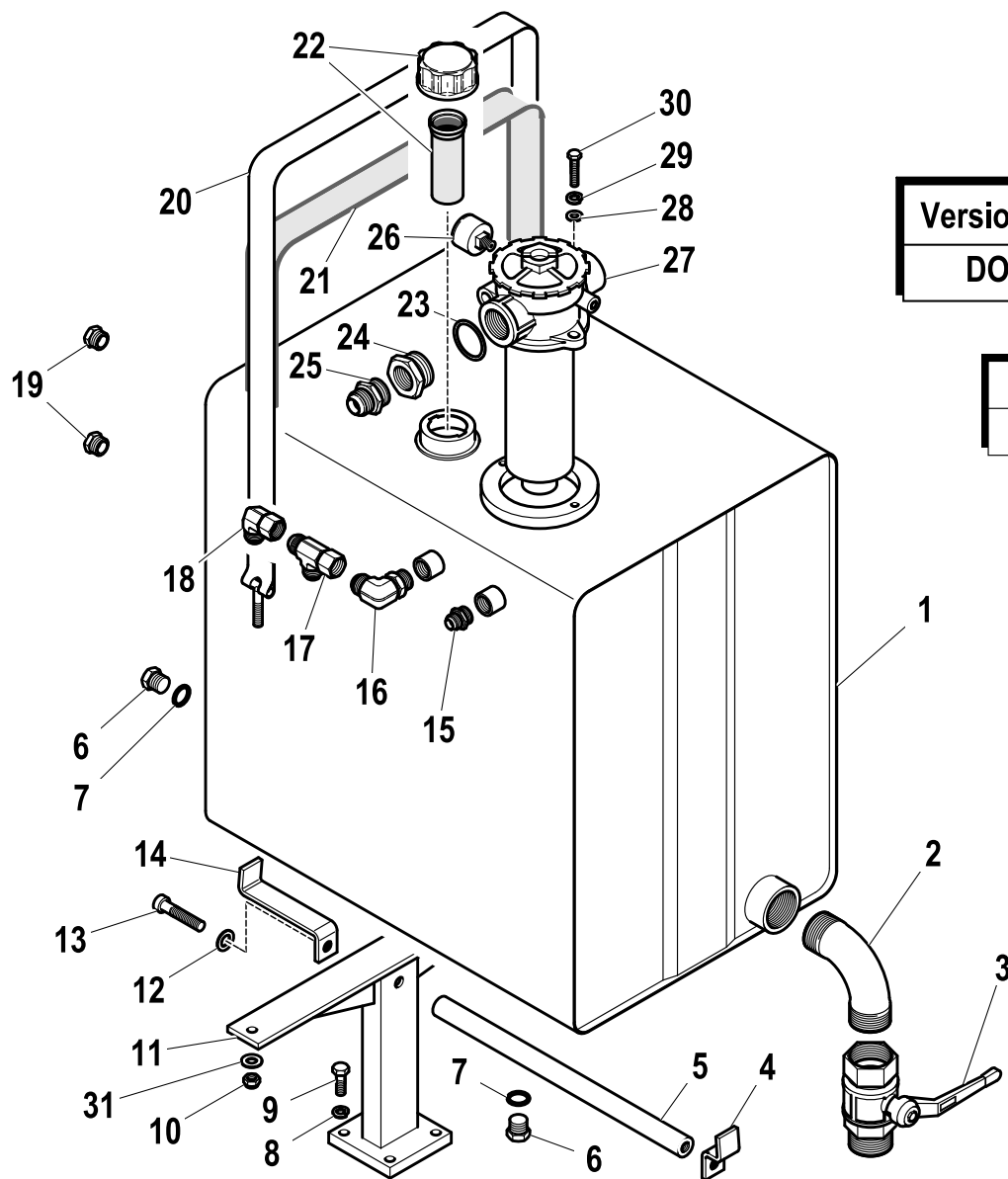
R	Pos.	Code Variant	Q.ty	Description
	1	3180111	1	
	2	3180202	1	Filtering cartridge
	3	3180156	1	
	4	3180158	1	



Versione con filtro DONALDSON
DONALDSON filter version

VALIDO FINO A Ottobre 2008
VALID UNTIL October 2008

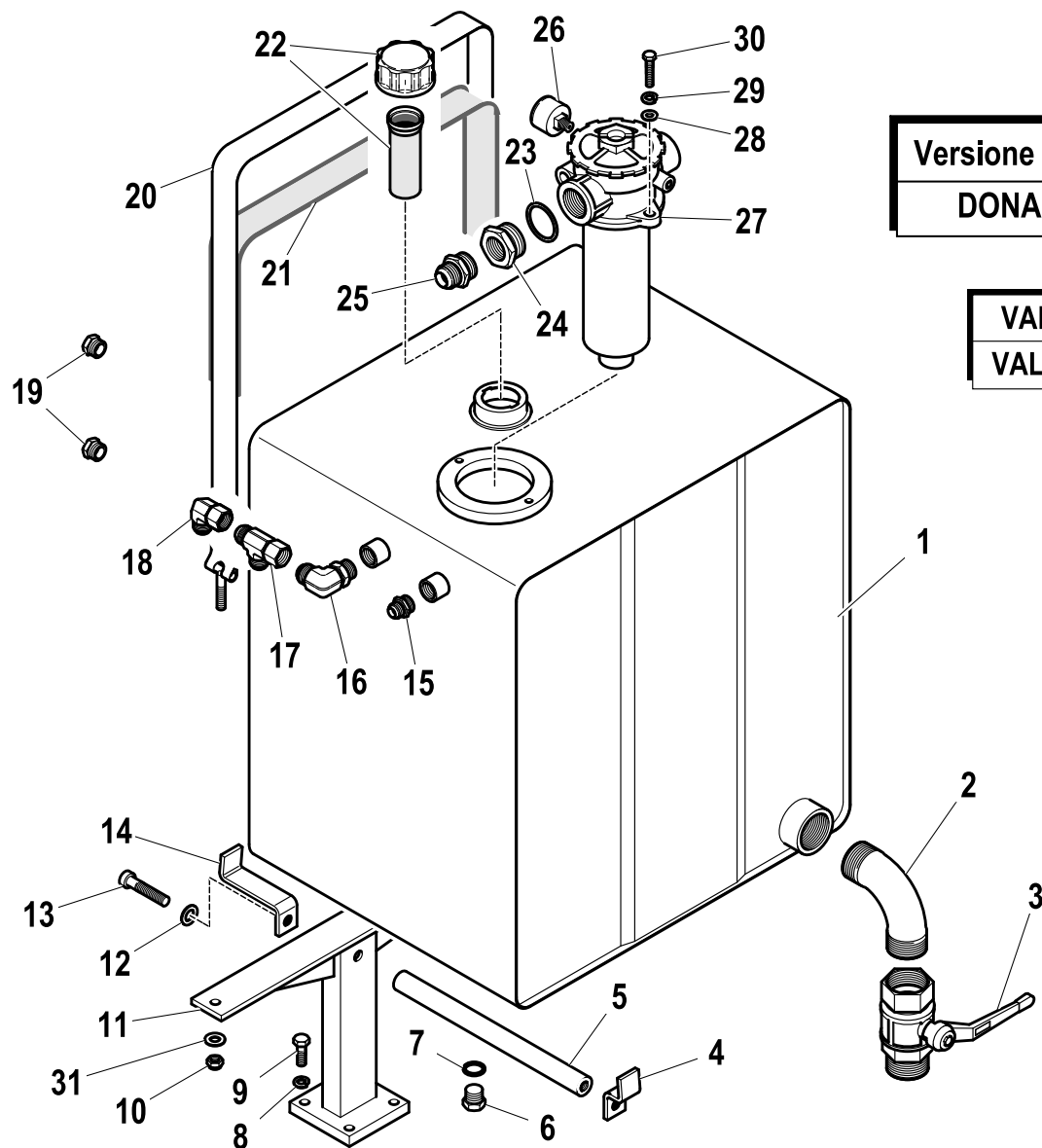
R	Pos.	Code Variant	Q.ty	Description
	1	5090529	1	
	2	3101300	1	
	3	3140304	1	
	4	5090992	1	
	5	5150817	1	
	6	3110065	2	Plug
	7	3060145	2	Sealing washer [BSP 1/2"]
	8	3060056	8	Split lock washer [D=10 C72 ZC]
	9	3010355	8	Hex screw [M10X25 8.8 ZC IF UNI 5739]
	10	3040304	4	Stopnut
	11	5090561	2	
	12	3060031	2	Flat washer [D.13X20 UNI 6592 ZC]
	13	3020101	2	Socked head cap screw [M12X60 12.9 ZC UNI 5931]
	14	5090993	1	
	15	3101041	1	Straight pipe fitting
	16	3101131	1	90° Connection
	17	3120008	1	Tee fitting
	18	3120034	1	90° Connection
	19	3180099	2	
	20	5000521	2	



**Versione con filtro DONALDSON
DONALDSON filter version**

**VALIDO FINO A Ottobre 2008
VALID UNTIL October 2008**

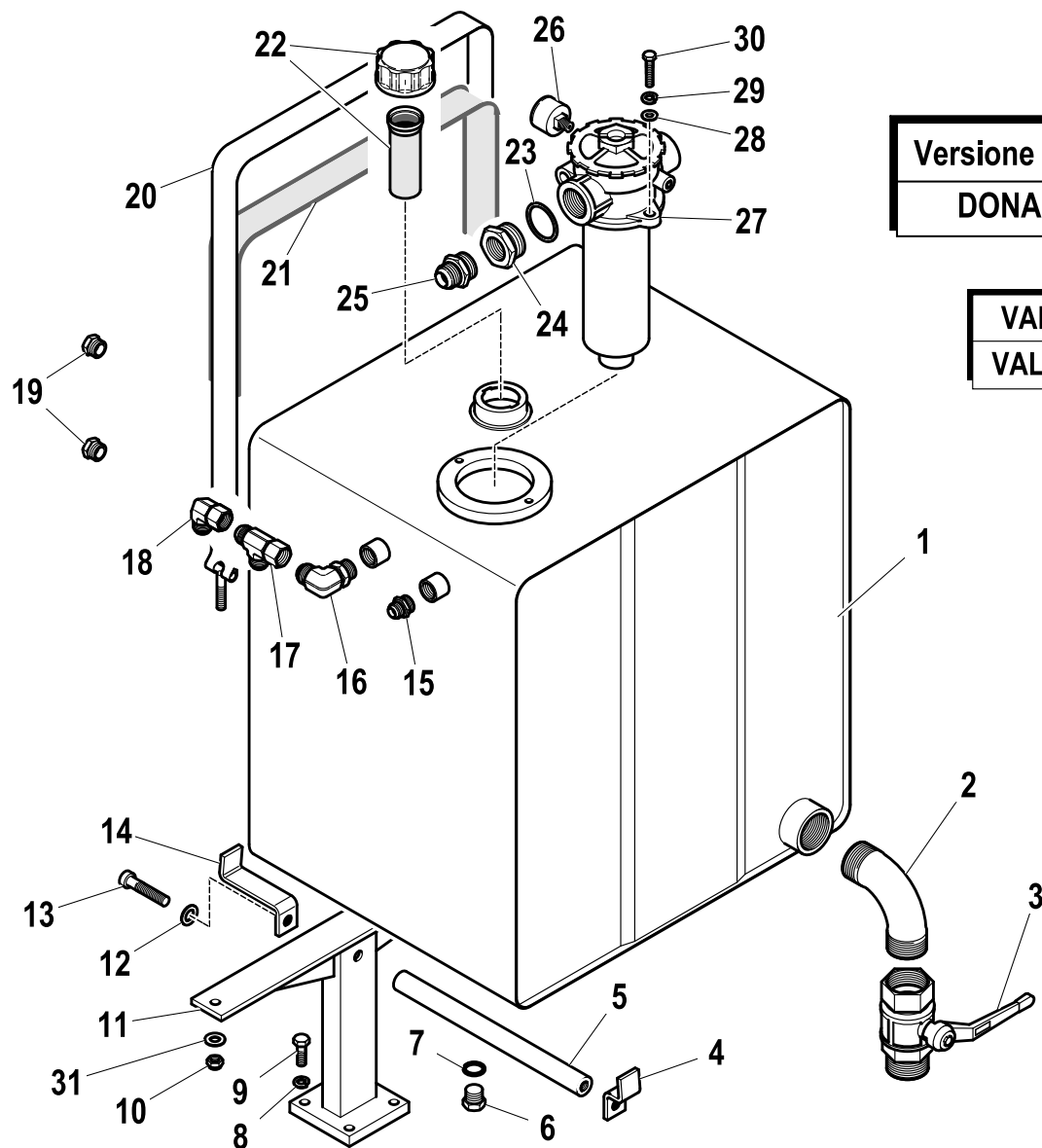
R	Pos.	Code Variant	Q.ty	Description
	21	3190020	mt1.3	
	22	W449012	1	
	23	3060148	1	Copper washer
	24	3110177	1	Reducing fitting
	25	3101057	1	Straight pipe fitting
	26	3180147	1	Pressure gauge (Clogging indicator)
	27	3180118	1	Oil filter
	28	3060006	2	Flat washer [D.8 UNI 6592 ZC]
	29	3060055	2	Split lock washer [D=8.4 C72 ZC]
	30	3010030	2	Hex screw [M8X35 8.8 ZC UNI 5737]
	31	3060914	4	Flat washer [D.10.5X21X2 UNI 6592 ZC]



**Versione con filtro DONALDSON
DONALDSON filter version**

**VALIDO DA Novembre 2008
VALID FROM November 2008**

R	Pos.	Code Variant	Q.ty	Description
	1	5090019	1	
	2	3101300	1	
	3	3140304	1	
	4	5090992	1	
	5	5150043	1	
	6	3110065	1	Plug
	7	3060145	1	Sealing washer [BSP 1/2"]
	8	3060056	8	Split lock washer [D=10 C72 ZC]
	9	3010355	8	Hex screw [M10X25 8.8 ZC IF UNI 5739]
	10	3040304	4	Stopnut
	11	5091349	2	
	12	3060031	2	Flat washer [D.13X20 UNI 6592 ZC]
	13	3020101	2	Socked head cap screw [M12X60 12.9 ZC UNI 5931]
	14	5090021	1	
	15	3101041	1	Straight pipe fitting
	16	3101131	1	90° Connection
	17	3120008	1	Tee fitting
	18	3120034	1	90° Connection
	19	3180099	2	
	20	5000116	2	



**Versione con filtro DONALDSON
DONALDSON filter version**

**VALIDO DA Novembre 2008
VALID FROM November 2008**

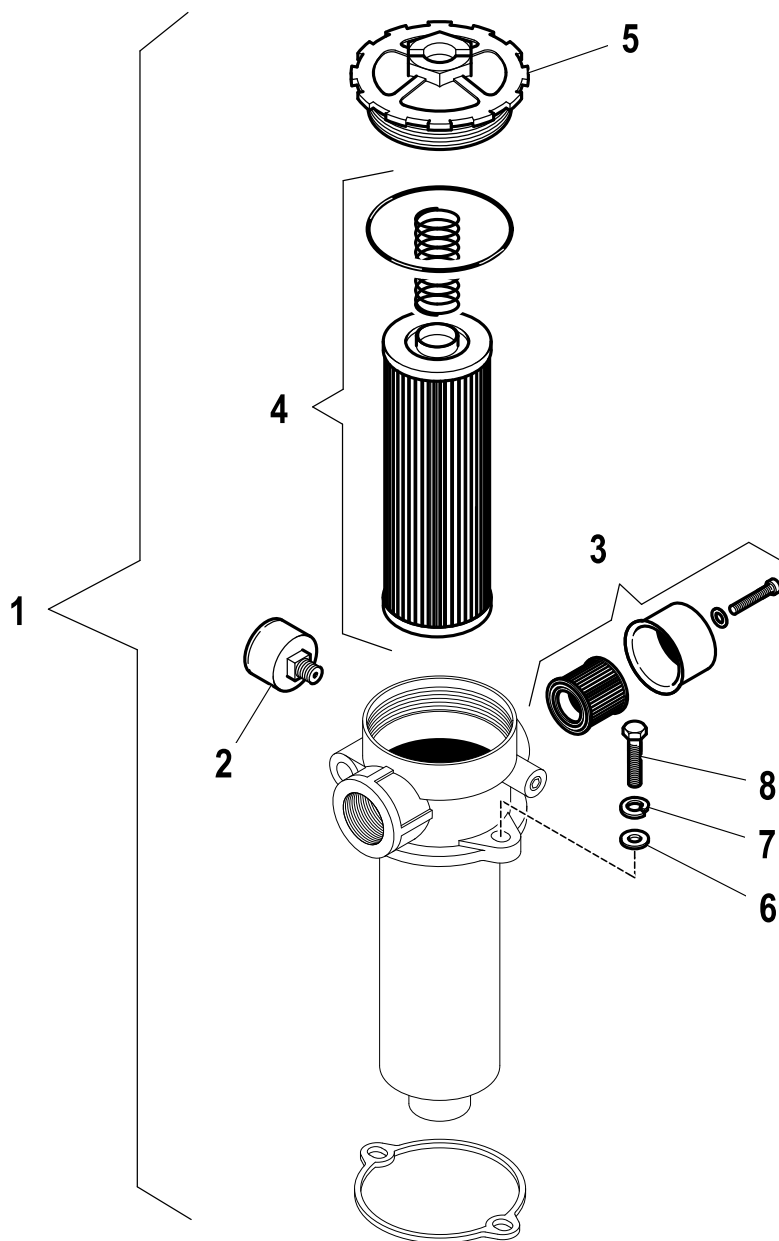
R	Pos.	Code Variant	Q.ty	Description
	21	3190020	mt1.3	
	22	W449012	1	
	23	3060148	1	Copper washer
	24	3110177	1	Reducing fitting
	25	3101057	1	Straight pipe fitting
	26	3180147	1	Pressure gauge (Clogging indicator)
	27	3180118	1	Oil filter
	28	3060006	2	Flat washer [D.8 UNI 6592 ZC]
	29	3060055	2	Split lock washer [D=8.4 C72 ZC]
	30	3010030	2	Hex screw [M8X35 8.8 ZC UNI 5737]
	31	3060914	4	Flat washer [D.10.5X21X2 UNI 6592 ZC]

Oil filter

Code

3180118-1.0

1/1



R	Pos.	Code Variant	Q.ty	Description
	1	3180118	1	Oil filter
	2	3180147	1	Pressure gauge (Clogging indicator)
	3	3180186	1	
	4	3180149	1	Filtering cartridge
	5	3180214	1	
	6	3060006	2	Flat washer [D.8 UNI 6592 ZC]
	7	3060055	2	Split lock washer [D=8.4 C72 ZC]
	8	3010030	2	Hex screw [M8X35 8.8 ZC UNI 5737]

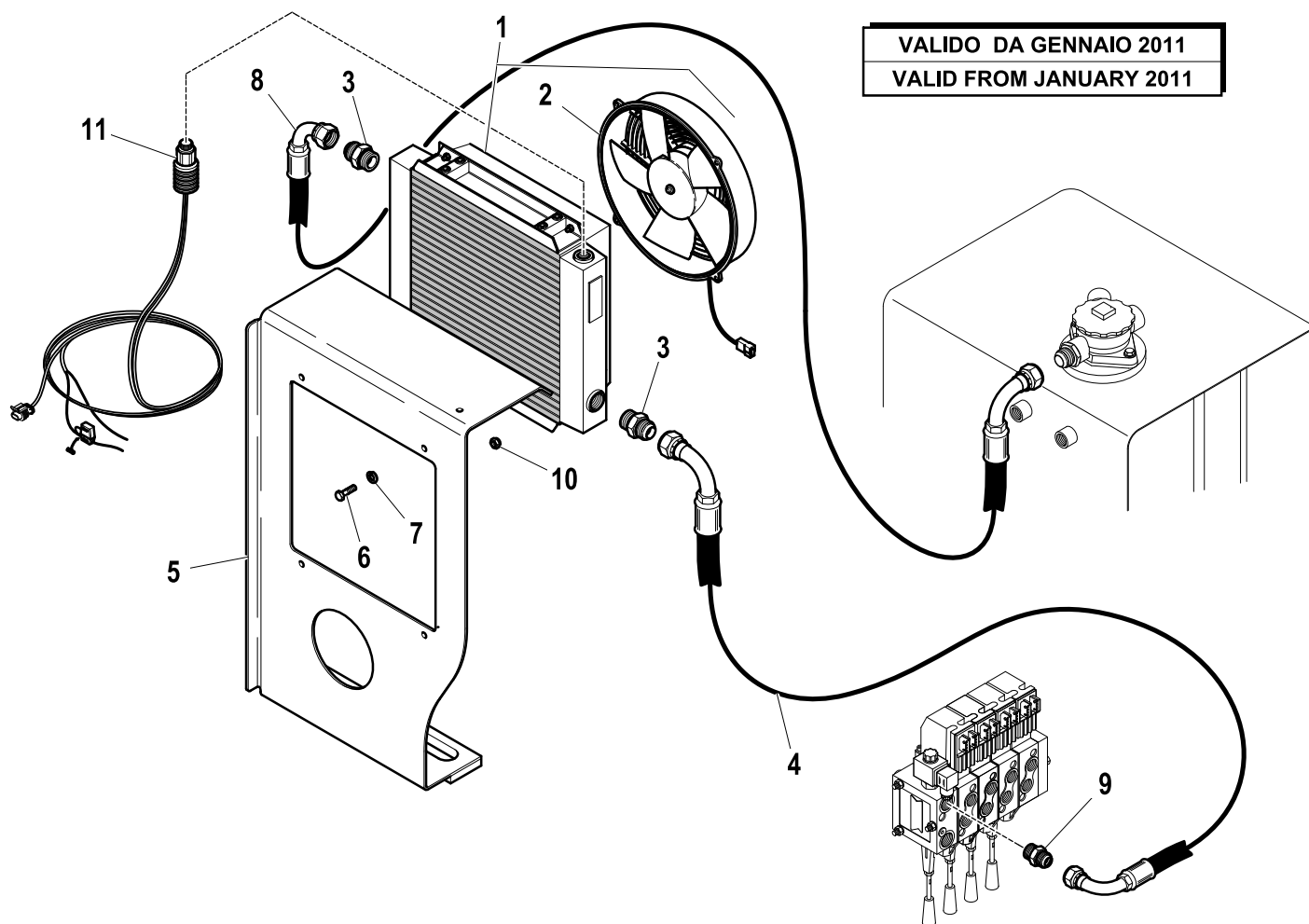
Heat exchange unit (24V)

Code

7888001-1.0

1/1

R	Pos.	Code Variant	Q.ty	Description
	1	5710092	1	
	2	5710110	1	
	3	3101057	2	Straight pipe fitting
	4	5290151	1	Flexible hose
	5	5091120	1	Support (Heat exchange unit)
	6	3010339	4	Hex screw [M8X25 8.8 ZC IF UNI 5739]
	7	3060055	4	Split lock washer [D=8.4 C72 ZC]
	8	5290095	1	Flexible hose
	9	3101056	1	Straight pipe fitting
	10	3040303	4	Stopnut
	11	3311408	1	Thermostat (Wire assembly)



**VALIDO DA GENNAIO 2011
VALID FROM JANUARY 2011**

Heat exchange unit (24V)

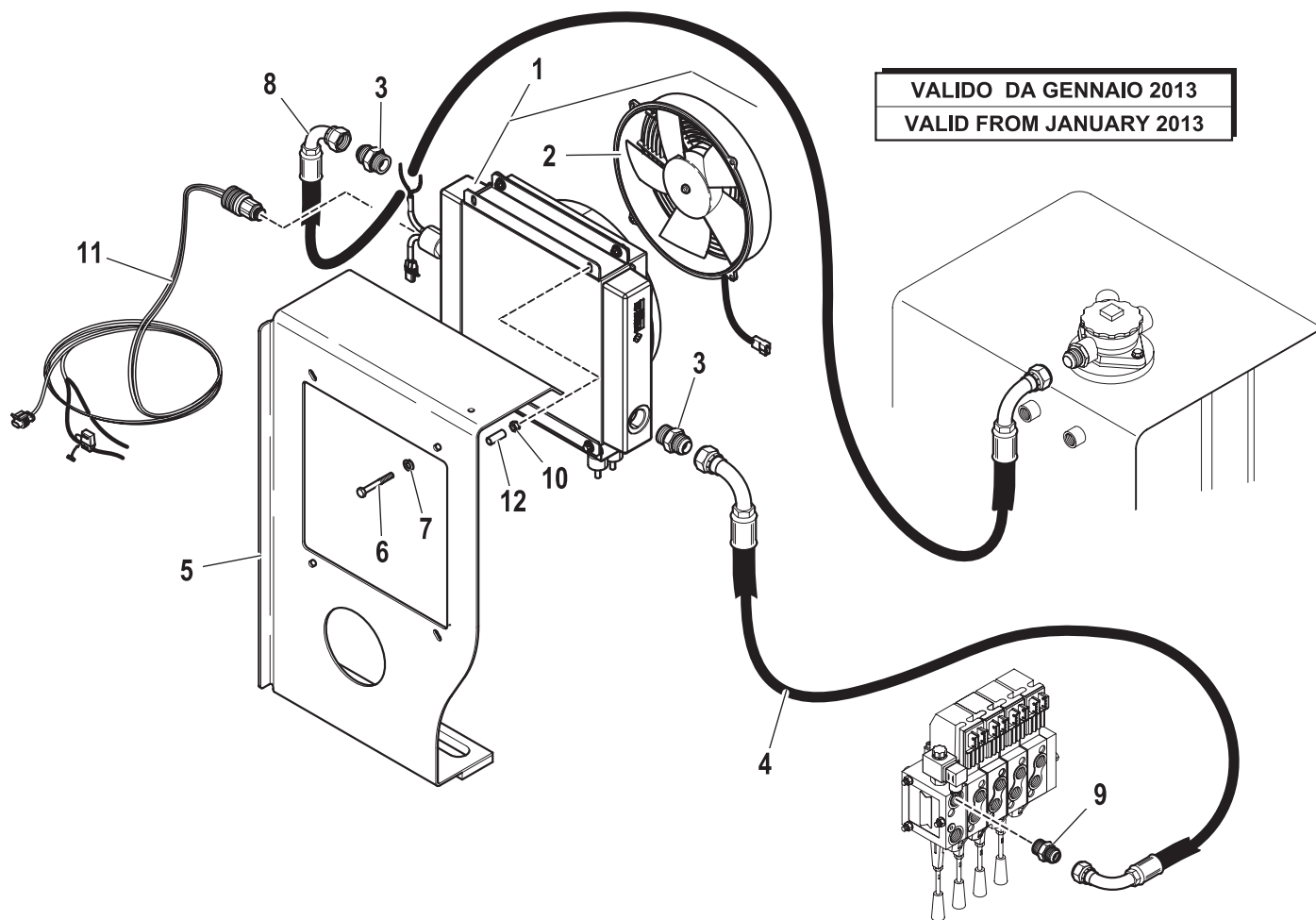
Code

7888001-2.0

1/1

R	Pos.	Code Variant	Q.ty	Description
	1	5710116	1	Heat exchange unit
	2	5710117	1	Electric fan
	3	3101057	2	Straight pipe fitting
	4	5290151	1	Flexible hose
	5	5091120	1	Support (Heat exchange unit)
	6	3010035	4	Hex screw [M8X60 8.8 ZC UNI 5737]
	7	3060055	4	Split lock washer [D=8.4 C72 ZC]
	8	5290095	1	Flexible hose
	9	3101056	1	Straight pipe fitting
	10	3040303	4	Stopnut
	11	3311408	1	Thermostat (Wire assembly)
	12	2091326	4	Spacer (Casing)

**VALIDO DA GENNAIO 2013
VALID FROM JANUARY 2013**

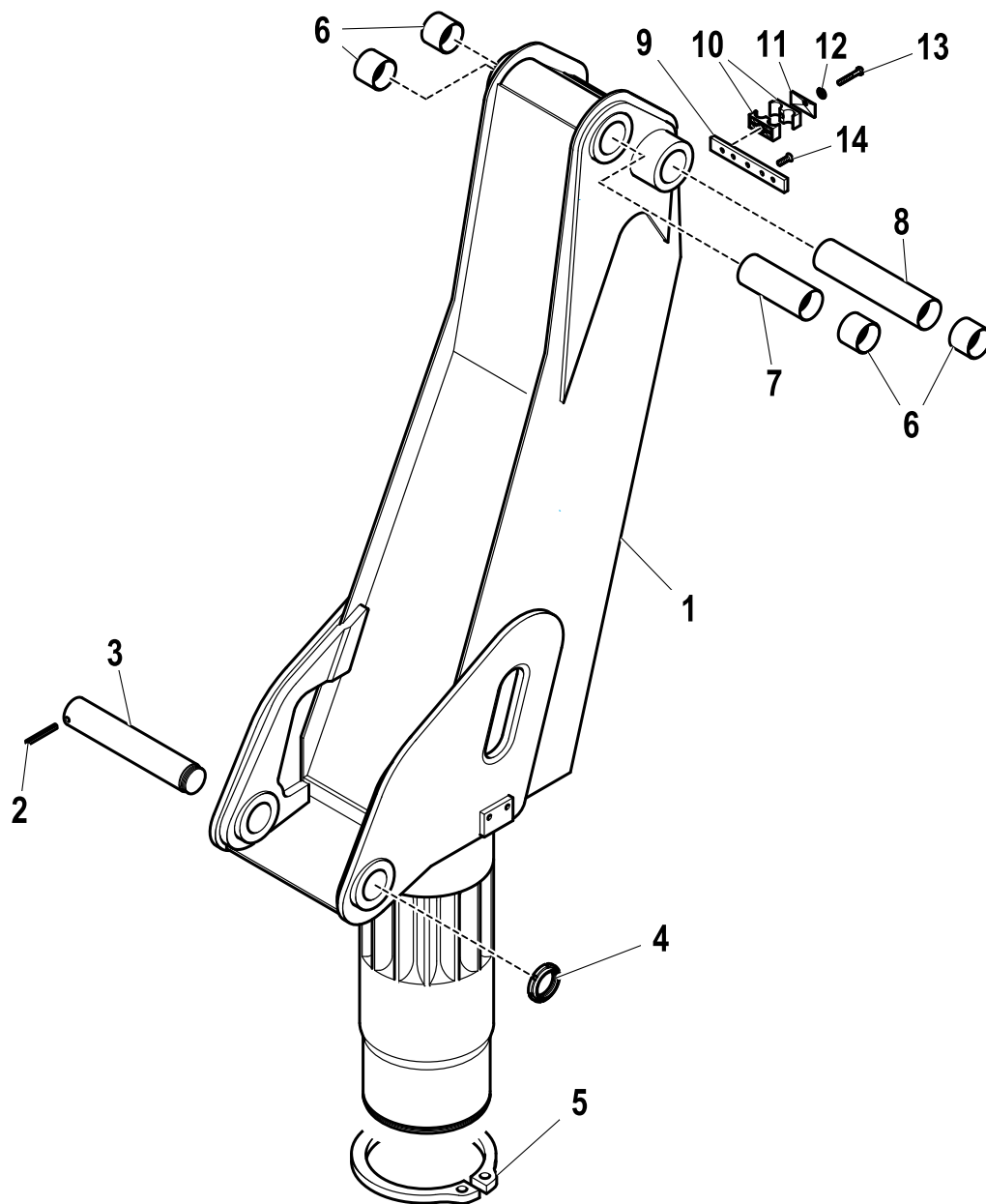


Column

Code

5460059-1.0

1/1



R	Pos.	Code Variant	Q.ty	Description
	1	5040101	1	Column
	2	3060627	1	Spring pin
	3	5150498	1	
	4	3040509	1	Self-locking ringnut
	5	3070146	1	Seeger
	6	5140689	4	
	7	5001545	1	
	8	5001546	1	
	9	5001192	1	
	10	3190222	4	
	11	3190221	2	
	12	3060055	2	Split lock washer [D=8.4 C72 ZC]
	13	3010034	2	Hex screw [M8X55 8.8 UNI 5737 ZC]
	14	3020899	2	TSEI screw [M8X20 10.9 ZC UNI 5933]

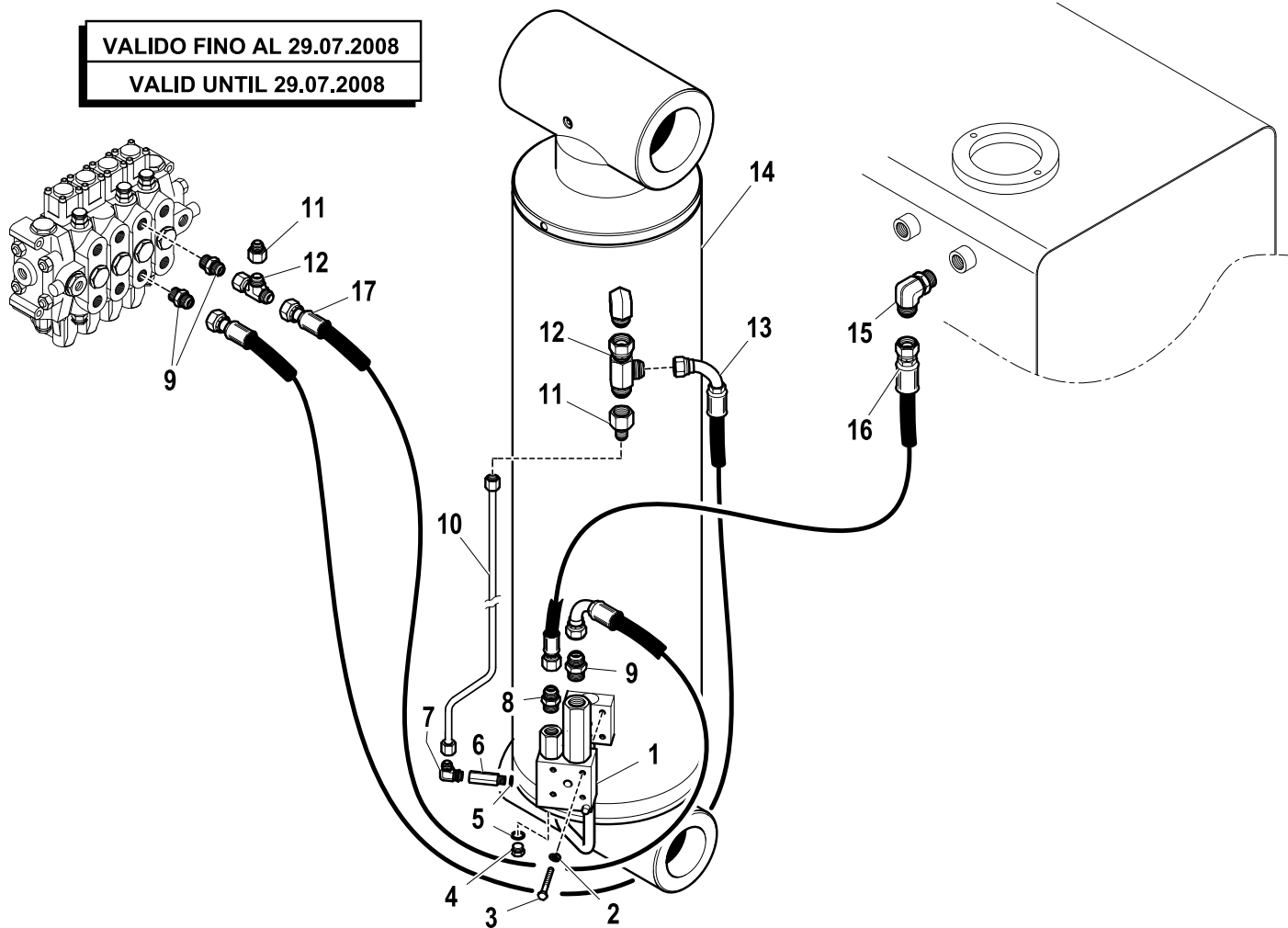
LIFTING HYDRAULIC CYLINDER (Hydraulic system)

Code

6230161-1.0

1/1

VALIDO FINO AL 29.07.2008
VALID UNTIL 29.07.2008



R	Pos.	Code Variant	Q.ty	Description
	1	5220670	1	
	2	3060053	4	Split lock washer [D=6.4 C72 ZC]
	3	3010399	2	Hex screw [M6X55 8.8 ZC UNI 5739]
	4	3110062	1	Plug
	5	3060143	1	Sealing washer [BSP 1/4"]
	6	5220300	1	Hose burst valve (Sleeve)
	7	3101124	1	90° Connection
	8	3101051	1	Straight pipe fitting
	9	3101043	3	Straight pipe fitting
	10	5392196	1	
	11	3120209	1	Reducing fitting
	12	3120008	1	Tee fitting
	13	5280539	1	
	14	6430161	1	Lifting jack
	15	3101128	1	90° Connection
	16	5261008	1	Flexible hose
	17	5280524	1	

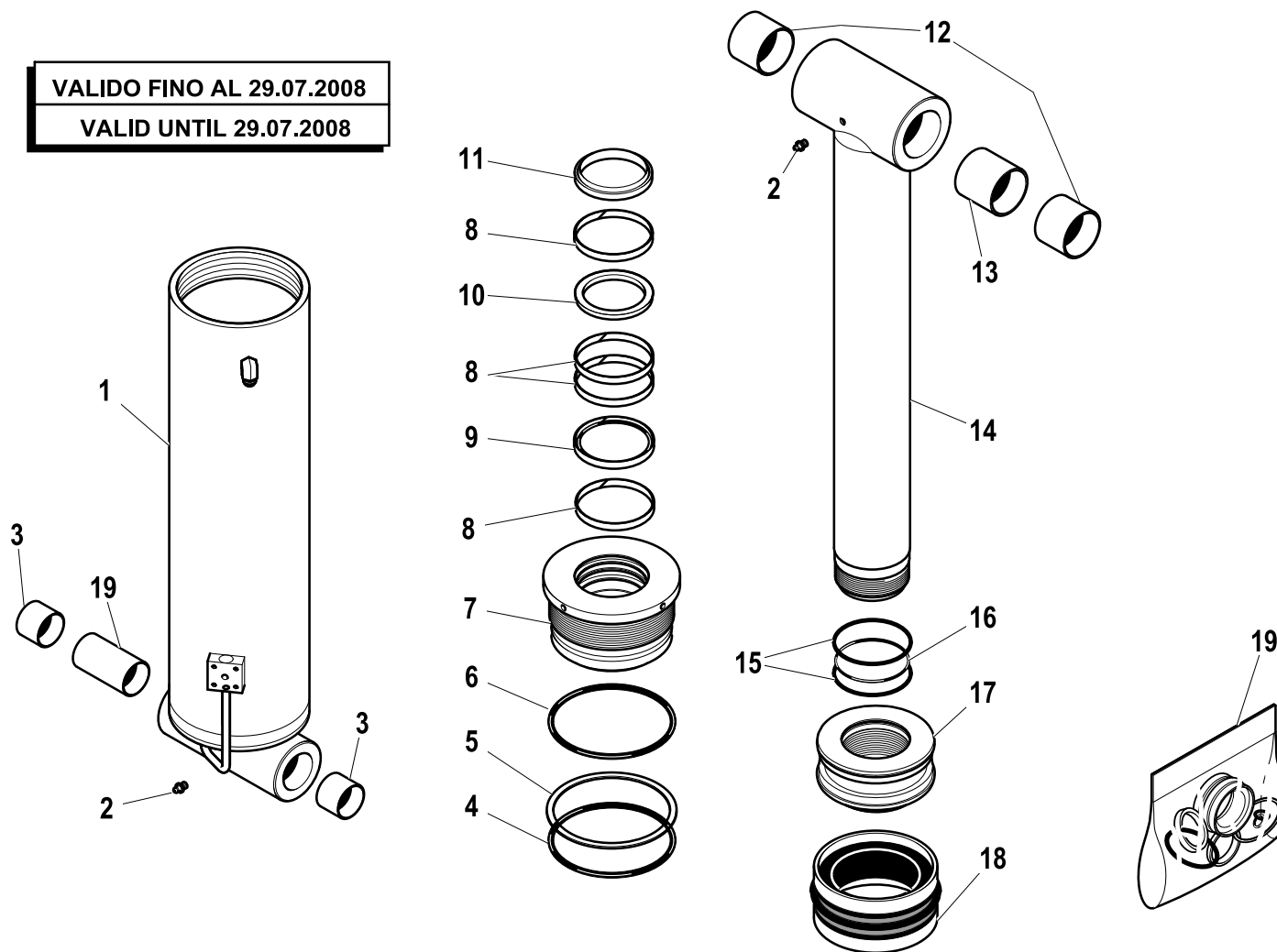
LIFTING HYDRAULIC CYLINDER

Code

6430161-1.0

1/1

VALIDO FINO AL 29.07.2008
VALID UNTIL 29.07.2008



R	Pos.	Code Variant	Q.ty	Description
	1	6070548	1	
	2	3080501	1	Grease nipple
	3	5140689	2	
	4	3450406	1	
	5	3460406	1	
	6	3450181	1	
	7	6040293	1	
	8	3361021	5	
	9	3381300	1	
	10	3390501	1	
	11	3420060	1	
	12	5140699	2	
	13	5001539	1	
	14	6030773	1	
	15	3460164	2	
	16	3450164	1	
	17	6050305	1	
	18	3400541	1	
	19	5550765	1	

LIFTING HYDRAULIC CYLINDER (Hydraulic system)

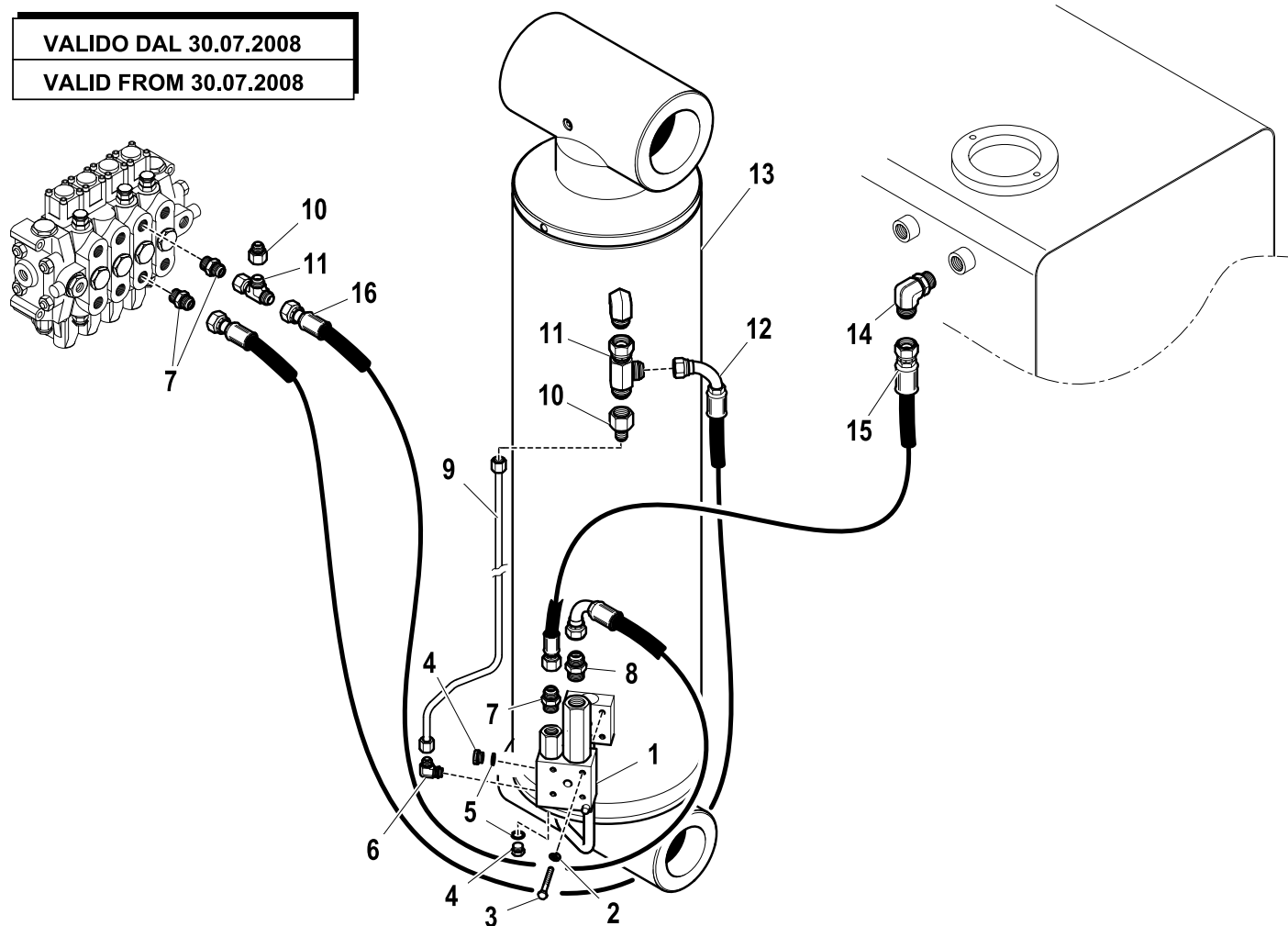
Code

6230164-1.0

1/1

VALIDO DAL 30.07.2008

VALID FROM 30.07.2008



R	Pos.	Code Variant	Q.ty	Description
	1	5220670	1	
	2	3060053	4	Split lock washer [D=6.4 C72 ZC]
	3	3010399	2	Hex screw [M6X55 8.8 ZC UNI 5739]
	4	3110062	2	Plug
	5	3060143	2	Sealing washer [BSP 1/4"]
	6	3101124	1	90° Connection
	7	3101043	3	Straight pipe fitting
	8	3101051	1	Straight pipe fitting
	9	5390019	1	
	10	3120209	2	Reducing fitting
	11	3120008	2	Tee fitting
	12	5280539	1	
	13	6430164	1	Lifting jack
	14	3101128	1	90° Connection
	15	5261008	1	Flexible hose
	16	5280524	1	

LIFTING HYDRAULIC CYLINDER

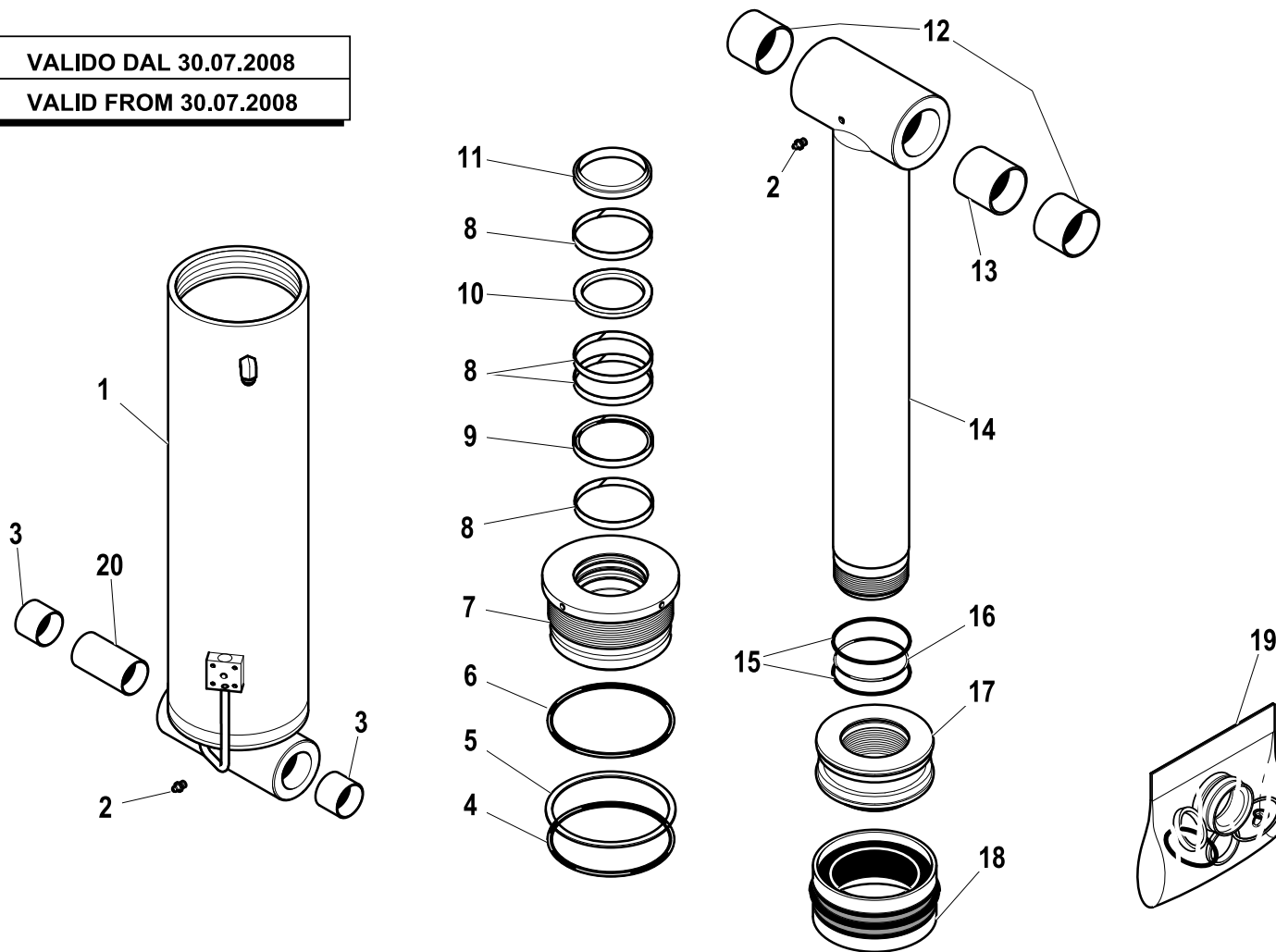
Code

6430164-1.0

1/1

VALIDO DAL 30.07.2008

VALID FROM 30.07.2008



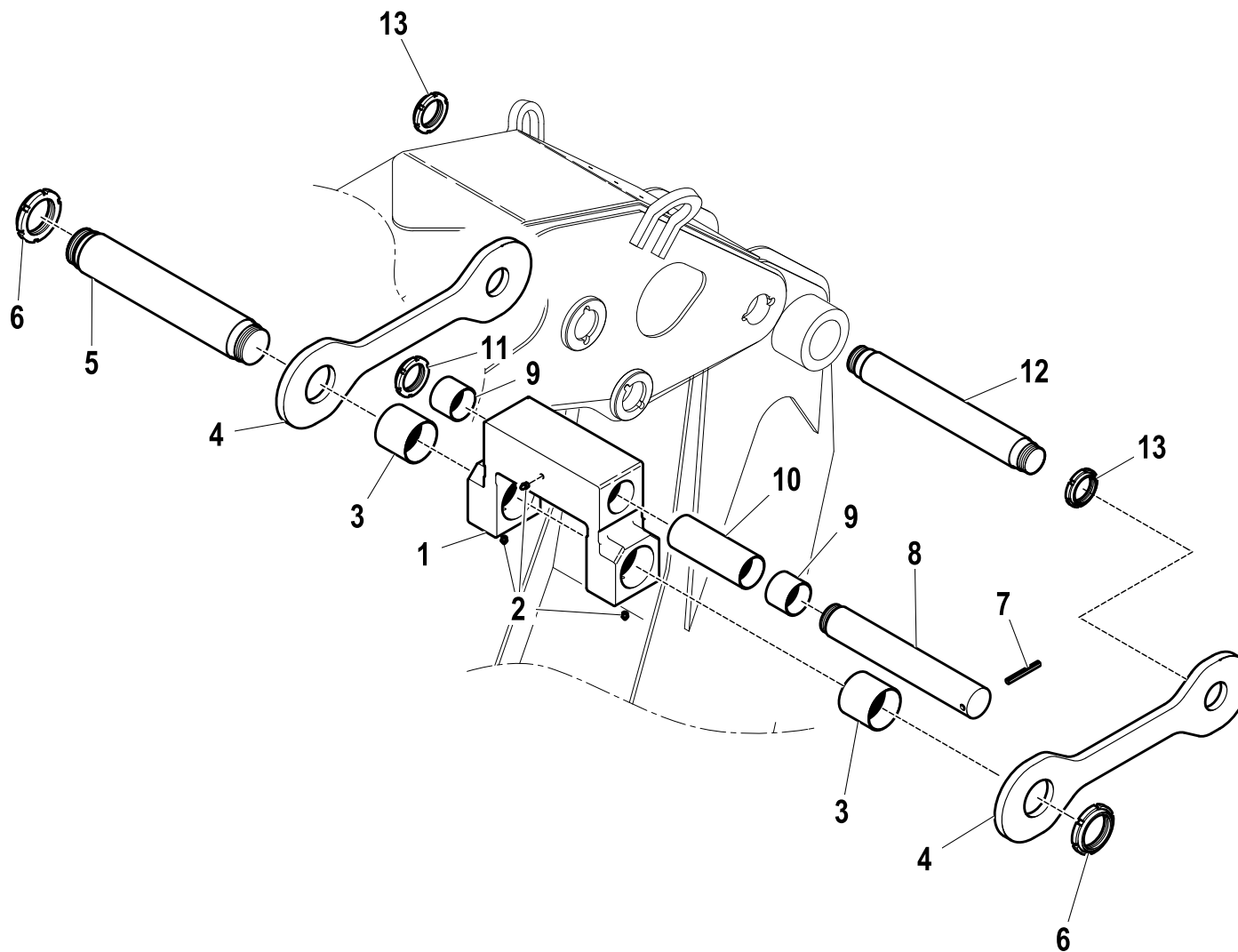
R	Pos.	Code Variant	Q.ty	Description
	1	6070554	1	
	2	3080501	2	Grease nipple
	3	5140689	2	
	4	3450406	1	
	5	3460406	1	
	6	3450181	1	
	7	6040293	1	
	8	3361021	5	
	9	3381300	1	
	10	3390501	1	
	11	3420060	1	
	12	5140699	2	
	13	5001539	1	
	14	6030773	1	
	15	3460164	2	
	16	3450164	1	
	17	6050305	1	
	18	3400541	1	
	19	5550765	1	
	20	5001538	1	

COLUMN CONNECTING RODS

Code

5360016-1.0

1/1



R	Pos.	Code Variant	Q.ty	Description
	1	5090988	1	
	2	3080501	3	Grease nipple
	3	5140699	2	
	4	5090987	2	
	5	5150812	1	
	6	3040511	2	Self-locking ringnut
	7	3060631	1	Spring pin
	8	5150548	1	
	9	5140689	2	
	10	5001673	1	
	11	3040509	1	Self-locking ringnut
	12	5150813	1	
	13	3040508	2	Self-locking ringnut

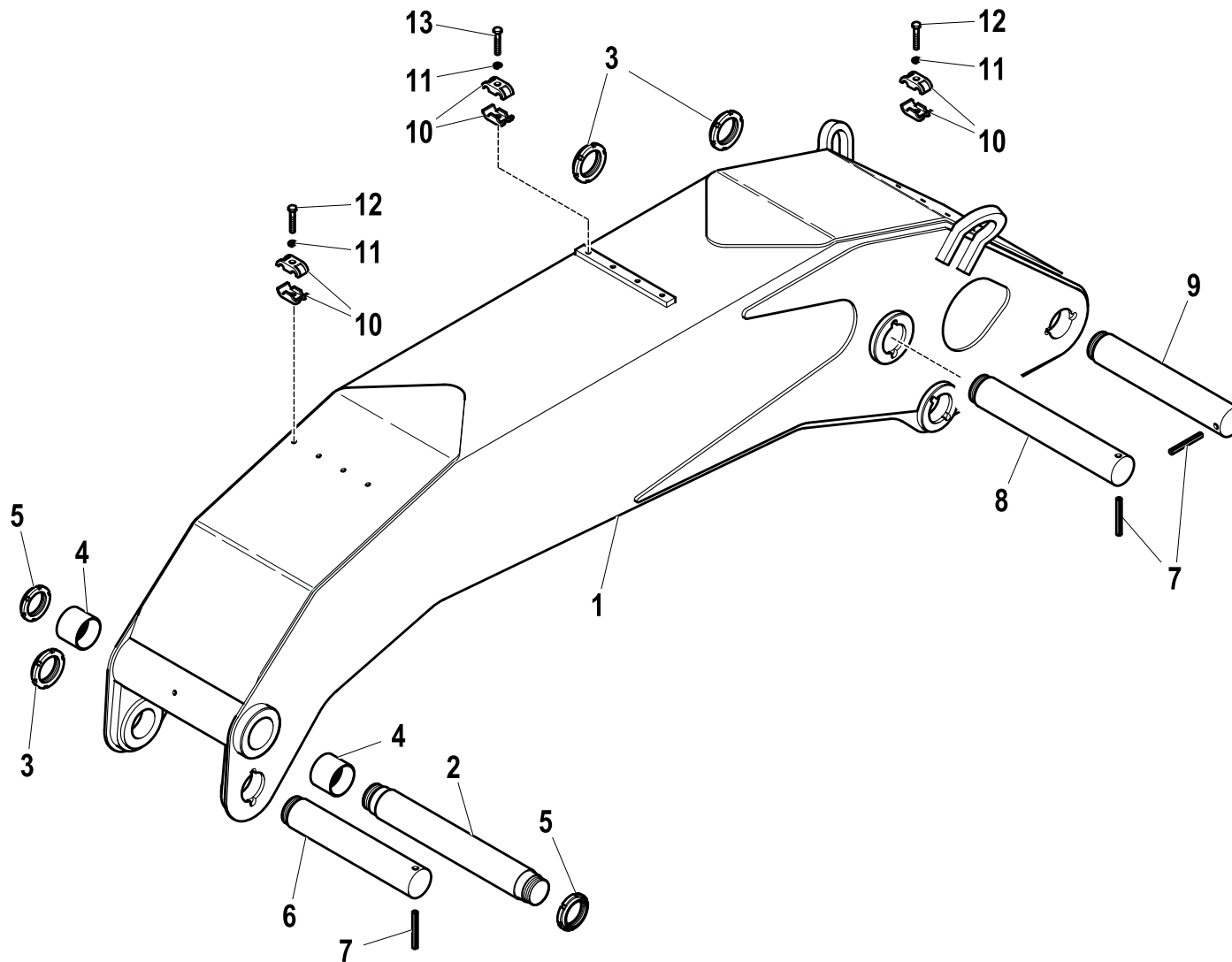
1ST BOOM

Code

5470075-1.0

1/1

R	Pos.	Code Variant	Q.ty	Description
	1	5030279	1	Main boom
	2	5150551	1	
	3	3040509	3	Self-locking ringnut
	4	5140689	2	
	5	3040508	2	Self-locking ringnut
	6	5150549	1	
	7	3060631	3	Spring pin
	8	5150548	1	
	9	5150811	1	
	10	5000047	10	
	11	3060055	5	Split lock washer [D=8.4 C72 ZC]
	12	3010032	4	Hex screw [M8X45 8.8 ZC UNI 5737]
	13	3010390	2	Hex screw [M8X35 ZC UNI 5739]



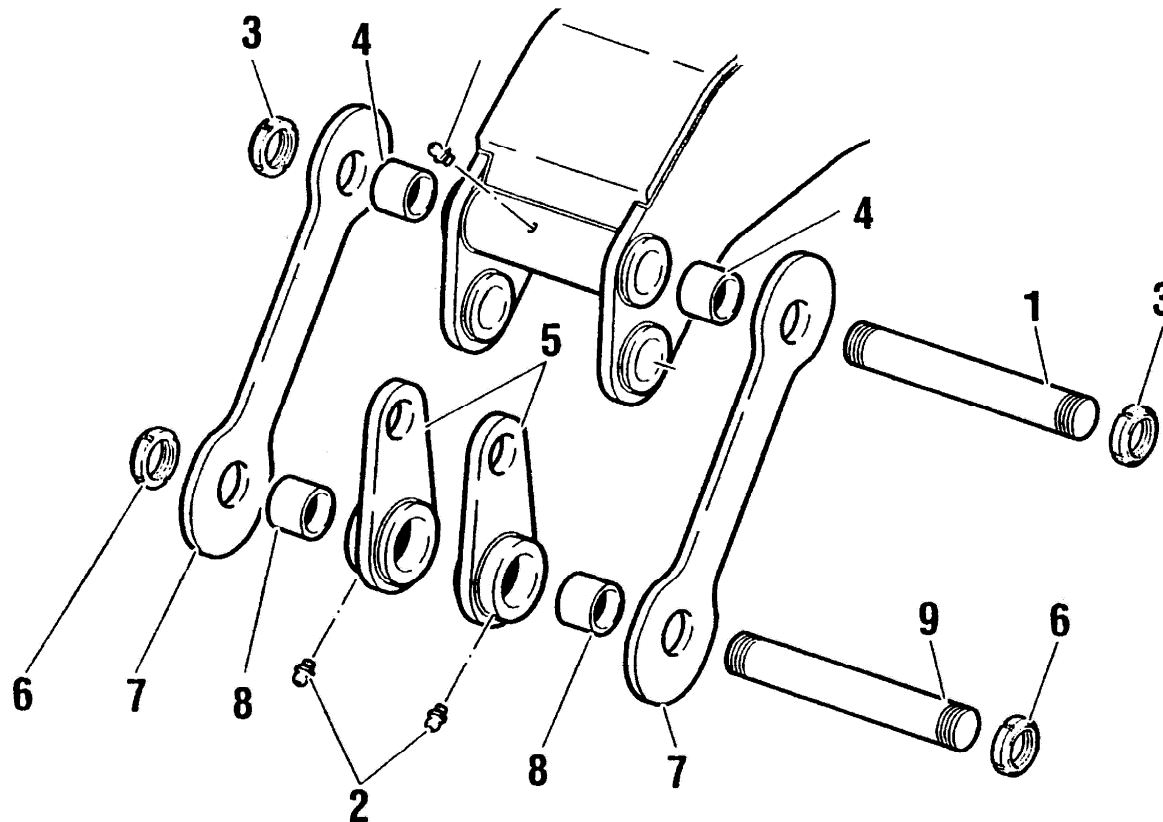
Linkage 1th e 2nd boom

Code

5360008-1.0

1/1

R	Pos.	Code Variant	Q.ty	Description
	1	5150551	1	
	2	3080501	2	Grease nipple
	3	3040508	2	Self-locking ringnut
	4	5140689	2	
	5	5090571	2	
	6	3040511	2	Self-locking ringnut
	7	5090572	2	
	8	5140699	2	
	9	5150550	1	



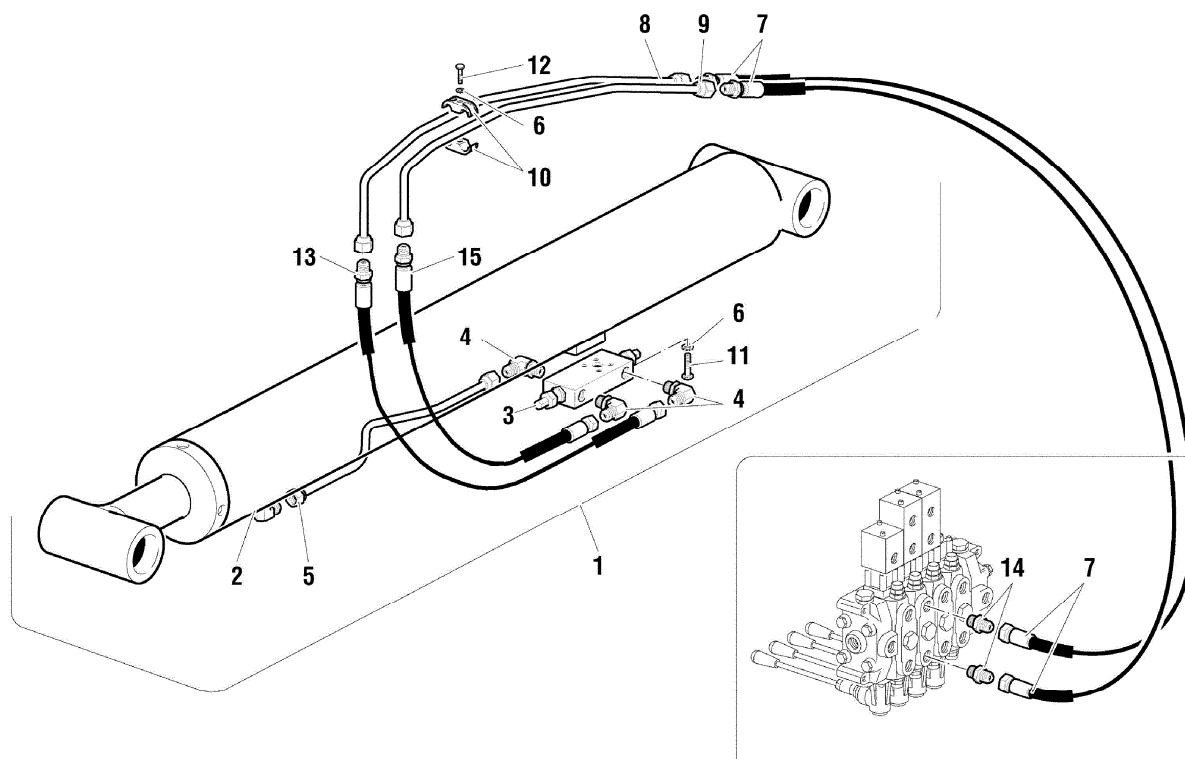
Articulation Hydraulic jack (Hydraulic system)

Code

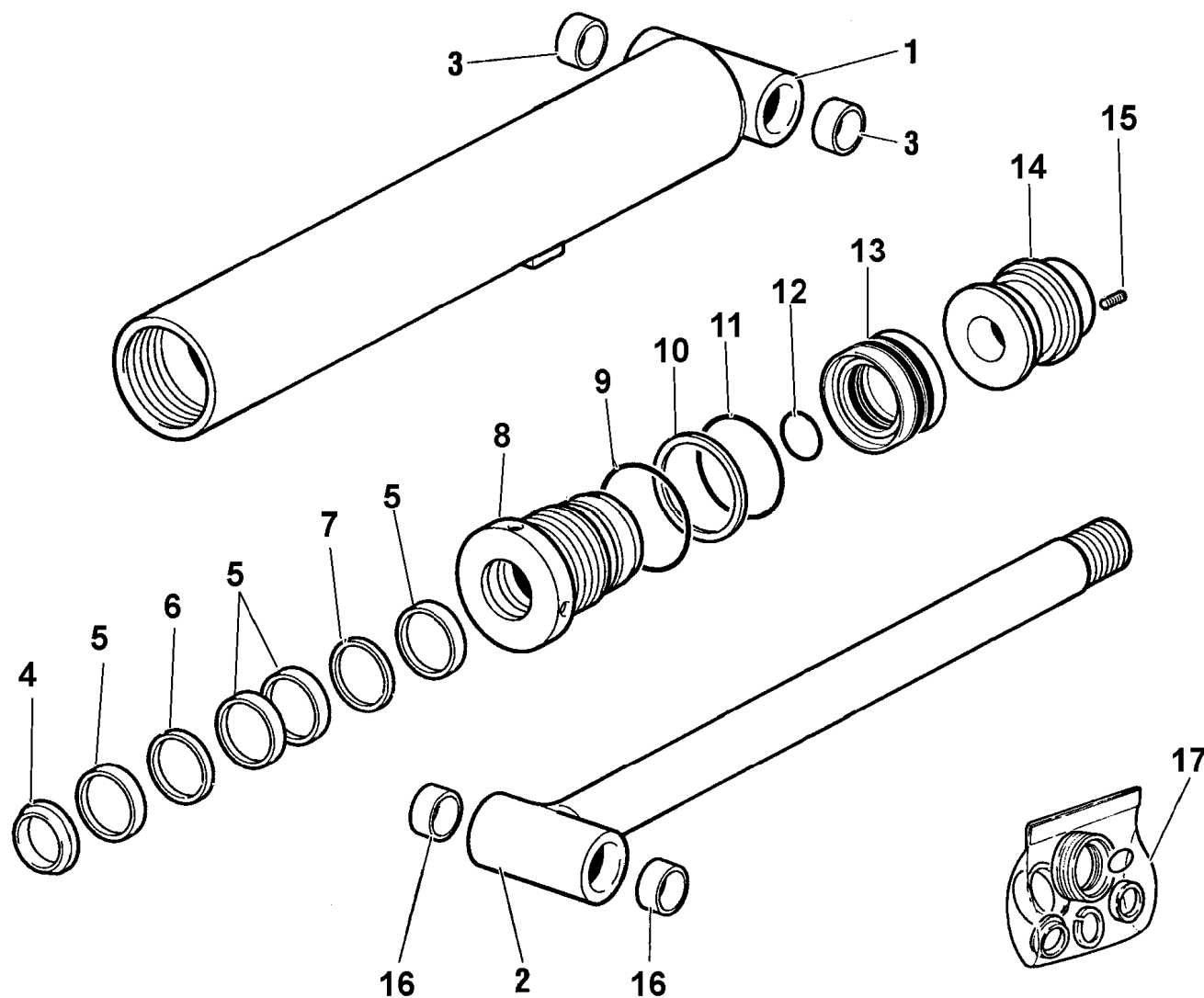
6230105-2.0

1/1

R	Pos.	Code Variant	Q.ty	Description
	1	6230105	1	Articulation Hydraulic jack
	2	6430105	1	Articulation Hydraulic jack
	3	5220571	1	
	4	3101131	3	90° Connection
	5	5391663	1	
	6	3060055	6	Split lock washer [D=8.4 C72 ZC]
	7	5280342	2	Flexible hose
	8	5392173	1	
	9	5392172	1	
	10	5000077	2	
	11	3010032	4	Hex screw [M8X45 8.8 ZC UNI 5737]
	12	3010031	2	Hex screw [M8X40 8.8 ZC UNI 5737]
	13	5280452	1	Flexible hose
	14	3101051	4	Straight pipe fitting
	15	5280454	1	Flexible hose



6230105-2.0



R	Pos.	Code Variant	Q.ty	Description
	1	6070419	1	
	2	6030462	1	
	3	5140689	2	
	4	3420049	1	
	5	3350120	4	
	6	3370175	1	
	7	3381000	1	
	8	6040261	1	
	9	3450177	1	
	10	3460401	1	
	11	3450401	1	
	12	3450155	1	
	13	3400537	1	
	14	6050259	1	
	15	3060247	1	Grub screw (Worm screw)
	16	5140699	2	
	17	5550722	1	

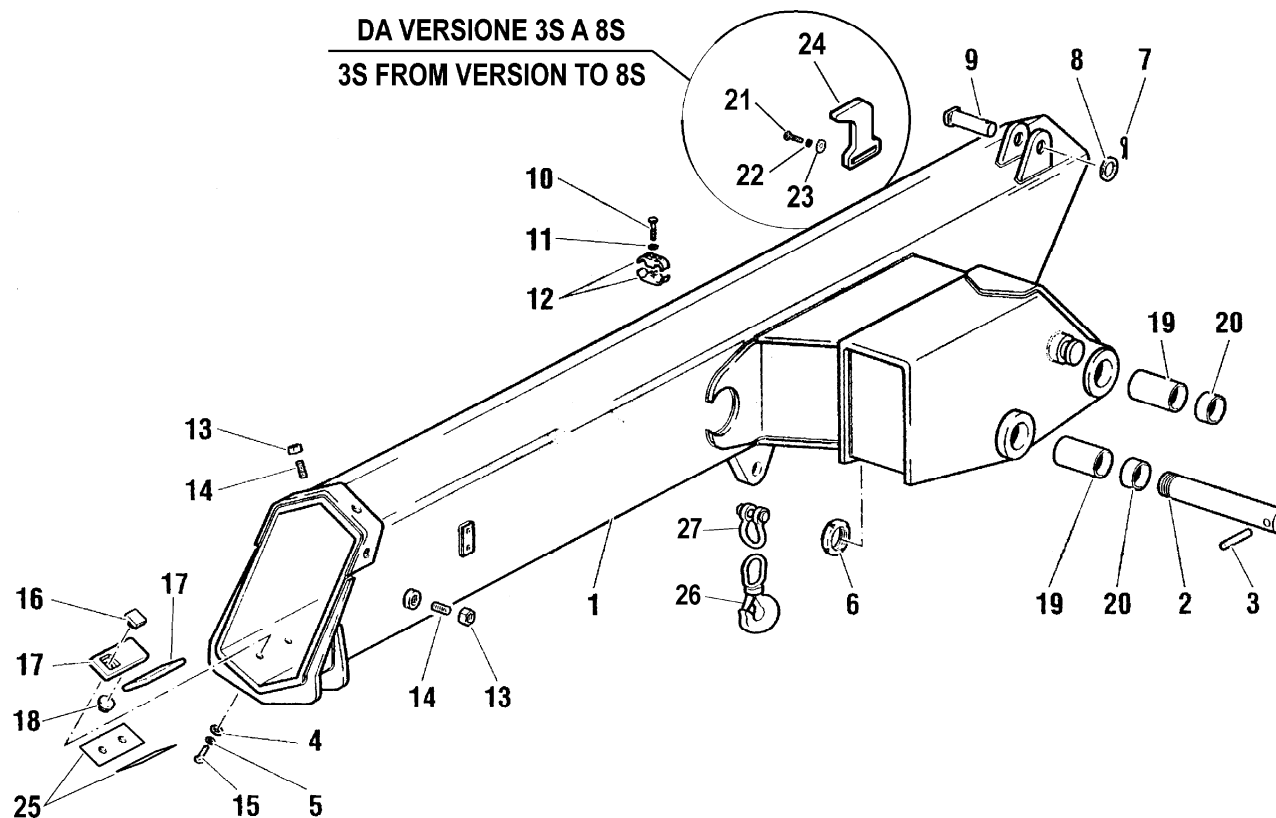
2nd BOOM

Code

5480089-1.0

1/2

R	Pos.	Code Variant	Q.ty	Description
	1	5030283	1	Secondary boom
	2	5150552	1	
	3	3060631	1	Spring pin
	4	3060914	2	Flat washer [D.10.5X21X2 UNI 6592 ZC]
	5	3060920	2	Tooth lock washer [D.10 TIPO A]
	6	3040509	1	Self-locking ringnut
	7	3060907	1	
	8	3060016	1	Flat washer [D.31X56X4 UNI 6592 ZC]
	9	5150500	1	
	10	3010035	2	Hex screw [M8X60 8.8 ZC UNI 5737]
	11	3060055	3	Split lock washer [D=8.4 C72 ZC]
	12	5000047	5	
	13	3040089	8	Lock nut
	14	5000771	8	Adjusting screw
	15	3010353	2	Hex screw [M10X16 8.8 ZC UNI 5739]
	16	5000827	2	Button (Control board)
	17	5140763	2	
	18	5001253	2	Button (Sliding block)
	19	5000870	2	
	20	5140689	4	



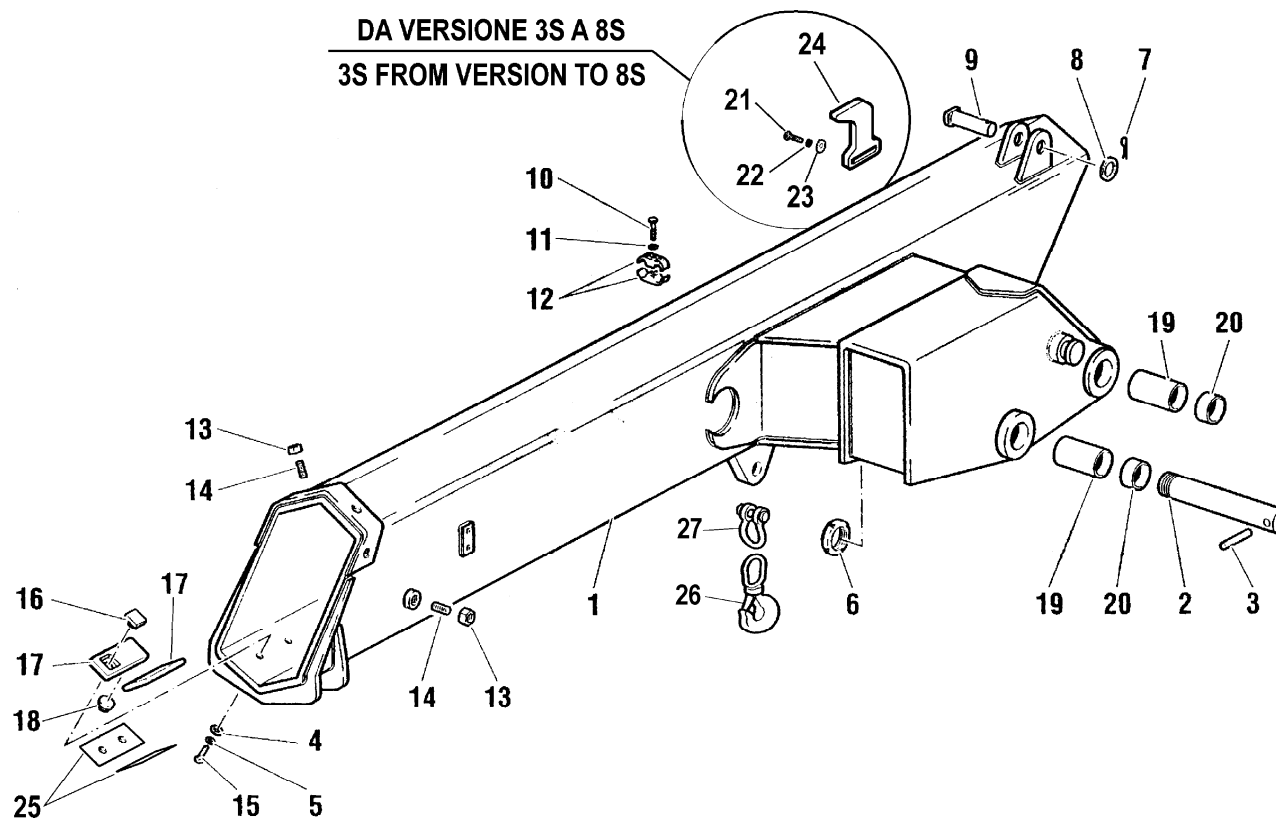
2nd BOOM

Code

5480089-1.0

2/2

R	Pos.	Code Variant	Q.ty	Description
	21	3010394	2	Hex screw [M12X35 8.8 ZC UNI 5739]
	22	3060057	2	Split lock washer [D=12 C72 ZC]
	23	3060031	2	Flat washer [D.13X20 UNI 6592 ZC]
	24	5000908	1	
	25	5000869	2	
	26	3200009	1	Swivel hook
	27	3200070	1	Shackles



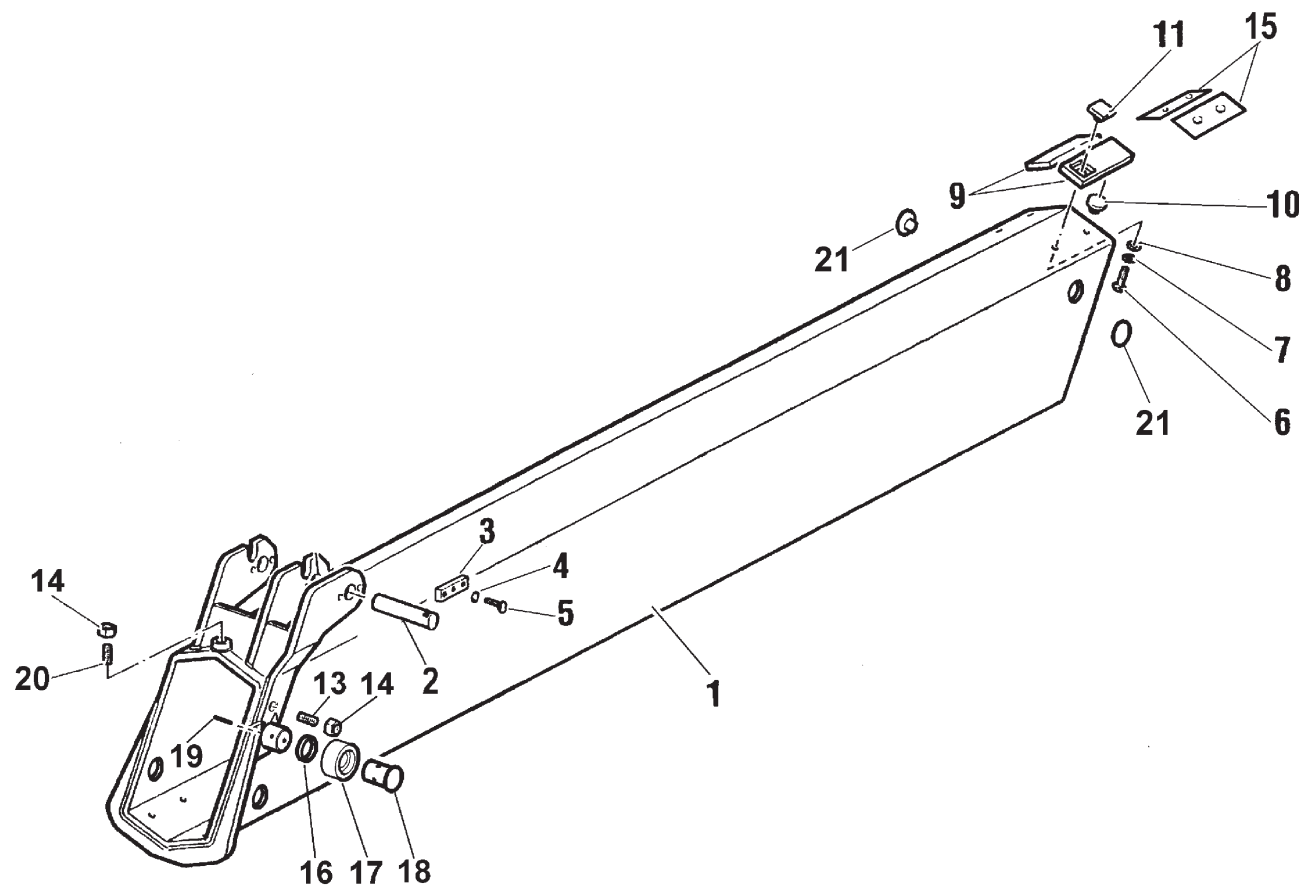
1st EXTENSION

Code

5490083-1.0

1/1

R	Pos.	Code Variant	Q.ty	Description
	1	5020490	1	Extension
	2	5150502	1	
	3	5000674	1	
	4	3060055	2	Split lock washer [D=8.4 C72 ZC]
	5	3010325	2	Hex screw [M6X16 8.8 ZC UNI 5739]
	6	3010353	2	Hex screw [M10X16 8.8 ZC UNI 5739]
	7	3060920	2	Tooth lock washer [D.10 TIPO A]
	8	3060914	2	Flat washer [D.10.5X21X2 UNI 6592 ZC]
	9	5140763	2	
	10	5001253	2	Button (Sliding block)
	11	5000827	2	Button (Control board)
	13	5000771	2	Adjusting screw
	14	3040089	3	Lock nut
	15	5000869	2	
	16	5141026	1	
	17	5141025	1	
	18	5150848	1	
	19	3060632	1	Spring pin
	20	5001917	1	
	21	5140789	2	



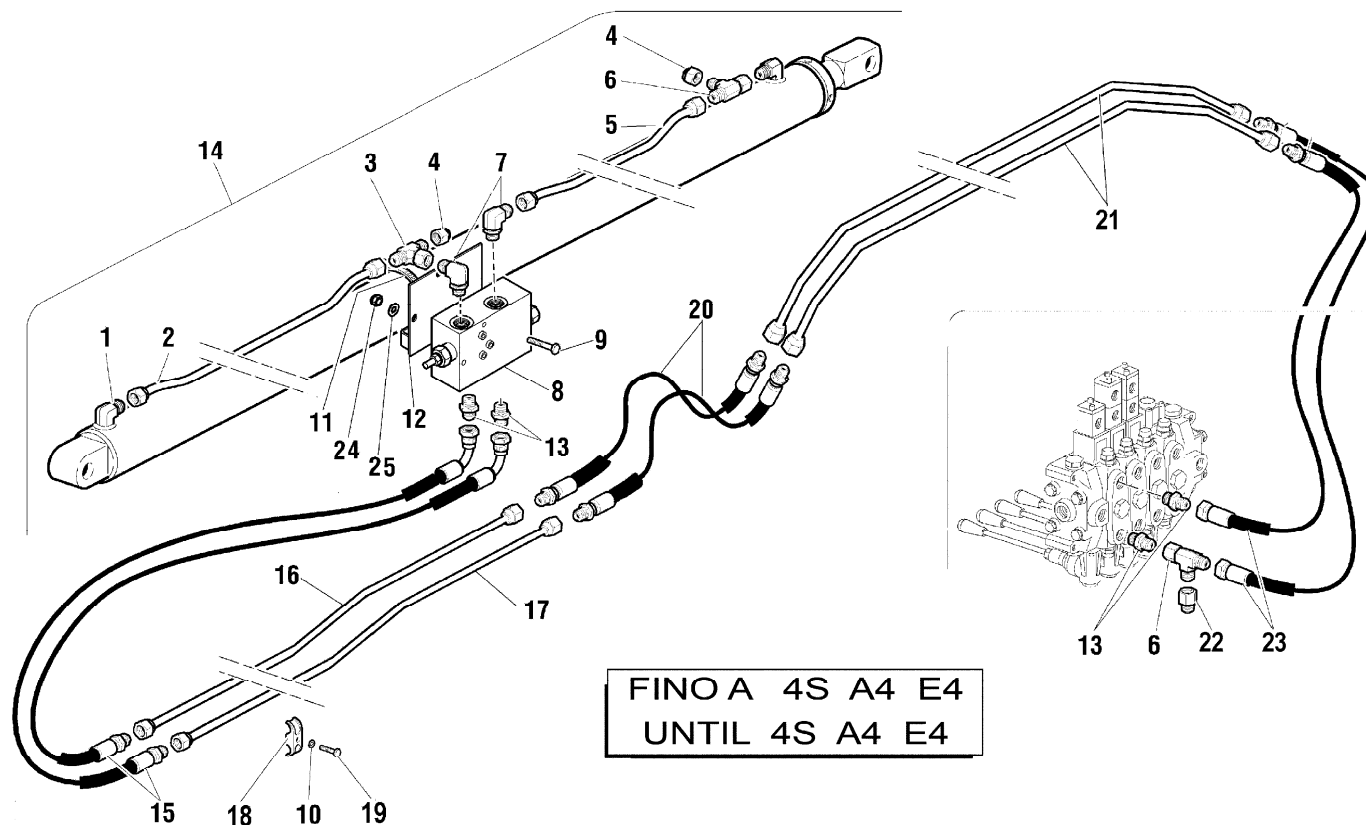
HYDRAULIC SYSTEM (1st EXSTENSION HYDRAULIC)

Code

6210309-1.0

1/2

R	Pos.	Code Variant	Q.ty	Description
	1	6410184	1	Extension Hydraulic jack
	2	5392220	1	
	3	3120021	1	Tee fitting
	4	3110050	2	Female plug
	5	5392221	1	
	6	3120008	2	Tee fitting
	7	3101131	2	90° Connection
	8	5220755	1	
	9	3010037	2	Hex screw [M8X70 8.8 UNI 5737 ZC]
	10	3060055	6	Split lock washer [D=8.4 C72 ZC]
	11	3190024	2	Clamp
	12	5001416	1	
	13	3101051	4	Straight pipe fitting
	14	6210309	1	
	15	5280736	2	
	16	5391979	1	
	17	5391980	1	
	18	5000047	4	
	19	3010030	4	Hex screw [M8X35 8.8 ZC UNI 5737]
	20	5280406	2	



FINO A 4S A4 E4
UNTIL 4S A4 E4

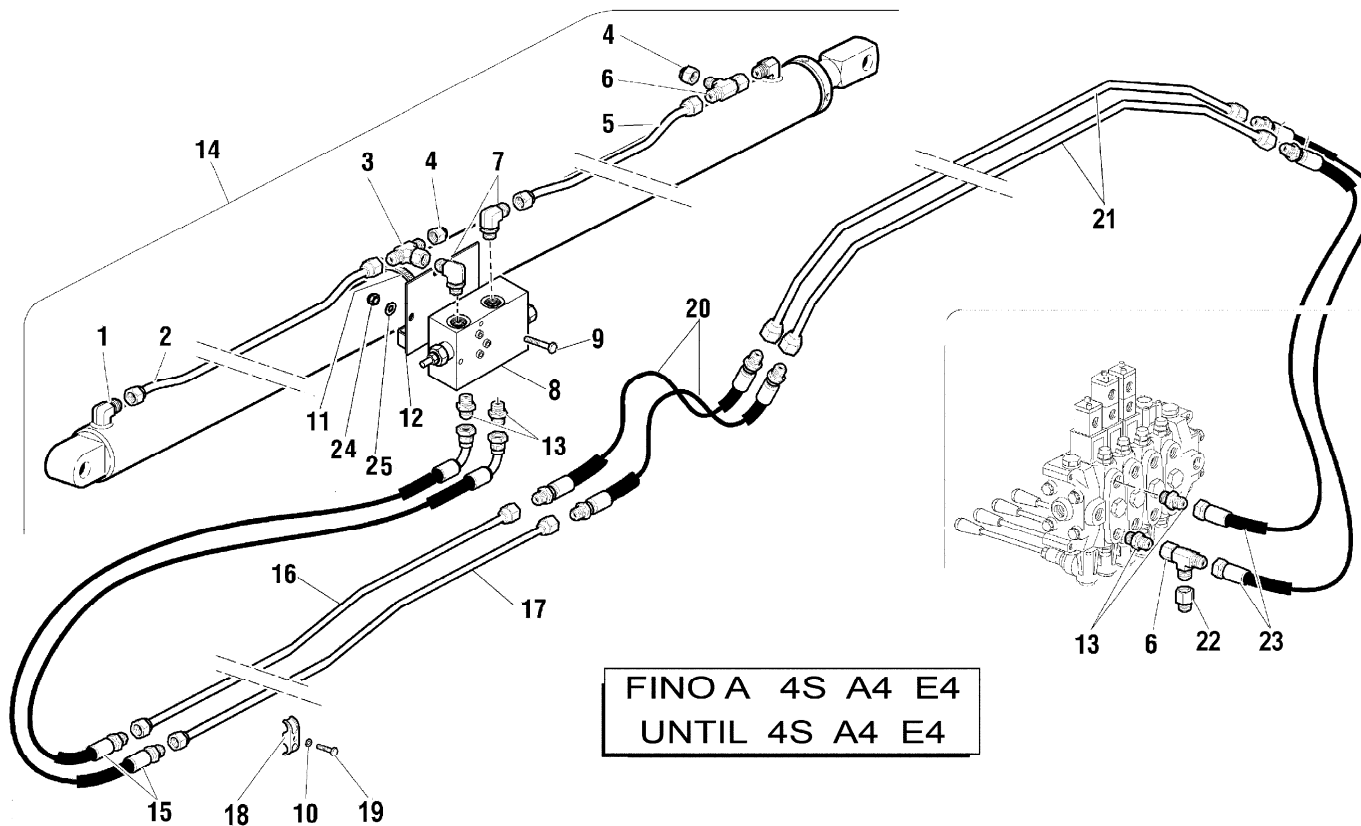
HYDRAULIC SYSTEM (1st EXSTENSION HYDRAULIC)

Code

6210309-1.0

2/2

R	Pos.	Code Variant	Q.ty	Description
	21	5392171	2	
	22	3120209	1	Reducing fitting
	23	5280342	2	Flexible hose
	24	3040303	2	Stopnut
	25	3060006	2	Flat washer [D.8 UNI 6592 ZC]



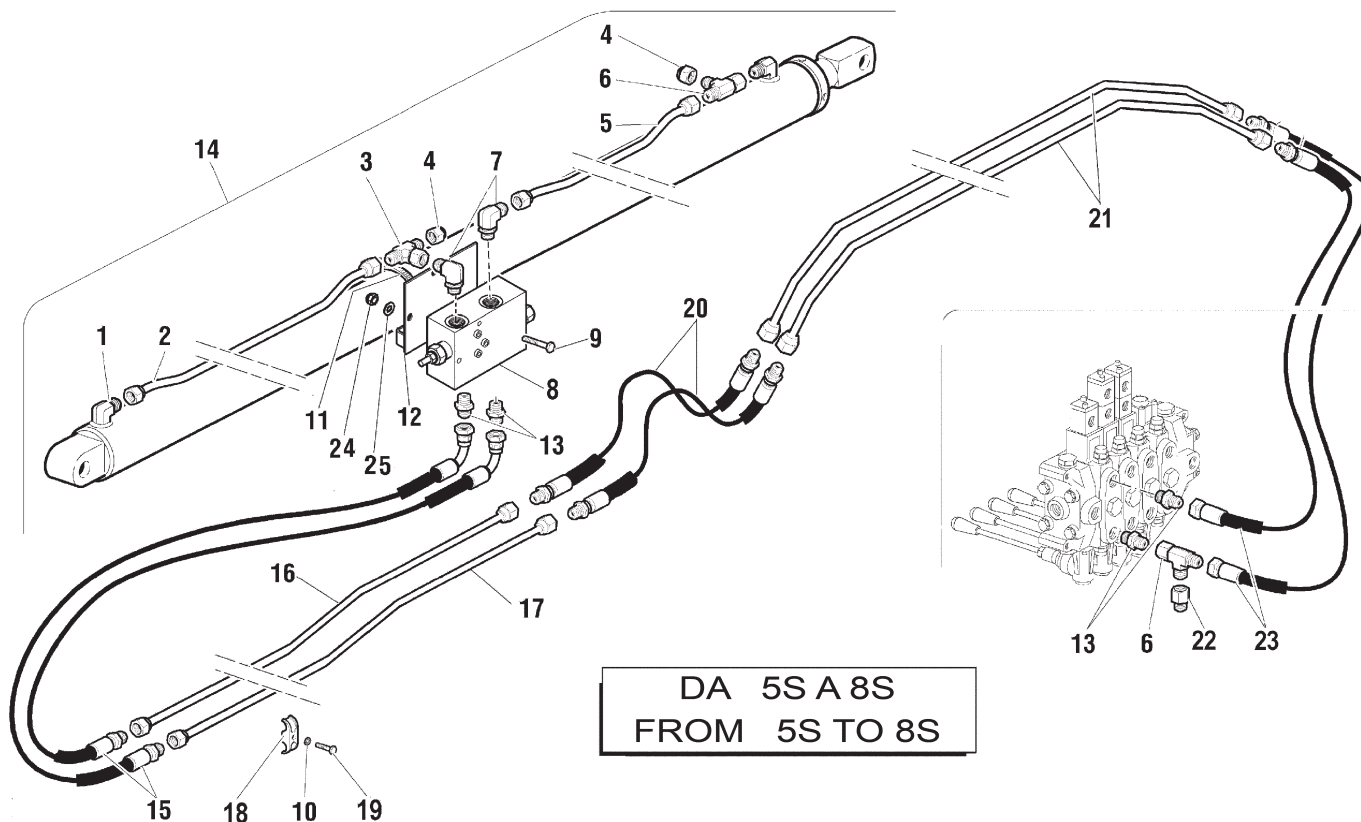
HYDRAULIC SYSTEM (1st EXSTENSION HYDRAULIC)

Code

6210485-1.0

1/2

R	Pos.	Code Variant	Q.ty	Description
	1	6410485	1	Extension jacks
	2	5392220	1	
	3	3120021	1	Tee fitting
	4	3110050	2	Female plug
	5	5392221	1	
	6	3120008	2	Tee fitting
	7	3101131	2	90° Connection
	8	5220755	1	
	9	3010037	2	Hex screw [M8X70 8.8 UNI 5737 ZC]
	10	3060055	6	Split lock washer [D=8.4 C72 ZC]
	11	3190024	2	Clamp
	12	5001416	1	
	13	3101051	4	Straight pipe fitting
	14	6210485	1	Extension jacks (Assembly)
	15	5280736	2	
	16	5391979	1	
	17	5391980	1	
	18	5000047	4	
	19	3010030	4	Hex screw [M8X35 8.8 ZC UNI 5737]
	20	5280406	2	



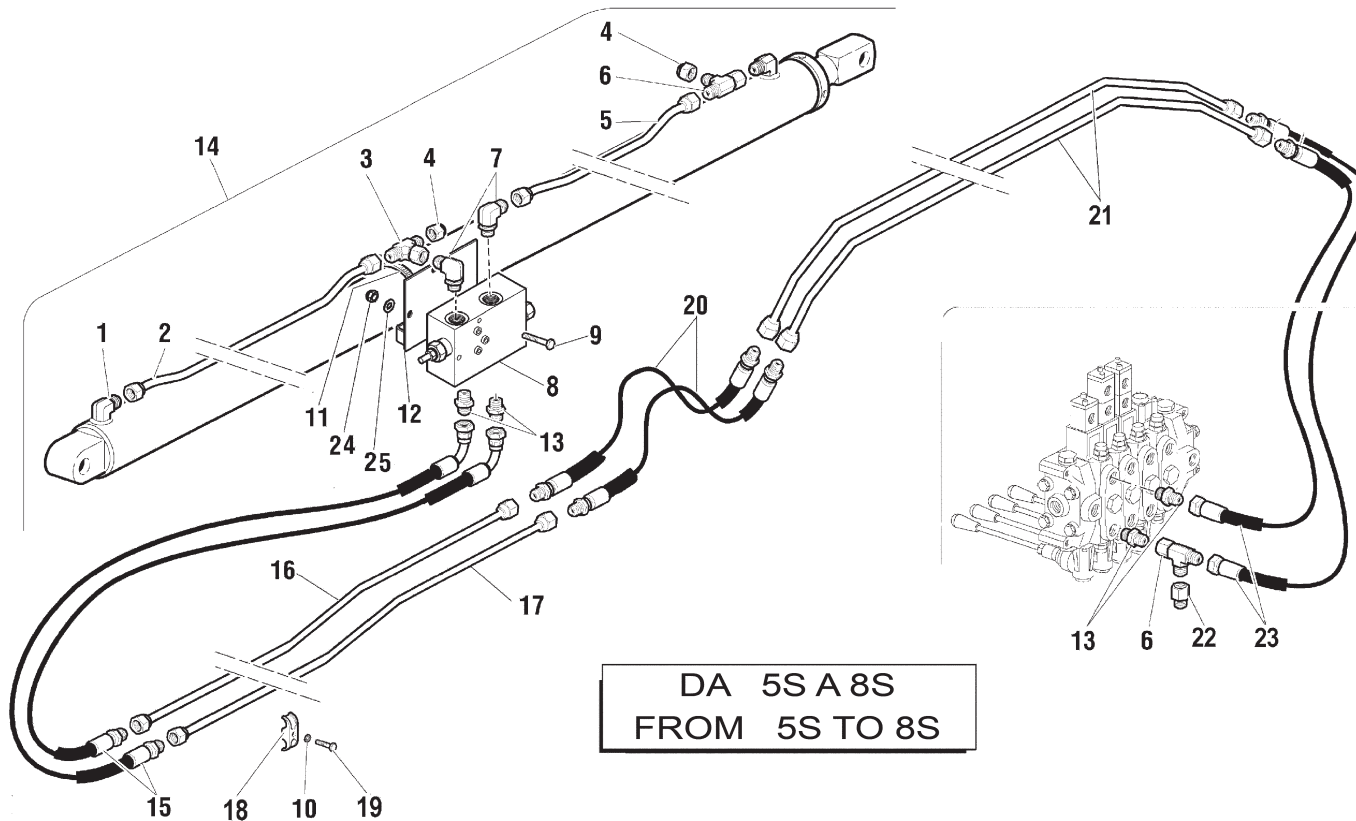
HYDRAULIC SYSTEM (1st EXSTENSION HYDRAULIC)

Code

6210485-1.0

2/2

R	Pos.	Code Variant	Q.ty	Description
	21	5392171	2	
	22	3120209	1	Reducing fitting
	23	5280342	2	Flexible hose
	24	3040303	2	Stopnut
	25	3060006	2	Flat washer [D.8 UNI 6592 ZC]

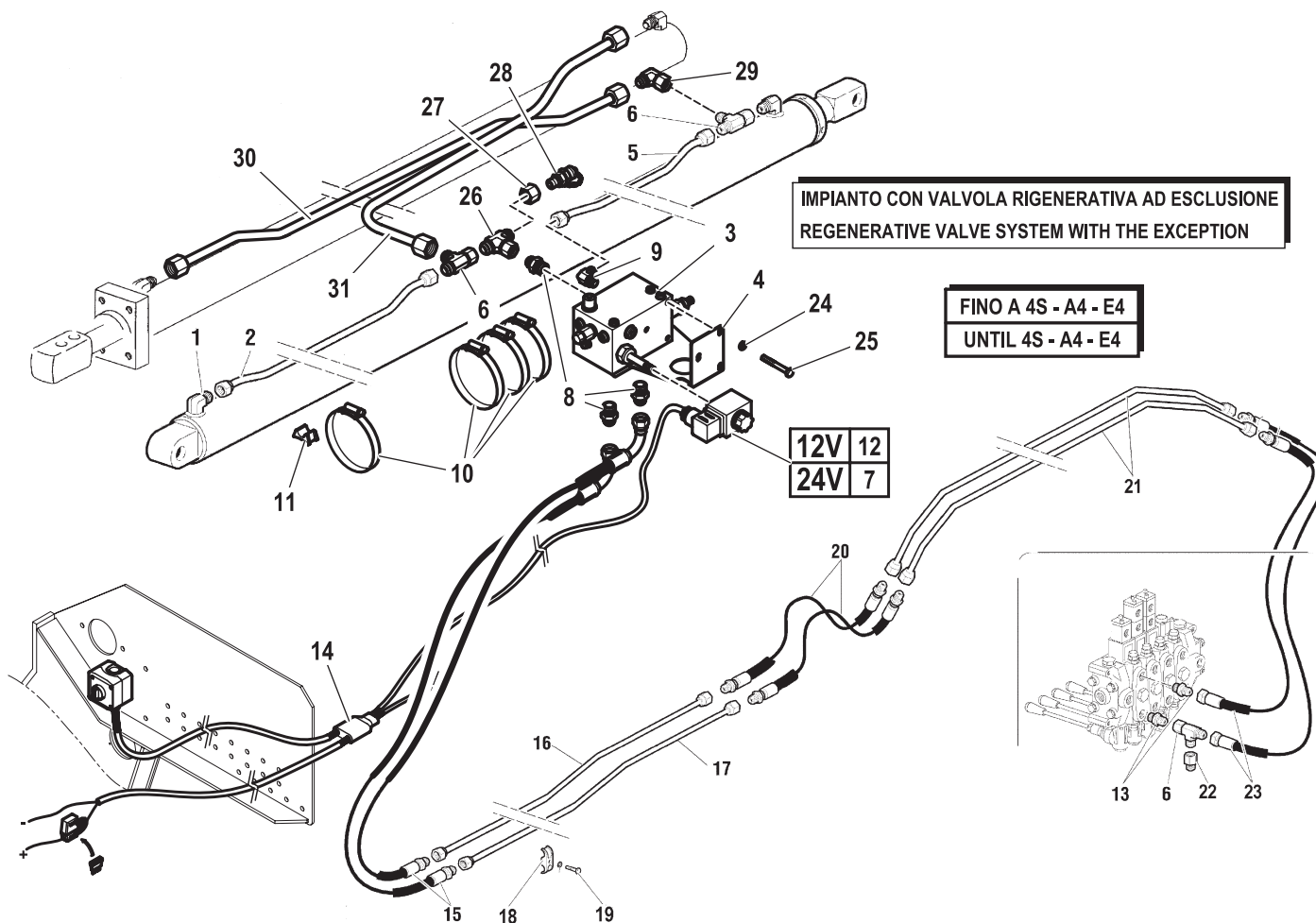


HYDRAULIC SYSTEM (1st EXSTENSION HYDRAULIC)

Code

6210021-1.0

1/2



R	Pos.	Code Variant	Q.ty	Description
	1	6410184	1	Extension Hydraulic jack
	2	5390567	1	
	3	5220699	1	
	4	5000449	1	
	5	5390568	1	
	6	3120008	3	Tee fitting
	7	3310242	1	
	8	3120073	3	Straight pipe fitting
	9	3101134	1	90° Connection
	10	3190024	5	Clamp
	11	5140133	2	Piping mounting
	12	3310238	1	
	13	3101051	2	Straight pipe fitting
	14	3311273	1	
	15	5280736	2	
	16	5391979	1	
	17	5391980	1	
	18	5000047	4	
	19	3010030	4	Hex screw [M8X35 8.8 ZC UNI 5737]
	20	5280406	2	

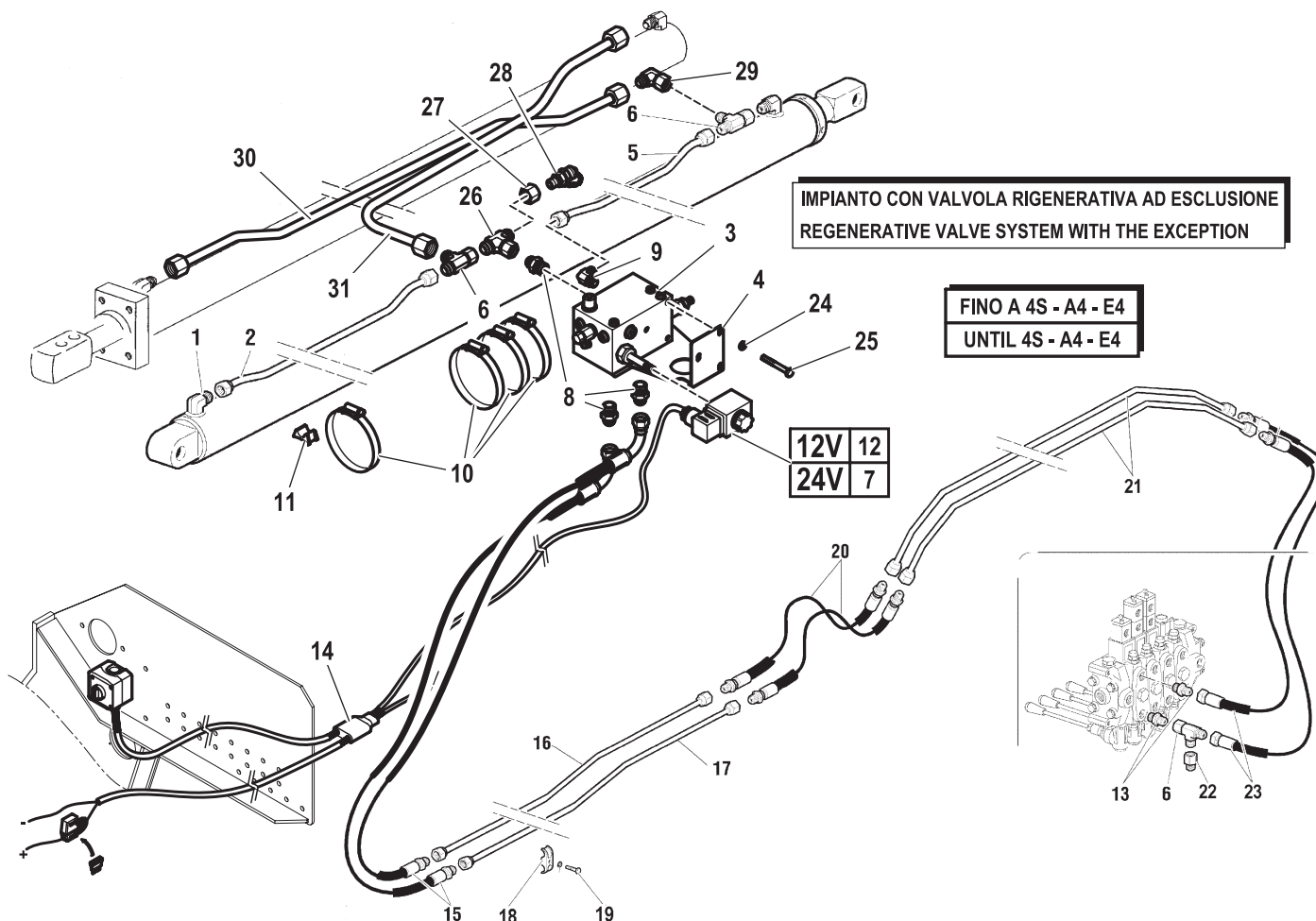
HYDRAULIC SYSTEM (1st EXSTENSION HYDRAULIC)

Code

6210021-1.0

2/2

R	Pos.	Code Variant	Q.ty	Description
	21	5392171	2	
	22	3120209	1	Reducing fitting
	23	5280342	2	Flexible hose
	24	3060055	3	Split lock washer [D=8.4 C72 ZC]
	25	3010337	3	Hex screw [M8X16 8.8 ZC UNI 5739]
	26	3120021	1	Tee fitting
	27	3120314	1	Pipe fitting (Extension shaft)
	28	3111523	1	Pipe fitting (Tapping point) [RACC. MILITES 16X2-1/4"G]
	29	3120034	1	90° Connection
	30	5391835	1	
	31	5390580	1	

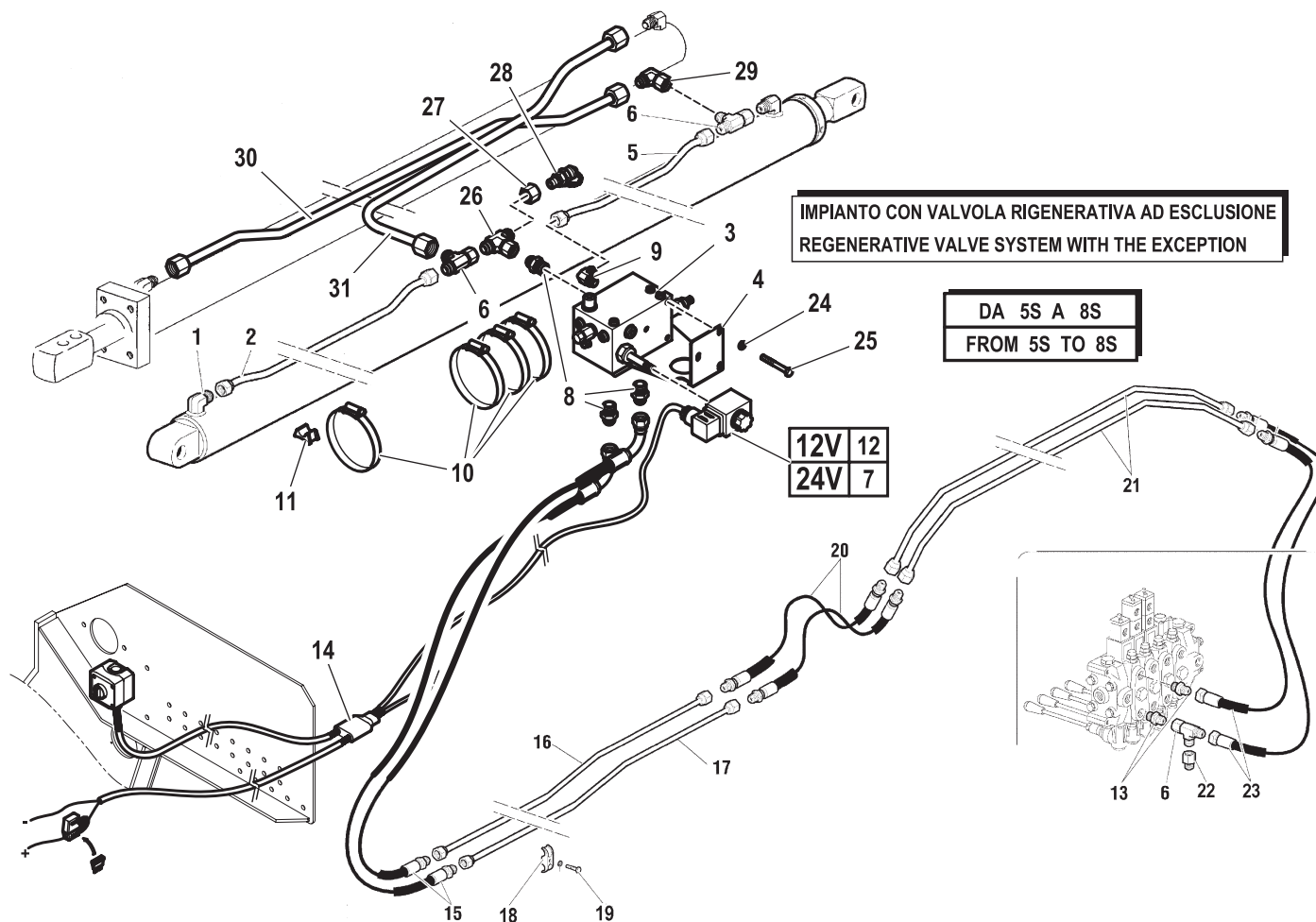


HYDRAULIC SYSTEM (1st EXSTENSION HYDRAULIC)

Code

6210509-1.0

1/2



R	Pos.	Code Variant	Q.ty	Description
	1	6410485	1	Extension jacks
	2	5390567	1	
	3	5220699	1	
	4	5000449	1	
	5	5390568	1	
	6	3120008	3	Tee fitting
	7	3310242	1	
	8	3120073	3	Straight pipe fitting
	9	3101134	1	90° Connection
	10	3190024	5	Clamp
	11	5140133	2	Piping mounting
	12	3310238	1	
	13	3101051	2	Straight pipe fitting
	14	3311273	1	
	15	5280736	2	
	16	5391979	1	
	17	5391980	1	
	18	5000047	4	
	19	3010030	4	Hex screw [M8X35 8.8 ZC UNI 5737]
	20	5280406	2	

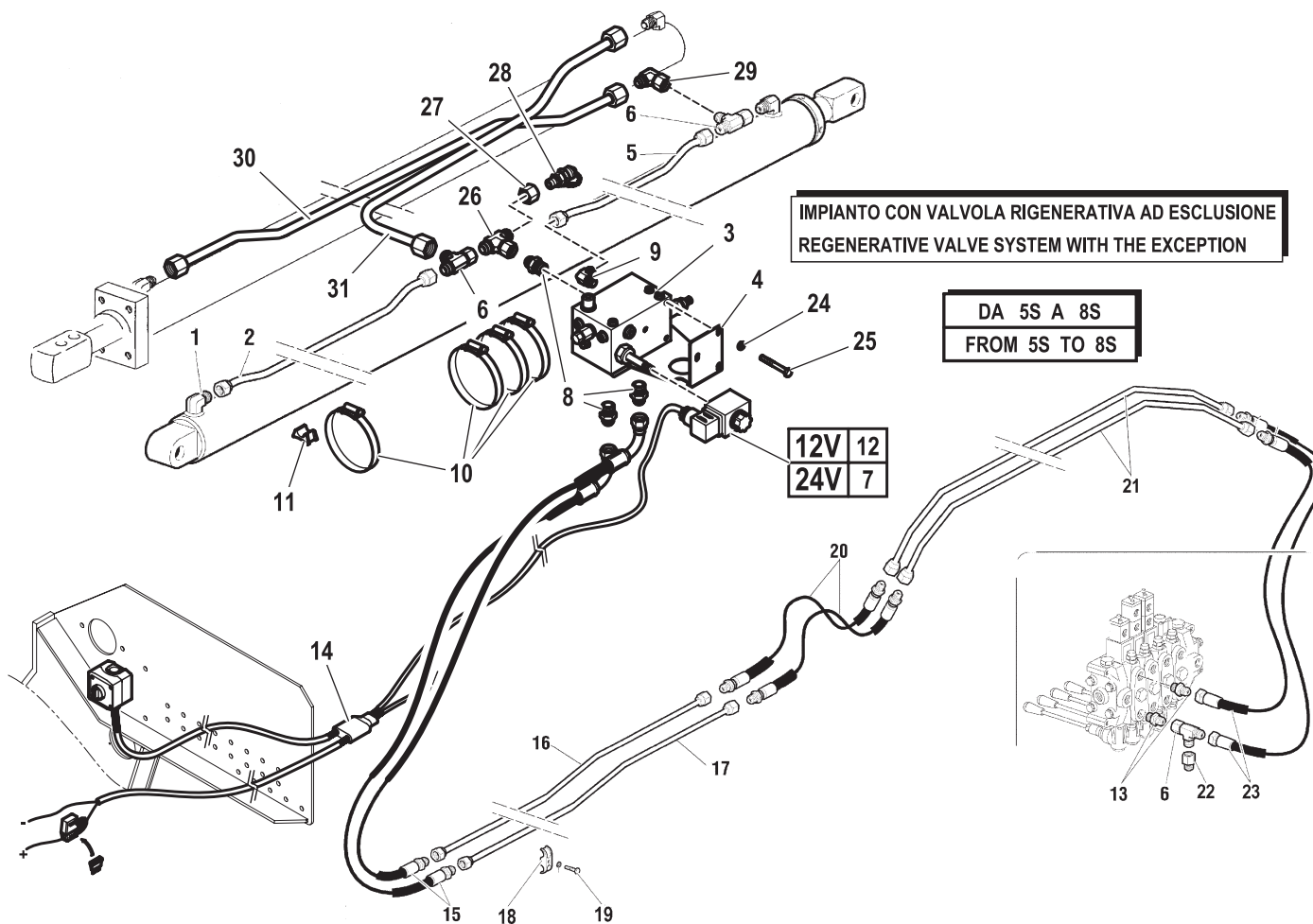
HYDRAULIC SYSTEM (1st EXSTENSION HYDRAULIC)

Code

6210509-1.0

2/2

R	Pos.	Code Variant	Q.ty	Description
	21	5392171	2	
	22	3120209	1	Reducing fitting
	23	5280342	2	Flexible hose
	24	3060055	3	Split lock washer [D=8.4 C72 ZC]
	25	3010337	3	Hex screw [M8X16 8.8 ZC UNI 5739]
	26	3120021	1	Tee fitting
	27	3120314	1	Pipe fitting (Extension shaft)
	28	3111523	1	Pipe fitting (Tapping point) [RACC. MILITES 16X2-1/4"G]
	29	3120034	1	90° Connection
	30	5391835	1	
	31	5390580	1	



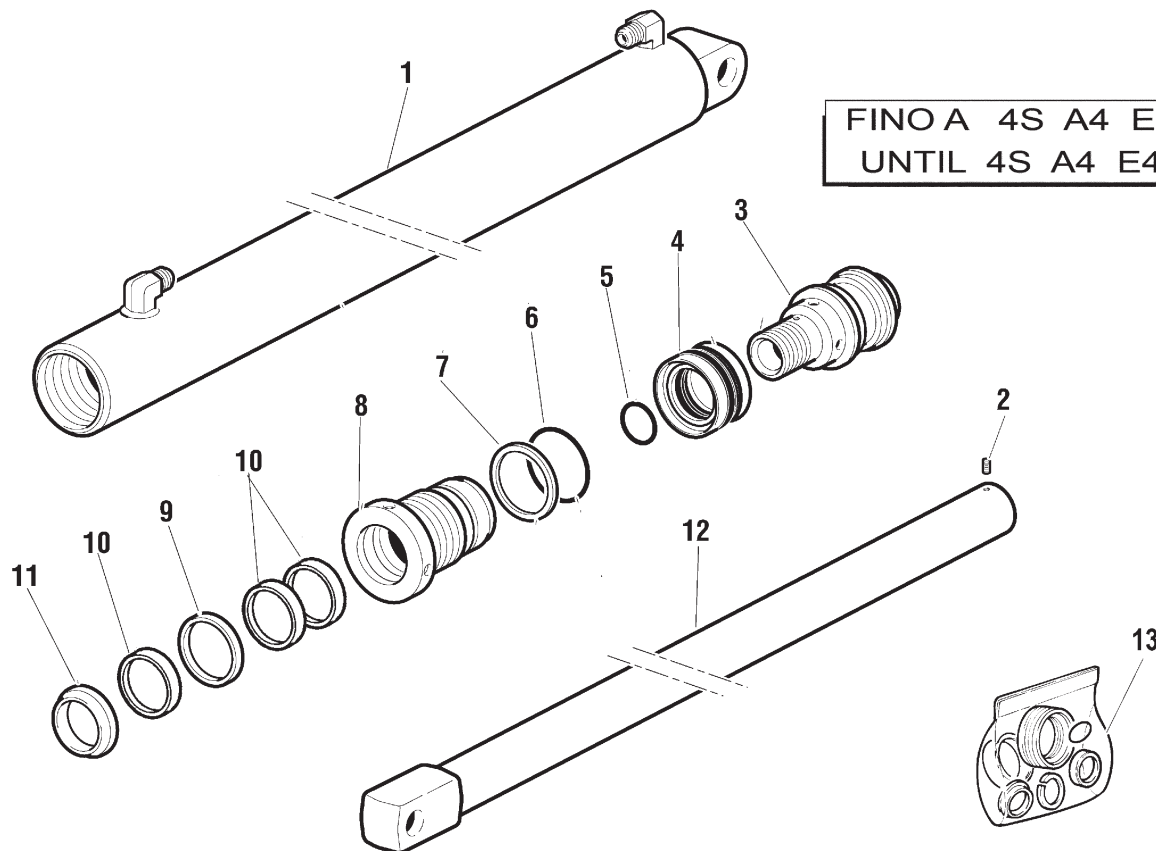
1st EXSTENSION HYDRAULIC

Code

6410184-2.0

1/1

R	Pos.	Code Variant	Q.ty	Description
	1	6070398	1	
	2	3060232	1	Grub screw
	3	6050260	1	
	4	3400513	1	
	5	3450118	1	
	6	3450149	1	
	7	3460149	1	
	8	6040272	1	
	9	3370130	1	
	10	3361006	1	
	11	3420030	1	
	12	6030416	1	
	13	5550746	1	Seal kit



FINO A 4S A4 E4
UNTIL 4S A4 E4

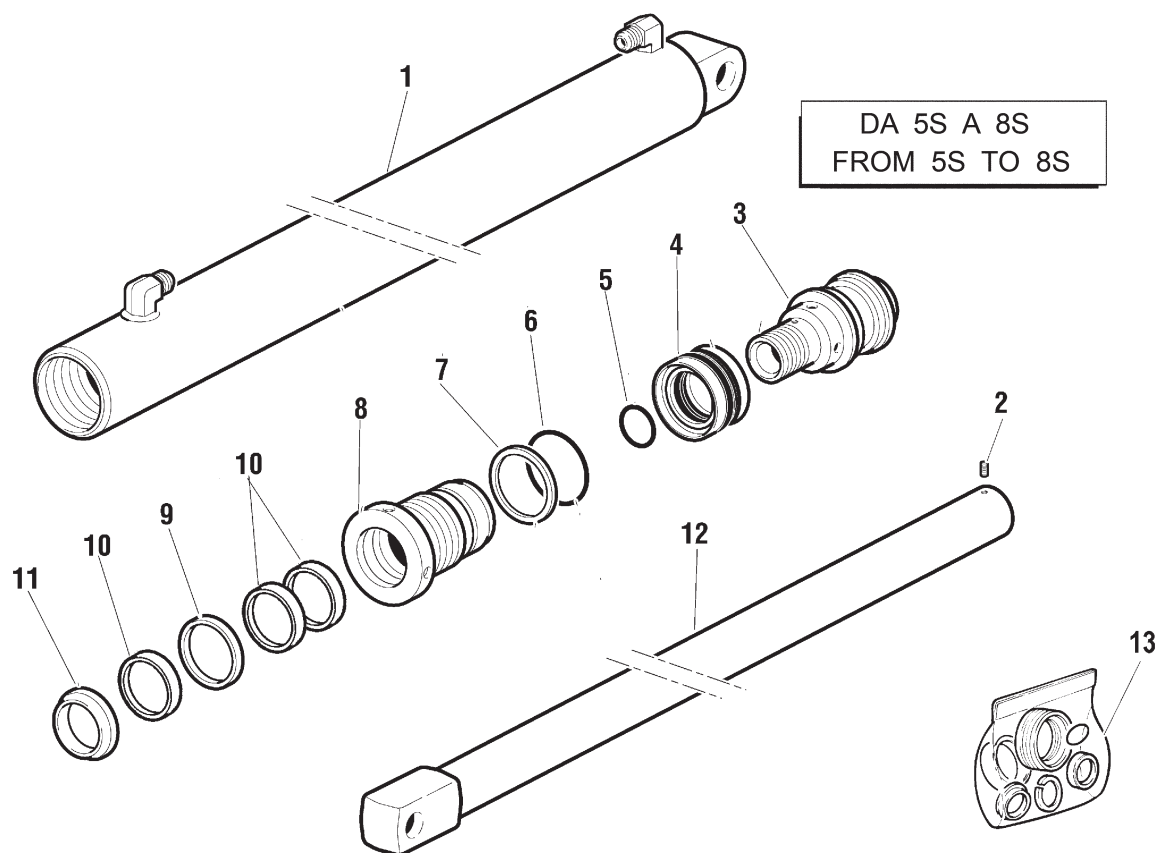
1st EXSTENSION HYDRAULIC

Code

6410485-1.0

1/1

R	Pos.	Code Variant	Q.ty	Description
	1	6070664	1	Liner (Assembly)
	2	3060232	1	Grub screw
	3	6050360	1	Piston ()
	4	3400512	1	
	5	3450118	1	
	6	3450147	1	
	7	3460147	1	
	8	6040318	1	Plug ()
	9	3370130	1	
	10	3361006	3	
	11	3420030	1	
	12	6030416	1	
	13	5550824	1	Seal kit

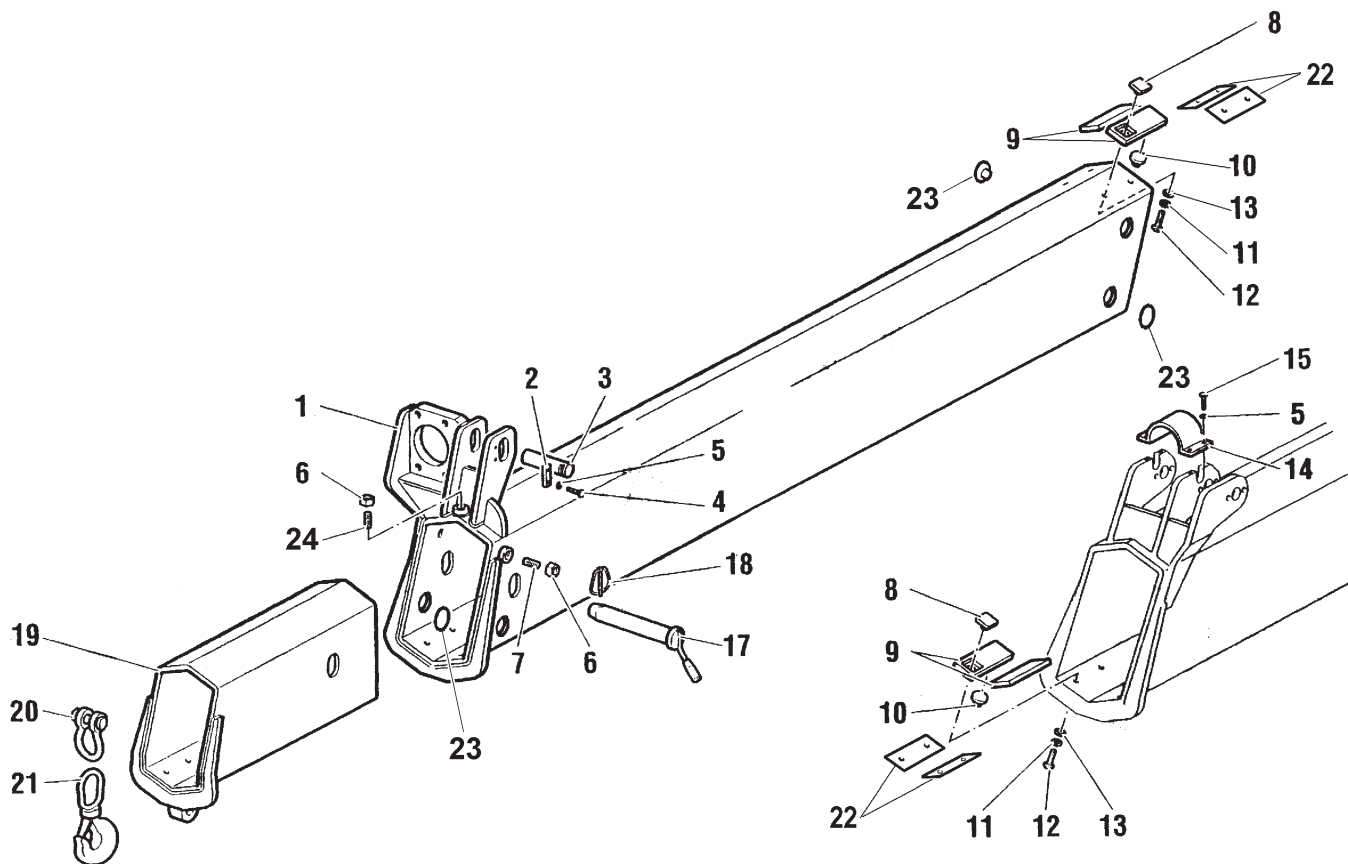


2nd extension

Code

5370037-1.0

1/2



R	Pos.	Code Variant	Q.ty	Description
	1	5020491	1	Extension
	2	5000674	1	
	3	5150502	1	
	4	3010337	2	Hex screw [M8X16 8.8 ZC UNI 5739]
	5	3060055	6	Split lock washer [D=8.4 C72 ZC]
	6	3040089	3	Lock nut
	7	5000771	2	Adjusting screw
	8	5000827	4	Button (Control board)
	9	5140763	4	
	10	5001253	4	Button (Sliding block)
	11	3060920	4	Tooth lock washer [D.10 TIPO A]
	12	3010353	4	Hex screw [M10X16 8.8 ZC UNI 5739]
	13	3060914	4	Flat washer [D.10.5X21X2 UNI 6592 ZC]
	14	5000772	1	
	15	3010027	4	Hex screw [M8X20 8.8 ZC IF UNI 5739]
	17	5150608	1	
	18	3060750	1	
	19	5020410	1	
	20	3200073	1	Shackles
	21	3200008	1	Swivel hook

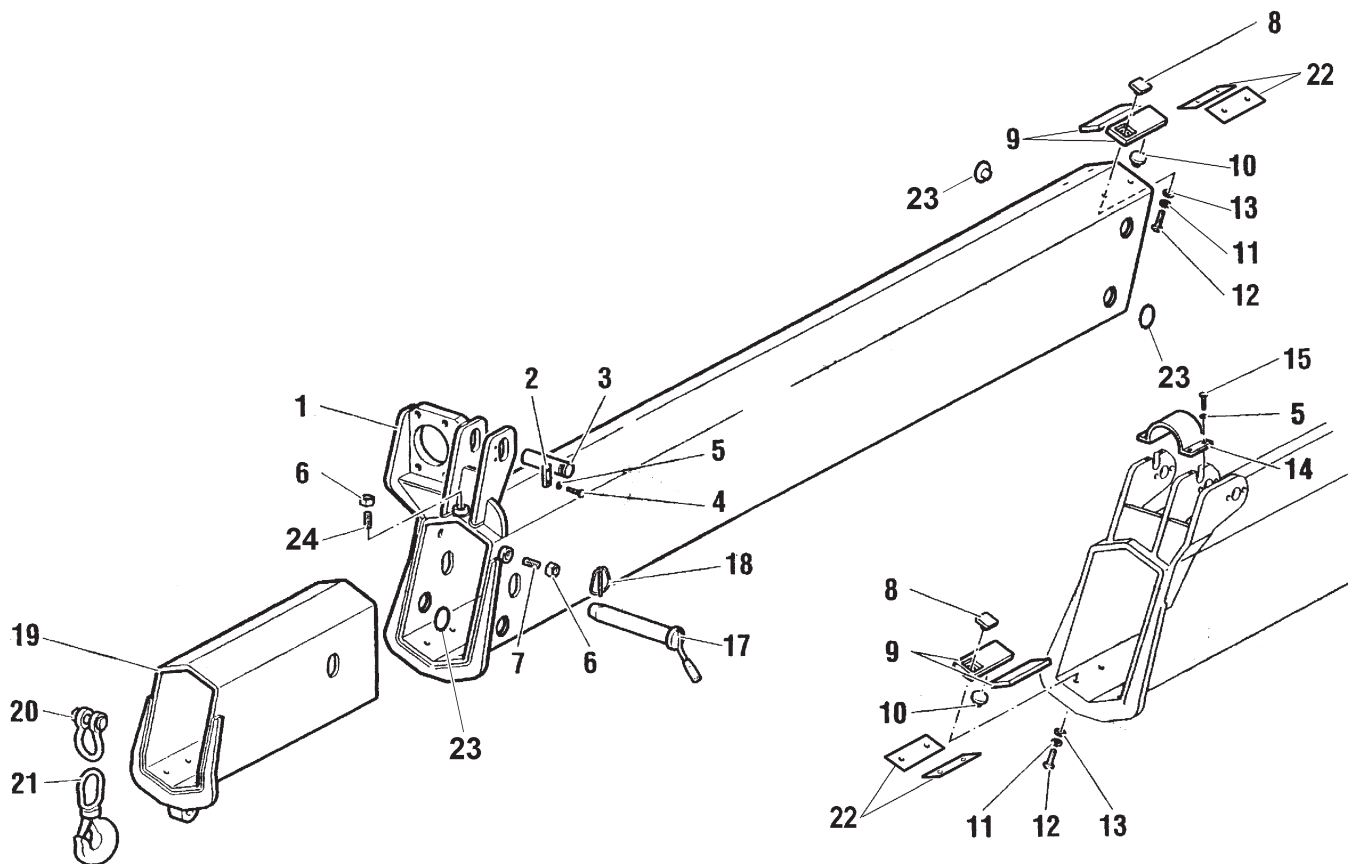
2nd extension

Code

5370037-1.0

2/2

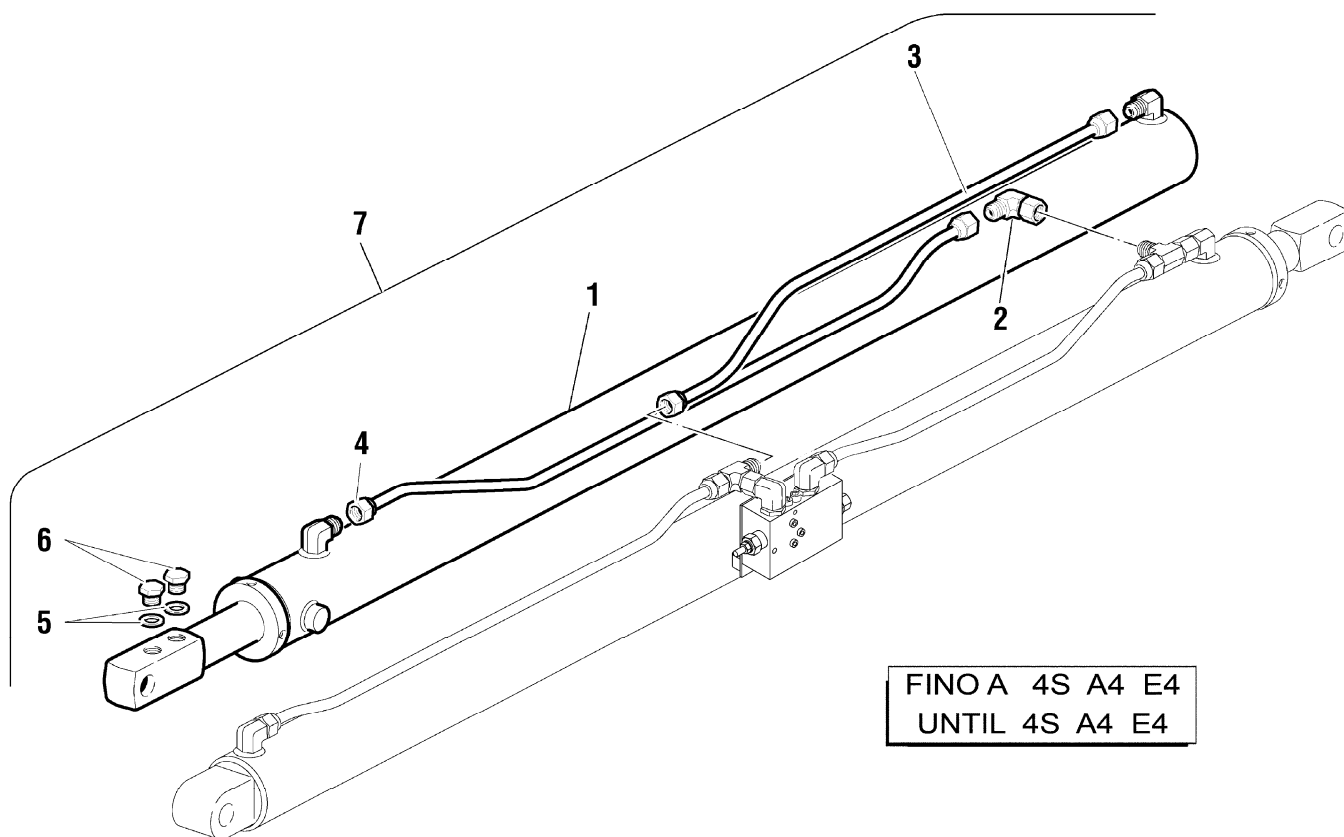
R	Pos.	Code Variant	Q.ty	Description
	22	5000869	4	
	23	5140789	6	
	24	5001917	1	



HYDRAULIC SYSTEM (2nd EXTENSION HYDRAULIC JACK)

Code		
6210310-1.0		1/1

R	Pos.	Code Variant	Q.ty	Description
	1	6410185	1	Extension Hydraulic jack
	2	3120034	1	90° Connection
	3	5392222	1	
	4	5391835	1	
	5	3060145	2	Sealing washer [BSP 1/2"]
	6	3110065	2	Plug
	7	6210310	1	

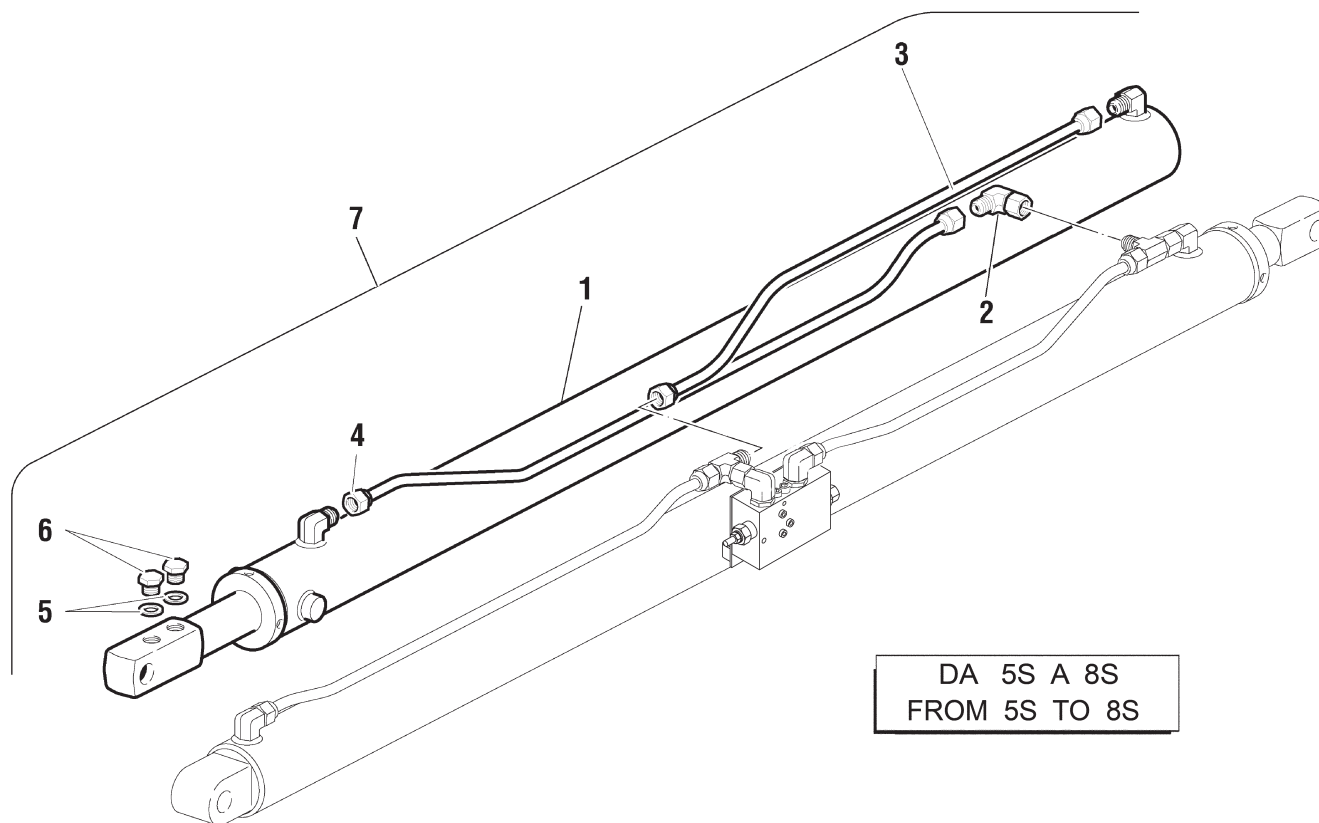


FINO A 4S A4 E4
UNTIL 4S A4 E4

HYDRAULIC SYSTEM (2nd EXTENSION HYDRAULIC JACK)

Code	
6210486-1.0	1/1

R	Pos.	Code Variant	Q.ty	Description
	1	6410486	1	Extension jacks
	2	3120034	1	90° Connection
	3	5392222	1	
	4	5391835	1	
	5	3060145	2	Sealing washer [BSP 1/2"]
	6	3110065	2	Plug
	7	6210486	1	Extension jacks (Assembly)



DA 5S A 8S
FROM 5S TO 8S

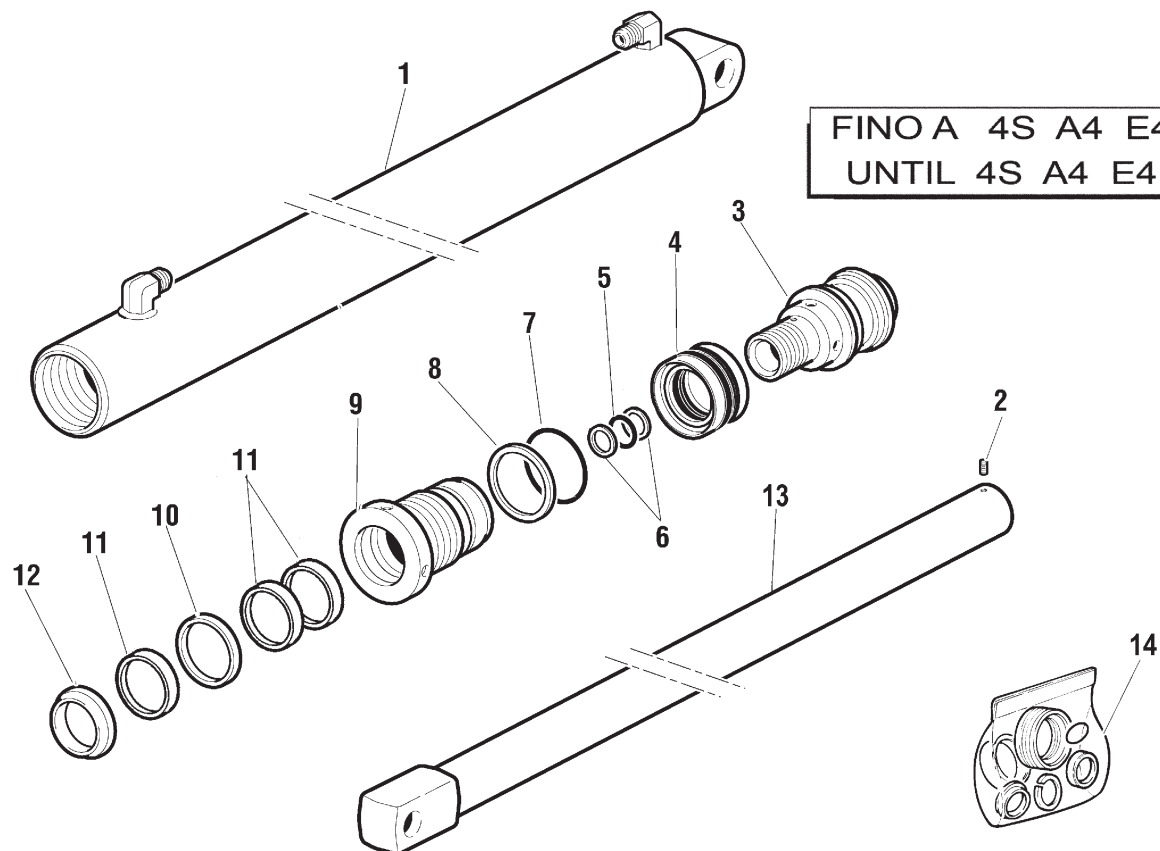
2nd EXTENSION HYDRAULIC JACK

Code

6410185-2.0

1/1

R	Pos.	Code Variant	Q.ty	Description
	1	6070399	1	
	2	3060232	2	Grub screw
	3	6050261	1	
	4	3400513	1	
	5	3450050	1	
	6	3460382	2	
	7	3450149	1	
	8	3460149	1	
	9	6040272	1	
	10	3370130	1	
	11	3361006	3	
	12	3420030	1	
	13	6030418	1	
	14	5550747	1	



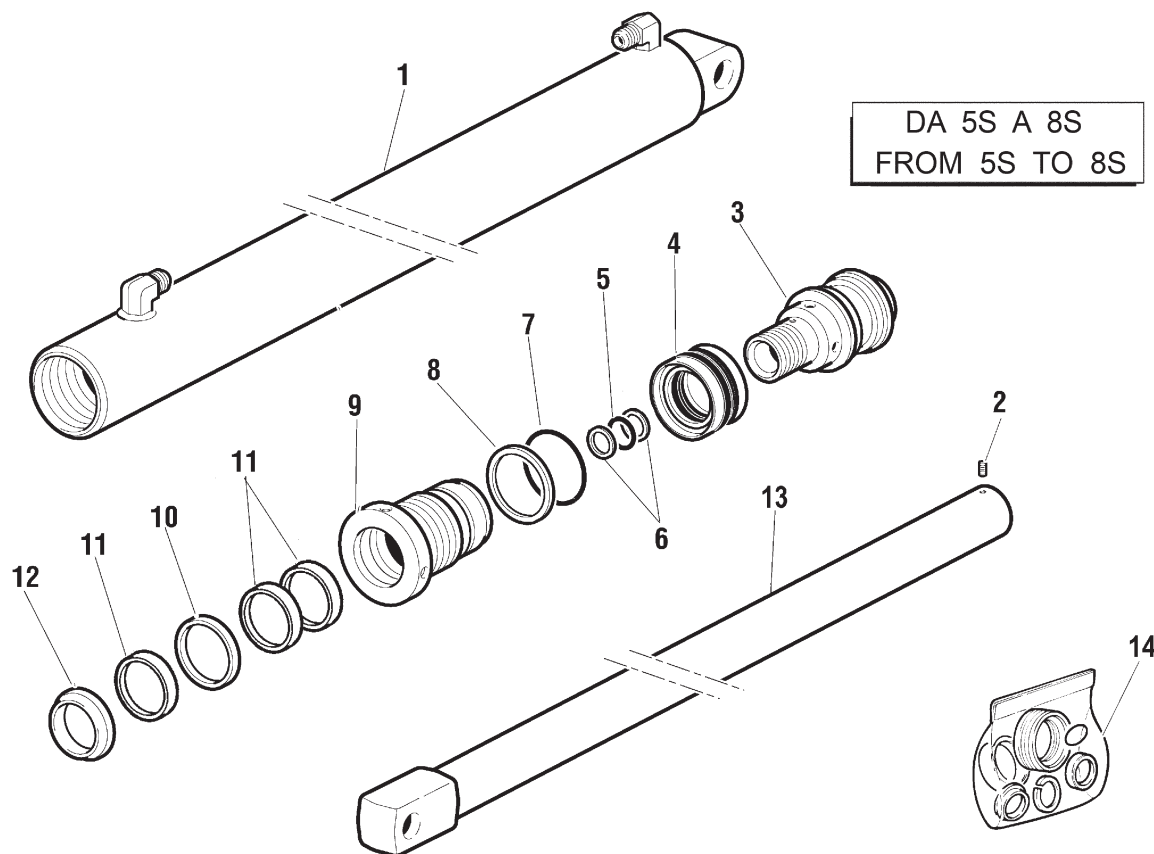
2nd EXTENSION HYDRAULIC JACK

Code

6410486-1.0

1/1

R	Pos.	Code Variant	Q.ty	Description
	1	6070665	1	Liner (Assembly)
	2	3060232	2	Grub screw
	3	6050361	1	
	4	3400512	1	
	5	3450050	1	
	6	3460382	2	
	7	3450147	1	
	8	3460147	1	
	9	6040318	1	Plug ()
	10	3370130	1	
	11	3361006	3	
	12	3420030	1	
	13	6030418	1	
	14	5550825	1	Seal kit

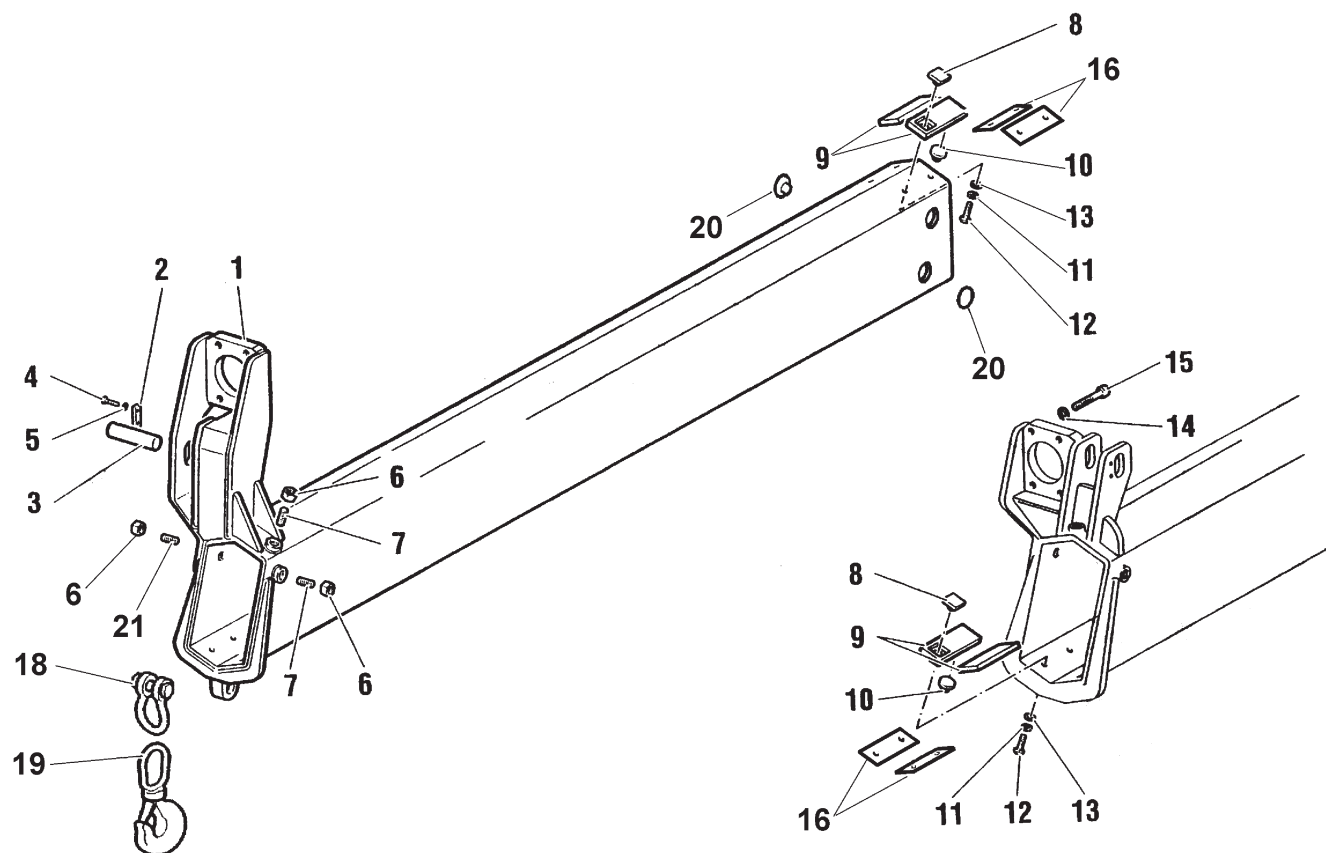


3rd extension

Code

5540049-1.0

1/1



R	Pos.	Code Variant	Q.ty	Description
	1	5020492	1	Extension
	2	5000674	2	
	3	5150563	1	
	4	3010027	2	Hex screw [M8X20 8.8 ZC IF UNI 5739]
	5	3060055	2	Split lock washer [D=8.4 C72 ZC]
	6	3040089	6	Lock nut
	7	5000771	6	Adjusting screw
	8	5000827	4	Button (Control board)
	9	5140763	4	
	10	5001253	4	Button (Sliding block)
	11	3060920	4	Tooth lock washer [D.10 TIPO A]
	12	3010353	4	Hex screw [M10X16 8.8 ZC UNI 5739]
	13	3060914	4	Flat washer [D.10.5X21X2 UNI 6592 ZC]
	14	3060059	4	Split lock washer [D=16 C72 ZC]
	15	3020883	4	Socket head cap screw [M16X70 12.9 ZC UNI 5931]
	16	5000869	4	
	18	3200073	1	Shackles
	19	3200008	1	Swivel hook
	20	5140789	4	
	21	5001917	1	

3rd extension Hydraulic jack (Hydraulic system)

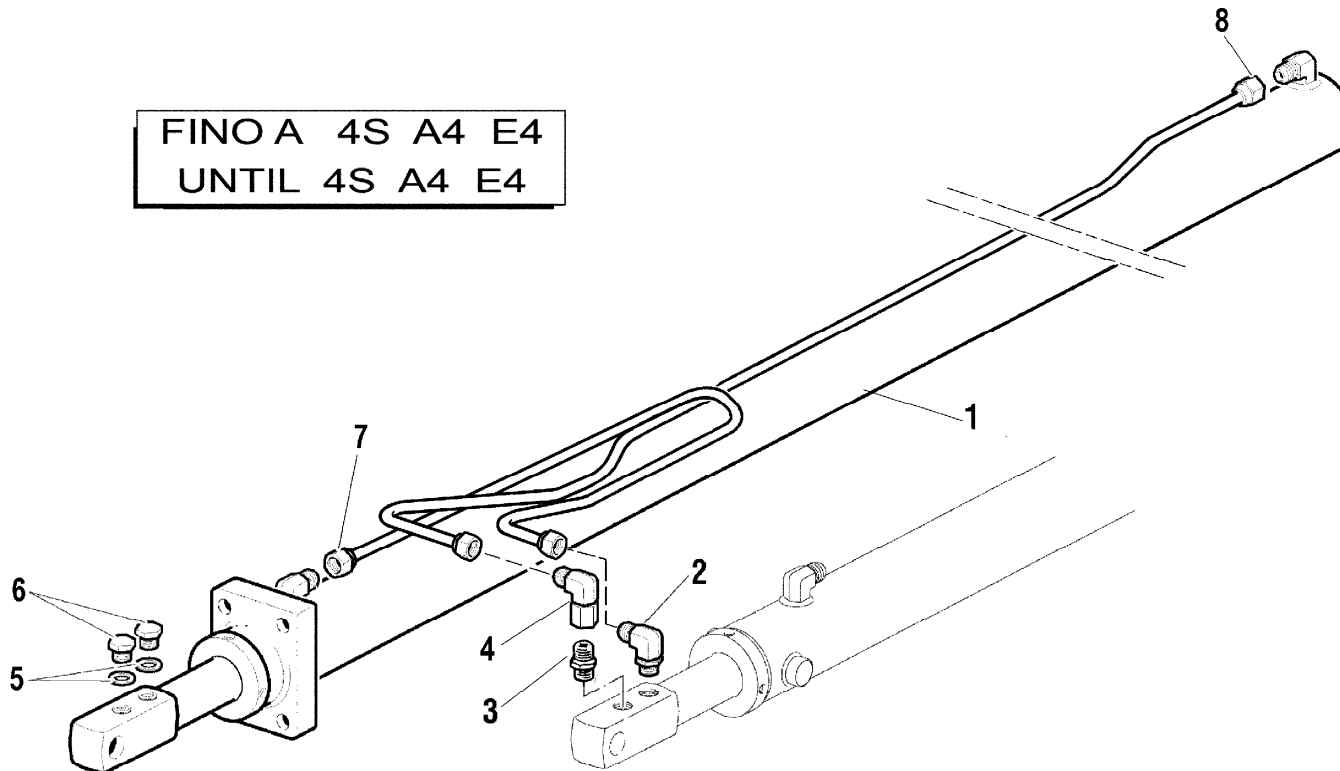
Code

6210311-2.0

1/1

R	Pos.	Code Variant	Q.ty	Description
	1	6410202	1	
	2	3101131	1	90° Connection
	3	3101051	1	Straight pipe fitting
	4	3120034	1	90° Connection
	5	3060145	2	Sealing washer [BSP 1/2"]
	6	3110065	2	Plug
	7	5391837	1	
	8	5391974	1	

FINO A 4S A4 E4
UNTIL 4S A4 E4



3rd extension Hydraulic jack (Hydraulic system)

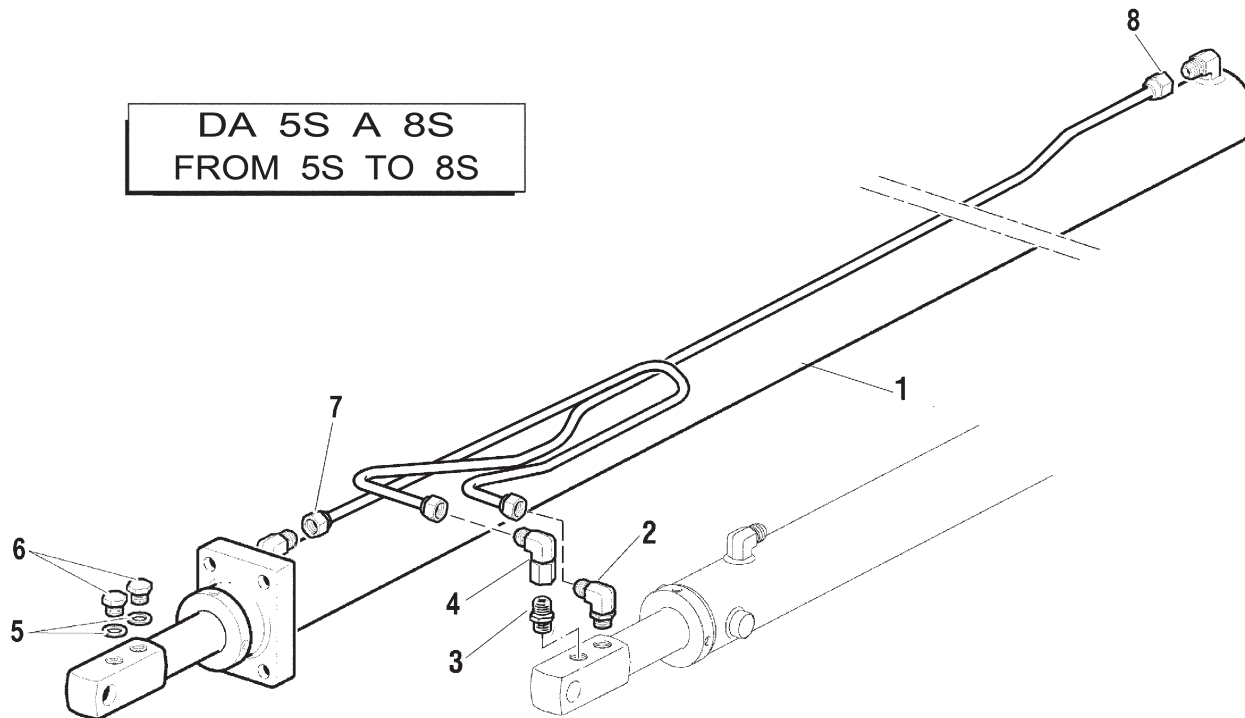
Code

6210487-1.0

1/1

R	Pos.	Code Variant	Q.ty	Description
	1	6410487	1	Extension Hydraulic jack
	2	3101131	1	90° Connection
	3	3101051	1	Straight pipe fitting
	4	3120034	1	90° Connection
	5	3060145	2	Sealing washer [BSP 1/2"]
	6	3110065	2	Plug
	7	5391837	1	
	8	5391974	1	

DA 5S A 8S
FROM 5S TO 8S



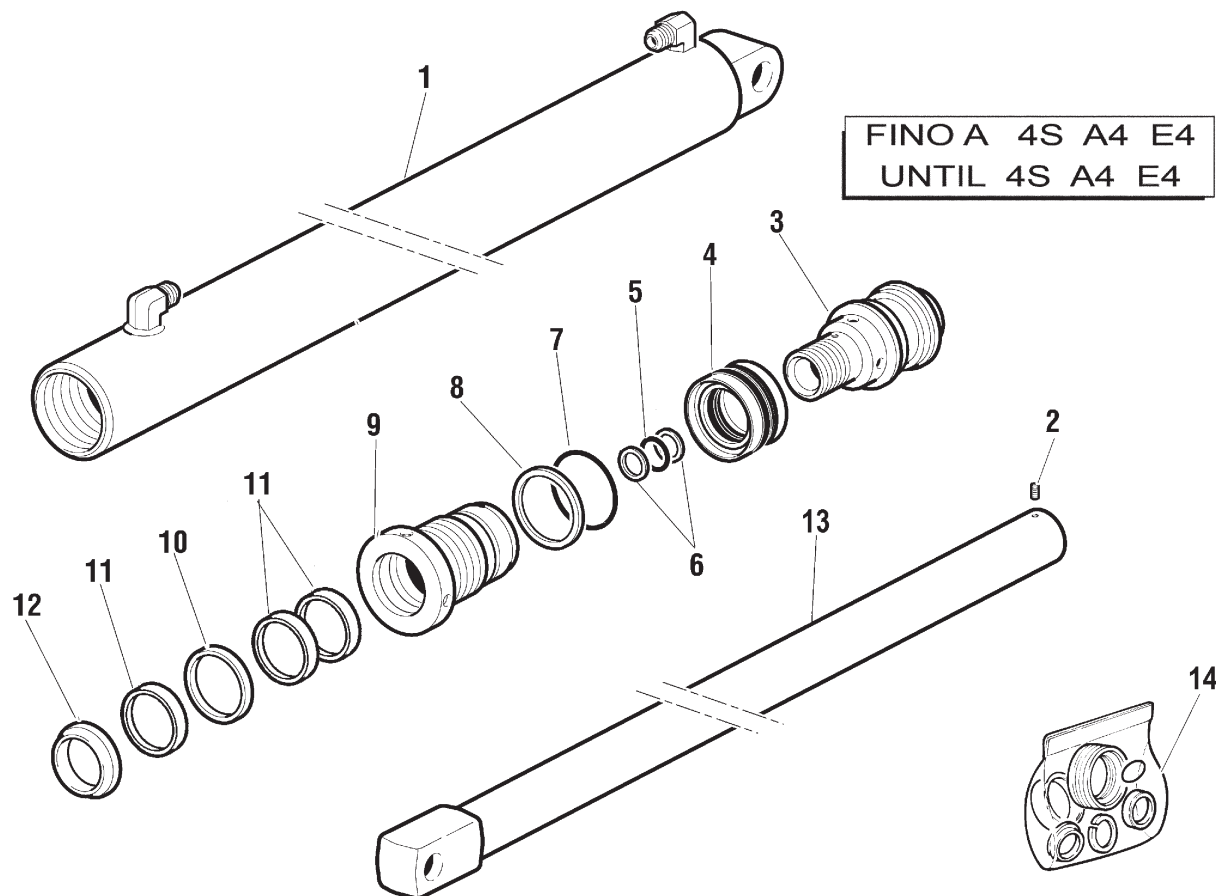
3rd and 4th extension hydraulic cylinder

Code

6410202-1.0

1/1

R	Pos.	Code Variant	Q.ty	Description
	1	6070420	1	
	2	3060232	1	Grub screw
	3	6050262	1	
	4	3400512	1	
	5	3450050	1	
	6	3460382	2	
	7	3450147	1	
	8	3460147	1	
	9	6040273	1	
	10	3370131	1	
	11	3361003	3	
	12	3420026	1	
	13	6030464	1	
	14	5550748	1	



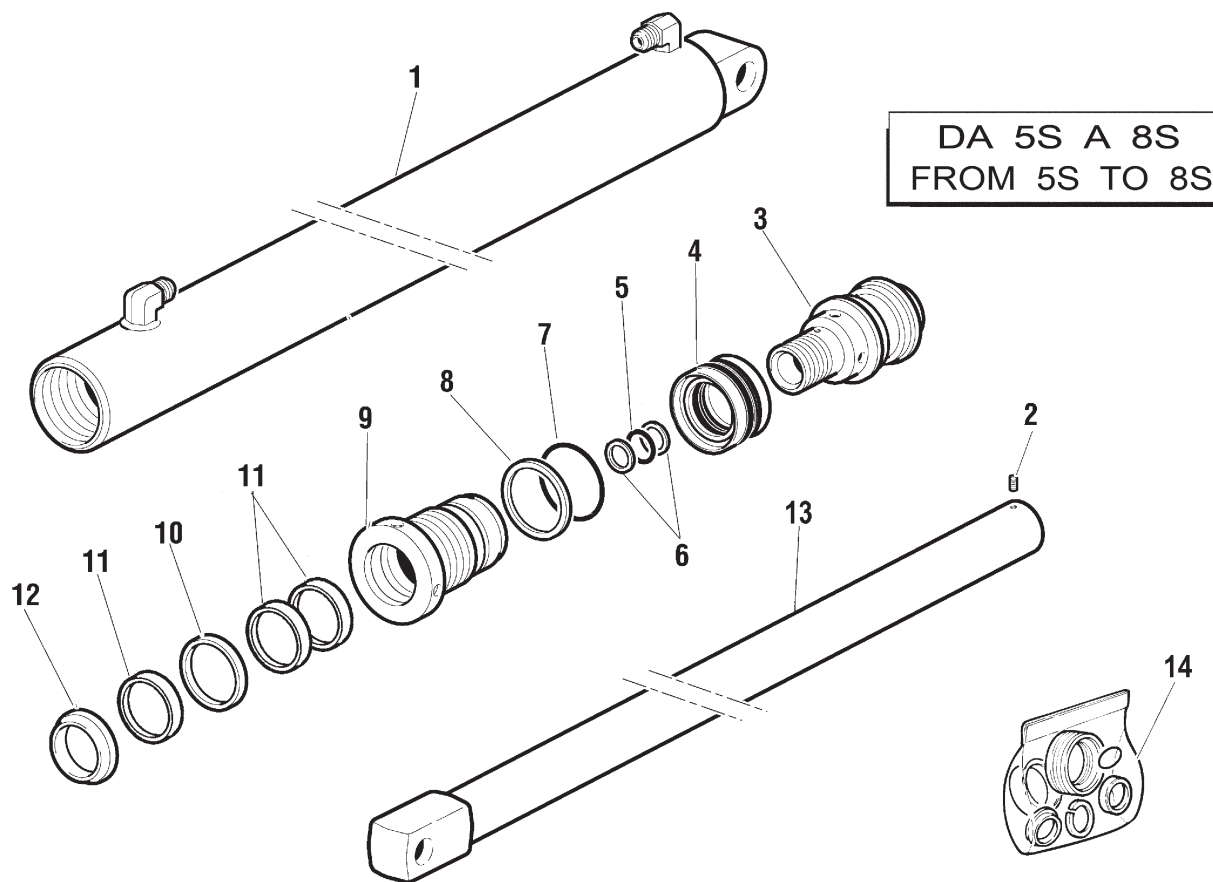
3rd and 4th extension hydraulic cylinder

Code

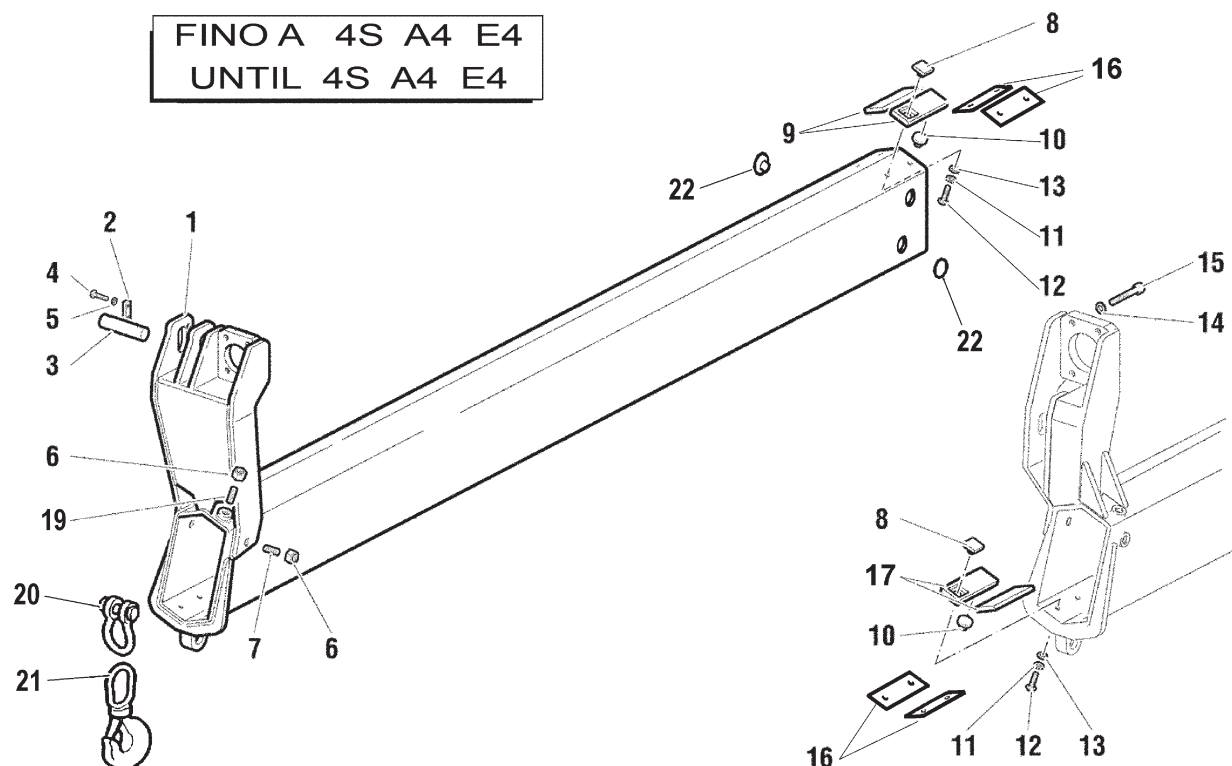
6410487-1.0

1/1

R	Pos.	Code Variant	Q.ty	Description
	1	6070420	1	
	2	3060232	1	Grub screw
	3	6050371	1	
	4	3400512	1	
	5	3450050	1	
	6	3460382	2	
	7	3450147	1	
	8	3460147	1	
	9	6040323	1	
	10	3370131	1	
	11	3361003	3	
	12	3420026	1	
	13	6031036	1	Rod unit
	14	5550826	1	Seal kit



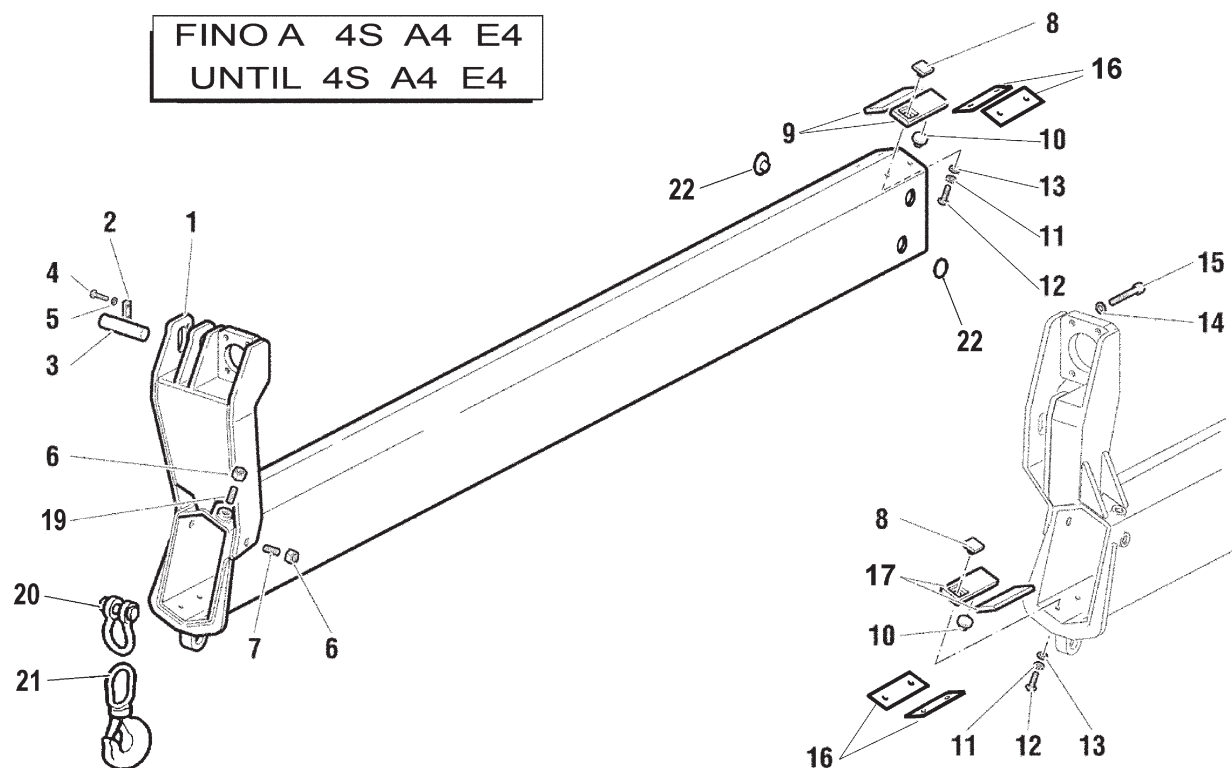
FINO A 4S A4 E4
UNTIL 4S A4 E4



R	Pos.	Code Variant	Q.ty	Description
	1	5020493	1	Extension
	2	5000674	1	
	3	5150502	1	
	4	3010337	2	Hex screw [M8X16 8.8 ZC UNI 5739]
	5	3060055	2	Split lock washer [D=8.4 C72 ZC]
	6	3040089	6	Lock nut
	7	5000771	5	Adjusting screw
	8	5000827	4	Button (Control board)
	9	5140701	2	
	10	5001253	4	Button (Sliding block)
	11	3060920	4	Tooth lock washer [D.10 TIPO A]
	12	3010353	4	Hex screw [M10X16 8.8 ZC UNI 5739]
	13	3060914	4	Flat washer [D.10.5X21X2 UNI 6592 ZC]
	14	3060059	4	Split lock washer [D=16 C72 ZC]
	15	3020883	4	Socketed head cap screw [M16X70 12.9 ZC UNI 5931]
	16	5000869	4	
	17	5140763	2	
	19	5001917	1	
	20	3200073	1	Shackles
	21	3200008	1	Swivel hook

R	Pos.	Code Variant	Q.ty	Description
	22	5140789	4	

FINO A 4S A4 E4
UNTIL 4S A4 E4



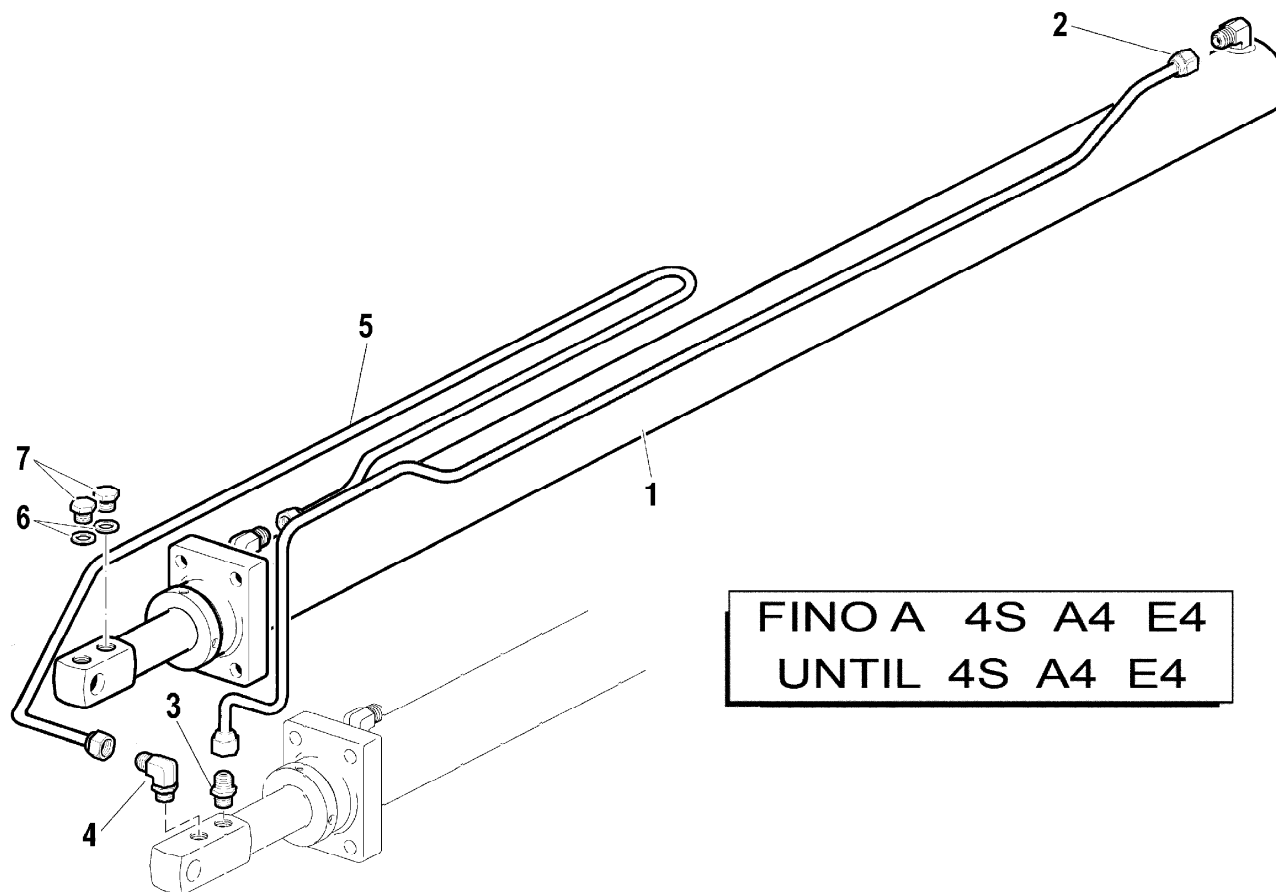
4th extension Hydraulic jack (Hydraulic system)

Code

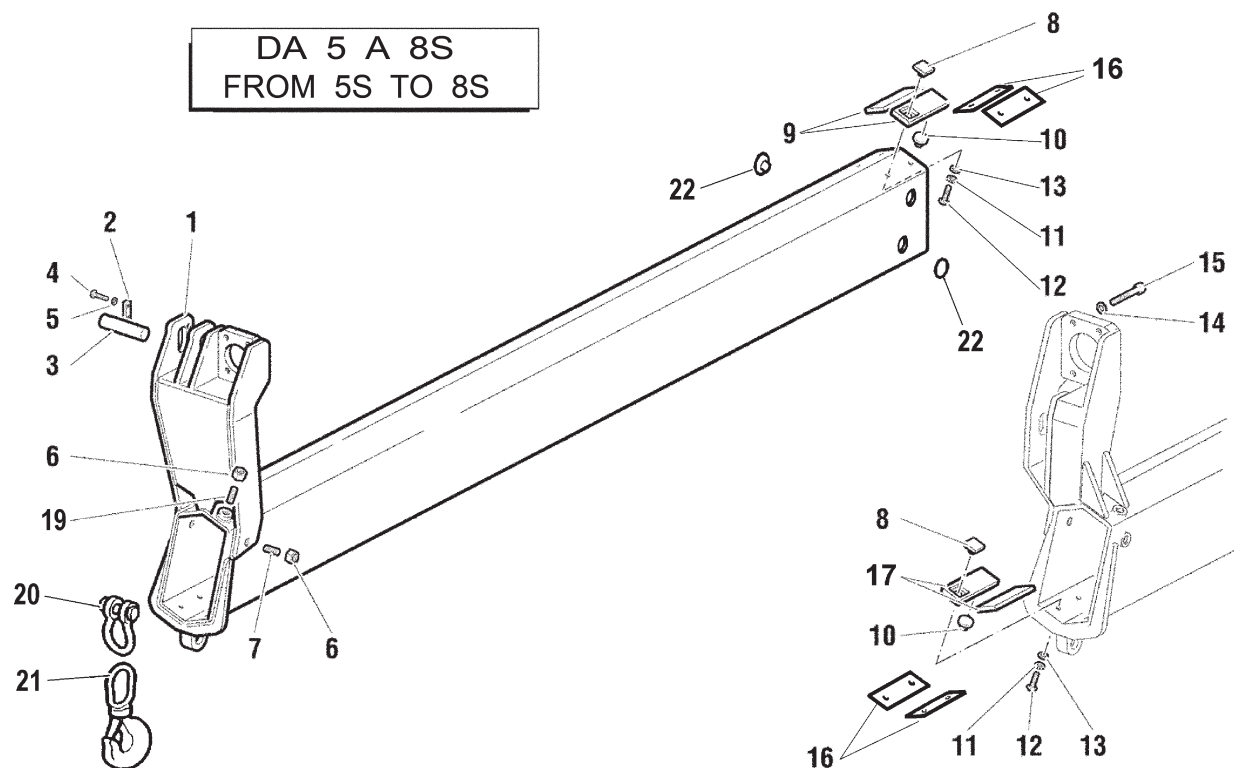
6210312-2.0

1/1

R	Pos.	Code Variant	Q.ty	Description
	1	6410202	1	
	2	5391975	1	
	3	3101051	1	Straight pipe fitting
	4	3101131	1	90° Connection
	5	5391840	1	
	6	3060145	1	Sealing washer [BSP 1/2"]
	7	3110065	1	Plug



R	Pos.	Code Variant	Q.ty	Description
	1	5020595	1	Extension
	2	5000674	1	
	3	5150502	1	
	4	3010337	2	Hex screw [M8X16 8.8 ZC UNI 5739]
	5	3060055	2	Split lock washer [D=8.4 C72 ZC]
	6	3040089	6	Lock nut
	7	5000771	5	Adjusting screw
	8	5000827	4	Button (Control board)
	9	5140701	2	
	10	5001253	4	Button (Sliding block)
	11	3060920	4	Tooth lock washer [D.10 TIPO A]
	12	3010353	4	Hex screw [M10X16 8.8 ZC UNI 5739]
	13	3060914	4	Flat washer [D.10.5X21X2 UNI 6592 ZC]
	14	3060059	4	Split lock washer [D=16 C72 ZC]
	15	3020883	4	Socket head cap screw [M16X70 12.9 ZC UNI 5931]
	16	5000869	4	
	17	5140763	2	
	19	5001917	1	
	20	3200073	1	Shackles
	21	3200008	1	Swivel hook



4th extension

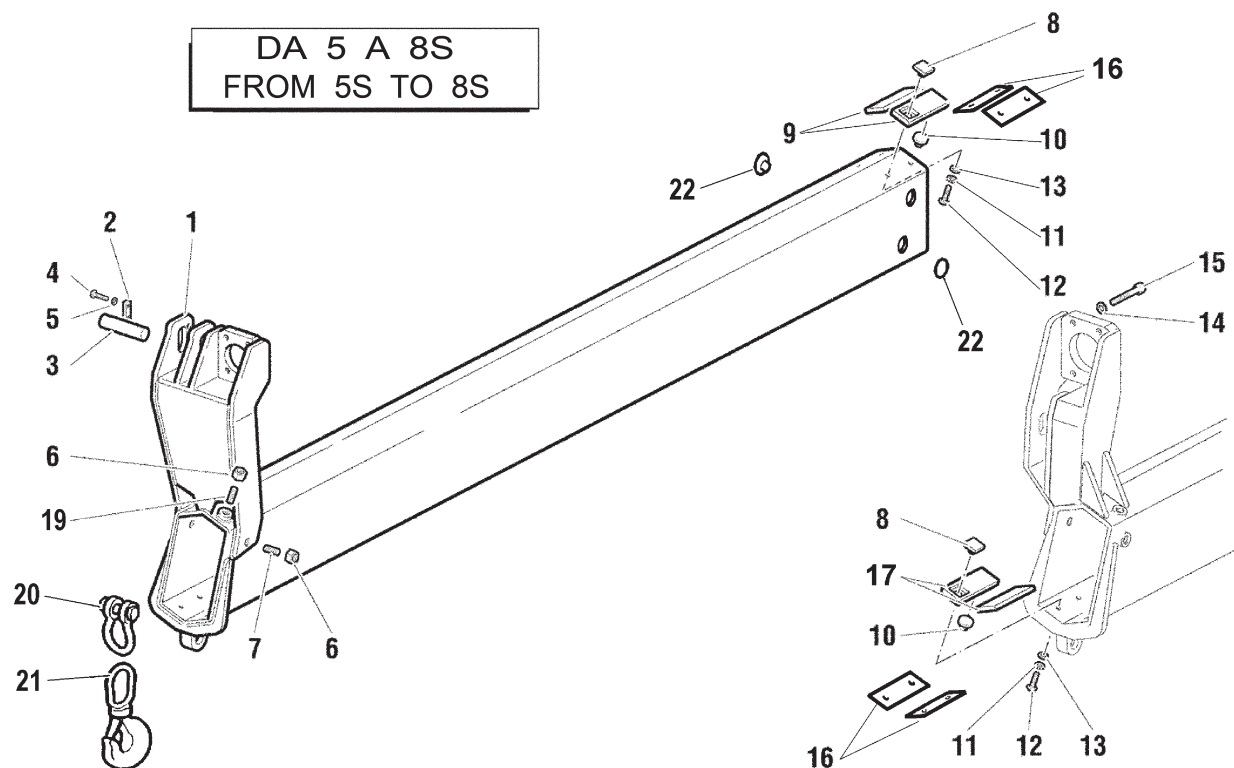
Code

5560064-1.0

2/2

R	Pos.	Code Variant	Q.ty	Description
	22	5140789	4	

DA 5 A 8S
FROM 5S TO 8S



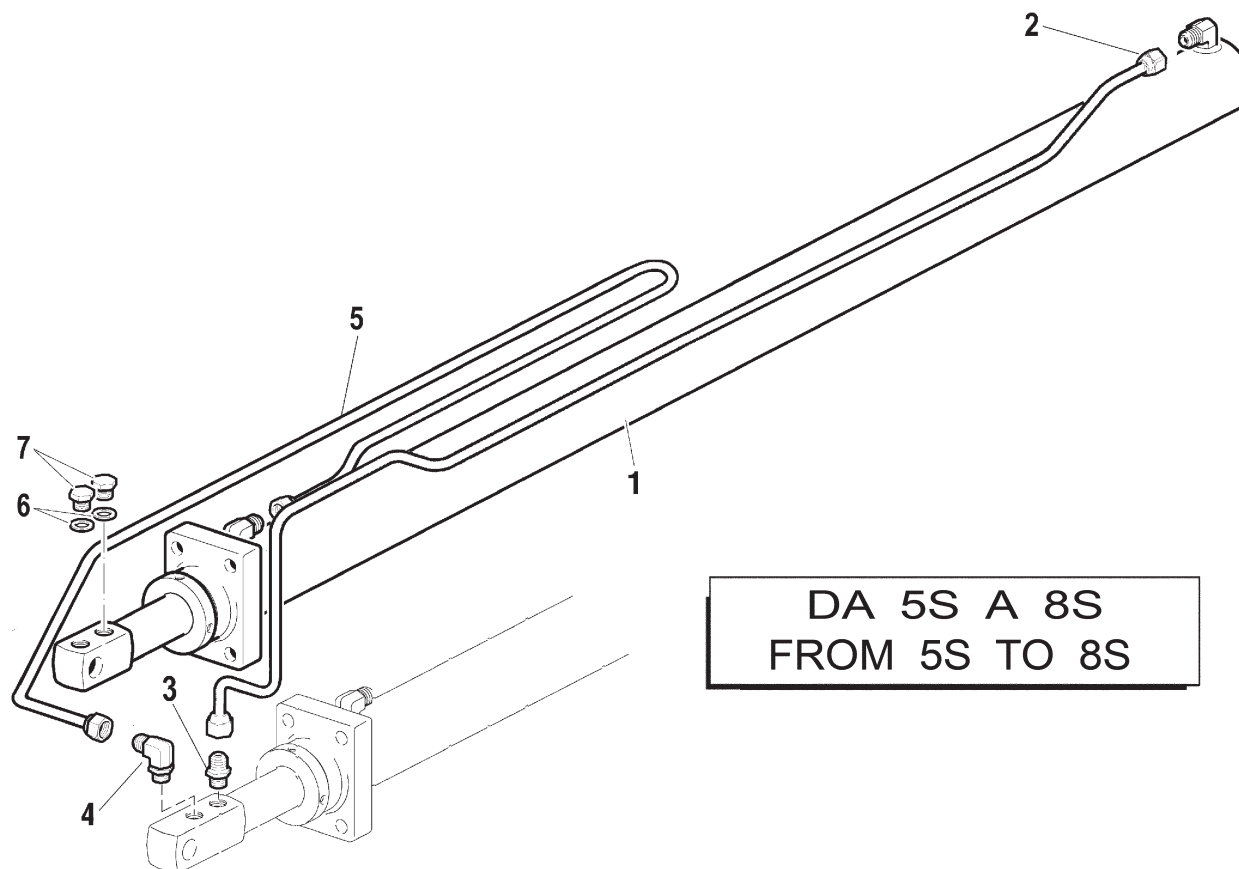
4th extension Hydraulic jack (Hydraulic system)

Code

6210488-1.0

1/1

R	Pos.	Code Variant	Q.ty	Description
	1	6410487	1	Extension Hydraulic jack
	2	5391975	1	
	3	3101051	1	Straight pipe fitting
	4	3101131	1	90° Connection
	5	5391840	1	
	6	3060145	1	Sealing washer [BSP 1/2"]
	7	3110065	1	Plug



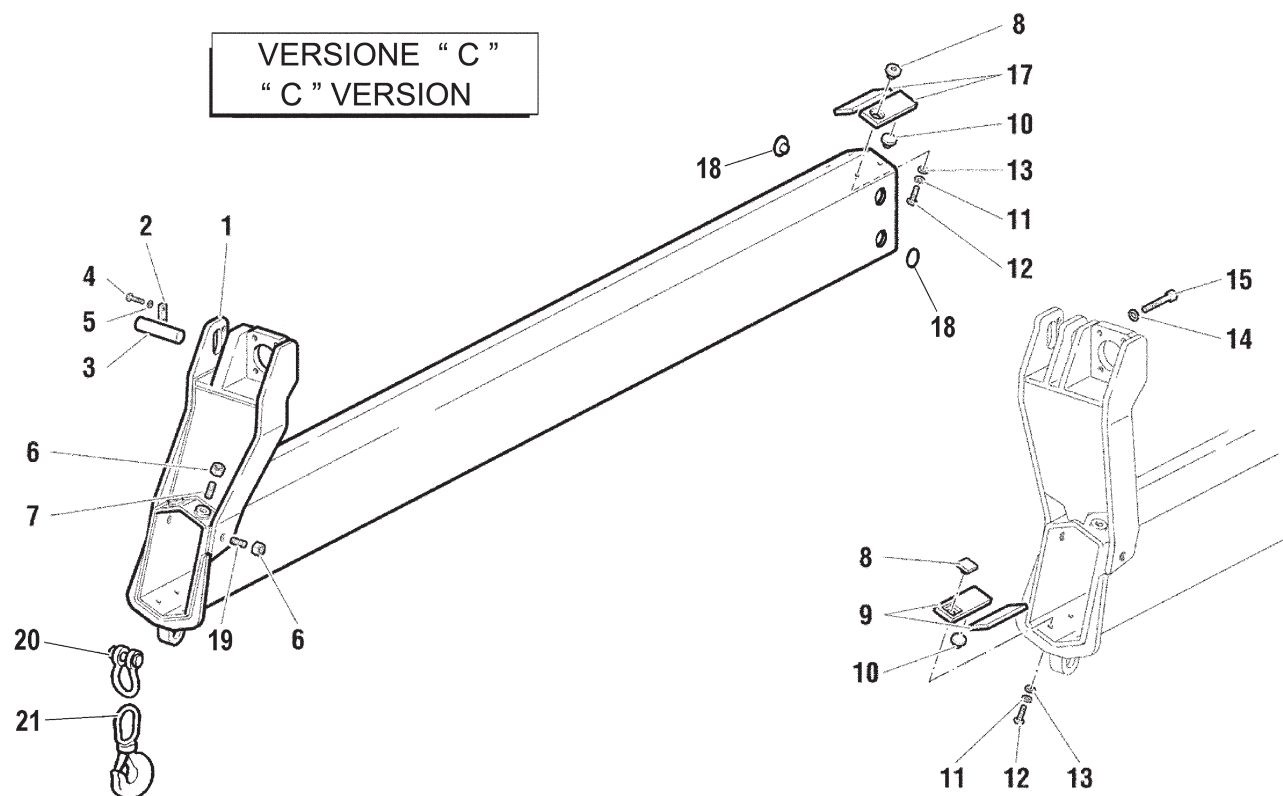
5th extension ("C" Version)

Code

5570015-1.0

1/1

R	Pos.	Code Variant	Q.ty	Description
	1	5020494	1	Extension
	2	5000674	1	
	3	5150443	1	
	4	3010027	2	Hex screw [M8X20 8.8 ZC IF UNI 5739]
	5	3060055	2	Split lock washer [D=8.4 C72 ZC]
	6	3040089	6	Lock nut
	7	5000771	4	Adjusting screw
	8	5000827	4	Button (Control board)
	9	5140701	4	
	10	5140681	4	
	11	3060920	4	Tooth lock washer [D.10 TIPO A]
	12	3010353	4	Hex screw [M10X16 8.8 ZC UNI 5739]
	13	3060914	4	Flat washer [D.10.5X21X2 UNI 6592 ZC]
	14	3060059	4	Split lock washer [D=16 C72 ZC]
	15	3020129	4	Socketed head cap screw [M16X60 12.9 ZC UNI 5931]
	17	5140744	2	Slide shoe
	18	5140789	4	
	19	5001917	2	
	20	3200073	1	Shackles
	21	3200008	1	Swivel hook



VERSIONE "C"
"C" VERSION

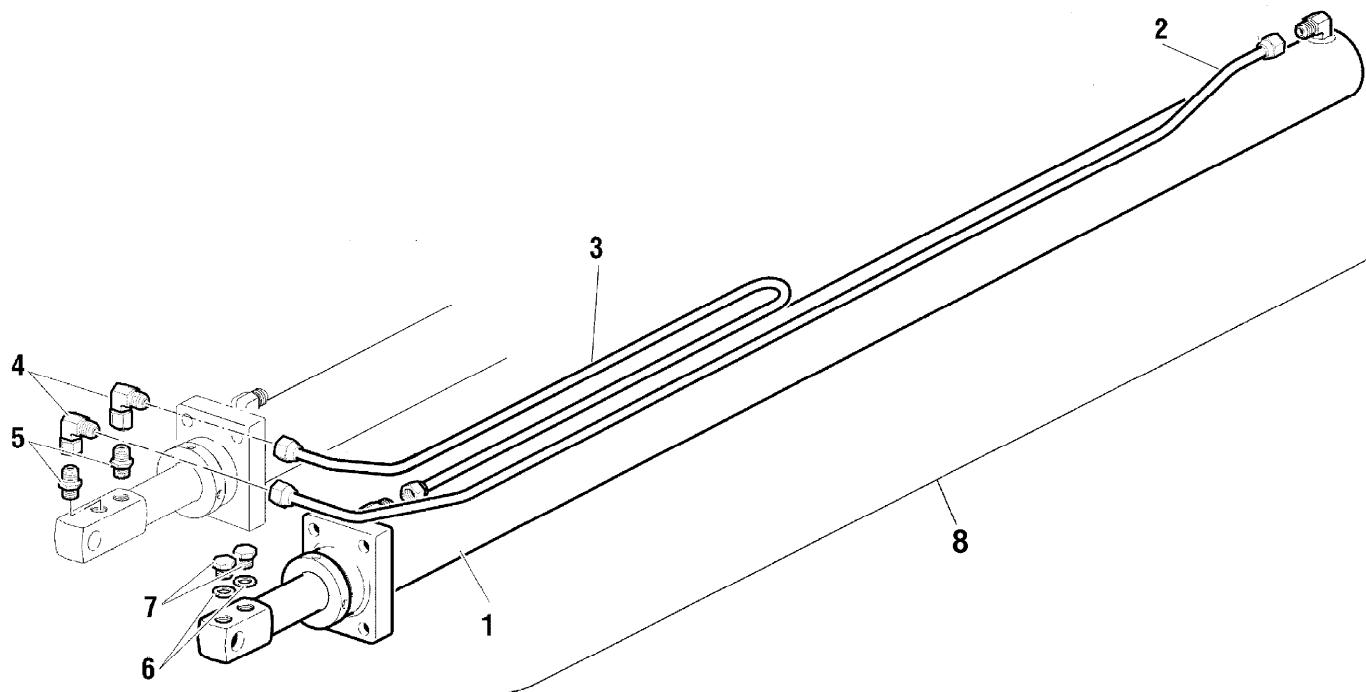
HYDRAULIC SYSTEM (5th extension Hydraulic jack)

Code

6210271-2.0

1/1

R	Pos.	Code Variant	Q.ty	Description
	1	6410203	1	Extension Hydraulic jack
	2	5391842	1	
	3	5391841	1	
	4	3120034	2	90° Connection
	5	3101051	2	Straight pipe fitting
	6	3060145	2	Sealing washer [BSP 1/2"]
	7	3110065	2	Plug
	8	6210271	1	Extension Hydraulic jack



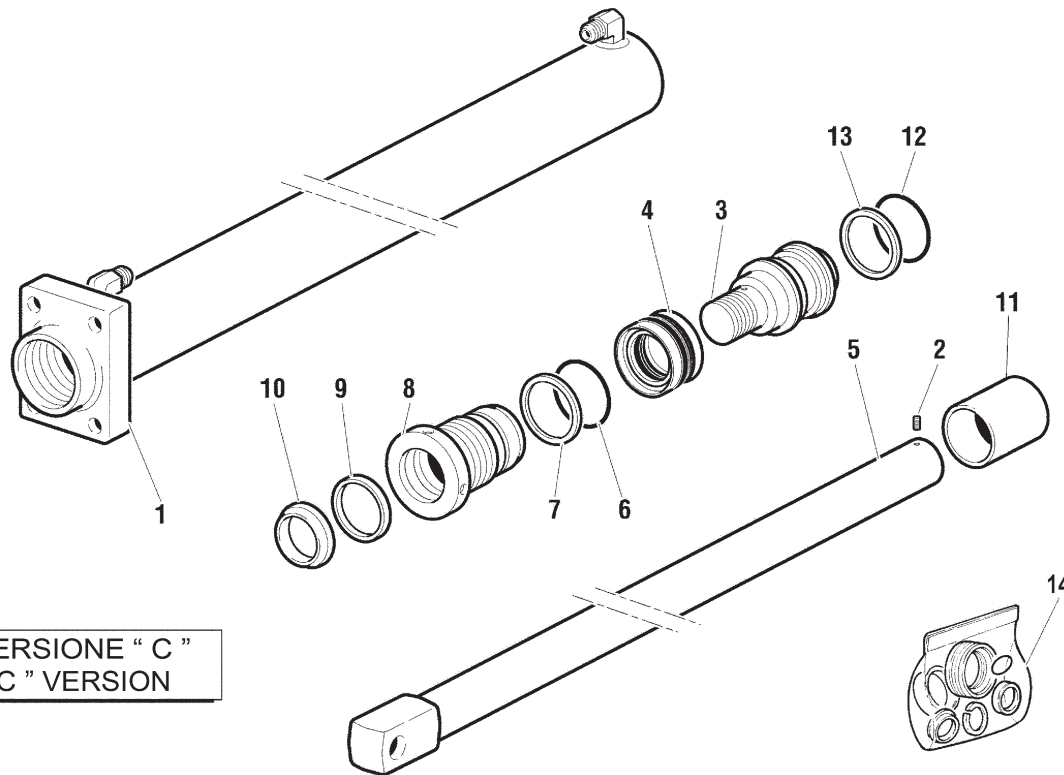
5th and 6th extension hydraulic cylinder

Code

6410203-1.0

1/1

R	Pos.	Code Variant	Q.ty	Description
	1	6070421	1	
	2	3060232	1	Grub screw
	3	6050256	1	
	4	3400509	1	
	5	6030466	1	
	6	3450132	1	
	7	3460132	1	
	8	6040259	1	
	9	3370136	1	
	10	3420021	1	
	11	5140750	1	
	12	3450047	1	
	13	3460047	2	
	14	5550781	1	Seal kit



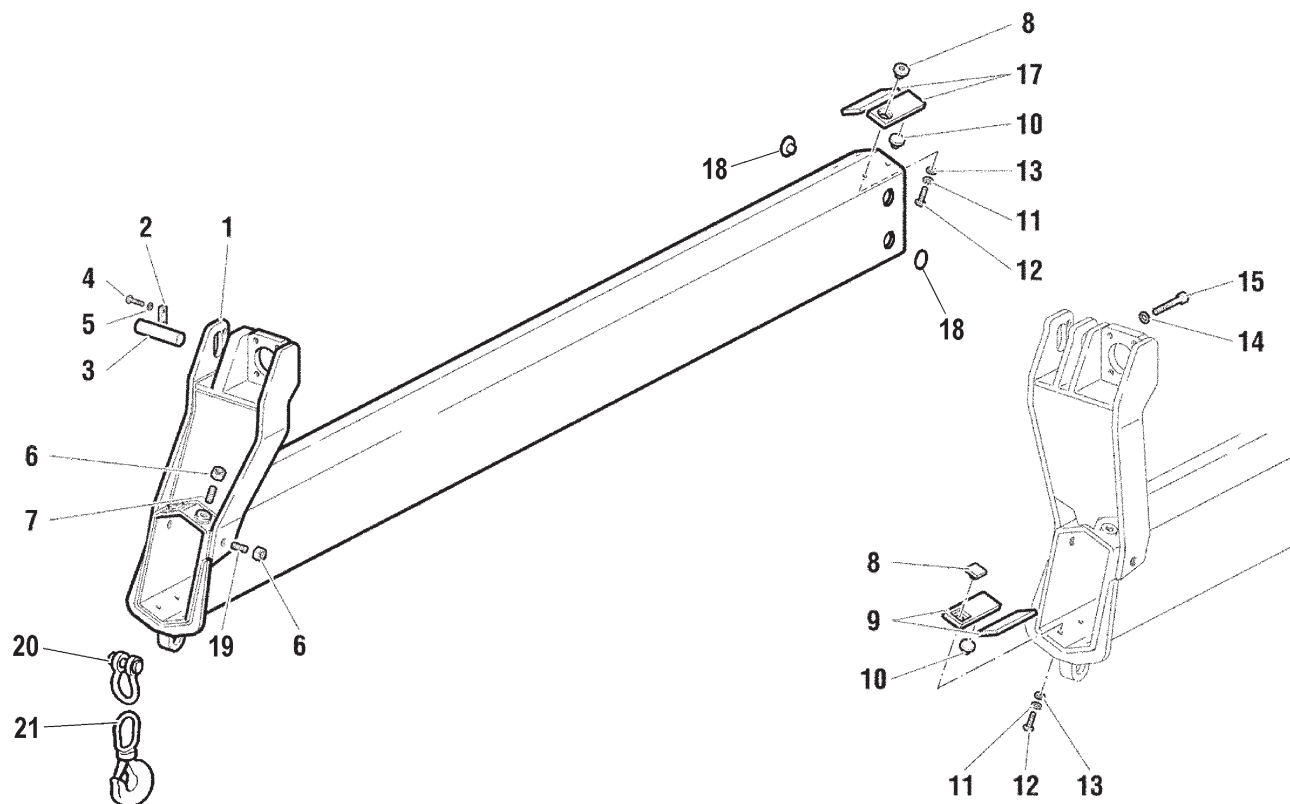
VERSIONE " C "
" C " VERSION

5th extension

Code

5570031-1.0

1/1



R	Pos.	Code Variant	Q.ty	Description
	1	5020596	1	Extension
	2	5000674	1	
	3	5150443	1	
	4	3010027	2	Hex screw [M8X20 8.8 ZC IF UNI 5739]
	5	3060055	2	Split lock washer [D=8.4 C72 ZC]
	6	3040089	6	Lock nut
	7	5000771	4	Adjusting screw
	8	5000827	4	Button (Control board)
	9	5140701	4	
	10	5140681	4	
	11	3060920	4	Tooth lock washer [D.10 TIPO A]
	12	3010353	4	Hex screw [M10X16 8.8 ZC UNI 5739]
	13	3060914	4	Flat washer [D.10.5X21X2 UNI 6592 ZC]
	14	3060059	4	Split lock washer [D=16 C72 ZC]
	15	3020129	4	Socket head cap screw [M16X60 12.9 ZC UNI 5931]
	17	5140744	2	Slide shoe
	18	5140789	4	
	19	5001917	2	
	20	3200073	1	Shackles
	21	3200008	1	Swivel hook

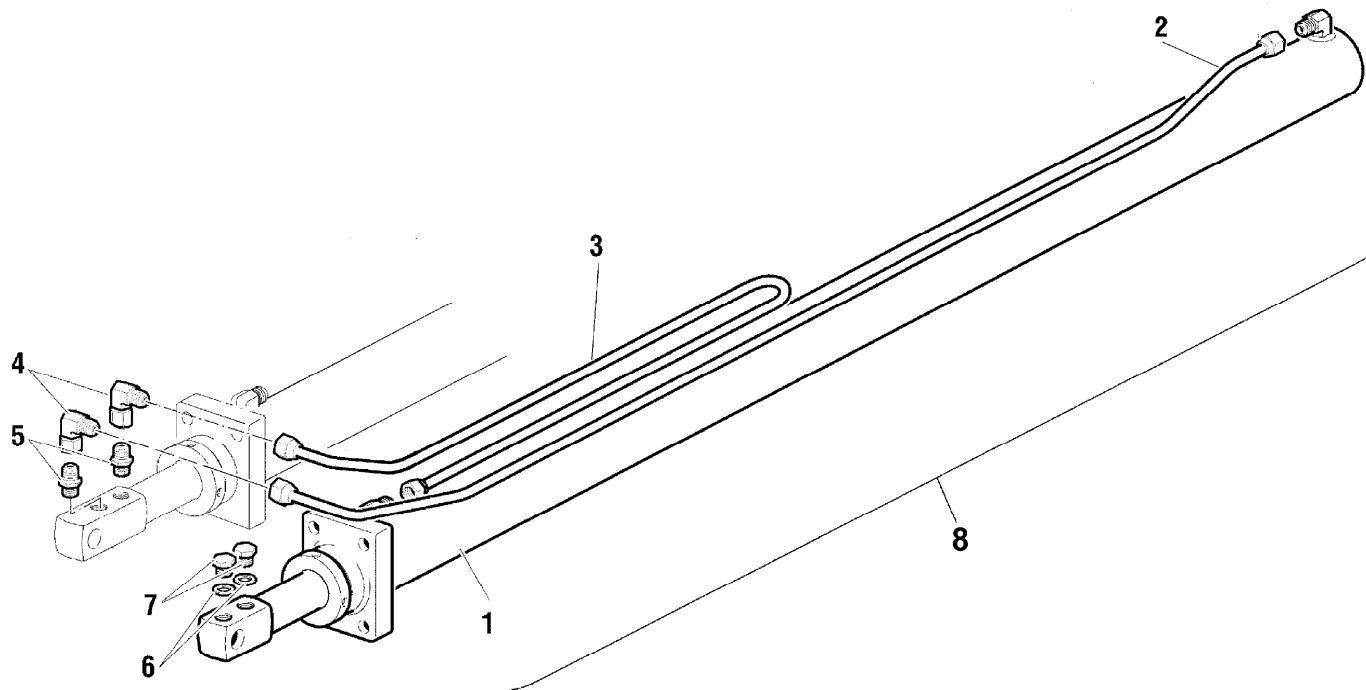
HYDRAULIC SYSTEM (5th extension Hydraulic jack)

Code

6210489-1.0

1/1

R	Pos.	Code Variant	Q.ty	Description
	1	6410489	1	Extension Hydraulic jack
	2	5391842	1	
	3	5391841	1	
	4	3120034	2	90° Connection
	5	3101051	2	Straight pipe fitting
	6	3060145	2	Sealing washer [BSP 1/2"]
	7	3110065	2	Plug
	8	6210489	1	Extension Hydraulic jack

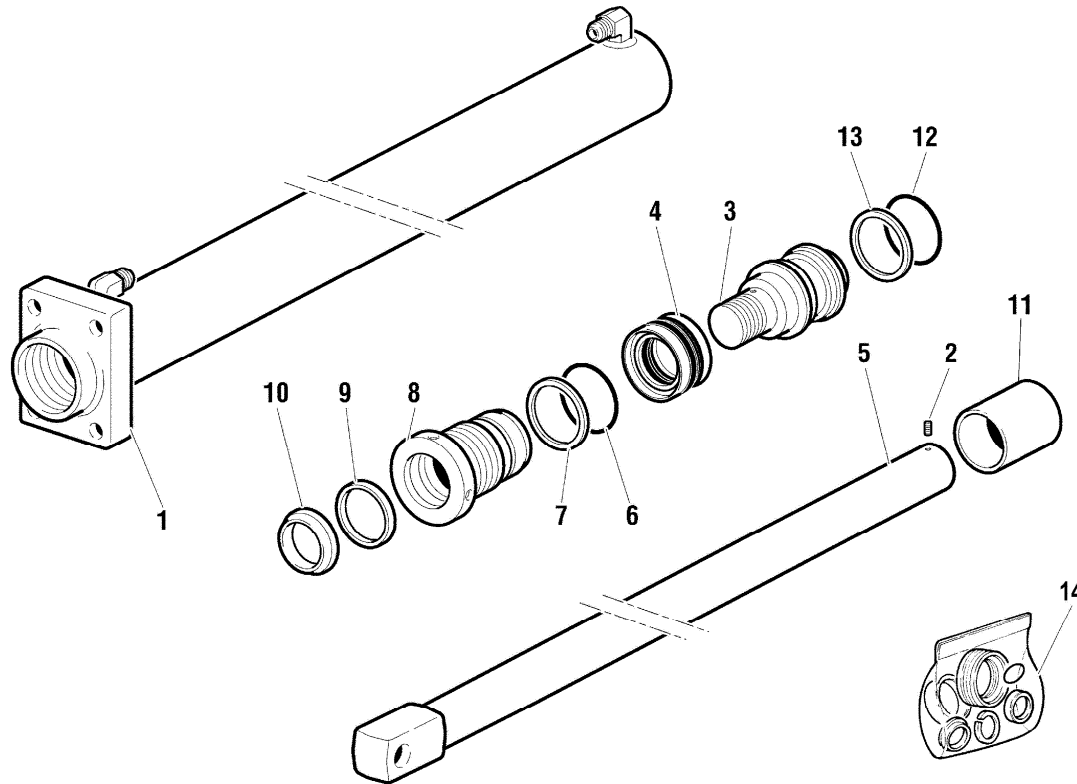


5th and 6th extension hydraulic cylinder

Code

6410489-1.0

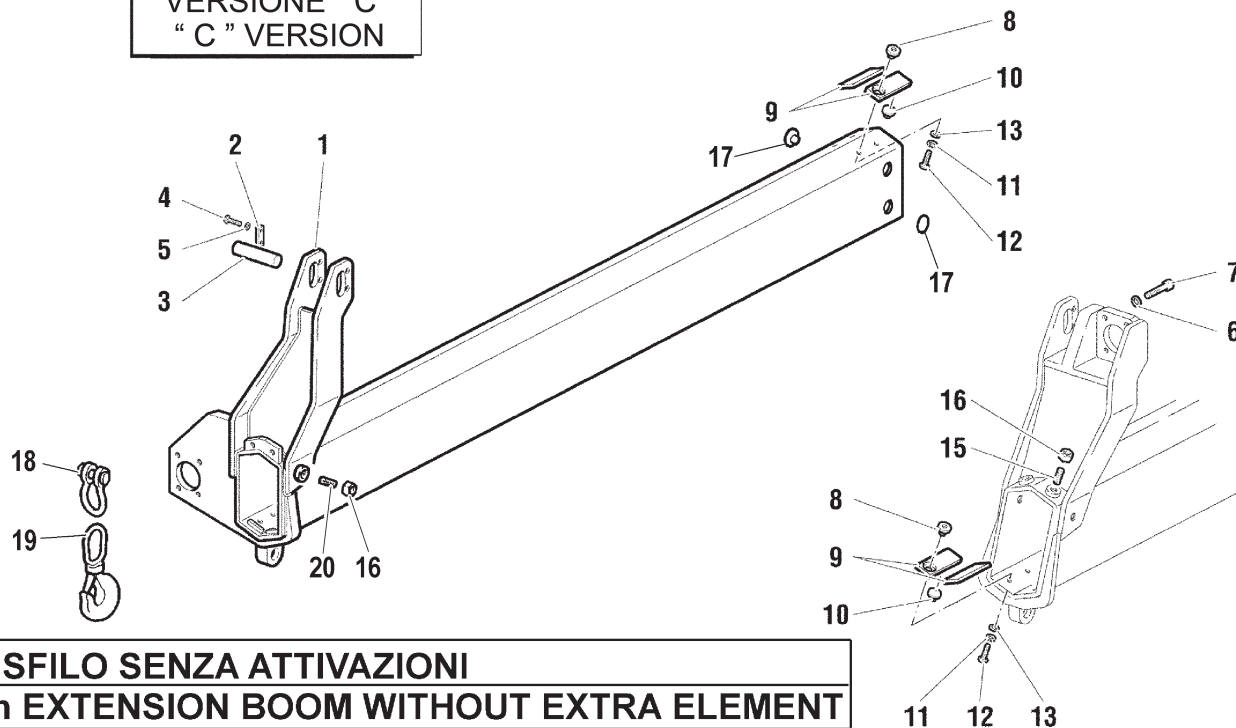
1/1



R	Pos.	Code Variant	Q.ty	Description
	1	6070675	1	Liner (Assembly)
	2	3060232	1	Grub screw
	3	6050369	1	
	4	3400511	1	
	5	6031039	1	Rod unit
	6	3450142	1	
	7	3460142	1	
	8	6040324	1	Close nipple
	9	3370135	1	
	10	3420023	1	
	11	5141149	1	Spacer (Rod)
	12	3450050	1	
	13	3460382	2	
	14	5550827	1	Seal kit

R	Pos.	Code Variant	Q.ty	Description
	1	5020382	1	Extension
	2	5000674	1	
	3	5150443	1	
	4	3010337	2	Hex screw [M8X16 8.8 ZC UNI 5739]
	5	3060055	2	Split lock washer [D=8.4 C72 ZC]
	6	3060059	4	Split lock washer [D=16 C72 ZC]
	7	3020129	4	Socketed head cap screw [M16X60 12.9 ZC UNI 5931]
	8	5000827	4	Button (Control board)
	9	5140744	4	Slide shoe
	10	5001253	4	Button (Sliding block)
	11	3060920	4	Tooth lock washer [D.10 TIPO A]
	12	3010353	4	Hex screw [M10X16 8.8 ZC UNI 5739]
	13	3060914	4	Flat washer [D.10.5X21X2 UNI 6592 ZC]
	15	5000771	4	Adjusting screw
	16	3040089	6	Lock nut
	17	5140789	4	
	18	3200073	1	Shackles
	19	3200008	1	Swivel hook
	20	5001917	2	

VERSIONE " C " " C " VERSION



6° SFILO SENZA ATTIVAZIONI
6th EXTENSION BOOM WITHOUT EXTRA ELEMENT

6th extension

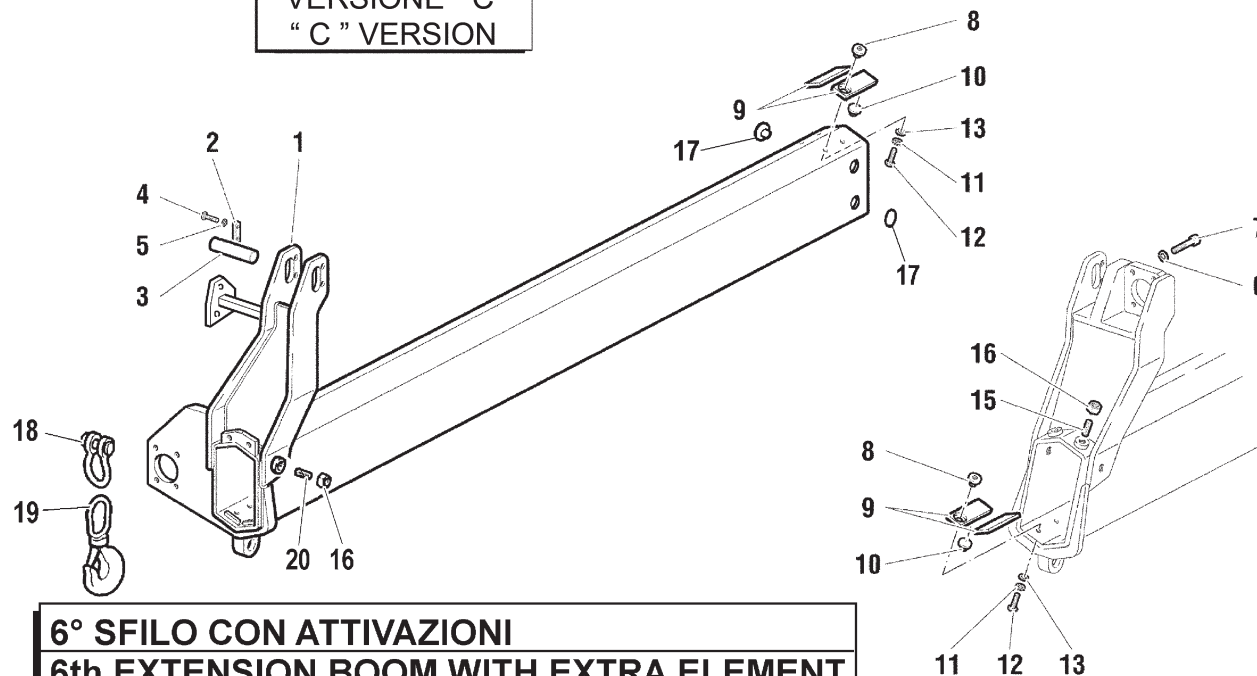
Code

5580012-1.0

1/1

R	Pos.	Code Variant	Q.ty	Description
	1	5020489	1	Extension
	2	5000674	1	
	3	5150443	1	
	4	3010337	2	Hex screw [M8X16 8.8 ZC UNI 5739]
	5	3060055	2	Split lock washer [D=8.4 C72 ZC]
	6	3060059	4	Split lock washer [D=16 C72 ZC]
	7	3020129	4	Socketed head cap screw [M16X60 12.9 ZC UNI 5931]
	8	5000827	4	Button (Control board)
	9	5140744	4	Slide shoe
	10	5001253	4	Button (Sliding block)
	11	3060920	4	Tooth lock washer [D.10 TIPO A]
	12	3010353	4	Hex screw [M10X16 8.8 ZC UNI 5739]
	13	3060914	4	Flat washer [D.10.5X21X2 UNI 6592 ZC]
	15	5000771	4	Adjusting screw
	16	3040089	6	Lock nut
	17	5140789	4	
	18	3200073	1	Shackles
	19	3200008	1	Swivel hook
	20	5001917	2	

VERSIONE " C "
" C " VERSION



6° SFILO CON ATTIVAZIONI
6th EXTENSION BOOM WITH EXTRA ELEMENT

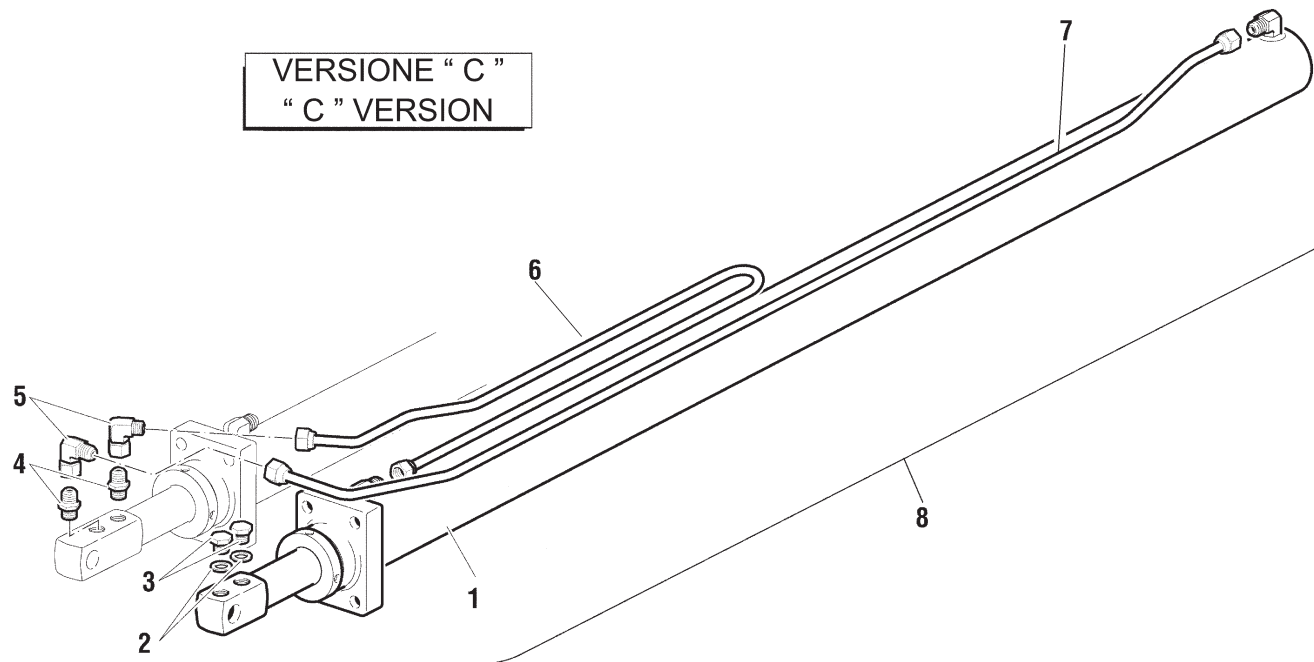
HYDRAULIC SYSTEM (6th extension Hydraulic jack)

Code

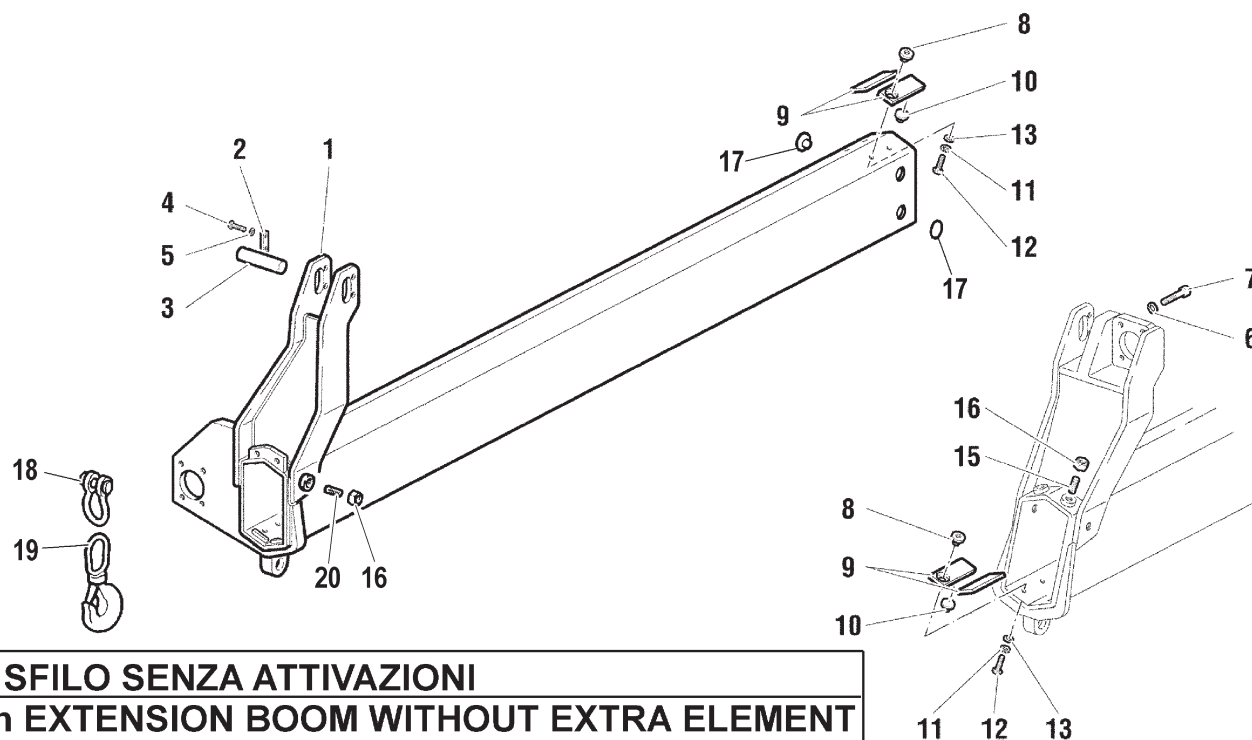
6210314-1.0

1/1

R	Pos.	Code Variant	Q.ty	Description
	1	6410203	1	Extension Hydraulic jack
	2	3060145	2	Sealing washer [BSP 1/2"]
	3	3110065	2	Plug
	4	3101051	2	Straight pipe fitting
	5	3120034	2	90° Connection
	6	5391564	1	
	7	5391976	1	
	8	6210314	1	



R	Pos.	Code Variant	Q.ty	Description
	1	5020597	1	Extension
	2	5000674	1	
	3	5150443	1	
	4	3010337	2	Hex screw [M8X16 8.8 ZC UNI 5739]
	5	3060055	2	Split lock washer [D=8.4 C72 ZC]
	6	3060059	4	Split lock washer [D=16 C72 ZC]
	7	3020129	4	Socketed head cap screw [M16X60 12.9 ZC UNI 5931]
	8	5000827	4	Button (Control board)
	9	5140744	4	Slide shoe
	10	5001253	4	Button (Sliding block)
	11	3060920	4	Tooth lock washer [D.10 TIPO A]
	12	3010353	4	Hex screw [M10X16 8.8 ZC UNI 5739]
	13	3060914	4	Flat washer [D.10.5X21X2 UNI 6592 ZC]
	15	5000771	4	Adjusting screw
	16	3040089	6	Lock nut
	17	5140789	4	
	18	3200073	1	Shackles
	19	3200008	1	Swivel hook
	20	5001917	2	



6° SFILO SENZA ATTIVAZIONI
6th EXTENSION BOOM WITHOUT EXTRA ELEMENT

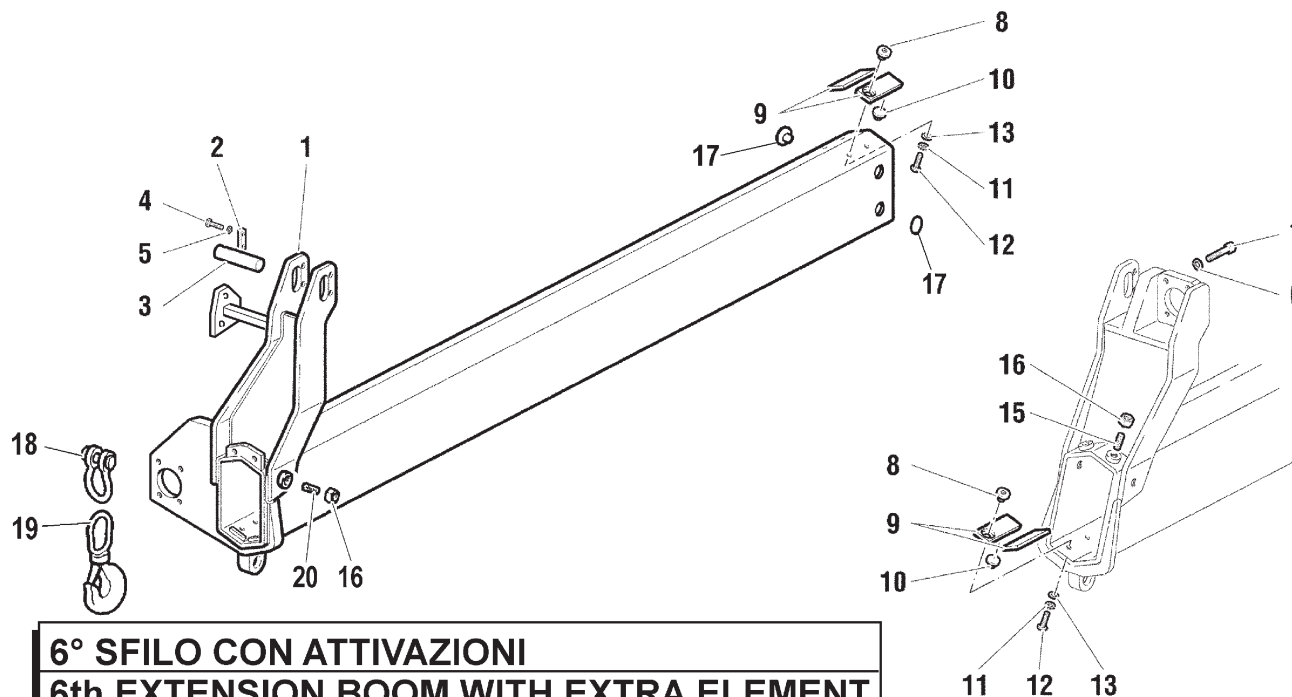
6th extension

Code

5580033-1.0

1/1

R	Pos.	Code Variant	Q.ty	Description
	1	5020592	1	Extension
	2	5000674	1	
	3	5150443	1	
	4	3010337	2	Hex screw [M8X16 8.8 ZC UNI 5739]
	5	3060055	2	Split lock washer [D=8.4 C72 ZC]
	6	3060059	4	Split lock washer [D=16 C72 ZC]
	7	3020129	4	Socketed head cap screw [M16X60 12.9 ZC UNI 5931]
	8	5000827	4	Button (Control board)
	9	5140744	4	Slide shoe
	10	5001253	4	Button (Sliding block)
	11	3060920	4	Tooth lock washer [D.10 TIPO A]
	12	3010353	4	Hex screw [M10X16 8.8 ZC UNI 5739]
	13	3060914	4	Flat washer [D.10.5X21X2 UNI 6592 ZC]
	15	5000771	4	Adjusting screw
	16	3040089	6	Lock nut
	17	5140789	4	
	18	3200073	1	Shackles
	19	3200008	1	Swivel hook
	20	5001917	2	



6° SFILO CON ATTIVAZIONI
6th EXTENSION BOOM WITH EXTRA ELEMENT

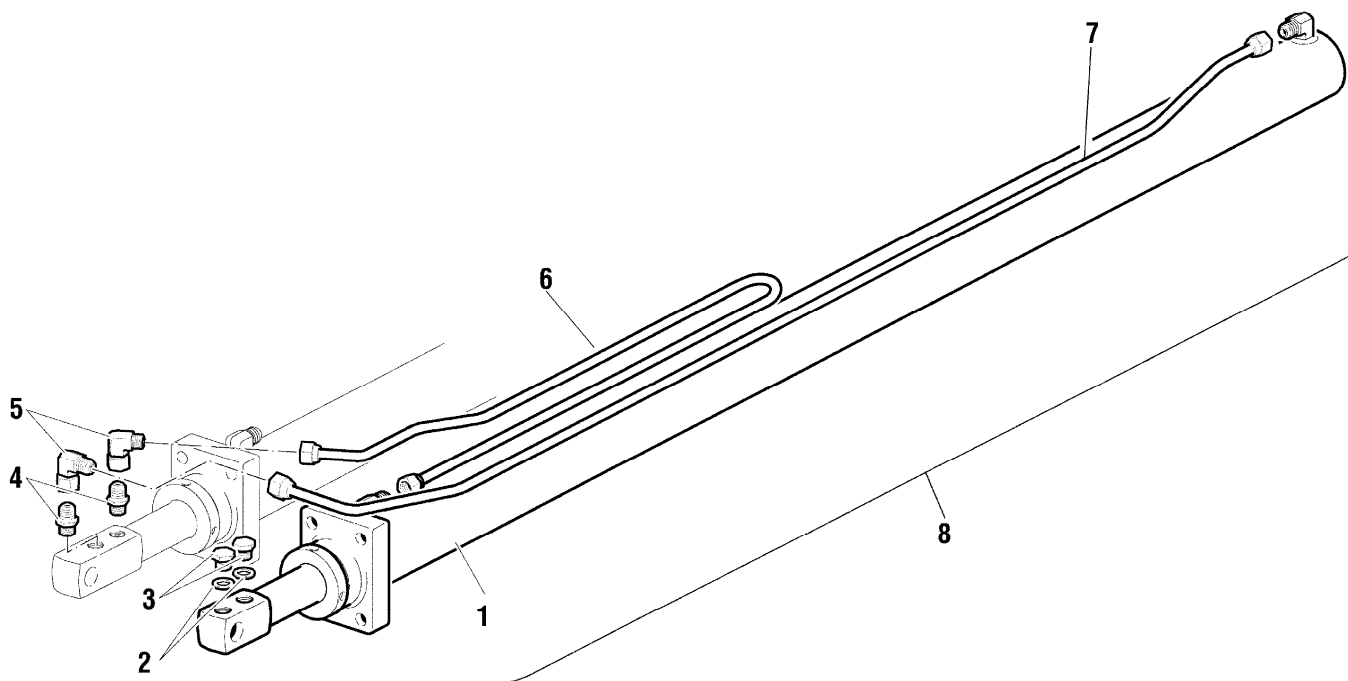
HYDRAULIC SYSTEM (6th extension Hydraulic jack)

Code

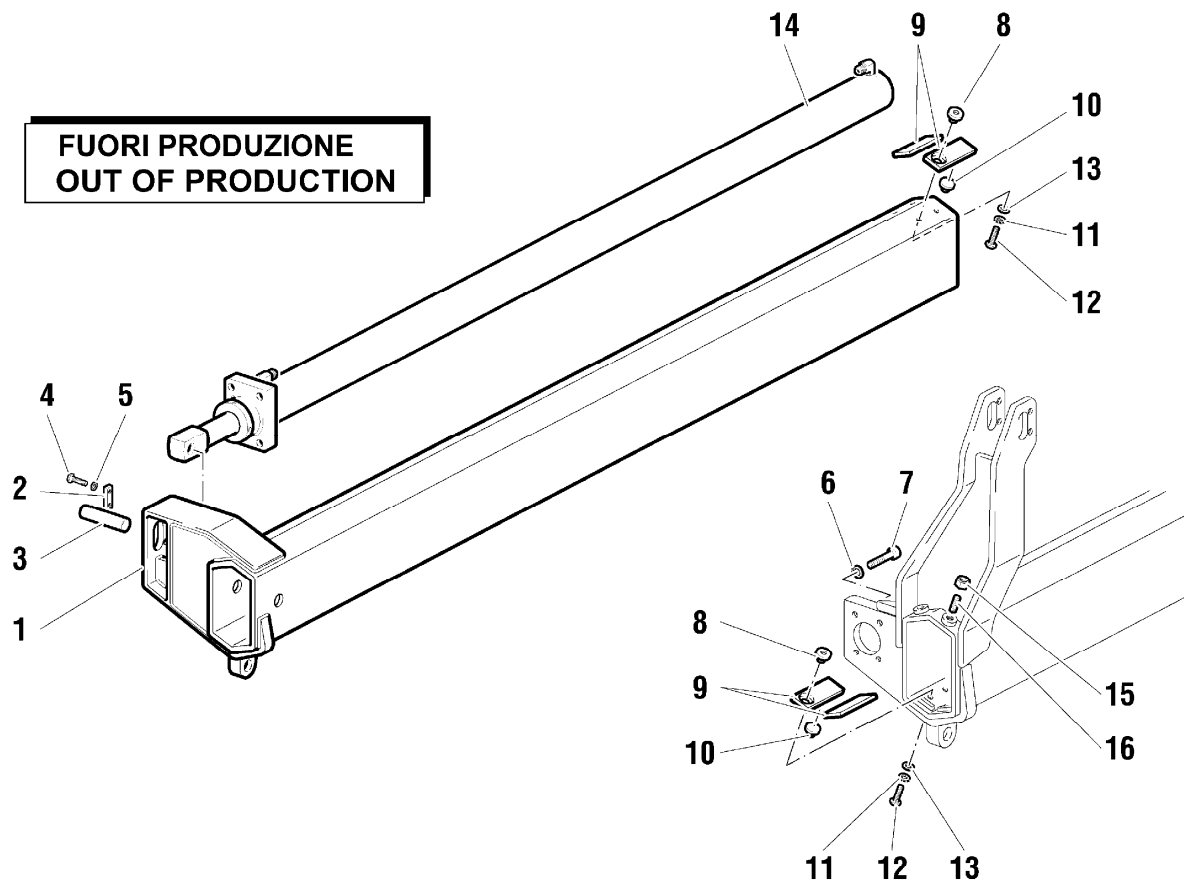
6210490-1.0

1/1

R	Pos.	Code Variant	Q.ty	Description
	1	6410489	1	Extension Hydraulic jack
	2	3060145	2	Sealing washer [BSP 1/2"]
	3	3110065	2	Plug
	4	3101051	2	Straight pipe fitting
	5	3120034	2	90° Connection
	6	5391564	1	
	7	5391976	1	
	8	6210490	1	



**FUORI PRODUZIONE
OUT OF PRODUCTION**



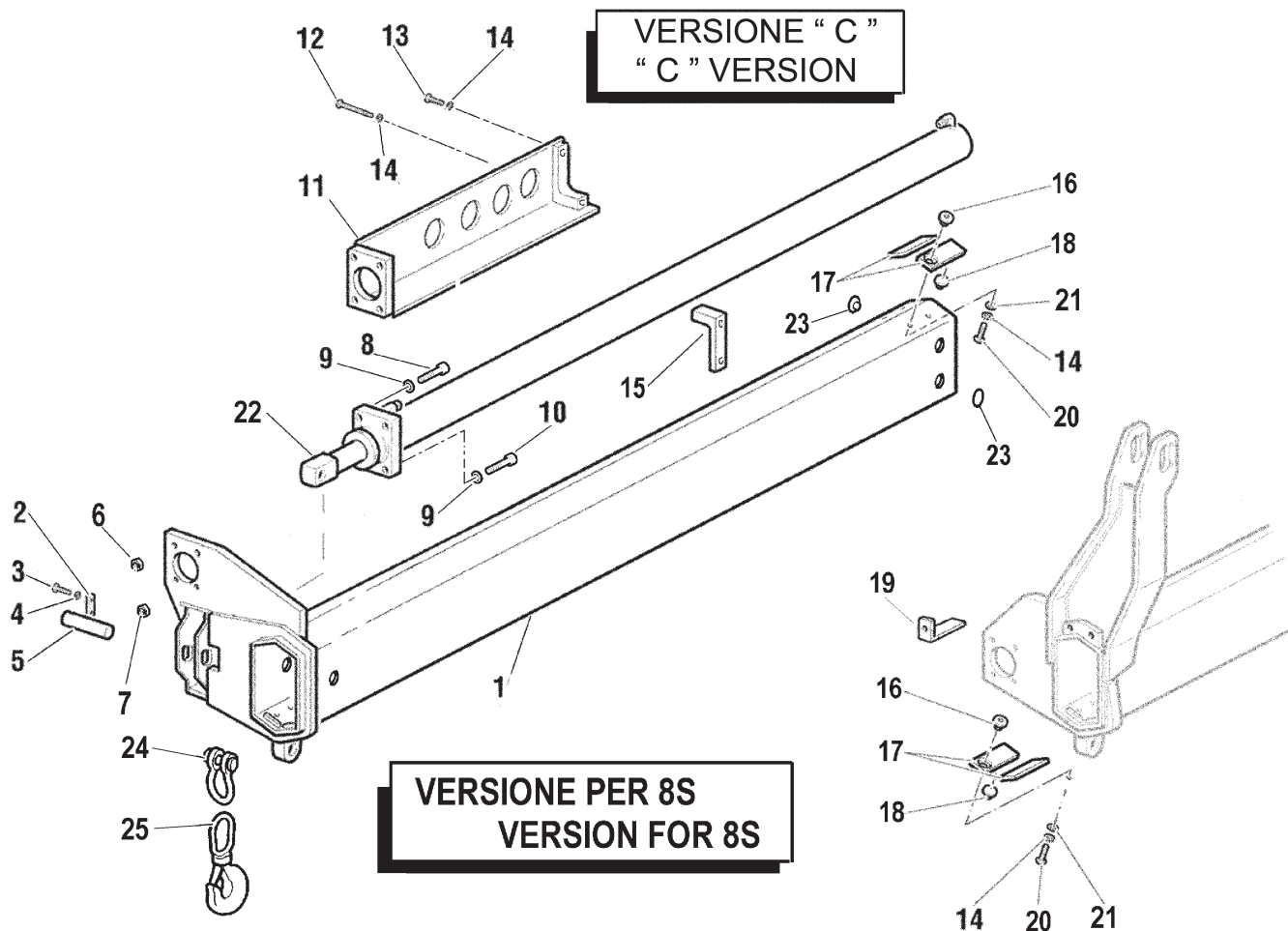
R	Pos.	Code Variant	Q.ty	Description
	1	5020364	1	Extension
	2	5000674	1	
	3	5150443	1	
	4	3010027	2	Hex screw [M8X20 8.8 ZC IF UNI 5739]
	5	3060055	2	Split lock washer [D=8.4 C72 ZC]
	6	3060059	4	Split lock washer [D=16 C72 ZC]
	7	3020129	4	Socketed head cap screw [M16X60 12.9 ZC UNI 5931]
	8	5000737	4	
	9	5140680	4	
	10	5001253	4	Button (Sliding block)
	11	3060920	4	Tooth lock washer [D.10 TIPO A]
	12	3010353	4	Hex screw [M10X16 8.8 ZC UNI 5739]
	13	3060914	4	Flat washer [D.10.5X21X2 UNI 6592 ZC]
	14	6210208	1	Extension Hydraulic jack
	15	3040089	4	Lock nut
	16	5000771	4	Adjusting screw

7th extension

Code

5330002-2.0

1/2



R	Pos.	Code Variant	Q.ty	Description
	1	5020383	1	Extension
	2	5000674	1	
	3	3010337	2	Hex screw [M8X16 8.8 ZC UNI 5739]
	4	3060055	2	Split lock washer [D=8.4 C72 ZC]
	5	5150443	1	
	6	3040214	2	Lock nut
	7	3040307	2	Stopnut
	8	3020883	2	Socket head cap screw [M16X70 12.9 ZC UNI 5931]
	9	3060059	4	Split lock washer [D=16 C72 ZC]
	10	3020886	2	Socket head cap screw [M16X80 ZC 12.9 UNI 5931]
	11	5090612	1	
	12	3010054	1	Hex screw [M10X90 8.8 ZC UNI 5737]
	13	3010044	1	Hex screw [M10X35 8.8 ZC UNI 5737]
	14	3060920	6	Tooth lock washer [D.10 TIPO A]
	15	5000944	1	
	16	5000827	4	Button (Control board)
	17	5140744	4	Slide shoe
	18	5001253	4	Button (Sliding block)
	19	5000685	4	Plate (Thickness)
	20	3010353	4	Hex screw [M10X16 8.8 ZC UNI 5739]

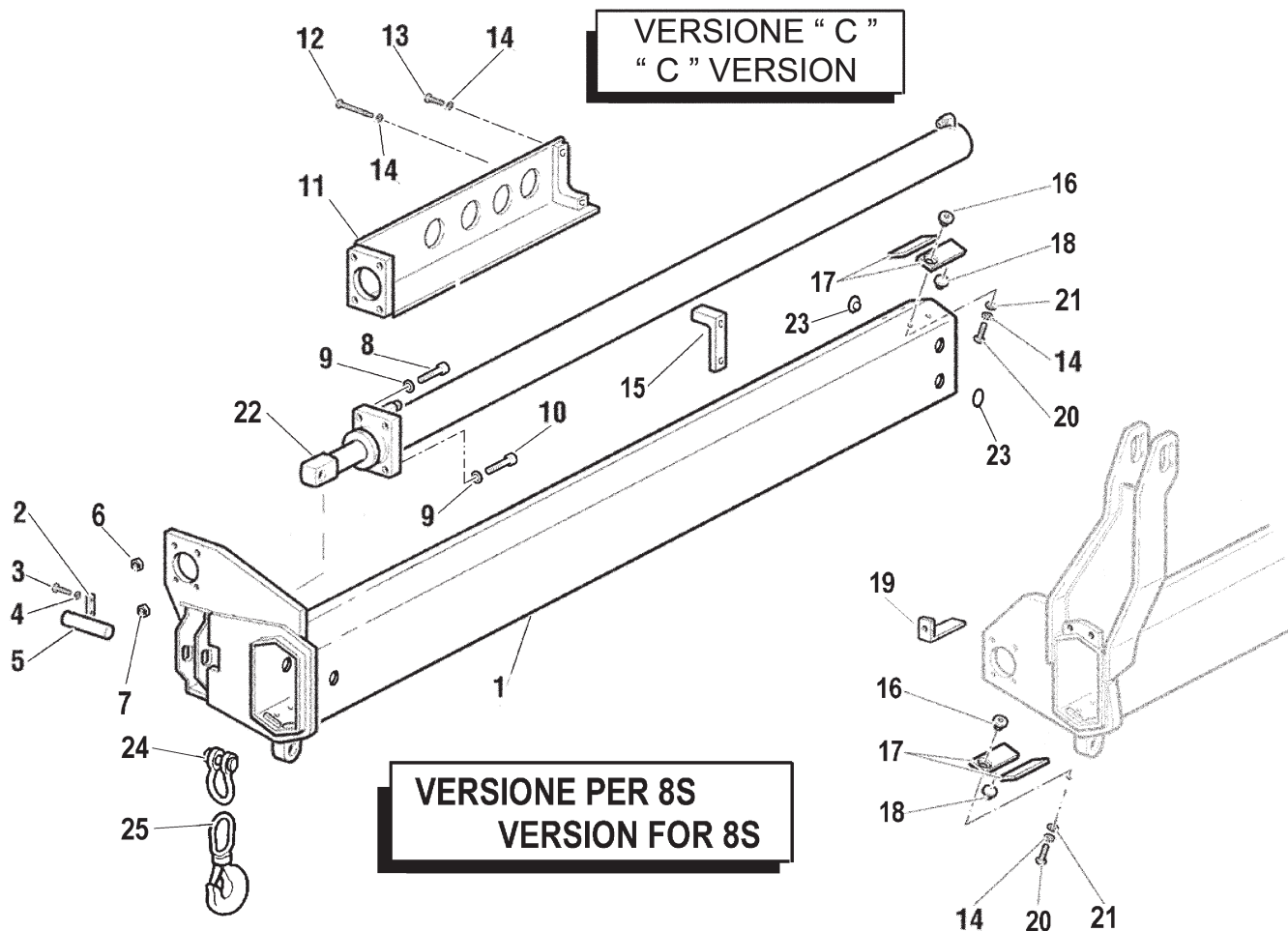
7th extension

Code

5330002-2.0

2/2

R	Pos.	Code Variant	Q.ty	Description
	21	3060914	4	Flat washer [D.10.5X21X2 UNI 6592 ZC]
	22	6210315	1	Extension Hydraulic jack
	23	5140789	4	
	24	3200073	1	Shackles
	25	3200008	1	Swivel hook



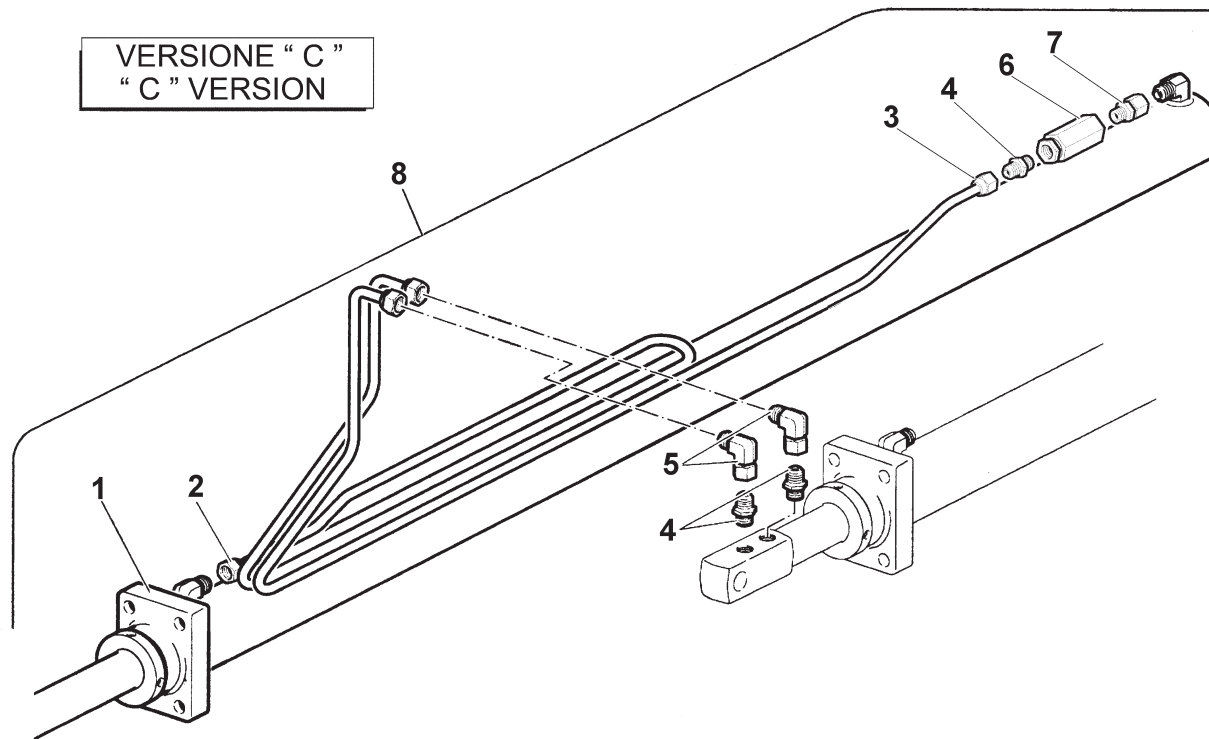
7th extension Hydraulic jack (Hydraulic system)

Code

6210315-1.0

1/1

R	Pos.	Code Variant	Q.ty	Description
	1	6410286	1	Extension Hydraulic jack
	2	5391645	1	
	3	5391977	1	
	4	3101051	3	Straight pipe fitting
	5	3120034	2	90° Connection
	6	5220688	1	
	7	3120067	1	Straight pipe fitting
	8	6210315	1	Extension Hydraulic jack



VERSIONE " C "
" C " VERSION

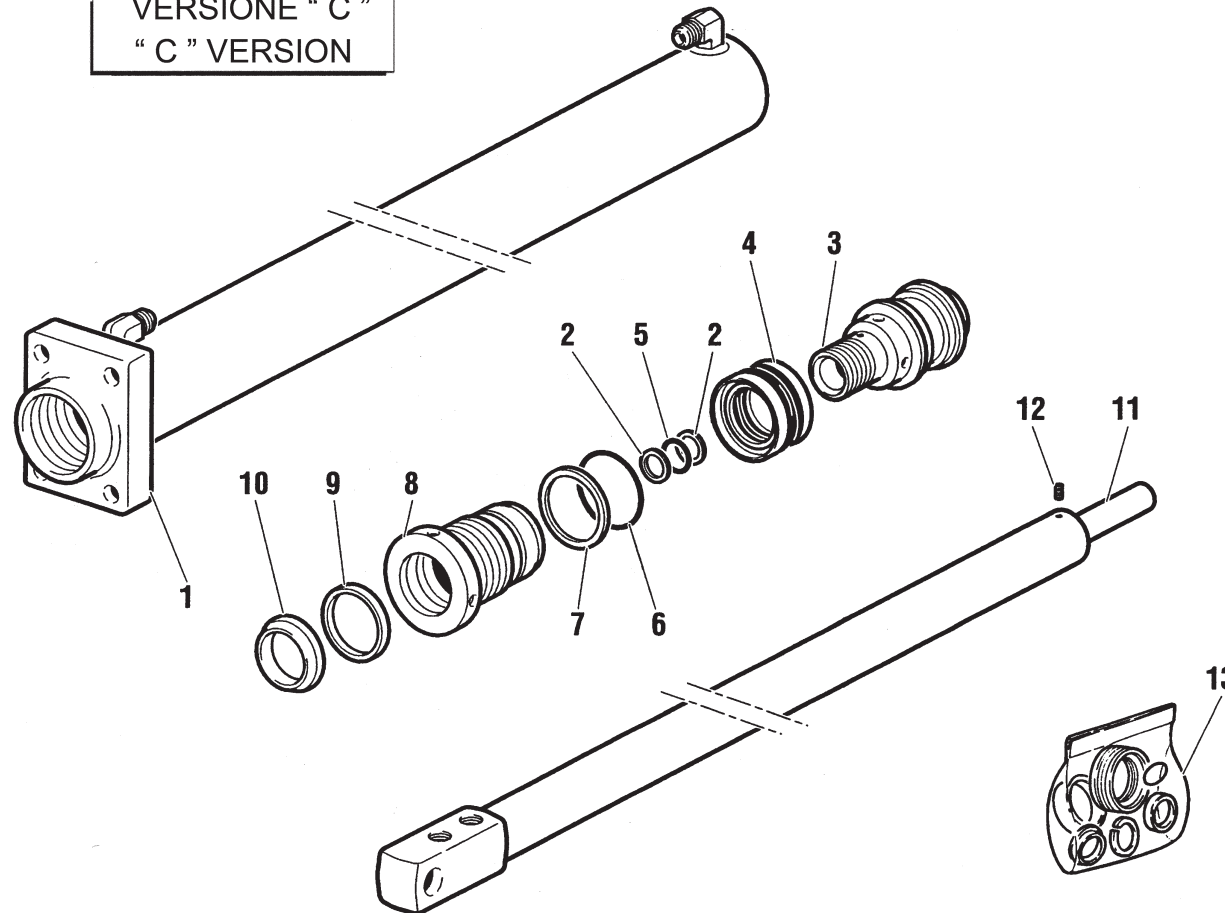
7th extension Hydraulic jack

Code

6410286-1.0

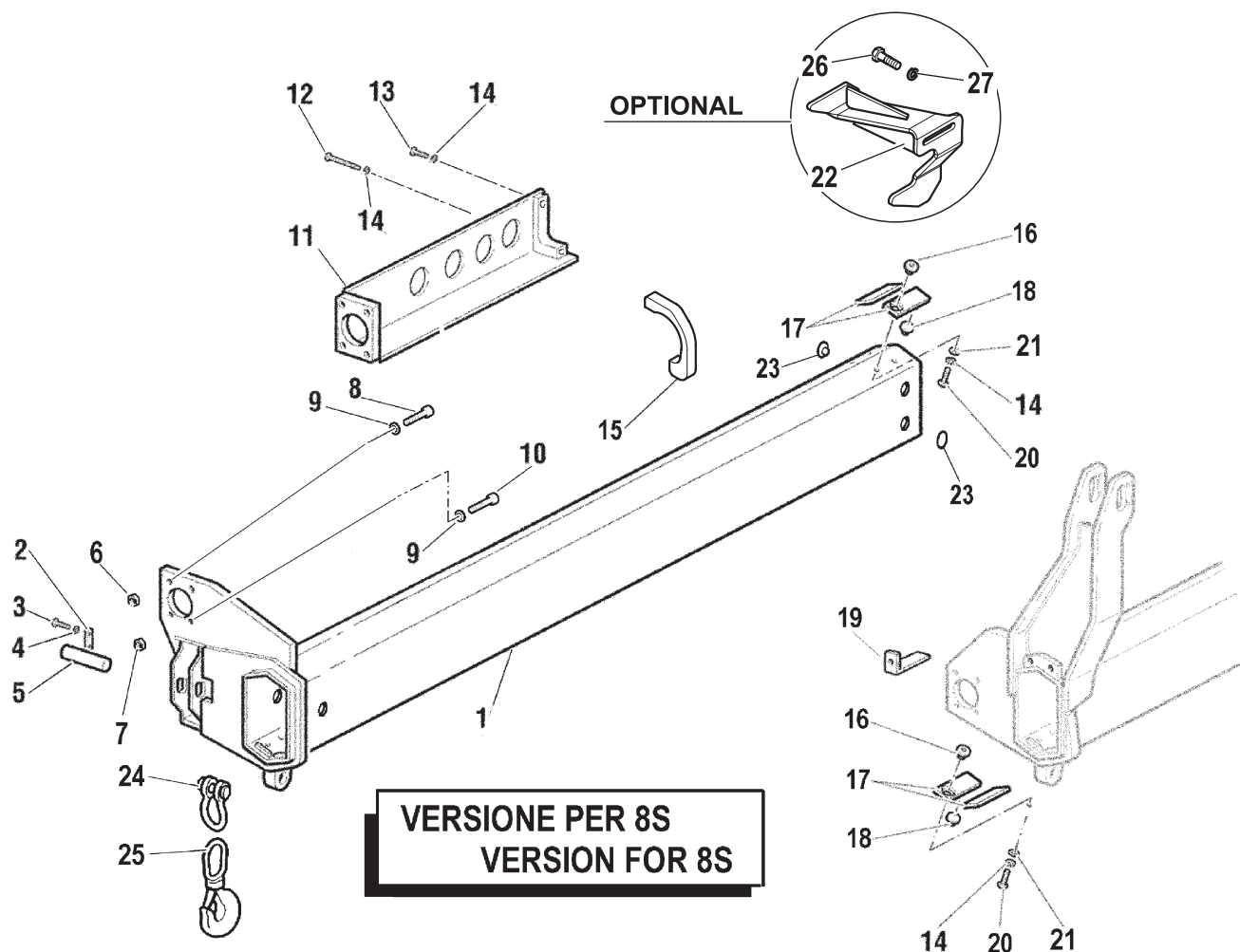
1/1

VERSIONE " C " " C " VERSION



R	Pos.	Code Variant	Q.ty	Description
	1	6070421	1	
	2	3460047	2	
	3	6050256	1	
	4	3400509	1	
	5	3450047	1	
	6	3450132	1	
	7	3460132	1	
	8	6040259	1	
	9	3370136	1	
	10	3420021	1	
	11	6030466	1	
	12	3060232	1	Grub screw
	13	5550781	1	Seal kit

R	Pos.	Code Variant	Q.ty	Description
	1	5020598	1	Extension
	2	5000674	1	
	3	3010337	2	Hex screw [M8X16 8.8 ZC UNI 5739]
	4	3060055	2	Split lock washer [D=8.4 C72 ZC]
	5	5150443	1	
	6	3040214	2	Lock nut
	7	3040307	2	Stopnut
	8	3020883	2	Socketed head cap screw [M16X70 12.9 ZC UNI 5931]
	9	3060059	4	Split lock washer [D=16 C72 ZC]
	10	3020886	2	Socketed head cap screw [M16X80 ZC 12.9 UNI 5931]
	11	5091426	1	
	12	3010054	1	Hex screw [M10X90 8.8 ZC UNI 5737]
	13	3010044	1	Hex screw [M10X35 8.8 ZC UNI 5737]
	14	3060920	6	Tooth lock washer [D.10 TIPO A]
	15	5002252	1	Lock (Extension jacks)
	16	5000827	4	Button (Control board)
	17	5140744	4	Slide shoe
	18	5001253	4	Button (Sliding block)
	19	5000685	4	Plate (Thickness)
	20	3010353	4	Hex screw [M10X16 8.8 ZC UNI 5739]



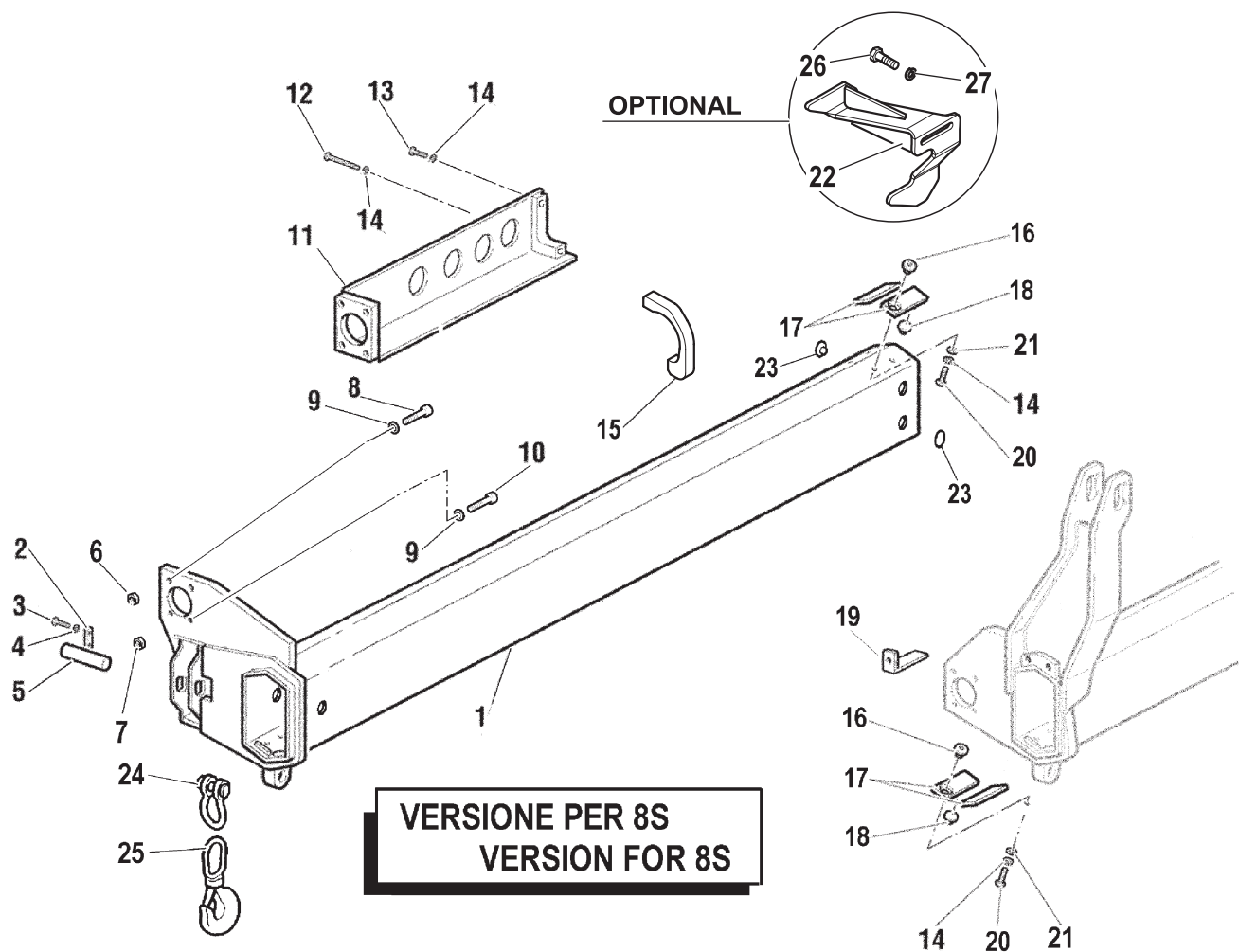
7th extension

Code

5330013-1.0

2/2

R	Pos.	Code Variant	Q.ty	Description
	21	3060914	4	Flat washer [D.10.5X21X2 UNI 6592 ZC]
	22	5002330	1	Support bracket (Extension jacks)
	23	5140789	4	
	24	3200073	1	Shackles
	25	3200008	1	Swivel hook
	26	3010394	2	Hex screw [M12X35 8.8 ZC UNI 5739]
	27	3060057	2	Split lock washer [D=12 C72 ZC]



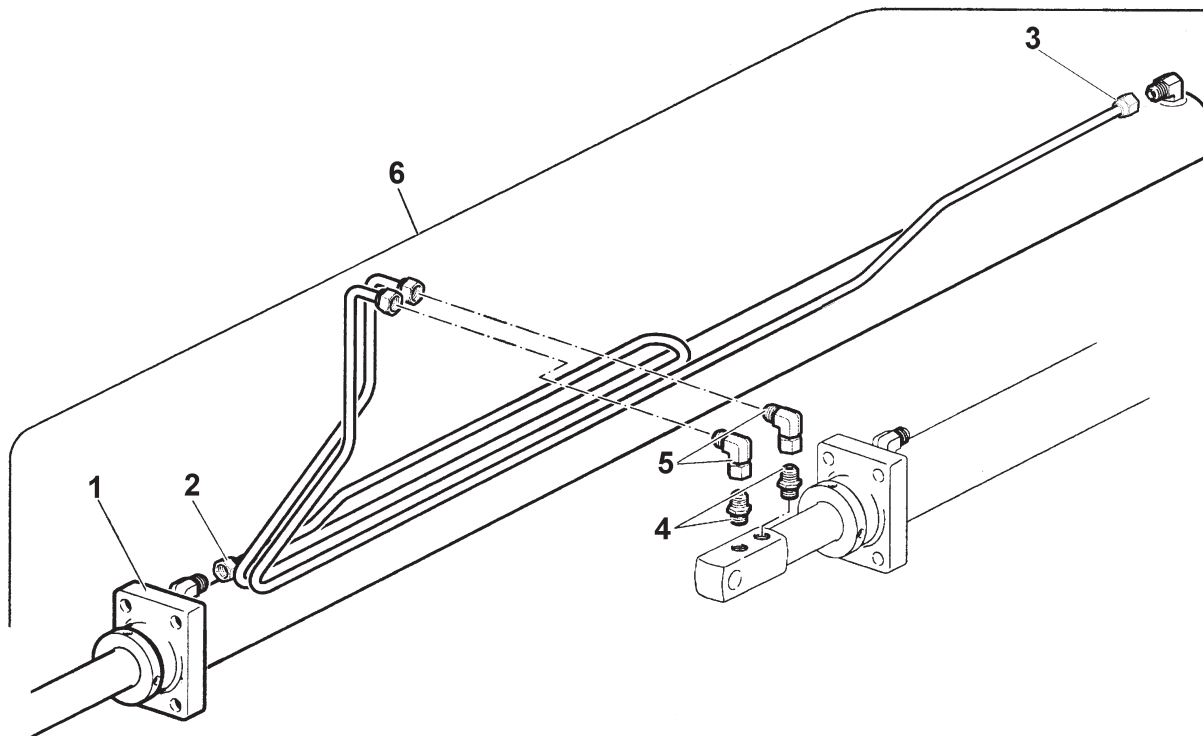
7th extension Hydraulic jack (Hydraulic system)

Code

6210491-1.0

1/1

R	Pos.	Code Variant	Q.ty	Description
	1	6410491	1	Extension Hydraulic jack
	2	5391645	1	
	3	5392469	1	Bonderized tube
	4	3101051	2	Straight pipe fitting
	5	3120034	2	90° Connection
	6	6210491	1	Extension Hydraulic jack

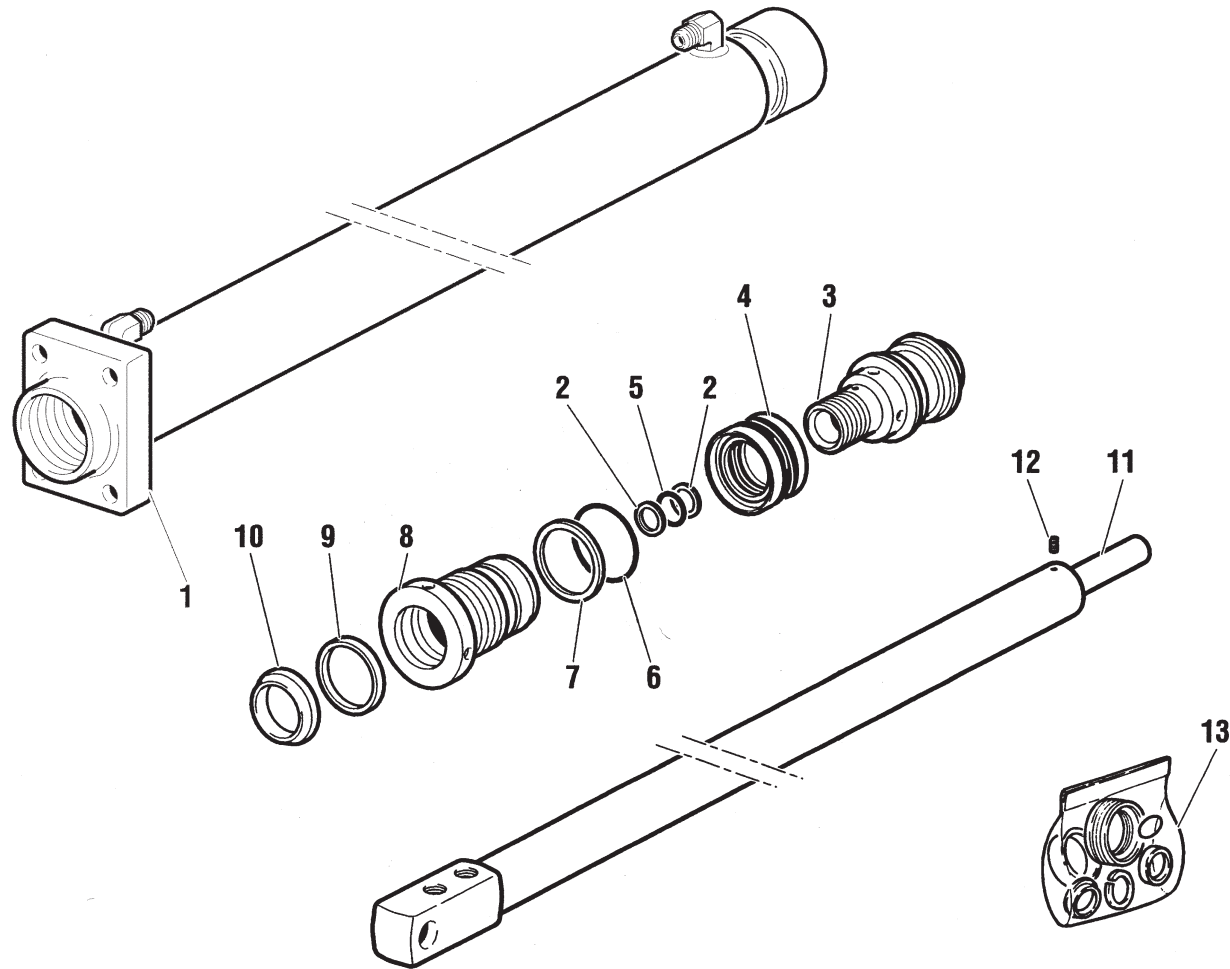


7th extension Hydraulic jack

Code

6410491-1.0

1/1



R	Pos.	Code Variant	Q.ty	Description
	1	6070675	1	Liner (Assembly)
	2	3460382	2	
	3	6050372	1	
	4	3400511	1	
	5	3450050	1	
	6	3450142	1	
	7	3460142	1	
	8	6040325	1	
	9	3370136	1	
	10	3420021	1	
	11	6030466	1	
	12	3060232	1	Grub screw
	13	5550828	1	Seal kit

8th extension

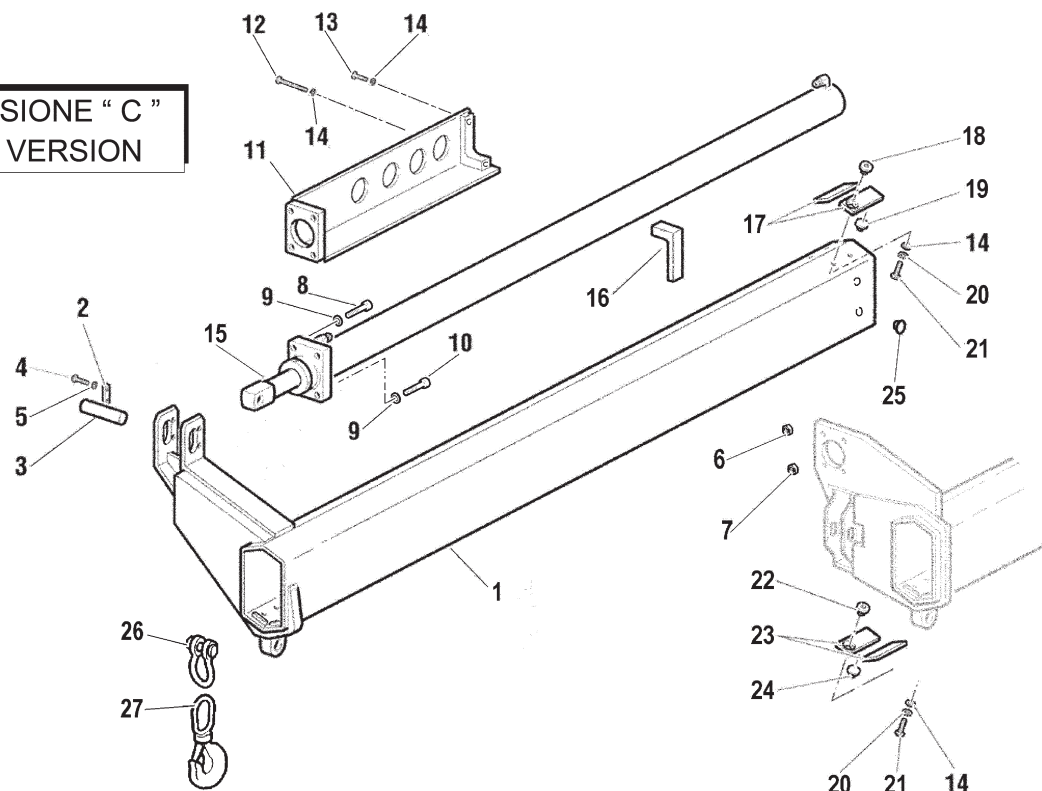
Code

5320001-1.0

1/2

R	Pos.	Code Variant	Q.ty	Description
	1	5020384	1	Extension
	2	5000674	1	
	3	5150443	1	
	4	3010337	2	Hex screw [M8X16 8.8 ZC UNI 5739]
	5	3060055	2	Split lock washer [D=8.4 C72 ZC]
	6	3040214	2	Lock nut
	7	3040307	2	Stopnut
	8	3020883	2	Socket head cap screw [M16X70 12.9 ZC UNI 5931]
	9	3060010	4	Flat washer [D.17X30X3 UNI 6592 ZC]
	10	3020886	2	Socket head cap screw [M16X80 ZC 12.9 UNI 5931]
	11	5090612	1	
	12	3010054	1	Hex screw [M10X90 8.8 ZC UNI 5737]
	13	3010356	1	Hex screw [M10X30 8.8 ZC UNI 5739]
	14	3060914	6	Flat washer [D.10.5X21X2 UNI 6592 ZC]
	15	6210316	1	Extension Hydraulic jack
	16	5000944	1	
	17	5140977	2	
	18	5001087	2	Button (Control board)
	19	5140656	2	Button (Backlash)
	20	3060920	4	Tooth lock washer [D.10 TIPO A]

VERSIONE "C"
"C" VERSION



8th extension

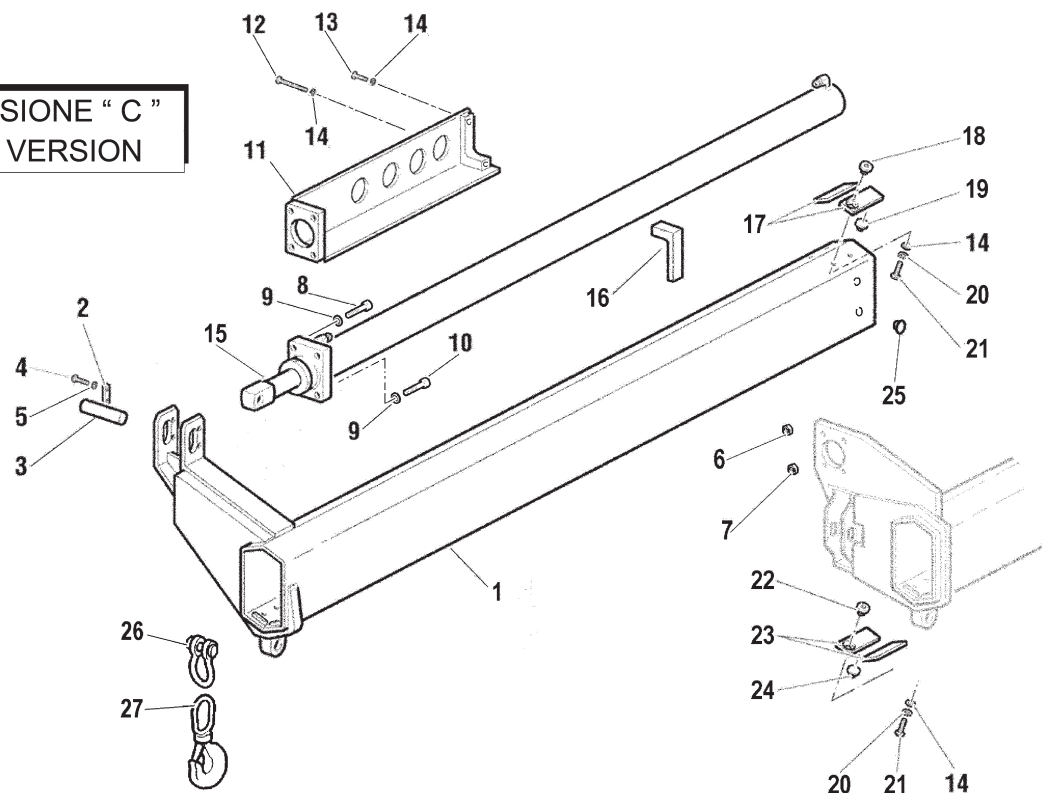
Code

5320001-1.0

2/2

R	Pos.	Code Variant	Q.ty	Description
	21	3010353	4	Hex screw [M10X16 8.8 ZC UNI 5739]
	22	5000827	2	Button (Control board)
	23	5140744	2	Slide shoe
	24	5001253	2	Button (Sliding block)
	25	5141037	4	
	26	3200073	1	Shackles
	27	3200008	1	Swivel hook

VERSIONE "C"
"C" VERSION

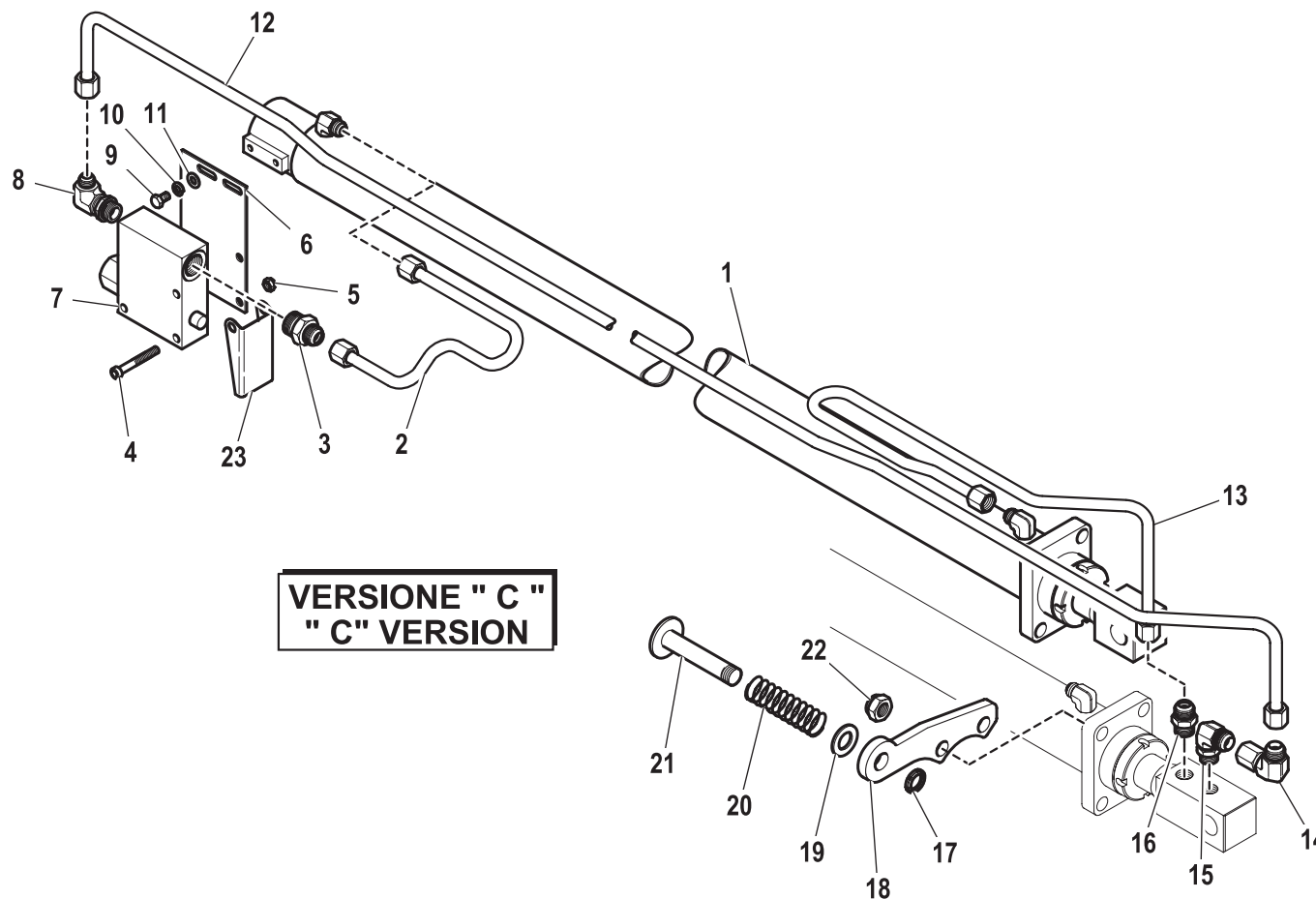


8th extension Hydraulic jack (Hydraulic system)

Code

6210316-1.0

1/2



VERSIONE " C "
" C " VERSION

R	Pos.	Code Variant	Q.ty	Description
	1	6410208	1	Extension Hydraulic jack
	2	5392213	1	
	3	3120073	1	Straight pipe fitting
	4	3020901	2	Socketed head cap screw [M8X60 ZC UNI 5931]
	5	3040303	2	Stopnut
	6	2091508	1	
	7	5220960	1	
	8	3101134	1	90° Connection
	9	3010336	2	Hex screw [M8X12 8.8 ZC UNI 5739]
	10	3060055	2	Split lock washer [D=8.4 C72 ZC]
	11	3060006	2	Flat washer [D.8 UNI 6592 ZC]
	12	5392214	1	
	13	5391647	1	Bonderized tube
	14	3120034	1	90° Connection
	15	3101131	1	90° Connection
	16	3101051	1	Straight pipe fitting
	17	3040504	1	Self-locking ringnut
	18	2091509	1	
	19	3060012	1	Flat washer [D.21X37X3 UNI 6592 ZC]
	20	3061001	1	

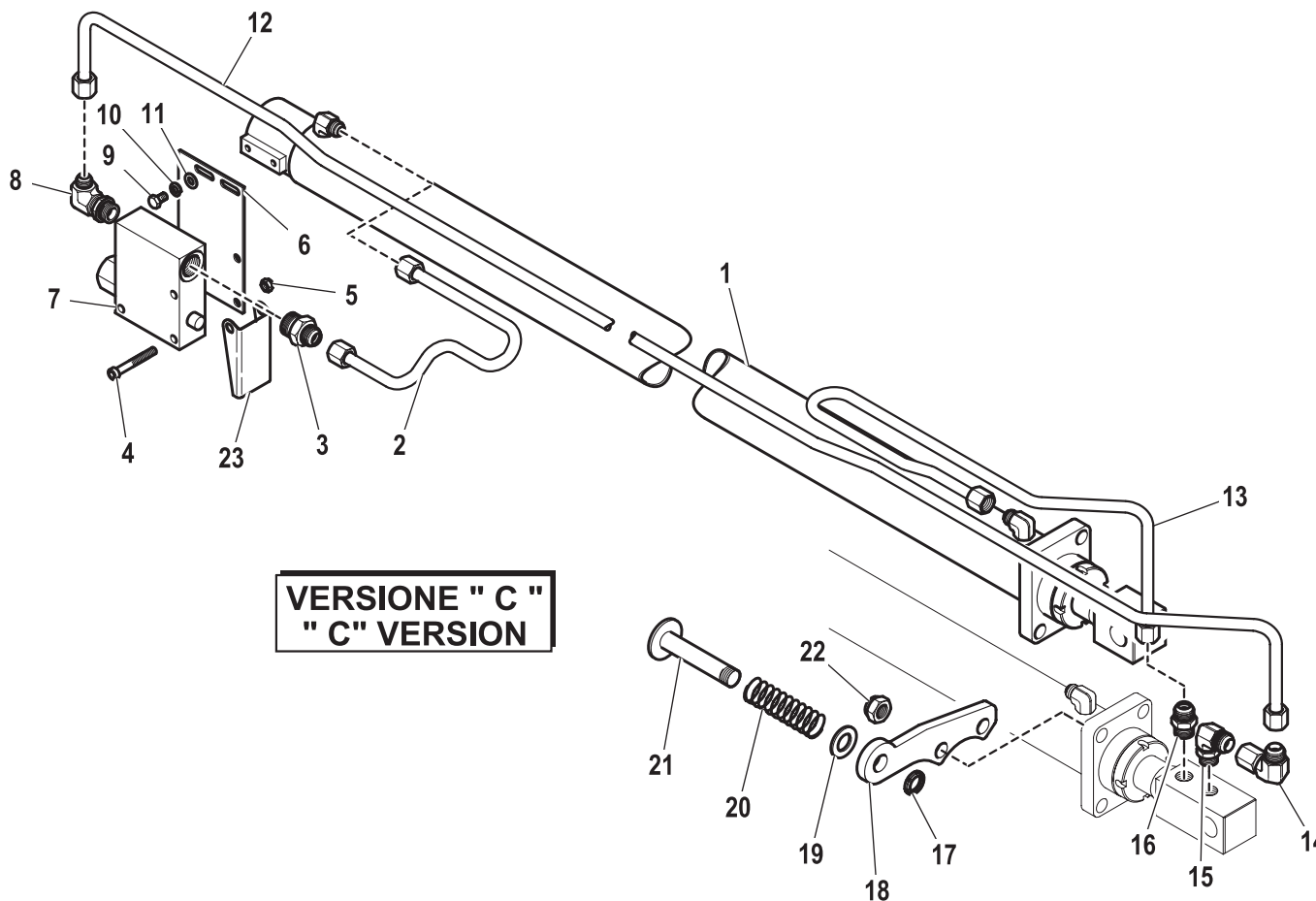
8th extension Hydraulic jack (Hydraulic system)

Code

6210316-1.0

2/2

R	Pos.	Code Variant	Q.ty	Description
	21	5150870	1	
	22	3040214	2	Lock nut
	23	5001807	1	



VERSIONE " C "
" C " VERSION

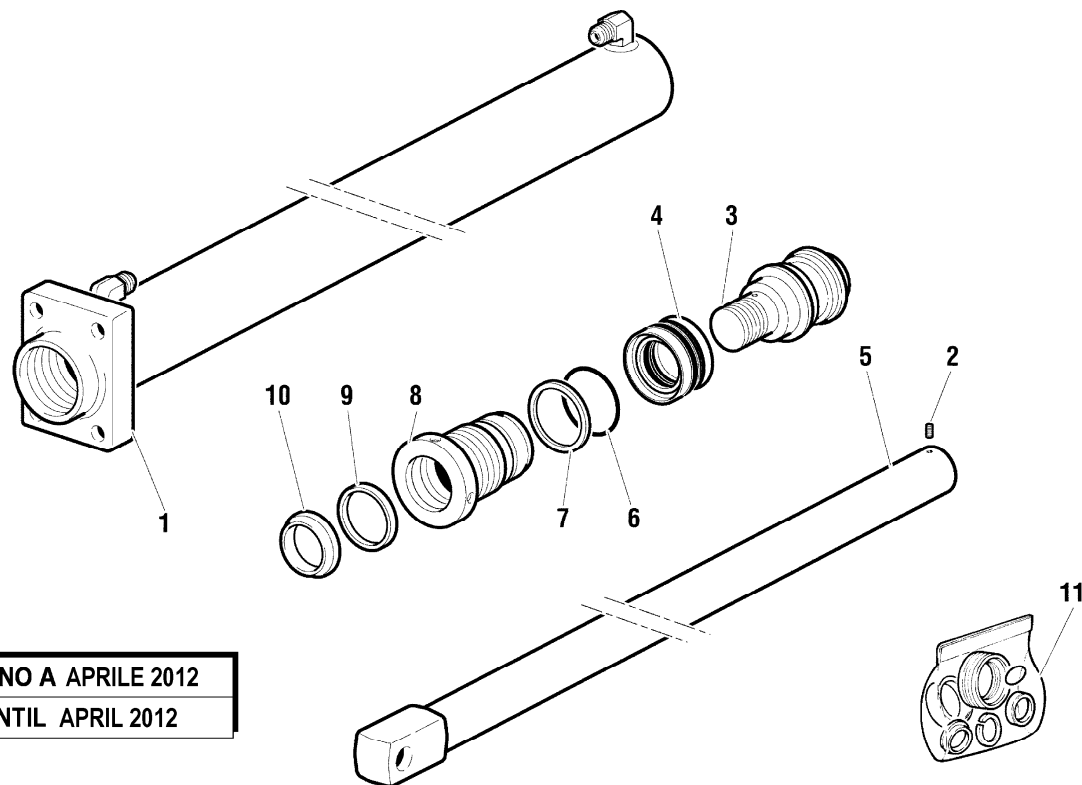
8th extension Hydraulic jack

Code

6410208-1.0

1/1

R	Pos.	Code Variant	Q.ty	Description
	1	6070421	1	
	2	3060232	1	Grub screw
	3	6050257	1	
	4	3400509	1	
	5	6030473	1	
	6	3450132	1	
	7	3460132	1	
	8	6040259	1	
	9	3370136	1	
	10	3420021	1	
	11	5550782	1	Seal kit



VALIDO FINO A APRILE 2012
VALID UNTIL APRIL 2012

8th extension Hydraulic jack

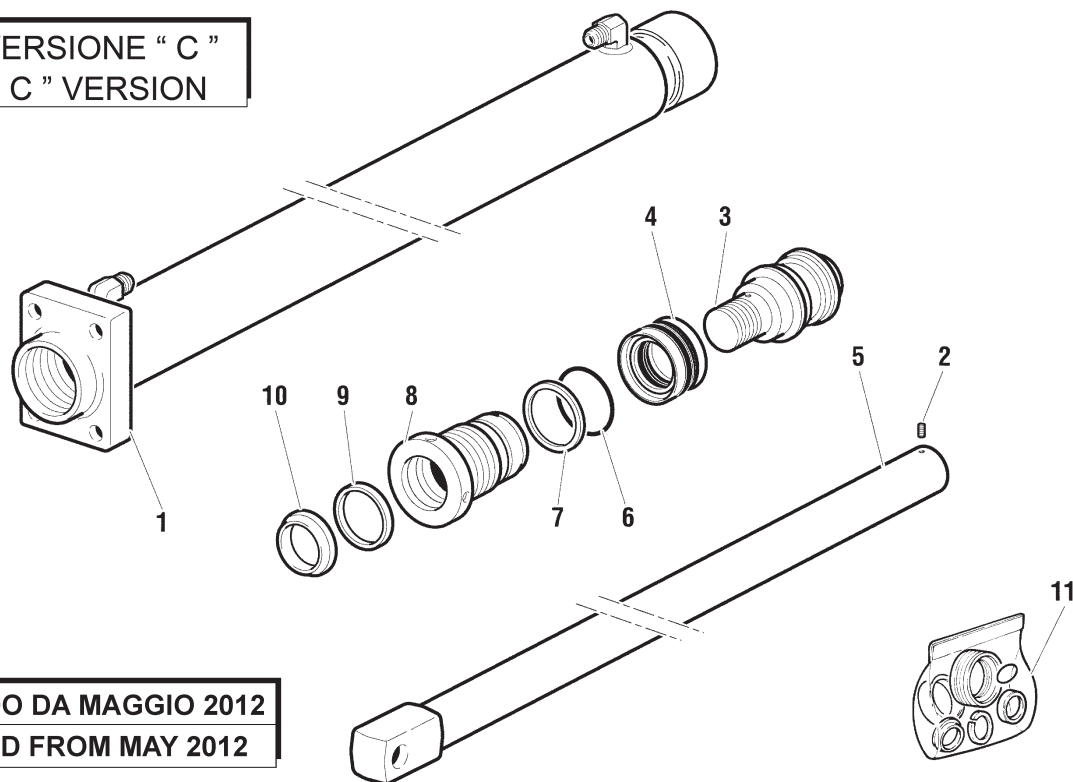
Code

6410208-1.1

1/1

R	Pos.	Code Variant	Q.ty	Description
	1	6070657	1	
	2	3060232	1	Grub screw
	3	6050257	1	
	4	3400509	1	
	5	6030473	1	
	6	3450132	1	
	7	3460132	1	
	8	6040259	1	
	9	3370136	1	
	10	3420021	1	
	11	5550782	1	Seal kit

VERSIONE " C "
" C " VERSION



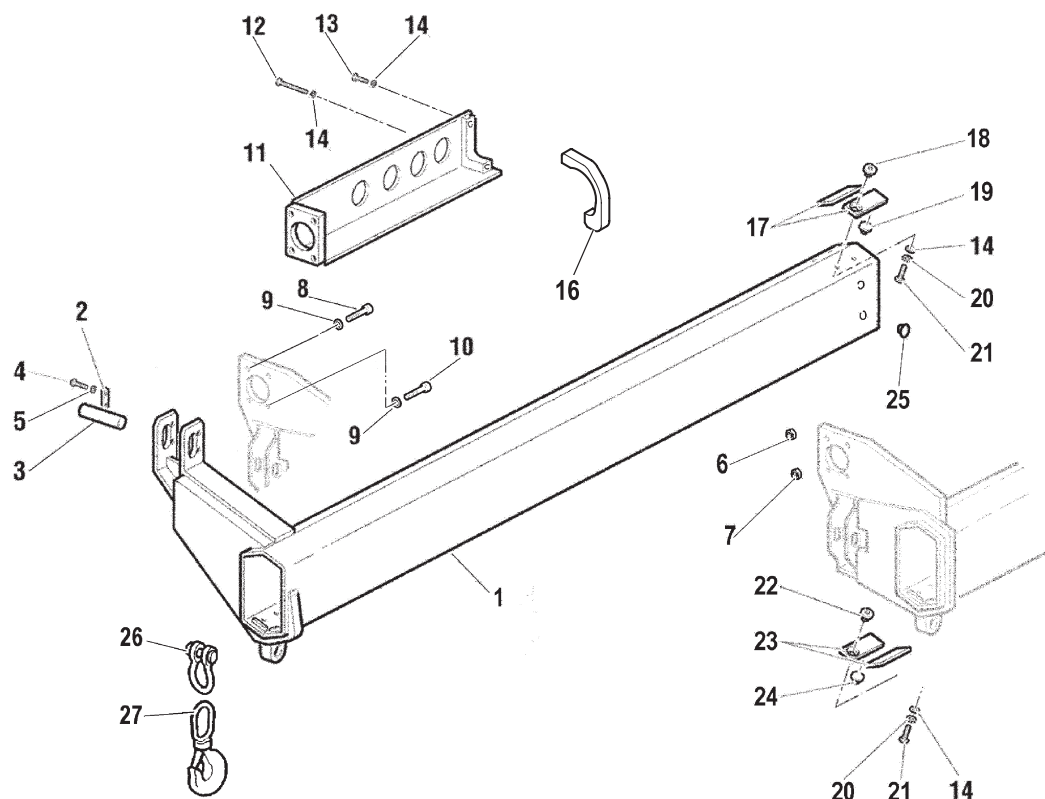
VALIDO DA MAGGIO 2012
VALID FROM MAY 2012

8th extension

Code

5320011-1.0

1/2



R	Pos.	Code Variant	Q.ty	Description
	1	5020384	1	Extension
	2	5000674	1	
	3	5150443	1	
	4	3010337	2	Hex screw [M8X16 8.8 ZC UNI 5739]
	5	3060055	2	Split lock washer [D=8.4 C72 ZC]
	6	3040214	4	Lock nut
	7	3040307	4	Stopnut
	8	3020883	2	Socketed head cap screw [M16X70 12.9 ZC UNI 5931]
	9	3060010	4	Flat washer [D.17X30X3 UNI 6592 ZC]
	10	3020886	2	Socketed head cap screw [M16X80 ZC 12.9 UNI 5931]
	11	5091426	1	
	12	3010054	1	Hex screw [M10X90 8.8 ZC UNI 5737]
	13	3010356	1	Hex screw [M10X30 8.8 ZC UNI 5739]
	14	3060914	6	Flat washer [D.10.5X21X2 UNI 6592 ZC]
	16	5002252	1	Lock (Extension jacks)
	17	5140977	2	
	18	5001087	2	Button (Control board)
	19	5140656	2	Button (Backlash)
	20	3060920	4	Tooth lock washer [D.10 TIPO A]
	21	3010353	4	Hex screw [M10X16 8.8 ZC UNI 5739]

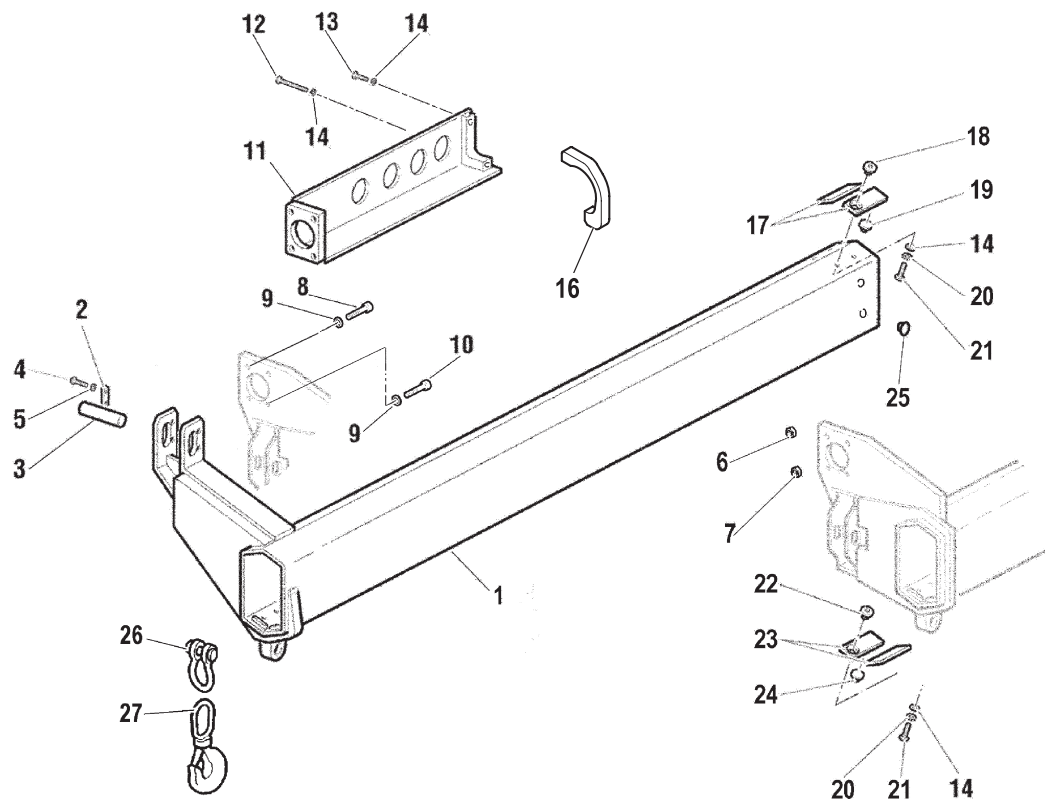
8th extension

Code

5320011-1.0

2/2

R	Pos.	Code Variant	Q.ty	Description
	22	5000827	2	Button (Control board)
	23	5140744	2	Slide shoe
	24	5001253	2	Button (Sliding block)
	25	5141037	4	
	26	3200073	1	Shackles
	27	3200008	1	Swivel hook



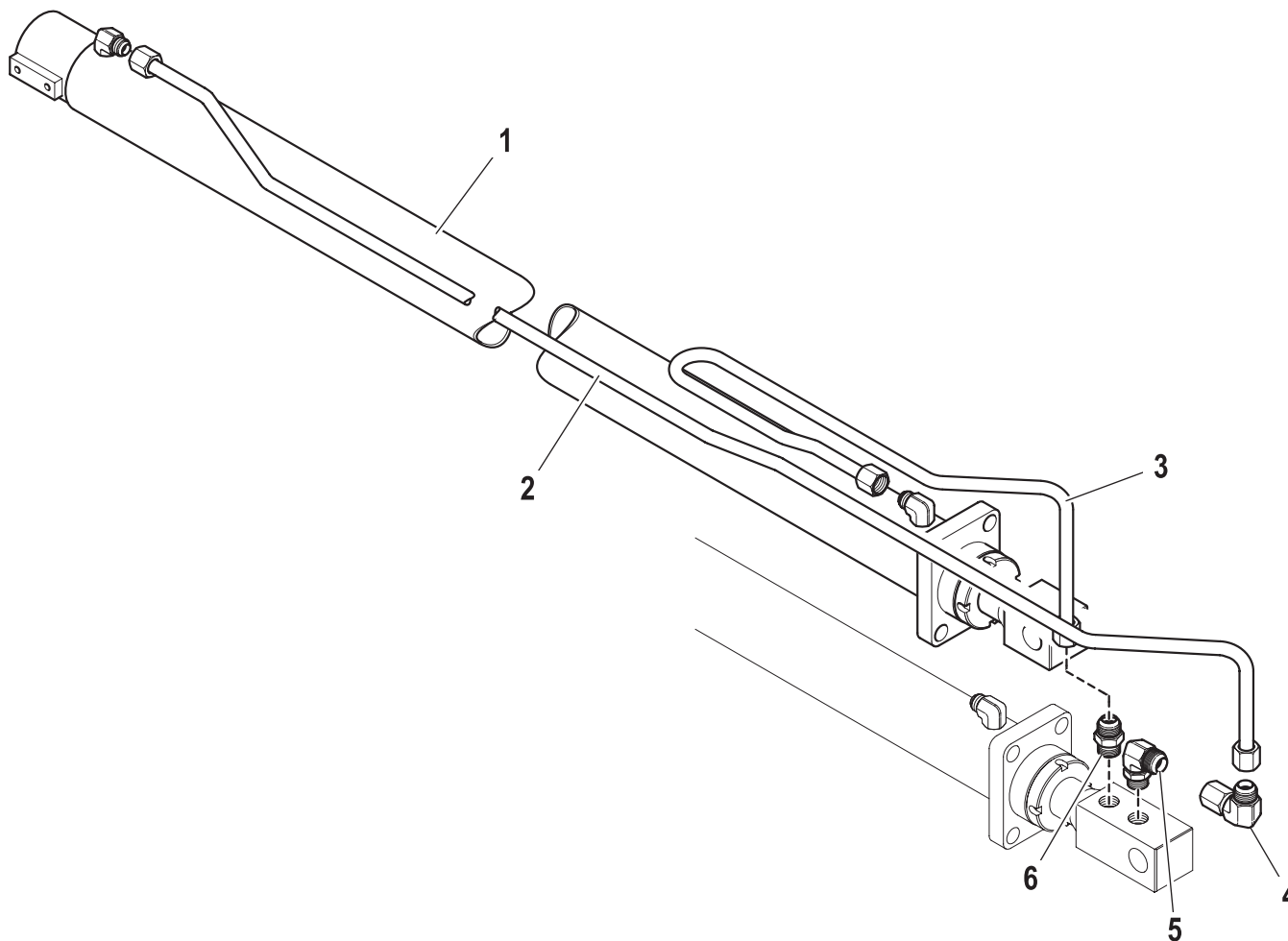
8th extension Hydraulic jack (Hydraulic system)

Code

6210492-1.0

1/1

R	Pos.	Code Variant	Q.ty	Description
	1	6410492	1	Extension Hydraulic jack
	2	5392470	1	Bonderized tube
	3	5391647	1	Bonderized tube
	4	3120034	1	90° Connection
	5	3101131	1	90° Connection
	6	3101051	1	Straight pipe fitting

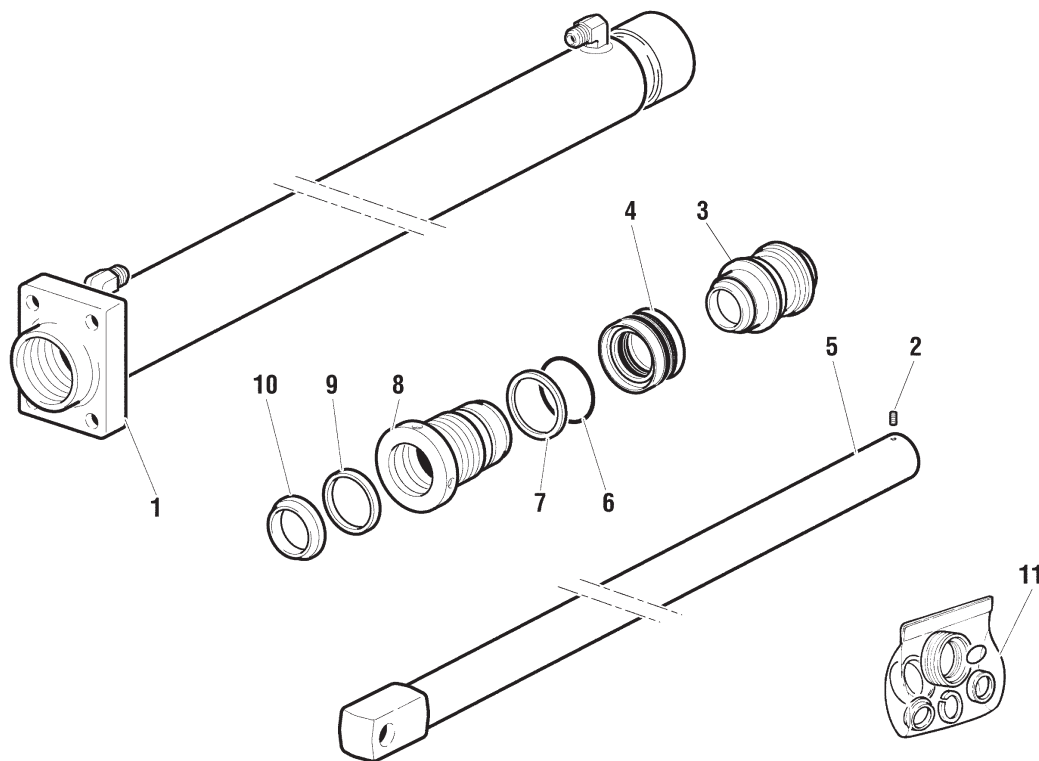


8th extension Hydraulic jack

Code

6410492-1.0

1/1



R	Pos.	Code Variant	Q.ty	Description
	1	6070676	1	Liner (Assembly)
	2	3060232	1	Grub screw
	3	6050370	1	
	4	3400511	1	
	5	6031040	1	Rod unit
	6	3450142	1	
	7	3460142	1	
	8	6040326	1	
	9	3370137	1	
	10	3420018	1	
	11	5550829	1	Seal kit

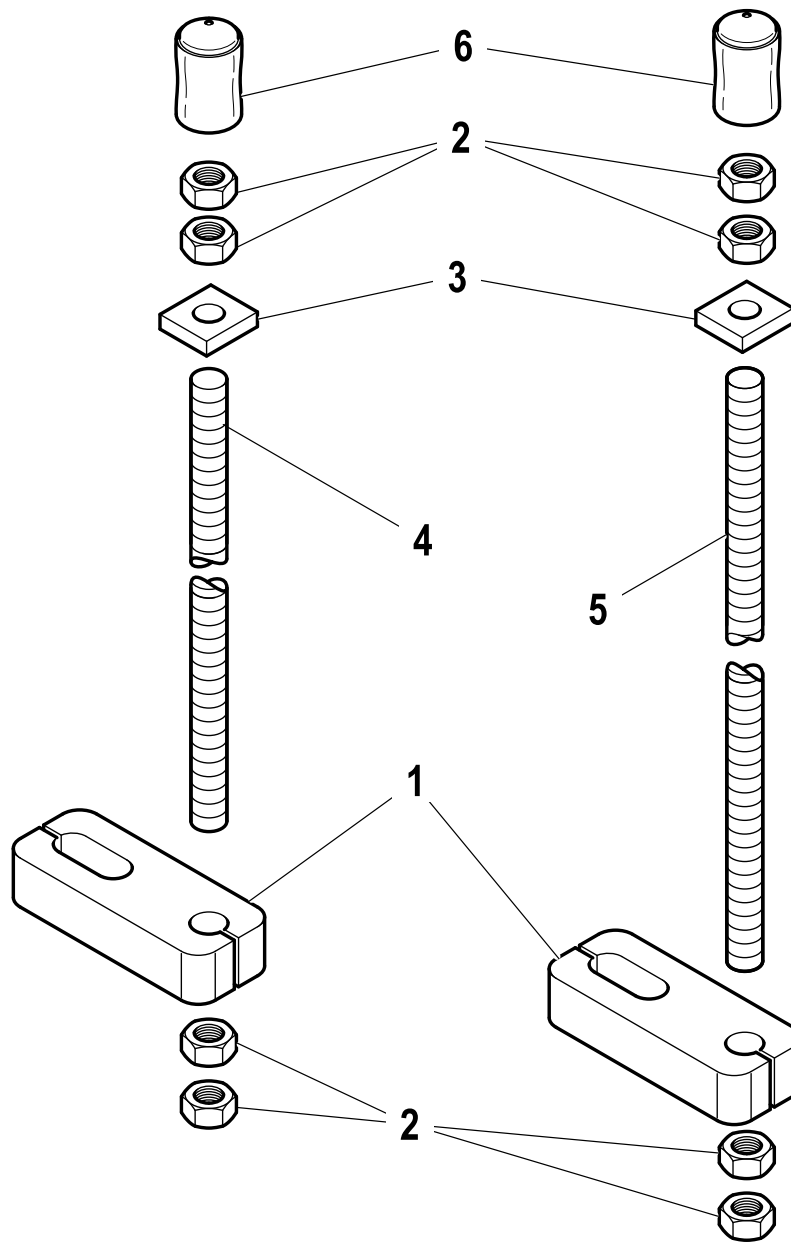
Assembly kit

Code

7880377-1.0

1/1

R	Pos.	Code Variant	Q.ty	Description
	1	5001204	4	
	2	3040190	32	Nut
	3	5000090	16	
	4	5150659	2	
	5	5150661	6	
	6	3190292	8	

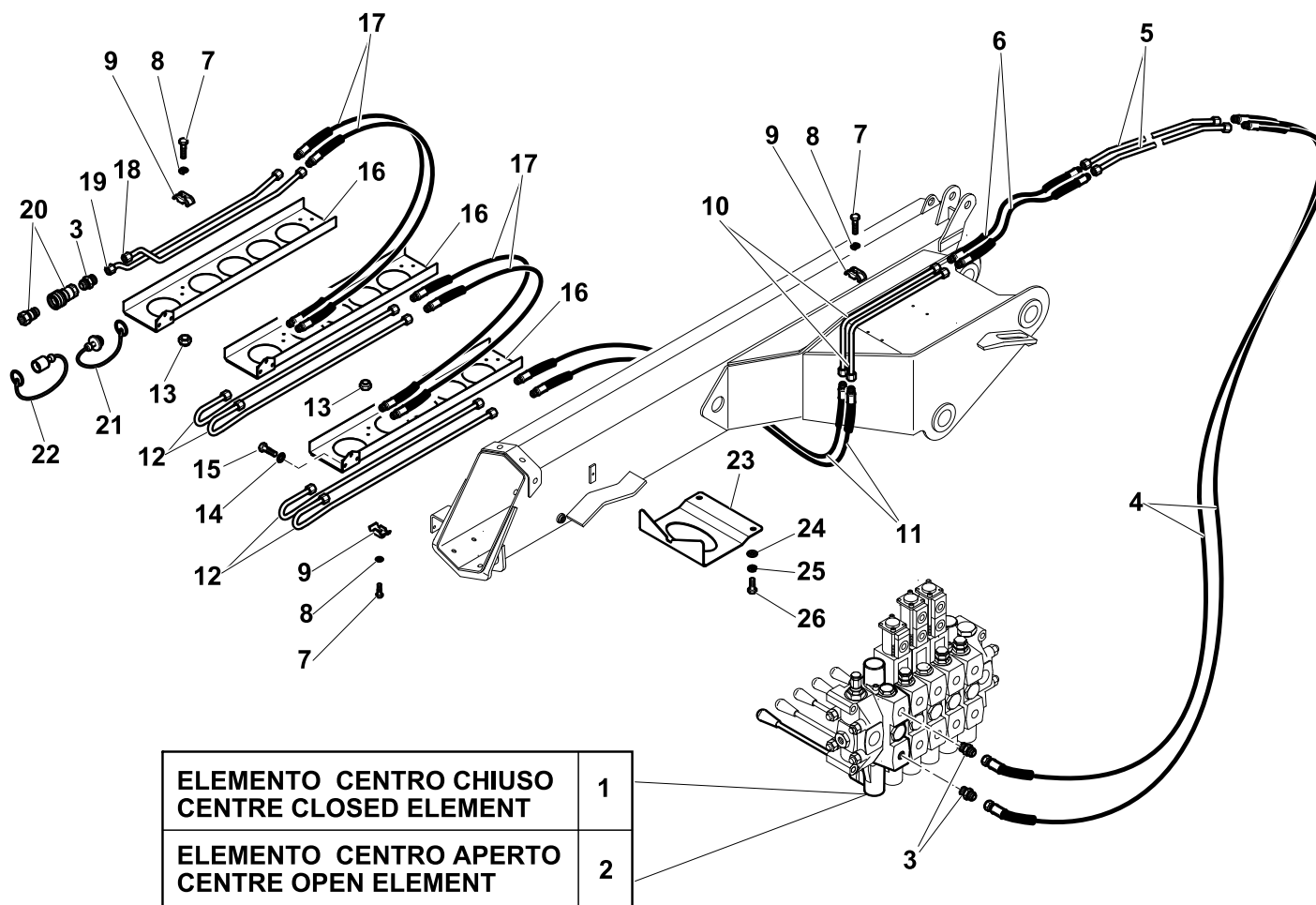


1st ACTIVATION FOR 2S

Code

5590149-1.0

1/2



ELEMENTO CENTRO CHIUSO CENTRE CLOSED ELEMENT	1
ELEMENTO CENTRO APERTO CENTRE OPEN ELEMENT	2

R	Pos.	Code Variant	Q.ty	Description
	1	5225190	1	
	2	5225187	1	
	3	3101051	4	Straight pipe fitting
	4	5280342	2	Flexible hose
	5	5392171	2	
	6	5280406	2	
	7	3010031	8	Hex screw [M8X40 8.8 ZC UNI 5737]
	8	3060055	8	Split lock washer [D=8.4 C72 ZC]
	9	5000047	16	
	10	5391685	2	
	11	5280467	2	Flexible hose
	12	5391237	4	
	13	3040303	6	Stopnut
	14	3060056	9	Split lock washer [D=10 C72 ZC]
	15	3010354	9	Hex screw [M10X20 8.8 ZC UNI 5739]
	16	5001684	3	
	17	5280844	4	Flexible hose
	18	5391239	1	
	19	5391238	1	
	20	3110421	2	Quick coupling

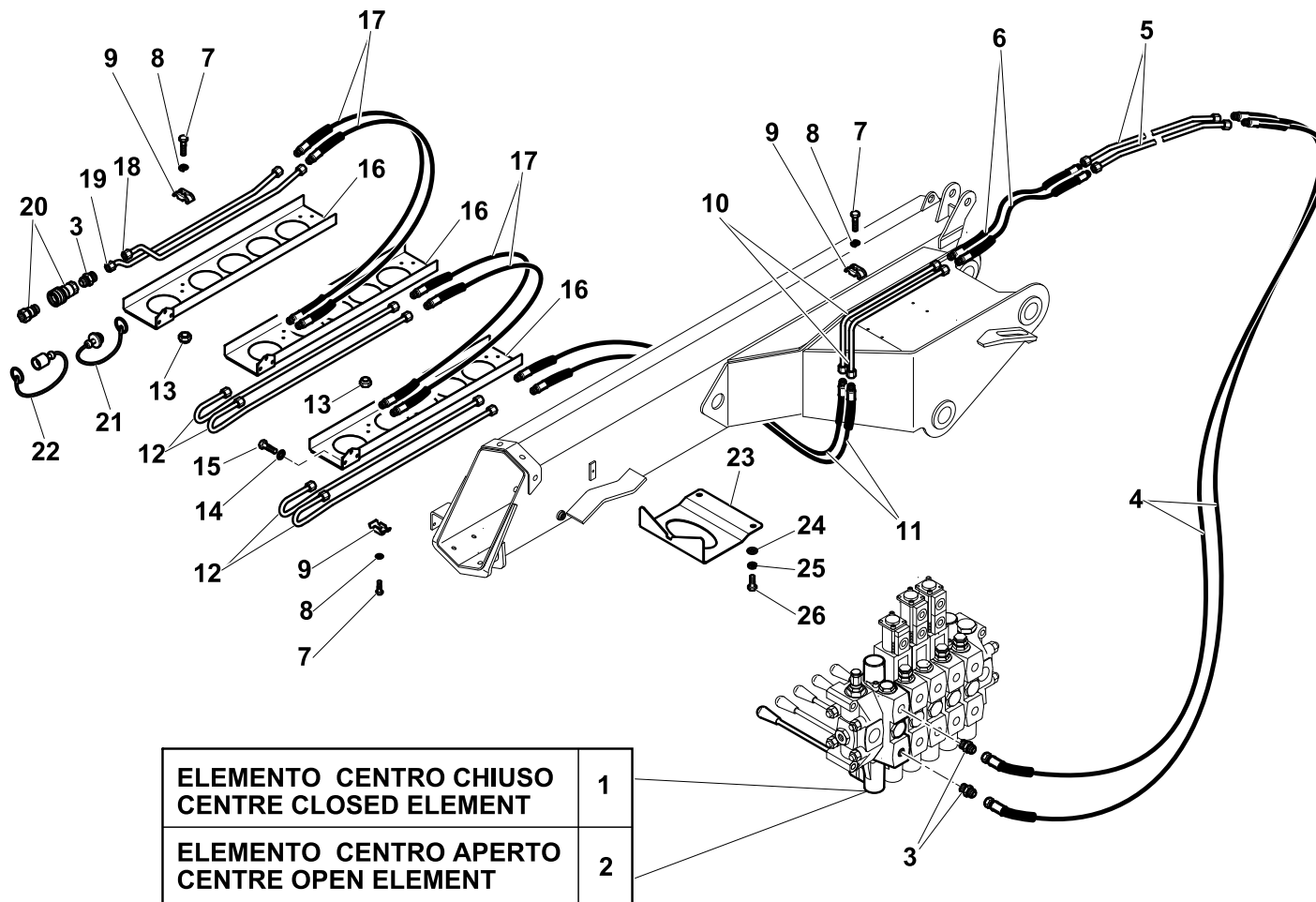
1st ACTIVATION FOR 2S

Code

5590149-1.0

2/2

R	Pos.	Code Variant	Q.ty	Description
	21	3111528	2	Plug
	22	3111529	2	
	23	5001634	1	
	24	3060009	2	Flat washer [D.15X28X2.5 UNI 6592 ZC]
	25	3060058	2	Split lock washer [D=14 INOX]
	26	3010450	2	Hex screw [M14X20 8.8 ZC UNI 5739]



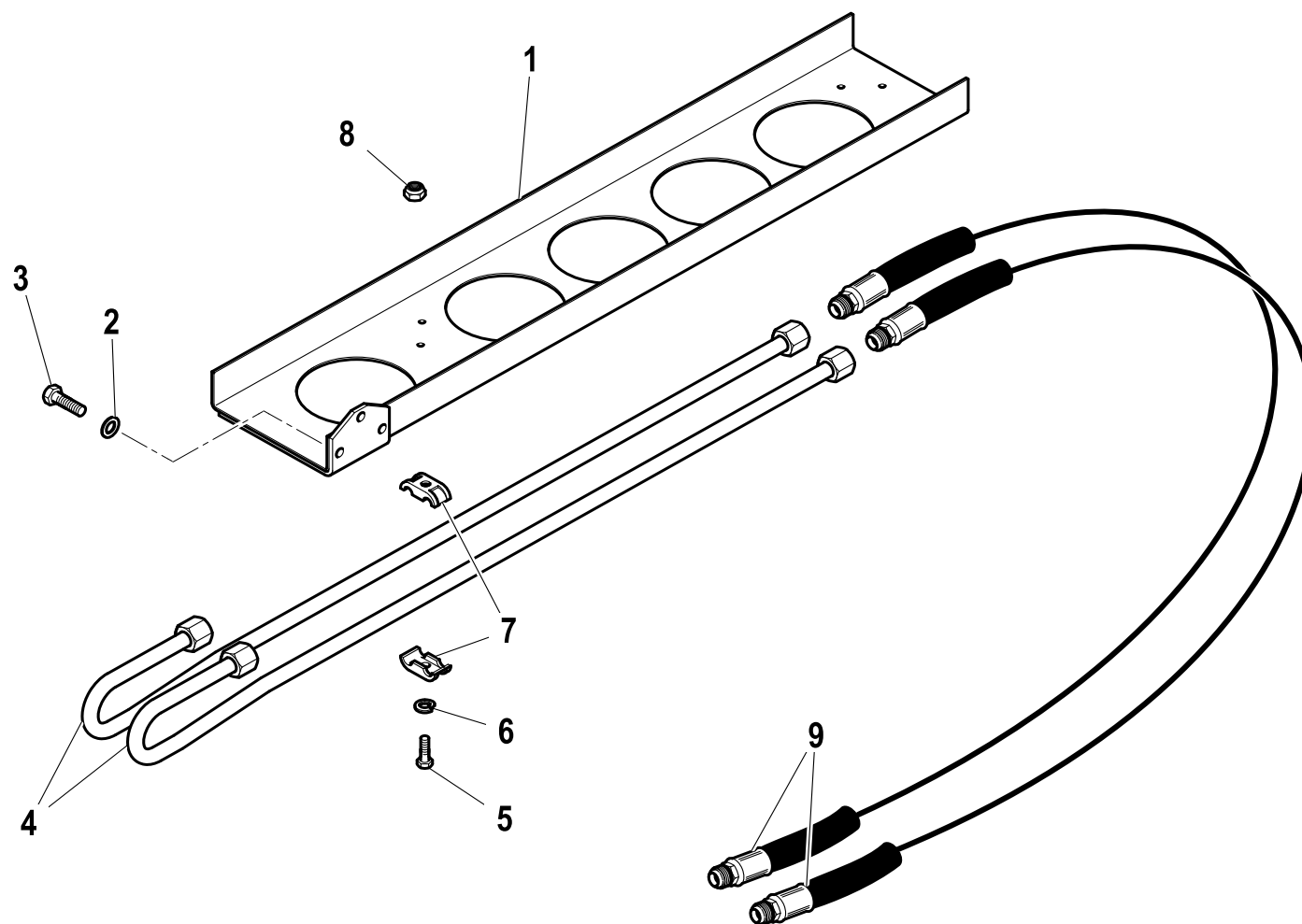
ELEMENTO CENTRO CHIUSO CENTRE CLOSED ELEMENT	1
ELEMENTO CENTRO APERTO CENTRE OPEN ELEMENT	2

1st ADDITIONAL ACTUATION

Code

5590150-1.0

1/1



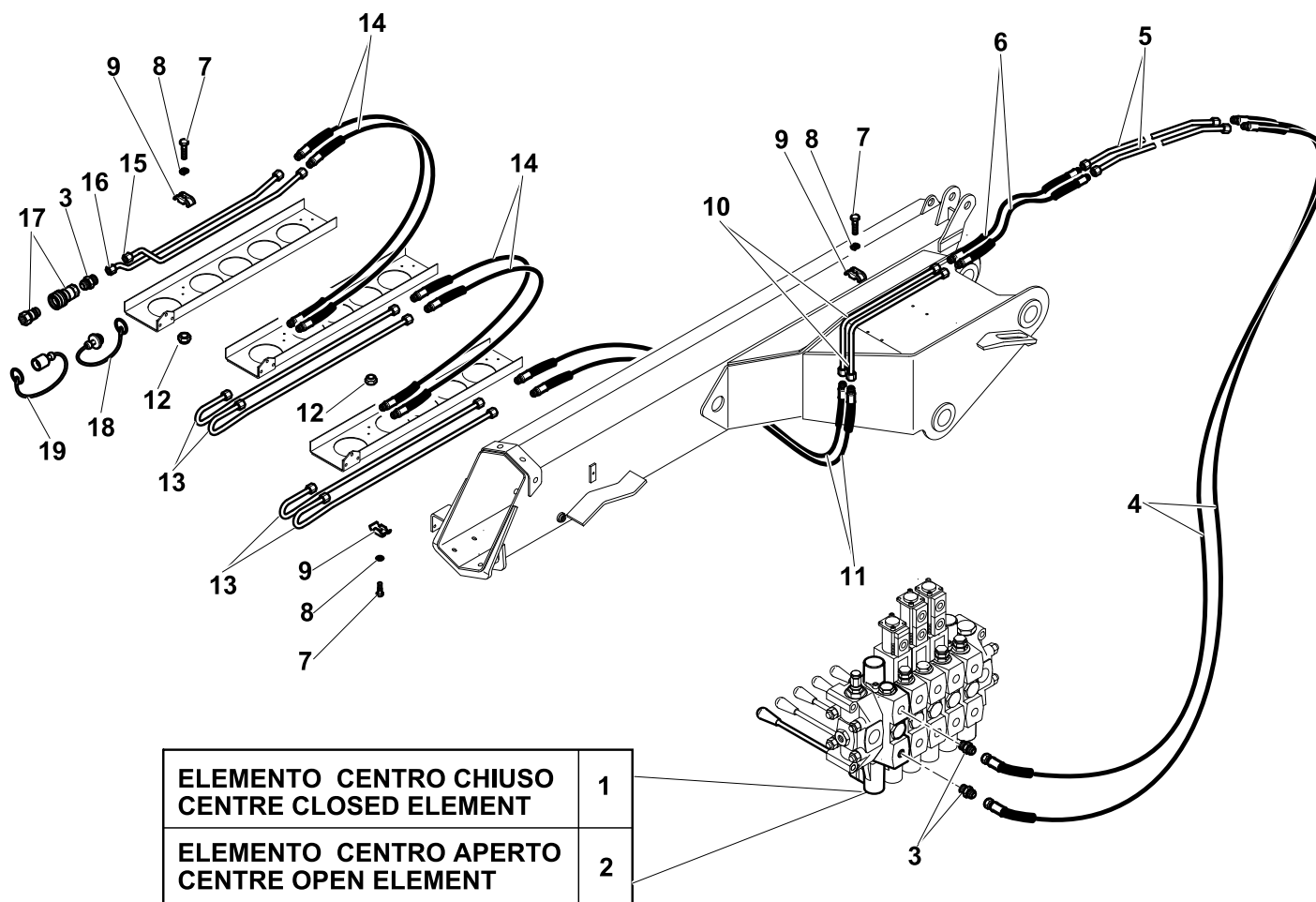
R	Pos.	Code Variant	Q.ty	Description
	1	5001684	1	
	2	3060056	3	Split lock washer [D=10 C72 ZC]
	3	3010354	3	Hex screw [M10X20 8.8 ZC UNI 5739]
	4	5391237	2	
	5	3010031	2	Hex screw [M8X40 8.8 ZC UNI 5737]
	6	3060055	2	Split lock washer [D=8.4 C72 ZC]
	7	5000047	4	
	8	3040303	2	Stopnut
	9	5280844	2	Flexible hose

2nd ADDITIONAL ACTUATION

Code

5600117-1.0

1/1



R	Pos.	Code Variant	Q.ty	Description
	1	5225190	1	
	2	5225187	1	
	3	3101051	4	Straight pipe fitting
	4	5280342	2	Flexible hose
	5	5392171	2	
	6	5280406	2	
	7	3010031	8	Hex screw [M8X40 8.8 ZC UNI 5737]
	8	3060055	8	Split lock washer [D=8.4 C72 ZC]
	9	5000047	16	
	10	5391685	2	
	11	5280467	2	Flexible hose
	12	3040303	6	Stopnut
	13	5391237	4	
	14	5280844	4	Flexible hose
	15	5391239	1	
	16	5391238	1	
	17	3110421	2	Quick coupling
	18	W734047	2	
	19	W734048	2	

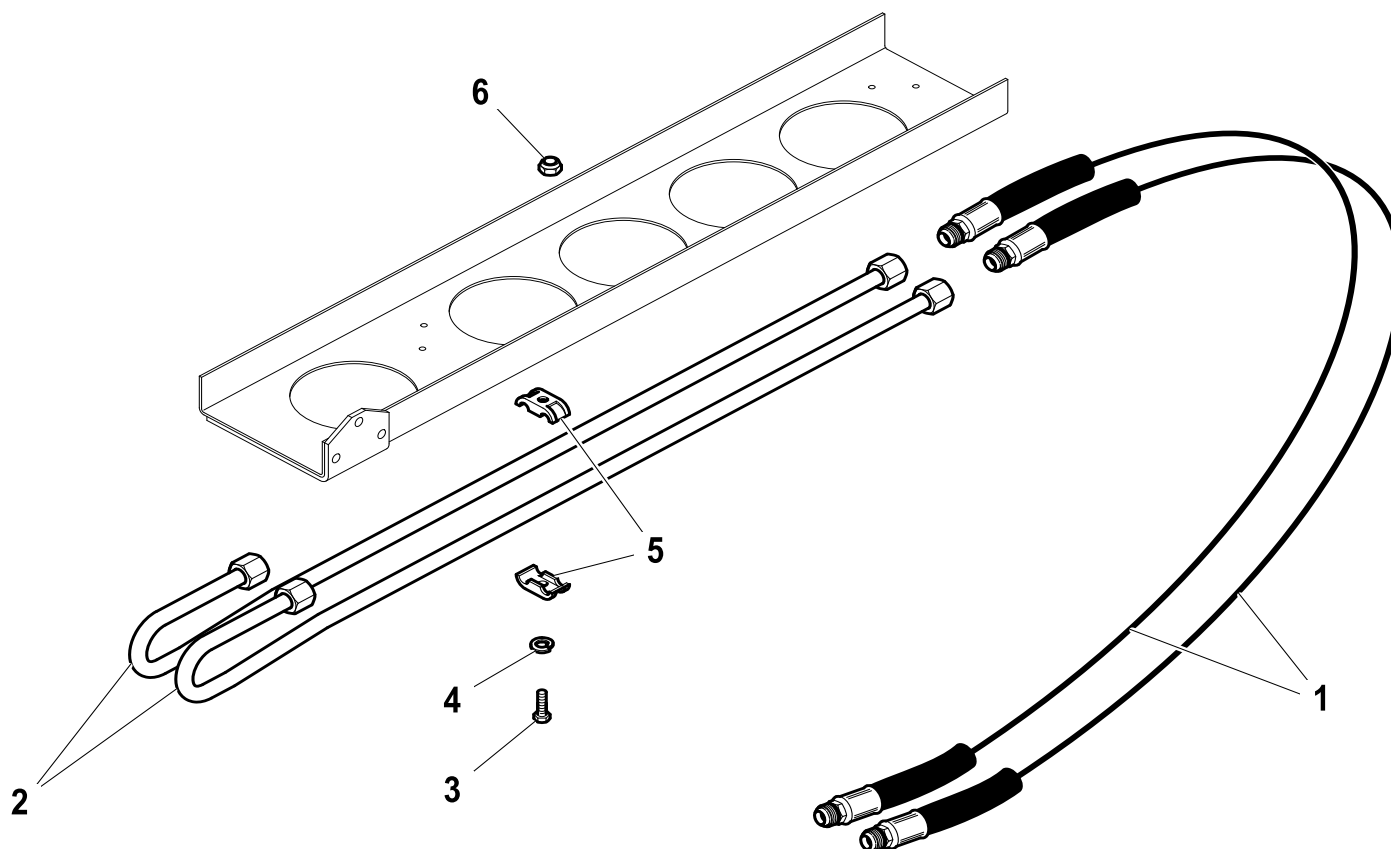
2nd ADDITIONAL ACTUATION

Code

5600031-1.0

1/1

R	Pos.	Code Variant	Q.ty	Description
	1	5280844	2	Flexible hose
	2	5391237	2	
	3	3010031	2	Hex screw [M8X40 8.8 ZC UNI 5737]
	4	3060055	2	Split lock washer [D=8.4 C72 ZC]
	5	5000047	4	
	6	3040303	2	Stopnut

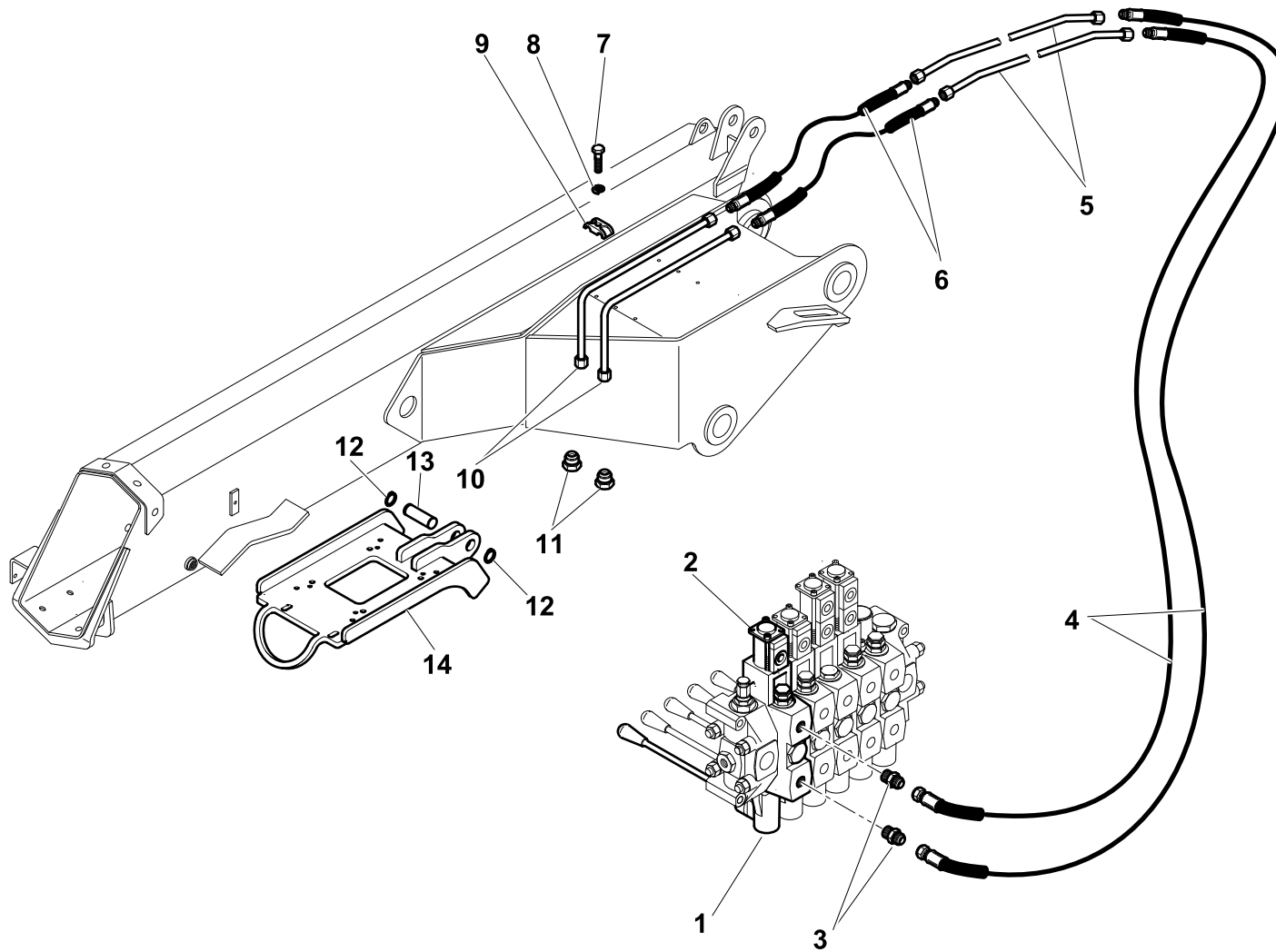


ACTUATION FOR WINCH (Hydraulic system)

Code

5740196-1.0

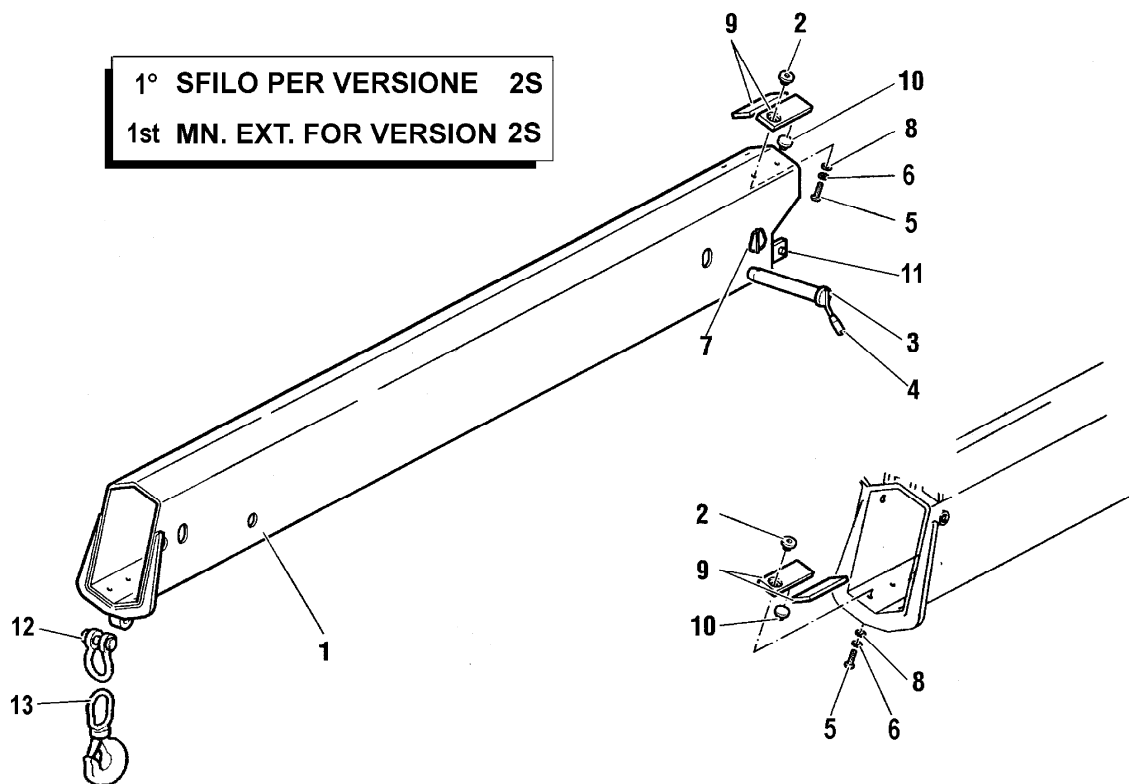
1/1



R	Pos.	Code Variant	Q.ty	Description
	1	5225187	1	
	2	5225312	1	
	3	3101051	2	Straight pipe fitting
	4	5280342	2	Flexible hose
	5	5392171	2	
	6	5280376	2	
	7	3010032	2	Hex screw [M8X45 8.8 ZC UNI 5737]
	8	3060055	2	Split lock washer [D=8.4 C72 ZC]
	9	5000047	4	
	10	5391518	2	
	11	3110050	2	Female plug
	12	3070032	2	Seeger
	13	5150796	1	
	14	5090980	1	

R	Pos.	Code Variant	Q.ty	Description
	1	5010293	1	Manual extension
	2	5000827	4	Button (Control board)
	3	5150608	1	
	4	3190010	1	Knob
	5	3010353	4	Hex screw [M10X16 8.8 ZC UNI 5739]
	6	3060920	4	Tooth lock washer [D.10 TIPO A]
	7	3060753	1	Cotter pin (Locking ring)
	8	3060914	4	Flat washer [D.10.5X21X2 UNI 6592 ZC]
	9	5140701	4	
	10	5140681	4	
	11	5000640	1	
	12	3200067	1	Shackles
	13	3200007	1	Swivel hook

1° SFILO PER VERSIONE 2S
1st MN. EXT. FOR VERSION 2S



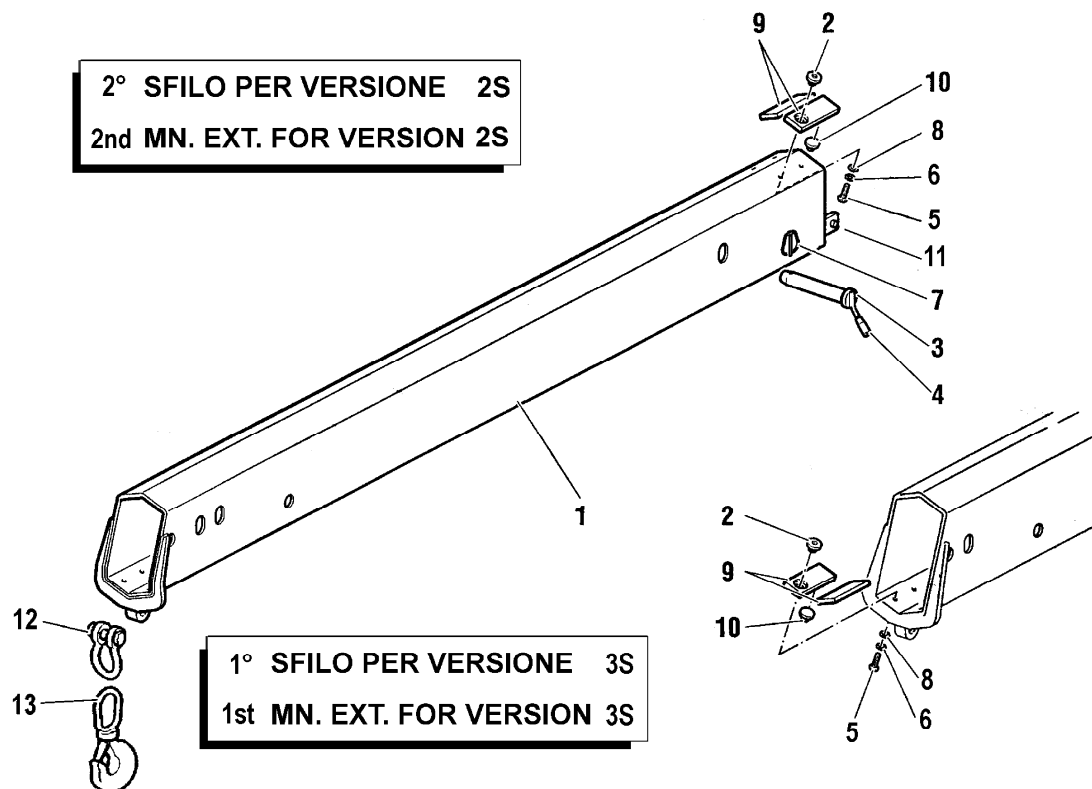
Manual extension

Code

7800289-1.0

1/1

R	Pos.	Code Variant	Q.ty	Description
	1	5010294	1	Manual extension
	2	5000827	4	Button (Control board)
	3	5150610	1	
	4	3190010	1	Knob
	5	3010353	4	Hex screw [M10X16 8.8 ZC UNI 5739]
	6	3060920	4	Tooth lock washer [D.10 TIPO A]
	7	3060753	1	Cotter pin (Locking ring)
	8	3060914	4	Flat washer [D.10.5X21X2 UNI 6592 ZC]
	9	5140701	4	
	10	5140681	4	
	11	5000640	1	
	12	3200067	1	Shackles
	13	3200007	1	Swivel hook



2° SFILO PER VERSIONE 2S
2nd MN. EXT. FOR VERSION 2S

1° SFILO PER VERSIONE 3S
1st MN. EXT. FOR VERSION 3S

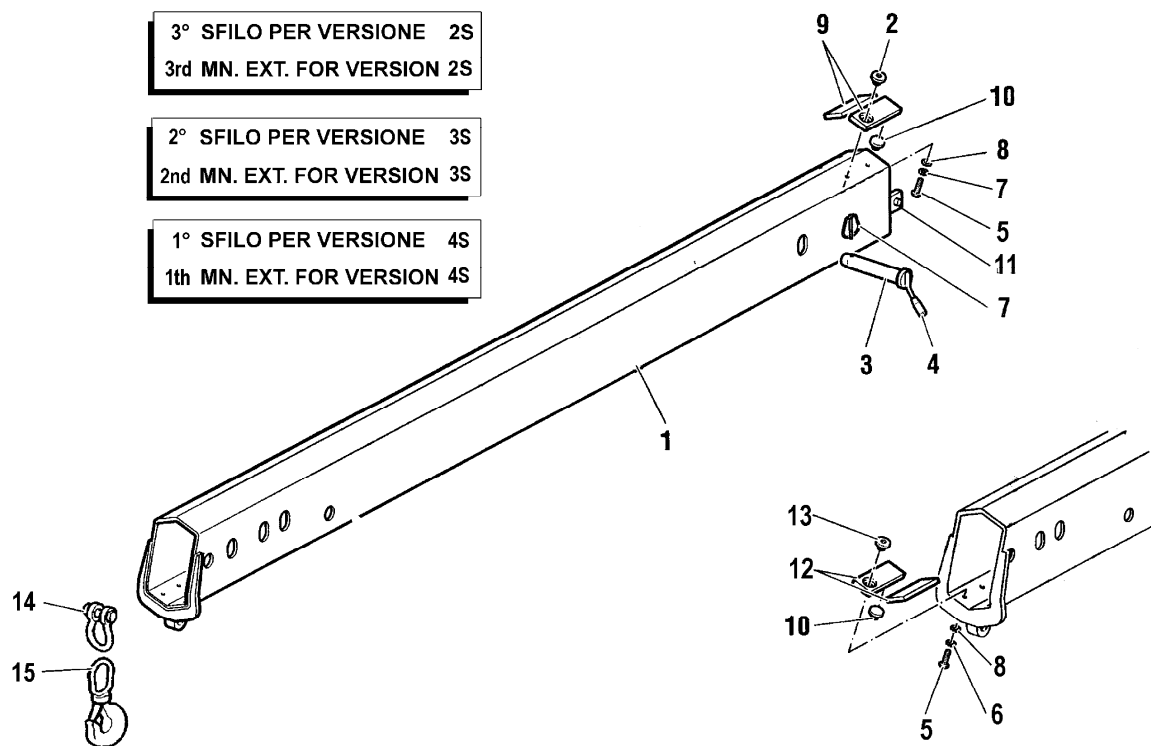
Manual extension

Code

7800287-1.0

1/1

R	Pos.	Code Variant	Q.ty	Description
	1	5010292	1	Manual extension
	2	5000827	4	Button (Control board)
	3	5150421	1	
	4	3190010	1	Knob
	5	3010353	4	Hex screw [M10X16 8.8 ZC UNI 5739]
	6	3060920	4	Tooth lock washer [D.10 TIPO A]
	7	3060753	1	Cotter pin (Locking ring)
	8	3060914	4	Flat washer [D.10.5X21X2 UNI 6592 ZC]
	9	5140680	4	
	10	5140681	4	
	11	5000640	1	
	12	5140701	2	
	13	5000737	2	
	14	3200067	1	Shackles
	15	3200007	1	Swivel hook



3° SFILO PER VERSIONE 2S
3rd MN. EXT. FOR VERSION 2S

2° SFILO PER VERSIONE 3S
2nd MN. EXT. FOR VERSION 3S

1° SFILO PER VERSIONE 4S
1th MN. EXT. FOR VERSION 4S

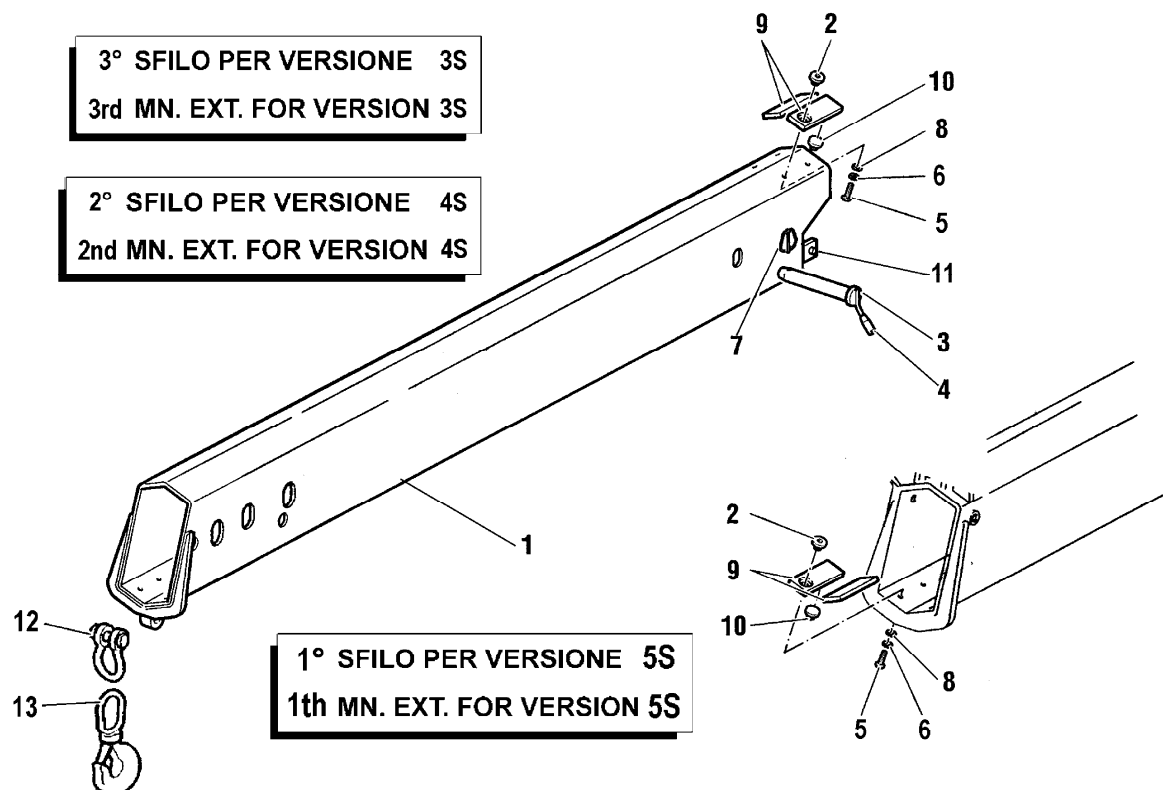
Manual extension

Code

7800290-1.0

1/1

R	Pos.	Code Variant	Q.ty	Description
	1	5010295	1	Manual extension
	2	5000737	4	
	3	5150238	1	Pin
	4	3190010	1	Knob
	5	3010353	1	Hex screw [M10X16 8.8 ZC UNI 5739]
	6	3060920	4	Tooth lock washer [D.10 TIPO A]
	7	3060753	1	Cotter pin (Locking ring)
	8	3060914	4	Flat washer [D.10.5X21X2 UNI 6592 ZC]
	9	5140680	4	
	10	5140681	4	
	11	5000640	1	
	12	3200067	1	Shackles
	13	3200007	1	Swivel hook



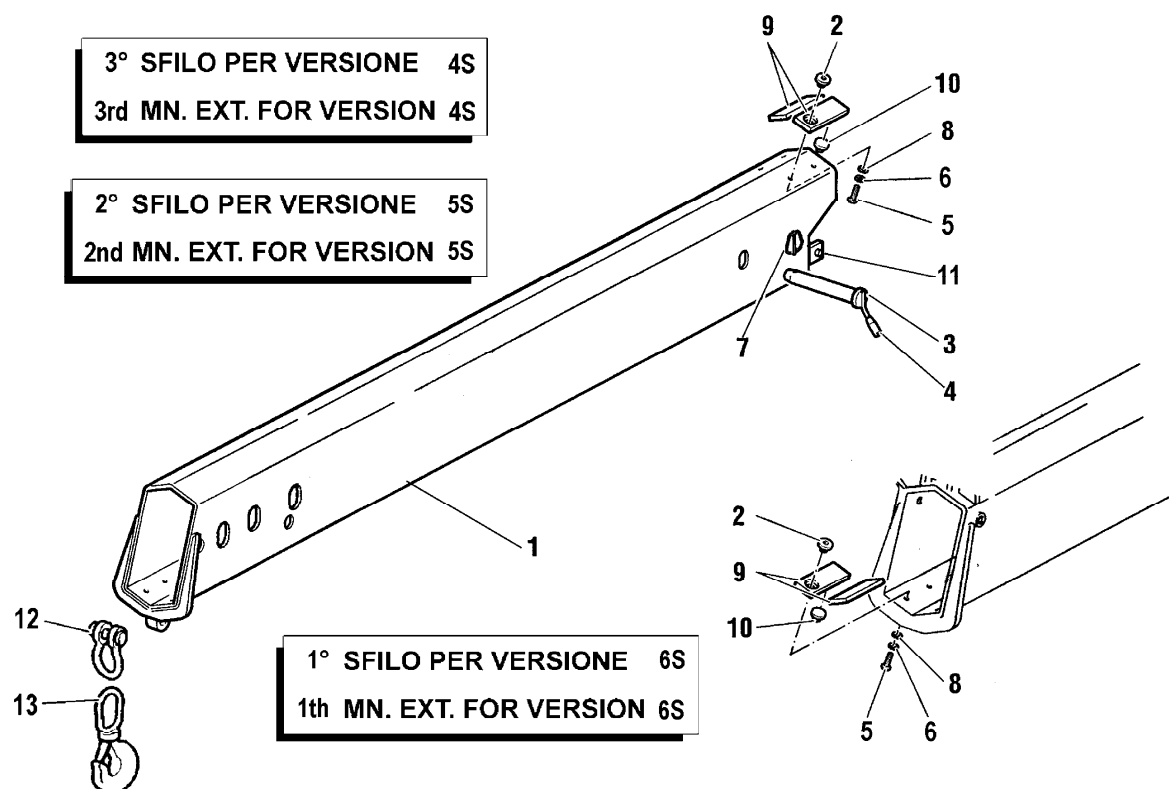
Manual extension

Code

7800291-1.0

1/1

R	Pos.	Code Variant	Q.ty	Description
	1	5010296	1	Manual extension
	2	5000737	4	
	3	5150396	1	
	4	3190010	1	Knob
	5	3010353	4	Hex screw [M10X16 8.8 ZC UNI 5739]
	6	3060920	4	Tooth lock washer [D.10 TIPO A]
	7	3060753	1	Cotter pin (Locking ring)
	8	3060914	4	Flat washer [D.10.5X21X2 UNI 6592 ZC]
	9	5140680	4	
	10	5140681	4	
	11	5000640	1	
	12	3200067	1	Shackles
	13	3200007	1	Swivel hook



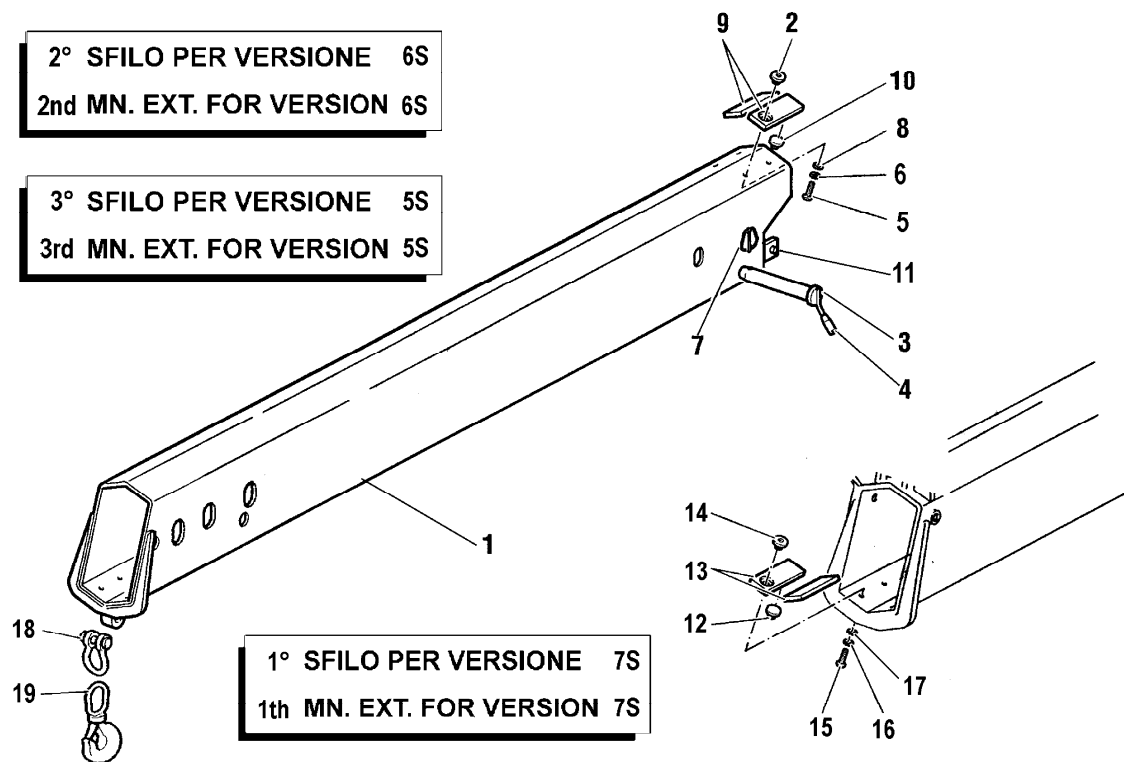
Manual extension

Code

7800292-1.0

1/1

R	Pos.	Code Variant	Q.ty	Description
	1	5010297	1	Manual extension
	2	5000623	2	
	3	5150395	1	
	4	3190010	1	Knob
	5	3010337	2	Hex screw [M8X16 8.8 ZC UNI 5739]
	6	3060006	2	Flat washer [D.8 UNI 6592 ZC]
	7	3060753	1	Cotter pin (Locking ring)
	8	3060918	2	Tooth lock washer [D.8 TIPO A UNI8842 ZC]
	9	5140655	2	
	10	5140656	2	Button (Backlash)
	11	5000640	1	
	12	5140681	2	
	13	5140680	2	
	14	5000737	2	
	15	3010353	2	Hex screw [M10X16 8.8 ZC UNI 5739]
	16	3060920	2	Tooth lock washer [D.10 TIPO A]
	17	3060914	2	Flat washer [D.10.5X21X2 UNI 6592 ZC]
	18	3200067	1	Shackles
	19	3200007	1	Swivel hook



2° SFILO PER VERSIONE 6S
2nd MN. EXT. FOR VERSION 6S

3° SFILO PER VERSIONE 5S
3rd MN. EXT. FOR VERSION 5S

1° SFILO PER VERSIONE 7S
1th MN. EXT. FOR VERSION 7S

Manual extension

Code

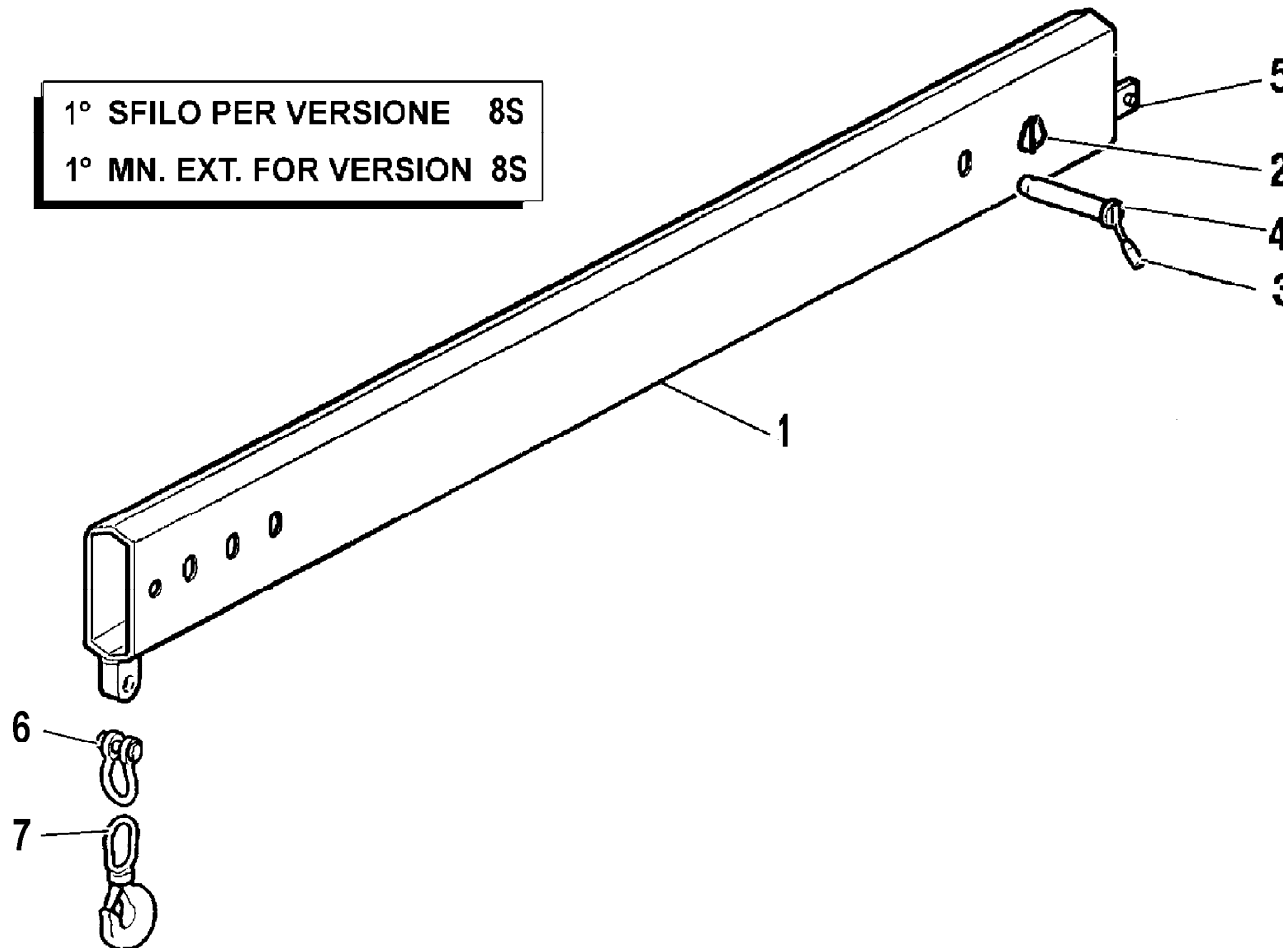
7800286-1.0

1/1

R	Pos.	Code Variant	Q.ty	Description
	1	5010291	1	Manual extension
	2	3060753	1	Cotter pin (Locking ring)
	3	3190010	1	Knob
	4	5150299	1	
	5	5000640	1	
	6	3200067	1	Shackles
	7	3200007	1	Swivel hook

1° SFILO PER VERSIONE 8S

1° MN. EXT. FOR VERSIONE 8S



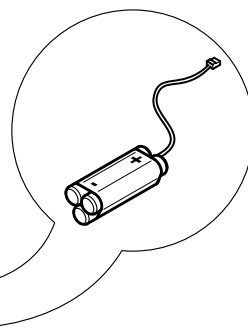
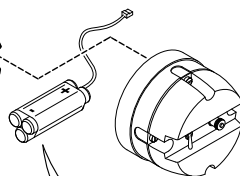
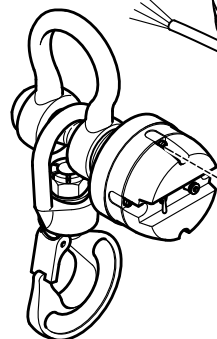
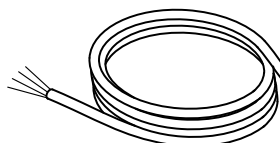
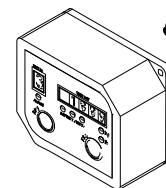
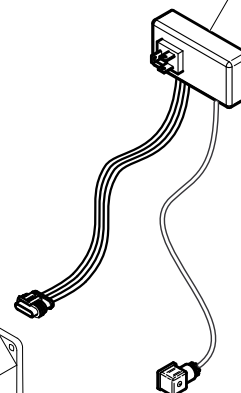
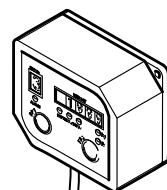
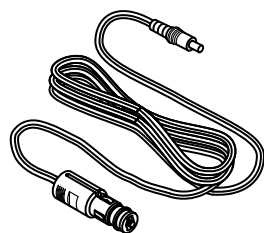
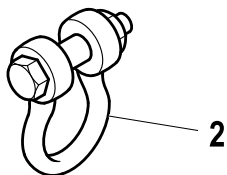
LOAD INDICATION SYSTEM

Code

7881825-1.0

1/1

R	Pos.	Code Variant	Q.ty	Description
	1	5730507	1	
	2	3200050	1	Shackles
	3	W236510	1	
	4	3311542	1	



3.2 ton





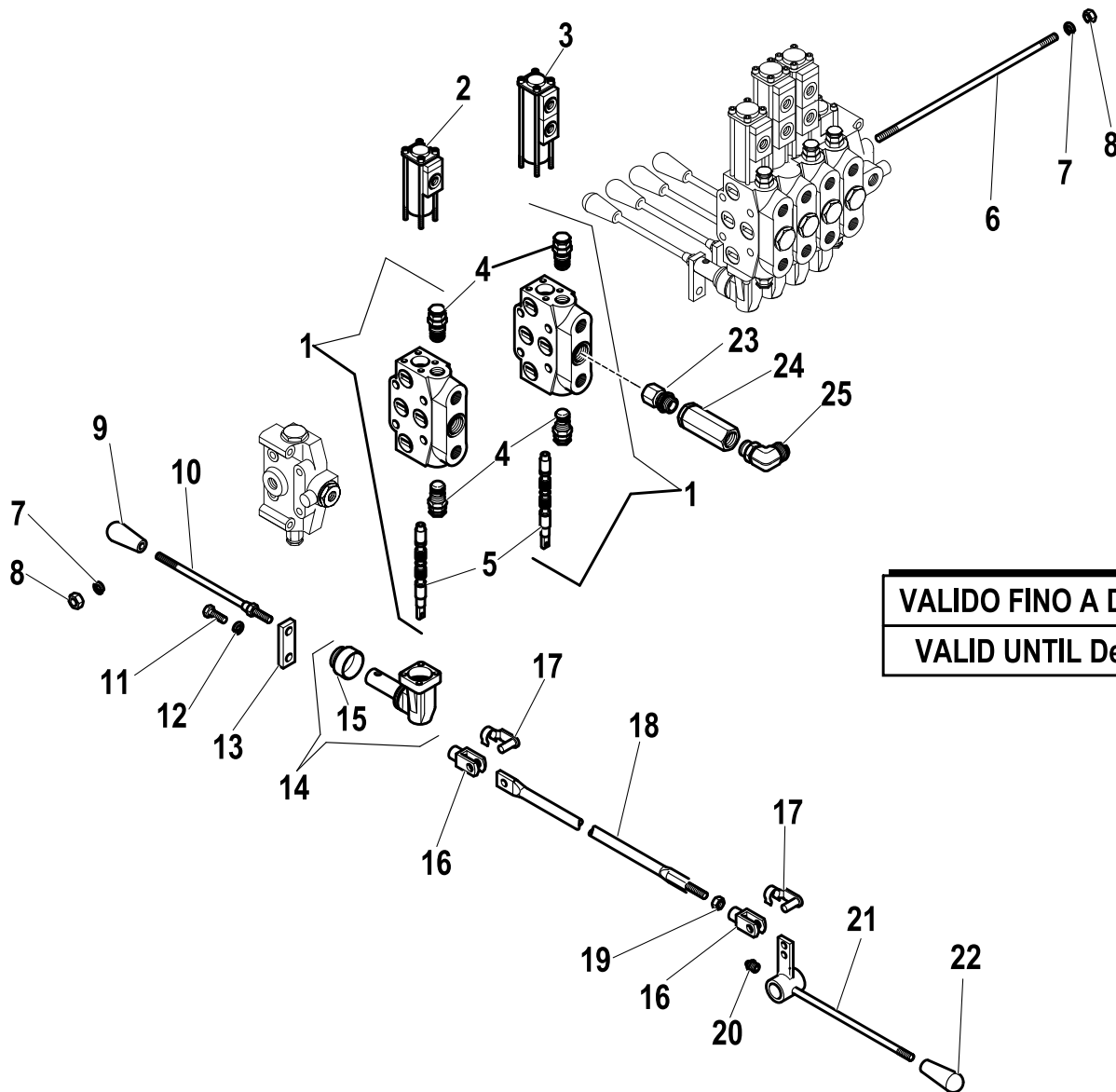
HC331-361 J4

5th and 6th ELEMENT FOR OPERATION JIB (CE)

Code

5400216-3.0

1/2



VALIDO FINO A Dicembre 2010
VALID UNTIL December 2010

R	Pos.	Code Variant	Q.ty	Description
	1	5225187	2	
	2	5225312	1	
	3	5225313	1	
	4	5225200	4	
	5	5225177	2	
	6	5225214	4	
	7	3060056	4	Split lock washer [D=10 C72 ZC]
	8	3040046	4	Nut
	9	3190006	2	Knob
	10	5220224	2	
	11	3010339	2	Hex screw [M8X25 8.8 ZC IF UNI 5739]
	12	3060055	2	Split lock washer [D=8.4 C72 ZC]
	13	5000708	2	
	14	5225126	2	
	15	5225128	2	
	16	3300431	4	
	17	3300451	4	
	18	5090456	2	
	19	3040045	2	Nut
	20	3080500	2	Grease nipple

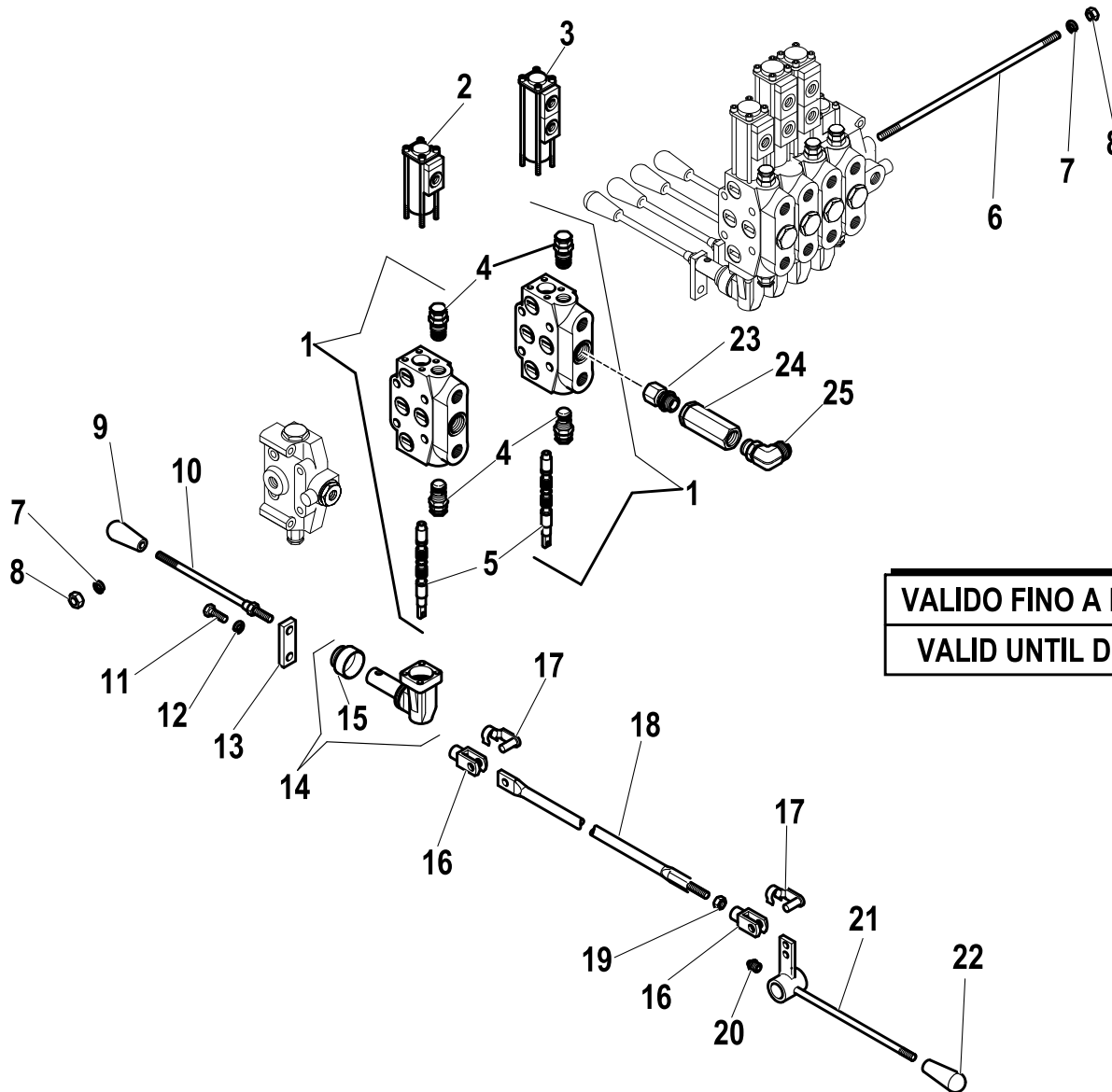
5th and 6th ELEMENT FOR OPERATION JIB (CE)

Code

5400216-3.0

2/2

R	Pos.	Code Variant	Q.ty	Description
	21	5090433	2	Control lever
	22	3190010	2	Knob
	23	3120067	1	Straight pipe fitting
	24	5220557	1	
	25	3101128	1	90° Connection



VALIDO FINO A Dicembre 2010
VALID UNTIL December 2010

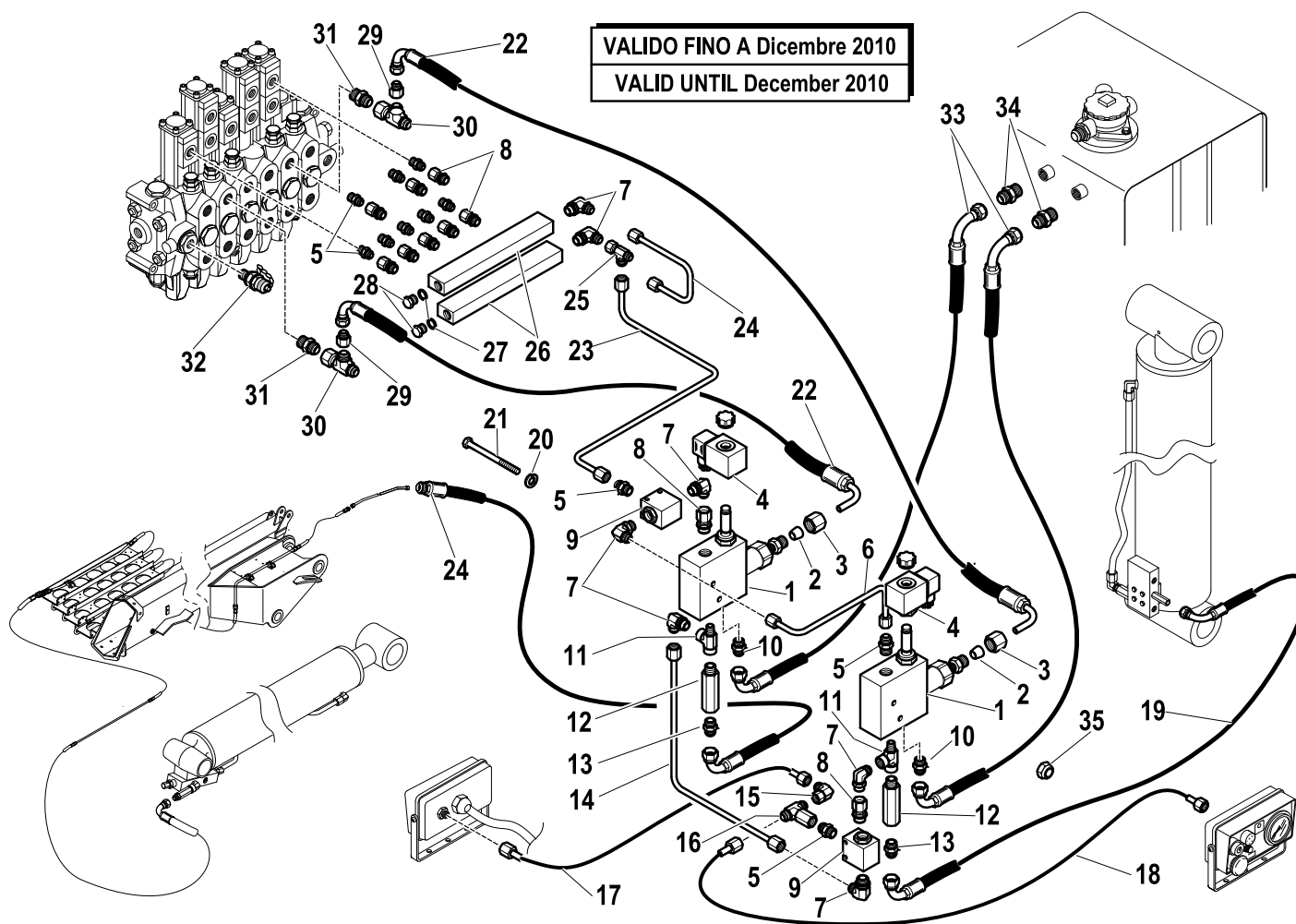
HYDRAULIC SYSTEM (Moment limiting device)

Code

5430027-1.0

1/2

VALIDO FINO A Dicembre 2010
VALID UNTIL December 2010



R	Pos.	Code Variant	Q.ty	Description
	1	5220578	2	
	2	3100956	2	
	3	3100952	2	Nut
	4	3310242	2	
	5	3101034	11	Straight pipe fitting
	6	5391755	1	
	7	3101194	7	90° Connection
	8	3120340	10	
	9	5220542	2	
	10	3101039	2	Straight pipe fitting
	11	3101215	2	Tee fitting
	12	3110111	2	Straight pipe fitting
	13	3101042	2	Straight pipe fitting
	14	5391756	1	
	15	3190076	1	
	16	3120111	1	Tee fitting
	17	5300032	1	
	18	5300031	1	
	19	5260352	1	Flexible hose
	20	3060005	2	Flat washer [D.6.4 UNI 6592 ZC]

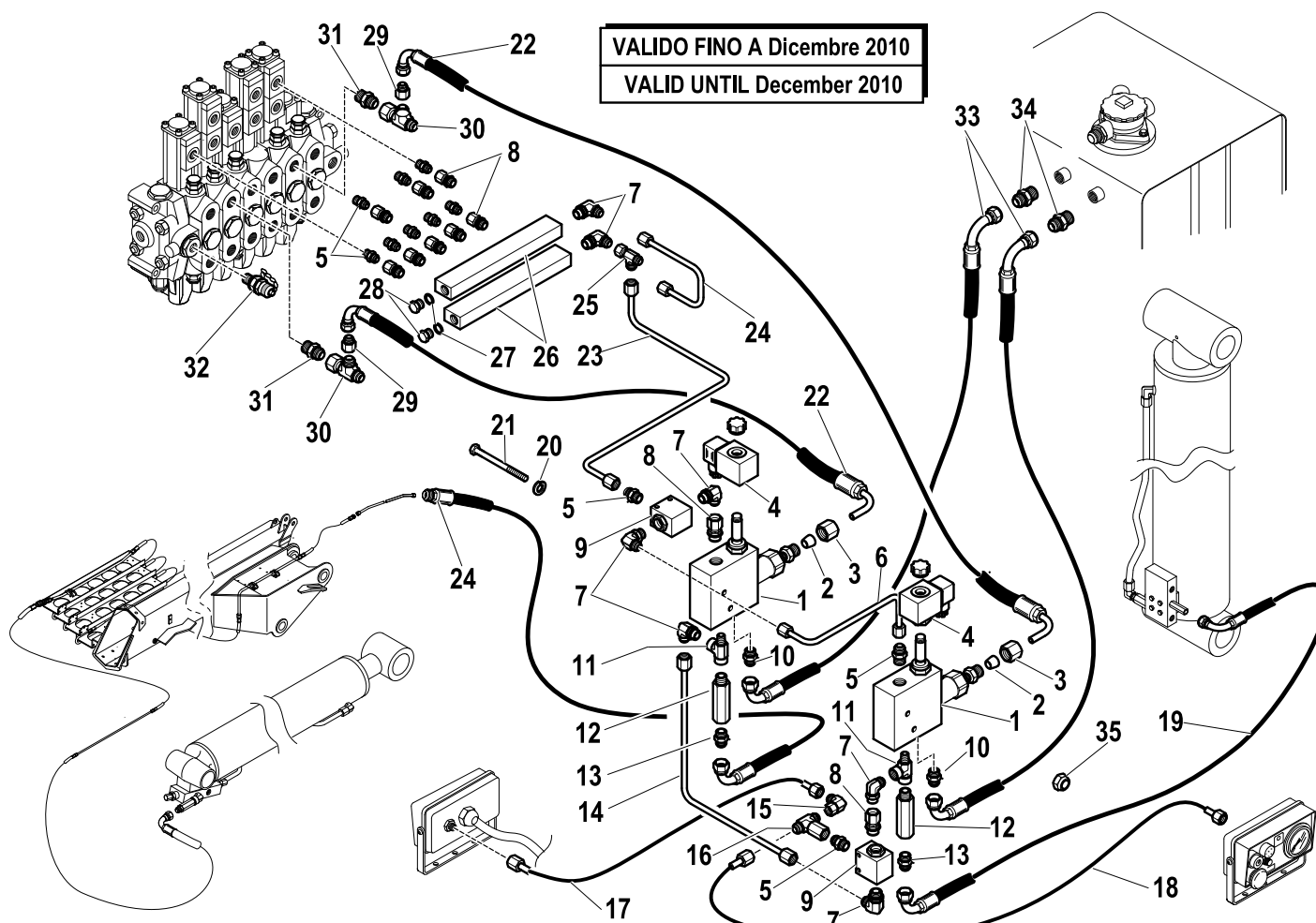
HYDRAULIC SYSTEM (Moment limiting device)

Code

5430027-1.0

2/2

VALIDO FINO A Dicembre 2010
VALID UNTIL December 2010



R	Pos.	Code Variant	Q.ty	Description
	21	3010386	2	Hex screw [M6X90 8.8 ZC UNI 5737]
	22	5260350	2	Flexible hose
	23	5391758	1	
	24	5391757	1	
	25	3120001	1	Tee fitting
	26	5001150	2	
	27	3060143	2	Sealing washer [BSP 1/4"]
	28	3110062	2	Plug
	29	3120209	2	Reducing fitting
	30	3120008	2	Tee fitting
	31	3101051	2	Straight pipe fitting
	32	3111523	1	Pipe fitting (Tapping point) [RACC. MILITES 16X2-1/4"G]
	33	5260353	1	Flexible hose
	34	3101041	1	Straight pipe fitting
	35	3040372	2	Stopnut

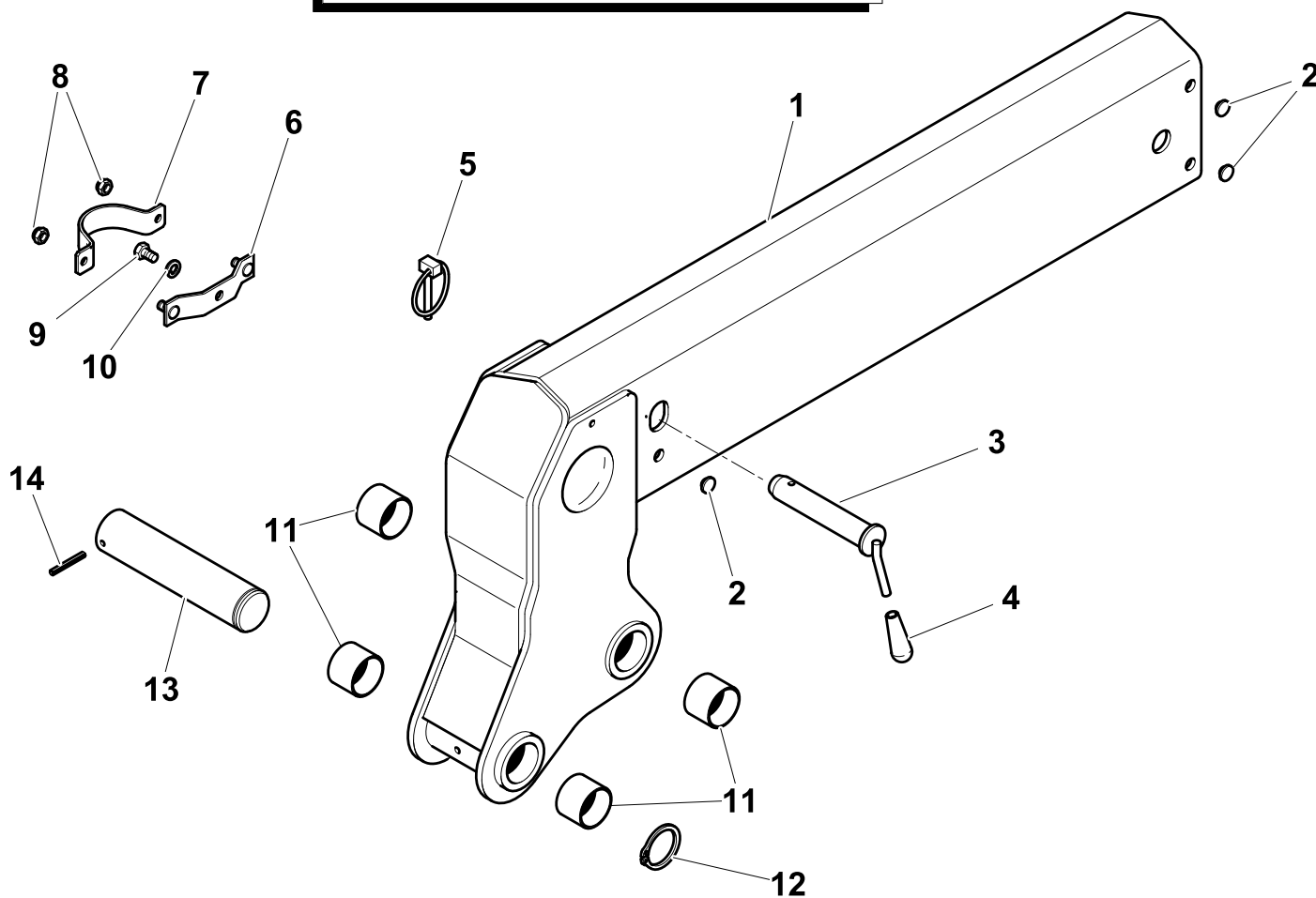
Coupling (Articulated extension)

Code

5780012-1.0

1/1

**SOLO PER VERSIONE 4S
ONLY FOR VERSION 4S**



R	Pos.	Code Variant	Q.ty	Description
	1	5090656	1	
	2	5001253	6	Button (Sliding block)
	3	5150421	1	
	4	3190006	1	Knob
	5	3060750	1	
	6	5000614	1	Base (Clamp)
	7	5000037	1	
	8	3040304	2	Stopnut
	9	3010353	1	Hex screw [M10X16 8.8 ZC UNI 5739]
	10	3060056	1	Split lock washer [D=10 C72 ZC]
	11	5140695	4	Bushing
	12	3070045	1	Seeger
	13	5150627	1	
	14	3060632	1	Spring pin

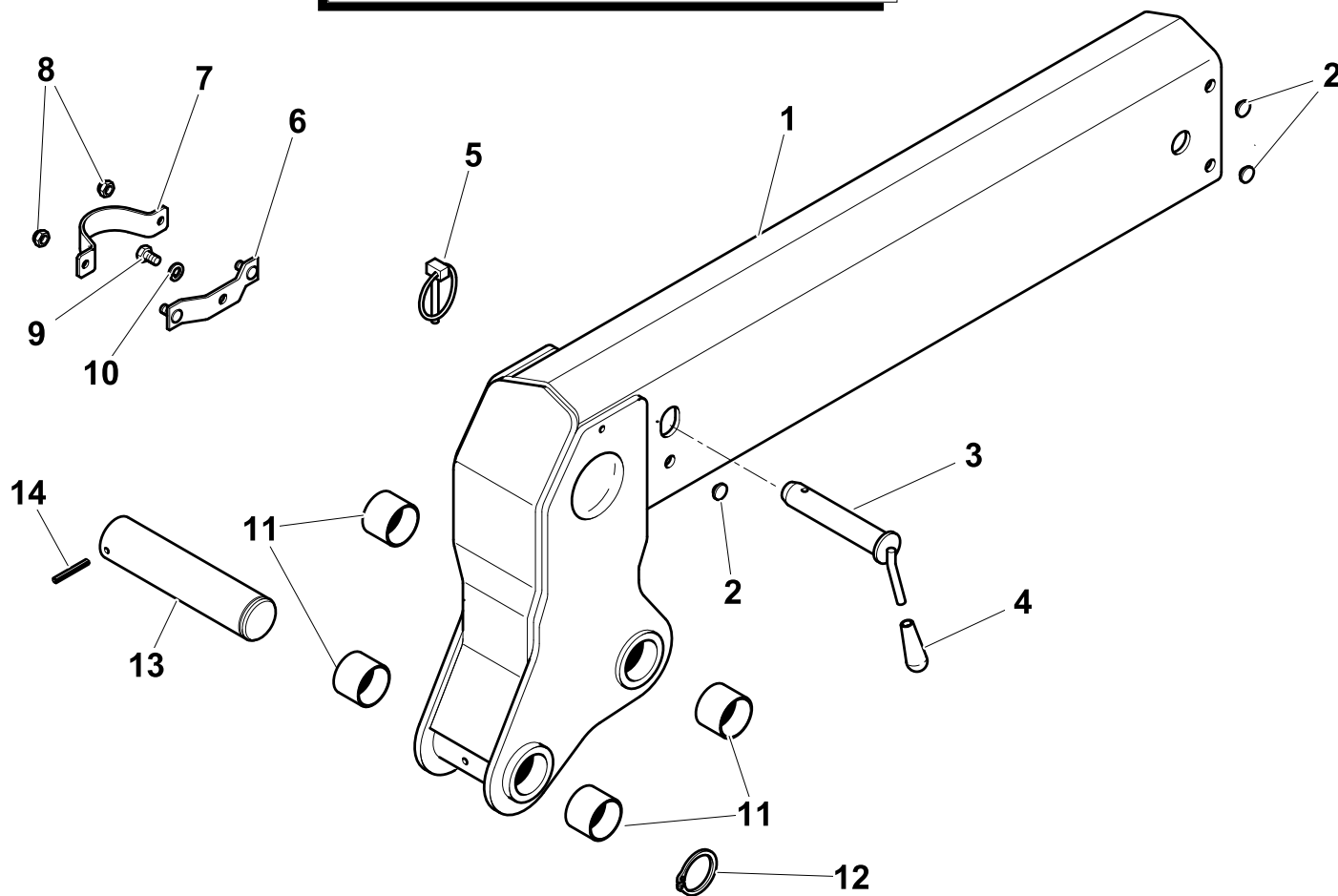
Coupling (Articulated extension)

Code

5780013-1.0

1/1

**SOLO PER VERSIONE 5S
ONLY FOR VERSION 5S**



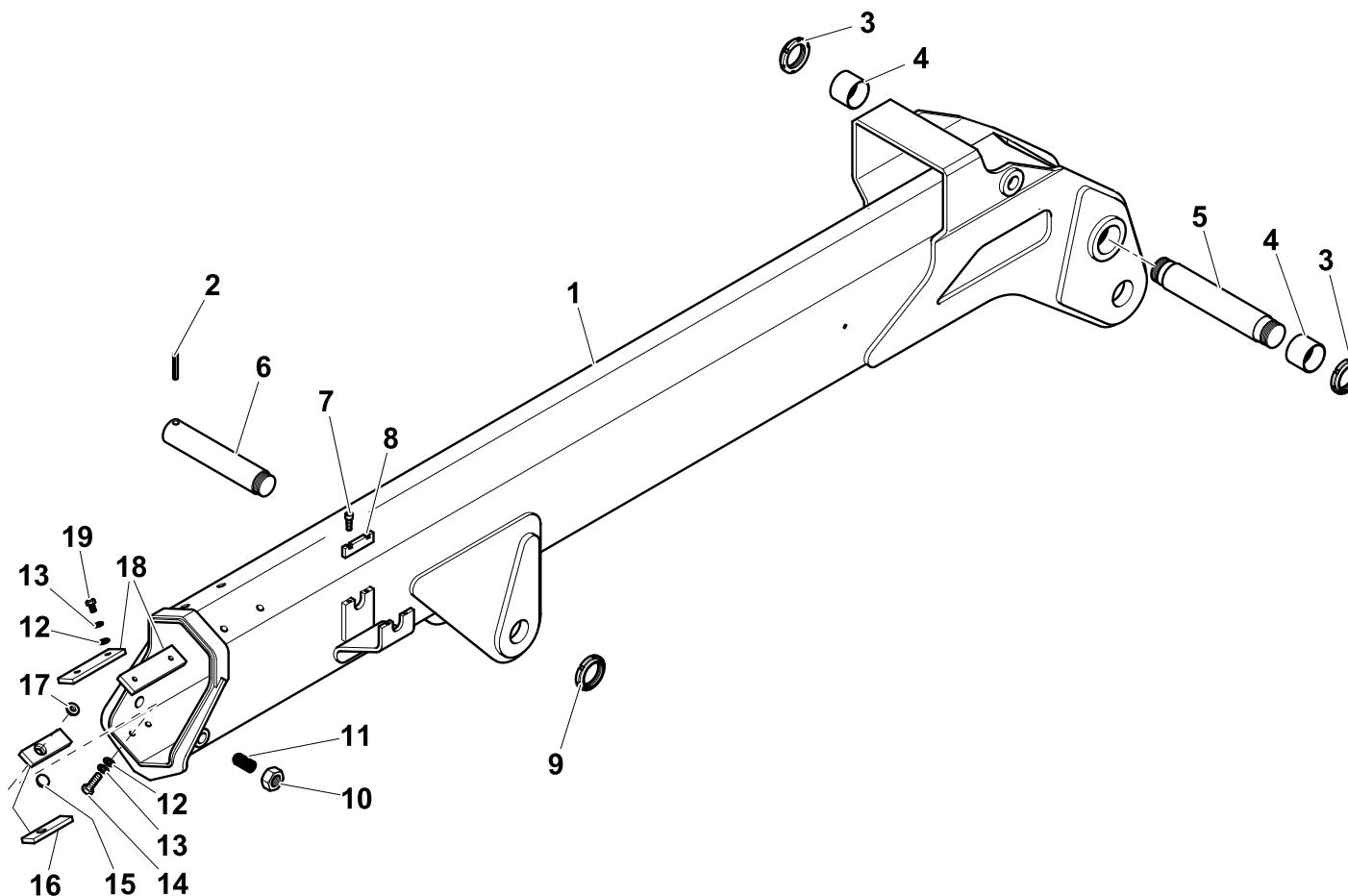
R	Pos.	Code Variant	Q.ty	Description
	1	5090654	1	
	2	5001253	6	Button (Sliding block)
	3	5150421	1	
	4	3190010	1	Knob
	5	3060750	1	
	6	5000614	1	Base (Clamp)
	7	5000037	1	
	8	3040304	2	Stopnut
	9	3010353	1	Hex screw [M10X16 8.8 ZC UNI 5739]
	10	3060056	1	Split lock washer [D=10 C72 ZC]
	11	5140695	4	Bushing
	12	3070045	1	Seeger
	13	5150627	1	
	14	3060632	1	Spring pin

JIB ARM

Code

5630005-1.0

1/1



R	Pos.	Code Variant	Q.ty	Description
	1	5030276	1	JIB ARM
	2	3060632	1	Spring pin
	3	3040506	2	Self-locking ringnut
	4	5140695	4	Bushing
	5	5150628	1	
	6	5150520	1	
	7	3020037	4	Socketed head cap screw [M6X25 8.8 ZC UNI 5931]
	8	5001109	4	
	9	3040500	1	Self-locking ringnut
	10	3040089	2	Lock nut
	11	5000771	2	Adjusting screw
	12	3060006	6	Flat washer [D.8 UNI 6592 ZC]
	13	3060918	6	Tooth lock washer [D.8 TIPO A UNI8842 ZC]
	14	3010337	2	Hex screw [M8X16 8.8 ZC UNI 5739]
	15	5140656	2	Button (Backlash)
	16	5140783	2	
	17	5001087	2	Button (Control board)
	18	5140609	2	
	19	3010336	4	Hex screw [M8X12 8.8 ZC UNI 5739]

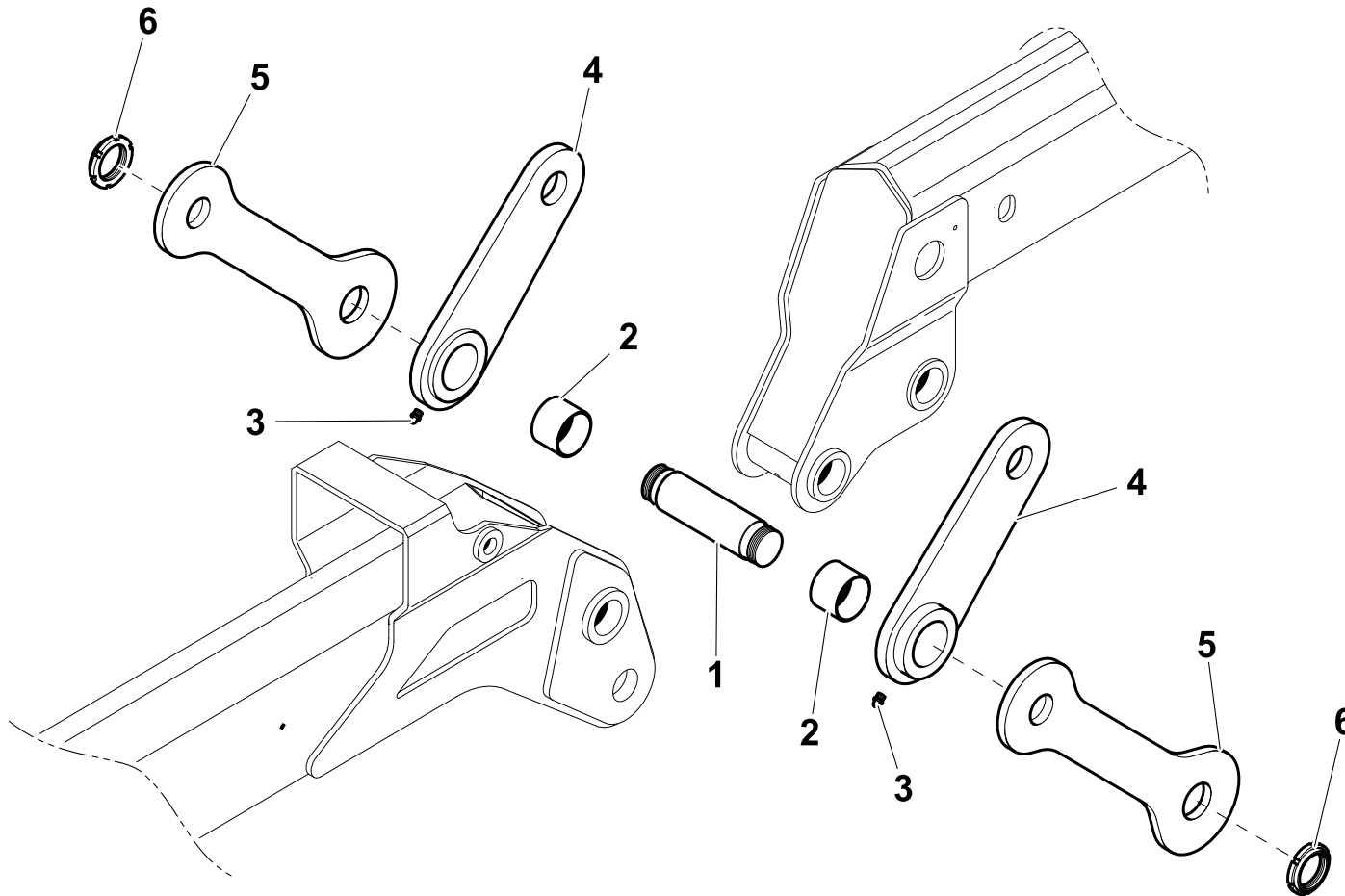
KIT CONNECTING ROD (JIB)

Code

5360010-1.0

1/1

R	Pos.	Code Variant	Q.ty	Description
	1	5150625	1	
	2	5140723	2	Bushing
	3	3080501	2	Grease nipple
	4	5090652	2	Short connecting rod
	5	5090653	2	Long connecting rod
	6	3040508	3	Self-locking ringnut

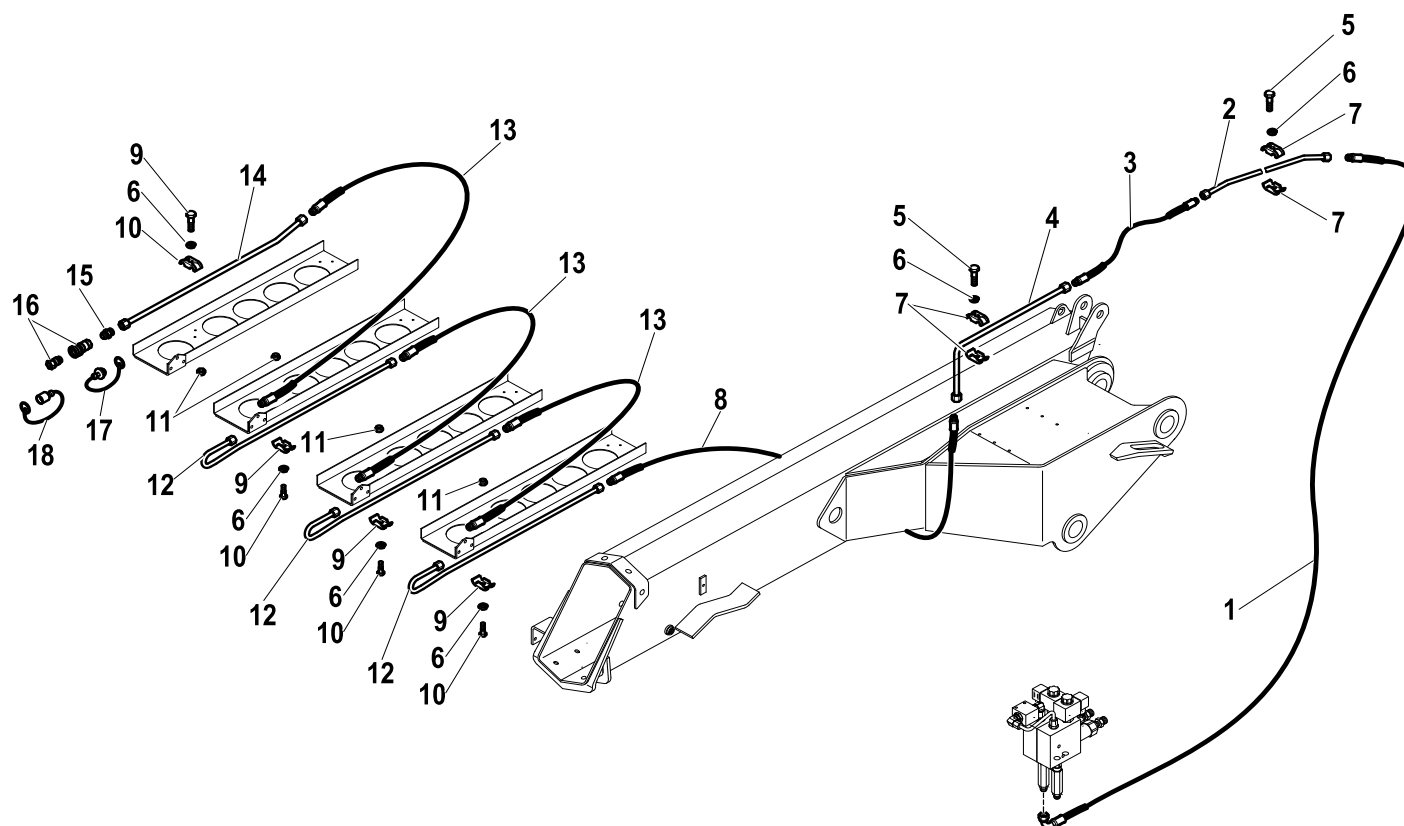


Kit activation hydraulic input (Articulated extension)

Code

5590152-1.0

1/1



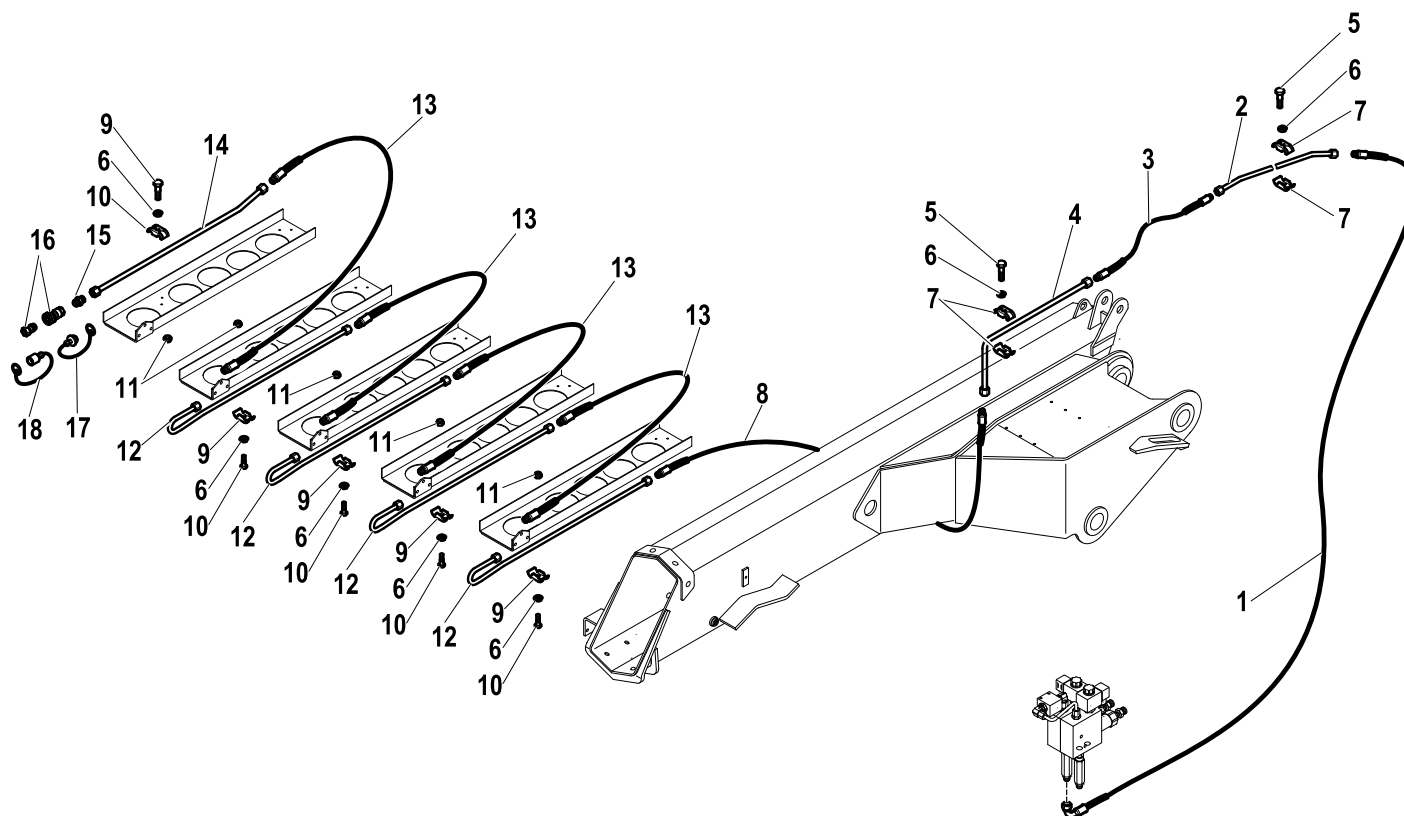
R	Pos.	Code Variant	Q.ty	Description
	1	5250248	1	
	2	5392171	1	
	3	5280376	1	
	4	5391518	1	
	5	3010035	6	Hex screw [M8X60 8.8 ZC UNI 5737]
	6	3060055	14	Split lock washer [D=8.4 C72 ZC]
	7	5000047	10	
	8	5280467	1	Flexible hose
	9	5000045	8	
	10	3010031	8	Hex screw [M8X40 8.8 ZC UNI 5737]
	11	3040303	8	Stopnut
	12	5391241	3	
	13	5260596	3	Flexible hose
	14	5391242	1	
	15	3101039	1	Straight pipe fitting
	16	3110425	1	Quick coupling
	17	3110426	1	Male plug (Blue)
	18	3110427	1	Female plug (Blue)

Kit activation hydraulic input (Articulated extension)

Code

5590151-1.0

1/1



R	Pos.	Code Variant	Q.ty	Description
	1	5250248	1	
	2	5392171	1	
	3	5280376	1	
	4	5391518	1	
	5	3010035	6	Hex screw [M8X60 8.8 ZC UNI 5737]
	6	3060055	14	Split lock washer [D=8.4 C72 ZC]
	7	5000047	10	
	8	5280467	1	Flexible hose
	9	5000045	8	
	10	3010031	8	Hex screw [M8X40 8.8 ZC UNI 5737]
	11	3040303	8	Stopnut
	12	5391241	3	
	13	5260596	3	Flexible hose
	14	5391242	1	
	15	3101039	1	Straight pipe fitting
	16	3110425	1	Quick coupling
	17	3110426	1	Male plug (Blue)
	18	3110427	1	Female plug (Blue)

DOUBLE CONTROLS (CE)

Code

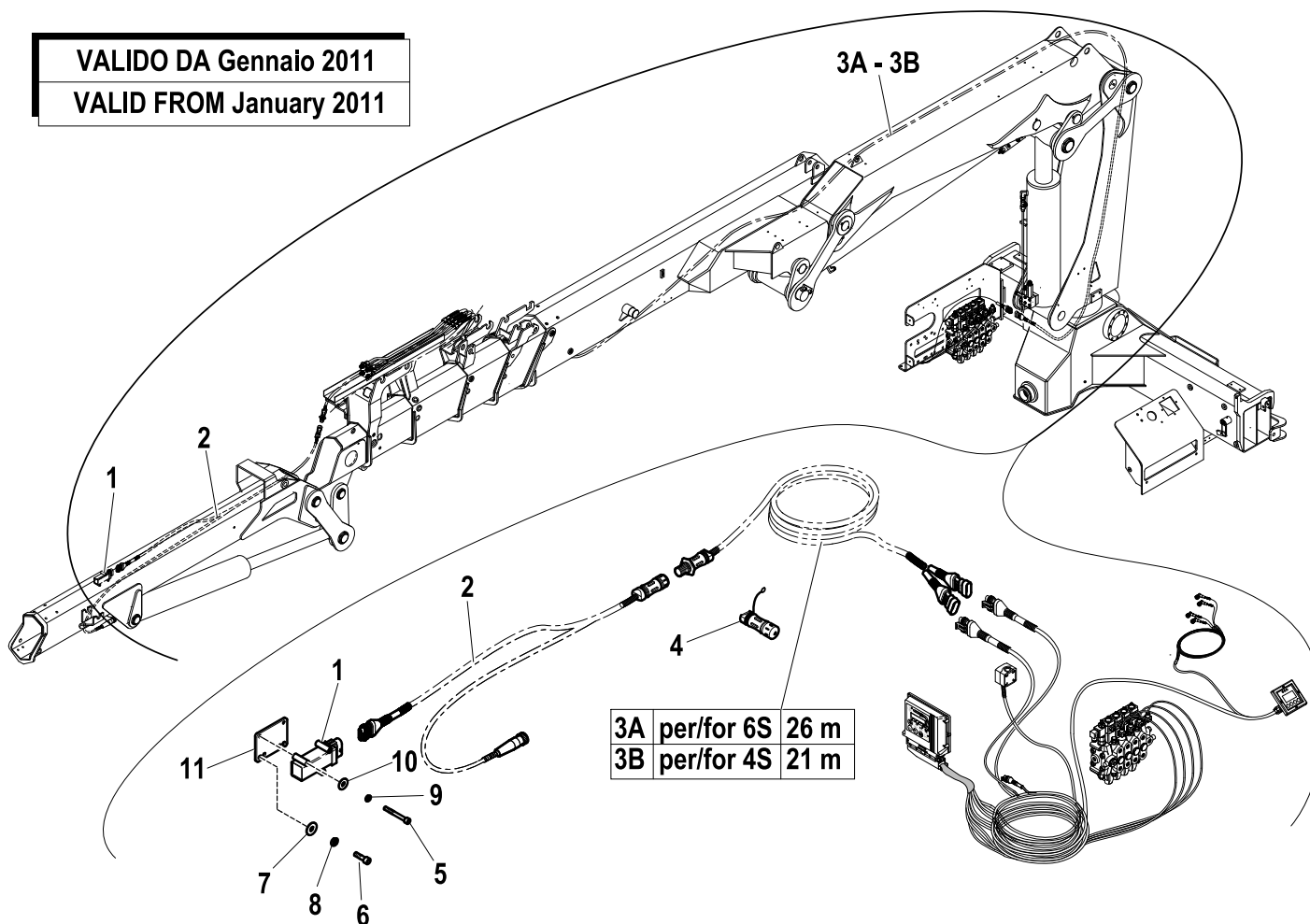
5401366-4.0

1/1

R	Pos.	Code Variant	Q.ty	Description
	1	3311150	1	Tiltmeter
	2	5160079	1	Electric wiring
	3 A	5160077	1	
	3 B	5160078	1	
	4	5160080	1	Plug (Electric components)
	5	3020018	2	Socketed head cap screw [M4X30 8.8 ZC UNI 5931]
	6	3020033	2	Socketed head cap screw [M6X10 8.8 ZC UNI 5931]
	7	3060005	2	Flat washer [D.6.4 UNI 6592 ZC]
	8	3060053	2	Split lock washer [D=6.4 C72 ZC]
	9	3060065	2	Split lock washer [D=4.1 C72 ZC]
	10	3060003	2	Flat washer [D.4 UNI 6592 ZC]
	11	5002108	1	Support plate (Tiltmeter)

VALIDO DA Gennaio 2011

VALID FROM January 2011



DOUBLE CONTROLS (CE)

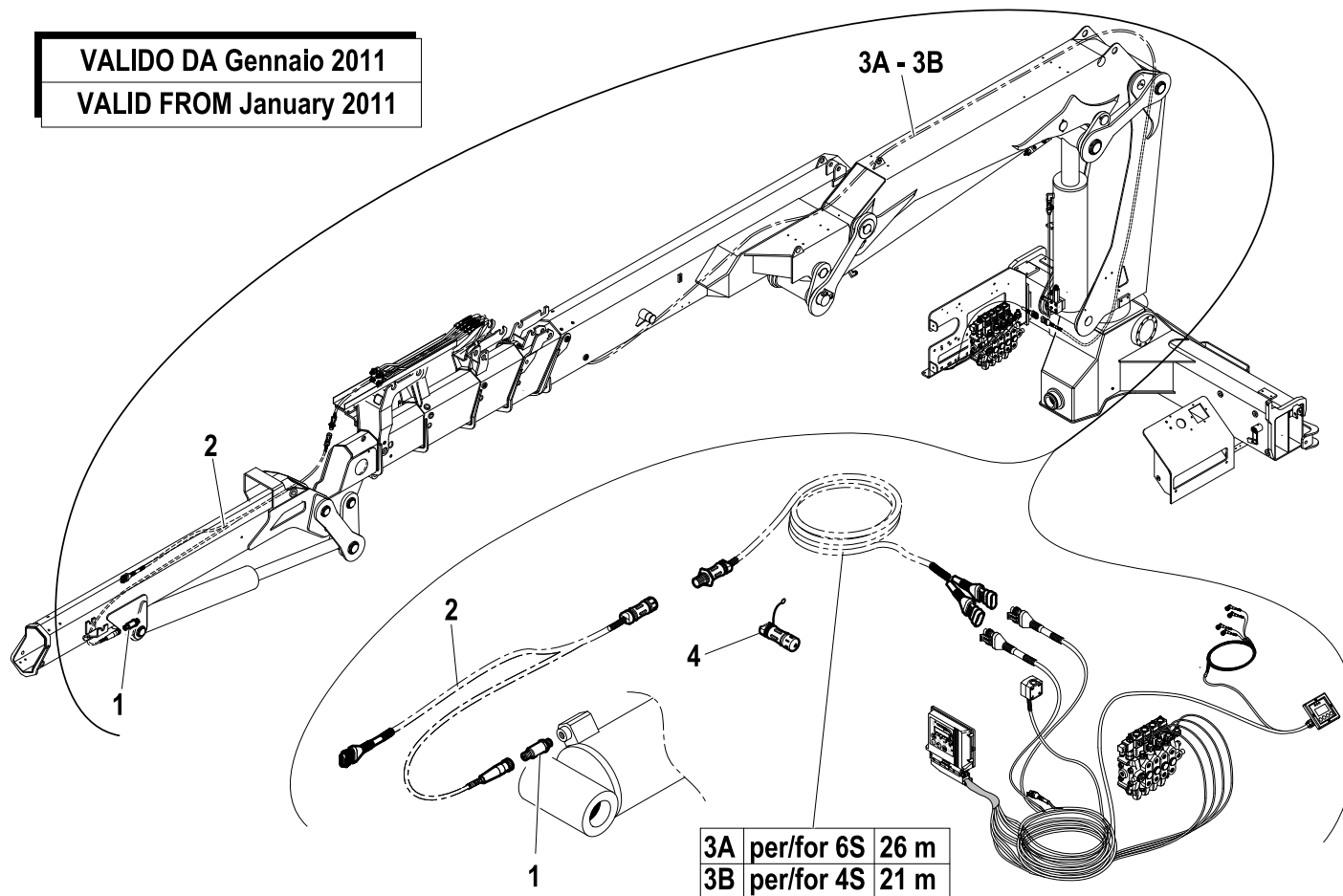
Code

5401366-5.0

1/1

R	Pos.	Code Variant	Q.ty	Description
	1	3310612	1	Pressure sensor
	2	5160079	1	Electric wiring
	3 A	5160077	1	
	3 B	5160078	1	
	4	5160080	1	Plug (Electric components)

VALIDO DA Gennaio 2011
VALID FROM January 2011

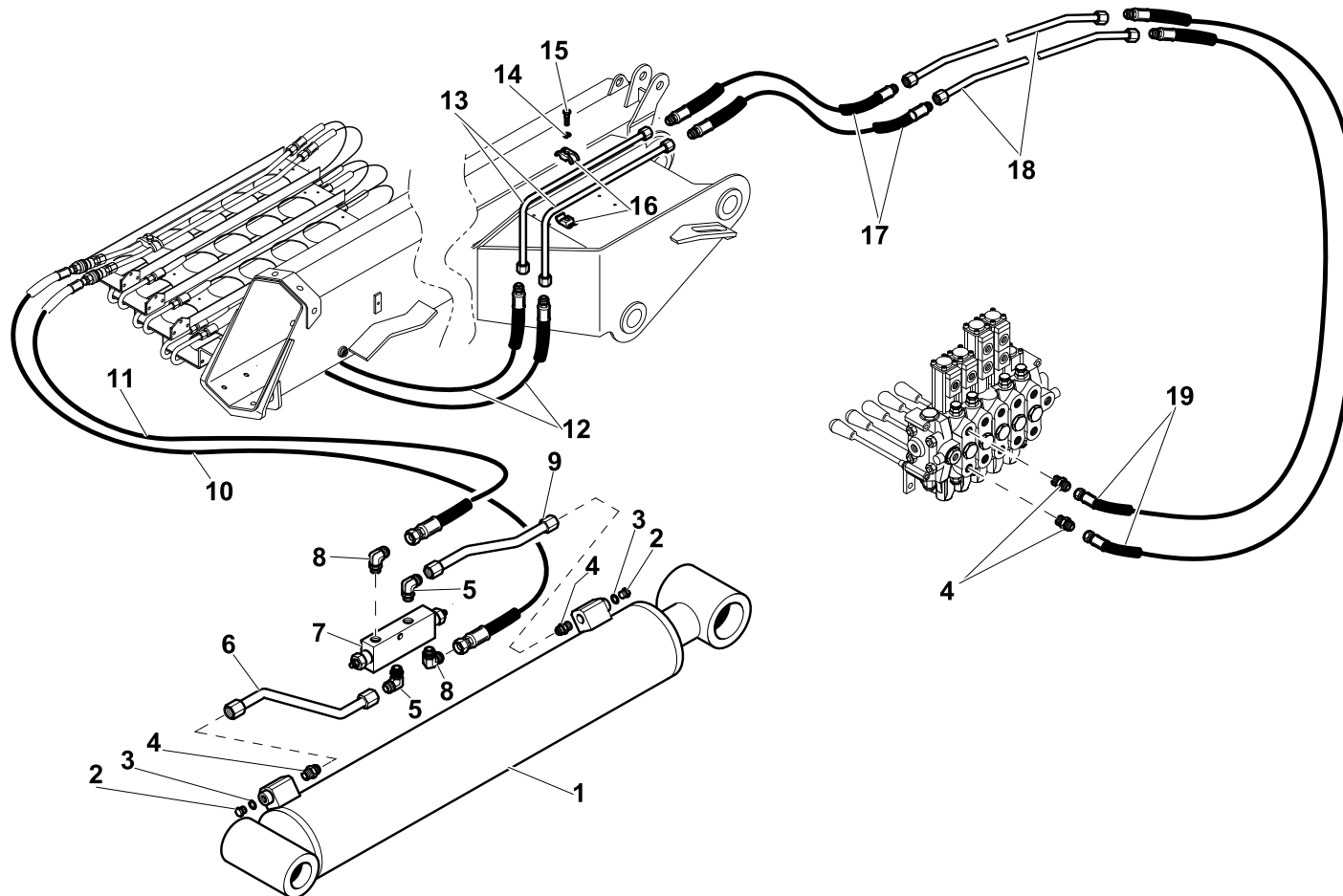


Articulation Hydraulic jack (Hydraulic system)

Code

6230120-1.0

1/1



R	Pos.	Code Variant	Q.ty	Description
	1	6430120	1	Articulation Hydraulic jack
	2	3110062	2	Plug
	3	3060143	2	Sealing washer [BSP 1/4"]
	4	3101051	4	Straight pipe fitting
	5	3120012	2	90° Connection
	6	5391797	1	
	7	5220646	1	
	8	3101127	2	90° Connection
	9	5391817	1	
	10	5271432	1	Flexible hose
	11	5271433	1	Flexible hose
	12	5280467	2	Flexible hose
	13	5391685	2	
	14	3060055	2	Split lock washer [D=8.4 C72 ZC]
	15	3010031	2	Hex screw [M8X40 8.8 ZC UNI 5737]
	16	5000047	4	
	17	5280406	2	
	18	5391570	2	
	19	5280342	2	Flexible hose

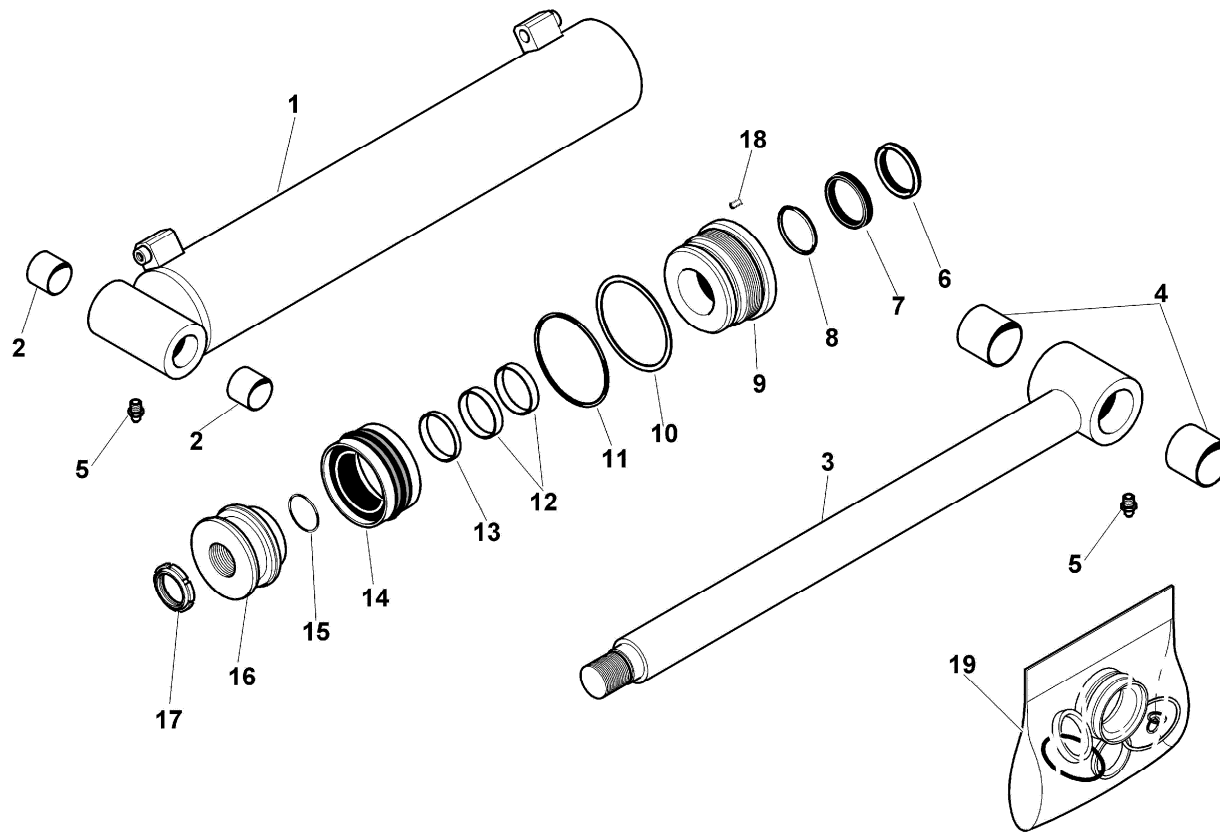
Articulation Hydraulic jack (Articulated extension)

Code

6430120-1.0

1/1

R	Pos.	Code Variant	Q.ty	Description
	1	6070457	1	
	2	5140124	2	
	3	6030547	1	
	4	5140689	2	
	5	3080501	2	Grease nipple
	6	3370500	1	
	7	3370151	1	
	8	3380700	1	
	9	6040268	1	
	10	3460228	1	
	11	3450229	1	
	12	3361010	2	
	13	3361009	1	
	14	3400522	1	
	15	3450127	1	
	16	6050274	1	
	17	3040507	1	Self-locking ringnut
	18	3060226	1	Grub screw
	19	5550741	1	

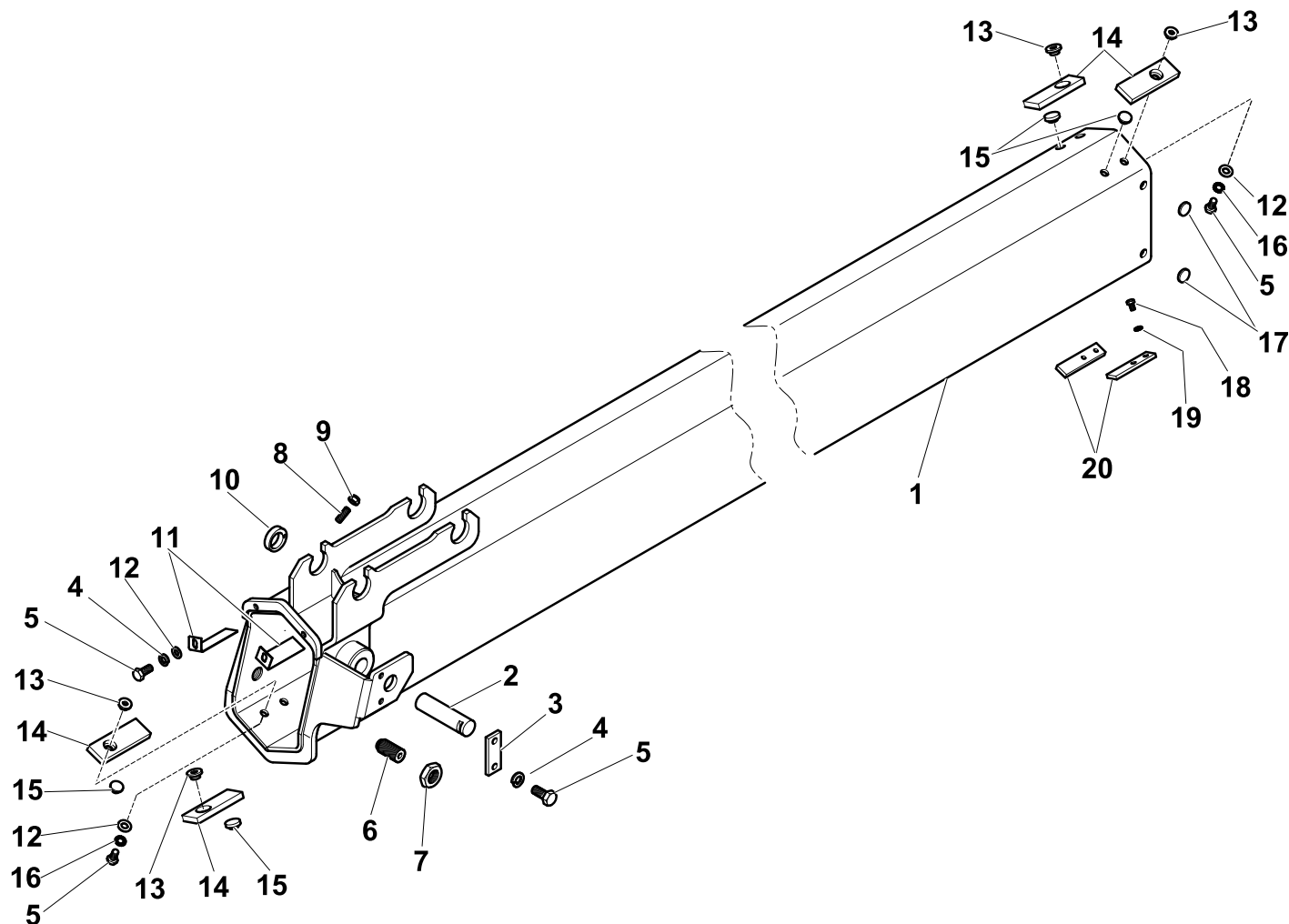


1st EXTENSION (JIB)

Code

5490052-1.0

1/1



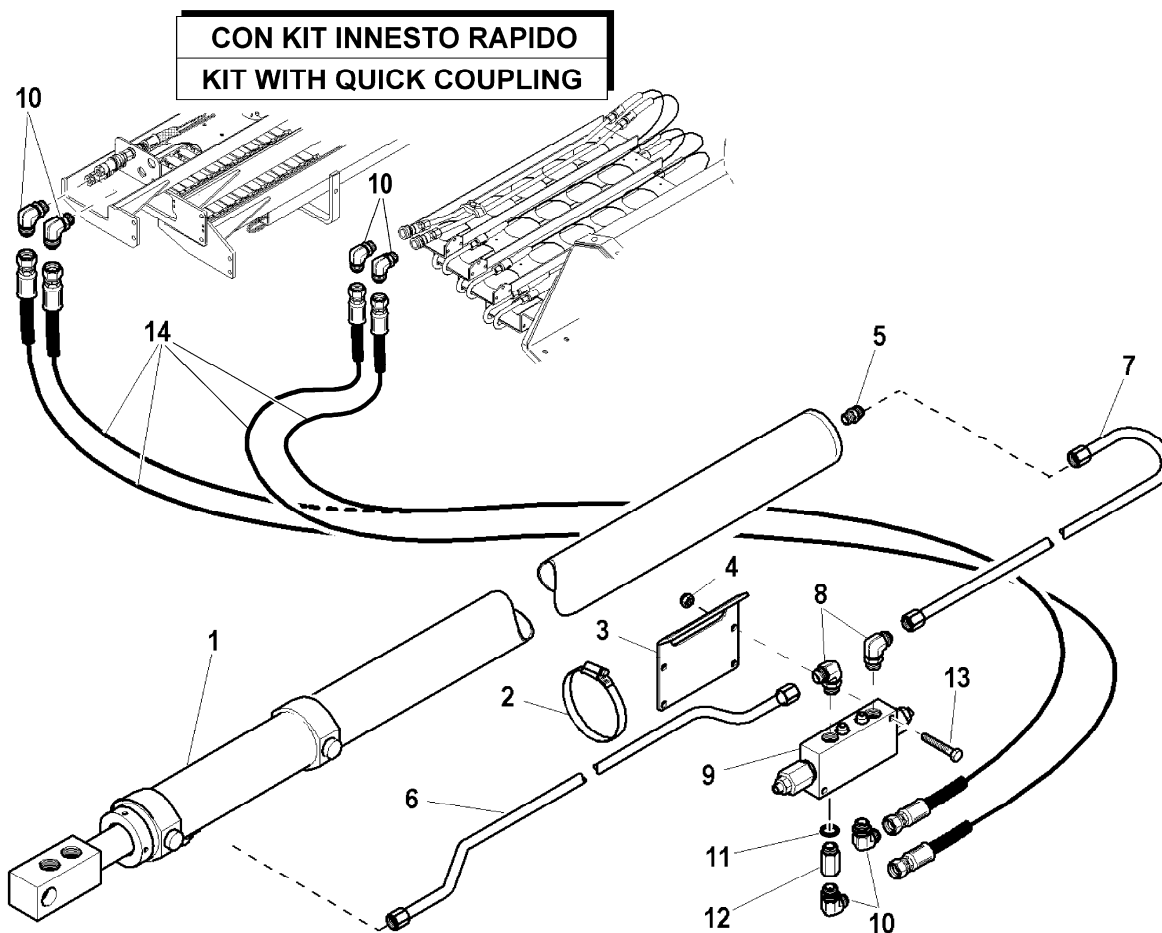
R	Pos.	Code Variant	Q.ty	Description
	1	5020399	1	Extension
	2	5150443	1	
	3	5000674	1	
	4	3060055	6	Split lock washer [D=8.4 C72 ZC]
	5	3010337	8	Hex screw [M8X16 8.8 ZC UNI 5739]
	6	5000771	2	Adjusting screw
	7	3040089	2	Lock nut
	8	3040519	4	Stopnut
	9	3060941	4	Grub screw
	10	5001105	4	
	11	5000685	4	Plate (Thickness)
	12	3060006	6	Flat washer [D.8 UNI 6592 ZC]
	13	5001087	4	Button (Control board)
	14	5140783	4	
	15	5140656	4	Button (Backlash)
	16	3060918	4	Tooth lock washer [D.8 TIPO A UNI8842 ZC]
	17	5141037	4	
	18	3010324	4	Hex screw [M6X12 8.8 ZC UNI 5739]
	19	3060101	4	Tooth lock washer [D.6 TIPO A]
	20	5001738	2	

HYDRAULIC SYSTEM (1th extension hydraulic cylinder)

Code

6210242-1.0

1/1



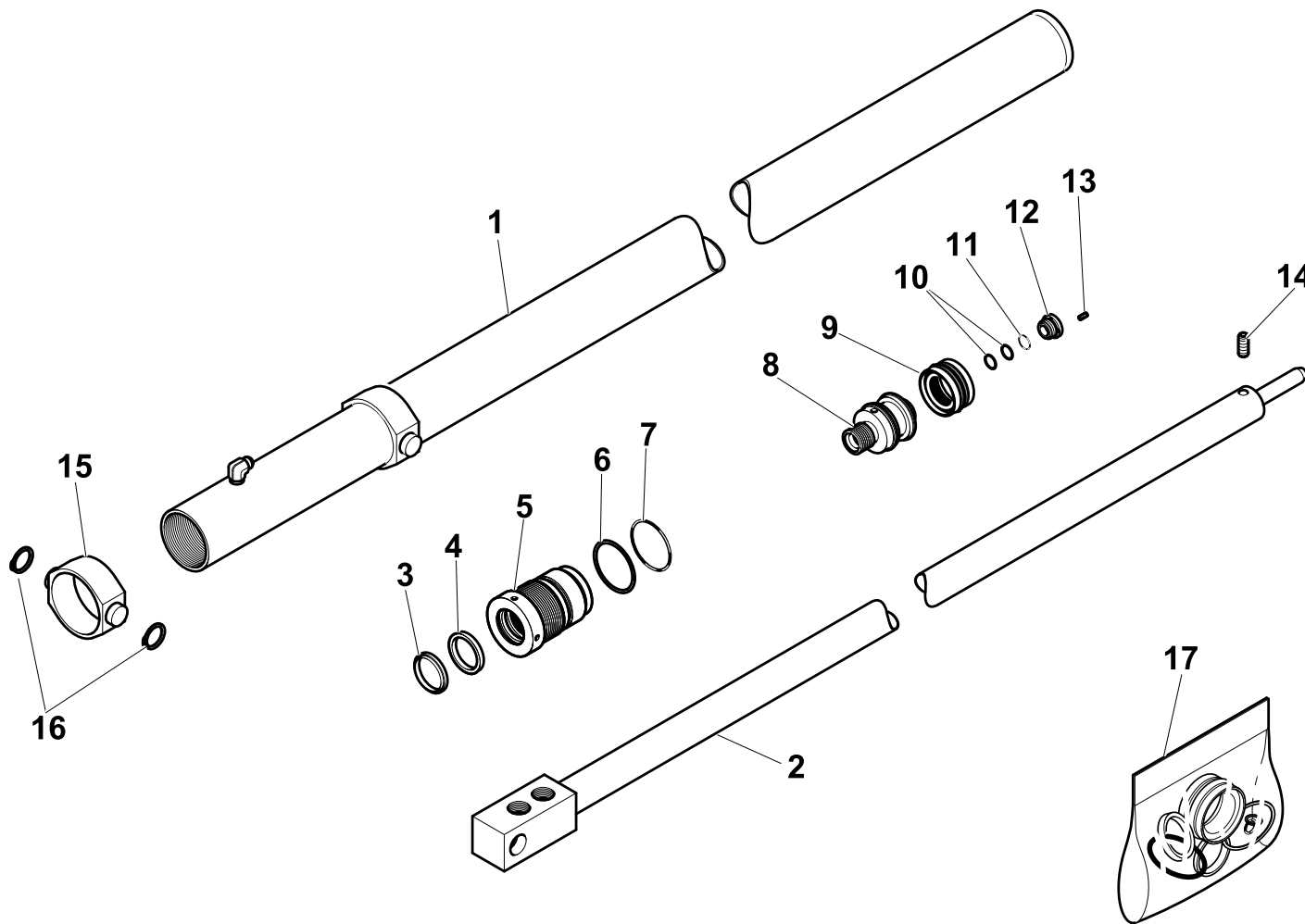
R	Pos.	Code Variant	Q.ty	Description
	1	6410242	1	
	2	3190022	2	Clamp
	3	5000694	1	
	4	3040303	2	Stopnut
	5	3101051	3	Straight pipe fitting
	6	5391702	1	
	7	5391703	1	
	8	3101131	2	90° Connection
	9	5220641	1	
	10	3101128	4	90° Connection
	11	3060145	1	Sealing washer [BSP 1/2"]
	12	3110113	1	Straight pipe fitting
	13	3010033	2	Hex screw [M8X50 8.8 ZC UNI 5737]
	14	5271434	2	Flexible hose

1st EXSTENSION HYDRAULIC

Code

6410242-1.0

1/1



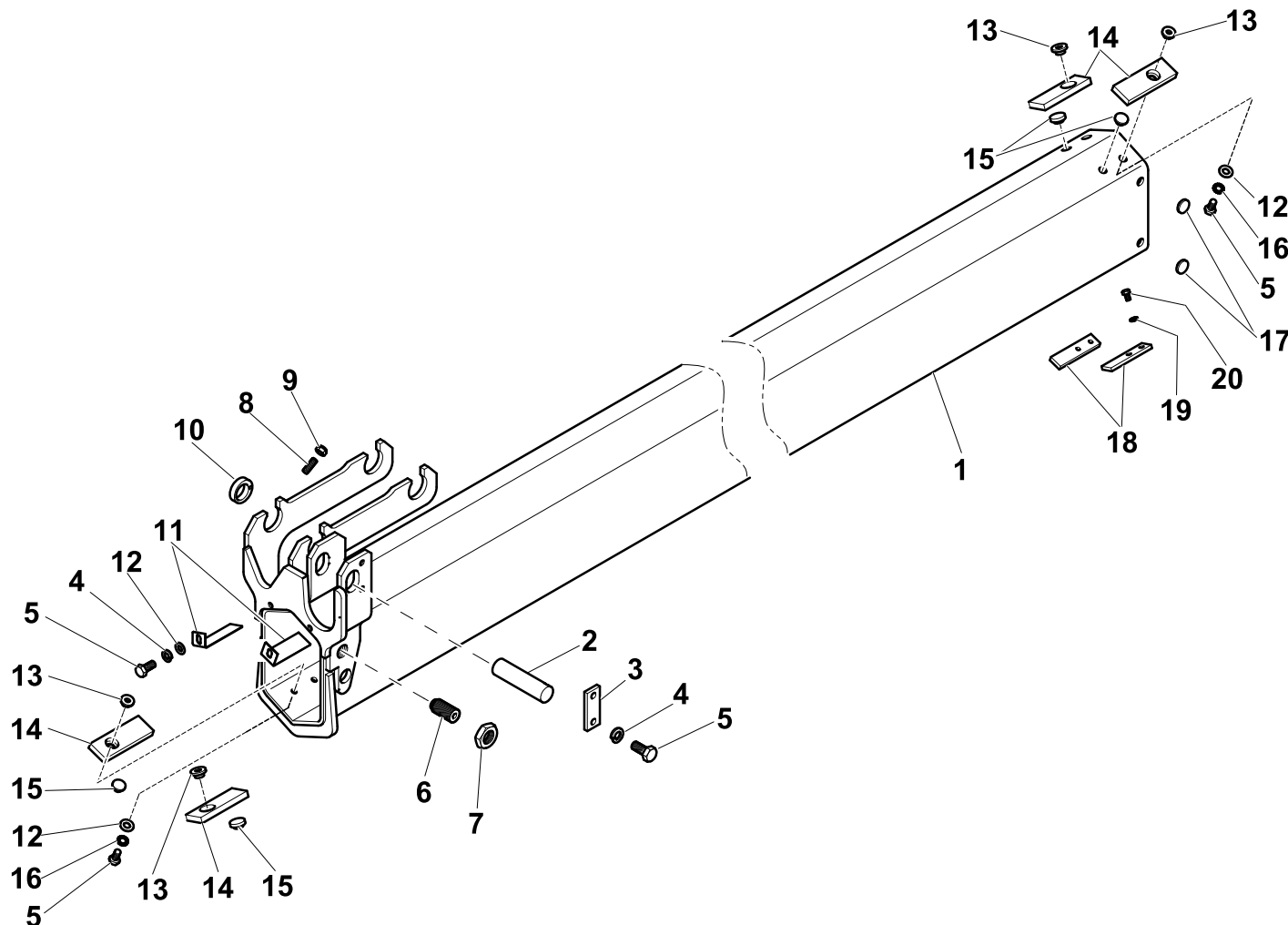
R	Pos.	Code Variant	Q.ty	Description
	1	6070458	1	
	2	6030549	1	
	3	3420021	1	
	4	3370136	1	
	5	6040259	1	
	6	3460132	1	
	7	3450132	1	
	8	6050275	1	
	9	3400509	1	
	10	3460047	2	
	11	3450047	1	
	12	6040269	1	Ring nut
	13	3060248	1	Grub screw
	14	3060232	1	Grub screw
	15	5001106	1	
	16	3070150	1	Seeger
	17	5550781	1	Seal kit

2nd EXTENSION (JIB)

Code

5650004-1.0

1/1



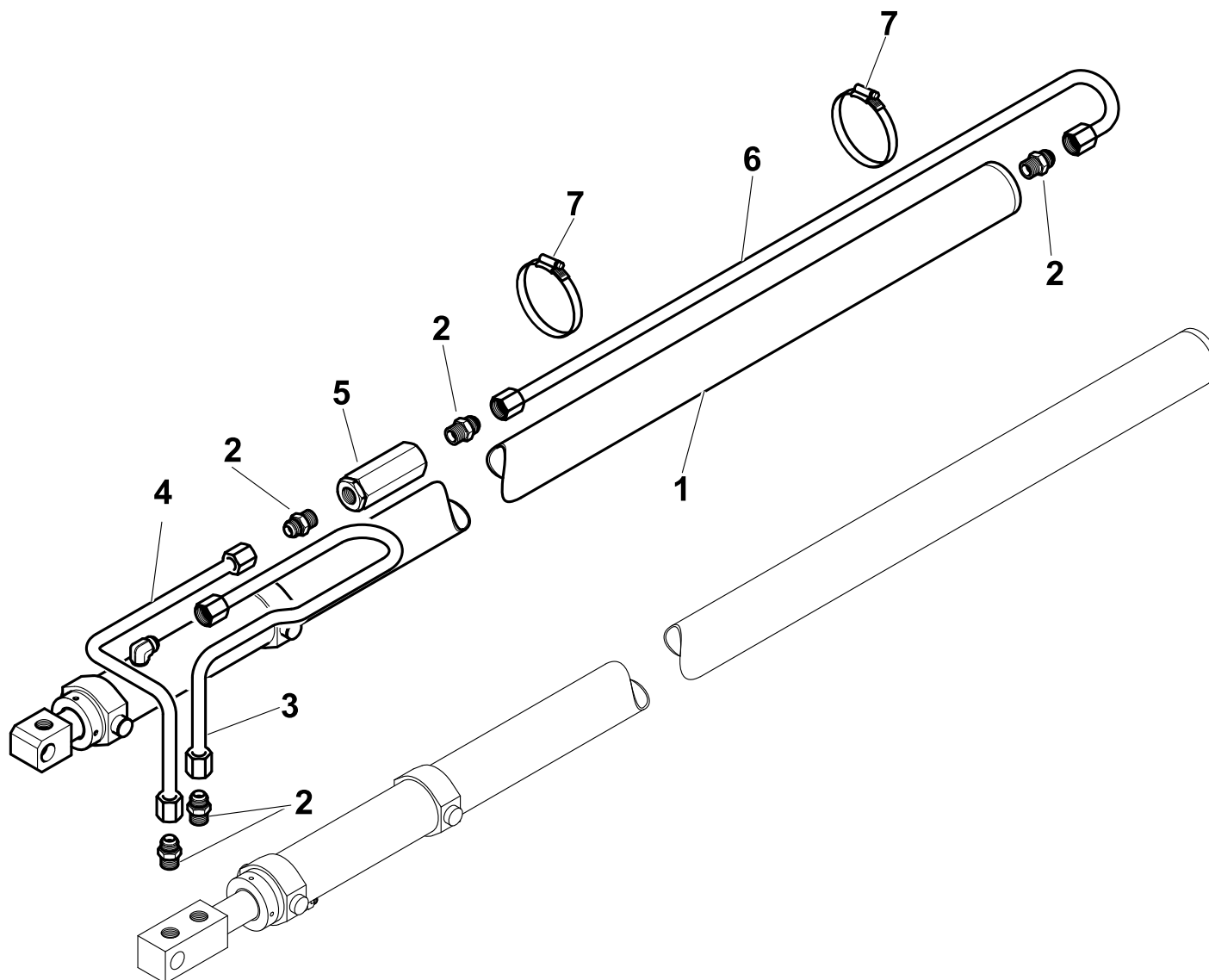
R	Pos.	Code Variant	Q.ty	Description
	1	5020400	1	Extension
	2	5150443	1	
	3	5000674	1	
	4	3060055	6	Split lock washer [D=8.4 C72 ZC]
	5	3010337	8	Hex screw [M8X16 8.8 ZC UNI 5739]
	6	5000771	2	Adjusting screw
	7	3040089	2	Lock nut
	8	3040519	4	Stopnut
	9	3060941	4	Grub screw
	10	5001105	4	
	11	5000685	4	Plate (Thickness)
	12	3060006	6	Flat washer [D.8 UNI 6592 ZC]
	13	5001087	4	Button (Control board)
	14	5140783	4	
	15	5140656	4	Button (Backlash)
	16	3060918	4	Tooth lock washer [D.8 TIPO A UNI8842 ZC]
	17	5141037	4	
	18	5001738	2	
	19	3060101	4	Tooth lock washer [D.6 TIPO A]
	20	3010324	4	Hex screw [M6X12 8.8 ZC UNI 5739]

HYDRAULIC SYSTEM (2nd extension hydraulic cylinder)

Code

6210243-1.0

1/1



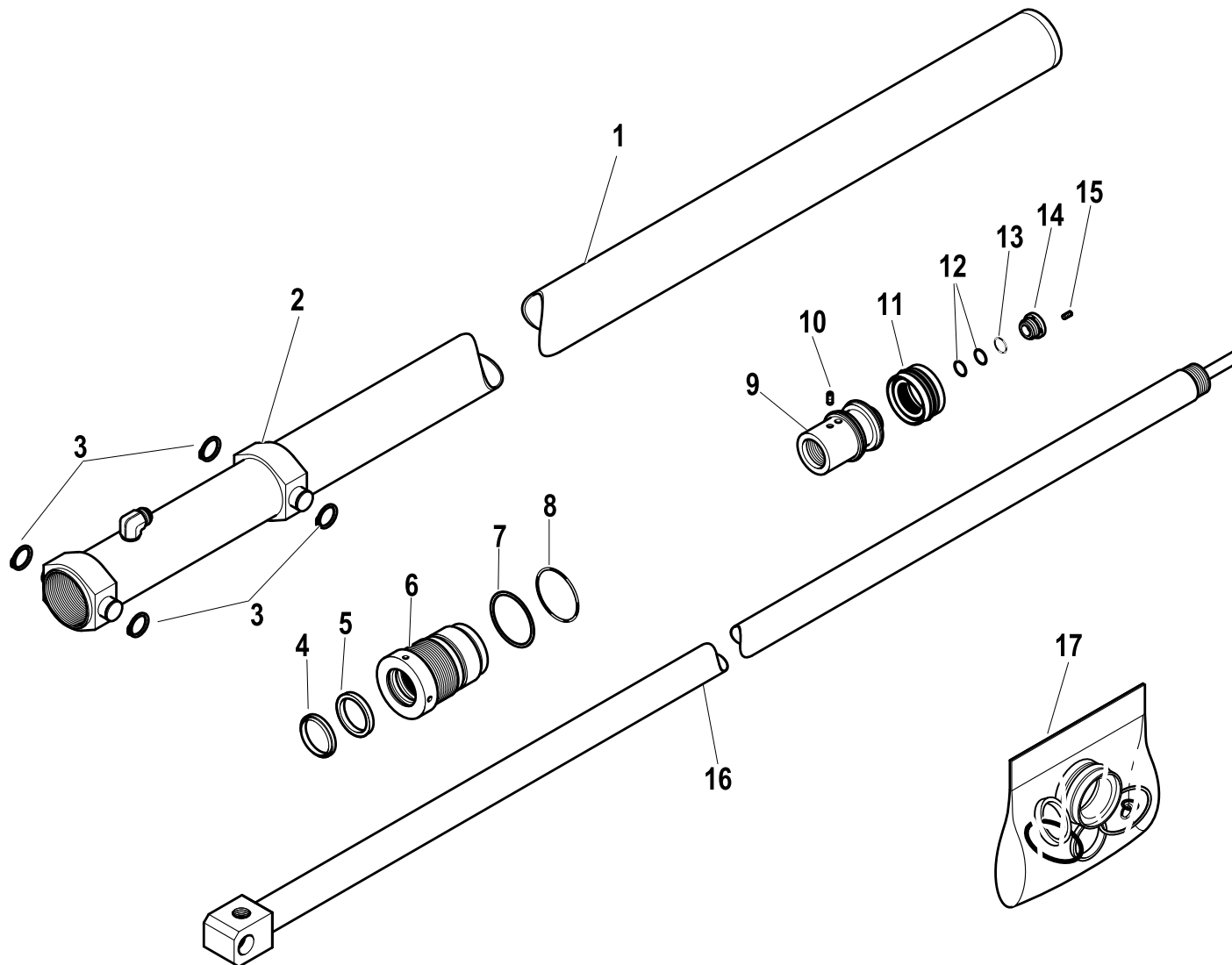
R	Pos.	Code Variant	Q.ty	Description
	1	6410243	1	
	2	3101051	5	Straight pipe fitting
	3	5391818	1	
	4	5391704	1	
	5	5220629	1	
	6	5391705	1	
	7	3190022	2	Clamp

2nd and 3rd extension hydraulic cylinder

Code

6410243-1.0

1/1



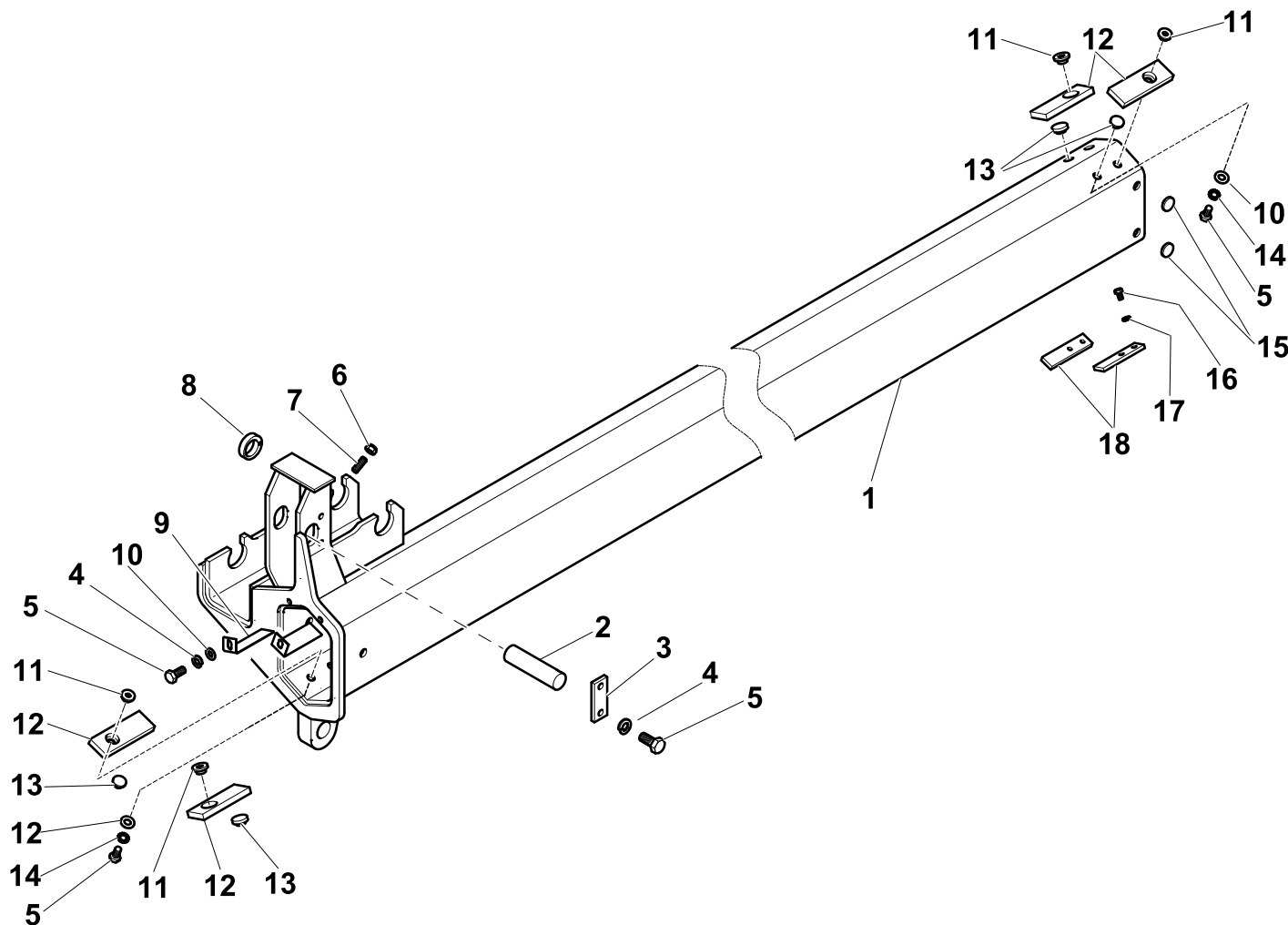
R	Pos.	Code Variant	Q.ty	Description
	1	6070459	1	
	2	5001106	1	
	3	3070150	4	Seeger
	4	3420018	1	
	5	3370137	1	
	6	6040254	1	
	7	3460126	1	
	8	3450126	1	
	9	6050290	1	
	10	3060232	1	Grub screw
	11	3400507	1	
	12	3460047	2	
	13	3450047	1	
	14	6040269	1	Ring nut
	15	3060248	1	Grub screw
	16	6030623	1	
	17	5550783	1	

3rd extension (JIB)

Code

5660002-1.0

1/1



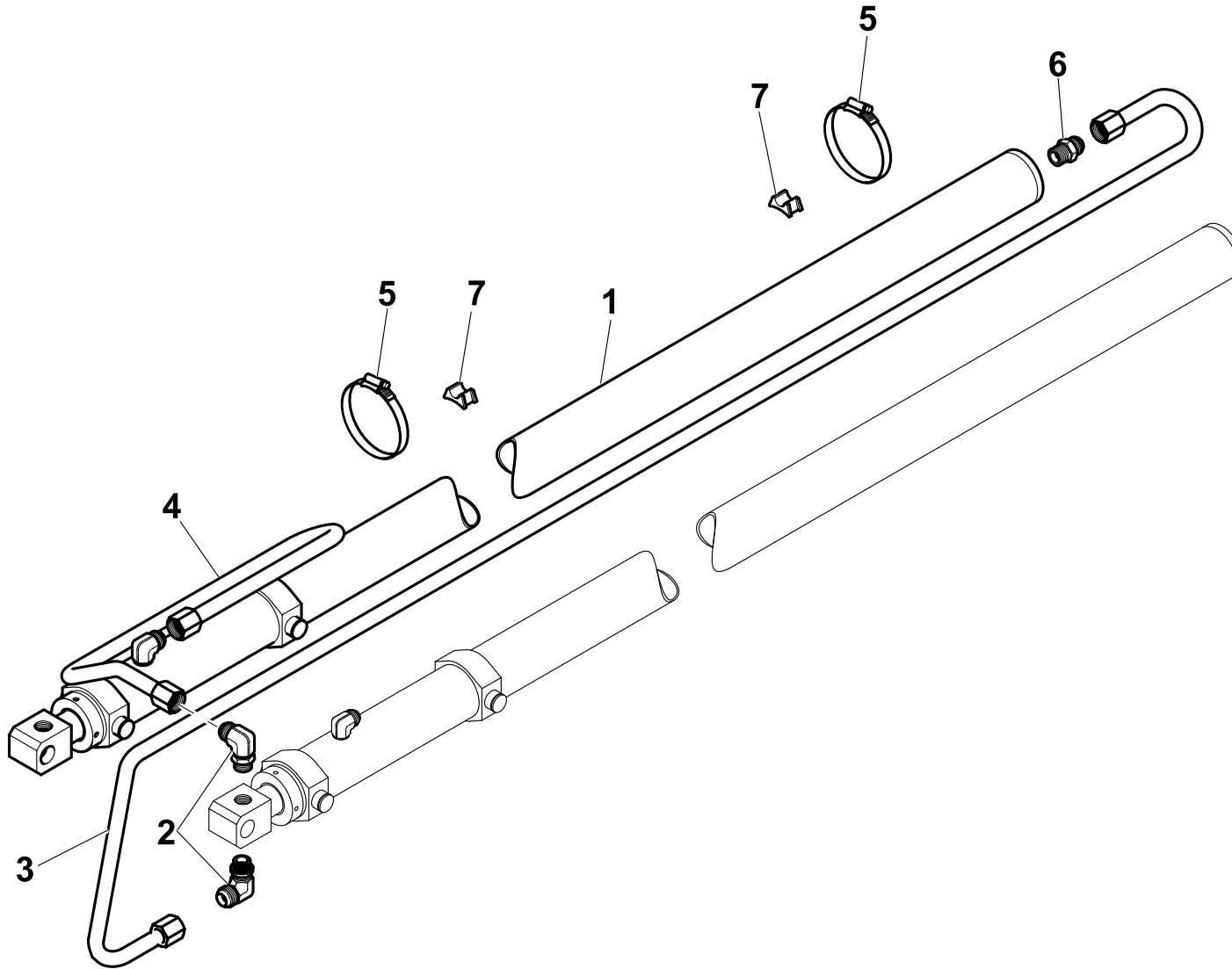
R	Pos.	Code Variant	Q.ty	Description
	1	5020401	1	Extension
	2	5150443	1	
	3	5000674	1	
	4	3060055	6	Split lock washer [D=8.4 C72 ZC]
	5	3010337	8	Hex screw [M8X16 8.8 ZC UNI 5739]
	6	3040519	4	Stopnut
	7	3060941	4	Grub screw
	8	5001105	4	
	9	5000685	4	Plate (Thickness)
	10	3060006	6	Flat washer [D.8 UNI 6592 ZC]
	11	5001087	4	Button (Control board)
	12	5140783	4	
	13	5140656	4	Button (Backlash)
	14	3060918	4	Tooth lock washer [D.8 TIPO A UNI8842 ZC]
	15	5141037	4	
	16	3010324	4	Hex screw [M6X12 8.8 ZC UNI 5739]
	17	3060101	4	Tooth lock washer [D.6 TIPO A]
	18	5001738	2	

3rd extension Hydraulic jack (Hydraulic system)

Code

6210244-1.0

1/1



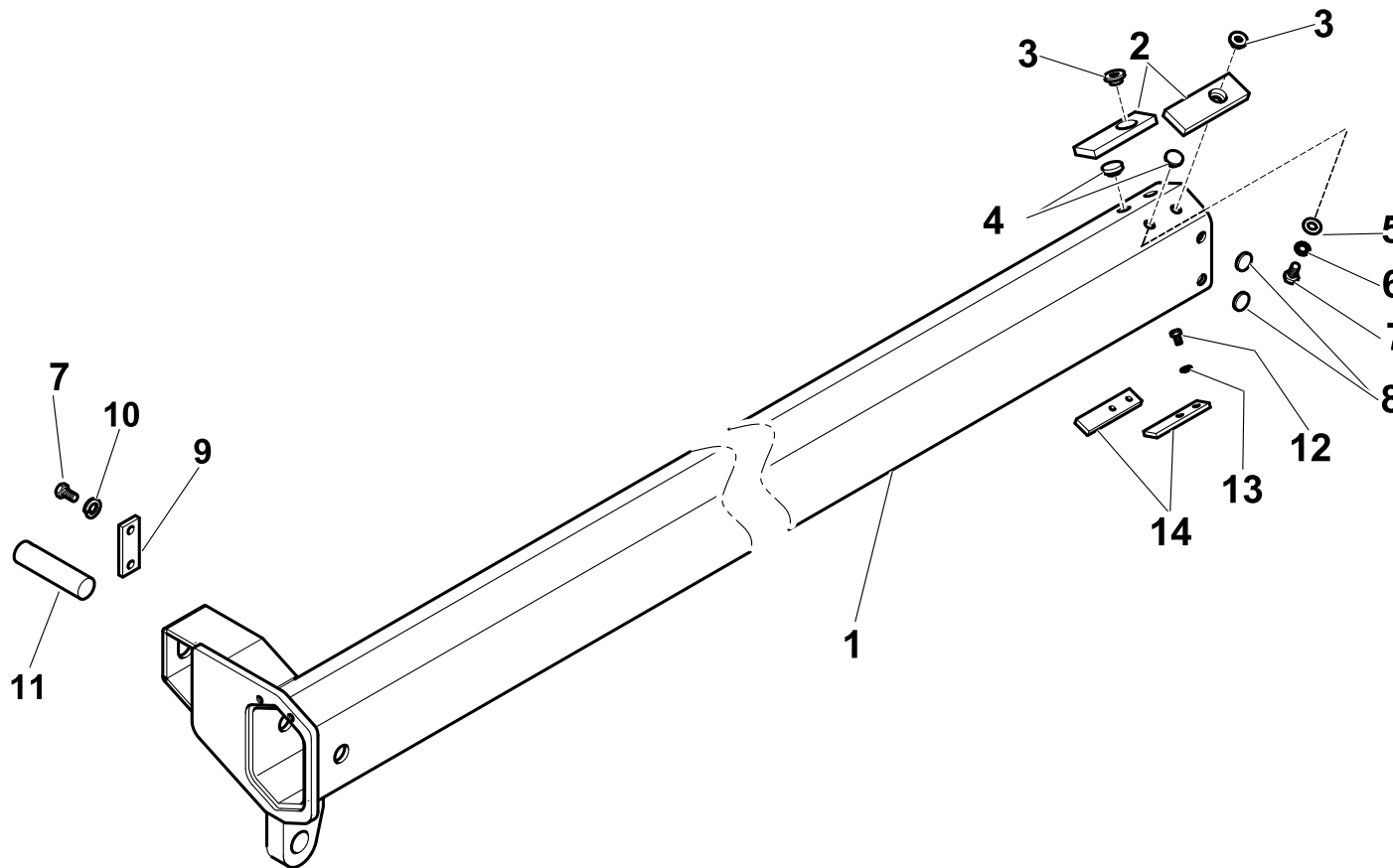
R	Pos.	Code Variant	Q.ty	Description
	1	6410243	1	
	2	3101131	2	90° Connection
	3	5391707	1	
	4	5391706	1	
	5	3190022	2	Clamp
	6	3101051	1	Straight pipe fitting
	7	5140133	2	Piping mounting

4th extension (JIB)

Code

5560013-1.0

1/1



R	Pos.	Code Variant	Q.ty	Description
	1	5020402	1	Extension
	2	5140783	2	
	3	5001087	2	Button (Control board)
	4	5140656	2	Button (Backlash)
	5	3060006	2	Flat washer [D.8 UNI 6592 ZC]
	6	3060918	2	Tooth lock washer [D.8 TIPO A UNI8842 ZC]
	7	3010337	2	Hex screw [M8X16 8.8 ZC UNI 5739]
	8	5141037	4	
	9	5000674	1	
	10	3060055	2	Split lock washer [D=8.4 C72 ZC]
	11	5150443	1	
	12	3010324	4	Hex screw [M6X12 8.8 ZC UNI 5739]
	13	3060101	4	Tooth lock washer [D.6 TIPO A]
	14	5001738	2	

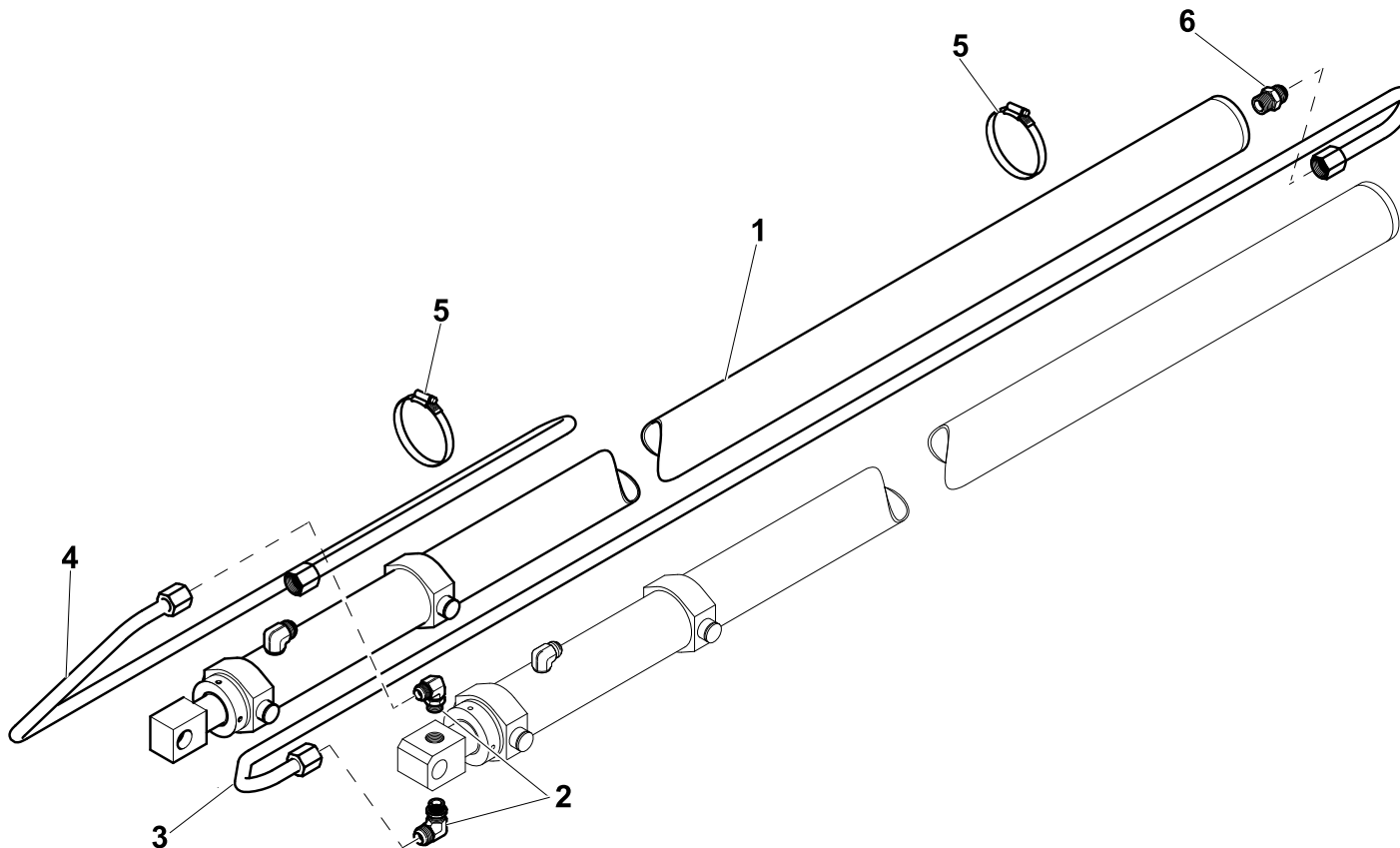
4th extension Hydraulic jack (Hydraulic system)

Code

6210245-1.0

1/1

R	Pos.	Code Variant	Q.ty	Description
	1	6410245	1	
	2	3101131	2	90° Connection
	3	5391709	1	
	4	5391708	1	
	5	3190022	2	Clamp
	6	3101051	1	Straight pipe fitting

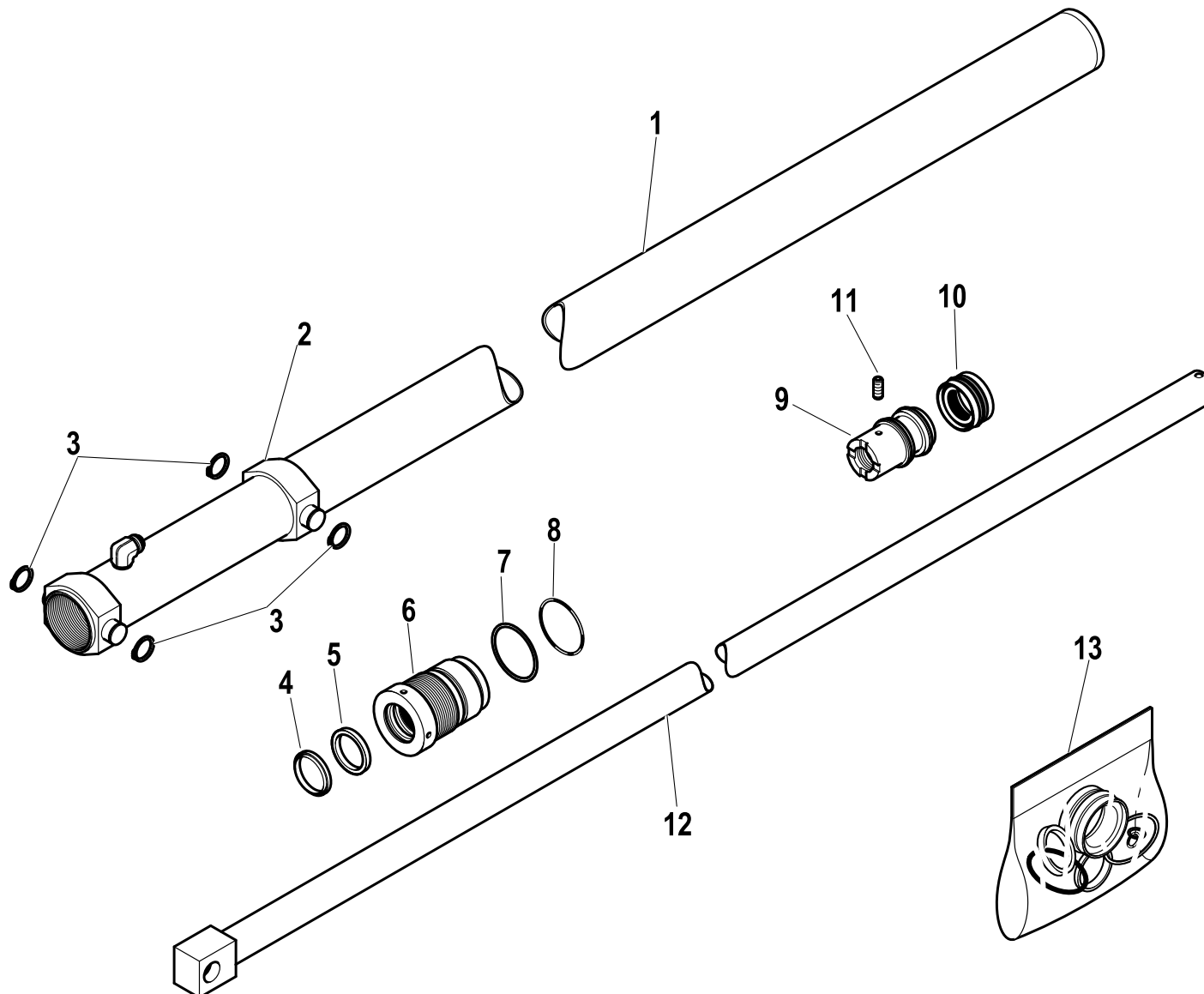


4th extension Hydraulic jack

Code

6410245-1.0

1/1



R	Pos.	Code Variant	Q.ty	Description
	1	6070460	1	
	2	5001106	1	
	3	3070150	4	Seeger
	4	3420015	1	
	5	3370138	1	
	6	6040270	1	
	7	3460126	1	
	8	3450126	1	
	9	6050289	1	
	10	3400507	1	
	11	3060232	1	Grub screw
	12	6030618	1	
	13	5550784	1	

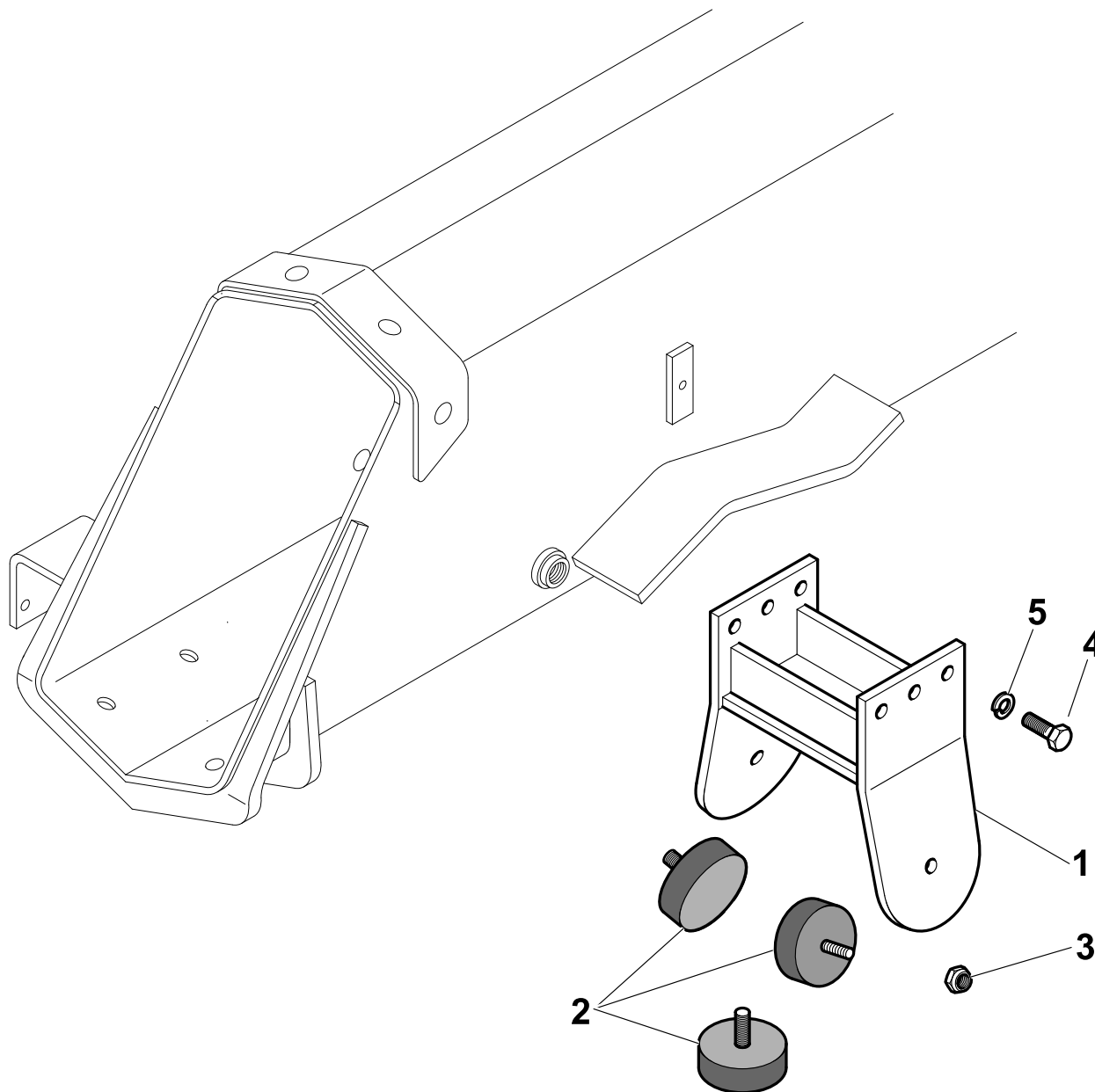
Support (Articulated extension)

Code

5400328-1.0

1/1

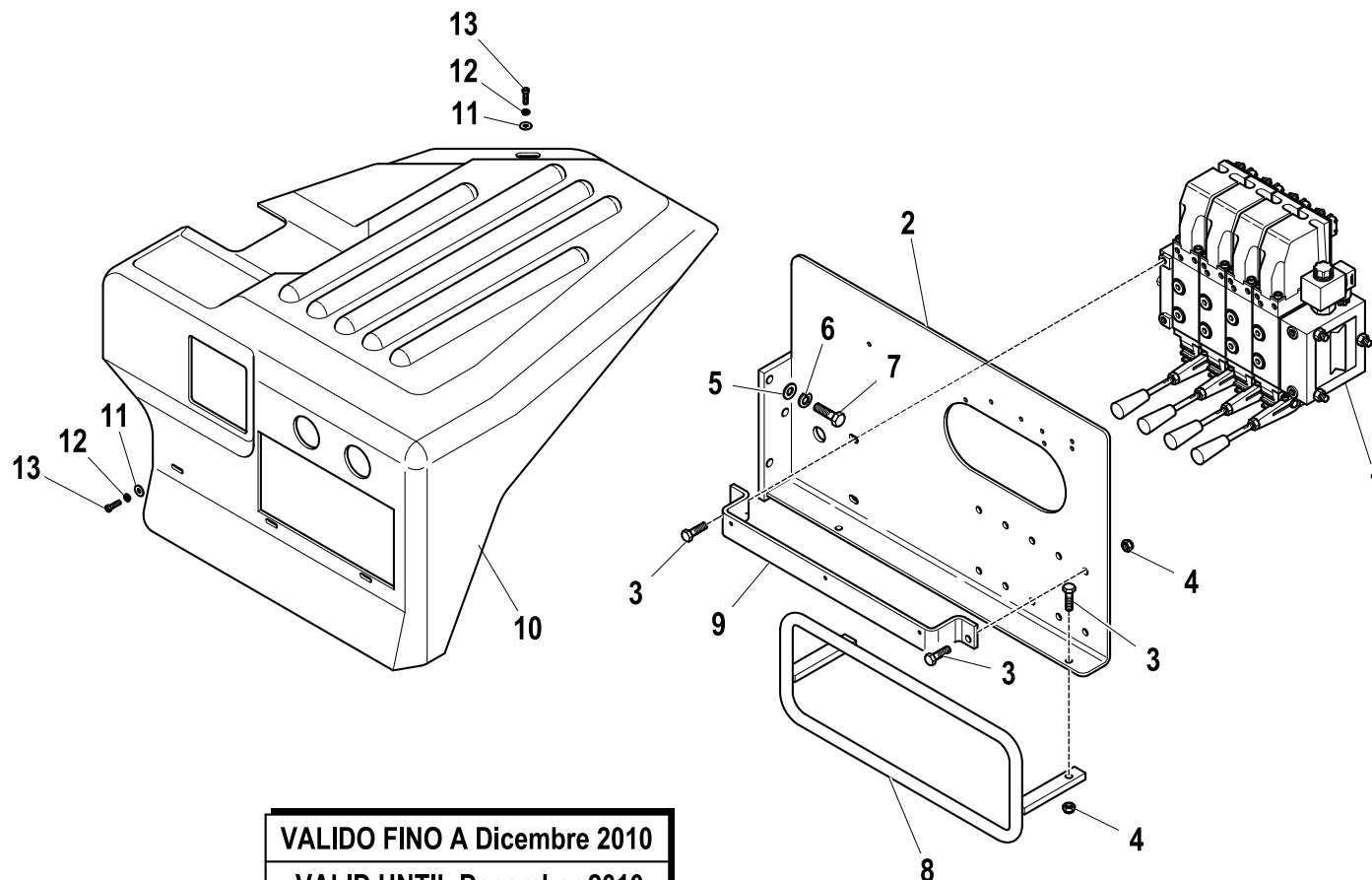
R	Pos.	Code Variant	Q.ty	Description
	1	5090655	1	
	2	3190100	3	
	3	3040305	3	Stopnut
	4	3010394	6	Hex screw [M12X35 8.8 ZC UNI 5739]
	5	3060057	6	Split lock washer [D=12 C72 ZC]







HC331-HC361 X



R	Pos.	Code Variant	Q.ty	Description
	1	5220373	1	
	2	5091071	1	
	3	3010339	6	Hex screw [M8X25 8.8 ZC IF UNI 5739]
	4	3040303	2	Stopnut
	5	3060914	3	Flat washer [D.10.5X21X2 UNI 6592 ZC]
	6	3060056	3	Split lock washer [D=10 C72 ZC]
	7	3010355	3	Hex screw [M10X25 8.8 ZC IF UNI 5739]
	8	5090636	1	
	9	5001780	1	
	10	5091076	1	
	11	3060004	4	Flat washer [D.5 UNI 6592 ZC]
	12	3060052	4	Split lock washer [D=5.5 C72 ZC]
	13	3020023	4	Socket head cap screw [M5X16 8.8 ZC UNI 5931]

VALIDO FINO A Dicembre 2010

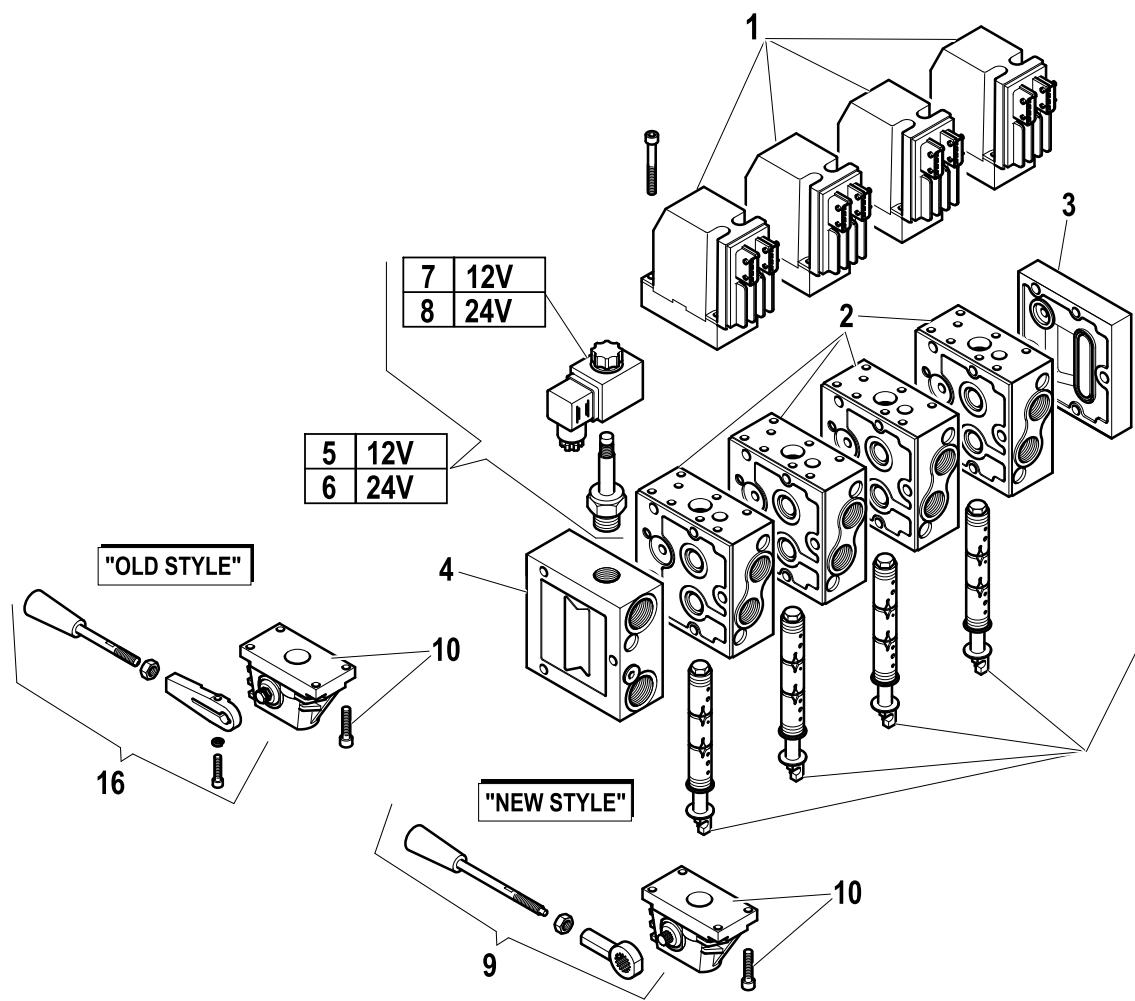
VALID UNTIL December 2010

Control valve (4 section)

Code

5220373-1.0

1/1



	11
	12
	13
	14
	13
	14
	15
	15
	13

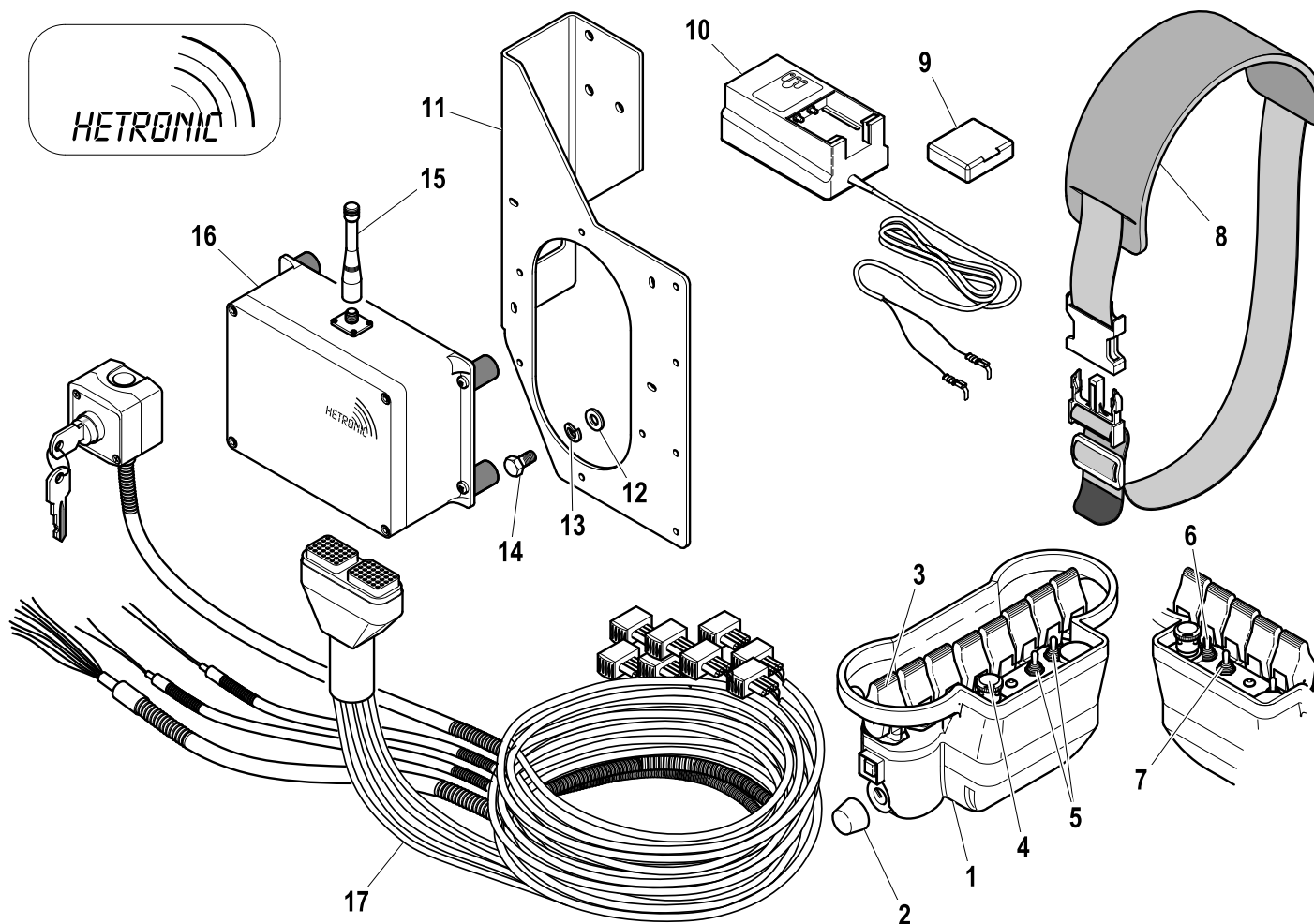
R	Pos.	Code Variant	Q.ty	Description
	1	5225534	4	Electric control ()
	2	5225398	4	Form (PVB DISTR. DANFOSS 157B6203)
	3	5225512	1	
	4	5225511	1	
	5	5225533	1	
	6	5225510	1	
	7	3310238	1	
	8	3310242	1	
	9	5225859	4	lever kit new PVG32 11046724
	10	WDNF157B3 173	4	
	11	5225558	1	Slider (PVG32 157B7131)
	12	5225536	1	Slider (PVG32 157B7472)
	13	5225368	1	Slider (PVG32 157B7122)
	14	5225340	1	Slider (PVG32 CA A40-B100 157B9505)
	15	5225508	1	Slider (PVG32 157B7022)
	16	5225858	4	

Wireless control kit

Code

7892112-1.0

1/1



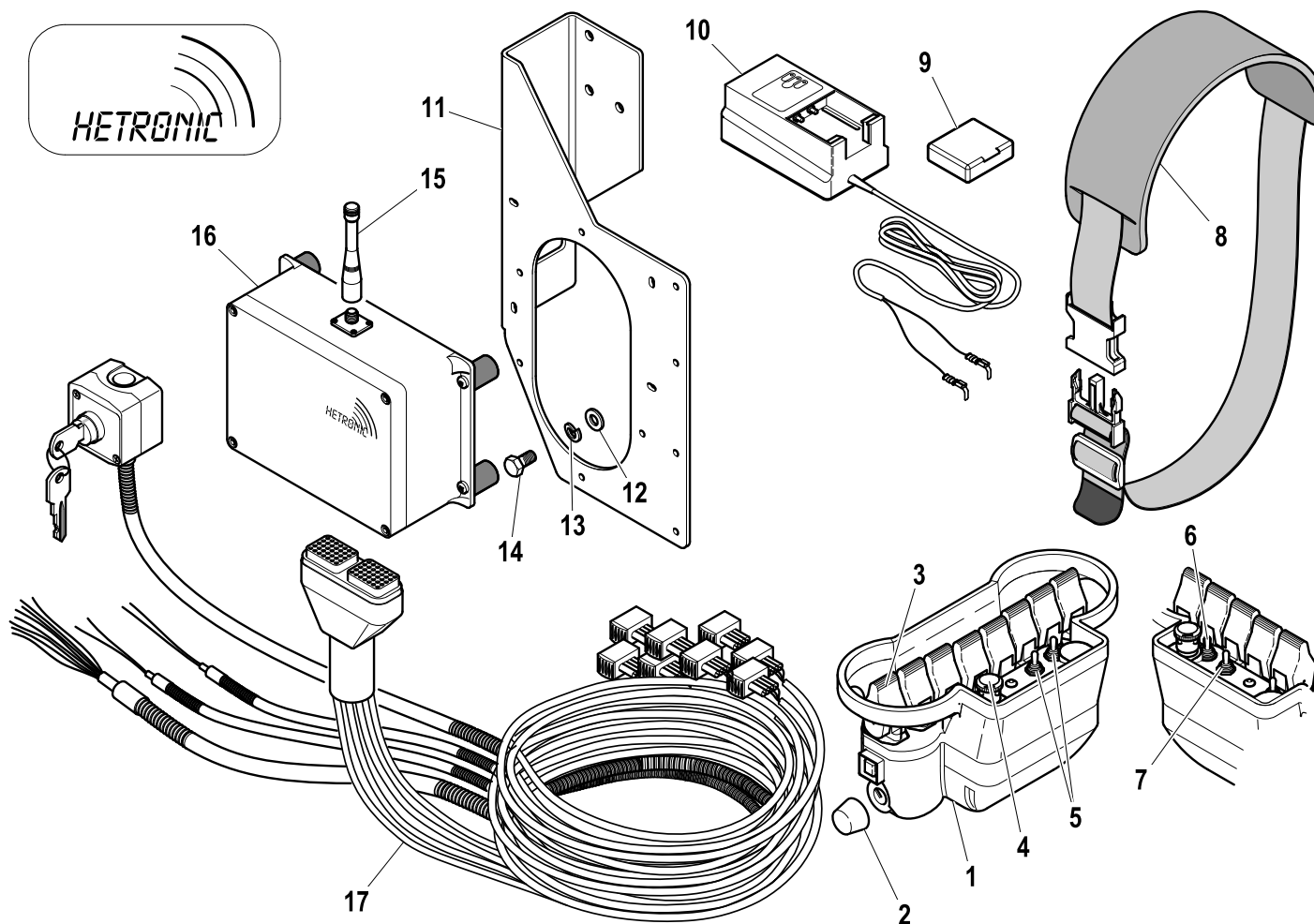
R	Pos.	Code Variant	Q.ty	Description
	1	3310772	1	
	2	3310795	1	
	3	3310796	8	
	4	3310788	1	
	5	3310786	2	
	6	3310785	1	
	7	3311029	1	
	8	3310799	1	
	9	3310641	2	
	10	3310797	1	
	11	5001730	1	
	12	3060914	3	Flat washer [D.10.5X21X2 UNI 6592 ZC]
	13	3060056	3	Split lock washer [D=10 C72 ZC]
	14	3010349	3	Hex screw [M10X20 10.9 ZC UNI 5739]
	15	3310775	1	
	16	3310771	1	
	17	3310912	1	

Wireless control kit

Code

7892113-1.0

1/1



R	Pos.	Code Variant	Q.ty	Description
	1	3310808	1	
	2	3310795	1	
	3	3310796	8	
	4	3310788	1	
	5	3310786	2	
	6	3310785	1	
	7	3311029	1	
	8	3310799	1	
	9	3310641	2	
	10	3310797	1	
	11	5001730	1	
	12	3060914	3	Flat washer [D.10.5X21X2 UNI 6592 ZC]
	13	3060056	3	Split lock washer [D=10 C72 ZC]
	14	3010349	3	Hex screw [M10X20 10.9 ZC UNI 5739]
	15	3310775	1	
	16	3310807	1	
	17	3310912	1	

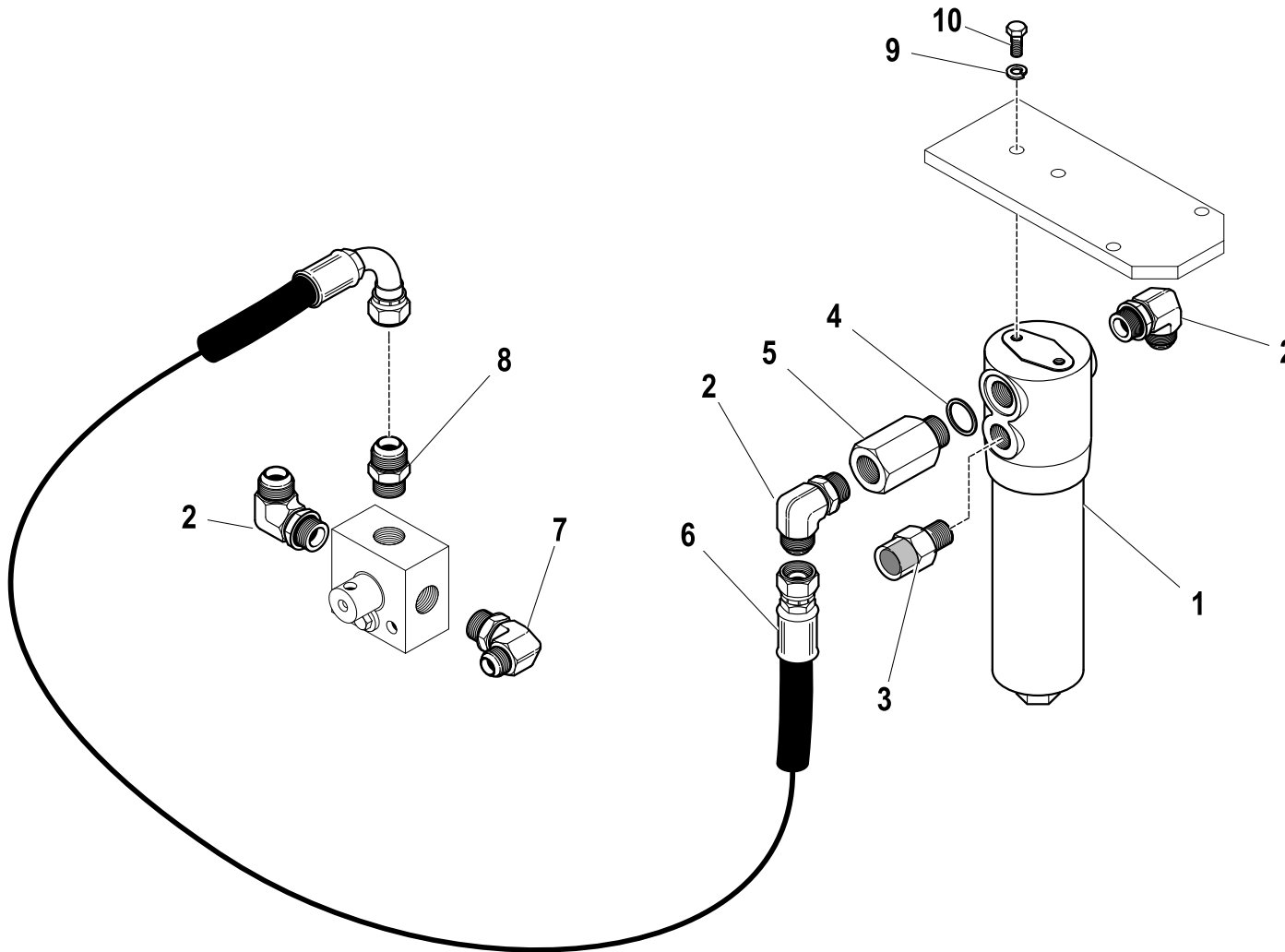
High pressure filter (Hydraulic system)

Code

5400730-1.0

1/1

R	Pos.	Code Variant	Q.ty	Description
	1	3180159	1	Oil filter
	2	3101133	3	90° Connection
	3	3180192	1	
	4	3060146	1	Sealing washer [BSP 3/4"]
	5	3111525	1	Straight pipe fitting
	6	5290149	1	
	7	3101134	1	90° Connection
	8	3101056	1	Straight pipe fitting
	9	3060055	2	Split lock washer [D=8.4 C72 ZC]
	10	3010027	2	Hex screw [M8X20 8.8 ZC IF UNI 5739]

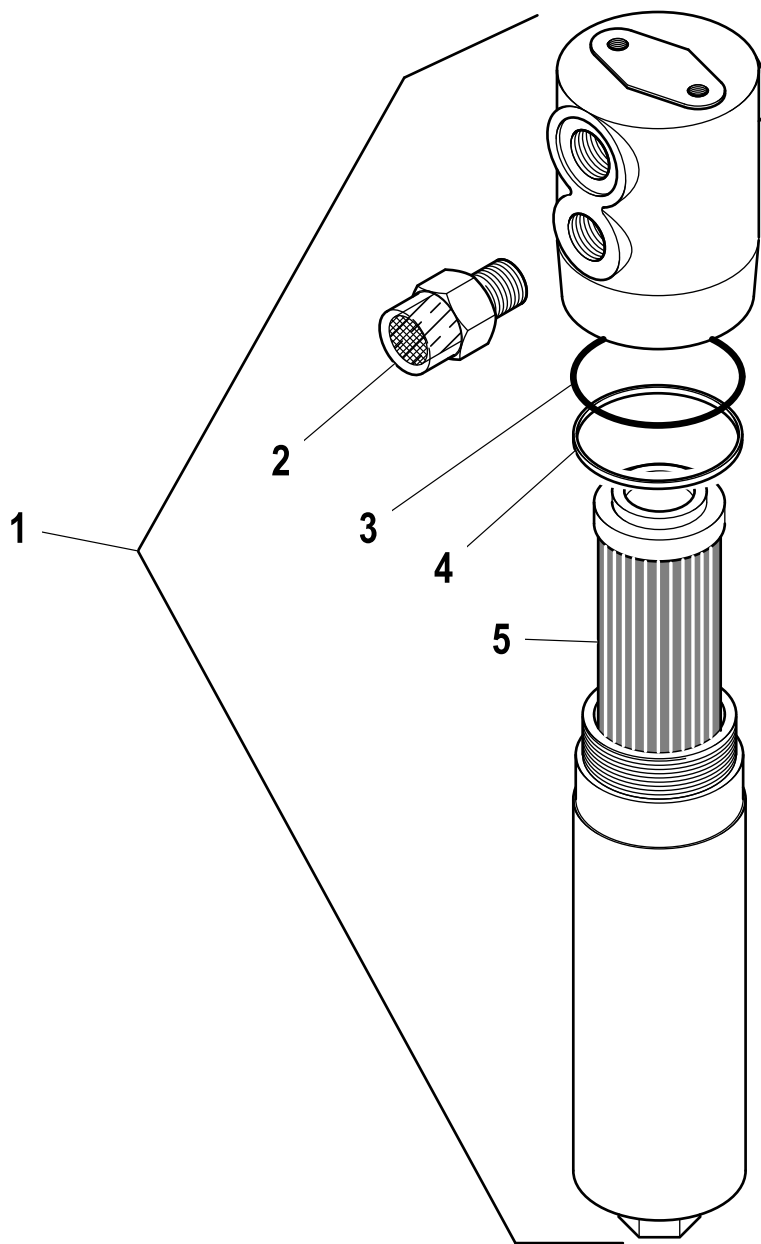


High pressure filter

Code

3180159-1.0

1/1



R	Pos.	Code Variant	Q.ty	Description
	1	3180159	1	Oil filter
	2	3180192	1	
	3	3450080	1	
	4	3460080	1	
	5	3180160	1	Filtering cartridge





HC331-HC361 TCU

CONTROLS (X TCU)

Code

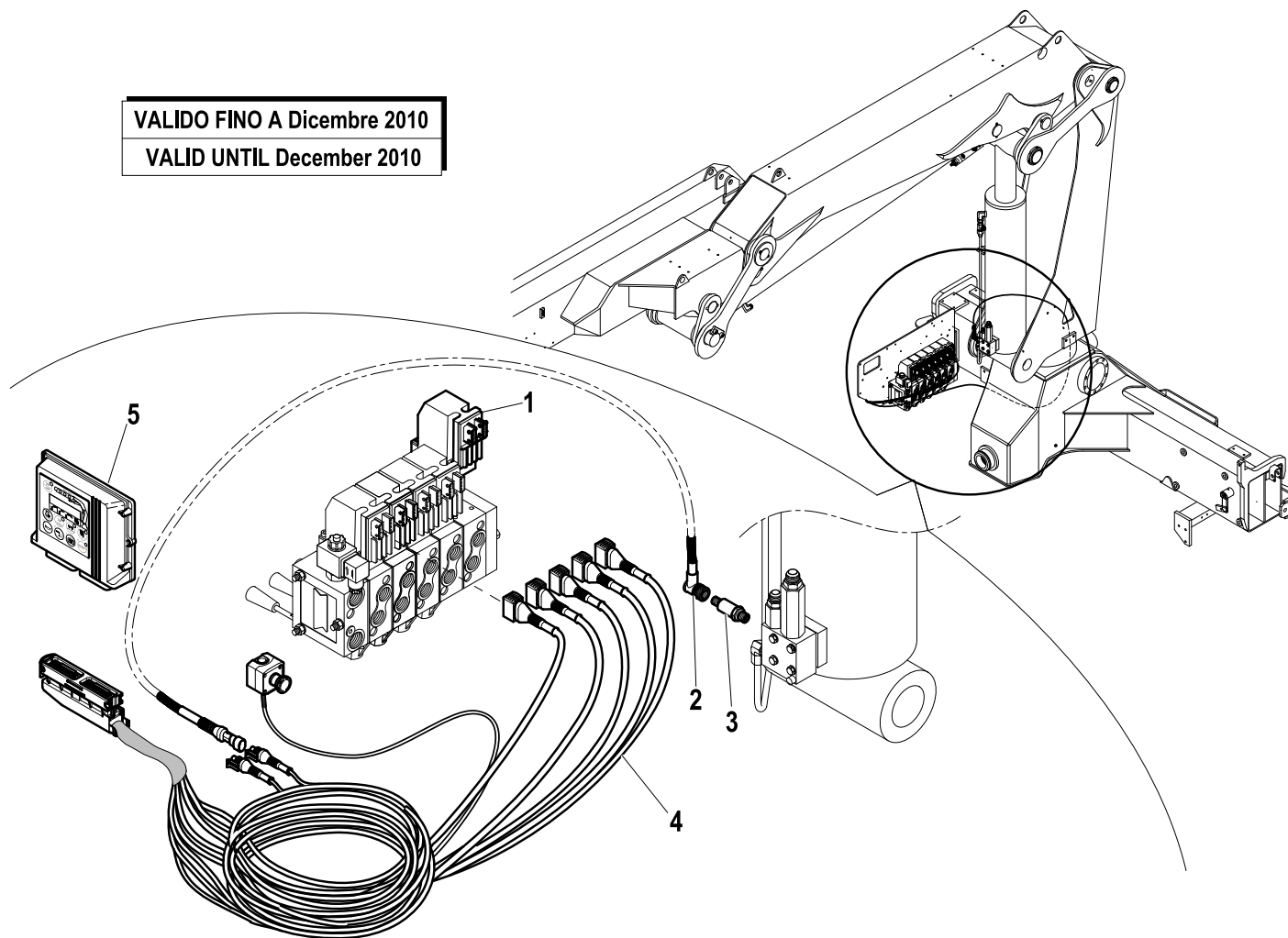
5400512-1.0

1/1

VALIDO FINO A Dicembre 2010

VALID UNTIL December 2010

R	Pos.	Code Variant	Q.ty	Description
	1	5225534	5	Electric control ()
	2	5160001	1	Electric wiring
	3	3310612	1	Pressure sensor
	4	5160049	1	
	5	3311088	1	

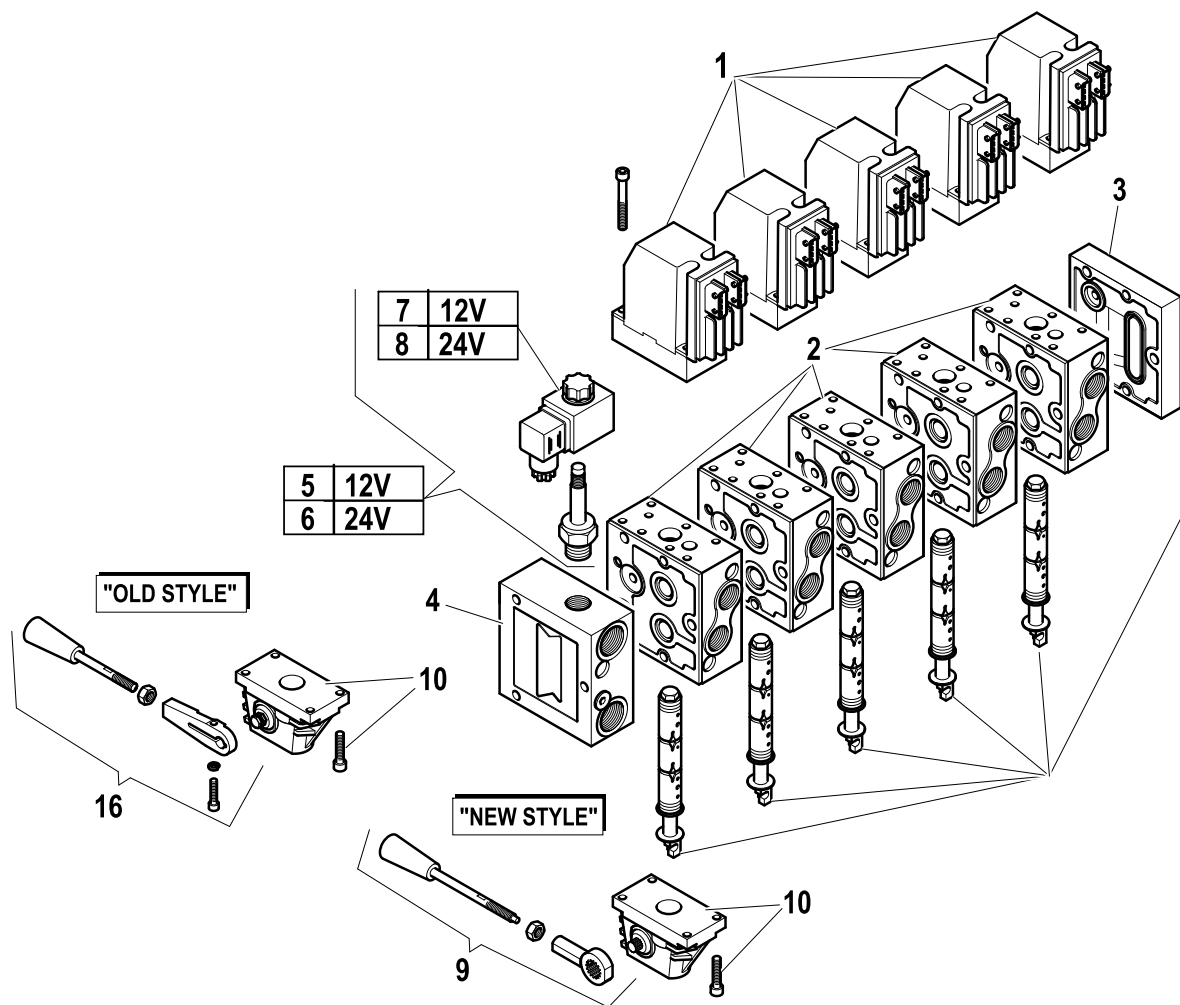


Control valve (5 section)

Code

5220372-1.0

1/1



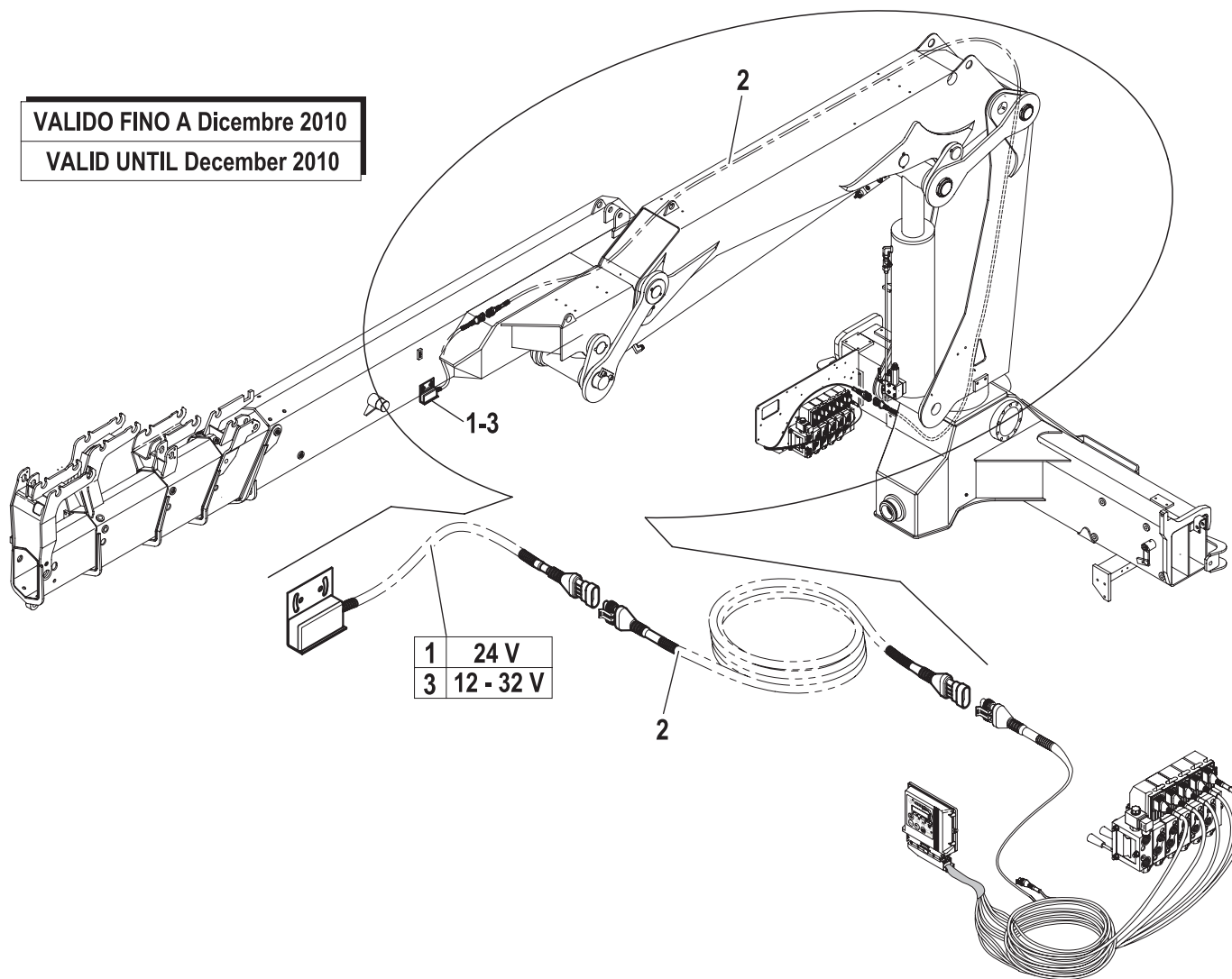
	11
	12
	13
	14
	13
	13
	14
	15
	15
	13

R	Pos.	Code Variant	Q.ty	Description
	1	5225534	5	Electric control ()
	2	5225398	5	Form (PVB DISTR. DANFOSS 157B6203)
	3	5225512	1	
	4	5225511	1	
	5	5225533	1	
	6	5225510	1	
	7	3310238	1	
	8	3310242	1	
	9	5225859	5	lever kit new PVG32 11046724
	10	WDNF157B3 173	5	
	11	5225558	1	Slider (PVG32 157B7131)
	12	5225536	1	Slider (PVG32 157B7472)
	13	5225368	1	Slider (PVG32 157B7122)
	14	5225340	1	Slider (PVG32 CA A40-B100 157B9505)
	15	5225508	1	Slider (PVG32 157B7022)
	16	5225858	5	

R	Pos.	Code Variant	Q.ty	Description
	1	3310541	1	Tiltmeter
	2	5160002	1	Electric wiring
	3	3310723	1	Tiltmeter

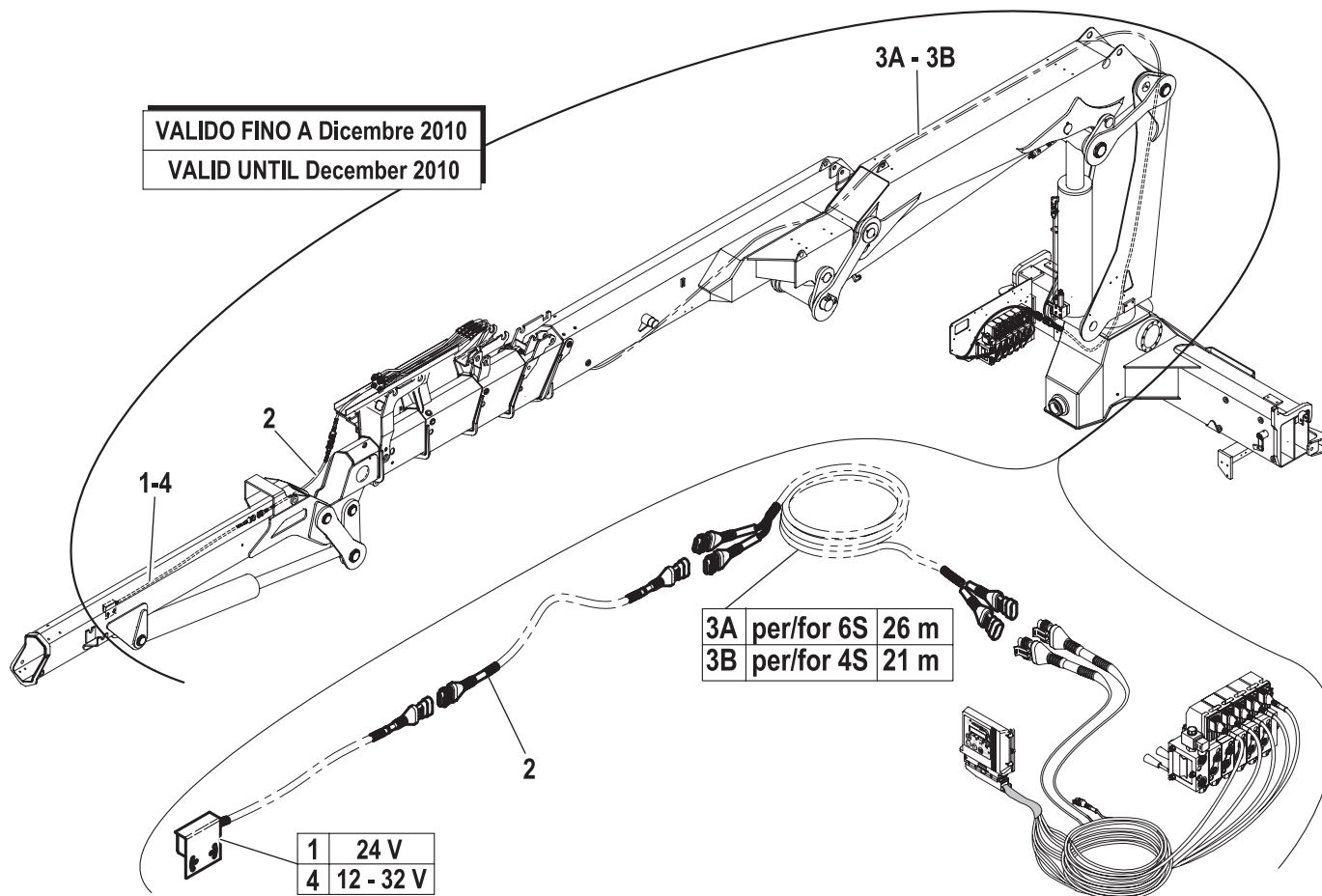
VALIDO FINO A Dicembre 2010

VALID UNTIL December 2010



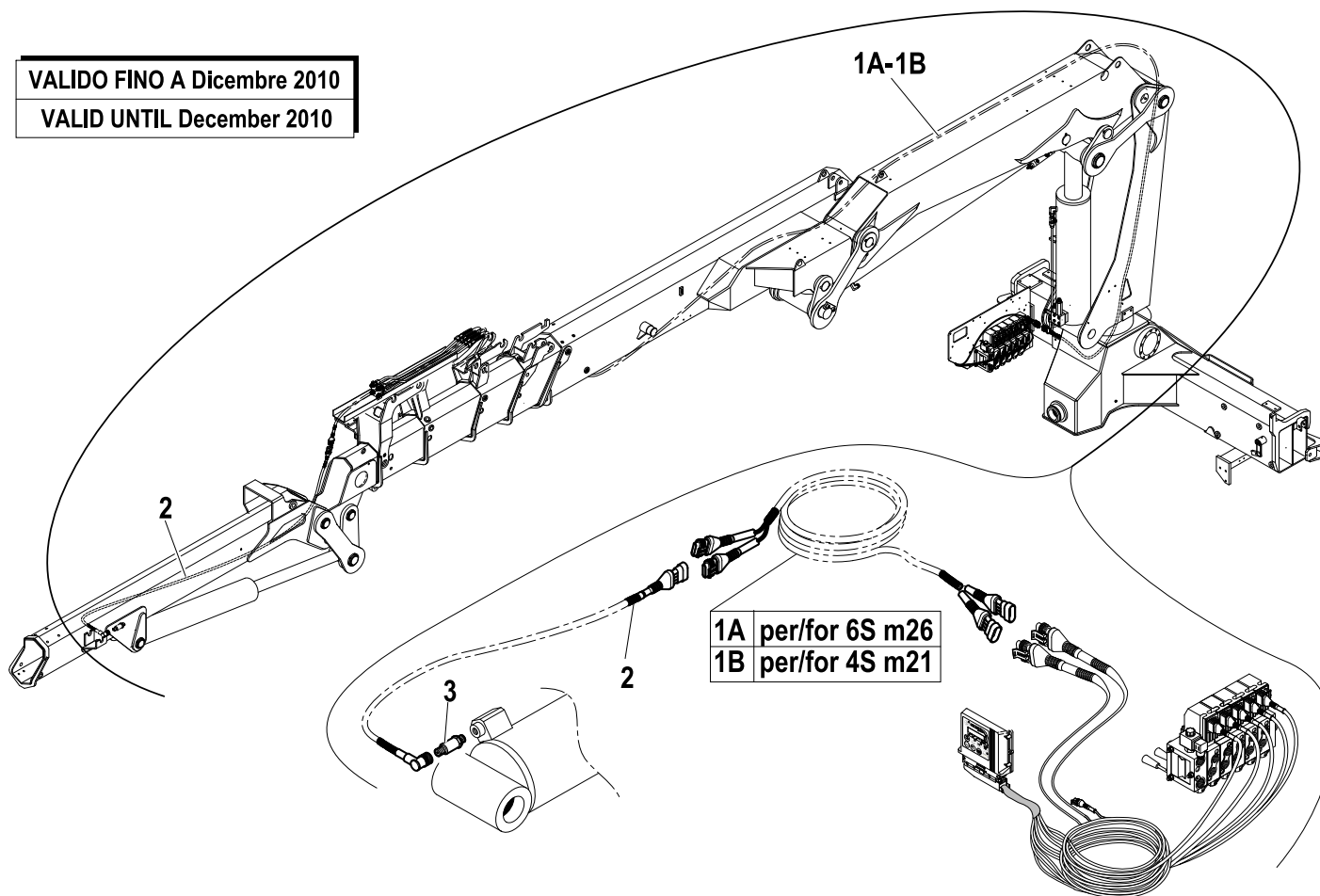
R	Pos.	Code Variant	Q.ty	Description
	1	3310541	1	Tiltmeter
	2	5160016	1	Electric wiring
	3A	5160015	1	Electric wiring
	3B	5160019	1	Electric wiring
	4	3310723	1	Tiltmeter

VALIDO FINO A Dicembre 2010
VALID UNTIL December 2010



VALIDO FINO A Dicembre 2010
VALID UNTIL December 2010

R	Pos.	Code Variant	Q.ty	Description
	1A	5160015	1	Electric wiring
	1B	5160019	1	Electric wiring
	2	5160001	1	Electric wiring
	3	3310612	1	Pressure sensor

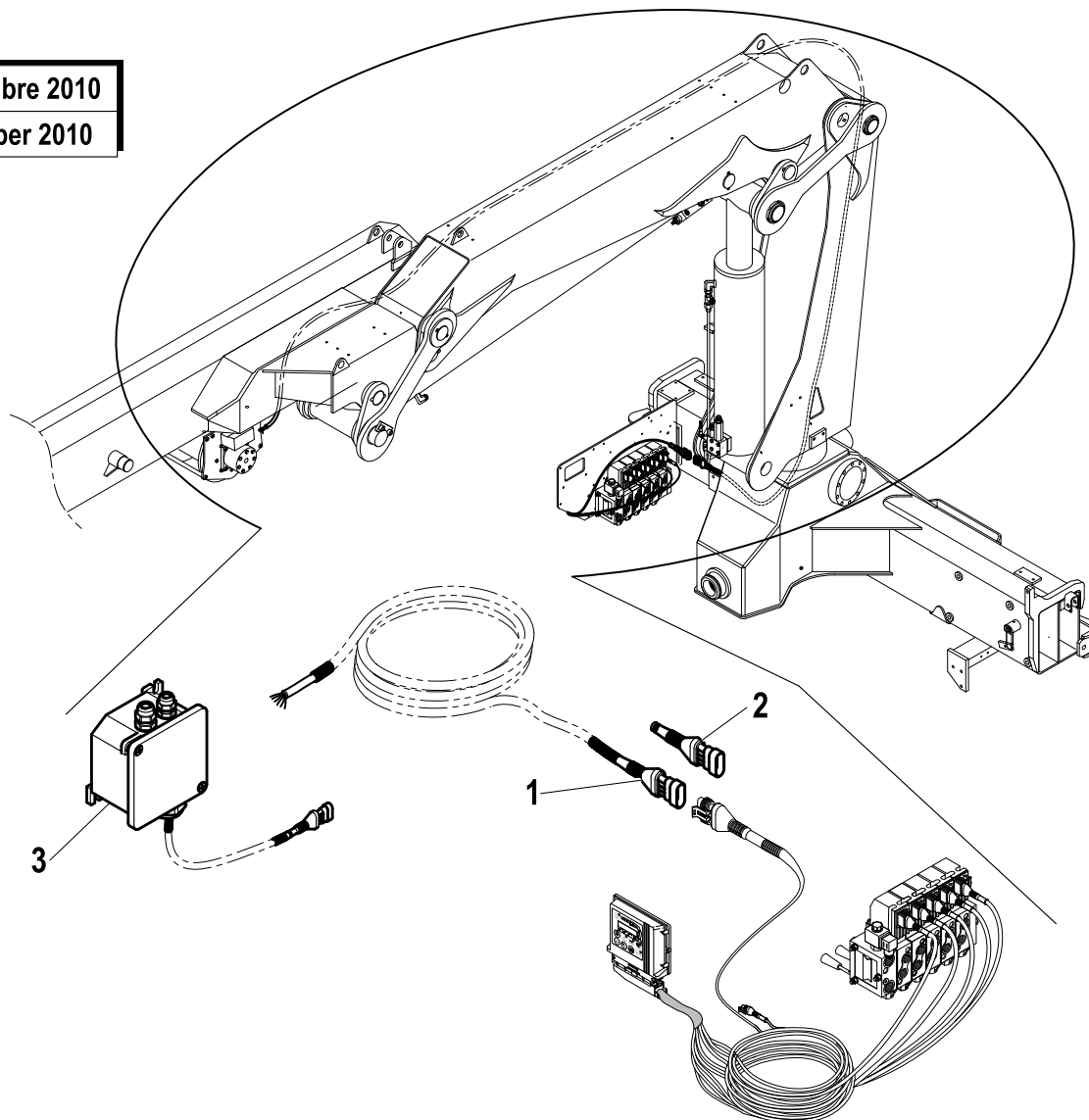


1A per/for 6S m26
1B per/for 4S m21

VALIDO FINO A Dicembre 2010

VALID UNTIL December 2010

R	Pos.	Code Variant	Q.ty	Description
	1	5160004	1	
	2	5160013	1	
	3	3310663	1	



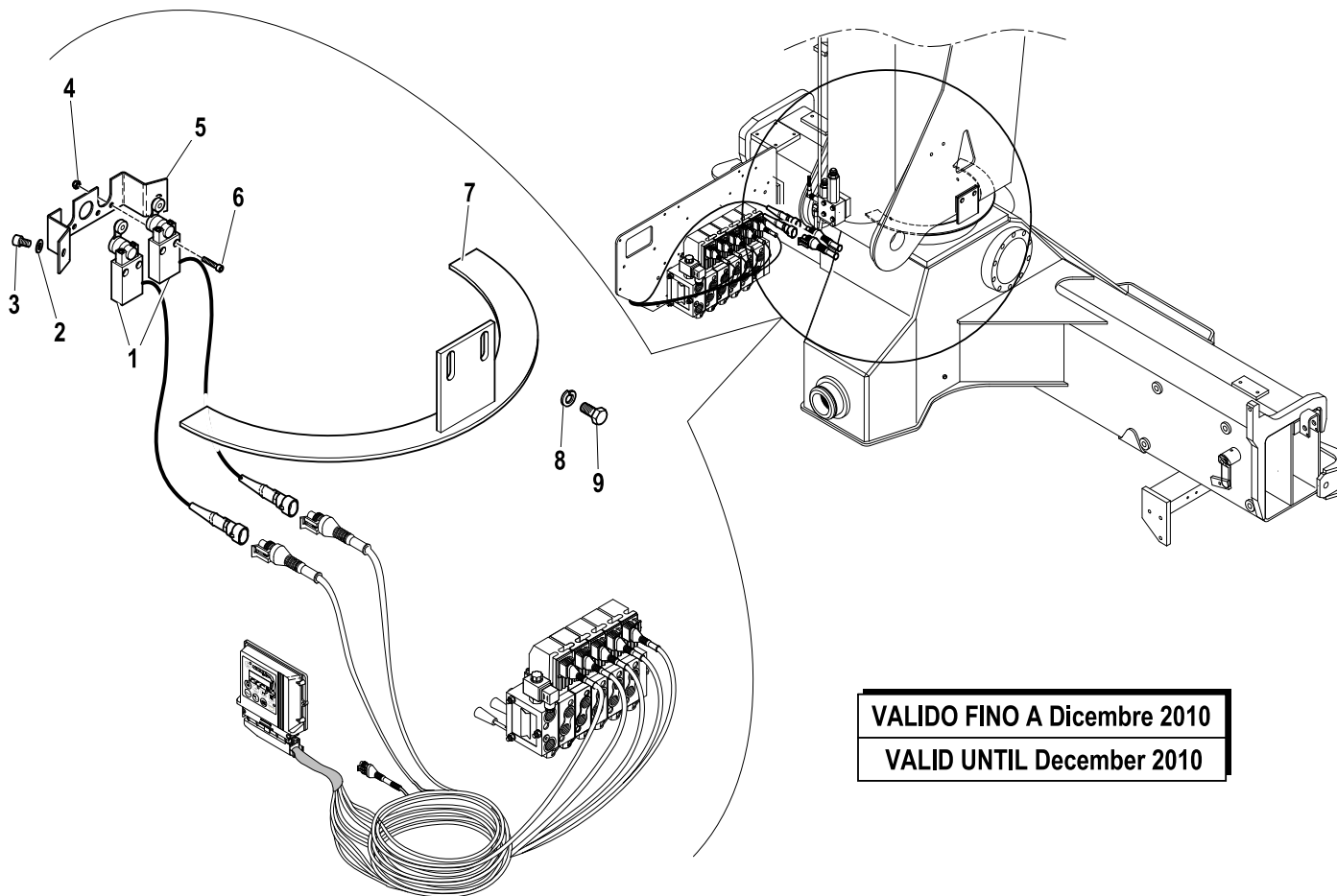
CONTROLS

Code

5400723-7.0

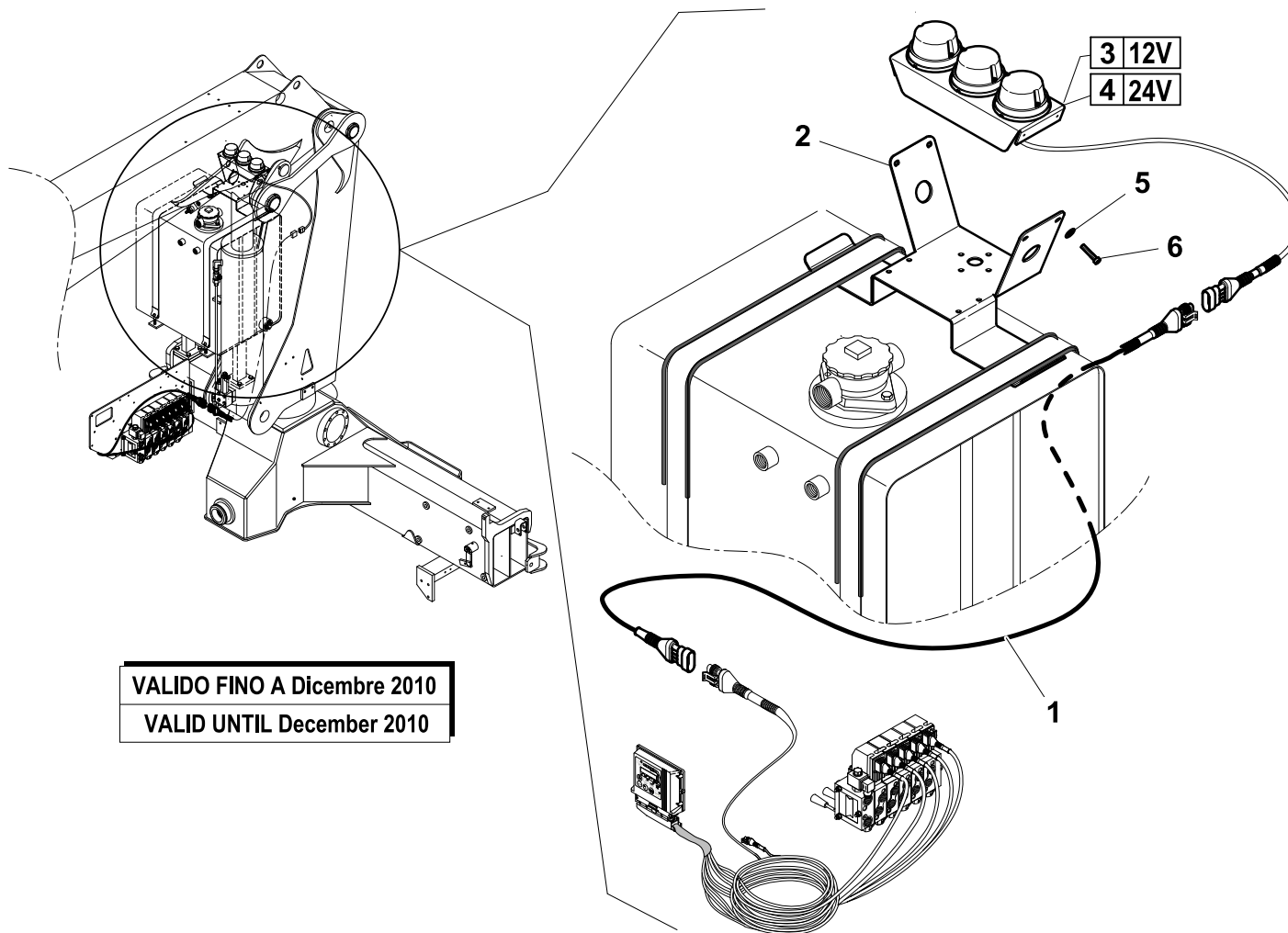
1/1

R	Pos.	Code Variant	Q.ty	Description
	1	5160009	2	
	2	3060005	2	Flat washer [D.6.4 UNI 6592 ZC]
	3	3020033	2	Socket head cap screw [M6X10 8.8 ZC UNI 5931]
	4	3040392	4	Stopnut
	5	W610504600	1	
	6	3020024	2	Socket head cap screw [M5X35 8.8 ZC UNI 5931]
	7	5001777	1	
	8	3060056	2	Split lock washer [D=10 C72 ZC]
	9	3010353	2	Hex screw [M10X16 8.8 ZC UNI 5739]



VALIDO FINO A Dicembre 2010
VALID UNTIL December 2010

R	Pos.	Code Variant	Q.ty	Description
	1	5160003	1	Electric wiring
	2	5001657	1	
	3	3310819	1	
	4	3310809	1	
	5	3060003	4	Flat washer [D.4 UNI 6592 ZC]
	6	3020885	4	Socket head cap screw [M4X20 8.8 ZC UNI 5931]



VALIDO FINO A Dicembre 2010

VALID UNTIL December 2010

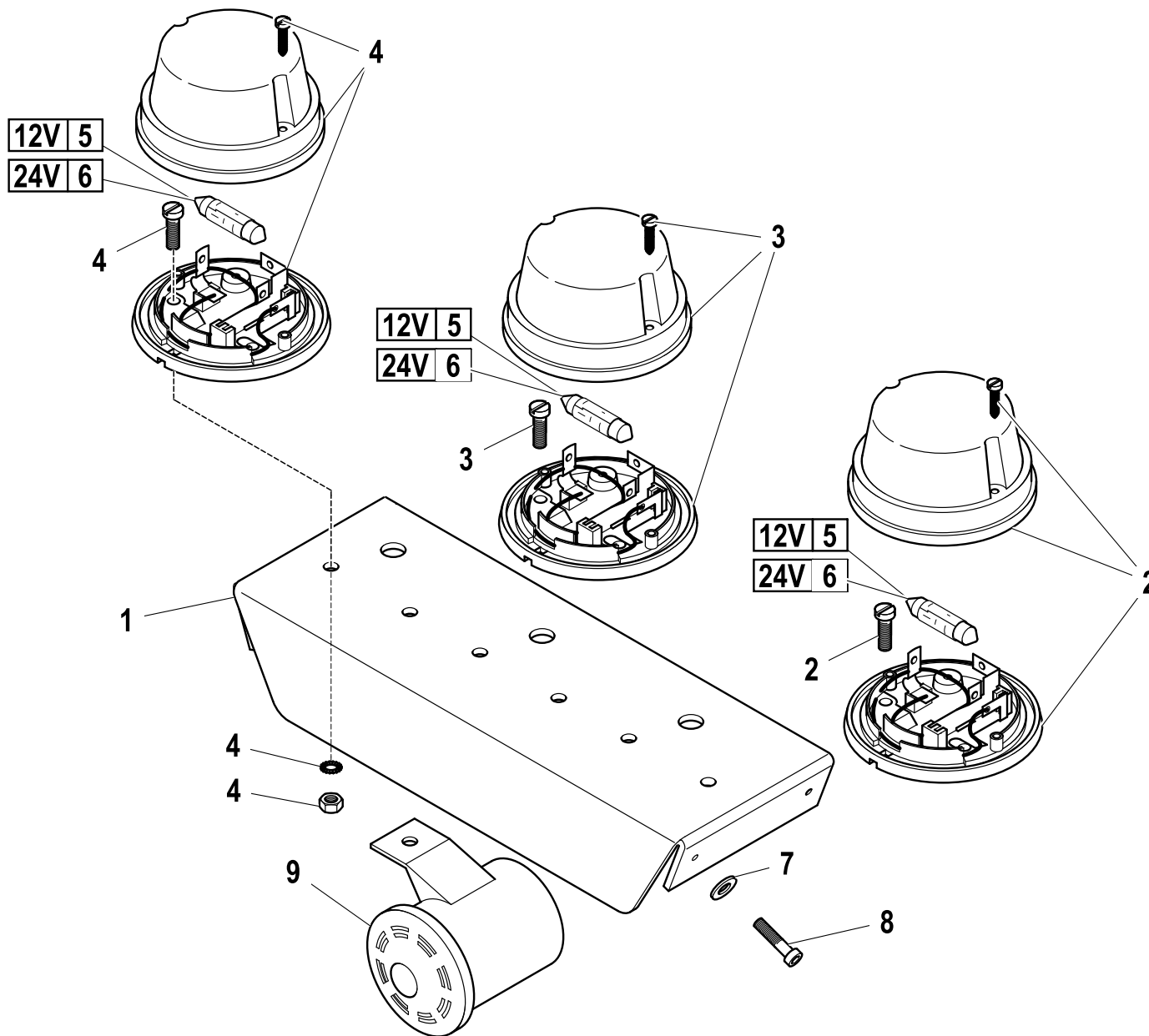
Pilot lamp

Code

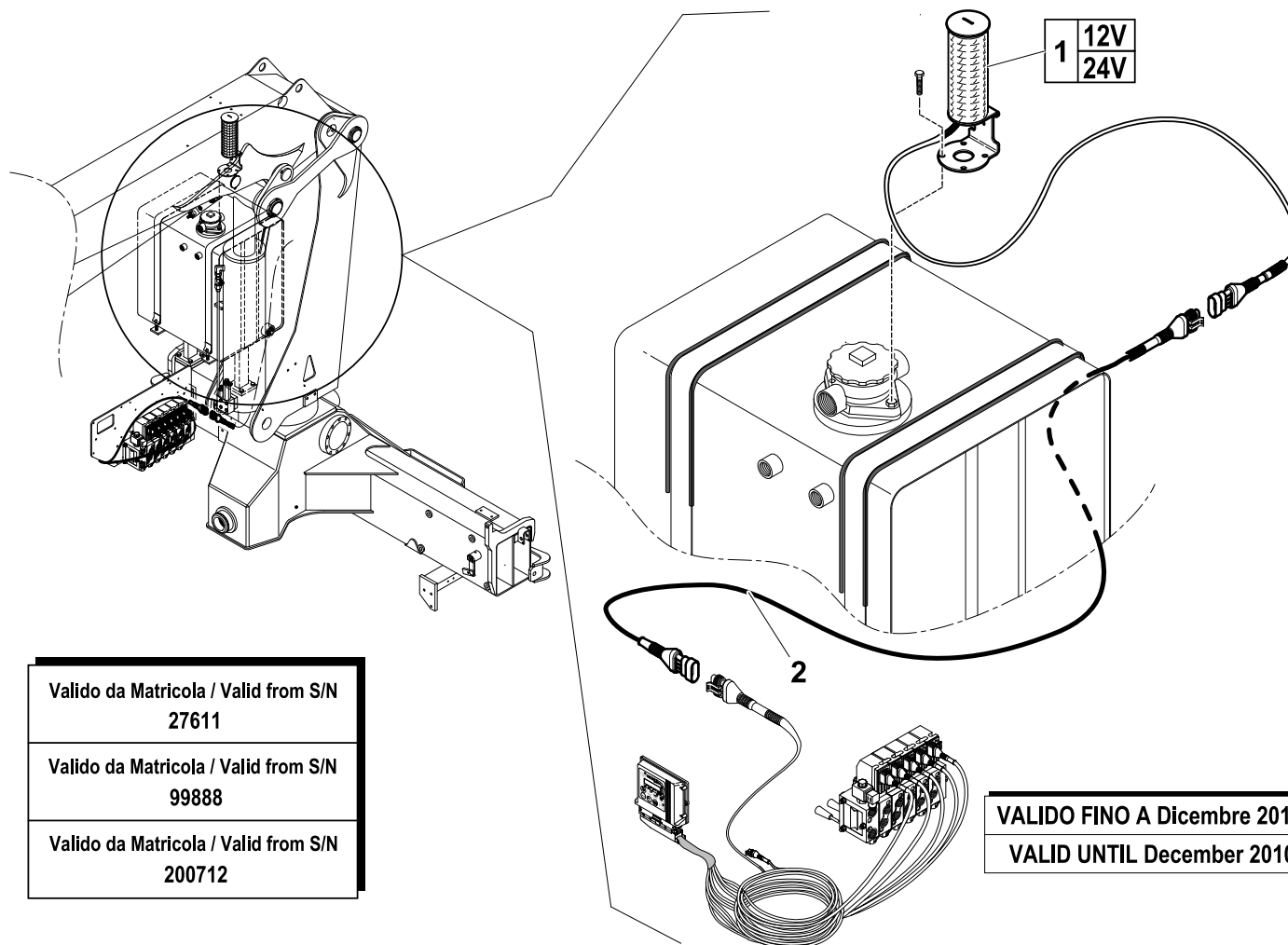
7885015-1.0

1/1

R	Pos.	Code Variant	Q.ty	Description
	1	5001662	1	
	2	3310811	1	
	3	3310812	1	
	4	3310810	1	
	5	3310818	3	
	6	3310813	3	
	7	3060003	4	Flat washer [D.4 UNI 6592 ZC]
	8	3020885	4	Socketed head cap screw [M4X20 8.8 ZC UNI 5931]
	9	3310911	1	



R	Pos.	Code Variant	Q.ty	Description
1		3311159	1	Signal Columns
2		5160003	1	Electric wiring



Valido da Matricola / Valid from S/N
27611

Valido da Matricola / Valid from S/N
99888

Valido da Matricola / Valid from S/N
200712

VALIDO FINO A Dicembre 2010
VALID UNTIL December 2010

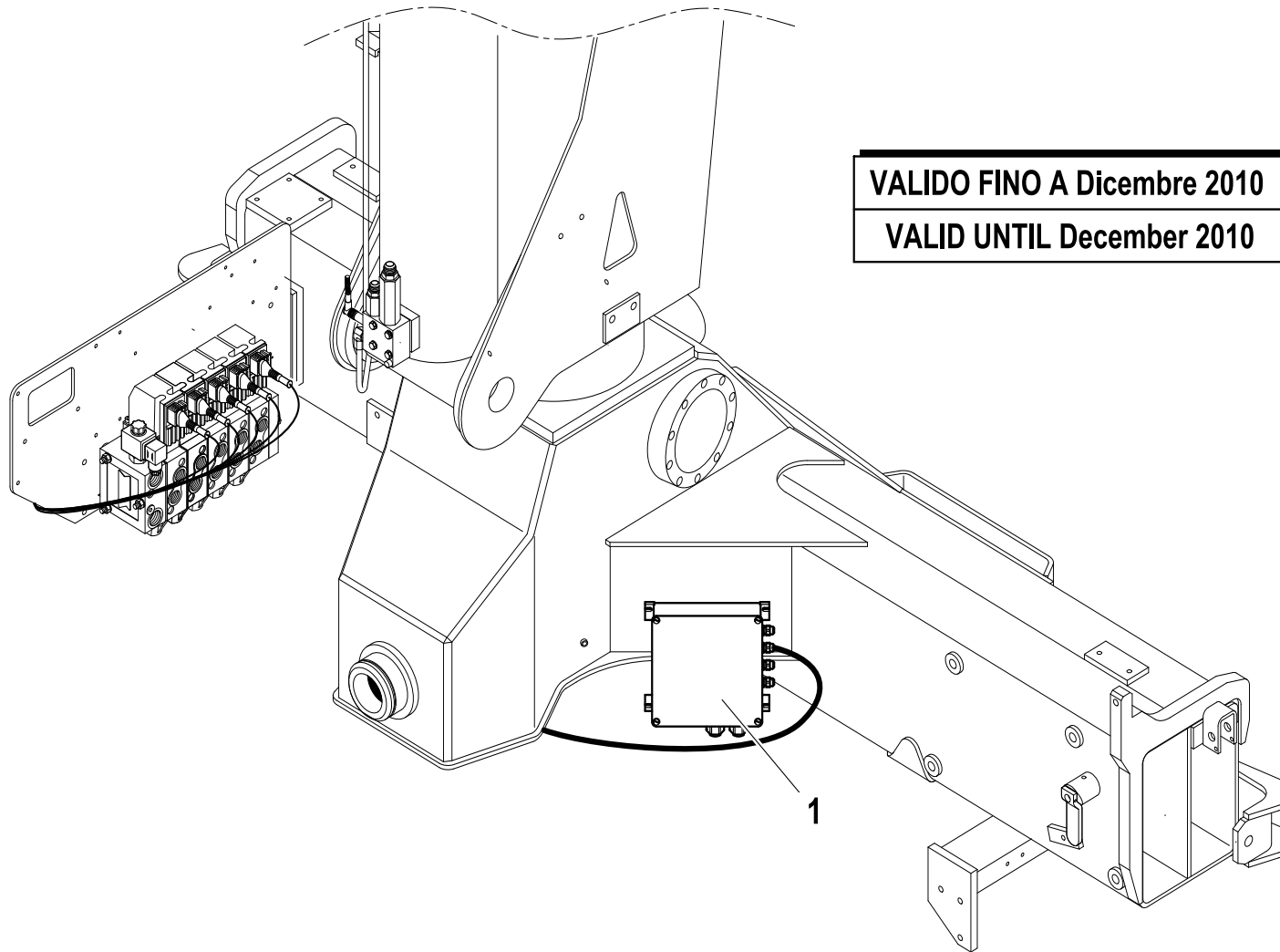
CONTROLS

Code

5400723-9.0

1/1

R	Pos.	Code Variant	Q.ty	Description
1		3310853	1	



VALIDO FINO A Dicembre 2010
VALID UNTIL December 2010

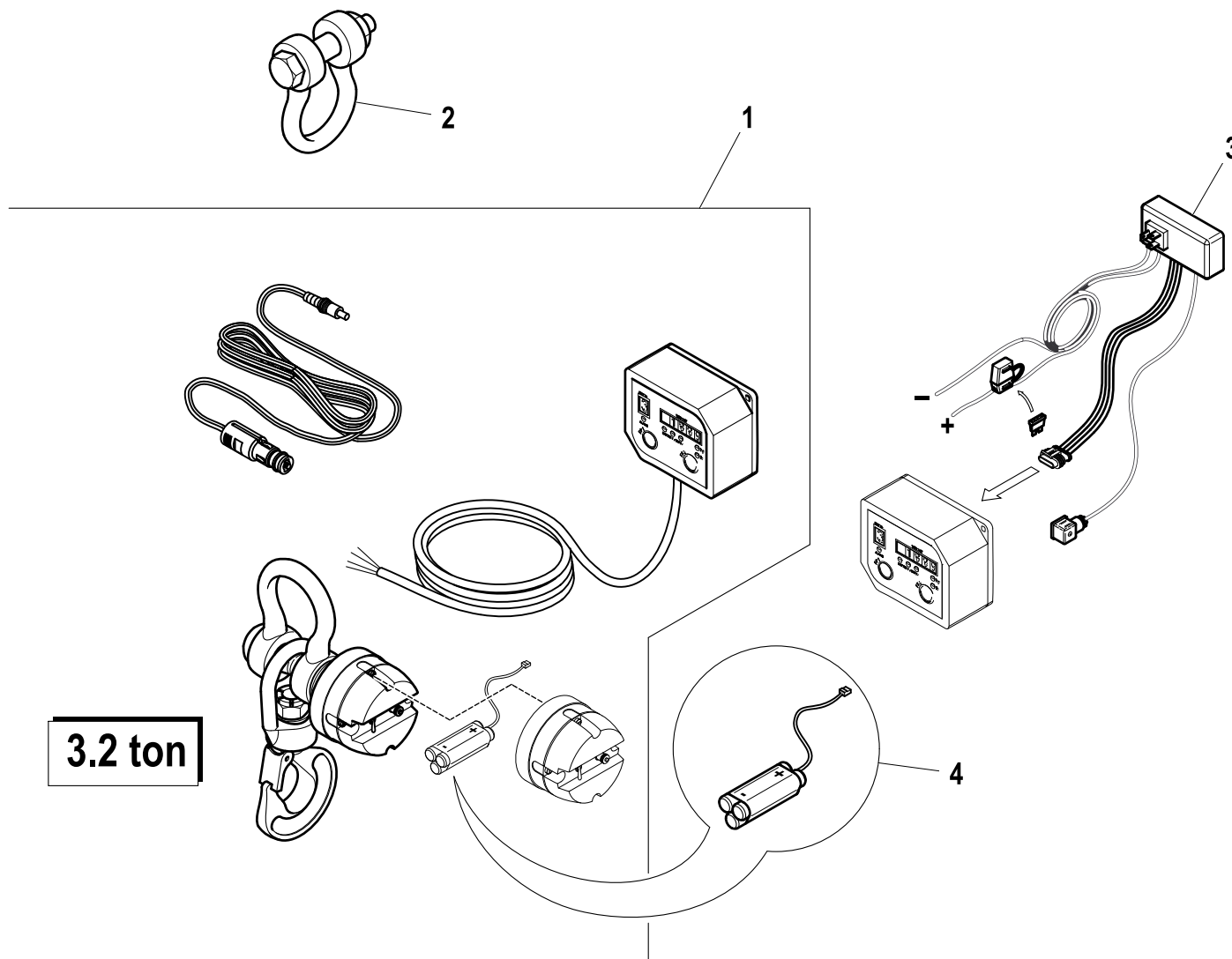
LOAD INDICATION SYSTEM (RDC-EBB)

Code

7881785-1.0

1/1

R	Pos.	Code Variant	Q.ty	Description
1		5730507	1	
2		3200050	1	Shackles
3		W236508	1	
4		3311542	1	

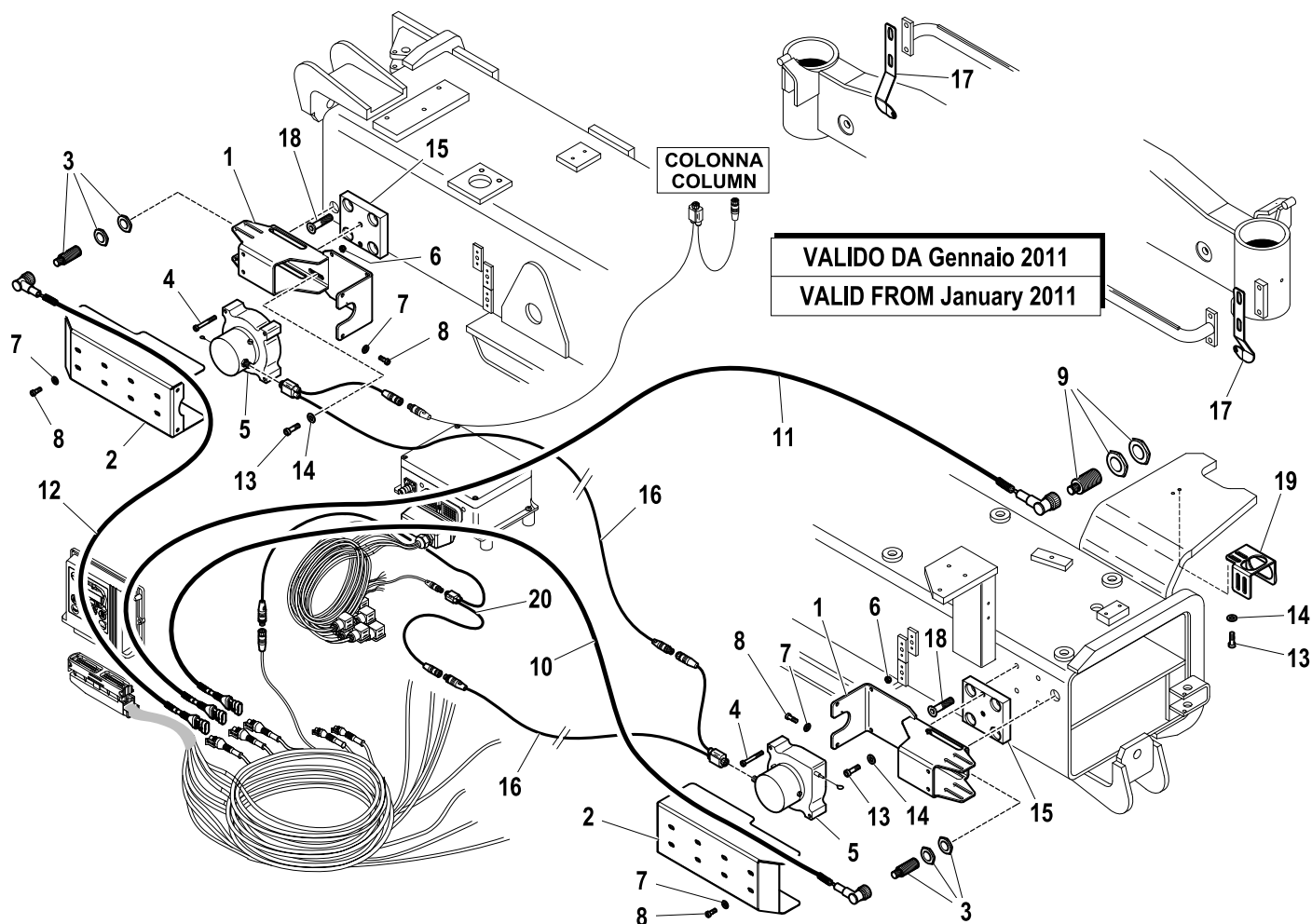


3.2 ton

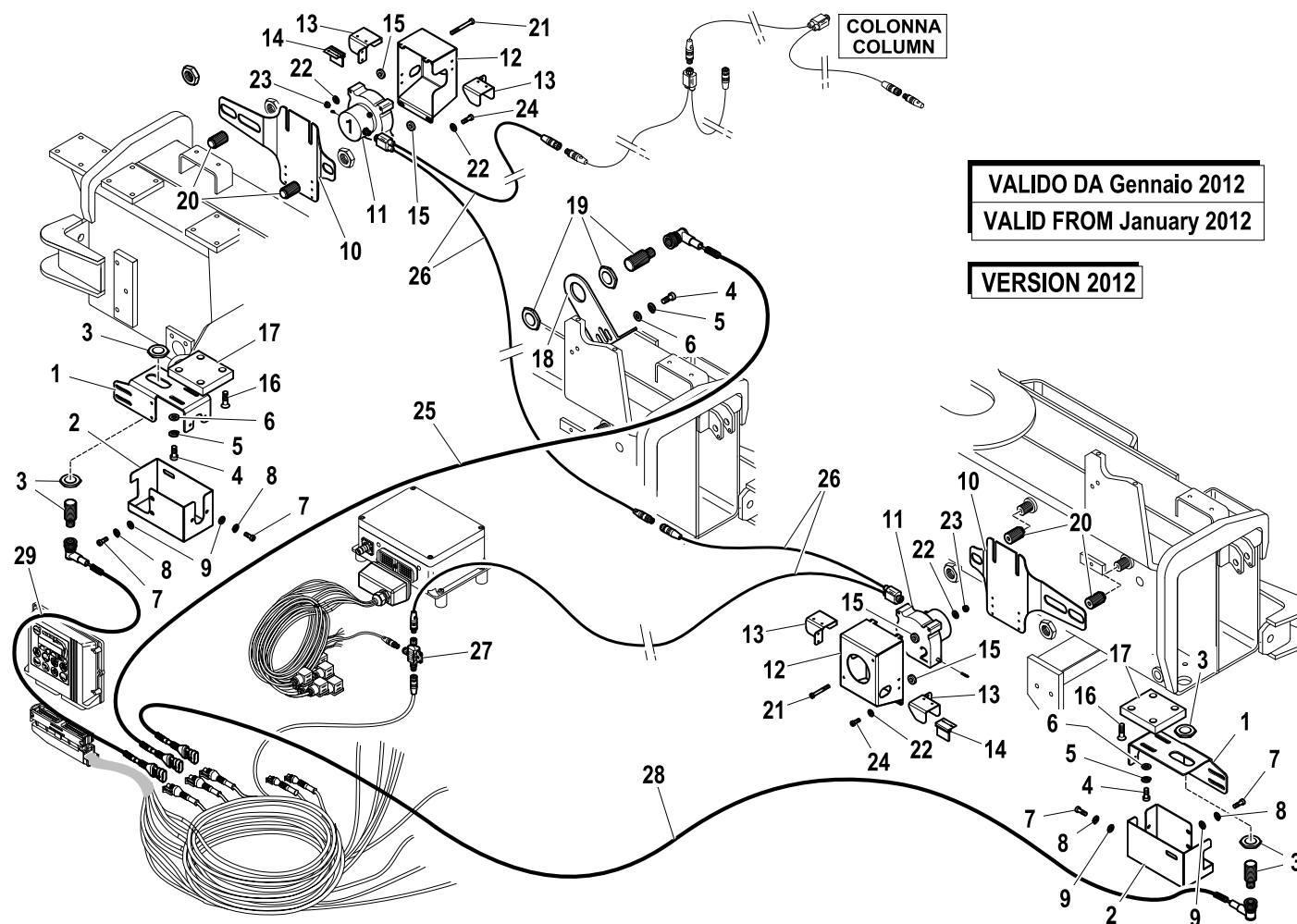




HC331-HC361 TCU EN12999-A3



R	Pos.	Code Variant	Q.ty	Description
	1	5091299	2	
	2	5002060	2	
	3	3311311	2	Proximity switch
	4	3020019	6	Socket head cap screw [M4X40 8.8 ZC UNI 5931]
	5	3311313	2	
	6	3040518	6	Stopnut
	7	3060004	8	Flat washer [D.5 UNI 6592 ZC]
	8	3020022	8	Socket head cap screw [M5X10 8.8 ZC UNI 5931]
	9	3311312	1	Proximity switch
	10	3311377	1	
	11	3311350	1	Electric wiring
	12	3311332	1	
	13	3020034	6	Socket head cap screw [M6X16 8.8 ZC UNI 5931]
	14	3060030	6	Flat washer [D.6.6X18 UNI 6593 ZC]
	15	5002023	2	
	16	3311325	2	
	17	5000435	2	
	18	3020408	8	TSEI screw [M10X30 8.8 UNI 5933]
	19	5002051	1	
	20	3311398	1	



R	Pos.	Code Variant	Q.ty	Description
	1	5091395	2	
	2	5002189	2	
	3	3311311	2	Proximity switch
	4	3020034	6	Socket head cap screw [M6X16 8.8 ZC UNI 5931]
	5	3060053	6	Split lock washer [D=6.4 C72 ZC]
	6	3060030	6	Flat washer [D.6.6X18 UNI 6593 ZC]
	7	3020022	8	Socket head cap screw [M5X10 8.8 ZC UNI 5931]
	8	3060052	8	Split lock washer [D=5.5 C72 ZC]
	9	3060004	8	Flat washer [D.5 UNI 6592 ZC]
	10	5002184	1	
	11	3311313	2	
	12	5091392	2	
	13	5002181	4	
	14	5002175	2	
	15	3190039	4	Insulator
	16	3020408	8	TSEI screw [M10X30 8.8 UNI 5933]
	17	5002023	2	
	18	5000453	1	
	19	3311312	1	Proximity switch
	20	5001917	4	

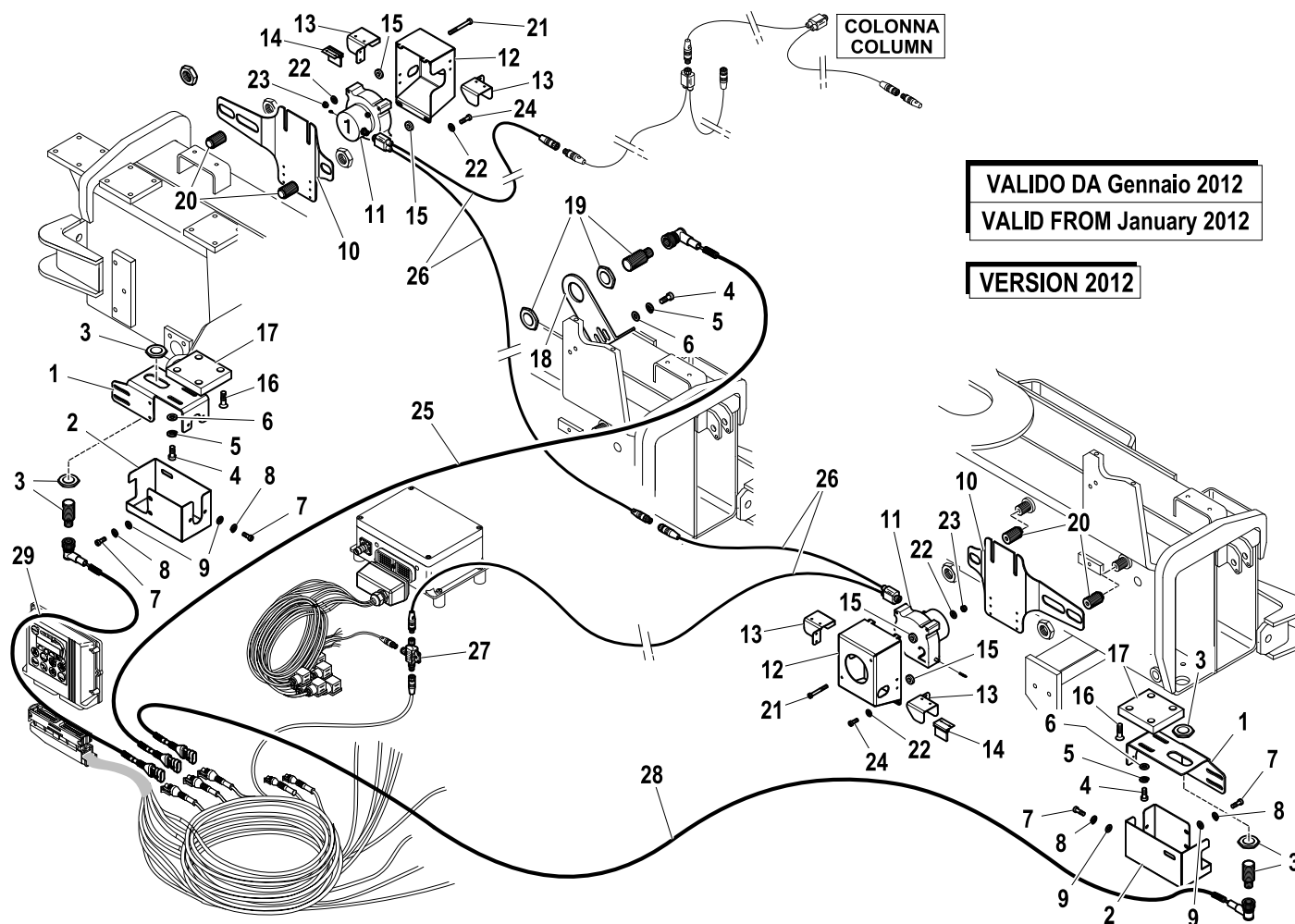
STABILITY CONTROL (RDC)

Code

5411385-3.0

2/2

R	Pos.	Code Variant	Q.ty	Description
	21	3020019	4	Socket head cap screw [M4X10 8.8 ZC UNI 5931]
	22	3060003	8	Flat washer [D.4 UNI 6592 ZC]
	23	3040518	4	Stopnut
	24	3020895	4	Socket head cap screw [M4X10 8.8 ZC UNI 5931]
	25	3311350	1	Electric wiring
	26	3311325	2	
	27	3311323	1	
	28	3311377	1	
	29	3311332	1	



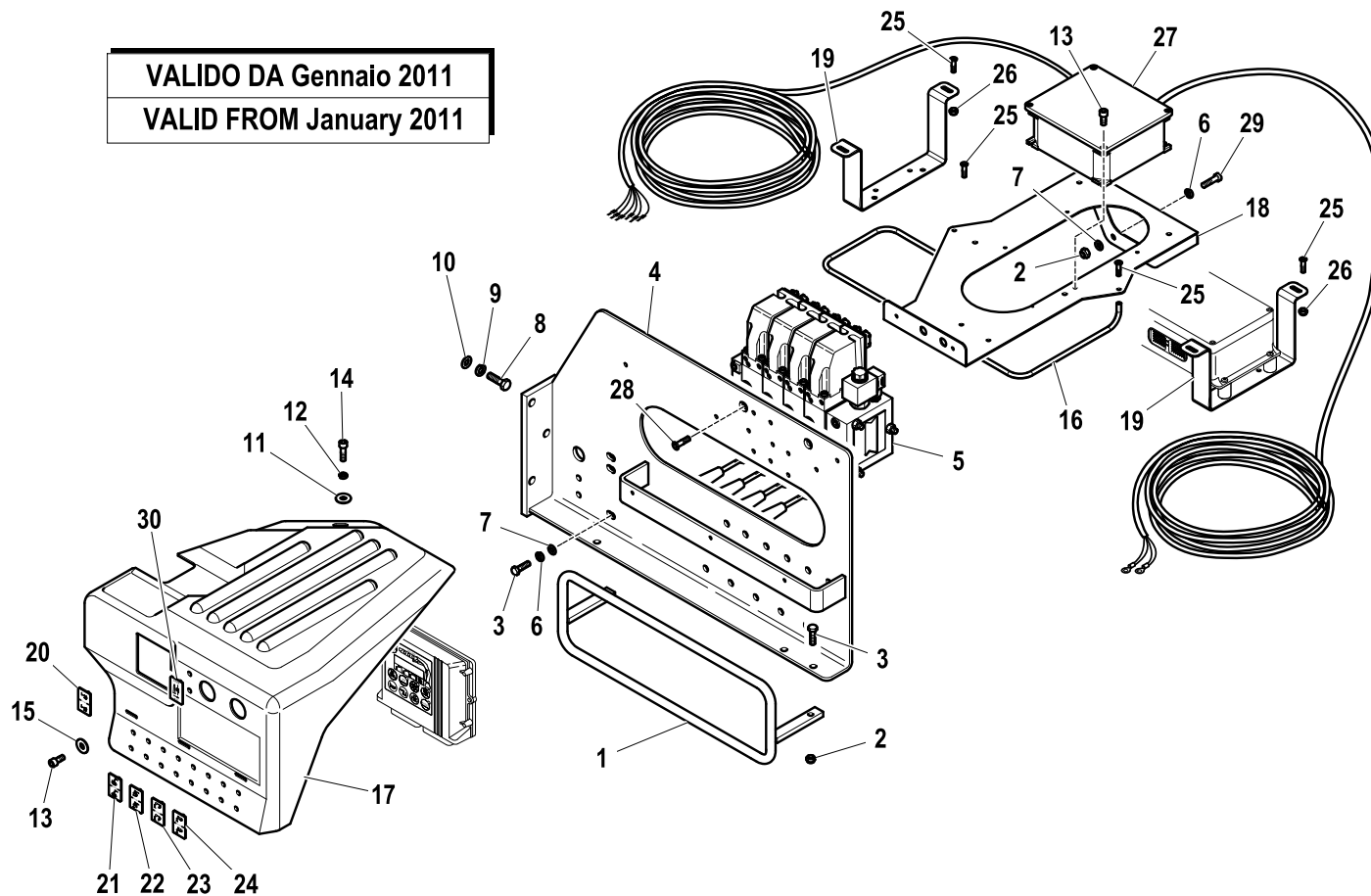
CONTROLS WITH THERMOFORMABLE (RDC EBB-X TCU-ECM4)

Code

5401370-1.0

1/2

VALIDO DA Gennaio 2011
VALID FROM January 2011



R	Pos.	Code Variant	Q.ty	Description
	1	5090636	1	
	2	3040303	4	Stopnut
	3	3010339	5	Hex screw [M8X25 8.8 ZC IF UNI 5739]
	4	5090132	1	
	5	5220373	1	
	6	3060055	5	Split lock washer [D=8.4 C72 ZC]
	7	3060006	5	Flat washer [D.8 UNI 6592 ZC]
	8	3010355	3	Hex screw [M10X25 8.8 ZC IF UNI 5739]
	9	3060056	3	Split lock washer [D=10 C72 ZC]
	10	3060914	3	Flat washer [D.10.5X21X2 UNI 6592 ZC]
	11	3060030	1	Flat washer [D.6.6X18 UNI 6593 ZC]
	12	3060005	1	Flat washer [D.6.4 UNI 6592 ZC]
	13	3020023	3	Socket head cap screw [M5X16 8.8 ZC UNI 5931]
	14	3020034	1	Socket head cap screw [M6X16 8.8 ZC UNI 5931]
	15	3060004	3	Flat washer [D.5 UNI 6592 ZC]
	16	5002043	1	
	17	5091076	1	
	18	5000438	1	
	19	5002028	2	
	20	5813516	1	

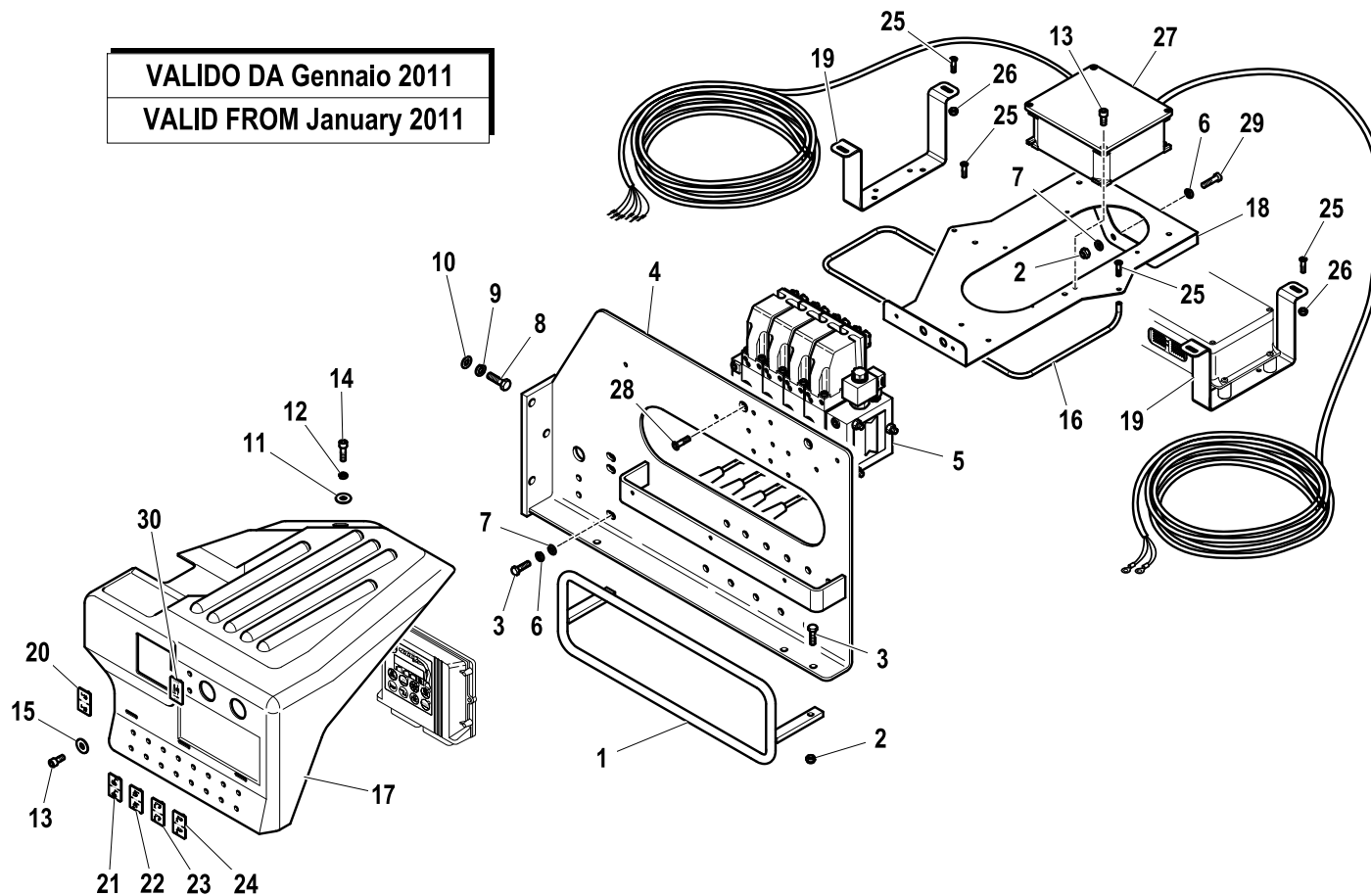
CONTROLS WITH THERMOFORMABLE (RDC EBB-X TCU-ECM4)

Code

5401370-1.0

2/2

VALIDO DA Gennaio 2011
VALID FROM January 2011



R	Pos.	Code Variant	Q.ty	Description
	21	W573266	1	Small plate (CONTROL SYMBOLS)
	22	W573267	1	Small plate (CONTROL SYMBOLS)
	23	W573269	1	Small plate (CONTROL SYMBOLS)
	24	W573270	1	Small plate (CONTROL SYMBOLS)
	25	3020439	6	TSEI screw [M6X16 ZC UNI 5933]
	26	3040372	4	Stopnut
	27	3311405	1	
	28	3020438	2	TSEI screw [M6X14 10.9 ZC UNI 5933]
	29	3020875	2	Socketed head cap screw [M8X20 ZC UNI 5931]
	30	5813567	1	

CONTROLS (RDC EBB-X TCU-ECM4)

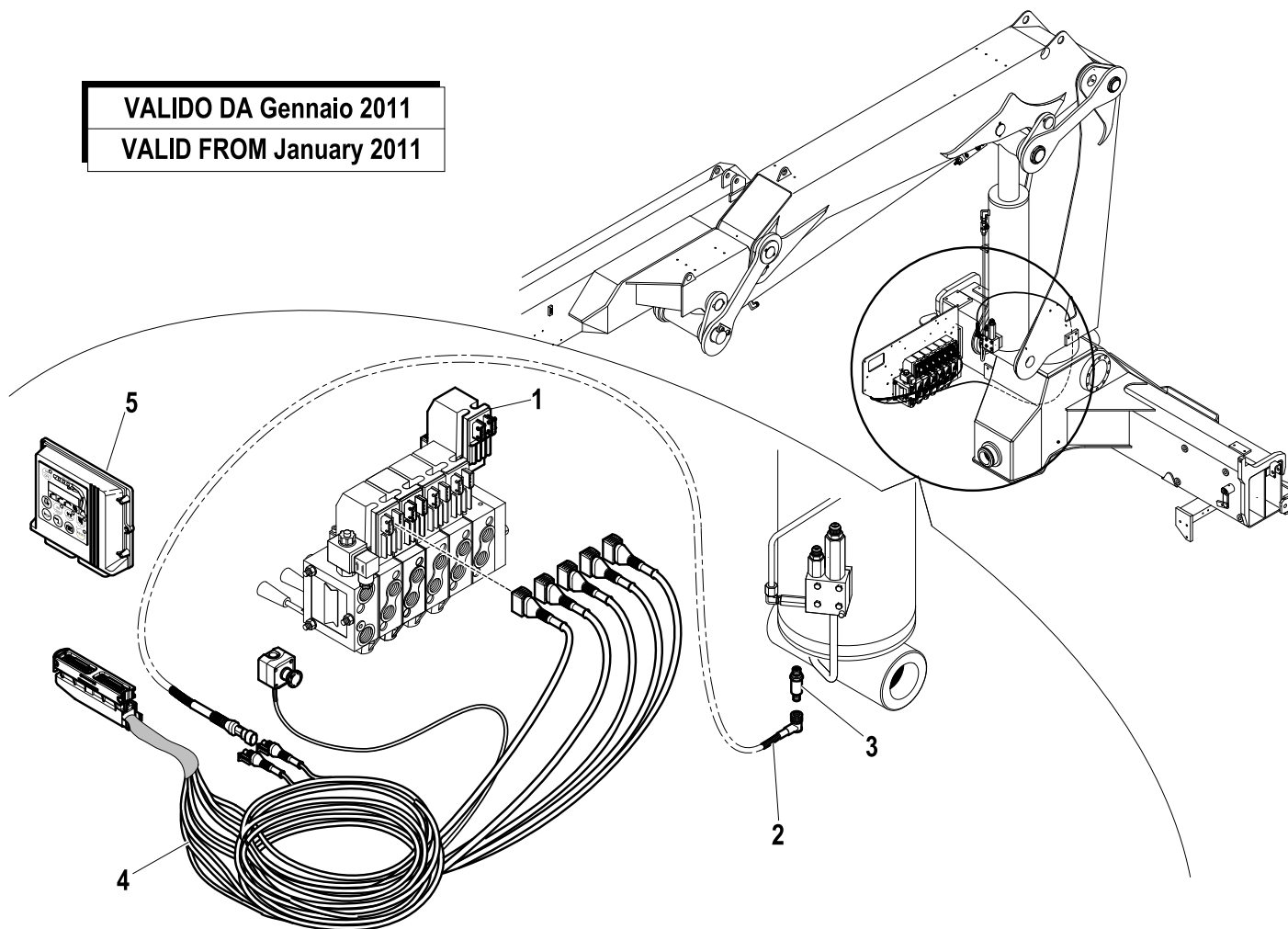
Code

5401384-1.0

1/1

VALIDO DA Gennaio 2011
VALID FROM January 2011

R	Pos.	Code Variant	Q.ty	Description
	1	5225534	4	Electric control ()
	2	5160084	1	Electric wiring
	3	3310612	1	Pressure sensor
	4	5160072	1	
	5	3311423	1	Moment limiting device [SUPERATO]



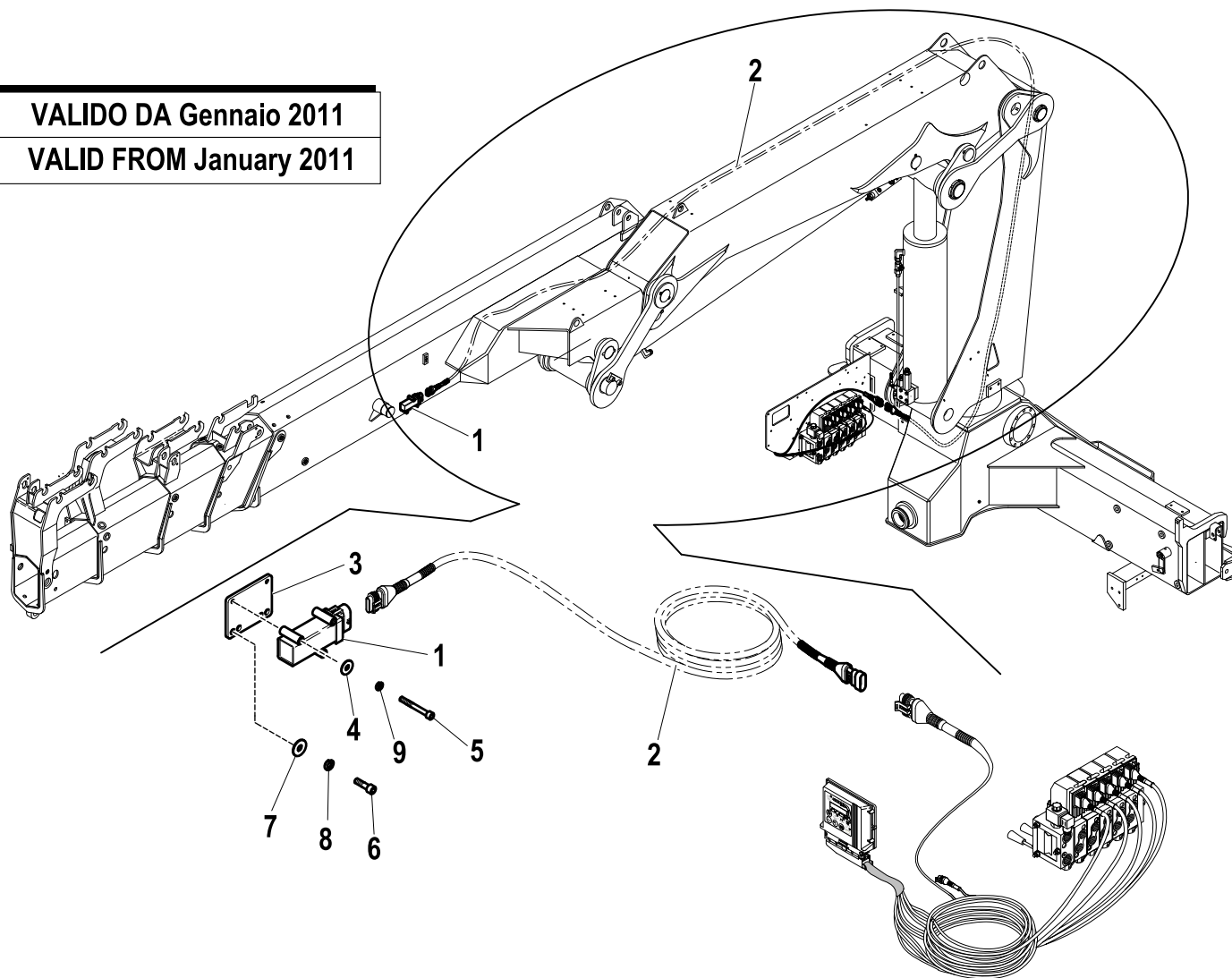
CONTROLS (RDC EBB-X TCU-ECM4)

Code

5401218-3.0

1/1

VALIDO DA Gennaio 2011
VALID FROM January 2011



R	Pos.	Code Variant	Q.ty	Description
	1	3311150	1	Tiltmeter
	2	5160076	1	
	3	5002108	1	Support plate (Tiltmeter)
	4	3060003	2	Flat washer [D.4 UNI 6592 ZC]
	5	3020018	2	Socketed head cap screw [M4X30 8.8 ZC UNI 5931]
	6	3020033	2	Socketed head cap screw [M6X10 8.8 ZC UNI 5931]
	7	3060005	2	Flat washer [D.6.4 UNI 6592 ZC]
	8	3060053	2	Split lock washer [D=6.4 C72 ZC]
	9	3060065	2	Split lock washer [D=4.1 C72 ZC]

CONTROLS (RDC EBB-X TCU-ECM4)

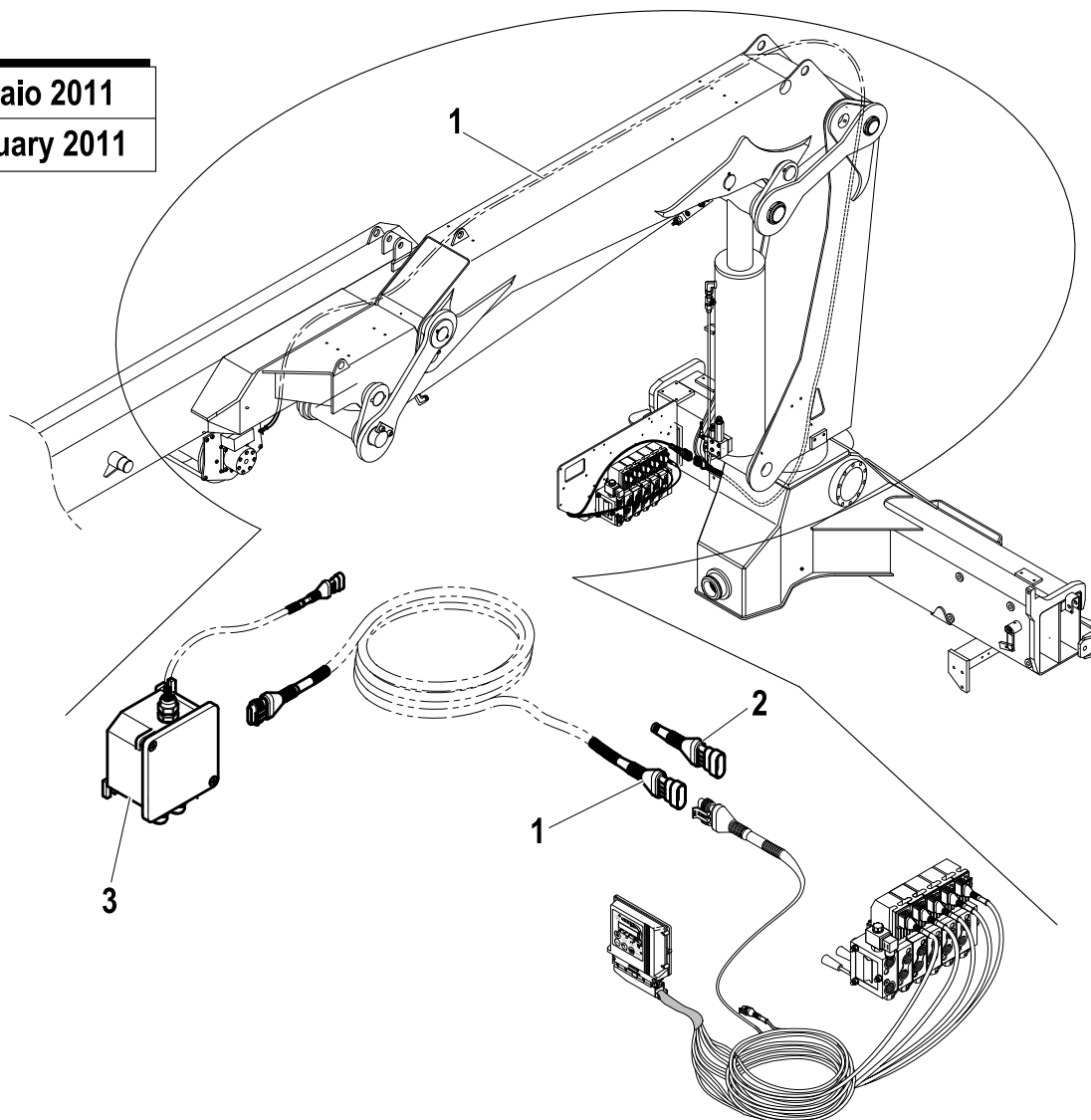
Code

5401218-6.0

1/1

VALIDO DA Gennaio 2011
VALID FROM January 2011

R	Pos.	Code Variant	Q.ty	Description
	1	5160004	1	
	2	5160013	1	
	3	3310663	1	



CONTROLS (RDC EBB-X TCU-ECM4)

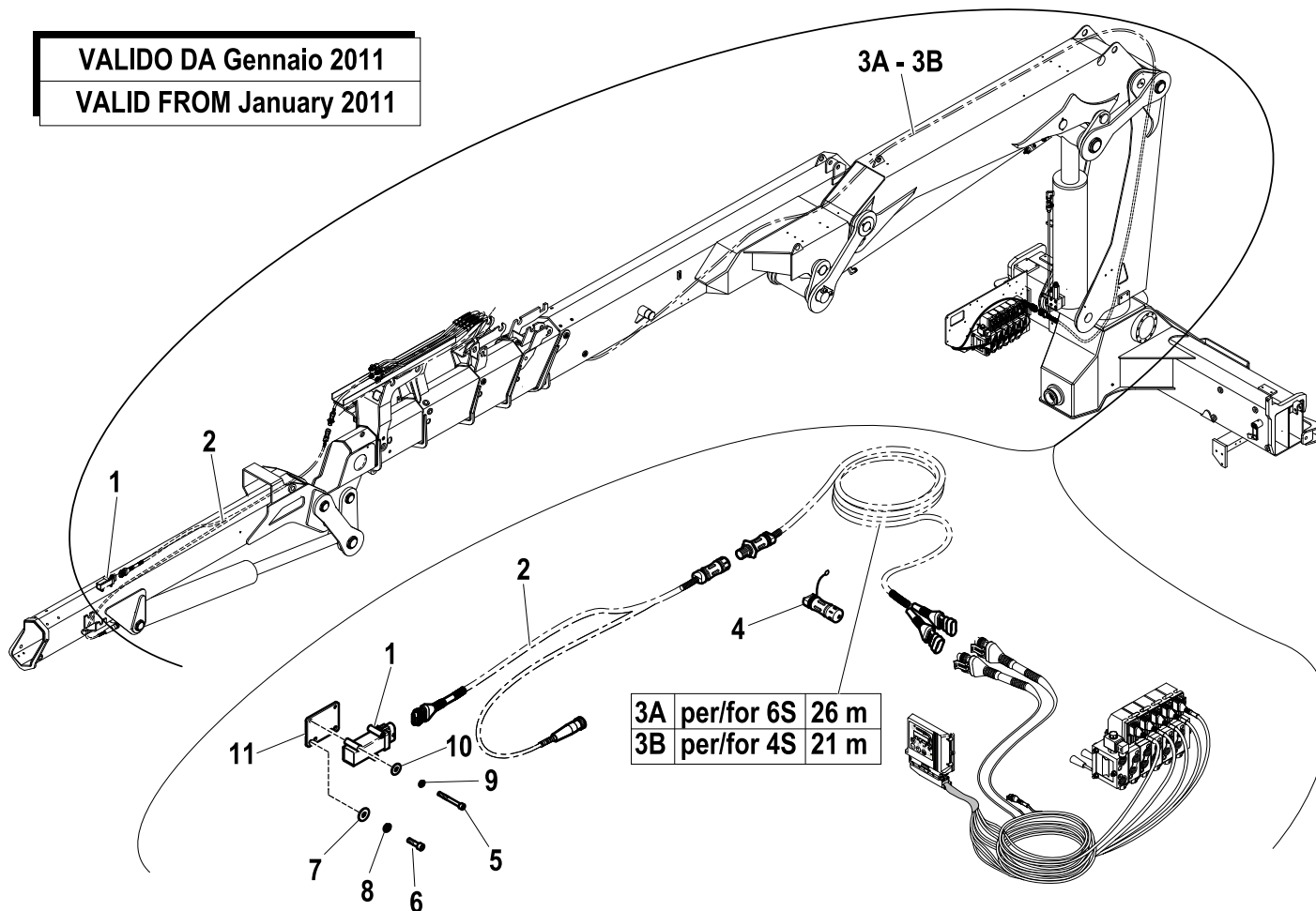
Code

5401218-4.0

1/1

R	Pos.	Code Variant	Q.ty	Description
	1	3311150	1	Tiltmeter
	2	5160079	1	Electric wiring
	3 A	5160077	1	
	3 B	5160078	1	
	4	5160080	1	Plug (Electric components)
	5	3020018	2	Socketed head cap screw [M4X30 8.8 ZC UNI 5931]
	6	3020033	2	Socketed head cap screw [M6X10 8.8 ZC UNI 5931]
	7	3060005	2	Flat washer [D.6.4 UNI 6592 ZC]
	8	3060053	2	Split lock washer [D=6.4 C72 ZC]
	9	3060065	2	Split lock washer [D=4.1 C72 ZC]
	10	3060003	2	Flat washer [D.4 UNI 6592 ZC]
	11	5002108	1	Support plate (Tiltmeter)

VALIDO DA Gennaio 2011
VALID FROM January 2011



CONTROLS (RDC EBB-X TCU-ECM4)

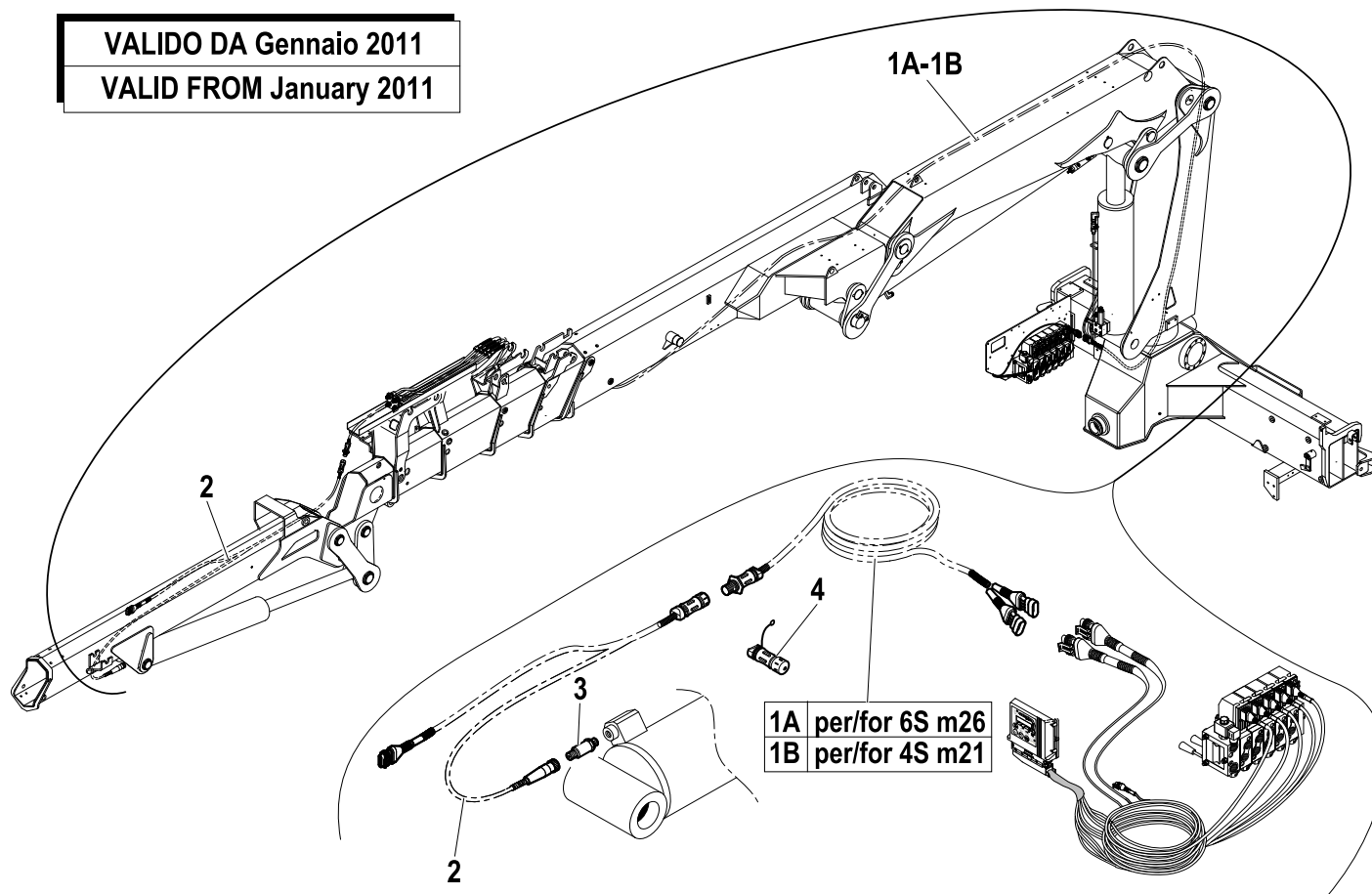
Code

5401218-5.0

1/1

R	Pos.	Code Variant	Q.ty	Description
	1 A	5160077	1	
	1 B	5160078	1	
	2	5160079	1	Electric wiring
	3	3310612	1	Pressure sensor
	4	5160080	1	Plug (Electric components)

VALIDO DA Gennaio 2011
VALID FROM January 2011



1A	per/for 6S m26
1B	per/for 4S m21

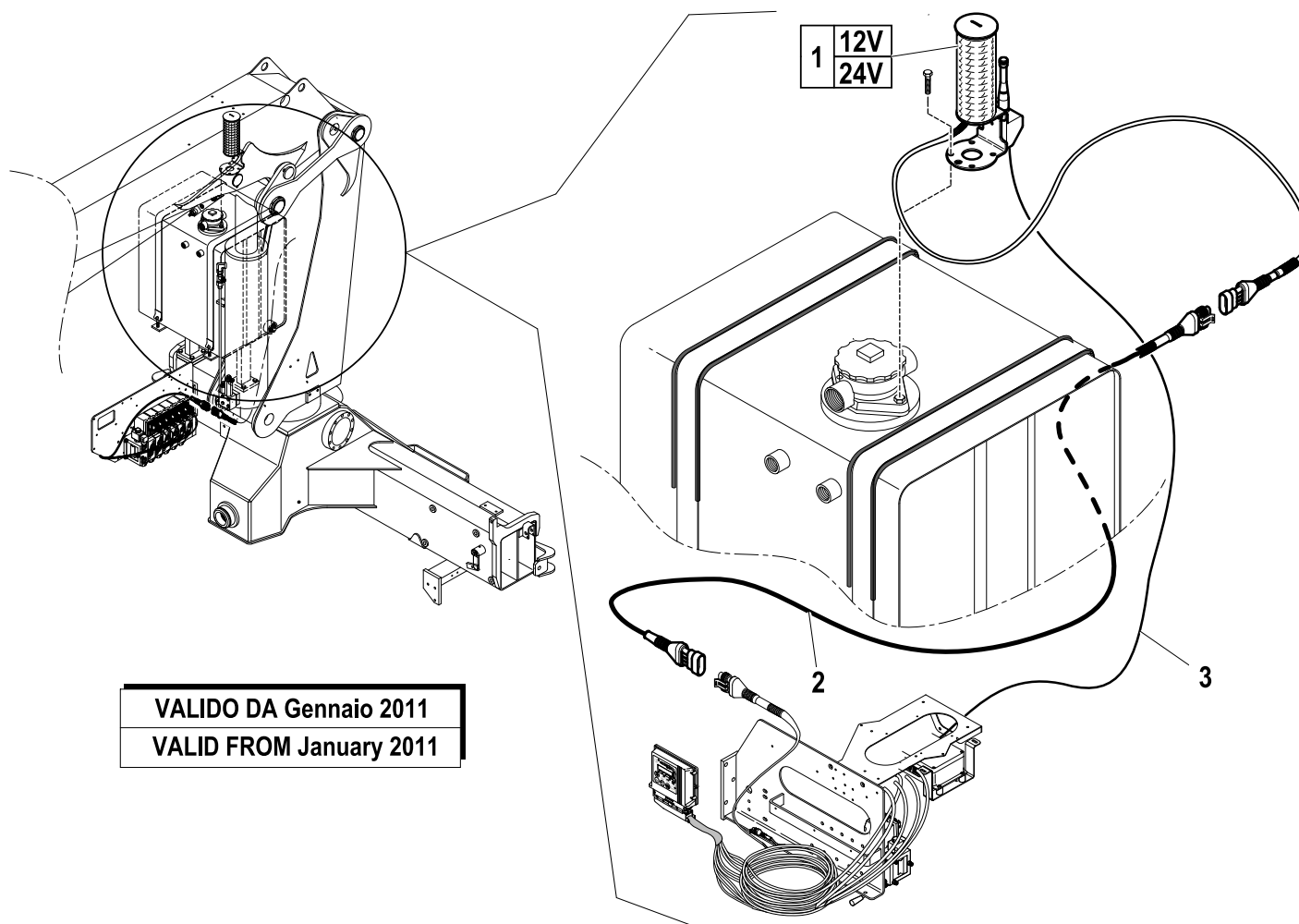
CONTROLS (RDC EBB-X TCU-ECM4)

Code

5401370-3.0

1/1

R	Pos.	Code Variant	Q.ty	Description
1		3311159	1	Signal Columns
2		5160003	1	Electric wiring
3		3311131	1	Electric cable



VALIDO DA Gennaio 2011
VALID FROM January 2011

Wireless control kit (CAN BUS)

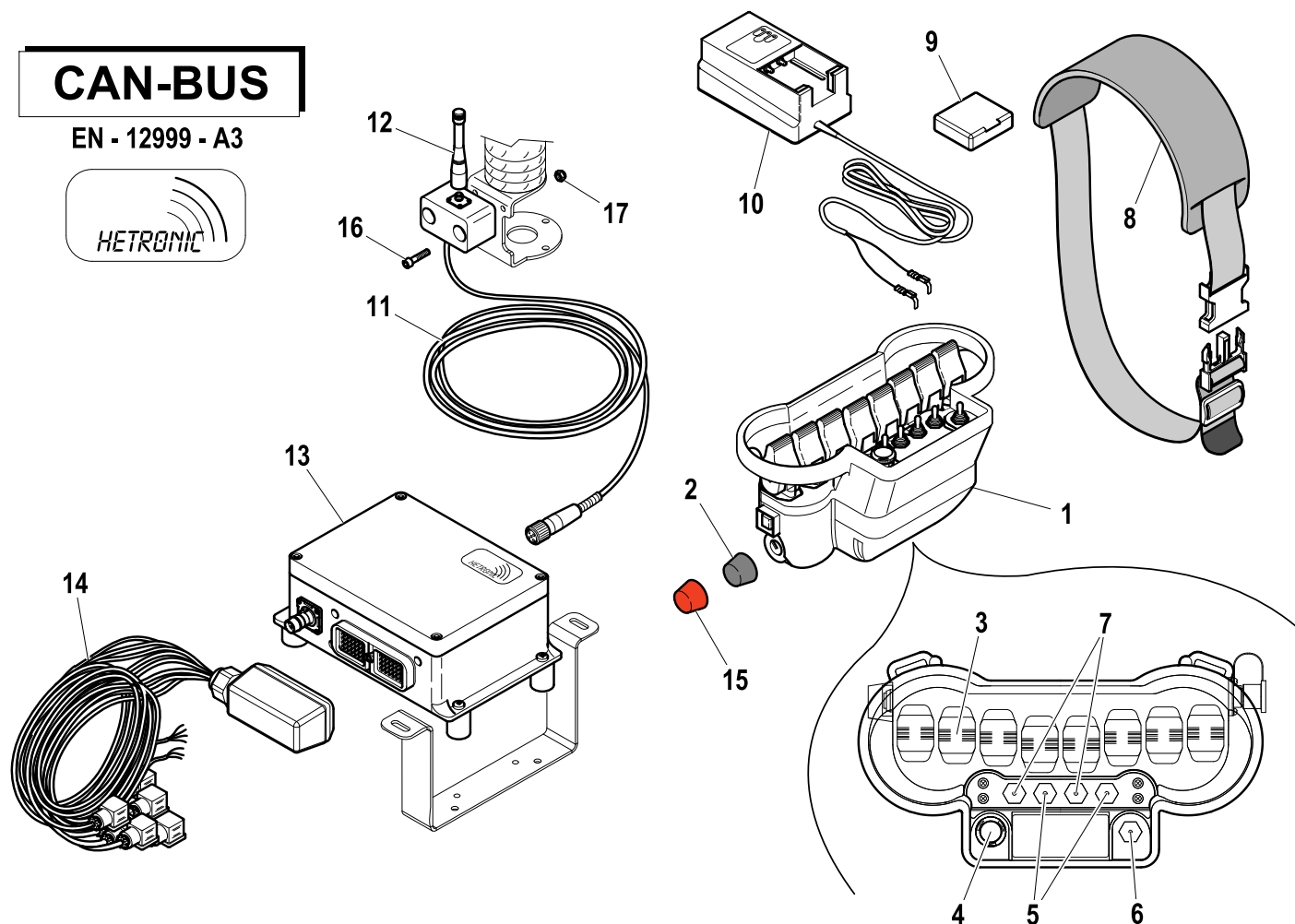
Code

7892197-1.0

1/1

CAN-BUS

EN - 12999 - A3



R	Pos.	Code Variant	Q.ty	Description
	1	3311429	1	
	2	3310795	1	
	3	3310796	8	
	4	3310788	1	
	5	3310786	2	
	6	3310785	1	
	7	3310787	2	
	8	3311031	1	
	9	3310641	2	
	10	3310797	1	
	11	3311131	1	Electric cable
	12	3310861	1	
	13	3311433	1	
	14	3311432	1	
	15	3310924	1	
	16	3020024	2	Socket head cap screw [M5X35 8.8 ZC UNI 5931]
	17	3040392	2	Stopnut

Wireless control kit (CAN BUS)

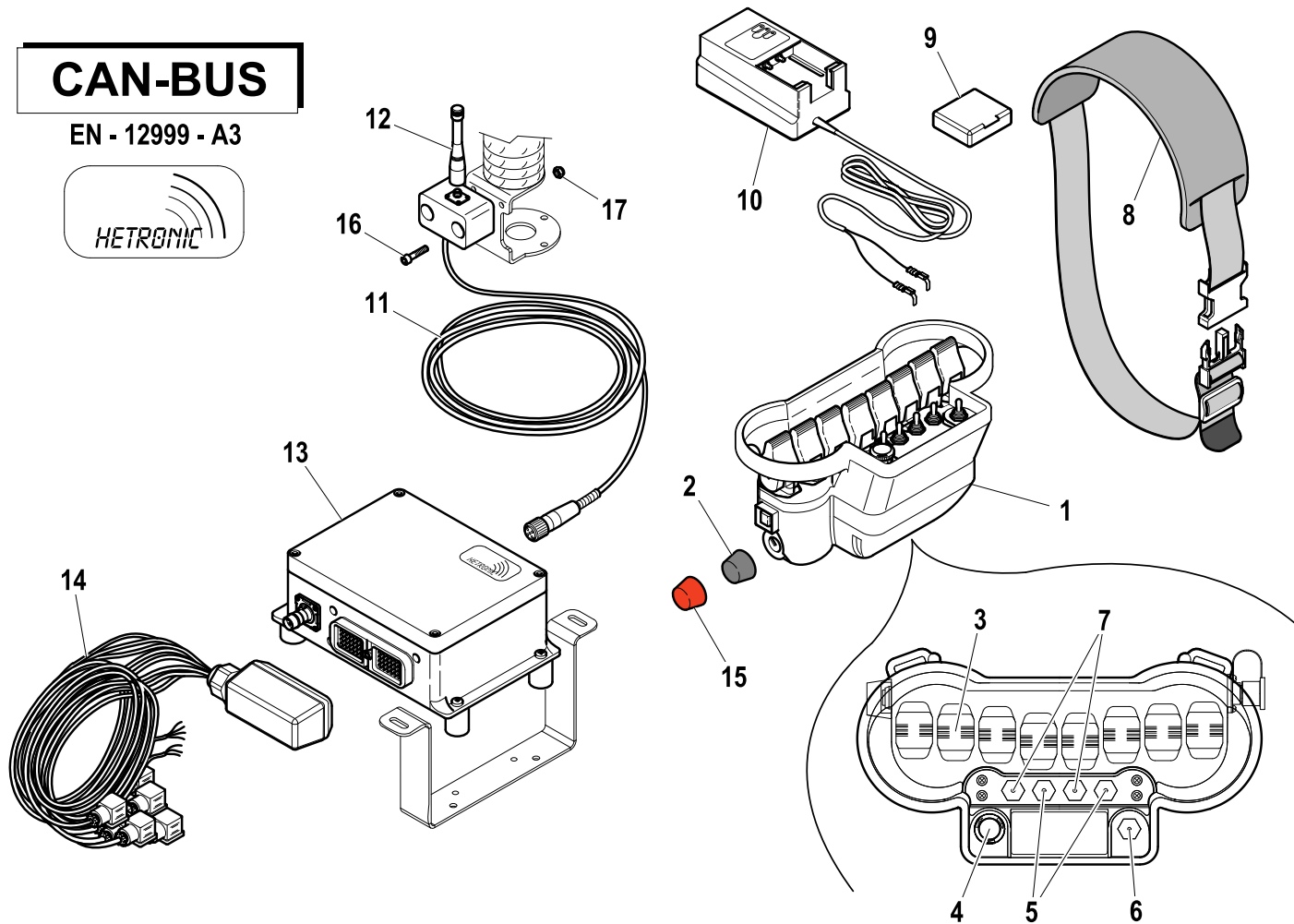
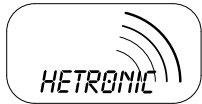
Code

7892198-1.0

1/1

CAN-BUS

EN - 12999 - A3



R	Pos.	Code Variant	Q.ty	Description
	1	3311431	1	
	2	3310795	1	
	3	3310796	8	
	4	3310788	1	
	5	3310786	2	
	6	3310785	1	
	7	3310787	2	
	8	3311031	1	
	9	3310641	2	
	10	3310797	1	
	11	3311131	1	Electric cable
	12	3310861	1	
	13	3311435	1	
	14	3311432	1	
	15	3310924	1	
	16	3020024	2	Socket head cap screw [M5X35 8.8 ZC UNI 5931]
	17	3040392	2	Stopnut

Wireless control kit (CAN BUS)

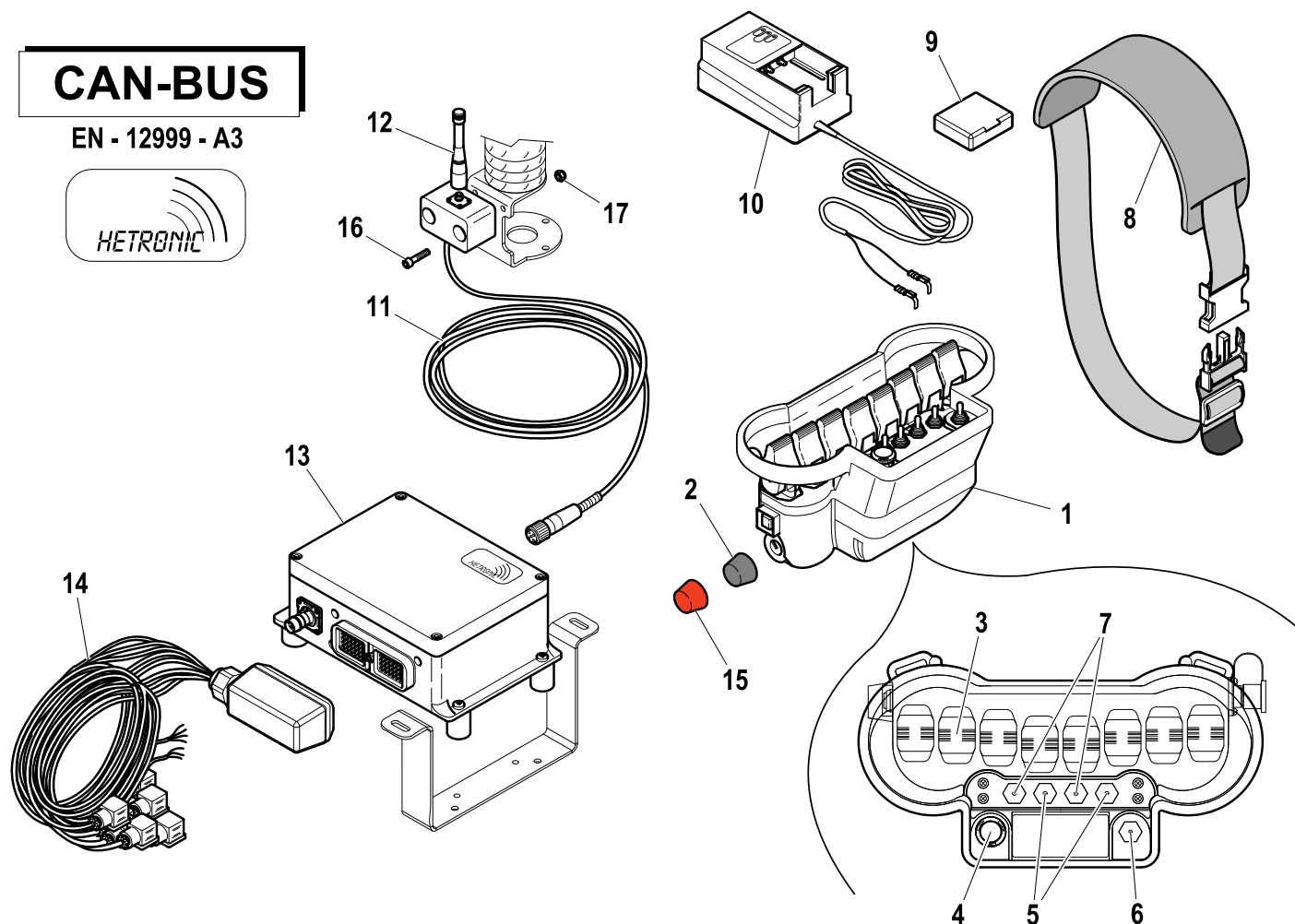
Code

7892207-1.0

1/1

CAN-BUS

EN - 12999 - A3



R	Pos.	Code Variant	Q.ty	Description
	1	3311430	1	
	2	3310795	1	
	3	3310796	8	
	4	3310788	1	
	5	3310786	2	
	6	3310785	1	
	7	3310787	2	
	8	3311031	1	
	9	3310641	2	
	10	3310797	1	
	11	3311131	1	Electric cable
	12	3310861	1	
	13	3311434	1	
	14	3311432	1	
	15	3310924	1	
	16	3020024	2	Socked head cap screw [M5X35 8.8 ZC UNI 5931]
	17	3040392	2	Stopnut





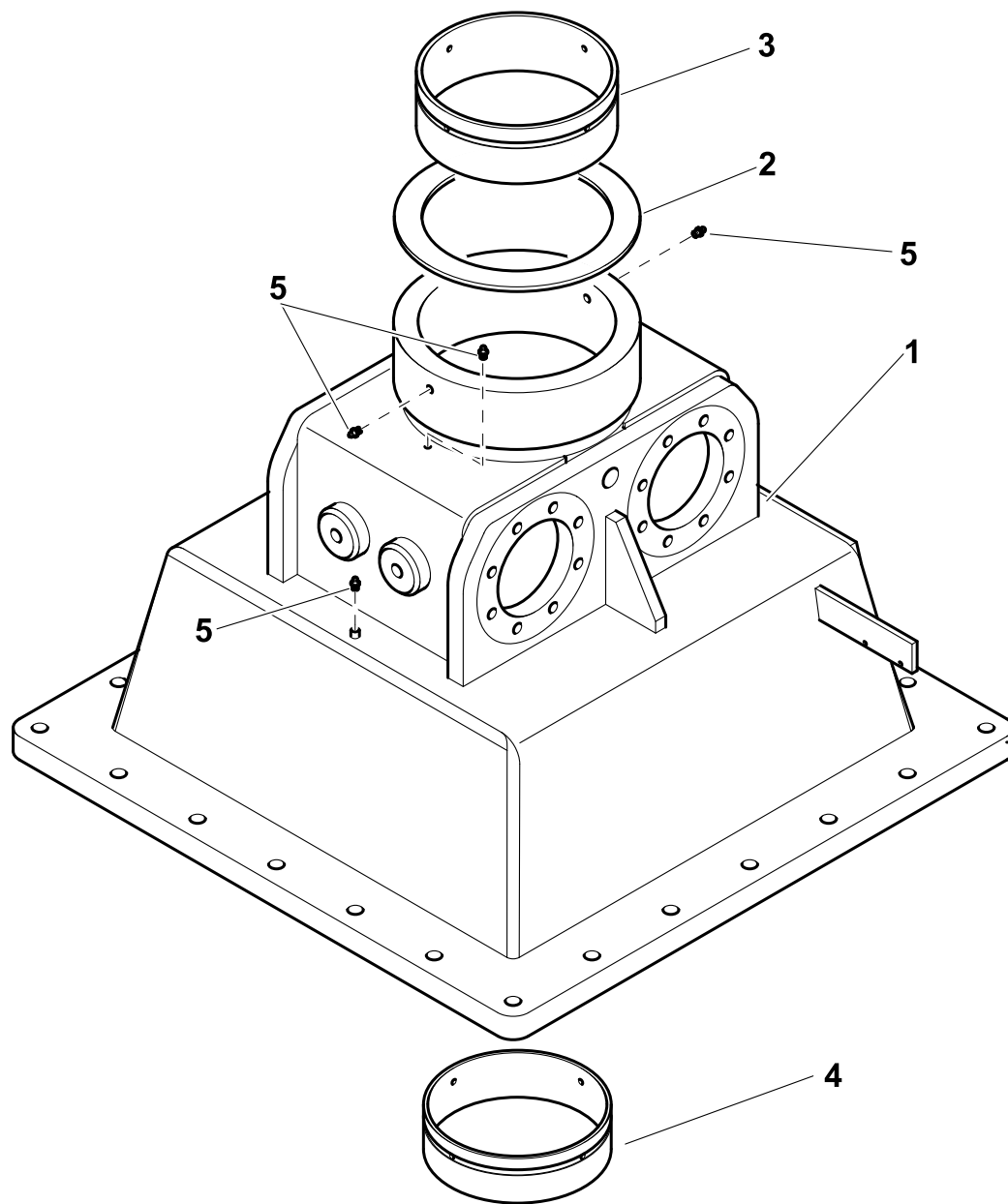
HC331-HC361 F

BASE

Code

5420036-1.0

1/1



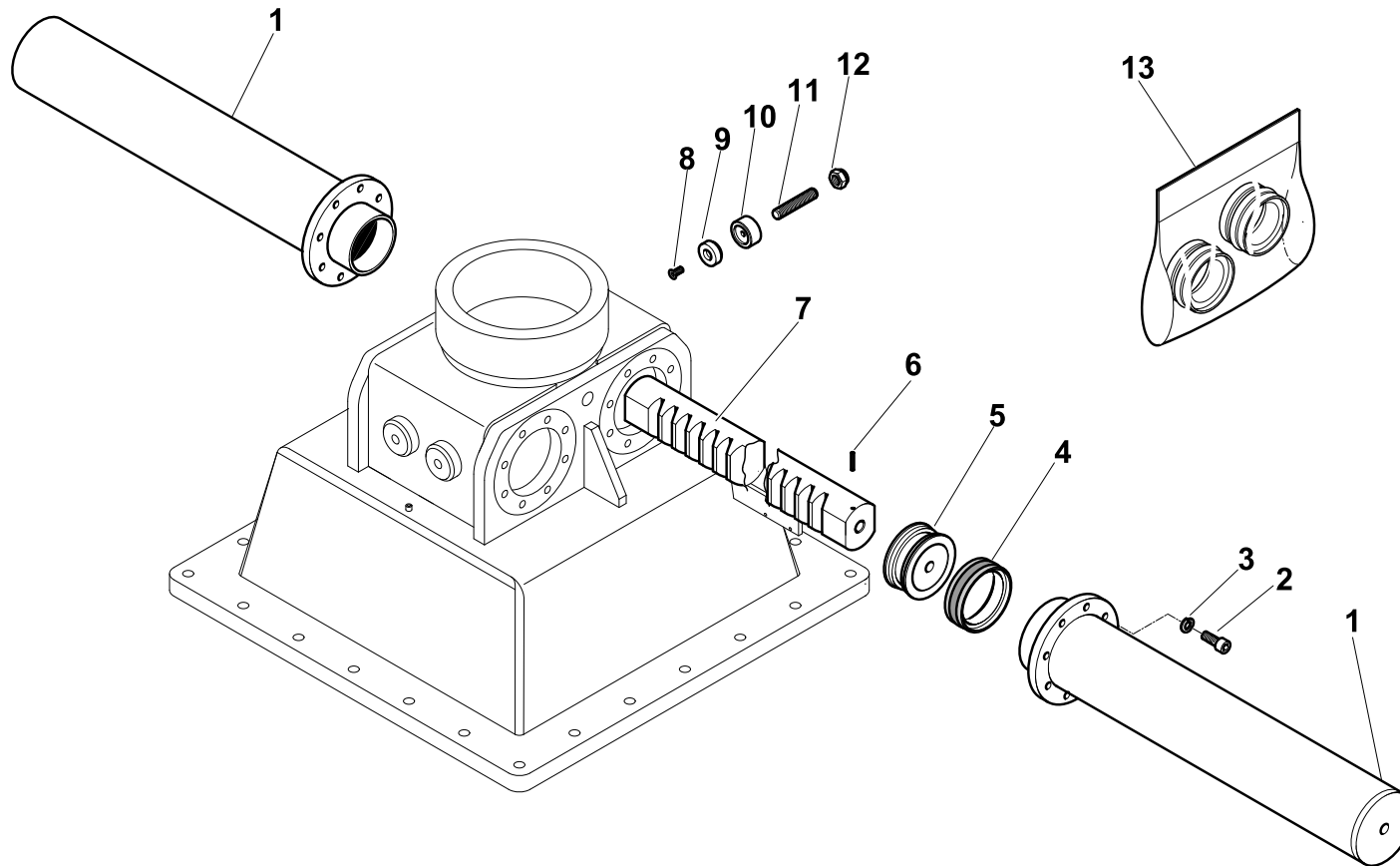
R	Pos.	Code Variant	Q.ty	Description
	1	5060139	1	Base
	2	5140684	1	
	3	5140685	1	
	4	5140686	1	
	5	3080501	5	Grease nipple

SLEWING ASS'Y

Code

6240081-1.0

1/1



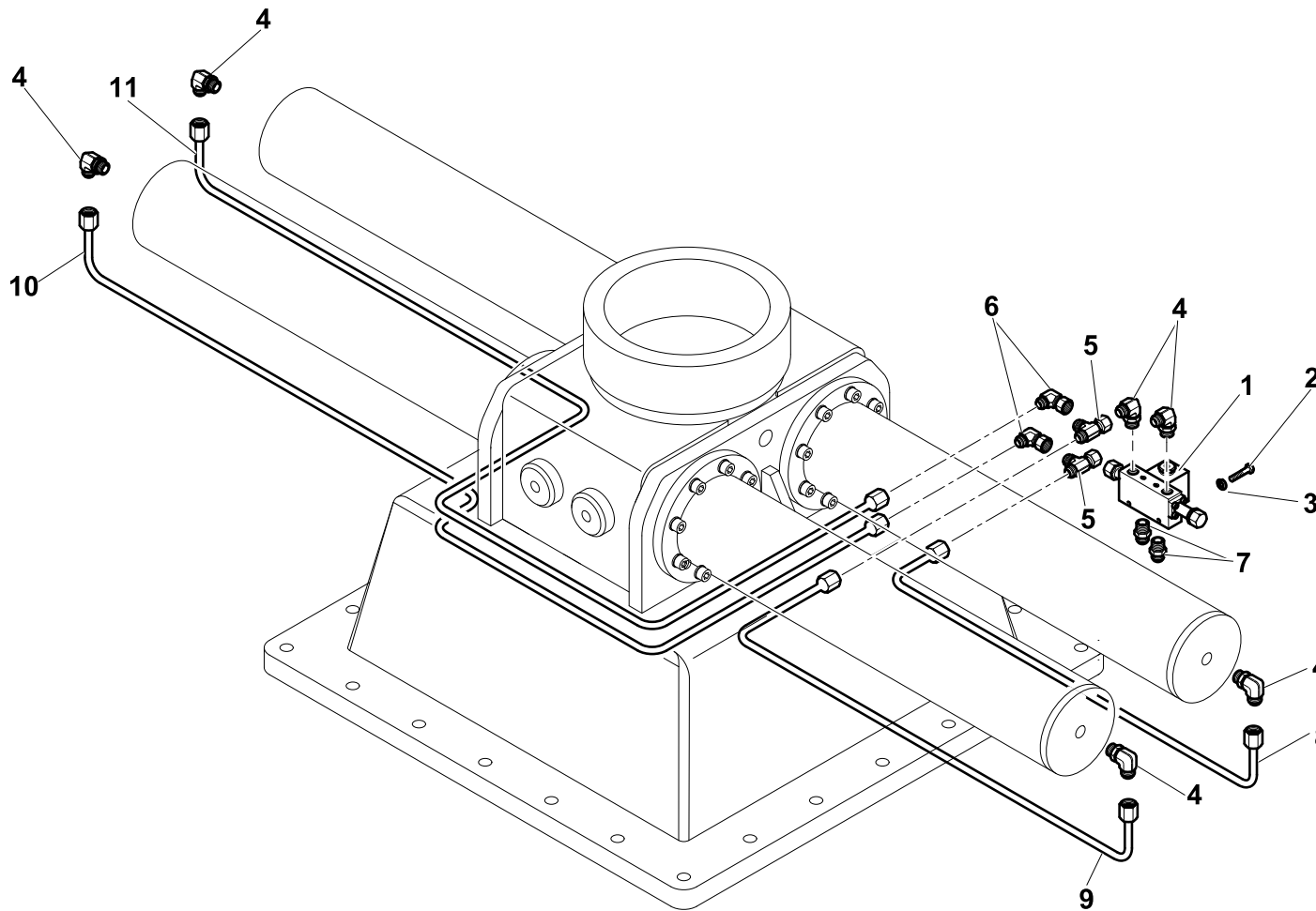
R	Pos.	Code Variant	Q.ty	Description
	1	6070417	4	
	2	3020128	32	Socketed head cap screw [M16X45 8.8 ZC UNI 5931]
	3	3060059	32	Split lock washer [D=16 C72 ZC]
	4	3400523	4	
	5	6050248	4	
	6	3060607	4	Spring pin
	7	5050085	2	
	8	3020499	4	TSEI screw [M10X25 10.9 ZC UNI 5933]
	9	5140600	4	
	10	4160328	4	
	11	3060919	4	Grub screw
	12	3040309	4	Stopnut
	13	5550694	2	

HYDRAULIC SYSTEM (Slewing Hydraulic jack)

Code

6240081-2.0

1/1



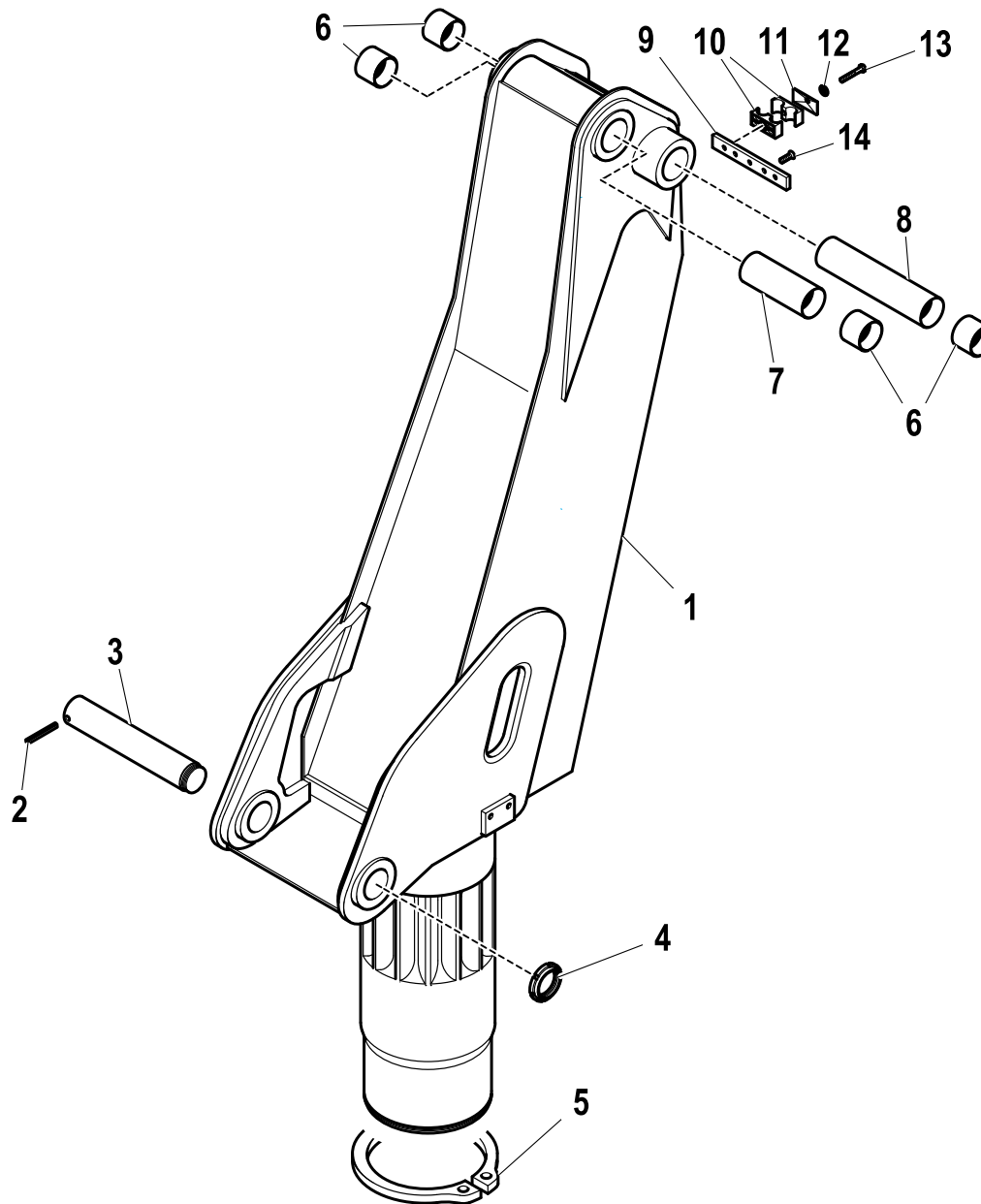
R	Pos.	Code Variant	Q.ty	Description
	1	5220620	1	
	2	3010018	2	Hex screw [M6X40 8.8 ZC UNI 5737]
	3	3060053	2	Split lock washer [D=6.4 C72 ZC]
	4	3101128	6	90° Connection
	5	3120004	2	Tee fitting
	6	3120031	2	90° Connection
	7	3101044	2	Straight pipe fitting
	8	5391723	1	
	9	5391724	1	
	10	5391722	1	
	11	5391721	1	

Column

Code

5460082-1.0

1/1



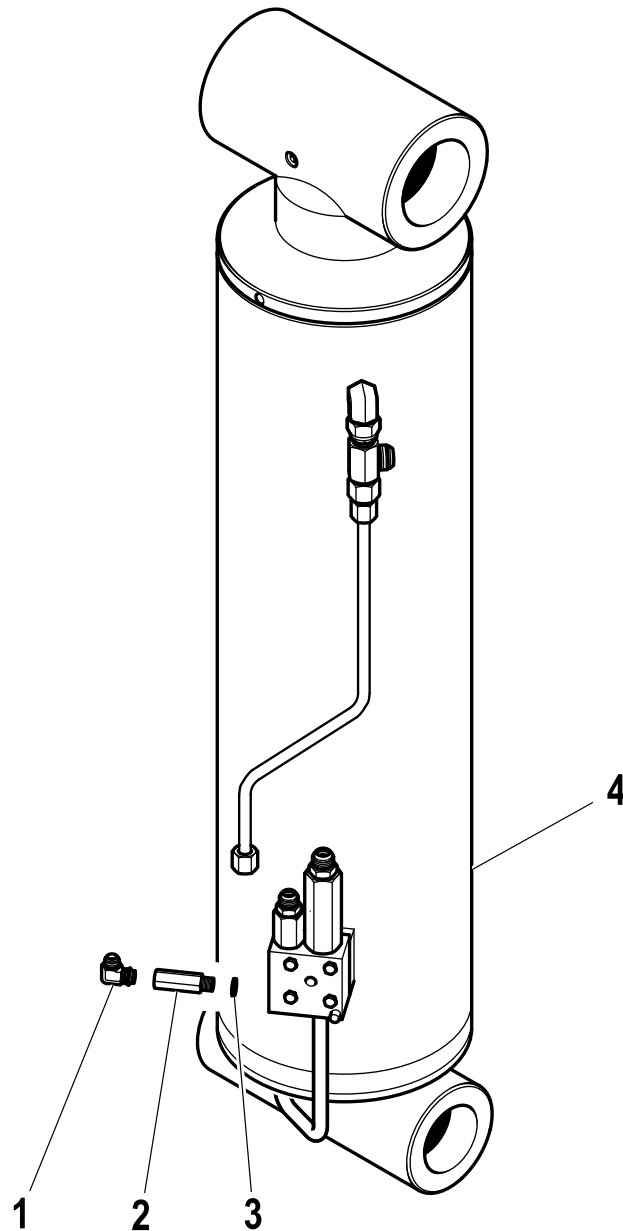
R	Pos.	Code Variant	Q.ty	Description
	1	5040116	1	Column
	2	3060627	1	Spring pin
	3	5150498	1	
	4	3040509	1	Self-locking ringnut
	5	3070146	1	Seeger
	6	5140689	4	
	7	5001545	1	
	8	5001546	1	
	9	5001192	1	
	10	3190222	4	
	11	3190221	2	
	12	3060055	2	Split lock washer [D=8.4 C72 ZC]
	13	3010034	2	Hex screw [M8X55 8.8 UNI 5737 ZC]
	14	3020899	2	TSEI screw [M8X20 10.9 ZC UNI 5933]

LIFTING HYDRAULIC CYLINDER (Hydraulic system)

Code

5450055-1.0

1/1



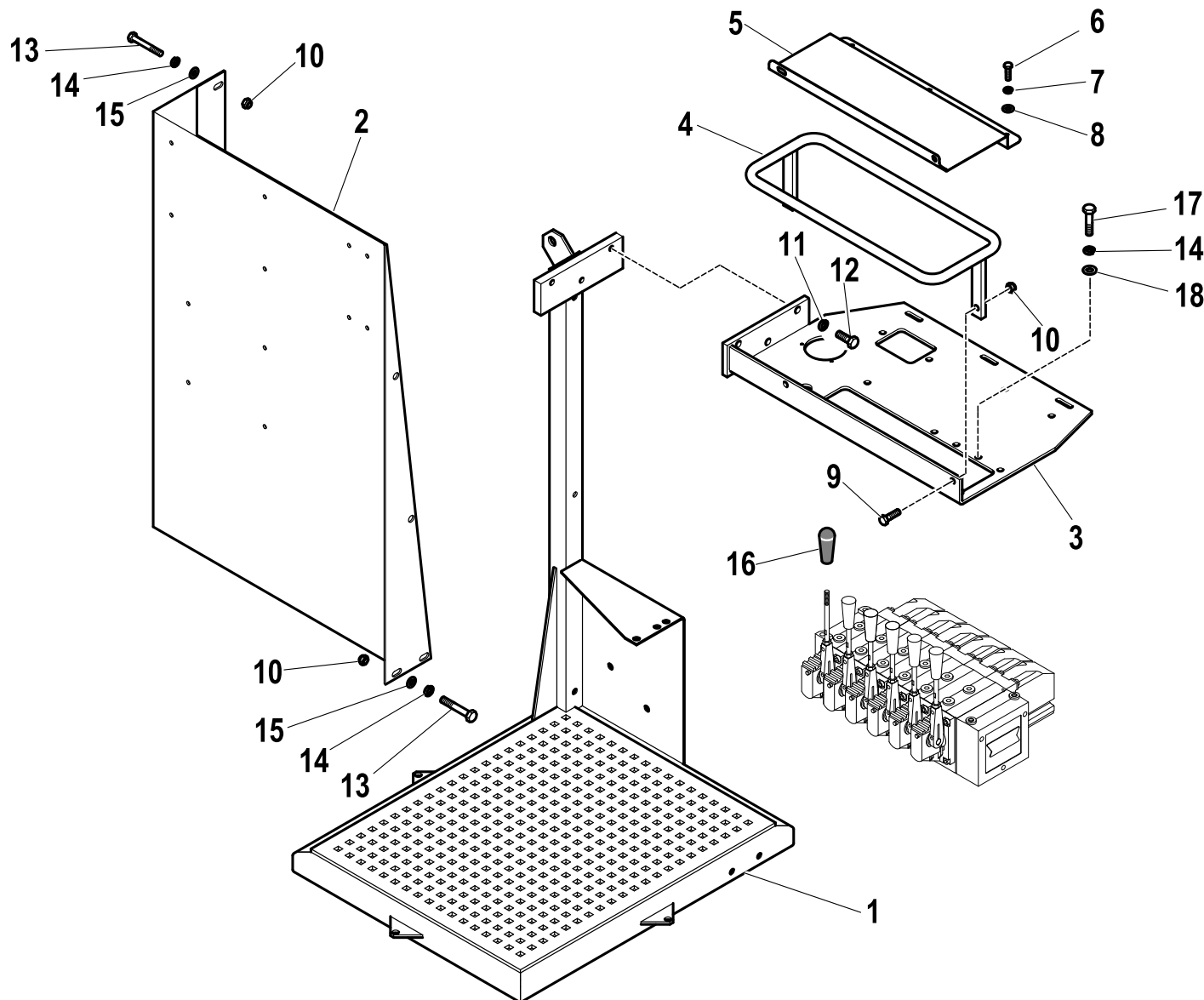
R	Pos.	Code Variant	Q.ty	Description
	1	3101124	1	90° Connection
	2	5220300	1	Hose burst valve (Sleeve)
	3	3060143	1	Sealing washer [BSP 1/4"]
	4	6230164	1	Lifting jack

Control station

Code

5400752-1.0

1/1



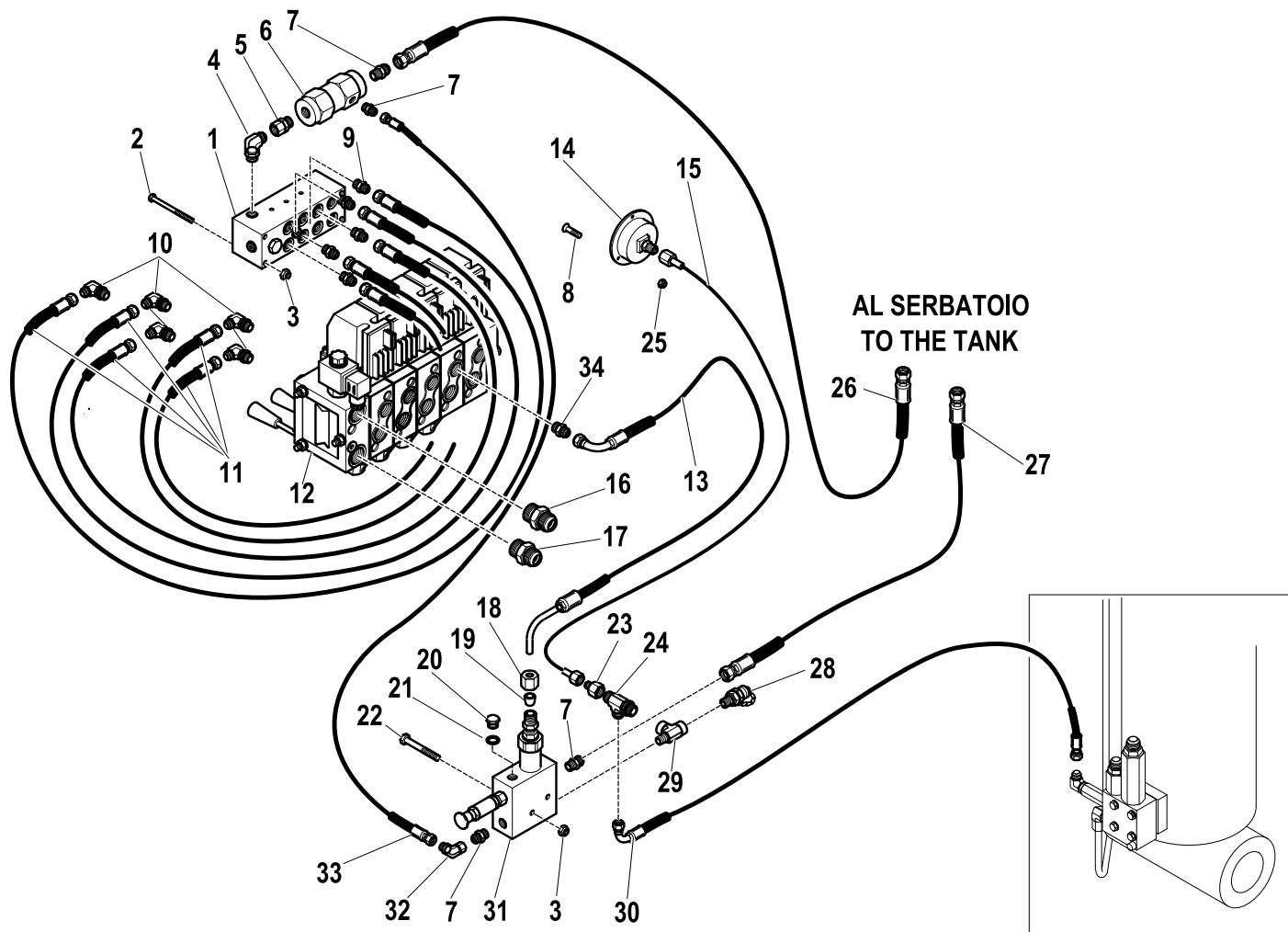
R	Pos.	Code Variant	Q.ty	Description
	1	5090835	1	
	2	5001319	1	
	3	5090667	1	
	4	5090636	1	
	5	5090666	1	
	6	3010325	2	Hex screw [M6X16 8.8 ZC UNI 5739]
	7	3060030	2	Flat washer [D.6.6X18 UNI 6593 ZC]
	8	3060053	2	Split lock washer [D=6.4 C72 ZC]
	9	3010339	2	Hex screw [M8X25 8.8 ZC IF UNI 5739]
	10	3040303	7	Stopnut
	11	3060056	3	Split lock washer [D=10 C72 ZC]
	12	3010355	3	Hex screw [M10X25 8.8 ZC IF UNI 5739]
	13	3010035	5	Hex screw [M8X60 8.8 ZC UNI 5737]
	14	3060055	9	Split lock washer [D=8.4 C72 ZC]
	15	3060029	5	Flat washer [D.8.5X24 UNI 6593 ZC]
	16	3190188	1	
	17	3010027	4	Hex screw [M8X20 8.8 ZC IF UNI 5739]
	18	3060006	4	Flat washer [D.8 UNI 6592 ZC]

Moment limiting device

Code

5430128-1.0

1/2



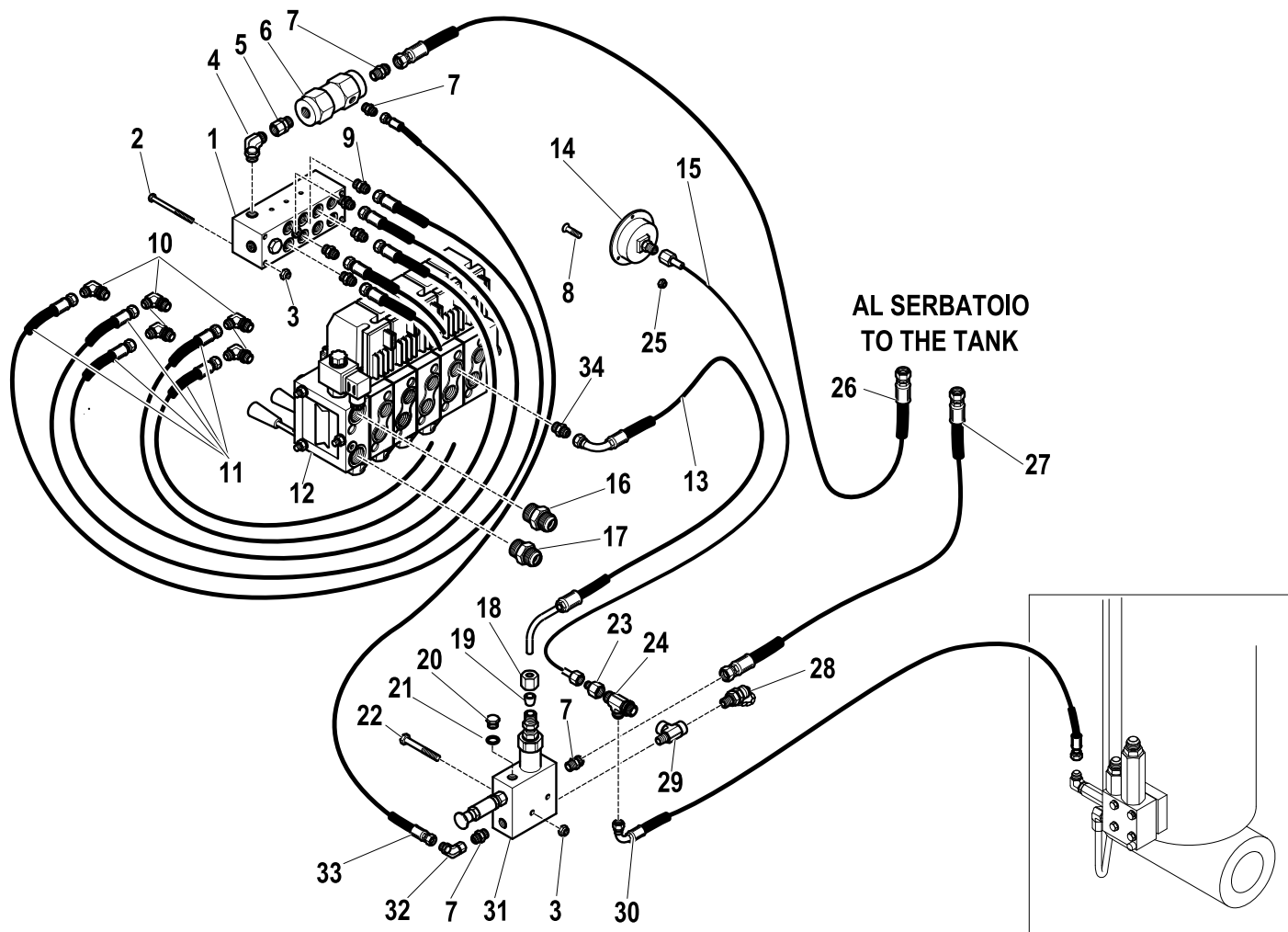
R	Pos.	Code Variant	Q.ty	Description
	1	5220680	1	
	2	3010026	2	Hex screw [M6X80 8.8 ZC UNI 5737]
	3	3040372	4	Stopnut
	4	3101127	1	90° Connection
	5	3120066	1	Straight pipe fitting
	6	5220683	1	
	7	3101039	4	Straight pipe fitting
	8	3020880	3	
	9	3101034	5	Straight pipe fitting
	10	3101194	5	90° Connection
	11	5260672	5	Flexible hose
	12	5220378	1	
	13	5260350	1	Flexible hose
	14	3180150	1	
	15	5300074	1	
	16	3101056	1	Straight pipe fitting
	17	3120073	1	Straight pipe fitting
	18	3100952	1	Nut
	19	3100956	1	
	20	3110062	1	Plug

Moment limiting device

Code

5430128-1.0

2/2



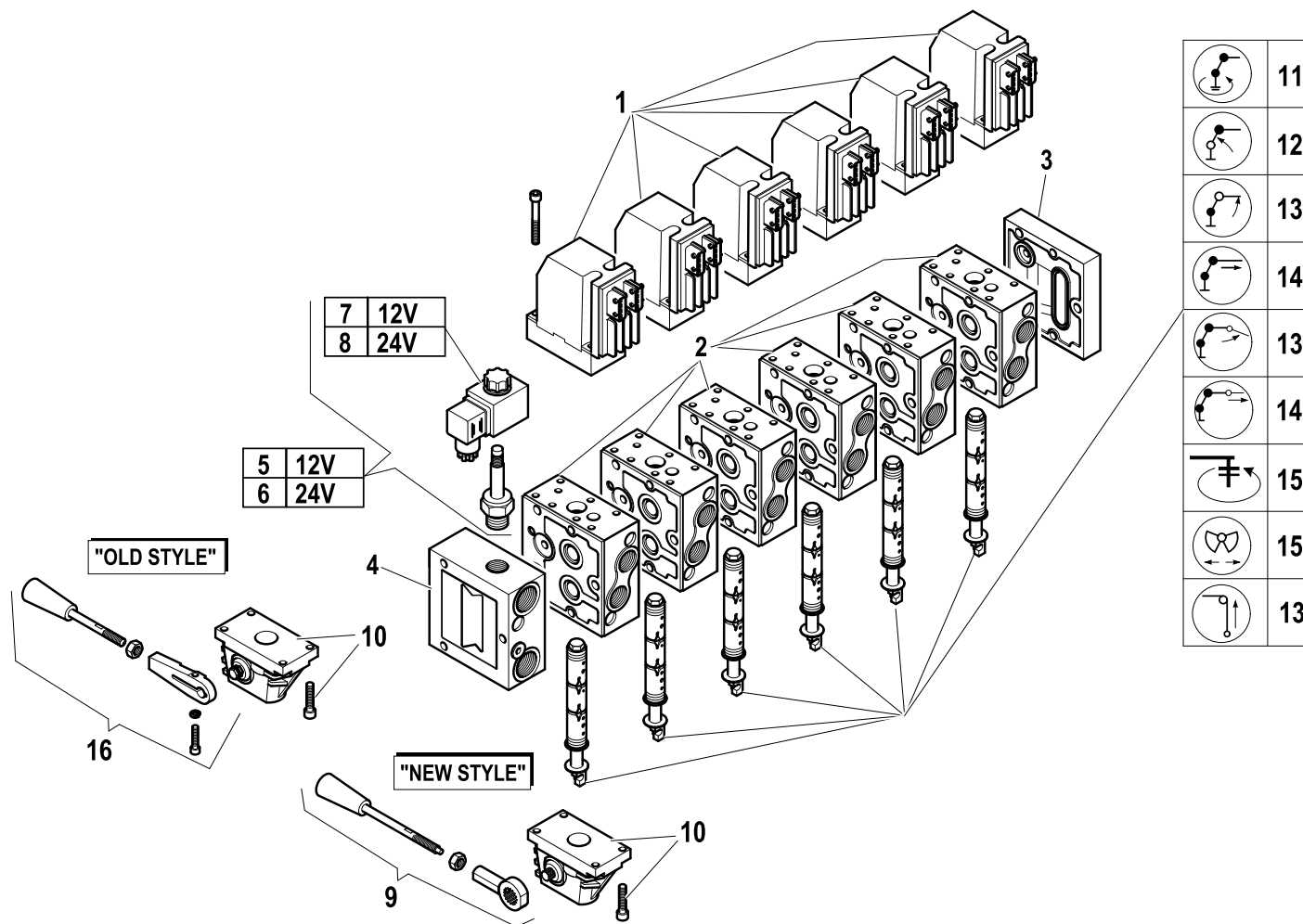
R	Pos.	Code Variant	Q.ty	Description
	21	3060143	1	Sealing washer [BSP 1/4"]
	22	3010027	2	Hex screw [M8X20 8.8 ZC IF UNI 5739]
	23	3120200	1	Reducing fitting
	24	3101175	1	Tee fitting
	25	3040516	3	Stopnut
	26	5271436	1	Flexible hose
	27	5260600	1	Flexible hose
	28	3111523	1	Pipe fitting (Tapping point) [RACC. MILITES 16X2-1/4"G]
	29	3101215	1	Tee fitting
	30	5260675	1	Flexible hose
	31	5220679	1	
	32	3120011	1	90° Connection
	33	5260674	1	Flexible hose
	34	3101044	4	Straight pipe fitting

Control valve (6 section)

Code

5220378-1.0

1/1



R	Pos.	Code Variant	Q.ty	Description
	1	5225534	6	Electric control ()
	2	5225398	6	Form (PVB DISTR. DANFOSS 157B6203)
	3	5225512	1	
	4	5225511	1	
	5	5225533	1	
	6	5225510	1	
	7	3310238	1	
	8	3310242	1	
	9	5225859	6	lever kit new PVG32 11046724
	10	WDNF157B3 173	6	
	11	5225558	1	Slider (PVG32 157B7131)
	12	5225536	1	Slider (PVG32 157B7472)
	13	5225368	1	Slider (PVG32 157B7122)
	14	5225340	1	Slider (PVG32 CA A40-B100 157B9505)
	15	5225508	1	Slider (PVG32 157B7022)
	16	5225858	6	

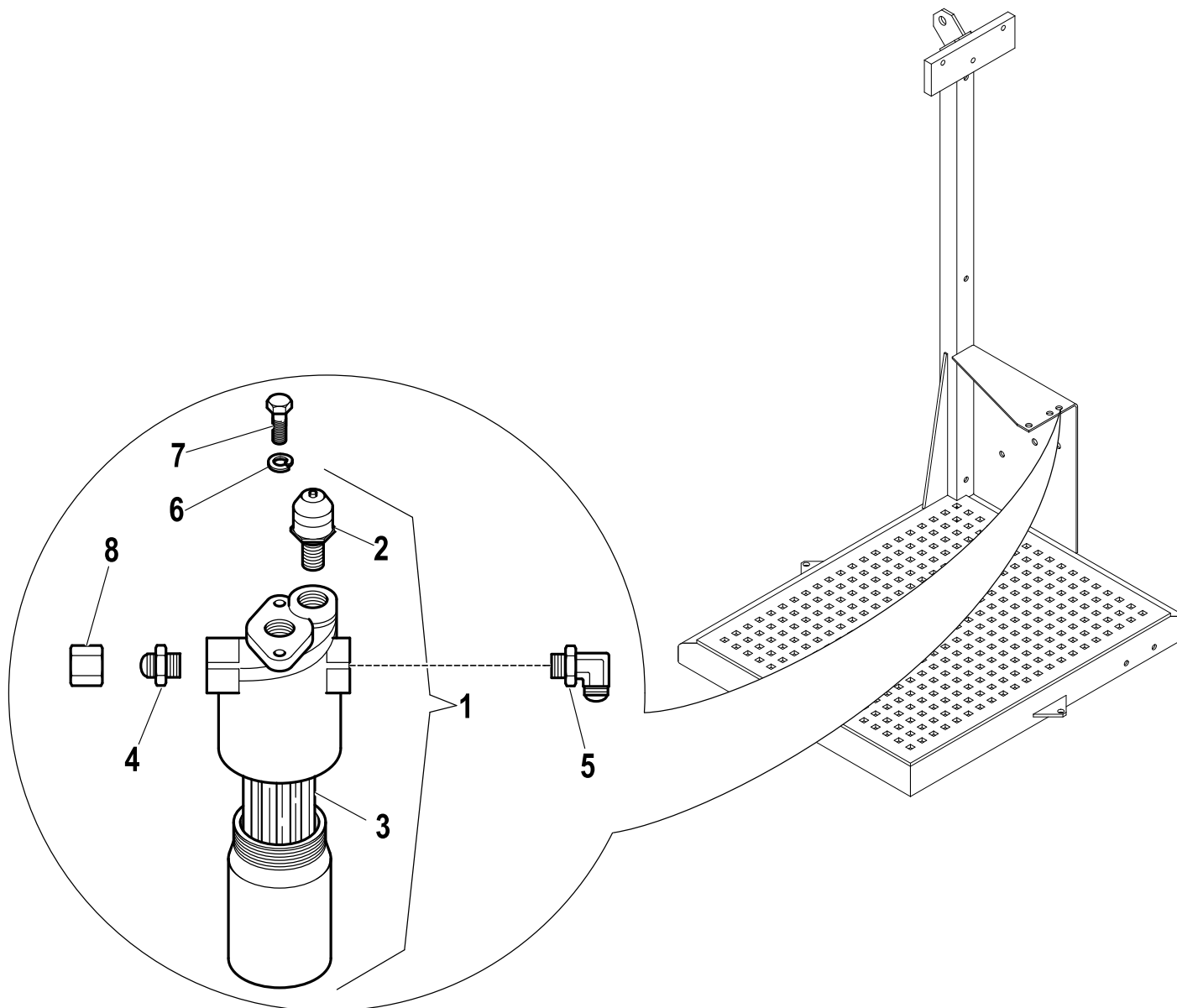
High pressure filter

Code

5400341-1.0

1/1

R	Pos.	Code Variant	Q.ty	Description
	1	3180141	1	Oil filter
	2	3180140	1	
	3	3180143	1	Filtering cartridge
	4	3120073	1	Straight pipe fitting
	5	3101134	1	90° Connection
	6	3060055	2	Split lock washer [D=8.4 C72 ZC]
	7	3010337	2	Hex screw [M8X16 8.8 ZC UNI 5739]
	8	3110050	1	Female plug

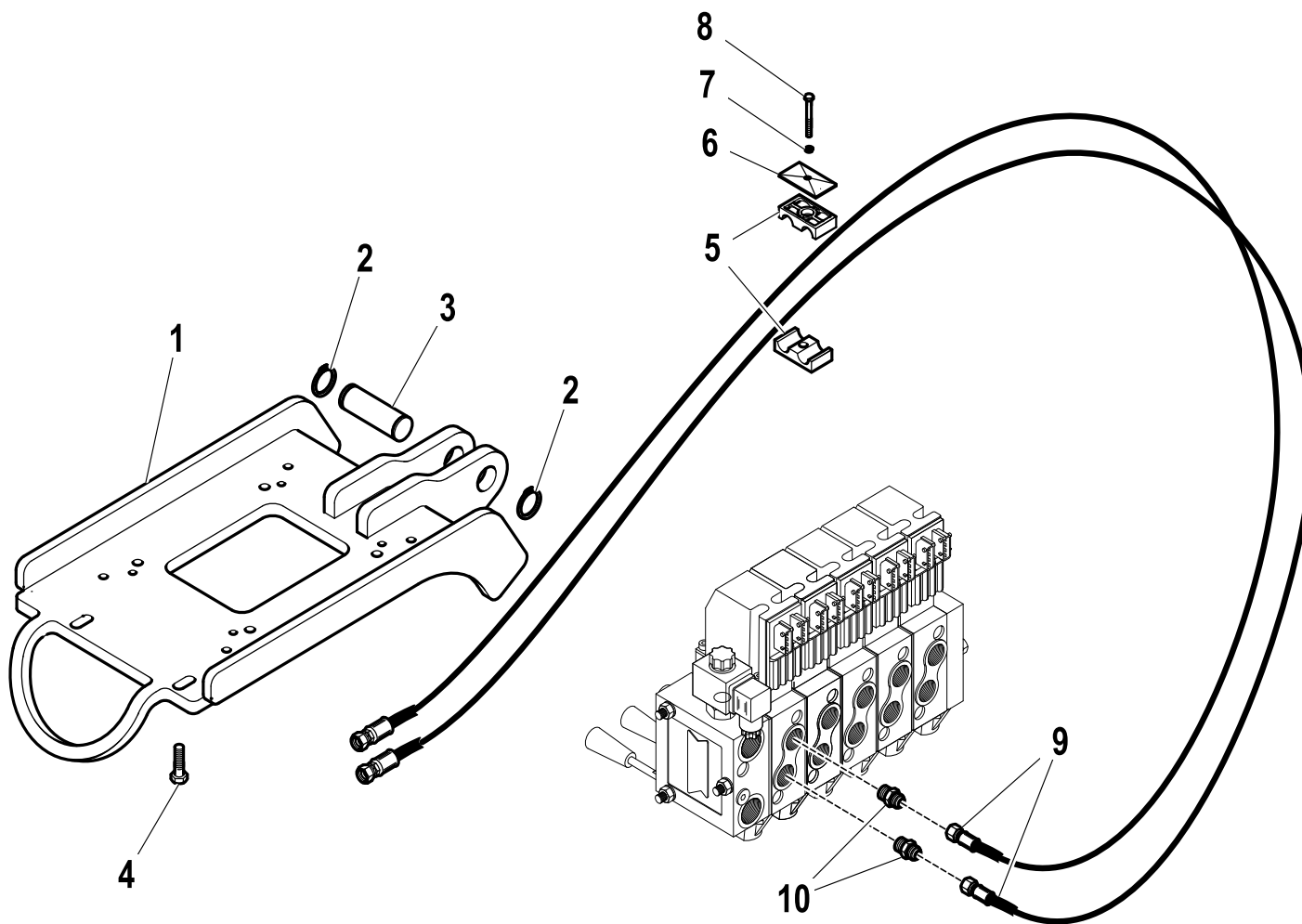


ACTUATION FOR WINCH

Code

5740168-1.0

1/1



R	Pos.	Code Variant	Q.ty	Description
	1	5090980	1	
	2	3070032	2	Seeger
	3	5150796	1	
	4	3010063	2	Hex screw [M12X45 8.8 ZC UNI 5737]
	5	3190222	12	
	6	3190221	6	
	7	3060055	6	Split lock washer [D=8.4 C72 ZC]
	8	3010035	6	Hex screw [M8X60 8.8 ZC UNI 5737]
	9	5280710	2	
	10	3101051	2	Straight pipe fitting



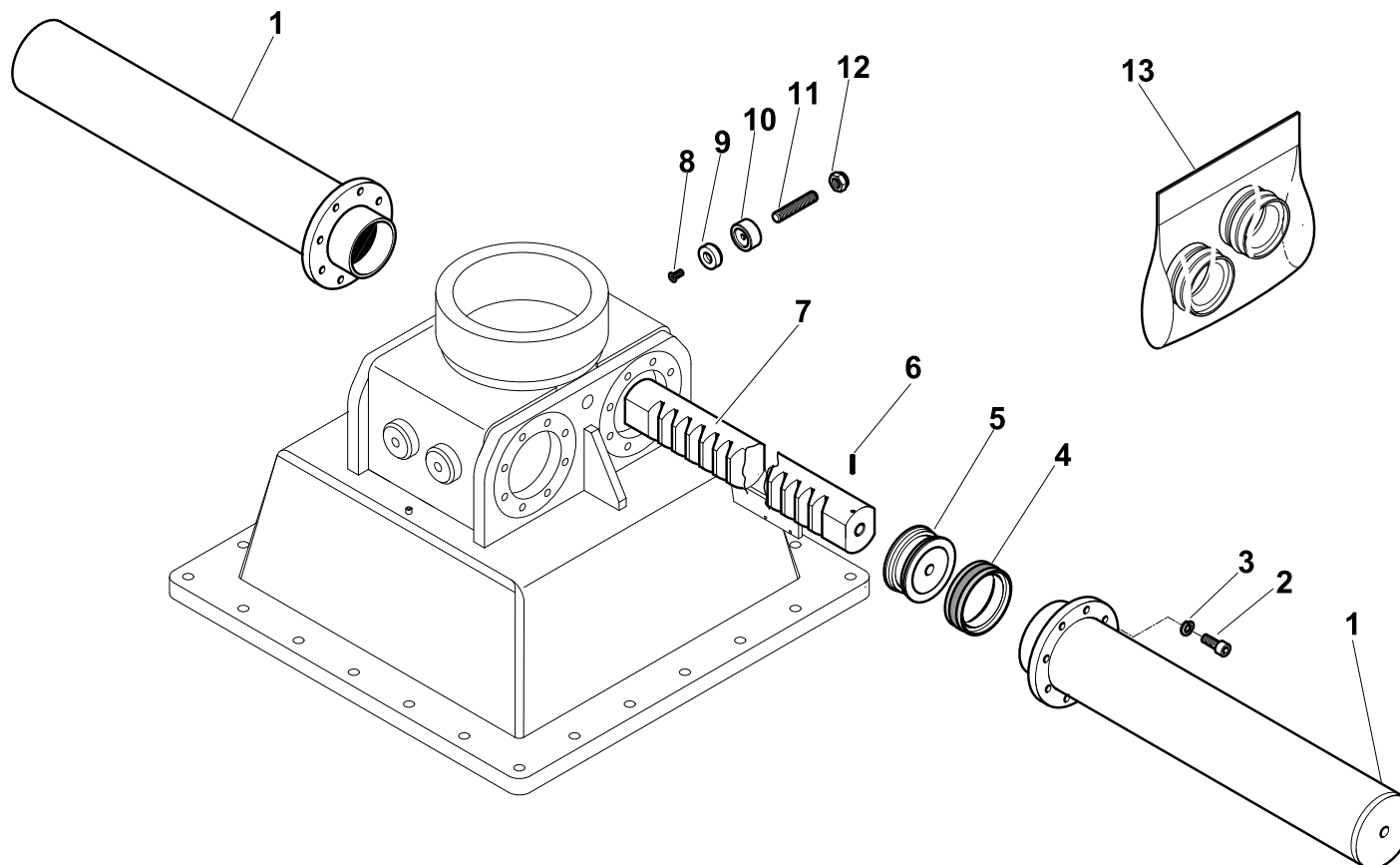
HC331-HC361 M

SLEWING ASS'Y

Code

6240116-1.0

1/1



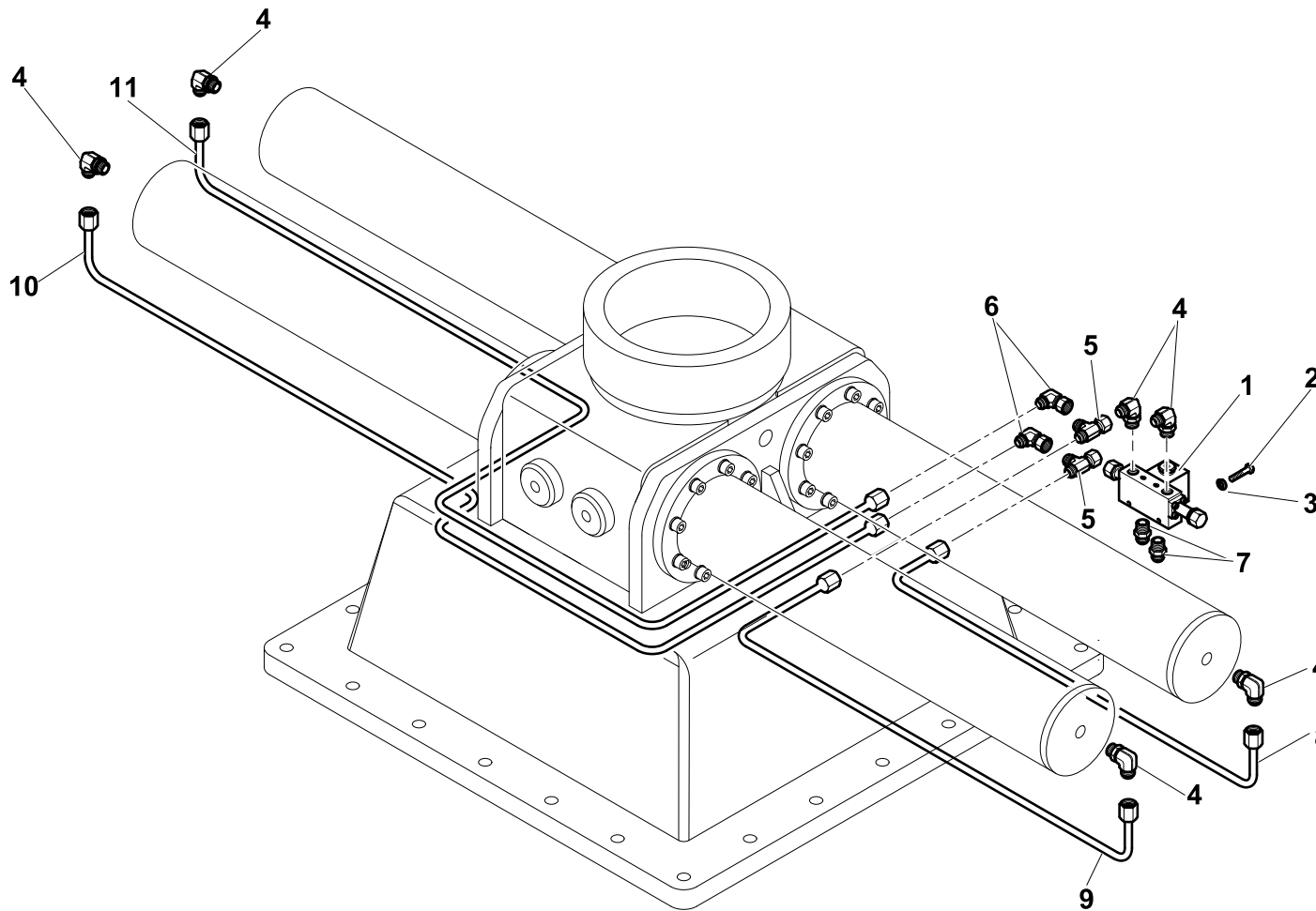
R	Pos.	Code Variant	Q.ty	Description
	1	6070547	4	
	2	3020128	32	Socket head cap screw [M16X45 8.8 ZC UNI 5931]
	3	3060059	32	Split lock washer [D=16 C72 ZC]
	4	3400523	4	
	5	6050248	4	
	6	3060607	4	Spring pin
	7	5050085	4	
	8	3020466	4	TSEI screw [M10X25 8.8 BR UNI 5933]
	9	5140600	4	
	10	4160328	4	
	11	3060919	4	Grub screw
	12	3040309	4	Stopnut
	13	5550694	1	

HYDRAULIC SYSTEM (Slewing Hydraulic jack)

Code

6240116-2.0

1/1



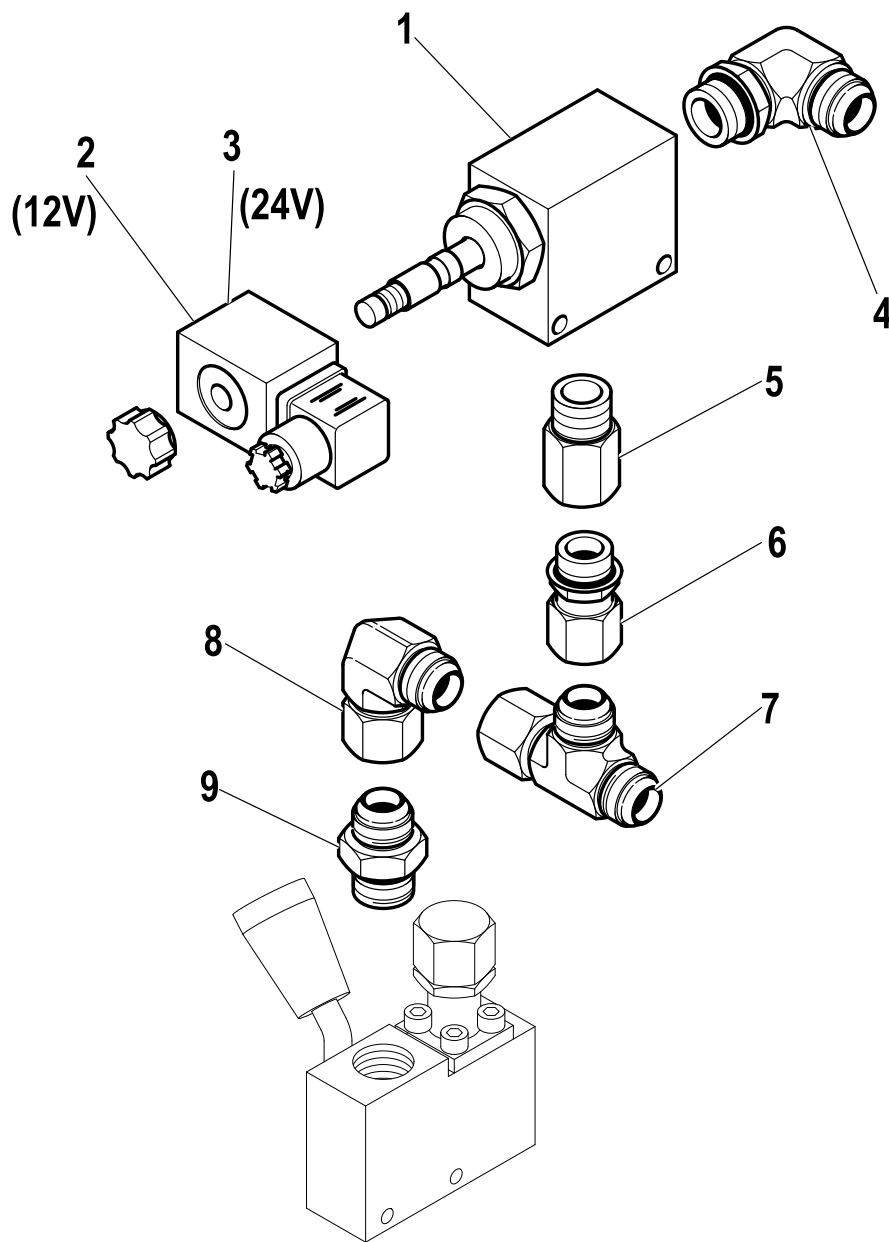
R	Pos.	Code Variant	Q.ty	Description
	1	5220620	1	
	2	3010018	2	Hex screw [M6X40 8.8 ZC UNI 5737]
	3	3060053	2	Split lock washer [D=6.4 C72 ZC]
	4	3101128	6	90° Connection
	5	3120004	2	Tee fitting
	6	3120031	2	90° Connection
	7	3101044	2	Straight pipe fitting
	8	5391723	1	
	9	5391724	1	
	10	5391722	1	
	11	5391721	1	

Solenoid valve

Code

5440019-1.0

1/1



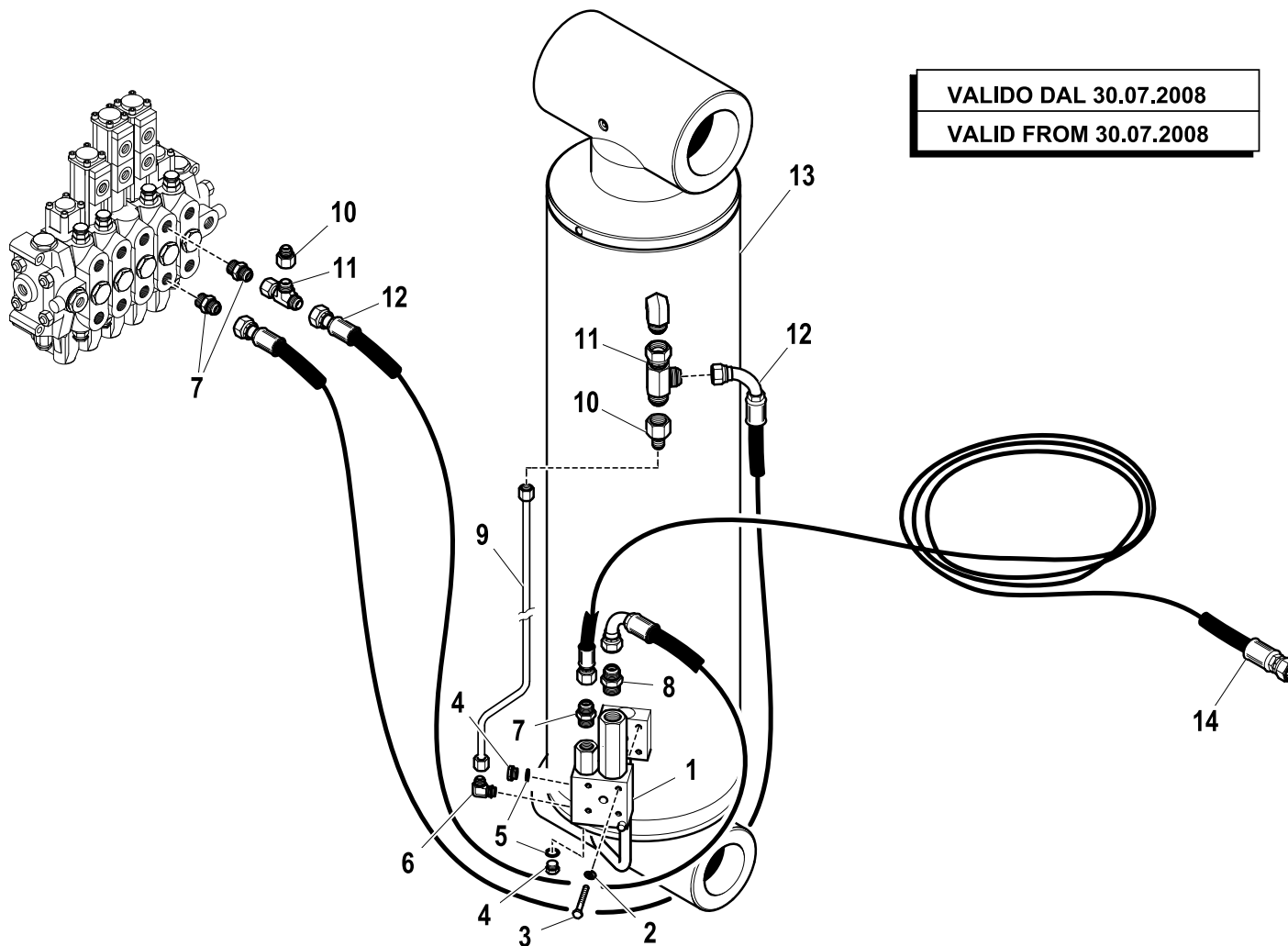
R	Pos.	Code Variant	Q.ty	Description
	1	5220642	1	
	2	3310238	1	
	3	3310242	1	
	4	3101131	1	90° Connection
	5	3110113	1	Straight pipe fitting
	6	3120067	1	Straight pipe fitting
	7	3120008	1	Tee fitting
	8	3120034	1	90° Connection
	9	3101051	1	Straight pipe fitting

HYDRAULIC SYSTEM (LIFTING HYDRAULIC CYLINDER)

Code

6230185-1.0

1/1



VALIDO DAL 30.07.2008

VALID FROM 30.07.2008

R	Pos.	Code Variant	Q.ty	Description
	1	5220670	1	
	2	3060053	4	Split lock washer [D=6.4 C72 ZC]
	3	3010399	2	Hex screw [M6X55 8.8 ZC UNI 5739]
	4	3110062	2	Plug
	5	3060143	2	Sealing washer [BSP 1/4"]
	6	3101124	1	90° Connection
	7	3101043	3	Straight pipe fitting
	8	3101051	1	Straight pipe fitting
	9	5390019	1	
	10	3120209	2	Reducing fitting
	11	3120008	2	Tee fitting
	12	5280602	2	
	13	6430185	1	Lifting jack
	14	5260524	1	Flexible hose

LIFTING HYDRAULIC CYLINDER (marine)

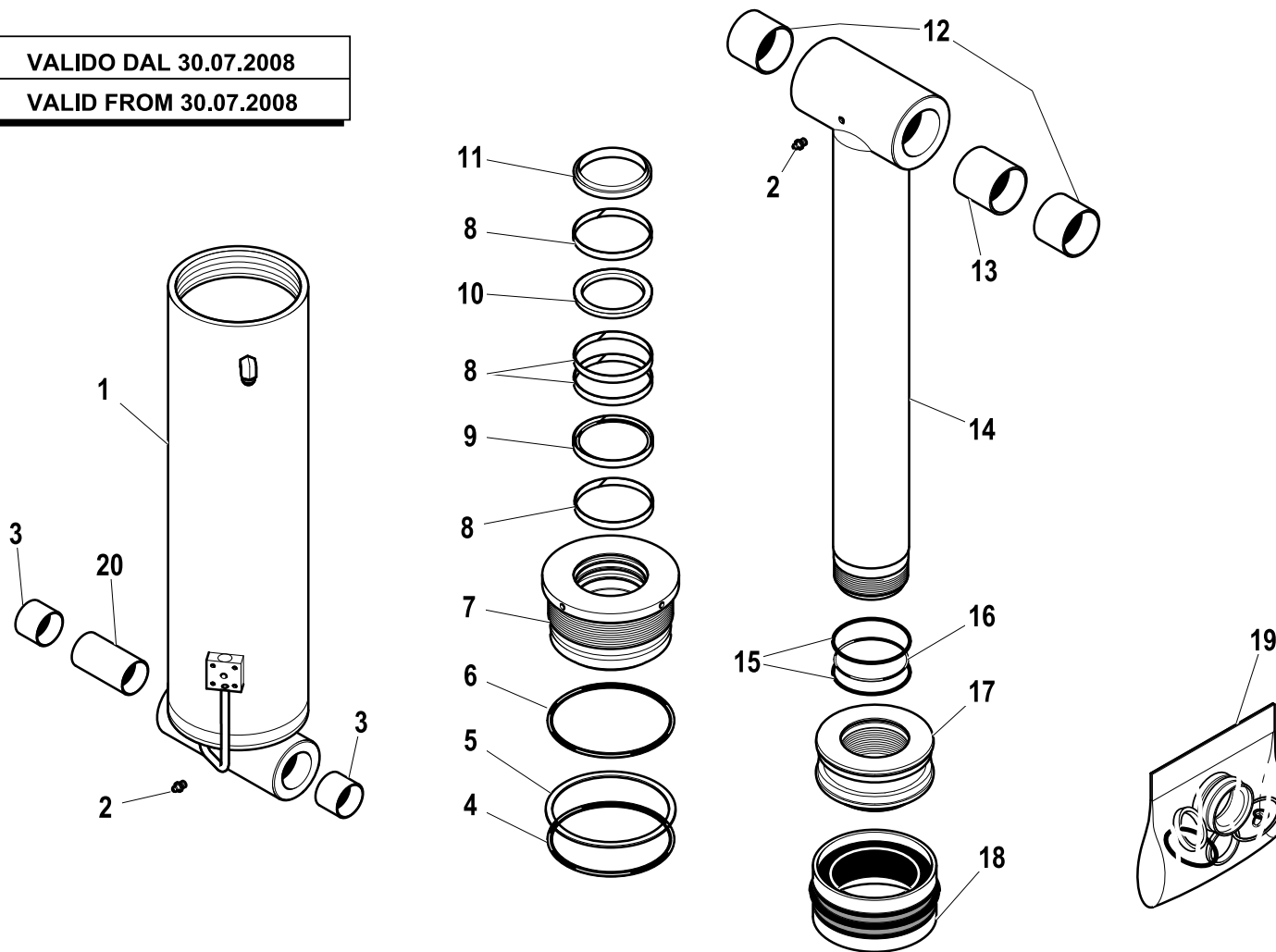
Code

6430185-1.0

1/1

VALIDO DAL 30.07.2008

VALID FROM 30.07.2008



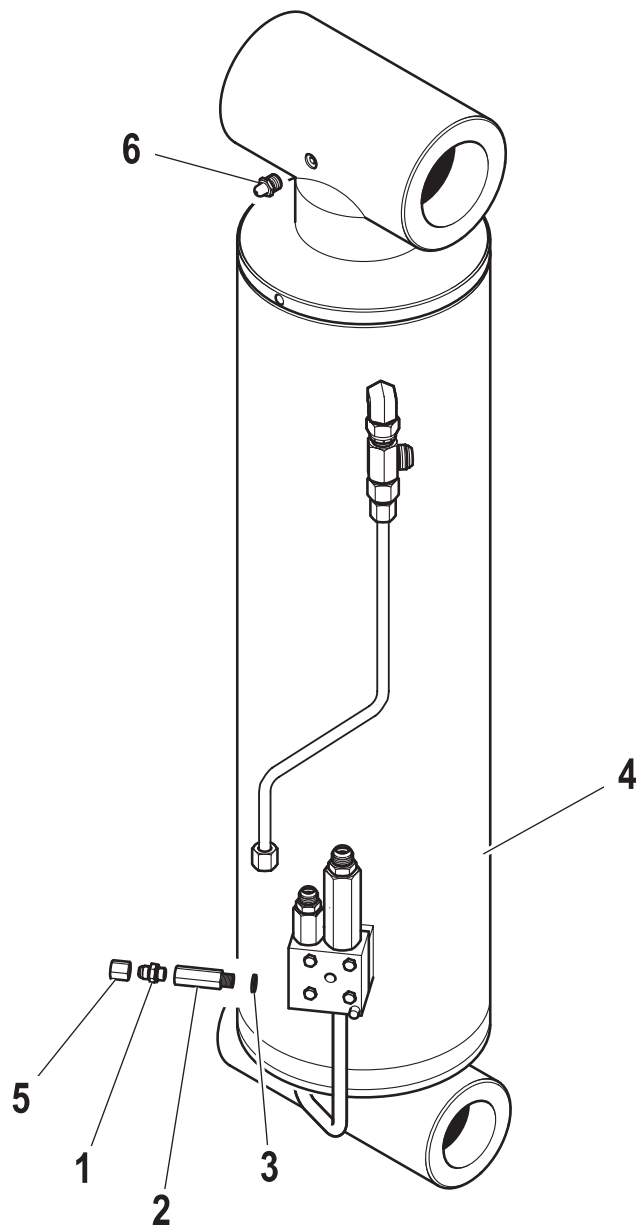
R	Pos.	Code Variant	Q.ty	Description
	1	6070554	1	
	2	3080501	2	Grease nipple
	3	5140689	2	
	4	3450406	1	
	5	3460406	1	
	6	3450181	1	
	7	6040293	1	
	8	3361021	5	
	9	3381300	1	
	10	3390501	1	
	11	3420060	1	
	12	5140699	2	
	13	5001539	1	
	14	6030864	1	
	15	3460164	2	
	16	3450164	1	
	17	6050305	1	
	18	3400541	1	
	19	5550765	1	
	20	5001538	1	

LIFTING HYDRAULIC CYLINDER (Hydraulic system)

Code

5450084-1.0

1/1



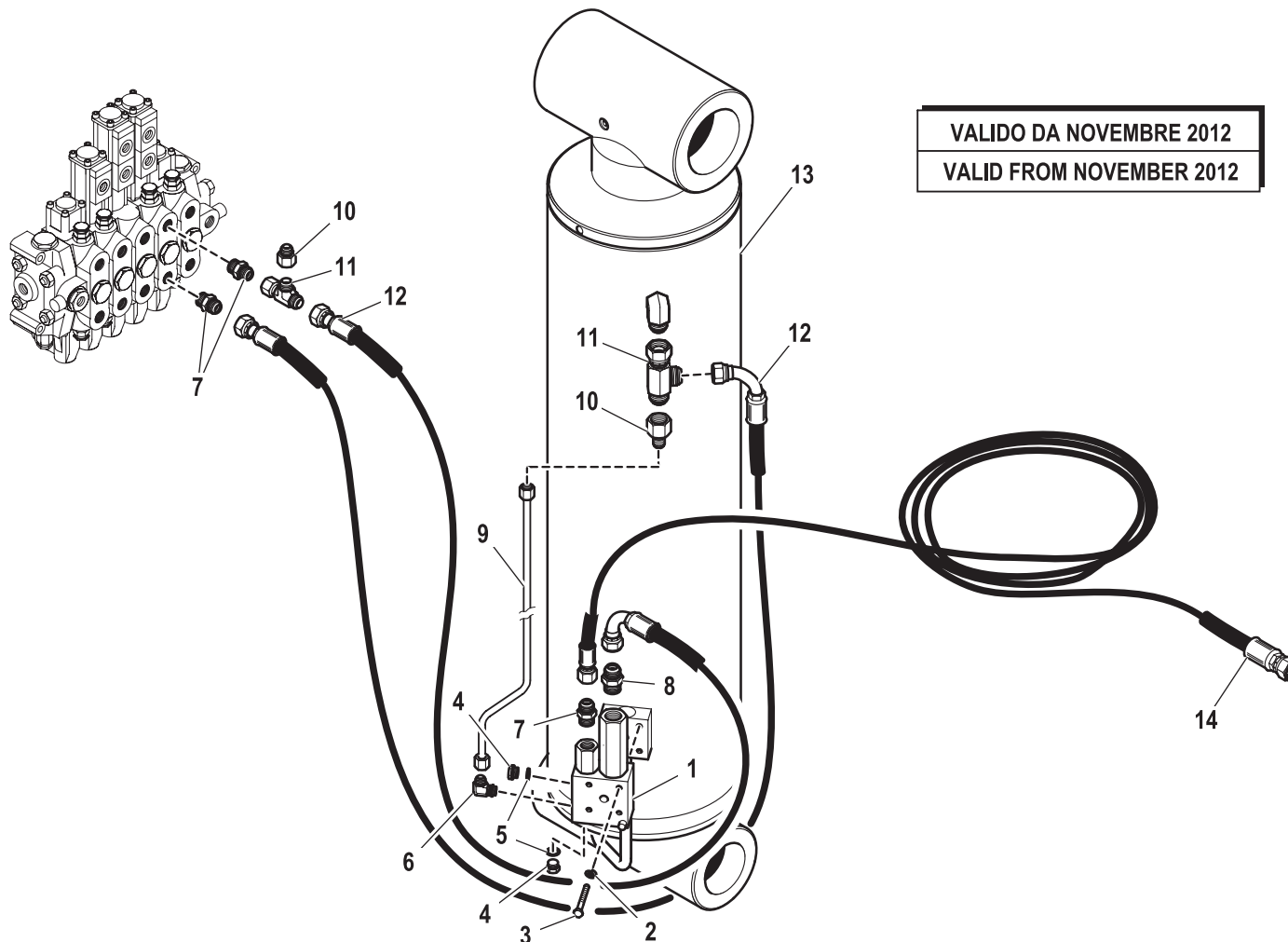
R	Pos.	Code Variant	Q.ty	Description
	1	3101039	1	Straight pipe fitting
	2	5220300	1	Hose burst valve (Sleeve)
	3	3060143	1	Sealing washer [BSP 1/4"]
	4	6230235	1	Lifting jack
	5	3110040	1	Female plug
	6	3080501	2	Grease nipple

HYDRAULIC SYSTEM (LIFTING HYDRAULIC CYLINDER)

Code

6230235-1.0

1/1



VALIDO DA NOVEMBRE 2012
VALID FROM NOVEMBER 2012

R	Pos.	Code Variant	Q.ty	Description
	1	5220670	1	
	2	3060053	4	Split lock washer [D=6.4 C72 ZC]
	3	3010399	2	Hex screw [M6X55 8.8 ZC UNI 5739]
	4	3110062	2	Plug
	5	3060143	2	Sealing washer [BSP 1/4"]
	6	3101124	1	90° Connection
	7	3101043	3	Straight pipe fitting
	8	3101051	1	Straight pipe fitting
	9	5390019	1	
	10	3120209	2	Reducing fitting
	11	3120008	2	Tee fitting
	12	5280602	2	
	13	6430235	1	Lifting jack
	14	5260524	1	Flexible hose

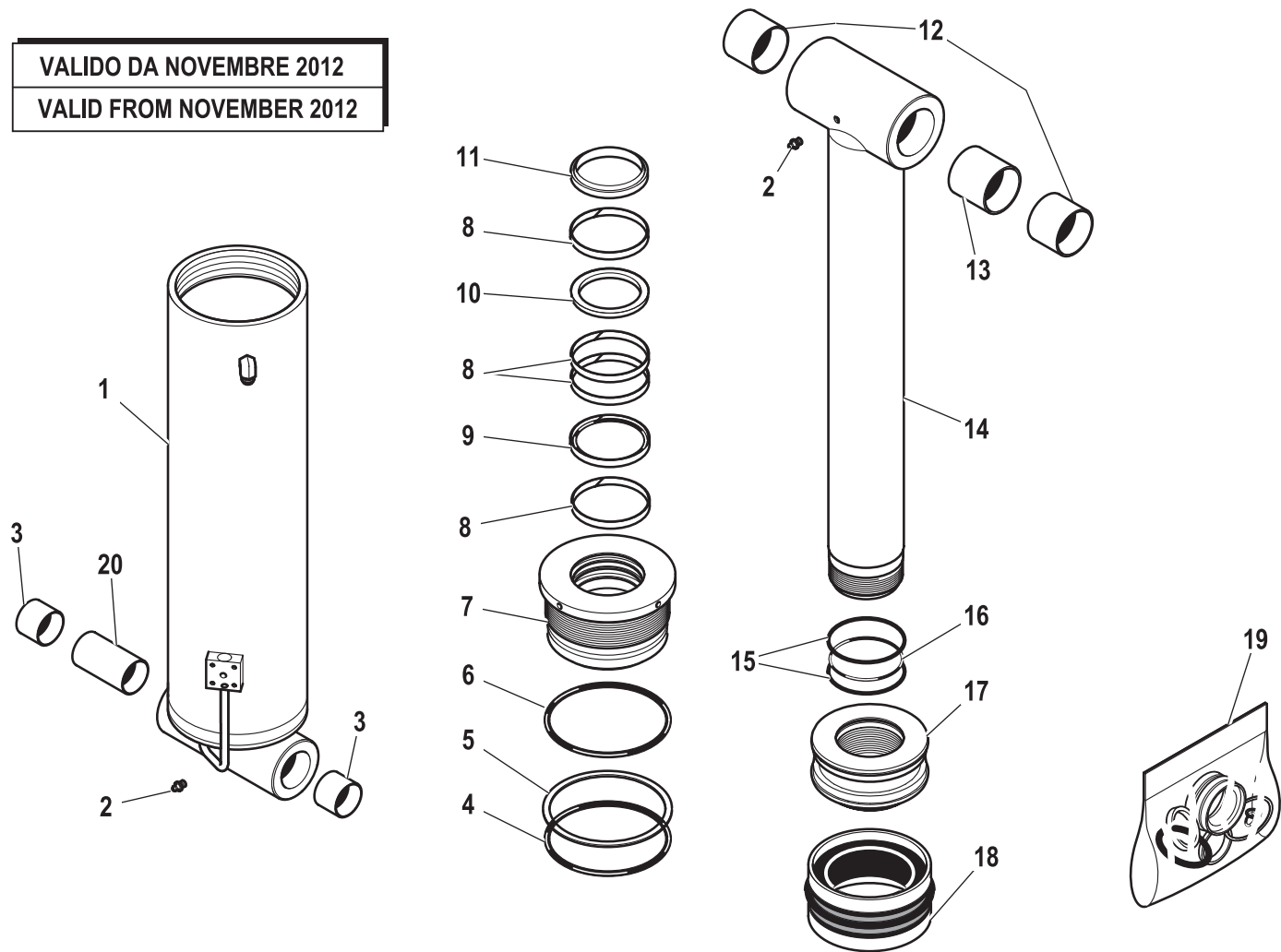
LIFTING HYDRAULIC CYLINDER (marine)

Code

6430235-1.0

1/1

VALIDO DA NOVEMBRE 2012
VALID FROM NOVEMBER 2012



R	Pos.	Code Variant	Q.ty	Description
	1	6070554	1	
	2	3080501	2	Grease nipple
	3	5140689	2	
	4	3450406	1	
	5	3460406	1	
	6	3450181	1	
	7	6040293	1	
	8	3361021	5	
	9	3381300	1	
	10	3390501	1	
	11	3420060	1	
	12	5140699	2	
	13	5001539	1	
	14	6031059	1	Rod unit
	15	3460164	2	
	16	3450164	1	
	17	6050305	1	
	18	3400541	1	
	19	5550765	1	
	20	5001538	1	

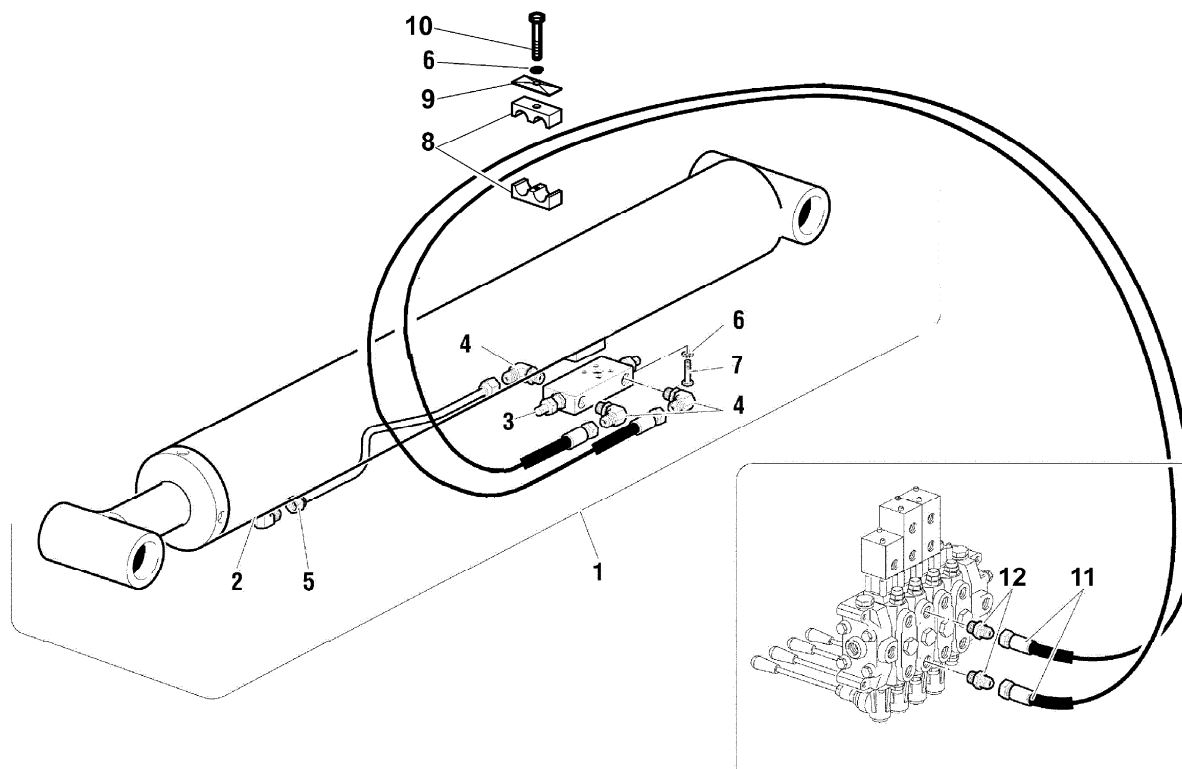
HYDRAULIC SYSTEM (ARTICULATION HYDRAULIC JACK)

Code

6230147-1.0

1/1

R	Pos.	Code Variant	Q.ty	Description
	1	6230147	1	Articulation Hydraulic jack
	2	6430147	1	Articulation Hydraulic jack
	3	5220571	1	
	4	3101131	3	90° Connection
	5	5391663	1	
	6	3060055	6	Split lock washer [D=8.4 C72 ZC]
	7	3010032	4	Hex screw [M8X45 8.8 ZC UNI 5737]
	8	3190222	4	
	9	3190221	2	
	10	3010035	2	Hex screw [M8X60 8.8 ZC UNI 5737]
	11	5280601	2	
	12	3101051	2	Straight pipe fitting



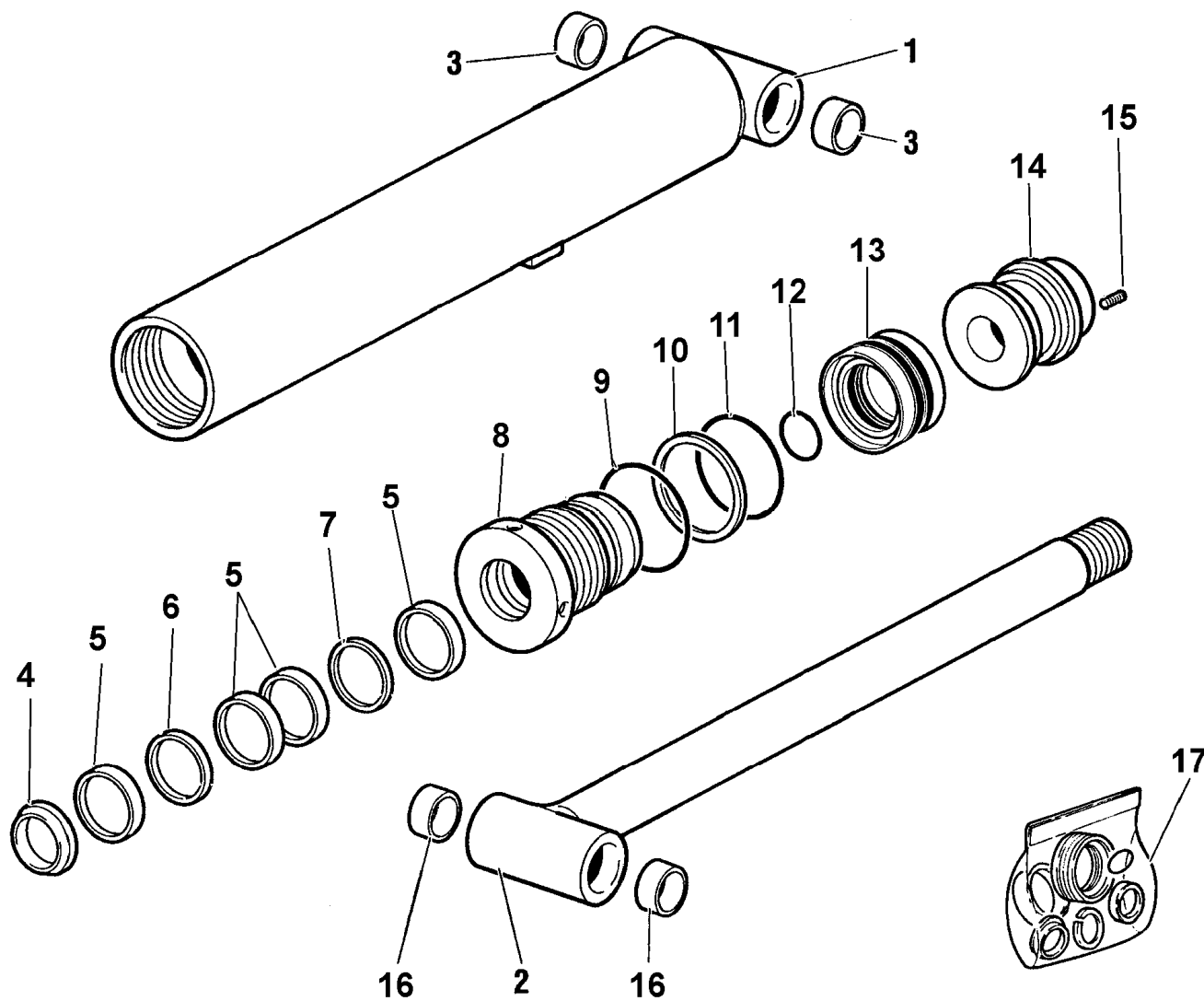
6230147-1.0

Articulation Hydraulic jack (marine)

Code

6430147-1.0

1/1



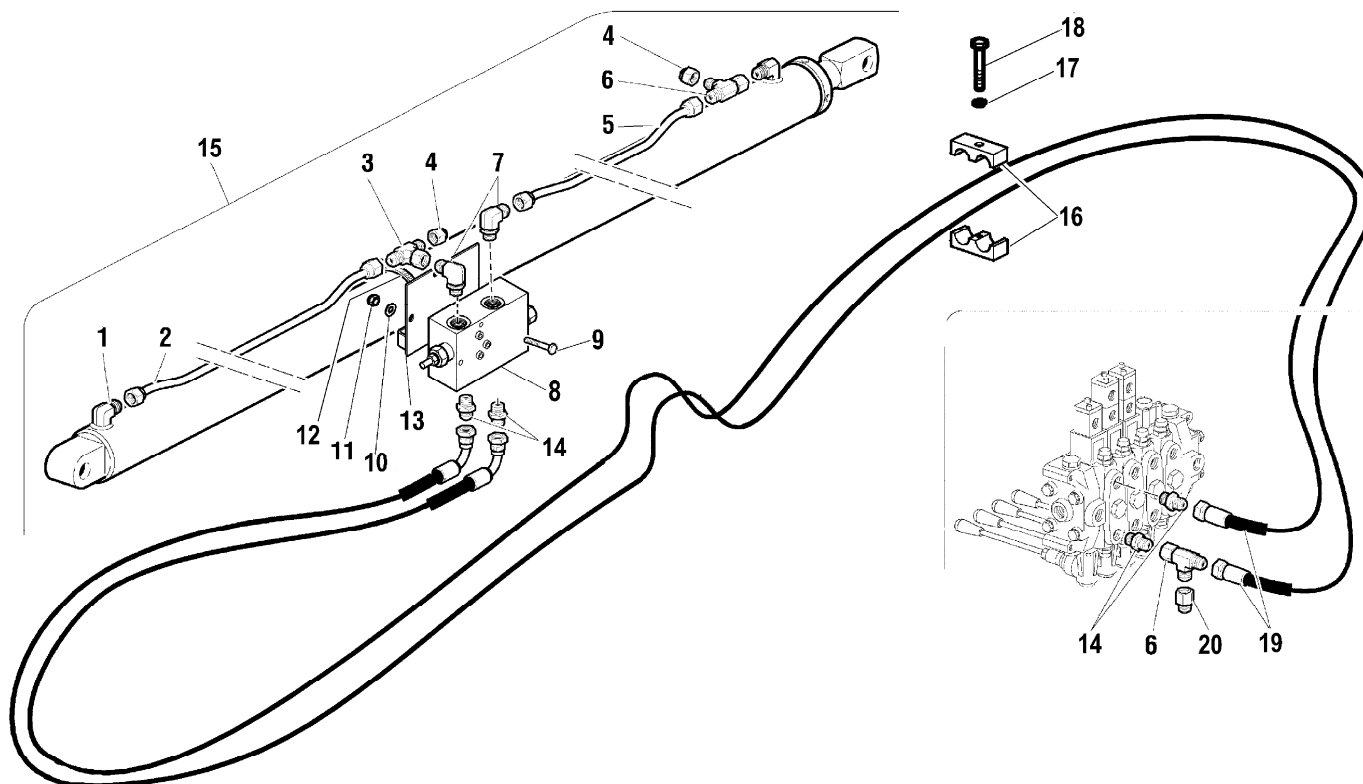
R	Pos.	Code Variant	Q.ty	Description
	1	6070419	1	
	2	6030698	1	
	3	5140689	2	
	4	3420049	1	
	5	3350120	4	
	6	3370175	1	
	7	3381000	1	
	8	6040261	1	
	9	3450177	1	
	10	3460401	1	
	11	3450401	1	
	12	3450155	1	
	13	3400537	1	
	14	6050259	1	
	15	3060247	1	Grub screw (Worm screw)
	16	5140699	2	
	17	5550722	1	

HYDRAULIC SYSTEM (1st EXSTENSION HYDRAULIC)

Code

6210306-1.0

1/1



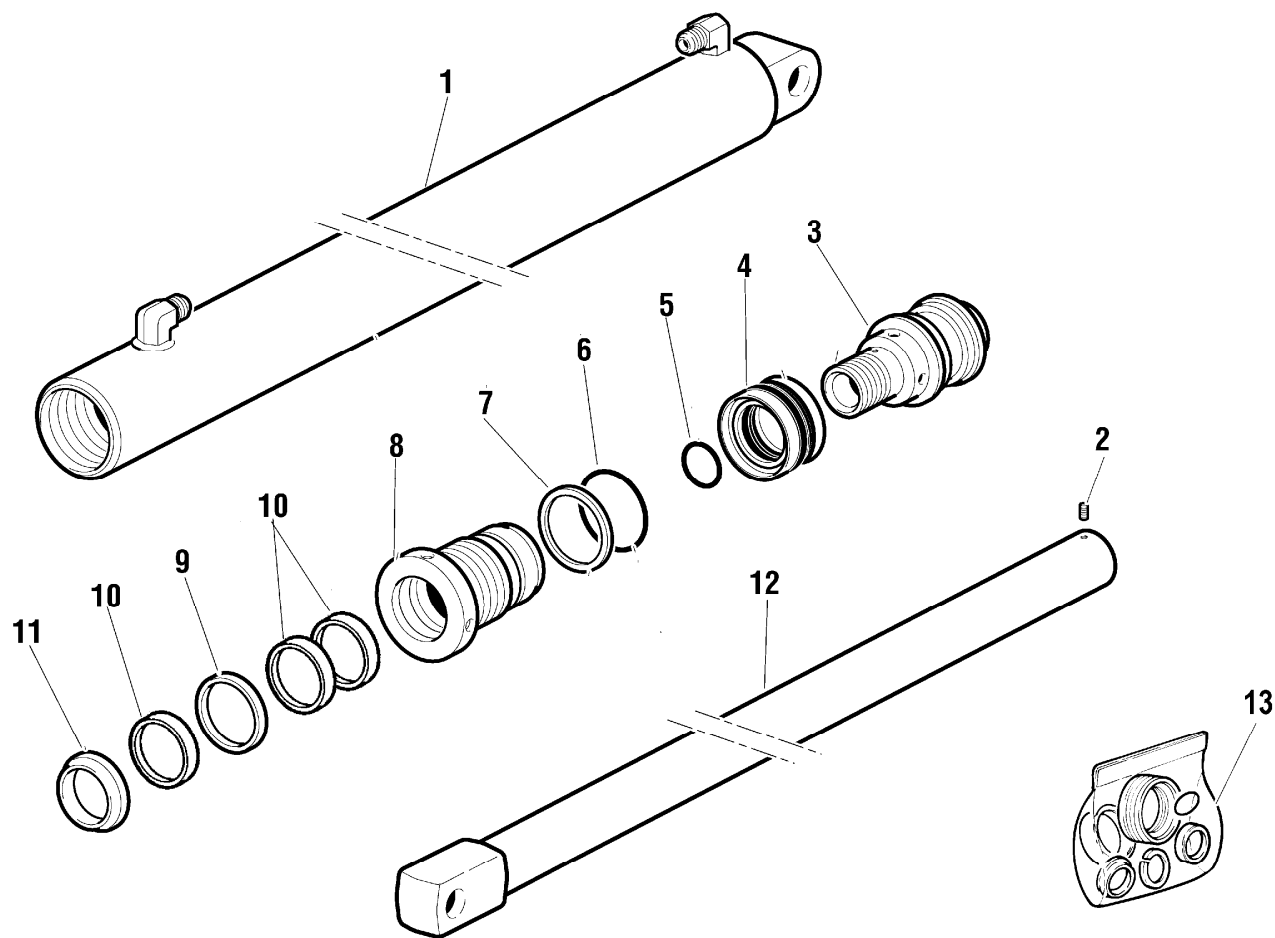
R	Pos.	Code Variant	Q.ty	Description
	1	6410342	1	Extension Hydraulic jack
	2	5392220	1	
	3	3120021	1	Tee fitting
	4	3110050	2	Female plug
	5	5392221	1	
	6	3120008	2	Tee fitting
	7	3101131	2	90° Connection
	8	5220755	1	
	9	3010037	2	Hex screw [M8X70 8.8 UNI 5737 ZC]
	10	3060006	2	Flat washer [D.8 UNI 6592 ZC]
	11	3040303	2	Stopnut
	12	3190024	2	Clamp
	13	5000694	1	
	14	3101051	4	Straight pipe fitting
	15	6210306	1	
	16	5000047	4	
	17	3060055	4	Split lock washer [D=8.4 C72 ZC]
	18	3010032	4	Hex screw [M8X45 8.8 ZC UNI 5737]
	19	5280603	2	
	20	3120209	1	Reducing fitting

1th extension hydraulic cylinder (marine)

Code

6410342-1.0

1/1

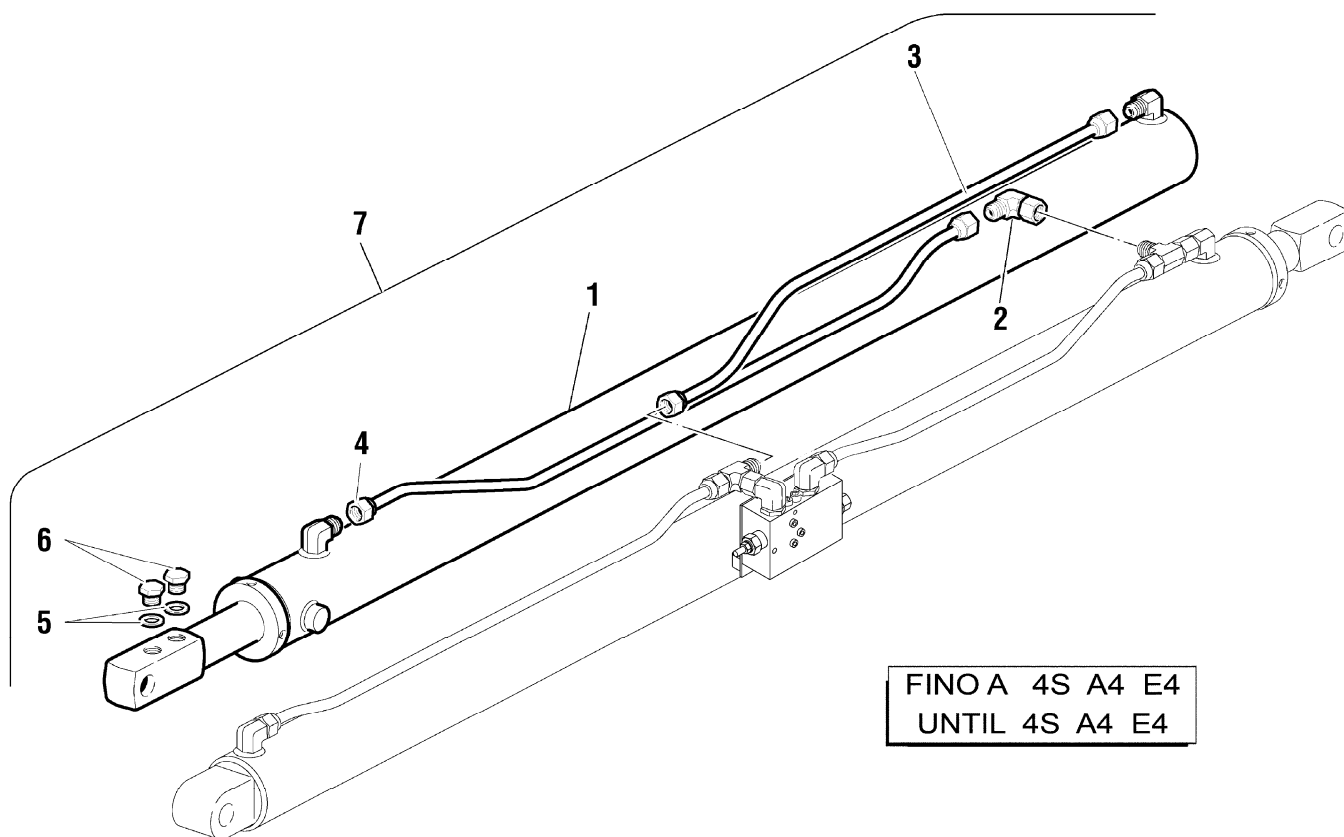


R	Pos.	Code Variant	Q.ty	Description
	1	6070398	1	
	2	3060232	1	Grub screw
	3	6050260	1	
	4	3400513	1	
	5	3450118	1	
	6	3450149	1	
	7	3460149	1	
	8	6040272	1	
	9	3370130	1	
	10	3361006	3	
	11	3420030	1	
	12	6030766	1	
	13	5550746	1	Seal kit

HYDRAULIC SYSTEM (2nd EXTENSION HYDRAULIC JACK)

Code		
6210307-1.0		1/1

R	Pos.	Code Variant	Q.ty	Description
	1	6410340	1	Extension Hydraulic jack
	2	3120034	1	90° Connection
	3	5392222	1	
	4	5391835	1	
	5	3060145	2	Sealing washer [BSP 1/2"]
	6	3110065	2	Plug
	7	6210307	1	



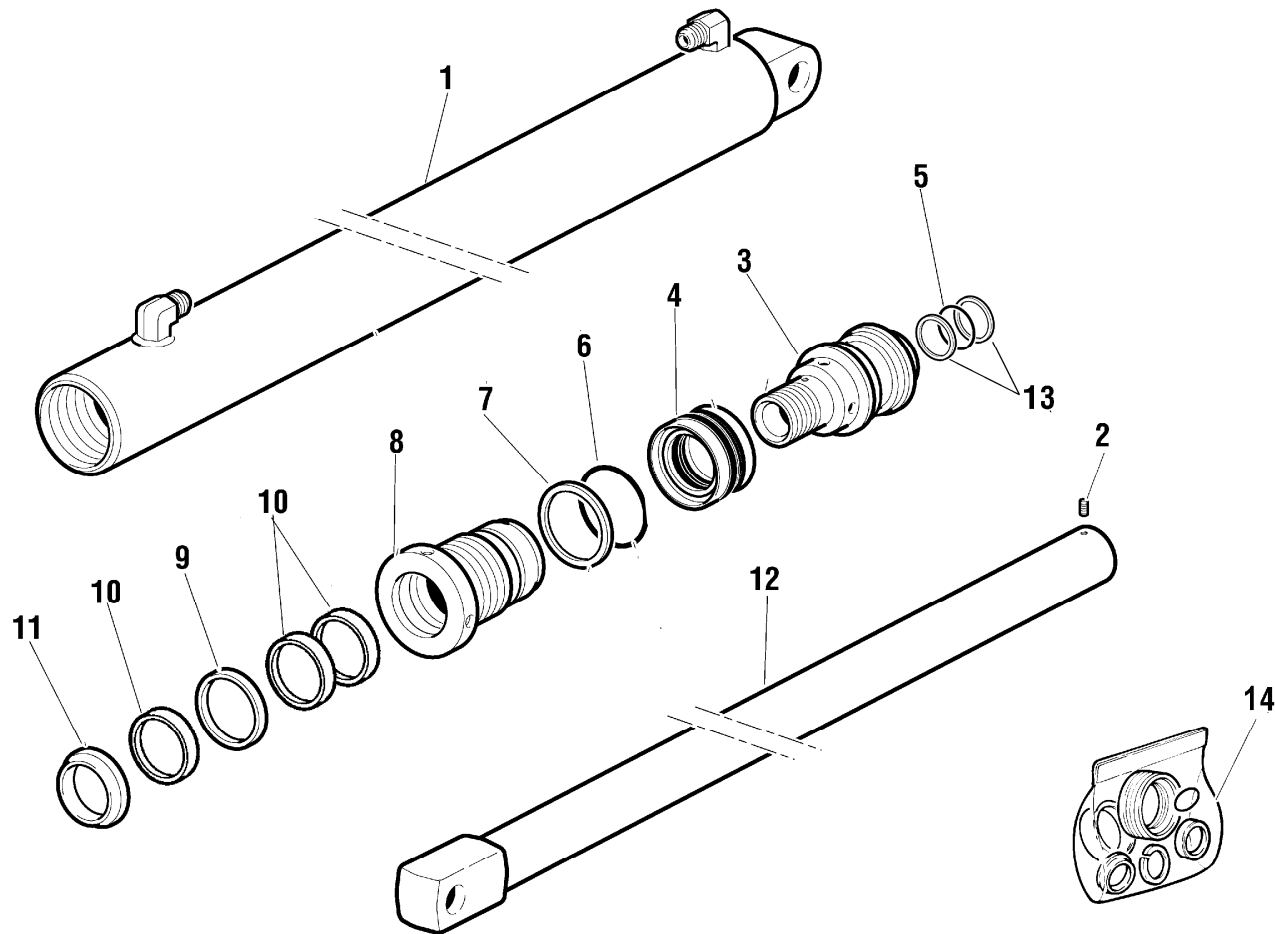
FINO A 4S A4 E4
UNTIL 4S A4 E4

2nd EXTENSION HYDRAULIC JACK (marine)

Code

6410340-1.0

1/1



R	Pos.	Code Variant	Q.ty	Description
	1	6070399	1	
	2	3060232	1	Grub screw
	3	6050261	1	
	4	3400513	1	
	5	3450050	1	
	6	3450149	1	
	7	3460149	1	
	8	6040272	1	
	9	3370130	1	
	10	3361006	3	
	11	3420030	1	
	12	6030762	1	Rod unit
	13	3460382	2	
	14	5550747	1	

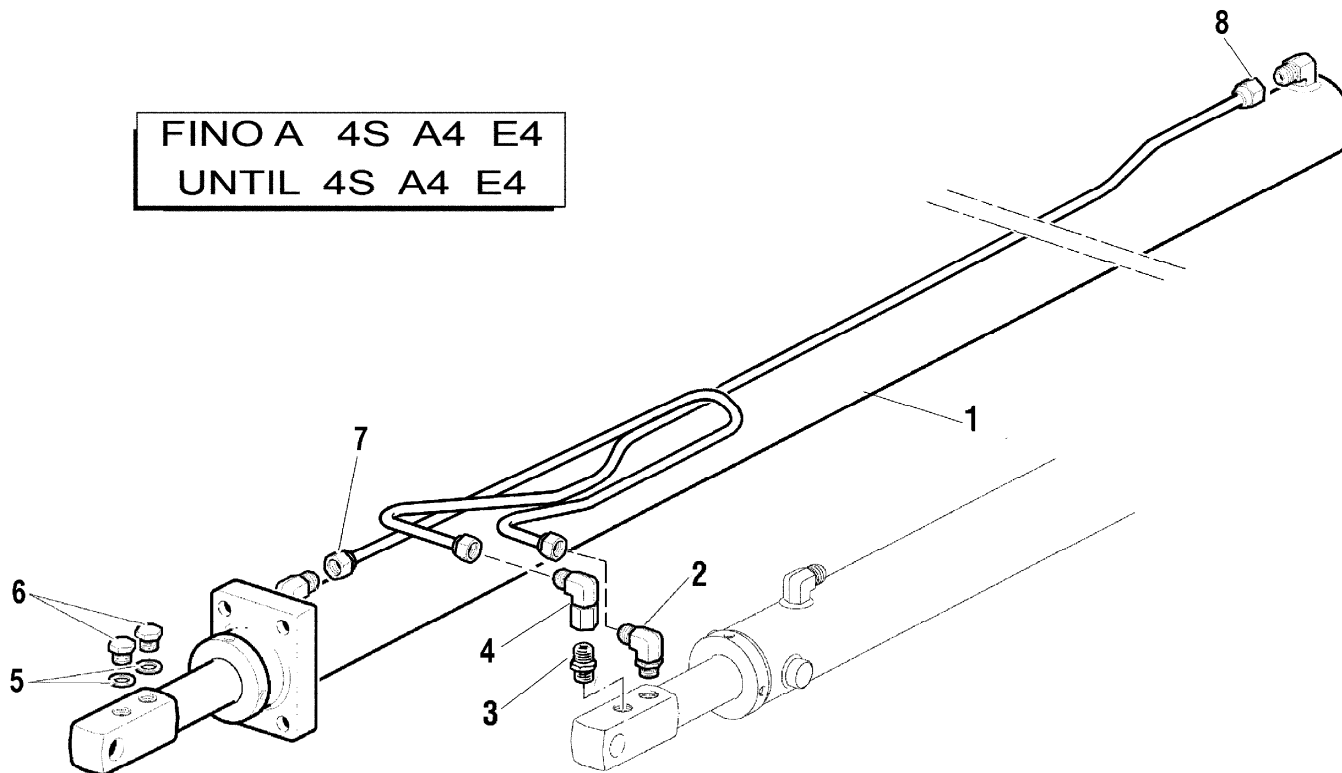
HYDRAULIC SYSTEM (3rd extension Hydraulic jack)

Code

6210404-1.0

1/1

FINO A 4S A4 E4
UNTIL 4S A4 E4



R	Pos.	Code Variant	Q.ty	Description
	1	6410305	1	
	2	3101131	1	90° Connection
	3	3101051	1	Straight pipe fitting
	4	3120034	1	90° Connection
	5	3060145	2	Sealing washer [BSP 1/2"]
	6	3110065	2	Plug
	7	5391974	1	
	8	5391837	1	

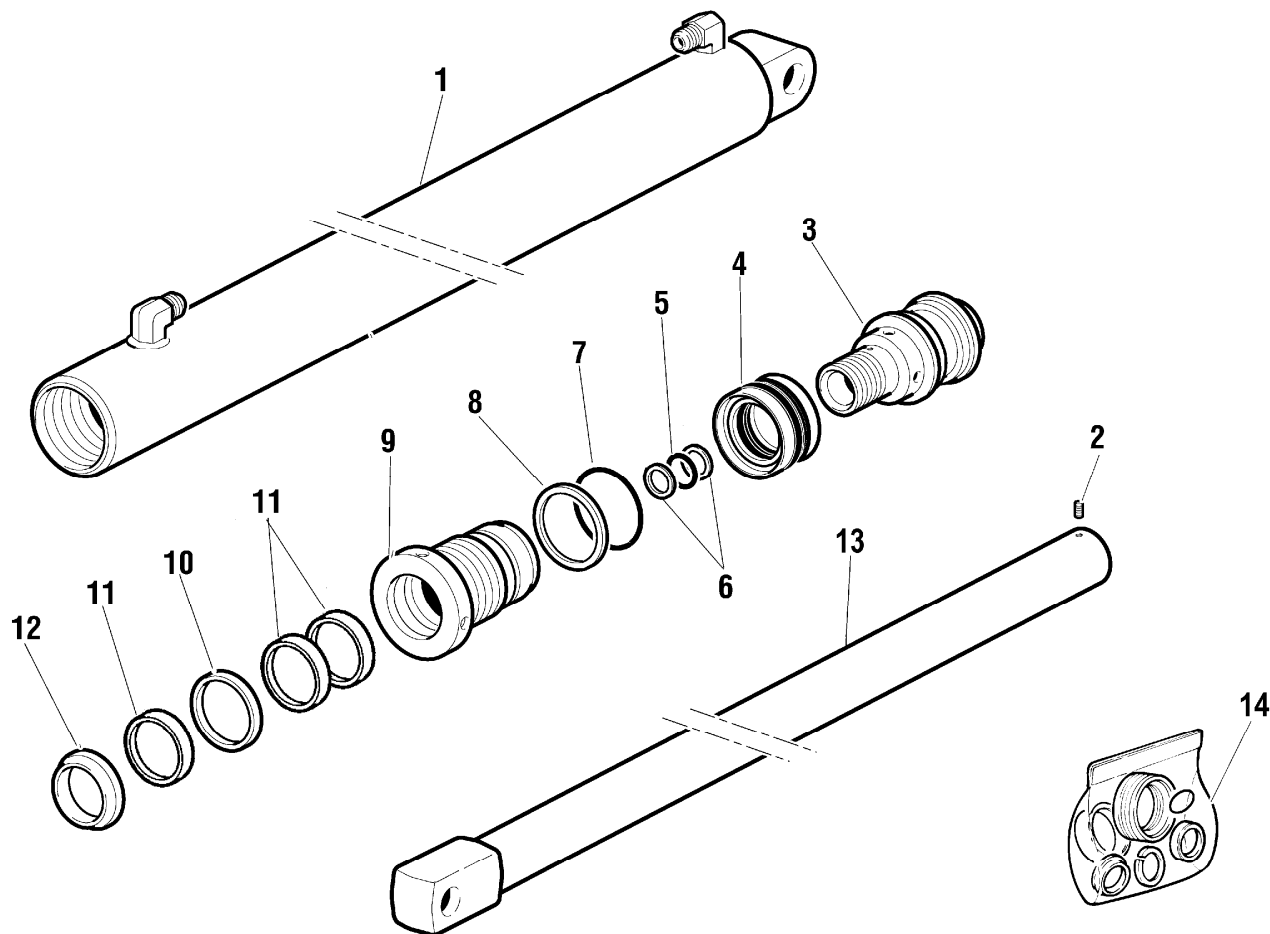
3rd and 4th extension hydraulic cylinder (marine)

Code

6410305-1.0

1/1

R	Pos.	Code Variant	Q.ty	Description
	1	6070420	1	
	2	3060232	1	Grub screw
	3	6050262	1	
	4	3400512	1	
	5	3450050	1	
	6	3460382	2	
	7	3450147	1	
	8	3460147	1	
	9	6040273	1	
	10	3370131	1	
	11	3361003	3	
	12	3420026	1	
	13	6030692	1	
	14	5550748	1	



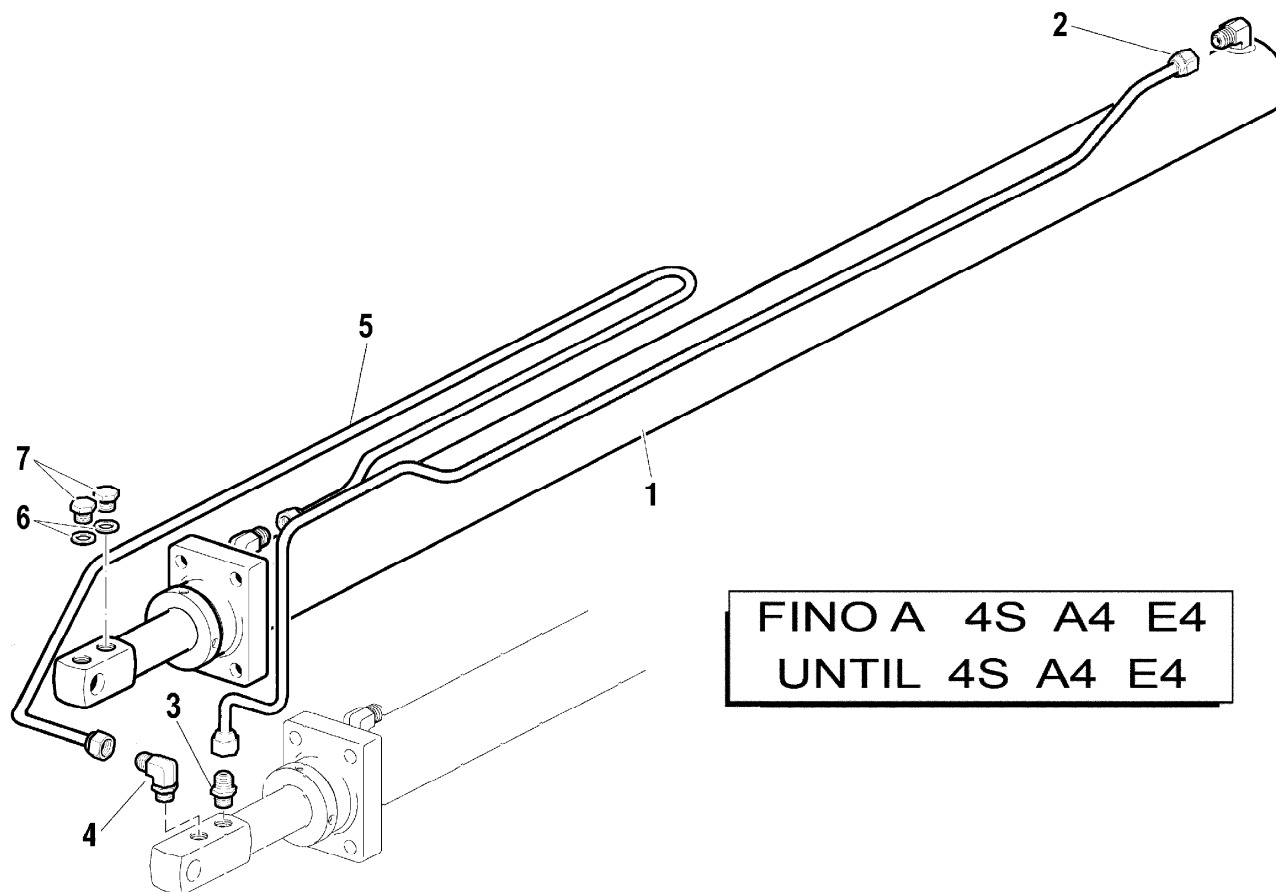
HYDRAULIC SYSTEM (4th extension Hydraulic jack)

Code

6210364-1.0

1/1

R	Pos.	Code Variant	Q.ty	Description
	1	6410305	1	
	2	5391975	1	
	3	3101051	1	Straight pipe fitting
	4	3101131	1	90° Connection
	5	5391840	1	
	6	3060145	2	Sealing washer [BSP 1/2"]
	7	3110065	2	Plug



**FINO A 4S A4 E4
UNTIL 4S A4 E4**

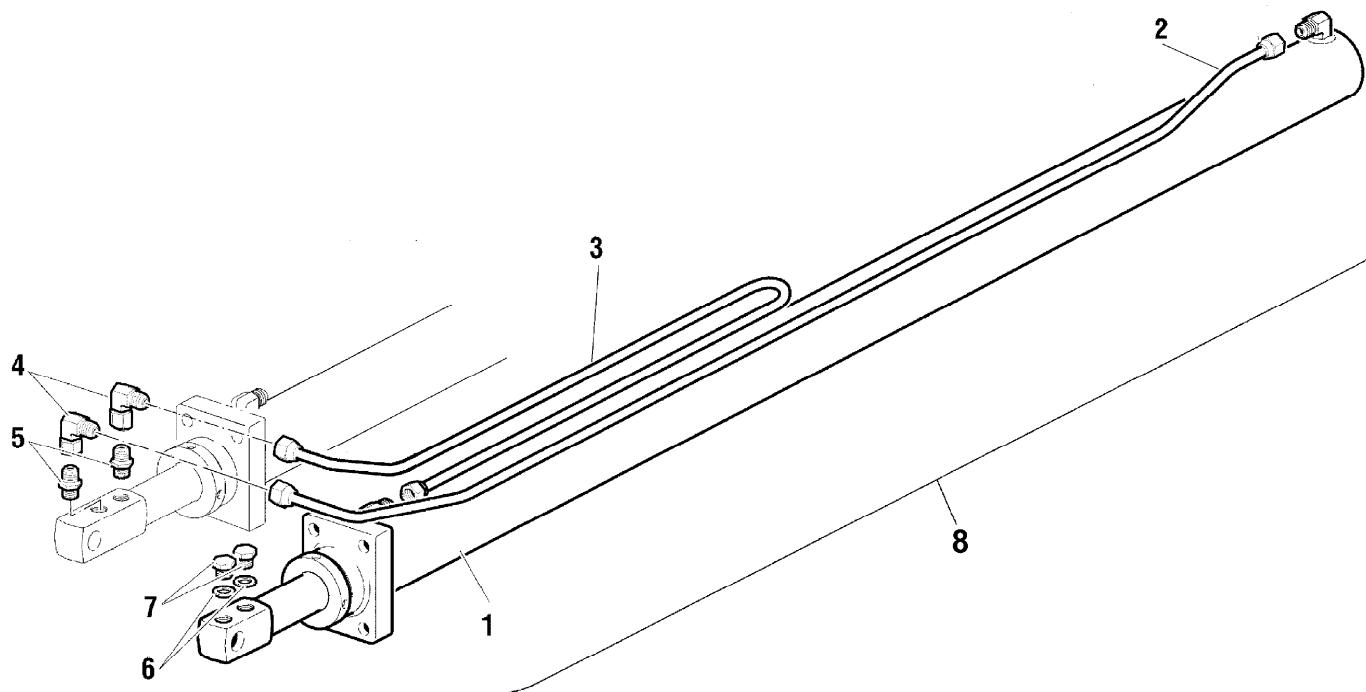
HYDRAULIC SYSTEM (5th extension Hydraulic jack)

Code

6210365-1.0

1/1

R	Pos.	Code Variant	Q.ty	Description
	1	6410365	1	Extension Hydraulic jack
	2	5391842	1	
	3	5391841	1	
	4	3120034	2	90° Connection
	5	3101051	2	Straight pipe fitting
	6	5391563	1	
	7	3110065	2	Plug
	8	6210365	1	Extension Hydraulic jack

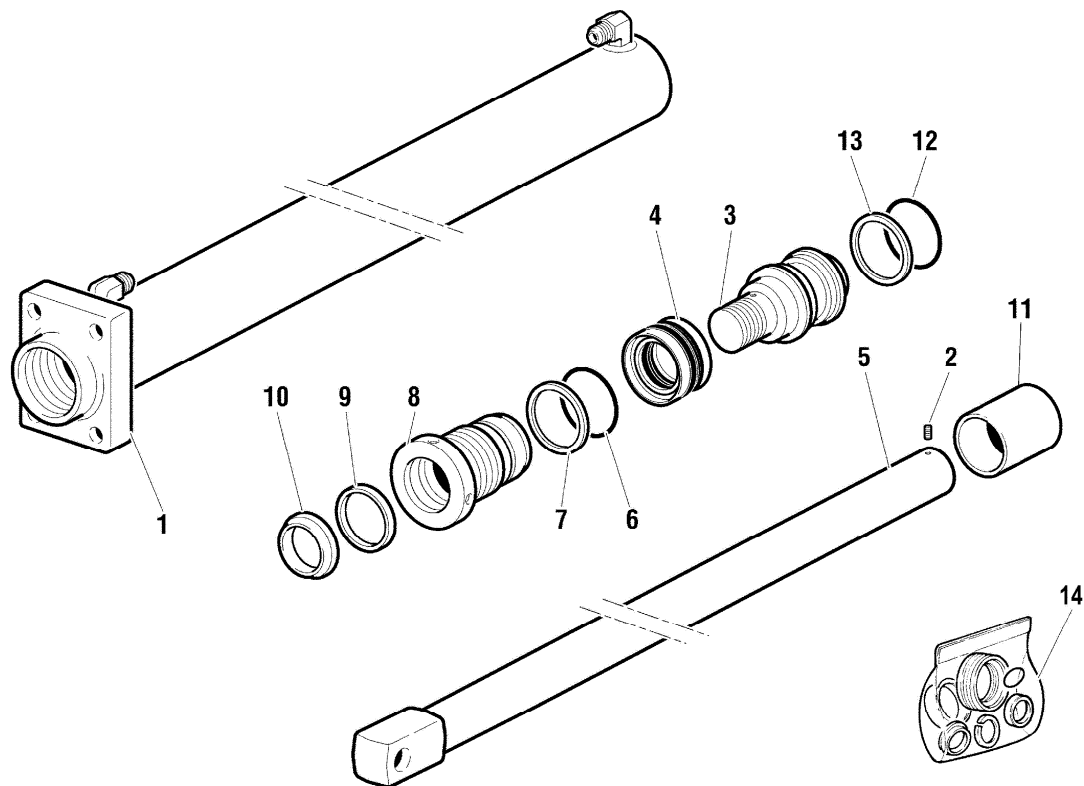


5th and 6th extension hydraulic cylinder (marine)

Code

6410365-1.0

1/1



R	Pos.	Code Variant	Q.ty	Description
	1	6070421	1	
	2	3060232	1	Grub screw
	3	6050256	1	
	4	3400509	1	
	5	6030807	1	
	6	3450132	1	
	7	3460132	1	
	8	6040259	1	
	9	3370136	1	
	10	3420021	1	
	11	5140750	1	
	12	3450047	1	
	13	3460047	2	
	14	5550819	1	Seal kit

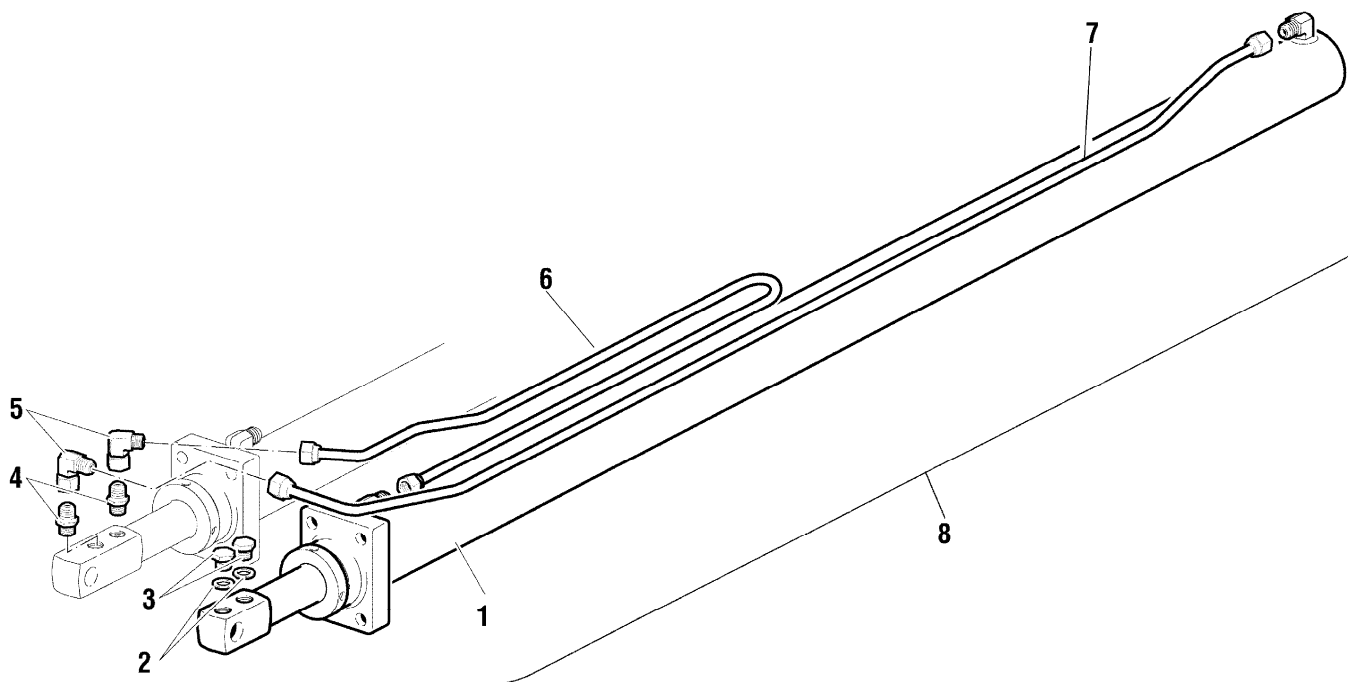
HYDRAULIC SYSTEM (6th extension Hydraulic jack)

Code

6210419-1.0

1/1

R	Pos.	Code Variant	Q.ty	Description
	1	6410365	1	Extension Hydraulic jack
	2	3060145	2	Sealing washer [BSP 1/2"]
	3	5220269	1	
	3	3110065	2	Plug
	4	3101051	3	Straight pipe fitting
	5	3120034	2	90° Connection
	6	5391564	1	
	7	5391976	1	
	8	6210419	1	Extension jacks



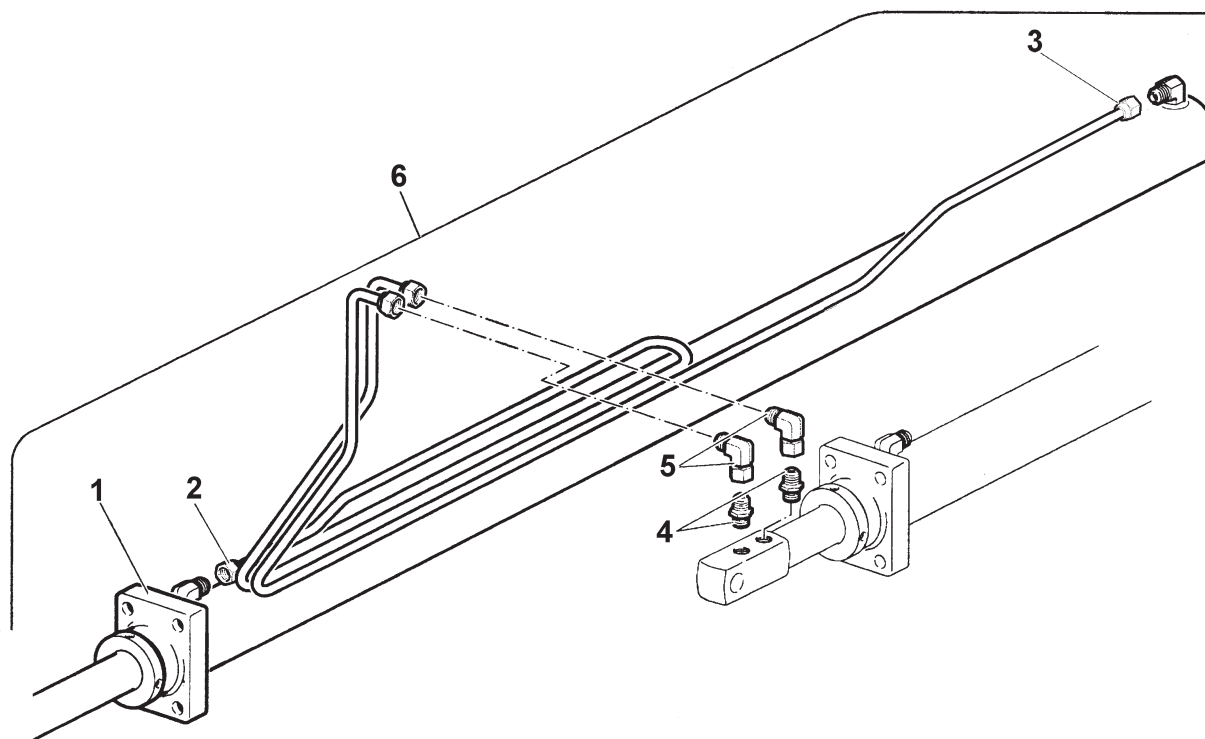
HYDRAULIC SYSTEM (7th extension Hydraulic jack)

Code

6210016-1.0

1/1

R	Pos.	Code Variant	Q.ty	Description
	1	6410016	1	Extension Hydraulic jack
	2	5391645	1	
	3	5392469	1	Bonderized tube
	4	3101051	2	Straight pipe fitting
	5	3120034	2	90° Connection
	6	6210016	1	Extension Hydraulic jack

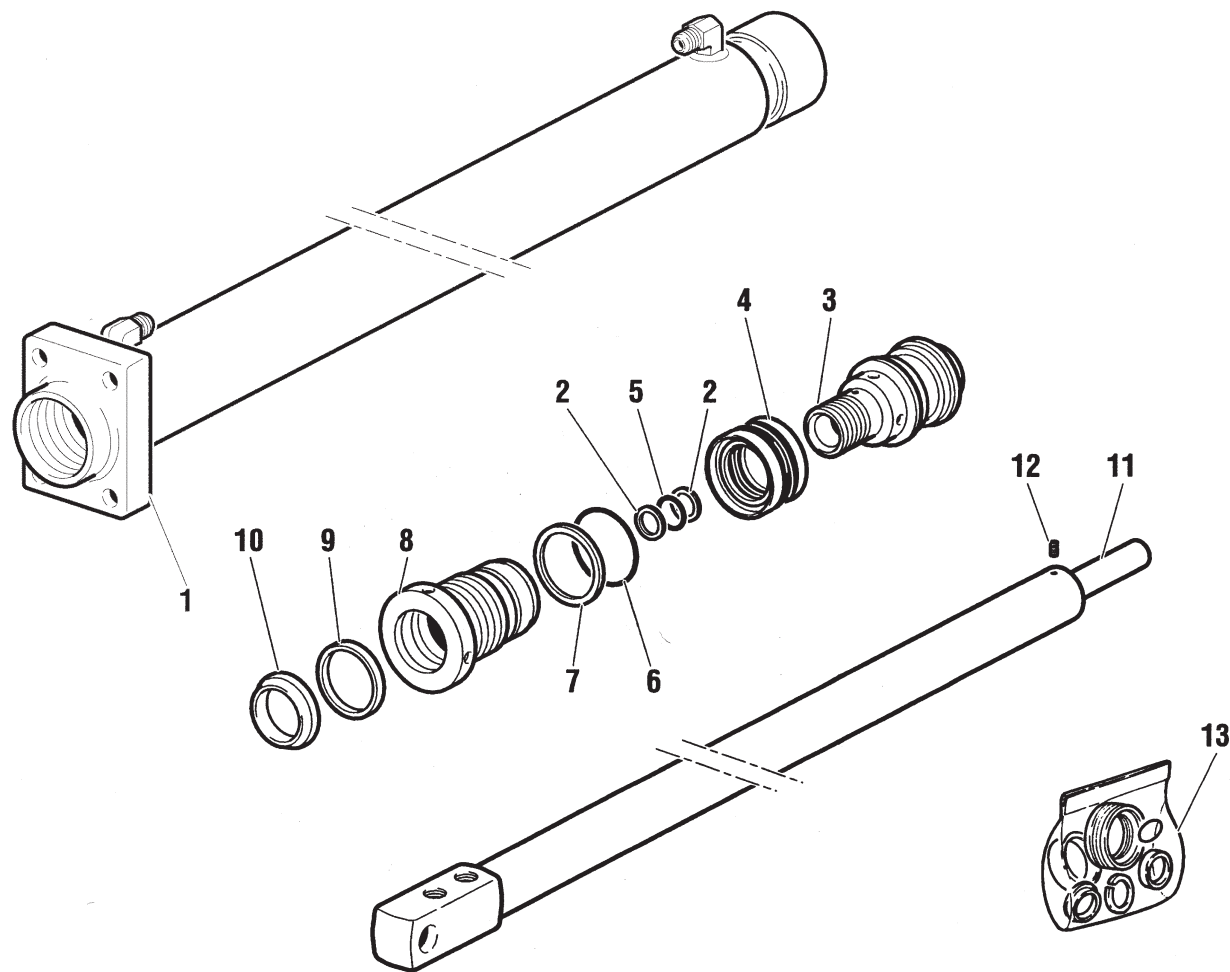


7th extension Hydraulic jack (marine)

Code

6410016-1.0

1/1



R	Pos.	Code Variant	Q.ty	Description
	1	6070421	1	
	2	3460047	2	
	3	6050372	1	
	4	3400509	1	
	5	3450047	1	
	6	3450132	1	
	7	3460132	1	
	8	6040259	1	
	9	3370136	1	
	10	3420021	1	
	11	6030807	1	
	12	3060232	1	Grub screw
	13	5550781	1	Seal kit

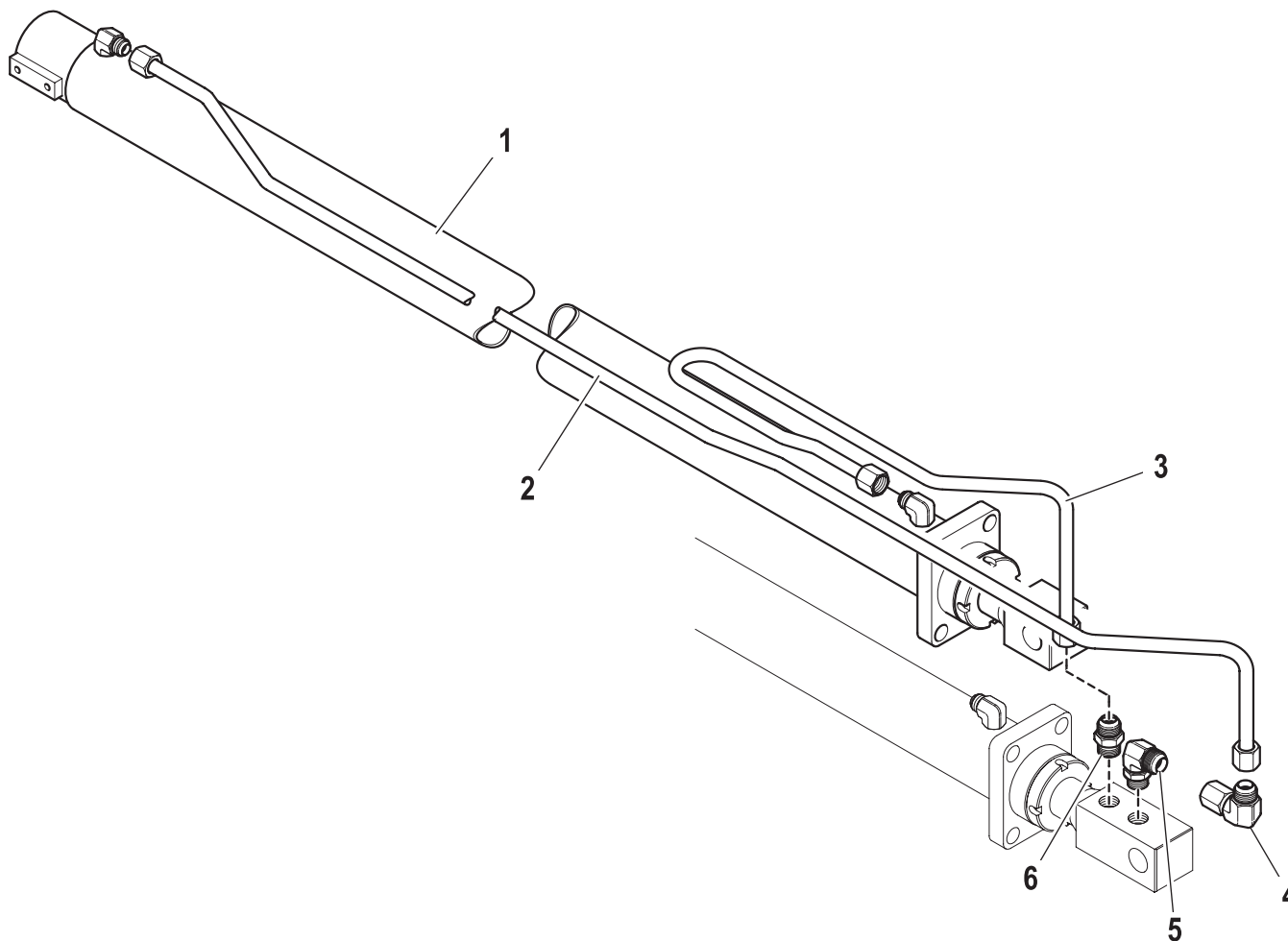
HYDRAULIC SYSTEM (8th extension Hydraulic jack)

Code

6210017-1.0

1/1

R	Pos.	Code Variant	Q.ty	Description
	1	6410017	1	Extension Hydraulic jack
	2	5392470	1	Bonderized tube
	3	5391647	1	Bonderized tube
	4	3120034	1	90° Connection
	5	3101131	1	90° Connection
	6	3101051	1	Straight pipe fitting

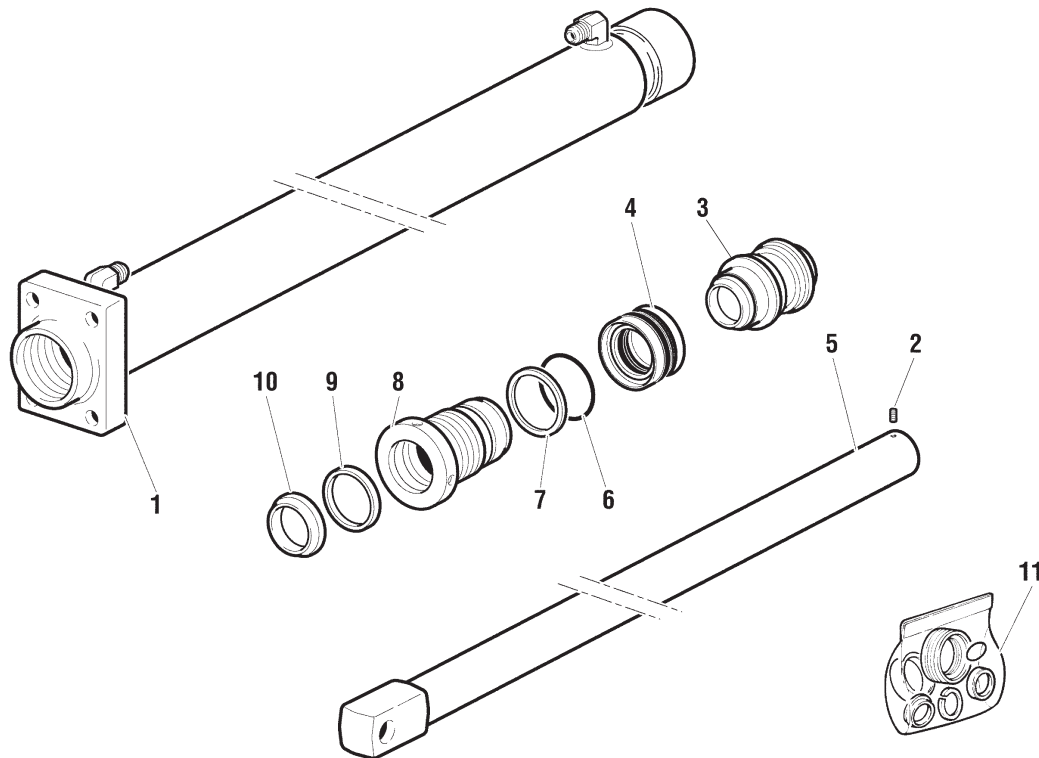


8th extension Hydraulic jack (marine)

Code

6410017-1.0

1/1



R	Pos.	Code Variant	Q.ty	Description
	1	6070657	1	
	2	3060232	1	Grub screw
	3	6050257	1	
	4	3400509	1	
	5	6030045	1	
	6	3450132	1	
	7	3460132	1	
	8	6040259	1	
	9	3370136	1	
	10	3420021	1	
	11	5550782	1	Seal kit

