

Model
2 ARTICULATED BOOM
HC241

Logbook code
7881346_H.0
Edition
02/2015



Page	Table code	Q.ty	Table heading		Validity
9	5420054-1.0	1	Base		
11	5420054-2.0	1	Base		
13	5420054-3.0	1	Base		
15	6240083-1.0	1	Slewing		
16	6240191-1.0	1	Slewing (Retaining ring)		
17	6240083-2.0	1	Slewing Hydraulic jack (Hydraulic system)		
18	5760056-1.0	1	Stabilizers rods (Hydraulic control)		
19	6200182-1.0	1	HYDRAULIC SYSTEM (STABILISER RAM)		
20	6400182-1.0	1	Stabilizer Hydraulic jack		
21	5760057-1.0	1	Stabilizers rods (hydraulic lengthening)		
22	5760317-1.0	1	Stabilizers rods (hydraulic lengthening)		
23	6200201-1.0	1	HYDRAULIC SYSTEM (STABILISER RAM)		
24	6200265-1.0	1	HYDRAULIC SYSTEM (STABILISER RAM)		
25	6400201-1.0	1	Stabilizer Hydraulic jack		
26	6200278-1.0	1	STABILISER RAM (ROTATING)		
28	6200278-2.0	1	STABILISER RAM (ROTATING)		
30	6200286-1.0	1	STABILISER RAM (ROTATING)		
32	6200286-2.0	1	STABILISER RAM (ROTATING)		
34	6400278-1.0	1	Stabilizer Hydraulic jack (ROTATING)		
35	5411204-3.0	1	STABILITY CONTROL (EN12999-A3)		

Page	Table code	Q.ty	Table heading		Validity
36	5411204-4.0	1	CONTROL DEVICES LOCKING FOR OUTRIGGERS LEGS		
37	5411204-13.0	1	STABILITY CONTROL (EN12999-A3)		
38	5411204-12.0	1	CONTROL DEVICES LOCKING FOR OUTRIGGERS LEGS		
39	5380012-1.0	1	rod extension hydraulic cylinder		
40	6200151-1.0	1	HYDRAULIC SYSTEM (ROD EXSTENSION HYDRAULIC		
41	6400151-1.0	1	ROD EXSTENSION HYDRAULIC CYLINDER		
42	5760070-1.0	1	Stabilizer connecting rods extra-extensible		
43	5760300-1.0	1	STABILITY CONTROL (Stabilizer connecting rods extra-extensible)		
44	6200255-1.0	1	Stabilizer Hydraulic jack "extra" (HYDRAULIC SYSTEM)		
45	6400255-1.0	1	Stabilizer Hydraulic jack		
46	5380016-1.0	1	ROD EXSTENSION HYDRAULIC CYLINDER (Extra-extensible)		
47	6200160-1.0	1	HYDRAULIC SYSTEM (ROD EXTENSION HYDRAULIC		
48	6400160-1.0	1	ROD EXTENSION HYDRAULIC CYLINDER EXTRA-EXTENSIBLE		
49	5760071-1.0	1	Stabilizer connecting rods extra-extensible (Revolving)		
50	5760318-1.0	1	Stabilizer connecting rods extra-extensible (Revolving)		
51	5760301-1.0	1	STABILITY CONTROL (Stabilizer connecting rods extra-extensible		
52	6200257-1.0	1	Stabilizer Hydraulic jack "extra" (ROTATING)		
53	6400257-1.0	1	Stabilizer Hydraulic jack (ROTATING)		
54	5411117-1.0	1	SLEWING ASS'Y (STABILISER RAM)		
56	5411302-1.0	1	SLEWING ASS'Y (STABILISER RAM)		

Page	Table code	Q.ty	Table heading		Validity
59	5400267-1.0	1	CONTROLS FOR STABILIZERS		
60	5400267-2.0	1	HYDRAULIC SYSTEM (ROD EXSTENSION HYDRAULIC		
61	5400267-3.0	1	Hydraulic system (rod extension hydraulic cylinder)		
62	5400267-7.0	1	Hydraulic system (ROD EXTENSION HYDRAULIC CYLINDER EXTRA-		
63	5400267-4.0	1	OUTRIGGERS HYDRAULIC SYSTEM		
64	5400267-5.0	1	OUTRIGGERS HYDRAULIC SYSTEM		
65	5440044-1.0	1	Solenoid valve		
66	5440101-1.0	1	Solenoid valve (STABILIZER CONTROL VALVE)		
67	5220346-1.0	1	STABILIZER CONTROL VALVE		
68	5400371-1.0	1	DOUBLE CONTROLS		
70	5220292-1.0	1	Control valve ass'y (CE)		
72	5400371-2.0	1	DOUBLE CONTROLS		
73	5401157-2.0	1	DOUBLE CONTROLS (FOR CARTER THERMOFORMABLE)		
74	5401408-1.0	1	DOUBLE CONTROLS (EN12999-A3)		
77	5401408-2.1	1	DOUBLE CONTROLS (EN12999-A3)		
78	5401897-2.0	1	DOUBLE CONTROLS (EN12999-A3)		
79	5401408-3.0	1	DOUBLE CONTROLS (EN12999-A3)		
80	5401408-6.0	1	DOUBLE CONTROLS (EN12999-A3)		
81	5401408-7.0	1	DOUBLE CONTROLS (EN12999-A3)		
82	5220465-1.0	1	Control valve ass'y (EN12999-A3)		

Page	Table code	Q.ty	Table heading		Validity
84	5400265-1.0	1	Manifold (CE)		
85	5400265-2.0	1	Manifold (EN12999-A3)		
86	7880142-1.0	1	PUMP HAND KIT		
88	7880142-2.0	1	PUMP HAND KIT (High pressure filter)		
90	5400359-1.0	1	Hydraulic oil tank		
92	5400762-1.0	1	Hydraulic oil tank		
94	3180196-1.0	1	Oil filter		
95	7888004-1.0	1	Heat exchange unit (24V)		
96	7888004-2.0	1	Heat exchange unit (24V)		
97	7888004-3.0	1	Heat exchange unit (24V)		
98	7888004-4.0	1	Heat exchange unit (24V)		
99	7888010-1.0	1	Heat exchange unit (12V)		
100	7888010-2.0	1	Heat exchange unit (12V)		
101	5460037-1.0	1	Column		
102	6230148-1.0	1	HYDRAULIC SYSTEM (lifting hydraulic cylinder)		
103	6230238-1.0	1	HYDRAULIC SYSTEM (lifting hydraulic cylinder)		
104	6430129-1.0	1	LIFTING HYDRAULIC CYLINDER		
105	5470054-1.0	1	1ST BOOM		
106	5360011-1.0	1	COLUMN CONNECTING RODS		
107	6230130-1.0	1	Articulation Hydraulic jack (Hydraulic system)		

Page	Table code	Q.ty	Table heading		Validity
108	6430130-1.0	1	Articulation Hydraulic jack		
109	5480056-1.0	1	2nd BOOM		
111	5360012-1.0	1	Linkage 1th e 2nd boom		
112	5490059-1.0	1	1st EXTENSION		
113	7880397-1.0	1	Coupling (Hook)		
114	6210318-1.0	1	HYDRAULIC SYSTEM (1st EXSTENSION HYDRAULIC)		
116	6210318-3.0	1	HYDRAULIC SYSTEM (1st EXSTENSION HYDRAULIC)		
118	6410254-1.0	1	1st EXSTENSION HYDRAULIC		
119	5530027-1.0	1	2nd extension		
120	7880398-1.0	1	Coupling (Hook)		
121	6210255-1.0	1	HYDRAULIC SYSTEM (2nd EXTENSION HYDRAULIC JACK)		
122	6410255-1.0	1	2nd EXTENSION HYDRAULIC JACK		
123	5540028-1.0	1	3rd extension		
124	7880399-1.0	1	Coupling (Hook)		
125	6210256-1.0	1	HYDRAULIC SYSTEM (3rd extension Hydraulic jack)		
126	6410256-1.0	1	3rd and 4th extension hydraulic cylinder		
127	5560021-1.0	1	4th extension		
128	6210257-1.0	1	HYDRAULIC SYSTEM (4th extension Hydraulic jack)		
129	5570009-1.0	1	5th extension		
130	6210317-1.0	1	5th extension Hydraulic jack (Hydraulic system)		

Page	Table code	Q.ty	Table heading		Validity
131	6410258-1.0	1	5th, 6th and 7th extension hydraulic cylinder		
132	5580008-1.0	1	6th extension		
133	5580007-1.0	1	6th extension		
134	6210280-1.0	1	6th extension Hydraulic jack (Hydraulic system)		
135	5330003-1.0	1	7th extension		
137	6210281-1.0	1	7th extension Hydraulic jack (Hydraulic system)		
138	5320002-1.0	1	8th extension		
139	6210273-1.0	1	8th extension Hydraulic jack (Hydraulic system)		
140	6410273-1.0	1	8th extension Hydraulic jack		
141	5590173-1.0	1	1st ACTIVATION FOR 1S		
143	5590173-2.0	1	1st ACTIVATION FOR 2S		
145	5590173-3.0	1	1st ACTIVATION FOR 3S		
147	5590173-4.0	1	1st ACTIVATION FOR 4S		
149	5590173-5.0	1	1st ACTIVATION FOR 5S		
151	5590173-6.0	1	1st ACTIVATION FOR 6S		
153	5600091-1.0	1	2st ACTIVATION FOR 1S		
154	5600083-1.0	1	2nd ADDITIONAL ACTUATION		
155	5740143-1.0	1	ACTUATION FOR WINCH (CE)		
157	5740141-1.0	1	ACTUATION FOR WINCH (not CE)		
158	7800312-1.0	1	Manual extension		

Page	Table code	Q.ty	Table heading		Validity
159	7800313-1.0	1	Manual extension		
160	7800314-1.0	1	Manual extension		
161	7800315-1.0	1	Manual extension		
162	7800316-1.0	1	Manual extension		
163	7800317-1.0	1	Manual extension		
164	7881825-1.0	1	LOAD INDICATION SYSTEM		
165	7880378-1.0	1	Assembly kit		
167	HC241 E6J2				
168	5780014-1.0	1	ATTACHEMENT FOR (JIB)		
169	5360013-1.0	1	KIT CONNECTING ROD (JIB)		
170	6230131-3.0	1	Articulation Hydraulic jack (Hydraulic system)		
172	5590093-1.0	1	Kit activation hydraulic input		
173	5401408-4.0	1	DOUBLE CONTROLS (CE)		
174	5401408-5.0	1	DOUBLE CONTROLS (CE)		
175	6430131-1.0	1	Articulation Hydraulic jack		
176	5630006-1.0	1	JIB ARM		
177	5490007-1.0	1	1st EXTENSION		
178	6210343-1.0	1	HYDRAULIC SYSTEM (1th extension hydraulic cylinder)		
179	5590091-1.0	1	HYDRAULIC SYSTEM (1th extension hydraulic cylinder)		
181	6410160-1.0	1	1st EXSTENSION HYDRAULIC		

Page	Table code	Q.ty	Table heading		Validity
182	5530043-1.0	1	2nd extension		
183	6210344-1.0	1	2nd extension hydraulic cylinder (HYDRAULIC SYSTEM)		
184	6410161-1.0	1	2nd EXTENSION HYDRAULIC JACK		
185	HC241 E4J3				
186	5780040-1.0	1	ATTACHEMENT FOR (JIB)		
187	5360010-1.0	1	KIT CONNECTING ROD (JIB)		
188	6230516-1.0	1	HYDRAULIC SYSTEM (Articulation Hydraulic jack)		
190	6430516-1.0	1	Articulation Hydraulic jack (Articulated extension)		
191	5630005-1.0	1	JIB ARM		
192	5490052-1.0	1	1st EXTENSION (JIB)		
193	6210242-1.0	1	HYDRAULIC SYSTEM (1th extension hydraulic cylinder)		
194	6210242-2.0	1	HYDRAULIC SYSTEM (1th extension hydraulic cylinder)		
196	6410242-1.0	1	1st EXSTENSION HYDRAULIC		
197	5650004-1.0	1	2nd EXTENSION (JIB)		
198	6210243-1.0	1	HYDRAULIC SYSTEM (2nd extension hydraulic cylinder)		
199	6410243-1.0	1	2nd and 3rd extension hydraulic cylinder		
200	5660002-1.0	1	3rd extension (JIB)		
201	6210244-1.0	1	3rd extension Hydraulic jack (Hydraulic system)		
202	5400500-1.0	1	Support (Articulated extension)		
203	HC241C				

Page	Table code	Q.ty	Table heading		Validity
204	5480077-1.0	1	2nd BOOM		
205	6210272-1.0	1	HYDRAULIC SYSTEM (1th extension hydraulic cylinder)		
207	6210272-3.0	1	HYDRAULIC SYSTEM (1th extension hydraulic cylinder)		
209	6410272-1.0	1	1st EXSTENSION HYDRAULIC		
210	6210339-1.0	1	HYDRAULIC SYSTEM (2nd EXTENSION HYDRAULIC JACK)		
211			HC241 TCU		
212	5400420-1.0	1	CONTROLS		
213	5220372-1.0	1	Control valve (5 section)		
214	5401157-1.0	1	CONTROLS WITH THERMOFORMABLE		
216	5220373-1.0	1	Control valve (4 section)		
217	5400512-1.0	1	CONTROLS (X TCU)		
218	5400420-3.0	1	CONTROLS (RDC-EBB)		
219	5400420-4.0	1	CONTROLS (RDC-EBB)		
220	5400420-5.0	1	CONTROLS (RDC-EBB)		
221	5400420-6.0	1	CONTROLS (RDC-EBB)		
222	5400420-7.0	1	CONTROLS (RDC-EBB)		
223	5400420-8.0	1	CONTROLS (RDC-EBB)		
224	7885015-1.0	1	Pilot lamp		
225	5400420-8.1	1	CONTROLS (RDC-EBB)		
226	5400420-9.0	1	CONTROLS (RDC-EBB)		

Page	Table code	Q.ty	Table heading		Validity
227	5400244-1.0	1	High pressure filter		
228	3180159-1.0	1	High pressure filter		
229	7892109-1.0	1	Wireless control kit (Hz.EU)		
230	7892110-1.0	1	Wireless control kit (Hz.USA)		
231	7892048-1.0	1	Wireless control kit (Hz.PRC)		
232	7892053-1.0	1	Wireless control kit		
233	7881785-1.0	1	LOAD INDICATION SYSTEM (RDC-EBB)		
235			HC241 TCU EN12999-A3		
236	5411204-5.0	1	STABILITY CONTROL (EN12999-A3)		
237	5411205-1.0	1	ROTATION CONTROL (EN12999-A3)		
238	5411205-1.1	1	ROTATION CONTROL (EN12999-A3)		
240	5411204-14.0	1	STABILITY CONTROL (EN12999-A3)		
242	5402419-2.0	1	STABILITY CONTROL (EN12999-A3)		
244	5411367-1.0	1	ROTATION CONTROL (EN12999-A3)		
246	5402419-3.0	1	ROTATION CONTROL (EN12999-A3)		
248	5401218-1.0	1	CONTROLS WITH THERMOFORMABLE (RDC EBB-X)		
250	5401235-2.0	1	CONTROLS (RDC EBB-X TCU-ECM4)		
251	5402437-1.0	1	CONTROLS (RDC EBB-X TCU-ECM4)		
252	5401218-3.0	1	CONTROLS (RDC EBB-X TCU-ECM4)		
253	5401218-4.0	1	CONTROLS (RDC EBB-X TCU-ECM4)		

Table index

Logbook code

7881346_H.0

6/6

Page	Table code	Q.ty	Table heading	Validity
254	5401218-5.0	1	CONTROLS (RDC EBB-X TCU-ECM4)	
255	5401218-6.0	1	CONTROLS (RDC EBB-X TCU-ECM4)	
256	5401218-7.0	1	CONTROLS (RDC EBB-X TCU-ECM4)	
257	7892193-1.0	1	Wireless control kit (Hz.EU)	
258	7892194-1.0	1	Wireless control kit (Hz.USA)	
259	7892206-1.0	1	Wireless control kit (Hz.AUS)	
260	7892227-1.0	1	Wireless control kit (RDC-EBB -FR. EU-)	

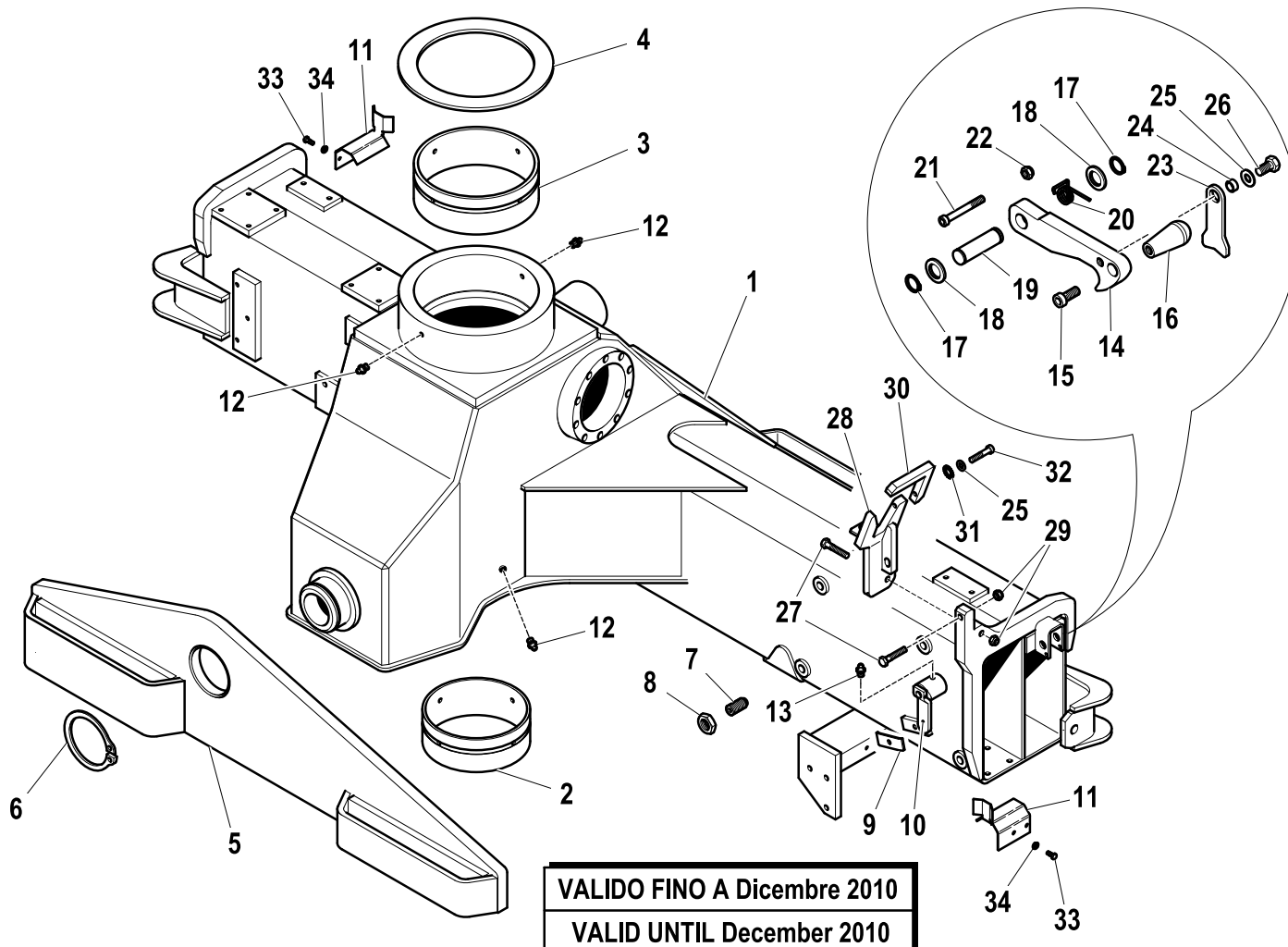
Page	Table code	Q.ty	Table heading	Validity
------	------------	------	---------------	----------

Base

Code

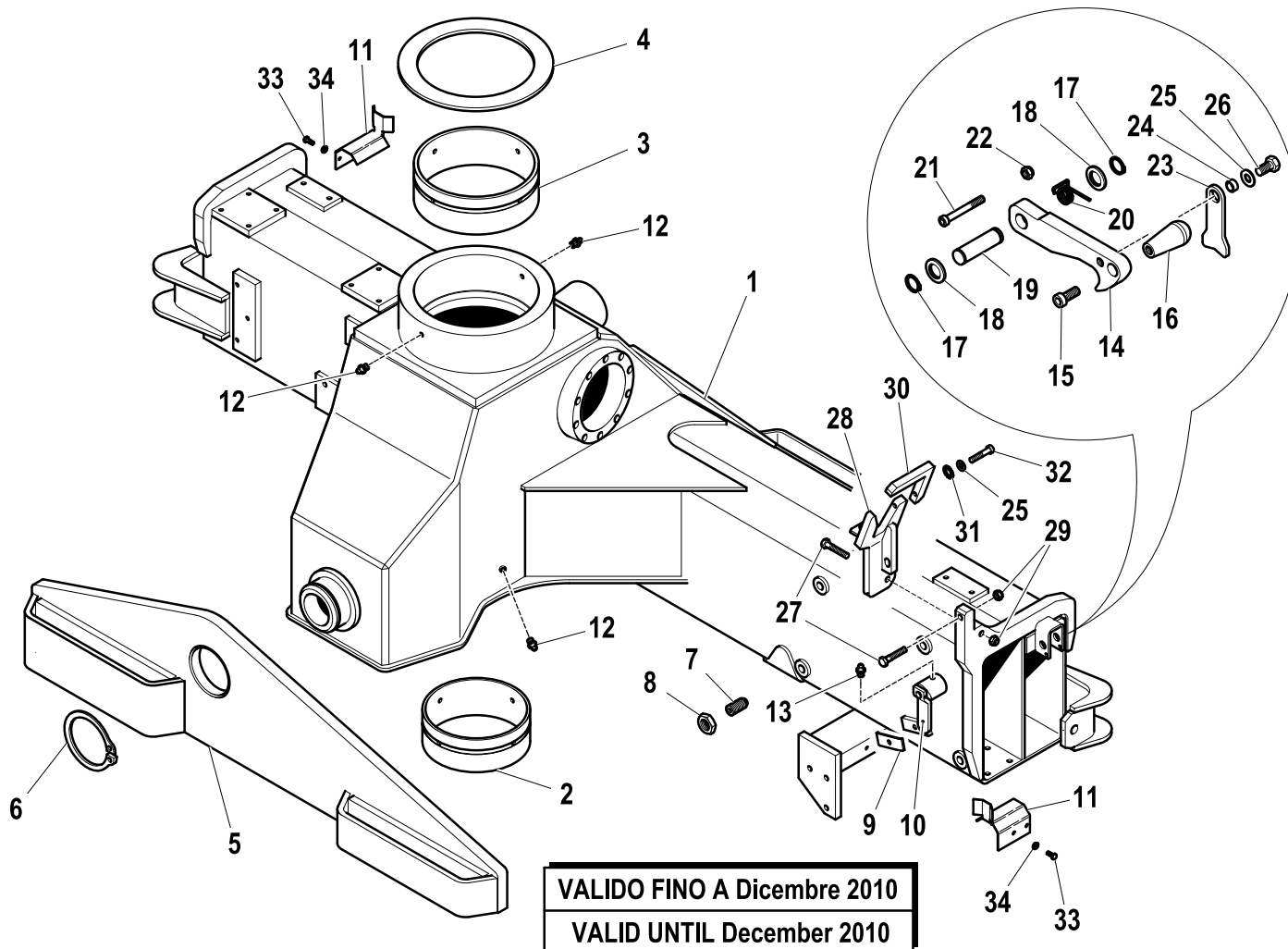
5420054-1.0

1/2



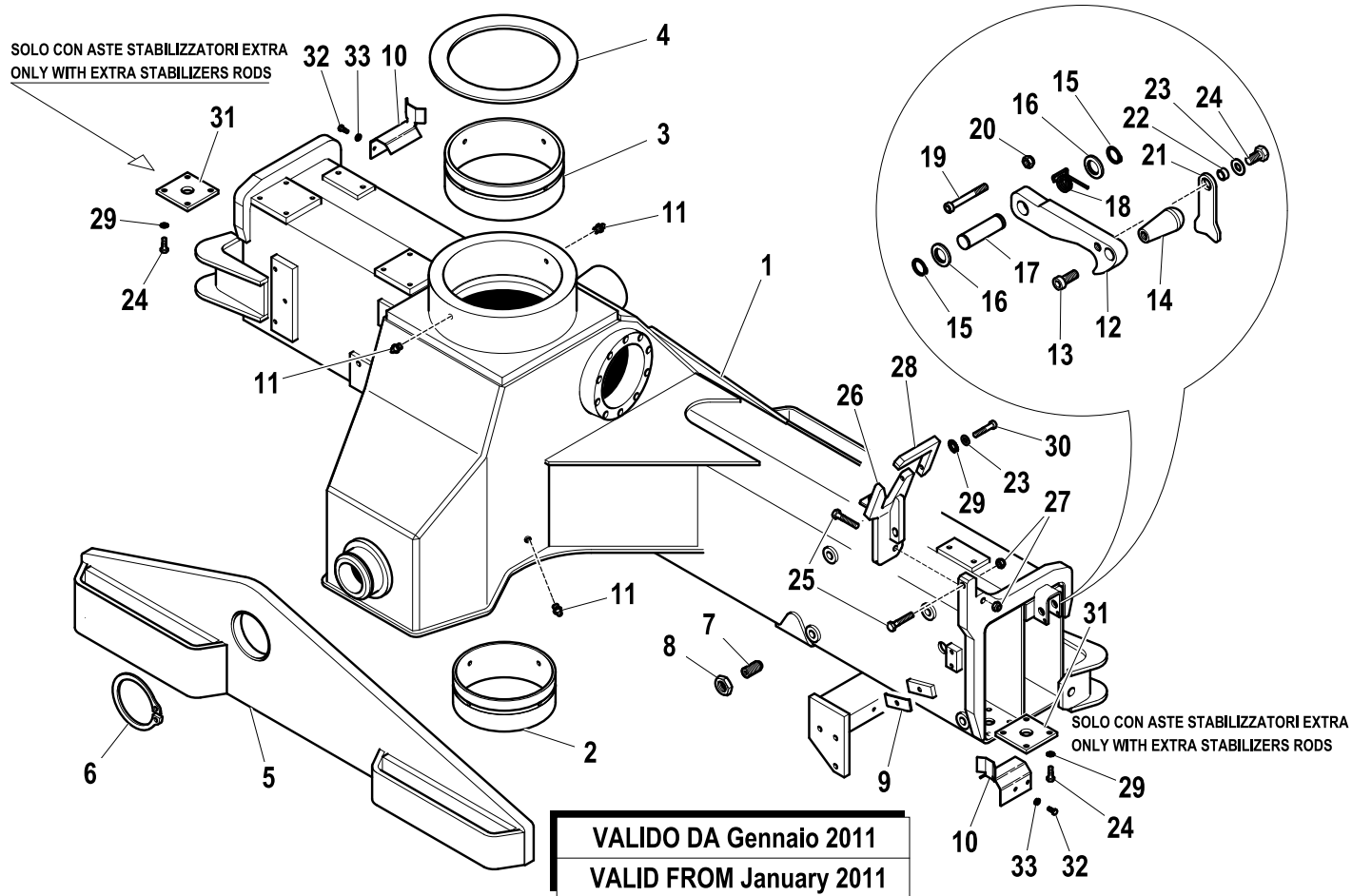
VALIDO FINO A Dicembre 2010
VALID UNTIL December 2010

R	Pos.	Code Variant	Q.ty	Description
	1	5060142	1	Base
	2	5140731	1	
	3	5140730	1	
	4	5140729	1	
	5	5090676	1	
	6	3070073	1	Seeger
	7	5000771	8	Adjusting screw
	8	3040089	8	Lock nut
	9	5000033	1	
	10	5000018	2	
	11	5090595	2	
	12	3080501	3	Grease nipple
	13	3080500	2	Grease nipple
	14	5000966	2	
	15	3020875	2	Socket head cap screw [M8X20 ZC UNI 5931]
	16	3190201	2	
	17	3070148	4	Seeger
	18	5140714	2	
	19	5150601	2	
	20	3060932	2	



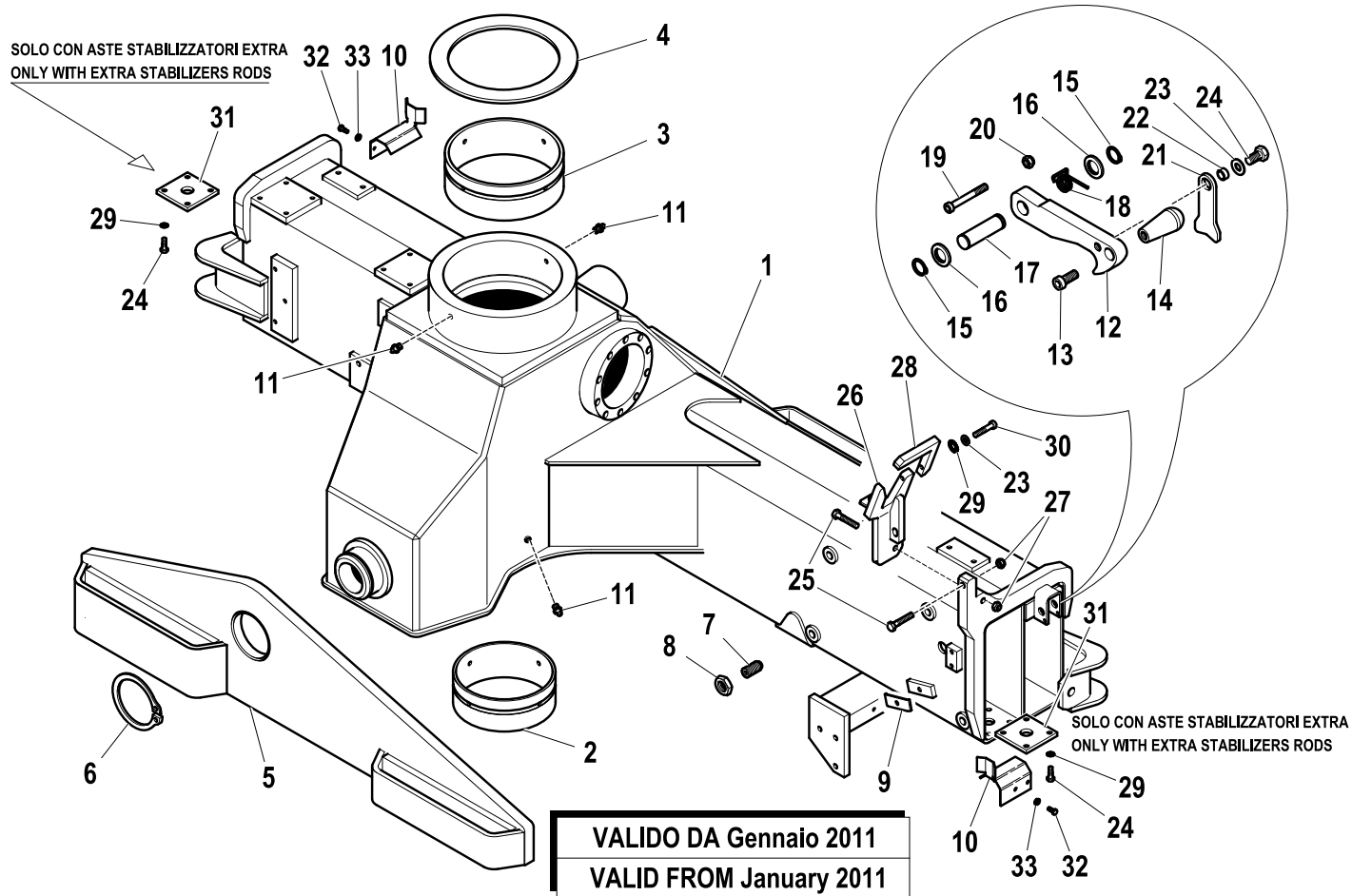
VALIDO FINO A Dicembre 2010
 VALID UNTIL December 2010

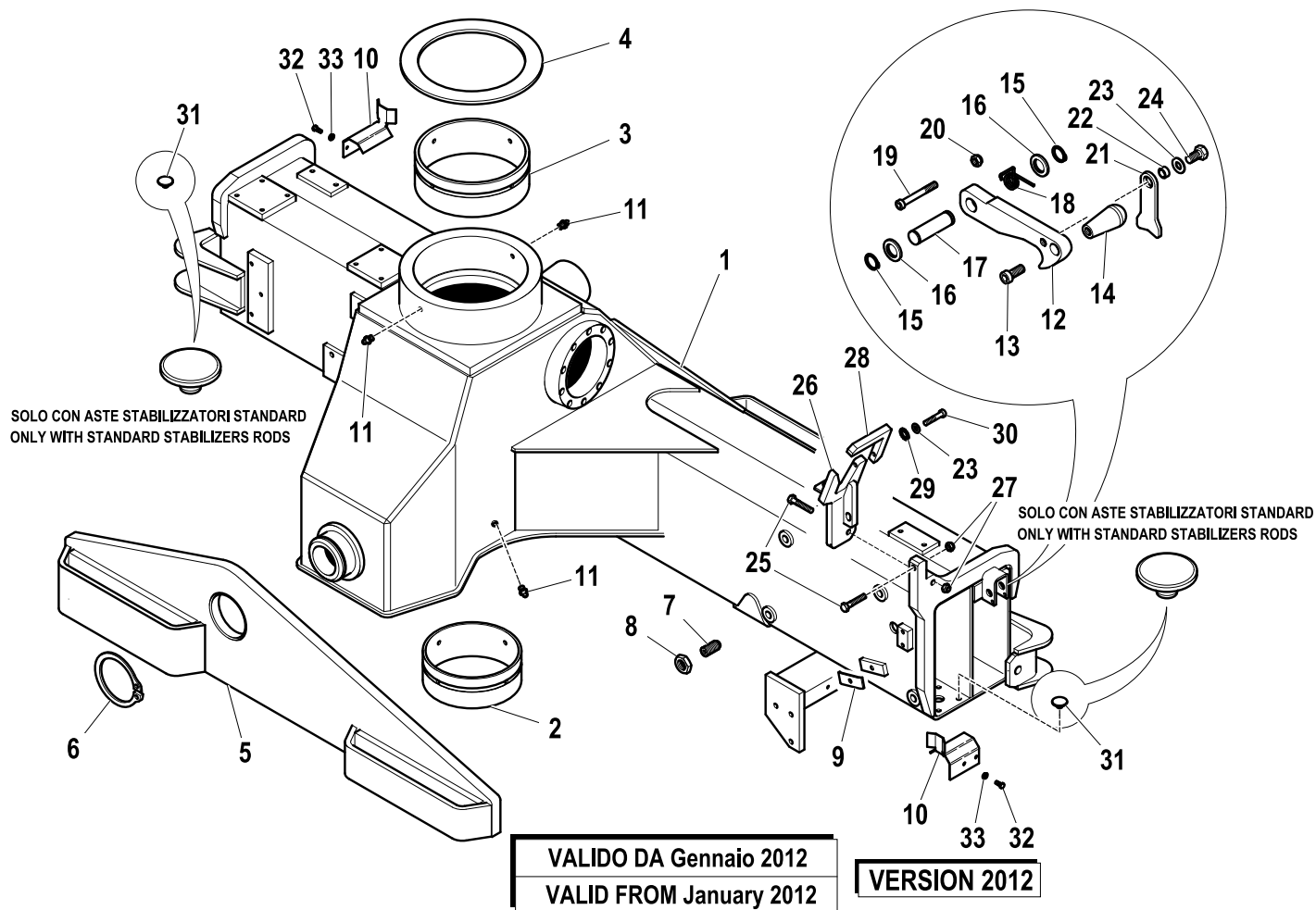
R	Pos.	Code Variant	Q.ty	Description
	21	3020898	2	Socket head cap screw [M6X50 8.8 ZC UNI 5931]
	22	3040519	2	Stopnut
	23	5001681	2	
	24	W102116	2	
	25	3060006	3	Flat washer [D.8 UNI 6592 ZC]
	26	3010337	2	Hex screw [M8X16 8.8 ZC UNI 5739]
	27	3010415	2	Hex screw [M10X55 8.8 ZC UNI 5737]
	28	5090885	1	
	29	3040304	2	Stopnut
	30	2210881	1	
	31	3060918	1	Tooth lock washer [D.8 TIPO A UNI8842 ZC]
	32	3020058	1	Socket head cap screw [M8X40 8.8 ZC UNI 5931]
	33	3010323	4	Hex screw [M6X10 8.8 ZC UNI 5739]
	34	3060053	4	Split lock washer [D=6.4 C72 ZC]



R	Pos.	Code Variant	Q.ty	Description
	1	5060142	1	Base
	2	5140731	1	
	3	5140730	1	
	4	5140729	1	
	5	5090676	1	
	6	3070073	1	Seeger
	7	5000771	8	Adjusting screw
	8	3040089	8	Lock nut
	9	5000033	1	
	10	5090595	2	
	11	3080501	3	Grease nipple
	12	5000966	2	
	13	3020875	2	Socket head cap screw [M8X20 ZC UNI 5931]
	14	3190201	2	
	15	3070148	4	Seeger
	16	5140714	4	
	17	5150601	2	
	18	3060932	2	
	19	3020898	2	Socket head cap screw [M6X50 8.8 ZC UNI 5931]
	20	3040519	2	Stopnut

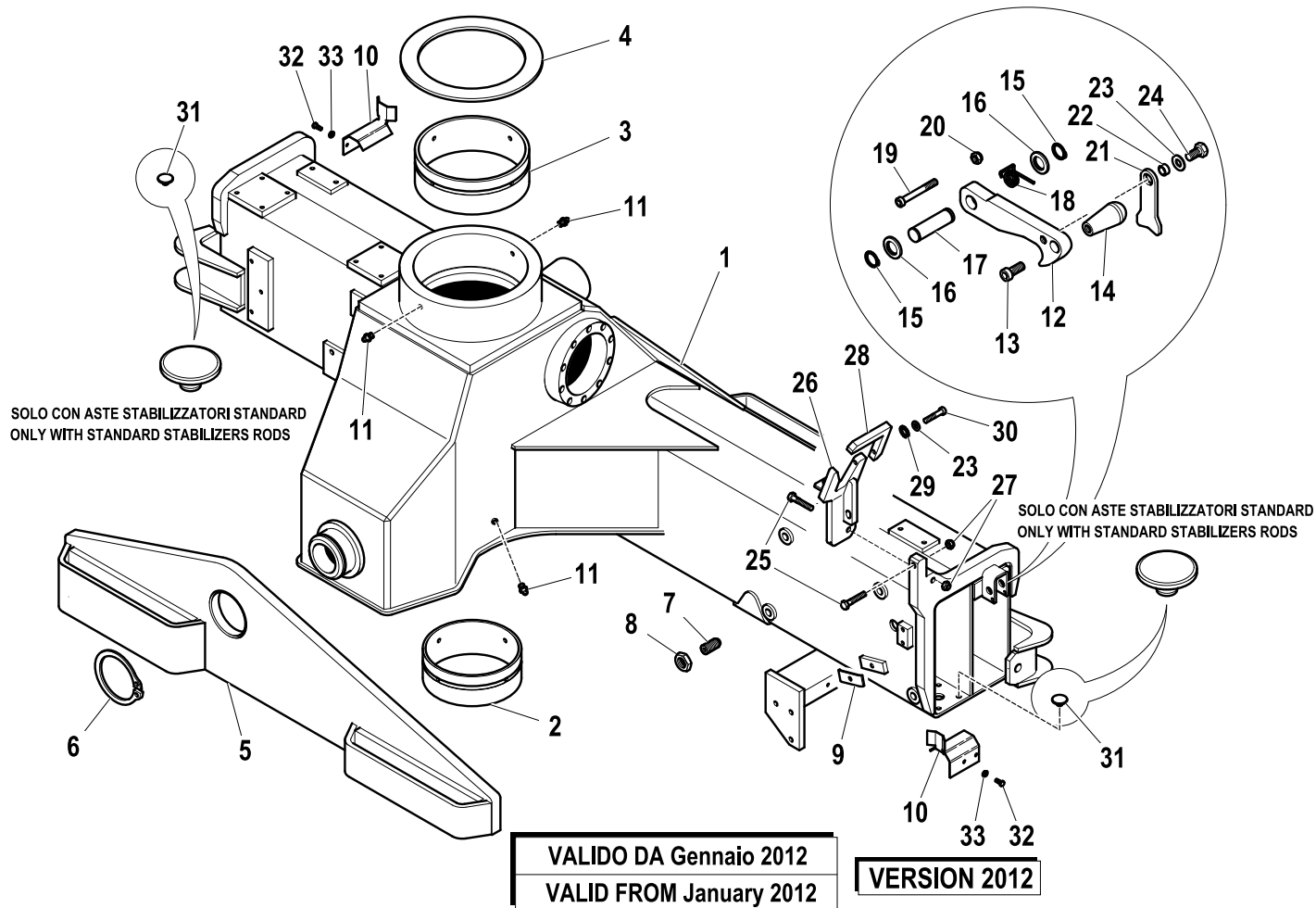
R	Pos.	Code Variant	Q.ty	Description
	21	5001681	2	
	22	W102116	2	
	23	3060006	3	Flat washer [D.8 UNI 6592 ZC]
	24	3010337	10	Hex screw [M8X16 8.8 ZC UNI 5739]
	25	3010415	2	Hex screw [M10X55 8.8 ZC UNI 5737]
	26	5090885	1	
	27	3040304	2	Stopnut
	28	2210881	1	
	29	3060918	9	Tooth lock washer [D.8 TIPO A UNI8842 ZC]
	30	3020058	1	Socked head cap screw [M8X40 8.8 ZC UNI 5931]
	31	5141131	2	
	32	3010323	4	Hex screw [M6X10 8.8 ZC UNI 5739]
	33	3060053	4	Split lock washer [D=6.4 C72 ZC]



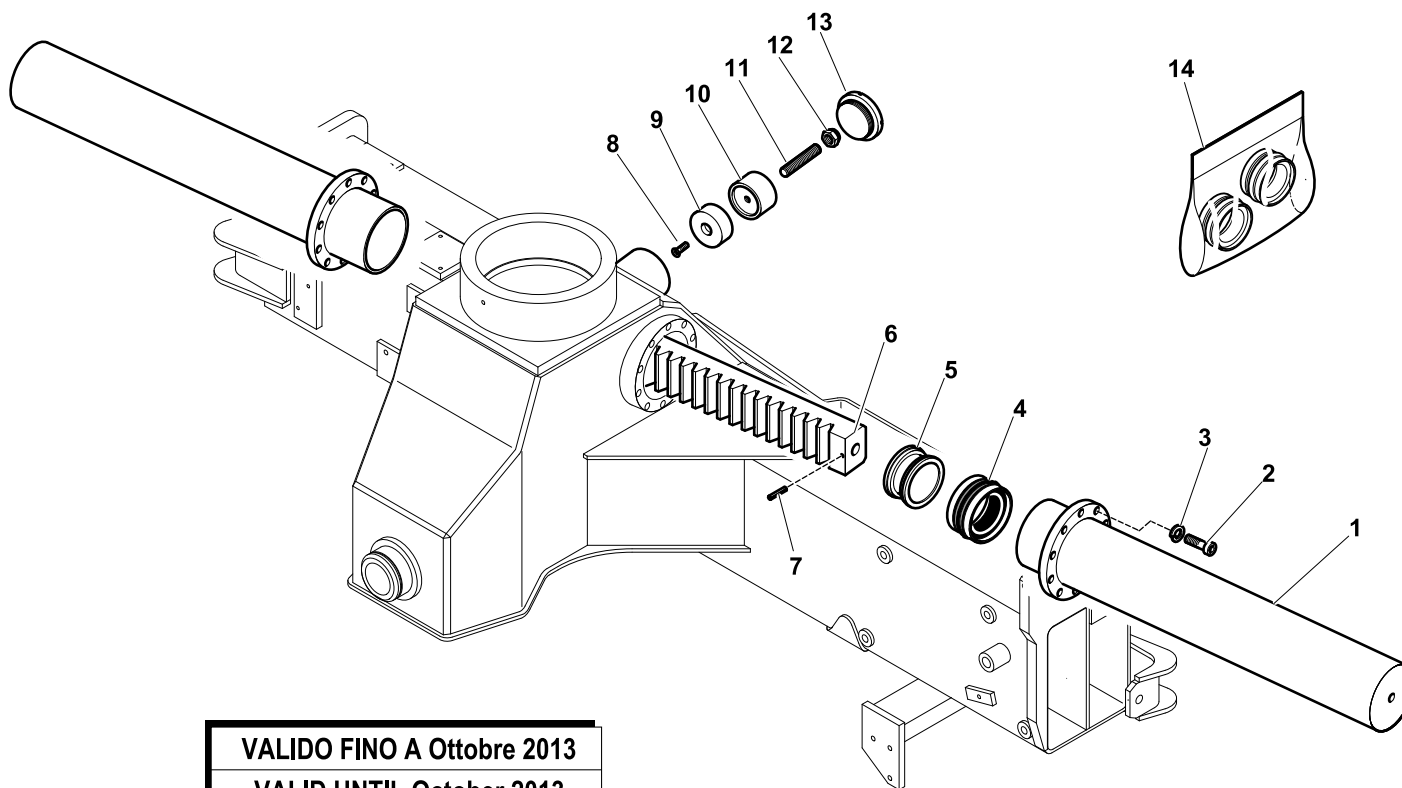


R	Pos.	Code Variant	Q.ty	Description
1		5060142	1	Base
2		5140731	1	
3		5140730	1	
4		5140729	1	
5		5090676	1	
6		3070073	1	Seeger
7		5000771	8	Adjusting screw
8		3040089	8	Lock nut
9		5000033	1	
10		5090595	2	
11		3080501	3	Grease nipple
12		5000966	2	
13		3020875	2	Socket head cap screw [M8X20 ZC UNI 5931]
14		3190201	2	
15		3070148	4	Seeger
16		5140714	4	
17		5150601	2	
18		3060932	2	
19		3020898	2	Socket head cap screw [M6X50 8.8 ZC UNI 5931]
20		3040519	2	Stopnut

R	Pos.	Code Variant	Q.ty	Description
	21	5001681	2	
	22	W102116	2	
	23	3060006	3	Flat washer [D.8 UNI 6592 ZC]
	24	3010337	2	Hex screw [M8X16 8.8 ZC UNI 5739]
	25	3010415	2	Hex screw [M10X55 8.8 ZC UNI 5737]
	26	5090885	1	
	27	3040304	2	Stopnut
	28	2210881	1	
	29	3060918	1	Tooth lock washer [D.8 TIPO A UNI8842 ZC]
	30	3020058	1	Socked head cap screw [M8X40 8.8 ZC UNI 5931]
	31	5141134	8	
	32	3010323	4	Hex screw [M6X10 8.8 ZC UNI 5739]
	33	3060053	4	Split lock washer [D=6.4 C72 ZC]



R	Pos.	Code Variant	Q.ty	Description
	1	6070592	2	
	2	3020110	20	Socket head cap screw [M14X40 8.8 ZC UNI 5931]
	3	3060058	20	Split lock washer [D=14 INOX]
	4	3400521	2	
	5	6050280	2	
	6	5050090	1	
	7	3060608	2	Spring pin
	8	3020893	1	TSEI screw [M12X30 8.8 ZC UNI 5933]
	9	5140732	1	Sliding block (Rack adjuster)
	10	4160381	1	Support (Slide shoe)
	11	3060919	1	Grub screw
	12	3040309	1	Stopnut
	13	5140735	1	Plug (Nylon)
	14	5550745	1	Seal kit (Slewing)



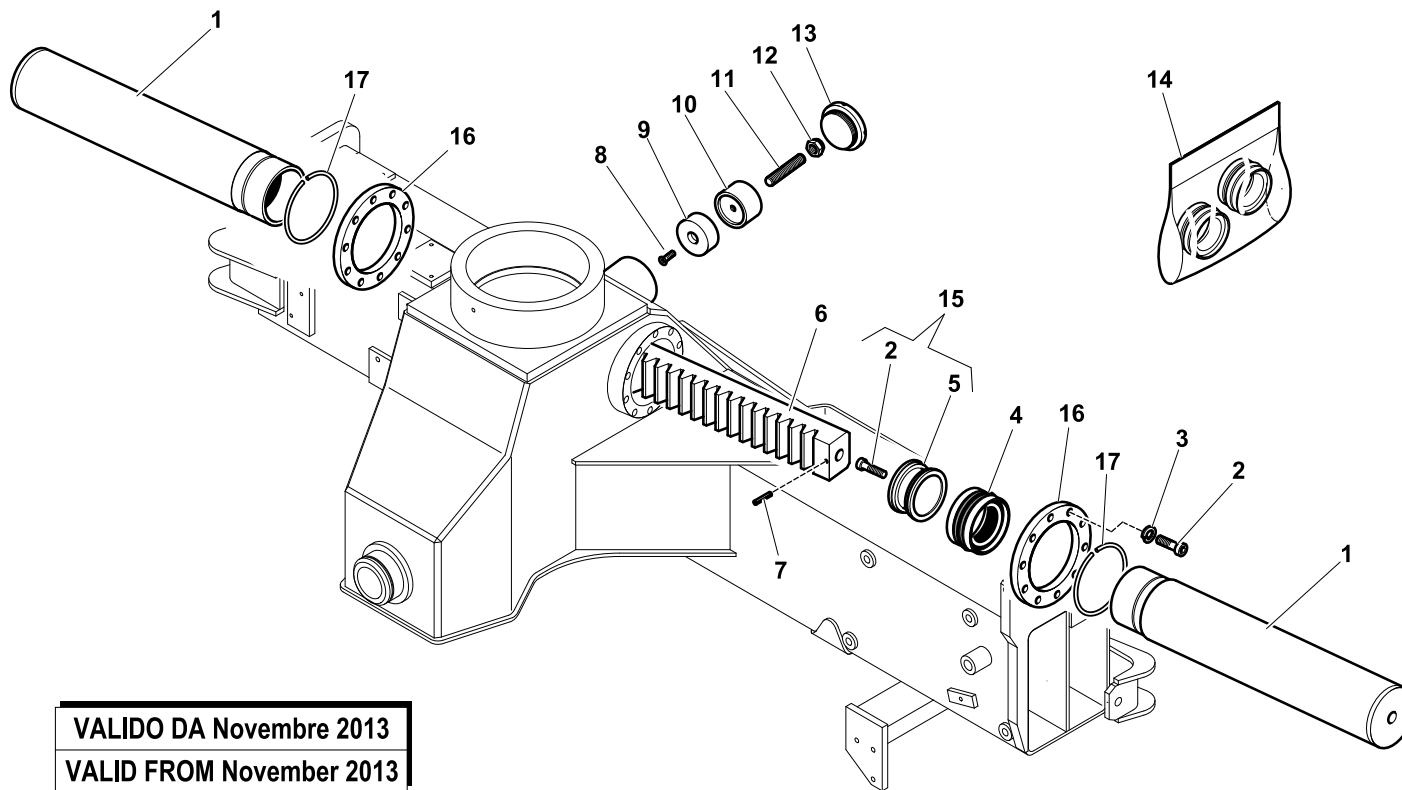
VALIDO FINO A Ottobre 2013
VALID UNTIL October 2013

Slewing (Retaining ring)

Code

6240191-1.0

1/1



R	Pos.	Code Variant	Q.ty	Description
	1	6070706	2	
	2	3020110	22	Socketed head cap screw [M14X40 8.8 ZC UNI 5931]
	3	3060058	20	Split lock washer [D=14 INOX]
	4	3400521	2	
	5	6050279	2	
	6	5050090	1	
	7	3060608	2	Spring pin
	8	3020893	1	TSEI screw [M12X30 8.8 ZC UNI 5933]
	9	5140732	1	Sliding block (Rack adjuster)
	10	4160381	1	Support (Slide shoe)
	11	3060919	1	Grub screw
	12	3040309	1	Stopnut
	13	5140735	1	Plug (Nylon)
	14	5550745	1	Seal kit (Slewing)
	15	6050280	2	
	16	5002437	2	Flange (Liner)
	17	W440201200	2	Retaining ring (Stop)

VALIDO DA Novembre 2013

VALID FROM November 2013

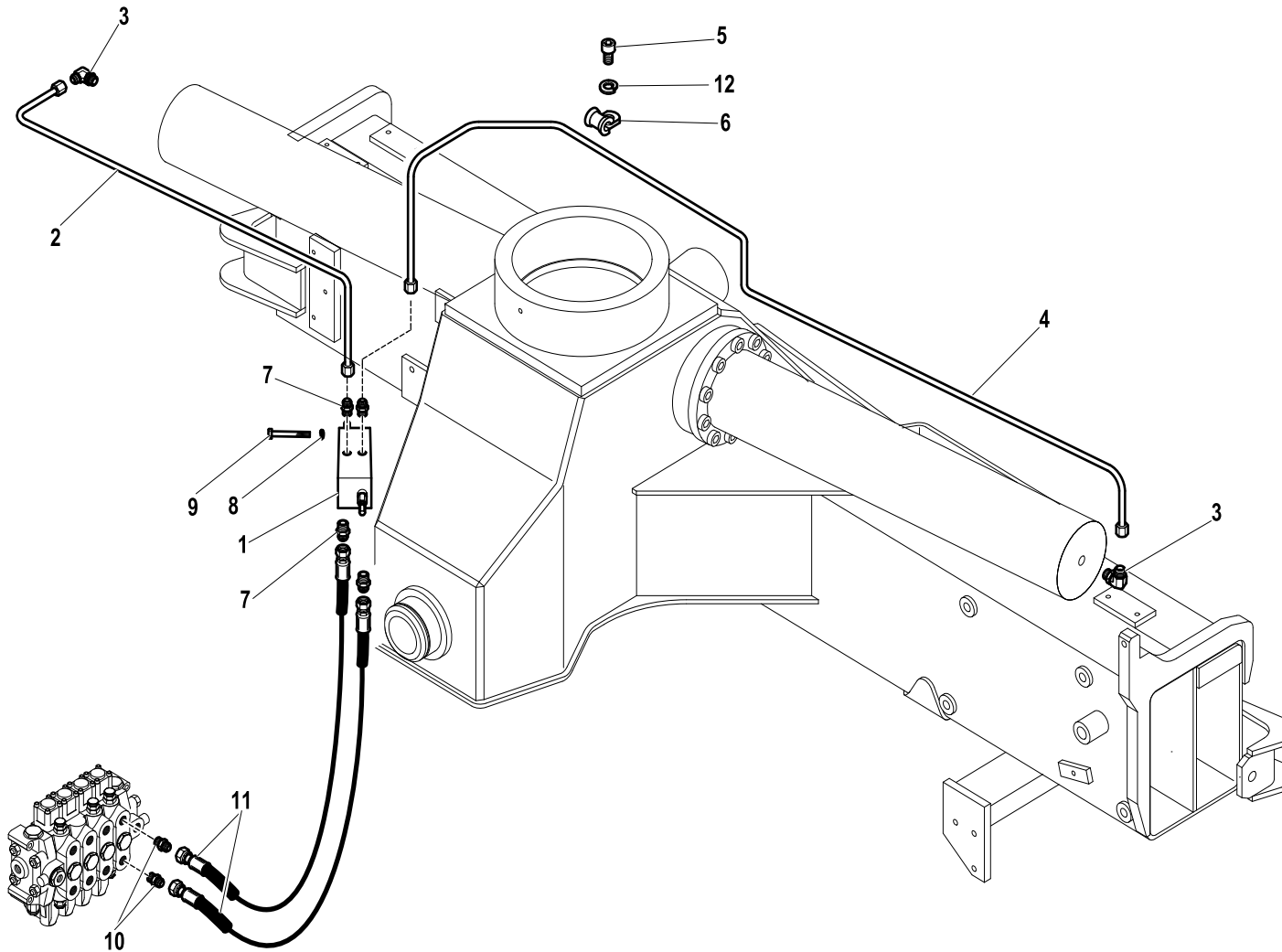
**Valido da Matricola / Valid from S/N
34190**

Slewing Hydraulic jack (Hydraulic system)

Code

6240083-2.0

1/1



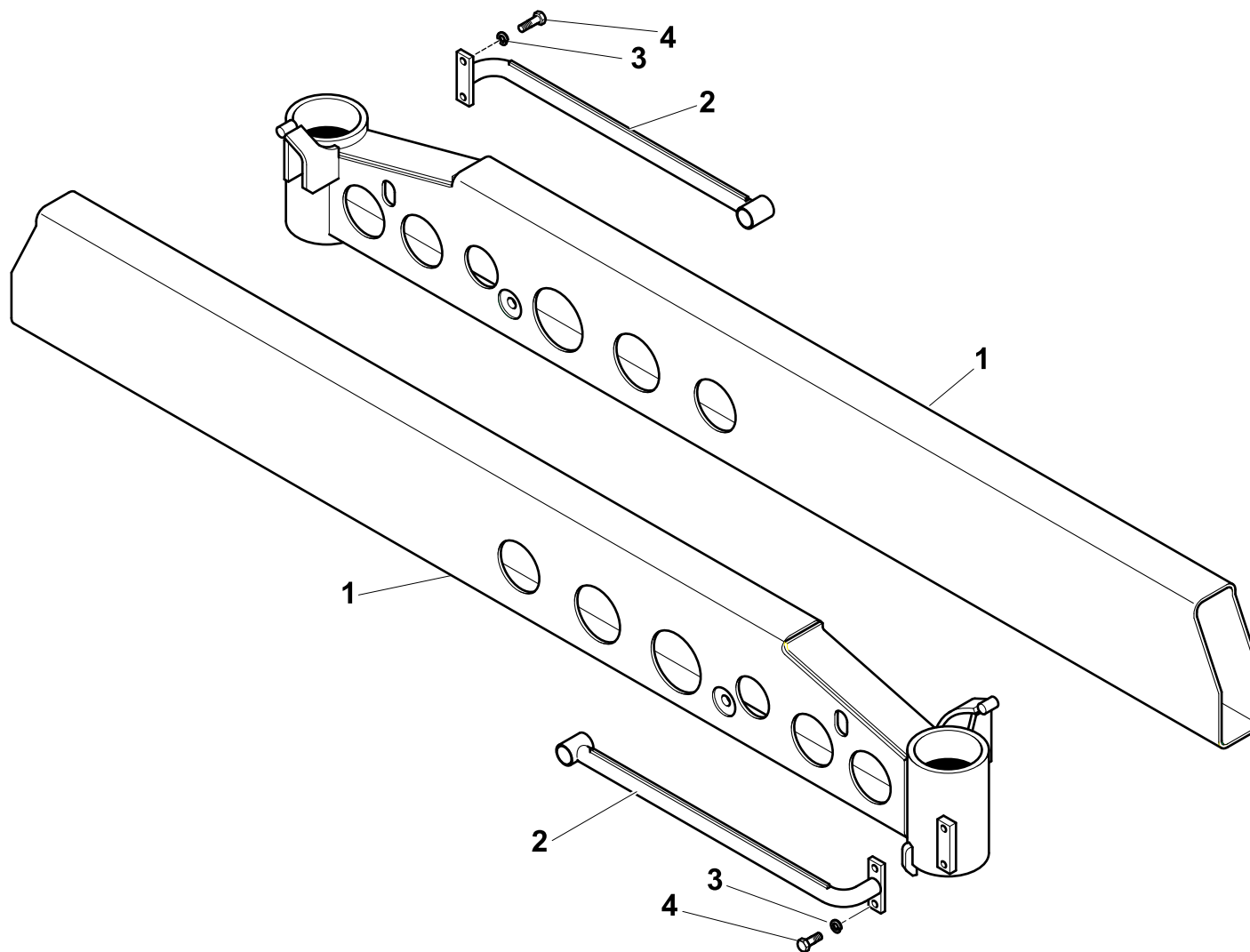
R	Pos.	Code Variant	Q.ty	Description
	1	5220666	1	
	2	5391800	1	
	3	3101127	2	90° Connection
	4	5391799	1	
	5	3020902	2	Socket head cap screw [M8X10 ZC UNI 5931]
	6	3190208	2	Collar (Pipe)
	7	3101043	4	Straight pipe fitting
	8	3060053	2	Split lock washer [D=6.4 C72 ZC]
	9	3010026	2	Hex screw [M6X80 8.8 ZC UNI 5737]
	10	3101044	2	Straight pipe fitting
	11	5271385	2	Flexible hose
	12	3060055	2	Split lock washer [D=8.4 C72 ZC]

Stabilizers rods (Hydraulic control)

Code

5760056-1.0

1/1



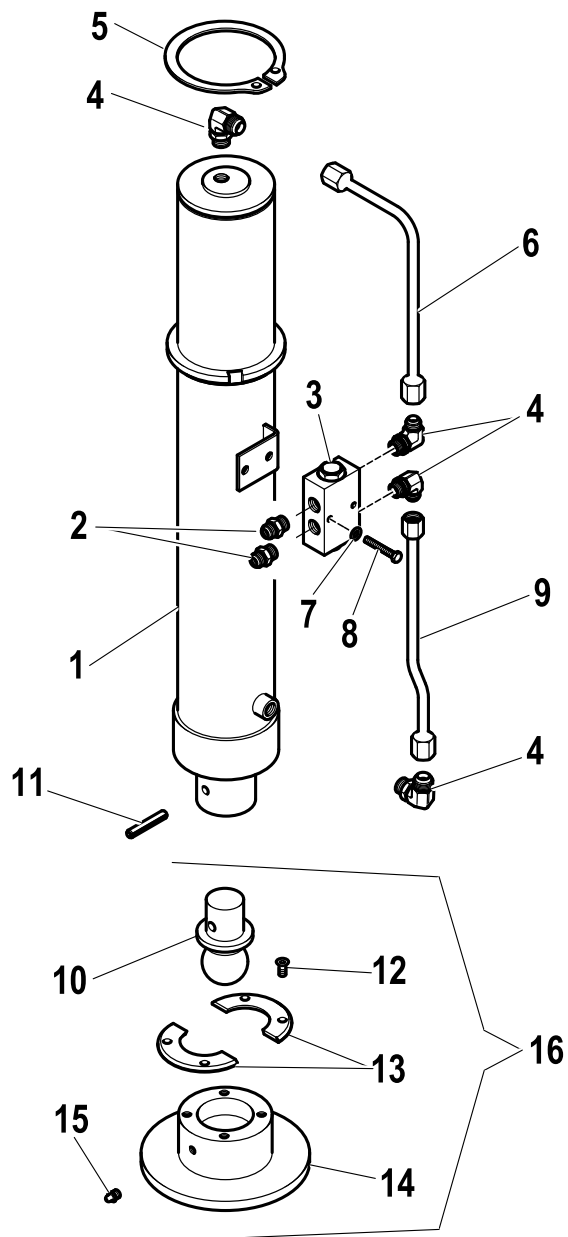
R	Pos.	Code Variant	Q.ty	Description
	1	5070289	2	
	2	5090594	2	
	3	3060057	4	Split lock washer [D=12 C72 ZC]
	4	3010369	4	Hex screw [M12X25 8.8 ZC UNI 5739]

HYDRAULIC SYSTEM (STABILISER RAM)

Code

6200182-1.0

1/1



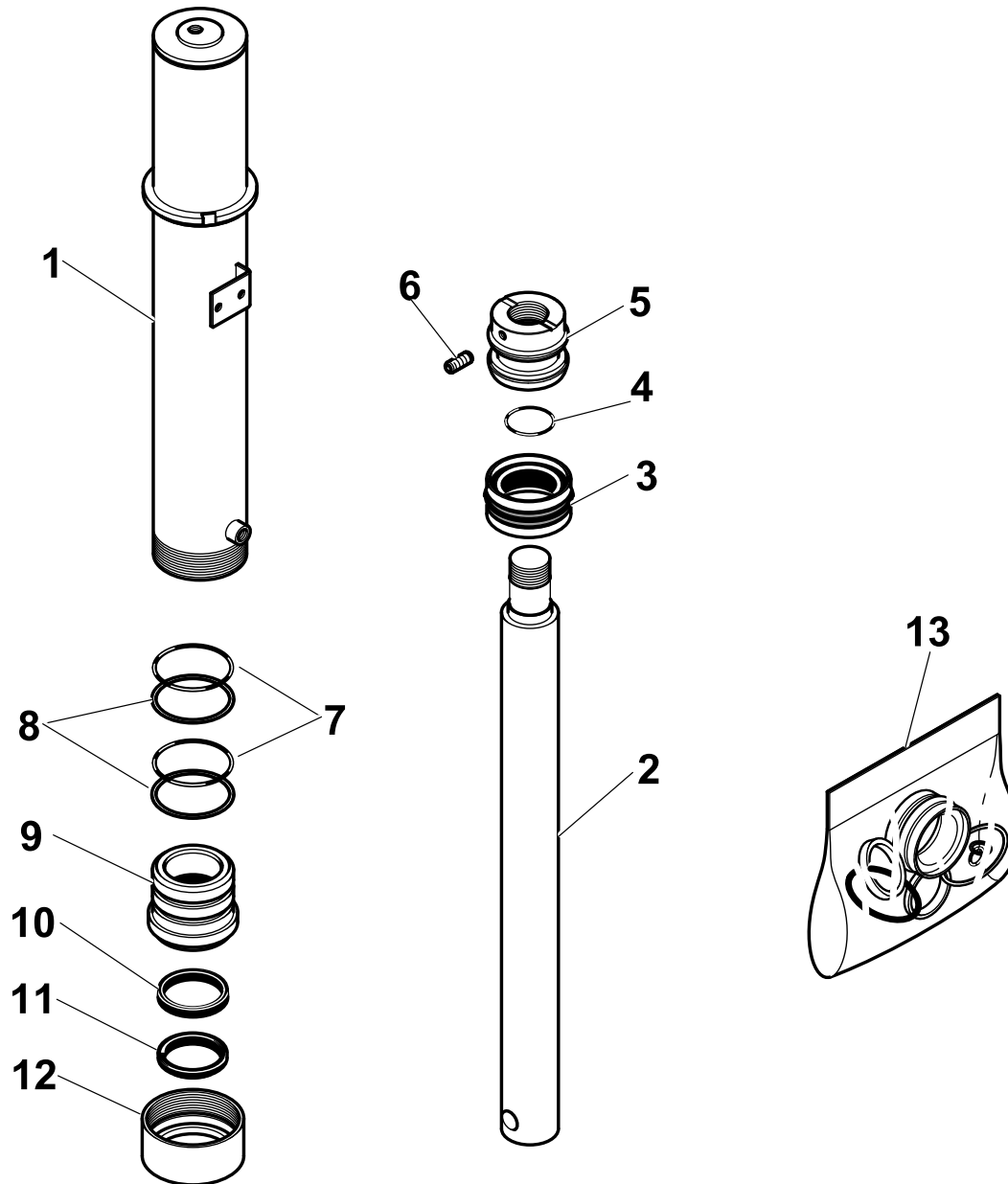
R	Pos.	Code Variant	Q.ty	Description
	1	6400182	1	Stabilizer Hydraulic jack
	2	3101043	2	Straight pipe fitting
	3	5220653	1	Holding valve
	4	3101127	4	90° Connection
	5	3070080	1	Seeger
	6	5391733	1	
	7	3060005	2	Flat washer [D.6.4 UNI 6592 ZC]
	8	3010019	2	Hex screw [M6X45 8.8 ZC UNI 5737]
	9	5391732	1	
	10	4160391	1	Tang (Ball joint)
	11	3060939	1	Spring pin
	12	3020452	4	TSEI screw [M8X16 10.9 ZC UNI 5933]
	13	4160392	1	Locking ring (Ball joint)
	14	5090778	1	Support base
	15	3080512	1	Grease nipple
	16	5920001	1	ARTICULATED JOINT TANG (Stabilizers)

Stabilizer Hydraulic jack

Code

6400182-1.0

1/1



R	Pos.	Code Variant	Q.ty	Description
	1	6070289	1	
	2	6030610	1	
	3	3400516	1	
	4	3450127	1	
	5	6050026	1	Piston
	6	3060234	1	Grub screw [Grano M6X10 UNI 5927 ZC.]
	7	3450219	2	
	8	3460383	2	
	9	6040075	1	
	10	3400132	1	
	11	3420034	1	
	12	6040074	1	Ring nut
	13	5550638	1	

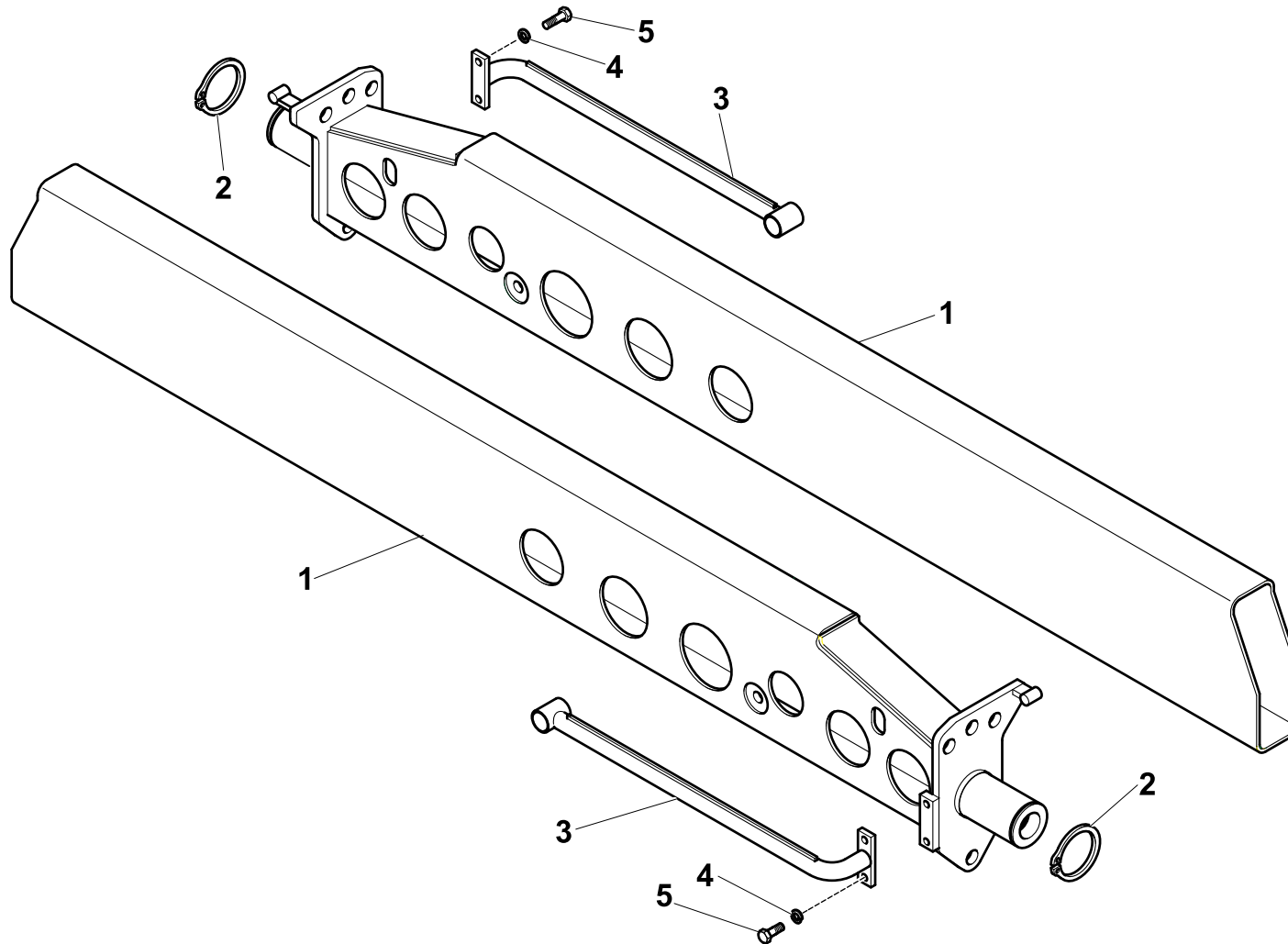
Stabilizers rods (hydraulic lengthening)

Code

5760057-1.0

1/1

R	Pos.	Code Variant	Q.ty	Description
	1	5070290	2	
	2	3070063	2	Seeger
	3	5090594	2	
	4	3060057	4	Split lock washer [D=12 C72 ZC]
	5	3010369	4	Hex screw [M12X25 8.8 ZC UNI 5739]



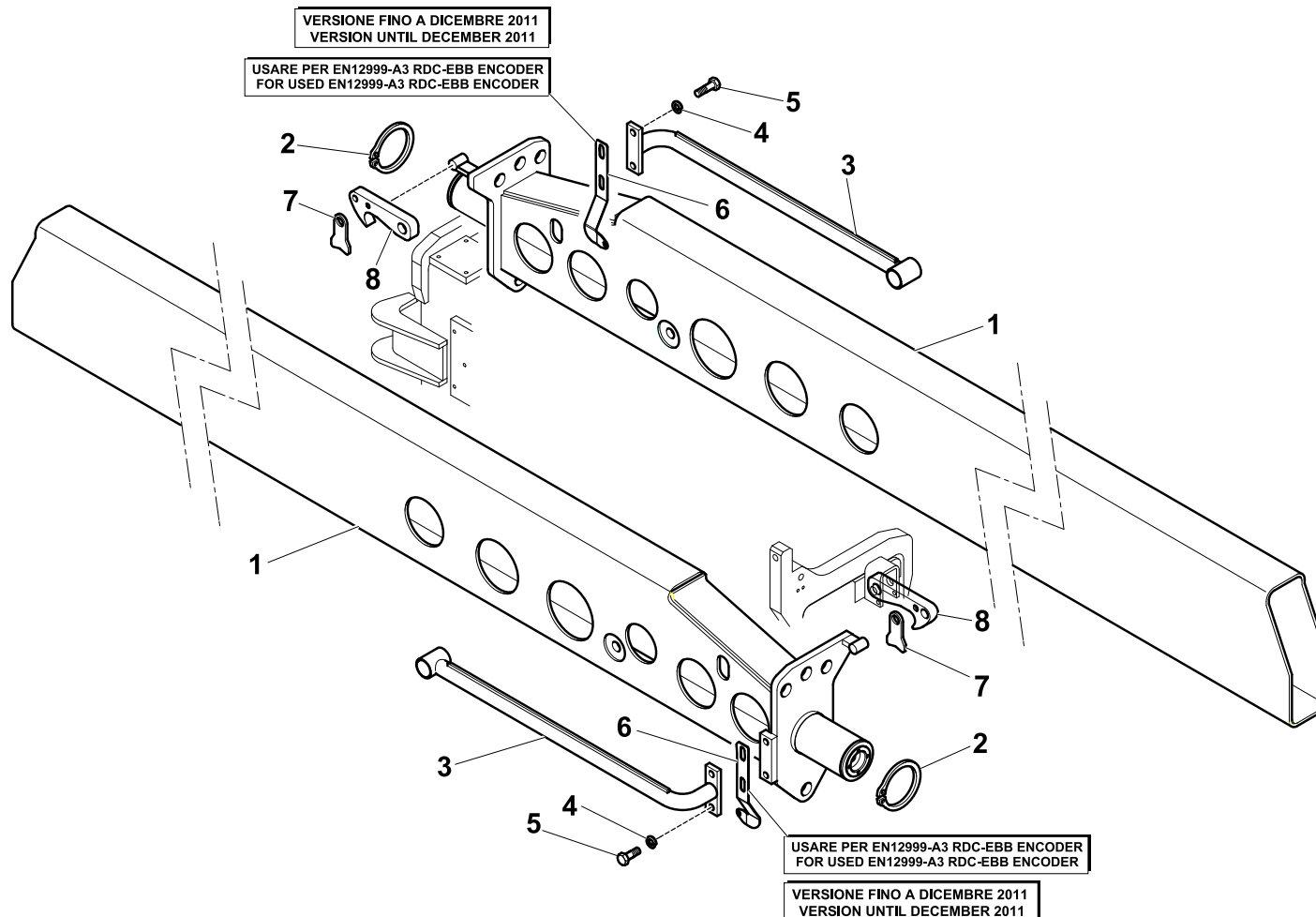
Stabilizers rods (hydraulic lengthening)

Code

5760317-1.0

1/1

R	Pos.	Code Variant	Q.ty	Description
	1	5070437	2	
	2	3070065	2	Seeger
	3	5090594	2	
	4	3060057	4	Split lock washer [D=12 C72 ZC]
	5	3010369	4	Hex screw [M12X25 8.8 ZC UNI 5739]
	6	5002114	2	Hook (latch) (Cable)
	7	5001989	2	
	8	5001988	2	



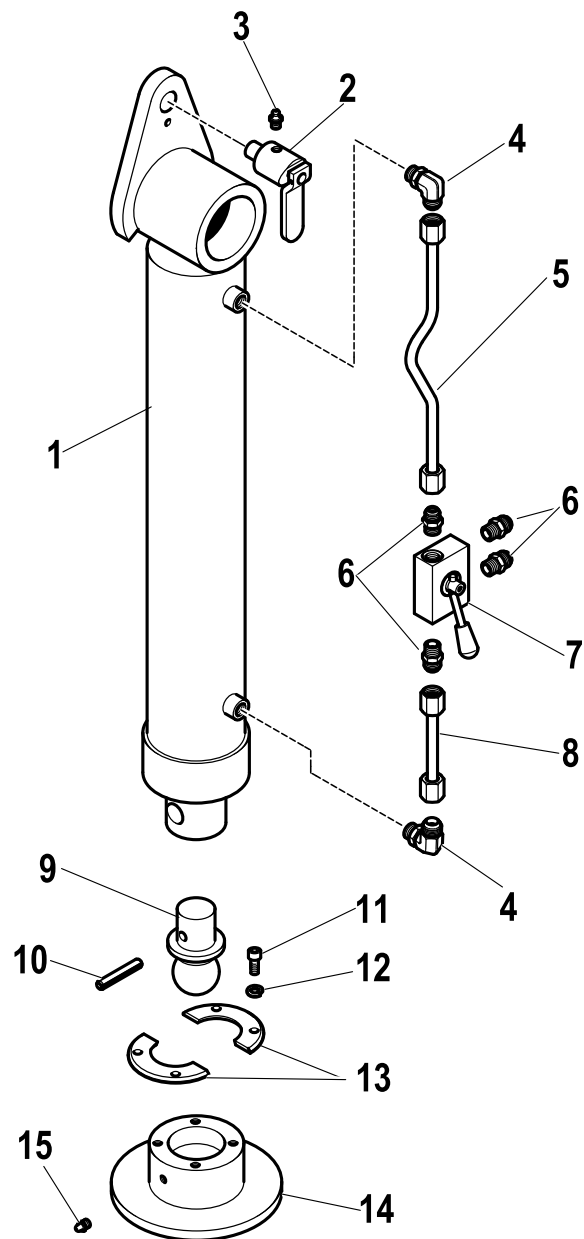
HYDRAULIC SYSTEM (STABILISER RAM)

Code

6200201-1.0

1/1

R	Pos.	Code Variant	Q.ty	Description
	1	6400201	1	Stabilizer Hydraulic jack
	2	5000018	1	
	3	3080500	2	Grease nipple
	4	3101127	2	90° Connection
	5	5391621	1	
	6	3101043	4	Straight pipe fitting
	7	5220047	1	
	8	5391622	1	
	9	4160391	1	Tang (Ball joint)
	10	3060632	1	Spring pin
	11	3020875	4	Socketed head cap screw [M8X20 ZC UNI 5931]
	12	3060055	4	Split lock washer [D=8.4 C72 ZC]
	13	4160392	1	Locking ring (Ball joint)
	14	5090778	1	Support base
	15	3080512	1	Grease nipple



VALIDO FINO A FEB. 2008

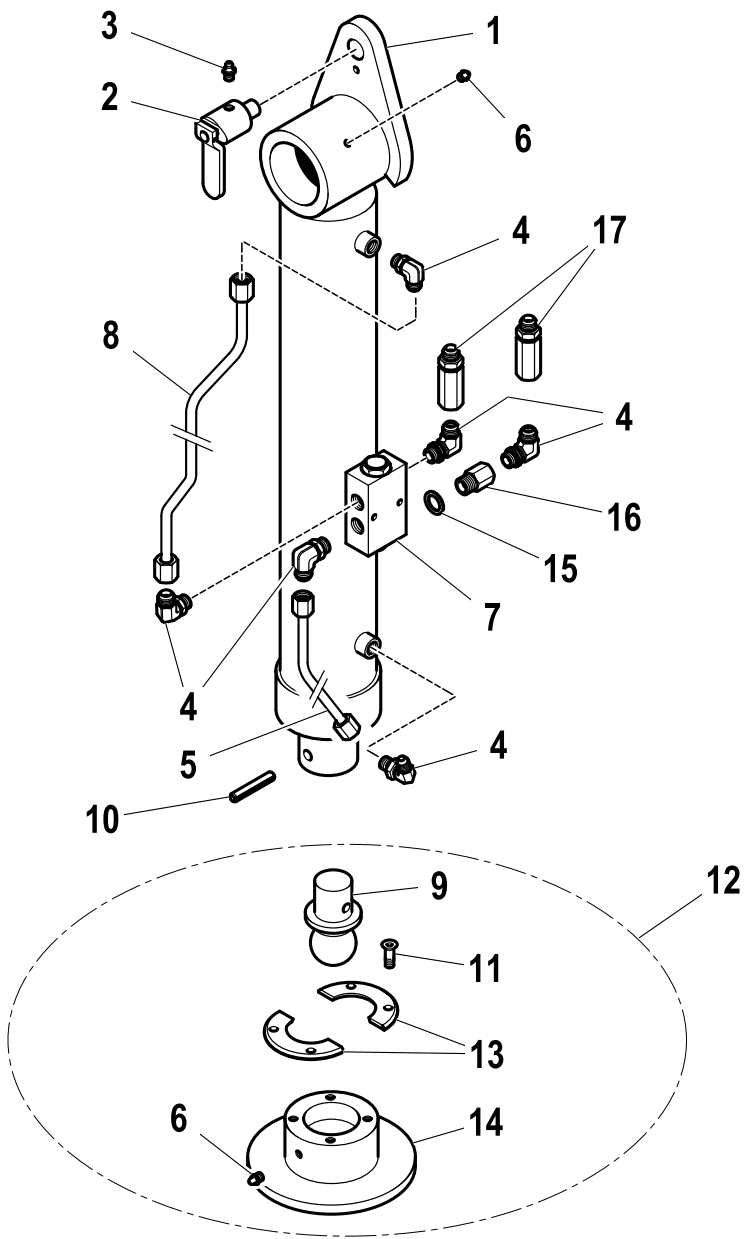
VALID UNTIL FEB. 2008

HYDRAULIC SYSTEM (STABILISER RAM)

Code

6200265-1.0

1/1



VERSIONE 2008
VERSION 2008

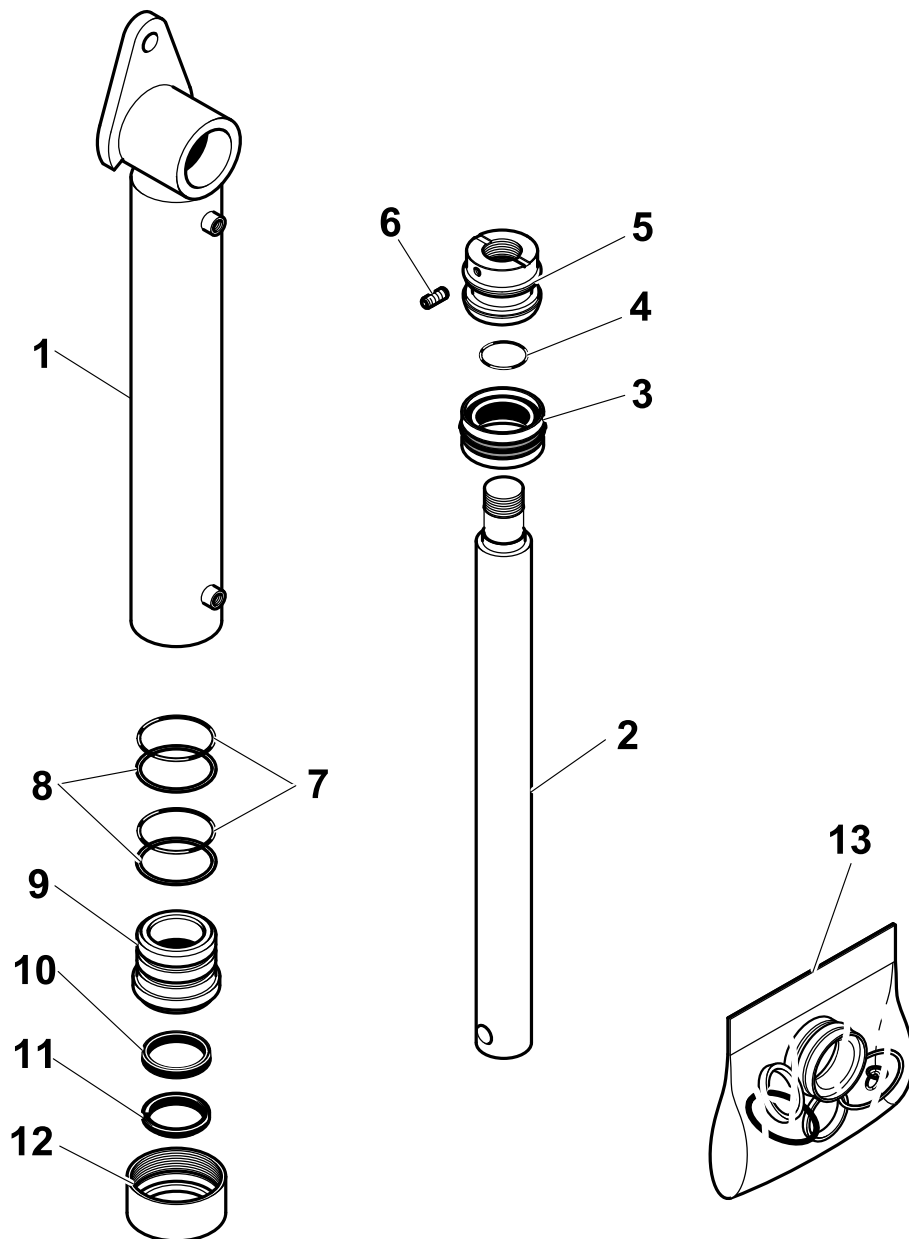
R	Pos.	Code Variant	Q.ty	Description
	1	6400201	1	Stabilizer Hydraulic jack
	2	5001198	1	System (Lock)
	3	3080500	1	Grease nipple
	4	3101127	6	90° Connection
	5	5390032	1	
	6	3080512	2	Grease nipple
	7	5220653	1	Holding valve
	8	5390033	1	
	9	4160391	1	Tang (Ball joint)
	10	3060939	1	Spring pin
	11	3020452	4	TSEI screw [M8X16 10.9 ZC UNI 5933]
	12	5920001	1	ARTICULATED JOINT TANG (Stabilizers)
	13	4160392	1	Locking ring (Ball joint)
	14	5090778	1	Support base
	15	3060144	1	Sealing washer [BSP 3/8"]
	16	3110112	1	Straight pipe fitting
	17	5225681	2	Rotary union

Stabilizer Hydraulic jack

Code

6400201-1.0

1/1



R	Pos.	Code Variant	Q.ty	Description
	1	6070274	1	
	2	6030611	1	
	3	3400516	1	
	4	3450127	1	
	5	6050026	1	Piston
	6	3060234	1	Grub screw [Grano M6X10 UNI 5927 ZC.]
	7	3450219	2	
	8	3460383	2	
	9	6040075	1	
	10	3400132	1	
	11	3420034	1	
	12	6040074	1	Ring nut
	13	5550638	1	

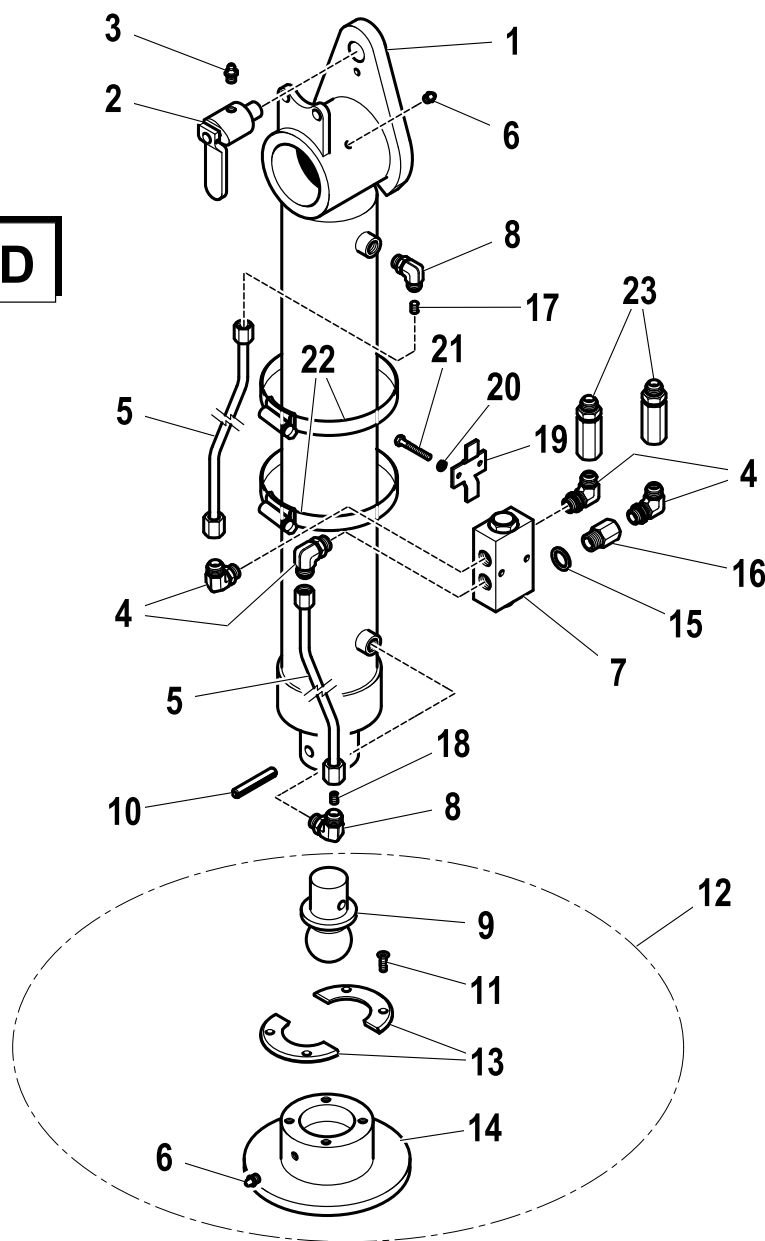
STABILISER RAM (ROTATING)

Code

6200278-1.0

1/2

LD



R	Pos.	Code Variant	Q.ty	Description
	1	6400278	1	Stabilizer Hydraulic jack
	2	5001198	1	System (Lock)
	3	3080500	1	Grease nipple
	4	3101127	4	90° Connection
	5	5390551	2	
	6	3080512	2	Grease nipple
	7	5220653	1	Holding valve
	8	W470424	2	90° Connection (Rotary)
	9	4160391	1	Tang (Ball joint)
	10	3060939	1	Spring pin
	11	3020452	4	TSEI screw [M8X16 10.9 ZC UNI 5933]
	12	5920001	1	ARTICULATED JOINT TANG (Stabilizers)
	13	4160392	1	Locking ring (Ball joint)
	14	5090778	1	Support base
	15	3060144	1	Sealing washer [BSP 3/8"]
	16	3110112	1	Straight pipe fitting
	17	W470425	1	Throttle (fixed)
	18	W470427	1	Throttle (fixed)
	19	2091241	1	Plate (Valve support)
	20	3060053	2	Split lock washer [D=6.4 C72 ZC]

STABILISER RAM (ROTATING)

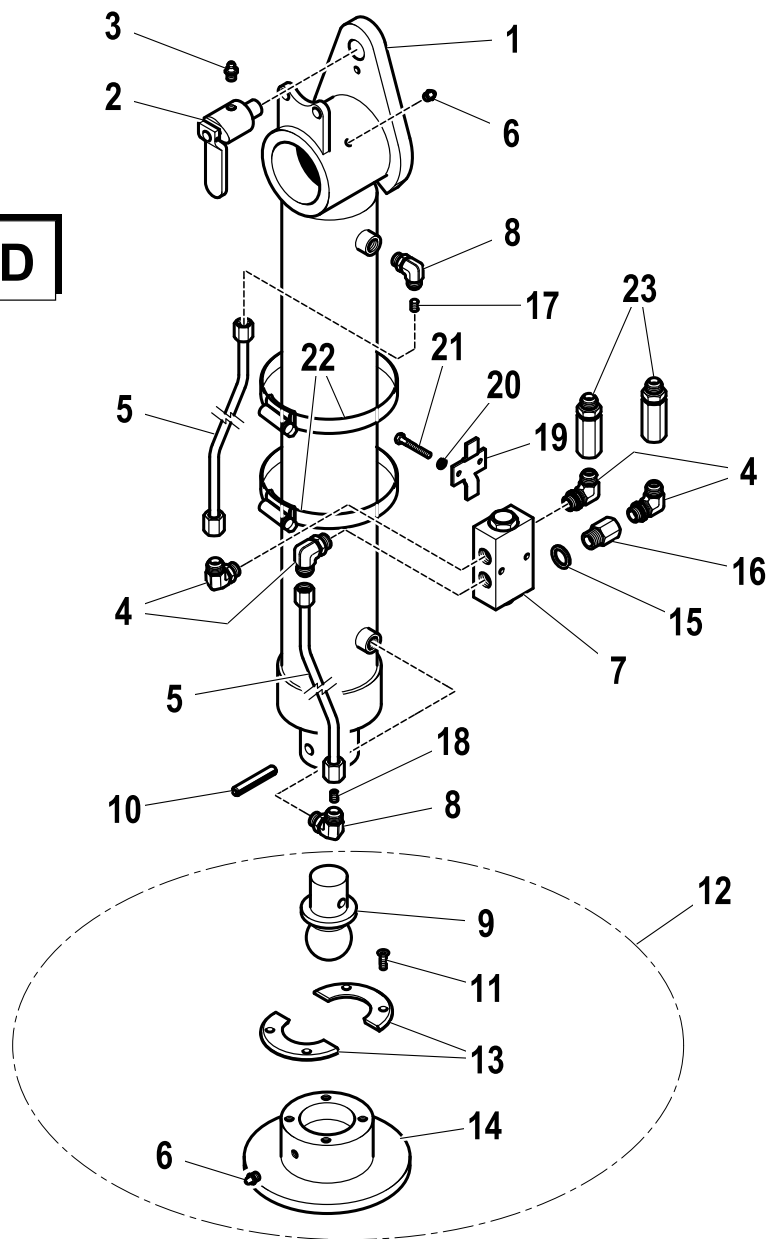
Code

6200278-1.0

2/2

R	Pos.	Code Variant	Q.ty	Description
	21	3010023	2	Hex screw [M6X40 8.8 ZC UNI 5739]
	22	3190024	2	Clamp
	23	5225681	2	Rotary union

LD



STABILISER RAM (ROTATING)

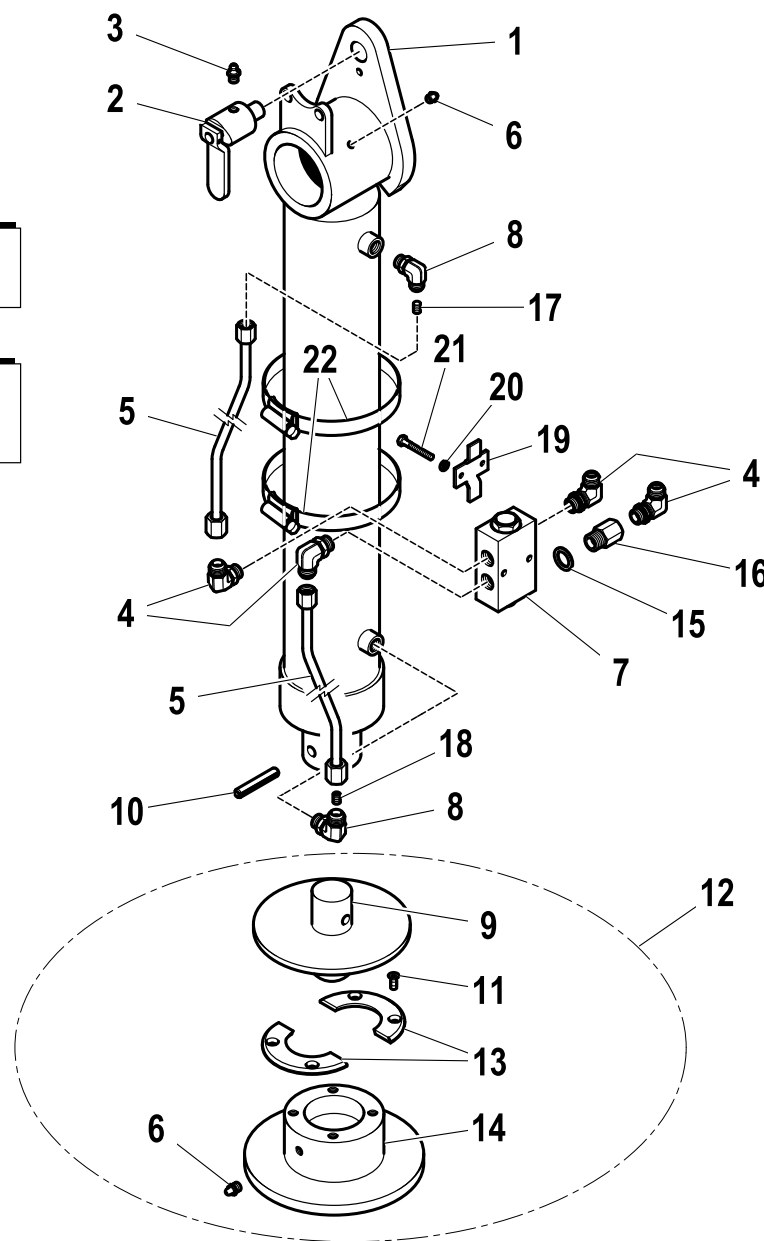
Code

6200278-2.0

1/2

LD

AUTOMATIC ROTATION



R	Pos.	Code Variant	Q.ty	Description
	1	6400278	1	Stabilizer Hydraulic jack
	2	5001198	1	System (Lock)
	3	3080500	1	Grease nipple
	4	3101127	4	90° Connection
	5	5390551	2	
	6	3080512	2	Grease nipple
	7	5220653	1	Holding valve
	8	W470424	2	90° Connection (Rotary)
	9	5091264	1	
	10	3060939	1	Spring pin
	11	3020452	4	TSEI screw [M8X16 10.9 ZC UNI 5933]
	12	5920011	1	ARTICULATED JOINT TANG (Stabilizers)
	13	4160392	1	Locking ring (Ball joint)
	14	5090778	1	Support base
	15	3060144	1	Sealing washer [BSP 3/8"]
	16	3110112	1	Straight pipe fitting
	17	W470425	1	Throttle (fixed)
	18	W470427	1	Throttle (fixed)
	19	2091241	1	Plate (Valve support)
	20	3060053	2	Split lock washer [D=6.4 C72 ZC]

STABILISER RAM (ROTATING)

Code

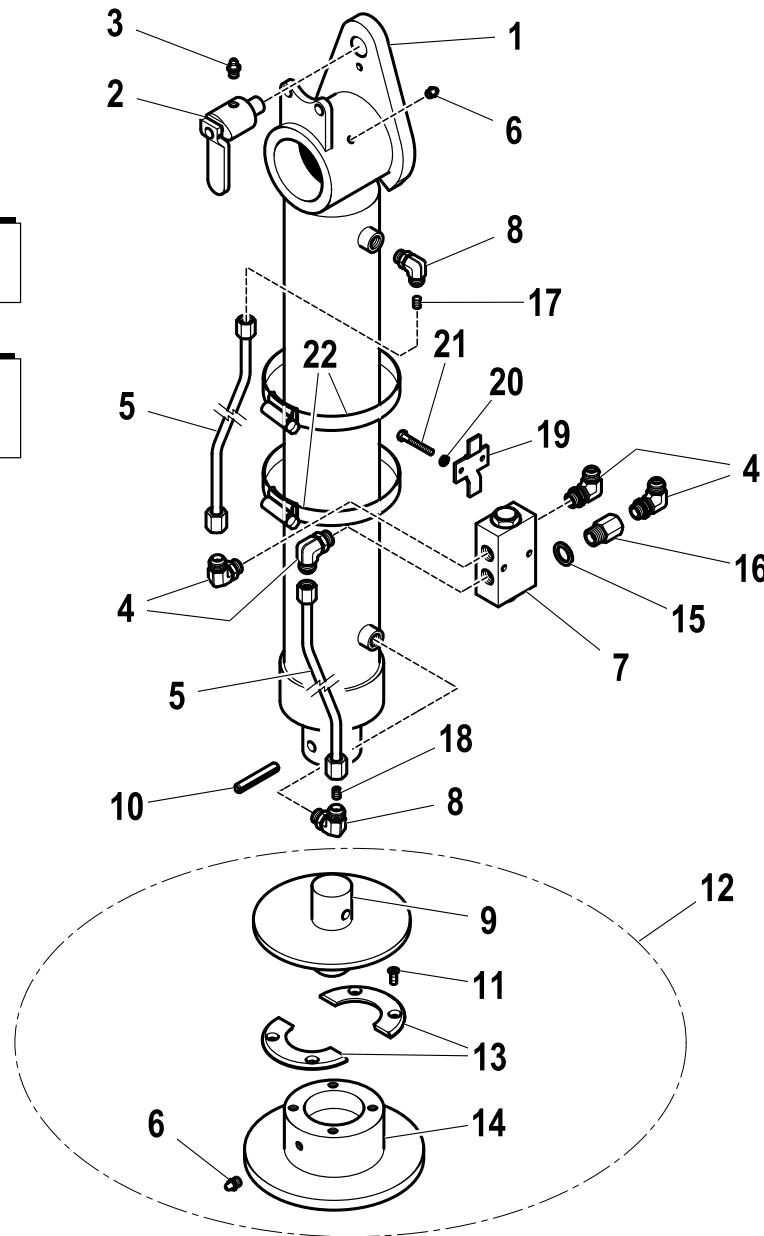
6200278-2.0

2/2

R	Pos.	Code Variant	Q.ty	Description
	21	3010023	2	Hex screw [M6X40 8.8 ZC UNI 5739]
	22	3190024	2	Clamp

LD

AUTOMATIC ROTATION

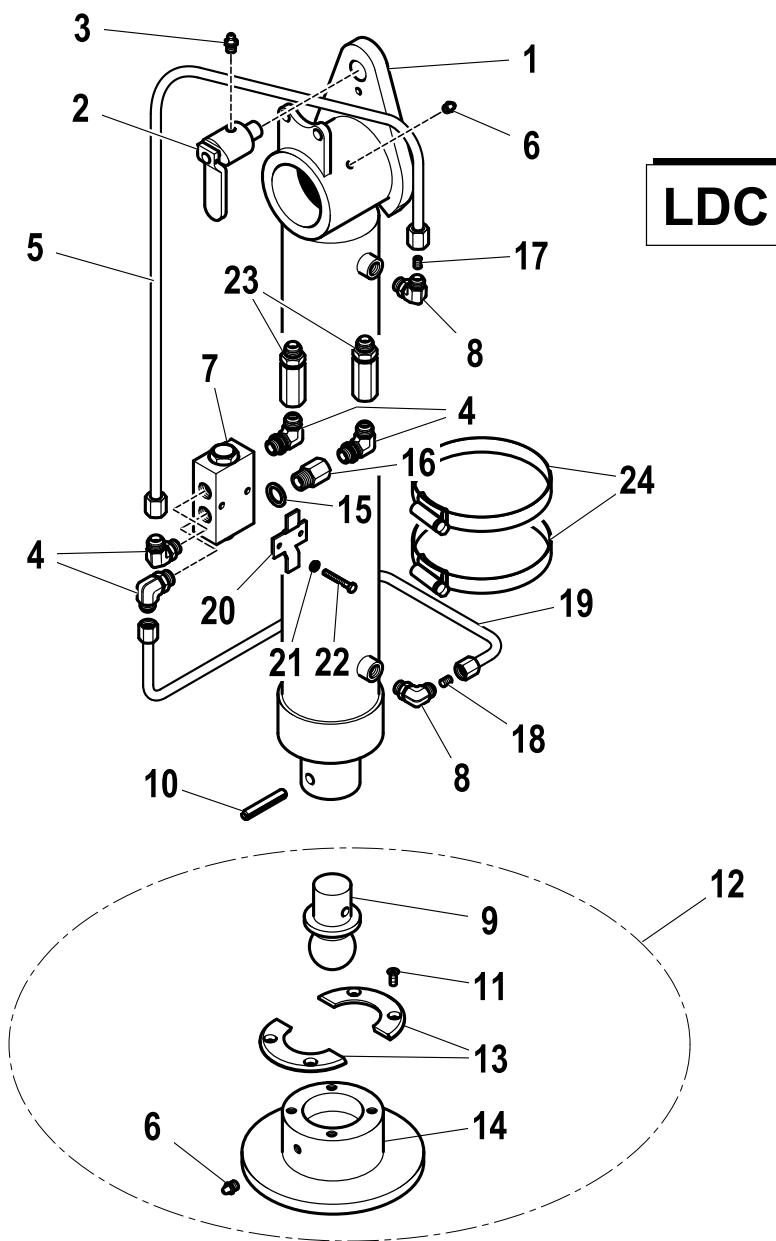


STABILISER RAM (ROTATING)

Code

6200286-1.0

1/2



LDC

R	Pos.	Code Variant	Q.ty	Description
	1	6400278	1	Stabilizer Hydraulic jack
	2	5001198	1	System (Lock)
	3	3080500	1	Grease nipple
	4	3101127	4	90° Connection
	5	5390550	1	
	6	3080512	2	Grease nipple
	7	5220653	1	Holding valve
	8	W470424	2	90° Connection (Rotary)
	9	4160391	1	Tang (Ball joint)
	10	3060939	1	Spring pin
	11	3020452	4	TSEI screw [M8X16 10.9 ZC UNI 5933]
	12	5920001	1	ARTICULATED JOINT TANG (Stabilizers)
	13	4160392	1	Locking ring (Ball joint)
	14	5090778	1	Support base
	15	3060144	1	Sealing washer [BSP 3/8"]
	16	3110112	1	Straight pipe fitting
	17	W470425	1	Throttle (fixed)
	18	W470427	1	Throttle (fixed)
	19	5390549	1	
	20	2091241	1	Plate (Valve support)

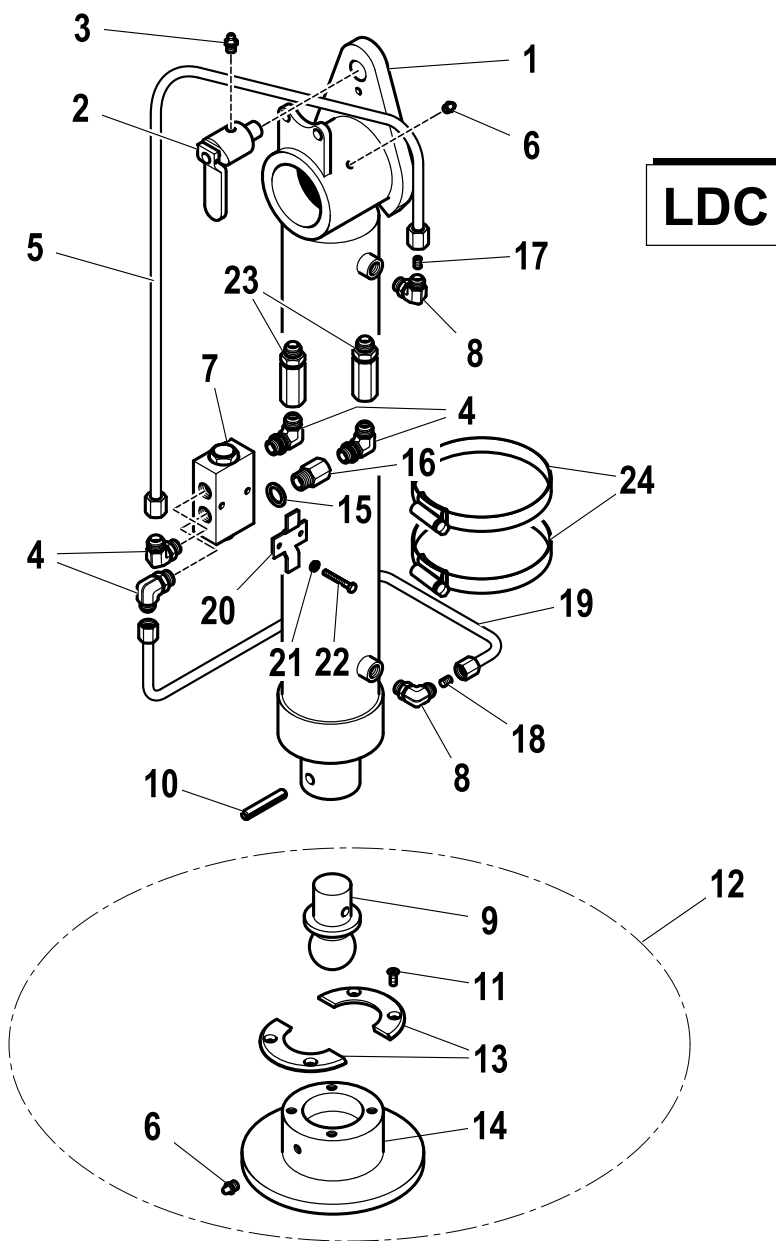
STABILISER RAM (ROTATING)

Code

6200286-1.0

2/2

R	Pos.	Code Variant	Q.ty	Description
	21	3060053	2	Split lock washer [D=6.4 C72 ZC]
	22	3010023	2	Hex screw [M6X40 8.8 ZC UNI 5739]
	23	5225681	2	Rotary union
	24	3190024	2	Clamp

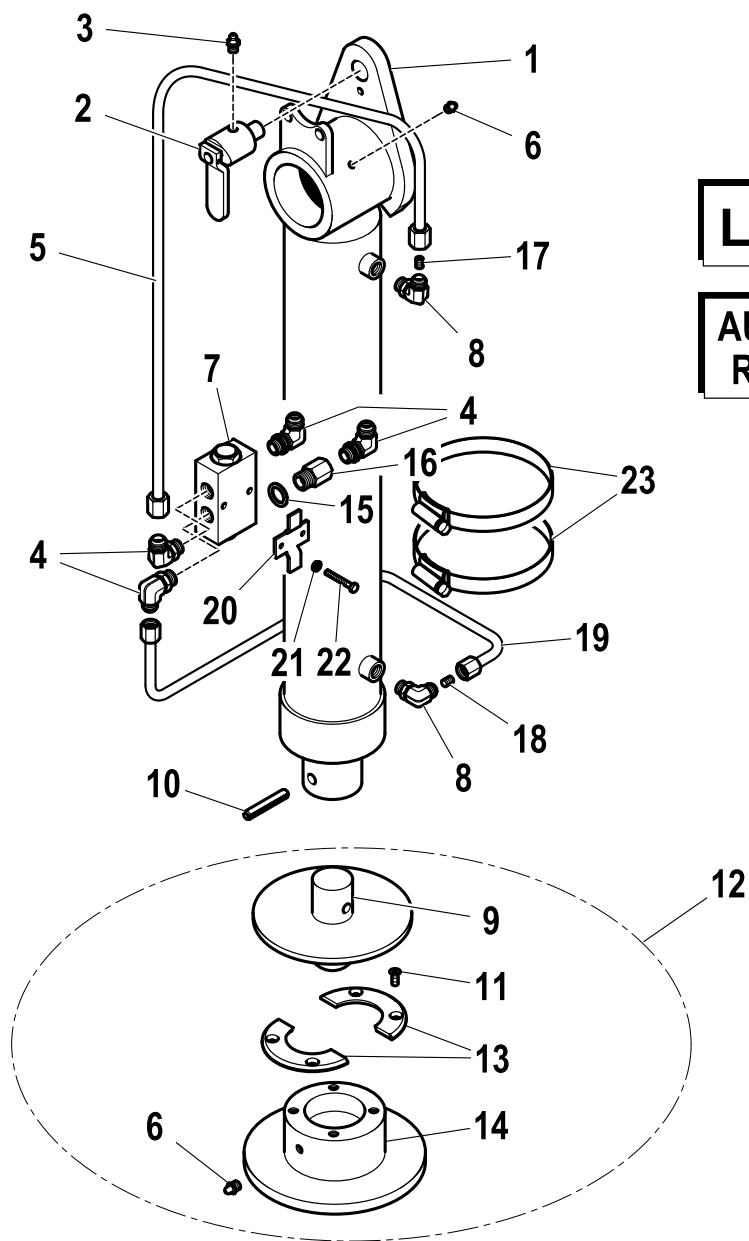


STABILISER RAM (ROTATING)

Code

6200286-2.0

1/2



LDC

**AUTOMATIC
ROTATION**

R	Pos.	Code Variant	Q.ty	Description
	1	6400278	1	Stabilizer Hydraulic jack
	2	5001198	1	System (Lock)
	3	3080500	1	Grease nipple
	4	3101127	4	90° Connection
	5	5390550	1	
	6	3080512	2	Grease nipple
	7	5220653	1	Holding valve
	8	W470424	2	90° Connection (Rotary)
	9	5091264	1	
	10	3060939	1	Spring pin
	11	3020452	4	TSEI screw [M8X16 10.9 ZC UNI 5933]
	12	5920011	1	ARTICULATED JOINT TANG (Stabilizers)
	13	4160392	1	Locking ring (Ball joint)
	14	5090778	1	Support base
	15	3060144	1	Sealing washer [BSP 3/8"]
	16	3110112	1	Straight pipe fitting
	17	W470425	1	Throttle (fixed)
	18	W470427	1	Throttle (fixed)
	19	5390549	1	
	20	2091241	1	Plate (Valve support)

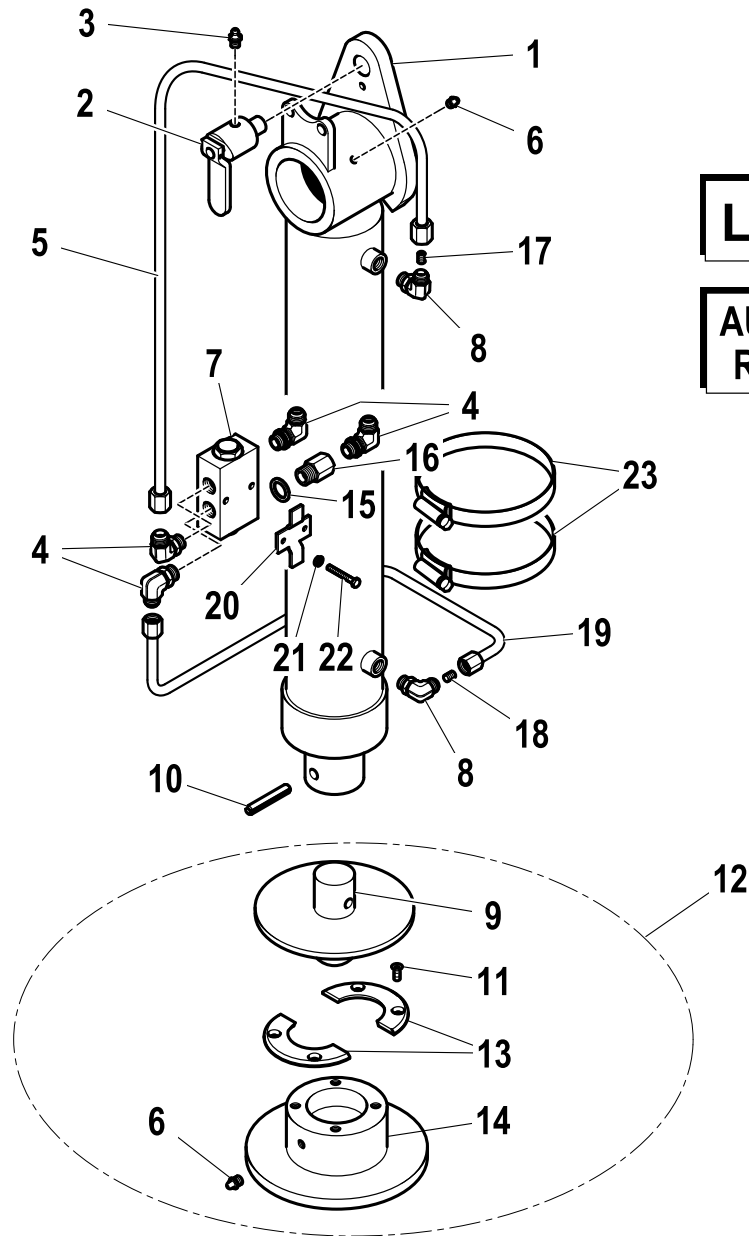
STABILISER RAM (ROTATING)

Code

6200286-2.0

2/2

R	Pos.	Code Variant	Q.ty	Description
	21	3060053	2	Split lock washer [D=6.4 C72 ZC]
	22	3010023	2	Hex screw [M6X40 8.8 ZC UNI 5739]
	23	3190024	2	Clamp

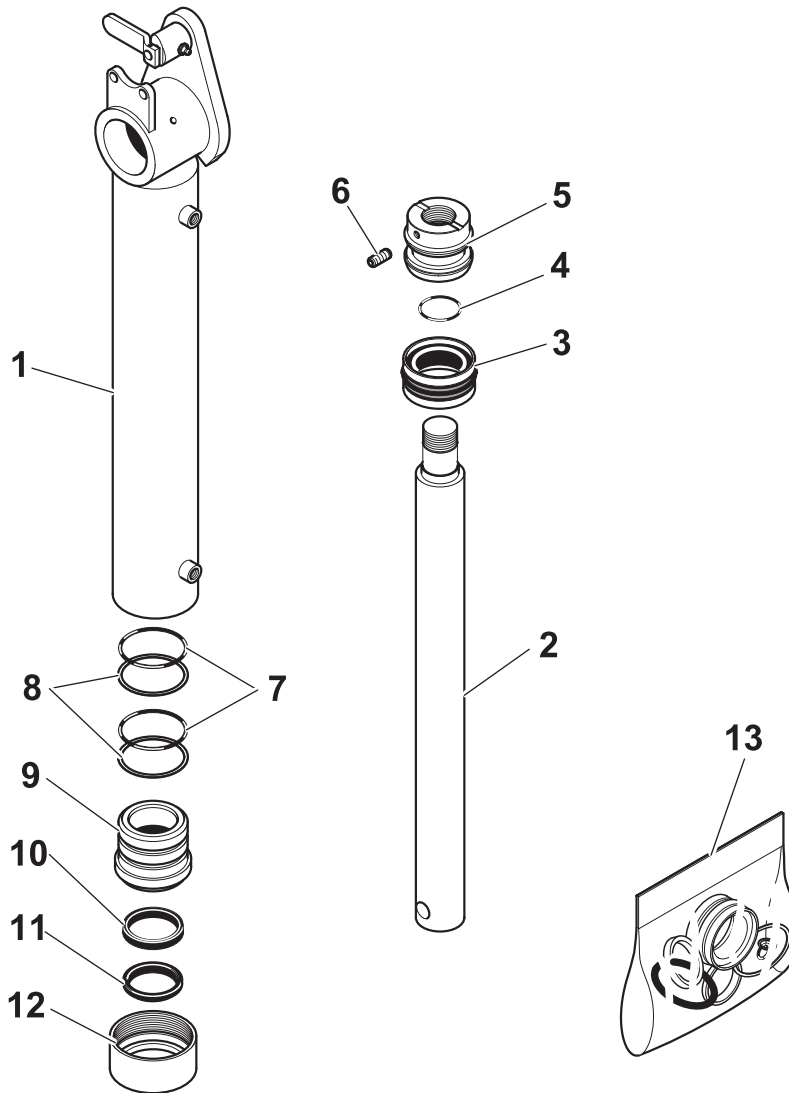


Stabilizer Hydraulic jack (ROTATING)

Code

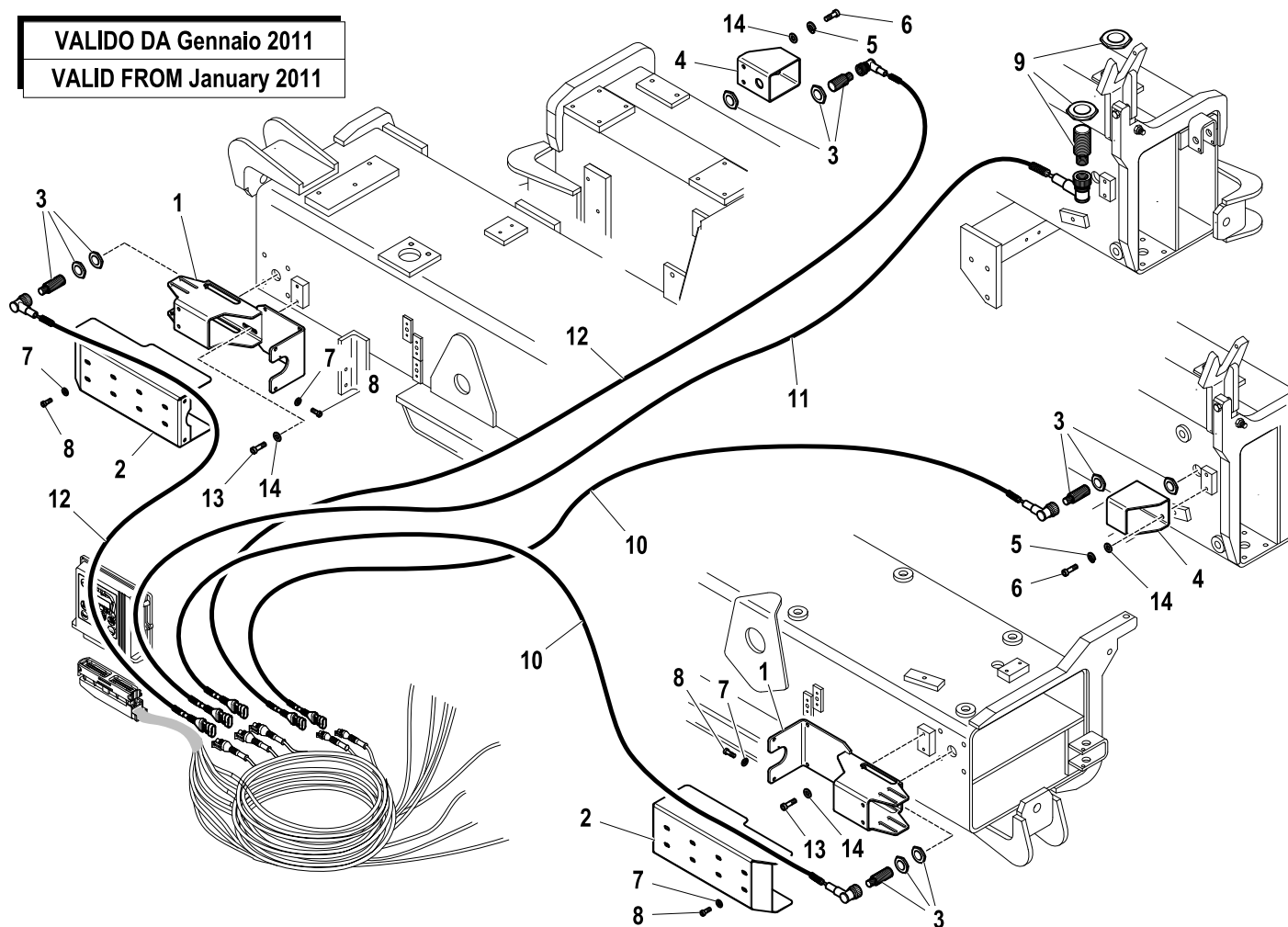
6400278-1.0

1/1



R	Pos.	Code Variant	Q.ty	Description
	1	6070625	1	
	2	6030611	1	
	3	3400516	1	
	4	3450127	1	
	5	6050026	1	Piston
	6	3060234	1	Grub screw [Grano M6X10 UNI 5927 ZC.]
	7	3450219	2	
	8	3460383	2	
	9	6040075	1	
	10	3400132	1	
	11	3420034	1	
	12	6040074	1	Ring nut
	13	5550638	1	

VALIDO DA Gennaio 2011
VALID FROM January 2011



R	Pos.	Code Variant	Q.ty	Description
	1	5091299	2	
	2	5002060	2	
	3	3311311	4	Proximity switch
	4	5091300	2	
	5	3060053	4	Split lock washer [D=6.4 C72 ZC]
	6	3020035	4	Socketed head cap screw [M6X20 8.8 ZC UNI 5931]
	7	3060004	8	Flat washer [D.5 UNI 6592 ZC]
	8	3020022	8	Socketed head cap screw [M5X10 8.8 ZC UNI 5931]
	9	3311312	1	Proximity switch
	10	3311377	2	Electric wiring
	11	3311372	1	Electric wiring
	12	3311332	2	Electric wiring
	13	3020034	4	Socketed head cap screw [M6X16 8.8 ZC UNI 5931]
	14	3060030	8	Flat washer [D.6.6X18 UNI 6593 ZC]

CONTROL DEVICES LOCKING FOR OUTRIGGERS LEGS

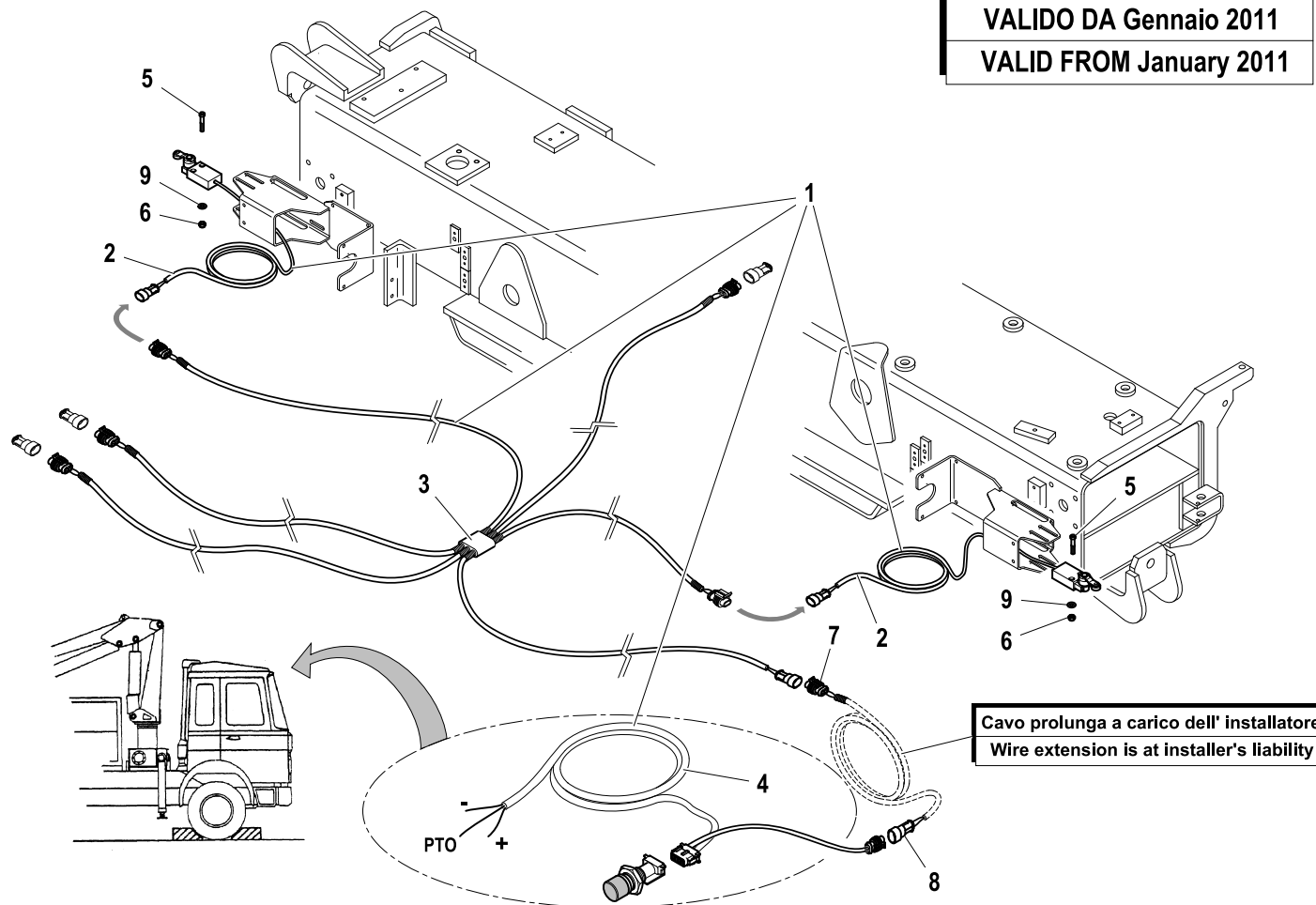
Code

5411204-4.0

1/1

R	Pos.	Code Variant	Q.ty	Description
	1	3311352	1	
	2	3311356	2	
	3	3311353	1	
	4	3311354	1	
	5	3020014	4	Socket head cap screw [M4X25X0.7 8.8 ZC UNI 5931]
	6	3040518	4	Stopnut
	7	3310431	1	
	8	3310432	1	
	9	3060003	4	Flat washer [D.4 UNI 6592 ZC]

**VALIDO DA Gennaio 2011
VALID FROM January 2011**



STABILITY CONTROL (EN12999-A3)

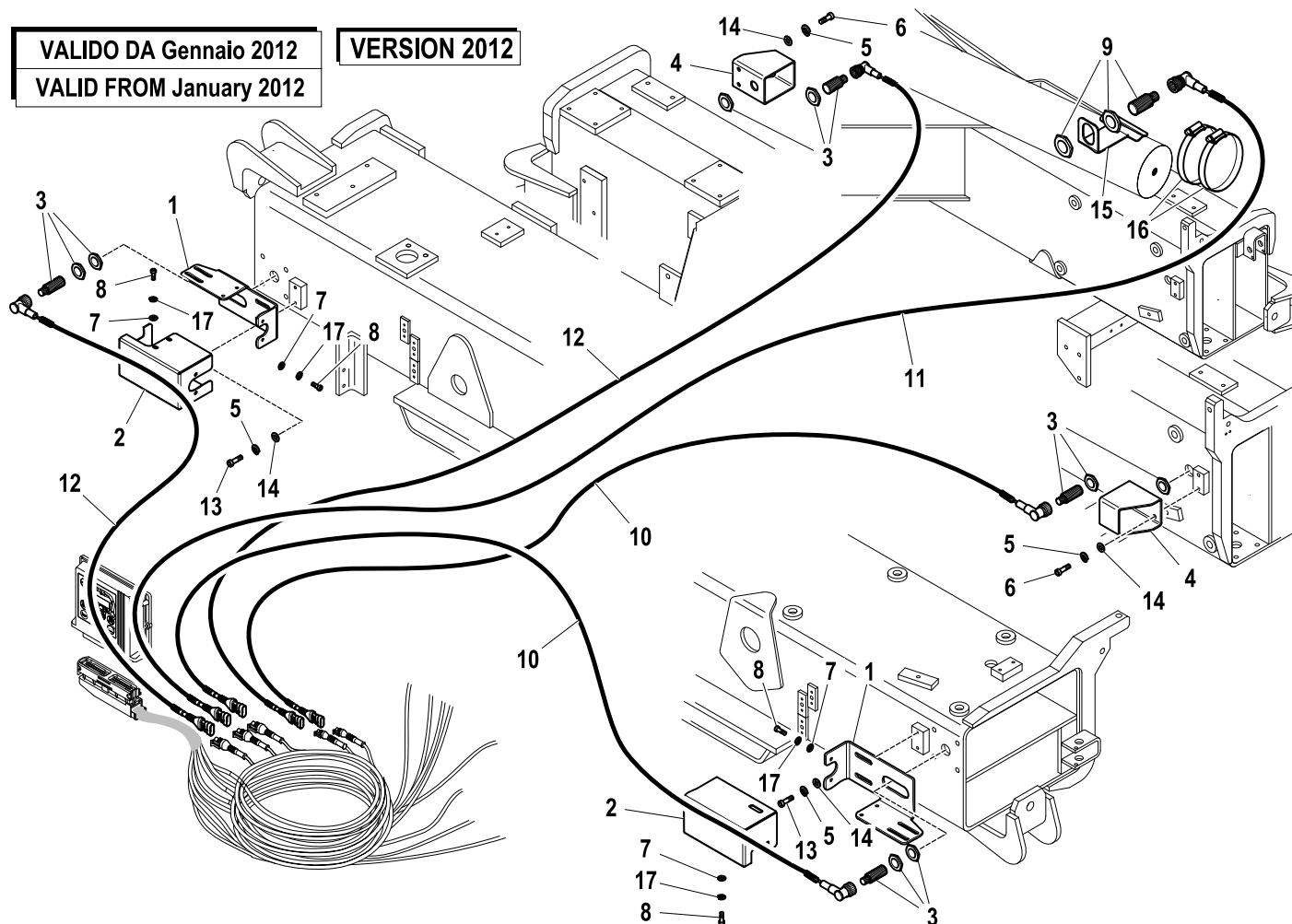
Code

5411204-13.0

1/1

VALIDO DA Gennaio 2012
VALID FROM January 2012

VERSION 2012



R	Pos.	Code Variant	Q.ty	Description
	1	5091395	2	Support (Proximity sensor)
	2	5002189	2	Guard (Proximity sensor)
	3	3311311	4	Proximity switch
	4	5091300	2	
	5	3060053	8	Split lock washer [D=6.4 C72 ZC]
	6	3020035	4	Socketed head cap screw [M6X20 8.8 ZC UNI 5931]
	7	3060004	8	Flat washer [D.5 UNI 6592 ZC]
	8	3020022	8	Socketed head cap screw [M5X10 8.8 ZC UNI 5931]
	9	3311312	1	Proximity switch
	10	3311377	2	Electric wiring
	11	3311372	1	Electric wiring
	12	3311332	2	Electric wiring
	13	3020034	4	Socketed head cap screw [M6X16 8.8 ZC UNI 5931]
	14	3060030	8	Flat washer [D.6.6X18 UNI 6593 ZC]
	15	5002185	1	Support (Proximity switch)
	16	3190021	2	Clamp [104-138 12.2 ABA]
	17	3060052	8	Split lock washer [D=5.5 C72 ZC]

CONTROL DEVICES LOCKING FOR OUTRIGGERS LEGS

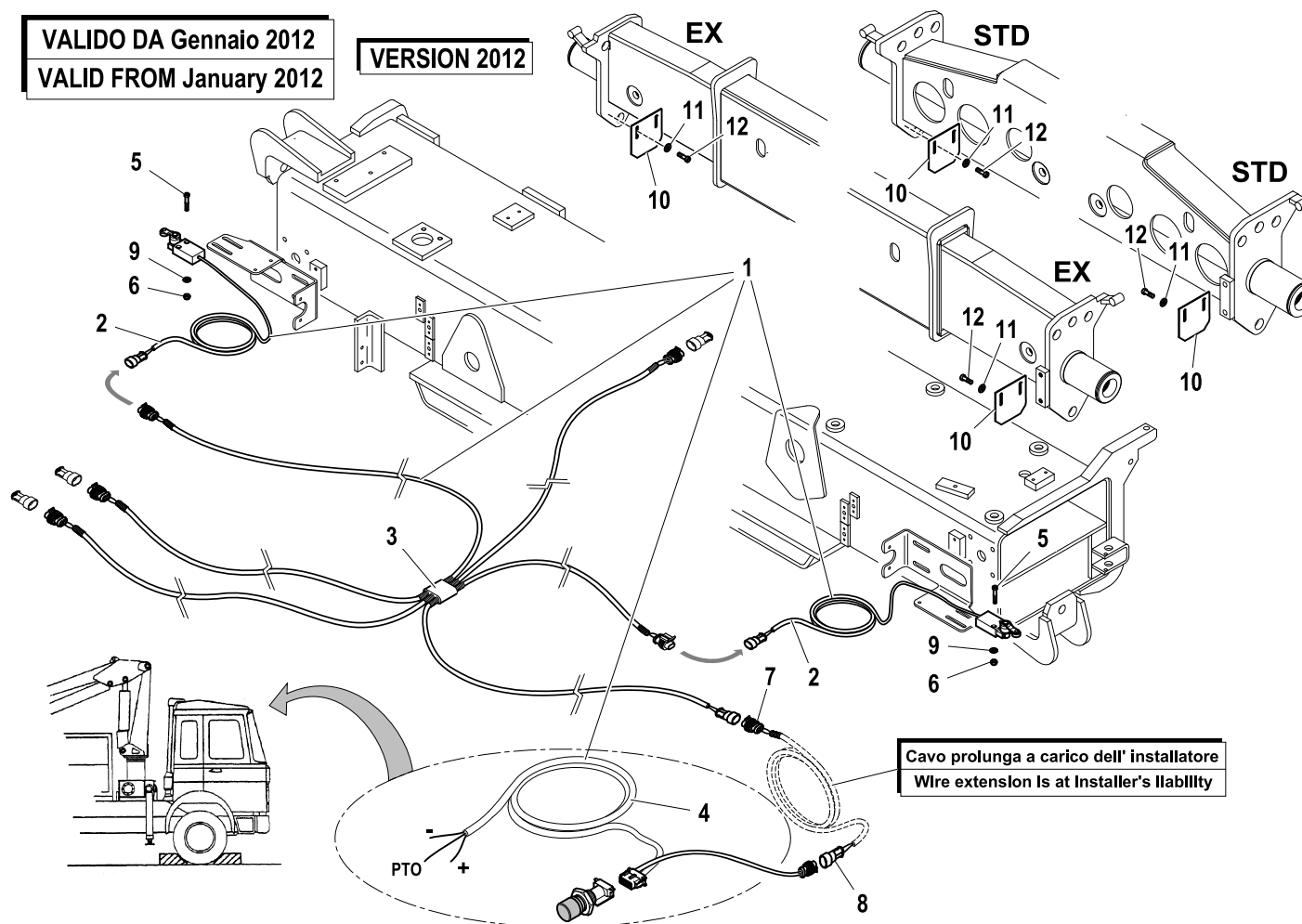
Code

5411204-12.0

1/1

VALIDO DA Gennaio 2012
VALID FROM January 2012

VERSION 2012



Cavo prolunga a carico dell' installatore
Wire extension is at Installer's liability

R	Pos.	Code Variant	Q.ty	Description
	1	3311352	1	
	2	3311356	2	
	3	3311353	1	
	4	3311354	1	
	5	3020014	4	Socket head cap screw [M4X25X0.7 8.8 ZC UNI 5931]
	6	3040518	4	Stopnut
	7	3310431	1	
	8	3310432	1	
	9	3060003	4	Flat washer [D.4 UNI 6592 ZC]
	10	5002186	2	
	11	3060030	4	Flat washer [D.6.6X18 UNI 6593 ZC]
	12	3020034	4	Socket head cap screw [M6X16 8.8 ZC UNI 5931]

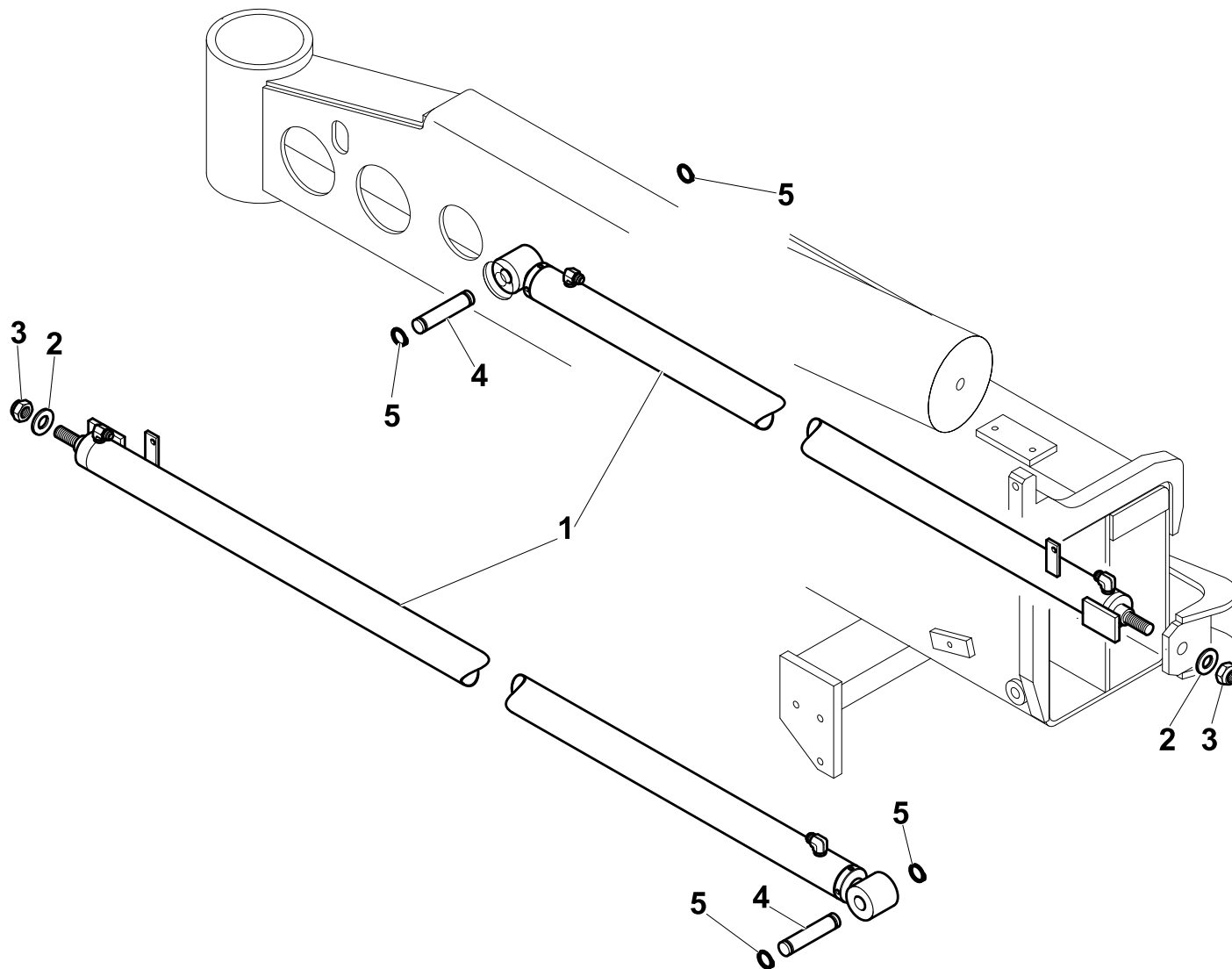
rod extension hydraulic cylinder

Code

5380012-1.0

1/1

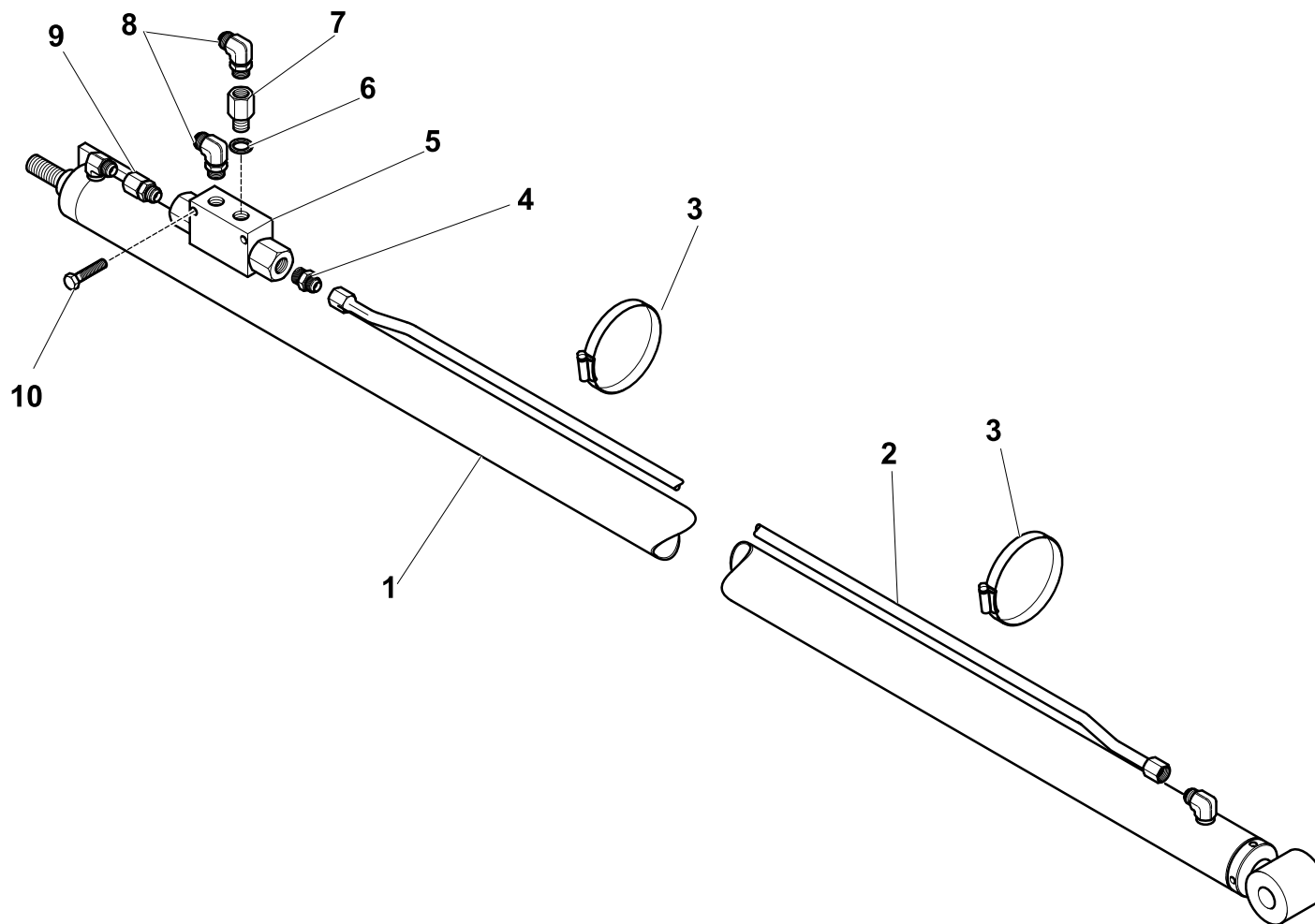
R	Pos.	Code Variant	Q.ty	Description
	1	6400151	2	Extension Hydraulic jack
	2	3060010	2	Flat washer [D.17X30X3 UNI 6592 ZC]
	3	3040307	2	Stopnut
	4	5150643	2	
	5	3070017	2	Seeger



HYDRAULIC SYSTEM (ROD EXTENSION HYDRAULIC CYLINDER)

Code		
6200151-1.0		1/1

R	Pos.	Code Variant	Q.ty	Description
	1	6400151	1	Extension Hydraulic jack
	2	5391473	1	
	3	3190025	2	Clamp
	4	3101039	1	Straight pipe fitting
	5	5220559	1	Holding valve
	6	3060143	1	Sealing washer [BSP 1/4"]
	7	3110270	1	Straight pipe fitting
	8	3101124	2	90° Connection
	9	3120064	1	Straight pipe fitting
	10	3020040	1	Socked head cap screw [M6X40 8.8 ZC UNI 5931]

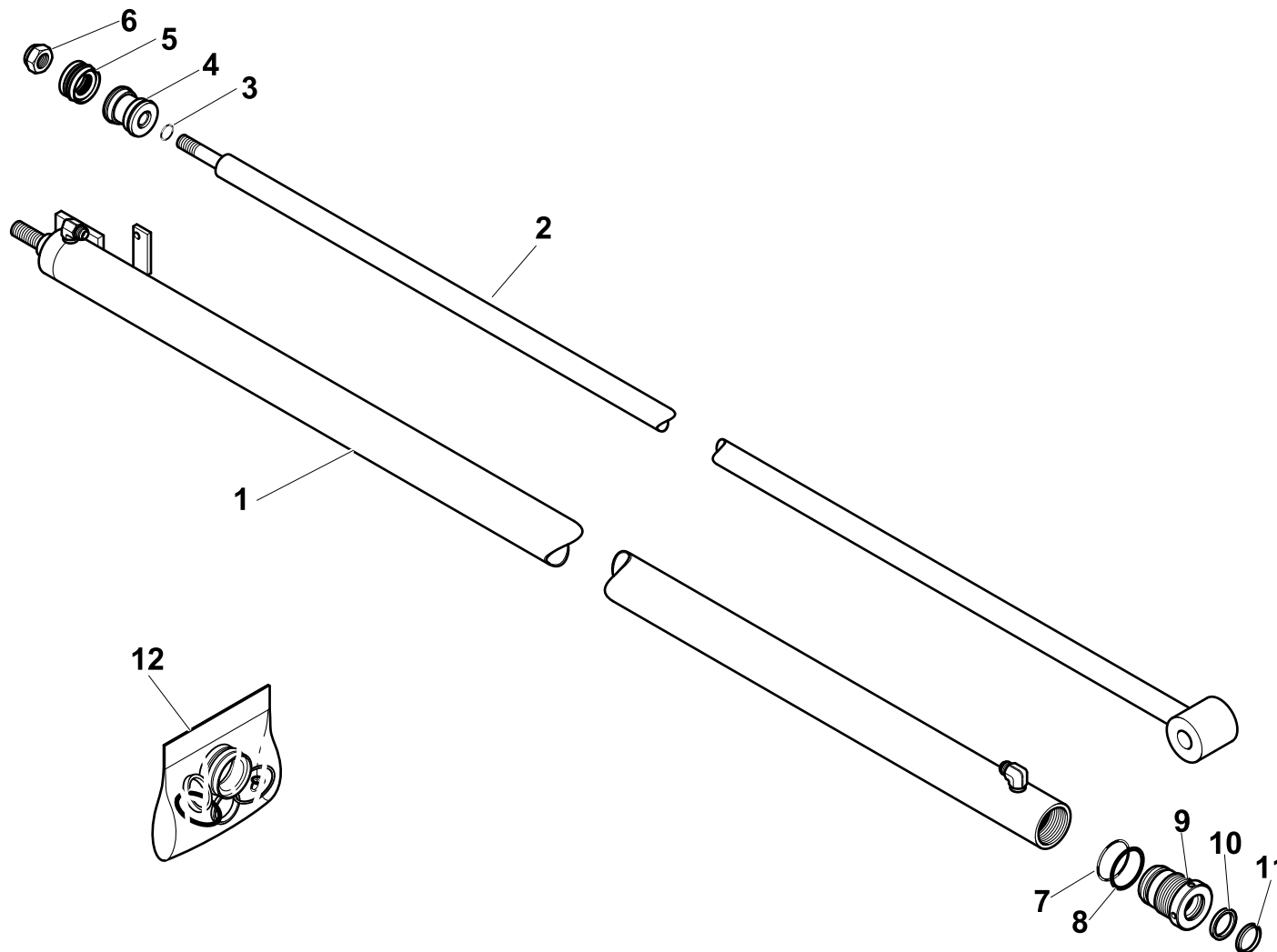


ROD EXTENSION HYDRAULIC CYLINDER

Code

6400151-1.0

1/1



R	Pos.	Code Variant	Q.ty	Description
	1	6070397	1	
	2	6030412	1	
	3	3450006	1	
	4	6050142	1	
	5	3400503	1	
	6	3040306	1	Stopnut
	7	3450067	1	
	8	3460067	1	
	9	6040154	1	
	10	3400029	1	
	11	3420011	1	
	12	5550709	1	

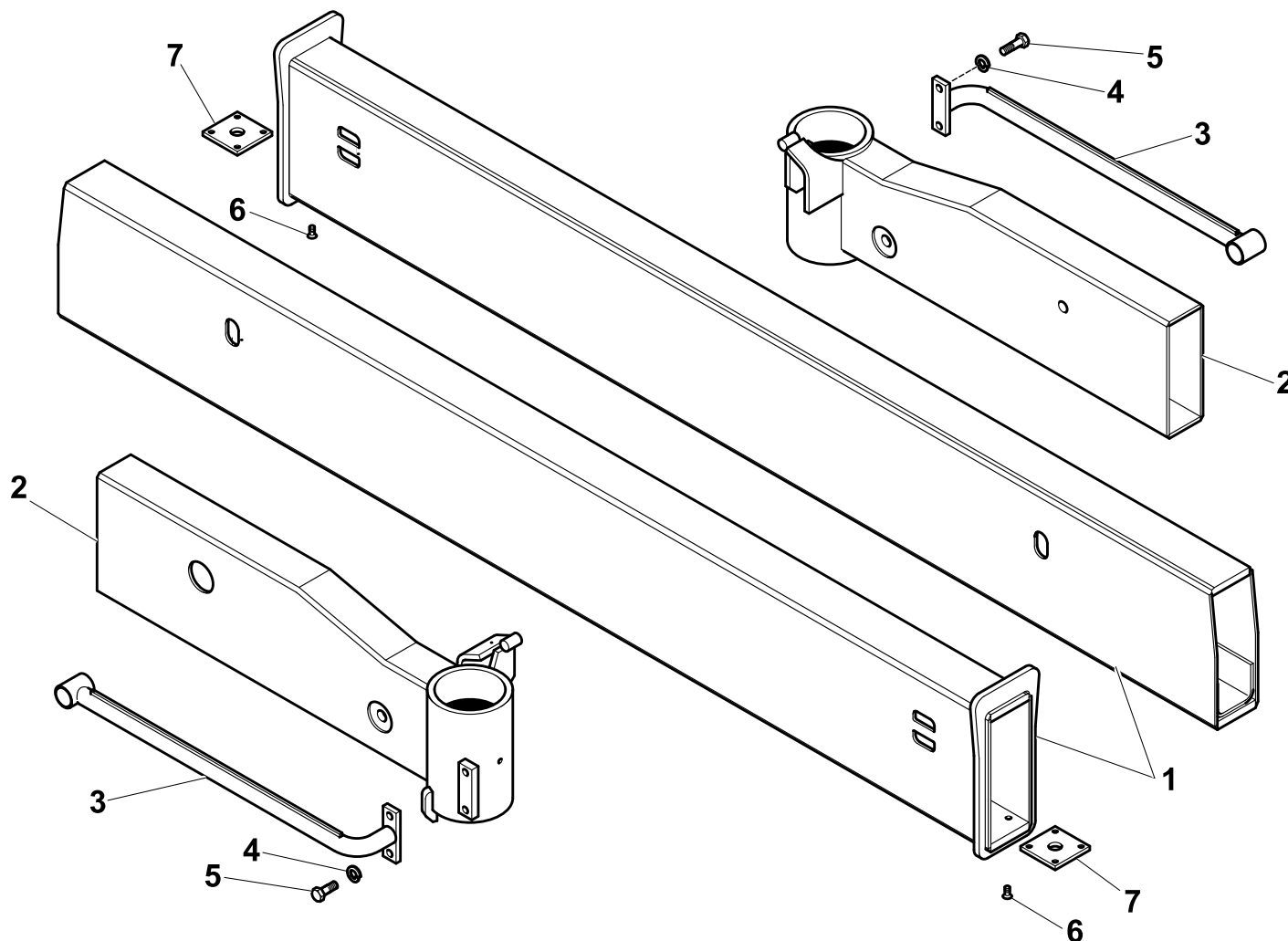
Stabilizer connecting rods extra-extensible

Code

5760070-1.0

1/1

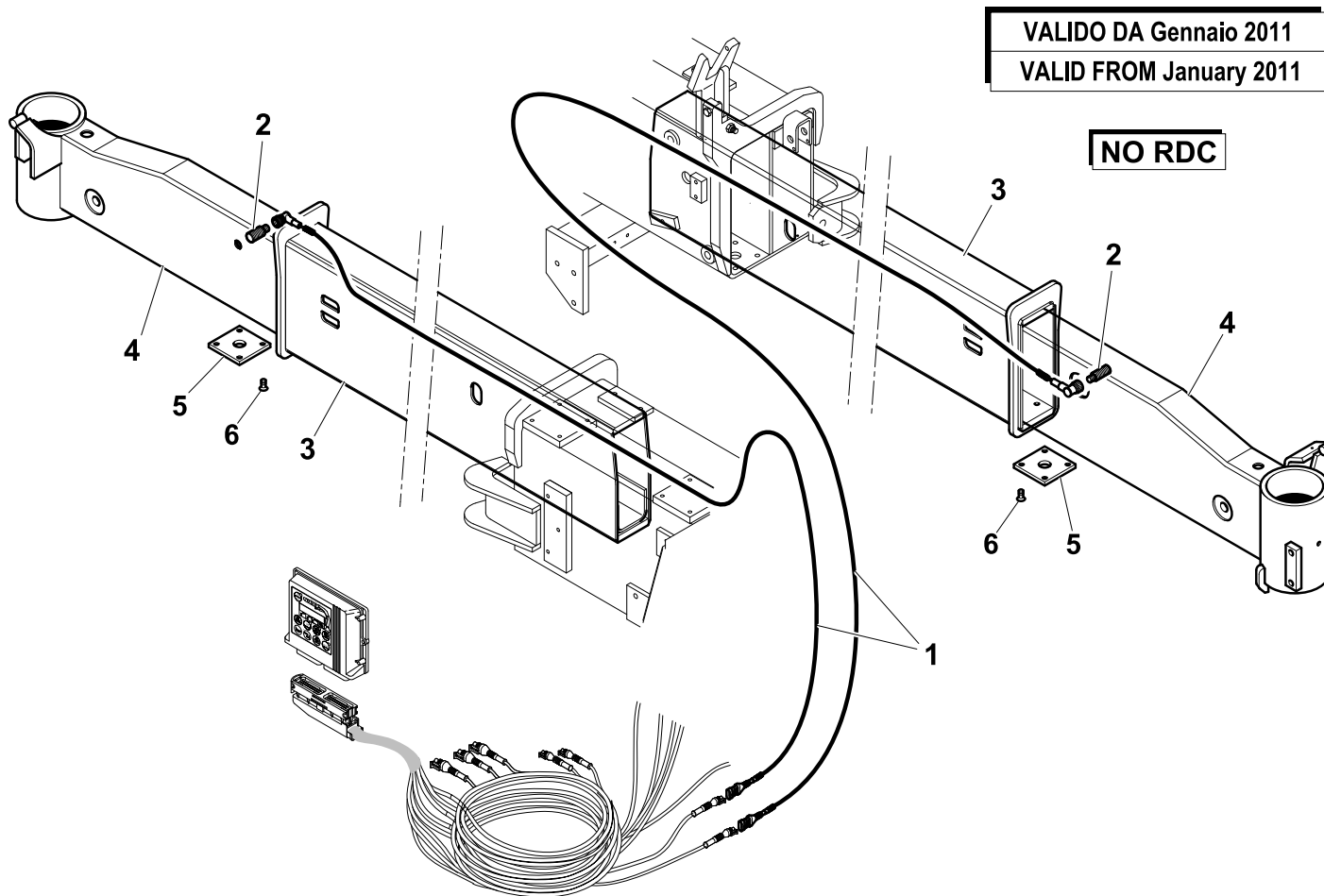
R	Pos.	Code Variant	Q.ty	Description
	1	5070314	2	
	2	5070312	2	
	3	5090594	2	
	4	3060057	4	Split lock washer [D=12 C72 ZC]
	5	3010369	4	Hex screw [M12X25 8.8 ZC UNI 5739]
	6	3020452	8	TSEI screw [M8X16 10.9 ZC UNI 5933]
	7	5141131	2	



STABILITY CONTROL (Stabilizer connecting rods extra-extendible)

Code		
5760300-1.0		1/1

R	Pos.	Code Variant	Q.ty	Description
1		3311333	2	
2		3311311	2	Proximity switch
3		5070314	2	
4		5070312	2	
5		5141131	2	
6		3020452	8	TSEI screw [M8X16 10.9 ZC UNI 5933]

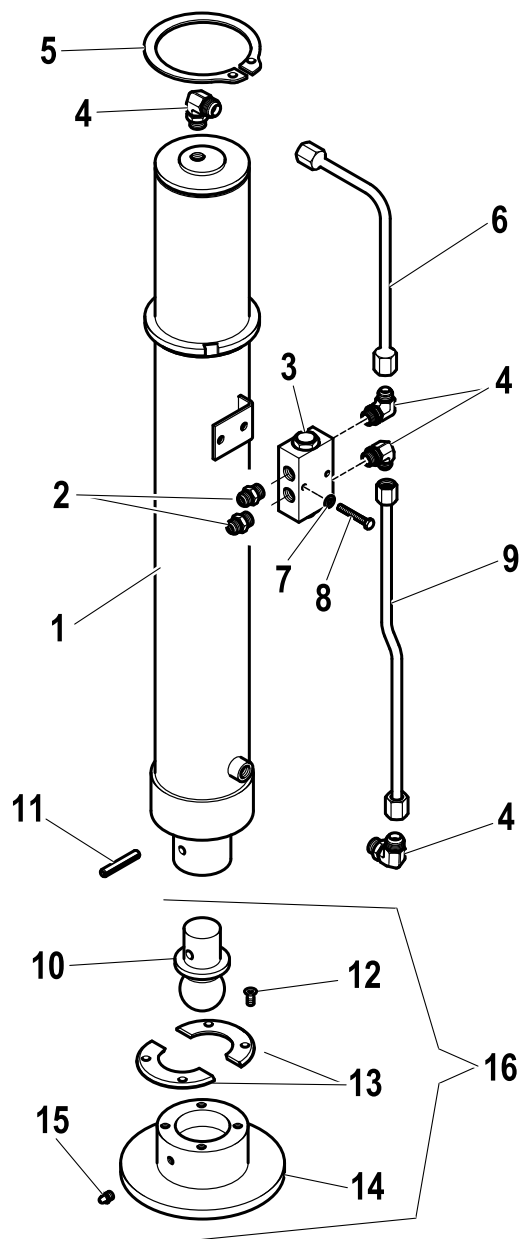


Stabilizer Hydraulic jack "extra" (HYDRAULIC SYSTEM)

Code

6200255-1.0

1/1



**VERSIONE LUNGA
LONG VERSION
VERSION LONGUE
LANGVERSION
VERSIÓN LARGA**

R	Pos.	Code Variant	Q.ty	Description
	1	6400255	1	Stabilizer Hydraulic jack
	2	3101043	2	Straight pipe fitting
	3	5220653	1	Holding valve
	4	3101127	4	90° Connection
	5	3070080	1	Seeger
	6	5391733	1	
	7	3060005	2	Flat washer [D.6.4 UNI 6592 ZC]
	8	3010019	2	Hex screw [M6X45 8.8 ZC UNI 5737]
	9	5392188	1	
	10	4160391	1	Tang (Ball joint)
	11	3060939	1	Spring pin
	12	3020452	4	TSEI screw [M8X16 10.9 ZC UNI 5933]
	13	4160392	1	Locking ring (Ball joint)
	14	5090778	1	Support base
	15	3080512	1	Grease nipple
	16	5920001	1	ARTICULATED JOINT TANG (Stabilizers)

Stabilizer Hydraulic jack

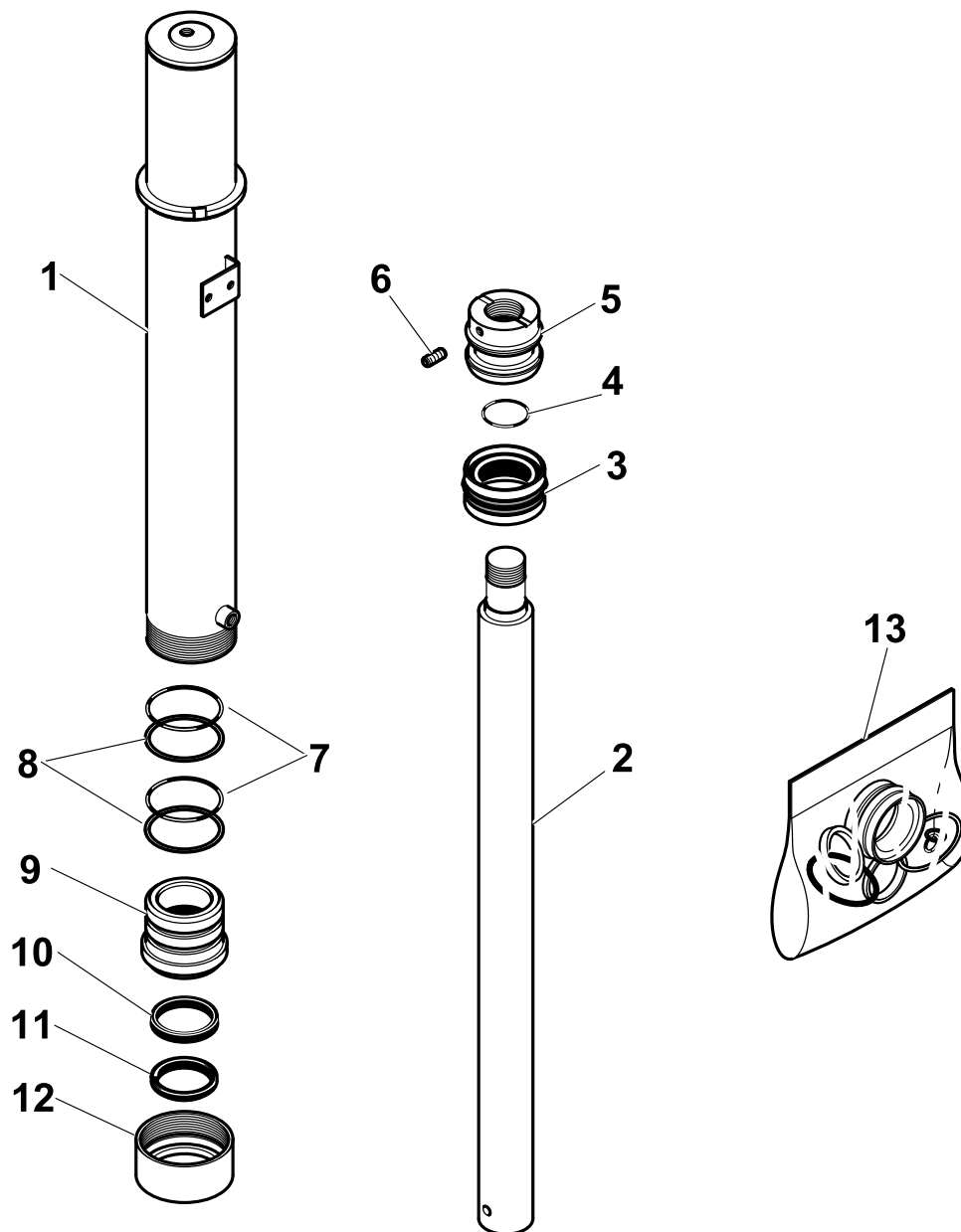
Code

6400255-1.0

1/1

R	Pos.	Code Variant	Q.ty	Description
	1	6070567	1	
	2	6030818	1	
	3	3400516	1	
	4	3450127	1	
	5	6050026	1	Piston
	6	3060234	1	Grub screw [Grano M6X10 UNI 5927 ZC.]
	7	3450219	2	
	8	3460383	2	
	9	6040075	1	
	10	3400132	1	
	11	3420034	1	
	12	6040074	1	Ring nut
	13	5550638	1	

VERSIONE LUNGA
LONG VERSION
VERSION LONGUE
LANGVERSION
VERSIÓN LARGA



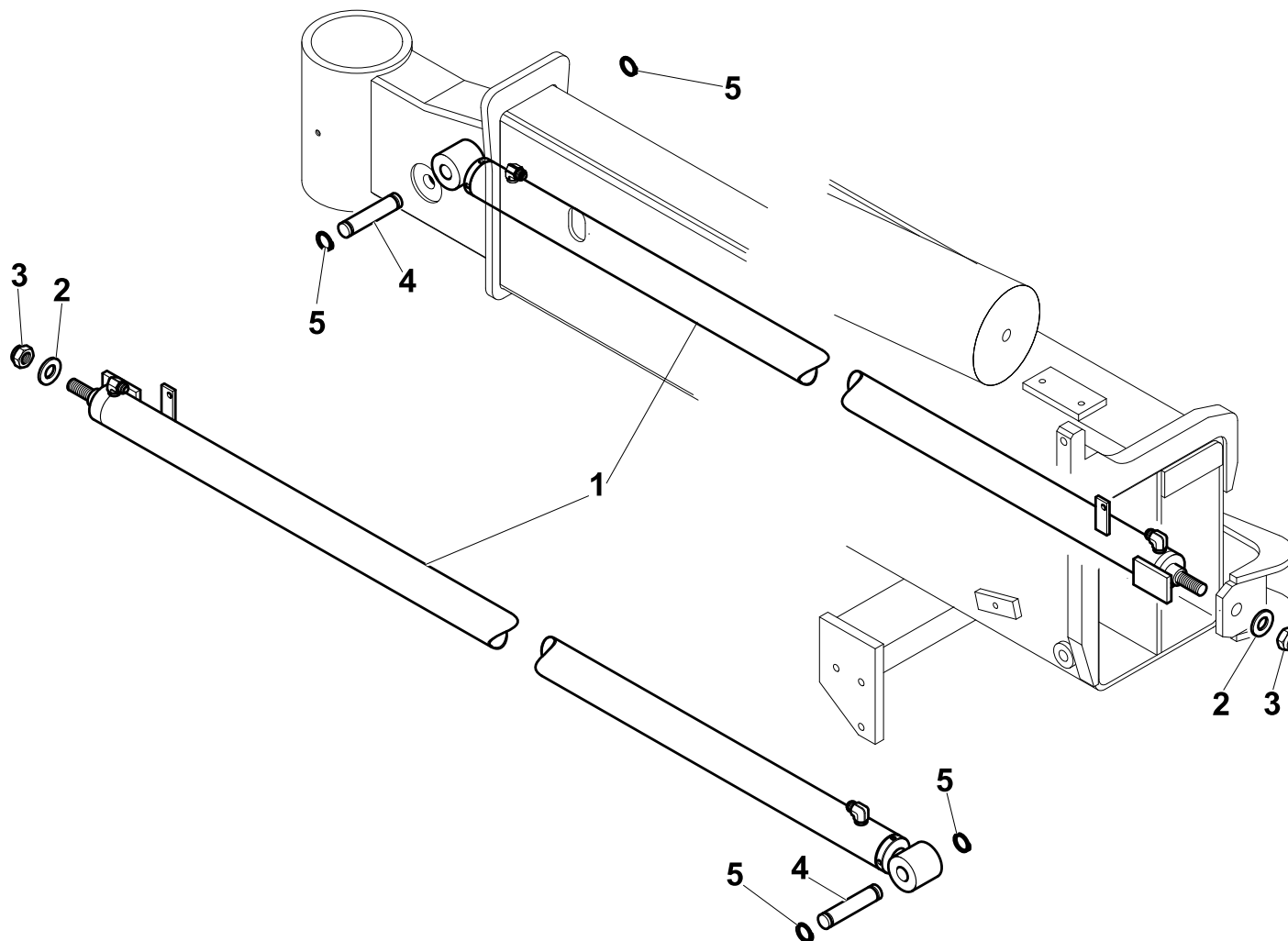
ROD EXTENSION HYDRAULIC CYLINDER (Extra-extensible)

Code

5380016-1.0

1/1

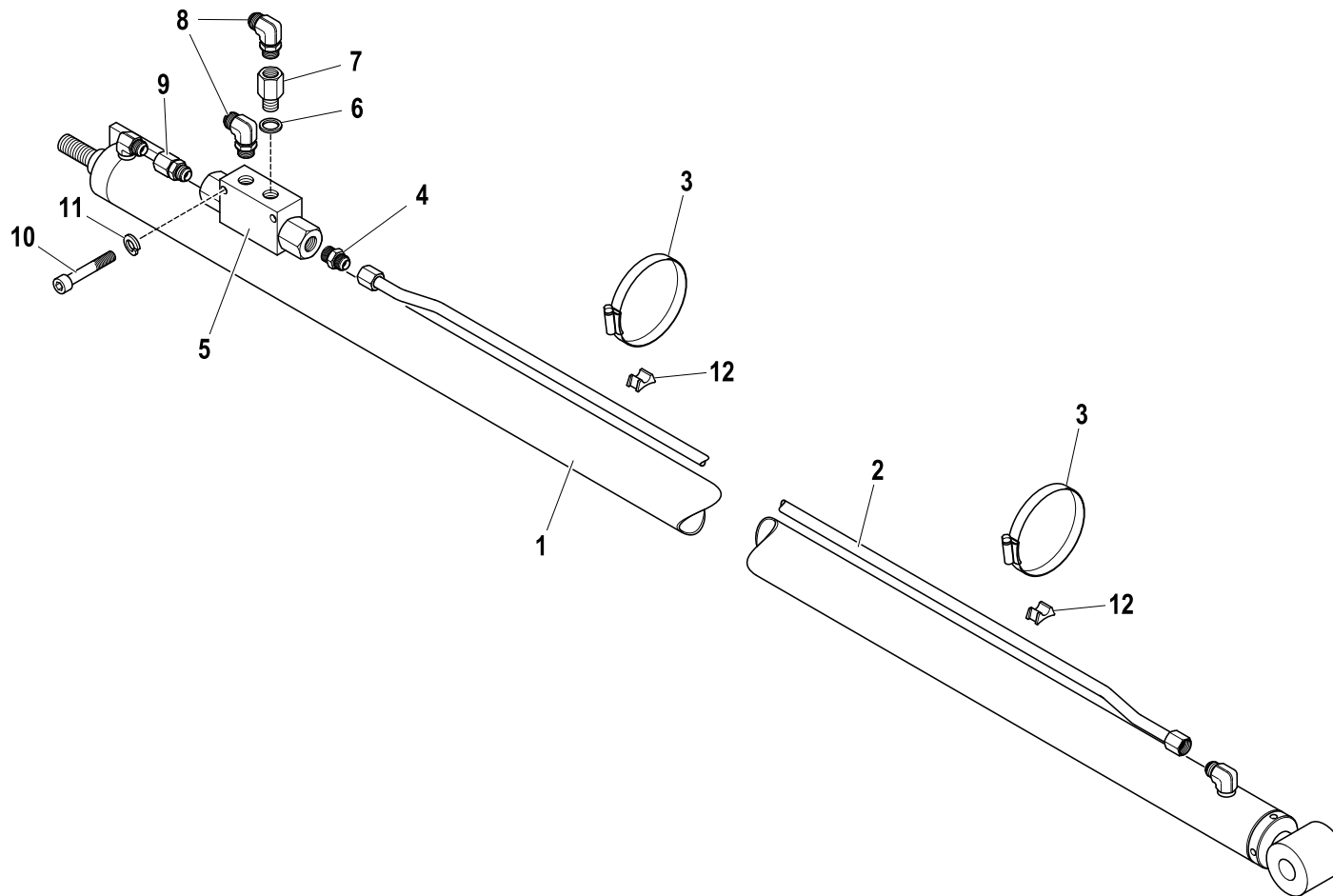
R	Pos.	Code Variant	Q.ty	Description
	1	6200160	2	Jacks (hydraulic lengthening)
	2	3060010	2	Flat washer [D.17X30X3 UNI 6592 ZC]
	3	3040307	2	Stopnut
	4	5150666	2	
	5	3070017	4	Seeger



HYDRAULIC SYSTEM (ROD EXTENSION HYDRAULIC CYLINDER EXTRA-EXTENSIBLE)

Code		
6200160-1.0		1/1

R	Pos.	Code Variant	Q.ty	Description
	1	6400160	1	Jacks (hydraulic lengthening)
	2	5391496	1	Bonderized tube
	3	3190025	2	Clamp
	4	3101039	1	Straight pipe fitting
	5	5220559	1	Holding valve
	6	3060143	1	Sealing washer [BSP 1/4"]
	7	3110270	1	Straight pipe fitting
	8	3101124	2	90° Connection
	9	3120064	1	Straight pipe fitting
	10	3020040	1	Socked head cap screw [M6X40 8.8 ZC UNI 5931]
	11	3060053	1	Split lock washer [D=6.4 C72 ZC]
	12	5140133	2	Piping mounting

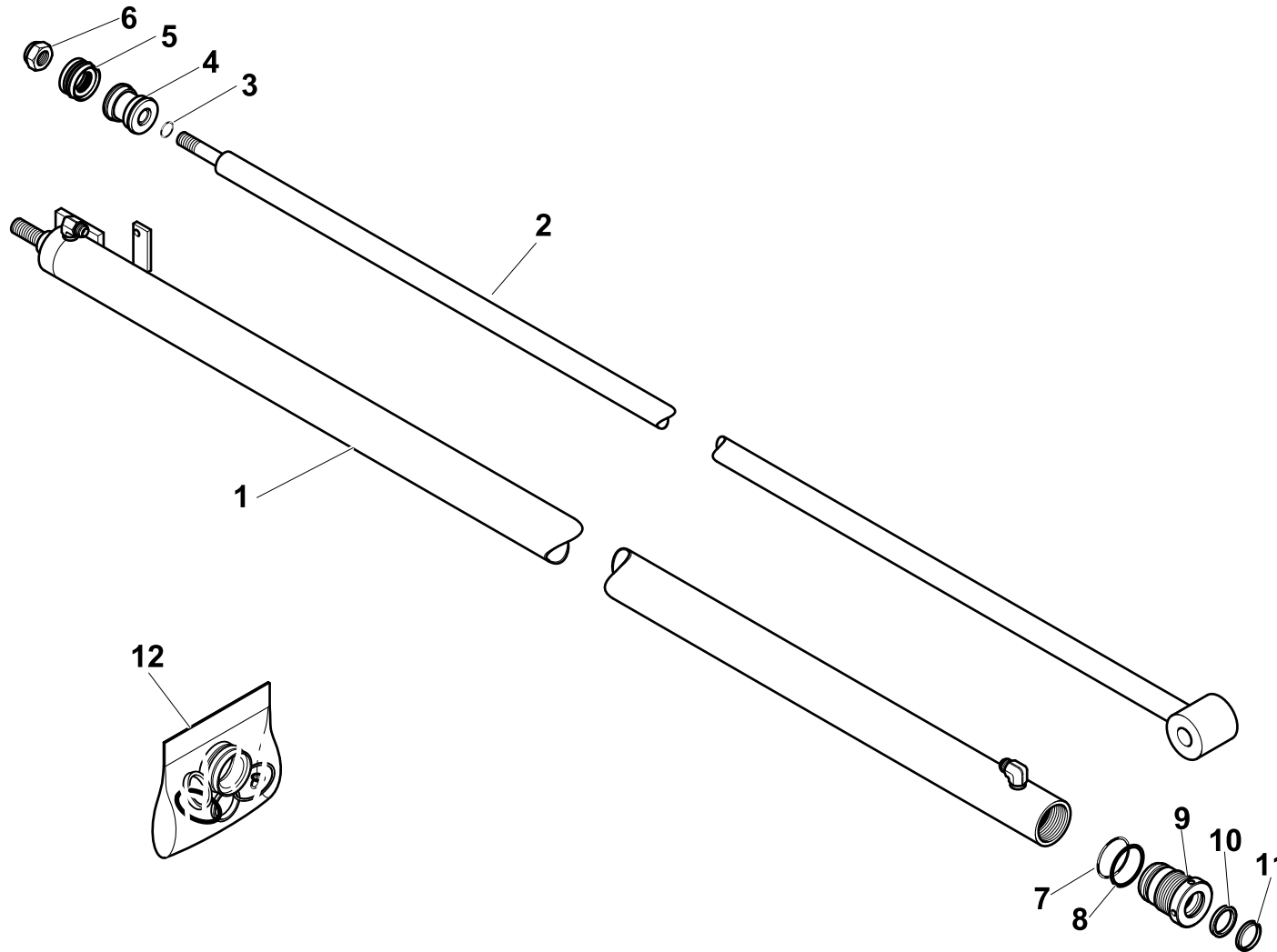


ROD EXTENSION HYDRAULIC CYLINDER EXTRA-EXTENSIBLE

Code

6400160-1.0

1/1



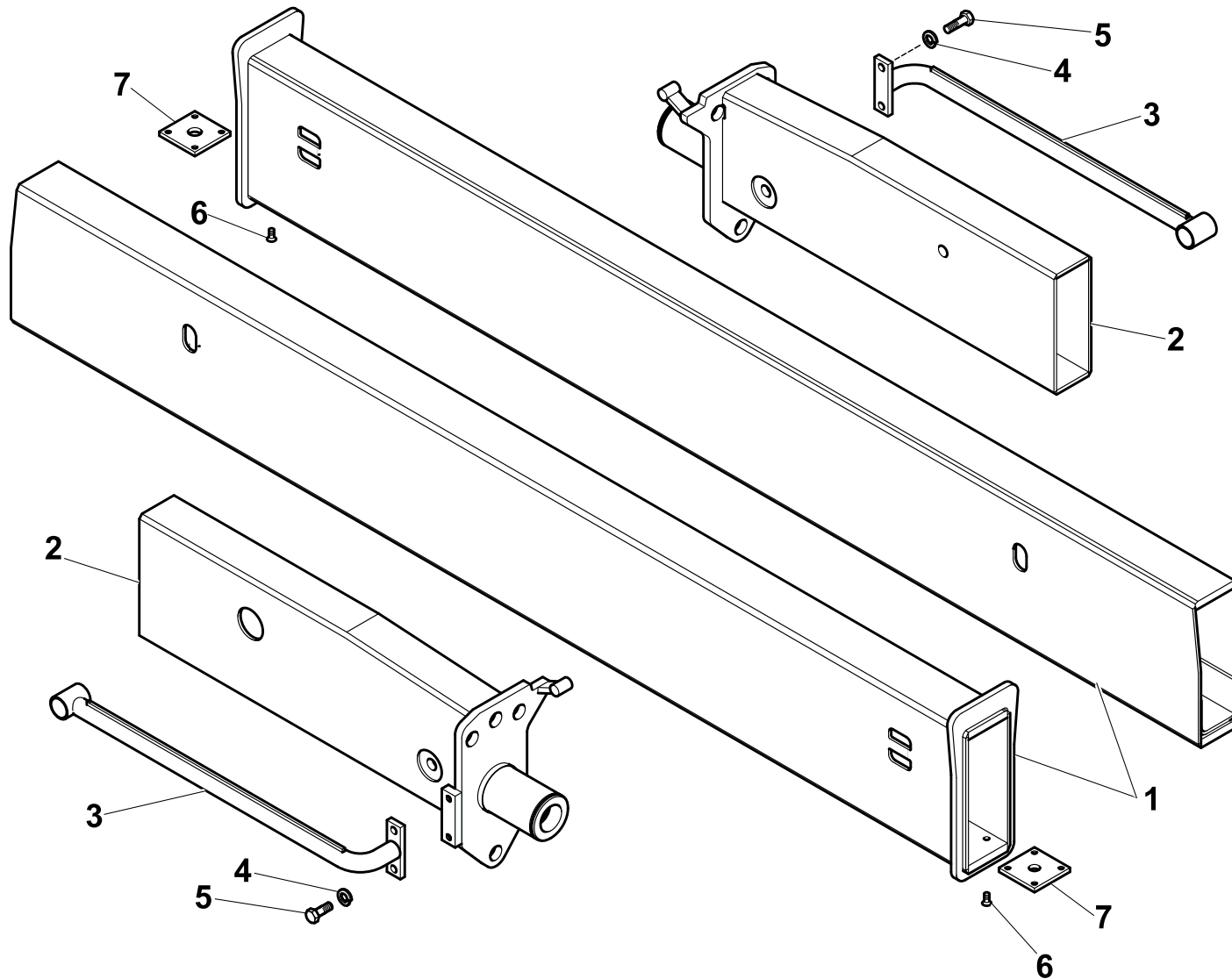
R	Pos.	Code Variant	Q.ty	Description
	1	6070409	1	
	2	6030439	1	
	3	3450006	1	
	4	6050142	1	
	5	3400503	1	
	6	3040306	1	Stopnut
	7	3450067	1	
	8	3460067	1	
	9	6040154	1	
	10	3400029	1	
	11	3420011	1	
	12	5550709	1	

Stabilizer connecting rods extra-extensible (Revolving)

Code

5760071-1.0

1/1



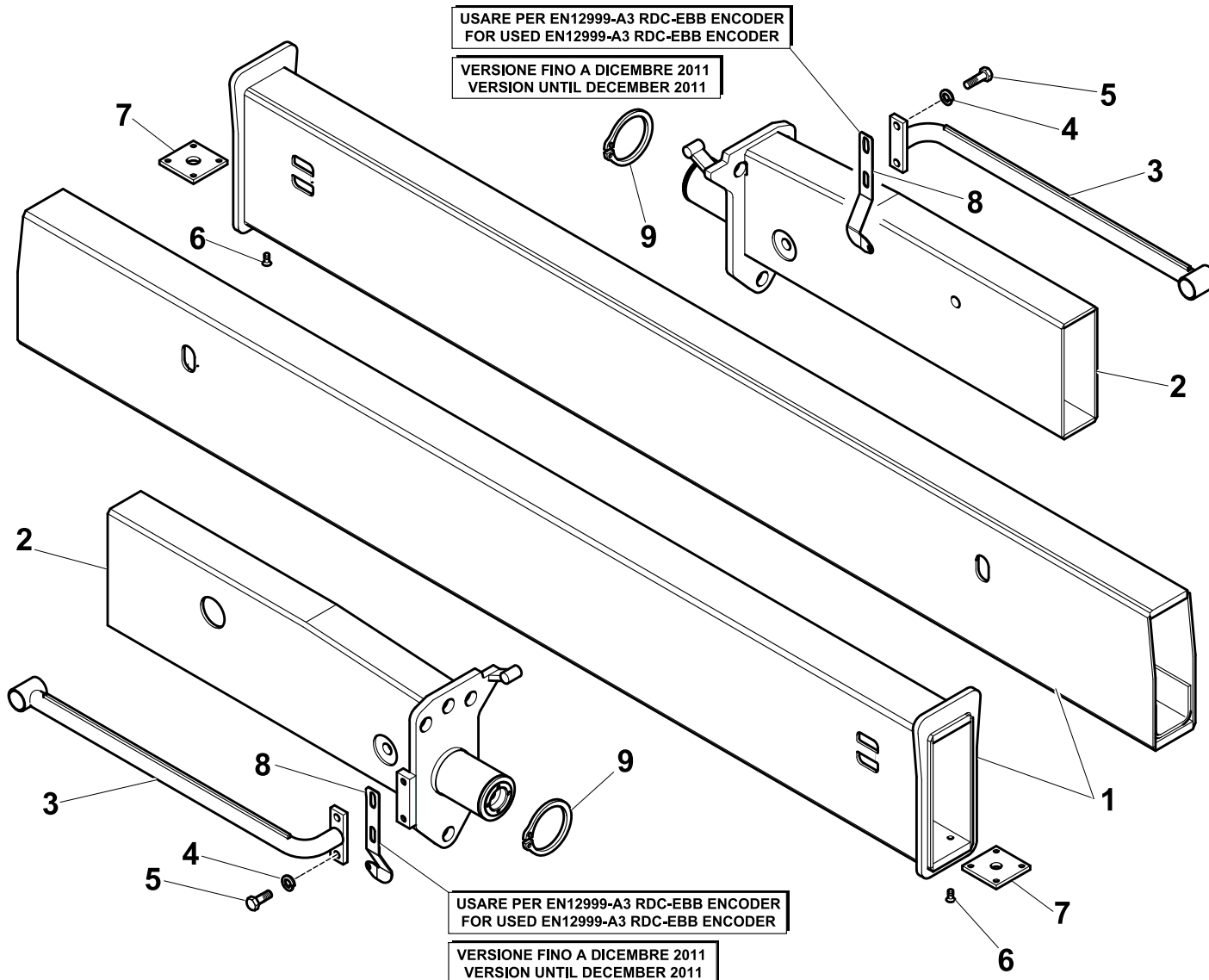
R	Pos.	Code Variant	Q.ty	Description
	1	5070314	2	
	2	5070313	2	
	3	5090594	2	
	4	3060057	4	Split lock washer [D=12 C72 ZC]
	5	3010369	4	Hex screw [M12X25 8.8 ZC UNI 5739]
	6	3020452	8	TSEI screw [M8X16 10.9 ZC UNI 5933]
	7	5141131	2	

Stabilizer connecting rods extra-extensible (Revolving)

Code
5760318-1.0

1/1

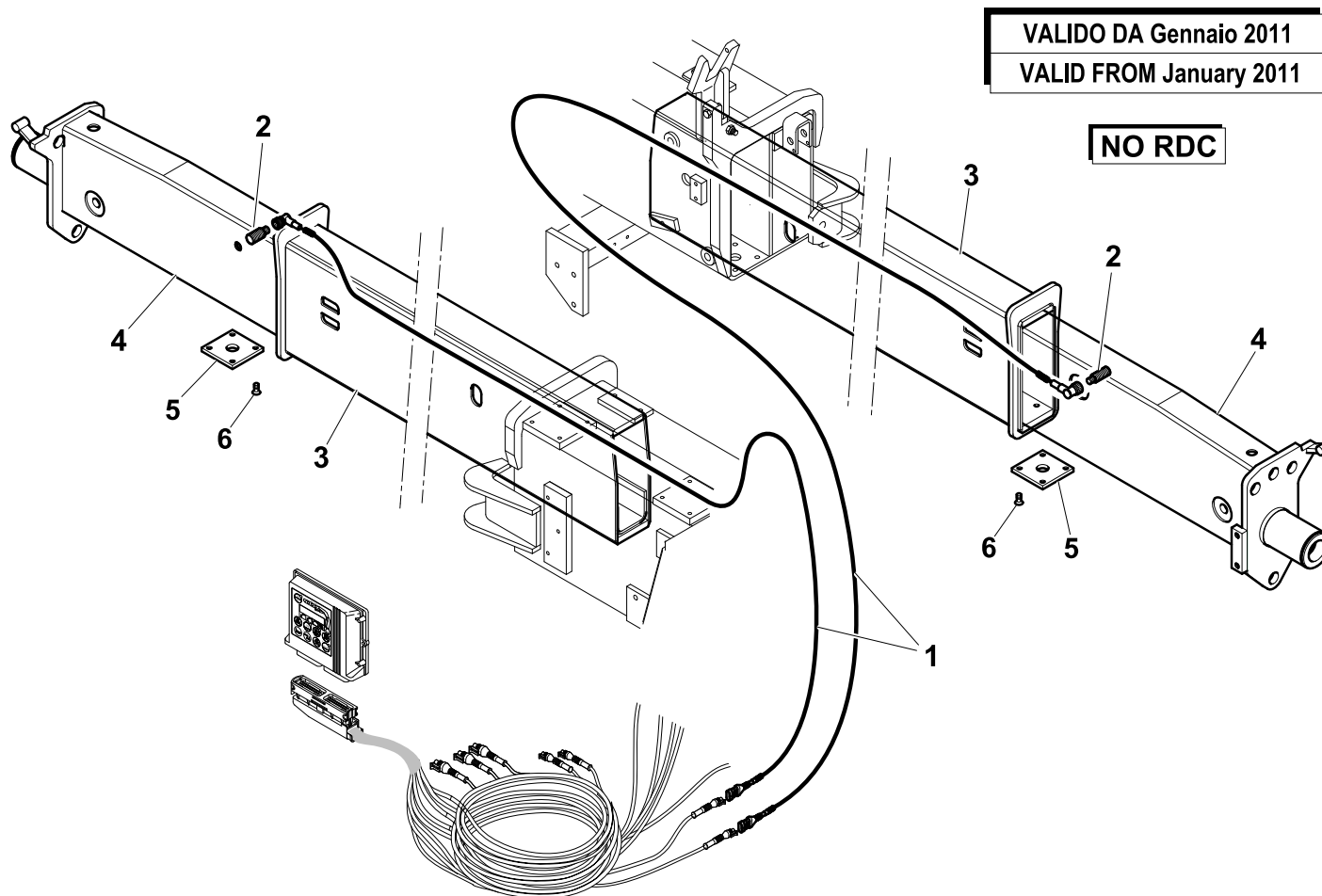
R	Pos.	Code Variant	Q.ty	Description
	1	5070314	2	
	2	5070439	2	
	3	5090594	2	
	4	3060057	4	Split lock washer [D=12 C72 ZC]
	5	3010369	4	Hex screw [M12X25 8.8 ZC UNI 5739]
	6	3020452	8	TSEI screw [M8X16 10.9 ZC UNI 5933]
	7	5141131	2	
	8	5002114	2	Hook (latch) (Cable)
	9	3070065	2	Seeger



STABILITY CONTROL (Stabilizer connecting rods extra-extensible revolving)

Code		
5760301-1.0		1/1

R	Pos.	Code Variant	Q.ty	Description
1		3311333	2	
2		3311311	2	Proximity switch
3		5070314	2	
4		5070313	2	
5		5141131	2	
6		3020452	8	TSEI screw [M8X16 10.9 ZC UNI 5933]

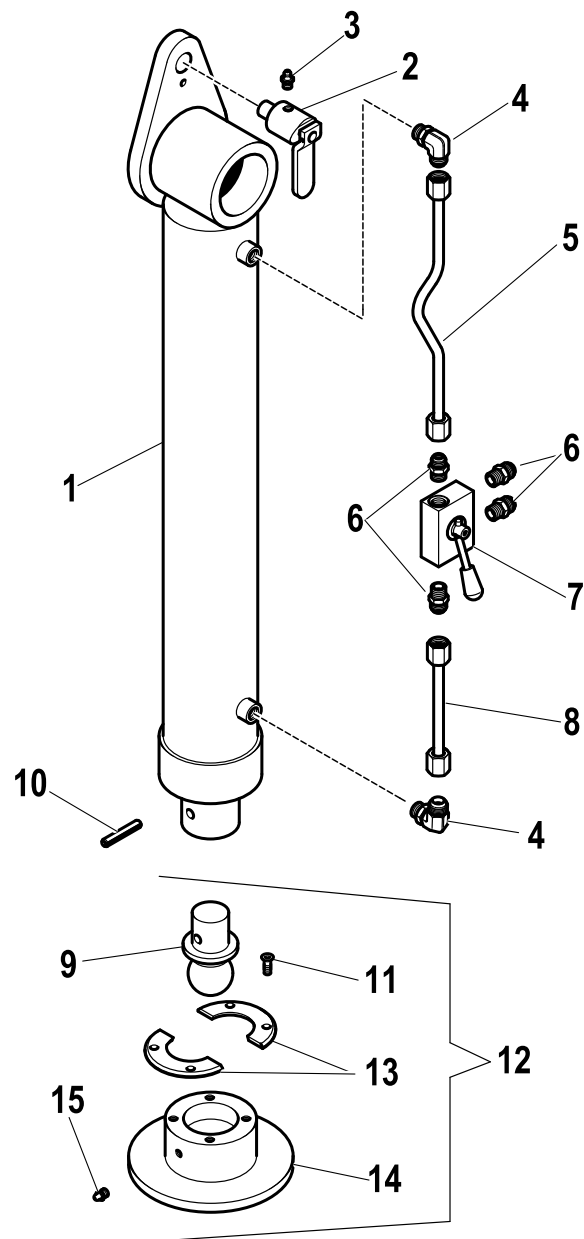


Stabilizer Hydraulic jack "extra" (ROTATING)

Code

6200257-1.0

1/1



**VERSIONE LUNGA
LONG VERSION
VERSION LONGUE
LANGVERSION
VERSIÓN LARGA**

R	Pos.	Code Variant	Q.ty	Description
	1	6400257	1	Stabilizer Hydraulic jack
	2	5001198	1	System (Lock)
	3	3080500	2	Grease nipple
	4	3101127	2	90° Connection
	5	5391621	1	
	6	3101043	4	Straight pipe fitting
	7	5220047	1	
	8	5392224	1	
	9	4160391	1	Tang (Ball joint)
	10	3060939	1	Spring pin
	11	3020452	4	TSEI screw [M8X16 10.9 ZC UNI 5933]
	12	5920001	1	ARTICULATED JOINT TANG (Stabilizers)
	13	4160392	1	Locking ring (Ball joint)
	14	5090778	1	Support base
	15	3080512	1	Grease nipple

Stabilizer Hydraulic jack (ROTATING)

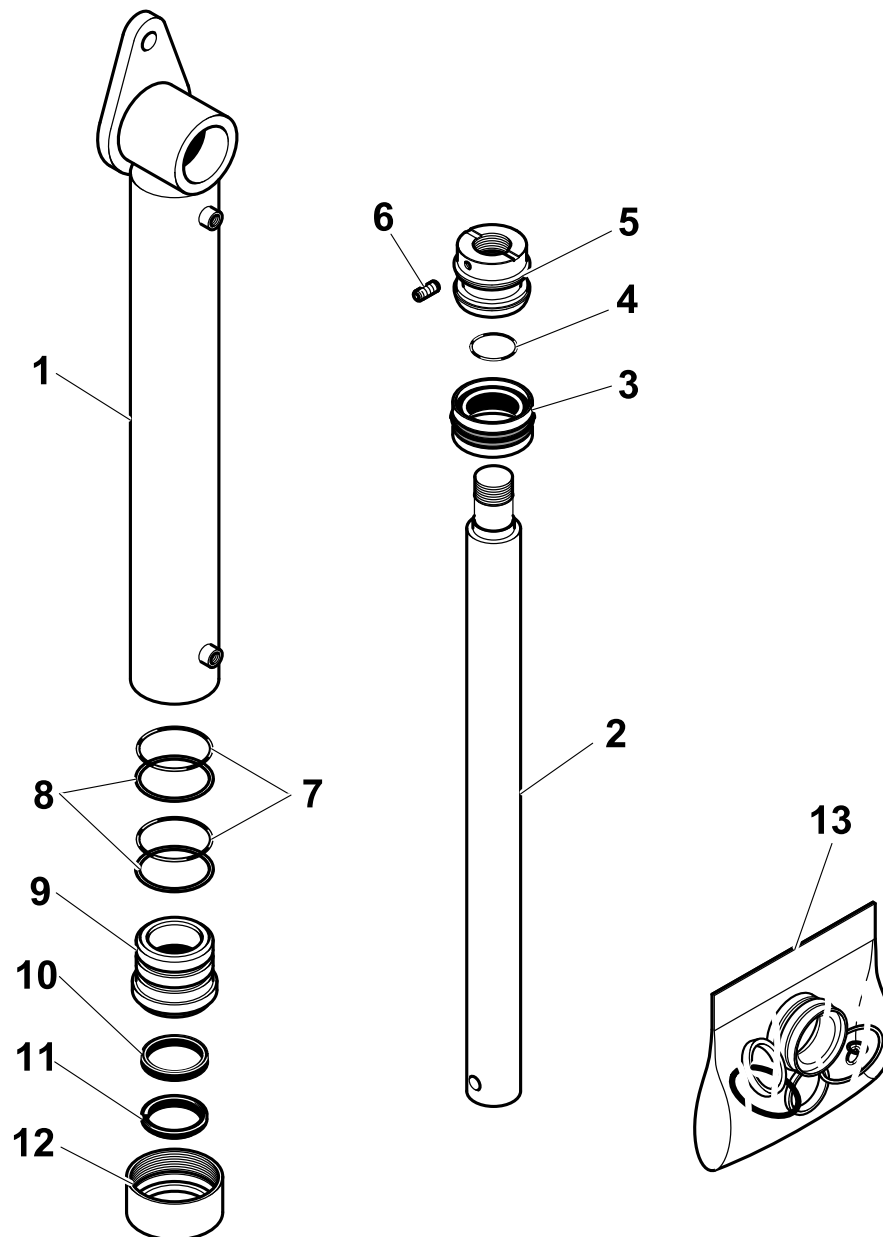
Code

6400257-1.0

1/1

R	Pos.	Code Variant	Q.ty	Description
	1	6070578	1	
	2	6030839	1	
	3	3400516	1	
	4	3450127	1	
	5	6050026	1	Piston
	6	3060234	1	Grub screw [Grano M6X10 UNI 5927 ZC.]
	7	3450219	2	
	8	3460383	2	
	9	6040075	1	
	10	3400132	1	
	11	3420034	1	
	12	6040074	1	Ring nut
	13	5550638	1	

VERSIONE LUNGA
LONG VERSION
VERSION LONGUE
LANGVERSION
VERSIÓN LARGA



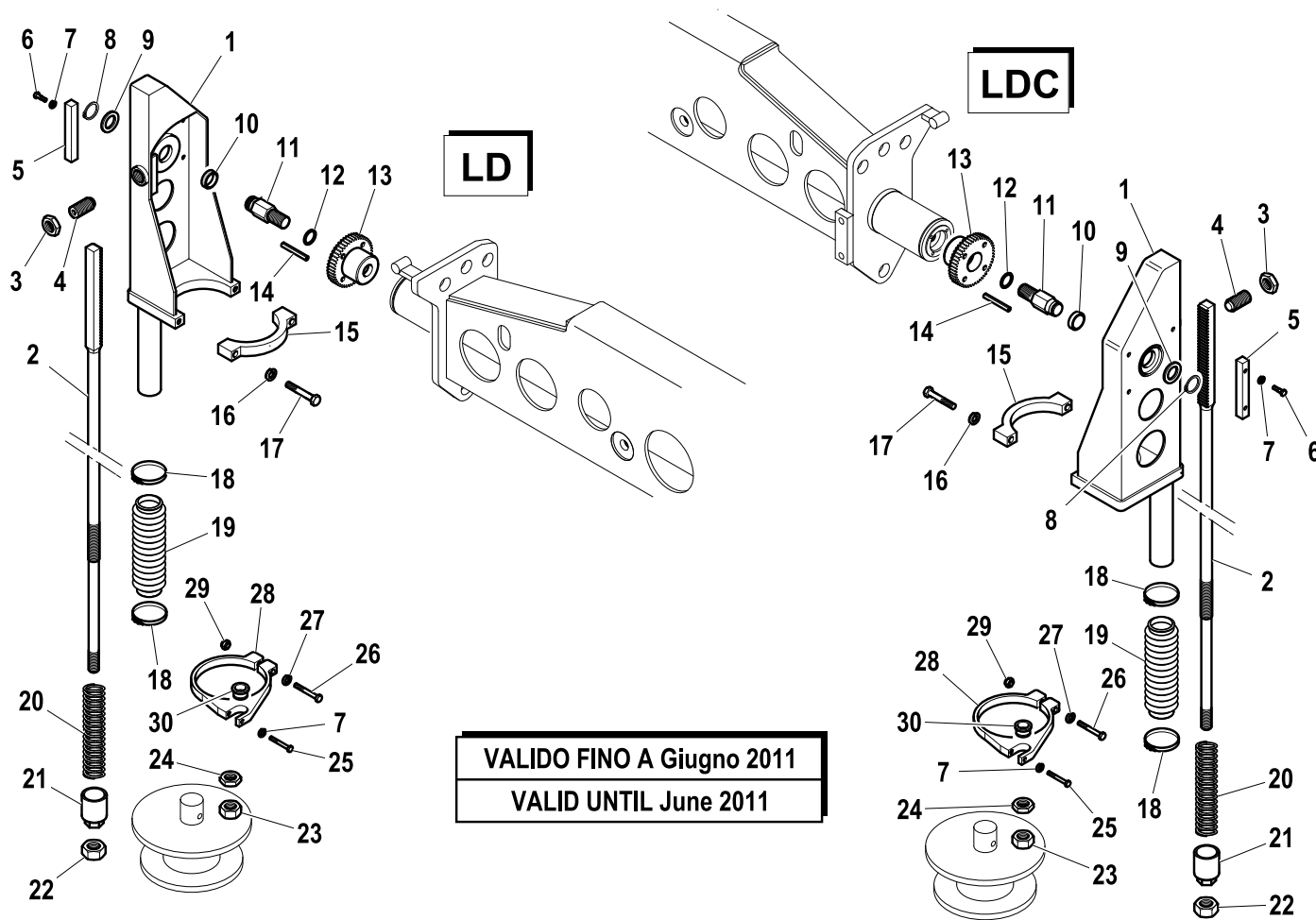
SLEWING ASS'Y (STABILISER RAM)

Code

5411117-1.0

1/2

R	Pos.	Code Variant	Q.ty	Description
	1	5091279	2	
	2	5001990	2	
	3	3040251	2	Lock nut [M24 8.G basso UNI 5589]
	4	W420305400	2	
	5	W610402600	2	Rack adjuster
	6	3010015	4	Hex screw [M6X20 8.8 ZC UNI 5739]
	7	3060053	6	Split lock washer [D=6.4 C72 ZC]
	8	3070022	2	Seeger
	9	3060938	2	Flat washer [D.25X39X4 UNI 1749 ZC]
	10	5141076	2	
	11	5001982	2	
	12	W694122	2	
	13	W610401700	2	
	14	W726016	8	
	15	5001987	2	
	16	3060056	4	Split lock washer [D=10 C72 ZC]
	17	3010047	4	Hex screw [M10X50 8.8 ZC UNI 5737]
	18	W582002	4	Pipe clamp
	19	W610402200	2	Rubber protective boot
	20	W641011	2	Spring



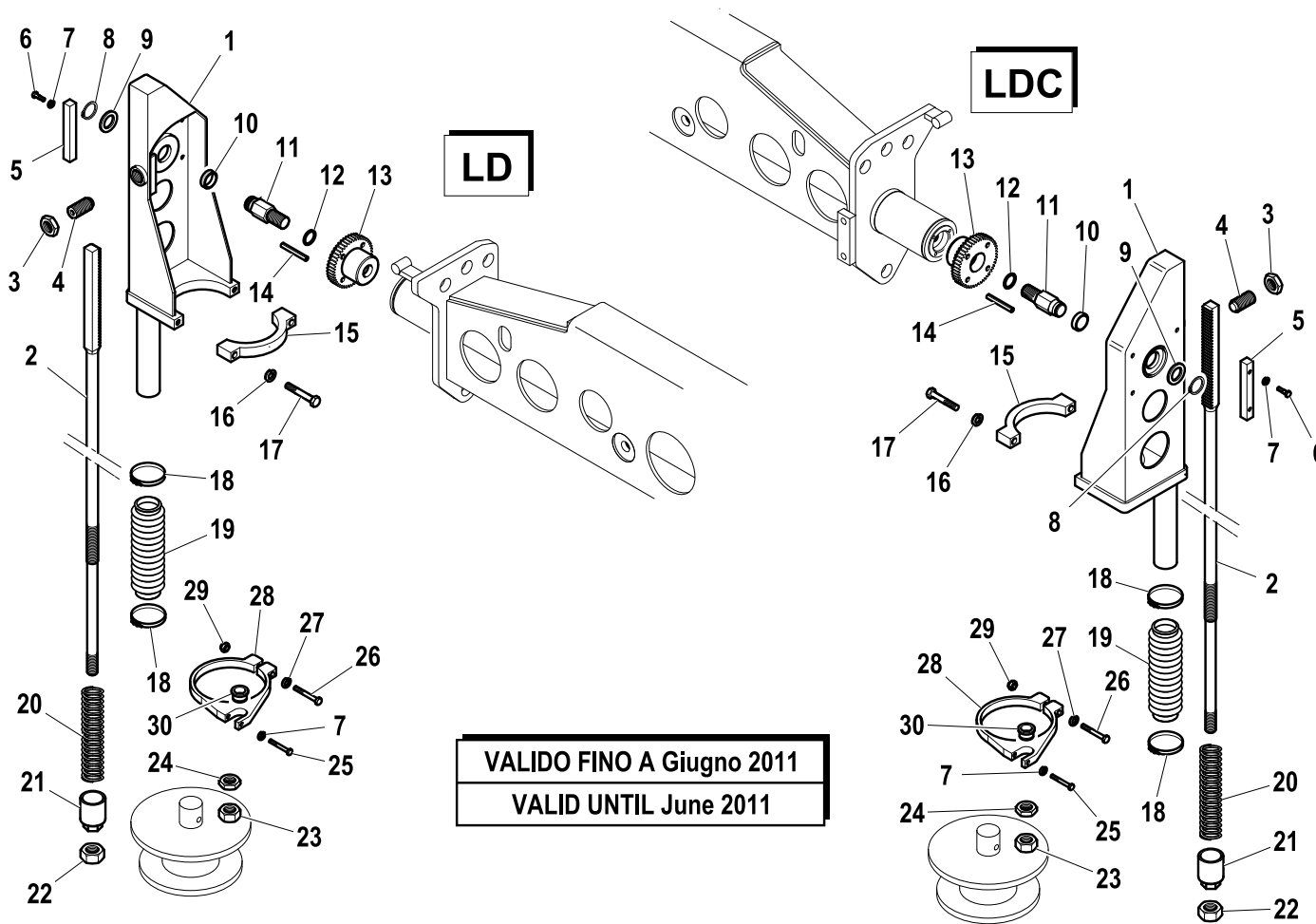
SLEWING ASS'Y (STABILISER RAM)

Code

5411117-1.0

2/2

R	Pos.	Code Variant	Q.ty	Description
	21	W610402100	2	Adjuster (Rod guide)
	22	3040055	2	Tall headed nut
	23	3040185	2	Nut
	24	3040088	2	Lock nut
	25	3010019	2	Hex screw [M6X45 8.8 ZC UNI 5737]
	26	3010039	2	Hex screw [M8X80 8.8 ZC UNI 5737]
	27	3060055	2	Split lock washer [D=8.4 C72 ZC]
	28	5001991	2	
	29	3040524	2	Stopnut
	30	W590306400	2	

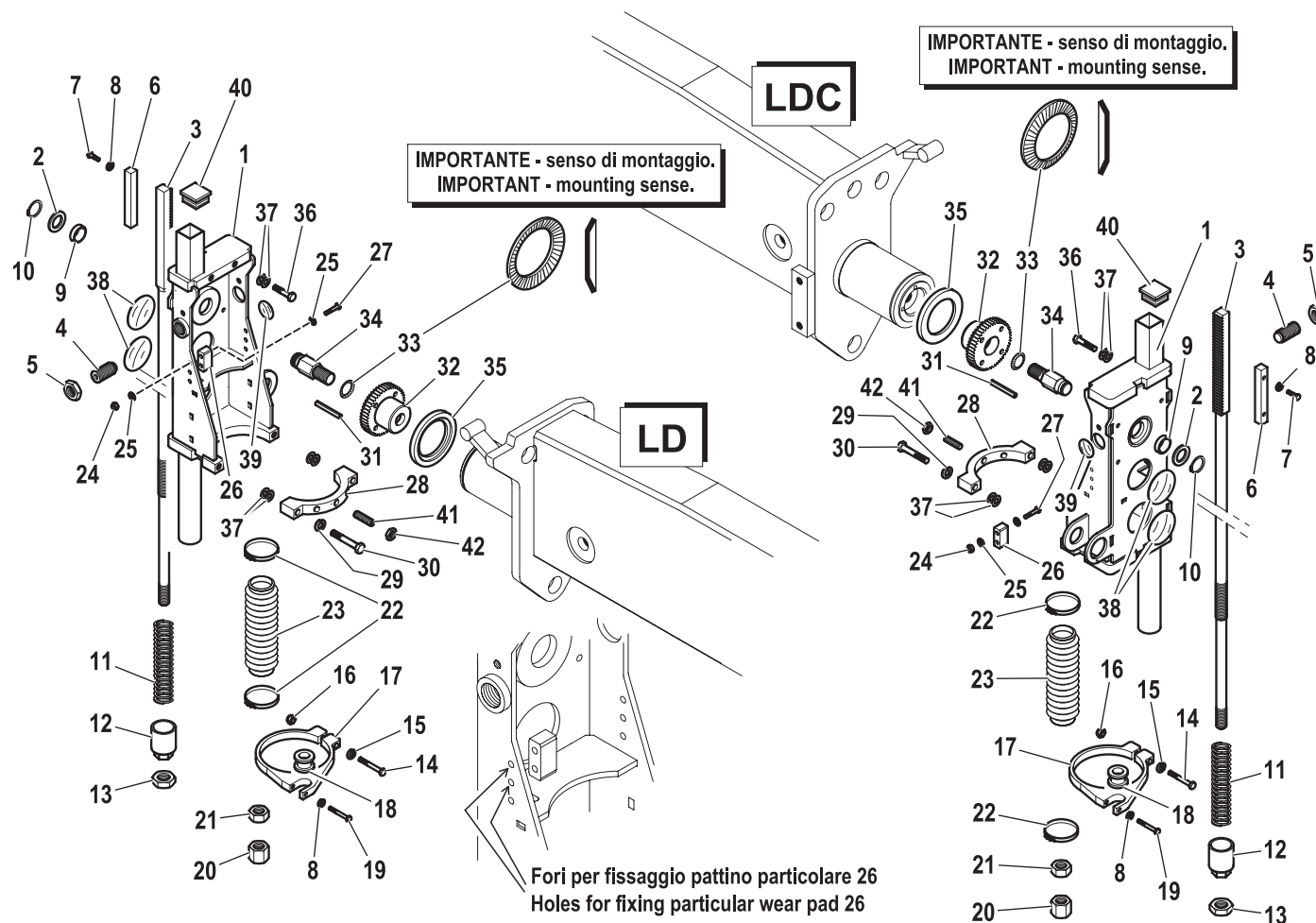


SLEWING ASS'Y (STABILISER RAM)

Code

5411302-1.0

1/3



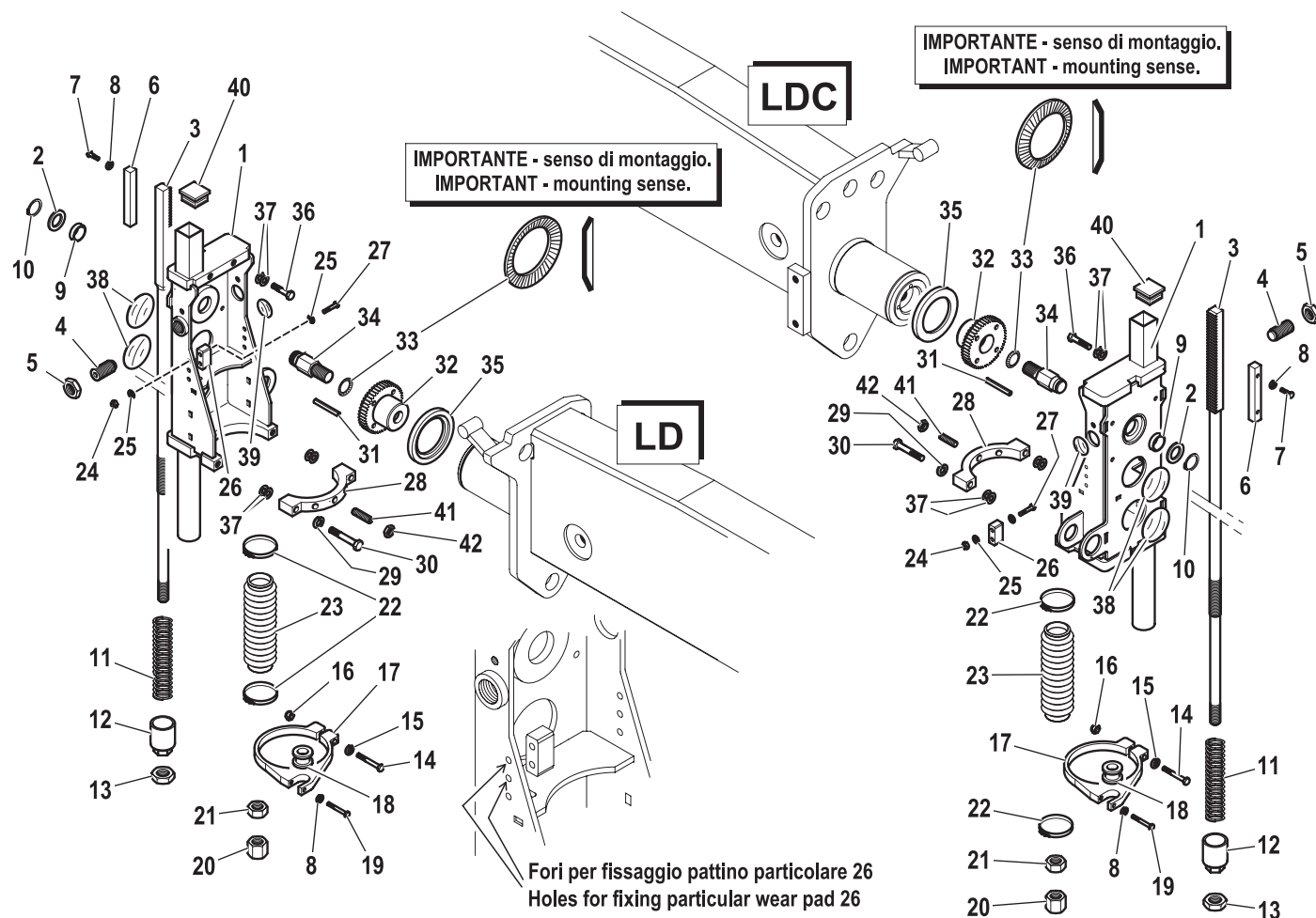
R	Pos.	Code Variant	Q.ty	Description
	1	5091353	2	
	2	3060938	2	Flat washer [D.25X39X4 UNI 1749 ZC]
	3	5091327	2	
	4	W061333	2	Adjusting screw
	5	3040251	2	Lock nut [M24 8.G basso UNI 5589]
	6	W610402600	2	Rack adjuster
	7	3010015	4	Hex screw [M6X20 8.8 ZC UNI 5739]
	8	3060053	6	Split lock washer [D=6.4 C72 ZC]
	9	5141076	2	
	10	3070022	2	Seeger
	11	W641011	2	Spring
	12	W610402100	2	Adjuster (Rod guide)
	13	3040216	2	Lock nut
	14	3010039	2	Hex screw [M8X80 8.8 ZC UNI 5737]
	15	3060055	2	Split lock washer [D=8.4 C72 ZC]
	16	3040303	2	Stopnut
	17	5001991	2	
	18	5141133	2	
	19	3010018	2	Hex screw [M6X40 8.8 ZC UNI 5737]
	20	5000137	2	

SLEWING ASS'Y (STABILISER RAM)

Code

5411302-1.0

2/3



R	Pos.	Code Variant	Q.ty	Description
	21	3040185	2	Nut
	22	3190059	4	Clamp
	23	3190113	0.5	Rubber protective boot
	24	3040519	4	Stopnut
	25	3060005	4	Flat washer [D.6.4 UNI 6592 ZC]
	26	5141113	2	
	27	3010016	4	Hex screw [M6X30 8.8 ZC UNI 5737]
	28	5002729	2	Collar (Stabilizer Hydraulic jack)
	29	3060056	4	Split lock washer [D=10 C72 ZC]
	30	3010415	4	Hex screw [M10X55 8.8 ZC UNI 5737]
	31	W726016	8	
	32	W610401700	2	
	33	W694122	2	
	34	5001982	2	
	35	5141114	2	
	36	3010044	4	Hex screw [M10X35 8.8 ZC UNI 5737]
	37	3060958	16	
	38	3190308	4	
	39	3190309	2	
	40	3190307	2	

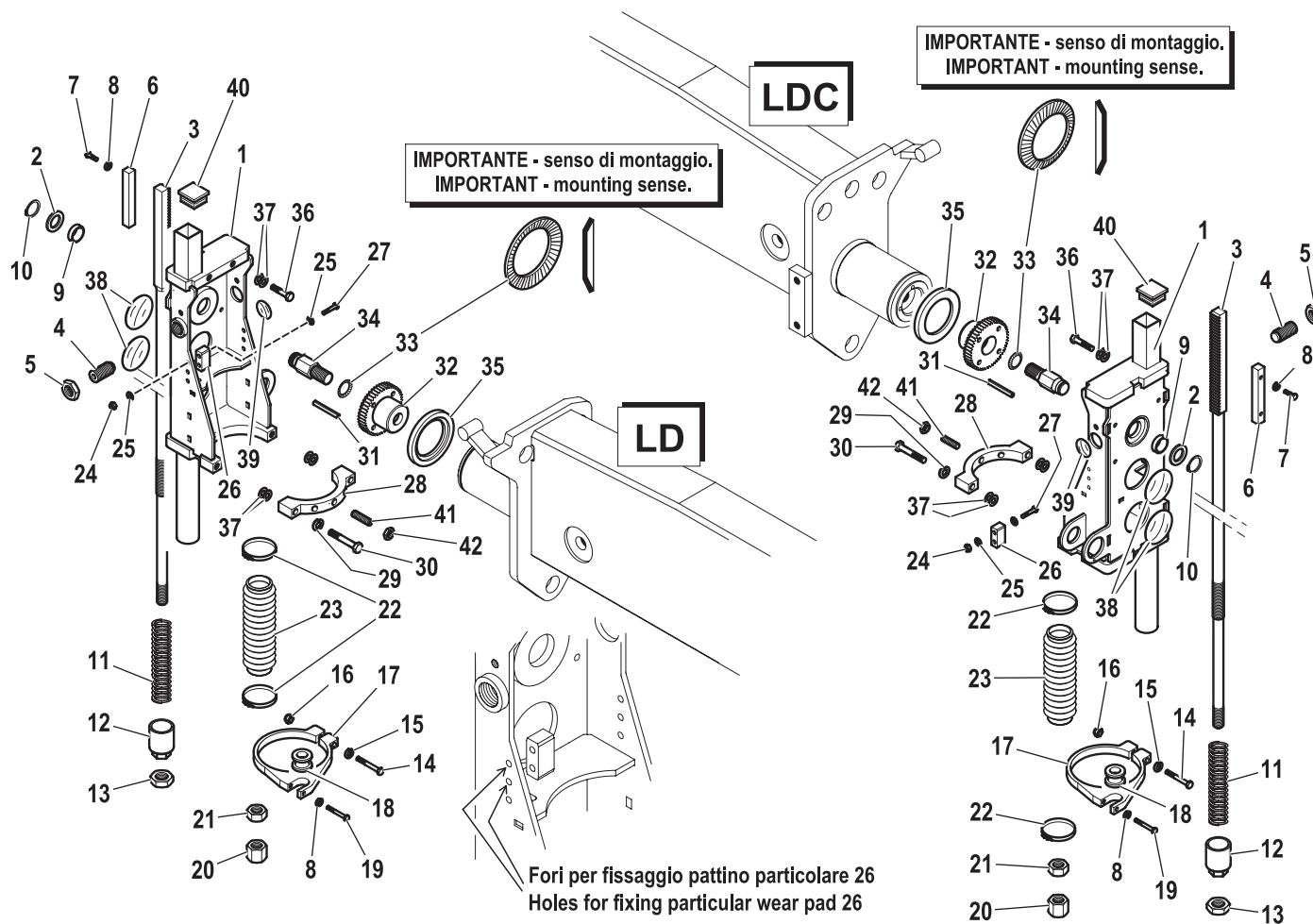
SLEWING ASS'Y (STABILISER RAM)

Code

5411302-1.0

3/3

R	Pos.	Code Variant	Q.ty	Description
	41	3060503	6	Grub screw [Grano M10X30 UNI 5923 ZC.]
	42	3040084	6	Lock nut [M10 basso UNI 5589]

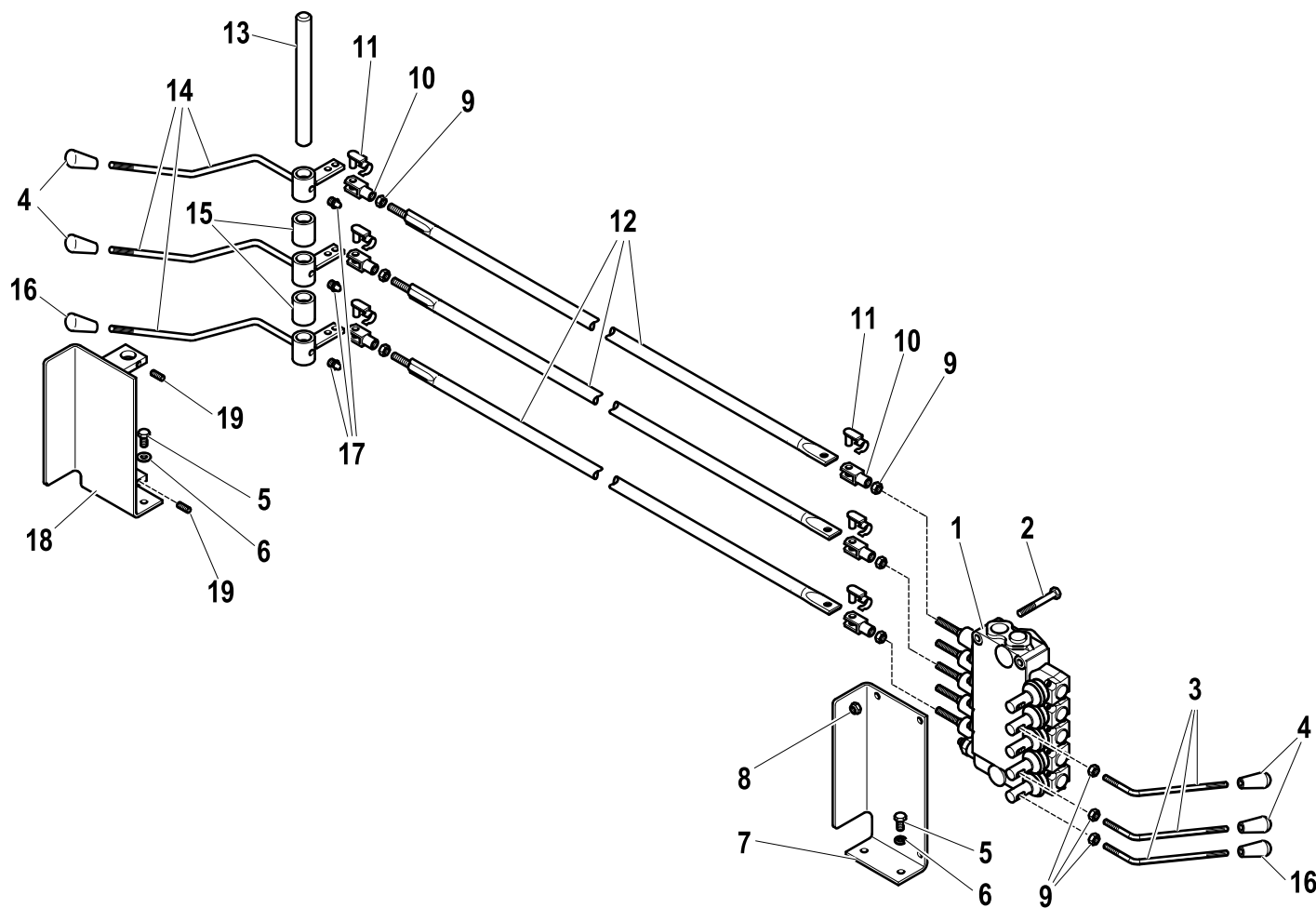


CONTROLS FOR STABILIZERS

Code

5400267-1.0

1/1



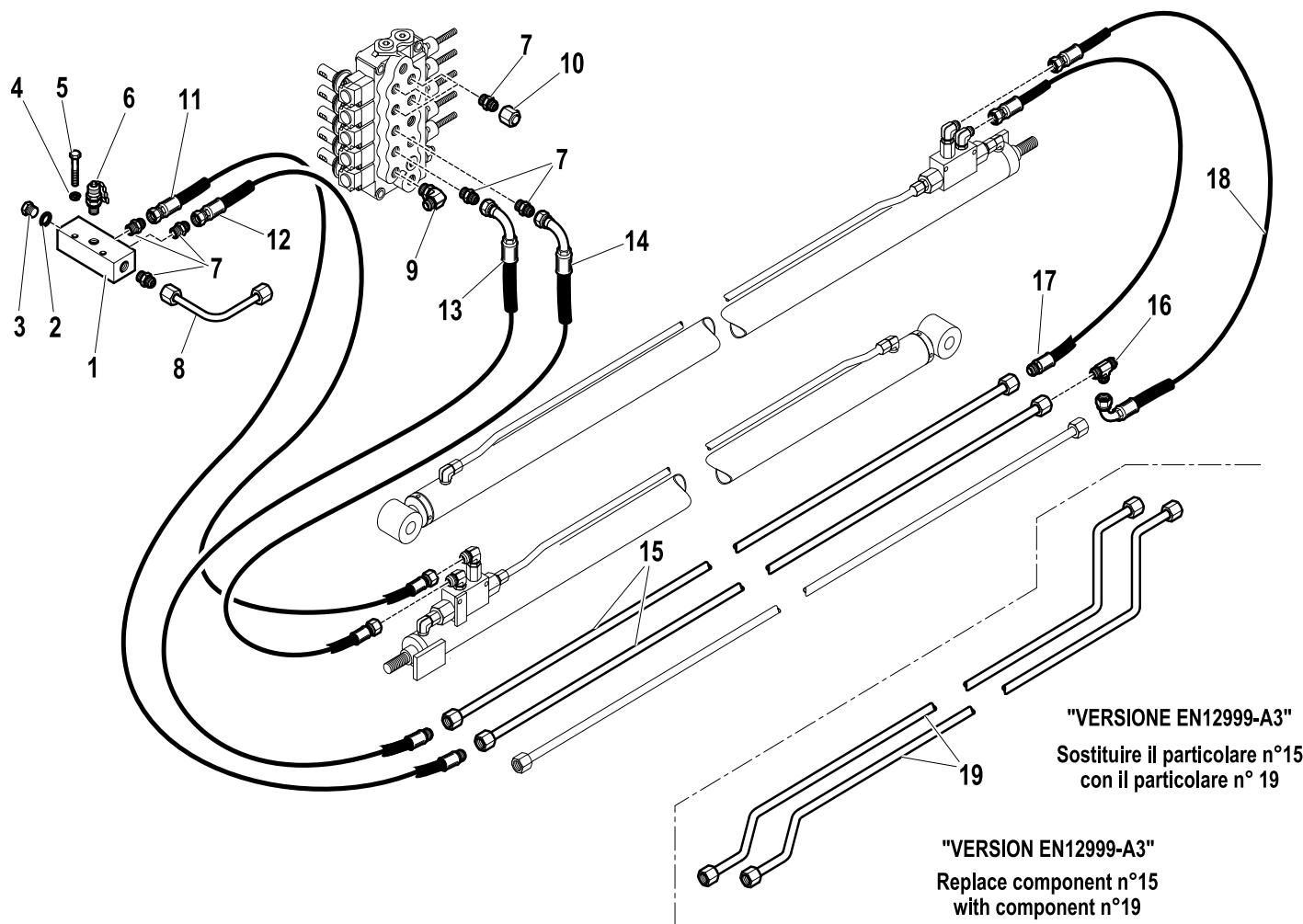
R	Pos.	Code Variant	Q.ty	Description
	1	5220346	1	
	2	3010036	3	Hex screw [M8X65 8.8 ZC UNI 5739]
	3	5000207	3	Control lever
	4	3190006	4	Knob
	5	3010336	4	Hex screw [M8X12 8.8 ZC UNI 5739]
	6	3060055	4	Split lock washer [D=8.4 C72 ZC]
	7	5090716	1	
	8	3040303	3	Stopnut
	9	3040045	9	Nut
	10	3300431	6	Fork
	11	3300451	6	Fork clip
	12	5090456	3	
	13	5150647	1	
	14	5091280	3	Control lever
	15	5140737	2	
	16	3190188	2	
	17	3080500	3	Grease nipple
	18	5090717	1	
	19	3060936	2	Grub screw

HYDRAULIC SYSTEM (ROD EXTENSION HYDRAULIC CYLINDER)

Code

5400267-2.0

1/1



R	Pos.	Code Variant	Q.ty	Description
	1	5001159	1	
	2	3060144	1	Sealing washer [BSP 3/8"]
	3	3110061	1	Plug
	4	3060055	2	Split lock washer [D=8.4 C72 ZC]
	5	3010032	2	Hex screw [M8X45 8.8 ZC UNI 5737]
	6	3111523	1	Pipe fitting (Tapping point) [RACC. MILITES 16X2-1/4"G]
	7	3101043	9	Straight pipe fitting
	8	5391776	1	
	9	3101127	1	90° Connection
	10	3110041	4	Female plug
	11	5271387	1	Flexible hose
	12	5260554	1	Flexible hose
	13	5271386	1	Flexible hose
	14	5260553	1	Flexible hose
	15	5391773	2	
	16	3101081	1	Tee fitting
	17	5260551	1	Flexible hose
	18	5260552	1	Flexible hose
	19	5390553	2	

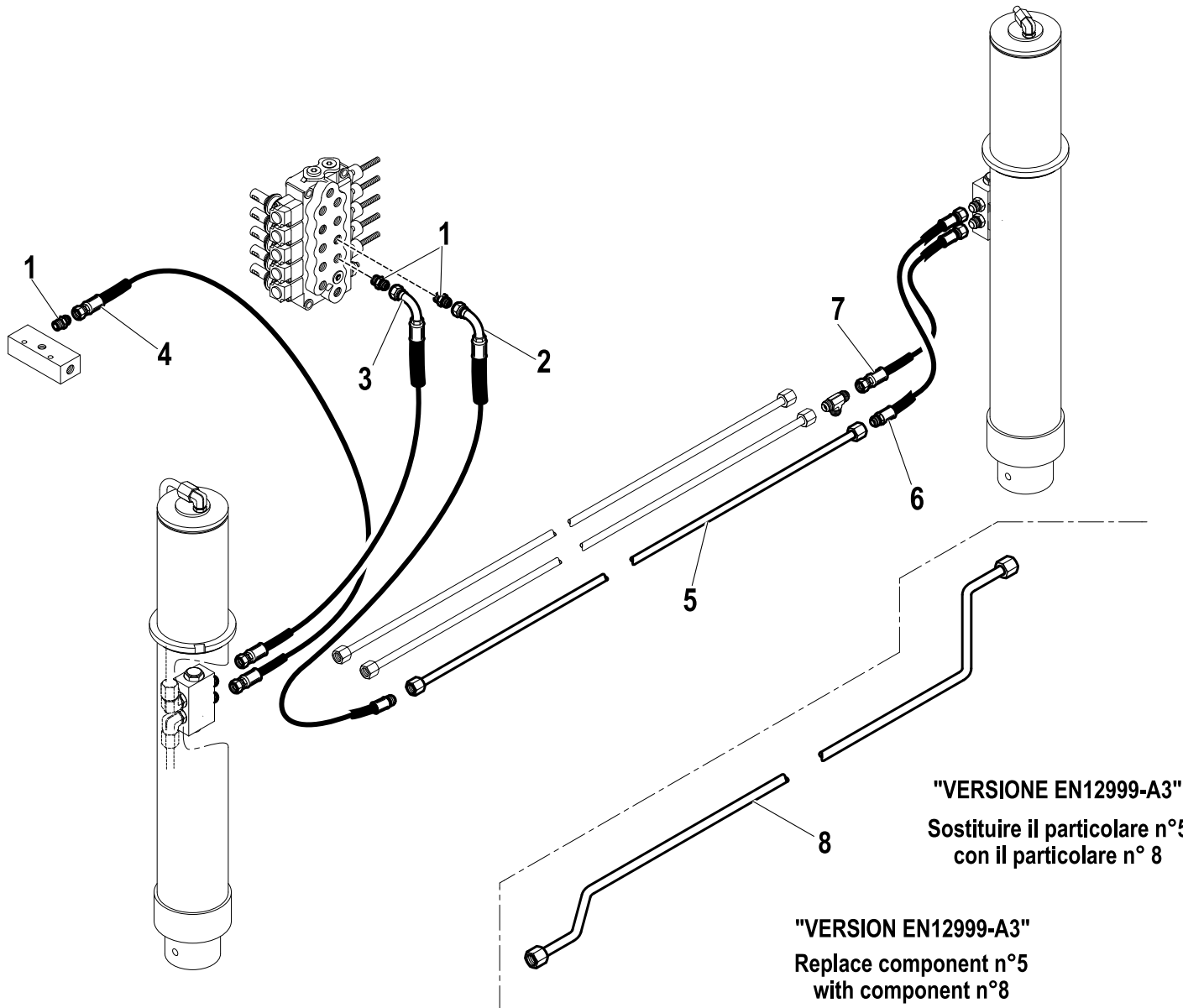
Hydraulic system (rod extension hydraulic cylinder)

Code

5400267-3.0

1/1

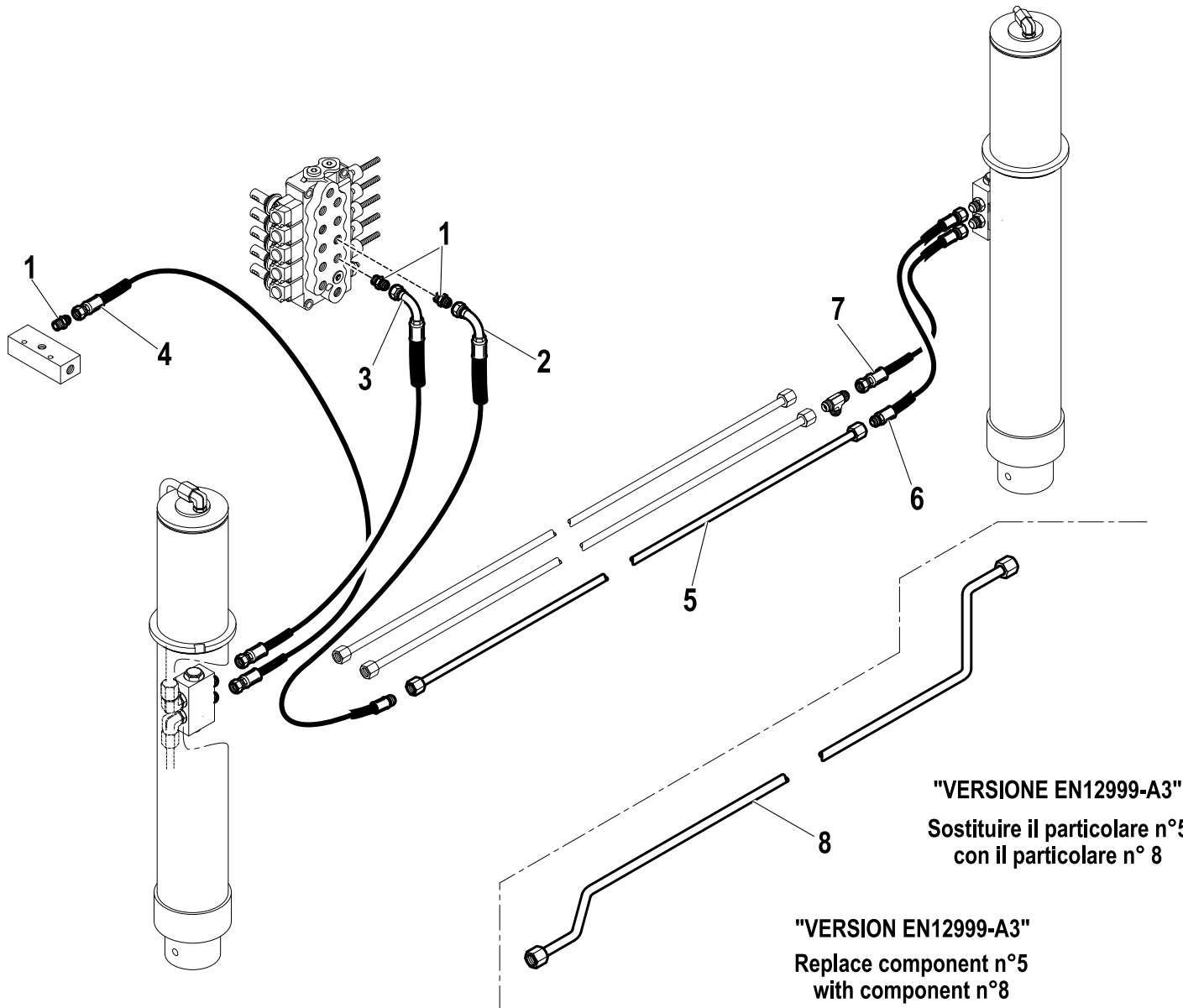
R	Pos.	Code Variant	Q.ty	Description
	1	3101043	3	Straight pipe fitting
	2	5271386	1	Flexible hose
	3	5271408	1	Flexible hose
	4	5271409	1	Flexible hose
	5	5391773	1	
	6	5271407	1	Flexible hose
	7	5271406	1	Flexible hose
	8	5390553	1	



Hydraulic system (ROD EXTENSION HYDRAULIC CYLINDER EXTRA-EXTENSIBLE)

Code		
5400267-7.0		1/1

R	Pos.	Code Variant	Q.ty	Description
	1	3101043	3	Straight pipe fitting
	2	5271386	1	Flexible hose
	3	5271570	1	Flexible hose
	4	5271569	1	Flexible hose
	5	5391773	1	
	6	5271568	1	Flexible hose
	7	5271567	1	Flexible hose
	8	5390553	1	

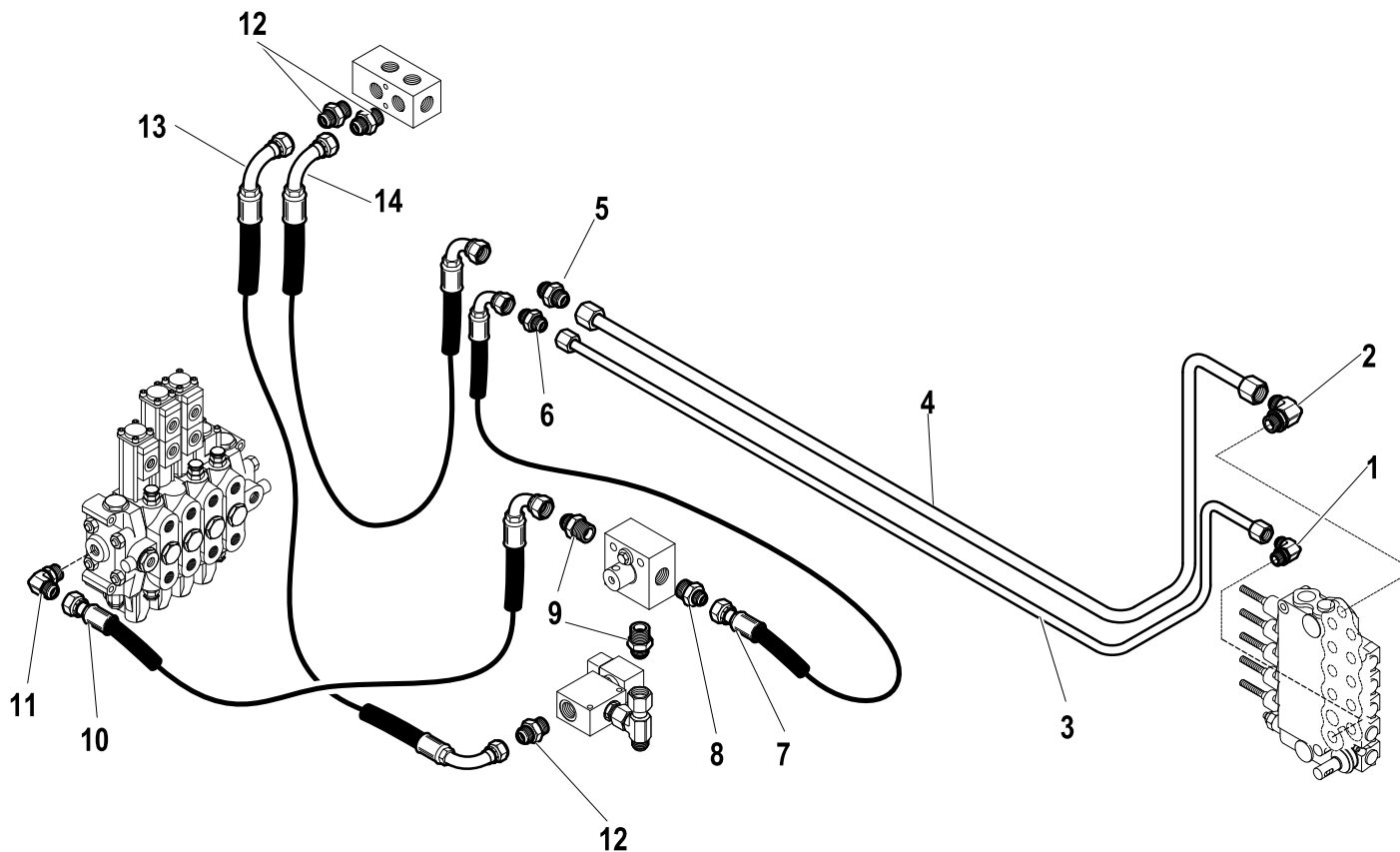


OUTRIGGERS HYDRAULIC SYSTEM

Code

5400267-4.0

1/1



R	Pos.	Code Variant	Q.ty	Description
	1	3101127	1	90° Connection
	2	3120012	1	90° Connection
	3	5391774	1	
	4	5391775	1	
	5	3120102	1	
	6	3120100	1	
	7	5271172	1	Flexible hose
	8	3101045	1	Straight pipe fitting
	9	3120073	1	Straight pipe fitting
	10	5280522	1	
	11	3101131	1	90° Connection
	12	3101051	3	Straight pipe fitting
	13	5280521	1	Flexible hose
	14	5280527	1	Flexible hose

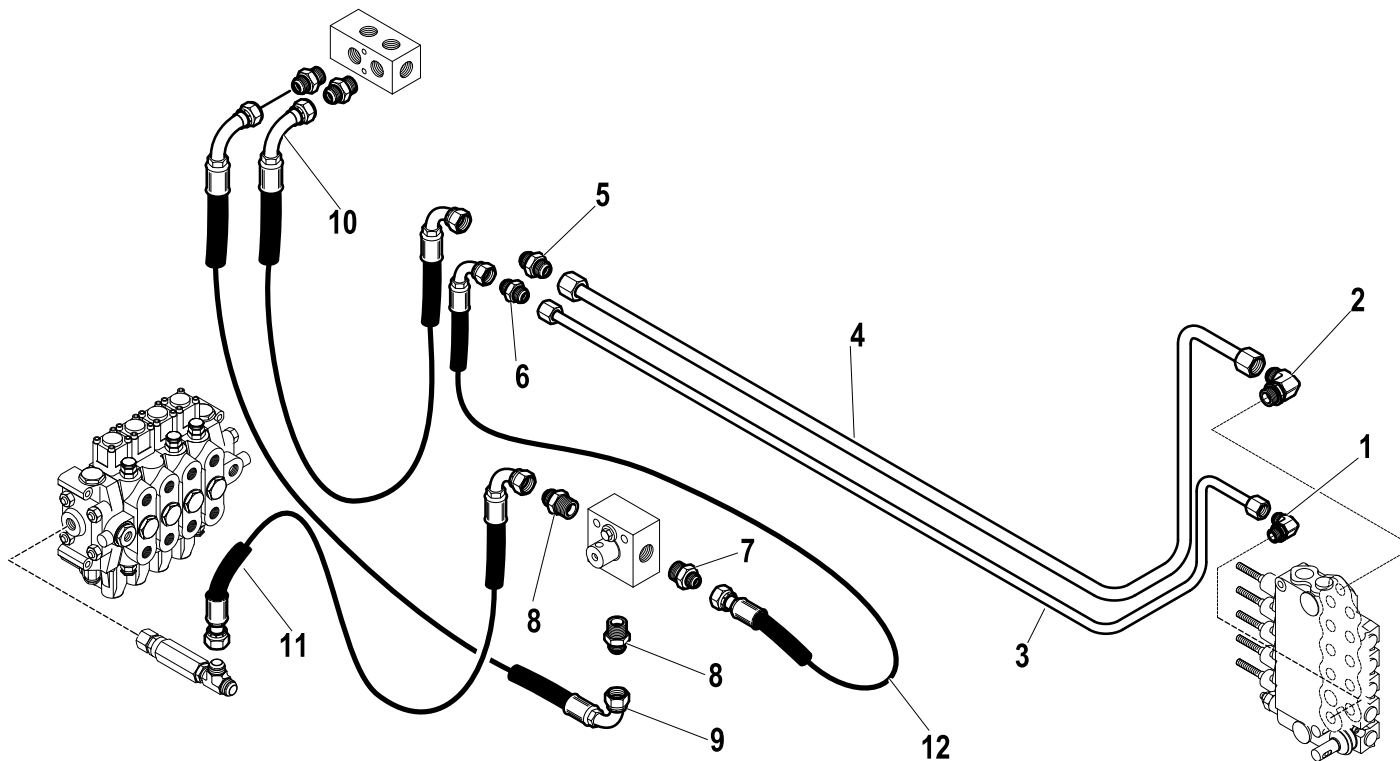
OUTRIGGERS HYDRAULIC SYSTEM

Code

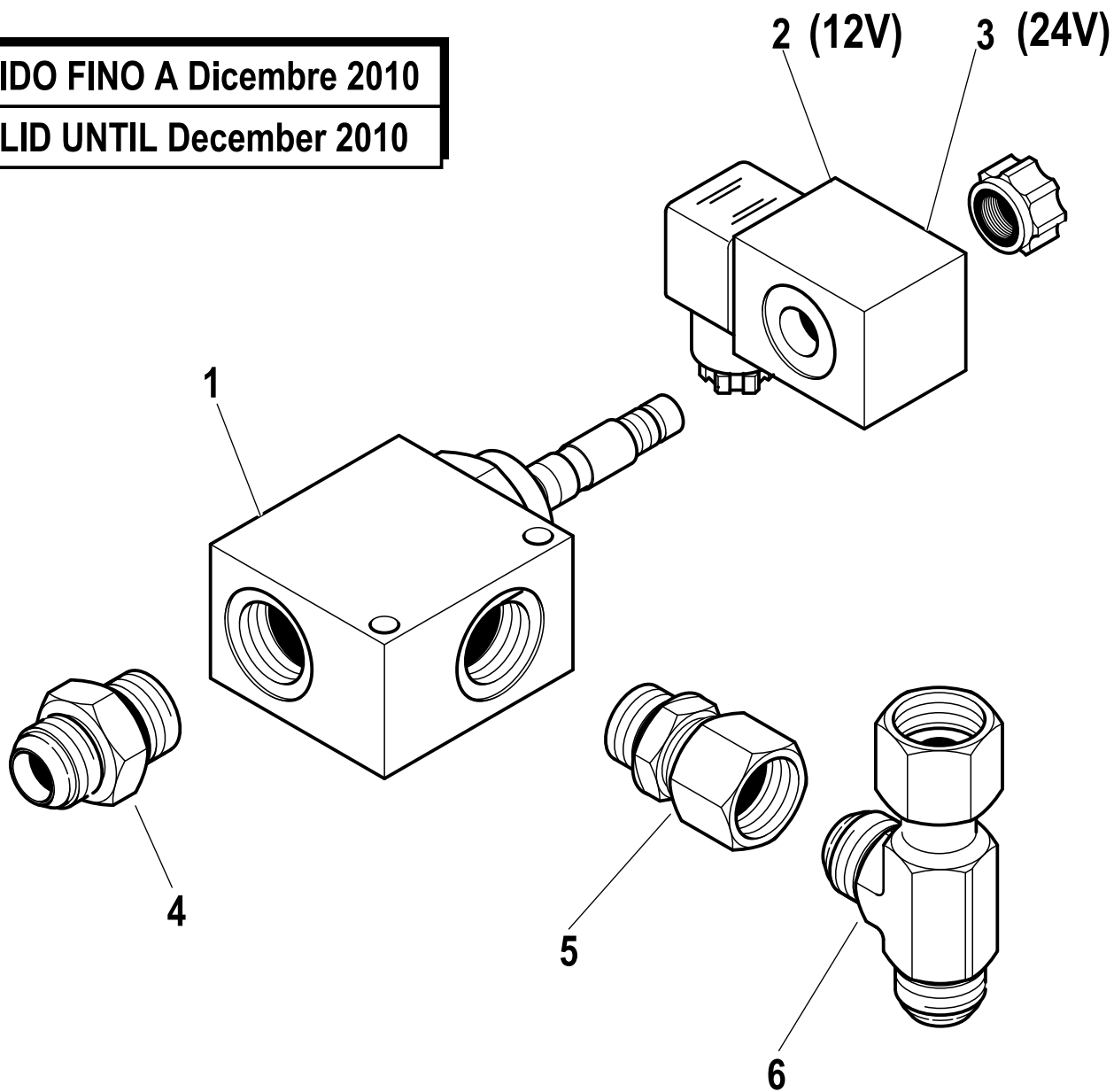
5400267-5.0

1/1

R	Pos.	Code Variant	Q.ty	Description
	1	3101127	1	90° Connection
	2	3120012	2	90° Connection
	3	5391774	1	
	4	5391775	1	
	5	3120102	1	
	6	3120100	1	
	7	3101045	1	Straight pipe fitting
	8	3120073	2	Straight pipe fitting
	9	5280521	1	Flexible hose
	10	5280527	1	Flexible hose
	11	5280522	1	
	12	5271172	1	Flexible hose



VALIDO FINO A Dicembre 2010
VALID UNTIL December 2010



R	Pos.	Code Variant	Q.ty	Description
	1	5220642	1	Solenoid valve
	2	3310238	1	Solenoid (12V)
	3	3310242	1	Solenoid (24V)
	4	3101051	1	Straight pipe fitting
	5	3120067	1	Straight pipe fitting
	6	3120008	1	Tee fitting

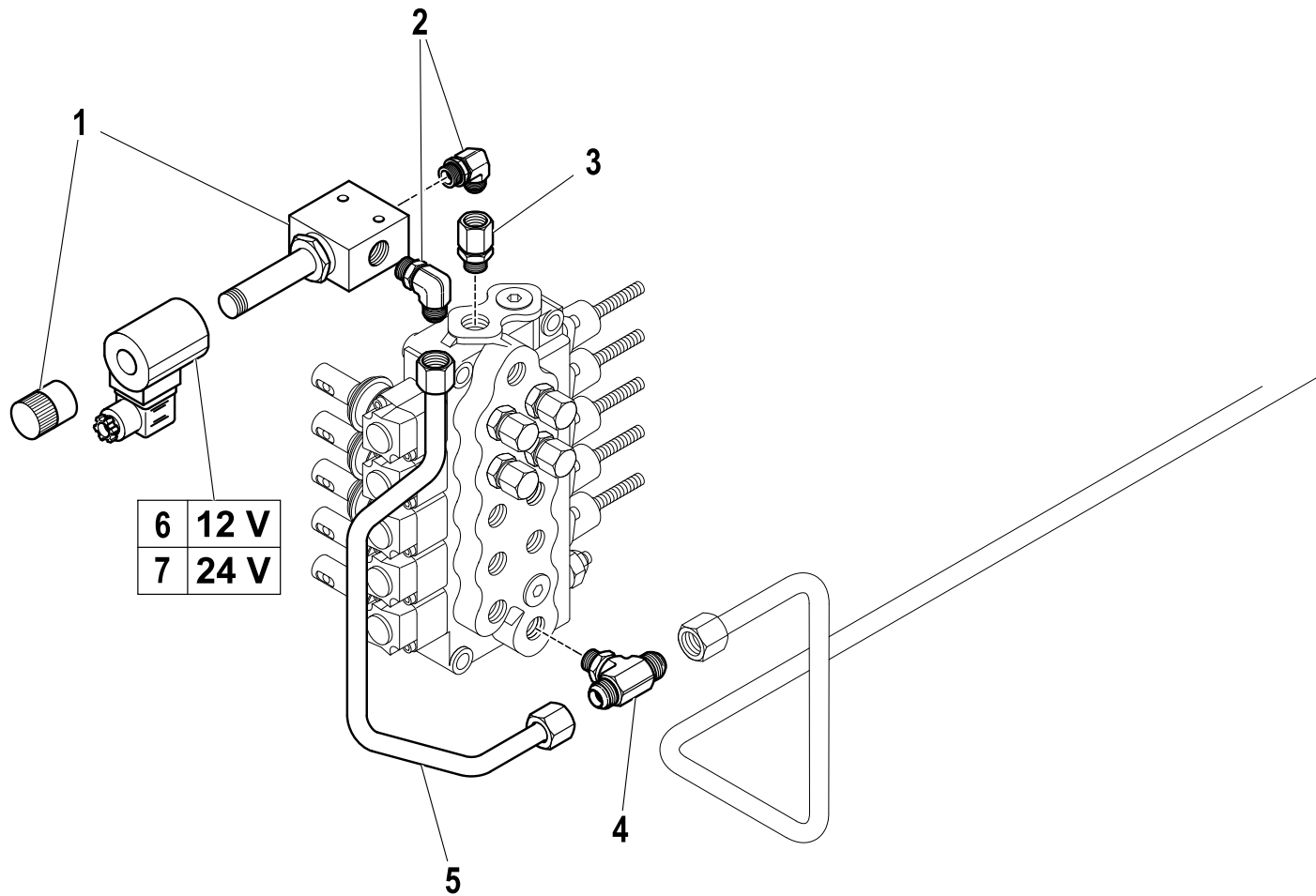
Solenoid valve (STABILIZER CONTROL VALVE)

Code

5440101-1.0

1/1

R	Pos.	Code Variant	Q.ty	Description
	1	5220182	1	
	2	3101127	2	90° Connection
	3	3120066	1	Straight pipe fitting
	4	3120303	1	Tee fitting
	5	5390548	1	
	6	3310042	1	Solenoid (12V)
	7	3310043	1	Solenoid (24V)



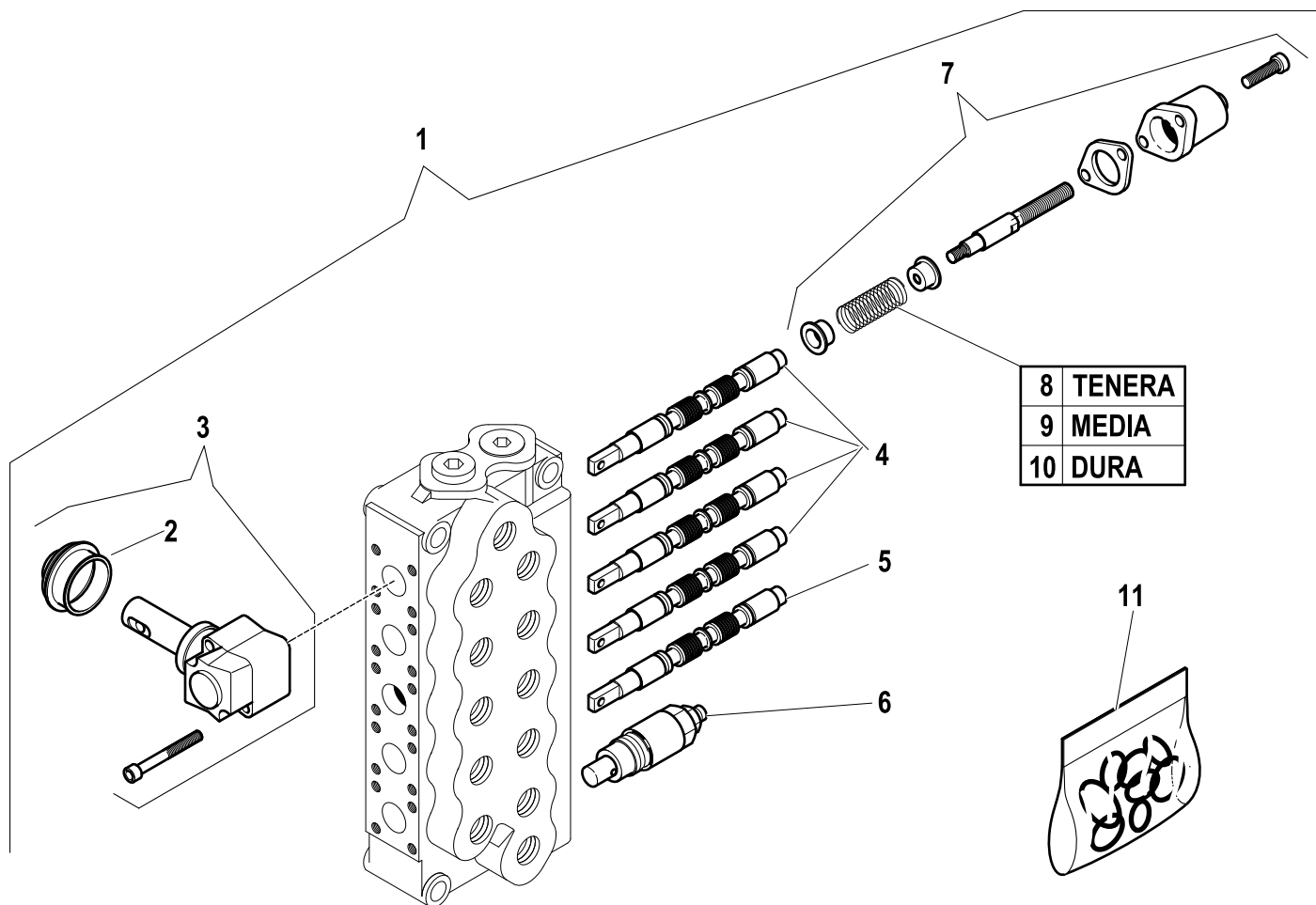
STABILIZER CONTROL VALVE

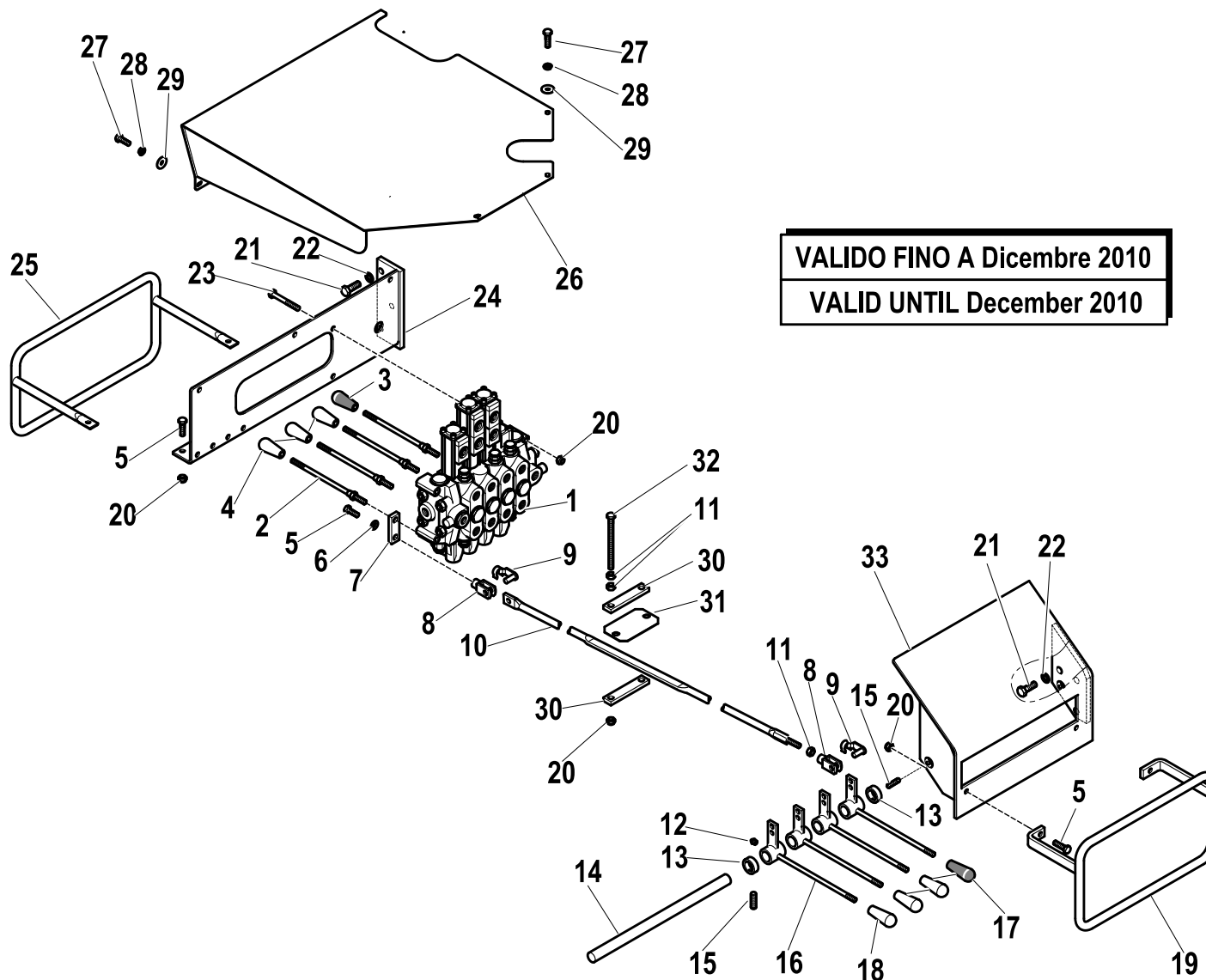
Code

5220346-1.0

1/1

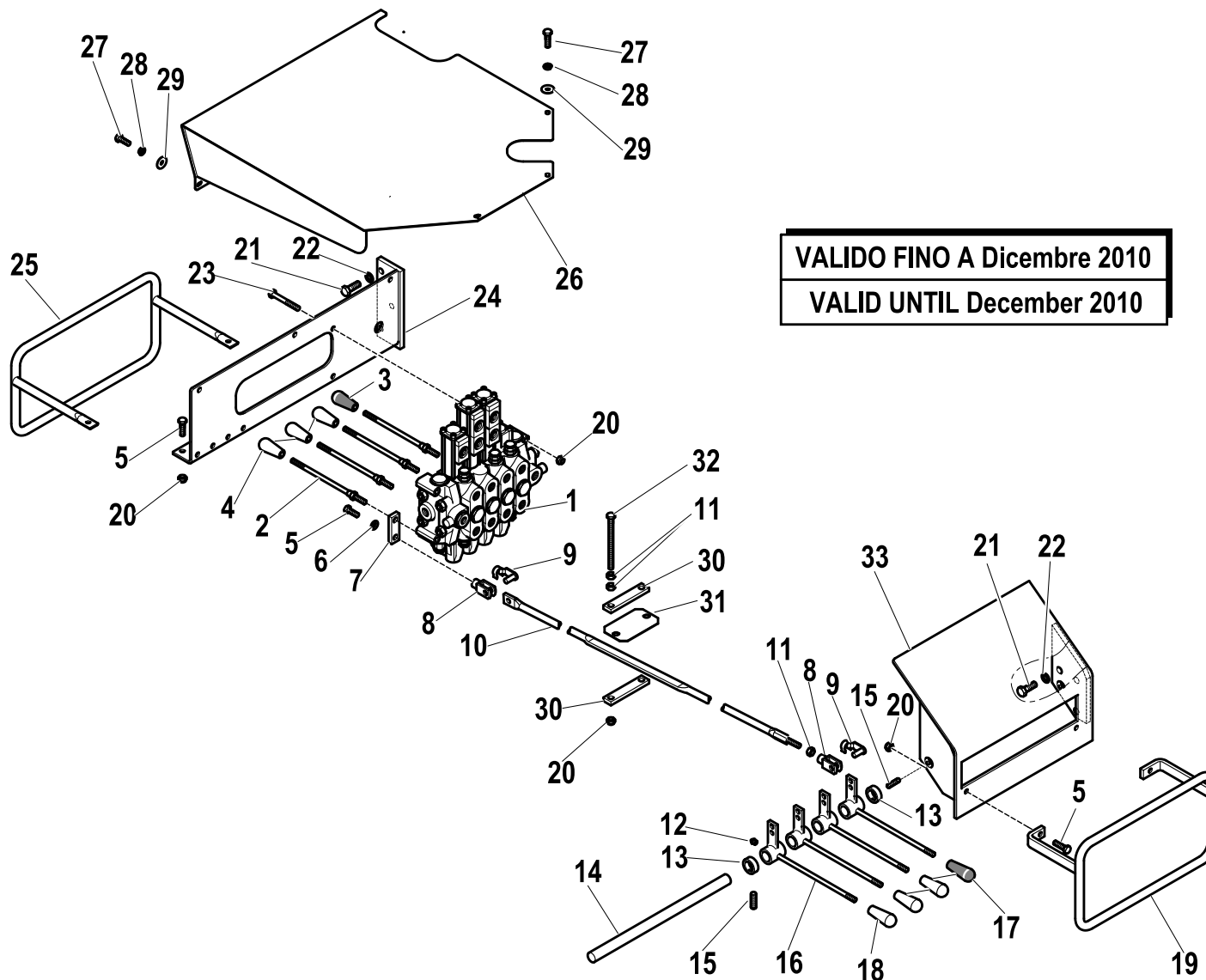
R	Pos.	Code Variant	Q.ty	Description
	1	5220346	1	
	2	5225022	5	
	3	5225261	5	
	4	5225258	4	
	5	5225480	1	
	6	5225257	1	
	7	5225268	5	
	8	5225479	5	
	9	5225281	5	
	10	5225285	5	
	11	5225263	1	





VALIDO FINO A Dicembre 2010
VALID UNTIL December 2010

R	Pos.	Code Variant	Q.ty	Description
	1	5220292	1	
	2	5220224	4	Lever rod (CONTROLS)
	3	3190189	1	Knob
	4	3190010	3	Knob
	5	3010339	8	Hex screw [M8X25 8.8 ZC IF UNI 5739]
	6	3060006	4	Flat washer [D.8 UNI 6592 ZC]
	7	5000708	4	Small plate (remittal)
	8	3300431	8	Fork
	9	3300451	8	Fork clip
	10	5090851	4	
	11	3040045	15	Nut
	12	3080500	4	Grease nipple
	13	5000670	2	Ring
	14	5150459	1	
	15	3060234	4	Grub screw [Grano M6X10 UNI 5927 ZC.]
	16	5090736	4	Control lever
	17	3190006	3	Knob
	18	3190188	1	
	19	5090460	1	Guard (Control levers)
	20	3040303	9	Stopnut



R	Pos.	Code Variant	Q.ty	Description
	21	3010355	6	Hex screw [M10X25 8.8 ZC IF UNI 5739]
	22	3060056	6	Split lock washer [D=10 C72 ZC]
	23	3010036	3	Hex screw [M8X65 8.8 ZC UNI 5739]
	24	5090718	1	
	25	5090459	1	Guard (Control levers)
	26	5090719	1	
	27	3010323	6	Hex screw [M6X10 8.8 ZC UNI 5739]
	28	3060053	6	Split lock washer [D=6.4 C72 ZC]
	29	3060030	6	Flat washer [D.6.6X18 UNI 6593 ZC]
	30	5001191	2	
	31	5140748	5	
	32	3010041	2	Hex screw [M8X100 8.8 ZC UNI 5737]
	33	5090455	1	

Control valve ass'y (CE)

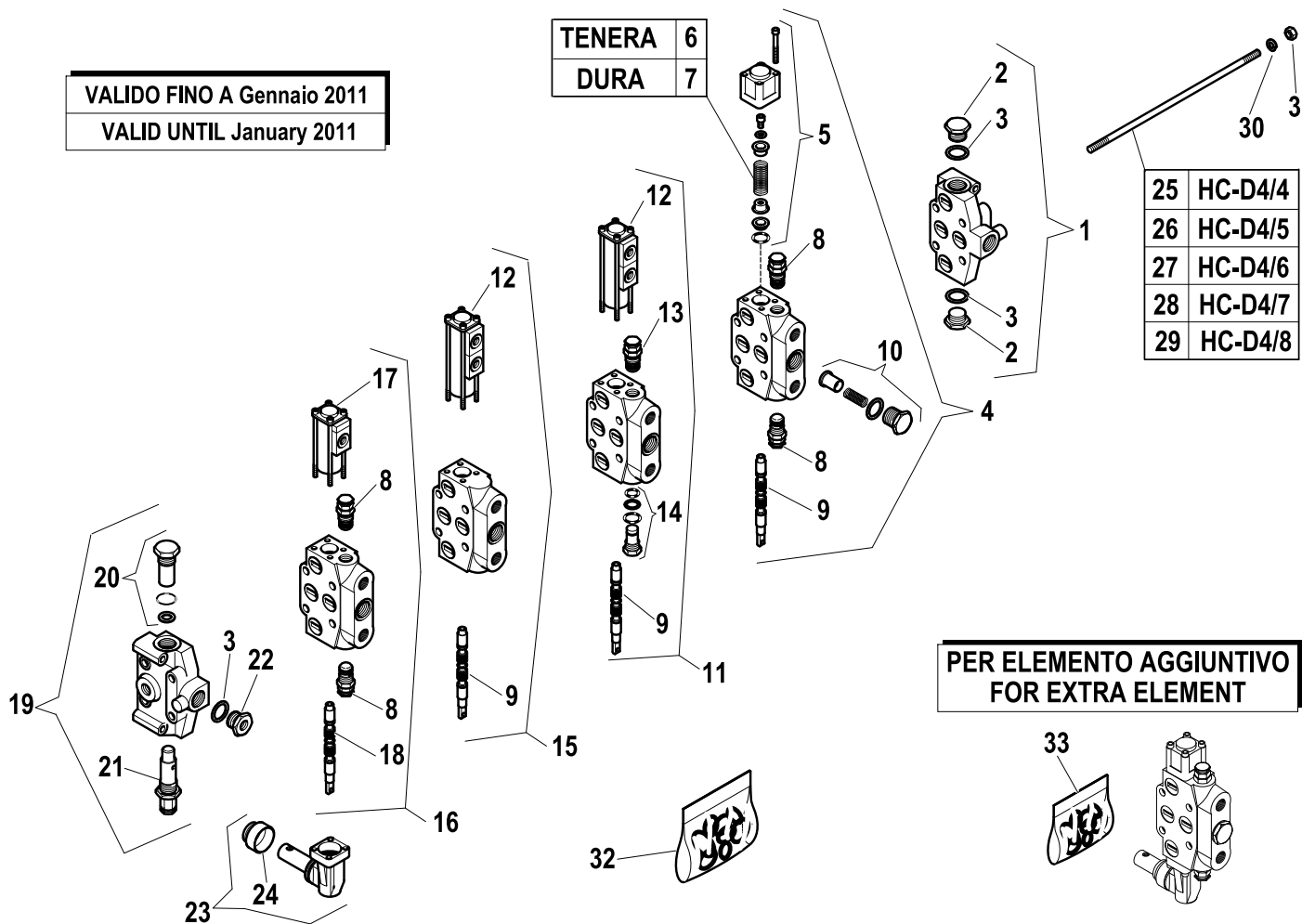
Code

5220292-1.0

1/2

VALIDO FINO A Gennaio 2011
VALID UNTIL January 2011

TENERA 6
DURA 7



25	HC-D4/4
26	HC-D4/5
27	HC-D4/6
28	HC-D4/7
29	HC-D4/8

**PER ELEMENTO AGGIUNTIVO
 FOR EXTRA ELEMENT**

R	Pos.	Code Variant	Q.ty	Description
	1	5225477	1	
	2	3110065	2	Plug
	3	3060145	3	Sealing washer [BSP 1/2"]
	4	5225476	1	Control valve element
	5	5225130	1	
	6	5225461	1	
	7	5225463	1	
	8	5225200	4	
	9	5225311	3	
	10	5225469	4	
	11	5225475	1	
	12	5225313	2	
	13	5225145	1	
	14	5225470	1	
	15	5225474	1	
	16	5225473	1	
	17	5225312	1	
	18	5225177	1	
	19	5225472	1	
	20	5225428	1	

Control valve ass'y (CE)

Code

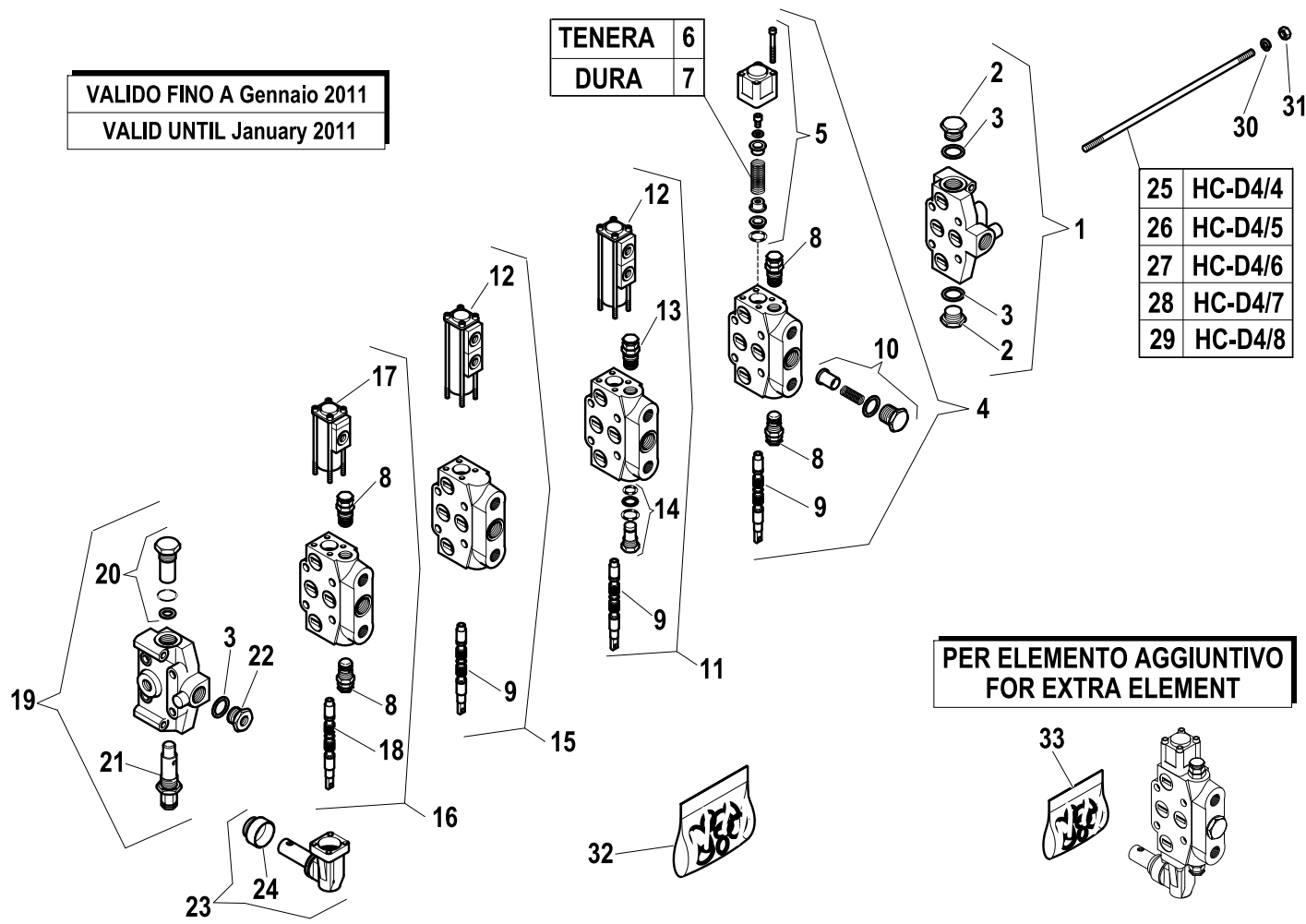
5220292-1.0

2/2

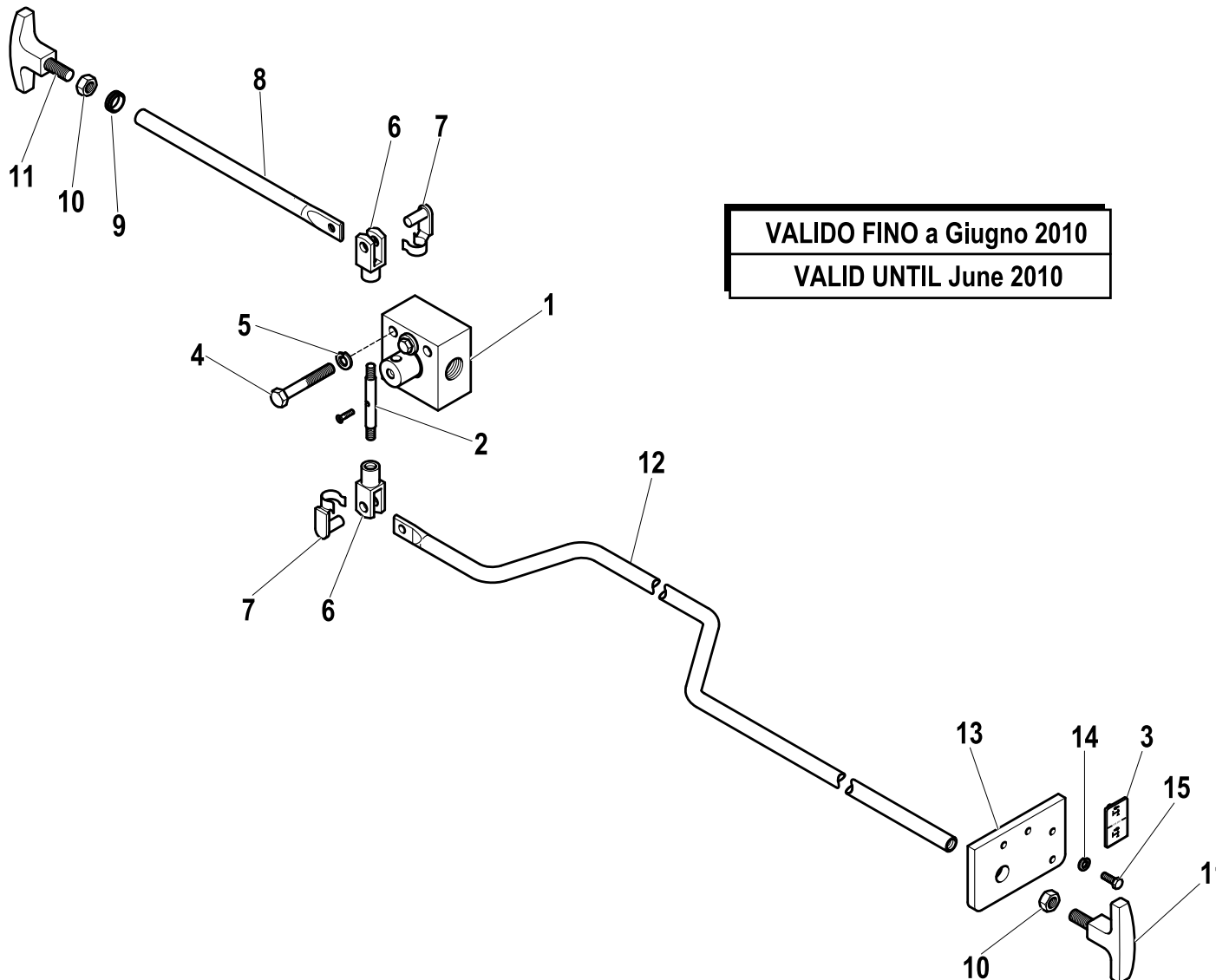
R	Pos.	Code Variant	Q.ty	Description
	21	5225546	1	
	22	3110161	1	Reducing fitting
	23	5225126	4	
	24	5225128	4	
	25	5225224	4	
	26	5225213	4	
	27	5225214	4	6 elements unit fixing stud
	28	5225215	4	7 elements unit fixing stud (Tie rod)
	29	5225216	4	
	30	3060056	8	Split lock washer [D=10 C72 ZC]
	31	3040046	8	Nut
	32	5225310	1	
	33	5225031	1	Seal kit

VALIDO FINO A Gennaio 2011
VALID UNTIL January 2011

TENERA 6
DURA 7



**PER ELEMENTO AGGIUNTIVO
 FOR EXTRA ELEMENT**



VALIDO FINO a Giugno 2010
VALID UNTIL June 2010

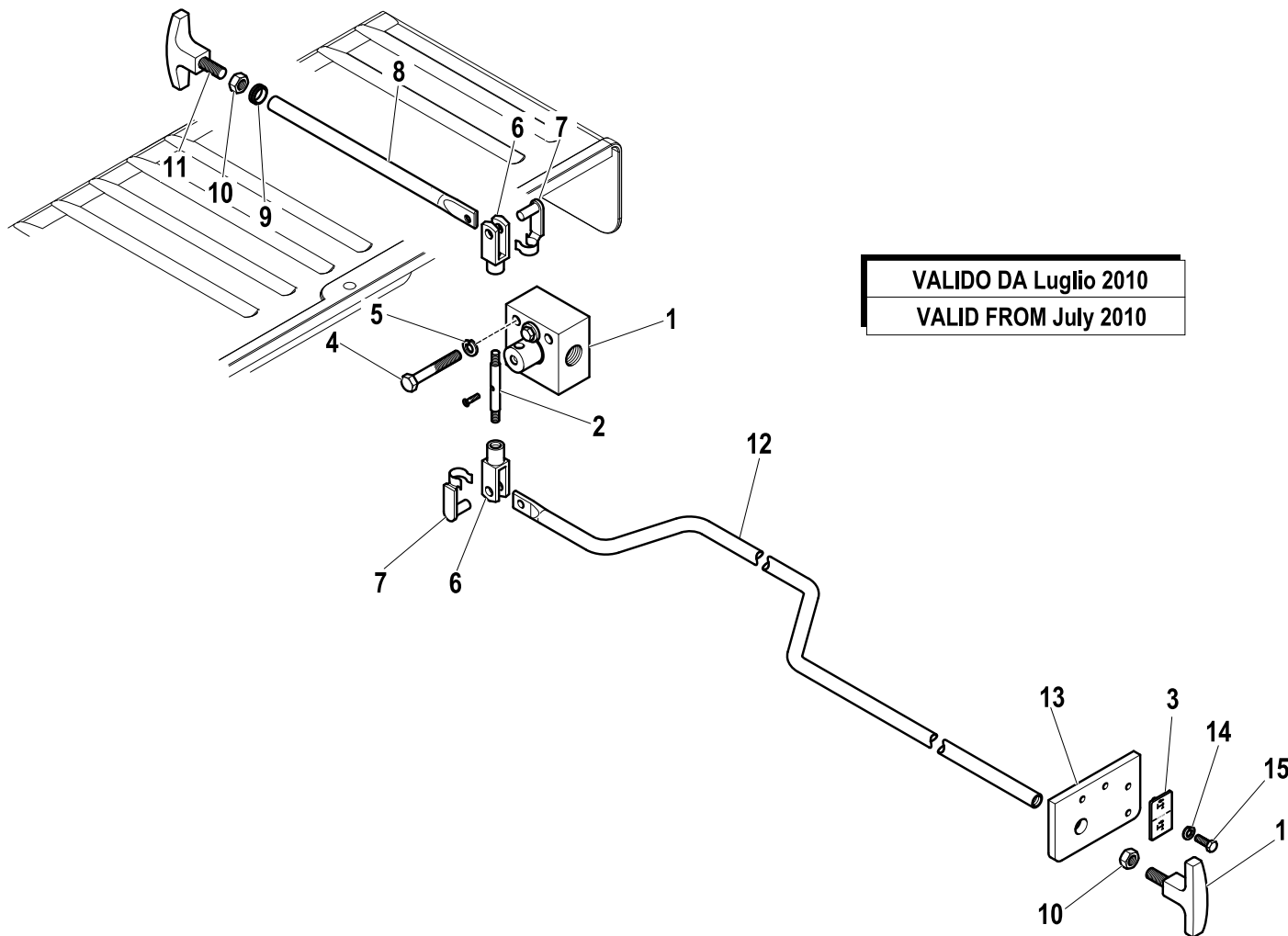
R	Pos.	Code Variant	Q.ty	Description
	1	5220599	1	
	2	5001170	1	
	3	5813516	1	Name plate (Control)
	4	3010415	2	Hex screw [M10X55 8.8 ZC UNI 5737]
	5	3060056	2	Split lock washer [D=10 C72 ZC]
	6	3300431	2	Fork
	7	3300451	2	Fork clip
	8	5090715	1	
	9	3190214	1	
	10	3040047	2	Nut
	11	3190213	2	
	12	5090714	1	
	13	5140738	1	
	14	3060053	2	Split lock washer [D=6.4 C72 ZC]
	15	3010015	2	Hex screw [M6X20 8.8 ZC UNI 5739]

DOUBLE CONTROLS (FOR CARTER THERMOFORMABLE)

Code

5401157-2.0

1/1



VALIDO DA Luglio 2010
VALID FROM July 2010

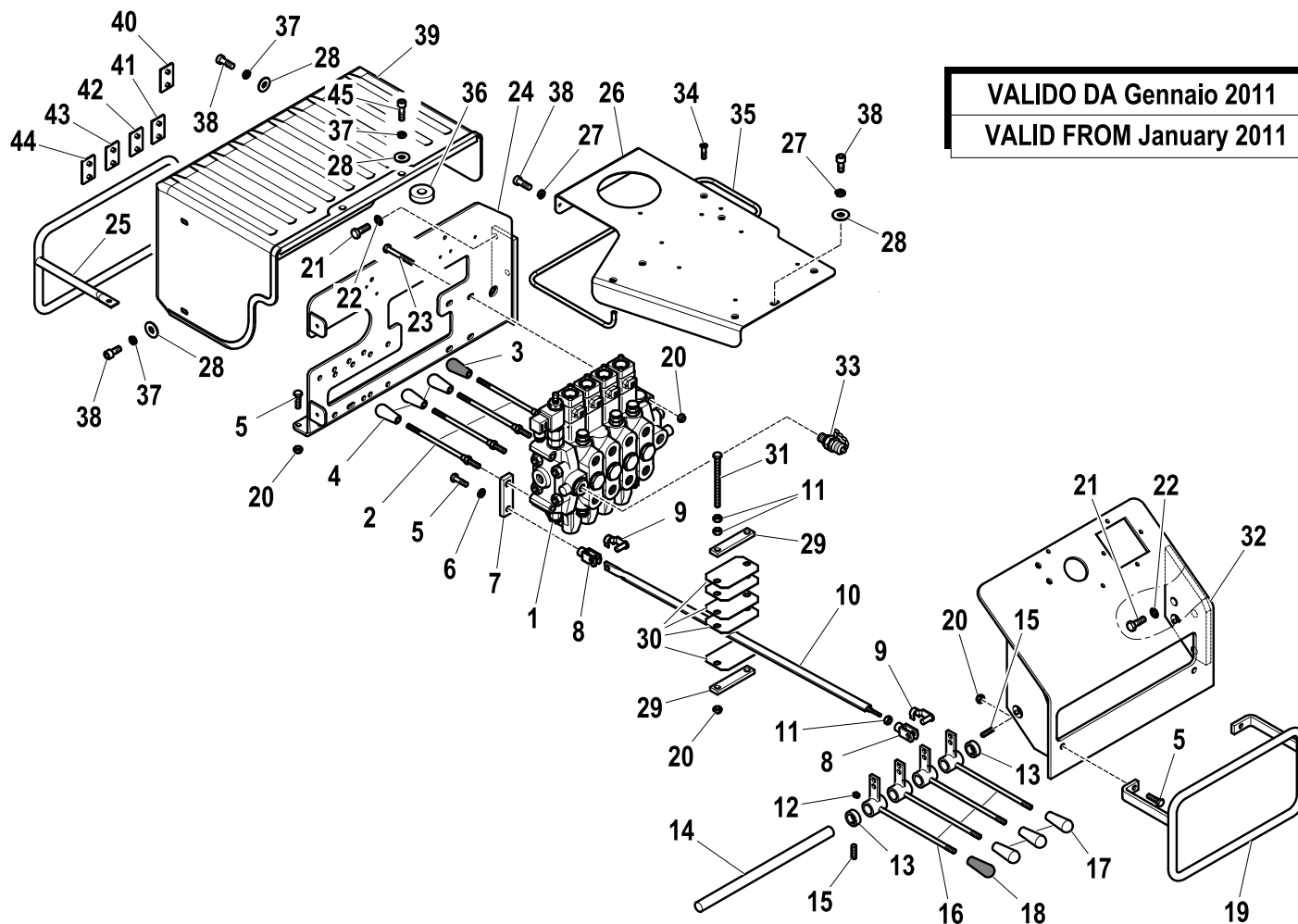
R	Pos.	Code Variant	Q.ty	Description
	1	5220599	1	
	2	5001170	1	
	3	5813516	1	Name plate (Control)
	4	3010415	2	Hex screw [M10X55 8.8 ZC UNI 5737]
	5	3060056	2	Split lock washer [D=10 C72 ZC]
	6	3300433	2	Fork
	7	3300453	2	Fork clip
	8	5091303	1	
	9	3190214	1	
	10	3040047	2	Nut
	11	3190213	2	
	12	5090714	1	
	13	5140738	1	
	14	3060053	2	Split lock washer [D=6.4 C72 ZC]
	15	3010015	2	Hex screw [M6X20 8.8 ZC UNI 5739]

DOUBLE CONTROLS (EN12999-A3)

Code

5401408-1.0

1/3



VALIDO DA Gennaio 2011
VALID FROM January 2011

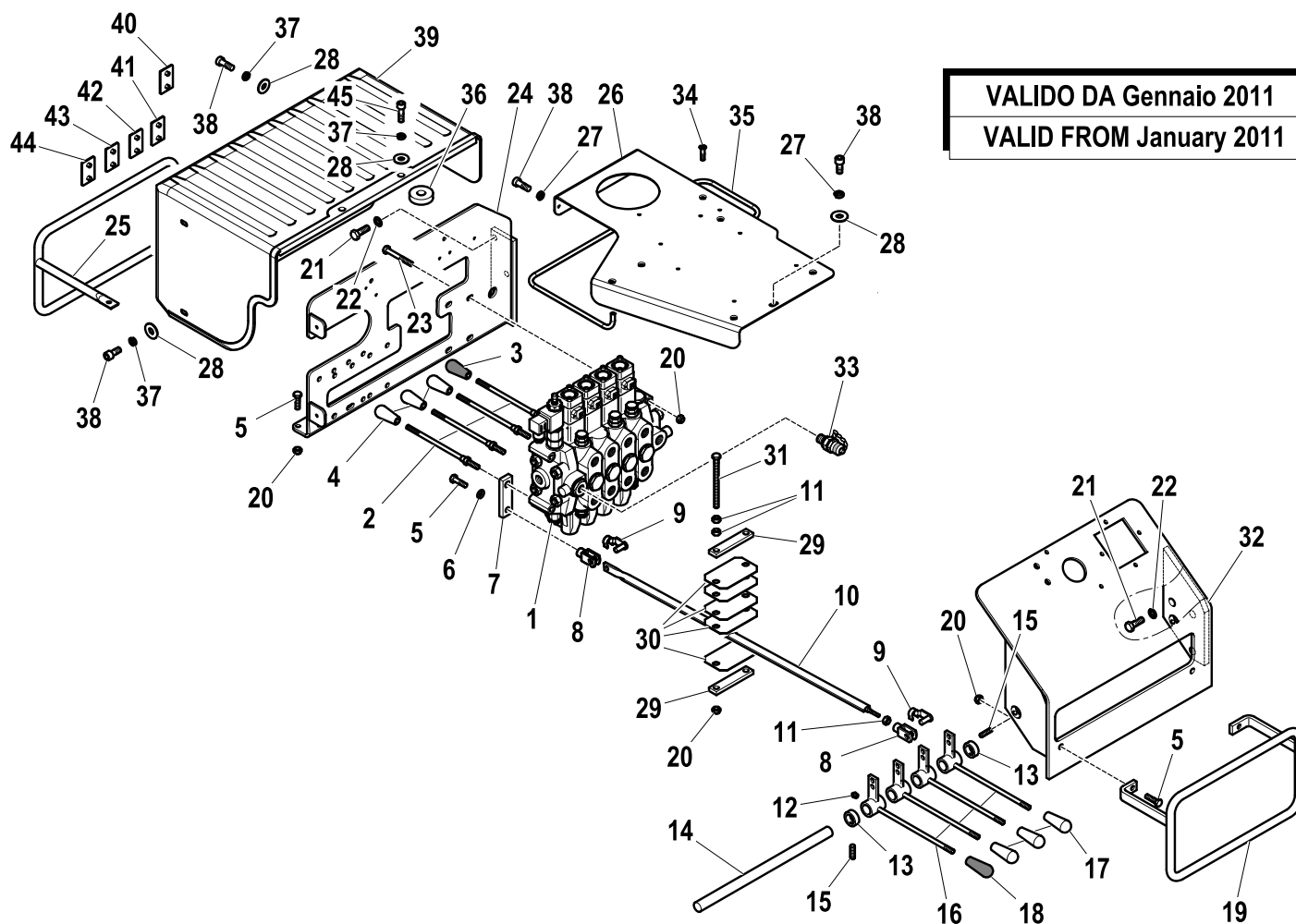
R	Pos.	Code Variant	Q.ty	Description
	1	5220465	1	
	2	5220224	4	Lever rod (CONTROLS)
	3	3190189	1	Knob
	4	3190010	3	Knob
	5	3010339	8	Hex screw [M8X25 8.8 ZC IF UNI 5739]
	6	3060006	4	Flat washer [D.8 UNI 6592 ZC]
	7	5001400	4	
	8	3300431	8	Fork
	9	3300451	8	Fork clip
	10	5090851	4	
	11	3040045	15	Nut
	12	3080500	4	Grease nipple
	13	5000670	2	Ring
	14	5150459	1	
	15	3060234	4	Grub screw [Grano M6X10 UNI 5927 ZC.]
	16	5090433	4	Control lever
	17	3190006	3	Knob
	18	3190188	1	
	19	5090460	1	Guard (Control levers)
	20	3040303	9	Stopnut

DOUBLE CONTROLS (EN12999-A3)

Code

5401408-1.0

2/3



VALIDO DA Gennaio 2011
VALID FROM January 2011

R	Pos.	Code Variant	Q.ty	Description
	21	3010355	6	Hex screw [M10X25 8.8 ZC IF UNI 5739]
	22	3060056	6	Split lock washer [D=10 C72 ZC]
	23	3010036	3	Hex screw [M8X65 8.8 ZC UNI 5739]
	24	5091219	1	
	25	5090459	1	Guard (Control levers)
	26	5002024	1	
	27	3060053	6	Split lock washer [D=6.4 C72 ZC]
	28	3060030	8	Flat washer [D.6.6X18 UNI 6593 ZC]
	29	5001191	2	
	30	5140748	5	
	31	3010041	2	Hex screw [M8X100 8.8 ZC UNI 5737]
	32	5091329	1	
	33	3111523	1	Pipe fitting (Tapping point) [RACC. MILITES 16X2-1/4"G]
	34	3020439	2	TSEI screw [M6X16 ZC UNI 5933]
	35	5002043	1	
	36	W340501400	2	Support (Clamp)
	37	3060005	5	Flat washer [D.6.4 UNI 6592 ZC]
	38	3020034	6	Socketed head cap screw [M6X16 8.8 ZC UNI 5931]
	39	5091218	1	
	40	5813516	1	Name plate (Control)

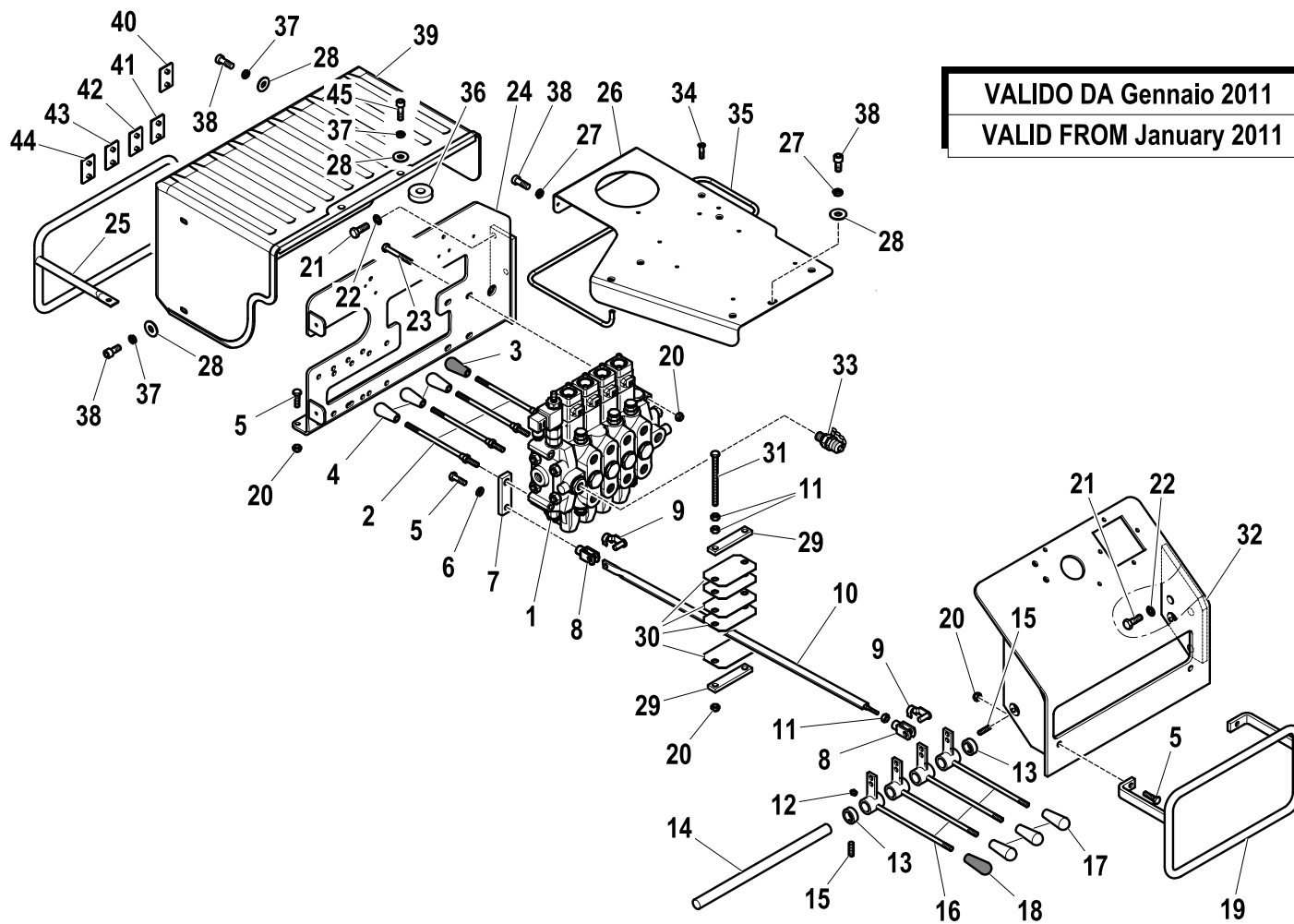
DOUBLE CONTROLS (EN12999-A3)

Code

5401408-1.0

3/3

R	Pos.	Code Variant	Q.ty	Description
	41	W573266	1	Small plate (CONTROL SYMBOLS)
	42	W573267	1	Small plate (CONTROL SYMBOLS)
	43	W573269	1	Small plate (CONTROL SYMBOLS)
	44	W573270	1	Small plate (CONTROL SYMBOLS)
	45	3020037	2	Socketed head cap screw [M6X25 8.8 ZC UNI 5931]



VALIDO DA Gennaio 2011
VALID FROM January 2011

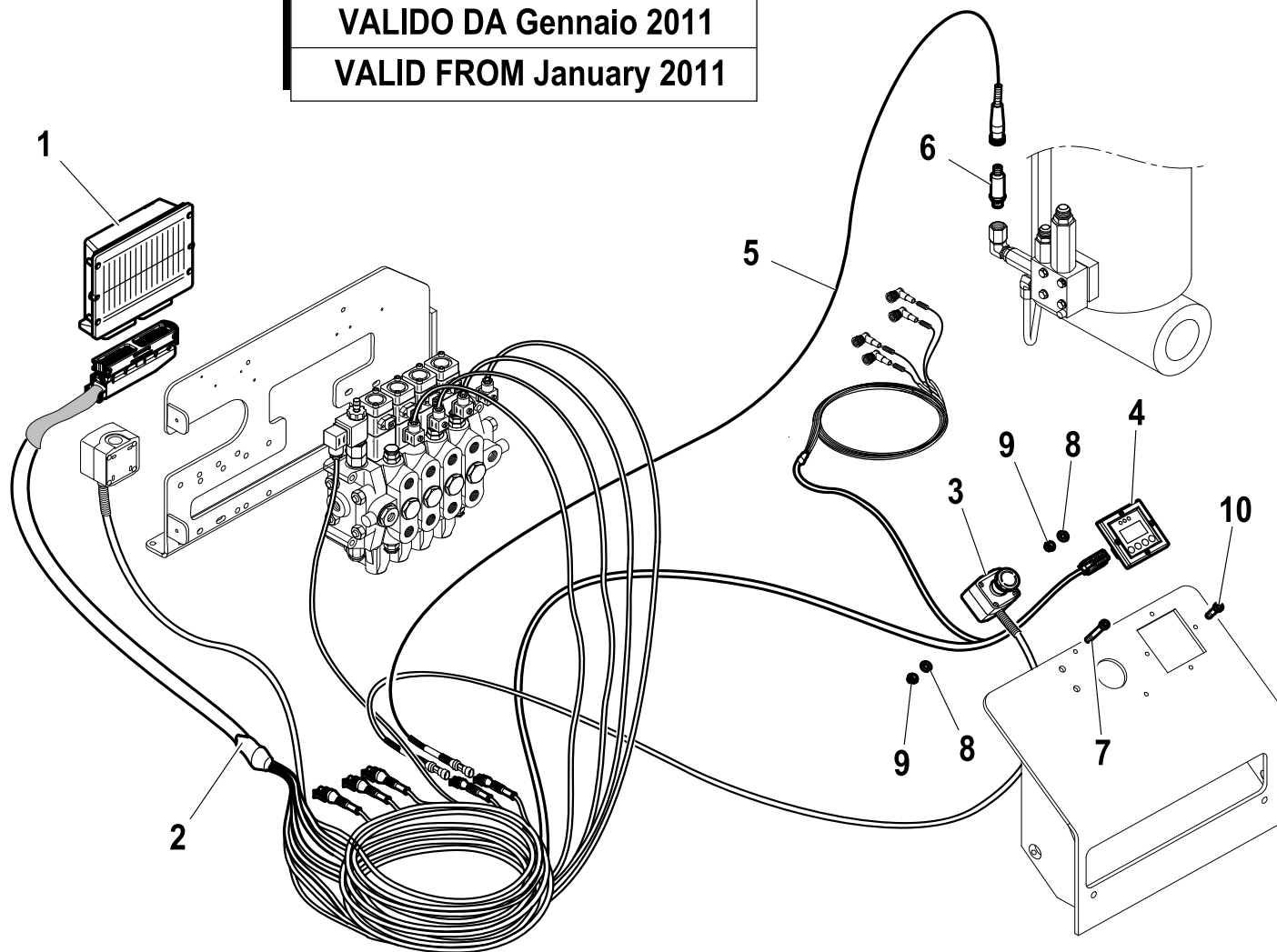
DOUBLE CONTROLS (EN12999-A3)

Code

5401408-2.1

1/1

VALIDO DA Gennaio 2011
VALID FROM January 2011



R	Pos.	Code Variant	Q.ty	Description
1	3311423		1	Moment limiting device [SUPERATO]
2	5160085		1	Electric wiring
3	3311400		1	Electric wiring
4	3311328		1	DIGITAL INSTRUMENT PANEL (Moment limiting device)
5	5160084		1	Electric wiring
6	3310612		1	Pressure sensor
7	3020013		2	Socketed head cap screw [M4X60 8.8 ZC UNI 5931]
8	3060030		4	Flat washer [D.6.6X18 UNI 6593 ZC]
9	3040518		4	Stopnut
10	3020885		2	Socketed head cap screw [M4X20 8.8 ZC UNI 5931]

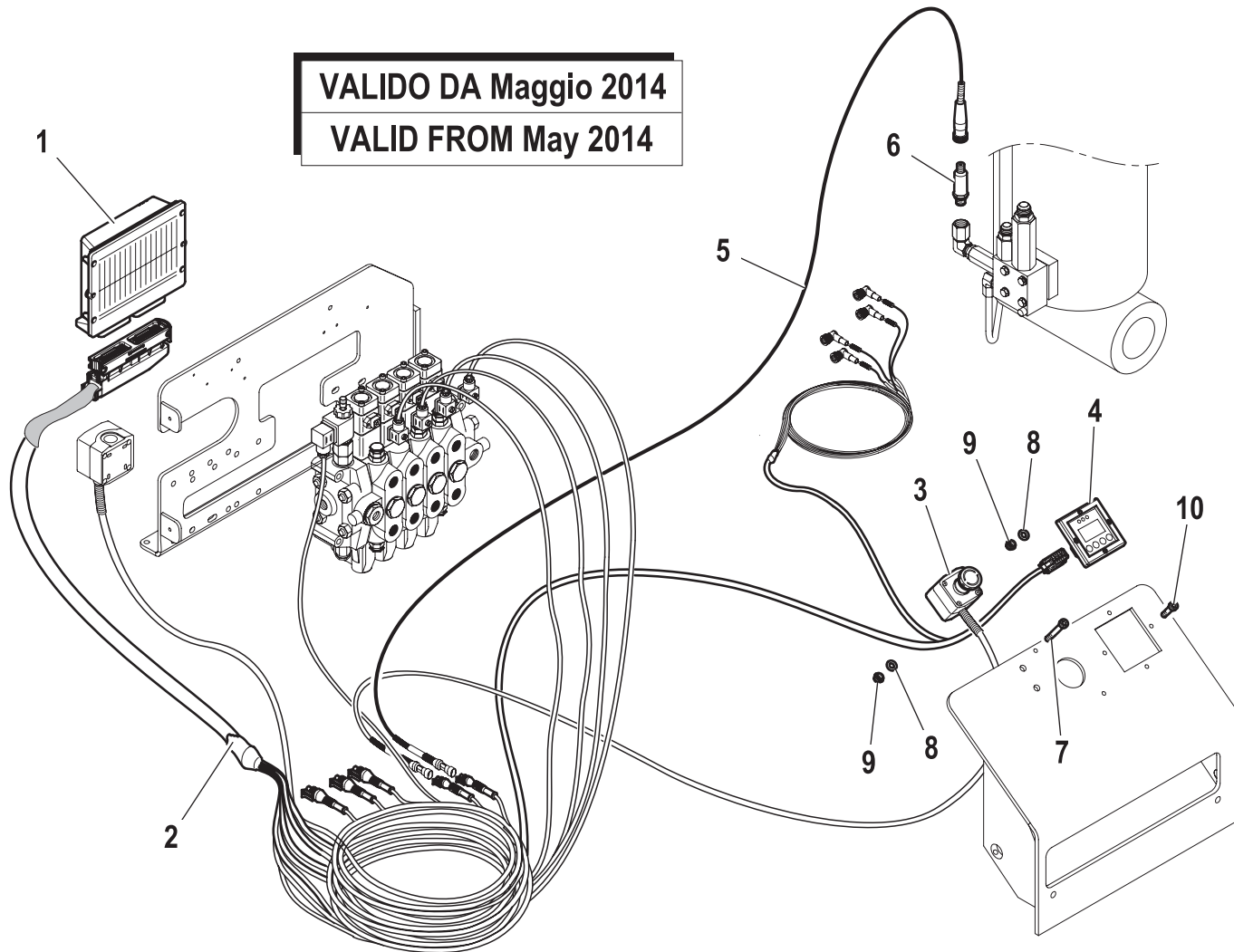
DOUBLE CONTROLS (EN12999-A3)

Code

5401897-2.0

1/1

VALIDO DA Maggio 2014
VALID FROM May 2014



R	Pos.	Code Variant	Q.ty	Description
	1	3311630	1	Moment limiting device (WITH RESINING)
	2	5160085	1	Electric wiring
	3	3311400	1	Electric wiring
	4	3311328	1	DIGITAL INSTRUMENT PANEL (Moment limiting device)
	5	5160084	1	Electric wiring
	6	3310612	1	Pressure sensor
	7	3020013	2	Socket head cap screw [M4X60 8.8 ZC UNI 5931]
	8	3060030	4	Flat washer [D.6.6X18 UNI 6593 ZC]
	9	3040518	4	Stopnut
	10	3020885	2	Socket head cap screw [M4X20 8.8 ZC UNI 5931]

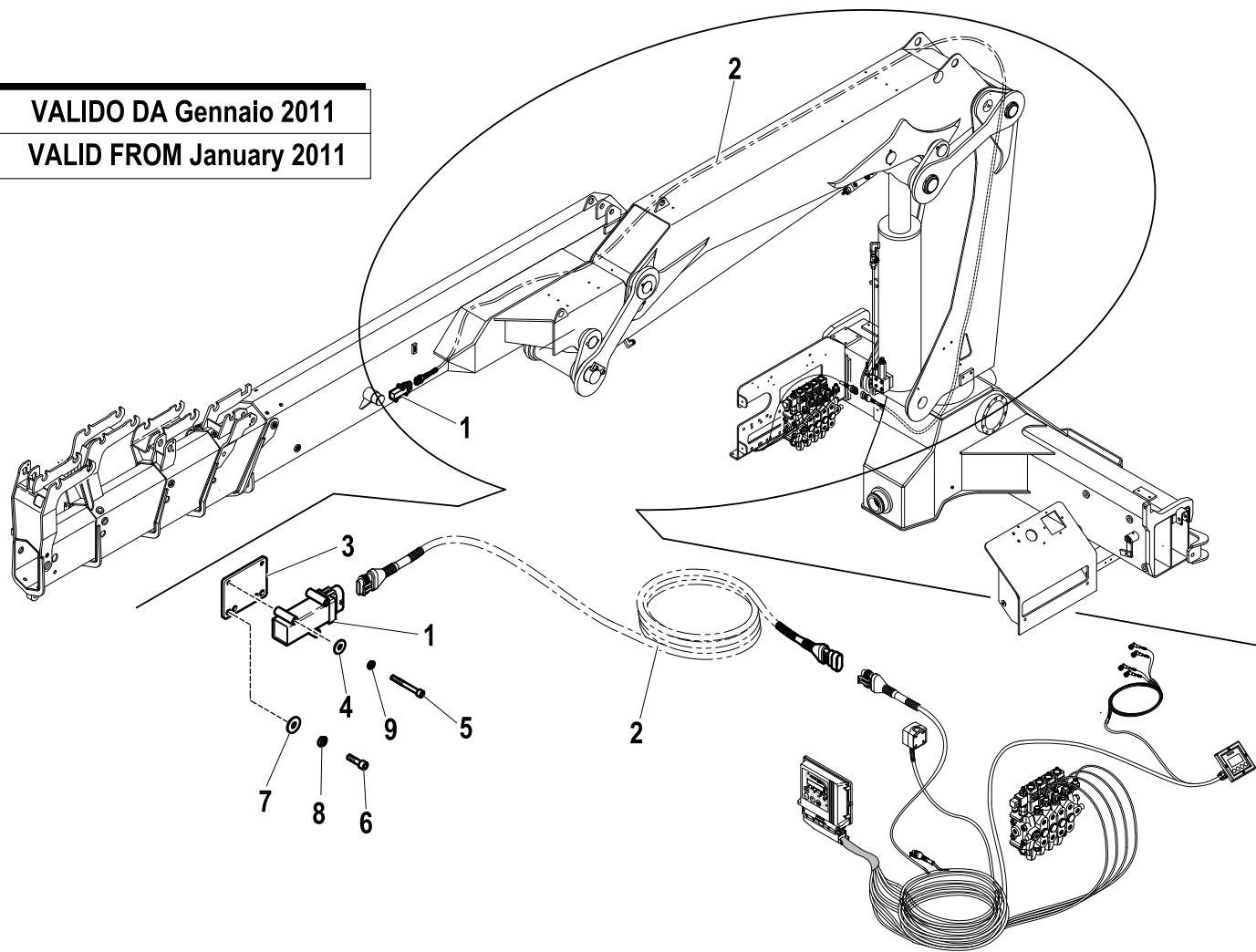
DOUBLE CONTROLS (EN12999-A3)

Code

5401408-3.0

1/1

VALIDO DA Gennaio 2011
VALID FROM January 2011



R	Pos.	Code Variant	Q.ty	Description
	1	3311150	1	Tiltmeter
	2	5160076	1	
	3	5002108	1	Support plate (Tiltmeter)
	4	3060003	2	Flat washer [D.4 UNI 6592 ZC]
	5	3020018	2	Socketed head cap screw [M4X30 8.8 ZC UNI 5931]
	6	3020033	2	Socketed head cap screw [M6X10 8.8 ZC UNI 5931]
	7	3060005	2	Flat washer [D.6.4 UNI 6592 ZC]
	8	3060053	2	Split lock washer [D=6.4 C72 ZC]
	9	3060065	2	Split lock washer [D=4.1 C72 ZC]

DOUBLE CONTROLS (EN12999-A3)

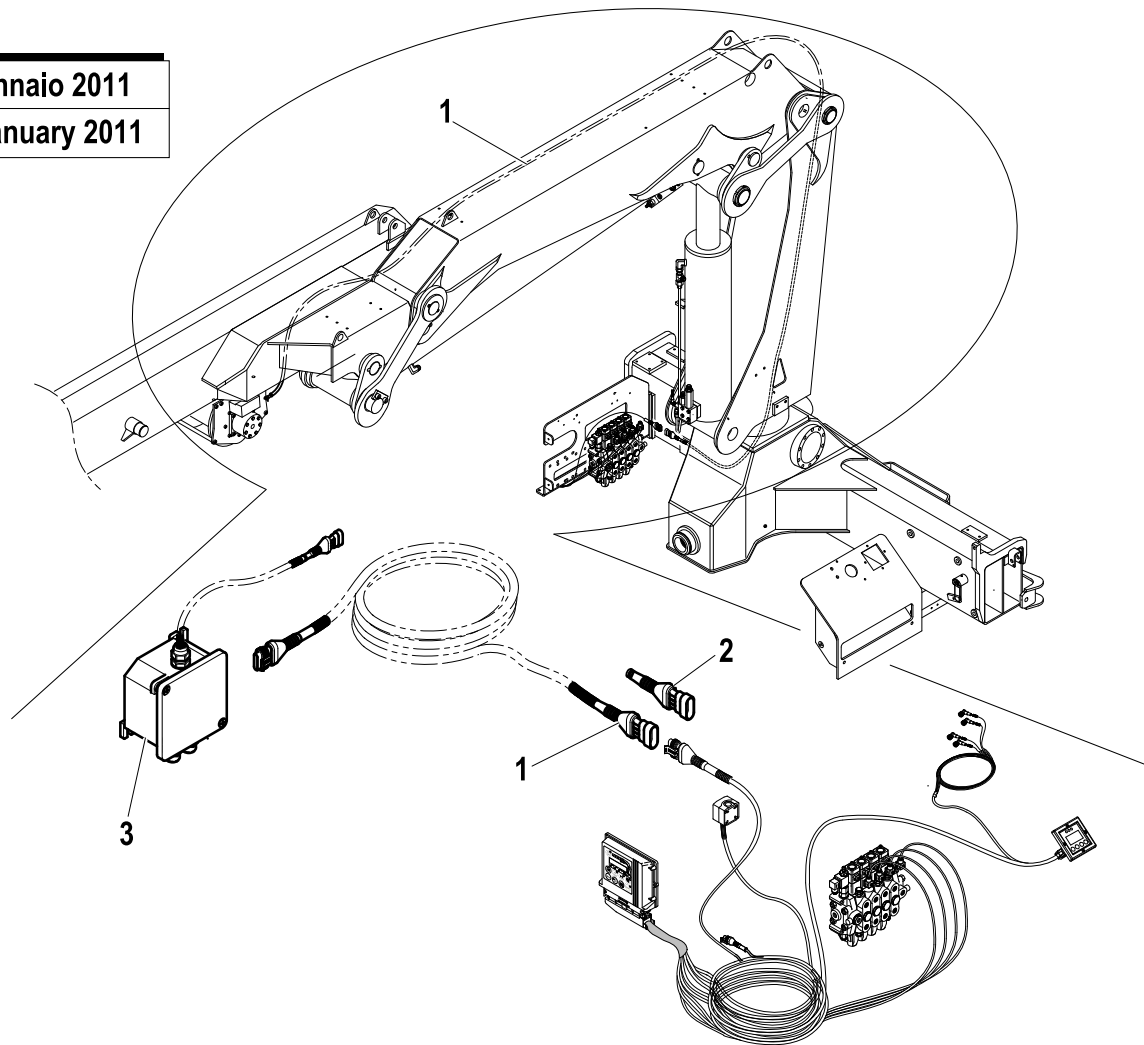
Code

5401408-6.0

1/1

R	Pos.	Code Variant	Q.ty	Description
	1	5160004	1	
	2	5160013	1	
	3	3310663	1	

VALIDO DA Gennaio 2011
VALID FROM January 2011



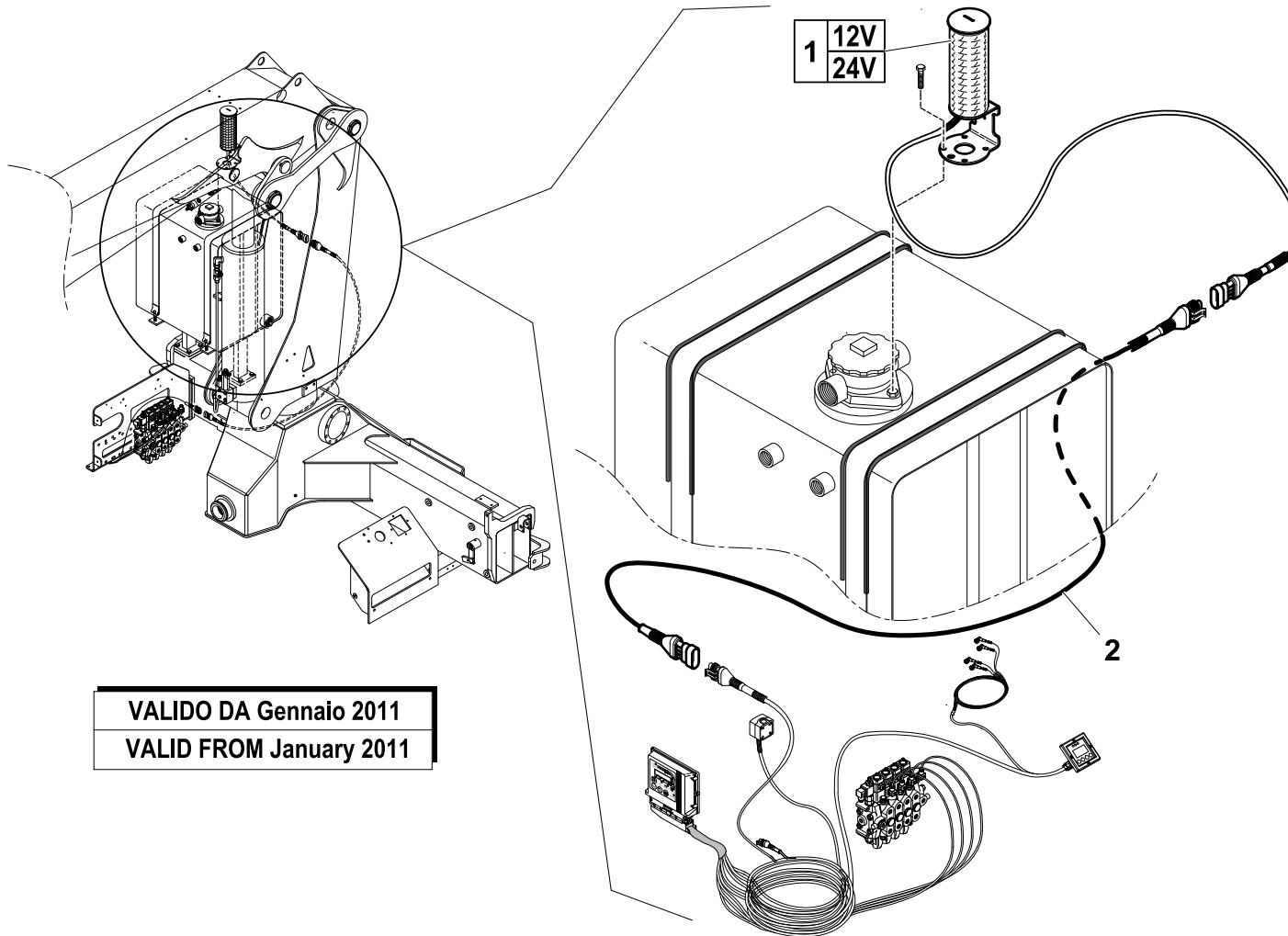
DOUBLE CONTROLS (EN12999-A3)

Code

5401408-7.0

1/1

R	Pos.	Code Variant	Q.ty	Description
1		3311159	1	Signal Columns
2		5160003	1	Electric wiring



VALIDO DA Gennaio 2011
VALID FROM January 2011

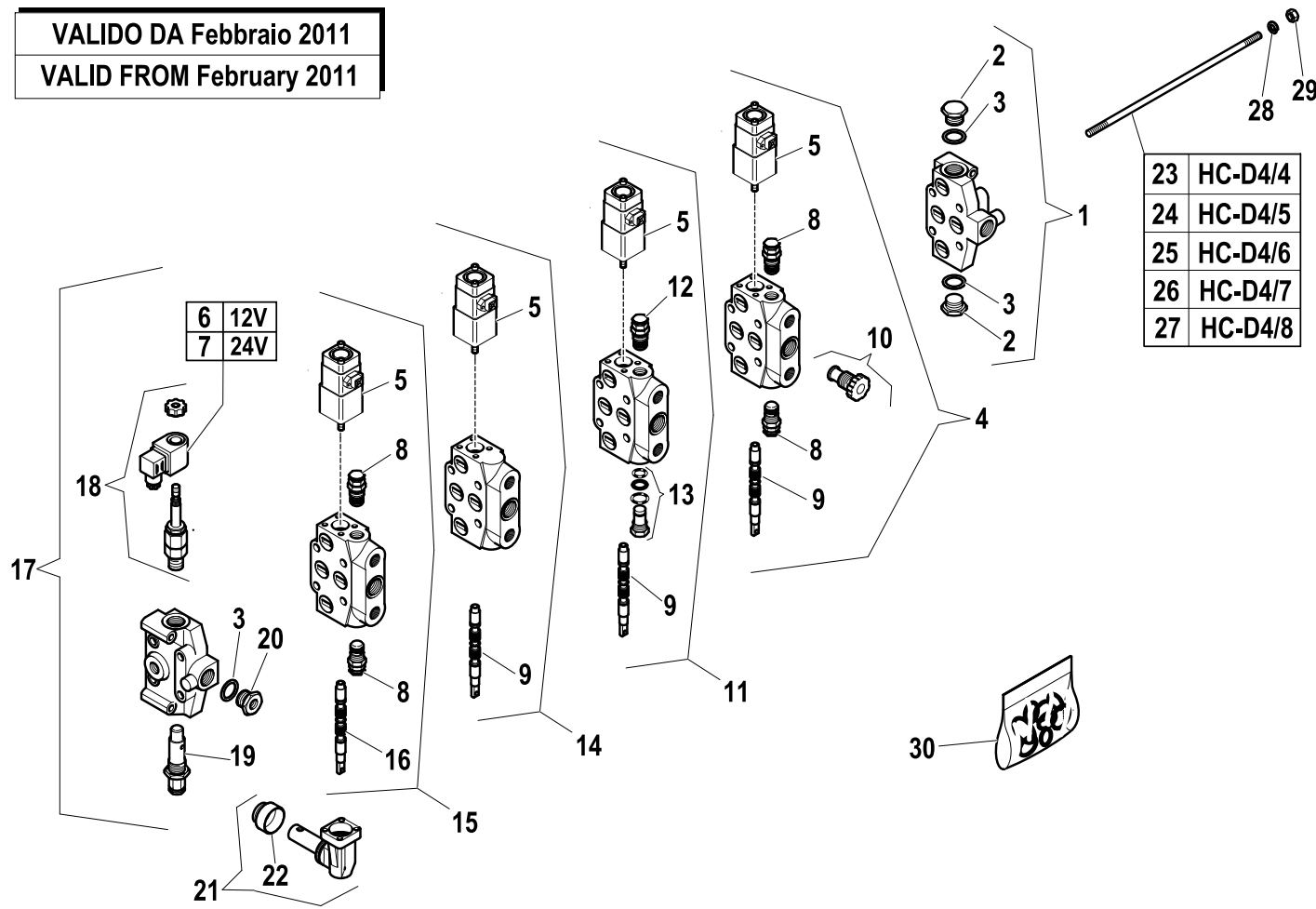
Control valve ass'y (EN12999-A3)

Code

5220465-1.0

1/2

VALIDO DA Febbraio 2011
VALID FROM February 2011



23	HC-D4/4
24	HC-D4/5
25	HC-D4/6
26	HC-D4/7
27	HC-D4/8

R	Pos.	Code Variant	Q.ty	Description
	1	5225477	1	
	2	3110065	2	Plug
	3	3060145	3	Sealing washer [BSP 1/2"]
	4	5225698	1	
	5	5225372	4	inspection (Electric)
	6	3311046	1	
	7	3311047	1	
	8	5225200	4	
	9	5225311	3	
	10	5225865	4	
	11	5225699	1	
	12	5225145	1	
	13	5225470	1	
	14	5225860	1	
	15	5225861	1	
	16	5225177	1	
	17	5225862	1	
	18	5225429	1	Solenoid valve
	19	5225546	1	
	20	3110161	1	Reducing fitting

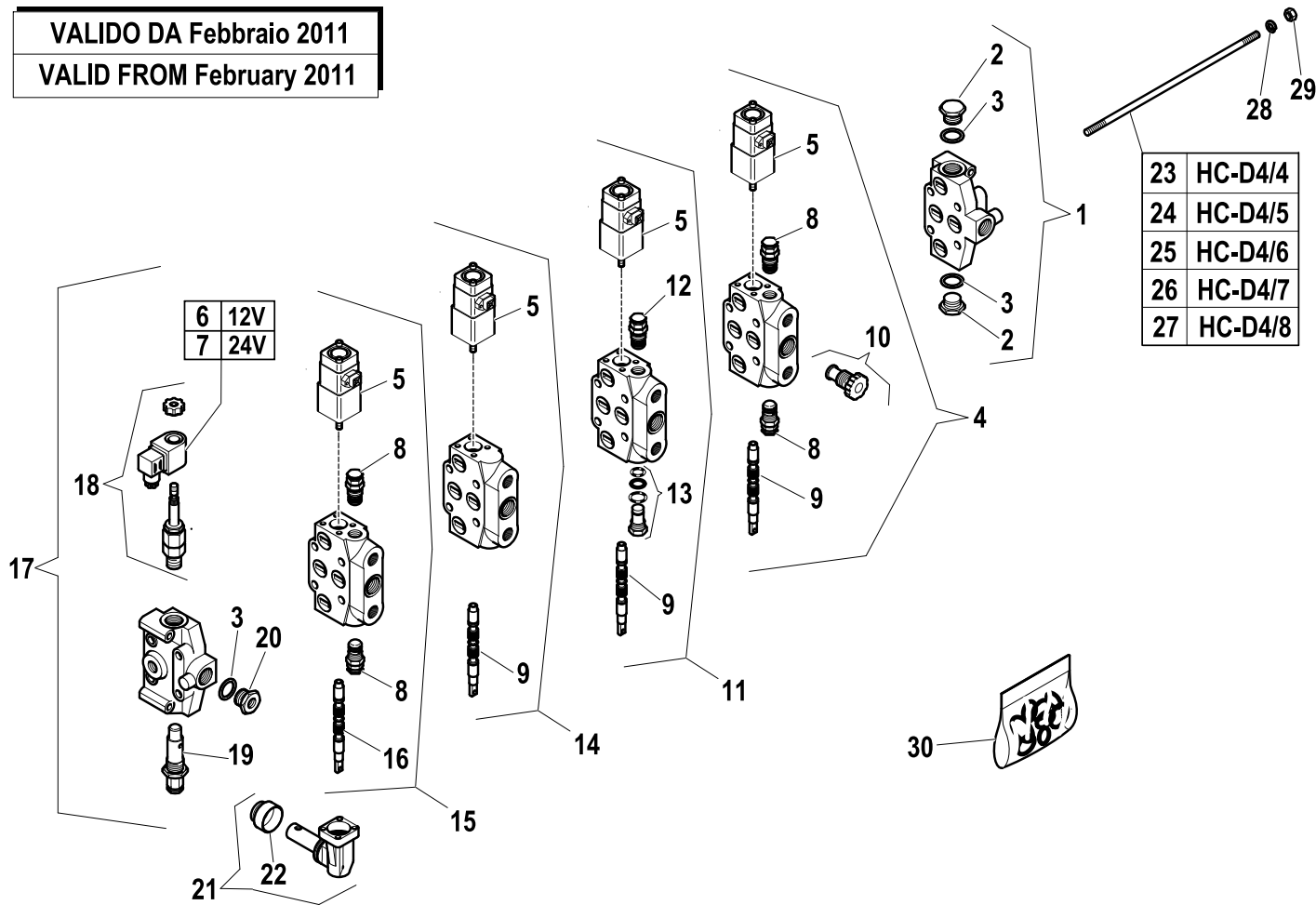
Control valve ass'y (EN12999-A3)

Code

5220465-1.0

2/2

VALIDO DA Febbraio 2011
VALID FROM February 2011



23	HC-D4/4
24	HC-D4/5
25	HC-D4/6
26	HC-D4/7
27	HC-D4/8

R	Pos.	Code Variant	Q.ty	Description
	21	5225126	4	
	22	5225128	4	
	23	5225224	4	
	24	5225213	4	
	25	5225214	4	6 elements unit fixing stud
	26	5225215	4	7 elements unit fixing stud (Tie rod)
	27	5225216	4	
	28	3060056	8	Split lock washer [D=10 C72 ZC]
	29	3040046	8	Nut
	30	5225863	1	

Manifold (CE)

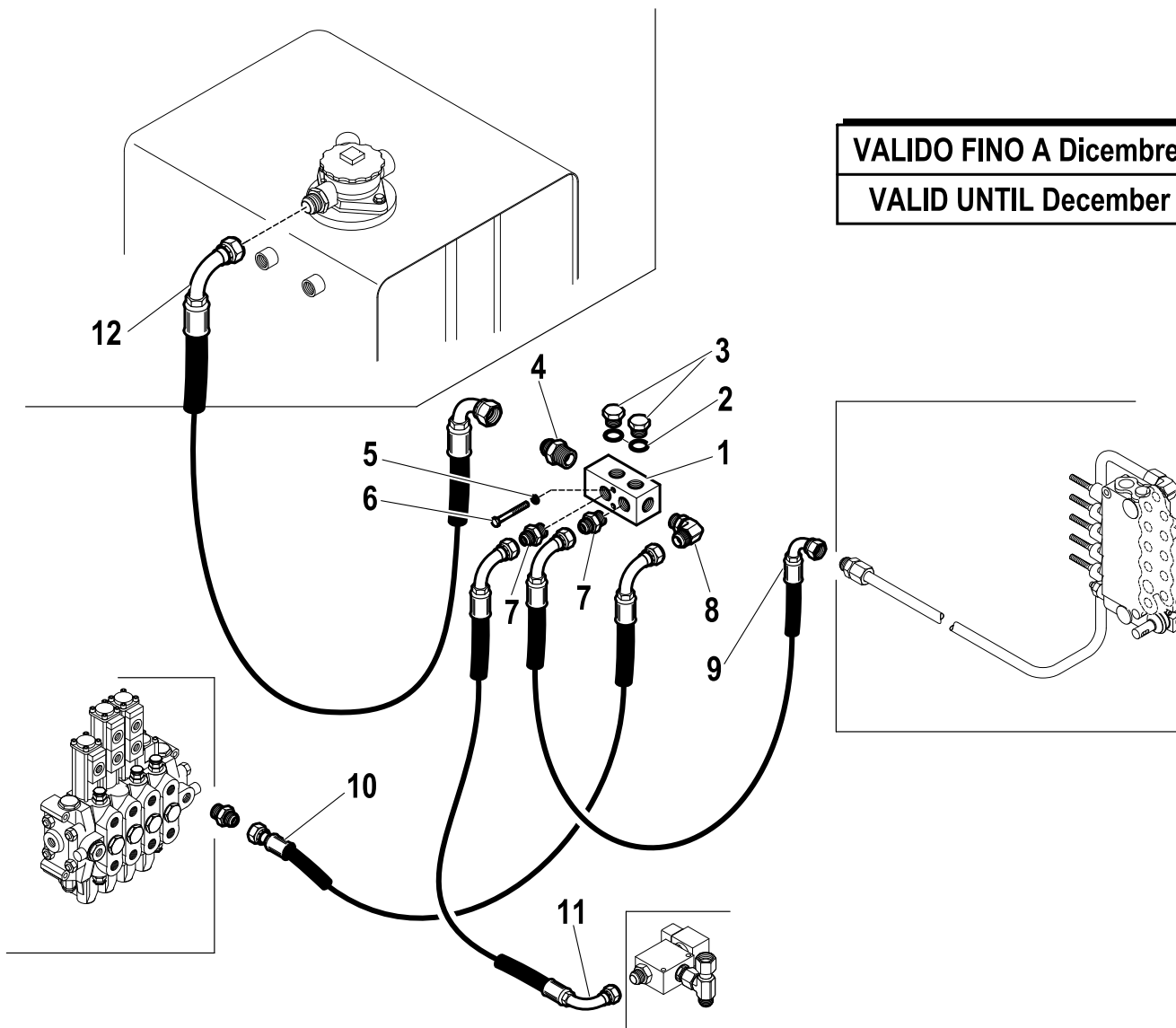
Code

5400265-1.0

1/1

R	Pos.	Code Variant	Q.ty	Description
	1	5000718	1	
	2	3060145	2	Sealing washer [BSP 1/2"]
	3	3110065	2	Plug
	4	3101056	1	Straight pipe fitting
	5	3060053	1	Split lock washer [D=6.4 C72 ZC]
	6	3010388	1	Hex screw [M6X60 ZC UNI 5737]
	7	3101051	2	Straight pipe fitting
	8	3101132	1	90° Connection
	9	5280527	1	Flexible hose
	10	5290067	1	Flexible hose
	11	5280521	1	Flexible hose
	12	5290068	1	Flexible hose

VALIDO FINO A Dicembre 2010
VALID UNTIL December 2010



Manifold (EN12999-A3)

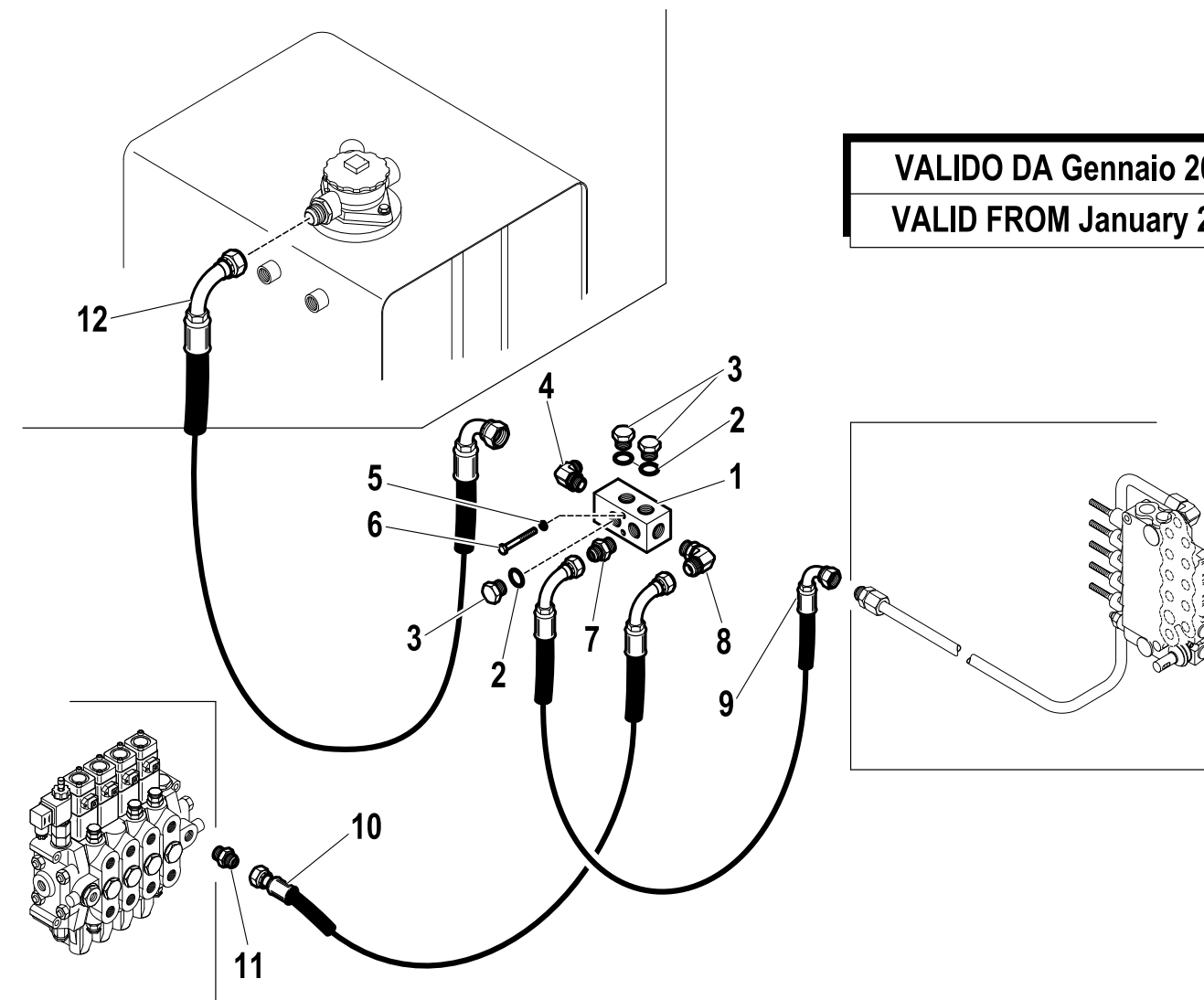
Code

5400265-2.0

1/1

R	Pos.	Code Variant	Q.ty	Description
	1	5000718	1	
	2	3060145	3	Sealing washer [BSP 1/2"]
	3	3110065	3	Plug
	4	3101133	1	90° Connection
	5	3060053	1	Split lock washer [D=6.4 C72 ZC]
	6	3010388	1	Hex screw [M6X60 ZC UNI 5737]
	7	3101051	1	Straight pipe fitting
	8	3101132	1	90° Connection
	9	5280527	1	Flexible hose
	10	5290067	1	Flexible hose
	11	3101058	1	Straight pipe fitting
	12	5290068	1	Flexible hose

VALIDO DA Gennaio 2011
VALID FROM January 2011

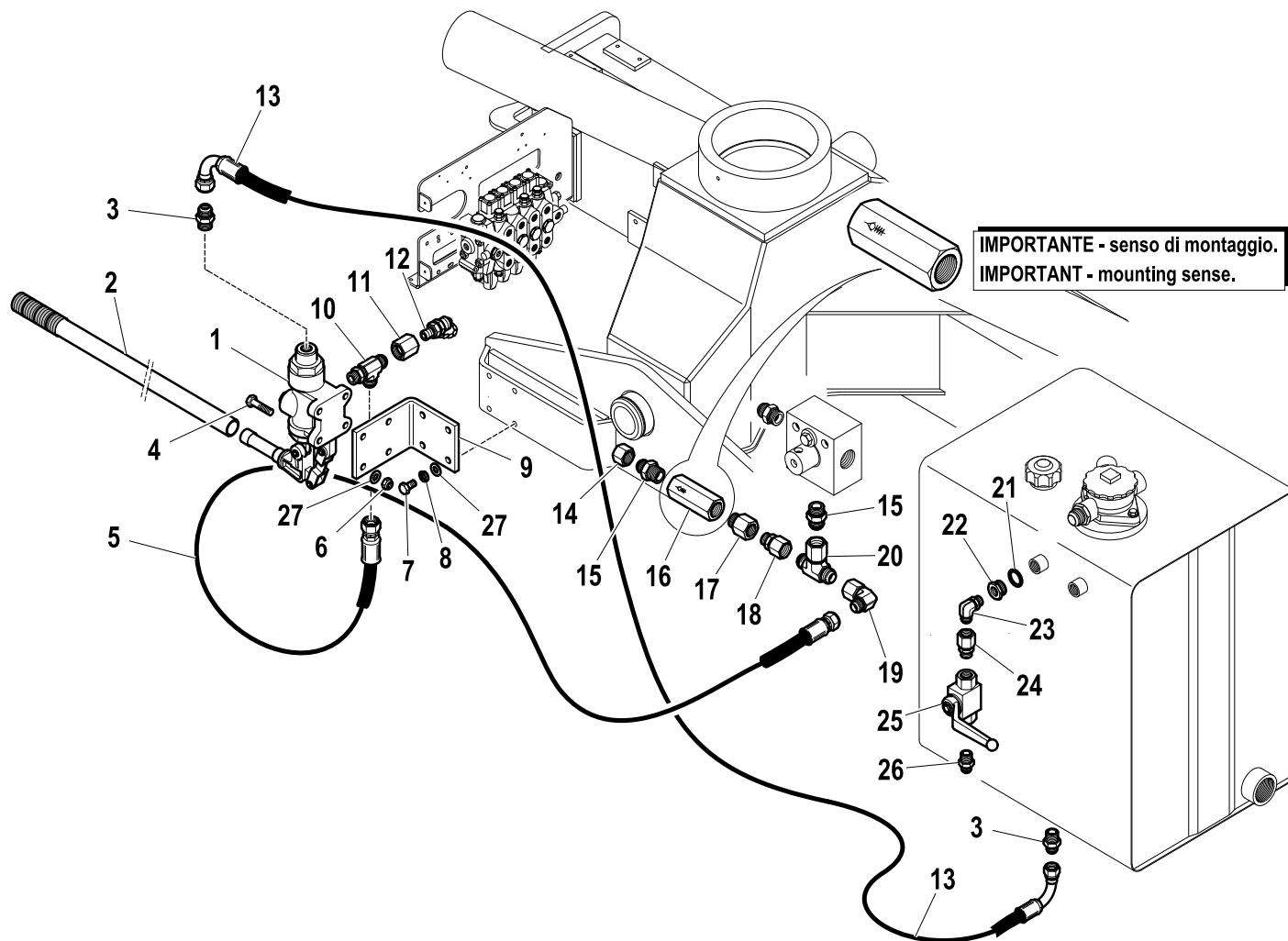


PUMP HAND KIT

Code

7880142-1.0

1/2



R	Pos.	Code Variant	Q.ty	Description
	1	W390502	1	Manual pump
	2	5700169	1	Control lever
	3	3101051	2	Straight pipe fitting
	4	3010358	4	Hex screw [M10X40 8.8 ZC UNI 5739]
	5	5280725	1	Flexible hose
	6	3040304	4	Stopnut
	7	3010354	4	Hex screw [M10X20 8.8 ZC UNI 5739]
	8	3060056	4	Split lock washer [D=10 C72 ZC]
	9	W630504500	1	Support plate (Manual pump)
	10	3101176	1	Tee fitting
	11	3120356	1	Reducing fitting
	12	3111523	1	Pipe fitting (Tapping point) [RACC. MILITES 16X2-1/4"G]
	13	5280724	1	Flexible hose
	14	3110050	1	Female plug
	15	3120073	2	Straight pipe fitting
	16	W470206	1	Non-return valve
	17	3120386	1	
	18	3120072	1	Straight pipe fitting
	19	3120034	1	90° Connection
	20	3120021	1	Tee fitting

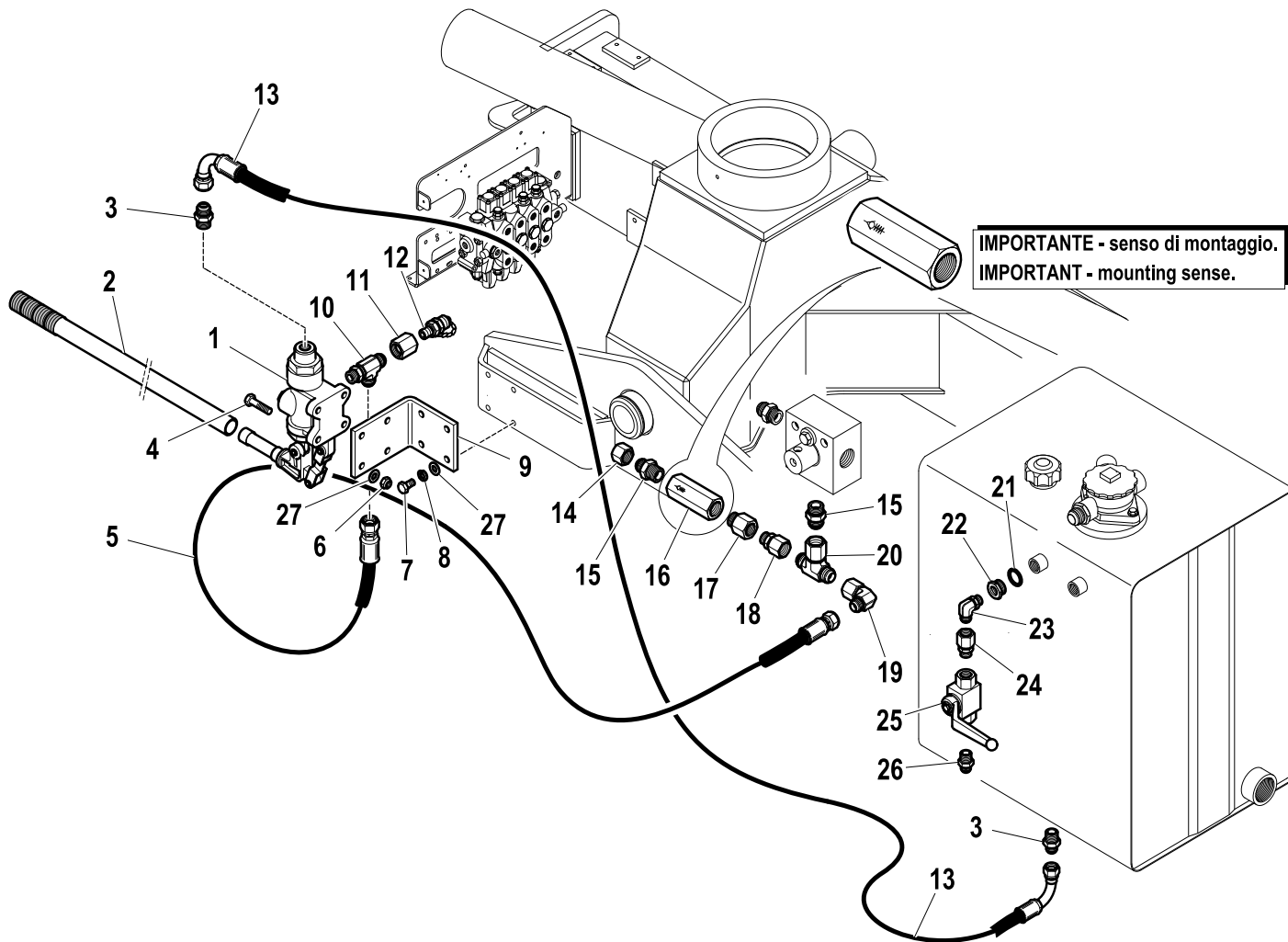
PUMP HAND KIT

Code

7880142-1.0

2/2

R	Pos.	Code Variant	Q.ty	Description
	21	3060145	1	Sealing washer [BSP 1/2"]
	22	3110161	1	Reducing fitting
	23	3101124	1	90° Connection
	24	3120064	1	Straight pipe fitting
	25	5220063	1	Cock
	26	3101039	1	Straight pipe fitting
	27	3060914	8	Flat washer [D.10.5X21X2 UNI 6592 ZC]

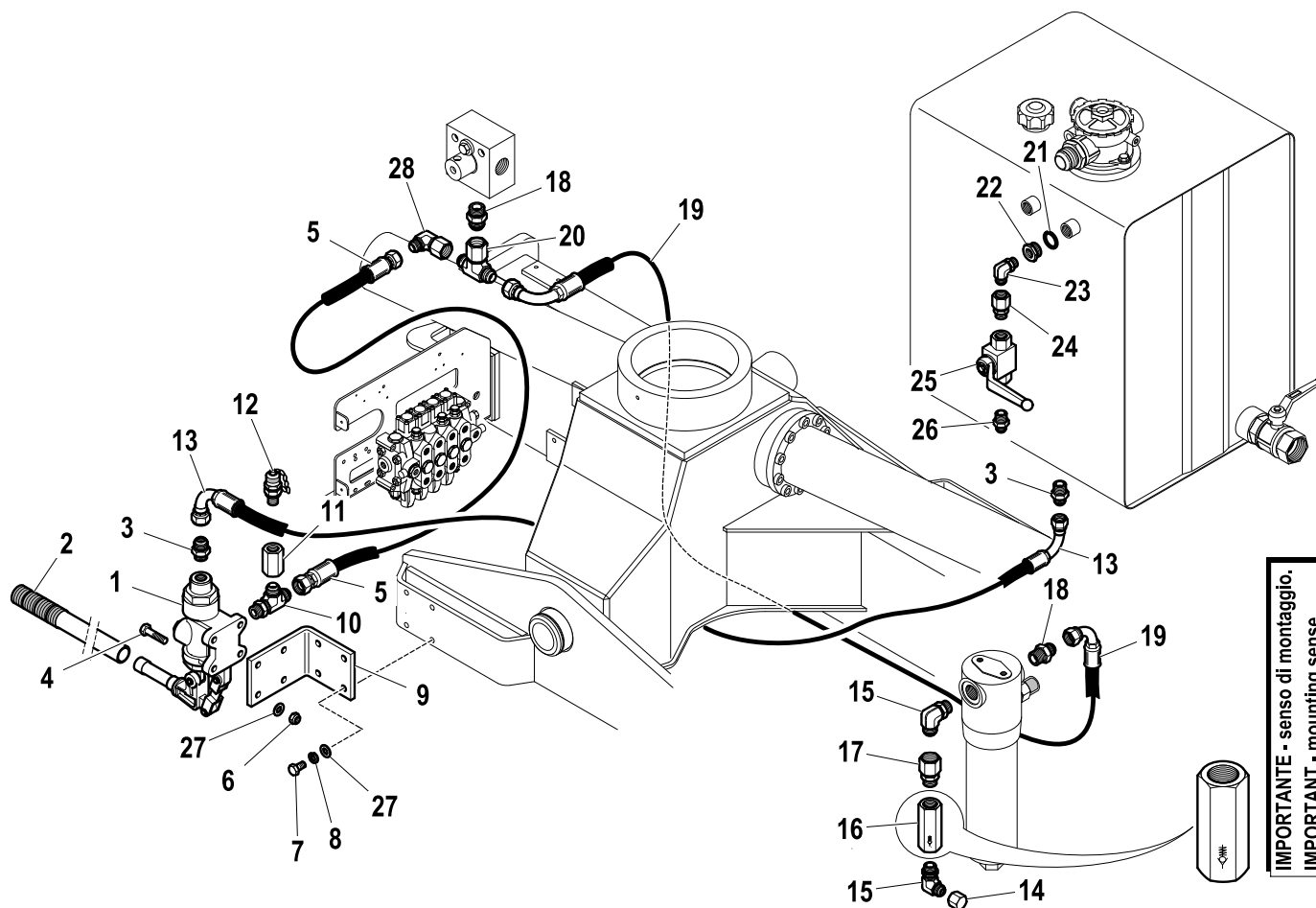


PUMP HAND KIT (High pressure filter)

Code

7880142-2.0

1/2



R	Pos.	Code Variant	Q.ty	Description
	1	W390502	1	Manual pump
	2	5700169	1	Control lever
	3	3101051	2	Straight pipe fitting
	4	3010358	4	Hex screw [M10X40 8.8 ZC UNI 5739]
	5	5280725	1	Flexible hose
	6	3040304	4	Stopnut
	7	3010354	4	Hex screw [M10X20 8.8 ZC UNI 5739]
	8	3060056	4	Split lock washer [D=10 C72 ZC]
	9	W630504500	1	Support plate (Manual pump)
	10	3101176	1	Tee fitting
	11	3120356	1	Reducing fitting
	12	3111523	1	Pipe fitting (Tapping point) [RACC. MILITES 16X2-1/4"G]
	13	5280724	1	Flexible hose
	14	3110050	1	Female plug
	15	3101134	2	90° Connection
	16	W470206	1	Non-return valve
	17	3120080	1	Straight pipe fitting
	18	3120073	2	Straight pipe fitting
	19	5280484	1	Flexible hose
	20	3120021	1	Tee fitting

**IMPORTANTE - senso di montaggio.
IMPORTANT - mounting sense.**

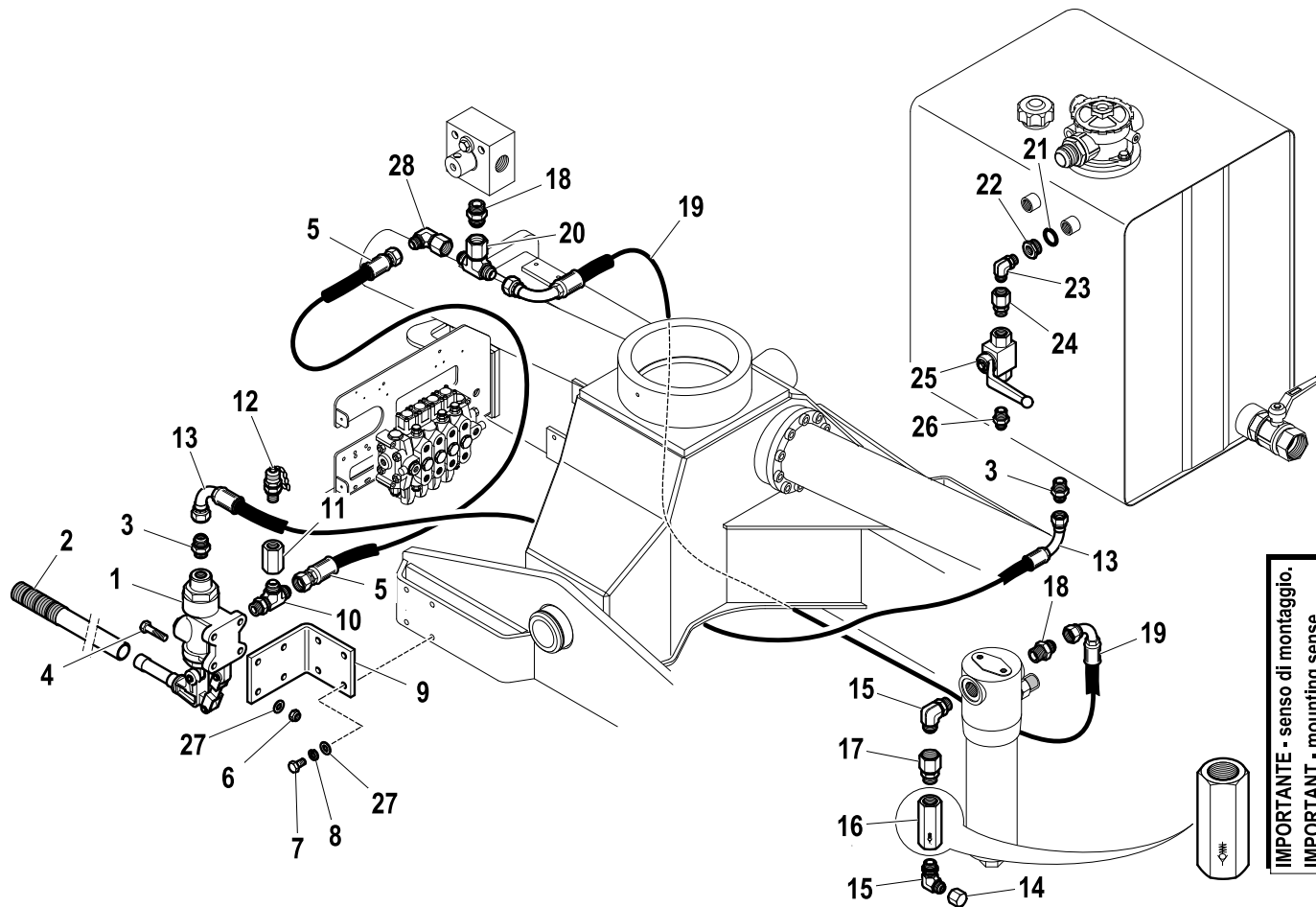
PUMP HAND KIT (High pressure filter)

Code

7880142-2.0

2/2

R	Pos.	Code Variant	Q.ty	Description
	21	3060145	1	Sealing washer [BSP 1/2"]
	22	3110161	1	Reducing fitting
	23	3101124	1	90° Connection
	24	3120064	1	Straight pipe fitting
	25	5220063	1	Cock
	26	3101039	1	Straight pipe fitting
	27	3060914	8	Flat washer [D.10.5X21X2 UNI 6592 ZC]
	28	3120034	1	90° Connection



Hydraulic oil tank

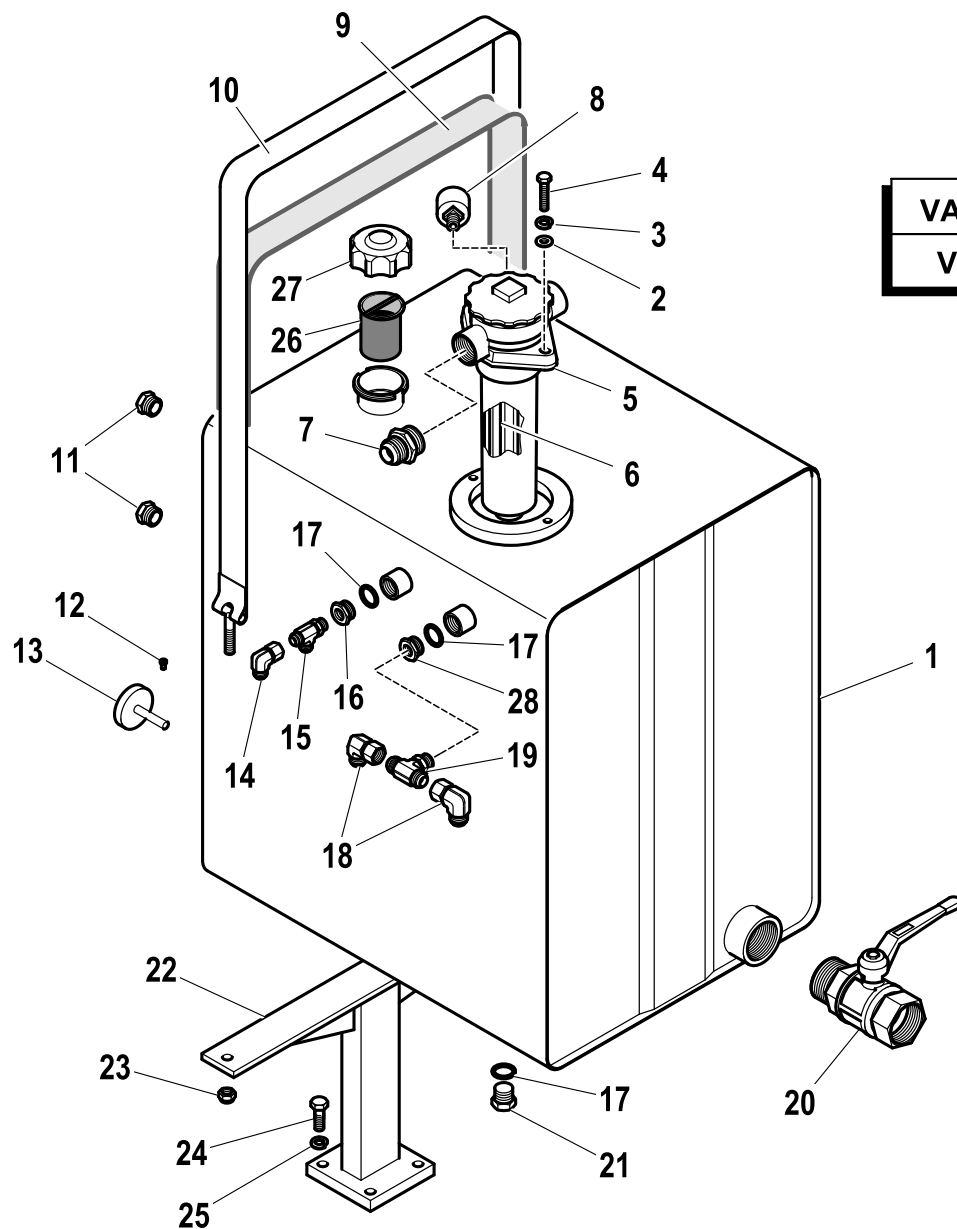
Code

5400359-1.0

1/2

VALIDO FINO A GEN. 2009

VALID UNTIL GEN. 2009



R	Pos.	Code Variant	Q.ty	Description
	1	5090683	1	
	2	3060006	2	Flat washer [D.8 UNI 6592 ZC]
	3	3060055	2	Split lock washer [D=8.4 C72 ZC]
	4	3010029	2	Hex screw [M8X30 8.8 ZC UNI 5737]
	5	3180196	1	Oil filter
	6	3180110	1	Filtering cartridge
	7	3101057	1	Straight pipe fitting
	8	3180147	1	Pressure gauge (Clogging indicator)
	9	3190020	2	
	10	5001164	2	
	11	3180099	2	
	12	3020880	1	[M3X15 UNI 7688 ZC TAGLIO CR.]
	13	3180097	1	
	14	3120011	1	90° Connection
	15	3101175	1	Tee fitting
	16	3110151	1	Reducing fitting
	17	3060145	3	Sealing washer [BSP 1/2"]
	18	3101124	2	90° Connection
	19	3120302	1	Tee fitting
	20	3140304	1	Cock

Hydraulic oil tank

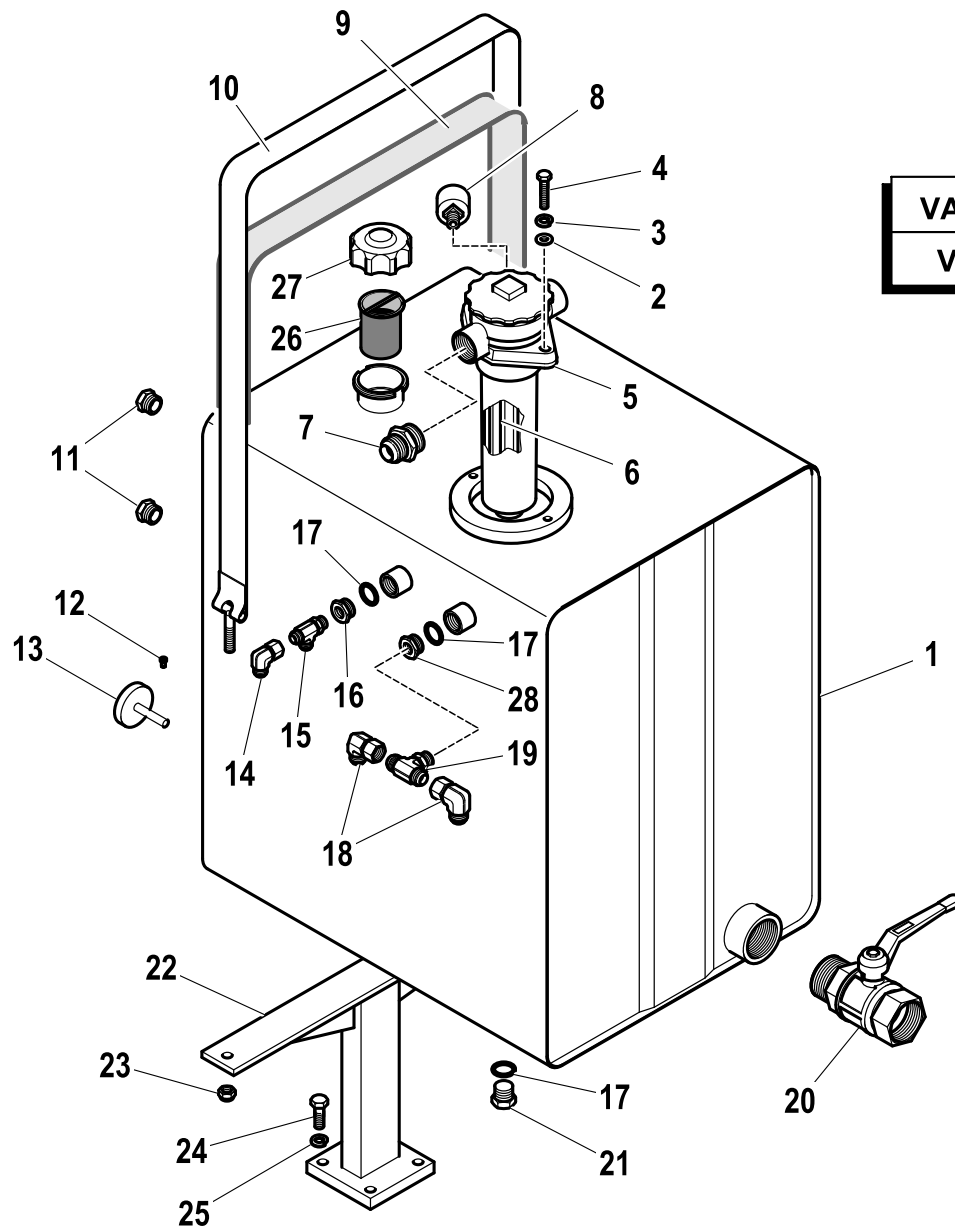
Code

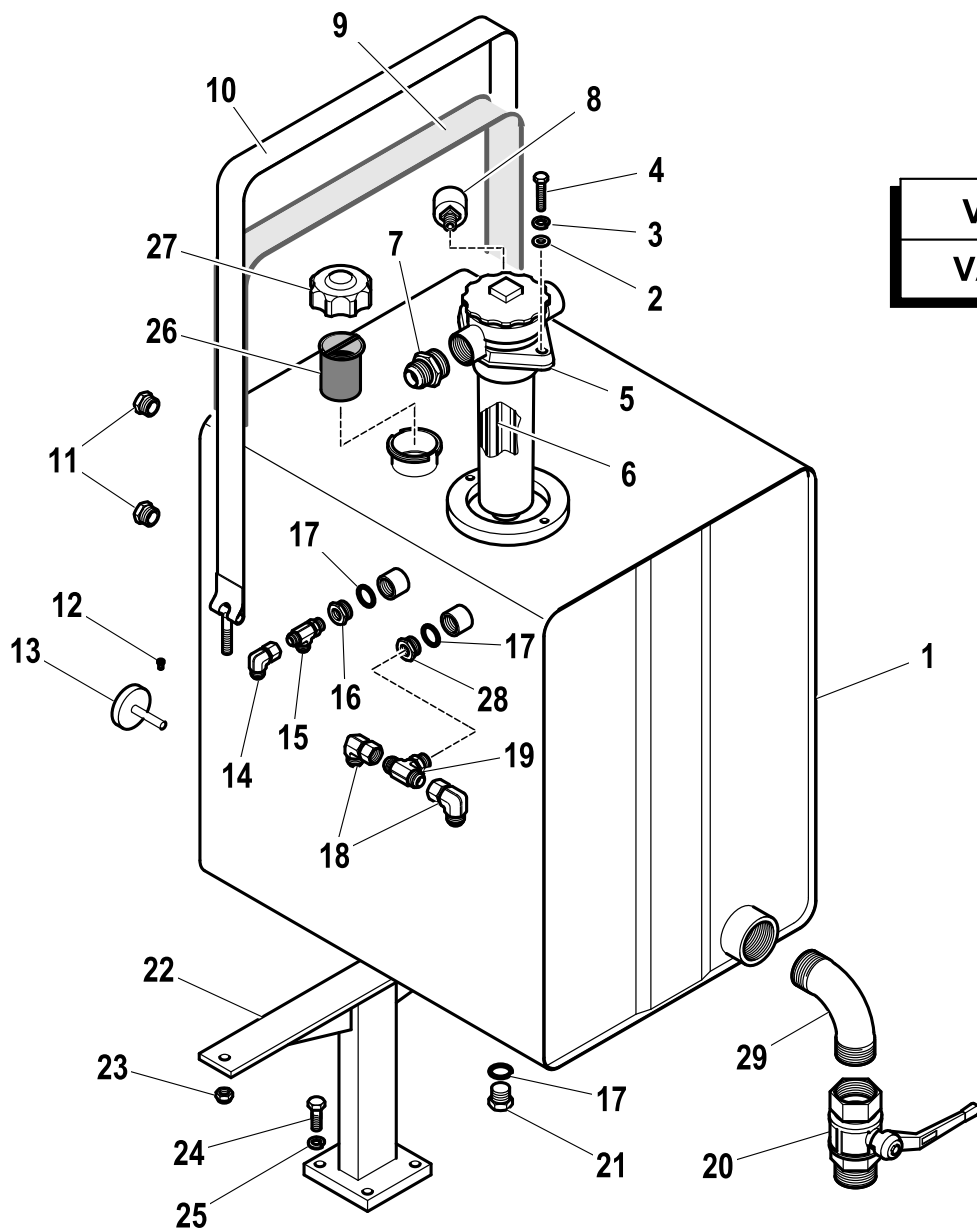
5400359-1.0

2/2

R	Pos.	Code Variant	Q.ty	Description
	21	3110065	1	Plug
	22	5090561	2	
	23	3040304	4	Stopnut
	24	3010355	8	Hex screw [M10X25 8.8 ZC IF UNI 5739]
	25	3060056	8	Split lock washer [D=10 C72 ZC]
	26	W449015	1	Filtering cartridge
	27	W449014	1	Tank cap
	28	3110161	1	Reducing fitting

VALIDO FINO A GEN. 2009
VALID UNTIL GEN. 2009





VALIDO DA FEB. 2009
VALID FROM FEB. 2009

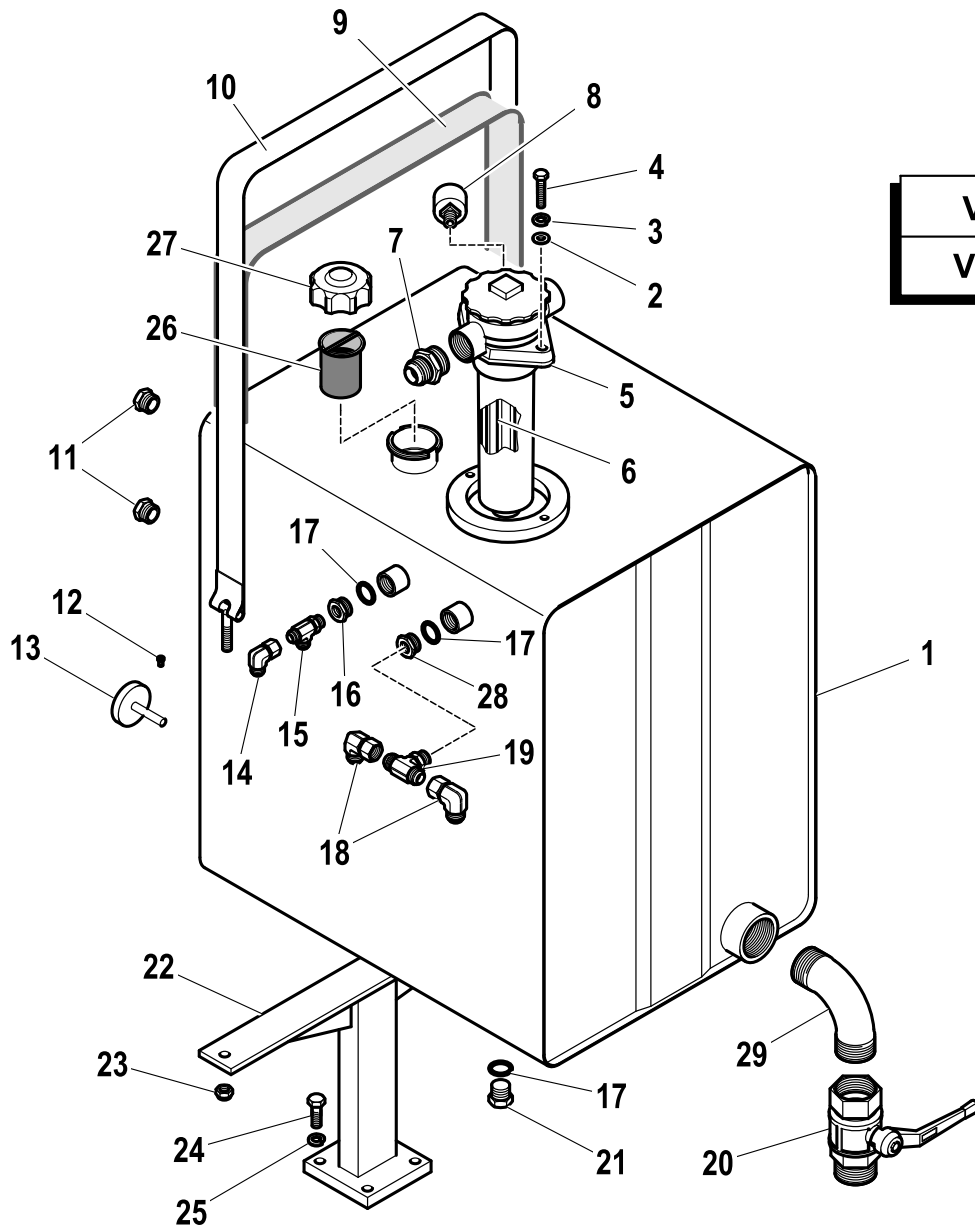
R	Pos.	Code Variant	Q.ty	Description
	1	5090017	1	
	2	3060006	2	Flat washer [D.8 UNI 6592 ZC]
	3	3060055	2	Split lock washer [D=8.4 C72 ZC]
	4	3010029	2	Hex screw [M8X30 8.8 ZC UNI 5737]
	5	3180196	1	Oil filter
	6	3180110	1	Filtering cartridge
	7	3101057	1	Straight pipe fitting
	8	3180147	1	Pressure gauge (Clogging indicator)
	9	3190020	2	
	10	5000521	2	
	11	3180099	2	
	12	3020880	1	[M3X15 UNI 7688 ZC TAGLIO CR.]
	13	3180221	1	Thermometer
	14	3120011	1	90° Connection
	15	3101175	1	Tee fitting
	16	3110151	1	Reducing fitting
	17	3060145	3	Sealing washer [BSP 1/2"]
	18	3101124	2	90° Connection
	19	3120302	1	Tee fitting
	20	3140304	1	Cock

Hydraulic oil tank

Code

5400762-1.0

2/2



VALIDO DA FEB. 2009

VALID FROM FEB. 2009

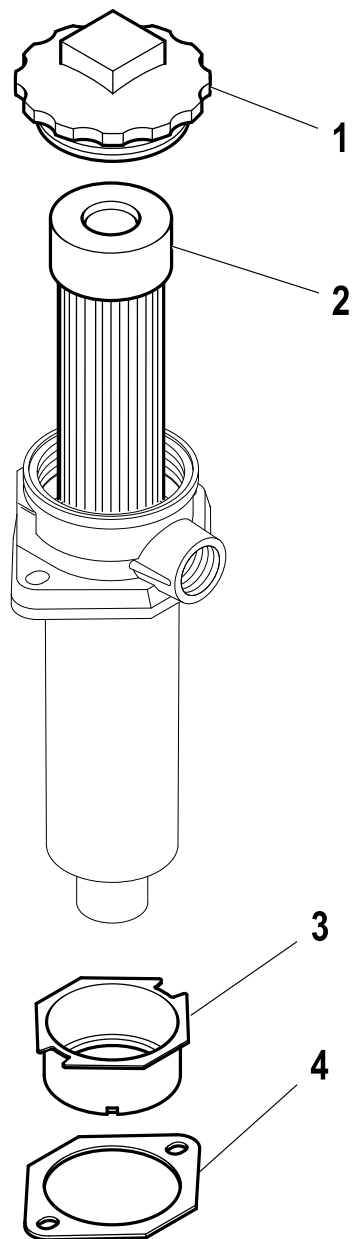
R	Pos.	Code Variant	Q.ty	Description
	21	3110065	1	Plug
	22	5090561	2	
	23	3040304	4	Stopnut
	24	3010355	8	Hex screw [M10X25 8.8 ZC IF UNI 5739]
	25	3060056	8	Split lock washer [D=10 C72 ZC]
	26	W449015	1	Filtering cartridge
	27	W449014	1	Tank cap
	28	3110161	1	Reducing fitting
	29	3101300	1	Pipe (90° Connection)

Oil filter

Code

3180196-1.0

1/1



R	Pos.	Code Variant	Q.ty	Description
	1	3180111	1	
	2	3180110	1	Filtering cartridge
	3	3180156	1	
	4	3180158	1	

Heat exchange unit (24V)

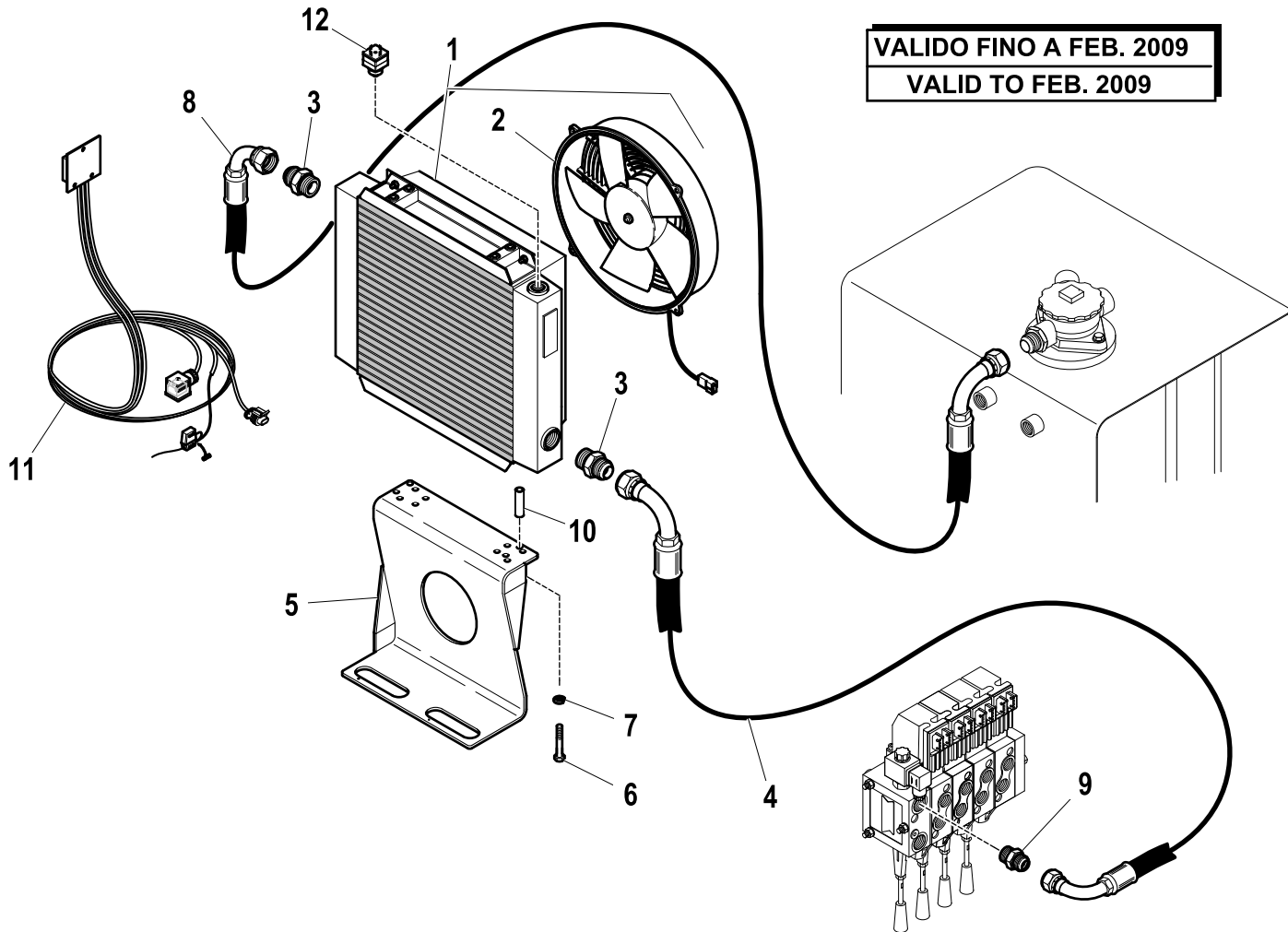
Code

7888004-1.0

1/1

R	Pos.	Code Variant	Q.ty	Description
	1	5710092	1	
	2	5710110	1	
	3	3101057	2	Straight pipe fitting
	4	5290151	1	Flexible hose
	5	5001229	1	Support (Heat exchange unit)
	6	3010035	4	Hex screw [M8X60 8.8 ZC UNI 5737]
	7	3060055	4	Split lock washer [D=8.4 C72 ZC]
	8	5290095	1	Flexible hose
	9	3101056	1	Straight pipe fitting
	10	2091326	4	Spacer (Casing)
	11	W437005	1	
	12	W437101	1	

VALIDO FINO A FEB. 2009
VALID TO FEB. 2009



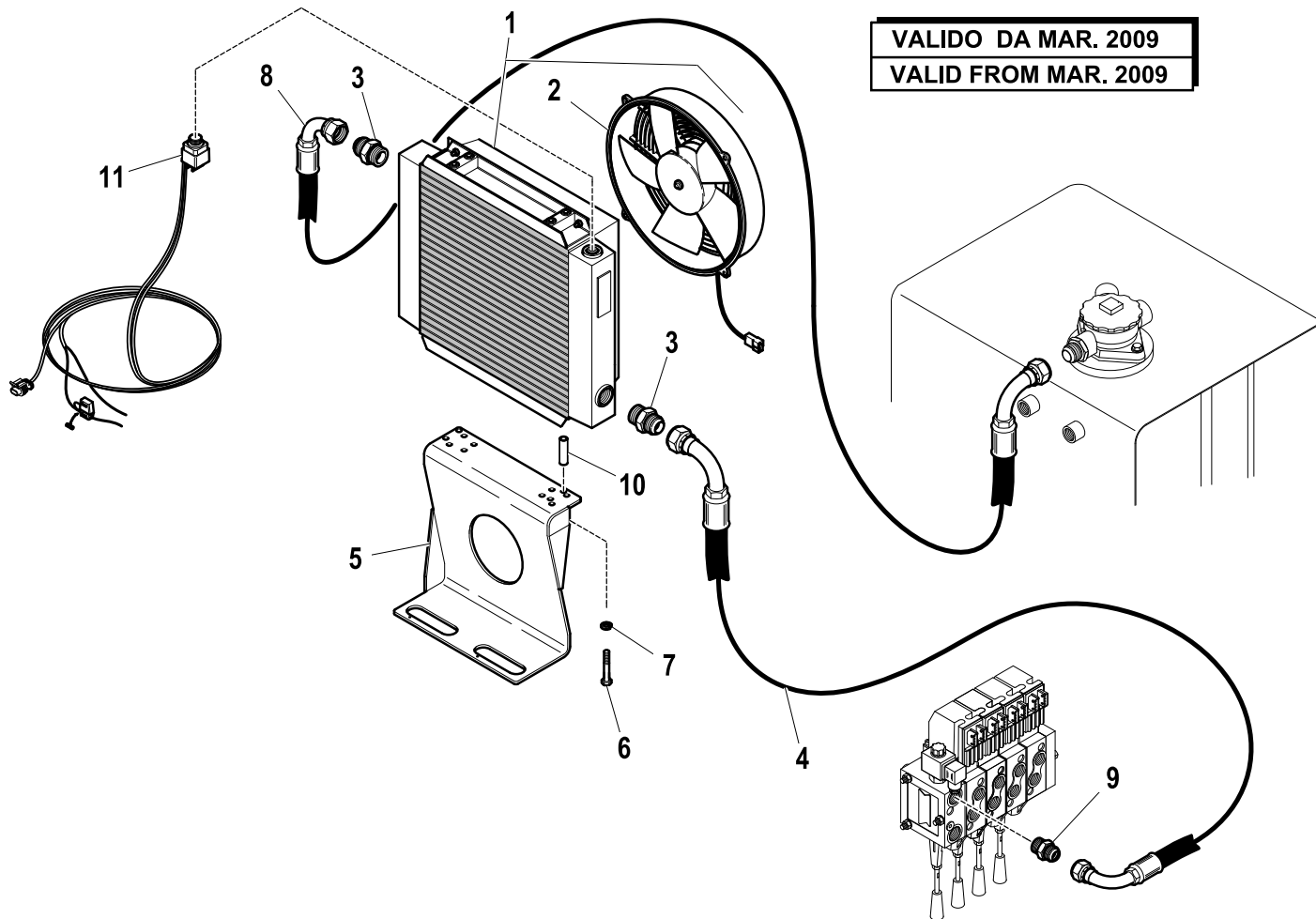
Heat exchange unit (24V)

Code

7888004-2.0

1/1

R	Pos.	Code Variant	Q.ty	Description
	1	5710092	1	
	2	5710110	1	
	3	3101057	2	Straight pipe fitting
	4	5290151	1	Flexible hose
	5	5001229	1	Support (Heat exchange unit)
	6	3010035	4	Hex screw [M8X60 8.8 ZC UNI 5737]
	7	3060055	4	Split lock washer [D=8.4 C72 ZC]
	8	5290095	1	Flexible hose
	9	3101056	1	Straight pipe fitting
	10	2091326	4	Spacer (Casing)
	11	3310062	1	Device (Ignition)



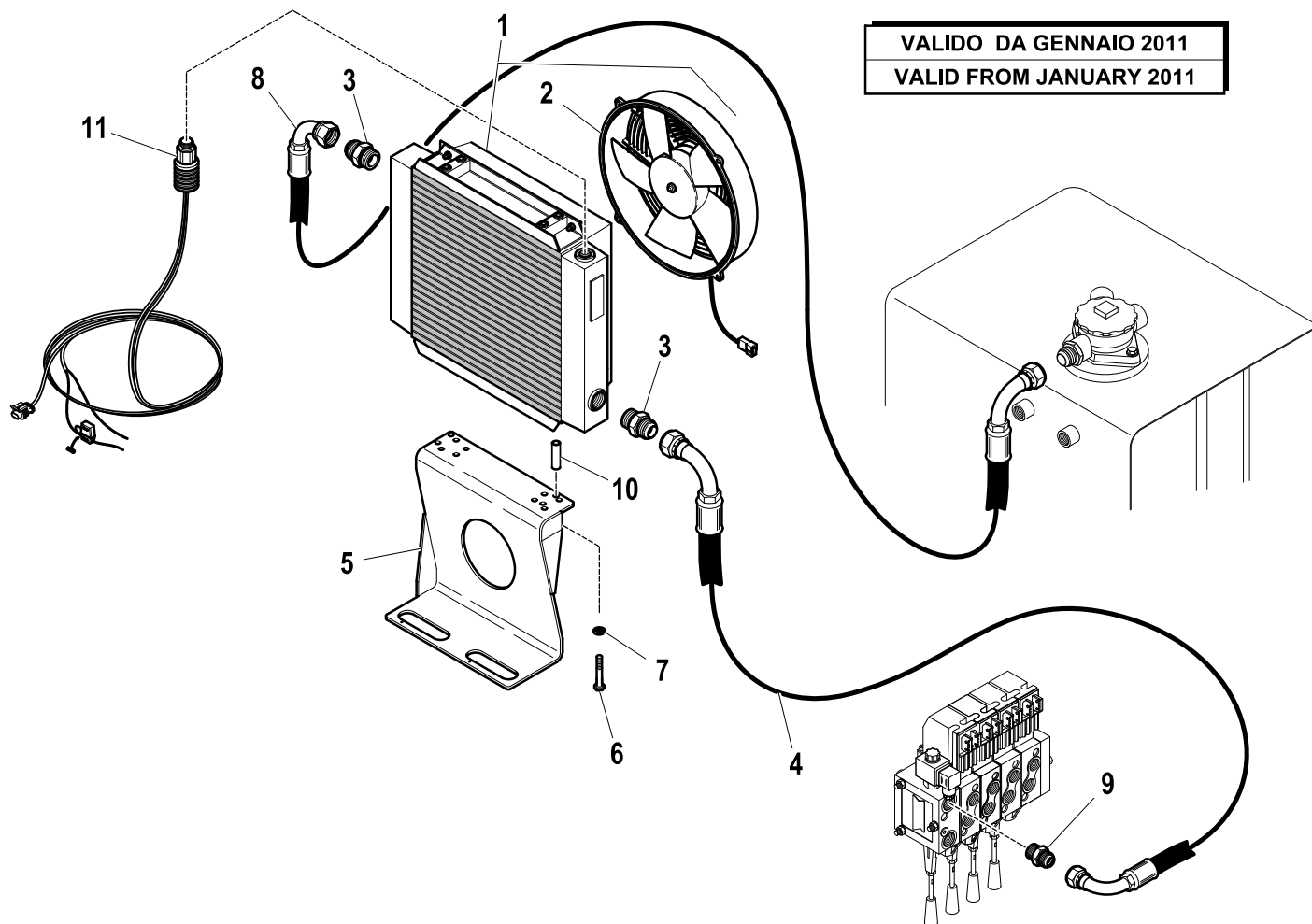
Heat exchange unit (24V)

Code

7888004-3.0

1/1

R	Pos.	Code Variant	Q.ty	Description
	1	5710092	1	
	2	5710110	1	
	3	3101057	2	Straight pipe fitting
	4	5290151	1	Flexible hose
	5	5001229	1	Support (Heat exchange unit)
	6	3010035	4	Hex screw [M8X60 8.8 ZC UNI 5737]
	7	3060055	4	Split lock washer [D=8.4 C72 ZC]
	8	5290095	1	Flexible hose
	9	3101056	1	Straight pipe fitting
	10	2091326	4	Spacer (Casing)
	11	3311408	1	Thermostat (Wire assembly)



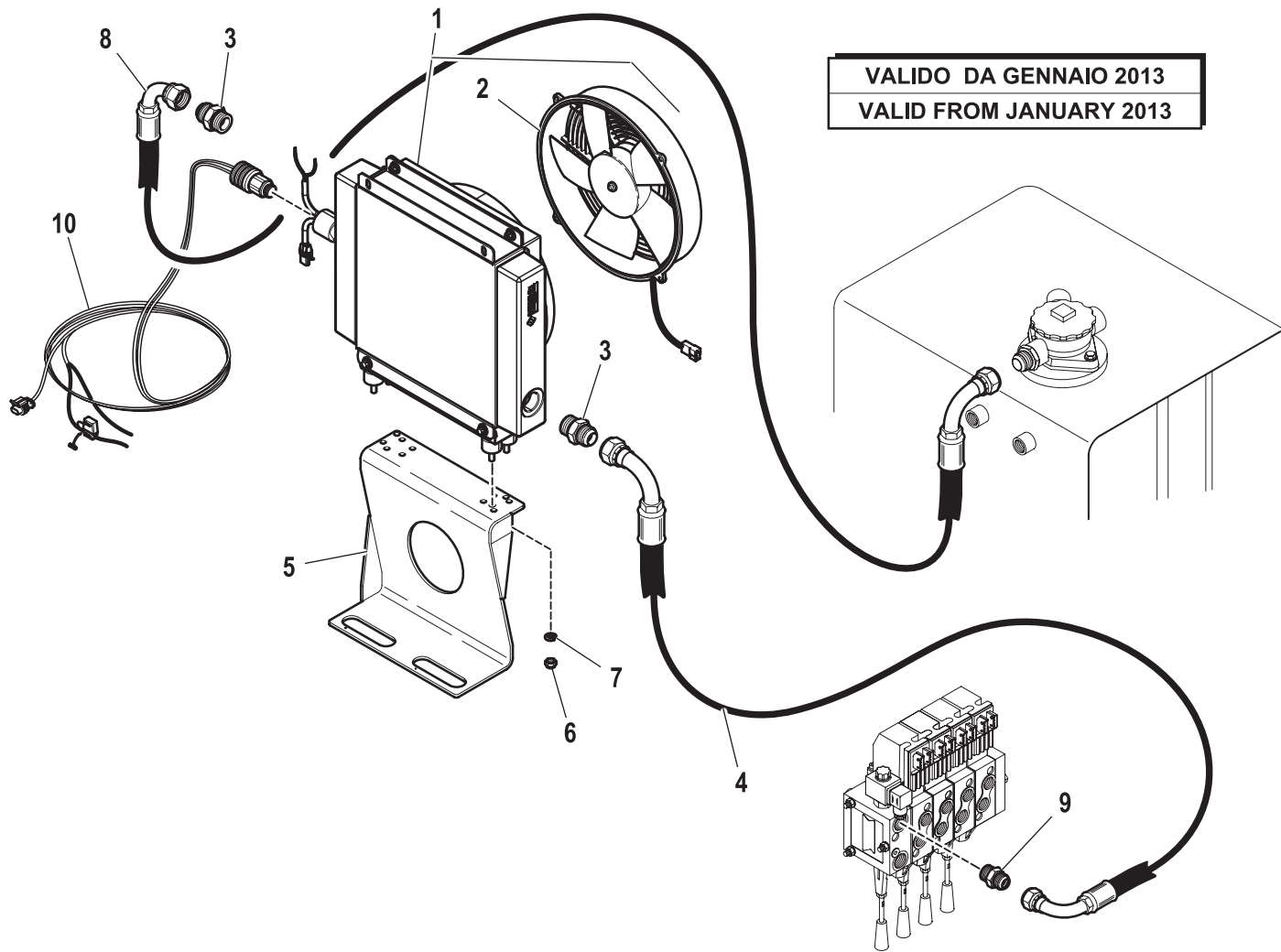
**VALIDO DA GENNAIO 2011
VALID FROM JANUARY 2011**

Heat exchange unit (24V)

Code

7888004-4.0

1/1



**VALIDO DA GENNAIO 2013
VALID FROM JANUARY 2013**

R	Pos.	Code Variant	Q.ty	Description
	1	5710116	1	Heat exchange unit
	2	5710117	1	Electric fan (Heat exchange unit)
	3	3101057	2	Straight pipe fitting
	4	5290151	1	Flexible hose
	5	5001229	1	Support (Heat exchange unit)
	6	3040303	4	Stopnut
	7	3060055	4	Split lock washer [D=8.4 C72 ZC]
	8	5290095	1	Flexible hose
	9	3101056	1	Straight pipe fitting
	10	3311408	1	Thermostat (Wire assembly)

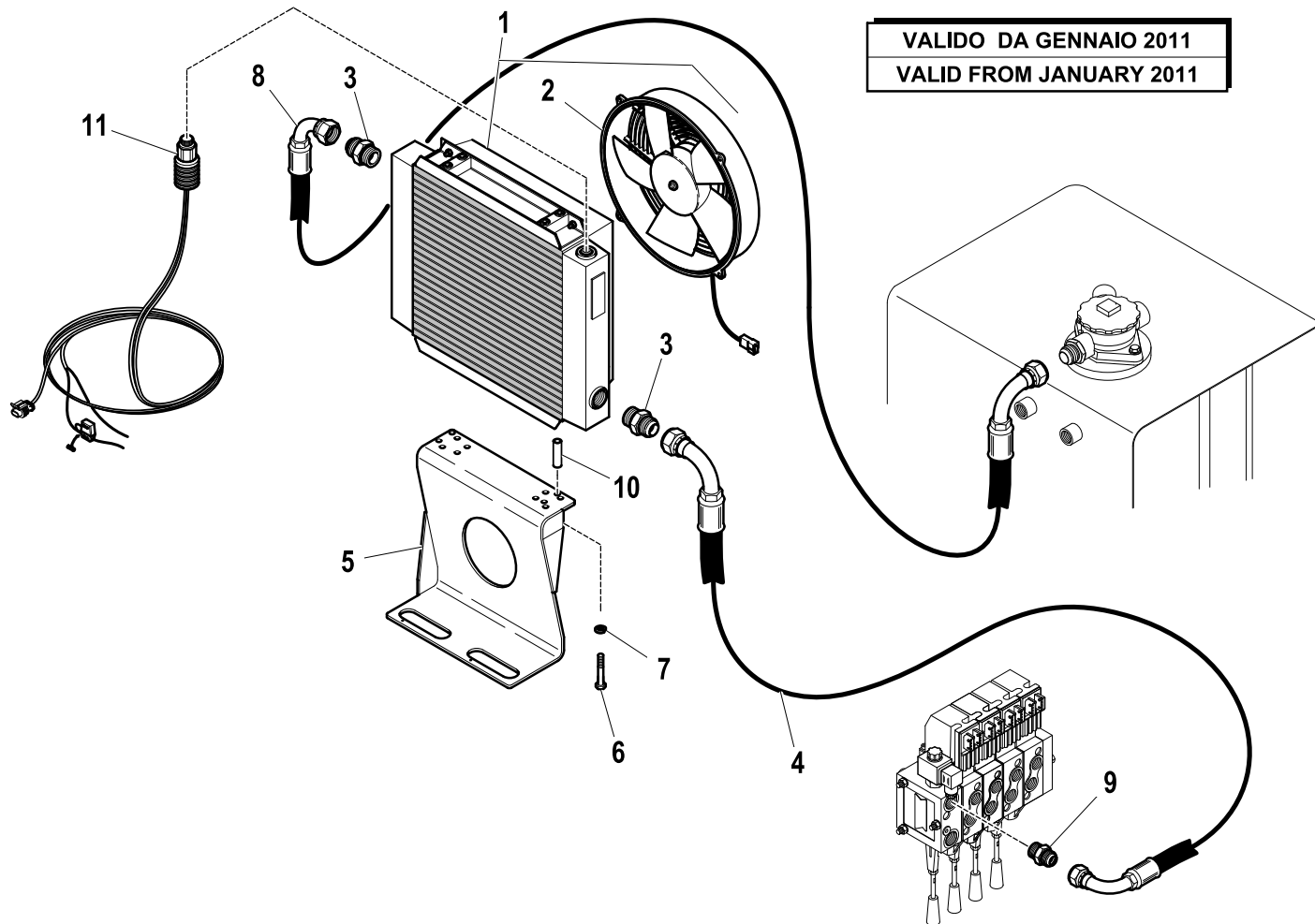
Heat exchange unit (12V)

Code

7888010-1.0

1/1

R	Pos.	Code Variant	Q.ty	Description
	1	5710093	1	
	2	5710097	1	
	3	3101057	2	Straight pipe fitting
	4	5290151	1	Flexible hose
	5	5001229	1	Support (Heat exchange unit)
	6	3010035	4	Hex screw [M8X60 8.8 ZC UNI 5737]
	7	3060055	4	Split lock washer [D=8.4 C72 ZC]
	8	5290095	1	Flexible hose
	9	3101056	1	Straight pipe fitting
	10	2091326	4	Spacer (Casing)
	11	3311408	1	Thermostat (Wire assembly)



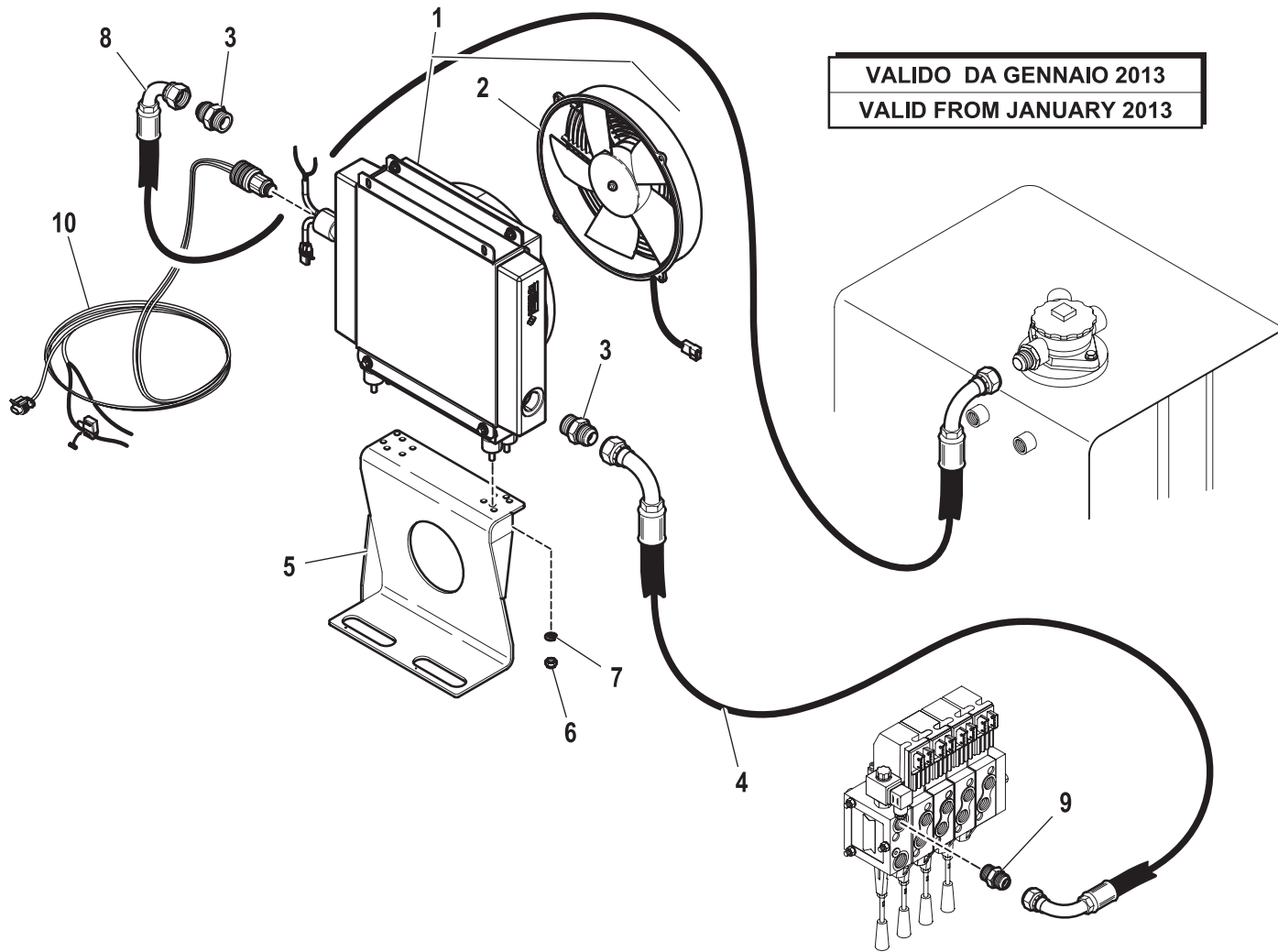
**VALIDO DA GENNAIO 2011
VALID FROM JANUARY 2011**

Heat exchange unit (12V)

Code

7888010-2.0

1/1



**VALIDO DA GENNAIO 2013
VALID FROM JANUARY 2013**

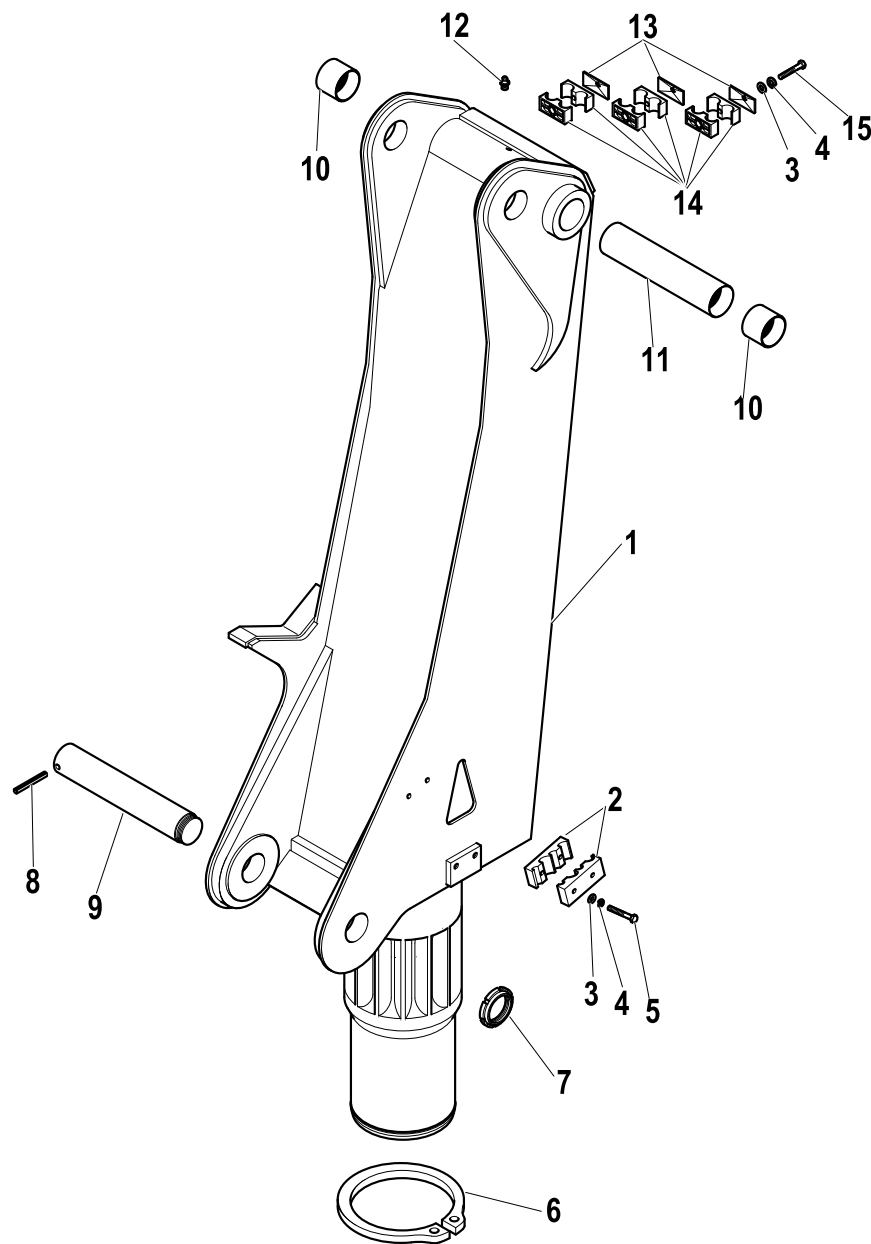
R	Pos.	Code Variant	Q.ty	Description
	1	5710118	1	Heat exchange unit
	2	5710119	1	Electric fan (Heat exchange unit)
	3	3101057	2	Straight pipe fitting
	4	5290151	1	Flexible hose
	5	5001229	1	Support (Heat exchange unit)
	6	3040303	4	Stopnut
	7	3060055	4	Split lock washer [D=8.4 C72 ZC]
	8	5290095	1	Flexible hose
	9	3101056	1	Straight pipe fitting
	10	3311408	1	Thermostat (Wire assembly)

Column

Code

5460037-1.0

1/1



R	Pos.	Code Variant	Q.ty	Description
	1	5040092	1	Column
	2	5140749	1	
	3	3060006	5	Flat washer [D.8 UNI 6592 ZC]
	4	3060055	5	Split lock washer [D=8.4 C72 ZC]
	5	3010033	2	Hex screw [M8X50 8.8 ZC UNI 5737]
	6	3070110	1	Seeger
	7	3040508	2	Self-locking ringnut
	8	3060939	1	Spring pin
	9	5150675	1	
	10	5140694	2	
	11	5001439	1	
	12	3080501	1	Grease nipple
	13	3190221	3	Small plate (Collar)
	14	3190220	6	Collar
	15	3010034	3	Hex screw [M8X55 8.8 UNI 5737 ZC]

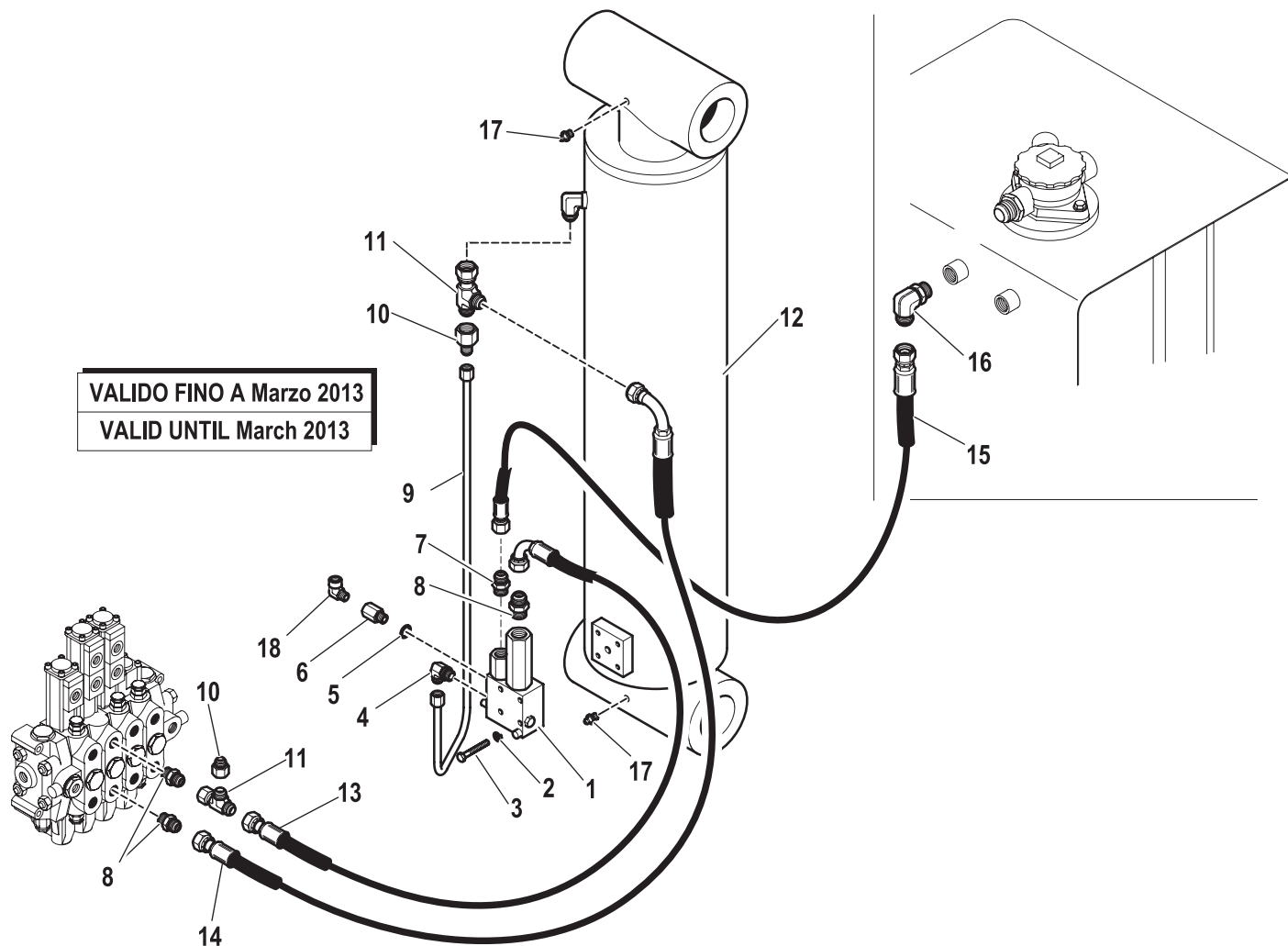
HYDRAULIC SYSTEM (lifting hydraulic cylinder)

Code

6230148-1.0

1/1

R	Pos.	Code Variant	Q.ty	Description
	1	5220670	1	Valve (Overcenter)
	2	3060053	4	Split lock washer [D=6.4 C72 ZC]
	3	3010399	4	Hex screw [M6X55 8.8 ZC UNI 5739]
	4	3101124	1	90° Connection
	5	3060143	1	Sealing washer [BSP 1/4"]
	6	3110266	1	Straight pipe fitting
	7	3101040	1	Straight pipe fitting
	8	3101051	3	Straight pipe fitting
	9	5391931	1	Bonderized tube
	10	3120209	2	Reducing fitting
	11	3120008	2	Tee fitting
	12	6430129	1	Lifting jack
	13	5280524	1	Flexible hose
	14	5280539	1	Flexible hose
	15	5261008	1	Flexible hose
	16	3101119	1	90° Connection
	17	3080501	2	Grease nipple
	18	3111512	1	90° Connection



VALIDO FINO A Marzo 2013
VALID UNTIL March 2013

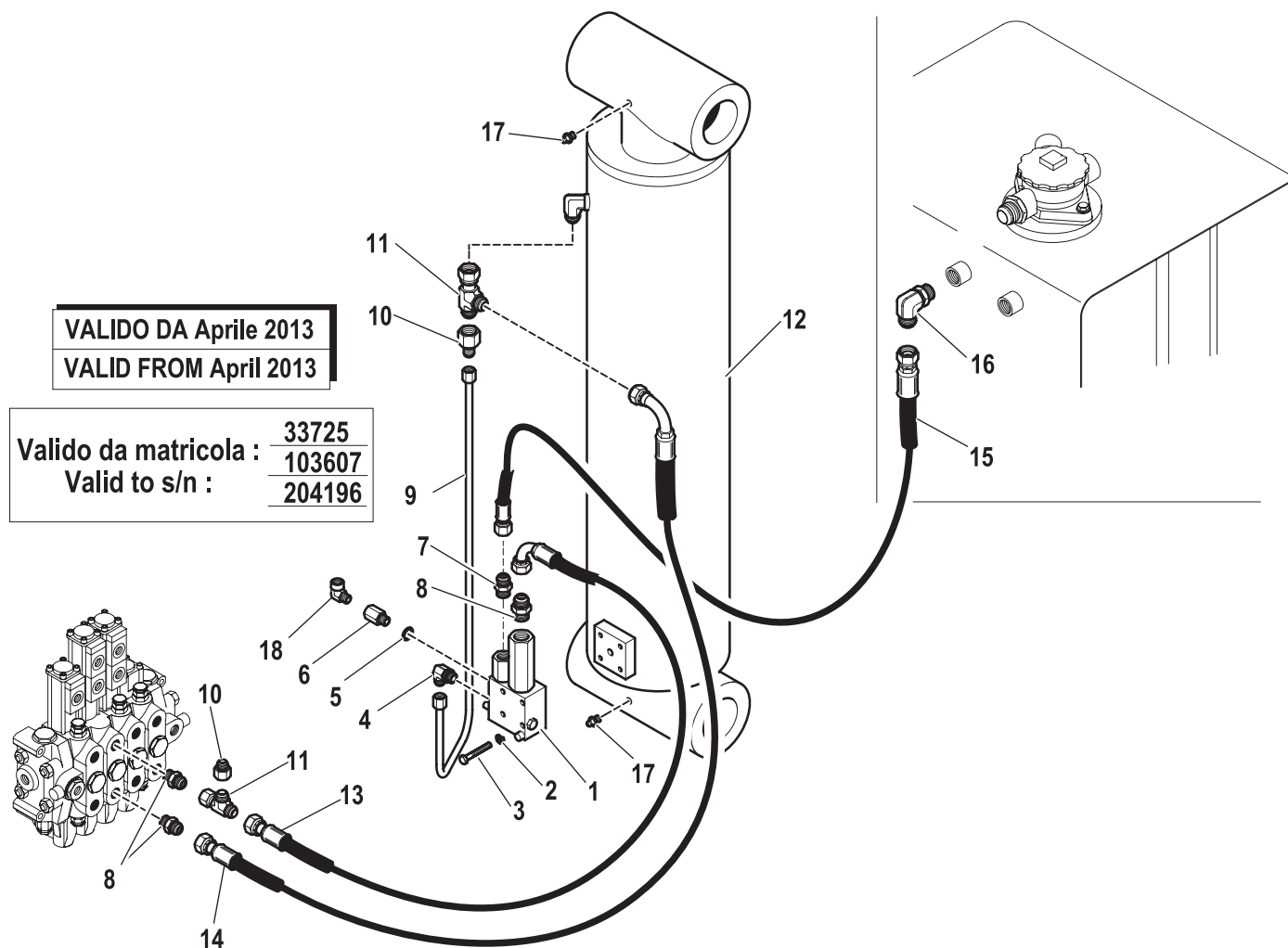
HYDRAULIC SYSTEM (lifting hydraulic cylinder)

Code

6230238-1.0

1/1

R	Pos.	Code Variant	Q.ty	Description
	1	5221043	1	Valve (Overcenter)
	2	3060053	4	Split lock washer [D=6.4 C72 ZC]
	3	3010399	4	Hex screw [M6X55 8.8 ZC UNI 5739]
	4	3101124	1	90° Connection
	5	3060143	1	Sealing washer [BSP 1/4"]
	6	3110266	1	Straight pipe fitting
	7	3101040	1	Straight pipe fitting
	8	3101051	3	Straight pipe fitting
	9	5391931	1	Bonderized tube
	10	3120209	2	Reducing fitting
	11	3120008	2	Tee fitting
	12	6430129	1	Lifting jack
	13	5280524	1	Flexible hose
	14	5280539	1	Flexible hose
	15	5261008	1	Flexible hose
	16	3101119	1	90° Connection
	17	3080501	2	Grease nipple
	18	3111512	1	90° Connection



VALIDO DA Aprile 2013
VALID FROM April 2013

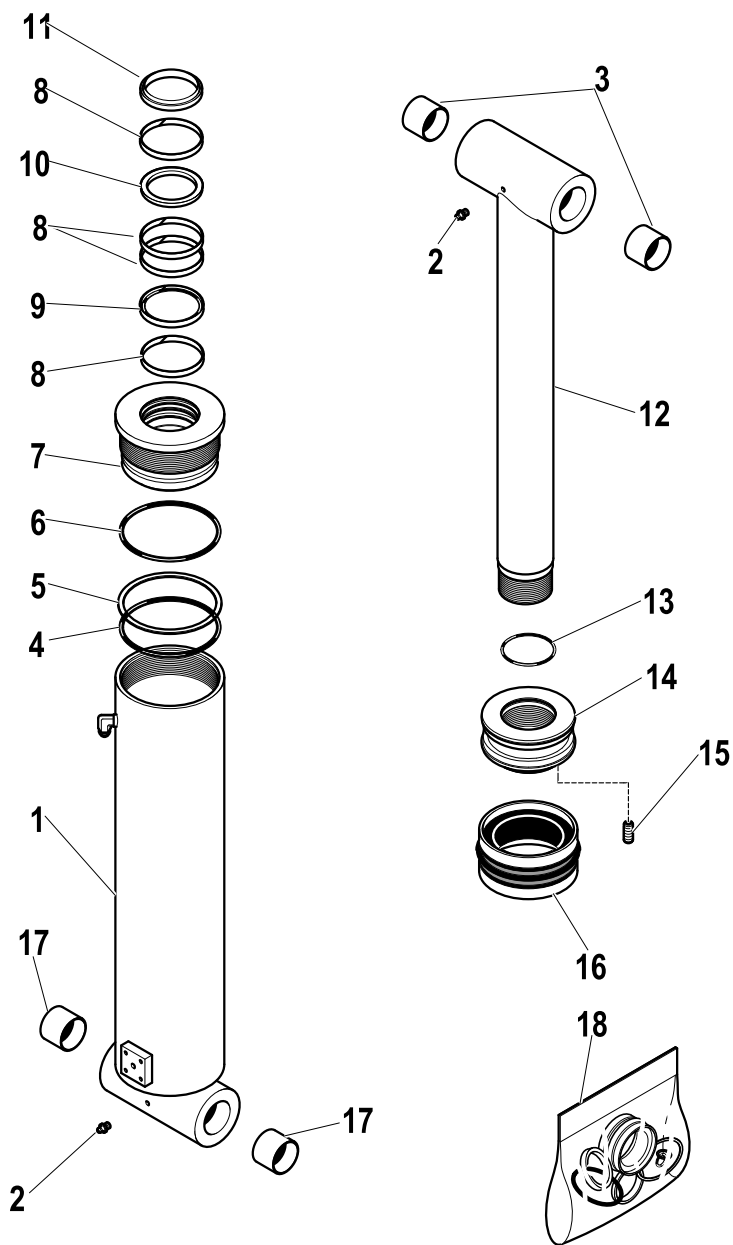
Valido da matricola : 33725
Valid to s/n : 103607
204196

LIFTING HYDRAULIC CYLINDER

Code

6430129-1.0

1/1



R	Pos.	Code Variant	Q.ty	Description
	1	6070489	1	
	2	3080501	2	Grease nipple
	3	5140751	4	
	4	3450399	1	
	5	3460362	1	
	6	3450175	1	
	7	6040266	1	
	8	3350120	4	Seal
	9	3381000	1	
	10	3370175	1	Seal
	11	3420049	1	W-ring
	12	6030601	1	
	13	3450155	1	O-ring joint
	14	6050272	1	
	15	3060246	1	Grub screw
	16	3400534	1	
	17	5140694	2	
	18	5550737	1	

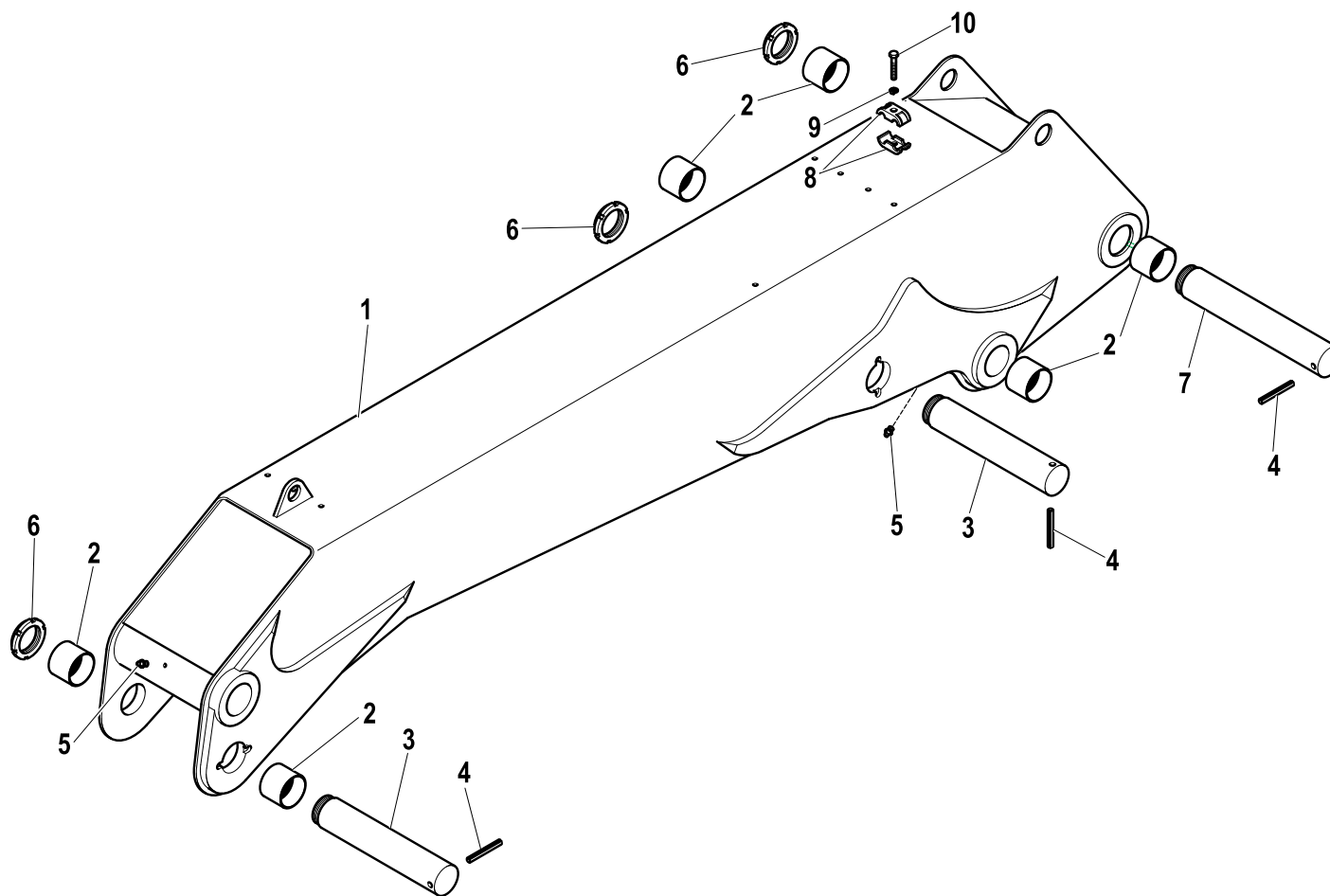
1ST BOOM

Code

5470054-1.0

1/1

R	Pos.	Code Variant	Q.ty	Description
	1	5030262	1	Main boom
	2	5140694	6	
	3	5150679	2	
	4	3060939	3	Spring pin
	5	3080501	3	Grease nipple
	6	3040508	3	Self-locking ringnut
	7	5150677	1	
	8	5000047	16	Clamp (Rigid Pipe)
	9	3060055	8	Split lock washer [D=8.4 C72 ZC]
	10	3010032	8	Hex screw [M8X45 8.8 ZC UNI 5737]

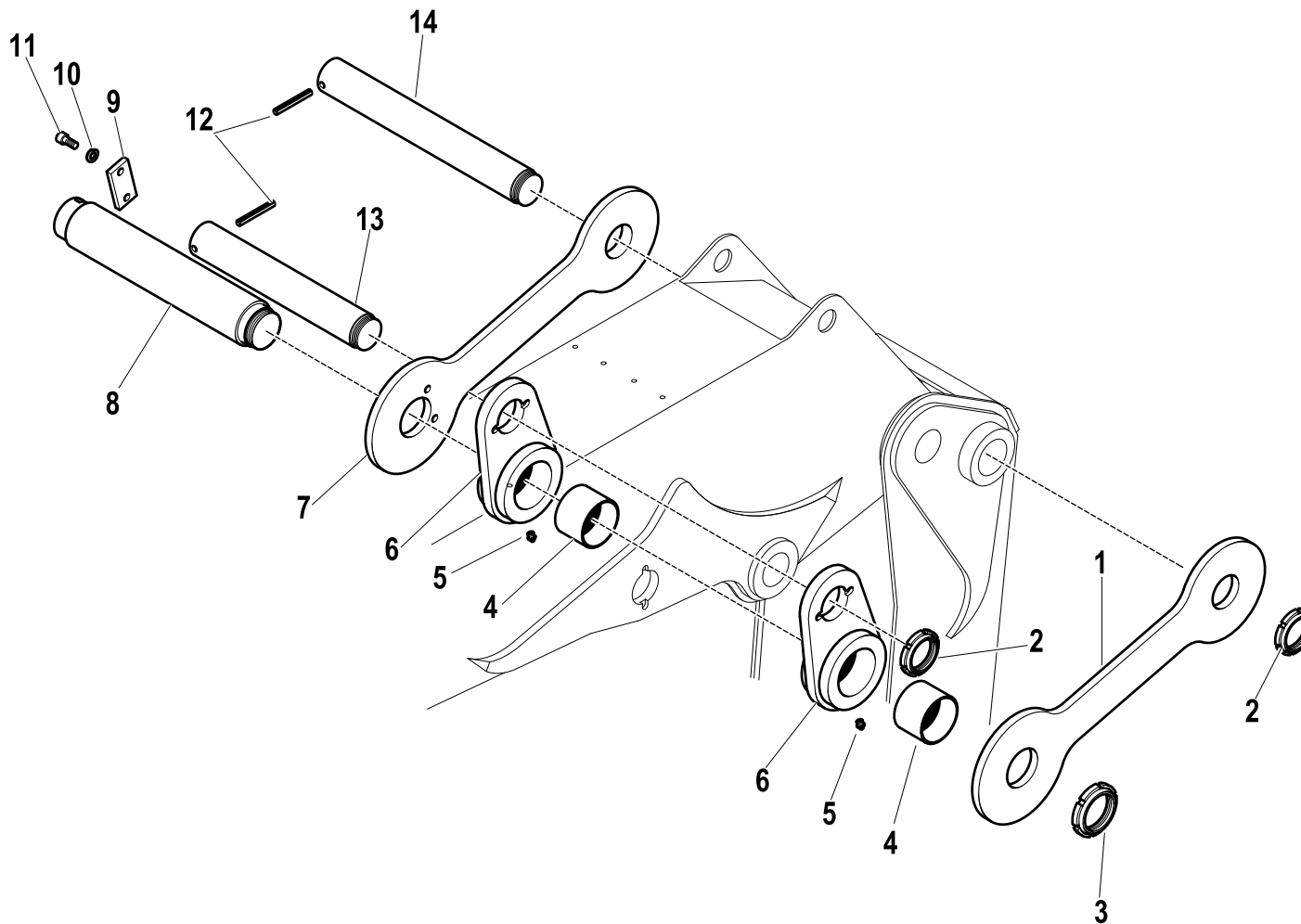


COLUMN CONNECTING RODS

Code

5360011-1.0

1/1



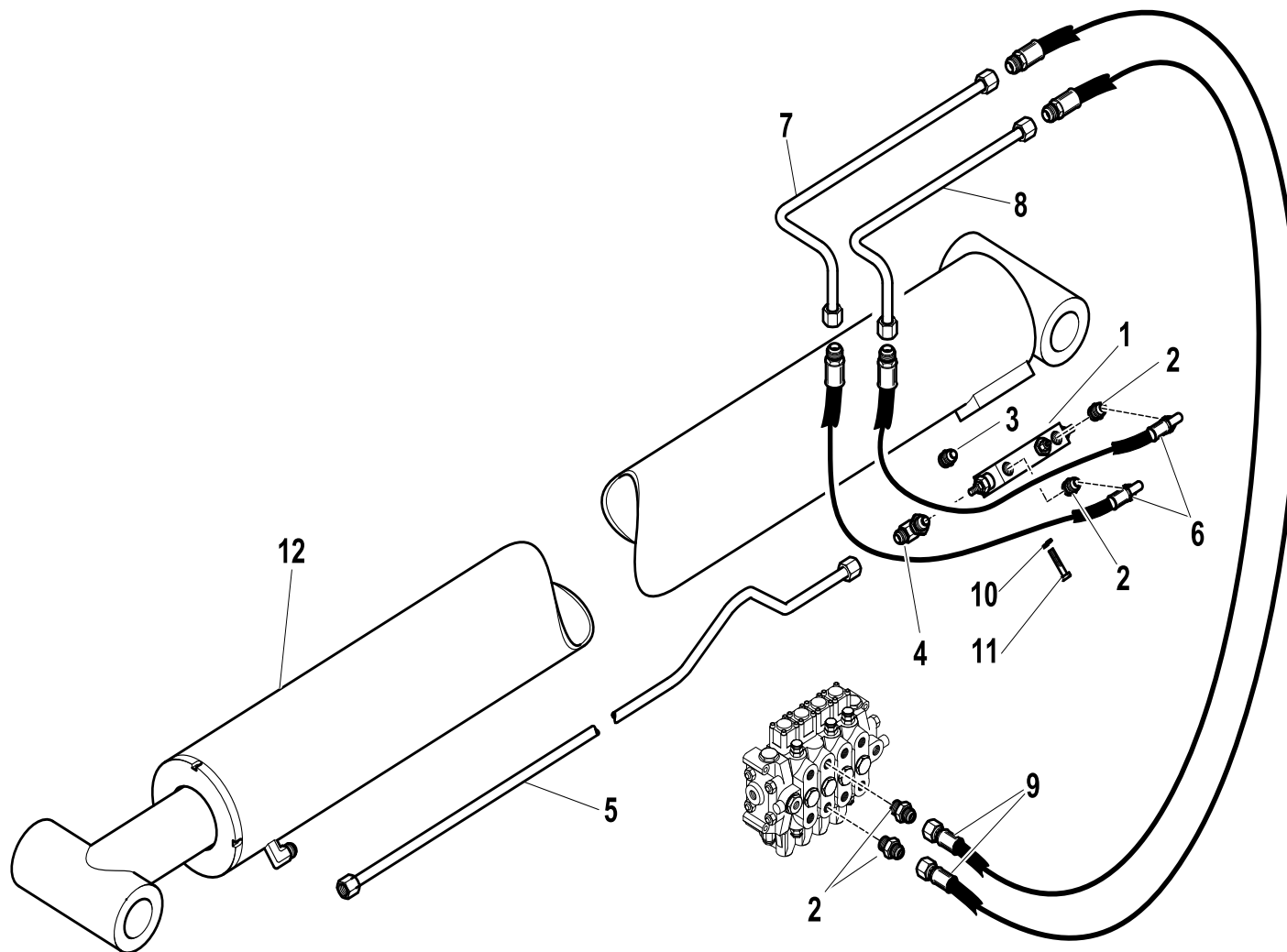
R	Pos.	Code Variant	Q.ty	Description
	1	5090748	1	
	2	3040508	2	Self-locking ringnut
	3	3040510	1	Self-locking ringnut
	4	5140751	2	
	5	3080501	2	Grease nipple
	6	5090750	2	
	7	5090863	1	
	8	5150807	1	
	9	5001138	1	
	10	3060057	2	Split lock washer [D=12 C72 ZC]
	11	3020075	2	Socked head cap screw [M12X25 12.9 ZC UNI 5931]
	12	3060939	2	Spring pin
	13	5150678	1	
	14	5150676	1	

Articulation Hydraulic jack (Hydraulic system)

Code

6230130-1.0

1/1



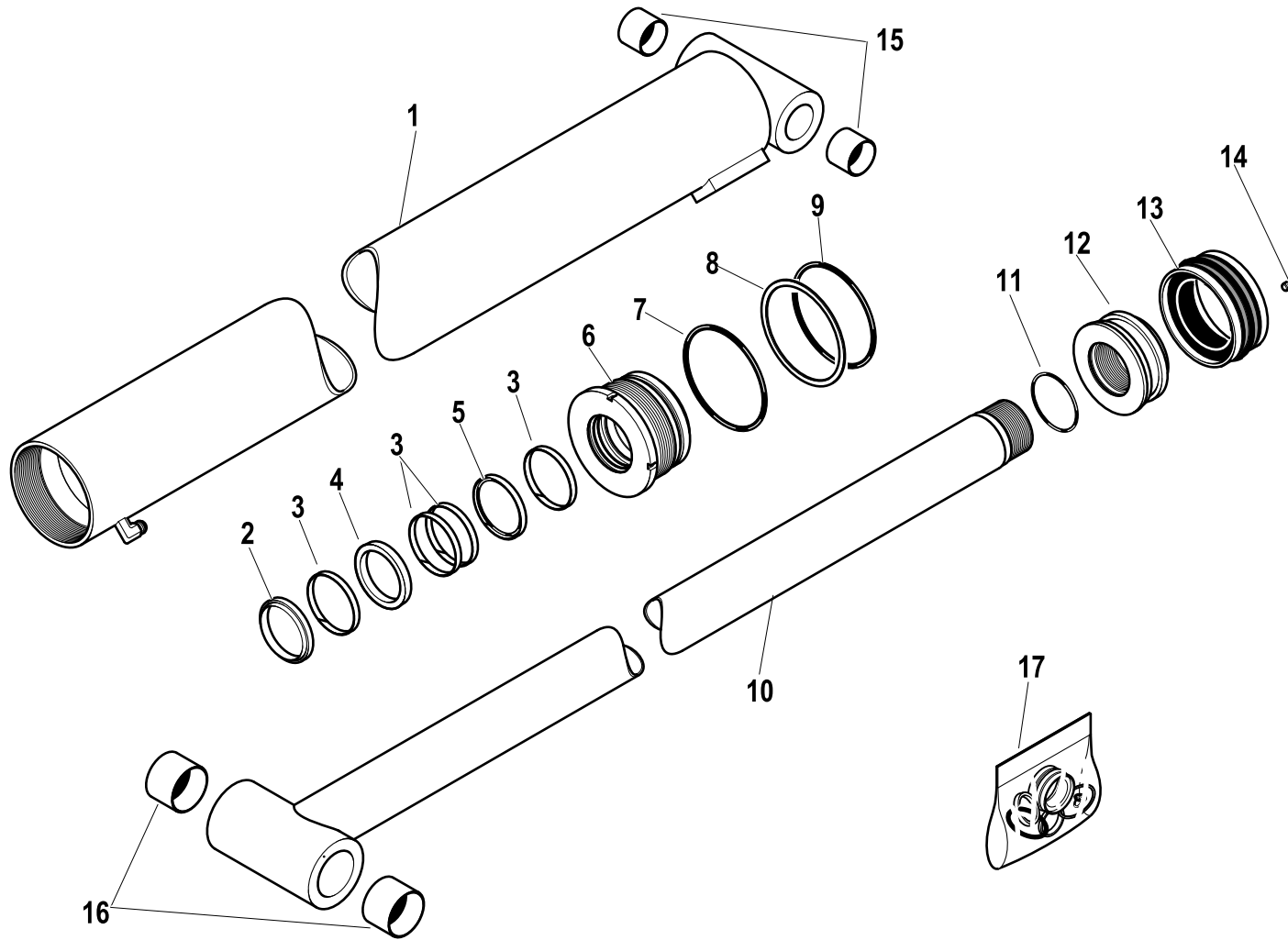
R	Pos.	Code Variant	Q.ty	Description
	1	5220694	1	
	2	3101051	4	Straight pipe fitting
	3	3111523	1	Pipe fitting (Tapping point) [RACC. MILITES 16X2-1/4"G]
	4	3101131	1	90° Connection
	5	5391932	1	
	6	5280525	2	
	7	5391933	1	
	8	5391934	1	
	9	5280600	2	
	10	3060055	2	Split lock washer [D=8.4 C72 ZC]
	11	3010032	2	Hex screw [M8X45 8.8 ZC UNI 5737]
	12	6430130	1	Articulation Hydraulic jack

Articulation Hydraulic jack

Code

6430130-1.0

1/1



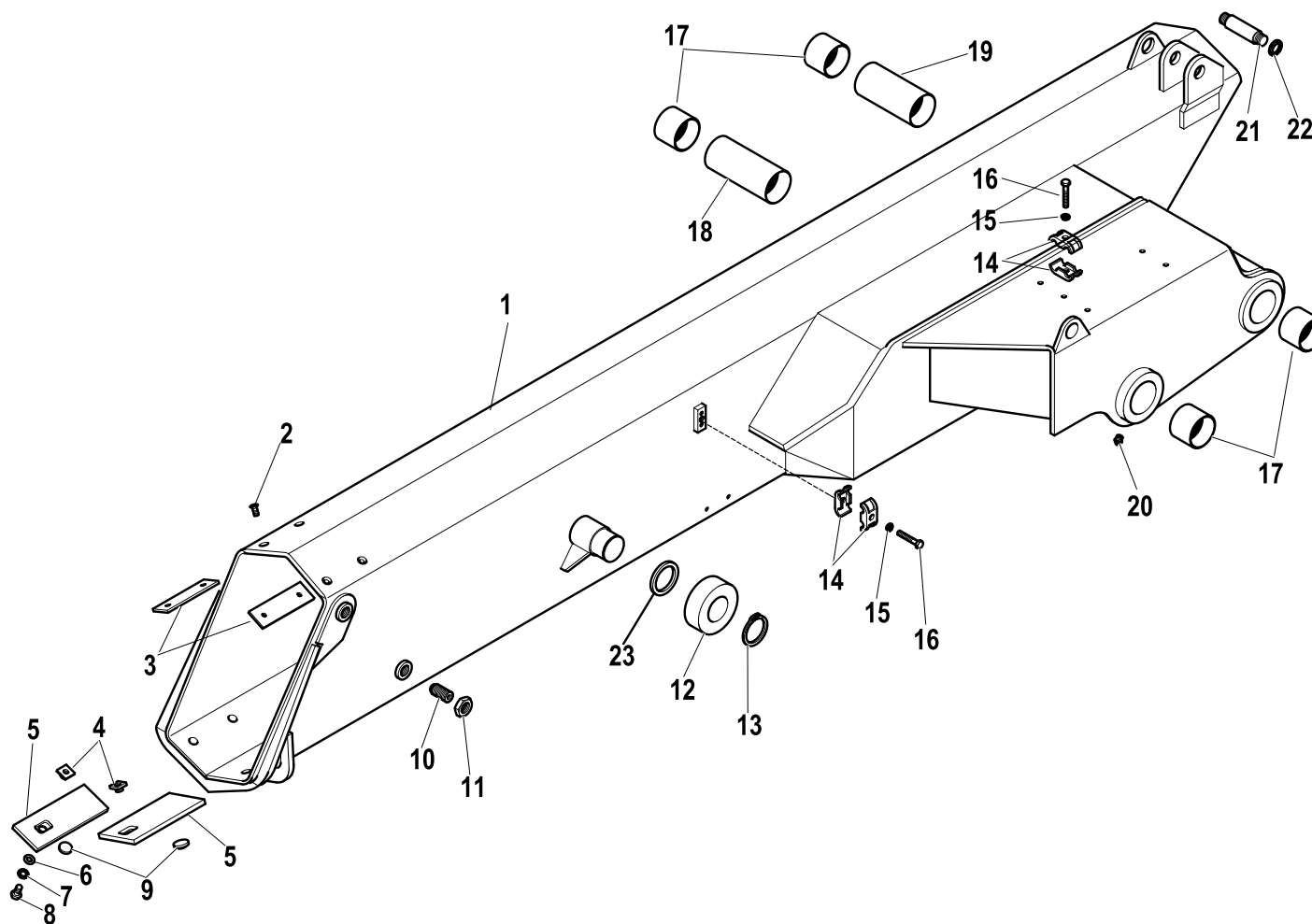
R	Pos.	Code Variant	Q.ty	Description
	1	6070490	1	
	2	3420049	1	W-ring
	3	3350120	4	Seal
	4	3370175	1	Seal
	5	3381000	1	
	6	6040266	1	
	7	3450175	1	
	8	3460362	1	
	9	3450175	1	
	10	6030603	1	
	11	3450155	1	O-ring joint
	12	6050272	1	
	13	3400534	1	
	14	3060246	1	Grub screw
	15	5140694	2	
	16	5140751	2	
	17	5550737	1	

2nd BOOM

Code

5480056-1.0

1/2



R	Pos.	Code Variant	Q.ty	Description
	1	5030260	1	Secondary boom
	2	3020450	4	TSEI screw [M8X12 10.9 ZC UNI 5933]
	3	5140757	2	
	4	5000827	2	Button (Control board)
	5	5140743	2	
	6	3060914	2	Flat washer [D.10.5X21X2 UNI 6592 ZC]
	7	3060920	2	Tooth lock washer [D.10 TIPO A]
	8	3010353	2	Hex screw [M10X16 8.8 ZC UNI 5739]
	9	5140681	2	
	10	5000771	4	Adjusting screw
	11	3040089	4	Lock nut
	12	5140753	1	Roller
	13	3070045	1	Seeger
	14	5000047	4	Clamp (Rigid Pipe)
	15	3060055	2	Split lock washer [D=8.4 C72 ZC]
	16	3010032	2	Hex screw [M8X45 8.8 ZC UNI 5737]
	17	5140694	4	
	18	5001266	1	
	19	5001254	1	
	20	3080501	2	Grease nipple

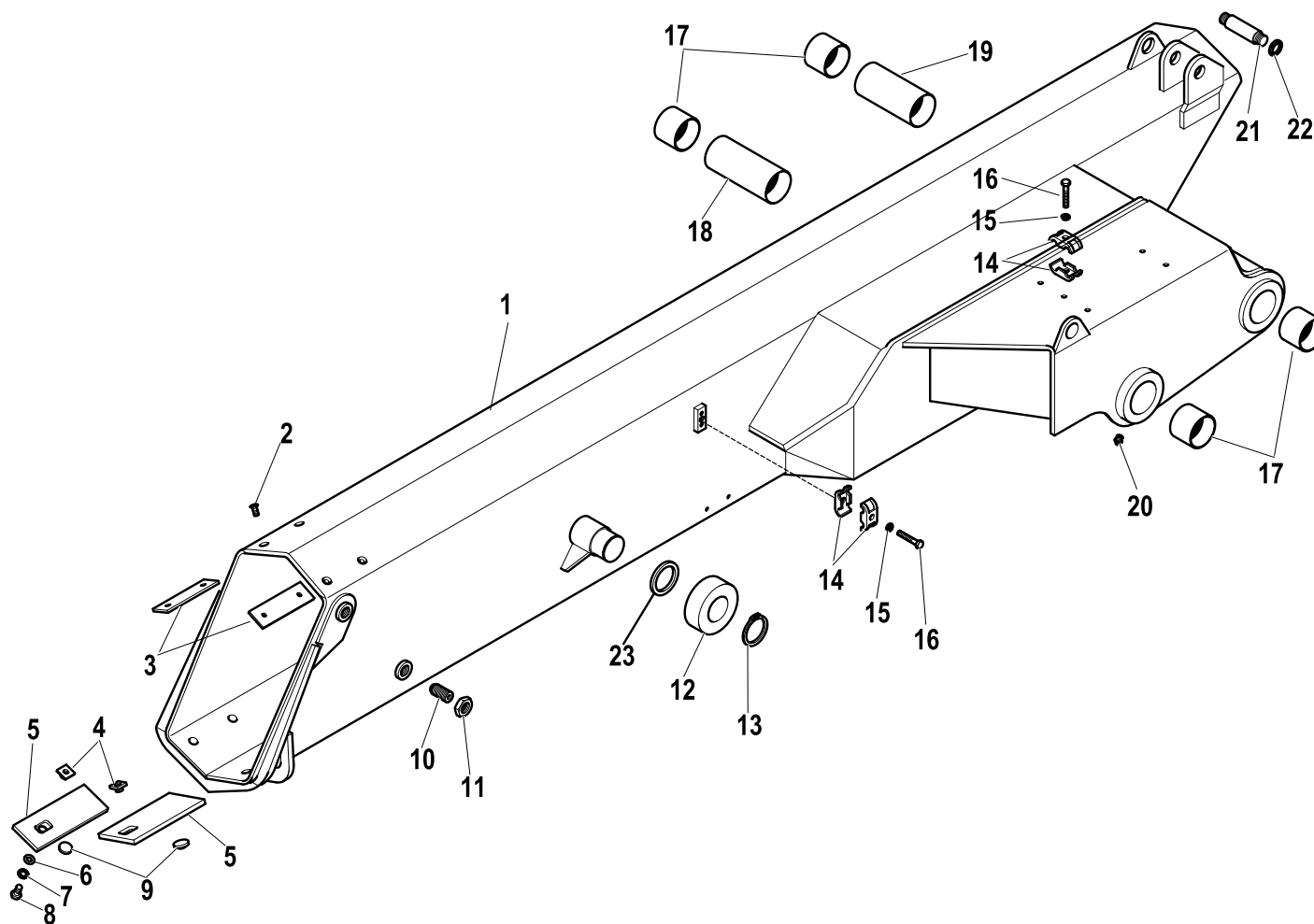
2nd BOOM

Code

5480056-1.0

2/2

R	Pos.	Code Variant	Q.ty	Description
	21	5150733	1	
	22	3040504	2	Self-locking ringnut
	23	5140997	1	Spacer

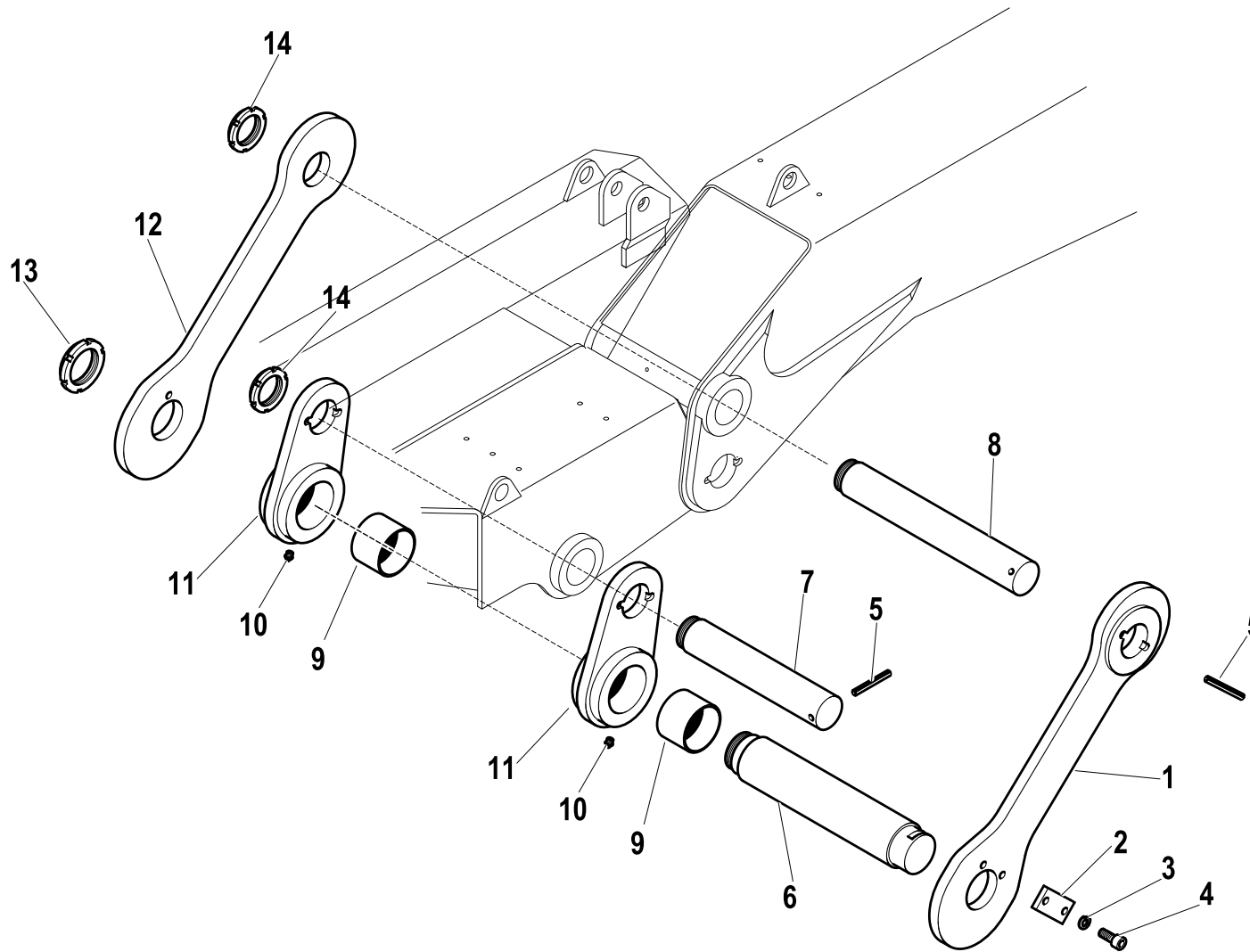


Linkage 1th e 2nd boom

Code

5360012-1.0

1/1



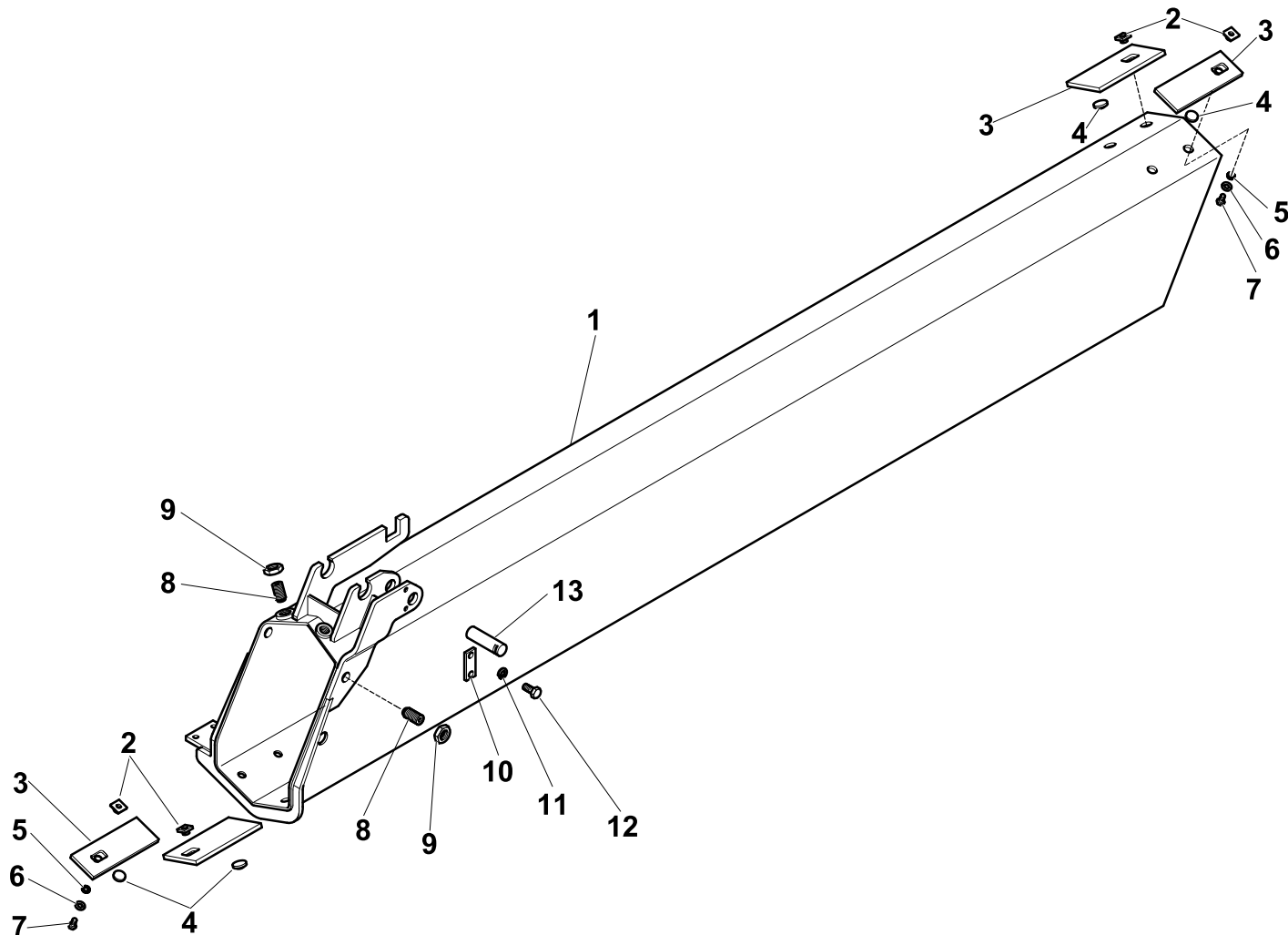
R	Pos.	Code Variant	Q.ty	Description
	1	5090864	1	
	2	5001138	1	
	3	3060057	2	Split lock washer [D=12 C72 ZC]
	4	3020075	2	Socketed head cap screw [M12X25 12.9 ZC UNI 5931]
	5	3060939	2	Spring pin
	6	5150674	1	
	7	5150680	1	
	8	5150681	1	
	9	5140751	2	
	10	3080501	2	Grease nipple
	11	5090750	2	
	12	5090749	1	
	13	3040510	1	Self-locking ringnut
	14	3040508	2	Self-locking ringnut

1st EXTENSION

Code

5490059-1.0

1/1



R	Pos.	Code Variant	Q.ty	Description
	1	5020430	1	Extension
	2	5000827	4	Button (Control board)
	3	5140743	4	
	4	5140681	2	
	5	3060920	4	Tooth lock washer [D.10 TIPO A]
	6	3060914	4	Flat washer [D.10.5X21X2 UNI 6592 ZC]
	7	3010353	4	Hex screw [M10X16 8.8 ZC UNI 5739]
	8	5000771	4	Adjusting screw
	9	3040089	4	Lock nut
	10	5000674	1	Keep plate
	11	3010337	2	Hex screw [M8X16 8.8 ZC UNI 5739]
	12	3060055	2	Split lock washer [D=8.4 C72 ZC]
	13	5150734	1	

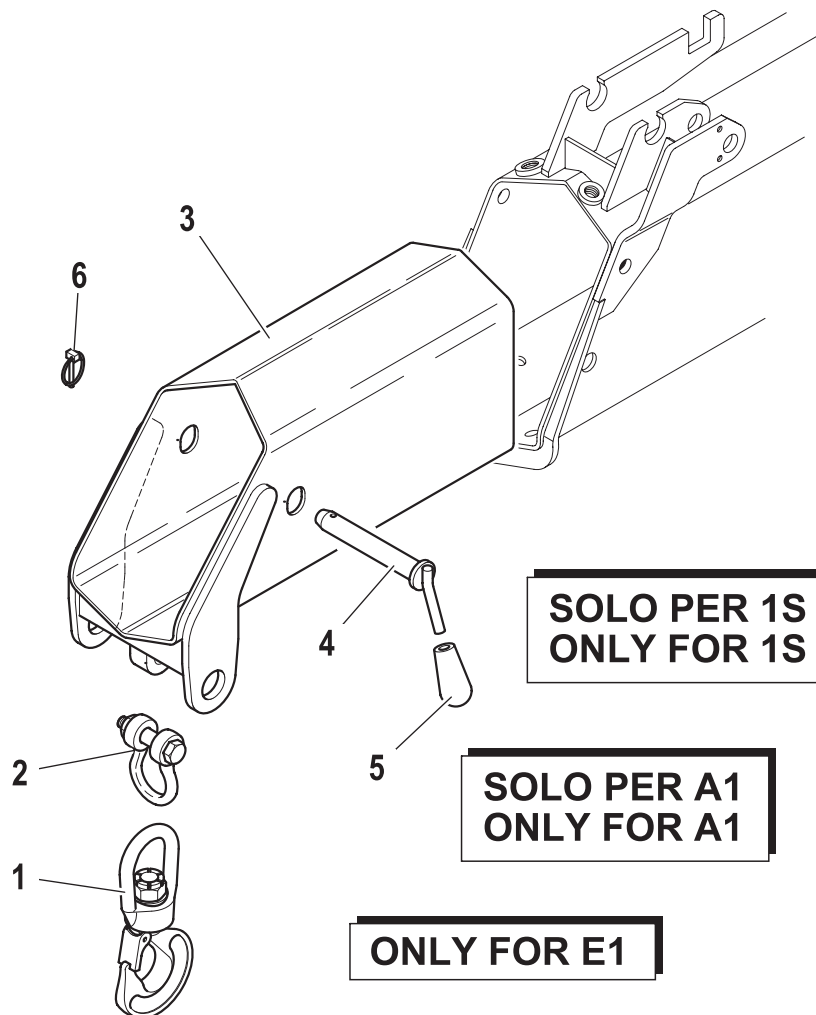
Coupling (Hook)

Code

7880397-1.0

1/1

R	Pos.	Code Variant	Q.ty	Description
	1	3200007	1	Swivel hook
	2	3200067	1	Shackles
	3	5020439	1	Hook coupling
	4	5150034	1	Pin
	5	3190010	1	Knob
	6	3060753	1	Cotter pin (Locking ring)

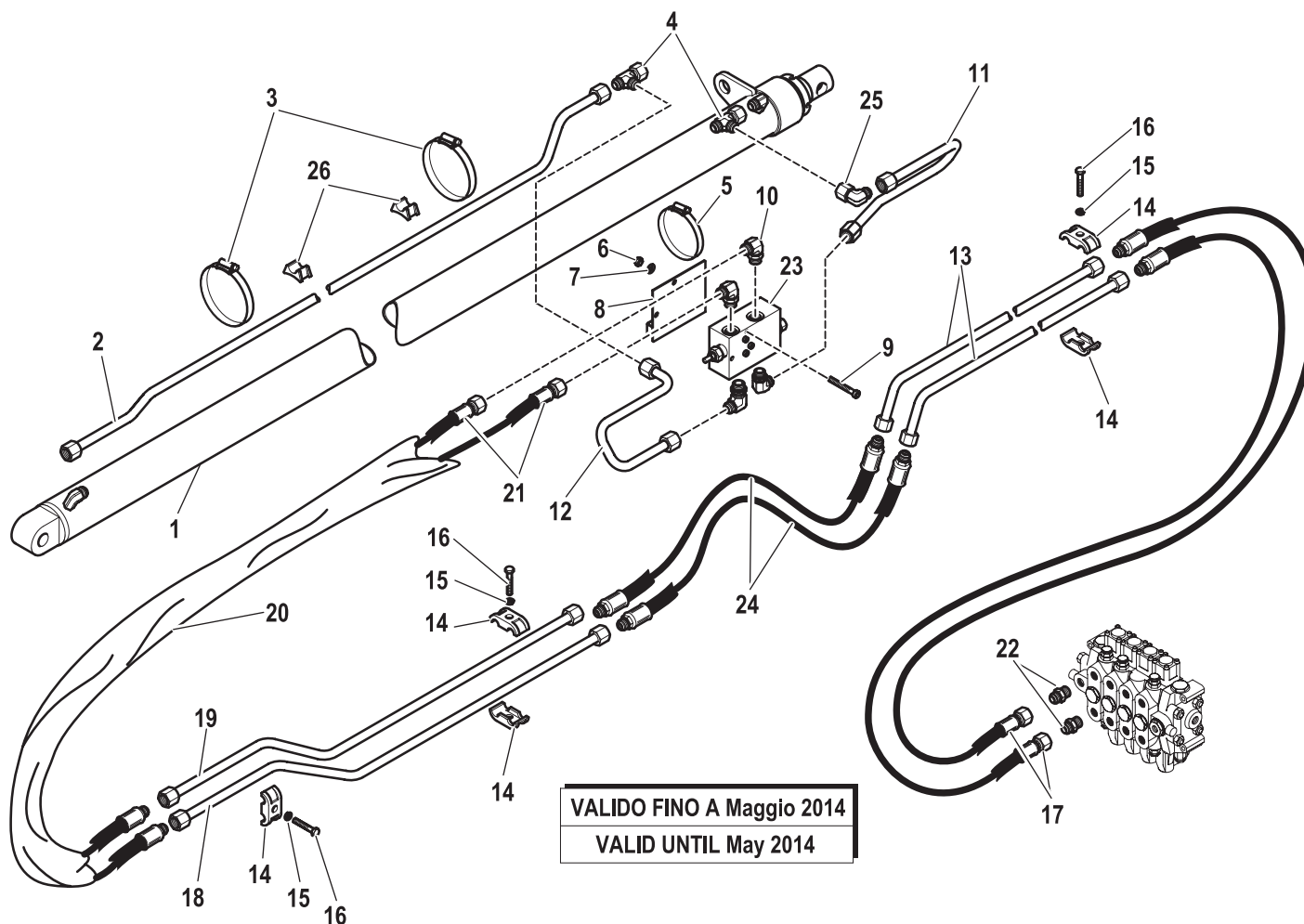


HYDRAULIC SYSTEM (1st EXSTENSION HYDRAULIC)

Code

6210318-1.0

1/2



R	Pos.	Code Variant	Q.ty	Description
	1	6410254	1	Extension Hydraulic jack
	2	5391804	1	
	3	3190023	2	Clamp
	4	3120008	2	Tee fitting
	5	3190022	2	Clamp
	6	3040303	2	Stopnut
	7	3060006	2	Flat washer [D.8 UNI 6592 ZC]
	8	5001196	1	
	9	3020901	1	Socketed head cap screw [M8X60 ZC UNI 5931]
	10	3101131	4	90° Connection
	11	5391938	1	
	12	5391803	1	
	13	5391935	2	Bonderized tube
	14	5000047	7	Clamp (Rigid Pipe)
	15	3060055	4	Split lock washer [D=8.4 C72 ZC]
	16	3010032	4	Hex screw [M8X45 8.8 ZC UNI 5737]
	17	5280538	2	
	18	5391936	1	
	19	5391937	1	
	20	3190171	1	Pipes guard

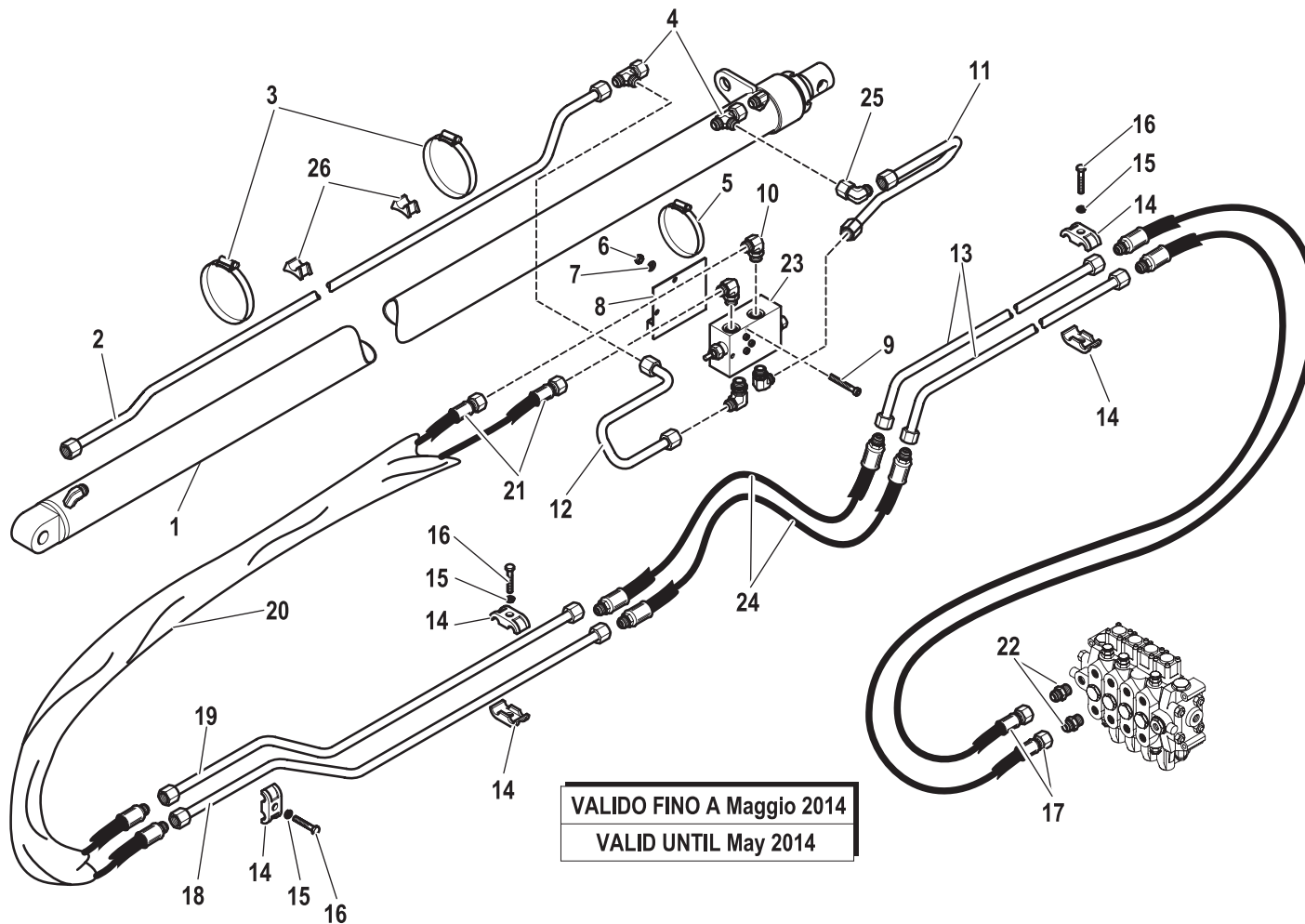
HYDRAULIC SYSTEM (1st EXSTENSION HYDRAULIC)

Code

6210318-1.0

2/2

R	Pos.	Code Variant	Q.ty	Description
	21	5280526	2	
	22	3101051	2	Straight pipe fitting
	23	5220654	1	
	24	5280376	2	
	25	3120034	1	90° Connection
	26	5140133	2	Piping mounting



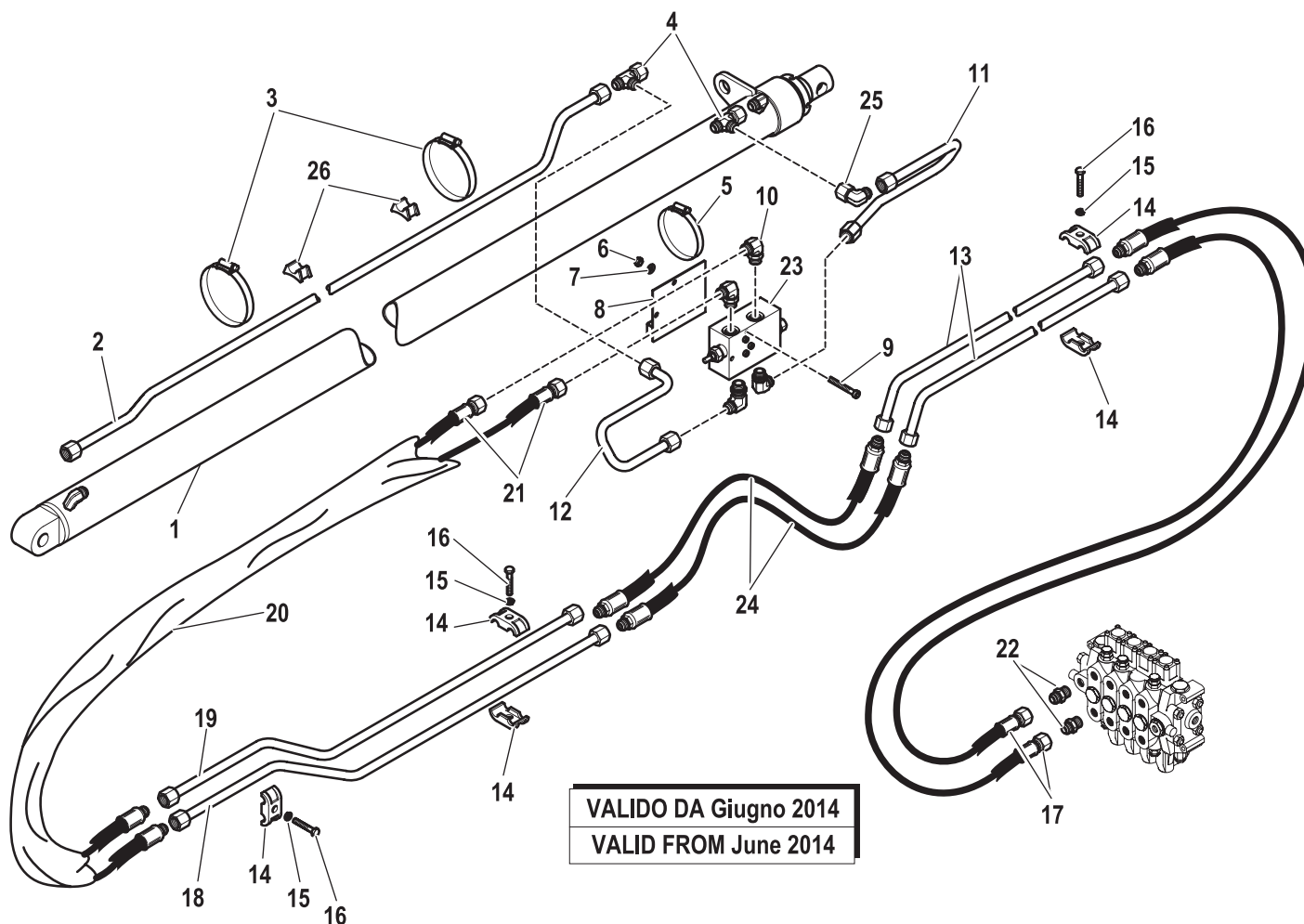
VALIDO FINO A Maggio 2014
VALID UNTIL May 2014

HYDRAULIC SYSTEM (1st EXSTENSION HYDRAULIC)

Code

6210318-3.0

1/2



R	Pos.	Code Variant	Q.ty	Description
	1	6410254	1	Extension Hydraulic jack
	2	5391804	1	
	3	3190023	2	Clamp
	4	3120008	2	Tee fitting
	5	3190022	2	Clamp
	6	3040303	2	Stopnut
	7	3060006	2	Flat washer [D.8 UNI 6592 ZC]
	8	5001196	1	
	9	3020901	1	Socketed head cap screw [M8X60 ZC UNI 5931]
	10	3101131	4	90° Connection
	11	5391938	1	
	12	5391803	1	
	13	5391935	2	Bonderized tube
	14	5000047	7	Clamp (Rigid Pipe)
	15	3060055	4	Split lock washer [D=8.4 C72 ZC]
	16	3010032	4	Hex screw [M8X45 8.8 ZC UNI 5737]
	17	5280538	2	
	18	5391936	1	
	19	5391937	1	
	20	3190171	1	Pipes guard

VALIDO DA Giugno 2014
VALID FROM June 2014

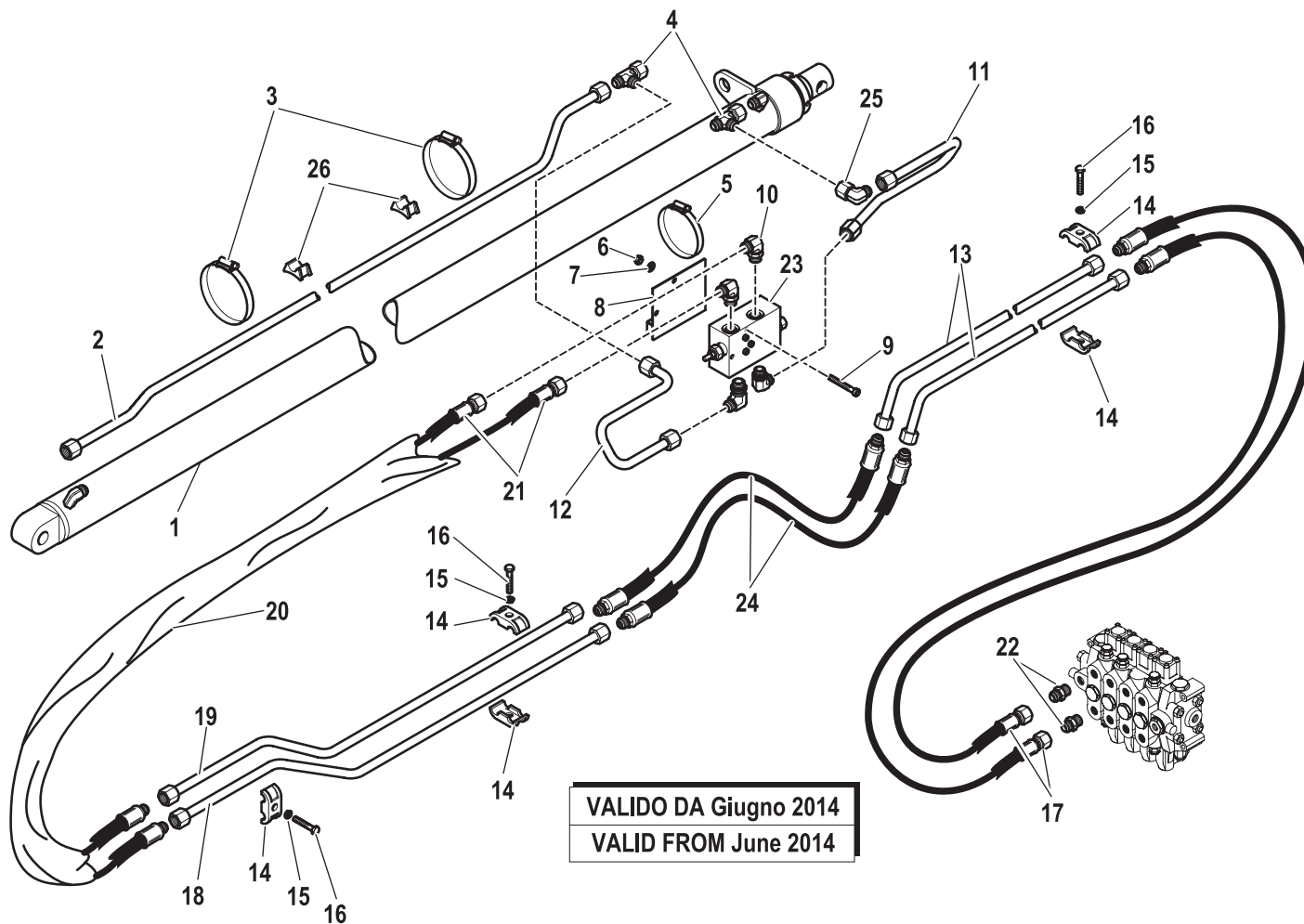
HYDRAULIC SYSTEM (1st EXSTENSION HYDRAULIC)

Code

6210318-3.0

2/2

R	Pos.	Code Variant	Q.ty	Description
	21	5280526	2	
	22	3101051	2	Straight pipe fitting
	23	5220755	1	
	24	5280376	2	
	25	3120034	1	90° Connection
	26	5140133	2	Piping mounting



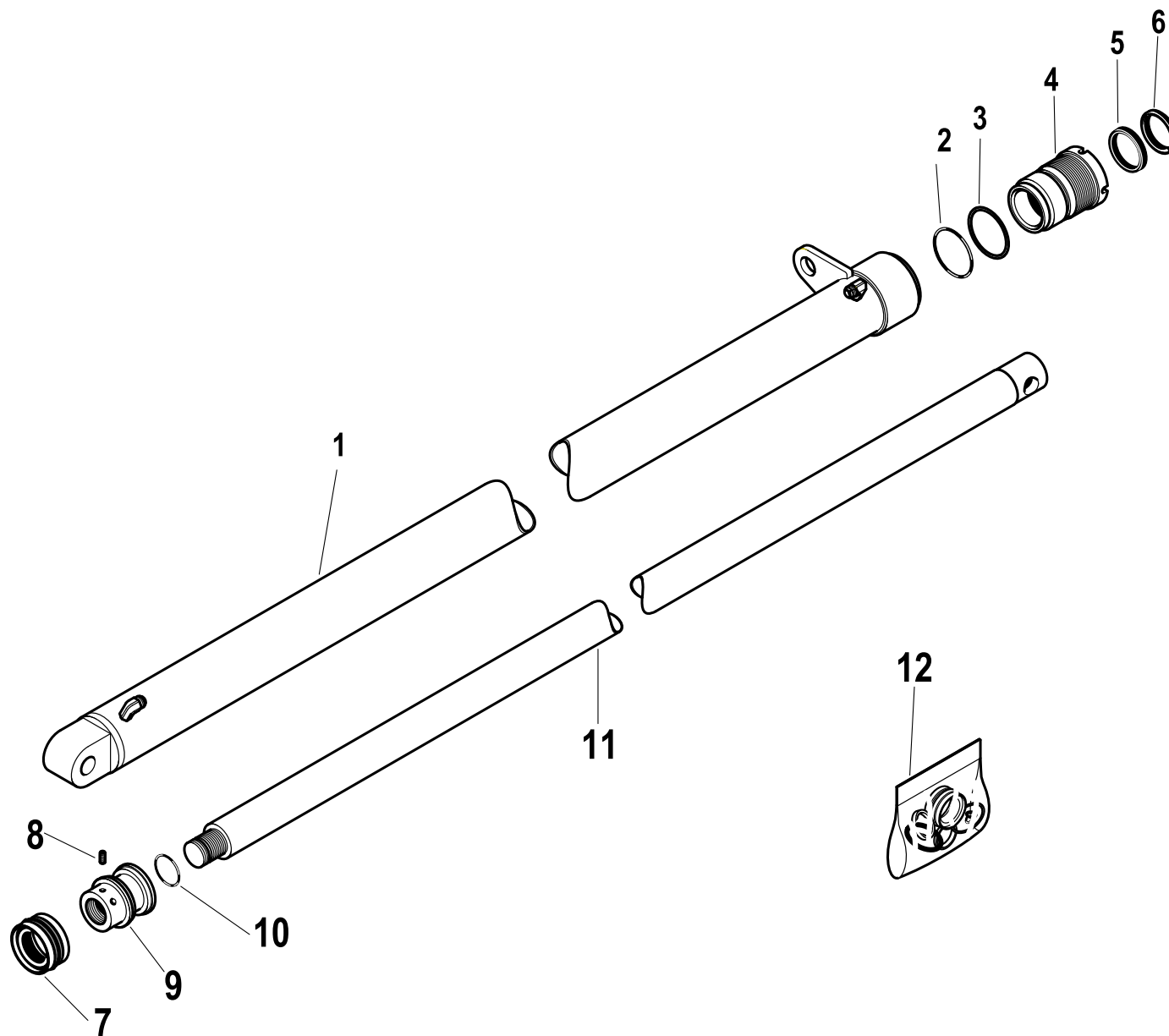
VALIDO DA Giugno 2014
VALID FROM June 2014

1st EXSTENSION HYDRAULIC

Code

6410254-1.0

1/1



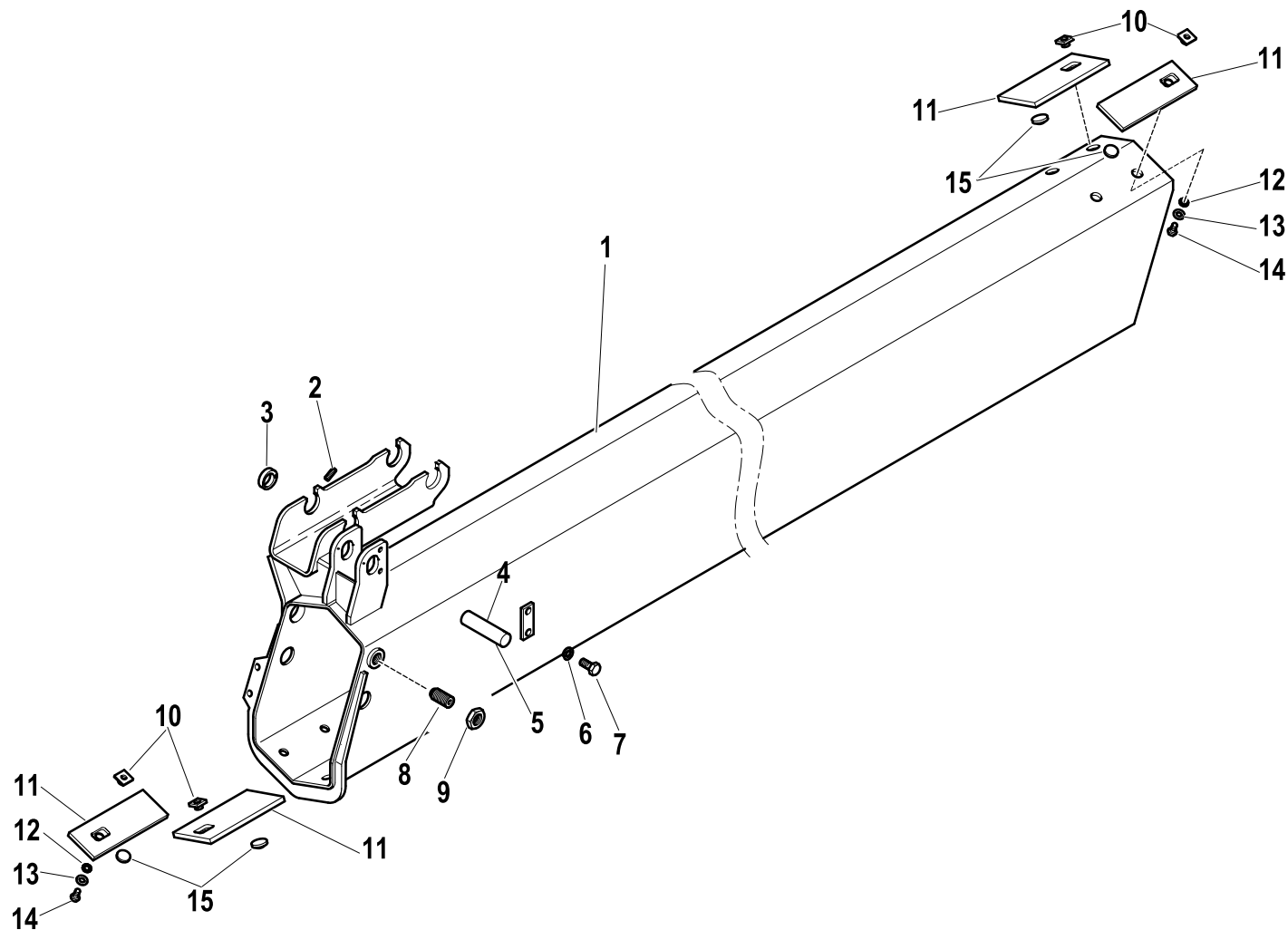
R	Pos.	Code Variant	Q.ty	Description
	1	6070464	1	
	2	3450136	1	
	3	3460136	1	
	4	6040257	1	
	5	3370134	1	
	6	3420026	1	W-ring
	7	3400510	1	
	8	3060234	1	Grub screw [Grano M6X10 UNI 5927 ZC.]
	9	6050143	1	
	10	3450069	1	
	11	6030560	1	
	12	5550779	1	

2nd extension

Code

5530027-1.0

1/1



R	Pos.	Code Variant	Q.ty	Description
	1	5020431	1	Extension
	2	3060941	4	Grub screw
	3	5001105	4	
	4	5150443	1	
	5	5000674	1	Keep plate
	6	3060055	2	Split lock washer [D=8.4 C72 ZC]
	7	3010337	2	Hex screw [M8X16 8.8 ZC UNI 5739]
	8	5000771	2	Adjusting screw
	9	3040089	2	Lock nut
	10	5000827	4	Button (Control board)
	11	5140743	4	
	12	3060920	4	Tooth lock washer [D.10 TIPO A]
	13	3060914	4	Flat washer [D.10.5X21X2 UNI 6592 ZC]
	14	3010353	4	Hex screw [M10X16 8.8 ZC UNI 5739]
	15	5140681	4	

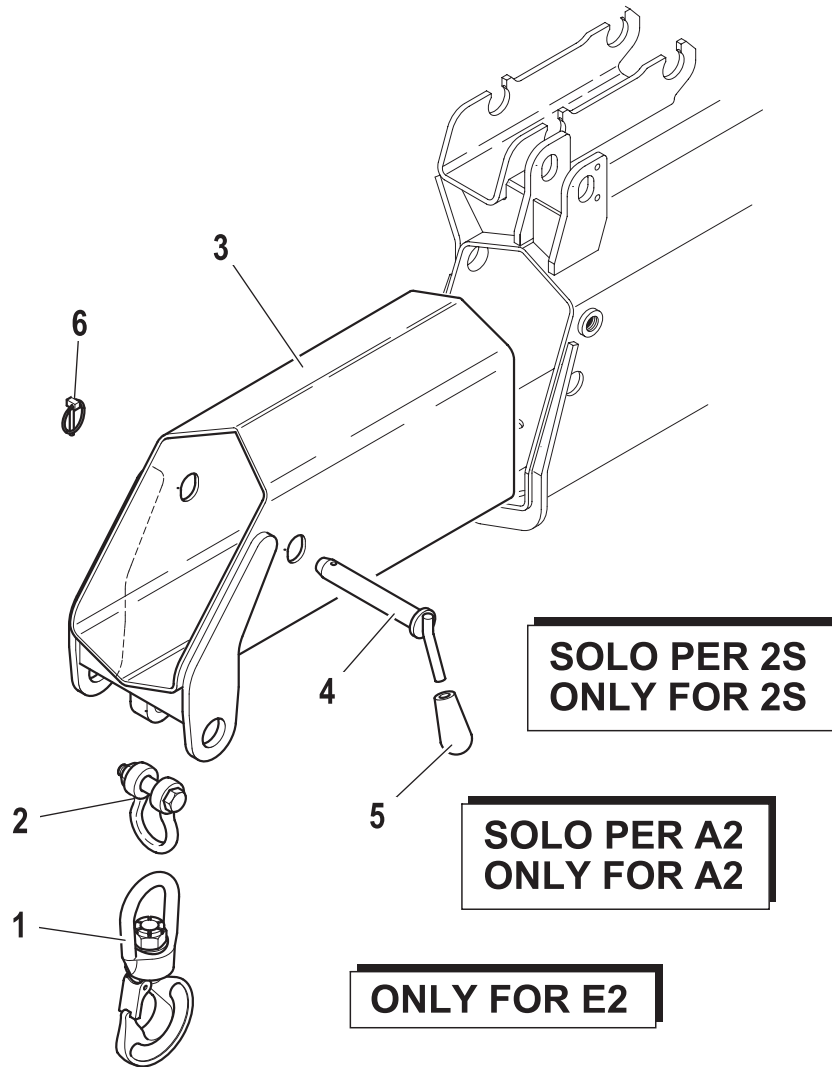
Coupling (Hook)

Code

7880398-1.0

1/1

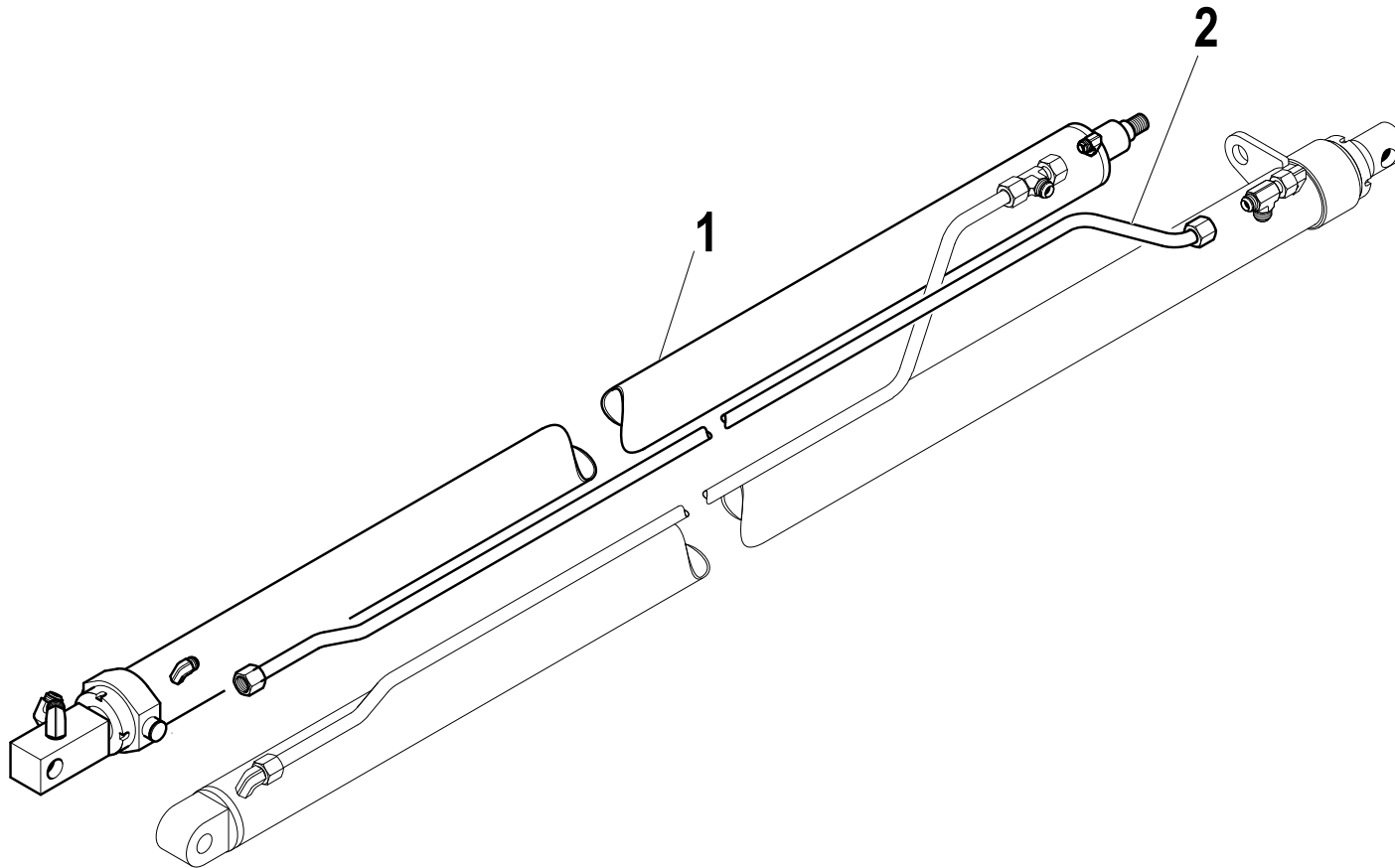
R	Pos.	Code Variant	Q.ty	Description
	1	3200007	1	Swivel hook
	2	3200067	1	Shackles
	3	5020440	1	Hook coupling
	4	5150822	1	Pin
	5	3190010	1	Knob
	6	3060753	1	Cotter pin (Locking ring)



HYDRAULIC SYSTEM (2nd EXTENSION HYDRAULIC JACK)

Code		
6210255-1.0		1/1

R	Pos.	Code Variant	Q.ty	Description
	1	6410255	1	Extension Hydraulic jack
	2	5391802	1	

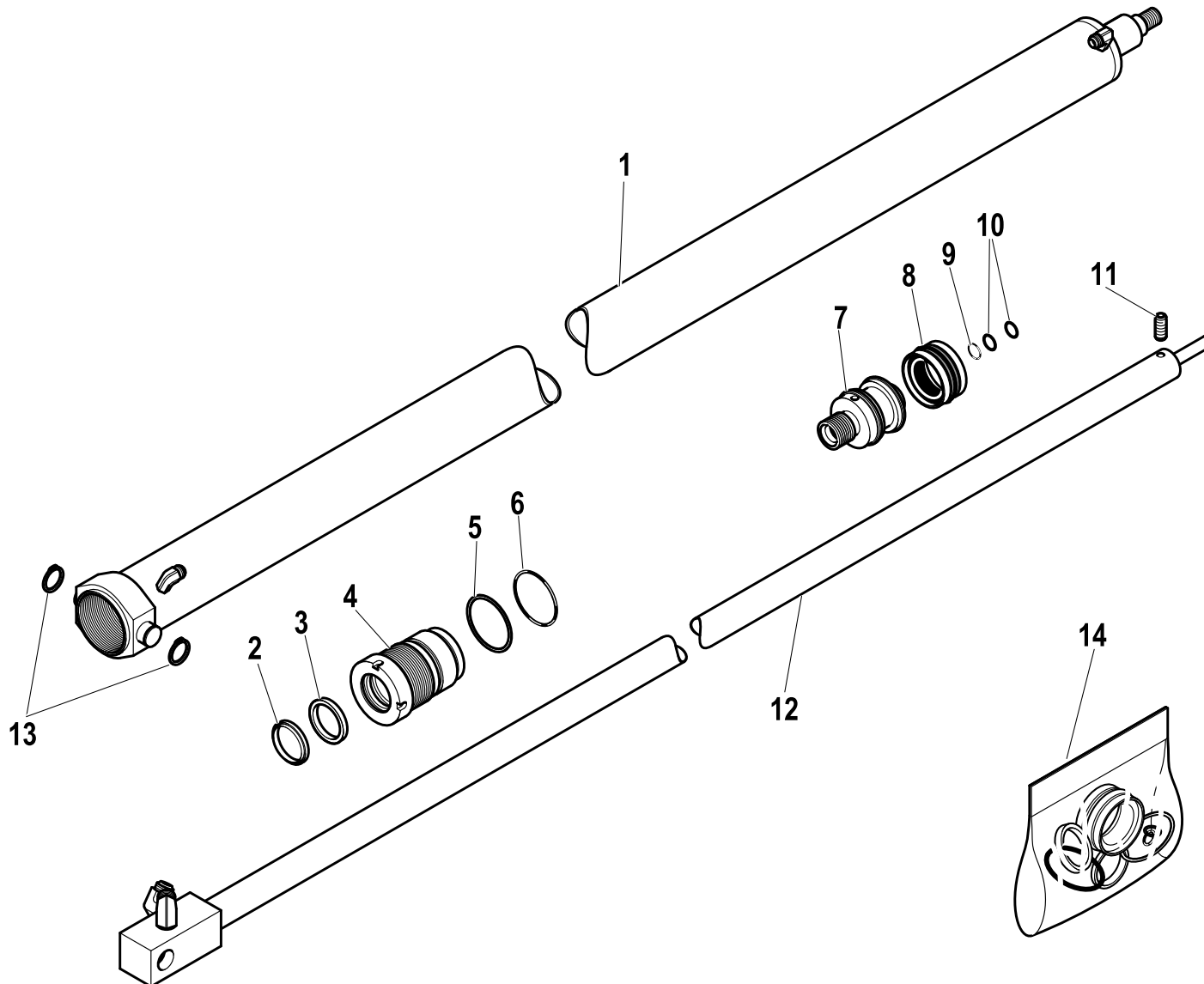


2nd EXTENSION HYDRAULIC JACK

Code

6410255-1.0

1/1



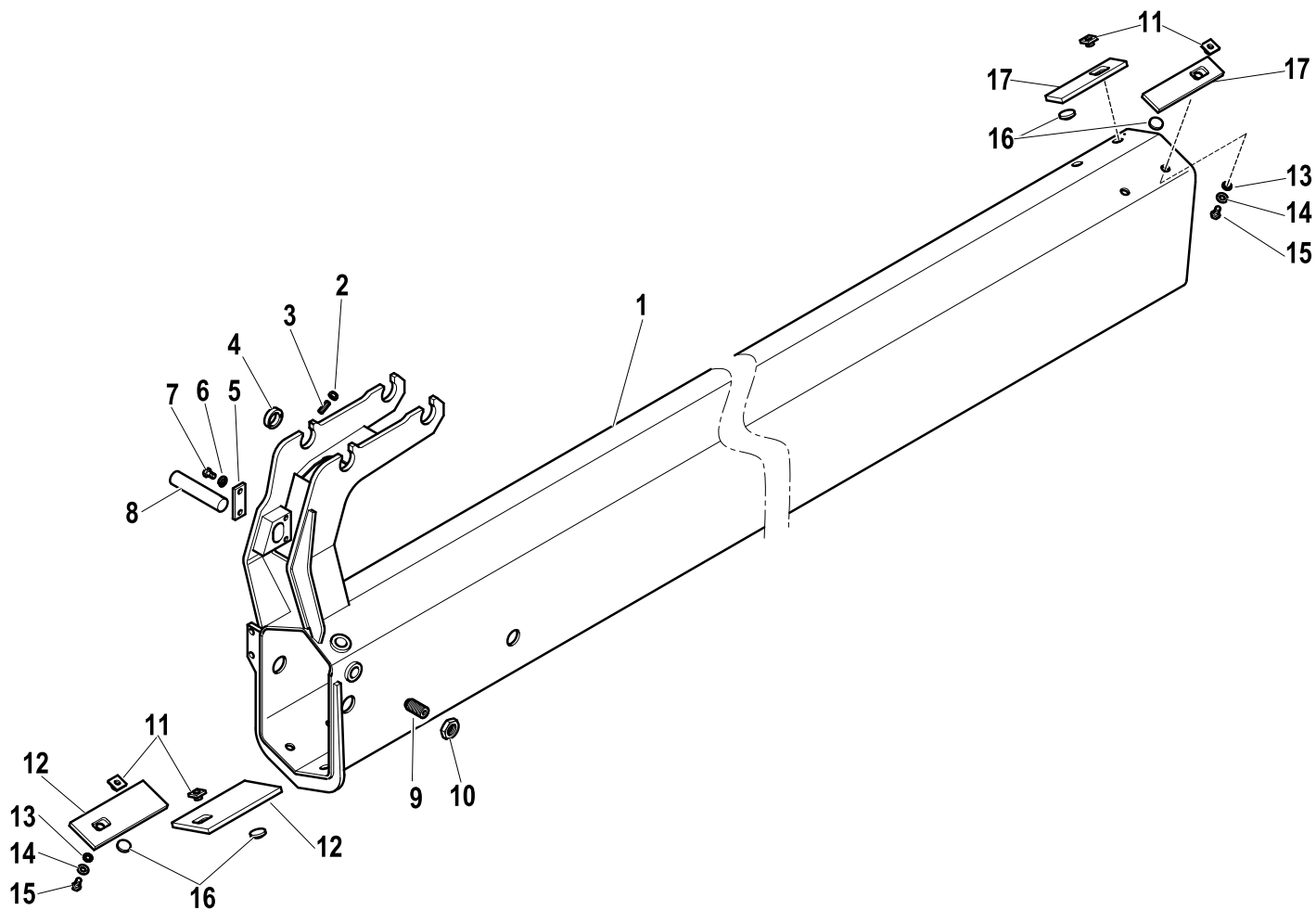
R	Pos.	Code Variant	Q.ty	Description
	1	6070468	1	
	2	3420023	1	W-ring
	3	3400083	1	
	4	6040258	1	
	5	3460136	1	
	6	3450136	1	
	7	6050255	1	
	8	3400510	1	
	9	3450047	1	
	10	3460047	2	
	11	3060232	1	Grub screw [Grano M6X6 UNI 5927 ZC.]
	12	6030581	1	
	13	3070150	2	Seeger
	14	5550780	1	

3rd extension

Code

5540028-1.0

1/1



R	Pos.	Code Variant	Q.ty	Description
	1	5020432	1	Extension
	2	3040510	4	Self-locking ringnut
	3	3060941	4	Grub screw
	4	5001105	4	
	5	5000674	1	Keep plate
	6	3060055	2	Split lock washer [D=8.4 C72 ZC]
	7	3010337	2	Hex screw [M8X16 8.8 ZC UNI 5739]
	8	5150641	1	
	9	5000771	4	Adjusting screw
	10	3040089	4	Lock nut
	11	5000827	4	Button (Control board)
	12	5140743	2	
	13	3060920	4	Tooth lock washer [D.10 TIPO A]
	14	3060914	4	Flat washer [D.10.5X21X2 UNI 6592 ZC]
	15	3010353	4	Hex screw [M10X16 8.8 ZC UNI 5739]
	16	5140681	2	
	17	5140733	2	

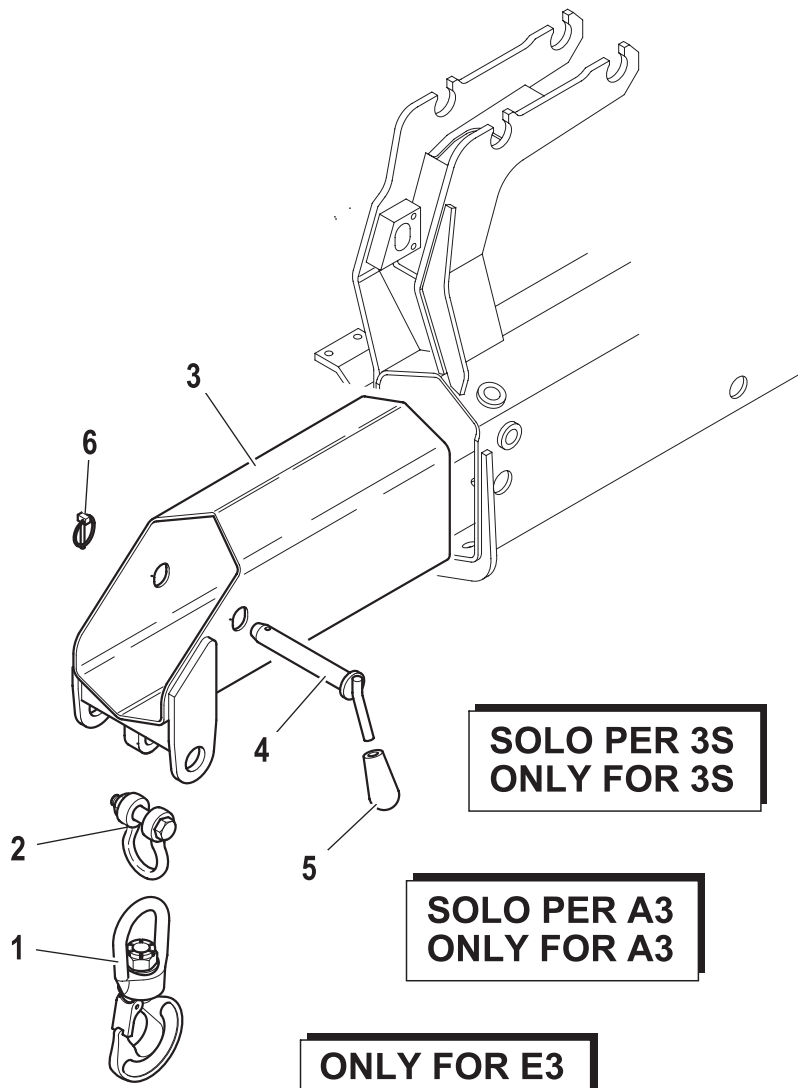
Coupling (Hook)

Code

7880399-1.0

1/1

R	Pos.	Code Variant	Q.ty	Description
	1	3200007	1	Swivel hook
	2	3200067	1	Shackles
	3	5020441	1	Hook coupling
	4	5150238	1	Pin
	5	3190010	1	Knob
	6	3060757	1	Cotter pin (Locking ring)



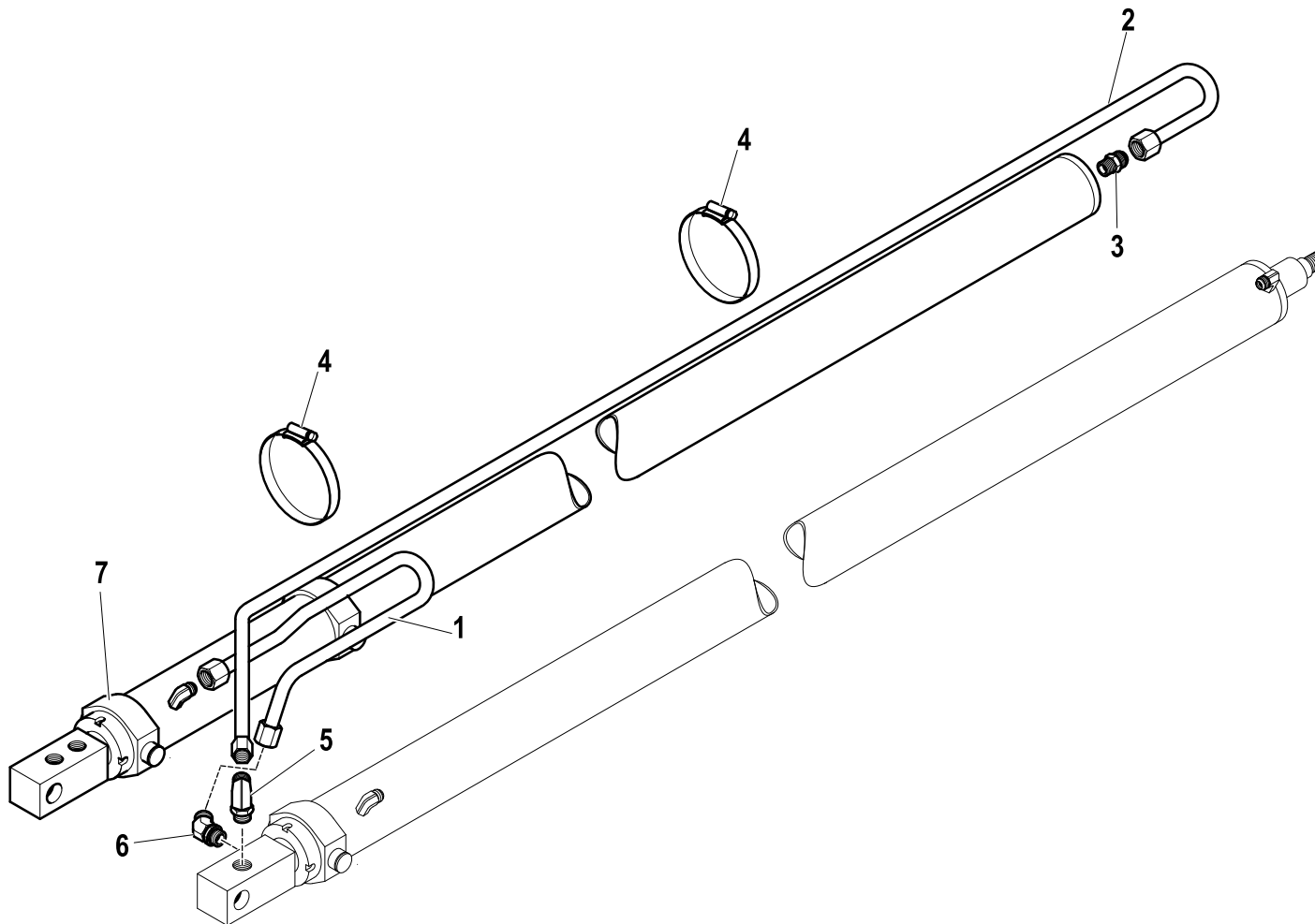
HYDRAULIC SYSTEM (3rd extension Hydraulic jack)

Code

6210256-1.0

1/1

R	Pos.	Code Variant	Q.ty	Description
	1	5391806	1	
	2	5391805	1	
	3	3101051	1	Straight pipe fitting
	4	3190022	2	Clamp
	5	3101131	1	90° Connection
	6	3101219	1	45° Connection
	7	6410256	1	

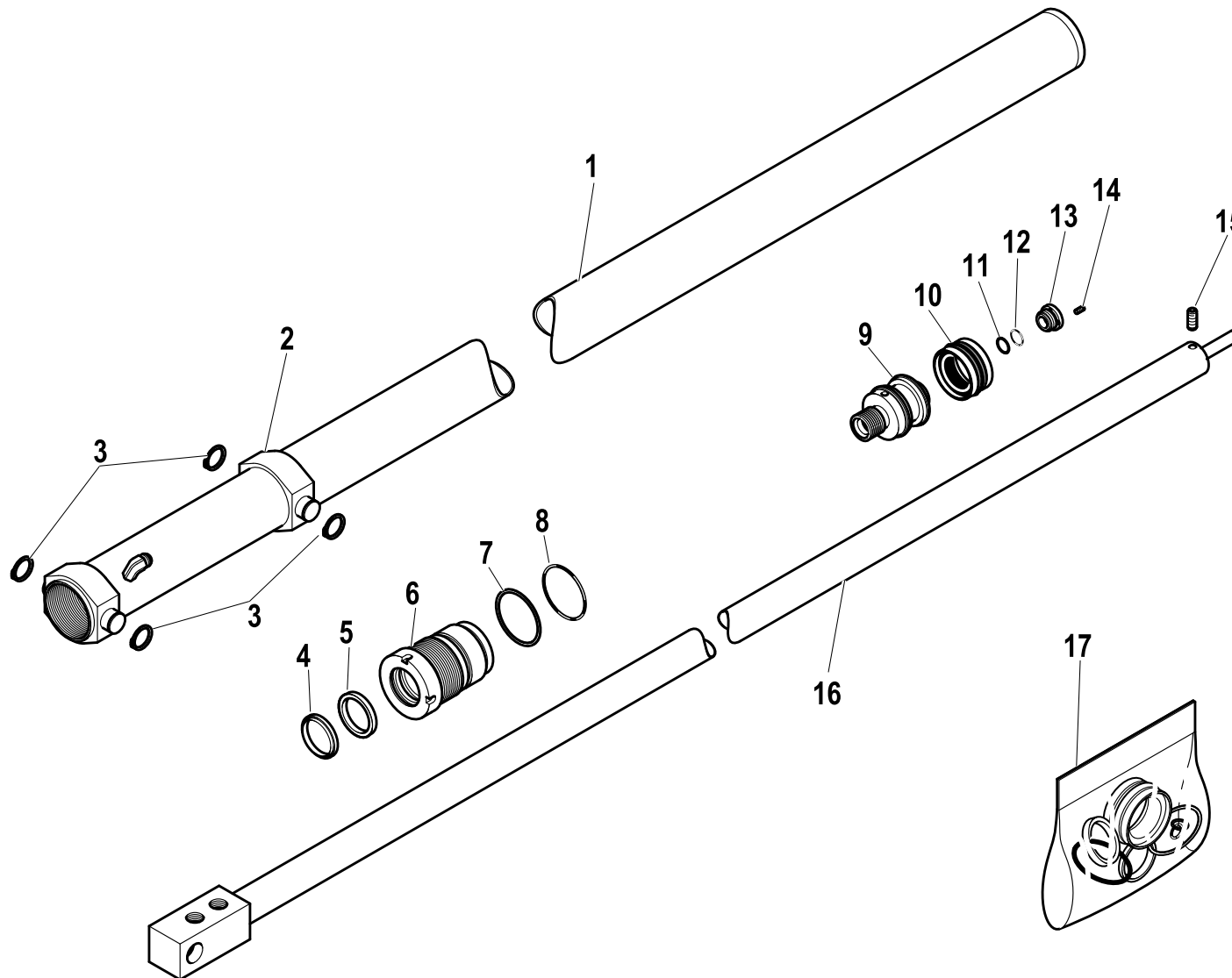


3rd and 4th extension hydraulic cylinder

Code

6410256-1.0

1/1



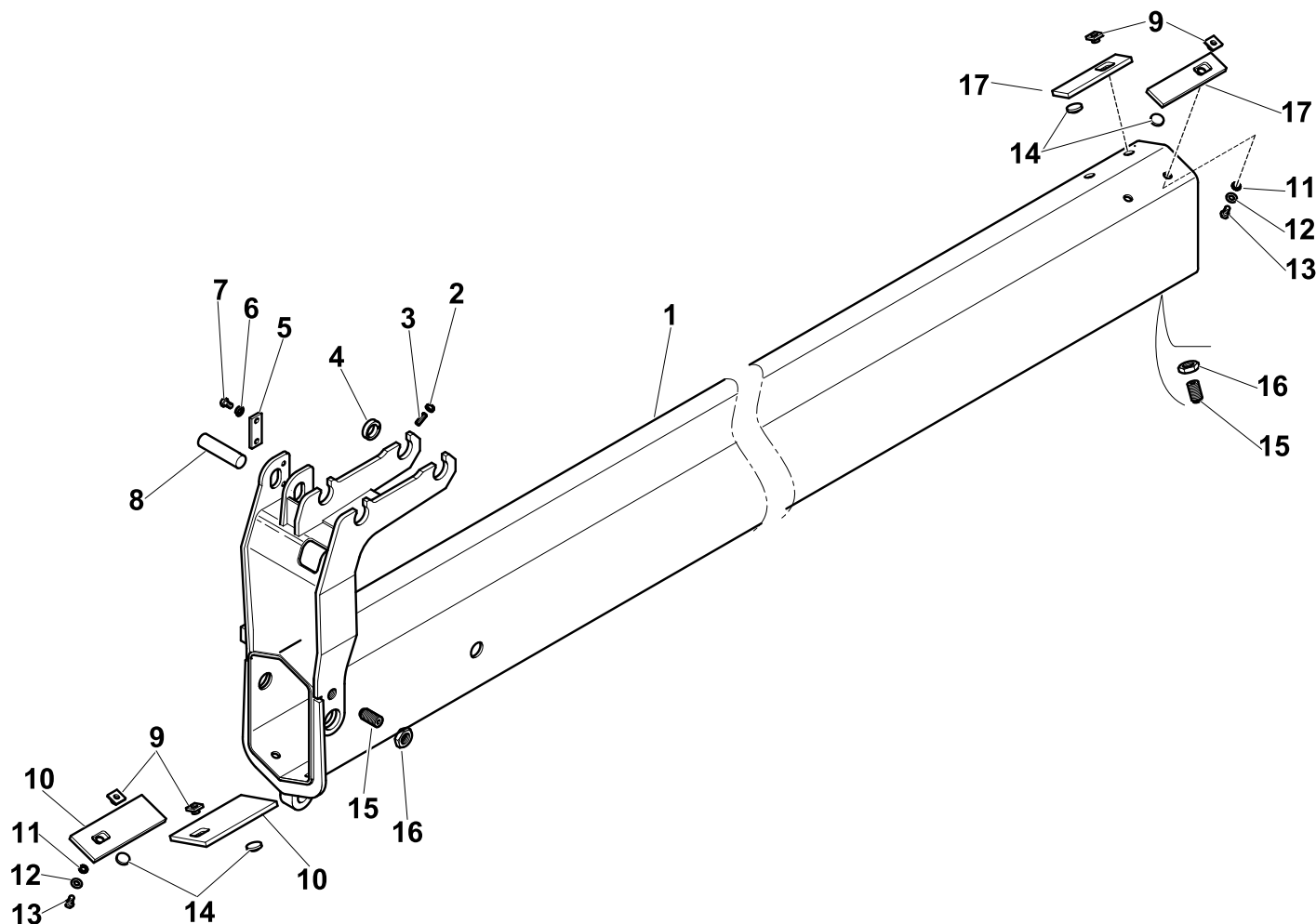
R	Pos.	Code Variant	Q.ty	Description
	1	6070466	1	
	2	5001161	1	
	3	3070150	4	Seeger
	4	3420021	1	
	5	3400067	1	
	6	6040259	1	
	7	3460132	1	
	8	3450132	1	
	9	6050275	1	
	10	3400509	1	
	11	3460047	1	
	12	3450047	1	
	13	6040629	1	
	14	3060248	1	Grub screw
	15	3060232	1	Grub screw [Grano M6X6 UNI 5927 ZC.]
	16	6030563	1	
	17	5550781	1	Seal kit

4th extension

Code

5560021-1.0

1/1



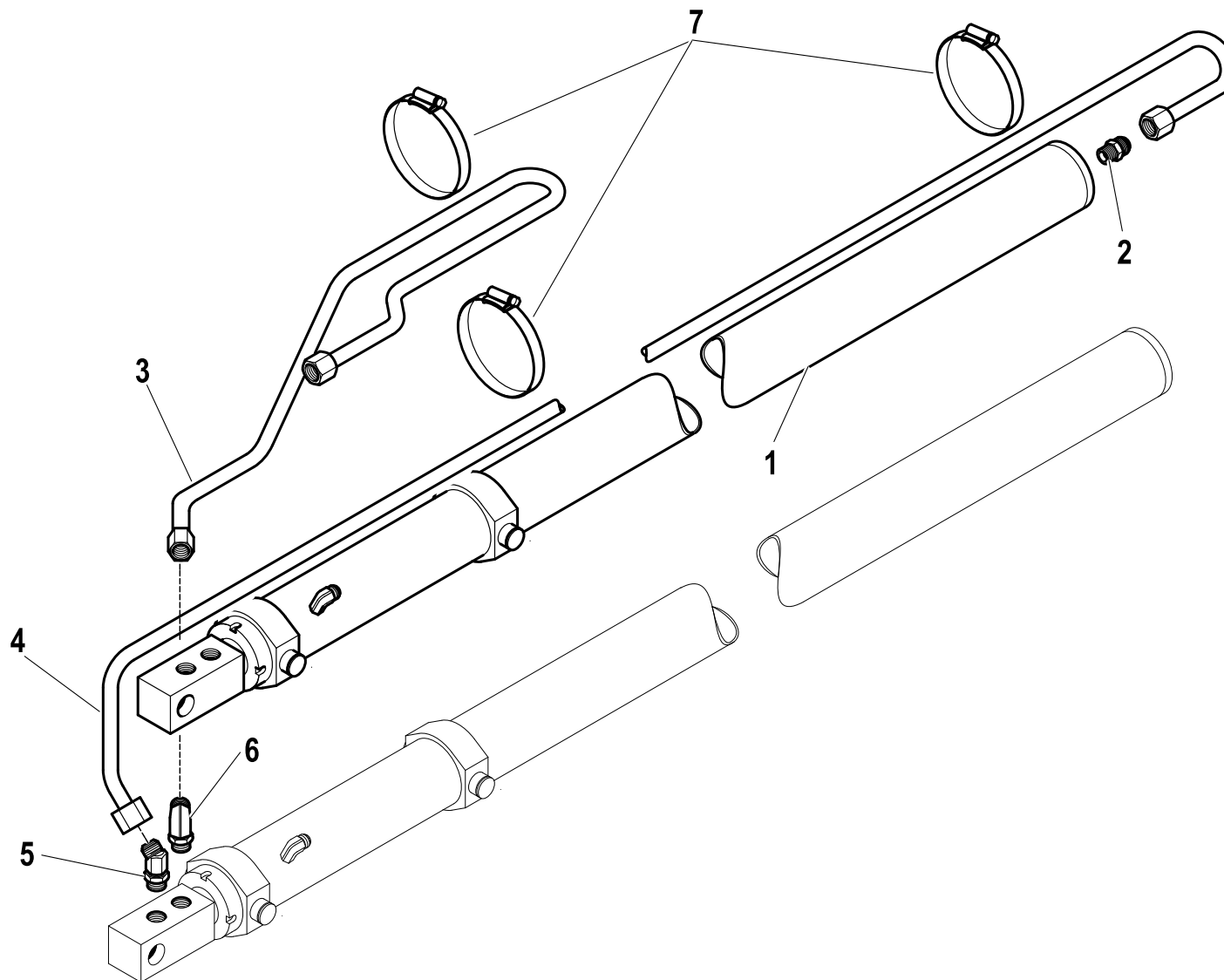
R	Pos.	Code Variant	Q.ty	Description
	1	5020433	1	Extension
	2	3040519	4	Stopnut
	3	3060941	4	Grub screw
	4	5001105	4	
	5	5000674	1	Keep plate
	6	3060055	2	Split lock washer [D=8.4 C72 ZC]
	7	3010337	2	Hex screw [M8X16 8.8 ZC UNI 5739]
	8	5150641	1	
	9	5000827	4	Button (Control board)
	10	5140743	4	
	11	3060920	4	Tooth lock washer [D.10 TIPO A]
	12	3060914	4	Flat washer [D.10.5X21X2 UNI 6592 ZC]
	13	3010353	4	Hex screw [M10X16 8.8 ZC UNI 5739]
	14	5140681	4	
	15	5000771	4	Adjusting screw
	16	3040089	4	Lock nut
	17	5140733	2	

HYDRAULIC SYSTEM (4th extension Hydraulic jack)

Code

6210257-1.0

1/1



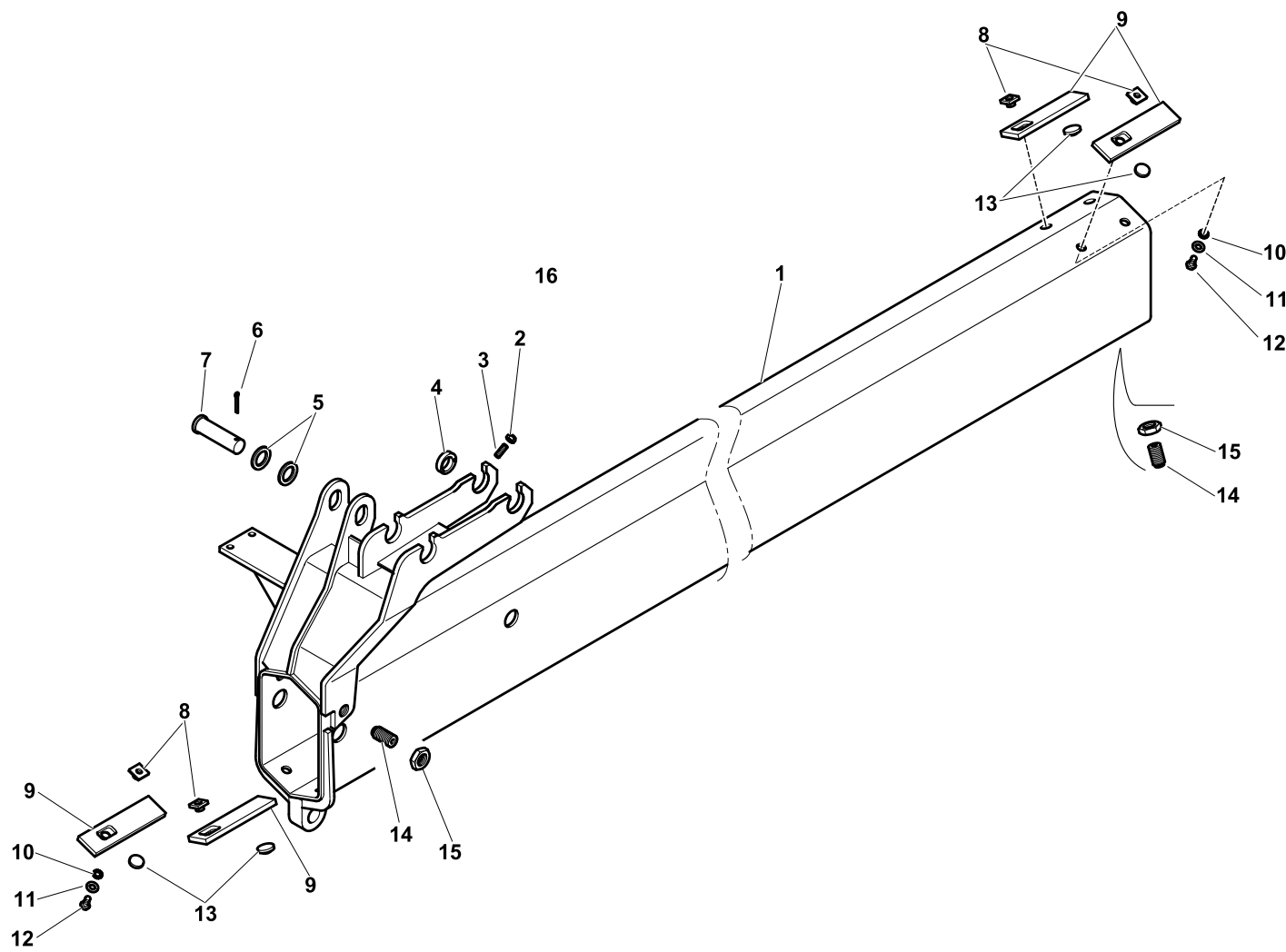
R	Pos.	Code Variant	Q.ty	Description
	1	6410256	1	
	2	3101051	1	Straight pipe fitting
	3	5391808	1	
	4	5391807	1	
	5	3101219	1	45° Connection
	6	3101131	1	90° Connection
	7	3190022	3	Clamp

5th extension

Code

5570009-1.0

1/1



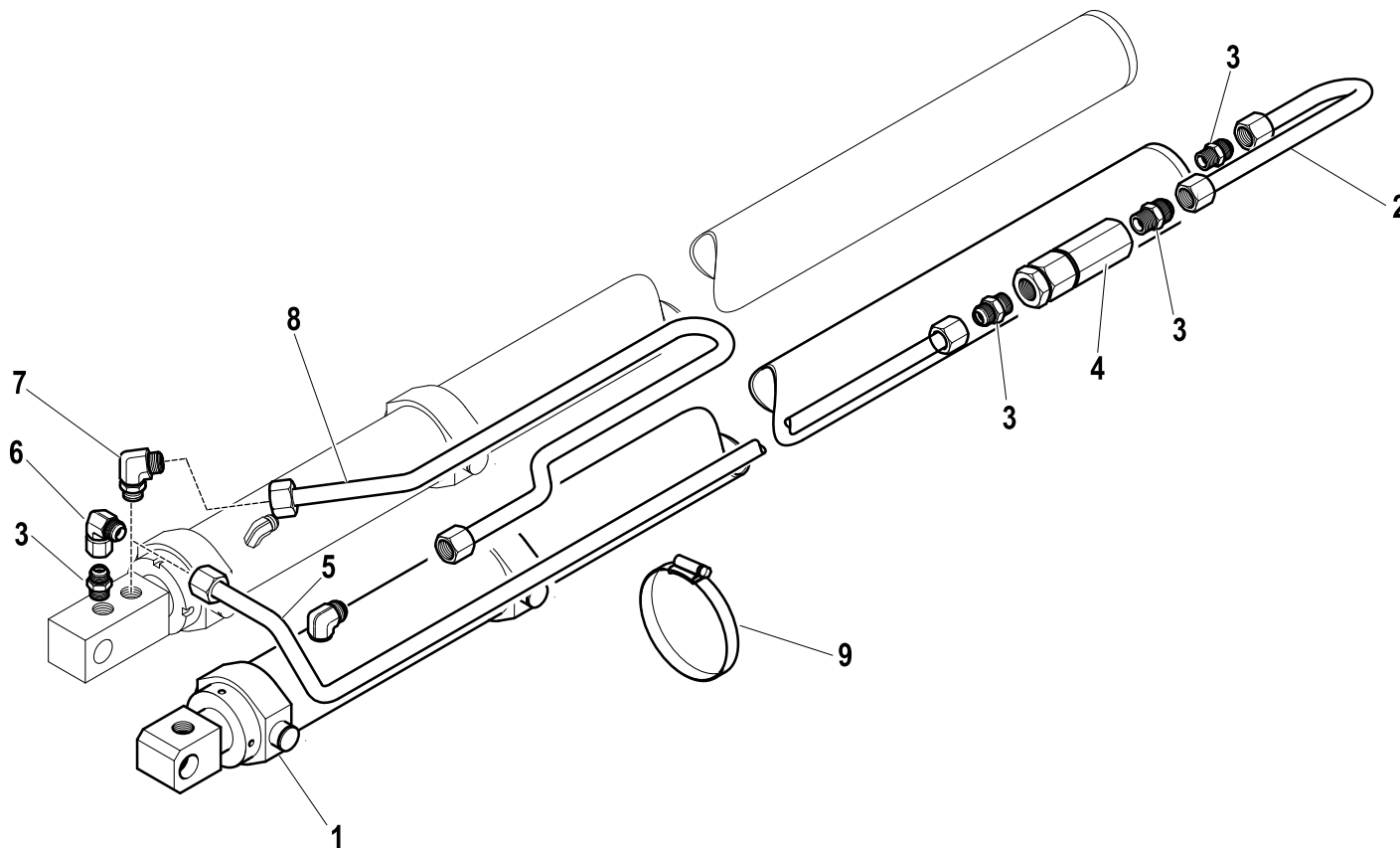
R	Pos.	Code Variant	Q.ty	Description
	1	5020434	1	Extension
	2	3040519	4	Stopnut
	3	3060941	4	Grub screw
	4	5001105	4	
	5	3060938	2	Flat washer [D.25X39X4 UNI 1749 ZC]
	6	3060911	1	
	7	5150649	1	
	8	5000827	4	Button (Control board)
	9	5140733	4	
	10	3060920	4	Tooth lock washer [D.10 TIPO A]
	11	3060920	4	Tooth lock washer [D.10 TIPO A]
	12	3010353	4	Hex screw [M10X16 8.8 ZC UNI 5739]
	13	5140681	4	
	14	5000771	4	Adjusting screw
	15	3040089	4	Lock nut

5th extension Hydraulic jack (Hydraulic system)

Code

6210317-1.0

1/1



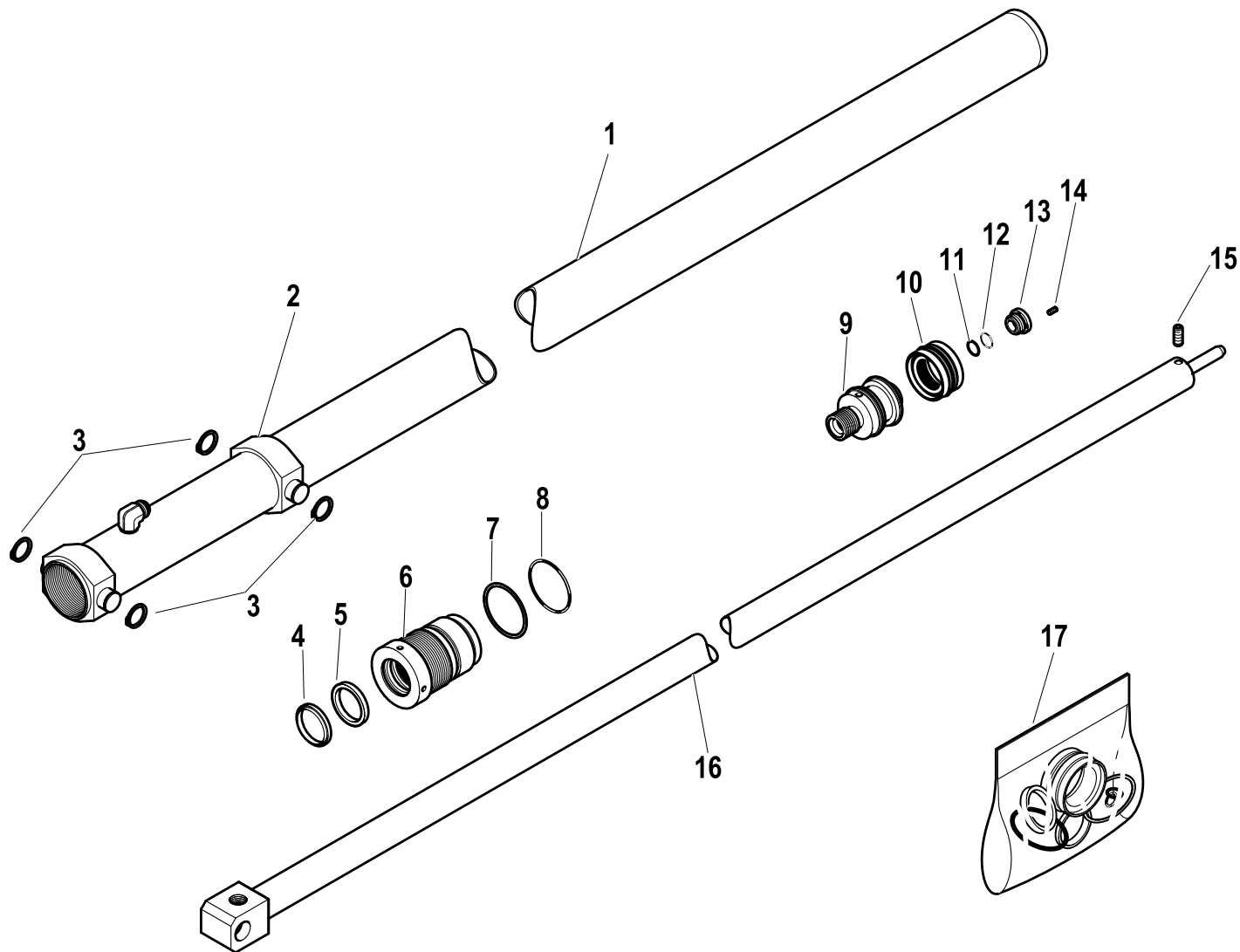
R	Pos.	Code Variant	Q.ty	Description
	1	6410258	1	Extension Hydraulic jack
	2	5391940	1	
	3	3101051	1	Straight pipe fitting
	4	5220693	1	
	5	5391939	1	
	6	3101131	1	90° Connection
	7	3120034	1	90° Connection
	8	5391810	1	
	9	3190022	1	Clamp

5th, 6th and 7th extension hydraulic cylinder

Code

6410258-1.0

1/1



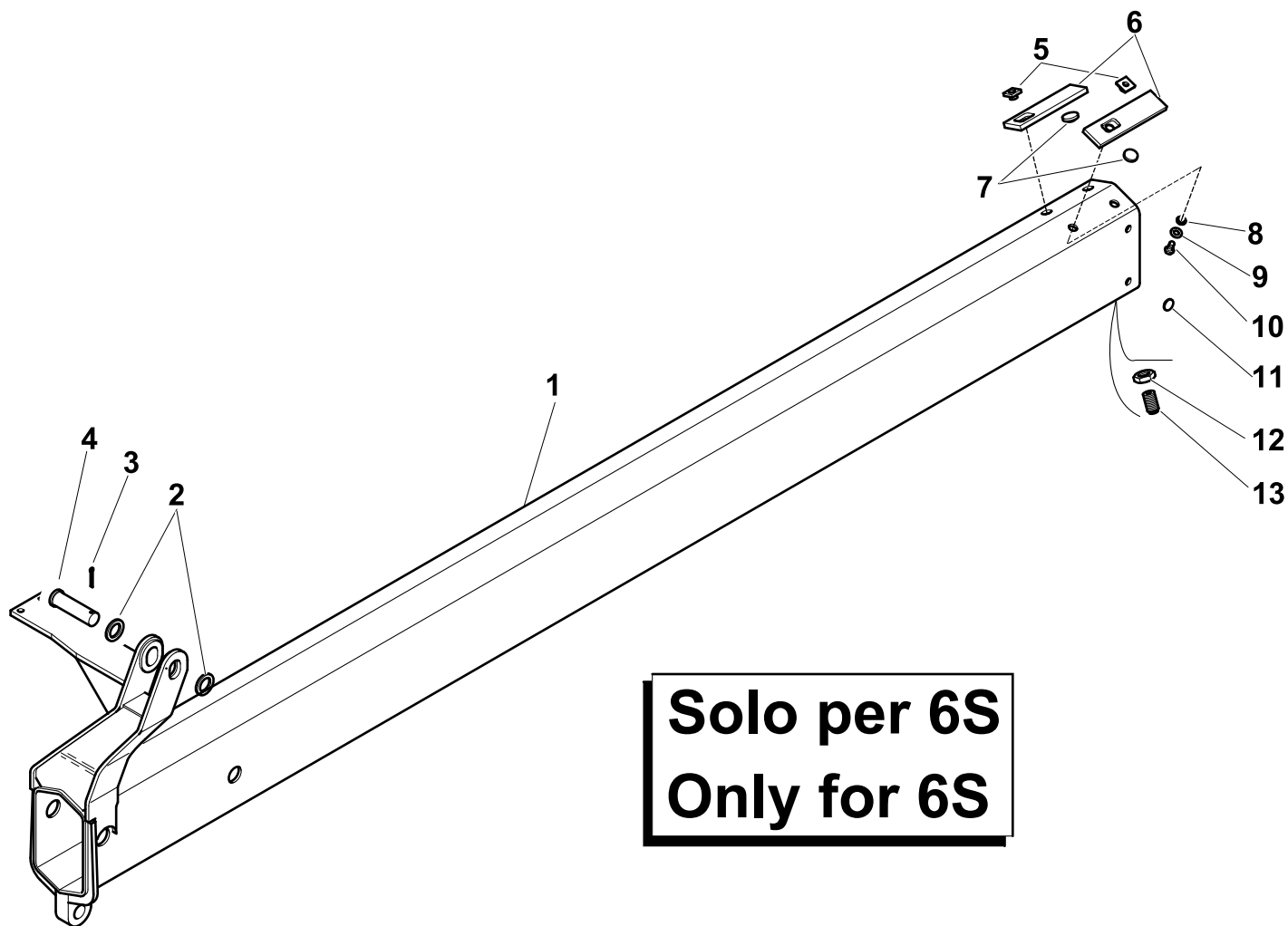
R	Pos.	Code Variant	Q.ty	Description
	1	6070467	1	
	2	5001106	1	
	3	3070150	4	Seeger
	4	3420018	1	
	5	3400055	1	
	6	6040254	1	
	7	3460126	1	
	8	3450126	1	
	9	6050277	1	
	10	3400507	1	
	11	3460047	1	
	12	3450047	1	
	13	6040269	1	Ring nut
	14	3060248	1	Grub screw
	15	3060232	1	Grub screw [Grano M6X6 UNI 5927 ZC.]
	16	6030565	1	
	17	5550783	1	

6th extension

Code

5580008-1.0

1/1



Solo per 6S
Only for 6S

R	Pos.	Code Variant	Q.ty	Description
	1	5020435	1	Extension
	2	3060938	2	Flat washer [D.25X39X4 UNI 1749 ZC]
	3	3060911	1	
	4	5150649	1	
	5	5000827	4	Button (Control board)
	6	5140733	4	
	7	5140681	4	
	8	3060920	4	Tooth lock washer [D.10 TIPO A]
	9	3060914	4	Flat washer [D.10.5X21X2 UNI 6592 ZC]
	10	3010353	4	Hex screw [M10X16 8.8 ZC UNI 5739]
	11	5140656	2	Button (Backlash)
	12	3040089	2	Lock nut

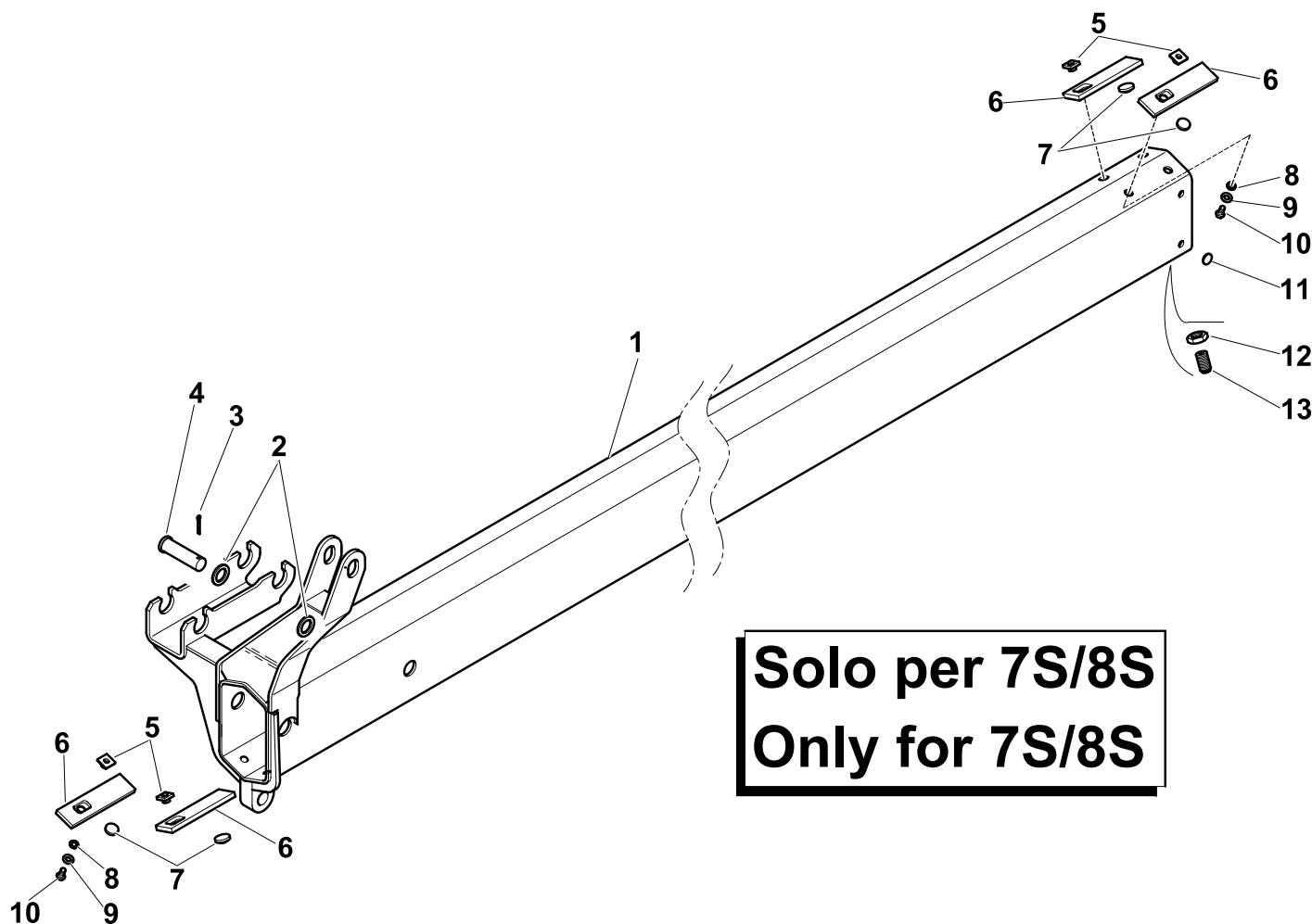
6th extension

Code

5580007-1.0

1/1

R	Pos.	Code Variant	Q.ty	Description
	1	5020436	1	Extension
	2	3060938	2	Flat washer [D.25X39X4 UNI 1749 ZC]
	3	3060911	1	
	4	5150649	1	
	5	5000827	4	Button (Control board)
	6	5140733	4	
	7	5140681	4	
	8	3060920	4	Tooth lock washer [D.10 TIPO A]
	9	3060914	4	Flat washer [D.10.5X21X2 UNI 6592 ZC]
	10	3010353	4	Hex screw [M10X16 8.8 ZC UNI 5739]
	11	5140656	2	Button (Backlash)
	12	3040089	2	Lock nut
	13	5000771	2	Adjusting screw



Solo per 7S/8S
Only for 7S/8S

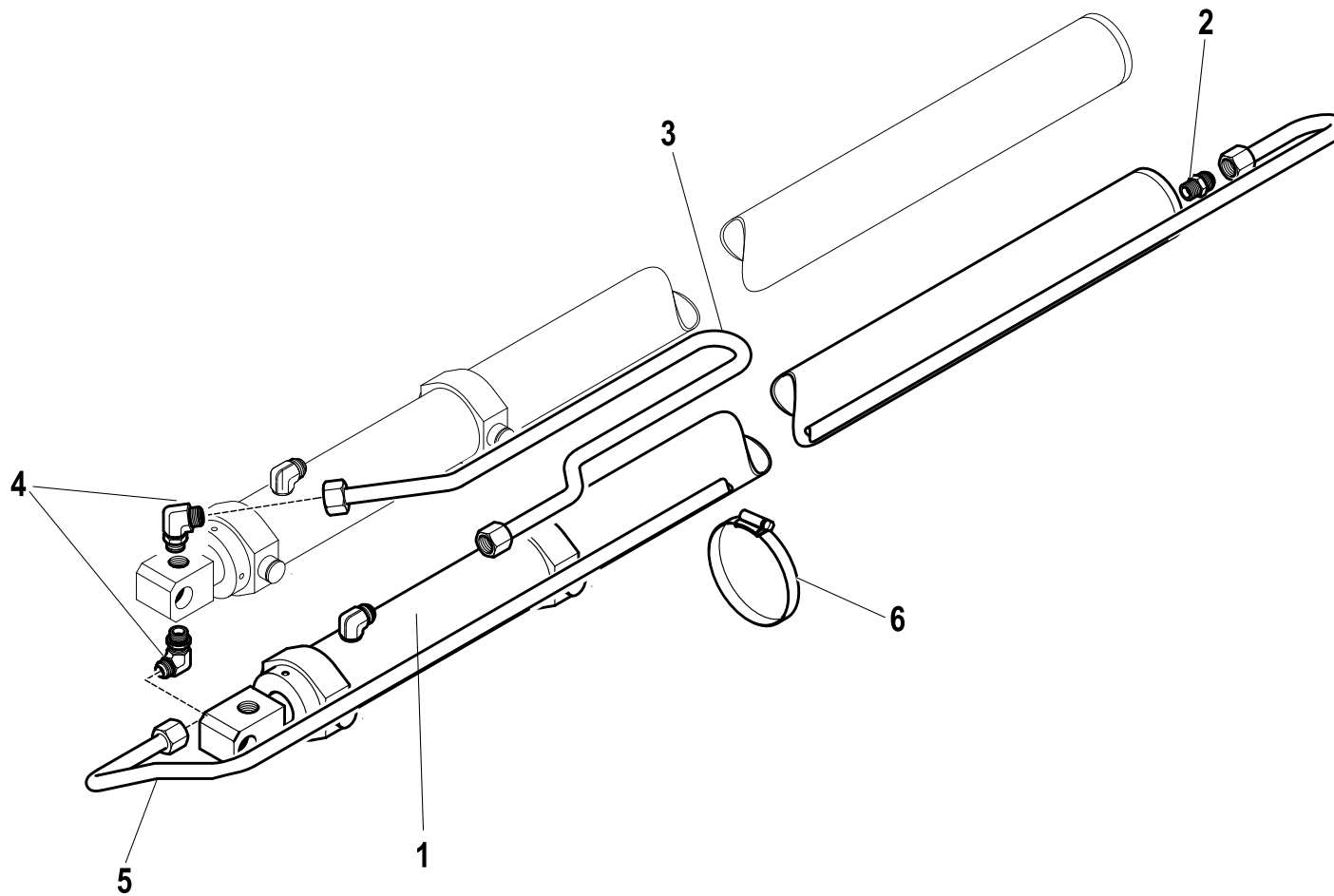
6th extension Hydraulic jack (Hydraulic system)

Code

6210280-1.0

1/1

R	Pos.	Code Variant	Q.ty	Description
	1	6410258	1	Extension Hydraulic jack
	2	3101051	1	Straight pipe fitting
	3	5391812	1	
	4	3101131	2	90° Connection
	5	5391811	1	
	6	3190022	3	Clamp

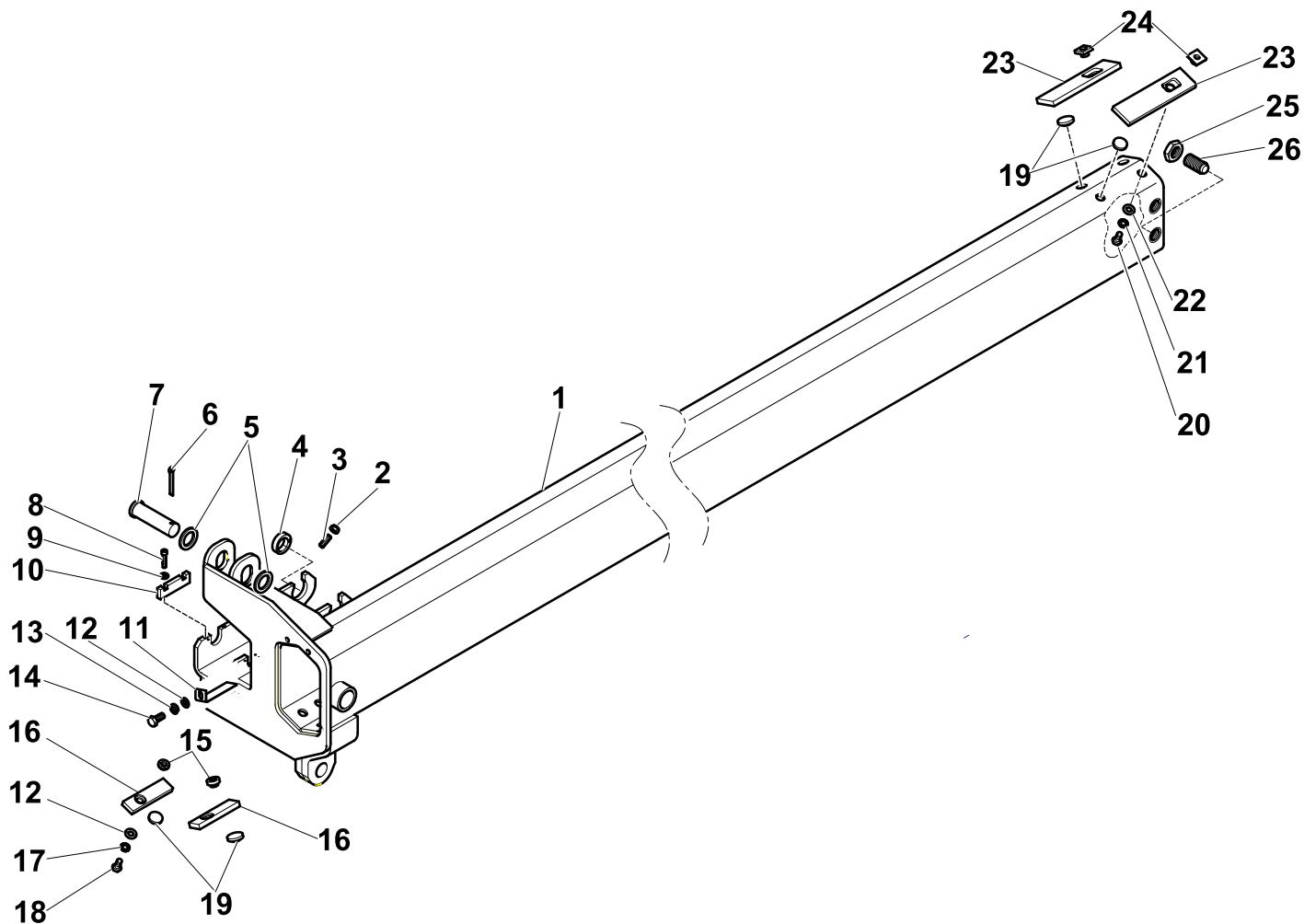


7th extension

Code

5330003-1.0

1/2



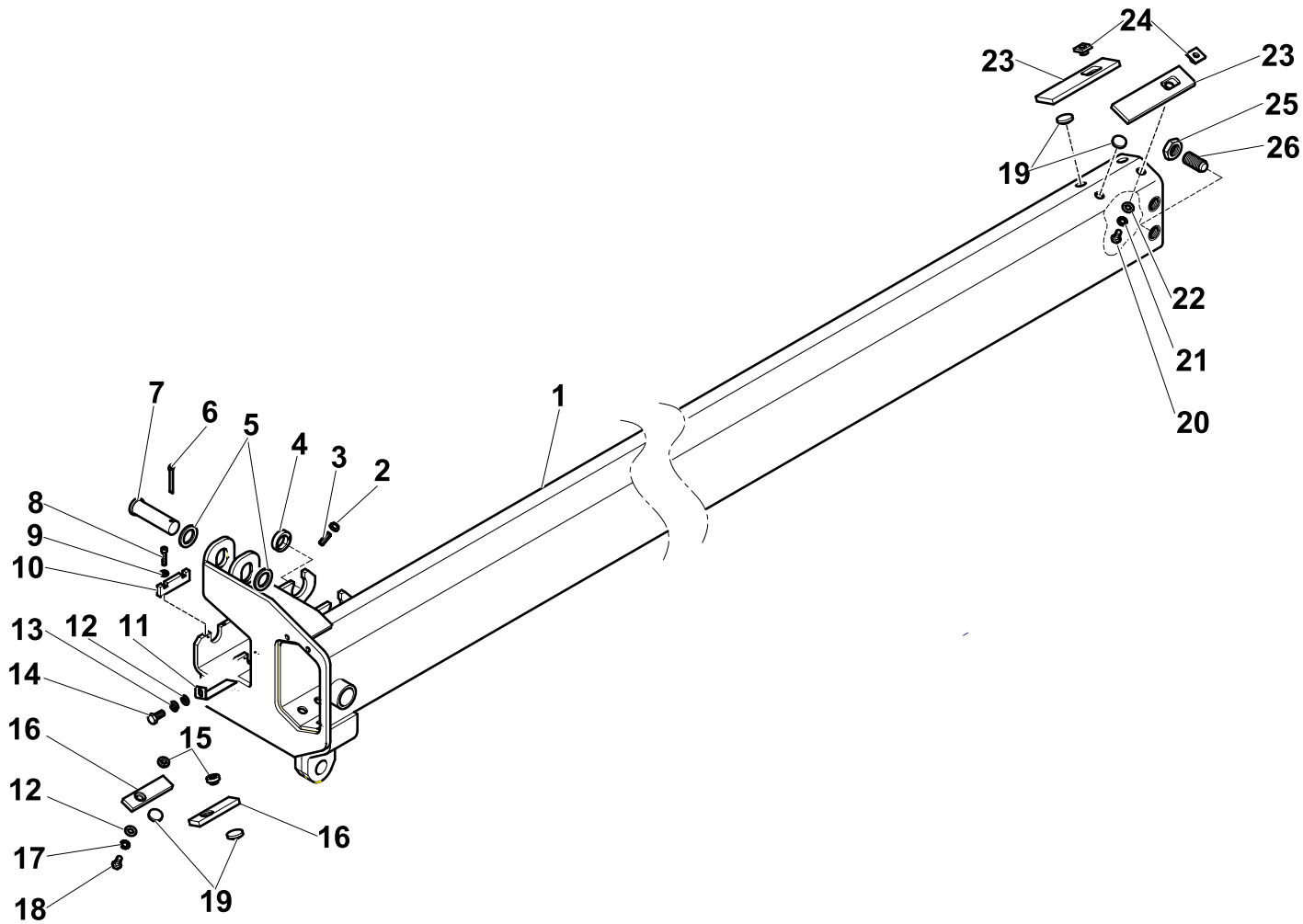
R	Pos.	Code Variant	Q.ty	Description
	1	5020437	1	Extension
	2	3040372	4	Stopnut
	3	3060941	4	Grub screw
	4	5001105	4	
	5	3060938	2	Flat washer [D.25X39X4 UNI 1749 ZC]
	6	3060911	1	
	7	5150649	1	
	8	3020037	2	Socketed head cap screw [M6X25 8.8 ZC UNI 5931]
	9	3060053	2	Split lock washer [D=6.4 C72 ZC]
	10	5001109	2	
	11	5000685	4	Plate (Thickness)
	12	3060006	4	Flat washer [D.8 UNI 6592 ZC]
	13	3060055	2	Split lock washer [D=8.4 C72 ZC]
	14	3010027	2	Hex screw [M8X20 8.8 ZC IF UNI 5739]
	15	5000623	4	
	16	5140683	2	
	17	3060918	4	Tooth lock washer [D.8 TIPO A UNI8842 ZC]
	18	3010337	2	Hex screw [M8X16 8.8 ZC UNI 5739]
	19	5140656	4	Button (Backlash)
	20	3010353	2	Hex screw [M10X16 8.8 ZC UNI 5739]

7th extension

Code

5330003-1.0

2/2



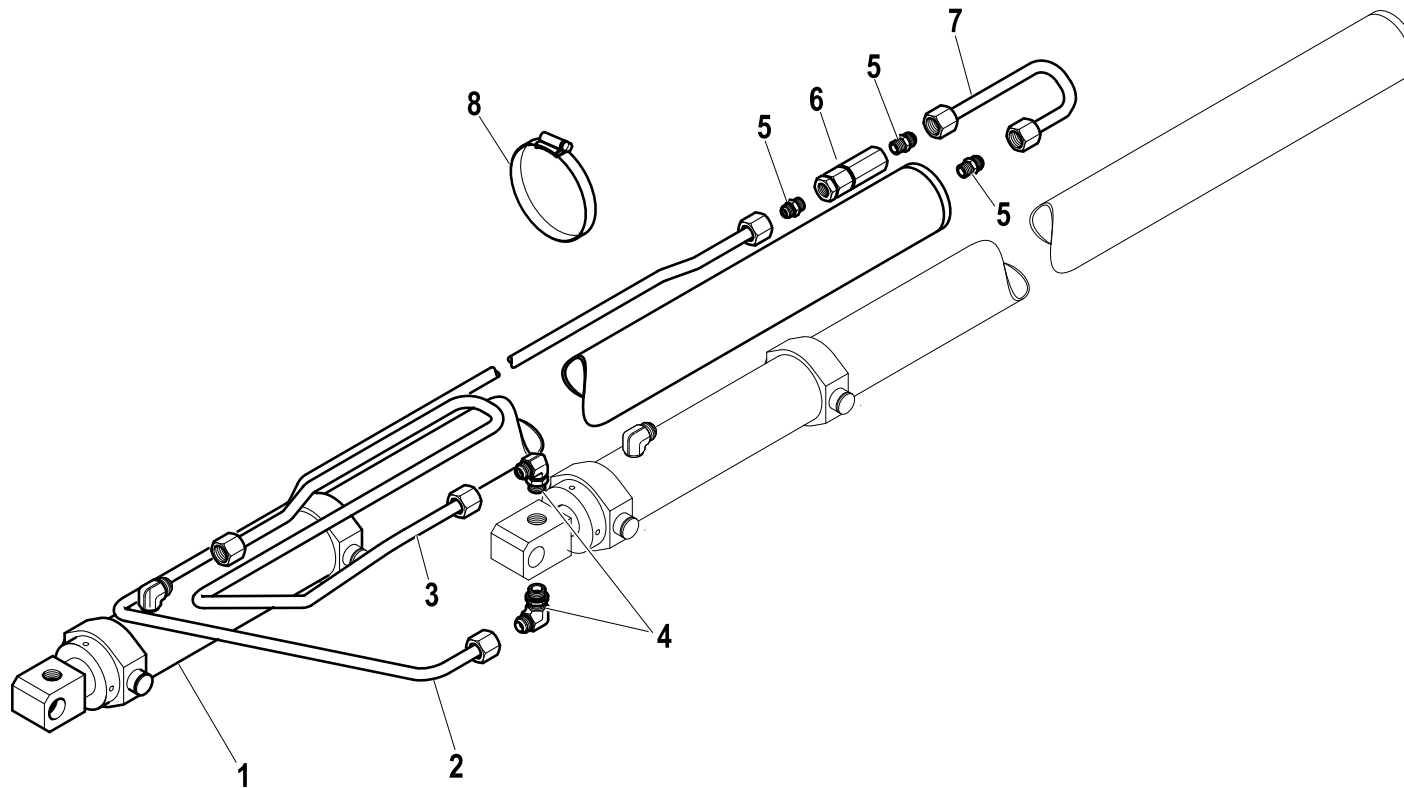
R	Pos.	Code Variant	Q.ty	Description
	21	3060920	2	Tooth lock washer [D.10 TIPO A]
	22	3060914	2	Flat washer [D.10.5X21X2 UNI 6592 ZC]
	23	5140733	2	
	24	5000827	2	Button (Control board)
	25	3040089	6	Lock nut
	26	5000771	6	Adjusting screw

7th extension Hydraulic jack (Hydraulic system)

Code

6210281-1.0

1/1



R	Pos.	Code Variant	Q.ty	Description
	1	6410258	1	Extension Hydraulic jack
	2	5391941	1	
	3	5391942	1	
	4	3101131	2	90° Connection
	5	3101051	3	Straight pipe fitting
	6	5220693	1	
	7	5391940	1	
	8	3190022	2	Clamp

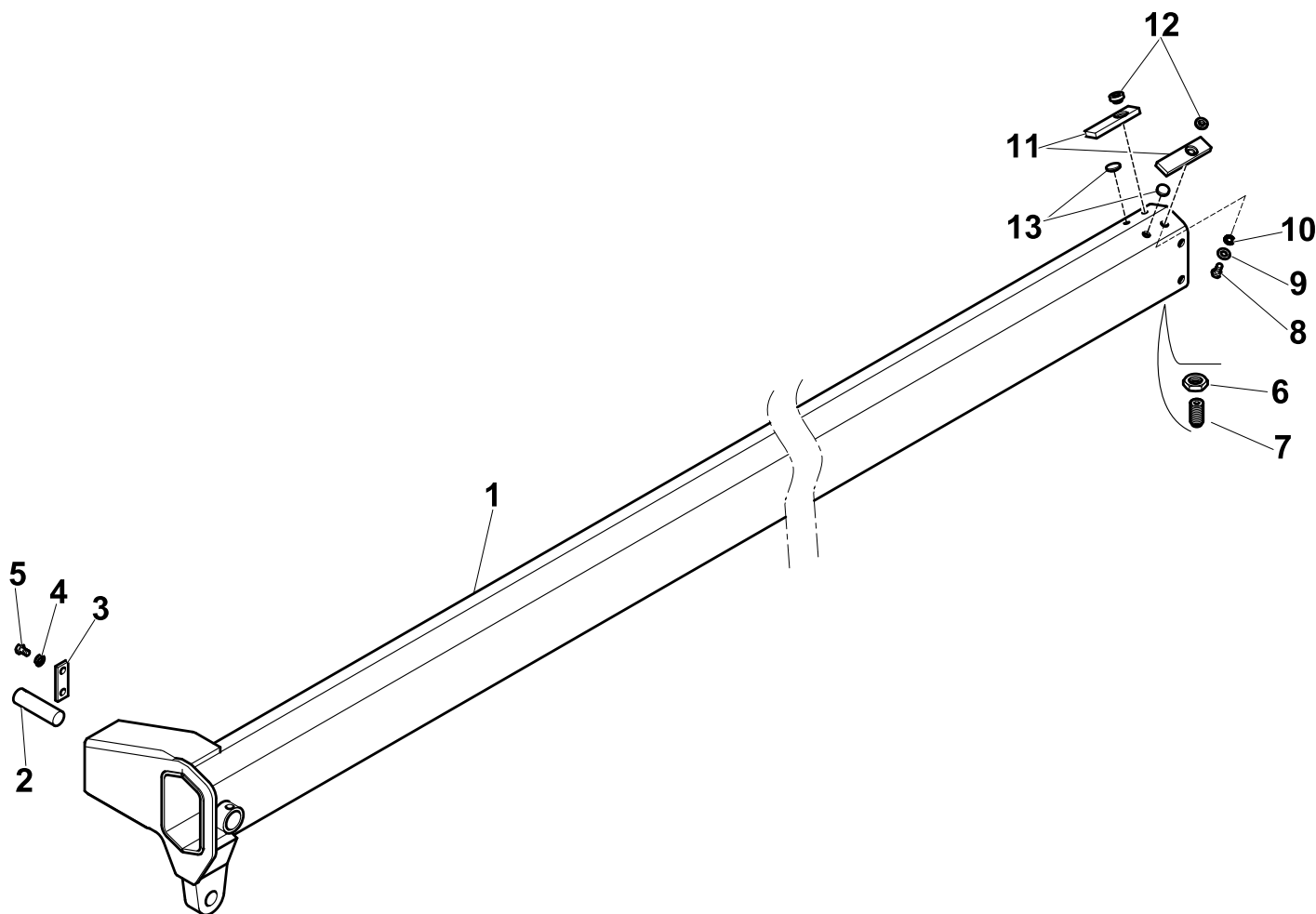
8th extension

Code

5320002-1.0

1/1

R	Pos.	Code Variant	Q.ty	Description
	1	5020438	1	Extension
	2	5150734	1	
	3	5000674	1	Keep plate
	4	3060055	2	Split lock washer [D=8.4 C72 ZC]
	5	3010027	2	Hex screw [M8X20 8.8 ZC IF UNI 5739]
	6	5000771	1	Adjusting screw
	7	3040089	1	Lock nut
	8	3010337	2	Hex screw [M8X16 8.8 ZC UNI 5739]
	9	3060918	2	Tooth lock washer [D.8 TIPO A UNI8842 ZC]
	10	3060006	2	Flat washer [D.8 UNI 6592 ZC]
	11	5000683	2	
	12	5000623	2	
	13	5140656	2	Button (Backlash)



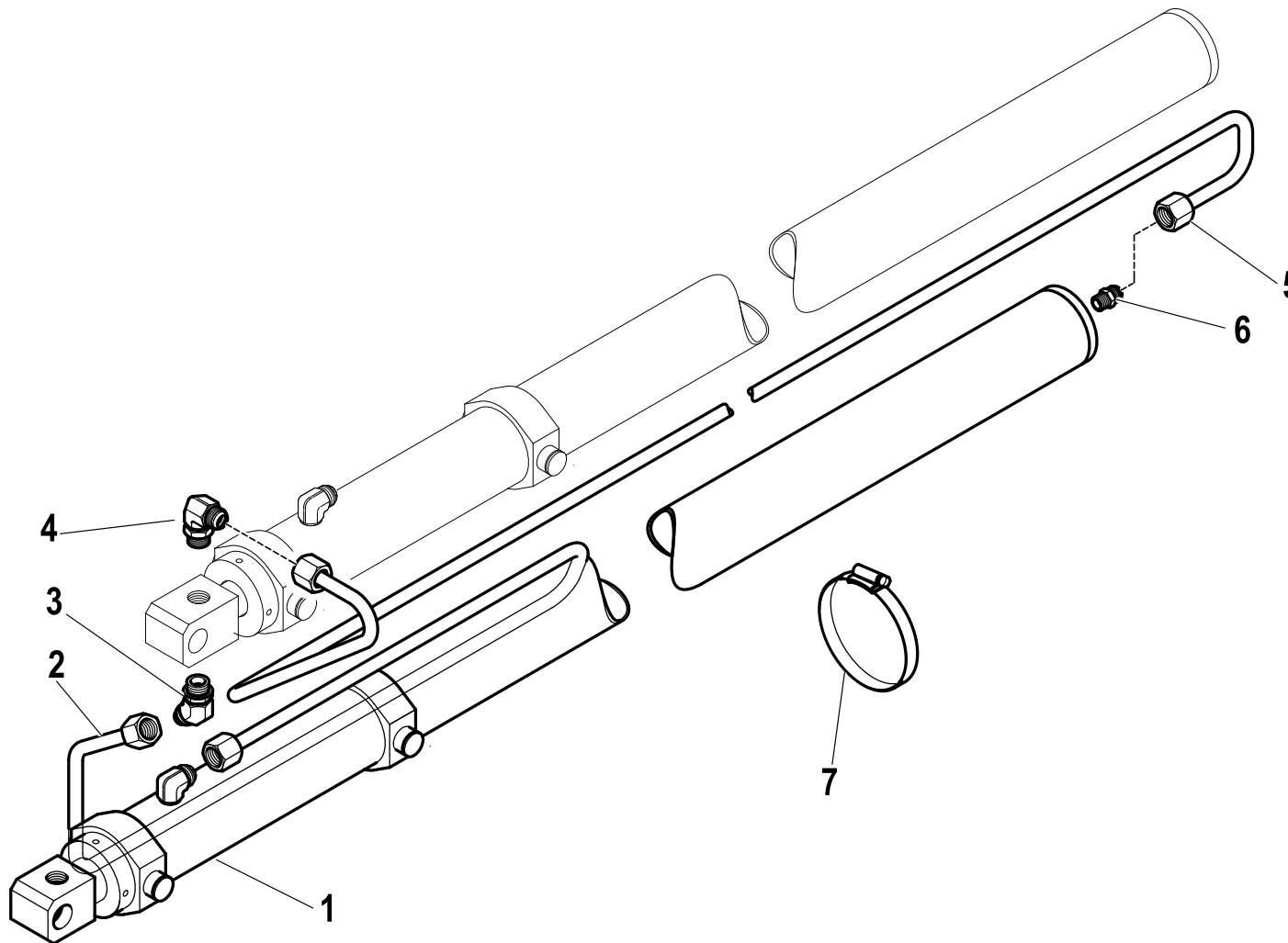
8th extension Hydraulic jack (Hydraulic system)

Code

6210273-1.0

1/1

R	Pos.	Code Variant	Q.ty	Description
	1	6410273	1	
	2	5391943	1	
	3	3101219	1	45° Connection
	4	3101131	1	90° Connection
	5	5391944	1	
	6	3101051	1	Straight pipe fitting
	7	3190022	1	Clamp

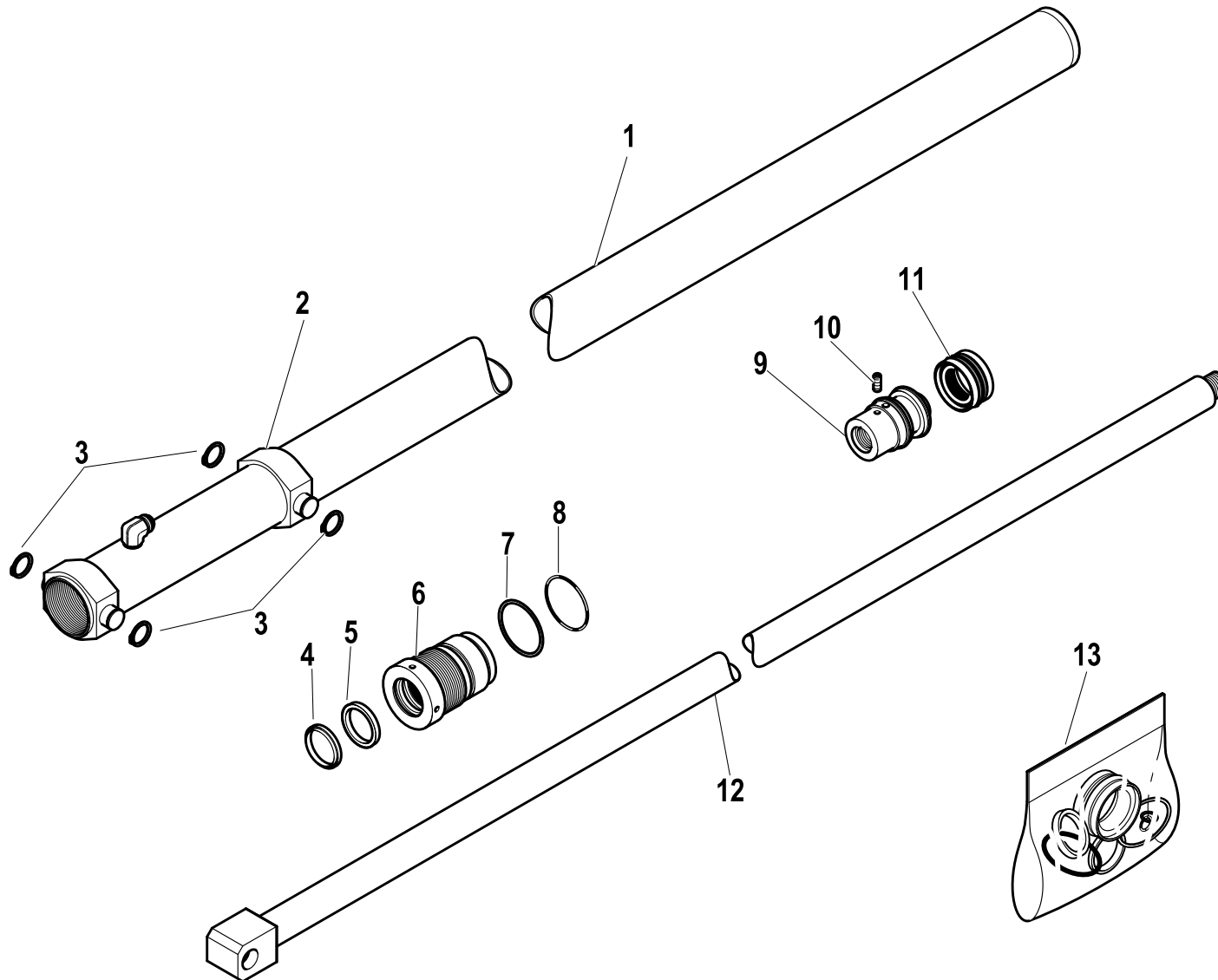


8th extension Hydraulic jack

Code

6410273-1.0

1/1



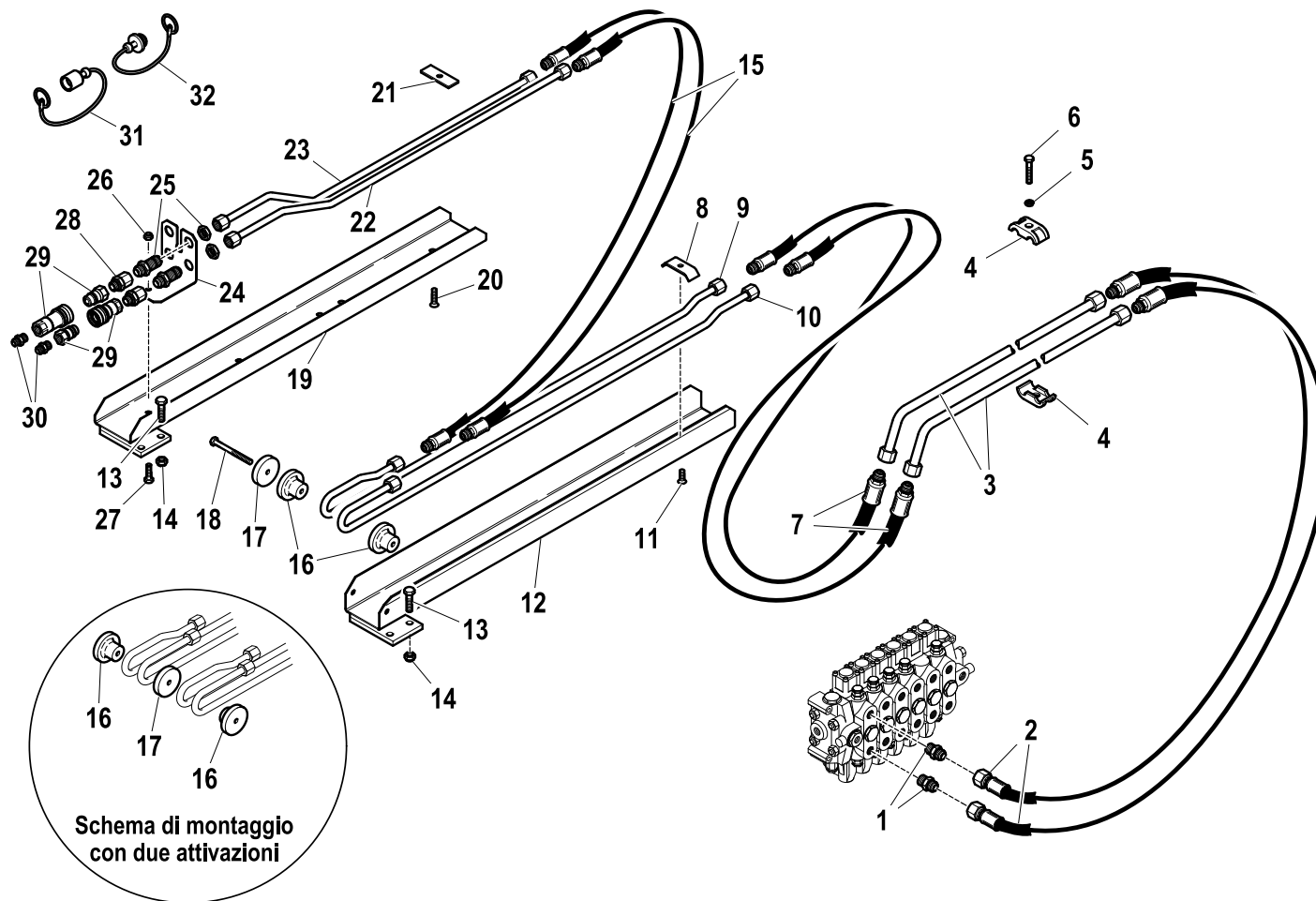
R	Pos.	Code Variant	Q.ty	Description
	1	6070491	1	
	2	5001106	1	
	3	3070150	4	Seeger
	4	3420015	1	
	5	3370138	1	
	6	6040270	1	
	7	3450126	1	
	8	3460126	1	
	9	6050289	1	
	10	3060232	1	Grub screw [Grano M6X6 UNI 5927 ZC.]
	11	3400507	1	
	12	6030619	1	
	13	5550784	1	

1st ACTIVATION FOR 1S

Code

5590173-1.0

1/2



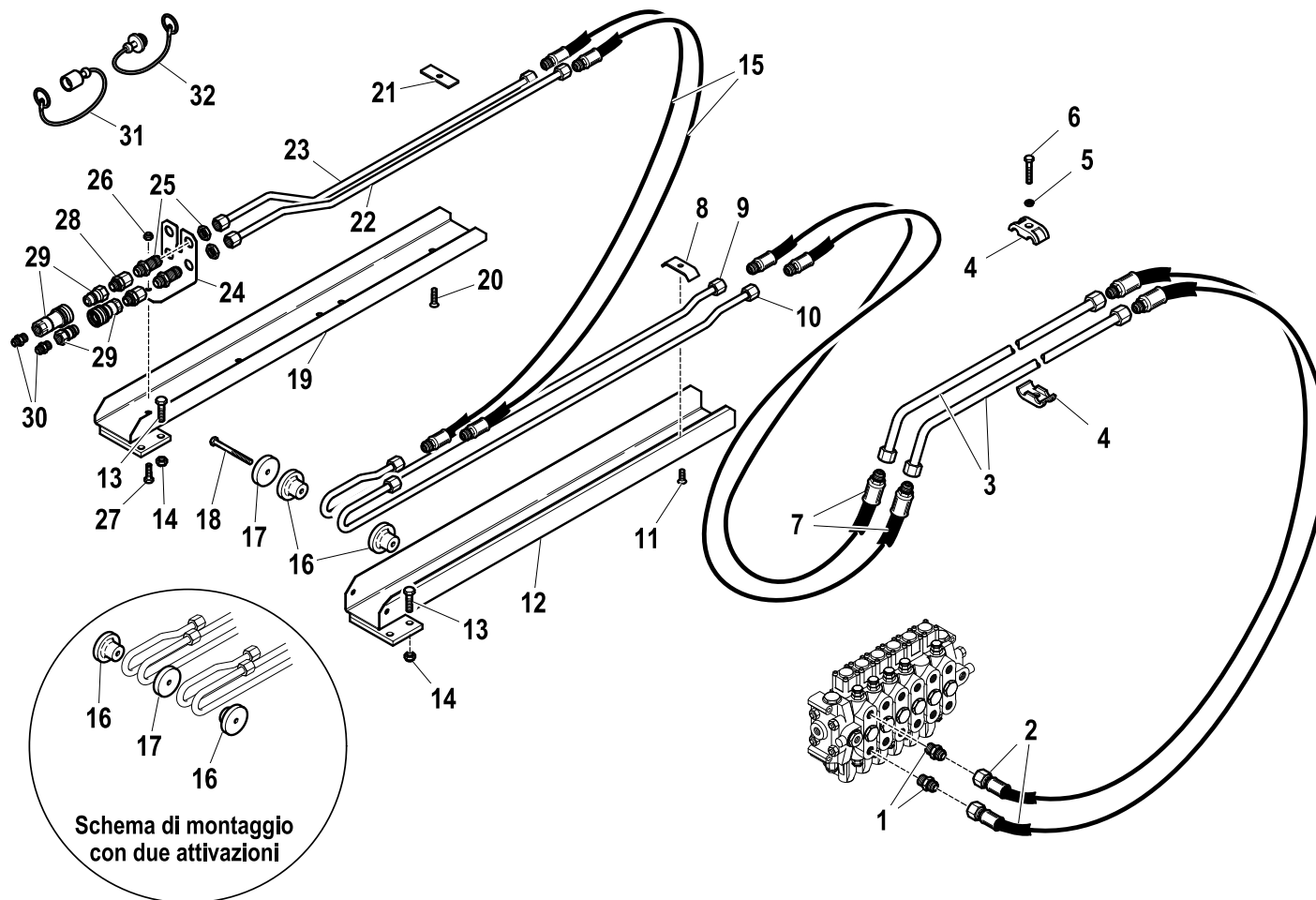
R	Pos.	Code Variant	Q.ty	Description
	1	3101051	2	Straight pipe fitting
	2	5280600	2	
	3	5391935	2	Bonderized tube
	4	5000047	4	Clamp (Rigid Pipe)
	5	3060055	2	Split lock washer [D=8.4 C72 ZC]
	6	3010032	2	Hex screw [M8X45 8.8 ZC UNI 5737]
	7	5271563	2	Flexible hose
	8	5001187	1	Clamp (Set of hoses)
	9	5391820	1	Bonderized tube ()
	10	5391821	1	Bonderized tube ()
	11	3020899	1	TSEI screw [M8X20 10.9 ZC UNI 5933]
	12	5001334	1	Slide (Activations)
	13	3010389	4	Hex screw [M10X35 ZC UNI 5739]
	14	3040304	4	Stopnut
	15	5271401	2	Flexible hose
	16	5140742	2	Hydraulic hose guide
	17	5141000	1	Spacer (Rigid Pipe)
	18	3010041	1	Hex screw [M8X100 8.8 ZC UNI 5737]
	19	5001333	1	Slide (ACTUATION)
	20	3020903	1	TSEI screw [M8X30 ZC UNI 5933]

1st ACTIVATION FOR 1S

Code

5590173-1.0

2/2



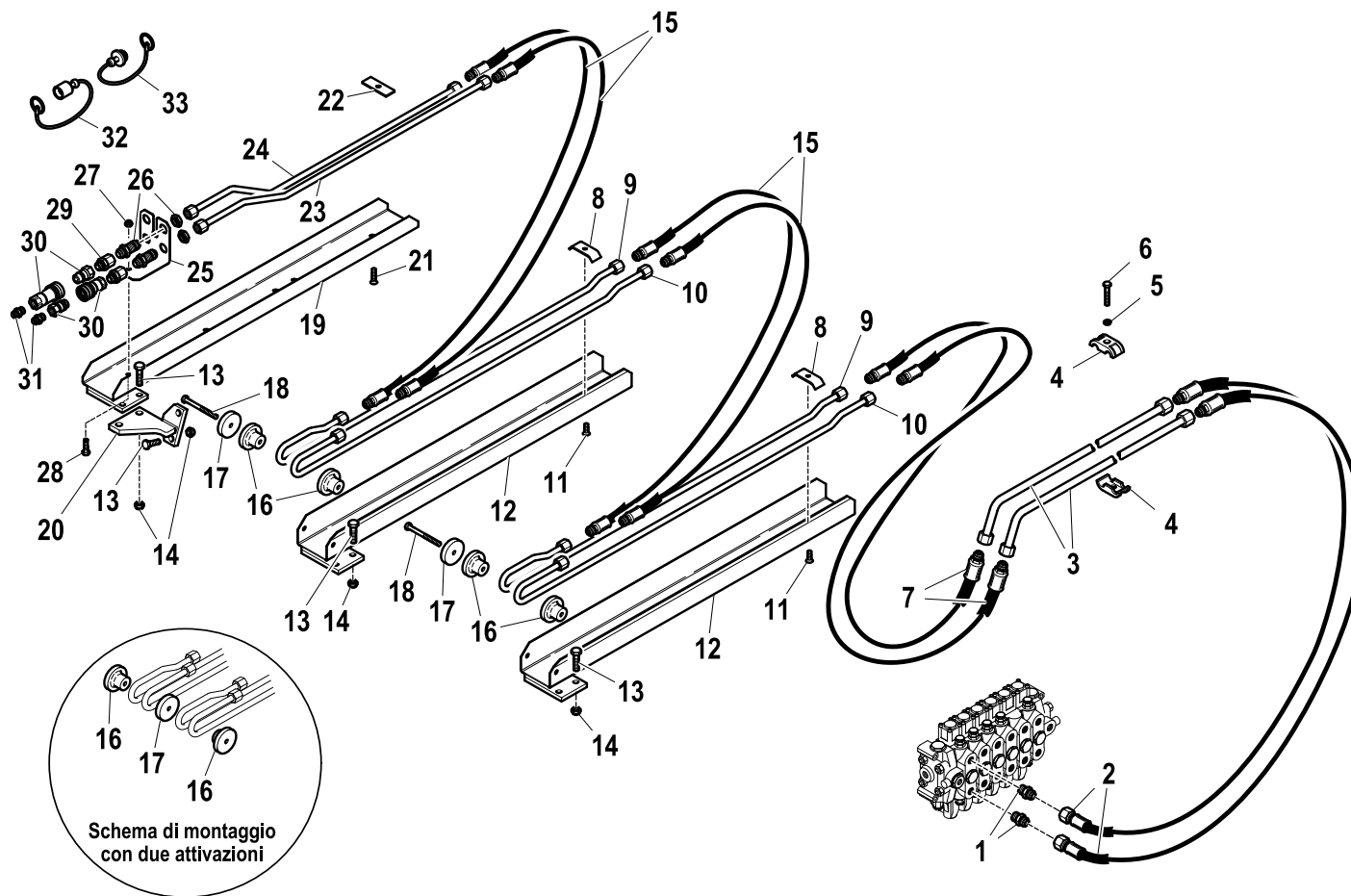
R	Pos.	Code Variant	Q.ty	Description
	21	5001193	1	Plate (Hose clamp)
	22	W440500800	1	Bonderized tube () [Tubo FE 12x1.5 zc]
	23	W440500900	1	Bonderized tube () [Tubo FE 12x1.5 zc]
	24	5001596	1	Piping mounting
	25	3120310	2	Wall-through pipe fitting
	26	3040303	1	Stopnut
	27	3010337	1	Hex screw [M8X16 8.8 ZC UNI 5739]
	28	3120066	2	Straight pipe fitting
	29	3110420	2	Quick coupling
	30	3101043	2	Straight pipe fitting
	31	3110429	1	Plug
	32	3110428	1	Plug

1st ACTIVATION FOR 2S

Code

5590173-2.0

1/2



Schema di montaggio
con due attivazioni

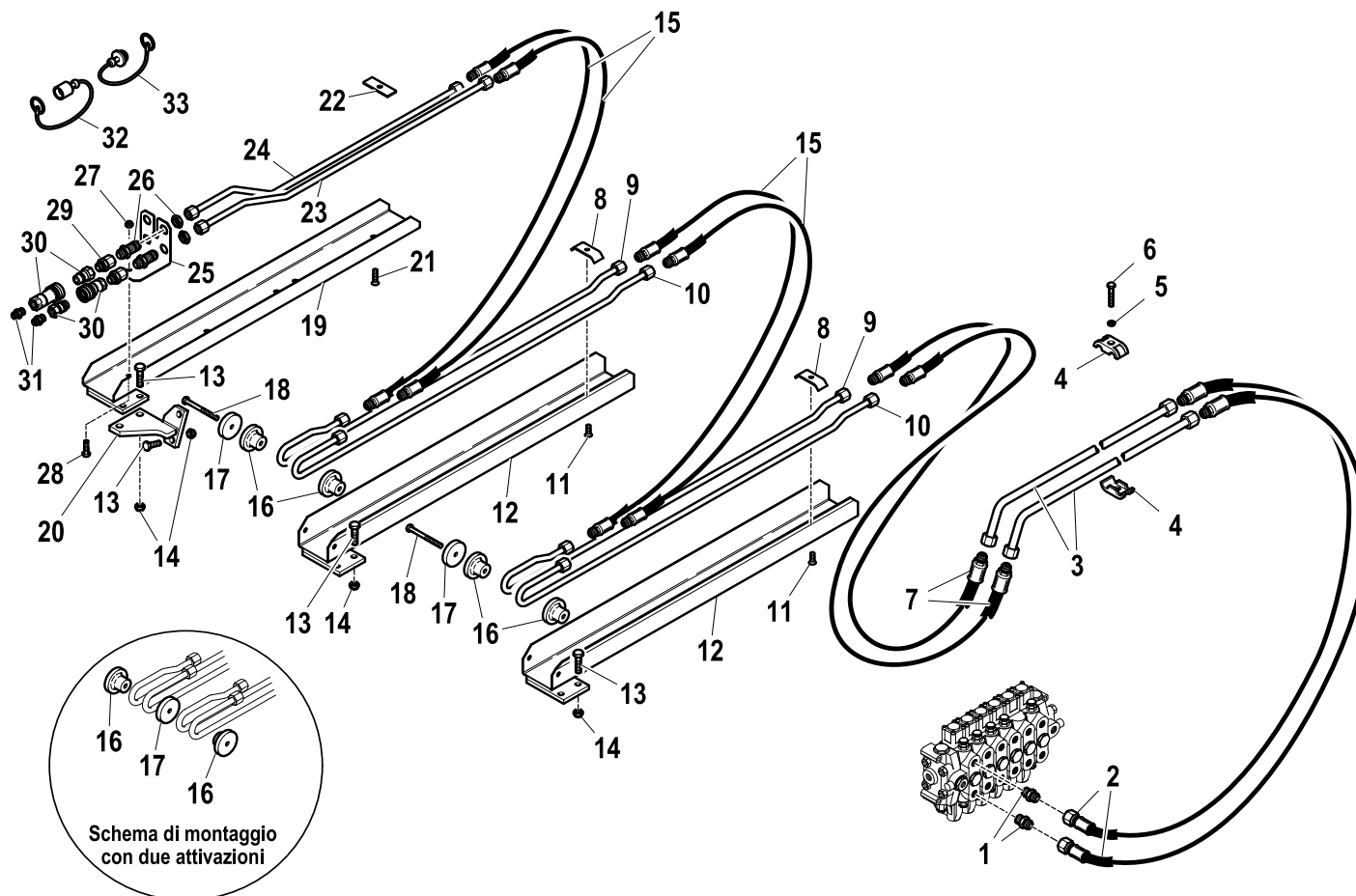
R	Pos.	Code Variant	Q.ty	Description
	1	3101051	2	Straight pipe fitting
	2	5280600	2	
	3	5391935	2	Bonderized tube
	4	5000047	4	Clamp (Rigid Pipe)
	5	3060055	2	Split lock washer [D=8.4 C72 ZC]
	6	3010032	2	Hex screw [M8X45 8.8 ZC UNI 5737]
	7	5271563	2	Flexible hose
	8	5001187	2	Clamp (Set of hoses)
	9	5391820	2	Bonderized tube ()
	10	5391821	2	Bonderized tube ()
	11	3020899	2	TSEI screw [M8X20 10.9 ZC UNI 5933]
	12	5001334	2	Slide (Actuations)
	13	3010389	3	Hex screw [M10X35 ZC UNI 5739]
	14	3040304	8	Stopnut
	15	5271401	4	Flexible hose
	16	5140742	4	Hydraulic hose guide
	17	5141000	2	Spacer (Rigid Pipe)
	18	3010041	2	Hex screw [M8X100 8.8 ZC UNI 5737]
	19	5001333	1	Slide (ACTUATION)
	20	5001214	1	Support (Slide)

1st ACTIVATION FOR 2S

Code

5590173-2.0

2/2



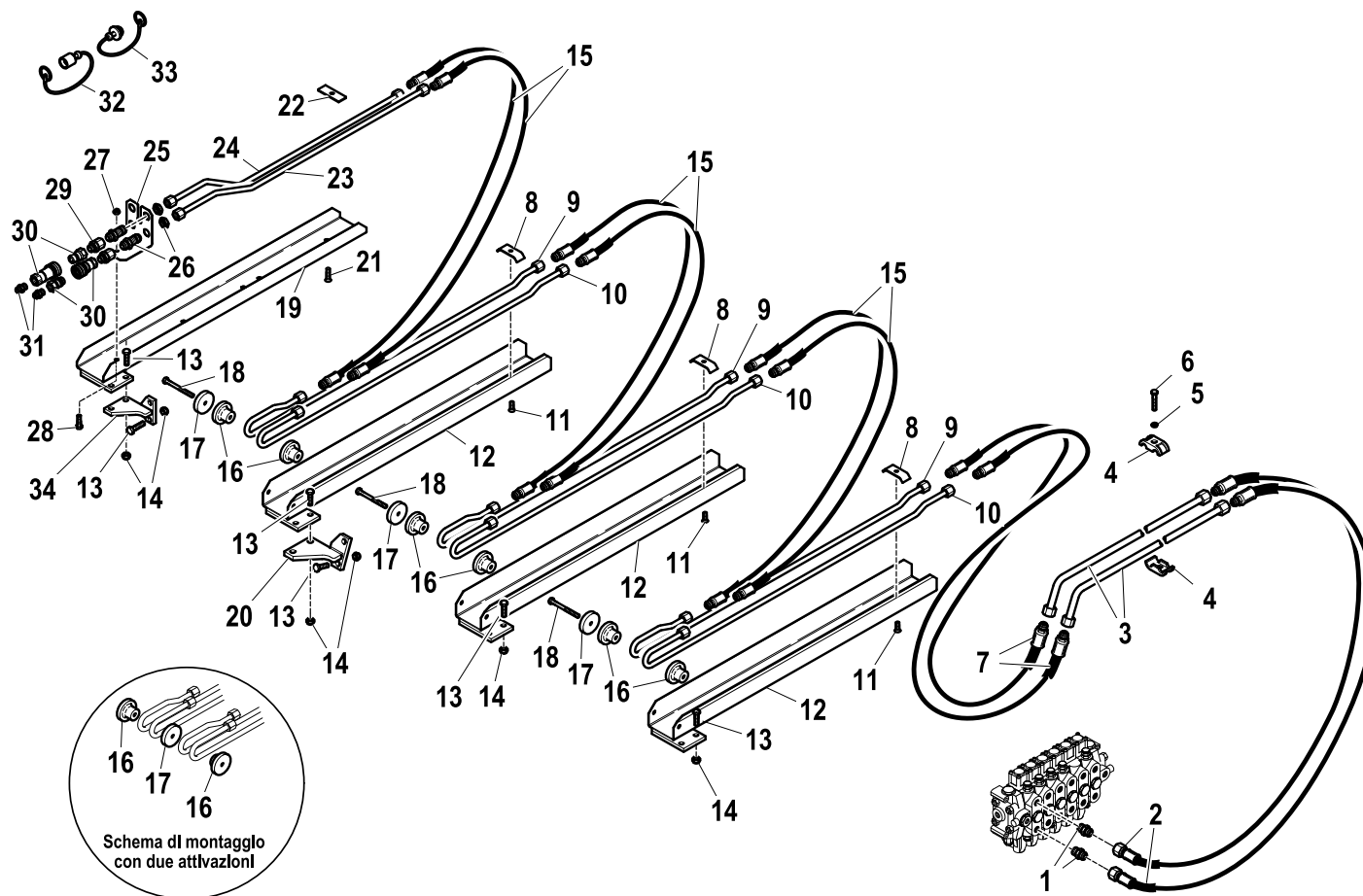
R	Pos.	Code Variant	Q.ty	Description
	21	3020903	1	TSEI screw [M8X30 ZC UNI 5933]
	22	5001193	1	Plate (Hose clamp)
	23	W440500800	1	Bonderized tube () [Tubo FE 12x1.5 zc]
	24	W440500900	1	Bonderized tube () [Tubo FE 12x1.5 zc]
	25	5001596	1	Piping mounting
	26	3120310	2	Wall-through pipe fitting
	27	3040303	1	Stopnut
	28	3010337	1	Hex screw [M8X16 8.8 ZC UNI 5739]
	29	3120066	2	Straight pipe fitting
	30	3110420	2	Quick coupling
	31	3101043	2	Straight pipe fitting
	32	3110429	1	Plug
	33	3110428	1	Plug

1st ACTIVATION FOR 3S

Code

5590173-3.0

1/2



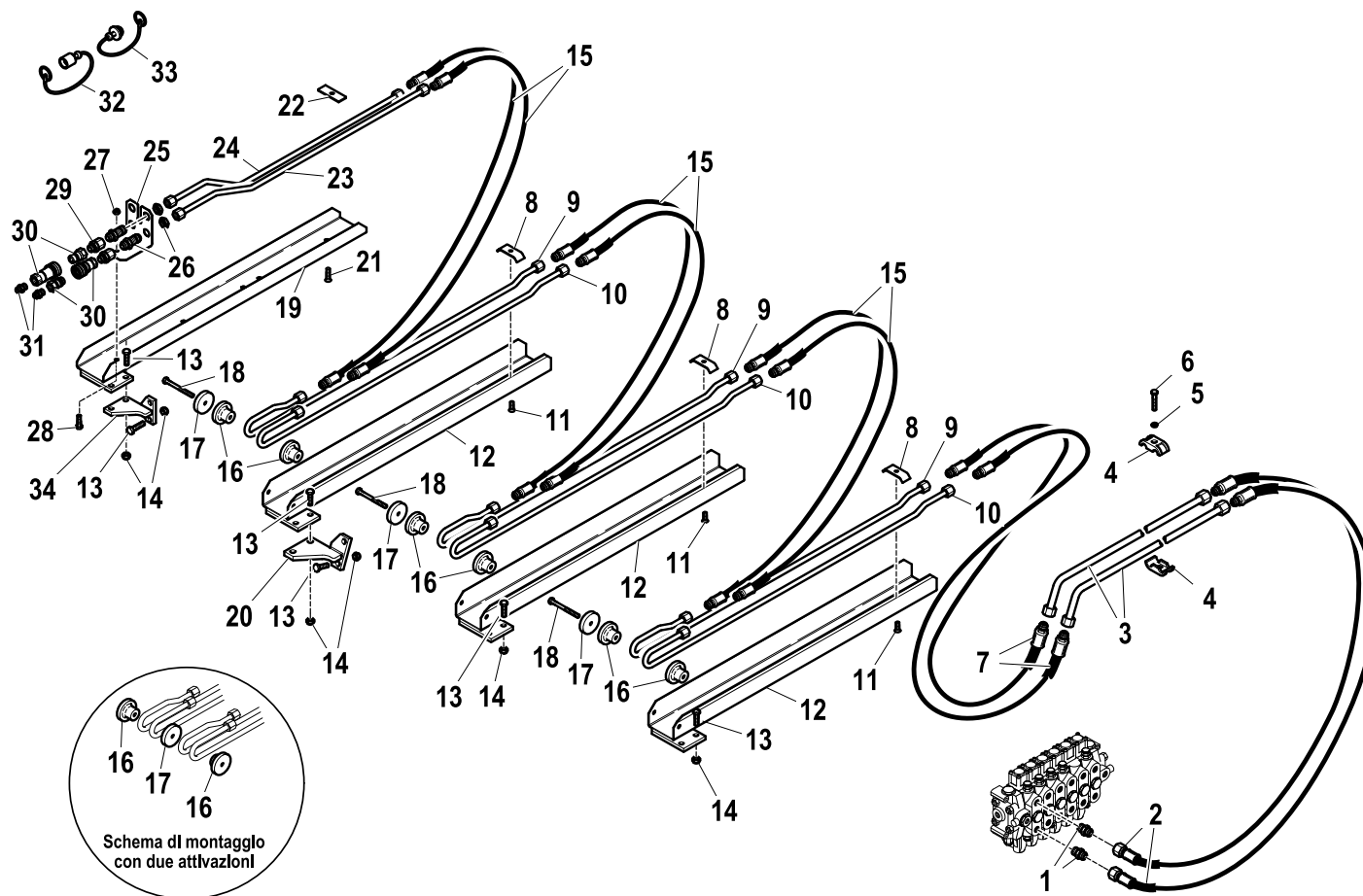
R	Pos.	Code Variant	Q.ty	Description
	1	3101051	2	Straight pipe fitting
	2	5280600	2	
	3	5391935	2	Bonderized tube
	4	5000047	4	Clamp (Rigid Pipe)
	5	3060055	2	Split lock washer [D=8.4 C72 ZC]
	6	3010032	2	Hex screw [M8X45 8.8 ZC UNI 5737]
	7	5271563	2	Flexible hose
	8	5001187	3	Clamp (Set of hoses)
	9	5391820	3	Bonderized tube ()
	10	5391821	3	Bonderized tube ()
	11	3020899	3	TSEI screw [M8X20 10.9 ZC UNI 5933]
	12	5001334	3	Slide (Actuations)
	13	3010389	8	Hex screw [M10X35 ZC UNI 5739]
	14	3040304	12	Stopnut
	15	5271401	6	Flexible hose
	16	5140742	6	Hydraulic hose guide
	17	5141000	3	Spacer (Rigid Pipe)
	18	3010041	3	Hex screw [M8X100 8.8 ZC UNI 5737]
	19	5001333	1	Slide (ACTUATION)
	20	5001214	1	Support (Slide)

1st ACTIVATION FOR 3S

Code

5590173-3.0

2/2



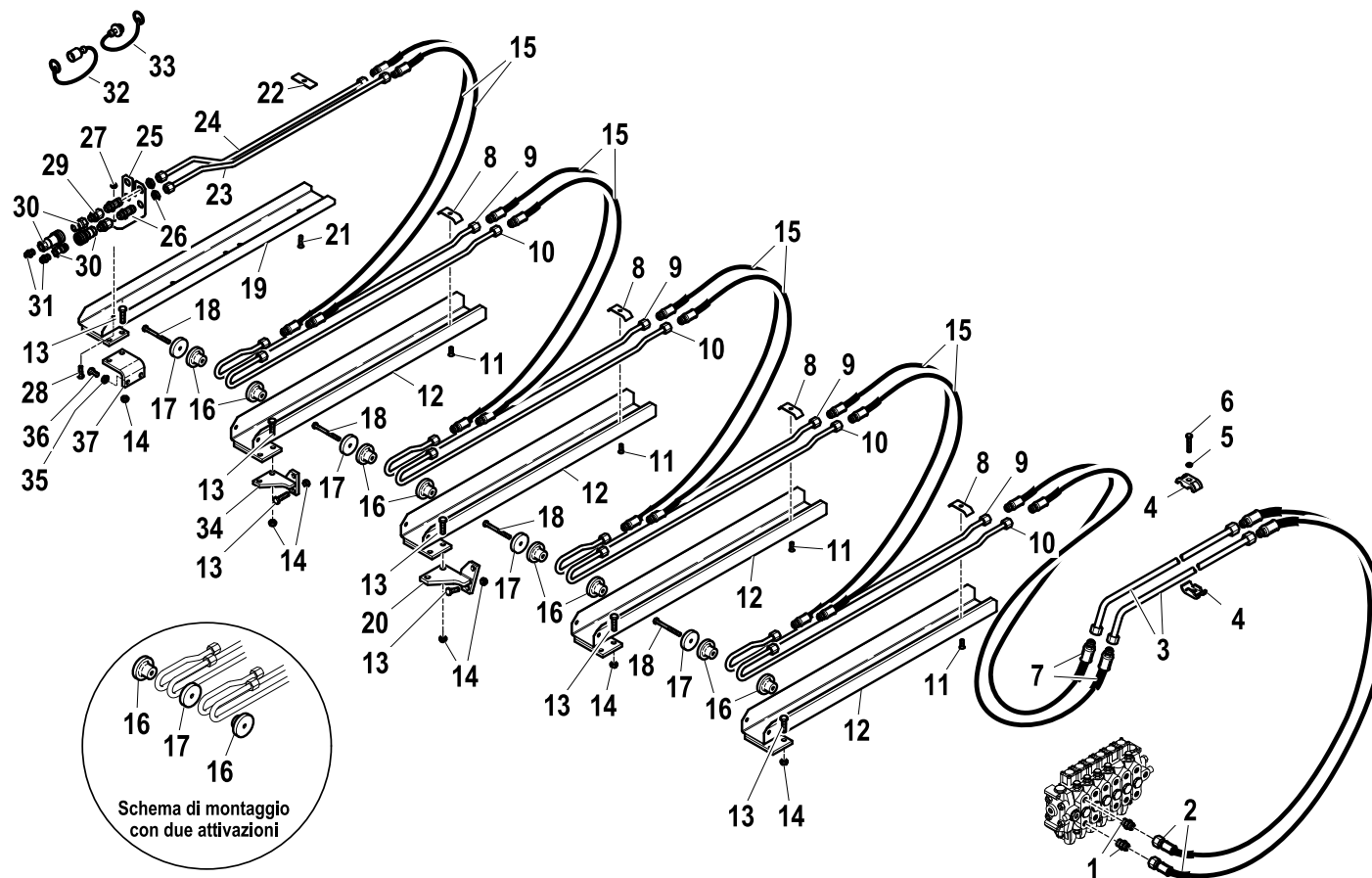
R	Pos.	Code Variant	Q.ty	Description
	21	3020903	1	TSEI screw [M8X30 ZC UNI 5933]
	22	5001193	1	Plate (Hose clamp)
	23	W440500800	1	Bonderized tube () [Tubo FE 12x1.5 zc]
	24	W440500900	1	Bonderized tube () [Tubo FE 12x1.5 zc]
	25	5001596	1	Piping mounting
	26	3120310	2	Wall-through pipe fitting
	27	3040303	1	Stopnut
	28	3010337	1	Hex screw [M8X16 8.8 ZC UNI 5739]
	29	3120066	2	Straight pipe fitting
	30	3110420	2	Quick coupling
	31	3101043	2	Straight pipe fitting
	32	3110429	1	Plug
	33	3110428	1	Plug
	34	5001215	1	

1st ACTIVATION FOR 4S

Code

5590173-4.0

1/2



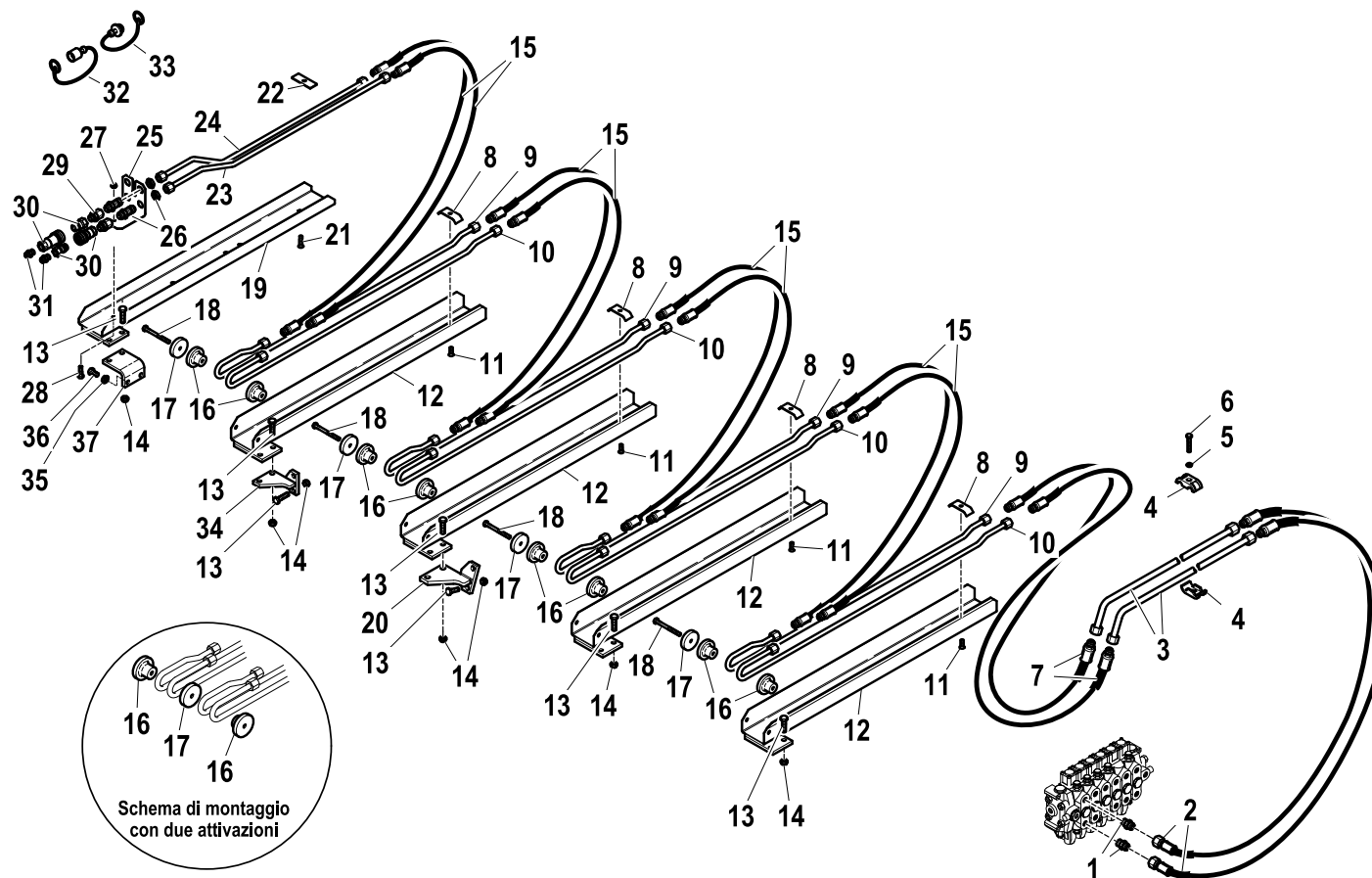
R	Pos.	Code Variant	Q.ty	Description
	1	3101051	2	Straight pipe fitting
	2	5280600	2	
	3	5391935	2	Bonderized tube
	4	5000047	4	Clamp (Rigid Pipe)
	5	3060055	2	Split lock washer [D=8.4 C72 ZC]
	6	3010032	2	Hex screw [M8X45 8.8 ZC UNI 5737]
	7	5271563	2	Flexible hose
	8	5001187	4	Clamp (Set of hoses)
	9	5391820	4	Bonderized tube ()
	10	5391821	4	Bonderized tube ()
	11	3020899	4	TSEI screw [M8X20 10.9 ZC UNI 5933]
	12	5001334	4	Slide (Actuations)
	13	3010389	5	Hex screw [M10X35 ZC UNI 5739]
	14	3040304	16	Stopnut
	15	5271401	8	Flexible hose
	16	5140742	8	Hydraulic hose guide
	17	5141000	4	Spacer (Rigid Pipe)
	18	3010041	4	Hex screw [M8X100 8.8 ZC UNI 5737]
	19	5001333	1	Slide (ACTUATION)
	20	5001214	1	Support (Slide)

1st ACTIVATION FOR 4S

Code

5590173-4.0

2/2



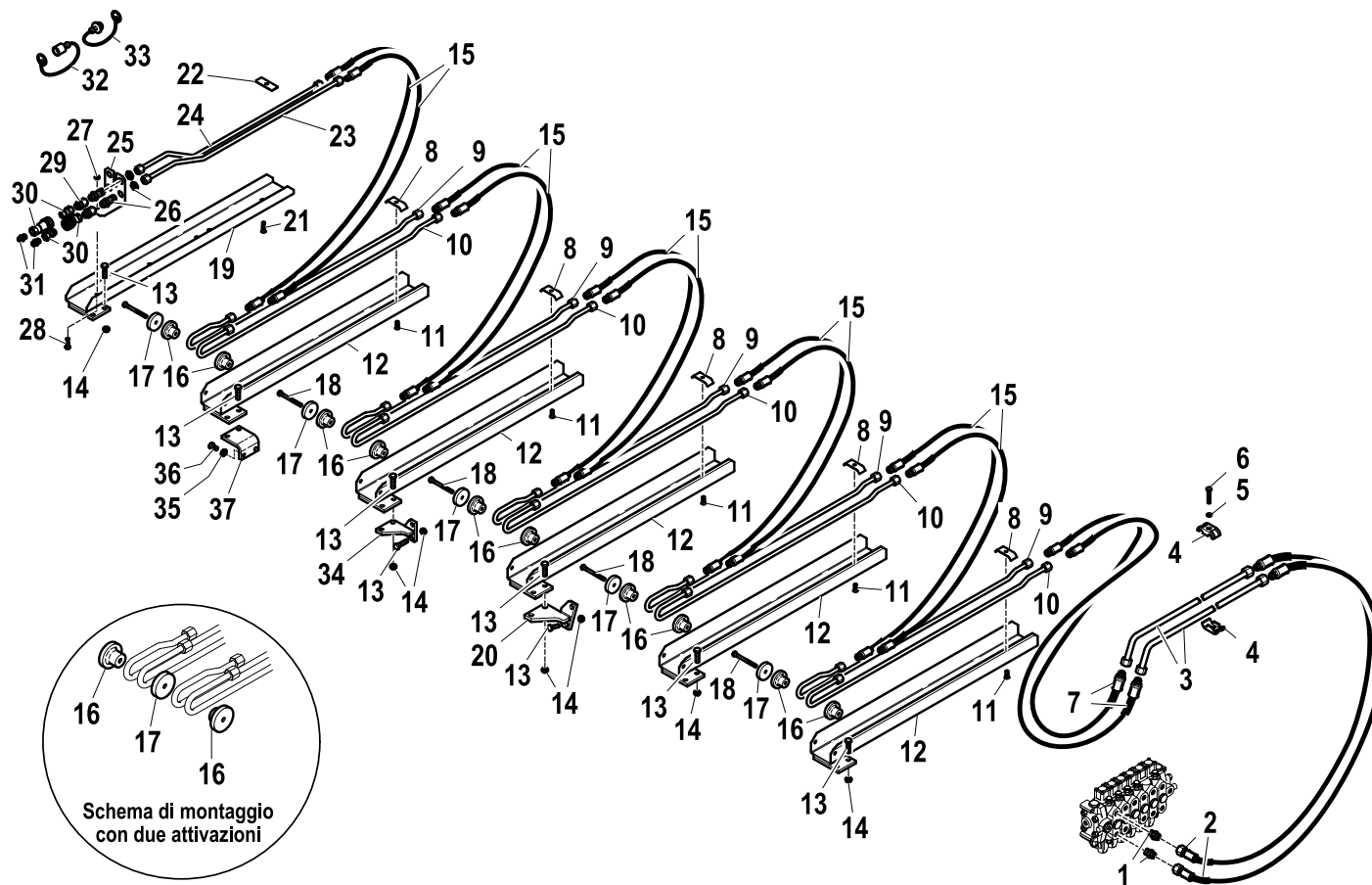
R	Pos.	Code Variant	Q.ty	Description
	21	3020903	1	TSEI screw [M8X30 ZC UNI 5933]
	22	5001193	1	Plate (Hose clamp)
	23	W440500800	1	Bonderized tube () [Tubo FE 12x1.5 zc]
	24	W440500900	1	Bonderized tube () [Tubo FE 12x1.5 zc]
	25	5001596	1	Piping mounting
	26	3120310	2	Wall-through pipe fitting
	27	3040303	1	Stopnut
	28	3010337	1	Hex screw [M8X16 8.8 ZC UNI 5739]
	29	3120066	2	Straight pipe fitting
	30	3110420	2	Quick coupling
	31	3101043	2	Straight pipe fitting
	32	3110429	1	Plug
	33	3110428	1	Plug
	34	5001215	1	
	35	3060056	2	Split lock washer [D=10 C72 ZC]
	36	3010354	2	Hex screw [M10X20 8.8 ZC UNI 5739]
	37	5001216	1	Support bracket (Activations)

1st ACTIVATION FOR 5S

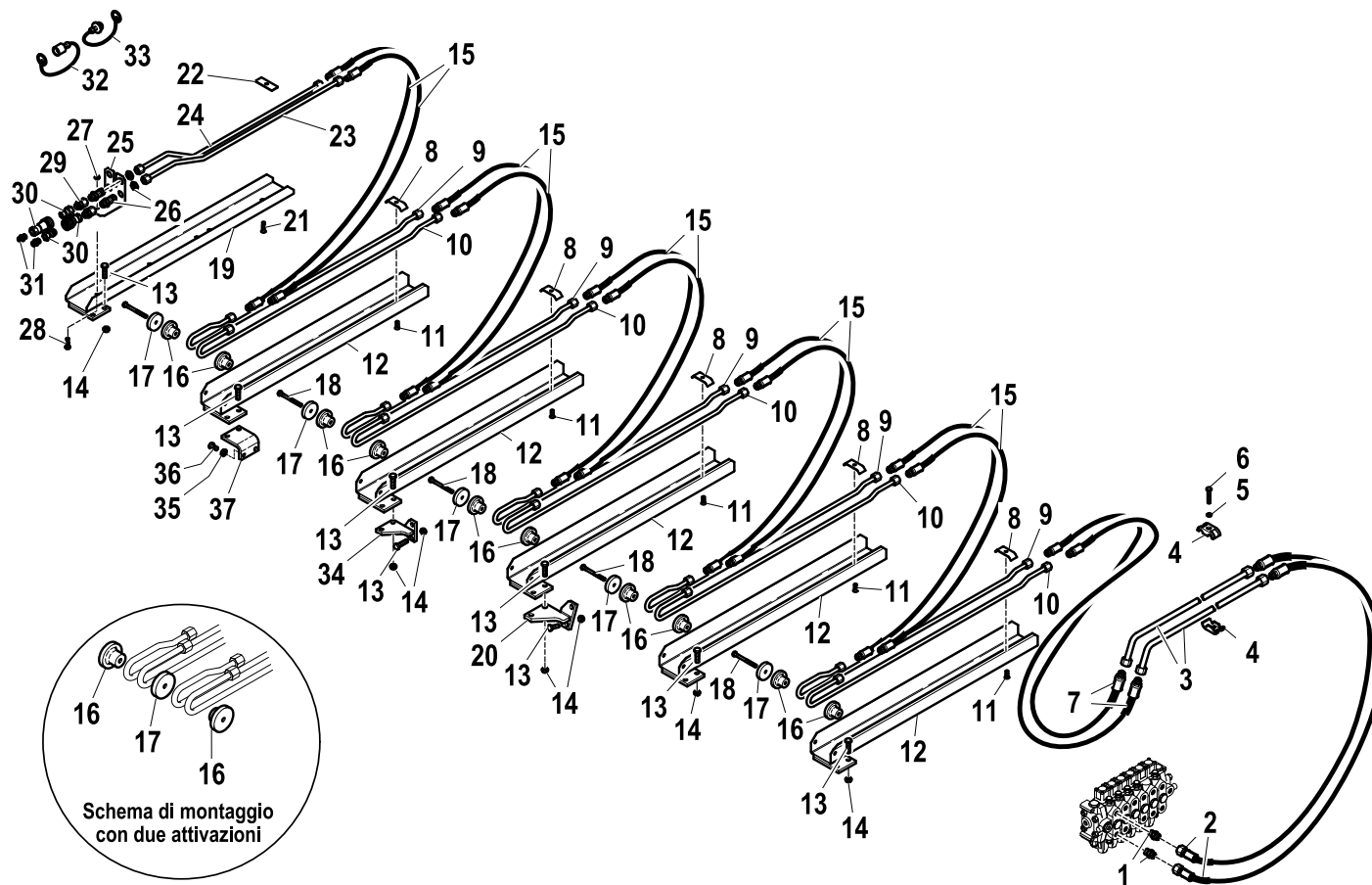
Code

5590173-5.0

1/2



R	Pos.	Code Variant	Q.ty	Description
	1	3101051	2	Straight pipe fitting
	2	5280600	2	
	3	5391935	2	Bonderized tube
	4	5000047	4	Clamp (Rigid Pipe)
	5	3060055	2	Split lock washer [D=8.4 C72 ZC]
	6	3010032	2	Hex screw [M8X45 8.8 ZC UNI 5737]
	7	5271563	2	Flexible hose
	8	5001187	5	Clamp (Set of hoses)
	9	5391820	5	Bonderized tube ()
	10	5391821	5	Bonderized tube ()
	11	3020899	5	TSEI screw [M8X20 10.9 ZC UNI 5933]
	12	5001334	5	Slide (Actuations)
	13	3010389	12	Hex screw [M10X35 ZC UNI 5739]
	14	3040304	18	Stopnut
	15	5271401	10	Flexible hose
	16	5140742	10	Hydraulic hose guide
	17	5141000	5	Spacer (Rigid Pipe)
	18	3010041	5	Hex screw [M8X100 8.8 ZC UNI 5737]
	19	5001333	1	Slide (ACTUATION)
	20	5001214	1	Support (Slide)



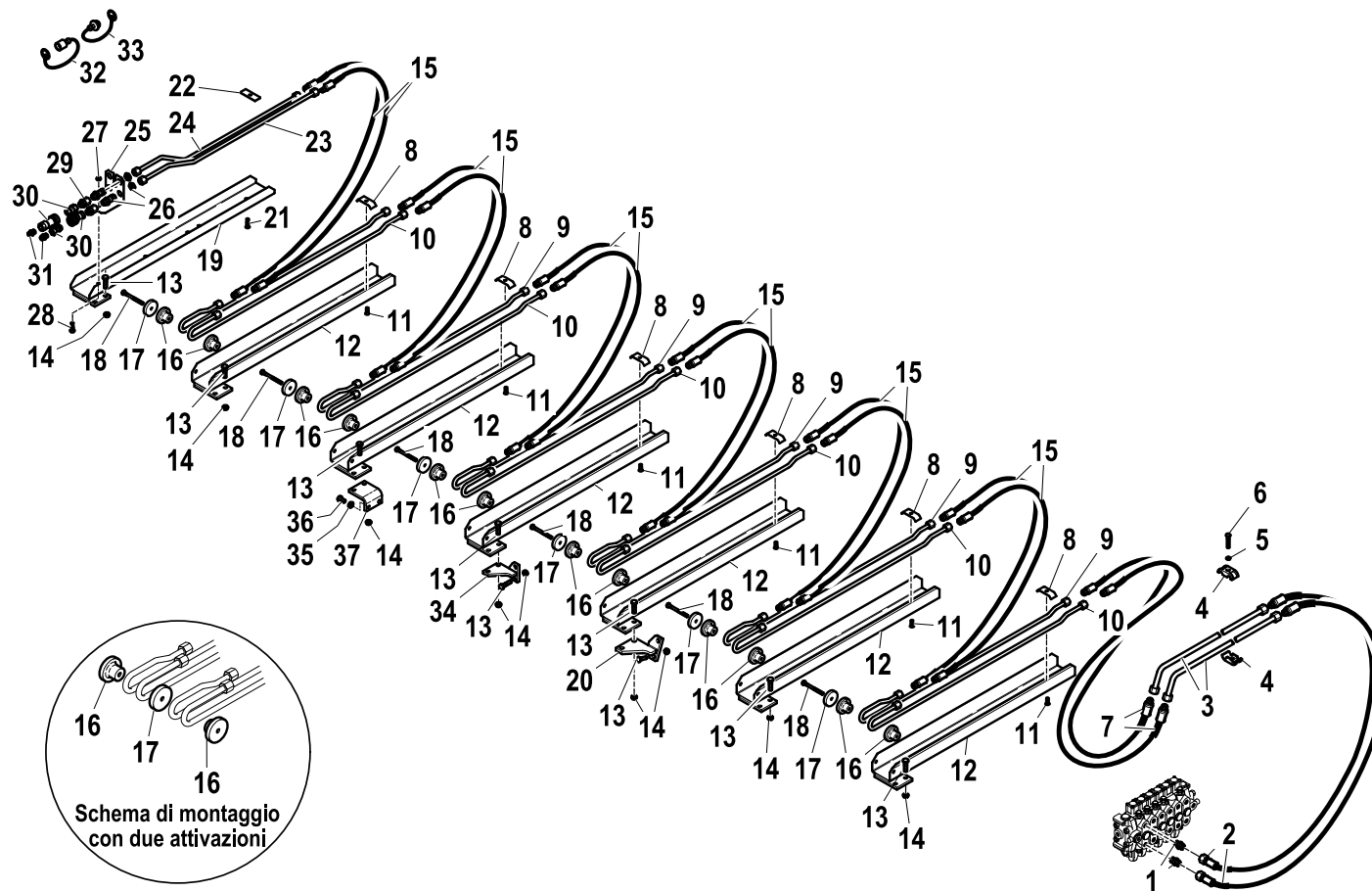
R	Pos.	Code Variant	Q.ty	Description
	21	3020903	1	TSEI screw [M8X30 ZC UNI 5933]
	22	5001193	1	Plate (Hose clamp)
	23	W440500800	1	Bonderized tube () [Tubo FE 12x1.5 zc]
	24	W440500900	1	Bonderized tube () [Tubo FE 12x1.5 zc]
	25	5001596	1	Piping mounting
	26	3120310	2	Wall-through pipe fitting
	27	3040303	1	Stopnut
	28	3010337	1	Hex screw [M8X16 8.8 ZC UNI 5739]
	29	3120066	2	Straight pipe fitting
	30	3110420	2	Quick coupling
	31	3101043	2	Straight pipe fitting
	32	3110429	1	Plug
	33	3110428	1	Plug
	34	5001215	1	
	35	3060056	2	Split lock washer [D=10 C72 ZC]
	36	3010354	2	Hex screw [M10X20 8.8 ZC UNI 5739]
	37	5001216	1	Support bracket (Activations)

1st ACTIVATION FOR 6S

Code

5590173-6.0

1/2



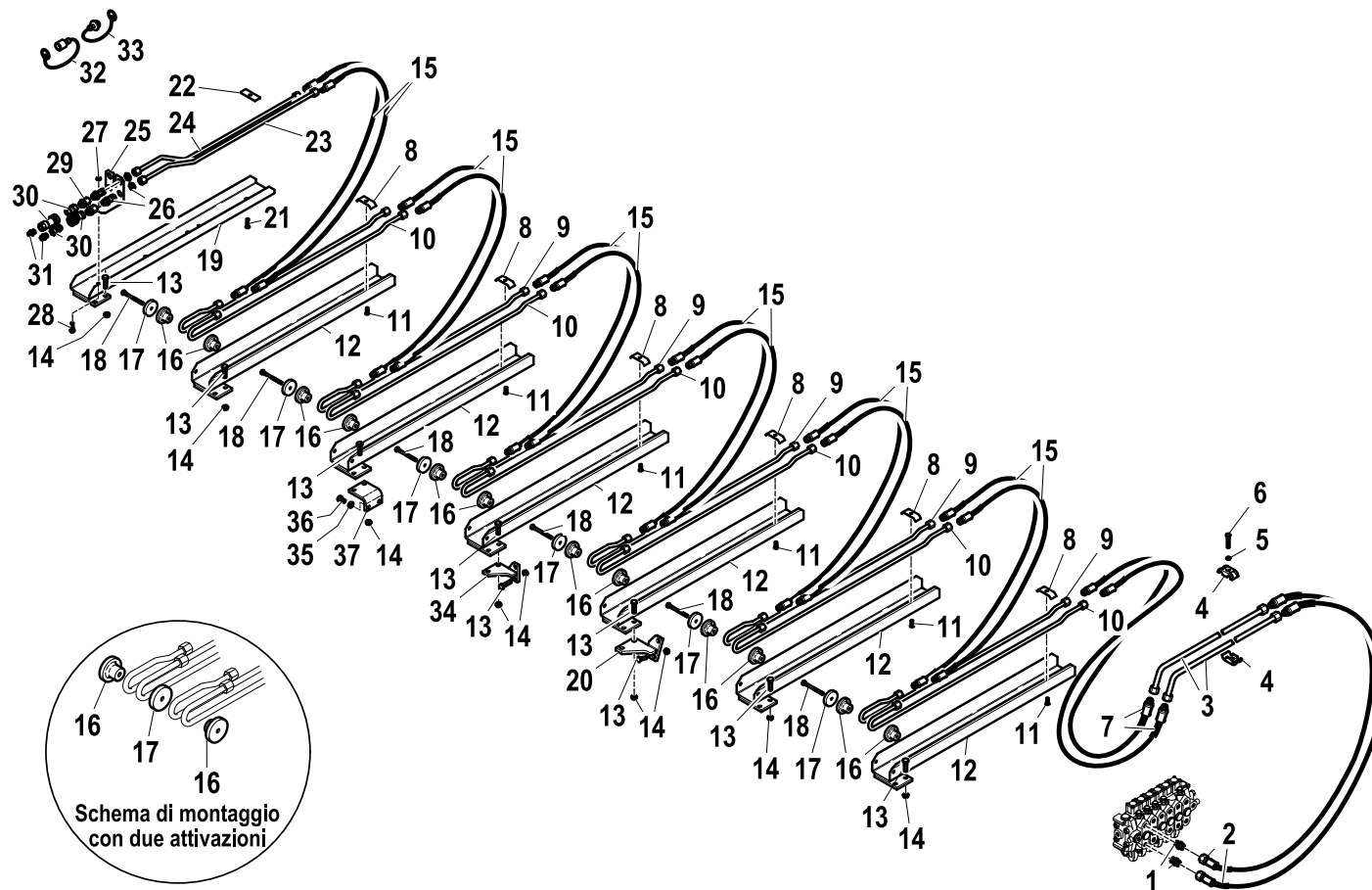
R	Pos.	Code Variant	Q.ty	Description
	1	3101051	2	Straight pipe fitting
	2	5280600	2	
	3	5391935	2	Bonderized tube
	4	5000047	4	Clamp (Rigid Pipe)
	5	3060055	2	Split lock washer [D=8.4 C72 ZC]
	6	3010032	2	Hex screw [M8X45 8.8 ZC UNI 5737]
	7	5271563	2	Flexible hose
	8	5001187	6	Clamp (Set of hoses)
	9	5391820	6	Bonderized tube ()
	10	5391821	6	Bonderized tube ()
	11	3020899	6	TSEI screw [M8X20 10.9 ZC UNI 5933]
	12	5001334	6	Slide (Actuations)
	13	3010389	14	Hex screw [M10X35 ZC UNI 5739]
	14	3040304	20	Stopnut
	15	5271401	12	Flexible hose
	16	5140742	12	Hydraulic hose guide
	17	5141000	6	Spacer (Rigid Pipe)
	18	3010041	6	Hex screw [M8X100 8.8 ZC UNI 5737]
	19	5001333	1	Slide (ACTUATION)
	20	5001214	1	Support (Slide)

1st ACTIVATION FOR 6S

Code

5590173-6.0

2/2



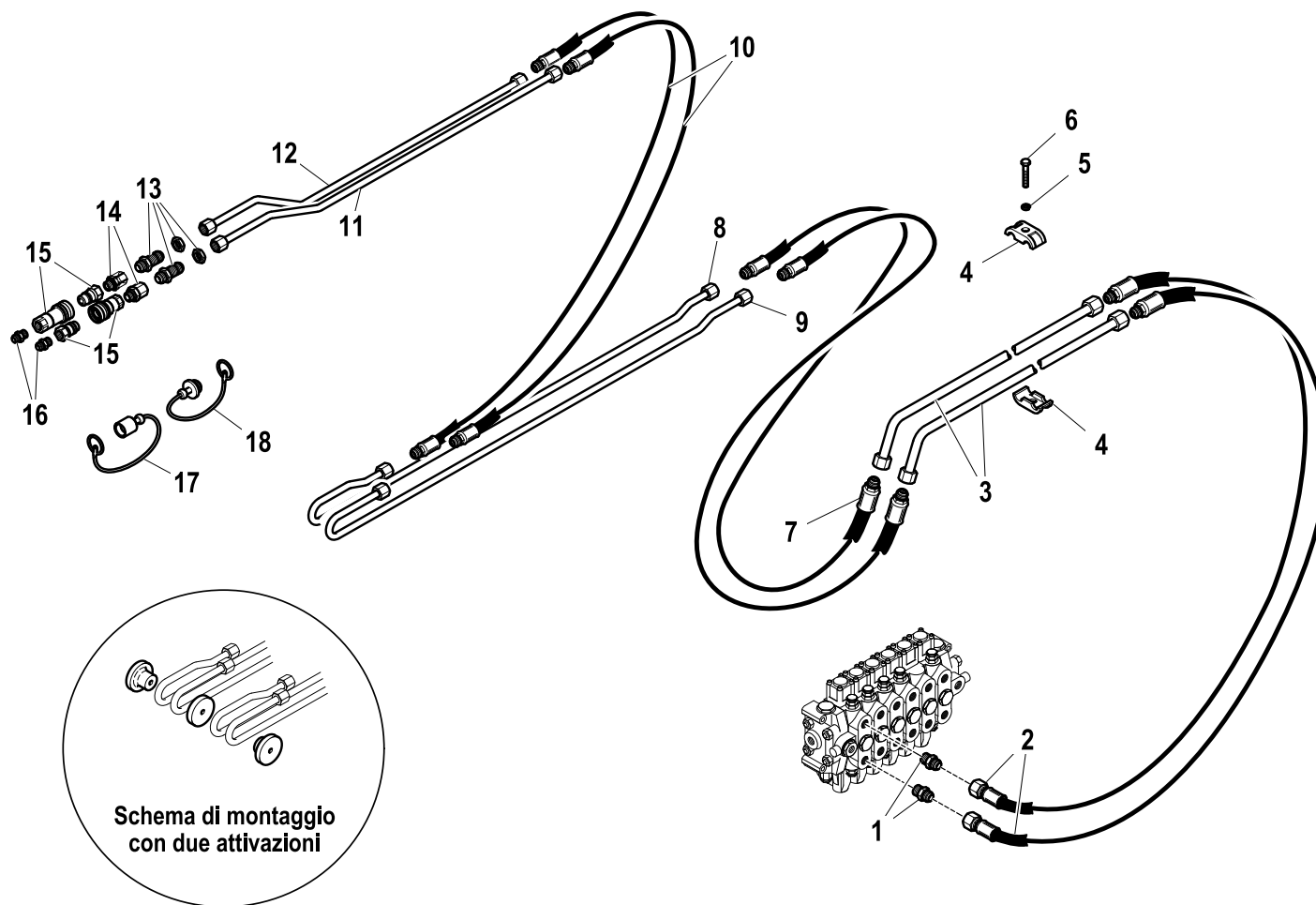
R	Pos.	Code Variant	Q.ty	Description
	21	3020903	1	TSEI screw [M8X30 ZC UNI 5933]
	22	5001193	1	Plate (Hose clamp)
	23	W440500800	1	Bonderized tube () [Tubo FE 12x1.5 zc]
	24	W440500900	1	Bonderized tube () [Tubo FE 12x1.5 zc]
	25	5001596	1	Piping mounting
	26	3120310	2	Wall-through pipe fitting
	27	3040303	1	Stopnut
	28	3010337	1	Hex screw [M8X16 8.8 ZC UNI 5739]
	29	3120066	2	Straight pipe fitting
	30	3110420	2	Quick coupling
	31	3101043	2	Straight pipe fitting
	32	3110429	1	Plug
	33	3110428	1	Plug
	34	5001215	1	
	35	3060056	2	Split lock washer [D=10 C72 ZC]
	36	3010354	2	Hex screw [M10X20 8.8 ZC UNI 5739]
	37	5001216	1	Support bracket (Activations)

2st ACTIVATION FOR 1S

Code

5600091-1.0

1/1



R	Pos.	Code Variant	Q.ty	Description
	1	3101051	2	Straight pipe fitting
	2	5280600	2	
	3	5391935	2	Bonderized tube
	4	5000047	4	Clamp (Rigid Pipe)
	5	3060055	2	Split lock washer [D=8.4 C72 ZC]
	6	3010032	2	Hex screw [M8X45 8.8 ZC UNI 5737]
	7	5271563	2	Flexible hose
	8	5391822	1	Bonderized tube ()
	9	5391823	1	Bonderized tube ()
	10	5271401	1	Flexible hose
	11	W440500800	1	Bonderized tube () [Tubo FE 12x1.5 zc]
	12	W440500900	1	Bonderized tube () [Tubo FE 12x1.5 zc]
	13	3120310	2	Wall-through pipe fitting
	14	3120066	2	Straight pipe fitting
	15	3110420	2	Quick coupling
	16	3101043	2	Straight pipe fitting
	17	W734048	1	
	18	W734047	1	

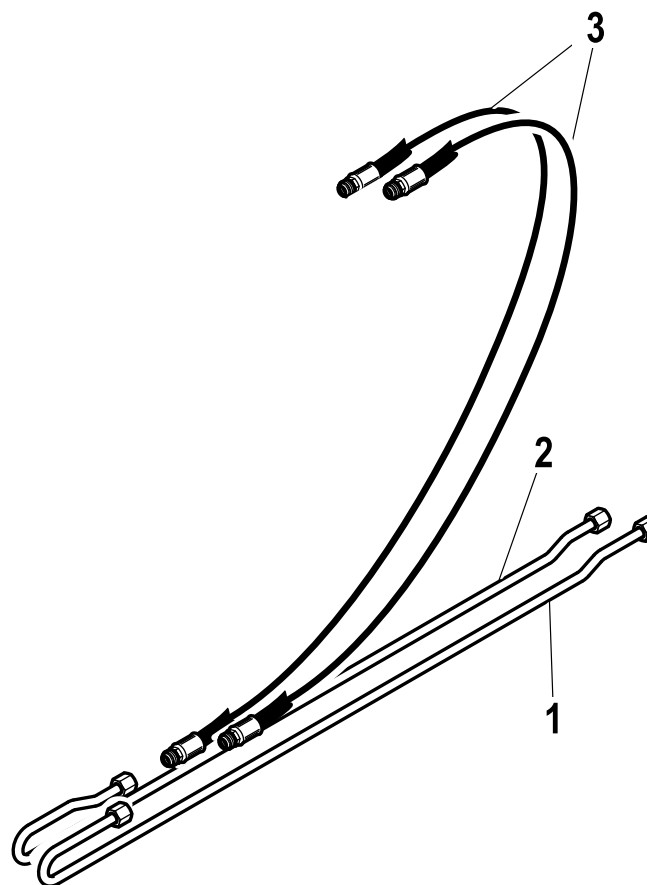
2nd ADDITIONAL ACTUATION

Code

5600083-1.0

1/1

R	Pos.	Code Variant	Q.ty	Description
1		5391821	1	Bonderized tube ()
2		5391820	1	Bonderized tube ()
3		5271401	2	Flexible hose

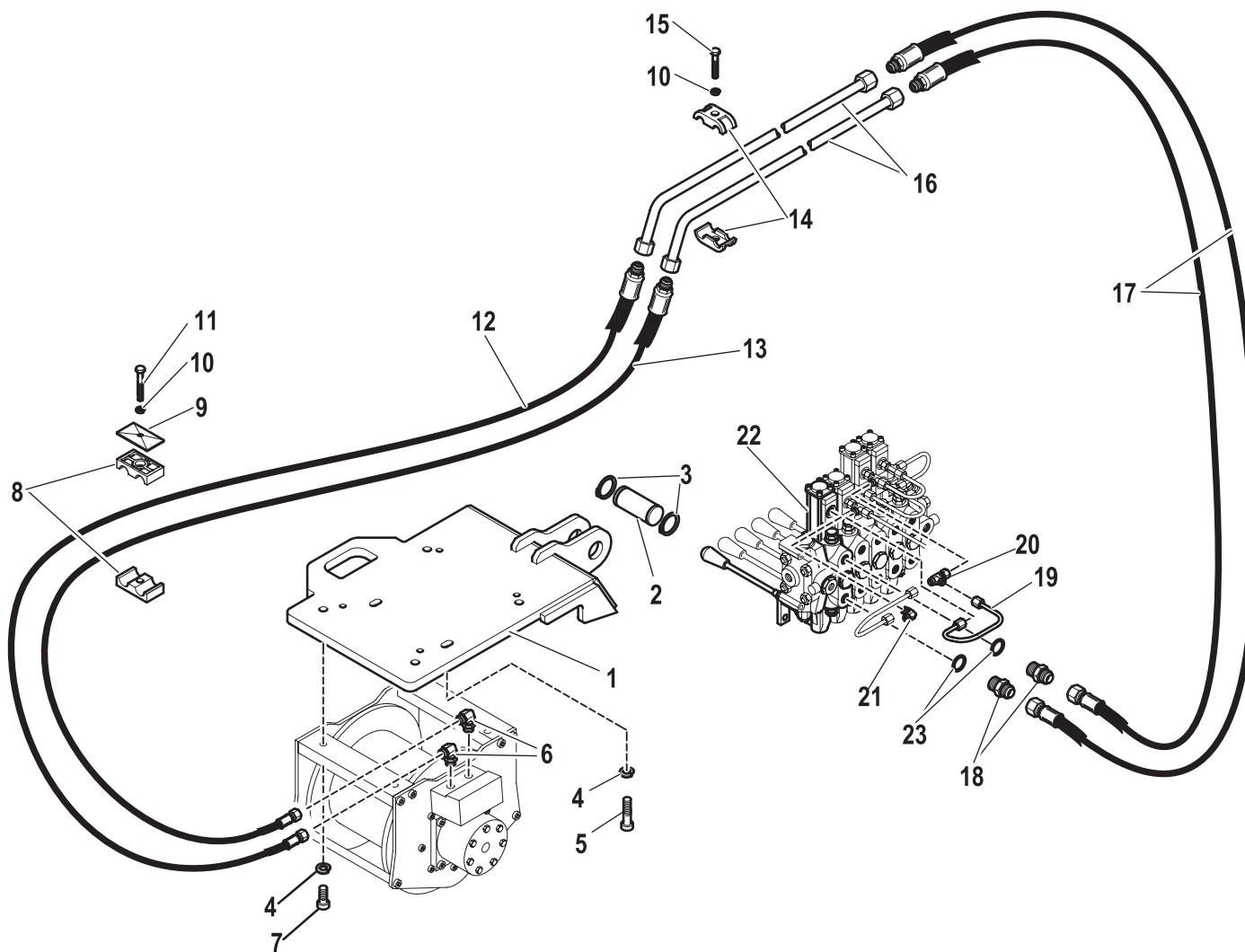


ACTUATION FOR WINCH (CE)

Code

5740143-1.0

1/2



R	Pos.	Code Variant	Q.ty	Description
	1	5090743	1	Winch support
	2	5150652	1	Pin
	3	3070151	2	Seeger
	4	3060057	4	Split lock washer [D=12 C72 ZC]
	5	3020076	2	Socketed head cap screw [M12X30 8.8 ZC UNI 5931]
	6	3120034	2	90° Connection
	7	3010065	2	Hex screw [M12X55 8.8 ZC UNI 5737]
	8	3190220	4	Collar
	9	3190221	2	Small plate (Collar)
	10	3060055	4	Split lock washer [D=8.4 C72 ZC]
	11	3020058	2	Socketed head cap screw [M8X40 8.8 ZC UNI 5931]
	12	5280620	1	
	13	5280621	1	
	14	5000047	4	Clamp (Rigid Pipe)
	15	3010032	2	Hex screw [M8X45 8.8 ZC UNI 5737]
	16	5391935	2	Bonderized tube
	17	5281073	2	
	18	3101051	2	Straight pipe fitting
	19	5231826	1	
	20	3120001	1	Tee fitting

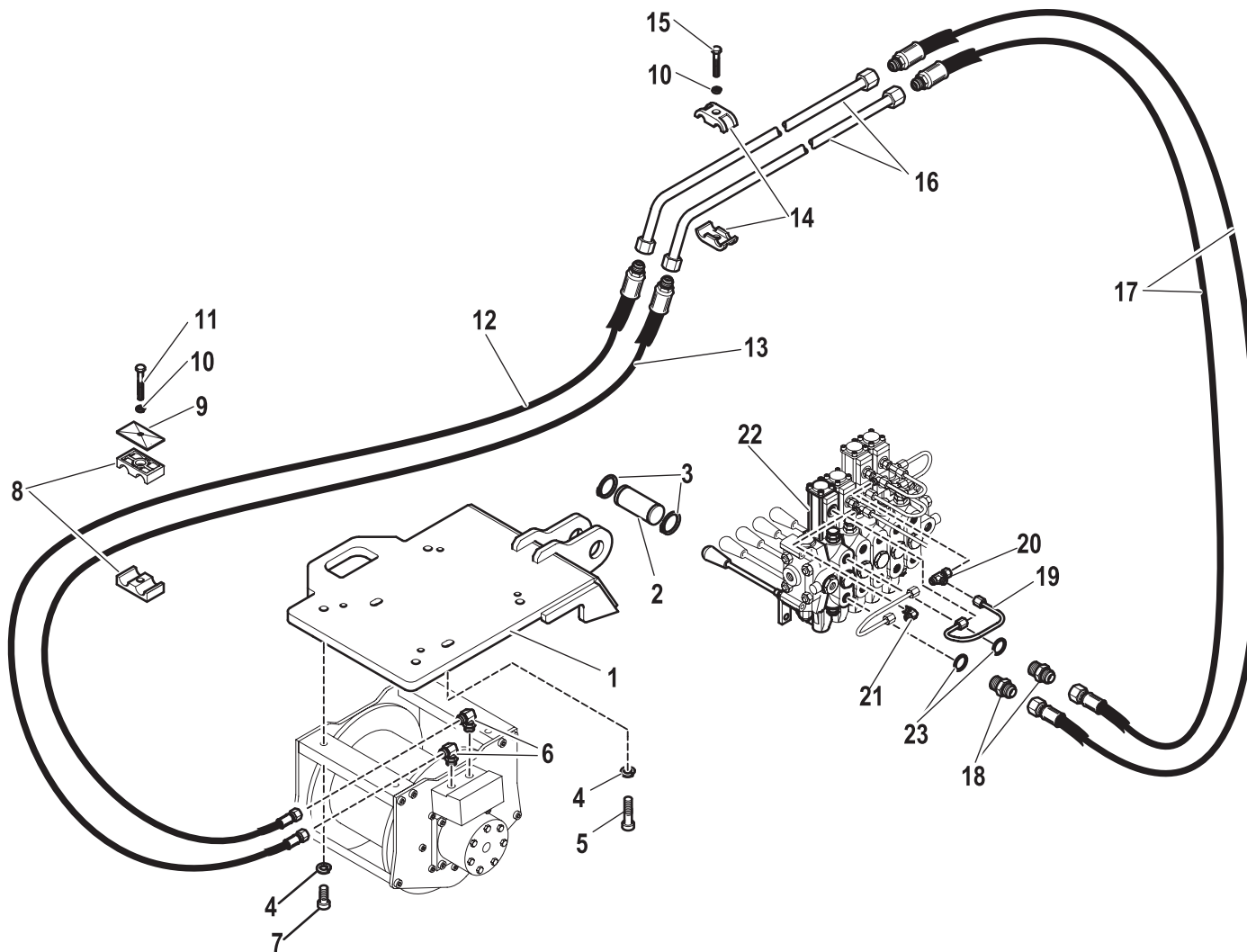
ACTUATION FOR WINCH (CE)

Code

5740143-1.0

2/2

R	Pos.	Code Variant	Q.ty	Description
	21	3101194	1	90° Connection
	22	5225312	1	
	23	3060145	2	Sealing washer [BSP 1/2"]

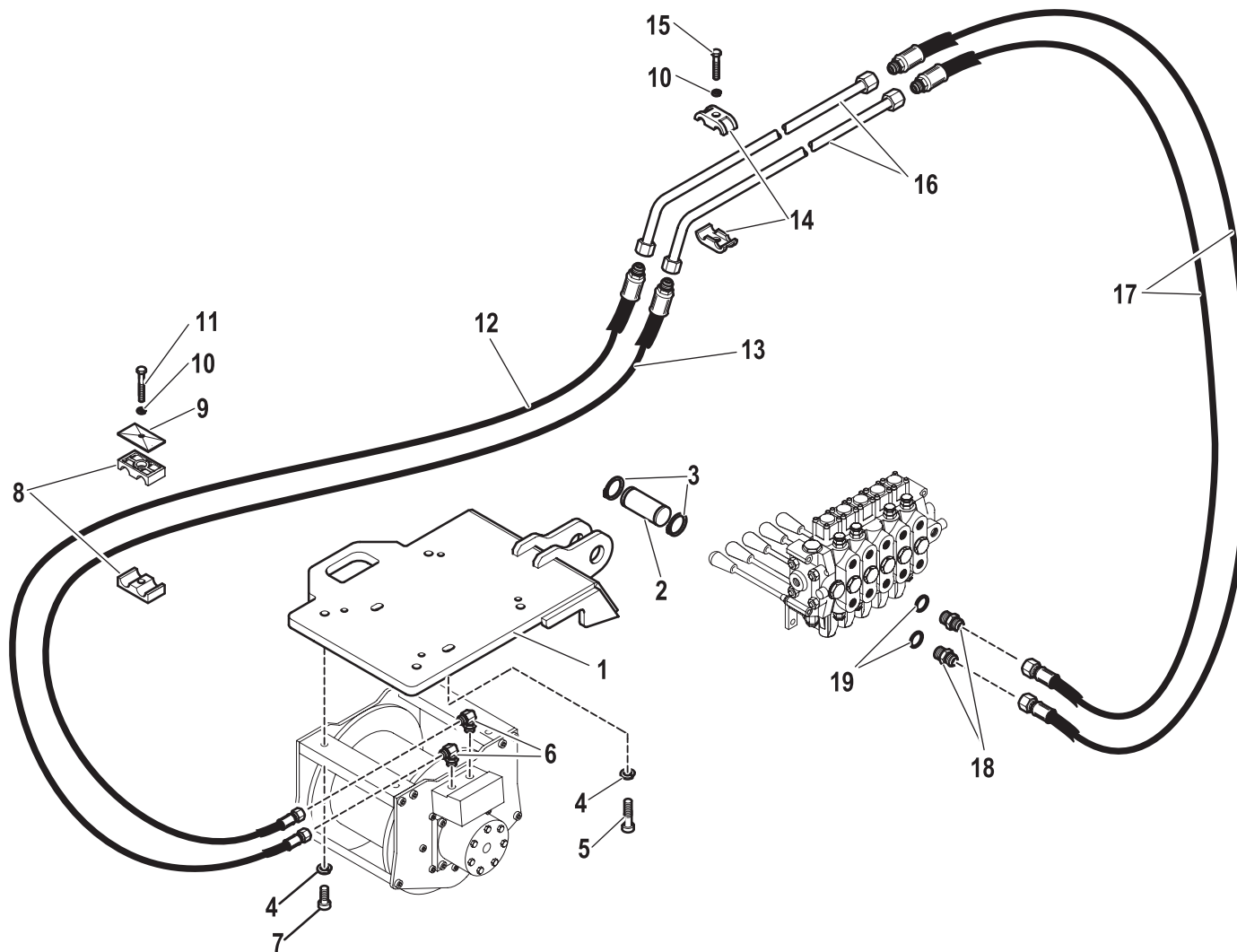


ACTUATION FOR WINCH (not CE)

Code

5740141-1.0

1/1



R	Pos.	Code Variant	Q.ty	Description
	1	5090743	1	Winch support
	2	5150652	1	Pin
	3	3070151	2	Seeger
	4	3060057	4	Split lock washer [D=12 C72 ZC]
	5	3020076	2	Socketed head cap screw [M12X30 8.8 ZC UNI 5931]
	6	3120034	2	90° Connection
	7	3010065	2	Hex screw [M12X55 8.8 ZC UNI 5737]
	8	3190220	4	Collar
	9	3190221	2	Small plate (Collar)
	10	3060055	4	Split lock washer [D=8.4 C72 ZC]
	11	3020058	2	Socketed head cap screw [M8X40 8.8 ZC UNI 5931]
	12	5280620	1	
	13	5280621	1	
	14	5000047	4	Clamp (Rigid Pipe)
	15	3010032	2	Hex screw [M8X45 8.8 ZC UNI 5737]
	16	5391935	2	Bonderized tube
	17	5281073	2	
	18	3101051	2	Straight pipe fitting
	19	3060145	2	Sealing washer [BSP 1/2"]

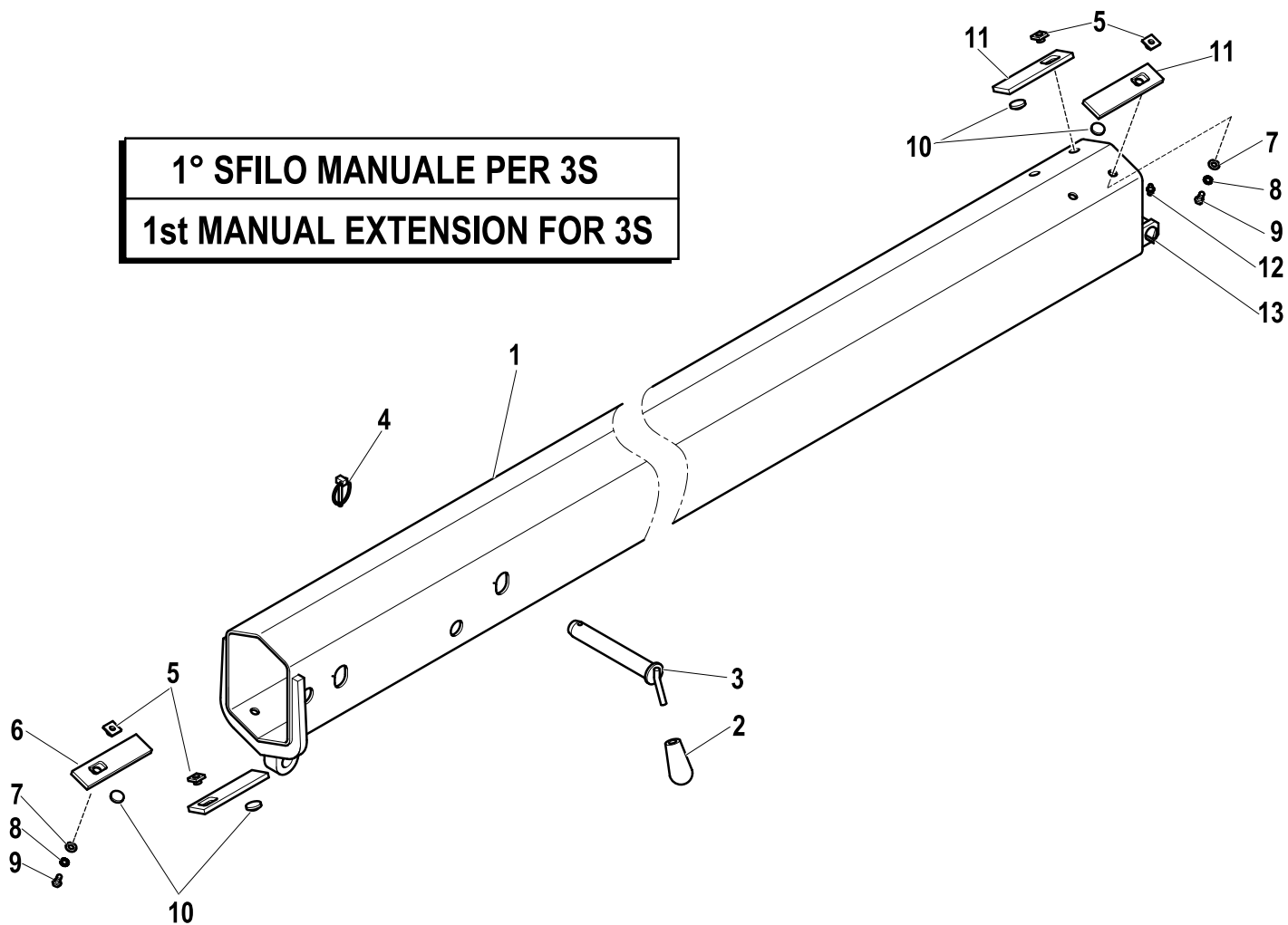
Manual extension

Code

7800312-1.0

1/1

1° SFILO MANUALE PER 3S
1st MANUAL EXTENSION FOR 3S



R	Pos.	Code Variant	Q.ty	Description
	1	5010307	1	Manual extension
	2	3190010	1	Knob
	3	5150238	1	Pin
	4	3060750	1	
	5	5000827	4	Button (Control board)
	6	5140733	2	
	7	3060914	4	Flat washer [D.10.5X21X2 UNI 6592 ZC]
	8	3060920	4	Tooth lock washer [D.10 TIPO A]
	9	3010353	4	Hex screw [M10X16 8.8 ZC UNI 5739]
	10	5140681	4	
	11	5140701	2	Slide shoe
	12	3080500	1	Grease nipple
	13	5000640	1	

Manual extension

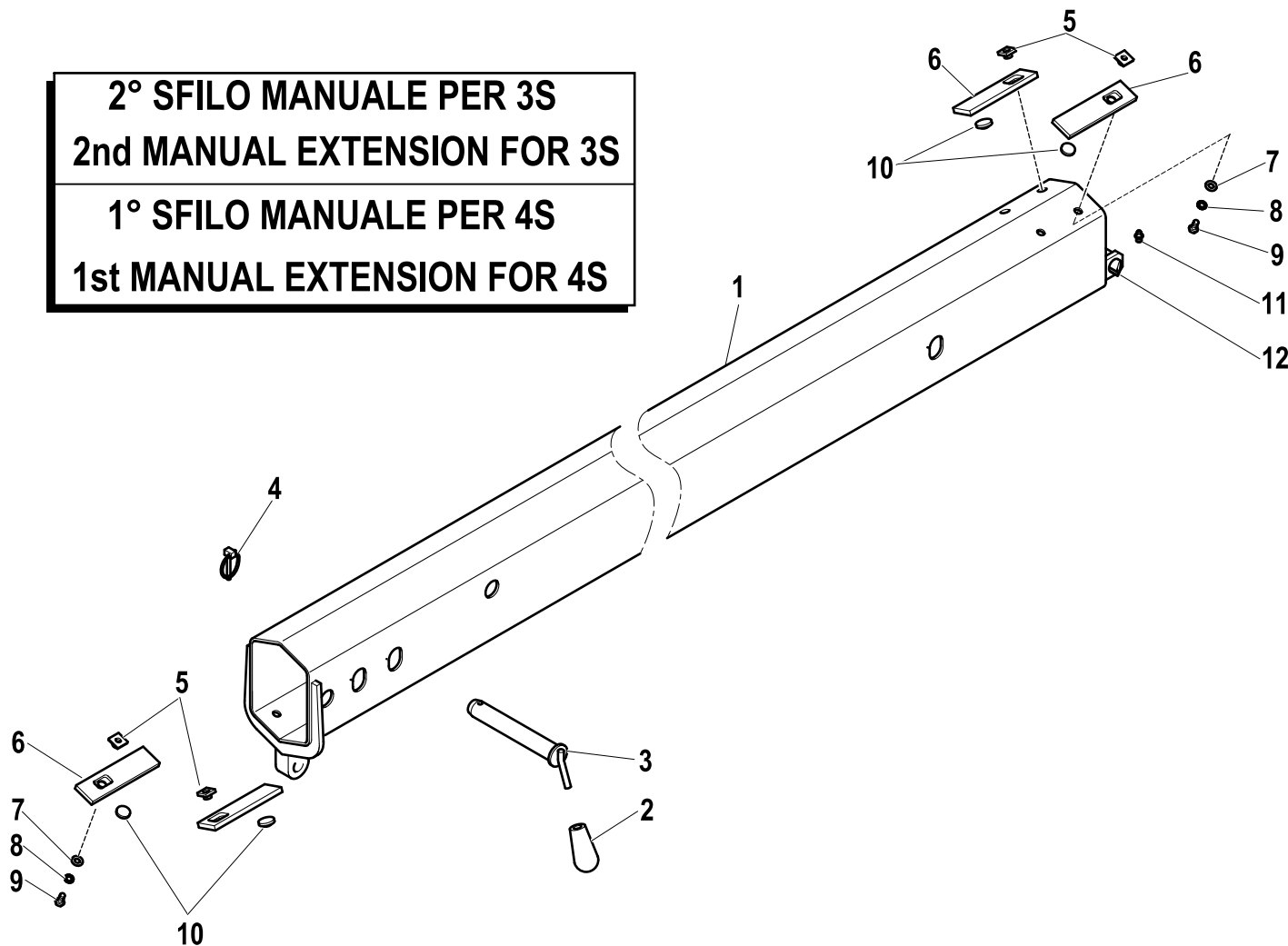
Code

7800313-1.0

1/1

2° SFILO MANUALE PER 3S
2nd MANUAL EXTENSION FOR 3S

1° SFILO MANUALE PER 4S
1st MANUAL EXTENSION FOR 4S

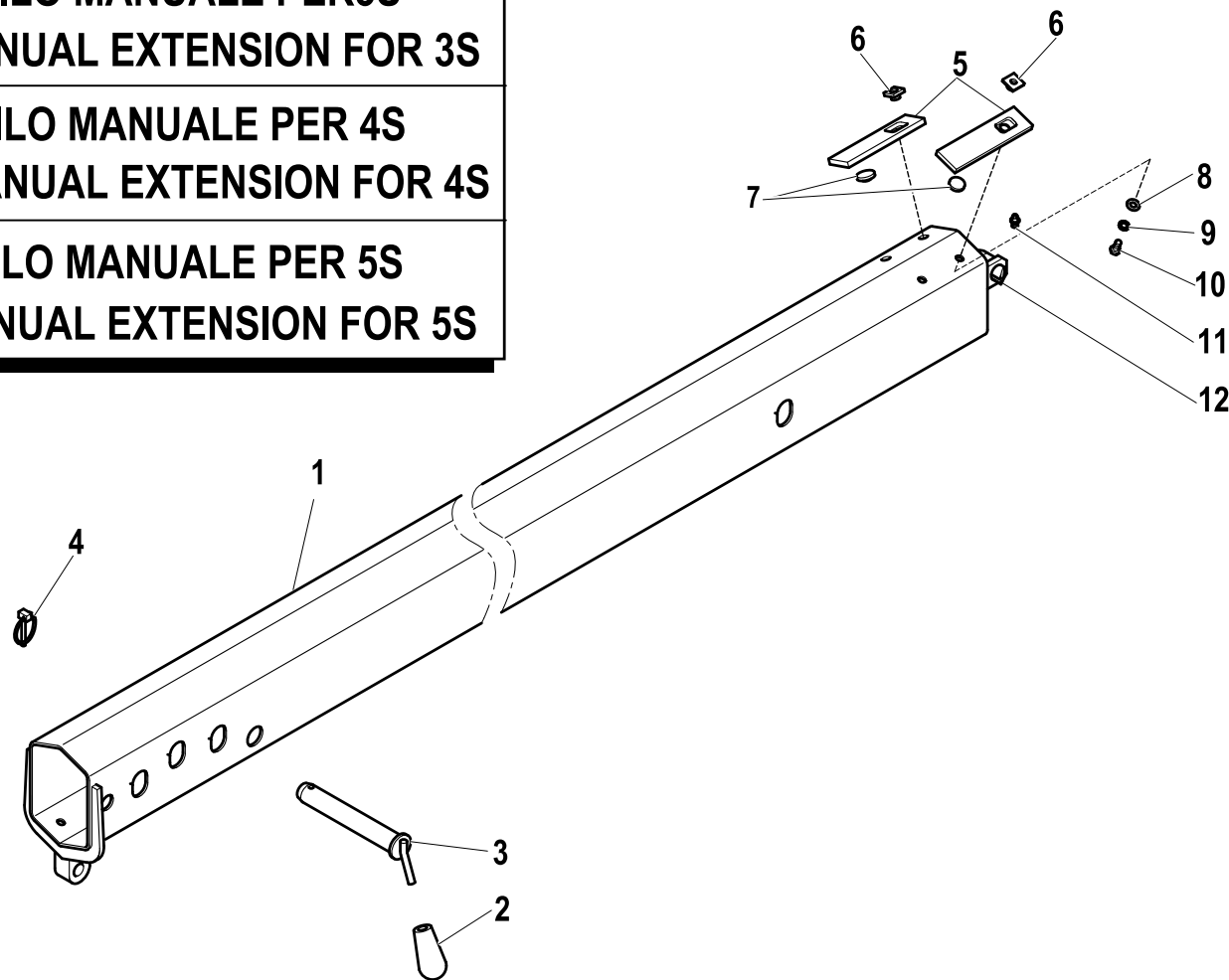


R	Pos.	Code Variant	Q.ty	Description
	1	5010308	1	Manual extension
	2	3190010	1	Knob
	3	5150396	1	
	4	3060750	1	
	5	5000827	4	Button (Control board)
	6	5140733	4	
	7	3060914	4	Flat washer [D.10.5X21X2 UNI 6592 ZC]
	8	3060920	4	Tooth lock washer [D.10 TIPO A]
	9	3010353	4	Hex screw [M10X16 8.8 ZC UNI 5739]
	10	5140681	4	
	11	3080500	1	Grease nipple
	12	5000640	1	

3° SFILO MANUALE PER 3S
3th MANUAL EXTENSION FOR 3S

2° SFILO MANUALE PER 4S
2nd MANUAL EXTENSION FOR 4S

1° SFILO MANUALE PER 5S
1st MANUAL EXTENSION FOR 5S

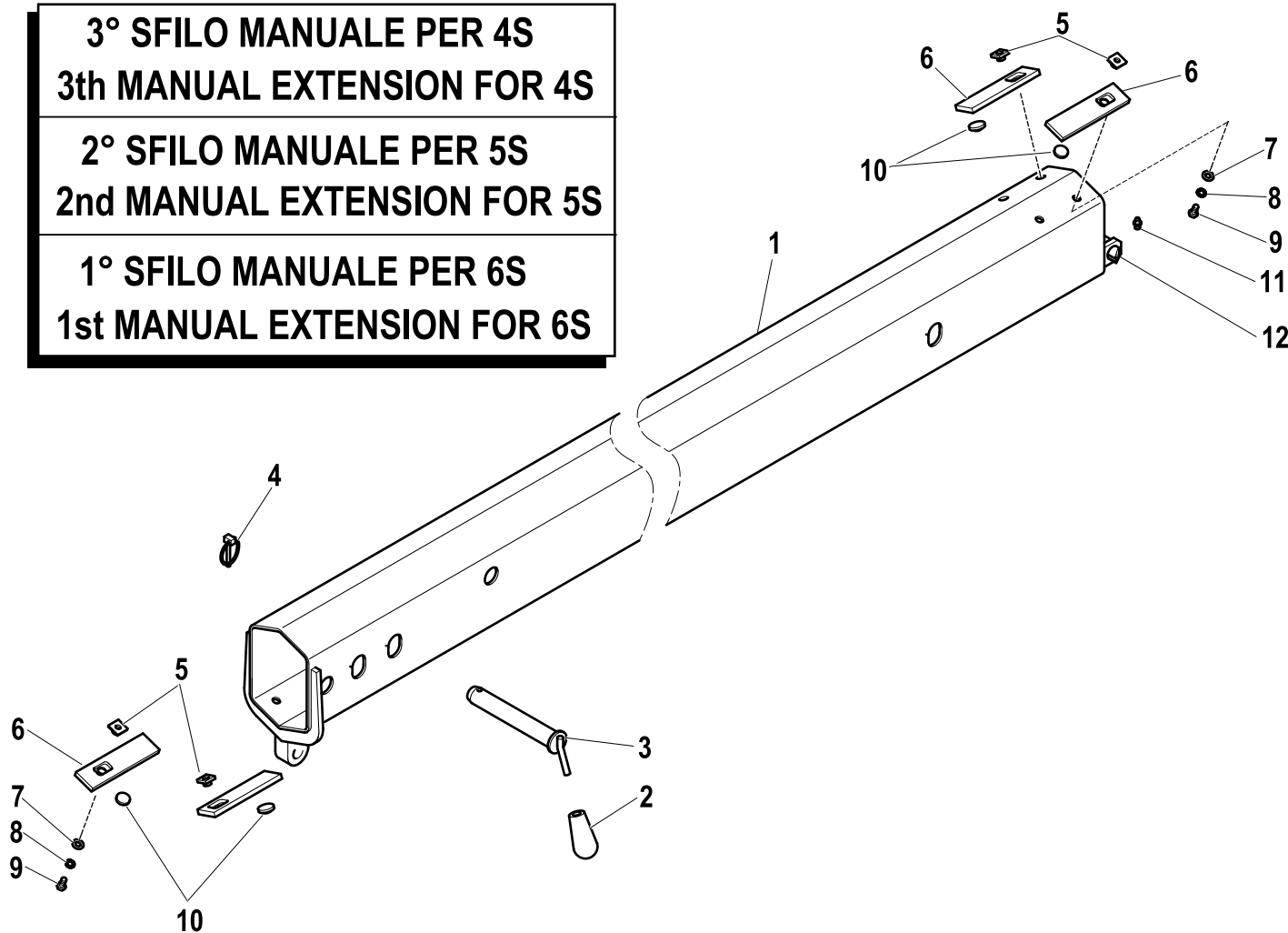


R	Pos.	Code Variant	Q.ty	Description
	1	5010309	1	Manual extension
	2	3190010	1	Knob
	3	5150395	1	
	4	3060750	1	
	5	5000733	2	
	6	5000827	4	Button (Control board)
	7	5140681	2	
	8	3060914	2	Flat washer [D.10.5X21X2 UNI 6592 ZC]
	9	3060920	2	Tooth lock washer [D.10 TIPO A]
	10	3010353	2	Hex screw [M10X16 8.8 ZC UNI 5739]
	11	3080500	1	Grease nipple
	12	5000640	1	

3° SFILO MANUALE PER 4S
3th MANUAL EXTENSION FOR 4S

2° SFILO MANUALE PER 5S
2nd MANUAL EXTENSION FOR 5S

1° SFILO MANUALE PER 6S
1st MANUAL EXTENSION FOR 6S

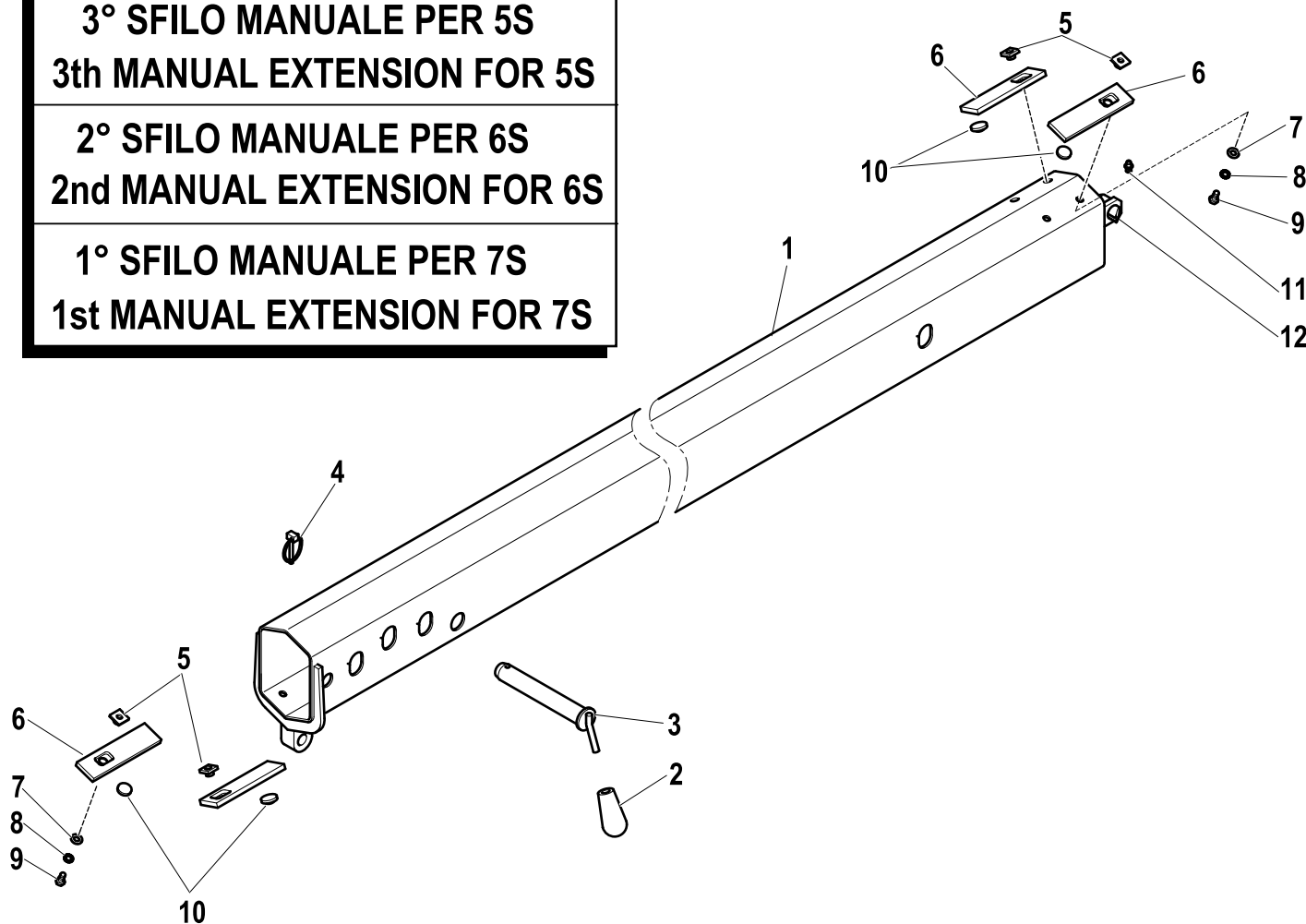


R	Pos.	Code Variant	Q.ty	Description
	1	5010310	1	Manual extension
	2	3190010	1	Knob
	3	5150395	1	
	4	3060750	1	
	5	5000827	4	Button (Control board)
	6	5140733	4	
	7	3060914	4	Flat washer [D.10.5X21X2 UNI 6592 ZC]
	8	3060920	4	Tooth lock washer [D.10 TIPO A]
	9	3010353	4	Hex screw [M10X16 8.8 ZC UNI 5739]
	10	5140681	4	
	11	3080500	1	Grease nipple
	12	5000640	1	

**3° SFILO MANUALE PER 5S
3th MANUAL EXTENSION FOR 5S**

**2° SFILO MANUALE PER 6S
2nd MANUAL EXTENSION FOR 6S**

**1° SFILO MANUALE PER 7S
1st MANUAL EXTENSION FOR 7S**



R	Pos.	Code Variant	Q.ty	Description
	1	5010311	1	Manual extension
	2	3190010	1	Knob
	3	5150686	1	
	4	3060750	1	
	5	5001087	4	Button (Control board)
	6	5140978	4	
	7	3060914	4	Flat washer [D.10.5X21X2 UNI 6592 ZC]
	8	3060920	4	Tooth lock washer [D.10 TIPO A]
	9	3010353	4	Hex screw [M10X16 8.8 ZC UNI 5739]
	10	5140681	4	
	11	3080500	1	Grease nipple
	12	5000640	1	

Manual extension

Code

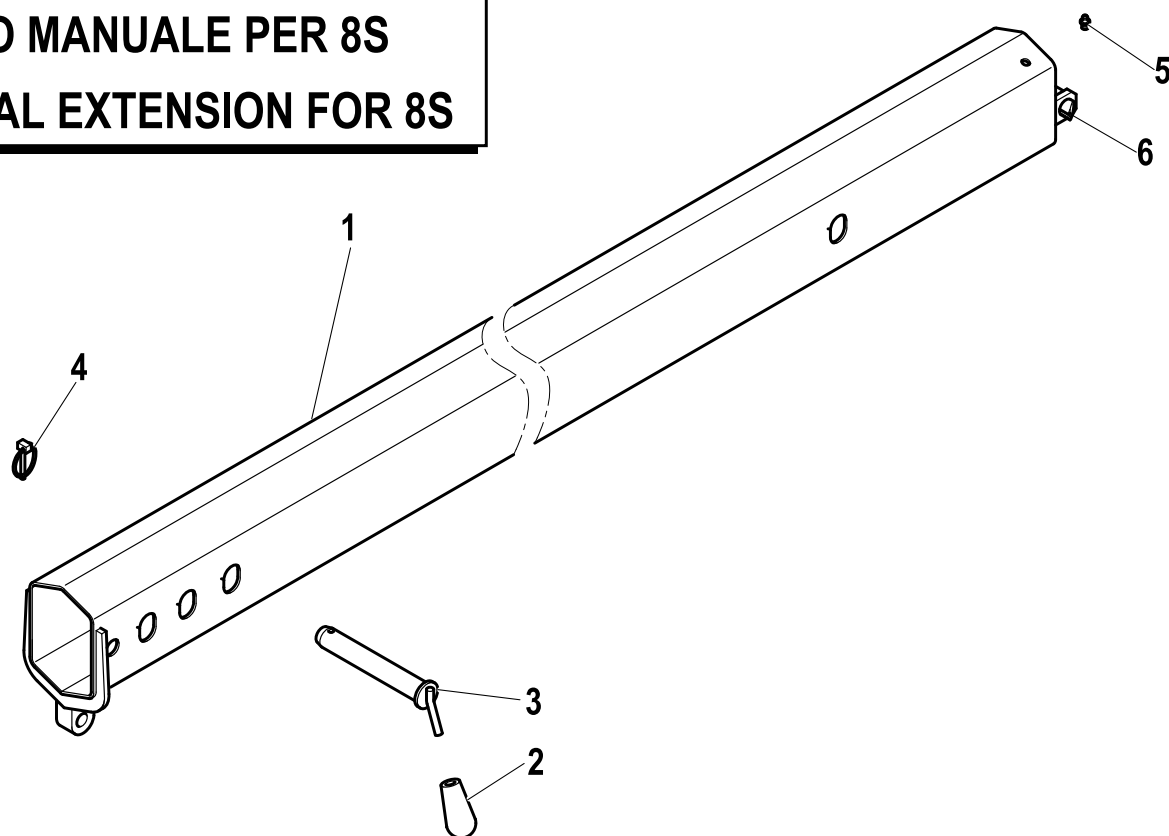
7800317-1.0

1/1

2° SFILO MANUALE PER 7S
 2nd MANUAL EXTENSION FOR 7S

1° SFILO MANUALE PER 8S
 1st MANUAL EXTENSION FOR 8S

R	Pos.	Code Variant	Q.ty	Description
	1	5010312	1	Manual extension
	2	3190010	1	Knob
	3	5150686	1	
	4	3060750	1	
	5	3080500	1	Grease nipple
	6	5000640	1	



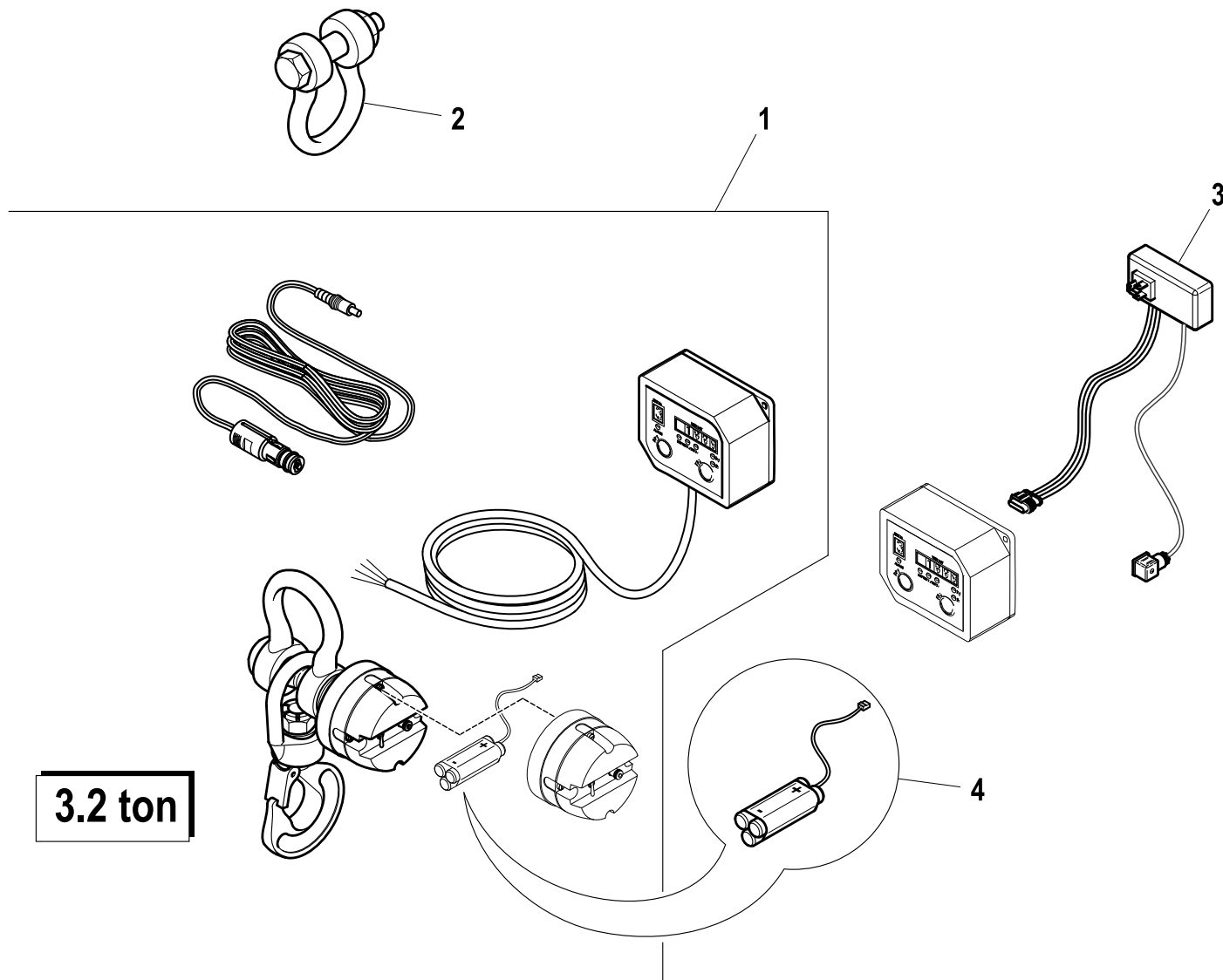
LOAD INDICATION SYSTEM

Code

7881825-1.0

1/1

R	Pos.	Code Variant	Q.ty	Description
	1	5730507	1	
	2	3200050	1	Shackles
	3	W236510	1	
	4	3311542	1	



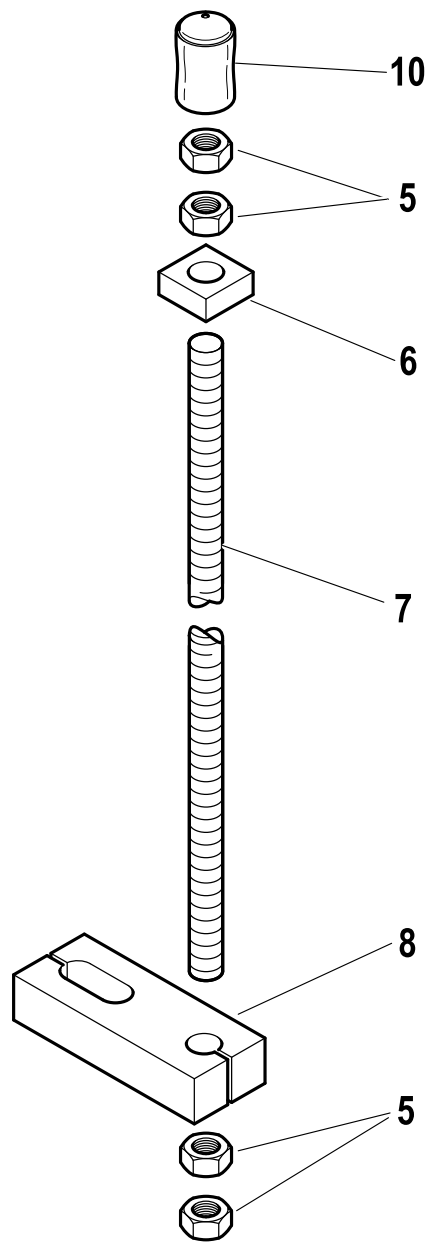
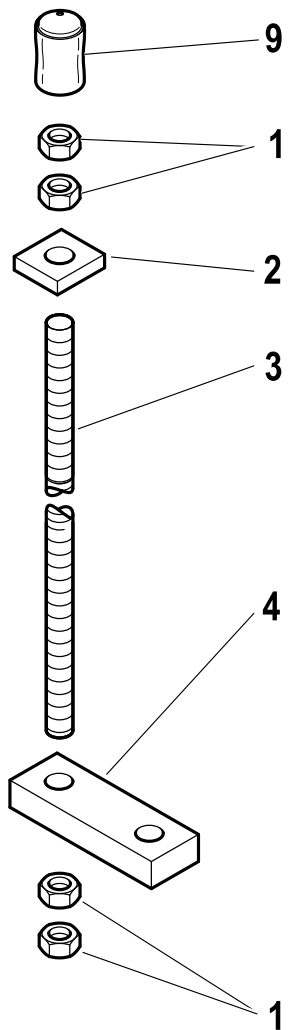
3.2 ton

Assembly kit

Code

7880378-1.0

1/1



R	Pos.	Code Variant	Q.ty	Description
	1	3040188	16	Nut
	2	5000085	4	
	3	5150656	4	
	4	5000202	2	
	5	3040190	16	Nut
	6	5000090	8	
	7	5150661	4	
	8	5001204	2	
	9	3190291	4	
	10	3190292	4	





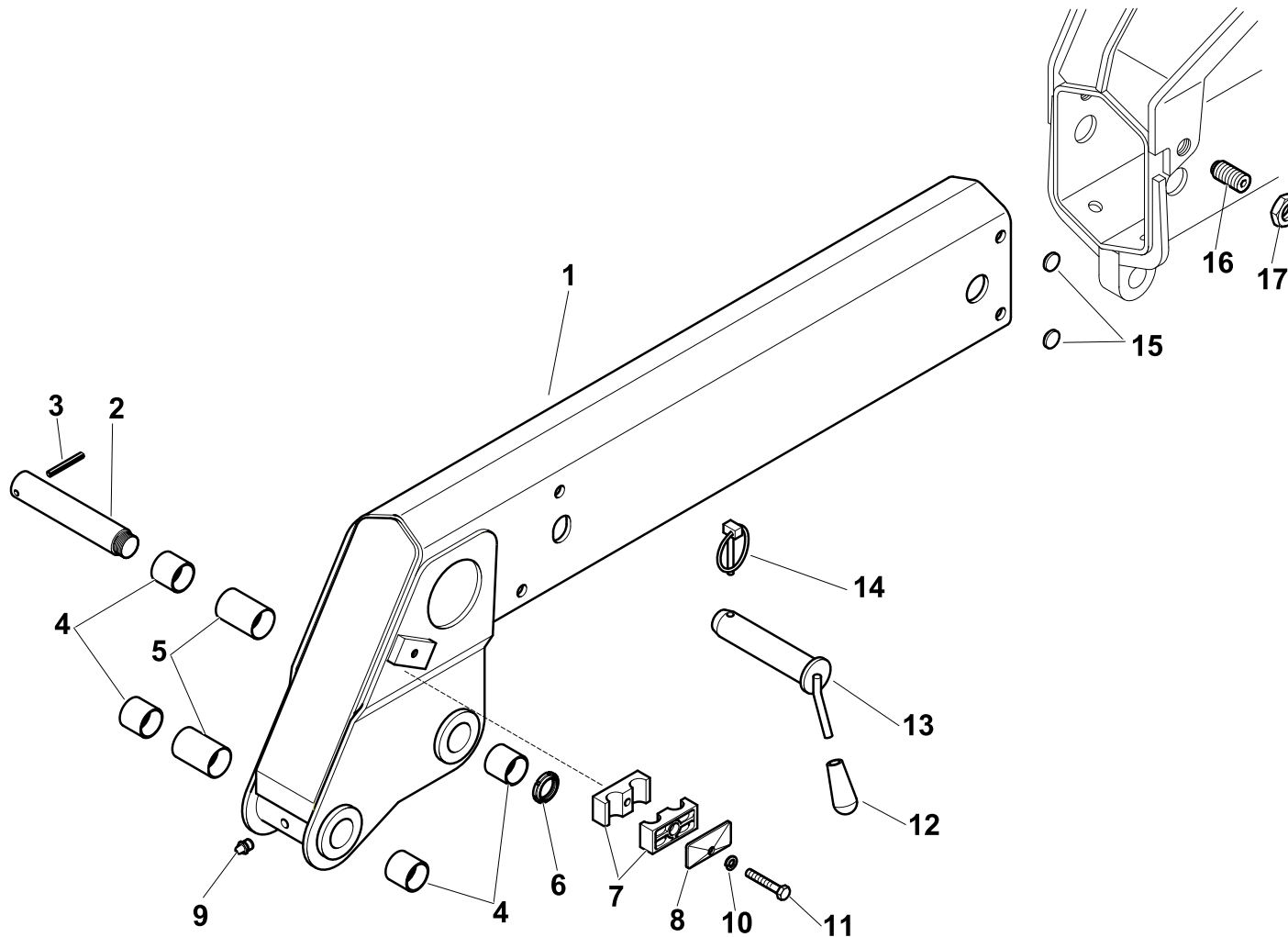
HC241 E6J2

ATTACHEMENT FOR (JIB)

Code

5780014-1.0

1/1



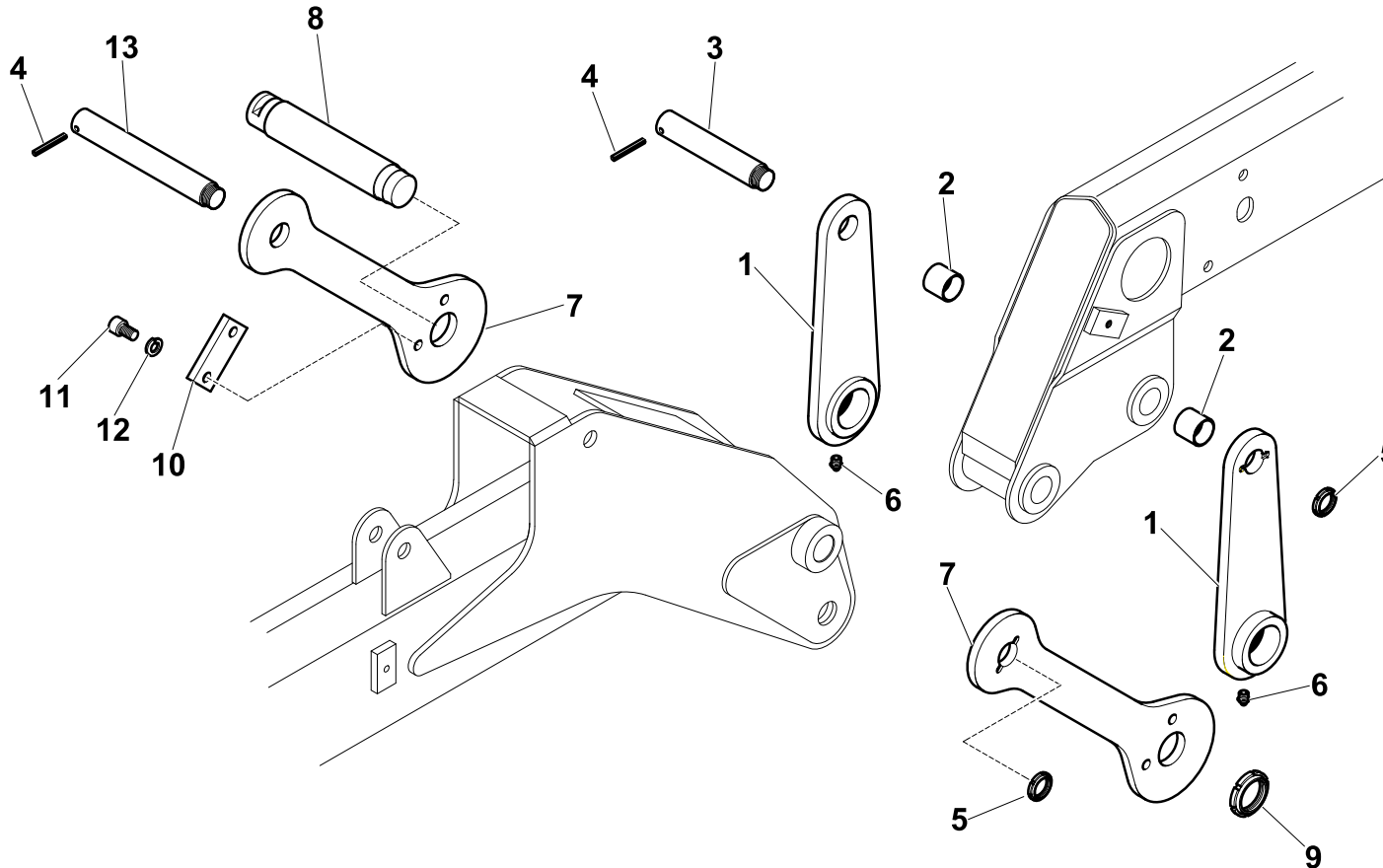
R	Pos.	Code Variant	Q.ty	Description
	1	5090751	1	
	2	5150682	1	
	3	3060608	1	Spring pin
	4	5140122	4	
	5	5001305	2	
	6	3040502	1	Self-locking ringnut [M25X1.5 NORMALE ZC]
	7	3190172	2	Clamp (Set of hoses)
	8	3190204	2	Plate (Collar)
	9	3080501	2	Grease nipple
	10	3060055	2	Split lock washer [D=8.4 C72 ZC]
	11	3010031	2	Hex screw [M8X40 8.8 ZC UNI 5737]
	12	3190010	1	Knob
	13	5150395	1	
	14	3060750	1	
	15	5140656	4	Button (Backlash)
	16	5000771	4	Adjusting screw
	17	3040089	4	Lock nut

KIT CONNECTING ROD (JIB)

Code

5360013-1.0

1/1



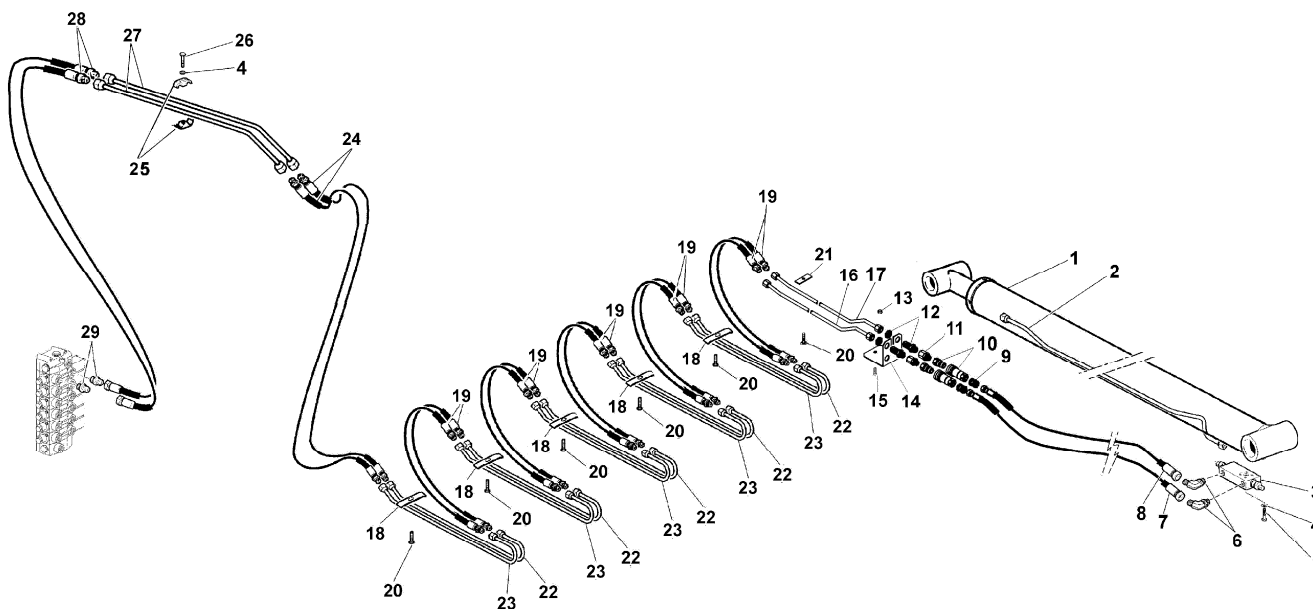
R	Pos.	Code Variant	Q.ty	Description
	1	5090753	2	
	2	5140124	2	
	3	5150682	1	
	4	3060608	2	Spring pin
	5	3040502	2	Self-locking ringnut [M25X1.5 NORMALE ZC]
	6	3080501	2	Grease nipple
	7	5090752	2	
	8	5150683	1	
	9	3040500	1	Self-locking ringnut
	10	5001138	1	
	11	3020874	2	Socketed head cap screw [M12X20 ZC UNI 5931]
	12	3060057	2	Split lock washer [D=12 C72 ZC]
	13	5150685	1	

Articulation Hydraulic jack (Hydraulic system)

Code

6230131-3.0

1/2



R	Pos.	Code Variant	Q.ty	Description
	1	6430131	1	Articulation Hydraulic jack
	2	5391047	1	
	3	5220674	1	
	4	3060055	4	Split lock washer [D=8.4 C72 ZC]
	5	3010033	4	Hex screw [M8X50 8.8 ZC UNI 5737]
	6	3101125	2	90° Connection
	7	5271433	1	Flexible hose
	8	5271432	1	Flexible hose
	9	3101043	2	Straight pipe fitting
	10	3110420	2	Quick coupling
	11	3120066	2	Straight pipe fitting
	12	3120310	2	Wall-through pipe fitting
	13	3040303	1	Stopnut
	14	5001596	1	Piping mounting
	15	3020903	1	TSEI screw [M8X30 ZC UNI 5933]
	16	W440500800	2	Bonderized tube () [Tubo FE 12x1.5 zc]
	17	W440500900	1	Bonderized tube () [Tubo FE 12x1.5 zc]
	18	5001193	2	Plate (Hose clamp)
	19	5271401	12	Flexible hose
	20	3020899	5	TSEI screw [M8X20 10.9 ZC UNI 5933]

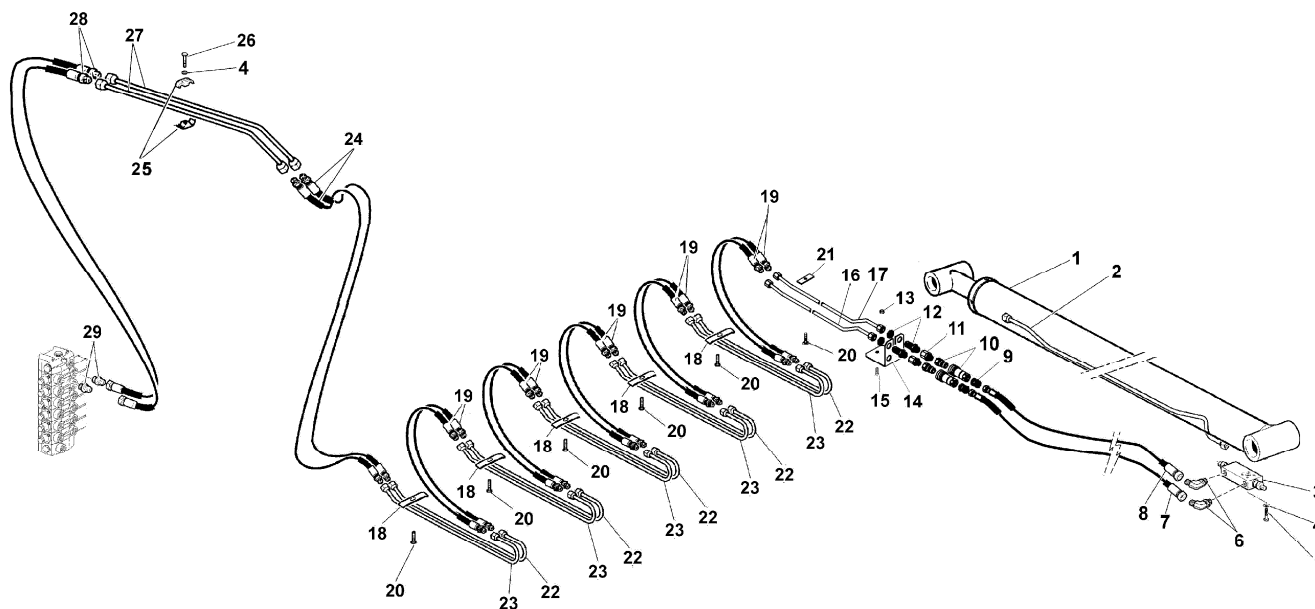
Articulation Hydraulic jack (Hydraulic system)

Code

6230131-3.0

2/2

R	Pos.	Code Variant	Q.ty	Description
	21	5001187	5	Clamp (Set of hoses)
	22	5391822	12	Bonderized tube ()
	23	5391823	12	Bonderized tube ()
	24	5271563	2	Flexible hose
	25	5000047	6	Clamp (Rigid Pipe)
	26	3010031	3	Hex screw [M8X40 8.8 ZC UNI 5737]
	27	5391935	2	Bonderized tube
	28	5280600	2	
	29	3101051	1	Straight pipe fitting



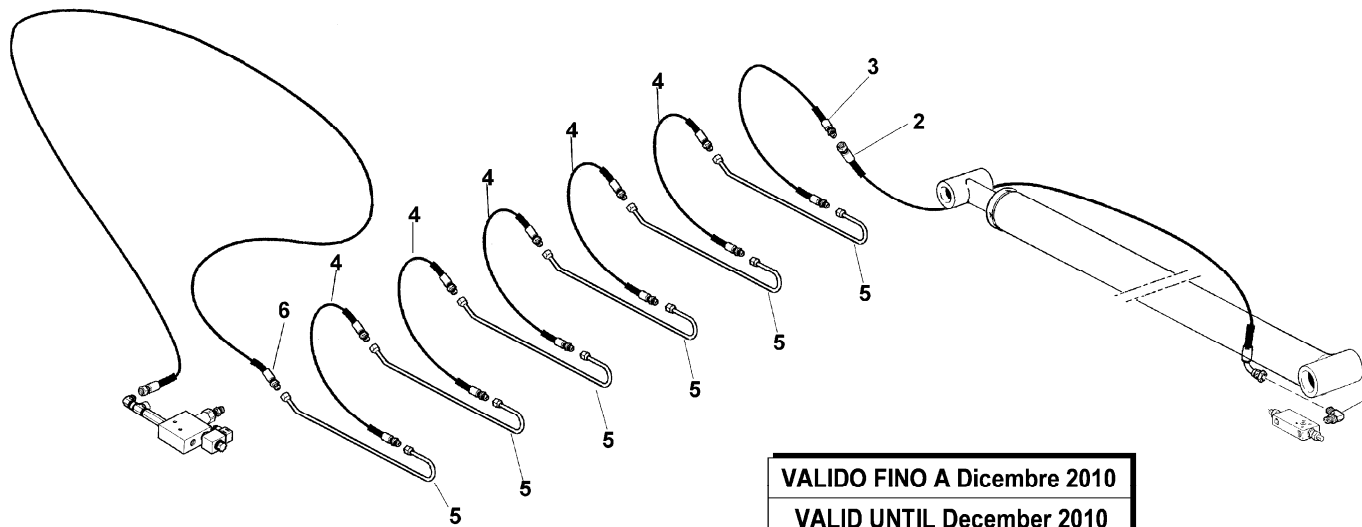
Kit activation hydraulic input

Code

5590093-1.0

1/1

R	Pos.	Code Variant	Q.ty	Description
	1	3101125	1	90° Connection
	2	5260617	1	Flexible hose
	3	5260691	1	Flexible hose
	4	5260692	5	Flexible hose
	5	5391985	6	
	6	5260686	1	Flexible hose



VALIDO FINO A Dicembre 2010
VALID UNTIL December 2010

DOUBLE CONTROLS (CE)

Code

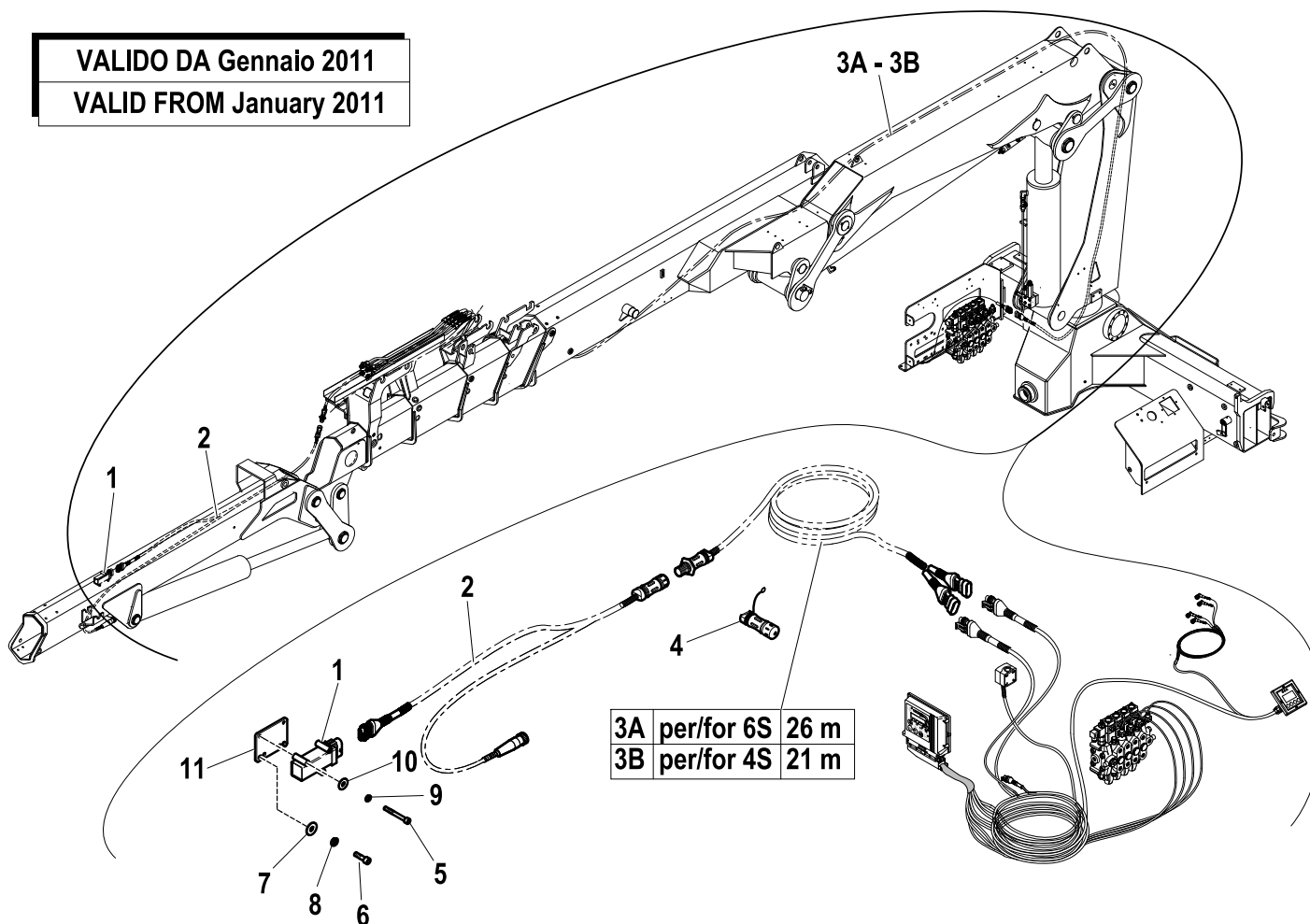
5401408-4.0

1/1

R	Pos.	Code Variant	Q.ty	Description
	1	3311150	1	Tiltmeter
	2	5160079	1	Electric wiring
	3 A	5160077	1	
	3 B	5160078	1	
	4	5160080	1	Plug (Electric components)
	5	3020018	2	Socketed head cap screw [M4X30 8.8 ZC UNI 5931]
	6	3020033	2	Socketed head cap screw [M6X10 8.8 ZC UNI 5931]
	7	3060005	2	Flat washer [D.6.4 UNI 6592 ZC]
	8	3060053	2	Split lock washer [D=6.4 C72 ZC]
	9	3060065	2	Split lock washer [D=4.1 C72 ZC]
	10	3060003	2	Flat washer [D.4 UNI 6592 ZC]
	11	5002108	1	Support plate (Tiltmeter)

VALIDO DA Gennaio 2011

VALID FROM January 2011



DOUBLE CONTROLS (CE)

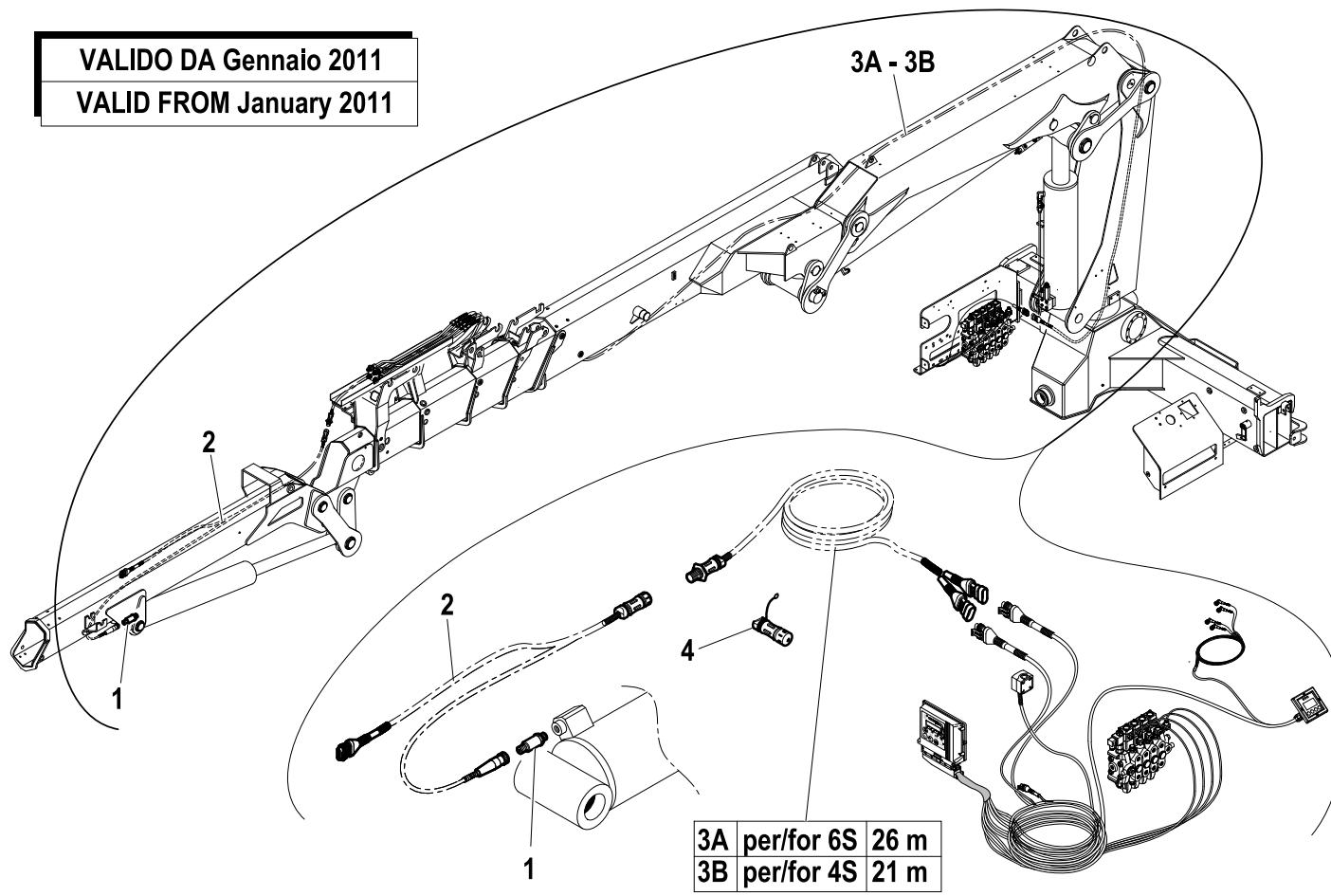
Code

5401408-5.0

1/1

R	Pos.	Code Variant	Q.ty	Description
	1	3310612	1	Pressure sensor
	2	5160079	1	Electric wiring
	3 A	5160077	1	
	3 B	5160078	1	
	4	5160080	1	Plug (Electric components)

VALIDO DA Gennaio 2011
VALID FROM January 2011

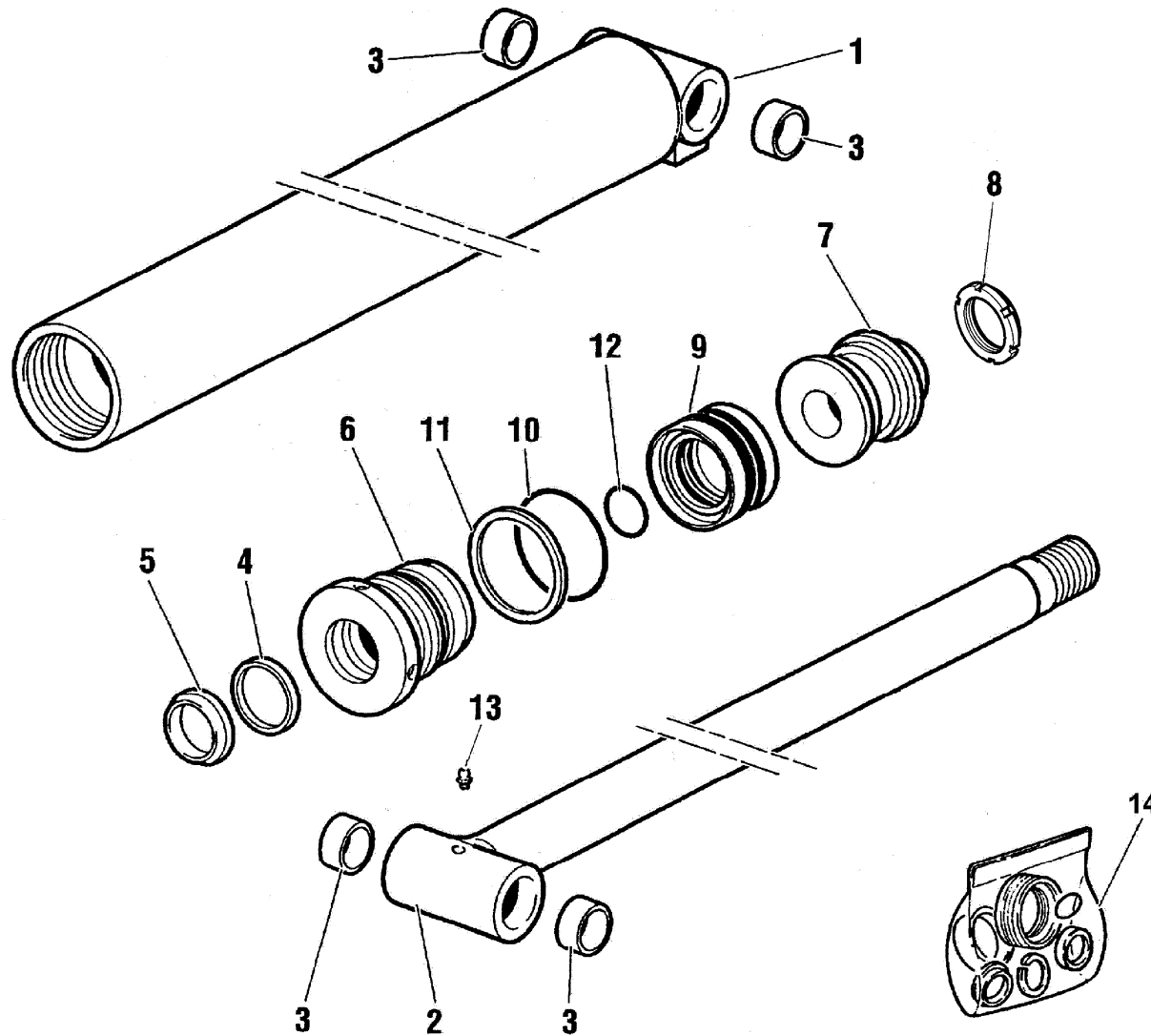


Articulation Hydraulic jack

Code

6430131-1.0

1/1



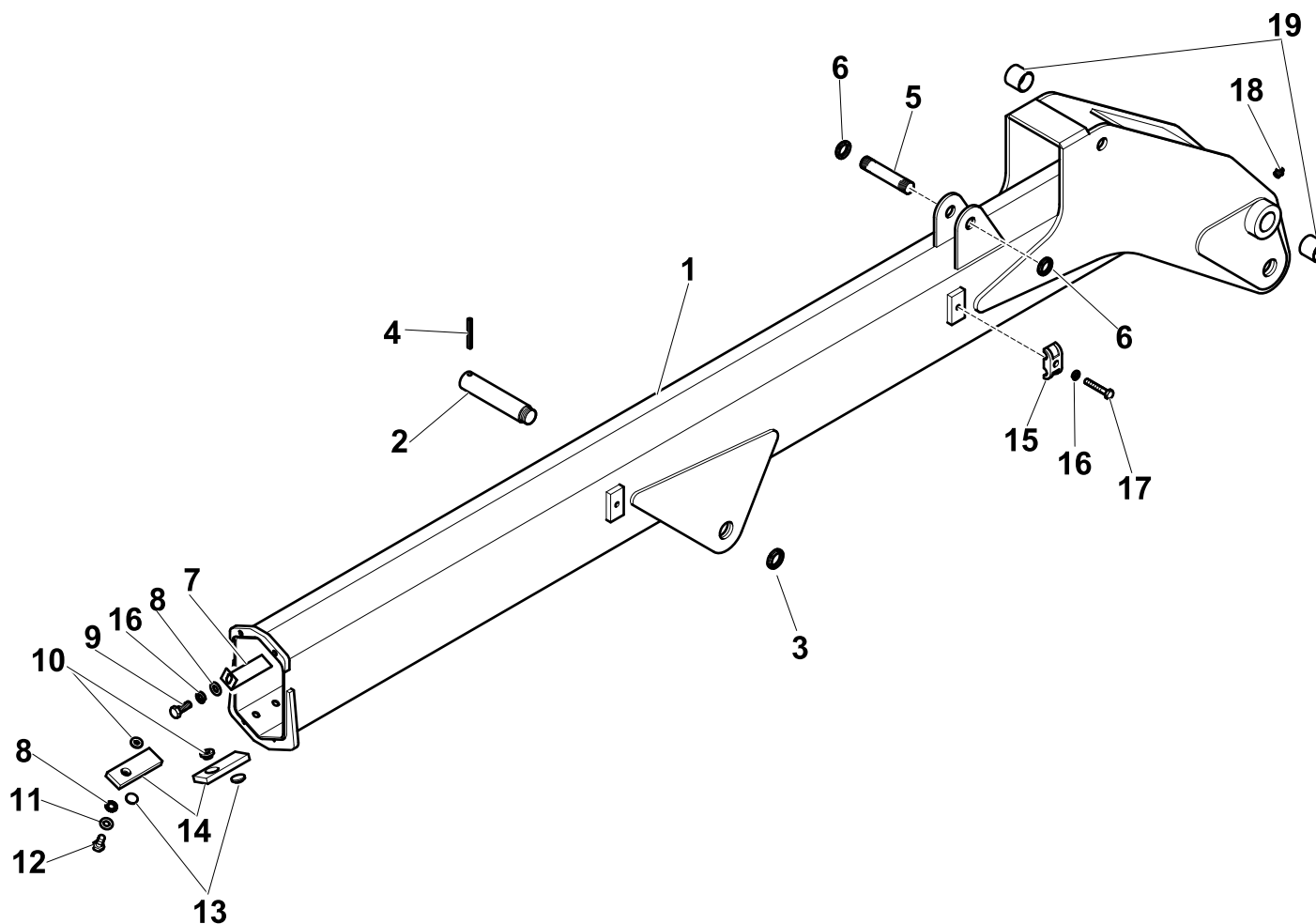
R	Pos.	Code Variant	Q.ty	Description
	1	6070344	1	
	2	6030605	1	
	3	5140122	4	
	4	3400090	1	
	5	3420026	1	W-ring
	6	6040103	1	
	7	6050231	1	
	8	3040501	1	Self-locking ringnut
	9	3400512	1	Seal
	10	3450210	1	
	11	3460329	1	
	12	3450114	1	O-ring joint
	13	3080501	2	Grease nipple
	14	5550699	1	

JIB ARM

Code

5630006-1.0

1/1



R	Pos.	Code Variant	Q.ty	Description
	1	5030263	1	JIB ARM
	2	5150684	1	
	3	3040502	1	Self-locking ringnut [M25X1.5 NORMALE ZC]
	4	3060608	1	Spring pin
	5	5150435	1	
	6	3040504	2	Self-locking ringnut
	7	5000685	6	Plate (Thickness)
	8	3060006	4	Flat washer [D.8 UNI 6592 ZC]
	9	3010027	2	Hex screw [M8X20 8.8 ZC IF UNI 5739]
	10	5000623	2	
	11	3060918	2	Tooth lock washer [D.8 TIPO A UNI8842 ZC]
	12	3010336	2	Hex screw [M8X12 8.8 ZC UNI 5739]
	13	5140656	2	Button (Backlash)
	14	5140655	2	
	15	5000077	2	Clamp (Rigid Pipe)
	16	3060055	4	Split lock washer [D=8.4 C72 ZC]
	17	3010029	2	Hex screw [M8X30 8.8 ZC UNI 5737]
	18	3080501	1	Grease nipple
	19	5140122	2	

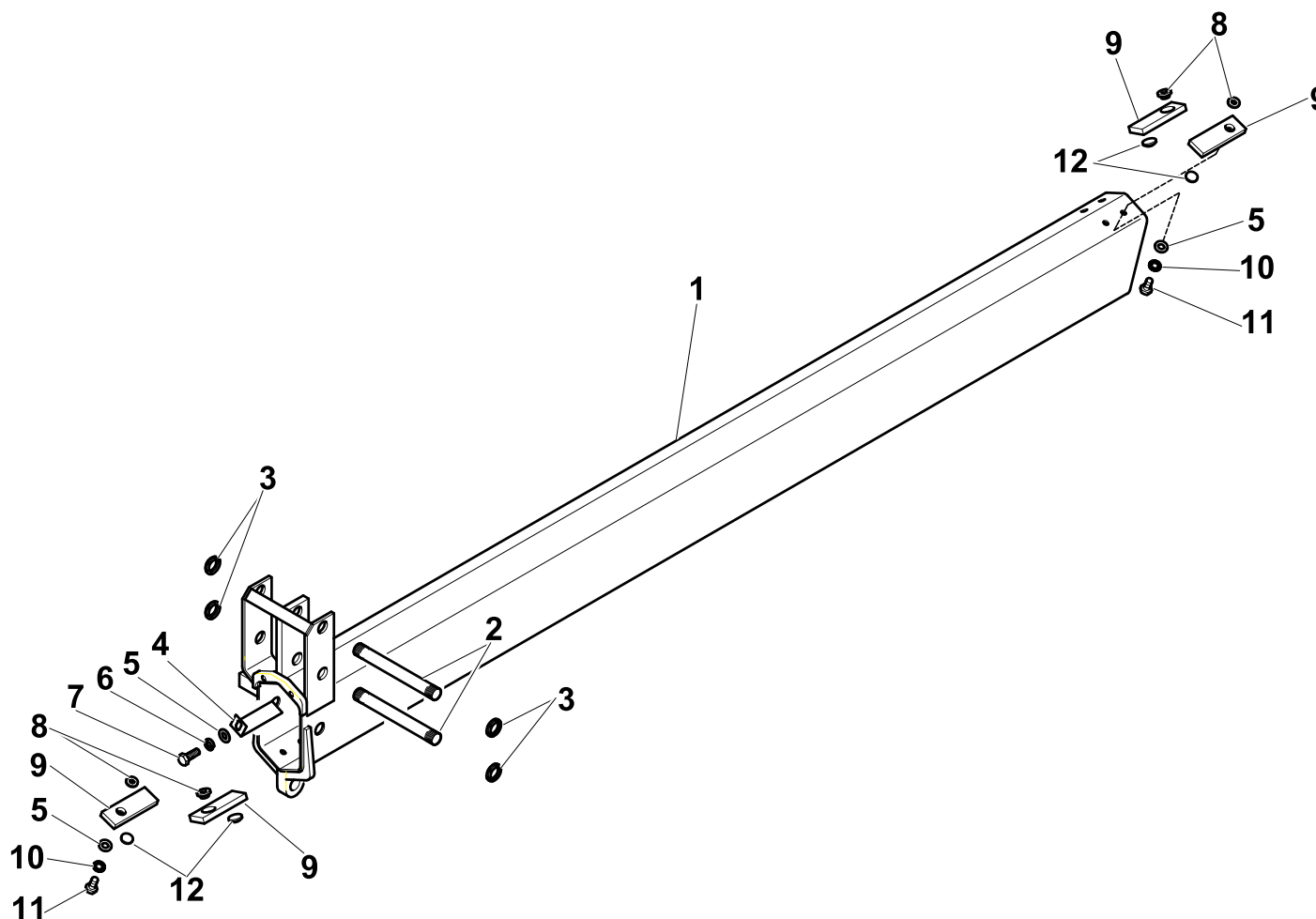
1st EXTENSION

Code

5490007-1.0

1/1

R	Pos.	Code Variant	Q.ty	Description
	1	5020316	1	Extension
	2	5150432	2	
	3	3040504	4	Self-locking ringnut
	4	5000685	2	Plate (Thickness)
	5	3060006	6	Flat washer [D.8 UNI 6592 ZC]
	6	3060053	2	Split lock washer [D=6.4 C72 ZC]
	7	3010027	2	Hex screw [M8X20 8.8 ZC IF UNI 5739]
	8	5000623	4	
	9	5140655	4	
	10	3060918	4	Tooth lock washer [D.8 TIPO A UNI8842 ZC]
	11	3010336	4	Hex screw [M8X12 8.8 ZC UNI 5739]
	12	5140656	4	Button (Backlash)

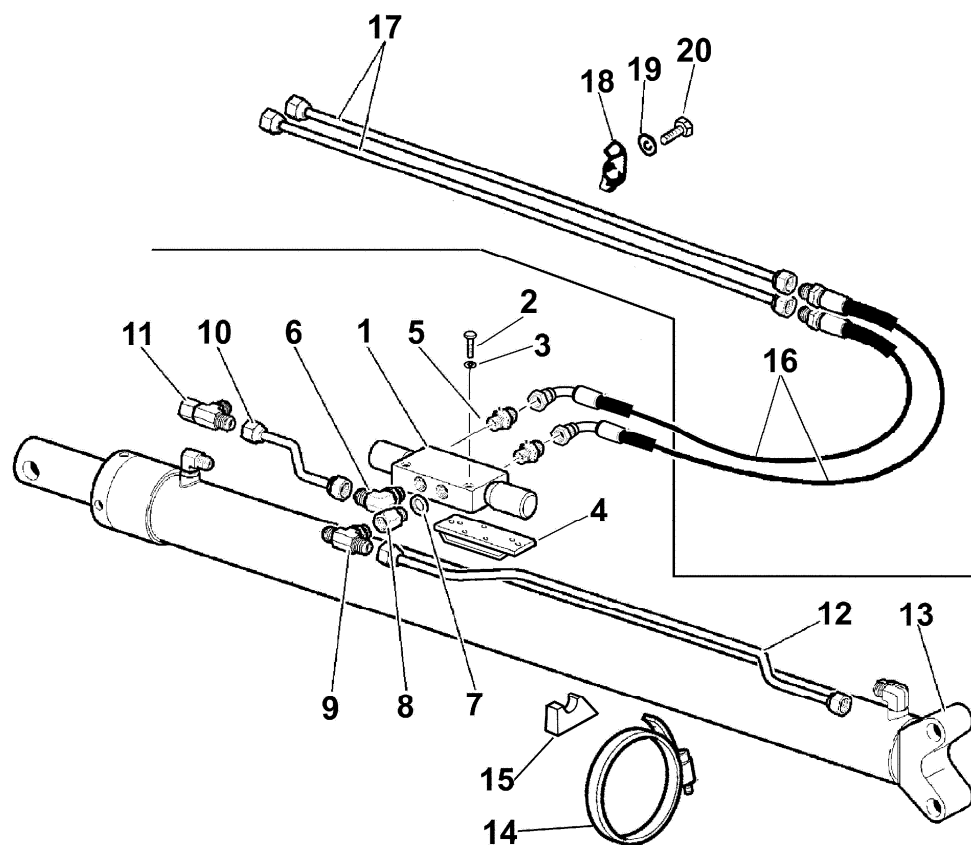


HYDRAULIC SYSTEM (1th extension hydraulic cylinder)

Code

6210343-1.0

1/1



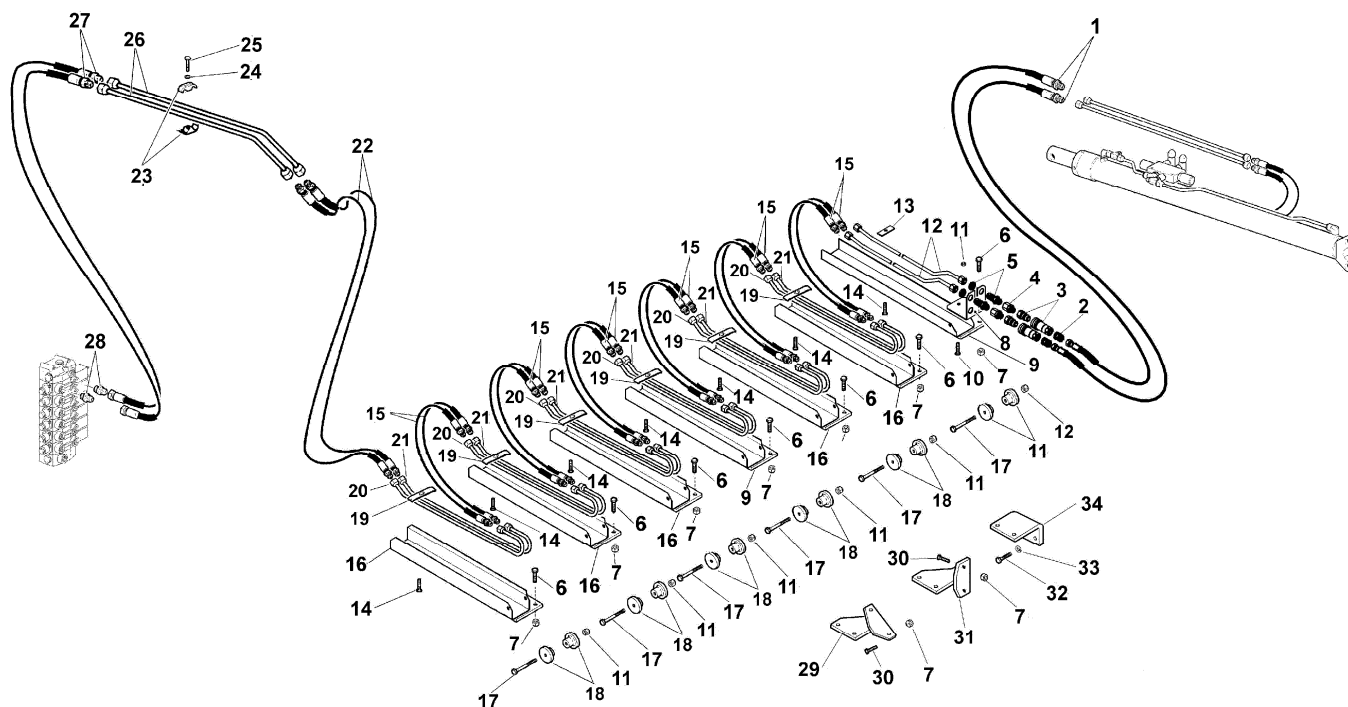
R	Pos.	Code Variant	Q.ty	Description
	1	5220122	1	Valve
	2	3010017	2	Hex screw [M6X35 8.8 ZC UNI 5737]
	3	3060053	2	Split lock washer [D=6.4 C72 ZC]
	4	5000693	1	Valve support
	5	3101043	2	Straight pipe fitting
	6	3101127	1	90° Connection
	7	3060144	1	Sealing washer [BSP 3/8"]
	8	3110112	1	Straight pipe fitting
	9	3120303	1	Tee fitting
	10	5392074	1	Bonderized tube
	11	3120004	1	Tee fitting
	12	5392072	1	
	13	6410160	1	
	14	3190029	4	Clamp
	15	5140133	2	Piping mounting
	16	5271000	2	Flexible hose
	17	5391894	2	
	18	3190172	2	Clamp (Set of hoses)
	19	3060055	2	Split lock washer [D=8.4 C72 ZC]
	20	3010030	2	Hex screw [M8X35 8.8 ZC UNI 5737]

HYDRAULIC SYSTEM (1th extension hydraulic cylinder)

Code

5590091-1.0

1/2



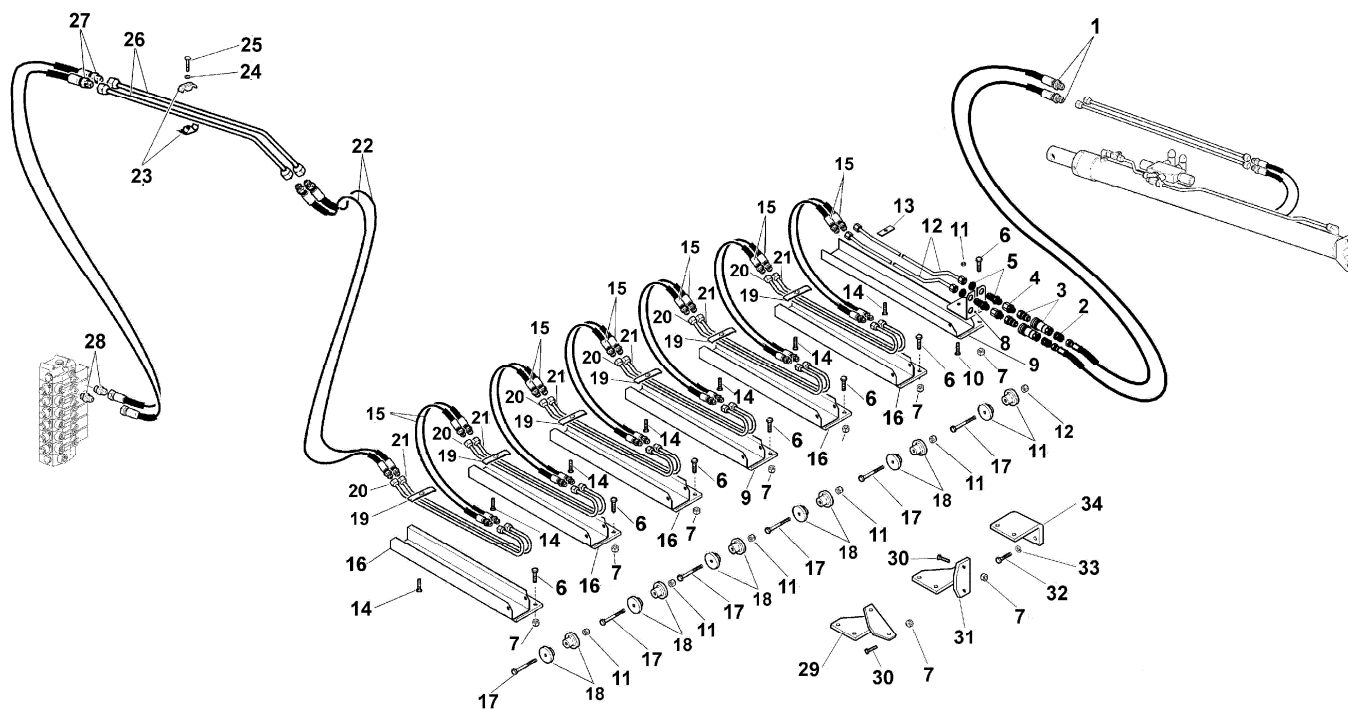
R	Pos.	Code Variant	Q.ty	Description
	1	5271434	1	Flexible hose
	2	3101043	2	Straight pipe fitting
	3	3110420	2	Quick coupling
	4	3120066	2	Straight pipe fitting
	5	3120301	2	Tee fitting
	6	3010389	14	Hex screw [M10X35 ZC UNI 5739]
	7	3040304	12	Stopnut
	8	5001596	1	Piping mounting
	9	5001333	1	Slide (ACTUATION)
	10	3020903	1	TSEI screw [M8X30 ZC UNI 5933]
	11	3040303	5	Stopnut
	12	580500700	2	
	13	5001193	1	Plate (Hose clamp)
	14	3020899	6	TSEI screw [M8X20 10.9 ZC UNI 5933]
	15	5271401	2	Flexible hose
	16	5001334	5	Slide (Actuations)
	17	3010414	5	Hex screw [M8X90 8.8 ZC UNI 5737]
	18	5140742	8	Hydraulic hose guide
	19	5001187	5	Clamp (Set of hoses)
	20	5391820	5	Bonderized tube ()

HYDRAULIC SYSTEM (1th extension hydraulic cylinder)

Code

5590091-1.0

2/2



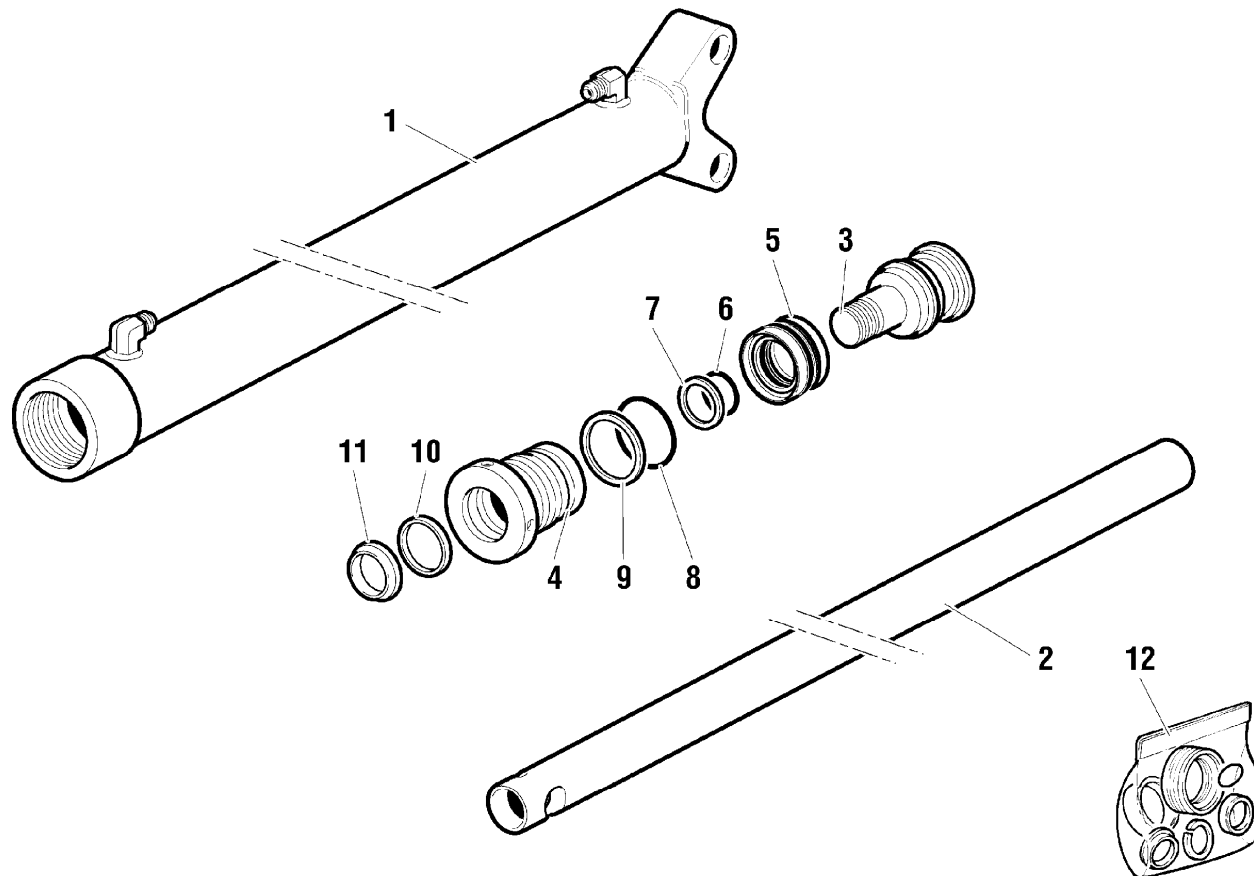
R	Pos.	Code Variant	Q.ty	Description
	21	5391821	5	Bonderized tube ()
	22	5271403	2	Flexible hose
	23	5000047	6	Clamp (Rigid Pipe)
	24	3060055	3	Split lock washer [D=8.4 C72 ZC]
	25	3010031	3	Hex screw [M8X40 8.8 ZC UNI 5737]
	26	5391935	2	Bonderized tube
	27	5280600	2	
	28	3101051	2	Straight pipe fitting
	29	5001214	1	Support (Slide)
	30	3010044	4	Hex screw [M10X35 8.8 ZC UNI 5737]
	31	5001215	1	
	32	3010354	2	Hex screw [M10X20 8.8 ZC UNI 5739]
	33	3060056	2	Split lock washer [D=10 C72 ZC]
	34	5001216	1	Support bracket (Actuations)

1st EXSTENSION HYDRAULIC

Code

6410160-1.0

1/1



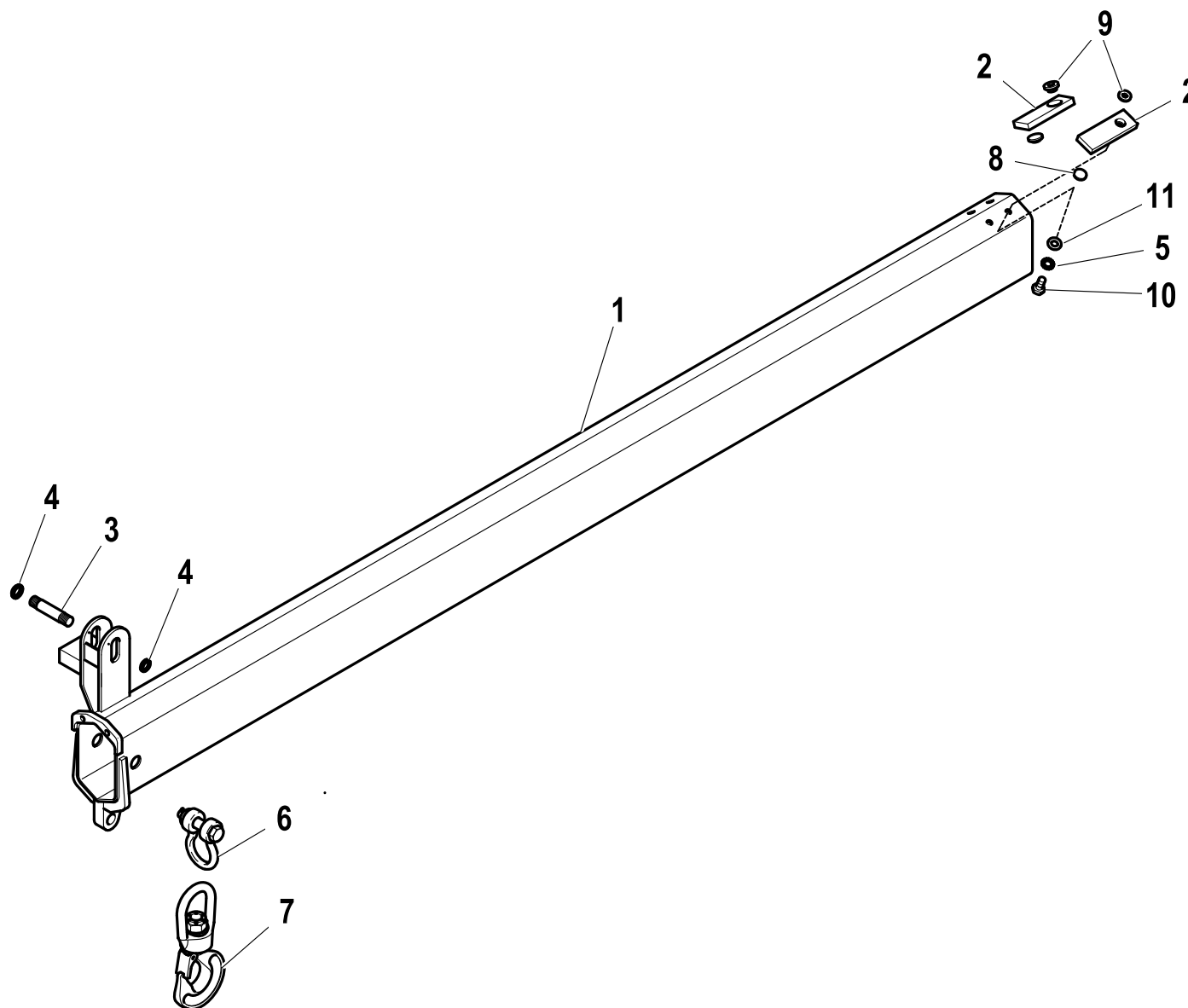
R	Pos.	Code Variant	Q.ty	Description
	1	6070347	1	
	2	6030339	1	
	3	6050234	1	
	4	6040248	1	
	5	3400506	1	
	6	3450062	1	
	7	3460067	1	
	8	3450077	1	
	9	3460077	1	
	10	3400067	1	
	11	3420021	1	
	12	5550682	1	

2nd extension

Code

5530043-1.0

1/1



R	Pos.	Code Variant	Q.ty	Description
	1	5020317	1	Extension
	2	5140655	2	
	3	5150434	1	
	4	3040498	2	Self-locking ringnut
	5	3060918	2	Tooth lock washer [D.8 TIPO A UNI8842 ZC]
	6	3200050	1	Shackles
	7	3200006	1	Swivel hook
	8	5140656	2	Button (Backlash)
	9	5000623	2	
	10	3010336	2	Hex screw [M8X12 8.8 ZC UNI 5739]
	11	3060010	2	Flat washer [D.17X30X3 UNI 6592 ZC]

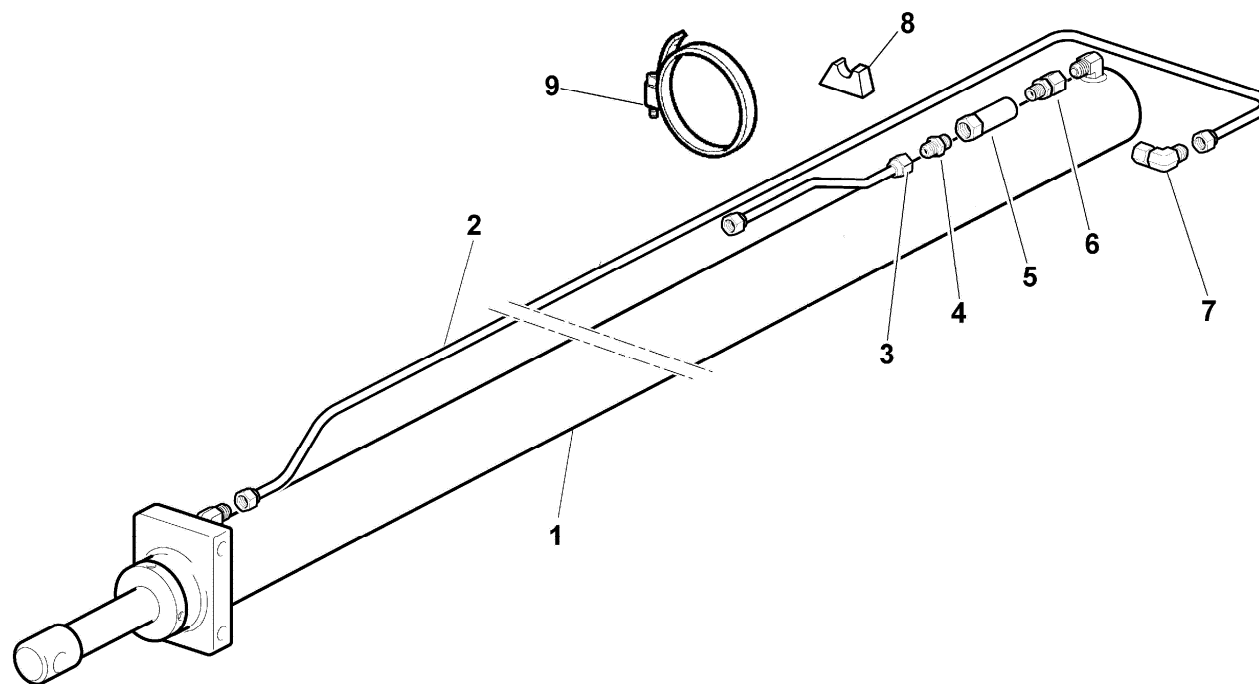
2nd extension hydraulic cylinder (HYDRAULIC SYSTEM)

Code

6210344-1.0

1/1

R	Pos.	Code Variant	Q.ty	Description
	1	6410161	1	
	2	5391261	1	
	3	5392073	1	
	4	3120066	1	Straight pipe fitting
	5	5220556	1	
	6	3101042	1	Straight pipe fitting
	7	3120031	1	90° Connection
	8	5140133	2	Piping mounting
	9	3190029	2	Clamp

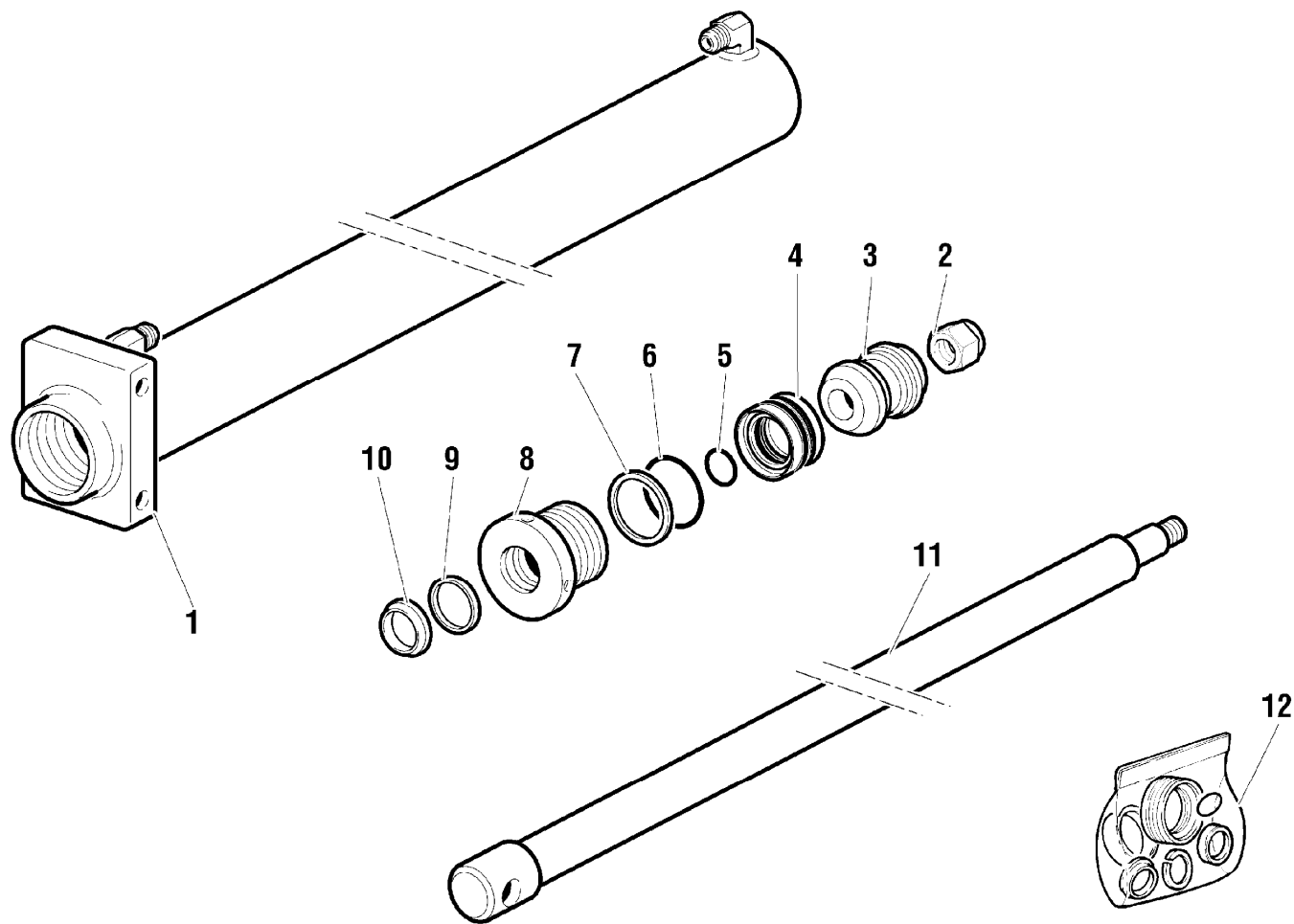


2nd EXTENSION HYDRAULIC JACK

Code

6410161-1.0

1/1



R	Pos.	Code Variant	Q.ty	Description
	1	6070348	1	
	2	3040377	1	Stopnut
	3	6050025	1	
	4	3400505	1	
	5	3450050	1	O-ring joint
	6	3450117	1	
	7	3460255	1	
	8	6040255	1	
	9	3400043	1	
	10	3420015	1	
	11	6030340	1	
	12	5550683	1	



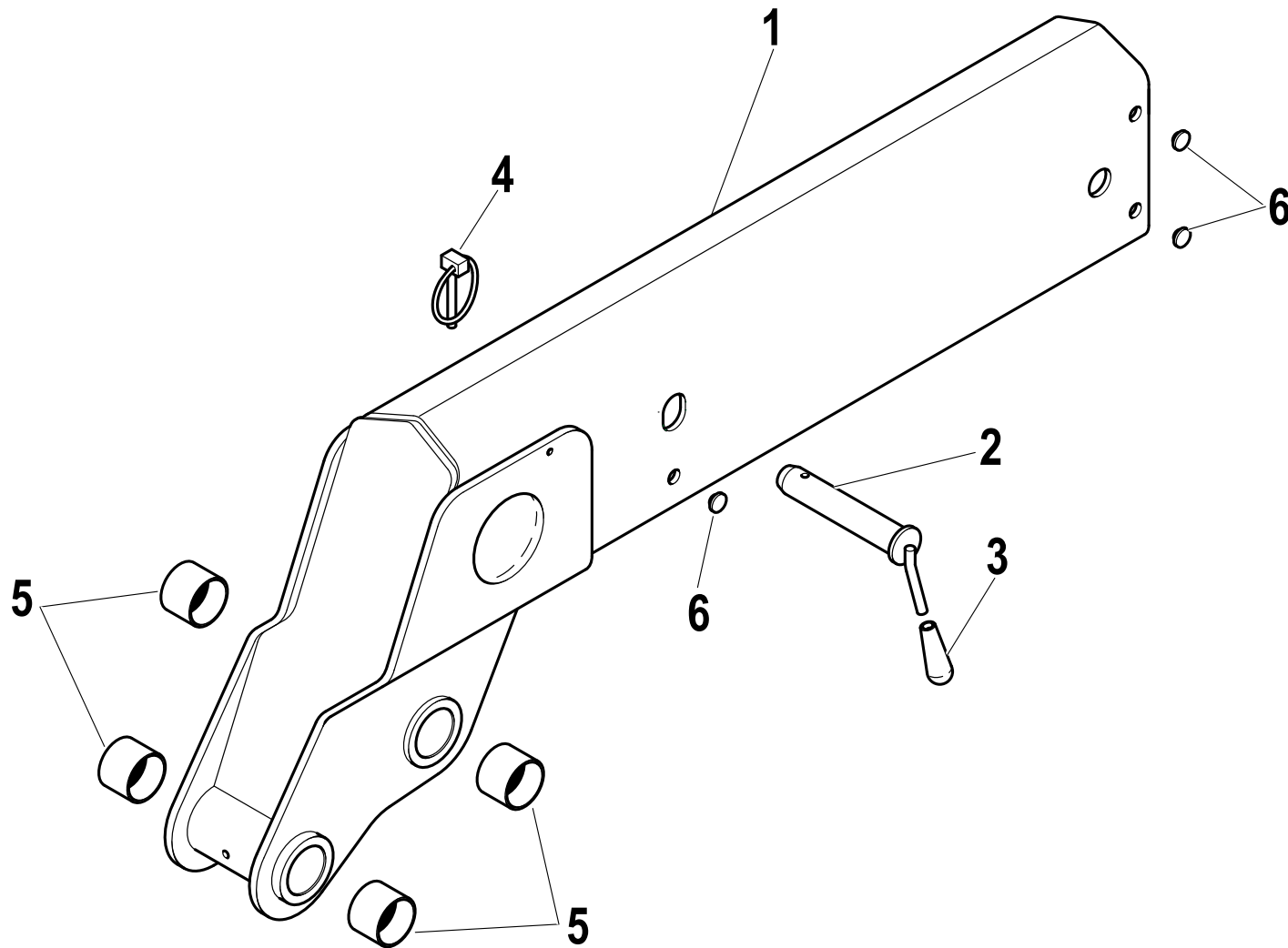
HC241 E4J3

ATTACHEMENT FOR (JIB)

Code

5780040-1.0

1/1



R	Pos.	Code Variant	Q.ty	Description
	1	5091003	1	
	2	5150238	1	Pin
	3	3190010	1	Knob
	4	3060750	1	
	5	5140695	4	Bushing
	6	5001253	6	Button (Sliding block)
	7	3070045	1	Seeger
	8	5150627	1	
	9	3060632	1	Spring pin

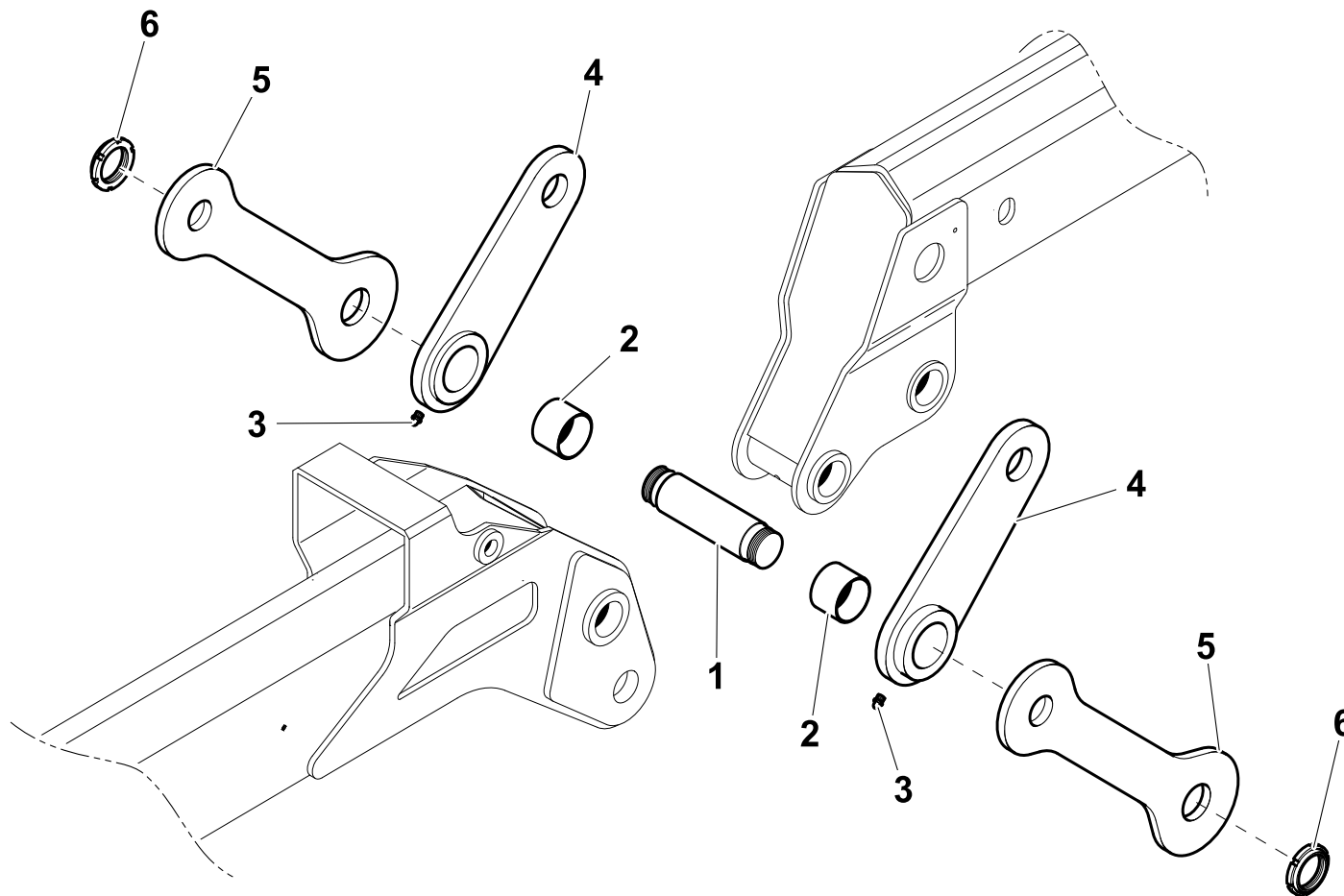
KIT CONNECTING ROD (JIB)

Code

5360010-1.0

1/1

R	Pos.	Code Variant	Q.ty	Description
	1	5150625	1	
	2	5140723	2	Bushing
	3	3080501	2	Grease nipple
	4	5090652	2	Short connecting rod
	5	5090653	2	Long connecting rod
	6	3040508	3	Self-locking ringnut

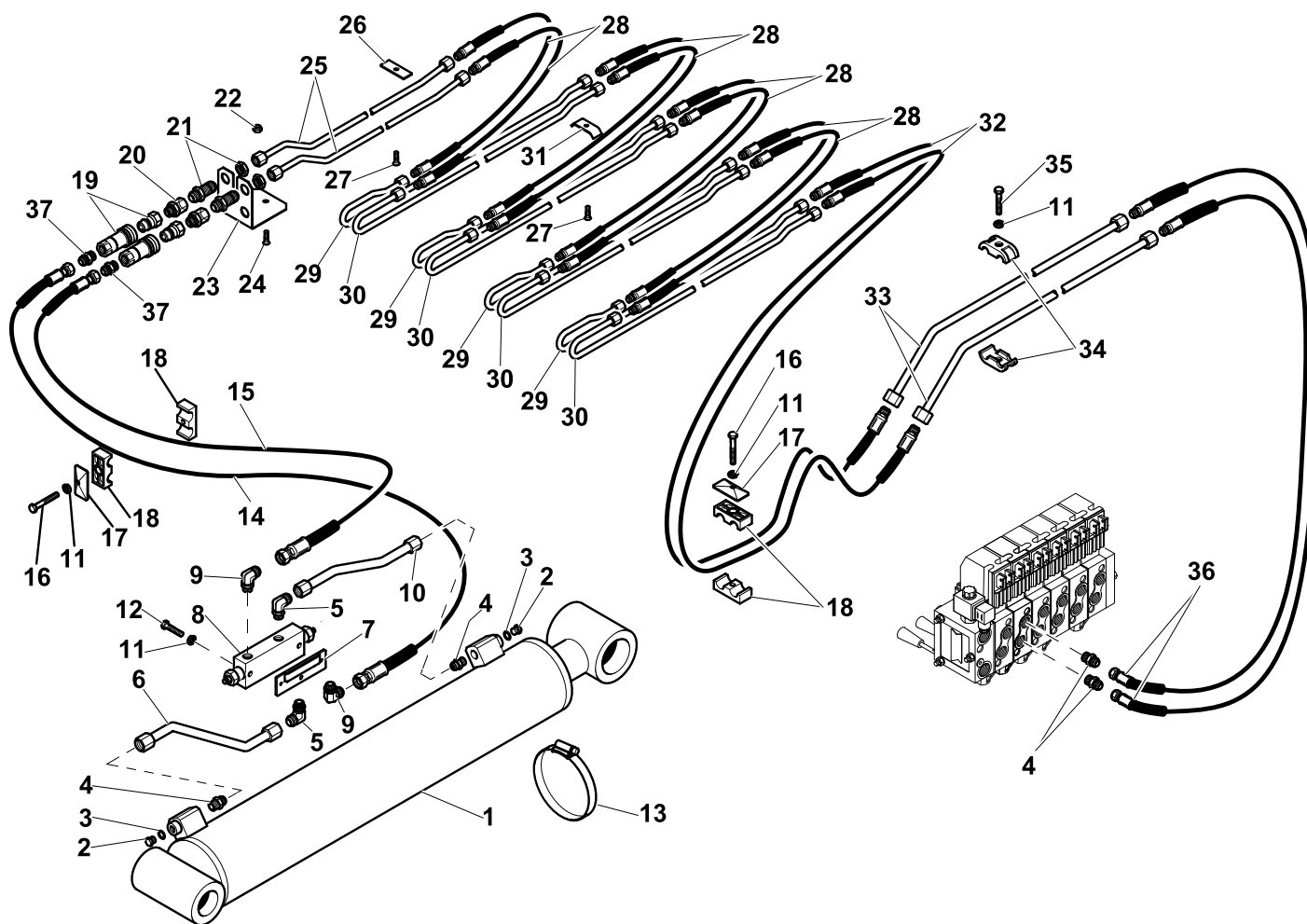


HYDRAULIC SYSTEM (Articulation Hydraulic jack)

Code

6230516-1.0

1/2



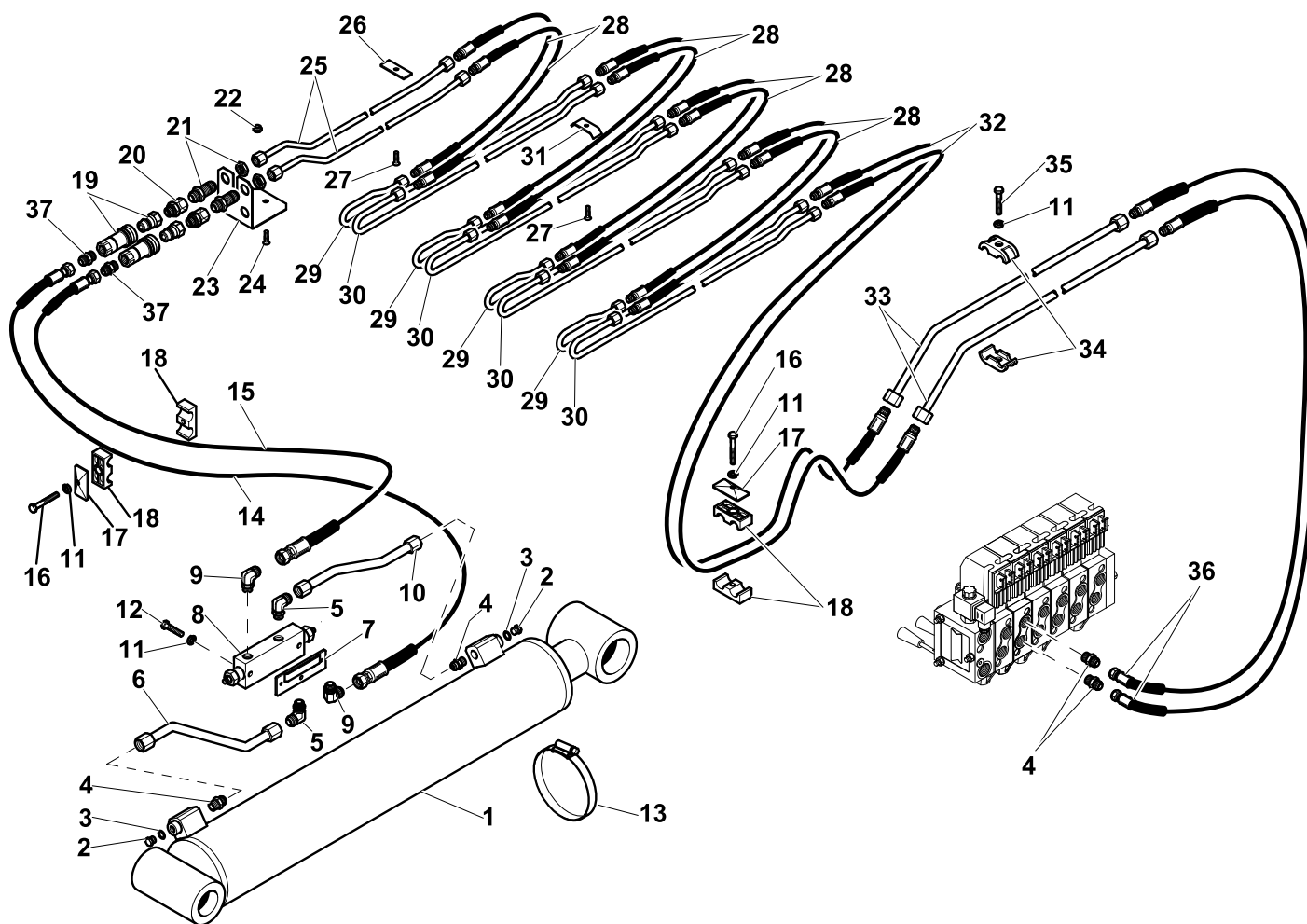
R	Pos.	Code Variant	Q.ty	Description
	1	6430516	1	Articulation Hydraulic jack
	2	3110062	2	Plug
	3	3060143	2	Sealing washer [BSP 1/4"]
	4	3101051	4	Straight pipe fitting
	5	3120012	2	90° Connection
	6	5391797	1	
	7	5000693	1	Valve support
	8	5220646	1	
	9	3101127	2	90° Connection
	10	5392060	1	
	11	3060055	1	Split lock washer [D=8.4 C72 ZC]
	12	3010033	2	Hex screw [M8X50 8.8 ZC UNI 5737]
	13	3190026	2	Clamp
	14	5271432	1	Flexible hose
	15	5271433	1	Flexible hose
	16	3010034	4	Hex screw [M8X55 8.8 UNI 5737 ZC]
	17	3190221	4	Small plate (Collar)
	18	3190172	8	Clamp (Set of hoses)
	19	3110420	2	Quick coupling
	20	3120066	2	Straight pipe fitting

HYDRAULIC SYSTEM (Articulation Hydraulic jack)

Code

6230516-1.0

2/2



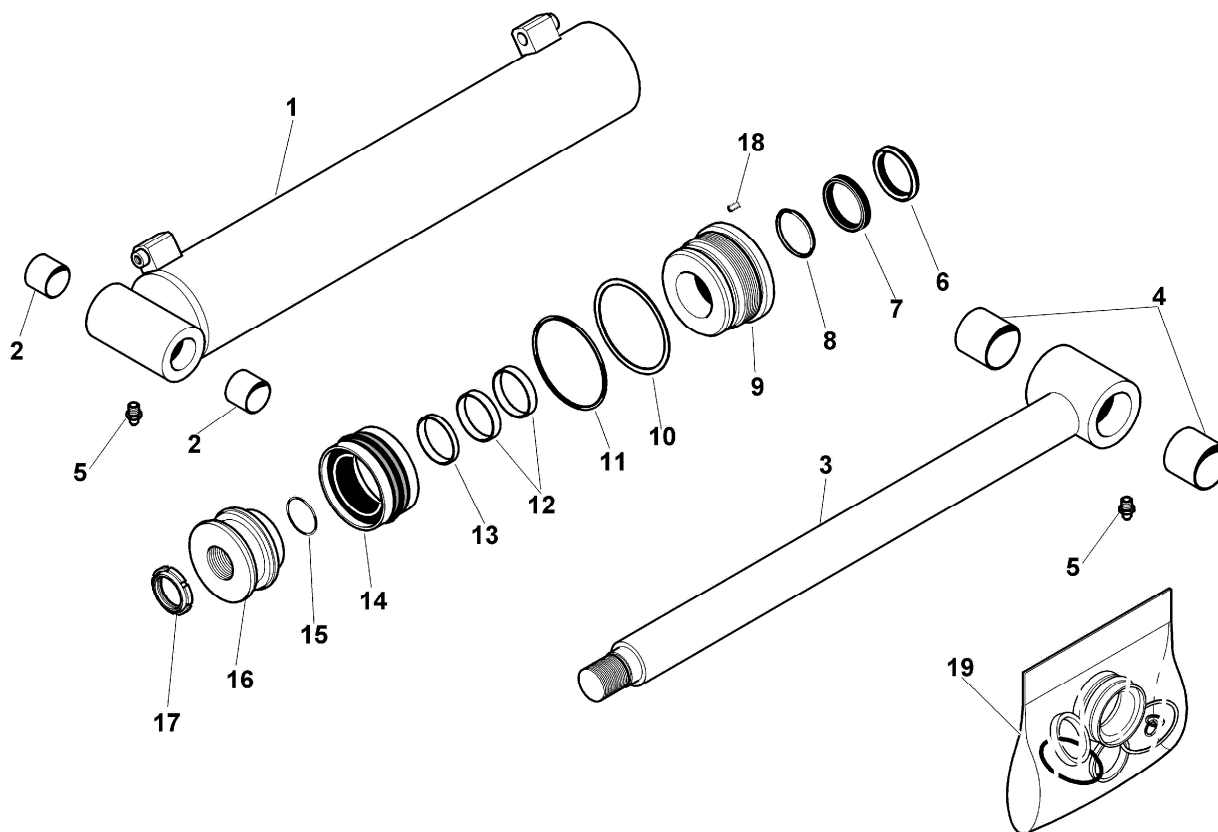
R	Pos.	Code Variant	Q.ty	Description
	21	3120310	2	Wall-through pipe fitting
	22	3040903	1	
	23	5001596	1	Piping mounting
	24	3020303	1	
	25	W580500700	1	
	26	5001193	1	Plate (Hose clamp)
	27	3020899	1	TSEI screw [M8X20 10.9 ZC UNI 5933]
	28	5271401	1	Flexible hose
	29	5391822	5	Bonderized tube ()
	30	5391823	8	Bonderized tube ()
	31	5001187	4	Clamp (Set of hoses)
	32	5271563	4	Flexible hose
	33	5391935	4	Bonderized tube
	34	5000047	4	Clamp (Rigid Pipe)
	35	3010032	2	Hex screw [M8X45 8.8 ZC UNI 5737]
	36	5280600	2	
	37	3101043	2	Straight pipe fitting

Articulation Hydraulic jack (Articulated extension)

Code

6430516-1.0

1/1



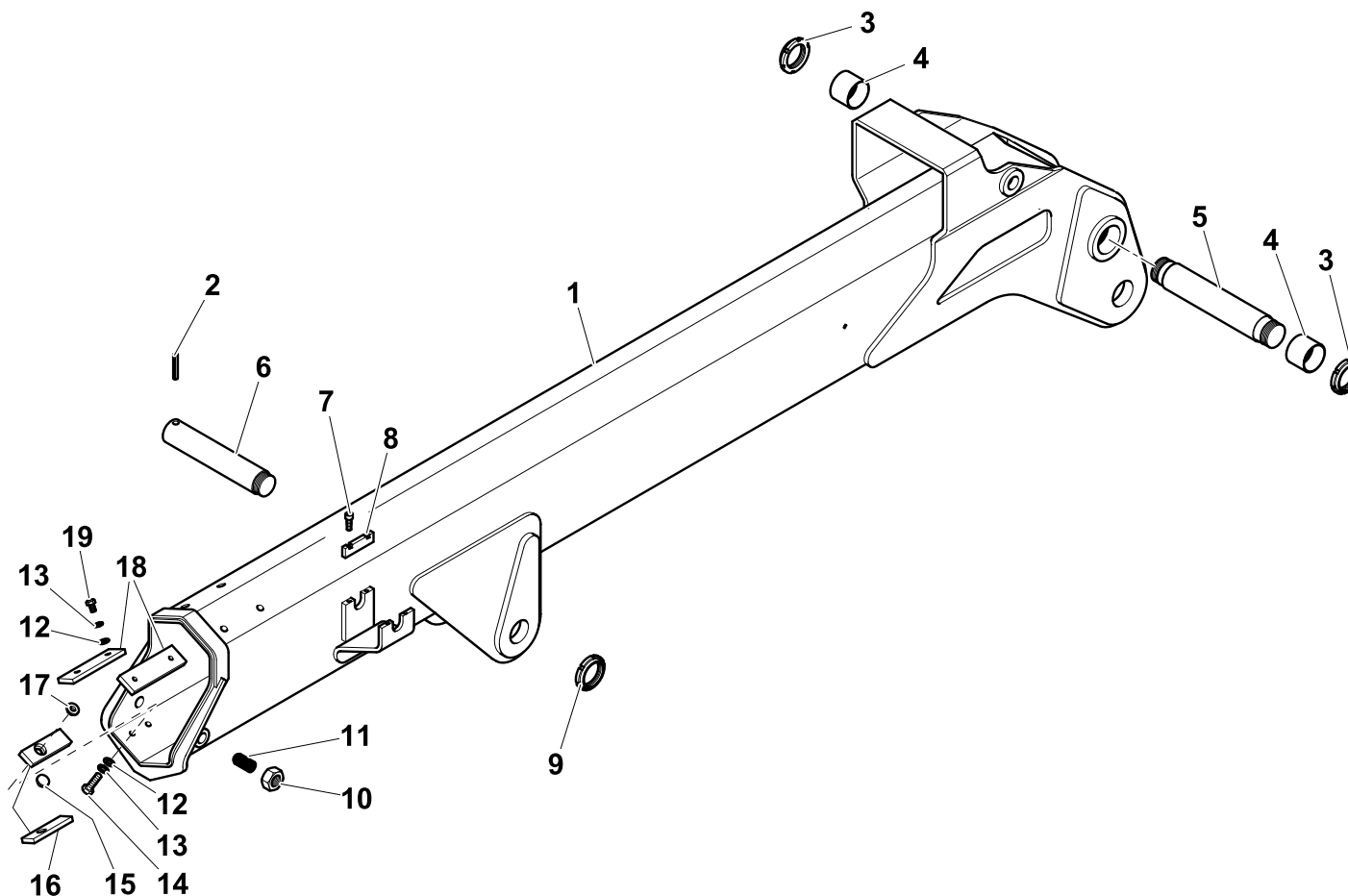
R	Pos.	Code Variant	Q.ty	Description
	1	6070520	1	
	2	5140124	2	
	3	6030703	1	
	4	5140689	2	Bushing
	5	3080501	2	Grease nipple
	6	3370500	1	
	7	3370151	1	
	8	3380700	1	
	9	6040268	1	
	10	3460228	1	
	11	3450229	1	
	12	3361010	2	
	13	3361009	1	
	14	3400522	1	
	15	3450127	1	
	16	6050274	1	
	17	3040507	1	Self-locking ringnut
	18	3060226	1	Grub screw
	19	5550741	1	

JIB ARM

Code

5630005-1.0

1/1



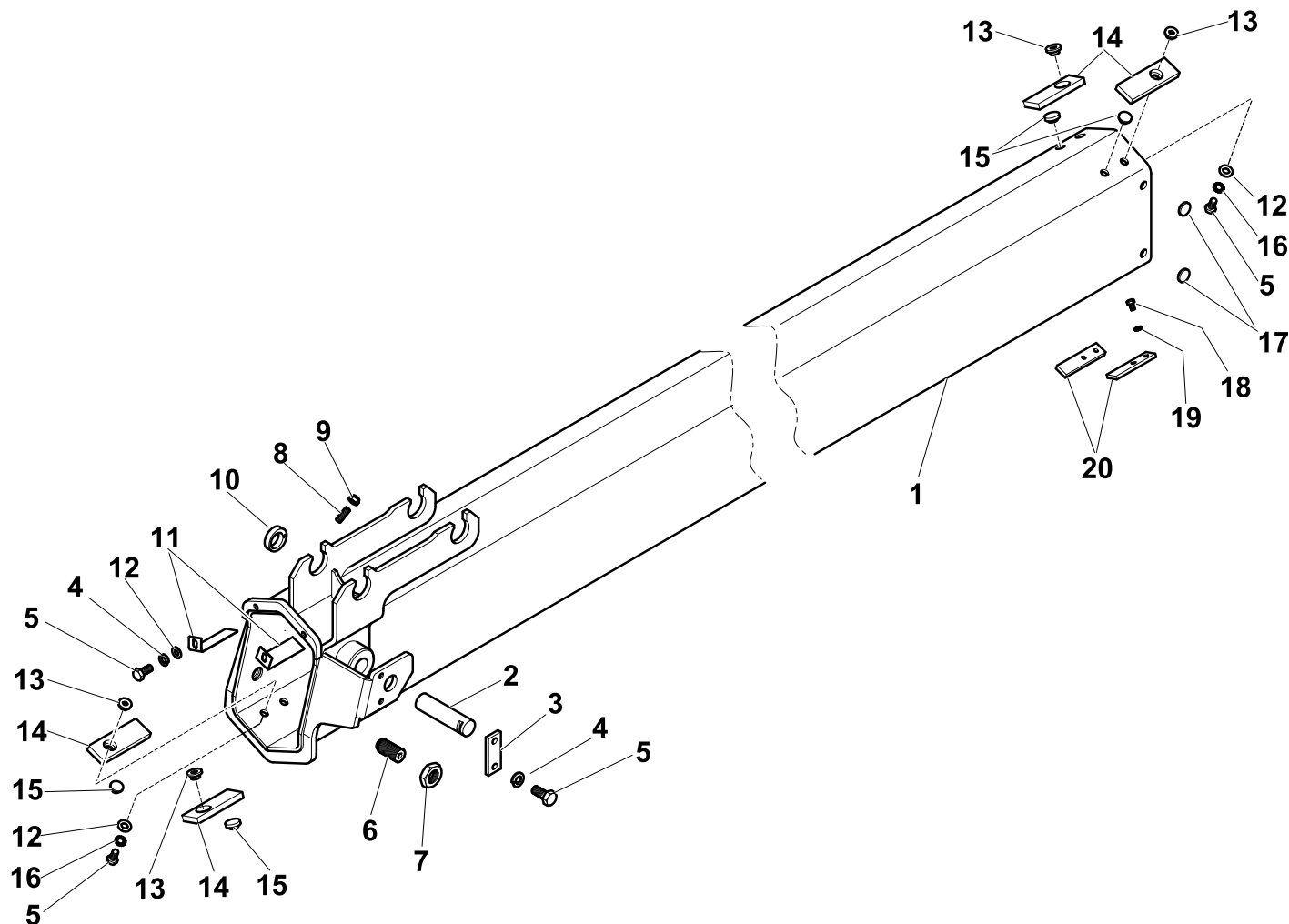
R	Pos.	Code Variant	Q.ty	Description
	1	5030276	1	JIB ARM
	2	3060632	1	Spring pin
	3	3040506	2	Self-locking ringnut
	4	5140695	4	Bushing
	5	5150628	1	
	6	5150520	1	
	7	3020037	4	Socketed head cap screw [M6X25 8.8 ZC UNI 5931]
	8	5001109	4	
	9	3040500	1	Self-locking ringnut
	10	3040089	2	Lock nut
	11	5000771	2	Adjusting screw
	12	3060006	6	Flat washer [D.8 UNI 6592 ZC]
	13	3060918	6	Tooth lock washer [D.8 TIPO A UNI8842 ZC]
	14	3010337	2	Hex screw [M8X16 8.8 ZC UNI 5739]
	15	5140656	2	Button (Backlash)
	16	5140783	2	
	17	5001087	2	Button (Control board)
	18	5140609	2	
	19	3010336	4	Hex screw [M8X12 8.8 ZC UNI 5739]

1st EXTENSION (JIB)

Code

5490052-1.0

1/1



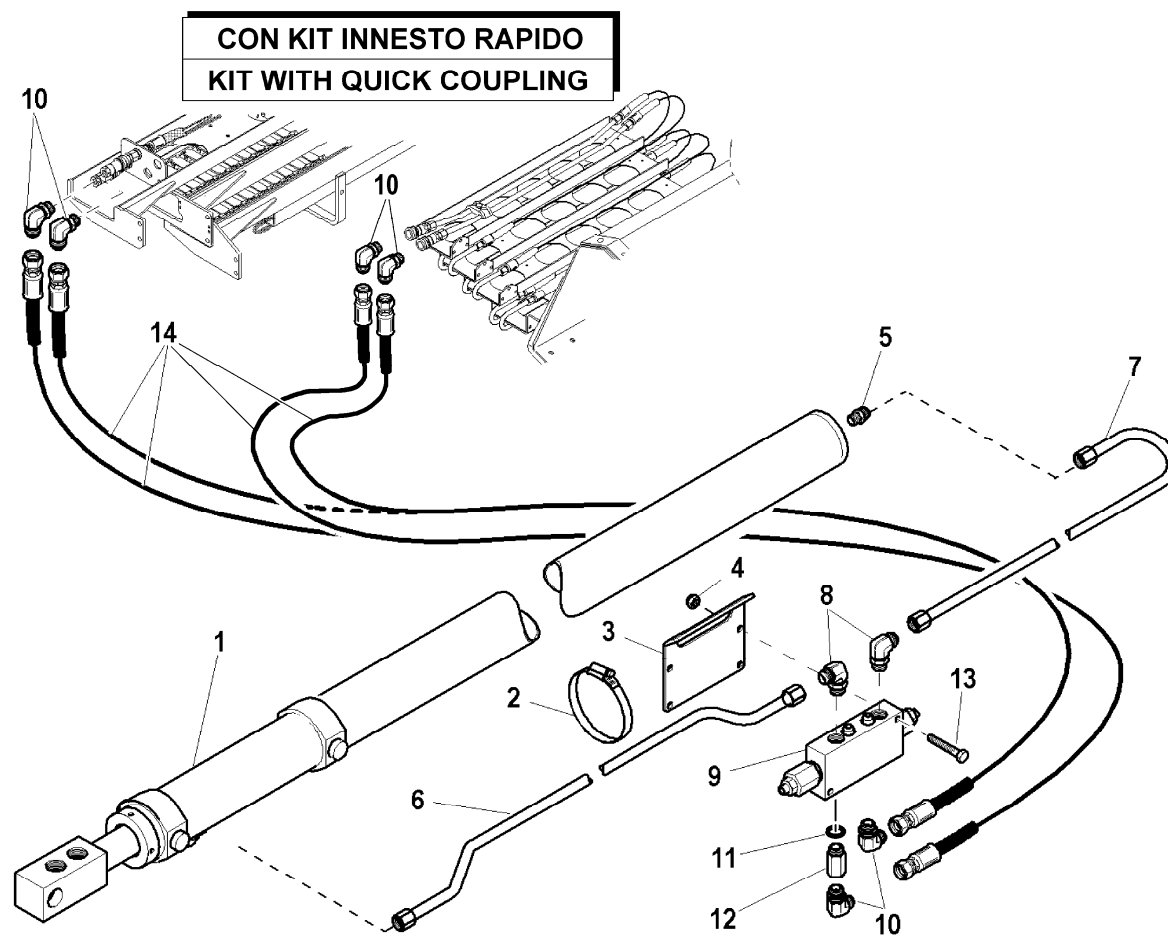
R	Pos.	Code Variant	Q.ty	Description
	1	5020399	1	Extension
	2	5150443	1	
	3	5000674	1	Keep plate
	4	3060055	6	Split lock washer [D=8.4 C72 ZC]
	5	3010337	8	Hex screw [M8X16 8.8 ZC UNI 5739]
	6	5000771	2	Adjusting screw
	7	3040089	2	Lock nut
	8	3040519	4	Stopnut
	9	3060941	4	Grub screw
	10	5001105	4	
	11	5000685	4	Plate (Thickness)
	12	3060006	6	Flat washer [D.8 UNI 6592 ZC]
	13	5001087	4	Button (Control board)
	14	5140783	4	
	15	5140656	4	Button (Backlash)
	16	3060918	4	Tooth lock washer [D.8 TIPO A UNI8842 ZC]
	17	5141037	4	
	18	3010324	4	Hex screw [M6X12 8.8 ZC UNI 5739]
	19	3060101	4	Tooth lock washer [D.6 TIPO A]
	20	5001738	2	

HYDRAULIC SYSTEM (1th extension hydraulic cylinder)

Code

6210242-1.0

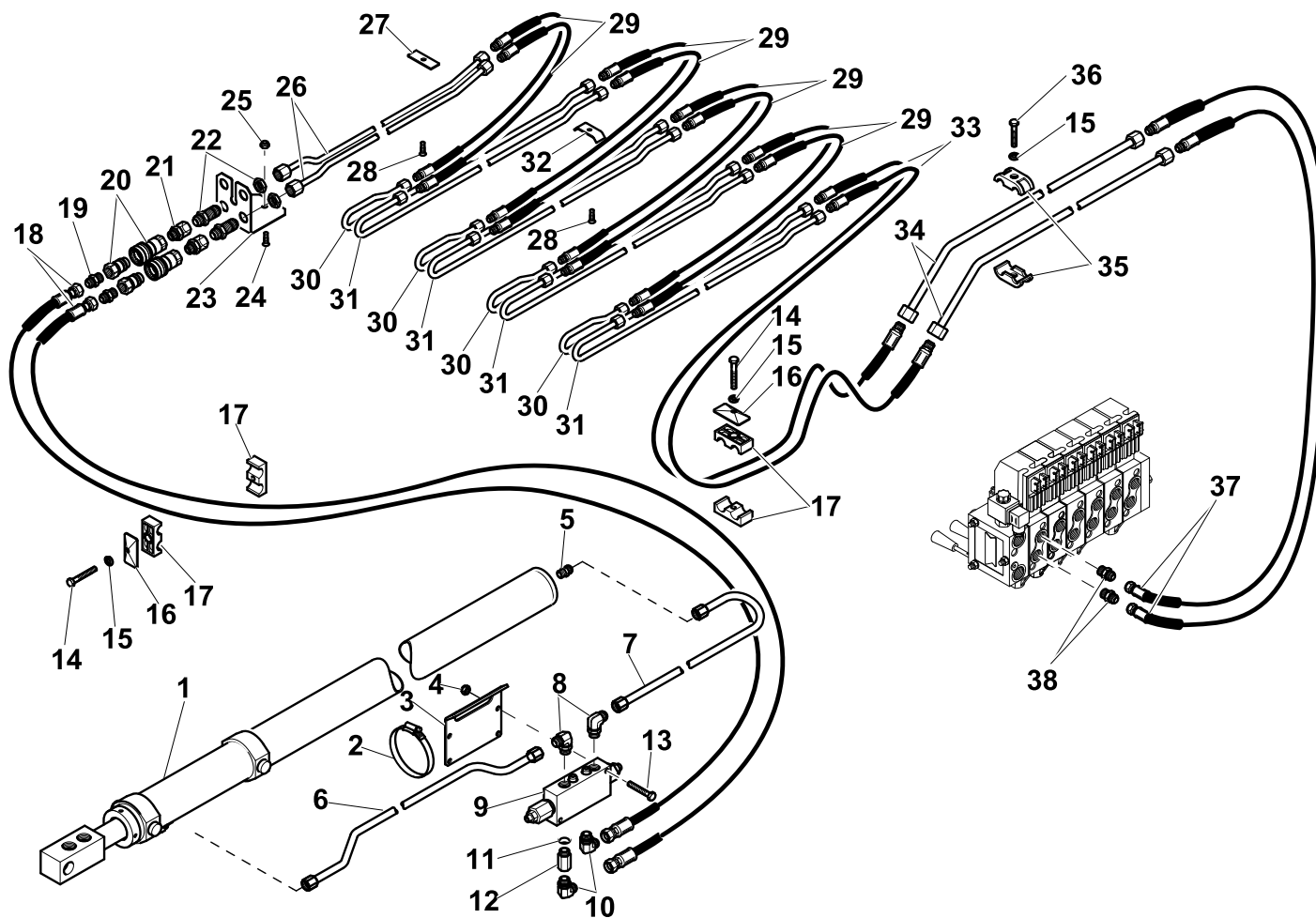
1/1



R	Pos.	Code Variant	Q.ty	Description
	1	6410242	1	
	2	3190022	2	Clamp
	3	5000694	1	Valve support
	4	3040303	2	Stopnut
	5	3101051	3	Straight pipe fitting
	6	5391702	1	
	7	5391703	1	
	8	3101131	2	90° Connection
	9	5220641	1	
	10	3101128	4	90° Connection
	11	3060145	1	Sealing washer [BSP 1/2"]
	12	3110113	1	Straight pipe fitting
	13	3010033	2	Hex screw [M8X50 8.8 ZC UNI 5737]
	14	5271434	2	Flexible hose

HYDRAULIC SYSTEM (1th extension hydraulic cylinder)

Code	
6210242-2.0	1/2



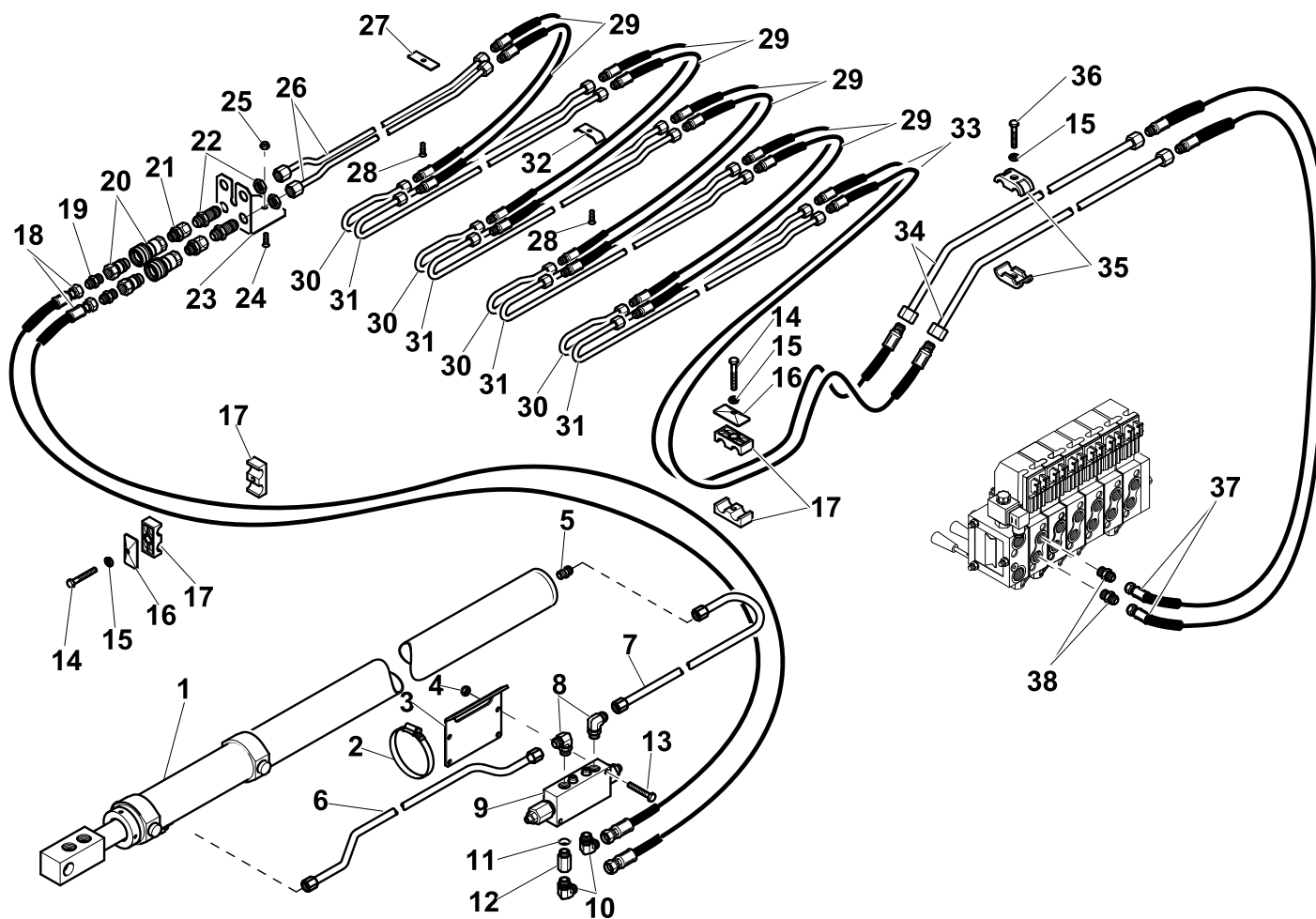
R	Pos.	Code Variant	Q.ty	Description
	14	3010033	4	Hex screw [M8X50 8.8 ZC UNI 5737]
	15	3060055	3	Split lock washer [D=8.4 C72 ZC]
	16	3190221	4	Small plate (Collar)
	17	3190172	8	Clamp (Set of hoses)
	18	5271434	2	Flexible hose
	19	3101043	2	Straight pipe fitting
	20	3110420	2	Quick coupling
	21	3120066	2	Straight pipe fitting
	22	3120310	2	Wall-through pipe fitting
	23	5001596	1	Piping mounting
	24	3040903	1	
	25	3020303	1	
	26	W580500700	2	
	27	5001193	1	Plate (Hose clamp)
	28	3020899	4	TSEI screw [M8X20 10.9 ZC UNI 5933]
	29	5271401	1	Flexible hose
	30	5391822	5	Bonderized tube ()
	31	5391823	8	Bonderized tube ()
	32	5001187	4	Clamp (Set of hoses)
	33	5271563	4	Flexible hose

HYDRAULIC SYSTEM (1th extension hydraulic cylinder)

Code

6210242-2.0

2/2



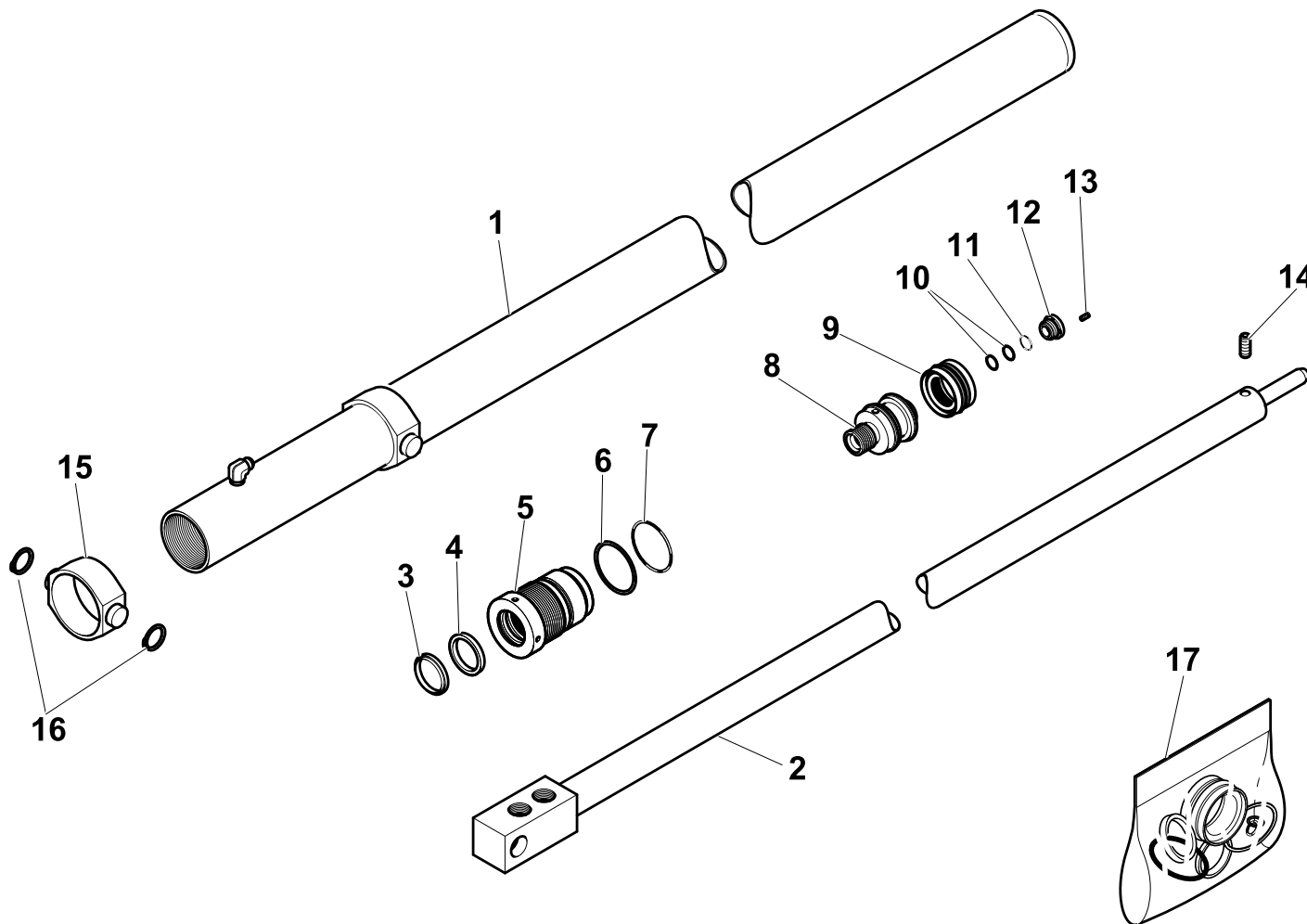
R	Pos.	Code Variant	Q.ty	Description
	34	5391935	4	Bonderized tube
	35	5000047	4	Clamp (Rigid Pipe)
	36	3010032	2	Hex screw [M8X45 8.8 ZC UNI 5737]
	37	5280600	2	
	38	3101051	2	Straight pipe fitting
	39	3101127	2	90° Connection

1st EXSTENSION HYDRAULIC

Code

6410242-1.0

1/1



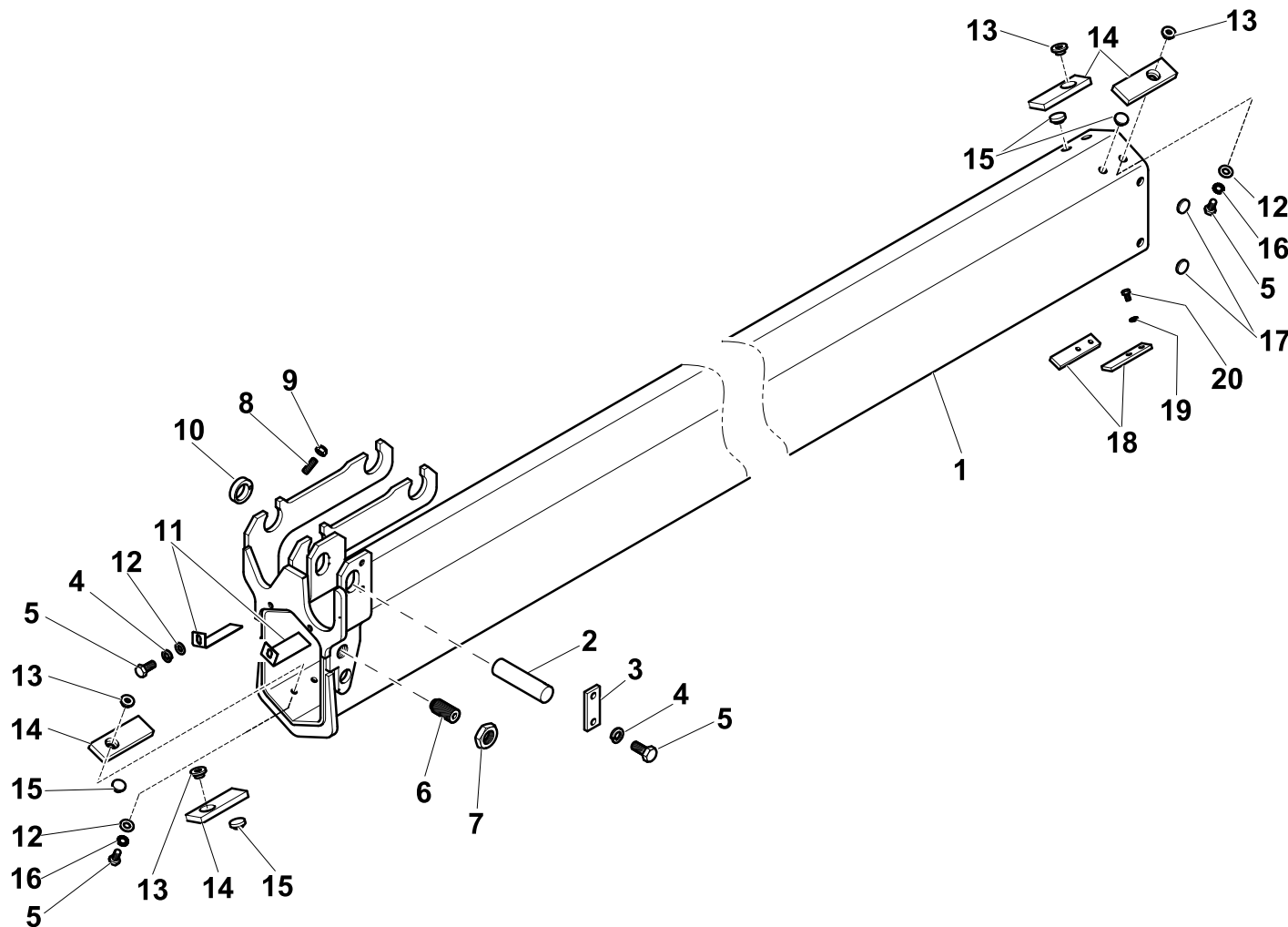
R	Pos.	Code Variant	Q.ty	Description
	1	6070458	1	
	2	6030549	1	
	3	3420021	1	
	4	3370136	1	
	5	6040259	1	
	6	3460132	1	
	7	3450132	1	
	8	6050275	1	
	9	3400509	1	
	10	3460047	2	
	11	3450047	1	
	12	6040269	1	Ring nut
	13	3060248	1	Grub screw
	14	3060232	1	Grub screw [Grano M6X6 UNI 5927 ZC.]
	15	5001106	1	
	16	3070150	1	Seeger
	17	5550781	1	Seal kit

2nd EXTENSION (JIB)

Code

5650004-1.0

1/1



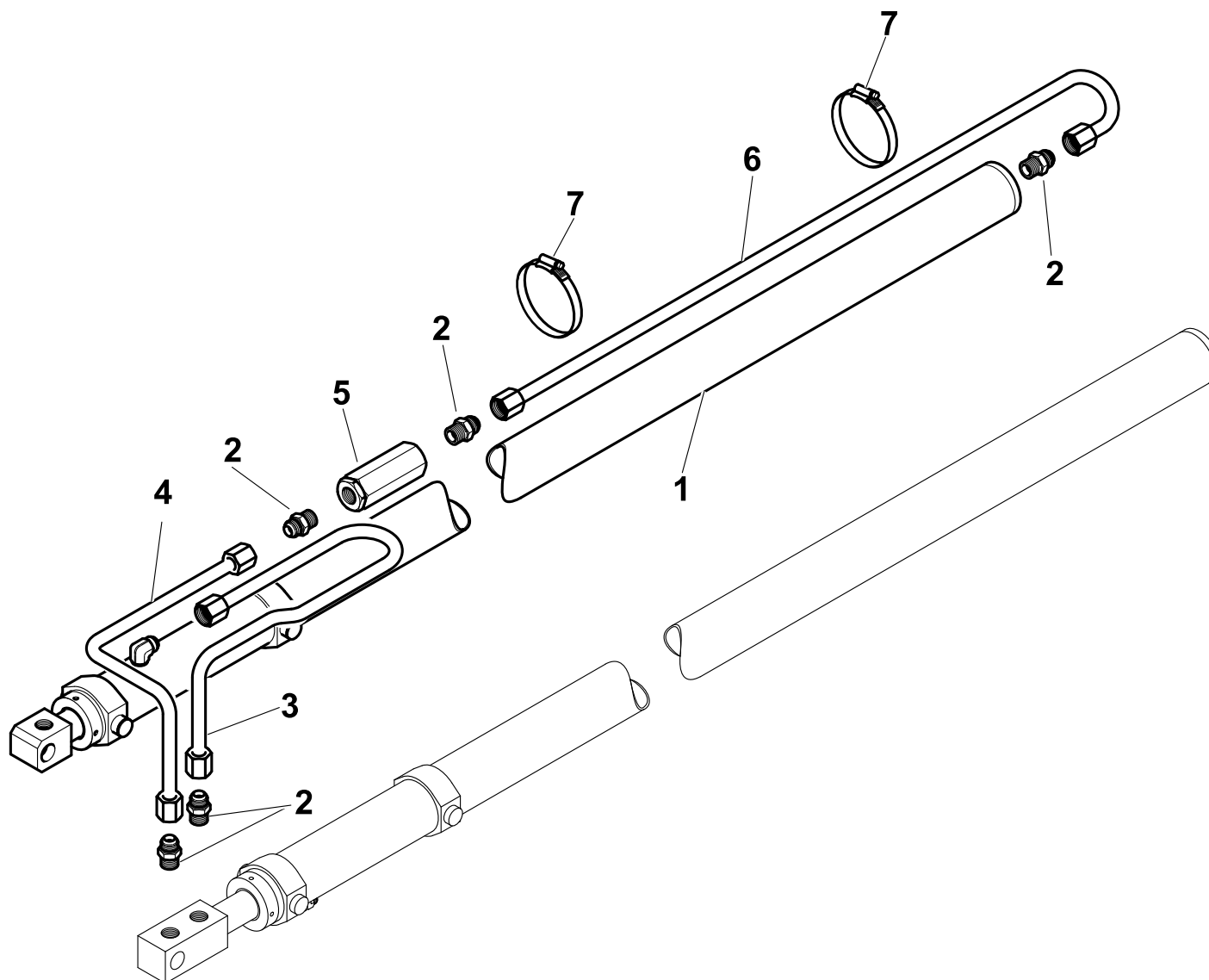
R	Pos.	Code Variant	Q.ty	Description
	1	5020400	1	Extension
	2	5150443	1	
	3	5000674	1	Keep plate
	4	3060055	6	Split lock washer [D=8.4 C72 ZC]
	5	3010337	8	Hex screw [M8X16 8.8 ZC UNI 5739]
	6	5000771	2	Adjusting screw
	7	3040089	2	Lock nut
	8	3040519	4	Stopnut
	9	3060941	4	Grub screw
	10	5001105	4	
	11	5000685	4	Plate (Thickness)
	12	3060006	6	Flat washer [D.8 UNI 6592 ZC]
	13	5001087	4	Button (Control board)
	14	5140783	4	
	15	5140656	4	Button (Backlash)
	16	3060918	4	Tooth lock washer [D.8 TIPO A UNI8842 ZC]
	17	5141037	4	
	18	5001738	2	
	19	3060101	4	Tooth lock washer [D.6 TIPO A]
	20	3010324	4	Hex screw [M6X12 8.8 ZC UNI 5739]

HYDRAULIC SYSTEM (2nd extension hydraulic cylinder)

Code

6210243-1.0

1/1



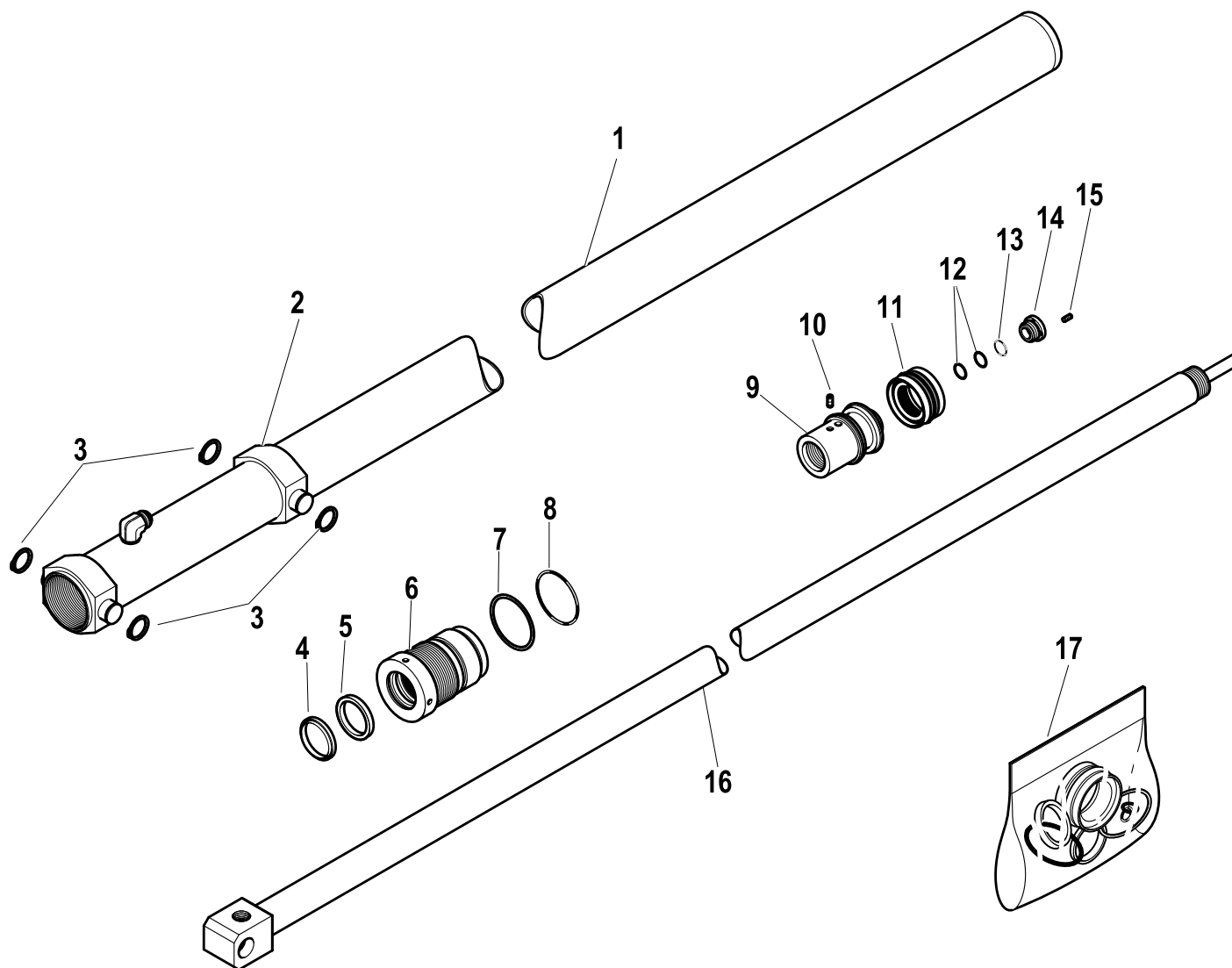
R	Pos.	Code Variant	Q.ty	Description
	1	6410243	1	
	2	3101051	5	Straight pipe fitting
	3	5391818	1	
	4	5391704	1	
	5	5220629	1	
	6	5391705	1	
	7	3190022	2	Clamp

2nd and 3rd extension hydraulic cylinder

Code

6410243-1.0

1/1



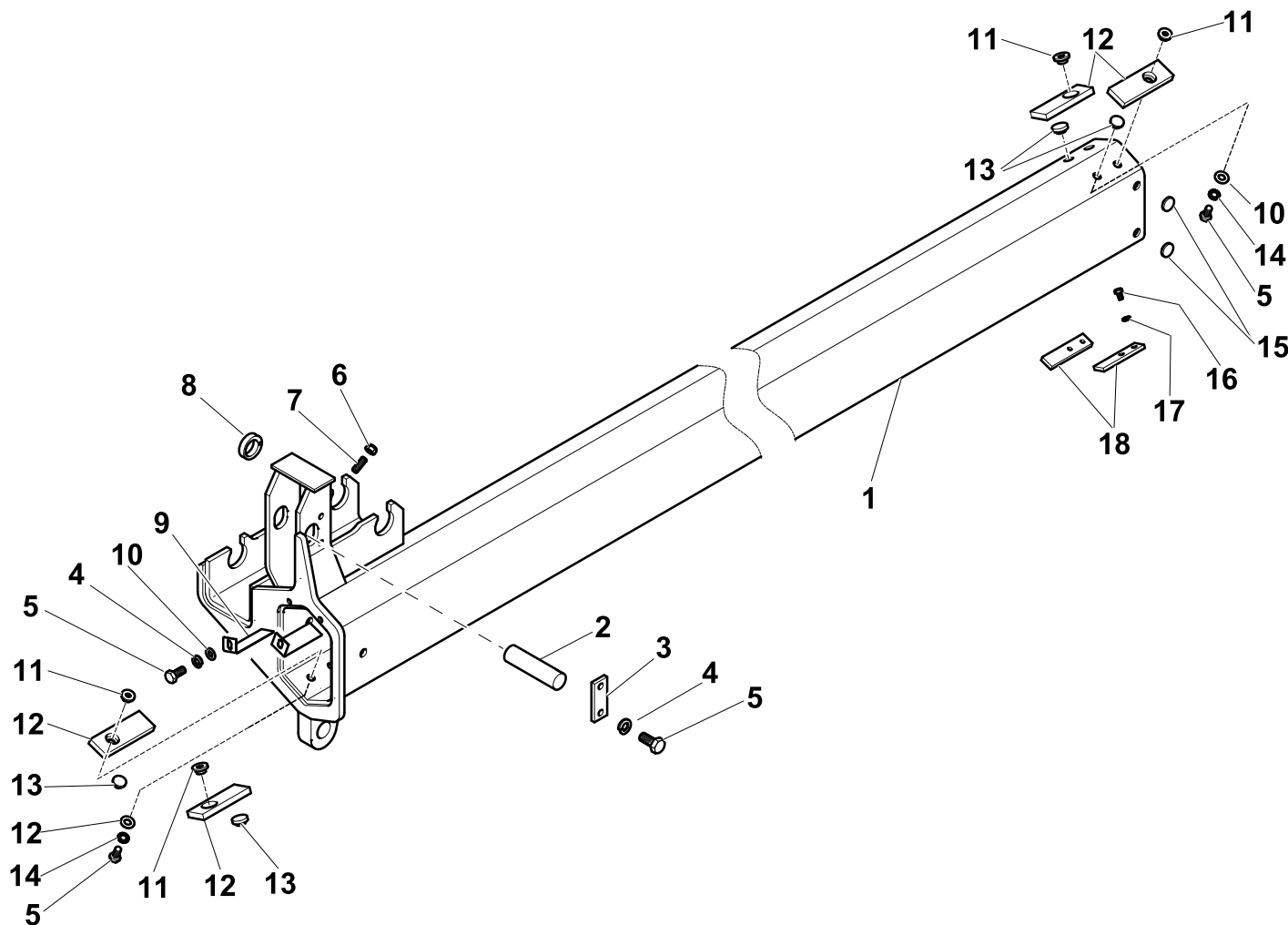
R	Pos.	Code Variant	Q.ty	Description
	1	6070459	1	
	2	5001106	1	
	3	3070150	4	Seeger
	4	3420018	1	
	5	3370137	1	
	6	6040254	1	
	7	3460126	1	
	8	3450126	1	
	9	6050290	1	
	10	3060232	1	Grub screw [Grano M6X6 UNI 5927 ZC.]
	11	3400507	1	
	12	3460047	2	
	13	3450047	1	
	14	6040269	1	Ring nut
	15	3060248	1	Grub screw
	16	6030623	1	
	17	5550783	1	

3rd extension (JIB)

Code

5660002-1.0

1/1



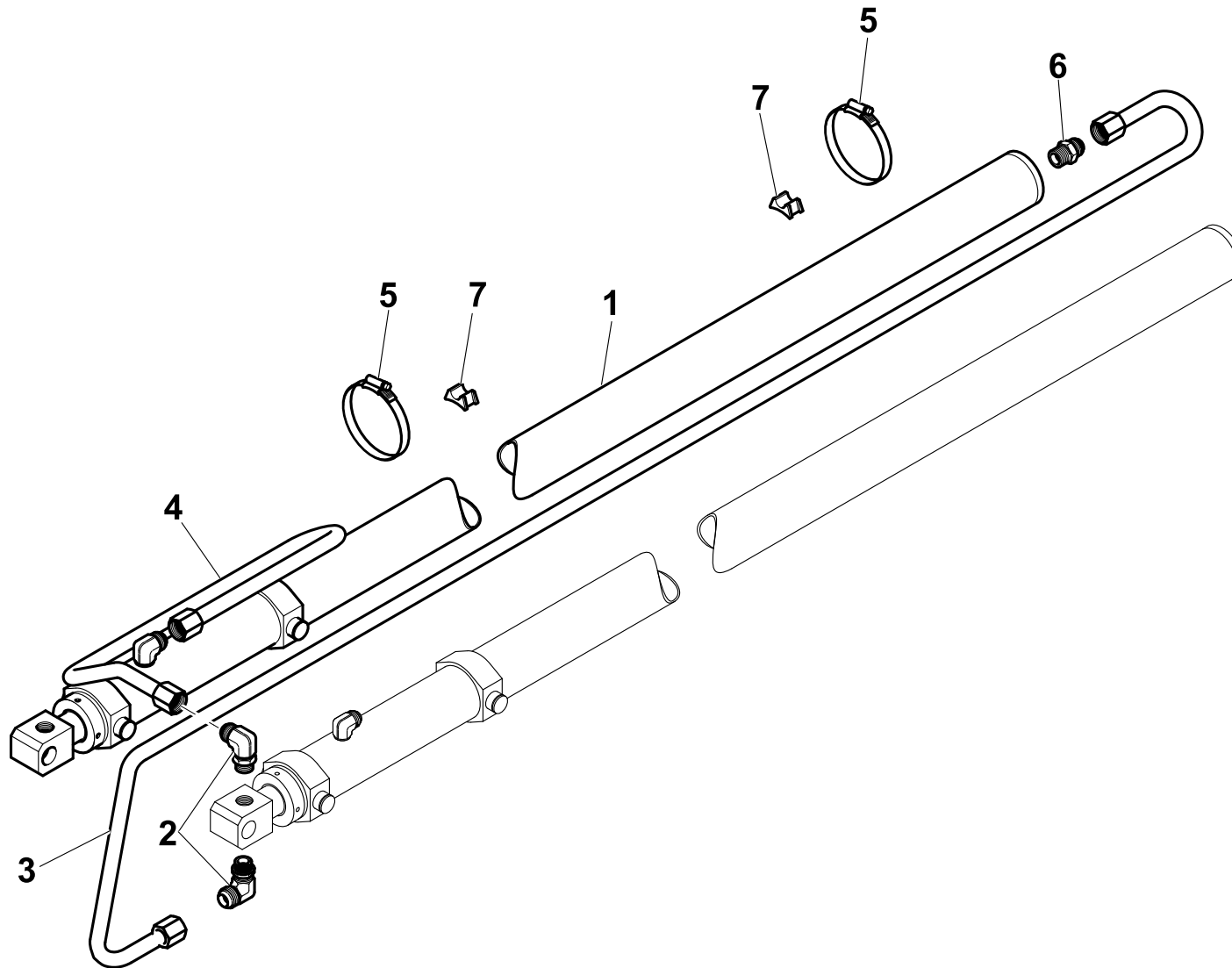
R	Pos.	Code Variant	Q.ty	Description
	1	5020401	1	Extension
	2	5150443	1	
	3	5000674	1	Keep plate
	4	3060055	6	Split lock washer [D=8.4 C72 ZC]
	5	3010337	8	Hex screw [M8X16 8.8 ZC UNI 5739]
	6	3040519	4	Stopnut
	7	3060941	4	Grub screw
	8	5001105	4	
	9	5000685	4	Plate (Thickness)
	10	3060006	6	Flat washer [D.8 UNI 6592 ZC]
	11	5001087	4	Button (Control board)
	12	5140783	4	
	13	5140656	4	Button (Backlash)
	14	3060918	4	Tooth lock washer [D.8 TIPO A UNI8842 ZC]
	15	5141037	4	
	16	3010324	4	Hex screw [M6X12 8.8 ZC UNI 5739]
	17	3060101	4	Tooth lock washer [D.6 TIPO A]
	18	5001738	2	

3rd extension Hydraulic jack (Hydraulic system)

Code

6210244-1.0

1/1



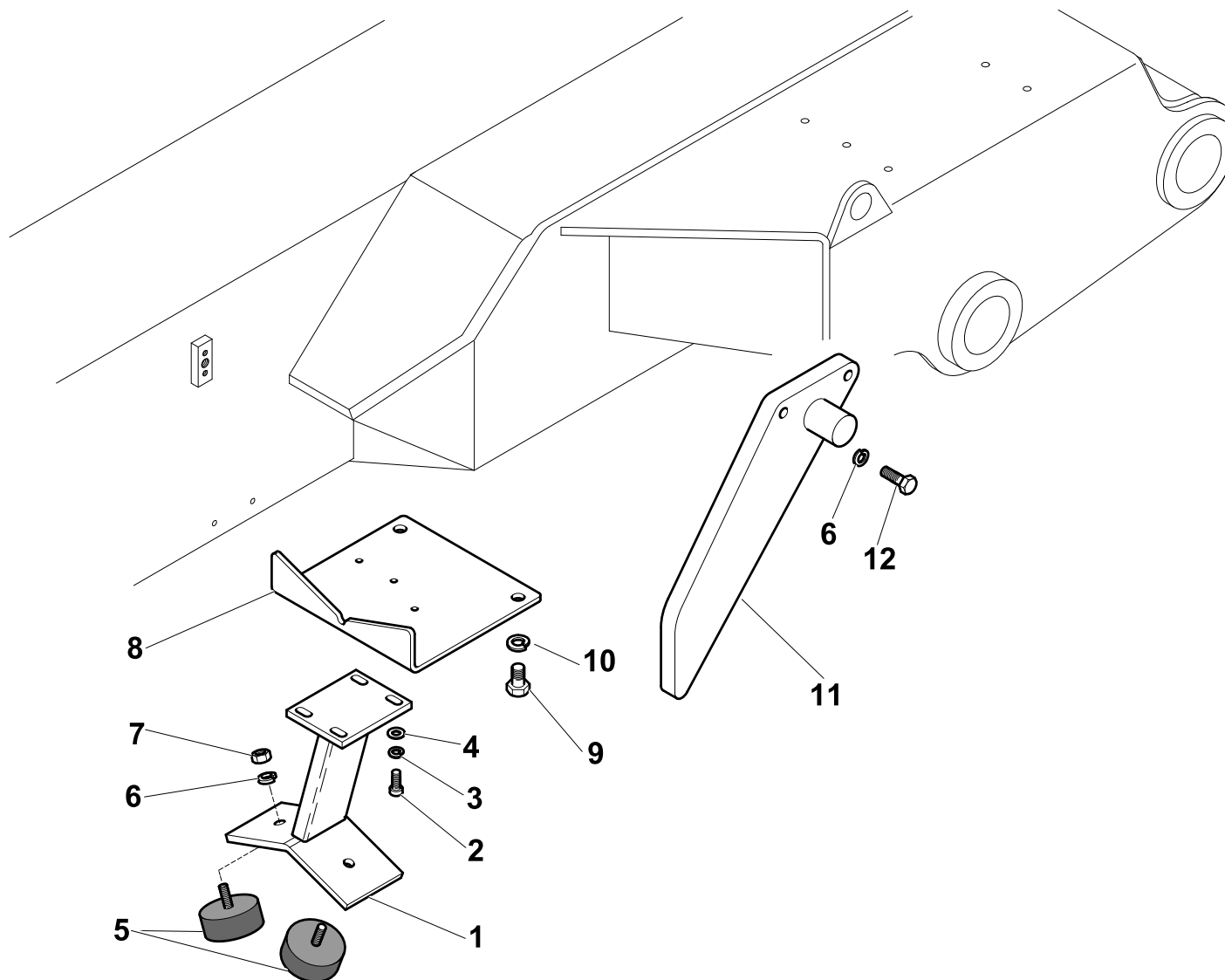
R	Pos.	Code Variant	Q.ty	Description
	1	6410243	1	
	2	3101131	2	90° Connection
	3	5391707	1	
	4	5391706	1	
	5	3190022	2	Clamp
	6	3101051	1	Straight pipe fitting
	7	5140133	2	Piping mounting

Support (Articulated extension)

Code

5400500-1.0

1/1



R	Pos.	Code Variant	Q.ty	Description
	1	5091019	1	
	2	3020875	4	Socket head cap screw [M8X20 ZC UNI 5931]
	3	3060055	4	Split lock washer [D=8.4 C72 ZC]
	4	3060006	4	Flat washer [D.8 UNI 6592 ZC]
	5	3190100	2	
	6	3060056	4	Split lock washer [D=10 C72 ZC]
	7	3040046	2	Nut
	8	5001595	1	Plate (Pipes guard)
	9	3010368	2	Hex screw [M12X20 8.8 ZC UNI 5739]
	10	3060057	2	Split lock washer [D=12 C72 ZC]
	11	5090755	1	
	12	3010355	2	Hex screw [M10X25 8.8 ZC IF UNI 5739]



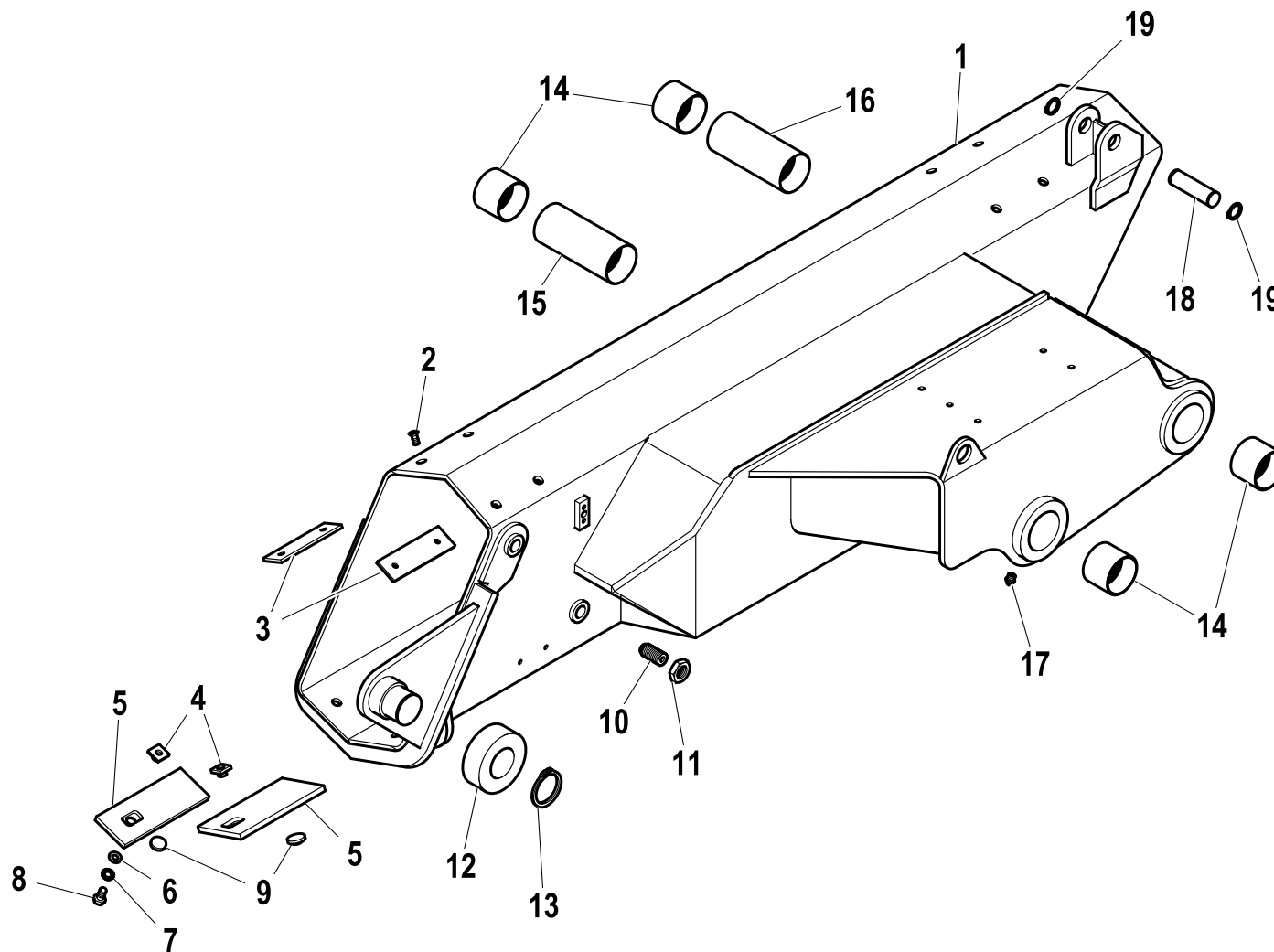
HC241C

2nd BOOM

Code

5480077-1.0

1/1



R	Pos.	Code Variant	Q.ty	Description
	1	5030261	1	Secondary boom
	2	3020450	4	TSEI screw [M8X12 10.9 ZC UNI 5933]
	3	5140757	2	
	4	5000827	2	Button (Control board)
	5	5140743	2	
	6	3060914	2	Flat washer [D.10.5X21X2 UNI 6592 ZC]
	7	3060920	2	Tooth lock washer [D.10 TIPO A]
	8	3010353	2	Hex screw [M10X16 8.8 ZC UNI 5739]
	9	5001253	2	Button (Sliding block)
	10	5000771	4	Adjusting screw
	11	3040089	4	Lock nut
	12	5140753	1	Roller
	13	3070045	1	Seeger
	14	5140694	4	
	15	5001266	1	
	16	5001254	1	
	17	3080501	2	Grease nipple
	18	5150707	1	
	19	3070022	2	Seeger

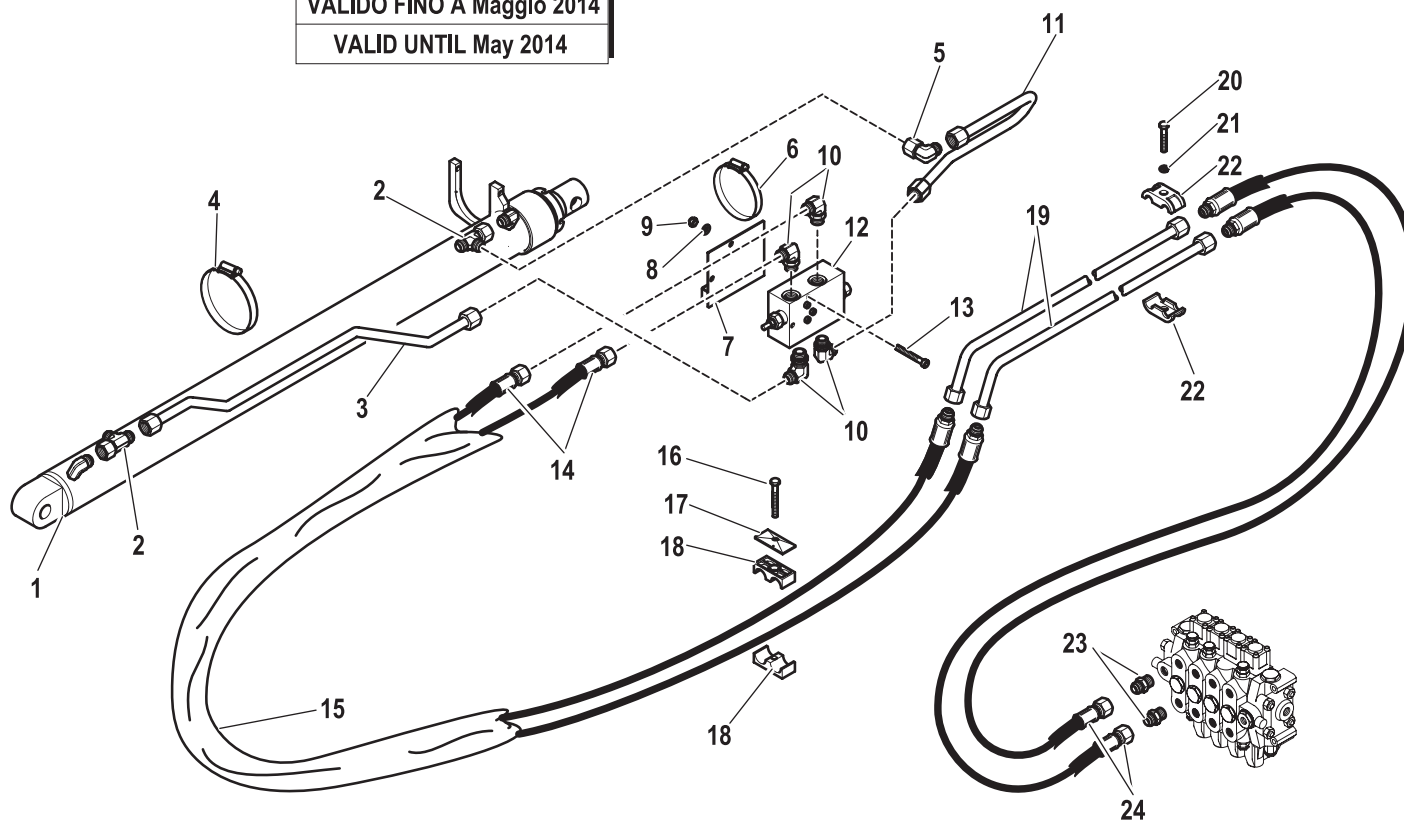
HYDRAULIC SYSTEM (1th extension hydraulic cylinder)

Code

6210272-1.0

1/2

VALIDO FINO A Maggio 2014
VALID UNTIL May 2014



R	Pos.	Code Variant	Q.ty	Description
	1	6410272	1	
	2	3120008	2	Tee fitting
	3	5391994	1	Bonderized tube
	4	3190023	2	Clamp
	5	3120034	1	90° Connection
	6	3190022	2	Clamp
	7	5001779	1	Valve support
	8	3060006	2	Flat washer [D.8 UNI 6592 ZC]
	9	3040303	2	Stopnut
	10	3101131	4	90° Connection
	11	5391938	1	
	12	5220654	1	
	13	3010035	2	Hex screw [M8X60 8.8 ZC UNI 5737]
	14	5280662	2	Flexible hose
	15	3190171	1	Pipes guard
	16	3010034	1	Hex screw [M8X55 8.8 UNI 5737 ZC]
	17	3190221	1	Small plate (Collar)
	18	3190220	2	Collar
	19	5391935	2	Bonderized tube
	20	3010032	2	Hex screw [M8X45 8.8 ZC UNI 5737]

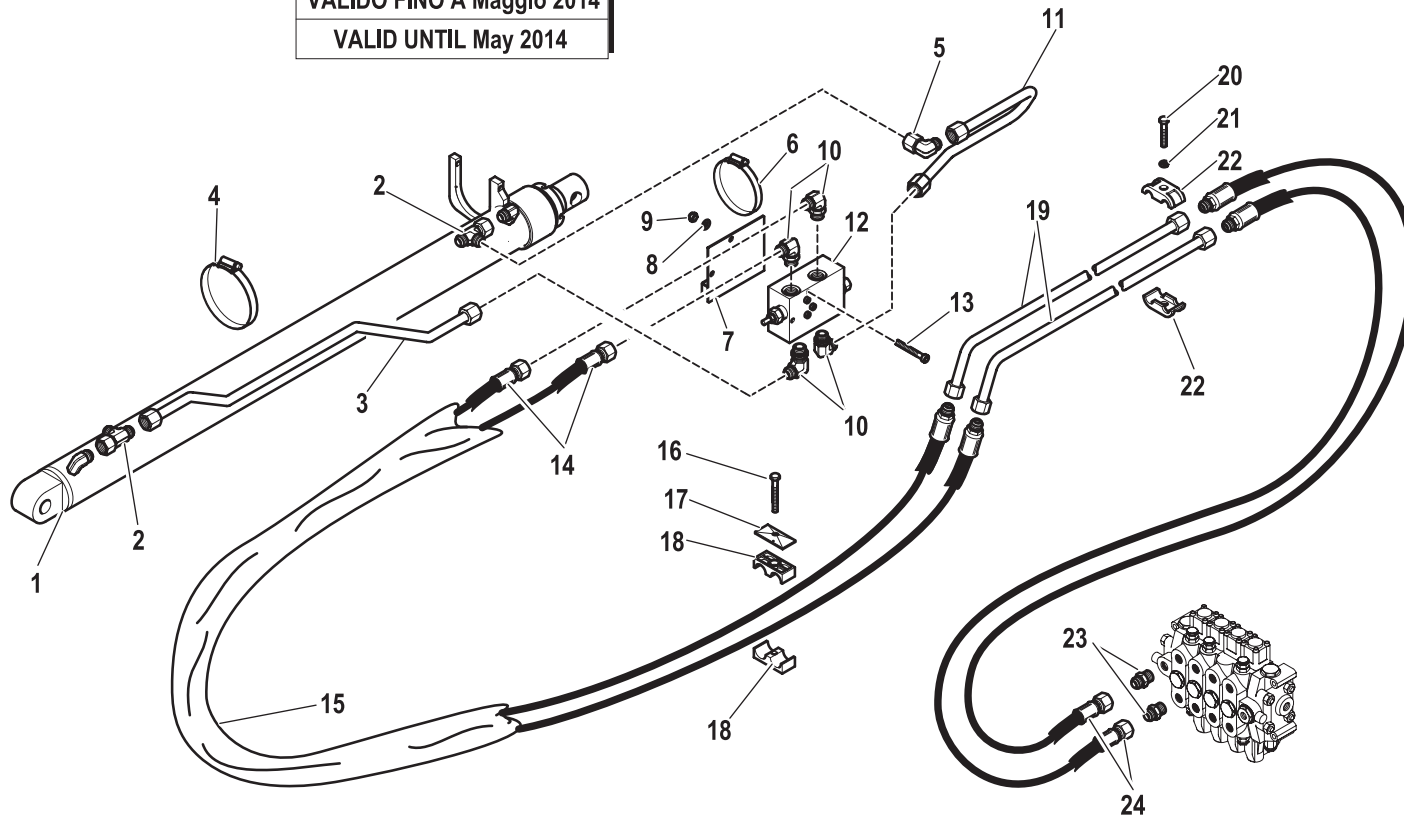
HYDRAULIC SYSTEM (1th extension hydraulic cylinder)

Code

6210272-1.0

2/2

VALIDO FINO A Maggio 2014
VALID UNTIL May 2014



R	Pos.	Code Variant	Q.ty	Description
	21	3060055	2	Split lock washer [D=8.4 C72 ZC]
	22	5070004	4	
	23	3100051	2	Straight pipe fitting
	24	5280600	2	

HYDRAULIC SYSTEM (1th extension hydraulic cylinder)

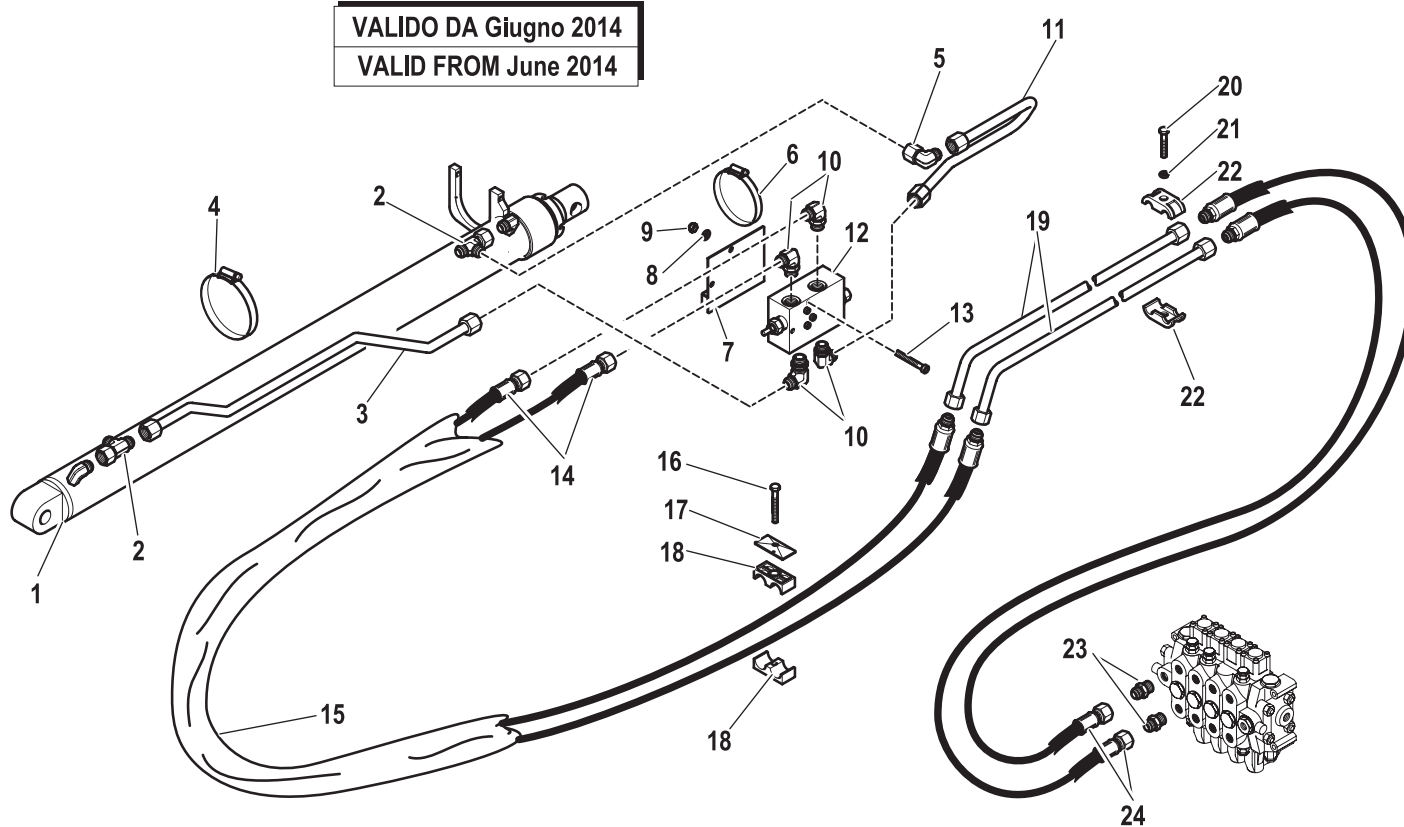
Code

6210272-3.0

1/2

VALIDO DA Giugno 2014

VALID FROM June 2014



R	Pos.	Code Variant	Q.ty	Description
	1	6410272	1	
	2	3120008	2	Tee fitting
	3	5391994	1	Bonderized tube
	4	3190023	2	Clamp
	5	3120034	1	90° Connection
	6	3190022	2	Clamp
	7	5001779	1	Valve support
	8	3060006	2	Flat washer [D.8 UNI 6592 ZC]
	9	3040303	2	Stopnut
	10	3101131	4	90° Connection
	11	5391938	1	
	12	5220755	1	
	13	3010035	2	Hex screw [M8X60 8.8 ZC UNI 5737]
	14	5280662	2	Flexible hose
	15	3190171	1	Pipes guard
	16	3010034	1	Hex screw [M8X55 8.8 UNI 5737 ZC]
	17	3190221	1	Small plate (Collar)
	18	3190220	2	Collar
	19	5391935	2	Bonderized tube
	20	3010032	2	Hex screw [M8X45 8.8 ZC UNI 5737]

HYDRAULIC SYSTEM (1th extension hydraulic cylinder)

Code

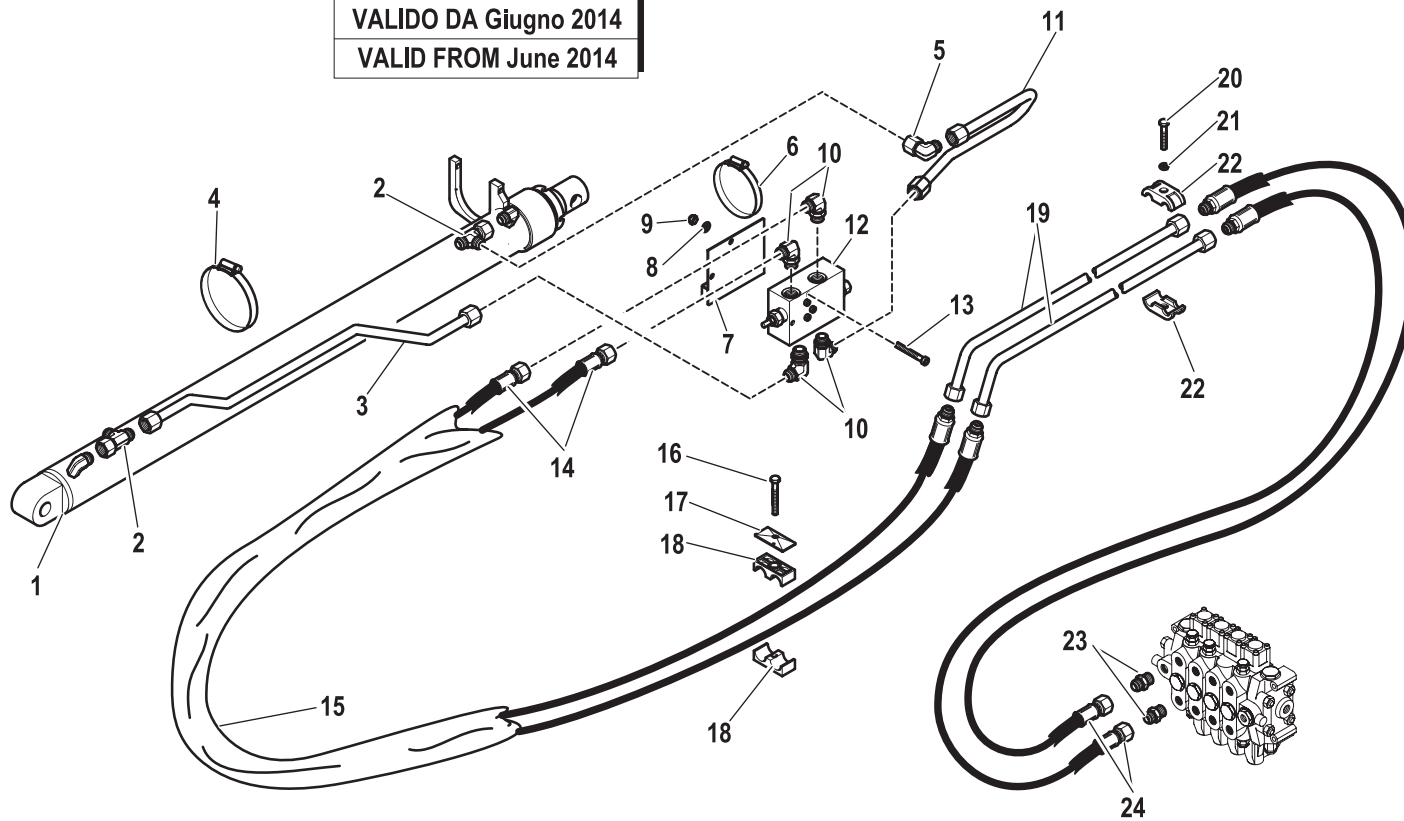
6210272-3.0

2/2

R	Pos.	Code Variant	Q.ty	Description
	21	3060055	2	Split lock washer [D=8.4 C72 ZC]
	22	5070004	4	
	23	3100051	2	Straight pipe fitting
	24	5280600	2	

VALIDO DA Giugno 2014

VALID FROM June 2014

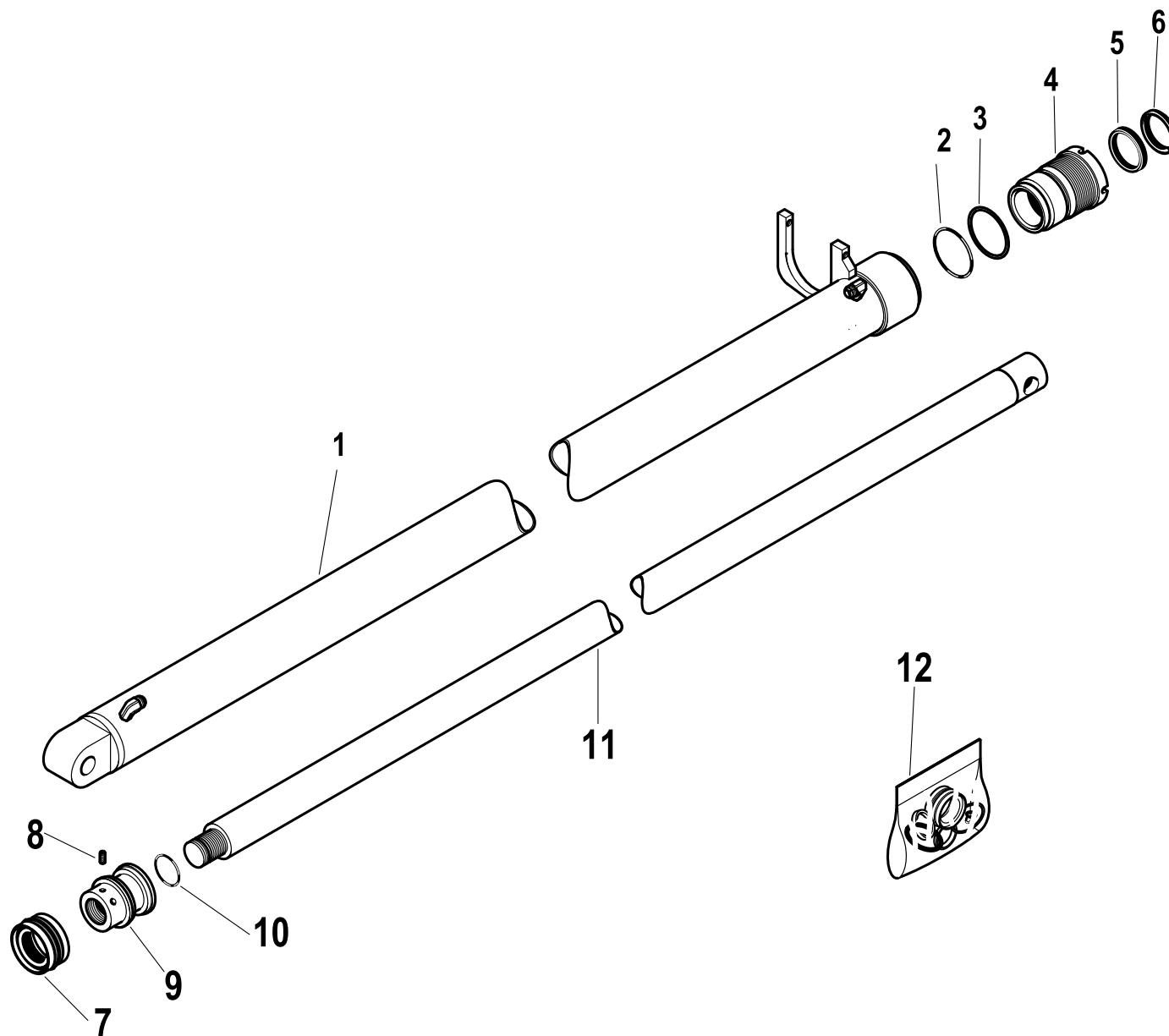


1st EXSTENSION HYDRAULIC

Code

6410272-1.0

1/1



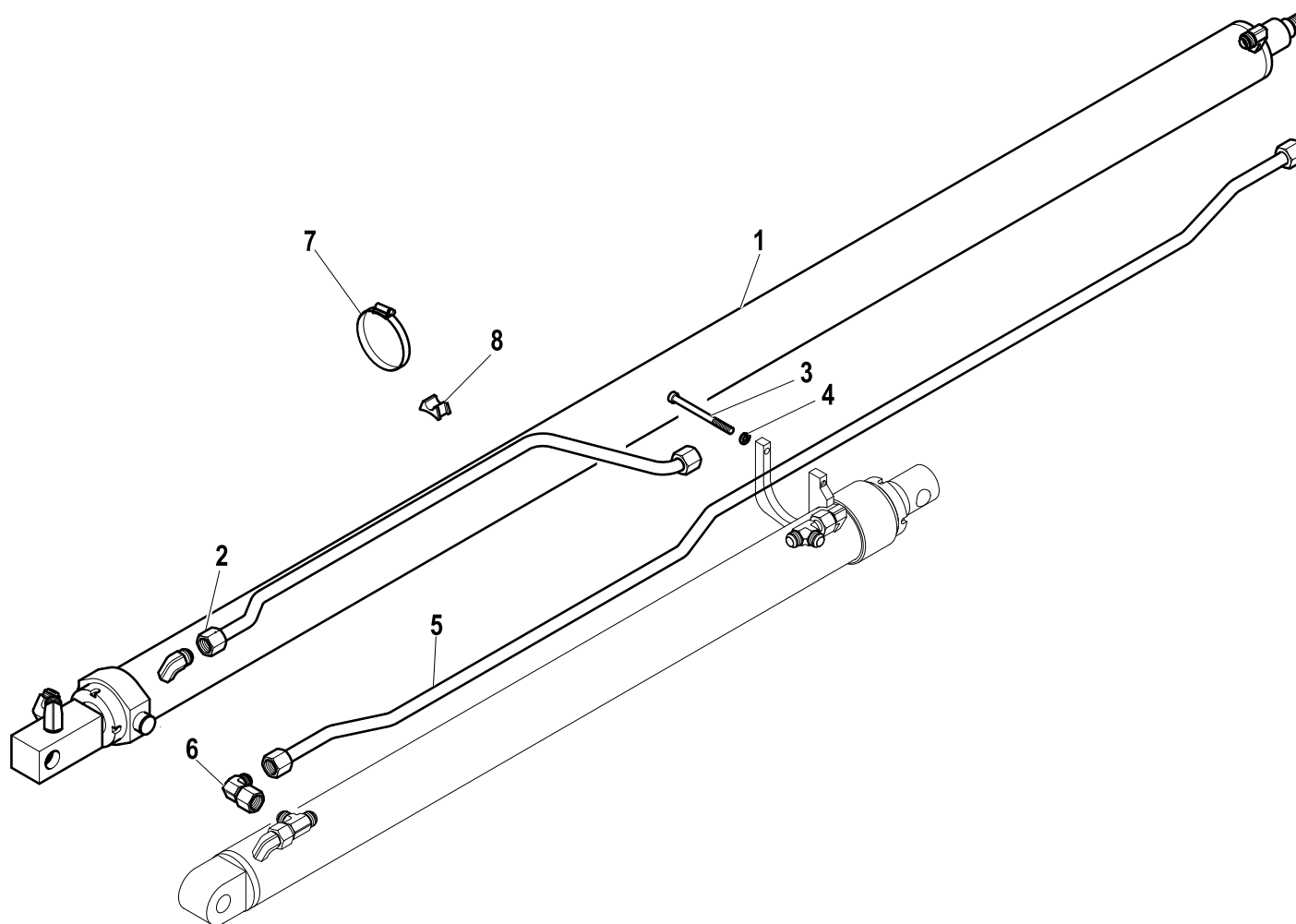
R	Pos.	Code Variant	Q.ty	Description
	1	6070488	1	
	2	3450136	1	
	3	3460136	1	
	4	6040257	1	
	5	3370134	1	
	6	3420026	1	W-ring
	7	3400510	1	
	8	3060234	1	Grub screw [Grano M6X10 UNI 5927 ZC.]
	9	6050143	1	
	10	3450069	1	
	11	6030600	1	
	12	5550779	1	

HYDRAULIC SYSTEM (2nd EXTENSION HYDRAULIC JACK)

Code

6210339-1.0

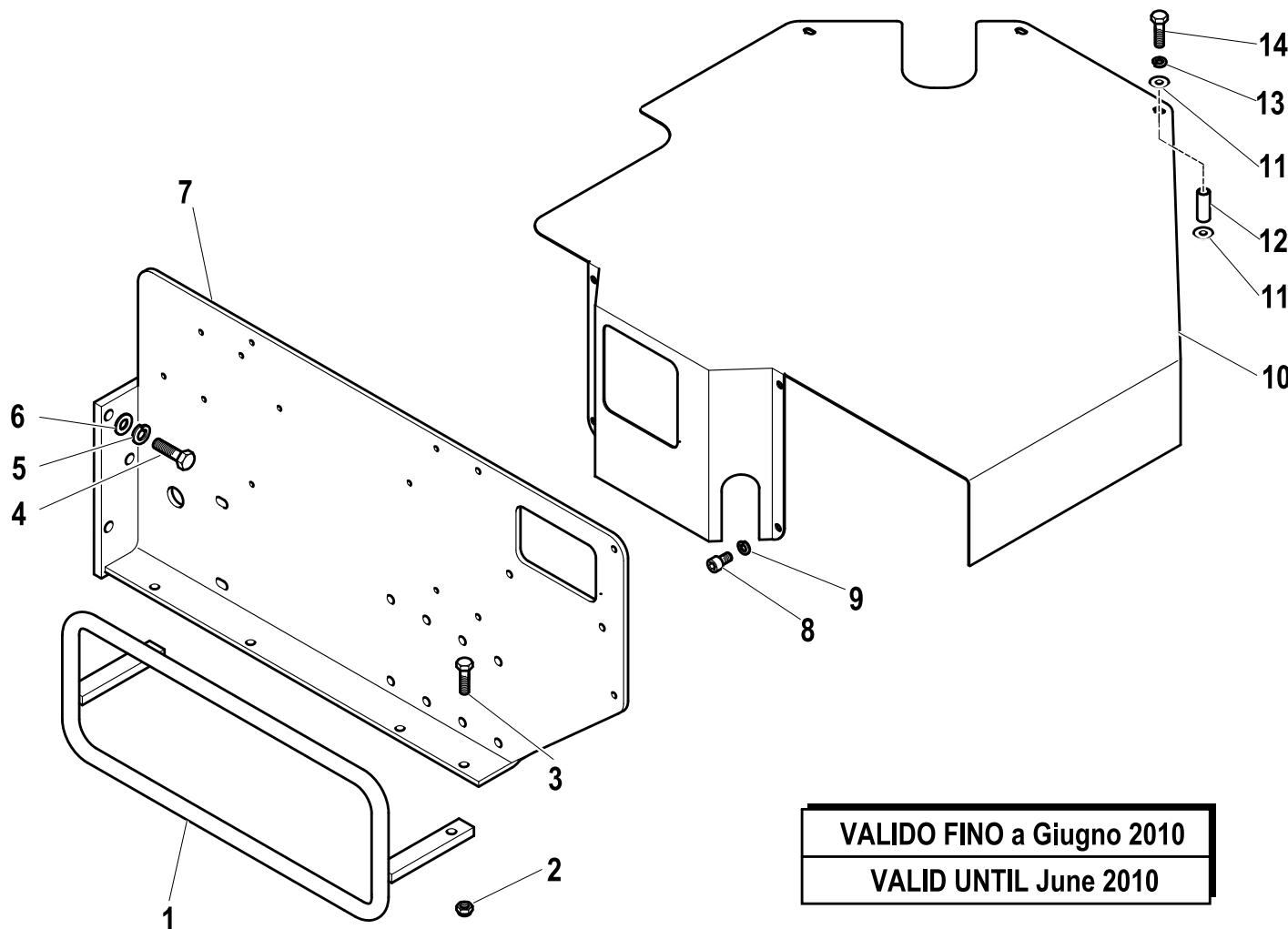
1/1



R	Pos.	Code Variant	Q.ty	Description
	1	6410255	1	Extension Hydraulic jack
	2	5391906	1	
	3	3010042	1	Hex screw [M8X110 8.8 ZC UNI 5737]
	4	3060055	1	Split lock washer [D=8.4 C72 ZC]
	5	5391908	1	
	6	3120034	1	90° Connection
	7	3190022	2	Clamp
	8	5140133	2	Piping mounting



HC241 TCU



VALIDO FINO a Giugno 2010
VALID UNTIL June 2010

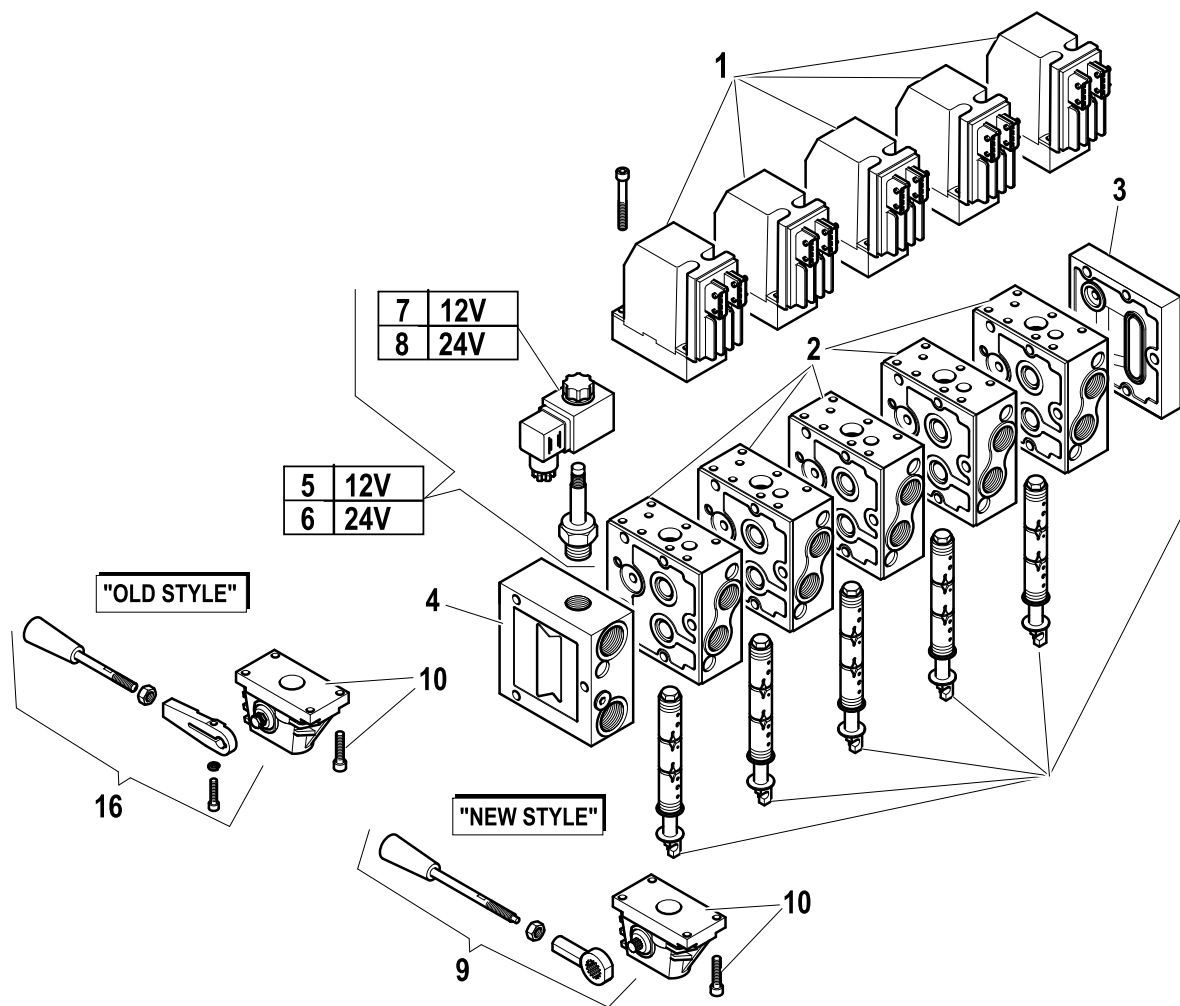
R	Pos.	Code Variant	Q.ty	Description
	1	5090636	1	
	2	3040045	2	Nut
	3	3010339	2	Hex screw [M8X25 8.8 ZC IF UNI 5739]
	4	3010355	3	Hex screw [M10X25 8.8 ZC IF UNI 5739]
	5	3060056	3	Split lock washer [D=10 C72 ZC]
	6	3060914	3	Flat washer [D.10.5X21X2 UNI 6592 ZC]
	7	5090890	1	
	8	3020022	4	Socket head cap screw [M5X10 8.8 ZC UNI 5931]
	9	3060149	1	Tooth lock washer [D.5 TIPO A]
	10	5001414	1	
	11	3190178	6	Flat washer
	12	2091326	3	Spacer (Casing)
	13	3060053	3	Split lock washer [D=6.4 C72 ZC]
	14	3010018	3	Hex screw [M6X40 8.8 ZC UNI 5737]

Control valve (5 section)

Code

5220372-1.0

1/1



	11
	12
	13
	14
	13
	14
	15
	15
	13

R	Pos.	Code Variant	Q.ty	Description
	1	5225534	5	Electric control (PVEA-DI PER PVG32)
	2	5225398	5	Form (PVB DISTR. DANFOSS 157B6203)
	3	5225512	1	
	4	5225511	1	
	5	5225533	1	
	6	5225510	1	
	7	3310238	1	Solenoid (12V)
	8	3310242	1	Solenoid (24V)
	9	5225859	5	lever kit new PVG32 11046724
	10	WDNF157B3 173	5	
	11	5225558	1	Slider (PVG32 157B7131)
	12	5225536	1	Slider (PVG32 157B7472)
	13	5225368	1	Slider (PVG32 157B7122)
	14	5225340	1	Slider (PVG32 CA A40-B100 157B9505)
	15	5225508	1	Slider (PVG32 157B7022)
	16	5225858	5	

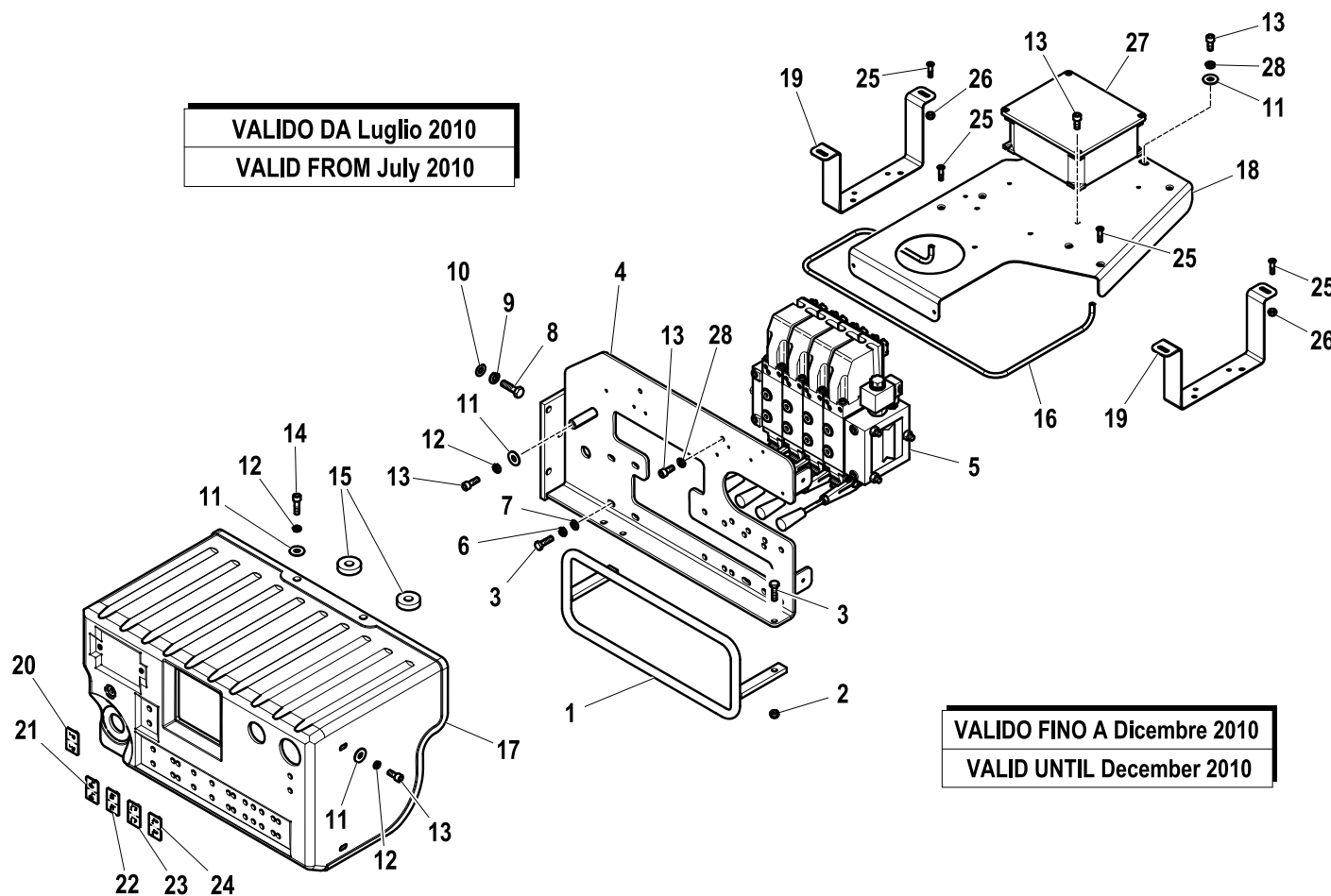
CONTROLS WITH THERMOFORMABLE

Code

5401157-1.0

1/2

VALIDO DA Luglio 2010
VALID FROM July 2010



VALIDO FINO A Dicembre 2010
VALID UNTIL December 2010

R	Pos.	Code Variant	Q.ty	Description
	1	5090636	1	
	2	3040045	2	Nut
	3	3010027	6	Hex screw [M8X20 8.8 ZC IF UNI 5739]
	4	5091219	1	
	5	5220373	1	
	6	3060055	4	Split lock washer [D=8.4 C72 ZC]
	7	3060006	4	Flat washer [D.8 UNI 6592 ZC]
	8	3010355	3	Hex screw [M10X25 8.8 ZC IF UNI 5739]
	9	3060056	3	Split lock washer [D=10 C72 ZC]
	10	3060914	3	Flat washer [D.10.5X21X2 UNI 6592 ZC]
	11	3060030	6	Flat washer [D.6.6X18 UNI 6593 ZC]
	12	3060005	5	Flat washer [D.6.4 UNI 6592 ZC]
	13	3020034	10	Socketed head cap screw [M6X16 8.8 ZC UNI 5931]
	14	3020037	2	Socketed head cap screw [M6X25 8.8 ZC UNI 5931]
	15	W340501400	2	Support (Clamp)
	16	5002043	1	
	17	5091218	1	
	18	5002024	1	
	19	5002028	2	
	20	5813516	1	Name plate (Control)

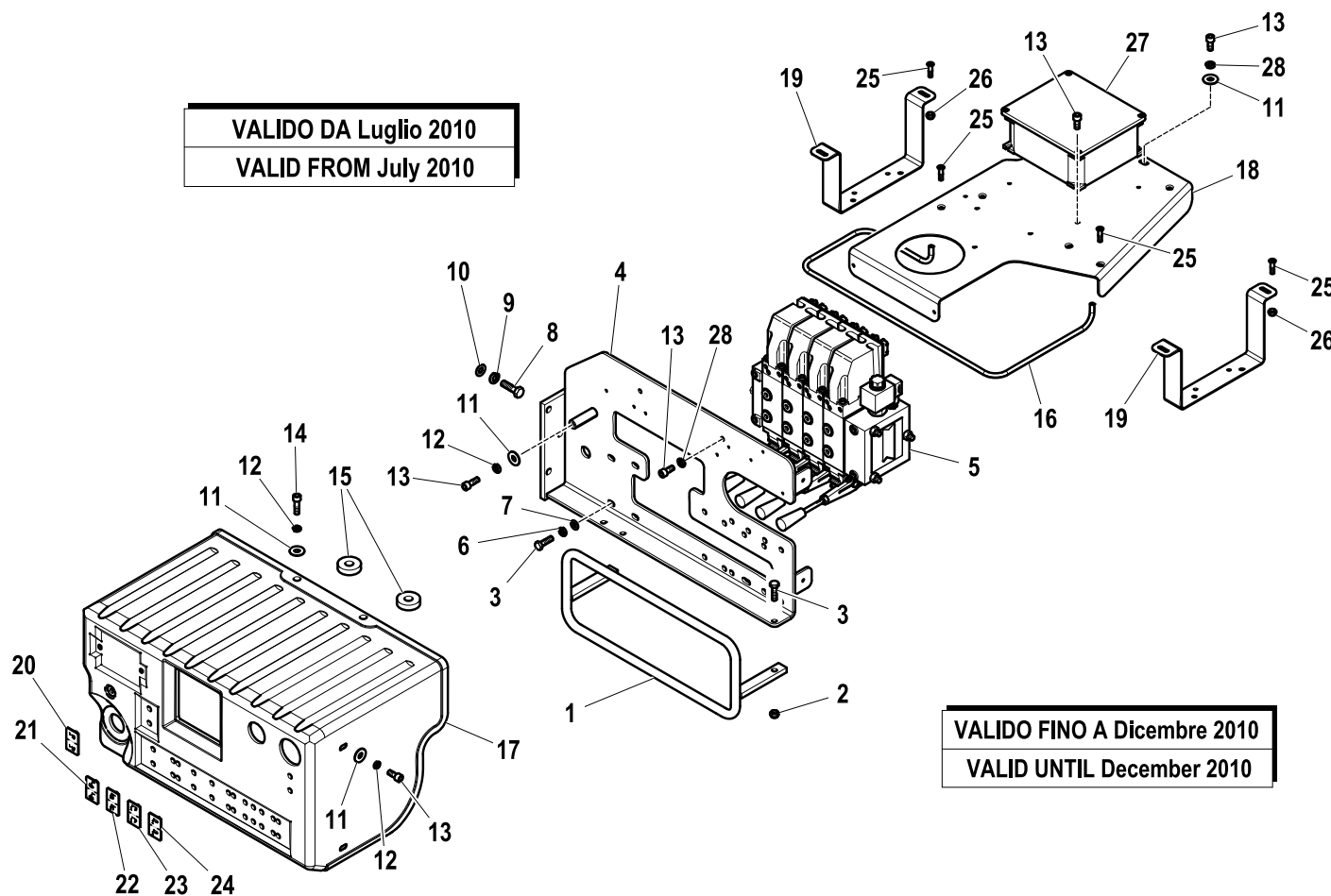
CONTROLS WITH THERMOFORMABLE

Code

5401157-1.0

2/2

VALIDO DA Luglio 2010
VALID FROM July 2010



VALIDO FINO A Dicembre 2010
VALID UNTIL December 2010

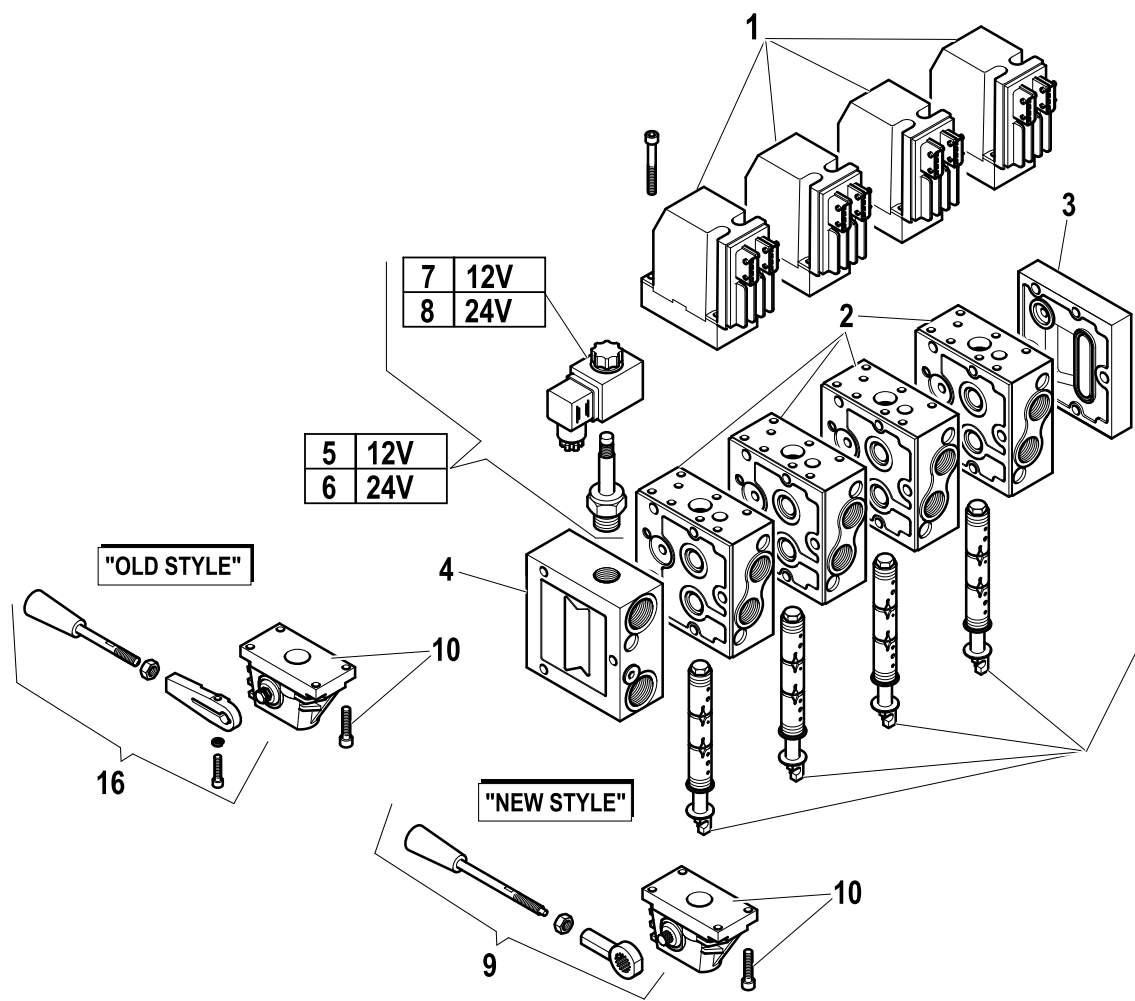
R	Pos.	Code Variant	Q.ty	Description
	21	W573266	1	Small plate (CONTROL SYMBOLS)
	22	W573267	1	Small plate (CONTROL SYMBOLS)
	23	W573269	1	Small plate (CONTROL SYMBOLS)
	24	W573270	1	Small plate (CONTROL SYMBOLS)
	25	3020439	6	TSEI screw [M6X16 ZC UNI 5933]
	26	3040372	4	Stopnut
	27	3310853	1	
	28	3060053	3	Split lock washer [D=6.4 C72 ZC]

Control valve (4 section)

Code

5220373-1.0

1/1



R	Pos.	Code Variant	Q.ty	Description
	1	5225534	4	Electric control (PVEA-DI PER PVG32)
	2	5225398	4	Form (PVB DISTR. DANFOSS 157B6203)
	3	5225512	1	
	4	5225511	1	
	5	5225533	1	
	6	5225510	1	
	7	3310238	1	Solenoid (12V)
	8	3310242	1	Solenoid (24V)
	9	5225859	4	lever kit new PVG32 11046724
	10	WDNF157B3 173	4	
	11	5225558	1	Slider (PVG32 157B7131)
	12	5225536	1	Slider (PVG32 157B7472)
	13	5225368	1	Slider (PVG32 157B7122)
	14	5225340	1	Slider (PVG32 CA A40-B100 157B9505)
	15	5225508	1	Slider (PVG32 157B7022)
	16	5225858	4	

CONTROLS (X TCU)

Code

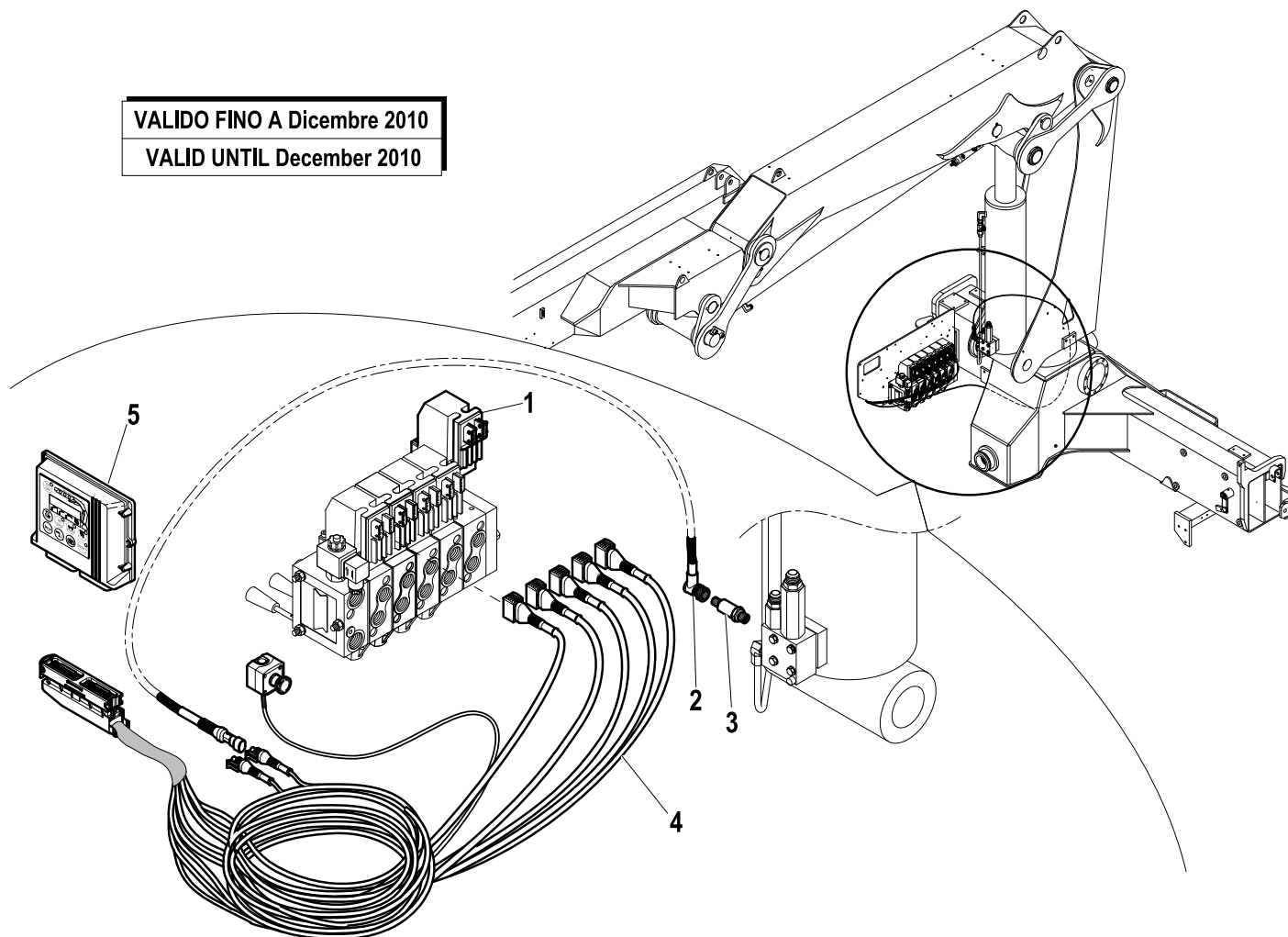
5400512-1.0

1/1

VALIDO FINO A Dicembre 2010

VALID UNTIL December 2010

R	Pos.	Code Variant	Q.ty	Description
1		5225534	5	Electric control (PVEA-DI PER PVG32)
2		5160001	1	Electric wiring
3		3310612	1	Pressure sensor
4		5160049	1	
5		3311088	1	



CONTROLS (RDC-EBB)

Code

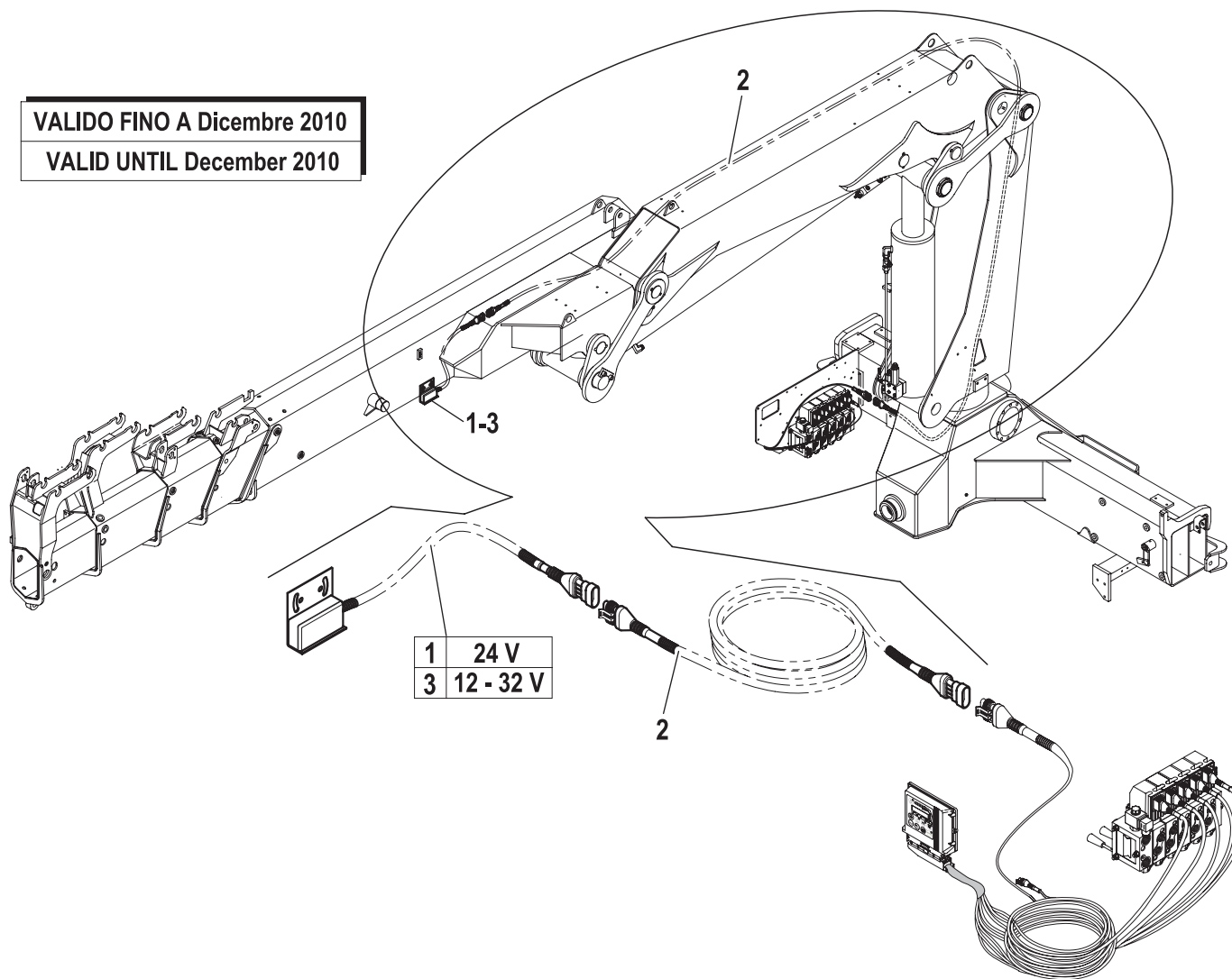
5400420-3.0

1/1

R	Pos.	Code Variant	Q.ty	Description
	1	3310541	1	Tiltmeter
	2	5160002	1	Electric wiring
	3	3310723	1	Tiltmeter

VALIDO FINO A Dicembre 2010

VALID UNTIL December 2010



1	24 V
3	12 - 32 V

CONTROLS (RDC-EBB)

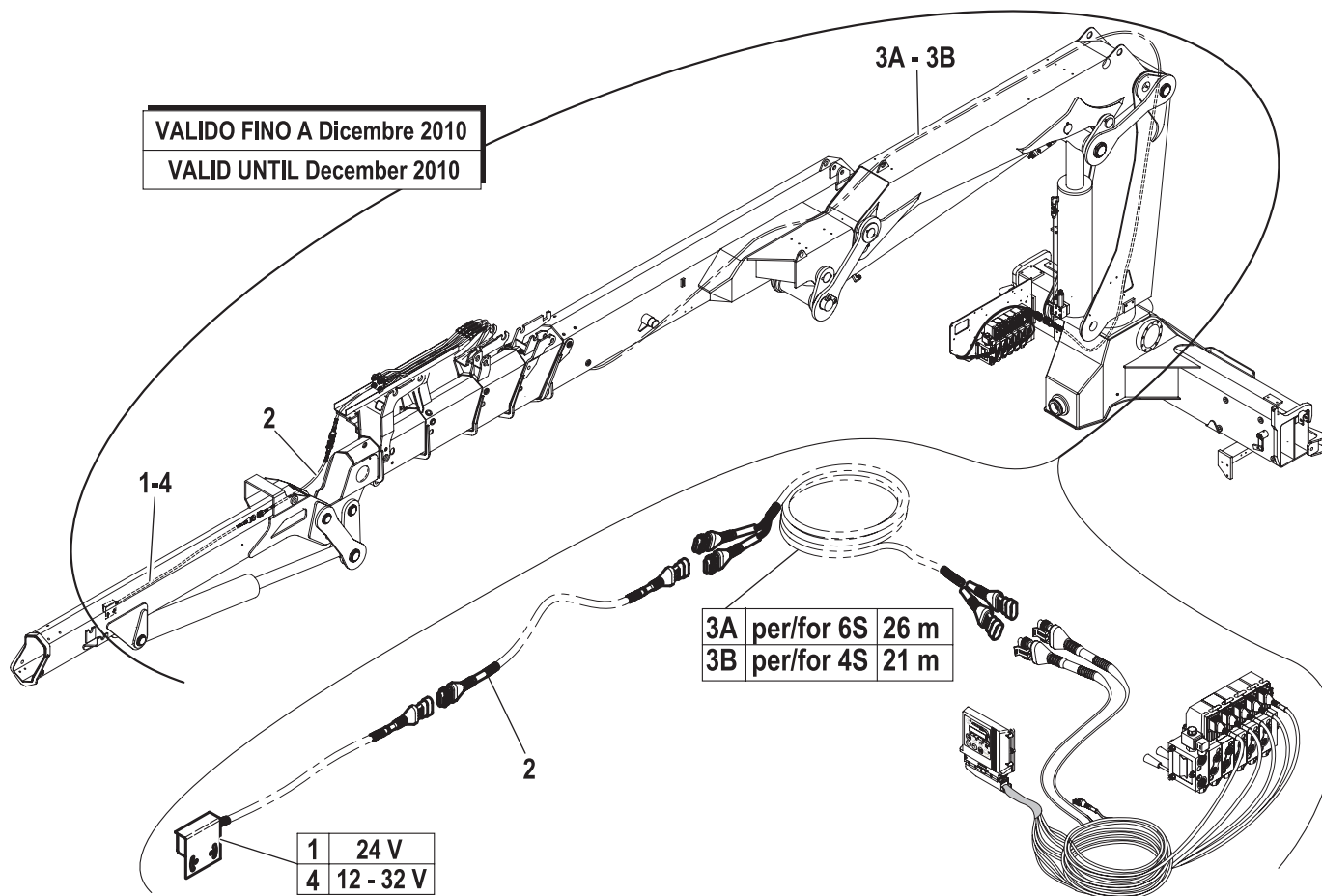
Code

5400420-4.0

1/1

R	Pos.	Code Variant	Q.ty	Description
	1	3310541	1	Tiltmeter
	2	5160016	1	Electric wiring
	3A	5160015	1	Electric wiring
	3B	5160019	1	Electric wiring
	4	3310723	1	Tiltmeter

VALIDO FINO A Dicembre 2010
VALID UNTIL December 2010



CONTROLS (RDC-EBB)

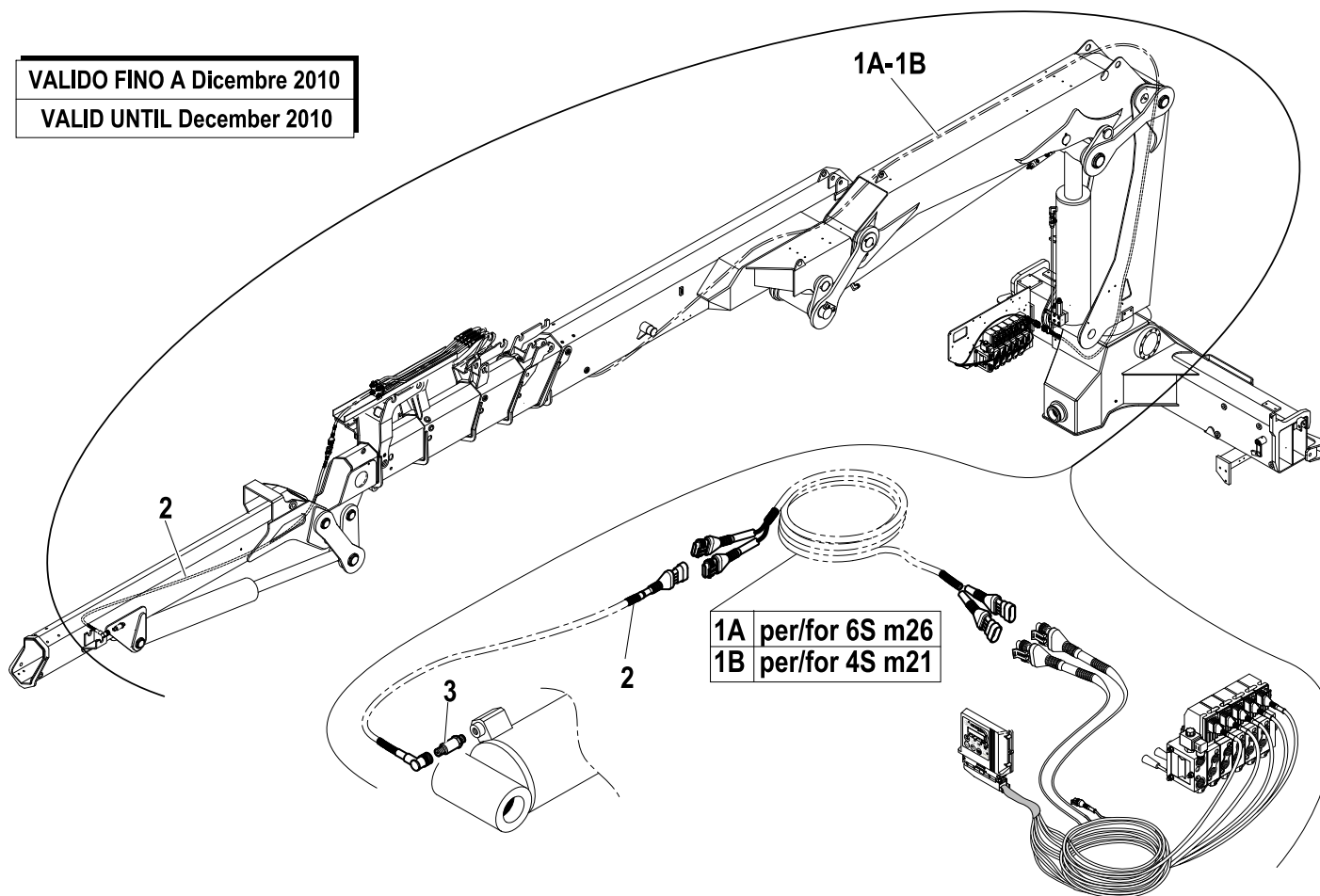
Code

5400420-5.0

1/1

VALIDO FINO A Dicembre 2010
VALID UNTIL December 2010

R	Pos.	Code Variant	Q.ty	Description
1	A	5160015	1	Electric wiring
1	B	5160019	1	Electric wiring
2		5160001	1	Electric wiring
3		3310612	1	Pressure sensor



CONTROLS (RDC-EBB)

Code

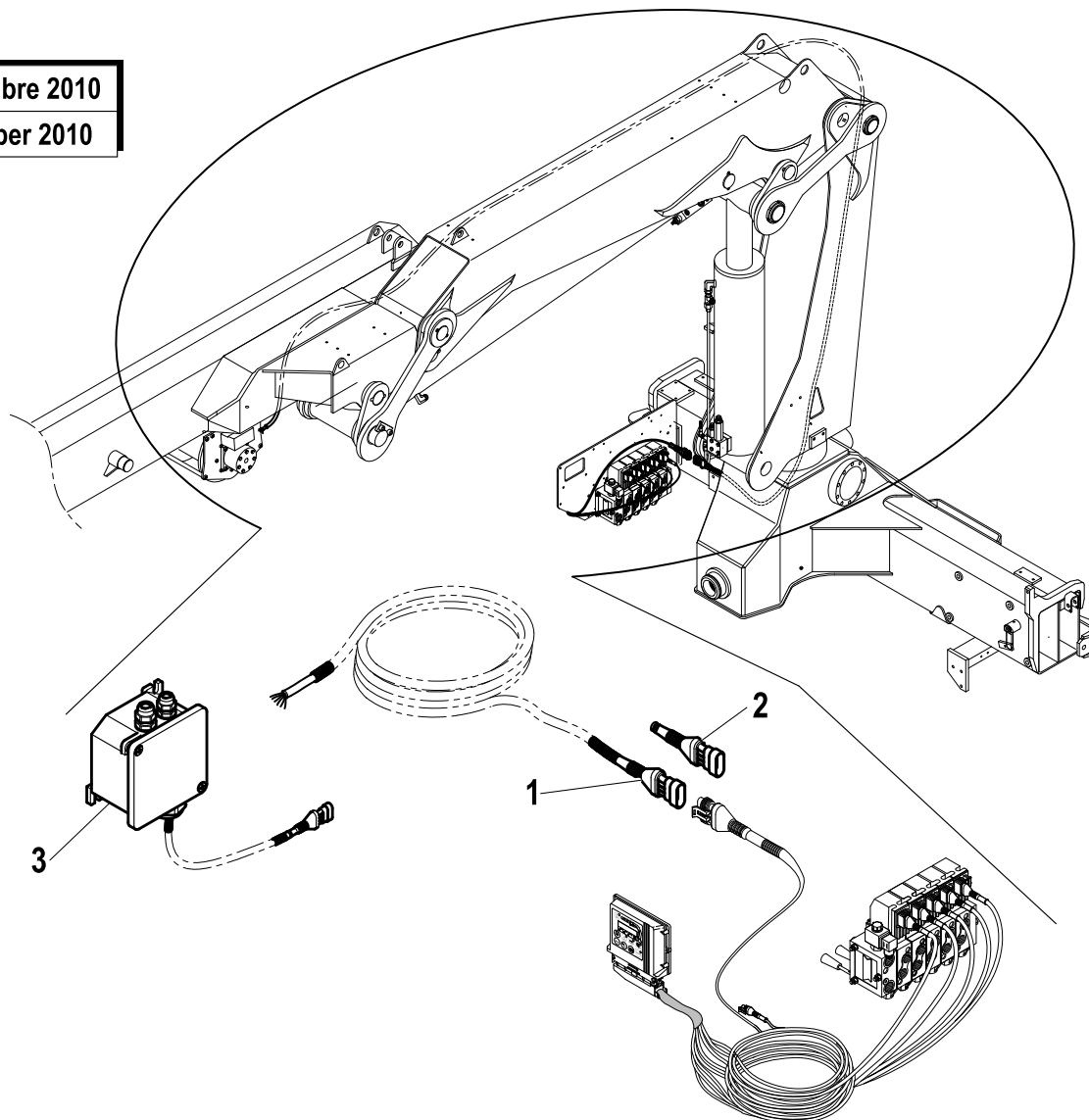
5400420-6.0

1/1

VALIDO FINO A Dicembre 2010

VALID UNTIL December 2010

R	Pos.	Code Variant	Q.ty	Description
	1	5160004	1	
	2	5160013	1	
	3	3310663	1	

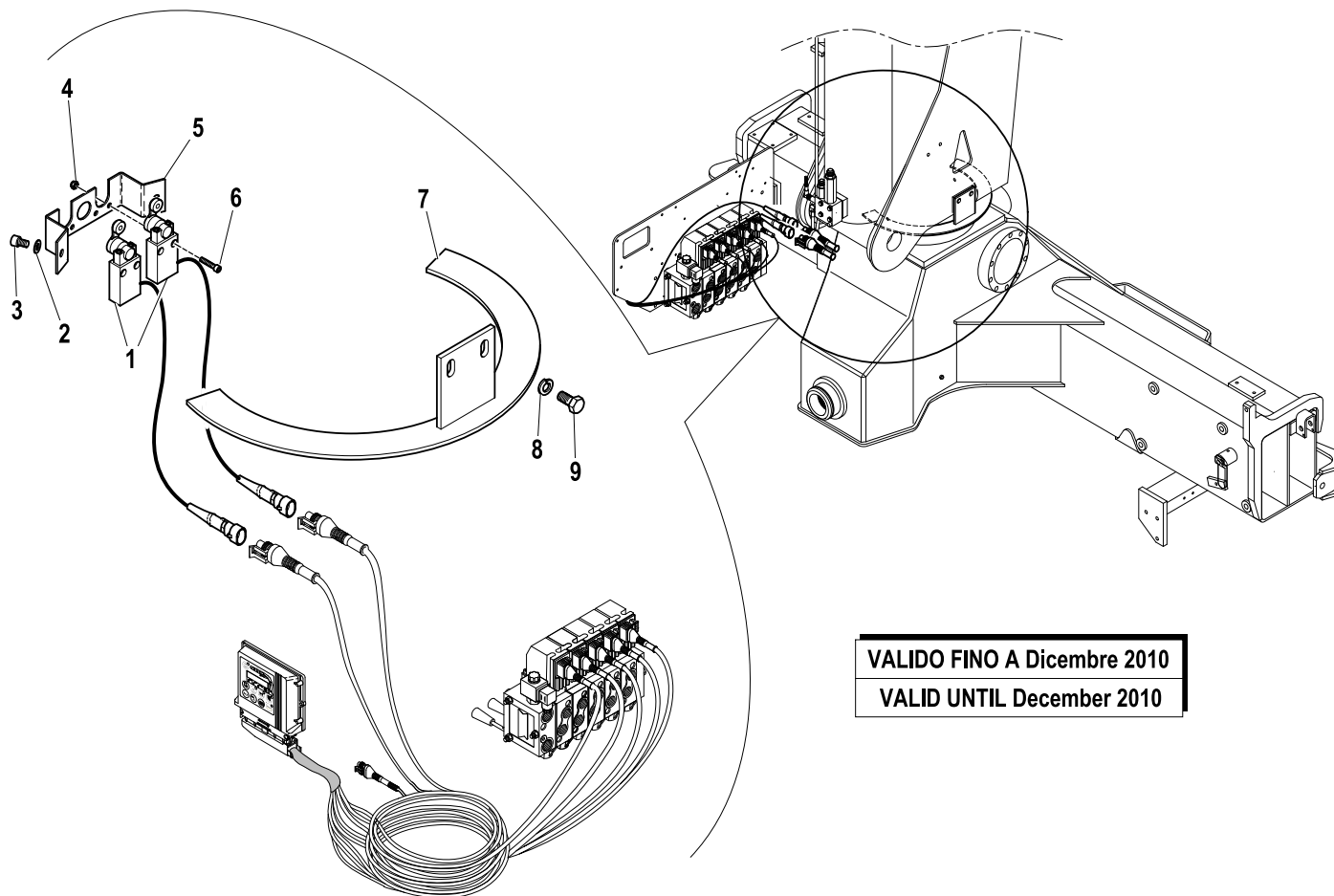


CONTROLS (RDC-EBB)

Code

5400420-7.0

1/1



R	Pos.	Code Variant	Q.ty	Description
	1	5160009	2	Electric wiring
	2	3060005	2	Flat washer [D.6.4 UNI 6592 ZC]
	3	3020033	2	Socked head cap screw [M6X10 8.8 ZC UNI 5931]
	4	3040392	4	Stopnut
	5	W610504600	1	
	6	3020024	4	Socked head cap screw [M5X35 8.8 ZC UNI 5931]
	7	5001173	1	
	8	3060056	2	Split lock washer [D=10 C72 ZC]
	9	3010353	2	Hex screw [M10X16 8.8 ZC UNI 5739]

VALIDO FINO A Dicembre 2010

VALID UNTIL December 2010

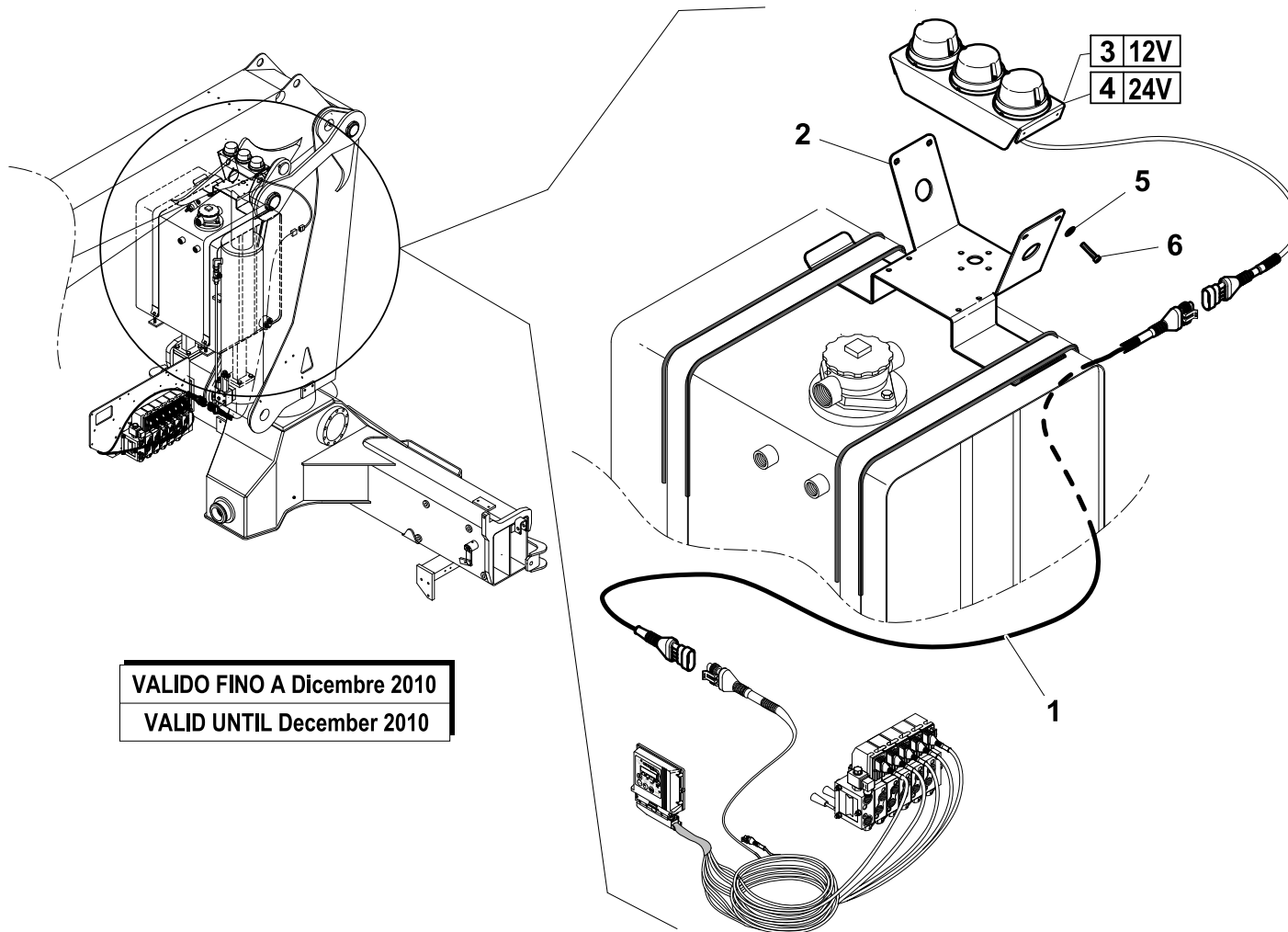
CONTROLS (RDC-EBB)

Code

5400420-8.0

1/1

R	Pos.	Code Variant	Q.ty	Description
	1	5160003	1	Electric wiring
	2	5001657	1	
	3	3310819	1	
	4	3310809	1	
	5	3060003	4	Flat washer [D.4 UNI 6592 ZC]
	6	3020885	4	Socketed head cap screw [M4X20 8.8 ZC UNI 5931]



VALIDO FINO A Dicembre 2010

VALID UNTIL December 2010

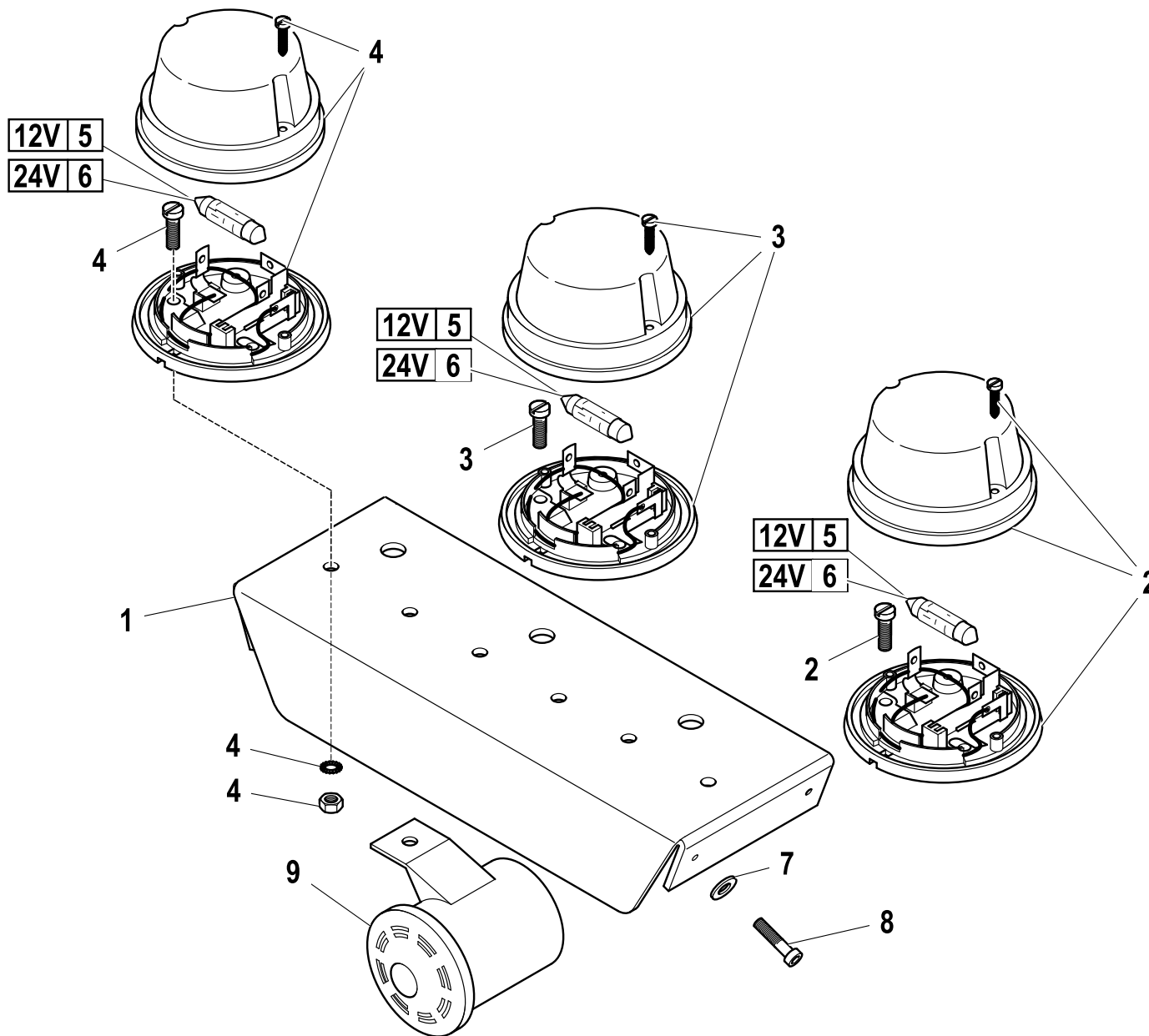
Pilot lamp

Code

7885015-1.0

1/1

R	Pos.	Code Variant	Q.ty	Description
	1	5001662	1	
	2	3310811	1	
	3	3310812	1	
	4	3310810	1	
	5	3310818	3	
	6	3310813	3	
	7	3060003	4	Flat washer [D.4 UNI 6592 ZC]
	8	3020885	4	Socketed head cap screw [M4X20 8.8 ZC UNI 5931]
	9	3310911	1	



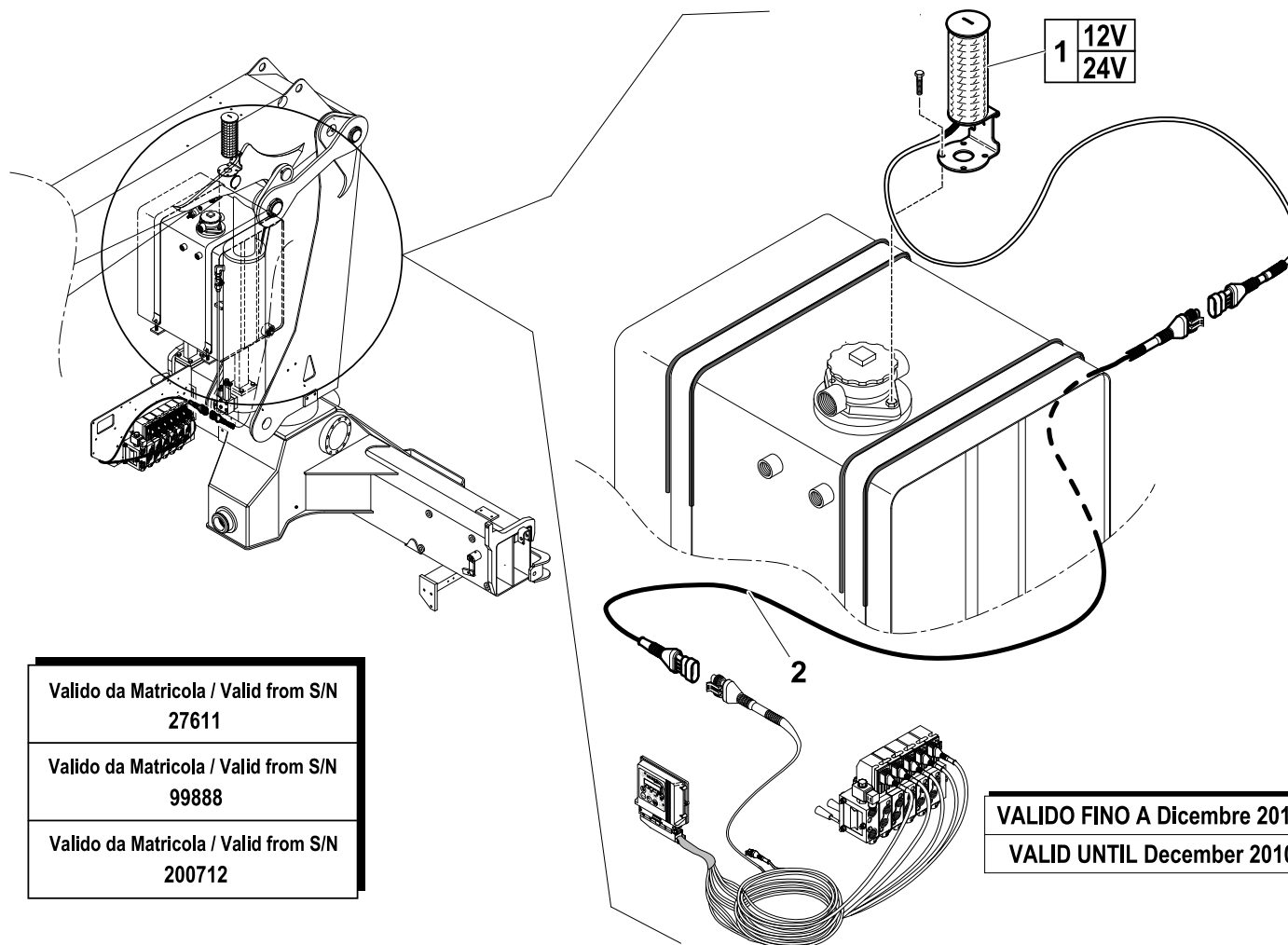
CONTROLS (RDC-EBB)

Code

5400420-8.1

1/1

R	Pos.	Code Variant	Q.ty	Description
1		3311159	1	Signal Columns
2		5160003	1	Electric wiring



Valido da Matricola / Valid from S/N
27611

Valido da Matricola / Valid from S/N
99888

Valido da Matricola / Valid from S/N
200712

VALIDO FINO A Dicembre 2010
VALID UNTIL December 2010

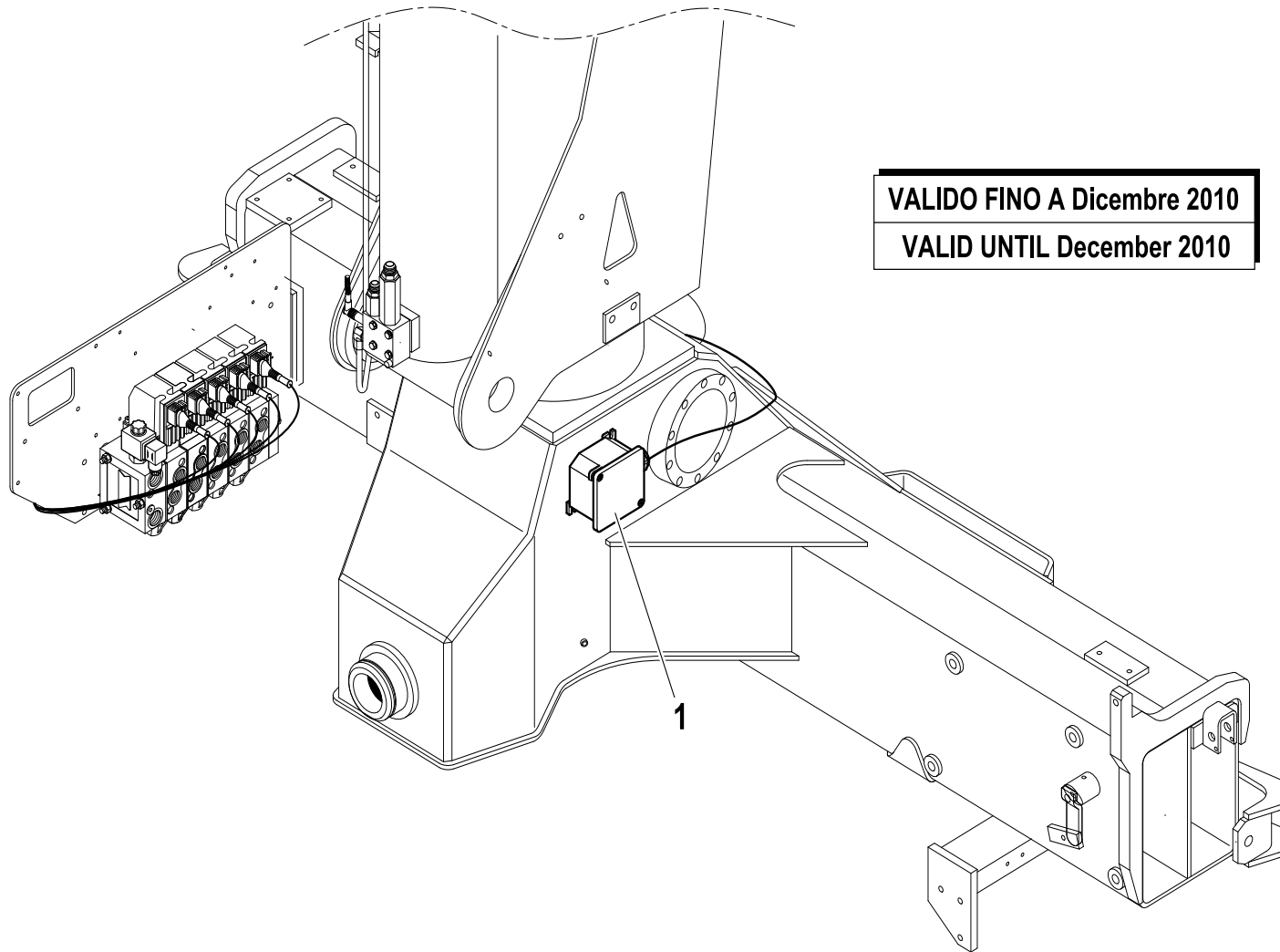
CONTROLS (RDC-EBB)

Code

5400420-9.0

1/1

R	Pos.	Code Variant	Q.ty	Description
1		5160006	1	



VALIDO FINO A Dicembre 2010
VALID UNTIL December 2010

High pressure filter

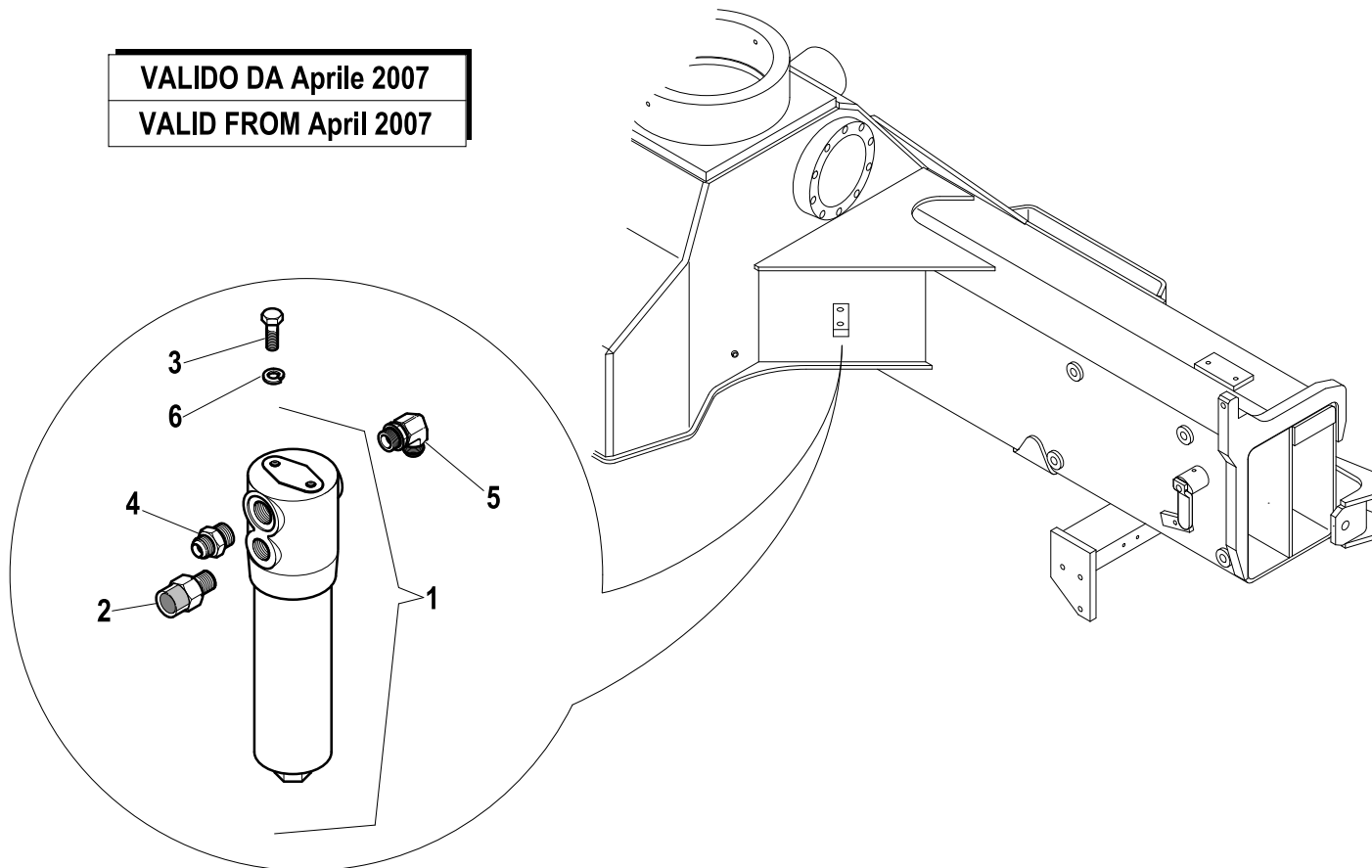
Code

5400244-1.0

1/1

R	Pos.	Code Variant	Q.ty	Description
	1	3180159	1	Oil filter
	2	3180192	1	Pressure gauge (Clogging indicator)
	3	3010027	2	Hex screw [M8X20 8.8 ZC IF UNI 5739]
	4	3120073	1	Straight pipe fitting
	5	3101134	1	90° Connection
	6	3060055	2	Split lock washer [D=8.4 C72 ZC]

VALIDO DA Aprile 2007
VALID FROM April 2007

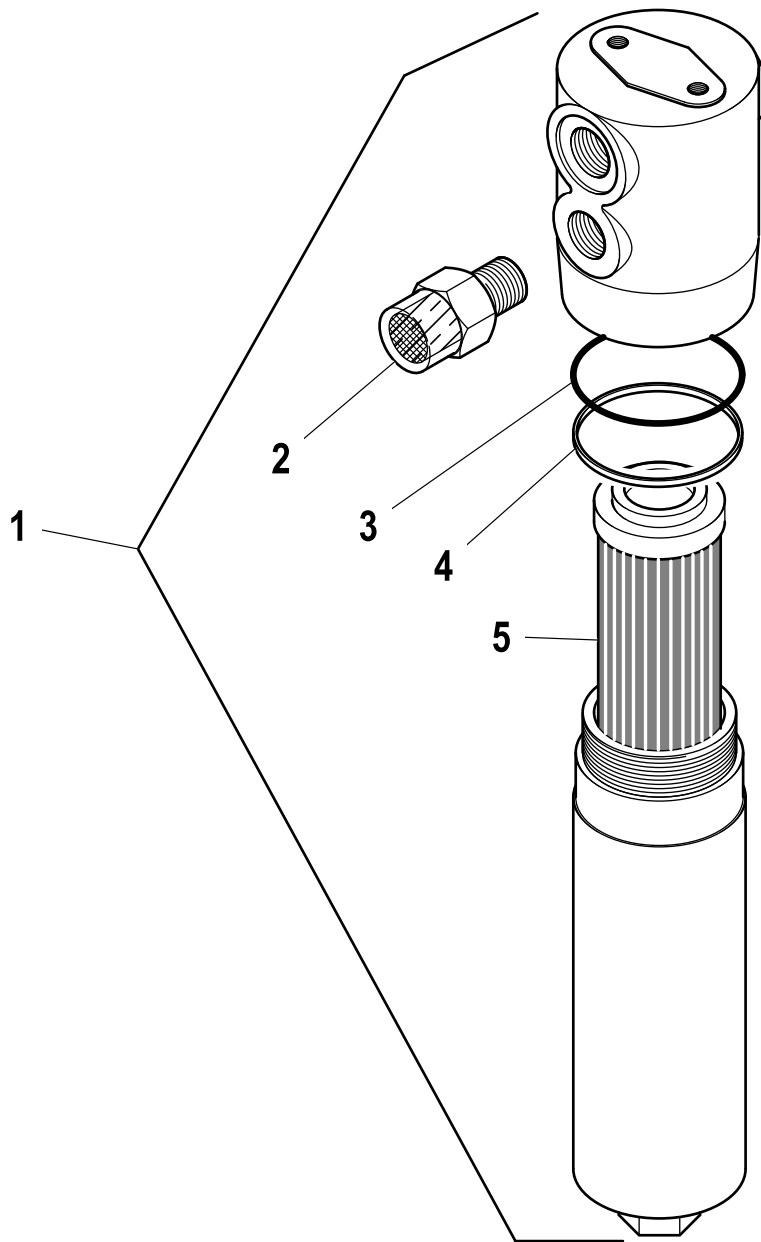


High pressure filter

Code

3180159-1.0

1/1



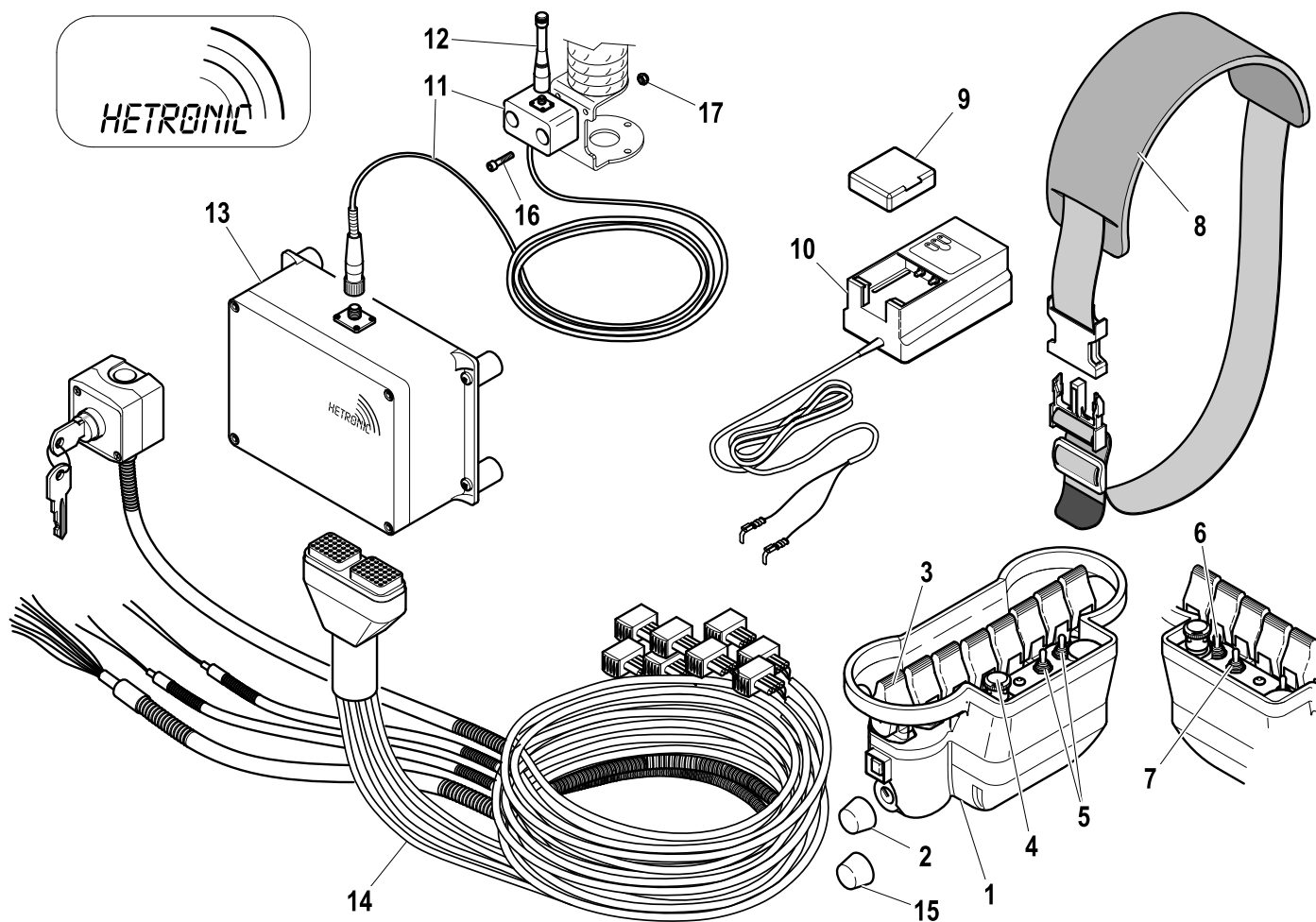
R	Pos.	Code Variant	Q.ty	Description
	1	3180159	1	Oil filter
	2	3180192	1	Pressure gauge (Clogging indicator)
	3	3450080	1	
	4	3460080	1	
	5	3180160	1	Filtering cartridge

Wireless control kit (Hz.EU)

Code

7892109-1.0

1/1



R	Pos.	Code Variant	Q.ty	Description
	1	3310772	1	
	2	3310795	1	
	3	3310796	8	
	4	3310788	1	
	5	3310786	2	
	6	3310785	1	
	7	3311029	1	
	8	3310799	1	
	9	3310641	2	
	10	3310797	1	
	11	3311131	1	Electric cable
	12	3310775	1	
	13	3310771	1	
	14	3310912	1	
	15	3310924	1	
	16	3020024	2	Socket head cap screw [M5X35 8.8 ZC UNI 5931]
	17	3040392	2	Stopnut

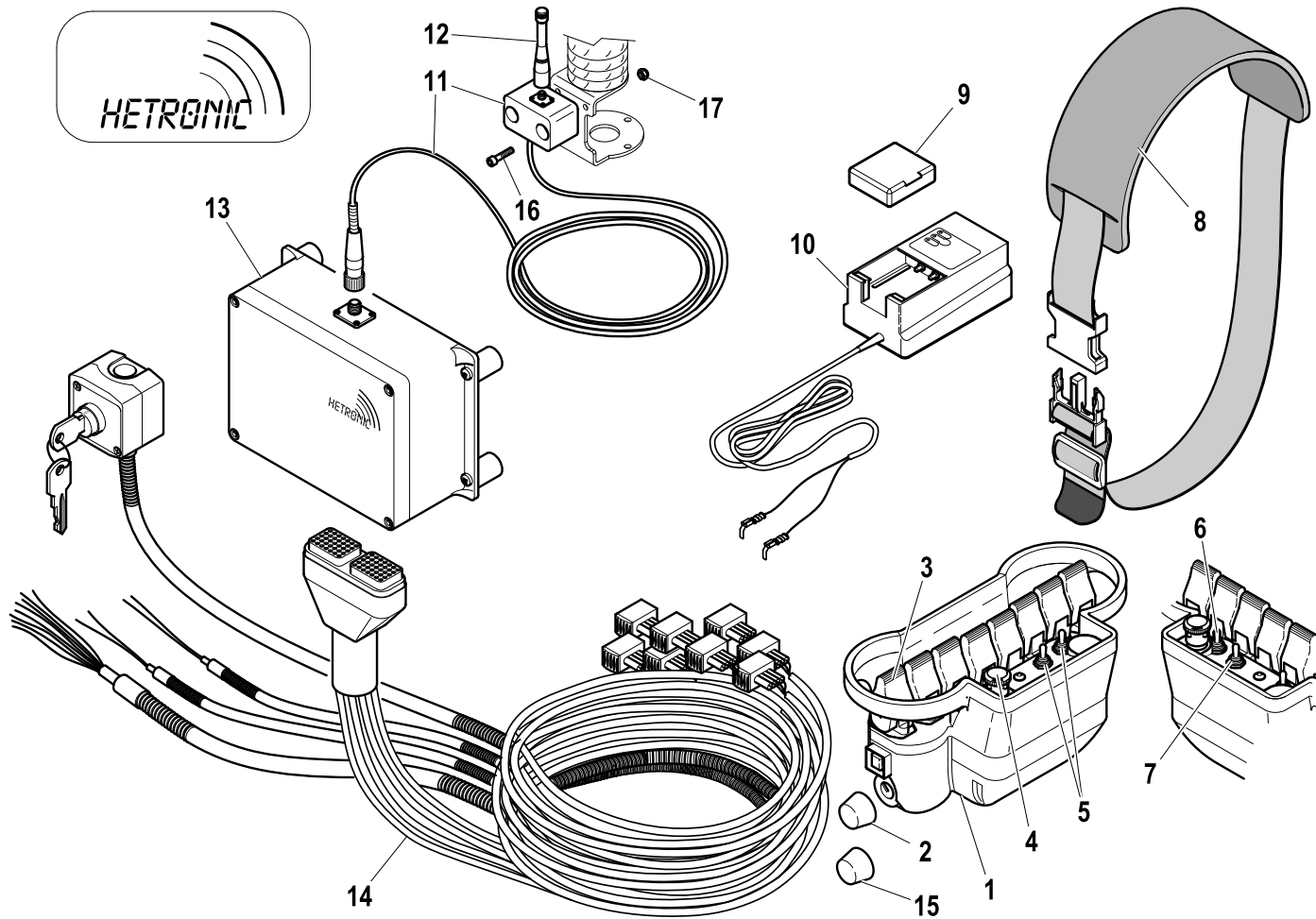
Wireless control kit (Hz.USA)

Code

7892110-1.0

1/1

R	Pos.	Code Variant	Q.ty	Description
	1	3310808	1	
	2	3310795	1	
	3	3310796	8	
	4	3310788	1	
	5	3310786	2	
	6	3310785	1	
	7	3311029	1	
	8	3310799	1	
	9	3310641	2	
	10	3310797	1	
	11	3311131	1	Electric cable
	12	3310775	1	
	13	3310807	1	
	14	3310912	1	
	15	3310924	1	
	16	3020024	2	Socket head cap screw [M5X35 8.8 ZC UNI 5931]
	17	3040392	2	Stopnut



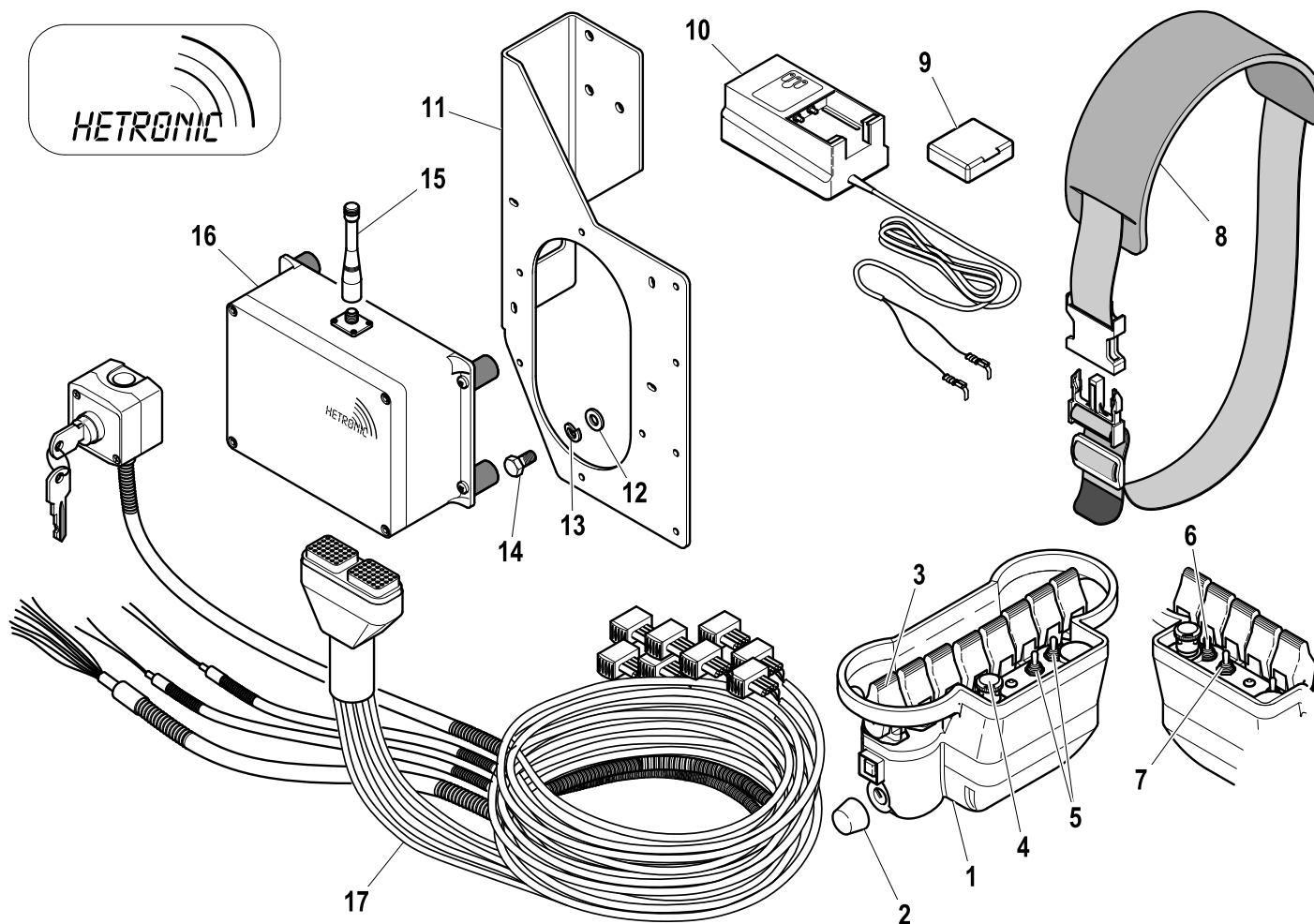
Wireless control kit (Hz.PRC)

Code

7892048-1.0

1/1

R	Pos.	Code Variant	Q.ty	Description
	1	3311116	1	
	2	3310795	1	
	3	3310796	8	
	4	3310788	1	
	5	3310786	2	
	6	3310785	1	
	7	3311029	1	
	8	3310799	1	
	9	3310641	2	
	10	3310797	1	
	11	5001730	1	
	12	3060914	3	Flat washer [D.10.5X21X2 UNI 6592 ZC]
	13	3060056	3	Split lock washer [D=10 C72 ZC]
	14	3010349	3	Hex screw [M10X20 10.9 ZC UNI 5739]
	15	3310775	1	
	16	3311115	1	
	17	3310912	1	



Wireless control kit

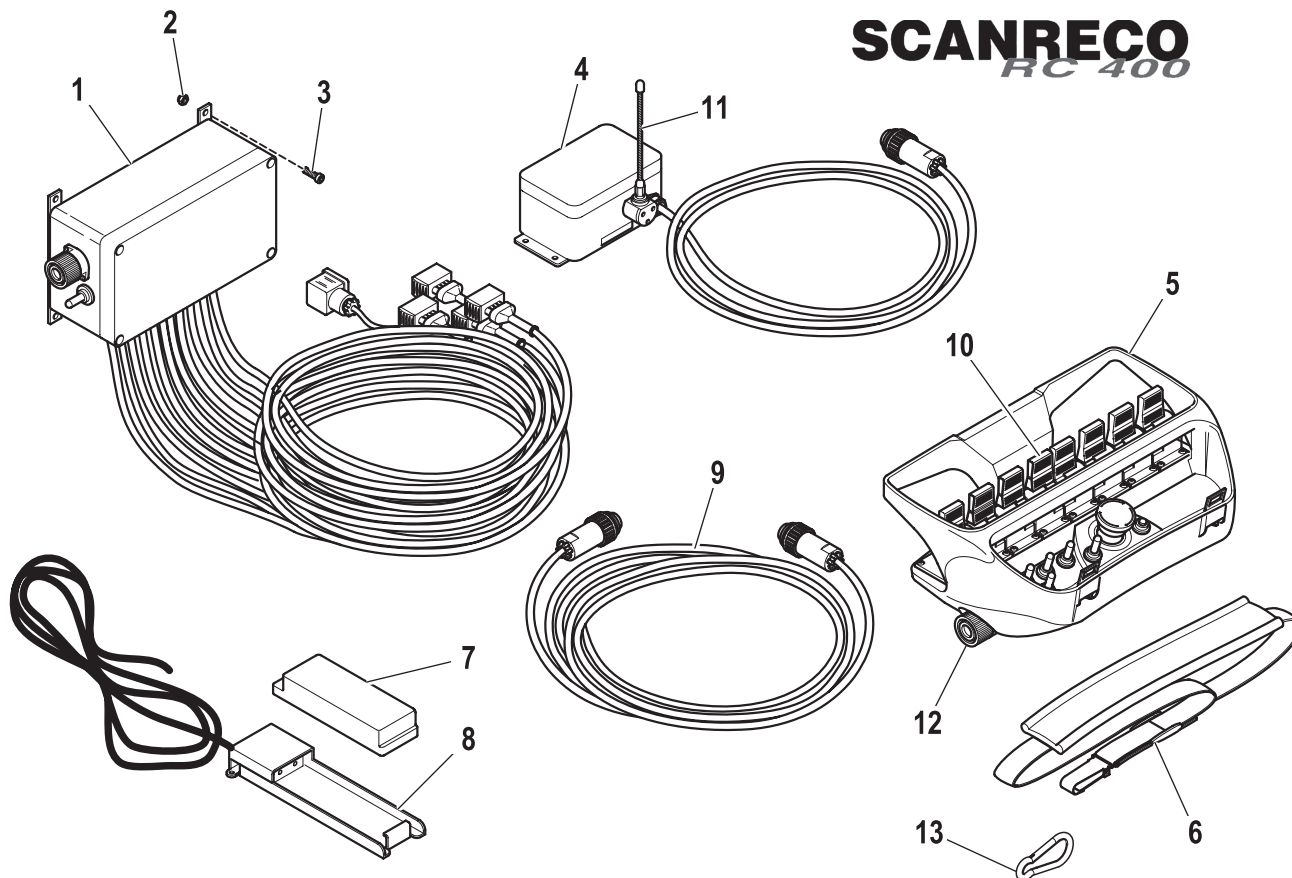
Code

7892053-1.0

1/1

R	Pos.	Code Variant	Q.ty	Description
	1	3310534	1	
	2	3040392	4	Stopnut
	3	3020023	4	Socket head cap screw [M5X16 8.8 ZC UNI 5931]
	4	3310535	1	
	5	3320026	1	
	6	3190226	1	
	7	3310483	2	
	8	3310471	1	
	9	3310536	1	
	10	3310445	8	Control lever
	11	3310683	1	
	12	3310850	1	
	13	3190259	1	

SCANRECO
HC 400



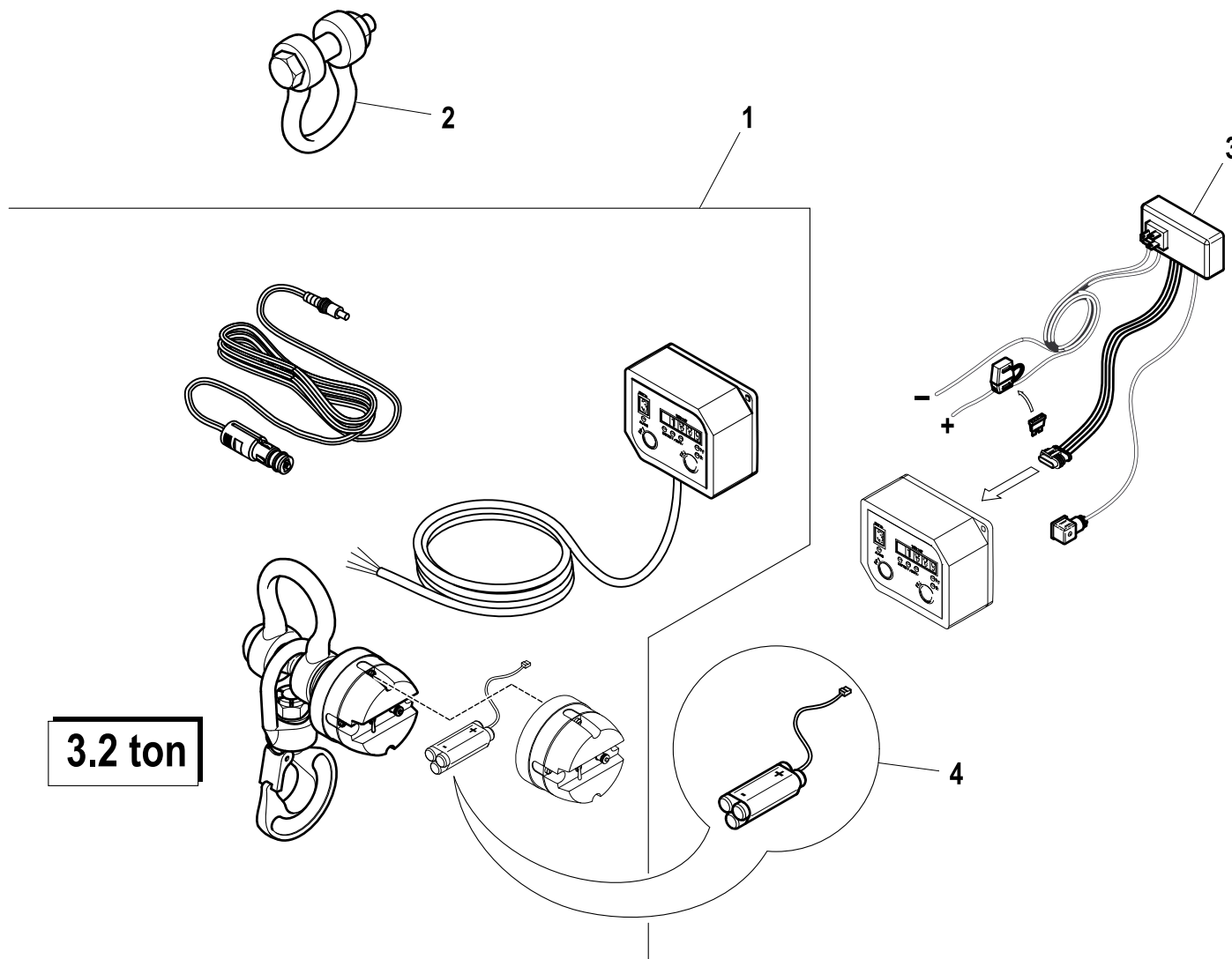
LOAD INDICATION SYSTEM (RDC-EBB)

Code

7881785-1.0

1/1

R	Pos.	Code Variant	Q.ty	Description
1		5730507	1	
2		3200050	1	Shackles
3		W236508	1	
4		3311542	1	



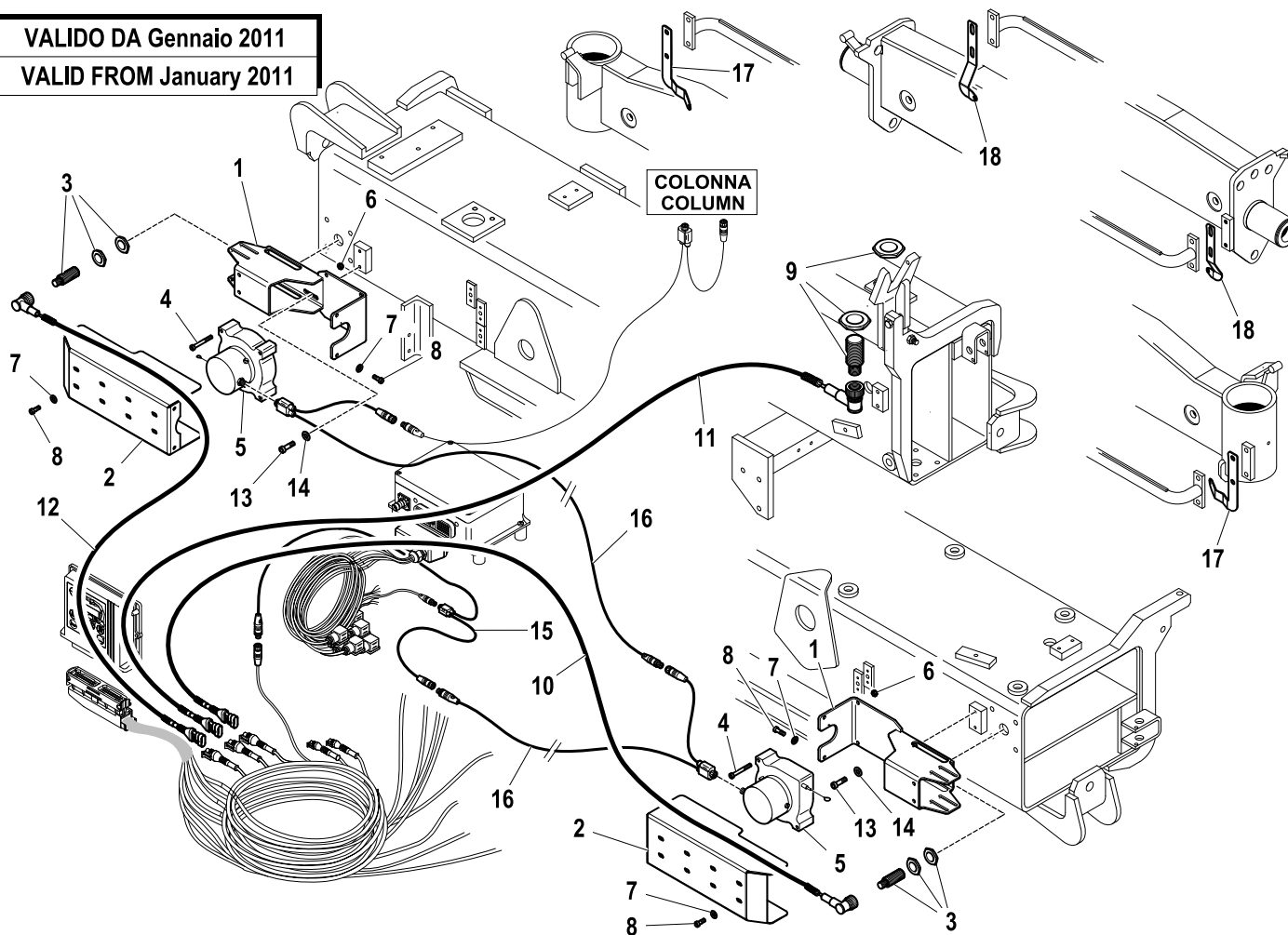
3.2 ton





HC241 TCU EN12999-A3

VALIDO DA Gennaio 2011
VALID FROM January 2011



R	Pos.	Code Variant	Q.ty	Description
	1	5091299	2	
	2	5002060	2	
	3	3311311	2	Proximity switch
	4	3020019	6	Socket head cap screw [M4X40 8.8 ZC UNI 5931]
	5	3311313	2	
	6	3040518	6	Stopnut
	7	3060004	8	Flat washer [D.5 UNI 6592 ZC]
	8	3020022	8	Socket head cap screw [M5X10 8.8 ZC UNI 5931]
	9	3311312	1	Proximity switch
	10	3311377	1	Electric wiring
	11	3311372	1	Electric wiring
	12	3311332	1	Electric wiring
	13	3020034	4	Socket head cap screw [M6X16 8.8 ZC UNI 5931]
	14	3060030	4	Flat washer [D.6.6X18 UNI 6593 ZC]
	15	3311398	1	
	16	3311325	2	
	17	5000436	2	
	18	5002114	2	Hook (latch) (Cable)

ROTATION CONTROL (EN12999-A3)

Code

5411205-1.0

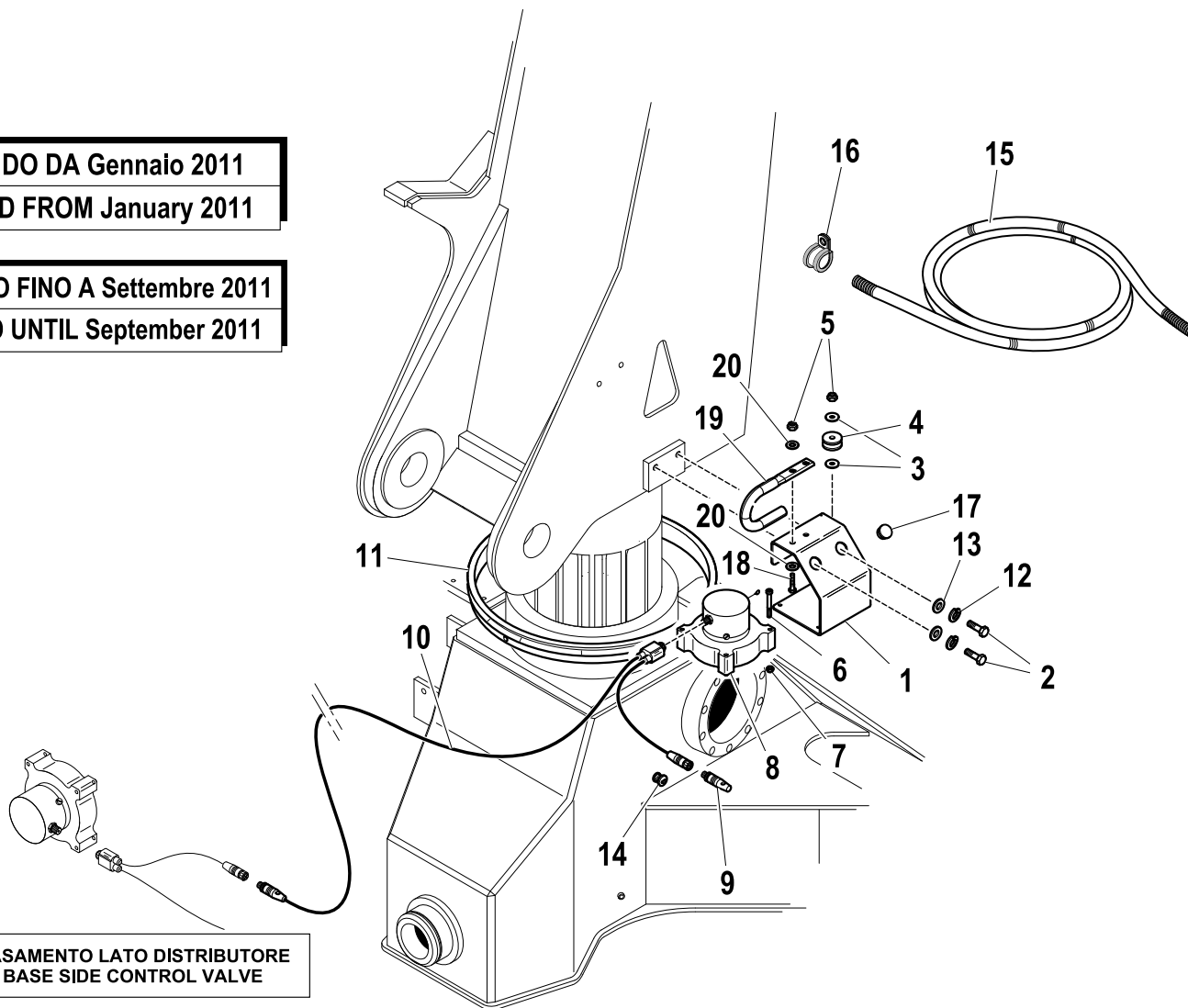
1/1

VALIDO DA Gennaio 2011

VALID FROM January 2011

VALIDO FINO A Settembre 2011

VALID UNTIL September 2011



BASAMENTO LATO DISTRIBUTORE
BASE SIDE CONTROL VALVE

R	Pos.	Code Variant	Q.ty	Description
	1	5091301	1	
	2	3020080	2	Socket head cap screw [M10X16 12.9 ZC UNI 5931]
	3	3060030	2	Flat washer [D.6.6X18 UNI 6593 ZC]
	4	5141080	1	
	5	3040372	3	Stopnut
	6	3020019	3	Socket head cap screw [M4X40 8.8 ZC UNI 5931]
	7	3040518	3	Stopnut
	8	3311313	1	
	9	3311327	1	Connector (Electric)
	10	3311325	1	
	11	5141079	1	
	12	3060056	2	Split lock washer [D=10 C72 ZC]
	13	3060914	2	Flat washer [D.10.5X21X2 UNI 6592 ZC]
	14	3311326	1	
	15	3190295	mt2.5	
	16	3190036	1	
	17	3190301	2	
	18	3010022	2	Hex screw [M6X25 8.8 ZC UNI 5739]
	19	5002124	1	
	20	3060005	4	Flat washer [D.6.4 UNI 6592 ZC]

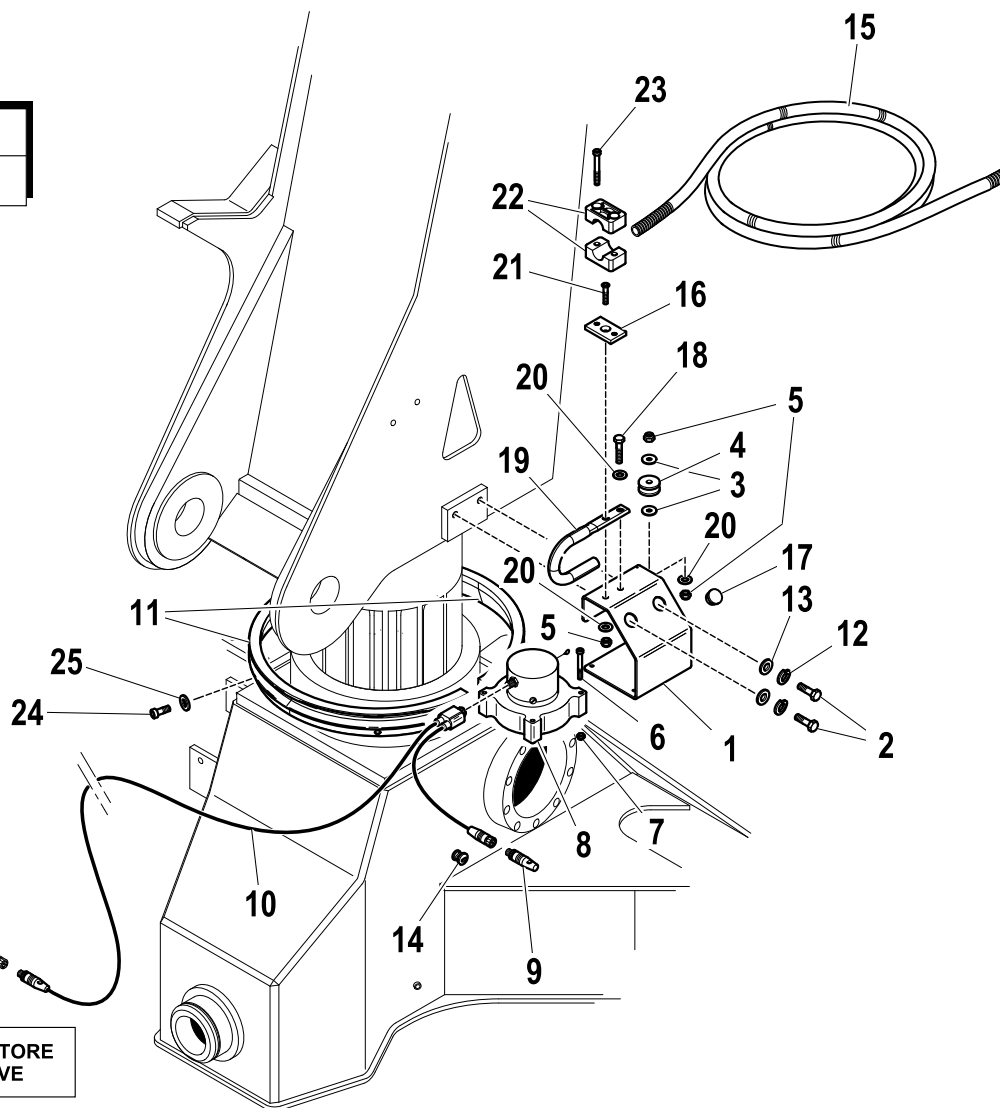
ROTATION CONTROL (EN12999-A3)

Code

5411205-1.1

1/2

VALIDO DA Ottobre 2011
VALID FROM October 2011



R	Pos.	Code Variant	Q.ty	Description
1		5091301	1	
2		3020080	2	Socket head cap screw [M10X16 12.9 ZC UNI 5931]
3		3060030	2	Flat washer [D.6.6X18 UNI 6593 ZC]
4		5141080	1	
5		3040372	3	Stopnut
6		3020019	3	Socket head cap screw [M4X40 8.8 ZC UNI 5931]
7		3040518	3	Stopnut
8		3311313	1	
9		3311327	1	Connector (Electric)
10		3311325	1	
11		5141120	2	Half ring
12		3060056	2	Split lock washer [D=10 C72 ZC]
13		3060914	2	Flat washer [D.10.5X21X2 UNI 6592 ZC]
14		3311326	1	
15		3190295	mt2.5	
16		5000454	1	
17		3190301	2	
18		3010022	1	Hex screw [M6X25 8.8 ZC UNI 5739]
19		5002124	1	
20		3060005	3	Flat washer [D.6.4 UNI 6592 ZC]

BASAMENTO LATO DISTRIBUTORE
BASE SIDE CONTROL VALVE

ROTATION CONTROL (EN12999-A3)

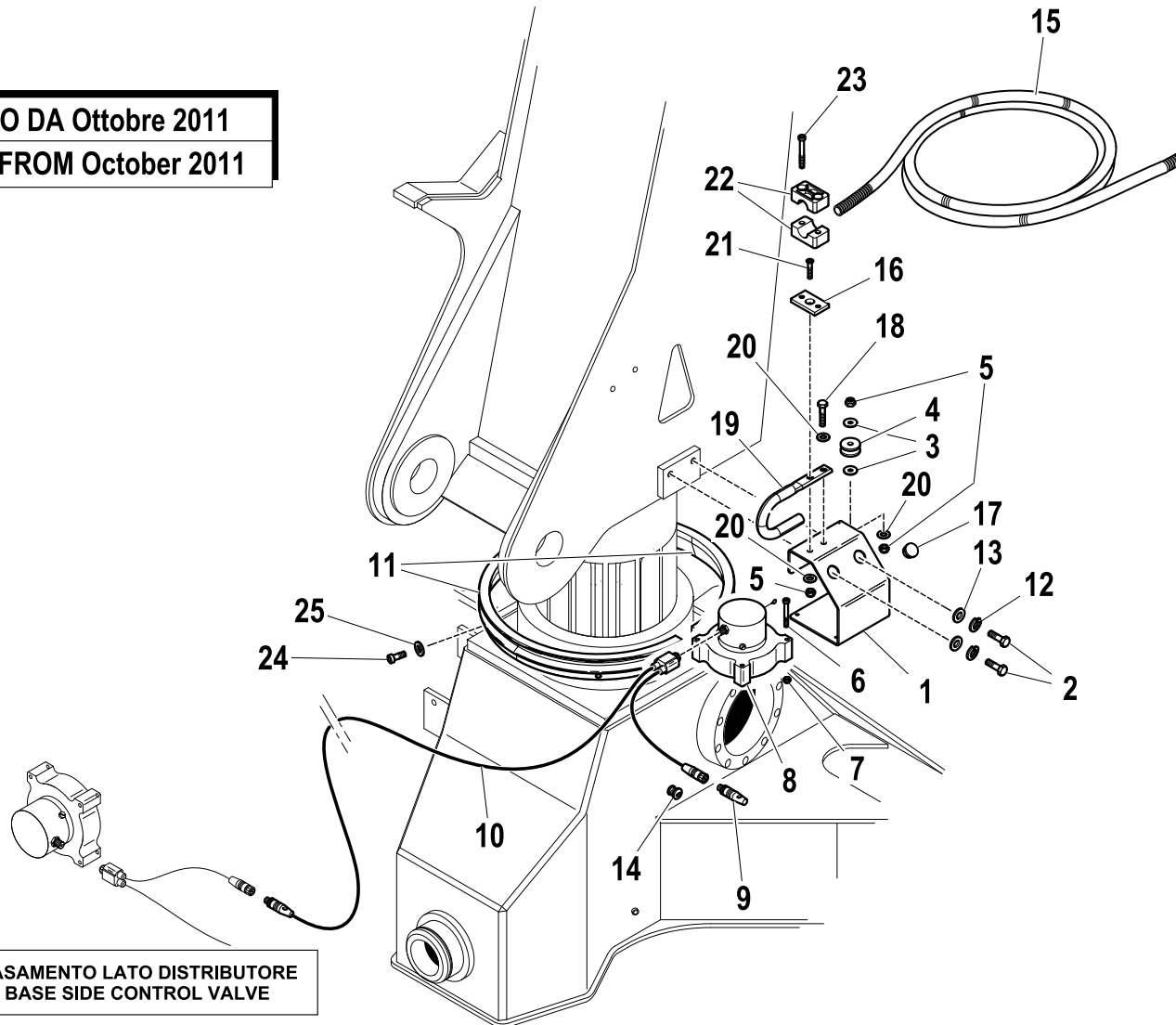
Code

5411205-1.1

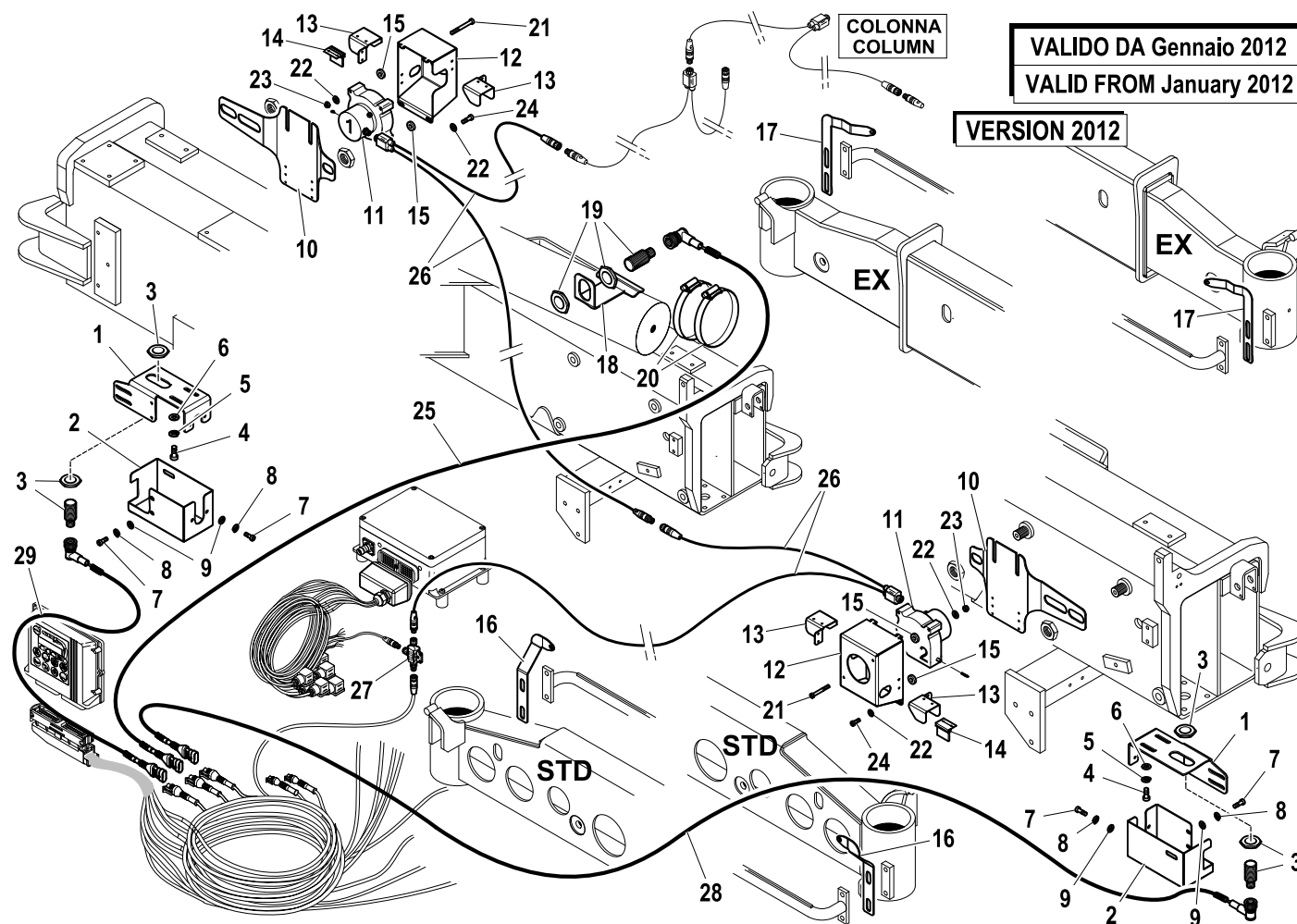
2/2

VALIDO DA Ottobre 2011
VALID FROM October 2011

R	Pos.	Code Variant	Q.ty	Description
	21	3020907	1	TSEI screw [M6X25 10.9 ZC UNI 5933]
	22	3190185	2	Collar
	23	3020039	2	Socketed head cap screw [M6X35 8.8 ZC UNI 5931]
	24	3020022	6	Socketed head cap screw [M5X10 8.8 ZC UNI 5931]
	25	3060004	6	Flat washer [D.5 UNI 6592 ZC]



BASAMENTO LATO DISTRIBUTORE
BASE SIDE CONTROL VALVE



R	Pos.	Code Variant	Q.ty	Description
	1	5091395	2	Support (Proximity sensor)
	2	5002189	2	Guard (Proximity sensor)
	3	3311311	2	Proximity switch
	4	3020034	4	Socketed head cap screw [M6X16 8.8 ZC UNI 5931]
	5	3060053	4	Split lock washer [D=6.4 C72 ZC]
	6	3060030	4	Flat washer [D.6.6X18 UNI 6593 ZC]
	7	3020022	8	Socketed head cap screw [M5X10 8.8 ZC UNI 5931]
	8	3060052	8	Split lock washer [D=5.5 C72 ZC]
	9	3060004	8	Flat washer [D.5 UNI 6592 ZC]
	10	5002184	2	Support (Encoder)
	11	3311313	2	
	12	5091392	2	Support
	13	5002181	4	Cables guard
	14	5002175	2	Brush
	15	3190039	4	Insulator
	16	5002114	2	Hook (latch) (Cable)
	17	5002183	2	Hook (latch) (Cable)
	18	5002185	1	Support (Proximity switch)
	19	3311312	1	Proximity switch
	20	3190021	2	Clamp [104-138 12.2 ABA]

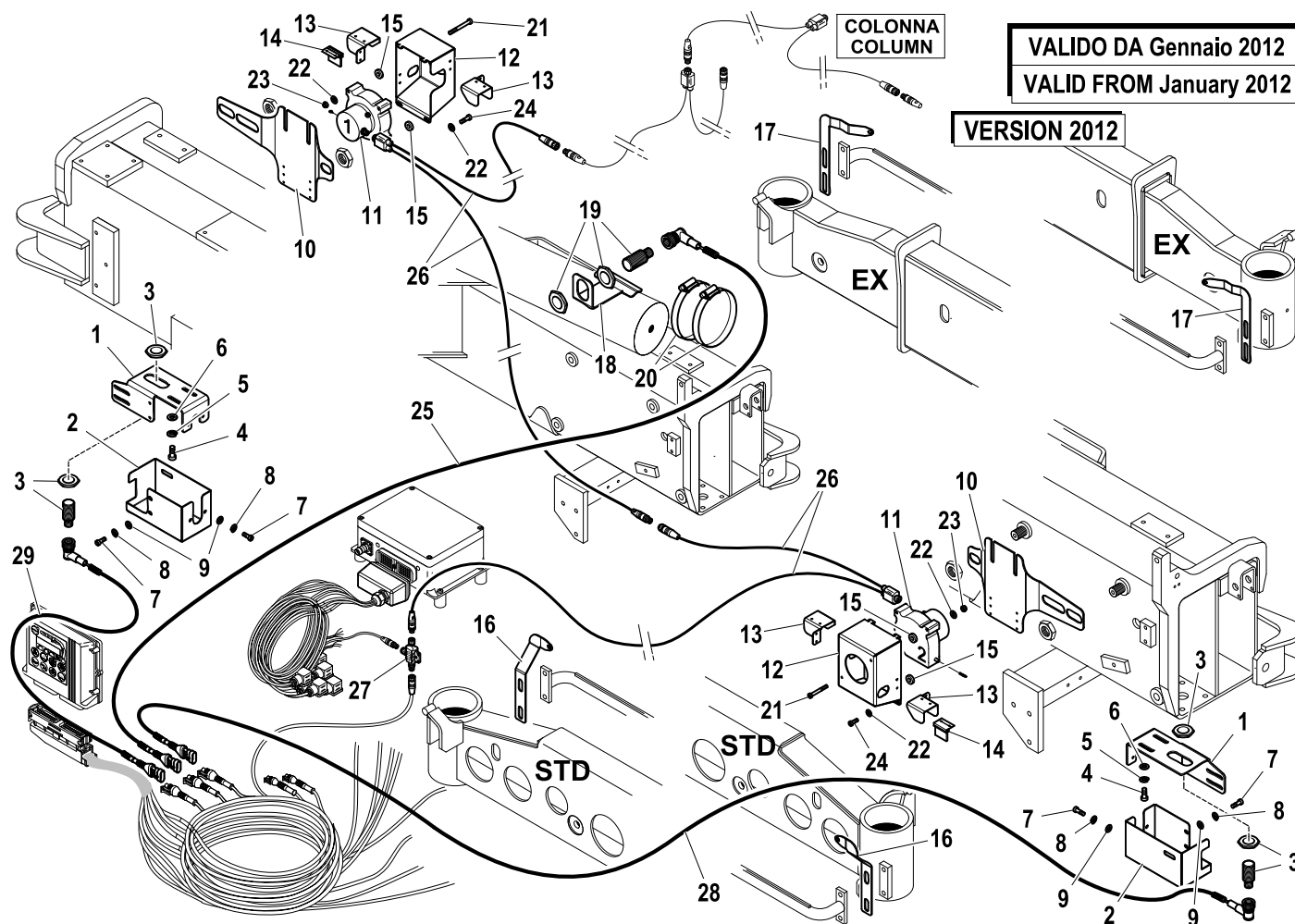
STABILITY CONTROL (EN12999-A3)

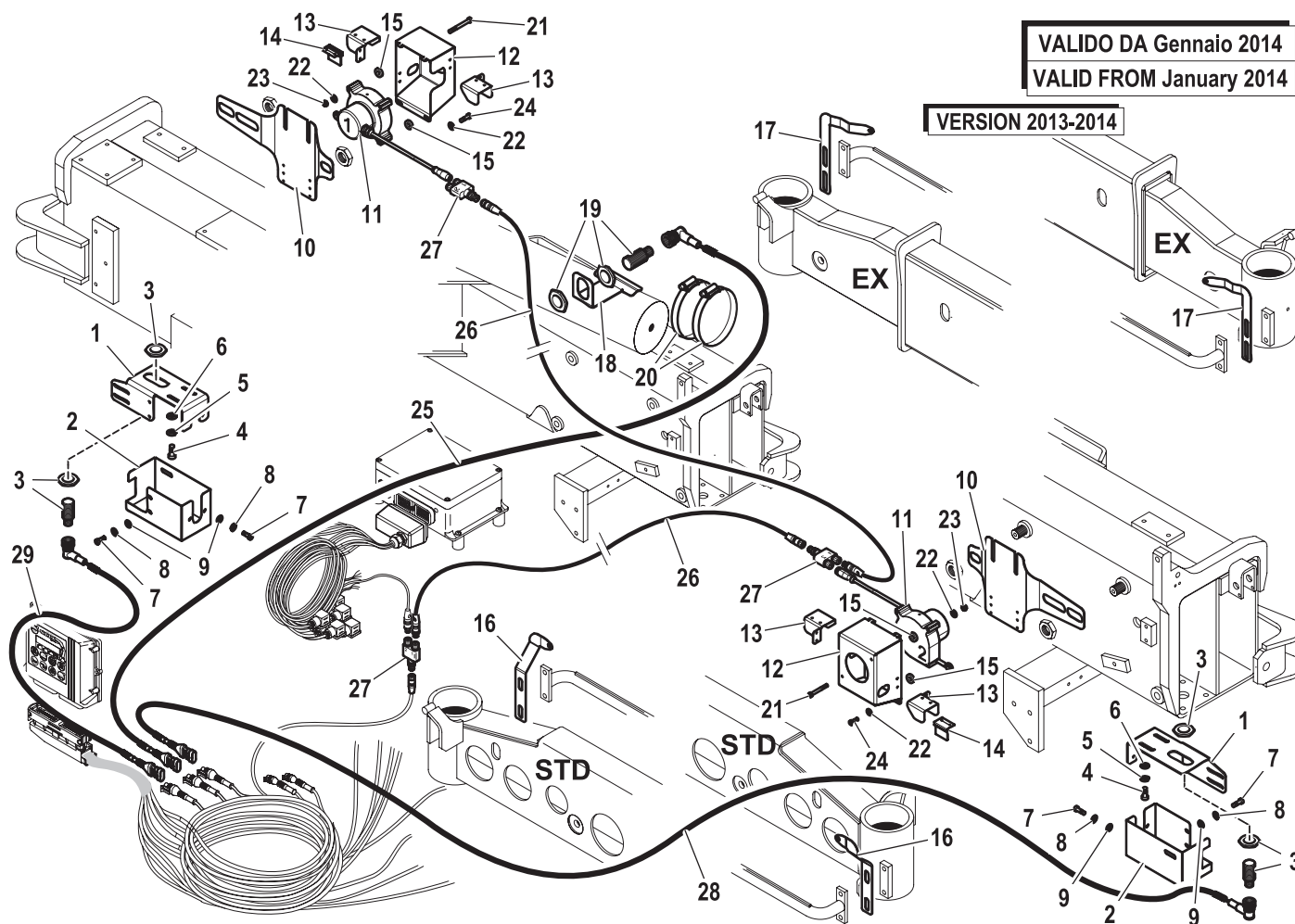
Code

5411204-14.0

2/2

R	Pos.	Code Variant	Q.ty	Description
	21	3020019	4	Socket head cap screw [M4X40 8.8 ZC UNI 5931]
	22	3060003	8	Flat washer [D.4 UNI 6592 ZC]
	23	3040518	4	Stopnut
	24	3020895	4	Socket head cap screw [M4X10 8.8 ZC UNI 5931]
	25	3311372	1	Electric wiring
	26	3311325	2	
	27	3311323	1	
	28	3311377	1	Electric wiring
	29	3311332	1	Electric wiring





R	Pos.	Code Variant	Q.ty	Description
	1	5091395	2	Support (Proximity sensor)
	2	5002189	2	Guard (Proximity sensor)
	3	3311311	2	Proximity switch
	4	3020034	4	Socketed head cap screw [M6X16 8.8 ZC UNI 5931]
	5	3060053	4	Split lock washer [D=6.4 C72 ZC]
	6	3060030	4	Flat washer [D.6.6X18 UNI 6593 ZC]
	7	3020022	8	Socketed head cap screw [M5X10 8.8 ZC UNI 5931]
	8	3060052	8	Split lock washer [D=5.5 C72 ZC]
	9	3060004	8	Flat washer [D.5 UNI 6592 ZC]
	10	5002184	2	Support (Encoder)
	11	3311924	2	Sensor unit (Encoder)
	12	5091392	2	Support
	13	5002181	4	Cables guard
	14	5002175	2	Brush
	15	3190039	4	Insulator
	16	5002114	2	Hook (latch) (Cable)
	17	5002183	2	Hook (latch) (Cable)
	18	5002185	1	Support (Proximity switch)
	19	3311312	1	Proximity switch
	20	3190021	2	Clamp [104-138 12.2 ABA]

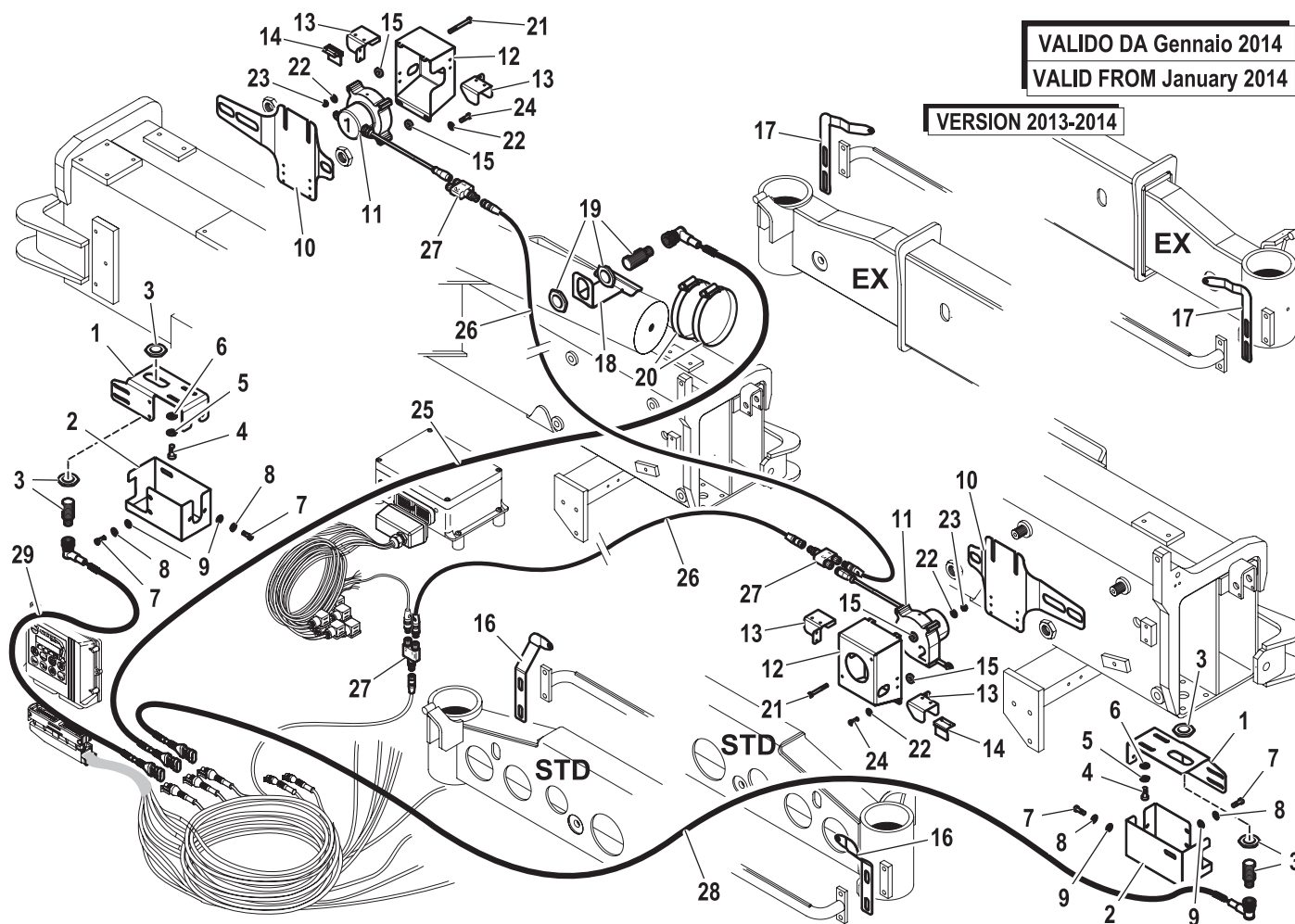
STABILITY CONTROL (EN12999-A3)

Code

5402419-2.0

2/2

R	Pos.	Code Variant	Q.ty	Description
	21	3020019	4	Socket head cap screw [M4X40 8.8 ZC UNI 5931]
	22	3060003	8	Flat washer [D.4 UNI 6592 ZC]
	23	3040518	4	Stopnut
	24	3020895	4	Socket head cap screw [M4X10 8.8 ZC UNI 5931]
	25	3311372	1	Electric wiring
	26	3311791	2	Electric cable (CAN BUS)
	27	3311792	3	Electrical connection
	28	3311377	1	Electric wiring
	29	3311332	1	Electric wiring



ROTATION CONTROL (EN12999-A3)

Code

5411367-1.0

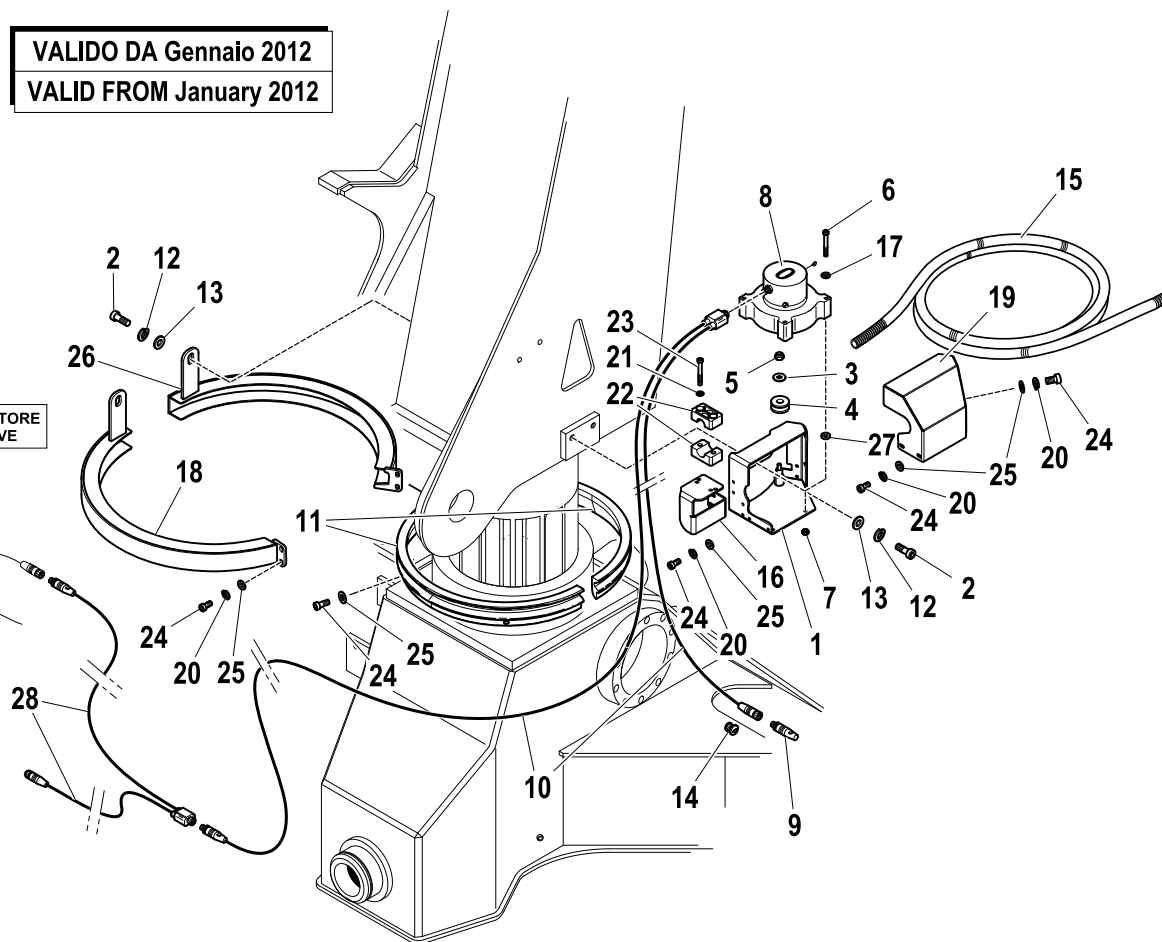
1/2

VERSION 2012

VALIDO DA Gennaio 2012

VALID FROM January 2012

BASAMENTO LATO DISTRIBUTORE
BASE SIDE CONTROL VALVE



R	Pos.	Code Variant	Q.ty	Description
	1	5091398	1	Support (Encoder)
	2	3020080	4	Socketed head cap screw [M10X16 12.9 ZC UNI 5931]
	3	3060030	1	Flat washer [D.6.6X18 UNI 6593 ZC]
	4	5141135	1	Wheel (Cable guide)
	5	3040372	1	Stopnut
	6	3020019	2	Socketed head cap screw [M4X40 8.8 ZC UNI 5931]
	7	3040518	2	Stopnut
	8	3311313	1	
	9	3311327	1	Connector (Electric)
	10	3311325	1	
	11	5141120	2	Half ring
	12	3060056	4	Split lock washer [D=10 C72 ZC]
	13	3060914	4	Flat washer [D.10.5X21X2 UNI 6592 ZC]
	14	3311326	1	
	15	3190295	mt2.5	
	16	5002193	1	Anchoring bracket
	17	3060003	2	Flat washer [D.4 UNI 6592 ZC]
	18	5091376	1	Guard (Half ring)
	19	5002177	1	Cover (Encoder)
	20	3060052	10	Split lock washer [D=5.5 C72 ZC]

ROTATION CONTROL (EN12999-A3)

Code

5411367-1.0

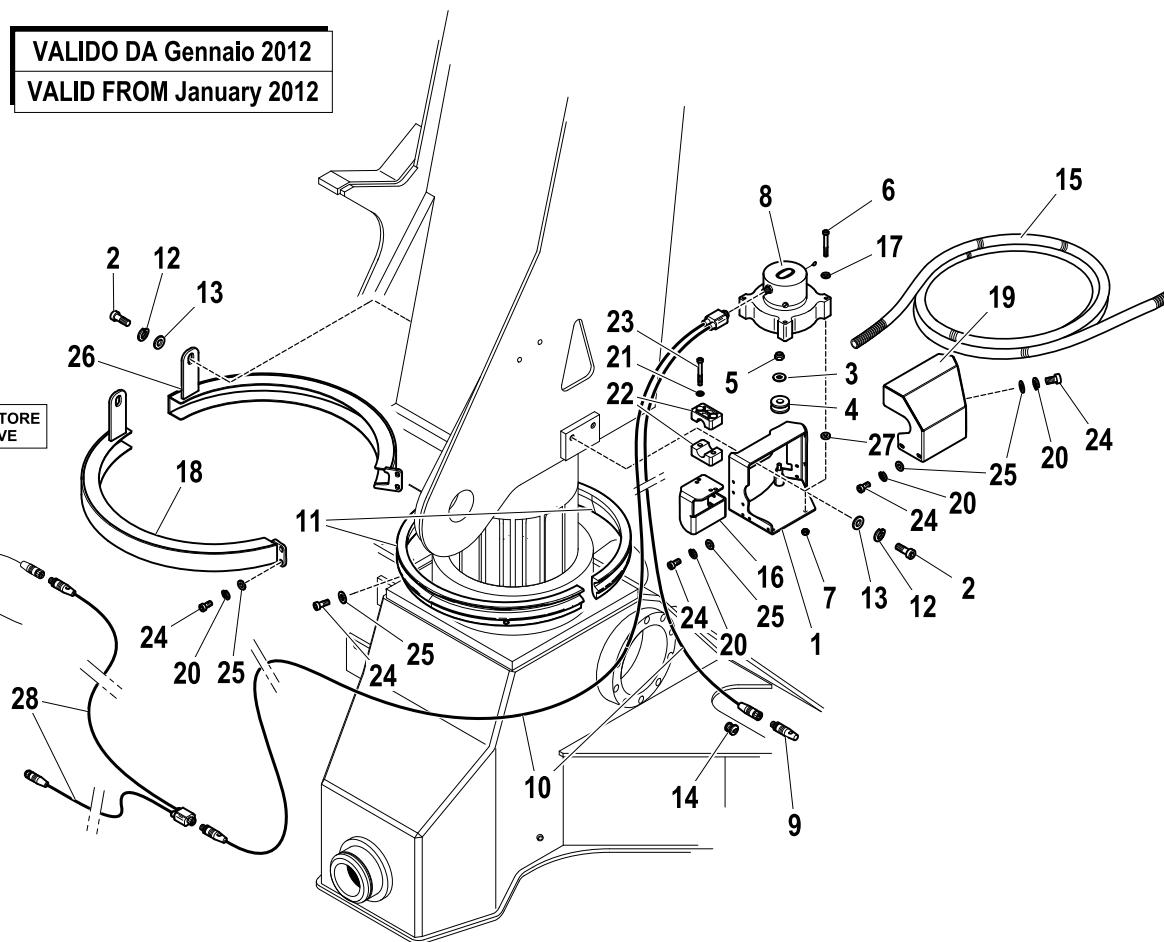
2/2

VERSION 2012

VALIDO DA Gennaio 2012

VALID FROM January 2012

**BASAMENTO LATO DISTRIBUTORE
BASE SIDE CONTROL VALVE**



R	Pos.	Code Variant	Q.ty	Description
	21	3190178	2	Flat washer
	22	3190185	2	Collar
	23	3020039	2	Socketed head cap screw [M6X35 8.8 ZC UNI 5931]
	24	3020022	16	Socketed head cap screw [M5X10 8.8 ZC UNI 5931]
	25	3060004	16	Flat washer [D.5 UNI 6592 ZC]
	26	5091374	1	Guard (Half ring)
	27	3190039	2	Insulator
	28	3311398	1	

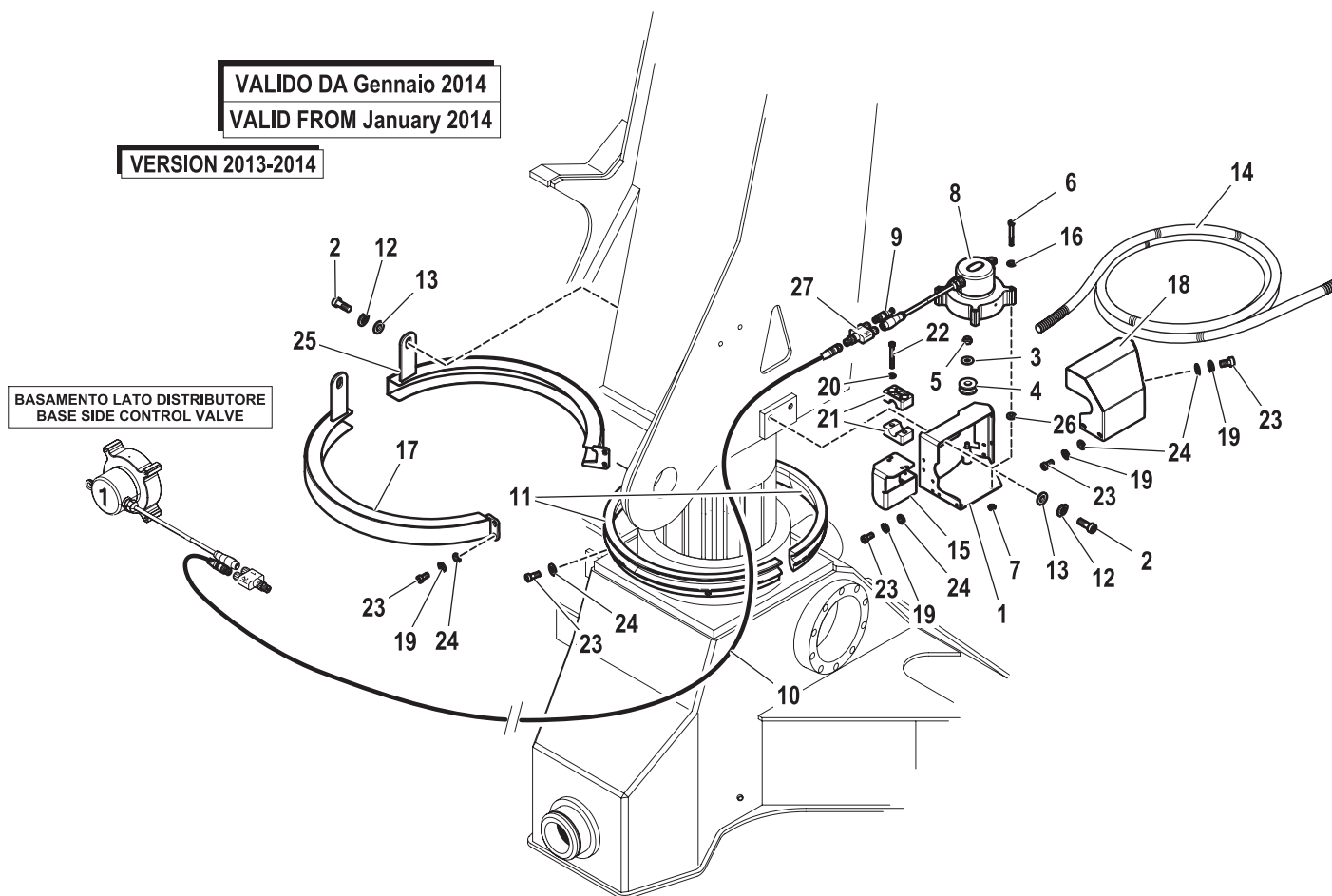
ROTATION CONTROL (EN12999-A3)

Code

5402419-3.0

1/2

R	Pos.	Code Variant	Q.ty	Description
	1	5091398	1	Support (Encoder)
	2	3020080	4	Socket head cap screw [M10X16 12.9 ZC UNI 5931]
	3	3060030	1	Flat washer [D.6.6X18 UNI 6593 ZC]
	4	5141135	1	Wheel (Cable guide)
	5	3040372	1	Stopnut
	6	3020019	2	Socket head cap screw [M4X40 8.8 ZC UNI 5931]
	7	3040518	2	Stopnut
	8	3311924	1	Sensor unit (Encoder)
	9	3311327	1	Connector (Electric)
	10	3311791	1	Electric cable (CAN BUS)
	11	5141120	2	Half ring
	12	3060056	4	Split lock washer [D=10 C72 ZC]
	13	3060914	4	Flat washer [D.10.5X21X2 UNI 6592 ZC]
	14	3190295	mt2.5	
	15	5002193	1	Anchoring bracket
	16	3060003	2	Flat washer [D.4 UNI 6592 ZC]
	17	5091376	1	Guard (Half ring)
	18	5002177	1	Cover (Encoder)
	19	3060052	10	Split lock washer [D=5.5 C72 ZC]
	20	3190178	2	Flat washer



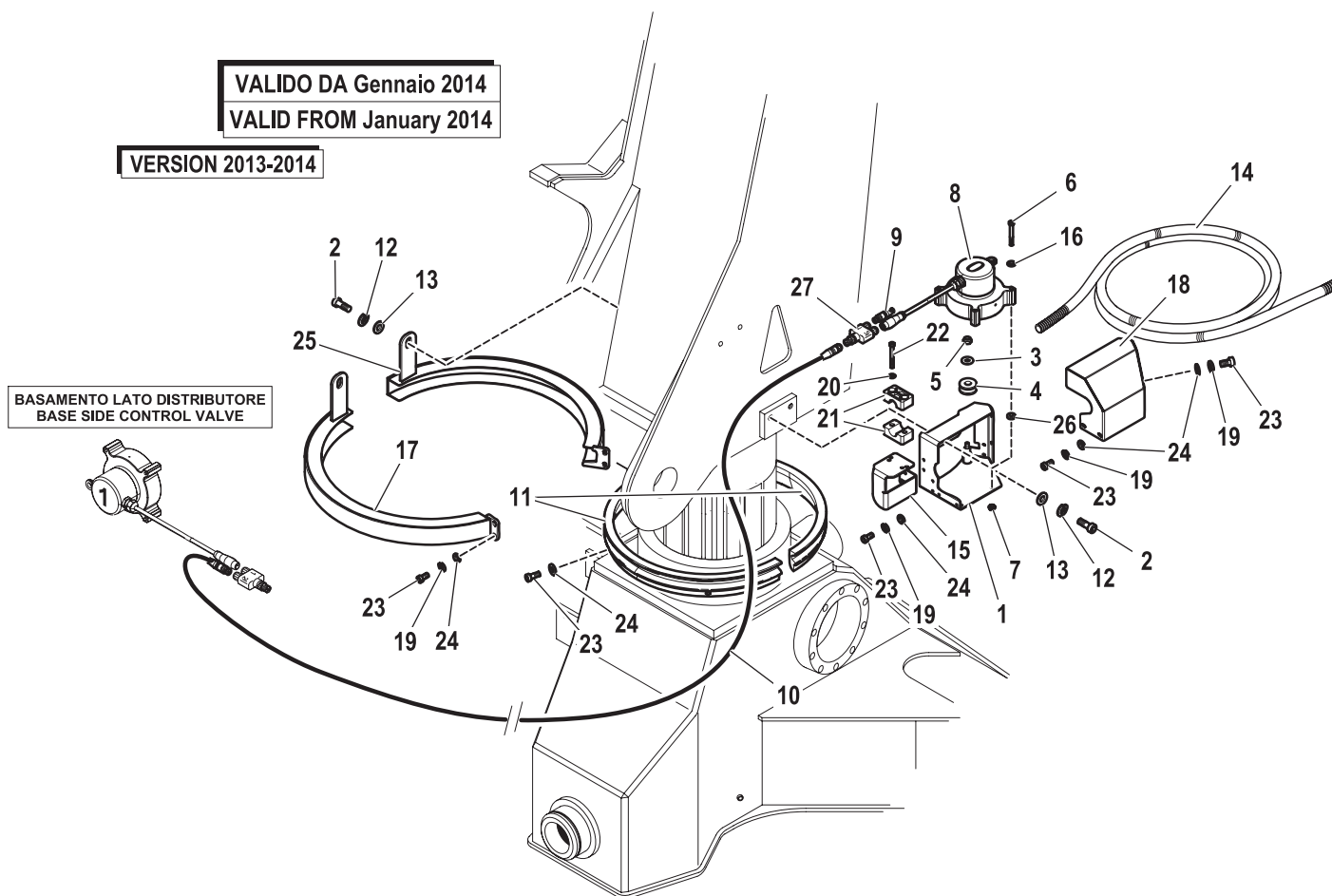
ROTATION CONTROL (EN12999-A3)

Code

5402419-3.0

2/2

R	Pos.	Code Variant	Q.ty	Description
	21	3190185	2	Collar
	22	3020039	2	Socketed head cap screw [M6X35 8.8 ZC UNI 5931]
	23	3020022	16	Socketed head cap screw [M5X10 8.8 ZC UNI 5931]
	24	3060004	16	Flat washer [D.5 UNI 6592 ZC]
	25	5091374	1	Guard (Half ring)
	26	3190039	2	Insulator
	27	3311792	1	Electrical connection



CONTROLS WITH THERMOFORMABLE (RDC EBB-X TCU-ECM4)

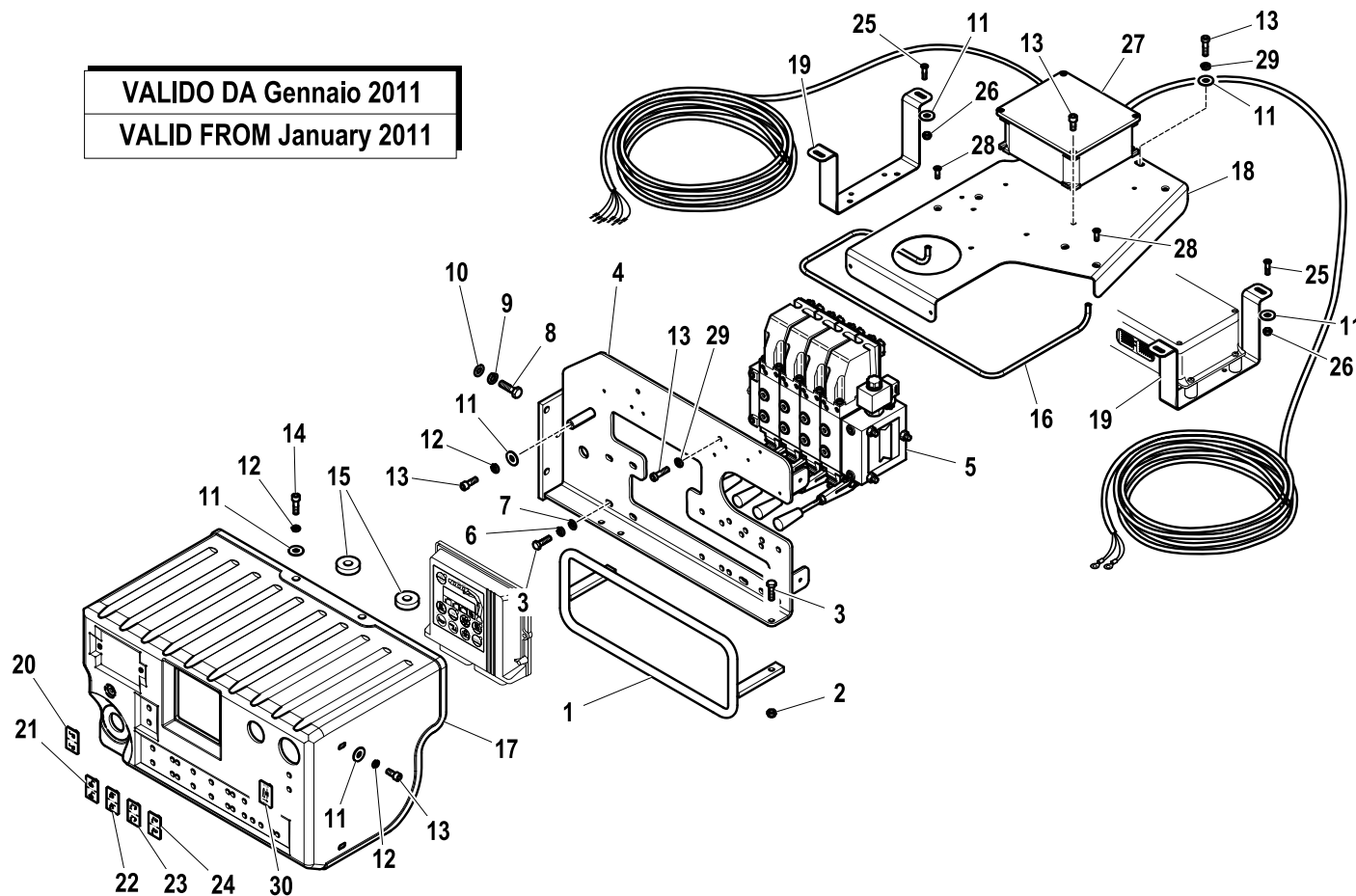
Code

5401218-1.0

1/2

VALIDO DA Gennaio 2011

VALID FROM January 2011



R	Pos.	Code Variant	Q.ty	Description
	1	5090636	1	
	2	3040303	2	Stopnut
	3	3010339	6	Hex screw [M8X25 8.8 ZC IF UNI 5739]
	4	5091219	1	
	5	5220373	1	
	6	3060055	4	Split lock washer [D=8.4 C72 ZC]
	7	3060006	4	Flat washer [D.8 UNI 6592 ZC]
	8	3010355	3	Hex screw [M10X25 8.8 ZC IF UNI 5739]
	9	3060056	3	Split lock washer [D=10 C72 ZC]
	10	3060914	3	Flat washer [D.10.5X21X2 UNI 6592 ZC]
	11	3060030	10	Flat washer [D.6.6X18 UNI 6593 ZC]
	12	3060005	5	Flat washer [D.6.4 UNI 6592 ZC]
	13	3020034	10	Socket head cap screw [M6X16 8.8 ZC UNI 5931]
	14	3020037	2	Socket head cap screw [M6X25 8.8 ZC UNI 5931]
	15	W340501400	2	Support (Clamp)
	16	5002043	1	
	17	5091218	1	
	18	5002024	1	
	19	5002028	2	
	20	5813516	1	Name plate (Control)

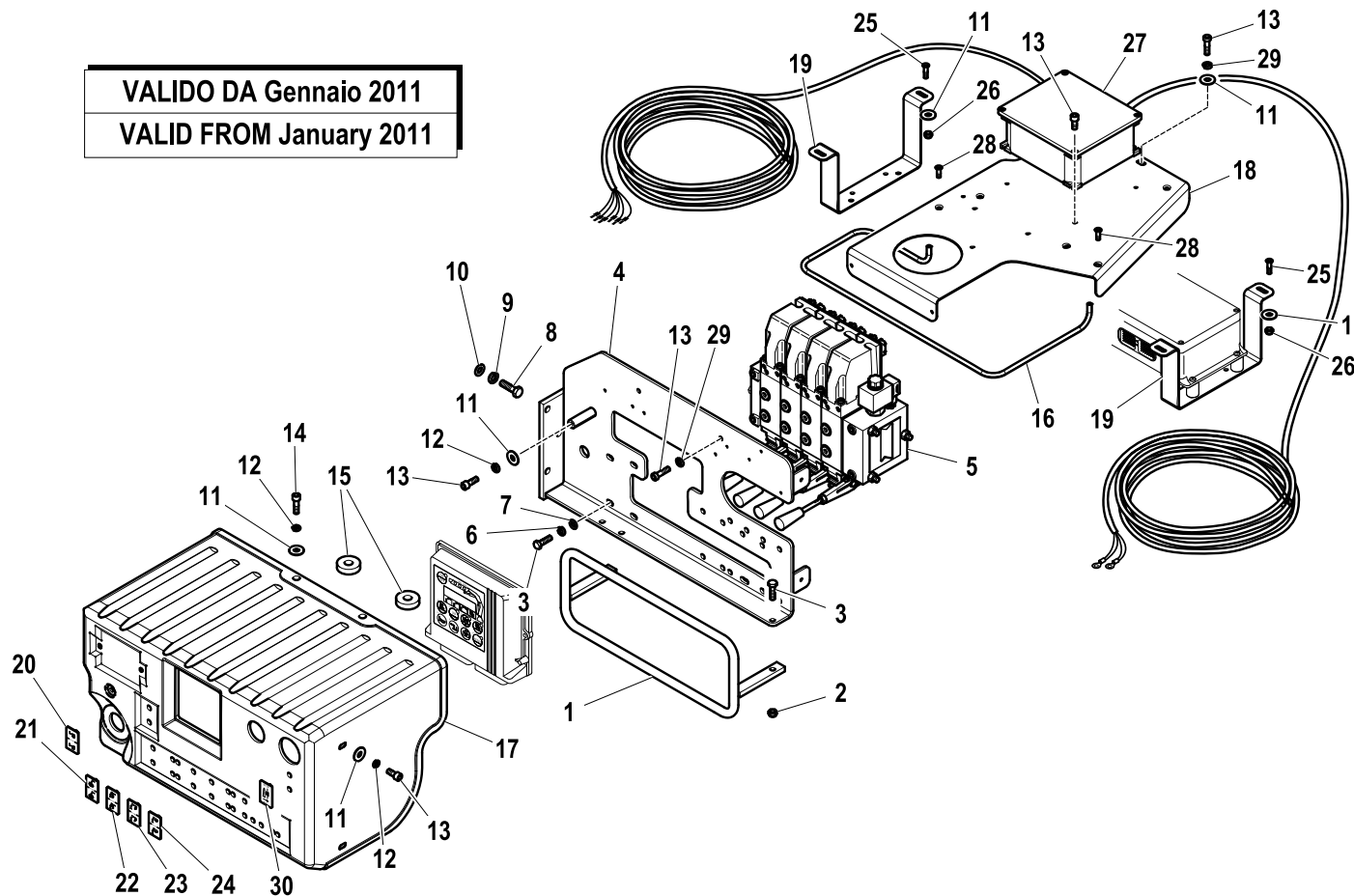
CONTROLS WITH THERMOFORMABLE (RDC EBB-X TCU-ECM4)

Code

5401218-1.0

2/2

VALIDO DA Gennaio 2011
VALID FROM January 2011



R	Pos.	Code Variant	Q.ty	Description
	21	W573266	1	Small plate (CONTROL SYMBOLS)
	22	W573267	1	Small plate (CONTROL SYMBOLS)
	23	W573269	1	Small plate (CONTROL SYMBOLS)
	24	W573270	1	Small plate (CONTROL SYMBOLS)
	25	3020405	4	TSEI screw [M6X20 10.9 ZC UNI 5933]
	26	3040372	4	Stopnut
	27	3311405	1	
	28	3020436	2	TSEI screw [M6X10 ZC UNI 5933]
	29	3060053	3	Split lock washer [D=6.4 C72 ZC]
	30	5813567	1	

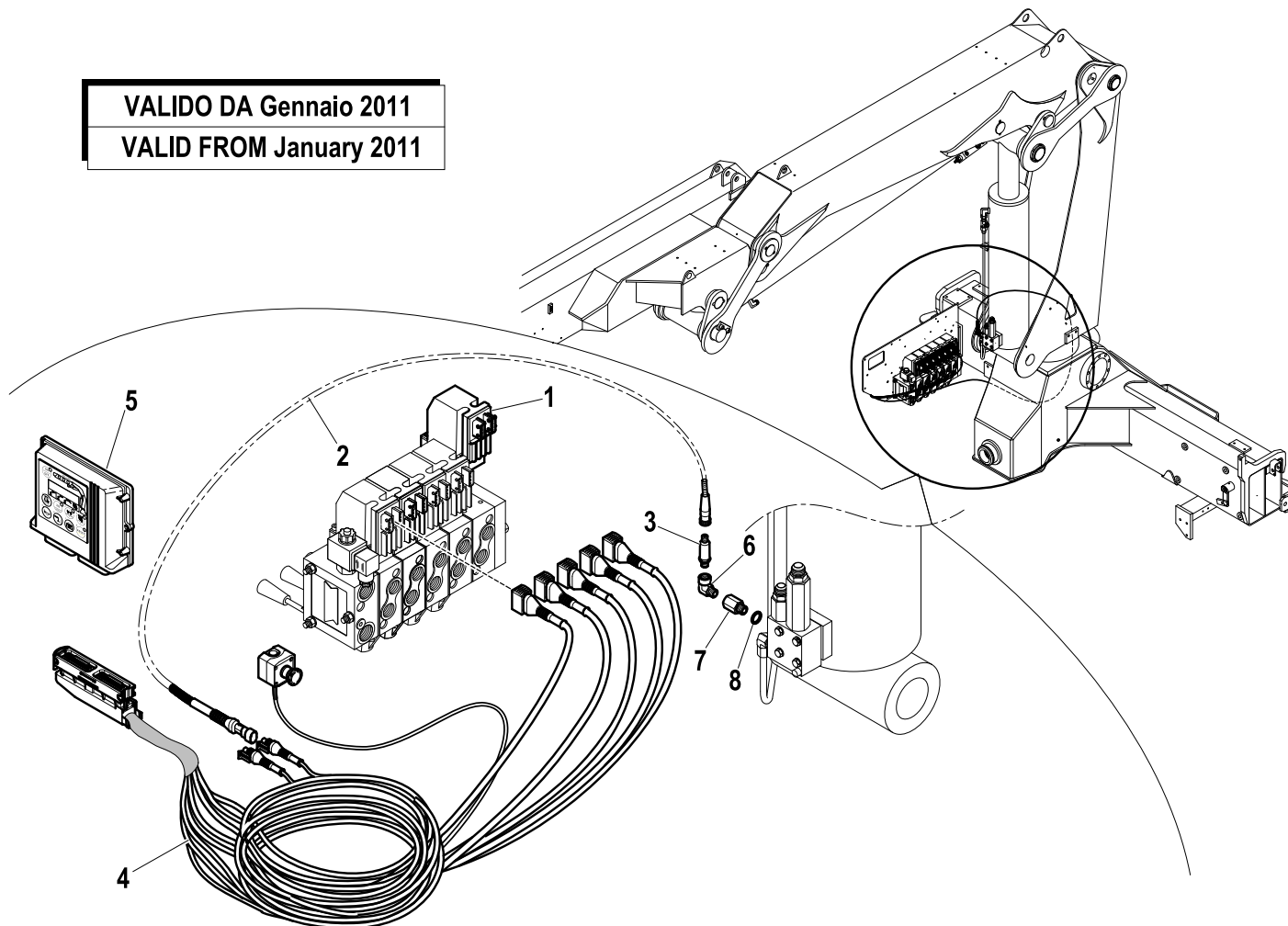
CONTROLS (RDC EBB-X TCU-ECM4)

Code

5401235-2.0

1/1

VALIDO DA Gennaio 2011
VALID FROM January 2011



R	Pos.	Code Variant	Q.ty	Description
	1	5225534	4	Electric control (PVEA-DI PER PVG32)
	2	5160084	1	Electric wiring
	3	3310612	1	Pressure sensor
	4	5160072	1	Electric wiring
	5	3311423	1	Moment limiting device [SUPERATO]
	6	3111512	1	90° Connection
	7	3110266	1	Straight pipe fitting
	8	3060143	1	Sealing washer [BSP 1/4"]

CONTROLS (RDC EBB-X TCU-ECM4)

Code

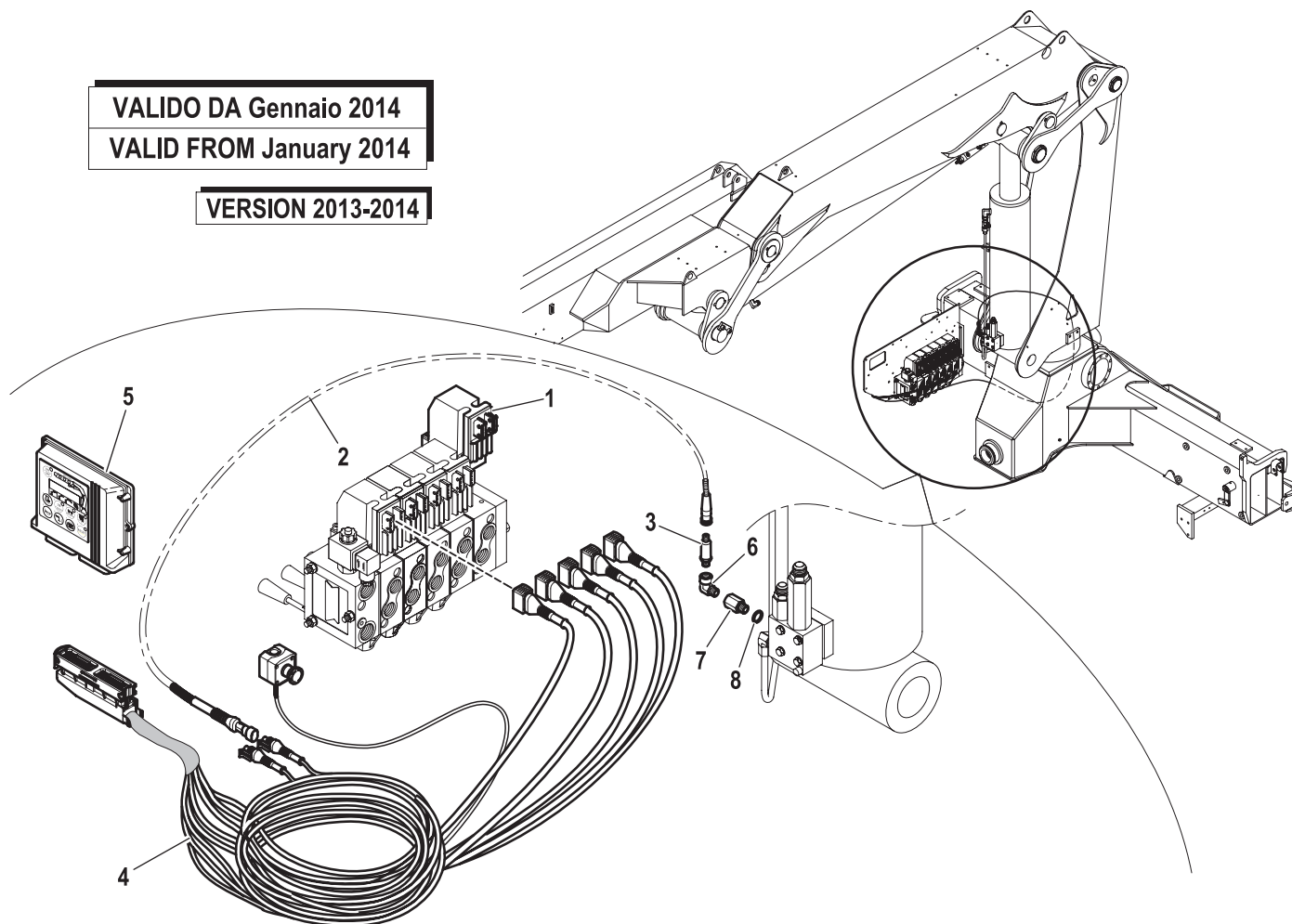
5402437-1.0

1/1

VALIDO DA Gennaio 2014

VALID FROM January 2014

VERSION 2013-2014



R	Pos.	Code Variant	Q.ty	Description
	1	5225534	4	Electric control (PVEA-DI PER PVG32)
	2	5160084	1	Electric wiring
	3	3310612	1	Pressure sensor
	4	5160072	1	Electric wiring
	5	3311630	1	Moment limiting device (WITH RESINING)
	6	3111512	1	90° Connection
	7	3110282	1	Straight pipe fitting
	8	3060143	1	Sealing washer [BSP 1/4"]

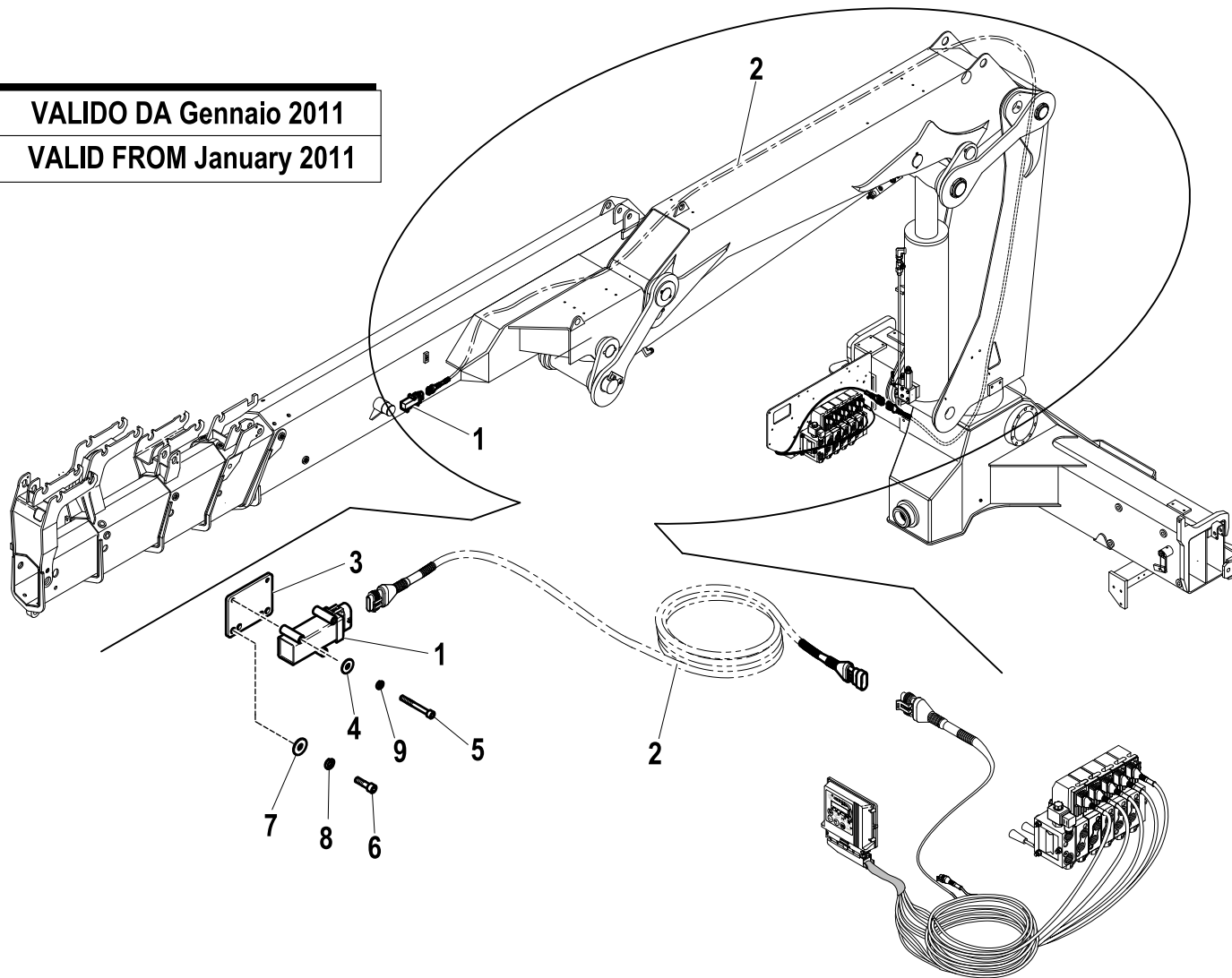
CONTROLS (RDC EBB-X TCU-ECM4)

Code

5401218-3.0

1/1

VALIDO DA Gennaio 2011
VALID FROM January 2011



R	Pos.	Code Variant	Q.ty	Description
1		3311150	1	Tiltmeter
2		5160076	1	
3		5002108	1	Support plate (Tiltmeter)
4		3060003	2	Flat washer [D.4 UNI 6592 ZC]
5		3020018	2	Socketed head cap screw [M4X30 8.8 ZC UNI 5931]
6		3020033	2	Socketed head cap screw [M6X10 8.8 ZC UNI 5931]
7		3060005	2	Flat washer [D.6.4 UNI 6592 ZC]
8		3060053	2	Split lock washer [D=6.4 C72 ZC]
9		3060065	2	Split lock washer [D=4.1 C72 ZC]

CONTROLS (RDC EBB-X TCU-ECM4)

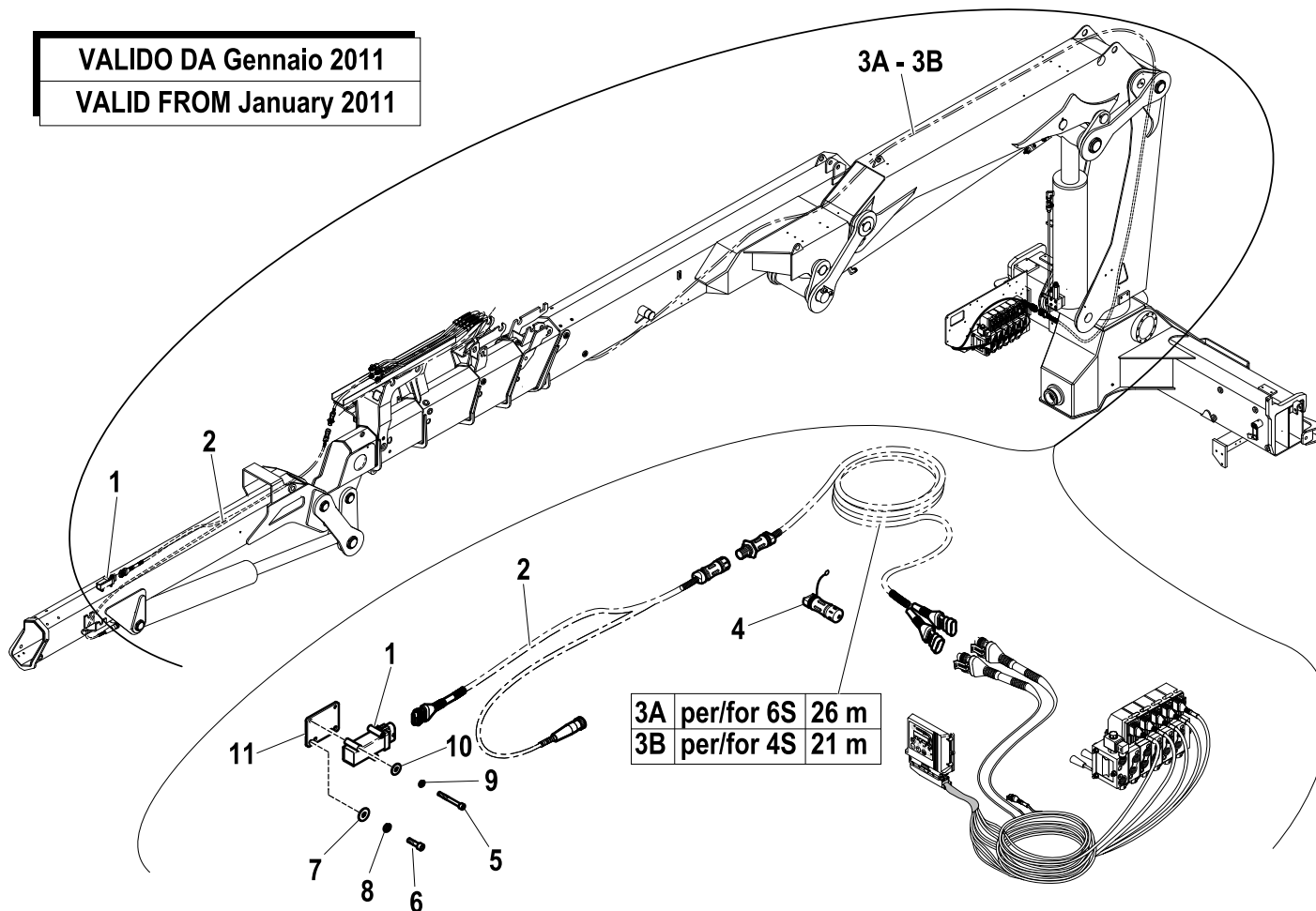
Code

5401218-4.0

1/1

R	Pos.	Code Variant	Q.ty	Description
	1	3311150	1	Tiltmeter
	2	5160079	1	Electric wiring
	3 A	5160077	1	
	3 B	5160078	1	
	4	5160080	1	Plug (Electric components)
	5	3020018	2	Socketed head cap screw [M4X30 8.8 ZC UNI 5931]
	6	3020033	2	Socketed head cap screw [M6X10 8.8 ZC UNI 5931]
	7	3060005	2	Flat washer [D.6.4 UNI 6592 ZC]
	8	3060053	2	Split lock washer [D=6.4 C72 ZC]
	9	3060065	2	Split lock washer [D=4.1 C72 ZC]
	10	3060003	2	Flat washer [D.4 UNI 6592 ZC]
	11	5002108	1	Support plate (Tiltmeter)

VALIDO DA Gennaio 2011
VALID FROM January 2011



3A	per/for 6S	26 m
3B	per/for 4S	21 m

CONTROLS (RDC EBB-X TCU-ECM4)

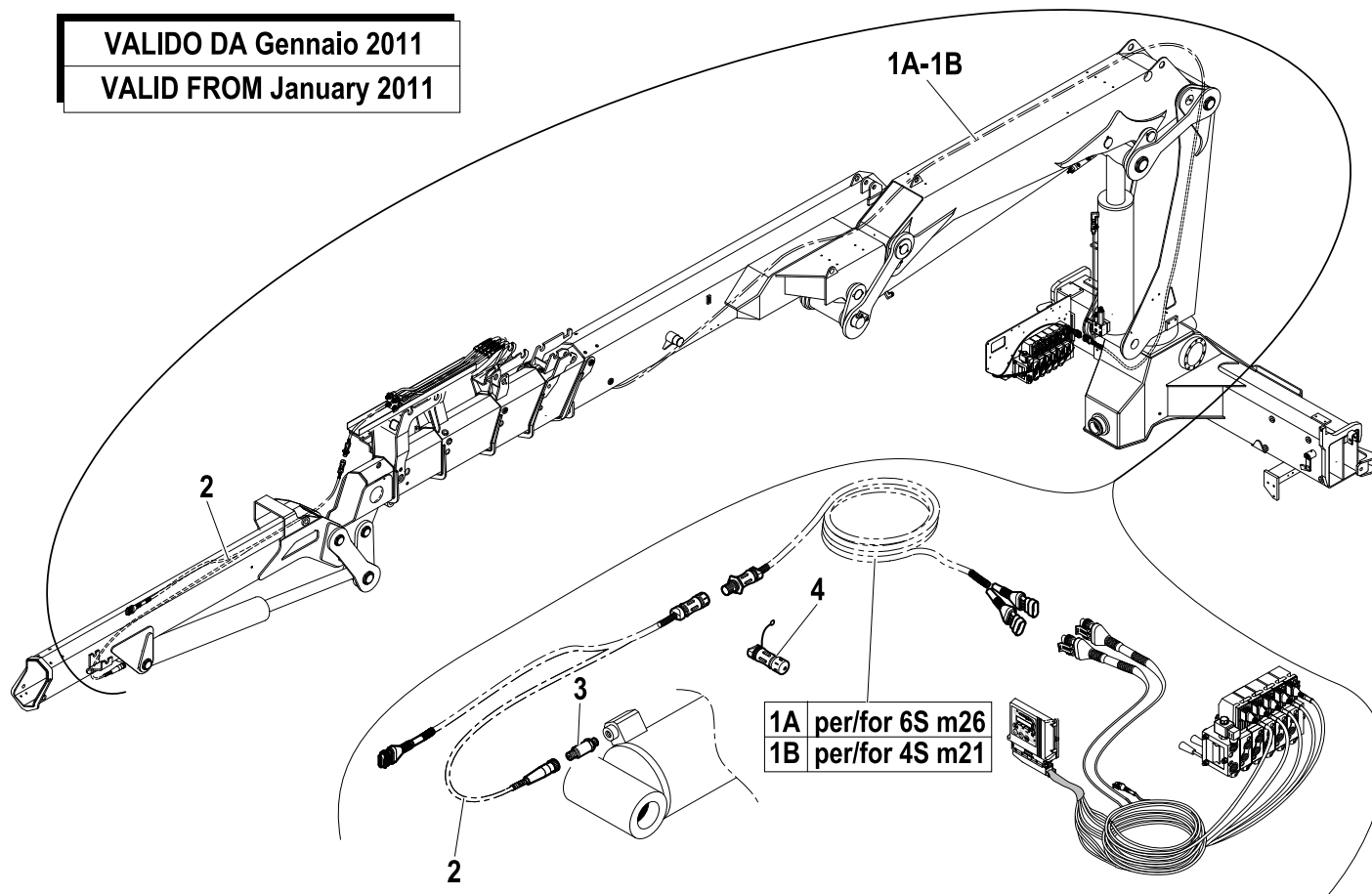
Code

5401218-5.0

1/1

R	Pos.	Code Variant	Q.ty	Description
	1 A	5160077	1	
	1 B	5160078	1	
	2	5160079	1	Electric wiring
	3	3310612	1	Pressure sensor
	4	5160080	1	Plug (Electric components)

VALIDO DA Gennaio 2011
VALID FROM January 2011



CONTROLS (RDC EBB-X TCU-ECM4)

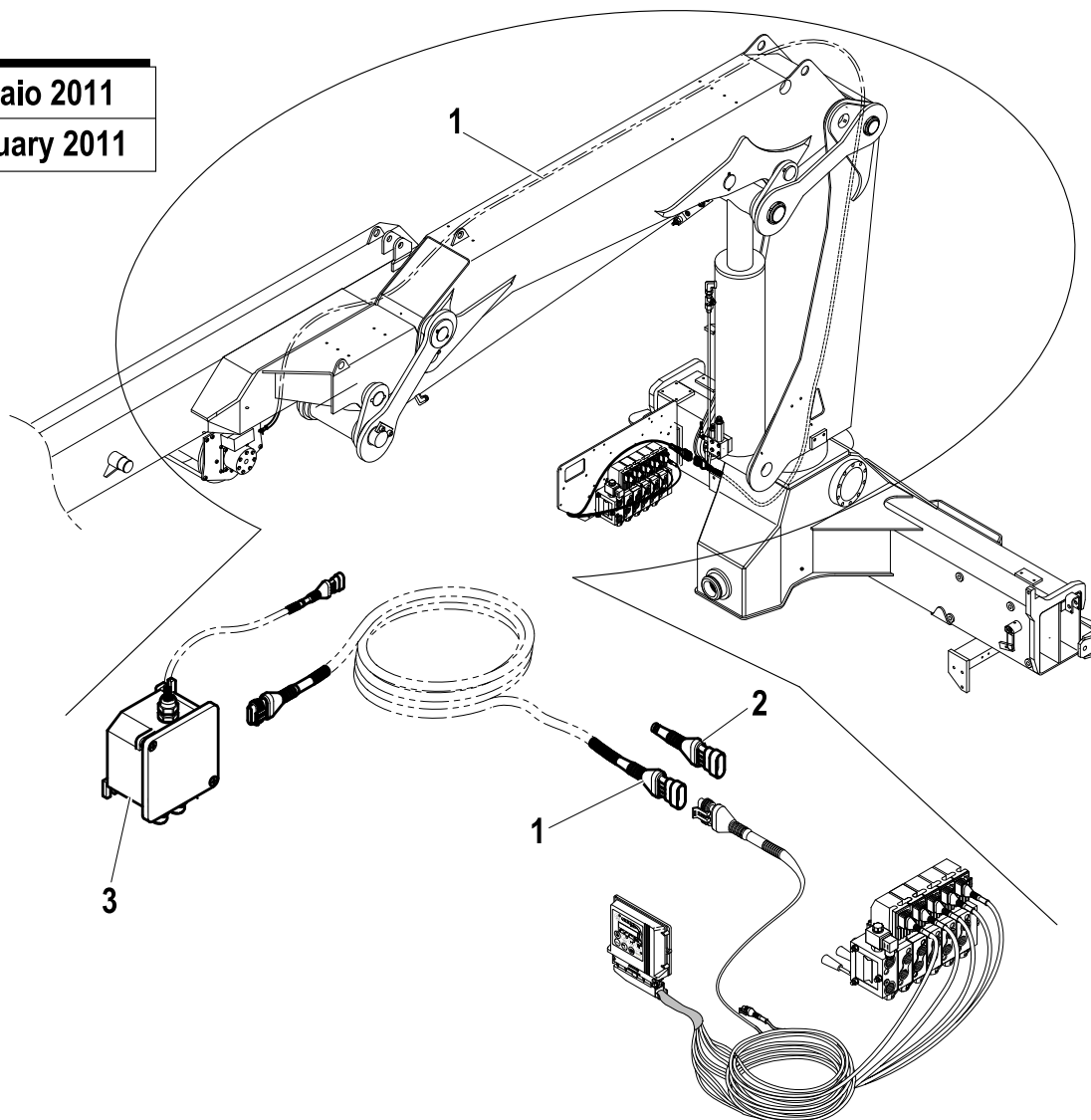
Code

5401218-6.0

1/1

VALIDO DA Gennaio 2011
VALID FROM January 2011

R	Pos.	Code Variant	Q.ty	Description
	1	5160004	1	
	2	5160013	1	
	3	3310663	1	



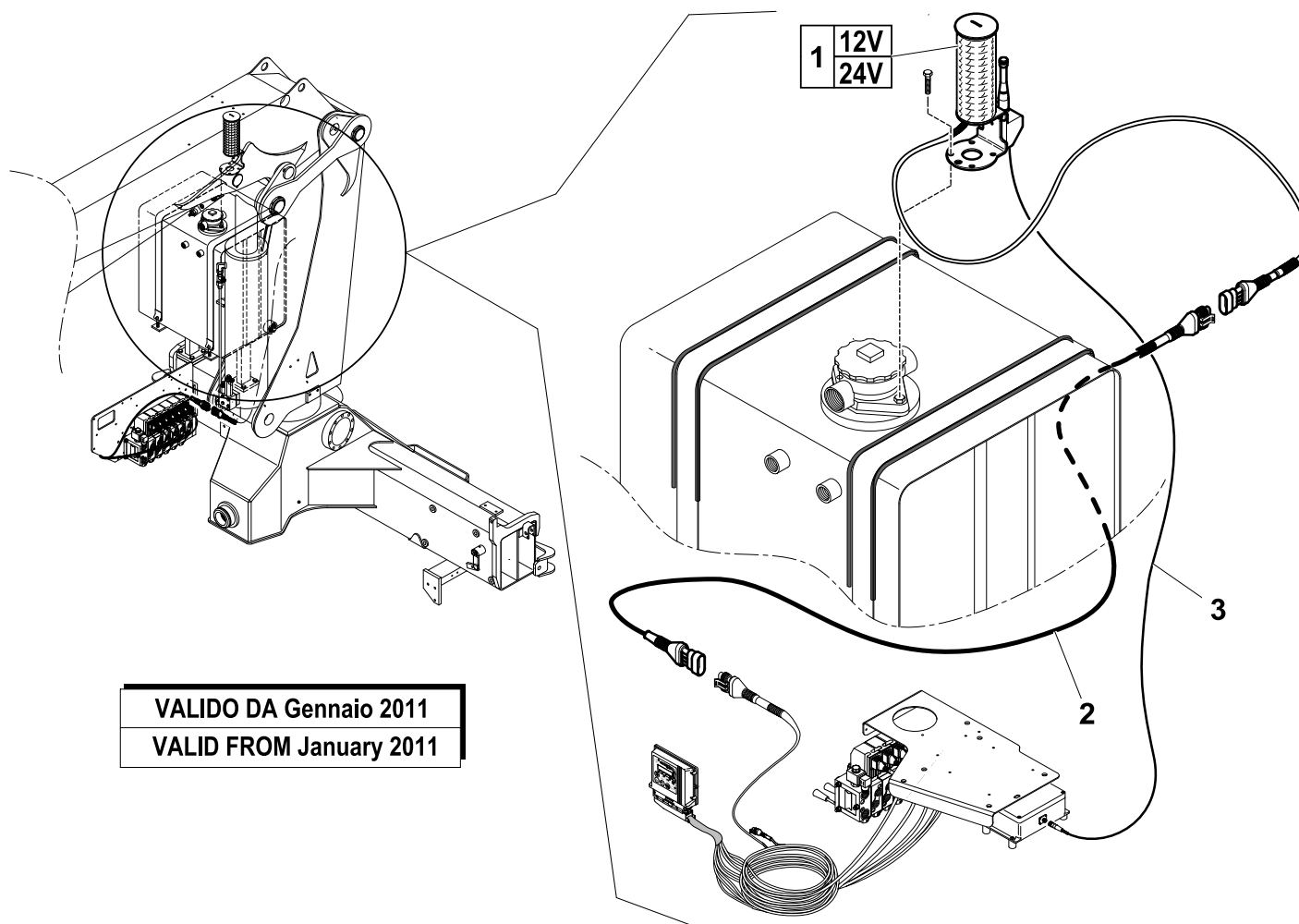
CONTROLS (RDC EBB-X TCU-ECM4)

Code

5401218-7.0

1/1

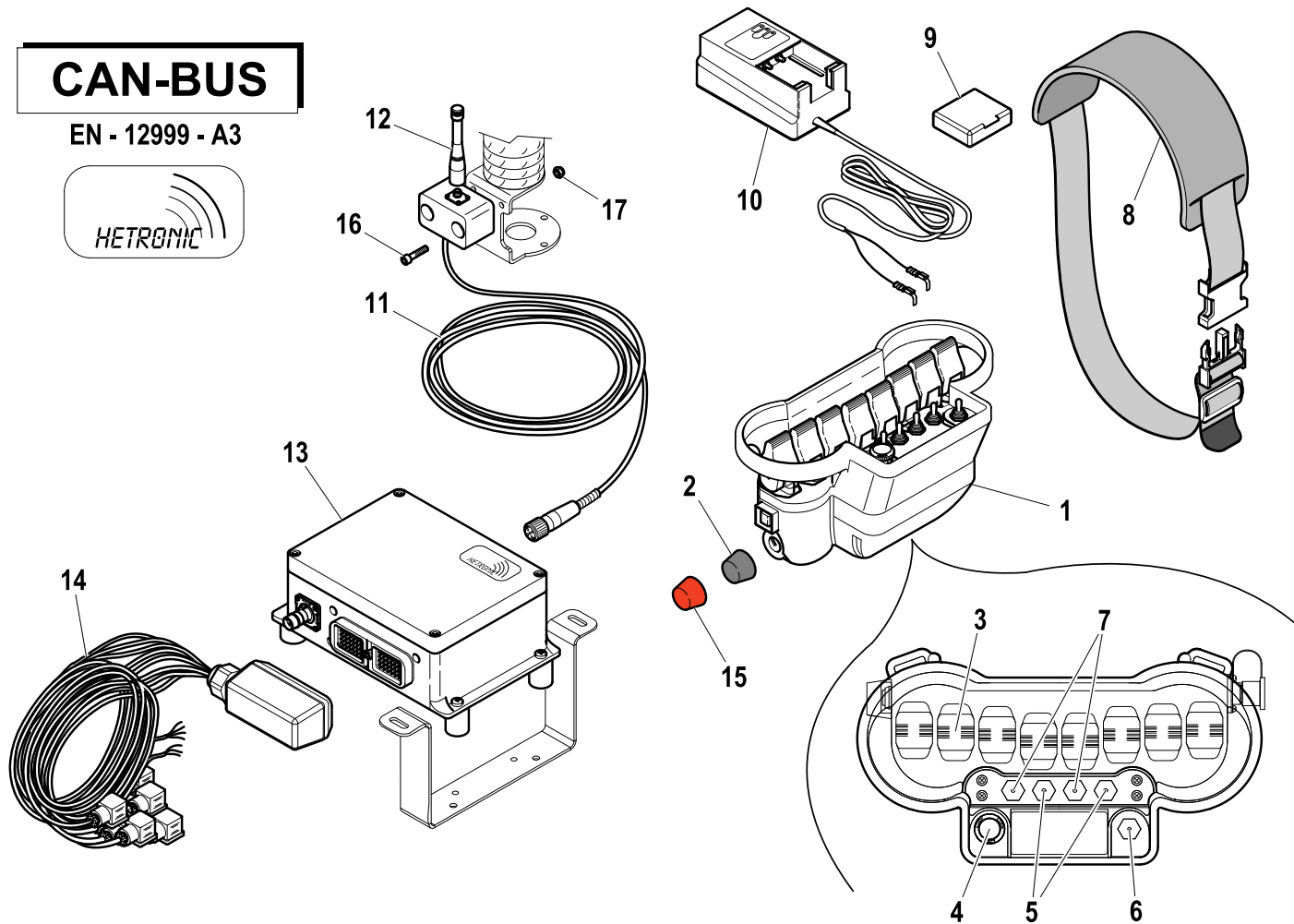
R	Pos.	Code Variant	Q.ty	Description
1		3311159	1	Signal Columns
2		5160003	1	Electric wiring
3		3311131	1	Electric cable



VALIDO DA Gennaio 2011
VALID FROM January 2011

CAN-BUS

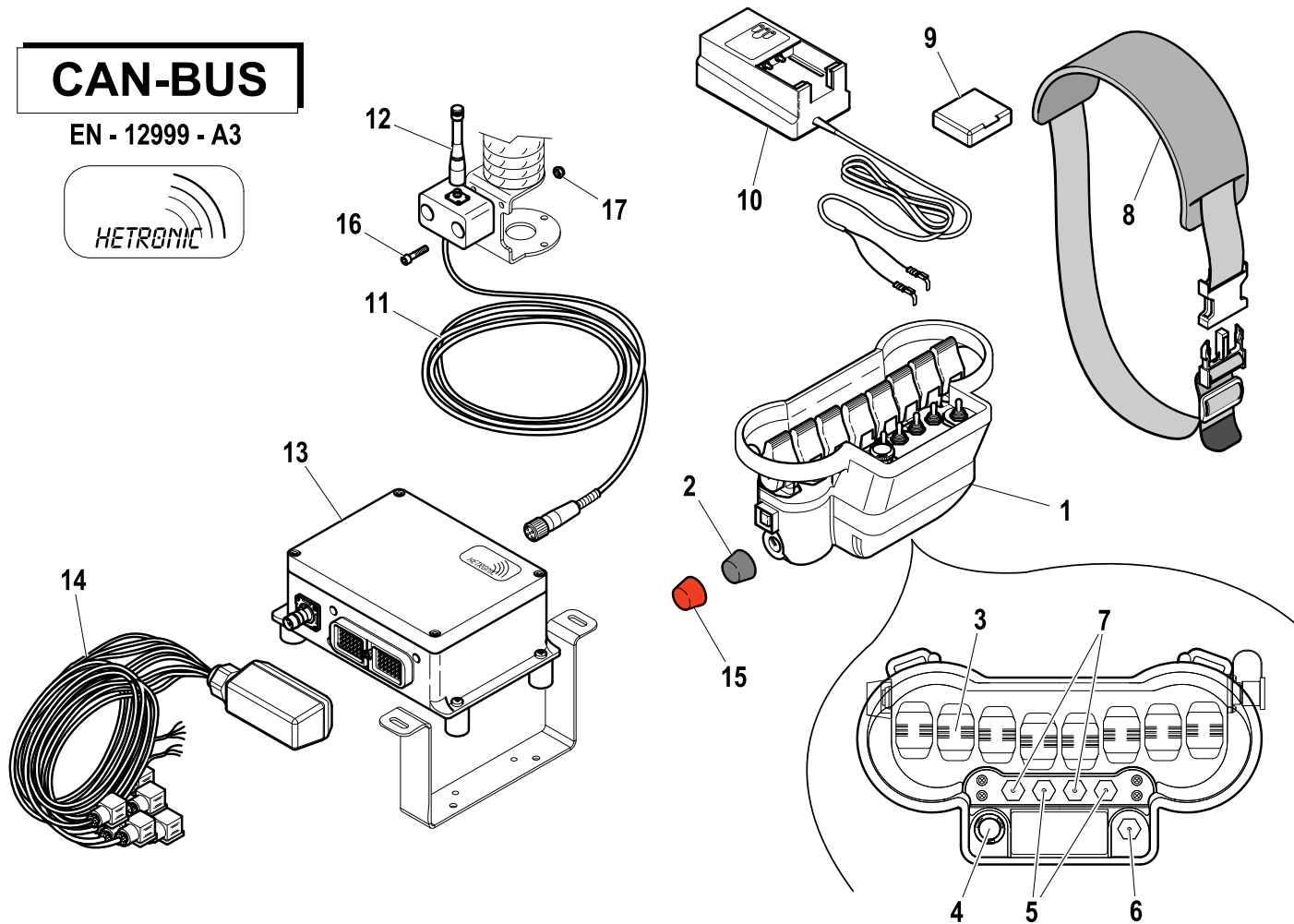
EN - 12999 - A3



R	Pos.	Code Variant	Q.ty	Description
	1	3311429	1	
	2	3310795	1	
	3	3310796	8	
	4	3310788	1	
	5	3310786	2	
	6	3310785	1	
	7	3310787	2	
	8	3311031	1	
	9	3310641	2	
	10	3310797	1	
	11	3311131	1	Electric cable
	12	3310861	1	
	13	3311433	1	
	14	3311432	1	
	15	3310924	1	
	16	3020024	2	Socket head cap screw [M5X35 8.8 ZC UNI 5931]
	17	3040392	2	Stopnut

CAN-BUS

EN - 12999 - A3



R	Pos.	Code Variant	Q.ty	Description
	1	3311431	1	Transmitter
	2	3310795	1	
	3	3310796	8	
	4	3310788	1	
	5	3310786	2	
	6	3310785	1	
	7	3310787	2	
	8	3311031	1	
	9	3310641	2	
	10	3310797	1	
	11	3311131	1	Electric cable
	12	3310861	1	
	13	3311435	1	
	14	3311432	1	
	15	3310924	1	
	16	3020024	2	Socket head cap screw [M5X35 8.8 ZC UNI 5931]
	17	3040392	2	Stopnut

Wireless control kit (Hz.AUS)

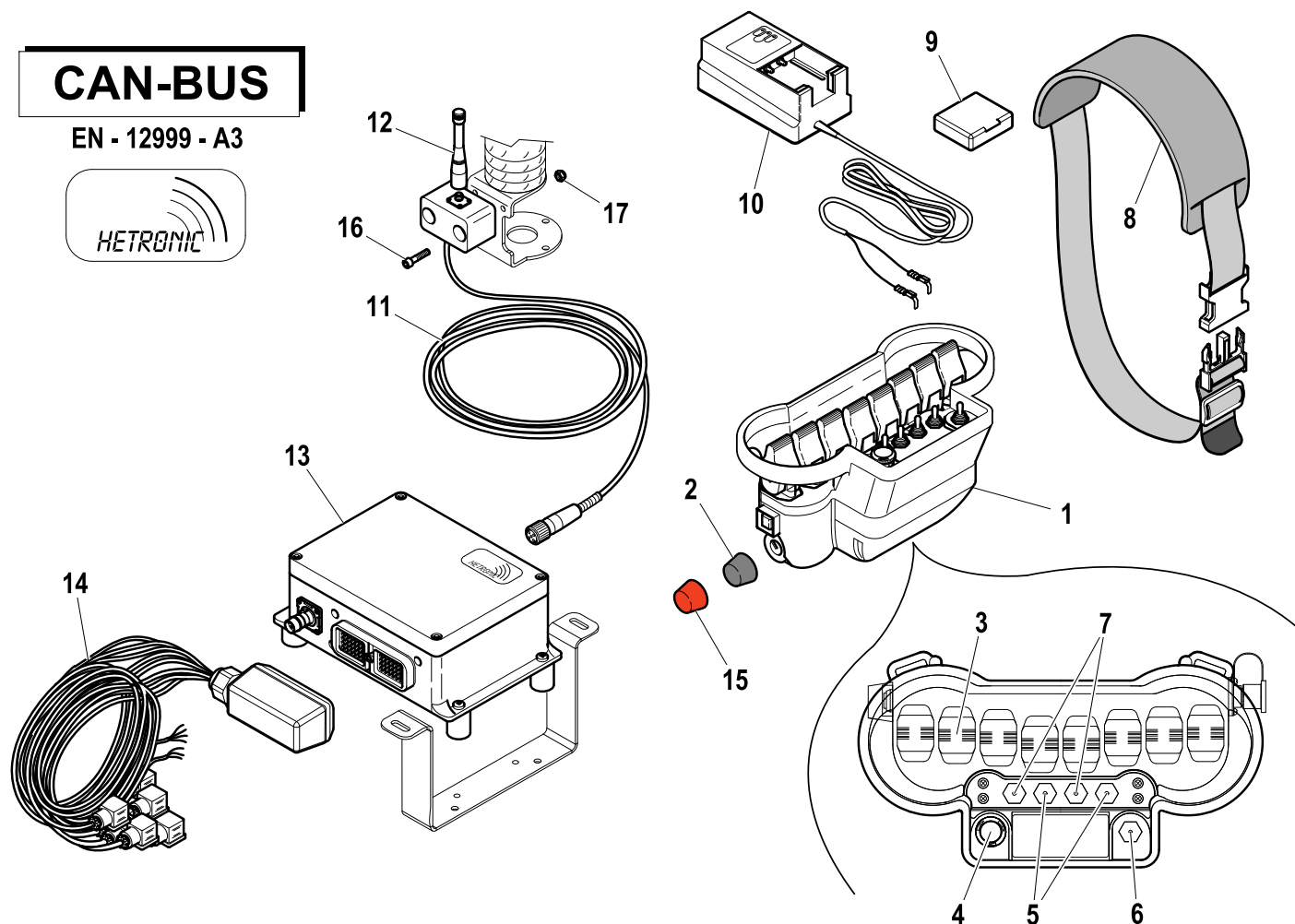
Code

7892206-1.0

1/1

CAN-BUS

EN - 12999 - A3



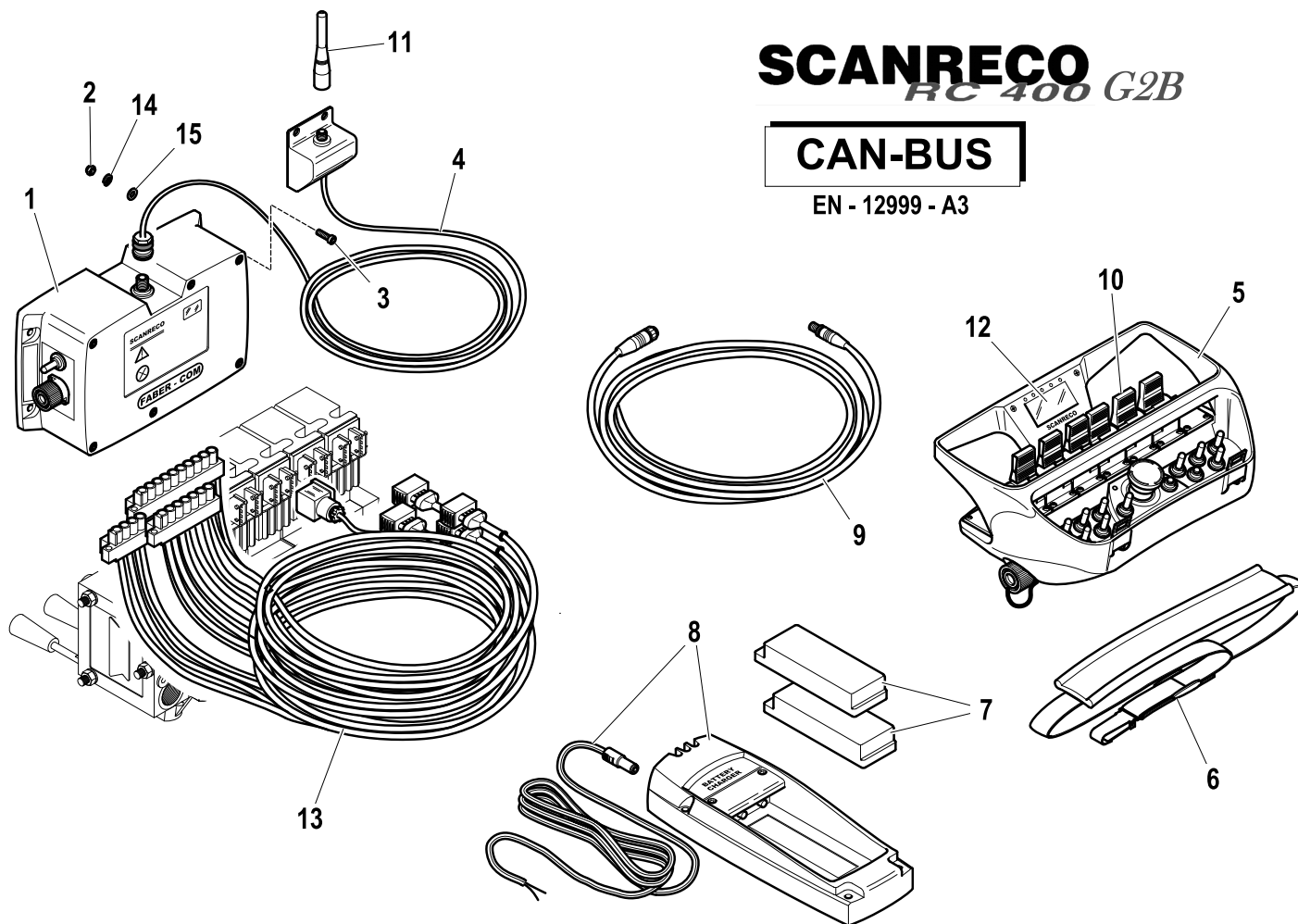
R	Pos.	Code Variant	Q.ty	Description
	1	3311430	1	Transmitter
	2	3310795	1	
	3	3310796	8	
	4	3310788	1	
	5	3310786	2	
	6	3310785	1	
	7	3310787	2	
	8	3311031	1	
	9	3310641	2	
	10	3310797	1	
	11	3311131	1	Electric cable
	12	3310861	1	
	13	3311434	1	
	14	3311432	1	
	15	3310924	1	
	16	3020024	2	Socket head cap screw [M5X35 8.8 ZC UNI 5931]
	17	3040392	2	Stopnut

SCANRECO

RC 400 G2B

CAN-BUS

EN - 12999 - A3



R	Pos.	Code Variant	Q.ty	Description
	1	3311529	1	
	2	3040392	4	Stopnut
	3	3020028	4	Socket head cap screw [M5X20 8.8 ZC UNI 5931]
	4	3311242	1	
	5	3311528	1	
	6	3190226	1	
	7	3310483	2	
	8	3310471	1	
	9	3311535	1	
	10	3310445	6	Control lever
	11	3311275	1	
	12	3311532	1	
	13	3311531	1	
	14	3060052	4	Split lock washer [D=5.5 C72 ZC]
	15	3060004	4	Flat washer [D.5 UNI 6592 ZC]