

Model
**2 ARTICULATED BOOM
HC221**

Logbook code
7880610_H.1
Edition
02/2015



Page	Table code	Q.ty	Table heading		Validity
9	W057101_721-1.0	1	BASE		
12	W057502B-1.2	1	HYDRAULIC SYSTEM (Slewing Hydraulic jack)		
13	5760147-1.0	1	STABILIZER ROD		
15	5760122-2.1	1	HYDRAULIC SYSTEM (STABILIZER ROD)		
17	W440450500-1.0	1	ROD EXTENSION HYDRAULIC CYLINDER EXTRA-EXTENSIBLE		
18	5760148-1.0	1	Stabilizer connecting rods extra-extensible (hydraulic lengthening)		
20	5760121-2.1	1	HYDRAULIC SYSTEM (Stabilizer connecting rods extra-extensible)		
22	W570450100-1.0	1	Extension Hydraulic jack (stabilizers rods "extra")		
23	W570450300-1.0	1	HYDRAULIC SYSTEM (Stabilizer Hydraulic jack)		
24	W570450400-1.2	1	STABILISER RAM		
25	5400609-1.0	1	CONTROLS FOR STABILIZERS		
26	5220346-1.0	1	STABILIZER CONTROL VALVE		
27	5411219-1.0	1	CONTROL DEVICES LOCKING FOR OUTRIGGERS LEGS		
28	5411219-2.0	1	STABILITY CONTROL (EN12999-A3)		
29	W057510-1.0	1	DOUBLE CONTROLS (not CE)		
31	5400622-2.0	1	CONTROLS		
32	5400623-2.0	1	DOUBLE CONTROLS (CE)		
35	5401038-1.0	1	Control valve ass'y (4 section)		
36	W338428-1.0	1	Control valve (4 section)		
38	5400623-3.0	1	Control valve ass'y (4 section)		

Page	Table code	Q.ty	Table heading		Validity
39	W338428-2.0	1	Control valve (4 section)		
41	5440104-1.0	1	Solenoid valve (STABILIZER CONTROL VALVE)		
42	5400623-5.0	1	DOUBLE CONTROLS (EN12999-A3)		
43	5401038-3.0	1	DOUBLE CONTROLS (EN12999-A3)		
44	W044505-4.0	1	DOUBLE CONTROLS (CE)		
45	W044505-5.0	1	DOUBLE CONTROLS (CE)		
46	7880897-1.0	1	Kit (ROTATION CONTROL)		
48	7880897-3.0	1	Kit (ROTATION CONTROL)		
50	7880897-5.0	1	Kit (ROTATION CONTROL)		
52	7885177-1.0	1	ROTATION CONTROL (EN12999-A3)		
54	5430175-1.0	1	Moment limiting device		
56	5400613-1.0	1	Switch		
58	5400613-2.0	1	Switch		
59	7888011-1.1	1	Heat exchange unit		
60	W7888011-1.0	1	Heat exchange unit		
61	W7888011-2.0	1	Heat exchange unit		
62	W7888011-3.0	1	Heat exchange unit		
63	5400359-1.0	1	Hydraulic oil tank		
65	5400762-1.0	1	Hydraulic oil tank		
67	3180196-1.0	1	Oil filter		

Page	Table code	Q.ty	Table heading		Validity
68	5460077-1.0	1	Column		
69	6230148-2.0	1	HYDRAULIC SYSTEM (lifting hydraulic cylinder)		
70	6430129-1.0	1	LIFTING HYDRAULIC CYLINDER		
71	5470054-1.0	1	1ST BOOM		
72	5360011-1.0	1	COLUMN CONNECTING RODS		
73	6230130-2.0	1	Articulation Hydraulic jack (Hydraulic system)		
74	6430130-1.0	1	Articulation Hydraulic jack		
75	5480056-1.0	1	2nd BOOM		
77	5360012-1.0	1	Linkage 1th e 2nd boom		
78	5490059-1.0	1	1st EXTENSION		
79	7880397-1.0	1	Coupling (Hook)		
80	6210318-2.0	1	HYDRAULIC SYSTEM (1st EXSTENSION HYDRAULIC)		
82	6210318-4.0	1	HYDRAULIC SYSTEM (1st EXSTENSION HYDRAULIC)		
84	6410254-1.0	1	1st EXSTENSION HYDRAULIC		
85	5530027-1.0	1	2nd extension		
86	7880398-1.0	1	Coupling (Hook)		
87	6210255-1.0	1	HYDRAULIC SYSTEM (2nd EXTENSION HYDRAULIC JACK)		
88	6410255-1.0	1	2nd EXTENSION HYDRAULIC JACK		
89	5540028-1.0	1	3rd extension		
90	7880399-1.0	1	Coupling (Hook)		

Page	Table code	Q.ty	Table heading		Validity
91	6210256-1.0	1	HYDRAULIC SYSTEM (3rd extension Hydraulic jack)		
92	6410256-1.0	1	3rd and 4th extension hydraulic cylinder		
93	5560021-1.0	1	4th extension		
94	6210257-1.0	1	HYDRAULIC SYSTEM (4th extension Hydraulic jack)		
95	5570009-1.0	1	5th extension		
96	6210317-1.0	1	5th extension Hydraulic jack (Hydraulic system)		
97	6410258-1.0	1	5th, 6th and 7th extension hydraulic cylinder		
98	5580008-1.0	1	6th extension		
99	5580007-1.0	1	6th extension		
100	6210280-1.0	1	6th extension Hydraulic jack (Hydraulic system)		
101	5330003-1.0	1	7th extension		
103	6210281-1.0	1	7th extension Hydraulic jack (Hydraulic system)		
104	5320002-1.0	1	8th extension		
105	6210273-1.0	1	8th extension Hydraulic jack (Hydraulic system)		
106	6410273-1.0	1	8th extension Hydraulic jack		
107	5590173-1.1	1	1st ACTIVATION FOR 1S		
109	5590173-2.1	1	1st ACTIVATION FOR 2S		
111	5590173-3.1	1	1st ACTIVATION FOR 3S		
113	5590173-4.1	1	1st ACTIVATION FOR 4S		
115	5590173-5.1	1	1st ACTIVATION FOR 5S		

Page	Table code	Q.ty	Table heading	Validity
117	5590173-6.1	1	1st ACTIVATION FOR 6S	
119	5600091-2.0	1	2nd ACTIVATION	
120	5600083-1.0	1	2nd ADDITIONAL ACTUATION	
121	5740162-1.0	1	Winch (Hydraulic system)	
123	5740163-1.0	1	Winch (Hydraulic system)	
124	7800312-1.0	1	Manual extension	
125	7800313-1.0	1	Manual extension	
126	7800314-1.0	1	Manual extension	
127	7800315-1.0	1	Manual extension	
128	7800316-1.0	1	Manual extension	
129	7800317-1.0	1	Manual extension	
130	7881824-1.0	1	LOAD INDICATION SYSTEM (LIS/RLC)	
131	W580050100-1.0	1	Assembly kit	
133	HC221 E6 JIB2			
134	W057507-1.1	1	CONTROLS (JIB)	
136	5400622-1.0	1	Control valve ass'y (4 section)	
137	W057508-2.0	1	6th and 7th EXTRA FUNCTION KIT (JIB)	
138	5430133-1.0	1	Moment limiting device (JIB)	
141	5780014-1.0	1	ATTACHEMENT FOR (JIB)	
142	5360013-1.0	1	KIT CONNECTING ROD (JIB)	

Page	Table code	Q.ty	Table heading	Validity
143	6230131-4.0	1	Articulation Hydraulic jack (Hydraulic system)	
145	5590093-1.0	1	Kit activation hydraulic input	
146	W044505-6.0	1	DOUBLE CONTROLS (CE)	
147	W044505-7.0	1	DOUBLE CONTROLS (CE)	
148	6430131-1.0	1	Articulation Hydraulic jack	
149	5630006-1.0	1	JIB ARM	
150	5490007-1.0	1	1st EXTENSION (JIB)	
151	6210343-1.0	1	HYDRAULIC SYSTEM (1th extension hydraulic cylinder)	
152	5590091-2.0	1	HYDRAULIC SYSTEM (1th extension hydraulic cylinder)	
154	6410160-1.0	1	1st EXSTENSION HYDRAULIC	
155	5530043-1.0	1	2nd extension (JIB)	
156	6210344-1.0	1	2nd extension hydraulic cylinder (HYDRAULIC SYSTEM)	
157	6410161-1.0	1	2nd EXTENSION HYDRAULIC JACK	
159	HC221 E4 JIB3			
160	5780040-1.0	1	ATTACHEMENT FOR (JIB)	
161	5360010-1.0	1	KIT CONNECTING ROD (JIB)	
162	6230516-2.0	1	HYDRAULIC SYSTEM (Articulation Hydraulic jack)	
164	6430516-1.0	1	Articulation Hydraulic jack (Articulated extension)	
165	5630005-1.0	1	JIB ARM	
166	5490052-1.0	1	1st EXTENSION (JIB)	

Page	Table code	Q.ty	Table heading	Validity
167	6210242-1.0	1	HYDRAULIC SYSTEM (1th extension hydraulic cylinder)	
168	6210242-3.0	1	HYDRAULIC SYSTEM (1th extension hydraulic cylinder)	
170	6410242-1.0	1	1st EXSTENSION HYDRAULIC	
171	5650004-1.0	1	2nd EXTENSION (JIB)	
172	6210243-1.0	1	HYDRAULIC SYSTEM (2nd extension hydraulic cylinder)	
173	6410243-1.0	1	2nd and 3rd extension hydraulic cylinder	
174	5660002-1.0	1	3rd extension (JIB)	
175	6210244-1.0	1	3rd extension Hydraulic jack (Hydraulic system)	
176	5400500-1.0	1	Support (Articulated extension)	
177			HC221 X	
178	7892114-1.0	1	Wireless control kit (Hz.EU)	
179	7892115-1.0	1	Wireless control kit (Hz.USA)	
180	7892053-1.0	1	Wireless control kit (24V)	
181	7892048-1.0	1	Wireless control kit (Hz.PRC)	
182	5400614-1.0	1	CONTROLS (RDC)	
184	5401032-1.0	1	Control valve ass'y (4 section)	
185	5220373-1.0	1	Control valve (4 section)	
186	5400611-1.0	1	High pressure filter (RDC)	
187			HC221 TCU	
188	5400614-3.0	1	CONTROLS (ECM 4)	

Page	Table code	Q.ty	Table heading	Validity
189	5400614-4.0	1	CONTROLS (ECM 4)	
190	5400610-1.0	1	CONTROLS (ECM 4)	
191	5400610-2.0	1	CONTROLS (ECM 4)	
192	5400617-1.0	1	CONTROLS (ECM 4)	
193	7881211-1.1	1	CONTROLS (ECM 4)	
194	5400614-5.0	1	CONTROLS (ECM 4)	
195	7885015-1.0	1	Pilot lamp	
196	5400614-7.0	1	CONTROLS (ECM 4)	
197	5400614-6.0	1	CONTROLS (ECM 4)	
198	7881784-1.0	1	LOAD INDICATION SYSTEM (RDC)	
199			HC221 TCU EN 12999-A3	
200	5401292-8.0	1	CONTROLS (RDC EBB-X TCU-ECM4)	
202	5401987-1.0	1	CONTROLS (RDC EBB-X TCU-ECM4)	
204	5411215-1.0	1	ROTATION CONTROL (EN12999-A3)	
206	5411215-3.0	1	ROTATION CONTROL (EN12999-A3)	
208	5411367-8.0	1	ROTATION CONTROL (EN12999-A3)	
210	5402600-2.0	1	ROTATION CONTROL (EN12999-A3)	
212	5411216-2.0	1	STABILITY CONTROL (EN12999-A3)	
214	5411216-3.0	1	STABILITY CONTROL (EN12999-A3)	
216	5402600-3.0	1	STABILITY CONTROL (EN12999-A3)	

Table index

Logbook code

7880610_H.1

5/5

Page	Table code	Q.ty	Table heading	Validity
218	5401218-2.1	1	CONTROLS (RDC EBB-X TCU-ECM4)	
219	5401987-2.0	1	CONTROLS (RDC EBB-X TCU-ECM4)	
220	5401292-3.0	1	CONTROLS (RDC EBB-X TCU-ECM4)	
221	5401292-4.0	1	CONTROLS (RDC EBB-X TCU-ECM4)	
222	5401292-5.0	1	CONTROLS (RDC EBB-X TCU-ECM4)	
223	5401292-6.0	1	CONTROLS (RDC EBB-X TCU-ECM4)	
224	5401292-7.0	1	CONTROLS (RDC EBB-X TCU-ECM4)	
225	7892193-2.0	1	Wireless control kit (Hz.EU)	
226	7892212-1.0	1	Wireless control kit (Hz.EU)	

Page	Table code	Q.ty	Table heading	Validity
------	------------	------	---------------	----------

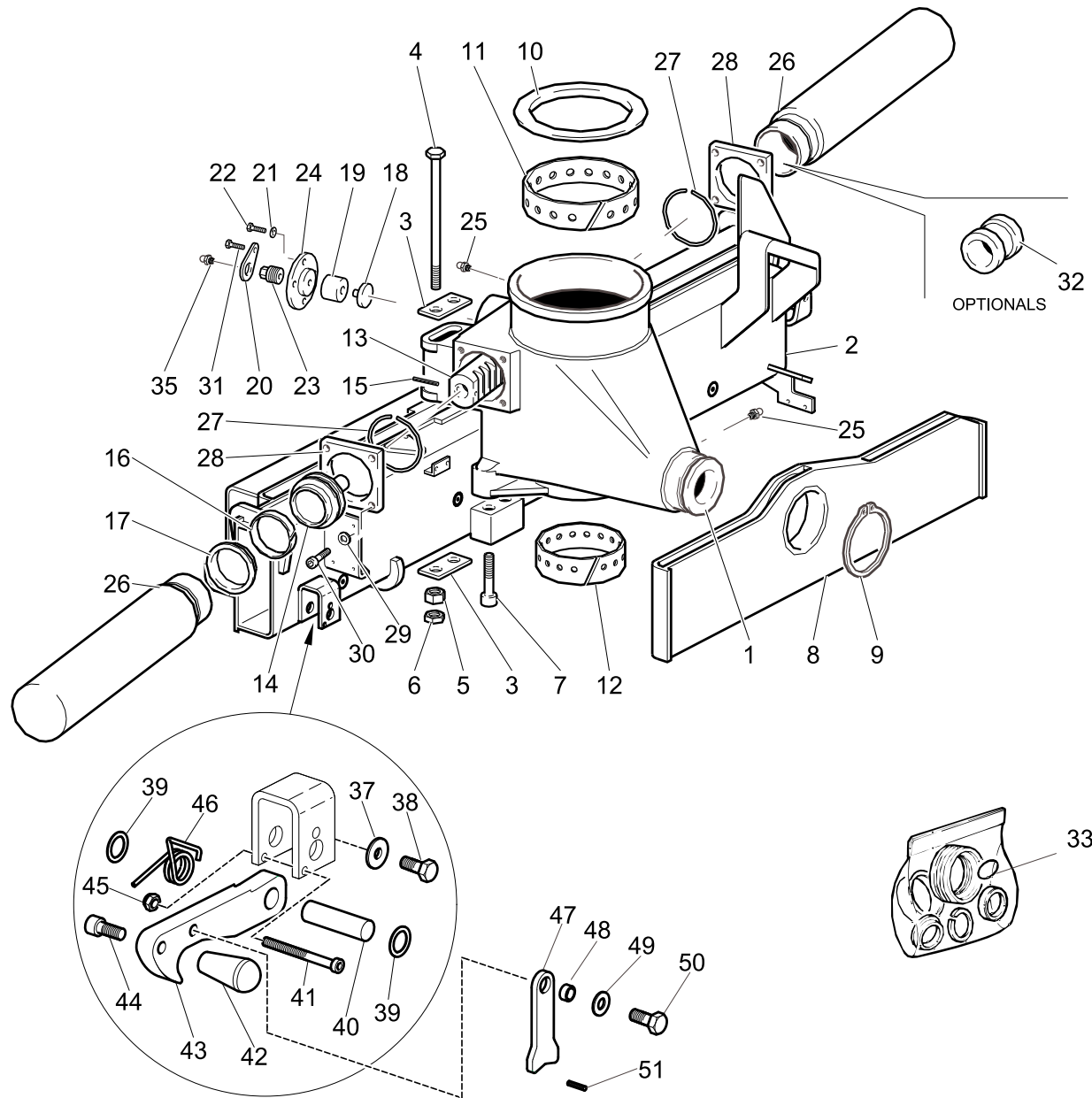


BASE

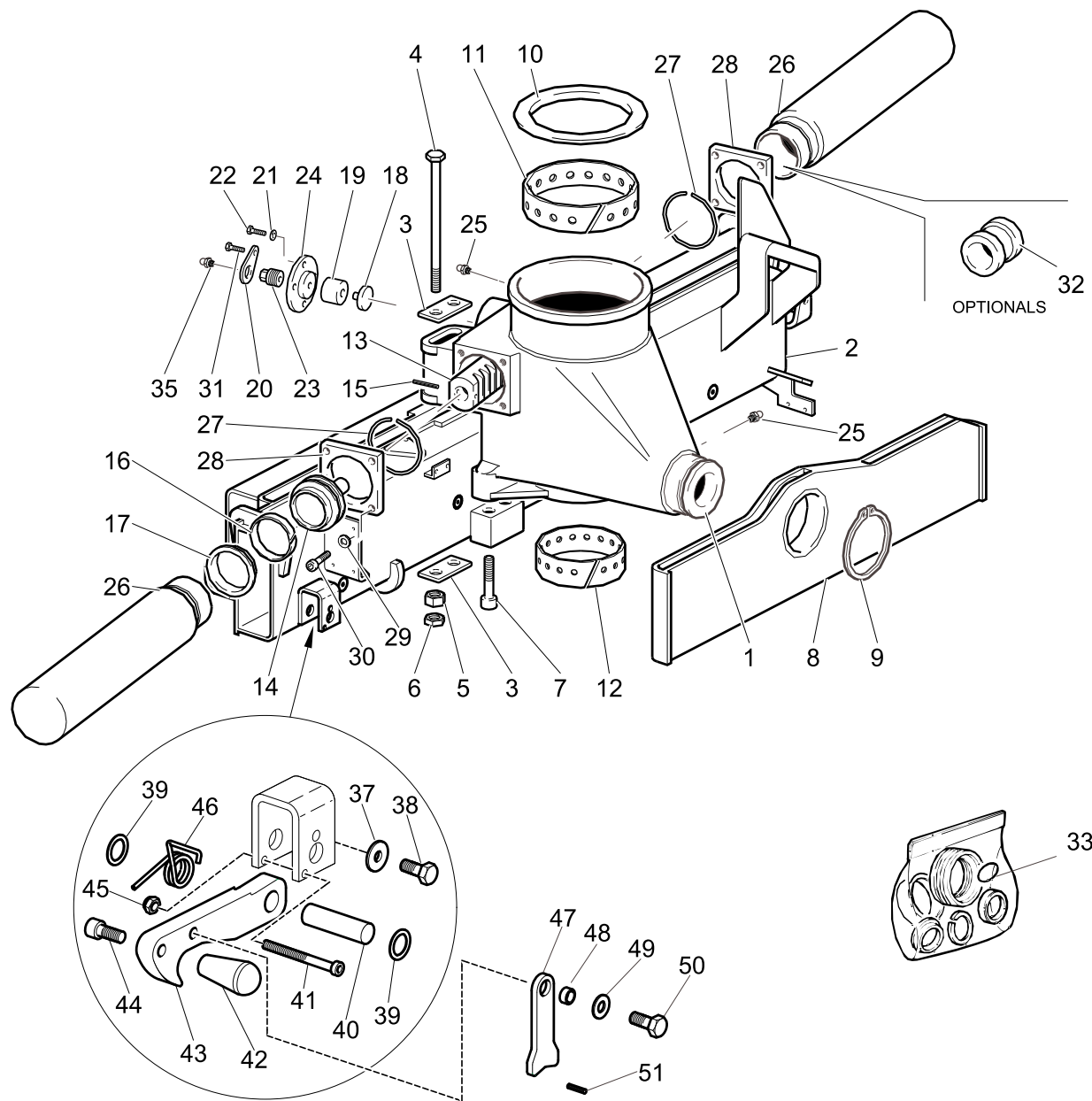
Code

W057101_721-1.0

1/3



R	Pos.	Code Variant	Q.ty	Description
	1	W570100100	1	
	2	W570100200	1	
	3	W570101000	4	
	4	W751119	4	
	5	3040260	4	Nut
	6	3040261	4	Lock nut
	7	W751121	4	
	8	W570100500	1	
	9	3070093	1	Seeger
	10	W570100300	1	
	11	W570100400	1	
	12	W270100900	1	
	13	W330100600	1	
	14	W570100900	2	
	15	3060604	2	Spring pin
	16	W305025	2	
	17	W358528	2	
	18	W270101200	1	
	19	W270100700	1	
	20	W370100400	1	Sliding block retainer (Adjuster)



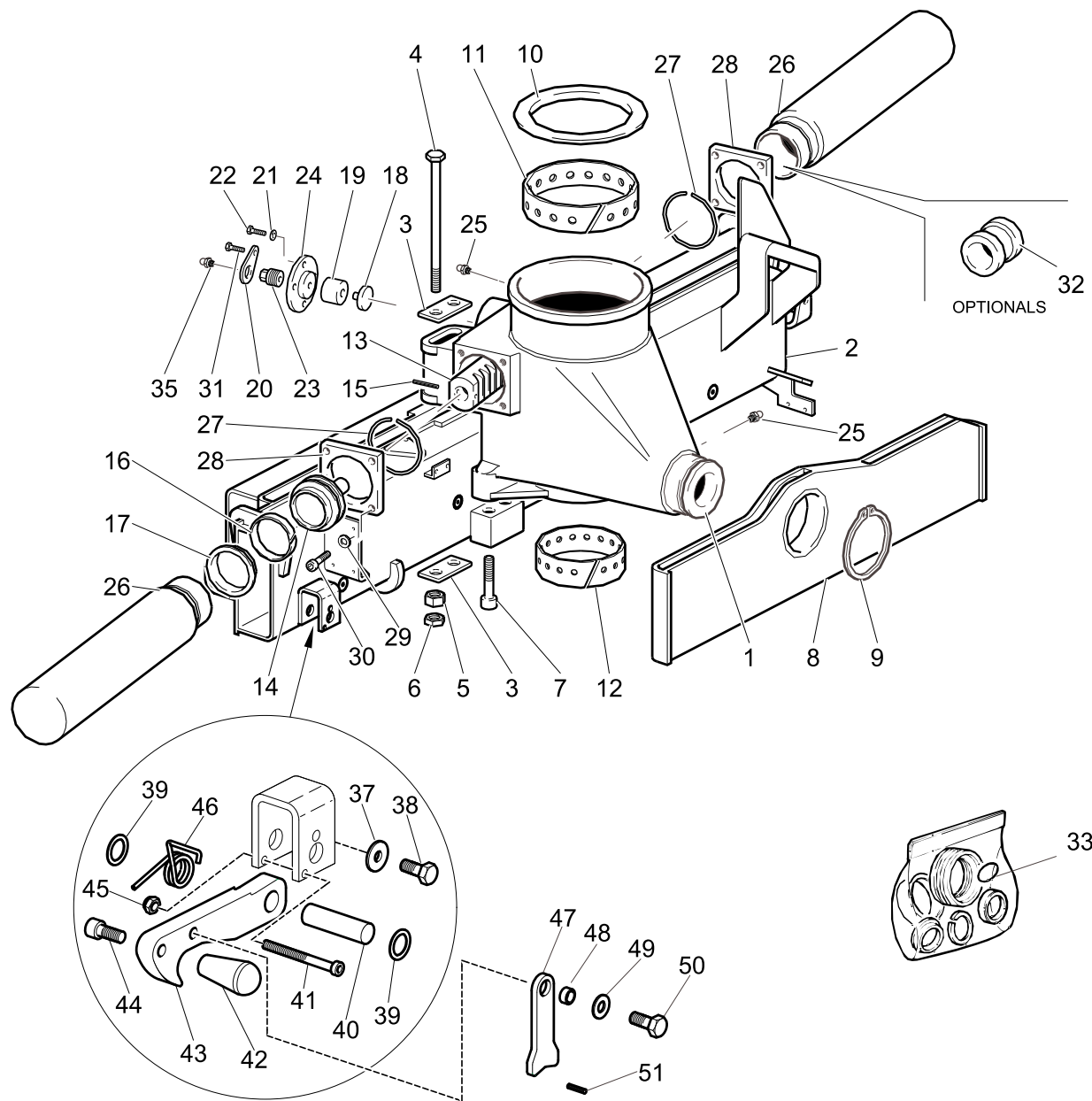
R	Pos.	Code Variant	Q.ty	Description
	21	3060056	4	Split lock washer [D=10 C72 ZC]
	22	3010356	4	Hex screw [M10X30 8.8 ZC UNI 5739]
	23	W410201400	1	Support (Slide shoe)
	24	W570101100	1	
	25	3080016	4	Grease nipple
	26	W570100600	2	
	27	W570100800	2	
	28	W570100700	2	
	29	3060174	8	Schnorr washer [D.18 UNI 3545]
	30	3020142	8	Socket head cap screw [M18X50 12.9 ZC UNI 5931]
	31	3010055	1	Hex screw [M8X10 8.8 ZC UNI 5739]
	32	W270103400	2	
	33	W365140	1	
	35	3080500	1	Grease nipple
	37	3060030	2	Flat washer [D.6.6X18 UNI 6593 ZC]
	38	3010323	2	Hex screw [M6X10 8.8 ZC UNI 5739]
	39	5140714	6	
	40	W101126	2	
	41	3020898	2	Socket head cap screw [M6X50 8.8 ZC UNI 5931]
	42	3190201	2	

BASE

Code

W057101_721-1.0

3/3



R	Pos.	Code Variant	Q.ty	Description
	43	5000966	2	
	44	3020875	2	Socket head cap screw [M8X20 ZC UNI 5931]
	45	3040519	2	Stopnut
	46	3060932	2	
	47	5001681	2	
	48	W102116	2	
	49	3060006	2	Flat washer [D.8 UNI 6592 ZC]
	50	3010337	2	Hex screw [M8X16 8.8 ZC UNI 5739]
	51	3060026	2	

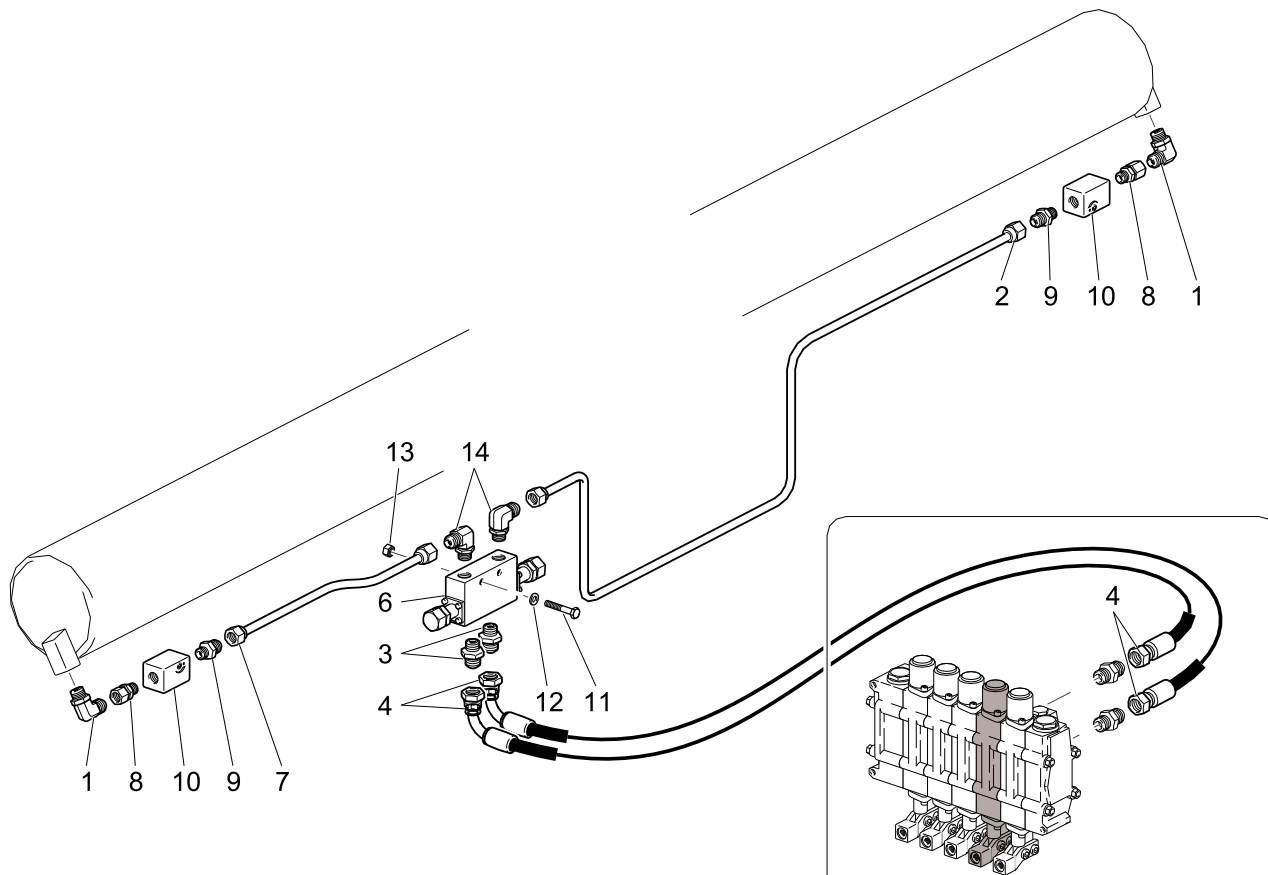
HYDRAULIC SYSTEM (Slewing Hydraulic jack)

Code

W057502B-1.2

1/1

R	Pos.	Code Variant	Q.ty	Description
	1	3101125	2	90° Connection
	2	W570500700	1	
	3	3101043	2	Straight pipe fitting
	4	W456151	2	
	6	W470062	1	
	7	W410504200	1	
	8	3120064	2	Straight pipe fitting
	9	3101042	2	Straight pipe fitting
	10	5220093	2	Non-return valve
	11	3010397	2	Hex screw [M6X50 8.8 ZC UNI 5737]
	12	3060005	4	Flat washer [D.6.4 UNI 6592 ZC]
	13	3040081	2	Lock nut
	14	3101127	2	90° Connection

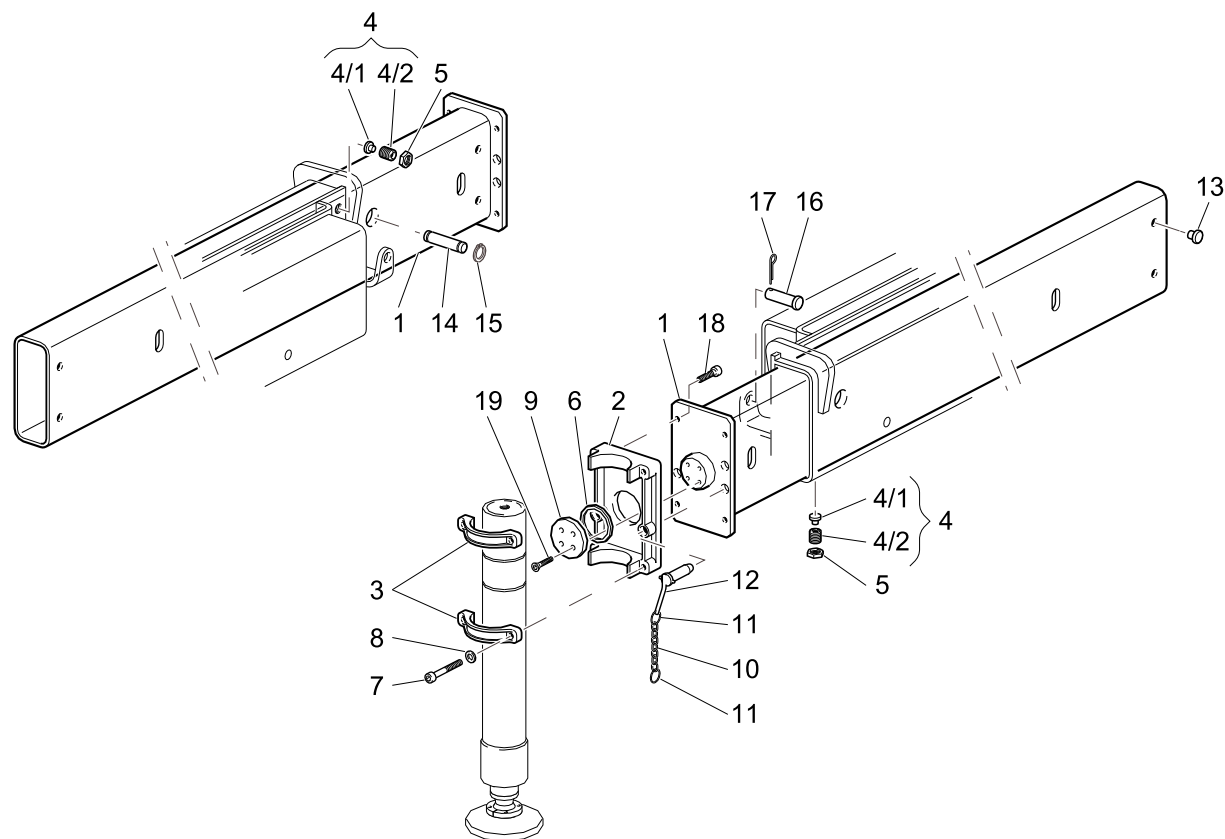


STABILIZER ROD

Code

5760147-1.0

1/2



R	Pos.	Code Variant	Q.ty	Description
	1	W570401400	2	
	2	W270400400	2	
	3	W270400500	4	
	4	W061333	6	Adjusting screw
	4/1	W610310700	6	
	4/2	W420305400	6	
	5	3040251	6	Lock nut [M24 8.G basso UNI 5589]
	6	5000103	2	
	7	3020115	8	Socked head cap screw [M14X75 8.8 ZC UNI 5931]
	8	3060172	8	Schnorr washer [D.14 UNI 3545]
	9	W270401400	2	
	10	3000007	mt1.7	
	11	W510004	4	
	12	W270401100	2	
	13	W370400700	8	Button (Coupling backlash)
	14	W101362	2	
	15	3070016	4	
	16	W101020	2	
	17	3060908	2	Cotter pin [D.3.7 L.30 UNI1336]
	18	3020109	8	Socked head cap screw [M14X35 8.8 ZC UNI 5931]

5760147-1.0

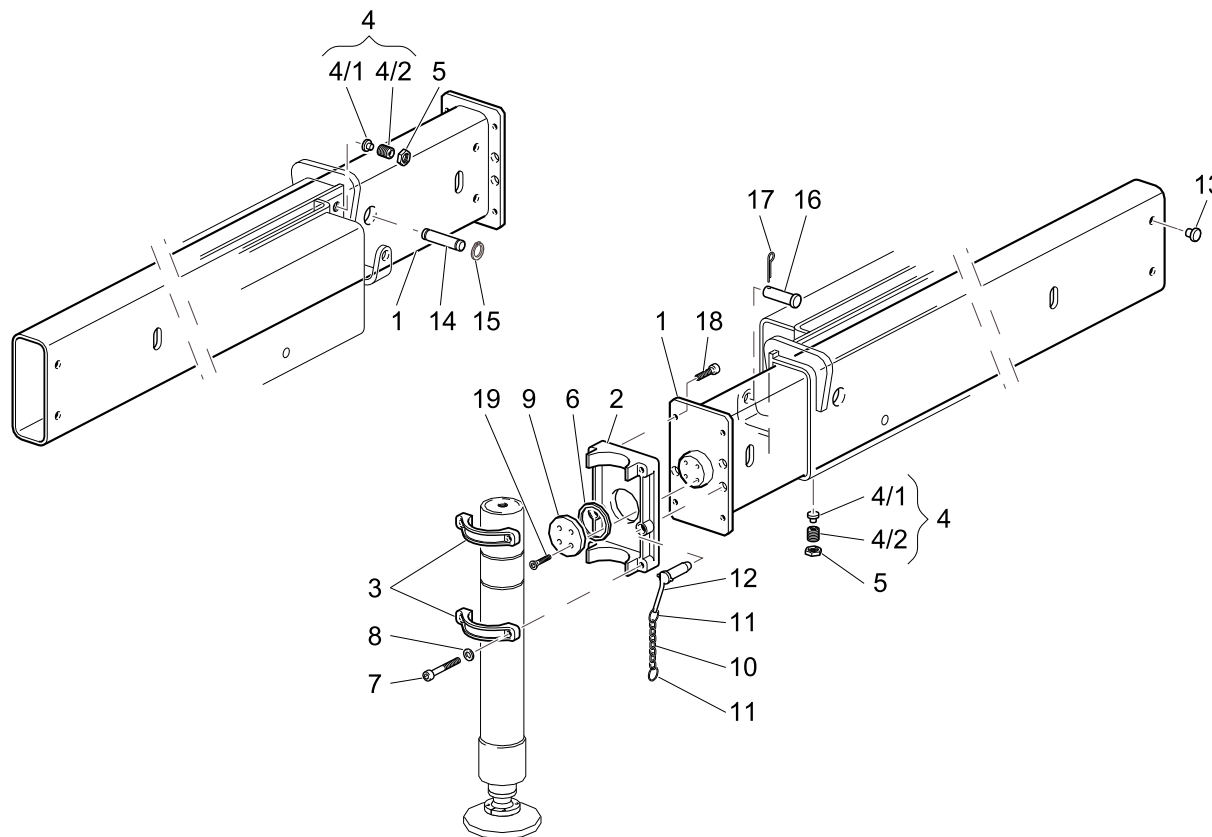
STABILIZER ROD

Code

5760147-1.0

2/2

R	Pos.	Code Variant	Q.ty	Description
	19	3020969	8	Socket head cap screw [M10X20 8.8 ZC UNI 9327]



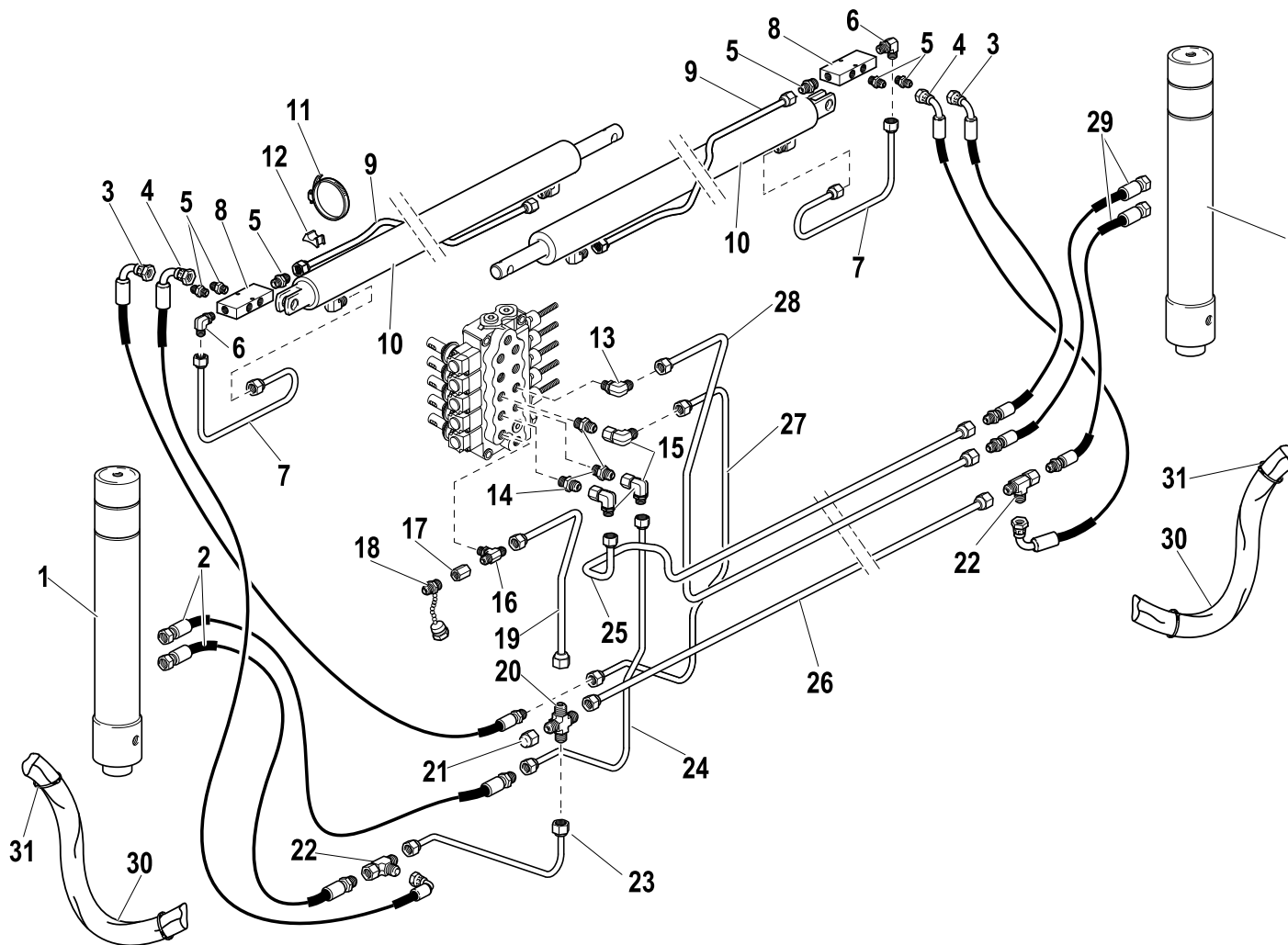
5760147-1.0

HYDRAULIC SYSTEM (STABILIZER ROD)

Code

5760122-2.1

1/2



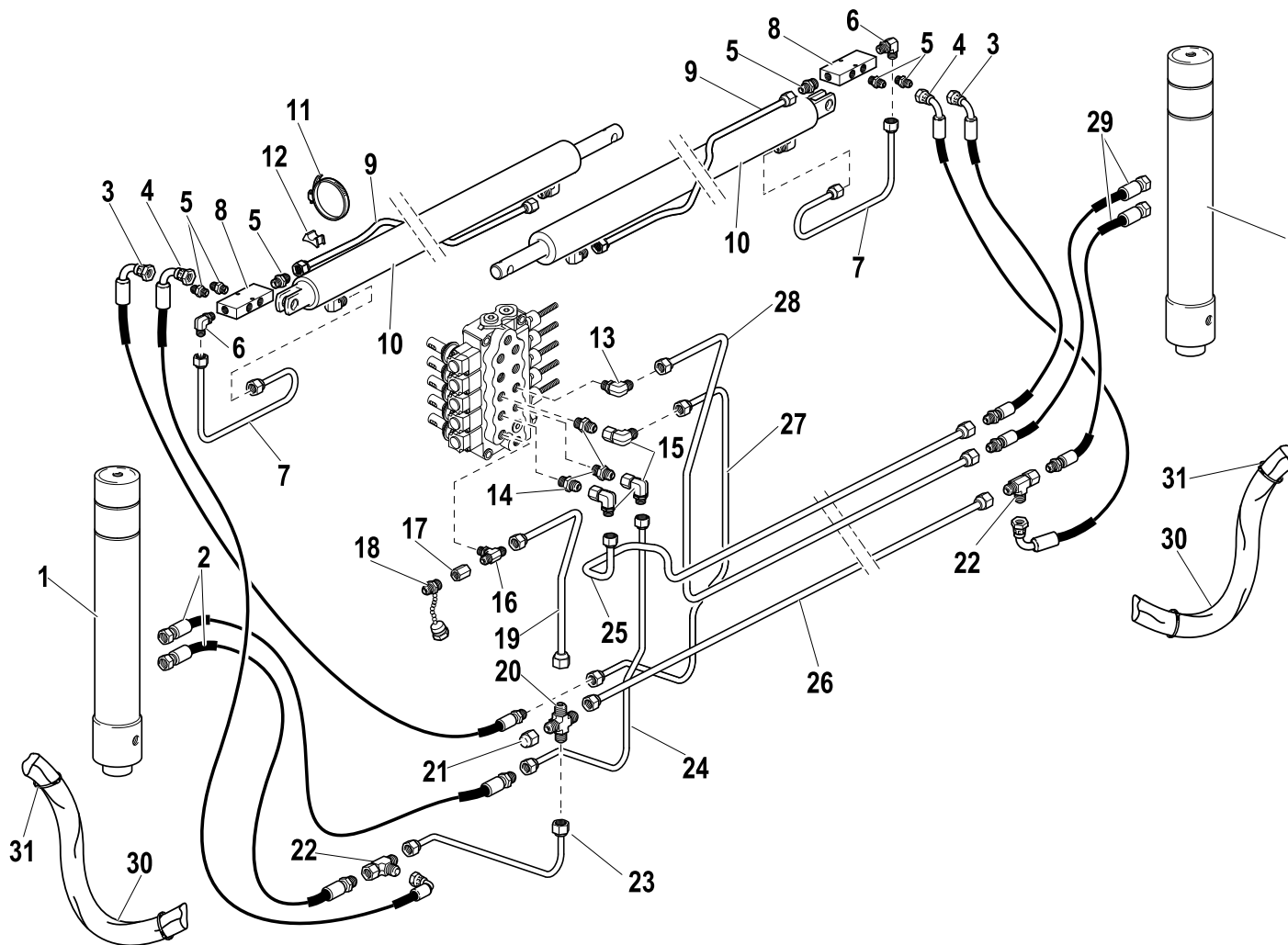
R	Pos.	Code Variant	Q.ty	Description
	1	W570450300	2	
	2	W456774	2	
	3	5260854	2	
	4	5260855	2	
	5	3101039	6	Straight pipe fitting
	6	3101124	2	90° Connection
	7	5392161	2	
	8	W470076	2	
	9	5392159	2	
	10	W440450500	2	
	11	3190025	4	Clamp
	12	5140133	2	Piping mounting
	13	3101127	1	90° Connection
	14	3101043	3	Straight pipe fitting
	15	3120031	3	90° Connection
	16	3101197	1	
	17	3120314	1	Pipe fitting (Extension shaft)
	18	3111523	1	Pipe fitting (Tapping point) [RACC. MILITES 16X2-1/4"G]
	19	5392151	1	
	20	3120113	1	

HYDRAULIC SYSTEM (STABILIZER ROD)

Code

5760122-2.1

2/2



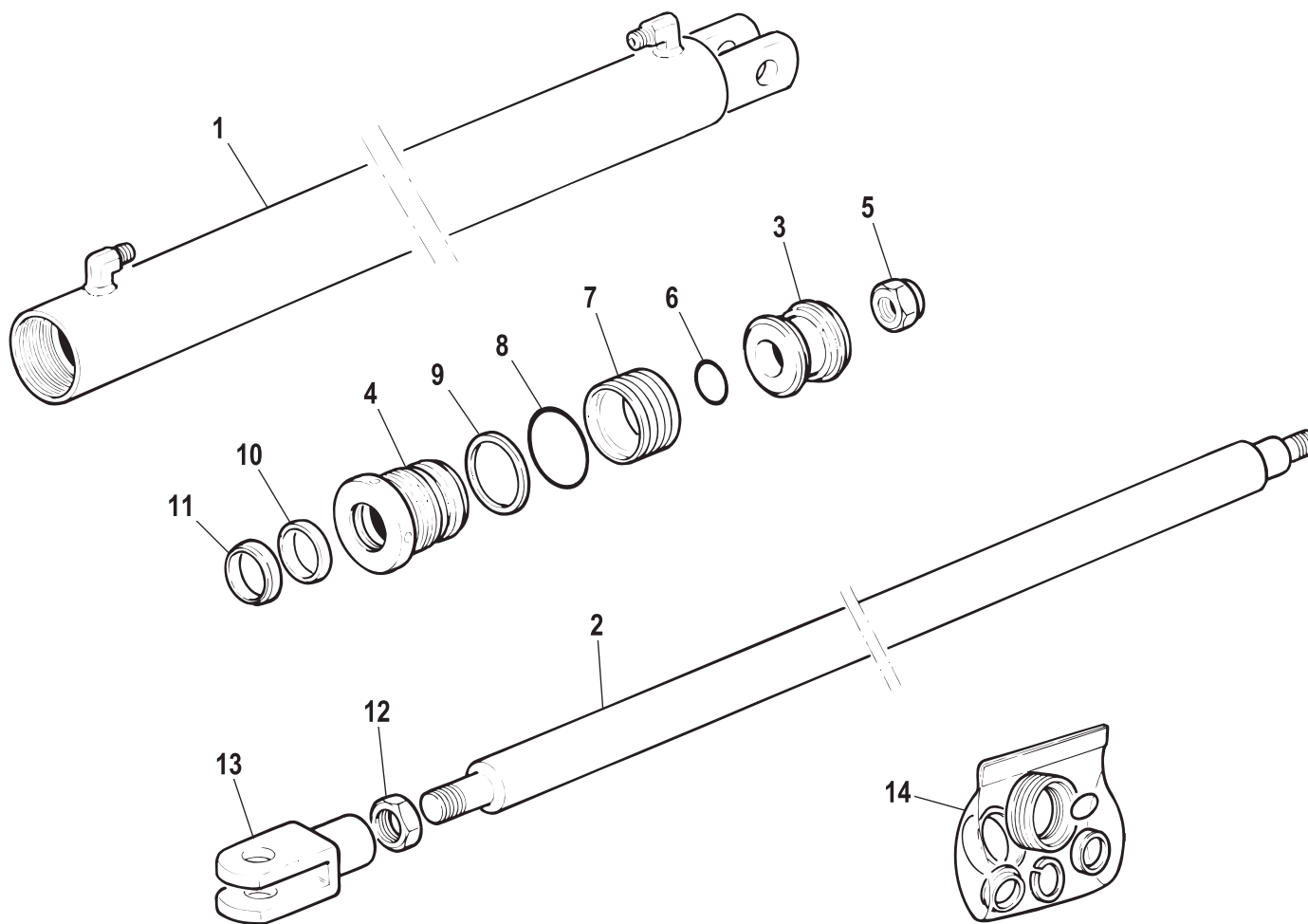
R	Pos.	Code Variant	Q.ty	Description
	21	3110041	1	Female plug
	22	3120004	2	Tee fitting
	23	5392152	1	
	24	5392154	1	
	25	5392149	1	
	26	5392150	1	
	27	5392153	1	
	28	5392148	1	
	29	W456775	2	
	30	3190198	mt4	Sheath (Flexible hose)
	31	3190012	4	Clamp

ROD EXTENSION HYDRAULIC CYLINDER EXTRA-EXTENSIBLE (Double controls side)

Code

W440450500-1.0

1/1



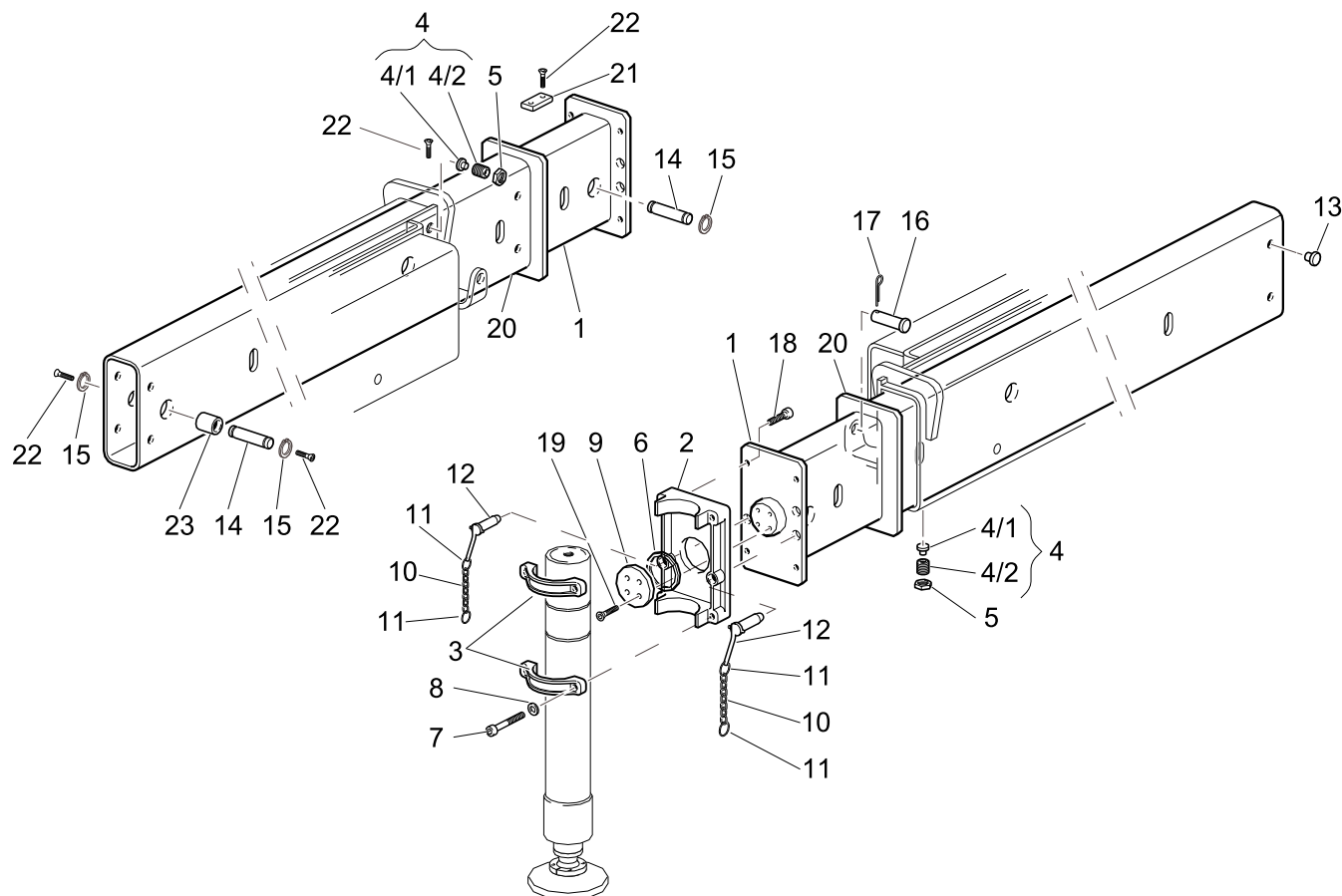
R	Pos.	Code Variant	Q.ty	Description
	1	W440401700	1	
	2	W440401800	1	
	3	W105058	1	
	4	W120061	1	
	5	3040306	1	Stopnut
	6	W360070	1	
	7	W359035	1	
	8	W360010	1	
	9	W304004	1	
	10	W358022	1	
	11	W361011	1	
	12	3040214	1	Lock nut
	13	W591003	1	
	14	W365064	1	

Stabilizer connecting rods extra-extensible (hydraulic lengthening)

Code

5760148-1.0

1/2



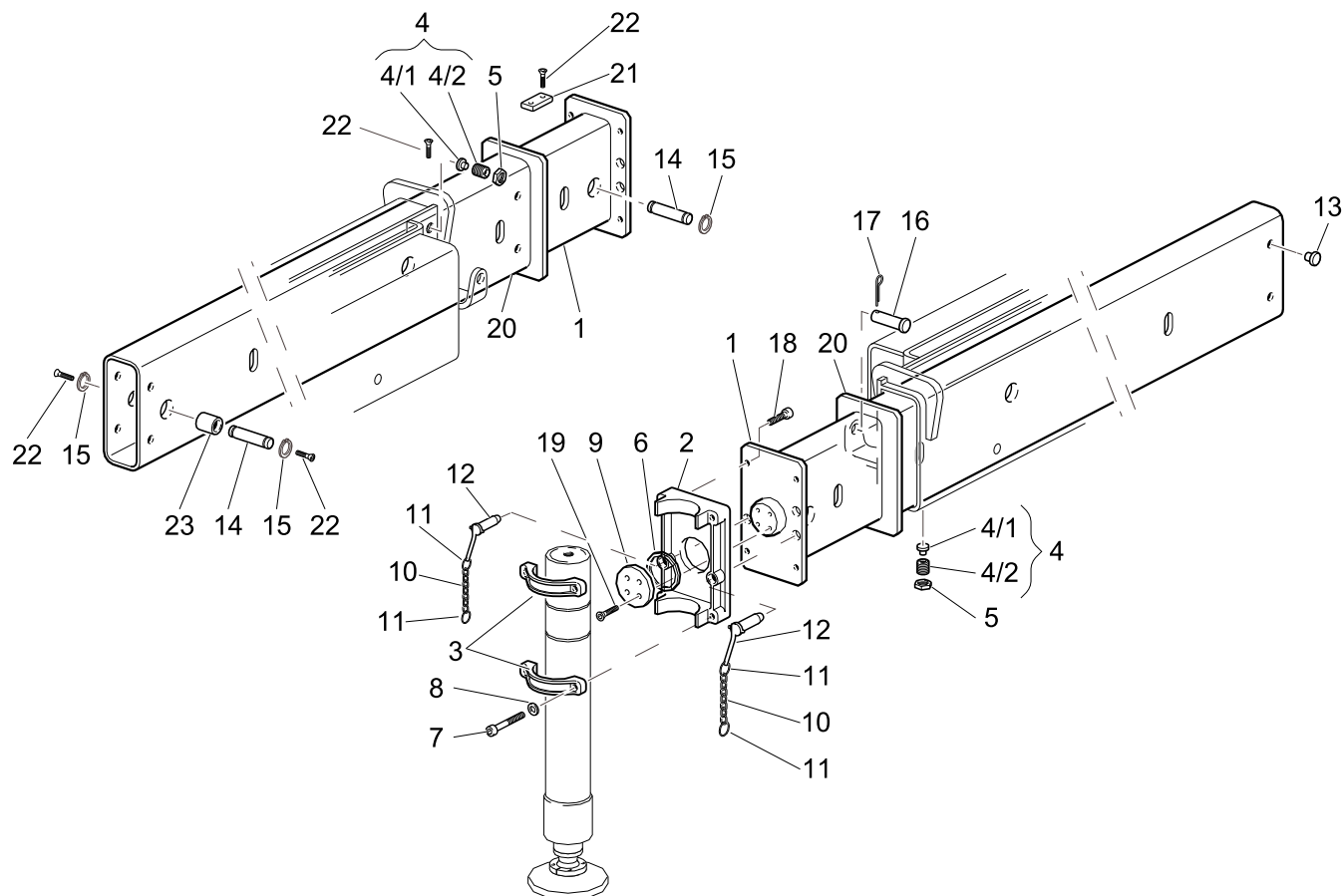
R	Pos.	Code Variant	Q.ty	Description
	1	5070376	2	
	2	W270400400	2	
	3	W270400500	4	
	4	W061333	6	Adjusting screw
	4/1	W610310700	6	
	4/2	W420305400	6	
	5	3040251	6	Lock nut [M24 8.G basso UNI 5589]
	6	5000103	2	
	7	3020115	8	Socketed head cap screw [M14X75 8.8 ZC UNI 5931]
	8	3060172	8	Schnorr washer [D.14 UNI 3545]
	9	5000419	2	
	10	3000007	mt1.7	
	11	3060929	8	
	12	W270401100	4	
	13	W370400700	8	Button (Coupling backlash)
	14	W101363	4	
	15	3070303	8	
	16	W101020	2	
	17	3060908	2	Cotter pin [D.3.7 L.30 UNI1336]
	18	3020109	8	Socketed head cap screw [M14X35 8.8 ZC UNI 5931]

5760148-1.0-1-2

Stabilizer connecting rods extra-extensible (hydraulic lengthening)

Code		
5760148-1.0		2/2

R	Pos.	Code Variant	Q.ty	Description
	19	3020969	8	Socket head cap screw [M10X20 8.8 ZC UNI 9327]
	20	5070377	2	
	21	W570401000	4	
	22	3020498	12	TSEI screw [M10X20 10.9 ZC UNI 5933]
	23	W570401100	2	



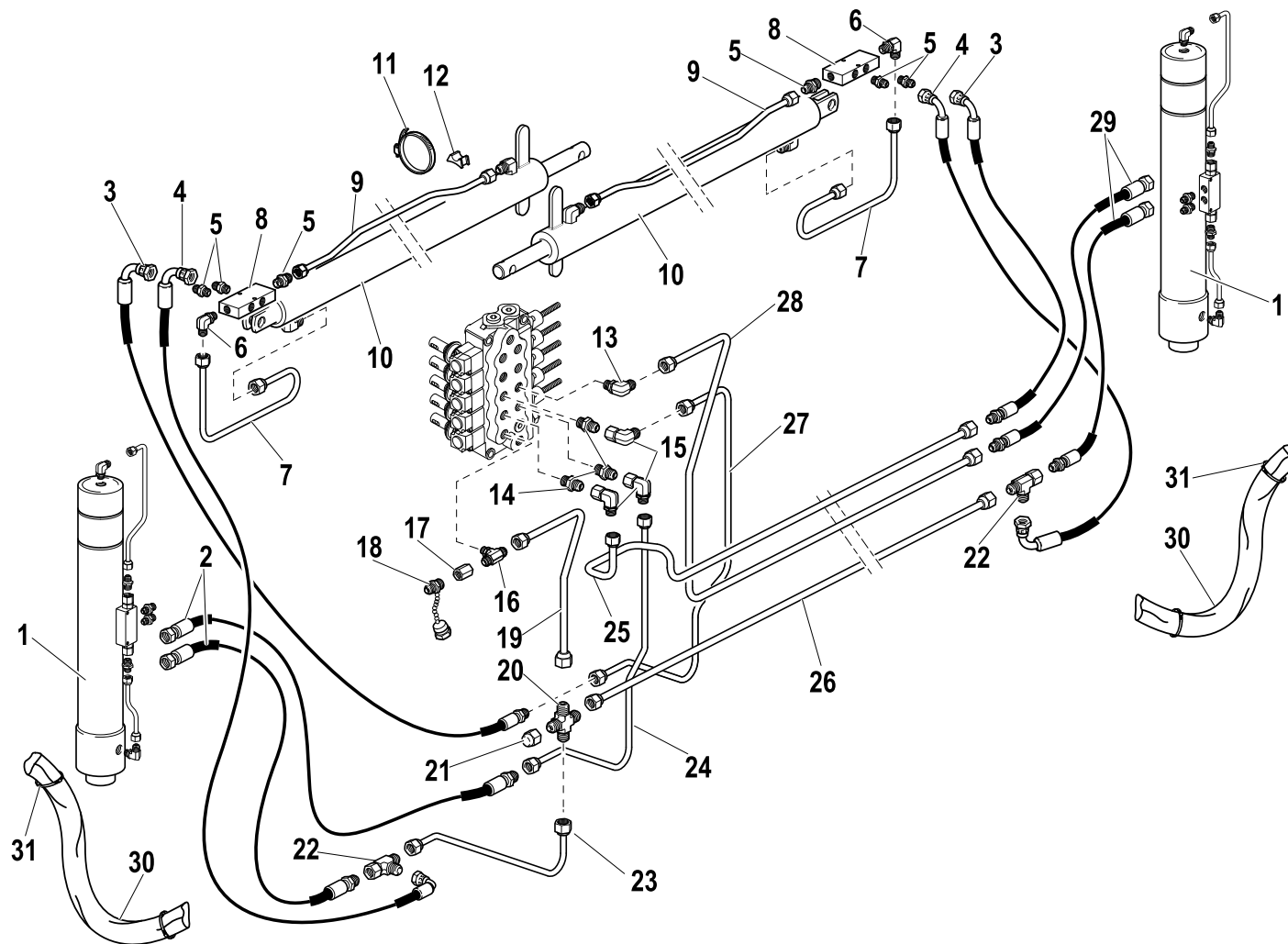
5760148-1.0-2

HYDRAULIC SYSTEM (Stabilizer connecting rods extra-extensible)

Code

5760121-2.1

1/2

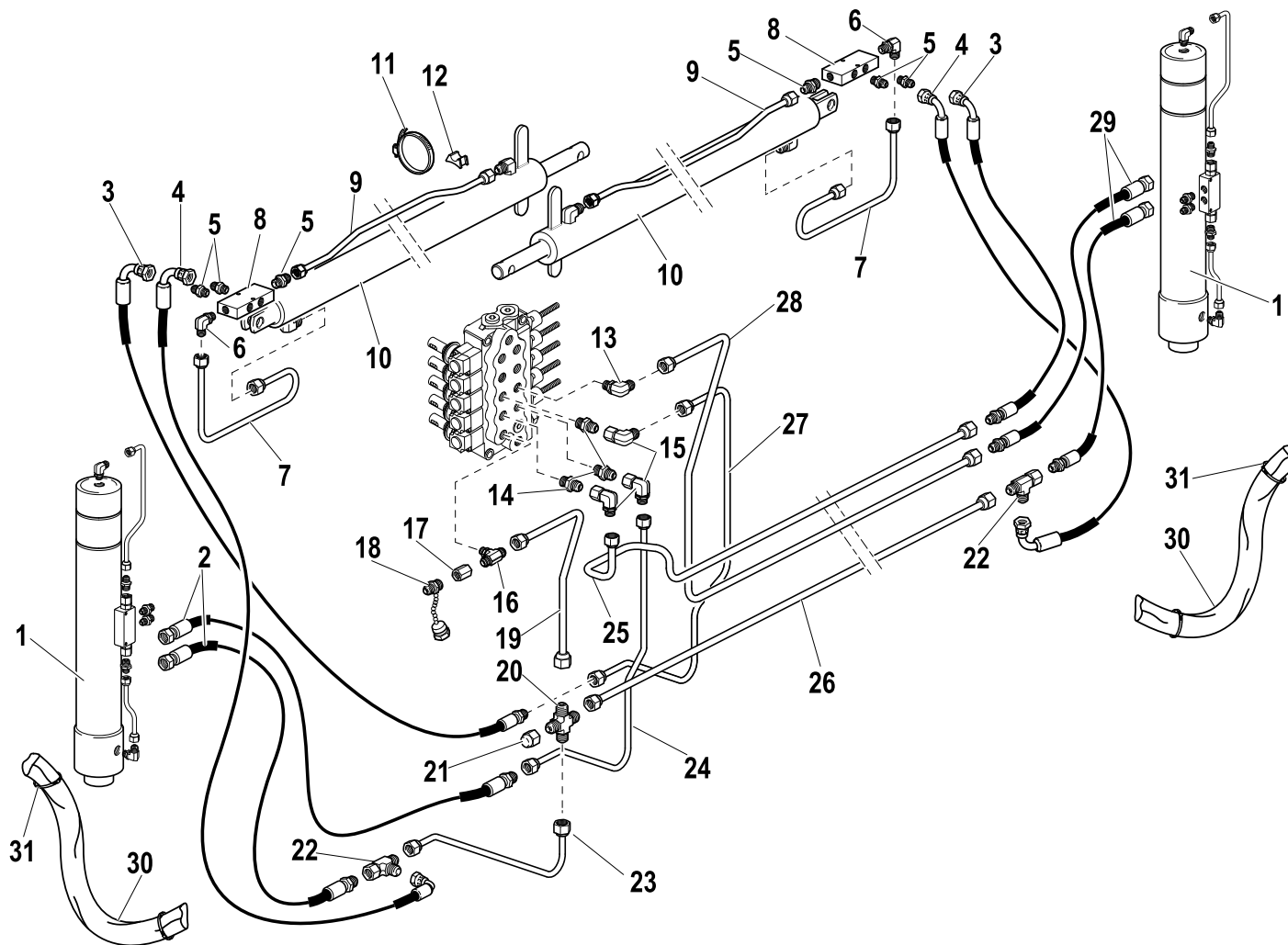


R	Pos.	Code Variant	Q.ty	Description
	1	W570450300	2	
	2	W456758	2	
	3	5260854	2	
	4	5260855	2	
	5	3101039	6	Straight pipe fitting
	6	3101124	2	90° Connection
	7	5392157	2	
	8	W470076	2	
	9	5392158	2	
	10	W570450100	2	
	11	3190025	4	Clamp
	12	5140133	2	Piping mounting
	13	3101127	1	90° Connection
	14	3101043	3	Straight pipe fitting
	15	3120031	3	90° Connection
	16	3120303	1	Tee fitting
	17	3120356	1	Reducing fitting
	18	3111523	1	Pipe fitting (Tapping point) [RACC. MILITES 16X2-1/4"G]
	19	5392151	1	
	20	3120113	1	

HYDRAULIC SYSTEM (Stabilizer connecting rods extra-extensible)

Code		
5760121-2.1		2/2

R	Pos.	Code Variant	Q.ty	Description
	21	3110041	1	Female plug
	22	3120004	2	Tee fitting
	23	5392152	1	
	24	5392154	1	
	25	5392149	1	
	26	5392150	1	
	27	5392153	1	
	28	5392148	1	
	29	W456759	2	
	30	3190198	mt4	Sheath (Flexible hose)
	31	3190012	4	Clamp

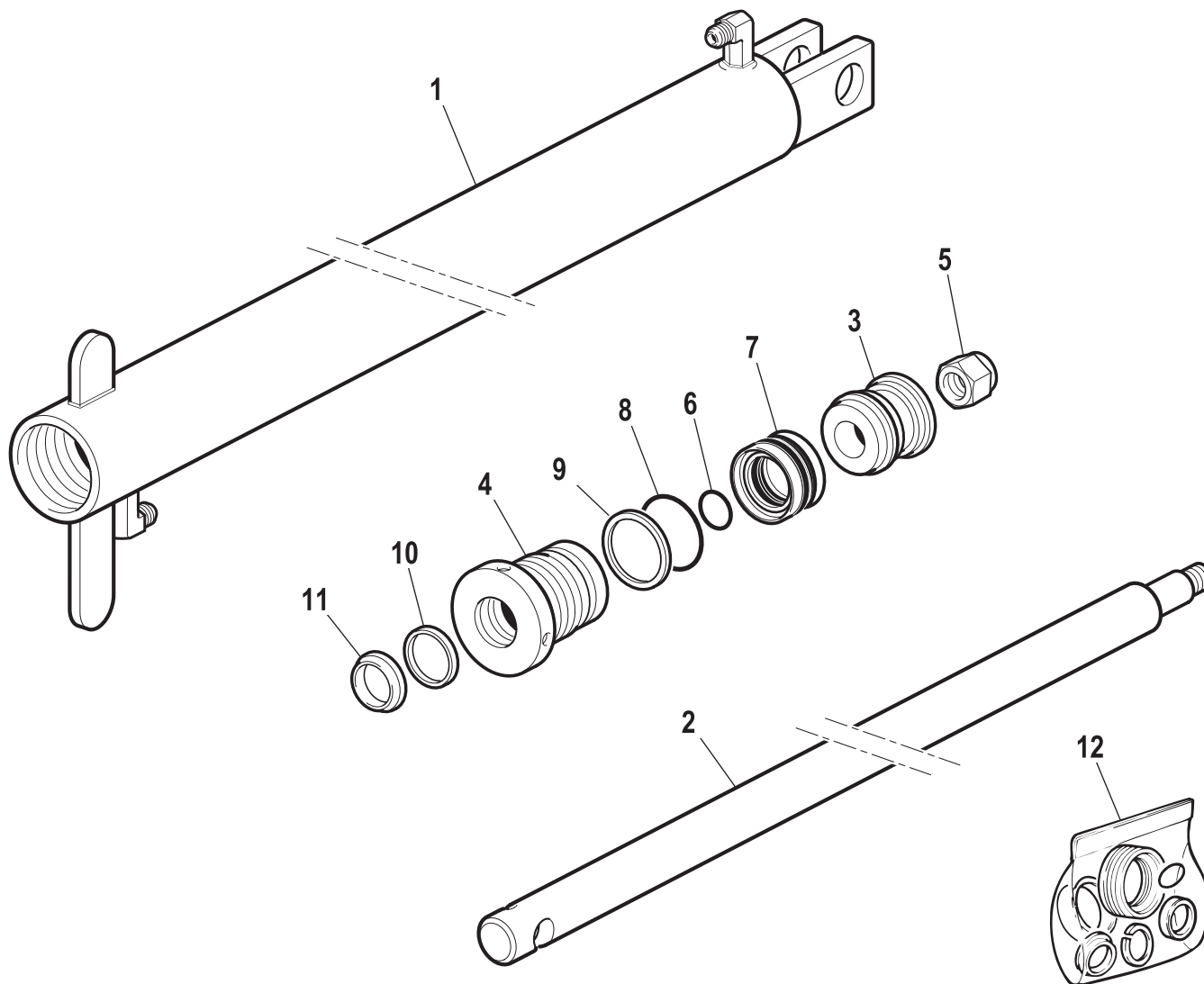


Extension Hydraulic jack (stabilizers rods "extra")

Code

W570450100-1.0

1/1



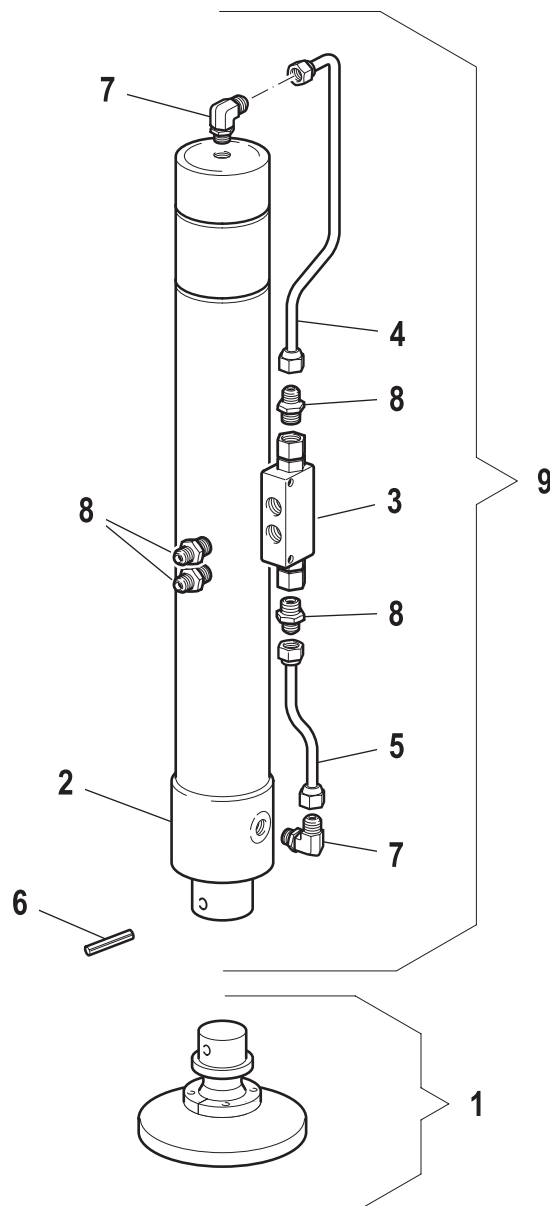
R	Pos.	Code Variant	Q.ty	Description
	1	W570400400	1	
	2	W570400500	1	
	3	W105102	1	
	4	W120061	1	
	5	3040318	1	Stopnut
	6	W360070	1	
	7	W359035	1	
	8	W360010	1	
	9	W304004	1	
	10	W358022	1	
	11	W361011	1	
	12	W365064	1	

HYDRAULIC SYSTEM (Stabilizer Hydraulic jack)

Code

W570450300-1.0

1/1



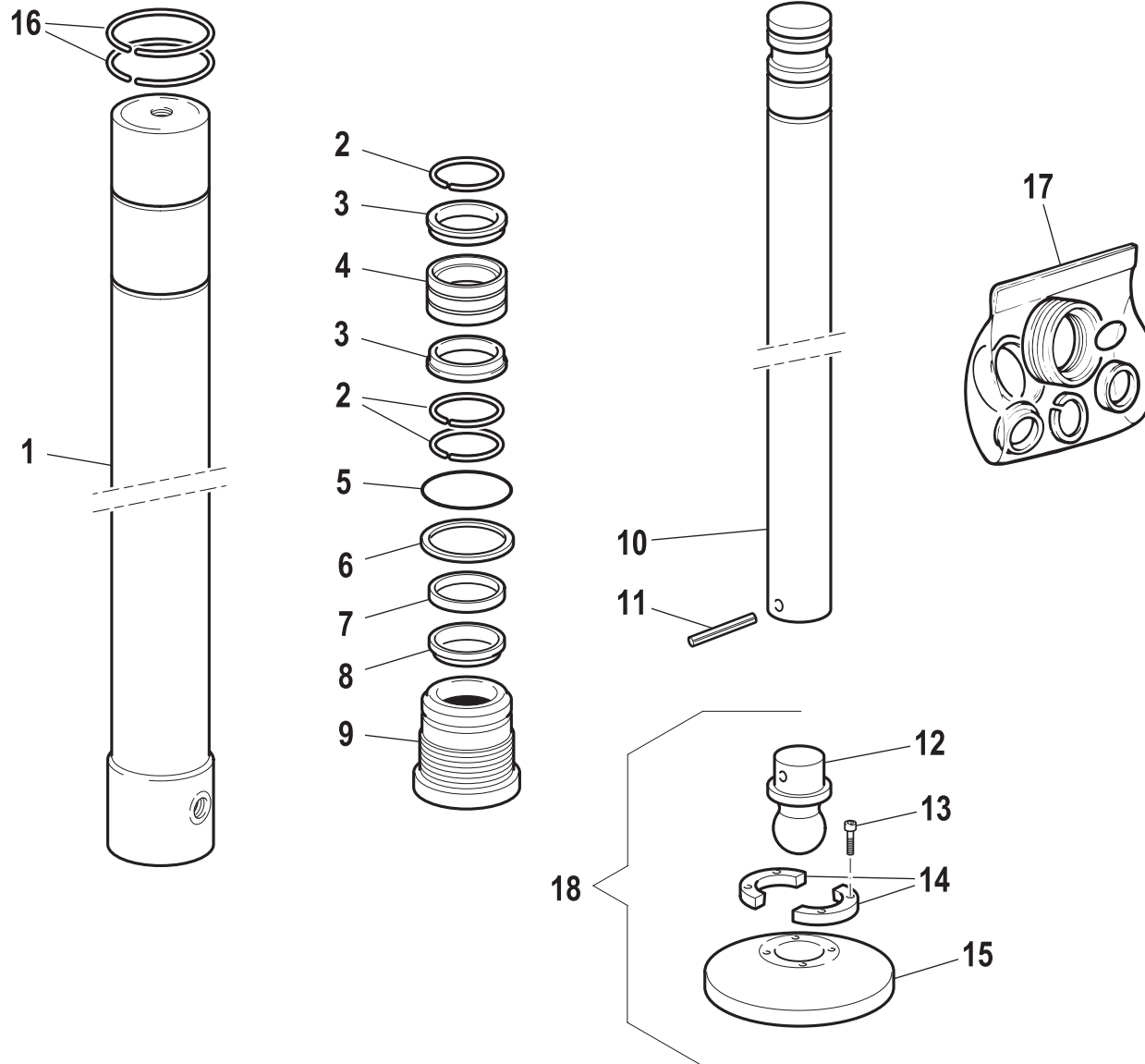
R	Pos.	Code Variant	Q.ty	Description
	1	W570450200	1	
	2	W570450400	1	
	3	W470038	1	
	4	W270501900	1	
	5	W430502600	1	
	6	W726009	1	
	7	3101127	2	90° Connection
	8	3101044	4	Straight pipe fitting
	9	W570450300	1	

STABILISER RAM

Code

W570450400-1.2

1/1



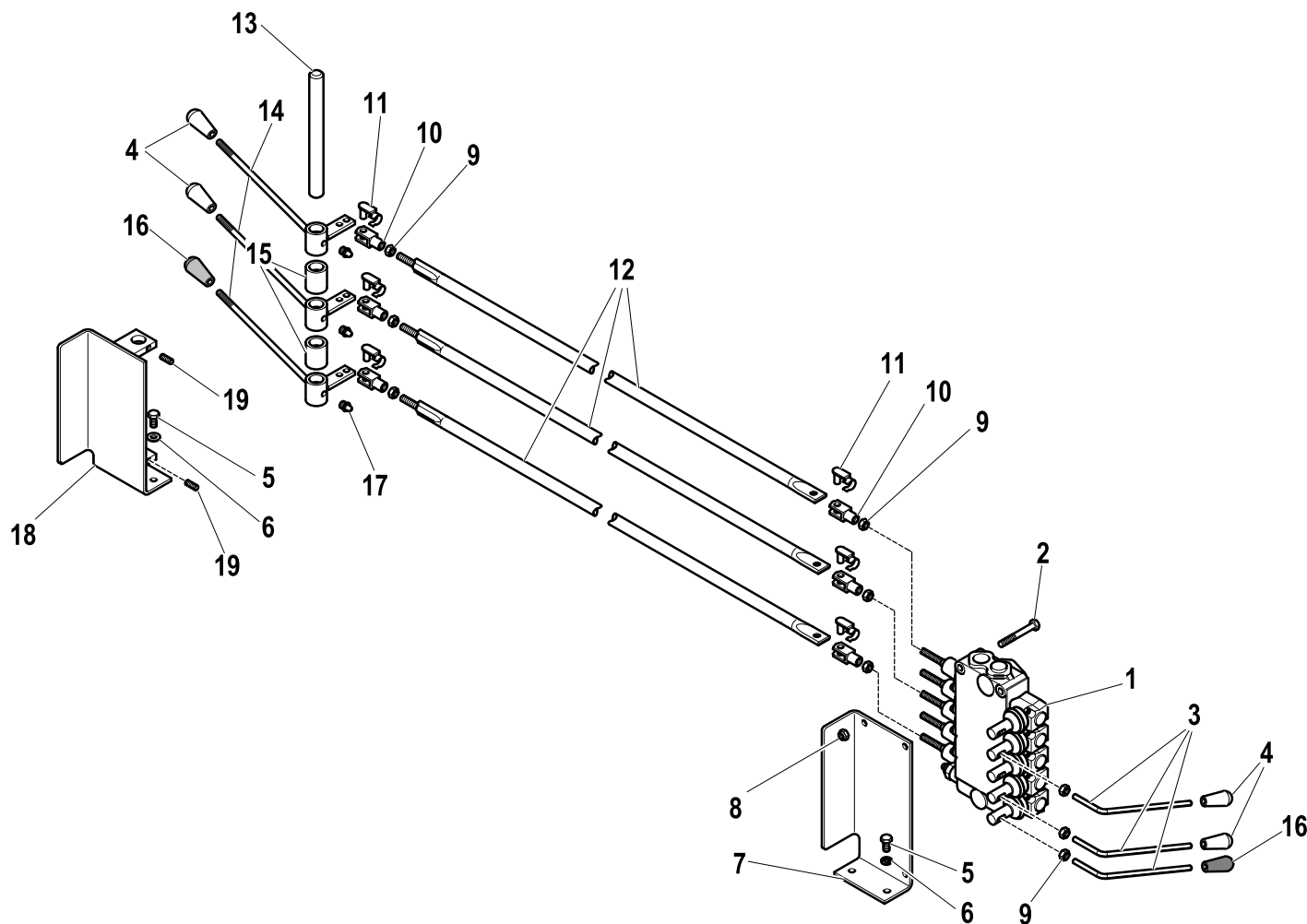
R	Pos.	Code Variant	Q.ty	Description
1		W270400200	1	
2		3070213	3	Snap ring
3		W440400500	2	
4		W359020	1	
5		W360014	1	
6		W304010	1	
7		W358029	1	
8		W361020	1	
9		W120076	1	
10		W570400900	1	
11		W726009	1	
12		W570400600	1	
13		3020035	4	Socket head cap screw [M6X20 8.8 ZC UNI 5931]
14		W570400800	2	
15		W570400700	1	
16		3070206	2	Snap ring
17		W365082	1	
18		W570450200	1	

CONTROLS FOR STABILIZERS

Code

5400609-1.0

1/1



R	Pos.	Code Variant	Q.ty	Description
	1	5220346	1	
	2	3010036	3	Hex screw [M8X65 8.8 ZC UNI 5739]
	3	5000207	3	Control lever
	4	3190006	4	Knob
	5	3010339	4	Hex screw [M8X25 8.8 ZC IF UNI 5739]
	6	3060055	4	Split lock washer [D=8.4 C72 ZC]
	7	5090716	1	
	8	3040303	3	Stopnut
	9	3040045	9	Nut
	10	3300431	6	Fork
	11	3300451	6	Fork clip
	12	5090484	3	
	13	5150647	1	
	14	5090568	3	Control lever
	15	5140737	2	
	16	3190188	2	
	17	3080500	3	Grease nipple
	18	5090717	1	
	19	3060936	2	Grub screw

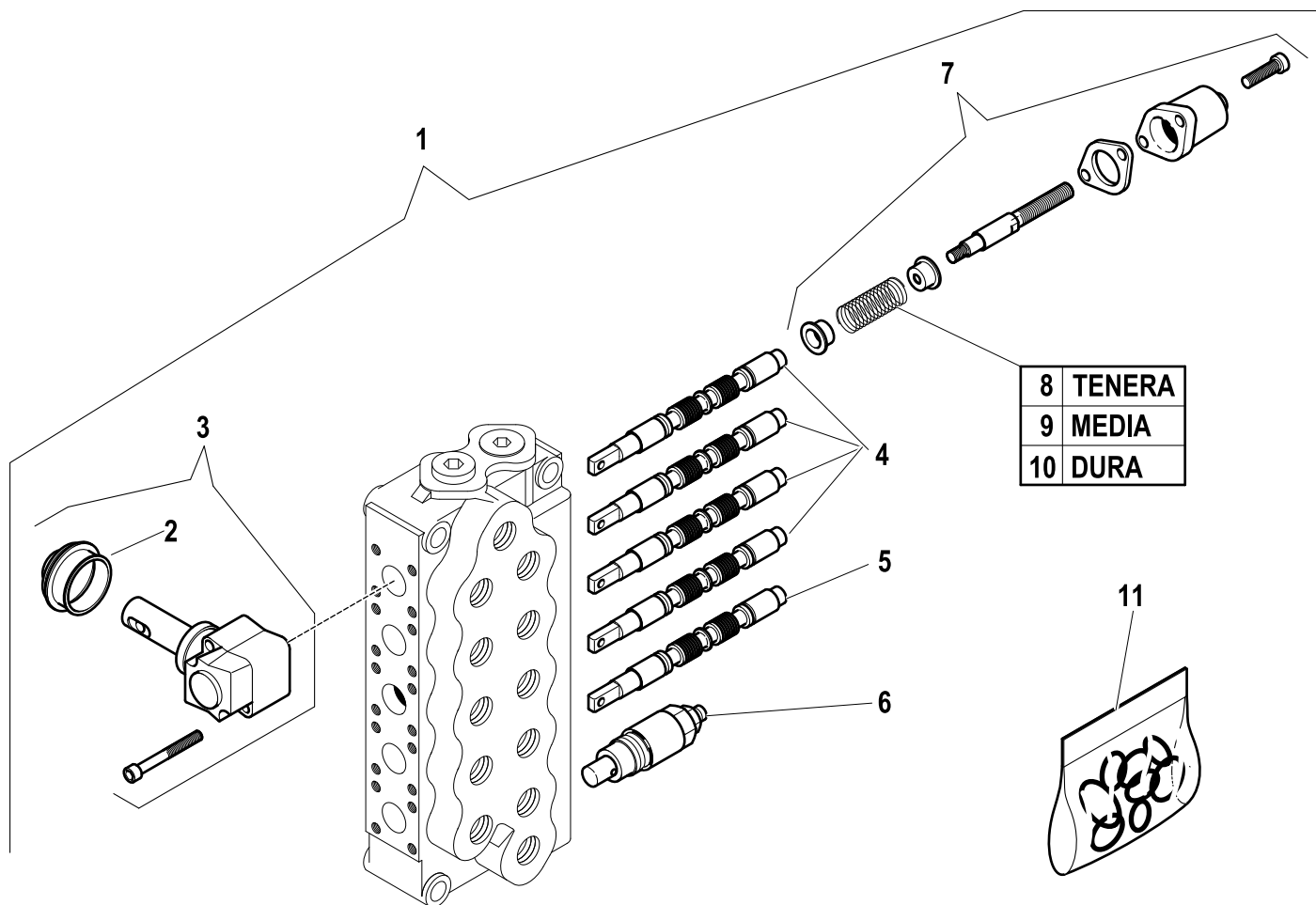
STABILIZER CONTROL VALVE

Code

5220346-1.0

1/1

R	Pos.	Code Variant	Q.ty	Description
	1	5220346	1	
	2	5225022	5	
	3	5225261	5	
	4	5225258	4	
	5	5225480	1	
	6	5225257	1	
	7	5225268	5	
	8	5225479	5	
	9	5225281	5	
	10	5225285	5	
	11	5225263	1	



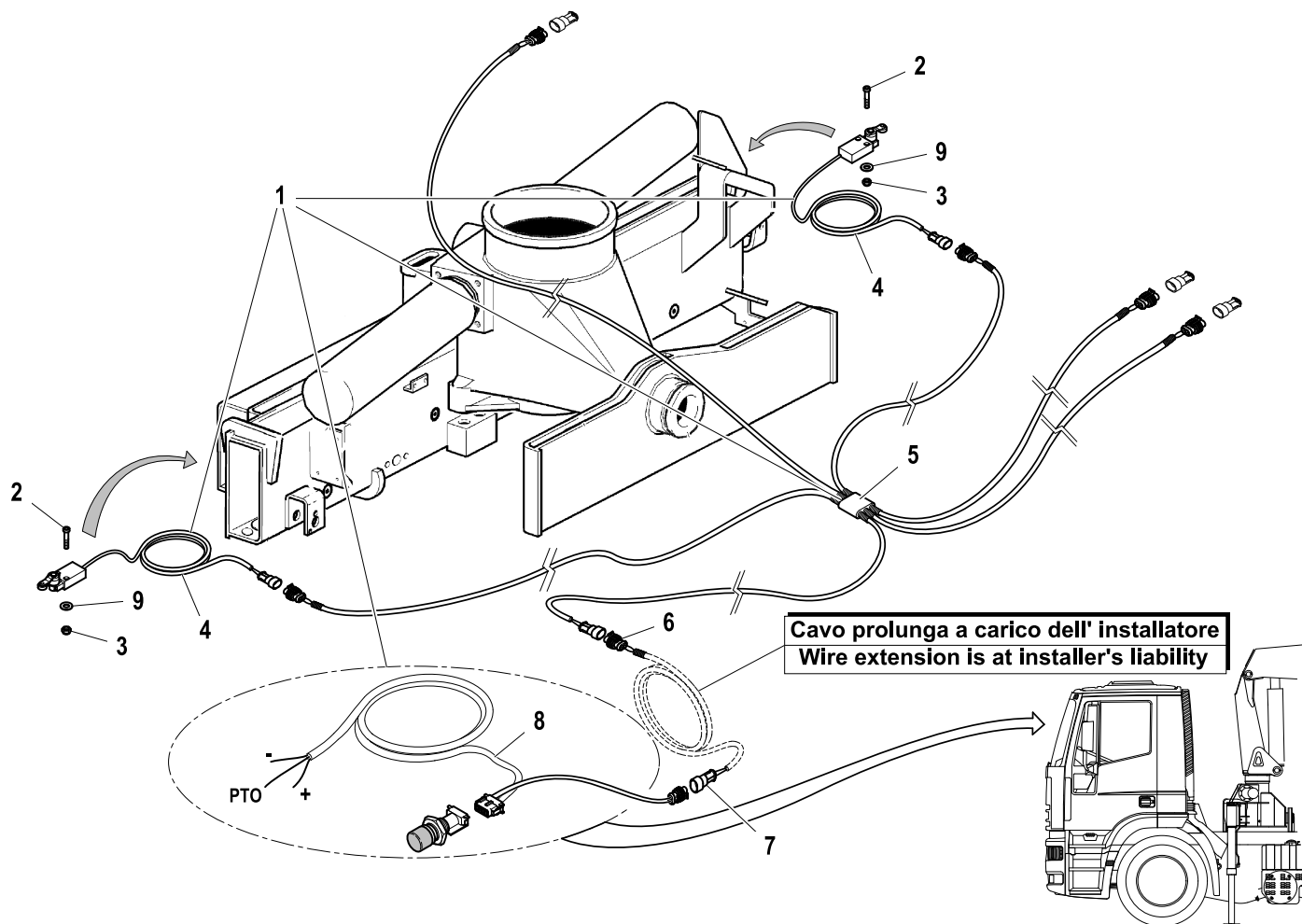
CONTROL DEVICES LOCKING FOR OUTRIGGERS LEGS

Code

5411219-1.0

1/1

R	Pos.	Code Variant	Q.ty	Description
	1	3311352	1	
	2	3020029	4	Socket head cap screw [M5X30 8.8 ZC UNI 5931]
	3	3040392	4	Stopnut
	4	3311356	2	
	5	3311353	1	
	6	3310431	1	
	7	3310432	1	
	8	3311354	1	
	9	3060004	4	Flat washer [D.5 UNI 6592 ZC]



STABILITY CONTROL (EN12999-A3)

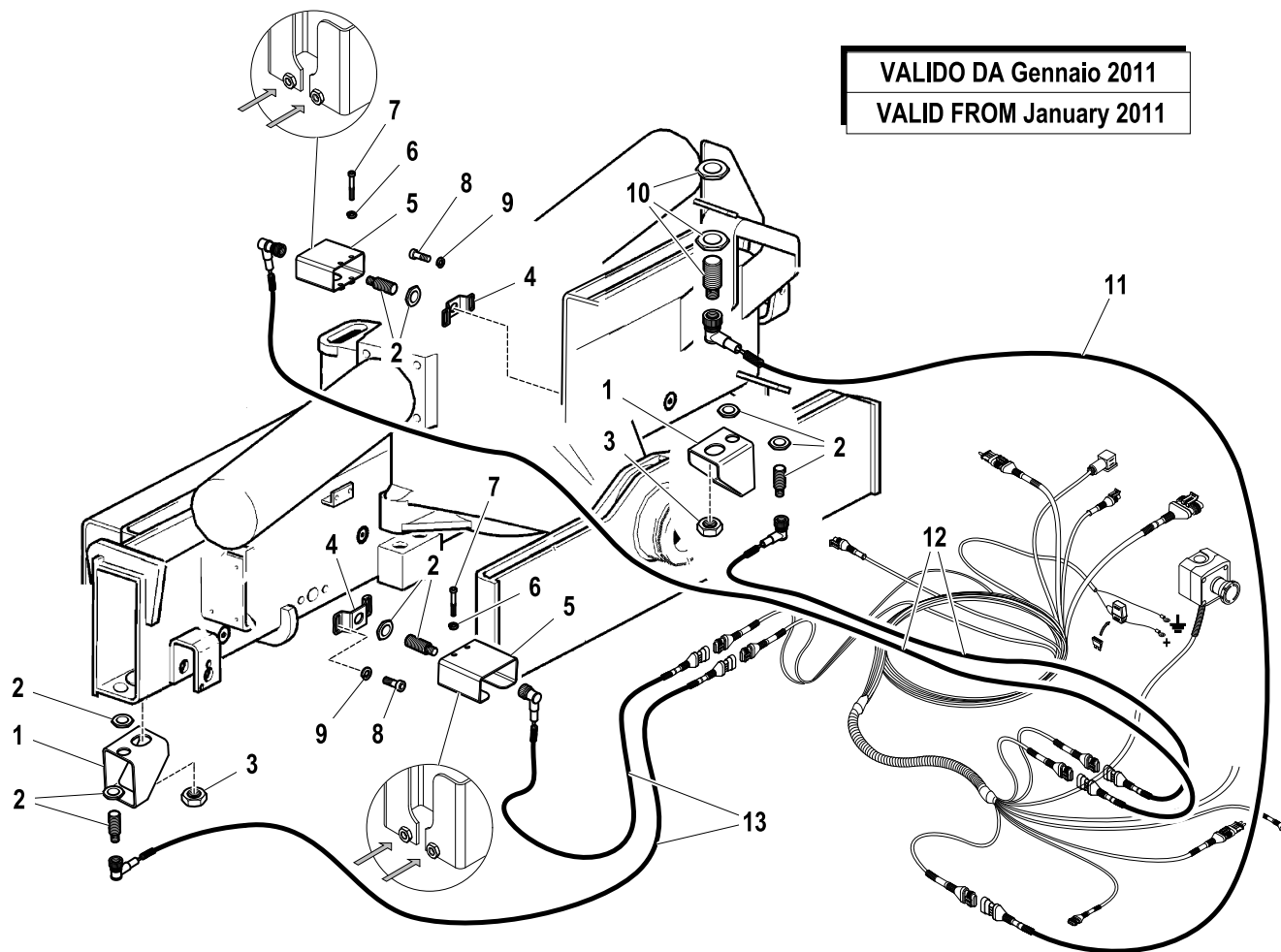
Code

5411219-2.0

1/1

R	Pos.	Code Variant	Q.ty	Description
	1	5000422	2	Support (Proximity switch)
	2	3311311	4	Proximity switch
	3	3040251	2	Lock nut [M24 8.G basso UNI 5589]
	4	5000420	2	Support (Proximity switch)
	5	5091310	2	Guard (Proximity switch)
	6	3060053	4	Split lock washer [D=6.4 C72 ZC]
	7	3020045	4	Socketed head cap screw [M6X45 8.8 ZC UNI 5931]
	8	3020902	4	Socketed head cap screw [M8X10 ZC UNI 5931]
	9	3060055	4	Split lock washer [D=8.4 C72 ZC]
	10	3311312	1	Proximity switch
	11	3311372	1	Electric wiring
	12	3311377	2	Electric wiring
	13	3311332	2	Electric wiring

VALIDO DA Gennaio 2011
VALID FROM January 2011

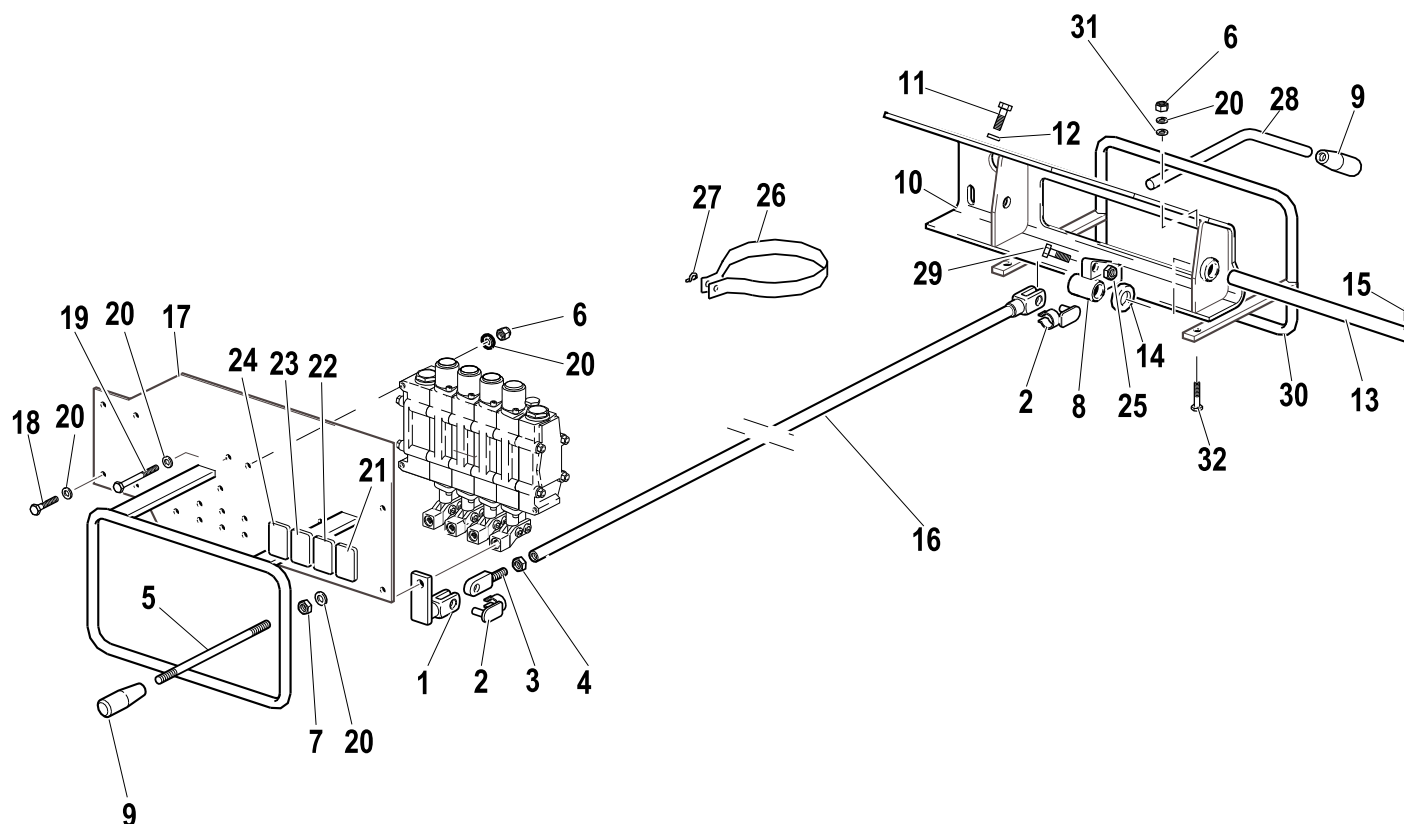


DOUBLE CONTROLS (not CE)

Code

W057510-1.0

1/2



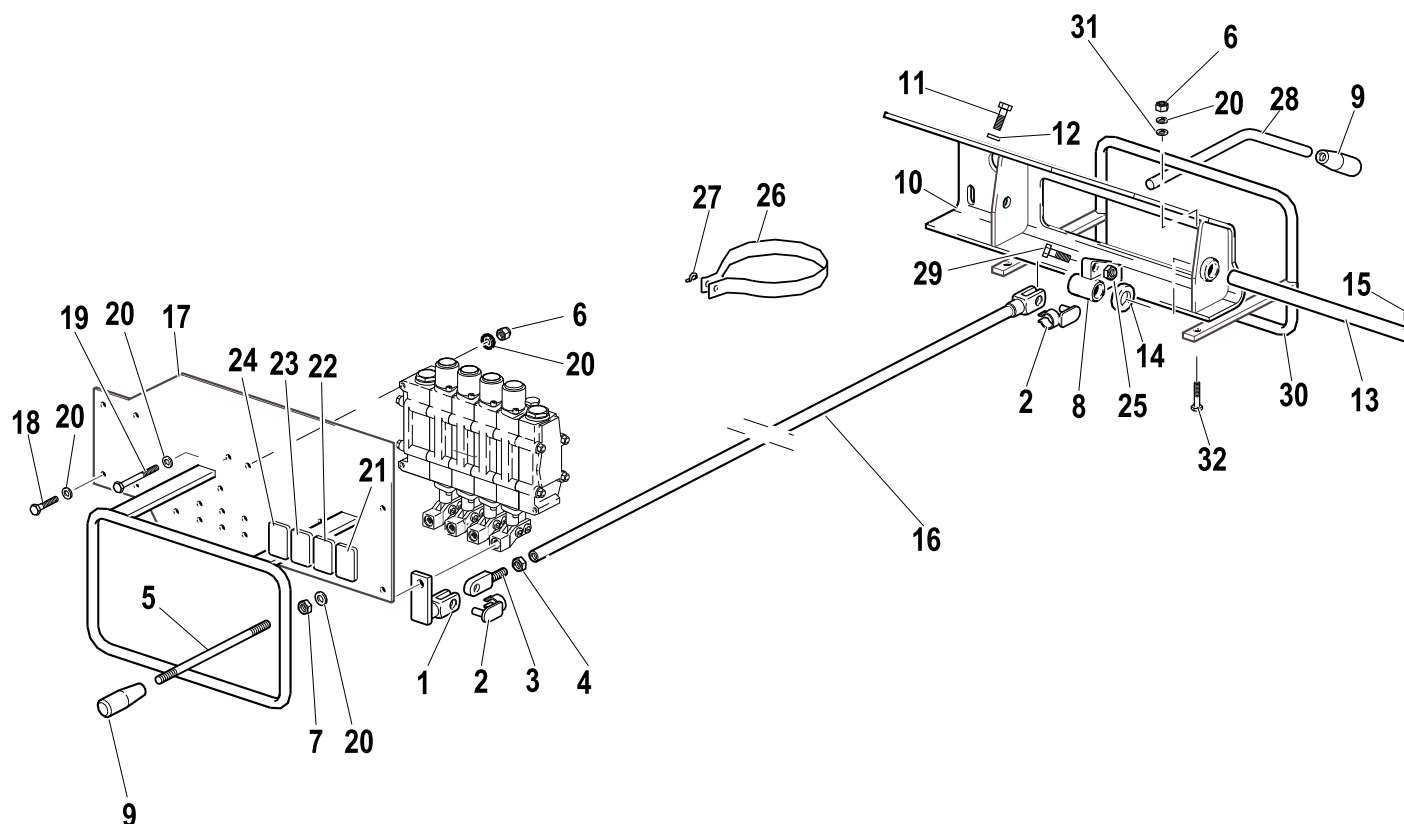
R	Pos.	Code Variant	Q.ty	Description
	1	W580502500	4	
	2	3300453	8	Fork clip
	3	W010503600	4	
	4	3040081	4	Lock nut
	5	W338802	4	
	6	3040524	6	Stopnut
	7	3040040	4	Lock nut
	8	W270509000	4	
	9	W664003	8	
	10	W580500300	1	
	11	3010354	6	Hex screw [M10X20 8.8 ZC UNI 5739]
	12	3060914	6	Flat washer [D.10.5X21X2 UNI 6592 ZC]
	13	W101182	1	
	14	W270102703	1	
	15	3060229	2	Grub screw
	16	W270509500	4	
	17	W570500600	1	
	18	3010337	4	Hex screw [M8X16 8.8 ZC UNI 5739]
	19	3010030	4	Hex screw [M8X35 8.8 ZC UNI 5737]
	20	3060006	14	Flat washer [D.8 UNI 6592 ZC]

DOUBLE CONTROLS (not CE)

Code

W057510-1.0

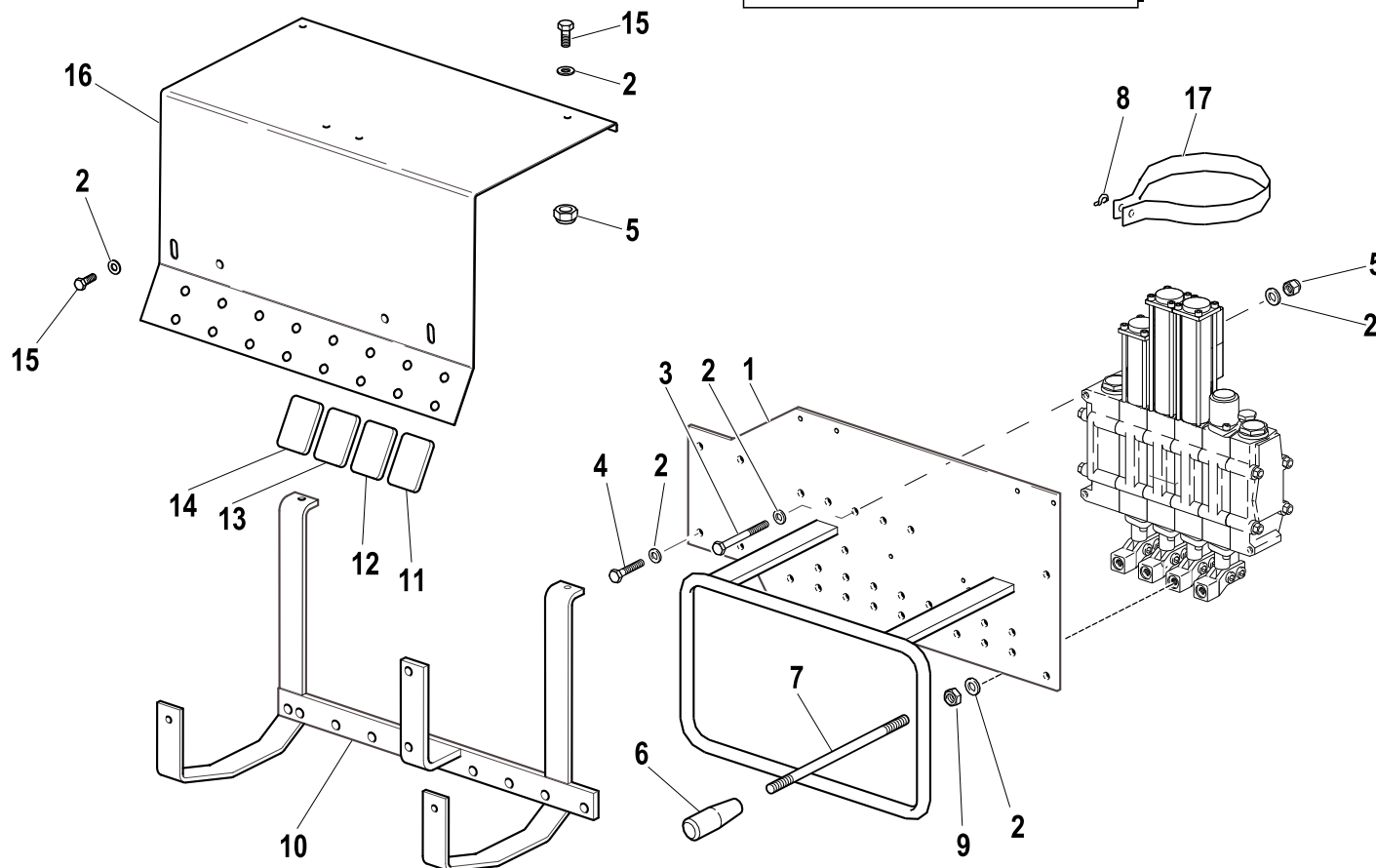
2/2



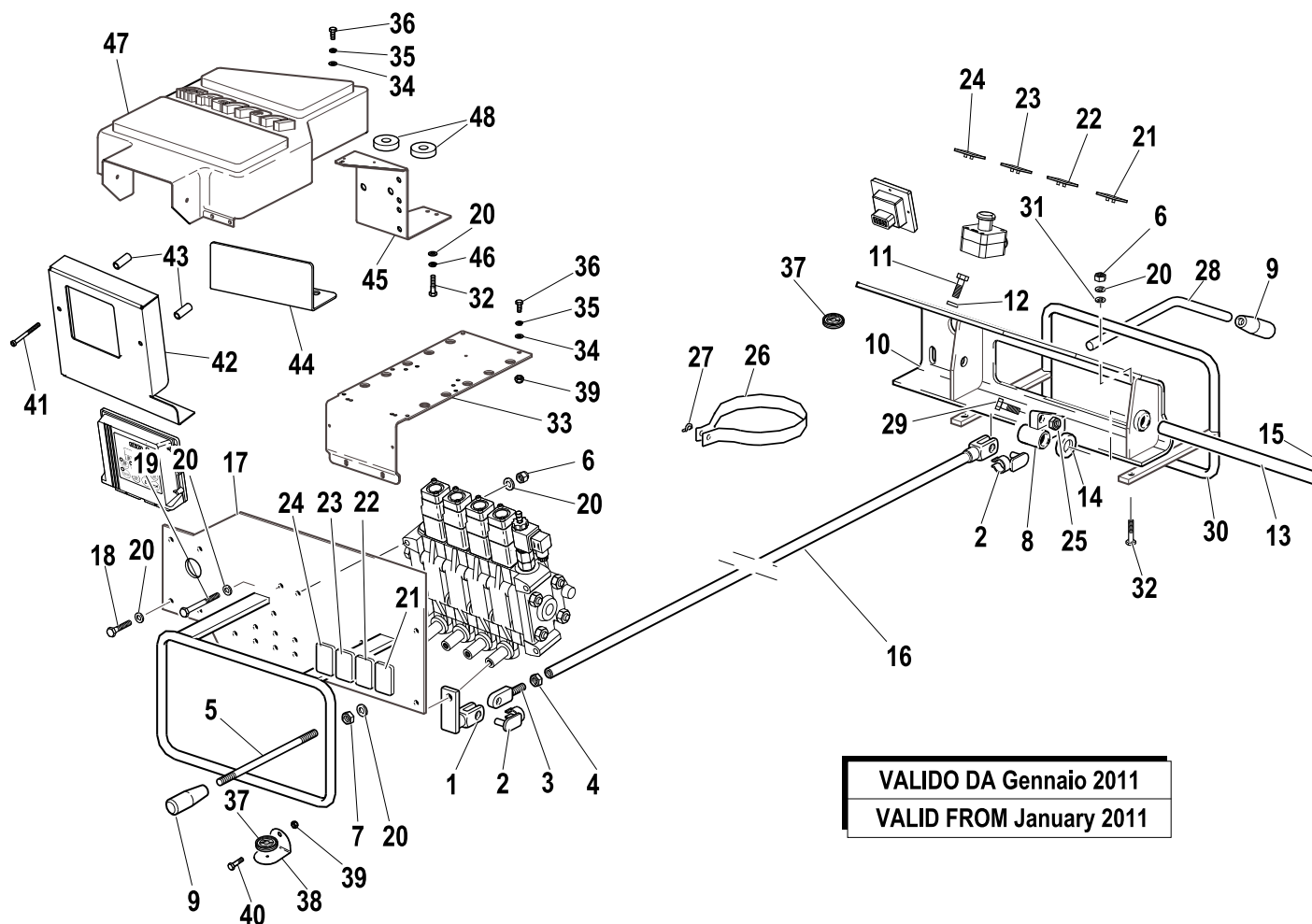
R	Pos.	Code Variant	Q.ty	Description
	21	W573266	2	Small plate (CONTROL SYMBOLS)
	22	W573267	2	Small plate (CONTROL SYMBOLS)
	23	W573269	2	Small plate (CONTROL SYMBOLS)
	24	W573270	2	Small plate (CONTROL SYMBOLS)
	25	3040393	5	Lock nut
	26	W270506300	1	
	27	W270506400	1	
	28	W440501700	4	
	29	3020021	4	Socket head cap screw [M5X12X0.8 8.8 ZC UNI 5931]
	30	W440501900	1	
	31	3060918	3	Tooth lock washer [D.8 TIPO A UNI8842 ZC]
	32	3010027	2	Hex screw [M8X20 8.8 ZC IF UNI 5739]

VALIDO FINO A Dicembre 2010

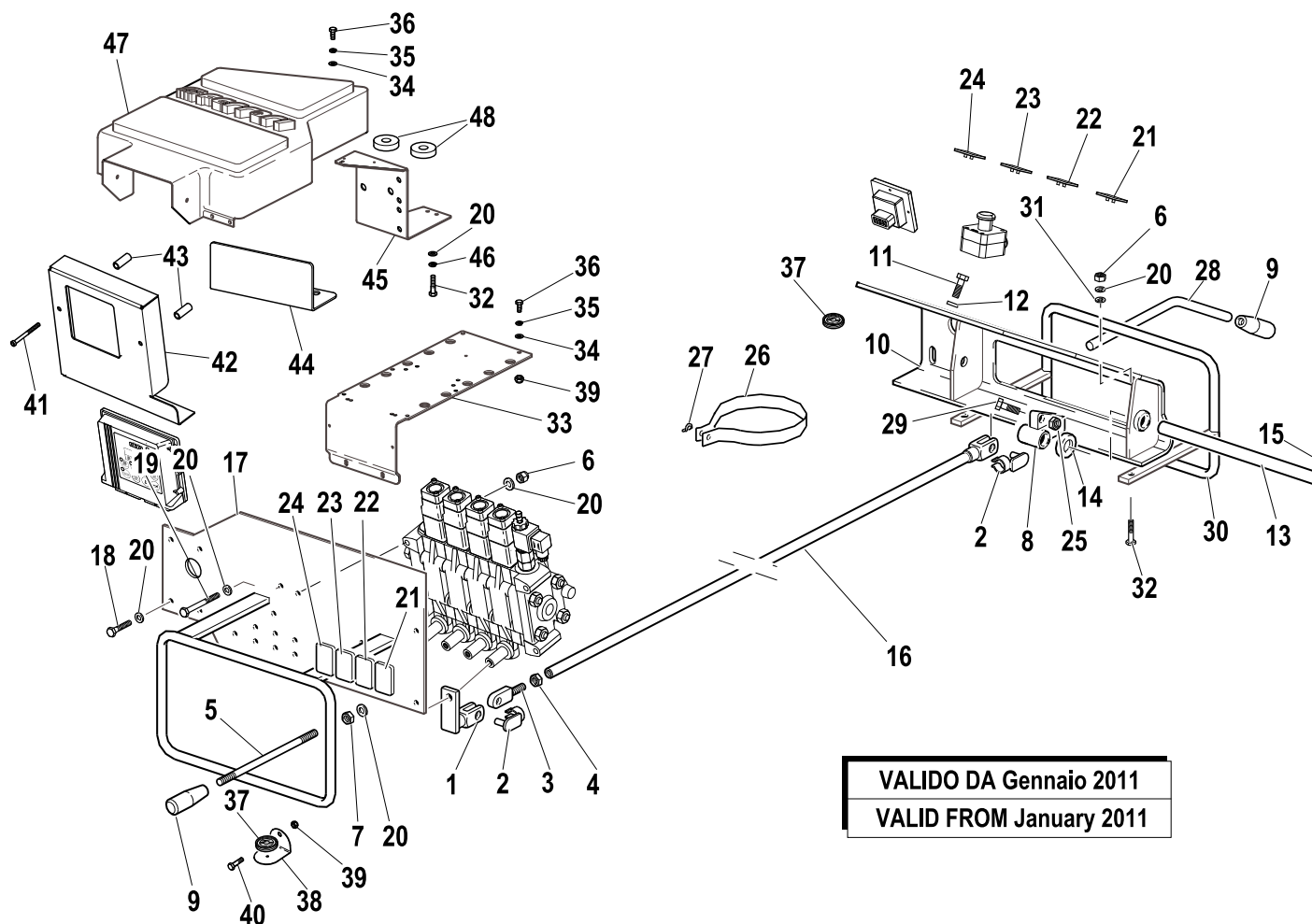
VALID UNTIL December 2010



R	Pos.	Code Variant	Q.ty	Description
	1	W570500600	1	
	2	3060006	14	Flat washer [D.8 UNI 6592 ZC]
	3	3010030	4	Hex screw [M8X35 8.8 ZC UNI 5737]
	4	3010337	4	Hex screw [M8X16 8.8 ZC UNI 5739]
	5	3040524	4	Stopnut
	6	W664003	4	
	7	W338802	4	
	8	W270506400	1	
	9	3040040	4	Lock nut
	10	W410505500	1	
	11	W573266	1	Small plate (CONTROL SYMBOLS)
	12	W573267	1	Small plate (CONTROL SYMBOLS)
	13	W573269	1	Small plate (CONTROL SYMBOLS)
	14	W573270	1	Small plate (CONTROL SYMBOLS)
	15	3010339	4	Hex screw [M8X25 8.8 ZC IF UNI 5739]
	16	W270513100	1	
	17	W270506300	1	



R	Pos.	Code Variant	Q.ty	Description
	1	W580502500	4	
	2	3300453	8	Fork clip
	3	W010503600	4	
	4	3040081	4	Lock nut
	5	W338802	4	
	6	3040524	6	Stopnut
	7	3040040	4	Lock nut
	8	W270509000	4	
	9	W664003	8	
	10	W580500300	1	
	11	3010354	6	Hex screw [M10X20 8.8 ZC UNI 5739]
	12	3060914	6	Flat washer [D.10.5X21X2 UNI 6592 ZC]
	13	W101182	1	
	14	W270102703	1	
	15	3060229	2	Grub screw
	16	W270509500	4	
	17	W570500600	1	
	18	3010337	4	Hex screw [M8X16 8.8 ZC UNI 5739]
	19	3010030	4	Hex screw [M8X35 8.8 ZC UNI 5737]
	20	3060006	16	Flat washer [D.8 UNI 6592 ZC]



R	Pos.	Code Variant	Q.ty	Description
	21	W573266	2	Small plate (CONTROL SYMBOLS)
	22	W573267	2	Small plate (CONTROL SYMBOLS)
	23	W573269	2	Small plate (CONTROL SYMBOLS)
	24	W573270	2	Small plate (CONTROL SYMBOLS)
	25	3040393	5	Lock nut
	26	W270506300	1	
	27	W270506400	1	
	28	W440501700	4	
	29	3020021	4	Socketed head cap screw [M5X12X0.8 8.8 ZC UNI 5931]
	30	W440501900	1	
	31	3060918	3	Tooth lock washer [D.8 TIPO A UNI8842 ZC]
	32	3010027	4	Hex screw [M8X20 8.8 ZC IF UNI 5739]
	33	5091035	1	
	34	3060053	3	Split lock washer [D=6.4 C72 ZC]
	35	3060005	3	Flat washer [D.6.4 UNI 6592 ZC]
	36	3010325	3	Hex screw [M6X16 8.8 ZC UNI 5739]
	37	3180116	2	
	38	W570501600	1	
	39	3040372	2	Stopnut
	40	3010015	1	Hex screw [M6X20 8.8 ZC UNI 5739]

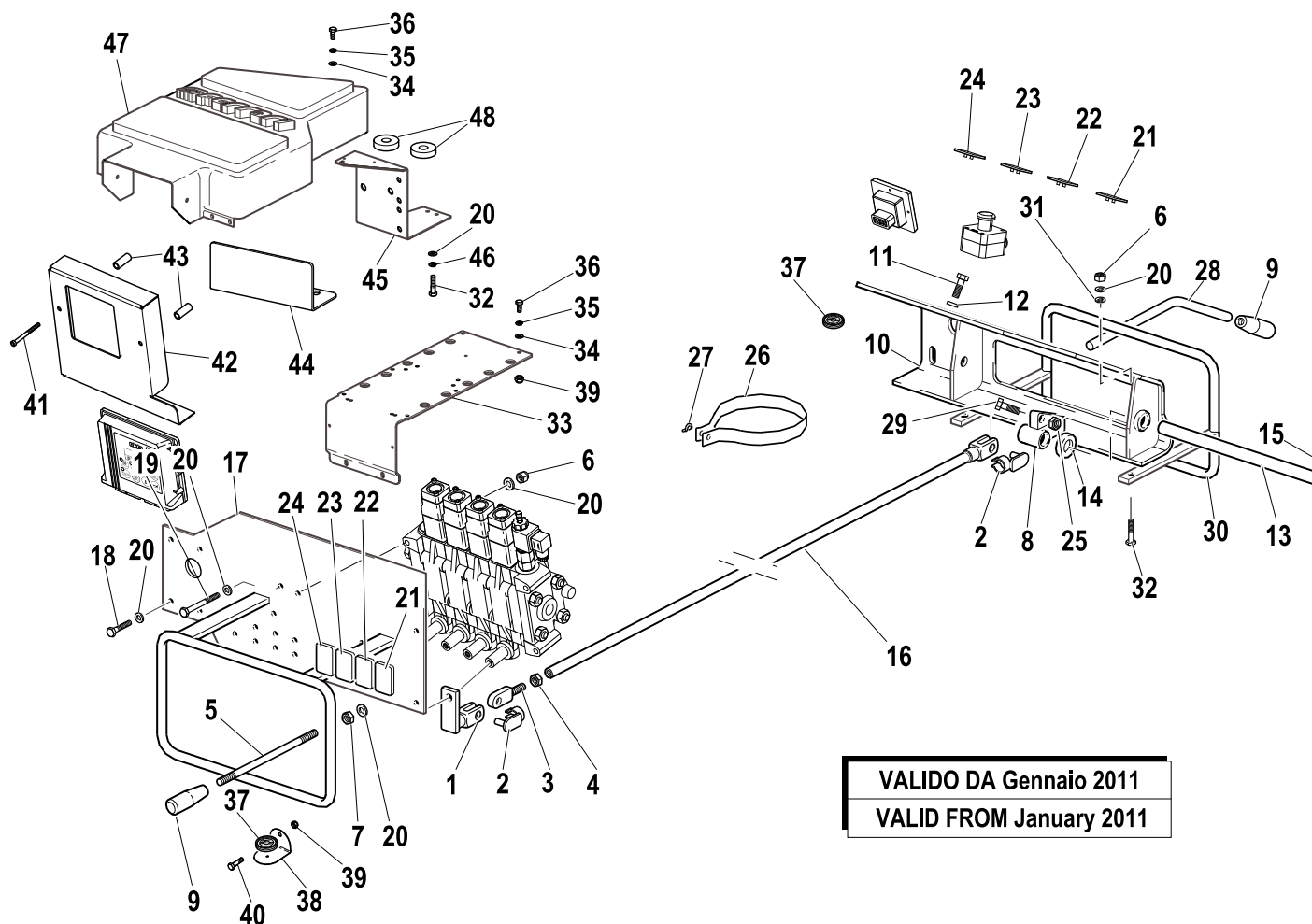
DOUBLE CONTROLS (CE)

Code

5400623-2.0

3/3

R	Pos.	Code Variant	Q.ty	Description
	41	3020897	2	Socket head cap screw [M5X60 8.8 ZC UNI 5931]
	42	5001782	1	
	43	5001783	2	
	44	5002089	1	
	45	W570501500	1	
	46	3060055	2	Split lock washer [D=8.4 C72 ZC]
	47	W590501200	1	
	48	W340501400	2	Support (Clamp)



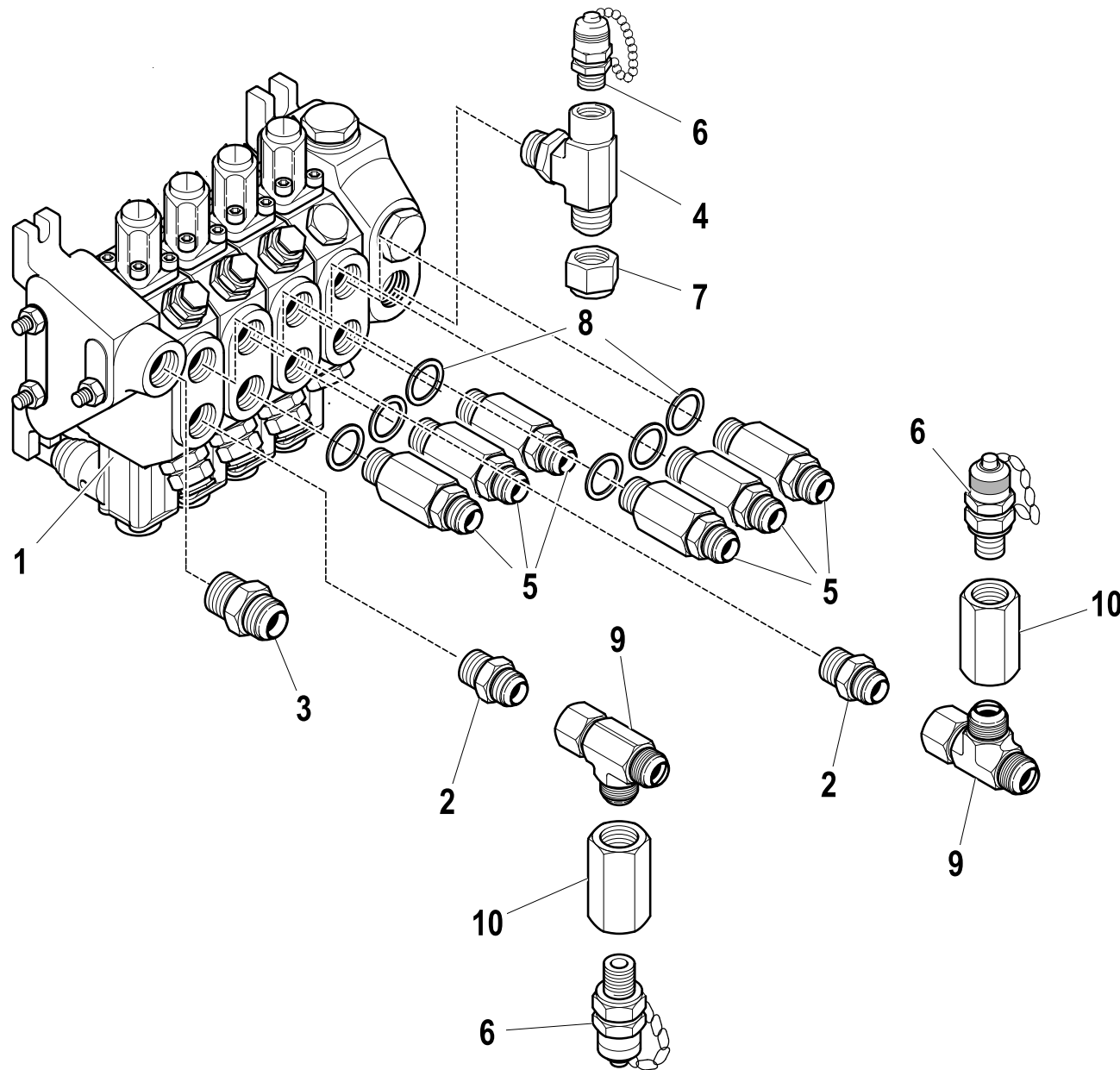
Control valve ass'y (4 section)

Code

5401038-1.0

1/1

R	Pos.	Code Variant	Q.ty	Description
	1	W338428	1	
	2	3101044	2	Straight pipe fitting
	3	3101058	1	Straight pipe fitting
	4	3120306	1	Tee fitting
	5	W402110	6	Rotary union
	6	3111523	3	Pipe fitting (Tapping point) [RACC. MILITES 16X2-1/4"G]
	7	3110041	1	Female plug
	8	3060145	6	Sealing washer [BSP 1/2"]
	9	3120004	2	Tee fitting
	10	3120356	2	Reducing fitting

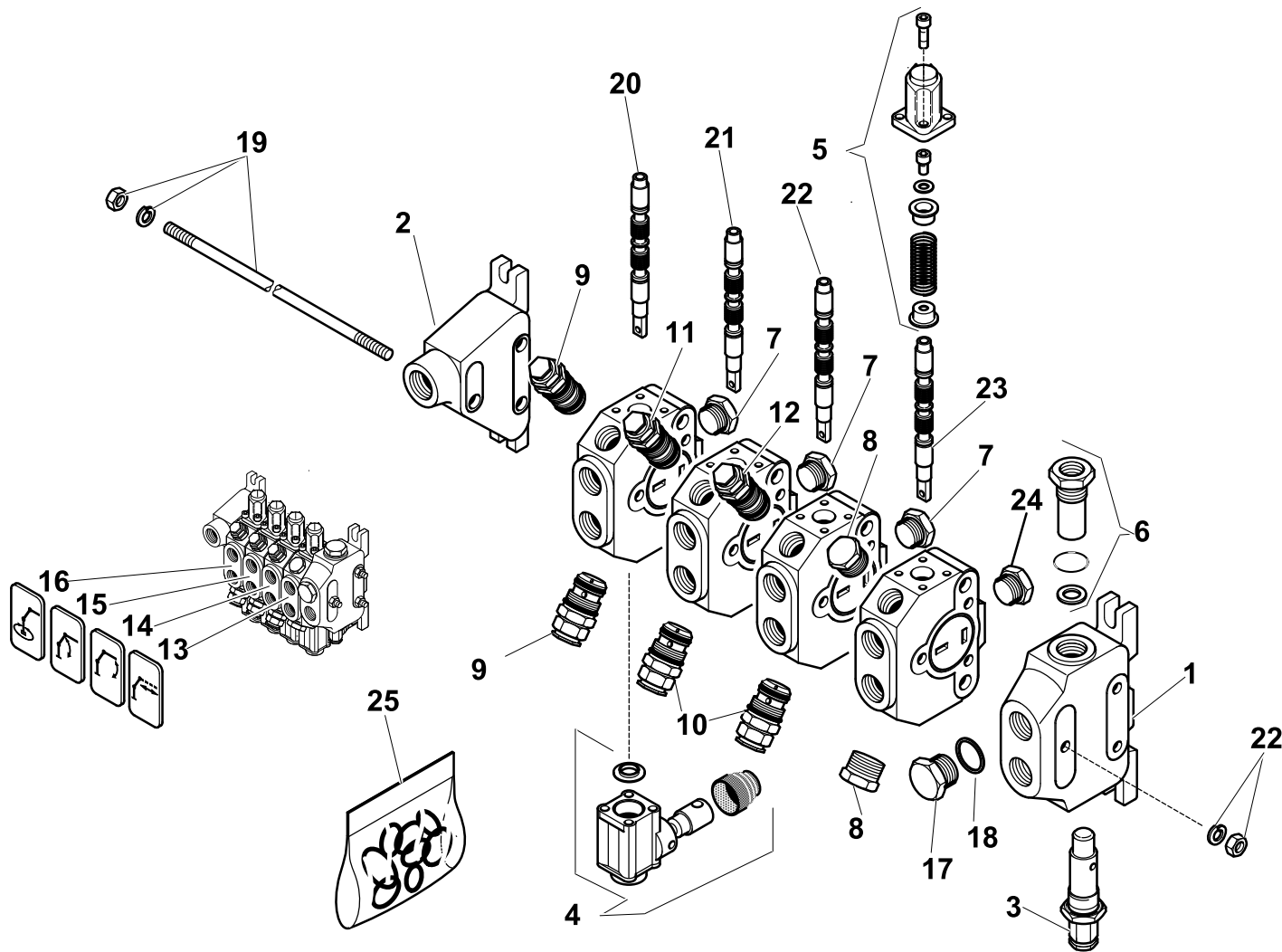


Control valve (4 section)

Code

W338428-1.0

1/2



R	Pos.	Code Variant	Q.ty	Description
	1	WHC0601	1	
	2	WHC0602	1	
	3	WHC0634	1	
	4	WHC0660	4	
	5	WHC0661	4	
	6	WHC0603	1	
	7	WHC0638	3	
	8	WHC0639	2	
	9	WHC0641	2	
	10	WHC0644	2	
	11	WHC0643	1	
	12	WHC0635	1	
	13	WHC0609	1	
	14	WHC0608	1	
	15	WHC0607	1	
	16	WHC0606	1	
	17	WHC0645	1	
	18	WHC0646	1	
	19	WHC0649	3	
	20	WHC0630	1	

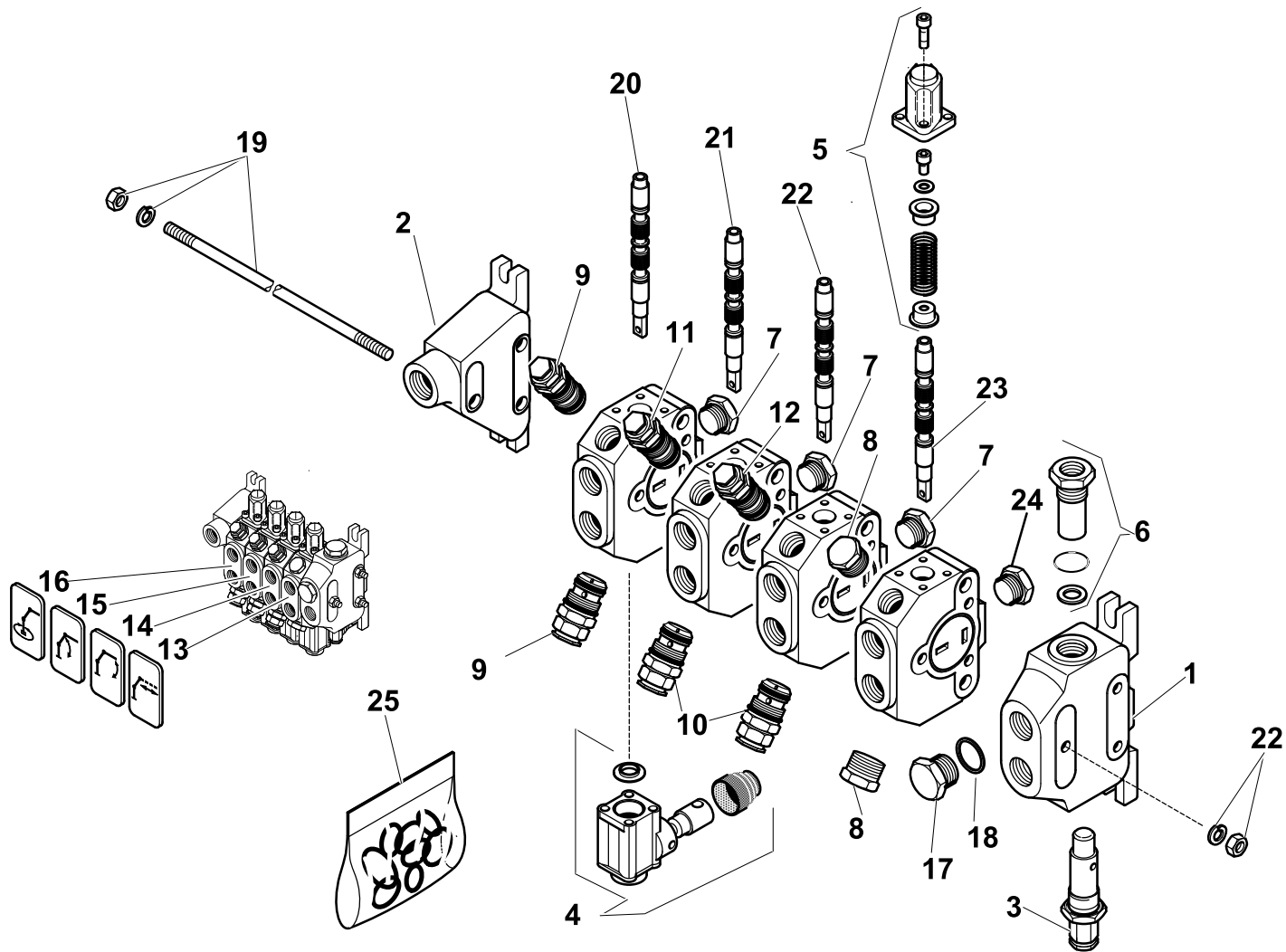
Control valve (4 section)

Code

W338428-1.0

2/2

R	Pos.	Code Variant	Q.ty	Description
	21	WHC0631	1	
	22	WHC0629	1	
	23	WHC0627	1	
	24	WHC0633	1	
	25	WHC0700	1	

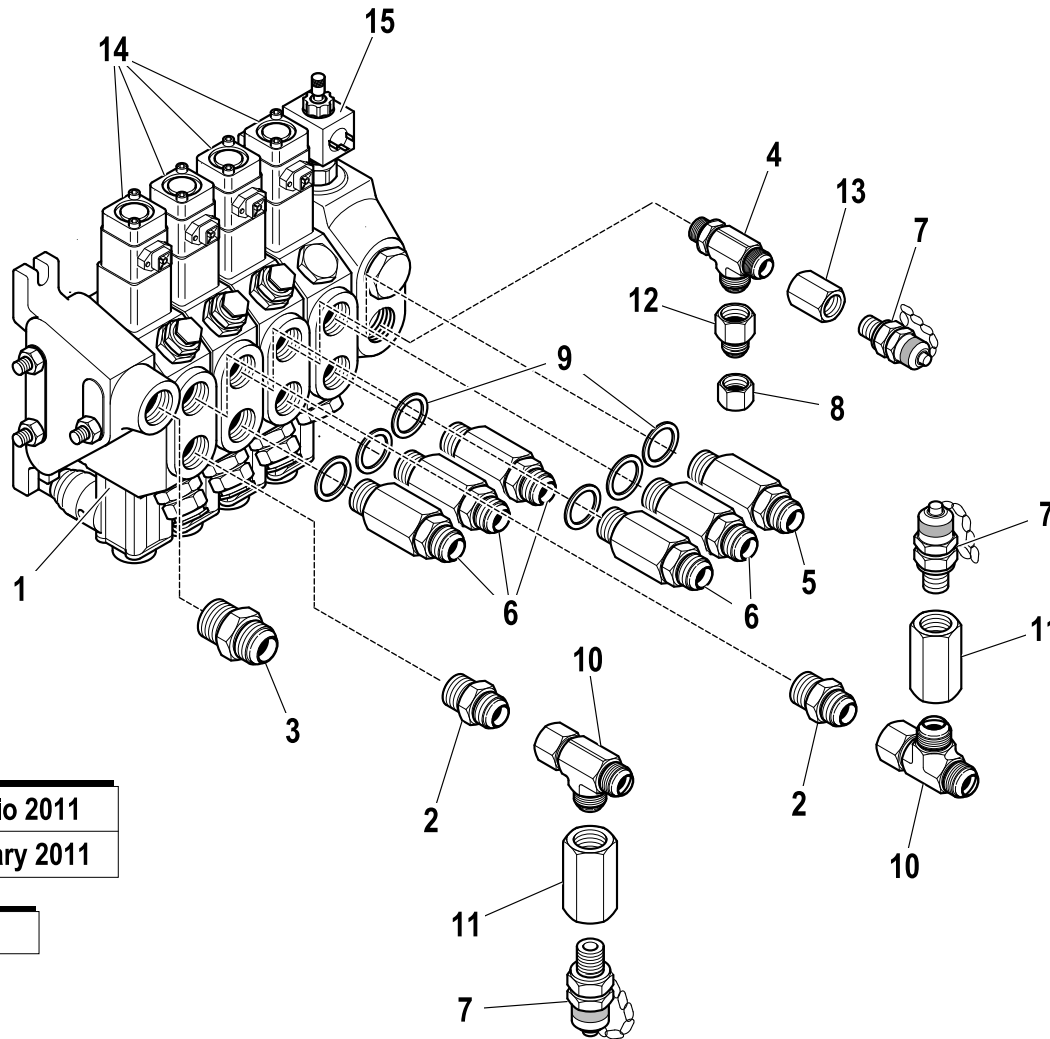


Control valve ass'y (4 section)

Code

5400623-3.0

1/1



R	Pos.	Code Variant	Q.ty	Description
	1	W338428	1	
	2	3101044	2	Straight pipe fitting
	3	3101058	1	Straight pipe fitting
	4	3101179	1	Tee fitting
	5	W402110	1	Rotary union
	6	W402109	5	Rotary union
	7	3111523	3	Pipe fitting (Tapping point) [RACC. MILITES 16X2-1/4"G]
	8	3110041	1	Female plug
	9	3060145	6	Sealing washer [BSP 1/2"]
	10	3120004	2	Tee fitting
	11	3120356	2	Reducing fitting
	12	3120207	1	Reducing fitting
	13	3120314	1	Pipe fitting (Extension shaft)
	14	5225420	4	
	15	5225429	1	Solenoid valve

VALIDO DA Gennaio 2011

VALID FROM January 2011

EN 12999-A3

Control valve (4 section)

Code

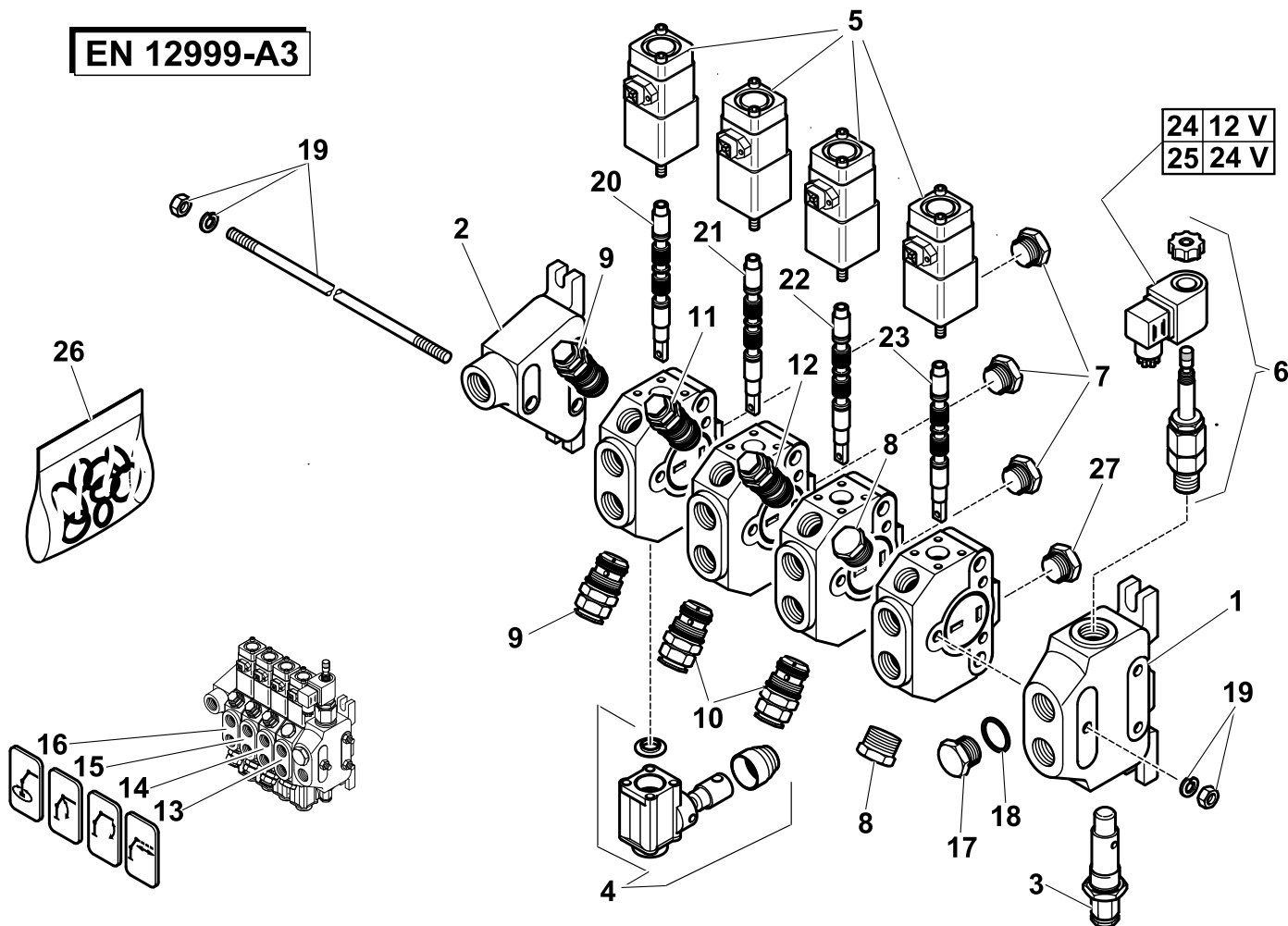
W338428-2.0

1/2

VALIDO DA Gennaio 2011

VALID FROM January 2011

EN 12999-A3



R	Pos.	Code Variant	Q.ty	Description
	1	WHC0601	1	
	2	WHC0602	1	
	3	WHC0634	1	
	4	WHC0660	4	
	5	5225420	4	
	6	5225429	1	Solenoid valve
	7	WHC0638	3	
	8	WHC0639	2	
	9	5225432	2	
	10	5225455	2	
	11	WHC0643	1	
	12	WHC0635	1	
	13	WHC0609	1	
	14	WHC0608	1	
	15	WHC0607	1	
	16	WHC0606	1	
	17	WHC0645	1	
	18	WHC0646	1	
	19	WHC0649	3	
	20	WHC0630	1	

Control valve (4 section)

Code

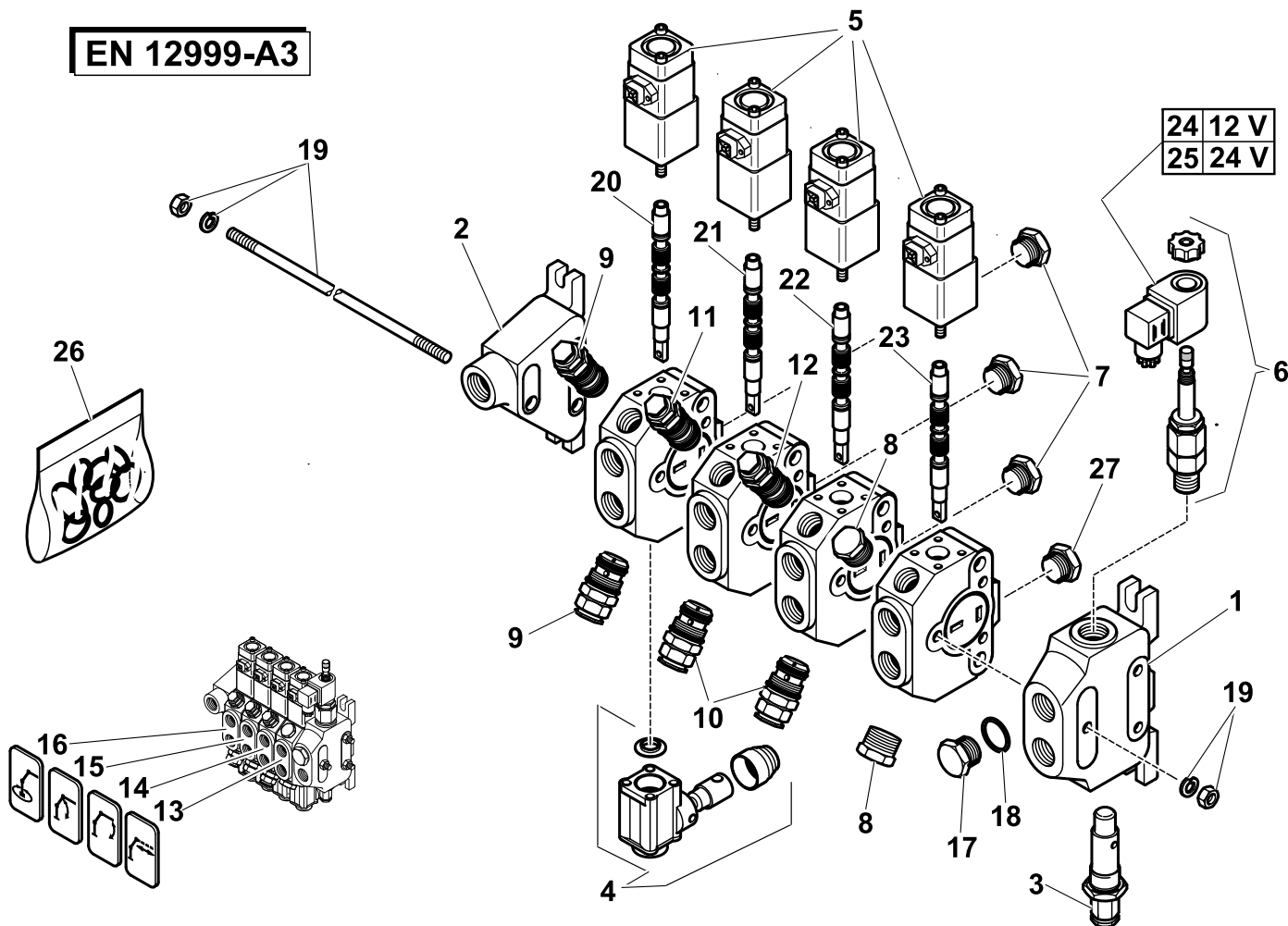
W338428-2.0

2/2

VALIDO DA Gennaio 2011

VALID FROM January 2011

EN 12999-A3



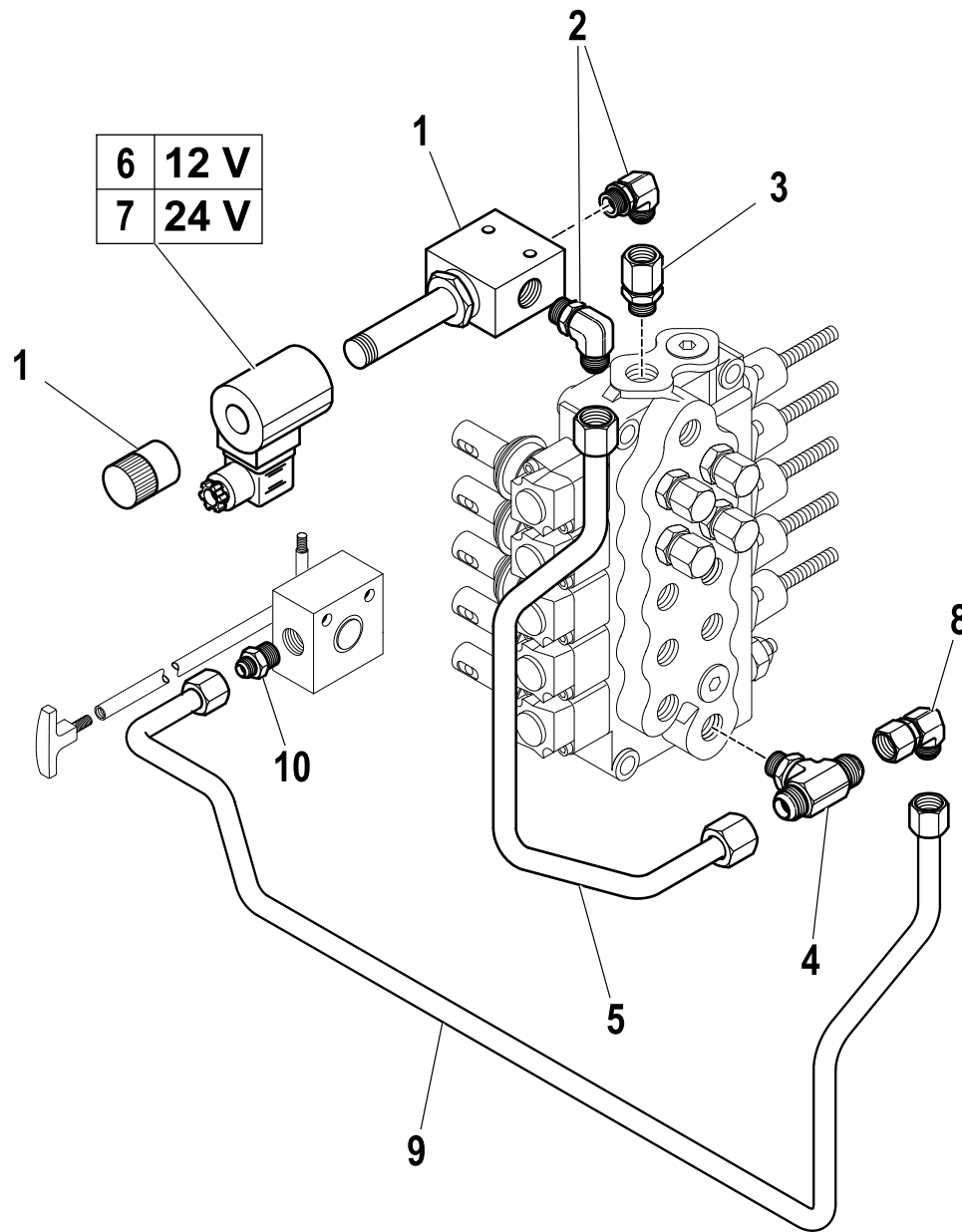
R	Pos.	Code Variant	Q.ty	Description
	21	WHC0631	1	
	22	WHC0629	1	
	23	WHC0627	1	
	24	3311046	1	
	25	3311047	1	
	26	WHC0700	1	
	27	WHC0633	1	

Solenoid valve (STABILIZER CONTROL VALVE)

Code

5440104-1.0

1/1



R	Pos.	Code Variant	Q.ty	Description
	1	5220182	1	
	2	3101127	2	90° Connection
	3	3120066	1	Straight pipe fitting
	4	3120303	1	Tee fitting
	5	5390548	1	
	6	3310042	1	Solenoid (12V)
	7	3310043	1	Solenoid (24V)
	8	3120031	1	90° Connection
	9	5390552	1	
	10	3101045	1	Straight pipe fitting

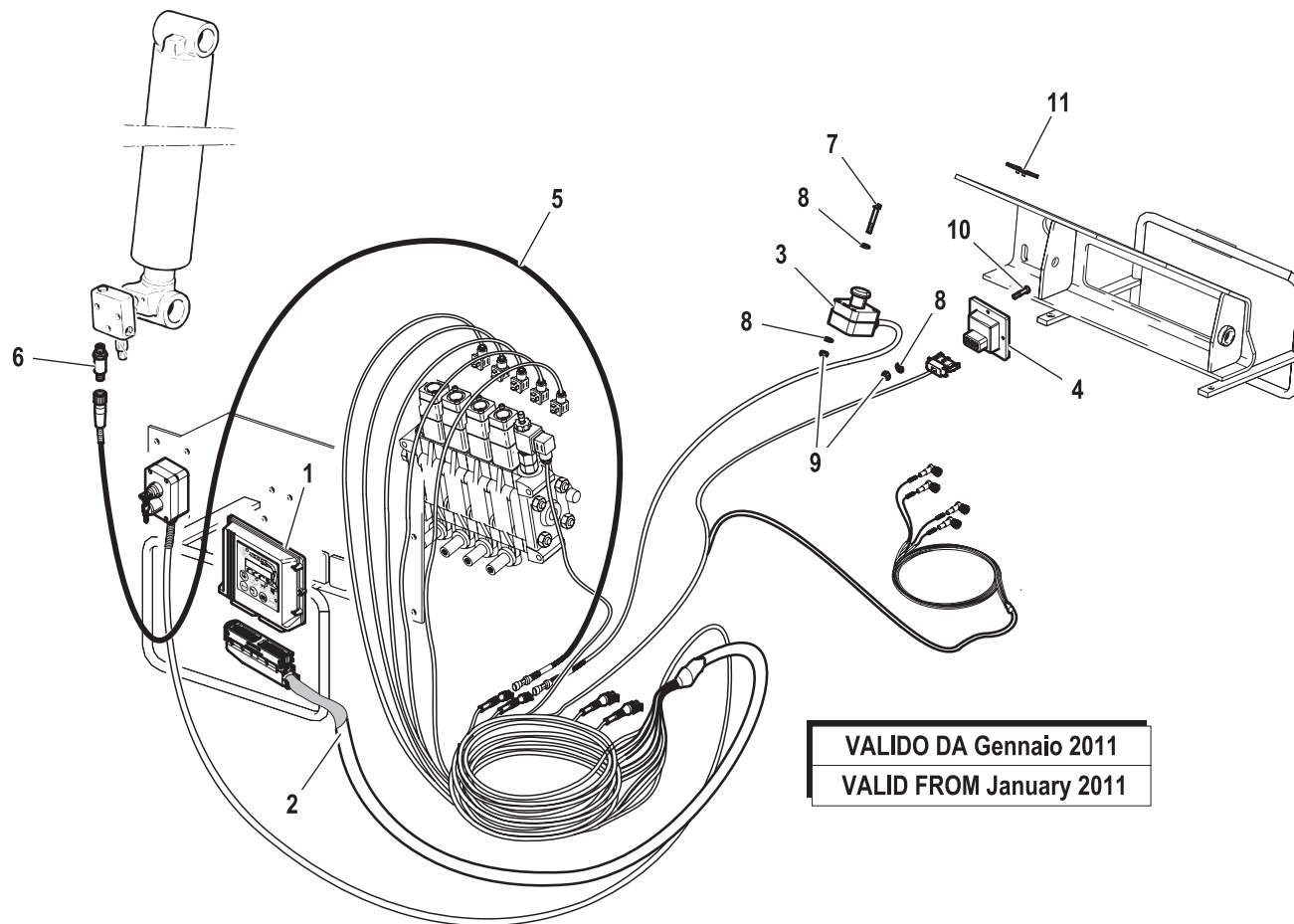
DOUBLE CONTROLS (EN12999-A3)

Code

5400623-5.0

1/1

R	Pos.	Code Variant	Q.ty	Description
	1	3311423	1	Moment limiting device [SUPERATO]
	2	5160085	1	Electric wiring
	3	3311400	1	Electric wiring
	4	3311328	1	DIGITAL INSTRUMENT PANEL (Moment limiting device)
	5	5160084	1	Electric wiring
	6	3310612	1	Pressure sensor
	7	3020013	4	Socketed head cap screw [M4X60 8.8 ZC UNI 5931]
	8	3060030	10	Flat washer [D.6.6X18 UNI 6593 ZC]
	9	3040518	6	Stopnut
	10	3020885	2	Socketed head cap screw [M4X20 8.8 ZC UNI 5931]
	11	5813567	1	Small plate (Emergency button)



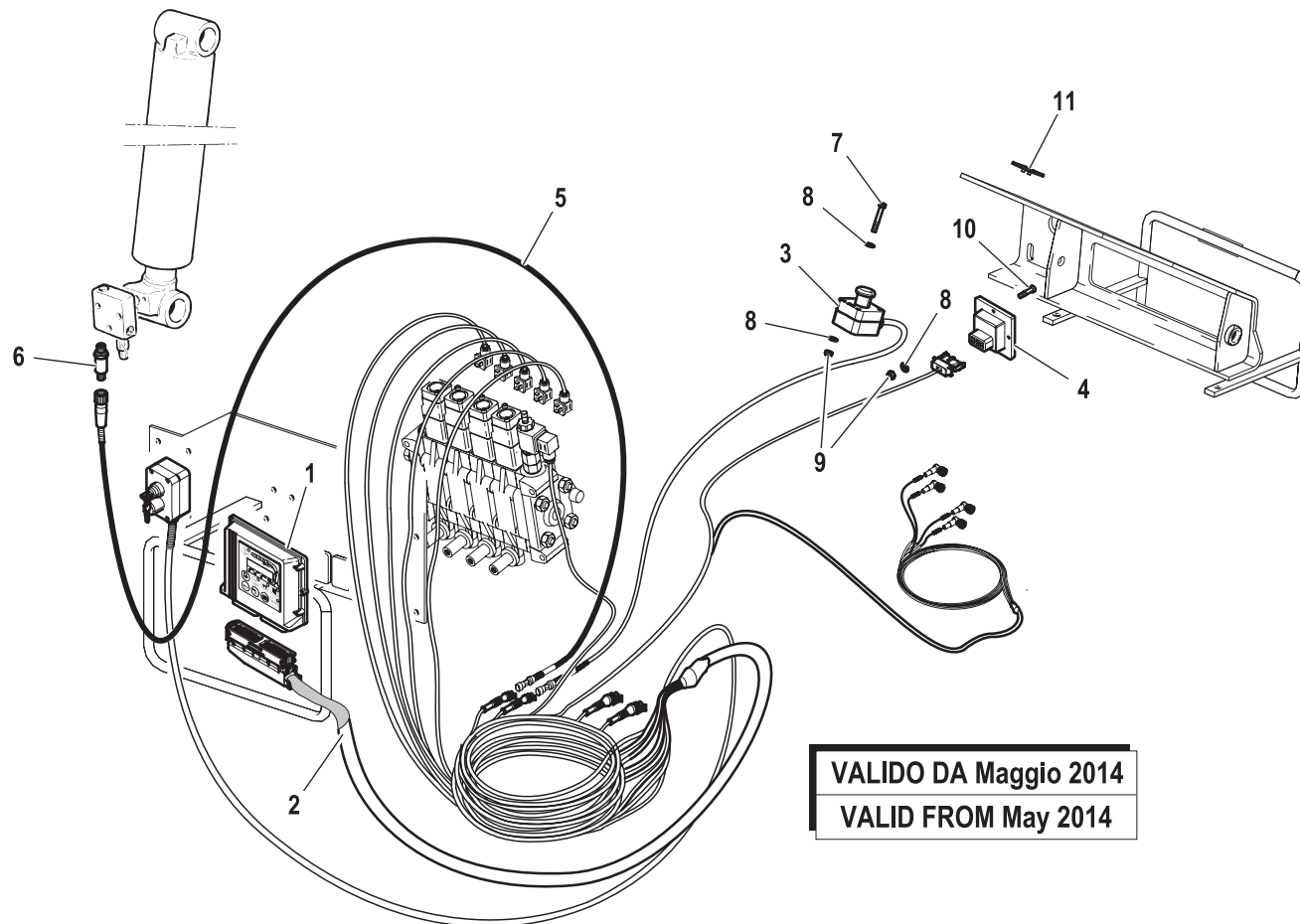
DOUBLE CONTROLS (EN12999-A3)

Code

5401038-3.0

1/1

R	Pos.	Code Variant	Q.ty	Description
	1	3311630	1	Moment limiting device (WITH RESINING)
	2	5160085	1	Electric wiring
	3	3311400	1	Electric wiring
	4	3311328	1	DIGITAL INSTRUMENT PANEL (Moment limiting device)
	5	5160084	1	Electric wiring
	6	3310612	1	Pressure sensor
	7	3020013	4	Socketed head cap screw [M4X60 8.8 ZC UNI 5931]
	8	3060030	10	Flat washer [D.6.6X18 UNI 6593 ZC]
	9	3040518	6	Stopnut
	10	3020885	2	Socketed head cap screw [M4X20 8.8 ZC UNI 5931]
	11	5813567	1	Small plate (Emergency button)

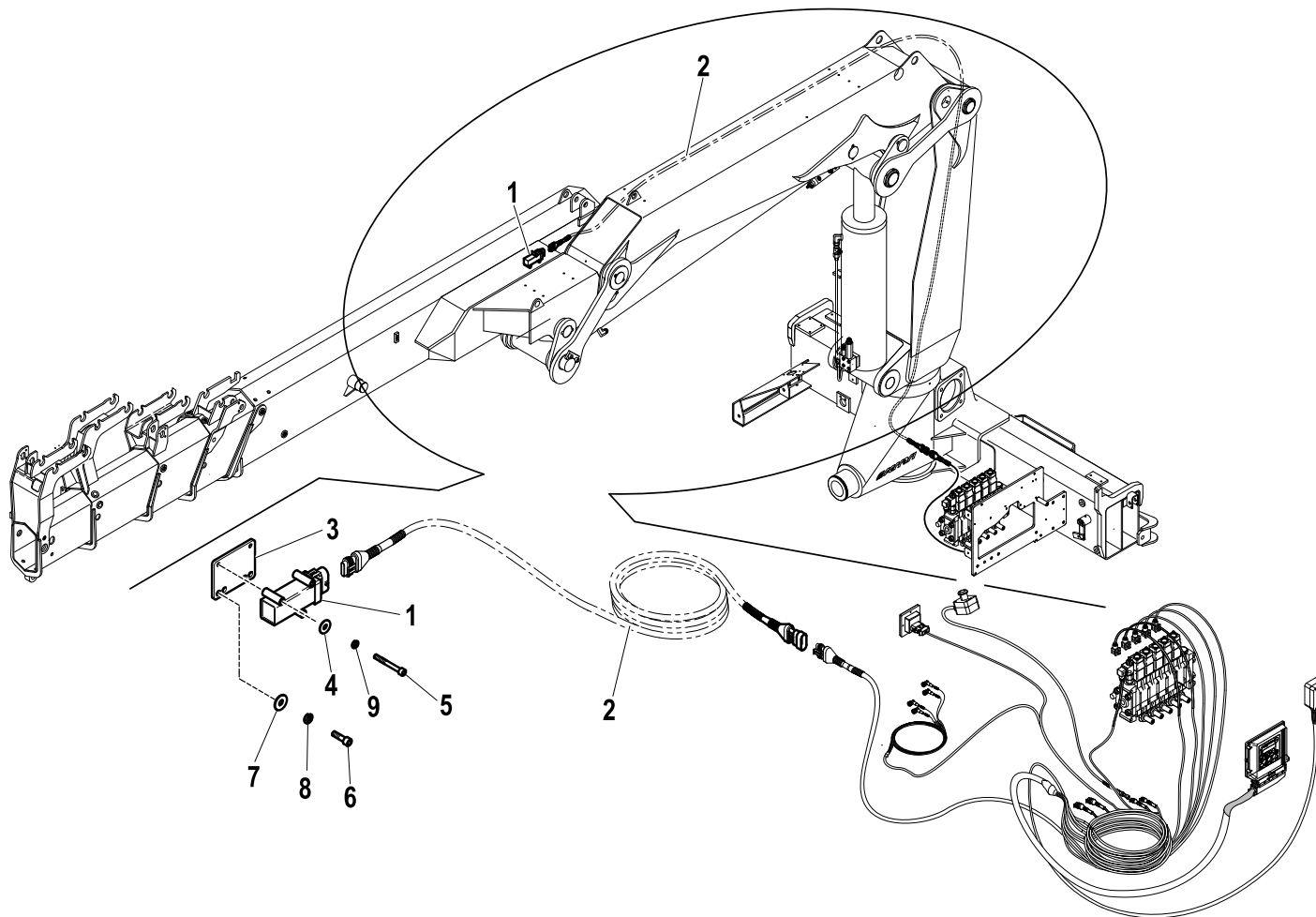


DOUBLE CONTROLS (CE)

Code

W044505-4.0

1/1



R	Pos.	Code Variant	Q.ty	Description
	1	3311150	1	Tiltmeter
	2	5160076	1	
	3	5002108	1	Support plate (Tiltmeter)
	4	3060003	2	Flat washer [D.4 UNI 6592 ZC]
	5	3020018	2	Socketed head cap screw [M4X30 8.8 ZC UNI 5931]
	6	3020033	2	Socketed head cap screw [M6X10 8.8 ZC UNI 5931]
	7	3060005	2	Flat washer [D.6.4 UNI 6592 ZC]
	8	3060053	2	Split lock washer [D=6.4 C72 ZC]
	9	3060065	2	Split lock washer [D=4.1 C72 ZC]

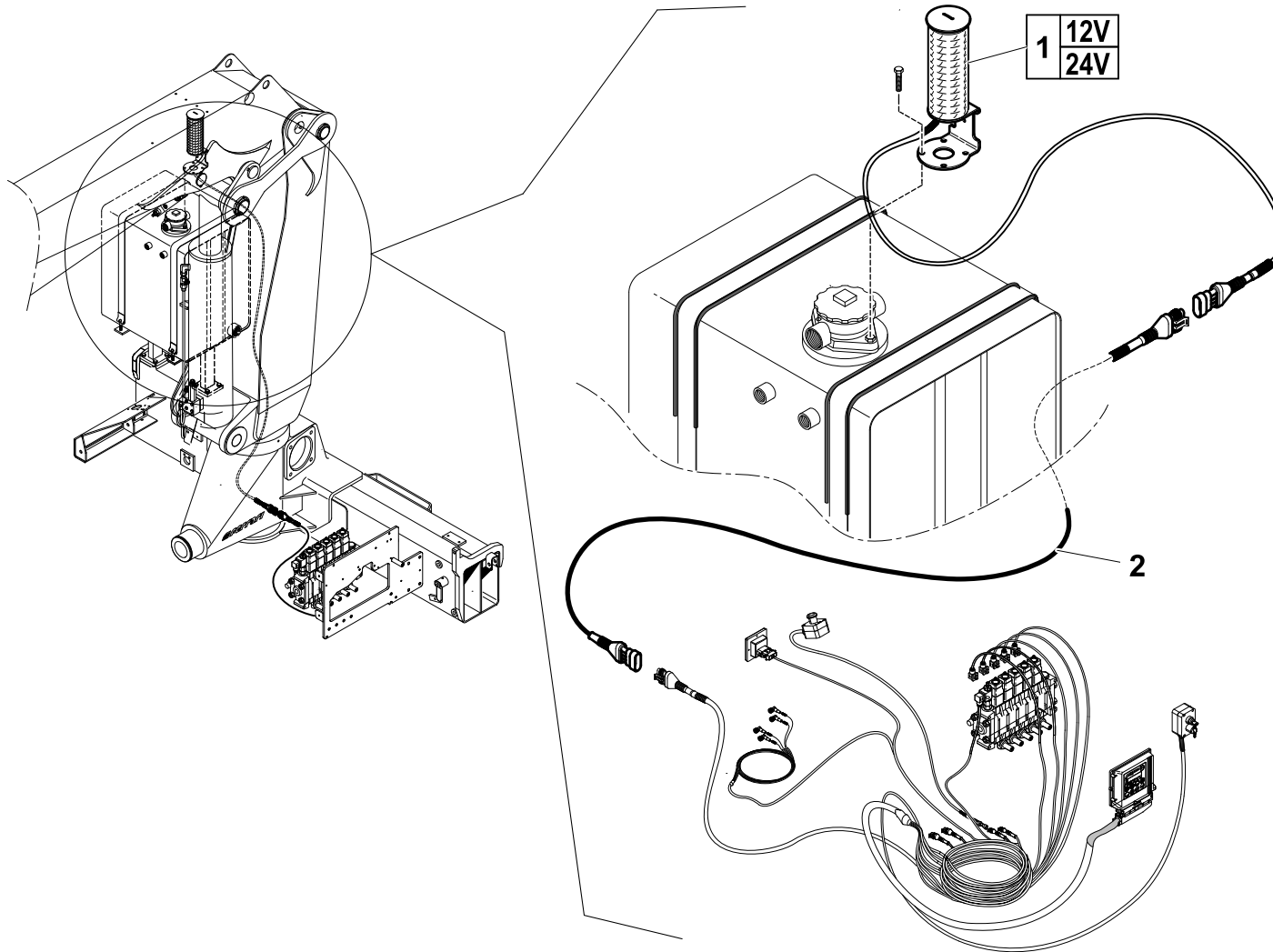
DOUBLE CONTROLS (CE)

Code

W044505-5.0

1/1

R	Pos.	Code Variant	Q.ty	Description
1		3311159	1	Signal Columns
2		5160003	1	Electric wiring



Kit (ROTATION CONTROL)

Code

7880897-1.0

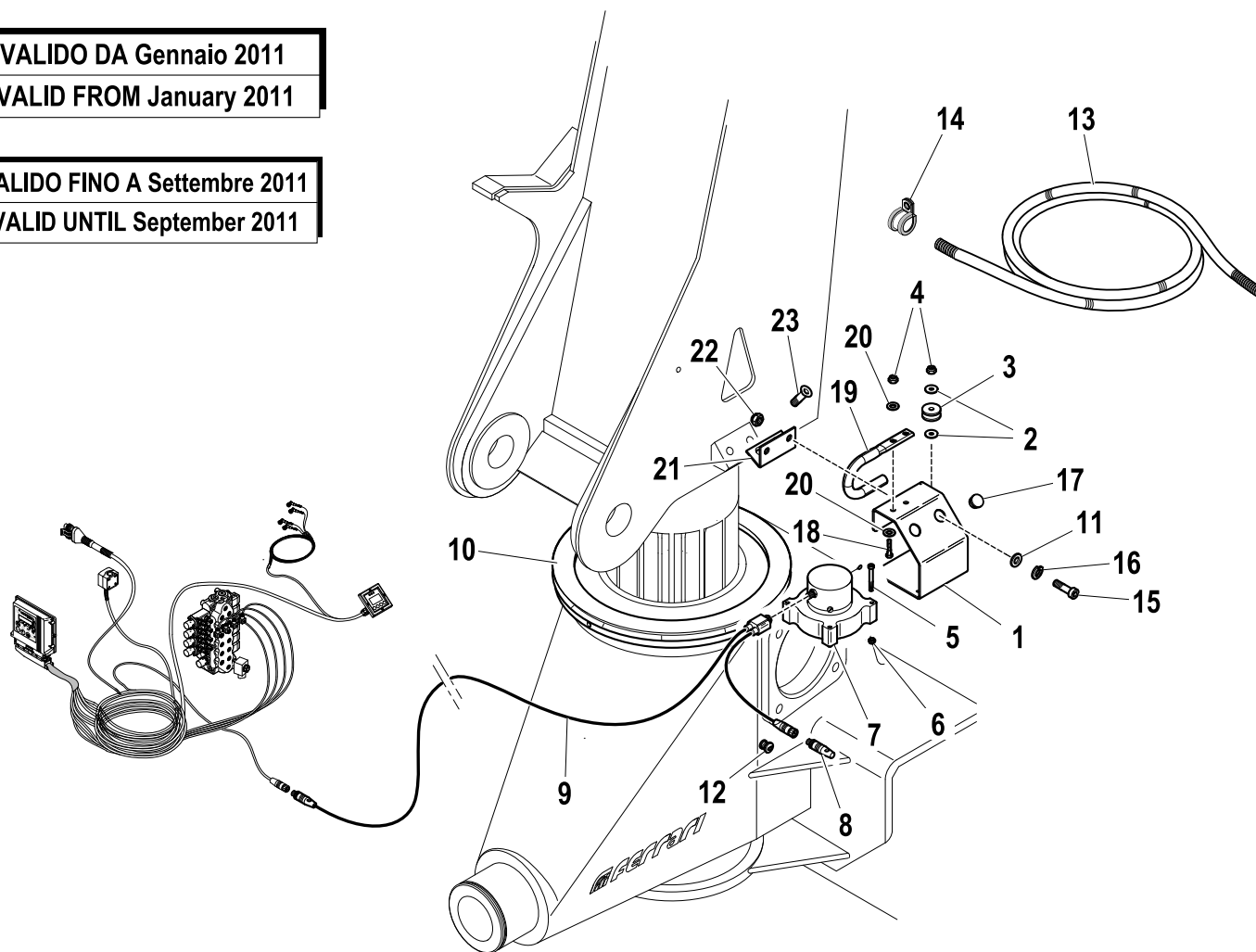
1/2

VALIDO DA Gennaio 2011

VALID FROM January 2011

VALIDO FINO A Settembre 2011

VALID UNTIL September 2011



R	Pos.	Code Variant	Q.ty	Description
	1	5091301	1	
	2	3060030	2	Flat washer [D.6.6X18 UNI 6593 ZC]
	3	5141080	1	
	4	3040372	3	Stopnut
	5	3020019	3	Socketed head cap screw [M4X40 8.8 ZC UNI 5931]
	6	3040518	3	Stopnut
	7	3311313	1	
	8	3311327	1	Connector (Electric)
	9	3311325	1	
	10	5141091	1	
	11	3060914	2	Flat washer [D.10.5X21X2 UNI 6592 ZC]
	12	3311326	1	
	13	3190295	mt2.5	
	14	3190036	1	
	15	3020080	2	Socketed head cap screw [M10X16 12.9 ZC UNI 5931]
	16	3060056	2	Split lock washer [D=10 C72 ZC]
	17	3190301	2	
	18	3010022	2	Hex screw [M6X25 8.8 ZC UNI 5739]
	19	5002124	1	
	20	3060005	4	Flat washer [D.6.4 UNI 6592 ZC]

Kit (ROTATION CONTROL)

Code

7880897-1.0

2/2

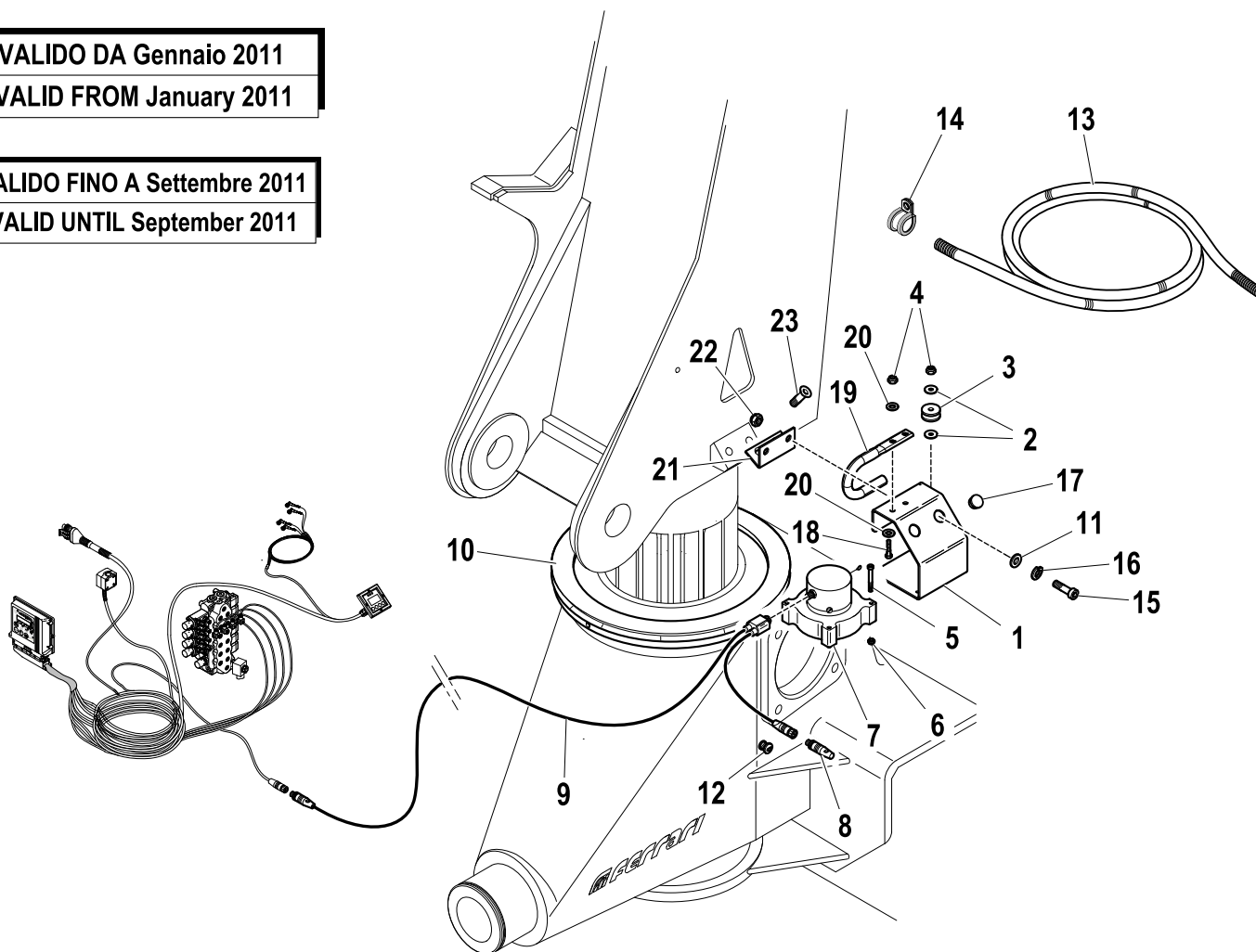
R	Pos.	Code Variant	Q.ty	Description
	21	5000423	1	
	22	3040304	2	Stopnut
	23	3020496	2	TSEI screw [M10X16 10.9 ZC UNI 5933]

VALIDO DA Gennaio 2011

VALID FROM January 2011

VALIDO FINO A Settembre 2011

VALID UNTIL September 2011



Kit (ROTATION CONTROL)

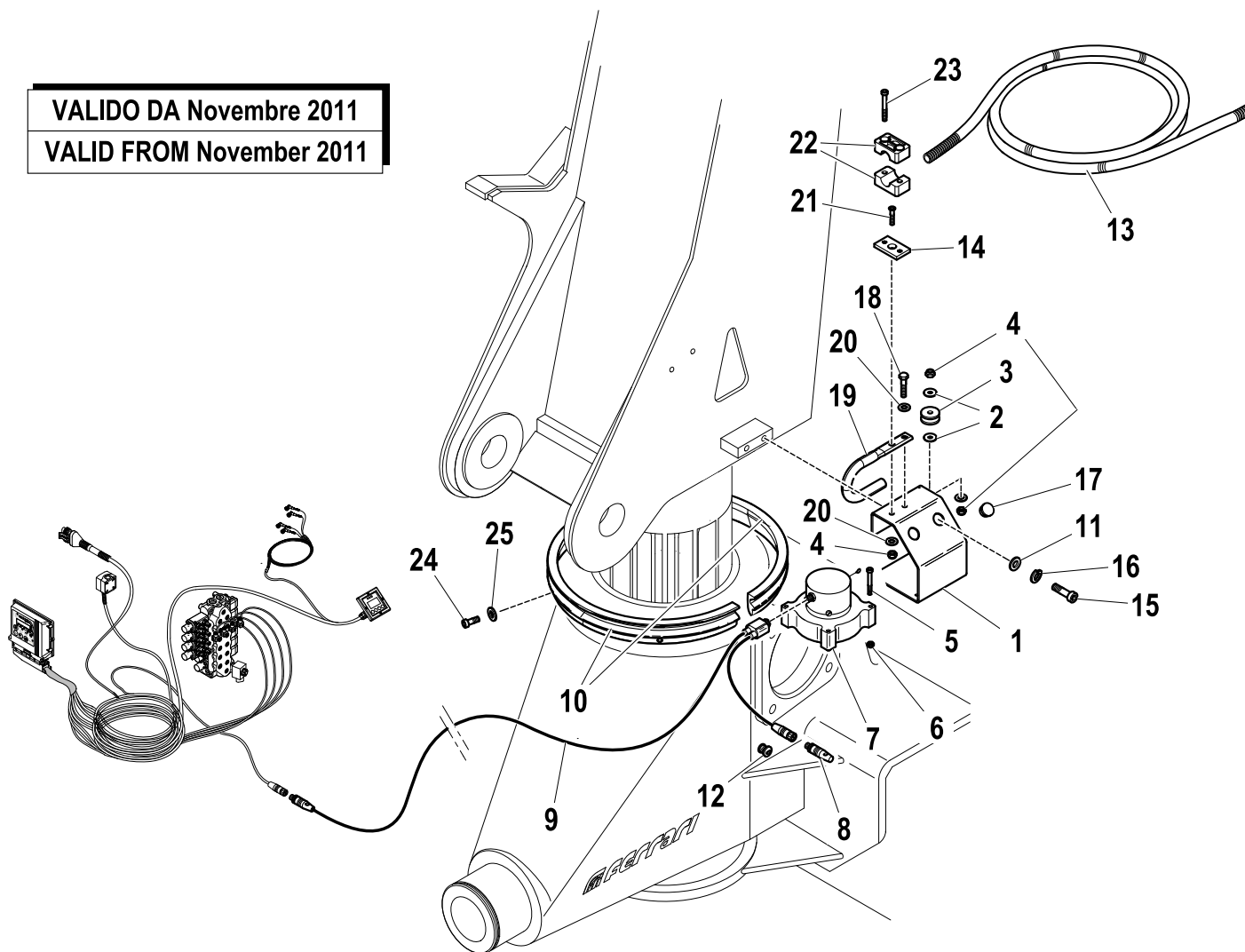
Code

7880897-3.0

1/2

VALIDO DA Novembre 2011

VALID FROM November 2011



R	Pos.	Code Variant	Q.ty	Description
	1	5091301	1	
	2	3060030	2	Flat washer [D.6.6X18 UNI 6593 ZC]
	3	5141080	1	
	4	3040372	3	Stopnut
	5	3020019	3	Socketed head cap screw [M4X40 8.8 ZC UNI 5931]
	6	3040518	3	Stopnut
	7	3311313	1	
	8	3311327	1	Connector (Electric)
	9	3311325	1	
	10	5141121	2	Half ring
	11	3060914	2	Flat washer [D.10.5X21X2 UNI 6592 ZC]
	12	3311326	1	
	13	3190295	mt2.5	
	14	5000454	1	
	15	3020080	2	Socketed head cap screw [M10X16 12.9 ZC UNI 5931]
	16	3060056	2	Split lock washer [D=10 C72 ZC]
	17	3190301	2	
	18	3010022	2	Hex screw [M6X25 8.8 ZC UNI 5739]
	19	5002124	1	
	20	3060005	3	Flat washer [D.6.4 UNI 6592 ZC]

Kit (ROTATION CONTROL)

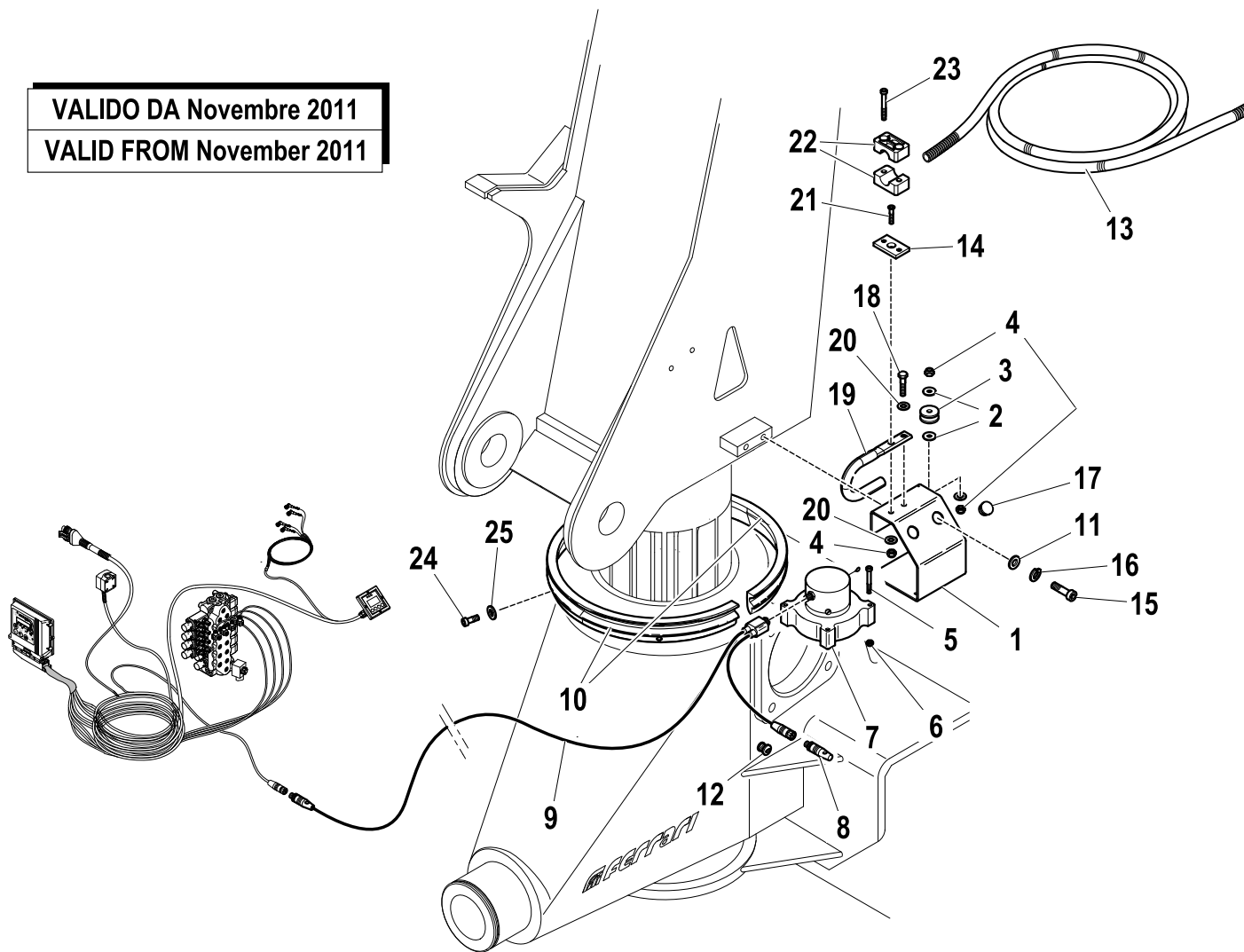
Code

7880897-3.0

2/2

VALIDO DA Novembre 2011

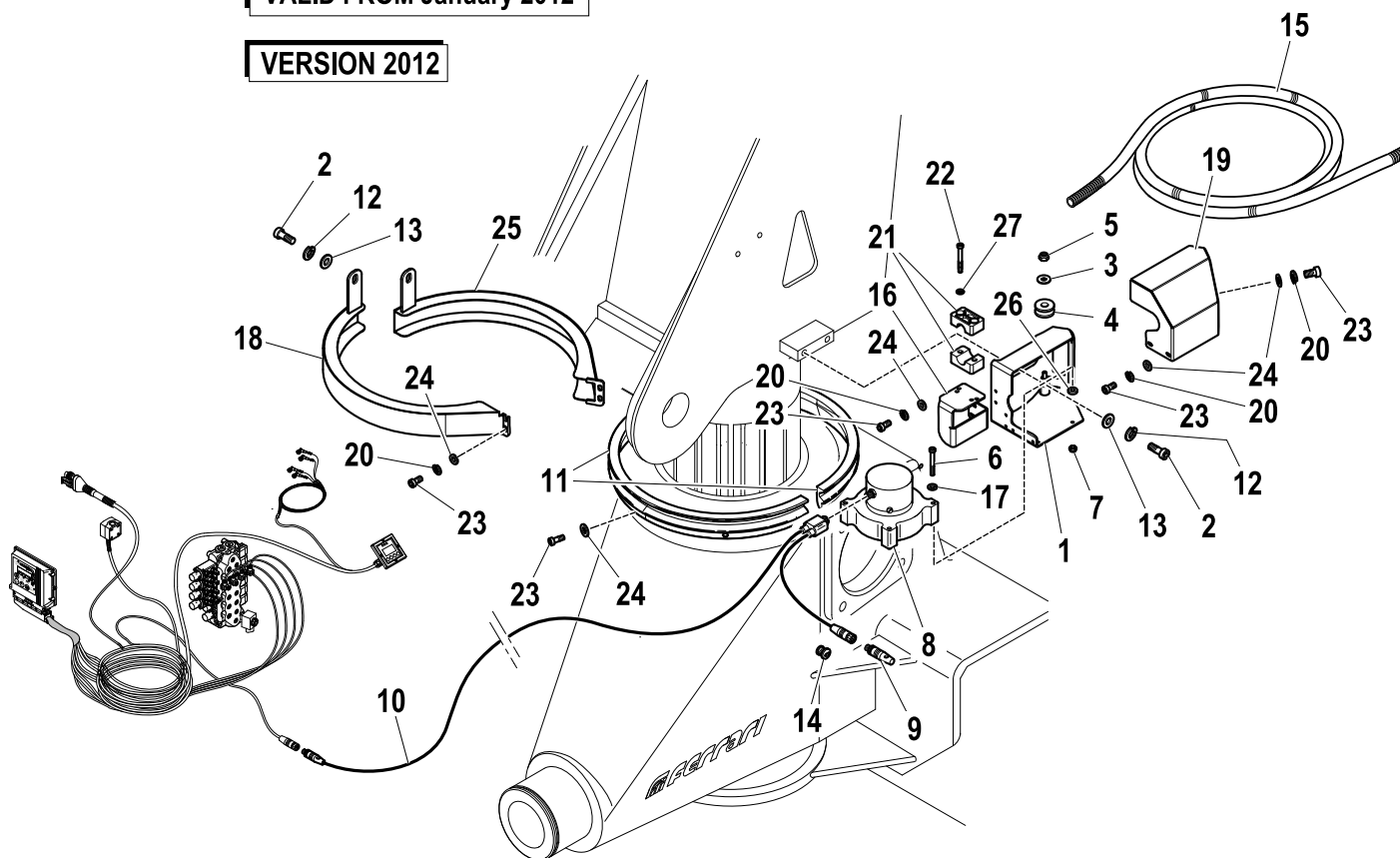
VALID FROM November 2011



R	Pos.	Code Variant	Q.ty	Description
	21	3020907	1	TSEI screw [M6X25 10.9 ZC UNI 5933]
	22	3190185	2	Collar
	23	3020039	2	Socketed head cap screw [M6X35 8.8 ZC UNI 5931]
	24	3020021	4	Socketed head cap screw [M5X12X0.8 8.8 ZC UNI 5931]
	25	3060004	4	Flat washer [D.5 UNI 6592 ZC]

VALIDO DA Gennaio 2012
VALID FROM January 2012

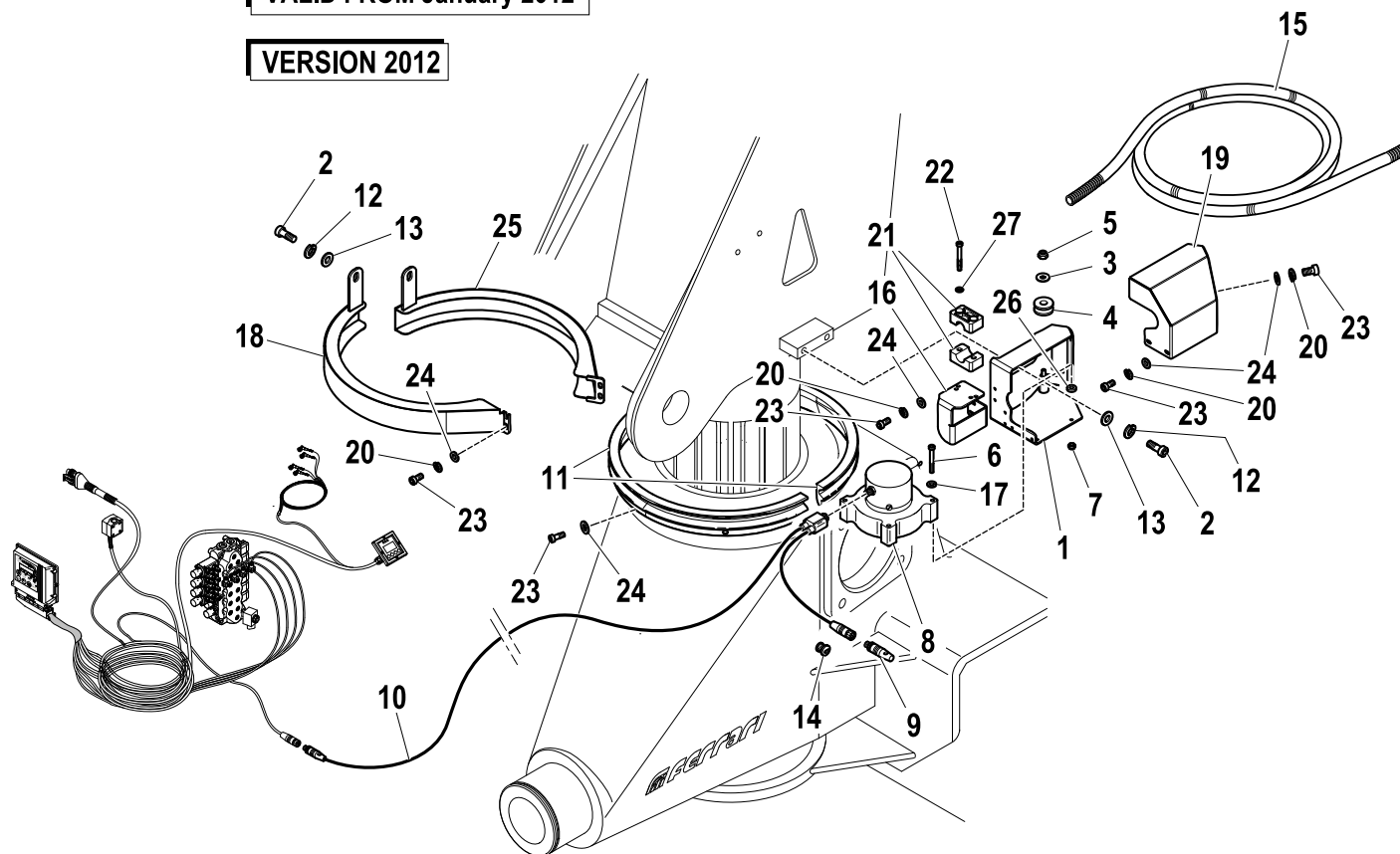
VERSION 2012



R	Pos.	Code Variant	Q.ty	Description
	1	5091398	1	Support (Encoder)
	2	3020080	4	Socketed head cap screw [M10X16 12.9 ZC UNI 5931]
	3	3060030	1	Flat washer [D.6.6X18 UNI 6593 ZC]
	4	5141135	1	Wheel (Cable guide)
	5	3040372	1	Stopnut
	6	3020019	2	Socketed head cap screw [M4X40 8.8 ZC UNI 5931]
	7	3040518	2	Stopnut
	8	3311313	1	
	9	3311327	1	Connector (Electric)
	10	3311325	1	
	11	5141121	2	Half ring
	12	3060056	4	Split lock washer [D=10 C72 ZC]
	13	3060914	4	Flat washer [D.10.5X21X2 UNI 6592 ZC]
	14	3311326	1	
	15	3190295	mt.2.5	
	16	5002193	1	Anchoring bracket
	17	3060003	2	Flat washer [D.4 UNI 6592 ZC]
	18	5091405	1	Guard (Half ring)
	19	5002177	1	Cover (Encoder)
	20	3060052	10	Split lock washer [D=5.5 C72 ZC]

VALIDO DA Gennaio 2012
VALID FROM January 2012

VERSION 2012



R	Pos.	Code Variant	Q.ty	Description
	21	3190185	2	Collar
	22	3020039	2	Socketed head cap screw [M6X35 8.8 ZC UNI 5931]
	23	3020022	16	Socketed head cap screw [M5X10 8.8 ZC UNI 5931]
	24	3060004	16	Flat washer [D.5 UNI 6592 ZC]
	25	5091404	1	Guard (Half ring)
	26	3190039	2	Insulator
	27	3190178	2	Flat washer

ROTATION CONTROL (EN12999-A3)

Code

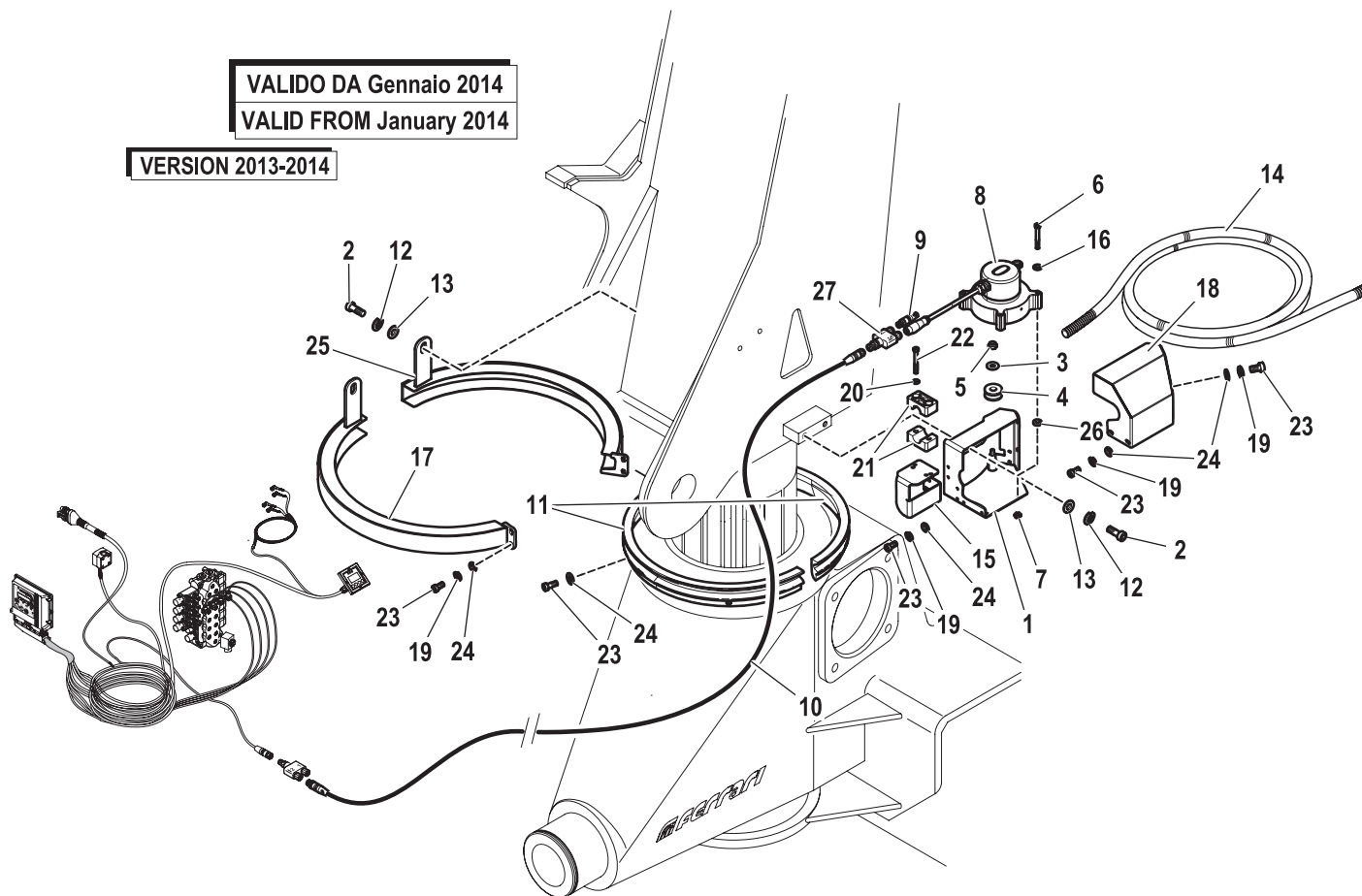
7885177-1.0

1/2

VALIDO DA Gennaio 2014

VALID FROM January 2014

VERSION 2013-2014



R	Pos.	Code Variant	Q.ty	Description
	1	5091398	1	Support (Encoder)
	2	3020080	4	Socket head cap screw [M10X16 12.9 ZC UNI 5931]
	3	3060030	1	Flat washer [D.6.6X18 UNI 6593 ZC]
	4	5141135	1	Wheel (Cable guide)
	5	3040372	1	Stopnut
	6	3020019	2	Socket head cap screw [M4X40 8.8 ZC UNI 5931]
	7	3040518	2	Stopnut
	8	3311924	1	Sensor unit (Encoder)
	9	3311327	1	Connector (Electric)
	10	3311791	1	Electric cable (CAN BUS)
	11	5141121	2	Half ring
	12	3060056	4	Split lock washer [D=10 C72 ZC]
	13	3060914	4	Flat washer [D.10.5X21X2 UNI 6592 ZC]
	14	3190295	mt2.5	
	15	5002193	1	Anchoring bracket
	16	3060003	2	Flat washer [D.4 UNI 6592 ZC]
	17	5091405	1	Guard (Half ring)
	18	5002177	1	Cover (Encoder)
	19	3060052	10	Split lock washer [D=5.5 C72 ZC]
	20	3190178	2	Flat washer

ROTATION CONTROL (EN12999-A3)

Code

7885177-1.0

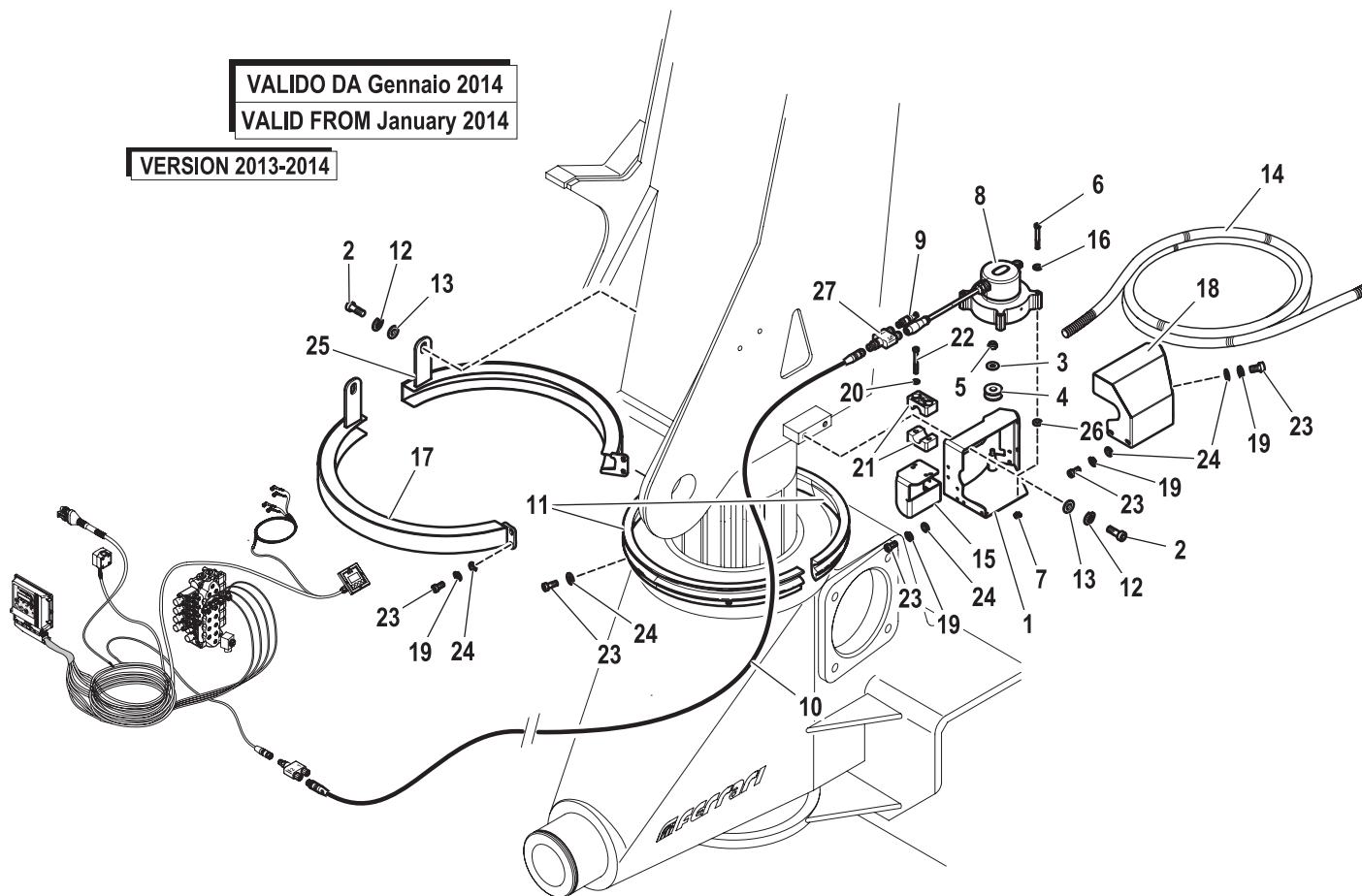
2/2

R	Pos.	Code Variant	Q.ty	Description
	21	3190185	2	Collar
	22	3020039	2	Socketed head cap screw [M6X35 8.8 ZC UNI 5931]
	23	3020022	16	Socketed head cap screw [M5X10 8.8 ZC UNI 5931]
	24	3060004	16	Flat washer [D.5 UNI 6592 ZC]
	25	5091404	1	Guard (Half ring)
	26	3190039	2	Insulator
	27	3311792	1	Electrical connection

VALIDO DA Gennaio 2014

VALID FROM January 2014

VERSION 2013-2014



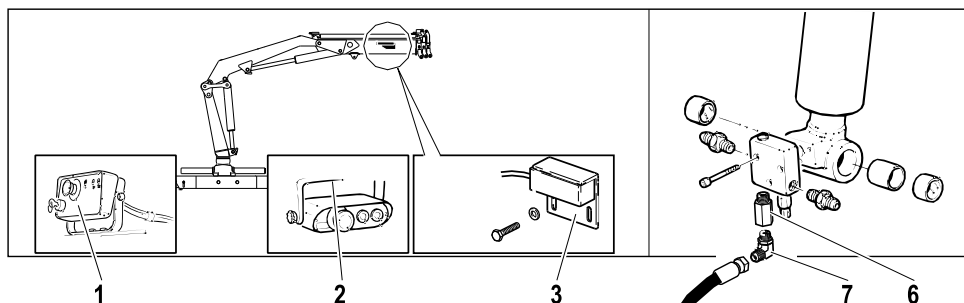
Moment limiting device

Code

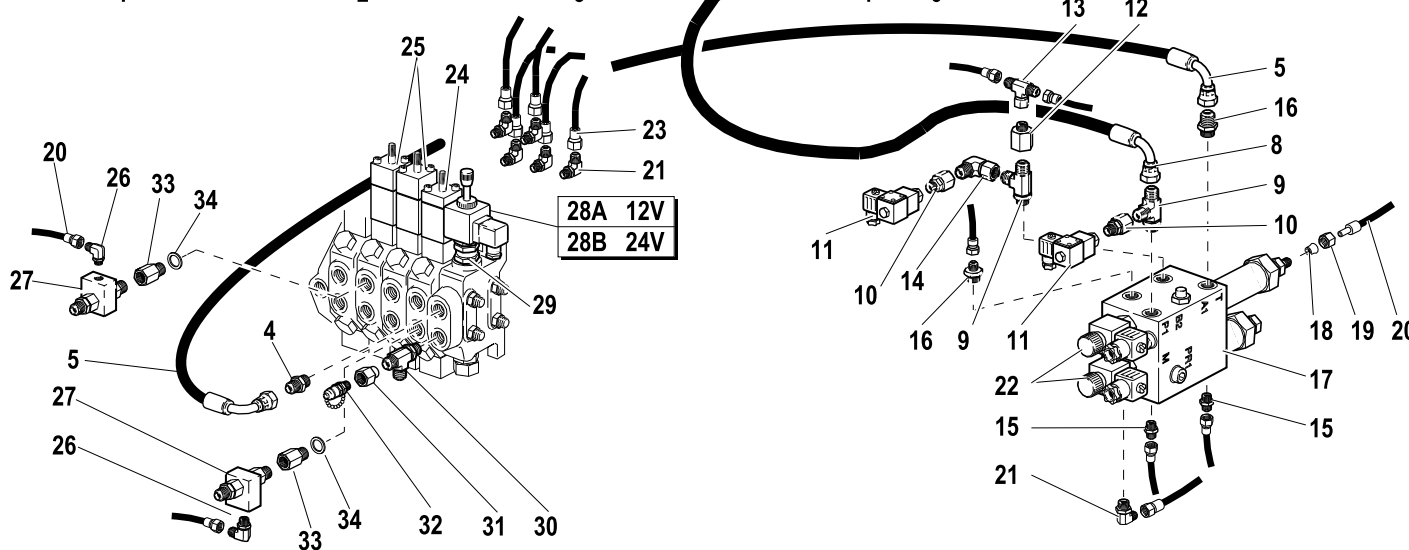
5430175-1.0

1/2

R	Pos.	Code Variant	Q.ty	Description
	1	W285036	1	
	2	W285035	1	
	3	W264806	1	
	4	W3101041	1	
	5	W455527	1	
	6	5220300	1	Hose burst valve (Sleeve)
	7	3101124	1	90° Connection
	8	W456092	1	
	9	3101175	2	Tee fitting
	10	3120064	2	Straight pipe fitting
	11	W283006	2	
	12	3120200	1	Reducing fitting
	13	3120111	1	Tee fitting
	14	3120011	1	90° Connection
	15	3101034	3	Straight pipe fitting
	16	3101039	1	Straight pipe fitting
	17	5220544	1	
	18	W401056	1	
	19	W401005	1	
	20	W465004	1	



VALIDO FINO A Dicembre 2010
VALID UNTIL December 2010



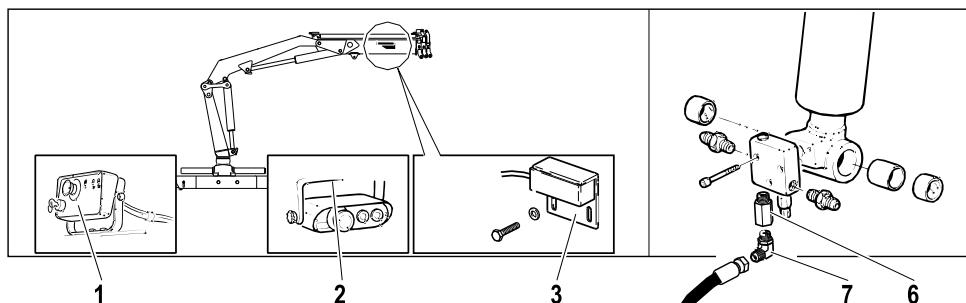
Moment limiting device

Code

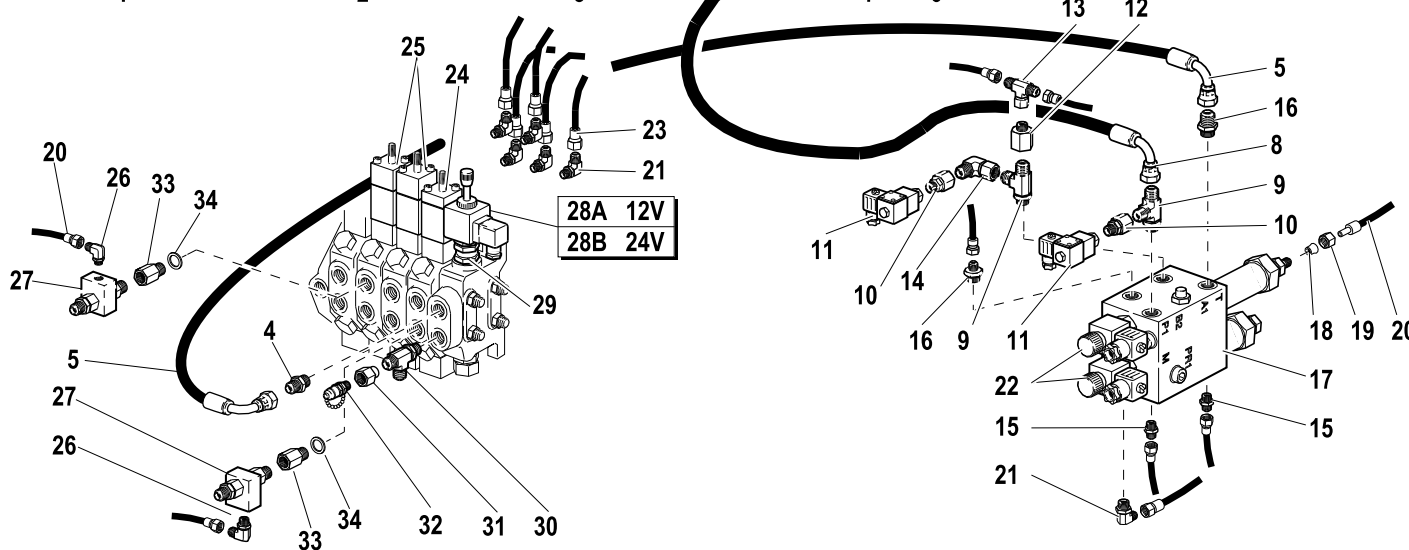
5430175-1.0

2/2

R	Pos.	Code Variant	Q.ty	Description
	21	3101194	6	90° Connection
	22	W222006	2	
	23	W465001	5	
	24	WHC0667	1	
	25	WHC0665	2	
	26	3101195	2	90° Connection
	27	W402114	2	
	28	W222003	1	
	29	W470607	1	
	30	3101179	1	Tee fitting
	31	3120314	1	Pipe fitting (Extension shaft)
	32	3110050	1	Female plug
	33	3110113	1	Straight pipe fitting
	34	3060145	1	Sealing washer [BSP 1/2"]



VALIDO FINO A Dicembre 2010
VALID UNTIL December 2010

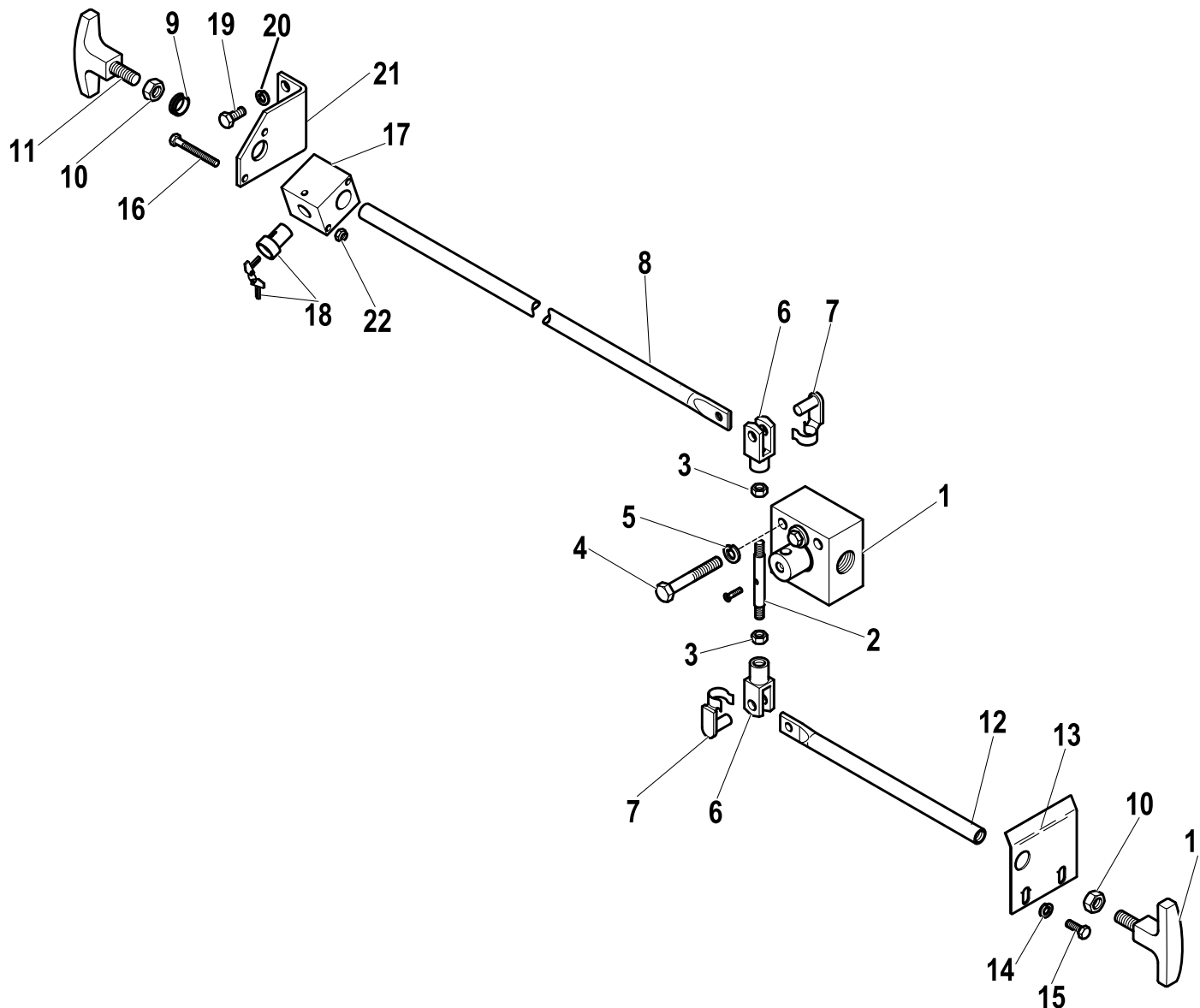


Switch

Code

5400613-1.0

1/2



R	Pos.	Code Variant	Q.ty	Description
	1	5220599	1	
	2	W570101700	1	
	3	3040045	2	Nut
	4	3010415	1	Hex screw [M10X55 8.8 ZC UNI 5737]
	5	3060056	1	Split lock washer [D=10 C72 ZC]
	6	3300433	2	Fork
	7	3300453	2	Fork clip
	8	5091038	1	
	9	3190214	2	
	10	3040047	2	Nut
	11	3190213	2	
	12	5090715	1	
	13	W570101600	1	
	14	3060053	2	Split lock washer [D=6.4 C72 ZC]
	15	3010325	2	Hex screw [M6X16 8.8 ZC UNI 5739]
	16	3010320	2	Hex screw [M5X55 8.8 ZC UNI 5737]
	17	W610501600	1	
	18	W129002	1	
	19	3010354	2	Hex screw [M10X20 8.8 ZC UNI 5739]
	20	W570101500	1	

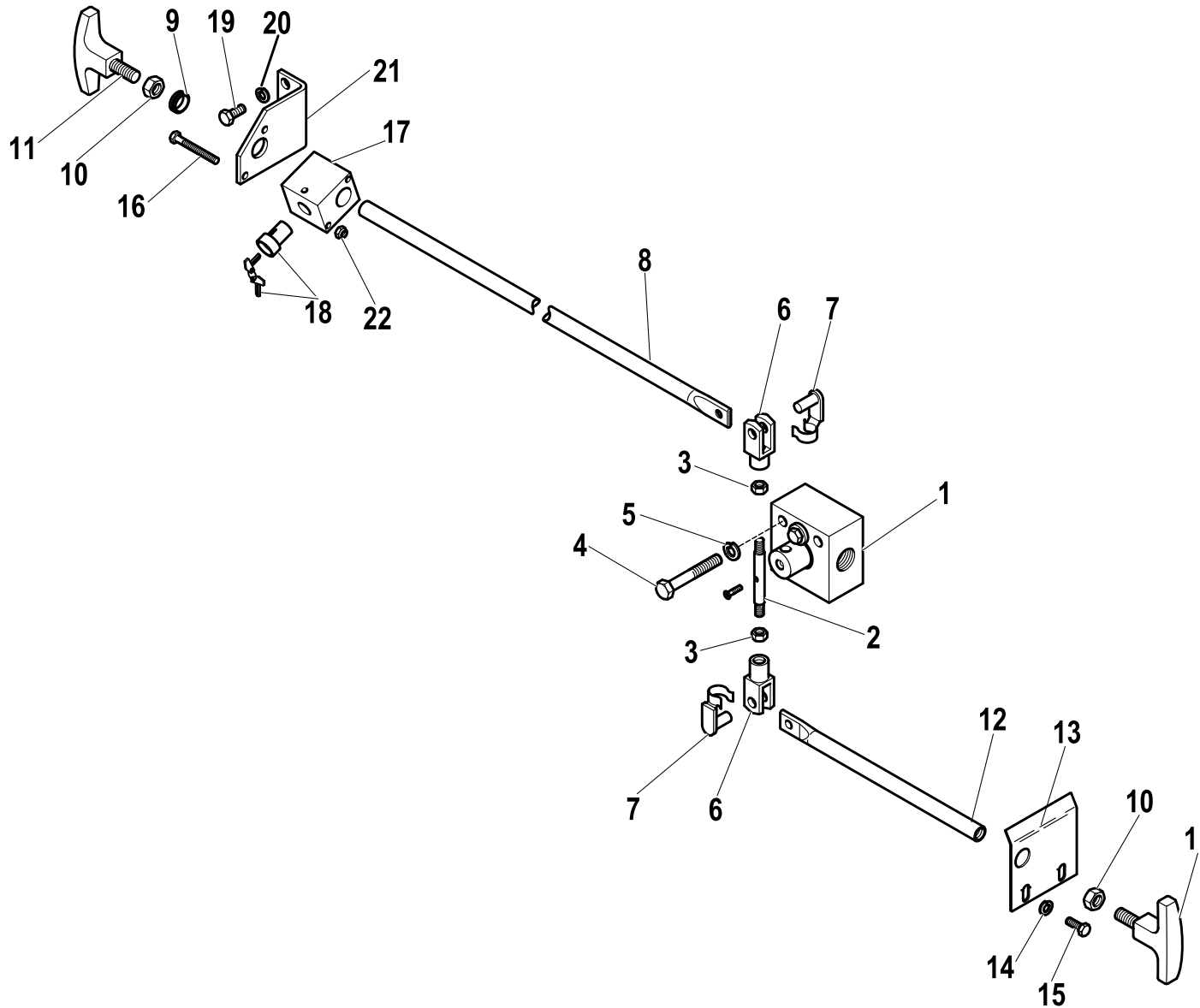
Switch

Code

5400613-1.0

2/2

R	Pos.	Code Variant	Q.ty	Description
	21	3040392	2	Stopnut
	22	5813516	2	Name plate (Control)

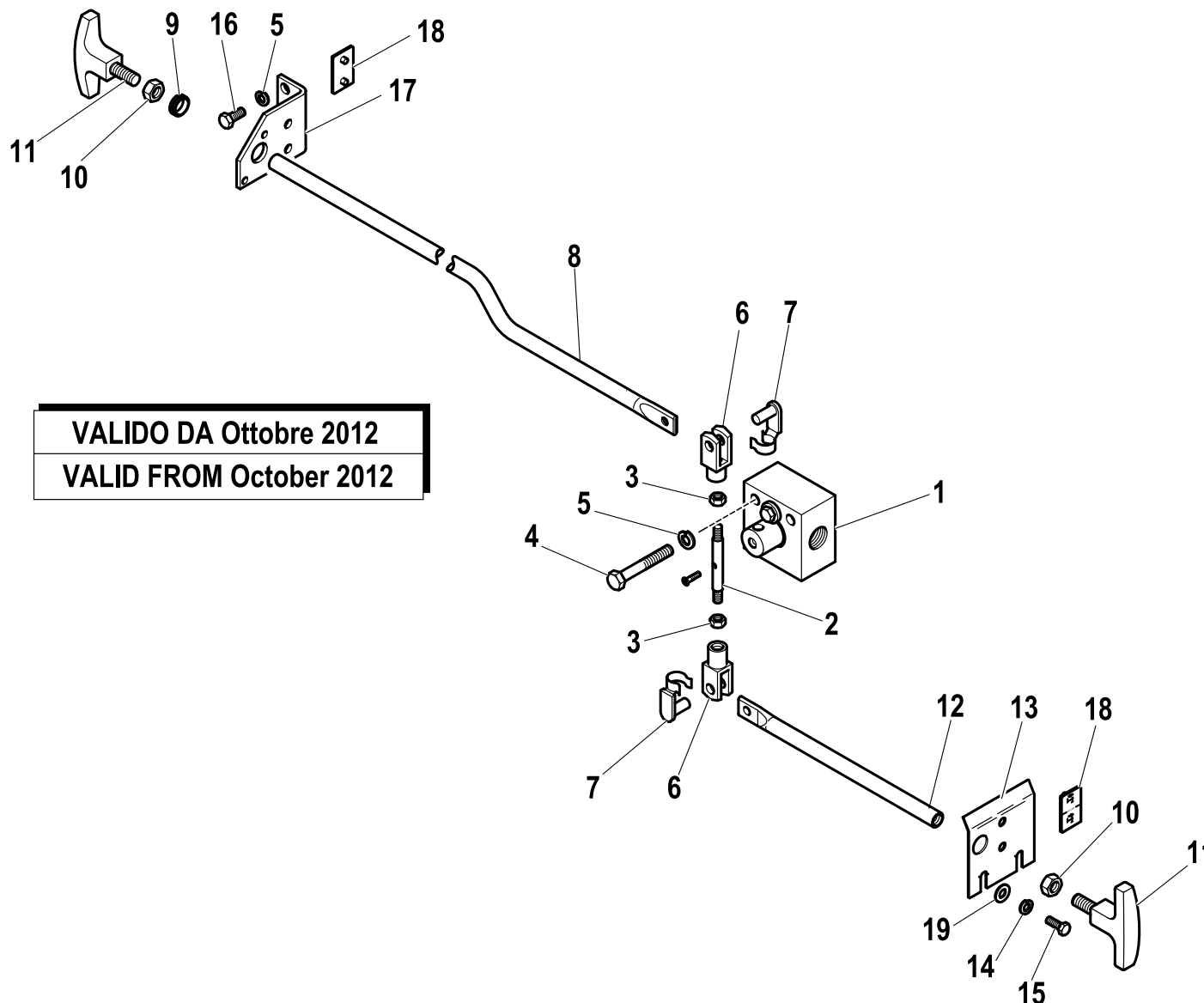


Switch

Code

5400613-2.0

1/1



VALIDO DA Ottobre 2012
VALID FROM October 2012

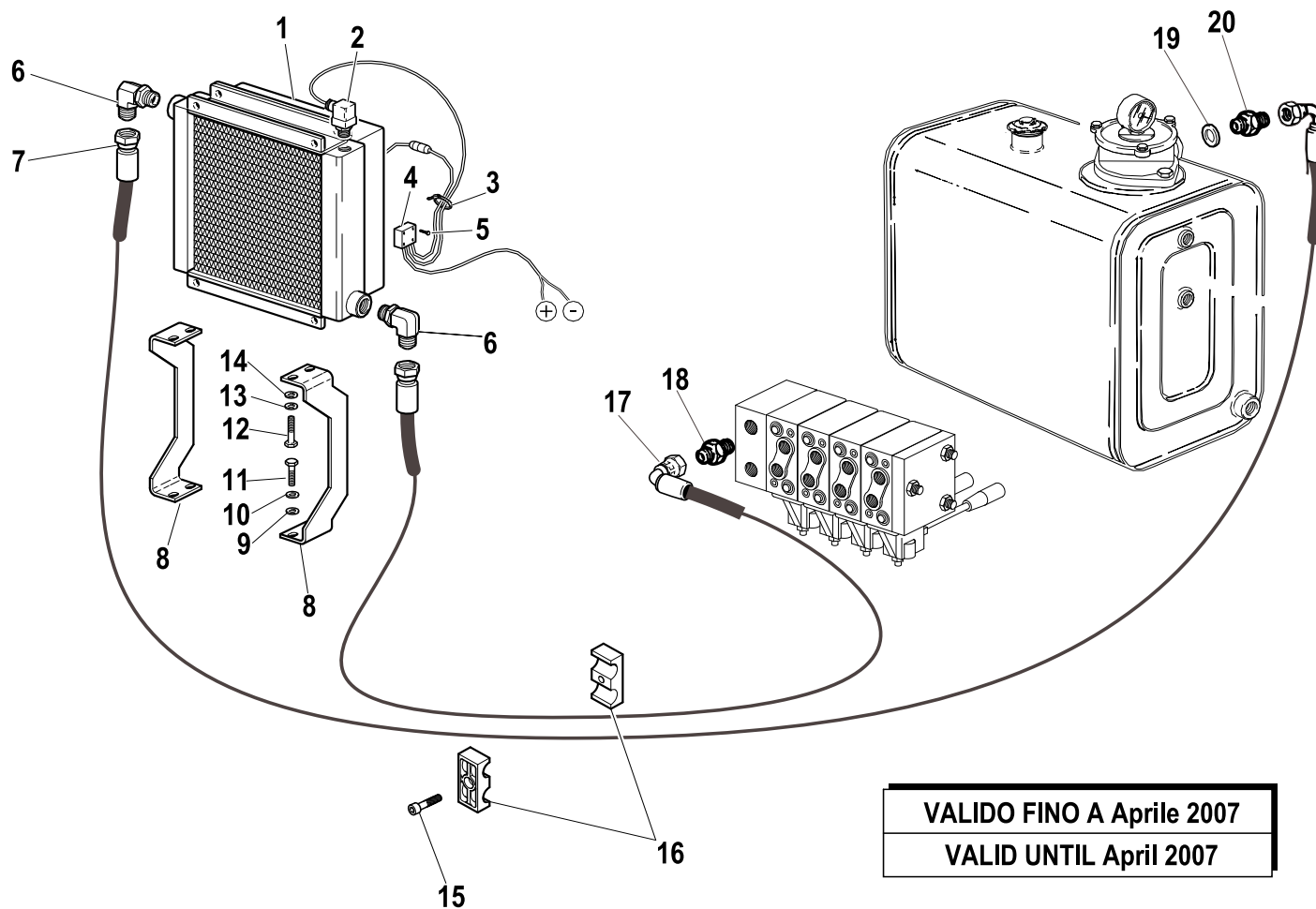
R	Pos.	Code Variant	Q.ty	Description
	1	5220599	1	
	2	W570101700	1	
	3	3040045	2	Nut
	4	3010415	1	Hex screw [M10X55 8.8 ZC UNI 5737]
	5	3060056	2	Split lock washer [D=10 C72 ZC]
	6	3300433	2	Fork
	7	3300453	2	Fork clip
	8	5091038	1	
	9	3190214	2	
	10	3040047	2	Nut
	11	3190213	2	
	12	5090715	1	
	13	W570101600	1	
	14	3060053	2	Split lock washer [D=6.4 C72 ZC]
	15	3010325	2	Hex screw [M6X16 8.8 ZC UNI 5739]
	16	3010354	1	Hex screw [M10X20 8.8 ZC UNI 5739]
	17	W570101500	1	
	18	5813516	2	Name plate (Control)
	19	3060005	2	Flat washer [D.6.4 UNI 6592 ZC]

Heat exchange unit

Code

7888011-1.1

1/1



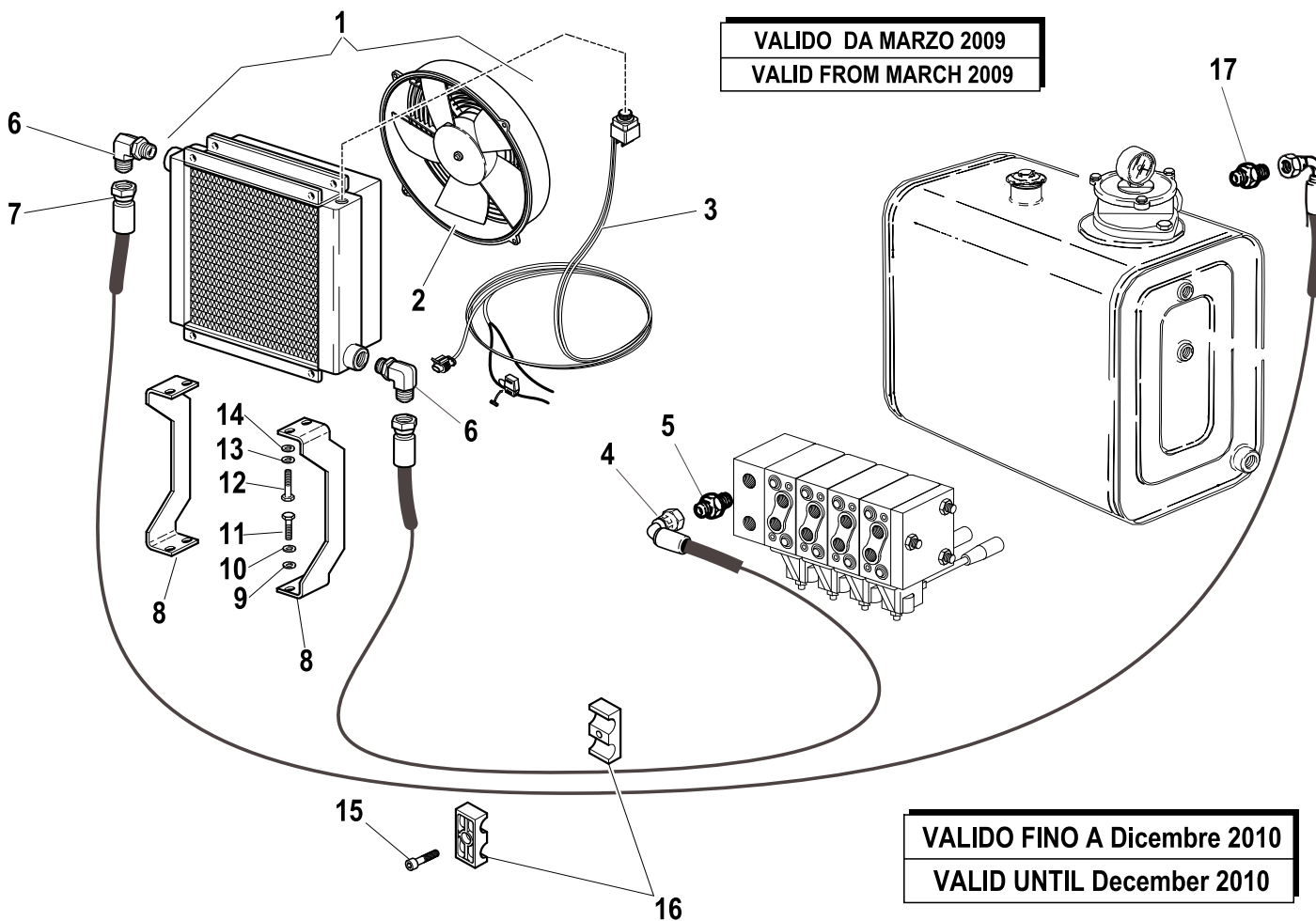
R	Pos.	Code Variant	Q.ty	Description
	1	W437001	1	
	2	W437101	1	
	3	W238007	1	
	4	W437005	1	
	5	W752405	1	
	6	3101122	2	90° Connection
	7	5290136	1	Flexible hose
	8	W550500800	2	Support (Heat exchange unit)
	9	3060006	4	Flat washer [D.8 UNI 6592 ZC]
	10	3060055	4	Split lock washer [D=8.4 C72 ZC]
	11	3010336	4	Hex screw [M8X12 8.8 ZC UNI 5739]
	12	3010325	4	Hex screw [M6X16 8.8 ZC UNI 5739]
	13	3060053	4	Split lock washer [D=6.4 C72 ZC]
	14	3060005	4	Flat washer [D.6.4 UNI 6592 ZC]
	15	3010034	2	Hex screw [M8X55 8.8 UNI 5737 ZC]
	16	3190220	4	Collar
	17	5290137	1	Flexible hose
	18	3101056	1	Straight pipe fitting
	19	W432007	1	
	20	3101057	1	Straight pipe fitting

Heat exchange unit

Code

W7888011-1.0

1/1



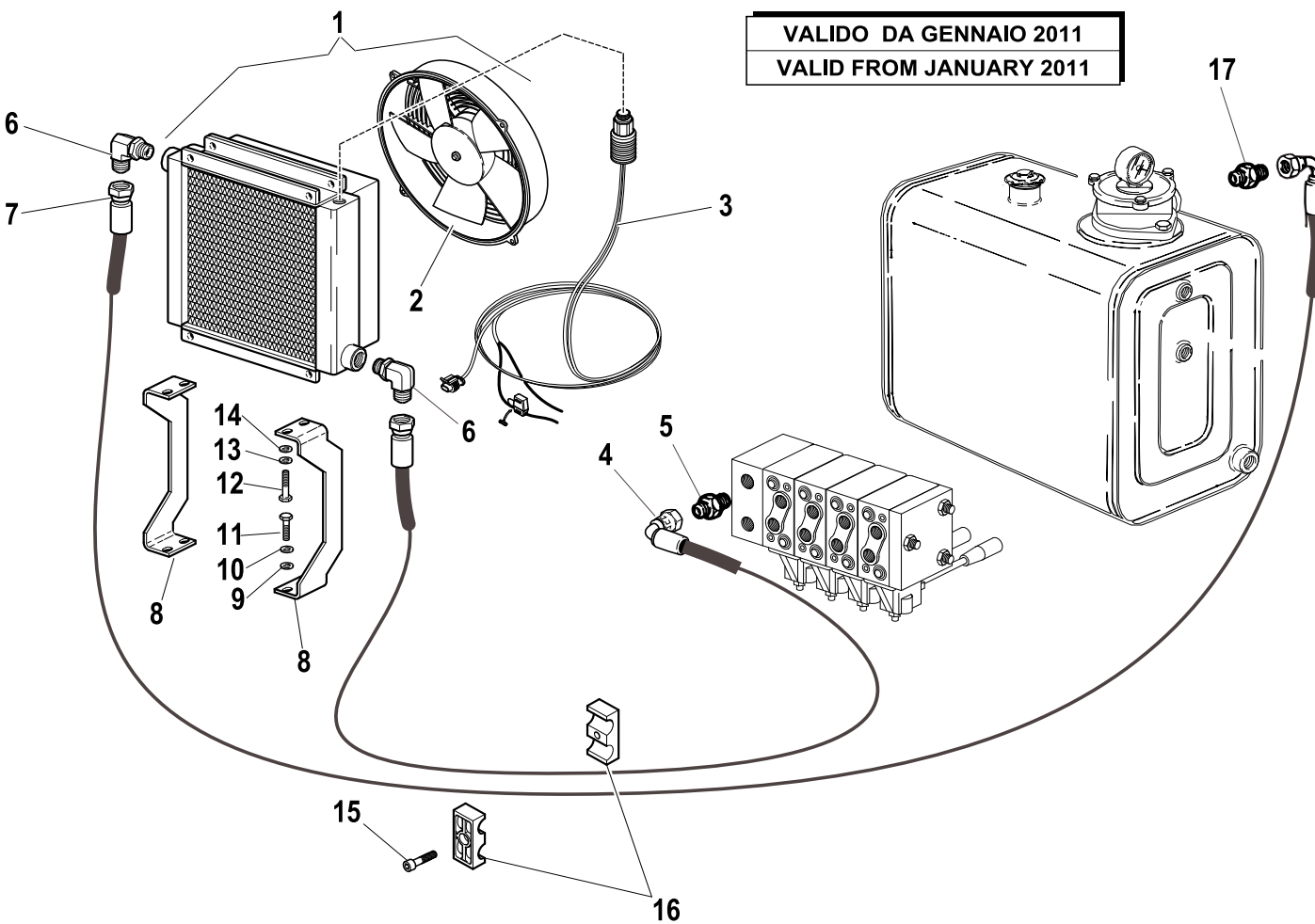
R	Pos.	Code Variant	Q.ty	Description
1		5710092	1	
2		5710110	1	
3		3310062	1	Device (Ignition)
4		5290137	1	Flexible hose
5		3101056	1	Straight pipe fitting
6		3101122	2	90° Connection
7		5290136	1	Flexible hose
8		W550500800	2	Support (Heat exchange unit)
9		3060006	4	Flat washer [D.8 UNI 6592 ZC]
10		3060055	4	Split lock washer [D=8.4 C72 ZC]
11		3010336	4	Hex screw [M8X12 8.8 ZC UNI 5739]
12		3010325	4	Hex screw [M6X16 8.8 ZC UNI 5739]
13		3060053	4	Split lock washer [D=6.4 C72 ZC]
14		3060005	4	Flat washer [D.6.4 UNI 6592 ZC]
15		3010034	2	Hex screw [M8X55 8.8 UNI 5737 ZC]
16		3190220	4	Collar
17		3101057	1	Straight pipe fitting

Heat exchange unit

Code

W7888011-2.0

1/1



**VALIDO DA GENNAIO 2011
VALID FROM JANUARY 2011**

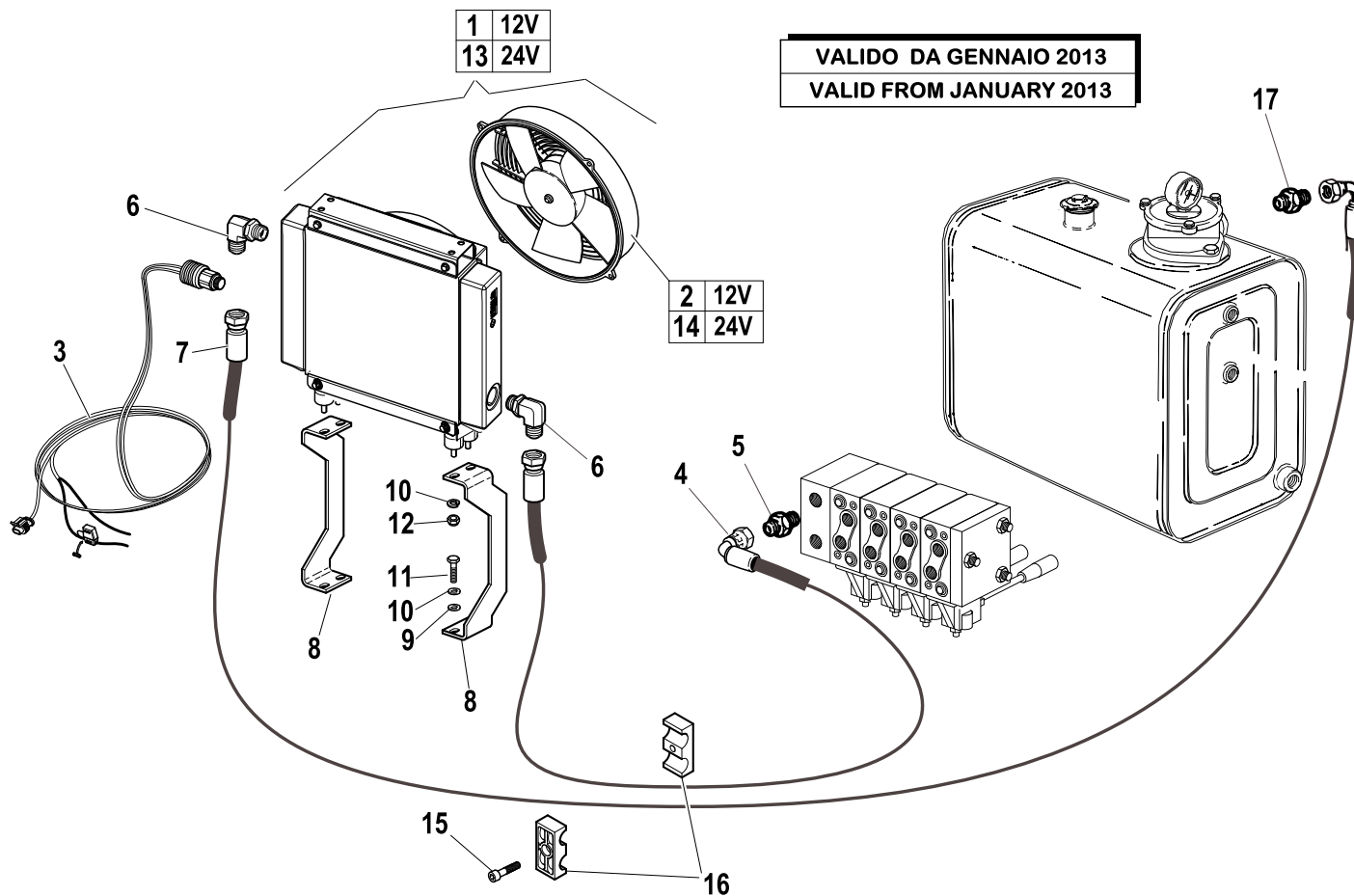
R	Pos.	Code Variant	Q.ty	Description
	1	5710092	1	
	2	5710110	1	
	3	3311408	1	Thermostat (Wire assembly)
	4	5290137	1	Flexible hose
	5	3101056	1	Straight pipe fitting
	6	3101122	2	90° Connection
	7	5290136	1	Flexible hose
	8	W550500800	2	Support (Heat exchange unit)
	9	3060006	4	Flat washer [D.8 UNI 6592 ZC]
	10	3060055	4	Split lock washer [D=8.4 C72 ZC]
	11	3010336	4	Hex screw [M8X12 8.8 ZC UNI 5739]
	12	3010325	4	Hex screw [M6X16 8.8 ZC UNI 5739]
	13	3060053	4	Split lock washer [D=6.4 C72 ZC]
	14	3060005	4	Flat washer [D.6.4 UNI 6592 ZC]
	15	3010034	2	Hex screw [M8X55 8.8 UNI 5737 ZC]
	16	3190220	4	Collar
	17	3101057	1	Straight pipe fitting

Heat exchange unit

Code

W7888011-3.0

1/1



**VALIDO DA GENNAIO 2013
VALID FROM JANUARY 2013**

R	Pos.	Code Variant	Q.ty	Description
	1	5710118	1	Heat exchange unit
	2	5710119	1	Electric fan (Heat exchange unit)
	3	3311408	1	Thermostat (Wire assembly)
	4	5290137	1	Flexible hose
	5	3101056	1	Straight pipe fitting
	6	3101122	2	90° Connection
	7	5290136	1	Flexible hose
	8	W550500800	2	Support (Heat exchange unit)
	9	3060006	4	Flat washer [D.8 UNI 6592 ZC]
	10	3060055	8	Split lock washer [D=8.4 C72 ZC]
	11	3010336	4	Hex screw [M8X12 8.8 ZC UNI 5739]
	12	3040303	4	Stopnut
	13	5710116	1	Heat exchange unit
	14	5710117	1	Electric fan (Heat exchange unit)
	15	3010034	2	Hex screw [M8X55 8.8 UNI 5737 ZC]
	16	3190220	4	Collar
	17	3101057	1	Straight pipe fitting

Hydraulic oil tank

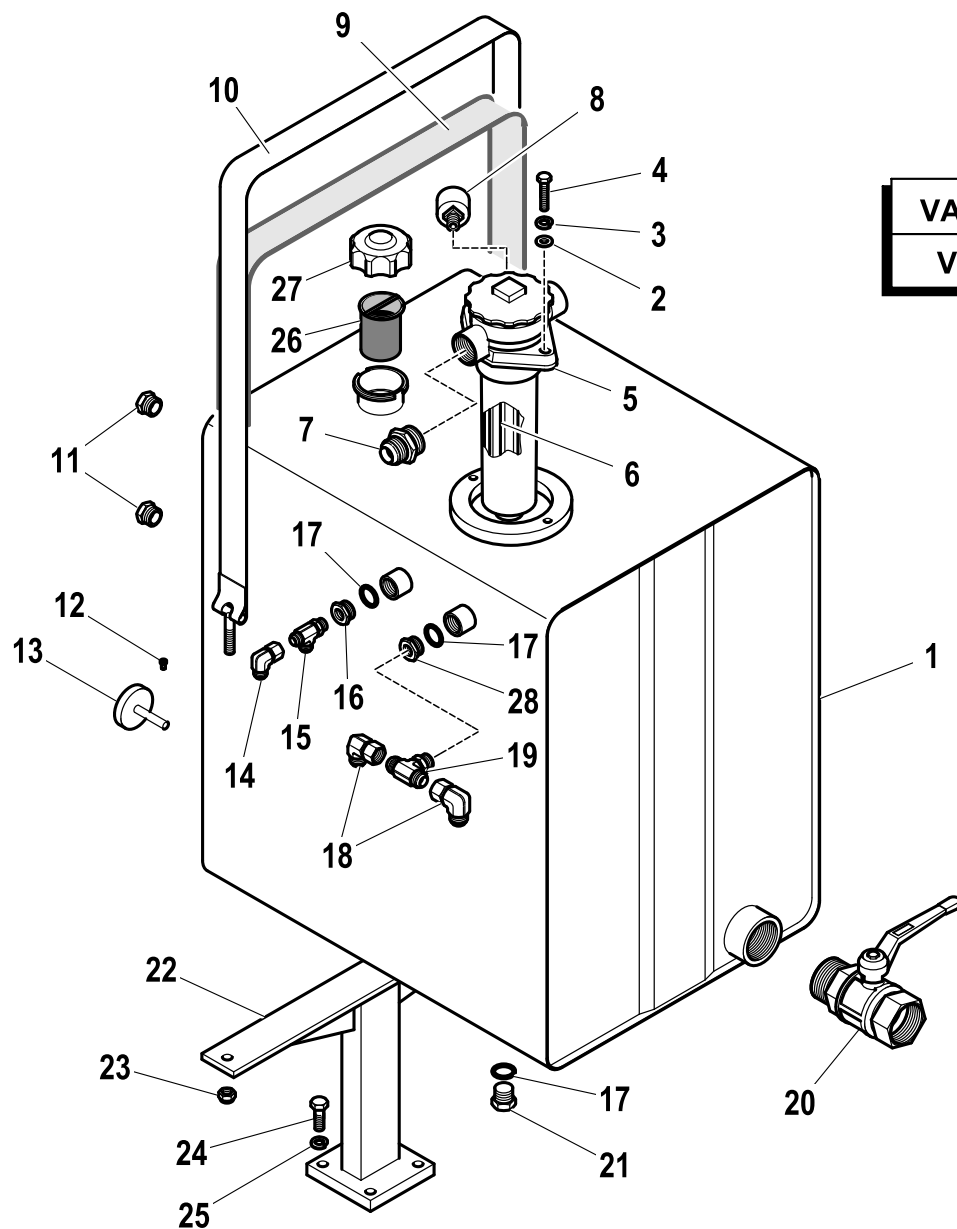
Code

5400359-1.0

1/2

VALIDO FINO A GEN. 2009

VALID UNTIL GEN. 2009



R	Pos.	Code Variant	Q.ty	Description
	1	5090683	1	
	2	3060006	2	Flat washer [D.8 UNI 6592 ZC]
	3	3060055	2	Split lock washer [D=8.4 C72 ZC]
	4	3010029	2	Hex screw [M8X30 8.8 ZC UNI 5737]
	5	3180196	1	Oil filter
	6	3180110	1	Filtering cartridge
	7	3101057	1	Straight pipe fitting
	8	3180147	1	Pressure gauge (Clogging indicator)
	9	3190020	2	
	10	5001164	2	
	11	3180099	2	
	12	3020880	1	[M3X15 UNI 7688 ZC TAGLIO CR.]
	13	3180097	1	
	14	3120011	1	90° Connection
	15	3101175	1	Tee fitting
	16	3110151	1	Reducing fitting
	17	3060145	3	Sealing washer [BSP 1/2"]
	18	3101124	2	90° Connection
	19	3120302	1	Tee fitting
	20	3140304	1	Cock

Hydraulic oil tank

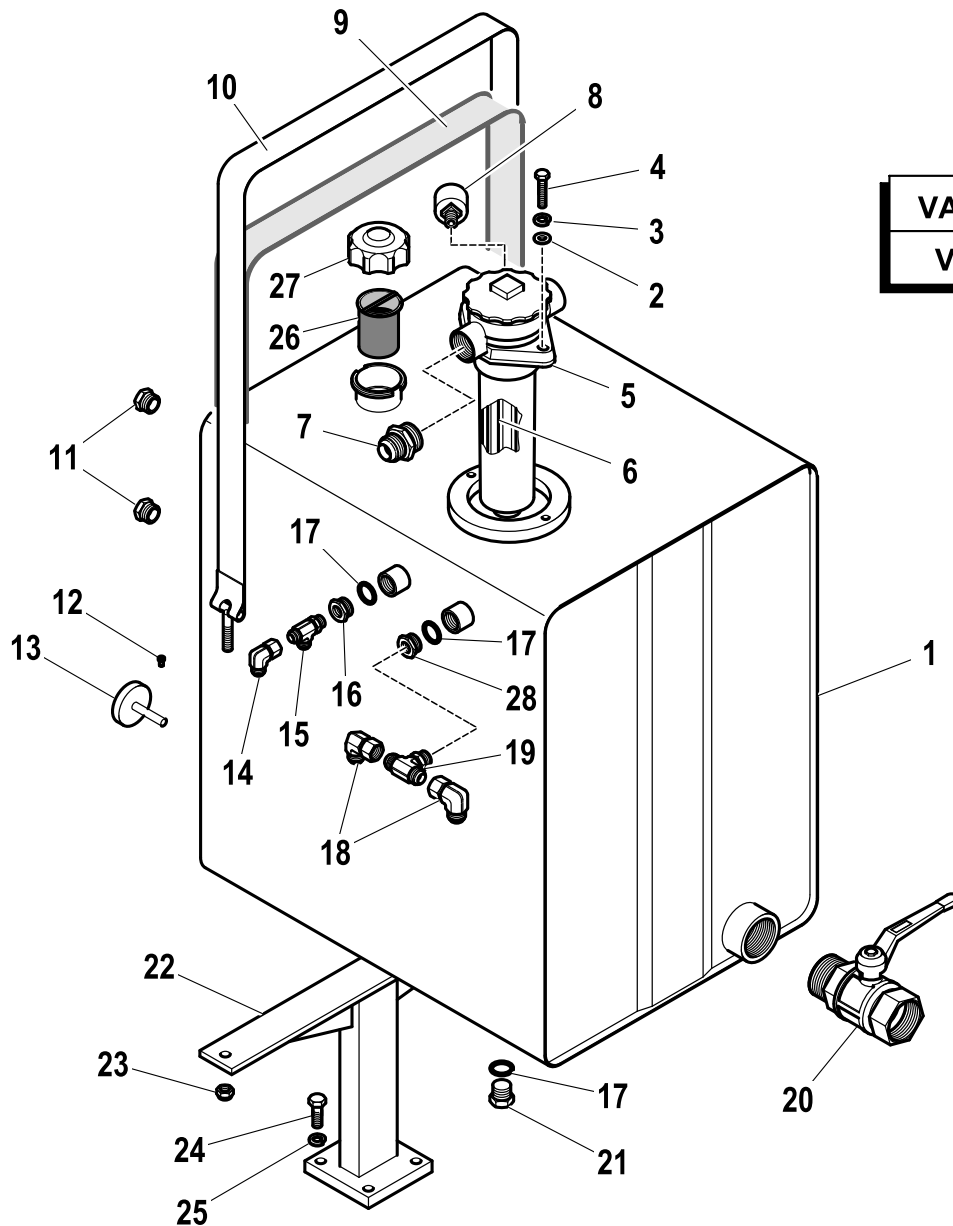
Code

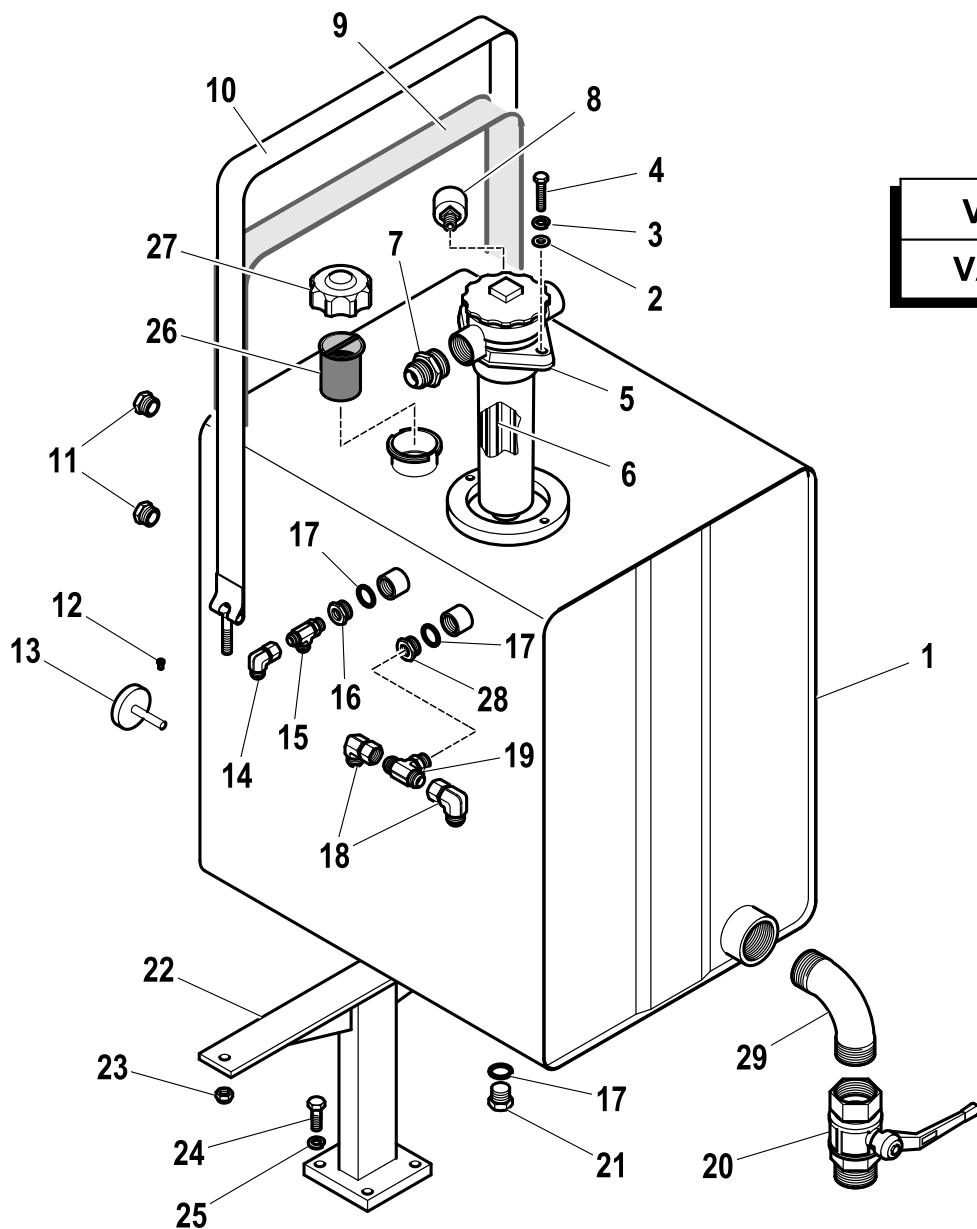
5400359-1.0

2/2

R	Pos.	Code Variant	Q.ty	Description
	21	3110065	1	Plug
	22	5090561	2	
	23	3040304	4	Stopnut
	24	3010355	8	Hex screw [M10X25 8.8 ZC IF UNI 5739]
	25	3060056	8	Split lock washer [D=10 C72 ZC]
	26	W449015	1	Filtering cartridge
	27	W449014	1	Tank cap
	28	3110161	1	Reducing fitting

VALIDO FINO A GEN. 2009
VALID UNTIL GEN. 2009





VALIDO DA FEB. 2009
VALID FROM FEB. 2009

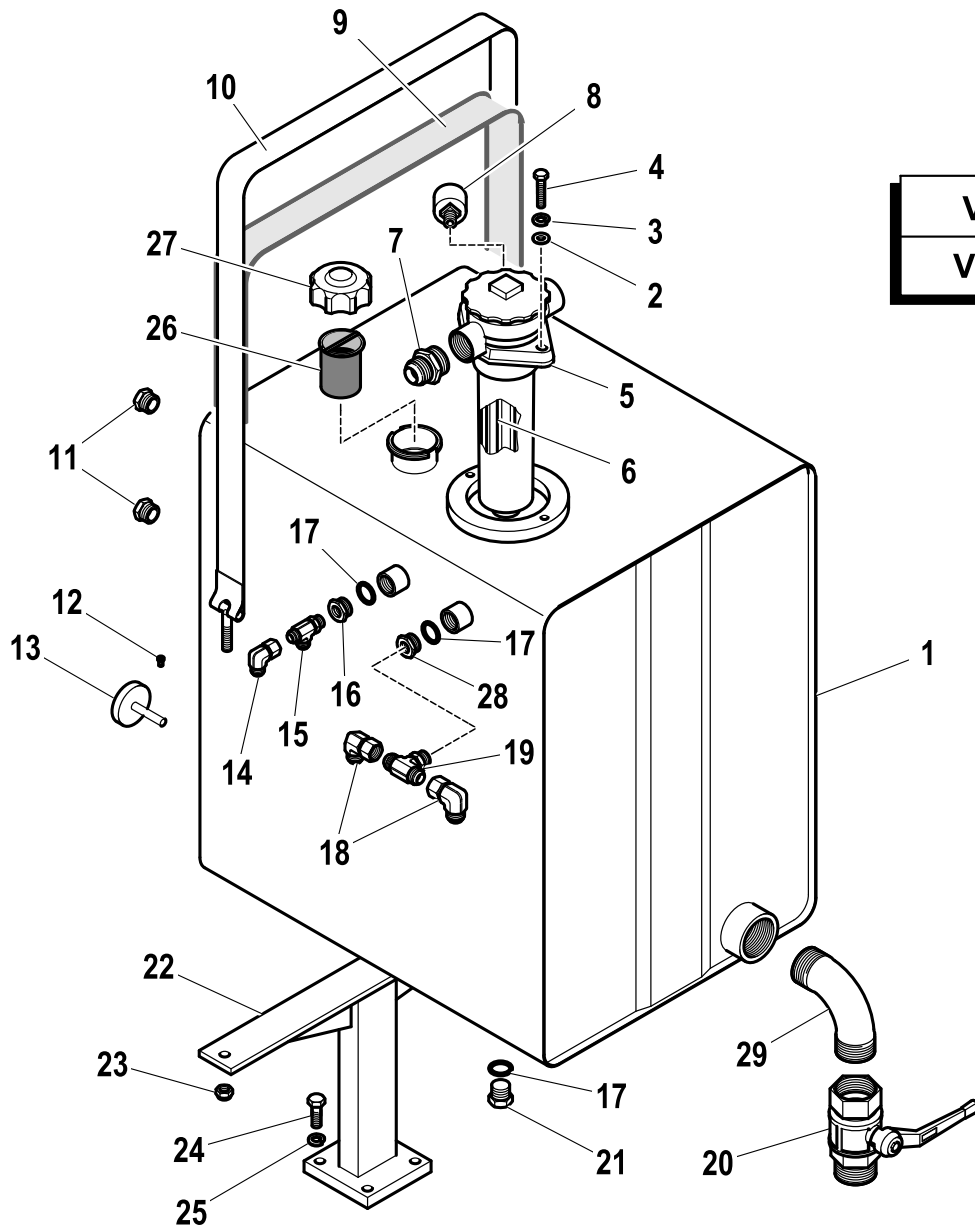
R	Pos.	Code Variant	Q.ty	Description
	1	5090017	1	
	2	3060006	2	Flat washer [D.8 UNI 6592 ZC]
	3	3060055	2	Split lock washer [D=8.4 C72 ZC]
	4	3010029	2	Hex screw [M8X30 8.8 ZC UNI 5737]
	5	3180196	1	Oil filter
	6	3180110	1	Filtering cartridge
	7	3101057	1	Straight pipe fitting
	8	3180147	1	Pressure gauge (Clogging indicator)
	9	3190020	2	
	10	5000521	2	
	11	3180099	2	
	12	3020880	1	[M3X15 UNI 7688 ZC TAGLIO CR.]
	13	3180221	1	Thermometer
	14	3120011	1	90° Connection
	15	3101175	1	Tee fitting
	16	3110151	1	Reducing fitting
	17	3060145	3	Sealing washer [BSP 1/2"]
	18	3101124	2	90° Connection
	19	3120302	1	Tee fitting
	20	3140304	1	Cock

Hydraulic oil tank

Code

5400762-1.0

2/2



VALIDO DA FEB. 2009

VALID FROM FEB. 2009

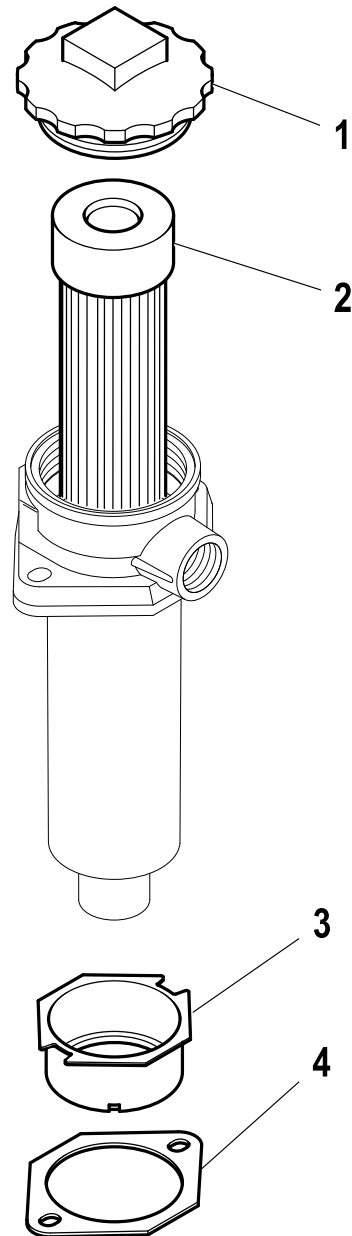
R	Pos.	Code Variant	Q.ty	Description
	21	3110065	1	Plug
	22	5090561	2	
	23	3040304	4	Stopnut
	24	3010355	8	Hex screw [M10X25 8.8 ZC IF UNI 5739]
	25	3060056	8	Split lock washer [D=10 C72 ZC]
	26	W449015	1	Filtering cartridge
	27	W449014	1	Tank cap
	28	3110161	1	Reducing fitting
	29	3101300	1	Pipe (90° Connection)

Oil filter

Code

3180196-1.0

1/1



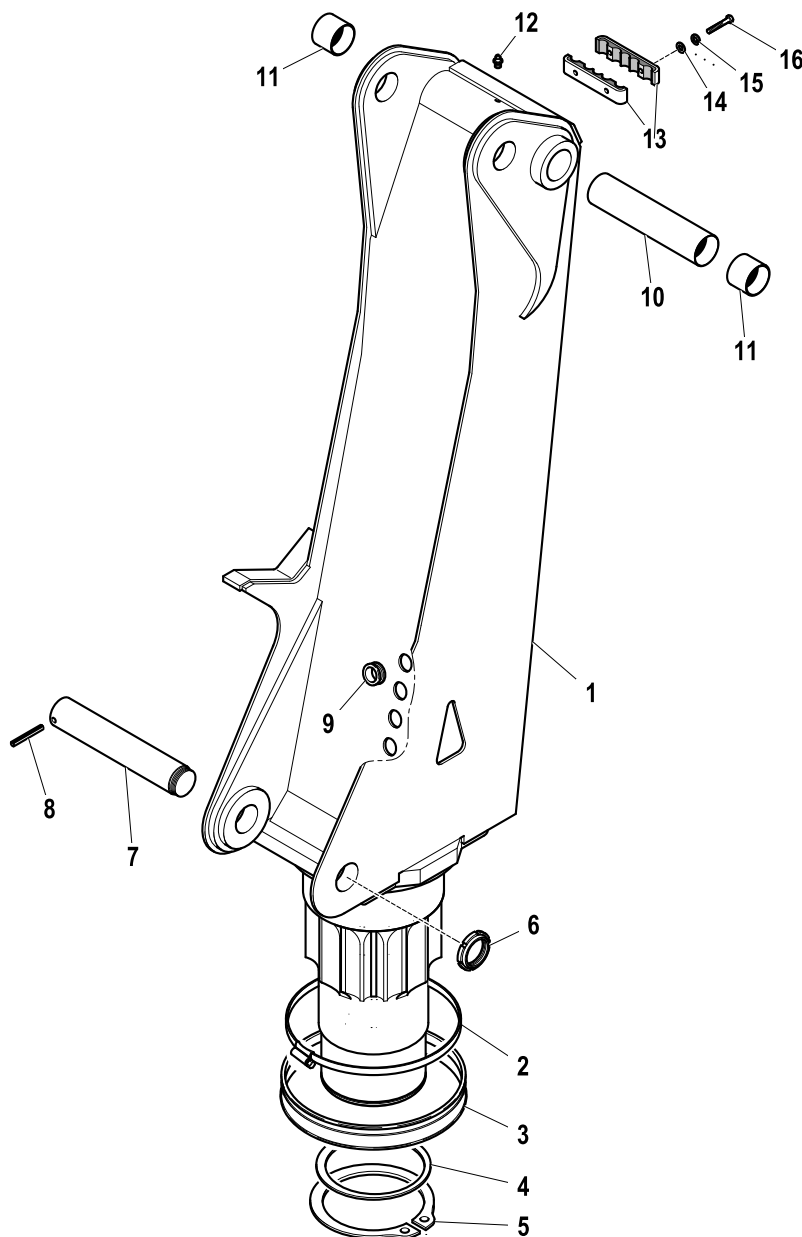
R	Pos.	Code Variant	Q.ty	Description
	1	3180111	1	
	2	3180110	1	Filtering cartridge
	3	3180156	1	
	4	3180158	1	

Column

Code

5460077-1.0

1/1



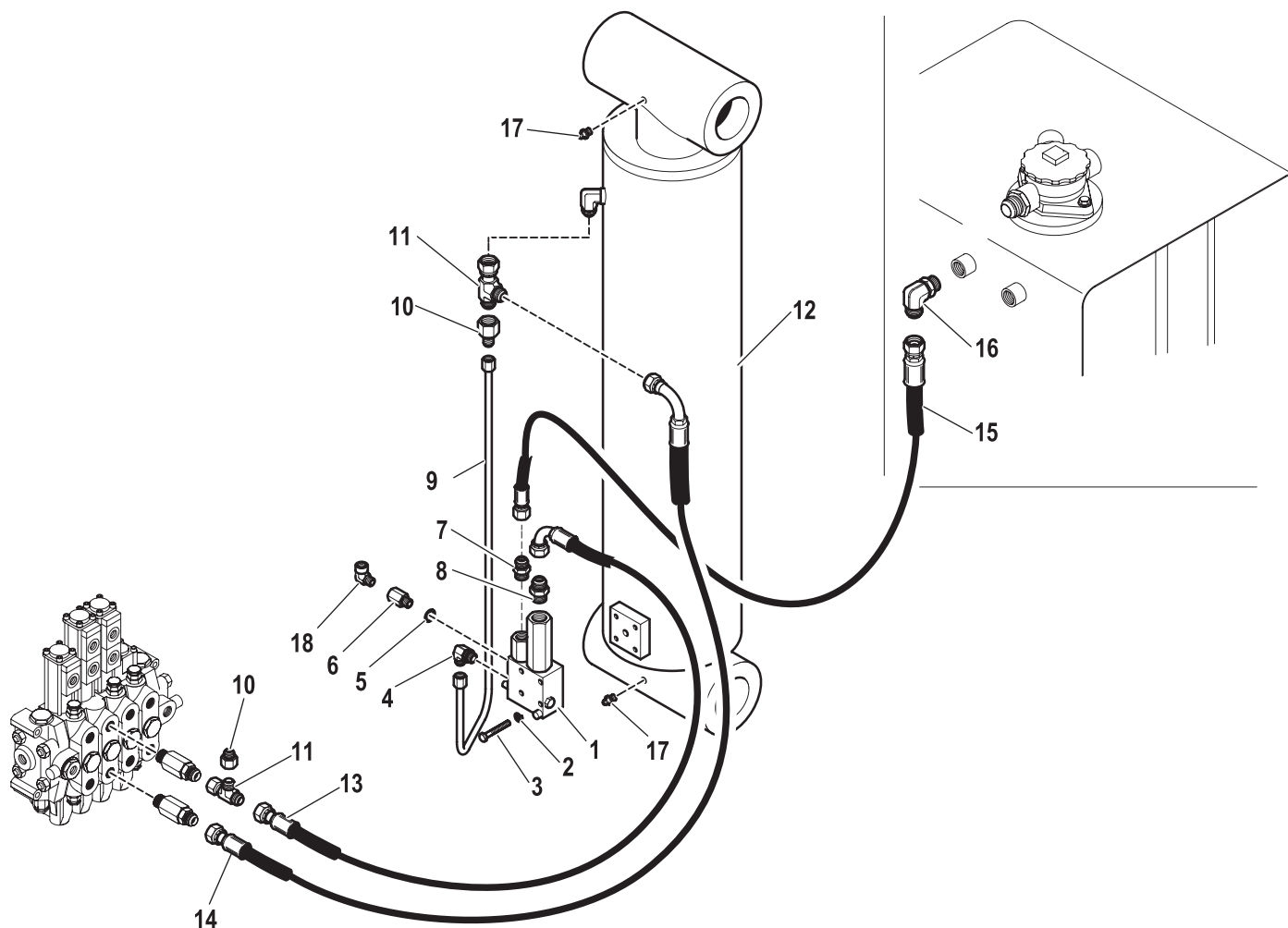
R	Pos.	Code Variant	Q.ty	Description
	1	5040110	1	Column
	2	W582008	1	
	3	W270100600	1	
	4	W270101100	1	
	5	3070112	1	Seeger
	6	3040508	1	Self-locking ringnut
	7	5150675	1	
	8	3060939	1	Spring pin
	9	W180201000	4	
	10	5001439	1	
	11	5140694	1	
	12	3080501	1	Grease nipple
	13	W128027	2	
	14	3060006	2	Flat washer [D.8 UNI 6592 ZC]
	15	3060055	2	Split lock washer [D=8.4 C72 ZC]
	16	3060034	2	Flat washer [D.36X60X4 ZC]

HYDRAULIC SYSTEM (lifting hydraulic cylinder)

Code

6230148-2.0

1/1



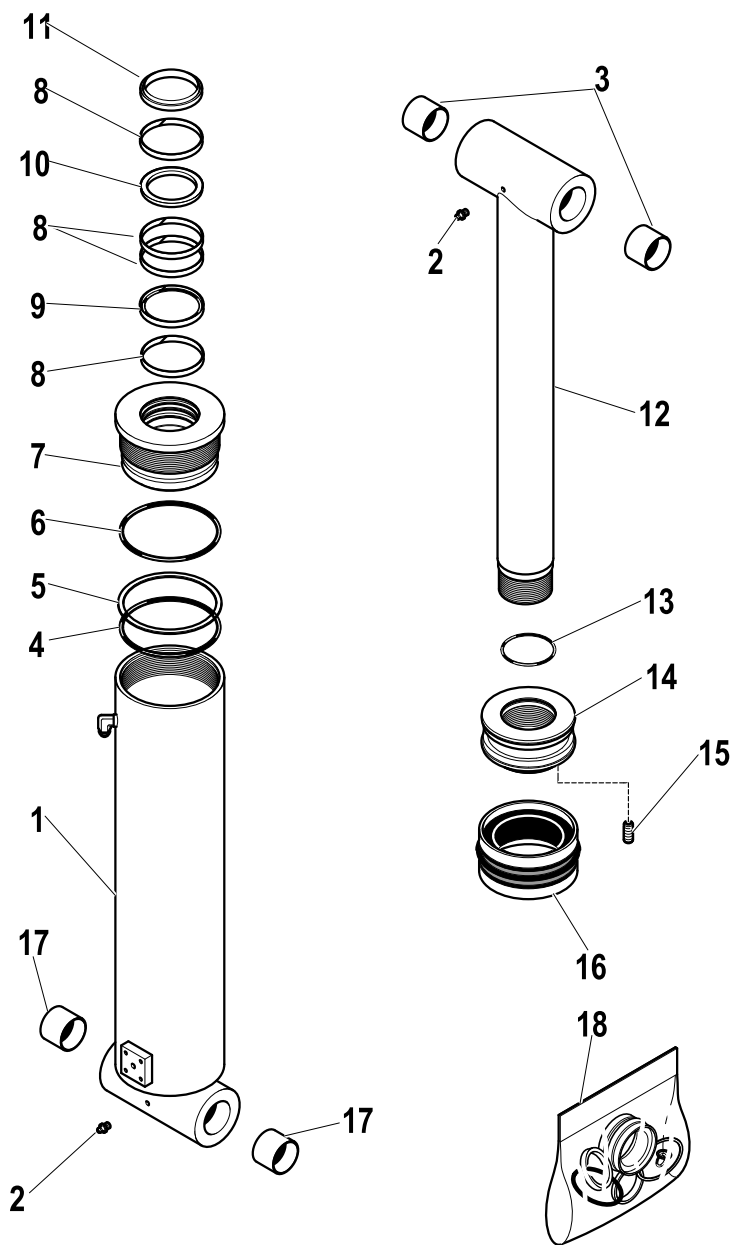
R	Pos.	Code Variant	Q.ty	Description
	1	5220670	1	Valve (Overcenter)
	2	3060053	4	Split lock washer [D=6.4 C72 ZC]
	3	3010399	4	Hex screw [M6X55 8.8 ZC UNI 5739]
	4	3101124	1	90° Connection
	5	3060143	1	Sealing washer [BSP 1/4"]
	6	3110266	1	Straight pipe fitting
	7	3101040	1	Straight pipe fitting
	8	3101051	1	Straight pipe fitting
	9	5391931	1	Bonderized tube
	10	3120209	2	Reducing fitting
	11	3120008	2	Tee fitting
	12	6430129	1	Lifting jack
	13	5280524	1	Flexible hose
	14	5280539	1	Flexible hose
	15	5261008	1	Flexible hose
	16	3101119	1	90° Connection
	17	3080501	2	Grease nipple
	18	3111512	1	90° Connection

LIFTING HYDRAULIC CYLINDER

Code

6430129-1.0

1/1



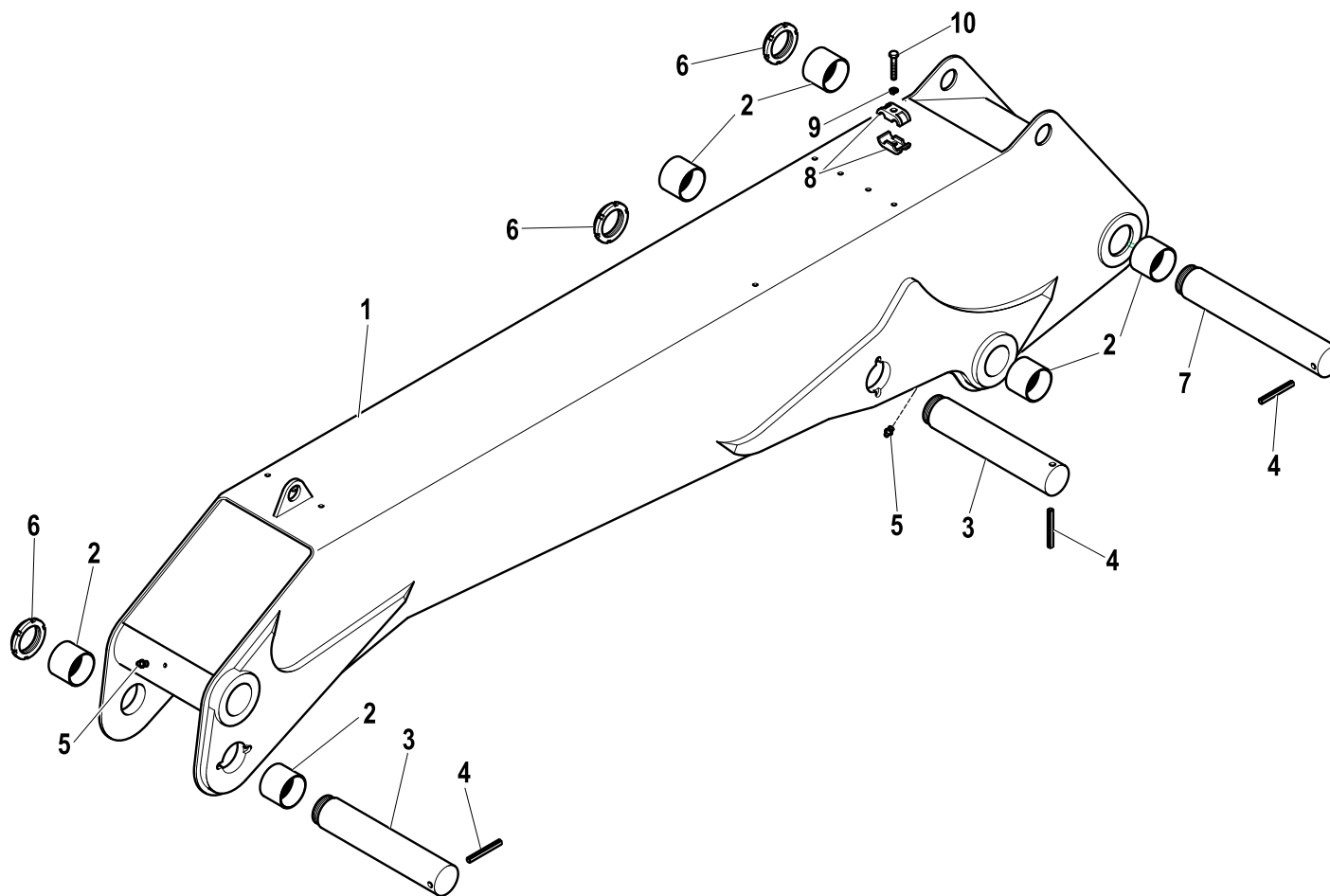
R	Pos.	Code Variant	Q.ty	Description
	1	6070489	1	
	2	3080501	2	Grease nipple
	3	5140751	4	
	4	3450399	1	
	5	3460362	1	
	6	3450175	1	
	7	6040266	1	
	8	3350120	4	Seal
	9	3381000	1	
	10	3370175	1	Seal
	11	3420049	1	W-ring
	12	6030601	1	
	13	3450155	1	O-ring joint
	14	6050272	1	
	15	3060246	1	Grub screw
	16	3400534	1	
	17	5140694	2	
	18	5550737	1	

1ST BOOM

Code

5470054-1.0

1/1



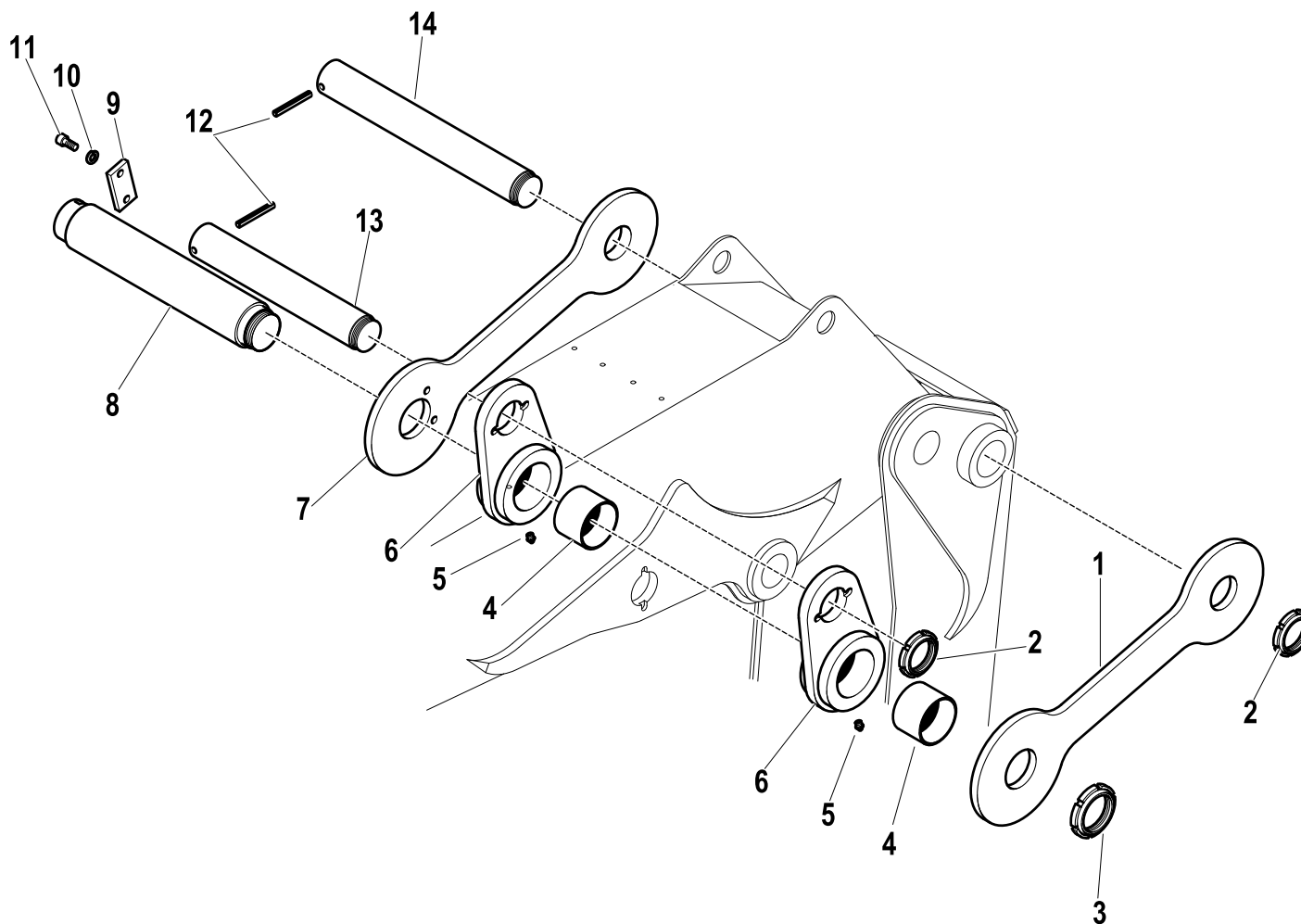
R	Pos.	Code Variant	Q.ty	Description
	1	5030262	1	Main boom
	2	5140694	6	
	3	5150679	2	
	4	3060939	3	Spring pin
	5	3080501	3	Grease nipple
	6	3040508	3	Self-locking ringnut
	7	5150677	1	
	8	5000047	16	Clamp (Rigid Pipe)
	9	3060055	8	Split lock washer [D=8.4 C72 ZC]
	10	3010032	8	Hex screw [M8X45 8.8 ZC UNI 5737]

COLUMN CONNECTING RODS

Code

5360011-1.0

1/1



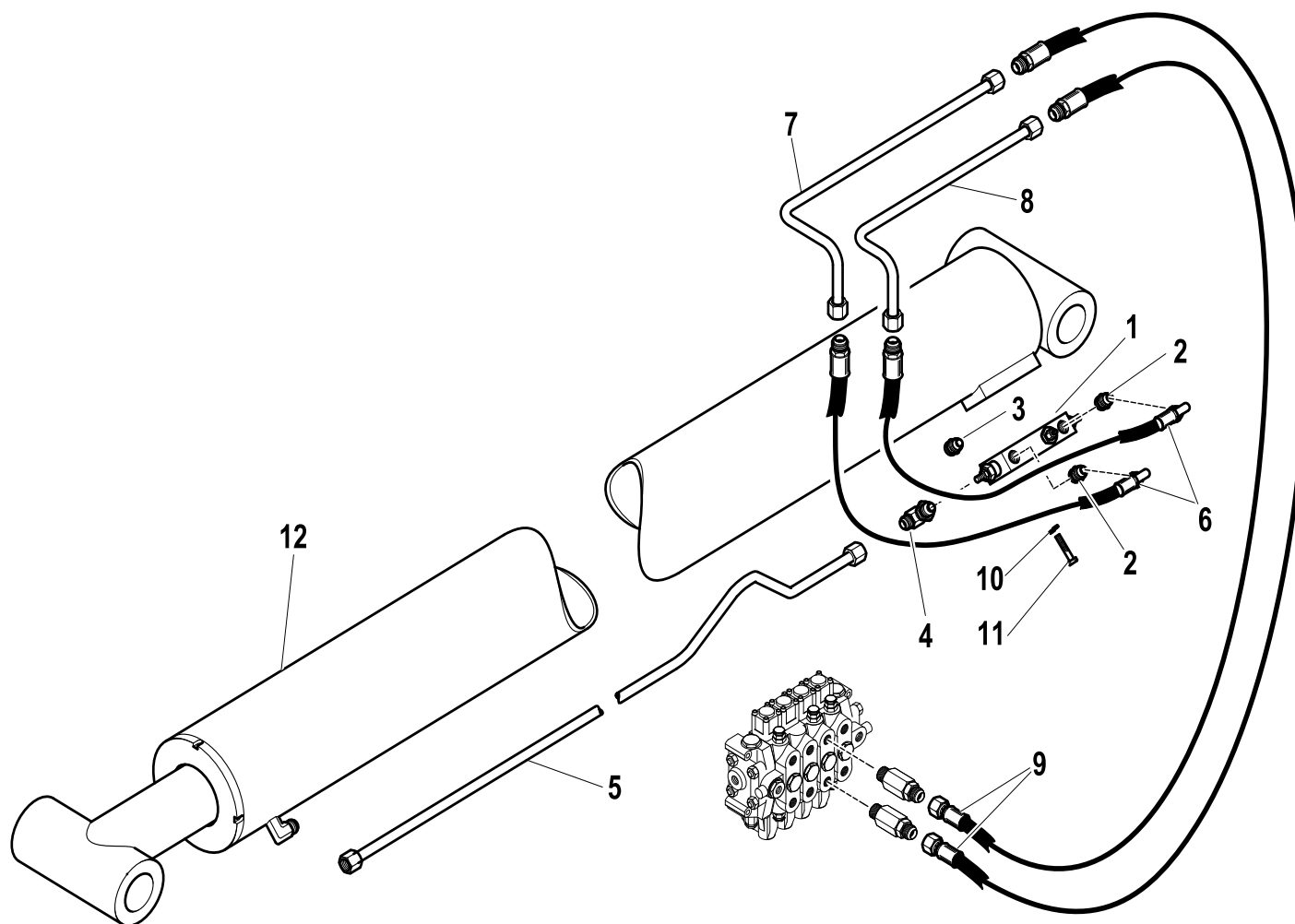
R	Pos.	Code Variant	Q.ty	Description
	1	5090748	1	
	2	3040508	2	Self-locking ringnut
	3	3040510	1	Self-locking ringnut
	4	5140751	2	
	5	3080501	2	Grease nipple
	6	5090750	2	
	7	5090863	1	
	8	5150807	1	
	9	5001138	1	
	10	3060057	2	Split lock washer [D=12 C72 ZC]
	11	3020075	2	Socked head cap screw [M12X25 12.9 ZC UNI 5931]
	12	3060939	2	Spring pin
	13	5150678	1	
	14	5150676	1	

Articulation Hydraulic jack (Hydraulic system)

Code

6230130-2.0

1/1



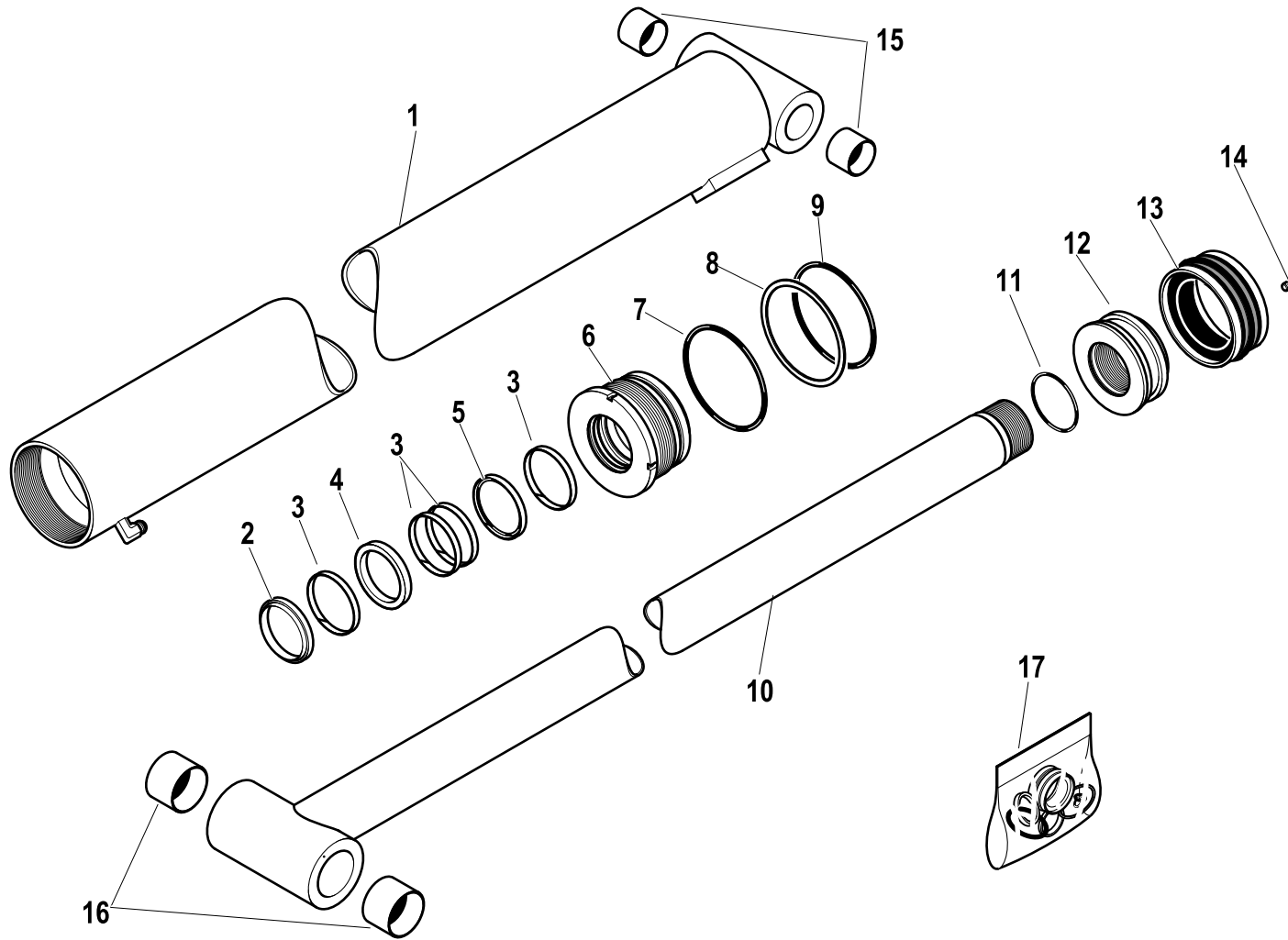
R	Pos.	Code Variant	Q.ty	Description
	1	5220694	1	
	2	3101051	2	Straight pipe fitting
	3	3111523	1	Pipe fitting (Tapping point) [RACC. MILITES 16X2-1/4"G]
	4	3101131	1	90° Connection
	5	5391932	1	
	6	5280525	2	
	7	5391933	1	
	8	5391934	1	
	9	5280600	2	
	10	3060055	2	Split lock washer [D=8.4 C72 ZC]
	11	3010032	2	Hex screw [M8X45 8.8 ZC UNI 5737]
	12	6430130	1	Articulation Hydraulic jack

Articulation Hydraulic jack

Code

6430130-1.0

1/1



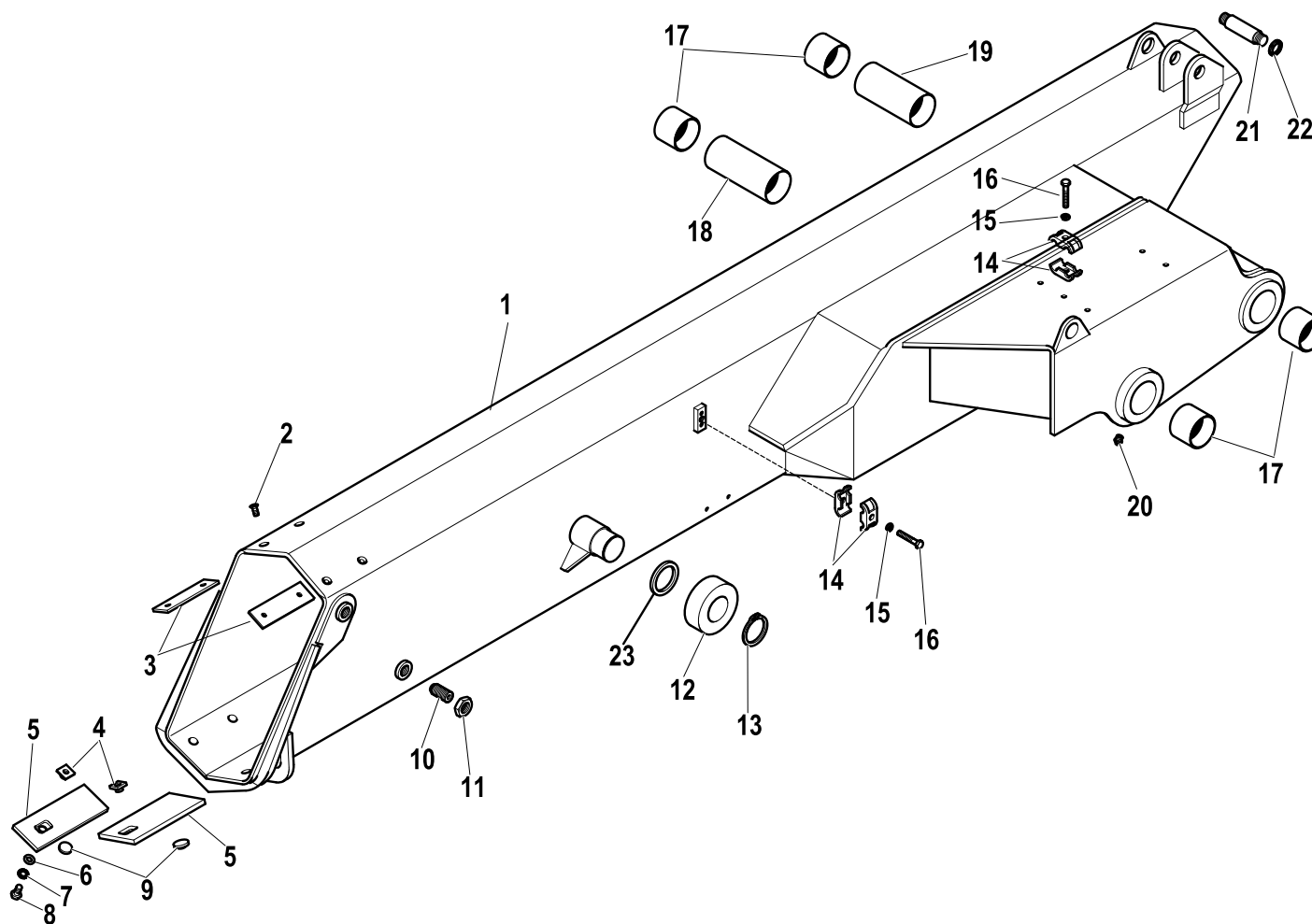
R	Pos.	Code Variant	Q.ty	Description
	1	6070490	1	
	2	3420049	1	W-ring
	3	3350120	4	Seal
	4	3370175	1	Seal
	5	3381000	1	
	6	6040266	1	
	7	3450175	1	
	8	3460362	1	
	9	3450175	1	
	10	6030603	1	
	11	3450155	1	O-ring joint
	12	6050272	1	
	13	3400534	1	
	14	3060246	1	Grub screw
	15	5140694	2	
	16	5140751	2	
	17	5550737	1	

2nd BOOM

Code

5480056-1.0

1/2



R	Pos.	Code Variant	Q.ty	Description
	1	5030260	1	Secondary boom
	2	3020450	4	TSEI screw [M8X12 10.9 ZC UNI 5933]
	3	5140757	2	
	4	5000827	2	Button (Control board)
	5	5140743	2	
	6	3060914	2	Flat washer [D.10.5X21X2 UNI 6592 ZC]
	7	3060920	2	Tooth lock washer [D.10 TIPO A]
	8	3010353	2	Hex screw [M10X16 8.8 ZC UNI 5739]
	9	5140681	2	
	10	5000771	4	Adjusting screw
	11	3040089	4	Lock nut
	12	5140753	1	Roller
	13	3070045	1	Seeger
	14	5000047	4	Clamp (Rigid Pipe)
	15	3060055	2	Split lock washer [D=8.4 C72 ZC]
	16	3010032	2	Hex screw [M8X45 8.8 ZC UNI 5737]
	17	5140694	4	
	18	5001266	1	
	19	5001254	1	
	20	3080501	2	Grease nipple

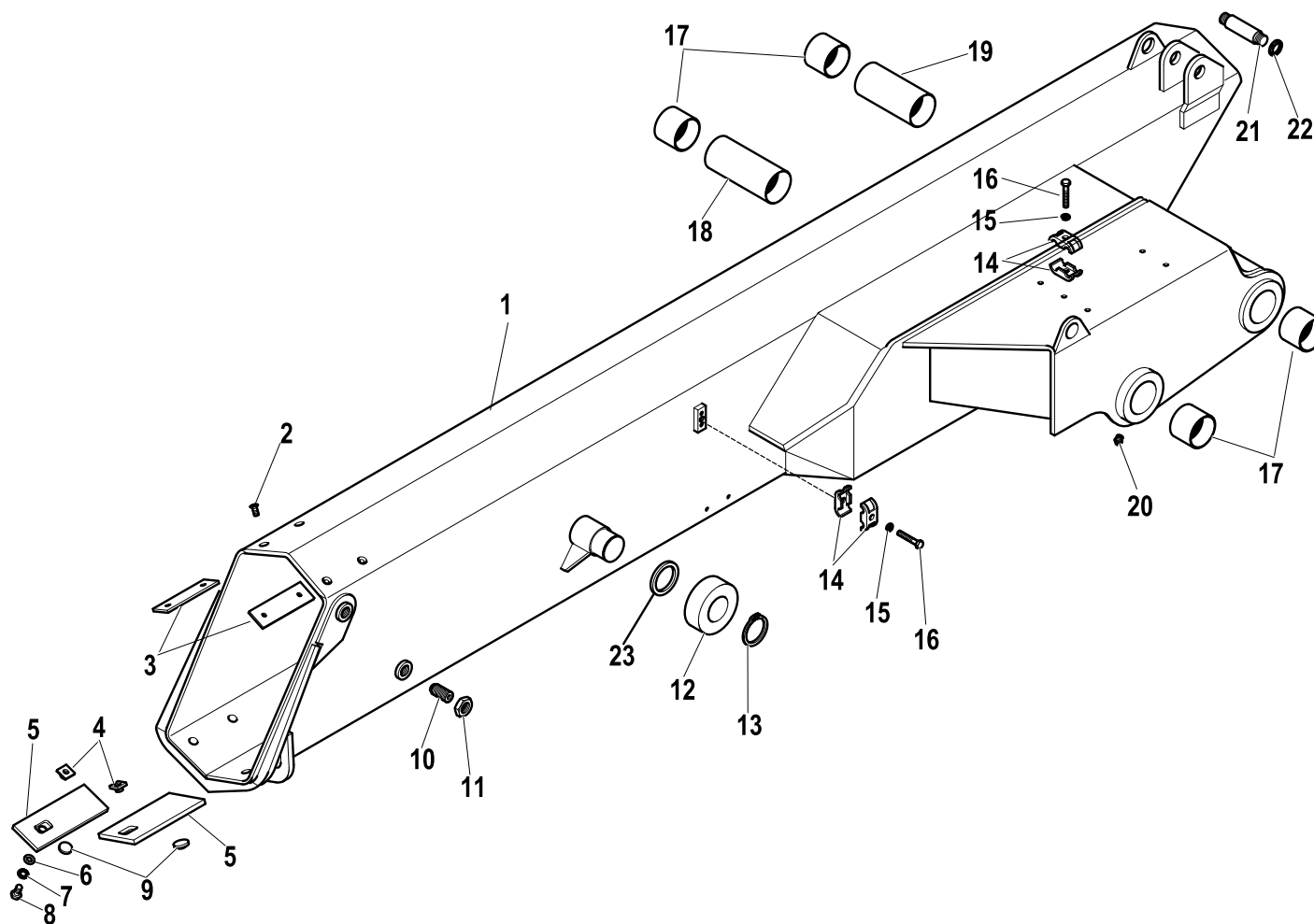
2nd BOOM

Code

5480056-1.0

2/2

R	Pos.	Code Variant	Q.ty	Description
	21	5150733	1	
	22	3040504	2	Self-locking ringnut
	23	5140997	1	Spacer

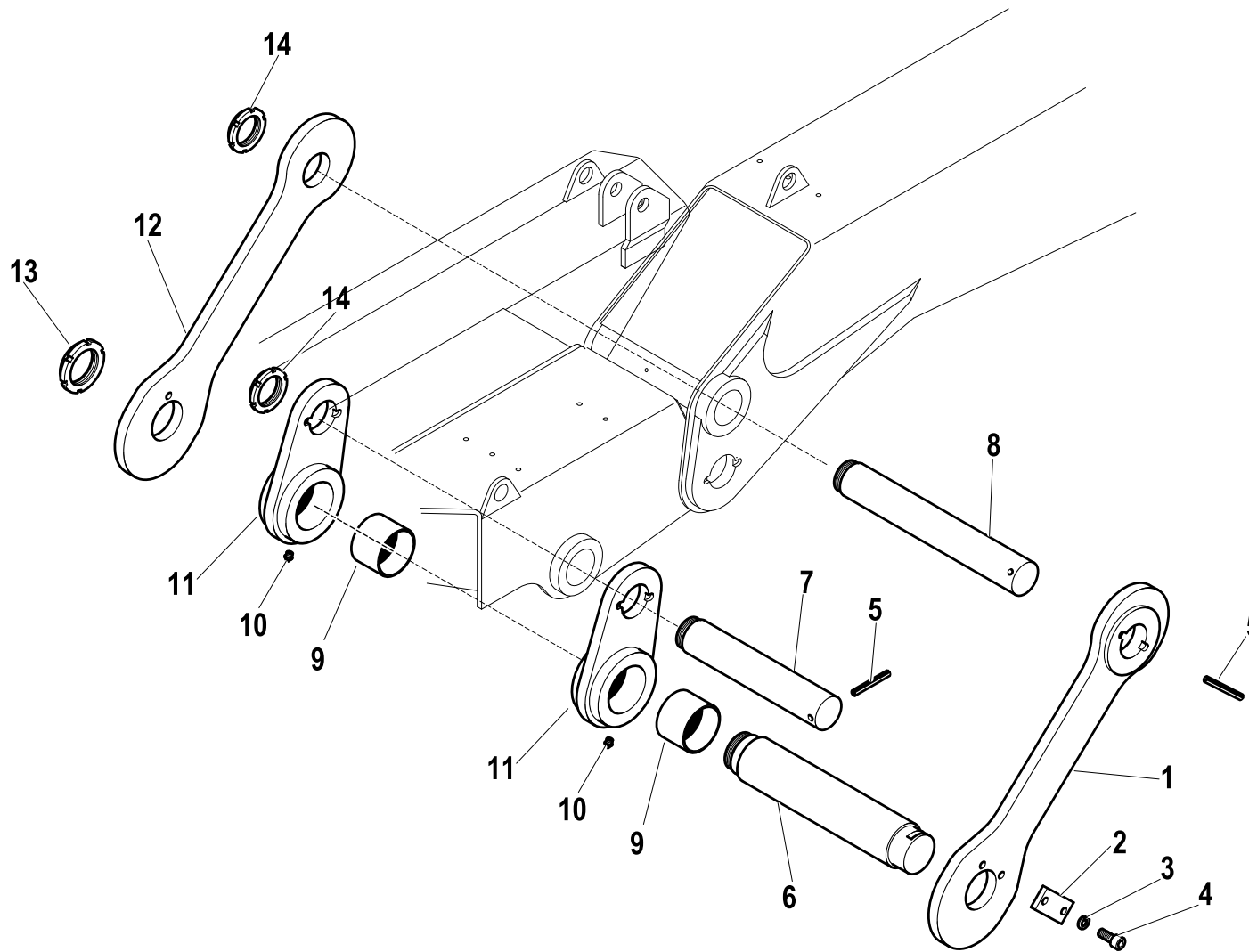


Linkage 1th e 2nd boom

Code

5360012-1.0

1/1



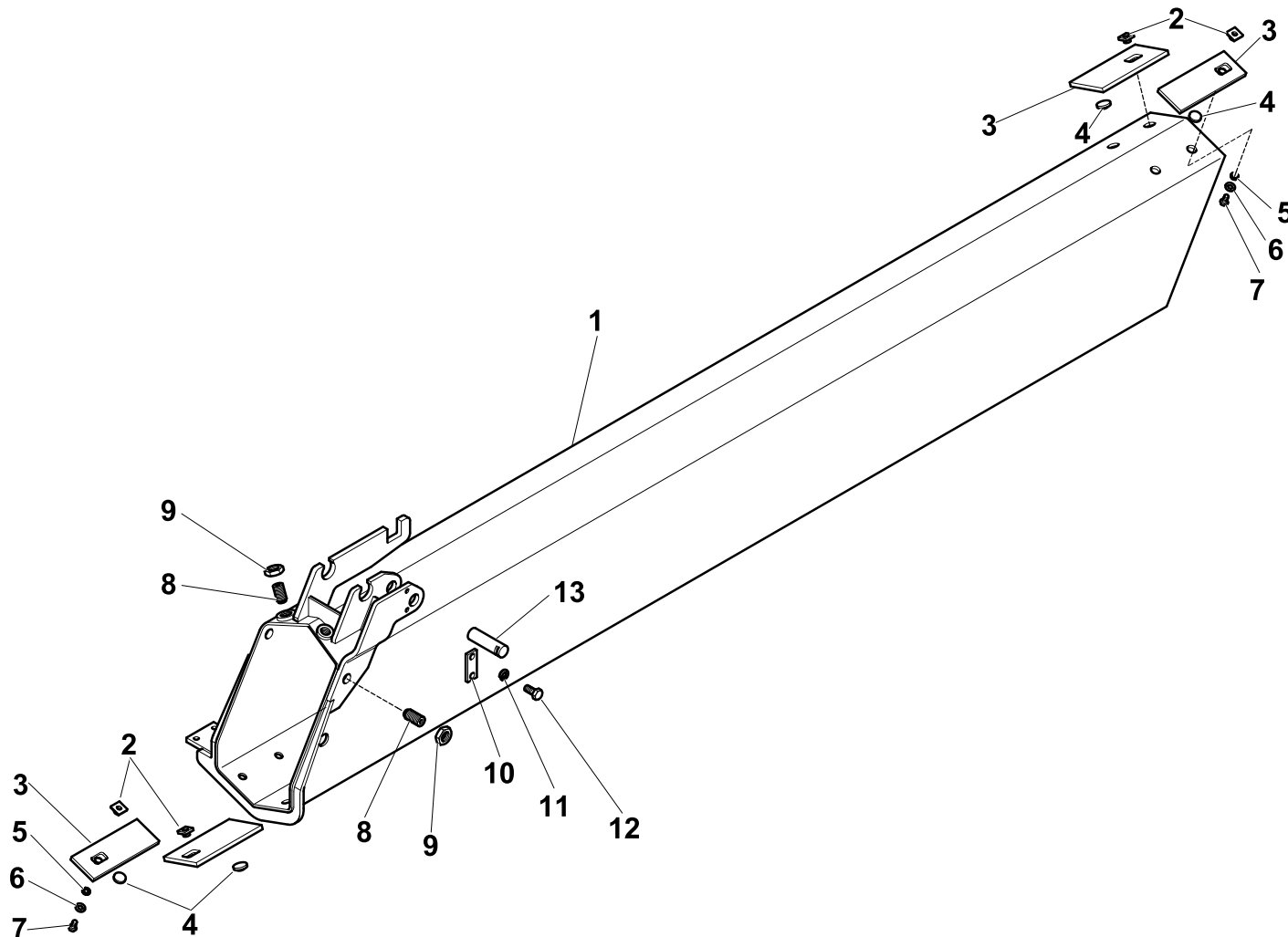
R	Pos.	Code Variant	Q.ty	Description
	1	5090864	1	
	2	5001138	1	
	3	3060057	2	Split lock washer [D=12 C72 ZC]
	4	3020075	2	Socketed head cap screw [M12X25 12.9 ZC UNI 5931]
	5	3060939	2	Spring pin
	6	5150674	1	
	7	5150680	1	
	8	5150681	1	
	9	5140751	2	
	10	3080501	2	Grease nipple
	11	5090750	2	
	12	5090749	1	
	13	3040510	1	Self-locking ringnut
	14	3040508	2	Self-locking ringnut

1st EXTENSION

Code

5490059-1.0

1/1



R	Pos.	Code Variant	Q.ty	Description
	1	5020430	1	Extension
	2	5000827	4	Button (Control board)
	3	5140743	4	
	4	5140681	2	
	5	3060920	4	Tooth lock washer [D.10 TIPO A]
	6	3060914	4	Flat washer [D.10.5X21X2 UNI 6592 ZC]
	7	3010353	4	Hex screw [M10X16 8.8 ZC UNI 5739]
	8	5000771	4	Adjusting screw
	9	3040089	4	Lock nut
	10	5000674	1	Keep plate
	11	3010337	2	Hex screw [M8X16 8.8 ZC UNI 5739]
	12	3060055	2	Split lock washer [D=8.4 C72 ZC]
	13	5150734	1	

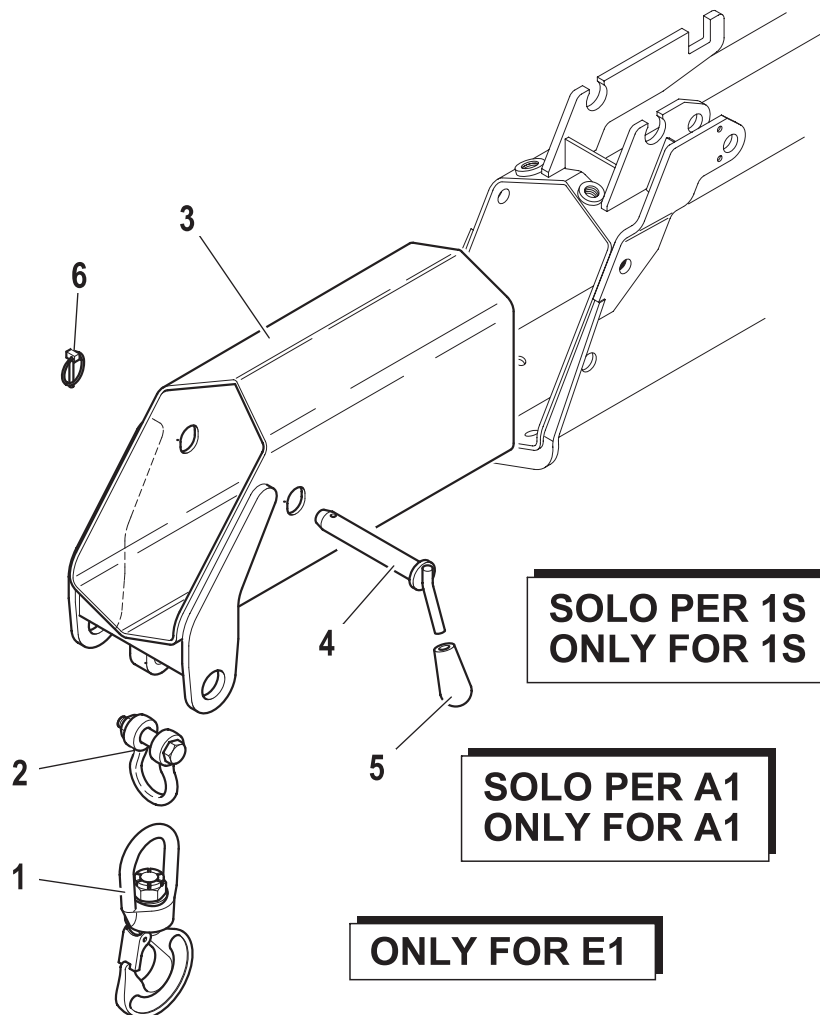
Coupling (Hook)

Code

7880397-1.0

1/1

R	Pos.	Code Variant	Q.ty	Description
	1	3200007	1	Swivel hook
	2	3200067	1	Shackles
	3	5020439	1	Hook coupling
	4	5150034	1	Pin
	5	3190010	1	Knob
	6	3060753	1	Cotter pin (Locking ring)

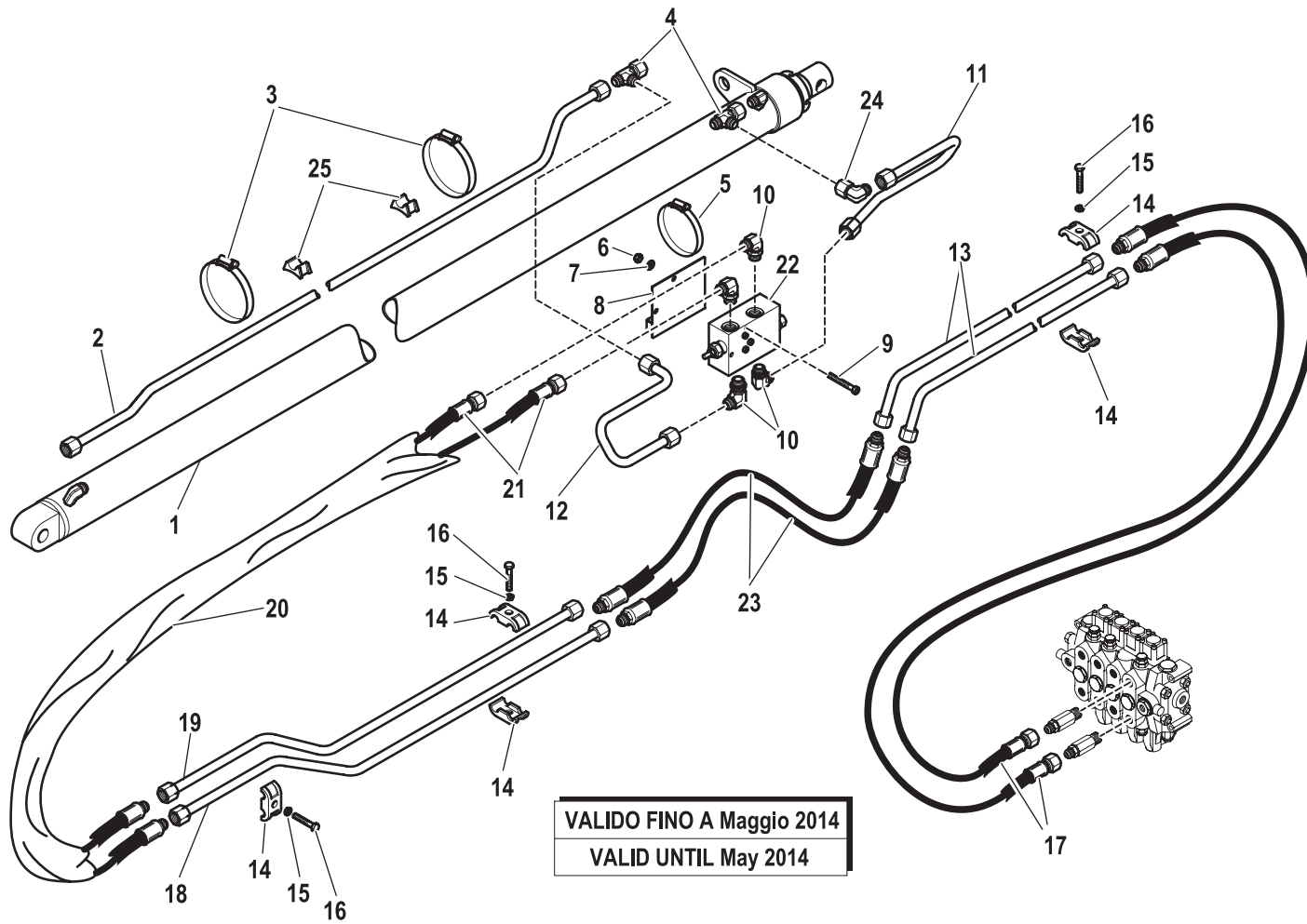


HYDRAULIC SYSTEM (1st EXSTENSION HYDRAULIC)

Code

6210318-2.0

1/2



R	Pos.	Code Variant	Q.ty	Description
	1	6410254	1	Extension Hydraulic jack
	2	5391804	1	Bonderized tube
	3	3190023	2	Clamp
	4	3120008	2	Tee fitting
	5	3190022	2	Clamp
	6	3040303	2	Stopnut
	7	3060006	2	Flat washer [D.8 UNI 6592 ZC]
	8	5001196	1	Valve support
	9	3020901	1	Socked head cap screw [M8X60 ZC UNI 5931]
	10	3101131	4	90° Connection
	11	5391938	1	Bonderized tube
	12	5391803	1	Bonderized tube
	13	5391935	2	Bonderized tube
	14	5000047	7	Clamp (Rigid Pipe)
	15	3060055	4	Split lock washer [D=8.4 C72 ZC]
	16	3010032	4	Hex screw [M8X45 8.8 ZC UNI 5737]
	17	5280600	2	
	18	5391936	1	
	19	5391937	1	
	20	3190171	1	Pipes guard

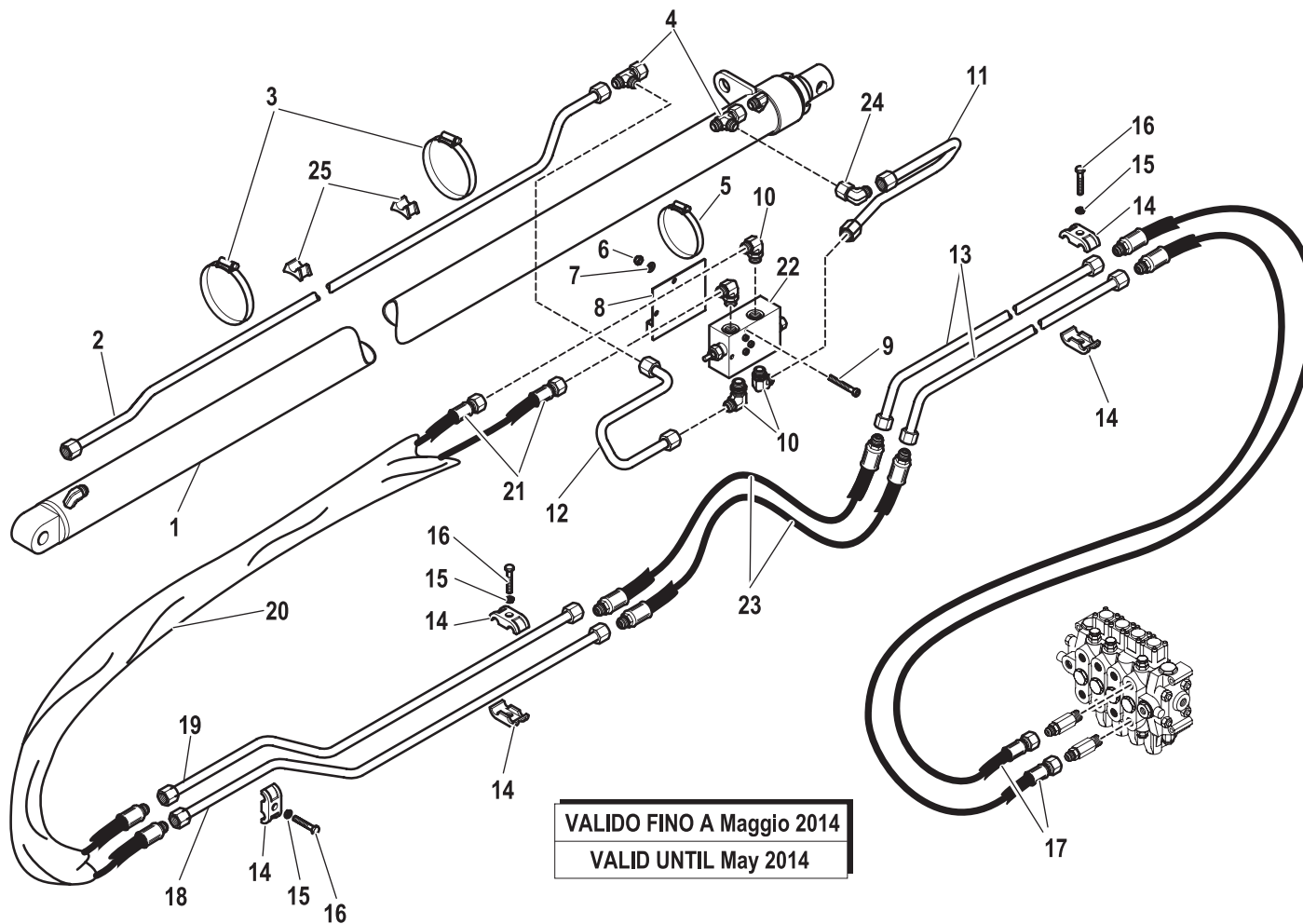
HYDRAULIC SYSTEM (1st EXSTENSION HYDRAULIC)

Code

6210318-2.0

2/2

R	Pos.	Code Variant	Q.ty	Description
	21	5280526	2	
	22	5220654	1	
	23	5280874	2	
	24	3120034	1	90° Connection
	25	5140133	2	Piping mounting



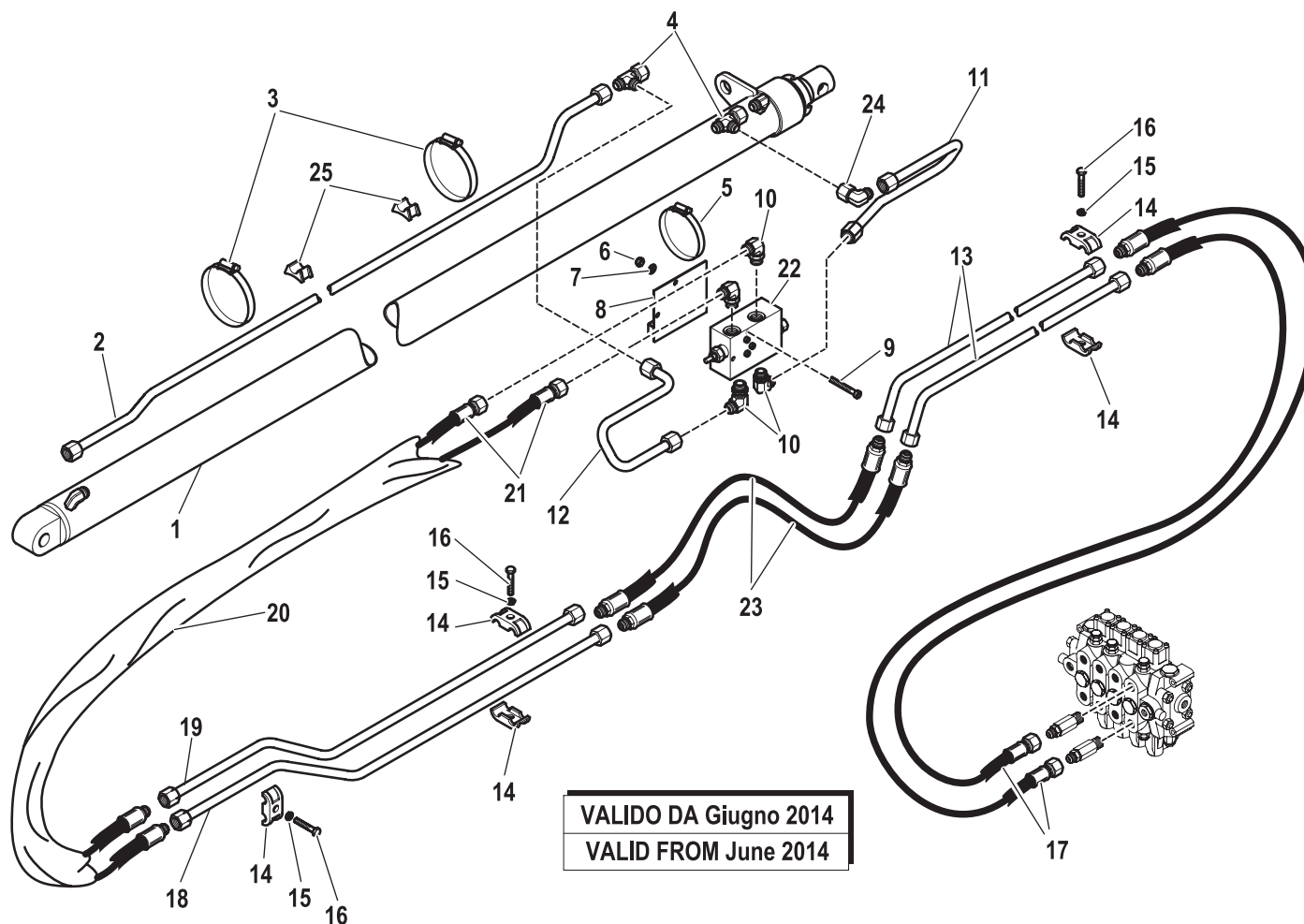
VALIDO FINO A Maggio 2014
VALID UNTIL May 2014

HYDRAULIC SYSTEM (1st EXSTENSION HYDRAULIC)

Code

6210318-4.0

1/2



R	Pos.	Code Variant	Q.ty	Description
	1	6410254	1	Extension Hydraulic jack
	2	5391804	1	Bonderized tube
	3	3190023	2	Clamp
	4	3120008	2	Tee fitting
	5	3190022	2	Clamp
	6	3040303	2	Stopnut
	7	3060006	2	Flat washer [D.8 UNI 6592 ZC]
	8	5001196	1	Valve support
	9	3020901	1	Socked head cap screw [M8X60 ZC UNI 5931]
	10	3101131	4	90° Connection
	11	5391938	1	Bonderized tube
	12	5391803	1	Bonderized tube
	13	5391935	2	Bonderized tube
	14	5000047	7	Clamp (Rigid Pipe)
	15	3060055	4	Split lock washer [D=8.4 C72 ZC]
	16	3010032	4	Hex screw [M8X45 8.8 ZC UNI 5737]
	17	5280600	2	
	18	5391936	1	
	19	5391937	1	
	20	3190171	1	Pipes guard

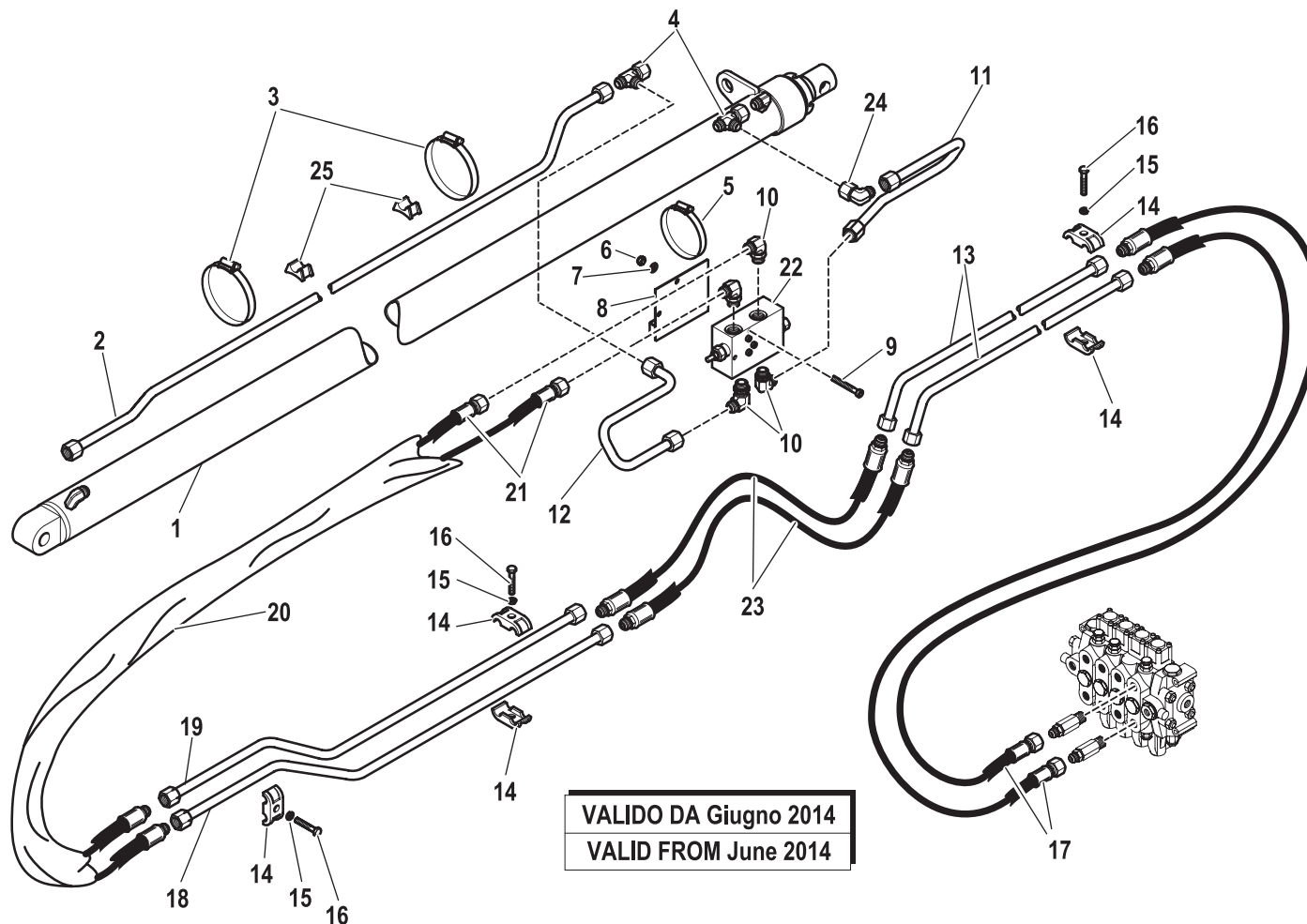
HYDRAULIC SYSTEM (1st EXSTENSION HYDRAULIC)

Code

6210318-4.0

2/2

R	Pos.	Code Variant	Q.ty	Description
	21	5280526	2	
	22	5220755	1	
	23	5280874	2	
	24	3120034	1	90° Connection
	25	5140133	2	Piping mounting



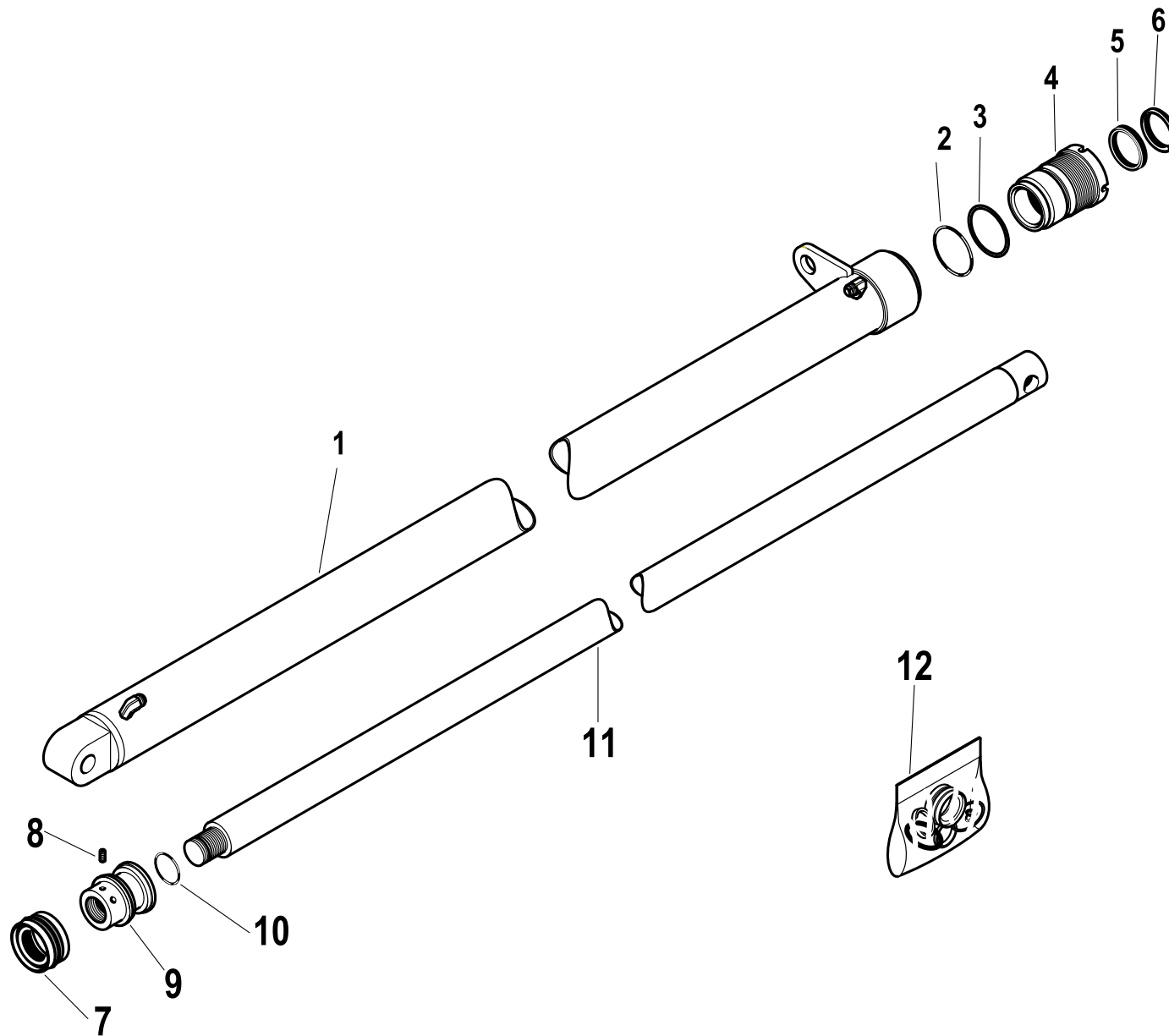
VALIDO DA Giugno 2014
VALID FROM June 2014

1st EXSTENSION HYDRAULIC

Code

6410254-1.0

1/1



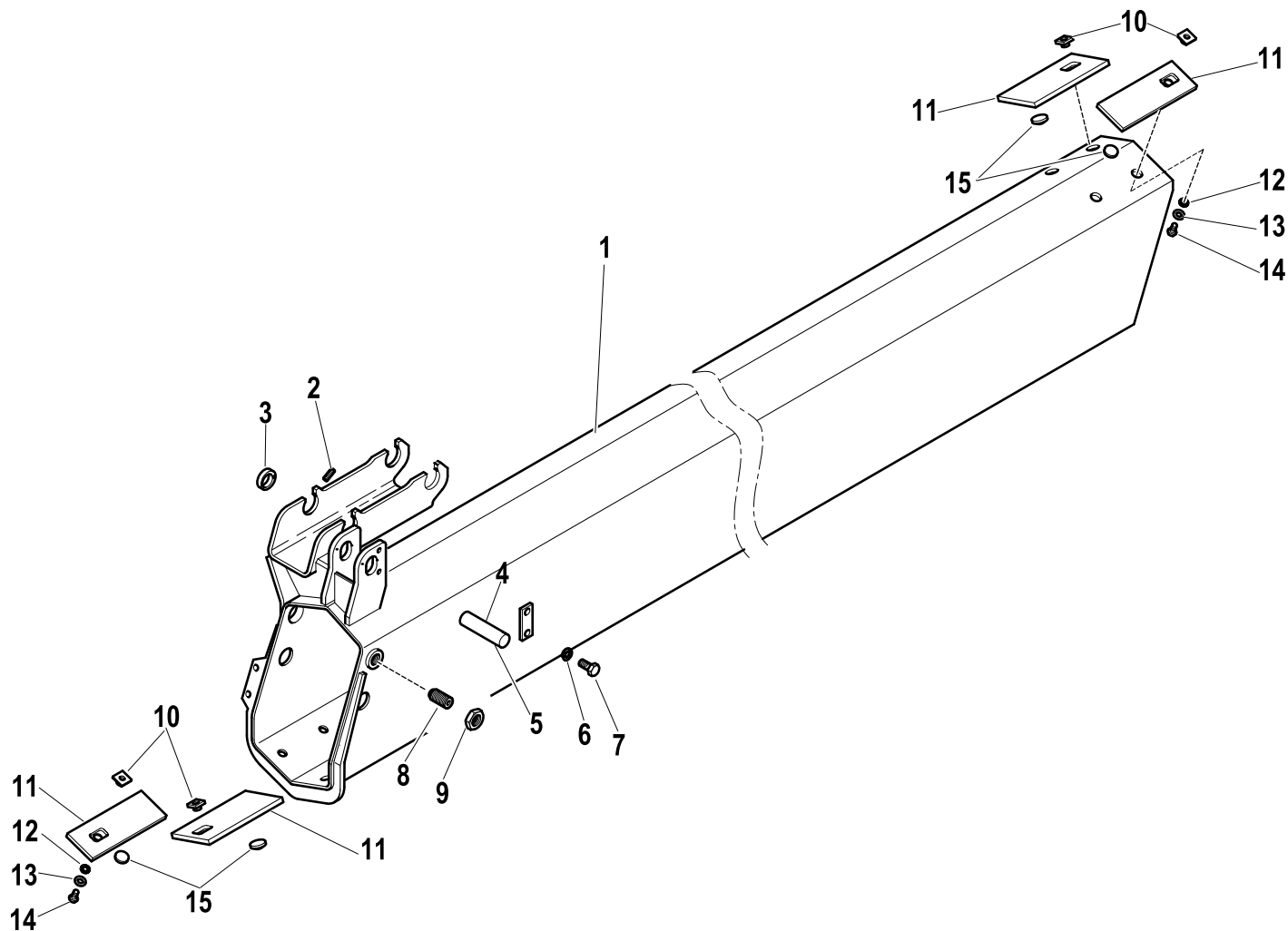
R	Pos.	Code Variant	Q.ty	Description
	1	6070464	1	
	2	3450136	1	
	3	3460136	1	
	4	6040257	1	
	5	3370134	1	
	6	3420026	1	W-ring
	7	3400510	1	
	8	3060234	1	Grub screw [Grano M6X10 UNI 5927 ZC.]
	9	6050143	1	
	10	3450069	1	
	11	6030560	1	
	12	5550779	1	

2nd extension

Code

5530027-1.0

1/1



R	Pos.	Code Variant	Q.ty	Description
	1	5020431	1	Extension
	2	3060941	4	Grub screw
	3	5001105	4	
	4	5150443	1	
	5	5000674	1	Keep plate
	6	3060055	2	Split lock washer [D=8.4 C72 ZC]
	7	3010337	2	Hex screw [M8X16 8.8 ZC UNI 5739]
	8	5000771	2	Adjusting screw
	9	3040089	2	Lock nut
	10	5000827	4	Button (Control board)
	11	5140743	4	
	12	3060920	4	Tooth lock washer [D.10 TIPO A]
	13	3060914	4	Flat washer [D.10.5X21X2 UNI 6592 ZC]
	14	3010353	4	Hex screw [M10X16 8.8 ZC UNI 5739]
	15	5140681	4	

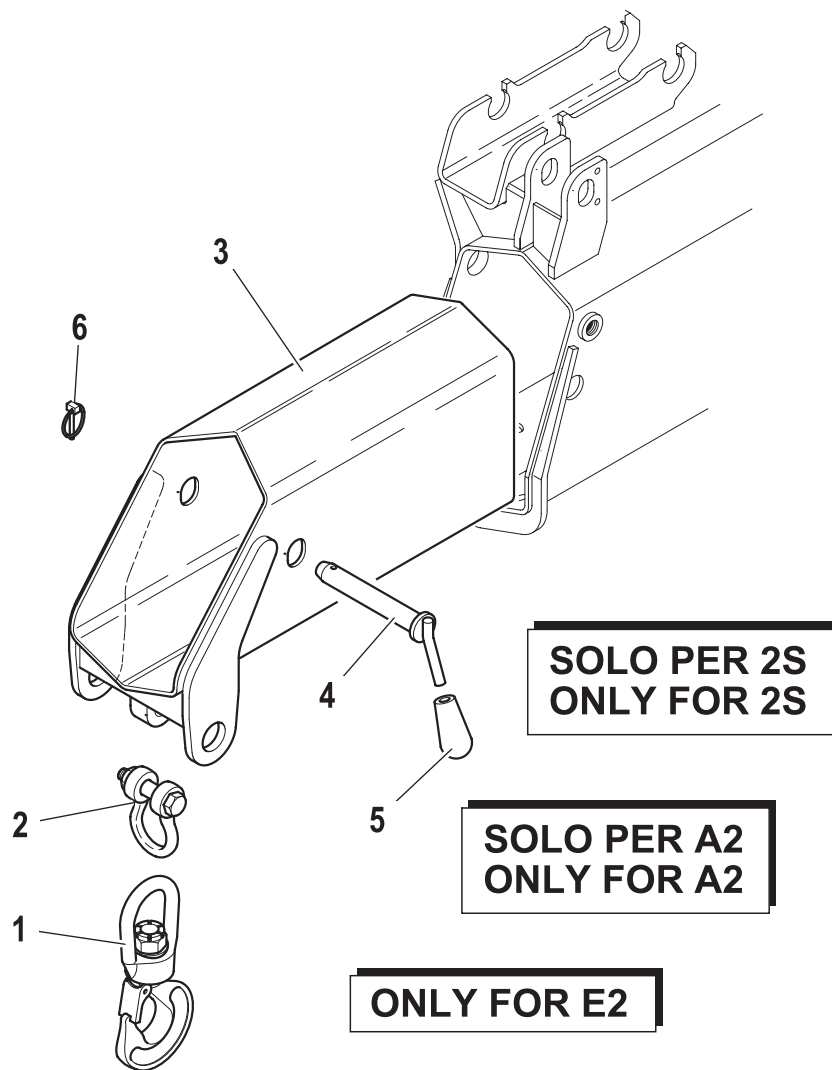
Coupling (Hook)

Code

7880398-1.0

1/1

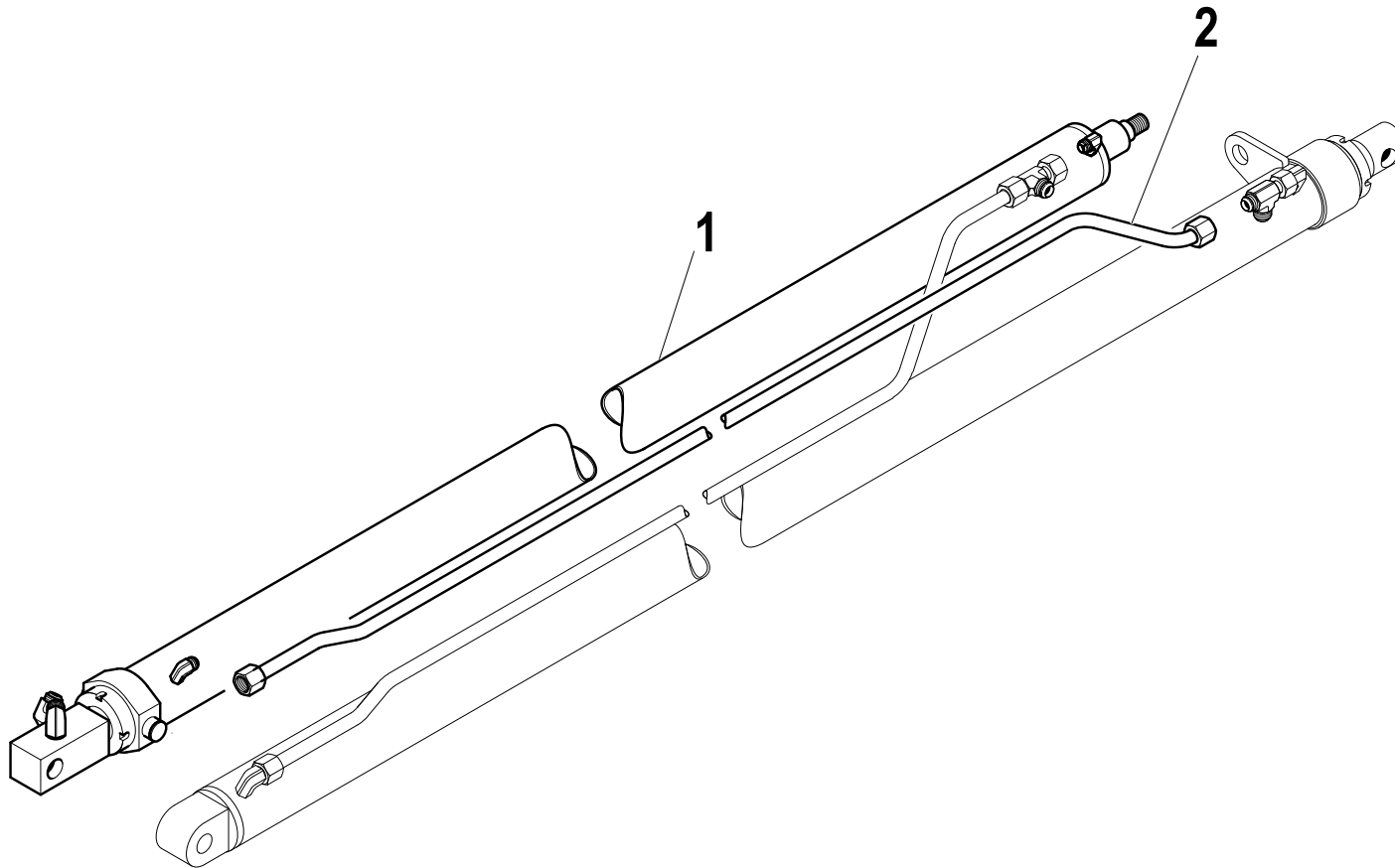
R	Pos.	Code Variant	Q.ty	Description
	1	3200007	1	Swivel hook
	2	3200067	1	Shackles
	3	5020440	1	Hook coupling
	4	5150822	1	Pin
	5	3190010	1	Knob
	6	3060753	1	Cotter pin (Locking ring)



HYDRAULIC SYSTEM (2nd EXTENSION HYDRAULIC JACK)

Code		
6210255-1.0		1/1

R	Pos.	Code Variant	Q.ty	Description
	1	6410255	1	Extension Hydraulic jack
	2	5391802	1	

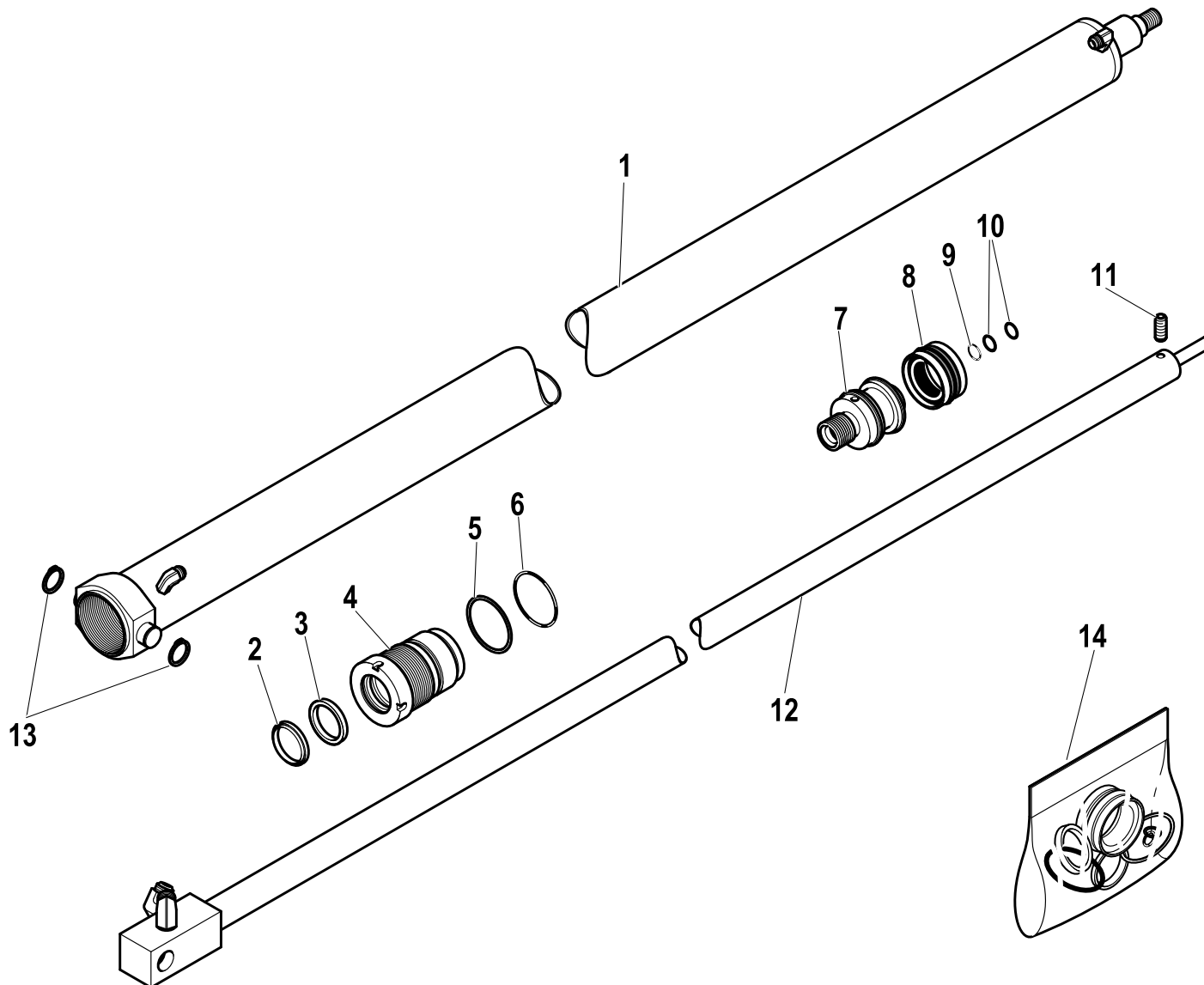


2nd EXTENSION HYDRAULIC JACK

Code

6410255-1.0

1/1



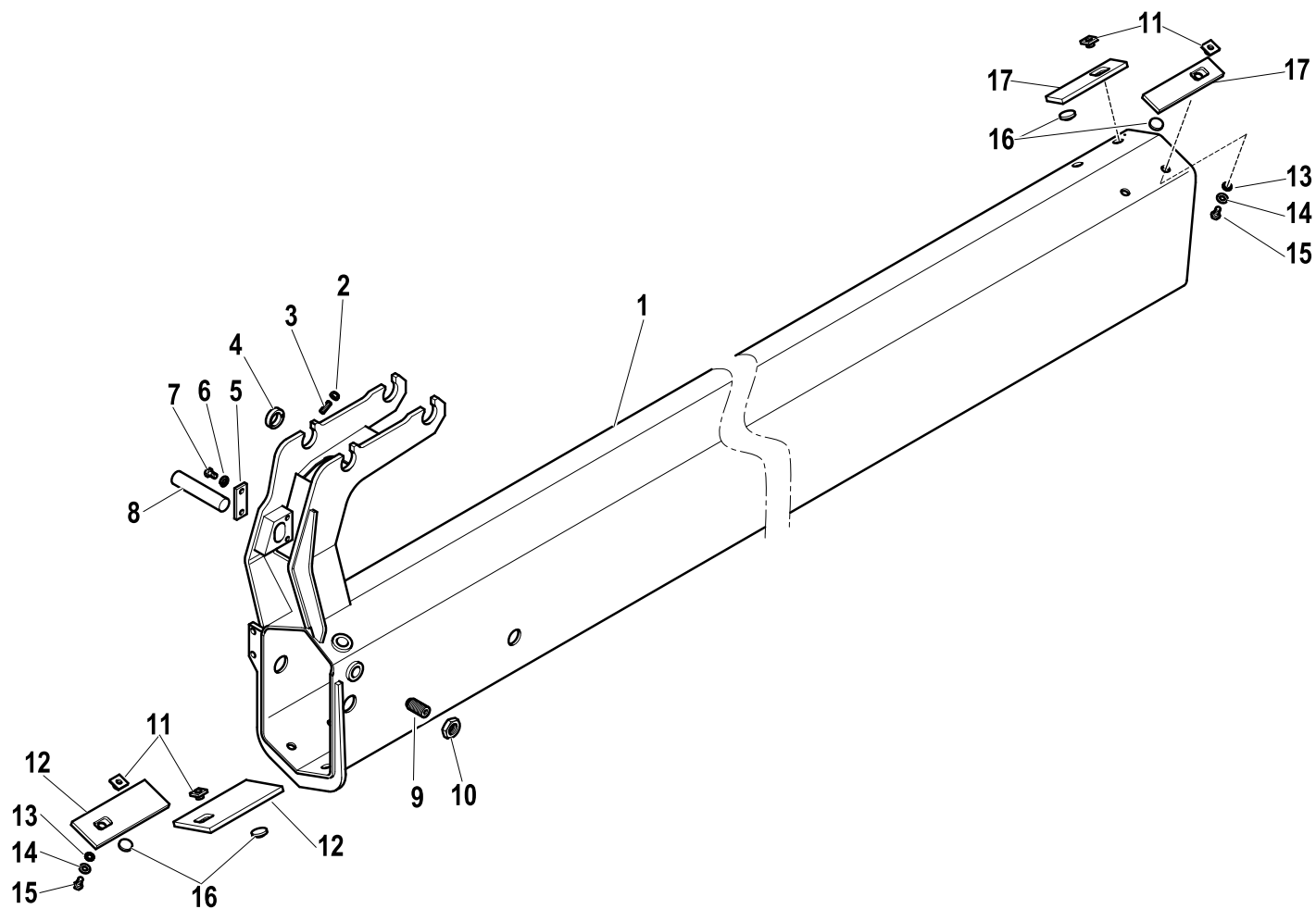
R	Pos.	Code Variant	Q.ty	Description
	1	6070468	1	
	2	3420023	1	W-ring
	3	3400083	1	
	4	6040258	1	
	5	3460136	1	
	6	3450136	1	
	7	6050255	1	
	8	3400510	1	
	9	3450047	1	
	10	3460047	2	
	11	3060232	1	Grub screw [Grano M6X6 UNI 5927 ZC.]
	12	6030581	1	
	13	3070150	2	Seeger
	14	5550780	1	

3rd extension

Code

5540028-1.0

1/1



R	Pos.	Code Variant	Q.ty	Description
	1	5020432	1	Extension
	2	3040510	4	Self-locking ringnut
	3	3060941	4	Grub screw
	4	5001105	4	
	5	5000674	1	Keep plate
	6	3060055	2	Split lock washer [D=8.4 C72 ZC]
	7	3010337	2	Hex screw [M8X16 8.8 ZC UNI 5739]
	8	5150641	1	
	9	5000771	4	Adjusting screw
	10	3040089	4	Lock nut
	11	5000827	4	Button (Control board)
	12	5140743	2	
	13	3060920	4	Tooth lock washer [D.10 TIPO A]
	14	3060914	4	Flat washer [D.10.5X21X2 UNI 6592 ZC]
	15	3010353	4	Hex screw [M10X16 8.8 ZC UNI 5739]
	16	5140681	2	
	17	5140733	2	

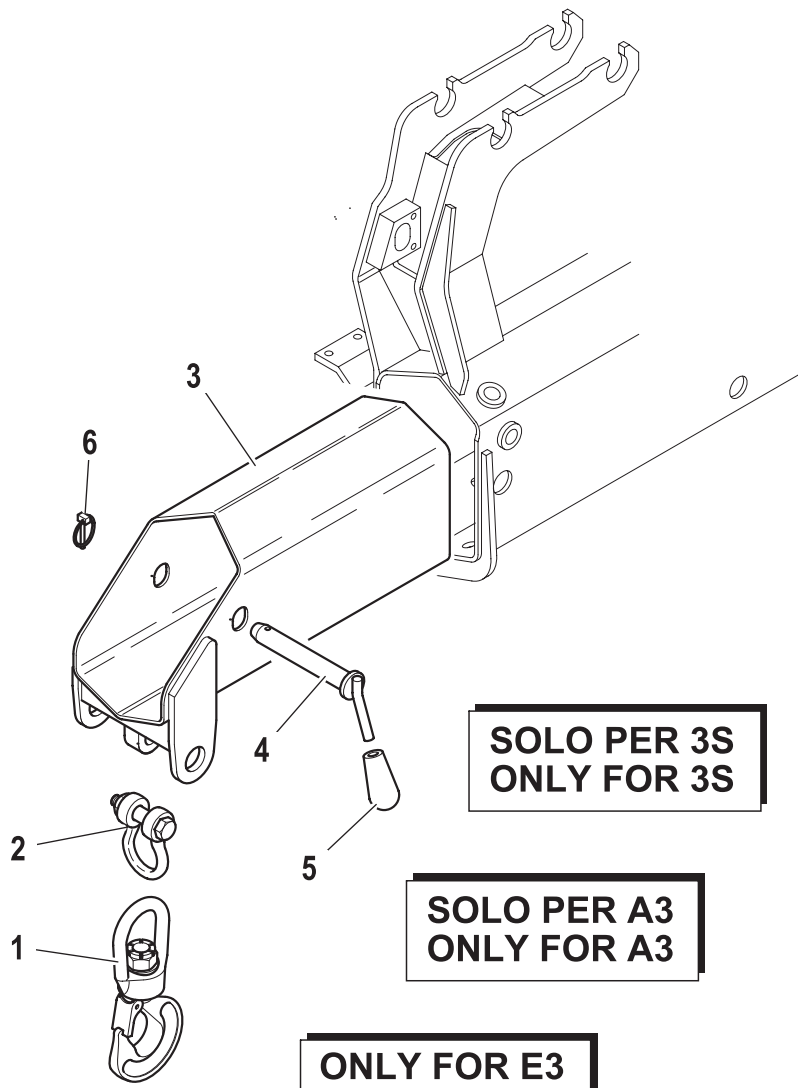
Coupling (Hook)

Code

7880399-1.0

1/1

R	Pos.	Code Variant	Q.ty	Description
	1	3200007	1	Swivel hook
	2	3200067	1	Shackles
	3	5020441	1	Hook coupling
	4	5150238	1	Pin
	5	3190010	1	Knob
	6	3060757	1	Cotter pin (Locking ring)



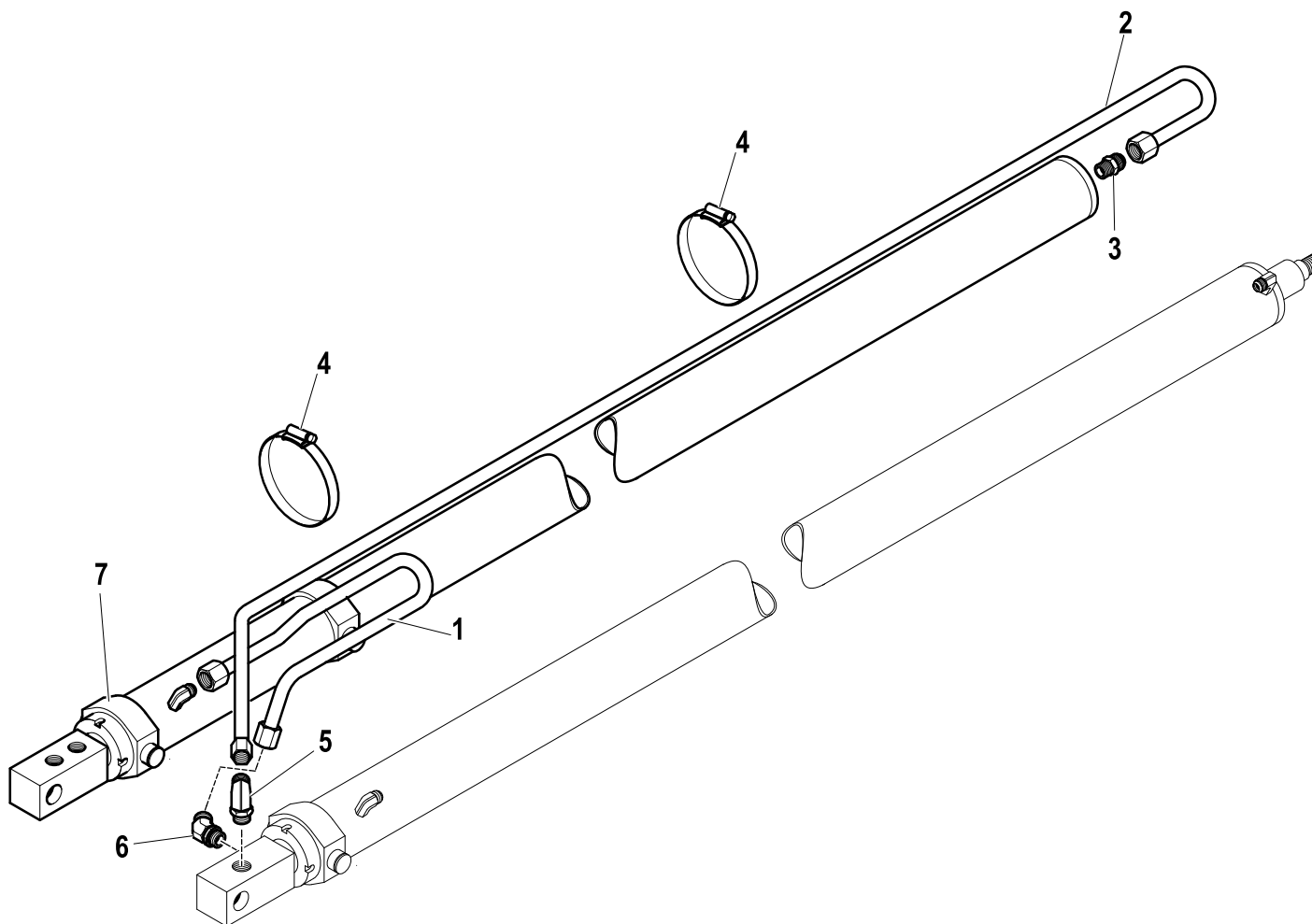
HYDRAULIC SYSTEM (3rd extension Hydraulic jack)

Code

6210256-1.0

1/1

R	Pos.	Code Variant	Q.ty	Description
	1	5391806	1	
	2	5391805	1	
	3	3101051	1	Straight pipe fitting
	4	3190022	2	Clamp
	5	3101131	1	90° Connection
	6	3101219	1	45° Connection
	7	6410256	1	

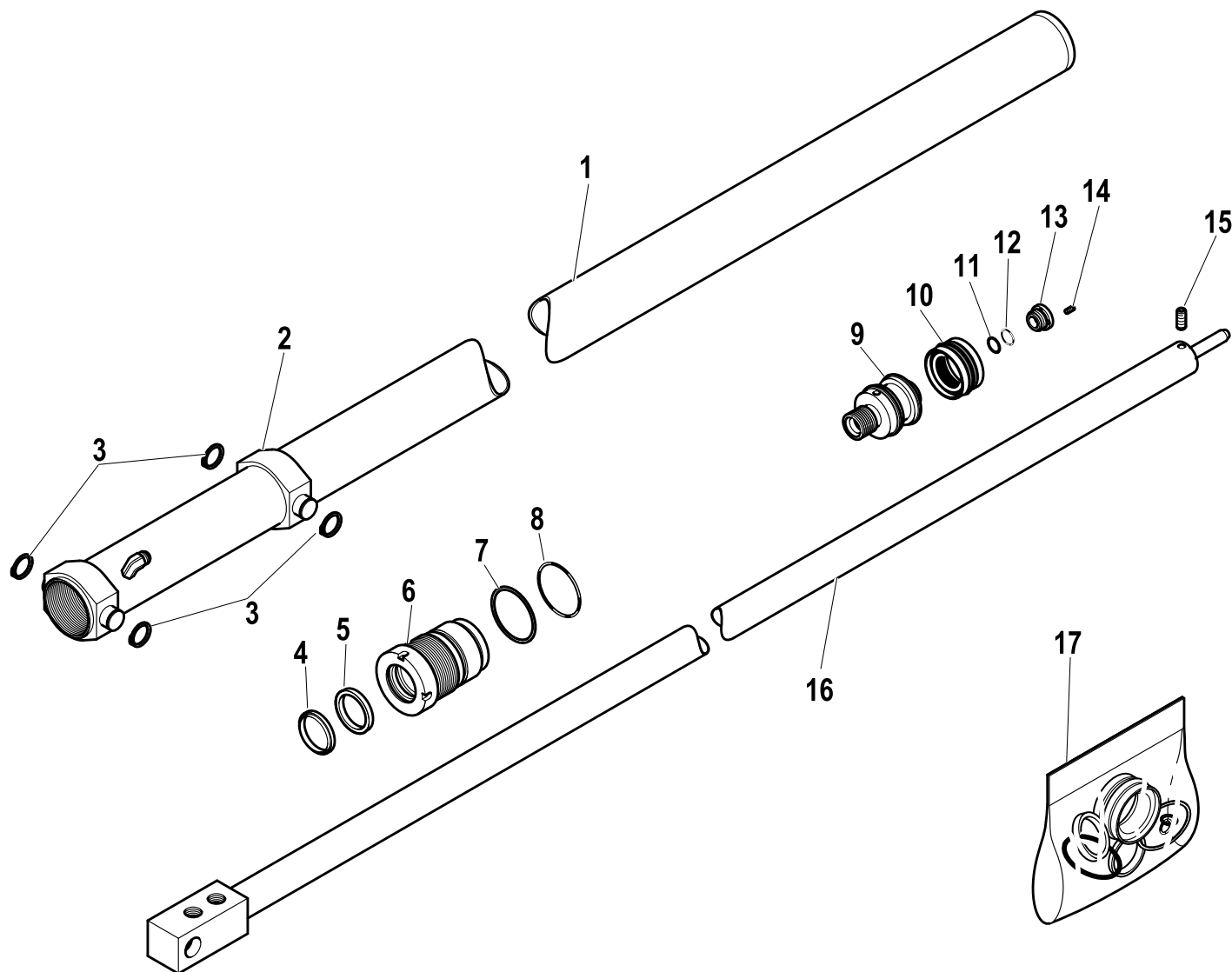


3rd and 4th extension hydraulic cylinder

Code

6410256-1.0

1/1



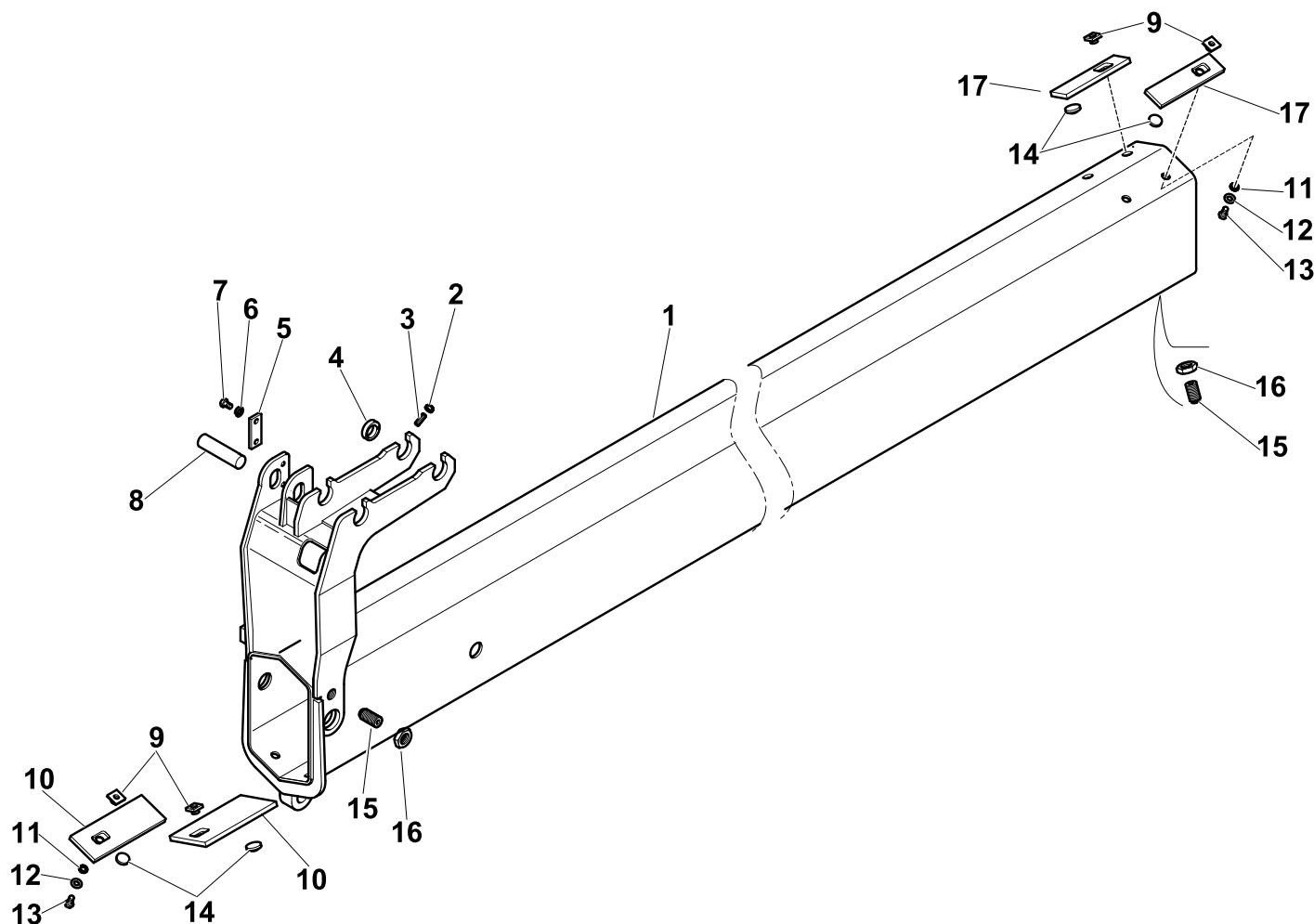
R	Pos.	Code Variant	Q.ty	Description
	1	6070466	1	
	2	5001161	1	
	3	3070150	4	Seeger
	4	3420021	1	
	5	3400067	1	
	6	6040259	1	
	7	3460132	1	
	8	3450132	1	
	9	6050275	1	
	10	3400509	1	
	11	3460047	1	
	12	3450047	1	
	13	6040629	1	
	14	3060248	1	Grub screw
	15	3060232	1	Grub screw [Grano M6X6 UNI 5927 ZC.]
	16	6030563	1	
	17	5550781	1	Seal kit

4th extension

Code

5560021-1.0

1/1



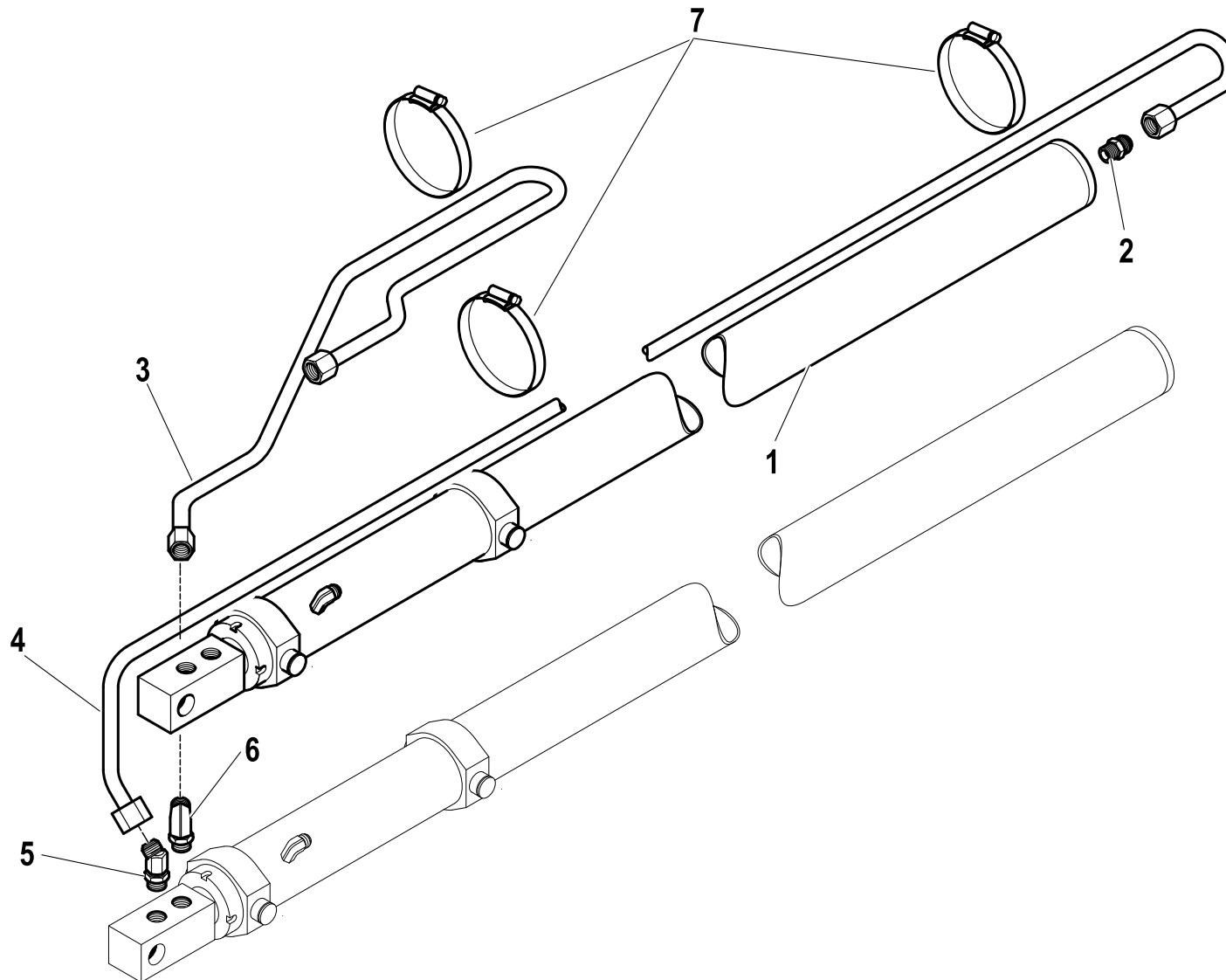
R	Pos.	Code Variant	Q.ty	Description
	1	5020433	1	Extension
	2	3040519	4	Stopnut
	3	3060941	4	Grub screw
	4	5001105	4	
	5	5000674	1	Keep plate
	6	3060055	2	Split lock washer [D=8.4 C72 ZC]
	7	3010337	2	Hex screw [M8X16 8.8 ZC UNI 5739]
	8	5150641	1	
	9	5000827	4	Button (Control board)
	10	5140743	4	
	11	3060920	4	Tooth lock washer [D.10 TIPO A]
	12	3060914	4	Flat washer [D.10.5X21X2 UNI 6592 ZC]
	13	3010353	4	Hex screw [M10X16 8.8 ZC UNI 5739]
	14	5140681	4	
	15	5000771	4	Adjusting screw
	16	3040089	4	Lock nut
	17	5140733	2	

HYDRAULIC SYSTEM (4th extension Hydraulic jack)

Code

6210257-1.0

1/1



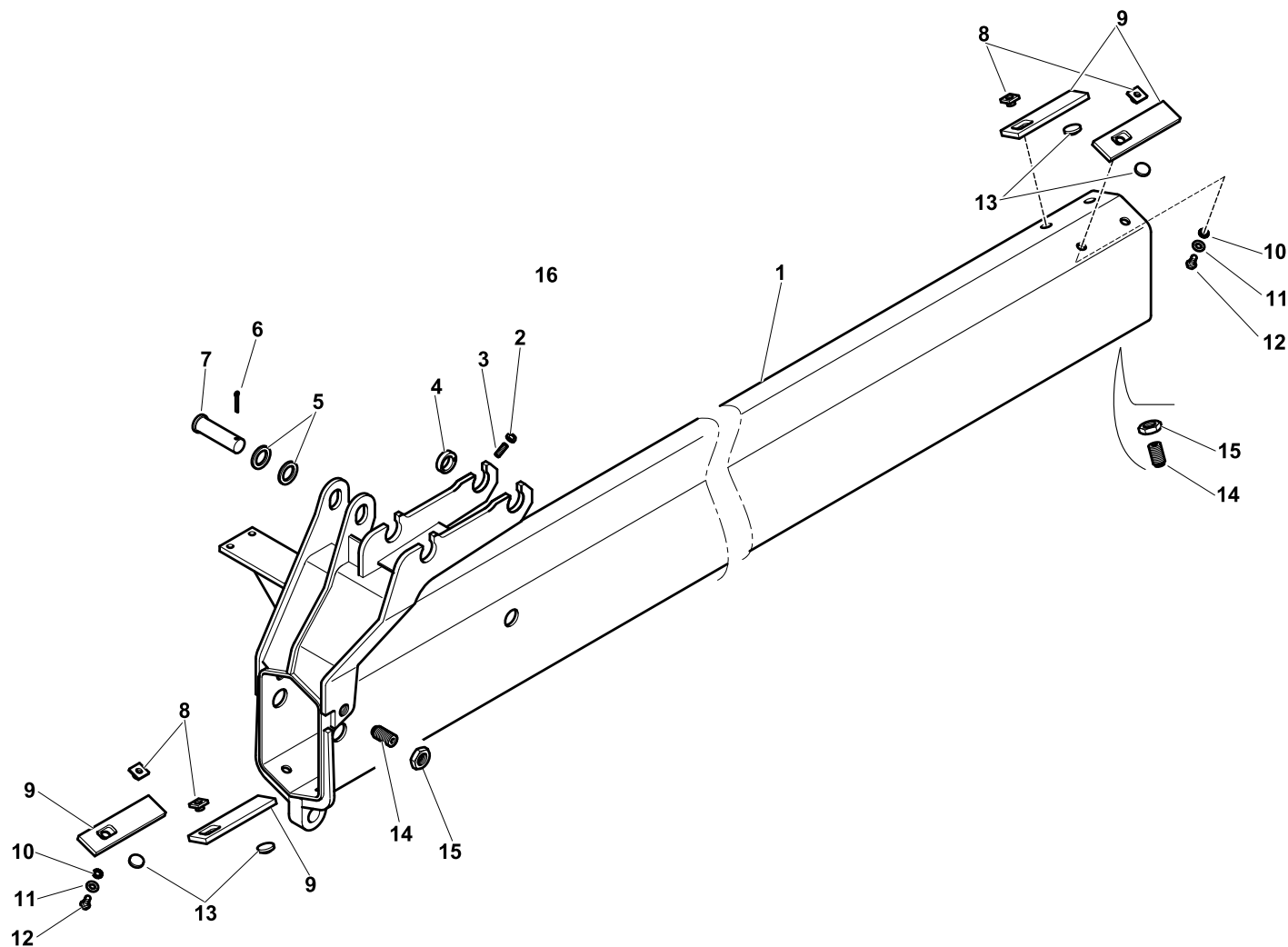
R	Pos.	Code Variant	Q.ty	Description
	1	6410256	1	
	2	3101051	1	Straight pipe fitting
	3	5391808	1	
	4	5391807	1	
	5	3101219	1	45° Connection
	6	3101131	1	90° Connection
	7	3190022	3	Clamp

5th extension

Code

5570009-1.0

1/1



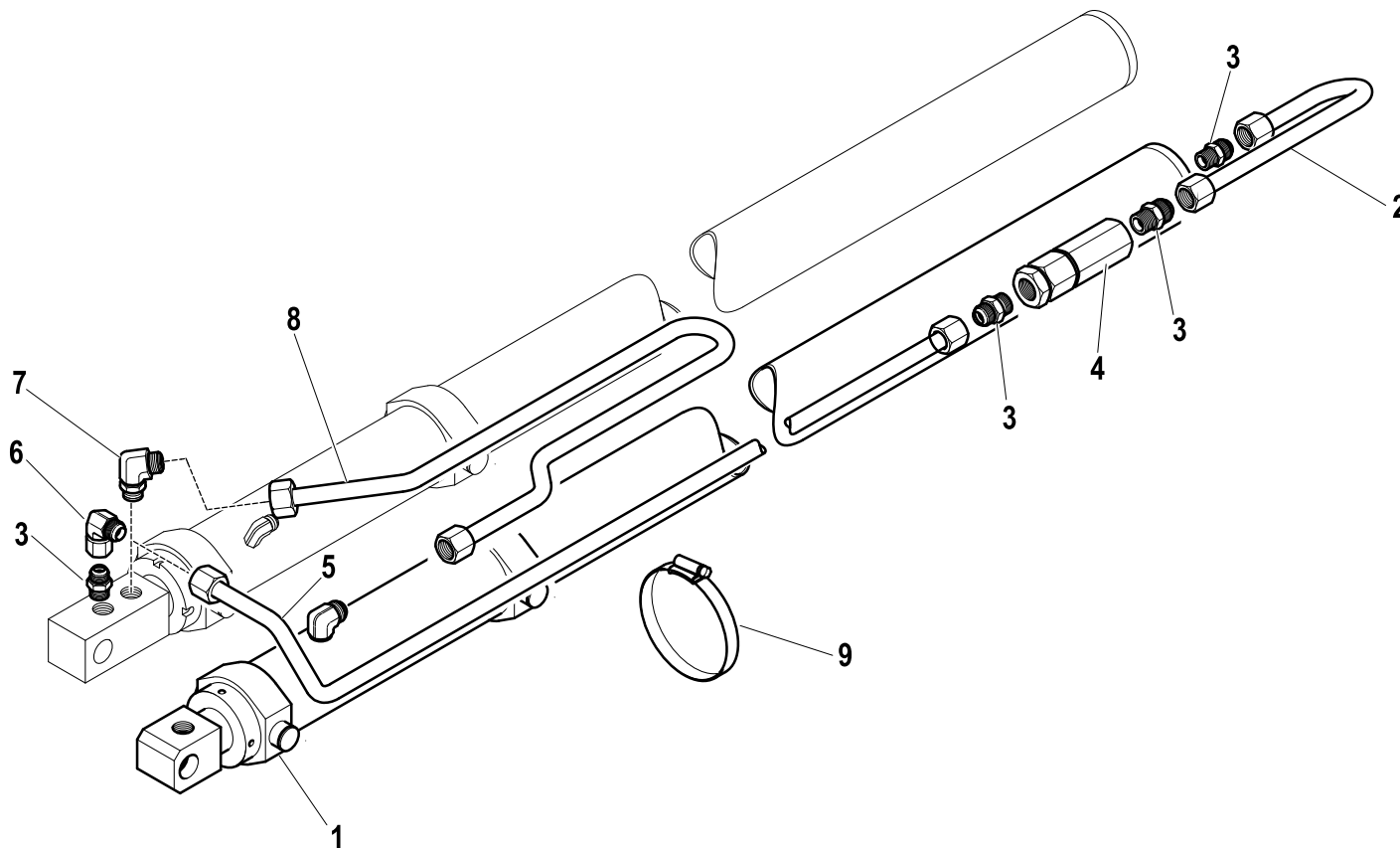
R	Pos.	Code Variant	Q.ty	Description
	1	5020434	1	Extension
	2	3040519	4	Stopnut
	3	3060941	4	Grub screw
	4	5001105	4	
	5	3060938	2	Flat washer [D.25X39X4 UNI 1749 ZC]
	6	3060911	1	
	7	5150649	1	
	8	5000827	4	Button (Control board)
	9	5140733	4	
	10	3060920	4	Tooth lock washer [D.10 TIPO A]
	11	3060920	4	Tooth lock washer [D.10 TIPO A]
	12	3010353	4	Hex screw [M10X16 8.8 ZC UNI 5739]
	13	5140681	4	
	14	5000771	4	Adjusting screw
	15	3040089	4	Lock nut

5th extension Hydraulic jack (Hydraulic system)

Code

6210317-1.0

1/1



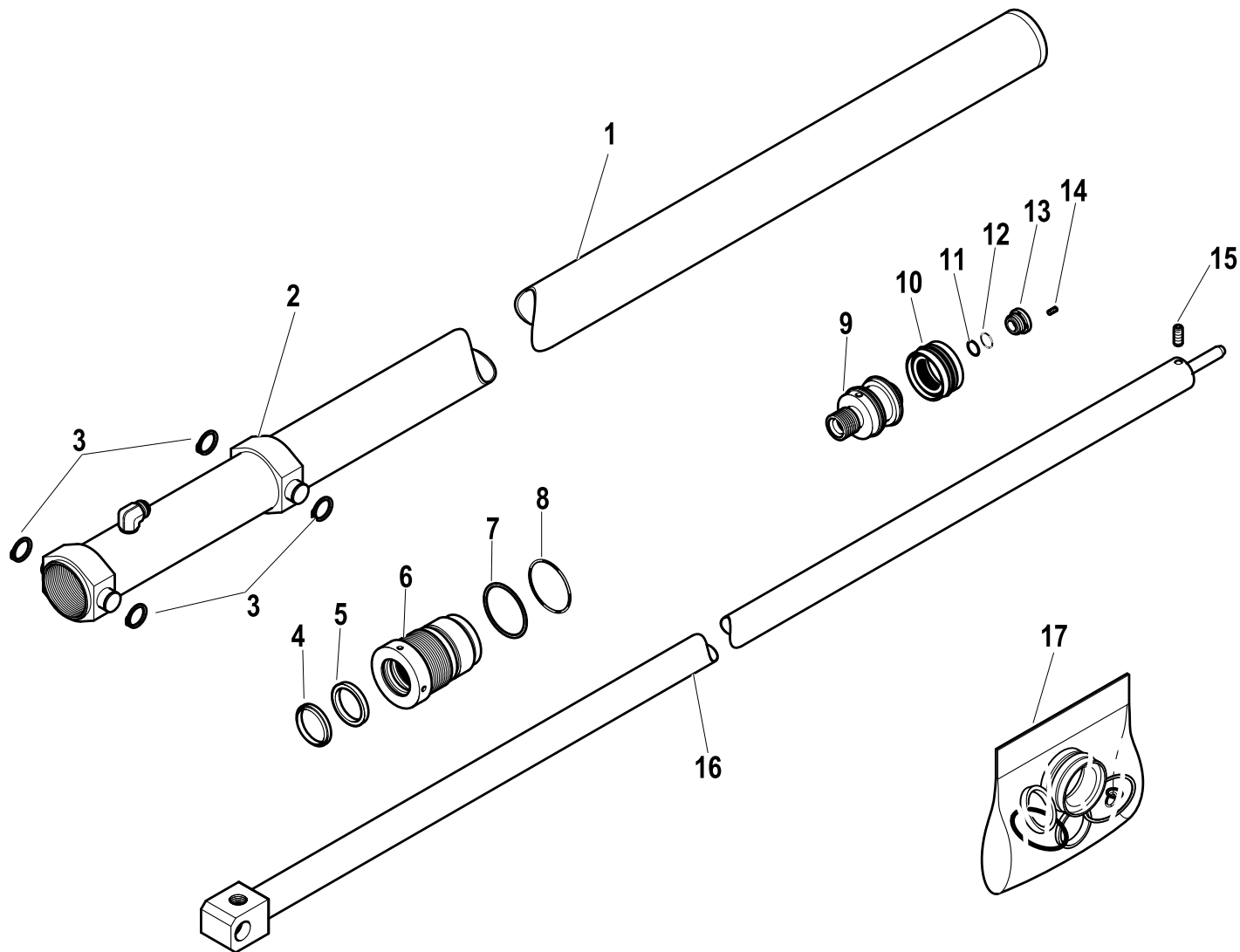
R	Pos.	Code Variant	Q.ty	Description
	1	6410258	1	Extension Hydraulic jack
	2	5391940	1	
	3	3101051	1	Straight pipe fitting
	4	5220693	1	
	5	5391939	1	
	6	3101131	1	90° Connection
	7	3120034	1	90° Connection
	8	5391810	1	
	9	3190022	1	Clamp

5th, 6th and 7th extension hydraulic cylinder

Code

6410258-1.0

1/1



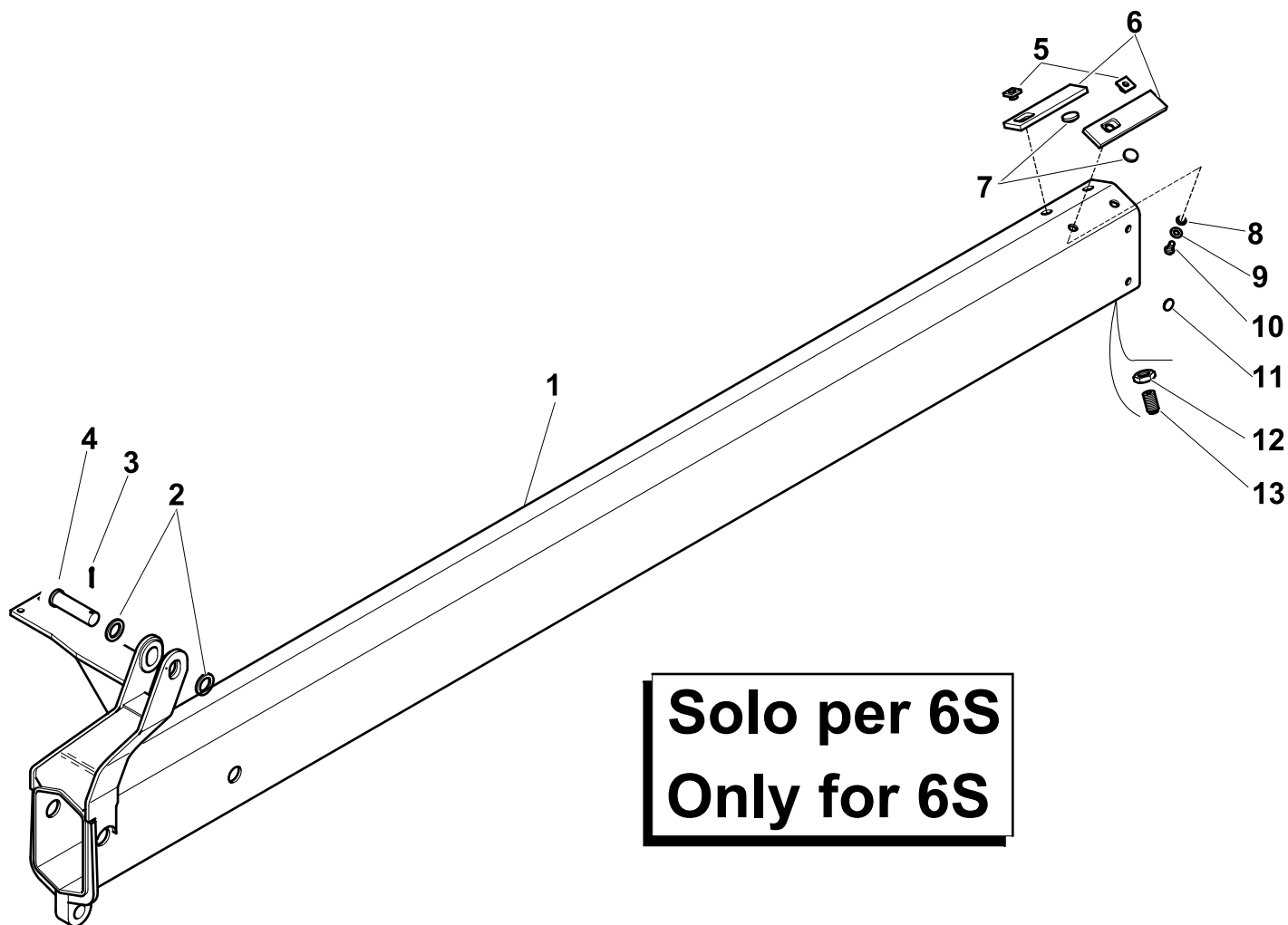
R	Pos.	Code Variant	Q.ty	Description
	1	6070467	1	
	2	5001106	1	
	3	3070150	4	Seeger
	4	3420018	1	
	5	3400055	1	
	6	6040254	1	
	7	3460126	1	
	8	3450126	1	
	9	6050277	1	
	10	3400507	1	
	11	3460047	1	
	12	3450047	1	
	13	6040269	1	Ring nut
	14	3060248	1	Grub screw
	15	3060232	1	Grub screw [Grano M6X6 UNI 5927 ZC.]
	16	6030565	1	
	17	5550783	1	

6th extension

Code

5580008-1.0

1/1



R	Pos.	Code Variant	Q.ty	Description
	1	5020435	1	Extension
	2	3060938	2	Flat washer [D.25X39X4 UNI 1749 ZC]
	3	3060911	1	
	4	5150649	1	
	5	5000827	4	Button (Control board)
	6	5140733	4	
	7	5140681	4	
	8	3060920	4	Tooth lock washer [D.10 TIPO A]
	9	3060914	4	Flat washer [D.10.5X21X2 UNI 6592 ZC]
	10	3010353	4	Hex screw [M10X16 8.8 ZC UNI 5739]
	11	5140656	2	Button (Backlash)
	12	3040089	2	Lock nut

Solo per 6S
Only for 6S

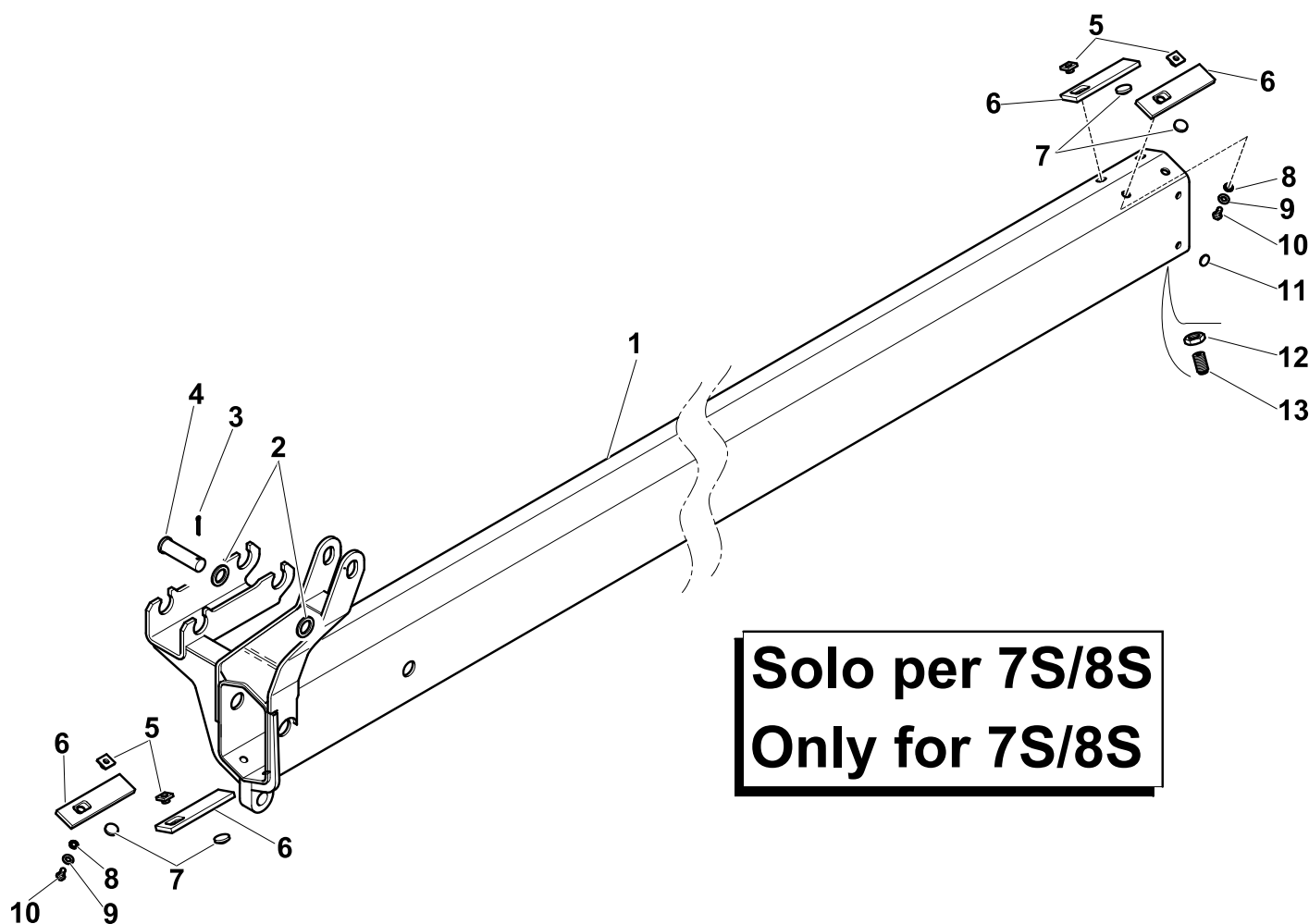
6th extension

Code

5580007-1.0

1/1

R	Pos.	Code Variant	Q.ty	Description
	1	5020436	1	Extension
	2	3060938	2	Flat washer [D.25X39X4 UNI 1749 ZC]
	3	3060911	1	
	4	5150649	1	
	5	5000827	4	Button (Control board)
	6	5140733	4	
	7	5140681	4	
	8	3060920	4	Tooth lock washer [D.10 TIPO A]
	9	3060914	4	Flat washer [D.10.5X21X2 UNI 6592 ZC]
	10	3010353	4	Hex screw [M10X16 8.8 ZC UNI 5739]
	11	5140656	2	Button (Backlash)
	12	3040089	2	Lock nut
	13	5000771	2	Adjusting screw



**Solo per 7S/8S
Only for 7S/8S**

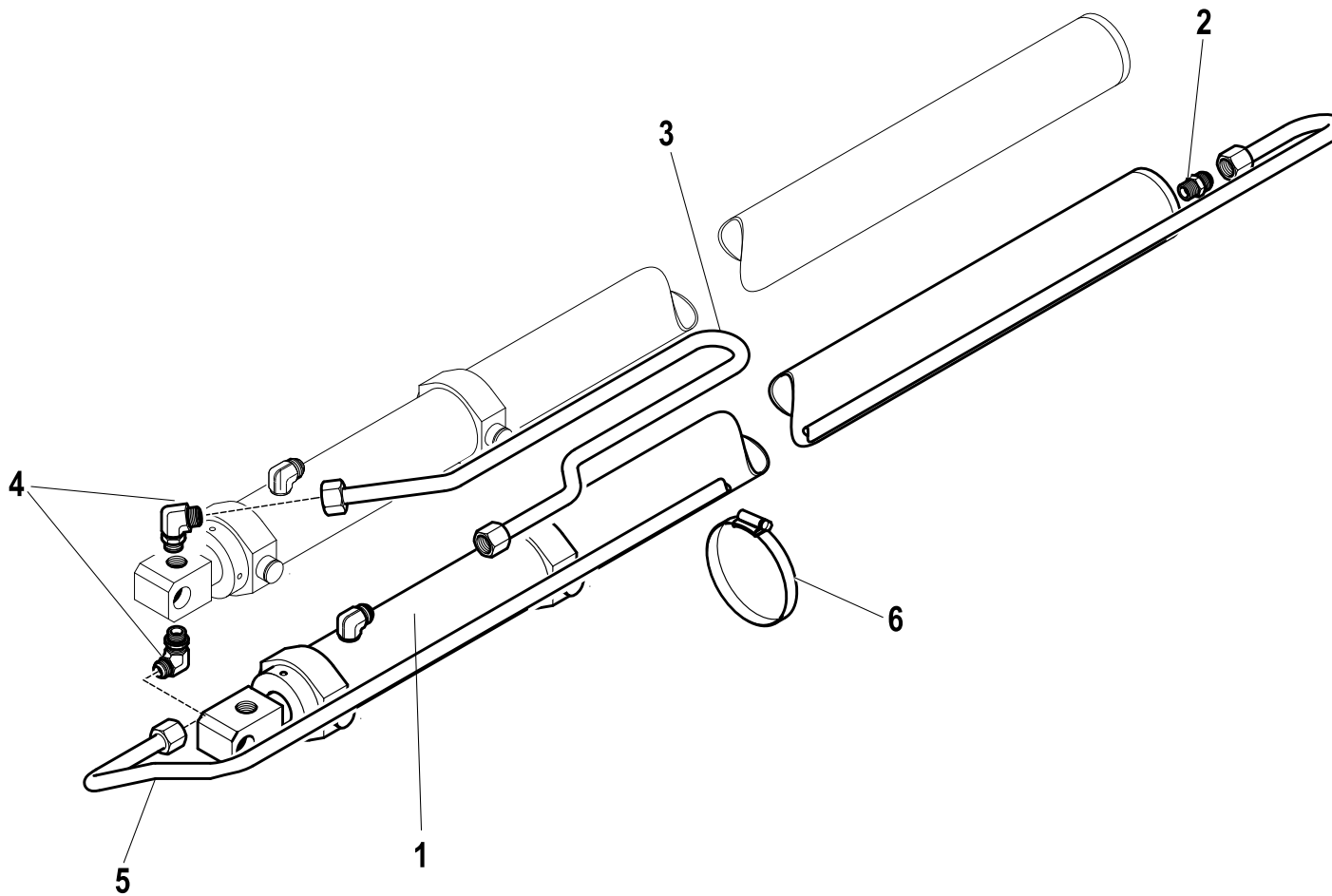
6th extension Hydraulic jack (Hydraulic system)

Code

6210280-1.0

1/1

R	Pos.	Code Variant	Q.ty	Description
	1	6410258	1	Extension Hydraulic jack
	2	3101051	1	Straight pipe fitting
	3	5391812	1	
	4	3101131	2	90° Connection
	5	5391811	1	
	6	3190022	3	Clamp

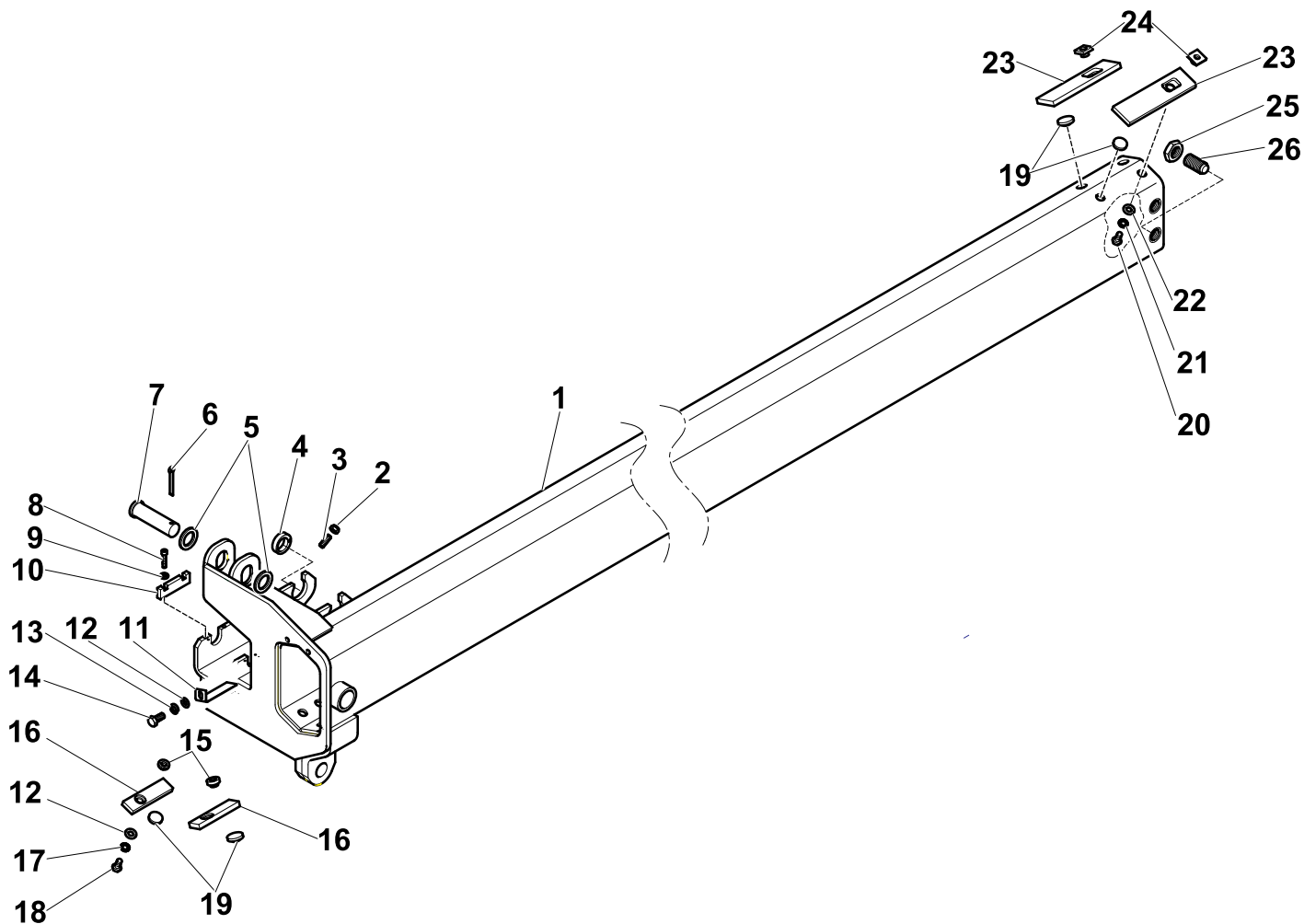


7th extension

Code

5330003-1.0

1/2



R	Pos.	Code Variant	Q.ty	Description
	1	5020437	1	Extension
	2	3040372	4	Stopnut
	3	3060941	4	Grub screw
	4	5001105	4	
	5	3060938	2	Flat washer [D.25X39X4 UNI 1749 ZC]
	6	3060911	1	
	7	5150649	1	
	8	3020037	2	Socketed head cap screw [M6X25 8.8 ZC UNI 5931]
	9	3060053	2	Split lock washer [D=6.4 C72 ZC]
	10	5001109	2	
	11	5000685	4	Plate (Thickness)
	12	3060006	4	Flat washer [D.8 UNI 6592 ZC]
	13	3060055	2	Split lock washer [D=8.4 C72 ZC]
	14	3010027	2	Hex screw [M8X20 8.8 ZC IF UNI 5739]
	15	5000623	4	
	16	5140683	2	
	17	3060918	4	Tooth lock washer [D.8 TIPO A UNI8842 ZC]
	18	3010337	2	Hex screw [M8X16 8.8 ZC UNI 5739]
	19	5140656	4	Button (Backlash)
	20	3010353	2	Hex screw [M10X16 8.8 ZC UNI 5739]

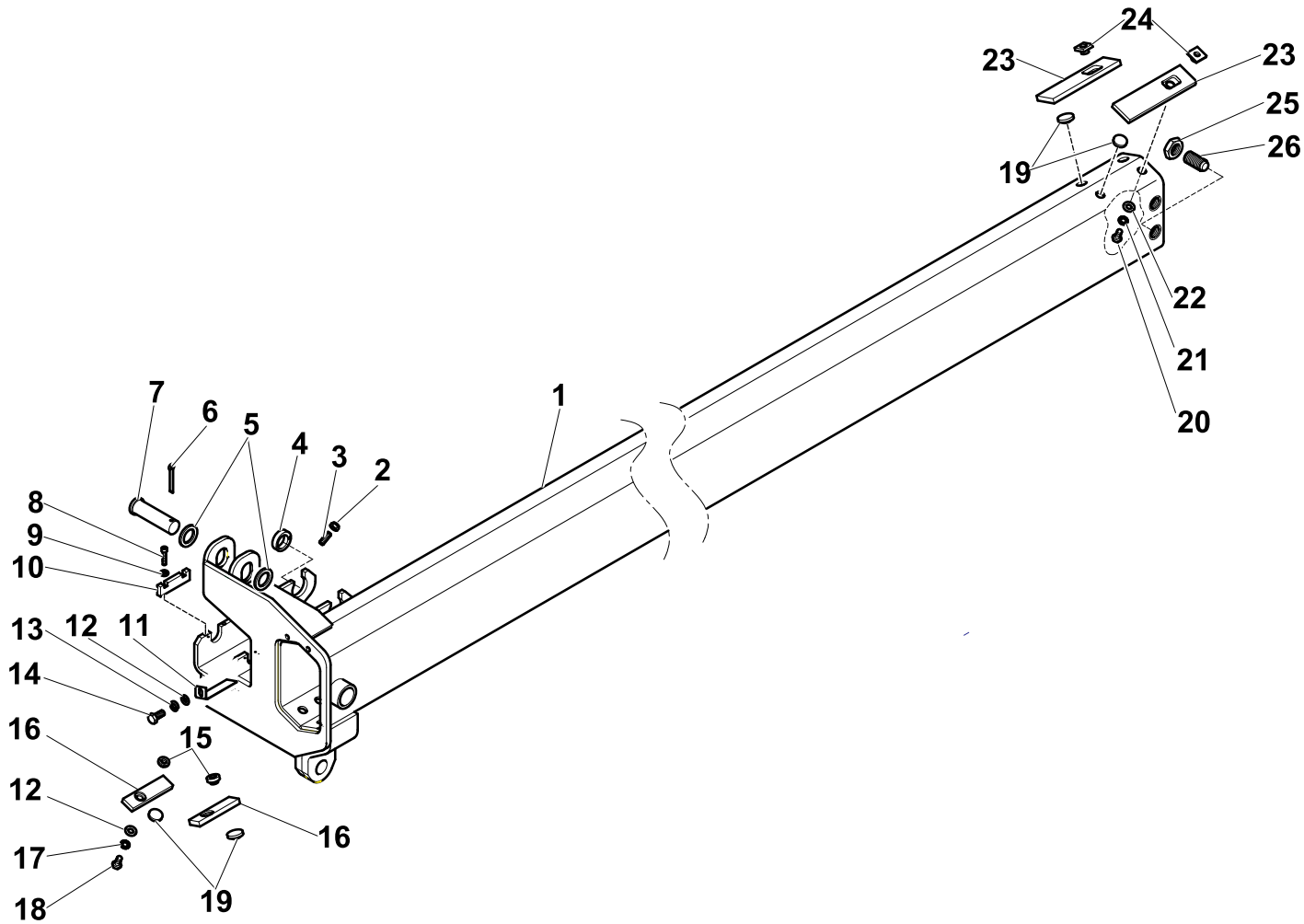
7th extension

Code

5330003-1.0

2/2

R	Pos.	Code Variant	Q.ty	Description
	21	3060920	2	Tooth lock washer [D.10 TIPO A]
	22	3060914	2	Flat washer [D.10.5X21X2 UNI 6592 ZC]
	23	5140733	2	
	24	5000827	2	Button (Control board)
	25	3040089	6	Lock nut
	26	5000771	6	Adjusting screw

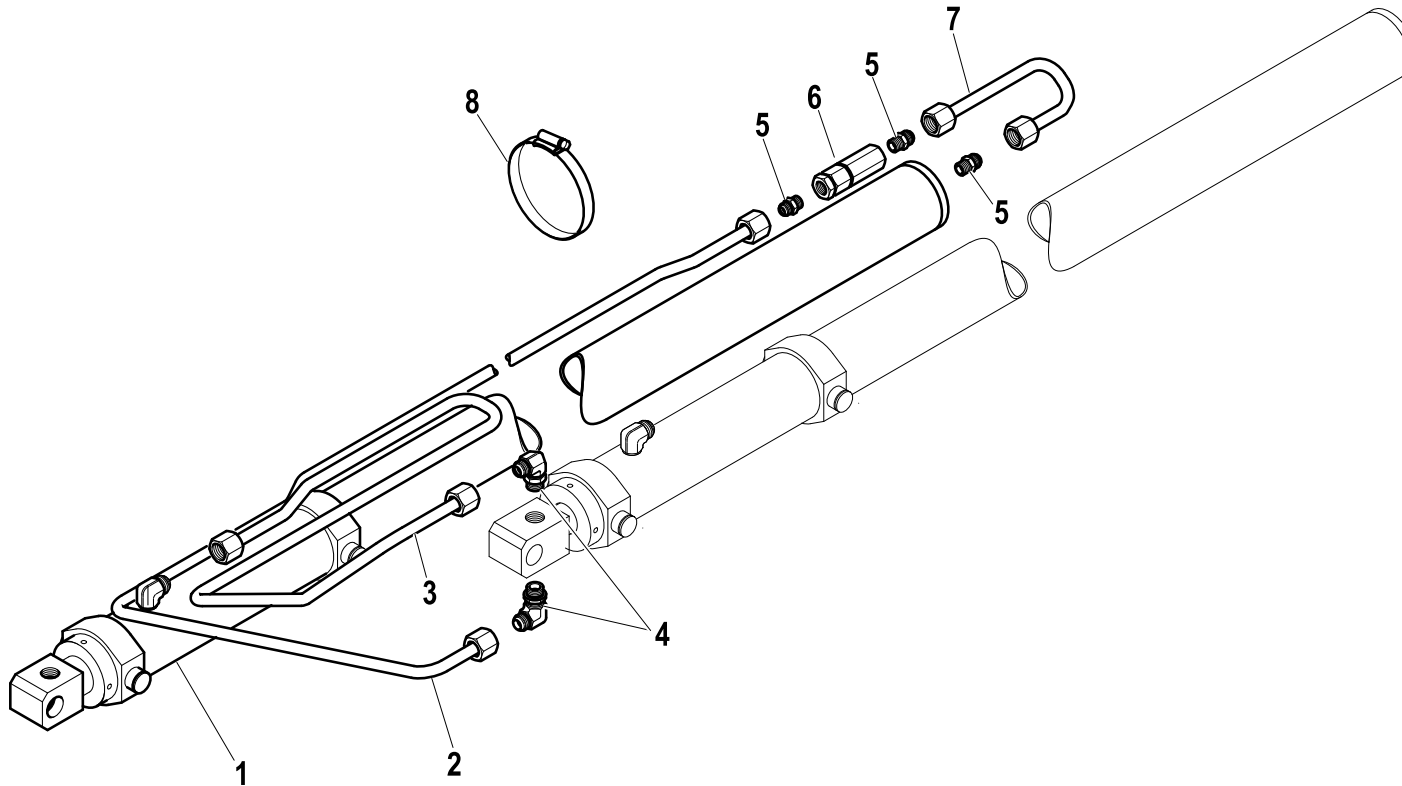


7th extension Hydraulic jack (Hydraulic system)

Code

6210281-1.0

1/1



R	Pos.	Code Variant	Q.ty	Description
	1	6410258	1	Extension Hydraulic jack
	2	5391941	1	
	3	5391942	1	
	4	3101131	2	90° Connection
	5	3101051	3	Straight pipe fitting
	6	5220693	1	
	7	5391940	1	
	8	3190022	2	Clamp

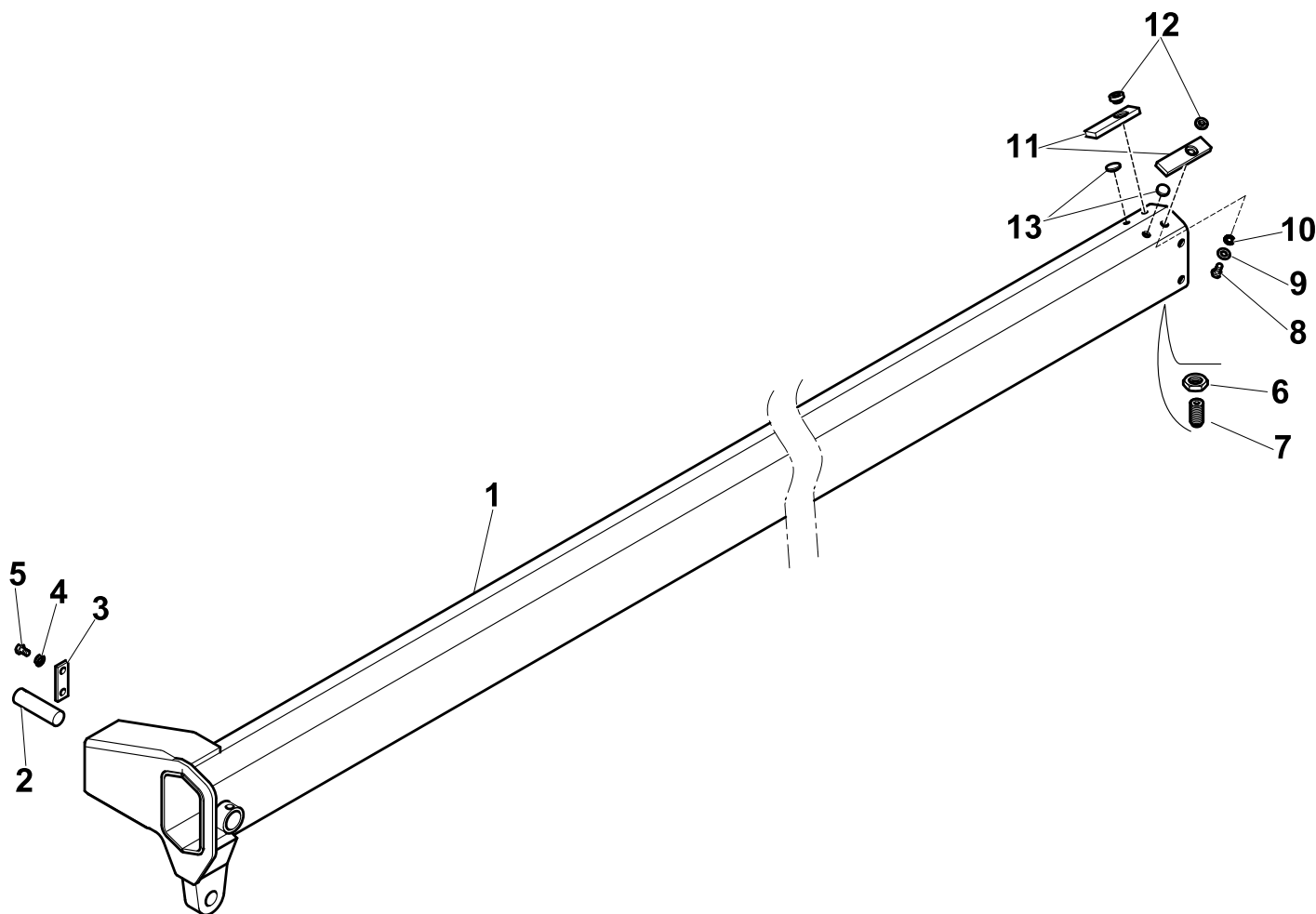
8th extension

Code

5320002-1.0

1/1

R	Pos.	Code Variant	Q.ty	Description
	1	5020438	1	Extension
	2	5150734	1	
	3	5000674	1	Keep plate
	4	3060055	2	Split lock washer [D=8.4 C72 ZC]
	5	3010027	2	Hex screw [M8X20 8.8 ZC IF UNI 5739]
	6	5000771	1	Adjusting screw
	7	3040089	1	Lock nut
	8	3010337	2	Hex screw [M8X16 8.8 ZC UNI 5739]
	9	3060918	2	Tooth lock washer [D.8 TIPO A UNI8842 ZC]
	10	3060006	2	Flat washer [D.8 UNI 6592 ZC]
	11	5000683	2	
	12	5000623	2	
	13	5140656	2	Button (Backlash)



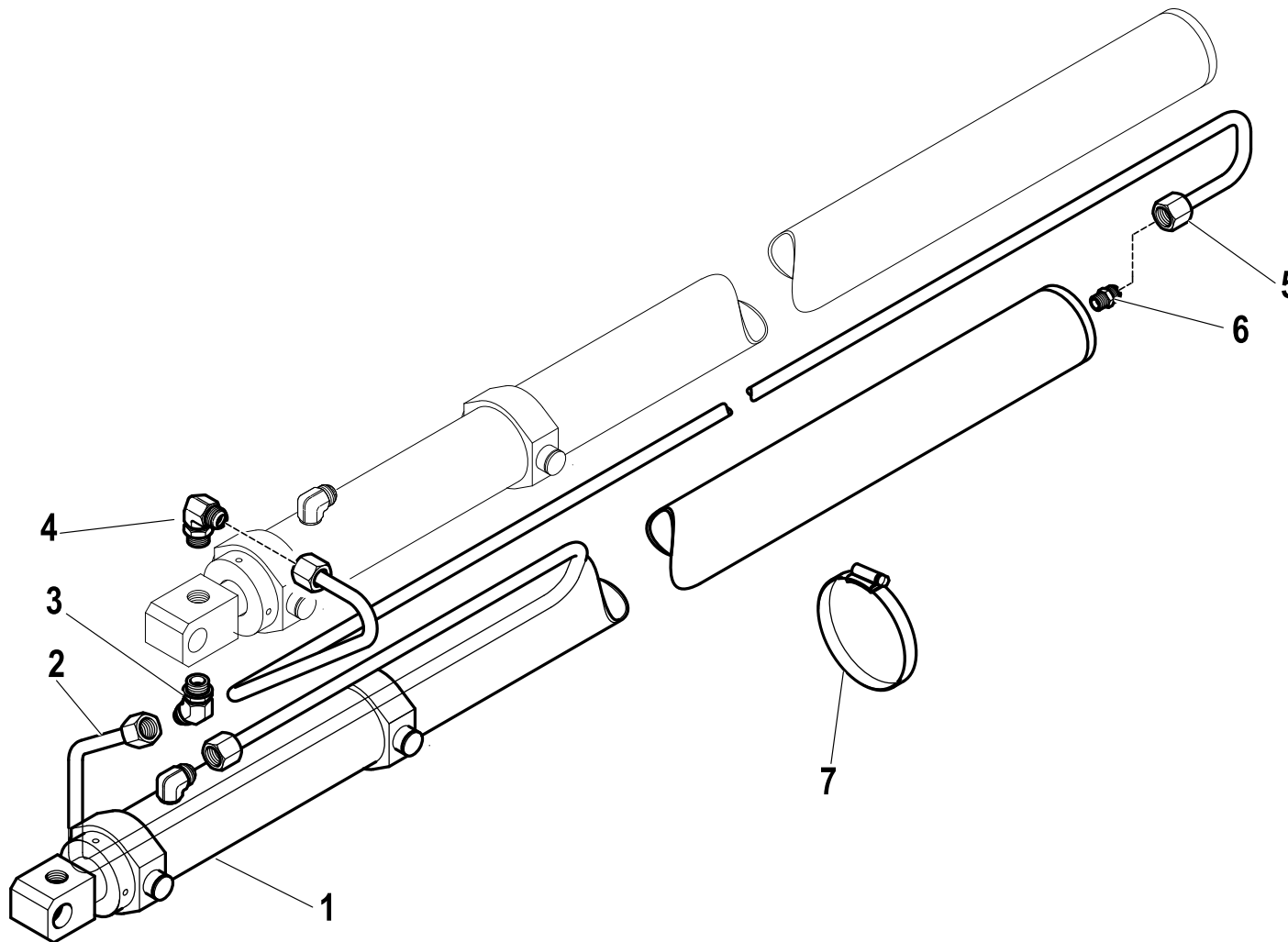
8th extension Hydraulic jack (Hydraulic system)

Code

6210273-1.0

1/1

R	Pos.	Code Variant	Q.ty	Description
	1	6410273	1	
	2	5391943	1	
	3	3101219	1	45° Connection
	4	3101131	1	90° Connection
	5	5391944	1	
	6	3101051	1	Straight pipe fitting
	7	3190022	1	Clamp

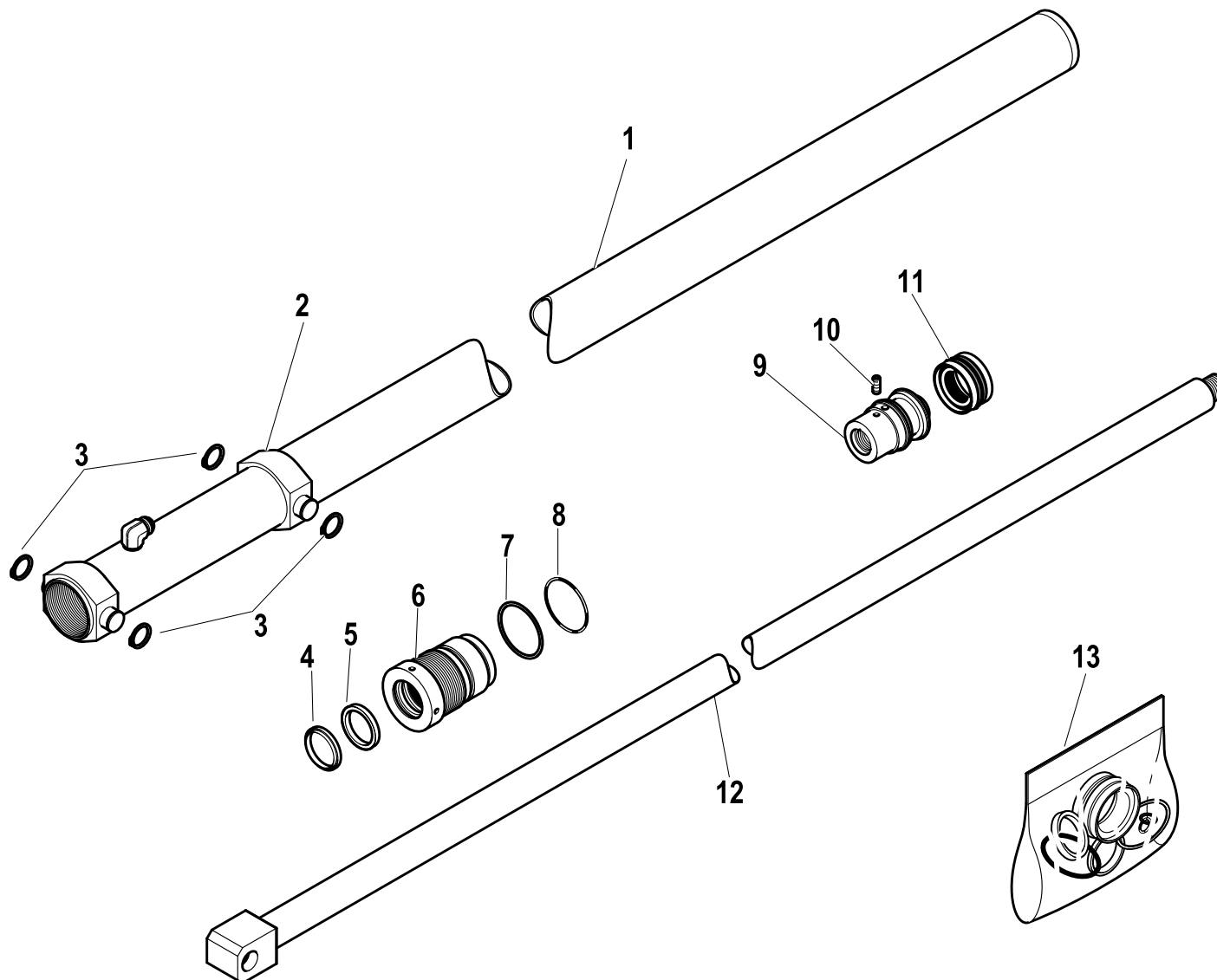


8th extension Hydraulic jack

Code

6410273-1.0

1/1



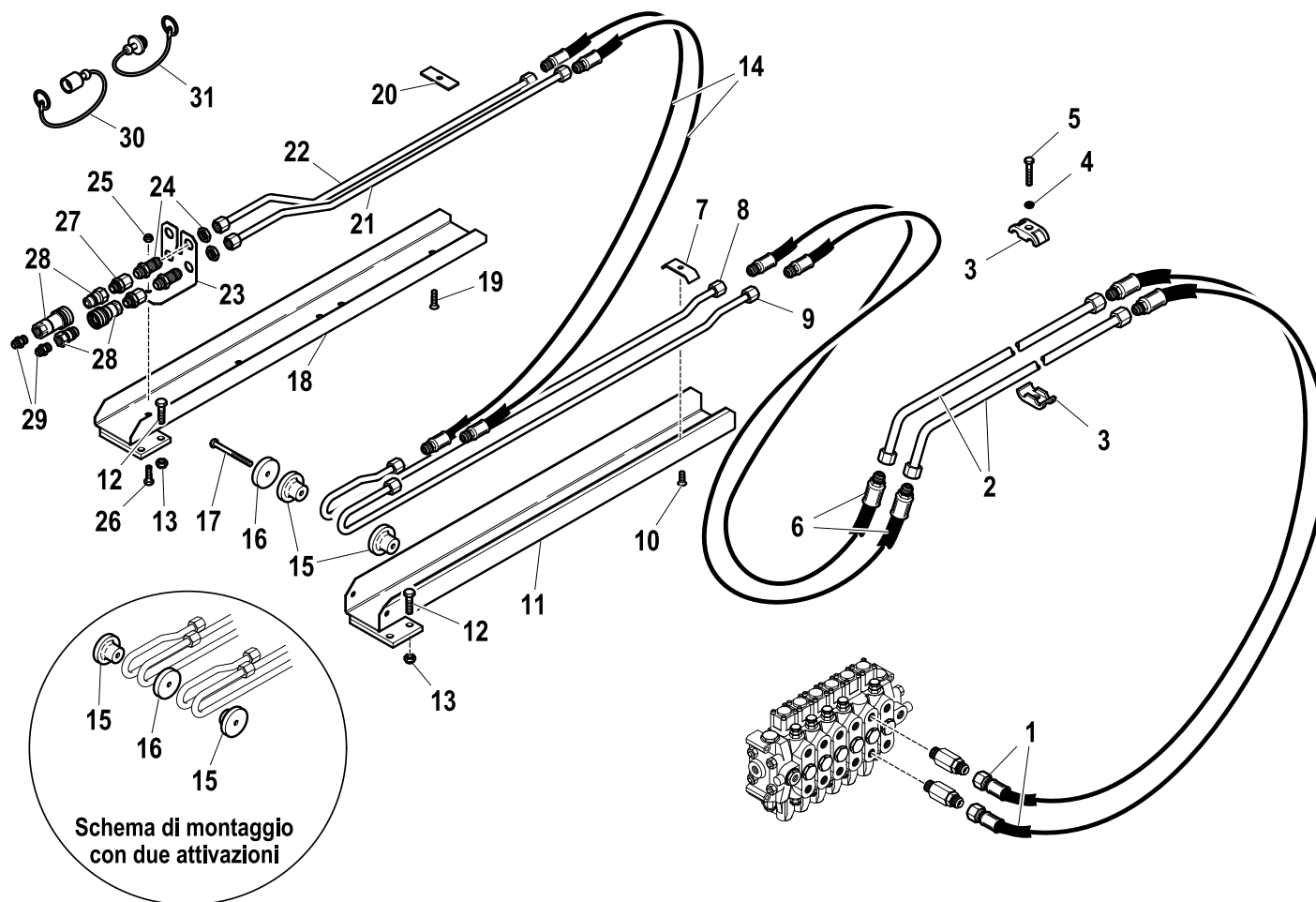
R	Pos.	Code Variant	Q.ty	Description
	1	6070491	1	
	2	5001106	1	
	3	3070150	4	Seeger
	4	3420015	1	
	5	3370138	1	
	6	6040270	1	
	7	3450126	1	
	8	3460126	1	
	9	6050289	1	
	10	3060232	1	Grub screw [Grano M6X6 UNI 5927 ZC.]
	11	3400507	1	
	12	6030619	1	
	13	5550784	1	

1st ACTIVATION FOR 1S

Code

5590173-1.1

1/2



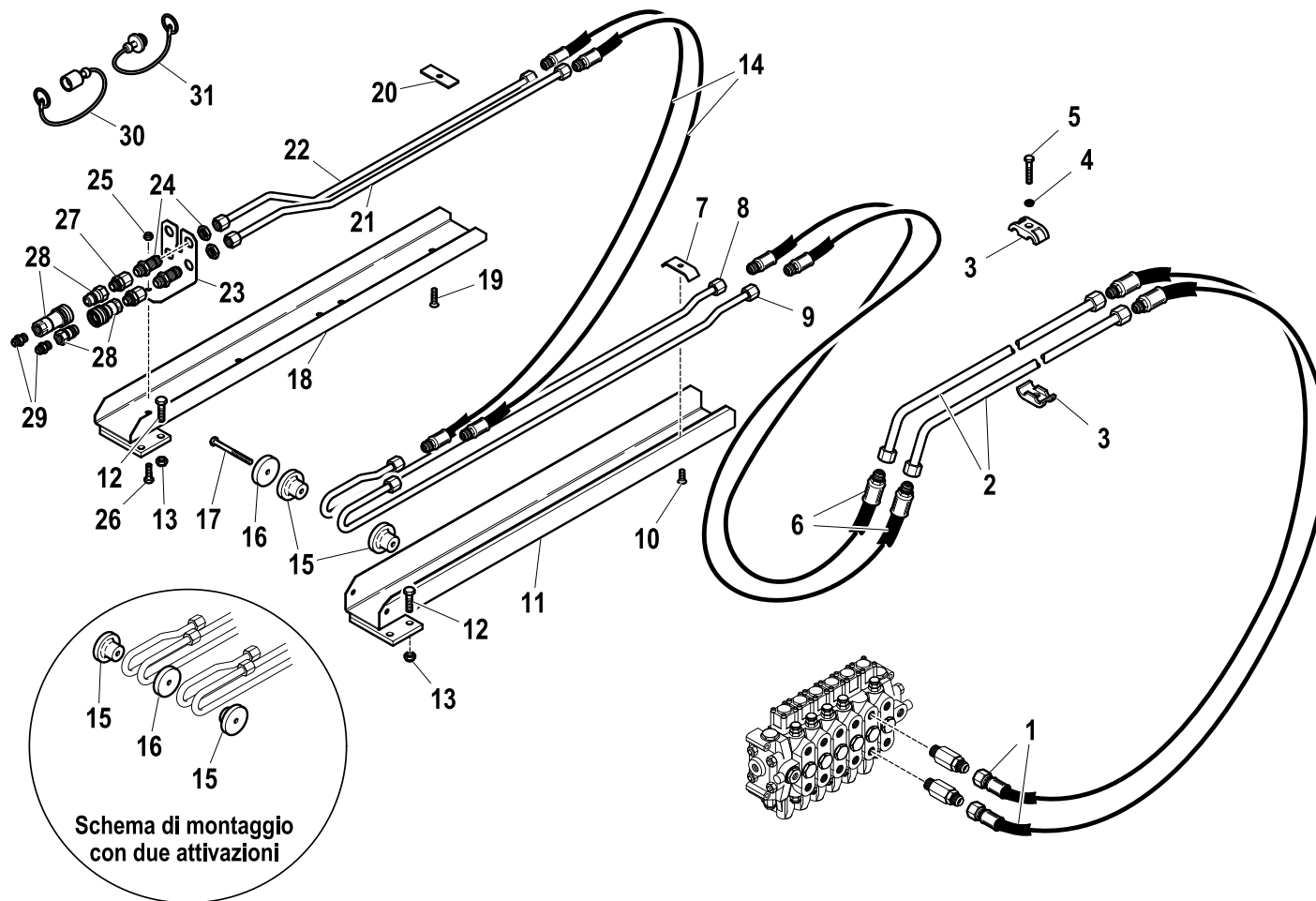
R	Pos.	Code Variant	Q.ty	Description
	1	5280600	2	
	2	5391935	2	Bonderized tube
	3	5000047	4	Clamp (Rigid Pipe)
	4	3060055	2	Split lock washer [D=8.4 C72 ZC]
	5	3010032	2	Hex screw [M8X45 8.8 ZC UNI 5737]
	6	5271563	2	Flexible hose
	7	5001187	1	Clamp (Set of hoses)
	8	5391821	1	Bonderized tube ()
	9	5391820	1	Bonderized tube ()
	10	3020899	1	TSEI screw [M8X20 10.9 ZC UNI 5933]
	11	5001334	1	Slide (Actuations)
	12	3010389	4	Hex screw [M10X35 ZC UNI 5739]
	13	3040304	4	Stopnut
	14	5271401	2	Flexible hose
	15	5140742	2	Hydraulic hose guide
	16	5141000	1	Spacer (Rigid Pipe)
	17	3010041	1	Hex screw [M8X100 8.8 ZC UNI 5737]
	18	5001333	1	Slide (ACTUATION)
	19	3020903	1	TSEI screw [M8X30 ZC UNI 5933]
	20	5001193	1	Plate (Hose clamp)

1st ACTIVATION FOR 1S

Code

5590173-1.1

2/2



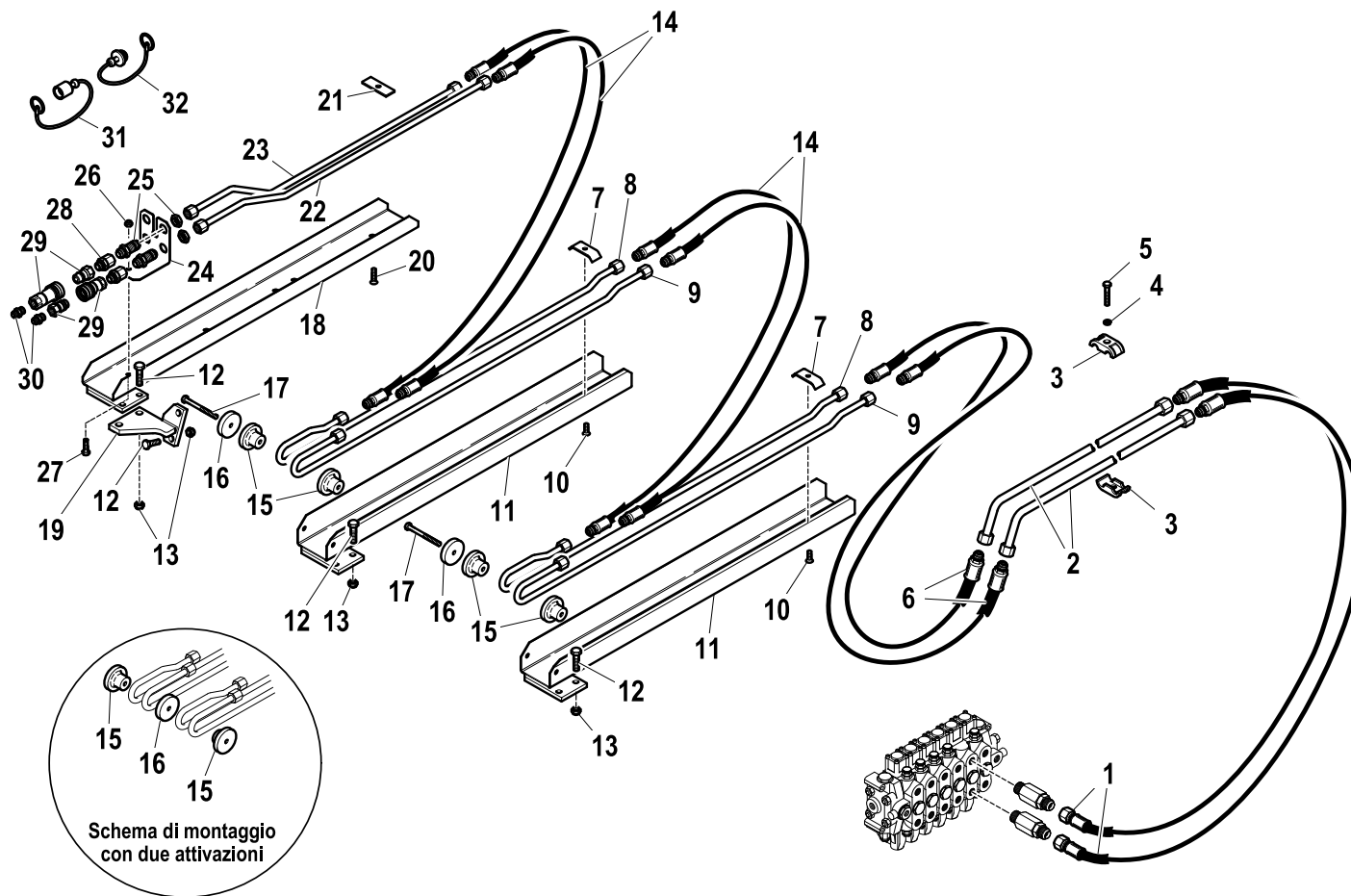
R	Pos.	Code Variant	Q.ty	Description
	21	W440500900	1	Bonderized tube () [Tubo FE 12x1.5 zc]
	22	W440500800	1	Bonderized tube () [Tubo FE 12x1.5 zc]
	23	5001596	1	Piping mounting
	24	3120310	2	Wall-through pipe fitting
	25	3040303	1	Stopnut
	26	3010337	1	Hex screw [M8X16 8.8 ZC UNI 5739]
	27	3120066	2	Straight pipe fitting
	28	3110420	2	Quick coupling
	29	3101043	2	Straight pipe fitting
	30	3110429	1	Plug
	31	3110428	1	Plug

1st ACTIVATION FOR 2S

Code

5590173-2.1

1/2



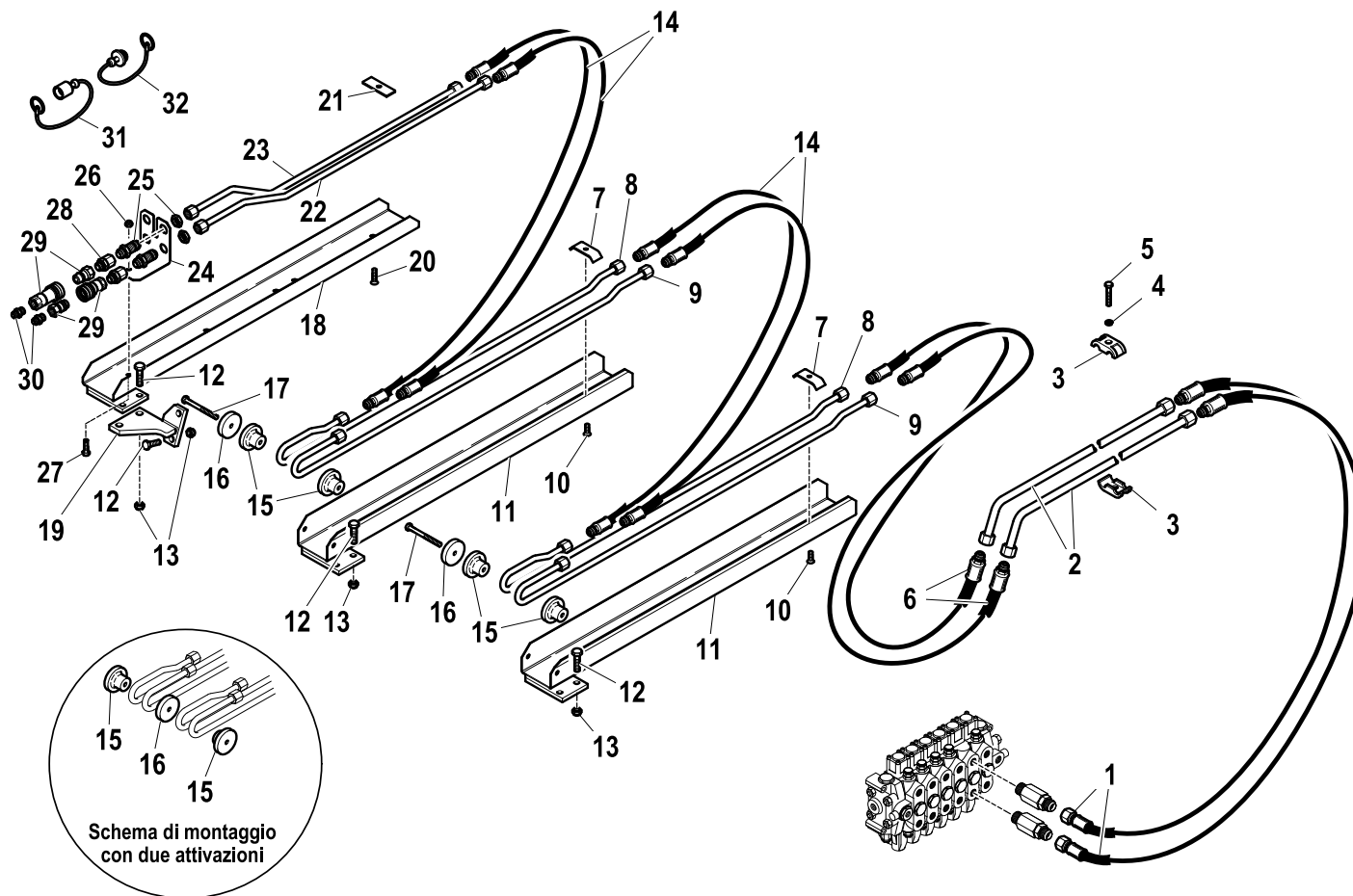
R	Pos.	Code Variant	Q.ty	Description
	1	5280600	2	
	2	5391935	2	Bonderized tube
	3	5000047	4	Clamp (Rigid Pipe)
	4	3060055	2	Split lock washer [D=8.4 C72 ZC]
	5	3010032	2	Hex screw [M8X45 8.8 ZC UNI 5737]
	6	5271563	2	Flexible hose
	7	5001187	2	Clamp (Set of hoses)
	8	5391820	2	Bonderized tube ()
	9	5391821	2	Bonderized tube ()
	10	3020899	2	TSEI screw [M8X20 10.9 ZC UNI 5933]
	11	5001334	2	Slide (Activations)
	12	3010389	3	Hex screw [M10X35 ZC UNI 5739]
	13	3040304	8	Stopnut
	14	5271401	4	Flexible hose
	15	5140742	4	Hydraulic hose guide
	16	5141000	2	Spacer (Rigid Pipe)
	17	3010041	2	Hex screw [M8X100 8.8 ZC UNI 5737]
	18	5001333	1	Slide (ACTUATION)
	19	5001214	1	Support (Slide)
	20	3020903	1	TSEI screw [M8X30 ZC UNI 5933]

1st ACTIVATION FOR 2S

Code

5590173-2.1

2/2



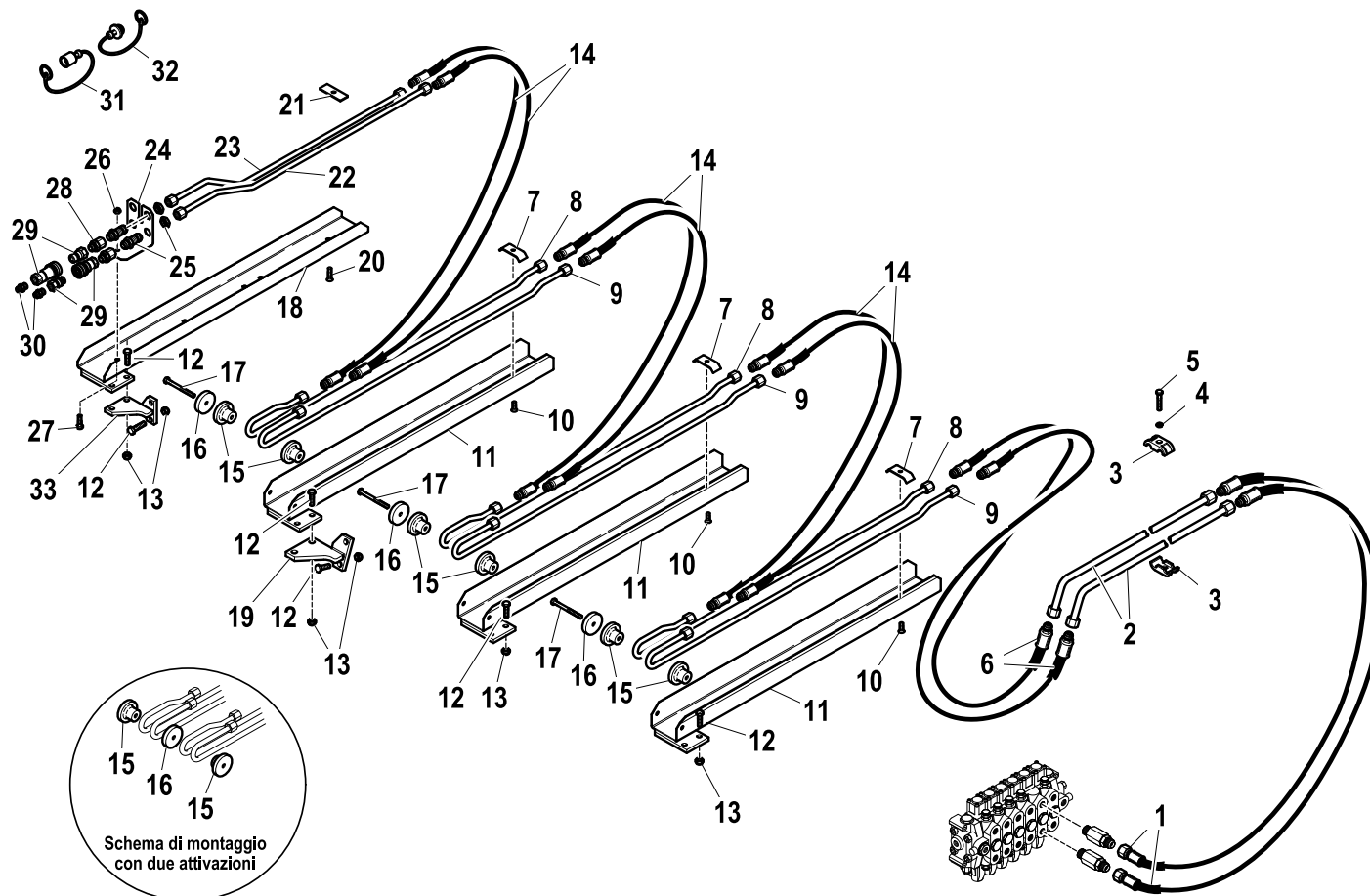
R	Pos.	Code Variant	Q.ty	Description
	21	5001193	1	Plate (Hose clamp)
	22	W440500900	1	Bonderized tube () [Tubo FE 12x1.5 zc]
	23	W440500800	1	Bonderized tube () [Tubo FE 12x1.5 zc]
	24	5001596	1	Piping mounting
	25	3120310	2	Wall-through pipe fitting
	26	3040303	1	Stopnut
	27	3010337	1	Hex screw [M8X16 8.8 ZC UNI 5739]
	28	3120066	2	Straight pipe fitting
	29	3110420	2	Quick coupling
	30	3101043	2	Straight pipe fitting
	31	3110429	1	Plug
	32	3110428	1	Plug

1st ACTIVATION FOR 3S

Code

5590173-3.1

1/2



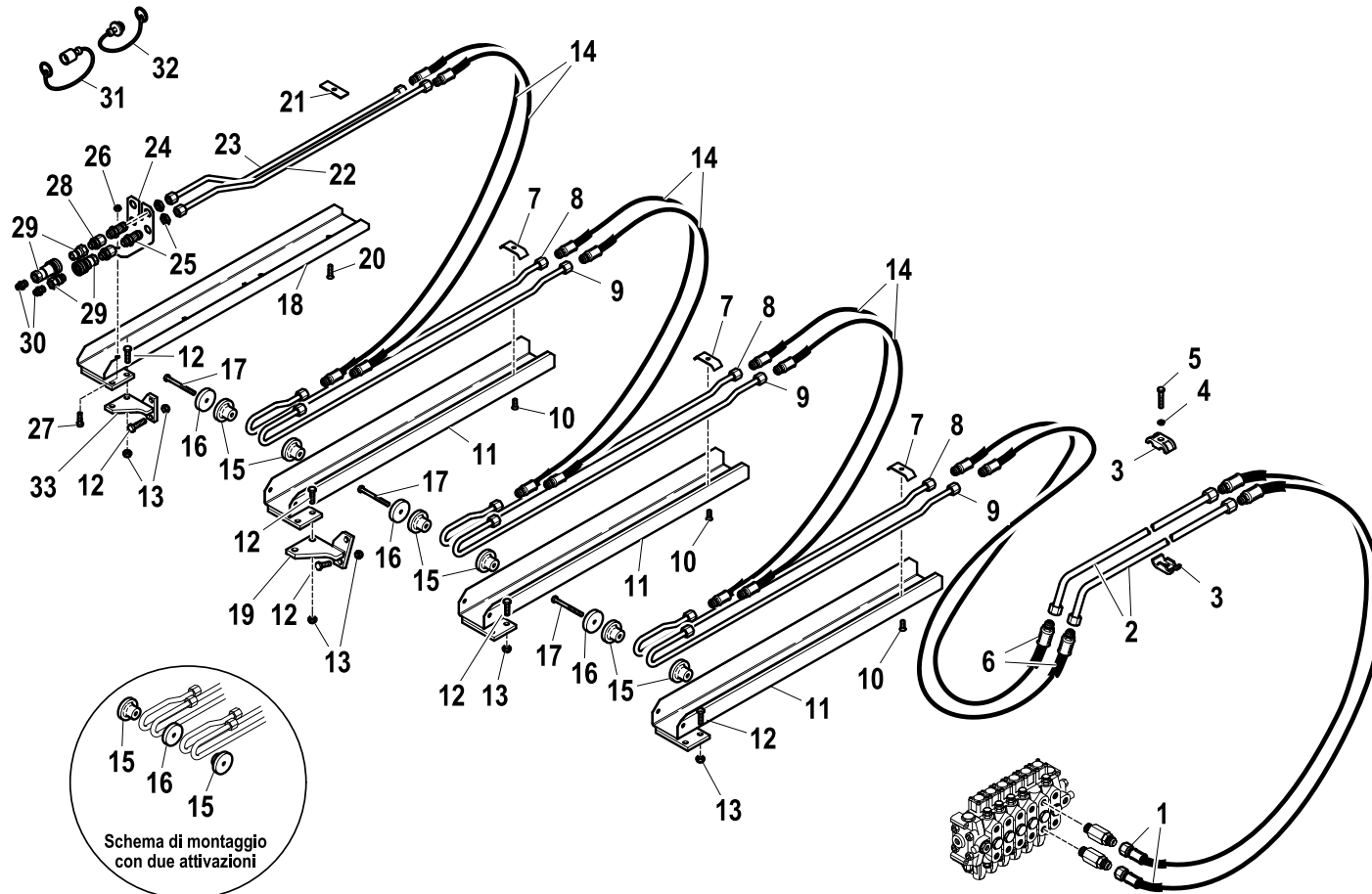
R	Pos.	Code Variant	Q.ty	Description
	1	5280600	2	
	2	5391935	2	Bonderized tube
	3	5000047	4	Clamp (Rigid Pipe)
	4	3060055	2	Split lock washer [D=8.4 C72 ZC]
	5	3010032	2	Hex screw [M8X45 8.8 ZC UNI 5737]
	6	5271563	2	Flexible hose
	7	5001187	3	Clamp (Set of hoses)
	8	5391820	3	Bonderized tube ()
	9	5391821	3	Bonderized tube ()
	10	3020899	3	TSEI screw [M8X20 10.9 ZC UNI 5933]
	11	5001334	3	Slide (Actuations)
	12	3010389	8	Hex screw [M10X35 ZC UNI 5739]
	13	3040304	12	Stopnut
	14	5271401	6	Flexible hose
	15	5140742	6	Hydraulic hose guide
	16	5141000	3	Spacer (Rigid Pipe)
	17	3010041	3	Hex screw [M8X100 8.8 ZC UNI 5737]
	18	5001333	1	Slide (ACTUATION)
	19	5001214	1	Support (Slide)
	20	3020903	1	TSEI screw [M8X30 ZC UNI 5933]

1st ACTIVATION FOR 3S

Code

5590173-3.1

2/2



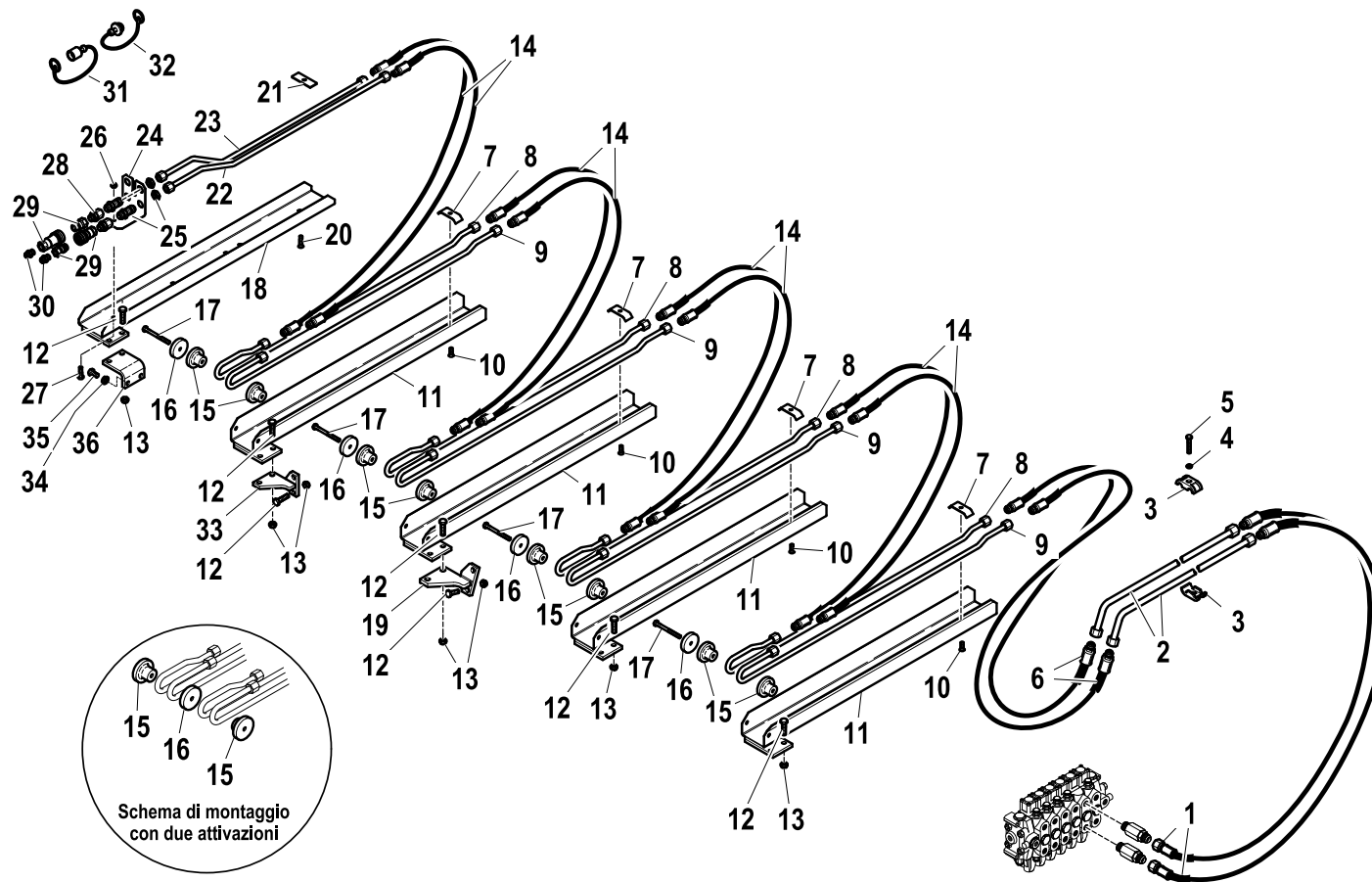
R	Pos.	Code Variant	Q.ty	Description
	21	5001193	1	Plate (Hose clamp)
	22	W440500900	1	Bonderized tube () [Tubo FE 12x1.5 zc]
	23	W440500800	1	Bonderized tube () [Tubo FE 12x1.5 zc]
	24	5001596	1	Piping mounting
	25	3120310	2	Wall-through pipe fitting
	26	3040303	1	Stopnut
	27	3010337	1	Hex screw [M8X16 8.8 ZC UNI 5739]
	28	3120066	2	Straight pipe fitting
	29	3110420	2	Quick coupling
	30	3101043	2	Straight pipe fitting
	31	3110429	1	Plug
	32	3110428	1	Plug
	33	5001215	1	

1st ACTIVATION FOR 4S

Code

5590173-4.1

1/2



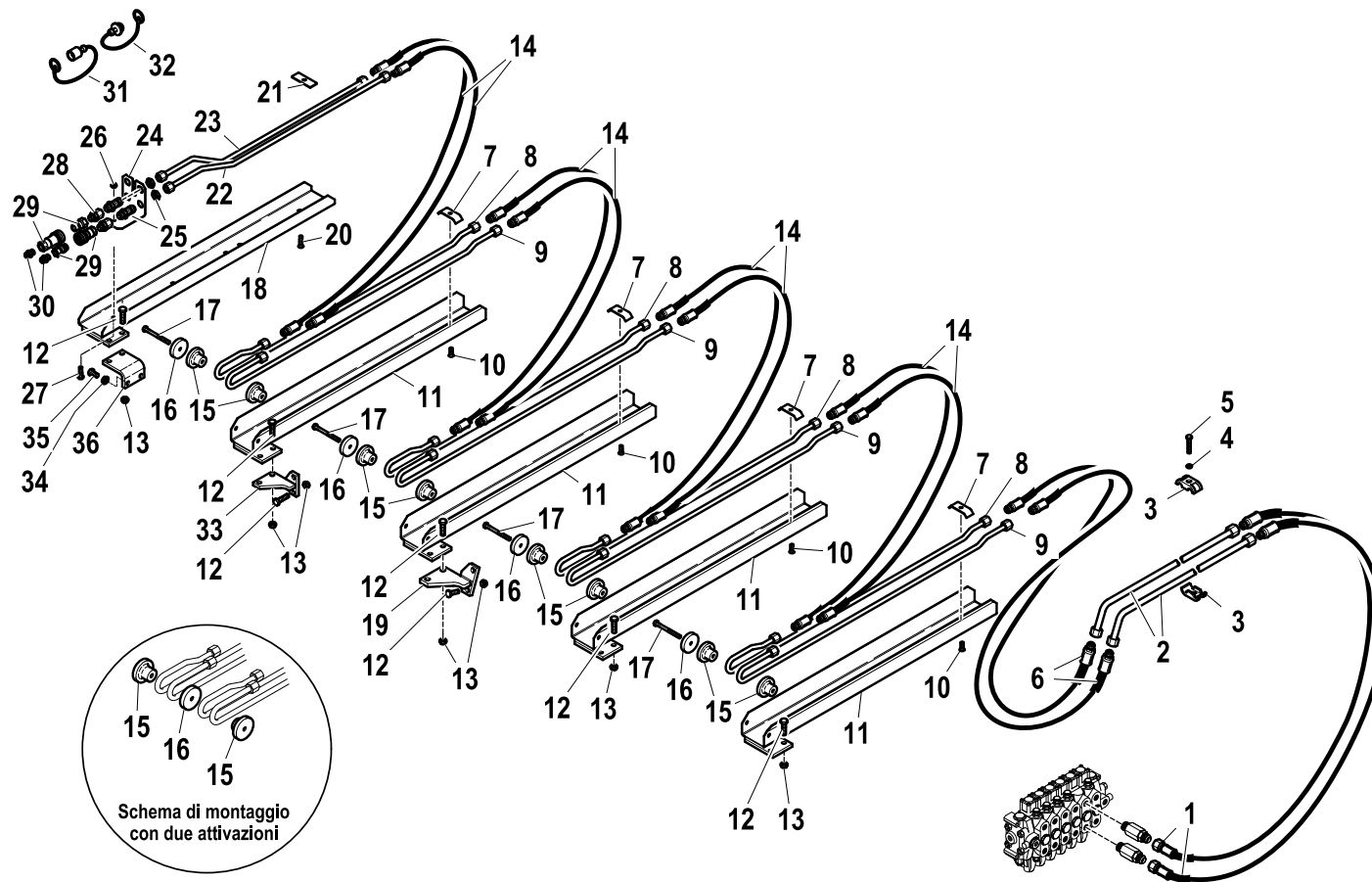
R	Pos.	Code Variant	Q.ty	Description
	1	5280600	2	
	2	5391935	2	Bonderized tube
	3	5000047	4	Clamp (Rigid Pipe)
	4	3060055	2	Split lock washer [D=8.4 C72 ZC]
	5	3010032	2	Hex screw [M8X45 8.8 ZC UNI 5737]
	6	5271563	2	Flexible hose
	7	5001187	8	Clamp (Set of hoses)
	8	5391820	4	Bonderized tube ()
	9	5391821	4	Bonderized tube ()
	10	3020899	4	TSEI screw [M8X20 10.9 ZC UNI 5933]
	11	5001334	4	Slide (Actuations)
	12	3010389	5	Hex screw [M10X35 ZC UNI 5739]
	13	3040304	16	Stopnut
	14	5271401	8	Flexible hose
	15	5140742	8	Hydraulic hose guide
	16	5141000	4	Spacer (Rigid Pipe)
	17	3010041	4	Hex screw [M8X100 8.8 ZC UNI 5737]
	18	5001333	1	Slide (ACTUATION)
	19	5001214	1	Support (Slide)
	20	3020903	1	TSEI screw [M8X30 ZC UNI 5933]

1st ACTIVATION FOR 4S

Code

5590173-4.1

2/2



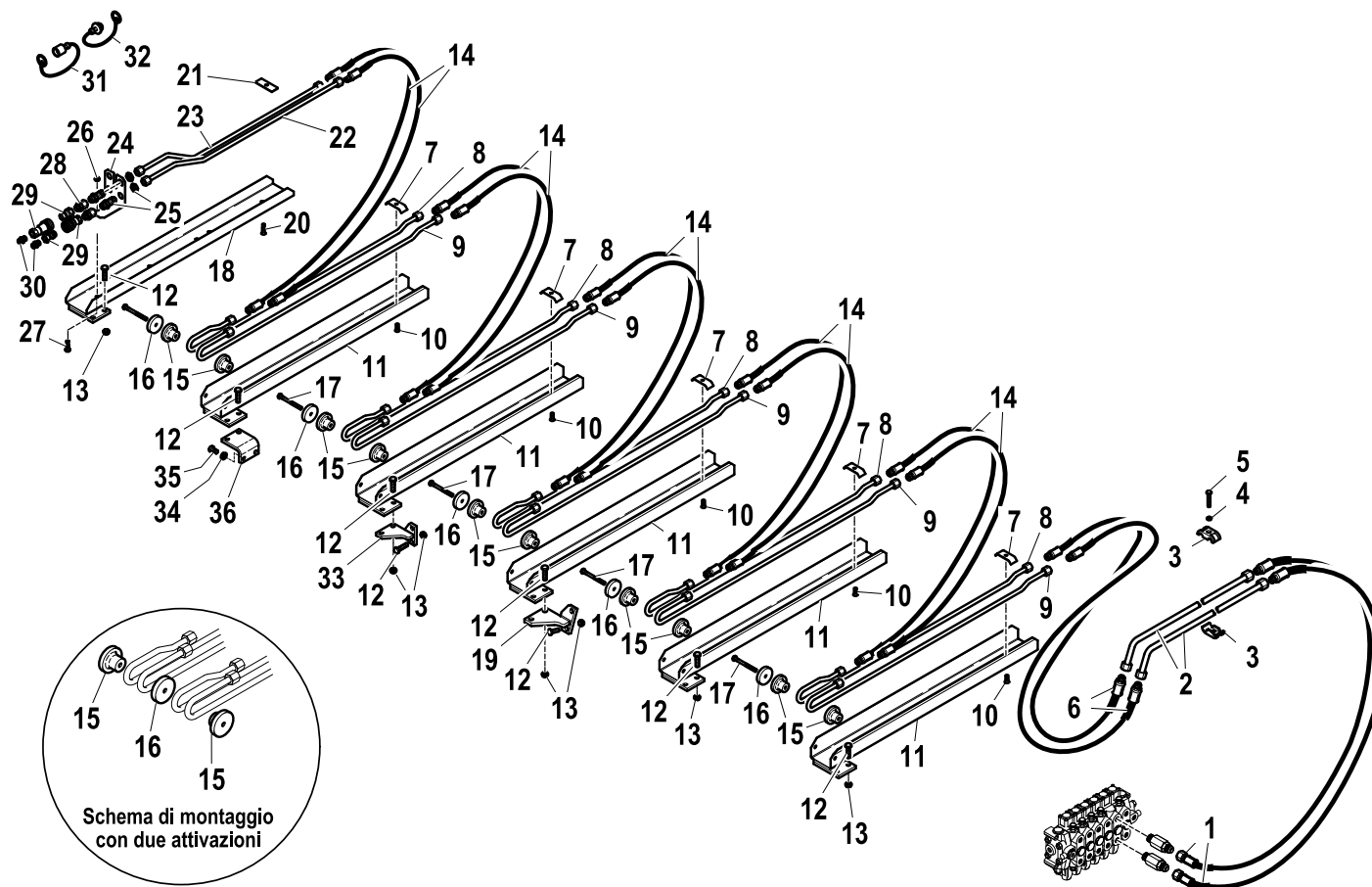
R	Pos.	Code Variant	Q.ty	Description
	21	5001193	1	Plate (Hose clamp)
	22	W440500900	1	Bonderized tube () [Tubo FE 12x1.5 zc]
	23	W440500800	1	Bonderized tube () [Tubo FE 12x1.5 zc]
	24	5001596	1	Piping mounting
	25	3120310	2	Wall-through pipe fitting
	26	3040303	1	Stopnut
	27	3010337	1	Hex screw [M8X16 8.8 ZC UNI 5739]
	28	3120066	2	Straight pipe fitting
	29	3110420	2	Quick coupling
	30	3101043	2	Straight pipe fitting
	31	3110429	1	Plug
	32	3110428	1	Plug
	33	5001215	1	
	34	3060056	2	Split lock washer [D=10 C72 ZC]
	35	3010354	2	Hex screw [M10X20 8.8 ZC UNI 5739]
	36	5001216	1	Support bracket (Actuations)

1st ACTIVATION FOR 5S

Code

5590173-5.1

1/2



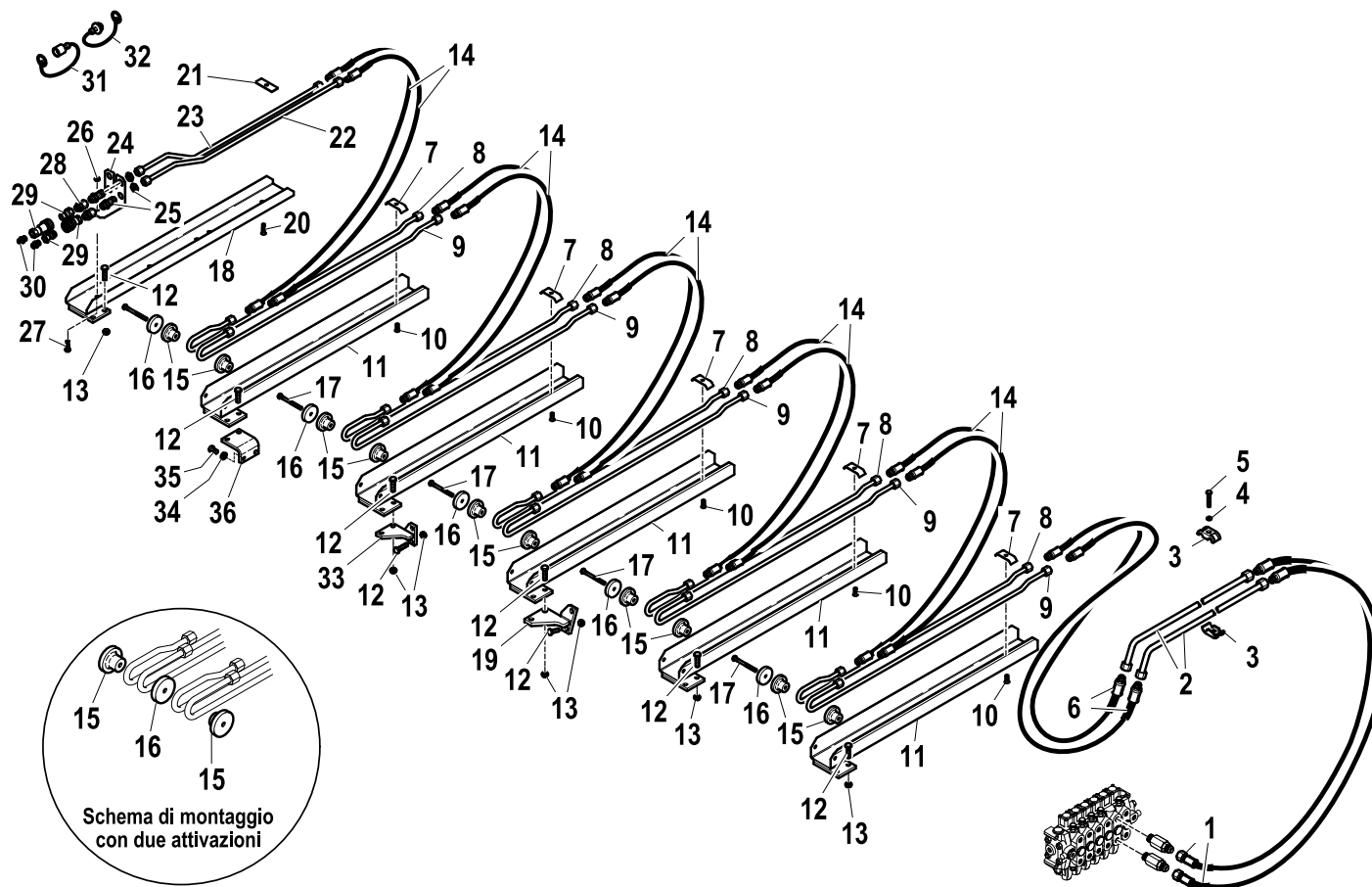
R	Pos.	Code Variant	Q.ty	Description
	1	5280600	2	
	2	5391935	2	Bonderized tube
	3	5000047	4	Clamp (Rigid Pipe)
	4	3060055	2	Split lock washer [D=8.4 C72 ZC]
	5	3010032	2	Hex screw [M8X45 8.8 ZC UNI 5737]
	6	5271563	2	Flexible hose
	7	5001187	5	Clamp (Set of hoses)
	8	5391820	5	Bonderized tube ()
	9	5391821	5	Bonderized tube ()
	10	3020899	5	TSEI screw [M8X20 10.9 ZC UNI 5933]
	11	5001334	5	Slide (Actuations)
	12	3010389	12	Hex screw [M10X35 ZC UNI 5739]
	13	3040304	18	Stopnut
	14	5271401	10	Flexible hose
	15	5140742	10	Hydraulic hose guide
	16	5141000	5	Spacer (Rigid Pipe)
	17	3010041	5	Hex screw [M8X100 8.8 ZC UNI 5737]
	18	5001333	1	Slide (ACTUATION)
	19	5001214	1	Support (Slide)
	20	3020903	1	TSEI screw [M8X30 ZC UNI 5933]

1st ACTIVATION FOR 5S

Code

5590173-5.1

2/2



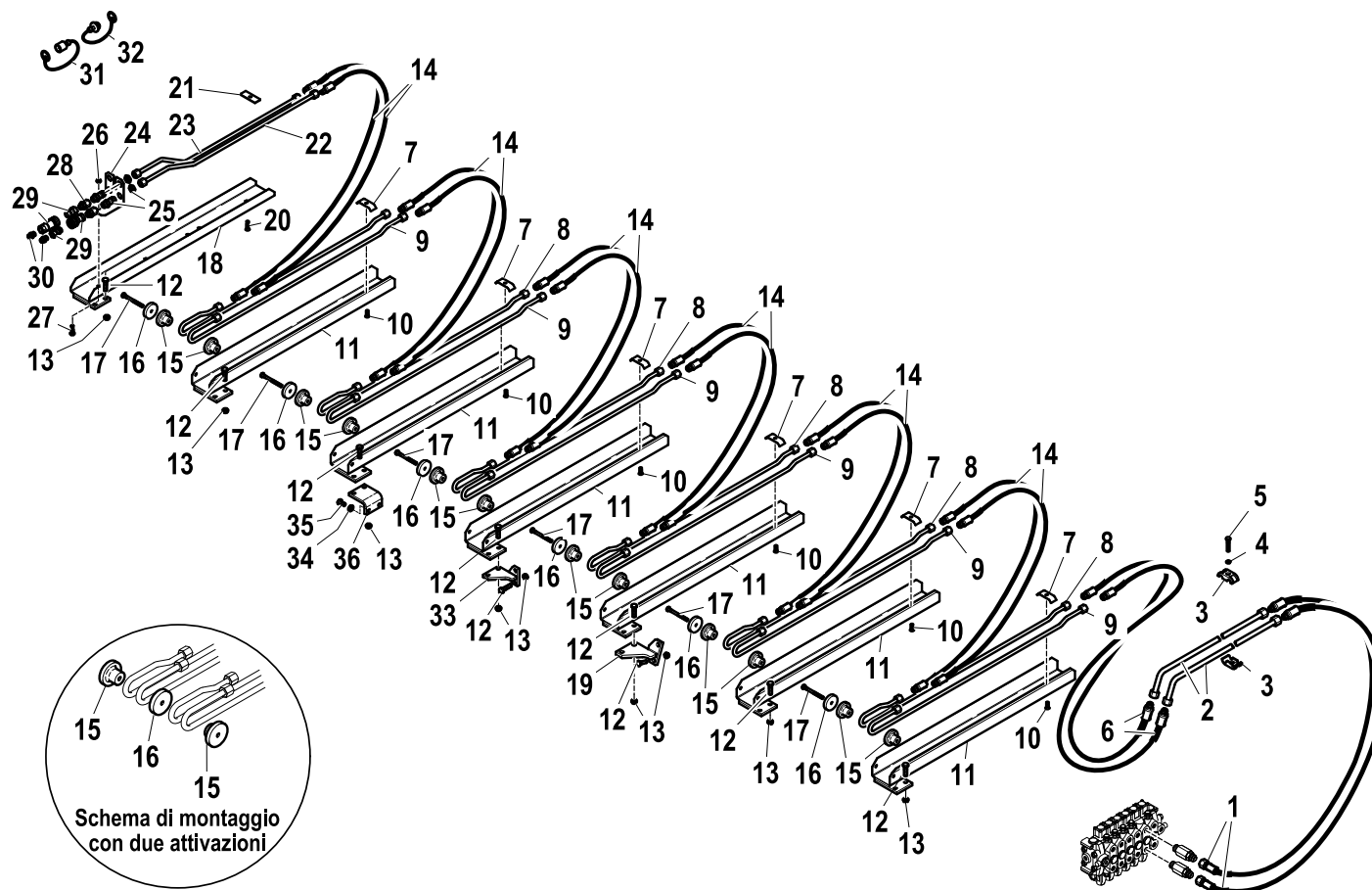
R	Pos.	Code Variant	Q.ty	Description
	21	5001193	1	Plate (Hose clamp)
	22	W440500900	1	Bonderized tube () [Tubo FE 12x1.5 zc]
	23	W440500800	1	Bonderized tube () [Tubo FE 12x1.5 zc]
	24	5001596	1	Piping mounting
	25	3120310	2	Wall-through pipe fitting
	26	3040303	1	Stopnut
	27	3010337	1	Hex screw [M8X16 8.8 ZC UNI 5739]
	28	3120066	2	Straight pipe fitting
	29	3110420	2	Quick coupling
	30	3101043	2	Straight pipe fitting
	31	3110429	1	Plug
	32	3110428	1	Plug
	33	5001215	1	
	34	3060056	2	Split lock washer [D=10 C72 ZC]
	35	3010354	2	Hex screw [M10X20 8.8 ZC UNI 5739]
	36	5001216	1	Support bracket (Actuations)

1st ACTIVATION FOR 6S

Code

5590173-6.1

1/2



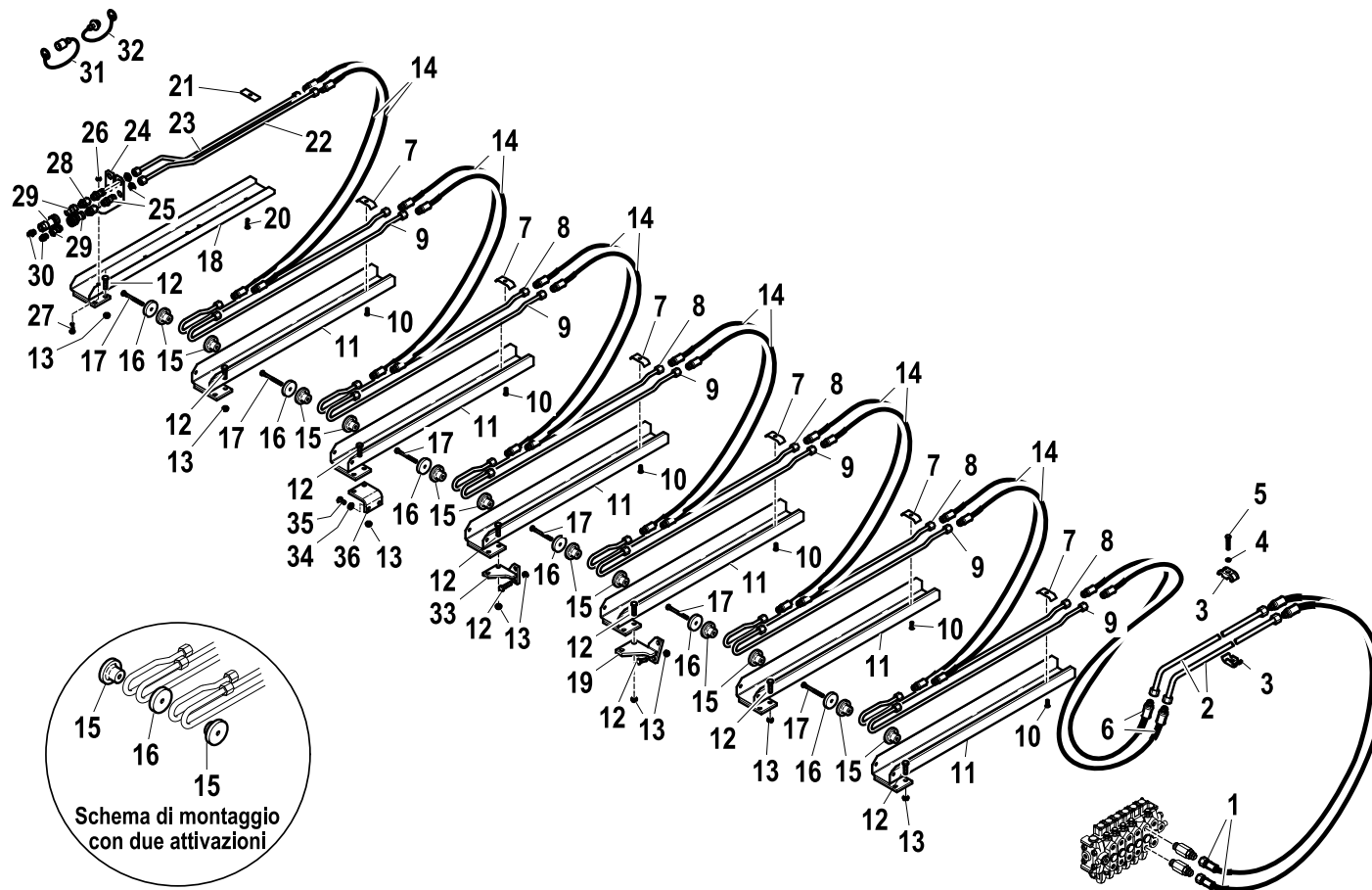
R	Pos.	Code Variant	Q.ty	Description
	1	5280600	2	
	2	5391935	2	Bonderized tube
	3	5000047	4	Clamp (Rigid Pipe)
	4	3060055	2	Split lock washer [D=8.4 C72 ZC]
	5	3010032	2	Hex screw [M8X45 8.8 ZC UNI 5737]
	6	5271563	2	Flexible hose
	7	5001187	6	Clamp (Set of hoses)
	8	5391820	6	Bonderized tube ()
	9	5391821	6	Bonderized tube ()
	10	3020899	6	TSEI screw [M8X20 10.9 ZC UNI 5933]
	11	5001334	6	Slide (Actuations)
	12	3010389	14	Hex screw [M10X35 ZC UNI 5739]
	13	3040304	20	Stopnut
	14	5271401	12	Flexible hose
	15	5140742	12	Hydraulic hose guide
	16	5141000	6	Spacer (Rigid Pipe)
	17	3010041	6	Hex screw [M8X100 8.8 ZC UNI 5737]
	18	5001333	1	Slide (ACTUATION)
	19	5001214	1	Support (Slide)
	20	3020903	1	TSEI screw [M8X30 ZC UNI 5933]

1st ACTIVATION FOR 6S

Code

5590173-6.1

2/2



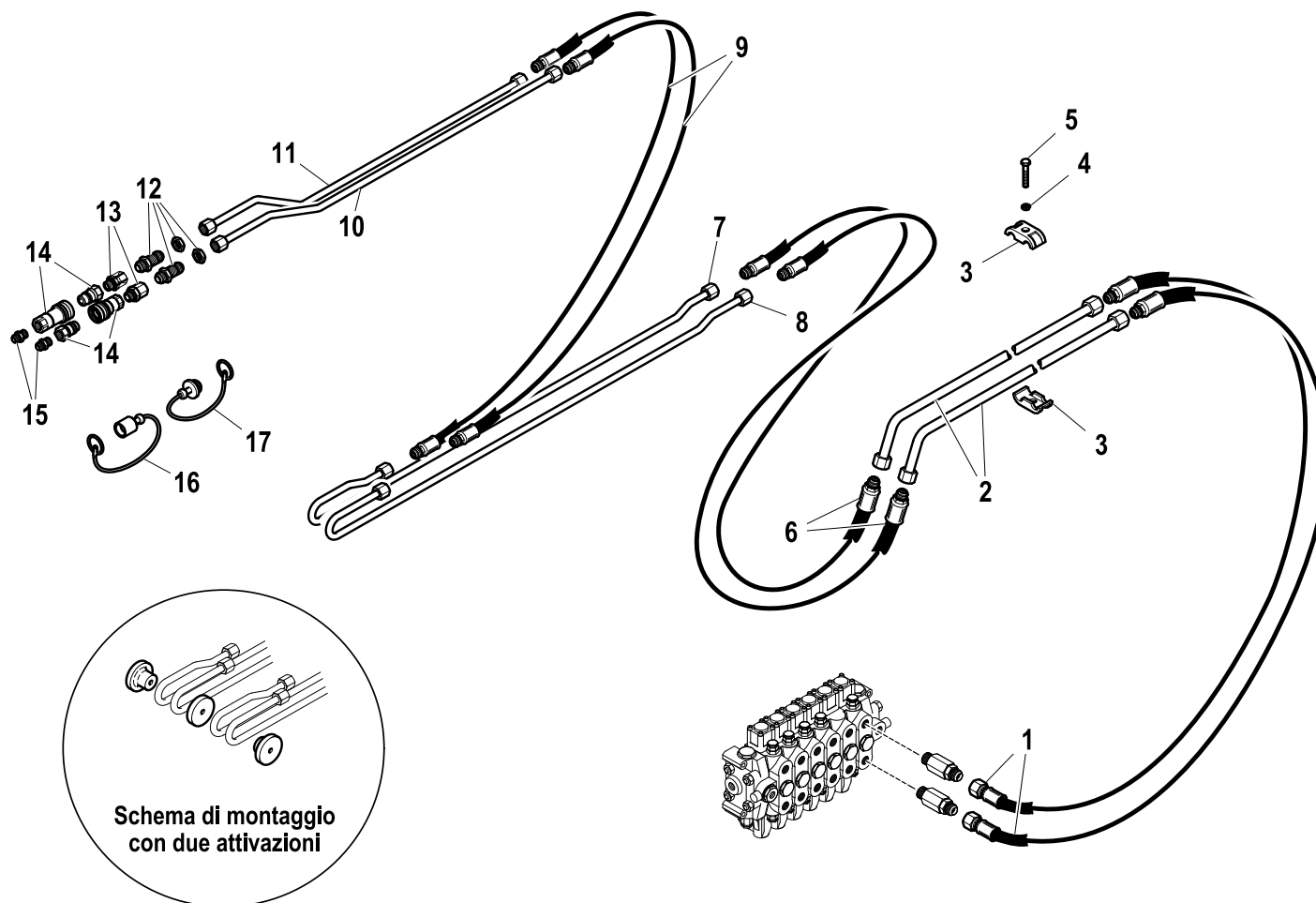
R	Pos.	Code Variant	Q.ty	Description
	21	5001193	1	Plate (Hose clamp)
	22	W440500900	1	Bonderized tube () [Tubo FE 12x1.5 zc]
	23	W440500800	1	Bonderized tube () [Tubo FE 12x1.5 zc]
	24	5001596	1	Piping mounting
	25	3120310	2	Wall-through pipe fitting
	26	3040303	1	Stopnut
	27	3010337	1	Hex screw [M8X16 8.8 ZC UNI 5739]
	28	3120066	2	Straight pipe fitting
	29	3110420	2	Quick coupling
	30	3101043	2	Straight pipe fitting
	31	3110429	1	Plug
	32	3110428	1	Plug
	33	5001215	1	
	34	3060056	2	Split lock washer [D=10 C72 ZC]
	35	3010354	2	Hex screw [M10X20 8.8 ZC UNI 5739]
	36	5001216	1	Support bracket (Actuations)

2nd ACTIVATION

Code

5600091-2.0

1/1



R	Pos.	Code Variant	Q.ty	Description
	1	5280600	2	
	2	5391935	2	Bonderized tube
	3	5000047	4	Clamp (Rigid Pipe)
	4	3060055	2	Split lock washer [D=8.4 C72 ZC]
	5	3010032	2	Hex screw [M8X45 8.8 ZC UNI 5737]
	6	5271563	2	Flexible hose
	7	5391822	1	Bonderized tube ()
	8	5391823	1	Bonderized tube ()
	9	5271401	2	Flexible hose
	10	W440500900	1	Bonderized tube () [Tubo FE 12x1.5 zc]
	11	W440500800	1	Bonderized tube () [Tubo FE 12x1.5 zc]
	12	3120310	2	Wall-through pipe fitting
	13	3120066	2	Straight pipe fitting
	14	3110420	2	Quick coupling
	15	3101043	2	Straight pipe fitting
	16	W734047	1	
	17	W734048	1	

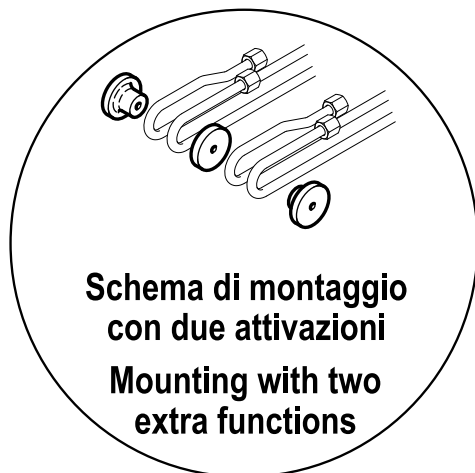
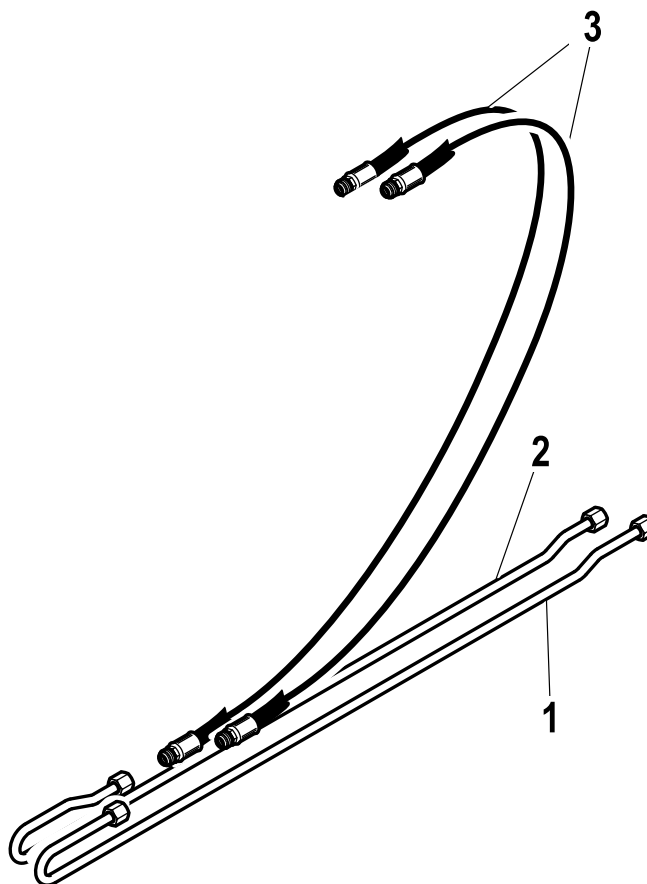
2nd ADDITIONAL ACTUATION

Code

5600083-1.0

1/1

R	Pos.	Code Variant	Q.ty	Description
1		5391821	1	Bonderized tube ()
2		5391820	1	Bonderized tube ()
3		5271401	2	Flexible hose

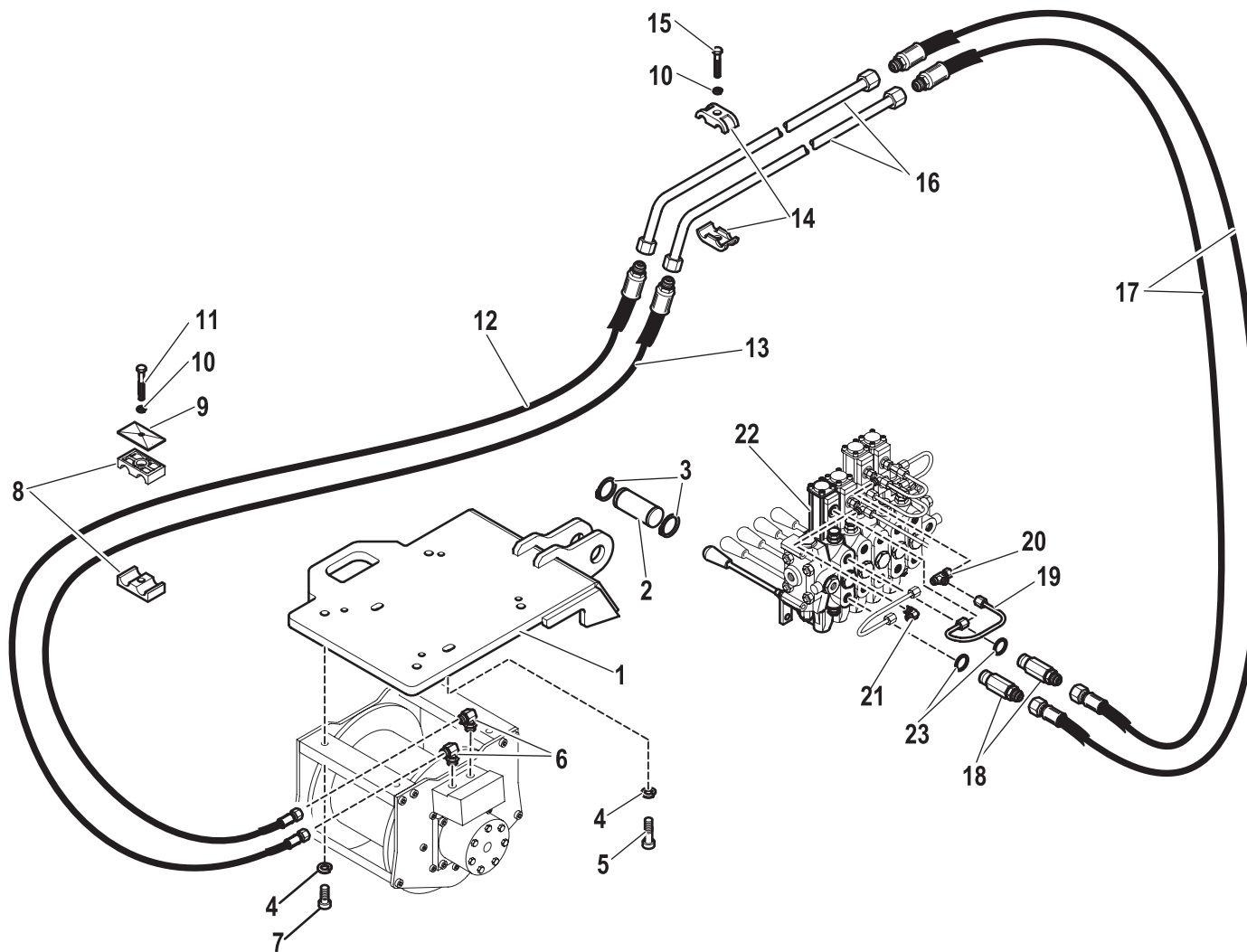


Winch (Hydraulic system)

Code

5740162-1.0

1/2



R	Pos.	Code Variant	Q.ty	Description
	1	5090743	1	Winch support
	2	5150652	1	Pin
	3	3070151	2	Seeger
	4	3060057	4	Split lock washer [D=12 C72 ZC]
	5	3020076	2	Socketed head cap screw [M12X30 8.8 ZC UNI 5931]
	6	3120034	2	90° Connection
	7	3010065	2	Hex screw [M12X55 8.8 ZC UNI 5737]
	8	3190220	4	Collar
	9	3190221	2	Small plate (Collar)
	10	3060055	4	Split lock washer [D=8.4 C72 ZC]
	11	3020058	2	Socketed head cap screw [M8X40 8.8 ZC UNI 5931]
	12	5280620	1	
	13	5280621	1	
	14	5000047	4	Clamp (Rigid Pipe)
	15	3010032	2	Hex screw [M8X45 8.8 ZC UNI 5737]
	16	5391935	2	Bonderized tube
	17	5281073	2	
	18	W402110	2	Rotary union
	19	5231826	1	
	20	3120001	1	Tee fitting

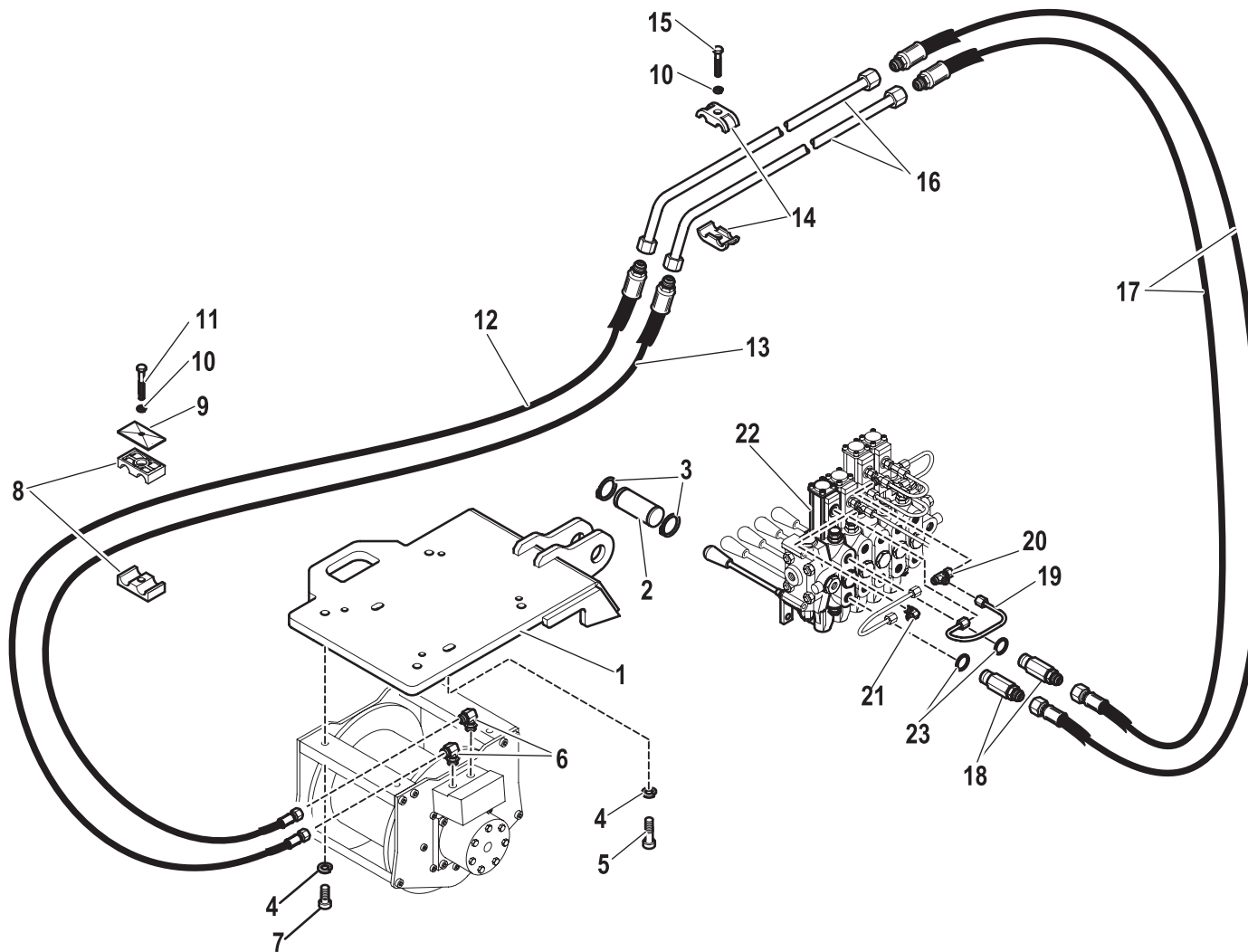
Winch (Hydraulic system)

Code

5740162-1.0

2/2

R	Pos.	Code Variant	Q.ty	Description
	21	3101194	1	90° Connection
	22	5225371	1	
	23	3060145	2	Sealing washer [BSP 1/2"]

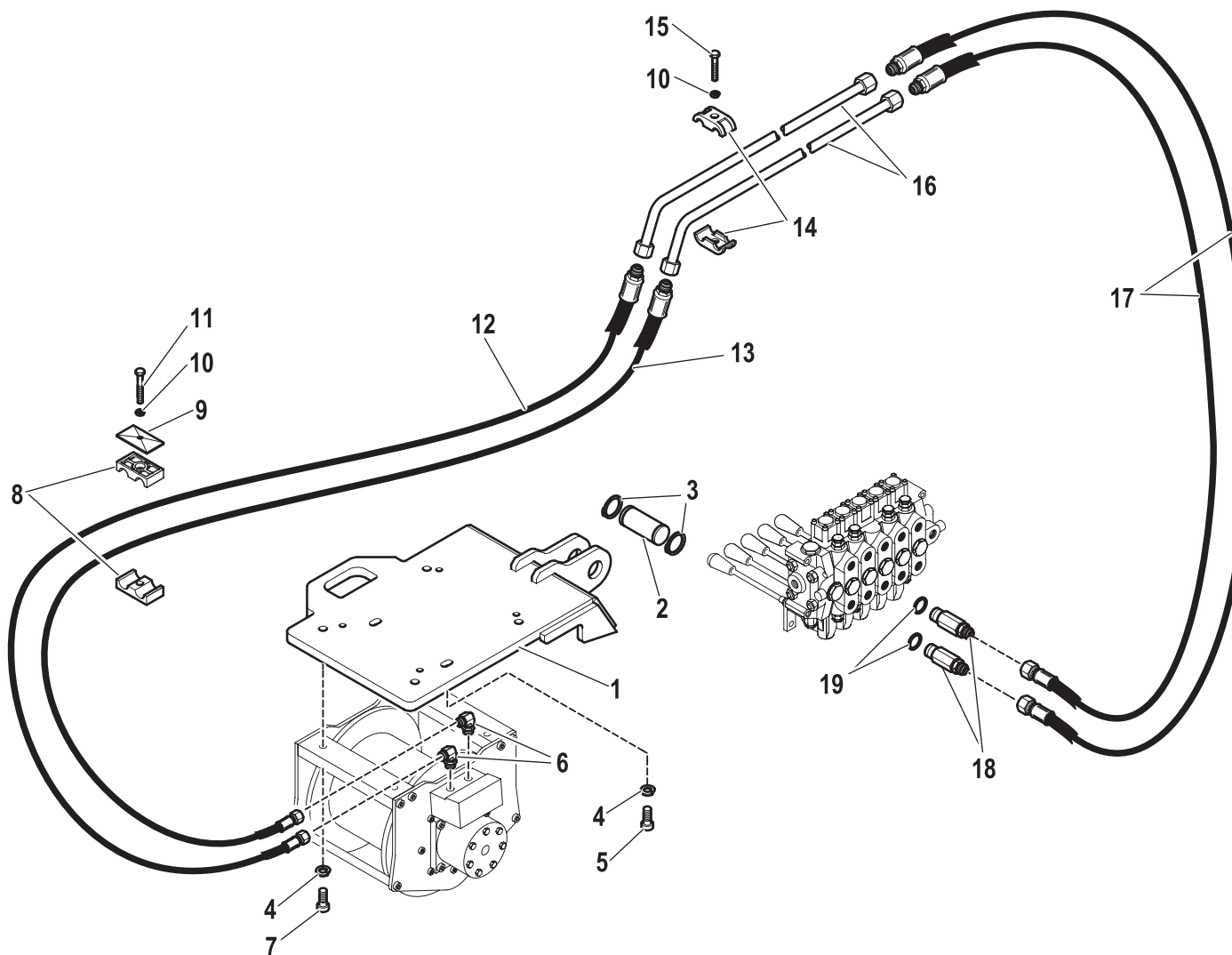


Winch (Hydraulic system)

Code

5740163-1.0

1/1



R	Pos.	Code Variant	Q.ty	Description
	1	5090743	1	Winch support
	2	5150652	1	Pin
	3	3070151	2	Seeger
	4	3060057	4	Split lock washer [D=12 C72 ZC]
	5	3020076	2	Socketed head cap screw [M12X30 8.8 ZC UNI 5931]
	6	3120034	2	90° Connection
	7	3010065	2	Hex screw [M12X55 8.8 ZC UNI 5737]
	8	3190220	4	Collar
	9	3190221	2	Small plate (Collar)
	10	3060055	4	Split lock washer [D=8.4 C72 ZC]
	11	3020058	2	Socketed head cap screw [M8X40 8.8 ZC UNI 5931]
	12	5280620	1	
	13	5280621	1	
	14	5000047	4	Clamp (Rigid Pipe)
	15	3010032	2	Hex screw [M8X45 8.8 ZC UNI 5737]
	16	5391935	2	Bonderized tube
	17	5281073	2	
	18	W402110	2	Rotary union
	19	3060145	2	Sealing washer [BSP 1/2"]

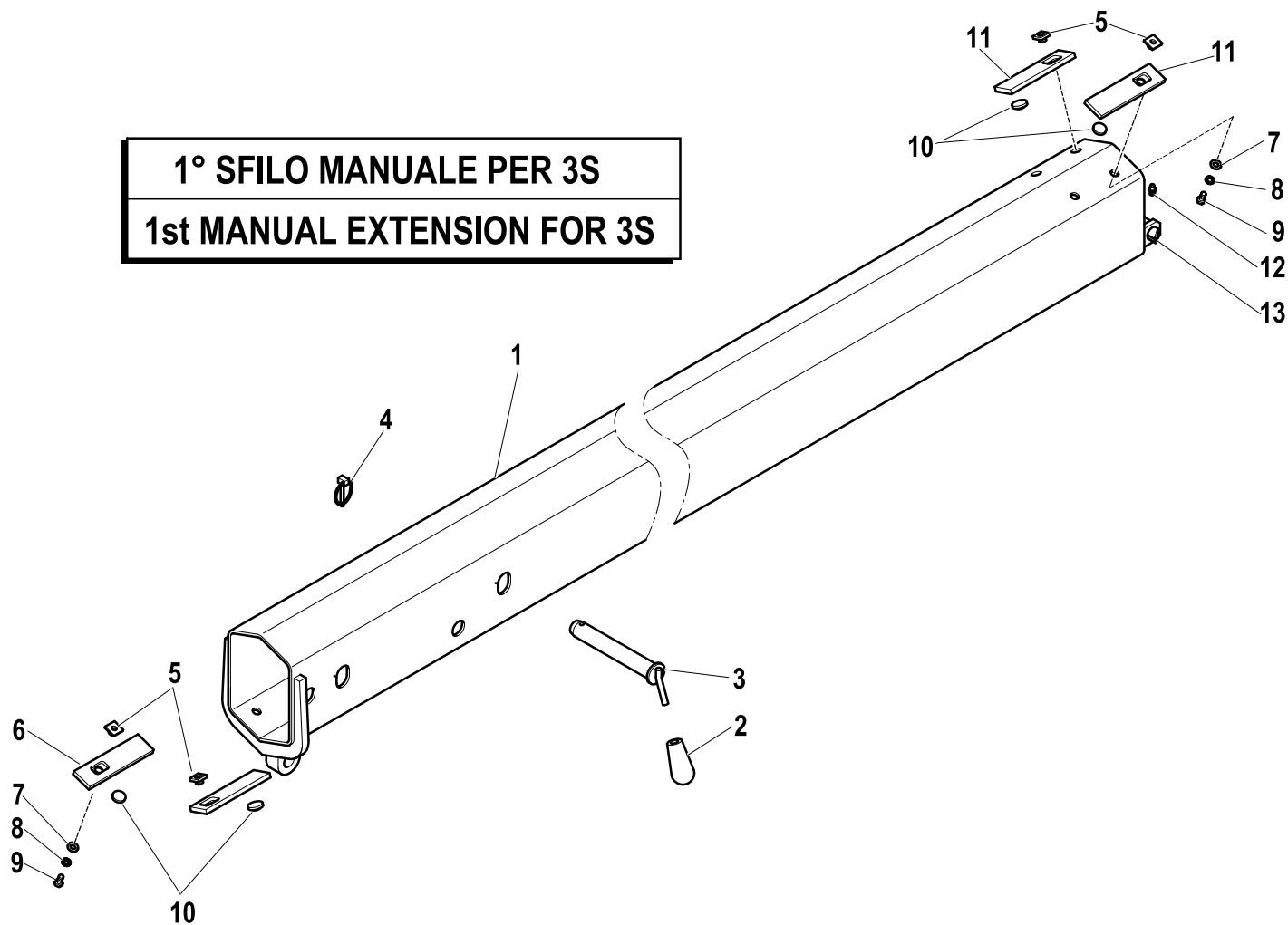
Manual extension

Code

7800312-1.0

1/1

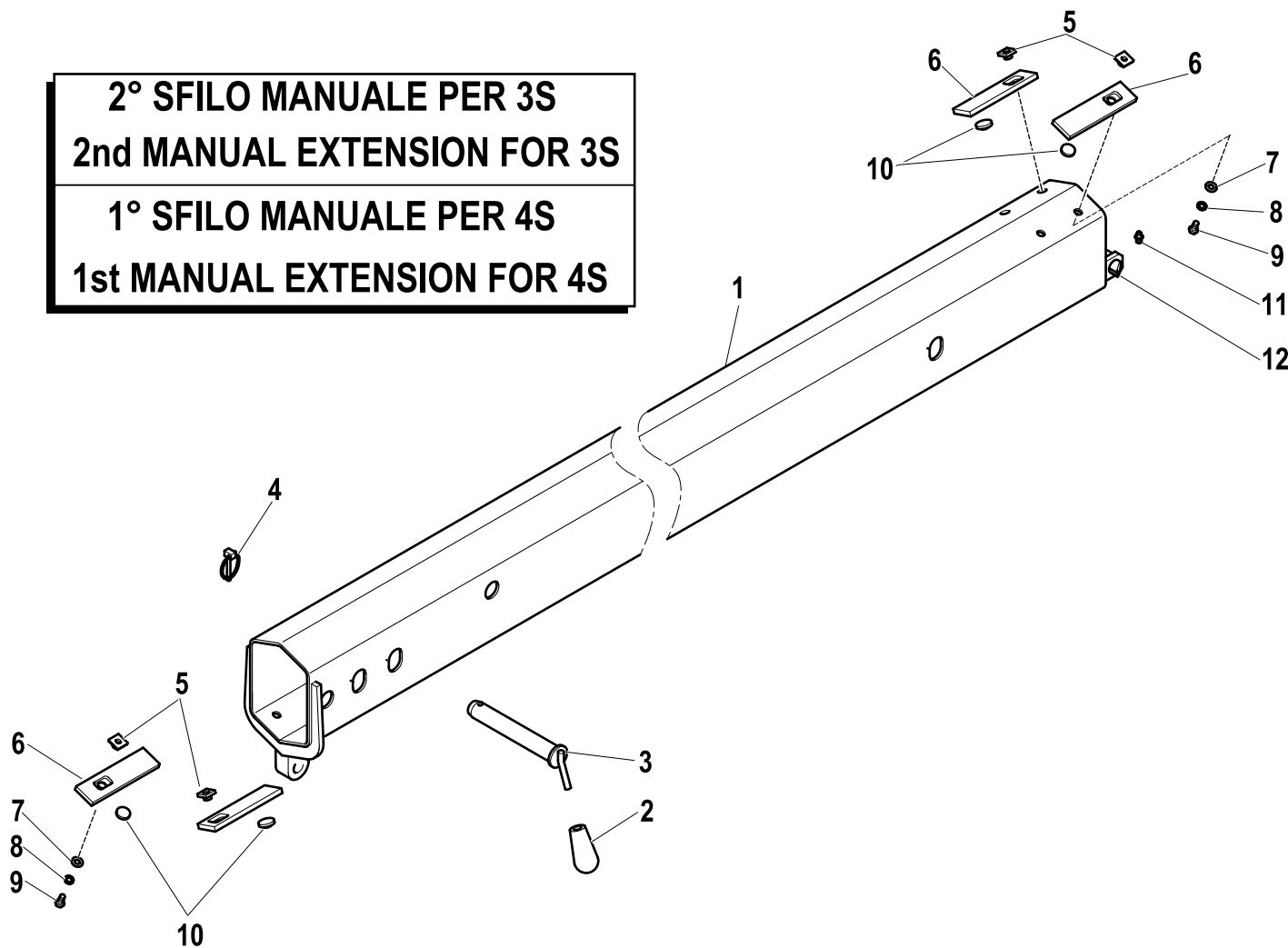
1° SFILO MANUALE PER 3S
1st MANUAL EXTENSION FOR 3S



R	Pos.	Code Variant	Q.ty	Description
	1	5010307	1	Manual extension
	2	3190010	1	Knob
	3	5150238	1	Pin
	4	3060750	1	
	5	5000827	4	Button (Control board)
	6	5140733	2	
	7	3060914	4	Flat washer [D.10.5X21X2 UNI 6592 ZC]
	8	3060920	4	Tooth lock washer [D.10 TIPO A]
	9	3010353	4	Hex screw [M10X16 8.8 ZC UNI 5739]
	10	5140681	4	
	11	5140701	2	Slide shoe
	12	3080500	1	Grease nipple
	13	5000640	1	

2° SFILO MANUALE PER 3S
 2nd MANUAL EXTENSION FOR 3S

1° SFILO MANUALE PER 4S
 1st MANUAL EXTENSION FOR 4S

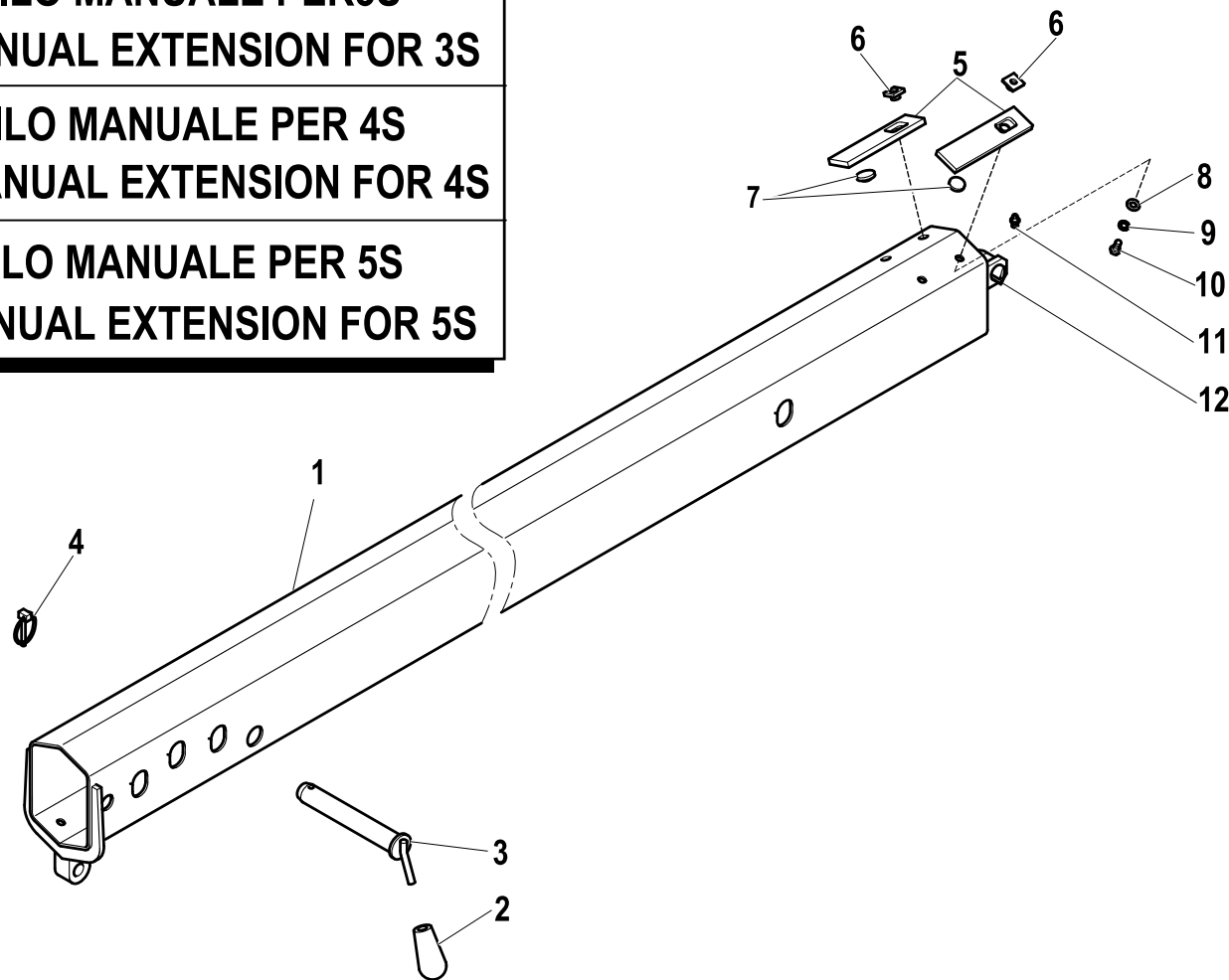


R	Pos.	Code Variant	Q.ty	Description
	1	5010308	1	Manual extension
	2	3190010	1	Knob
	3	5150396	1	
	4	3060750	1	
	5	5000827	4	Button (Control board)
	6	5140733	4	
	7	3060914	4	Flat washer [D.10.5X21X2 UNI 6592 ZC]
	8	3060920	4	Tooth lock washer [D.10 TIPO A]
	9	3010353	4	Hex screw [M10X16 8.8 ZC UNI 5739]
	10	5140681	4	
	11	3080500	1	Grease nipple
	12	5000640	1	

3° SFILO MANUALE PER 3S
3th MANUAL EXTENSION FOR 3S

2° SFILO MANUALE PER 4S
2nd MANUAL EXTENSION FOR 4S

1° SFILO MANUALE PER 5S
1st MANUAL EXTENSION FOR 5S

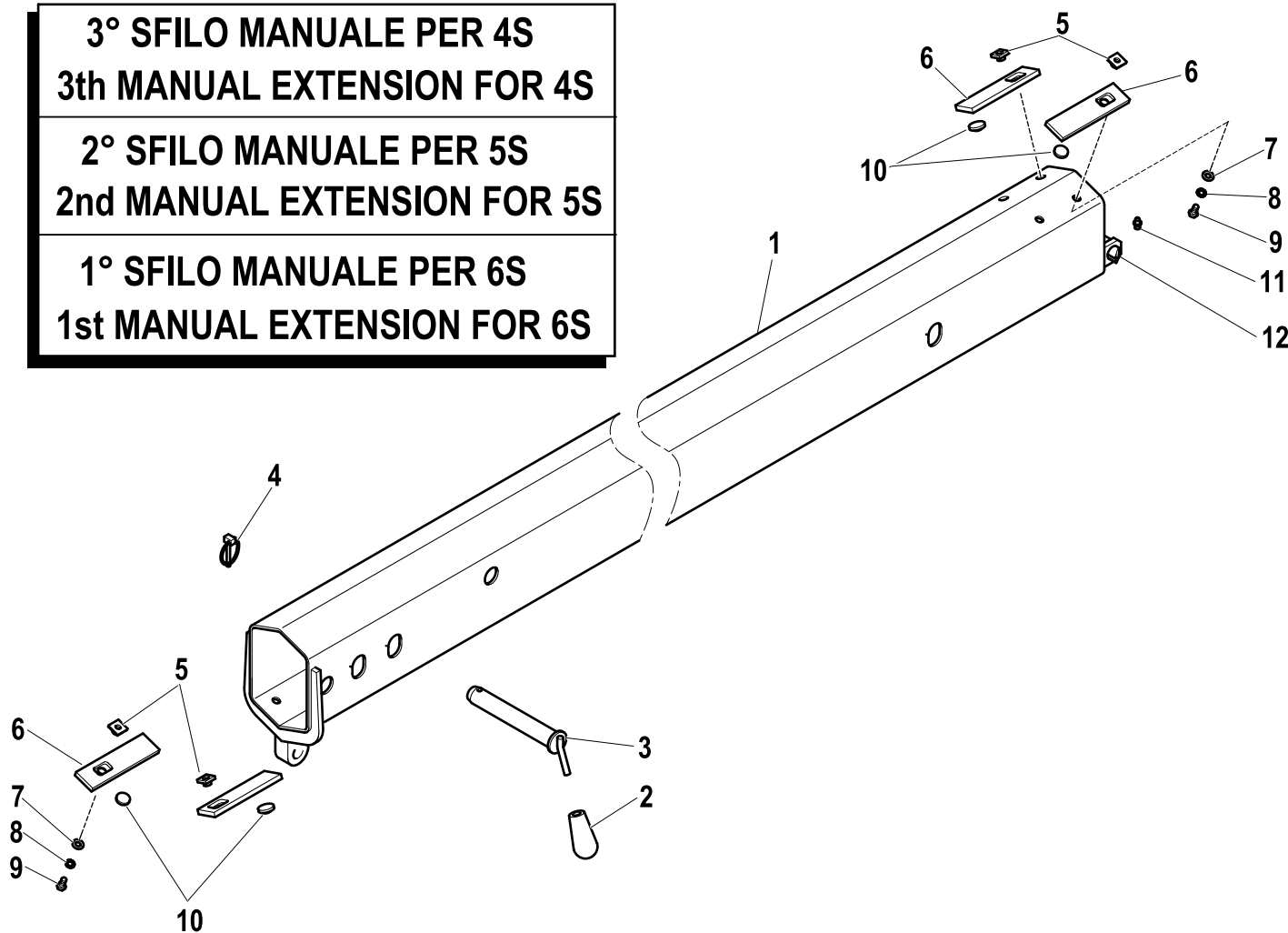


R	Pos.	Code Variant	Q.ty	Description
	1	5010309	1	Manual extension
	2	3190010	1	Knob
	3	5150395	1	
	4	3060750	1	
	5	5000733	2	
	6	5000827	4	Button (Control board)
	7	5140681	2	
	8	3060914	2	Flat washer [D.10.5X21X2 UNI 6592 ZC]
	9	3060920	2	Tooth lock washer [D.10 TIPO A]
	10	3010353	2	Hex screw [M10X16 8.8 ZC UNI 5739]
	11	3080500	1	Grease nipple
	12	5000640	1	

3° SFILO MANUALE PER 4S
3th MANUAL EXTENSION FOR 4S

2° SFILO MANUALE PER 5S
2nd MANUAL EXTENSION FOR 5S

1° SFILO MANUALE PER 6S
1st MANUAL EXTENSION FOR 6S

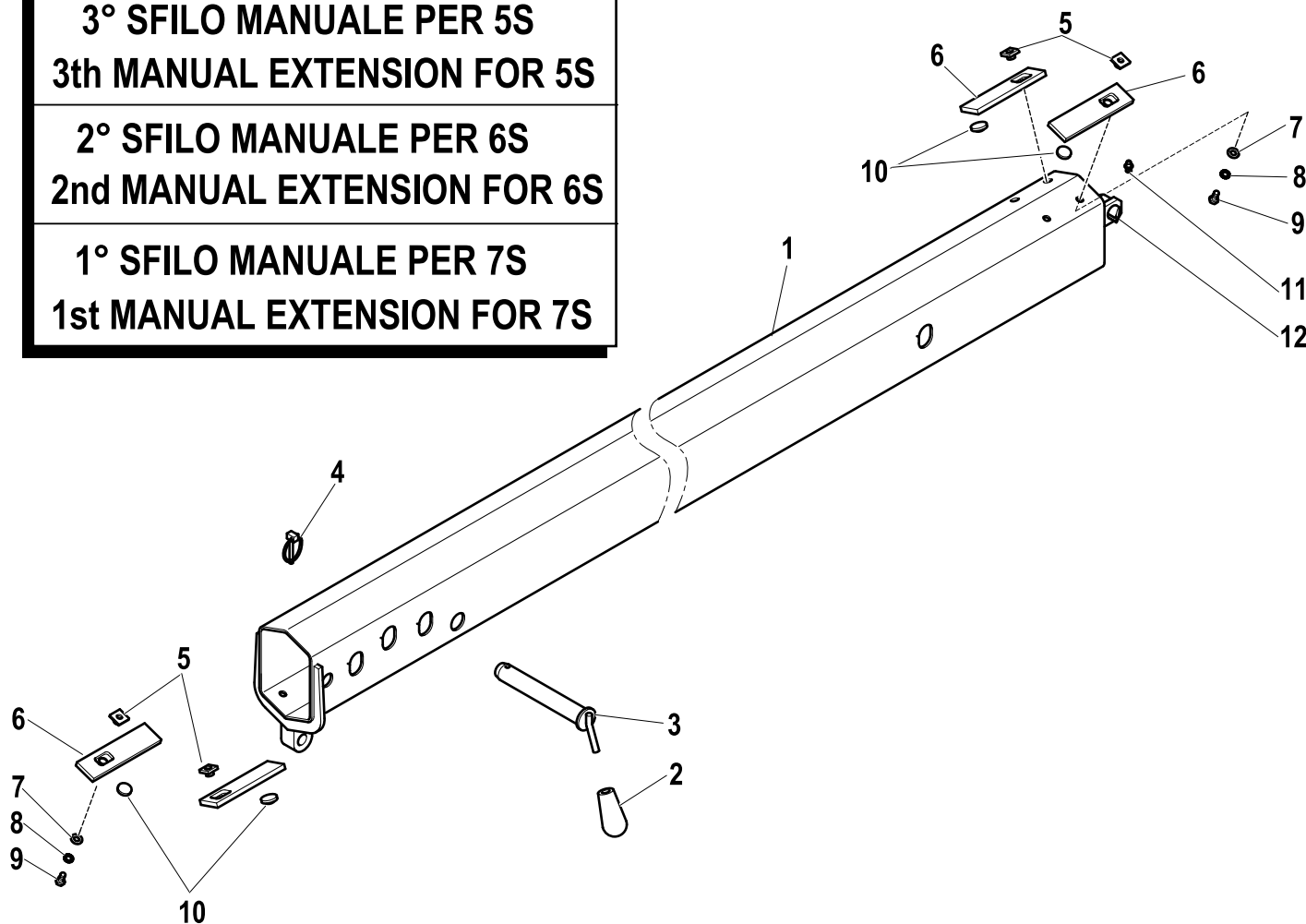


R	Pos.	Code Variant	Q.ty	Description
	1	5010310	1	Manual extension
	2	3190010	1	Knob
	3	5150395	1	
	4	3060750	1	
	5	5000827	4	Button (Control board)
	6	5140733	4	
	7	3060914	4	Flat washer [D.10.5X21X2 UNI 6592 ZC]
	8	3060920	4	Tooth lock washer [D.10 TIPO A]
	9	3010353	4	Hex screw [M10X16 8.8 ZC UNI 5739]
	10	5140681	4	
	11	3080500	1	Grease nipple
	12	5000640	1	

**3° SFILO MANUALE PER 5S
3th MANUAL EXTENSION FOR 5S**

**2° SFILO MANUALE PER 6S
2nd MANUAL EXTENSION FOR 6S**

**1° SFILO MANUALE PER 7S
1st MANUAL EXTENSION FOR 7S**



R	Pos.	Code Variant	Q.ty	Description
	1	5010311	1	Manual extension
	2	3190010	1	Knob
	3	5150686	1	
	4	3060750	1	
	5	5001087	4	Button (Control board)
	6	5140978	4	
	7	3060914	4	Flat washer [D.10.5X21X2 UNI 6592 ZC]
	8	3060920	4	Tooth lock washer [D.10 TIPO A]
	9	3010353	4	Hex screw [M10X16 8.8 ZC UNI 5739]
	10	5140681	4	
	11	3080500	1	Grease nipple
	12	5000640	1	

Manual extension

Code

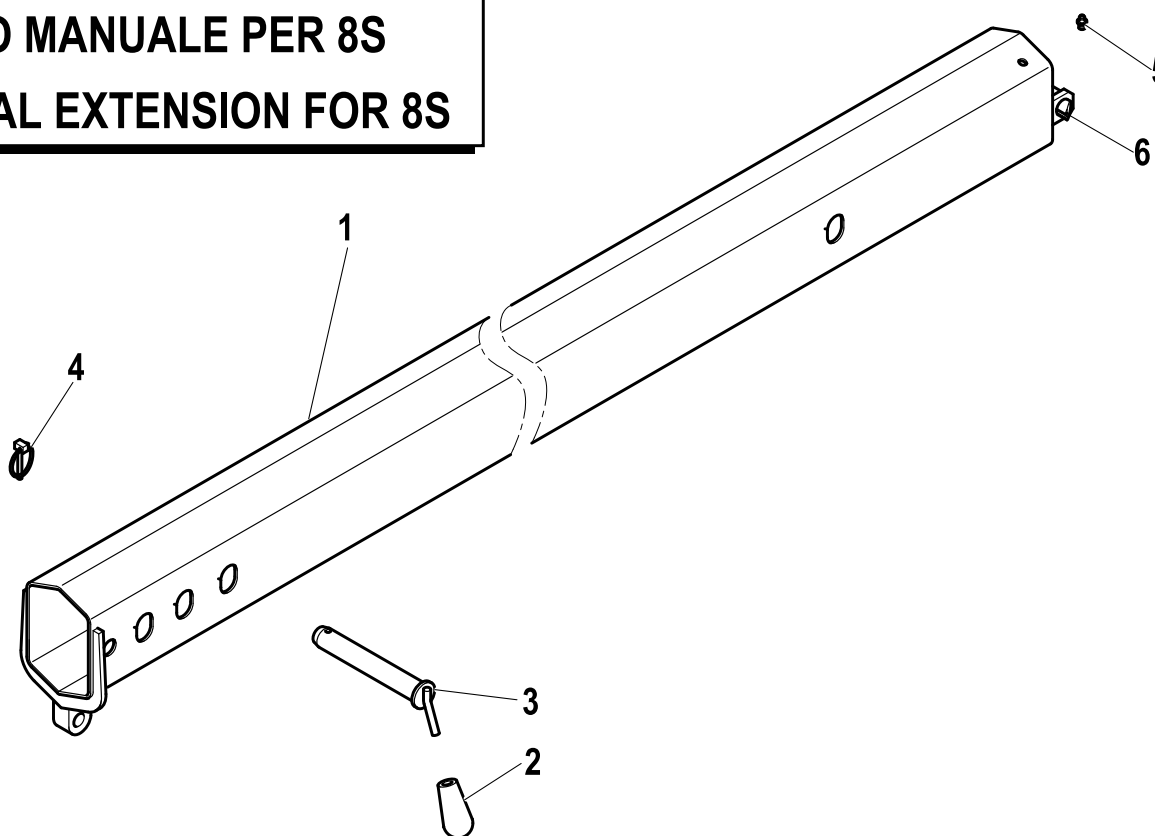
7800317-1.0

1/1

2° SFILO MANUALE PER 7S
 2nd MANUAL EXTENSION FOR 7S

1° SFILO MANUALE PER 8S
 1st MANUAL EXTENSION FOR 8S

R	Pos.	Code Variant	Q.ty	Description
	1	5010312	1	Manual extension
	2	3190010	1	Knob
	3	5150686	1	
	4	3060750	1	
	5	3080500	1	Grease nipple
	6	5000640	1	



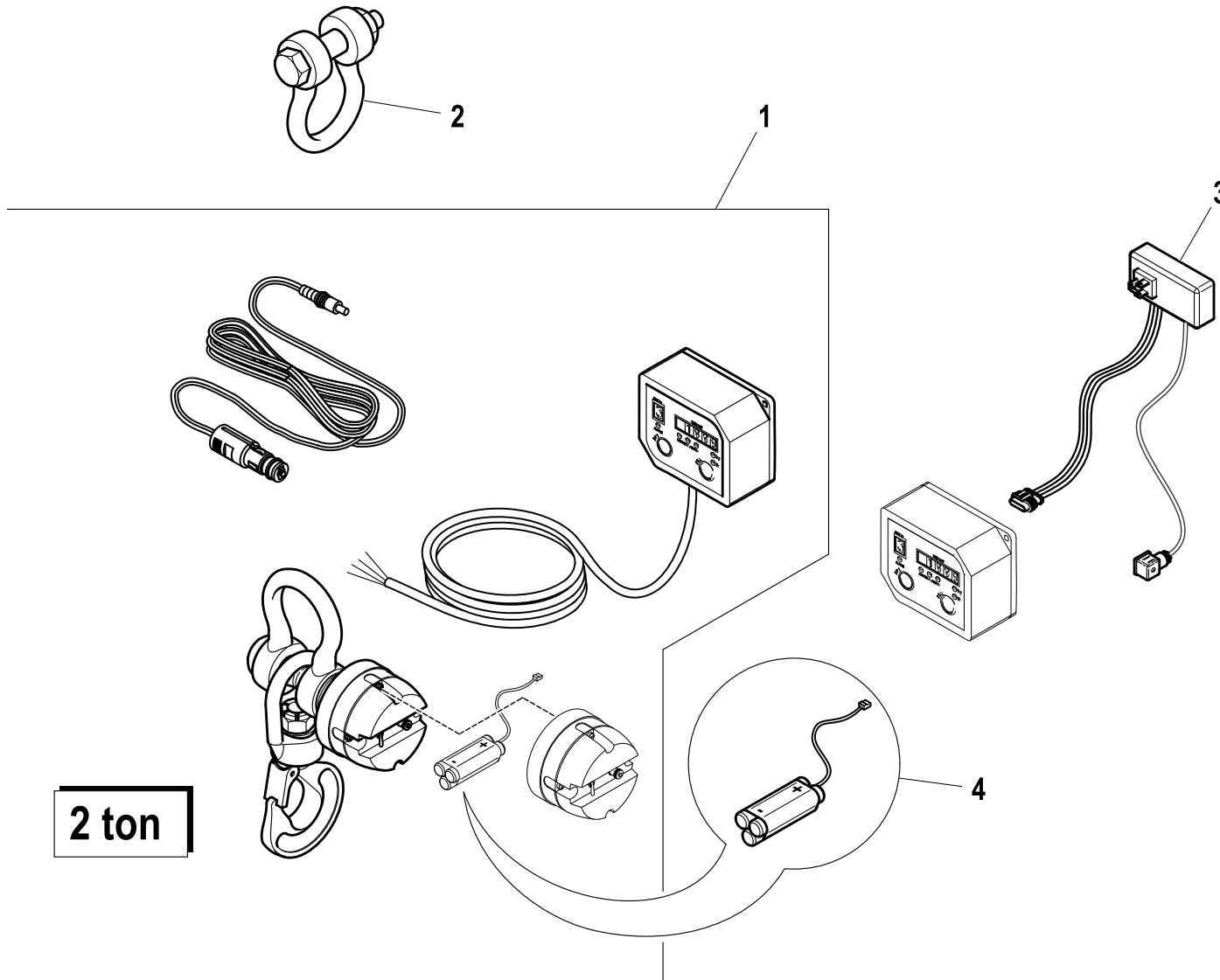
LOAD INDICATION SYSTEM (LIS/RLC)

Code

7881824-1.0

1/1

R	Pos.	Code Variant	Q.ty	Description
	1	5730506	1	
	2	3200050	1	Shackles
	3	W236510	1	
	4	3311542	1	

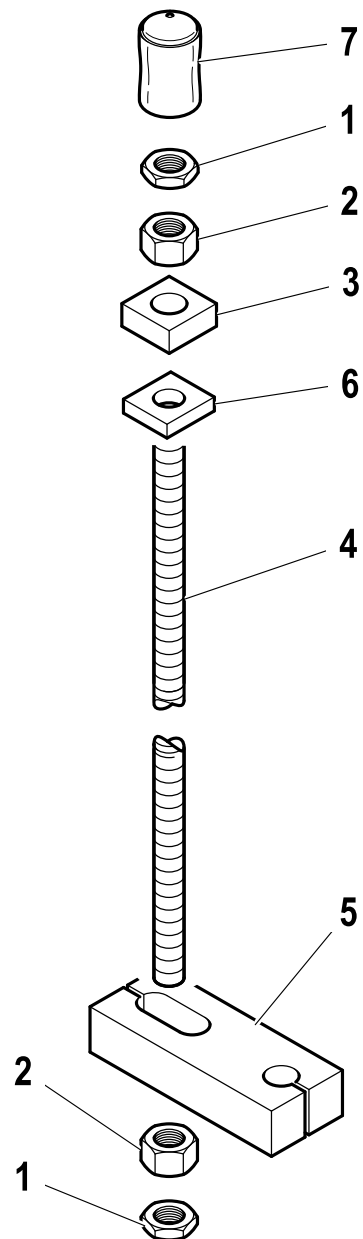


Assembly kit

Code

W580050100-1.0

1/1



R	Pos.	Code Variant	Q.ty	Description
	1	3040219	16	Lock nut
	2	3040255	16	Tall headed nut
	3	5000090	8	
	4	W738030	8	
	5	5001204	4	
	6	5000208	8	
	7	3190305	8	





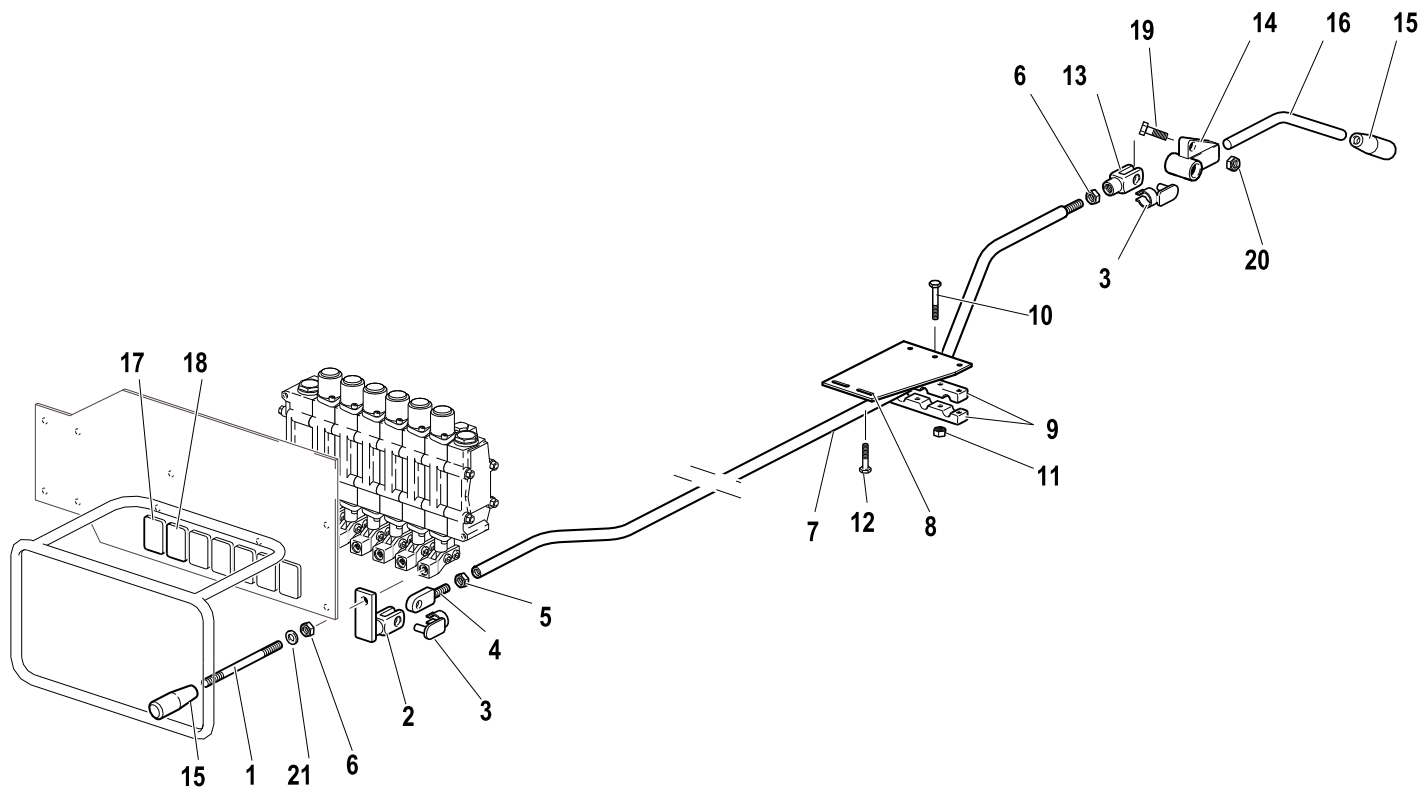
HC221 E6 JIB2

CONTROLS (JIB)

Code

W057507-1.1

1/2



R	Pos.	Code Variant	Q.ty	Description
	1	W338802	2	
	2 DF	W330500800	2	
	2 HC	W580502500	2	
	3	3300451	4	Fork clip
	4	W010503600	2	
	5	3040081	2	Lock nut
	6	3040040	4	Lock nut
	7	W270510000	2	
	8	W330500600	1	
	9	W330500700	1	
	10	3010397	2	Hex screw [M6X50 8.8 ZC UNI 5737]
	11	3040372	2	Stopnut
	12	3010337	2	Hex screw [M8X16 8.8 ZC UNI 5739]
	13	3300431	2	Fork
	14	W270509000	2	
	15	W664003	4	
	16	W440501700	2	
	17	W573317	2	
	18	W573318	2	
	19	3020021	2	Socket head cap screw [M5X12X0.8 8.8 ZC UNI 5931]

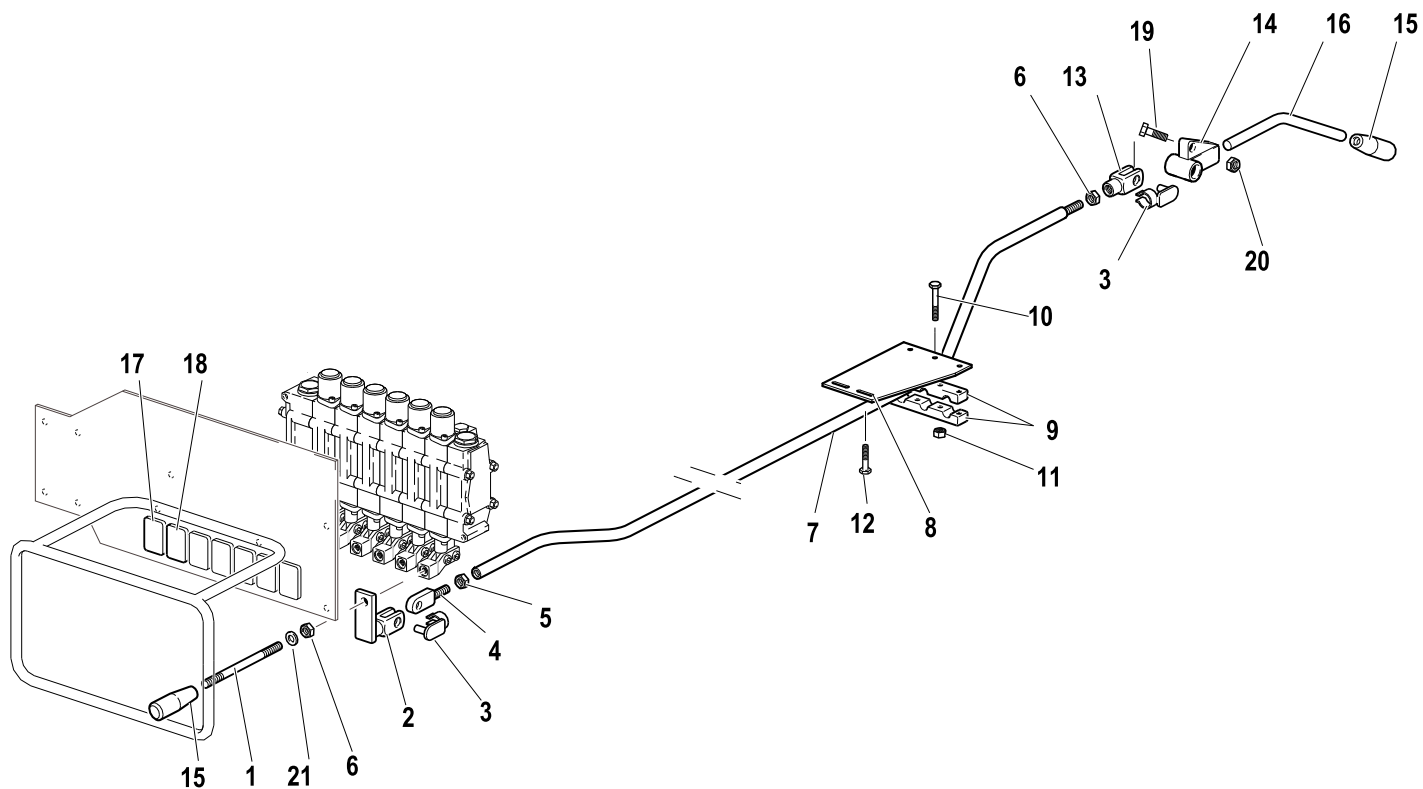
CONTROLS (JIB)

Code

W057507-1.1

2/2

R	Pos.	Code Variant	Q.ty	Description
	20	3040393	2	Lock nut
	21	3060006	2	Flat washer [D.8 UNI 6592 ZC]

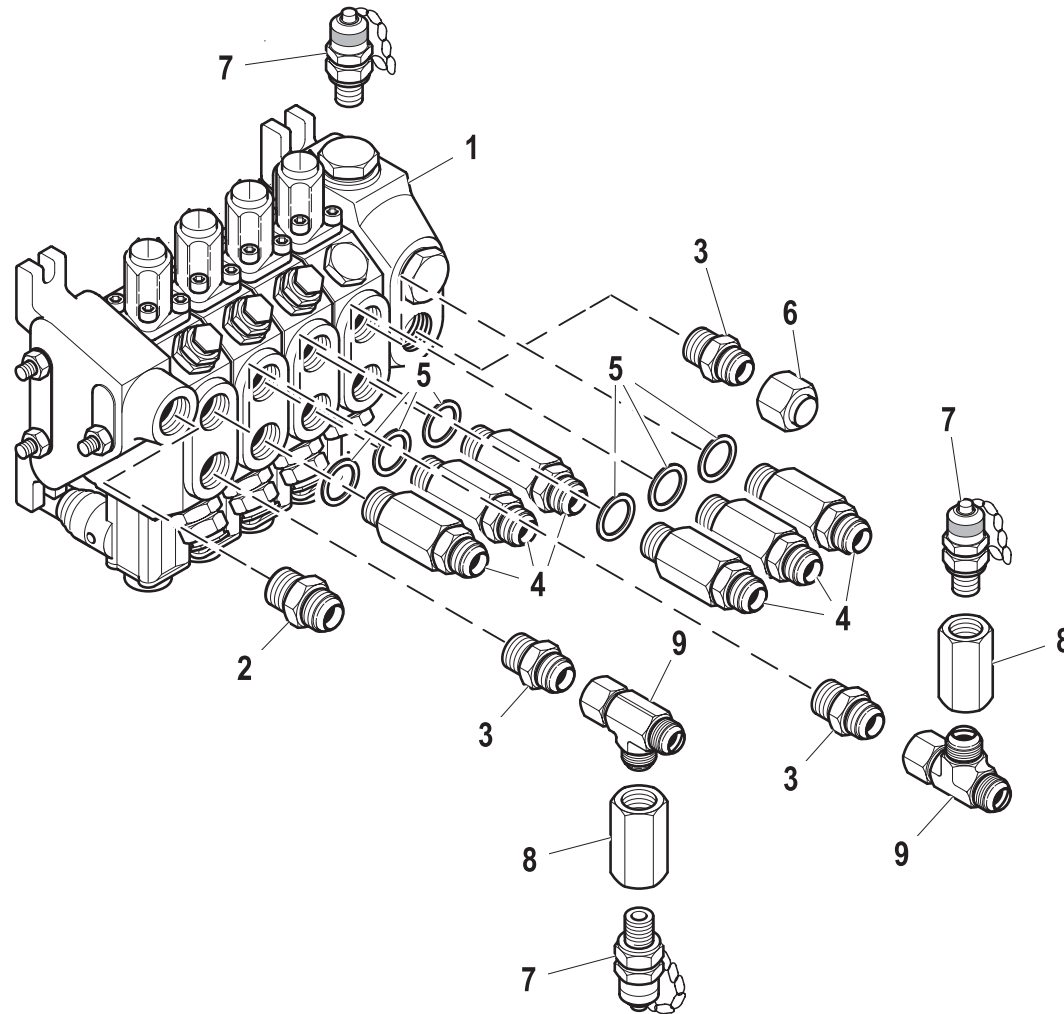


Control valve ass'y (4 section)

Code

5400622-1.0

1/1



R	Pos.	Code Variant	Q.ty	Description
	1	W338428	1	
	2	3101058	1	Straight pipe fitting
	3	3101044	5	Straight pipe fitting
	4	W402110	6	Rotary union
	5	3060145	6	Sealing washer [BSP 1/2"]
	6	3110041	1	Female plug
	7	3111523	3	Pipe fitting (Tapping point) [RACC. MILITES 16X2-1/4"G]
	8	3120356	2	Reducing fitting
	9	3120004	2	Tee fitting

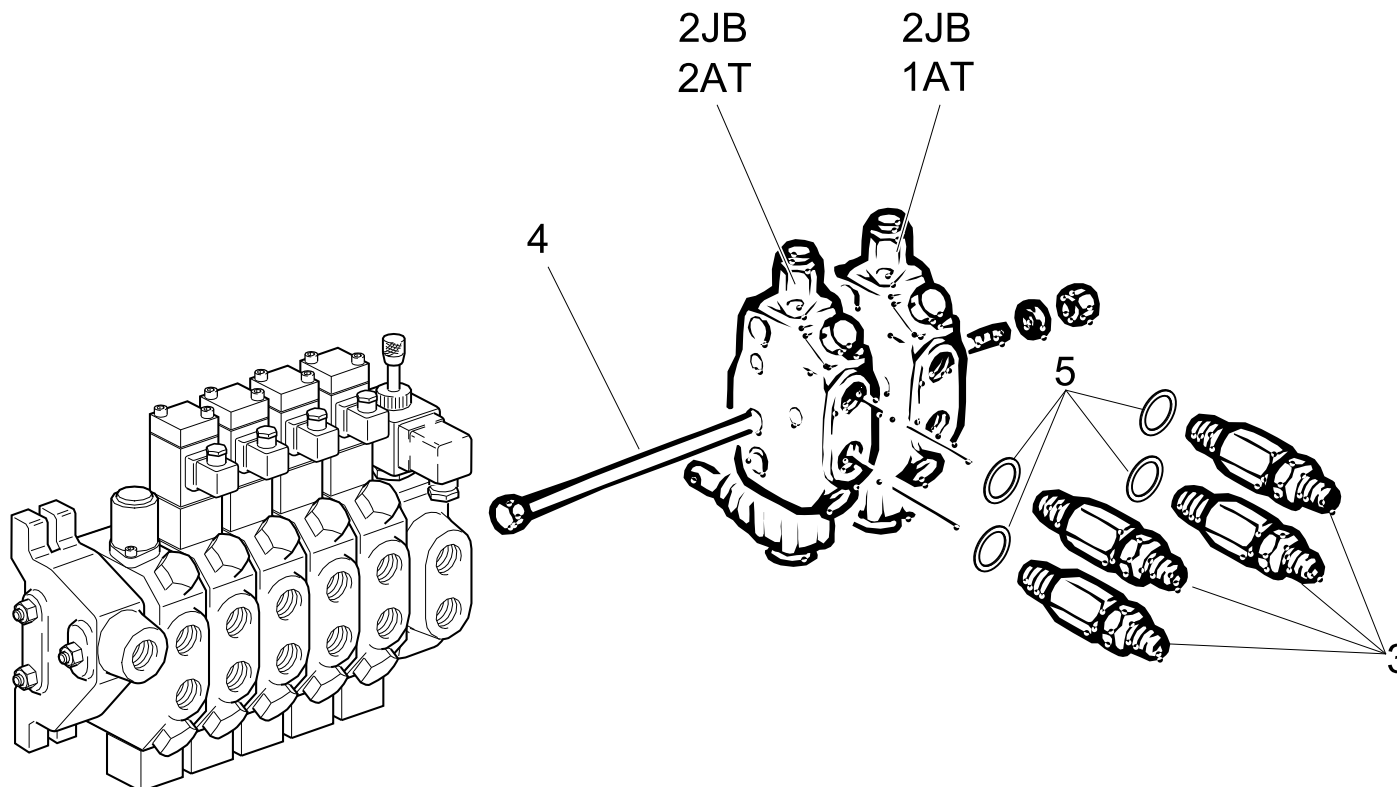
6th and 7th EXTRA FUNCTION KIT (JIB)

Code

W057508-2.0

1/1

R	Pos.	Code Variant	Q.ty	Description
	1 AT	WHC0611	1	
	2 AT	WHC0610	1	
	2 JB	WHC0622	2	
	3	W402110	4	Rotary union
	4	WHC0650	3	
	5	3060145	4	Sealing washer [BSP 1/2"]

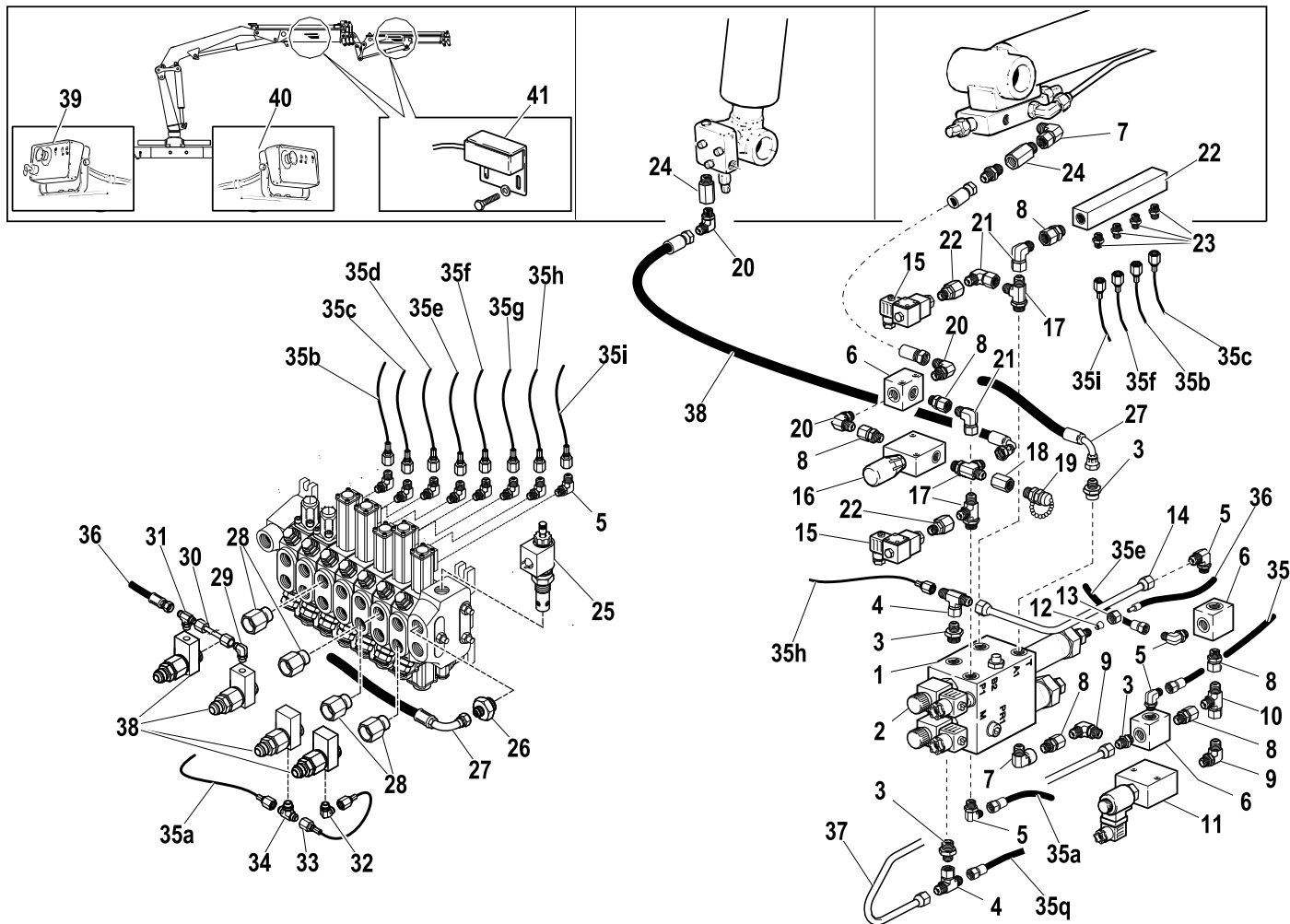


Moment limiting device (JIB)

Code

5430133-1.0

1/3



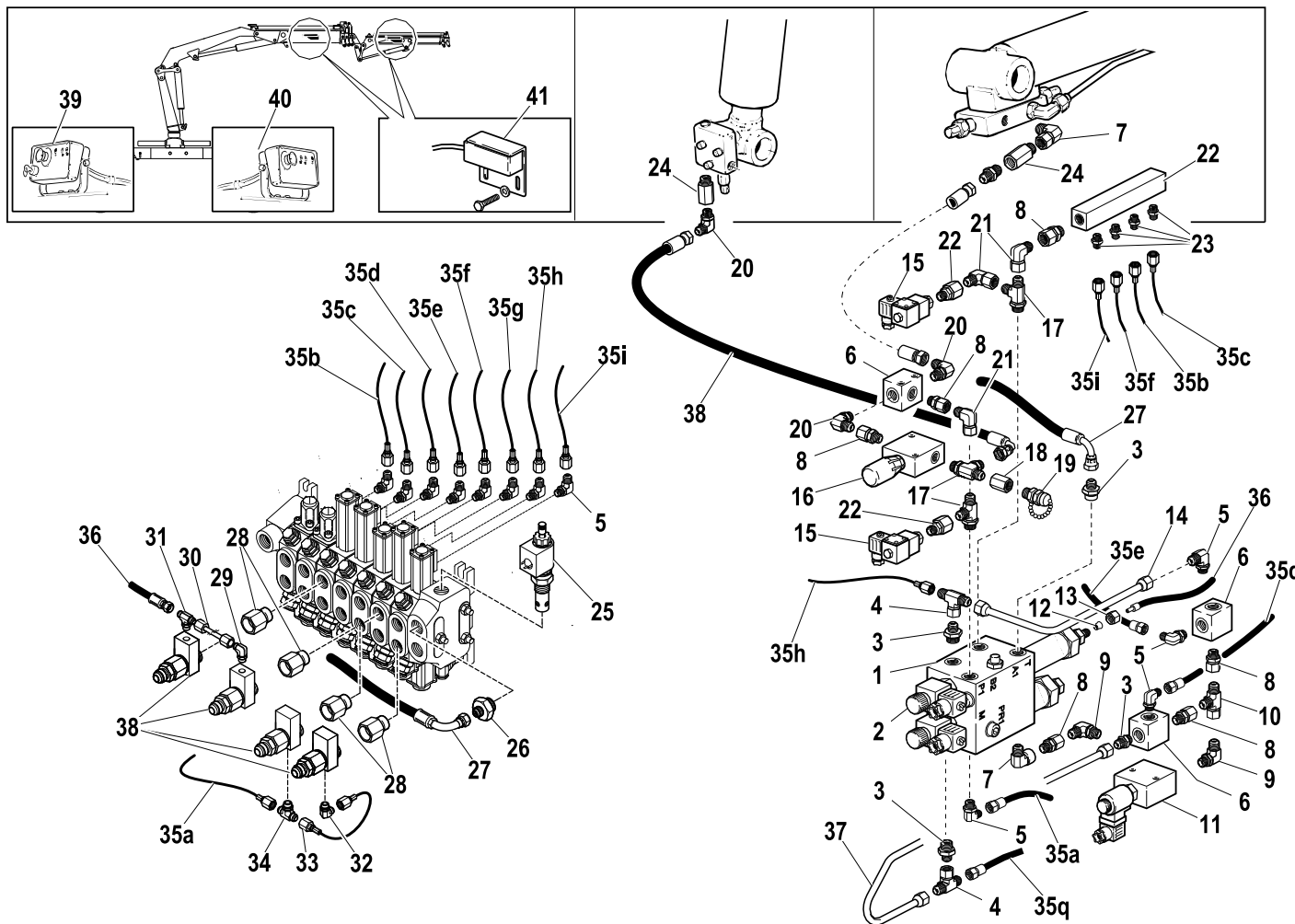
R	Pos.	Code Variant	Q.ty	Description
	1	W471005	1	
	2	W222006	2	
	3	W403128	4	
	4	W403625	4	
	5	W403521	12	
	6	W470060	3	
	7	W380823	2	
	8	W403202	6	
	9	W403513	2	
	10	W403618	1	
	11	W470604	1	
	12	W401056	1	
	13	W401005	1	
	14	W270514100	1	
	15	W283007	2	
	16	W470861	1	
	17	W403620	2	
	18	3120585	1	
	19	3111523	1	Pipe fitting (Tapping point) [RACC. MILITES 16X2-1/4"G]
	20	W403101	4	

Moment limiting device (JIB)

Code

5430133-1.0

2/3



R	Pos.	Code Variant	Q.ty	Description
	21	W403403	3	
	22	W403703	2	
	23	W403124	6	
	24	W470047	2	
	25	W470607	1	
	26	0	0	
	27	W455527	1	
	28	0	0	
	29	0	0	
	30	5392185	1	
	31	0	0	
	32	W403522	1	
	33	W465101	1	
	34	0	0	
	35 a	W465001	1	
	35 b	W465001	1	
	35 c	W465001	1	
	35 e	W465001	1	
	35 f	W465001	1	
	35 g	W465001	1	

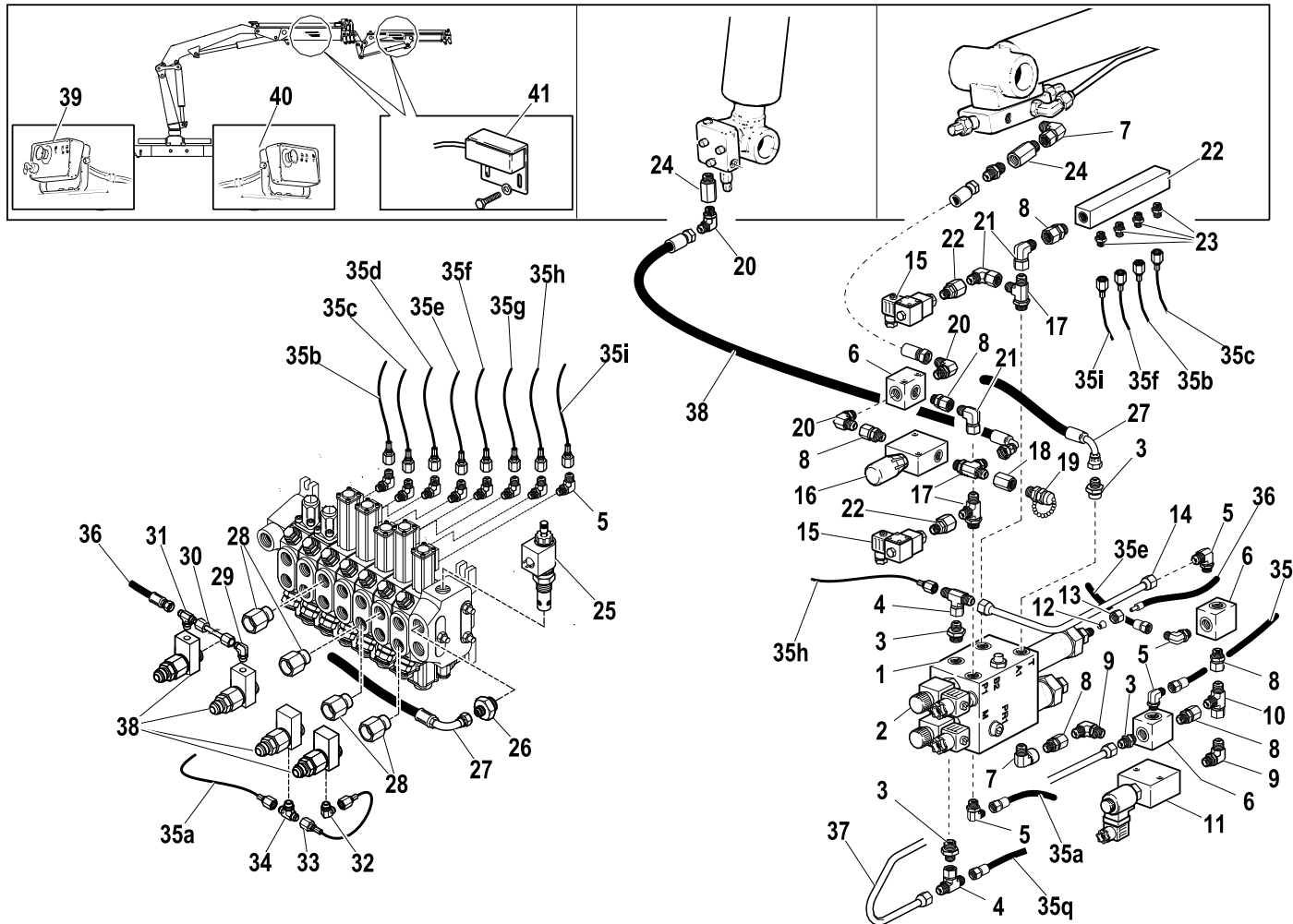
Moment limiting device (JIB)

Code

5430133-1.0

3/3

R	Pos.	Code Variant	Q.ty	Description
	35 h	W465001	1	
	35 i	W465001	1	
	36	W465002	1	
	38	W402113	1	

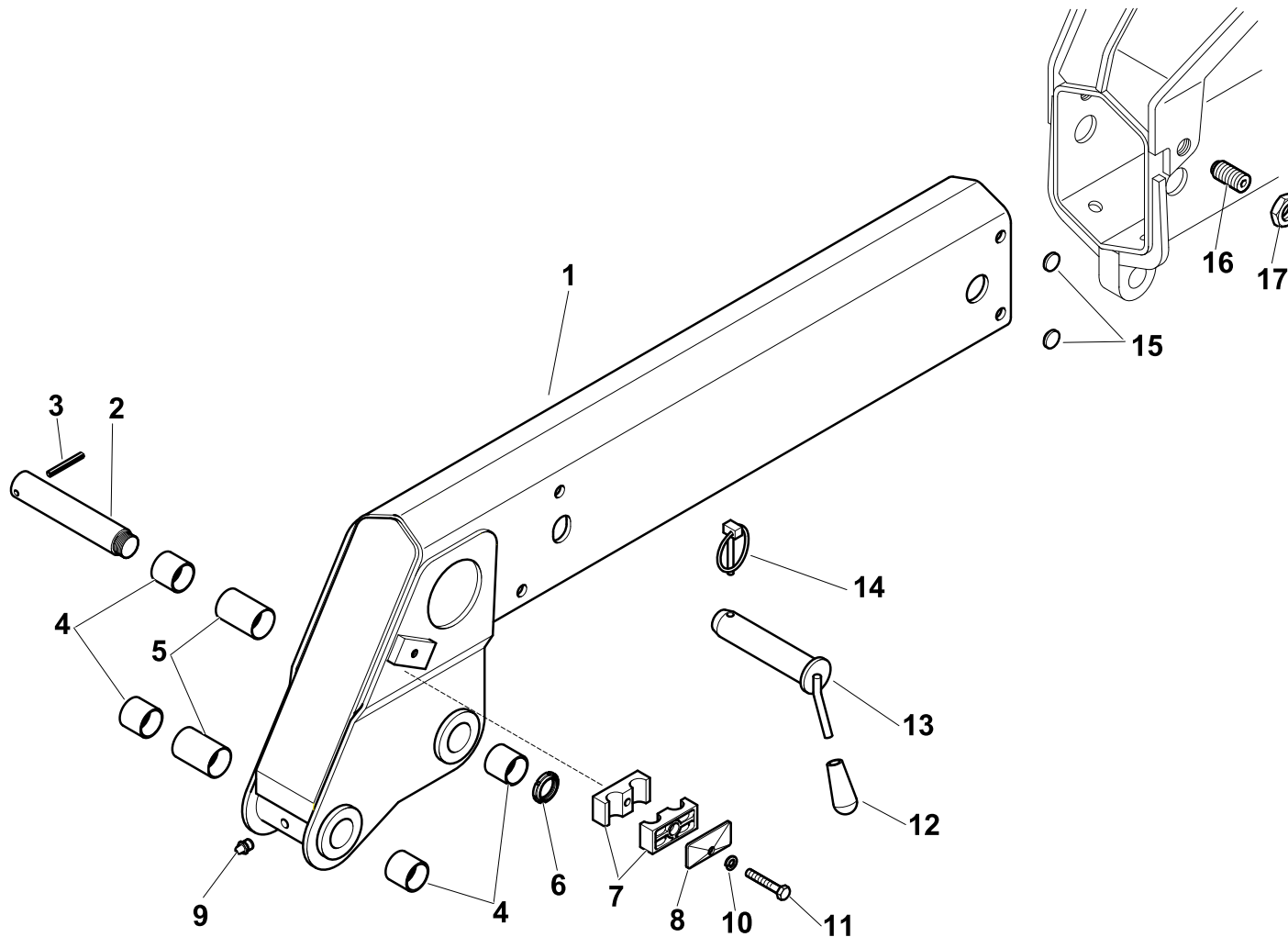


ATTACHEMENT FOR (JIB)

Code

5780014-1.0

1/1



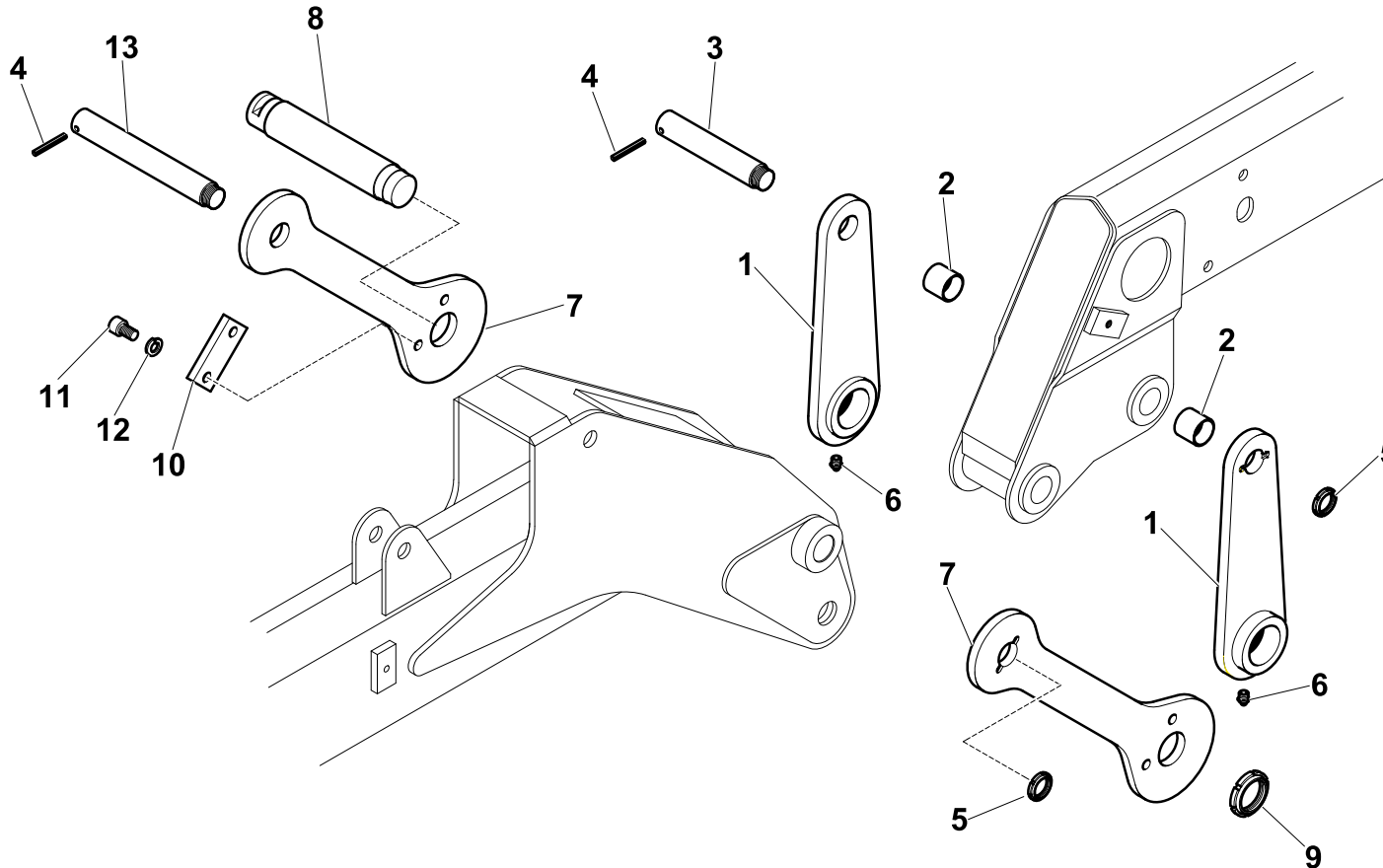
R	Pos.	Code Variant	Q.ty	Description
	1	5090751	1	
	2	5150682	1	
	3	3060608	1	Spring pin
	4	5140122	4	
	5	5001305	2	
	6	3040502	1	Self-locking ringnut [M25X1.5 NORMALE ZC]
	7	3190172	2	Clamp (Set of hoses)
	8	3190204	2	Plate (Collar)
	9	3080501	2	Grease nipple
	10	3060055	2	Split lock washer [D=8.4 C72 ZC]
	11	3010031	2	Hex screw [M8X40 8.8 ZC UNI 5737]
	12	3190010	1	Knob
	13	5150395	1	
	14	3060750	1	
	15	5140656	4	Button (Backlash)
	16	5000771	4	Adjusting screw
	17	3040089	4	Lock nut

KIT CONNECTING ROD (JIB)

Code

5360013-1.0

1/1



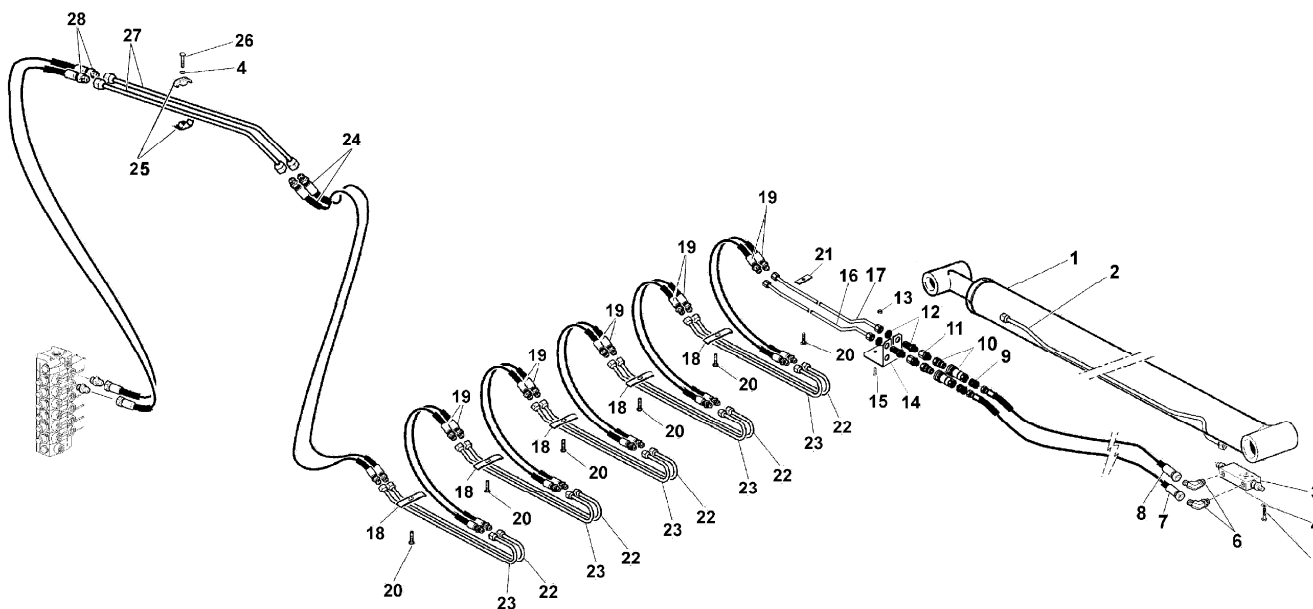
R	Pos.	Code Variant	Q.ty	Description
	1	5090753	2	
	2	5140124	2	
	3	5150682	1	
	4	3060608	2	Spring pin
	5	3040502	2	Self-locking ringnut [M25X1.5 NORMALE ZC]
	6	3080501	2	Grease nipple
	7	5090752	2	
	8	5150683	1	
	9	3040500	1	Self-locking ringnut
	10	5001138	1	
	11	3020874	2	Socketed head cap screw [M12X20 ZC UNI 5931]
	12	3060057	2	Split lock washer [D=12 C72 ZC]
	13	5150685	1	

Articulation Hydraulic jack (Hydraulic system)

Code

6230131-4.0

1/2



R	Pos.	Code Variant	Q.ty	Description
	1	6430131	1	Articulation Hydraulic jack
	2	5391047	1	
	3	5220674	1	
	4	3060055	4	Split lock washer [D=8.4 C72 ZC]
	5	3010033	4	Hex screw [M8X50 8.8 ZC UNI 5737]
	6	3101125	2	90° Connection
	7	5271433	1	Flexible hose
	8	5271432	1	Flexible hose
	9	3101043	2	Straight pipe fitting
	10	3110420	2	Quick coupling
	11	3120066	2	Straight pipe fitting
	12	3120310	2	Wall-through pipe fitting
	13	3040303	1	Stopnut
	14	5001596	1	Piping mounting
	15	3020903	1	TSEI screw [M8X30 ZC UNI 5933]
	16	W440500800	2	Bonderized tube () [Tubo FE 12x1.5 zc]
	17	W440500900	1	Bonderized tube () [Tubo FE 12x1.5 zc]
	18	5001193	2	Plate (Hose clamp)
	19	5271401	12	Flexible hose
	20	3020899	5	TSEI screw [M8X20 10.9 ZC UNI 5933]

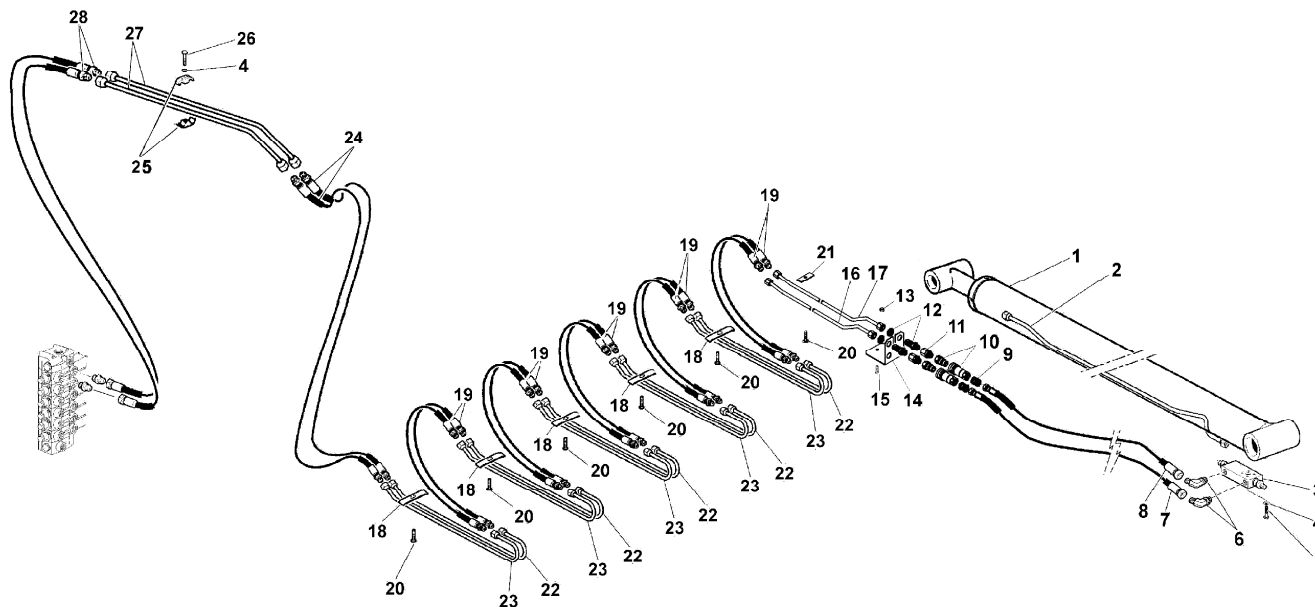
Articulation Hydraulic jack (Hydraulic system)

Code

6230131-4.0

2/2

R	Pos.	Code Variant	Q.ty	Description
	21	5001187	5	Clamp (Set of hoses)
	22	5391822	12	Bonderized tube ()
	23	5391823	12	Bonderized tube ()
	24	5271563	2	Flexible hose
	25	5000047	6	Clamp (Rigid Pipe)
	26	3010031	3	Hex screw [M8X40 8.8 ZC UNI 5737]
	27	5391935	2	Bonderized tube
	28	5280600	2	



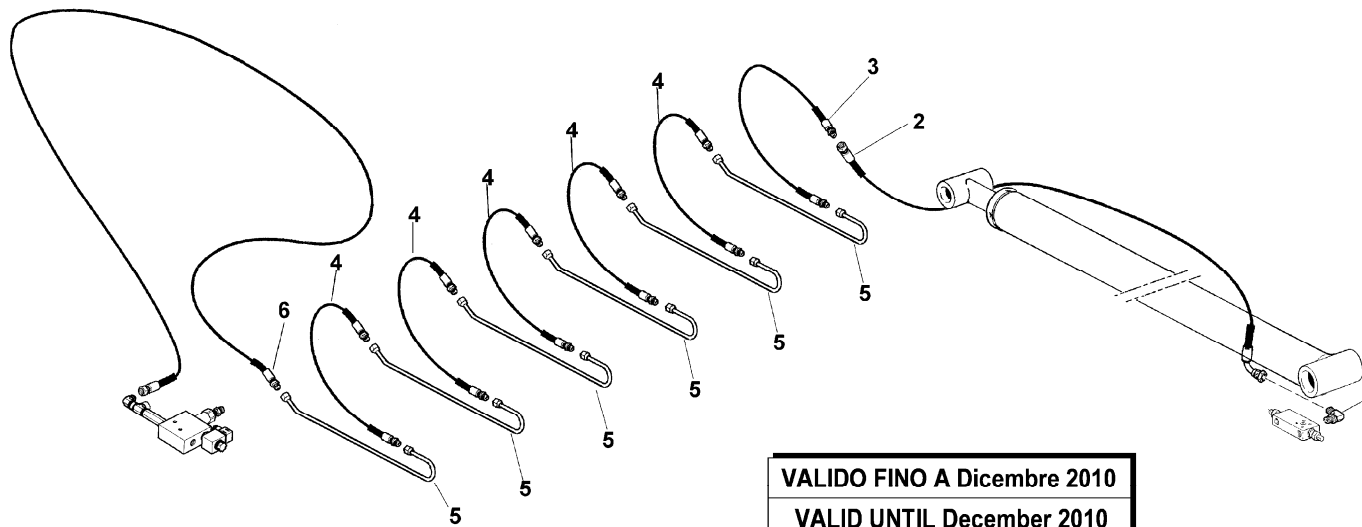
Kit activation hydraulic input

Code

5590093-1.0

1/1

R	Pos.	Code Variant	Q.ty	Description
	1	3101125	1	90° Connection
	2	5260617	1	Flexible hose
	3	5260691	1	Flexible hose
	4	5260692	5	Flexible hose
	5	5391985	6	
	6	5260686	1	Flexible hose



VALIDO FINO A Dicembre 2010
VALID UNTIL December 2010

DOUBLE CONTROLS (CE)

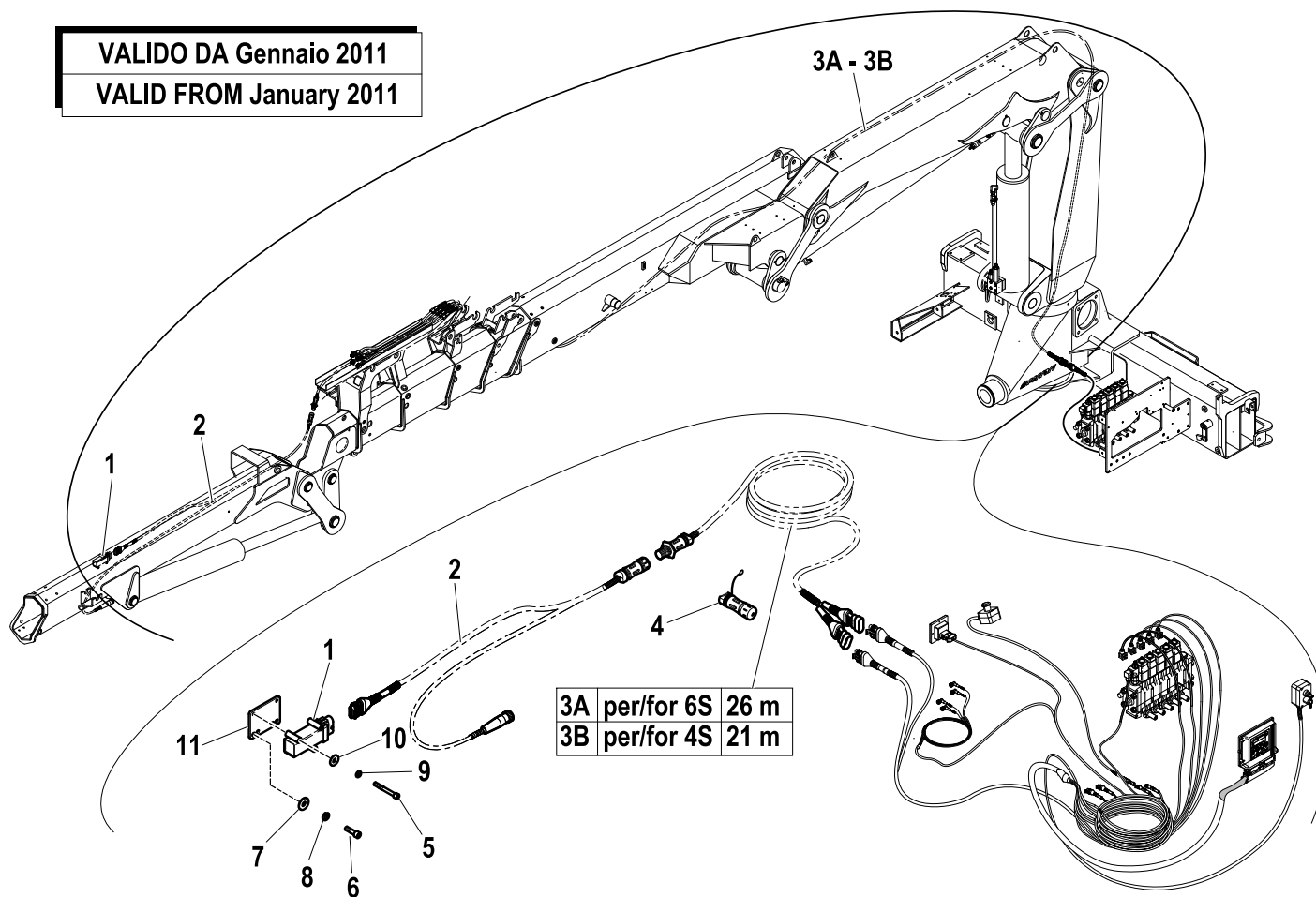
Code

W044505-6.0

1/1

R	Pos.	Code Variant	Q.ty	Description
	1	3311150	1	Tiltmeter
	2	5160079	1	Electric wiring
	3 A	5160077	1	
	3 B	5160078	1	
	4	5160080	1	Plug (Electric components)
	5	3020018	2	Socketed head cap screw [M4X30 8.8 ZC UNI 5931]
	6	3020033	2	Socketed head cap screw [M6X10 8.8 ZC UNI 5931]
	7	3060005	2	Flat washer [D.6.4 UNI 6592 ZC]
	8	3060053	2	Split lock washer [D=6.4 C72 ZC]
	9	3060065	2	Split lock washer [D=4.1 C72 ZC]
	10	3060003	2	Flat washer [D.4 UNI 6592 ZC]
	11	5002108	1	Support plate (Tiltmeter)

VALIDO DA Gennaio 2011
VALID FROM January 2011



DOUBLE CONTROLS (CE)

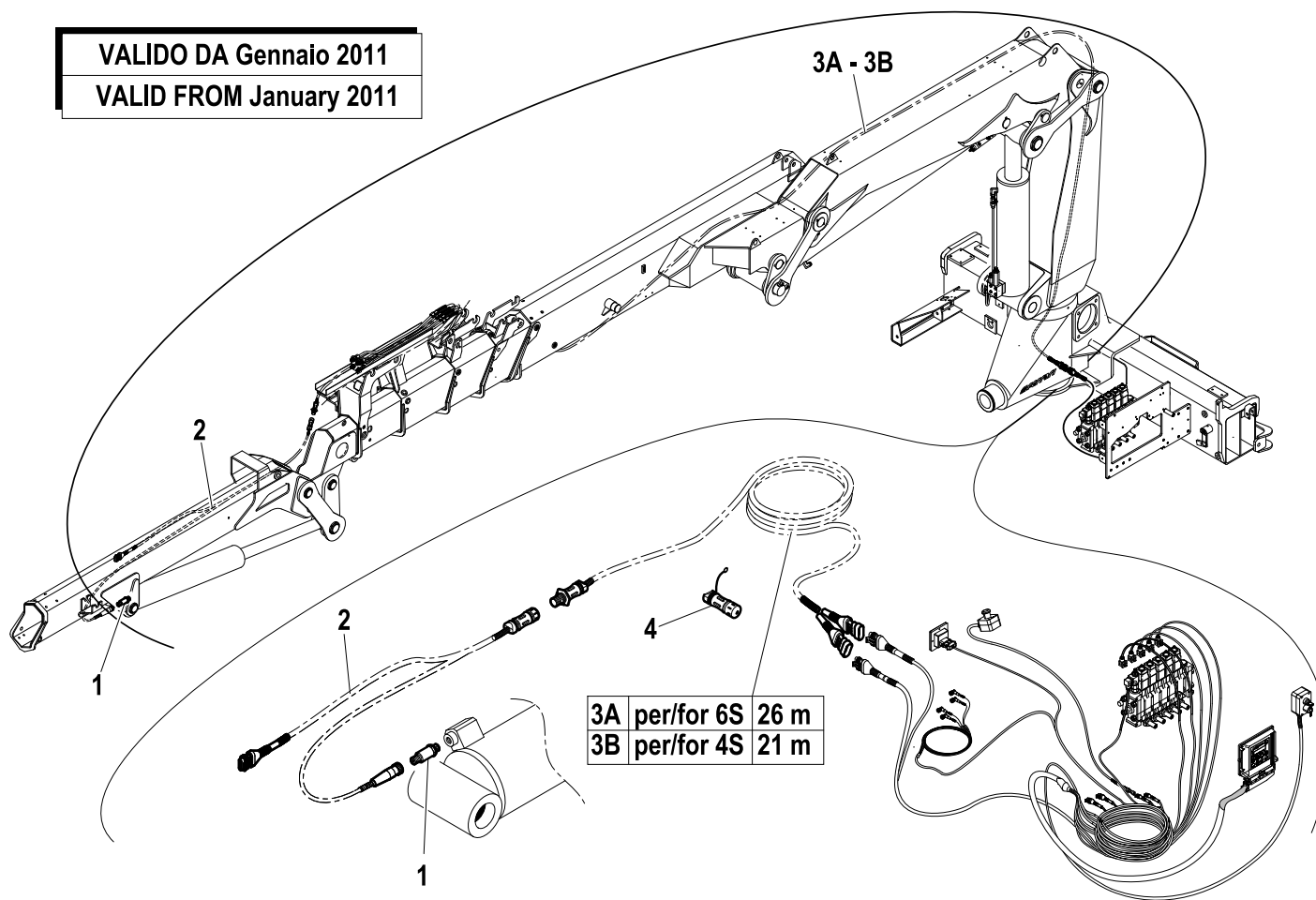
Code

W044505-7.0

1/1

R	Pos.	Code Variant	Q.ty	Description
1		3310612	1	Pressure sensor
2		5160079	1	Electric wiring
3 A		5160077	1	
3 B		5160078	1	
4		5160080	1	Plug (Electric components)

VALIDO DA Gennaio 2011
VALID FROM January 2011

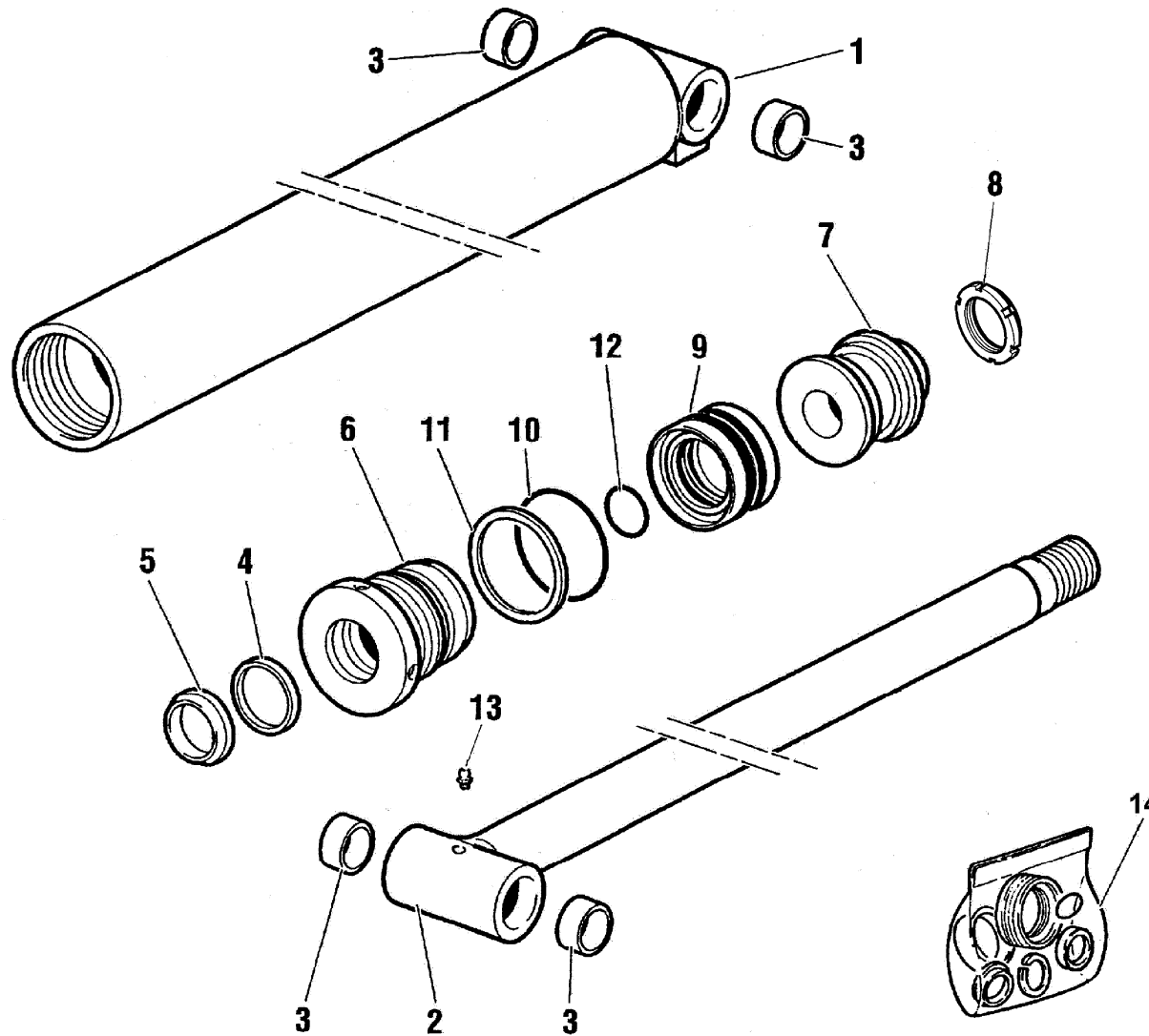


Articulation Hydraulic jack

Code

6430131-1.0

1/1



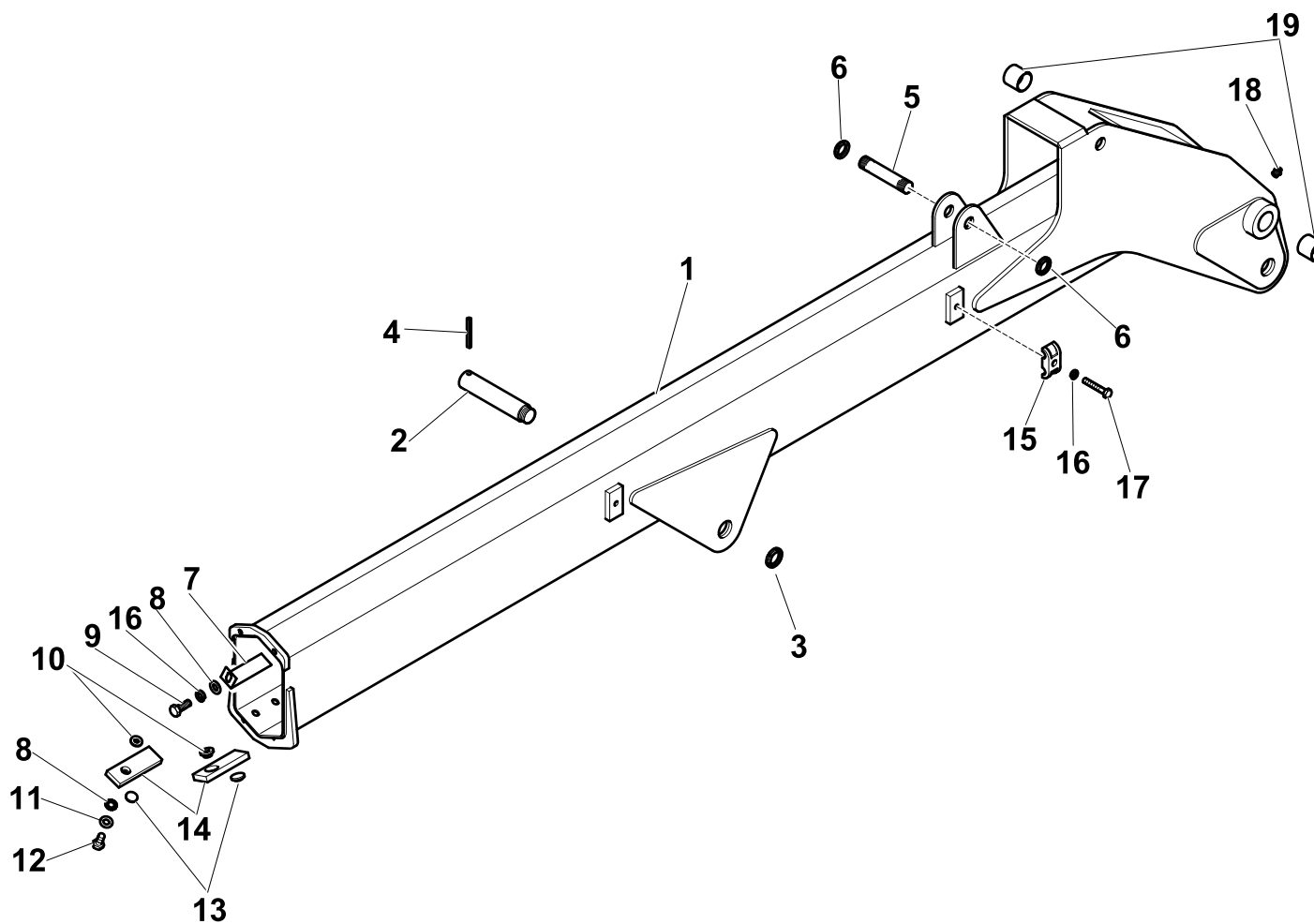
R	Pos.	Code Variant	Q.ty	Description
	1	6070344	1	
	2	6030605	1	
	3	5140122	4	
	4	3400090	1	
	5	3420026	1	W-ring
	6	6040103	1	
	7	6050231	1	
	8	3040501	1	Self-locking ringnut
	9	3400512	1	Seal
	10	3450210	1	
	11	3460329	1	
	12	3450114	1	O-ring joint
	13	3080501	2	Grease nipple
	14	5550699	1	

JIB ARM

Code

5630006-1.0

1/1



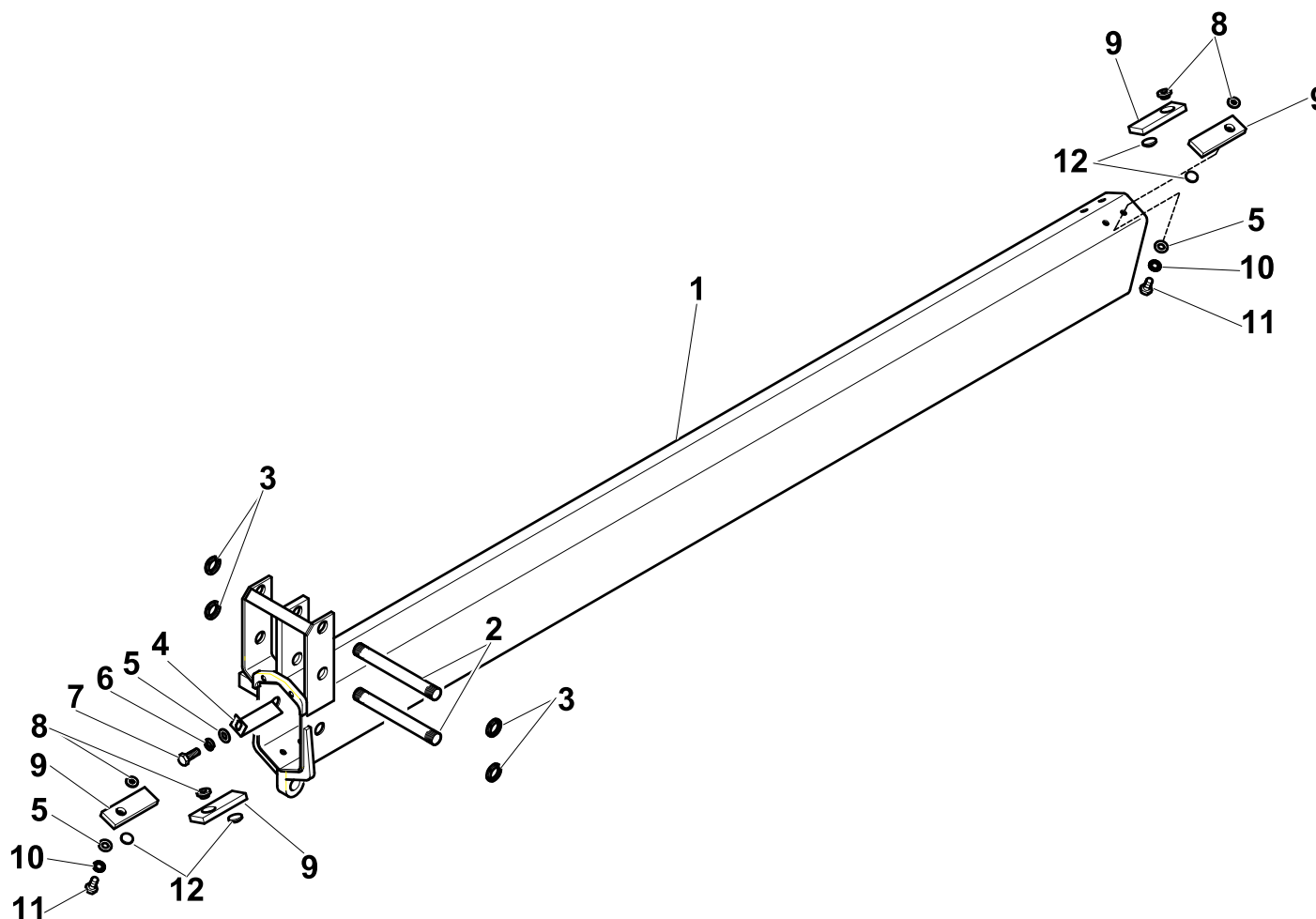
R	Pos.	Code Variant	Q.ty	Description
	1	5030263	1	JIB ARM
	2	5150684	1	
	3	3040502	1	Self-locking ringnut [M25X1.5 NORMALE ZC]
	4	3060608	1	Spring pin
	5	5150435	1	
	6	3040504	2	Self-locking ringnut
	7	5000685	6	Plate (Thickness)
	8	3060006	4	Flat washer [D.8 UNI 6592 ZC]
	9	3010027	2	Hex screw [M8X20 8.8 ZC IF UNI 5739]
	10	5000623	2	
	11	3060918	2	Tooth lock washer [D.8 TIPO A UNI8842 ZC]
	12	3010336	2	Hex screw [M8X12 8.8 ZC UNI 5739]
	13	5140656	2	Button (Backlash)
	14	5140655	2	
	15	5000077	2	Clamp (Rigid Pipe)
	16	3060055	4	Split lock washer [D=8.4 C72 ZC]
	17	3010029	2	Hex screw [M8X30 8.8 ZC UNI 5737]
	18	3080501	1	Grease nipple
	19	5140122	2	

1st EXTENSION (JIB)

Code

5490007-1.0

1/1



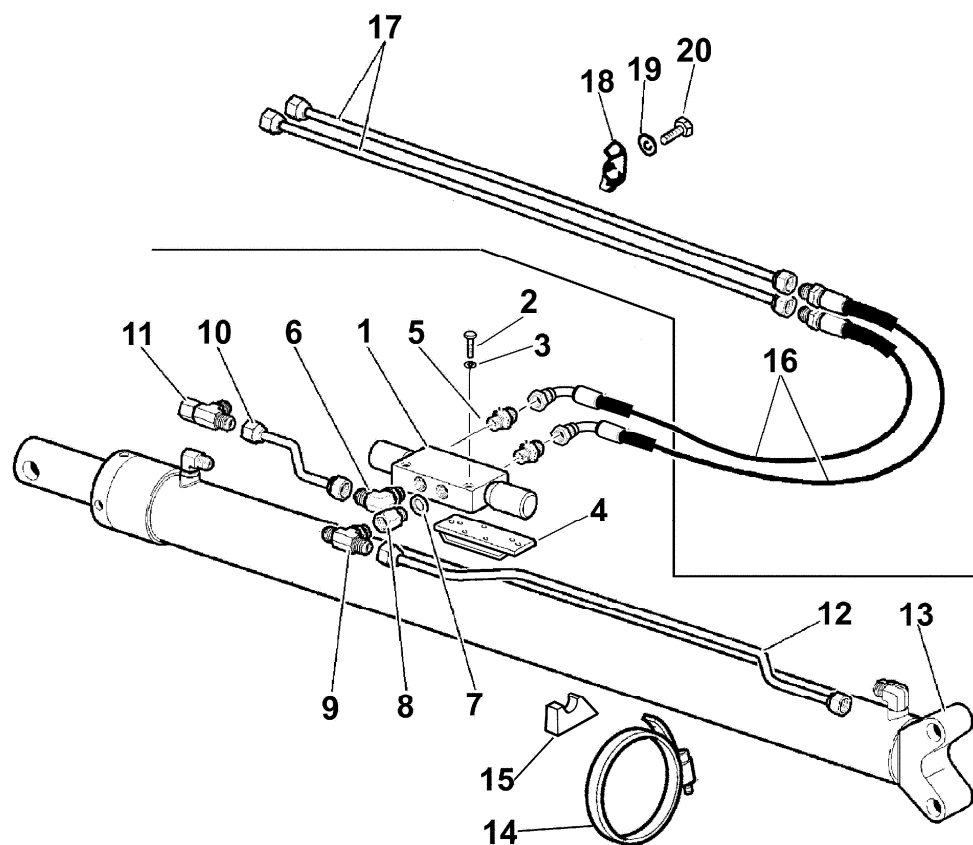
R	Pos.	Code Variant	Q.ty	Description
	1	5020316	1	Extension
	2	5150432	2	
	3	3040504	4	Self-locking ringnut
	4	5000685	2	Plate (Thickness)
	5	3060006	6	Flat washer [D.8 UNI 6592 ZC]
	6	3060053	2	Split lock washer [D=6.4 C72 ZC]
	7	3010027	2	Hex screw [M8X20 8.8 ZC IF UNI 5739]
	8	5000623	4	
	9	5140655	4	
	10	3060918	4	Tooth lock washer [D.8 TIPO A UNI8842 ZC]
	11	3010336	4	Hex screw [M8X12 8.8 ZC UNI 5739]
	12	5140656	4	Button (Backlash)

HYDRAULIC SYSTEM (1th extension hydraulic cylinder)

Code

6210343-1.0

1/1



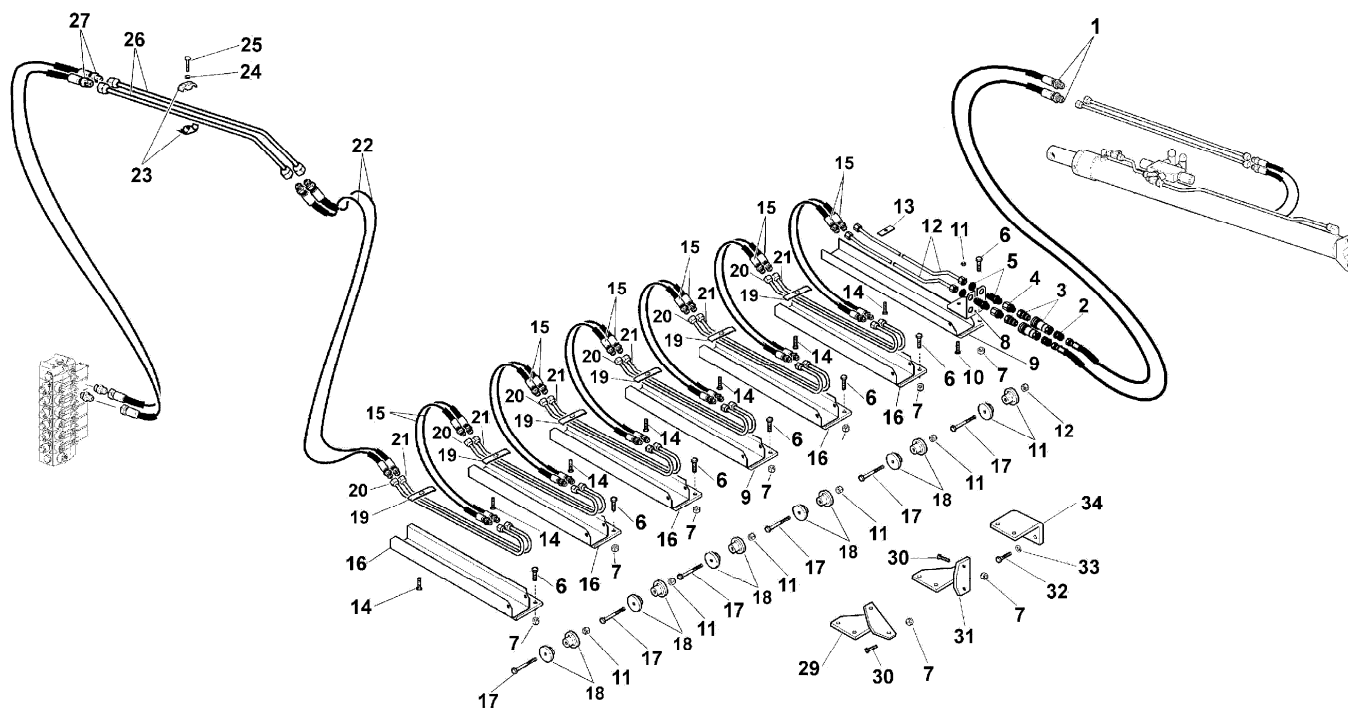
R	Pos.	Code Variant	Q.ty	Description
	1	5220122	1	Valve
	2	3010017	2	Hex screw [M6X35 8.8 ZC UNI 5737]
	3	3060053	2	Split lock washer [D=6.4 C72 ZC]
	4	5000693	1	Valve support
	5	3101043	2	Straight pipe fitting
	6	3101127	1	90° Connection
	7	3060144	1	Sealing washer [BSP 3/8"]
	8	3110112	1	Straight pipe fitting
	9	3120303	1	Tee fitting
	10	5392074	1	Bonderized tube
	11	3120004	1	Tee fitting
	12	5392072	1	
	13	6410160	1	
	14	3190029	4	Clamp
	15	5140133	2	Piping mounting
	16	5271000	2	Flexible hose
	17	5391894	2	
	18	3190172	2	Clamp (Set of hoses)
	19	3060055	2	Split lock washer [D=8.4 C72 ZC]
	20	3010030	2	Hex screw [M8X35 8.8 ZC UNI 5737]

HYDRAULIC SYSTEM (1th extension hydraulic cylinder)

Code

5590091-2.0

1/2



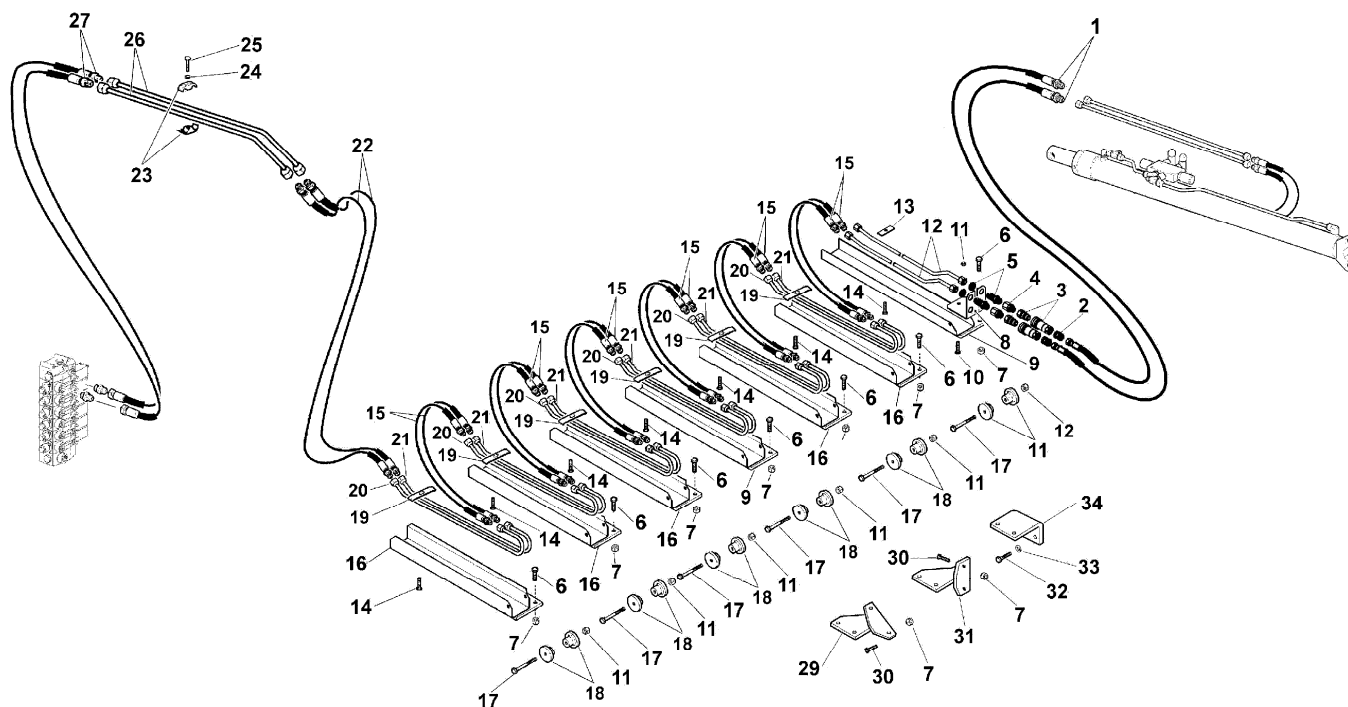
R	Pos.	Code Variant	Q.ty	Description
	1	5271434	1	Flexible hose
	2	3101043	2	Straight pipe fitting
	3	3110420	2	Quick coupling
	4	3120066	2	Straight pipe fitting
	5	3120301	2	Tee fitting
	6	3010389	14	Hex screw [M10X35 ZC UNI 5739]
	7	3040304	12	Stopnut
	8	5001596	1	Piping mounting
	9	5001333	1	Slide (ACTUATION)
	10	3020903	1	TSEI screw [M8X30 ZC UNI 5933]
	11	3040303	5	Stopnut
	12	W580500700	2	Bonderized tube
	13	5001193	1	Plate (Hose clamp)
	14	3020899	6	TSEI screw [M8X20 10.9 ZC UNI 5933]
	15	5271401	2	Flexible hose
	16	5001334	5	Slide (Actuations)
	17	3010414	5	Hex screw [M8X90 8.8 ZC UNI 5737]
	18	5140742	8	Hydraulic hose guide
	19	5001187	5	Clamp (Set of hoses)
	20	5391820	5	Bonderized tube ()

HYDRAULIC SYSTEM (1th extension hydraulic cylinder)

Code

5590091-2.0

2/2



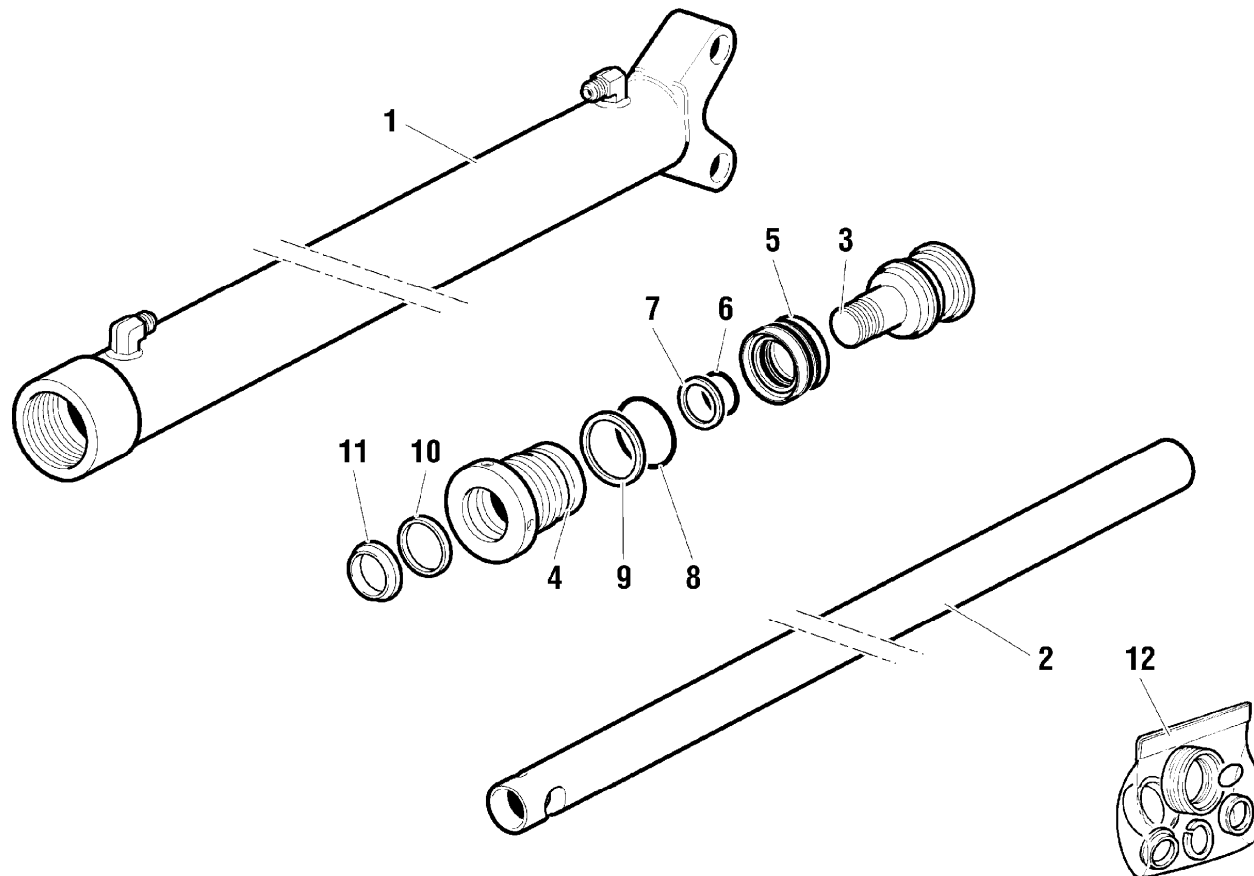
R	Pos.	Code Variant	Q.ty	Description
	21	5391821	5	Bonderized tube ()
	22	5271403	2	Flexible hose
	23	5000047	6	Clamp (Rigid Pipe)
	24	3060055	3	Split lock washer [D=8.4 C72 ZC]
	25	3010031	3	Hex screw [M8X40 8.8 ZC UNI 5737]
	26	5391935	2	Bonderized tube
	27	5280600	2	
	29	5001214	1	Support (Slide)
	30	3010044	4	Hex screw [M10X35 8.8 ZC UNI 5737]
	31	5001215	1	
	32	3010354	2	Hex screw [M10X20 8.8 ZC UNI 5739]
	33	3060056	2	Split lock washer [D=10 C72 ZC]
	34	5001216	1	Support bracket (Actuations)

1st EXSTENSION HYDRAULIC

Code

6410160-1.0

1/1



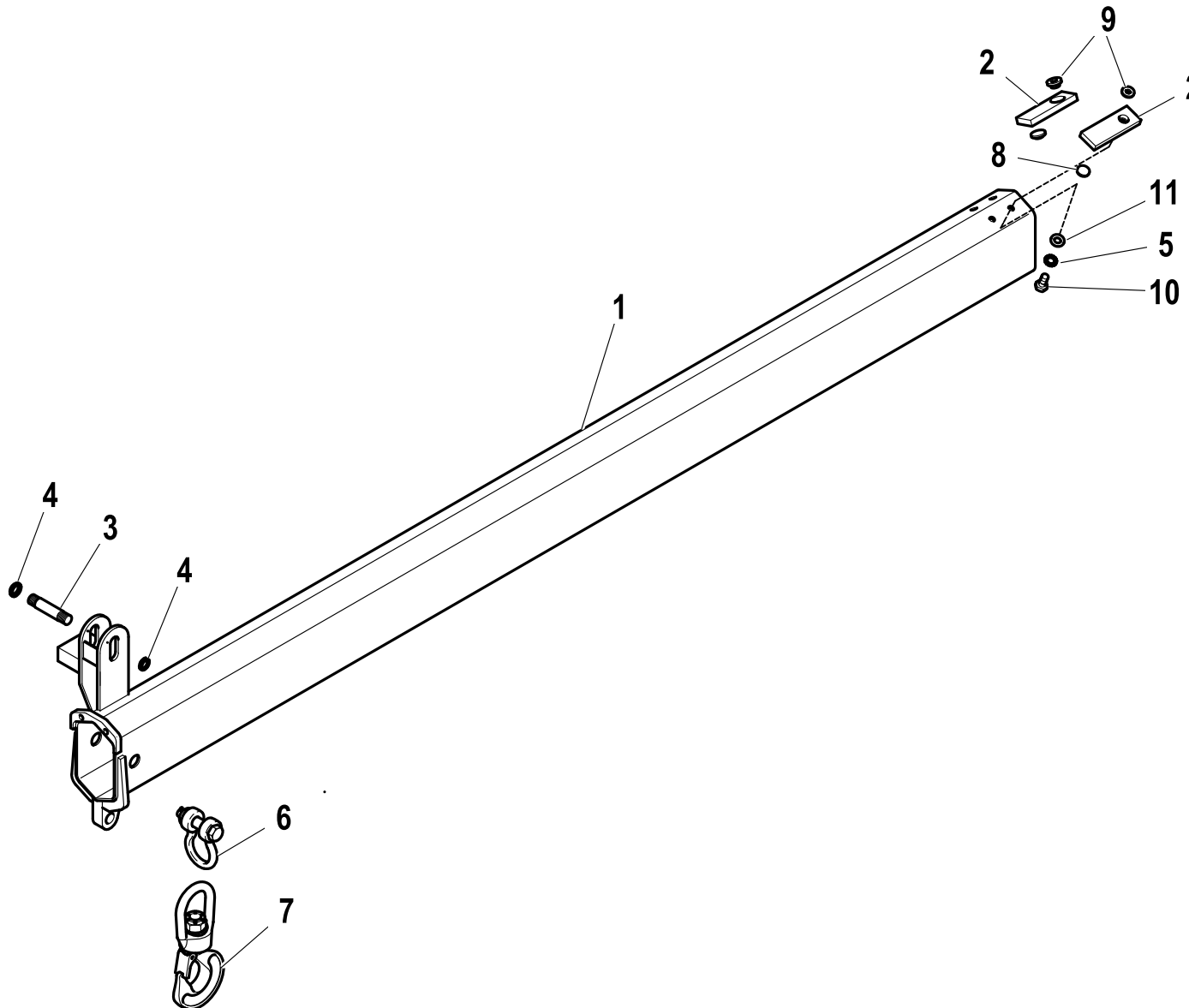
R	Pos.	Code Variant	Q.ty	Description
	1	6070347	1	
	2	6030339	1	
	3	6050234	1	
	4	6040248	1	
	5	3400506	1	
	6	3450062	1	
	7	3460067	1	
	8	3450077	1	
	9	3460077	1	
	10	3400067	1	
	11	3420021	1	
	12	5550682	1	

2nd extension (JIB)

Code

5530043-1.0

1/1



R	Pos.	Code Variant	Q.ty	Description
	1	5020317	1	Extension
	2	5140655	2	
	3	5150434	1	
	4	3040498	2	Self-locking ringnut
	5	3060918	2	Tooth lock washer [D.8 TIPO A UNI8842 ZC]
	6	3200050	1	Shackles
	7	3200006	1	Swivel hook
	8	5140656	2	Button (Backlash)
	9	5000623	2	
	10	3010336	2	Hex screw [M8X12 8.8 ZC UNI 5739]
	11	3060010	2	Flat washer [D.17X30X3 UNI 6592 ZC]

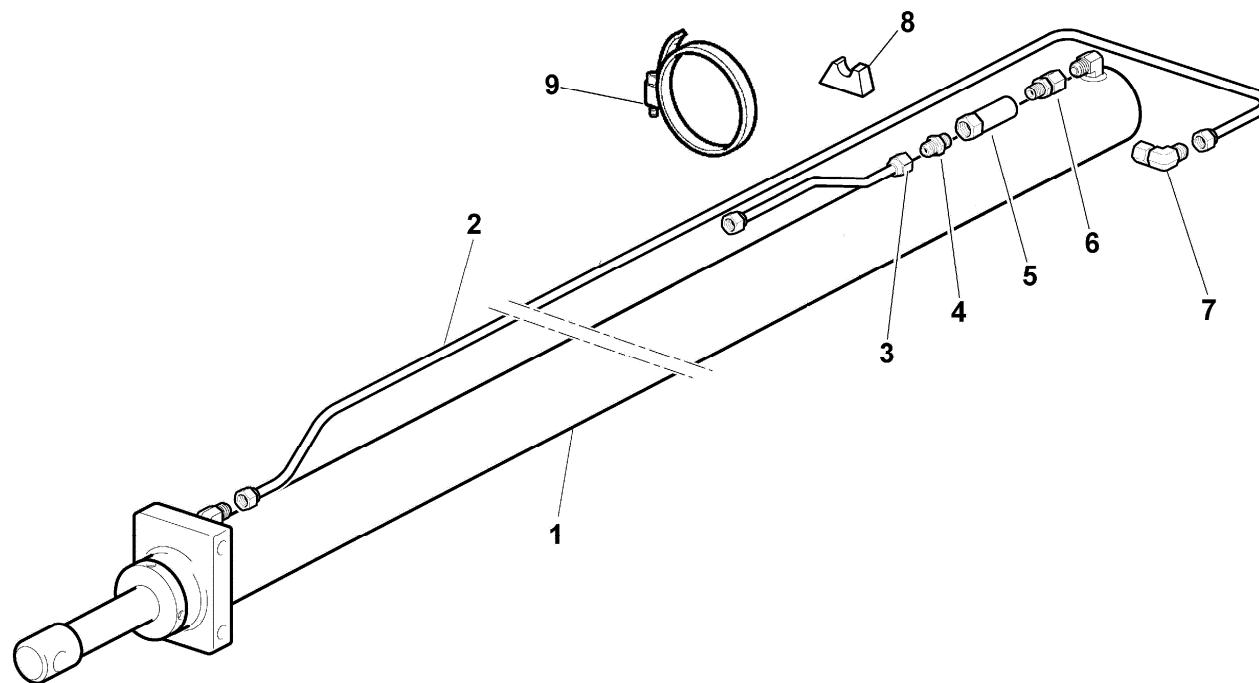
2nd extension hydraulic cylinder (HYDRAULIC SYSTEM)

Code

6210344-1.0

1/1

R	Pos.	Code Variant	Q.ty	Description
	1	6410161	1	
	2	5391261	1	
	3	5392073	1	
	4	3120066	1	Straight pipe fitting
	5	5220556	1	
	6	3101042	1	Straight pipe fitting
	7	3120031	1	90° Connection
	8	5140133	2	Piping mounting
	9	3190029	2	Clamp

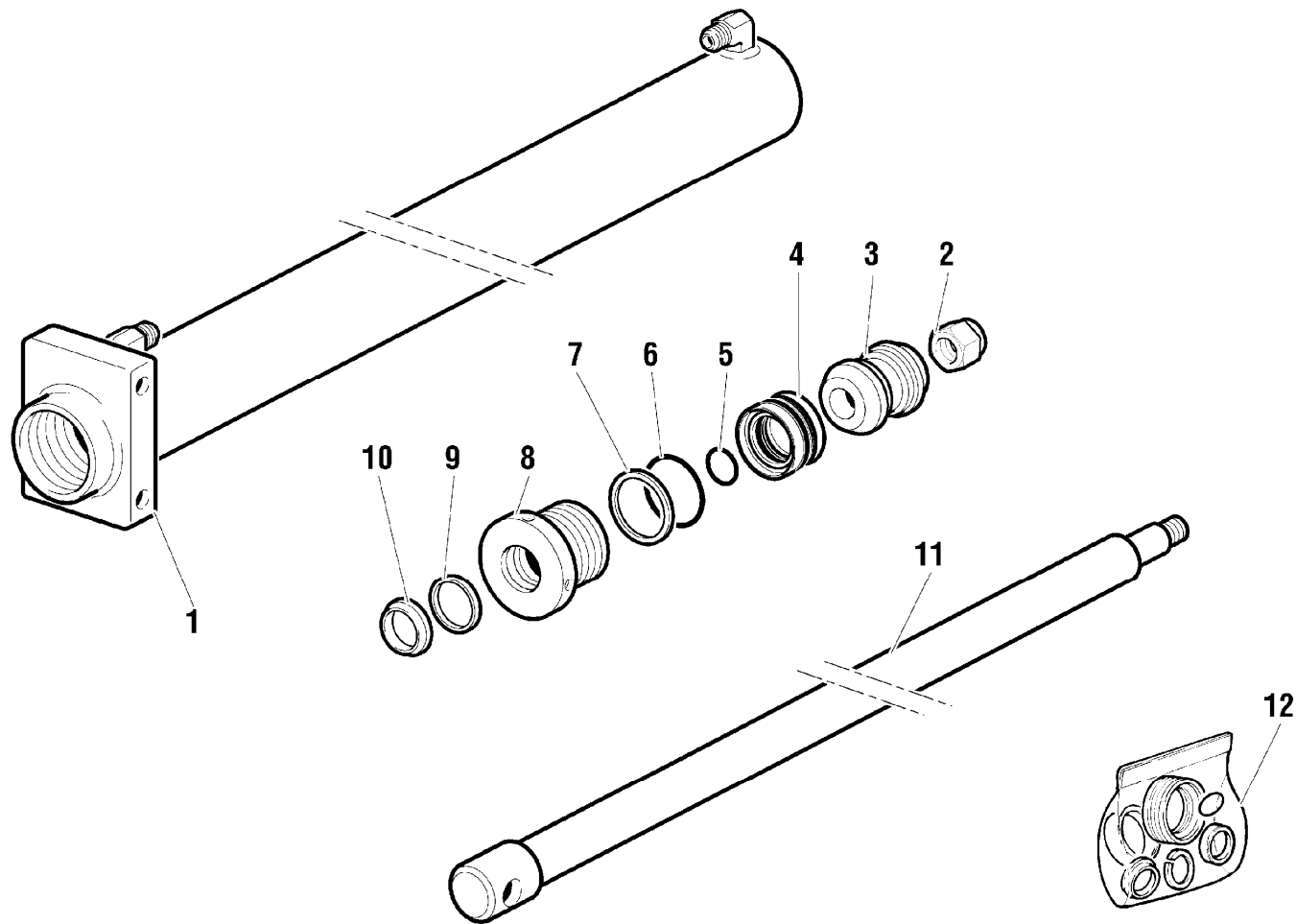


2nd EXTENSION HYDRAULIC JACK

Code

6410161-1.0

1/1



R	Pos.	Code Variant	Q.ty	Description
	1	6070348	1	
	2	3040377	1	Stopnut
	3	6050025	1	
	4	3400505	1	
	5	3450050	1	O-ring joint
	6	3450117	1	
	7	3460255	1	
	8	6040255	1	
	9	3400043	1	
	10	3420015	1	
	11	6030340	1	
	12	5550683	1	





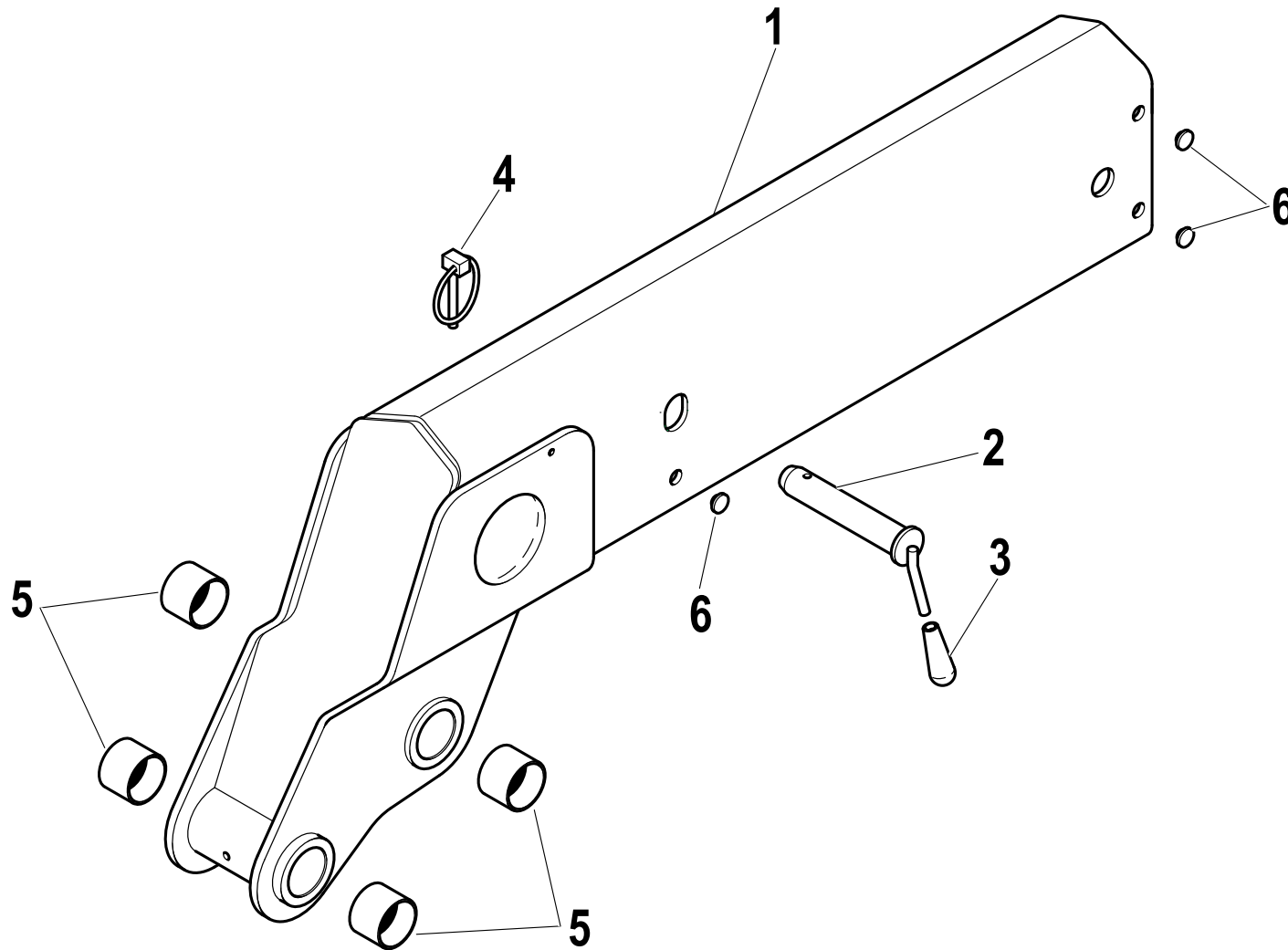
HC221 E4 JIB3

ATTACHEMENT FOR (JIB)

Code

5780040-1.0

1/1



R	Pos.	Code Variant	Q.ty	Description
	1	5091003	1	
	2	5150238	1	Pin
	3	3190010	1	Knob
	4	3060750	1	
	5	5140695	4	Bushing
	6	5001253	6	Button (Sliding block)
	7	3070045	1	Seeger
	8	5150627	1	
	9	3060632	1	Spring pin

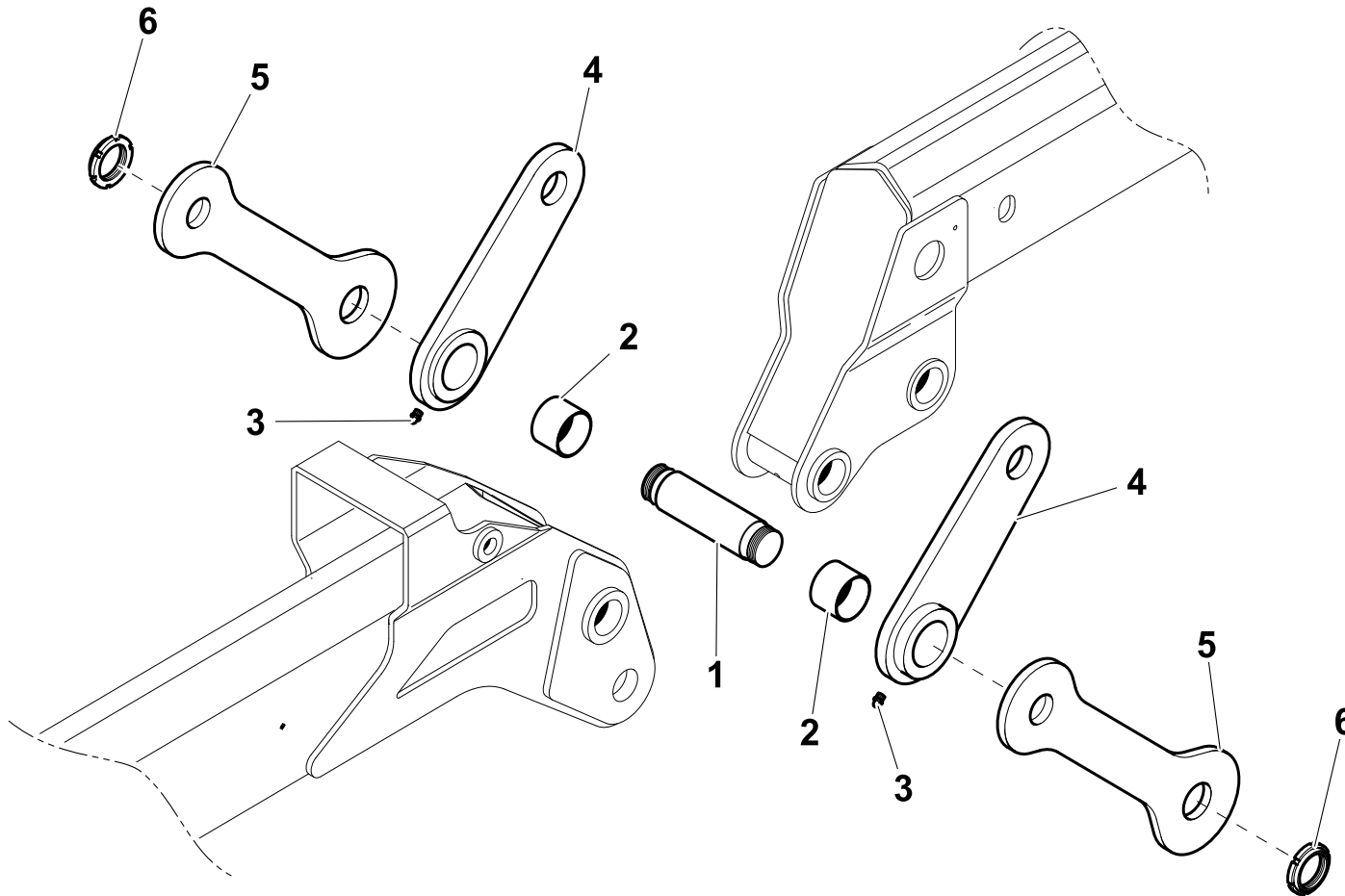
KIT CONNECTING ROD (JIB)

Code

5360010-1.0

1/1

R	Pos.	Code Variant	Q.ty	Description
	1	5150625	1	
	2	5140723	2	Bushing
	3	3080501	2	Grease nipple
	4	5090652	2	Short connecting rod
	5	5090653	2	Long connecting rod
	6	3040508	3	Self-locking ringnut

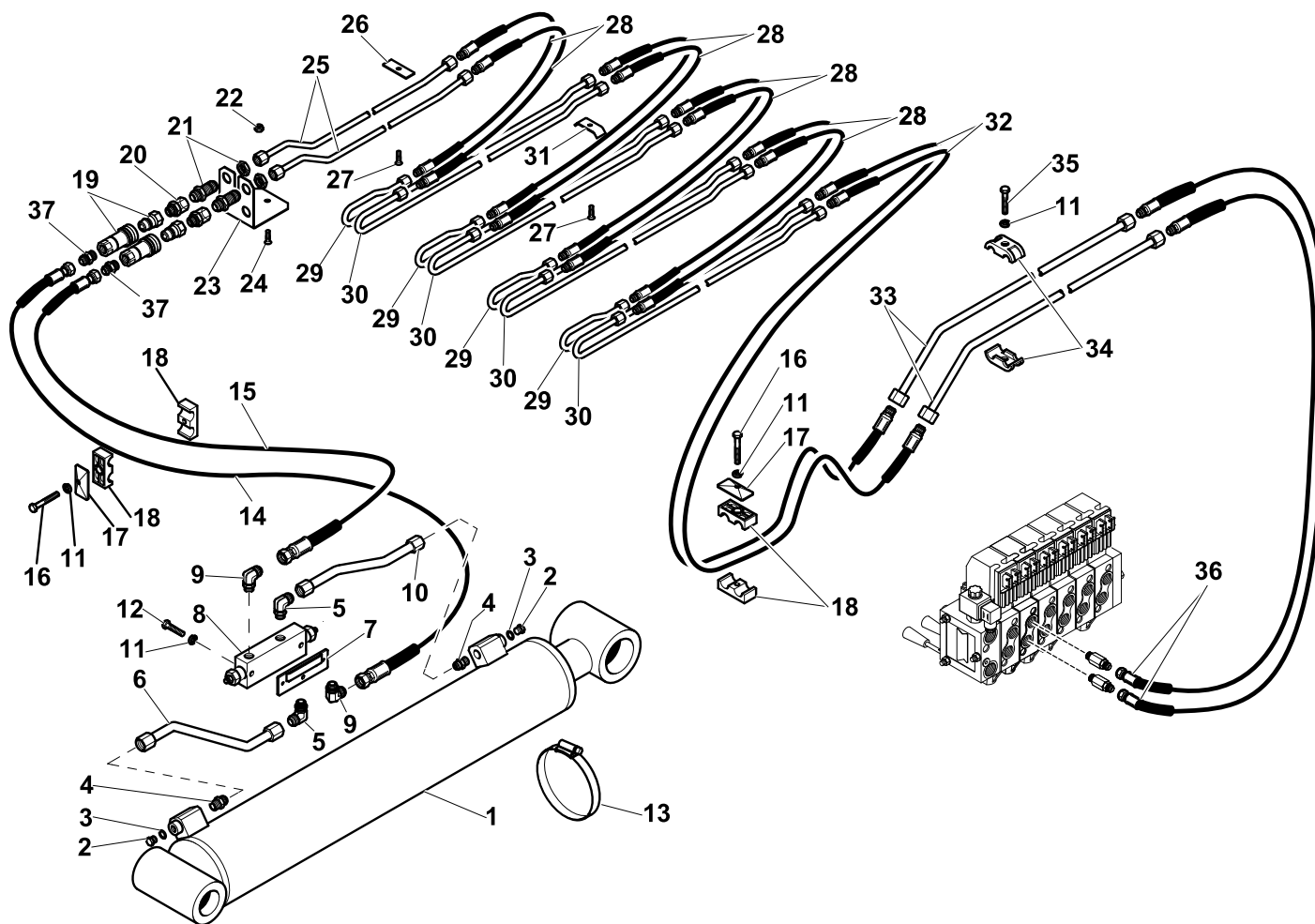


HYDRAULIC SYSTEM (Articulation Hydraulic jack)

Code

6230516-2.0

1/2



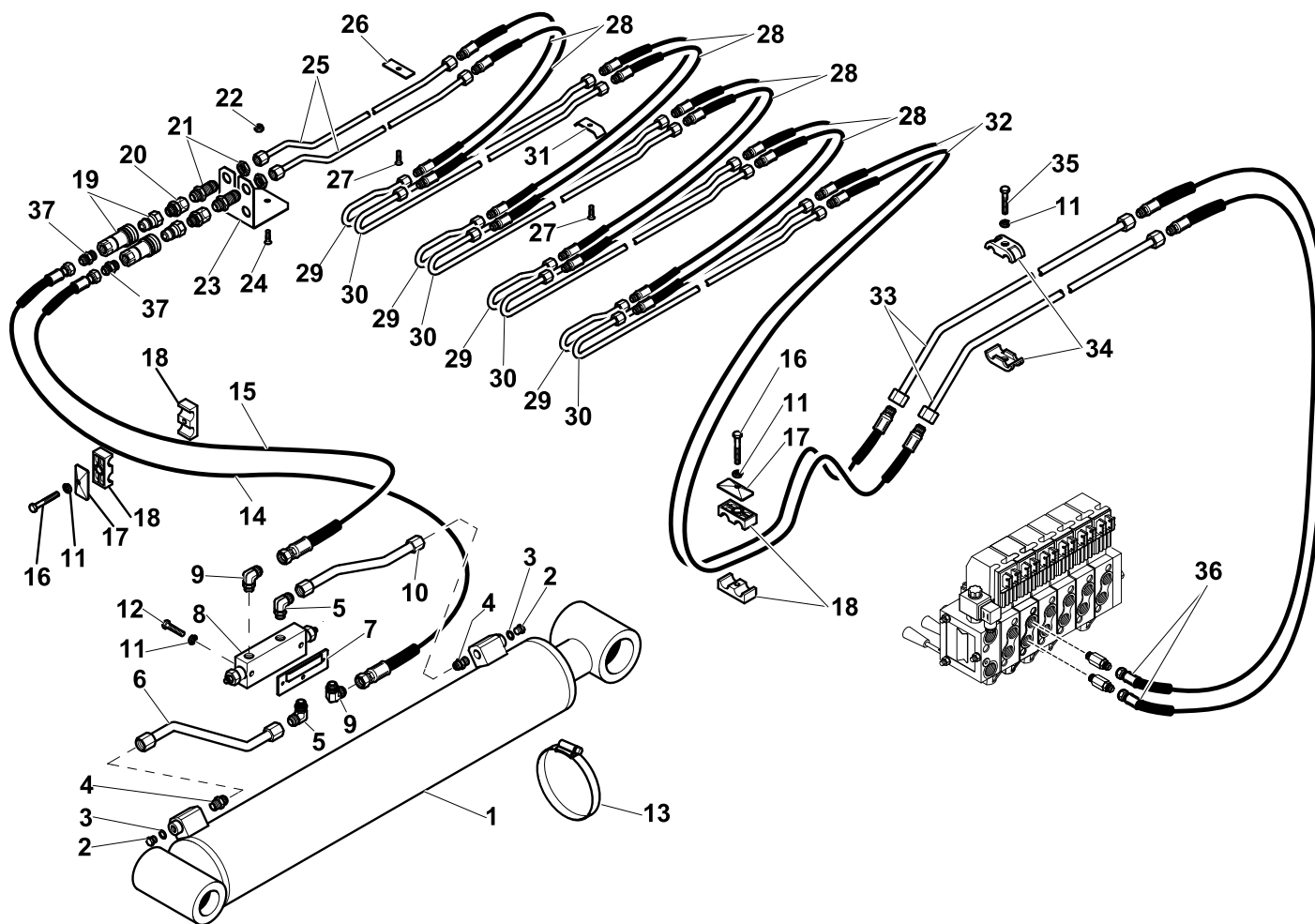
R	Pos.	Code Variant	Q.ty	Description
	1	6430516	1	Articulation Hydraulic jack
	2	3110062	2	Plug
	3	3060143	2	Sealing washer [BSP 1/4"]
	4	3101051	2	Straight pipe fitting
	5	3120012	2	90° Connection
	6	5391797	1	
	7	5000693	1	Valve support
	8	5220646	1	
	9	3101127	2	90° Connection
	10	5392060	1	
	11	3060055	1	Split lock washer [D=8.4 C72 ZC]
	12	3010033	2	Hex screw [M8X50 8.8 ZC UNI 5737]
	13	3190026	2	Clamp
	14	5271432	1	Flexible hose
	15	5271433	1	Flexible hose
	16	3010034	4	Hex screw [M8X55 8.8 UNI 5737 ZC]
	17	3190221	4	Small plate (Collar)
	18	3190172	8	Clamp (Set of hoses)
	19	3110420	2	Quick coupling
	20	3120066	2	Straight pipe fitting

HYDRAULIC SYSTEM (Articulation Hydraulic jack)

Code

6230516-2.0

2/2



R	Pos.	Code Variant	Q.ty	Description
	21	3120310	2	Wall-through pipe fitting
	22	3040903	1	
	23	5001596	1	Piping mounting
	24	3020303	1	
	25	W580500700	2	Bonderized tube
	26	5001193	1	Plate (Hose clamp)
	27	3020899	1	TSEI screw [M8X20 10.9 ZC UNI 5933]
	28	5271401	8	Flexible hose
	29	5391822	4	Bonderized tube ()
	30	5391823	4	Bonderized tube ()
	31	5001187	4	Clamp (Set of hoses)
	32	5271563	2	Flexible hose
	33	5391935	2	Bonderized tube
	34	5000047	4	Clamp (Rigid Pipe)
	35	3010032	2	Hex screw [M8X45 8.8 ZC UNI 5737]
	36	5280600	2	
	37	3101043	2	Straight pipe fitting

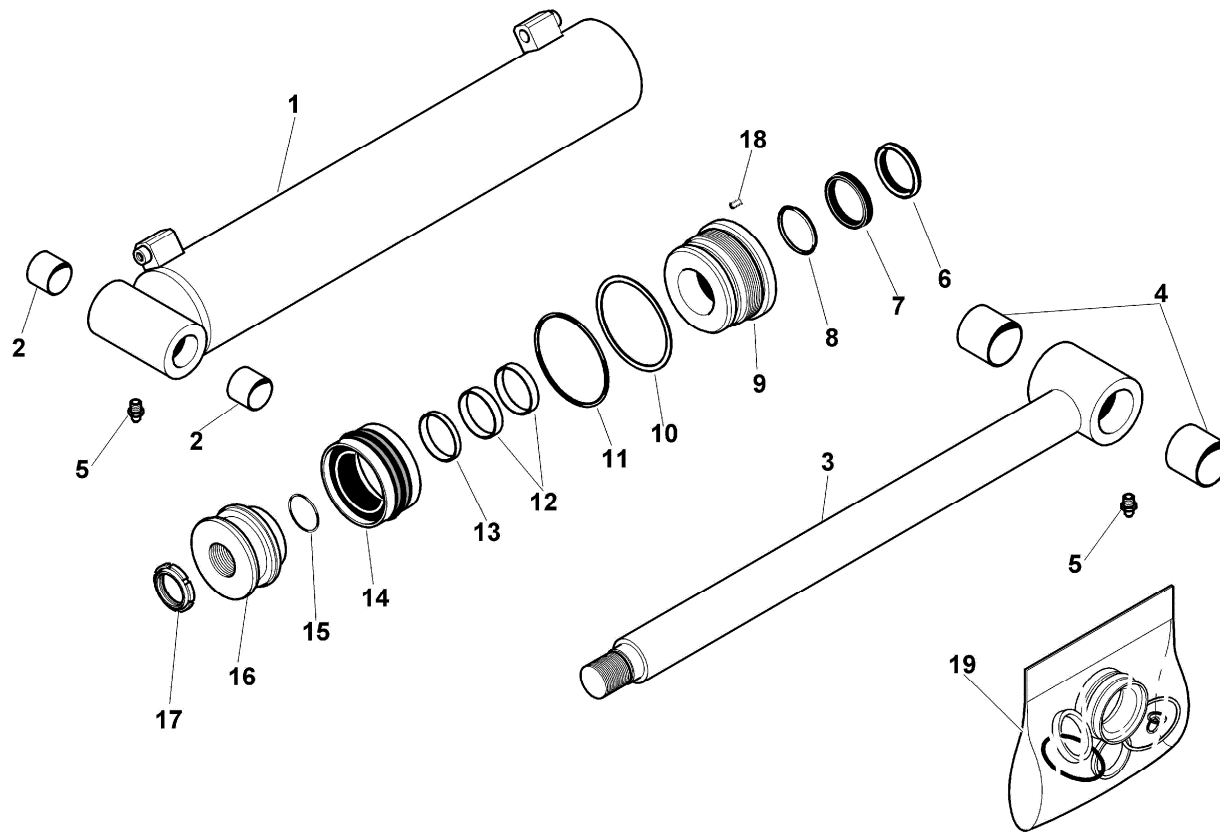
Articulation Hydraulic jack (Articulated extension)

Code

6430516-1.0

1/1

R	Pos.	Code Variant	Q.ty	Description
	1	6070520	1	
	2	5140124	2	
	3	6030703	1	
	4	5140689	2	Bushing
	5	3080501	2	Grease nipple
	6	3370500	1	
	7	3370151	1	
	8	3380700	1	
	9	6040268	1	
	10	3460228	1	
	11	3450229	1	
	12	3361010	2	
	13	3361009	1	
	14	3400522	1	
	15	3450127	1	
	16	6050274	1	
	17	3040507	1	Self-locking ringnut
	18	3060226	1	Grub screw
	19	5550741	1	

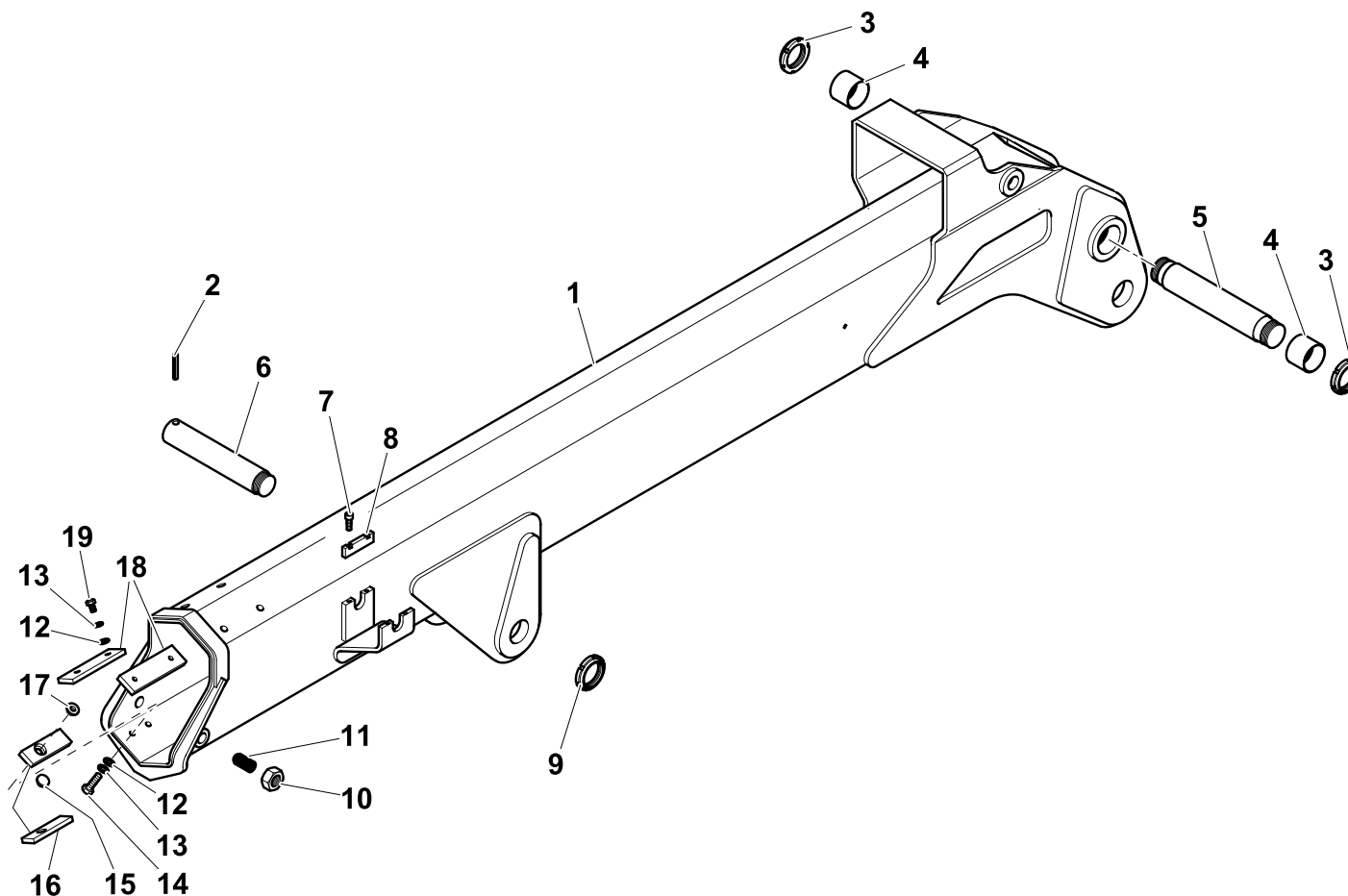


JIB ARM

Code

5630005-1.0

1/1



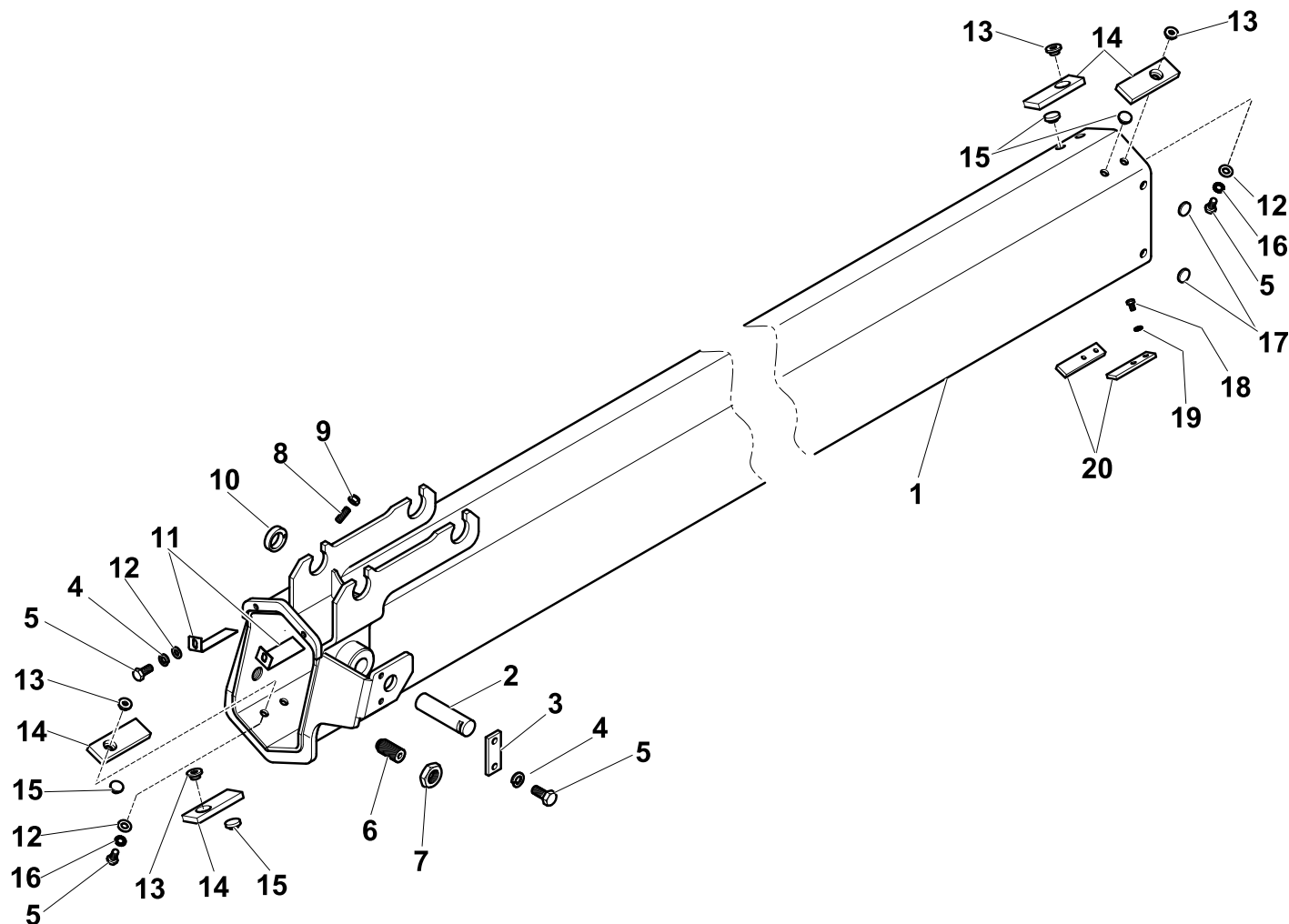
R	Pos.	Code Variant	Q.ty	Description
	1	5030276	1	JIB ARM
	2	3060632	1	Spring pin
	3	3040506	2	Self-locking ringnut
	4	5140695	4	Bushing
	5	5150628	1	
	6	5150520	1	
	7	3020037	4	Socket head cap screw [M6X25 8.8 ZC UNI 5931]
	8	5001109	4	
	9	3040500	1	Self-locking ringnut
	10	3040089	2	Lock nut
	11	5000771	2	Adjusting screw
	12	3060006	6	Flat washer [D.8 UNI 6592 ZC]
	13	3060918	6	Tooth lock washer [D.8 TIPO A UNI8842 ZC]
	14	3010337	2	Hex screw [M8X16 8.8 ZC UNI 5739]
	15	5140656	2	Button (Backlash)
	16	5140783	2	
	17	5001087	2	Button (Control board)
	18	5140609	2	
	19	3010336	4	Hex screw [M8X12 8.8 ZC UNI 5739]

1st EXTENSION (JIB)

Code

5490052-1.0

1/1



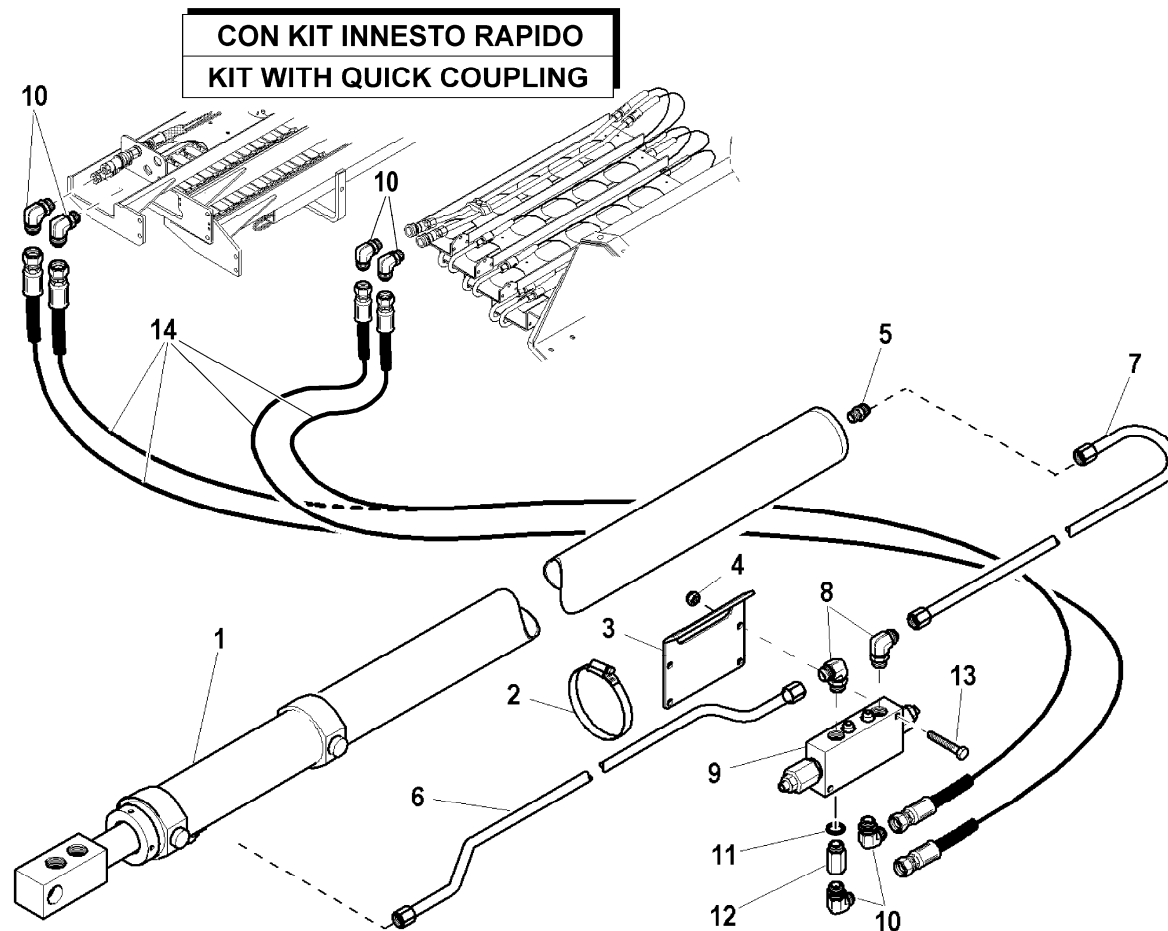
R	Pos.	Code Variant	Q.ty	Description
	1	5020399	1	Extension
	2	5150443	1	
	3	5000674	1	Keep plate
	4	3060055	6	Split lock washer [D=8.4 C72 ZC]
	5	3010337	8	Hex screw [M8X16 8.8 ZC UNI 5739]
	6	5000771	2	Adjusting screw
	7	3040089	2	Lock nut
	8	3040519	4	Stopnut
	9	3060941	4	Grub screw
	10	5001105	4	
	11	5000685	4	Plate (Thickness)
	12	3060006	6	Flat washer [D.8 UNI 6592 ZC]
	13	5001087	4	Button (Control board)
	14	5140783	4	
	15	5140656	4	Button (Backlash)
	16	3060918	4	Tooth lock washer [D.8 TIPO A UNI8842 ZC]
	17	5141037	4	
	18	3010324	4	Hex screw [M6X12 8.8 ZC UNI 5739]
	19	3060101	4	Tooth lock washer [D.6 TIPO A]
	20	5001738	2	

HYDRAULIC SYSTEM (1th extension hydraulic cylinder)

Code

6210242-1.0

1/1



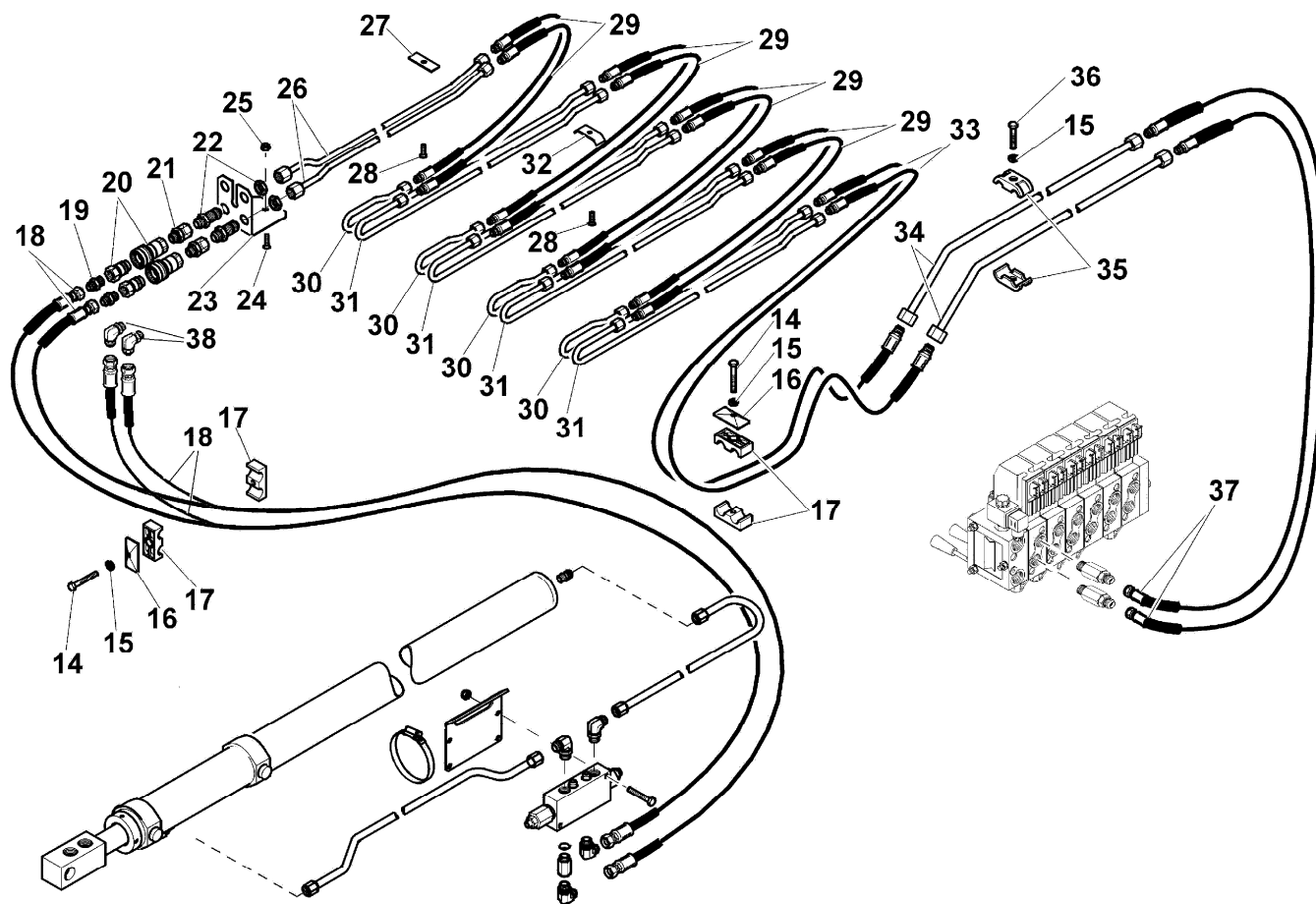
R	Pos.	Code Variant	Q.ty	Description
	1	6410242	1	
	2	3190022	2	Clamp
	3	5000694	1	Valve support
	4	3040303	2	Stopnut
	5	3101051	3	Straight pipe fitting
	6	5391702	1	
	7	5391703	1	
	8	3101131	2	90° Connection
	9	5220641	1	
	10	3101128	4	90° Connection
	11	3060145	1	Sealing washer [BSP 1/2"]
	12	3110113	1	Straight pipe fitting
	13	3010033	2	Hex screw [M8X50 8.8 ZC UNI 5737]
	14	5271434	2	Flexible hose

HYDRAULIC SYSTEM (1th extension hydraulic cylinder)

Code

6210242-3.0

1/2



R	Pos.	Code Variant	Q.ty	Description
	14	3010033	4	Hex screw [M8X50 8.8 ZC UNI 5737]
	15	3060055	3	Split lock washer [D=8.4 C72 ZC]
	16	3190221	4	Small plate (Collar)
	17	3190172	8	Clamp (Set of hoses)
	18	5271434	2	Flexible hose
	19	3101043	2	Straight pipe fitting
	20	3110420	2	Quick coupling
	21	3120066	2	Straight pipe fitting
	22	3120310	2	Wall-through pipe fitting
	23	5001596	1	Piping mounting
	24	3040903	1	
	25	3020303	1	
	26	W580500700	2	Bonderized tube
	27	5001193	1	Plate (Hose clamp)
	28	3020899	4	TSEI screw [M8X20 10.9 ZC UNI 5933]
	29	5271401	1	Flexible hose
	30	5391822	5	Bonderized tube ()
	31	5391823	8	Bonderized tube ()
	32	5001187	4	Clamp (Set of hoses)
	33	5271563	4	Flexible hose

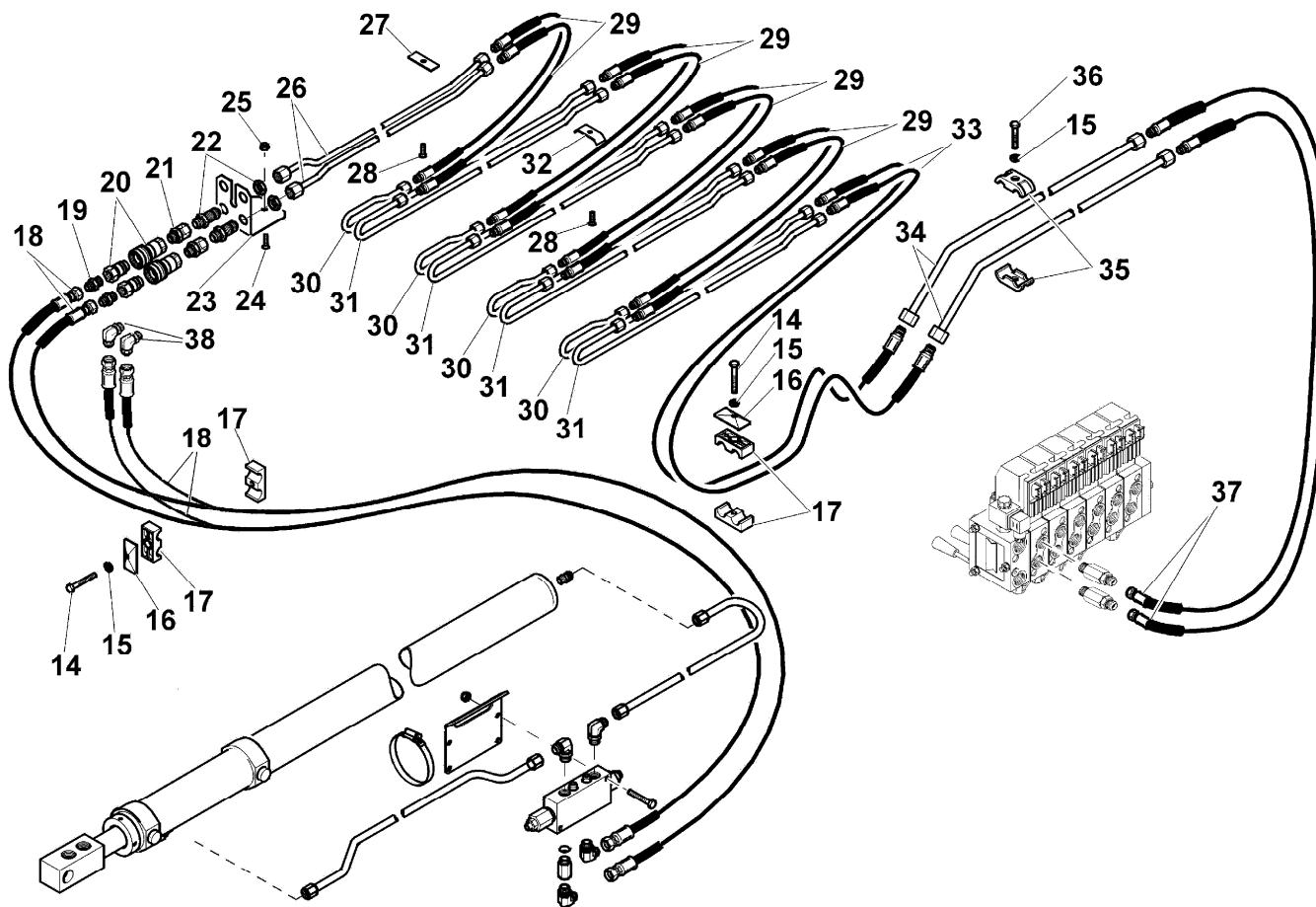
HYDRAULIC SYSTEM (1th extension hydraulic cylinder)

Code

6210242-3.0

2/2

R	Pos.	Code Variant	Q.ty	Description
	34	5391935	4	Bonderized tube
	35	5000047	4	Clamp (Rigid Pipe)
	36	3010032	2	Hex screw [M8X45 8.8 ZC UNI 5737]
	37	5280600	2	
	38	3101127	2	90° Connection

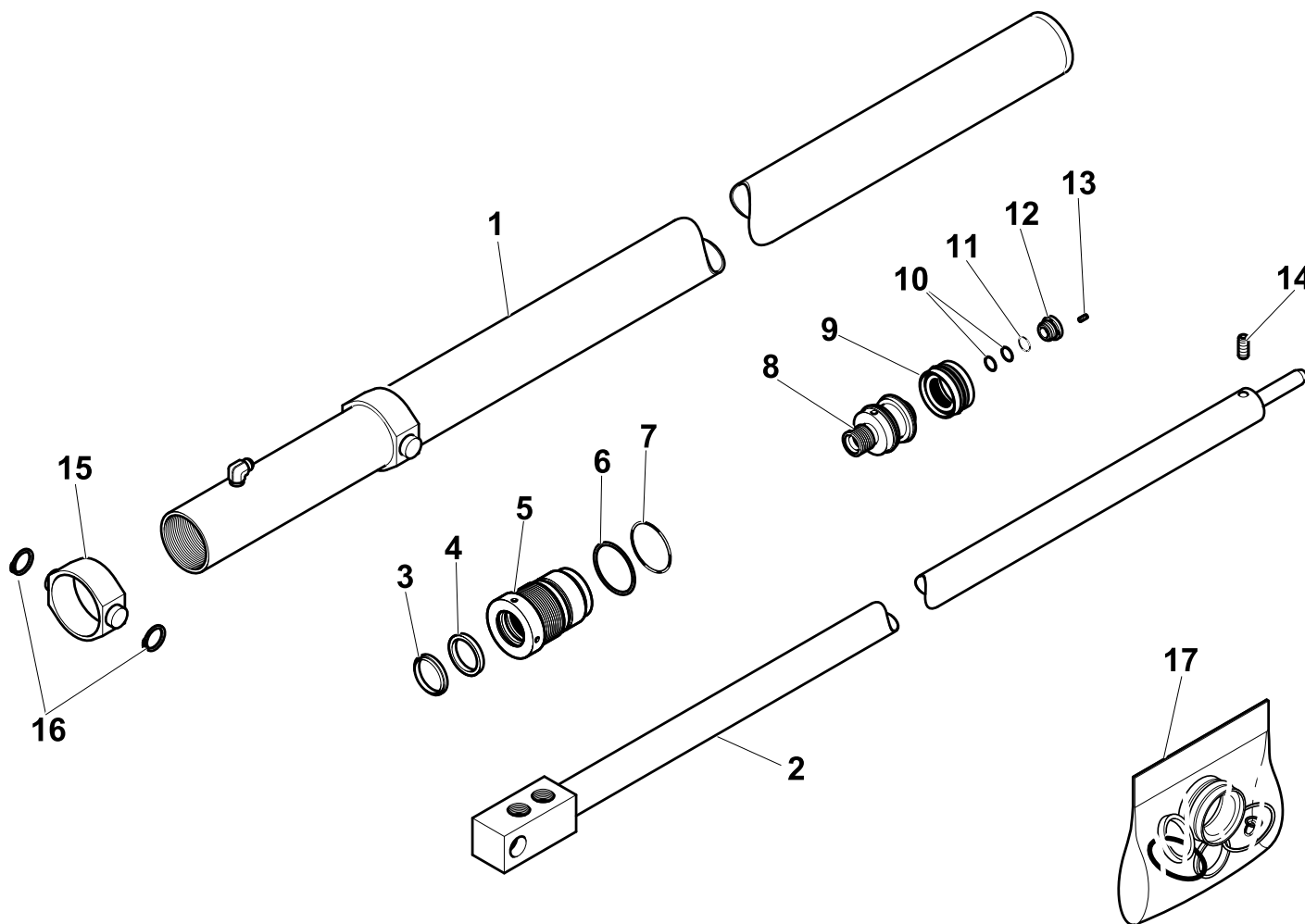


1st EXSTENSION HYDRAULIC

Code

6410242-1.0

1/1



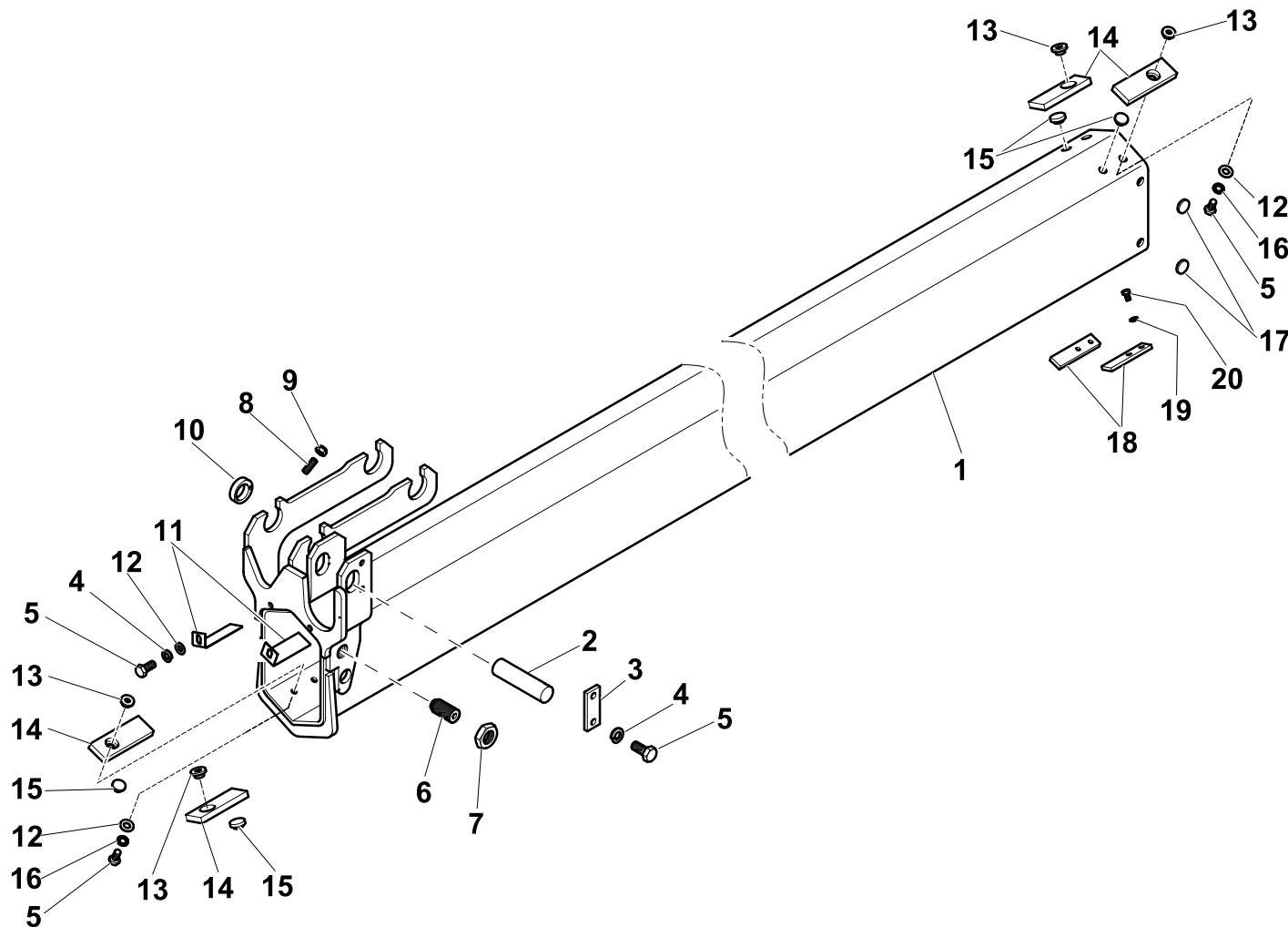
R	Pos.	Code Variant	Q.ty	Description
	1	6070458	1	
	2	6030549	1	
	3	3420021	1	
	4	3370136	1	
	5	6040259	1	
	6	3460132	1	
	7	3450132	1	
	8	6050275	1	
	9	3400509	1	
	10	3460047	2	
	11	3450047	1	
	12	6040269	1	Ring nut
	13	3060248	1	Grub screw
	14	3060232	1	Grub screw [Grano M6X6 UNI 5927 ZC.]
	15	5001106	1	
	16	3070150	1	Seeger
	17	5550781	1	Seal kit

2nd EXTENSION (JIB)

Code

5650004-1.0

1/1



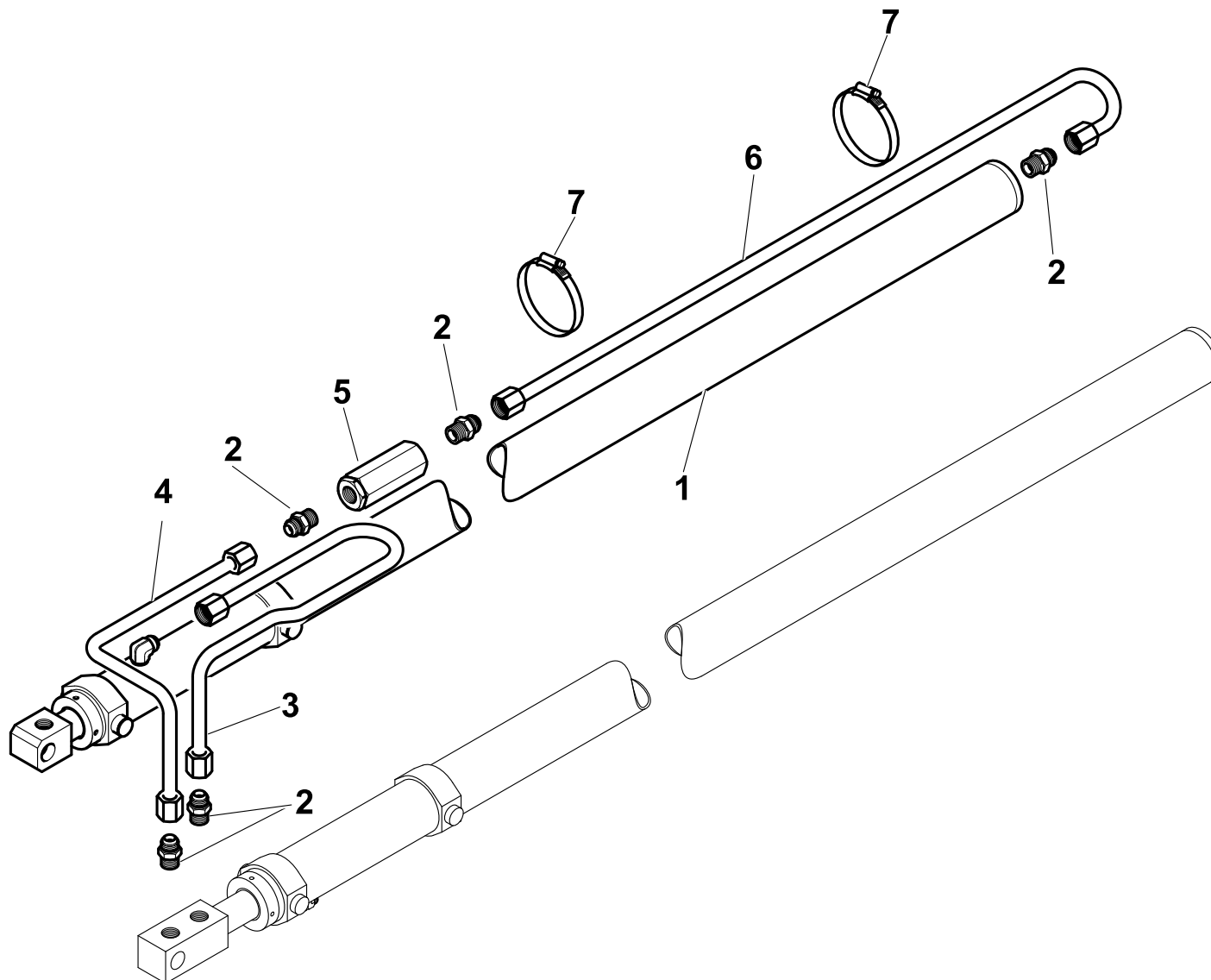
R	Pos.	Code Variant	Q.ty	Description
	1	5020400	1	Extension
	2	5150443	1	
	3	5000674	1	Keep plate
	4	3060055	6	Split lock washer [D=8.4 C72 ZC]
	5	3010337	8	Hex screw [M8X16 8.8 ZC UNI 5739]
	6	5000771	2	Adjusting screw
	7	3040089	2	Lock nut
	8	3040519	4	Stopnut
	9	3060941	4	Grub screw
	10	5001105	4	
	11	5000685	4	Plate (Thickness)
	12	3060006	6	Flat washer [D.8 UNI 6592 ZC]
	13	5001087	4	Button (Control board)
	14	5140783	4	
	15	5140656	4	Button (Backlash)
	16	3060918	4	Tooth lock washer [D.8 TIPO A UNI8842 ZC]
	17	5141037	4	
	18	5001738	2	
	19	3060101	4	Tooth lock washer [D.6 TIPO A]
	20	3010324	4	Hex screw [M6X12 8.8 ZC UNI 5739]

HYDRAULIC SYSTEM (2nd extension hydraulic cylinder)

Code

6210243-1.0

1/1



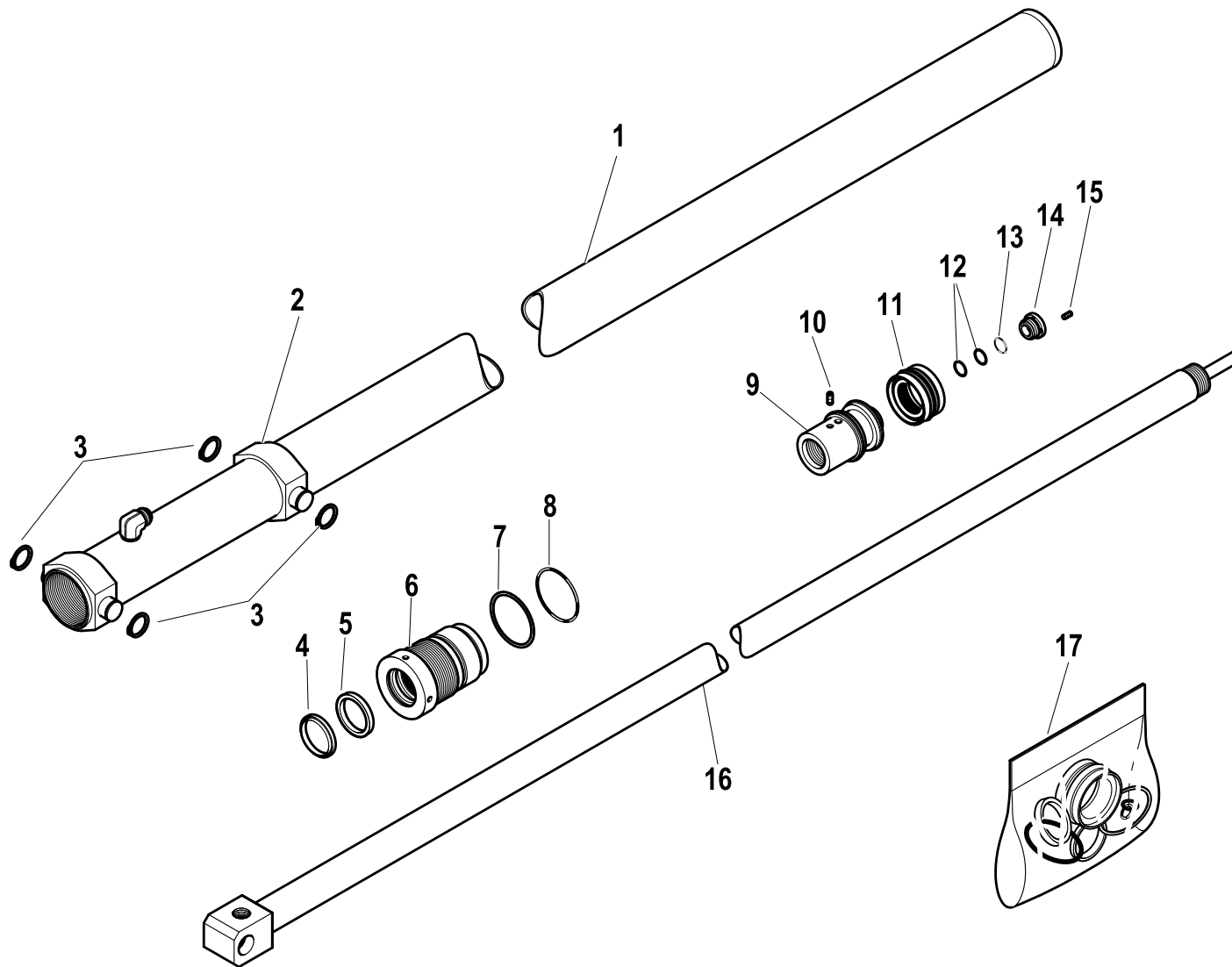
R	Pos.	Code Variant	Q.ty	Description
	1	6410243	1	
	2	3101051	5	Straight pipe fitting
	3	5391818	1	
	4	5391704	1	
	5	5220629	1	
	6	5391705	1	
	7	3190022	2	Clamp

2nd and 3rd extension hydraulic cylinder

Code

6410243-1.0

1/1



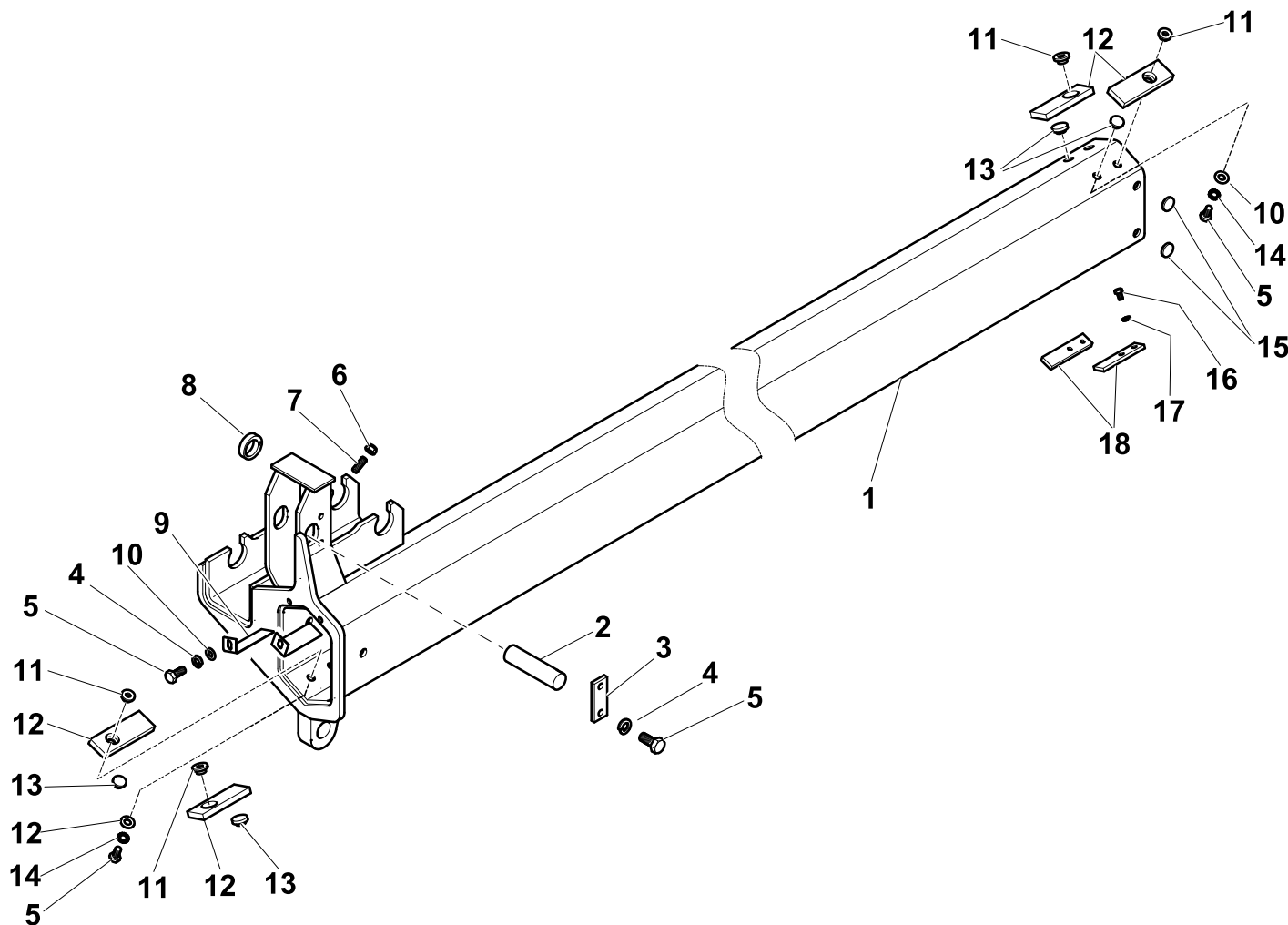
R	Pos.	Code Variant	Q.ty	Description
	1	6070459	1	
	2	5001106	1	
	3	3070150	4	Seeger
	4	3420018	1	
	5	3370137	1	
	6	6040254	1	
	7	3460126	1	
	8	3450126	1	
	9	6050290	1	
	10	3060232	1	Grub screw [Grano M6X6 UNI 5927 ZC.]
	11	3400507	1	
	12	3460047	2	
	13	3450047	1	
	14	6040269	1	Ring nut
	15	3060248	1	Grub screw
	16	6030623	1	
	17	5550783	1	

3rd extension (JIB)

Code

5660002-1.0

1/1



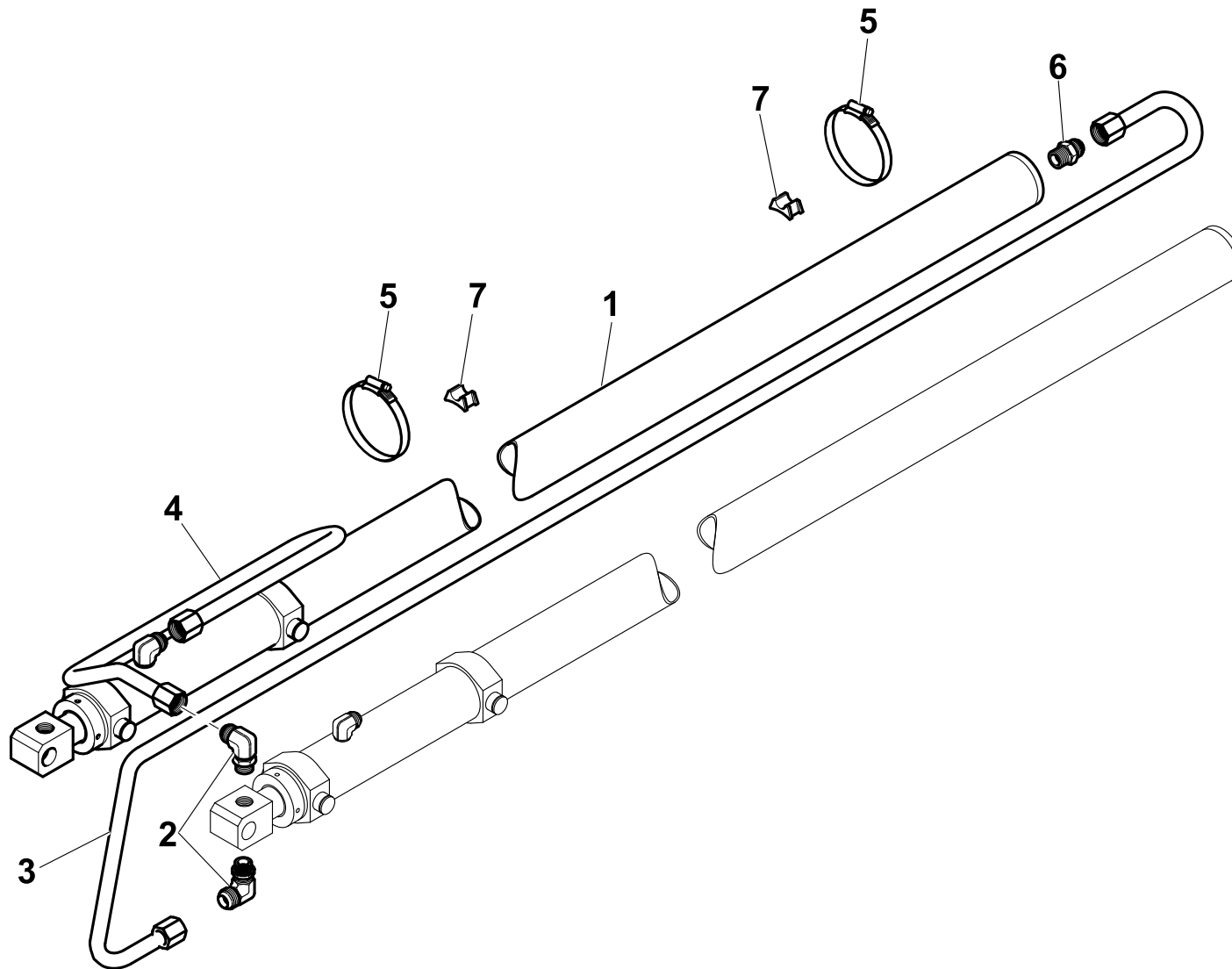
R	Pos.	Code Variant	Q.ty	Description
	1	5020401	1	Extension
	2	5150443	1	
	3	5000674	1	Keep plate
	4	3060055	6	Split lock washer [D=8.4 C72 ZC]
	5	3010337	8	Hex screw [M8X16 8.8 ZC UNI 5739]
	6	3040519	4	Stopnut
	7	3060941	4	Grub screw
	8	5001105	4	
	9	5000685	4	Plate (Thickness)
	10	3060006	6	Flat washer [D.8 UNI 6592 ZC]
	11	5001087	4	Button (Control board)
	12	5140783	4	
	13	5140656	4	Button (Backlash)
	14	3060918	4	Tooth lock washer [D.8 TIPO A UNI8842 ZC]
	15	5141037	4	
	16	3010324	4	Hex screw [M6X12 8.8 ZC UNI 5739]
	17	3060101	4	Tooth lock washer [D.6 TIPO A]
	18	5001738	2	

3rd extension Hydraulic jack (Hydraulic system)

Code

6210244-1.0

1/1



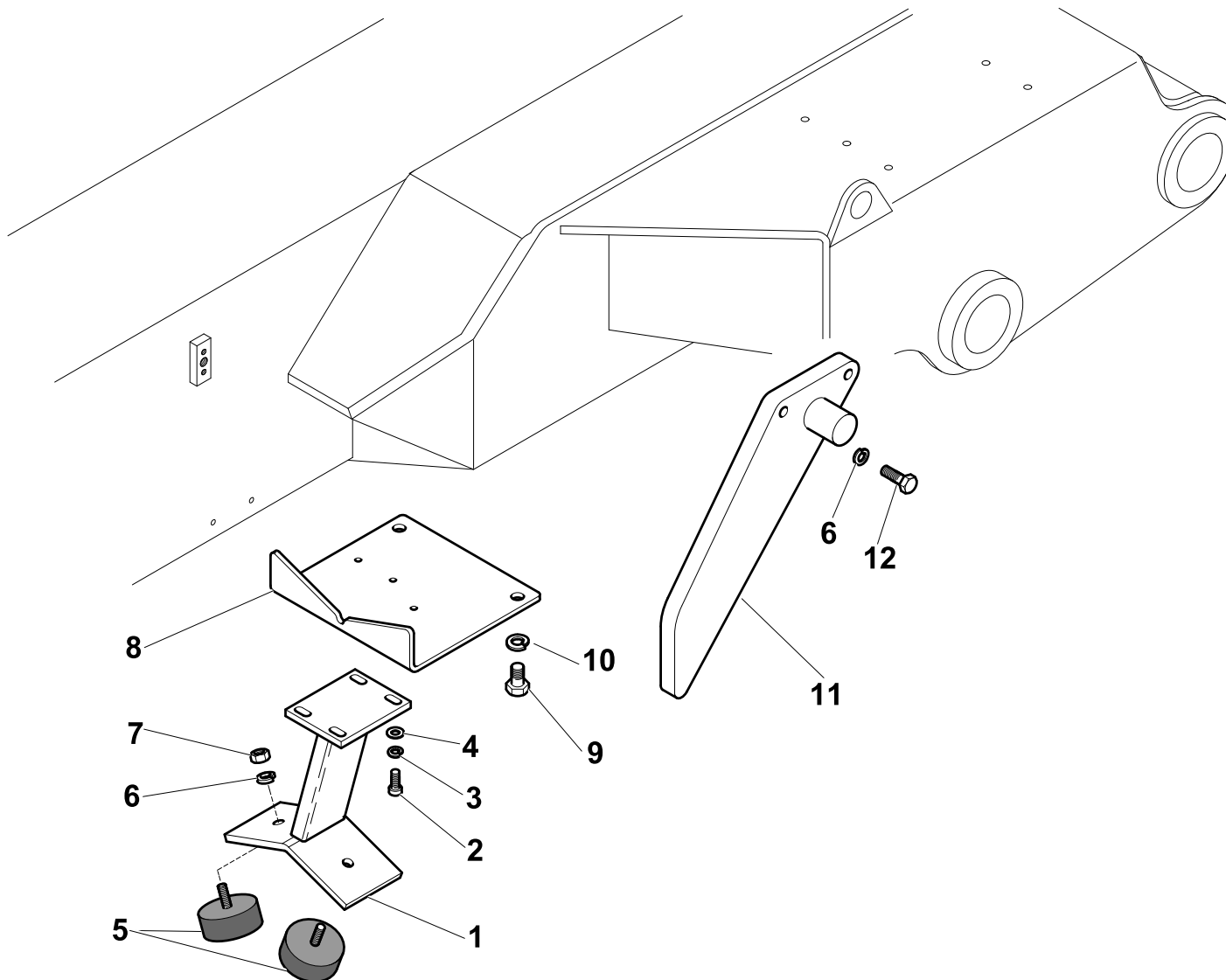
R	Pos.	Code Variant	Q.ty	Description
	1	6410243	1	
	2	3101131	2	90° Connection
	3	5391707	1	
	4	5391706	1	
	5	3190022	2	Clamp
	6	3101051	1	Straight pipe fitting
	7	5140133	2	Piping mounting

Support (Articulated extension)

Code

5400500-1.0

1/1



R	Pos.	Code Variant	Q.ty	Description
	1	5091019	1	
	2	3020875	4	Socket head cap screw [M8X20 ZC UNI 5931]
	3	3060055	4	Split lock washer [D=8.4 C72 ZC]
	4	3060006	4	Flat washer [D.8 UNI 6592 ZC]
	5	3190100	2	
	6	3060056	4	Split lock washer [D=10 C72 ZC]
	7	3040046	2	Nut
	8	5001595	1	Plate (Pipes guard)
	9	3010368	2	Hex screw [M12X20 8.8 ZC UNI 5739]
	10	3060057	2	Split lock washer [D=12 C72 ZC]
	11	5090755	1	
	12	3010355	2	Hex screw [M10X25 8.8 ZC IF UNI 5739]



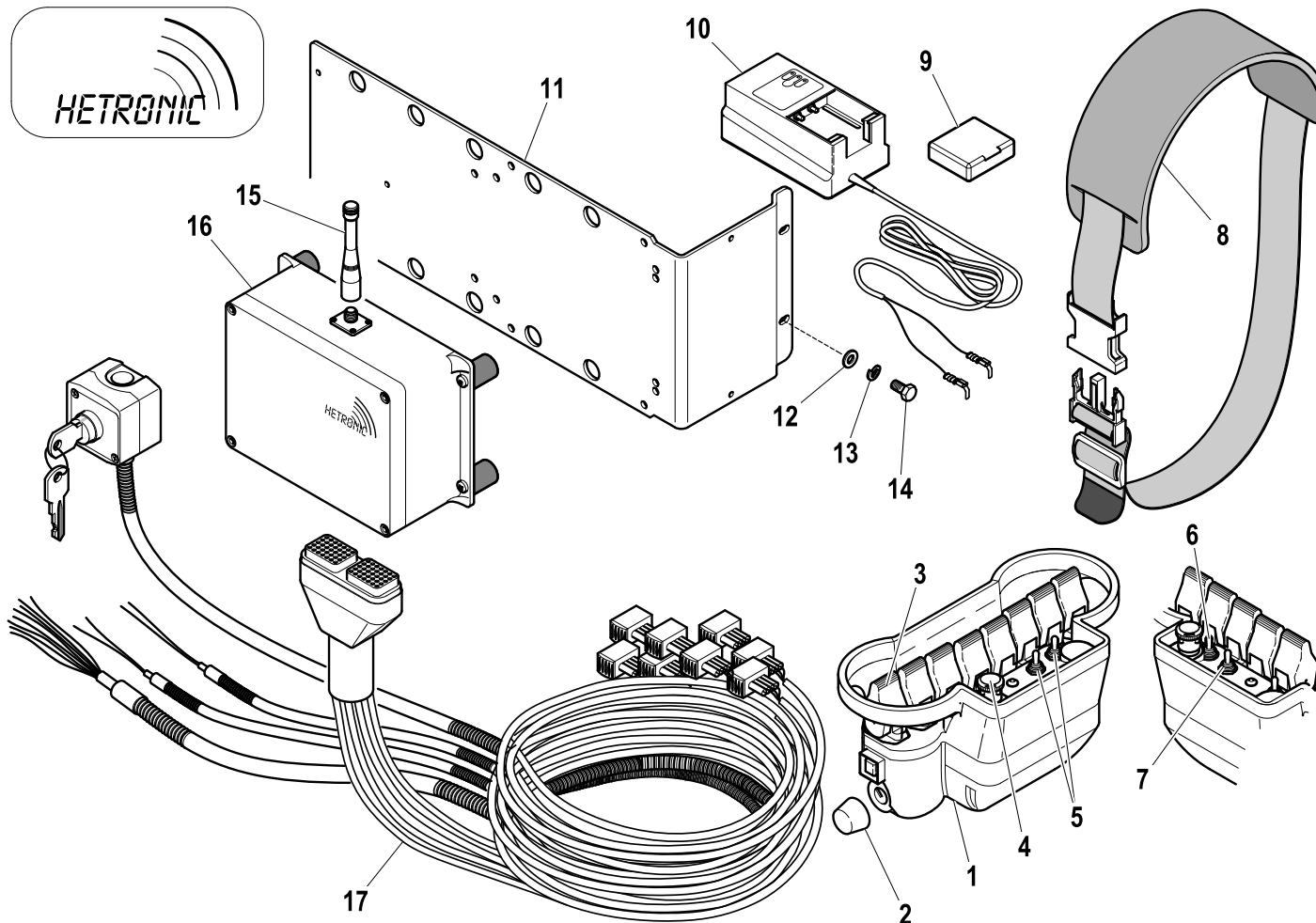
HC221 X

Wireless control kit (Hz.EU)

Code

7892114-1.0

1/1



R	Pos.	Code Variant	Q.ty	Description
	1	3310772	1	
	2	3310795	1	
	3	3310796	8	
	4	3310788	1	
	5	3310786	2	
	6	3310785	1	
	7	3311029	1	
	8	3310799	1	
	9	3310641	2	
	10	3310797	1	
	11	5091035	1	
	12	3060006	4	Flat washer [D.8 UNI 6592 ZC]
	13	3060055	4	Split lock washer [D=8.4 C72 ZC]
	14	3010027	4	Hex screw [M8X20 8.8 ZC IF UNI 5739]
	15	3310775	1	
	16	3310771	1	
	17	3310912	1	

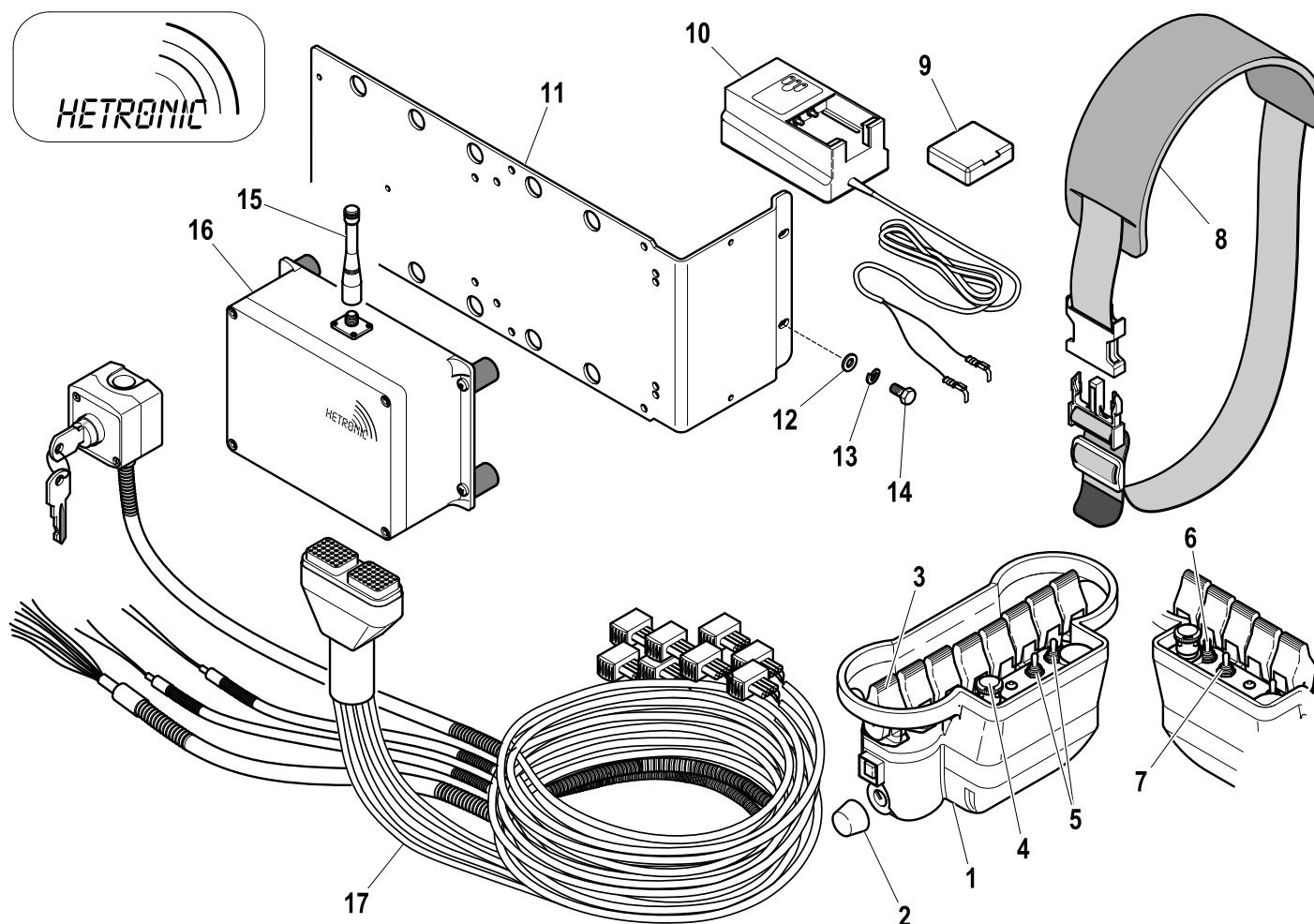
Wireless control kit (Hz.USA)

Code

7892115-1.0

1/1

R	Pos.	Code Variant	Q.ty	Description
	1	3310808	1	
	2	3310795	1	
	3	3310796	8	
	4	3310788	1	
	5	3310786	2	
	6	3310785	1	
	7	3311029	1	
	8	3310799	1	
	9	3310641	2	
	10	3310797	1	
	11	5091035	1	
	12	3060914	3	Flat washer [D.10.5X21X2 UNI 6592 ZC]
	13	3060056	3	Split lock washer [D=10 C72 ZC]
	14	3010349	3	Hex screw [M10X20 10.9 ZC UNI 5739]
	15	3310775	1	
	16	3310807	1	
	17	3310912	1	



Wireless control kit (24V)

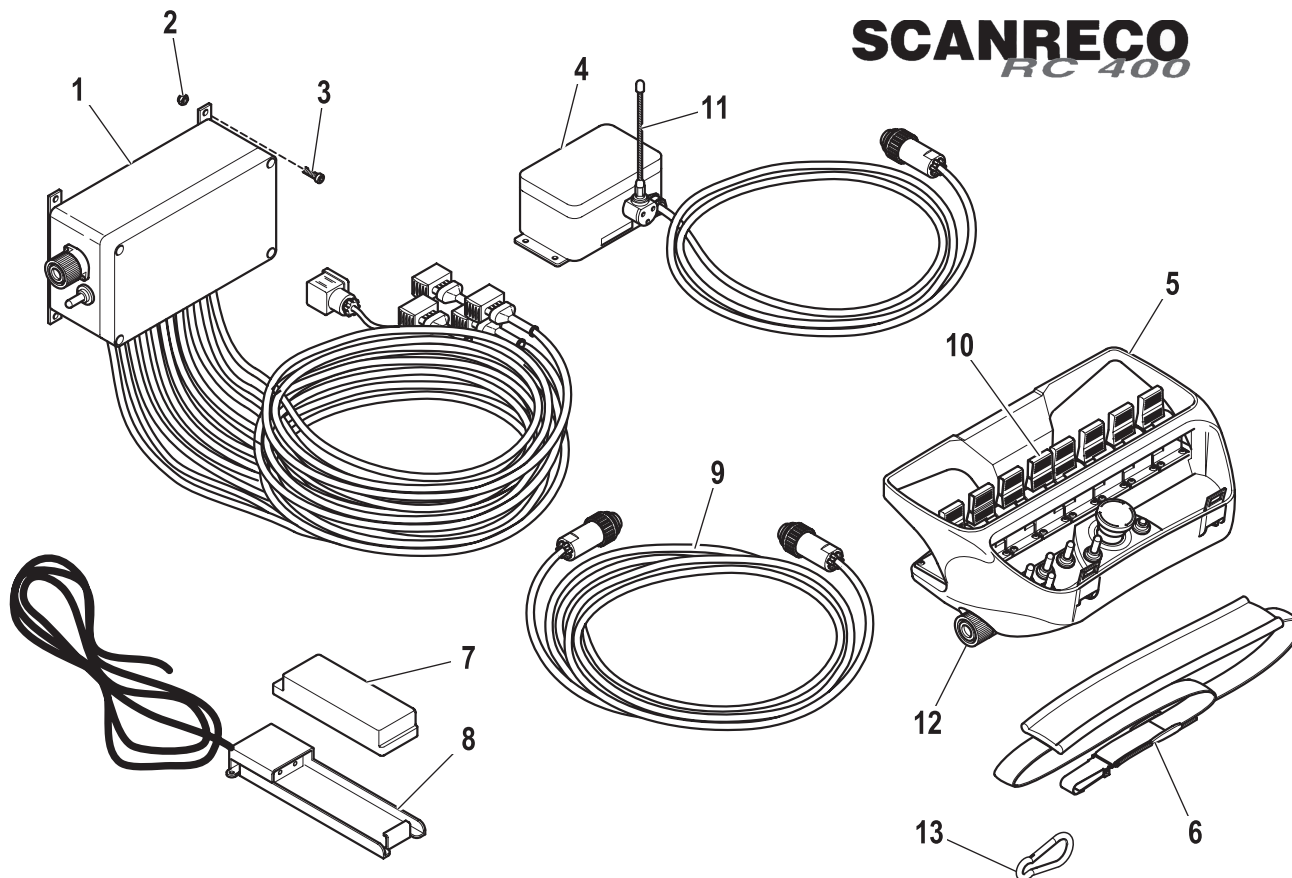
Code

7892053-1.0

1/1

R	Pos.	Code Variant	Q.ty	Description
	1	3310534	1	
	2	3040392	4	Stopnut
	3	3020023	4	Socket head cap screw [M5X16 8.8 ZC UNI 5931]
	4	3310535	1	
	5	3320026	1	
	6	3190226	1	Belt (Push button panel)
	7	3310483	2	Battery
	8	3310471	1	Battery charger
	9	3310536	1	
	10	3310445	8	Control lever
	11	3310683	1	
	12	3310850	1	
	13	3190259	1	

SCANRECO
HC 400



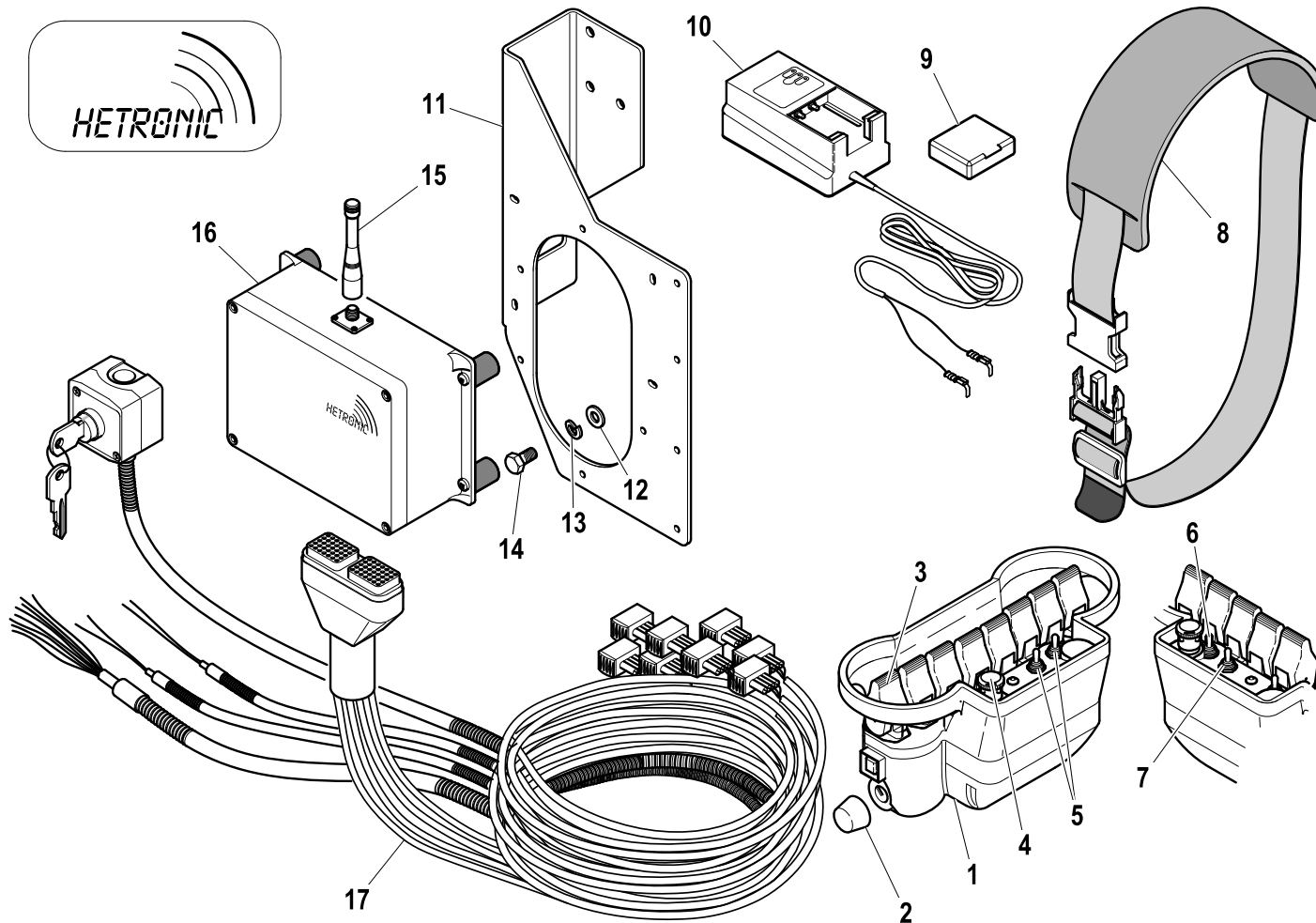
Wireless control kit (Hz.PRC)

Code

7892048-1.0

1/1

R	Pos.	Code Variant	Q.ty	Description
	1	3311116	1	
	2	3310795	1	
	3	3310796	8	
	4	3310788	1	
	5	3310786	2	
	6	3310785	1	
	7	3311029	1	
	8	3310799	1	
	9	3310641	2	
	10	3310797	1	
	11	5001730	1	
	12	3060914	3	Flat washer [D.10.5X21X2 UNI 6592 ZC]
	13	3060056	3	Split lock washer [D=10 C72 ZC]
	14	3010349	3	Hex screw [M10X20 10.9 ZC UNI 5739]
	15	3310775	1	
	16	3311115	1	
	17	3310912	1	

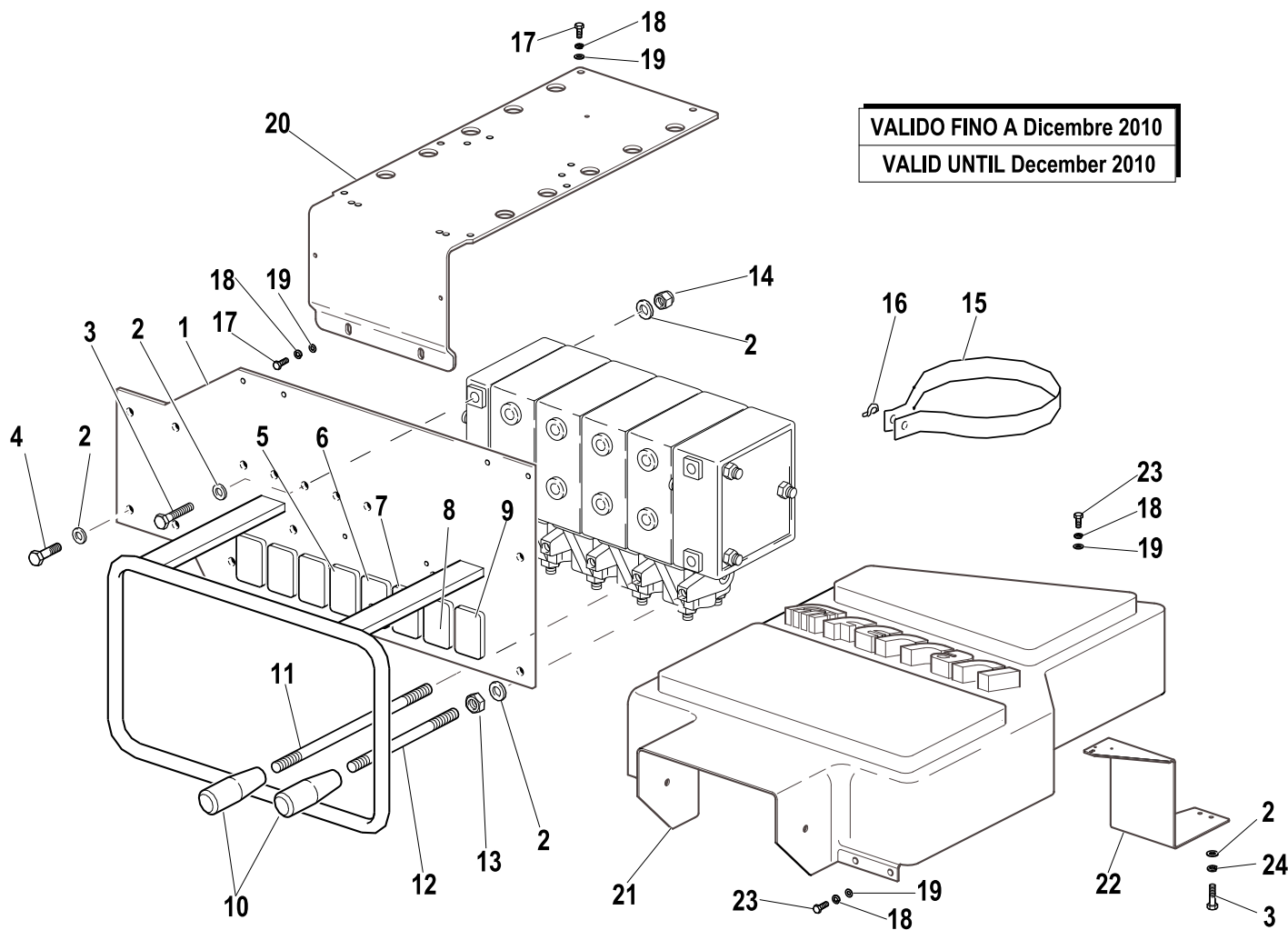


CONTROLS (RDC)

Code

5400614-1.0

1/2



VALIDO FINO A Dicembre 2010

VALID UNTIL December 2010

R	Pos.	Code Variant	Q.ty	Description
1		W570500600	1	
2		3060006	14	Flat washer [D.8 UNI 6592 ZC]
3		3010027	5	Hex screw [M8X20 8.8 ZC IF UNI 5739]
4		3010337	4	Hex screw [M8X16 8.8 ZC UNI 5739]
5		W573270	1	Small plate (CONTROL SYMBOLS)
6		W573269	1	Small plate (CONTROL SYMBOLS)
7		W573267	2	Small plate (CONTROL SYMBOLS)
8		W573266	2	Small plate (CONTROL SYMBOLS)
9		W573265	2	Small plate (CONTROL SYMBOLS)
10		W664003	4	
11		W338802	3	
12		W338801	1	
13		3040040	4	Lock nut
14		3040524	4	Stopnut
15		W270506300	1	
16		W270506400	1	
17		3010325	3	Hex screw [M6X16 8.8 ZC UNI 5739]
18		3060005	8	Flat washer [D.6.4 UNI 6592 ZC]
19		3060053	8	Split lock washer [D=6.4 C72 ZC]
20		5091035	1	

CONTROLS (RDC)

Code

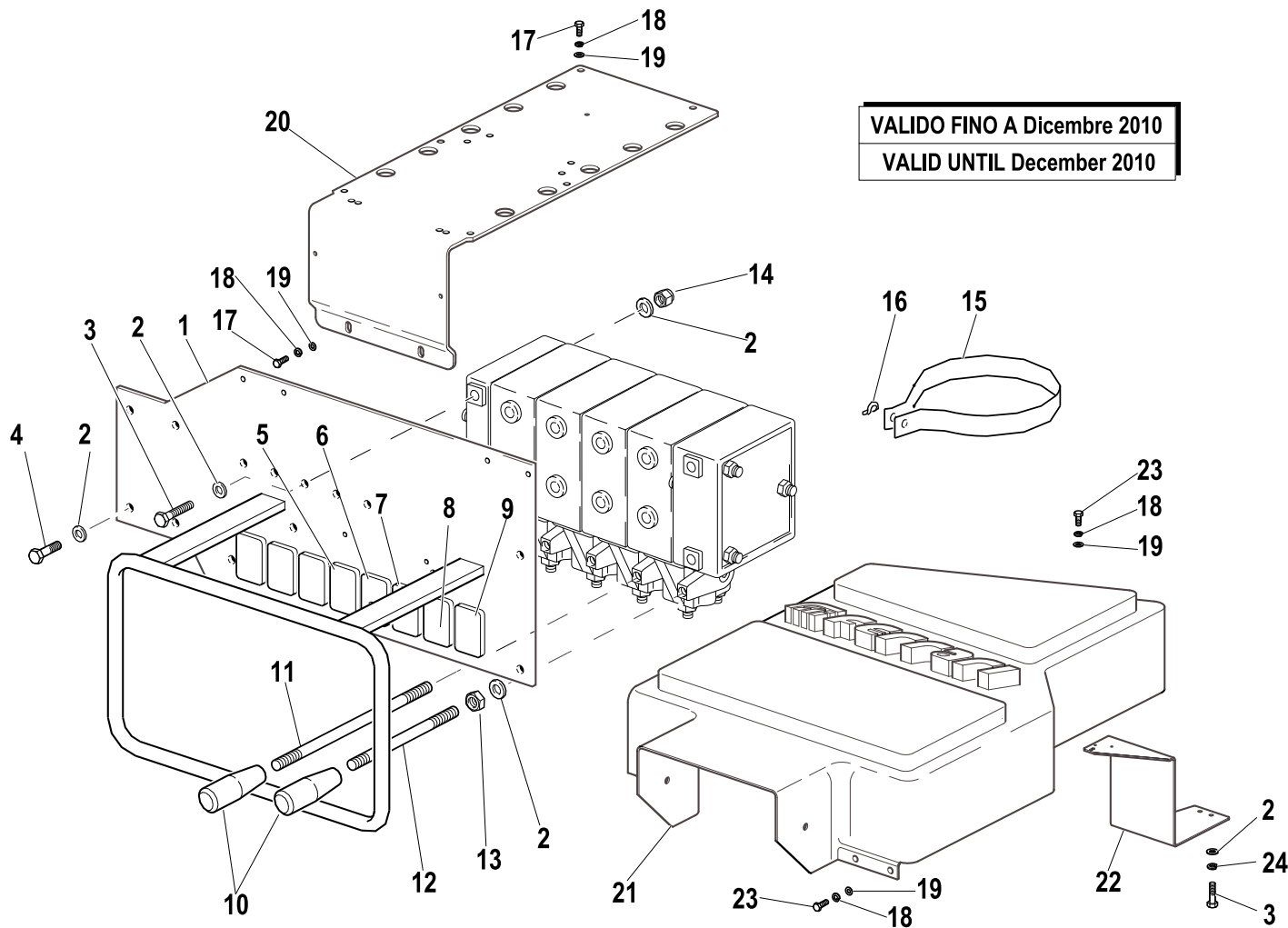
5400614-1.0

2/2

R	Pos.	Code Variant	Q.ty	Description
	21	W590501200	1	
	22	W570501500	1	
	23	3010324	6	Hex screw [M6X12 8.8 ZC UNI 5739]
	24	3060055	2	Split lock washer [D=8.4 C72 ZC]

VALIDO FINO A Dicembre 2010

VALID UNTIL December 2010

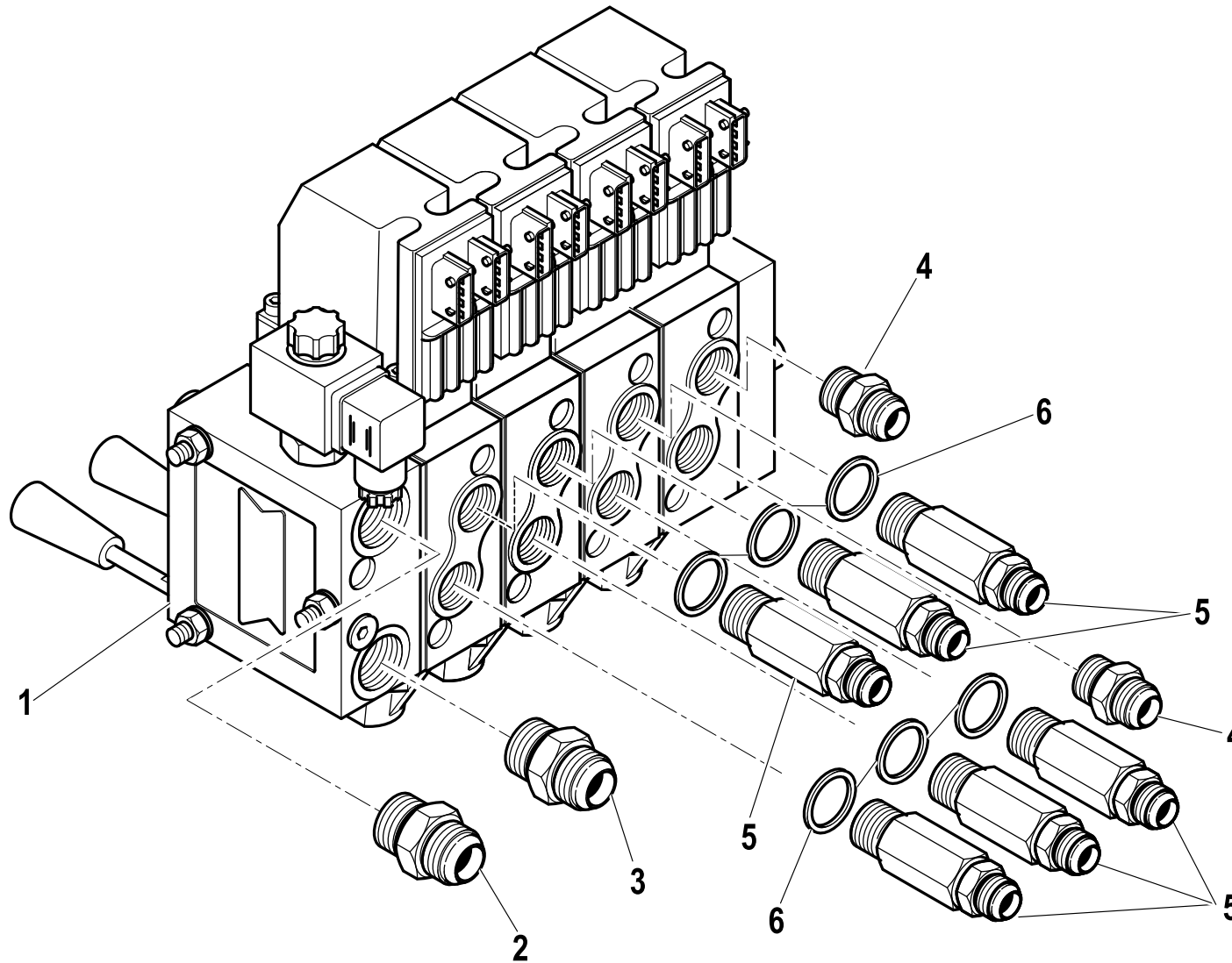


Control valve ass'y (4 section)

Code

5401032-1.0

1/1



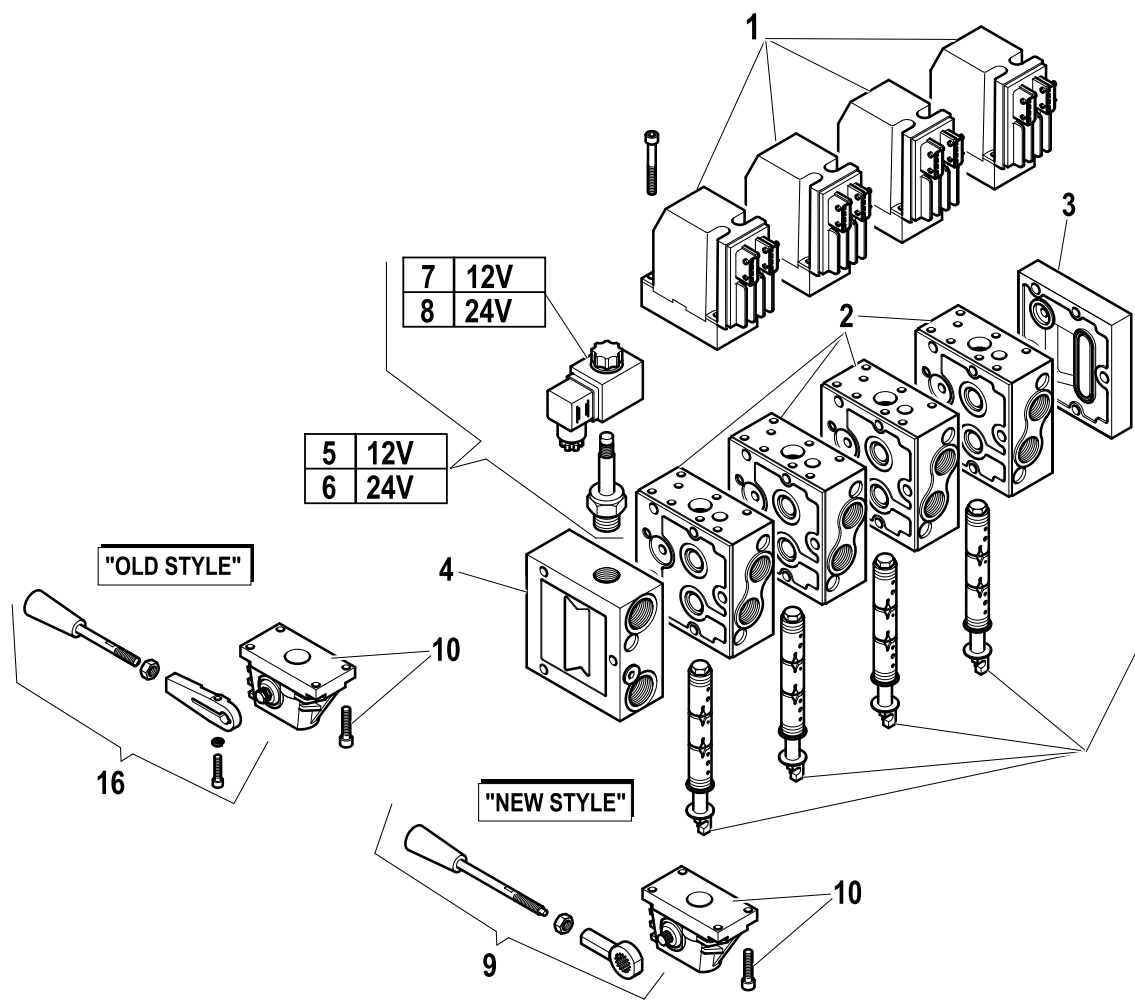
R	Pos.	Code Variant	Q.ty	Description
	1	5220373	1	Control valve
	2	3101046	1	Straight pipe fitting
	3	3120073	1	Straight pipe fitting
	4	3101044	2	Straight pipe fitting
	5	W402110	6	Rotary union
	6	3060145	6	Sealing washer [BSP 1/2"]

Control valve (4 section)

Code

5220373-1.0

1/1



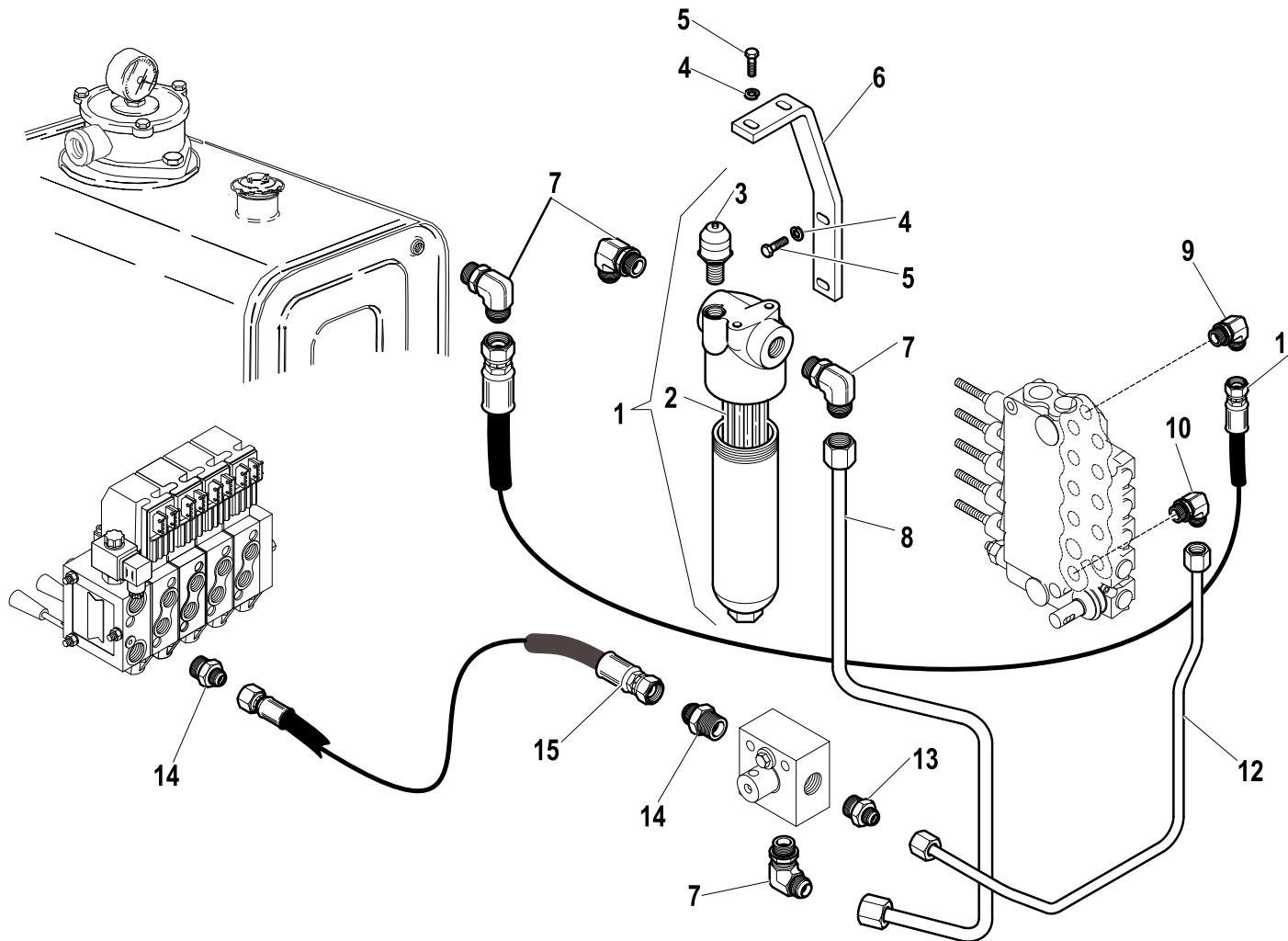
R	Pos.	Code Variant	Q.ty	Description
	1	5225534	4	Electric control (PVEA-DI PER PVG32)
	2	5225398	4	Form (PVB DISTR. DANFOSS 157B6203)
	3	5225512	1	
	4	5225511	1	
	5	5225533	1	
	6	5225510	1	
	7	3310238	1	Solenoid (12V)
	8	3310242	1	Solenoid (24V)
	9	5225859	4	lever kit new PVG32 11046724
	10	WDNF157B3 173	4	
	11	5225558	1	Slider (PVG32 157B7131)
	12	5225536	1	Slider (PVG32 157B7472)
	13	5225368	1	Slider (PVG32 157B7122)
	14	5225340	1	Slider (PVG32 CA A40-B100 157B9505)
	15	5225508	1	Slider (PVG32 157B7022)
	16	5225858	4	

High pressure filter (RDC)

Code

5400611-1.0

1/1



R	Pos.	Code Variant	Q.ty	Description
	1	W350018	1	
	2	W350718	1	
	3	W350507	1	
	4	3060918	4	Tooth lock washer [D.8 TIPO A UNI8842 ZC]
	5	3010027	4	Hex screw [M8X20 8.8 ZC IF UNI 5739]
	6	5091036	1	
	7	3101134	4	90° Connection
	8	5392156	1	
	9	3120012	1	90° Connection
	10	3101127	1	90° Connection
	11	5280746	1	Flexible hose
	12	5392155	1	
	13	3101045	1	Straight pipe fitting
	14	3120073	2	Straight pipe fitting
	15	5280747	1	



HC221 TCU

CONTROLS (ECM 4)

Code

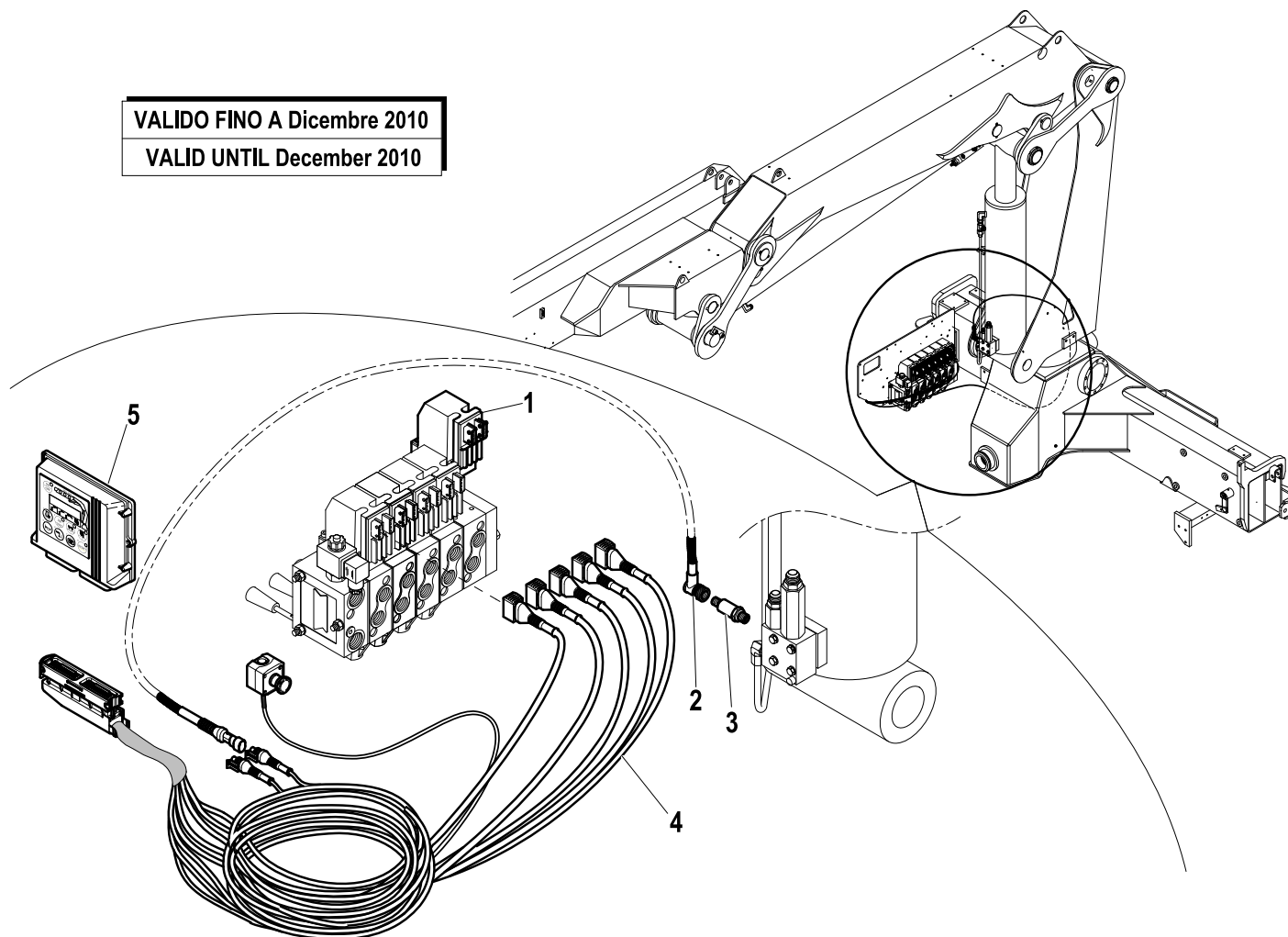
5400614-3.0

1/1

VALIDO FINO A Dicembre 2010

VALID UNTIL December 2010

R	Pos.	Code Variant	Q.ty	Description
	1	5225534	5	Electric control (PVEA-DI PER PVG32)
	2	5160001	1	Electric wiring
	3	3310612	1	Pressure sensor
	4	5160049	1	Electric wiring
	5	3310828	1	Moment limiting device



CONTROLS (ECM 4)

Code

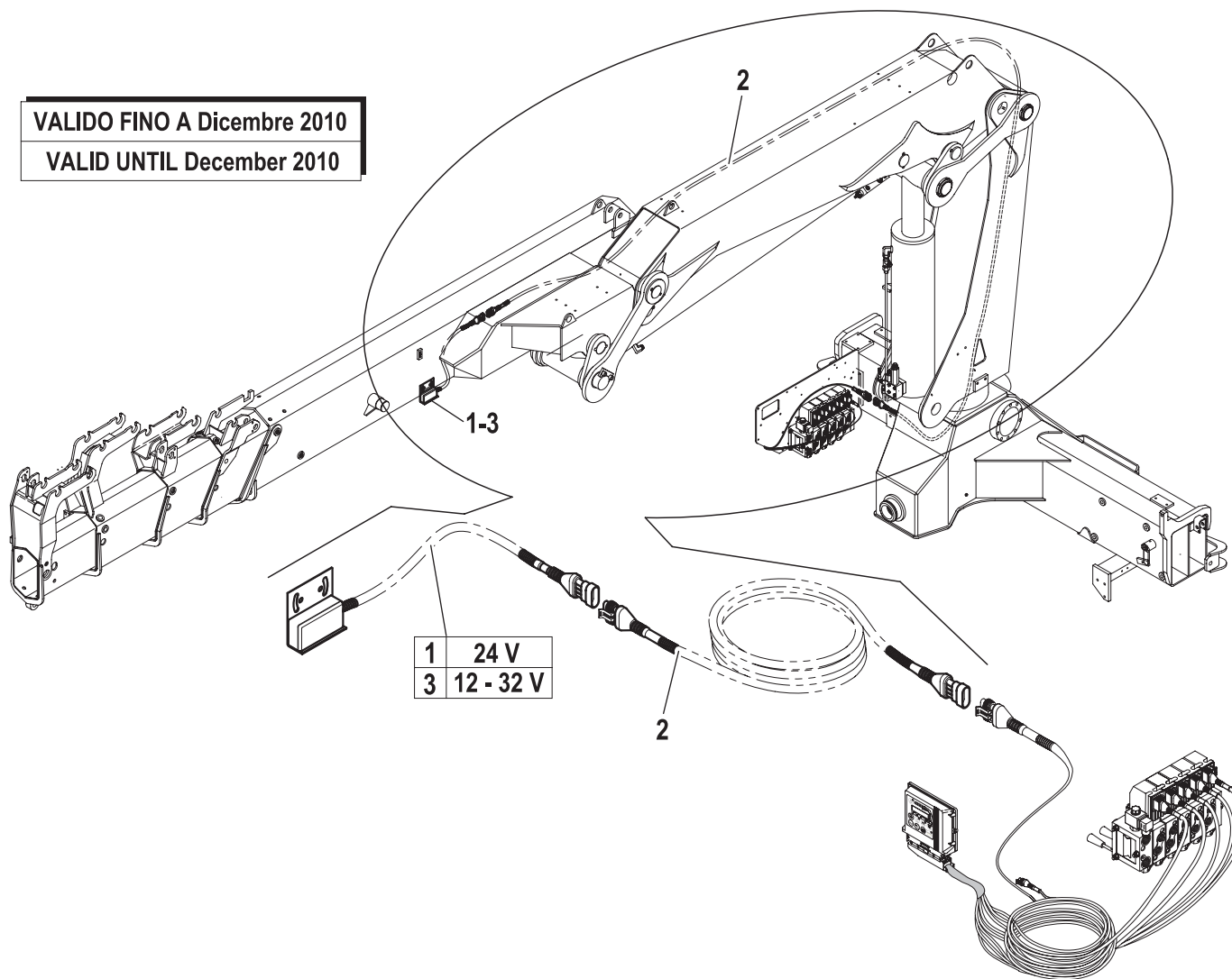
5400614-4.0

1/1

R	Pos.	Code Variant	Q.ty	Description
	1	3310541	1	Tiltmeter
	2	5160002	1	Electric wiring
	3	3310723	1	Tiltmeter

VALIDO FINO A Dicembre 2010

VALID UNTIL December 2010



CONTROLS (ECM 4)

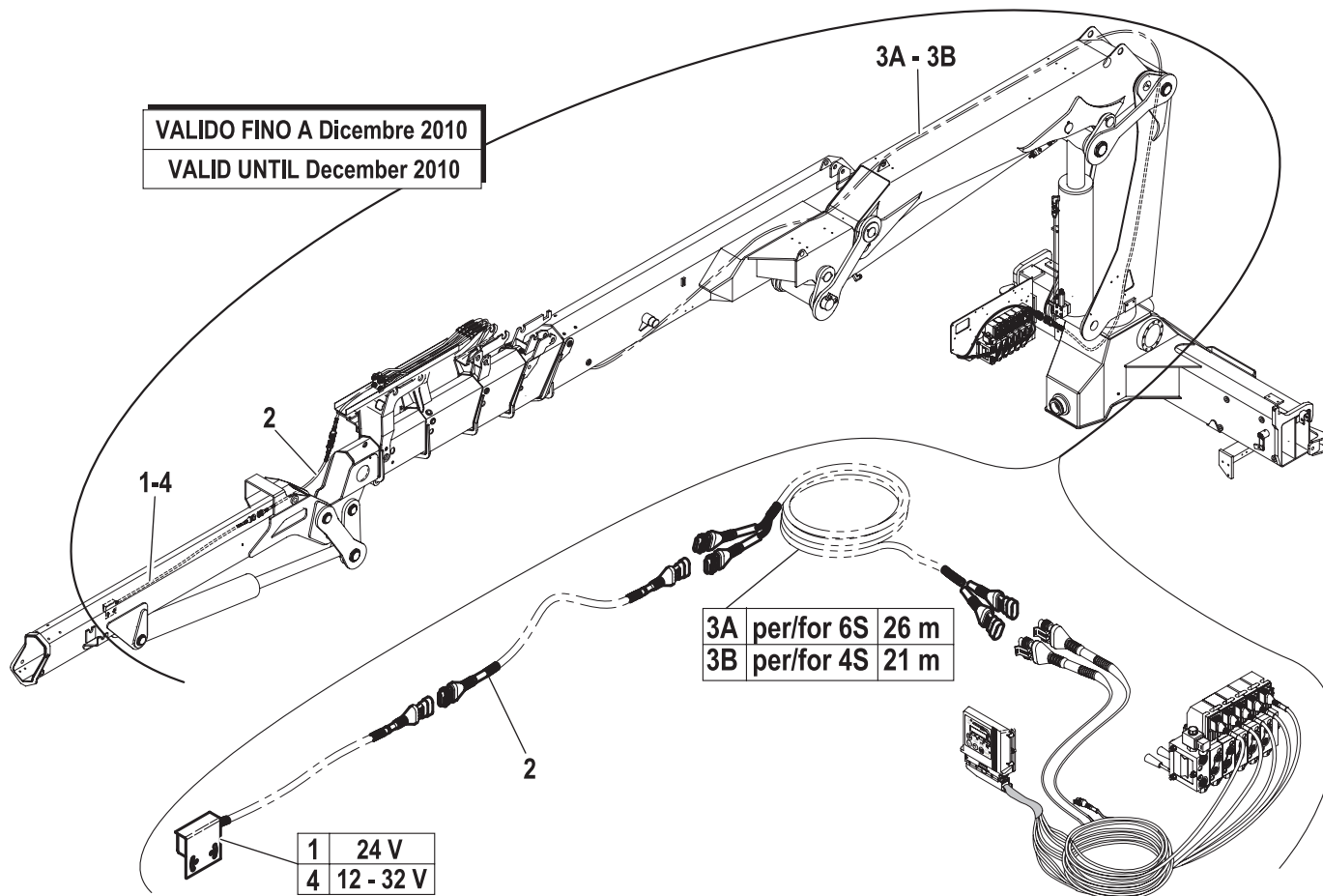
Code

5400610-1.0

1/1

R	Pos.	Code Variant	Q.ty	Description
	1	3310541	1	Tiltmeter
	2	5160016	1	Electric wiring
	3A	5160015	1	Electric wiring
	3B	5160019	1	Electric wiring
	4	3310723	1	Tiltmeter

VALIDO FINO A Dicembre 2010
VALID UNTIL December 2010



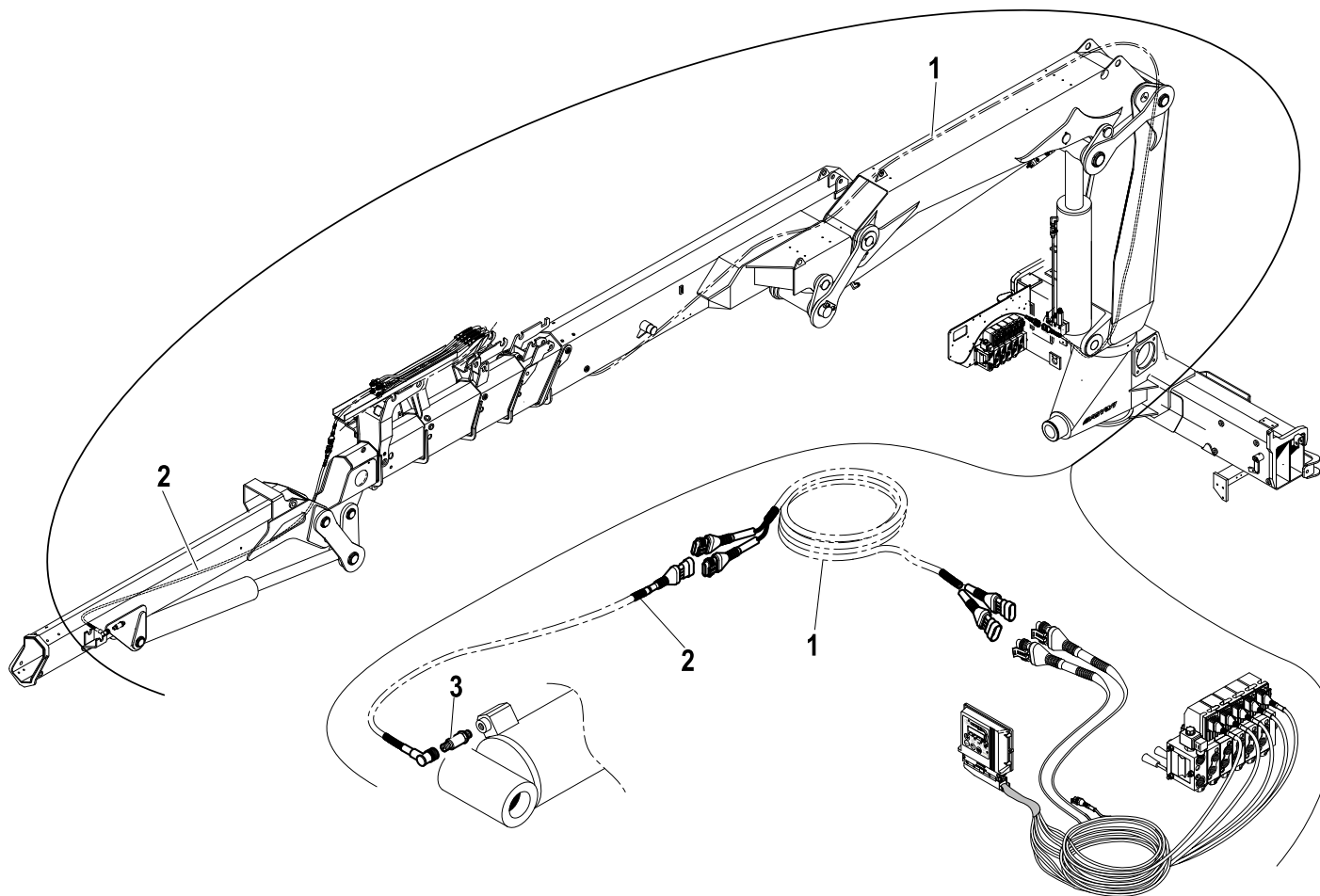
CONTROLS (ECM 4)

Code

5400610-2.0

1/1

R	Pos.	Code Variant	Q.ty	Description
	1/A	5160015	1	Electric wiring
	1/B	5160019	1	Electric wiring
	2	5160001	1	Electric wiring
	3	3310612	1	Pressure sensor



CONTROLS (ECM 4)

Code

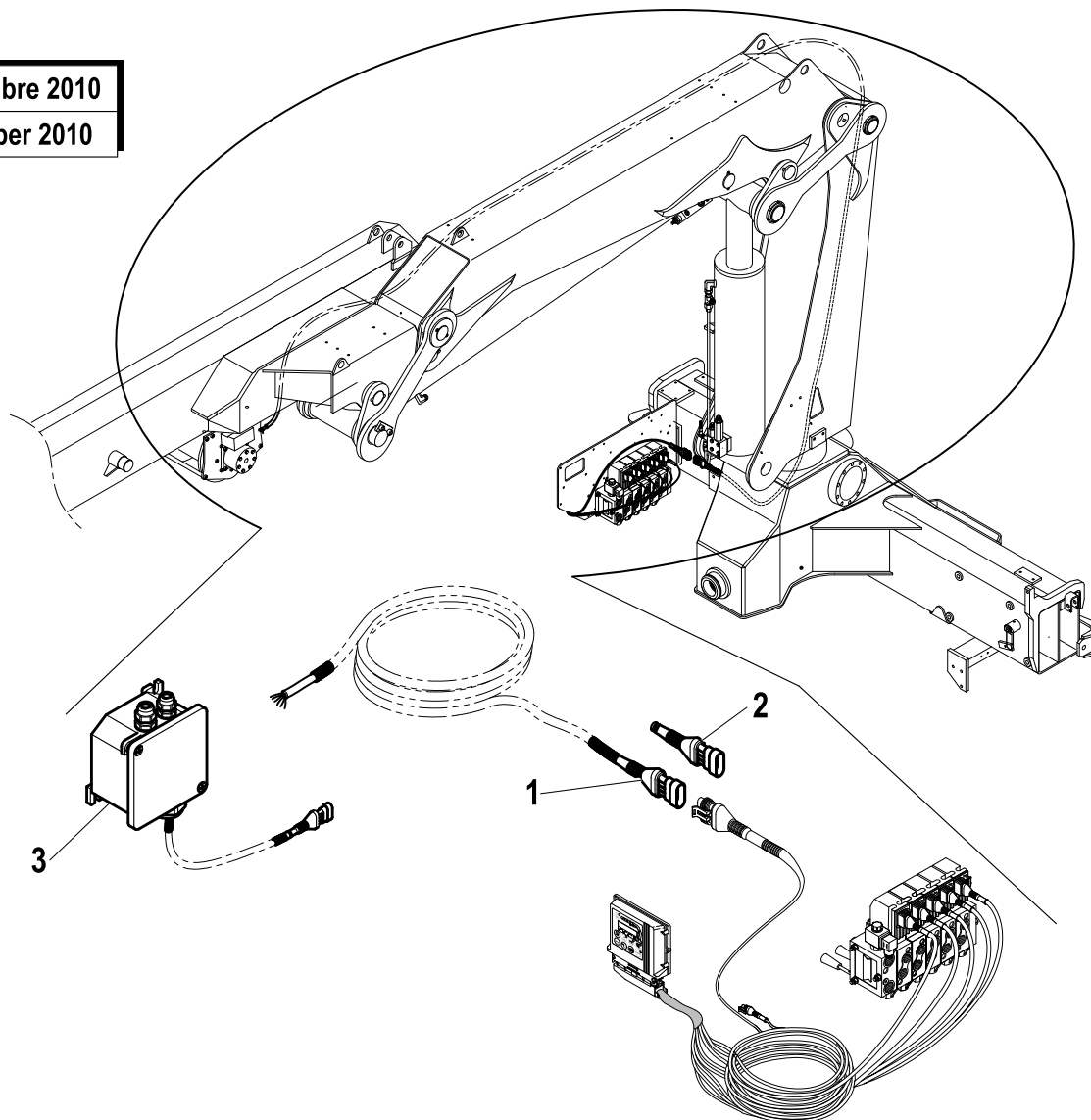
5400617-1.0

1/1

VALIDO FINO A Dicembre 2010

VALID UNTIL December 2010

R	Pos.	Code Variant	Q.ty	Description
	1	5160004	1	
	2	5160013	1	
	3	3310663	1	



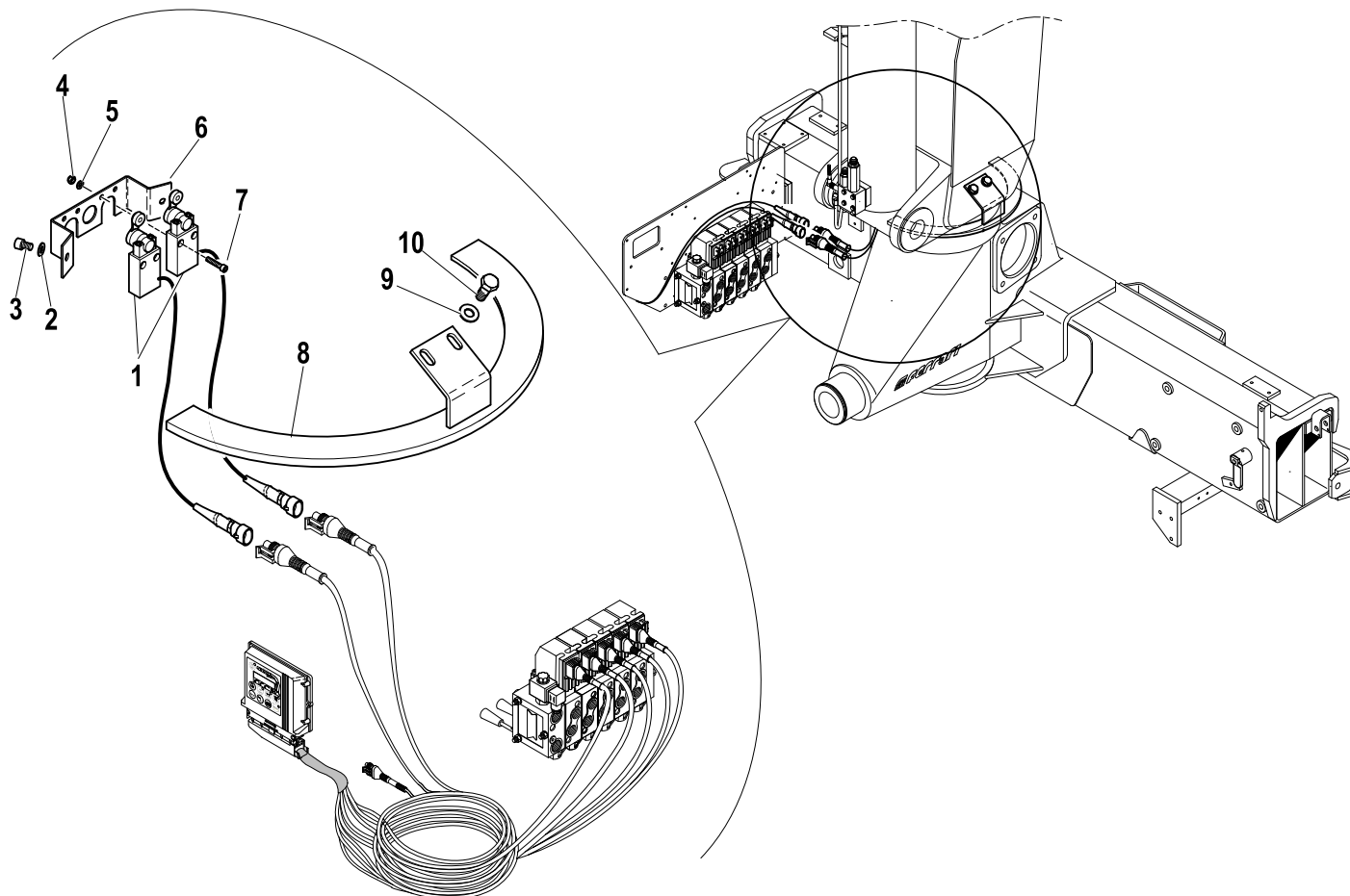
CONTROLS (ECM 4)

Code

7881211-1.1

1/1

R	Pos.	Code Variant	Q.ty	Description
	1	5160009	2	Electric wiring
	2	W695004	2	
	3	W751012	2	
	4	W571333	4	
	5	W695002	4	
	6	W610504600	1	
	7	W752419	4	
	8	W610504200	1	
	9	W694505	2	
	10	W750049	2	



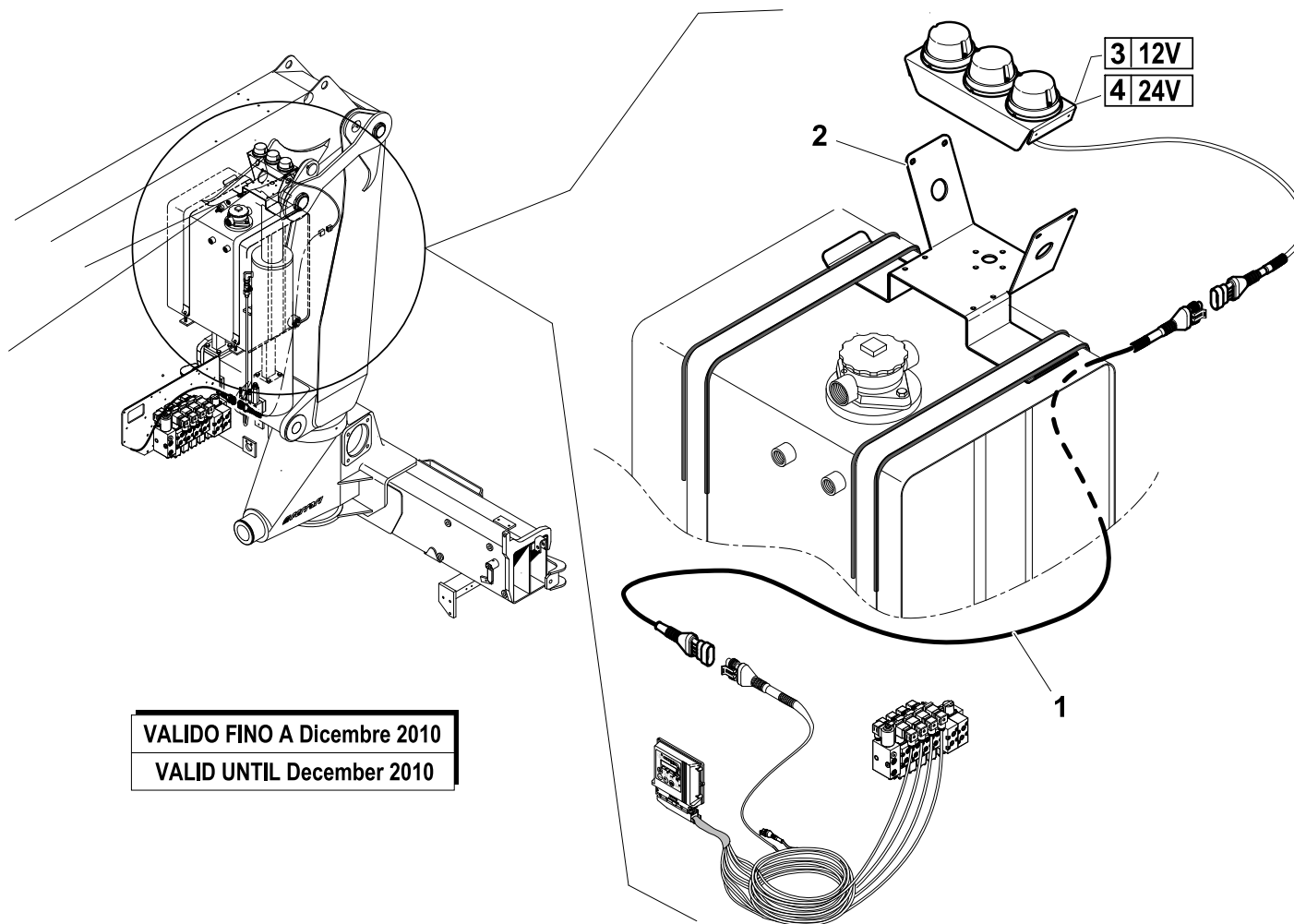
CONTROLS (ECM 4)

Code

5400614-5.0

1/1

R	Pos.	Code Variant	Q.ty	Description
	1	5160003	1	Electric wiring
	2	5001657	1	
	3	3310819	1	
	4	3310809	1	



VALIDO FINO A Dicembre 2010
VALID UNTIL December 2010

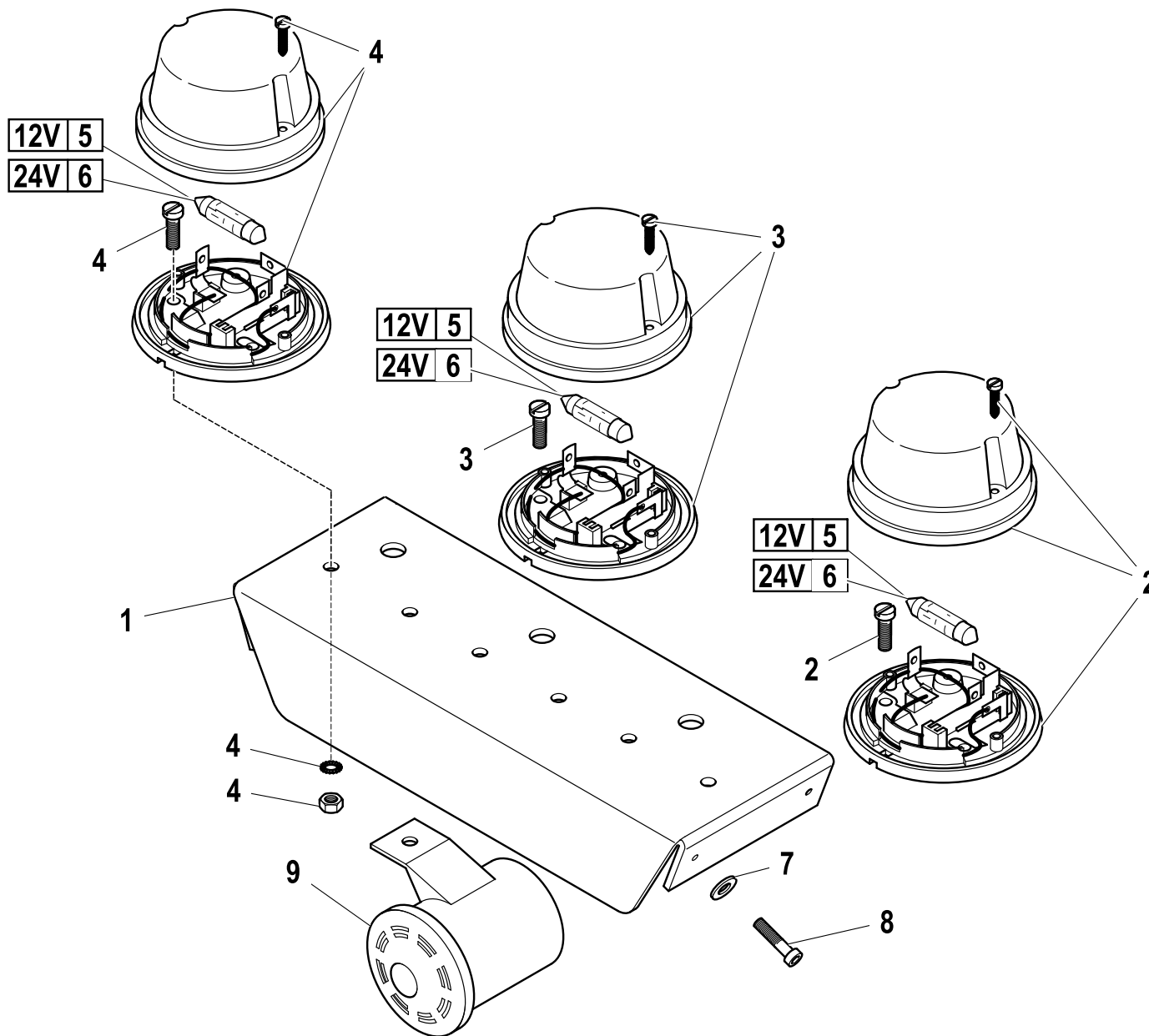
Pilot lamp

Code

7885015-1.0

1/1

R	Pos.	Code Variant	Q.ty	Description
	1	5001662	1	
	2	3310811	1	
	3	3310812	1	
	4	3310810	1	
	5	3310818	3	
	6	3310813	3	
	7	3060003	4	Flat washer [D.4 UNI 6592 ZC]
	8	3020885	4	Socketed head cap screw [M4X20 8.8 ZC UNI 5931]
	9	3310911	1	



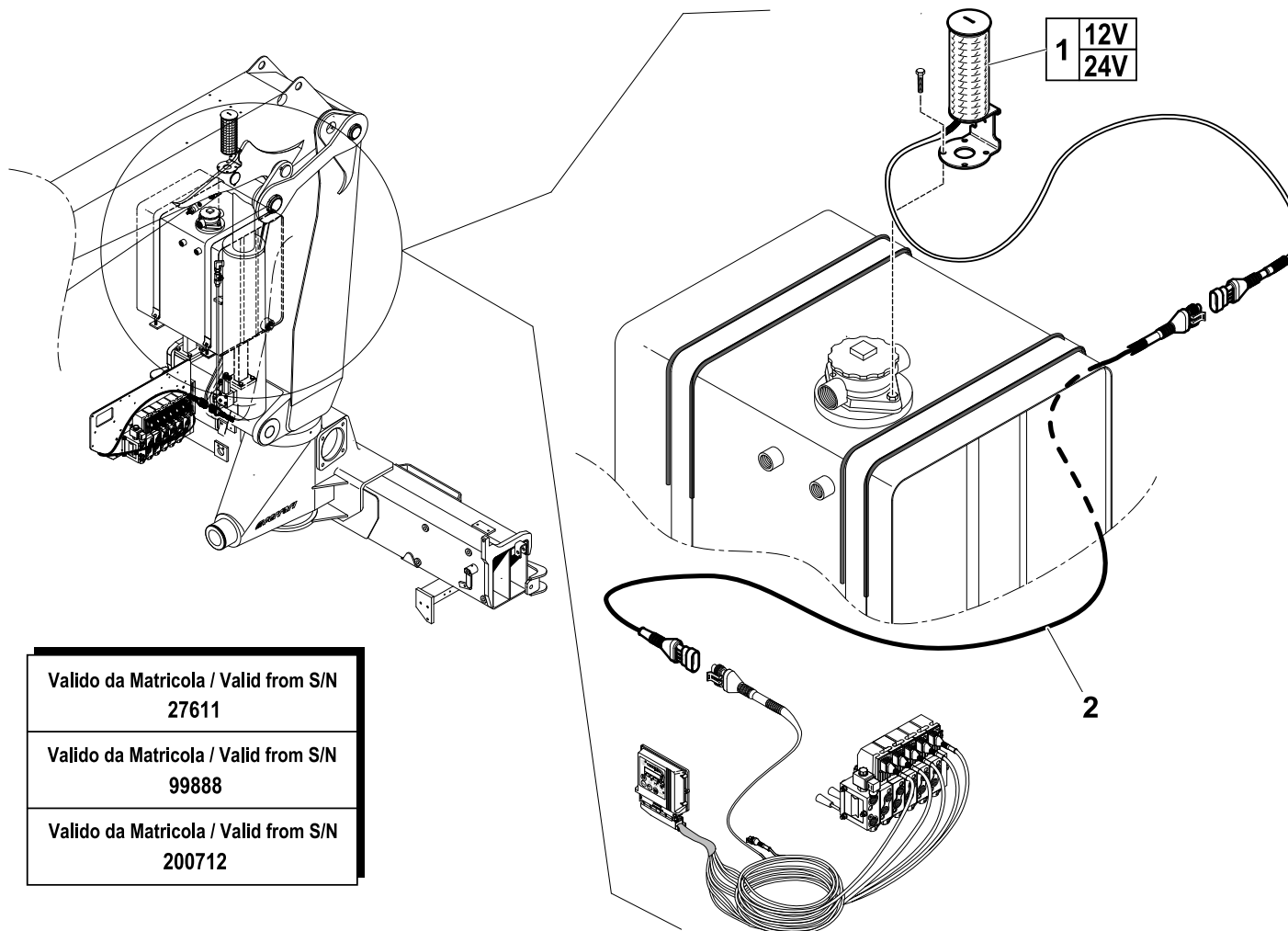
CONTROLS (ECM 4)

Code

5400614-7.0

1/1

R	Pos.	Code Variant	Q.ty	Description
1		3311159	1	Signal Columns
2		5160003	1	Electric wiring



Valido da Matricola / Valid from S/N
27611

Valido da Matricola / Valid from S/N
99888

Valido da Matricola / Valid from S/N
200712

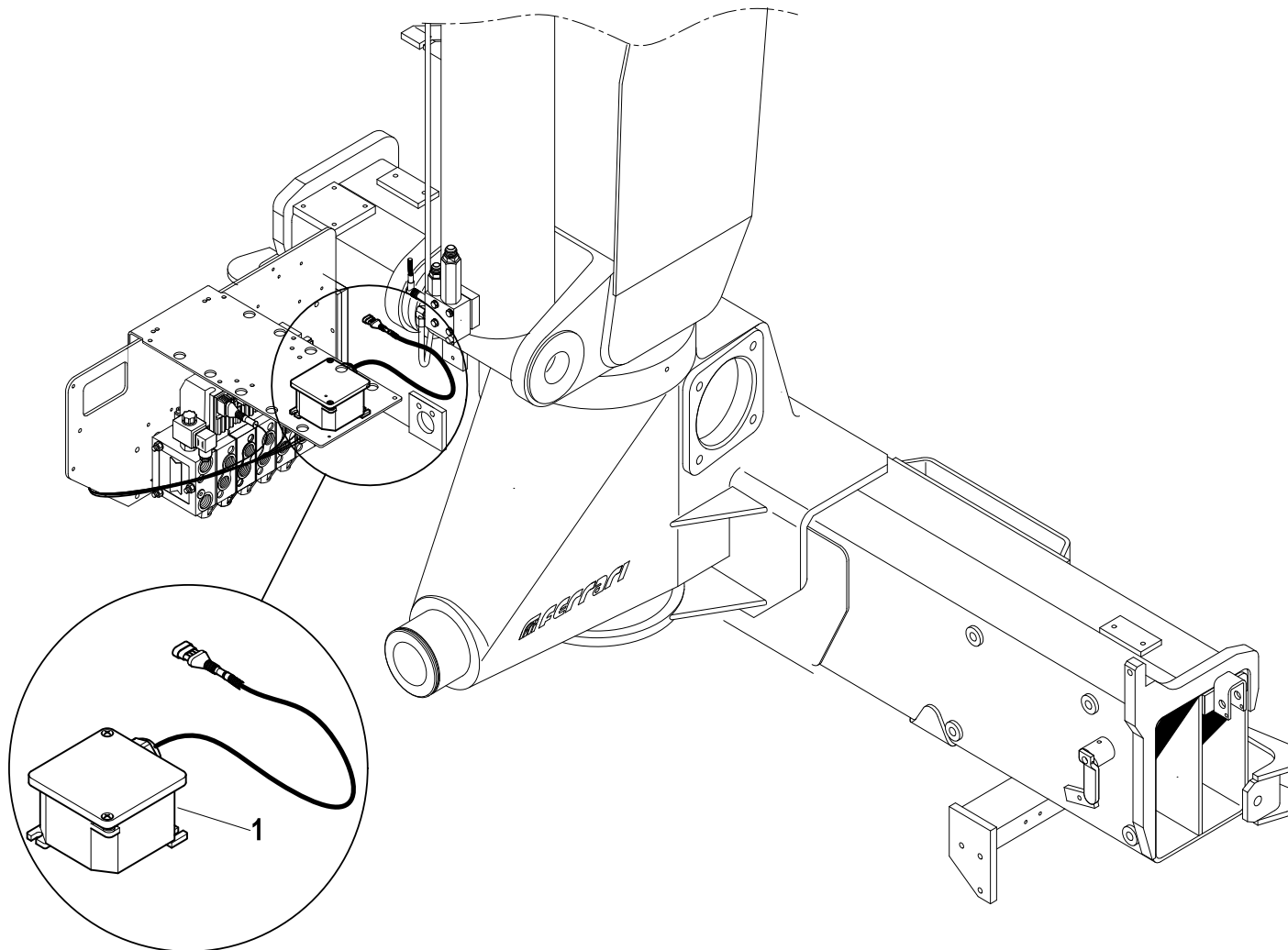
CONTROLS (ECM 4)

Code

5400614-6.0

1/1

R	Pos.	Code Variant	Q.ty	Description
1		5160006	1	



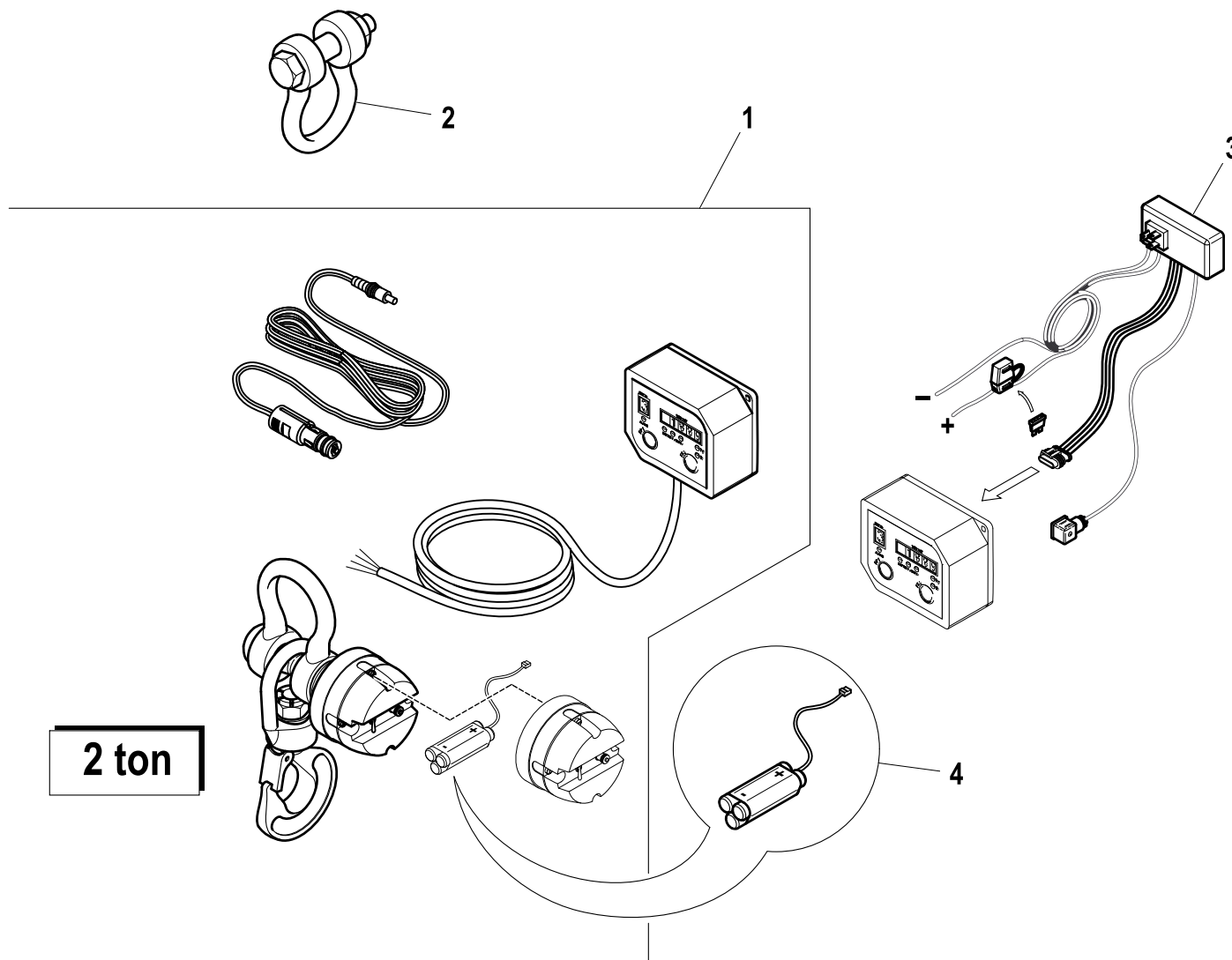
LOAD INDICATION SYSTEM (RDC)

Code

7881784-1.0

1/1

R	Pos.	Code Variant	Q.ty	Description
	1	5730506	1	
	2	3200050	1	Shackles
	3	W236508	1	
	4	3311542	1	





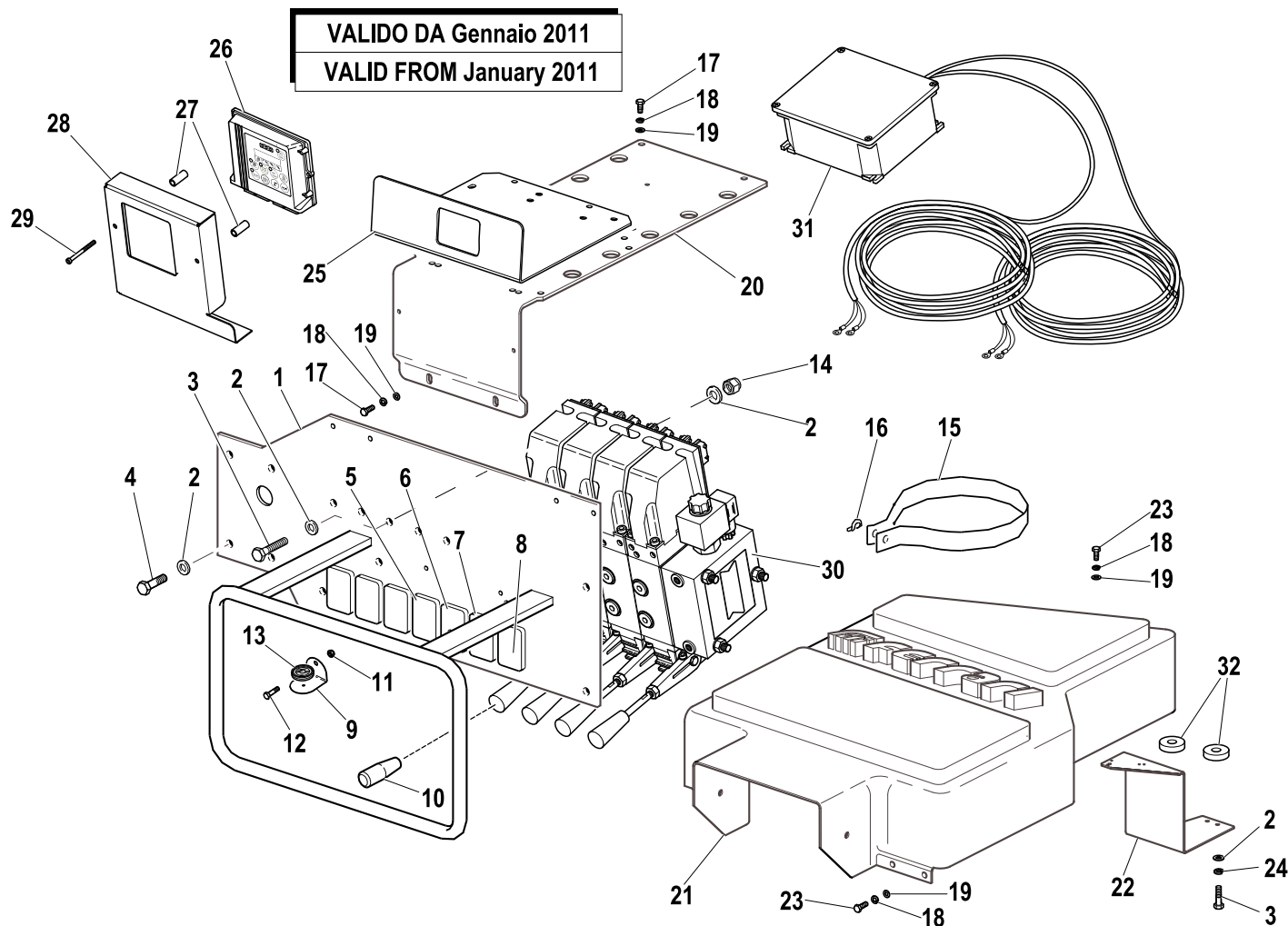
HC221 TCU EN 12999-A3

CONTROLS (RDC EBB-X TCU-ECM4)

Code

5401292-8.0

1/2



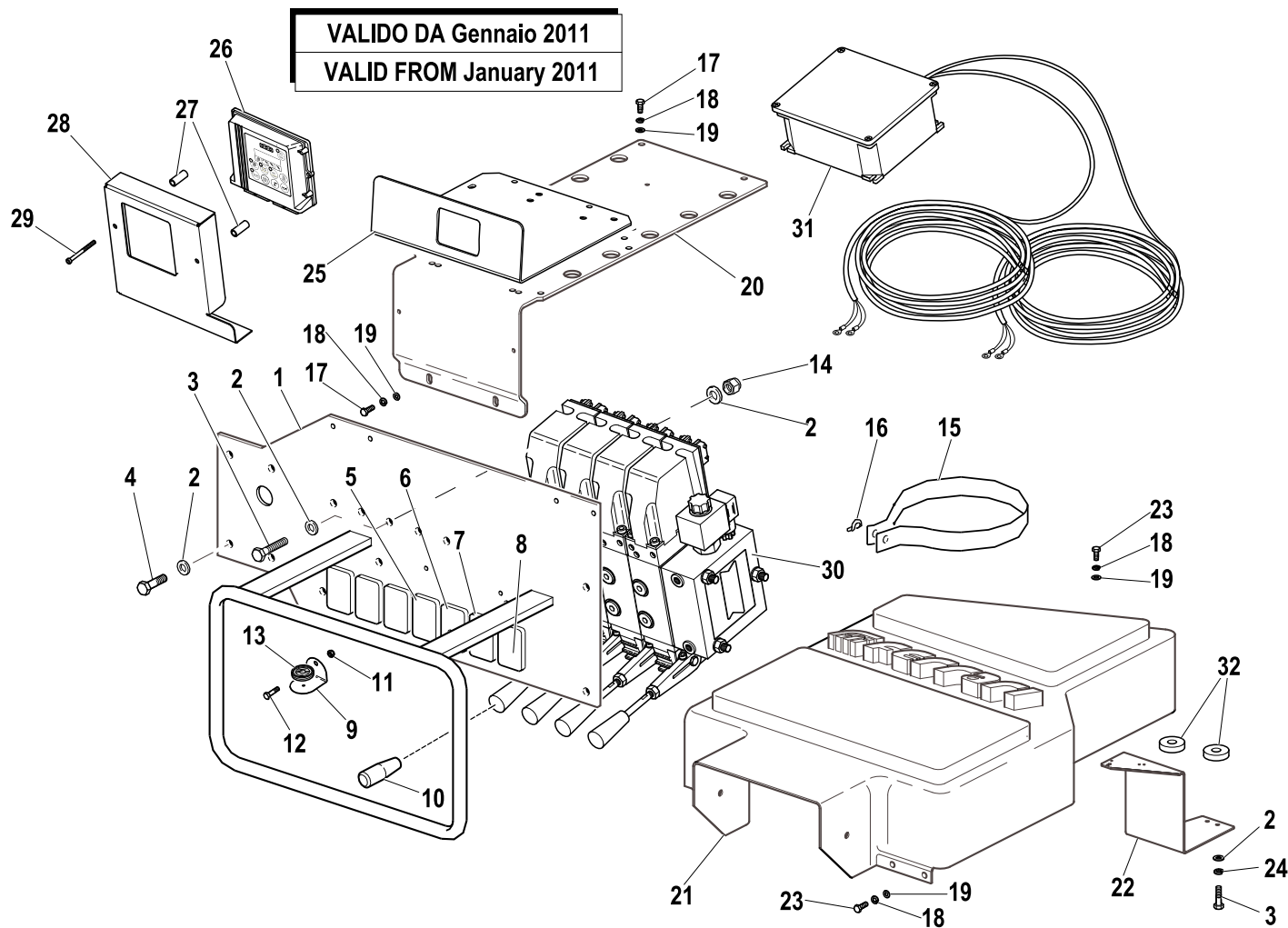
R	Pos.	Code Variant	Q.ty	Description
1		W570500600	1	
2		3060006	14	Flat washer [D.8 UNI 6592 ZC]
3		3010027	6	Hex screw [M8X20 8.8 ZC IF UNI 5739]
4		3010337	4	Hex screw [M8X16 8.8 ZC UNI 5739]
5		W573266	1	Small plate (CONTROL SYMBOLS)
6		W573267	1	Small plate (CONTROL SYMBOLS)
7		W573269	1	Small plate (CONTROL SYMBOLS)
8		W573270	1	Small plate (CONTROL SYMBOLS)
9		W570501600	1	
10		3190188	1	
11		3040372	1	Stopnut
12		3010015	1	Hex screw [M6X20 8.8 ZC UNI 5739]
13		3180116	1	
14		3040524	4	Stopnut
15		W270506300	1	
16		W270506400	1	
17		3010325	3	Hex screw [M6X16 8.8 ZC UNI 5739]
18		3060005	8	Flat washer [D.6.4 UNI 6592 ZC]
19		3060053	8	Split lock washer [D=6.4 C72 ZC]
20		5091035	1	

CONTROLS (RDC EBB-X TCU-ECM4)

Code

5401292-8.0

2/2



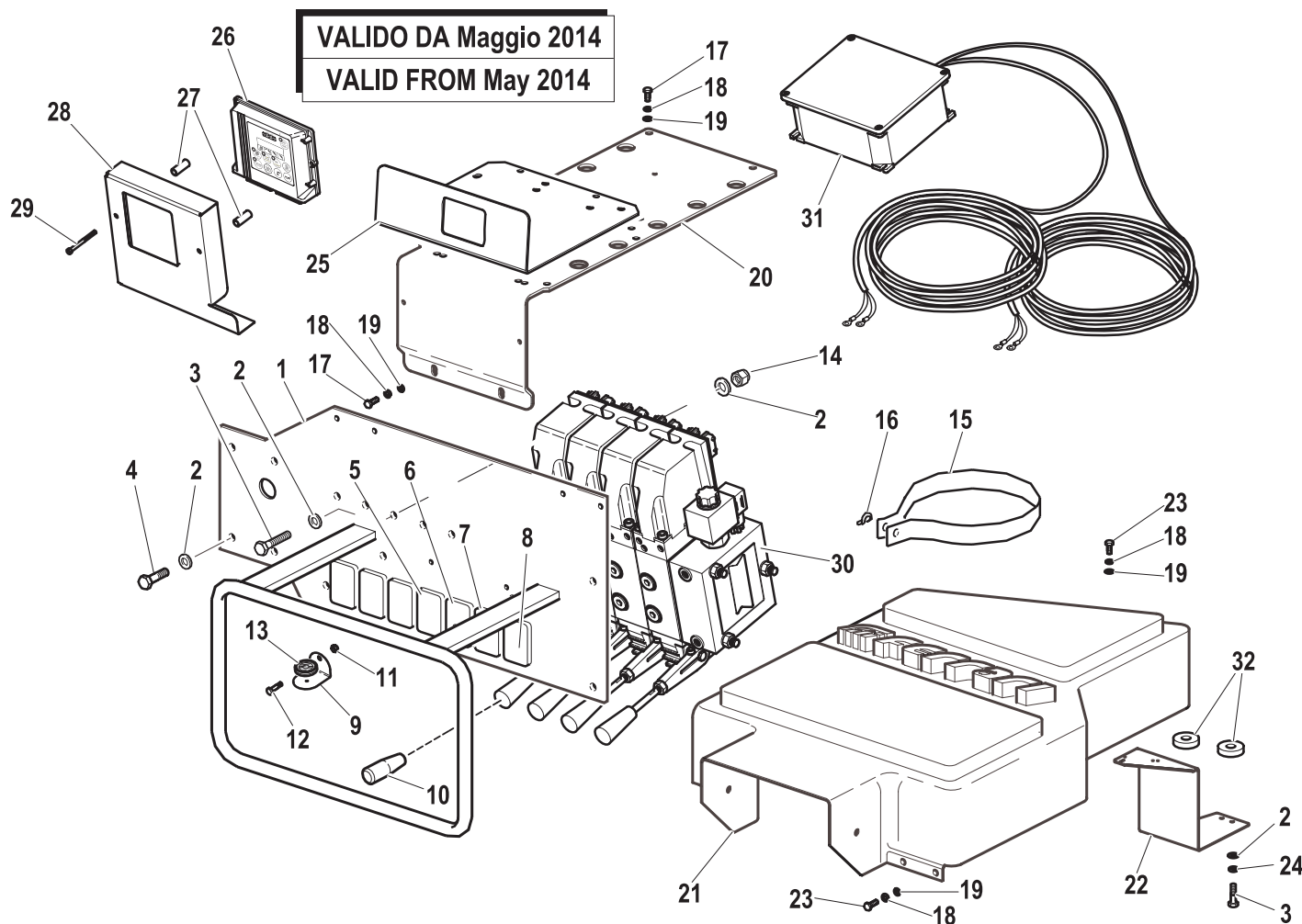
R	Pos.	Code Variant	Q.ty	Description
	21	W590501200	1	
	22	W570501500	1	
	23	3010324	6	Hex screw [M6X12 8.8 ZC UNI 5739]
	24	3060055	2	Split lock washer [D=8.4 C72 ZC]
	25	5000444	1	
	26	3311423	1	Moment limiting device [SUPERATO]
	27	5001783	2	
	28	5001782	1	
	29	3020897	2	Socket head cap screw [M5X60 8.8 ZC UNI 5931]
	30	5220373	1	Control valve
	31	3311405	1	
	32	W340501400	2	Support (Clamp)

CONTROLS (RDC EBB-X TCU-ECM4)

Code

5401987-1.0

1/2



R	Pos.	Code Variant	Q.ty	Description
	1	W570500600	1	
	2	3060006	14	Flat washer [D.8 UNI 6592 ZC]
	3	3010027	6	Hex screw [M8X20 8.8 ZC IF UNI 5739]
	4	3010337	4	Hex screw [M8X16 8.8 ZC UNI 5739]
	5	W573266	1	Small plate (CONTROL SYMBOLS)
	6	W573267	1	Small plate (CONTROL SYMBOLS)
	7	W573269	1	Small plate (CONTROL SYMBOLS)
	8	W573270	1	Small plate (CONTROL SYMBOLS)
	9	W570501600	1	
	10	3190188	1	
	11	3040372	1	Stopnut
	12	3010015	1	Hex screw [M6X20 8.8 ZC UNI 5739]
	13	3180116	1	
	14	3040524	4	Stopnut
	15	W270506300	1	
	16	W270506400	1	
	17	3010325	3	Hex screw [M6X16 8.8 ZC UNI 5739]
	18	3060005	8	Flat washer [D.6.4 UNI 6592 ZC]
	19	3060053	8	Split lock washer [D=6.4 C72 ZC]
	20	5091035	1	

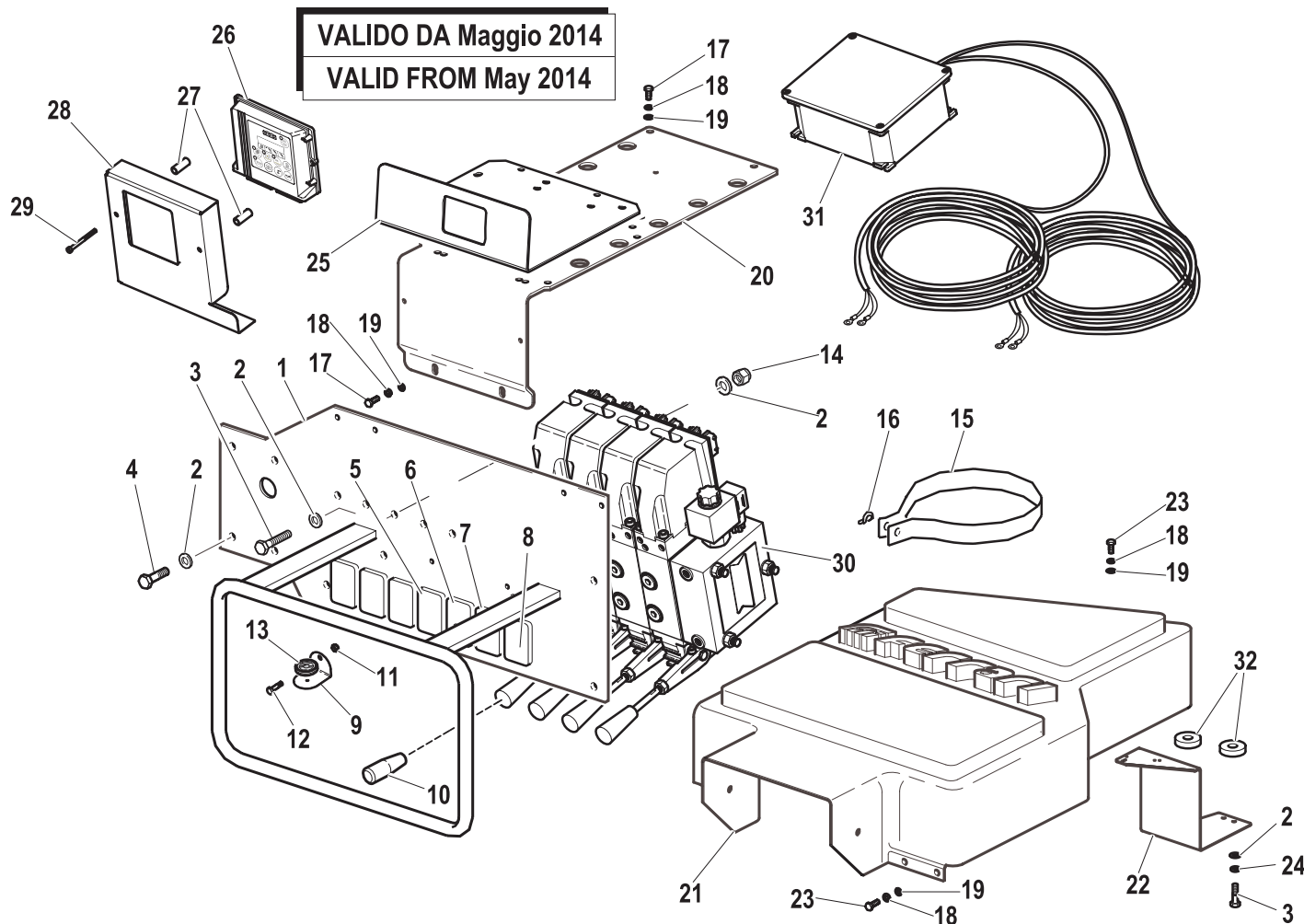
CONTROLS (RDC EBB-X TCU-ECM4)

Code

5401987-1.0

2/2

R	Pos.	Code Variant	Q.ty	Description
	21	W590501200	1	
	22	W570501500	1	
	23	3010324	6	Hex screw [M6X12 8.8 ZC UNI 5739]
	24	3060055	2	Split lock washer [D=8.4 C72 ZC]
	25	5000444	1	
	26	3311630	1	Moment limiting device (WITH RESINING)
	27	5001783	2	
	28	5001782	1	
	29	3020897	2	Socketed head cap screw [M5X60 8.8 ZC UNI 5931]
	30	5220373	1	Control valve
	31	3311405	1	
	32	W340501400	2	Support (Clamp)



ROTATION CONTROL (EN12999-A3)

Code

5411215-1.0

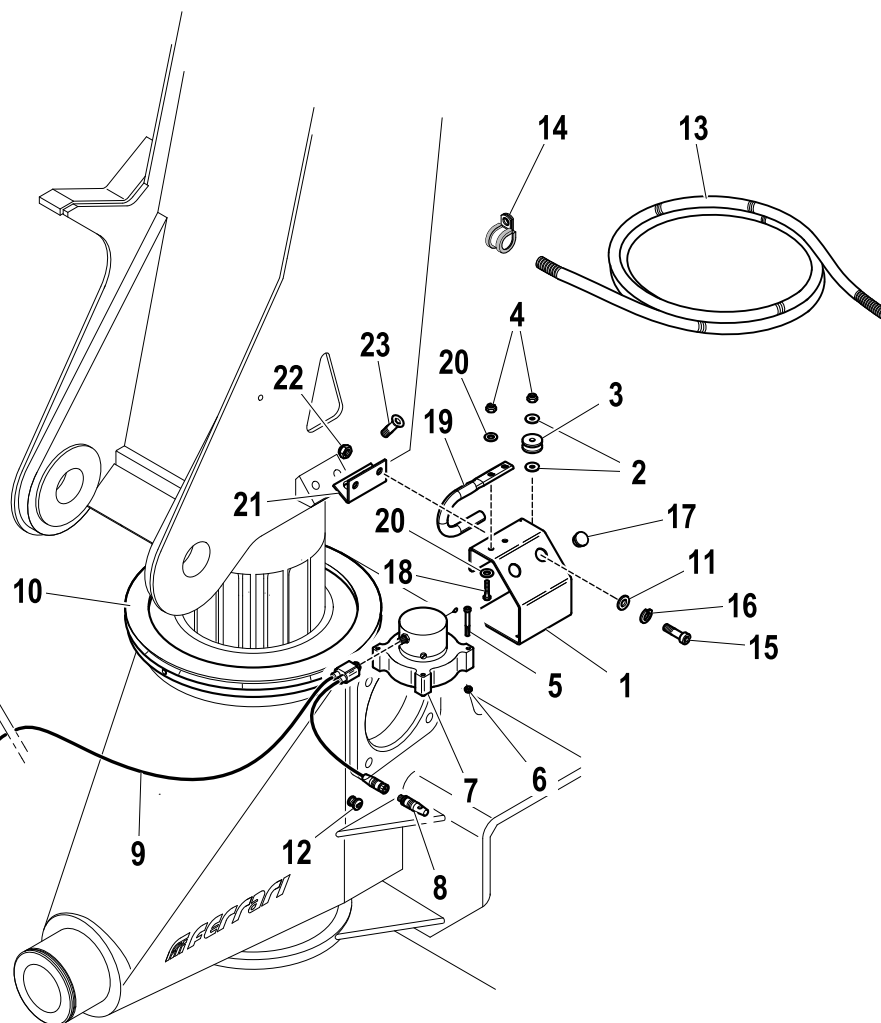
1/2

VALIDO DA Gennaio 2011

VALID FROM January 2011

VALIDO FINO A Settembre 2011

VALID UNTIL September 2011



BASAMENTO LATO DISTRIBUTORE
BASE SIDE CONTROL VALVE

R	Pos.	Code Variant	Q.ty	Description
1		5091301	1	
2		3060030	2	Flat washer [D.6.6X18 UNI 6593 ZC]
3		5141080	1	
4		3040372	3	Stopnut
5		3020019	3	Socket head cap screw [M4X40 8.8 ZC UNI 5931]
6		3040518	3	Stopnut
7		3311313	1	
8		3311327	1	Connector (Electric)
9		3311325	1	
10		5141091	1	
11		3060914	2	Flat washer [D.10.5X21X2 UNI 6592 ZC]
12		3311326	1	
13		3190295	mt2.5	
14		3190036	1	
15		3020080	2	Socket head cap screw [M10X16 12.9 ZC UNI 5931]
16		3060056	2	Split lock washer [D=10 C72 ZC]
17		3190301	2	
18		3010022	2	Hex screw [M6X25 8.8 ZC UNI 5739]
19		5002124	1	
20		3060005	4	Flat washer [D.6.4 UNI 6592 ZC]

ROTATION CONTROL (EN12999-A3)

Code

5411215-1.0

2/2

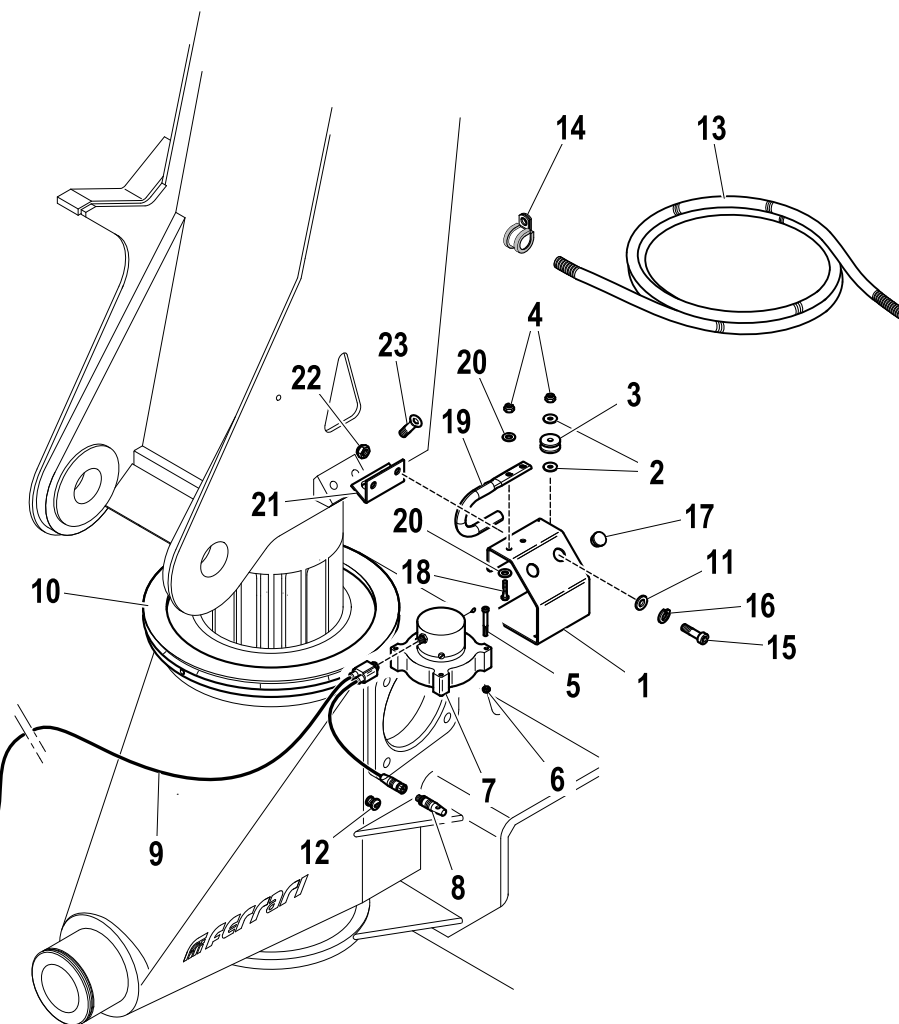
R	Pos.	Code Variant	Q.ty	Description
	21	5000423	1	
	22	3040304	2	Stopnut
	23	3020496	2	TSEI screw [M10X16 10.9 ZC UNI 5933]

VALIDO DA Gennaio 2011

VALID FROM January 2011

VALIDO FINO A Settembre 2011

VALID UNTIL September 2011



**BASAMENTO LATO DISTRIBUTORE
BASE SIDE CONTROL VALVE**

ROTATION CONTROL (EN12999-A3)

Code

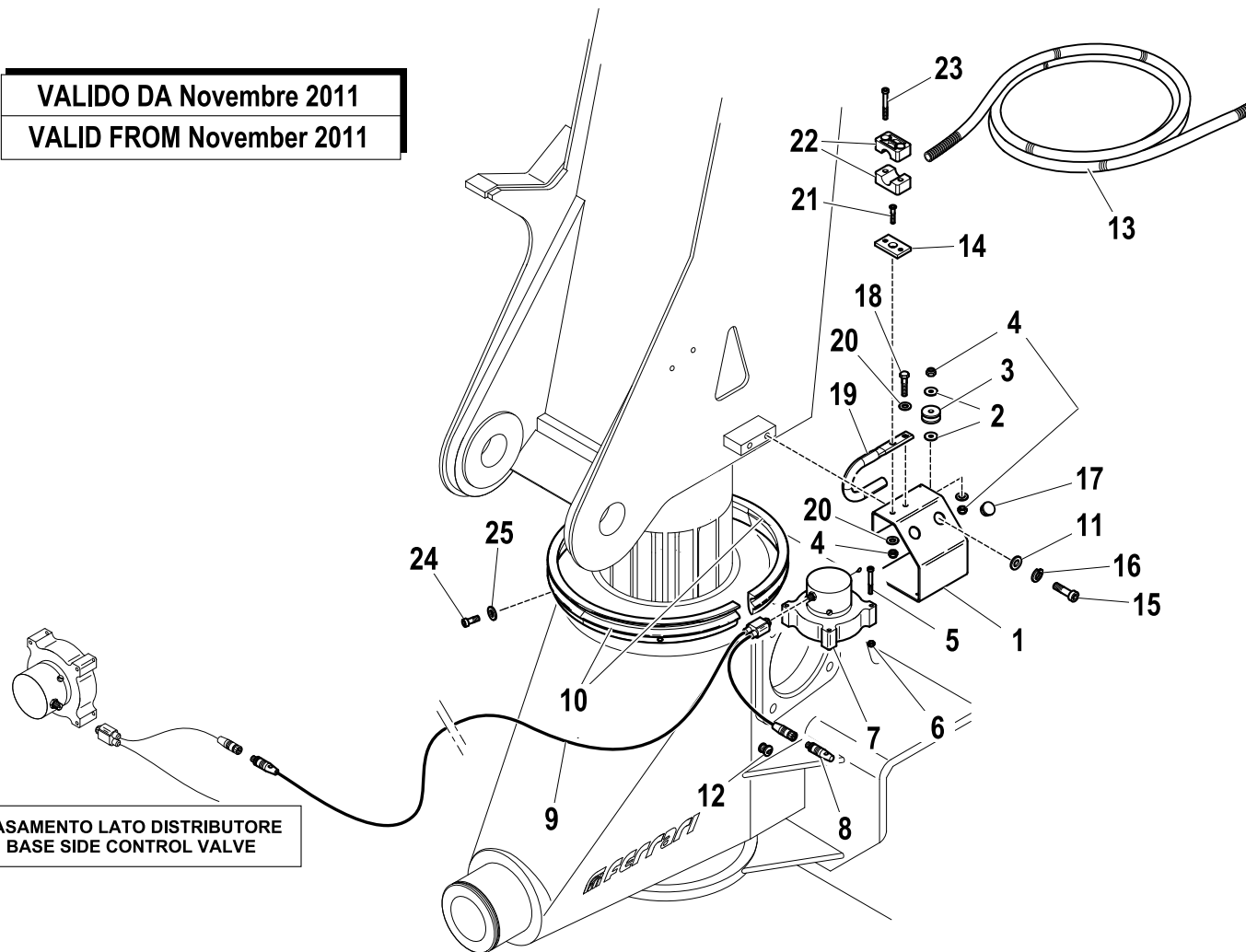
5411215-3.0

1/2

R	Pos.	Code Variant	Q.ty	Description
	1	5091301	1	
	2	3060030	2	Flat washer [D.6.6X18 UNI 6593 ZC]
	3	5141080	1	
	4	3040372	3	Stopnut
	5	3020019	3	Socket head cap screw [M4X40 8.8 ZC UNI 5931]
	6	3040518	3	Stopnut
	7	3311313	1	
	8	3311327	1	Connector (Electric)
	9	3311325	1	
	10	5141121	2	Half ring
	11	3060914	2	Flat washer [D.10.5X21X2 UNI 6592 ZC]
	12	3311326	1	
	13	3190295	mt2.5	
	14	5000454	1	
	15	3020080	2	Socket head cap screw [M10X16 12.9 ZC UNI 5931]
	16	3060056	2	Split lock washer [D=10 C72 ZC]
	17	3190301	2	
	18	3010022	2	Hex screw [M6X25 8.8 ZC UNI 5739]
	19	5002124	1	
	20	3060005	3	Flat washer [D.6.4 UNI 6592 ZC]

VALIDO DA Novembre 2011

VALID FROM November 2011



**BASAMENTO LATO DISTRIBUTORE
BASE SIDE CONTROL VALVE**

ROTATION CONTROL (EN12999-A3)

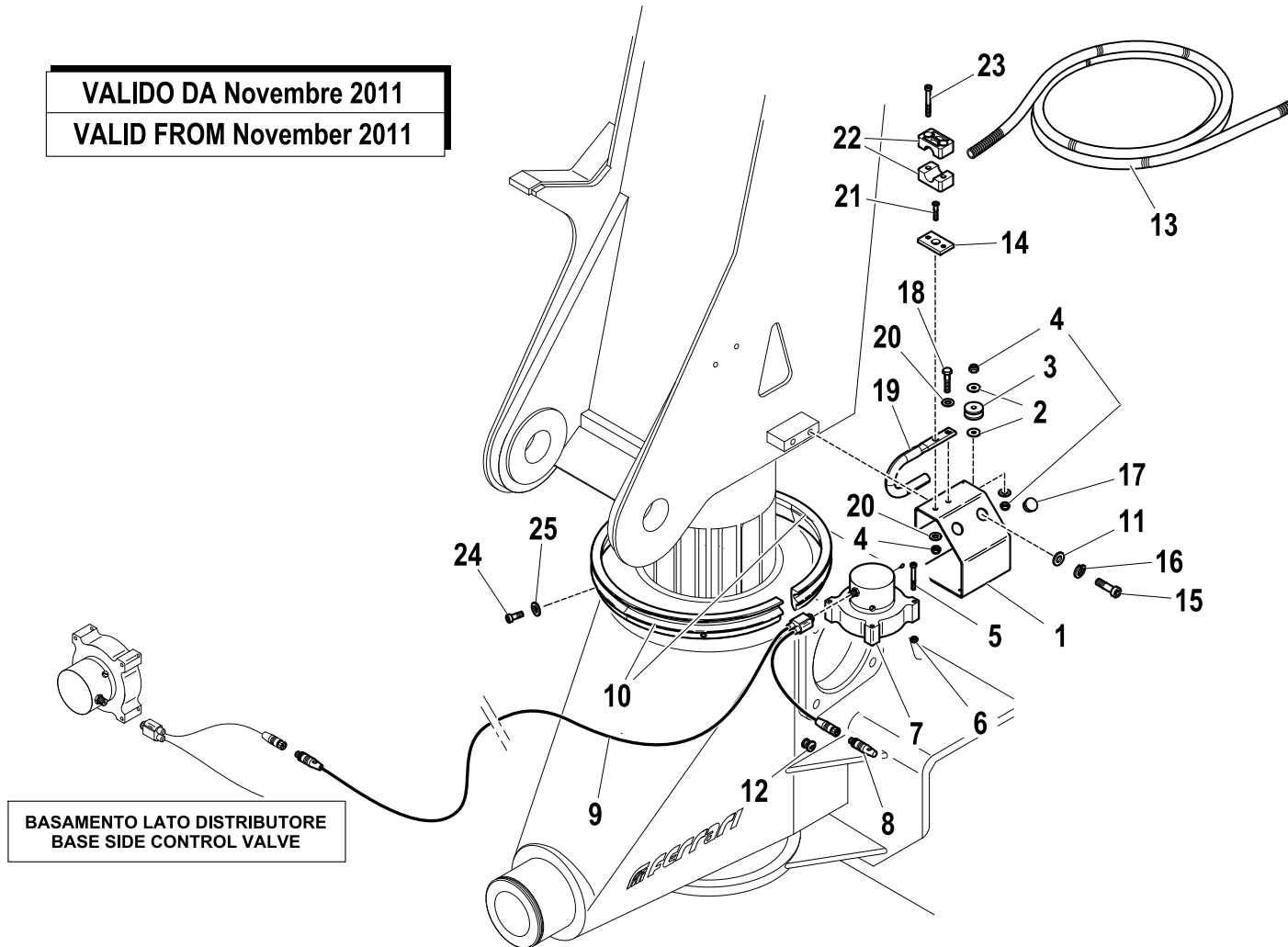
Code

5411215-3.0

2/2

R	Pos.	Code Variant	Q.ty	Description
	21	3020907	1	TSEI screw [M6X25 10.9 ZC UNI 5933]
	22	3190185	2	Collar
	23	3020039	2	Socketed head cap screw [M6X35 8.8 ZC UNI 5931]
	24	3020021	4	Socketed head cap screw [M5X12X0.8 8.8 ZC UNI 5931]
	25	3060004	4	Flat washer [D.5 UNI 6592 ZC]

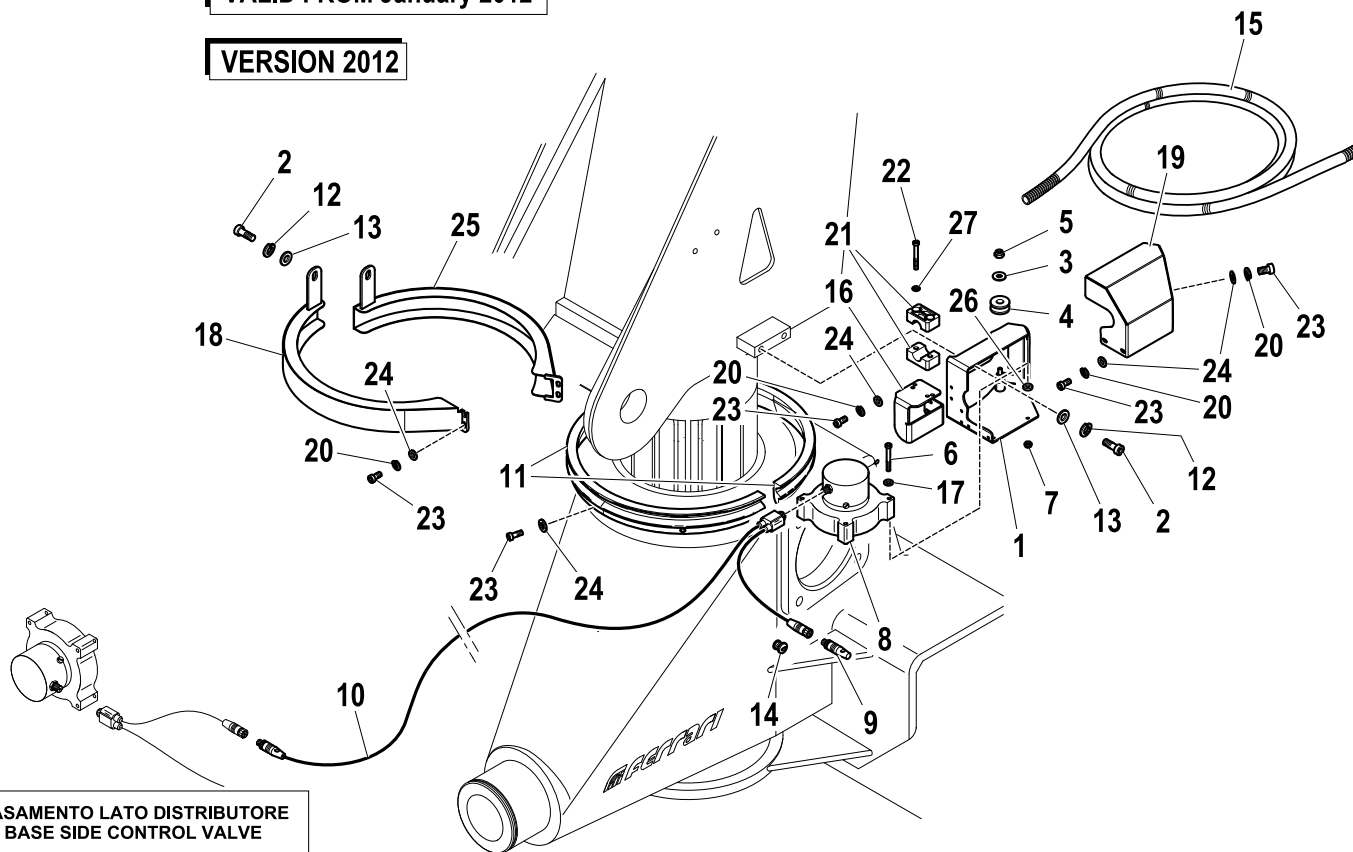
VALIDO DA Novembre 2011
VALID FROM November 2011



VALIDO DA Gennaio 2012

VALID FROM January 2012

VERSION 2012



**BASAMENTO LATO DISTRIBUTORE
BASE SIDE CONTROL VALVE**

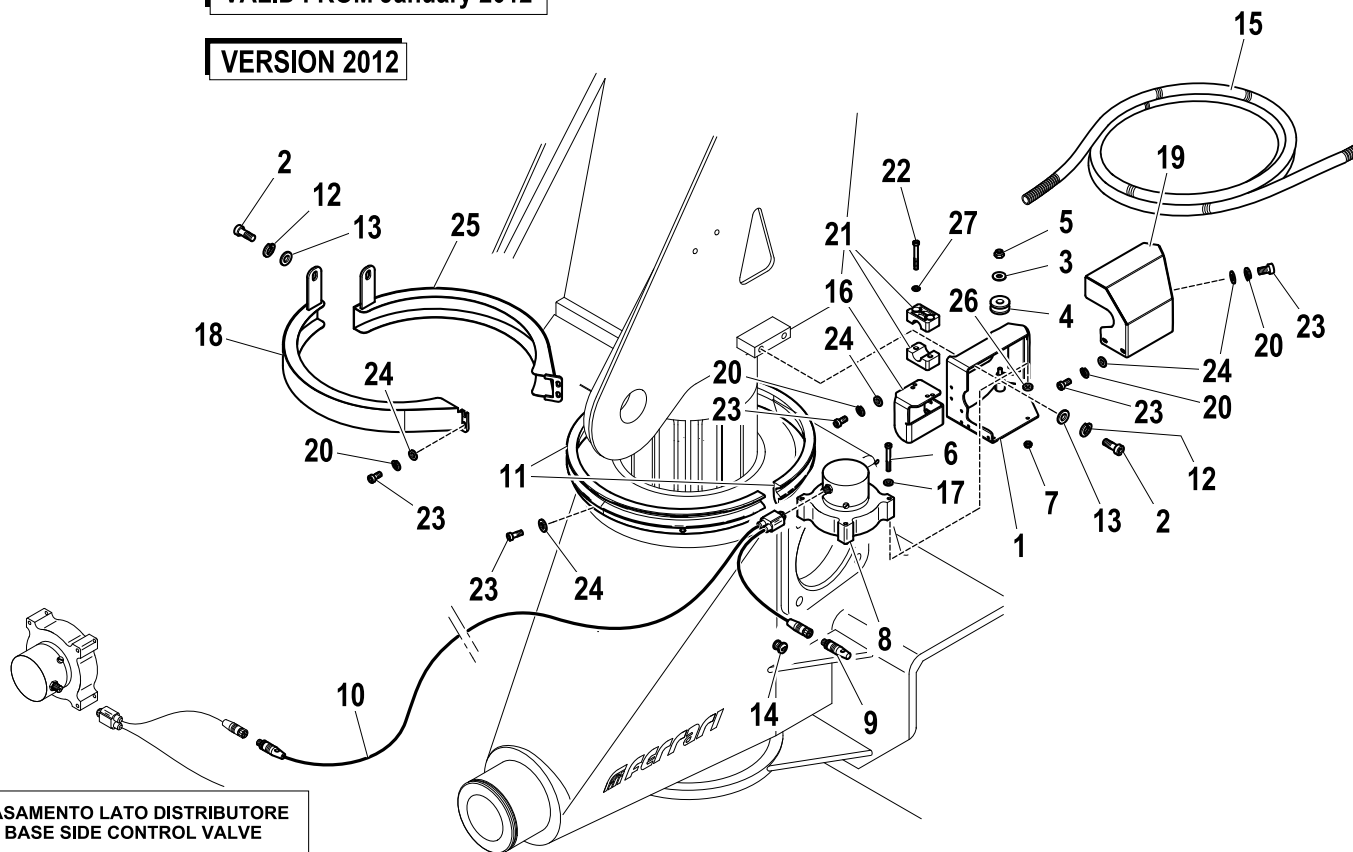
R	Pos.	Code Variant	Q.ty	Description
	1	5091398	1	Support (Encoder)
	2	3020080	4	Socket head cap screw [M10X16 12.9 ZC UNI 5931]
	3	3060030	1	Flat washer [D.6.6X18 UNI 6593 ZC]
	4	5141135	1	Wheel (Cable guide)
	5	3040372	1	Stopnut
	6	3020019	2	Socket head cap screw [M4X40 8.8 ZC UNI 5931]
	7	3040518	2	Stopnut
	8	3311313	1	
	9	3311327	1	Connector (Electric)
	10	3311325	1	
	11	5141121	2	Half ring
	12	3060056	4	Split lock washer [D=10 C72 ZC]
	13	3060914	4	Flat washer [D.10.5X21X2 UNI 6592 ZC]
	14	3311326	1	
	15	3190295	mt2.5	
	16	5002193	1	Anchoring bracket
	17	3060003	2	Flat washer [D.4 UNI 6592 ZC]
	18	5091405	1	Guard (Half ring)
	19	5002177	1	Cover (Encoder)
	20	3060052	10	Split lock washer [D=5.5 C72 ZC]

VALIDO DA Gennaio 2012

VALID FROM January 2012

VERSION 2012

R	Pos.	Code Variant	Q.ty	Description
	21	3190185	2	Collar
	22	3020039	2	Socketed head cap screw [M6X35 8.8 ZC UNI 5931]
	23	3020022	16	Socketed head cap screw [M5X10 8.8 ZC UNI 5931]
	24	3060004	16	Flat washer [D.5 UNI 6592 ZC]
	25	5091404	1	Guard (Half ring)
	26	3190039	2	Insulator
	27	3190178	2	Flat washer



BASAMENTO LATO DISTRIBUTORE
BASE SIDE CONTROL VALVE

ROTATION CONTROL (EN12999-A3)

Code

5402600-2.0

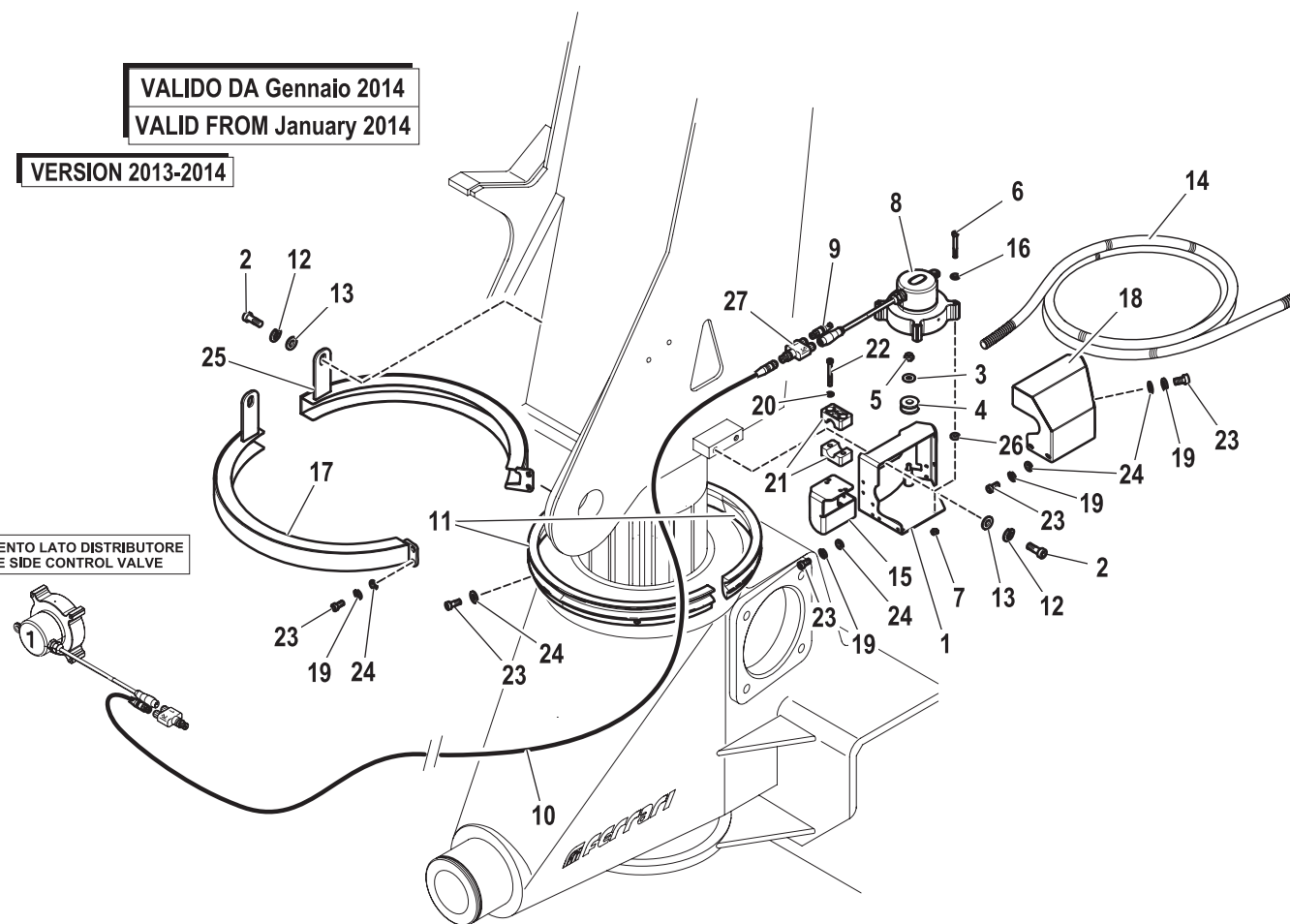
1/2

VALIDO DA Gennaio 2014

VALID FROM January 2014

VERSION 2013-2014

BASAMENTO LATO DISTRIBUTORE
BASE SIDE CONTROL VALVE



R	Pos.	Code Variant	Q.ty	Description
	1	5091398	1	Support (Encoder)
	2	3020080	4	Socketed head cap screw [M10X16 12.9 ZC UNI 5931]
	3	3060030	1	Flat washer [D.6.6X18 UNI 6593 ZC]
	4	5141135	1	Wheel (Cable guide)
	5	3040372	1	Stopnut
	6	3020019	2	Socketed head cap screw [M4X40 8.8 ZC UNI 5931]
	7	3040518	2	Stopnut
	8	3311924	1	Sensor unit (Encoder)
	9	3311327	1	Connector (Electric)
	10	3311791	1	Electric cable (CAN BUS)
	11	5141121	2	Half ring
	12	3060056	4	Split lock washer [D=10 C72 ZC]
	13	3060914	4	Flat washer [D.10.5X21X2 UNI 6592 ZC]
	14	3190295	mt2.5	
	15	5002193	1	Anchoring bracket
	16	3060003	2	Flat washer [D.4 UNI 6592 ZC]
	17	5091405	1	Guard (Half ring)
	18	5002177	1	Cover (Encoder)
	19	3060052	10	Split lock washer [D=5.5 C72 ZC]
	20	3190178	2	Flat washer

ROTATION CONTROL (EN12999-A3)

Code

5402600-2.0

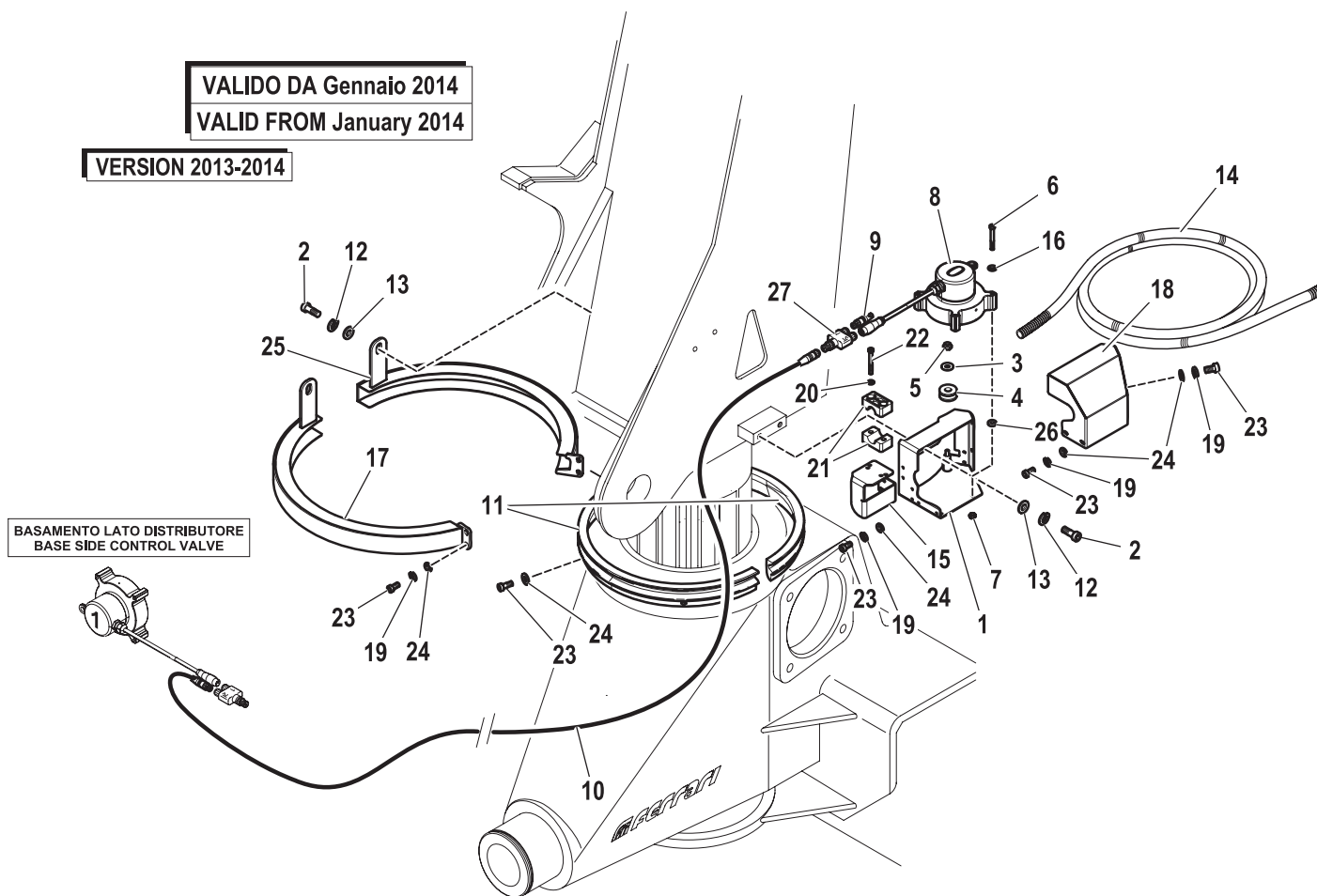
2/2

R	Pos.	Code Variant	Q.ty	Description
	21	3190185	2	Collar
	22	3020039	2	Socketed head cap screw [M6X35 8.8 ZC UNI 5931]
	23	3020022	16	Socketed head cap screw [M5X10 8.8 ZC UNI 5931]
	24	3060004	16	Flat washer [D.5 UNI 6592 ZC]
	25	5091404	1	Guard (Half ring)
	26	3190039	2	Insulator
	27	3311792	1	Electrical connection

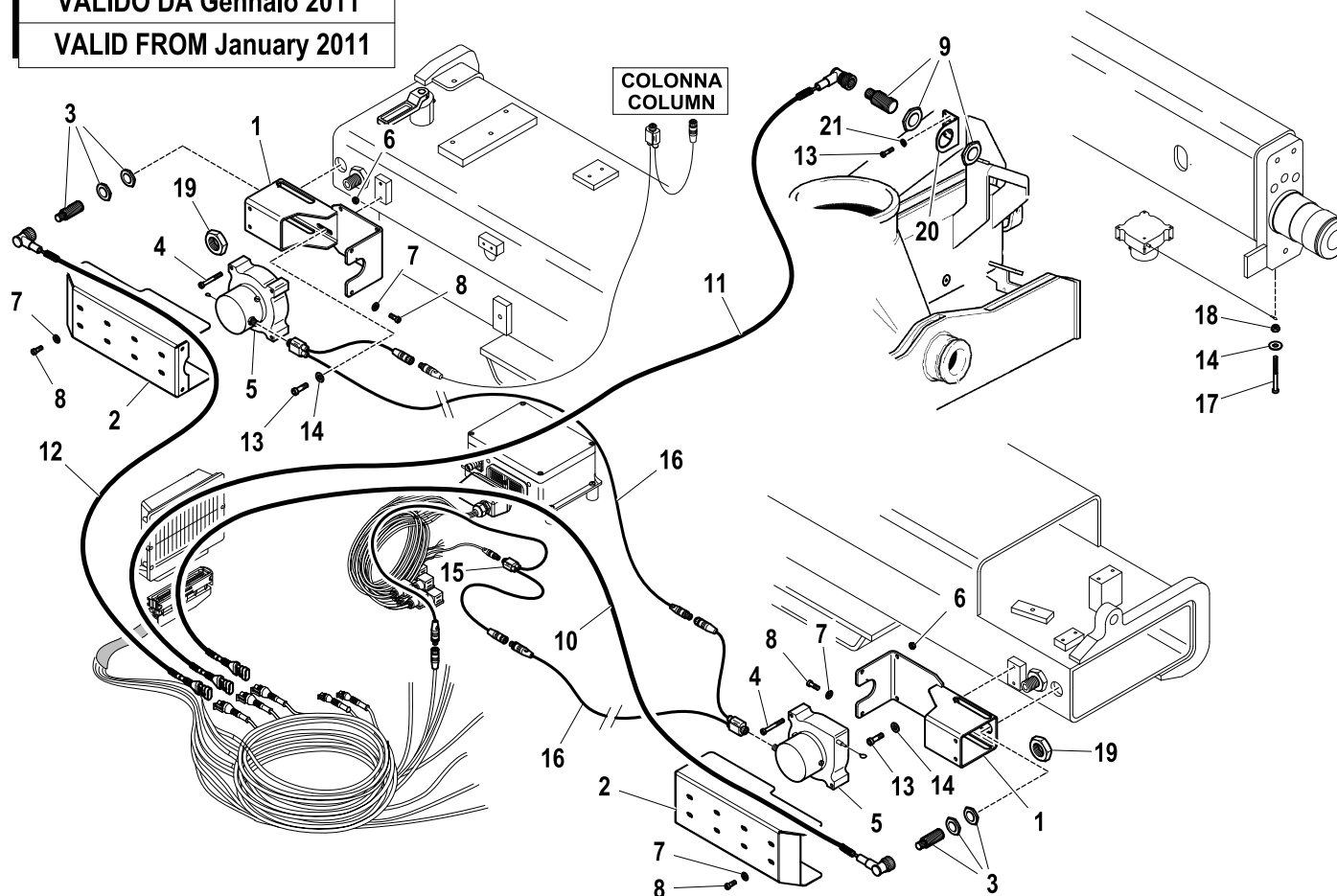
VALIDO DA Gennaio 2014

VALID FROM January 2014

VERSION 2013-2014



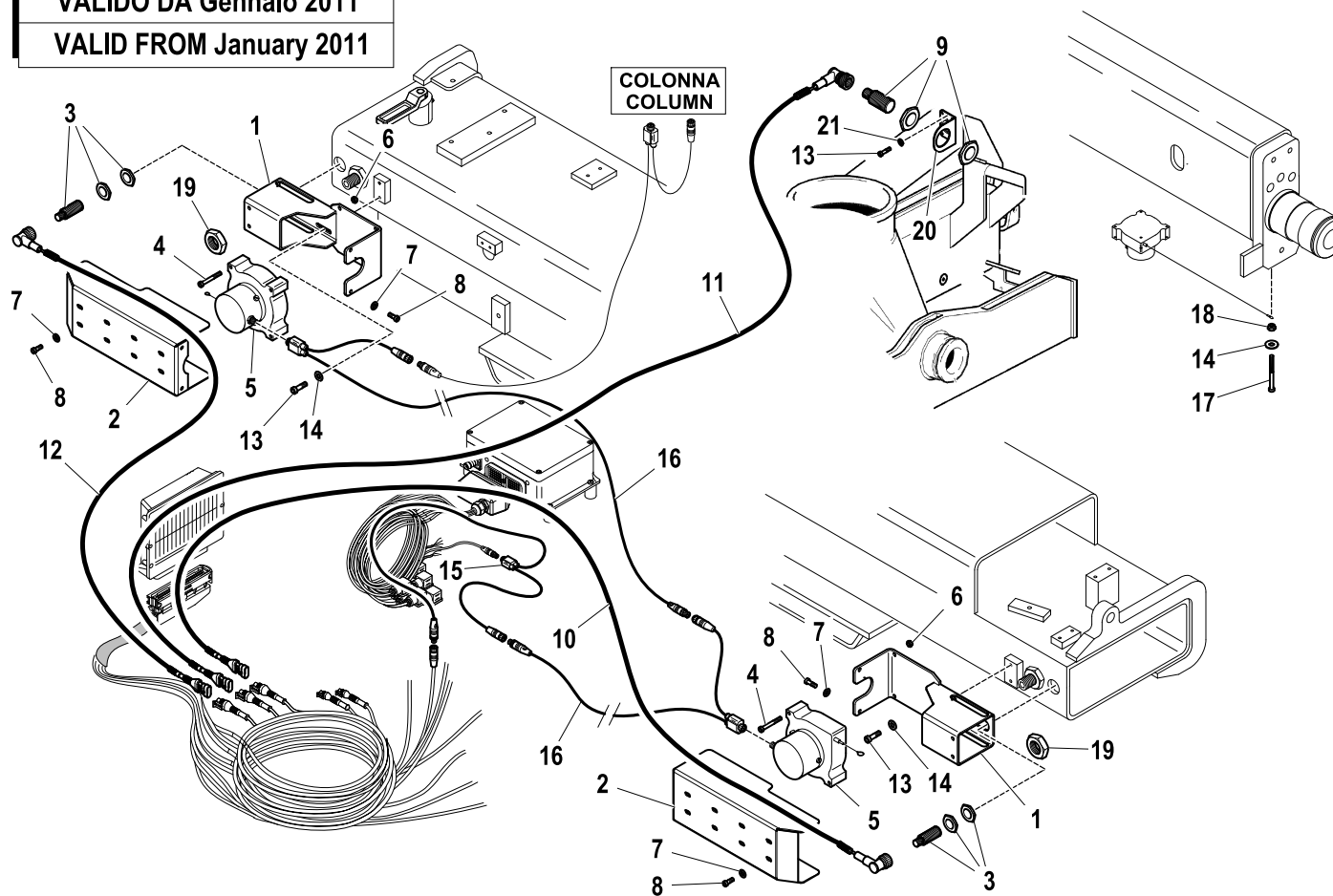
VALIDO DA Gennaio 2011
VALID FROM January 2011



R	Pos.	Code Variant	Q.ty	Description
	1	5091277	2	
	2	5002060	2	
	3	3311311	2	Proximity switch
	4	3020019	6	Socketed head cap screw [M4X40 8.8 ZC UNI 5931]
	5	3311313	2	
	6	3040518	6	Stopnut
	7	3060004	8	Flat washer [D.5 UNI 6592 ZC]
	8	3020022	8	Socketed head cap screw [M5X10 8.8 ZC UNI 5931]
	9	3311312	1	Proximity switch
	10	3311377	1	Electric wiring
	11	3311372	1	Electric wiring
	12	3311332	1	Electric wiring
	13	3020034	6	Socketed head cap screw [M6X16 8.8 ZC UNI 5931]
	14	3060030	10	Flat washer [D.6.6X18 UNI 6593 ZC]
	15	3311398	1	
	16	3311325	2	
	17	3010399	2	Hex screw [M6X55 8.8 ZC UNI 5739]
	18	3040081	2	Lock nut
	19	3040251	2	Lock nut [M24 8.G basso UNI 5589]
	20	5000426	1	Support (Proximity switch)

R	Pos.	Code Variant	Q.ty	Description
	21	3060053	2	Split lock washer [D=6.4 C72 ZC]

VALIDO DA Gennaio 2011
VALID FROM January 2011



STABILITY CONTROL (EN12999-A3)

Code

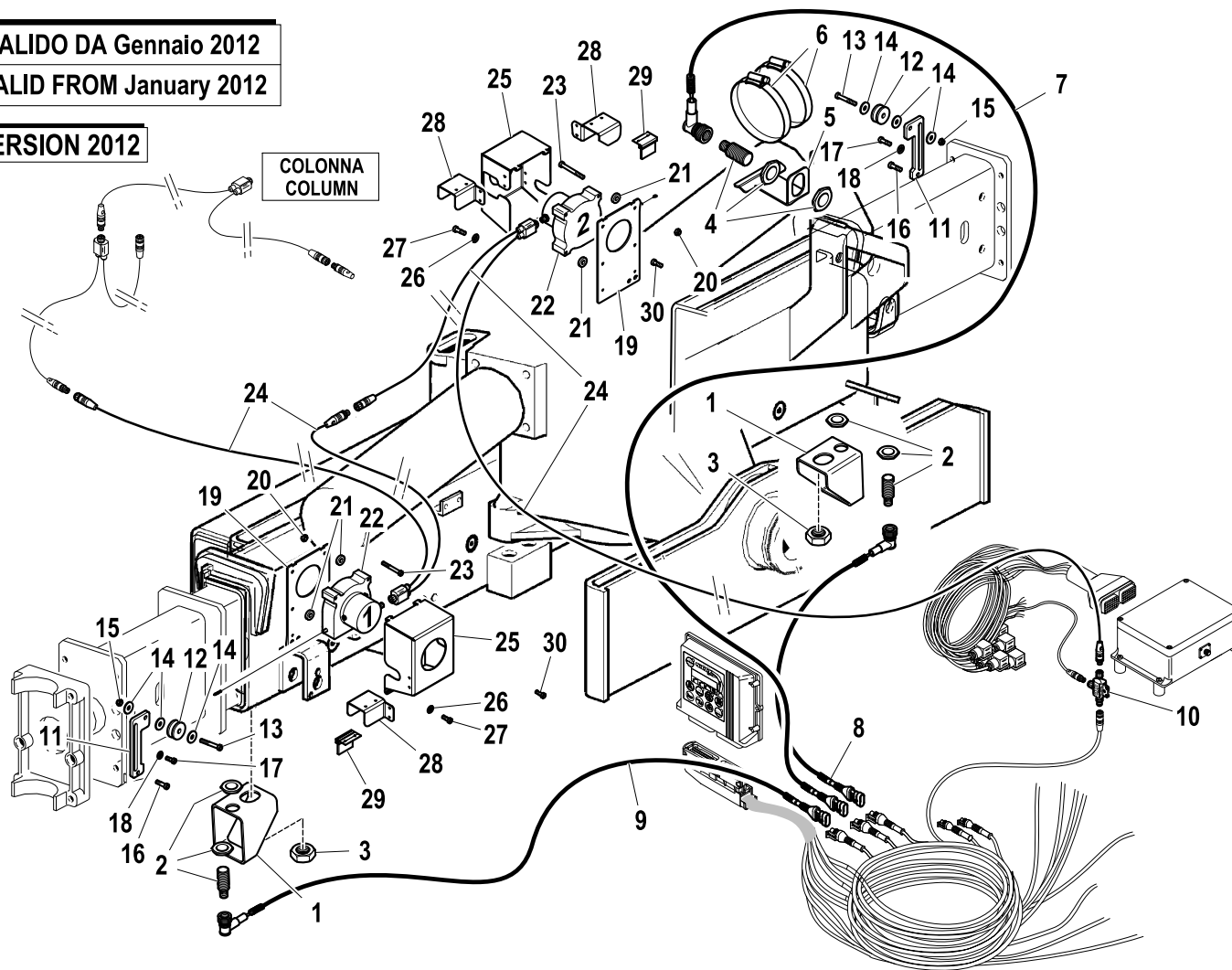
5411216-3.0

1/2

VALIDO DA Gennaio 2012

VALID FROM January 2012

VERSION 2012



R	Pos.	Code Variant	Q.ty	Description
	1	5000422	2	Support (Proximity switch)
	2	3311311	2	Proximity switch
	3	3040251	2	Lock nut [M24 8.G basso UNI 5589]
	4	3311312	1	Proximity switch
	5	5002185	1	Support (Proximity switch)
	6	3190021	2	Clamp [104-138 12.2 ABA]
	7	3311372	1	Electric wiring
	8	3311377	1	Electric wiring
	9	3311332	1	Electric wiring
	10	3311323	1	
	11	5002206	2	
	12	5141138	2	Wheel (Cable guide)
	13	3010015	2	Hex screw [M6X20 8.8 ZC UNI 5739]
	14	3060005	6	Flat washer [D.6.4 UNI 6592 ZC]
	15	3040372	2	Stopnut
	16	3010323	2	Hex screw [M6X10 8.8 ZC UNI 5739]
	17	3020023	4	Socket head cap screw [M5X16 8.8 ZC UNI 5931]
	18	3060004	4	Flat washer [D.5 UNI 6592 ZC]
	19	5002182	2	
	20	3040518	4	Stopnut

STABILITY CONTROL (EN12999-A3)

Code

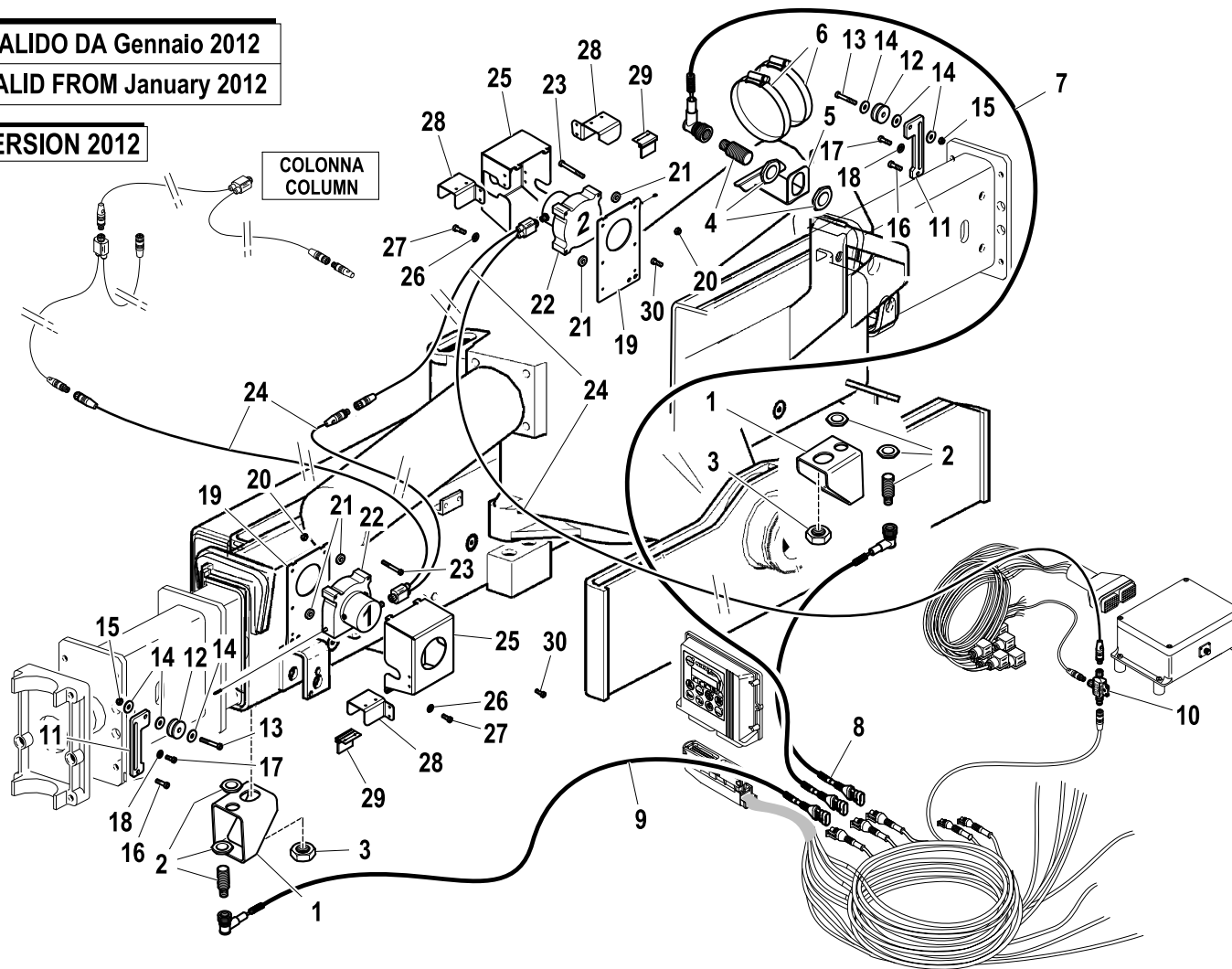
5411216-3.0

2/2

VALIDO DA Gennaio 2012

VALID FROM January 2012

VERSION 2012



R	Pos.	Code Variant	Q.ty	Description
	21	3190039	4	Insulator
	22	3311313	2	
	23	3020019	4	Socket head cap screw [M4X40 8.8 ZC UNI 5931]
	24	3311325	2	
	25	5091393	2	Support
	26	3060053	4	Split lock washer [D=6.4 C72 ZC]
	27	3020034	4	Socket head cap screw [M6X16 8.8 ZC UNI 5931]
	28	5002181	3	Cables guard
	29	5002175	2	Brush
	30	3020895	4	Socket head cap screw [M4X10 8.8 ZC UNI 5931]

STABILITY CONTROL (EN12999-A3)

Code

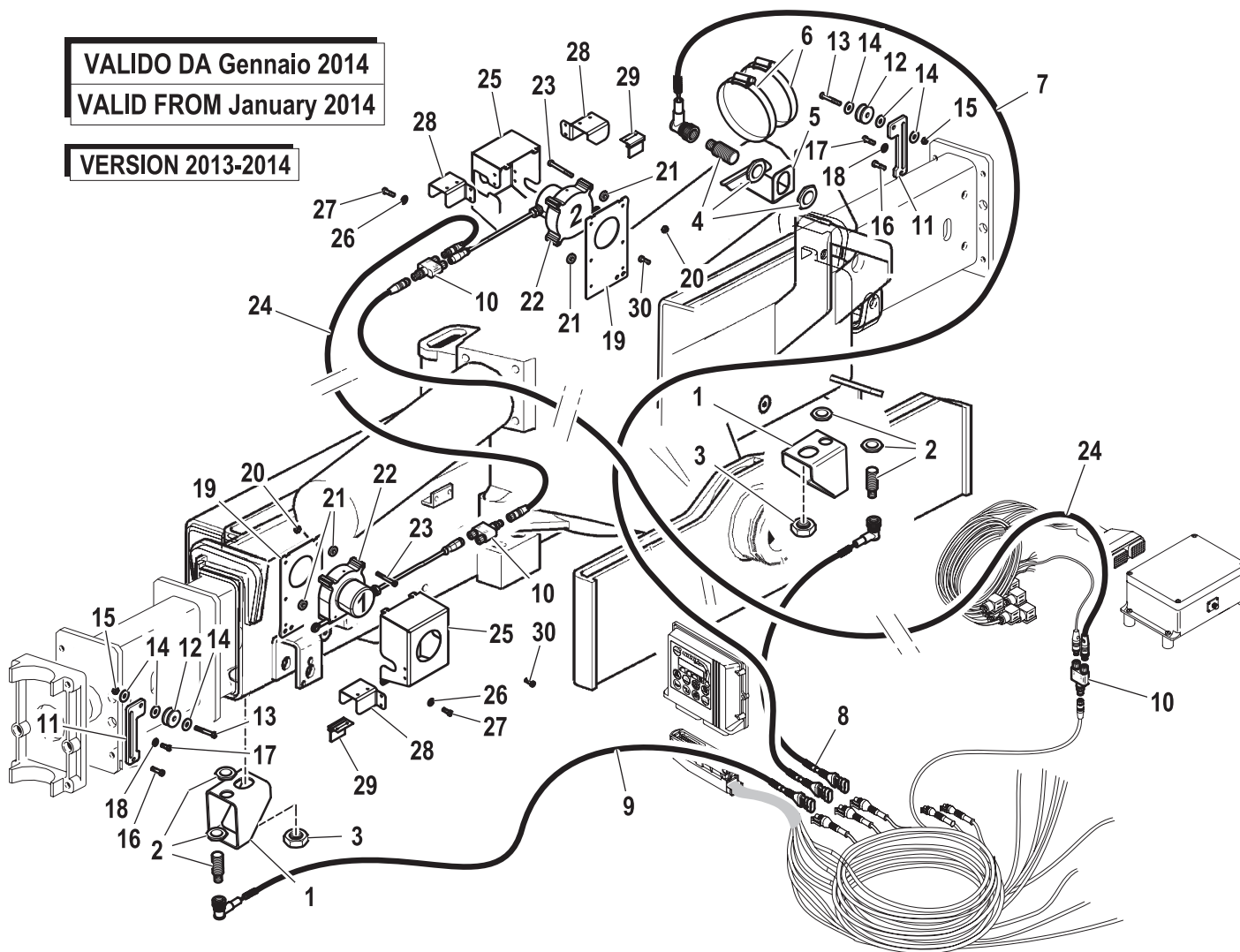
5402600-3.0

1/2

R	Pos.	Code Variant	Q.ty	Description
	1	5000422	2	Support (Proximity switch)
	2	3311311	2	Proximity switch
	3	3040251	2	Lock nut [M24 8.G basso UNI 5589]
	4	3311312	1	Proximity switch
	5	5002185	1	Support (Proximity switch)
	6	3190021	2	Clamp [104-138 12.2 ABA]
	7	3311372	1	Electric wiring
	8	3311377	1	Electric wiring
	9	3311332	1	Electric wiring
	10	3311792	3	Electrical connection
	11	5002206	2	
	12	5141138	2	Wheel (Cable guide)
	13	3010015	2	Hex screw [M6X20 8.8 ZC UNI 5739]
	14	3060005	6	Flat washer [D.6.4 UNI 6592 ZC]
	15	3040372	2	Stopnut
	16	3010323	2	Hex screw [M6X10 8.8 ZC UNI 5739]
	17	3020023	4	Socket head cap screw [M5X16 8.8 ZC UNI 5931]
	18	3060004	4	Flat washer [D.5 UNI 6592 ZC]
	19	5002182	2	
	20	3040518	4	Stopnut

VALIDO DA Gennaio 2014
VALID FROM January 2014

VERSION 2013-2014



STABILITY CONTROL (EN12999-A3)

Code

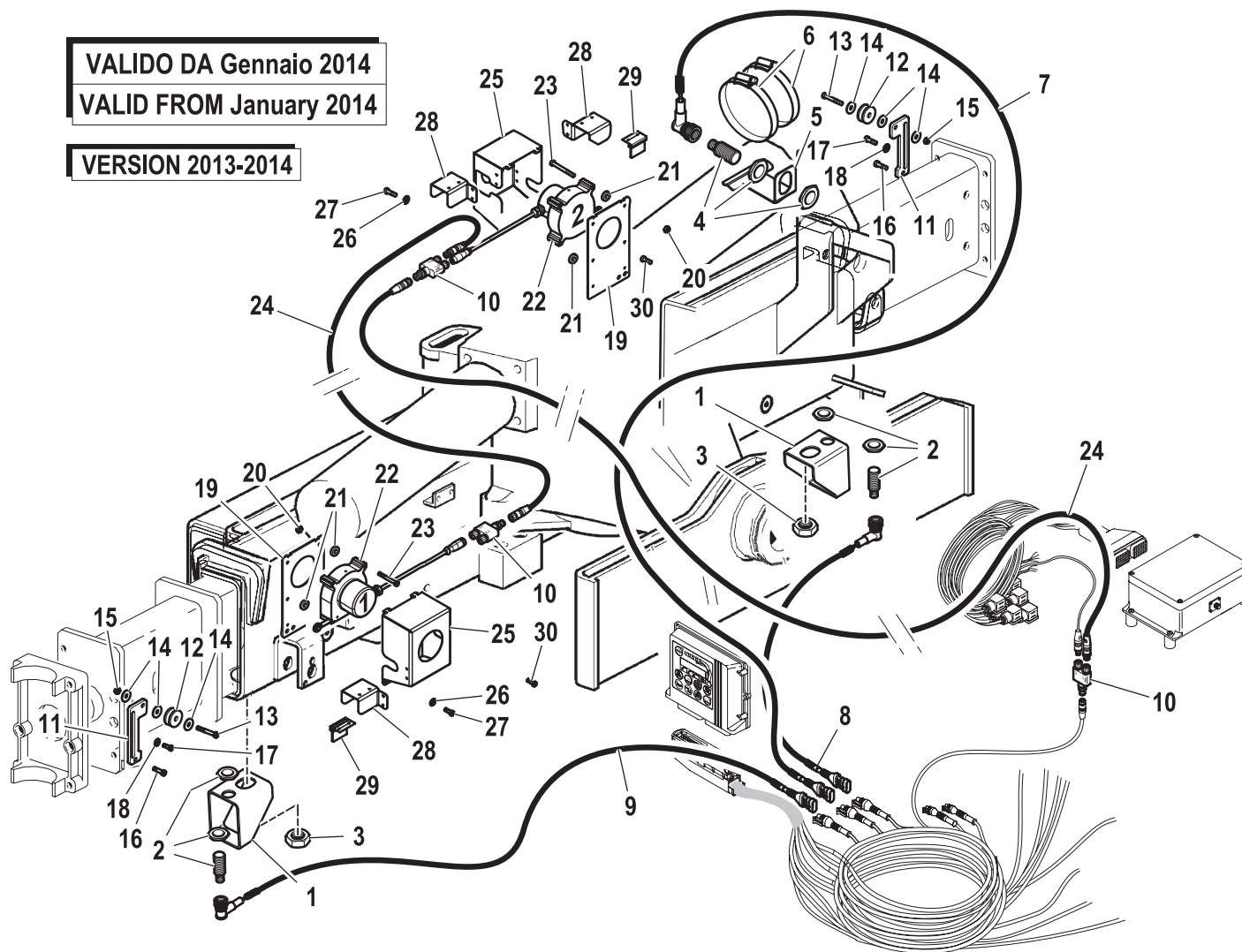
5402600-3.0

2/2

R	Pos.	Code Variant	Q.ty	Description
	21	3190039	4	Insulator
	22	3311924	2	Sensor unit (Encoder)
	23	3020019	4	Socket head cap screw [M4X40 8.8 ZC UNI 5931]
	24	3311791	2	Electric cable (CAN BUS)
	25	5091393	2	Support
	26	3060053	4	Split lock washer [D=6.4 C72 ZC]
	27	3020034	4	Socket head cap screw [M6X16 8.8 ZC UNI 5931]
	28	5002181	3	Cables guard
	29	5002175	2	Brush
	30	3020895	4	Socket head cap screw [M4X10 8.8 ZC UNI 5931]

VALIDO DA Gennaio 2014
VALID FROM January 2014

VERSION 2013-2014



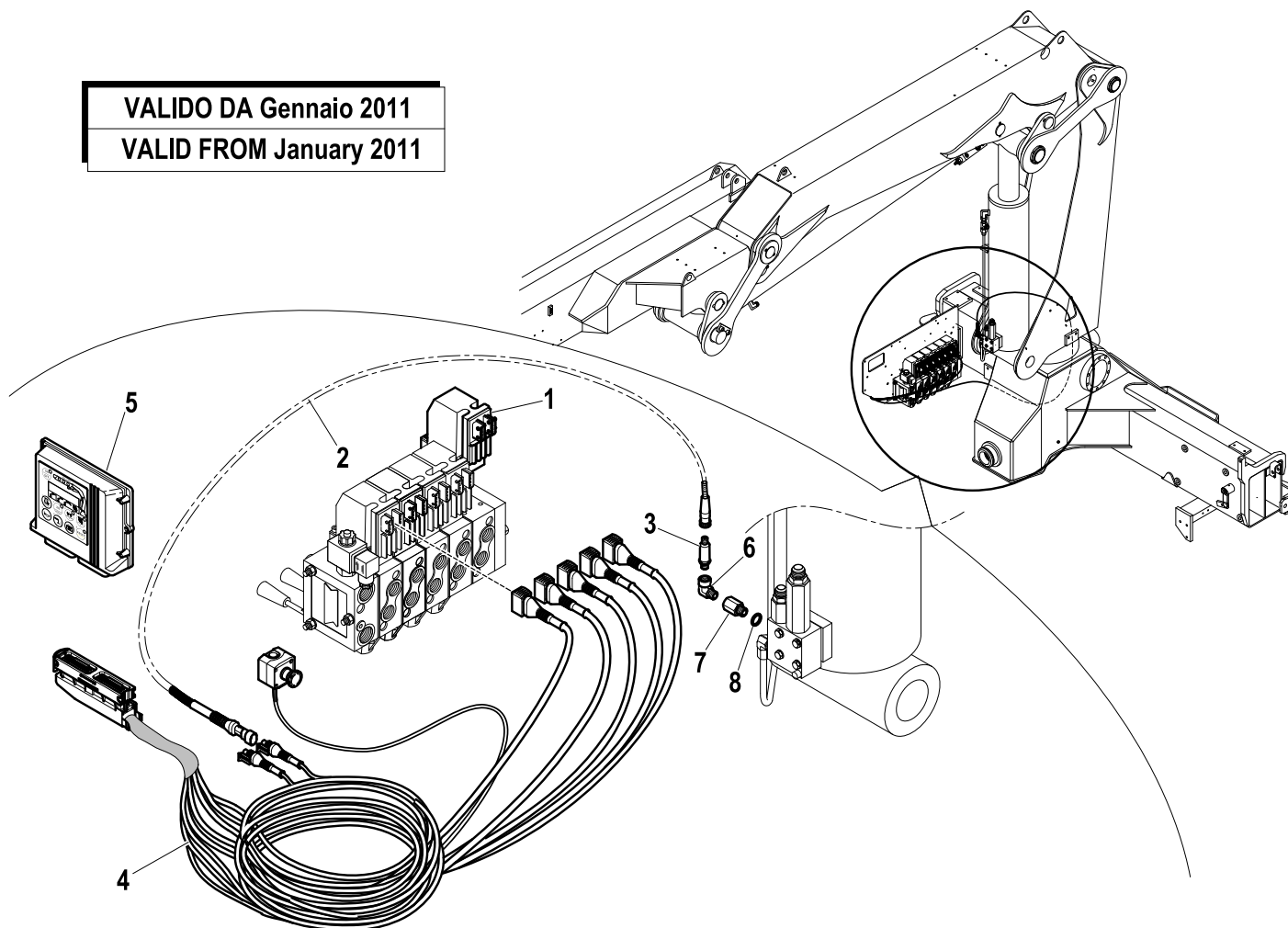
CONTROLS (RDC EBB-X TCU-ECM4)

Code

5401218-2.1

1/1

VALIDO DA Gennaio 2011
VALID FROM January 2011



R	Pos.	Code Variant	Q.ty	Description
	1	5225534	4	Electric control (PVEA-DI PER PVG32)
	2	5160084	1	Electric wiring
	3	3310612	1	Pressure sensor
	4	5160072	1	Electric wiring
	5	3311423	1	Moment limiting device [SUPERATO]
	6	3111512	1	90° Connection
	7	3110266	1	Straight pipe fitting
	8	3060143	1	Sealing washer [BSP 1/4"]

CONTROLS (RDC EBB-X TCU-ECM4)

Code

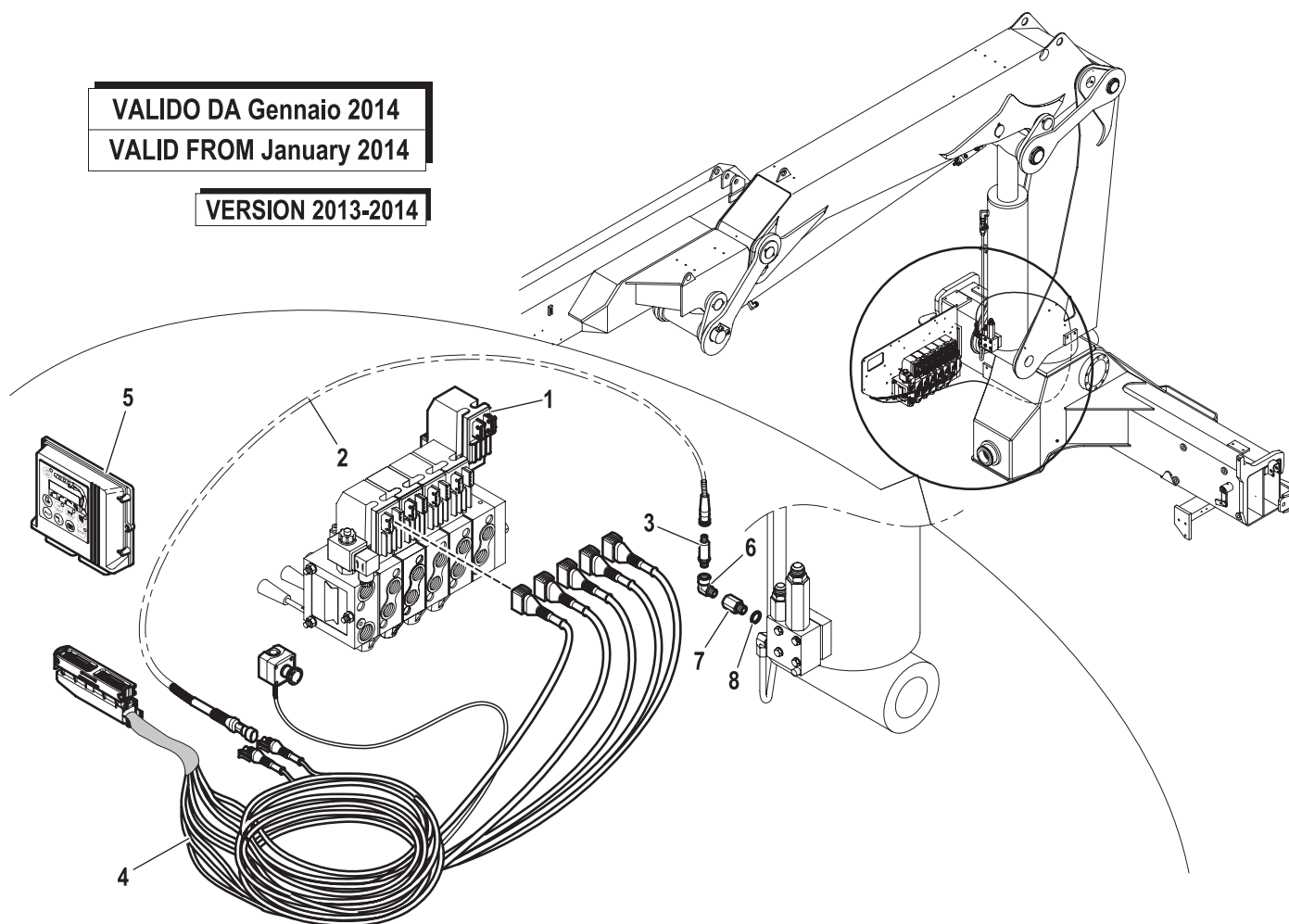
5401987-2.0

1/1

VALIDO DA Gennaio 2014

VALID FROM January 2014

VERSION 2013-2014



R	Pos.	Code Variant	Q.ty	Description
	1	5225534	4	Electric control (PVEA-DI PER PVG32)
	2	5160084	1	Electric wiring
	3	3310612	1	Pressure sensor
	4	5160072	1	Electric wiring
	5	3311630	1	Moment limiting device (WITH RESINING)
	6	3111512	1	90° Connection
	7	3110282	1	Straight pipe fitting
	8	3060143	1	Sealing washer [BSP 1/4"]

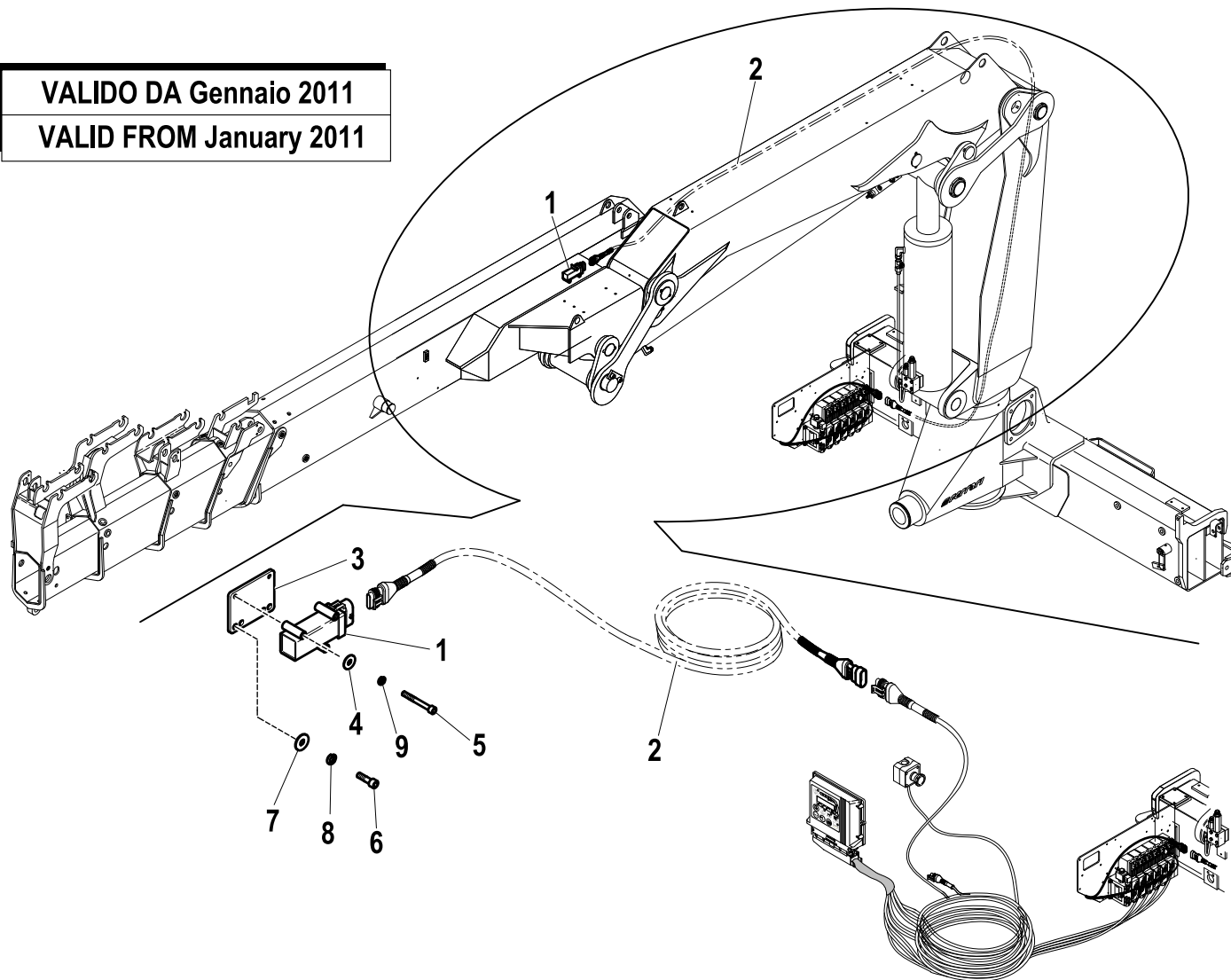
CONTROLS (RDC EBB-X TCU-ECM4)

Code

5401292-3.0

1/1

VALIDO DA Gennaio 2011
VALID FROM January 2011



R	Pos.	Code Variant	Q.ty	Description
	1	3311150	1	Tiltmeter
	2	5160076	1	
	3	5002108	1	Support plate (Tiltmeter)
	4	3060003	2	Flat washer [D.4 UNI 6592 ZC]
	5	3020018	2	Socketed head cap screw [M4X30 8.8 ZC UNI 5931]
	6	3020033	2	Socketed head cap screw [M6X10 8.8 ZC UNI 5931]
	7	3060005	2	Flat washer [D.6.4 UNI 6592 ZC]
	8	3060053	2	Split lock washer [D=6.4 C72 ZC]
	9	3060065	2	Split lock washer [D=4.1 C72 ZC]

CONTROLS (RDC EBB-X TCU-ECM4)

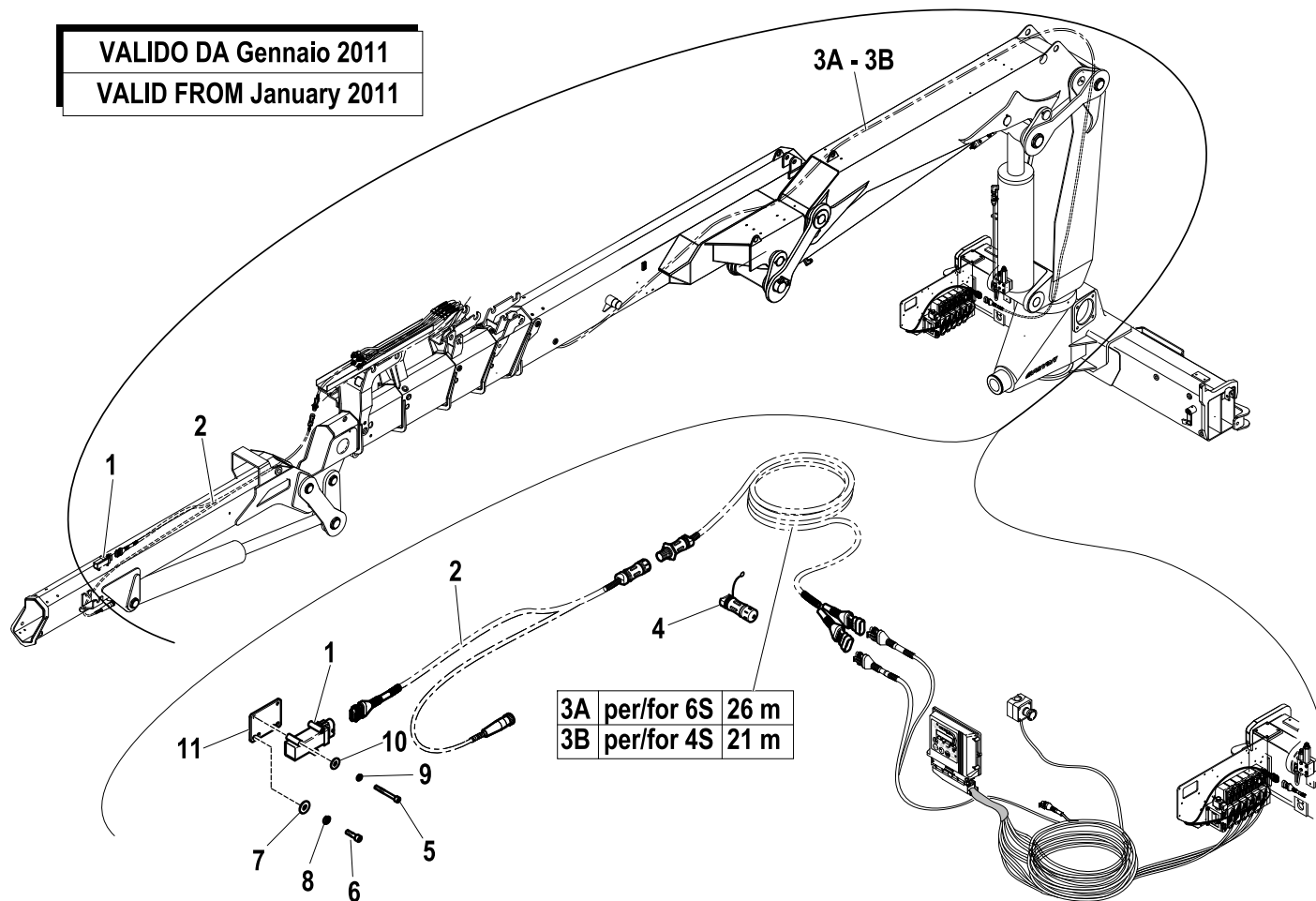
Code

5401292-4.0

1/1

R	Pos.	Code Variant	Q.ty	Description
	1	3311150	1	Tiltmeter
	2	5160079	1	Electric wiring
	3 A	5160077	1	
	3 B	5160078	1	
	4	5160080	1	Plug (Electric components)
	5	3020018	2	Socketed head cap screw [M4X30 8.8 ZC UNI 5931]
	6	3020033	2	Socketed head cap screw [M6X10 8.8 ZC UNI 5931]
	7	3060005	2	Flat washer [D.6.4 UNI 6592 ZC]
	8	3060053	2	Split lock washer [D=6.4 C72 ZC]
	9	3060065	2	Split lock washer [D=4.1 C72 ZC]
	10	3060003	2	Flat washer [D.4 UNI 6592 ZC]
	11	5002108	1	Support plate (Tiltmeter)

VALIDO DA Gennaio 2011
VALID FROM January 2011



CONTROLS (RDC EBB-X TCU-ECM4)

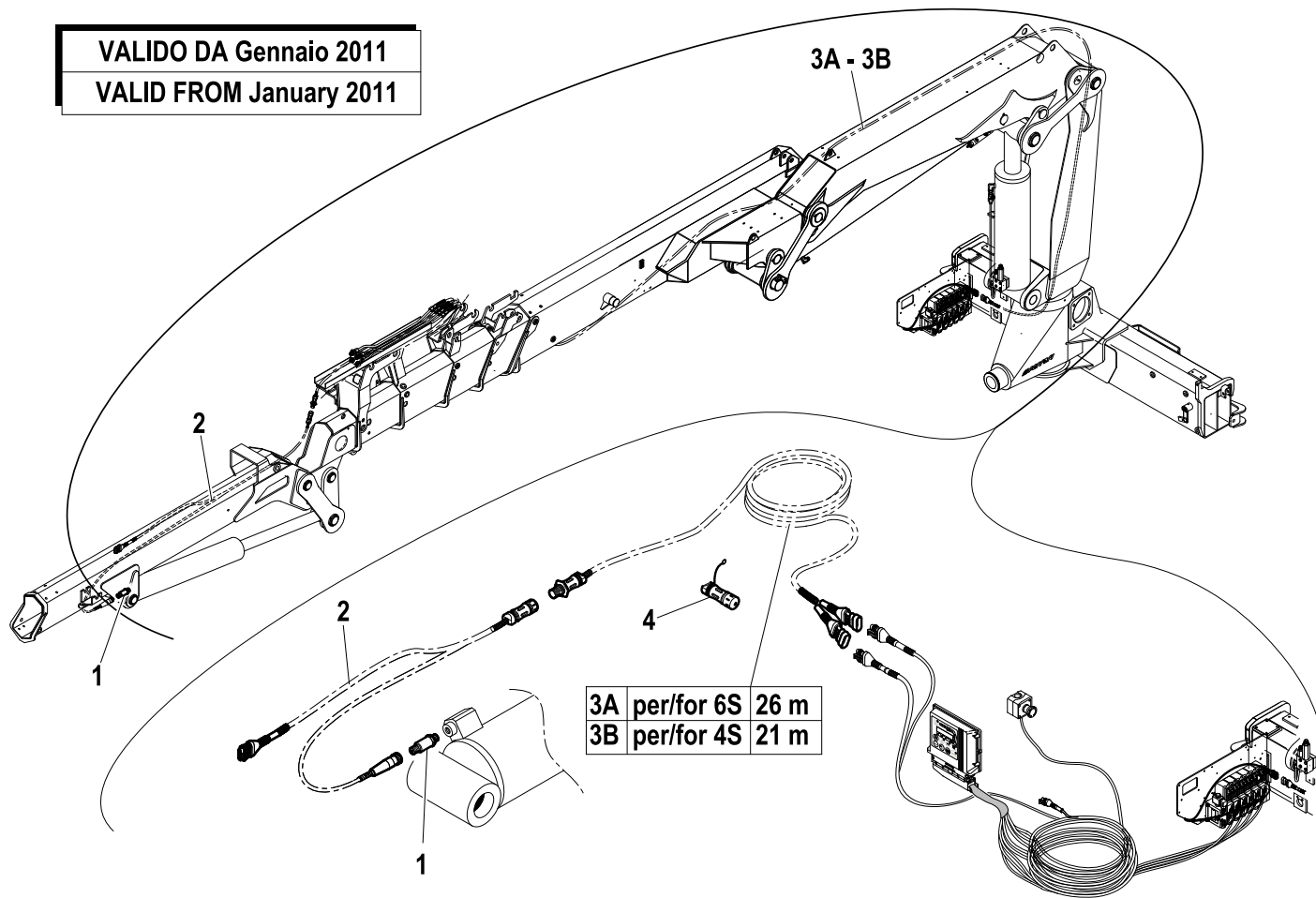
Code

5401292-5.0

1/1

R	Pos.	Code Variant	Q.ty	Description
	1	3310612	1	Pressure sensor
	2	5160079	1	Electric wiring
	3 A	5160077	1	
	3 B	5160078	1	
	4	5160080	1	Plug (Electric components)

VALIDO DA Gennaio 2011
VALID FROM January 2011



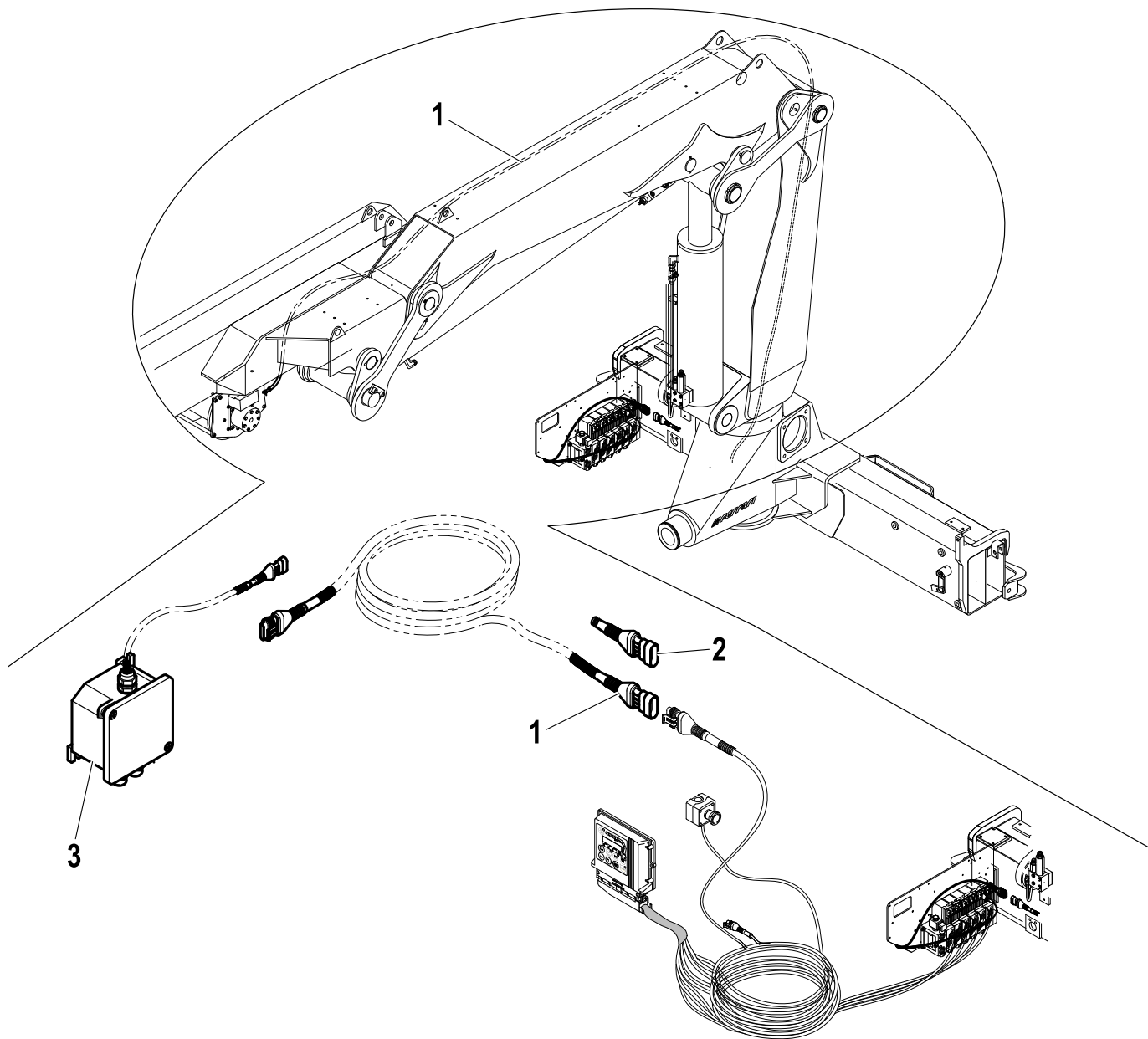
CONTROLS (RDC EBB-X TCU-ECM4)

Code

5401292-6.0

1/1

R	Pos.	Code Variant	Q.ty	Description
	1	5160004	1	
	2	5160013	1	
	3	3310663	1	



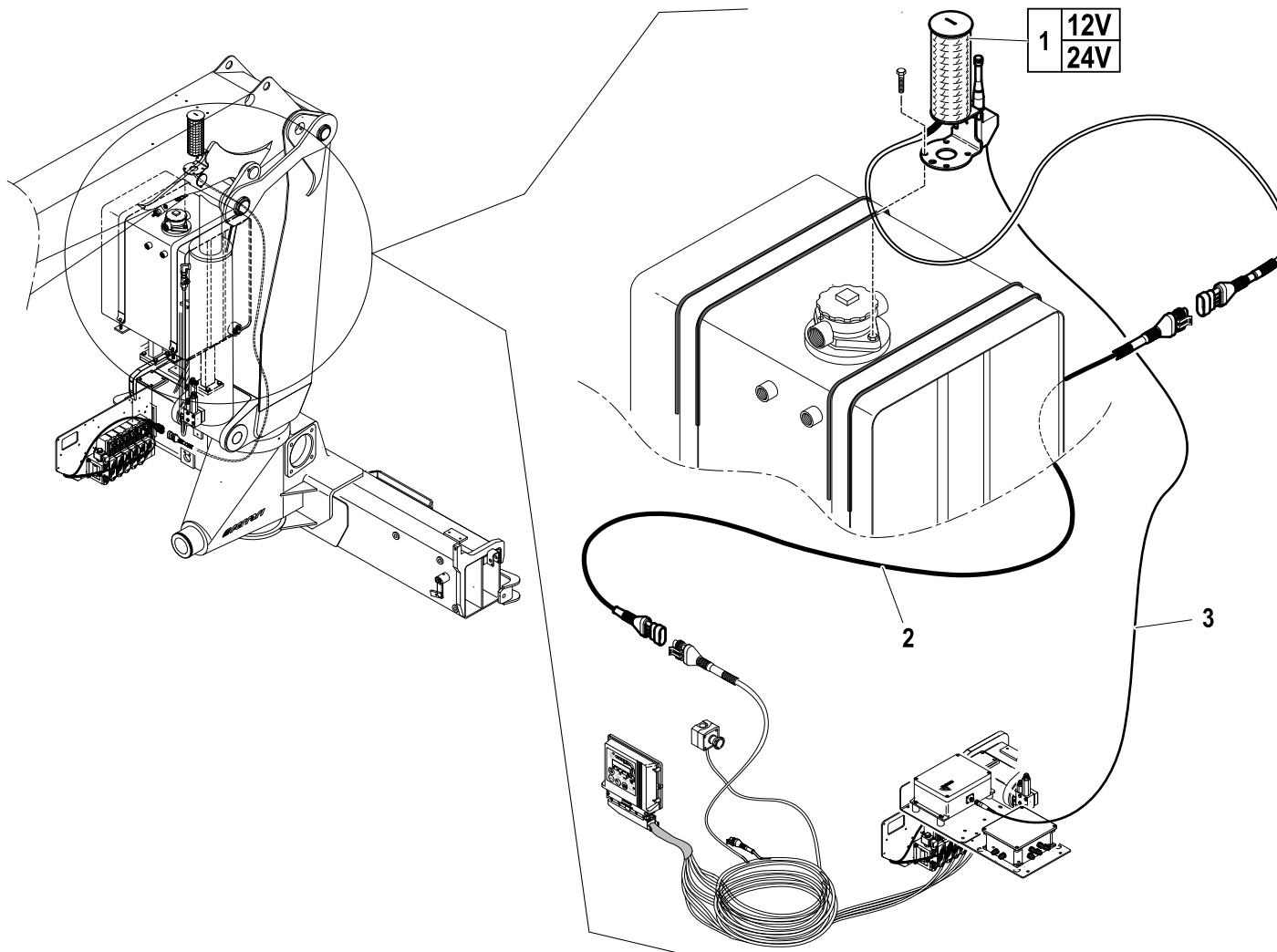
CONTROLS (RDC EBB-X TCU-ECM4)

Code

5401292-7.0

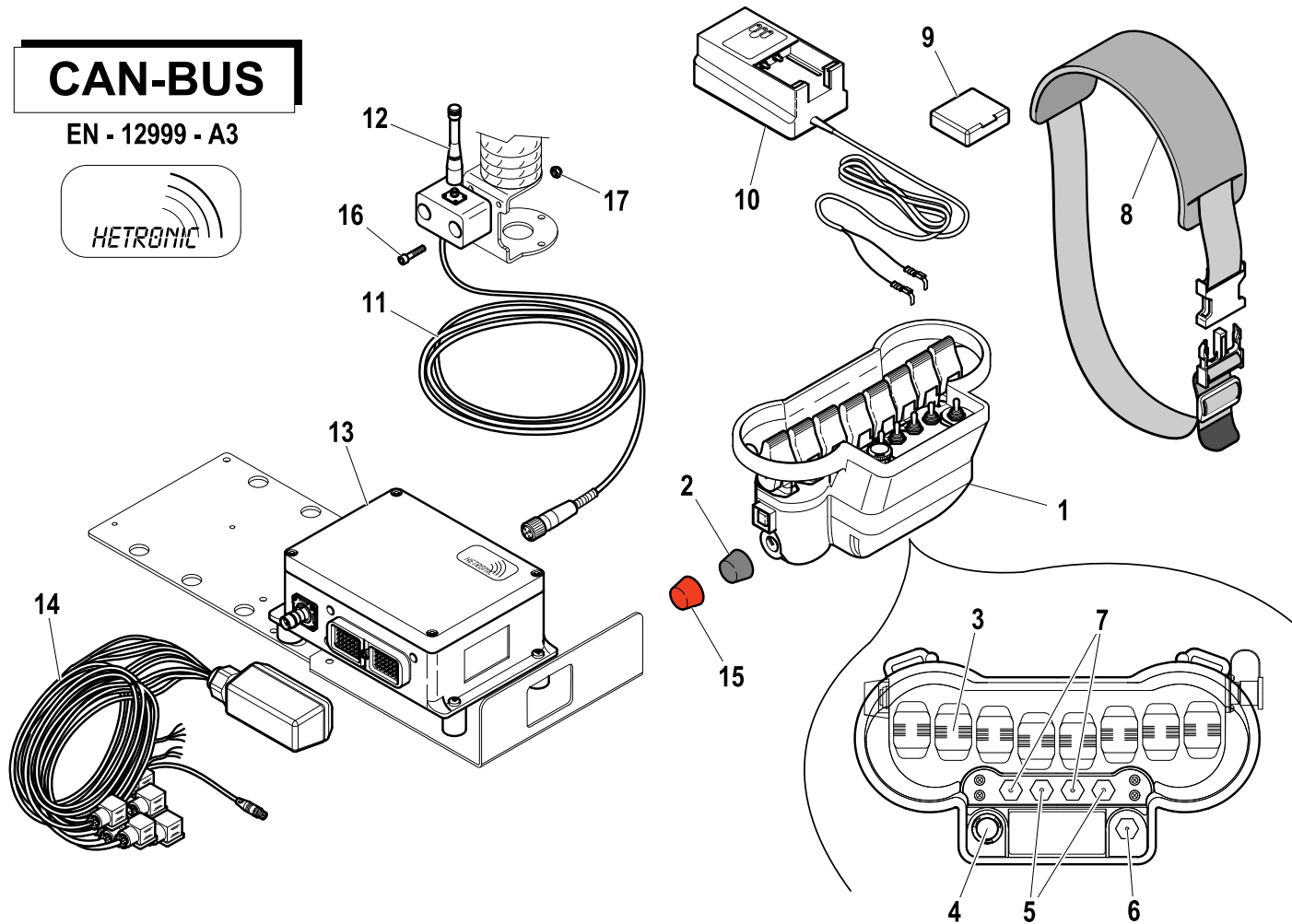
1/1

R	Pos.	Code Variant	Q.ty	Description
	1	3311159	1	Signal Columns
	2	5160003	1	Electric wiring
	3	3311131	1	Electric cable



CAN-BUS

EN - 12999 - A3



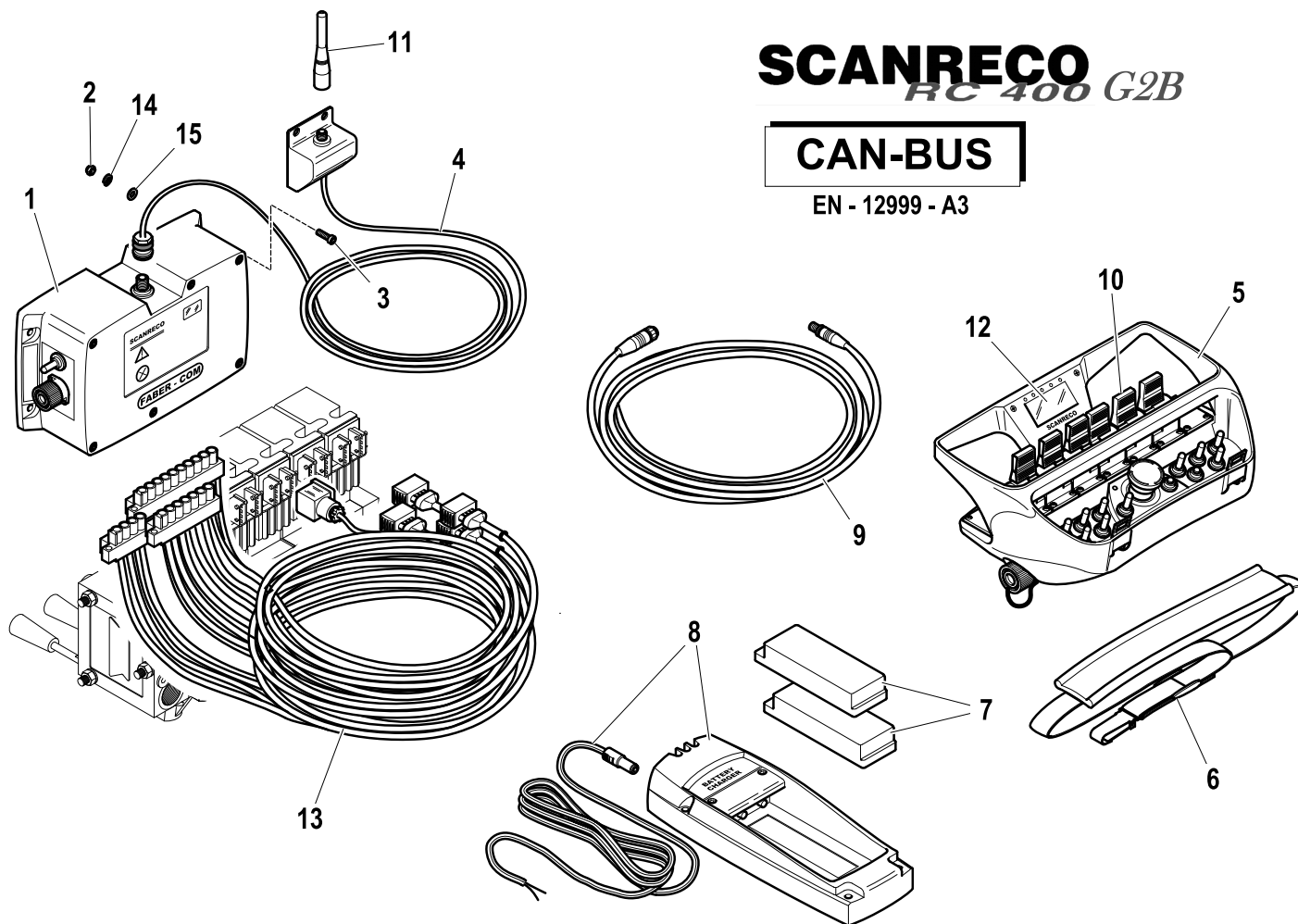
R	Pos.	Code Variant	Q.ty	Description
	1	3311429	1	
	2	3310795	1	
	3	3310796	8	
	4	3310788	1	
	5	3310786	2	
	6	3310785	1	
	7	3310787	2	
	8	3311031	1	
	9	3310641	2	
	10	3310797	1	
	11	3311131	1	Electric cable
	12	3310861	1	
	13	3311433	1	
	14	3311432	1	
	15	3310924	1	
	16	3020024	2	Socked head cap screw [M5X35 8.8 ZC UNI 5931]
	17	3040392	2	Stopnut

SCANRECO

HC 400 G2B

CAN-BUS

EN - 12999 - A3



R	Pos.	Code Variant	Q.ty	Description
	1	3311426	1	
	2	3040392	4	Stopnut
	3	3020028	4	Socked head cap screw [M5X20 8.8 ZC UNI 5931]
	4	3311242	1	Extension shaft (Aerial)
	5	3320018	1	Push button panel
	6	3190226	1	Belt (Push button panel)
	7	3310483	2	Battery
	8	3310471	1	Battery charger
	9	3311279	1	Electric cable (PROGRAMMING)
	10	3310445	6	Control lever
	11	3311275	1	Aerial (RADIO)
	12	3311532	1	Display
	13	3311531	1	Electric wiring (Wireless control)
	14	3060052	4	Split lock washer [D=5.5 C72 ZC]
	15	3060004	4	Flat washer [D.5 UNI 6592 ZC]