

Model
**2 ARTICULATED BOOM
HC181**

Logbook code
7881899.1
Edition
02/2015



Page	Table code	Q.ty	Table heading		Validity
7	W057101-1.2	1	BASE		
10	W057502B-1.2	1	HYDRAULIC SYSTEM (Slewing Hydraulic jack)		
11	5760122-1.0	1	Stabilizer connecting rods extensible (hydraulic lengthening)		
13	5760122-2.0	1	HYDRAULIC SYSTEM (STABILIZER ROD)		
15	W440450500-1.0	1	ROD EXTENSION HYDRAULIC CYLINDER EXTRA-EXTENSIBLE		
16	5760121-1.0	1	HYDRAULIC STABILIZER ROD (Extra-extensible)		
18	5760121-2.0	1	HYDRAULIC SYSTEM (Stabilizer connecting rods extra-extensible)		
20	W570450100-1.0	1	Extension Hydraulic jack (stabilizers rods "extra")		
21	W570450300-1.0	1	HYDRAULIC SYSTEM (Stabilizer Hydraulic jack)		
22	W570450400-1.2	1	STABILISER RAM		
23	5400609-1.0	1	CONTROLS FOR STABILIZERS		
24	5220346-1.0	1	STABILIZER CONTROL VALVE		
25	5411219-1.0	1	CONTROL DEVICES LOCKING FOR OUTRIGGERS LEGS		
26	5411219-2.0	1	STABILITY CONTROL (EN12999-A3)		
27	W057510-1.0	1	DOUBLE CONTROLS (not CE)		
29	5400622-2.0	1	CONTROLS		
30	5400623-2.0	1	DOUBLE CONTROLS (CE)		
33	5400623-1.0	1	Control valve ass'y (4 section)		
34	W338428-1.0	1	Control valve (4 section)		
36	5400623-3.0	1	Control valve ass'y (4 section)		

Page	Table code	Q.ty	Table heading		Validity
37	W338428-2.0	1	Control valve (4 section)		
39	5440104-1.0	1	Solenoid valve (STABILIZER CONTROL VALVE)		
40	5400623-5.0	1	DOUBLE CONTROLS (EN12999-A3)		
41	5401038-3.0	1	DOUBLE CONTROLS (EN12999-A3)		
42	W044505-4.0	1	DOUBLE CONTROLS (CE)		
43	W044505-5.0	1	DOUBLE CONTROLS (CE)		
44	7880897-1.0	1	Kit (ROTATION CONTROL)		
46	7880897-2.0	1	Kit (ROTATION CONTROL)		
48	7880897-4.0	1	Kit (ROTATION CONTROL)		
50	7885176-1.0	1	ROTATION CONTROL (EN12999-A3)		
52	5430115-1.3	1	Moment limiting device (CE)		
54	5400613-1.0	1	Switch		
56	5400613-2.0	1	Switch		
57	7888011-1.1	1	Heat exchange unit		
58	W7888011-1.0	1	Heat exchange unit		
59	W7888011-2.0	1	Heat exchange unit		
60	W7888011-3.0	1	Heat exchange unit		
61	W057501-1.5	1	Oil reservoir		
63	W057201-1.1	1	Column		
65	W570250100-1.0	1	LIFTING HYDRAULIC CYLINDER		

Page	Table code	Q.ty	Table heading		Validity
67	W057202-1.3	1	1ST BOOM		
68	W570350200-1.0	1	ARTICULATION HYDRAULIC JACK		
69	W057502C-1.0	1	HYDRAULIC SYSTEM (1th e 2nd boom)		
70	W444253-1.2	1	Set of hoses		
71	W057301-1.0	1	2nd BOOM		
72	W057302-1.3	1	1st EXTENSION		
74	W560350800-1.0	1	1st EXSTENSION HYDRAULIC		
75	W570353100-1.0	1	2nd EXTENSION		
77	W560350900-1.0	1	2nd EXTENSION HYDRAULIC JACK		
78	W570353200-1.2	1	3rd EXTENSION		
80	W570350100-1.0	1	3rd extension Hydraulic jack		
81	W570353300-1.2	1	4th EXTENSION		
83	W560350400-2.0	1	4th extension Hydraulic jack		
84	W570353400-1.1	1	5th EXTENSION		
86	W560350500-2.0	1	5th extension Hydraulic jack		
87	W570353500-1.1	1	6th EXTENSION		
88	W560350600-2.0	1	6th extension Hydraulic jack		
89	W057602-2.2	1	ACTUATIONS FOR 3S		
91	W057604-1.0	1	ACTUATIONS FOR 4S		
93	W7800079-1.0	1	MANUAL EXTENSION (1st)		

Page	Table code	Q.ty	Table heading		Validity
94	W7800080-1.0	1	MANUAL EXTENSION		
95	W7800050-1.0	1	MANUAL EXTENSION		
96	W7800061-1.0	1	MANUAL EXTENSION		
97	W7800014-1.0	1	MANUAL EXTENSION		
98	W7800015-1.0	1	MANUAL EXTENSION		
99	W560352100-1.0	1	HOOK KIT (Manual extension)		
100	7881824-1.0	1	LOAD INDICATION SYSTEM (LIS/RLC)		
101			HC181 JIBA2 - JIBA3		
102	W057601-1.0	1	CONNECTION AND CONNECTING ROD		
103	W057601-2.0	1	JIB ARM		
104	W057602-3.0	1	HYDRAULIC SYSTEM (ARTICULATION HYDRAULIC JACK)		
105	W580650600-1.0	1	HYDRAULIC SYSTEM (Articulation Hydraulic jack)		
106	W580650500-1.0	1	ARTICULATION HYDRAULIC JACK		
107	W058601-1.0	1	1st EXTENSION (JIB)		
109	W410350100-1.5	1	1th extension hydraulic cylinder		
110	W058602-1.0	1	2nd EXTENSION (JIB)		
111	W580650100-1.0	1	2nd EXTENSION HYDRAULIC JACK		
112	W058603-1.0	1	3rd EXTENSION (JIB)		
113	W580650200-1.0	1	3rd extension Hydraulic jack		
114	W057507-1.1	1	CONTROLS (JIB)		

Page	Table code	Q.ty	Table heading		Validity
116	W044506-1.0	1	Control valve (7 section)		
117	W338408-1.2	1	Control valve (7 section)		
119	W044506-2.0	1	Control valve ass'y (EN12999-A3)		
120	W338408-2.0	1	Control valve (7 section)		
122	W057508-1.0	1	6th and 7th EXTRA FUNCTION KIT		
123	W057602/1-1.4	1	HYDRAULIC SYSTEM (6th-7th element)		
124	5430114-1.0	1	Moment limiting device (CE)		
127	W044505-6.0	1	DOUBLE CONTROLS (CE)		
128	W044505-7.0	1	DOUBLE CONTROLS (CE)		
129	W7800036-1.0	1	Manual extension		
130	W7800007-1.0	1	Manual extension		
131	█ HC181 X				
132	5400614-1.0	1	CONTROLS (RDC)		
134	5220373-1.0	1	Control valve (4 section)		
135	5400614-2.0	1	Control valve ass'y (4 section)		
136	7892114-1.0	1	Wireless control kit (Hz.EU)		
137	7892115-1.0	1	Wireless control kit (Hz.USA)		
138	7892048-1.0	1	Wireless control kit (Hz.PRC)		
139	7892053-1.0	1	Wireless control kit (24V)		
140	5400611-1.0	1	High pressure filter (RDC)		

Page	Table code	Q.ty	Table heading		Validity
141	█ HC181 TCU				
142	5400614-3.0	1	CONTROLS (ECM 4)		
143	5400614-4.0	1	CONTROLS (ECM 4)		
144	5400610-1.0	1	CONTROLS (ECM 4)		
145	5400610-2.0	1	CONTROLS (ECM 4)		
146	5400614-5.0	1	CONTROLS (ECM 4)		
147	7885015-1.0	1	Pilot lamp		
148	5400614-7.0	1	CONTROLS (ECM 4)		
149	5400617-1.0	1	CONTROLS (ECM 4)		
150	5400614-6.0	1	CONTROLS (ECM 4)		
151	W7885015-1.1	1	CONTROLS (ECM 4)		
152	7881784-1.0	1	LOAD INDICATION SYSTEM (RDC)		
153	█ HC181 TCU EN 12999-A3				
154	5401292-8.0	1	CONTROLS (RDC EBB-X TCU-ECM4)		
156	5401987-1.0	1	CONTROLS (RDC EBB-X TCU-ECM4)		
158	5411215-1.0	1	ROTATION CONTROL (EN12999-A3)		
160	5411215-2.0	1	ROTATION CONTROL (EN12999-A3)		
162	5411367-7.0	1	ROTATION CONTROL (EN12999-A3)		
164	5402578-1.0	1	ROTATION CONTROL (EN12999-A3)		
166	5411216-1.0	1	STABILITY CONTROL (EN12999-A3)		

Table index

Logbook code

7881899.1

4/4

Page	Table code	Q.ty	Table heading	Validity
167	5411216-3.0	1	STABILITY CONTROL (EN12999-A3)	
169	5402600-3.0	1	STABILITY CONTROL (EN12999-A3)	
171	5401292-9.0	1	CONTROLS (RDC EBB-X TCU-ECM4)	
172	5402578-3.0	1	CONTROLS (RDC EBB-X TCU-ECM4)	
173	5401292-3.0	1	CONTROLS (RDC EBB-X TCU-ECM4)	
174	5401292-4.0	1	CONTROLS (RDC EBB-X TCU-ECM4)	
175	5401292-5.0	1	CONTROLS (RDC EBB-X TCU-ECM4)	
176	5401292-6.0	1	CONTROLS (RDC EBB-X TCU-ECM4)	
177	5401292-7.0	1	CONTROLS (RDC EBB-X TCU-ECM4)	
178	7892193-2.0	1	Wireless control kit (Hz.EU)	
179	7892212-1.0	1	Wireless control kit (Hz.EU)	

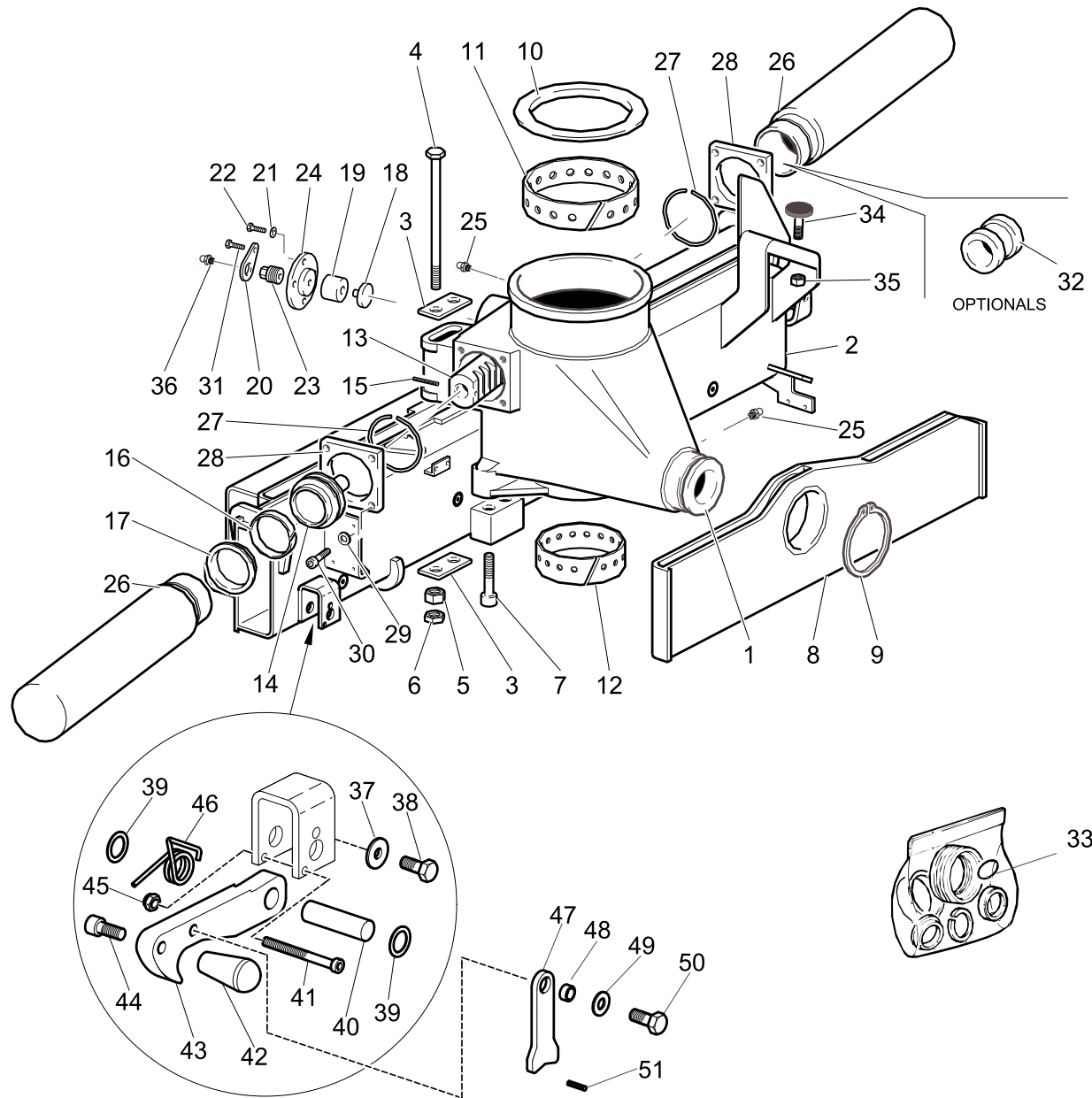
Page	Table code	Q.ty	Table heading	Validity
------	------------	------	---------------	----------

BASE

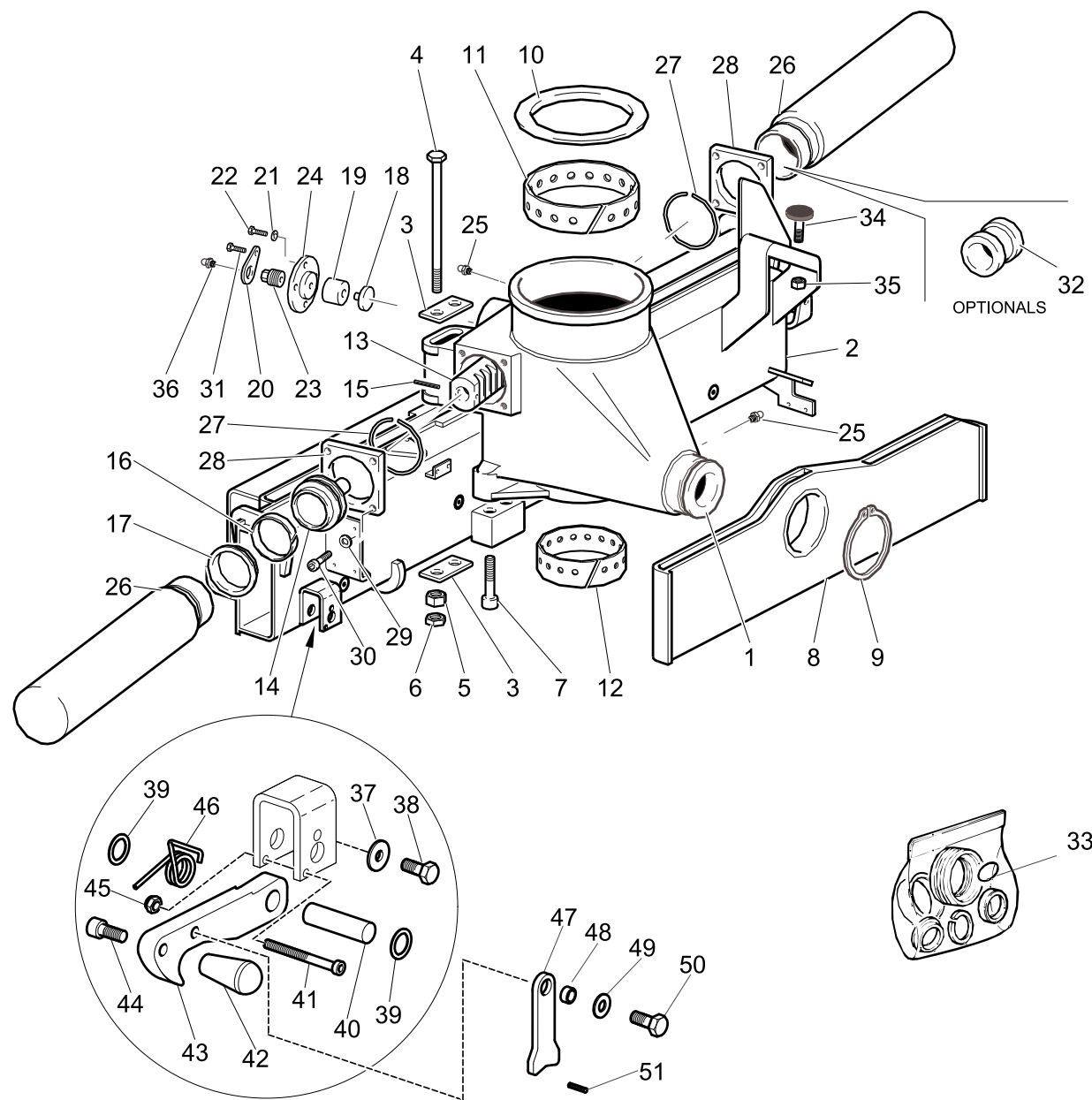
Code

W057101-1.2

1/3



R	Pos.	Code Variant	Q.ty	Description
	1	W570100100	1	
	2	W570100200	1	
	3	W570101000	4	
	4	W751119	4	
	5	3040260	4	Nut
	6	3040261	4	Lock nut
	7	W751121	4	
	8	W570100500	1	
	9	3070093	1	Seeger
	10	W570100300	1	
	11	W570100400	1	
	12	W270100900	1	
	13	W330100600	1	
	14	W570100900	2	
	15	3060604	2	Spring pin
	16	W305025	2	
	17	W358528	2	
	18	W270101200	1	
	19	W270100700	1	
	20	W370100400	1	Sliding block retainer (Adjuster)



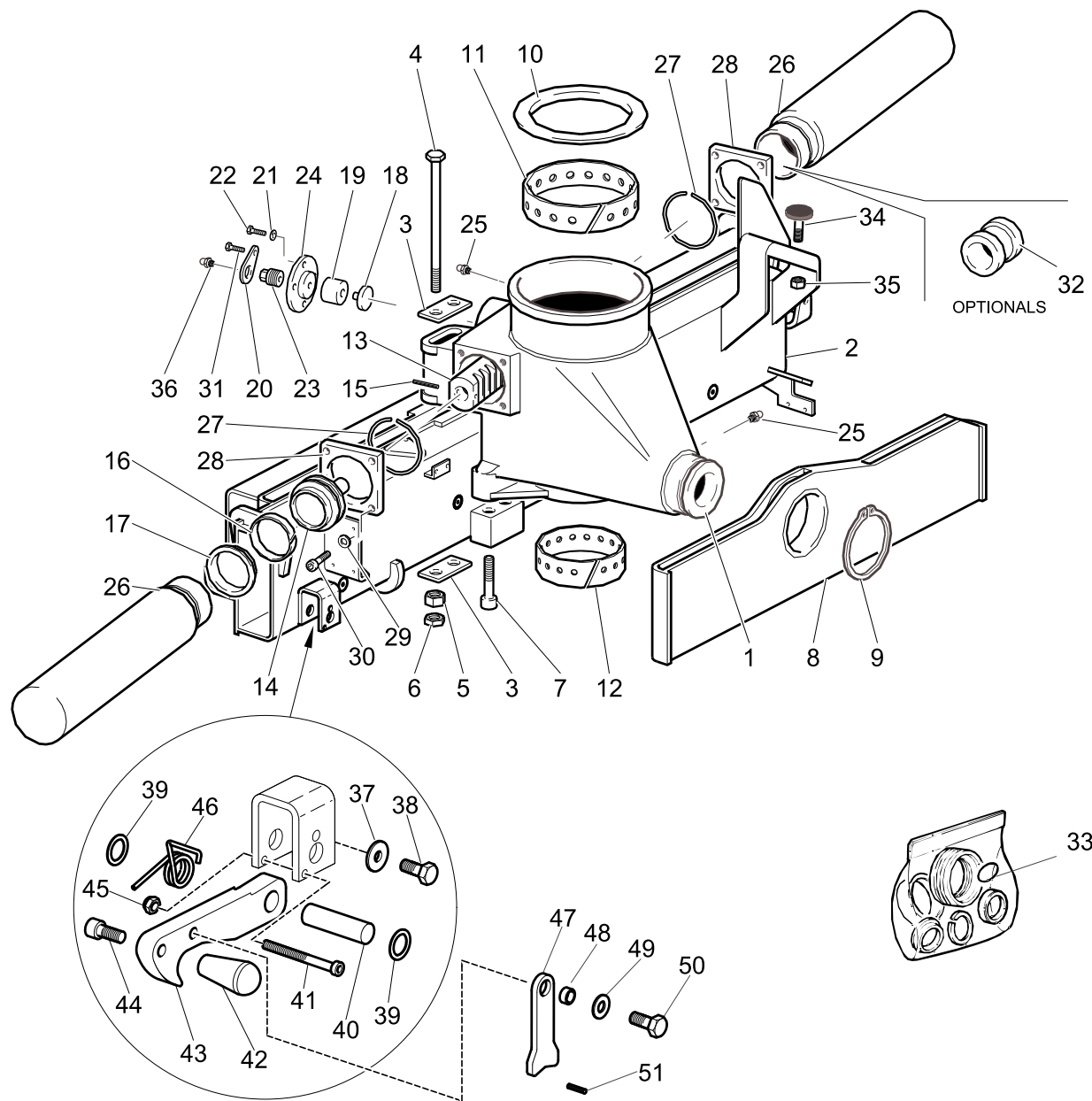
R	Pos.	Code Variant	Q.ty	Description
	21	3060056	4	Split lock washer [D=10 C72 ZC]
	22	3010356	4	Hex screw [M10X30 8.8 ZC UNI 5739]
	23	W410201400	1	Support (Slide shoe)
	24	W570101100	1	
	25	3080016	4	Grease nipple
	26	W570100600	2	
	27	W570100800	2	
	28	W570100700	2	
	29	3060174	8	Schnorr washer [D.18 UNI 3545]
	30	3020142	8	Socket head cap screw [M18X50 12.9 ZC UNI 5931]
	31	3010055	1	Hex screw [M8X10 8.8 ZC UNI 5739]
	32	W270103400	2	
	33	W365140	1	
	34	3190100	1	
	35	3040314	1	Stopnut
	36	3080500	1	Grease nipple
	37	3060030	2	Flat washer [D.6.6X18 UNI 6593 ZC]
	38	3010323	2	Hex screw [M6X10 8.8 ZC UNI 5739]
	39	5140714	6	
	40	W101126	2	

BASE

Code

W057101-1.2

3/3



R	Pos.	Code Variant	Q.ty	Description
	41	3020898	2	Socket head cap screw [M6X50 8.8 ZC UNI 5931]
	42	3190201	2	
	43	5000966	2	
	44	3020875	2	Socket head cap screw [M8X20 ZC UNI 5931]
	45	3040519	2	Stopnut
	46	3060932	2	
	47	5001681	2	
	48	W102116	2	
	49	3060006	2	Flat washer [D.8 UNI 6592 ZC]
	50	3010337	2	Hex screw [M8X16 8.8 ZC UNI 5739]
	51	3060026	2	

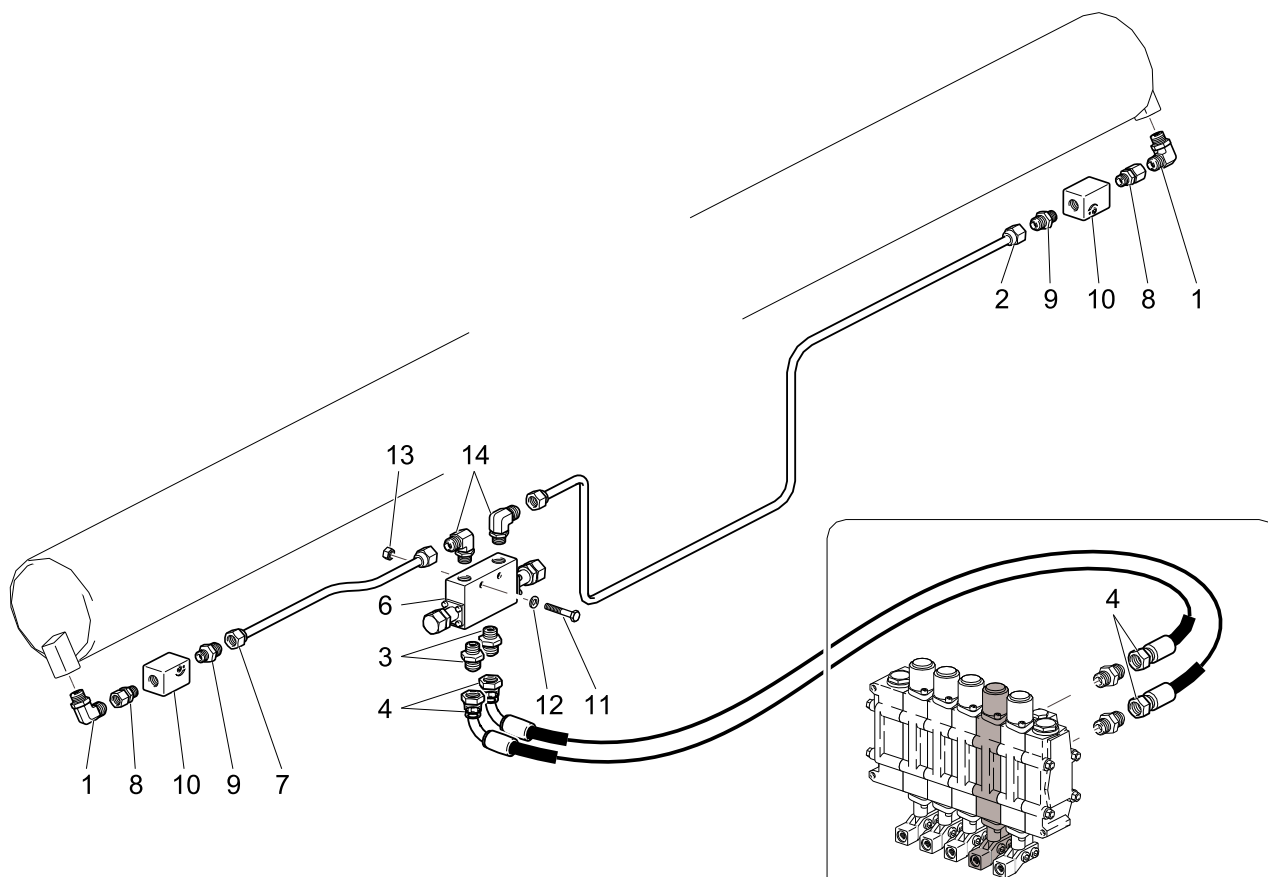
HYDRAULIC SYSTEM (Slewing Hydraulic jack)

Code

W057502B-1.2

1/1

R	Pos.	Code Variant	Q.ty	Description
	1	3101125	2	90° Connection
	2	W570500700	1	
	3	3101043	2	Straight pipe fitting
	4	W456151	2	
	6	W470062	1	
	7	W410504200	1	
	8	3120064	2	Straight pipe fitting
	9	3101042	2	Straight pipe fitting
	10	5220093	2	Non-return valve
	11	3010397	2	Hex screw [M6X50 8.8 ZC UNI 5737]
	12	3060005	4	Flat washer [D.6.4 UNI 6592 ZC]
	13	3040081	2	Lock nut
	14	3101127	2	90° Connection

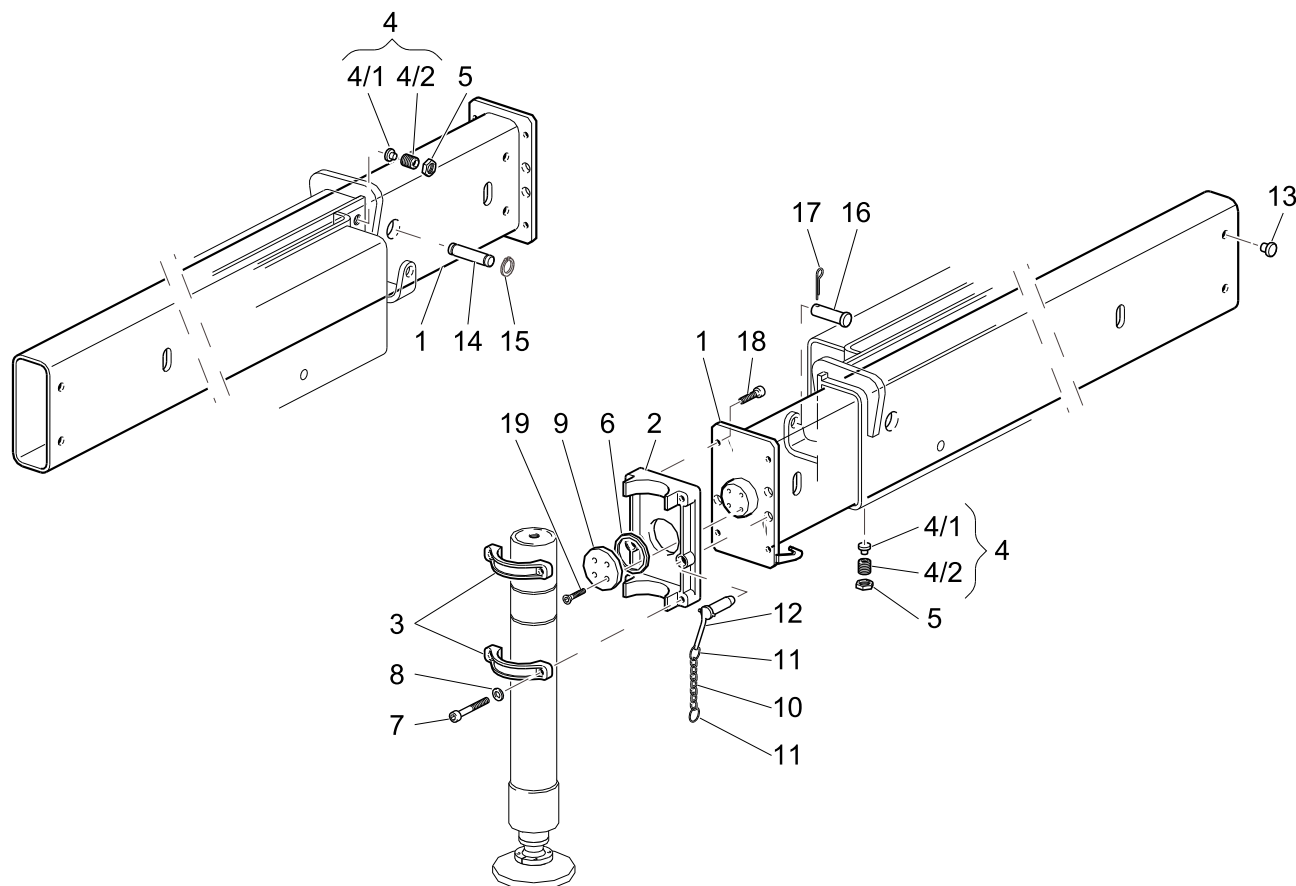


Stabilizer connecting rods extensible (hydraulic lengthening)

Code

5760122-1.0

1/2

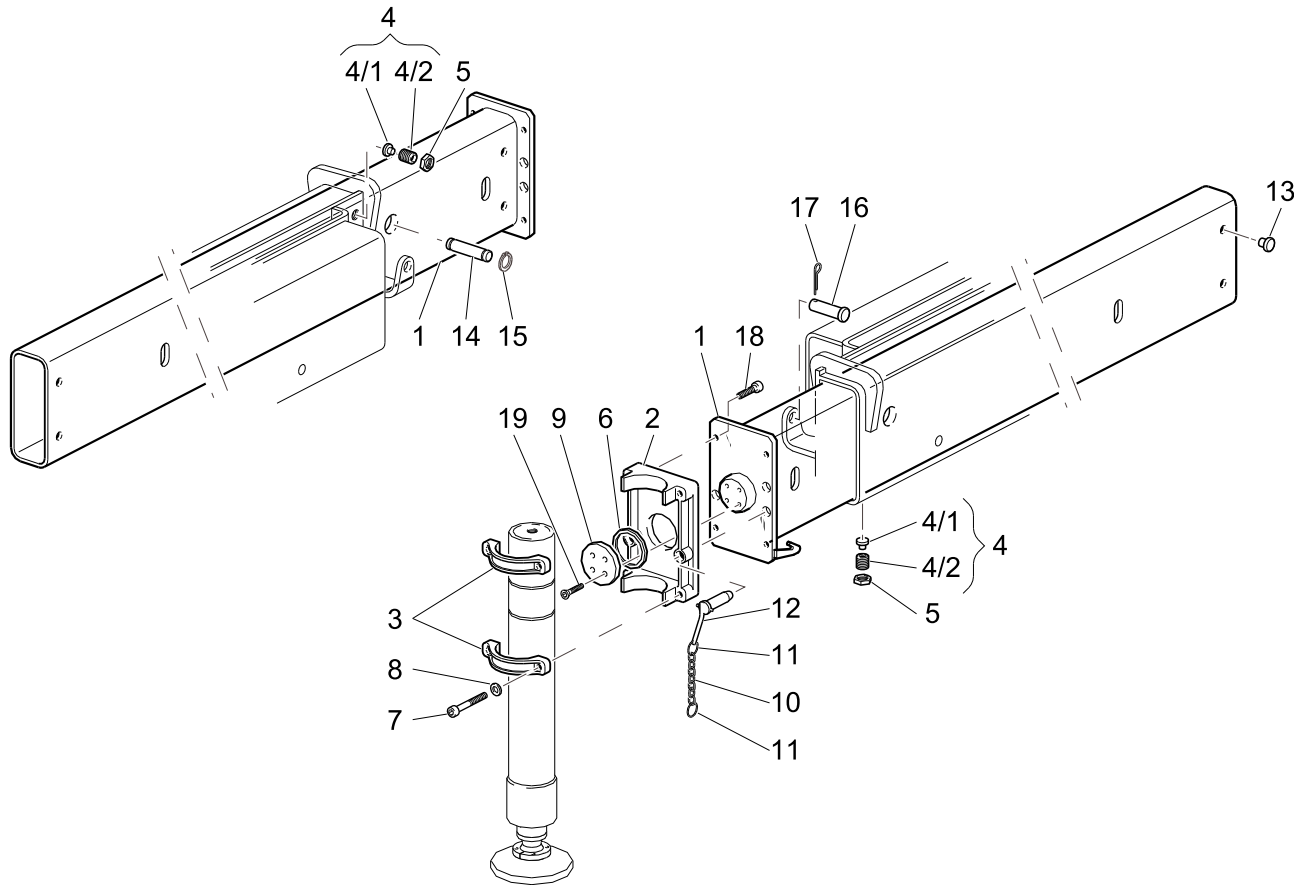


R	Pos.	Code Variant	Q.ty	Description
	1	W570400100	2	
	2	W270400400	2	
	3	W270400500	4	
	4	W061333	6	Adjusting screw
	4/1	W610310700	6	
	4/2	W420305400	6	
	5	3040251	6	Lock nut [M24 8.G basso UNI 5589]
	6	5000103	2	
	7	3020115	8	Socked head cap screw [M14X75 8.8 ZC UNI 5931]
	8	3060172	8	Schnorr washer [D.14 UNI 3545]
	9	5000419	2	
	10	3000007	mt1.7	
	11	3060929	8	
	12	W270401100	4	
	13	W370400700	8	Button (Coupling backlash)
	14	W101362	2	
	15	3070303	4	
	16	W101020	2	
	17	3060908	2	Cotter pin [D.3.7 L.30 UNI1336]
	18	3020109	8	Socked head cap screw [M14X35 8.8 ZC UNI 5931]

Stabilizer connecting rods extensible (hydraulic lengthening)

Code		
5760122-1.0		2/2

R	Pos.	Code Variant	Q.ty	Description
	19	3020969	8	Socket head cap screw [M10X20 8.8 ZC UNI 9327]

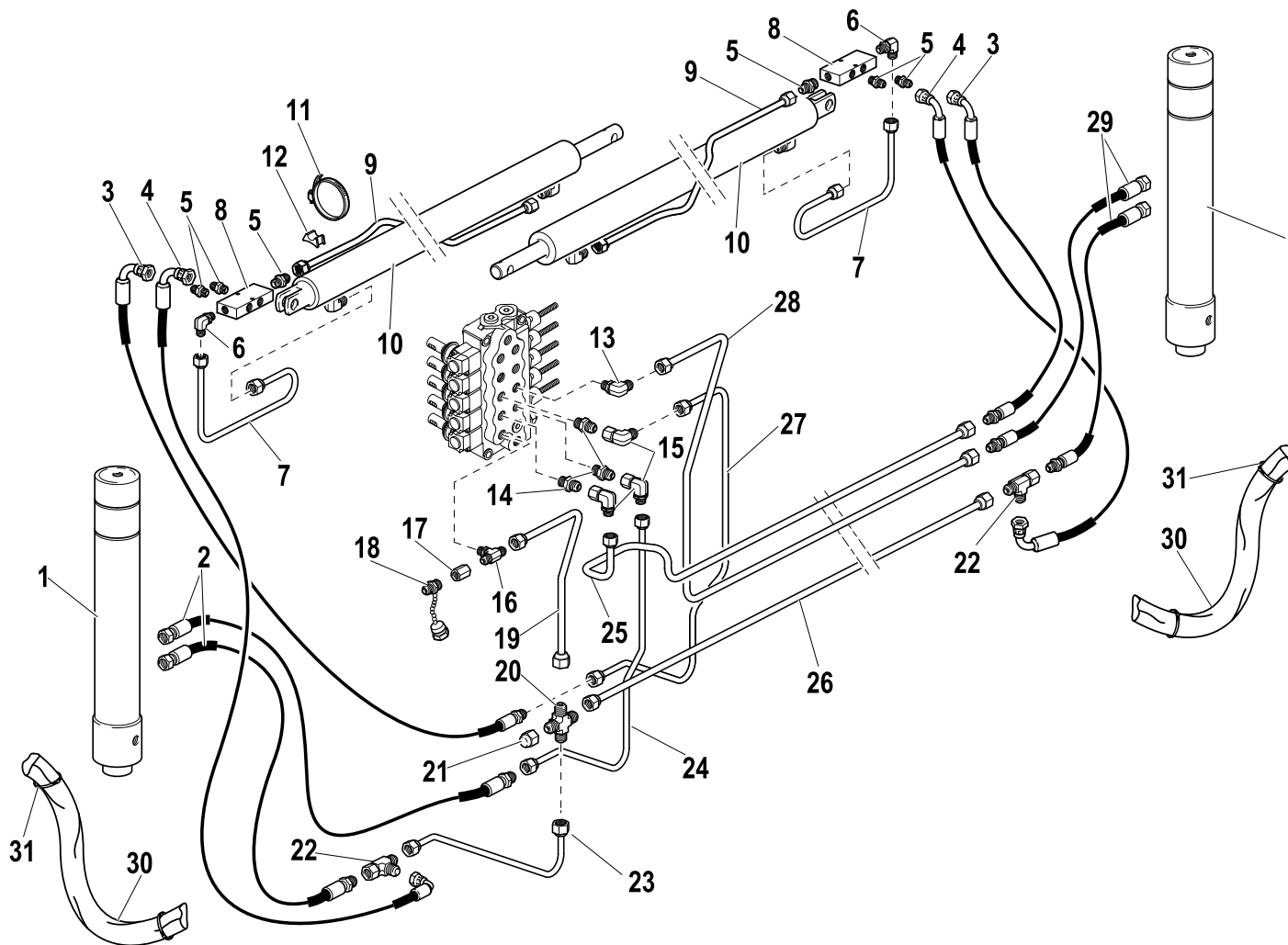


HYDRAULIC SYSTEM (STABILIZER ROD)

Code

5760122-2.0

1/2



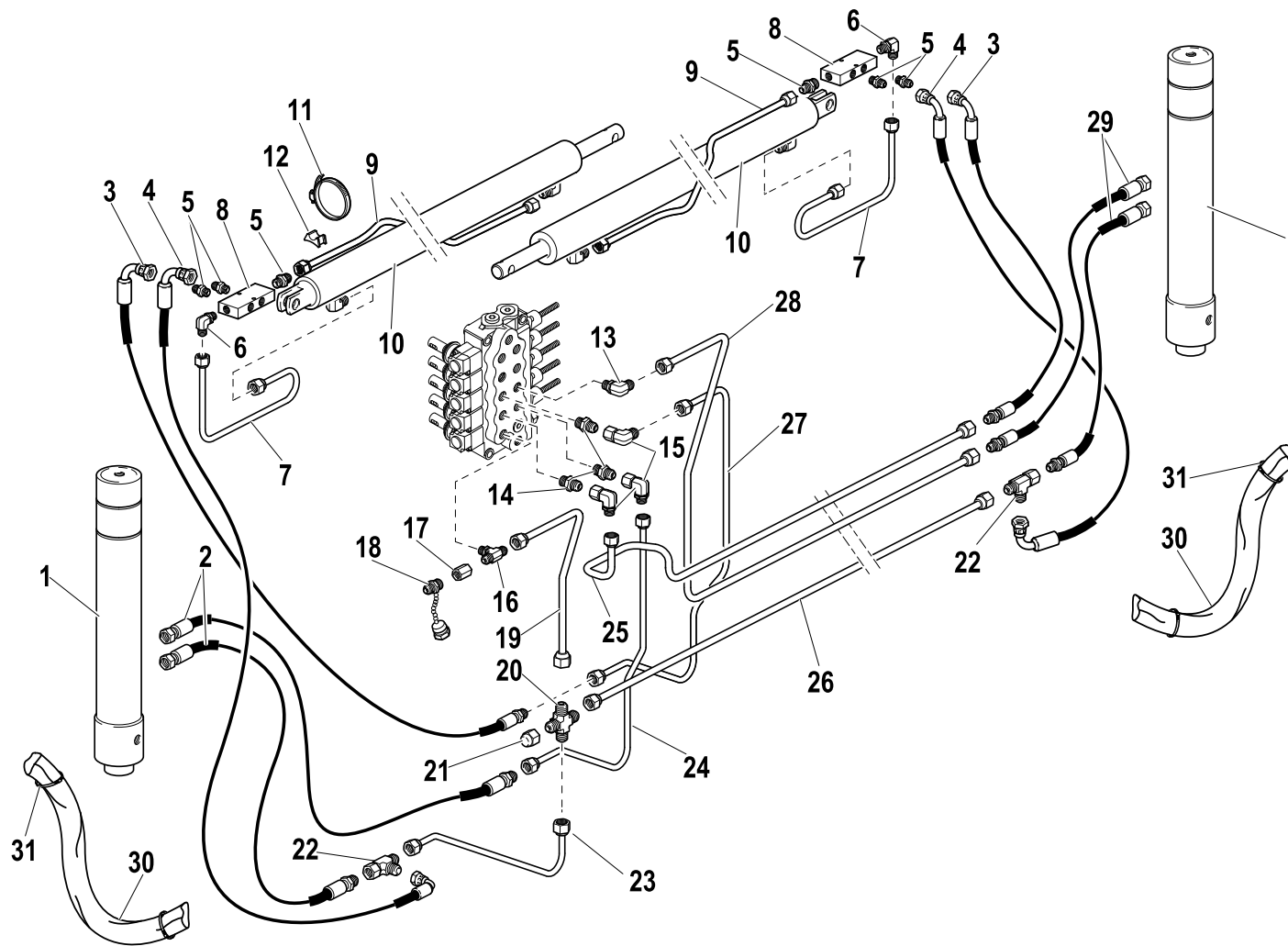
R	Pos.	Code Variant	Q.ty	Description
	1	W570450300	2	
	2	W456774	2	
	3	5260854	2	
	4	5260855	2	
	5	3101039	6	Straight pipe fitting
	6	3101124	2	90° Connection
	7	5392161	2	
	8	W470076	2	
	9	5392159	2	
	10	W440450500	2	
	11	3190025	4	Clamp
	12	5140133	2	Piping mounting
	13	3101127	1	90° Connection
	14	3101043	3	Straight pipe fitting
	15	3120031	3	90° Connection
	16	3120303	1	Tee fitting
	17	3120356	1	Reducing fitting
	18	3111523	1	Pipe fitting (Tapping point) [RACC. MILITES 16X2-1/4"G]
	19	5392151	1	
	20	3120113	1	

HYDRAULIC SYSTEM (STABILIZER ROD)

Code

5760122-2.0

2/2



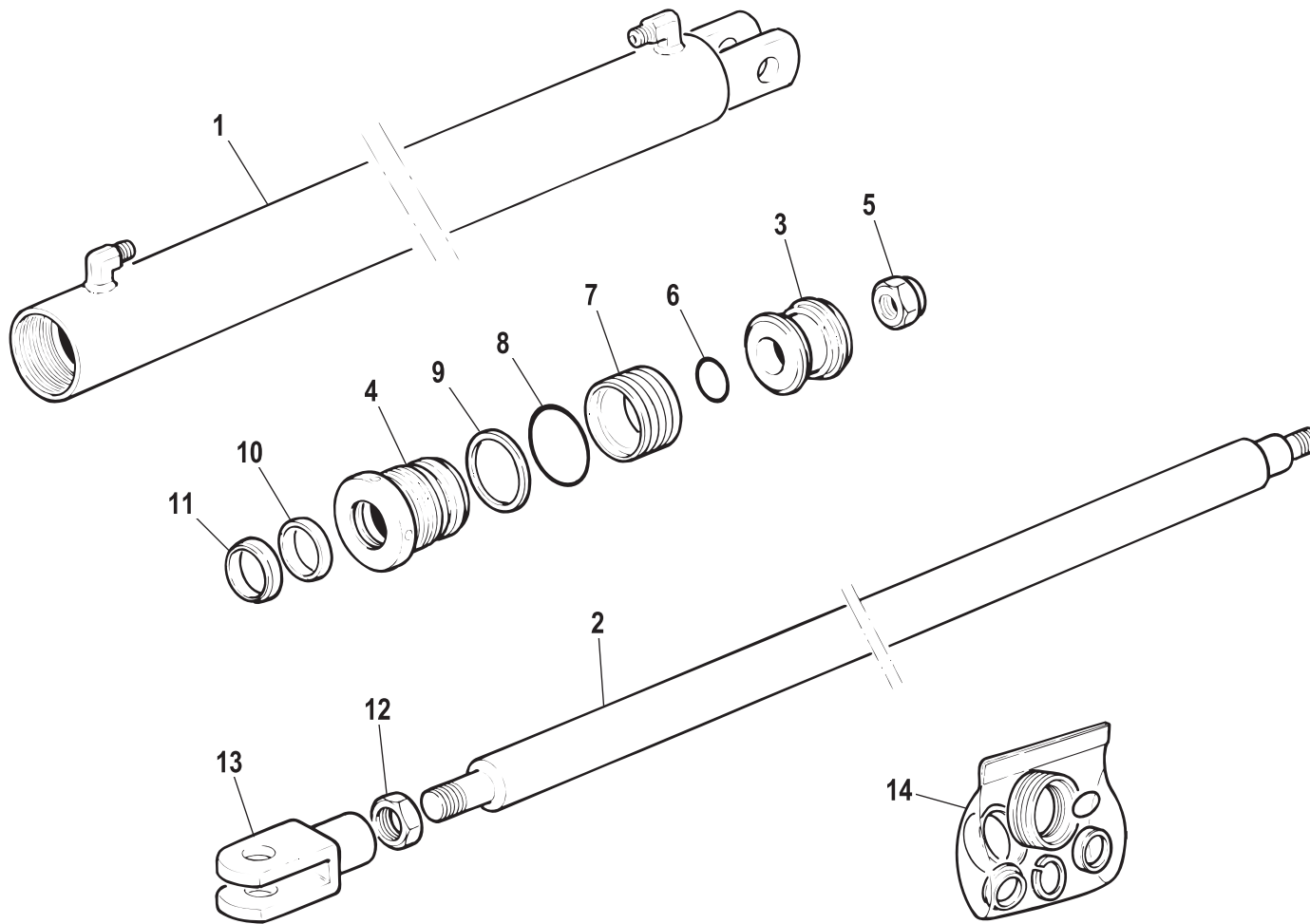
R	Pos.	Code Variant	Q.ty	Description
	21	3110041	1	Female plug
	22	3120004	2	Tee fitting
	23	5392152	1	
	24	5392154	1	
	25	5392149	1	
	26	5392150	1	
	27	5392153	1	
	28	5392148	1	
	29	W456775	2	
	30	3190198	mt4	Sheath (Flexible hose)
	31	3190012	4	Clamp

ROD EXTENSION HYDRAULIC CYLINDER EXTRA-EXTENSIBLE (Double controls side)

Code

W440450500-1.0

1/1



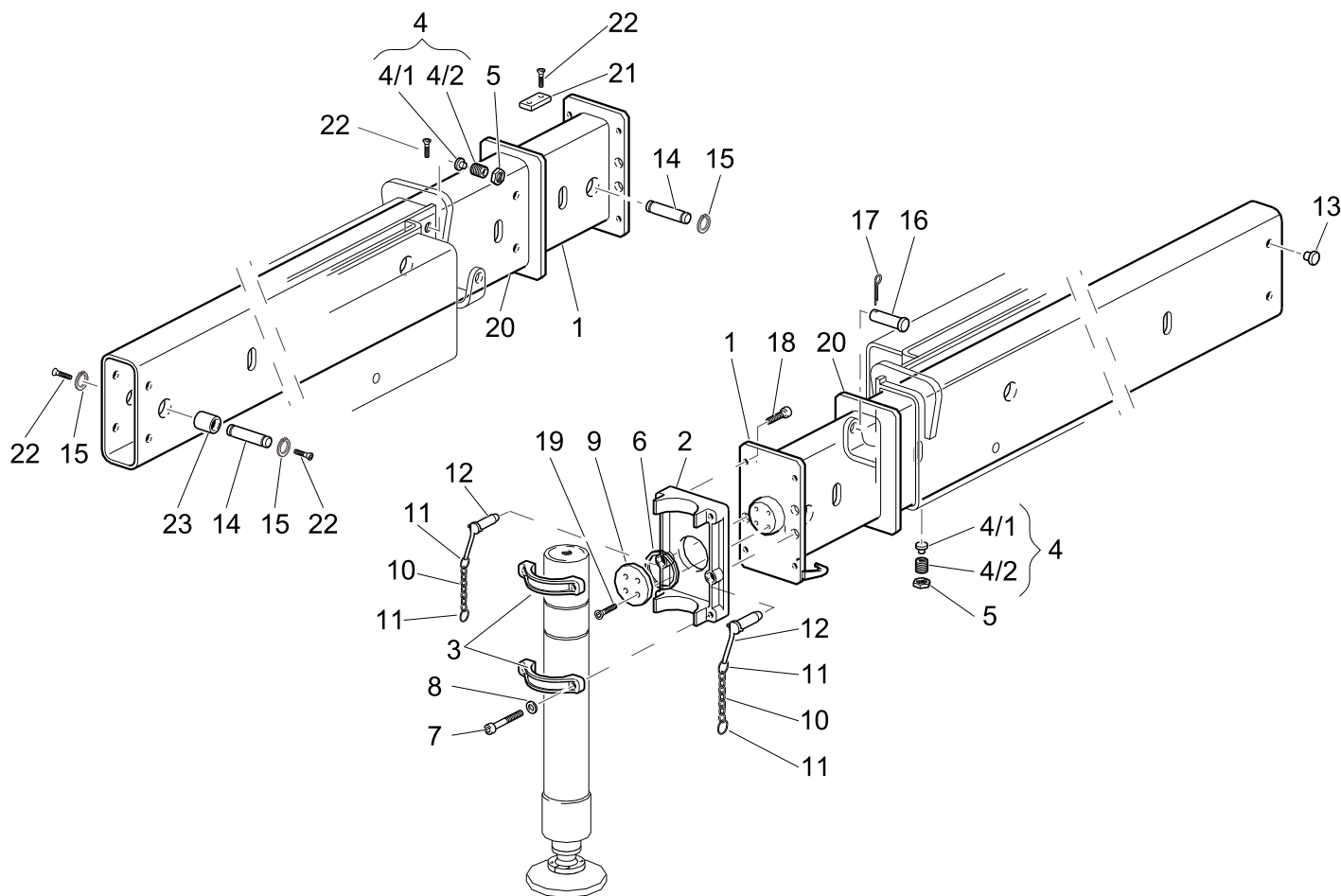
R	Pos.	Code Variant	Q.ty	Description
	1	W440401700	1	
	2	W440401800	1	
	3	W105058	1	
	4	W120061	1	
	5	3040306	1	Stopnut
	6	W360070	1	
	7	W359035	1	
	8	W360010	1	
	9	W304004	1	
	10	W358022	1	
	11	W361011	1	
	12	3040214	1	Lock nut
	13	W591003	1	
	14	W365064	1	

HYDRAULIC STABILIZER ROD (Extra-extensible)

Code

5760121-1.0

1/2



R	Pos.	Code Variant	Q.ty	Description
	1	5070376	2	
	2	W270400400	2	
	3	W270400500	4	
	4	W061333	6	Adjusting screw
	4/1	W610310700	6	
	4/2	W420305400	6	
	5	3040251	6	Lock nut [M24 8.G basso UNI 5589]
	6	5000103	2	
	7	3020115	8	Socked head cap screw [M14X75 8.8 ZC UNI 5931]
	8	3060172	8	Schnorr washer [D.14 UNI 3545]
	9	5000419	2	
	10	3000007	mt1.7	
	11	3060929	8	
	12	W270401100	4	
	13	W370400700	8	Button (Coupling backlash)
	14	W101363	4	
	15	3070303	8	
	16	W101020	2	
	17	3060908	2	Cotter pin [D.3.7 L.30 UNI1336]
	18	3020109	8	Socked head cap screw [M14X35 8.8 ZC UNI 5931]

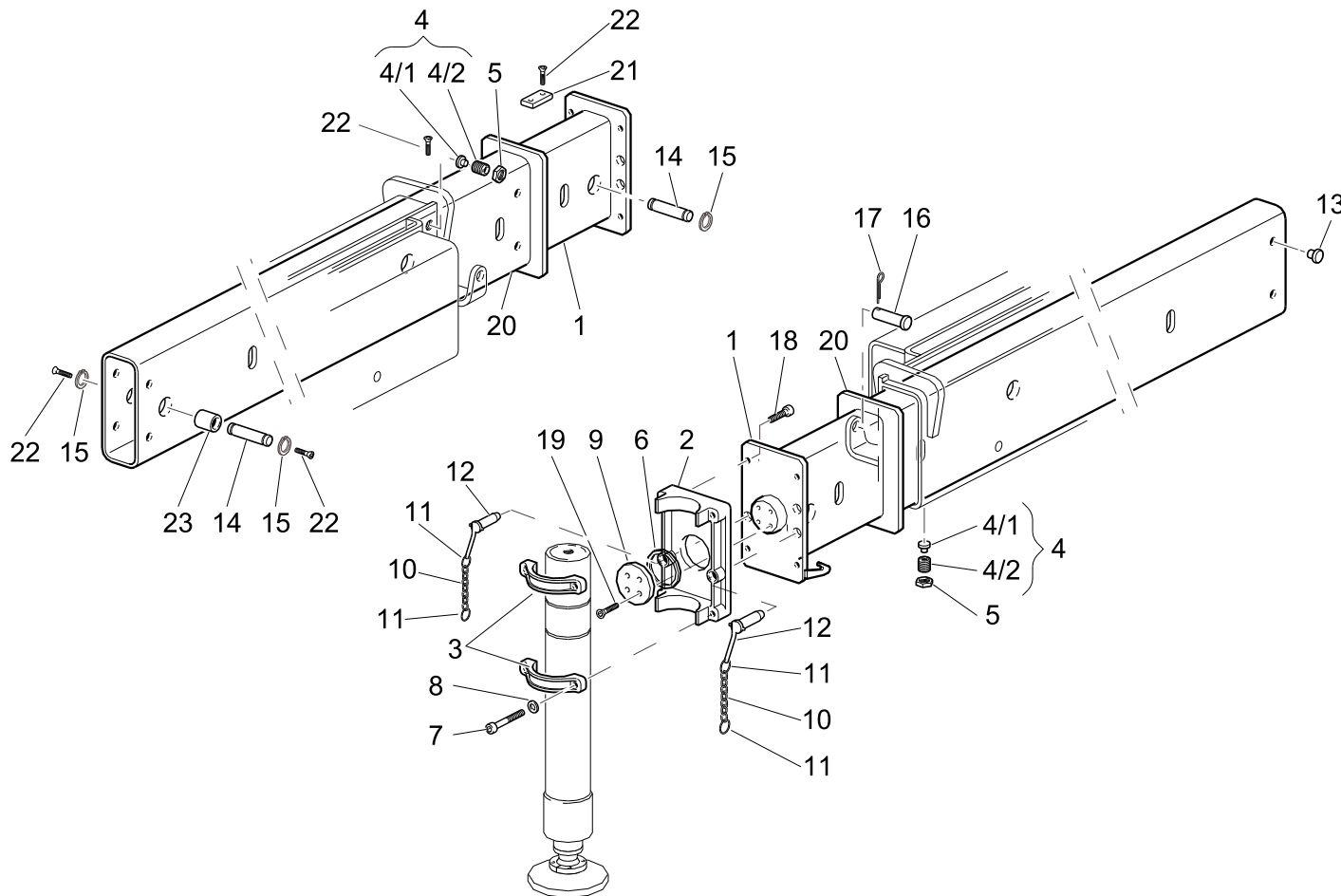
HYDRAULIC STABILIZER ROD (Extra-extensible)

Code

5760121-1.0

2/2

R	Pos.	Code Variant	Q.ty	Description
	19	3020969	8	Socket head cap screw [M10X20 8.8 ZC UNI 9327]
	20	W570400300	2	
	21	W570401000	4	
	22	3020498	12	TSEI screw [M10X20 10.9 ZC UNI 5933]
	23	W570401100	2	

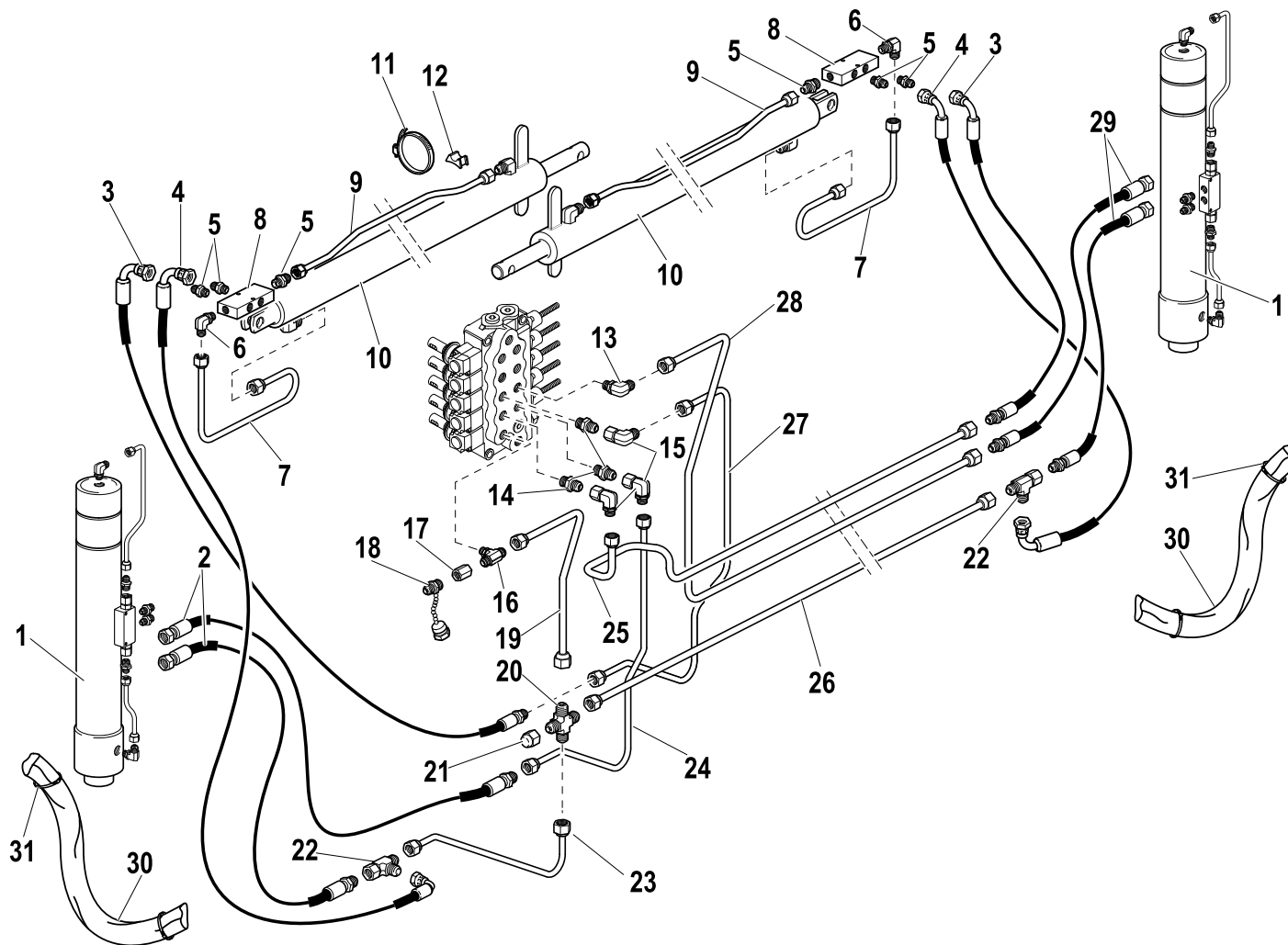


HYDRAULIC SYSTEM (Stabilizer connecting rods extra-extensible)

Code

5760121-2.0

1/2

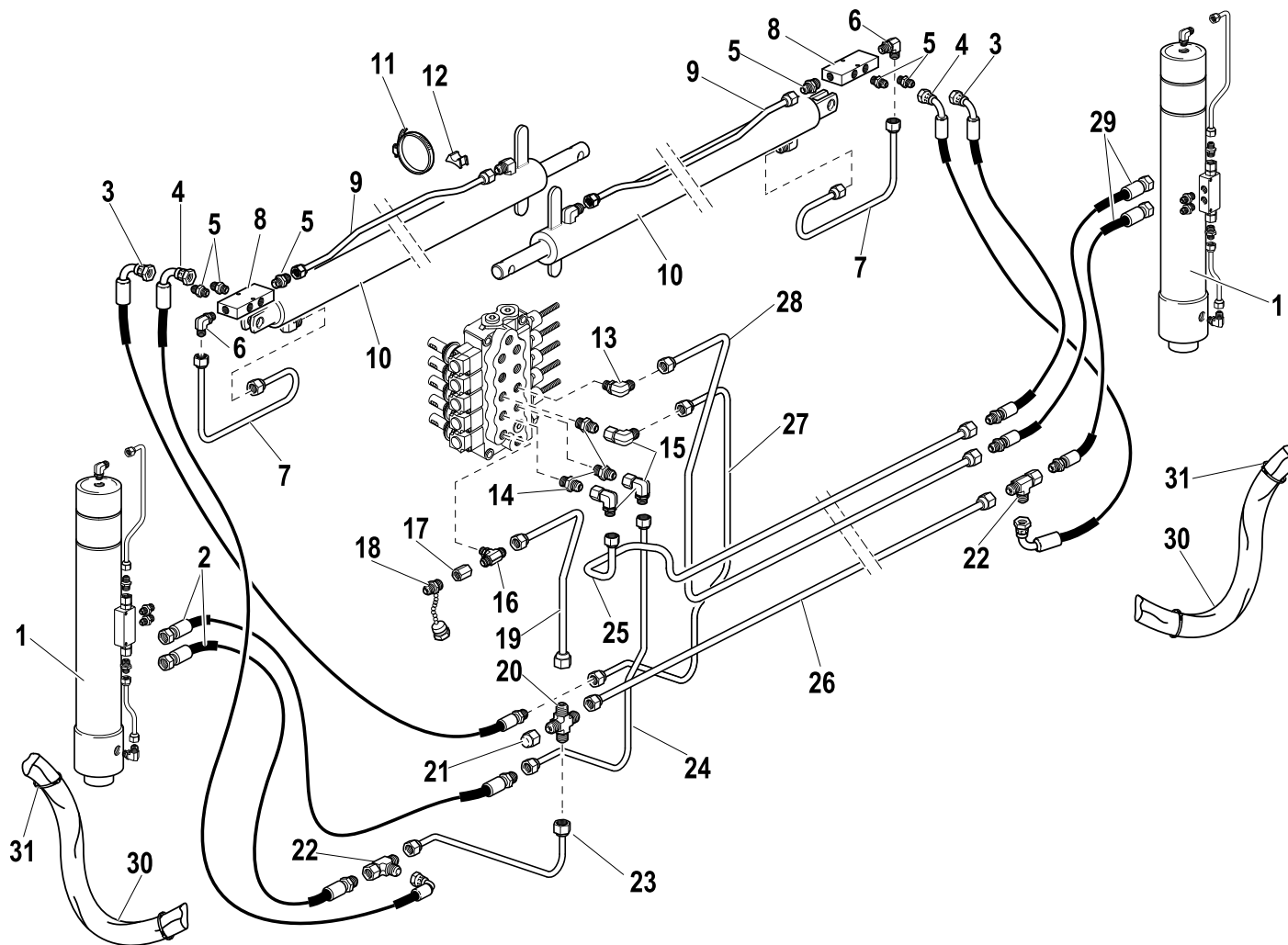


R	Pos.	Code Variant	Q.ty	Description
	1	W570450300	2	
	2	W456758	2	
	3	5260854	2	
	4	5260855	2	
	5	3101039	6	Straight pipe fitting
	6	3101124	2	90° Connection
	7	5392157	2	
	8	W470076	2	
	9	5392158	2	
	10	W570450100	2	
	11	3190025	4	Clamp
	12	5140133	2	Piping mounting
	13	3101127	1	90° Connection
	14	3101043	3	Straight pipe fitting
	15	3120031	3	90° Connection
	16	3120303	1	Tee fitting
	17	3120356	1	Reducing fitting
	18	3111523	1	Pipe fitting (Tapping point) [RACC. MILITES 16X2-1/4"G]
	19	5392151	1	
	20	3120113	1	

HYDRAULIC SYSTEM (Stabilizer connecting rods extra-extensible)

Code		
5760121-2.0		2/2

R	Pos.	Code Variant	Q.ty	Description
	21	3110041	1	Female plug
	22	3120004	2	Tee fitting
	23	5392152	1	
	24	5392154	1	
	25	5392149	1	
	26	5392150	1	
	27	5392153	1	
	28	5392148	1	
	29	W456759	2	
	30	3190198	mt4	Sheath (Flexible hose)
	31	3190012	4	Clamp

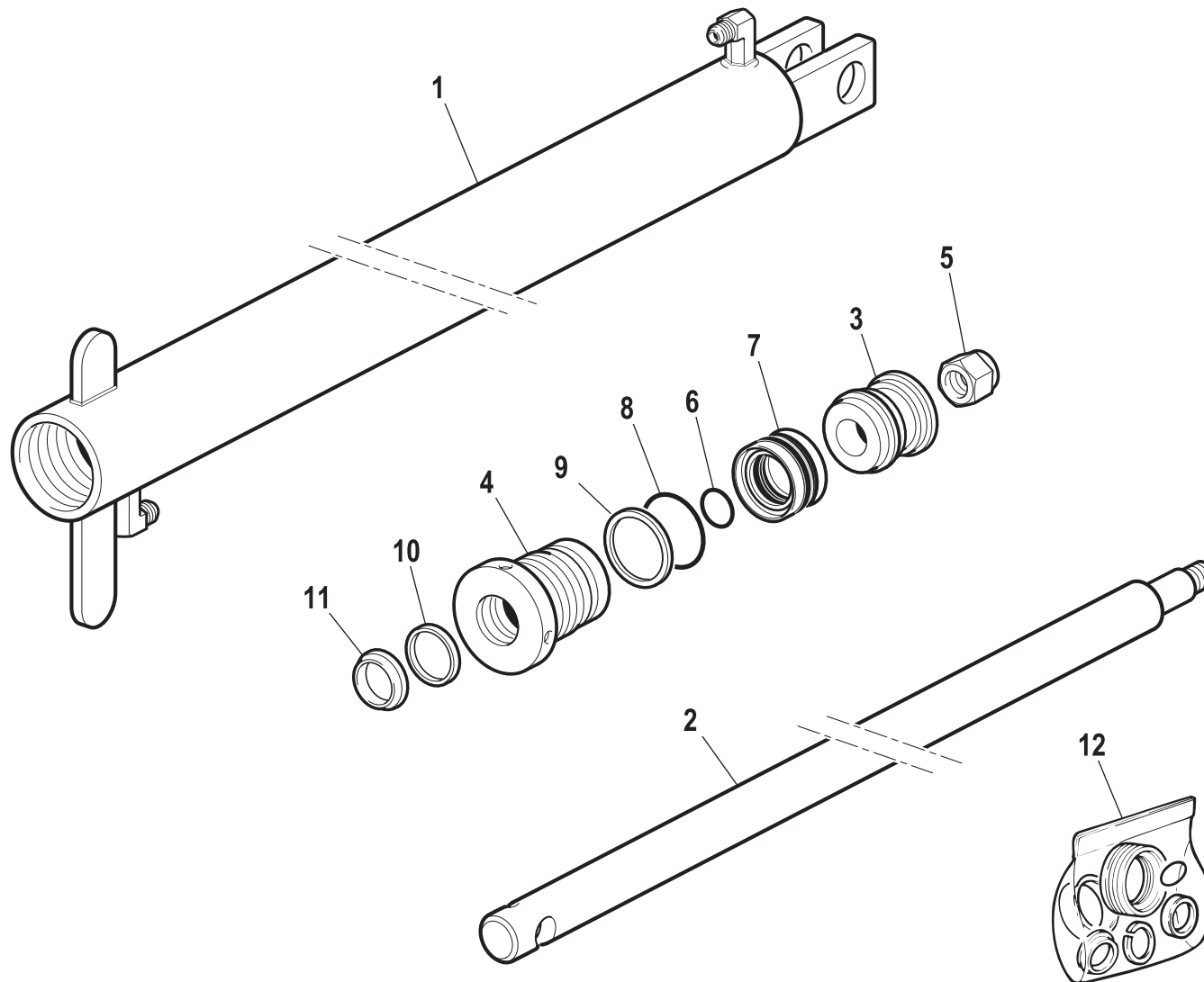


Extension Hydraulic jack (stabilizers rods "extra")

Code

W570450100-1.0

1/1



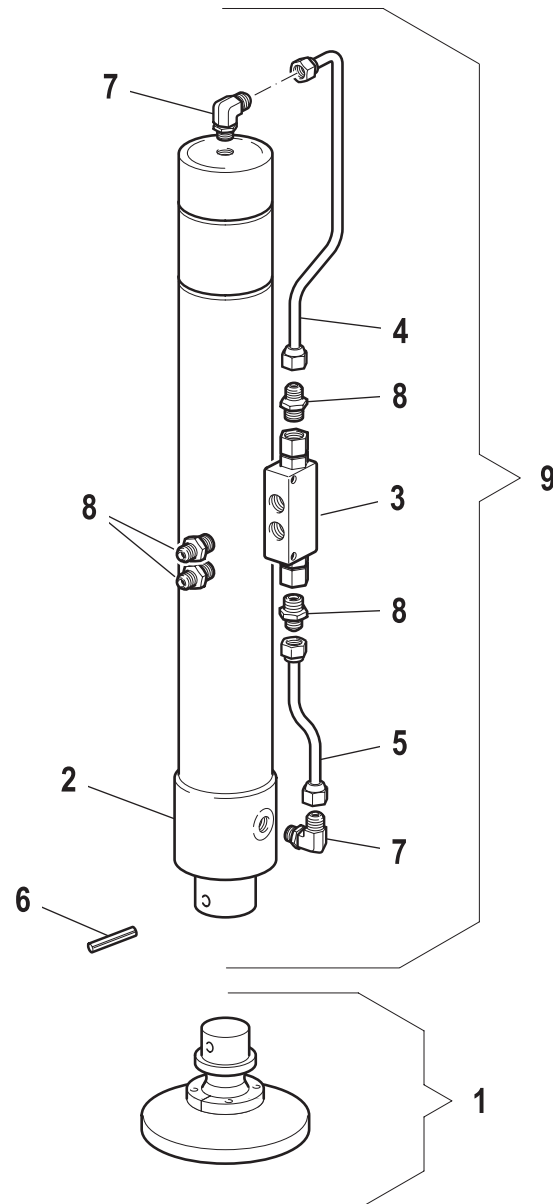
R	Pos.	Code Variant	Q.ty	Description
	1	W570400400	1	
	2	W570400500	1	
	3	W105102	1	
	4	W120061	1	
	5	3040318	1	Stopnut
	6	W360070	1	
	7	W359035	1	
	8	W360010	1	
	9	W304004	1	
	10	W358022	1	
	11	W361011	1	
	12	W365064	1	

HYDRAULIC SYSTEM (Stabilizer Hydraulic jack)

Code

W570450300-1.0

1/1



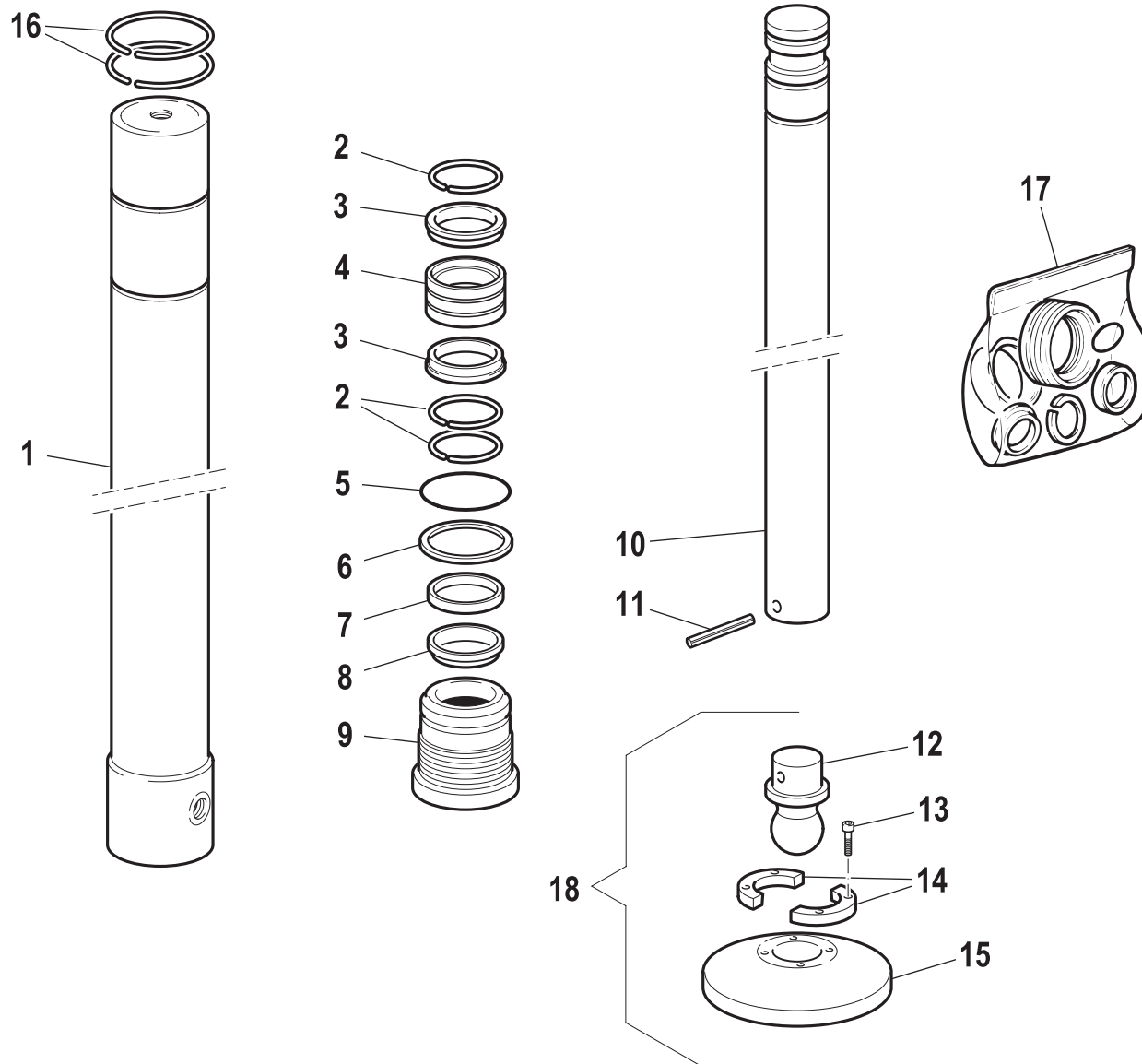
R	Pos.	Code Variant	Q.ty	Description
	1	W570450200	1	
	2	W570450400	1	
	3	W470038	1	
	4	W270501900	1	
	5	W430502600	1	
	6	W726009	1	
	7	3101127	2	90° Connection
	8	3101044	4	Straight pipe fitting
	9	W570450300	1	

STABILISER RAM

Code

W570450400-1.2

1/1



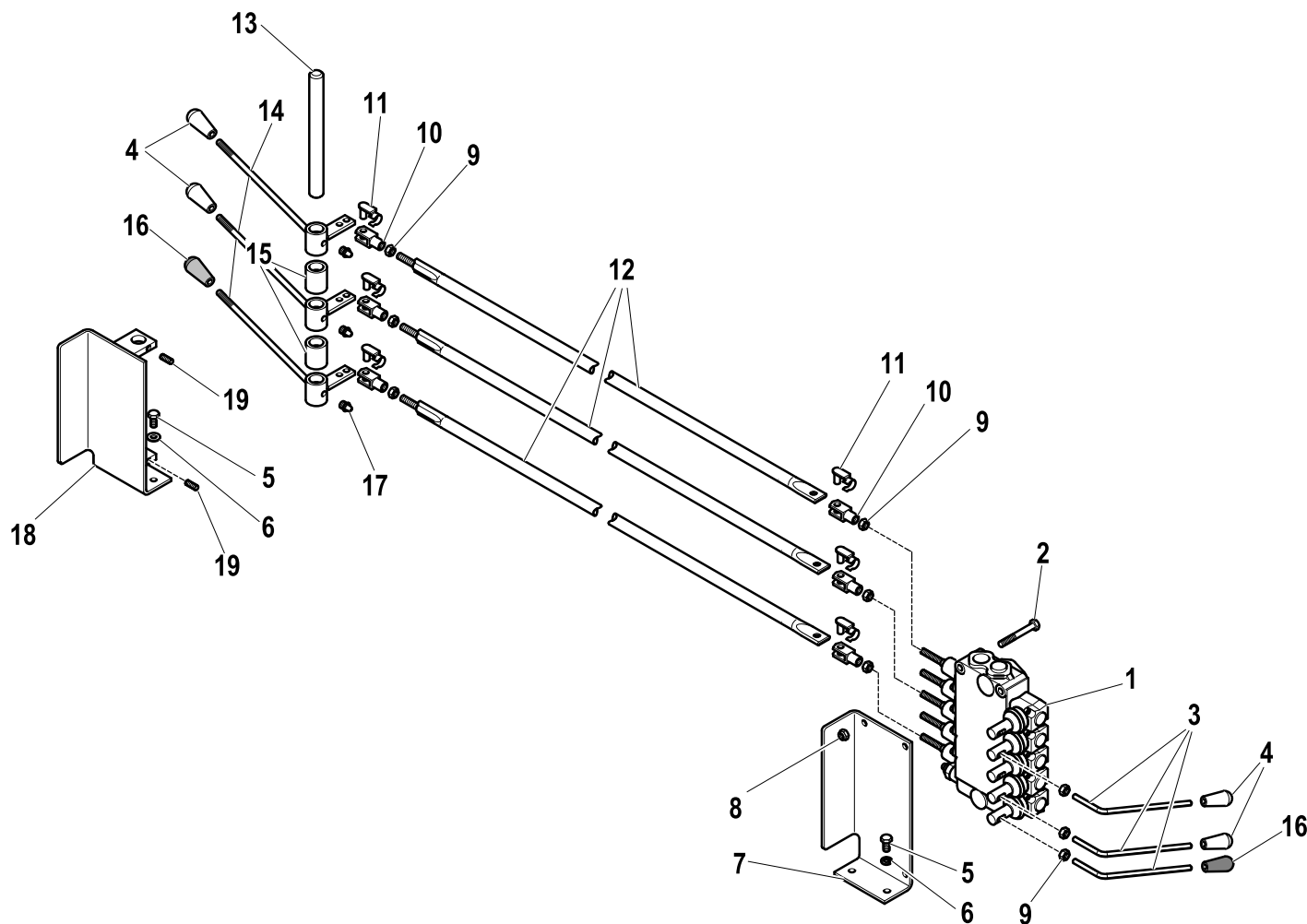
R	Pos.	Code Variant	Q.ty	Description
	1	W270400200	1	
	2	3070213	3	Snap ring
	3	W440400500	2	
	4	W359020	1	
	5	W360014	1	
	6	W304010	1	
	7	W358029	1	
	8	W361020	1	
	9	W120076	1	
	10	W570400900	1	
	11	W726009	1	
	12	W570400600	1	
	13	3020035	4	Socket head cap screw [M6X20 8.8 ZC UNI 5931]
	14	W570400800	2	
	15	W570400700	1	
	16	3070206	2	Snap ring
	17	W365082	1	
	18	W570450200	1	

CONTROLS FOR STABILIZERS

Code

5400609-1.0

1/1



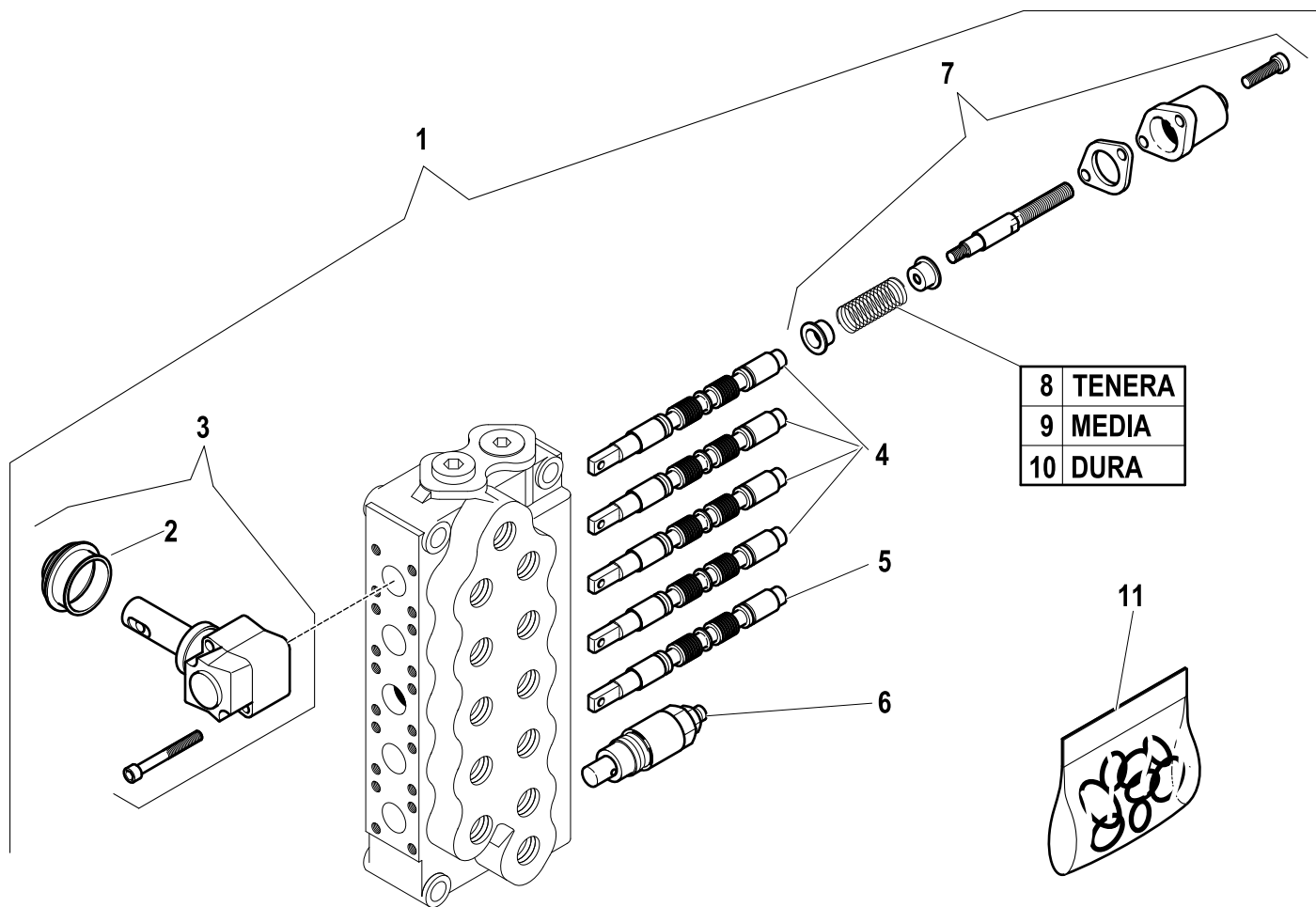
R	Pos.	Code Variant	Q.ty	Description
	1	5220346	1	
	2	3010036	3	Hex screw [M8X65 8.8 ZC UNI 5739]
	3	5000207	3	Control lever
	4	3190006	4	Knob
	5	3010339	4	Hex screw [M8X25 8.8 ZC IF UNI 5739]
	6	3060055	4	Split lock washer [D=8.4 C72 ZC]
	7	5090716	1	
	8	3040303	3	Stopnut
	9	3040045	9	Nut
	10	3300431	6	Fork
	11	3300451	6	Fork clip
	12	5090484	3	
	13	5150647	1	
	14	5090568	3	Control lever
	15	5140737	2	
	16	3190188	2	
	17	3080500	3	Grease nipple
	18	5090717	1	
	19	3060936	2	Grub screw

STABILIZER CONTROL VALVE

Code

5220346-1.0

1/1

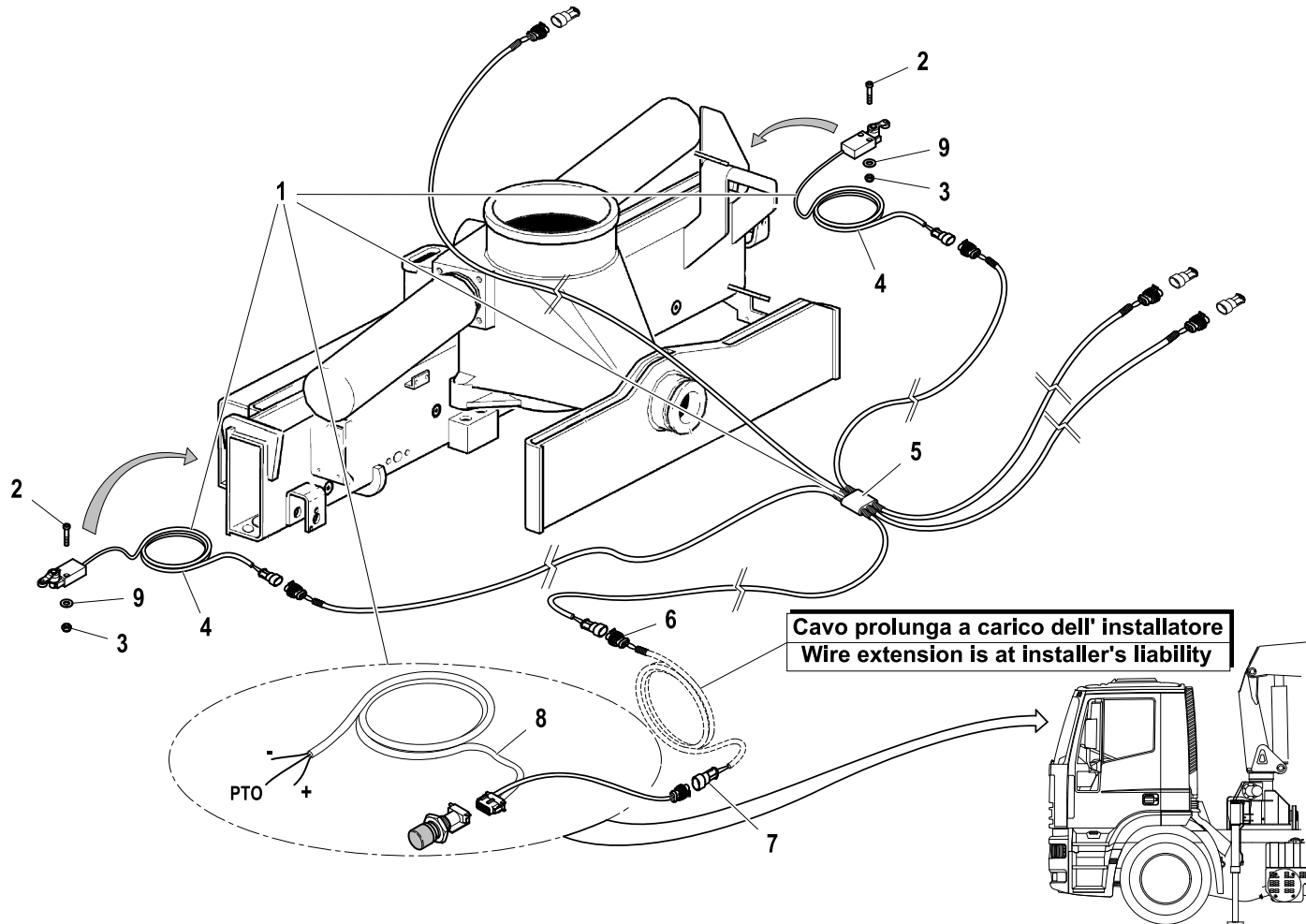


R	Pos.	Code Variant	Q.ty	Description
	1	5220346	1	
	2	5225022	5	
	3	5225261	5	
	4	5225258	4	
	5	5225480	1	
	6	5225257	1	
	7	5225268	5	
	8	5225479	5	
	9	5225281	5	
	10	5225285	5	
	11	5225263	1	

CONTROL DEVICES LOCKING FOR OUTRIGGERS LEGS

Code		
5411219-1.0		1/1

R	Pos.	Code Variant	Q.ty	Description
	1	3311352	1	
	2	3020029	4	Socket head cap screw [M5X30 8.8 ZC UNI 5931]
	3	3040392	4	Stopnut
	4	3311356	2	
	5	3311353	1	
	6	3310431	1	
	7	3310432	1	
	8	3311354	1	
	9	3060004	4	Flat washer [D.5 UNI 6592 ZC]



STABILITY CONTROL (EN12999-A3)

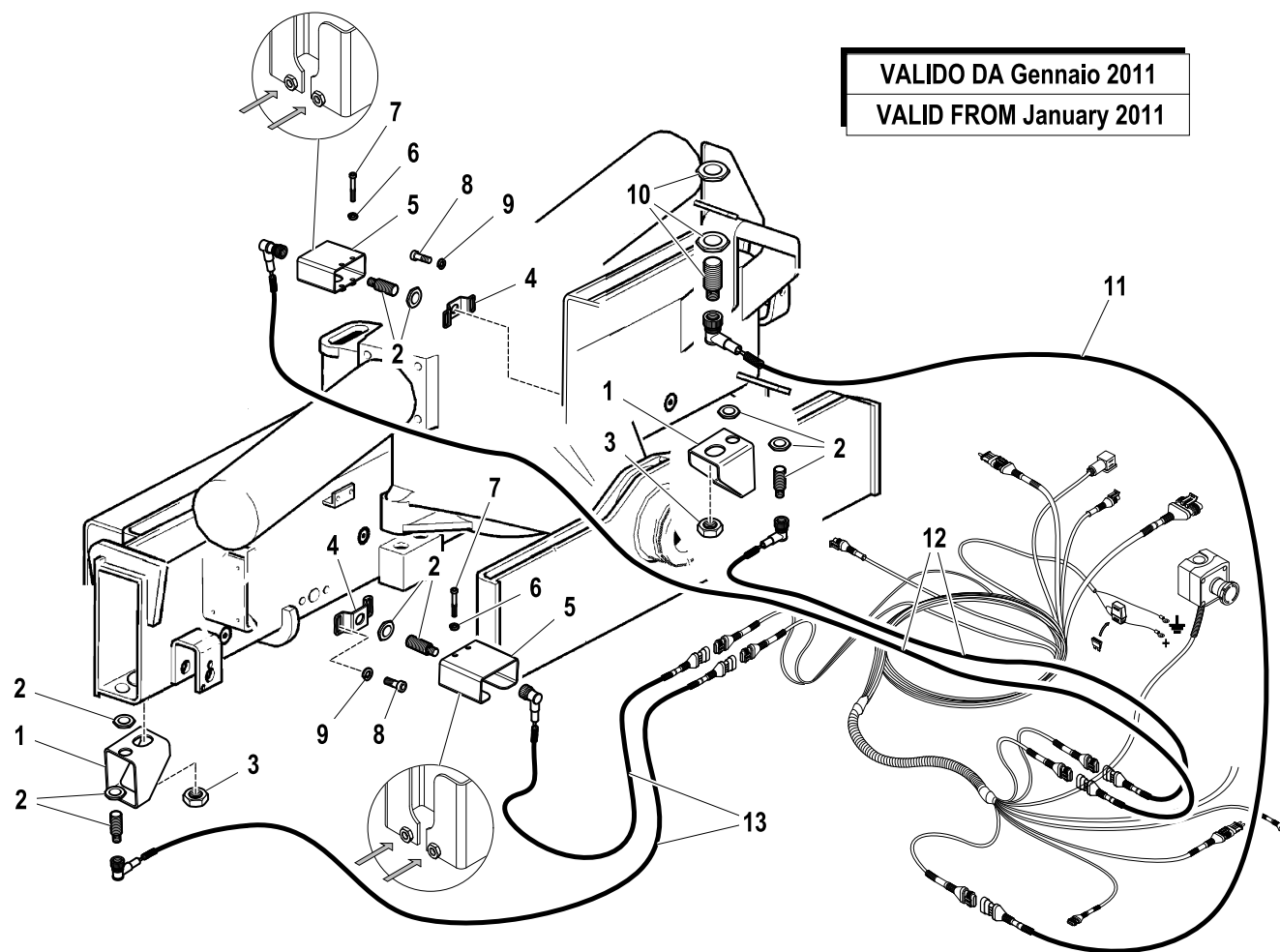
Code

5411219-2.0

1/1

R	Pos.	Code Variant	Q.ty	Description
	1	5000422	2	Support (Proximity switch)
	2	3311311	4	Proximity switch
	3	3040251	2	Lock nut [M24 8.G basso UNI 5589]
	4	5000420	2	Support (Proximity switch)
	5	5091310	2	Guard (Proximity switch)
	6	3060053	4	Split lock washer [D=6.4 C72 ZC]
	7	3020045	4	Socketed head cap screw [M6X45 8.8 ZC UNI 5931]
	8	3020902	4	Socketed head cap screw [M8X10 ZC UNI 5931]
	9	3060055	4	Split lock washer [D=8.4 C72 ZC]
	10	3311312	1	Proximity switch
	11	3311372	1	Electric wiring
	12	3311377	2	Electric wiring
	13	3311332	2	Electric wiring

VALIDO DA Gennaio 2011
VALID FROM January 2011

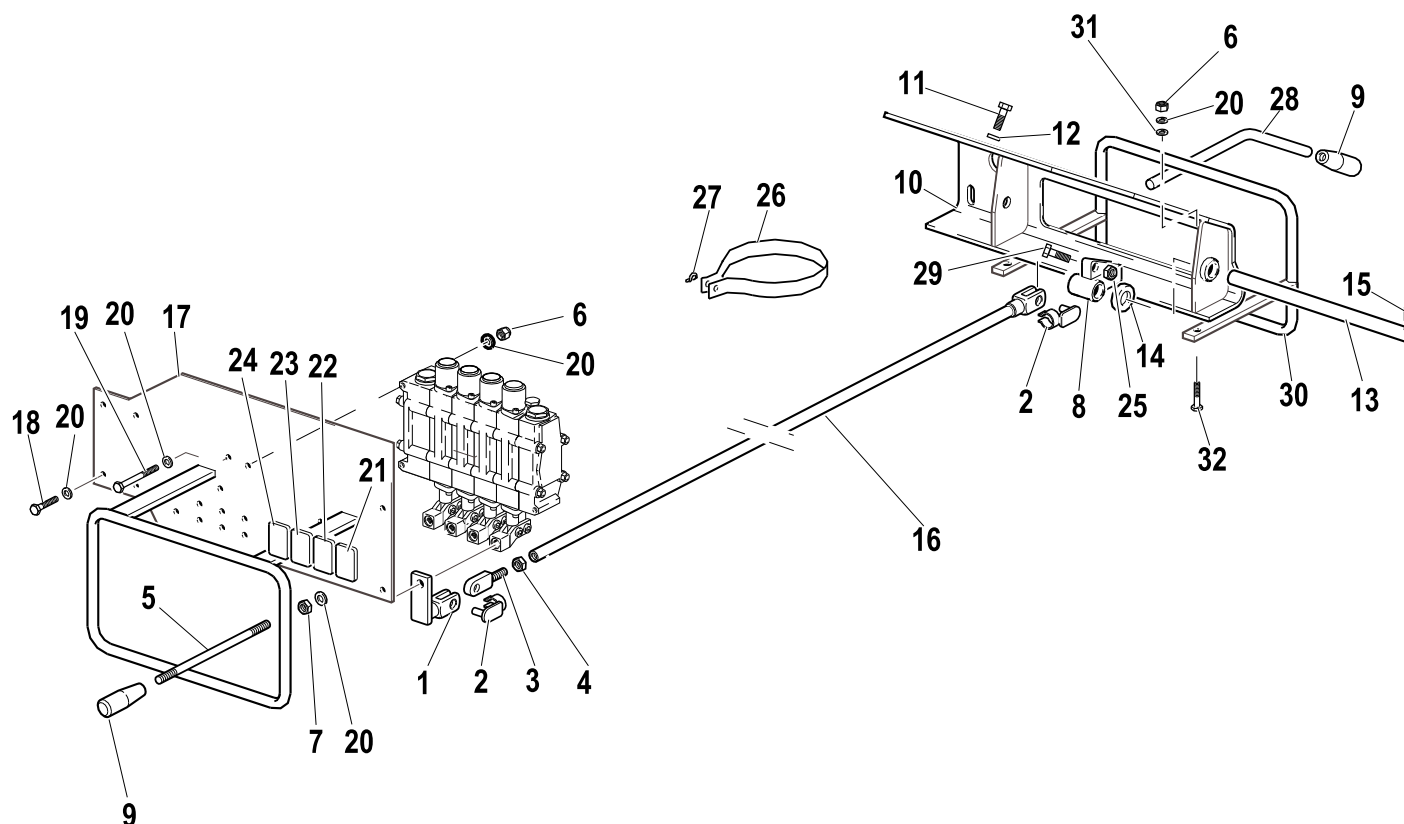


DOUBLE CONTROLS (not CE)

Code

W057510-1.0

1/2



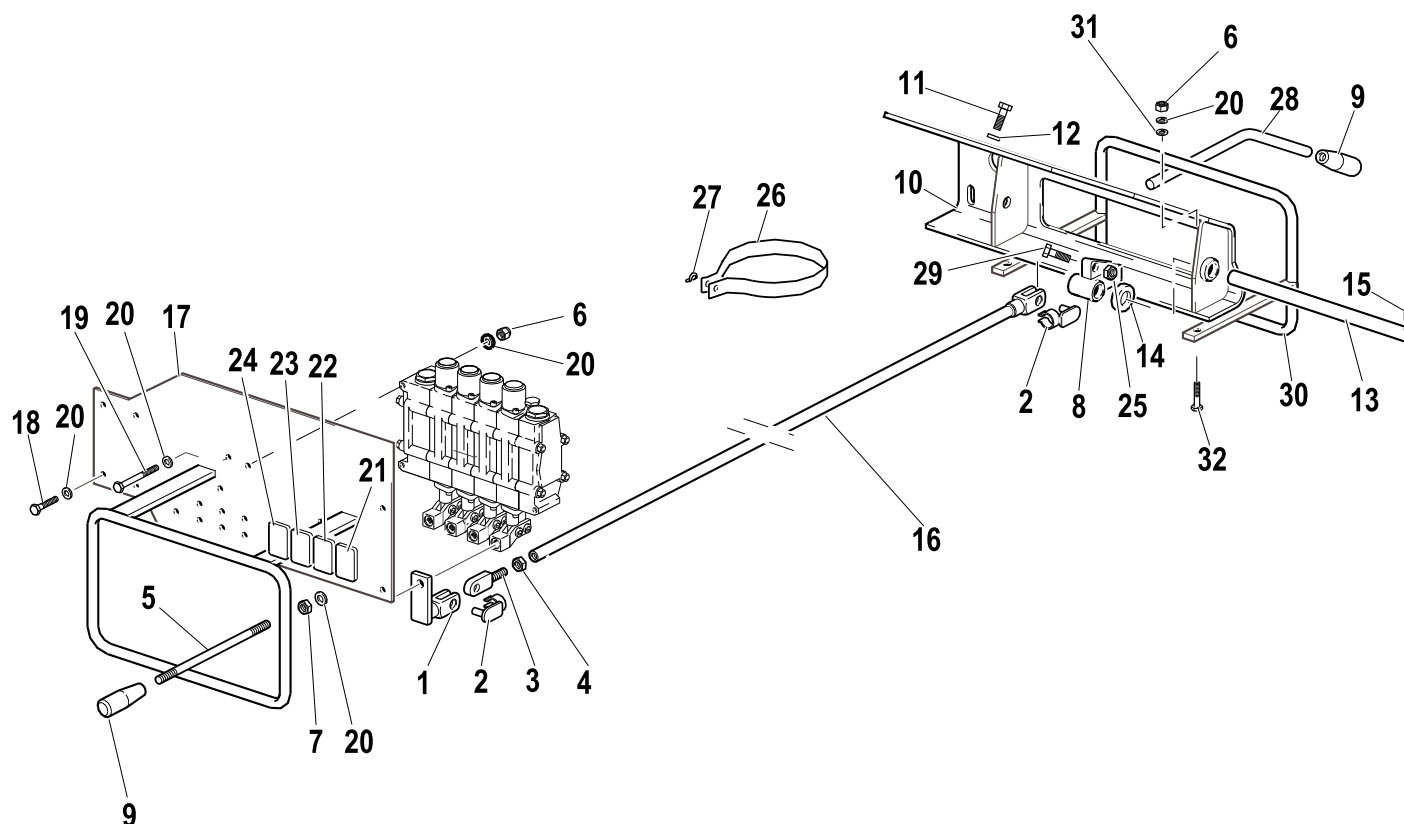
R	Pos.	Code Variant	Q.ty	Description
	1	W580502500	4	
	2	3300453	8	Fork clip
	3	W010503600	4	
	4	3040081	4	Lock nut
	5	W338802	4	
	6	3040524	6	Stopnut
	7	3040040	4	Lock nut
	8	W270509000	4	
	9	W664003	8	
	10	W580500300	1	
	11	3010354	6	Hex screw [M10X20 8.8 ZC UNI 5739]
	12	3060914	6	Flat washer [D.10.5X21X2 UNI 6592 ZC]
	13	W101182	1	
	14	W270102703	1	
	15	3060229	2	Grub screw
	16	W270509500	4	
	17	W570500600	1	
	18	3010337	4	Hex screw [M8X16 8.8 ZC UNI 5739]
	19	3010030	4	Hex screw [M8X35 8.8 ZC UNI 5737]
	20	3060006	14	Flat washer [D.8 UNI 6592 ZC]

DOUBLE CONTROLS (not CE)

Code

W057510-1.0

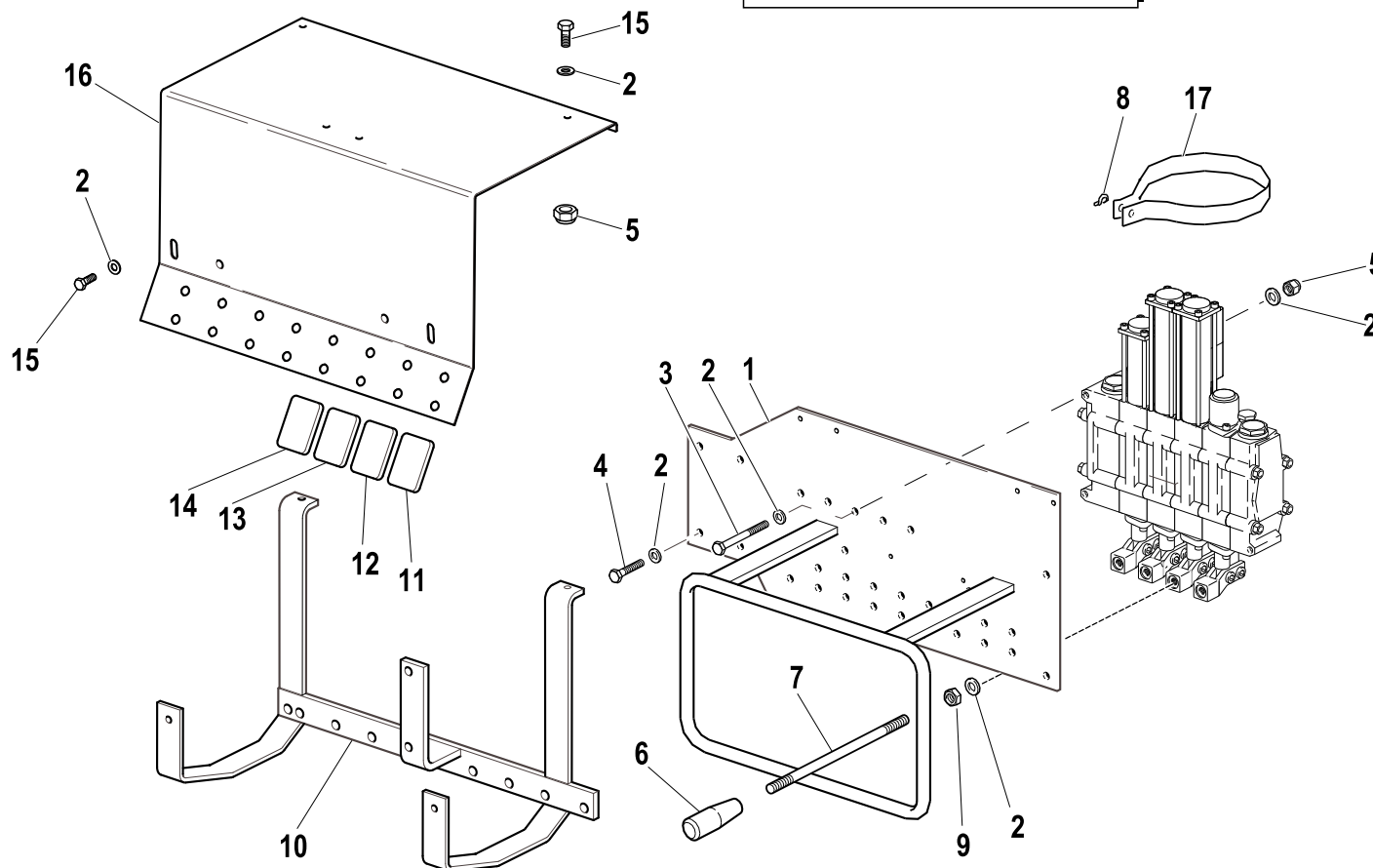
2/2



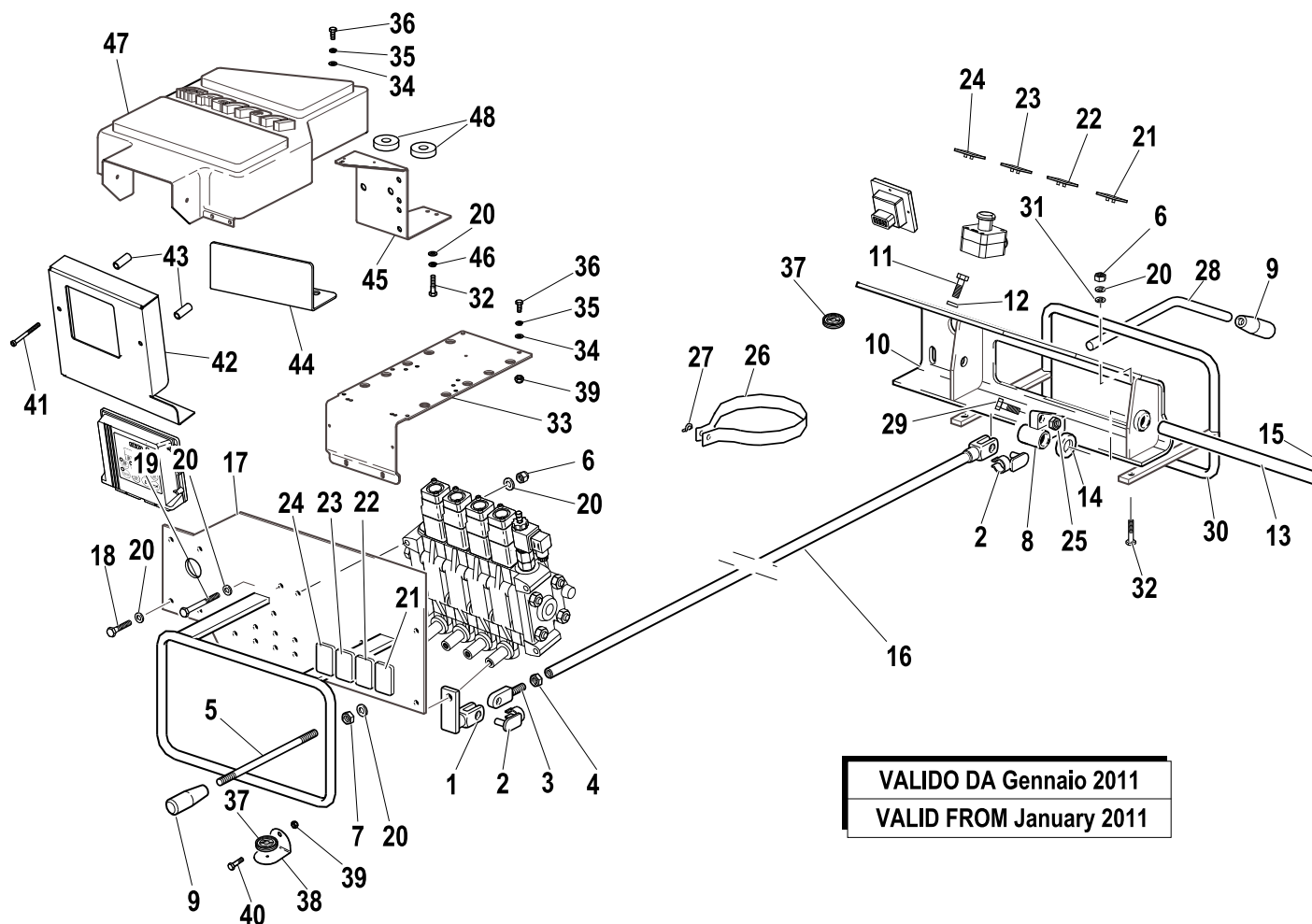
R	Pos.	Code Variant	Q.ty	Description
	21	W573266	2	Small plate (CONTROL SYMBOLS)
	22	W573267	2	Small plate (CONTROL SYMBOLS)
	23	W573269	2	Small plate (CONTROL SYMBOLS)
	24	W573270	2	Small plate (CONTROL SYMBOLS)
	25	3040393	5	Lock nut
	26	W270506300	1	
	27	W270506400	1	
	28	W440501700	4	
	29	3020021	4	Socketed head cap screw [M5X12X0.8 8.8 ZC UNI 5931]
	30	W440501900	1	
	31	3060918	3	Tooth lock washer [D.8 TIPO A UNI8842 ZC]
	32	3010027	2	Hex screw [M8X20 8.8 ZC IF UNI 5739]

VALIDO FINO A Dicembre 2010

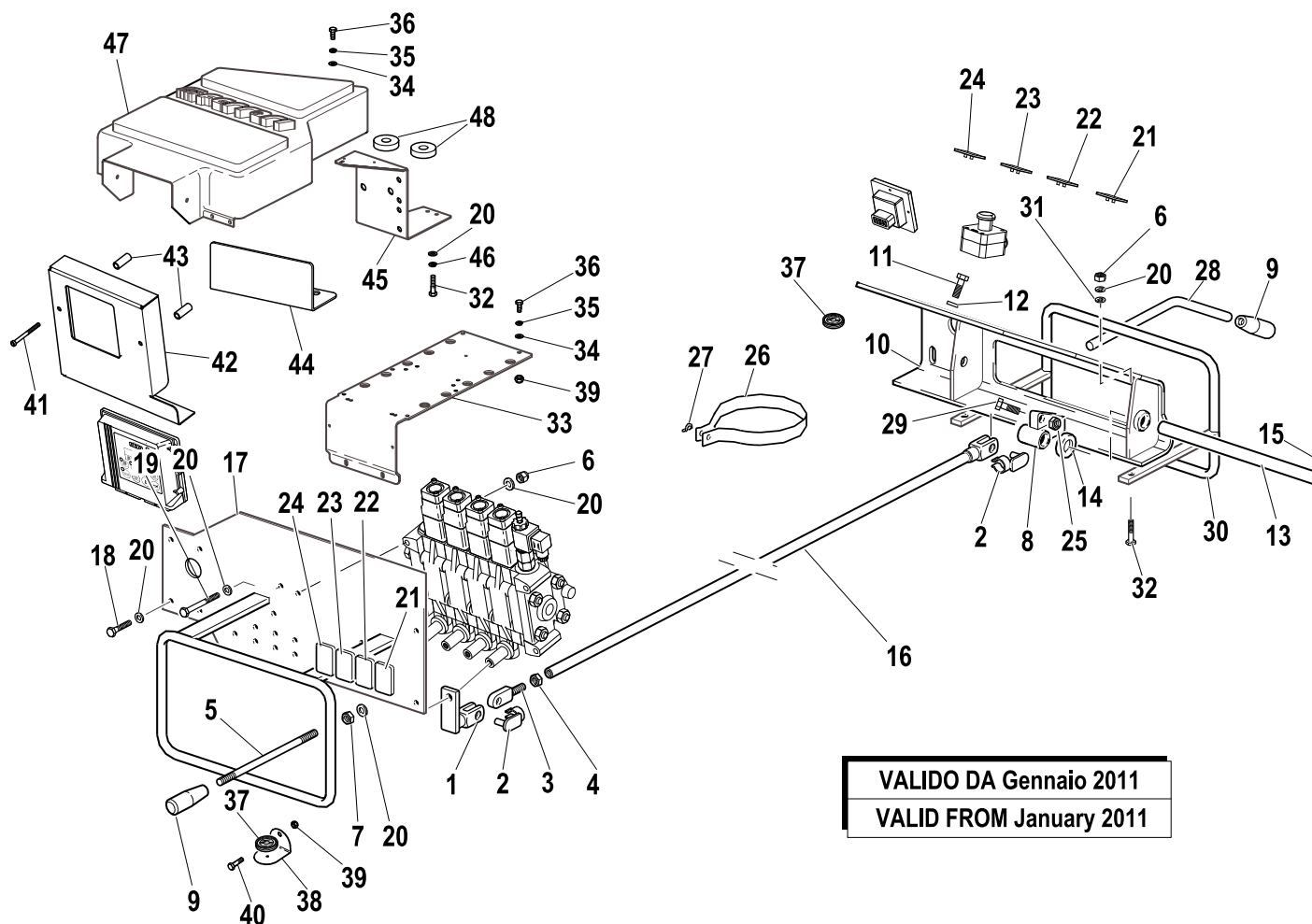
VALID UNTIL December 2010



R	Pos.	Code Variant	Q.ty	Description
	1	W570500600	1	
	2	3060006	14	Flat washer [D.8 UNI 6592 ZC]
	3	3010030	4	Hex screw [M8X35 8.8 ZC UNI 5737]
	4	3010337	4	Hex screw [M8X16 8.8 ZC UNI 5739]
	5	3040524	4	Stopnut
	6	W664003	4	
	7	W338802	4	
	8	W270506400	1	
	9	3040040	4	Lock nut
	10	W410505500	1	
	11	W573266	1	Small plate (CONTROL SYMBOLS)
	12	W573267	1	Small plate (CONTROL SYMBOLS)
	13	W573269	1	Small plate (CONTROL SYMBOLS)
	14	W573270	1	Small plate (CONTROL SYMBOLS)
	15	3010339	4	Hex screw [M8X25 8.8 ZC IF UNI 5739]
	16	W270513100	1	
	17	W270506300	1	



R	Pos.	Code Variant	Q.ty	Description
	1	W580502500	4	
	2	3300453	8	Fork clip
	3	W010503600	4	
	4	3040081	4	Lock nut
	5	W338802	4	
	6	3040524	6	Stopnut
	7	3040040	4	Lock nut
	8	W270509000	4	
	9	W664003	8	
	10	W580500300	1	
	11	3010354	6	Hex screw [M10X20 8.8 ZC UNI 5739]
	12	3060914	6	Flat washer [D.10.5X21X2 UNI 6592 ZC]
	13	W101182	1	
	14	W270102703	1	
	15	3060229	2	Grub screw
	16	W270509500	4	
	17	W570500600	1	
	18	3010337	4	Hex screw [M8X16 8.8 ZC UNI 5739]
	19	3010030	4	Hex screw [M8X35 8.8 ZC UNI 5737]
	20	3060006	16	Flat washer [D.8 UNI 6592 ZC]



R	Pos.	Code Variant	Q.ty	Description
	21	W573266	2	Small plate (CONTROL SYMBOLS)
	22	W573267	2	Small plate (CONTROL SYMBOLS)
	23	W573269	2	Small plate (CONTROL SYMBOLS)
	24	W573270	2	Small plate (CONTROL SYMBOLS)
	25	3040393	5	Lock nut
	26	W270506300	1	
	27	W270506400	1	
	28	W440501700	4	
	29	3020021	4	Socketed head cap screw [M5X12X0.8 8.8 ZC UNI 5931]
	30	W440501900	1	
	31	3060918	3	Tooth lock washer [D.8 TIPO A UNI8842 ZC]
	32	3010027	4	Hex screw [M8X20 8.8 ZC IF UNI 5739]
	33	5091035	1	
	34	3060053	3	Split lock washer [D=6.4 C72 ZC]
	35	3060005	3	Flat washer [D.6.4 UNI 6592 ZC]
	36	3010325	3	Hex screw [M6X16 8.8 ZC UNI 5739]
	37	3180116	2	
	38	W570501600	1	
	39	3040372	2	Stopnut
	40	3010015	1	Hex screw [M6X20 8.8 ZC UNI 5739]

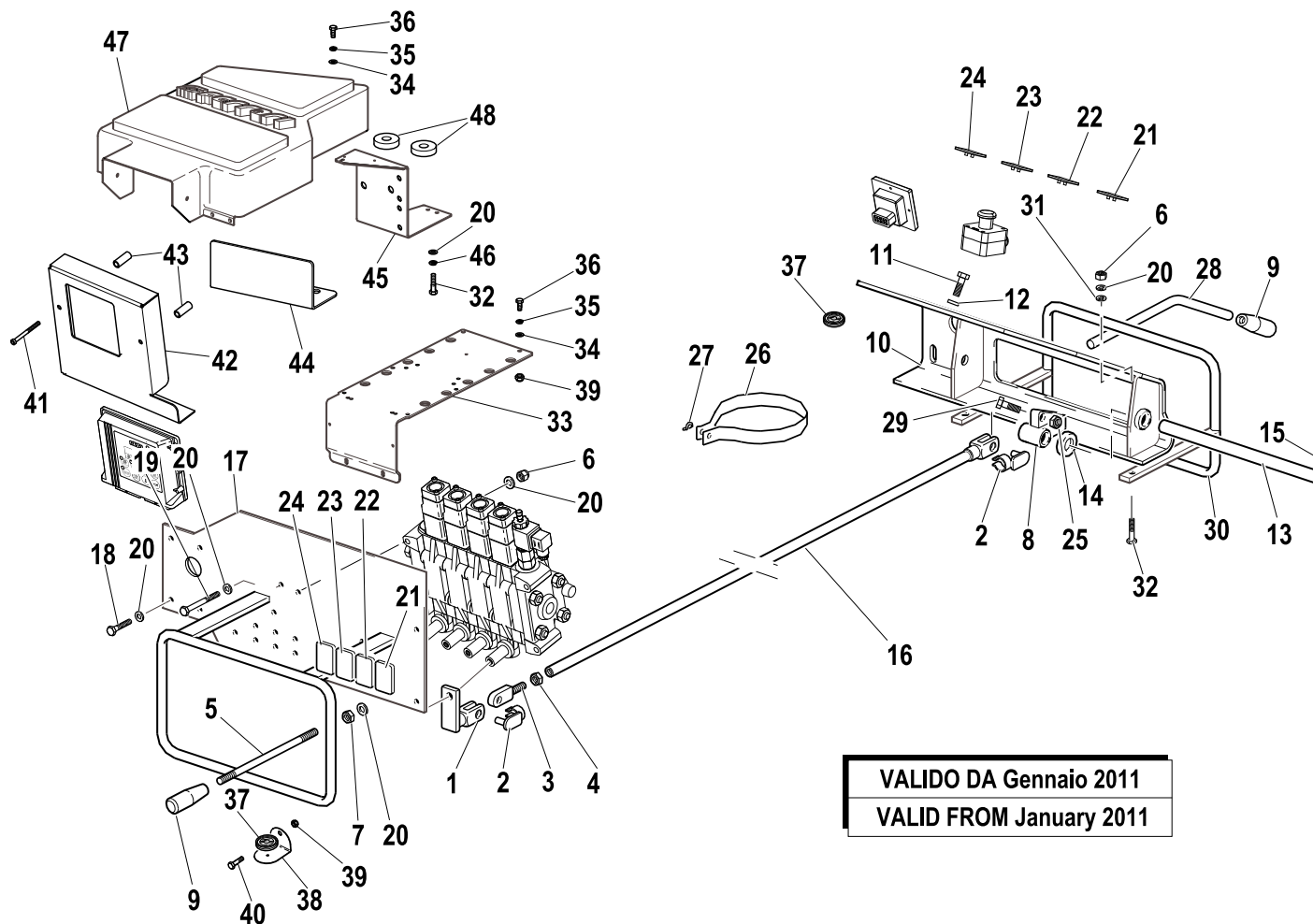
DOUBLE CONTROLS (CE)

Code

5400623-2.0

3/3

R	Pos.	Code Variant	Q.ty	Description
	41	3020897	2	Socket head cap screw [M5X60 8.8 ZC UNI 5931]
	42	5001782	1	
	43	5001783	2	
	44	5002089	1	
	45	W570501500	1	
	46	3060055	2	Split lock washer [D=8.4 C72 ZC]
	47	W590501200	1	
	48	W340501400	2	Support (Clamp)

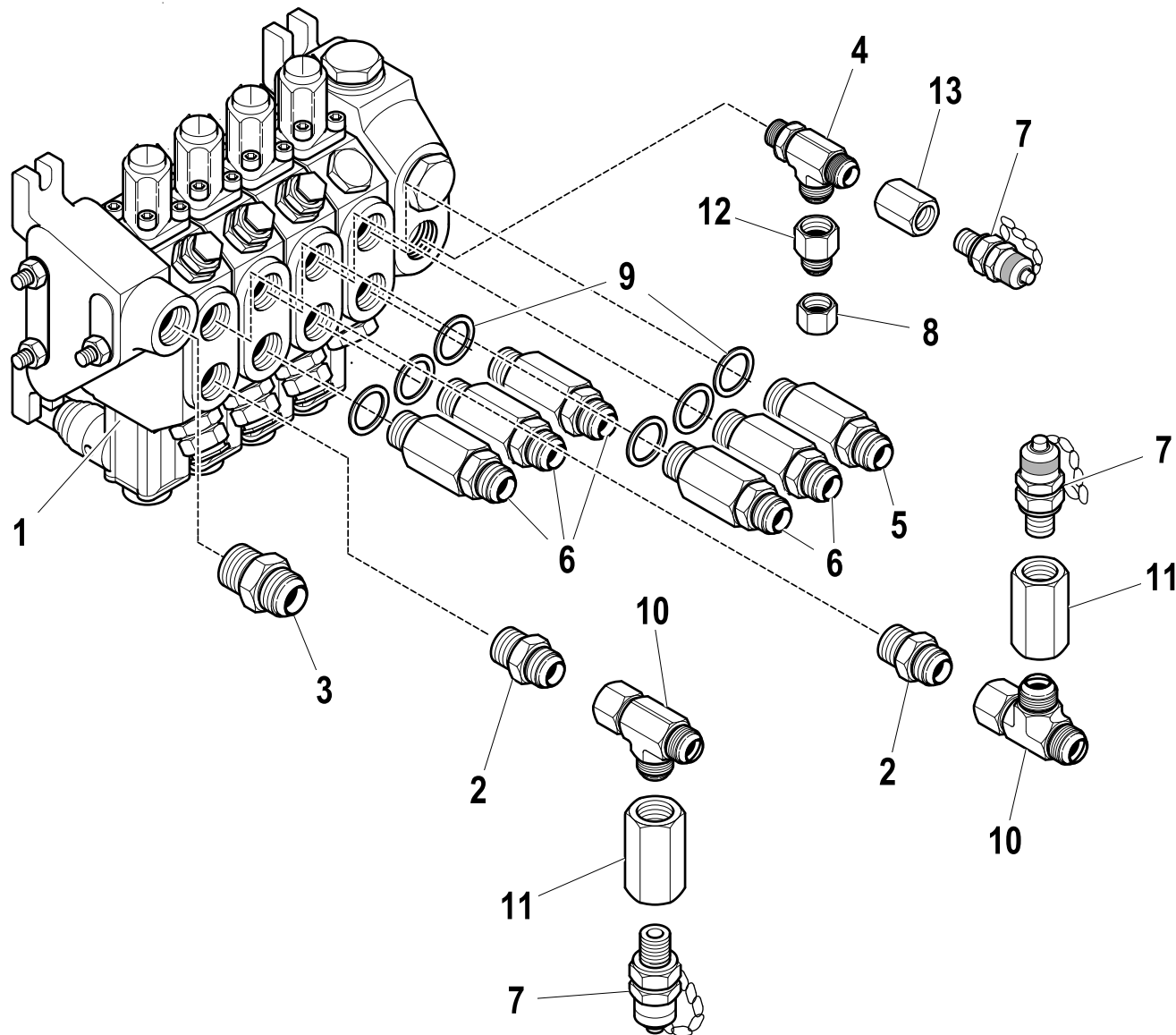


Control valve ass'y (4 section)

Code

5400623-1.0

1/1



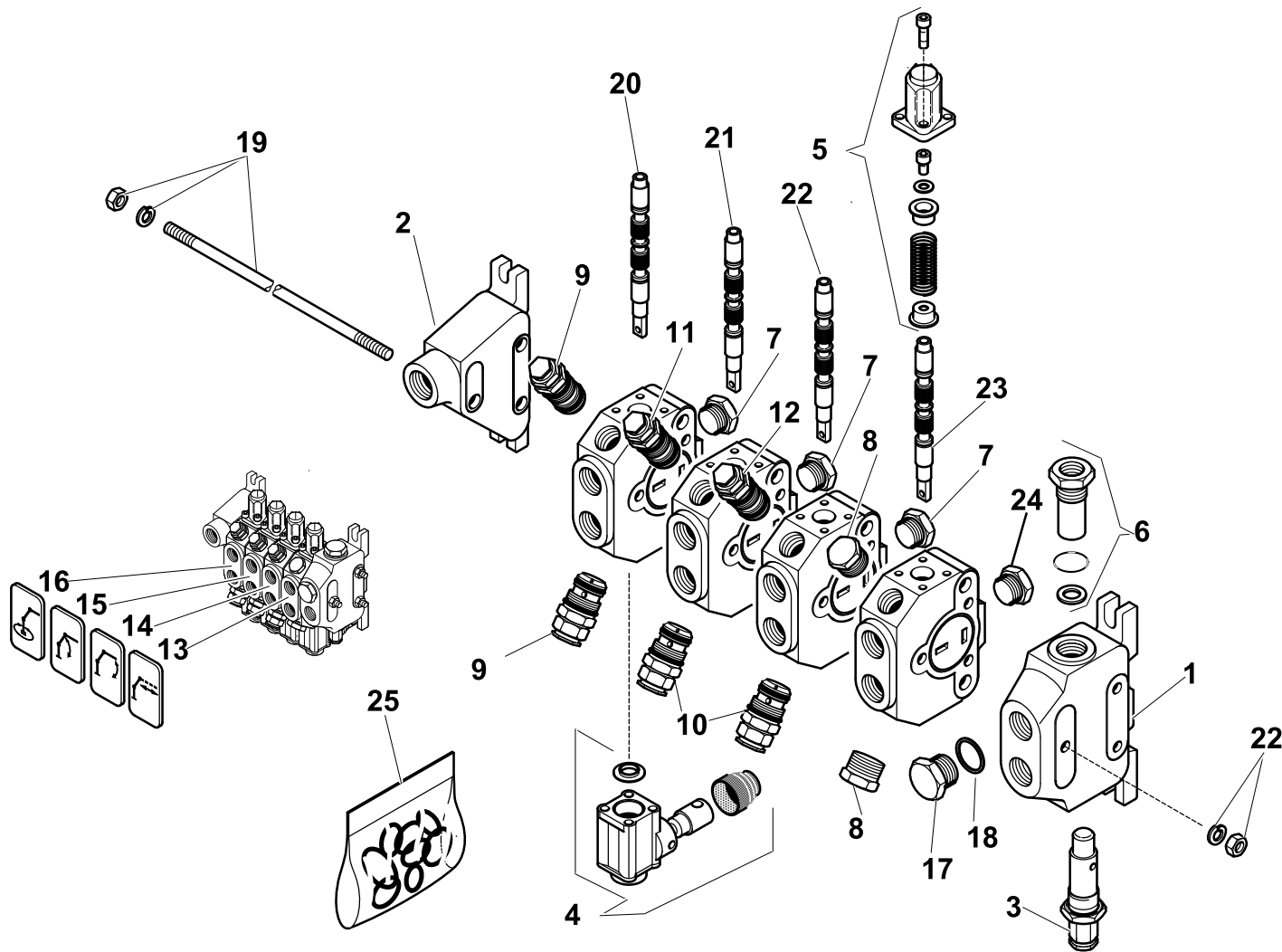
R	Pos.	Code Variant	Q.ty	Description
	1	W338428	1	
	2	3101044	2	Straight pipe fitting
	3	3101058	1	Straight pipe fitting
	4	3101179	1	Tee fitting
	5	W402110	1	Rotary union
	6	W402109	5	Rotary union
	7	3111523	3	Pipe fitting (Tapping point) [RACC. MILITES 16X2-1/4"G]
	8	3110041	1	Female plug
	9	3060145	6	Sealing washer [BSP 1/2"]
	10	3120004	2	Tee fitting
	11	3120356	2	Reducing fitting
	12	3120207	1	Reducing fitting
	13	3120314	1	Pipe fitting (Extension shaft)

Control valve (4 section)

Code

W338428-1.0

1/2



R	Pos.	Code Variant	Q.ty	Description
	1	WHC0601	1	
	2	WHC0602	1	
	3	WHC0634	1	
	4	WHC0660	4	
	5	WHC0661	4	
	6	WHC0603	1	
	7	WHC0638	3	
	8	WHC0639	2	
	9	WHC0641	2	
	10	WHC0644	2	
	11	WHC0643	1	
	12	WHC0635	1	
	13	WHC0609	1	
	14	WHC0608	1	
	15	WHC0607	1	
	16	WHC0606	1	
	17	WHC0645	1	
	18	WHC0646	1	
	19	WHC0649	3	
	20	WHC0630	1	

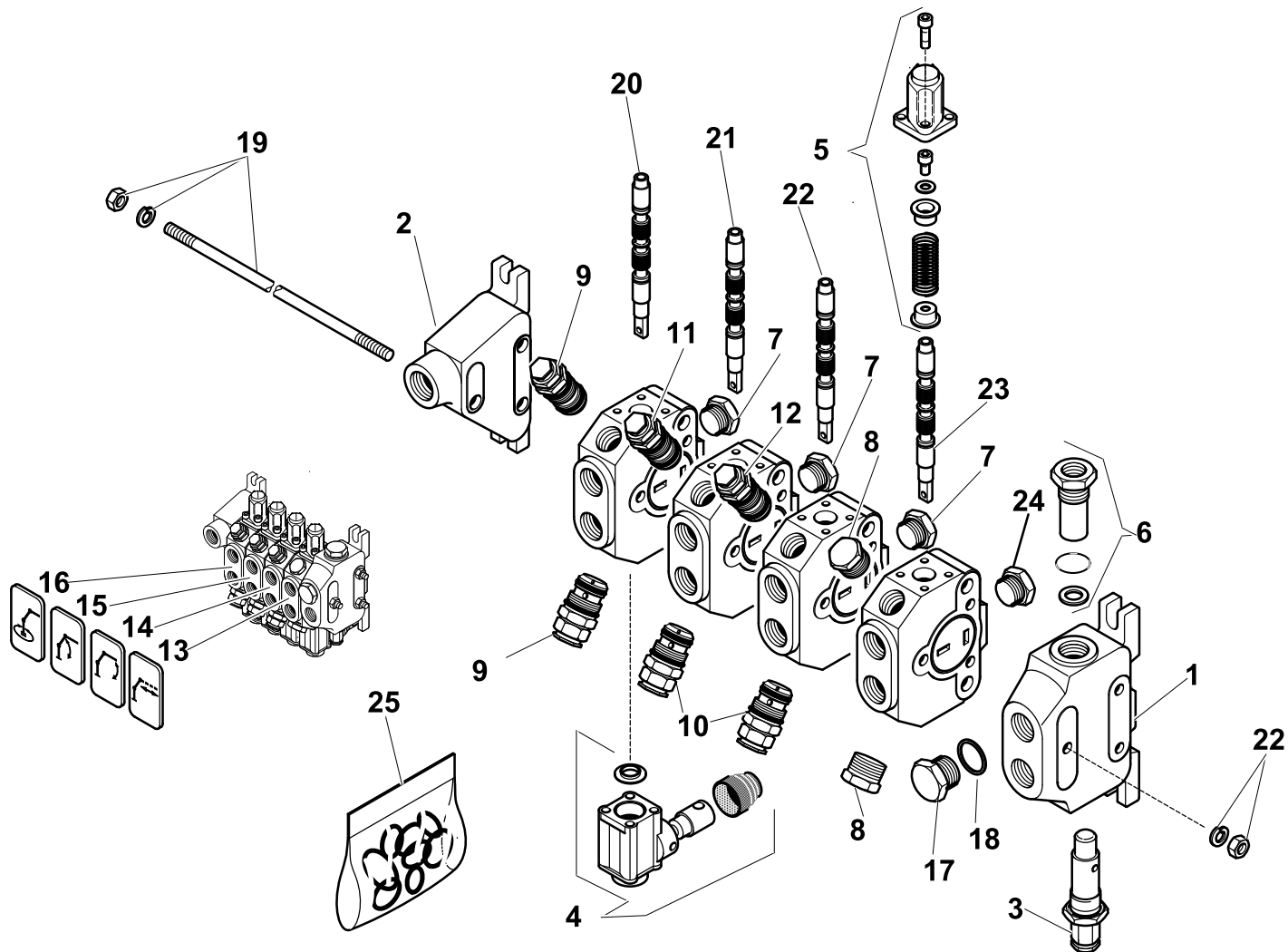
Control valve (4 section)

Code

W338428-1.0

2/2

R	Pos.	Code Variant	Q.ty	Description
	21	WHC0631	1	
	22	WHC0629	1	
	23	WHC0627	1	
	24	WHC0633	1	
	25	WHC0700	1	

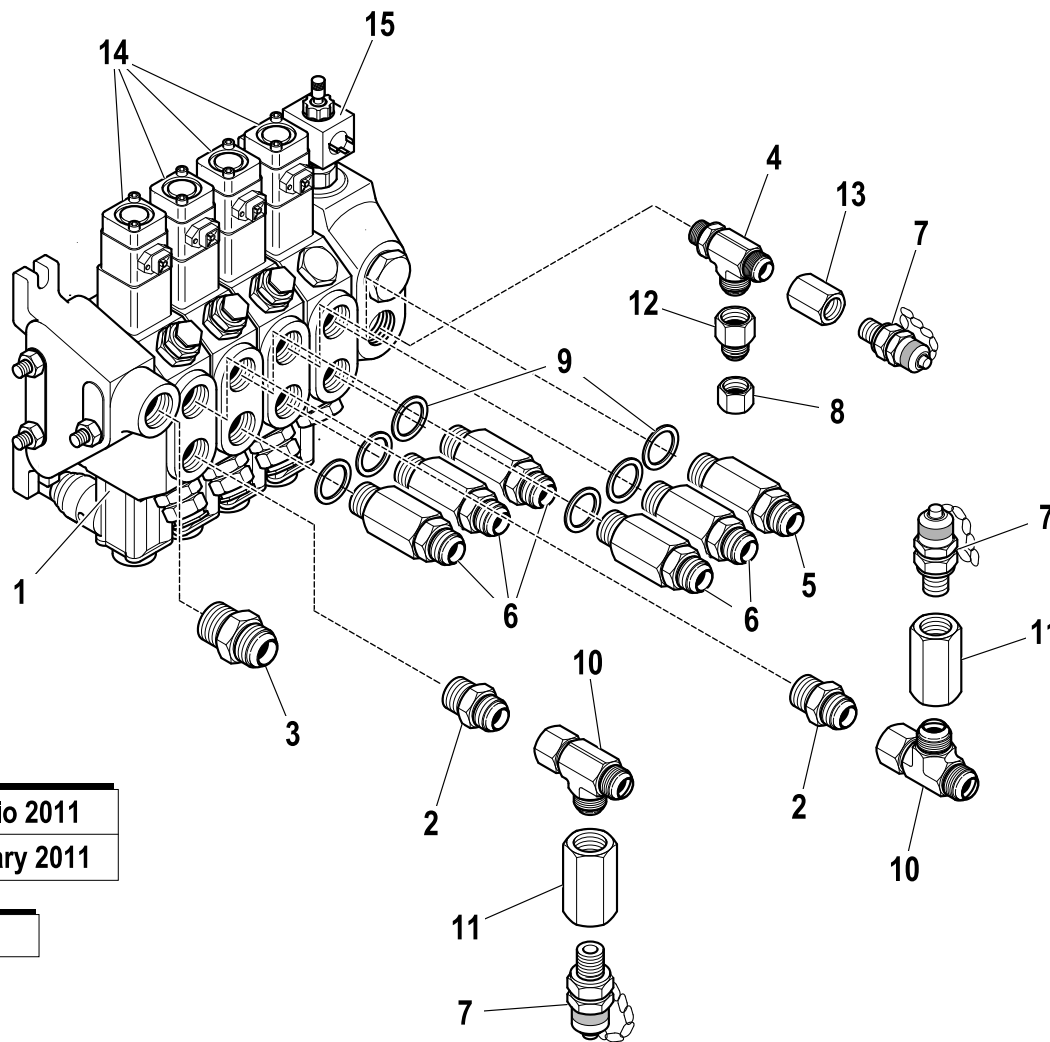


Control valve ass'y (4 section)

Code

5400623-3.0

1/1



R	Pos.	Code Variant	Q.ty	Description
	1	W338428	1	
	2	3101044	2	Straight pipe fitting
	3	3101058	1	Straight pipe fitting
	4	3101179	1	Tee fitting
	5	W402110	1	Rotary union
	6	W402109	5	Rotary union
	7	3111523	3	Pipe fitting (Tapping point) [RACC. MILITES 16X2-1/4"G]
	8	3110041	1	Female plug
	9	3060145	6	Sealing washer [BSP 1/2"]
	10	3120004	2	Tee fitting
	11	3120356	2	Reducing fitting
	12	3120207	1	Reducing fitting
	13	3120314	1	Pipe fitting (Extension shaft)
	14	5225420	4	
	15	5225429	1	Solenoid valve

VALIDO DA Gennaio 2011

VALID FROM January 2011

EN 12999-A3

Control valve (4 section)

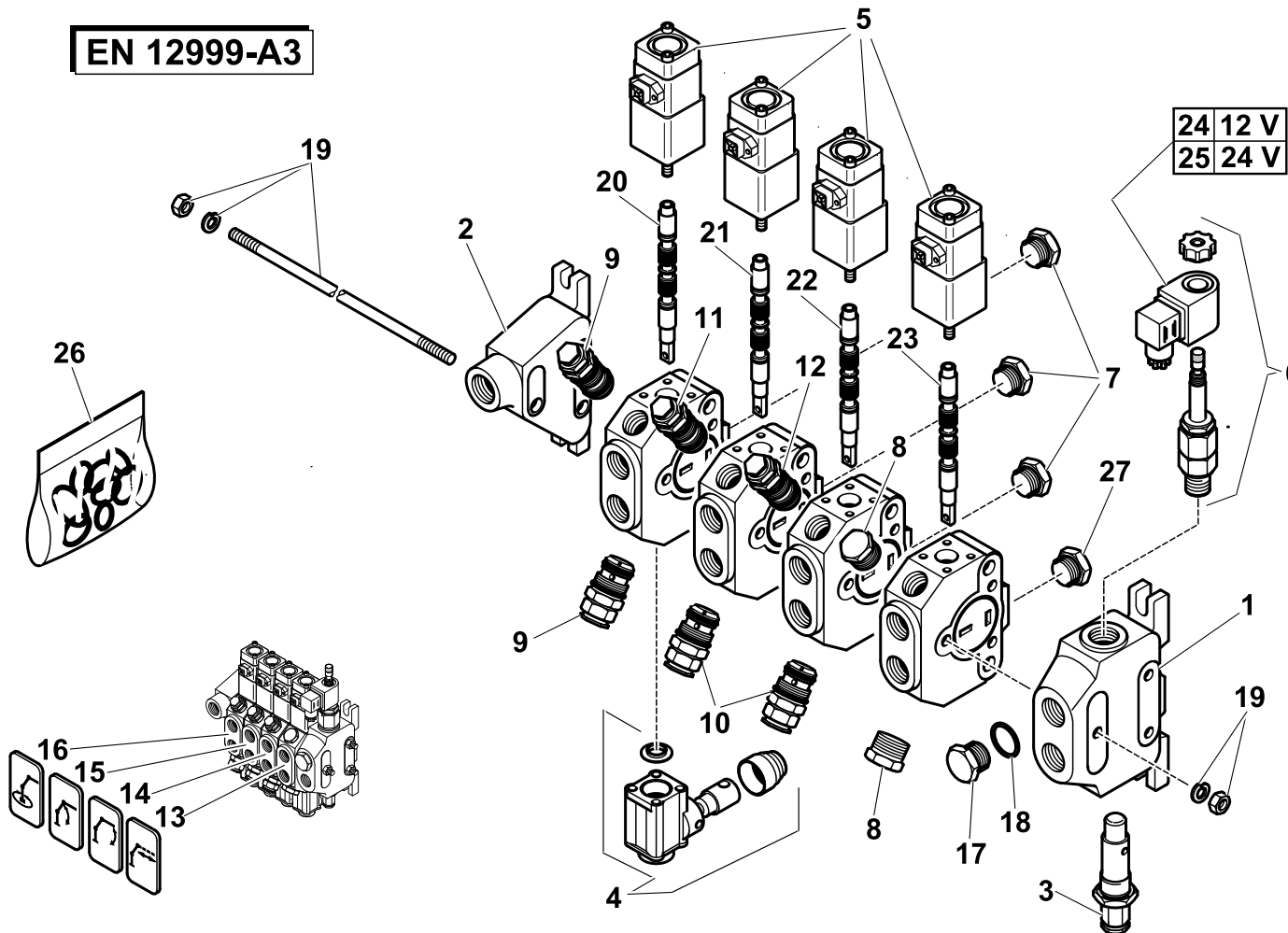
Code

W338428-2.0

1/2

VALIDO DA Gennaio 2011
VALID FROM January 2011

EN 12999-A3



R	Pos.	Code Variant	Q.ty	Description
	1	WHC0601	1	
	2	WHC0602	1	
	3	WHC0634	1	
	4	WHC0660	4	
	5	5225420	4	
	6	5225429	1	Solenoid valve
	7	WHC0638	3	
	8	WHC0639	2	
	9	5225432	2	
	10	5225455	2	
	11	WHC0643	1	
	12	WHC0635	1	
	13	WHC0609	1	
	14	WHC0608	1	
	15	WHC0607	1	
	16	WHC0606	1	
	17	WHC0645	1	
	18	WHC0646	1	
	19	WHC0649	3	
	20	WHC0630	1	

Control valve (4 section)

Code

W338428-2.0

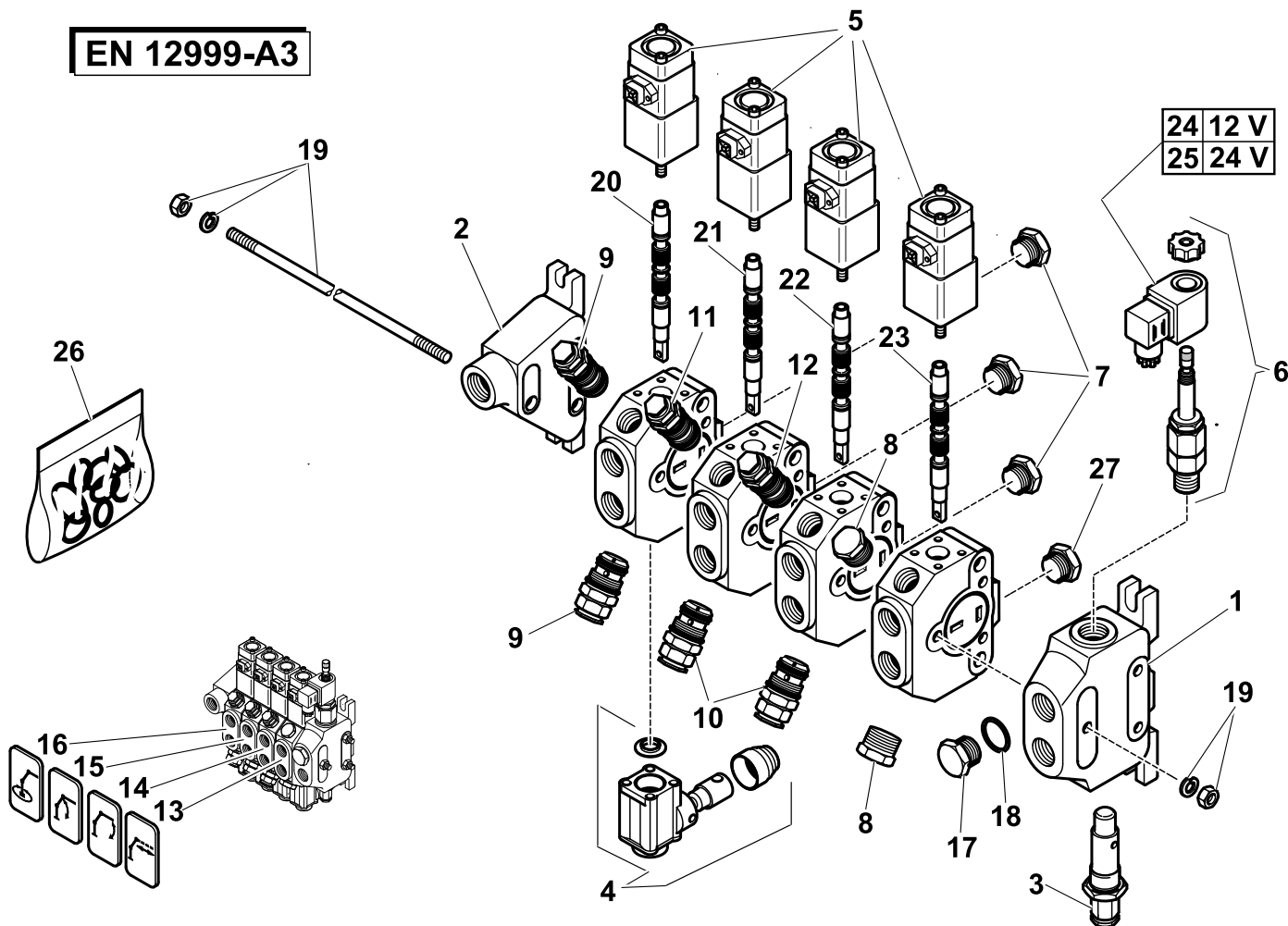
2/2

VALIDO DA Gennaio 2011

VALID FROM January 2011

EN 12999-A3

R	Pos.	Code Variant	Q.ty	Description
	21	WHC0631	1	
	22	WHC0629	1	
	23	WHC0627	1	
	24	3311046	1	
	25	3311047	1	
	26	WHC0700	1	
	27	WHC0633	1	

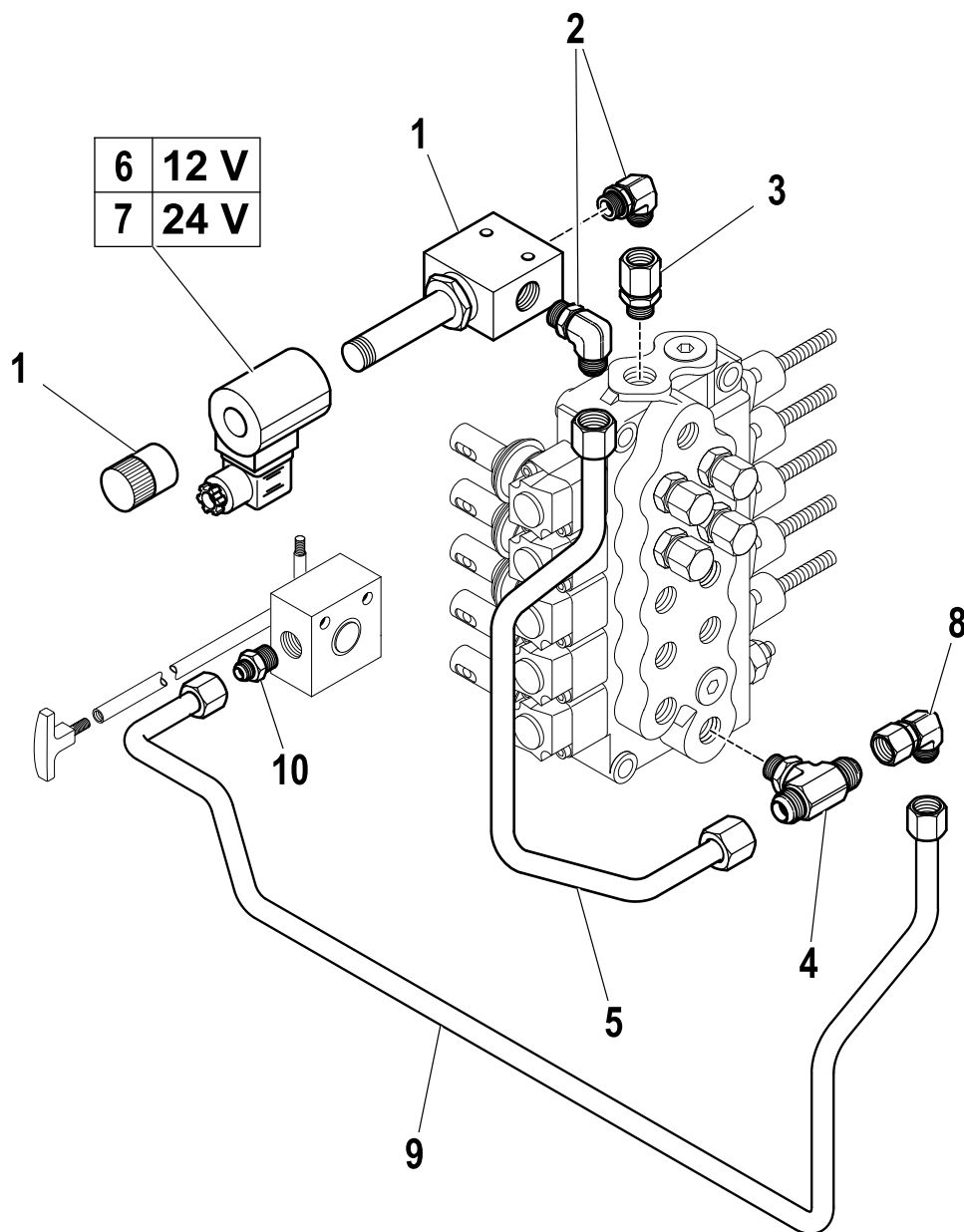


Solenoid valve (STABILIZER CONTROL VALVE)

Code

5440104-1.0

1/1



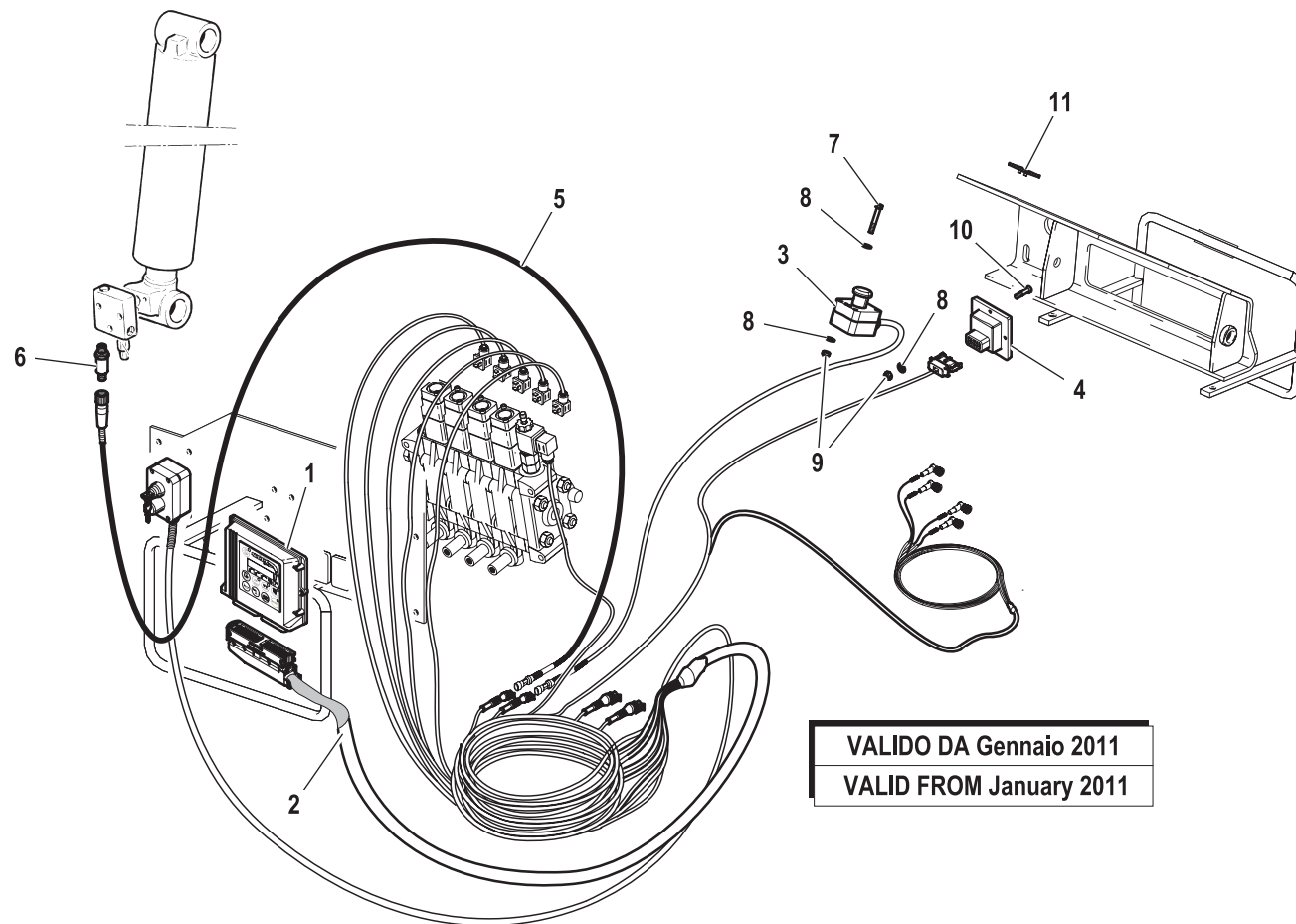
R	Pos.	Code Variant	Q.ty	Description
	1	5220182	1	
	2	3101127	2	90° Connection
	3	3120066	1	Straight pipe fitting
	4	3120303	1	Tee fitting
	5	5390548	1	
	6	3310042	1	Solenoid (12V)
	7	3310043	1	Solenoid (24V)
	8	3120031	1	90° Connection
	9	5390552	1	
	10	3101045	1	Straight pipe fitting

DOUBLE CONTROLS (EN12999-A3)

Code

5400623-5.0

1/1



R	Pos.	Code Variant	Q.ty	Description
	1	3311423	1	Moment limiting device [SUPERATO]
	2	5160085	1	Electric wiring
	3	3311400	1	Electric wiring
	4	3311328	1	DIGITAL INSTRUMENT PANEL (Moment limiting device)
	5	5160084	1	Electric wiring
	6	3310612	1	Pressure sensor
	7	3020013	4	Socketed head cap screw [M4X60 8.8 ZC UNI 5931]
	8	3060030	10	Flat washer [D.6.6X18 UNI 6593 ZC]
	9	3040518	6	Stopnut
	10	3020885	2	Socketed head cap screw [M4X20 8.8 ZC UNI 5931]
	11	5813567	1	Small plate (Emergency button)

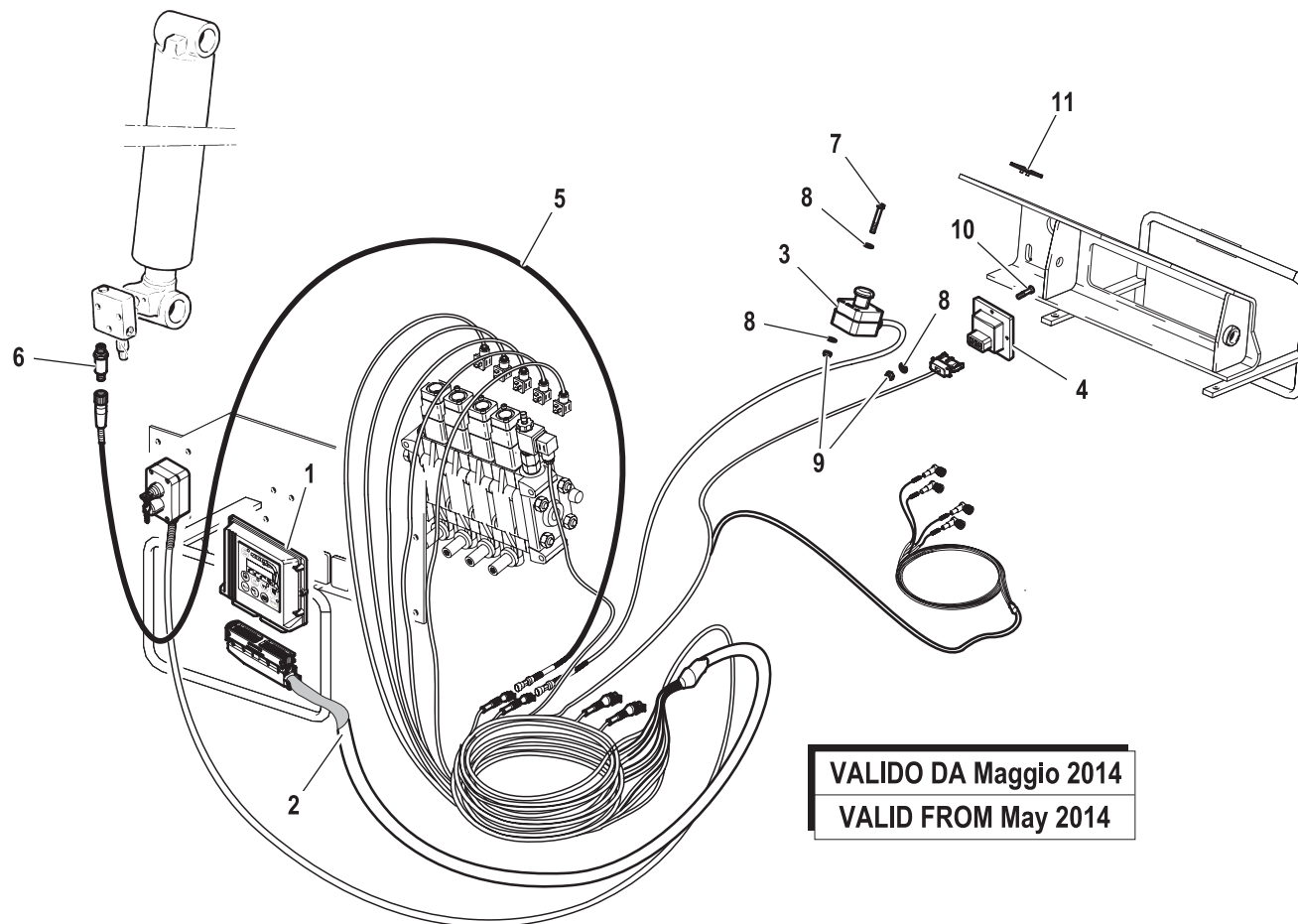
DOUBLE CONTROLS (EN12999-A3)

Code

5401038-3.0

1/1

R	Pos.	Code Variant	Q.ty	Description
	1	3311630	1	Moment limiting device (WITH RESINING)
	2	5160085	1	Electric wiring
	3	3311400	1	Electric wiring
	4	3311328	1	DIGITAL INSTRUMENT PANEL (Moment limiting device)
	5	5160084	1	Electric wiring
	6	3310612	1	Pressure sensor
	7	3020013	4	Socketed head cap screw [M4X60 8.8 ZC UNI 5931]
	8	3060030	10	Flat washer [D.6.6X18 UNI 6593 ZC]
	9	3040518	6	Stopnut
	10	3020885	2	Socketed head cap screw [M4X20 8.8 ZC UNI 5931]
	11	5813567	1	Small plate (Emergency button)



VALIDO DA Maggio 2014
VALID FROM May 2014

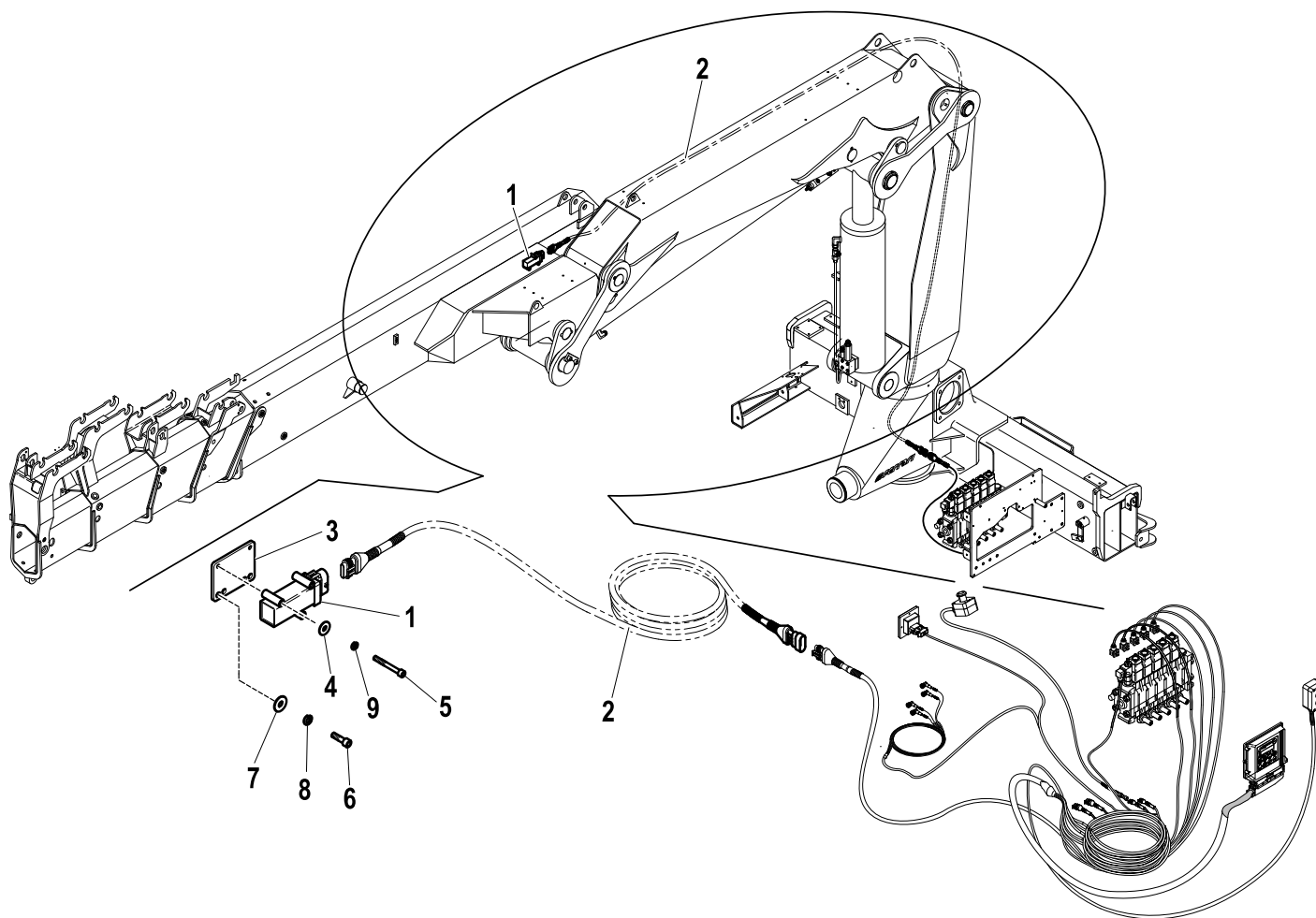
DOUBLE CONTROLS (CE)

Code

W044505-4.0

1/1

R	Pos.	Code Variant	Q.ty	Description
	1	3311150	1	Tiltmeter
	2	5160076	1	
	3	5002108	1	Support plate (Tiltmeter)
	4	3060003	2	Flat washer [D.4 UNI 6592 ZC]
	5	3020018	2	Socketed head cap screw [M4X30 8.8 ZC UNI 5931]
	6	3020033	2	Socketed head cap screw [M6X10 8.8 ZC UNI 5931]
	7	3060005	2	Flat washer [D.6.4 UNI 6592 ZC]
	8	3060053	2	Split lock washer [D=6.4 C72 ZC]
	9	3060065	2	Split lock washer [D=4.1 C72 ZC]



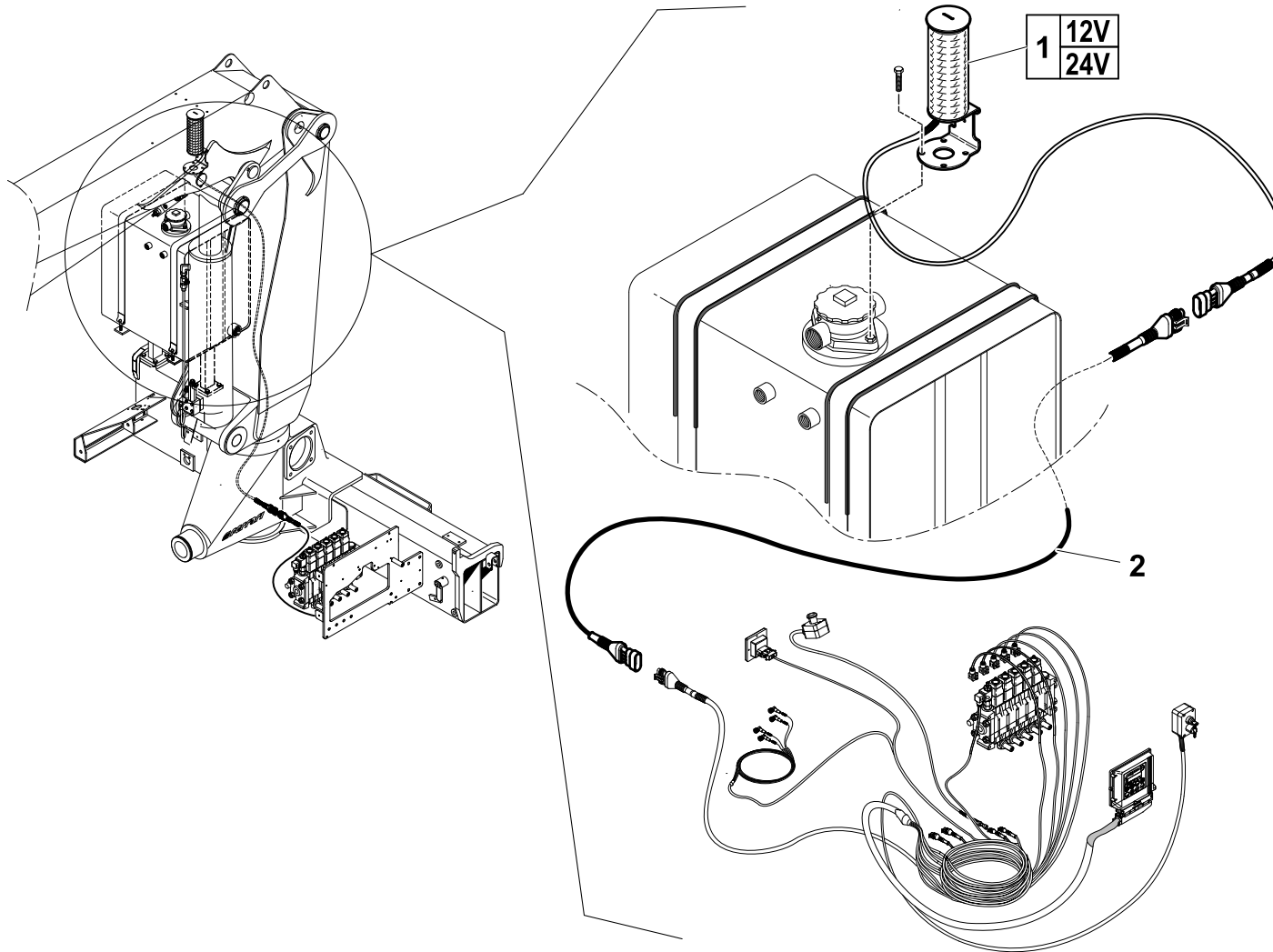
DOUBLE CONTROLS (CE)

Code

W044505-5.0

1/1

R	Pos.	Code Variant	Q.ty	Description
1		3311159	1	Signal Columns
2		5160003	1	Electric wiring



Kit (ROTATION CONTROL)

Code

7880897-1.0

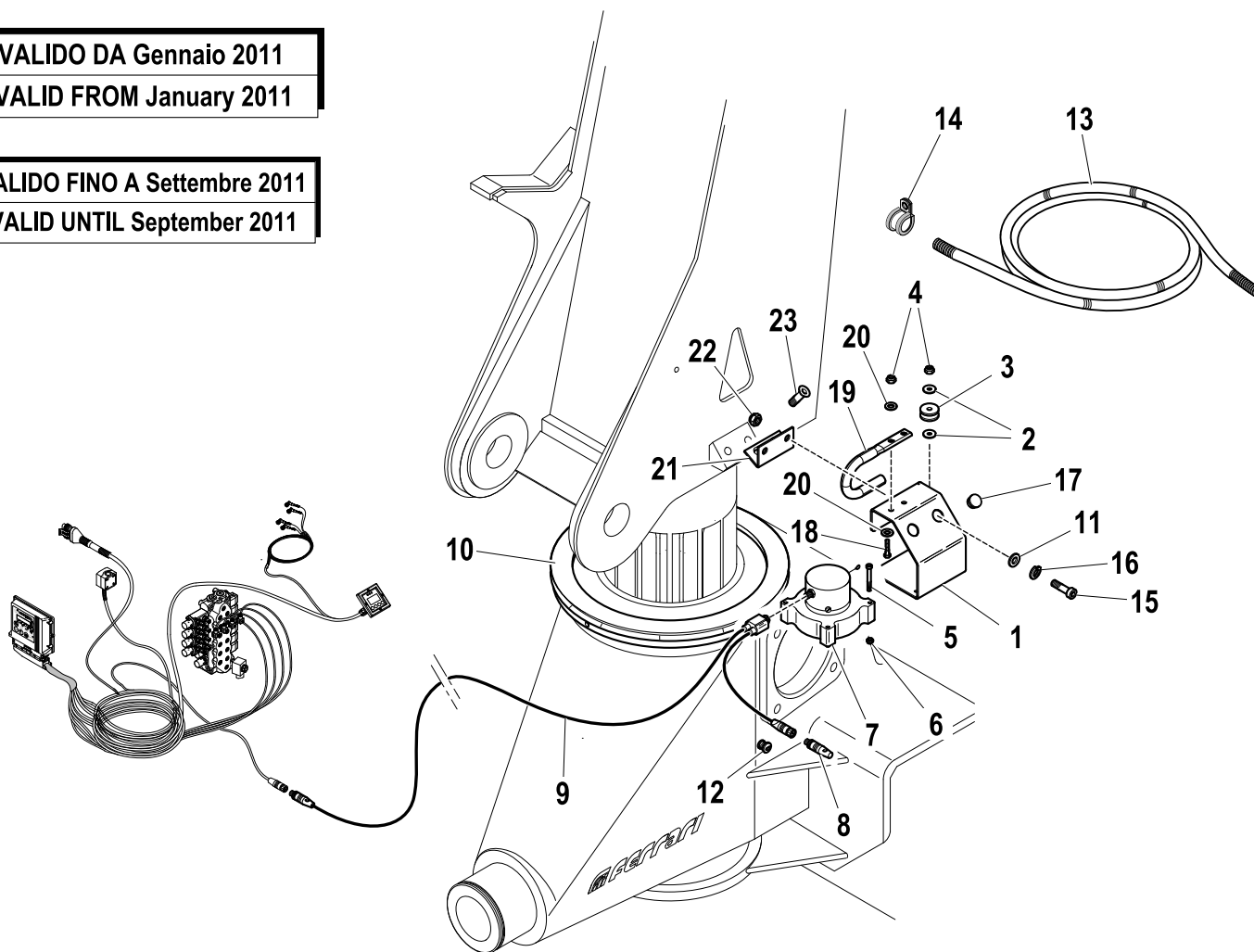
1/2

VALIDO DA Gennaio 2011

VALID FROM January 2011

VALIDO FINO A Settembre 2011

VALID UNTIL September 2011



R	Pos.	Code Variant	Q.ty	Description
	1	5091301	1	
	2	3060030	2	Flat washer [D.6.6X18 UNI 6593 ZC]
	3	5141080	1	
	4	3040372	3	Stopnut
	5	3020019	3	Socketed head cap screw [M4X40 8.8 ZC UNI 5931]
	6	3040518	3	Stopnut
	7	3311313	1	
	8	3311327	1	Connector (Electric)
	9	3311325	1	
	10	5141091	1	
	11	3060914	2	Flat washer [D.10.5X21X2 UNI 6592 ZC]
	12	3311326	1	
	13	3190295	mt2.5	
	14	3190036	1	
	15	3020080	2	Socketed head cap screw [M10X16 12.9 ZC UNI 5931]
	16	3060056	2	Split lock washer [D=10 C72 ZC]
	17	3190301	2	
	18	3010022	2	Hex screw [M6X25 8.8 ZC UNI 5739]
	19	5002124	1	
	20	3060005	4	Flat washer [D.6.4 UNI 6592 ZC]

Kit (ROTATION CONTROL)

Code

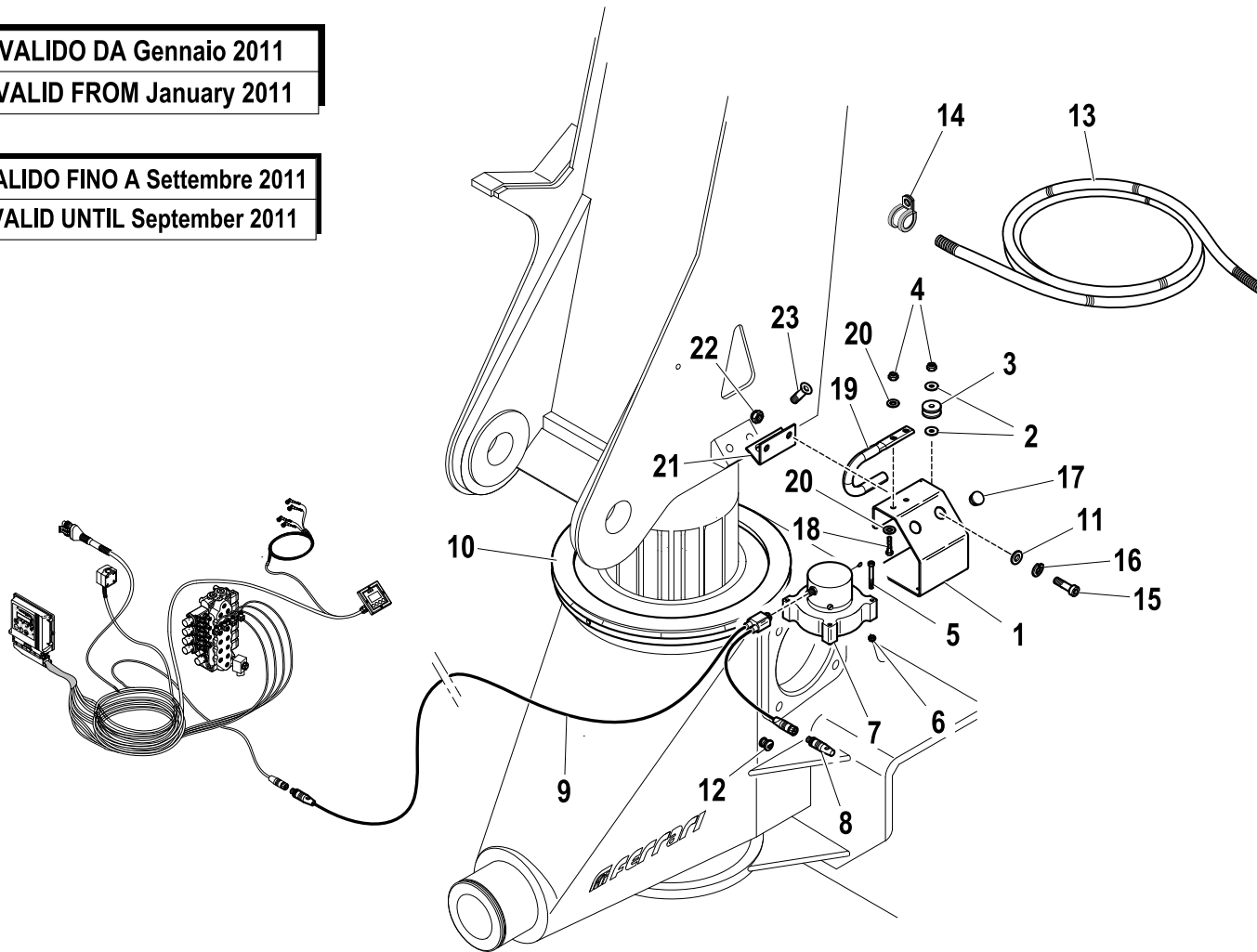
7880897-1.0

2/2

R	Pos.	Code Variant	Q.ty	Description
	21	5000423	1	
	22	3040304	2	Stopnut
	23	3020496	2	TSEI screw [M10X16 10.9 ZC UNI 5933]

VALIDO DA Gennaio 2011
VALID FROM January 2011

VALIDO FINO A Settembre 2011
VALID UNTIL September 2011



Kit (ROTATION CONTROL)

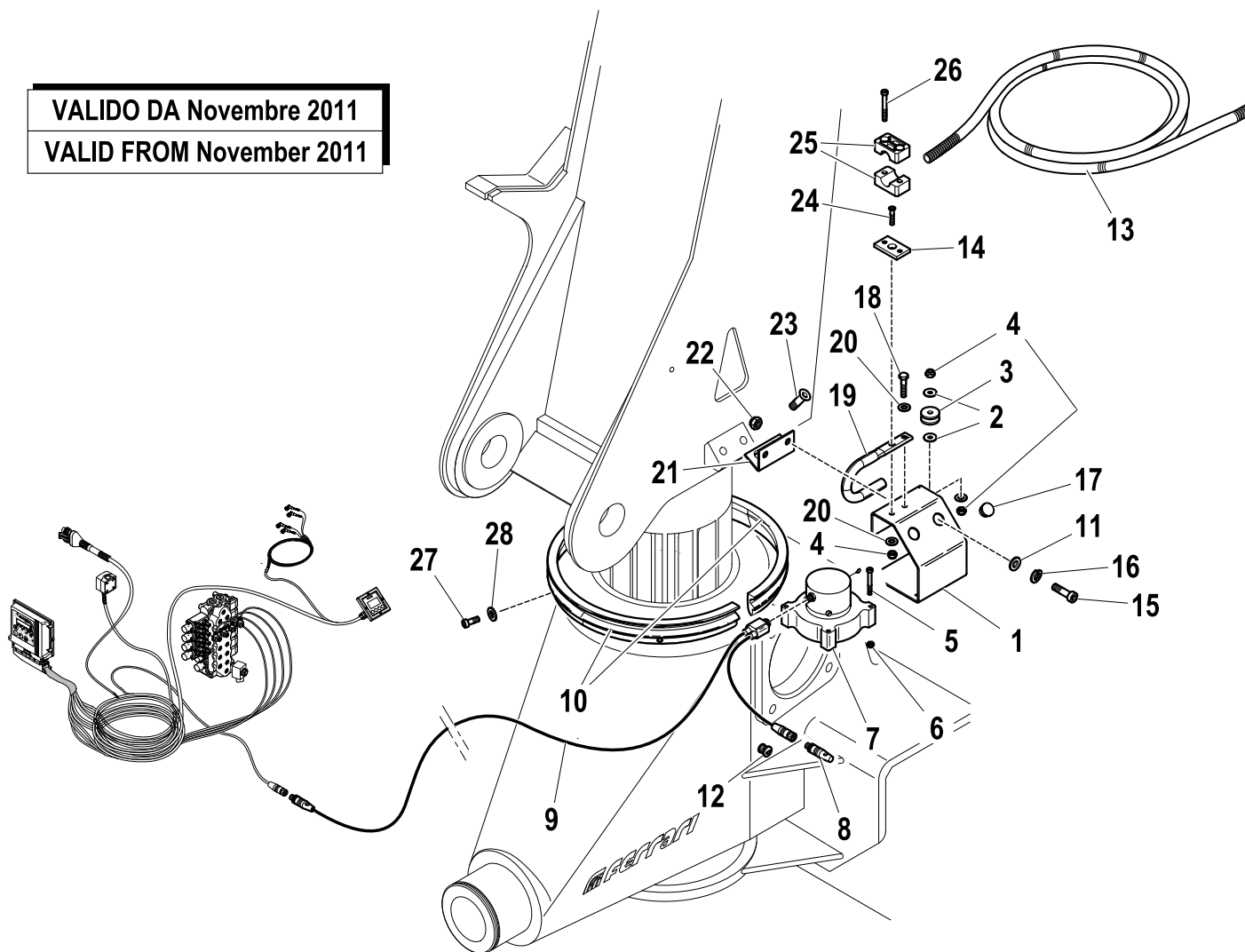
Code

7880897-2.0

1/2

VALIDO DA Novembre 2011

VALID FROM November 2011



R	Pos.	Code Variant	Q.ty	Description
	1	5091301	1	
	2	3060030	2	Flat washer [D.6.6X18 UNI 6593 ZC]
	3	5141080	1	
	4	3040372	3	Stopnut
	5	3020019	3	Socket head cap screw [M4X40 8.8 ZC UNI 5931]
	6	3040518	3	Stopnut
	7	3311313	1	
	8	3311327	1	Connector (Electric)
	9	3311325	1	
	10	5141121	2	Half ring
	11	3060914	2	Flat washer [D.10.5X21X2 UNI 6592 ZC]
	12	3311326	1	
	13	3190295	mt2.5	
	14	5000454	1	
	15	3020080	2	Socket head cap screw [M10X16 12.9 ZC UNI 5931]
	16	3060056	2	Split lock washer [D=10 C72 ZC]
	17	3190301	2	
	18	3010022	2	Hex screw [M6X25 8.8 ZC UNI 5739]
	19	5002124	1	
	20	3060005	3	Flat washer [D.6.4 UNI 6592 ZC]

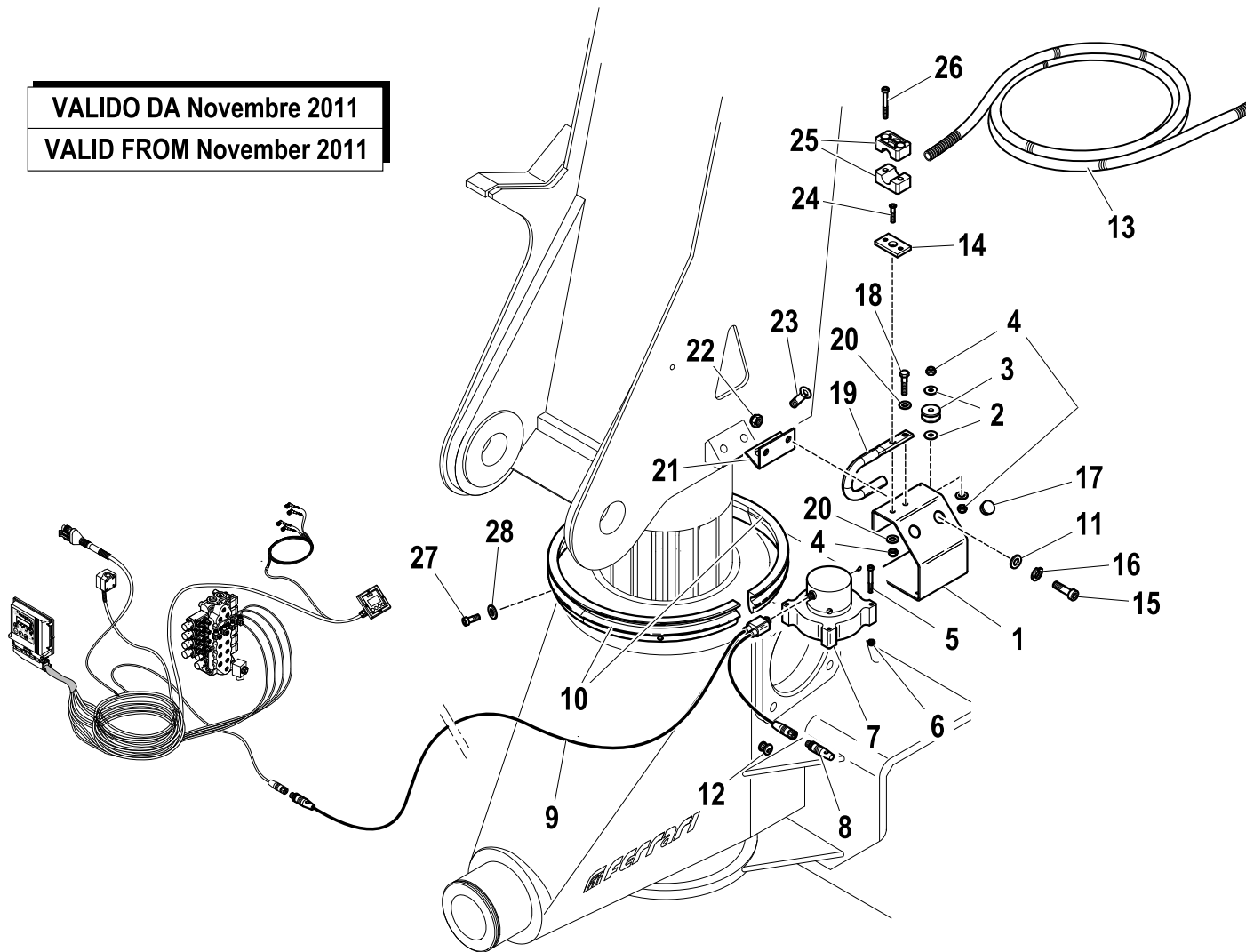
Kit (ROTATION CONTROL)

Code

7880897-2.0

2/2

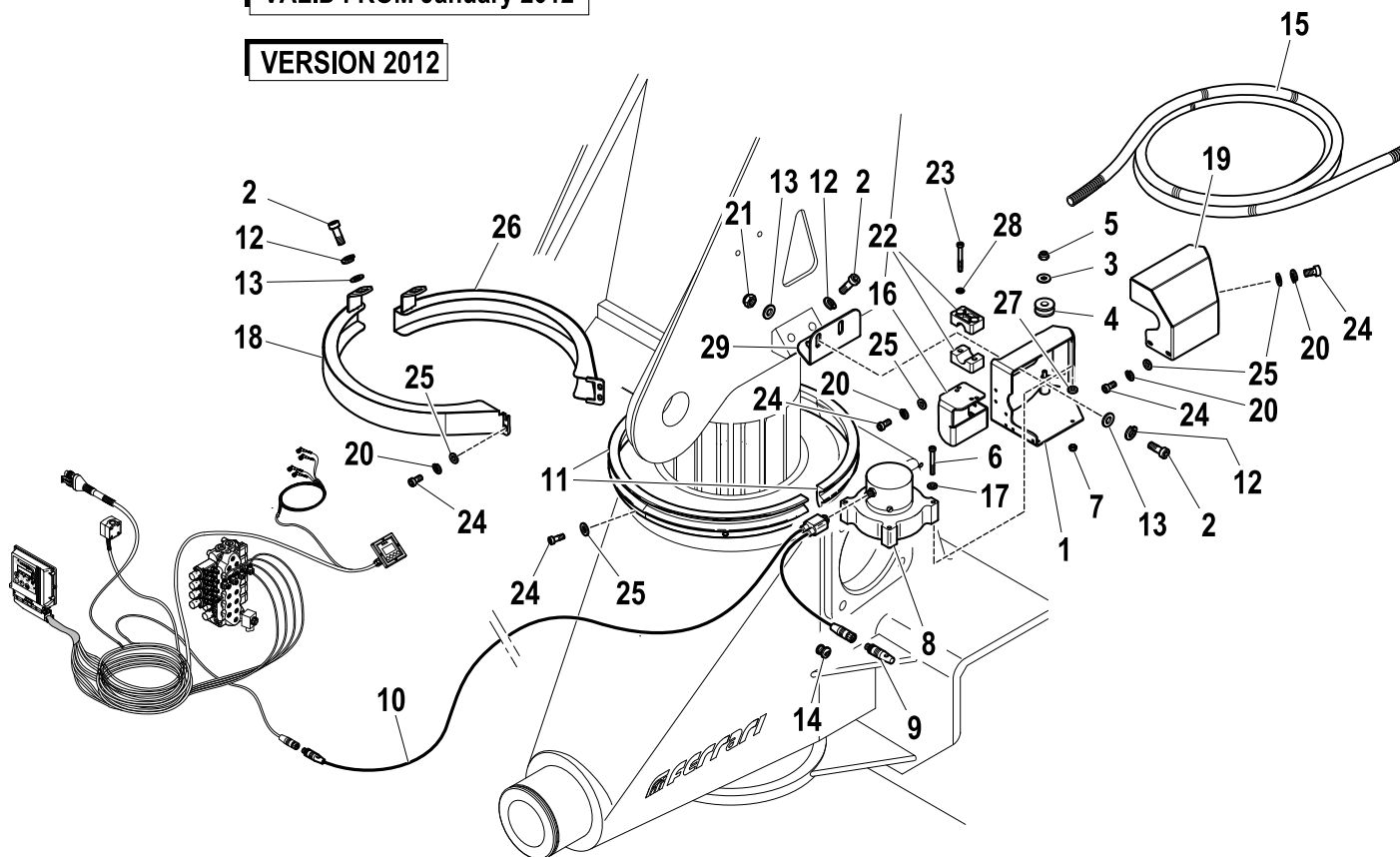
VALIDO DA Novembre 2011
VALID FROM November 2011



R	Pos.	Code Variant	Q.ty	Description
	21	5000423	1	
	22	3040304	2	Stopnut
	23	3020496	2	TSEI screw [M10X16 10.9 ZC UNI 5933]
	24	3020907	1	TSEI screw [M6X25 10.9 ZC UNI 5933]
	25	3190185	2	Collar
	26	3020039	2	Socket head cap screw [M6X35 8.8 ZC UNI 5931]
	27	3020021	4	Socket head cap screw [M5X12X0.8 8.8 ZC UNI 5931]
	28	3060004	4	Flat washer [D.5 UNI 6592 ZC]

VALIDO DA Gennaio 2012
VALID FROM January 2012

VERSION 2012



R	Pos.	Code Variant	Q.ty	Description
	1	5091398	1	Support (Encoder)
	2	3020080	6	Socket head cap screw [M10X16 12.9 ZC UNI 5931]
	3	3060030	1	Flat washer [D.6.6X18 UNI 6593 ZC]
	4	5141135	1	Wheel (Cable guide)
	5	3040372	1	Stopnut
	6	3020019	2	Socket head cap screw [M4X40 8.8 ZC UNI 5931]
	7	3040518	2	Stopnut
	8	3311313	1	
	9	3311327	1	Connector (Electric)
	10	3311325	1	
	11	5141121	2	Half ring
	12	3060056	6	Split lock washer [D=10 C72 ZC]
	13	3060914	6	Flat washer [D.10.5X21X2 UNI 6592 ZC]
	14	3311326	1	
	15	3190295	mt.2.5	
	16	5002193	1	Anchoring bracket
	17	3060003	2	Flat washer [D.4 UNI 6592 ZC]
	18	5091421	1	Guard (Half ring)
	19	5002177	1	Cover (Encoder)
	20	3060052	10	Split lock washer [D=5.5 C72 ZC]

Kit (ROTATION CONTROL)

Code

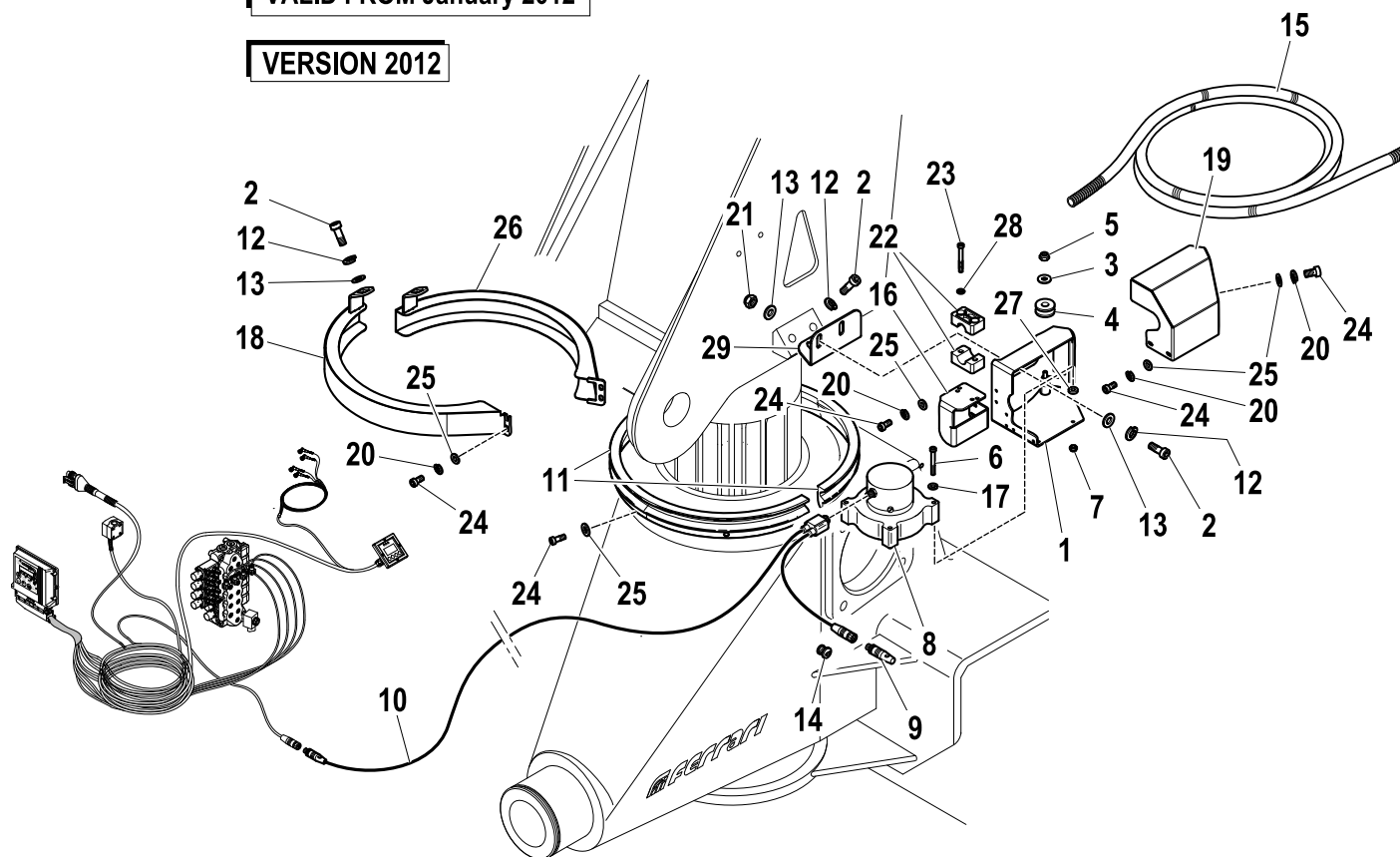
7880897-4.0

2/2

VALIDO DA Gennaio 2012

VALID FROM January 2012

VERSION 2012



R	Pos.	Code Variant	Q.ty	Description
	21	3040304	2	Stopnut
	22	3190185	2	Collar
	23	3020039	2	Socket head cap screw [M6X35 8.8 ZC UNI 5931]
	24	3020022	16	Socket head cap screw [M5X10 8.8 ZC UNI 5931]
	25	3060004	16	Flat washer [D.5 UNI 6592 ZC]
	26	5091420	1	Guard (Half ring)
	27	3190039	2	Insulator
	28	3190178	2	Flat washer
	29	5002219	1	Angle drive (Support)

ROTATION CONTROL (EN12999-A3)

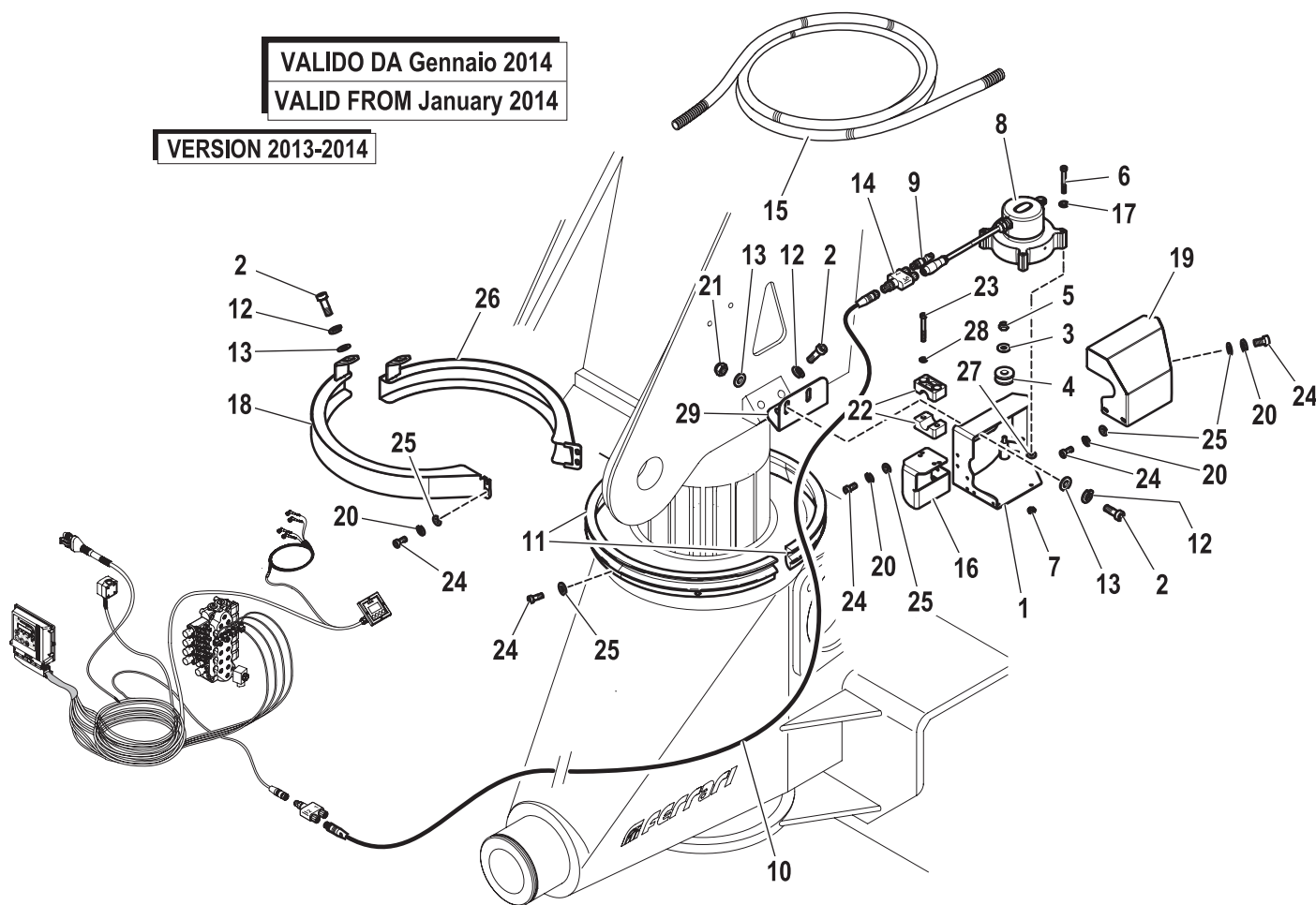
Code

7885176-1.0

1/2

VALIDO DA Gennaio 2014
VALID FROM January 2014

VERSION 2013-2014



R	Pos.	Code Variant	Q.ty	Description
	1	5091398	1	Support (Encoder)
	2	3020080	6	Socket head cap screw [M10X16 12.9 ZC UNI 5931]
	3	3060030	1	Flat washer [D.6.6X18 UNI 6593 ZC]
	4	5141135	1	Wheel (Cable guide)
	5	3040372	1	Stopnut
	6	3020019	2	Socket head cap screw [M4X40 8.8 ZC UNI 5931]
	7	3040518	2	Stopnut
	8	3311924	1	Sensor unit (Encoder)
	9	3311327	1	Connector (Electric)
	10	3311791	1	Electric cable (CAN BUS)
	11	5141121	2	Half ring
	12	3060056	6	Split lock washer [D=10 C72 ZC]
	13	3060914	6	Flat washer [D.10.5X21X2 UNI 6592 ZC]
	14	3311792	1	Electrical connection
	15	3190295	mt2.5	
	16	5002193	1	Anchoring bracket
	17	3060003	2	Flat washer [D.4 UNI 6592 ZC]
	18	5091421	1	Guard (Half ring)
	19	5002177	1	Cover (Encoder)
	20	3060052	10	Split lock washer [D=5.5 C72 ZC]

ROTATION CONTROL (EN12999-A3)

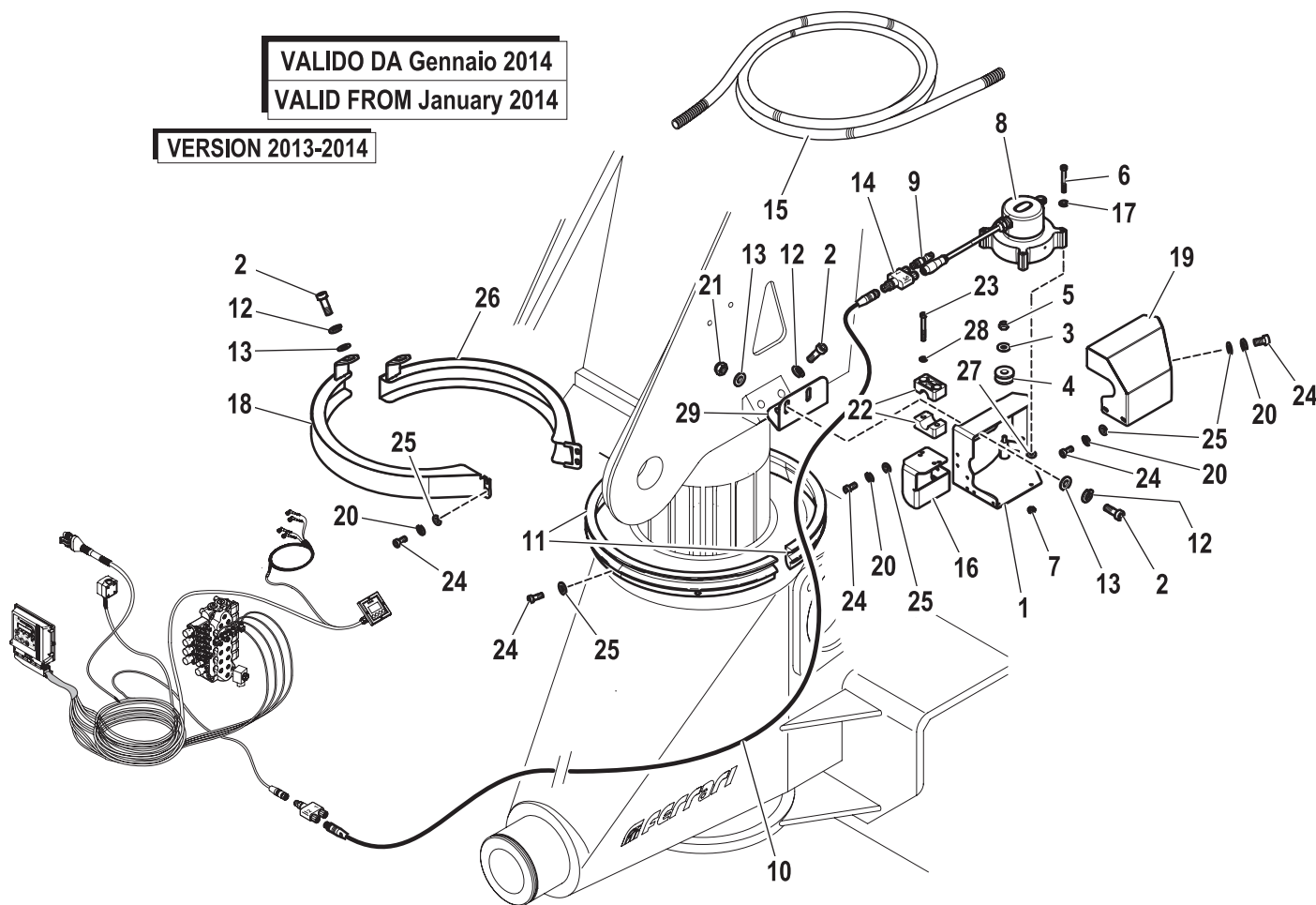
Code

7885176-1.0

2/2

VALIDO DA Gennaio 2014
VALID FROM January 2014

VERSION 2013-2014



R	Pos.	Code Variant	Q.ty	Description
	21	3040304	2	Stopnut
	22	3190185	2	Collar
	23	3020039	2	Socketed head cap screw [M6X35 8.8 ZC UNI 5931]
	24	3020022	16	Socketed head cap screw [M5X10 8.8 ZC UNI 5931]
	25	3060004	16	Flat washer [D.5 UNI 6592 ZC]
	26	5091420	1	Guard (Half ring)
	27	3190039	2	Insulator
	28	3190178	2	Flat washer
	29	5002219	1	Angle drive (Support)

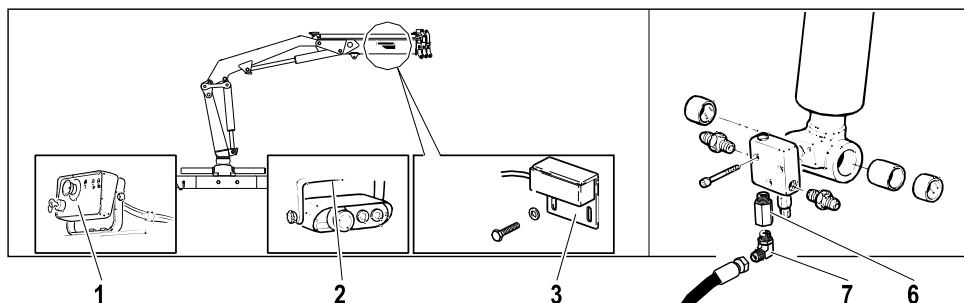
Moment limiting device (CE)

Code

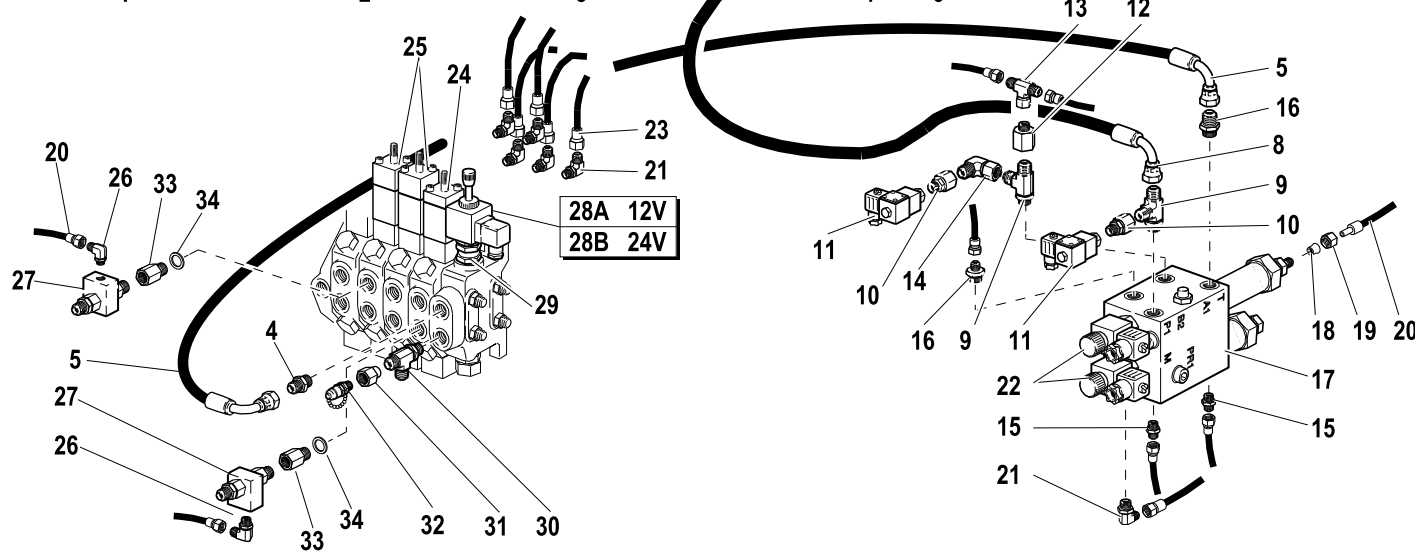
5430115-1.3

1/2

R	Pos.	Code Variant	Q.ty	Description
	1	W285036	1	
	2	W285035	1	
	3	W264806	1	
	4	3101041	1	Straight pipe fitting
	5	W455527	1	
	6	5220300	1	Hose burst valve (Sleeve)
	7	3101124	1	90° Connection
	8	W456092	1	
	9	3101175	2	Tee fitting
	10	3120064	2	Straight pipe fitting
	11	W283006	2	
	12	3120200	1	Reducing fitting
	13	3120111	1	Tee fitting
	14	3120011	1	90° Connection
	15	3101034	2	Straight pipe fitting
	16	3101039	1	Straight pipe fitting
	17	5220544	1	
	18	3100956	1	Ring (Tightening)
	19	3100952	1	Nut
	20	W465004	1	



VALIDO FINO A Dicembre 2010
VALID UNTIL December 2010



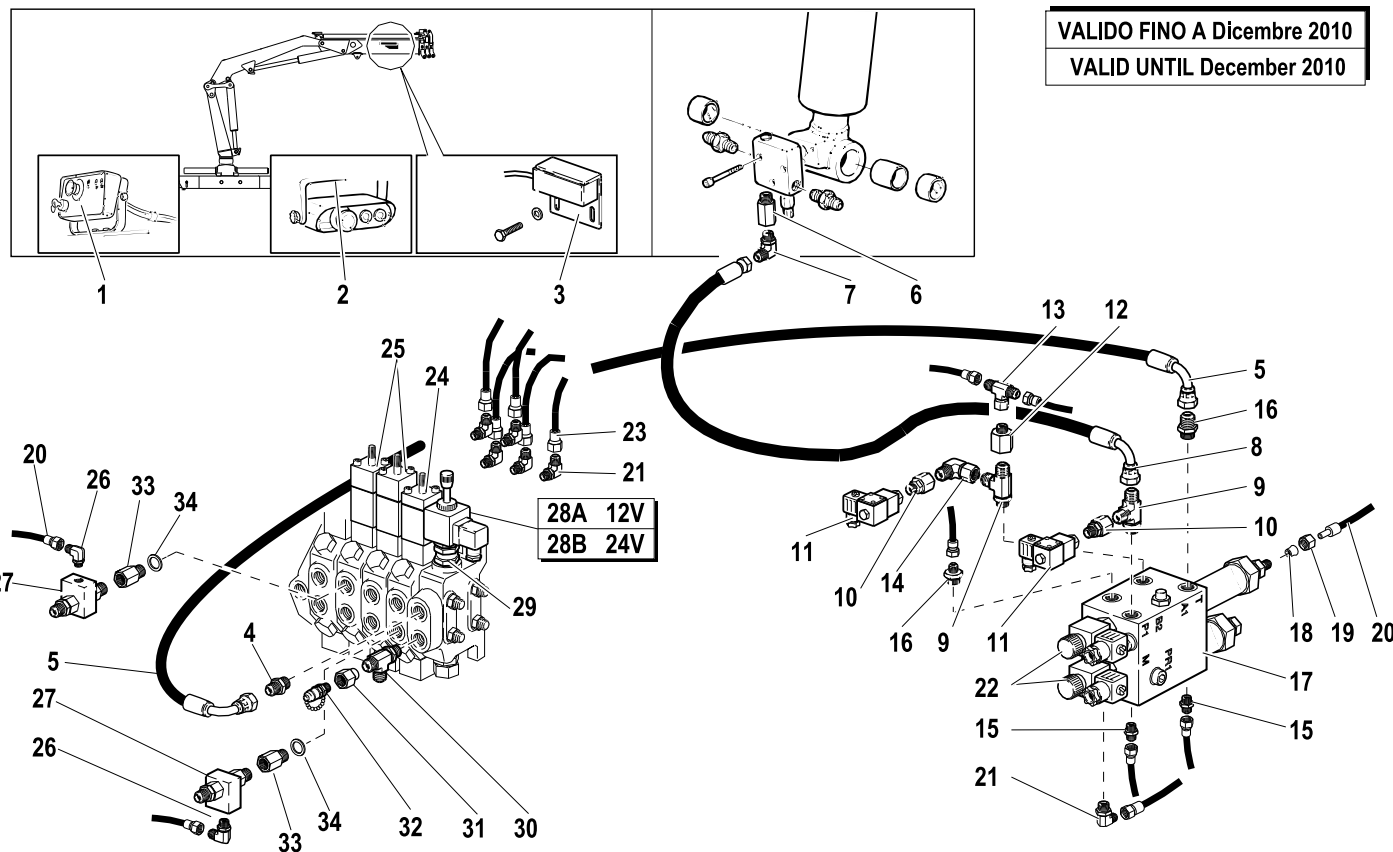
Moment limiting device (CE)

Code

5430115-1.3

2/2

R	Pos.	Code Variant	Q.ty	Description
	21	3101194	6	90° Connection
	22	3310242	2	Solenoid (24V)
	23	W465001	5	
	24	5225370	1	
	25	5225371	2	
	26	3101195	2	90° Connection
	27	3121000	2	
	28 A	3311046	1	
	28 B	3311047	1	
	29	5225429	1	Solenoid valve
	30	3101179	1	Tee fitting
	31	3120314	1	Pipe fitting (Extension shaft)
	32	3111523	1	Pipe fitting (Tapping point) [RACC. MILITES 16X2-1/4"G]
	33	3110113	1	Straight pipe fitting
	34	3060145	1	Sealing washer [BSP 1/2"]

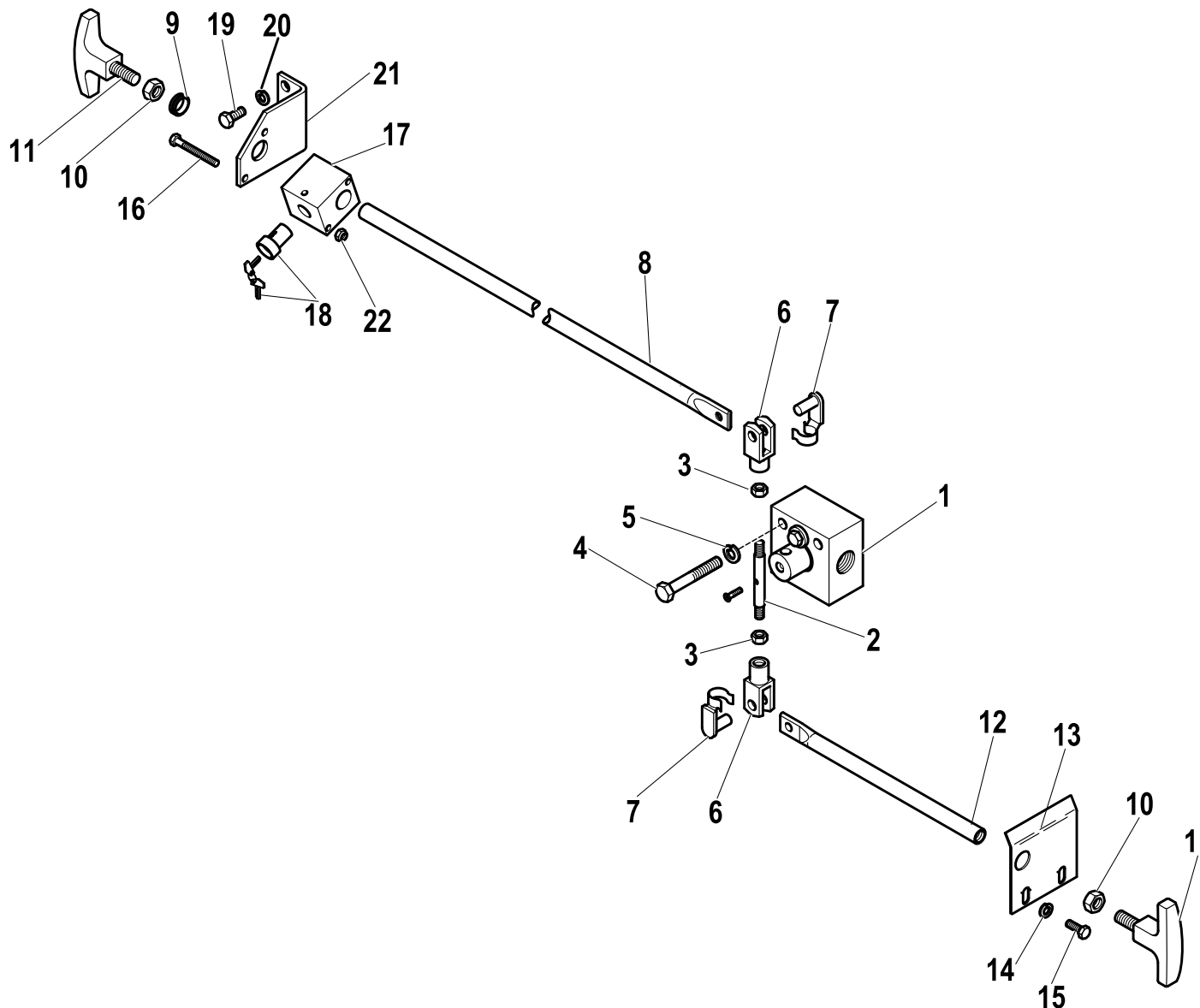


Switch

Code

5400613-1.0

1/2



R	Pos.	Code Variant	Q.ty	Description
	1	5220599	1	
	2	W570101700	1	
	3	3040045	2	Nut
	4	3010415	1	Hex screw [M10X55 8.8 ZC UNI 5737]
	5	3060056	1	Split lock washer [D=10 C72 ZC]
	6	3300433	2	Fork
	7	3300453	2	Fork clip
	8	5091038	1	
	9	3190214	2	
	10	3040047	2	Nut
	11	3190213	2	
	12	5090715	1	
	13	W570101600	1	
	14	3060053	2	Split lock washer [D=6.4 C72 ZC]
	15	3010325	2	Hex screw [M6X16 8.8 ZC UNI 5739]
	16	3010320	2	Hex screw [M5X55 8.8 ZC UNI 5737]
	17	W610501600	1	
	18	W129002	1	
	19	3010354	2	Hex screw [M10X20 8.8 ZC UNI 5739]
	20	W570101500	1	

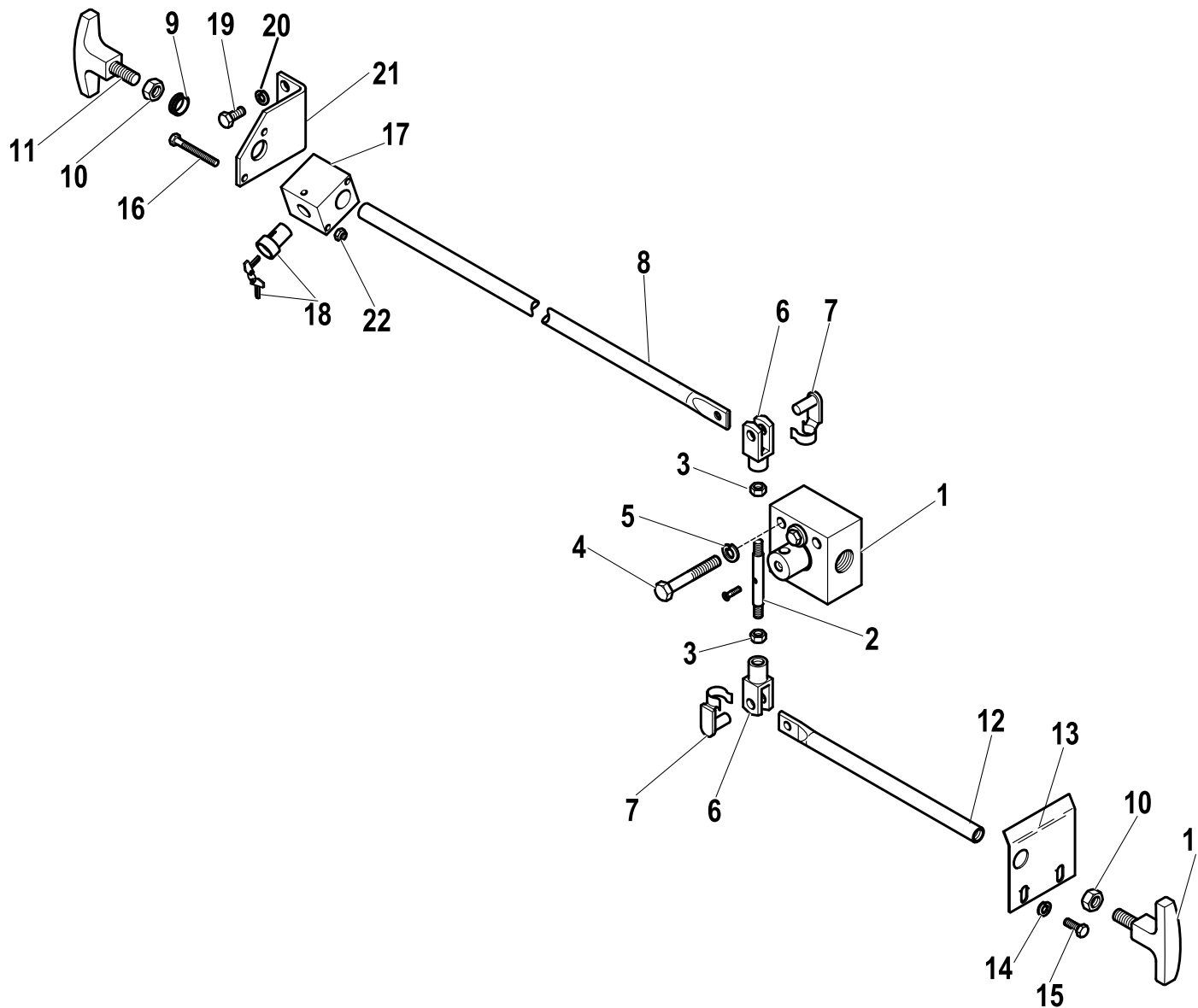
Switch

Code

5400613-1.0

2/2

R	Pos.	Code Variant	Q.ty	Description
	21	3040392	2	Stopnut
	22	5813516	2	Name plate (Control)

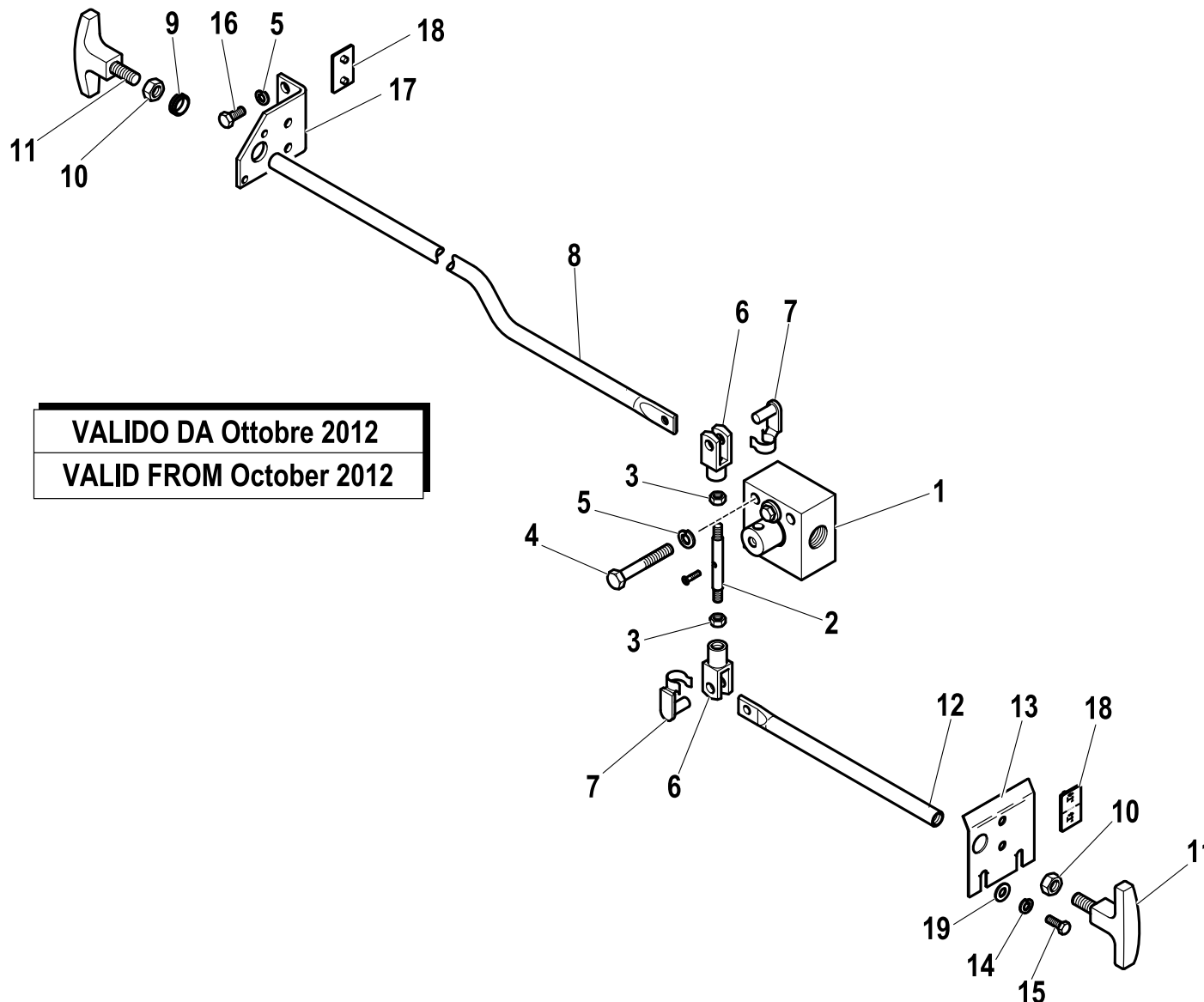


Switch

Code

5400613-2.0

1/1



VALIDO DA Ottobre 2012
VALID FROM October 2012

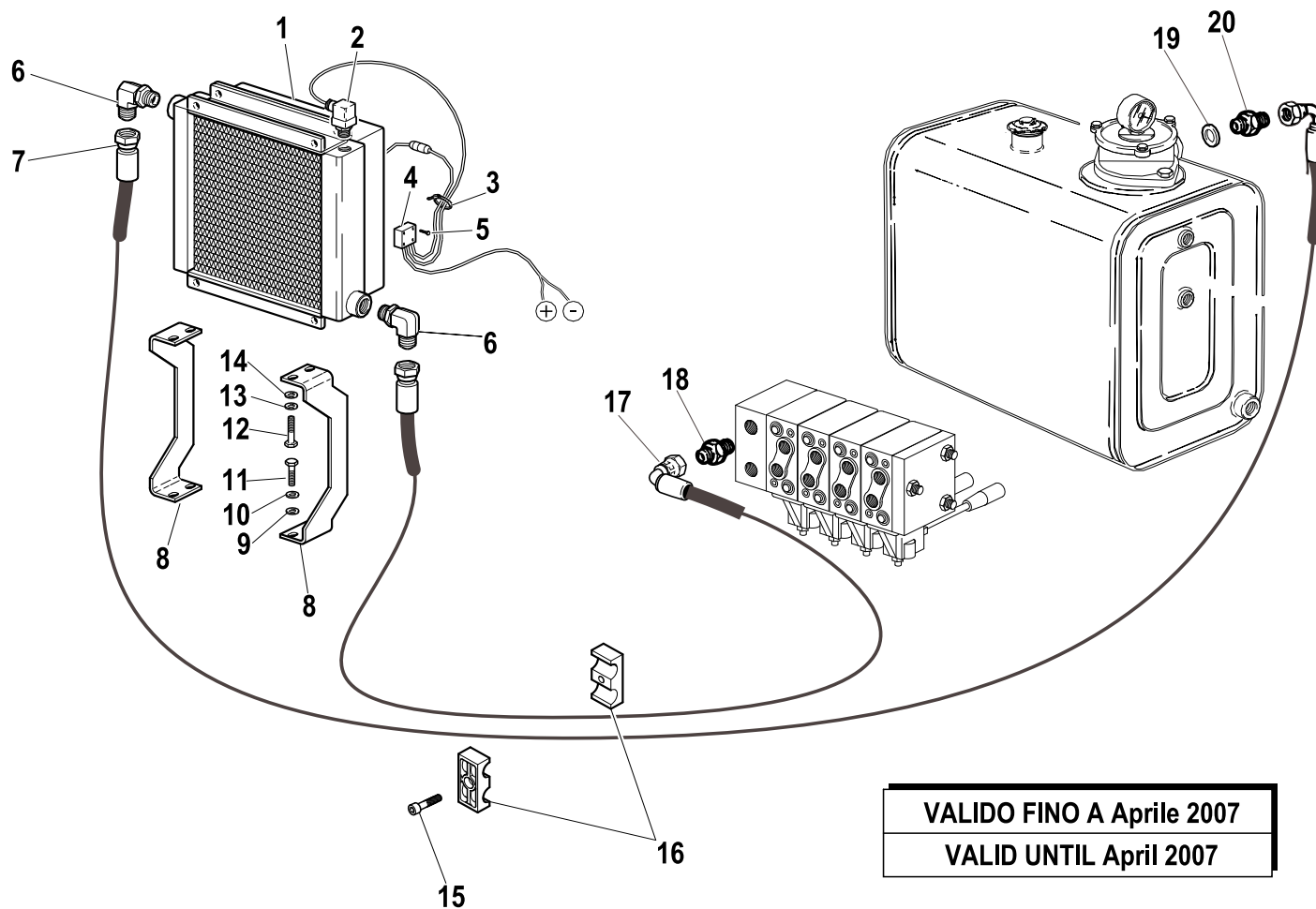
R	Pos.	Code Variant	Q.ty	Description
	1	5220599	1	
	2	W570101700	1	
	3	3040045	2	Nut
	4	3010415	1	Hex screw [M10X55 8.8 ZC UNI 5737]
	5	3060056	2	Split lock washer [D=10 C72 ZC]
	6	3300433	2	Fork
	7	3300453	2	Fork clip
	8	5091038	1	
	9	3190214	2	
	10	3040047	2	Nut
	11	3190213	2	
	12	5090715	1	
	13	W570101600	1	
	14	3060053	2	Split lock washer [D=6.4 C72 ZC]
	15	3010325	2	Hex screw [M6X16 8.8 ZC UNI 5739]
	16	3010354	1	Hex screw [M10X20 8.8 ZC UNI 5739]
	17	W570101500	1	
	18	5813516	2	Name plate (Control)
	19	3060005	2	Flat washer [D.6.4 UNI 6592 ZC]

Heat exchange unit

Code

7888011-1.1

1/1



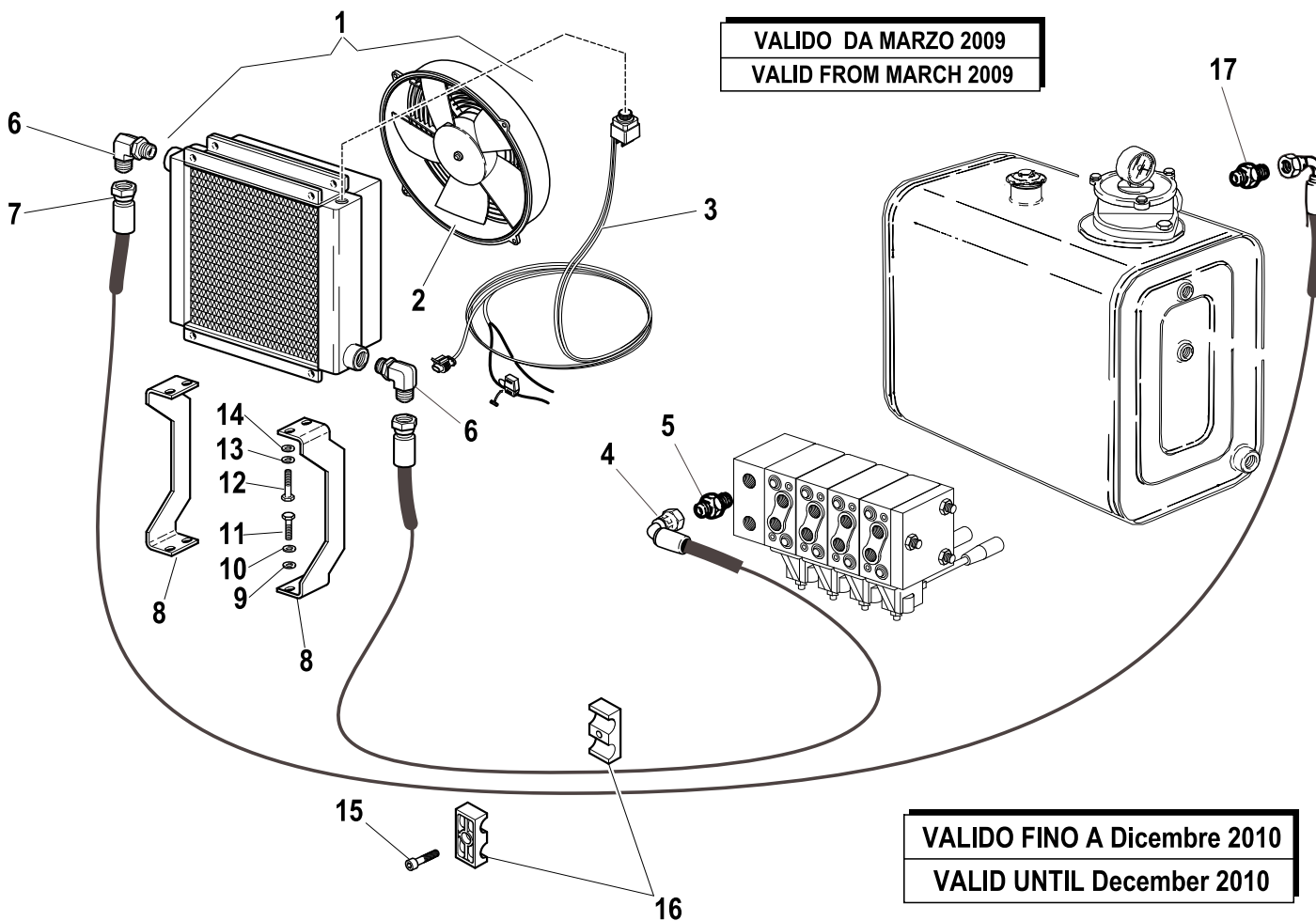
R	Pos.	Code Variant	Q.ty	Description
	1	W437001	1	
	2	W437101	1	
	3	W238007	1	
	4	W437005	1	
	5	W752405	1	
	6	3101122	2	90° Connection
	7	5290136	1	Flexible hose
	8	W550500800	2	Support (Heat exchange unit)
	9	3060006	4	Flat washer [D.8 UNI 6592 ZC]
	10	3060055	4	Split lock washer [D=8.4 C72 ZC]
	11	3010336	4	Hex screw [M8X12 8.8 ZC UNI 5739]
	12	3010325	4	Hex screw [M6X16 8.8 ZC UNI 5739]
	13	3060053	4	Split lock washer [D=6.4 C72 ZC]
	14	3060005	4	Flat washer [D.6.4 UNI 6592 ZC]
	15	3010034	2	Hex screw [M8X55 8.8 UNI 5737 ZC]
	16	3190220	4	Collar
	17	5290137	1	Flexible hose
	18	3101056	1	Straight pipe fitting
	19	W432007	1	
	20	3101057	1	Straight pipe fitting

Heat exchange unit

Code

W7888011-1.0

1/1



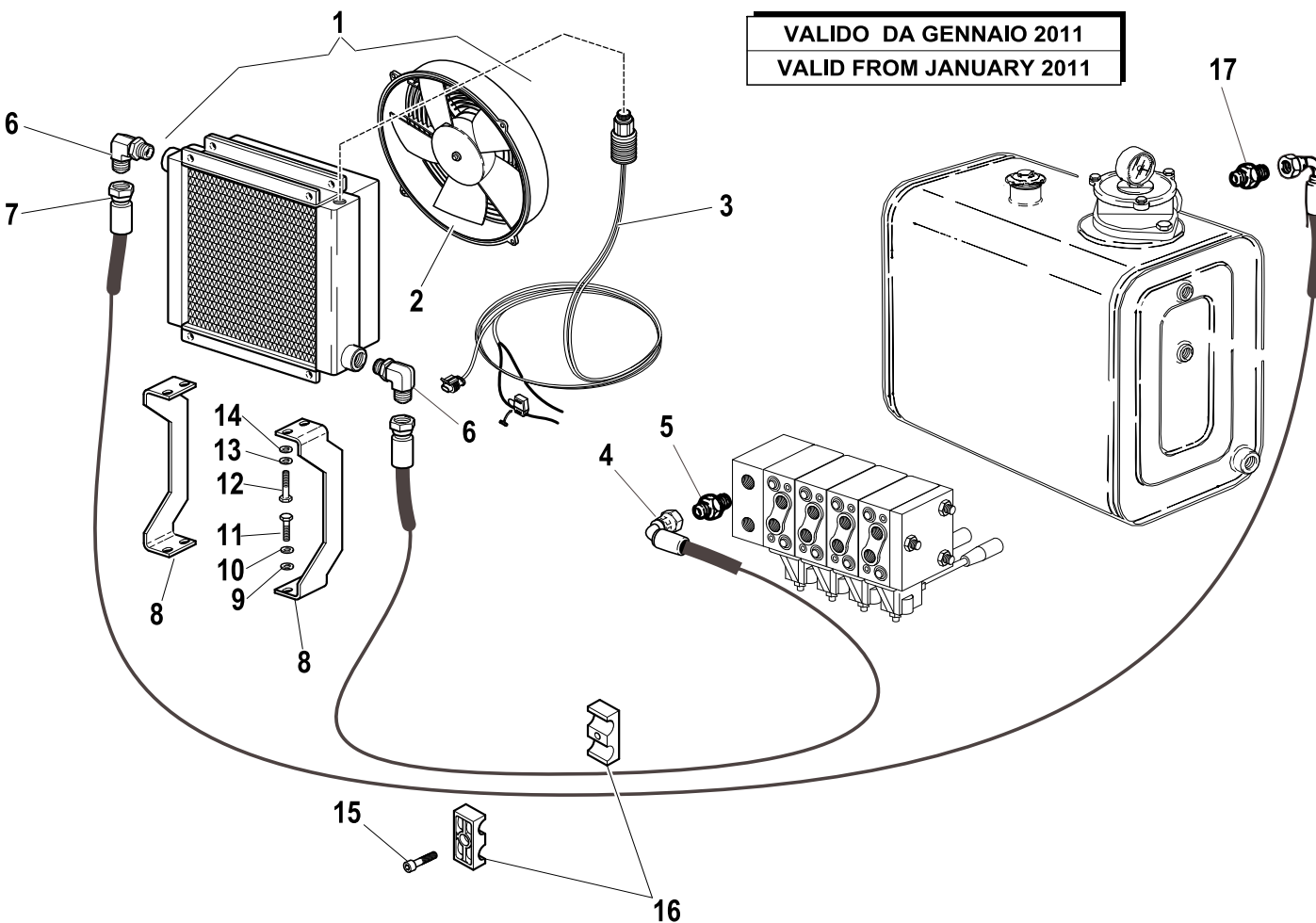
R	Pos.	Code Variant	Q.ty	Description
1		5710092	1	
2		5710110	1	
3		3310062	1	Device (Ignition)
4		5290137	1	Flexible hose
5		3101056	1	Straight pipe fitting
6		3101122	2	90° Connection
7		5290136	1	Flexible hose
8		W550500800	2	Support (Heat exchange unit)
9		3060006	4	Flat washer [D.8 UNI 6592 ZC]
10		3060055	4	Split lock washer [D=8.4 C72 ZC]
11		3010336	4	Hex screw [M8X12 8.8 ZC UNI 5739]
12		3010325	4	Hex screw [M6X16 8.8 ZC UNI 5739]
13		3060053	4	Split lock washer [D=6.4 C72 ZC]
14		3060005	4	Flat washer [D.6.4 UNI 6592 ZC]
15		3010034	2	Hex screw [M8X55 8.8 UNI 5737 ZC]
16		3190220	4	Collar
17		3101057	1	Straight pipe fitting

Heat exchange unit

Code

W7888011-2.0

1/1



VALIDO DA GENNAIO 2011
VALID FROM JANUARY 2011

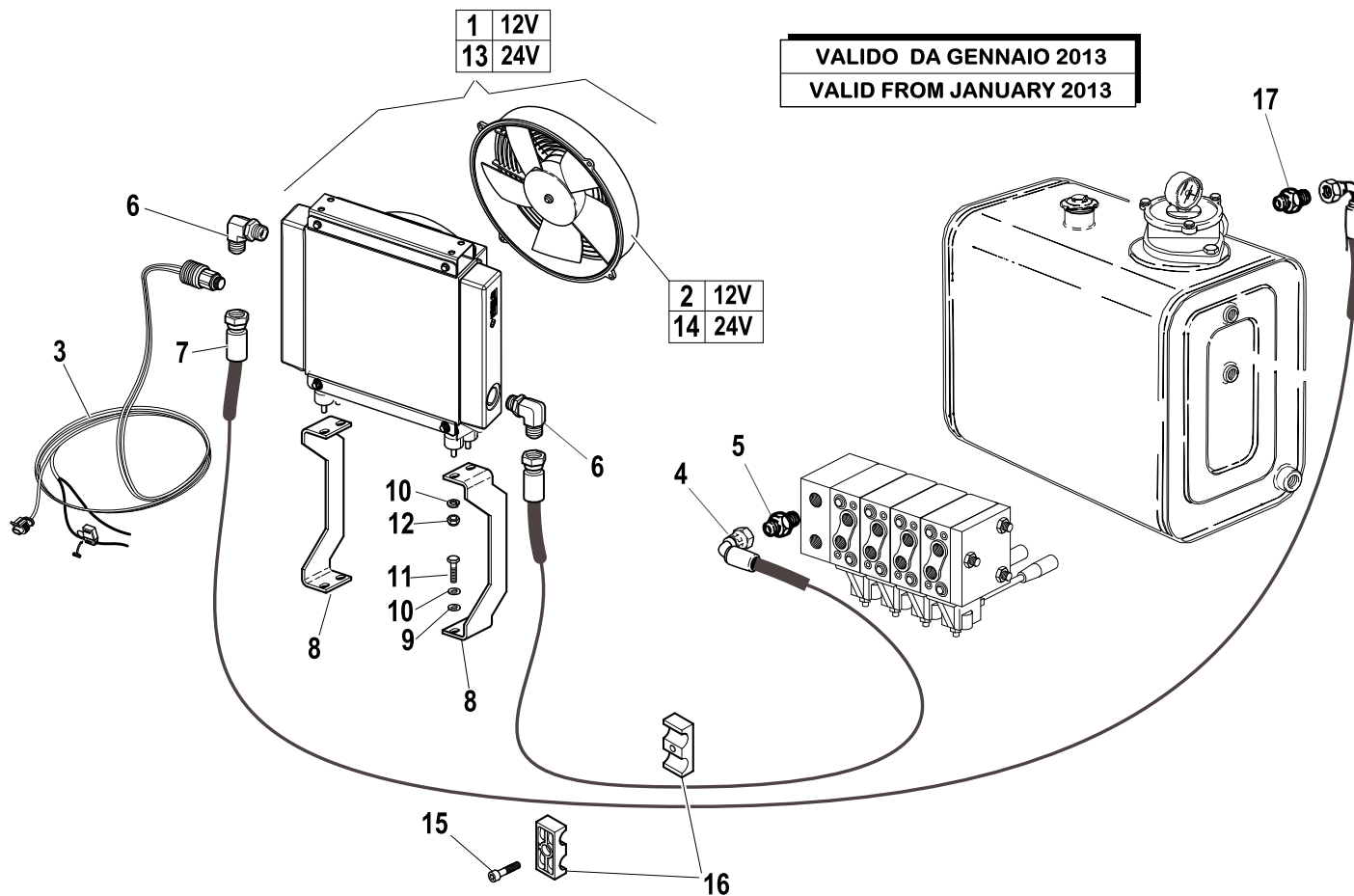
R	Pos.	Code Variant	Q.ty	Description
	1	5710092	1	
	2	5710110	1	
	3	3311408	1	Thermostat (Wire assembly)
	4	5290137	1	Flexible hose
	5	3101056	1	Straight pipe fitting
	6	3101122	2	90° Connection
	7	5290136	1	Flexible hose
	8	W550500800	2	Support (Heat exchange unit)
	9	3060006	4	Flat washer [D.8 UNI 6592 ZC]
	10	3060055	4	Split lock washer [D=8.4 C72 ZC]
	11	3010336	4	Hex screw [M8X12 8.8 ZC UNI 5739]
	12	3010325	4	Hex screw [M6X16 8.8 ZC UNI 5739]
	13	3060053	4	Split lock washer [D=6.4 C72 ZC]
	14	3060005	4	Flat washer [D.6.4 UNI 6592 ZC]
	15	3010034	2	Hex screw [M8X55 8.8 UNI 5737 ZC]
	16	3190220	4	Collar
	17	3101057	1	Straight pipe fitting

Heat exchange unit

Code

W7888011-3.0

1/1



**VALIDO DA GENNAIO 2013
VALID FROM JANUARY 2013**

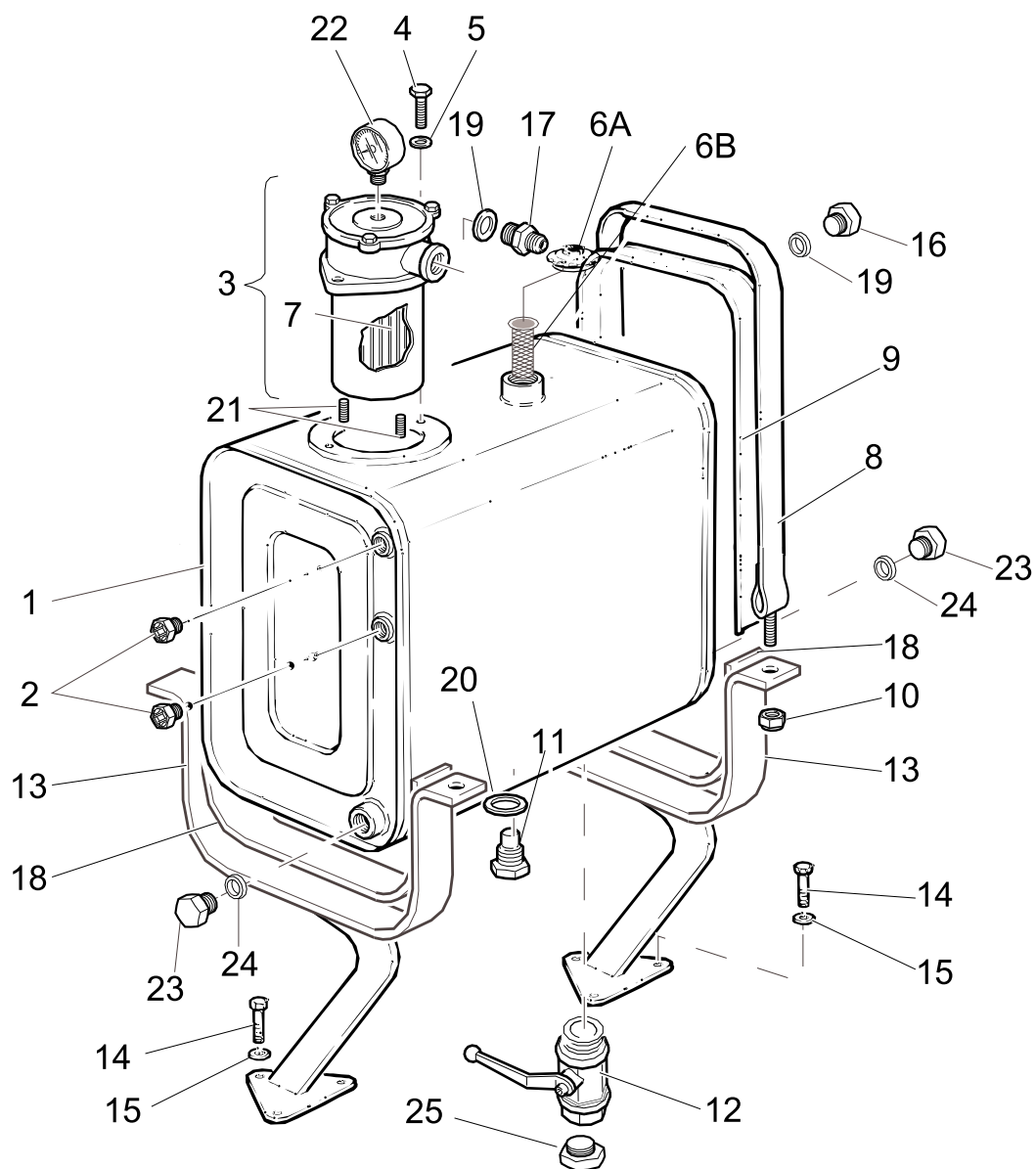
R	Pos.	Code Variant	Q.ty	Description
	1	5710118	1	Heat exchange unit
	2	5710119	1	Electric fan (Heat exchange unit)
	3	3311408	1	Thermostat (Wire assembly)
	4	5290137	1	Flexible hose
	5	3101056	1	Straight pipe fitting
	6	3101122	2	90° Connection
	7	5290136	1	Flexible hose
	8	W550500800	2	Support (Heat exchange unit)
	9	3060006	4	Flat washer [D.8 UNI 6592 ZC]
	10	3060055	8	Split lock washer [D=8.4 C72 ZC]
	11	3010336	4	Hex screw [M8X12 8.8 ZC UNI 5739]
	12	3040303	4	Stopnut
	13	5710116	1	Heat exchange unit
	14	5710117	1	Electric fan (Heat exchange unit)
	15	3010034	2	Hex screw [M8X55 8.8 UNI 5737 ZC]
	16	3190220	4	Collar
	17	3101057	1	Straight pipe fitting

Oil reservoir

Code

W057501-1.5

1/2



R	Pos.	Code Variant	Q.ty	Description
	1	W438006	1	
	2	W370002	2	
	3	3180200	1	Oil filter
	4	3010339	2	Hex screw [M8X25 8.8 ZC IF UNI 5739]
	5	3060006	2	Flat washer [D.8 UNI 6592 ZC]
	6 /A	W449014	1	Tank cap
	6 /B	W449015	1	Filtering cartridge
	7	3180110	1	Filtering cartridge
	8	W270500100	2	
	9	3190020	2	
	10	3040524	4	Stopnut
	11	3110070	1	Close nipple
	12	3140304	1	Cock
	13	W270102800	2	
	14	3010337	6	Hex screw [M8X16 8.8 ZC UNI 5739]
	15	3060029	6	Flat washer [D.8.5X24 UNI 6593 ZC]
	16	3110072	1	Plug
	17	3110257	1	Reducing fitting
	18	W605006	2	
	19	3060150	1	Sealing washer [BSP 1"]

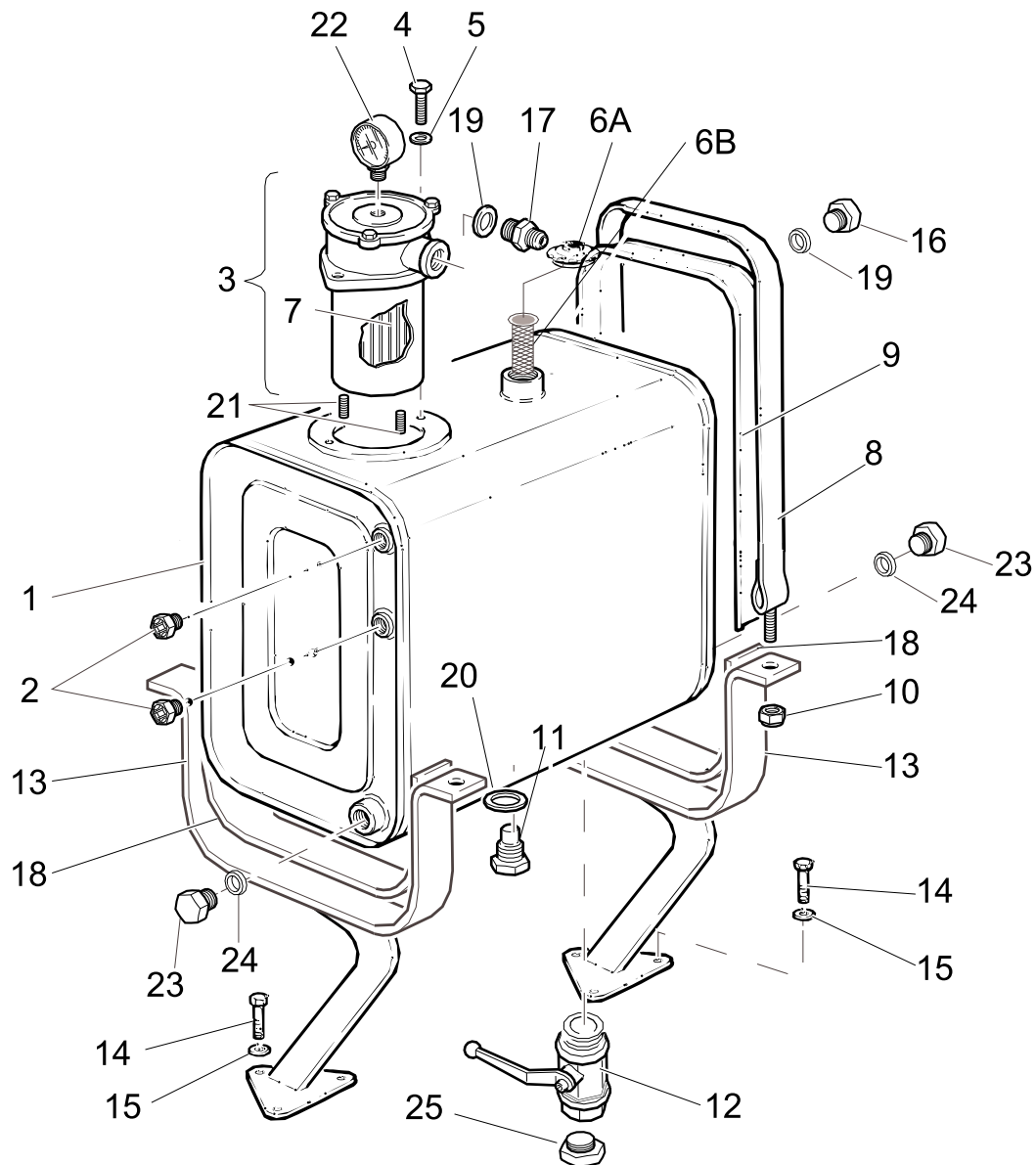
057501-1-4

Oil reservoir

Code

W057501-1.5

2/2



R	Pos.	Code Variant	Q.ty	Description
	20	3060144	1	Sealing washer [BSP 3/8"]
	21	3060936	2	Grub screw
	22	3180147	1	Pressure gauge (Clogging indicator)
	23	3110065	2	Plug
	24	3060145	2	Sealing washer [BSP 1/2"]
	25	W734046	1	

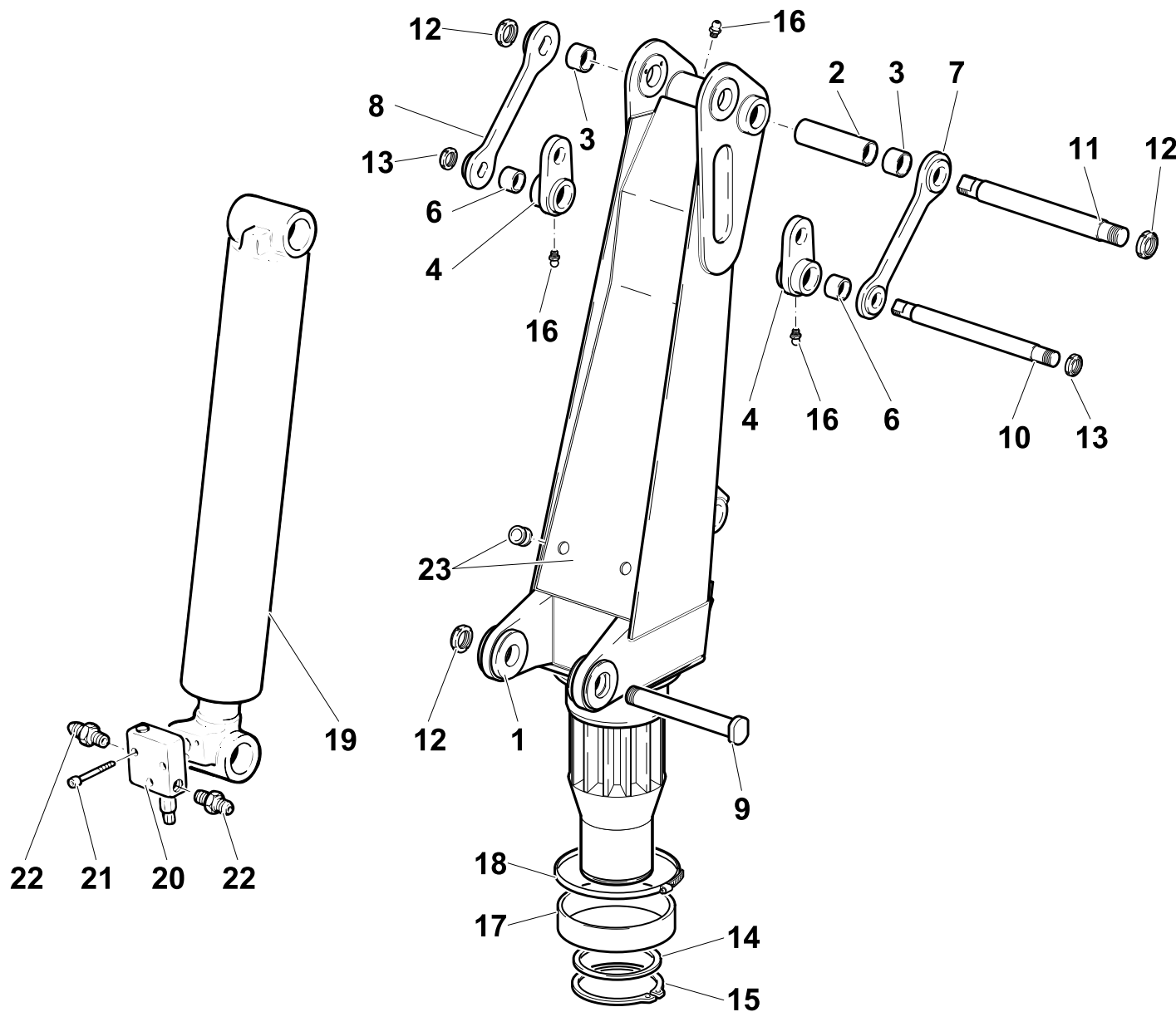
057501-1-4

Column

Code

W057201-1.1

1/2



R	Pos.	Code Variant	Q.ty	Description
	1	W570200100	1	
	2	W570201300	1	
	3	W102166	2	
	4	W570201000	2	
	6	5140689	2	Bushing
	7	W570200800	1	
	8	W570200700	1	
	9	W101122	1	
	10	W101358	1	
	11	W101296	1	
	12	3040508	3	Self-locking ringnut
	13	3040509	2	Self-locking ringnut
	14	W270101100	1	
	15	3070112	1	Seeger
	16	3080016	3	Grease nipple
	17	W270100600	1	
	18	W582008	1	
	19	W570250200	1	
	20	W470043	1	
	21	3020045	3	Socketed head cap screw [M6X45 8.8 ZC UNI 5931]

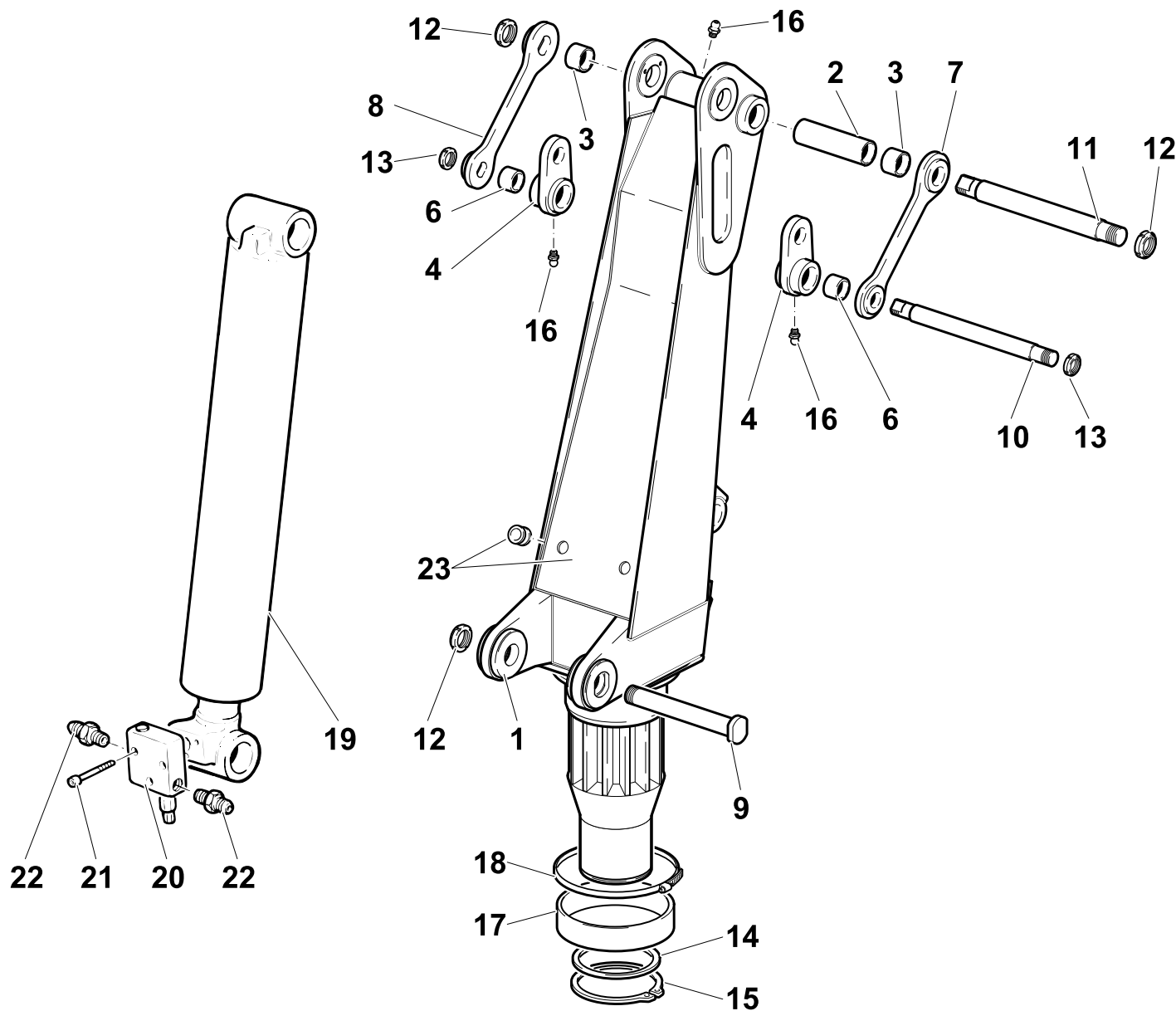
Column

Code

W057201-1.1

2/2

R	Pos.	Code Variant	Q.ty	Description
22		3101043	2	Straight pipe fitting
23		W180201000	3	



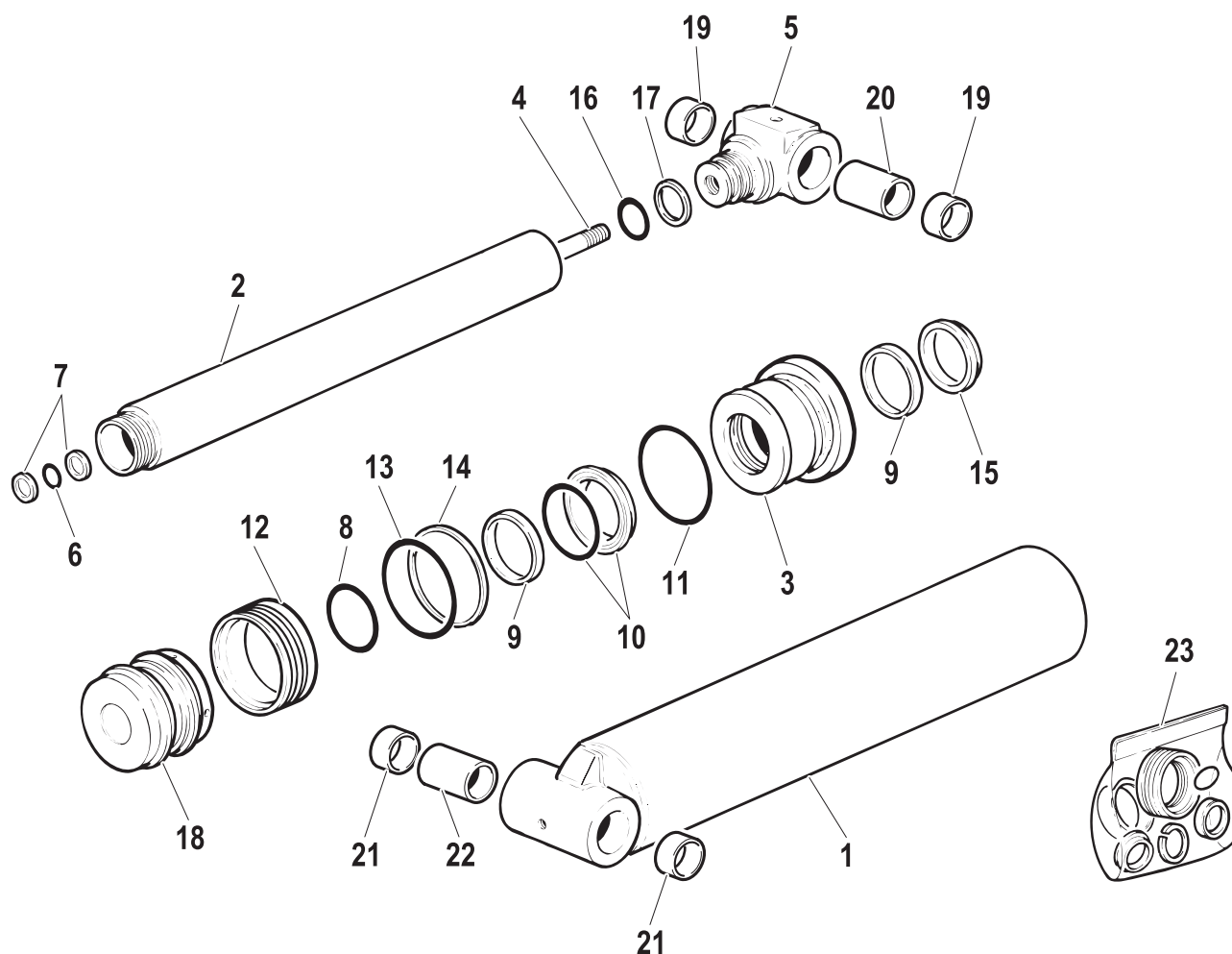
LIFTING HYDRAULIC CYLINDER

Code

W570250100-1.0

1/2

R	Pos.	Code Variant	Q.ty	Description
	1	W570200300	1	
	2	W570200500	1	
	3	W120109	1	
	4	W570200600	1	
	5	W570200400	1	
	6	W360002	1	
	7	W304024	2	
	8	W358105	1	
	9	W305007	2	
	10	W358514	1	
	11	W360058	1	
	12	W359032	1	
	13	W360046	1	
	14	W304011	1	
	15	W361021	1	
	16	W360095	1	
	17	W304044	1	
	18	W105104	1	
	19	W102166	2	
	20	W580201900	1	



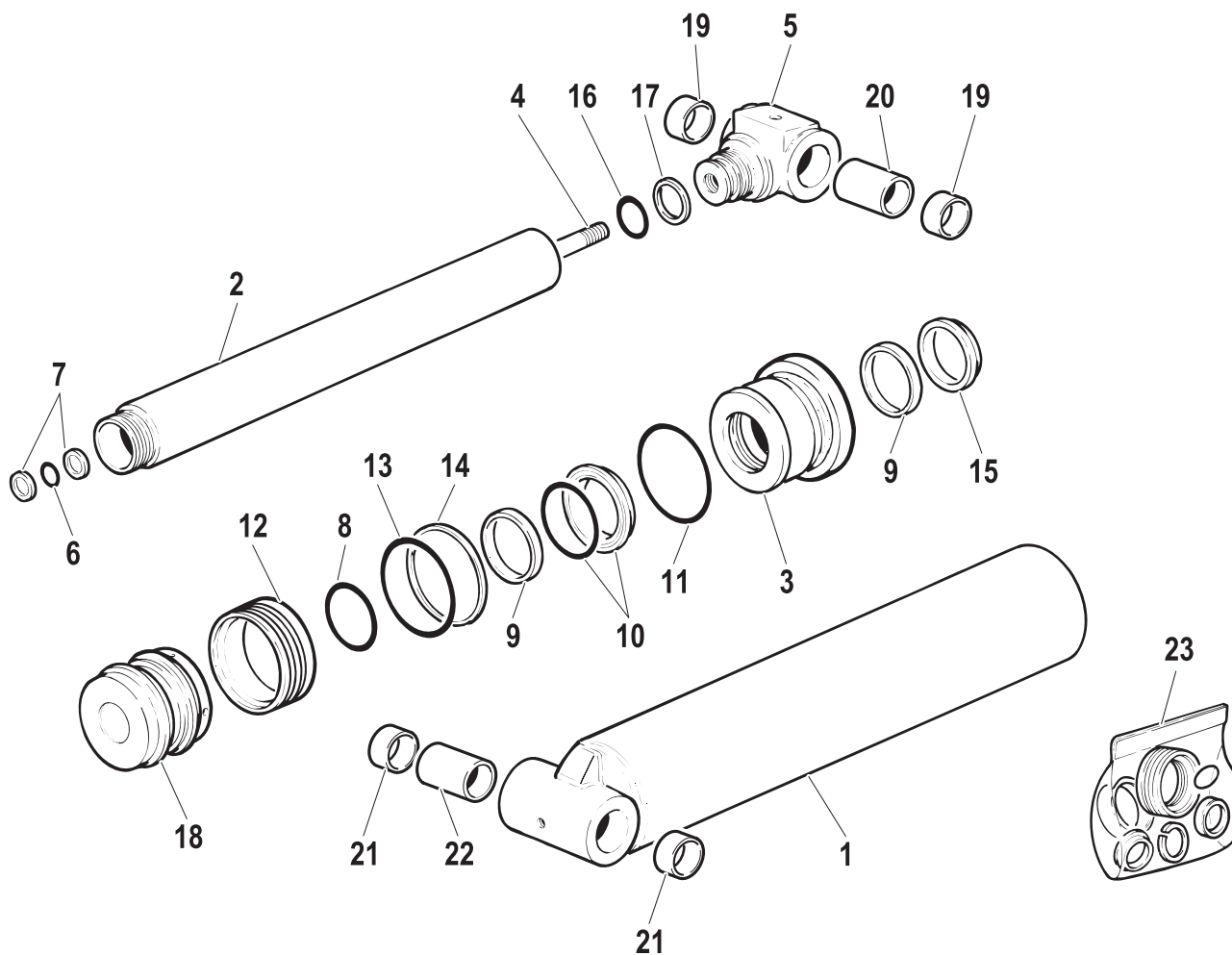
LIFTING HYDRAULIC CYLINDER

Code

W570250100-1.0

2/2

R	Pos.	Code Variant	Q.ty	Description
	21	5140723	2	Bushing
	22	W570201200	1	
	23	W365135	1	

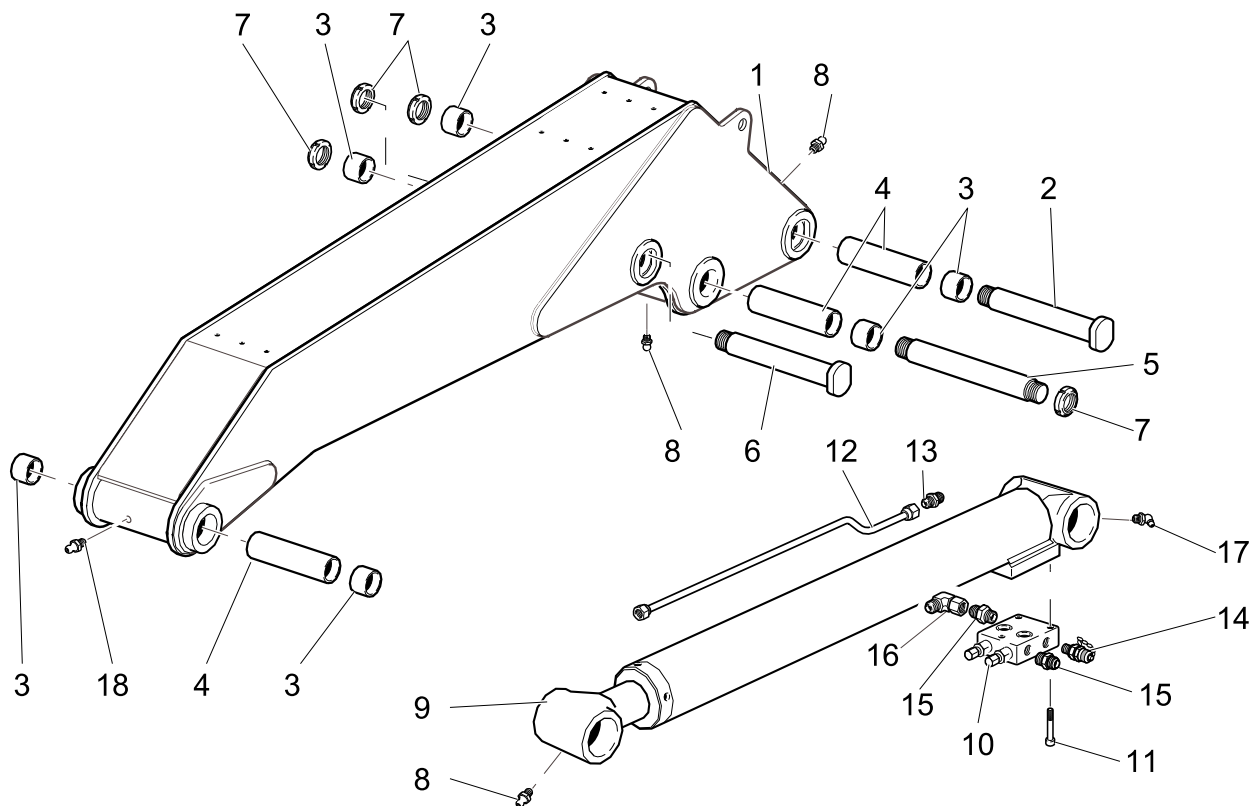


1ST BOOM

Code

W057202-1.3

1/1



R	Pos.	Code Variant	Q.ty	Description
	1	W570201100	1	
	2	W101360	1	
	3	W102166	6	
	4	W570201400	3	
	5	W101359	1	
	6	W101361	1	
	7	3040508	4	Self-locking ringnut
	8	3080016	3	Grease nipple
	9	W570350300	1	
	10	W470064	1	
	11	3020045	3	Socket head cap screw [M6X45 8.8 ZC UNI 5931]
	12	W570301200	1	
	13	3101213	1	Straight pipe fitting
	14	3111523	1	Pipe fitting (Tapping point) [RACC. MILITES 16X2-1/4"G]
	15	3101043	2	Straight pipe fitting
	16	3120031	1	90° Connection
	17	3080533	1	Grease nipple
	18	3080030	1	Grease nipple

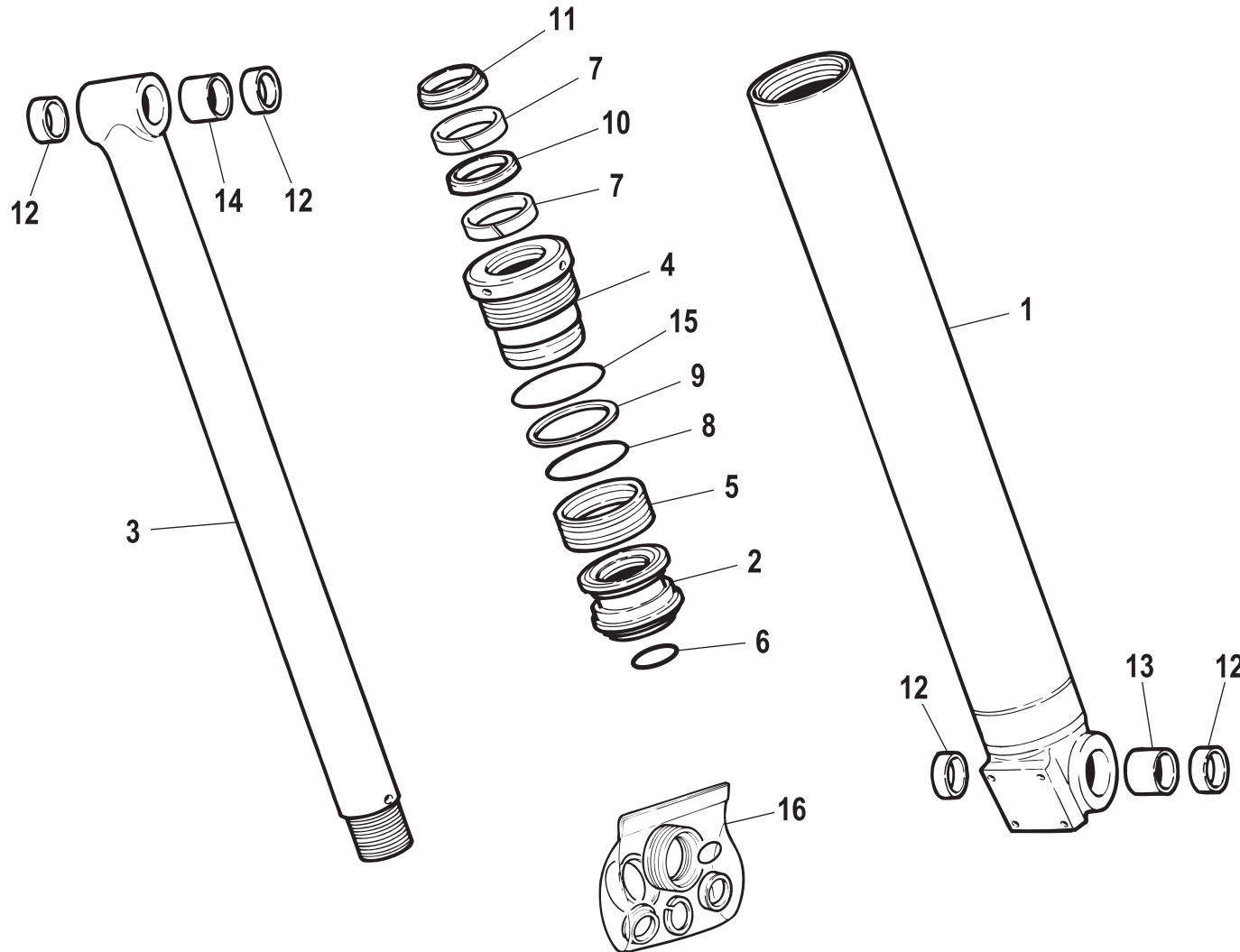
057202-1.3

ARTICULATION HYDRAULIC JACK

Code

W570350200-1.0

1/1



R	Pos.	Code Variant	Q.ty	Description
	1	W570300100	1	
	2	W105089	1	
	3	W570300200	1	
	4	W120088	1	
	5	W359033	1	
	6	W360051	1	
	7	W305007	2	
	8	W360110	1	
	9	W304038	1	
	10	W358514	1	
	11	W361021	1	
	12	W102166	4	
	13	W580301800	1	
	14	W570300300	1	
	15	W360060	1	
	16	W365114	1	

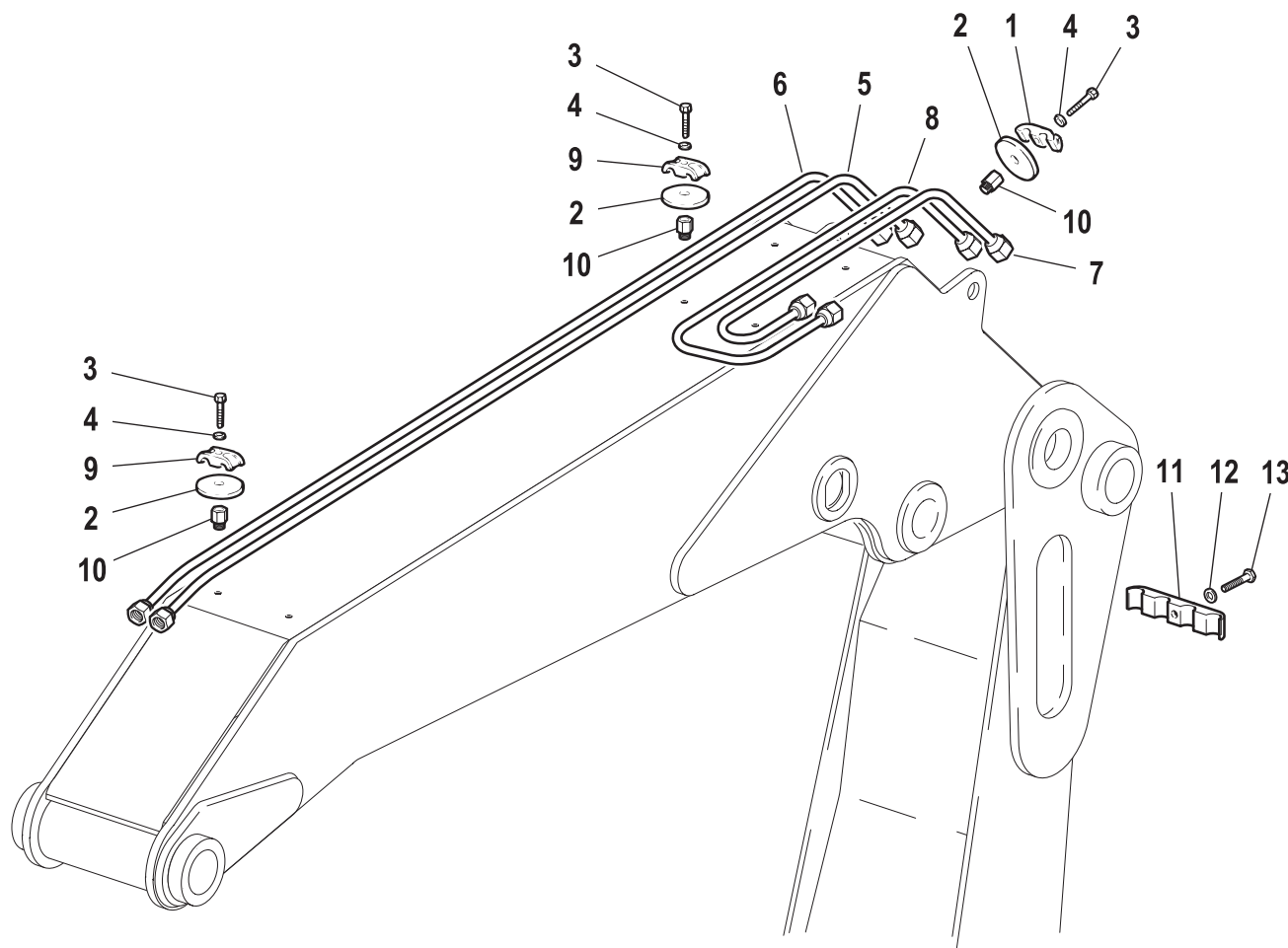
HYDRAULIC SYSTEM (1th e 2nd boom)

Code

W057502C-1.0

1/1

R	Pos.	Code Variant	Q.ty	Description
	1	5000077	2	Clamp (Rigid Pipe)
	2	W340501400	5	Support (Clamp)
	3	3010032	5	Hex screw [M8X45 8.8 ZC UNI 5737]
	4	3060006	5	Flat washer [D.8 UNI 6592 ZC]
	5	W440202000	1	
	6	W440202100	1	
	7	W440202200	1	
	8	W440202300	1	
	9	5000045	3	Clamp (Rigid Pipe)
	10	W340501300	5	
	11	W128030	1	
	12	3060029	1	Flat washer [D.8.5X24 UNI 6593 ZC]
	13	3010031	1	Hex screw [M8X40 8.8 ZC UNI 5737]

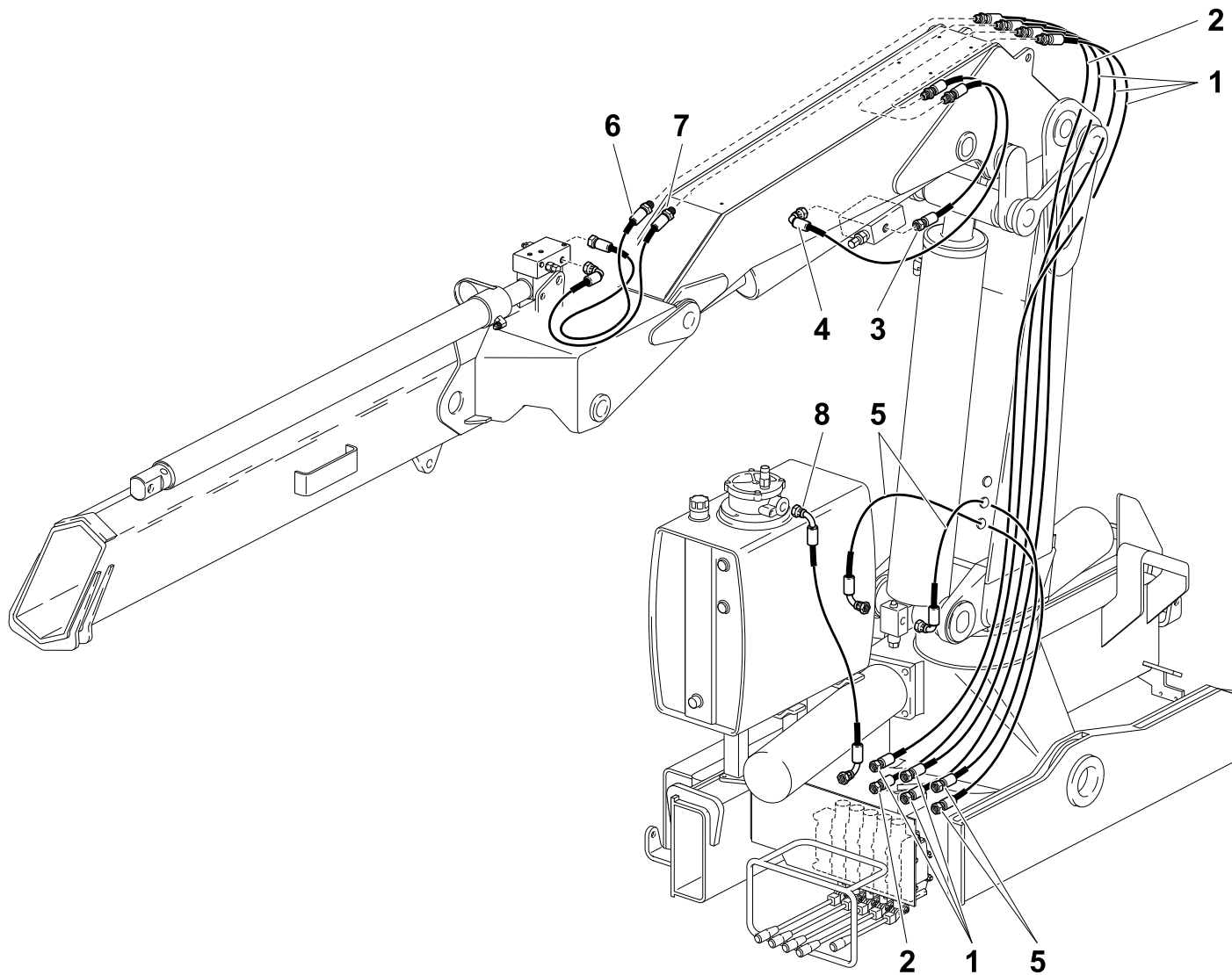


Set of hoses

Code

W444253-1.2

1/1



R	Pos.	Code Variant	Q.ty	Description
	1	W456766	3	
	2	W456807	1	
	3	W456773	1	
	4	W456408	1	
	5	W456157	2	
	6	W456456	1	
	7	W456522	1	
	8	W455860	1	

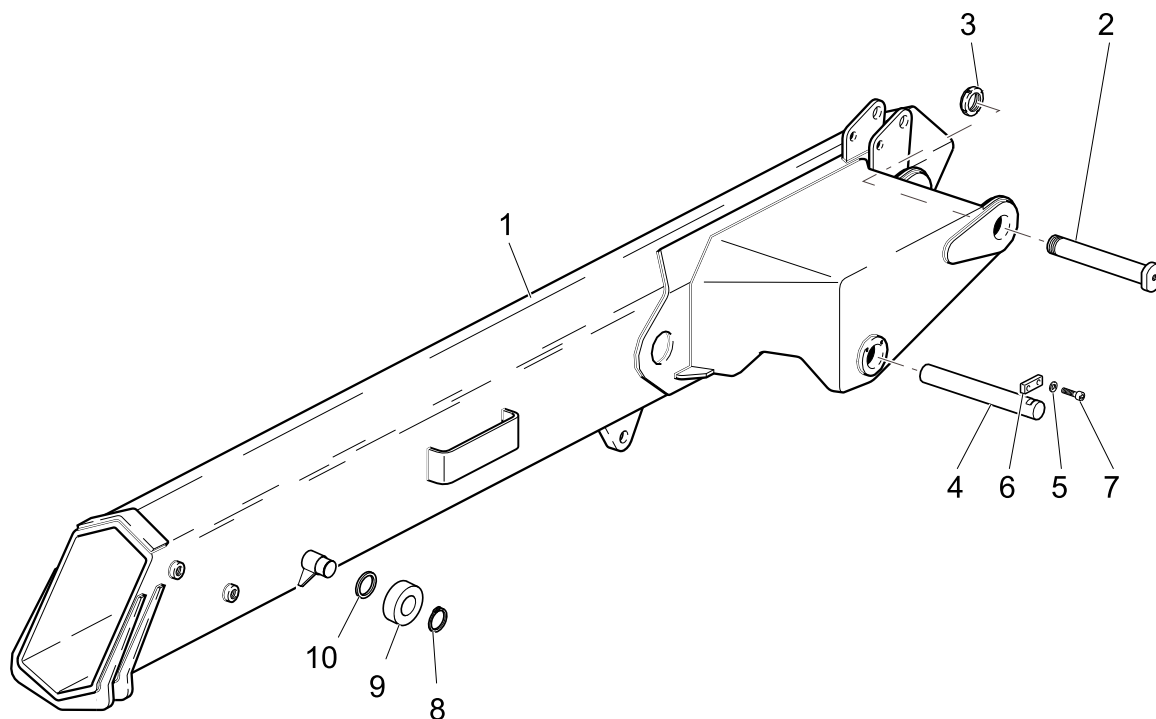
2nd BOOM

Code

W057301-1.0

1/1

R	Pos.	Code Variant	Q.ty	Description
	1	W570301500	1	
	2	W101352	1	
	3	3040508	1	Self-locking ringnut
	4	W590300700	1	
	5	3060056	2	Split lock washer [D=10 C72 ZC]
	6	W420307600	1	
	7	3020082	2	
	8	3070045	1	Seeger
	9	5140753	1	Roller
	10	5140997	1	Spacer



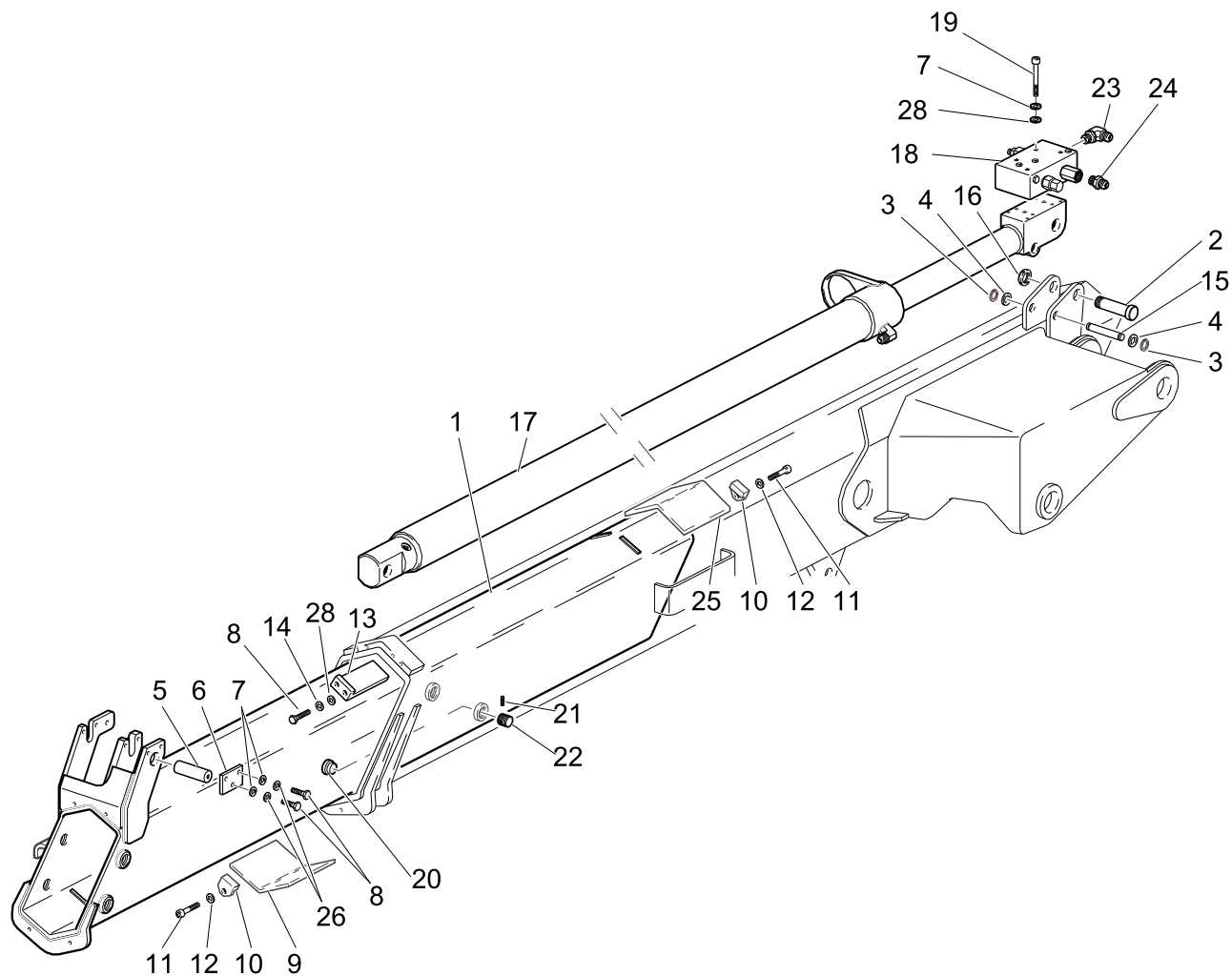
057301-1.0

1st EXTENSION

Code

W057302-1.3

1/2



R	Pos.	Code Variant	Q.ty	Description
	1	W570301600	1	
	2	W101297	1	
	3	3070017	2	Seeger
	4	3060012	2	Flat washer [D.21X37X3 UNI 6592 ZC]
	5	W101258	1	
	6	W440302200	1	
	7	3060055	7	Split lock washer [D=8.4 C72 ZC]
	8	3010337	7	Hex screw [M8X16 8.8 ZC UNI 5739]
	9	W610307200	1	
	10	W610307500	4	
	11	3020080	4	Socket head cap screw [M10X16 12.9 ZC UNI 5931]
	12	3060170	4	Schnorr washer [D.10 UNI 3545]
	13	W610307600	2	
	14	3060918	4	Tooth lock washer [D.8 TIPO A UNI8842 ZC]
	15	W101242	1	
	16	3040502	1	Self-locking ringnut [M25X1.5 NORMALE ZC]
	17	W560350800	1	
	18	W470070	1	
	19	3010037	4	Hex screw [M8X70 8.8 UNI 5737 ZC]
	20	W110301200	4	

057302-1-3

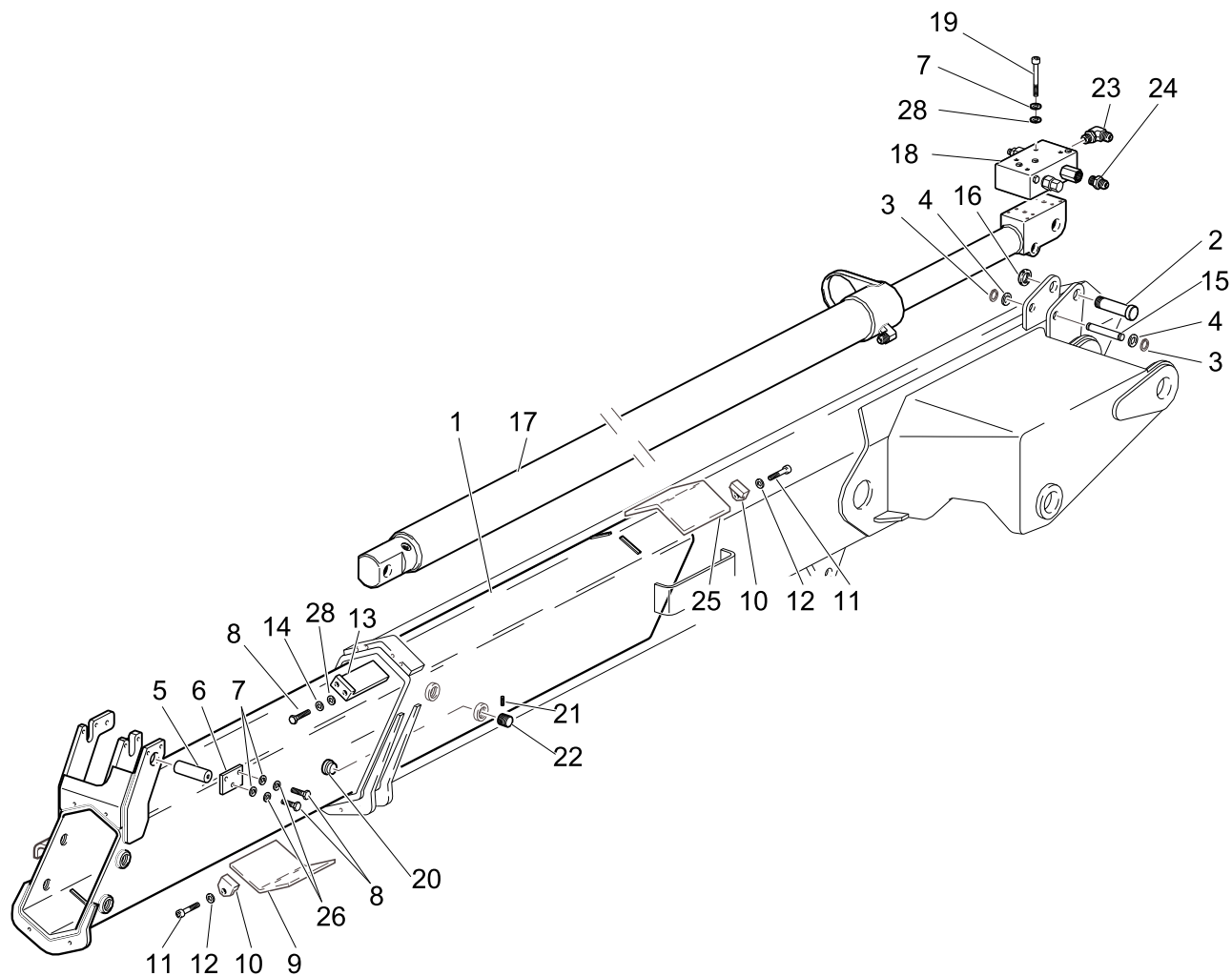
1st EXTENSION

Code

W057302-1.3

2/2

R	Pos.	Code Variant	Q.ty	Description
	21	3060229	4	Grub screw
	22	5000092	4	
	23	3101131	1	
	24	3101044	1	Straight pipe fitting
	25	W610307300	1	
	26	3060006	7	Flat washer [D.8 UNI 6592 ZC]



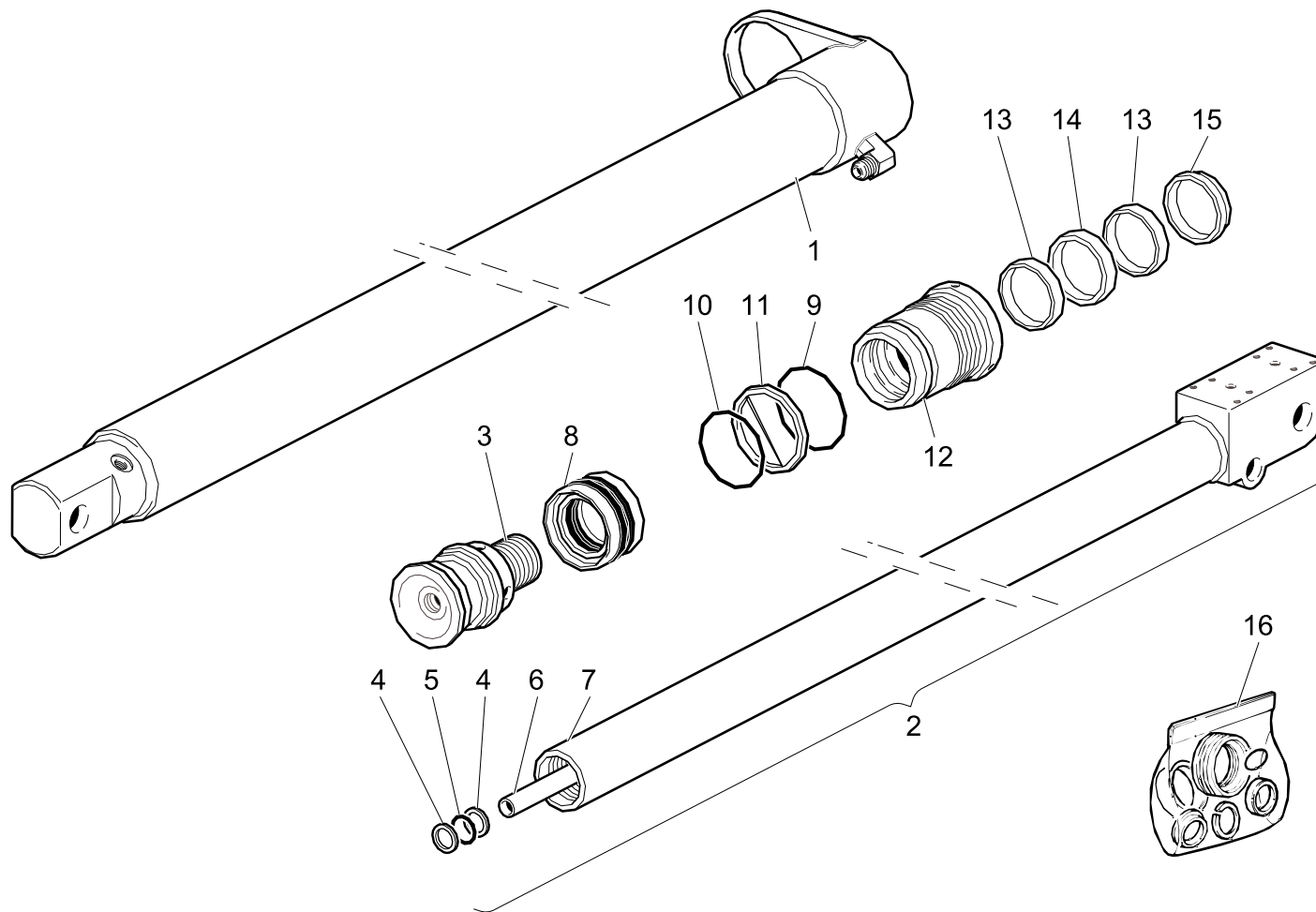
057302-1-3

1st EXSTENSION HYDRAULIC

Code

W560350800-1.0

1/1



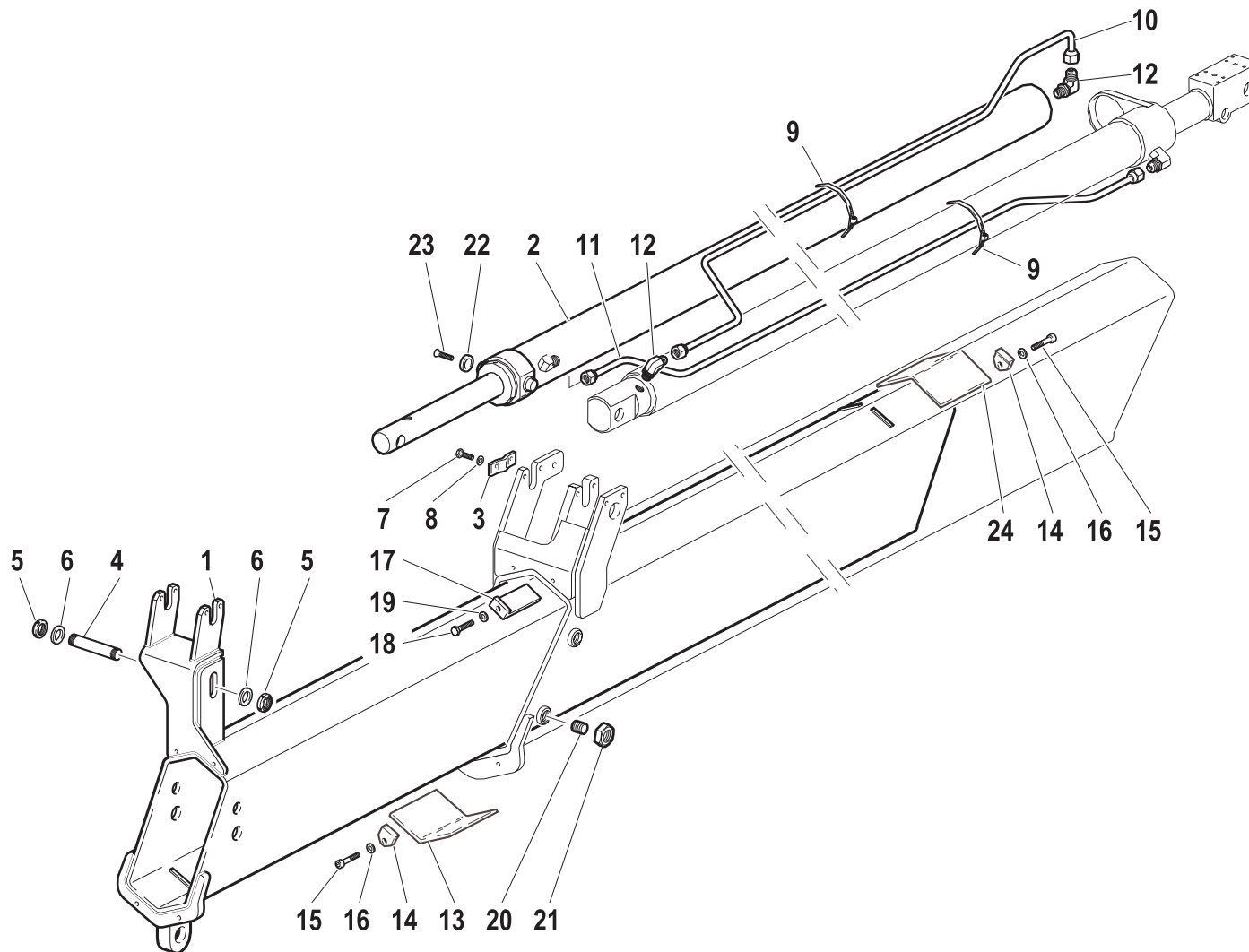
R	Pos.	Code Variant	Q.ty	Description
	1	W560305000	1	
	2	W560304900	1	
	3	W560304901	1	
	4	W304006	2	
	5	W360018	1	
	6	W560304904	1	
	7	W560304903	1	
	8	W359039	1	
	9	W360101	1	
	10	W360113	1	
	11	W304041	1	
	12	W120096	1	
	13	W305005	2	
	14	W358023	1	
	15	W361018	1	
	16	W365120	1	

2nd EXTENSION

Code

W570353100-1.0

1/2



R	Pos.	Code Variant	Q.ty	Description
	1	W570301700	1	
	2	W560350900	1	
	3	W440303000	1	
	4	W101301	1	
	5	3040498	2	Self-locking ringnut
	6	3060010	2	Flat washer [D.17X30X3 UNI 6592 ZC]
	7	3010337	2	Hex screw [M8X16 8.8 ZC UNI 5739]
	8	3060055	2	Split lock washer [D=8.4 C72 ZC]
	9	3190023	2	Clamp
	10	W570300400	1	
	11	W560303100	1	
	12	3101127	2	90° Connection
	13	W610307300	1	
	14	W610307500	4	
	15	3020080	4	Socketed head cap screw [M10X16 12.9 ZC UNI 5931]
	16	3060170	4	Schnorr washer [D.10 UNI 3545]
	17	W560304500	2	
	18	3020034	2	Socketed head cap screw [M6X16 8.8 ZC UNI 5931]
	19	3060005	2	Flat washer [D.6.4 UNI 6592 ZC]
	20	W061333	4	Adjusting screw

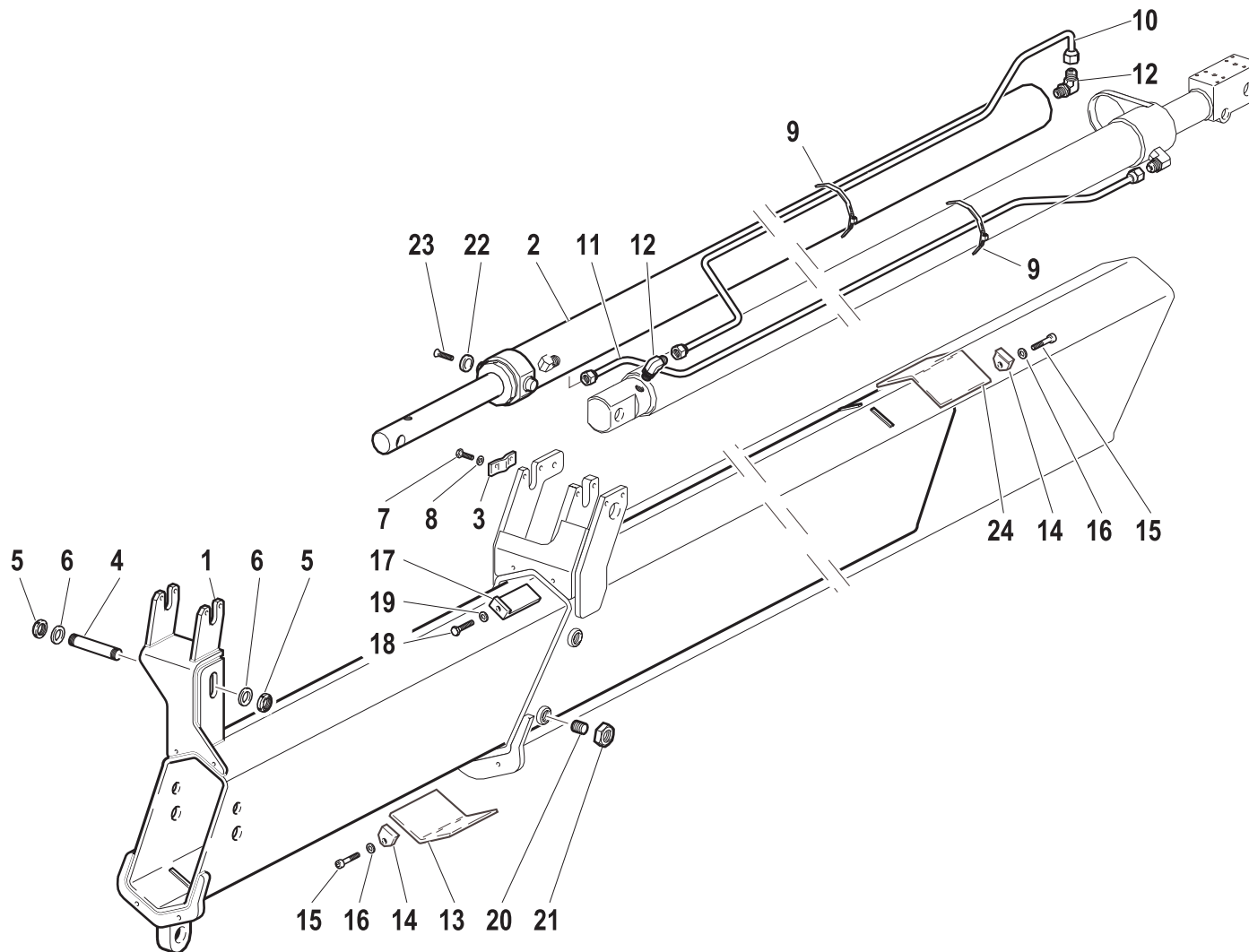
2nd EXTENSION

Code

W570353100-1.0

2/2

R	Pos.	Code Variant	Q.ty	Description
	21	3040251	4	Lock nut [M24 8.G basso UNI 5589]
	22	W560304400	1	
	23	3020436	1	TSEI screw [M6X10 ZC UNI 5933]
	24	W610307400	1	



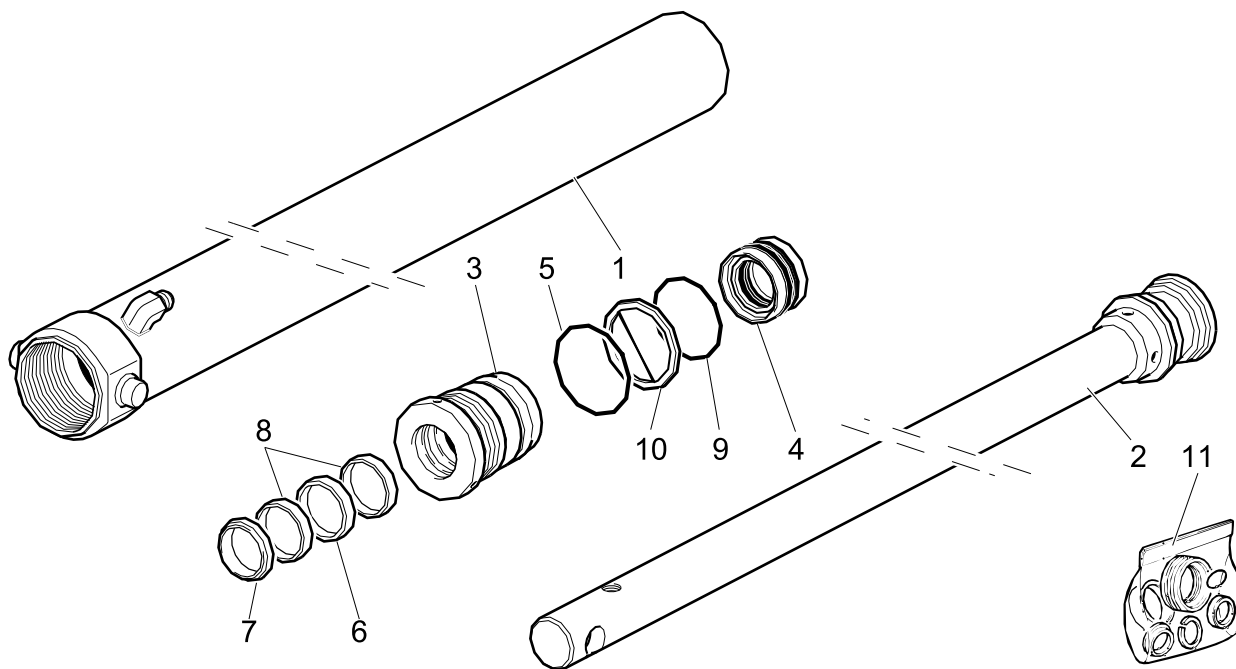
2nd EXTENSION HYDRAULIC JACK

Code

W560350900-1.0

1/1

R	Pos.	Code Variant	Q.ty	Description
	1	W560301600	1	
	2	W560305100	1	
	3	W120097	1	
	4	W359017	1	
	5	W360096	1	
	6	W358036	1	
	7	W361016	1	
	8	W305004	2	
	9	W360087	1	
	10	W304027	1	
	11	W365121	1	

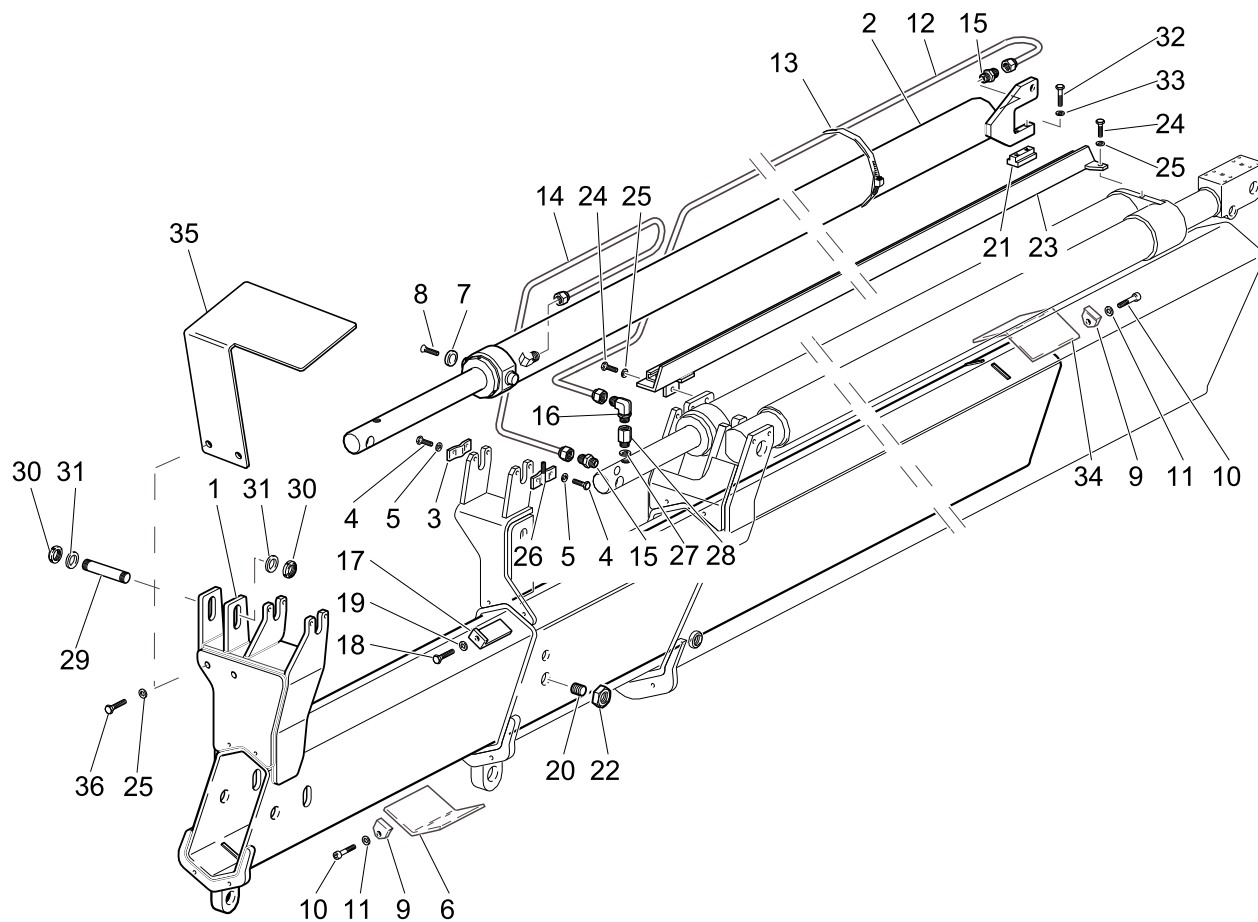


3rd EXTENSION

Code

W570353200-1.2

1/2



R	Pos.	Code Variant	Q.ty	Description
	1	W570301800	1	
	2	W570350100	1	
	3	W440303000	1	
	4	3010337	4	Hex screw [M8X16 8.8 ZC UNI 5739]
	5	3060055	4	Split lock washer [D=8.4 C72 ZC]
	6	W610307400	1	
	7	W560304400	2	
	8	3020436	2	TSEI screw [M6X10 ZC UNI 5933]
	9	W610307500	4	
	10	3020080	4	Socket head cap screw [M10X16 12.9 ZC UNI 5931]
	11	3060170	4	Schnorr washer [D.10 UNI 3545]
	12	W570300500	1	
	13	3190023	1	Clamp
	14	W570300600	1	
	15	3101043	2	Straight pipe fitting
	16	3101127	1	90° Connection
	17	W560304500	2	
	18	3020034	2	Socket head cap screw [M6X16 8.8 ZC UNI 5931]
	19	3060005	2	Flat washer [D.6.4 UNI 6592 ZC]
	20	W061333	2	Adjusting screw

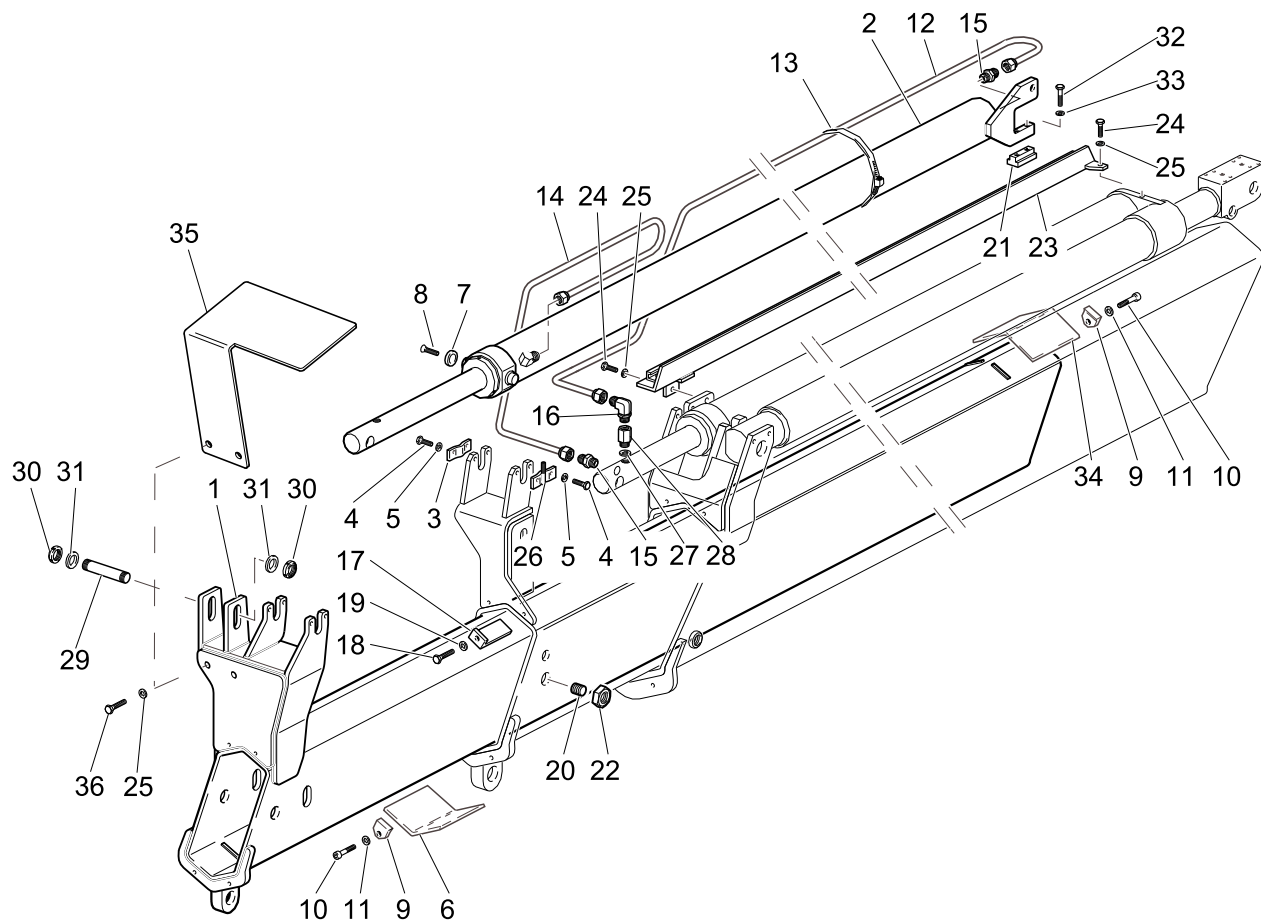
E70353200-1.2

3rd EXTENSION

Code

W570353200-1.2

2/2



R	Pos.	Code Variant	Q.ty	Description
	21	W430303800	1	
	22	3040251	2	Lock nut [M24 8.G basso UNI 5589]
	23	W570302500	1	
	24	3010353	2	Hex screw [M10X16 8.8 ZC UNI 5739]
	25	3060056	4	Split lock washer [D=10 C72 ZC]
	26	W560303900	1	
	27	3060144	1	Sealing washer [BSP 3/8"]
	28	3110112	1	Straight pipe fitting
	29	W101301	1	
	30	3040498	2	Self-locking ringnut
	31	3060010	2	Flat washer [D.17X30X3 UNI 6592 ZC]
	32	3010030	2	Hex screw [M8X35 8.8 ZC UNI 5737]
	33	3060006	2	Flat washer [D.8 UNI 6592 ZC]
	34	W580304900	1	
	35	W570301812	1	
	36	3010354	2	Hex screw [M10X20 8.8 ZC UNI 5739]

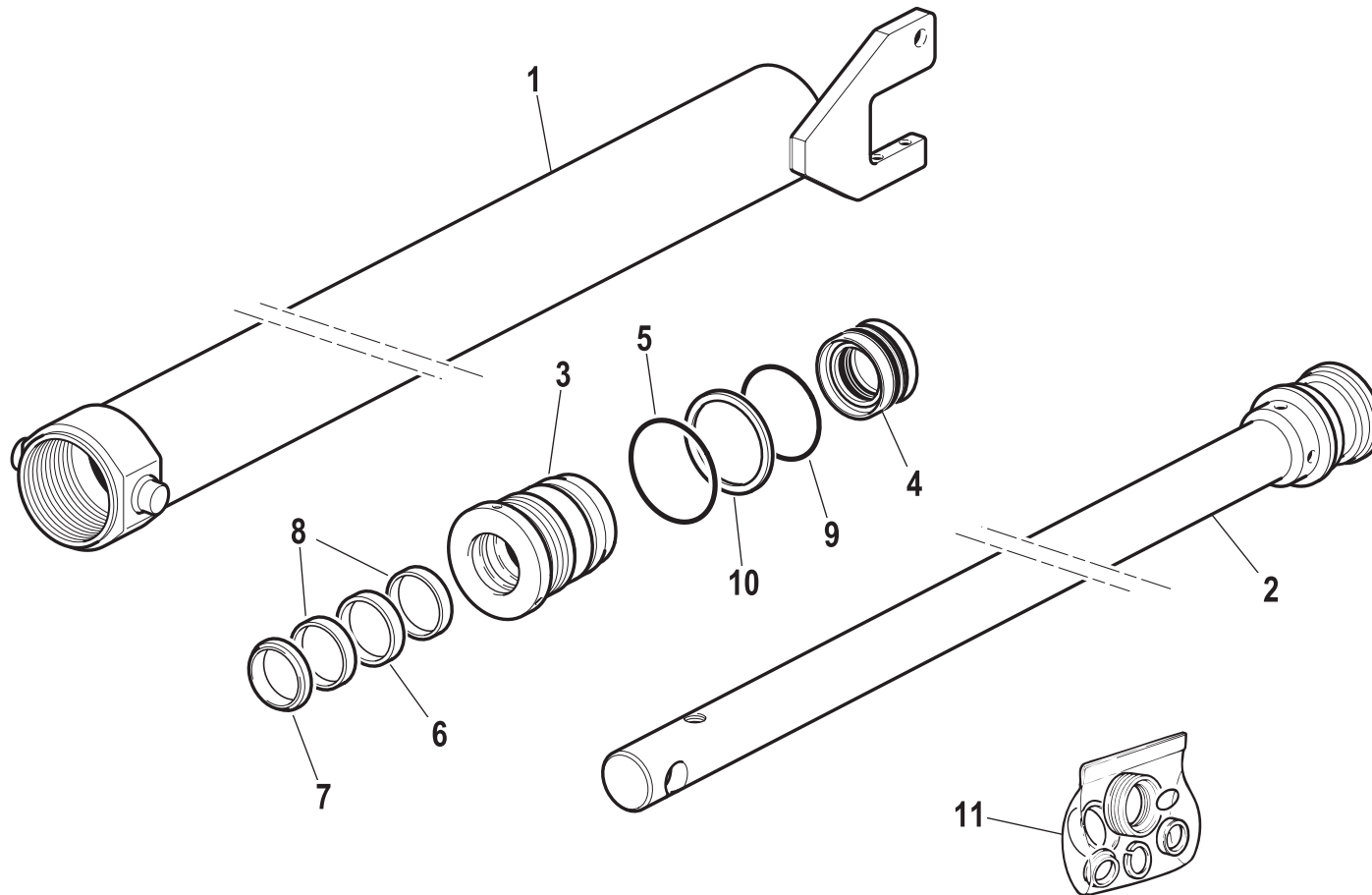
570353200-1.2

3rd extension Hydraulic jack

Code

W570350100-1.0

1/1



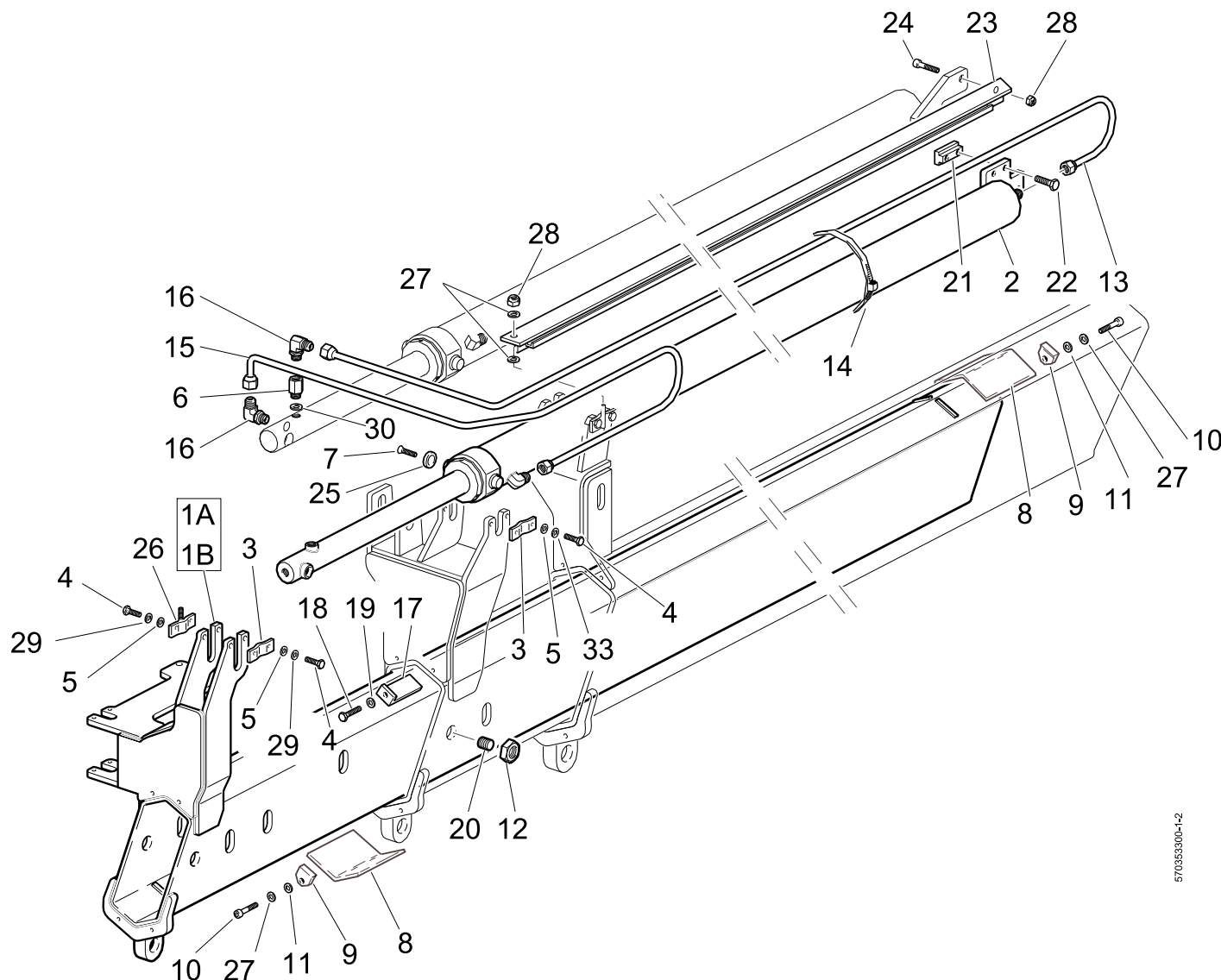
R	Pos.	Code Variant	Q.ty	Description
	1	W560301600	1	
	2	W560305100	1	
	3	W120097	1	
	4	W359017	1	
	5	W360096	1	
	6	W358036	1	
	7	W361016	1	
	8	W305004	2	
	9	W360087	1	
	10	W304027	1	
	11	W365121	1	

4th EXTENSION

Code

W570353300-1.2

1/2



R	Pos.	Code Variant	Q.ty	Description
	1 A	W570301900	1	
	1 B	W570302000	1	
	2	W560350400	1	
	3	W440303000	4	
	4	3010337	8	Hex screw [M8X16 8.8 ZC UNI 5739]
	5	3060055	8	Split lock washer [D=8.4 C72 ZC]
	6	3110112	1	Straight pipe fitting
	7	3020436	2	TSEI screw [M6X10 ZC UNI 5933]
	8	W580304900	2	
	9	W610307500	4	
	10	3020080	4	Socket head cap screw [M10X16 12.9 ZC UNI 5931]
	11	3060170	4	Schnorr washer [D.10 UNI 3545]
	12	3040251	2	Lock nut [M24 8.G basso UNI 5589]
	13	W570300700	1	
	14	3190023	1	Clamp
	15	W570300800	1	
	16	3101127	2	90° Connection
	17	W560304500	2	
	18	3020034	2	Socket head cap screw [M6X16 8.8 ZC UNI 5931]
	19	3060005	2	Flat washer [D.6.4 UNI 6592 ZC]

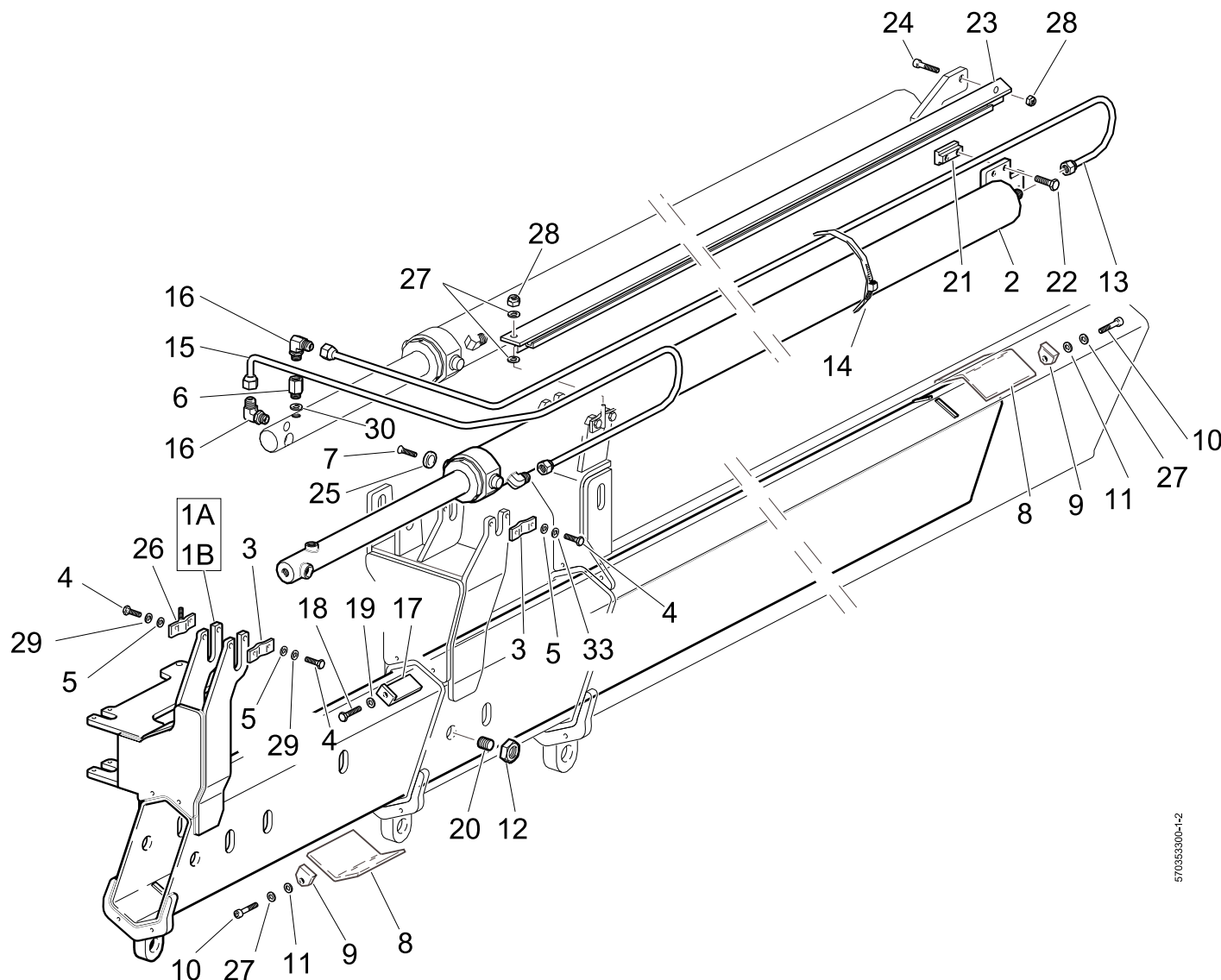
570353300-1.2

4th EXTENSION

Code

W570353300-1.2

2/2



R	Pos.	Code Variant	Q.ty	Description
	20	W061333	2	Adjusting screw
	21	W430303800	1	
	22	3010339	2	Hex screw [M8X25 8.8 ZC IF UNI 5739]
	23	W560304100	1	
	24	3020071	1	Socket head cap screw [M10X30 ZC UNI 5931]
	25	W560304400	2	
	26	W560303900	1	
	27	3060914	6	Flat washer [D.10.5X21X2 UNI 6592 ZC]
	28	3040335	2	Stopnut
	29	3060006	4	Flat washer [D.8 UNI 6592 ZC]
	30	3060144	1	Sealing washer [BSP 3/8"]

570353300-1.2

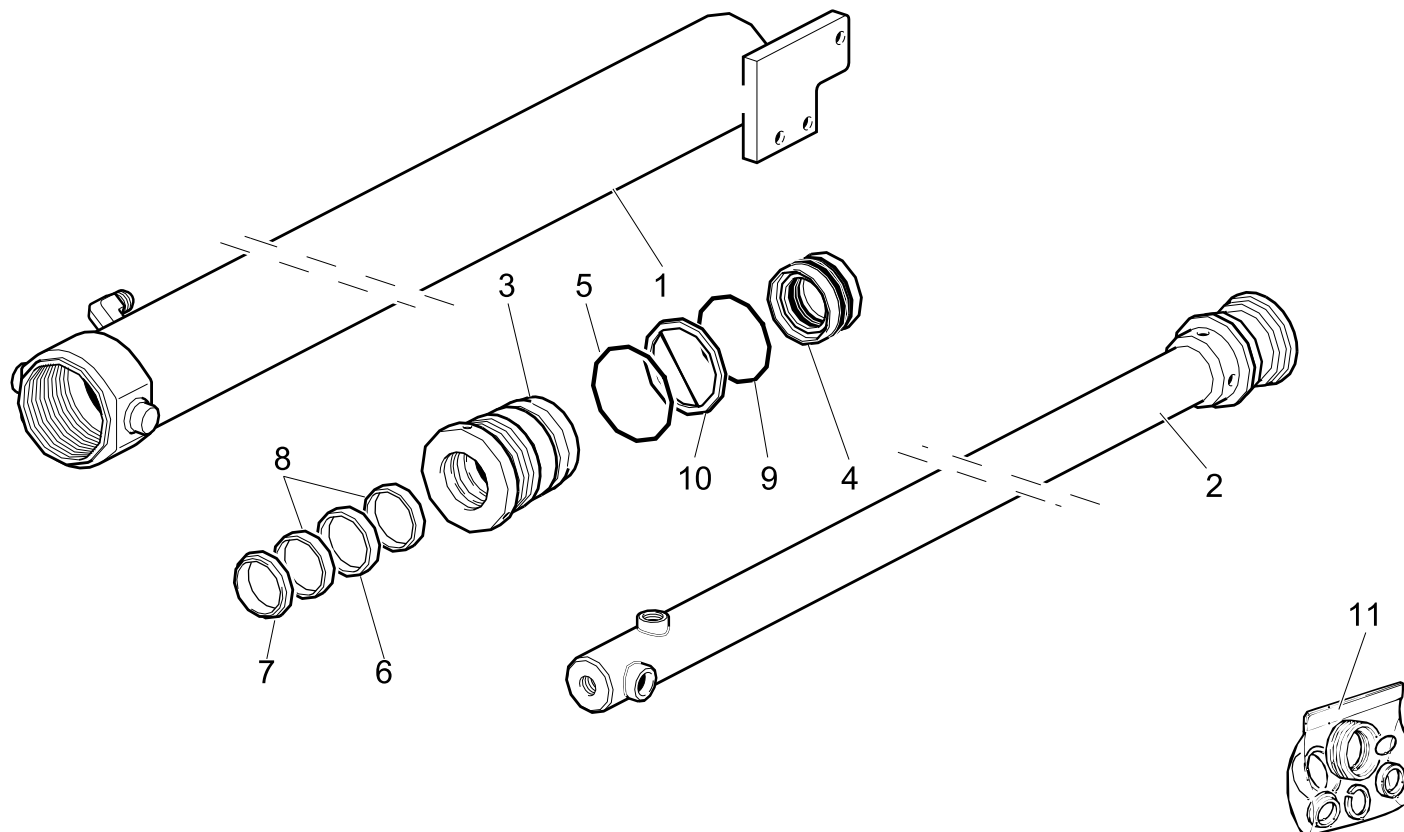
4th extension Hydraulic jack

Code

W560350400-2.0

1/1

R	Pos.	Code Variant	Q.ty	Description
	1	W560301700	1	
	2	W560301800	1	
	3	W120082	1	
	4	W359016	1	Seal
	5	W360099	1	
	6	W358021	1	
	7	W361014	1	
	8	W305014	2	
	9	W360024	1	O-ring joint
	10	W304015	1	Anti-extrusion ring
	11	W365099	1	

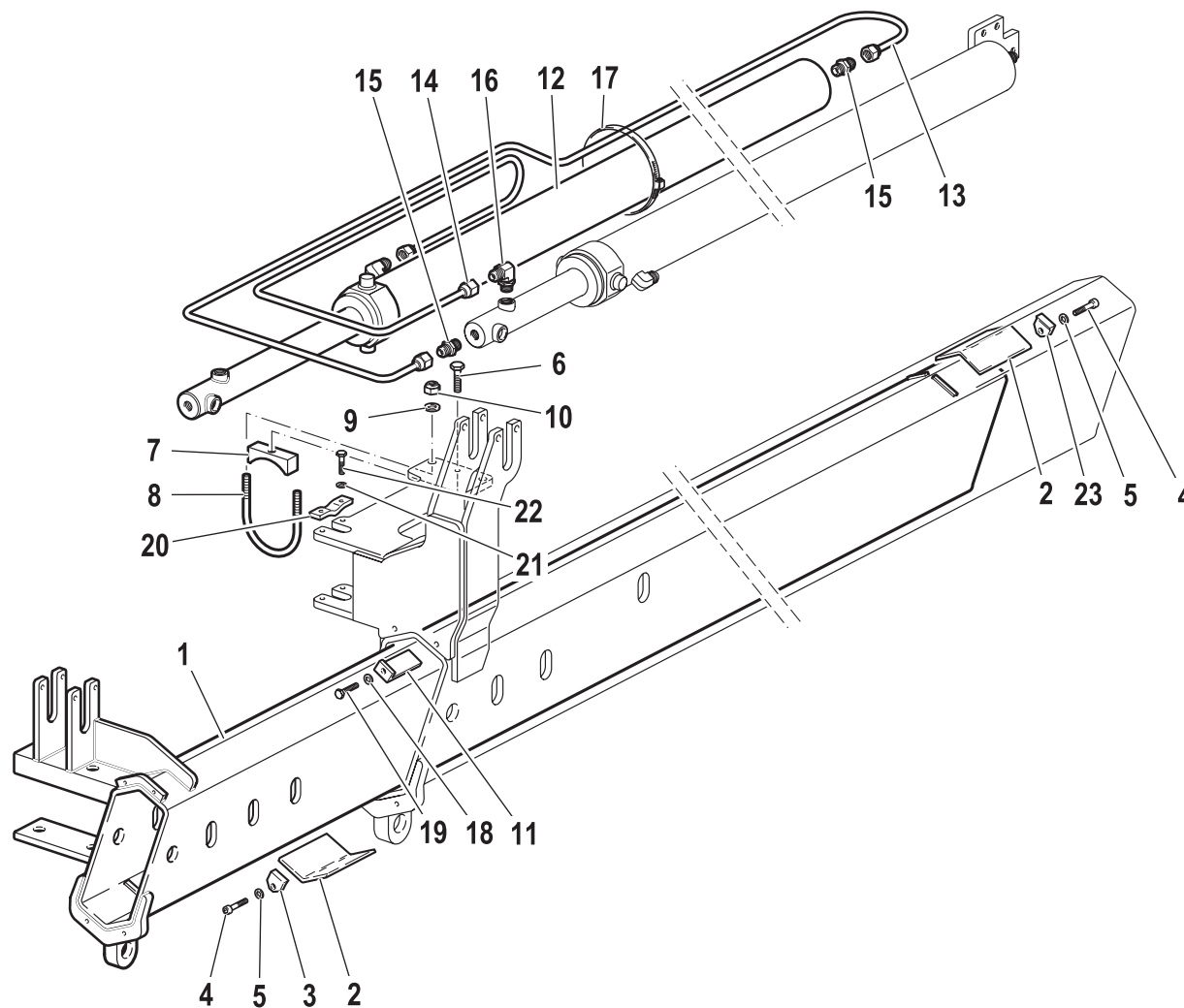


5th EXTENSION

Code

W570353400-1.1

1/2



R	Pos.	Code Variant	Q.ty	Description
	1	W570302100	1	
	2	W570302400	2	
	3	W610307500	2	
	4	3020082	4	Socketed head cap screw [M10X25 12.9 ZC UNI 5931]
	5	3060170	4	Schnorr washer [D.10 UNI 3545]
	6	3010325	2	Hex screw [M6X16 8.8 ZC UNI 5739]
	7	W440306500	4	
	8	W599702	4	
	9	3060006	4	Flat washer [D.8 UNI 6592 ZC]
	10	3040524	2	Stopnut
	11	W560304500	2	
	12	W560350500	1	
	13	W570300900	1	
	14	W570301000	1	
	15	3101043	2	Straight pipe fitting
	16	3101127	1	90° Connection
	17	3190023	1	Clamp
	18	3060005	2	Flat washer [D.6.4 UNI 6592 ZC]
	19	3020034	2	Socketed head cap screw [M6X16 8.8 ZC UNI 5931]
	20	W440303000	2	

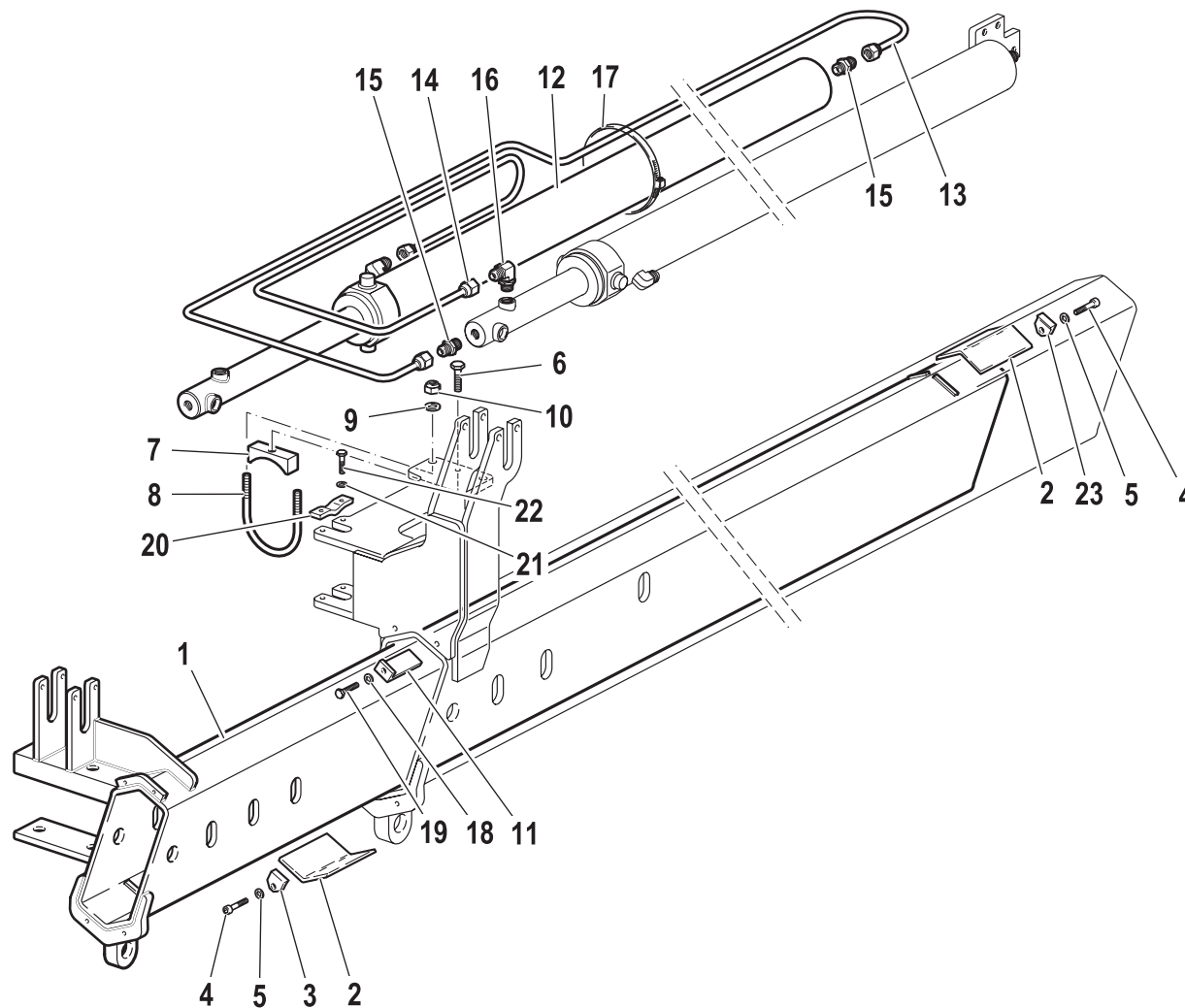
5th EXTENSION

Code

W570353400-1.1

2/2

R	Pos.	Code Variant	Q.ty	Description
	21	3060055	4	Split lock washer [D=8.4 C72 ZC]
	22	3010337	4	Hex screw [M8X16 8.8 ZC UNI 5739]
	23	W570302700	2	



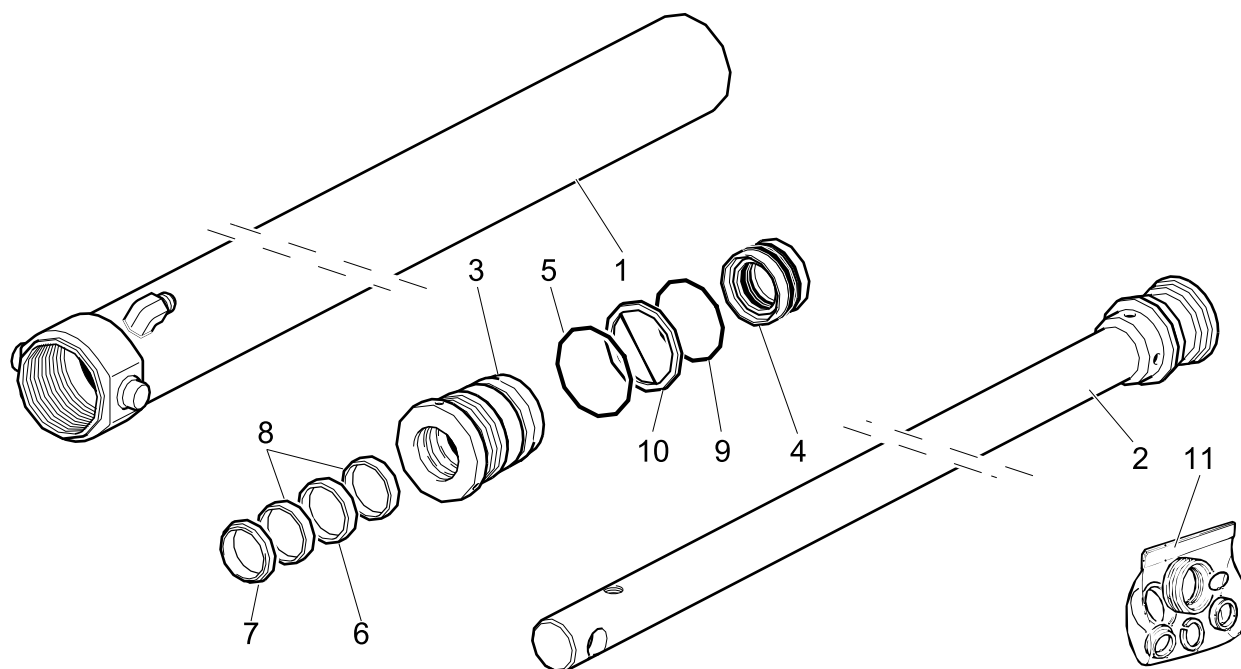
5th extension Hydraulic jack

Code

W560350500-2.0

1/1

R	Pos.	Code Variant	Q.ty	Description
	1	W560301900	1	
	2	W560302000	1	
	3	W120082	1	
	4	W359016	1	Seal
	5	W360099	1	
	6	W358021	1	
	7	W361014	1	
	8	W305014	2	
	9	W360024	1	O-ring joint
	10	W304015	1	Anti-extrusion ring
	11	W365099	1	

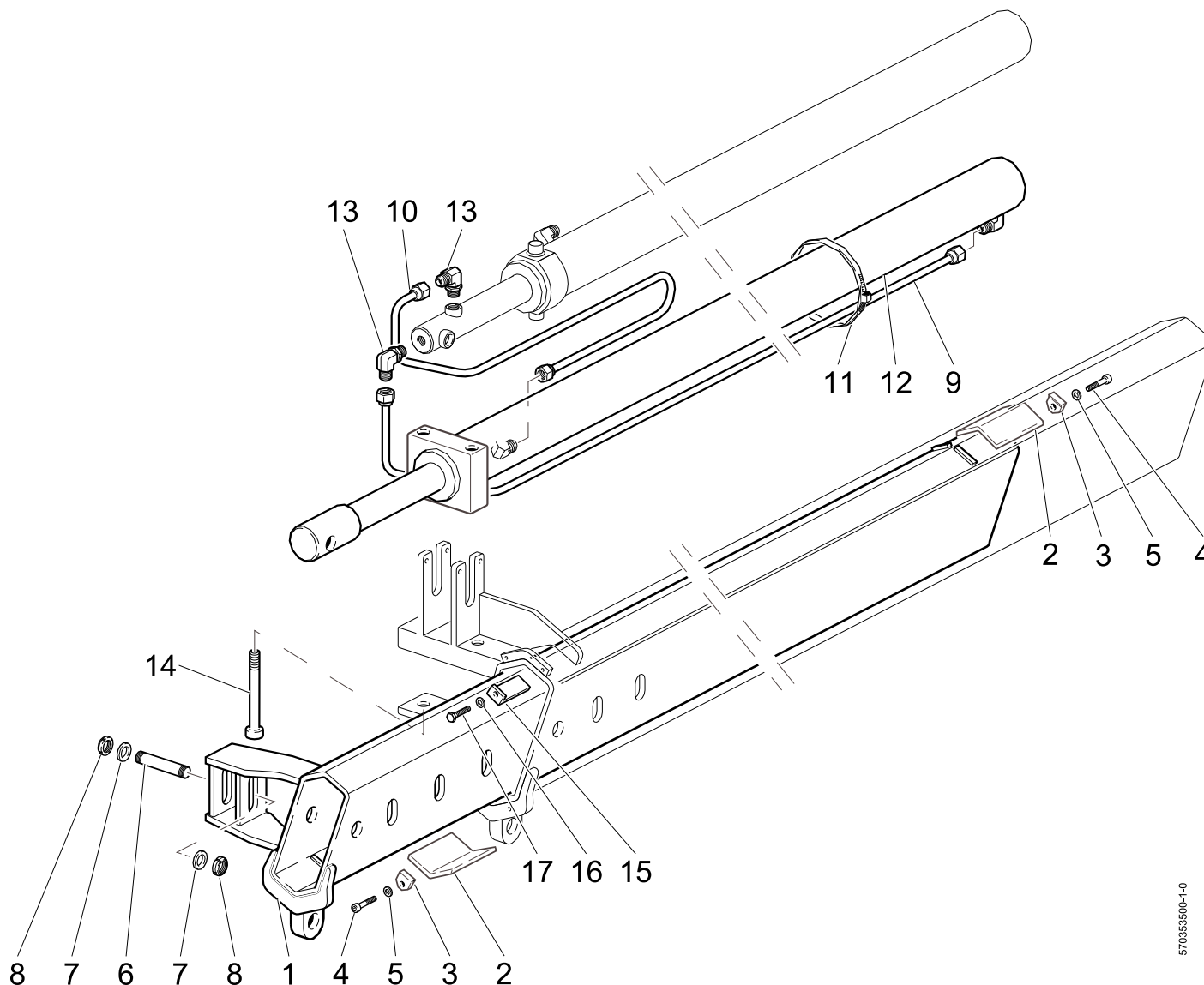


6th EXTENSION

Code

W570353500-1.1

1/1



R	Pos.	Code Variant	Q.ty	Description
	1	W570302200	1	
	2	W570302400	2	
	3	W570302700	4	
	4	3020082	4	Socket head cap screw [M10X25 12.9 ZC UNI 5931]
	5	3060170	4	Schnorr washer [D.10 UNI 3545]
	6	W101281	1	
	7	3060012	2	Flat washer [D.21X37X3 UNI 6592 ZC]
	8	3040309	2	Stopnut
	9	W570301100	1	
	10	W570302600	1	
	11	3190023	1	Clamp
	12	W560350600	1	
	13	3101127	2	90° Connection
	14	3020316	2	Socket head cap screw [M20X130 12.9 ZC UNI 5931]
	15	W560304500	2	
	16	3060005	2	Flat washer [D.6.4 UNI 6592 ZC]
	17	3020034	2	Socket head cap screw [M6X16 8.8 ZC UNI 5931]

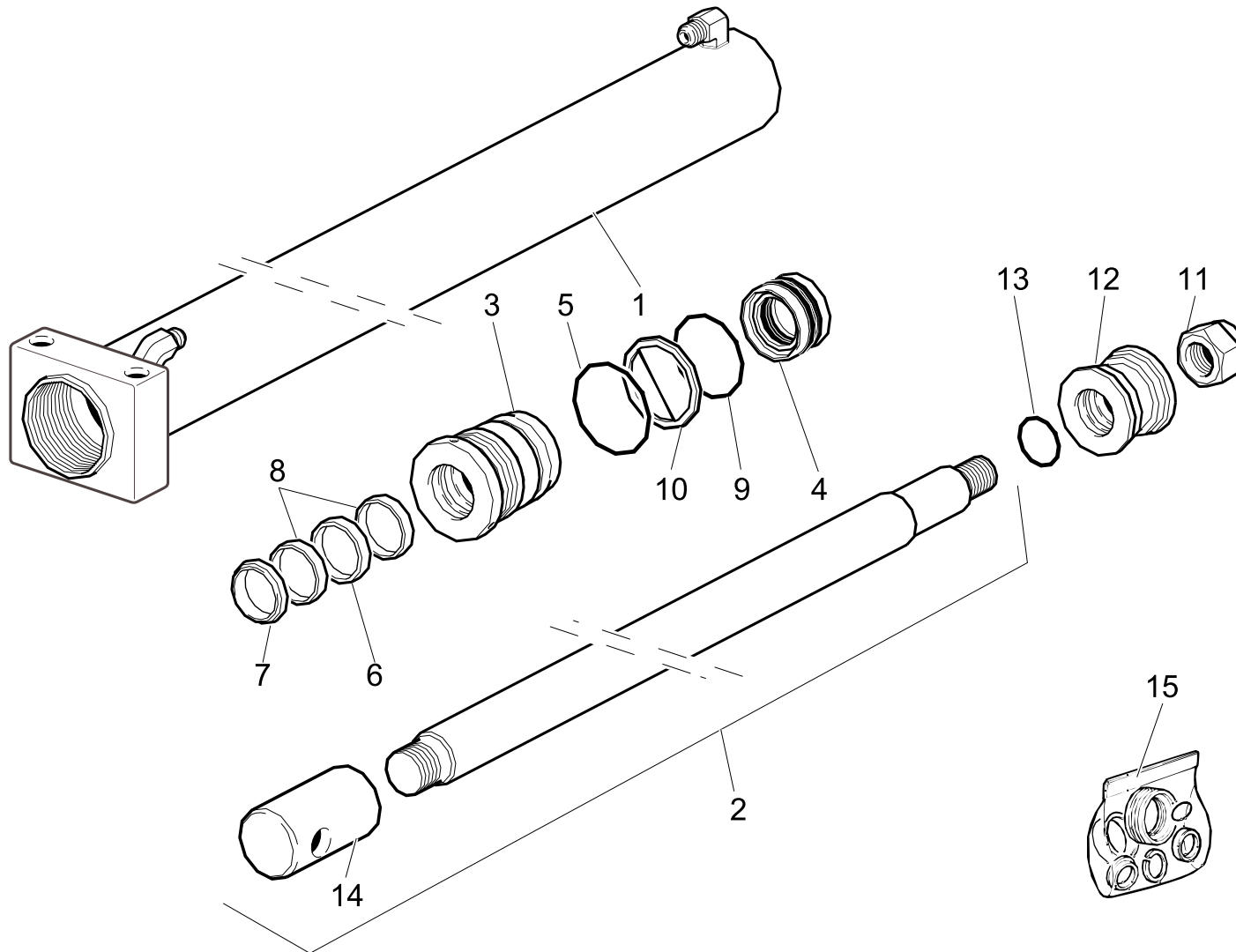
570353500-1-0

6th extension Hydraulic jack

Code

W560350600-2.0

1/1



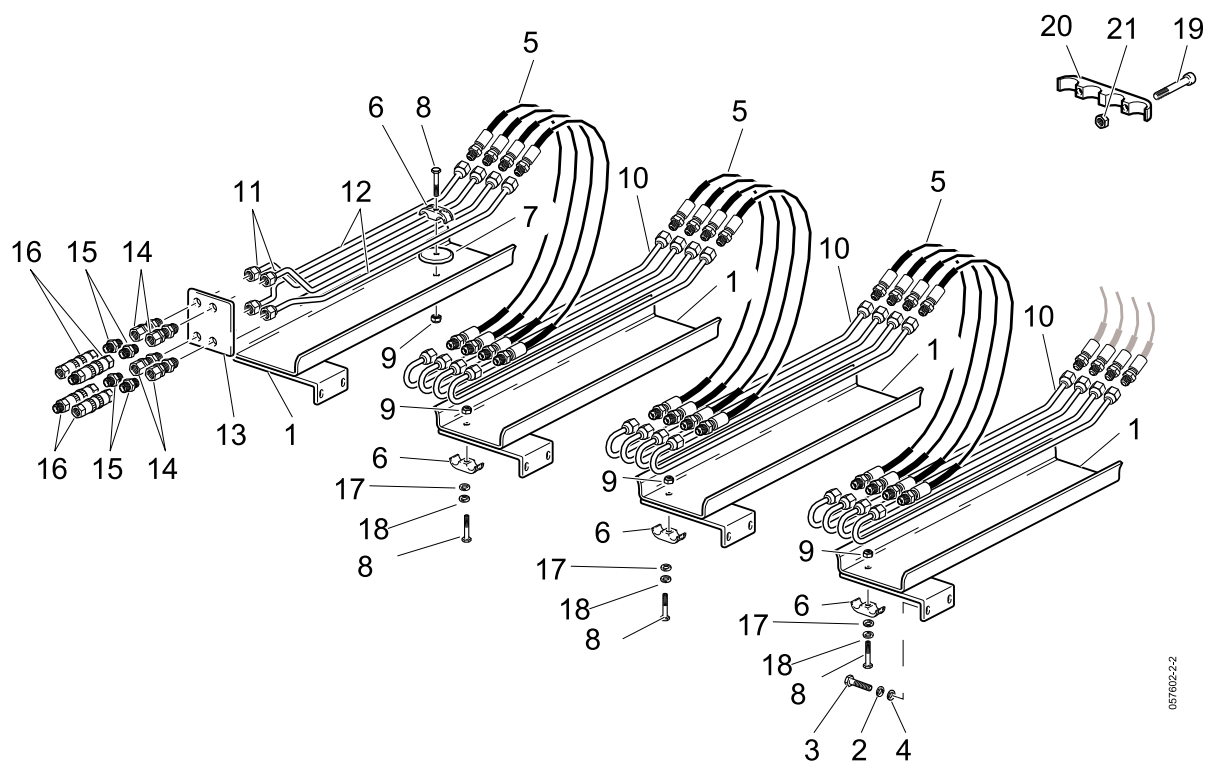
R	Pos.	Code Variant	Q.ty	Description
	1	W560302100	1	
	2	W560302200	1	
	3	W120083	1	
	4	W359015	1	
	5	W360095	1	
	6	W358002	1	
	7	W361012	1	
	8	W305003	2	
	9	W360023	1	
	10	W304003	1	
	11	3040322	1	Stopnut [M20 8.G basso UNI 7474]
	12	W105021	1	
	13	W360019	1	O-ring joint
	14	W560302202	1	
	15	W365100	1	

ACTUATIONS FOR 3S

Code

W057602-2.2

1/2



R	Pos.	Code Variant	Q.ty	Description
	1	W420606500	4	
	2	3060914	8	Flat washer [D.10.5X21X2 UNI 6592 ZC]
	3	3010356	8	Hex screw [M10X30 8.8 ZC UNI 5739]
	4	3060056	8	Split lock washer [D=10 C72 ZC]
	5	W456599	12	
	6	5000077	14	Clamp (Rigid Pipe)
	7	W340501400	2	Support (Clamp)
	8	3010032	14	Hex screw [M8X45 8.8 ZC UNI 5737]
	9	3040524	14	Stopnut
	10	W440500700	12	
	11	W580500700	2	Bonderized tube
	12	W580500800	2	
	13	W440501100	1	
	14	3120402	4	Wall-through pipe fitting
	15	3110249	4	Straight pipe fitting
	16	3110420	4	Quick coupling
	17	3060029	14	Flat washer [D.8.5X24 UNI 6593 ZC]
	18	3060918	14	Tooth lock washer [D.8 TIPO A UNI8842 ZC]
	19	3010016	12	Hex screw [M6X30 8.8 ZC UNI 5737]
	20	W560304300	12	

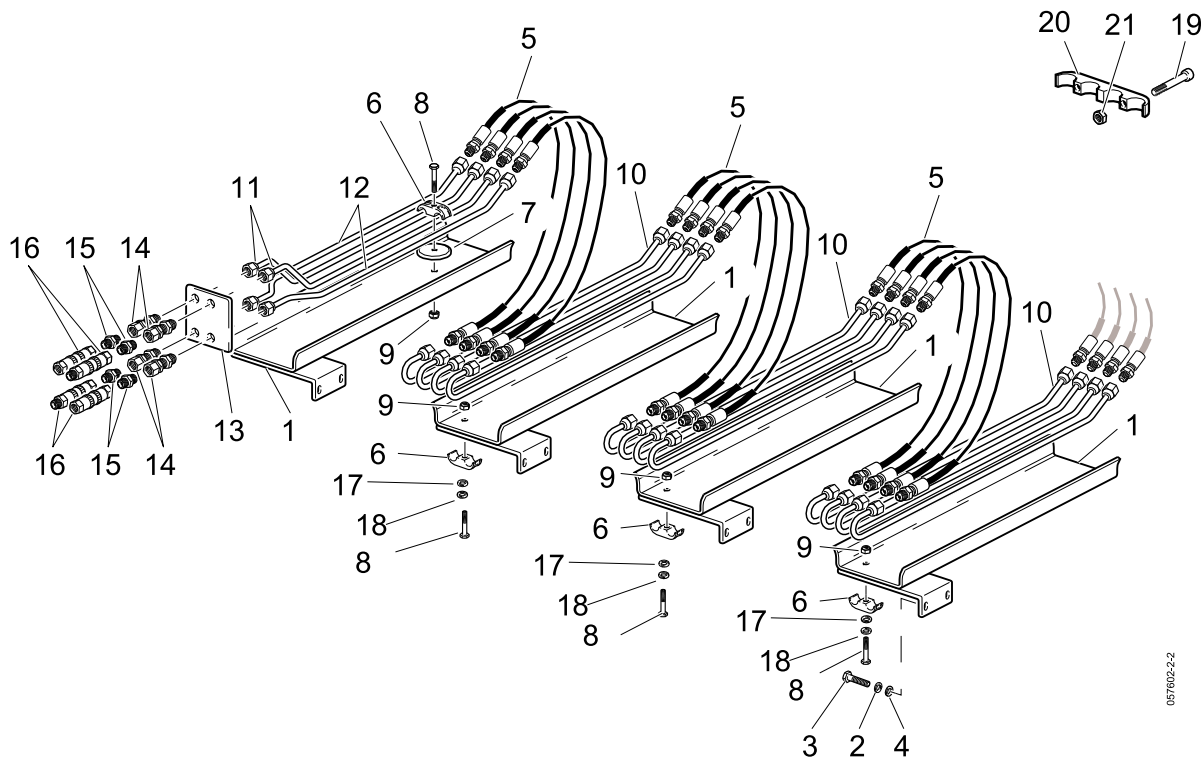
ACTUATIONS FOR 3S

Code

W057602-2.2

2/2

R	Pos.	Code Variant	Q.ty	Description
	21	3040372	12	Stopnut



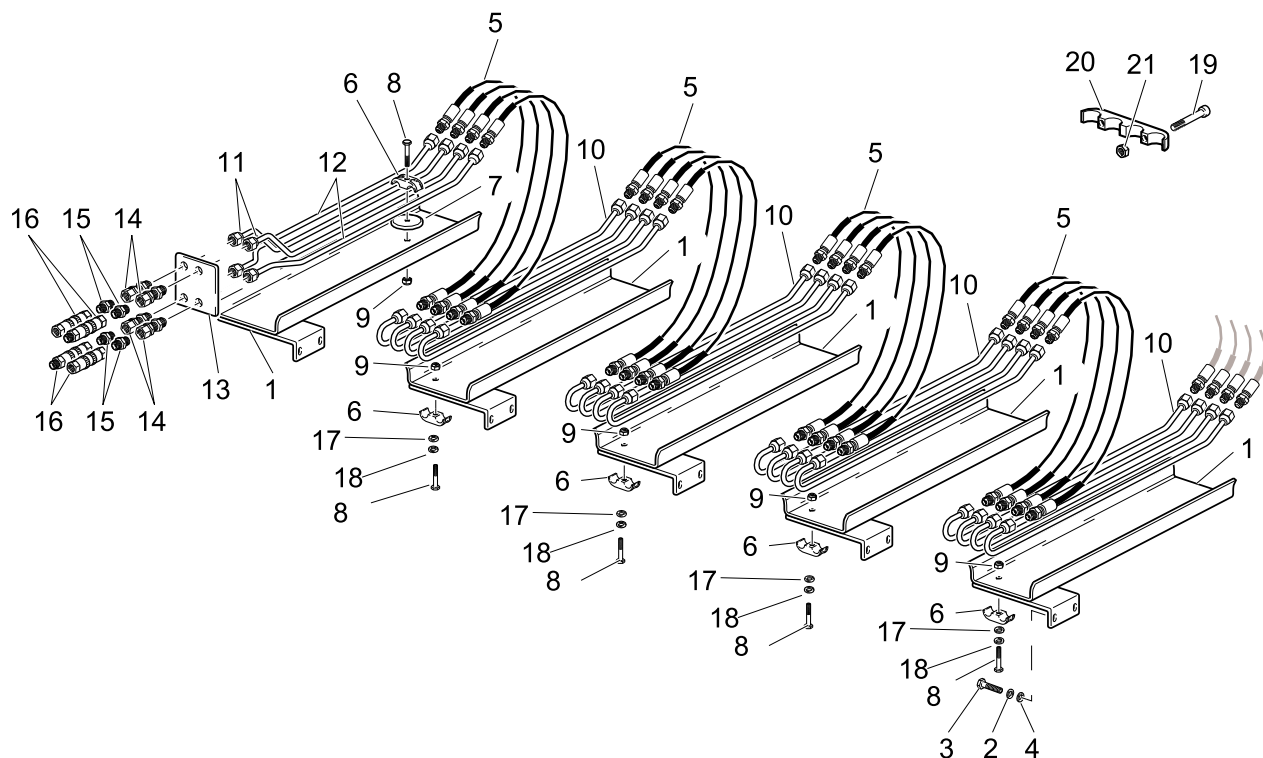
057602-2.2

ACTUATIONS FOR 4S

Code

W057604-1.0

1/2



R	Pos.	Code Variant	Q.ty	Description
	1	W420606500	5	
	2	3060914	10	Flat washer [D.10.5X21X2 UNI 6592 ZC]
	3	3010356	10	Hex screw [M10X30 8.8 ZC UNI 5739]
	4	3060056	10	Split lock washer [D=10 C72 ZC]
	5	W456599	16	
	6	5000077	22	Clamp (Rigid Pipe)
	7	W340501400	2	Support (Clamp)
	8	3010032	22	Hex screw [M8X45 8.8 ZC UNI 5737]
	9	3040524	22	Stopnut
	10	W440500700	16	
	11	W580500700	2	Bonderized tube
	12	W580500800	2	
	13	W440501100	1	
	14	3120402	4	Wall-through pipe fitting
	15	3110249	4	Straight pipe fitting
	16	3110420	4	Quick coupling
	17	3060029	22	Flat washer [D.8.5X24 UNI 6593 ZC]
	18	3060918	22	Tooth lock washer [D.8 TIPO A UNI8842 ZC]
	19	3010016	16	Hex screw [M6X30 8.8 ZC UNI 5737]
	20	W560304300	16	

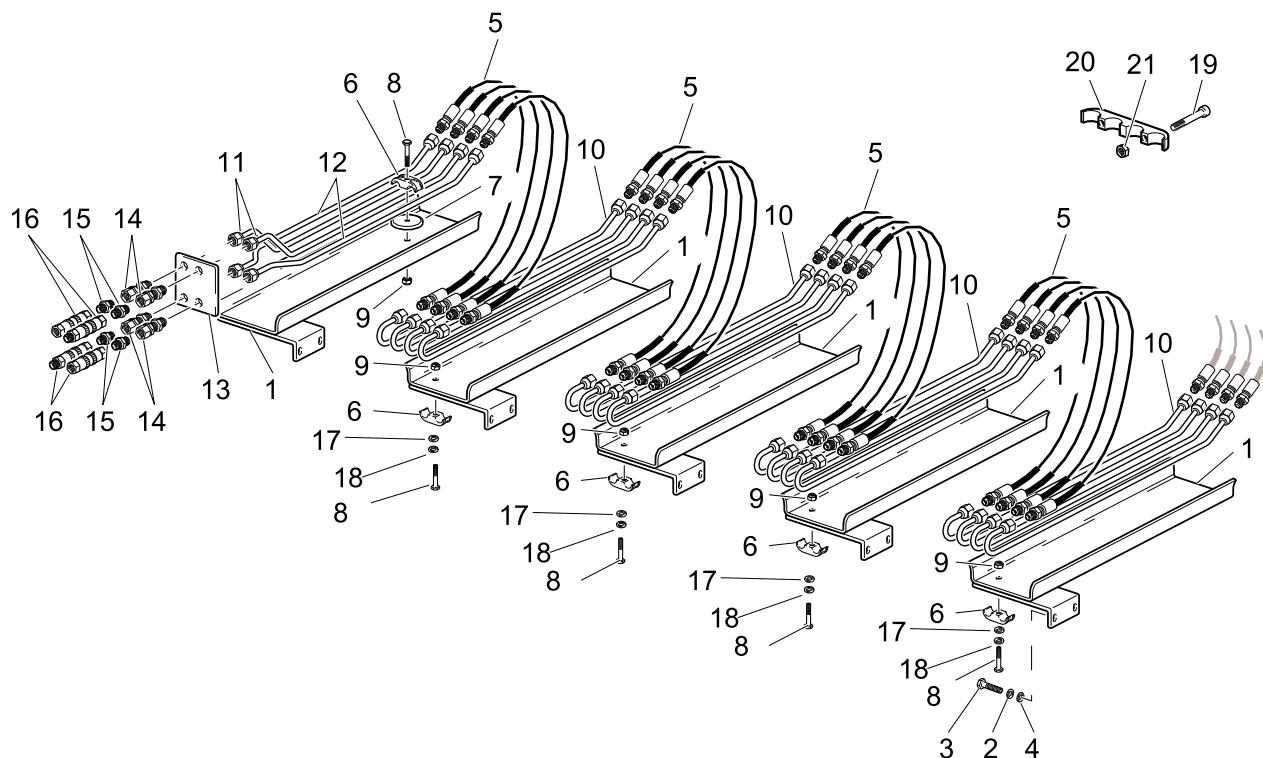
ACTUATIONS FOR 4S

Code

W057604-1.0

2/2

R	Pos.	Code Variant	Q.ty	Description
	21	3040372	16	Stopnut



057602-2

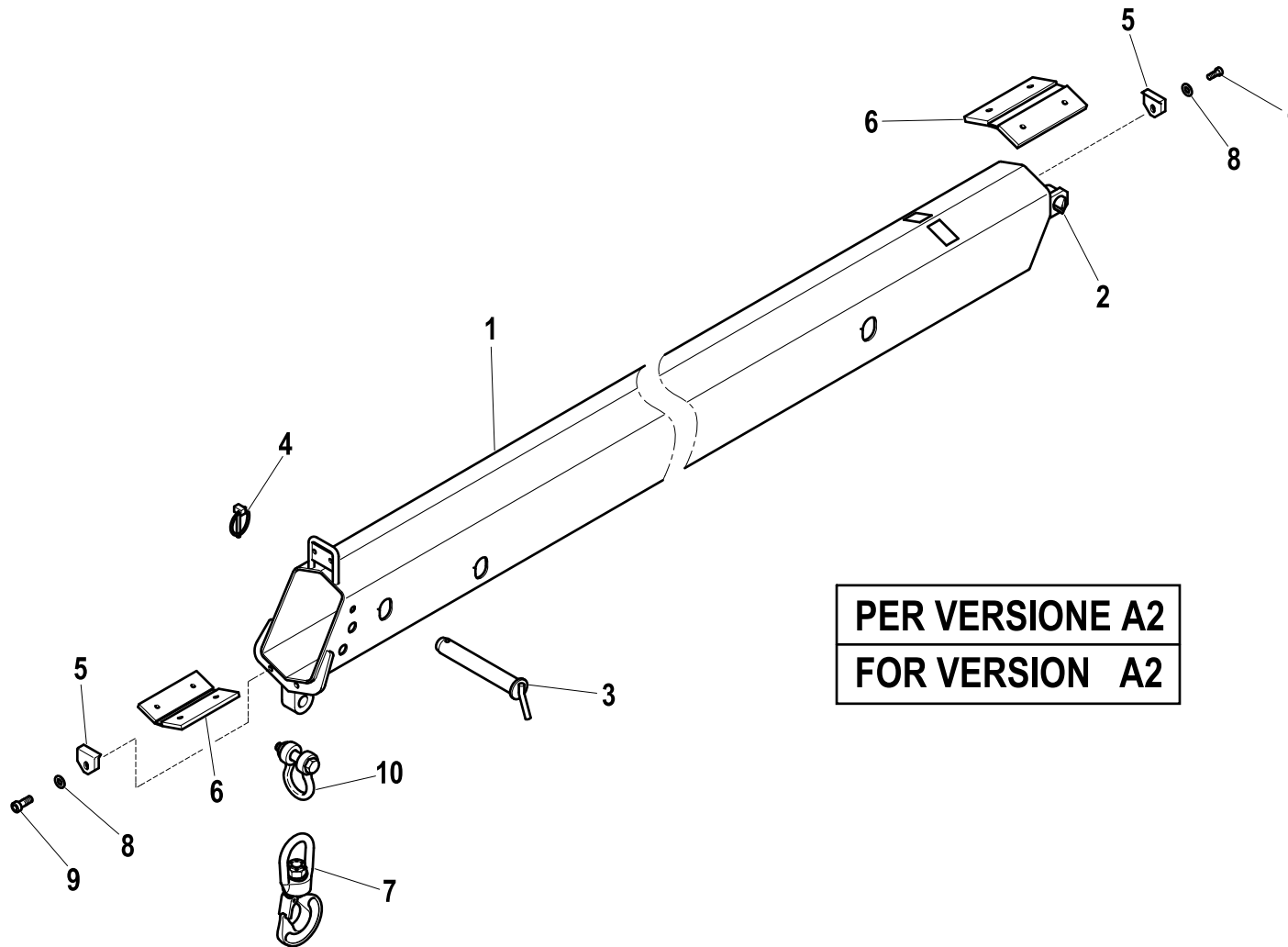
MANUAL EXTENSION (1st)

Code

W7800079-1.0

1/1

R	Pos.	Code Variant	Q.ty	Description
	1	W570302800	1	
	2	W270350700	1	
	3	W330304400	1	
	4	3060753	1	Cotter pin (Locking ring)
	5	W610307500	4	
	6	W610307400	2	
	7	W599011	1	
	8	3060170	4	Schnorr washer [D.10 UNI 3545]
	9	3020080	4	Socketed head cap screw [M10X16 12.9 ZC UNI 5931]
	10	3200067	1	Shackles



PER VERSIONE A2
FOR VERSION A2

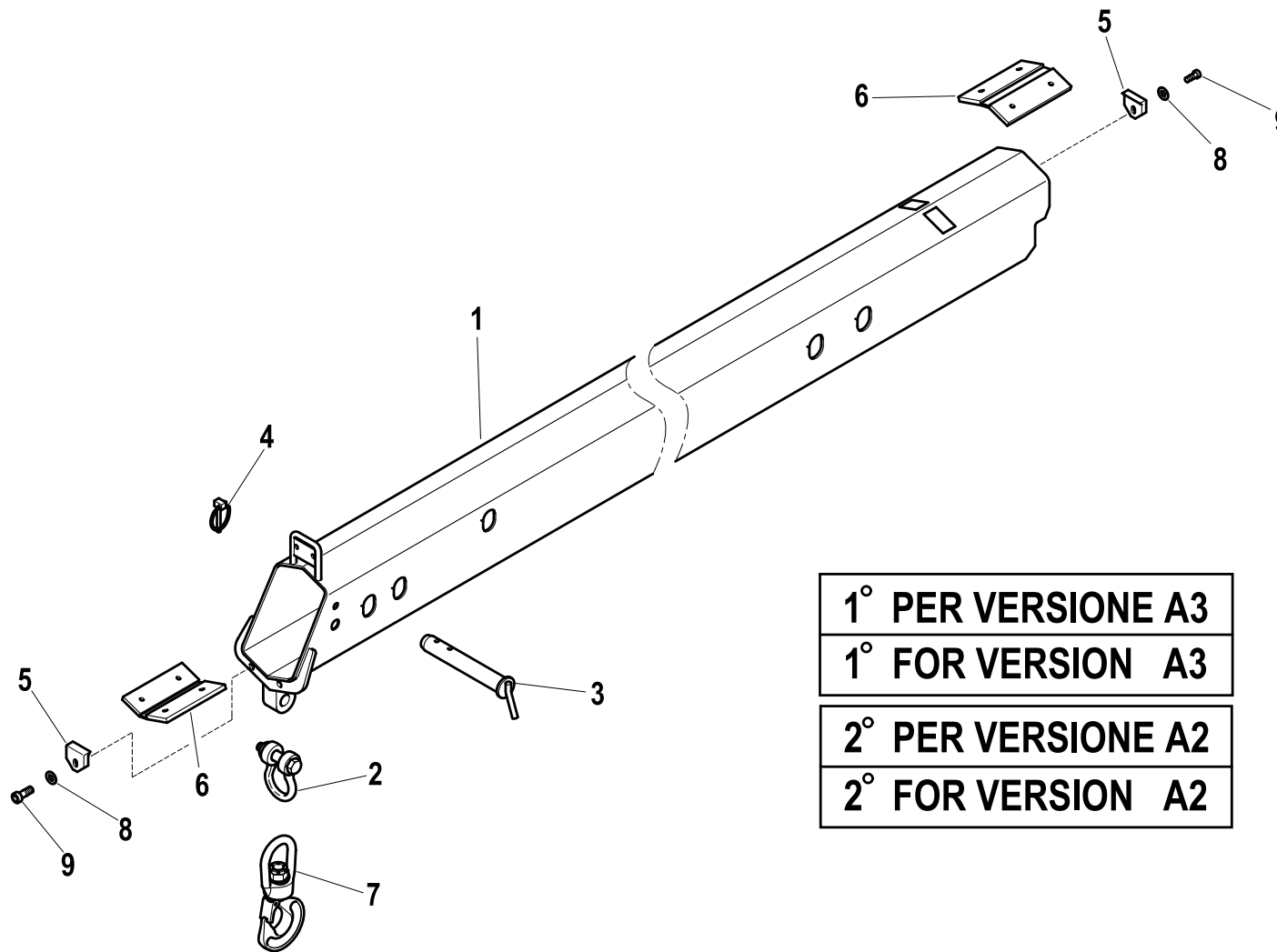
MANUAL EXTENSION

Code

W7800080-1.0

1/1

R	Pos.	Code Variant	Q.ty	Description
	1	W570302900	1	
	2	3200067	1	Shackles
	3	W101289	1	
	4	3060753	1	Cotter pin (Locking ring)
	5	W610307500	4	
	6	W580304900	2	
	7	W599011	1	
	8	3060170	4	Schnorr washer [D.10 UNI 3545]
	9	3020080	4	Socket head cap screw [M10X16 12.9 ZC UNI 5931]



1° PER VERSIONE A3
1° FOR VERSION A3
2° PER VERSIONE A2
2° FOR VERSION A2

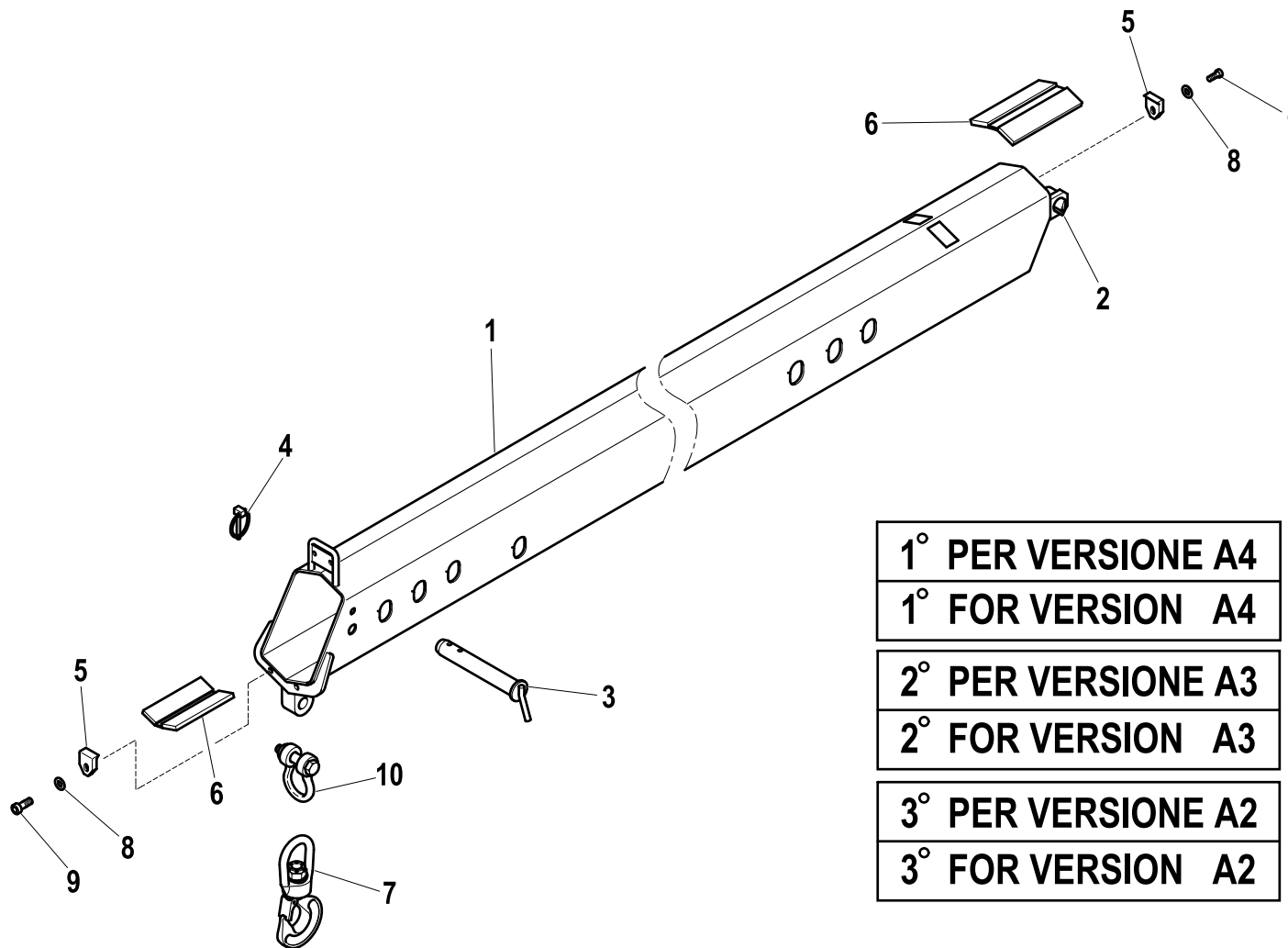
MANUAL EXTENSION

Code

W7800050-1.0

1/1

R	Pos.	Code Variant	Q.ty	Description
	1	W570303000	1	
	2	W270350700	1	
	3	W101289	1	
	4	3060753	1	Cotter pin (Locking ring)
	5	W570302700	4	
	6	W570302400	2	
	7	W599011	1	
	8	3060170	4	Schnorr washer [D.10 UNI 3545]
	9	3020080	4	Socket head cap screw [M10X16 12.9 ZC UNI 5931]
	10	3200067	1	Shackles



- 1° PER VERSIONE A4
- 1° FOR VERSION A4
- 2° PER VERSIONE A3
- 2° FOR VERSION A3
- 3° PER VERSIONE A2
- 3° FOR VERSION A2

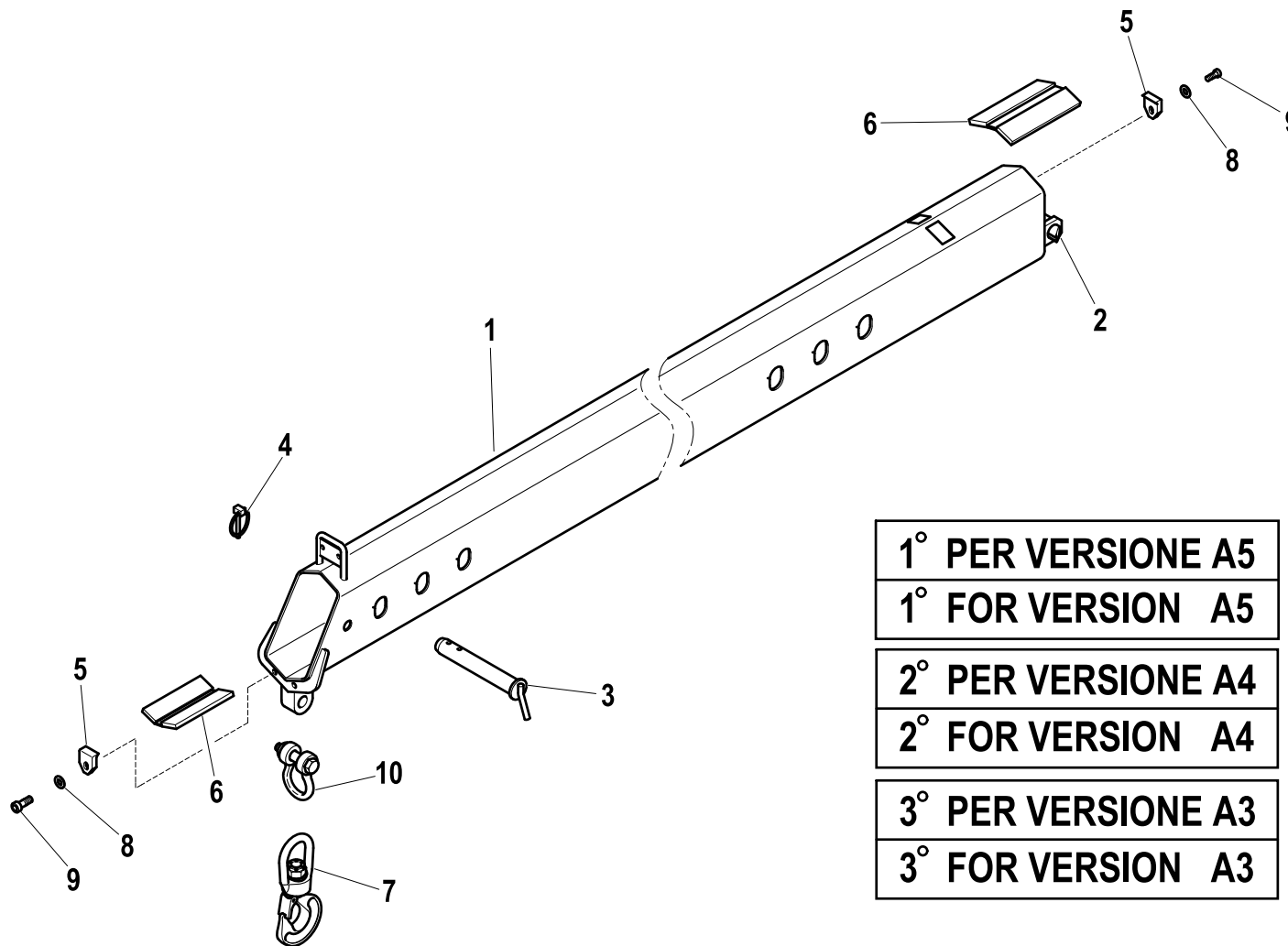
MANUAL EXTENSION

Code

W7800061-1.0

1/1

R	Pos.	Code Variant	Q.ty	Description
	1	W570303100	1	
	2	W270350700	1	
	3	W101289	1	
	4	3060753	1	Cotter pin (Locking ring)
	5	W570302700	4	
	6	W570302400	2	
	7	W599011	1	
	8	3060170	4	Schnorr washer [D.10 UNI 3545]
	9	3020080	4	Socket head cap screw [M10X16 12.9 ZC UNI 5931]
	10	3200067	1	Shackles



- 1° PER VERSIONE A5
- 1° FOR VERSION A5
- 2° PER VERSIONE A4
- 2° FOR VERSION A4
- 3° PER VERSIONE A3
- 3° FOR VERSION A3

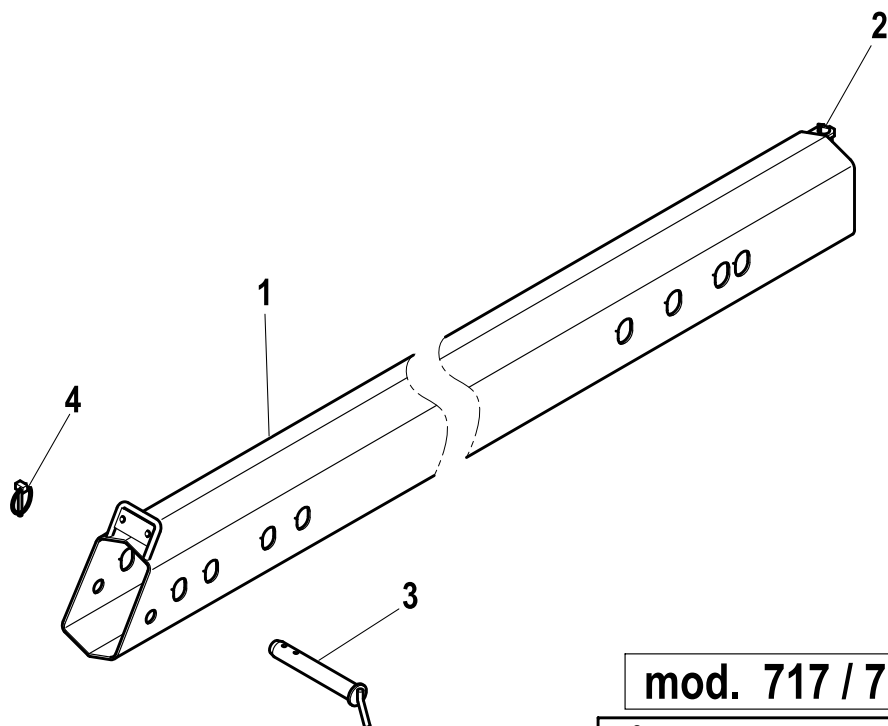
MANUAL EXTENSION

Code

W7800014-1.0

1/1

R	Pos.	Code Variant	Q.ty	Description
	1	W560302800	1	
	2	W360350300	1	
	3	W101289	1	
	4	3060757	1	Cotter pin (Locking ring)



mod. 717 / 719

1° PER VERSIONE A6

1° FOR VERSION A6

2° PER VERSIONE A5

2° FOR VERSION A5

3° PER VERSIONE A4

3° FOR VERSION A4

mod. 712 / 714

1° PER VERSIONE A5

1° FOR VERSION A5

2° PER VERSIONE A4

2° FOR VERSION A4

3° PER VERSIONE A3

3° FOR VERSION A3

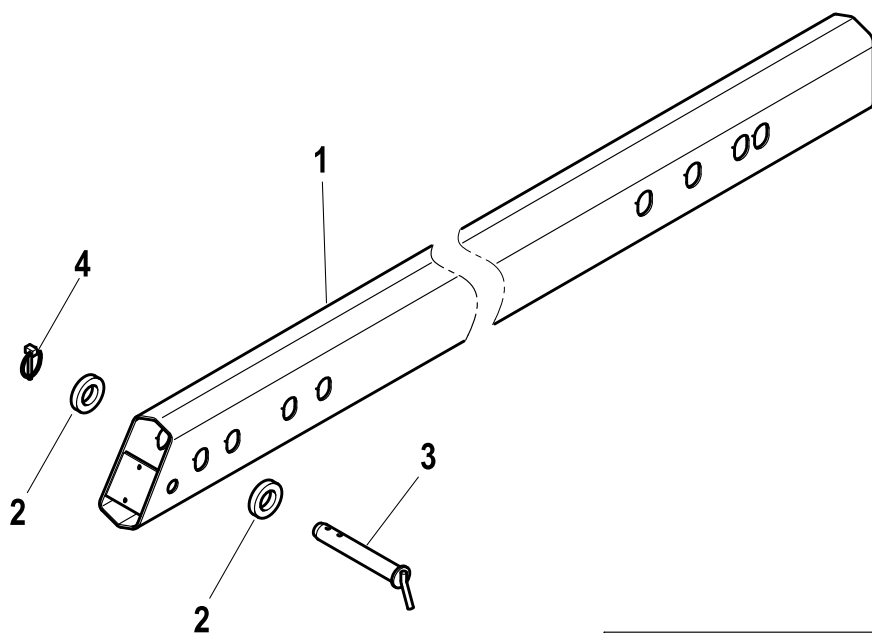
MANUAL EXTENSION

Code

W7800015-1.0

1/1

R	Pos.	Code Variant	Q.ty	Description
	1	W560302900	1	
	2	W320301500	2	
	3	W101289	1	
	4	3060757	1	Cotter pin (Locking ring)



mod. 717 / 719

2° PER VERSIONE A6

2° FOR VERSION A6

3° PER VERSIONE A5

3° FOR VERSION A5

mod. 712 / 714

2° PER VERSIONE A5

2° FOR VERSION A5

3° PER VERSIONE A4

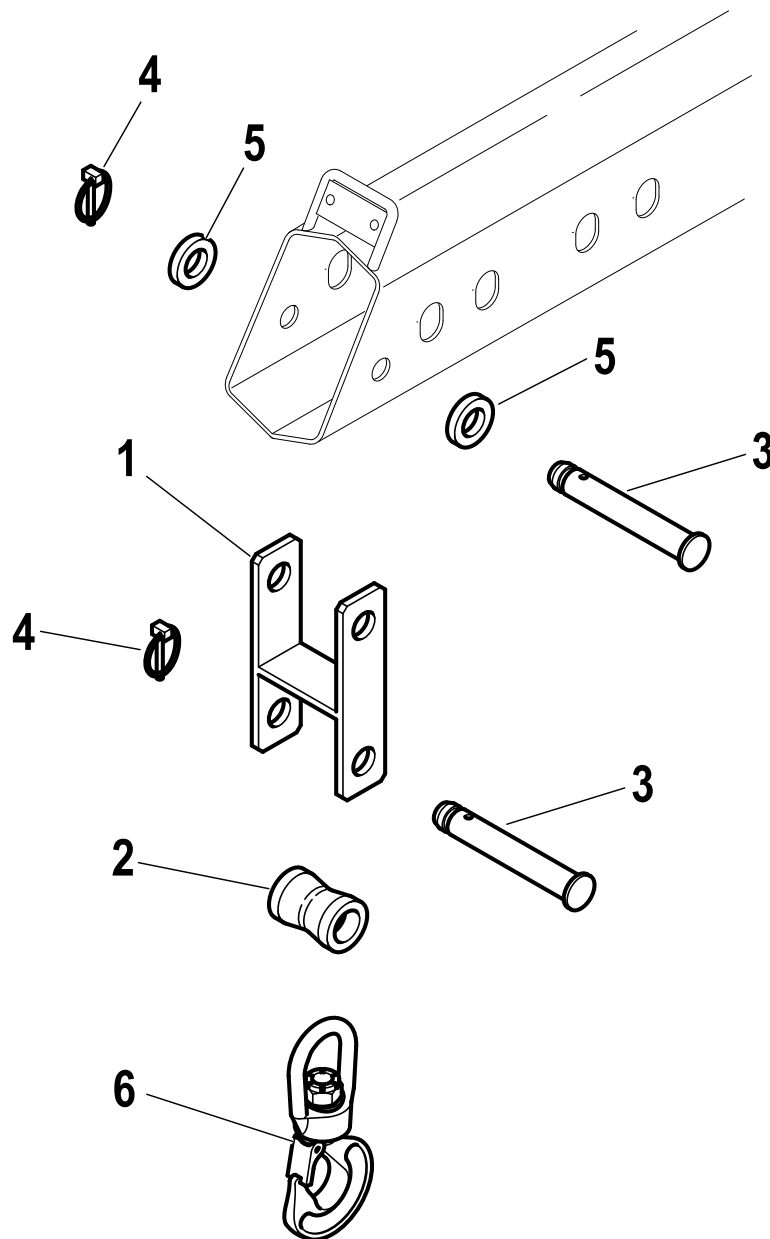
3° FOR VERSION A4

HOOK KIT (Manual extension)

Code

W560352100-1.0

1/1



R	Pos.	Code Variant	Q.ty	Description
	1	W560304600	1	
	2	W170304700	1	
	3	W101079	2	
	4	3060753	2	Cotter pin (Locking ring)
	5	W320301500	2	
	6	W599005	1	

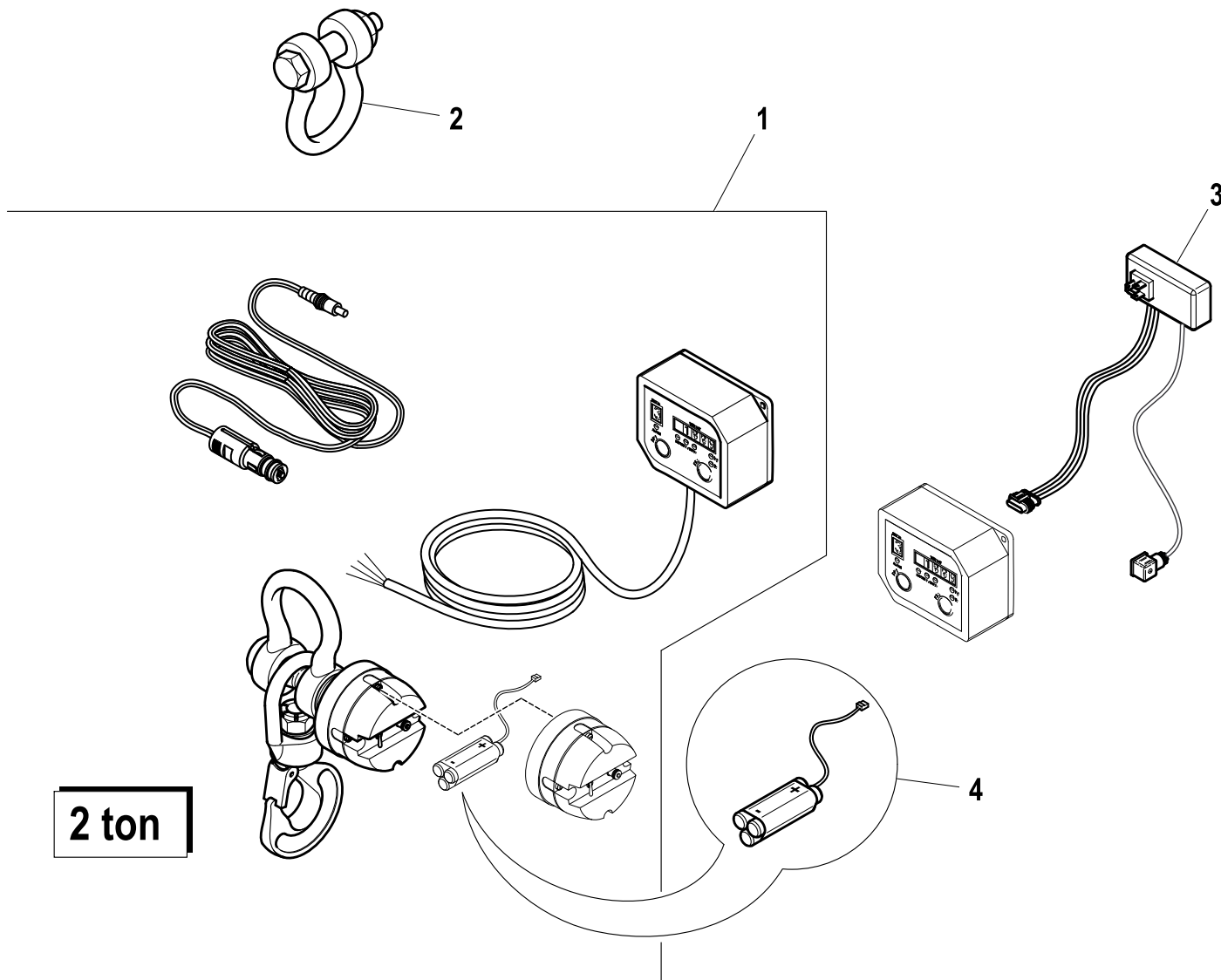
LOAD INDICATION SYSTEM (LIS/RLC)

Code

7881824-1.0

1/1

R	Pos.	Code Variant	Q.ty	Description
	1	5730506	1	
	2	3200050	1	Shackles
	3	W236510	1	
	4	3311542	1	





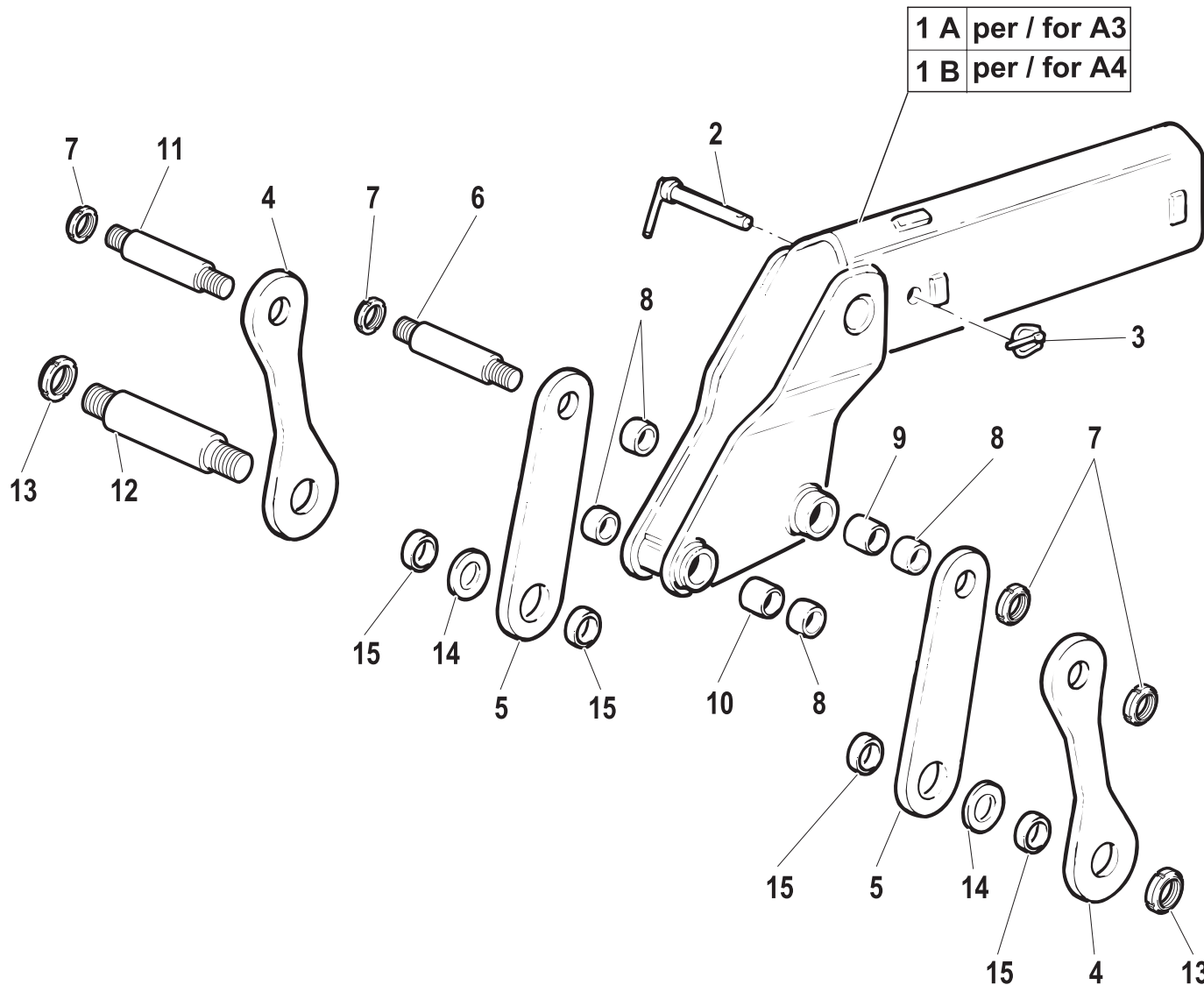
HC181 JIBA2 - JIBA3

CONNECTION AND CONNECTING ROD

Code

W057601-1.0

1/1



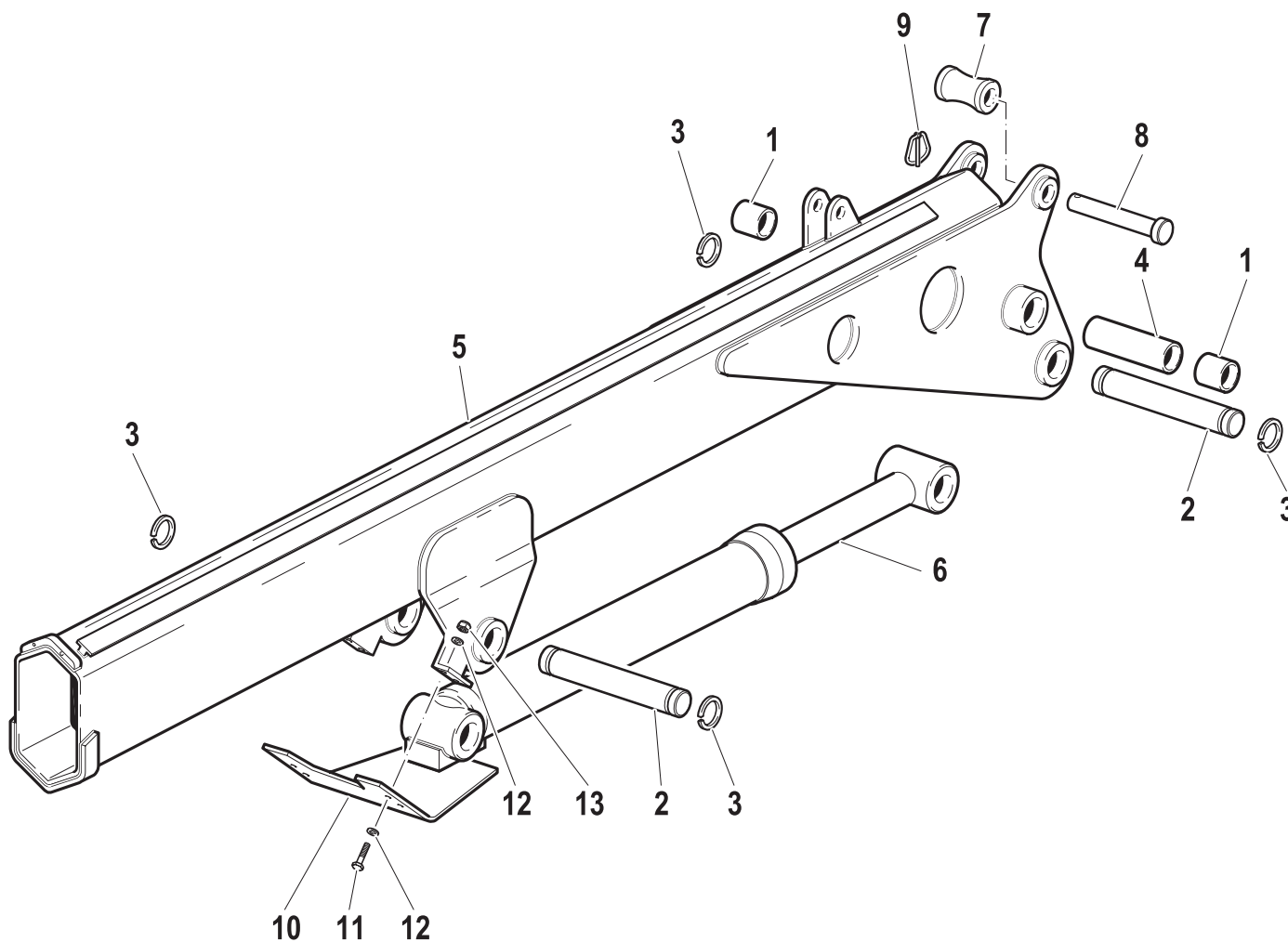
R	Pos.	Code Variant	Q.ty	Description
	1 A	W570600100	1	
	1 B	W570600300	1	
	2	W101289	1	
	3	3060757	1	Cotter pin (Locking ring)
	4	W580601200	2	
	5	W580601300	2	
	6	W101319	1	
	7	3040501	4	Self-locking ringnut
	8	5140123	4	
	9	W580601600	1	
	10	W580601400	1	
	11	W101318	1	
	12	W101320	1	
	13	3040506	2	Self-locking ringnut
	14	W440201300	2	
	15	5141058	4	

JIB ARM

Code

W057601-2.0

1/1



R	Pos.	Code Variant	Q.ty	Description
	1	5140123	2	
	2	W101209	2	
	3	3070210	4	Snap ring
	4	W580601500	1	
	5	W580602800	1	
	6	W580650600	1	
	7	W270303200	1	
	8	W101310	1	
	9	3060753	1	Cotter pin (Locking ring)
	10	W420609100	1	
	11	3010355	4	Hex screw [M10X25 8.8 ZC IF UNI 5739]
	12	3060914	8	Flat washer [D.10.5X21X2 UNI 6592 ZC]
	13	3040335	4	Stopnut

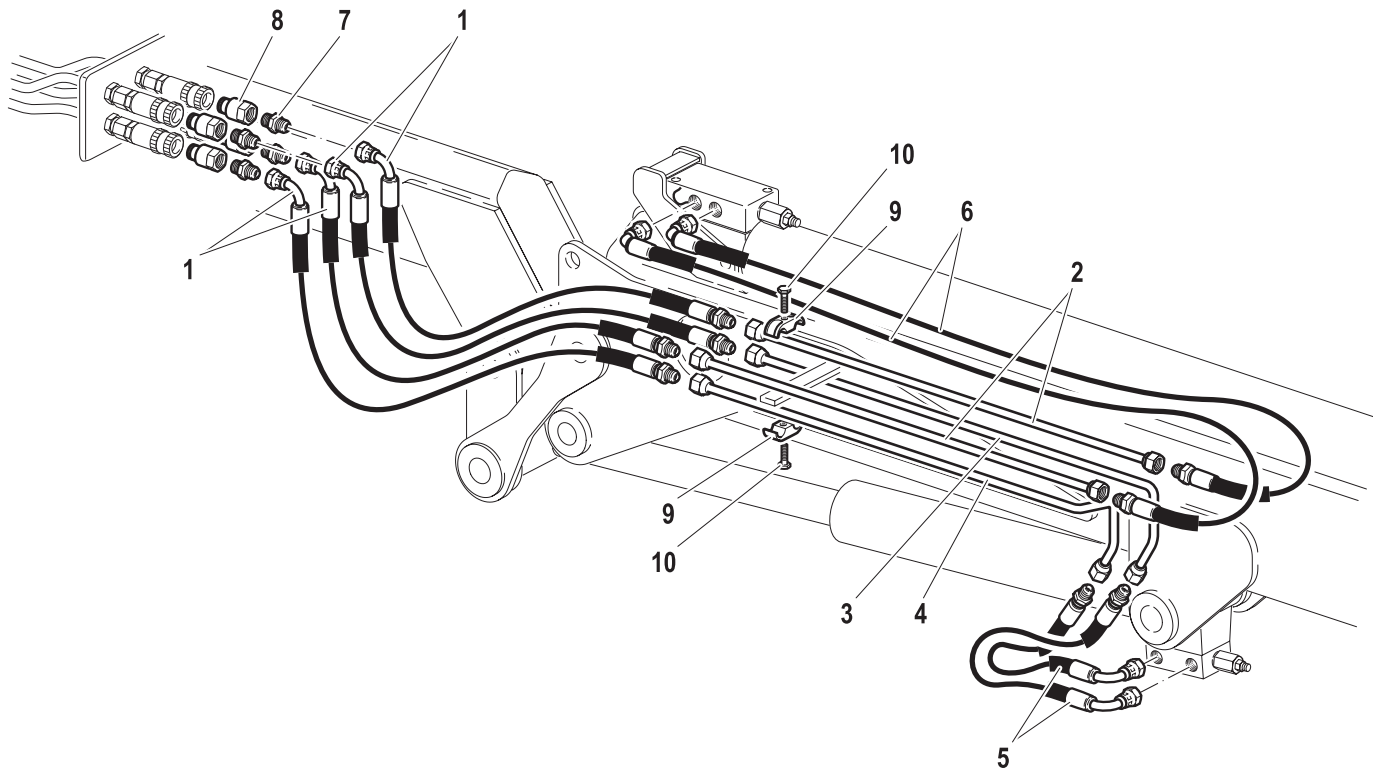
HYDRAULIC SYSTEM (ARTICULATION HYDRAULIC JACK)

Code

W057602-3.0

1/1

R	Pos.	Code Variant	Q.ty	Description
	1	W456409	4	
	2	W580602300	2	
	3	W580602400	1	
	4	W580602500	1	
	5	W456422	2	
	6	W456396	2	
	7	3101043	4	Straight pipe fitting
	8	3110420	4	Quick coupling
	9	5000077	6	Clamp (Rigid Pipe)
	10	3010339	6	Hex screw [M8X25 8.8 ZC IF UNI 5739]



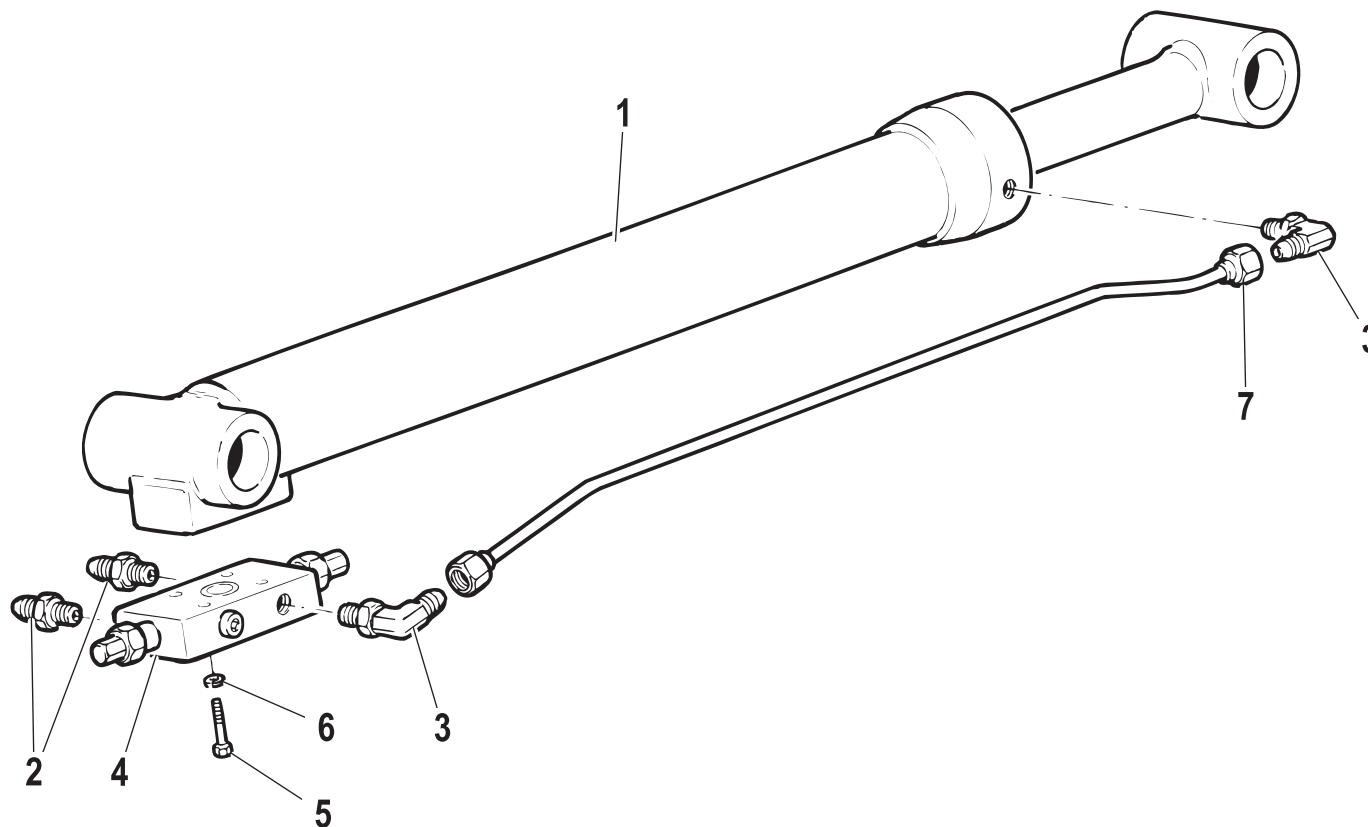
HYDRAULIC SYSTEM (Articulation Hydraulic jack)

Code

W580650600-1.0

1/1

R	Pos.	Code Variant	Q.ty	Description
	1	W580650500	1	
	2	3101043	2	Straight pipe fitting
	3	3101127	2	90° Connection
	4	5220548	1	Holding valve
	5	3010031	4	Hex screw [M8X40 8.8 ZC UNI 5737]
	6	3060055	4	Split lock washer [D=8.4 C72 ZC]
	7	W580602000	1	

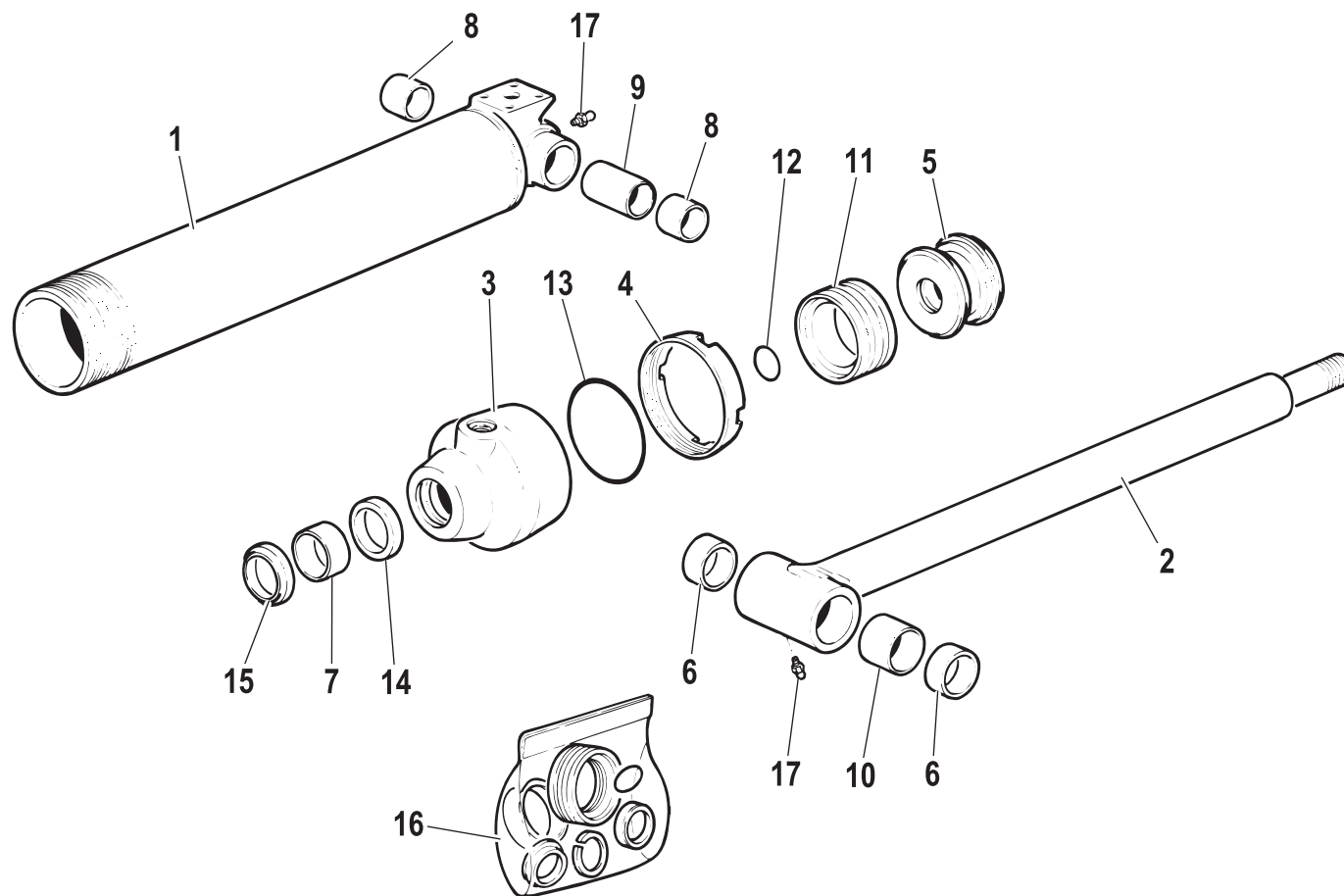


ARTICULATION HYDRAULIC JACK

Code

W580650500-1.0

1/1



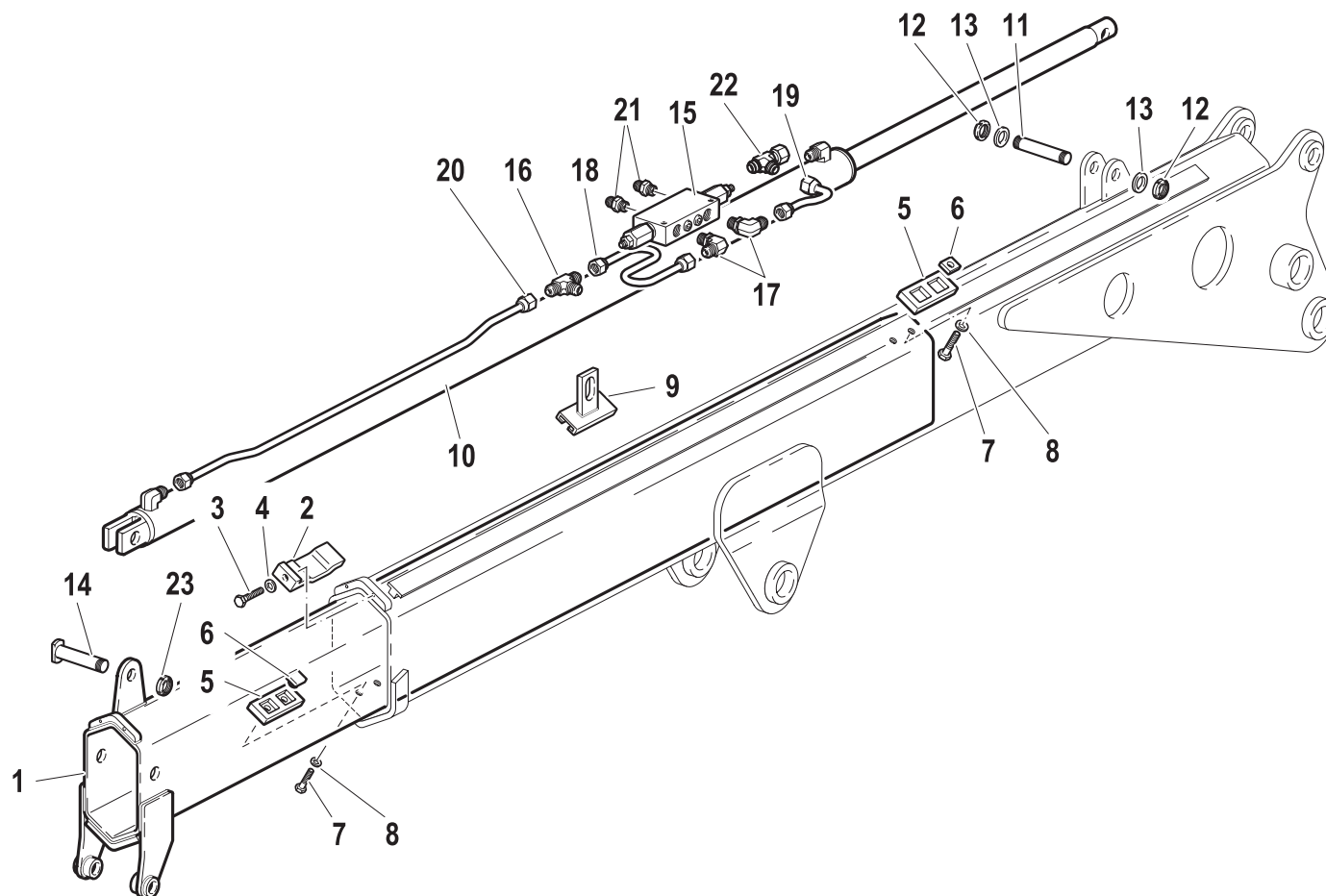
R	Pos.	Code Variant	Q.ty	Description
	1	W580602700	1	
	2	W580602600	1	
	3	W400200300	1	
	4	W400200500	1	
	5	W105066	1	
	6	5141058	2	
	7	W102137	1	
	8	W102135	2	
	9	W400200600	1	
	10	W580601100	1	
	11	W359023	1	
	12	W360077	1	
	13	W360069	1	
	14	W358023	1	
	15	W361018	1	
	16	W365069	1	
	17	3080500	2	Grease nipple

1st EXTENSION (JIB)

Code

W058601-1.0

1/2



R	Pos.	Code Variant	Q.ty	Description
	1	W410300200	1	
	2	W560304500	2	
	3	3070088	2	Seeger
	4	3060005	2	Flat washer [D.6.4 UNI 6592 ZC]
	5	W380300600	4	
	6	W370300800	8	
	7	3010055	8	Hex screw [M8X10 8.8 ZC UNI 5739]
	8	3060006	8	Flat washer [D.8 UNI 6592 ZC]
	9	W390301100	1	
	10	W410350100	1	
	11	W101244	1	
	12	3040498	2	Self-locking ringnut
	13	3060010	2	Flat washer [D.17X30X3 UNI 6592 ZC]
	14	W101250	2	
	15	5220122	1	Valve
	16	3101081	1	Tee fitting
	17	3101127	2	90° Connection
	18	W580602200	1	
	19	W580602100	1	
	20	W410504400	1	

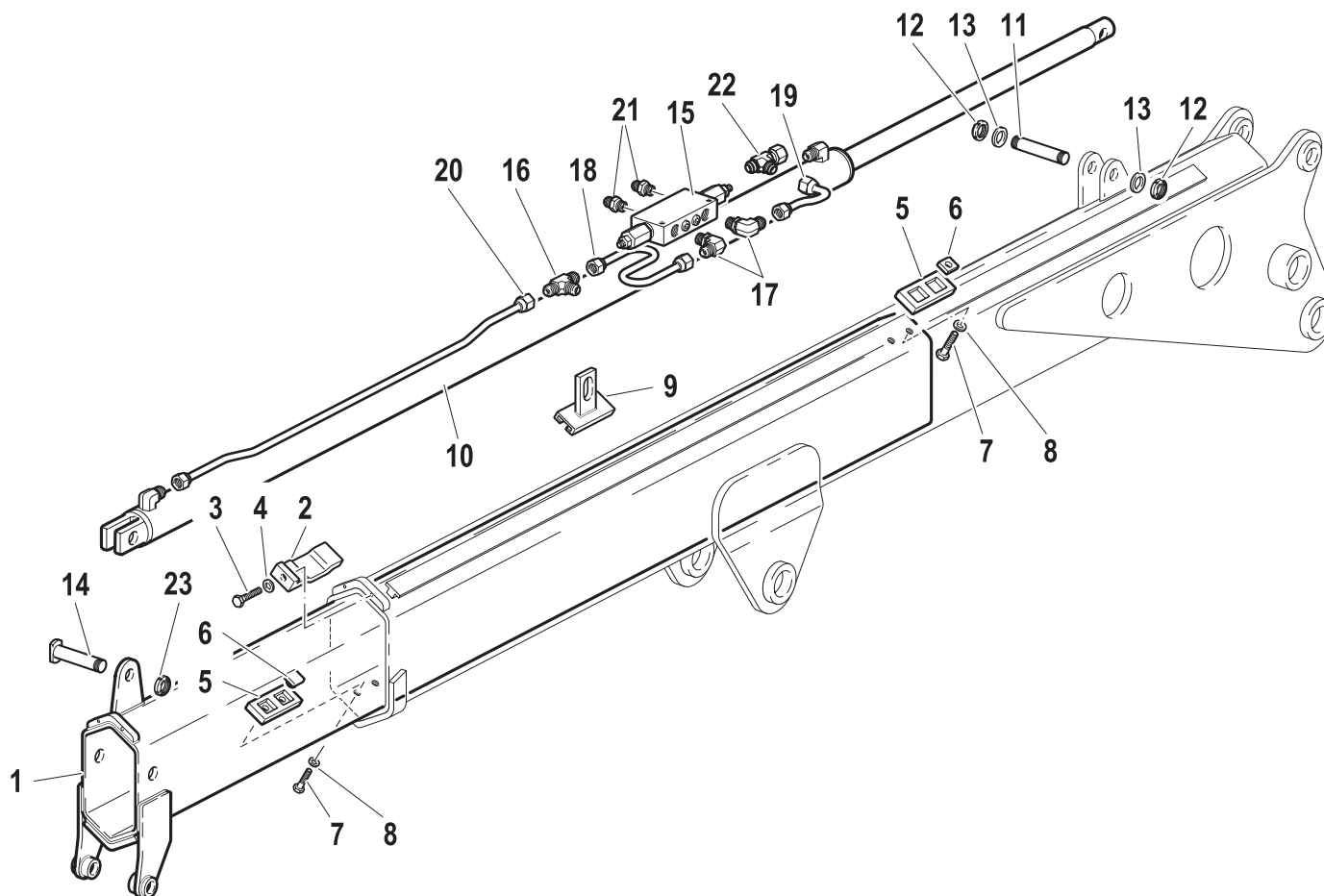
1st EXTENSION (JIB)

Code

W058601-1.0

2/2

R	Pos.	Code Variant	Q.ty	Description
	21	3101043	2	Straight pipe fitting
	22	3120004	1	Tee fitting
	23	3040504	1	Self-locking ringnut

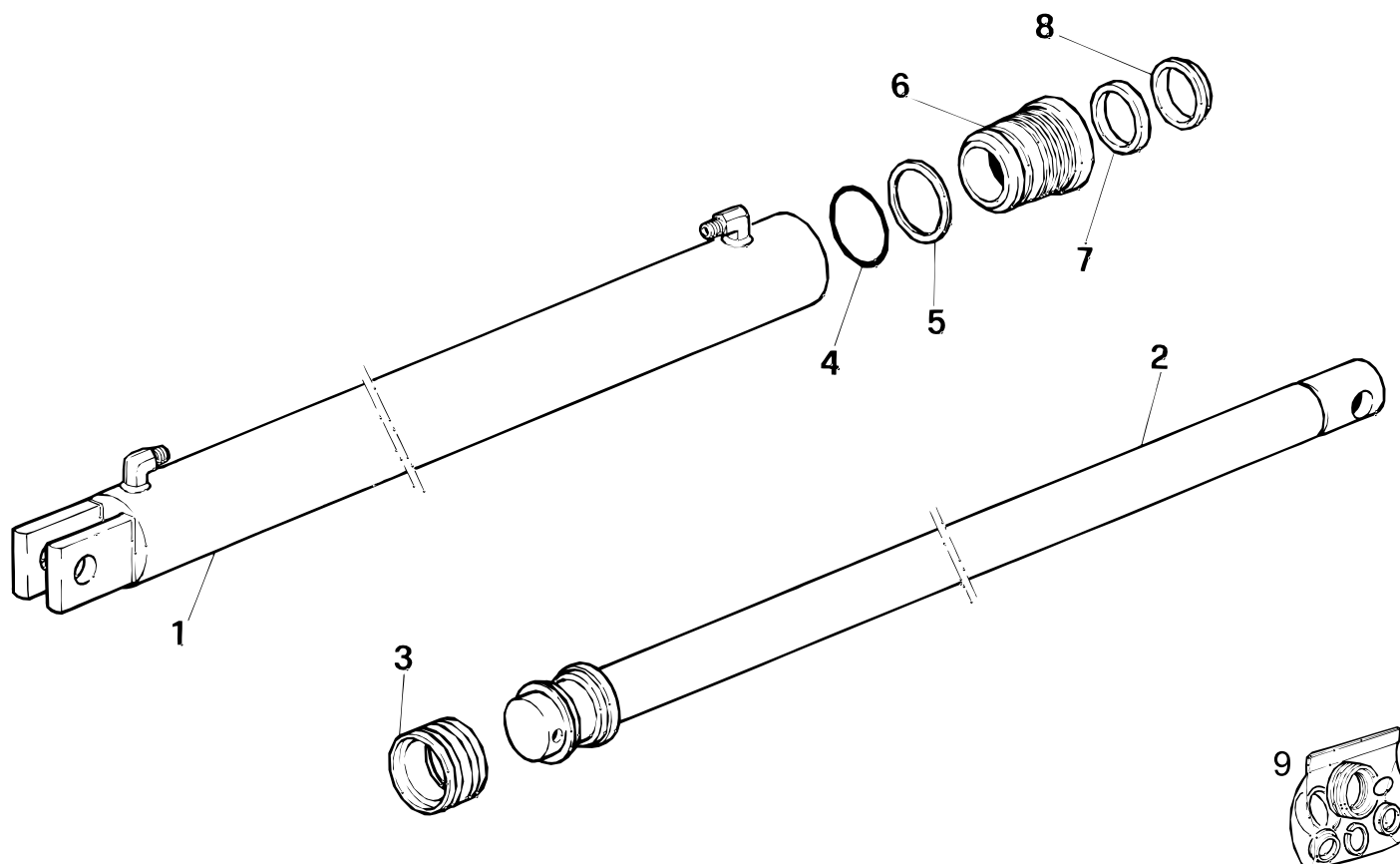


1th extension hydraulic cylinder

Code

W410350100-1.5

1/1



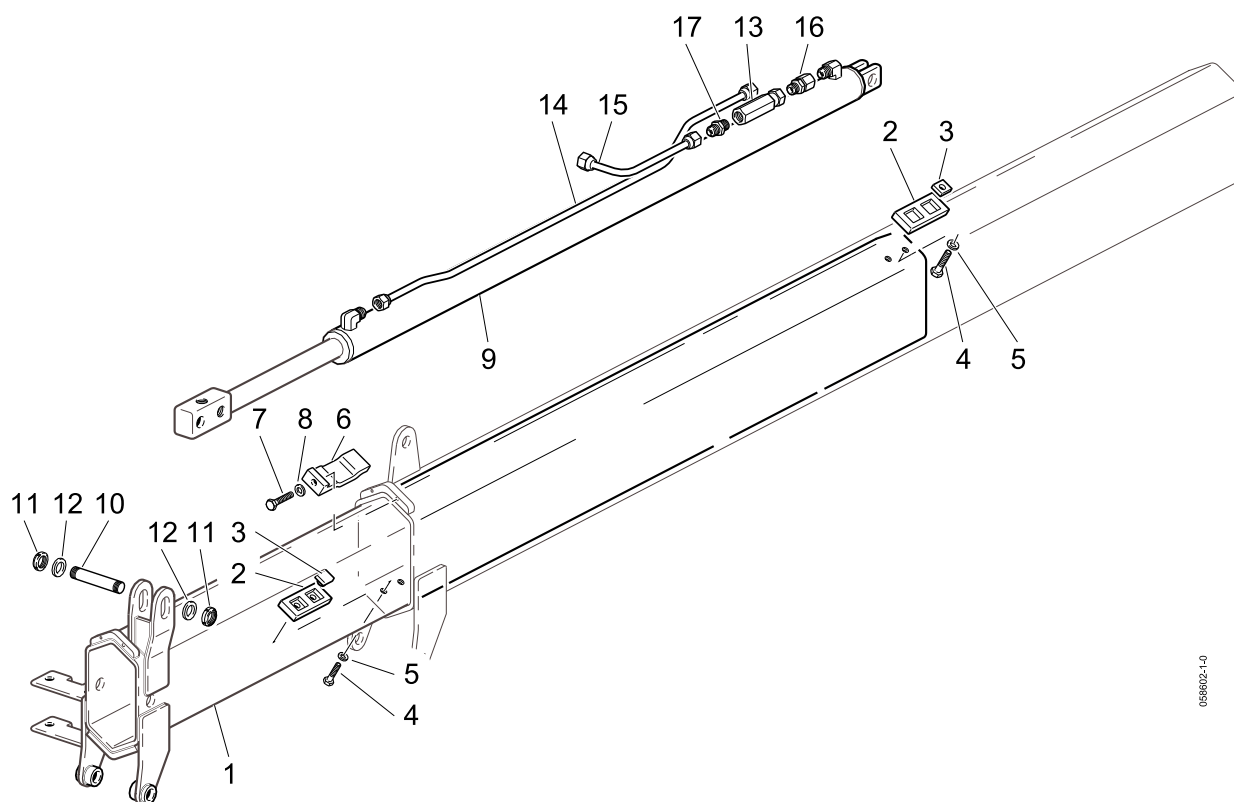
R	Pos.	Code Variant	Q.ty	Description
	1	W410300700	1	
	2	W410300600	1	
	3	W359013	1	
	4	W360022	1	
	5	W304016	1	
	6	W120054	1	
	7	W358003	1	
	8	W361013	1	Seal (Oil seal)
	9	W365066	1	

2nd EXTENSION (JIB)

Code

W058602-1.0

1/1



058602-1.0

R	Pos.	Code Variant	Q.ty	Description
	1	W580603000	1	
	2	W380300600	4	
	3	W370300800	8	
	4	3010055	8	Hex screw [M8X10 8.8 ZC UNI 5739]
	5	3060006	8	Flat washer [D.8 UNI 6592 ZC]
	6	W560304500	2	
	7	3010323	2	Hex screw [M6X10 8.8 ZC UNI 5739]
	8	3060005	2	Flat washer [D.6.4 UNI 6592 ZC]
	9	W580650100	1	
	10	W101244	1	
	11	3040498	2	Self-locking ringnut
	12	3060010	2	Flat washer [D.17X30X3 UNI 6592 ZC]
	13	W470853	1	
	14	W580601700	1	
	15	W410504300	1	
	16	3120066	1	Straight pipe fitting
	17	3101043	1	Straight pipe fitting

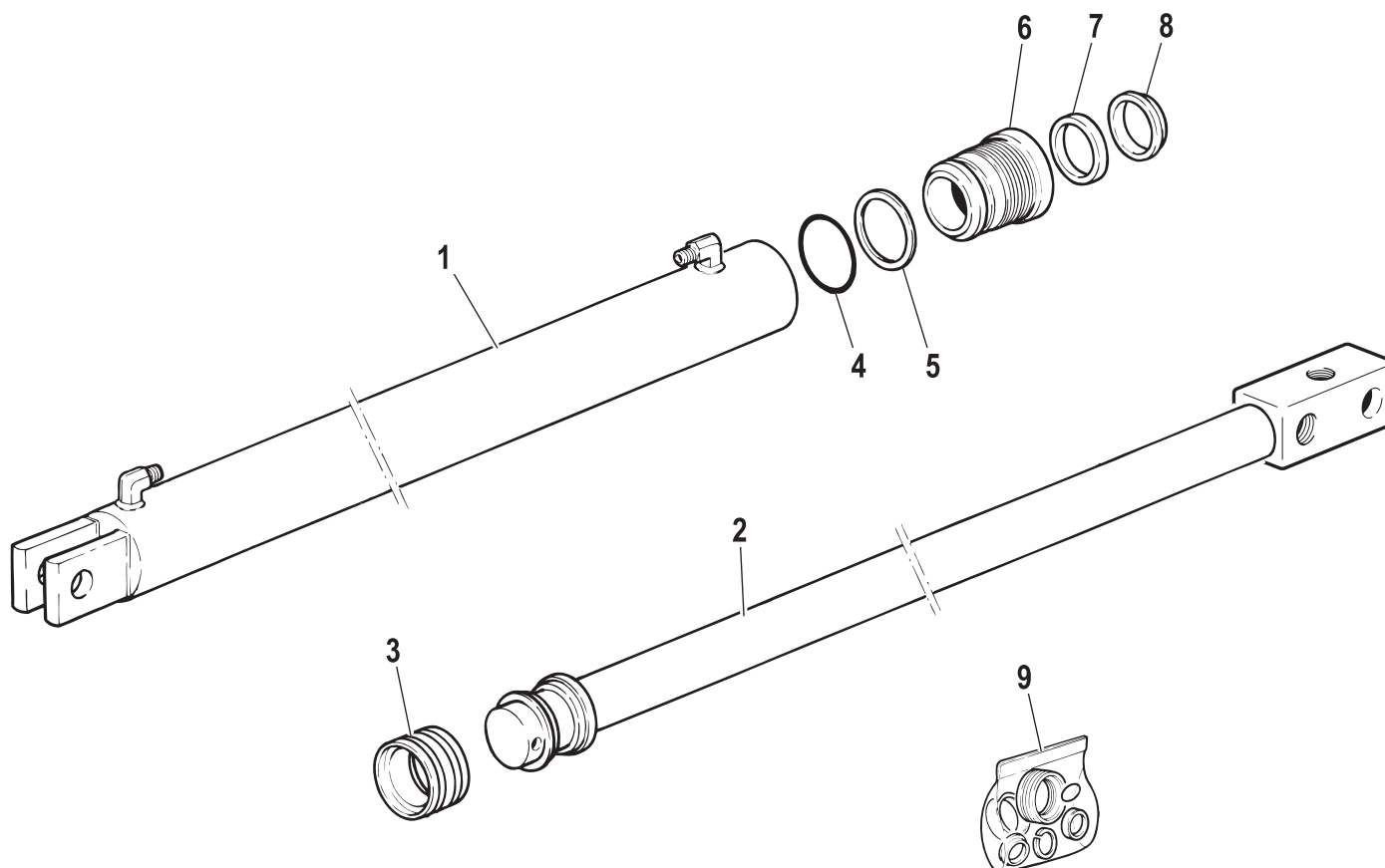
2nd EXTENSION HYDRAULIC JACK

Code

W580650100-1.0

1/1

R	Pos.	Code Variant	Q.ty	Description
	1	W580600200	1	
	2	W580600100	1	
	3	W359013	1	
	4	W360022	1	
	5	W304016	1	
	6	W120054	1	
	7	W358003	1	
	8	W361013	1	Seal (Oil seal)
	9	W365066	1	

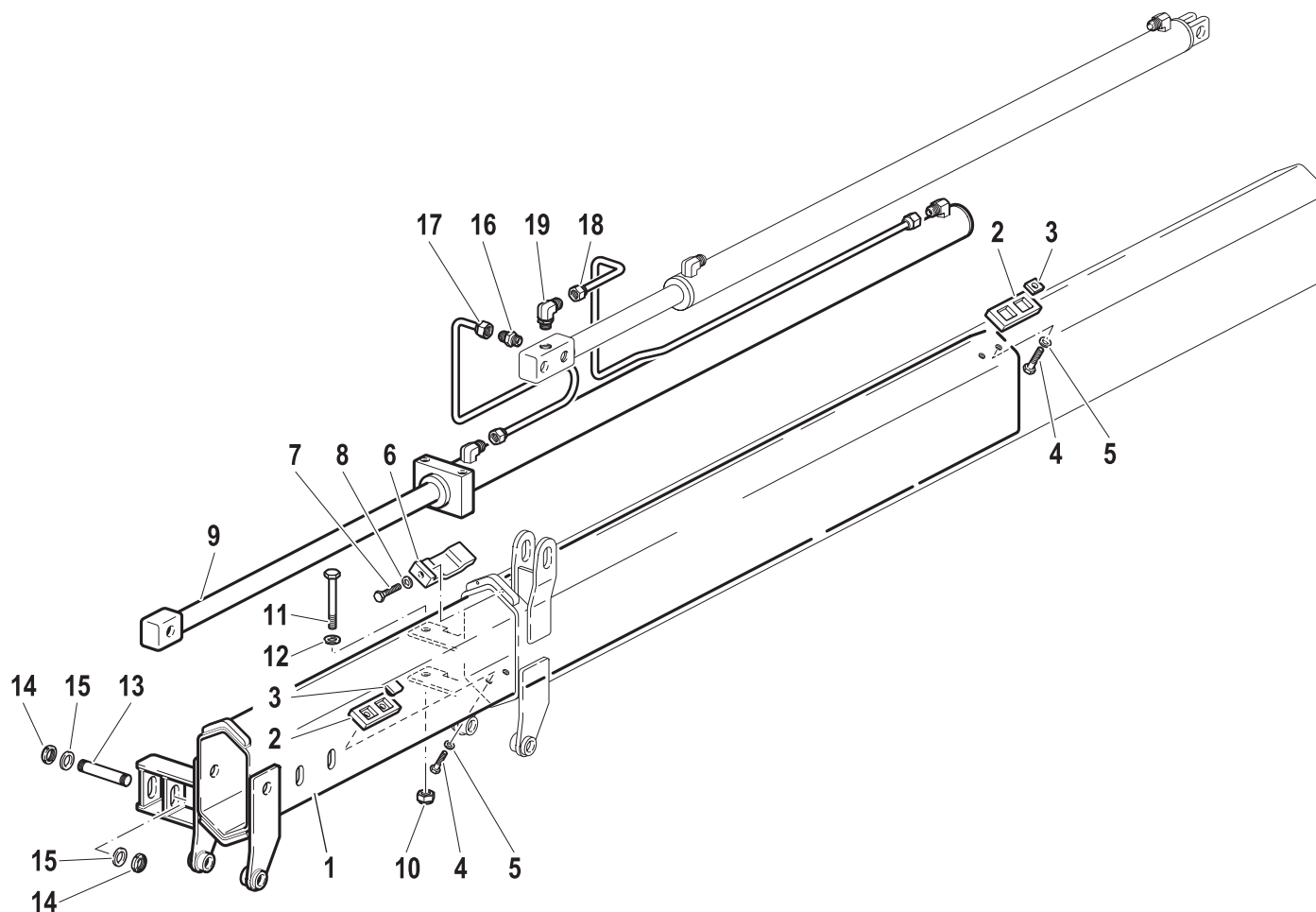


3rd EXTENSION (JIB)

Code

W058603-1.0

1/1



R	Pos.	Code Variant	Q.ty	Description
	1	W580603200	1	
	2	W370300900	4	
	3	W370300800	8	
	4	3010055	8	Hex screw [M8X10 8.8 ZC UNI 5739]
	5	3060006	8	Flat washer [D.8 UNI 6592 ZC]
	6	W560304500	2	
	7	3010323	2	Hex screw [M6X10 8.8 ZC UNI 5739]
	8	3060005	2	Flat washer [D.6.4 UNI 6592 ZC]
	9	W580650200	1	
	10	3040314	2	Stopnut
	11	3010072	2	Hex screw [M12X100 8.8 ZC UNI 5737]
	12	3060018	2	Flat washer [D.12 UNI 6592 ZC]
	13	W101244	1	
	14	3040498	2	Self-locking ringnut
	15	3060010	2	Flat washer [D.17X30X3 UNI 6592 ZC]
	16	3101043	1	Straight pipe fitting
	17	W580601800	1	
	18	W580601900	1	
	19	3101127	1	90° Connection

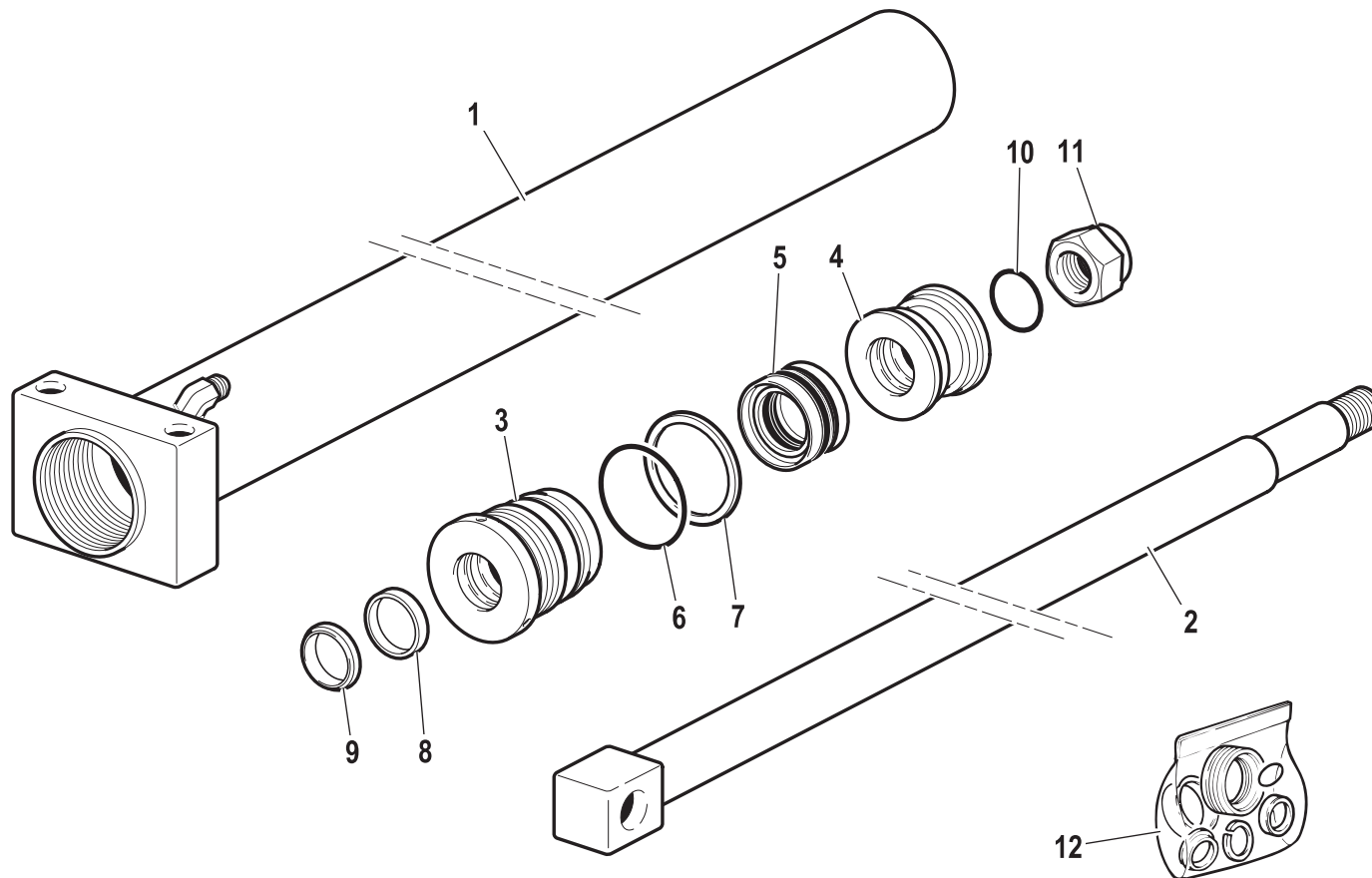
3rd extension Hydraulic jack

Code

W580650200-1.0

1/1

R	Pos.	Code Variant	Q.ty	Description
	1	W580600300	1	
	2	W580600400	1	
	3	W120058	1	
	4	W105061	1	
	5	W359010	1	
	6	W360049	1	
	7	W304018	1	
	8	W358001	1	
	9	W361011	1	
	10	W360002	1	
	11	3040377	1	Stopnut
	12	W365061	1	

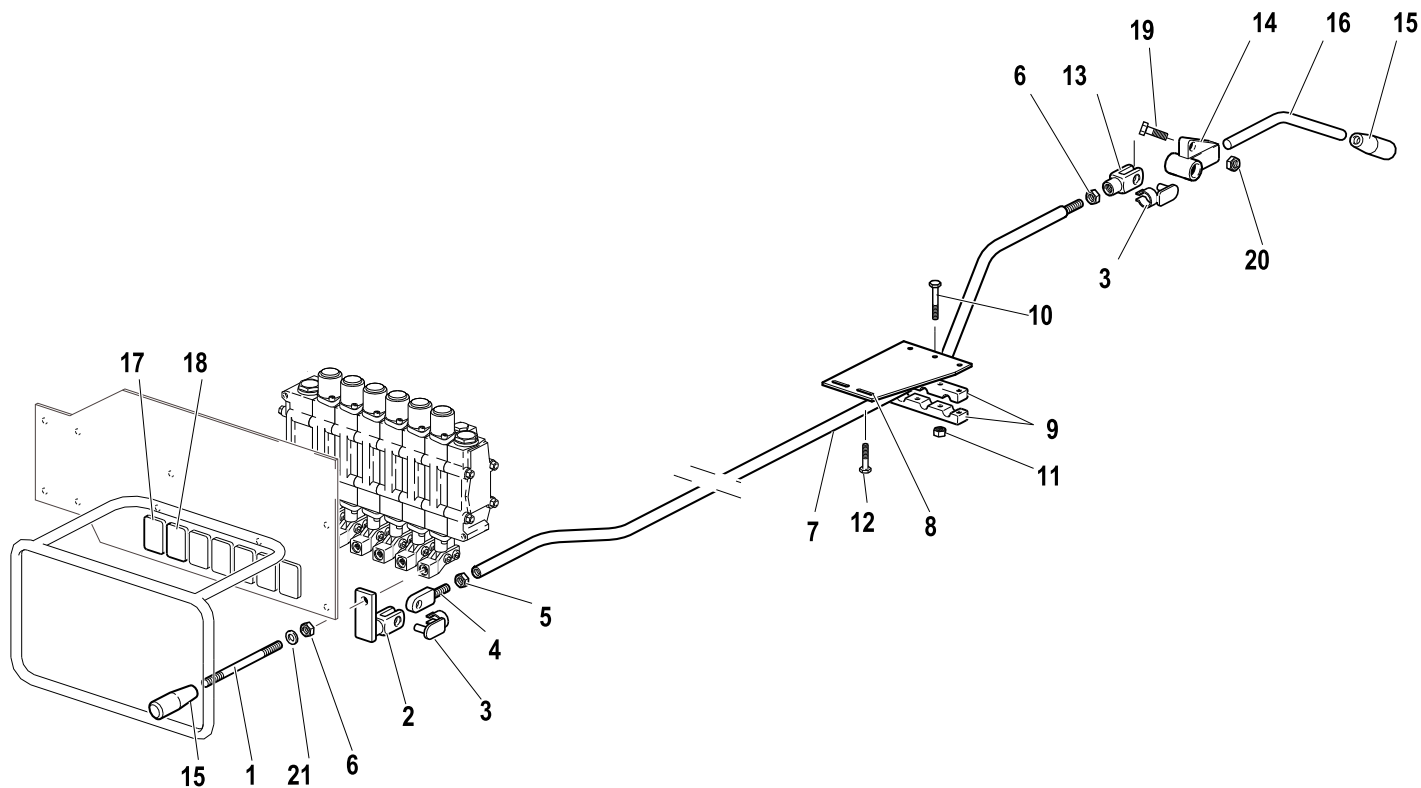


CONTROLS (JIB)

Code

W057507-1.1

1/2



R	Pos.	Code Variant	Q.ty	Description
	1	W338802	2	
	2 DF	W330500800	2	
	2 HC	W580502500	2	
	3	3300451	4	Fork clip
	4	W010503600	2	
	5	3040081	2	Lock nut
	6	3040040	4	Lock nut
	7	W270510000	2	
	8	W330500600	1	
	9	W330500700	1	
	10	3010397	2	Hex screw [M6X50 8.8 ZC UNI 5737]
	11	3040372	2	Stopnut
	12	3010337	2	Hex screw [M8X16 8.8 ZC UNI 5739]
	13	3300431	2	Fork
	14	W270509000	2	
	15	W664003	4	
	16	W440501700	2	
	17	W573317	2	
	18	W573318	2	
	19	3020021	2	Socket head cap screw [M5X12X0.8 8.8 ZC UNI 5931]

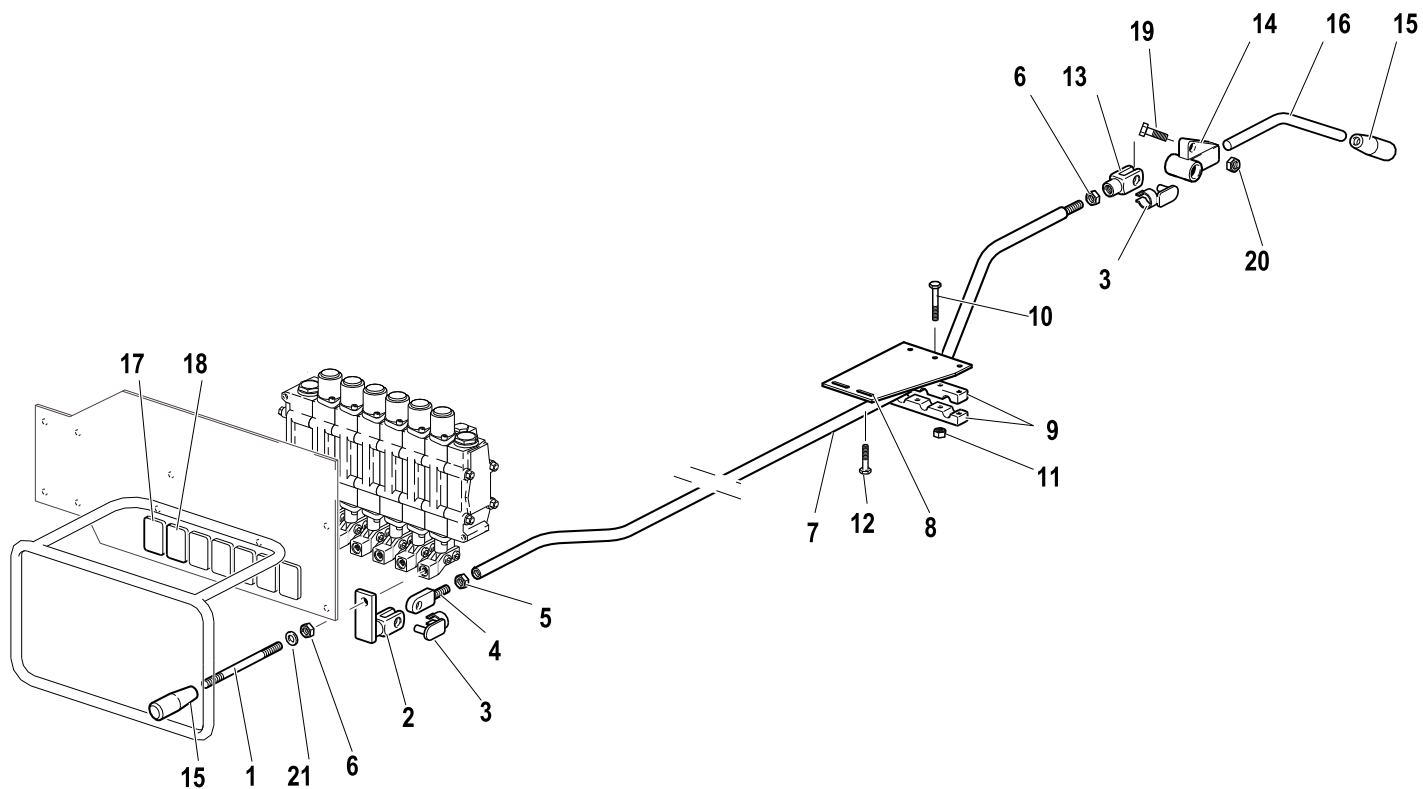
CONTROLS (JIB)

Code

W057507-1.1

2/2

R	Pos.	Code Variant	Q.ty	Description
	20	3040393	2	Lock nut
	21	3060006	2	Flat washer [D.8 UNI 6592 ZC]

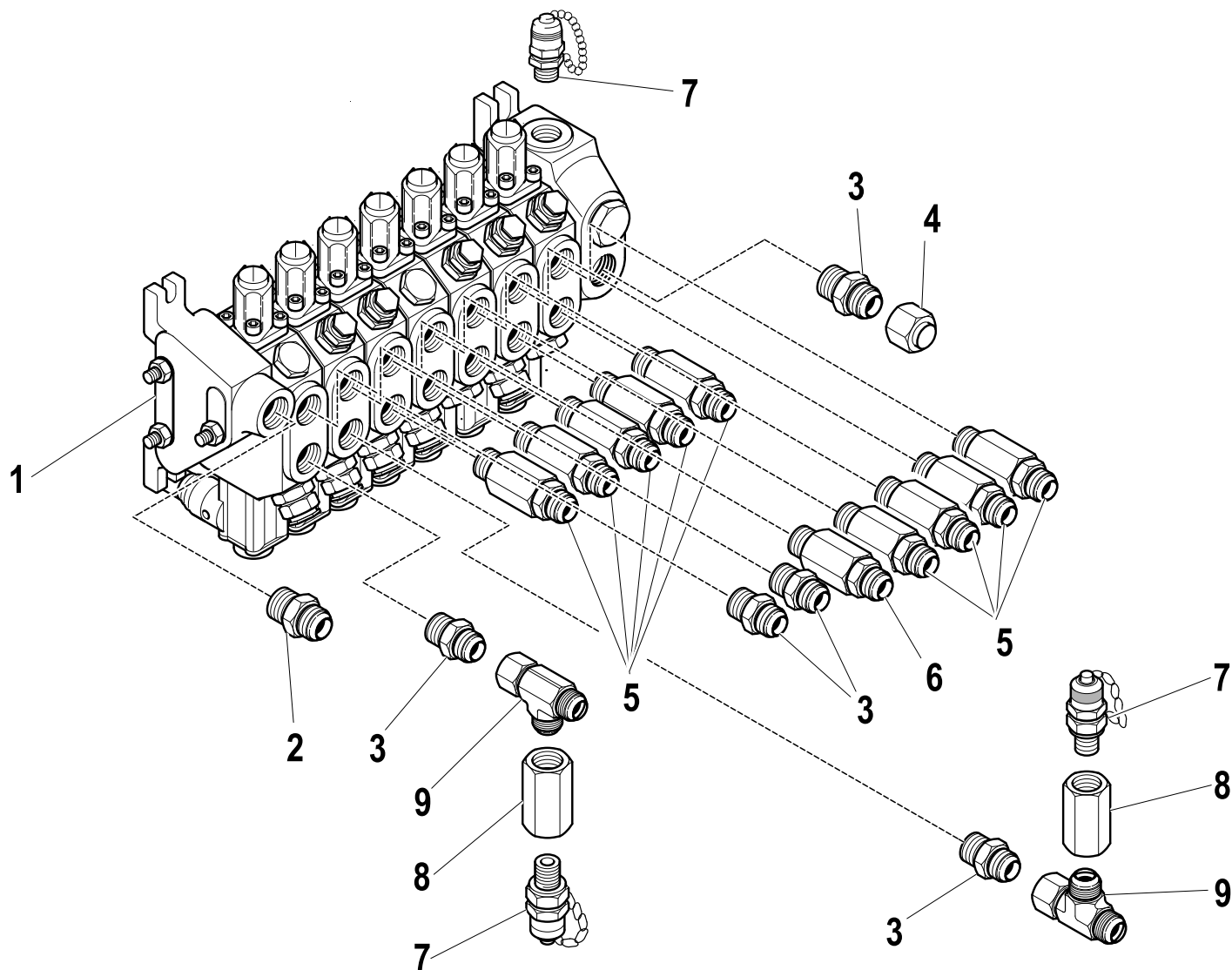


Control valve (7 section)

Code

W044506-1.0

1/1



R	Pos.	Code Variant	Q.ty	Description
	1	W338408	1	
	2	3101058	1	Straight pipe fitting
	3	3101044	5	Straight pipe fitting
	4	3110041	1	
	5	W402109	9	Rotary union
	6	W402110	1	Rotary union
	7	3111523	3	Pipe fitting (Tapping point) [RACC. MILITES 16X2-1/4"G]
	8	3120356	2	Reducing fitting
	9	3120004	2	Tee fitting

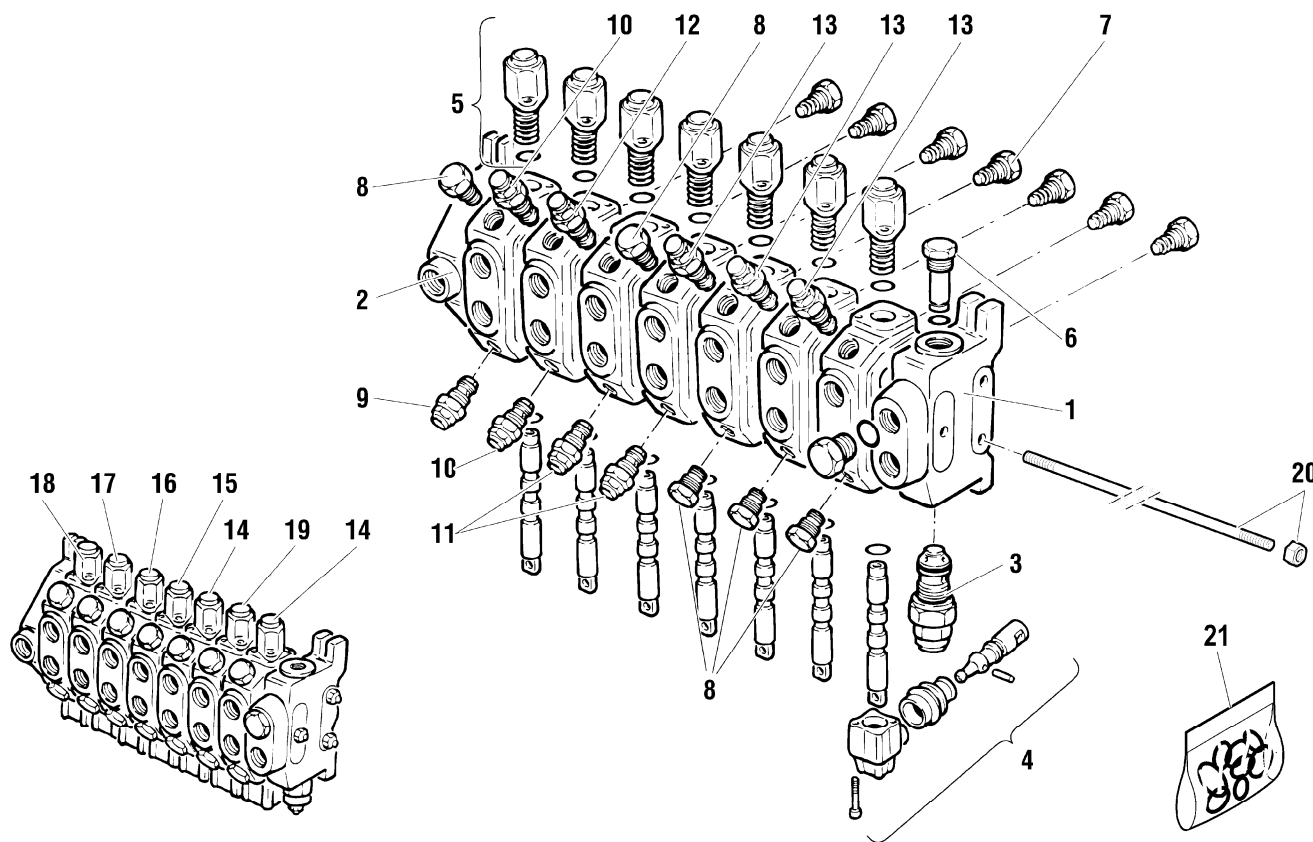
Control valve (7 section)

Code

W338408-1.2

1/2

R	Pos.	Code Variant	Q.ty	Description
	1	WHC0601	1	
	2	WHC0602	1	
	3	WHC0636	1	
	4	WHC0660	7	
	5	5225431	7	
	6	WHC0637	1	
	7	WHC0638	7	
	8	WHC0639	5	
	9	WHC0640	1	
	10	WHC0641	2	
	11	WHC0642	2	
	12	WHC0643	1	
	13	WHC0635	3	
	14	WHC0618	2	
	15	WHC0614	1	
	16	WHC0615	1	
	17	WHC0621	1	
	18	WHC0617	1	
	19	WHC0622	1	
	20	WHC0651	3	



538408-1-1

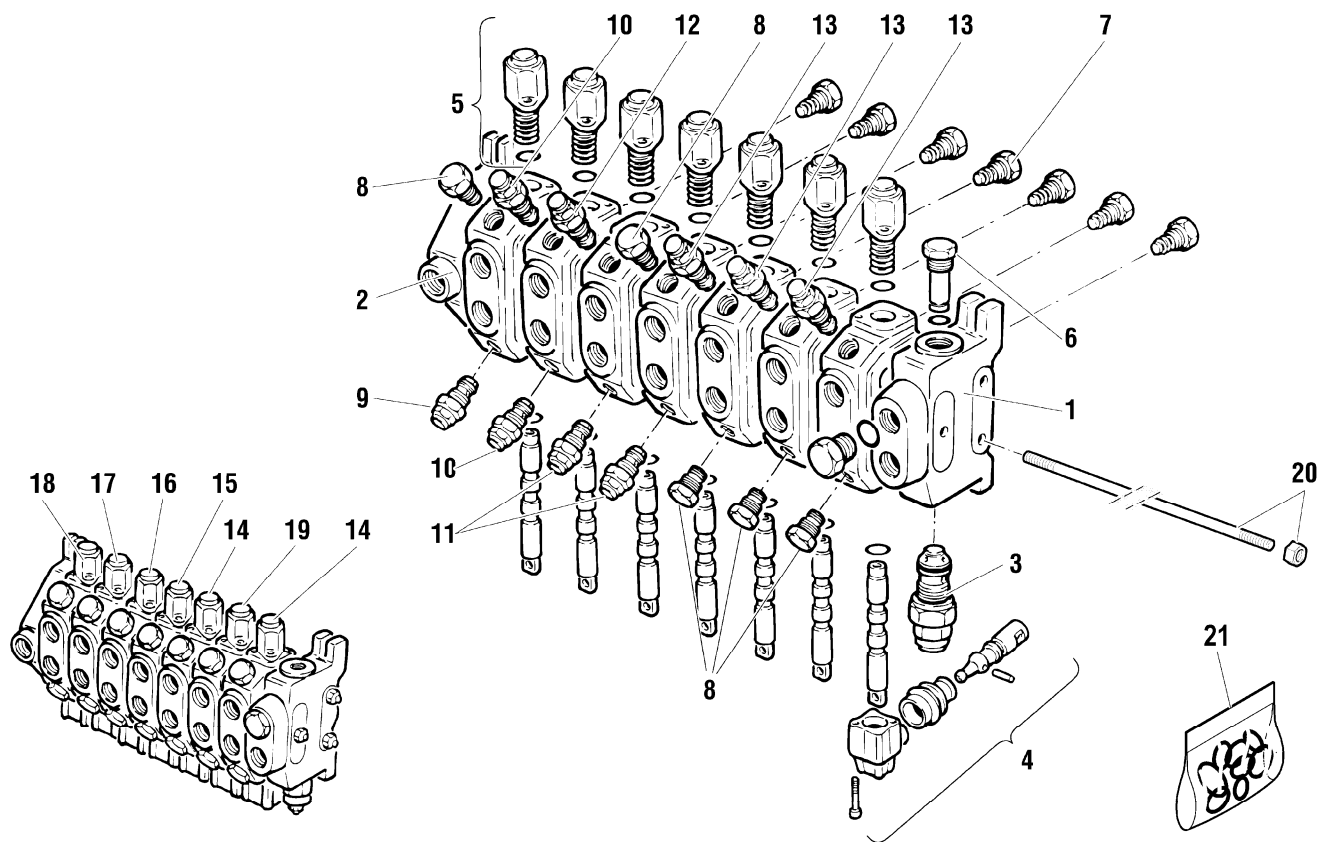
Control valve (7 section)

Code

W338408-1.2

2/2

R	Pos.	Code Variant	Q.ty	Description
	21	WHC0701	1	



538408-1-1

Control valve ass'y (EN12999-A3)

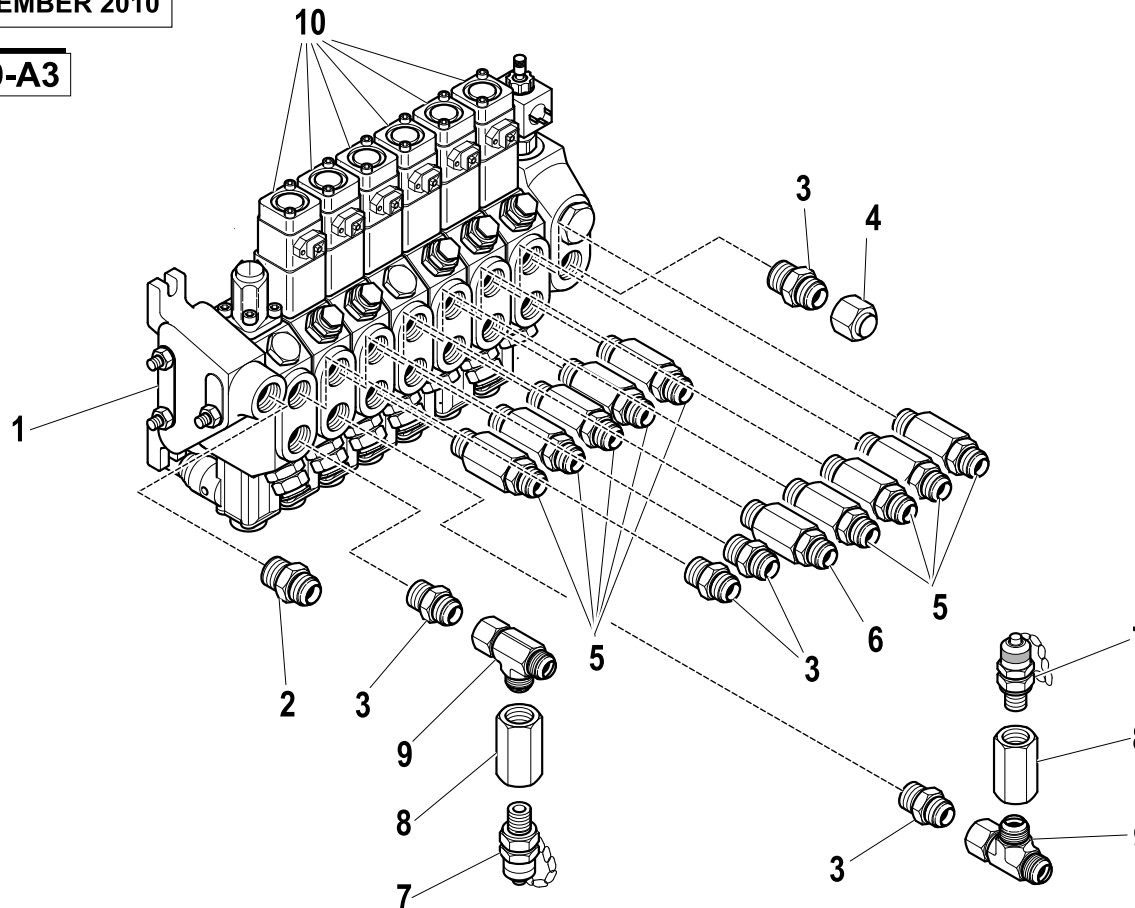
Code

W044506-2.0

1/1

VALIDO DA DICEMBRE 2010
VALID FROM DECEMBER 2010

EN 12999-A3



R	Pos.	Code Variant	Q.ty	Description
	1	W338408	1	
	2	3101058	1	Straight pipe fitting
	3	3101044	5	Straight pipe fitting
	4	3110041	1	
	5	W402109	9	Rotary union
	6	W402110	1	Rotary union
	7	3111523	2	Pipe fitting (Tapping point) [RACC. MILITES 16X2-1/4"G]
	8	3120356	2	Reducing fitting
	9	3120004	2	Tee fitting
	10	5225420	6	

Control valve (7 section)

Code

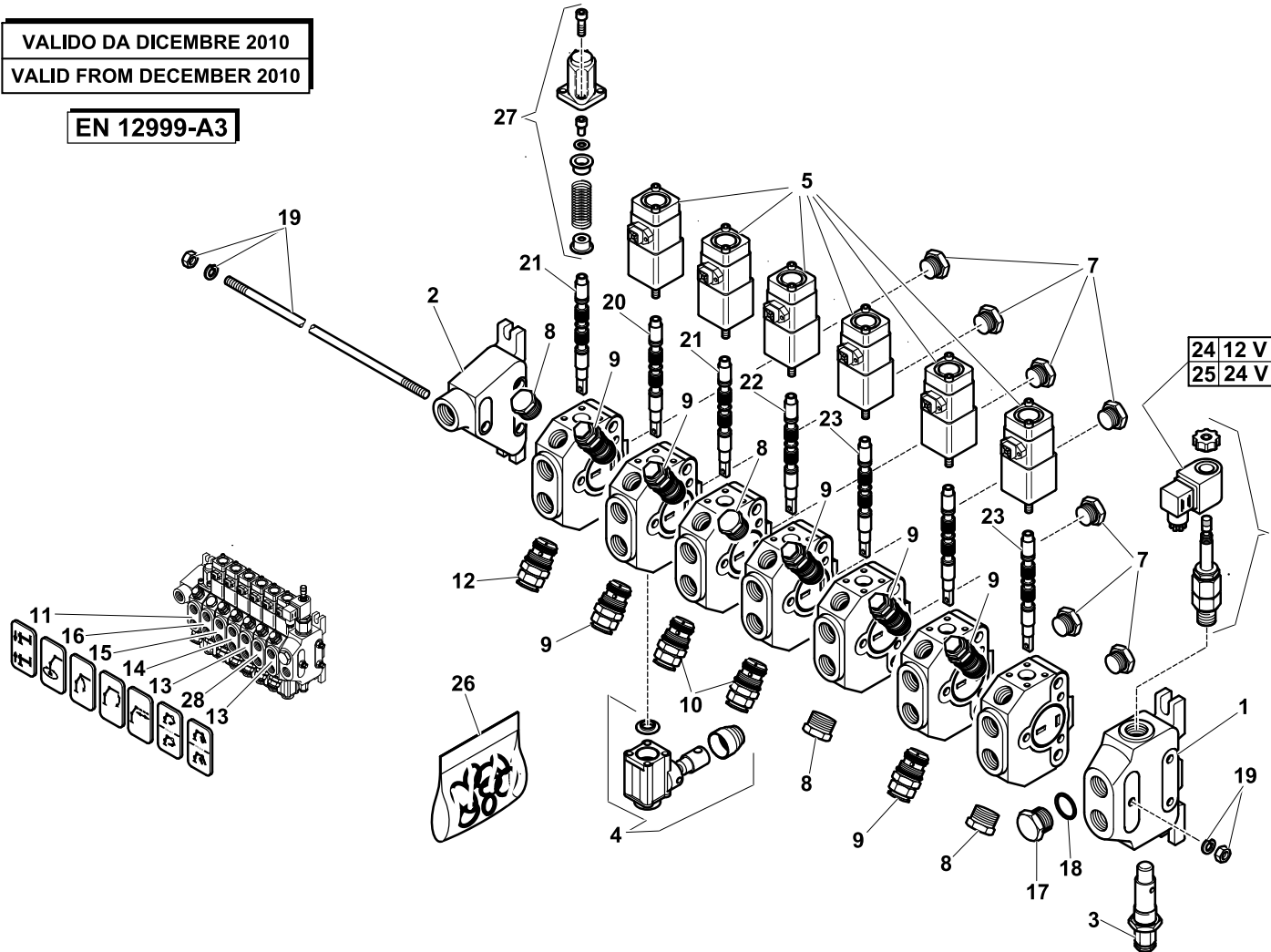
W338408-2.0

1/2

VALIDO DA DICEMBRE 2010

VALID FROM DECEMBER 2010

EN 12999-A3



R	Pos.	Code Variant	Q.ty	Description
	1	WHC0601	1	
	2	WHC0602	1	
	3	WHC0636	1	
	4	WHC0660	7	
	5	5225420	6	
	6	5225429	1	Solenoid valve
	7	WHC0638	7	
	8	WHC0639	4	
	9	5225432	7	
	10	5225455	2	
	11	WHC0617	1	
	12	5225454	1	
	13	WHC0618	2	
	14	WHC0614	1	
	15	WHC0615	1	
	16	WHC0621	1	
	17	WHC0645	1	
	18	WHC0646	1	
	19	WHC0651	3	
	20	WHC0630	1	

Control valve (7 section)

Code

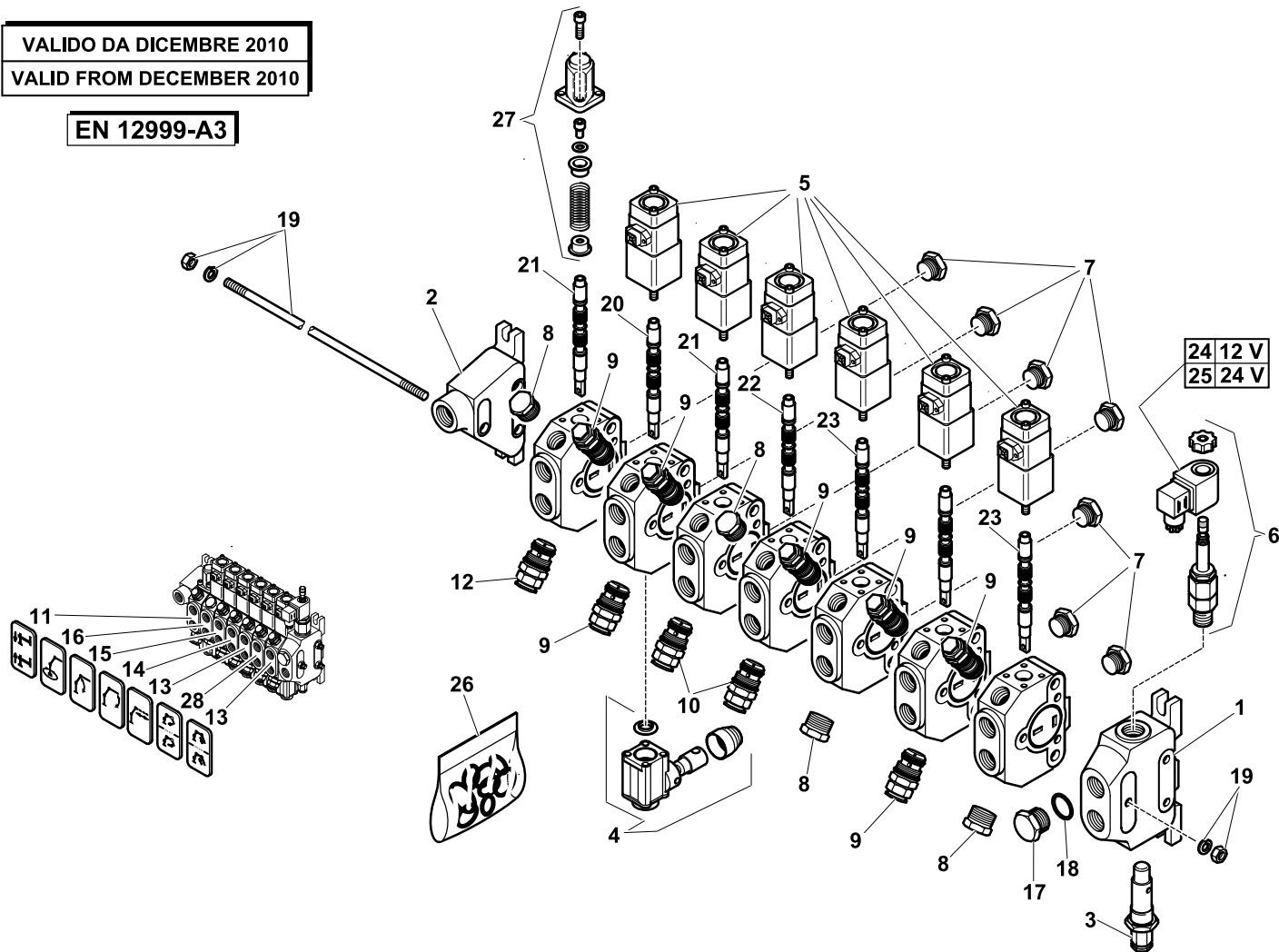
W338408-2.0

2/2

VALIDO DA DICEMBRE 2010
VALID FROM DECEMBER 2010

EN 12999-A3

R	Pos.	Code Variant	Q.ty	Description
	21	5225434	2	
	22	WHC0629	1	
	23	WHC0628	2	
	24	3311046	1	
	25	3311047	1	
	26	WHC0701	1	
	27	5225431	1	
	28	WHC0622	1	



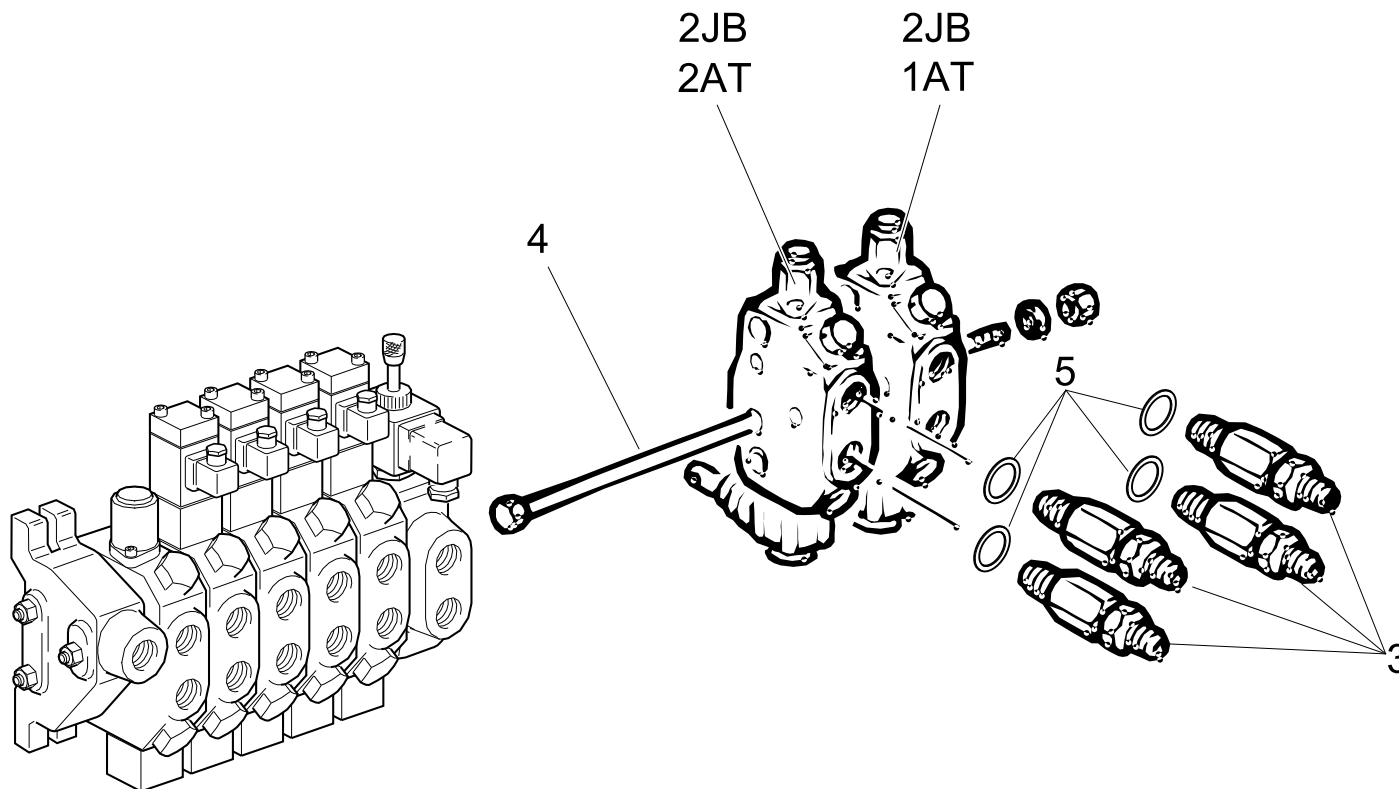
6th and 7th EXTRA FUNCTION KIT

Code

W057508-1.0

1/1

R	Pos.	Code Variant	Q.ty	Description
	1 AT	WHC0611	1	
	2 AT	WHC0610	1	
	2 JB	WHC0622	2	
	3	W402109	4	Rotary union
	4	WHC0650	3	
	5	3060145	4	Sealing washer [BSP 1/2"]

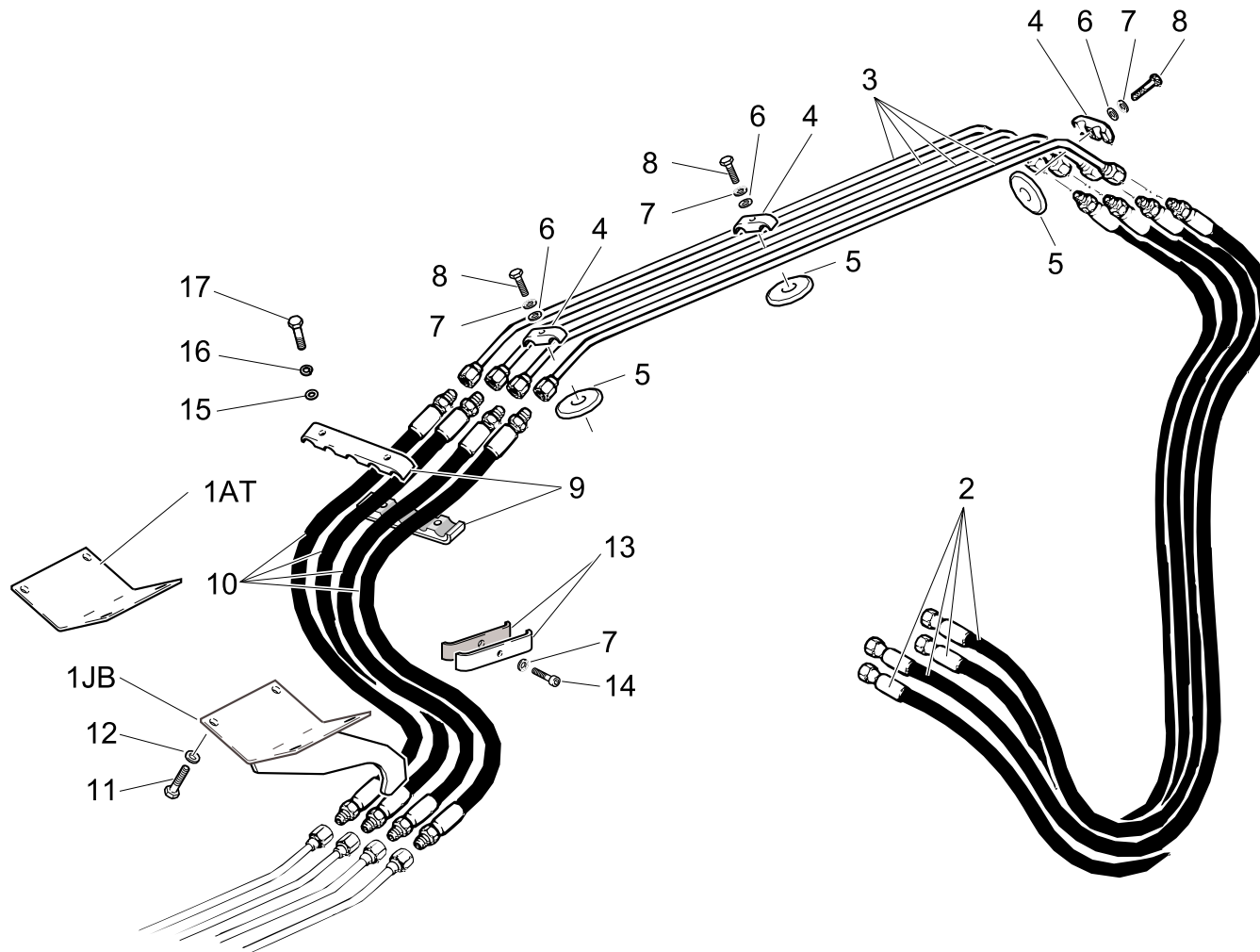


HYDRAULIC SYSTEM (6th-7th element)

Code

W057602/1-1.4

1/1



R	Pos.	Code Variant	Q.ty	Description
	1 AT	W570500400	1	
	1 JB	W570600200	1	
	2	W456766	4	
	3	W440202000	4	
	4	5000077	6	Clamp (Rigid Pipe)
	5	W340501400	6	Support (Clamp)
	6	3060029	6	Flat washer [D.8.5X24 UNI 6593 ZC]
	7	3060918	6	Tooth lock washer [D.8 TIPO A UNI8842 ZC]
	8	3010032	6	
	9	W560304300	2	
	10	W456612	4	
	11	3010368	4	Hex screw [M12X20 8.8 ZC UNI 5739]
	12	3060018	4	Flat washer [D.12 UNI 6592 ZC]
	13	W128004	1	
	14	3010066	1	Hex screw [M8X30 8.8 ZC UNI 5739]
	15	3060005	2	Flat washer [D.6.4 UNI 6592 ZC]
	16	3060053	2	Split lock washer [D=6.4 C72 ZC]
	17	3010016	2	Hex screw [M6X30 8.8 ZC UNI 5737]

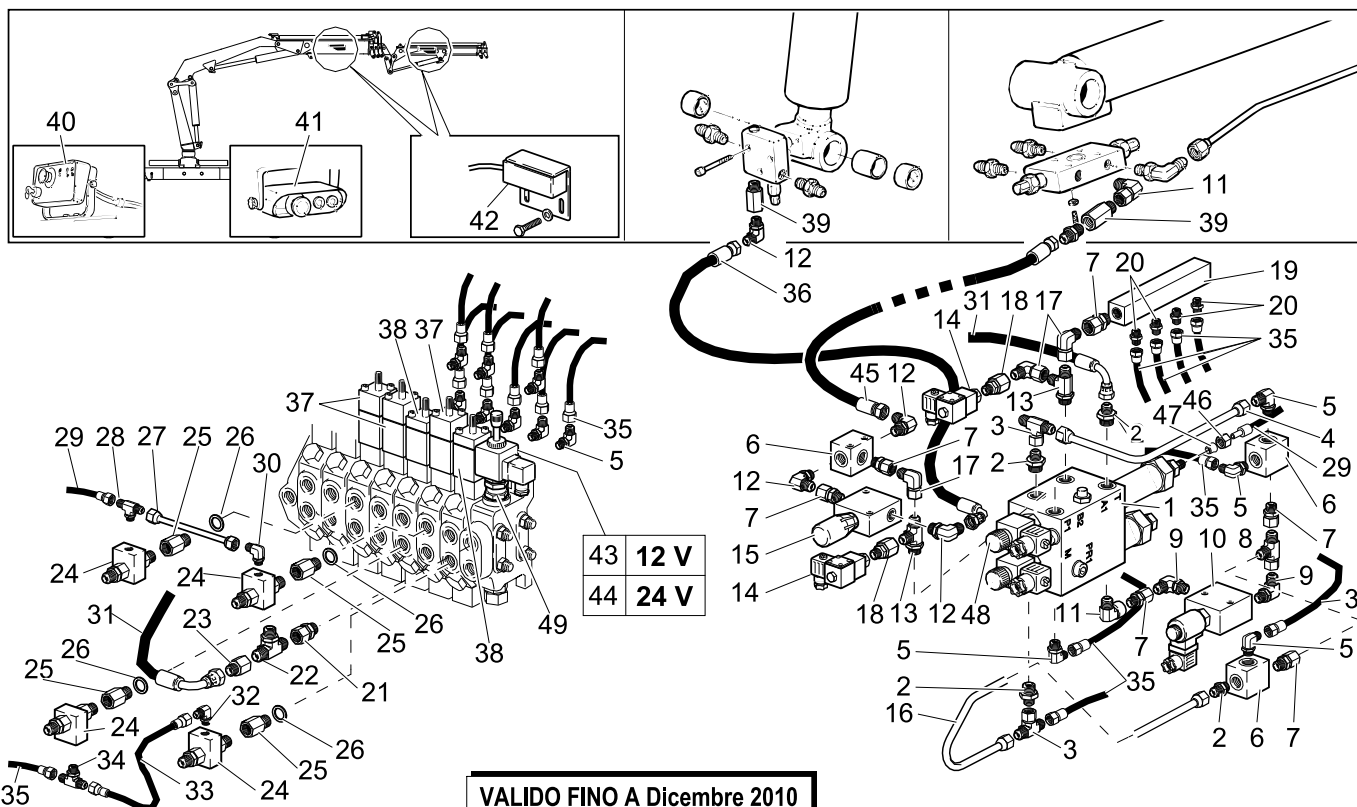
Moment limiting device (CE)

Code

5430114-1.0

1/3

R	Pos.	Code Variant	Q.ty	Description
	1	5220544	1	
	2	3101037	4	
	3	3120111	4	Tee fitting
	4	W270514100	1	
	5	3101194	12	90° Connection
	6	5220542	3	
	7	3120064	6	Straight pipe fitting
	8	3120003	1	Tee fitting
	9	W403513	2	
	10	W471604	1	
	11	3111512	2	90° Connection
	12	3101124	4	90° Connection
	13	3101175	2	Tee fitting
	14	W283006	2	
	15	W470861	1	
	16	W270514200	1	
	17	3120011	3	90° Connection
	18	3120385	2	Reducing fitting [RACC. FJ/FGAS 9/16J 1/4"]
	19	W270513800	1	
	20	3101033	6	Straight pipe fitting



VALIDO FINO A Dicembre 2010
VALID UNTIL December 2010

440552906-13

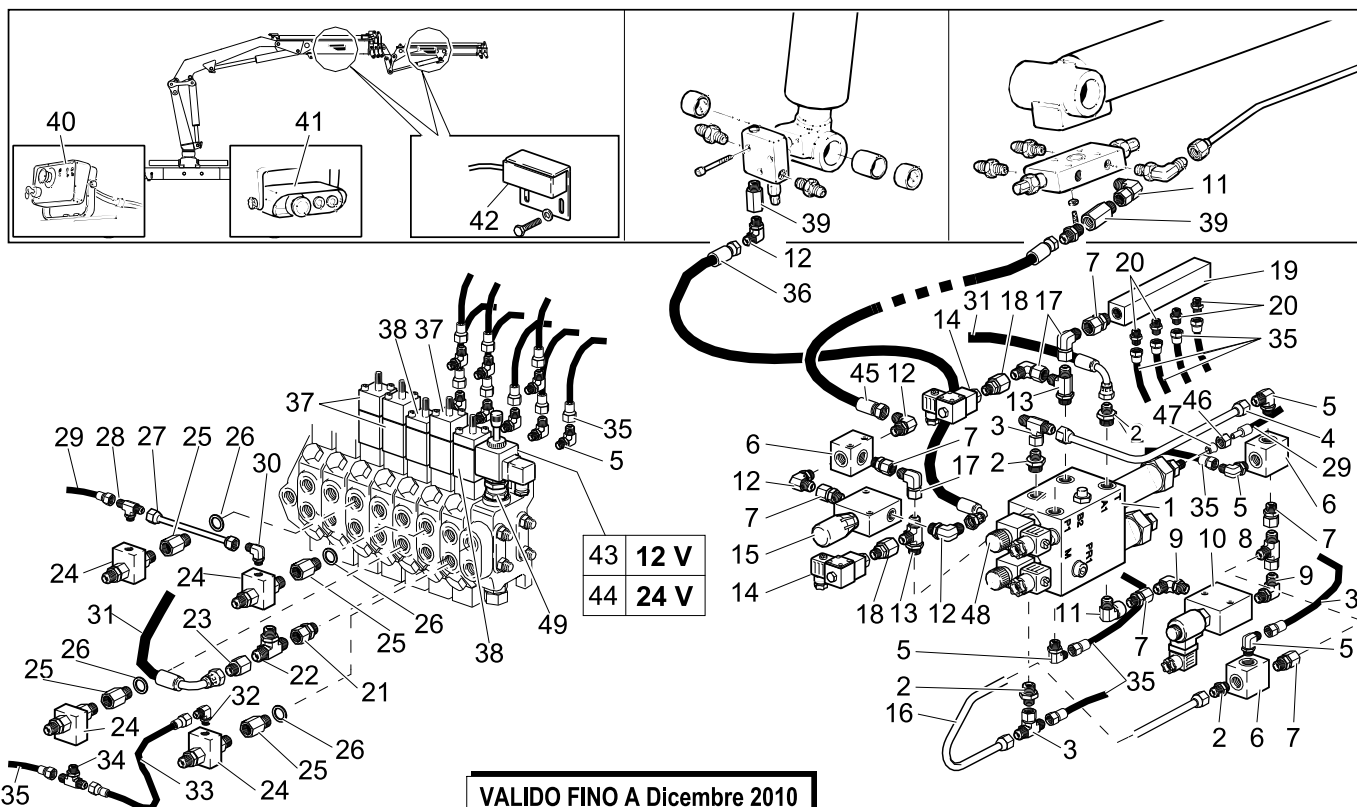
Moment limiting device (CE)

Code

5430114-1.0

2/3

R	Pos.	Code Variant	Q.ty	Description
	21	3120067	1	Straight pipe fitting
	22	3120306	1	Tee fitting
	23	3120209	1	Reducing fitting
	24	W402115	4	
	25	3110113	1	Straight pipe fitting
	26	3060145	4	Sealing washer [BSP 1/2"]
	27	5392185	1	
	28	3120384	1	
	29	W465002	1	
	30	3101121	1	90° Connection
	31	W455527	1	
	32	3101195	1	90° Connection
	33	W465101	3	
	34	3120383	2	Tee fitting
	35	W470047	8	
	36	W456092	1	
	37	5225370	2	
	38	5225371	3	
	39	5220300	2	Hose burst valve (Sleeve)
	40	W285036	1	



VALIDO FINO A Dicembre 2010
VALID UNTIL December 2010

440552900-13

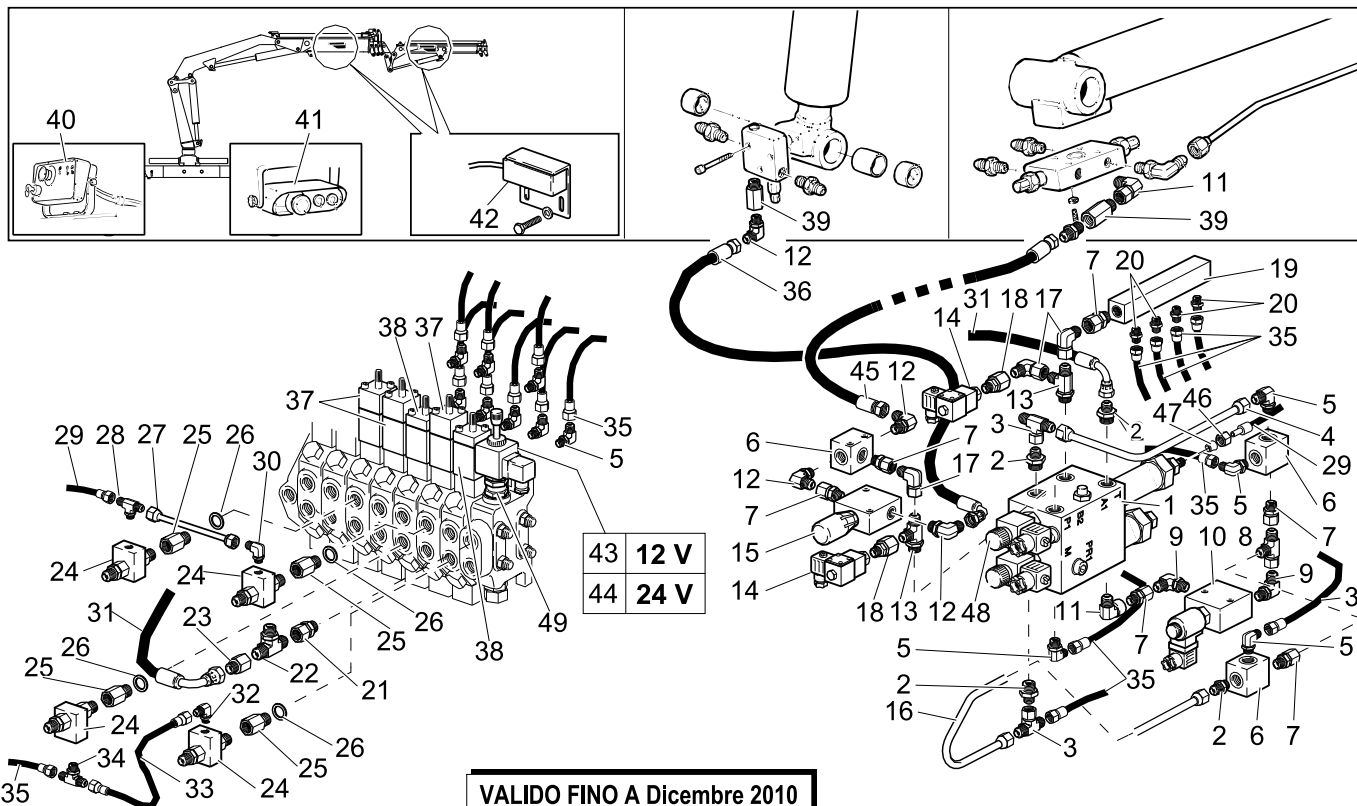
Moment limiting device (CE)

Code

5430114-1.0

3/3

R	Pos.	Code Variant	Q.ty	Description
	41	W285035	1	
	42	3310926	1	
	43	3311046	1	
	44	3311047	2	
	45	XXXXX	2	
	46	3100952	1	Nut
	47	3100956	1	Ring (Tightening)
	48	3310242	2	Solenoid (24V)
	49	W470604S_C E	1	



VALIDO FINO A Dicembre 2010
VALID UNTIL December 2010

440552900-13

DOUBLE CONTROLS (CE)

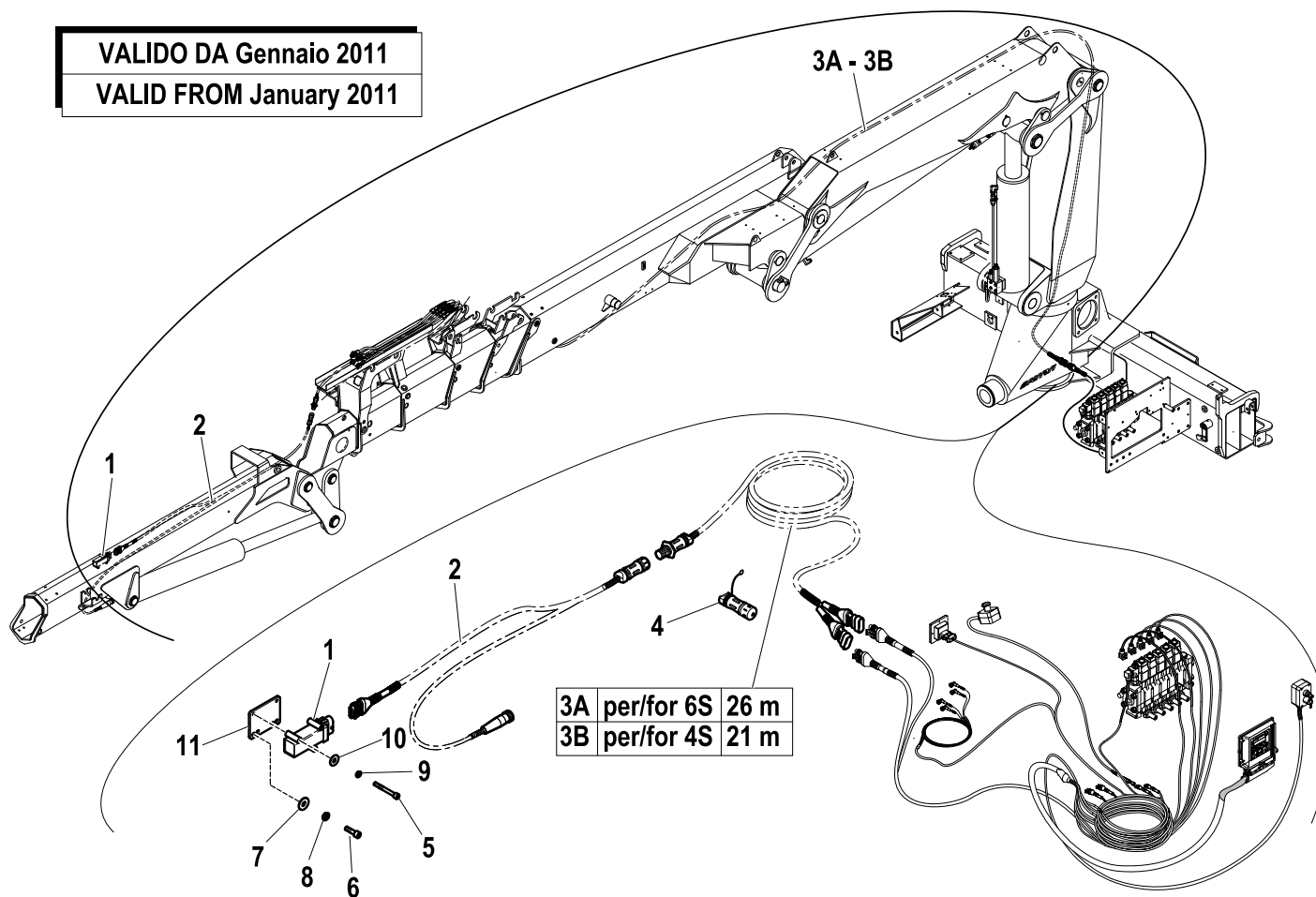
Code

W044505-6.0

1/1

R	Pos.	Code Variant	Q.ty	Description
	1	3311150	1	Tiltmeter
	2	5160079	1	Electric wiring
	3 A	5160077	1	
	3 B	5160078	1	
	4	5160080	1	Plug (Electric components)
	5	3020018	2	Socketed head cap screw [M4X30 8.8 ZC UNI 5931]
	6	3020033	2	Socketed head cap screw [M6X10 8.8 ZC UNI 5931]
	7	3060005	2	Flat washer [D.6.4 UNI 6592 ZC]
	8	3060053	2	Split lock washer [D=6.4 C72 ZC]
	9	3060065	2	Split lock washer [D=4.1 C72 ZC]
	10	3060003	2	Flat washer [D.4 UNI 6592 ZC]
	11	5002108	1	Support plate (Tiltmeter)

VALIDO DA Gennaio 2011
VALID FROM January 2011



DOUBLE CONTROLS (CE)

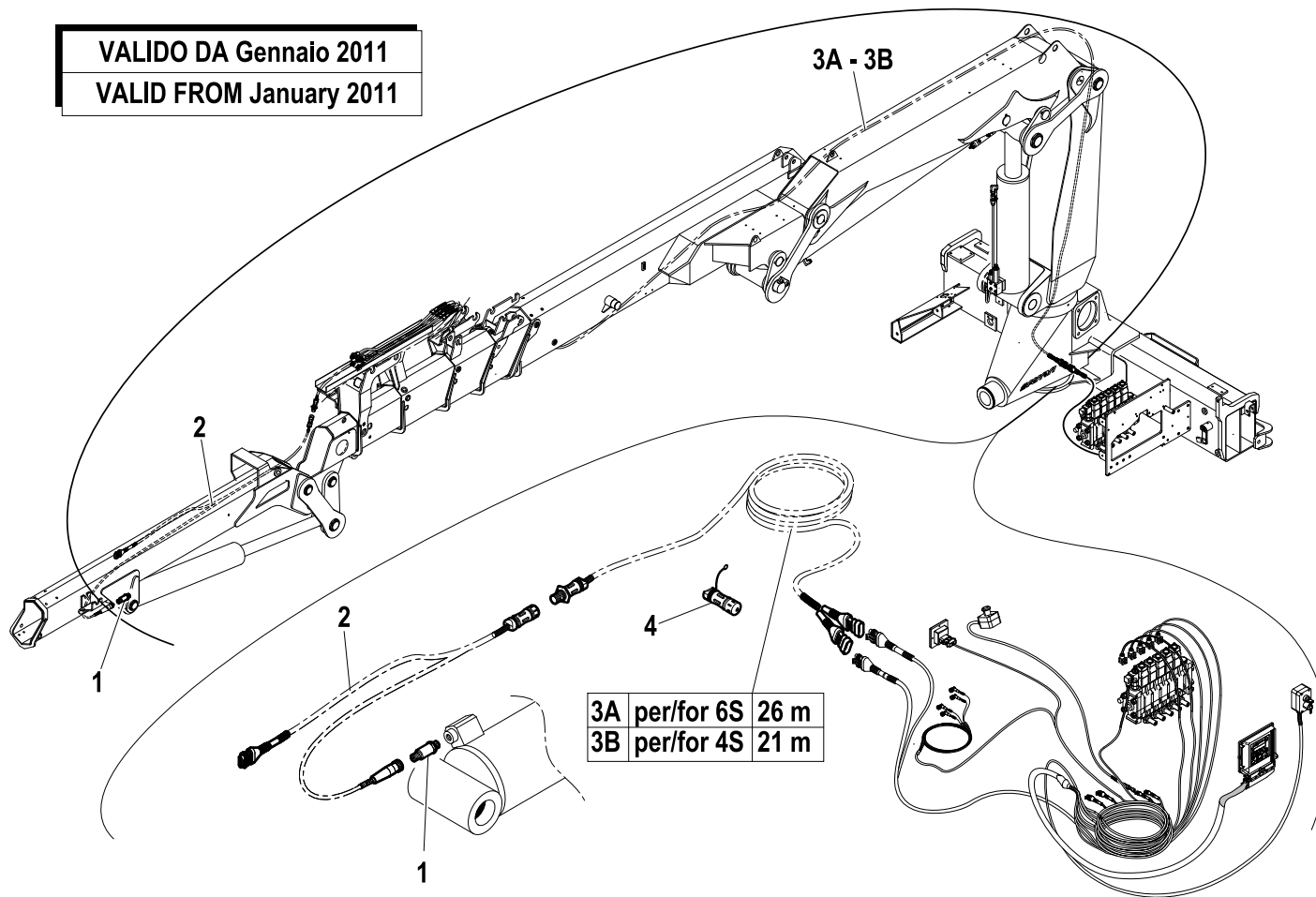
Code

W044505-7.0

1/1

R	Pos.	Code Variant	Q.ty	Description
1		3310612	1	Pressure sensor
2		5160079	1	Electric wiring
3 A		5160077	1	
3 B		5160078	1	
4		5160080	1	Plug (Electric components)

VALIDO DA Gennaio 2011
VALID FROM January 2011



R	Pos.	Code Variant	Q.ty	Description
1		W410301700	1	
2		3060753	2	Cotter pin (Locking ring)
3		W101345	1	
4		W101265	1	
5		W599005	1	
6		W390301000	1	
7		W664003	1	
8		W575051	1	
9		W575084	1	

1° PER VERSIONE A3-J3

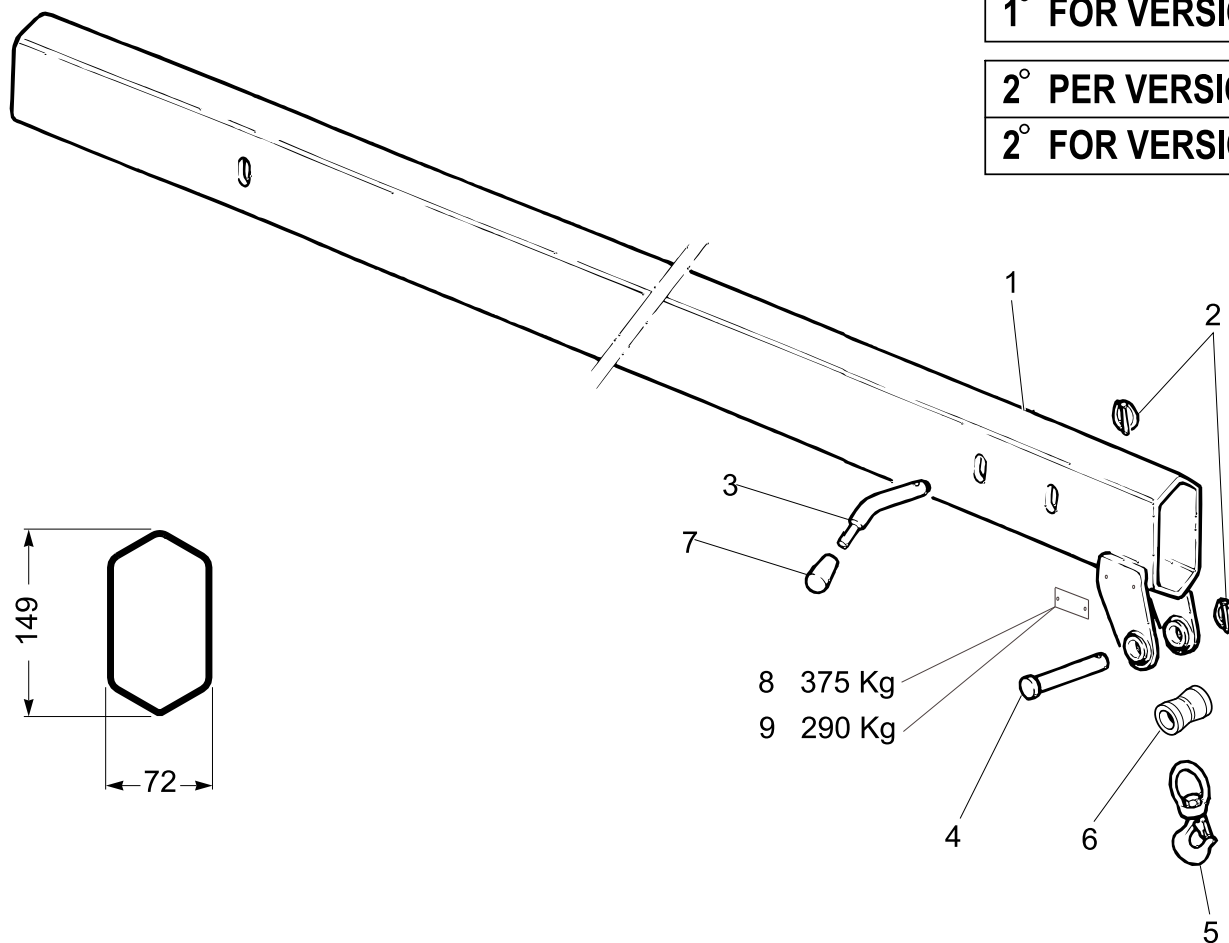
1° FOR VERSION A3-J3

1° PER VERSIONE A4-J3

1° FOR VERSION A4-J3

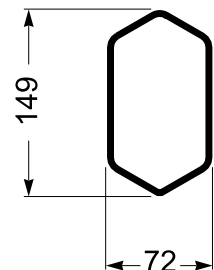
2° PER VERSIONE A4-J2

2° FOR VERSION A4-J2



8 375 Kg

9 290 Kg



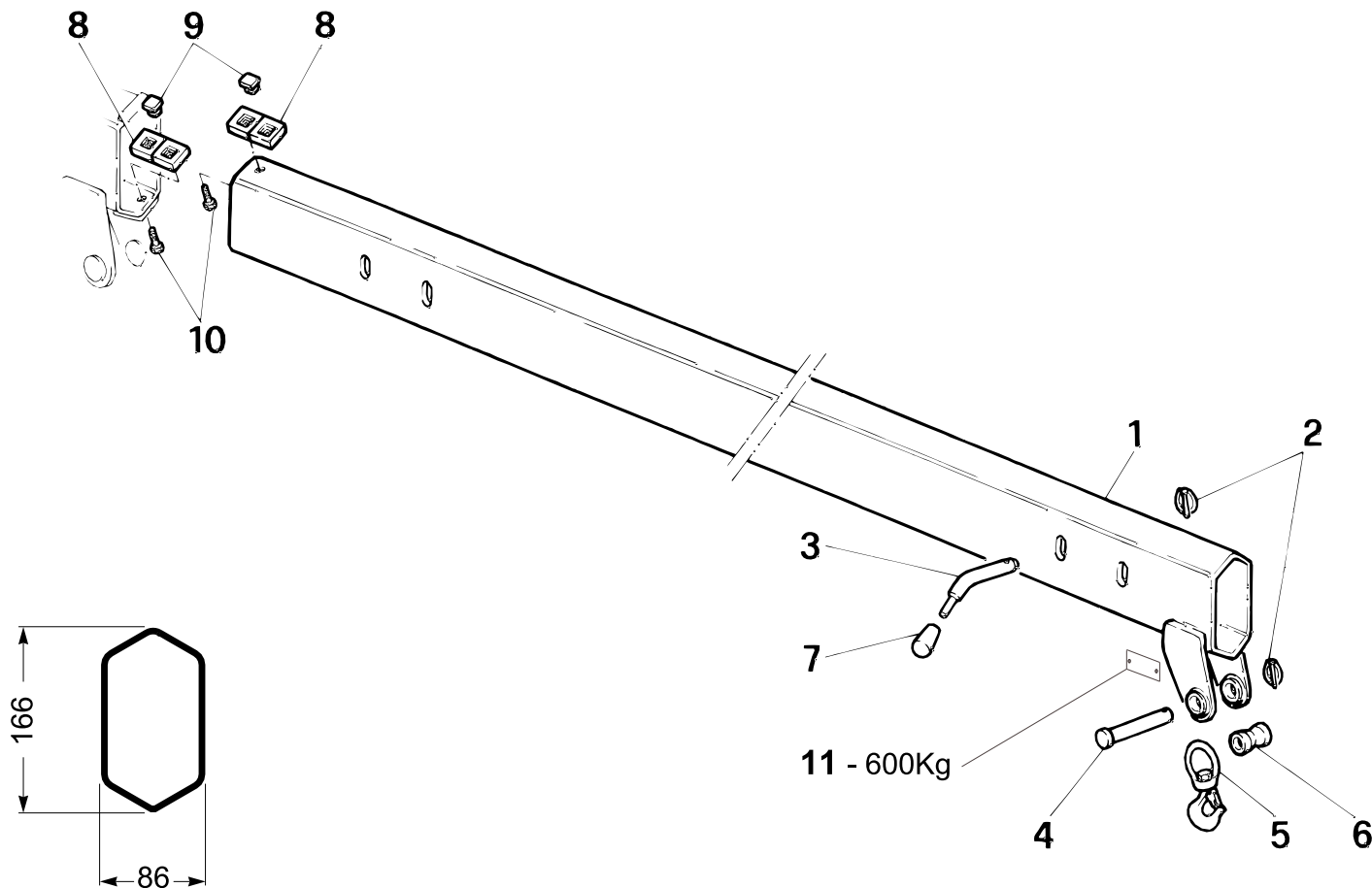
Manual extension

Code

W7800007-1.0

1/1

R	Pos.	Code Variant	Q.ty	Description
	1	W410301800	1	
	2	3060753	2	Cotter pin (Locking ring)
	3	W101045	1	
	4	W101265	1	
	5	W599005	1	
	6	W390301000	1	
	7	W664003	1	
	8	W370300900	4	
	9	W370300800	8	
	10	3010055	8	Hex screw [M8X10 8.8 ZC UNI 5739]
	11	W573927	1	





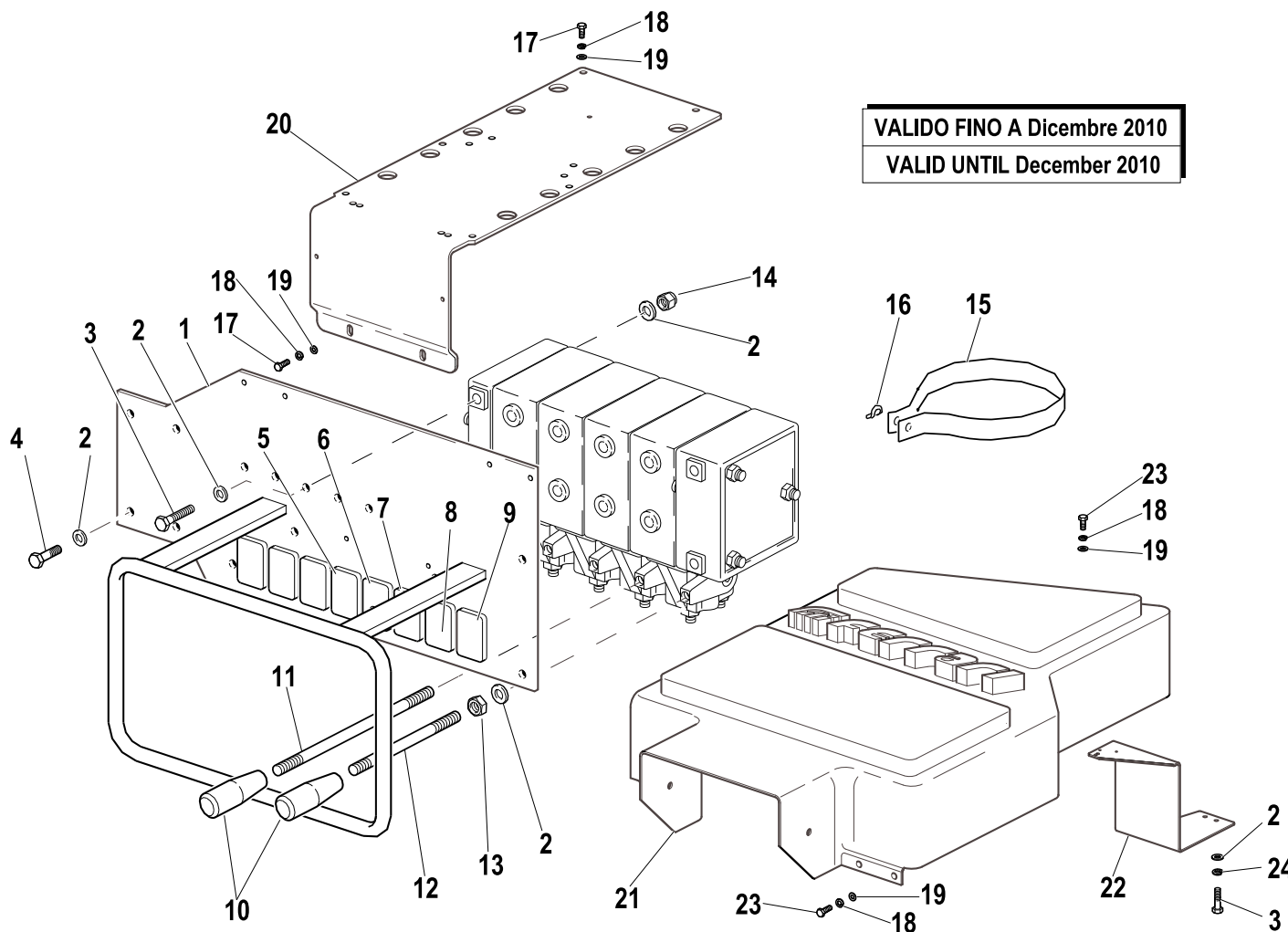
HC181 X

CONTROLS (RDC)

Code

5400614-1.0

1/2



VALIDO FINO A Dicembre 2010

VALID UNTIL December 2010

R	Pos.	Code Variant	Q.ty	Description
1		W570500600	1	
2		3060006	14	Flat washer [D.8 UNI 6592 ZC]
3		3010027	5	Hex screw [M8X20 8.8 ZC IF UNI 5739]
4		3010337	4	Hex screw [M8X16 8.8 ZC UNI 5739]
5		W573270	1	Small plate (CONTROL SYMBOLS)
6		W573269	1	Small plate (CONTROL SYMBOLS)
7		W573267	2	Small plate (CONTROL SYMBOLS)
8		W573266	2	Small plate (CONTROL SYMBOLS)
9		W573265	2	Small plate (CONTROL SYMBOLS)
10		W664003	4	
11		W338802	3	
12		W338801	1	
13		3040040	4	Lock nut
14		3040524	4	Stopnut
15		W270506300	1	
16		W270506400	1	
17		3010325	3	Hex screw [M6X16 8.8 ZC UNI 5739]
18		3060005	8	Flat washer [D.6.4 UNI 6592 ZC]
19		3060053	8	Split lock washer [D=6.4 C72 ZC]
20		5091035	1	

CONTROLS (RDC)

Code

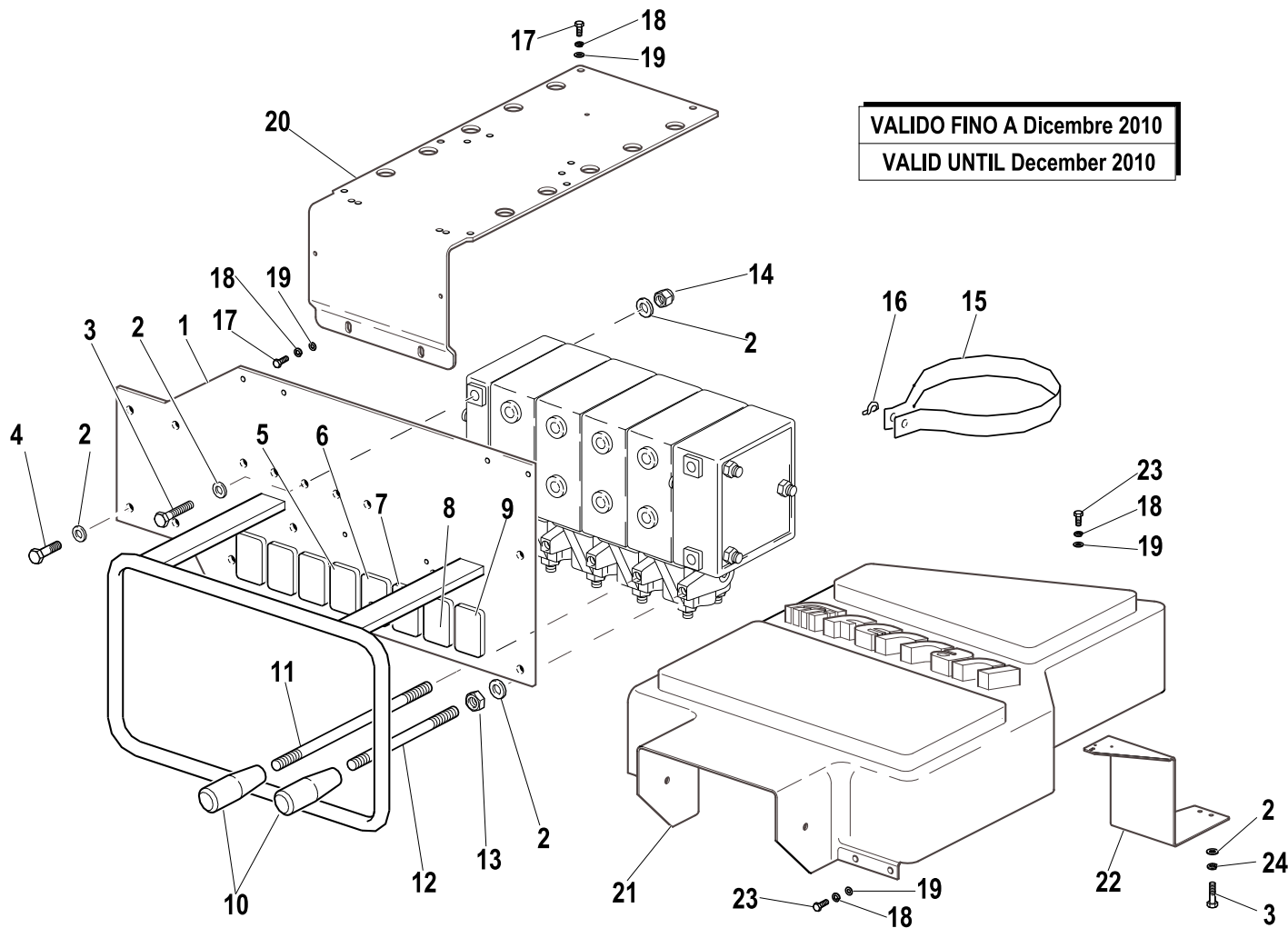
5400614-1.0

2/2

R	Pos.	Code Variant	Q.ty	Description
	21	W590501200	1	
	22	W570501500	1	
	23	3010324	6	Hex screw [M6X12 8.8 ZC UNI 5739]
	24	3060055	2	Split lock washer [D=8.4 C72 ZC]

VALIDO FINO A Dicembre 2010

VALID UNTIL December 2010

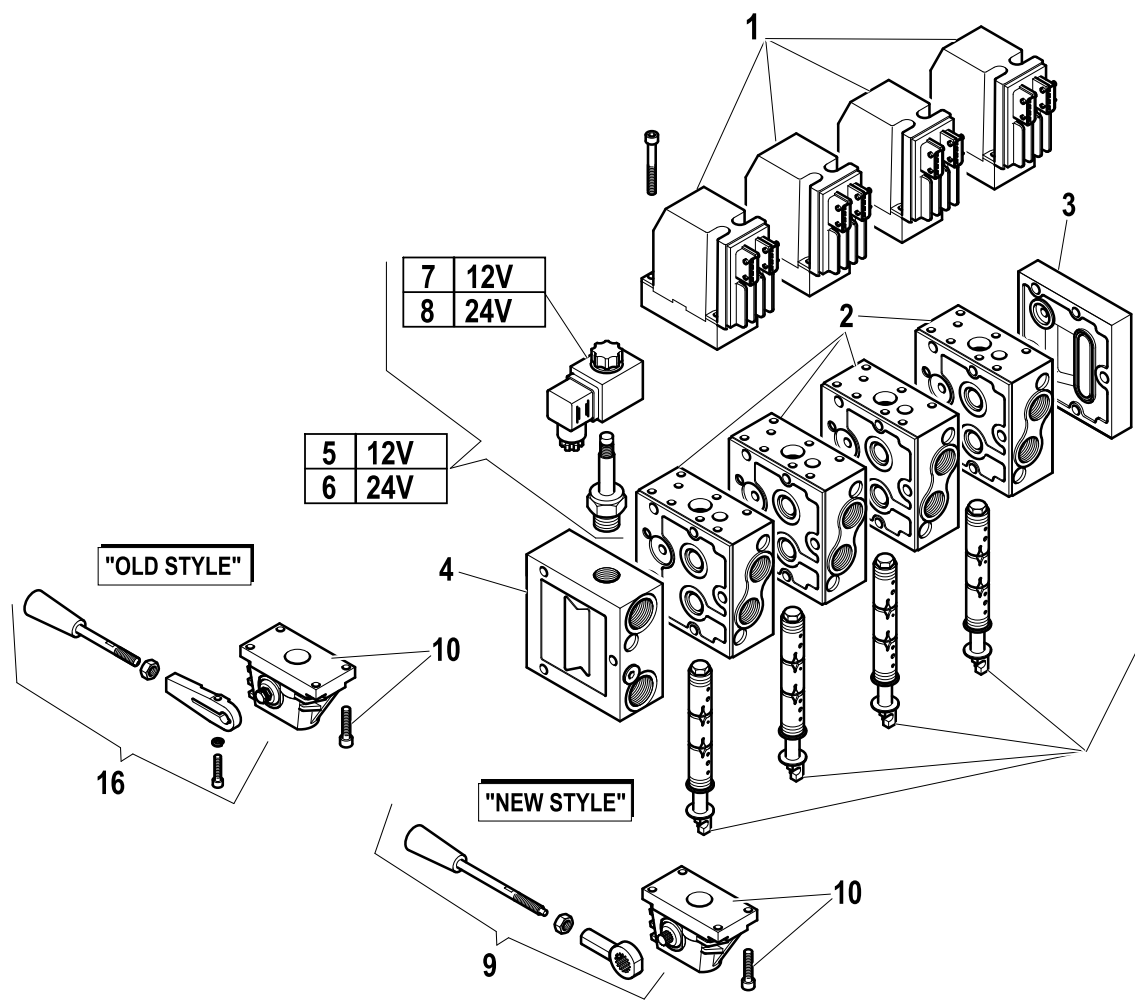


Control valve (4 section)

Code

5220373-1.0

1/1



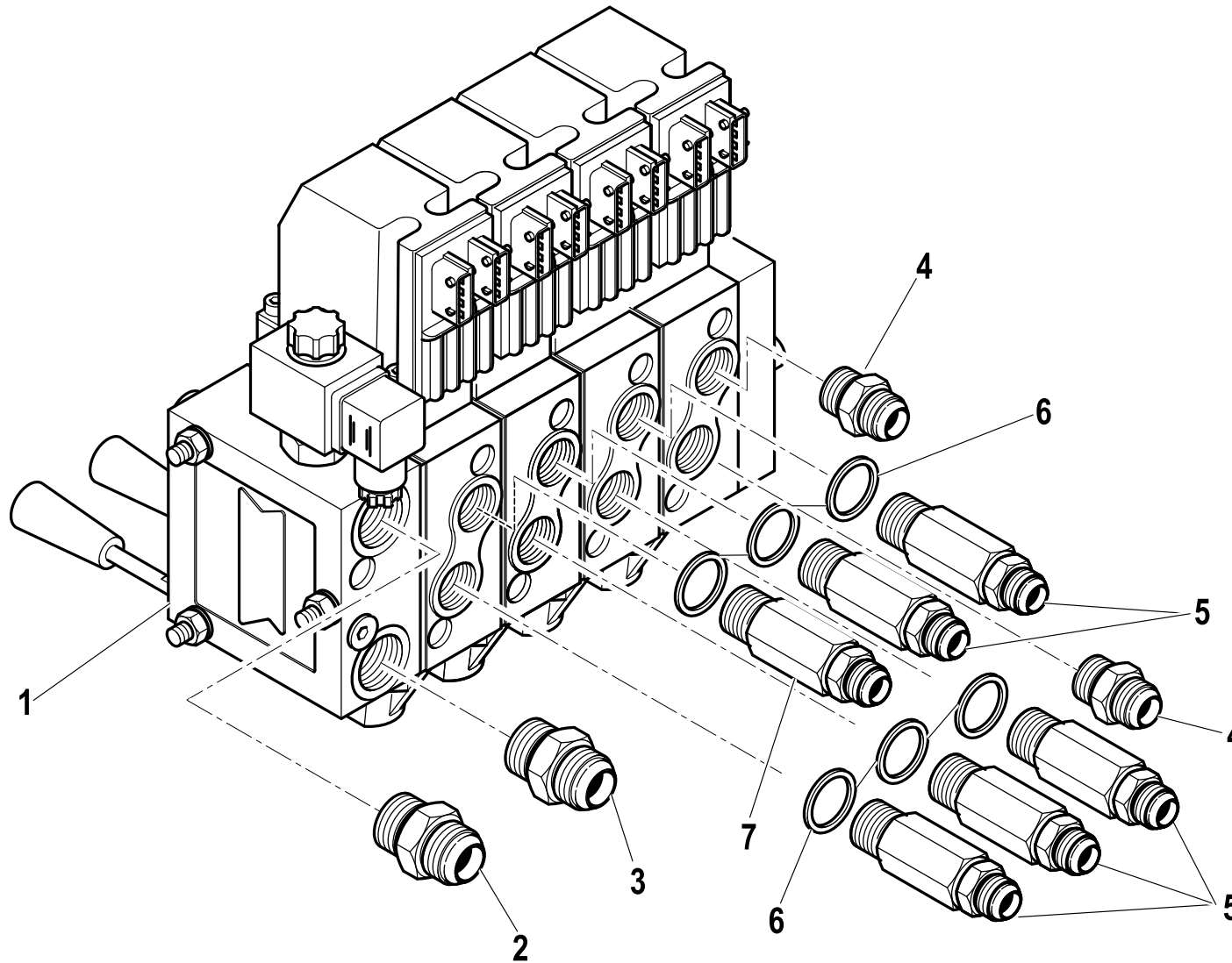
R	Pos.	Code Variant	Q.ty	Description
	1	5225534	4	Electric control (PVEA-DI PER PVG32)
	2	5225398	4	Form (PVB DISTR. DANFOSS 157B6203)
	3	5225512	1	
	4	5225511	1	
	5	5225533	1	
	6	5225510	1	
	7	3310238	1	Solenoid (12V)
	8	3310242	1	Solenoid (24V)
	9	5225859	4	lever kit new PVG32 11046724
	10	WDNF157B3 173	4	
	11	5225558	1	Slider (PVG32 157B7131)
	12	5225536	1	Slider (PVG32 157B7472)
	13	5225368	1	Slider (PVG32 157B7122)
	14	5225340	1	Slider (PVG32 CA A40-B100 157B9505)
	15	5225508	1	Slider (PVG32 157B7022)
	16	5225858	4	

Control valve ass'y (4 section)

Code

5400614-2.0

1/1

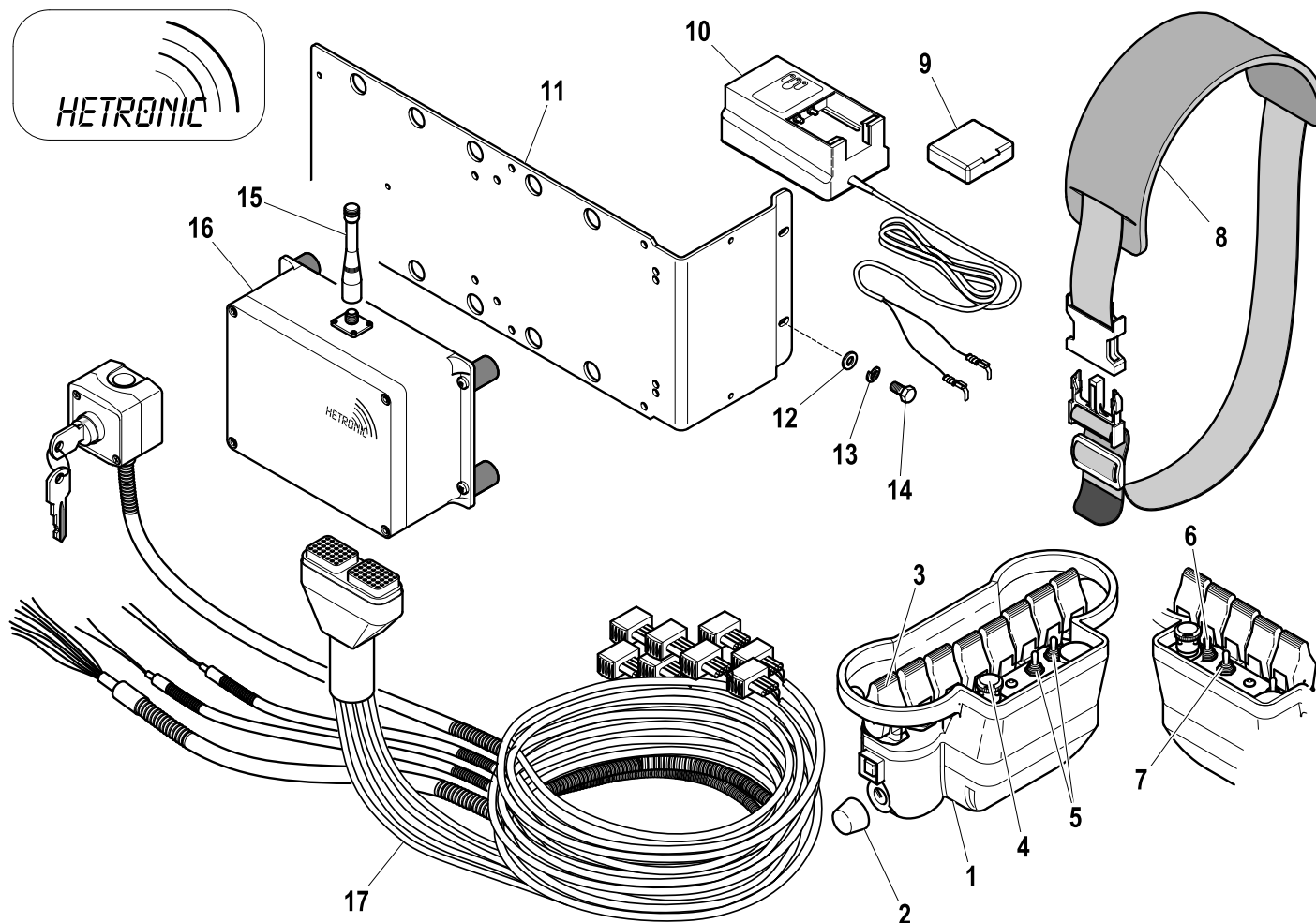


R	Pos.	Code Variant	Q.ty	Description
	1	5220373	1	Control valve
	2	3101046	1	Straight pipe fitting
	3	3120073	1	Straight pipe fitting
	4	3101044	2	Straight pipe fitting
	5	W402109	5	Rotary union
	6	3060145	6	Sealing washer [BSP 1/2"]
	7	W402110	1	Rotary union

Wireless control kit (Hz.EU)

Code
7892114-1.0

1/1



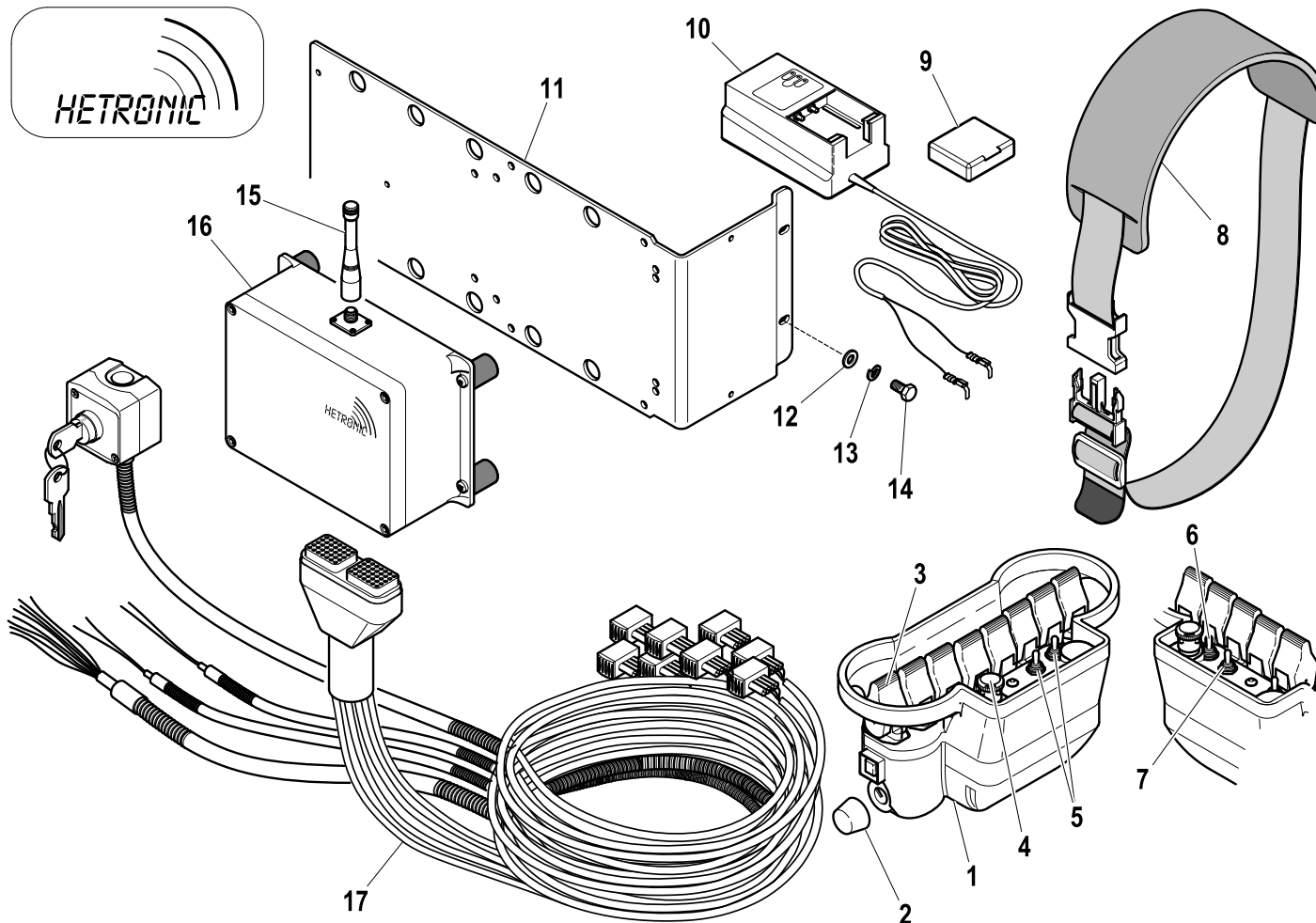
R	Pos.	Code Variant	Q.ty	Description
	1	3310772	1	
	2	3310795	1	
	3	3310796	8	
	4	3310788	1	
	5	3310786	2	
	6	3310785	1	
	7	3311029	1	
	8	3310799	1	
	9	3310641	2	
	10	3310797	1	
	11	5091035	1	
	12	3060006	4	Flat washer [D.8 UNI 6592 ZC]
	13	3060055	4	Split lock washer [D=8.4 C72 ZC]
	14	3010027	4	Hex screw [M8X20 8.8 ZC IF UNI 5739]
	15	3310775	1	
	16	3310771	1	
	17	3310912	1	

Wireless control kit (Hz.USA)

Code

7892115-1.0

1/1



R	Pos.	Code Variant	Q.ty	Description
	1	3310808	1	
	2	3310795	1	
	3	3310796	8	
	4	3310788	1	
	5	3310786	2	
	6	3310785	1	
	7	3311029	1	
	8	3310799	1	
	9	3310641	2	
	10	3310797	1	
	11	5091035	1	
	12	3060914	3	Flat washer [D.10.5X21X2 UNI 6592 ZC]
	13	3060056	3	Split lock washer [D=10 C72 ZC]
	14	3010349	3	Hex screw [M10X20 10.9 ZC UNI 5739]
	15	3310775	1	
	16	3310807	1	
	17	3310912	1	

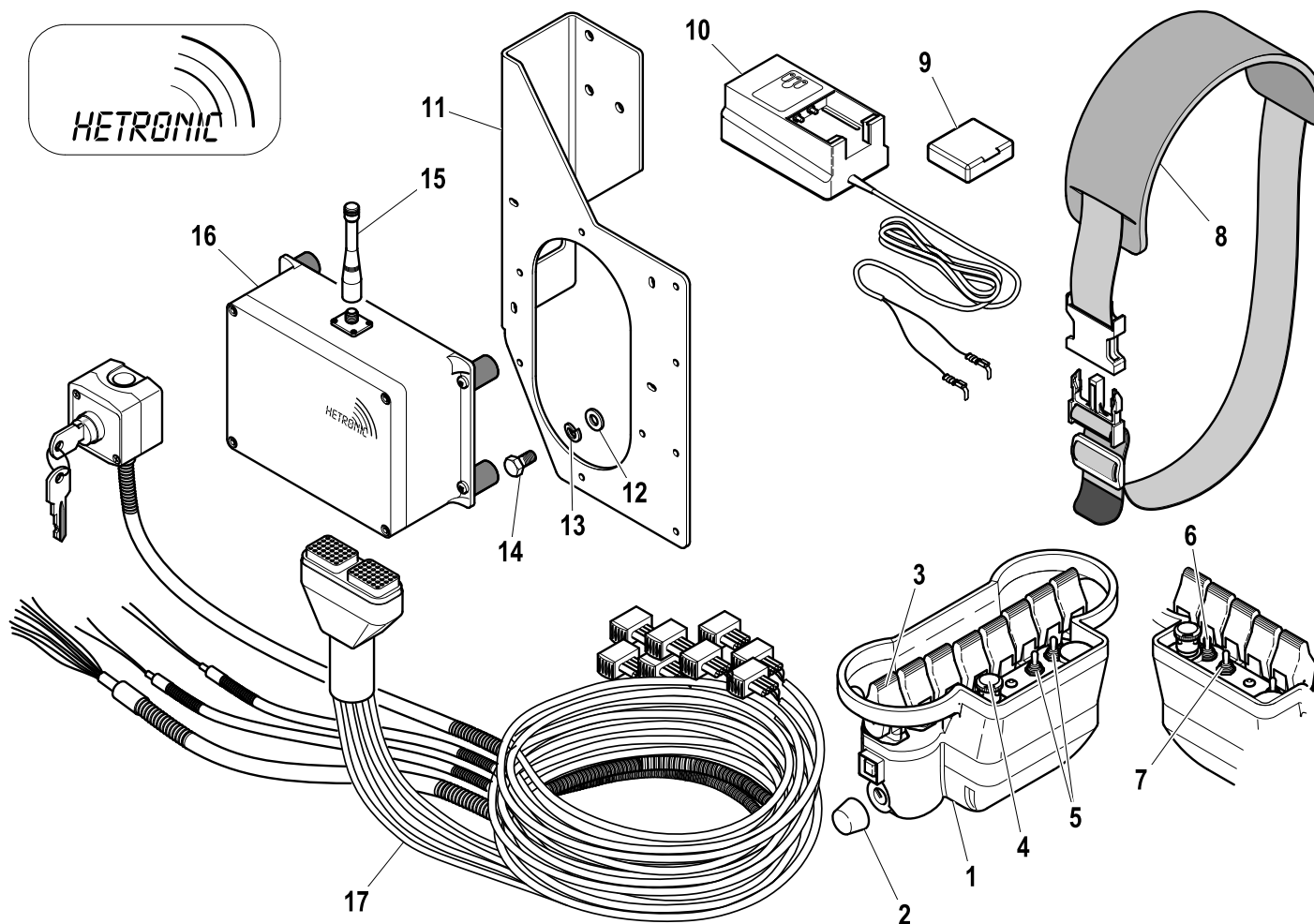
Wireless control kit (Hz.PRC)

Code

7892048-1.0

1/1

R	Pos.	Code Variant	Q.ty	Description
	1	3311116	1	
	2	3310795	1	
	3	3310796	8	
	4	3310788	1	
	5	3310786	2	
	6	3310785	1	
	7	3311029	1	
	8	3310799	1	
	9	3310641	2	
	10	3310797	1	
	11	5001730	1	
	12	3060914	3	Flat washer [D.10.5X21X2 UNI 6592 ZC]
	13	3060056	3	Split lock washer [D=10 C72 ZC]
	14	3010349	3	Hex screw [M10X20 10.9 ZC UNI 5739]
	15	3310775	1	
	16	3311115	1	
	17	3310912	1	



Wireless control kit (24V)

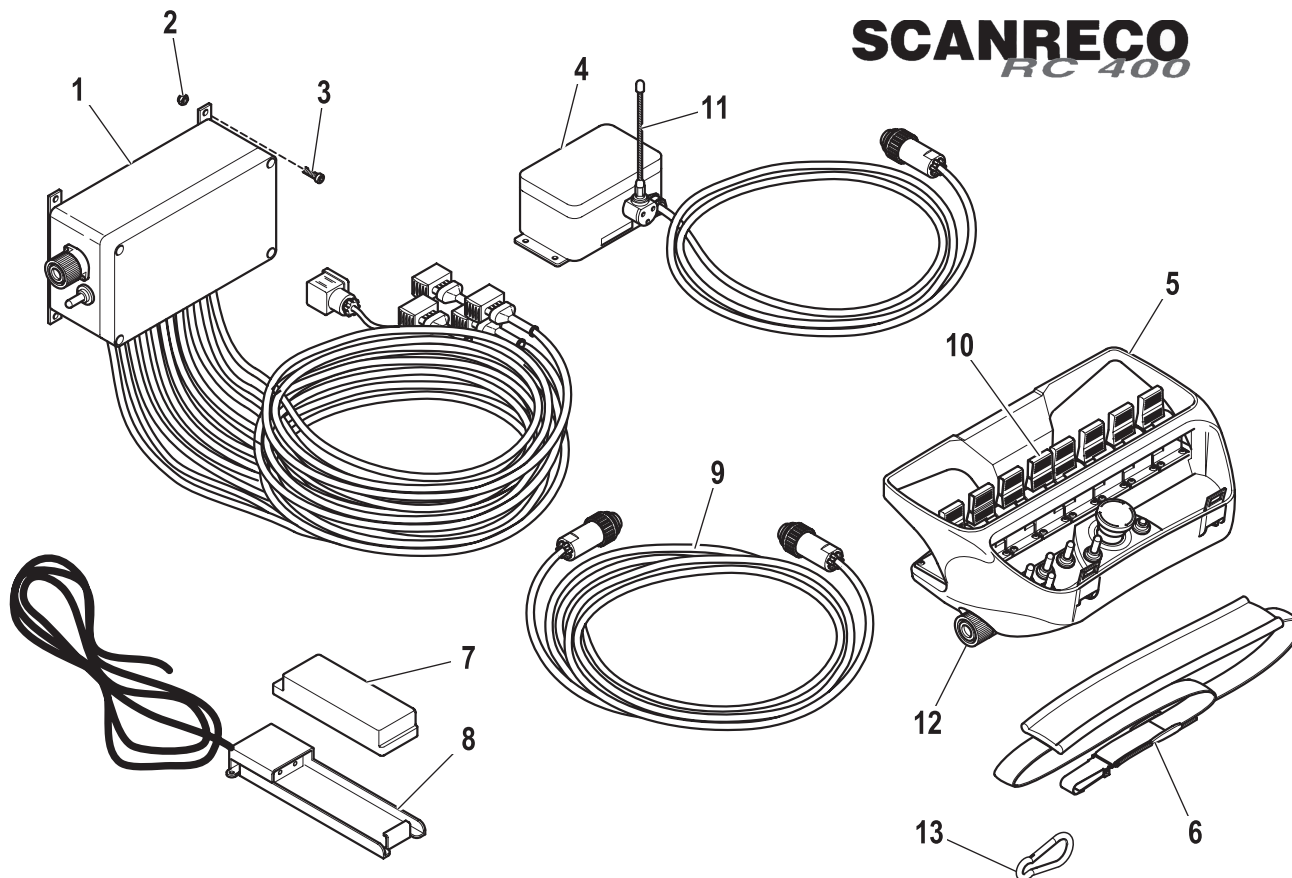
Code

7892053-1.0

1/1

R	Pos.	Code Variant	Q.ty	Description
	1	3310534	1	
	2	3040392	4	Stopnut
	3	3020023	4	Socket head cap screw [M5X16 8.8 ZC UNI 5931]
	4	3310535	1	
	5	3320026	1	
	6	3190226	1	Belt (Push button panel)
	7	3310483	2	Battery
	8	3310471	1	Battery charger
	9	3310536	1	
	10	3310445	8	Control lever
	11	3310683	1	
	12	3310850	1	
	13	3190259	1	

SCANRECO
HC 400

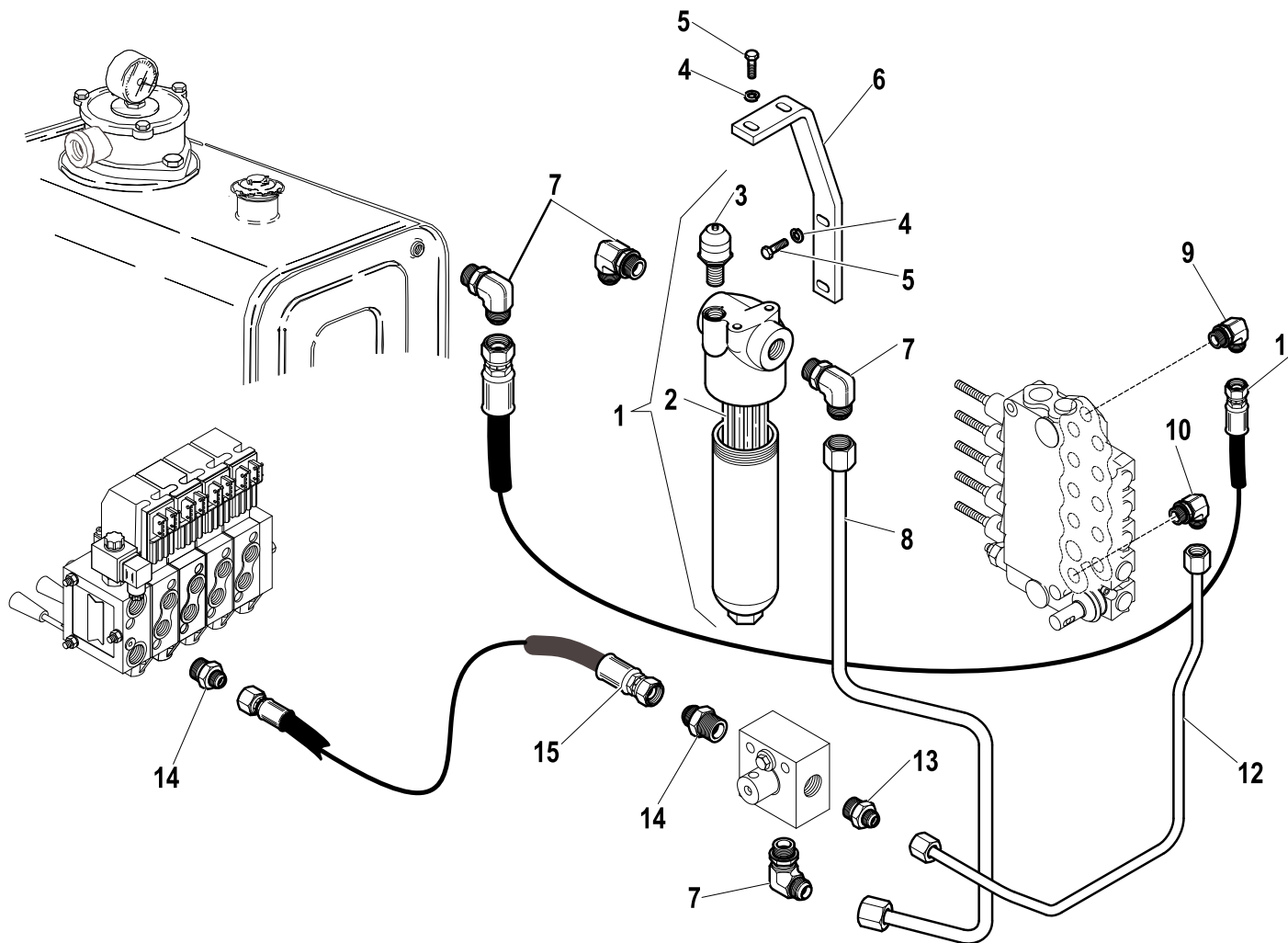


High pressure filter (RDC)

Code

5400611-1.0

1/1



R	Pos.	Code Variant	Q.ty	Description
	1	W350018	1	
	2	W350718	1	
	3	W350507	1	
	4	3060918	4	Tooth lock washer [D.8 TIPO A UNI8842 ZC]
	5	3010027	4	Hex screw [M8X20 8.8 ZC IF UNI 5739]
	6	5091036	1	
	7	3101134	4	90° Connection
	8	5392156	1	
	9	3120012	1	90° Connection
	10	3101127	1	90° Connection
	11	5280746	1	Flexible hose
	12	5392155	1	
	13	3101045	1	Straight pipe fitting
	14	3120073	2	Straight pipe fitting
	15	5280747	1	



HC181 TCU

CONTROLS (ECM 4)

Code

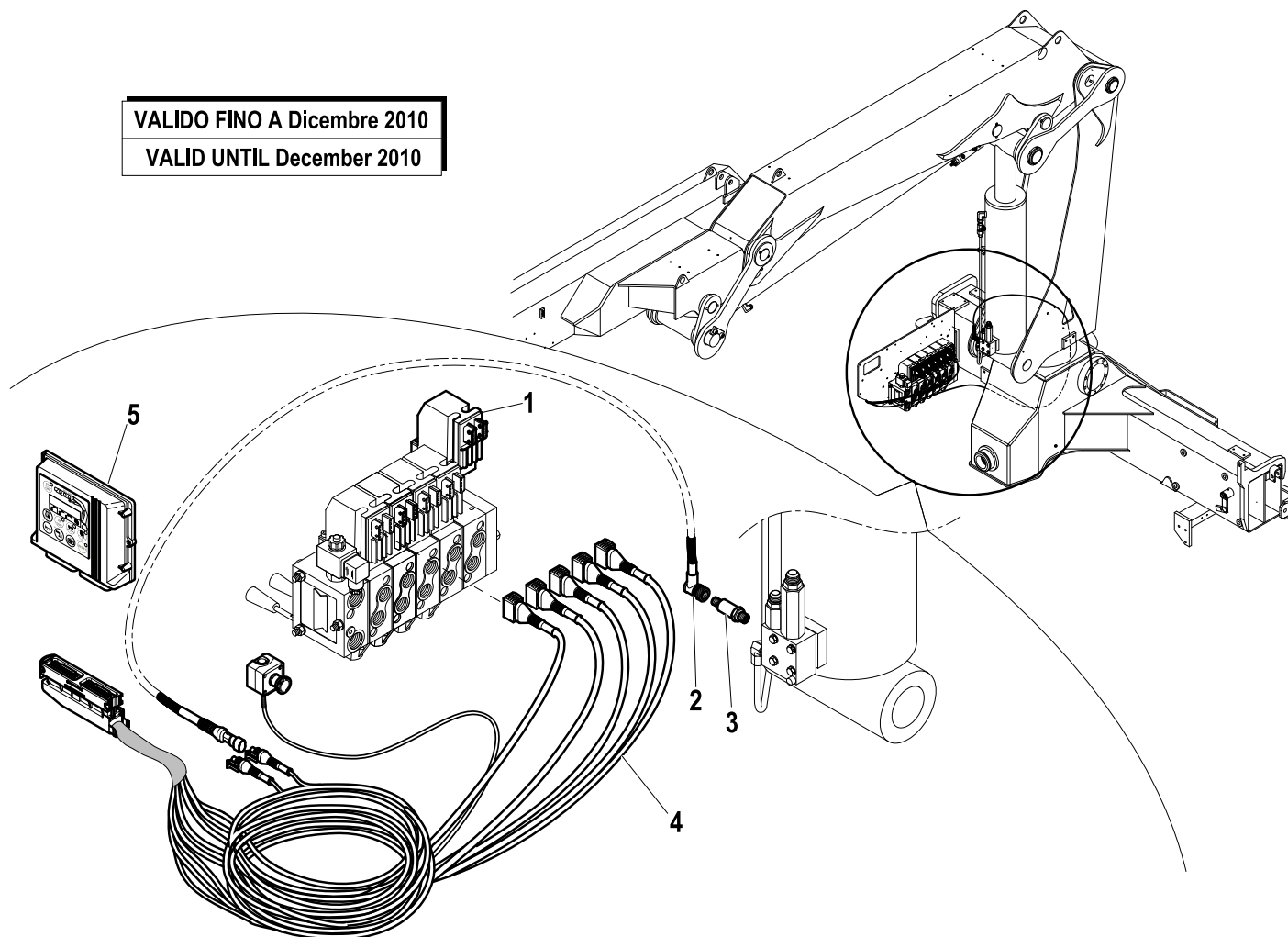
5400614-3.0

1/1

VALIDO FINO A Dicembre 2010

VALID UNTIL December 2010

R	Pos.	Code Variant	Q.ty	Description
	1	5225534	5	Electric control (PVEA-DI PER PVG32)
	2	5160001	1	Electric wiring
	3	3310612	1	Pressure sensor
	4	5160049	1	Electric wiring
	5	3310828	1	Moment limiting device



CONTROLS (ECM 4)

Code

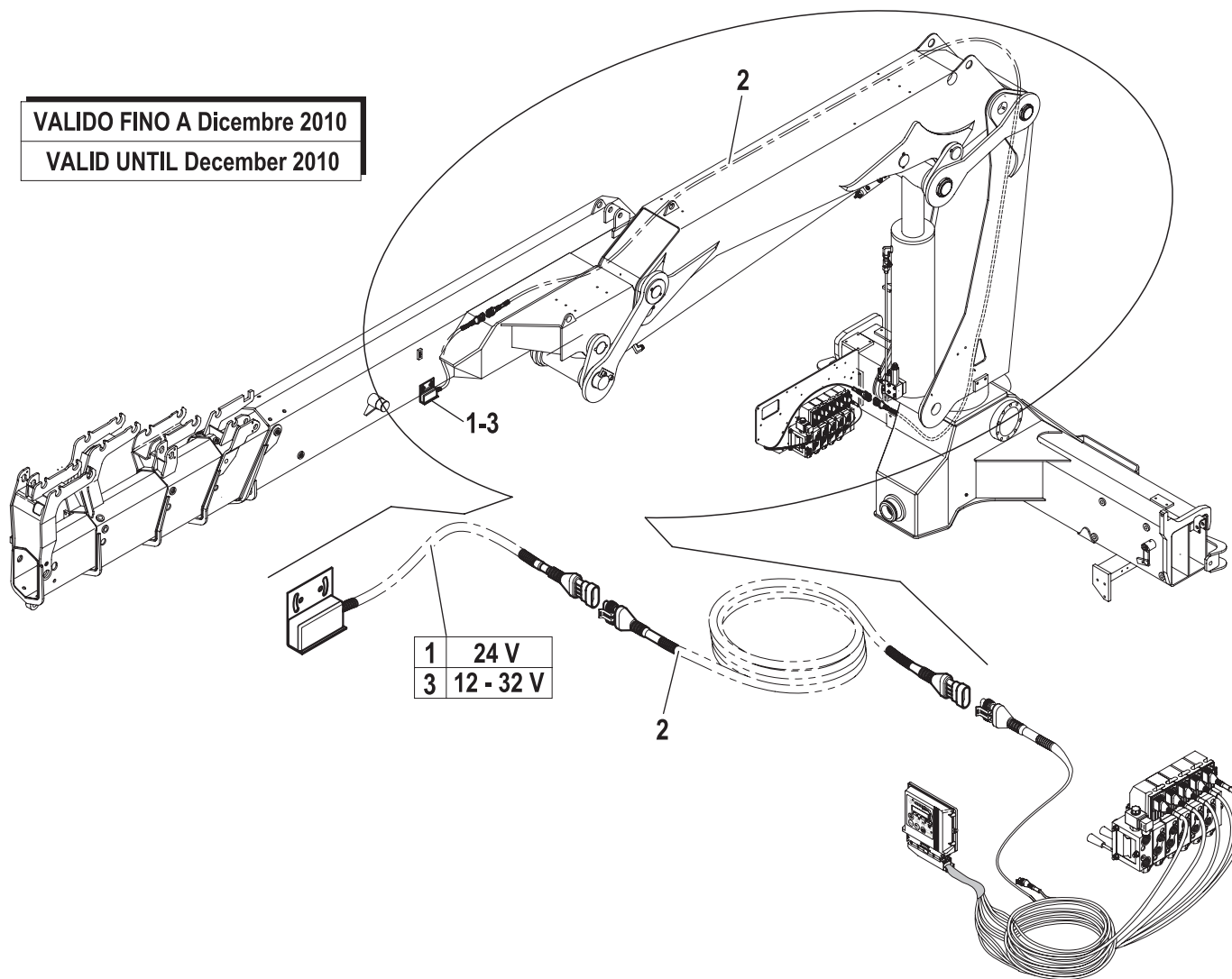
5400614-4.0

1/1

R	Pos.	Code Variant	Q.ty	Description
	1	3310541	1	Tiltmeter
	2	5160002	1	Electric wiring
	3	3310723	1	Tiltmeter

VALIDO FINO A Dicembre 2010

VALID UNTIL December 2010



- 1 24 V
- 3 12 - 32 V

CONTROLS (ECM 4)

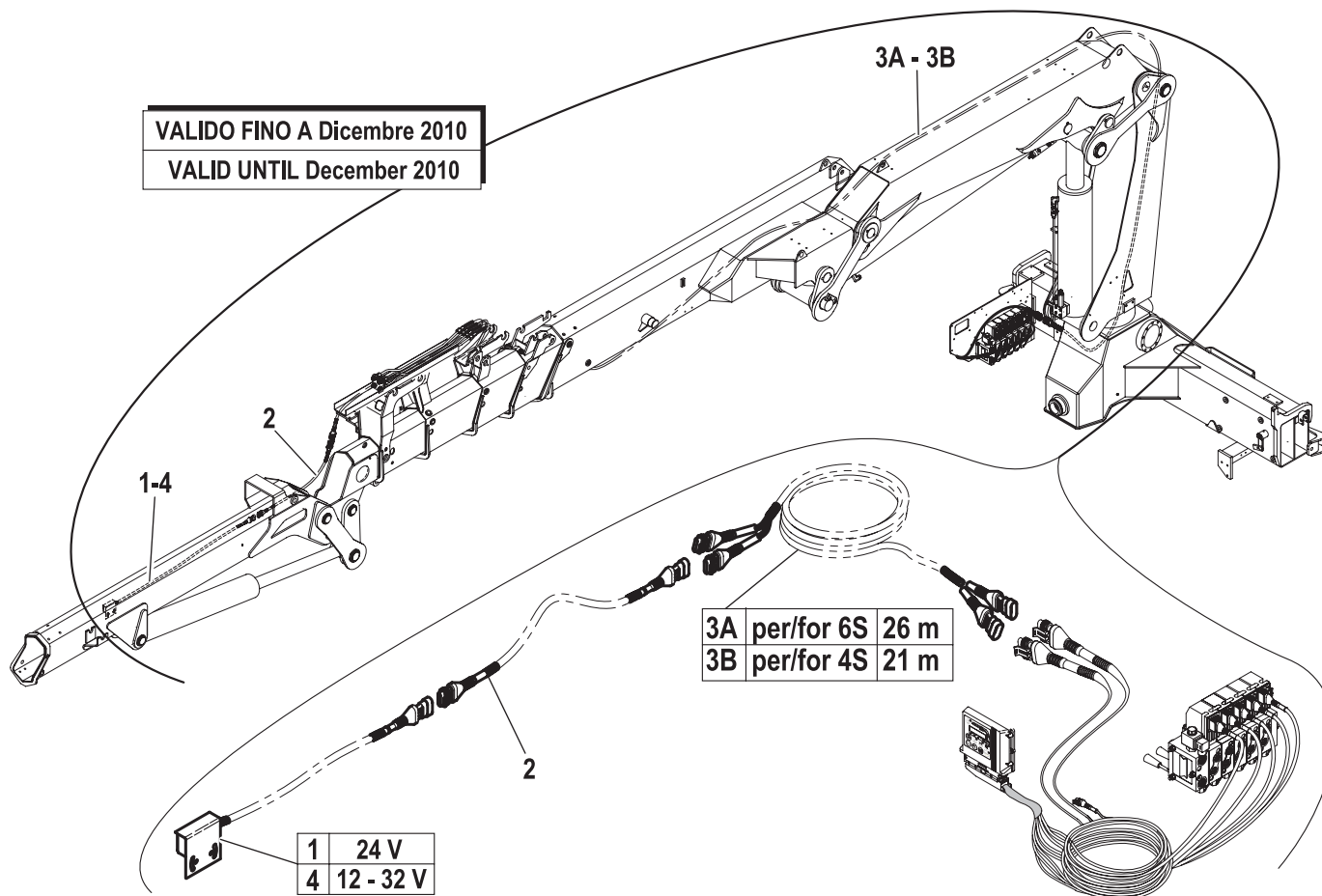
Code

5400610-1.0

1/1

R	Pos.	Code Variant	Q.ty	Description
	1	3310541	1	Tiltmeter
	2	5160016	1	Electric wiring
	3A	5160015	1	Electric wiring
	3B	5160019	1	Electric wiring
	4	3310723	1	Tiltmeter

VALIDO FINO A Dicembre 2010
VALID UNTIL December 2010



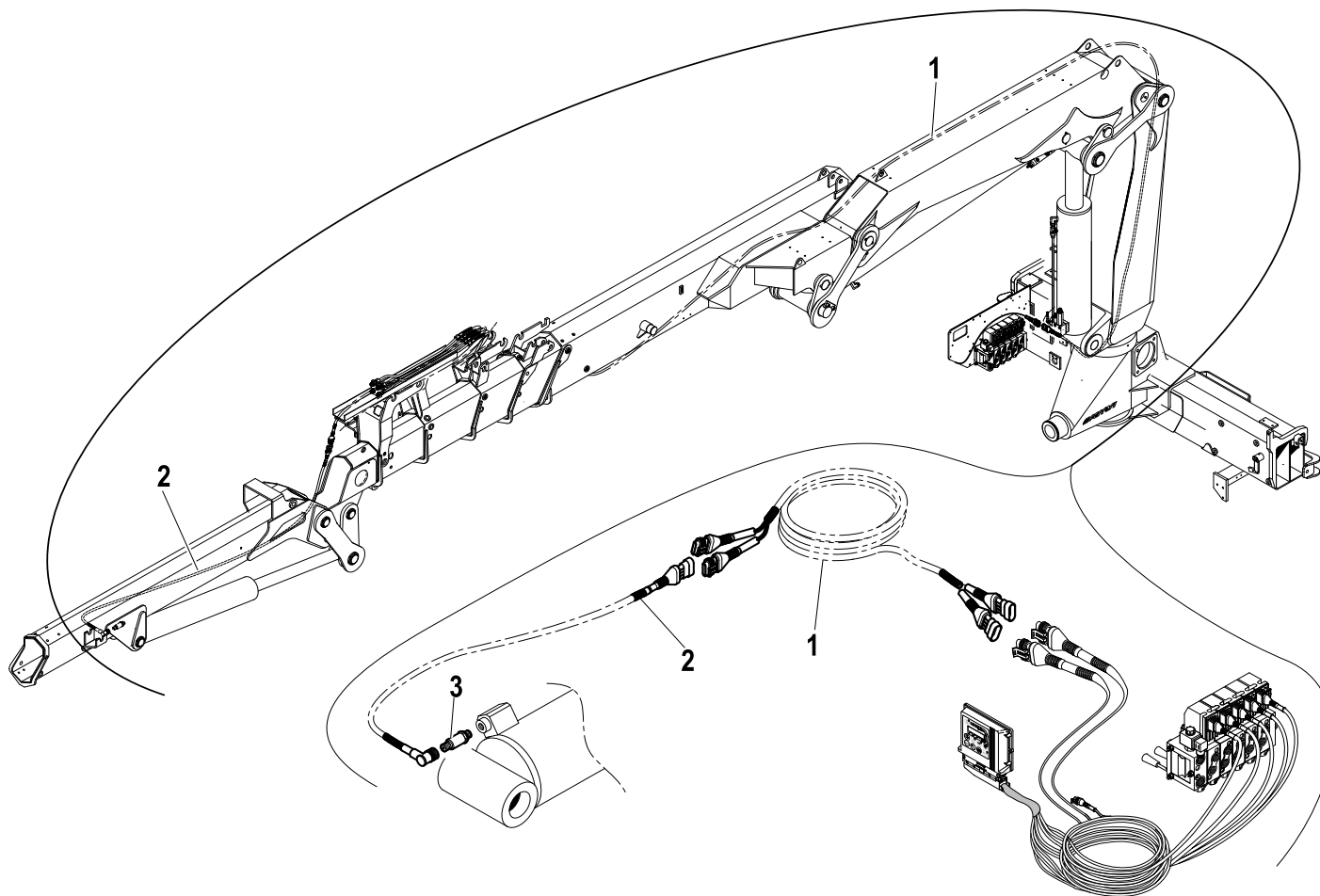
CONTROLS (ECM 4)

Code

5400610-2.0

1/1

R	Pos.	Code Variant	Q.ty	Description
	1/A	5160015	1	Electric wiring
	1/B	5160019	1	Electric wiring
	2	5160001	1	Electric wiring
	3	3310612	1	Pressure sensor



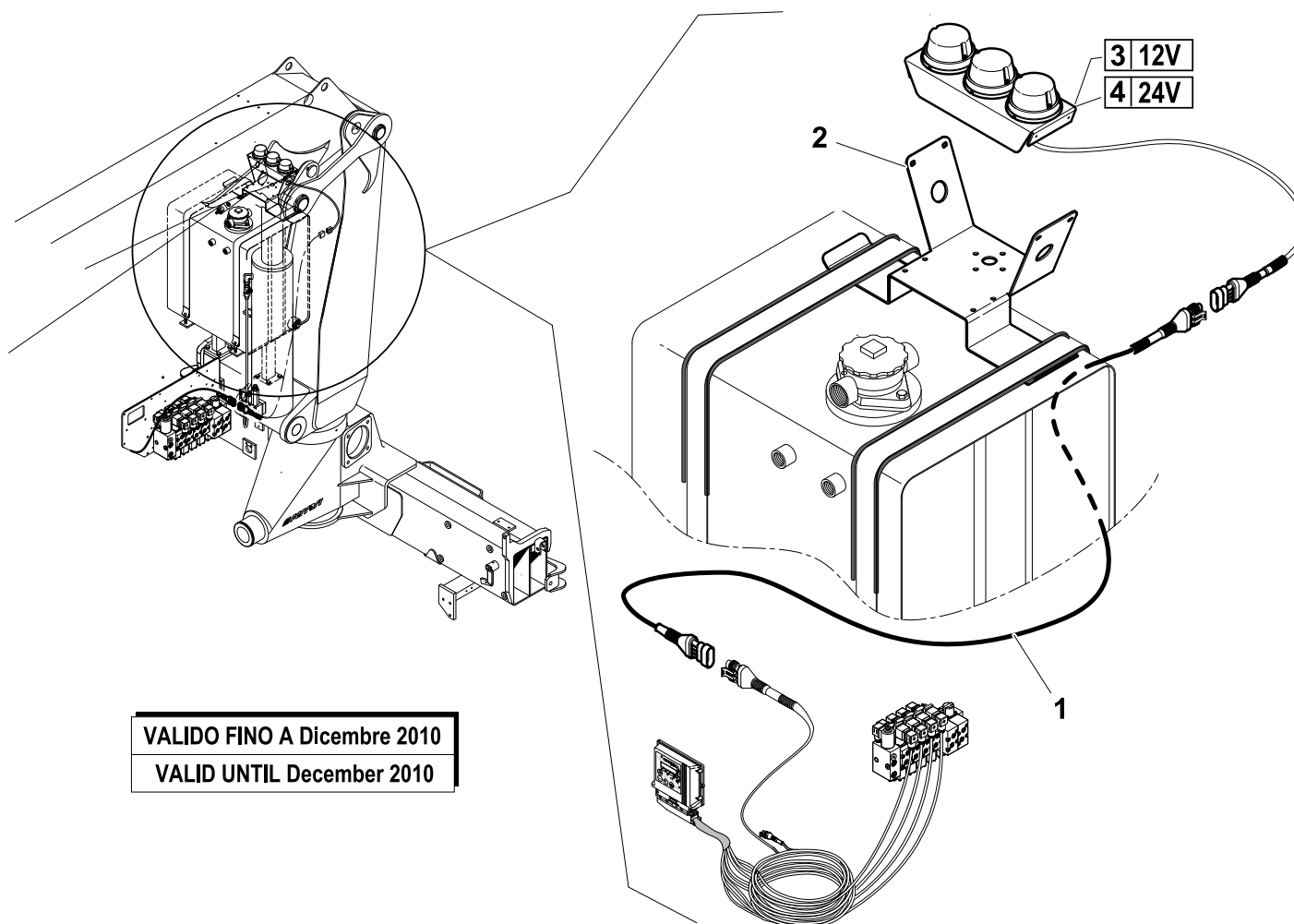
CONTROLS (ECM 4)

Code

5400614-5.0

1/1

R	Pos.	Code Variant	Q.ty	Description
	1	5160003	1	Electric wiring
	2	5001657	1	
	3	3310819	1	
	4	3310809	1	



VALIDO FINO A Dicembre 2010

VALID UNTIL December 2010

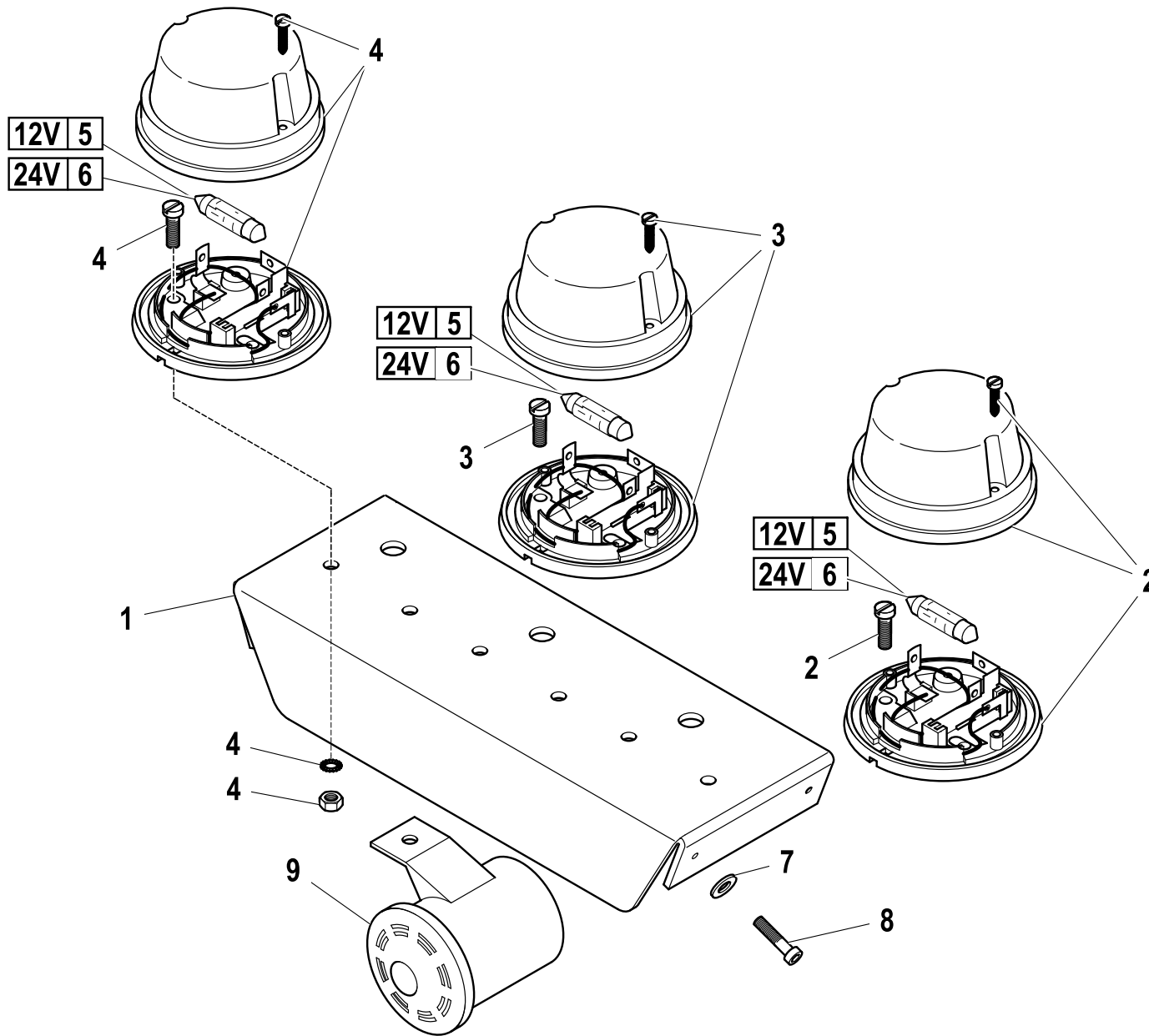
Pilot lamp

Code

7885015-1.0

1/1

R	Pos.	Code Variant	Q.ty	Description
	1	5001662	1	
	2	3310811	1	
	3	3310812	1	
	4	3310810	1	
	5	3310818	3	
	6	3310813	3	
	7	3060003	4	Flat washer [D.4 UNI 6592 ZC]
	8	3020885	4	Socketed head cap screw [M4X20 8.8 ZC UNI 5931]
	9	3310911	1	



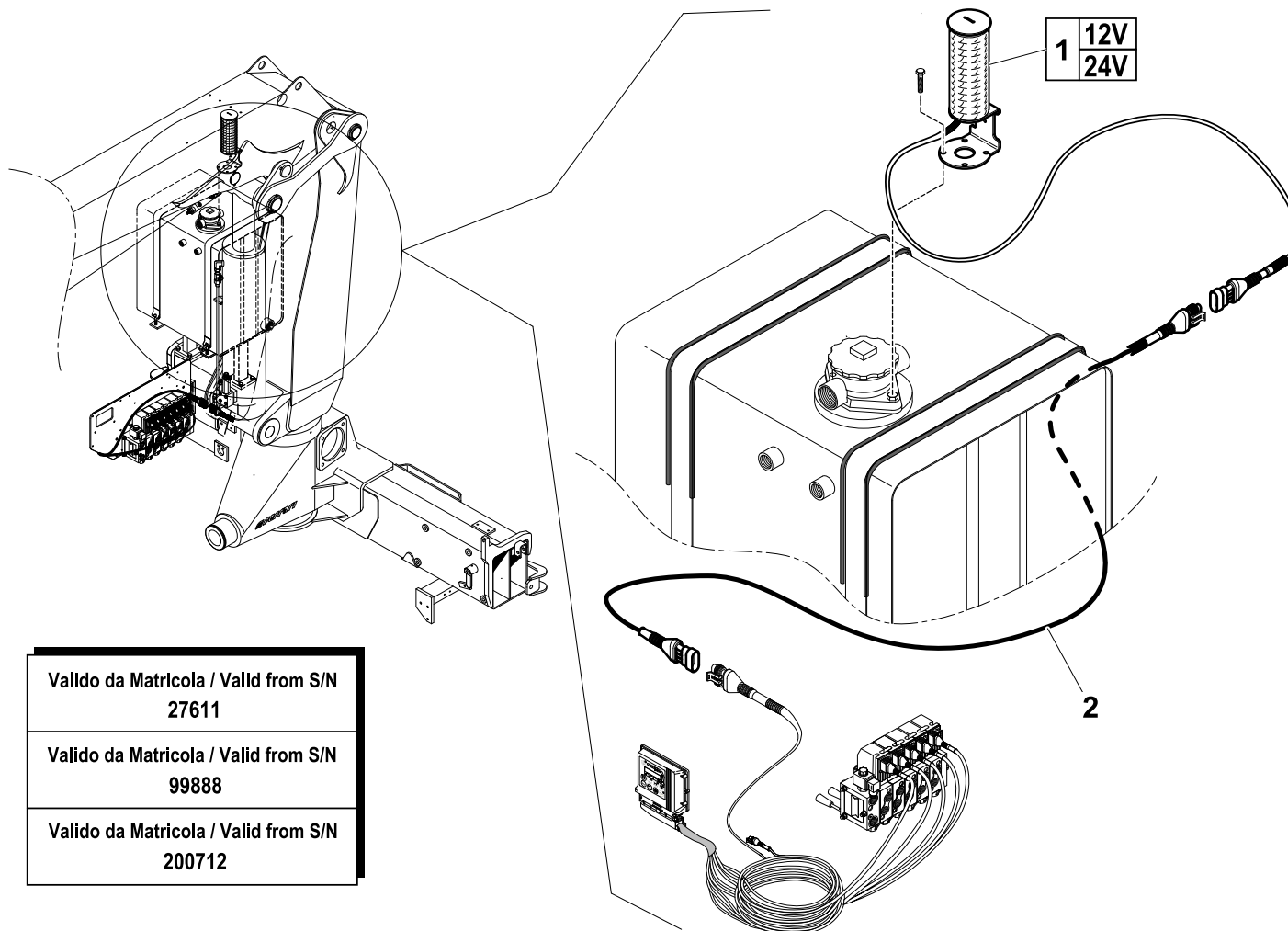
CONTROLS (ECM 4)

Code

5400614-7.0

1/1

R	Pos.	Code Variant	Q.ty	Description
1		3311159	1	Signal Columns
2		5160003	1	Electric wiring



Valido da Matricola / Valid from S/N
27611

Valido da Matricola / Valid from S/N
99888

Valido da Matricola / Valid from S/N
200712

CONTROLS (ECM 4)

Code

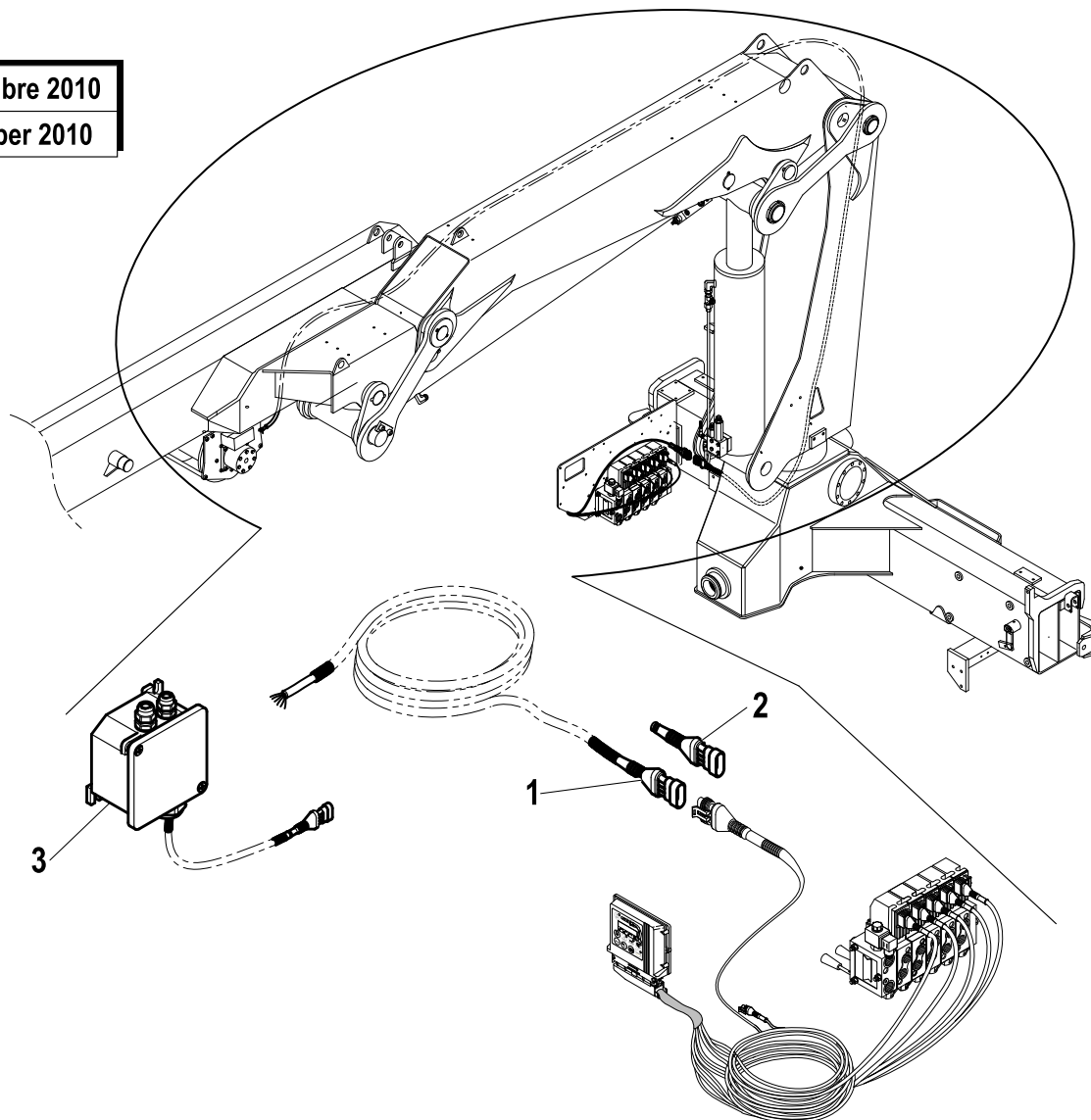
5400617-1.0

1/1

VALIDO FINO A Dicembre 2010

VALID UNTIL December 2010

R	Pos.	Code Variant	Q.ty	Description
1		5160004	1	
2		5160013	1	
3		3310663	1	



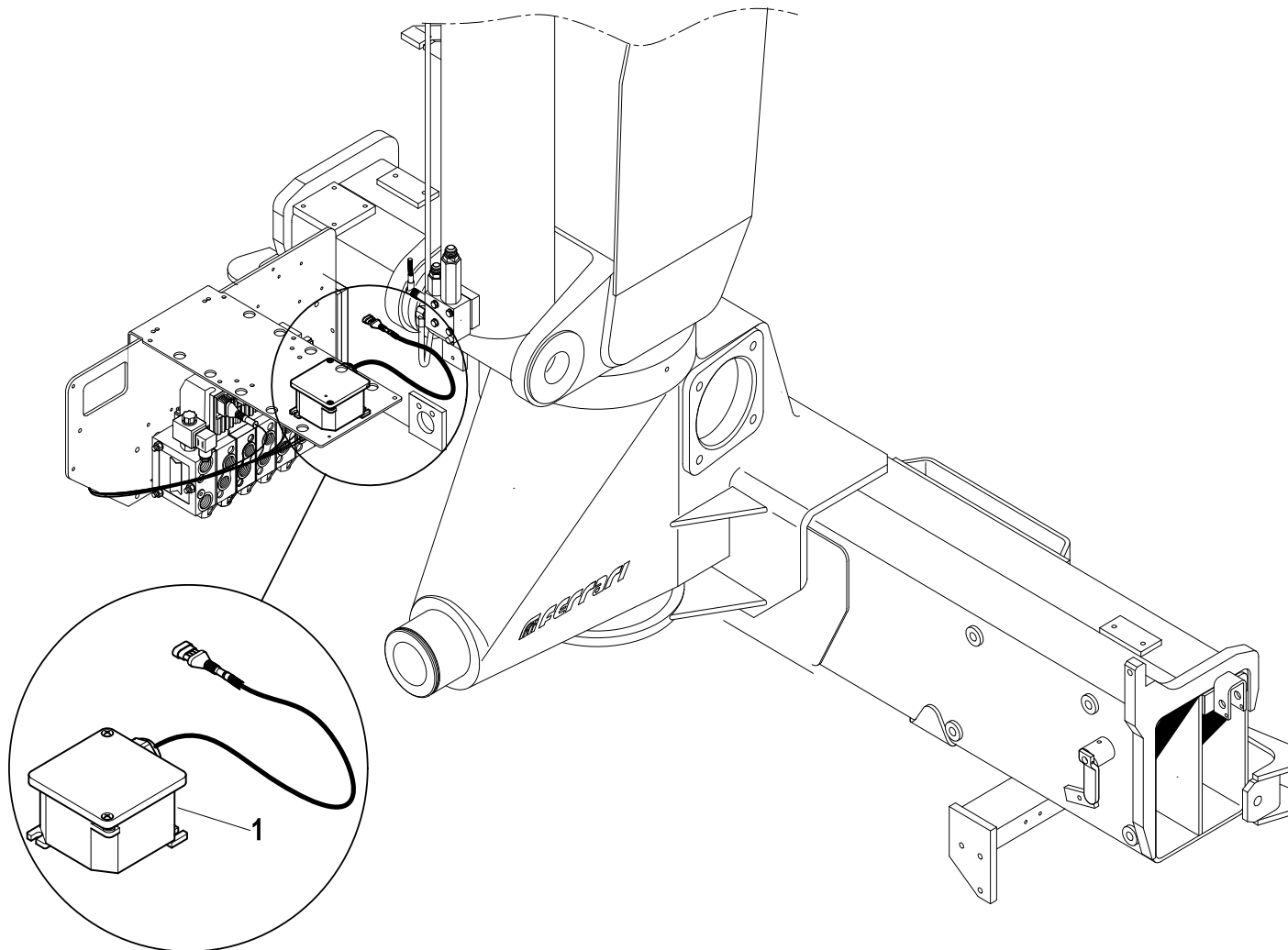
CONTROLS (ECM 4)

Code

5400614-6.0

1/1

R	Pos.	Code Variant	Q.ty	Description
1		5160006	1	

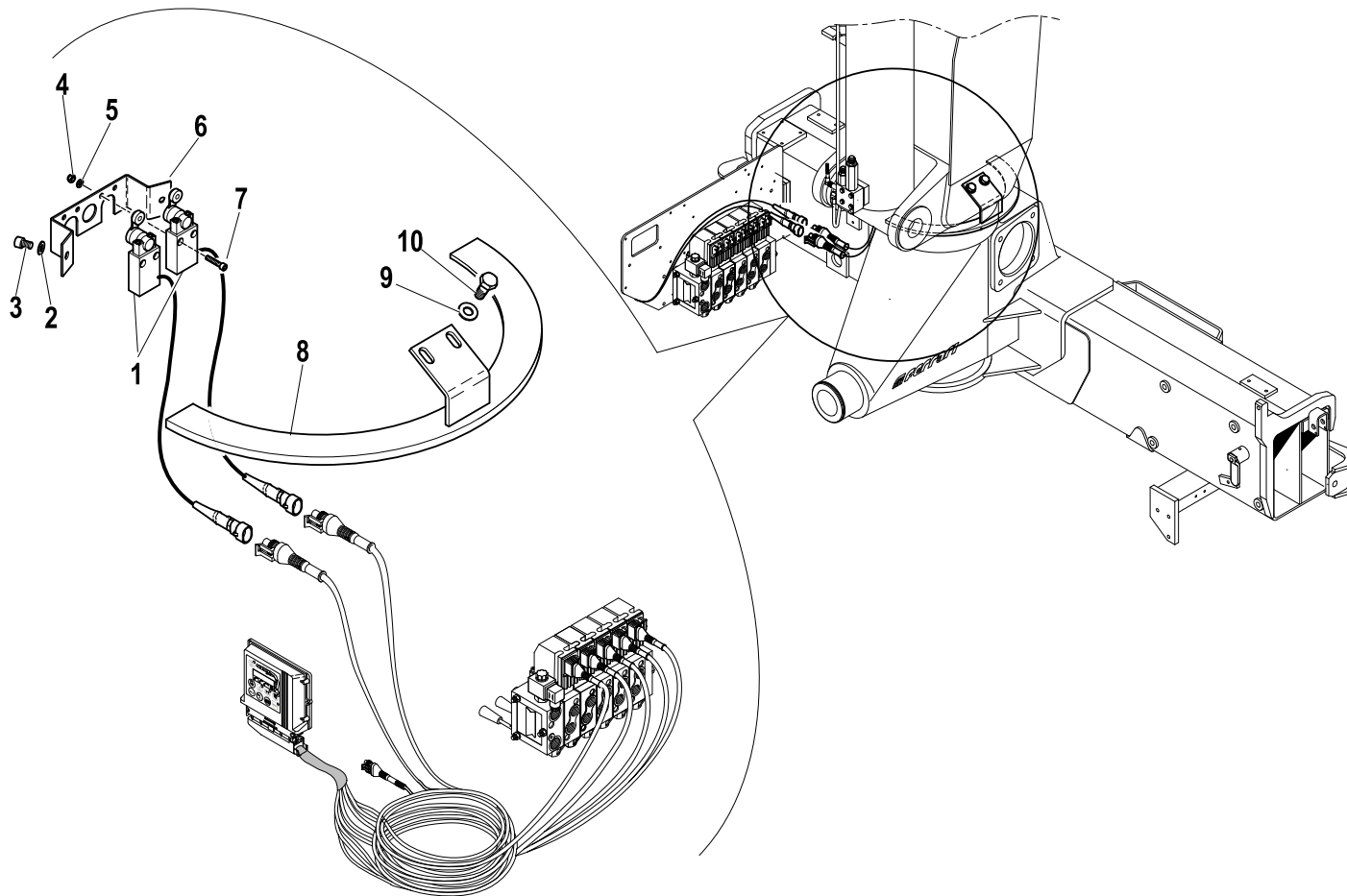


CONTROLS (ECM 4)

Code

W7885015-1.1

1/1



R	Pos.	Code Variant	Q.ty	Description
	1	5160009	2	Electric wiring
	2	3060005	2	Flat washer [D.6.4 UNI 6592 ZC]
	3	3020033	2	Socket head cap screw [M6X10 8.8 ZC UNI 5931]
	3	3040518	4	Stopnut
	5	3060003	4	Flat washer [D.4 UNI 6592 ZC]
	6	W610504600	1	
	7	3020961	4	TCC screw [M4X20 8.8 ZC UNI 7687]
	8	W570501000	1	
	9	3060918	2	Tooth lock washer [D.8 TIPO A UNI8842 ZC]
	10	3010353	2	Hex screw [M10X16 8.8 ZC UNI 5739]

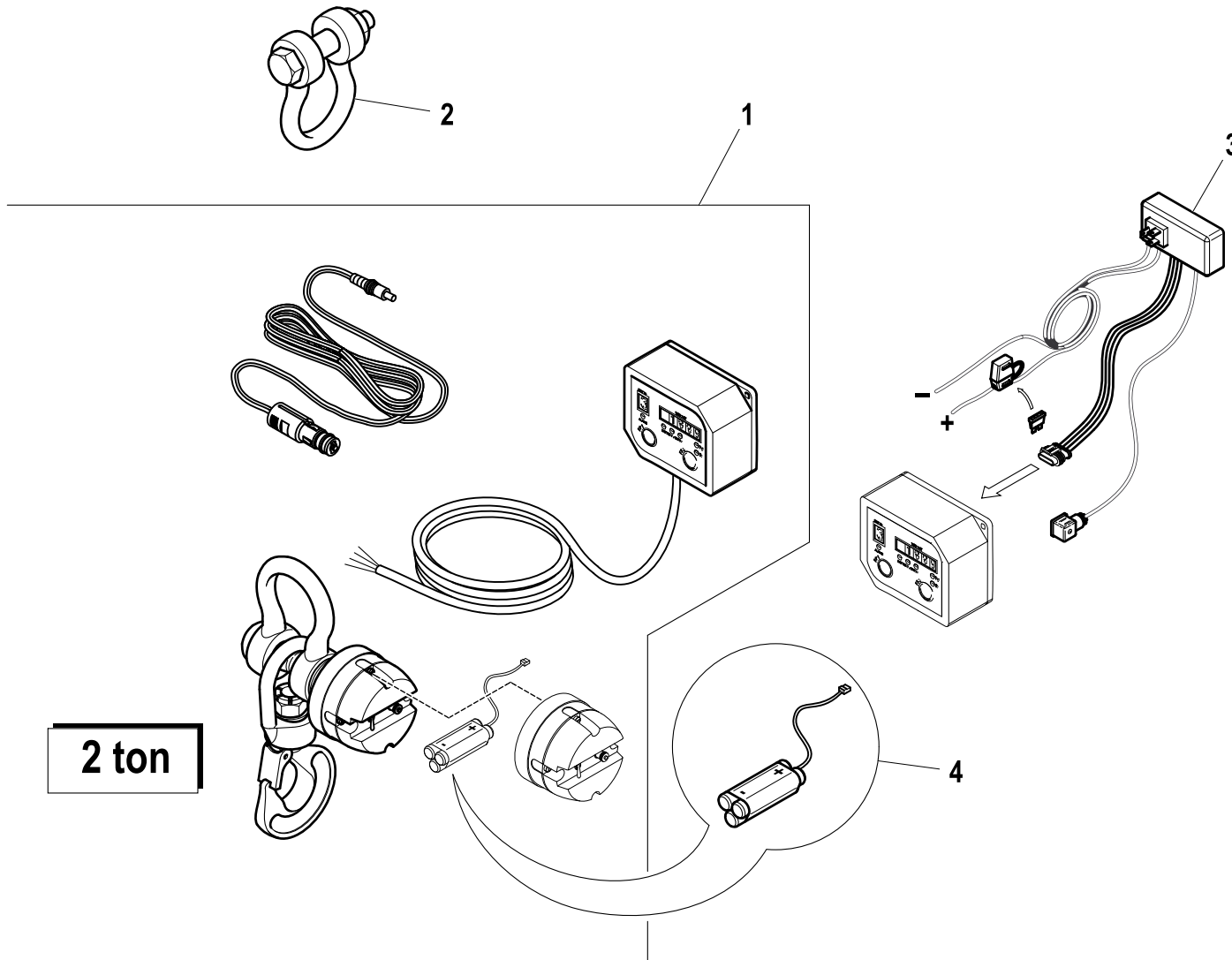
LOAD INDICATION SYSTEM (RDC)

Code

7881784-1.0

1/1

R	Pos.	Code Variant	Q.ty	Description
	1	5730506	1	
	2	3200050	1	Shackles
	3	W236508	1	
	4	3311542	1	





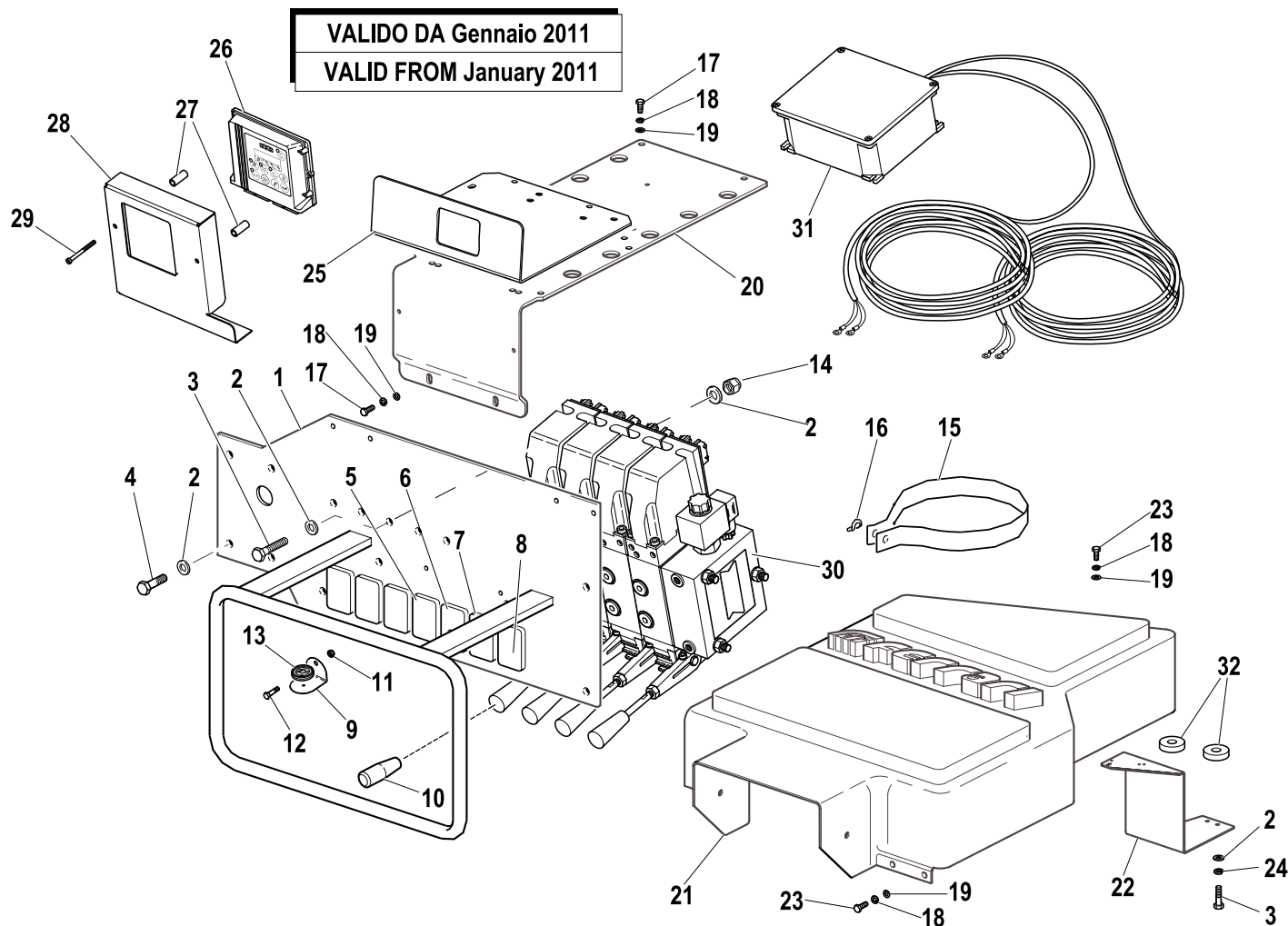
HC181 TCU EN 12999-A3

CONTROLS (RDC EBB-X TCU-ECM4)

Code

5401292-8.0

1/2



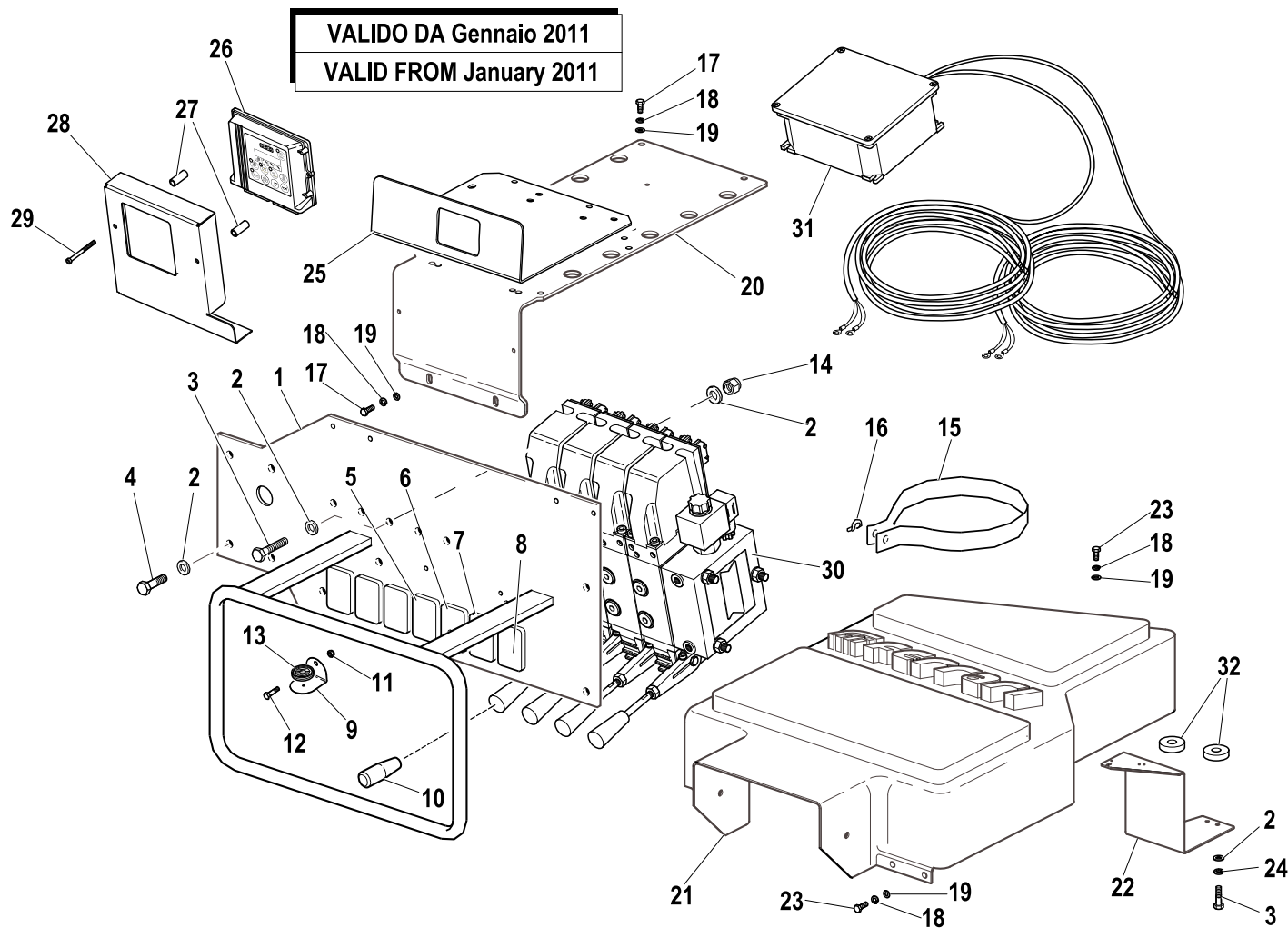
R	Pos.	Code Variant	Q.ty	Description
1		W570500600	1	
2		3060006	14	Flat washer [D.8 UNI 6592 ZC]
3		3010027	6	Hex screw [M8X20 8.8 ZC IF UNI 5739]
4		3010337	4	Hex screw [M8X16 8.8 ZC UNI 5739]
5		W573266	1	Small plate (CONTROL SYMBOLS)
6		W573267	1	Small plate (CONTROL SYMBOLS)
7		W573269	1	Small plate (CONTROL SYMBOLS)
8		W573270	1	Small plate (CONTROL SYMBOLS)
9		W570501600	1	
10		3190188	1	
11		3040372	1	Stopnut
12		3010015	1	Hex screw [M6X20 8.8 ZC UNI 5739]
13		3180116	1	
14		3040524	4	Stopnut
15		W270506300	1	
16		W270506400	1	
17		3010325	3	Hex screw [M6X16 8.8 ZC UNI 5739]
18		3060005	8	Flat washer [D.6.4 UNI 6592 ZC]
19		3060053	8	Split lock washer [D=6.4 C72 ZC]
20		5091035	1	

CONTROLS (RDC EBB-X TCU-ECM4)

Code

5401292-8.0

2/2



VALIDO DA Gennaio 2011
VALID FROM January 2011

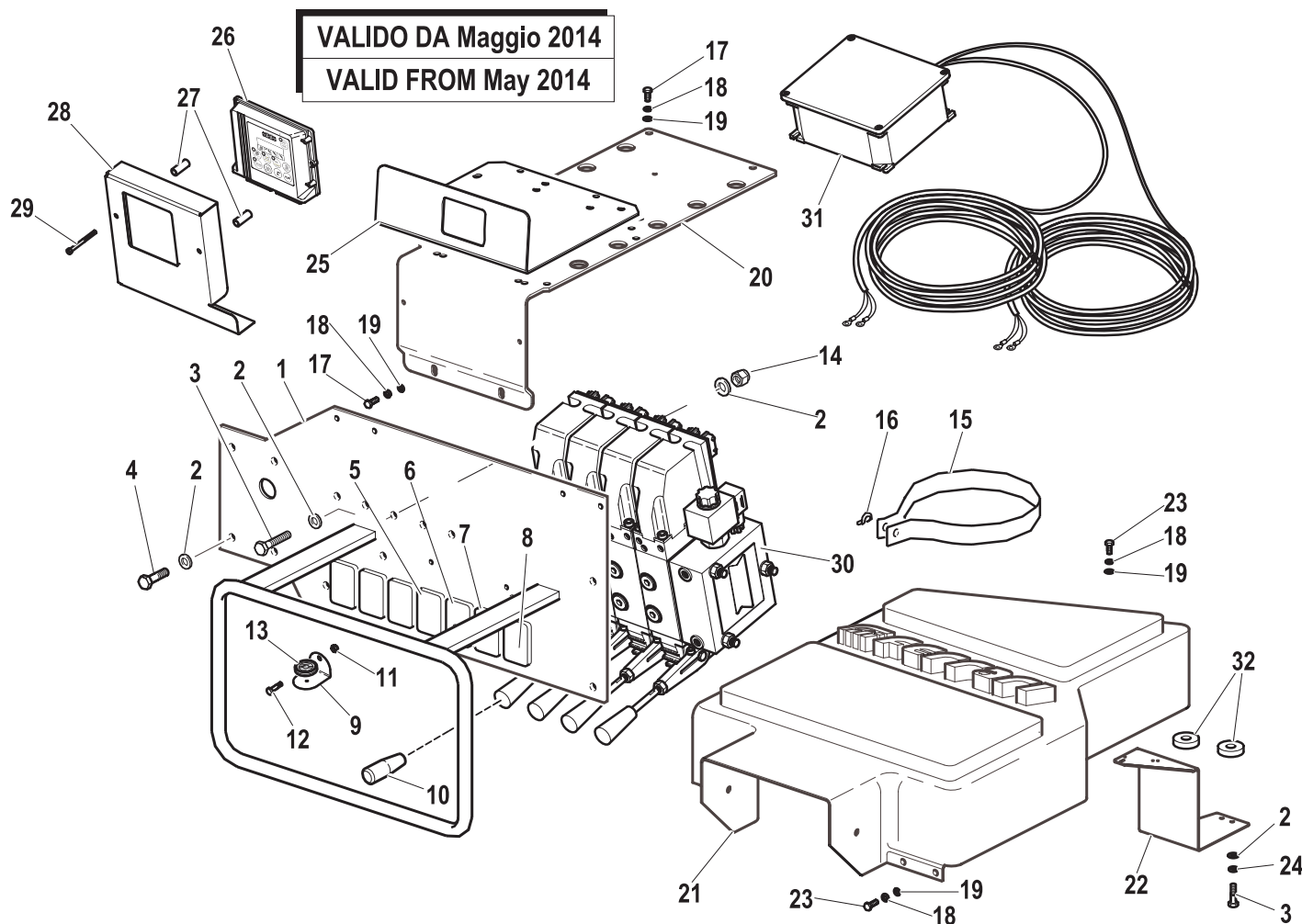
R	Pos.	Code Variant	Q.ty	Description
	21	W590501200	1	
	22	W570501500	1	
	23	3010324	6	Hex screw [M6X12 8.8 ZC UNI 5739]
	24	3060055	2	Split lock washer [D=8.4 C72 ZC]
	25	5000444	1	
	26	3311423	1	Moment limiting device [SUPERATO]
	27	5001783	2	
	28	5001782	1	
	29	3020897	2	Socket head cap screw [M5X60 8.8 ZC UNI 5931]
	30	5220373	1	Control valve
	31	3311405	1	
	32	W340501400	2	Support (Clamp)

CONTROLS (RDC EBB-X TCU-ECM4)

Code

5401987-1.0

1/2



R	Pos.	Code Variant	Q.ty	Description
1		W570500600	1	
2		3060006	14	Flat washer [D.8 UNI 6592 ZC]
3		3010027	6	Hex screw [M8X20 8.8 ZC IF UNI 5739]
4		3010337	4	Hex screw [M8X16 8.8 ZC UNI 5739]
5		W573266	1	Small plate (CONTROL SYMBOLS)
6		W573267	1	Small plate (CONTROL SYMBOLS)
7		W573269	1	Small plate (CONTROL SYMBOLS)
8		W573270	1	Small plate (CONTROL SYMBOLS)
9		W570501600	1	
10		3190188	1	
11		3040372	1	Stopnut
12		3010015	1	Hex screw [M6X20 8.8 ZC UNI 5739]
13		3180116	1	
14		3040524	4	Stopnut
15		W270506300	1	
16		W270506400	1	
17		3010325	3	Hex screw [M6X16 8.8 ZC UNI 5739]
18		3060005	8	Flat washer [D.6.4 UNI 6592 ZC]
19		3060053	8	Split lock washer [D=6.4 C72 ZC]
20		5091035	1	

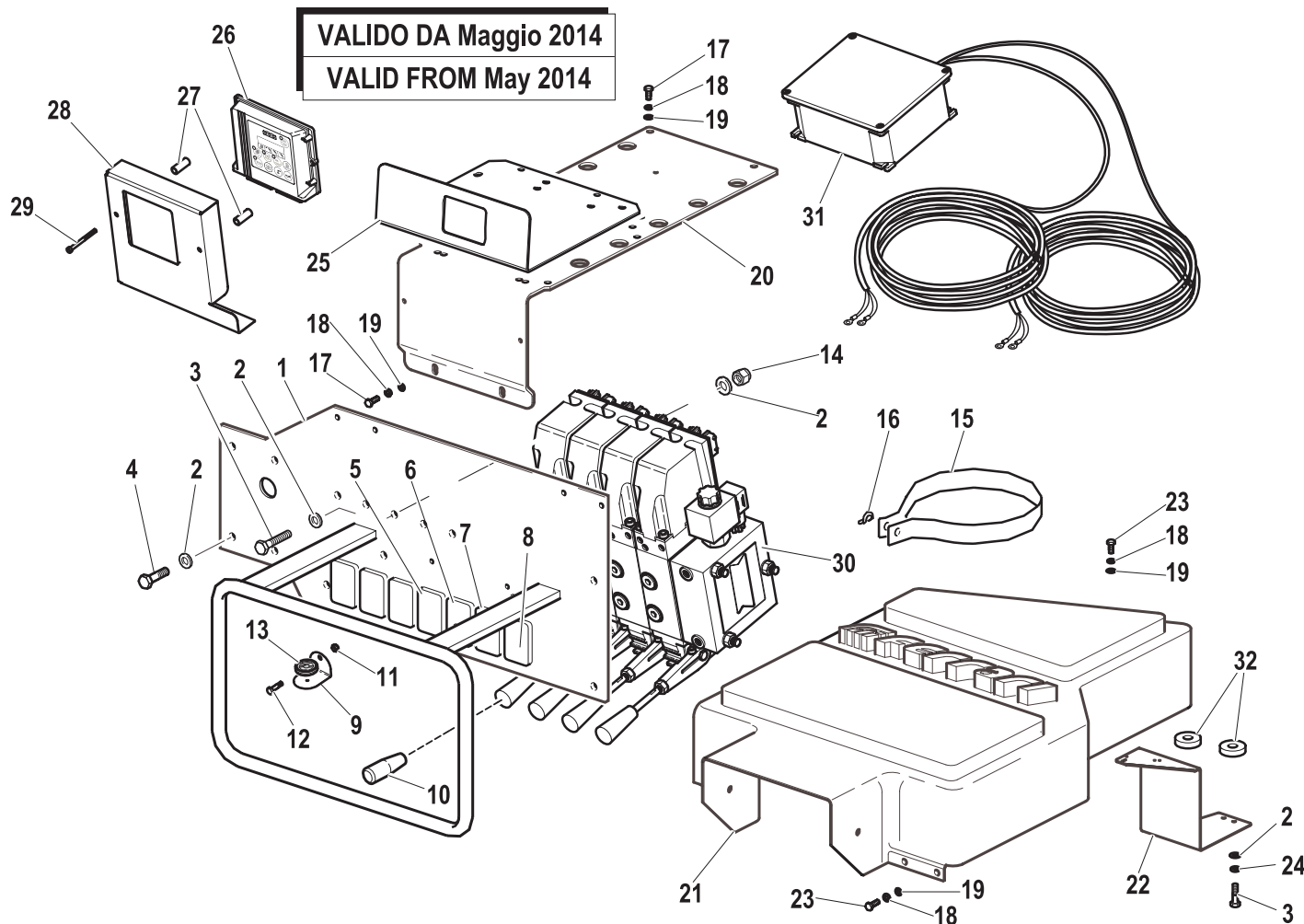
CONTROLS (RDC EBB-X TCU-ECM4)

Code

5401987-1.0

2/2

R	Pos.	Code Variant	Q.ty	Description
	21	W590501200	1	
	22	W570501500	1	
	23	3010324	6	Hex screw [M6X12 8.8 ZC UNI 5739]
	24	3060055	2	Split lock washer [D=8.4 C72 ZC]
	25	5000444	1	
	26	3311630	1	Moment limiting device (WITH RESINING)
	27	5001783	2	
	28	5001782	1	
	29	3020897	2	Socket head cap screw [M5X60 8.8 ZC UNI 5931]
	30	5220373	1	Control valve
	31	3311405	1	
	32	W340501400	2	Support (Clamp)



ROTATION CONTROL (EN12999-A3)

Code

5411215-1.0

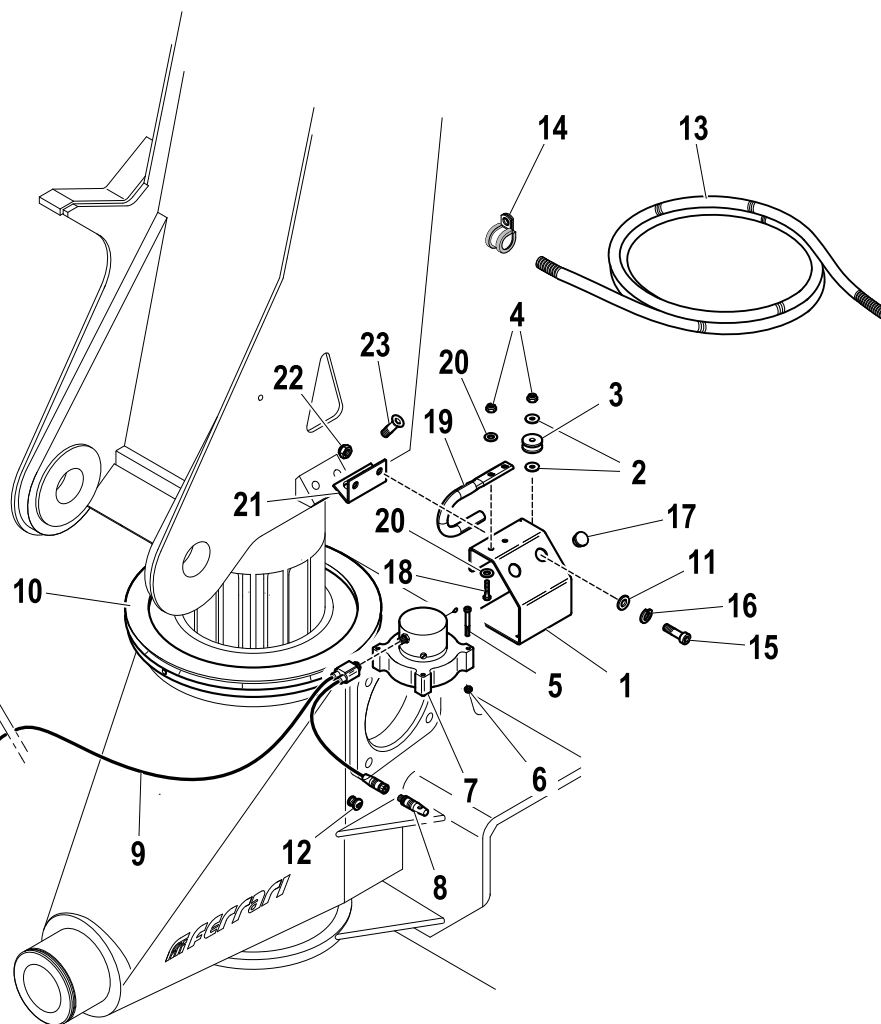
1/2

VALIDO DA Gennaio 2011

VALID FROM January 2011

VALIDO FINO A Settembre 2011

VALID UNTIL September 2011



BASAMENTO LATO DISTRIBUTORE
BASE SIDE CONTROL VALVE

R	Pos.	Code Variant	Q.ty	Description
1		5091301	1	
2		3060030	2	Flat washer [D.6.6X18 UNI 6593 ZC]
3		5141080	1	
4		3040372	3	Stopnut
5		3020019	3	Socket head cap screw [M4X40 8.8 ZC UNI 5931]
6		3040518	3	Stopnut
7		3311313	1	
8		3311327	1	Connector (Electric)
9		3311325	1	
10		5141091	1	
11		3060914	2	Flat washer [D.10.5X21X2 UNI 6592 ZC]
12		3311326	1	
13		3190295	mt2.5	
14		3190036	1	
15		3020080	2	Socket head cap screw [M10X16 12.9 ZC UNI 5931]
16		3060056	2	Split lock washer [D=10 C72 ZC]
17		3190301	2	
18		3010022	2	Hex screw [M6X25 8.8 ZC UNI 5739]
19		5002124	1	
20		3060005	4	Flat washer [D.6.4 UNI 6592 ZC]

ROTATION CONTROL (EN12999-A3)

Code

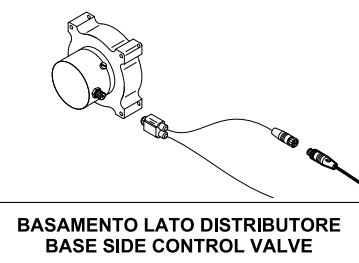
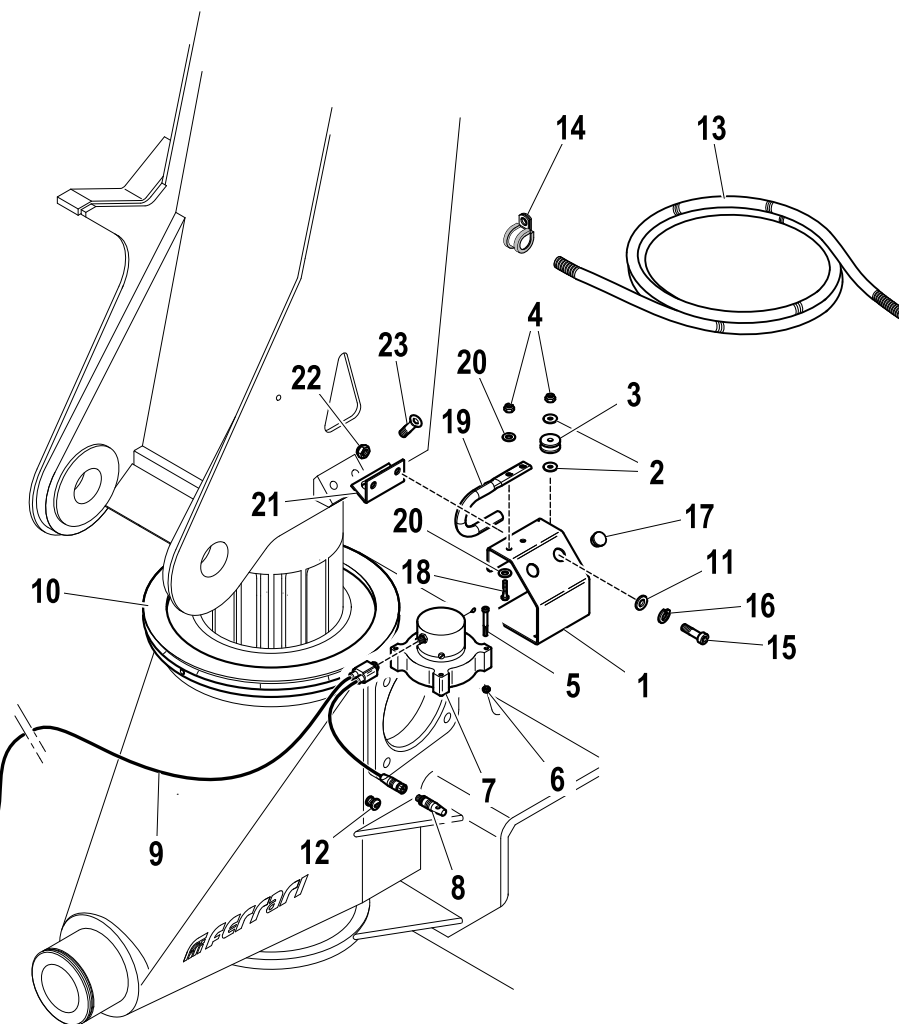
5411215-1.0

2/2

R	Pos.	Code Variant	Q.ty	Description
	21	5000423	1	
	22	3040304	2	Stopnut
	23	3020496	2	TSEI screw [M10X16 10.9 ZC UNI 5933]

VALIDO DA Gennaio 2011
VALID FROM January 2011

VALIDO FINO A Settembre 2011
VALID UNTIL September 2011



ROTATION CONTROL (EN12999-A3)

Code

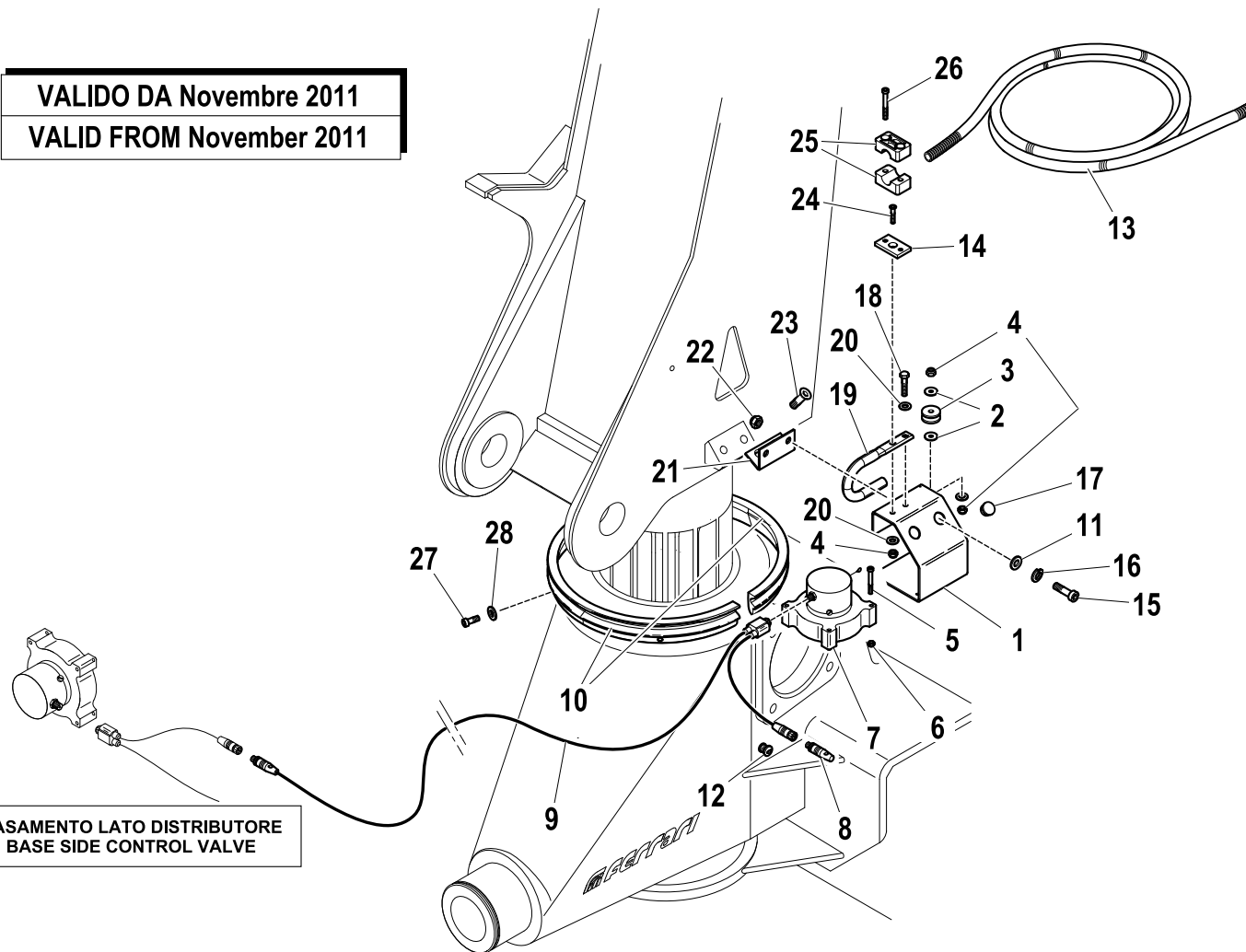
5411215-2.0

1/2

R	Pos.	Code Variant	Q.ty	Description
	1	5091301	1	
	2	3060030	2	Flat washer [D.6.6X18 UNI 6593 ZC]
	3	5141080	1	
	4	3040372	3	Stopnut
	5	3020019	3	Socket head cap screw [M4X40 8.8 ZC UNI 5931]
	6	3040518	3	Stopnut
	7	3311313	1	
	8	3311327	1	Connector (Electric)
	9	3311325	1	
	10	5141121	2	Half ring
	11	3060914	2	Flat washer [D.10.5X21X2 UNI 6592 ZC]
	12	3311326	1	
	13	3190295	mt2.5	
	14	5000454	1	
	15	3020080	2	Socket head cap screw [M10X16 12.9 ZC UNI 5931]
	16	3060056	2	Split lock washer [D=10 C72 ZC]
	17	3190301	2	
	18	3010022	2	Hex screw [M6X25 8.8 ZC UNI 5739]
	19	5002124	1	
	20	3060005	3	Flat washer [D.6.4 UNI 6592 ZC]

VALIDO DA Novembre 2011

VALID FROM November 2011



BASAMENTO LATO DISTRIBUTORE
BASE SIDE CONTROL VALVE

ROTATION CONTROL (EN12999-A3)

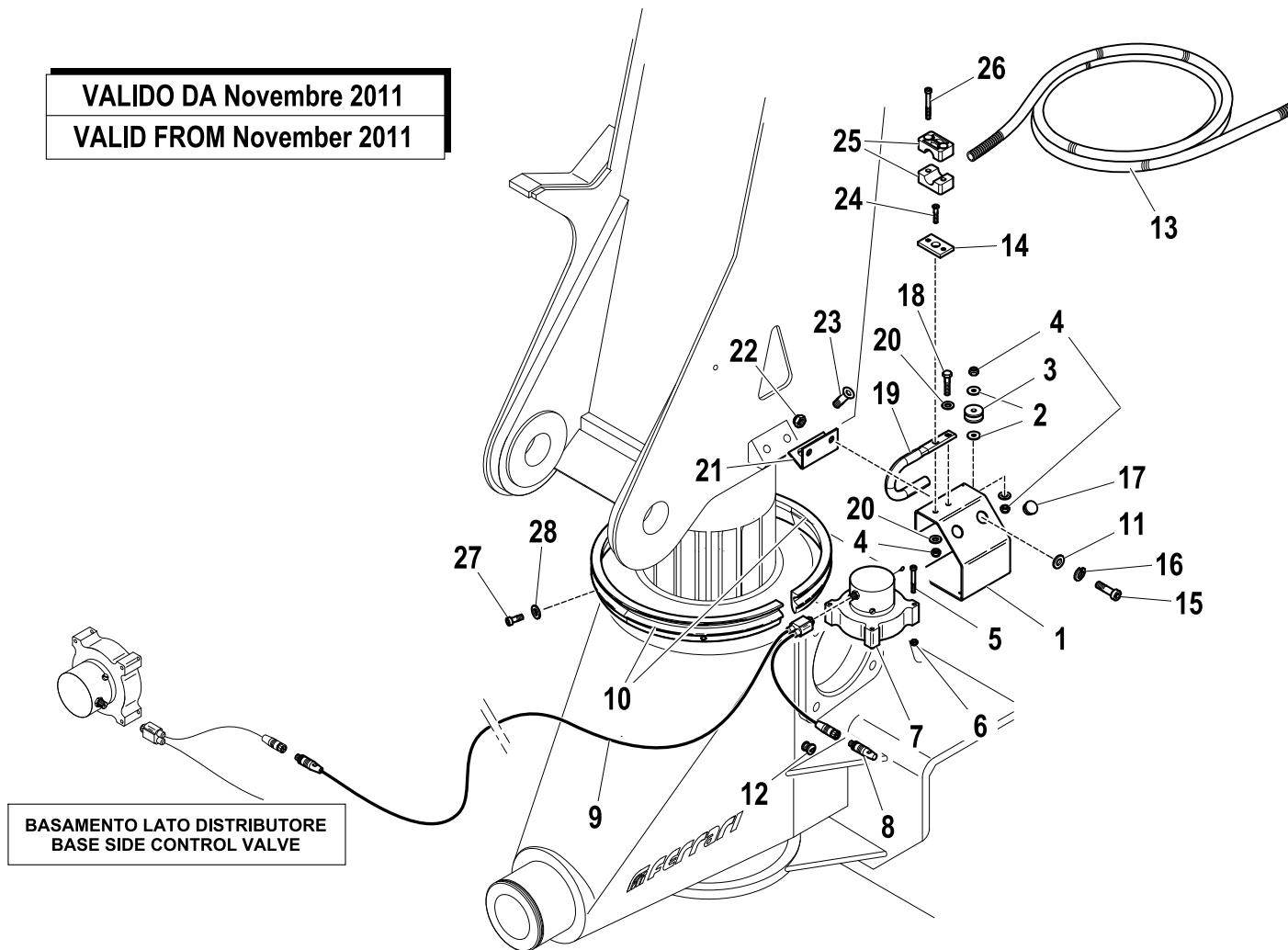
Code

5411215-2.0

2/2

R	Pos.	Code Variant	Q.ty	Description
	21	5000423	1	
	22	3040304	2	Stopnut
	23	3020496	2	TSEI screw [M10X16 10.9 ZC UNI 5933]
	24	3020907	1	TSEI screw [M6X25 10.9 ZC UNI 5933]
	25	3190185	2	Collar
	26	3020039	2	Socket head cap screw [M6X35 8.8 ZC UNI 5931]
	27	3020021	4	Socket head cap screw [M5X12X0.8 8.8 ZC UNI 5931]
	28	3060004	4	Flat washer [D.5 UNI 6592 ZC]

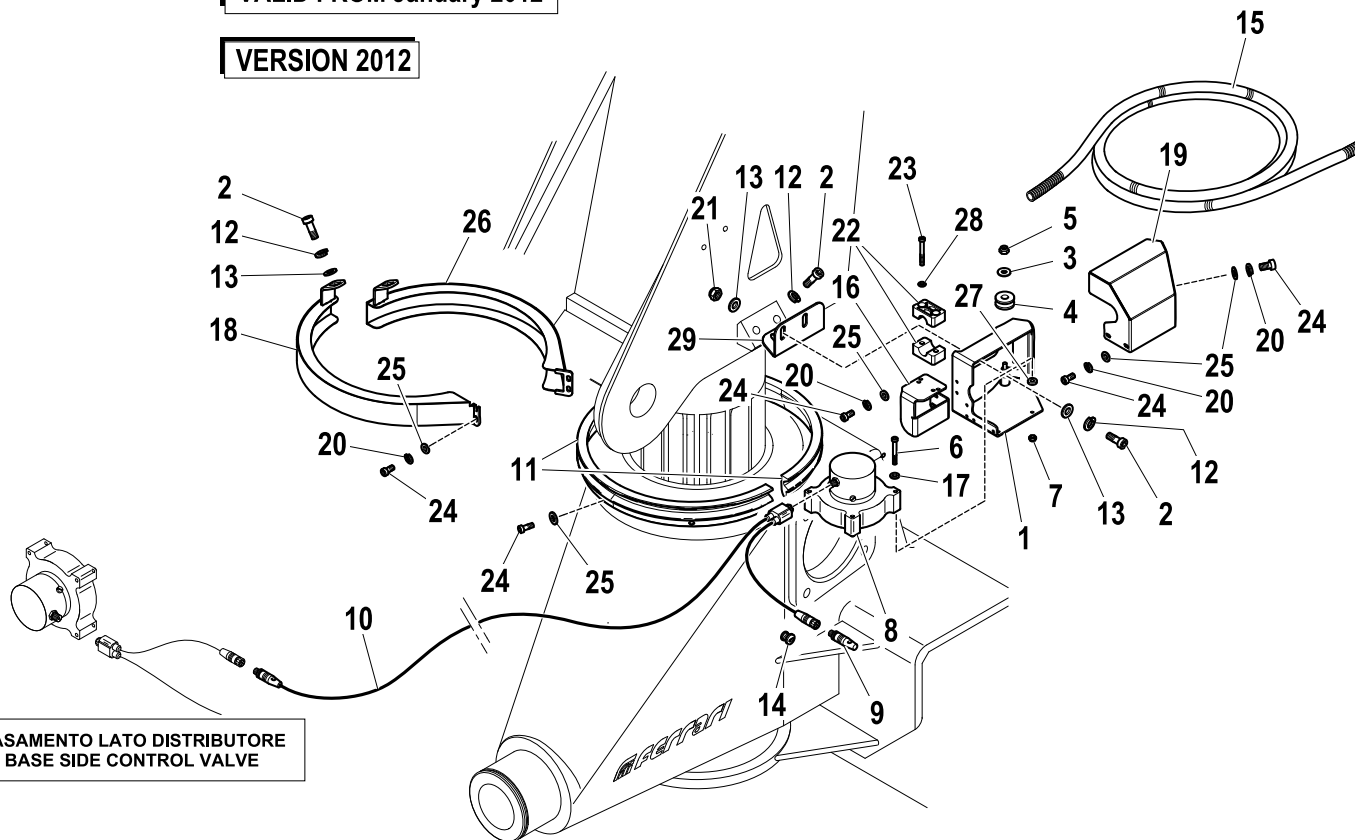
VALIDO DA Novembre 2011
VALID FROM November 2011



BASAMENTO LATO DISTRIBUTORE
BASE SIDE CONTROL VALVE

VALIDO DA Gennaio 2012
VALID FROM January 2012

VERSION 2012



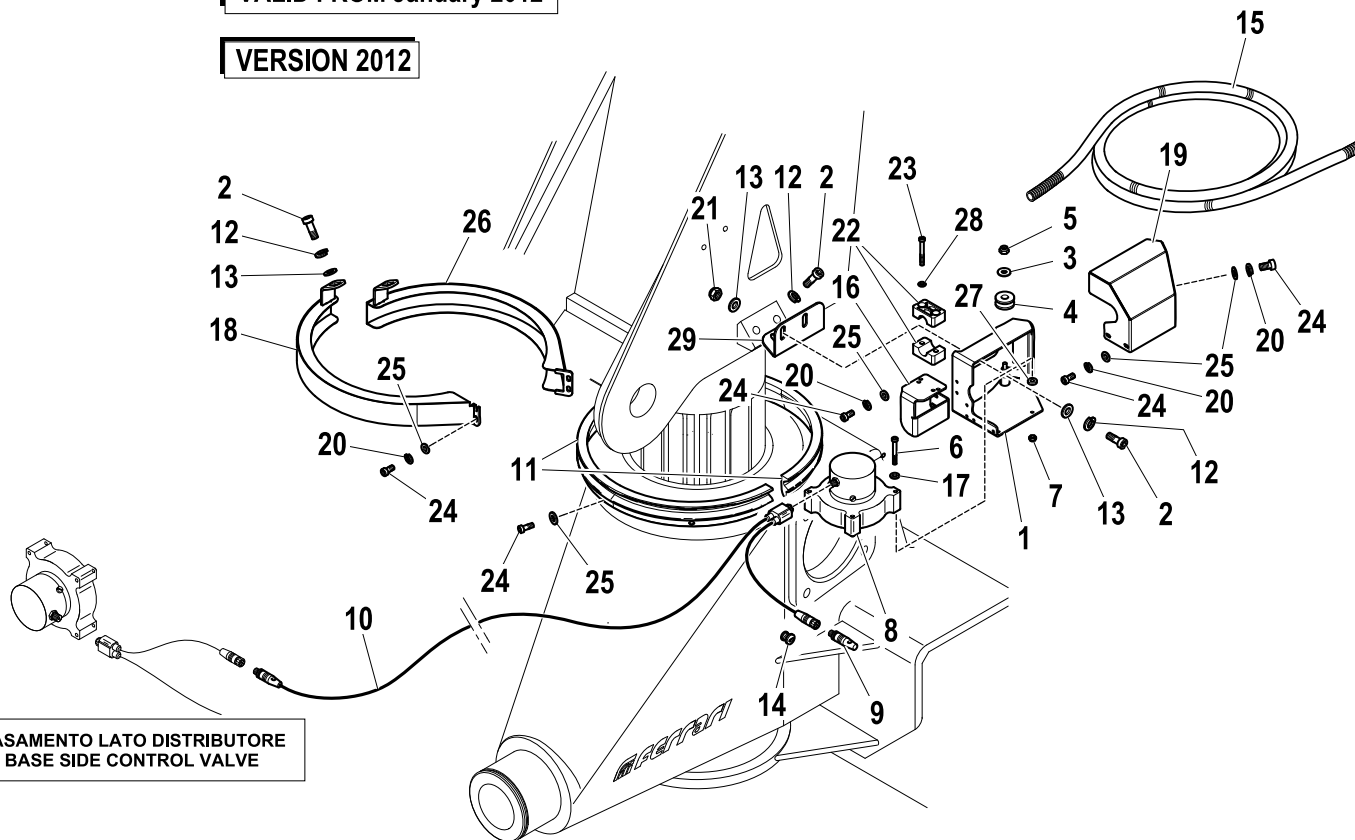
BASAMENTO LATO DISTRIBUTORE
BASE SIDE CONTROL VALVE

R	Pos.	Code Variant	Q.ty	Description
	1	5091398	1	Support (Encoder)
	2	3020080	6	Socketed head cap screw [M10X16 12.9 ZC UNI 5931]
	3	3060030	1	Flat washer [D.6.6X18 UNI 6593 ZC]
	4	5141135	1	Wheel (Cable guide)
	5	3040372	1	Stopnut
	6	3020019	2	Socketed head cap screw [M4X40 8.8 ZC UNI 5931]
	7	3040518	2	Stopnut
	8	3311313	1	
	9	3311327	1	Connector (Electric)
	10	3311325	1	
	11	5141121	2	Half ring
	12	3060056	6	Split lock washer [D=10 C72 ZC]
	13	3060914	6	Flat washer [D.10.5X21X2 UNI 6592 ZC]
	14	3311326	1	
	15	3190295	mt2.5	
	16	5002193	1	Anchoring bracket
	17	3060003	2	Flat washer [D.4 UNI 6592 ZC]
	18	5091421	1	Guard (Half ring)
	19	5002177	1	Cover (Encoder)
	20	3060052	10	Split lock washer [D=5.5 C72 ZC]

VALIDO DA Gennaio 2012
VALID FROM January 2012

VERSION 2012

R	Pos.	Code Variant	Q.ty	Description
	21	3040304	2	Stopnut
	22	3190185	2	Collar
	23	3020039	2	Socketed head cap screw [M6X35 8.8 ZC UNI 5931]
	24	3020022	16	Socketed head cap screw [M5X10 8.8 ZC UNI 5931]
	25	3060004	16	Flat washer [D.5 UNI 6592 ZC]
	26	5091420	1	Guard (Half ring)
	27	3190039	2	Insulator
	28	3190178	2	Flat washer
	29	5002219	1	Angle drive (Support)



ROTATION CONTROL (EN12999-A3)

Code

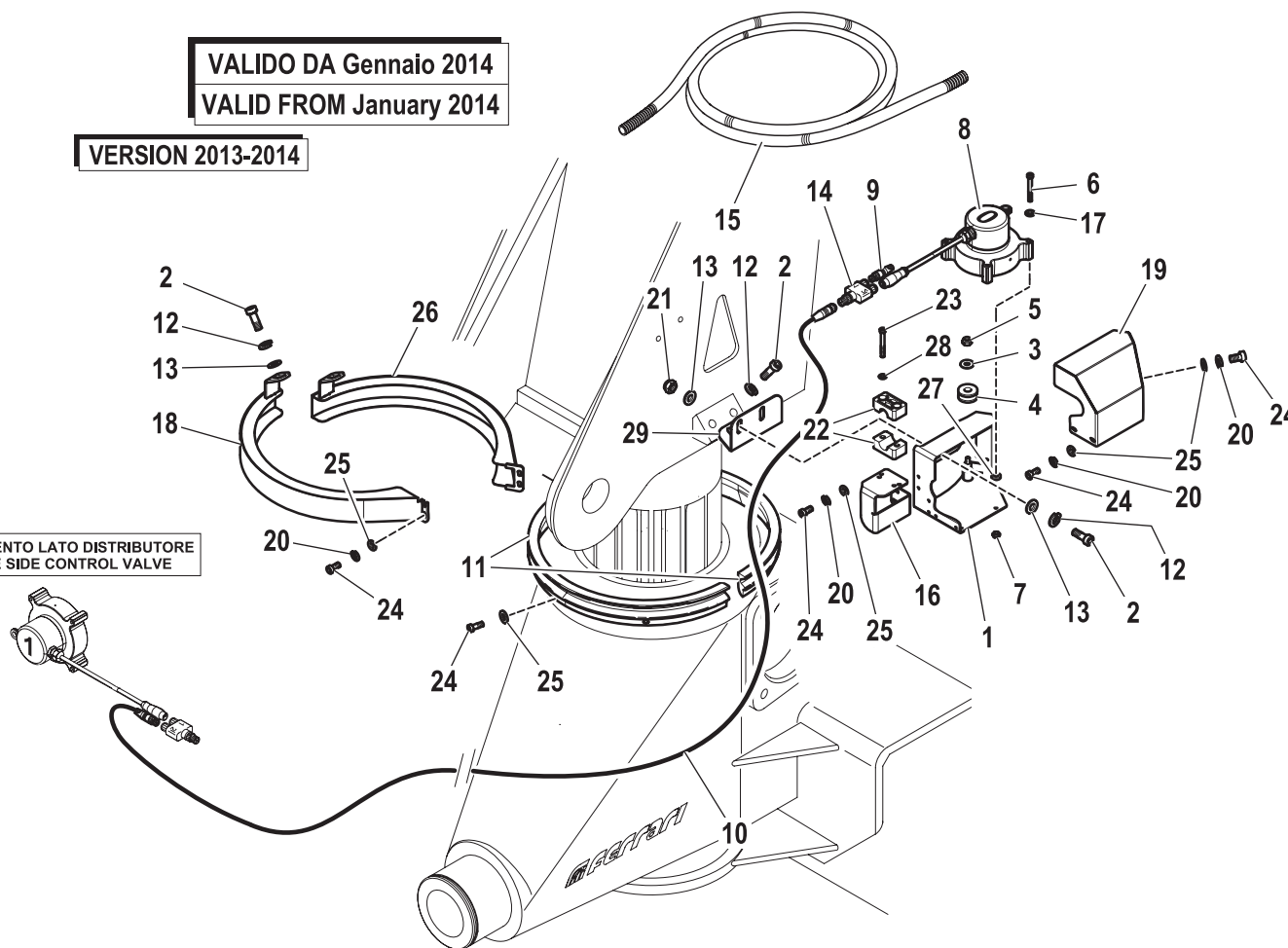
5402578-1.0

1/2

VALIDO DA Gennaio 2014
VALID FROM January 2014

VERSION 2013-2014

BASAMENTO LATO DISTRIBUTORE
BASE SIDE CONTROL VALVE



R	Pos.	Code Variant	Q.ty	Description
	1	5091398	1	Support (Encoder)
	2	3020080	6	Socket head cap screw [M10X16 12.9 ZC UNI 5931]
	3	3060030	1	Flat washer [D.6.6X18 UNI 6593 ZC]
	4	5141135	1	Wheel (Cable guide)
	5	3040372	1	Stopnut
	6	3020019	2	Socket head cap screw [M4X40 8.8 ZC UNI 5931]
	7	3040518	2	Stopnut
	8	3311924	1	Sensor unit (Encoder)
	9	3311327	1	Connector (Electric)
	10	3311791	1	Electric cable (CAN BUS)
	11	5141121	2	Half ring
	12	3060056	6	Split lock washer [D=10 C72 ZC]
	13	3060914	6	Flat washer [D.10.5X21X2 UNI 6592 ZC]
	14	3311792	1	Electrical connection
	15	3190295	mt2.5	
	16	5002193	1	Anchoring bracket
	17	3060003	2	Flat washer [D.4 UNI 6592 ZC]
	18	5091421	1	Guard (Half ring)
	19	5002177	1	Cover (Encoder)
	20	3060052	10	Split lock washer [D=5.5 C72 ZC]

ROTATION CONTROL (EN12999-A3)

Code

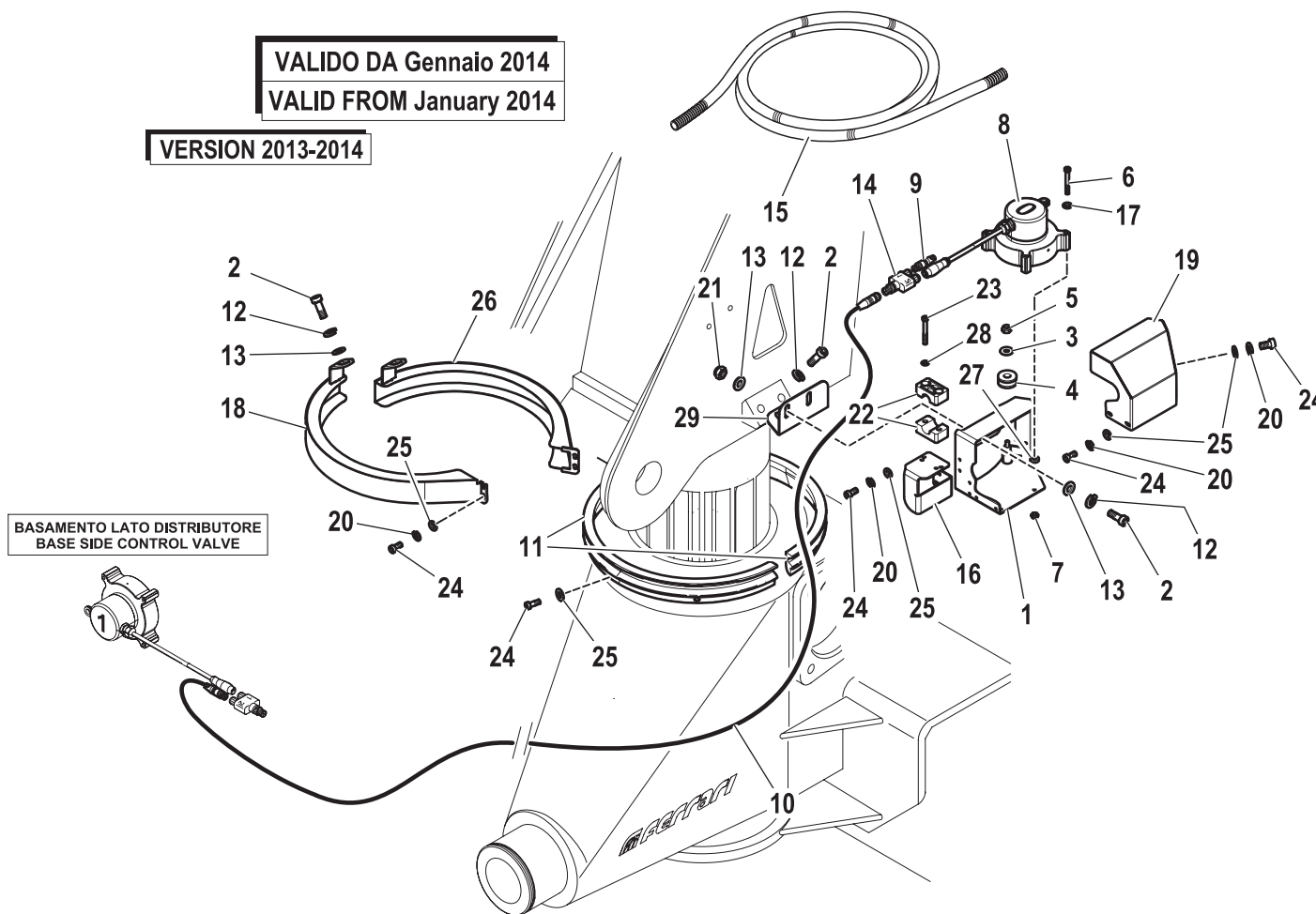
5402578-1.0

2/2

R	Pos.	Code Variant	Q.ty	Description
	21	3040304	2	Stopnut
	22	3190185	2	Collar
	23	3020039	2	Socket head cap screw [M6X35 8.8 ZC UNI 5931]
	24	3020022	16	Socket head cap screw [M5X10 8.8 ZC UNI 5931]
	25	3060004	16	Flat washer [D.5 UNI 6592 ZC]
	26	5091420	1	Guard (Half ring)
	27	3190039	2	Insulator
	28	3190178	2	Flat washer
	29	5002219	1	Angle drive (Support)

VALIDO DA Gennaio 2014
VALID FROM January 2014

VERSION 2013-2014



STABILITY CONTROL (EN12999-A3)

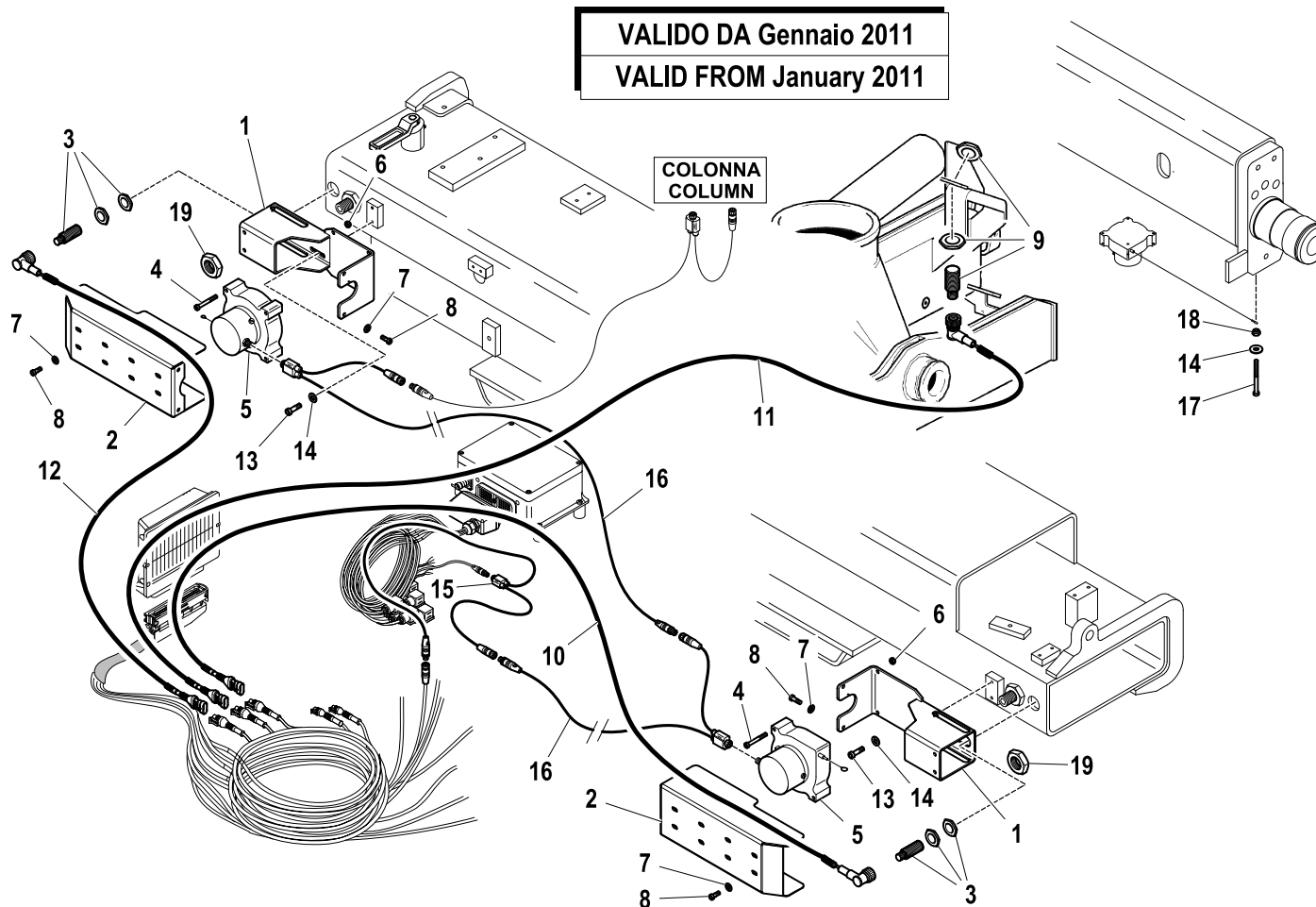
Code

5411216-1.0

1/1

**VALIDO DA Gennaio 2011
VALID FROM January 2011**

**COLONNA
COLUMN**

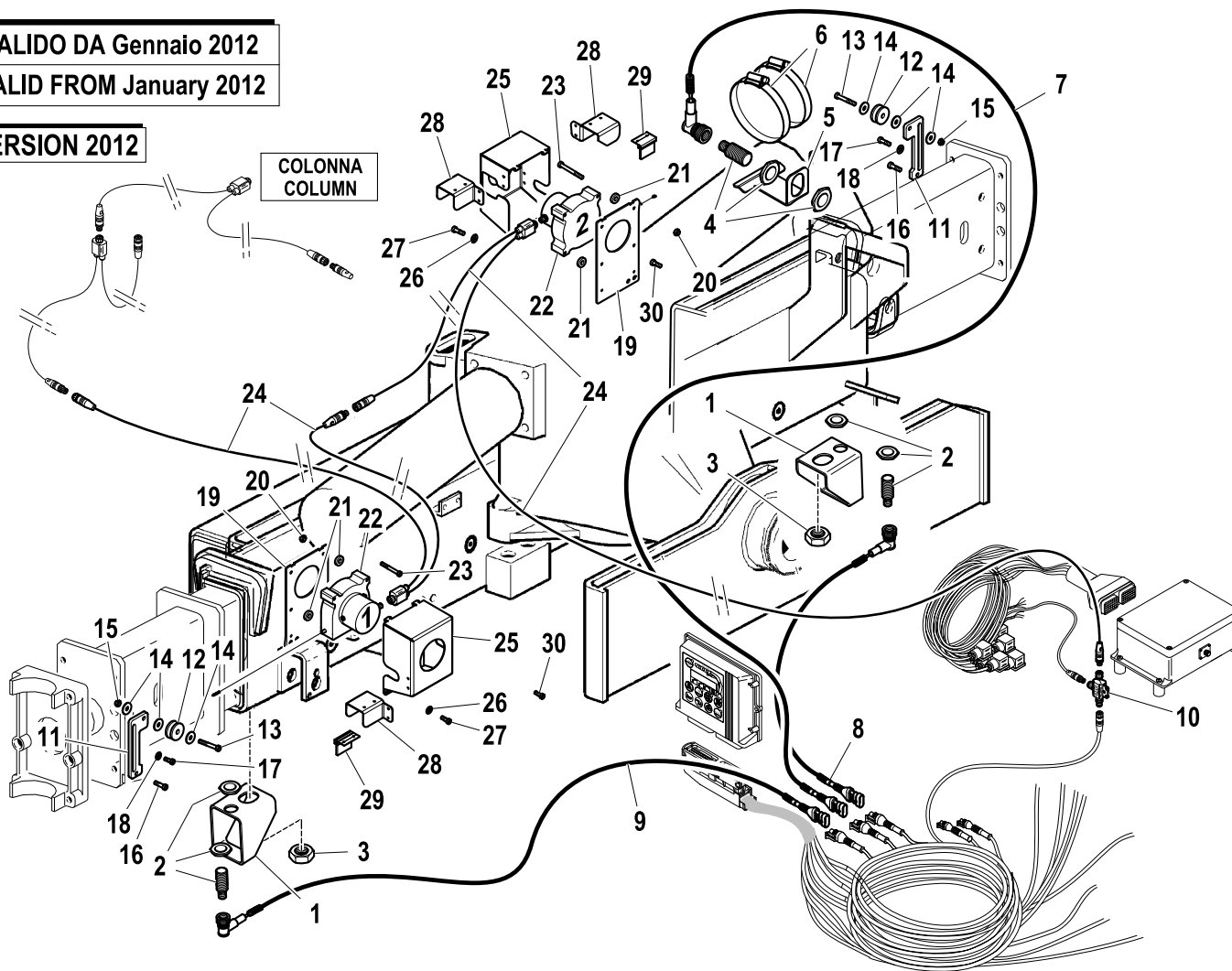


R	Pos.	Code Variant	Q.ty	Description
	1	5091277	2	
	2	5002060	2	
	3	3311311	2	Proximity switch
	4	3020019	6	Socketed head cap screw [M4X40 8.8 ZC UNI 5931]
	5	3311313	2	
	6	3040518	6	Stopnut
	7	3060004	8	Flat washer [D.5 UNI 6592 ZC]
	8	3020022	8	Socketed head cap screw [M5X10 8.8 ZC UNI 5931]
	9	3311312	1	Proximity switch
	10	3311377	1	Electric wiring
	11	3311372	1	Electric wiring
	12	3311332	1	Electric wiring
	13	3020034	4	Socketed head cap screw [M6X16 8.8 ZC UNI 5931]
	14	3060030	10	Flat washer [D.6.6X18 UNI 6593 ZC]
	15	3311398	1	
	16	3311325	2	
	17	3010399	2	Hex screw [M6X55 8.8 ZC UNI 5739]
	18	3040081	2	Lock nut
	19	3040251	2	Lock nut [M24 8.G basso UNI 5589]

VALIDO DA Gennaio 2012

VALID FROM January 2012

VERSION 2012



R	Pos.	Code Variant	Q.ty	Description
	1	5000422	2	Support (Proximity switch)
	2	3311311	2	Proximity switch
	3	3040251	2	Lock nut [M24 8.G basso UNI 5589]
	4	3311312	1	Proximity switch
	5	5002185	1	Support (Proximity switch)
	6	3190021	2	Clamp [104-138 12.2 ABA]
	7	3311372	1	Electric wiring
	8	3311377	1	Electric wiring
	9	3311332	1	Electric wiring
	10	3311323	1	
	11	5002206	2	
	12	5141138	2	Wheel (Cable guide)
	13	3010015	2	Hex screw [M6X20 8.8 ZC UNI 5739]
	14	3060005	6	Flat washer [D.6.4 UNI 6592 ZC]
	15	3040372	2	Stopnut
	16	3010323	2	Hex screw [M6X10 8.8 ZC UNI 5739]
	17	3020023	4	Socket head cap screw [M5X16 8.8 ZC UNI 5931]
	18	3060004	4	Flat washer [D.5 UNI 6592 ZC]
	19	5002182	2	
	20	3040518	4	Stopnut

STABILITY CONTROL (EN12999-A3)

Code

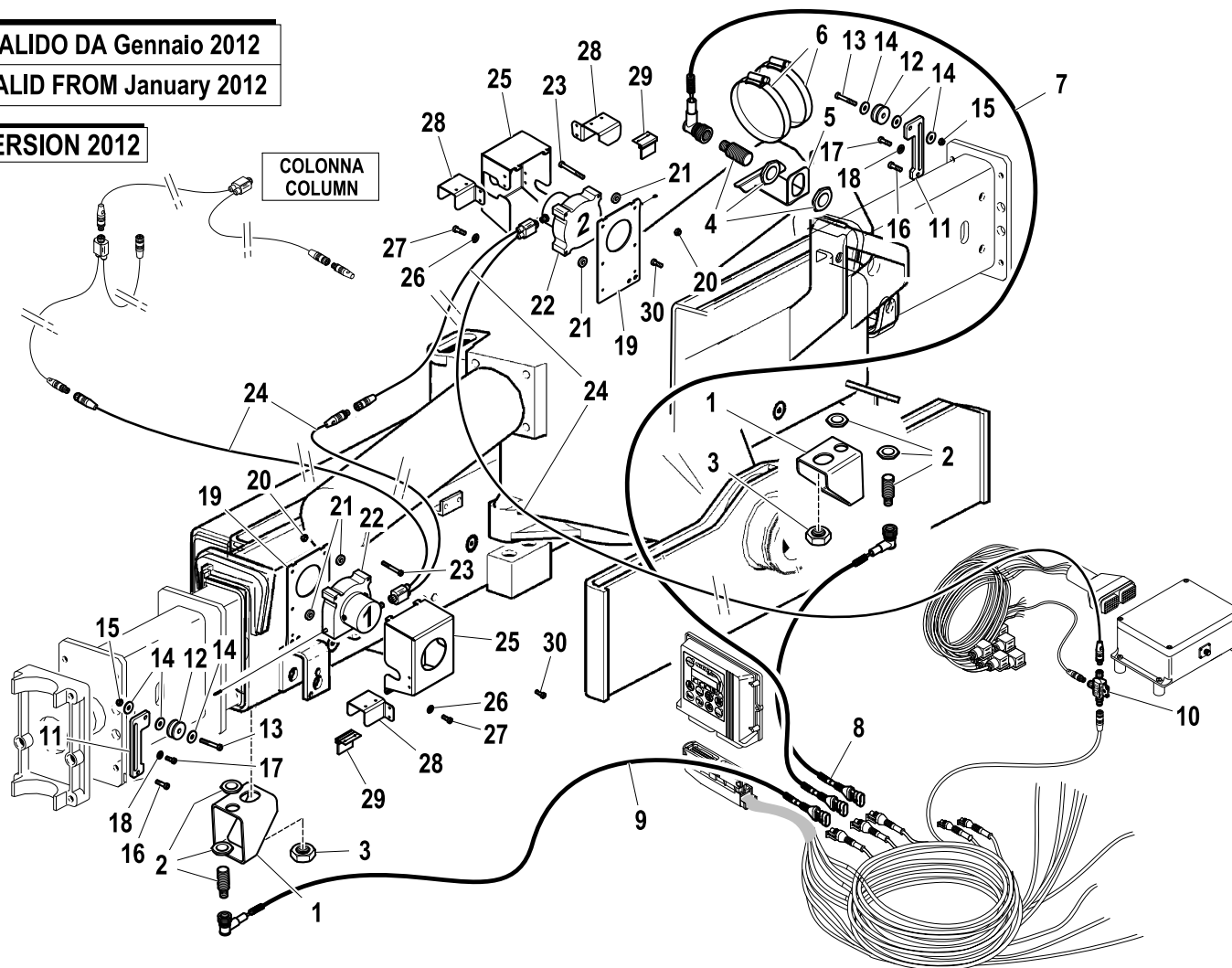
5411216-3.0

2/2

VALIDO DA Gennaio 2012

VALID FROM January 2012

VERSION 2012



R	Pos.	Code Variant	Q.ty	Description
	21	3190039	4	Insulator
	22	3311313	2	
	23	3020019	4	Socket head cap screw [M4X40 8.8 ZC UNI 5931]
	24	3311325	2	
	25	5091393	2	Support
	26	3060053	4	Split lock washer [D=6.4 C72 ZC]
	27	3020034	4	Socket head cap screw [M6X16 8.8 ZC UNI 5931]
	28	5002181	3	Cables guard
	29	5002175	2	Brush
	30	3020895	4	Socket head cap screw [M4X10 8.8 ZC UNI 5931]

STABILITY CONTROL (EN12999-A3)

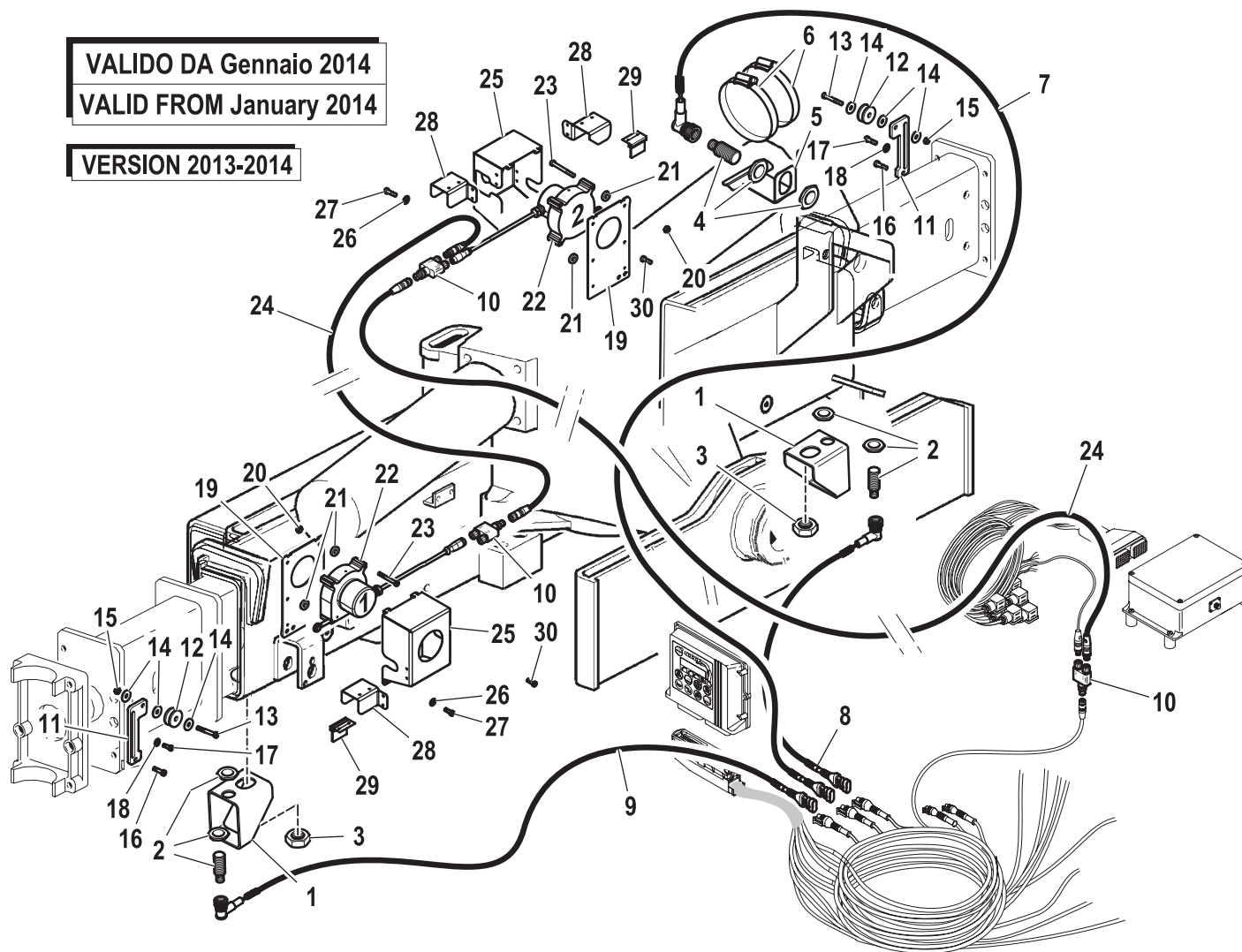
Code

5402600-3.0

1/2

VALIDO DA Gennaio 2014
VALID FROM January 2014

VERSION 2013-2014



R	Pos.	Code Variant	Q.ty	Description
	1	5000422	2	Support (Proximity switch)
	2	3311311	2	Proximity switch
	3	3040251	2	Lock nut [M24 8.G basso UNI 5589]
	4	3311312	1	Proximity switch
	5	5002185	1	Support (Proximity switch)
	6	3190021	2	Clamp [104-138 12.2 ABA]
	7	3311372	1	Electric wiring
	8	3311377	1	Electric wiring
	9	3311332	1	Electric wiring
	10	3311792	3	Electrical connection
	11	5002206	2	
	12	5141138	2	Wheel (Cable guide)
	13	3010015	2	Hex screw [M6X20 8.8 ZC UNI 5739]
	14	3060005	6	Flat washer [D.6.4 UNI 6592 ZC]
	15	3040372	2	Stopnut
	16	3010323	2	Hex screw [M6X10 8.8 ZC UNI 5739]
	17	3020023	4	Socket head cap screw [M5X16 8.8 ZC UNI 5931]
	18	3060004	4	Flat washer [D.5 UNI 6592 ZC]
	19	5002182	2	
	20	3040518	4	Stopnut

STABILITY CONTROL (EN12999-A3)

Code

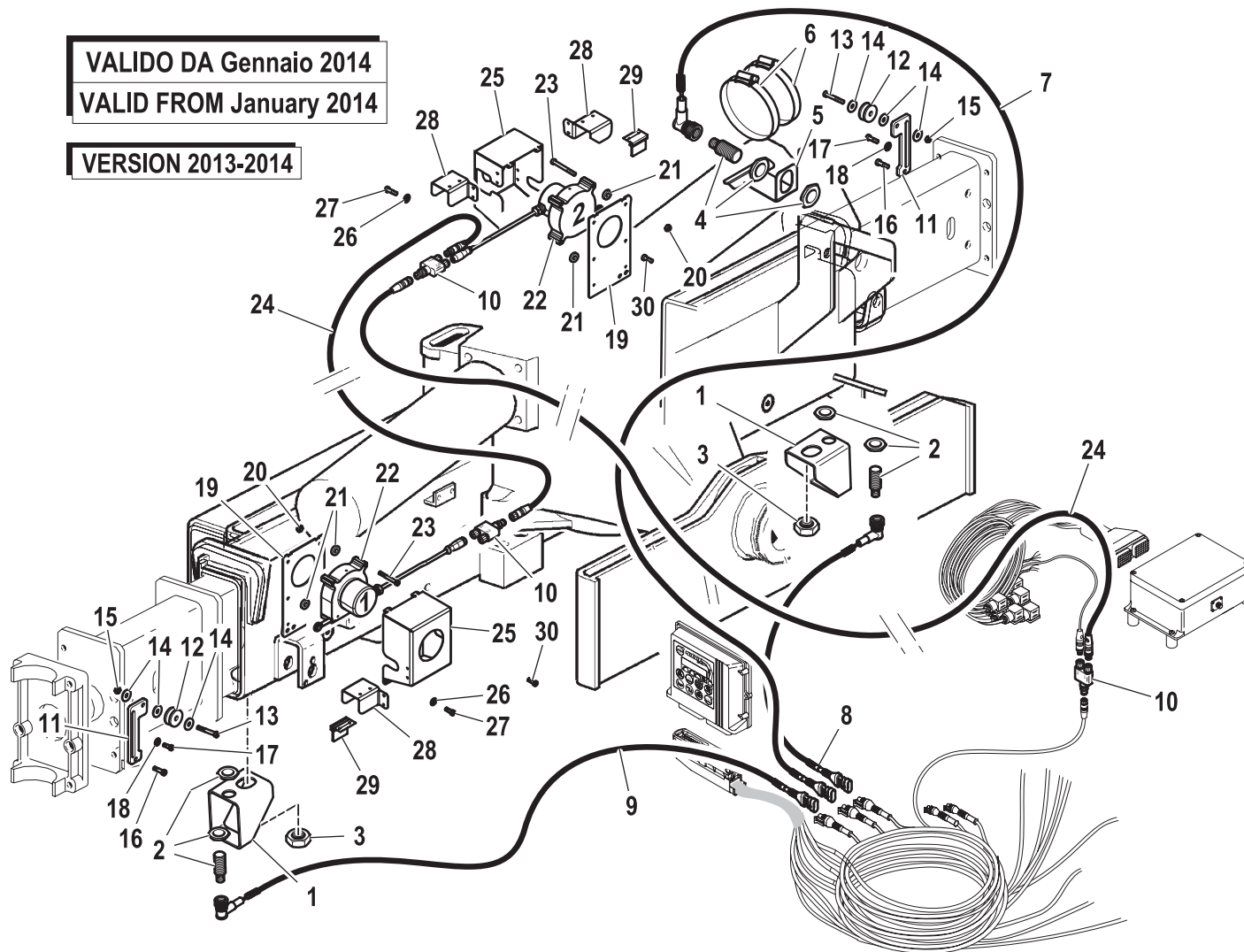
5402600-3.0

2/2

R	Pos.	Code Variant	Q.ty	Description
	21	3190039	4	Insulator
	22	3311924	2	Sensor unit (Encoder)
	23	3020019	4	Socket head cap screw [M4X40 8.8 ZC UNI 5931]
	24	3311791	2	Electric cable (CAN BUS)
	25	5091393	2	Support
	26	3060053	4	Split lock washer [D=6.4 C72 ZC]
	27	3020034	4	Socket head cap screw [M6X16 8.8 ZC UNI 5931]
	28	5002181	3	Cables guard
	29	5002175	2	Brush
	30	3020895	4	Socket head cap screw [M4X10 8.8 ZC UNI 5931]

VALIDO DA Gennaio 2014
VALID FROM January 2014

VERSION 2013-2014



CONTROLS (RDC EBB-X TCU-ECM4)

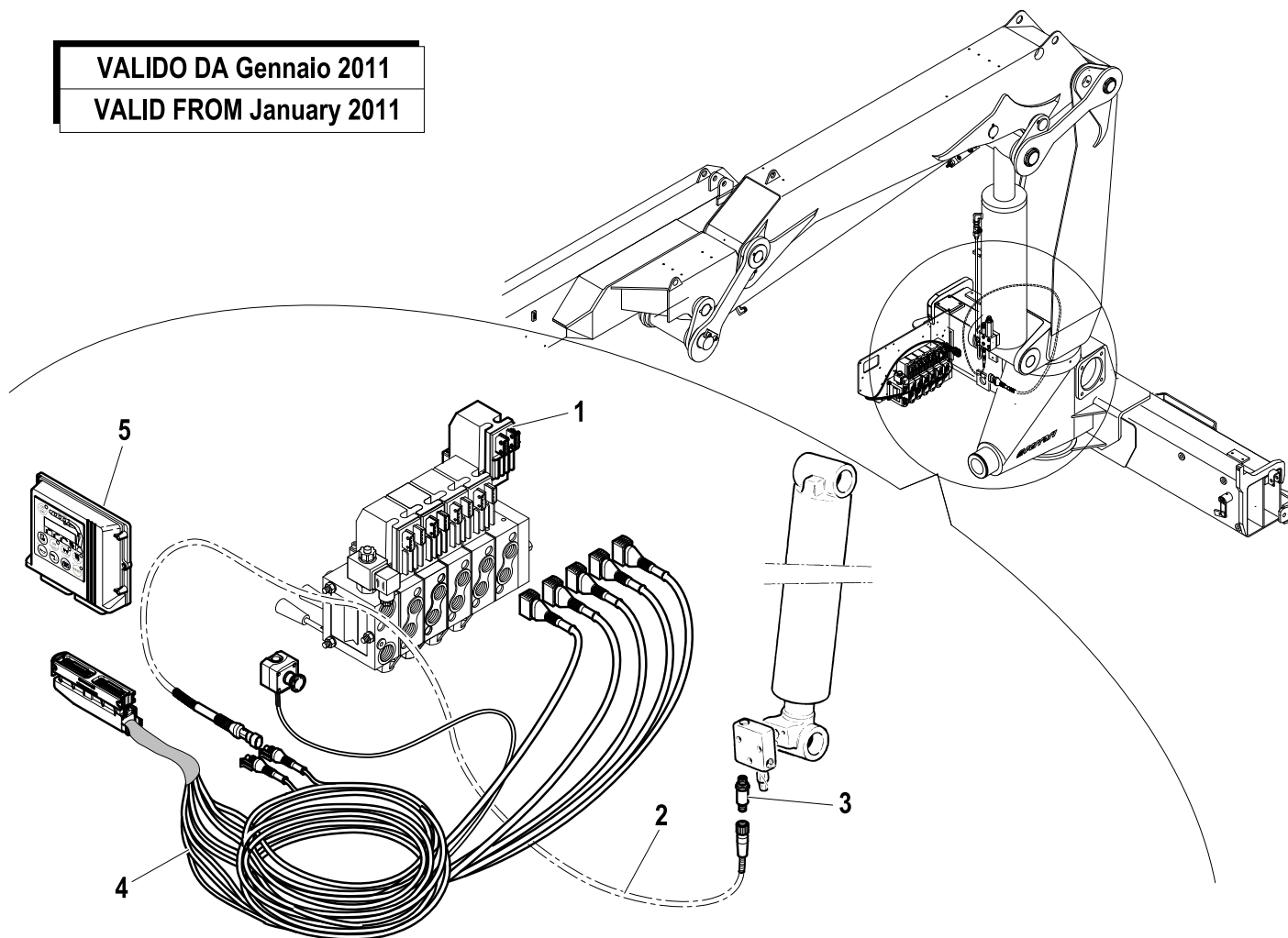
Code

5401292-9.0

1/1

R	Pos.	Code Variant	Q.ty	Description
1		5225534	4	Electric control (PVEA-DI PER PVG32)
2		5160084	1	Electric wiring
3		3310612	1	Pressure sensor
4		5160072	1	Electric wiring
5		3311423	1	Moment limiting device [SUPERATO]

VALIDO DA Gennaio 2011
VALID FROM January 2011



CONTROLS (RDC EBB-X TCU-ECM4)

Code

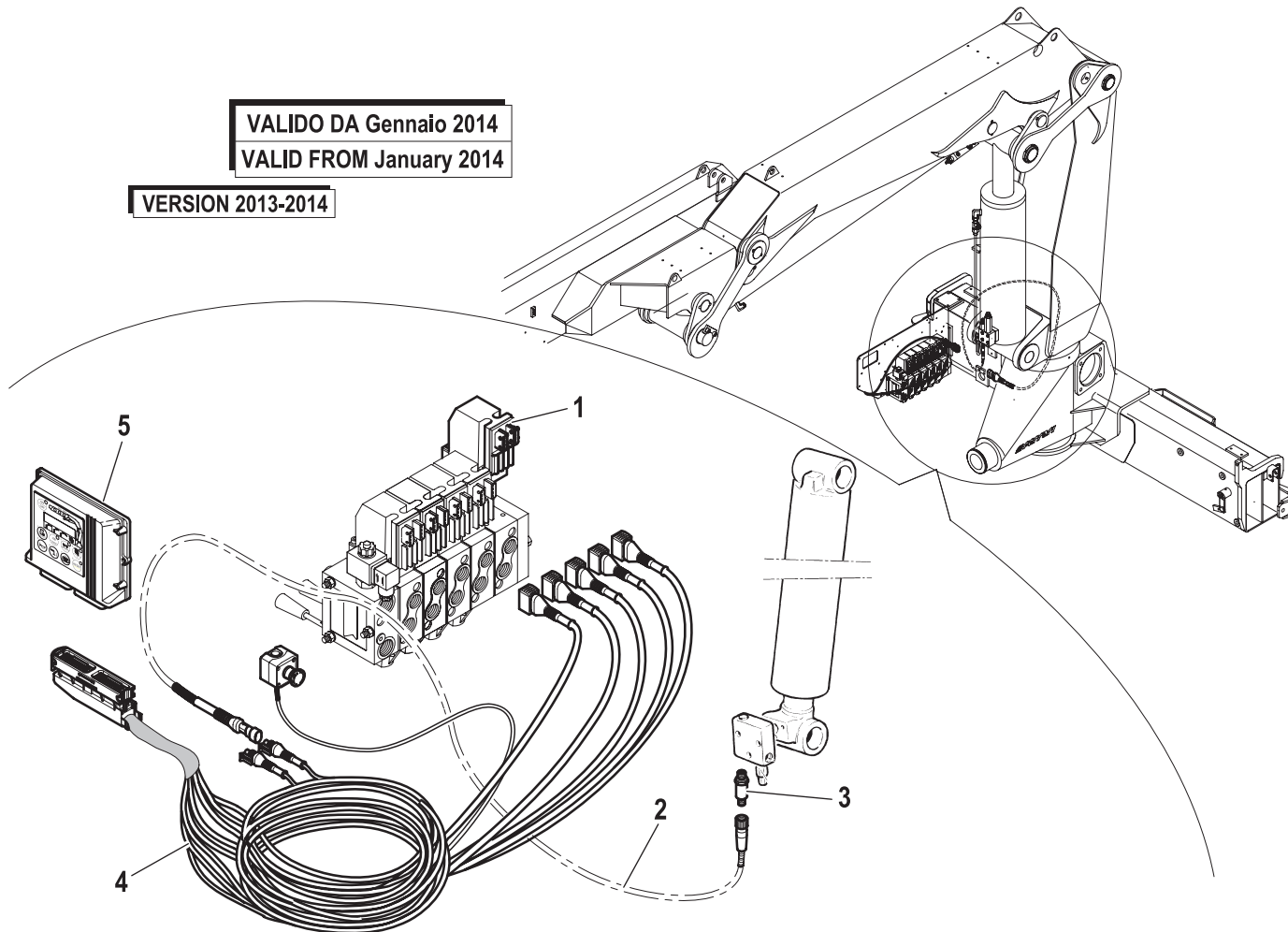
5402578-3.0

1/1

R	Pos.	Code Variant	Q.ty	Description
	1	5225534	4	Electric control (PVEA-DI PER PVG32)
	2	5160084	1	Electric wiring
	3	3310612	1	Pressure sensor
	4	5160072	1	Electric wiring
	5	3311630	1	Moment limiting device (WITH RESINING)

VALIDO DA Gennaio 2014
VALID FROM January 2014

VERSION 2013-2014



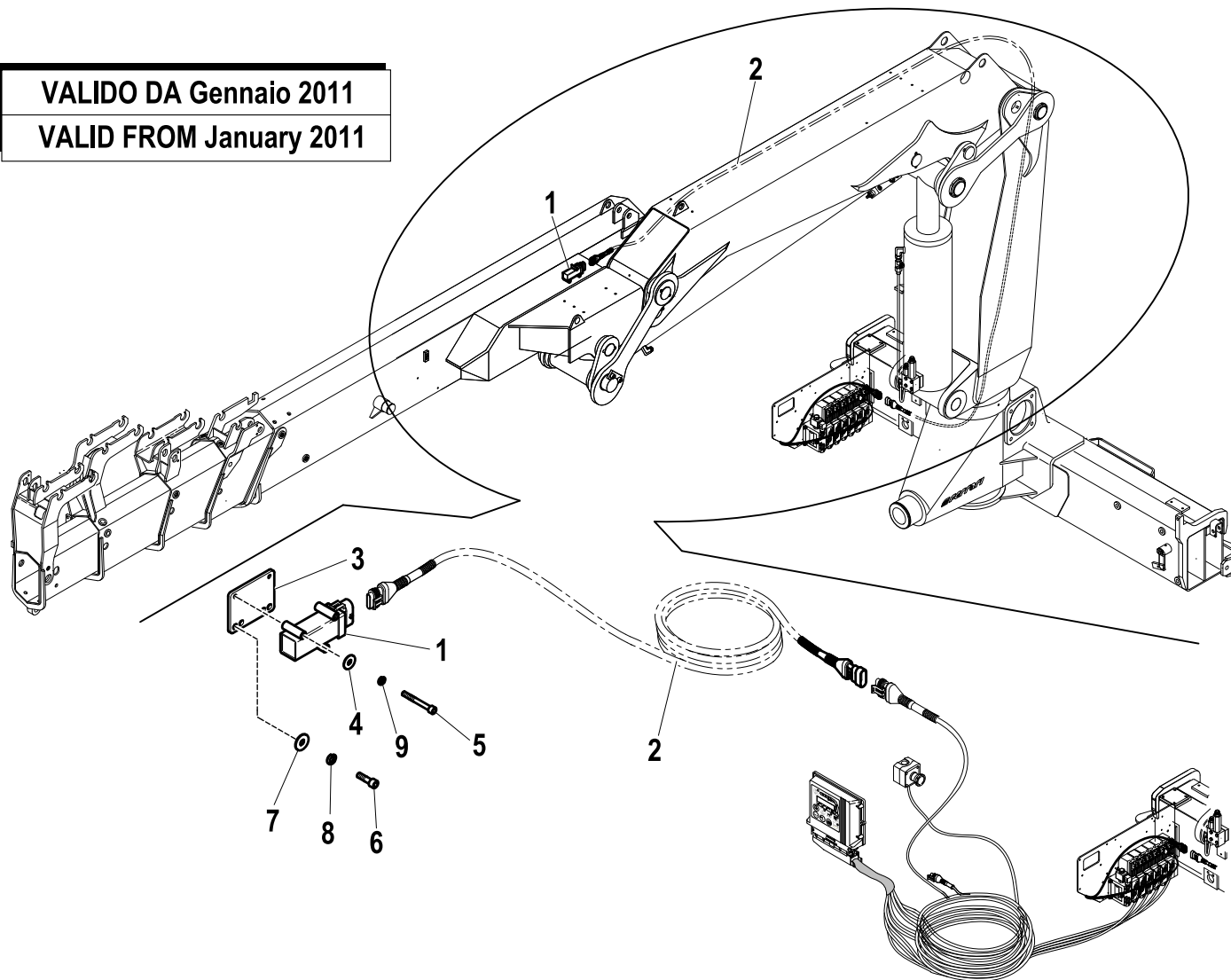
CONTROLS (RDC EBB-X TCU-ECM4)

Code

5401292-3.0

1/1

VALIDO DA Gennaio 2011
VALID FROM January 2011



R	Pos.	Code Variant	Q.ty	Description
	1	3311150	1	Tiltmeter
	2	5160076	1	
	3	5002108	1	Support plate (Tiltmeter)
	4	3060003	2	Flat washer [D.4 UNI 6592 ZC]
	5	3020018	2	Socketed head cap screw [M4X30 8.8 ZC UNI 5931]
	6	3020033	2	Socketed head cap screw [M6X10 8.8 ZC UNI 5931]
	7	3060005	2	Flat washer [D.6.4 UNI 6592 ZC]
	8	3060053	2	Split lock washer [D=6.4 C72 ZC]
	9	3060065	2	Split lock washer [D=4.1 C72 ZC]

CONTROLS (RDC EBB-X TCU-ECM4)

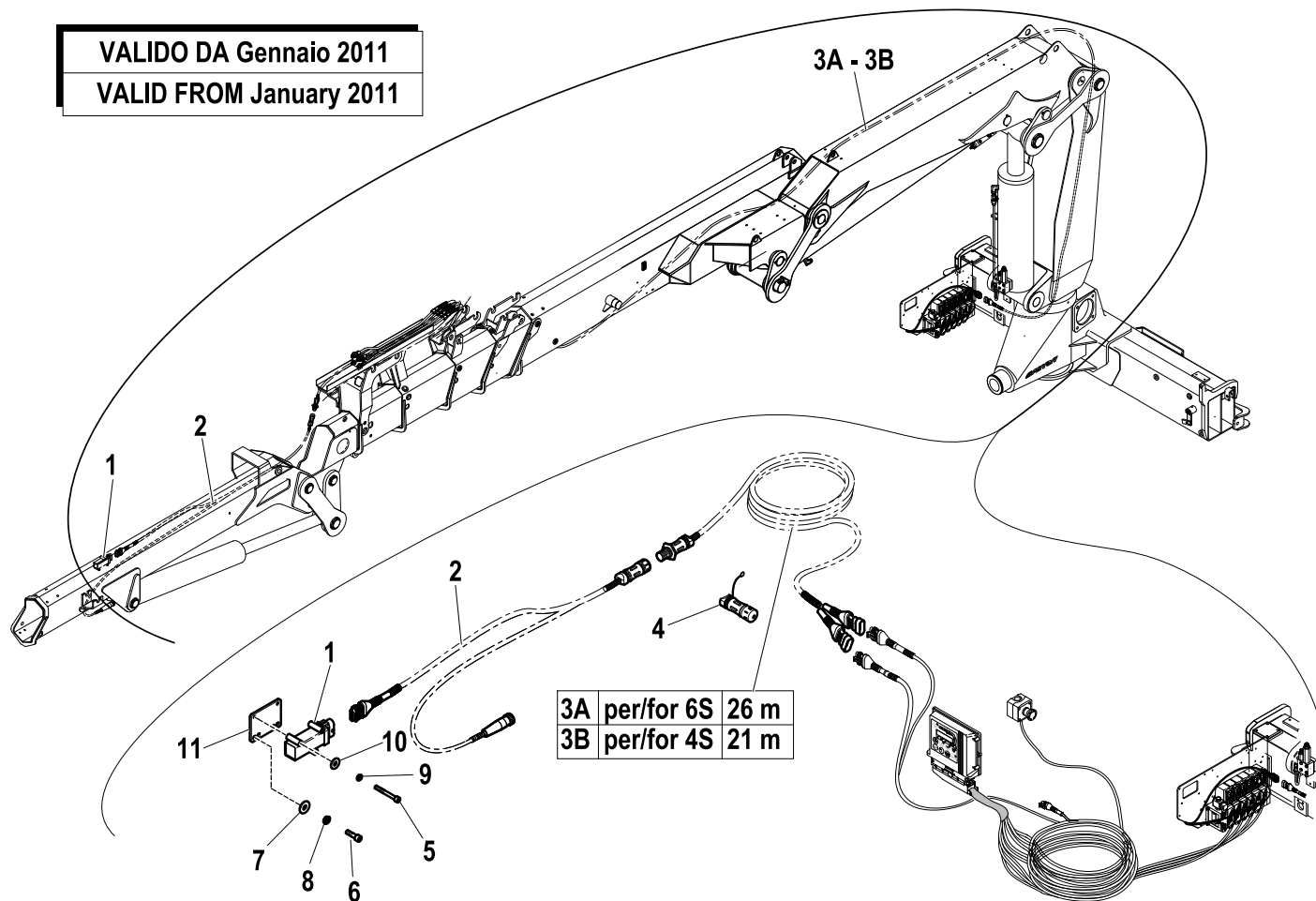
Code

5401292-4.0

1/1

R	Pos.	Code Variant	Q.ty	Description
	1	3311150	1	Tiltmeter
	2	5160079	1	Electric wiring
	3 A	5160077	1	
	3 B	5160078	1	
	4	5160080	1	Plug (Electric components)
	5	3020018	2	Socketed head cap screw [M4X30 8.8 ZC UNI 5931]
	6	3020033	2	Socketed head cap screw [M6X10 8.8 ZC UNI 5931]
	7	3060005	2	Flat washer [D.6.4 UNI 6592 ZC]
	8	3060053	2	Split lock washer [D=6.4 C72 ZC]
	9	3060065	2	Split lock washer [D=4.1 C72 ZC]
	10	3060003	2	Flat washer [D.4 UNI 6592 ZC]
	11	5002108	1	Support plate (Tiltmeter)

VALIDO DA Gennaio 2011
VALID FROM January 2011



CONTROLS (RDC EBB-X TCU-ECM4)

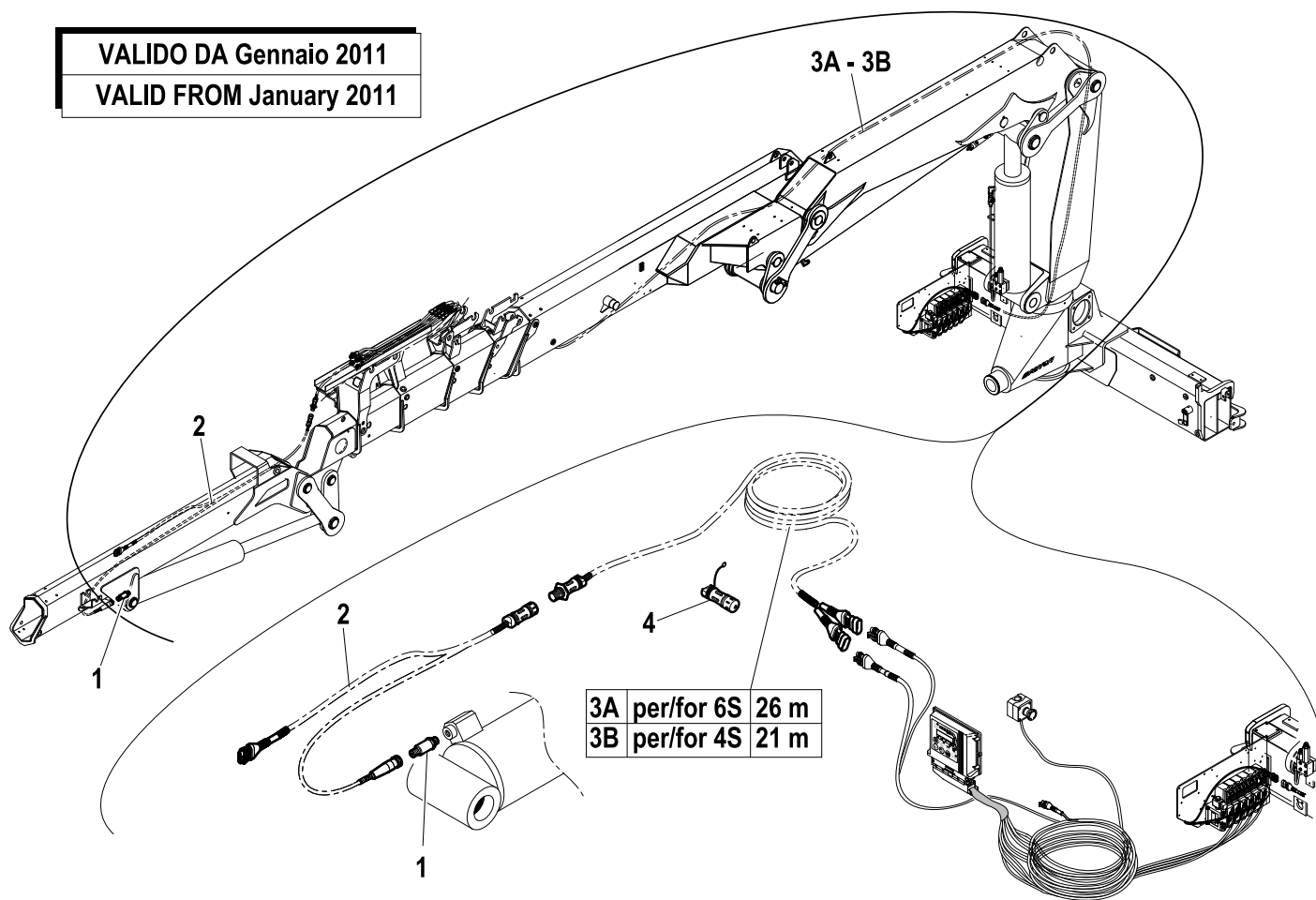
Code

5401292-5.0

1/1

R	Pos.	Code Variant	Q.ty	Description
	1	3310612	1	Pressure sensor
	2	5160079	1	Electric wiring
	3 A	5160077	1	
	3 B	5160078	1	
	4	5160080	1	Plug (Electric components)

VALIDO DA Gennaio 2011
VALID FROM January 2011



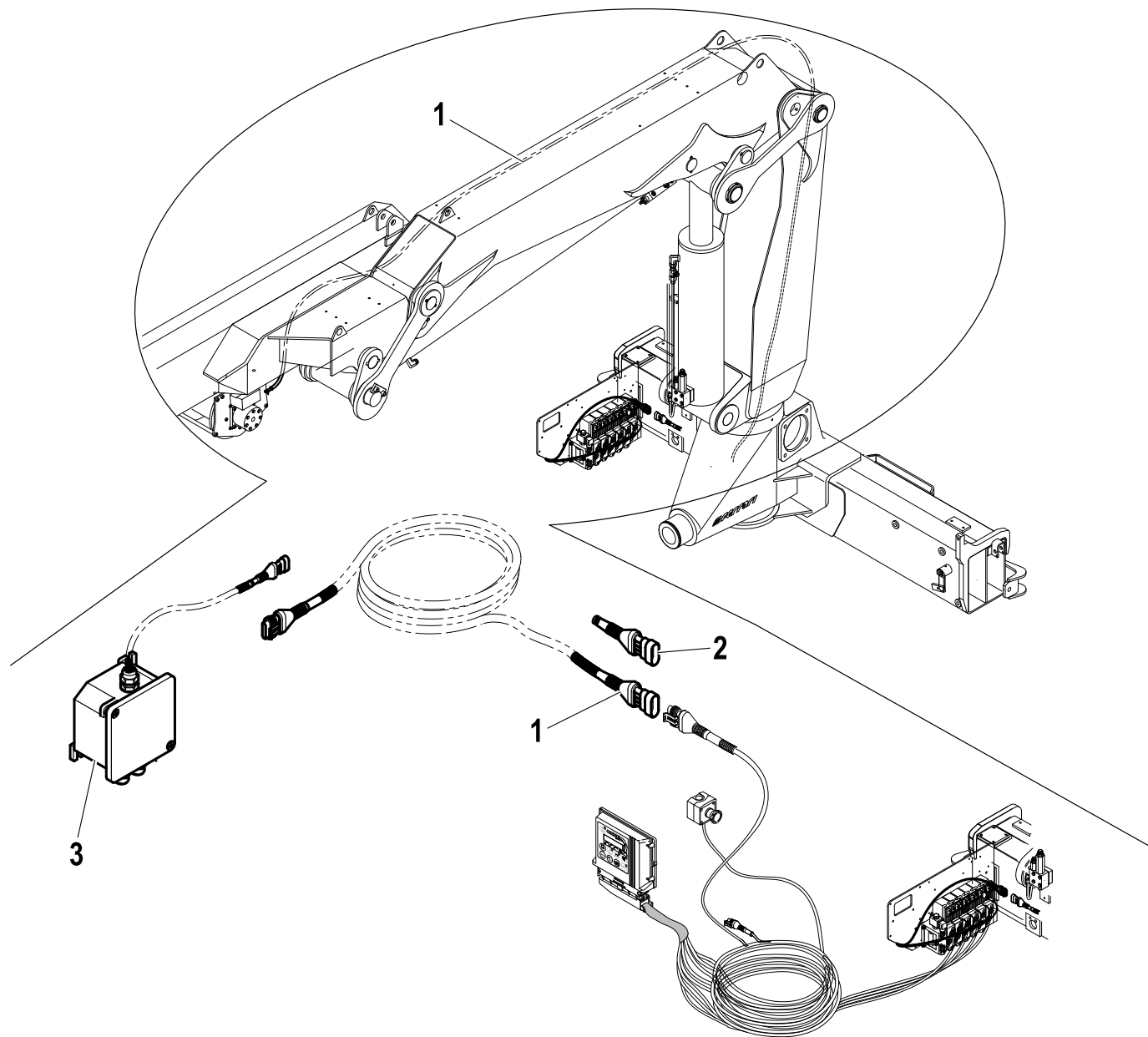
CONTROLS (RDC EBB-X TCU-ECM4)

Code

5401292-6.0

1/1

R	Pos.	Code Variant	Q.ty	Description
	1	5160004	1	
	2	5160013	1	
	3	3310663	1	



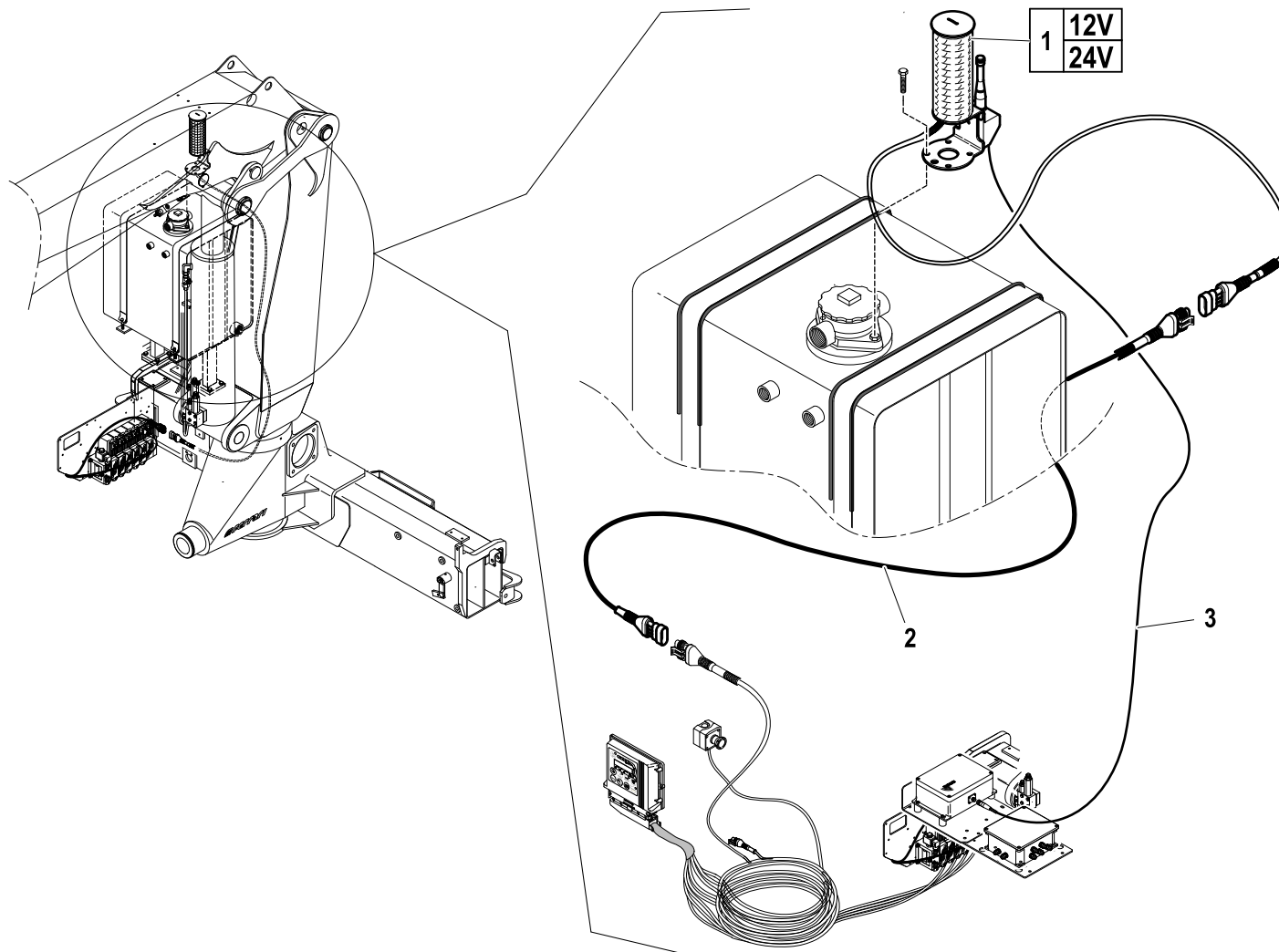
CONTROLS (RDC EBB-X TCU-ECM4)

Code

5401292-7.0

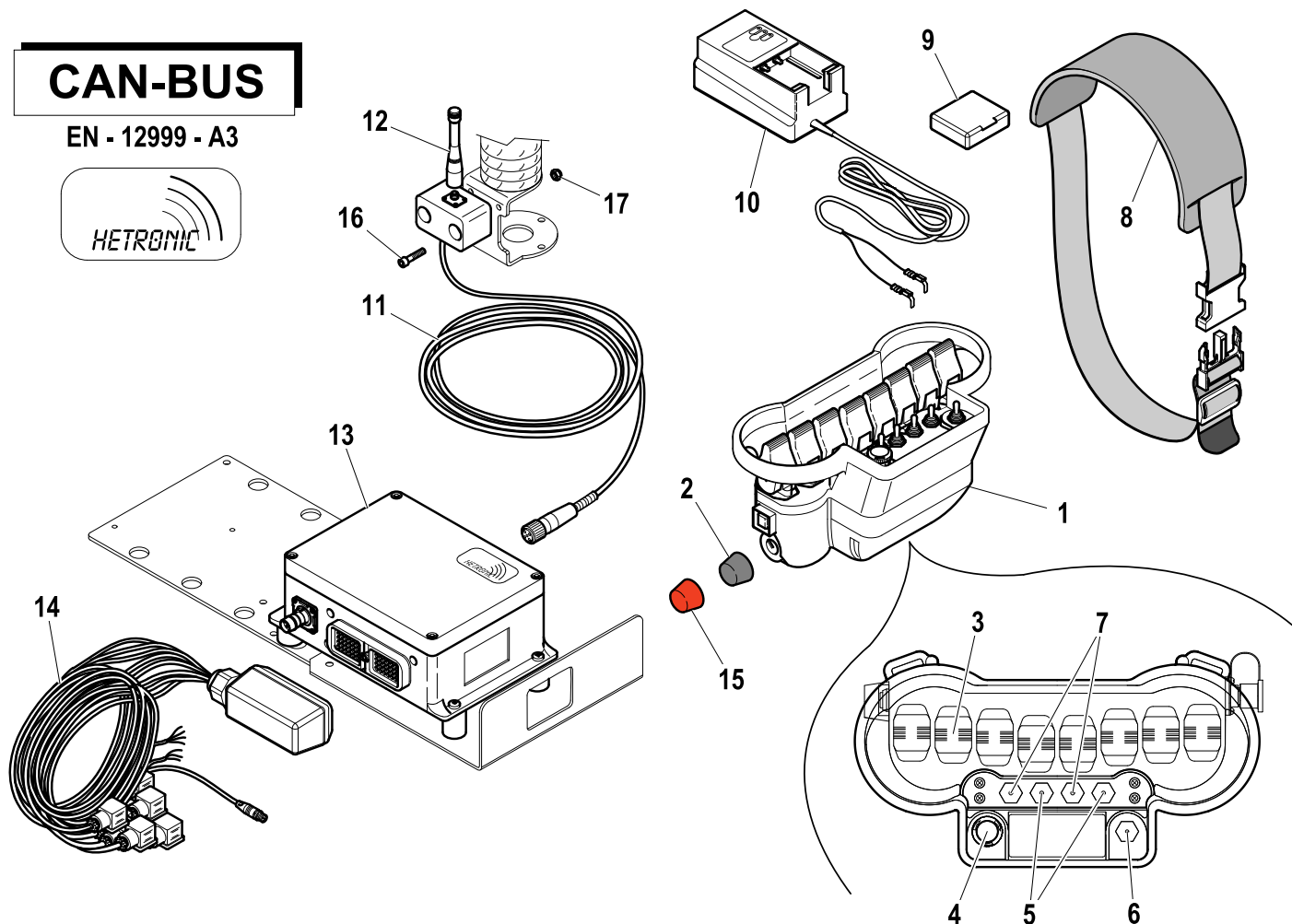
1/1

R	Pos.	Code Variant	Q.ty	Description
	1	3311159	1	Signal Columns
	2	5160003	1	Electric wiring
	3	3311131	1	Electric cable



CAN-BUS

EN - 12999 - A3



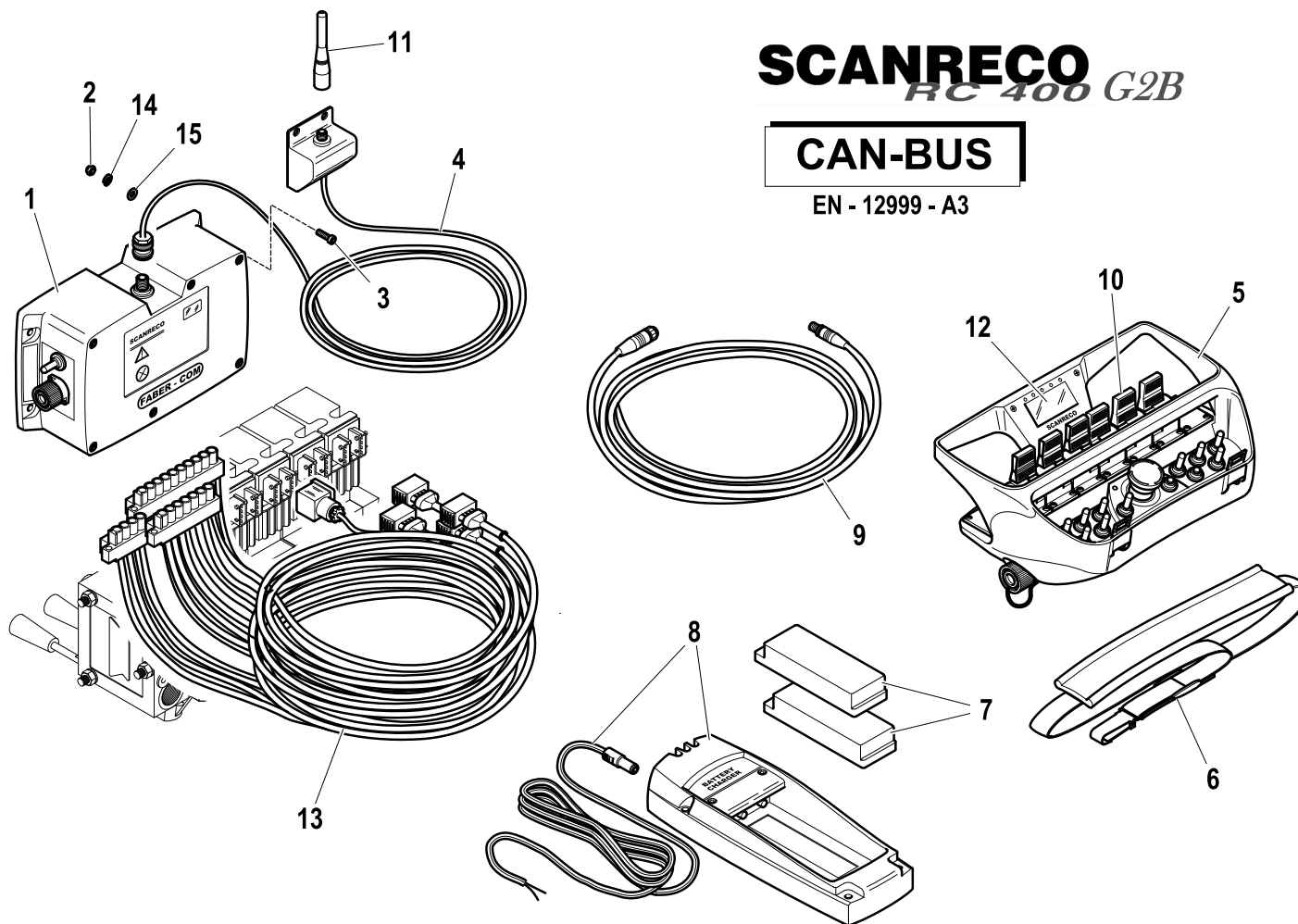
R	Pos.	Code Variant	Q.ty	Description
	1	3311429	1	
	2	3310795	1	
	3	3310796	8	
	4	3310788	1	
	5	3310786	2	
	6	3310785	1	
	7	3310787	2	
	8	3311031	1	
	9	3310641	2	
	10	3310797	1	
	11	3311131	1	Electric cable
	12	3310861	1	
	13	3311433	1	
	14	3311432	1	
	15	3310924	1	
	16	3020024	2	Socket head cap screw [M5X35 8.8 ZC UNI 5931]
	17	3040392	2	Stopnut

SCANRECO

HC 400 G2B

CAN-BUS

EN - 12999 - A3



R	Pos.	Code Variant	Q.ty	Description
	1	3311426	1	
	2	3040392	4	Stopnut
	3	3020028	4	Socket head cap screw [M5X20 8.8 ZC UNI 5931]
	4	3311242	1	Extension shaft (Aerial)
	5	3320018	1	Push button panel
	6	3190226	1	Belt (Push button panel)
	7	3310483	2	Battery
	8	3310471	1	Battery charger
	9	3311279	1	Electric cable (PROGRAMMING)
	10	3310445	6	Control lever
	11	3311275	1	Aerial (RADIO)
	12	3311532	1	Display
	13	3311531	1	Electric wiring (Wireless control)
	14	3060052	4	Split lock washer [D=5.5 C72 ZC]
	15	3060004	4	Flat washer [D.5 UNI 6592 ZC]

