



GRU - GRUAS - CRANES - GRUES - KRANE

Catalogo parti di ricambio

Catalogue des pieces detachees

HC151

Catalogo de piezas de repuestos

Ersatzteilkatalog

Spare parts book

1 W.056.104-1-1

BASAMENTO
BASE
SOLLE
UNTERBAU
BASE

2 W.044.503HWE-1-0

IMPIANTO IDRAULICO (MARTINETTO ROTAZIONE)
HYDRAULIC SYSTEM (SLEWING HYDRAULIC JACK)
INSTALLATION HYDRAULIQUE (VERIN ROTATION)
HYDRAULIKANLAGE (DREH SCHUBZYLINDER)
INSTALACION HIDRAULICA (GATO ROTACION)

3 W.044.503-2-0

IMPIANTO IDRAULICO (MARTINETTO ROTAZIONE) EN 12999-A3
HYDRAULIC SYSTEM (SLEWING HYDRAULIC JACK) EN 12999-A3
INSTALLATION HYDRAULIQUE (VERIN ROTATION) EN 12999-A3
HYDRAULIKANLAGE (DREH SCHUBZYLINDER) EN 12999-A3
INSTALACION HIDRAULICA (GATO ROTACION) EN 12999-A3

4 5.76.0142-2-0

IMPIANTO IDRAULICO (STABILIZZATORI)
HYDRAULIC SYSTEM (STABILIZERS)
INSTALLATION HYDRAULIQUE (STABILISATEURS)
HYDRAULIKANLAGE (STABILISATOREN)
INSTALACION HIDRAULICA (ESTABILIZADORES)

5 5.76.0142-1-1

ASTE STABILIZZATRICI
STABILIZER ROD
TIGES DE STABILISATION
STÜTZSTANGEN
BARRAS ESTABILIZADORAS

6 W.56.04.519.00-1-0

ASTE STABILIZZATRICI (ALLARGAMENTO IDRAULICO)
STABILIZER ROD (HYDRAULIC LENGTHENING)
TIGES DE STABILISATION (RALLONGEANTE HYDRAULIQUE)
STÜTZSTANGEN (HYDRAULISCHER VERLÄNGERNDER)
BARRAS ESTABILIZADORAS (ALARGA HIDRAULICO)

7 W.56.04.519.00-1-1

ASTE STABILIZZATRICI (ALLARGAMENTO IDRAULICO)
STABILIZER ROD (HYDRAULIC LENGTHENING)
TIGES DE STABILISATION (RALLONGEANTE HYDRAULIQUE)
STÜTZSTANGEN (HYDRAULISCHER VERLÄNGERNDER)
BARRAS ESTABILIZADORAS (ALARGA HIDRAULICO)

8 5.76.0141-1-0

IMPIANTO IDRAULICO (ASTE STABILIZZATRICI)
HYDRAULIC SYSTEM (STABILIZER CONNECTING RODS)
INSTALLATION HYDRAULIQUE (EXTENSION DES STABILISATEURS)
HYDRAULIKANLAGE (STÜTZSTANGEN)
INSTALACION HIDRAULICA (VARILLAS ESTABILIZADORES)

9 W.56.04.503.00-1-0

MARTINETTO SFILO ASTE
ROD EXSTENSION HYDRAULIC CYLINDER
VERIN RALLONGE TIGES
STANGENVERLAENGERUNGSWINDE
GATO DE PROLONGACION VASTAGOS

10 5.76.0143-1-0

ASTE STABILIZZATRICI EXTRA ESTENDIBILI
STABILIZER CONNECTING RODS EXTRA-EXTENSIBLE
EXTENSION DES STABILISATEURS EXTRA-EXTENSIBLE
STÜTZSTANGEN EXTRA-AUSDEHNBARE
VARILLAS ESTABILIZADORES EXTRA-EXTENSIBLE

11 W.56.04.518.00-1-0

ASTE STABILIZZATRICI EXTRA ESTENDIBILI (ALLARGAMENTO IDRAULICO)
STABILIZER CONNECTING RODS EXTRA-EXTENSIBLE (HYDRAULIC LENGTHENING)
EXTENSION DES STABILISATEURS EXTRA-EXTENSIBLE (RALLONGEANTE HYDRAULIQUE)
STÜTZSTANGEN EXTRA-AUSDEHNBARE (HYDRAULISCHER VERLÄNGERNDER)
VARILLAS ESTABILIZADORES EXTRA-EXTENSIBLE (ALARGA HIDRAULICO)

12 W.56.04.518.00-1-1

ASTE STABILIZZATRICI EXTRA ESTENDIBILI (ALLARGAMENTO IDRAULICO)
STABILIZER CONNECTING RODS EXTRA-EXTENSIBLE (HYDRAULIC LENGTHENING)
EXTENSION DES STABILISATEURS EXTRA-EXTENSIBLE (RALLONGEANTE HYDRAULIQUE)
STÜTZSTANGEN EXTRA-AUSDEHNBARE (HYDRAULISCHER VERLÄNGERNDER)
VARILLAS ESTABILIZADORES EXTRA-EXTENSIBLE (ALARGA HIDRAULICO)

13 5.76.0140-1-0

IMPIANTO IDRAULICO (ASTE STABILIZZATRICI EXTRA ESTENDIBILI)
HYDRAULIC SYSTEM (STABILIZER CONNECTING RODS EXTRA-EXTENSIBLE)
INSTALLATION HYDRAULIQUE (EXTENSION DES STABILISATEURS EXTRA-EXTENSIBLE)
HYDRAULIKANLAGE (STÜTZSTANGEN EXTRA-AUSDEHNBARE)
INSTALACION HIDRAULICA (VARILLAS ESTABILIZADORES EXTRA-EXTENSIBLE)

14 5.41.0980-2-0

KIT CONTROLLO CHIUSURA ASTE STAB. MANUALI EN 12999-A3
CONTROL DEVICES LOCKING FOR OUTRIGGERS LEGS EN 12999-A3
KIT DE CONTRÔLE DE FERMETURE TIGES STABILISATEURS MANUELS EN 12999-A3
KIT SCHLUSSKONTROLLE FÜR MANUELLEN ABSTÜTZSTANGEN EN 12999-A3
KIT CONTROL CIERRE VASTAGO ESTABILIZADORES EN 12999-A3

15 5.41.1220-2-0

CONTROLLO STABILITA' EN-12999-A3
STABILITY CONTROL EN-12999-A3
CONTRÔLE DE LA STABILITE' EN-12999-A3
STABILITÄTSKONTROLLE EN-12999-A3
CONTROL DE LA ESTABILIDAD EN-12999-A3

16 W.56.04.504.00-1-0

MARTINETTO SFILO ASTE EXTRA ESTENDIBILI
ROD EXTENSION HYDRAULIC CYLINDER EXTRA-EXTENSIBLE
VERIN RALLONGE TIGE SEXTRA-EXTENSIBLE
STANGENVERLAENGERUNGSWINDE EXTRA-AUSDEHNBARE
GATO DE PROLONGACIO VASTAGOS EXTRA-EXTENSIBLE

17 W.56.04.502.00-1-1

IMPIANTO IDRAULICO (MARTINETTO STABILIZZATORE)
HYDRAULIC SYSTEM (STABILIZER HYDRAULIC JACK)
INSTALLATION HYDRAULIQUE (VERIN STABILISATEUR)
HYDRAULIKANLAGE (STABILISATOR SCHUBZYLINDER)
INSTALACION HIDRAULICA (GATO ESTABILIZADOR)

18 W.56.04.501.00-1-1

MARTINETTO STABILIZZATORE
STABILISER RAM
VERIN STABILISATEUR
STABILISATOR SCHUBZYLINDER
GATO ESTABILIZADOR

19 W.56.04.501.00-1-2

MARTINETTO STABILIZZATORE
STABILISER RAM
VERIN STABILISATEUR
STABILISATOR SCHUBZYLINDER
GATO ESTABILIZADOR

20 W.056.505-1-2

COMANDI BILATERALI
DOUBLE CONTROLS
DOUBLE COMMANDES
DOPPELSTEUERUNG
MONDOS BILATERALAS

21 W.044.502-1-1

DISTRIBUTORE COMPLETO (5 ELEMENTI) NOCE
CONTROL VALVE ASS'Y (5 SECTION) NOCE
DISTRIBUTEUR COMPLET (5 VOIES) NOCE
STUEBLOCK (IM GANZEN) (5 ELEMENTE) NOCE
DISTRIBUIDOR COMPLETO (5 ELEMENTOS) NOCE

22 W.338.407-1-2

DISTRIBUTORE (5 ELEMENTI) NOCE
CONTROL VALVE (5 SECTION) NOCE
DISTRIBUTEUR (5 VOIES) NOCE
STUEBLOCK (5 ELEMENTE) NOCE
DISTRIBUIDOR (5 ELEMENTOS) NOCE

23 W.044.505-2-0

COMANDI BILATERALI (CE) EN 12999-A3
DOUBLE CONTROLS (CE) EN 12999-A3
DOUBLE COMMANDES (CE) EN 12999-A3
DOPPELSTEUERUNG (CE) EN 12999-A3
MONDOS BILATERALAS (CE) EN 12999-A3

24 W.044.502-2-0

DISTRIBUTORE COMPLETO (5 ELEMENTI) EN 12999-A3
CONTROL VALVE ASS'Y (5 SECTION) EN 12999-A3
DISTRIBUTEUR COMPLET (5 VOIES) EN 12999-A3
STUEBLOCK (IM GANZEN) (5 ELEMENTE) EN 12999-A3
DISTRIBUIDOR COMPLETO (5 ELEMENTOS) EN 12999-A3

25 W.338.407-2-0

DISTRIBUTORE (5 ELEMENTI) EN 12999-A3
CONTROL VALVE (5 SECTION) EN 12999-A3
DISTRIBUTEUR (5 VOIES) EN 12999-A3
STUEBLOCK (5 ELEMENTE) EN 12999-A3
DISTRIBUIDOR (5 ELEMENTOS) EN 12999-A3

26 W.044.505-3-1

COMANDI BILATERALI (CE) EN12999-A3
DOUBLE CONTROLS (CE) EN12999-A3
DOUBLE COMMANDES (CE) EN12999-A3
DOPPELSTEUERUNG (CE) EN12999-A3
MONDOS BILATERALAS (CE) EN12999-A3

27 5.43.1028-1-0

COMANDI BILATERALI (CE) EN12999-A3
DOUBLE CONTROLS (CE) EN12999-A3
DOUBLE COMMANDES (CE) EN12999-A3
DOPPELSTEUERUNG (CE) EN12999-A3
MONDOS BILATERALAS (CE) EN12999-A3

28 W.044.505-4-0

COMANDI BILATERALI (CE) EN12999-A3
DOUBLE CONTROLS (CE) EN12999-A3
DOUBLE COMMANDES (CE) EN12999-A3
DOPPELSTEUERUNG (CE) EN12999-A3
MONDOS BILATERALAS (CE) EN12999-A3

29 W.044.505-5-0
 COMANDI BILATERALI (CE) EN12999-A3
 DOUBLE CONTROLS (CE) EN12999-A3
 DOUBLE COMMANDES (CE) EN12999-A3
 DOPPELSTEUERUNG (CE) EN12999-A3
 MONDOS BILATERALAS (CE) EN12999-A3

30 W.44.05.525.00-1-1
 LIMITATORE DI MOMENTO
 MOMENT LIMITING DEVICE
 LIMITEUR DE MOMENT
 HUB-MOMENTBEGRENZER
 LIMITADOR DE MOMENTO

31 W.44.05.525.00-1-4
 LIMITATORE DI MOMENTO (CE)
 MOMENT LIMITING DEVICE (CE)
 LIMITEUR DE MOMENT (CE)
 HUB-MOMENTBEGRENZER (CE)
 LIMITADOR DE MOMENTO (CE)

32 5.44.0087-1-0
 LIMITATORE DI MOMENTO (VALVOLA) AVPS - CE
 MOMENT LIMITING DEVICE (VALVE) AVPS - CE
 LIMITEUR DE MOMENT (SOUPAPE) AVPS - CE
 HUB-MOMENTBEGRENZER (VENTIL) AVPS - CE
 LIMITADOR DE MOMENTO (VALVULA) AVPS - CE

33 W.44.05.528.00-1-2
 LIMITATORE DI ROTAZIONE
 ROTATION LIMITING DEVICE
 LIMITEUR DE ROTATION
 DREHMOMENTBEGRENZER
 LIMITADOR DE ROTACION

34 5.44.0077-1-0
 VALVOLA "PB"
 VALVE "PB"
 SOUPAPE "PB"
 VENTIL "PB"
 VALVULA "PB"

35 W.044.501-1-6
 SERBATOIO OLIO
 OIL RESERVOIR
 RÉSERVOIR D'HUILE
 OELBEHAELTER
 DEPOSITO ACEITE

36 7.88.8025-1-0
 SCAMBIATORE DI CALORE
 HEAT EXCHANGE UNIT
 ECHANGEUR DE CHALEUR
 WÄRMEAUSTAUSCHER
 INTERCAMBIADOR DE CALOR

37 7.88.8025-2-0
 SCAMBIATORE DI CALORE
 HEAT EXCHANGE UNIT
 ECHANGEUR DE CHALEUR
 WÄRMEAUSTAUSCHER
 INTERCAMBIADOR DE CALOR

38 W.056.206-1-0
 COLONNA
 COLUMN
 COLONNE
 SAEULE
 COLUMNA

39 W.56.02.502.00-1-2
 IMPIANTO IDRAULICO (MARTINETTO SOLLEVAMENTO)
 HYDRAULIC SYSTEM (LIFTING HYDRAULIC CYLINDER)
 INSTALLATION HYDRAULIQUE (VERIN DE LEVAGE)
 HYDRAULIKANLAGE (HUBZYLINDER)
 INSTALACION HIDRAULICA (GATO DE ELEVACION)

40 W.56.02.501.00-1-1
 MARTINETTO SOLLEVAMENTO
 LIFTING HYDRAULIC CYLINDER
 VERIN DE LEVAGE
 HUBZYLINDER
 GATO DE ELEVACION

41 W.056.205-1-0
 1° BRACCIO
 1ST BOOM
 1ERE BRAS
 1. ARM
 1° BRAZO

42 W.56.03.507.00-1-1
 IMPIANTO IDRAULICO (MARTINETTO ARTICOLAZIONE)
 HYDRAULIC SYSTEM (ARTICULATION HYDRAULIC JACK)
 INSTALLATION HYDRAULIQUE (VERIN D'ARTICULATION)
 HYDRAULIKANLAGE (GELENKSHEBEBOCK)
 INSTALACION HIDRAULICA (GATO ARTICULACION)

43 W.56.03.501.00-1-1
 MARTINETTO ARTICOLAZIONE
 ARTICULATION HYDRAULIC JACK
 VERIN D' ARTICULATION
 GELENKSHEBEBOCK
 GATO DE ARTICULACION

44 W.056.301-1-3
 2° BRACCIO
 2ND BOOM
 2EME BRAS
 2. ARM
 2° BRAZO

45 W.444.173.RGN-1-0
 SERIE TUBI FLESSIBILI
 SET OF HOSES
 JEU DE TOYAUX FLEXIBLES
 SCHLAUCHSATZ
 SERIE DE TUBOS FLEXIBLE

46 W.056.504-1-1
 IMPIANTO IDRAULICO (1° E 2° BRACCIO)
 HYDRAULIC SYSTEM (1TH E 2ND BOOM)
 INSTALLATION HYDRAULIQUE (1ERE ET 2EME BRAS)
 HYDRAULIKANLAGE (1TEN UNT 2.TEN GELENKARM)
 INSTALACION HIDRAULICA (1° Y 2° BRAZO)

47 W.056.302-1-3
 1° SFILO
 1ST EXTENSION
 1ERE RALLONGE
 1. VERLAENGERUNG
 1°PROLONGACION

48 W.56.03.508.00-1-0
 MARTINETTO 1° SFILO
 1ST EXSTENSION HYDRAULIC
 VERIN 1ÈRE RALLONGE
 1. SCHUBZYLINDER
 GATO 1ª EXTENSION

49 W.56.03.510.00-1-5
 2° SFILO
 2ND EXTENSION
 2EME RALLONGE
 2. VERLAENGERUNG
 2°PROLONGACION

50 W.56.03.509.00-1-0
 MARTINETTO 2° SFILO
 2ND EXTENSION HYDRAULIC JACK
 VERIN 2ÈME RALLONGE
 2. SCHUBZYLINDER
 GATO 2ª EXTENSION

51 W.56.03.511.00-1-4
 3° SFILO
 3RD EXTENSION
 3EME RALLONGE
 3. VERLAENGERUNG
 3°PROLONGACION

52 W.56.03.504.00-1-0
 MARTINETTO 3° SFILO
 3RD EXTENSION HYDRAULIC JACK
 VERIN 3ÈME RALLONGE
 3. SCHUBZYLINDER
 GATO 3ª EXTENSION

53 W.56.03.512.00-1-3
 4° SFILO
 4TH EXTENSION
 4EME RALLONGE
 4. VERLAENGERUNG
 4° PROLONGACION

54 W.56.03.505.00-1-0
 MARTINETTO 4° SFILO
 4TH EXTENSION HYDRAULIC JACK
 VERIN 4ÈME RALLONGE
 4. SCHUBZYLINDER
 GATO 4ª EXTENSION

55 W.56.03.513.00-1-3
 5° SFILO
 5TH EXTENSION
 5EME RALLONGE
 5. VERLAENGERUNG
 5° PROLONGACION

56 W.56.03.506.00-1-0
 MARTINETTO 5° SFILO
 5TH EXTENSION HYDRAULIC JACK
 VERIN 5ÈME RALLONGE
 5. SCHUBZYLINDER
 GATO 5ª EXTENSION

57 W.56.05.513.00-1-2

COMANDI (6° ELEMENTO)
 CONTROLS (6TH ELEMENT)
 COMMANDES (6E ELEMENT)
 STEUERUGEN (6. ELEMENT)
 MANDOS (6° ELEMENTO)

58 W.56.05.513.00-2-2

IMPIANTO IDRAULICO (6° ELEMENTO)
 HYDRAULIC SYSTEM (6TH ELEMENT)
 INSTALLATION HYDRAULIQUE (6E ELEMENT)
 HYDRAULIKANLAGE (6. ELEMENT)
 INSTALACION HIDRAULICA (6° ELEMENTO)

59 5.21.2036-1-0

IMPIANTO IDRAULICO (6° ELEMENTO) EN 12999-A3
 HYDRAULIC SYSTEM (6TH ELEMENT) EN 12999-A3
 INSTALLATION HYDRAULIQUE (6E ELEMENT) EN 12999-A3
 HYDRAULIKANLAGE (6. ELEMENT) EN 12999-A3
 INSTALACION HIDRAULICA (6° ELEMENTO) EN 12999-A3

60 W.56.05.513.00-3-3

IMPIANTO IDRAULICO (6° ELEMENTO)
 HYDRAULIC SYSTEM (6TH ELEMENT)
 INSTALLATION HYDRAULIQUE (6E ELEMENT)
 HYDRAULIKANLAGE (6. ELEMENT)
 INSTALACION HIDRAULICA (6° ELEMENTO)

61 W.56.05.517.00-1-2

COMANDI (6°-7° ELEMENTO)
 CONTROLS (6TH-7TH ELEMENT)
 COMMANDES (6E-7E ELEMENTS)
 STEUERUGEN (6.-7. ELEMENT)
 MANDOS (6°-7° ELEMENTO)

62 W.56.05.517.00-2-2

IMPIANTO IDRAULICO (6°-7° ELEMENTO)
 HYDRAULIC SYSTEM (6TH-7TH ELEMENT)
 INSTALLATION HYDRAULIQUE (6E-7E ELEMENTS)
 HYDRAULIKANLAGE (6.-7. ELEMENT)
 INSTALACION HIDRAULICA (6°-7° ELEMENTO)

63 5.21.2038-1-0

IMPIANTO IDRAULICO (6°-7° ELEMENTO) EN 12999-A3
 HYDRAULIC SYSTEM (6TH-7TH ELEMENT) EN 12999-A3
 INSTALLATION HYDRAULIQUE (6E-7E ELEMENTS) EN 12999-A3
 HYDRAULIKANLAGE (6.-7. ELEMENT) EN 12999-A3
 INSTALACION HIDRAULICA (6°-7° ELEMENTO) EN 12999-A3

64 W.56.05.517.00-3-3

IMPIANTO IDRAULICO (6°-7° ELEMENTO)
 HYDRAULIC SYSTEM (6TH-7TH ELEMENT)
 INSTALLATION HYDRAULIQUE (6E-7E ELEMENTS)
 HYDRAULIKANLAGE (6.-7. ELEMENT)
 INSTALACION HIDRAULICA (6°-7° ELEMENTO)

65 W.7.80.0095-1-0

PROLUNGA MANUALE (1°)
 MANUAL EXTENSION (1ST)
 RALLONGE MANUELLE (1ERE)
 MANUAL-VERLÄNGERUNG (1.)
 PROLONGACION MANUAL (1°)

66 W.7.80.0091-1-0

PROLUNGA MANUALE
 MANUAL EXTENSION
 RALLONGE MANUELLE
 MANUAL-VERLÄNGERUNG
 PROLONGACION MANUAL

67 W.7.80.0087-1-0

PROLUNGA MANUALE
 MANUAL EXTENSION
 RALLONGE MANUELLE
 MANUAL-VERLÄNGERUNG
 PROLONGACION MANUAL

68 W.7.80.0013-1-0

PROLUNGA MANUALE
 MANUAL EXTENSION
 RALLONGE MANUELLE
 MANUAL-VERLÄNGERUNG
 PROLONGACION MANUAL

69 W.44.03.517.00-1-0

GANCIO (PROLUNGA MANUALE) C-D
 HOOK (MANUAL EXTENSION) C-D
 CROCHET (RALLONGE MANUELLE) C-D
 HAKEN (MANUAL-VERLÄNGERUNG) C-D
 GANCHO (PROLONGACION MANUAL) C-D

70 W.7.80.0014-1-0

PROLUNGA MANUALE
 MANUAL EXTENSION
 RALLONGE MANUELLE
 MANUAL-VERLÄNGERUNG
 PROLONGACION MANUAL

71 **W.7.80.0015-1-0**

PROLUNGA MANUALE
MANUAL EXTENSION
RALLONGE MANUELLE
MANUAL-VERLÄNGERUNG
PROLONGACION MANUAL

72 **W.56.03.521.00-1-0**

KIT GANCIO (PROLUNGA MANUALE) E - F
HOOK KIT (MANUAL EXTENSION) E - F
KIT CROCHET (RALLONGE MANUELLE) E - F
HAKENSATZ (MANUAL-VERLÄNGERUNG) E - F
KIT GANCHO (PROLONGACION MANUAL) E - F

73 **7.88.1824-1-0**

KIT CELLA DI CARICO LIS/RLC
LOAD INDICATION SYSTEM LIS/RLC
SYSTÈME D'INDICATION DE CHARGE LIS/RLC
LADEANZEIGE SYSTEM LIS/RLC
SISTEMA DE INDICACIÓN DE CARGA LIS/RLC

74 **W.056.001-1-2**

ACCESSORI E ALLEGATI
FITTINGS AND ENCLOSURES
ACCESSOIRES ET PIÈCES ADJOINTE
ZUBEHÖR UND BEHÄLTNISSE
ACCESORIOS Y ANEXOS

75 **W.7.83.4031-1-0**

ARGANO (IMPIANTO ELETTRICO)
WINCH (ELECTRICAL EQUIPMENT)
TREUIL (INSTALLATION ELECTRIQUE)
WINDE (ELEKTRISCHANLAGE)
CABRESTANTE (SISTEMA ELECTRICO)

76 **W.7.83.4031-2-0**

ARGANO (IMPIANTO OLEODINAMICO)
WINCH (HYDRAULIC SYSTEM)
TREUIL (INSTALLATION HYDRAULIQUE)
WINDE (HYDRAULIKANLAGE)
CABRESTANTE (INSTALACIÓN HIDRAULICA)

77 **W.7.83.4031-3-0**

COMANDI - ECM4
CONTROLS - ECM4
COMMANDES - ECM4
STEUERUGEN - ECM4
MANDOS - ECM4

78 **W.7.83.4025-1-0**

KIT TIRO DOPPIO PER ARGANO
KIT DOUBLE LINE PULL OF THE WINCH
KIT LIGNE DOUBLE DU TREUIL
KIT FÜR WINDE MIT DOPPELTER ZUG
KIT TIRO DOBLE PARA EL CABRESTANTE

HC151 A4J2

80 **W.56.06.511.00-3-2**

IMPIANTO IDRAULICO (PROLUNGA ARTICOLATA)
HYDRAULIC SYSTEM (ARTICULATED EXTENSION)
INSTALLATION HYDRAULIQUE (RALLONGE ARTICULEE)
HYDRAULIKANLAGE (GELENKVERLÄNGERUNG)
INSTALACION HIDRAULICA (PROLONGACION ARTICULADA)

81 **W.56.06.511.00-2-2**

COMANDI (PROLUNGA ARTICOLATA)
CONTROLS (ARTICULATED EXTENSION)
COMMANDES (RALLONGE ARTICULEE)
STEUERUGEN (GELENKVERLÄNGERUNG)
MANDOS (PROLONGACION ARTICULADA)

82 **W.044.506-1-0**

DISTRIBUTORE (7 ELEMENTI) A3 - JIB2
CONTROL VALVE (7 SECTION) A3 - JIB2
DISTRIBUTEUR (7 VOIES) A3 - JIB2
STEUERBLOCK (7 ELEMENTE) A3 - JIB2
DISTRIBUIDOR (7 ELEMENTOS) A3 - JIB2

83 **W.338.408-1-2**

DISTRIBUTORE (7 ELEMENTI) A3 - JIB2
CONTROL VALVE (7 SECTION) A3 - JIB2
DISTRIBUTEUR (7 VOIES) A3 - JIB2
STEUERBLOCK (7 ELEMENTE) A3 - JIB2
DISTRIBUIDOR (7 ELEMENTOS) A3 - JIB2

84 **W.044.506-2-0**

DISTRIBUTORE COMPLETO (7 ELEMENTI) EN 12999-A3
CONTROL VALVE ASS'Y (7 SECTION) EN 12999-A3
DISTRIBUTEUR COMPLET (7 VOIES) EN 12999-A3
STEUERBLOCK (IM GANZEN) (7 ELEMENTE) EN 12999-A3
DISTRIBUIDOR COMPLETO (7 ELEMENTOS) EN 12999-A3

85 W.338.408-2-0

DISTRIBUTORE (7 ELEMENTI) EN 12999-A3
CONTROL VALVE (7 SECTION) EN 12999-A3
DISTRIBUTEUR (7 VOIES) EN 12999-A3
STUEBERBLOCK (7 ELEMENTE) EN 12999-A3
DISTRIBUIDOR (7 ELEMENTOS) EN 12999-A3

86 W.44.05.529.00-1-3

LIMITATORE DI MOMENTO (PROLUNGA ARTICOLATA)
MOMENT LIMITING DEVICE (ARTICULATED EXTENSION)
LIMITEUR DE MOMENT (RALLONGE ARTICULEE)
HUB-MOMENTBEGRENZER (GELENKVERLANGERUNG)
LIMITADOR DE MOMENTO (PROLONGACION ARTICULADA)

87 W.044.505-6-0

COMANDI BILATERALI (CE) EN12999-A3
DOUBLE CONTROLS (CE) EN12999-A3
DOUBLE COMMANDES (CE) EN12999-A3
DOPPELSTEUERUNG (CE) EN12999-A3
MONDOS BILATERALAS (CE) EN12999-A3

88 W.044.505-7-0

COMANDI BILATERALI (CE) EN12999-A3
DOUBLE CONTROLS (CE) EN12999-A3
DOUBLE COMMANDES (CE) EN12999-A3
DOPPELSTEUERUNG (CE) EN12999-A3
MONDOS BILATERALAS (CE) EN12999-A3

89 W.56.06.511.00-4-0

ATTIVAZIONE JIB
ACTUATION JIB
ACTIVATION JIB
AKTIVIERUNG JIB
ACTIVACIONES JIB

90 W.56.06.510.00-1-2

INNESTO E BIELLE 712-714 A4-JIB2
CONNECTION AND CONNECTING ROD 712-714 A4-JIB2
RACCORD ET BIELLES 712-714 A4-JIB2
KUPPLING UND PLEUELSTANGEN 712-714 A4-JIB2
ACOPLAMIENTO Y BIELAS 712-714 A4-JIB2

91 W.56.06.511.00-1-2

IMPIANTO IDRAULICO CILINDRI JIB
HYDRAULIC SYSTEM CYLINDERS JIB
INSTALLATION HYDRAULIQUE VERIN JIB
HYDRAULIKANLAGEZYLINDER JIB
INSTALACION HIDRAULICA CILINDROS JIB

92 W.44.06.504.00-1-0

IMPIANTO IDRAULICO (MARTINETTO ARTICOLAZIONE) JIB
HYDRAULIC SYSTEM (ARTICULATION HYDRAULIC JACK) JIB
INSTALLATION HYDRAULIQUE (VERIN D' ARTICULATION) JIB
HYDRAULIKANLAGE (GELENKSHEBEBOCK) JIB
INSTALACION HIDRAULICA (GATO DE ARTICULACION) JIB

93 W.44.06.503.00-1-0

MARTINETTO ARTICOLAZIONE JIB
ARTICULATION HYDRAULIC JACK JIB
VERIN D' ARTICULATION JIB
GELENKSHEBEBOCK JIB
GATO DE ARTICULACION JIB

94 W.56.06.510.00-2-2

BRACCIO JIB
JIB ARM
BRAS JIB
JIB ARM
BRAZO

95 W.38.03.502.00-1-3

IMPIANTO IDRAULICO (MARTINETTO 1°SFILO) JIB
HYDRAULIC SYSTEM (1TH EXTENSION HYDRAULIC CYLINDER) JIB
INSTALLATION HYDRAULIQUE (VERIN 1ERE RALLONGE) JIB
HYDRAULIKANLAGE (1. SCHUBZYLINDER) JIB
INSTALACION HIDRAULICA (1° GATO DE PROLONGACION) JIB

96 W.38.03.501.00-1-6

MARTINETTO 1° ESTENSIONE
1ST EXTENSION HYDRAULIC JACK
VERIN 1° ELEMENT TELESCOPIQUE
SCHUBZYLINDER 1. ELEMENT
GATO 1° EXTENSION

97 W.038.302-1-0

1° SFILO JIB
1ST EXTENSION JIB
1ERE RALLONGE JIB
1. VERLAENGERUNG JIB
1°PROLONGACION JIB

98 W.38.03.510.00-1-0

IMPIANTO IDRAULICO (2° SFILO) JIB
HYDRAULIC SYSTEM (2ND EXTENSION) JIB
INSTALLATION HYDRAULIQUE (2EME RALLONGE) JIB
HYDRAULIKANLAGE (2. VERLAENGERUNG) JIB
INSTALACION HIDRAULICA (2°PROLONGACION) JIB

99 **W.37.03.501.00-1-6**
MARTINETTO 2° SFILO
2ND EXTENSION HYDRAULIC JACK
VÉRIN 2ÈME RALLONGE
2. SCHUBZYLINDER
GATO 2ª EXTENSION

100 **W.038.303-1-1**
2° SFILO JIB
2ND EXTENSION JIB
2ÈME RALLONGE JIB
2. VERLAENGERUNG JIB
2°PROLONGACION JIB

101 **W.7.80.0016-1-0**
PROLUNGA MANUALE
MANUAL EXTENSION
RALLONGE MANUELLE
MANUAL-VERLÄNGERUNG
PROLONGACION MANUAL

HC151 X

103 **5.40.0779-1-0**
COMANDI BILATERALI RDC
DOUBLE CONTROLS RDC
DOUBLE COMMANDES RDC
DOPPELSTEUERUNG RDC
MONDOS BILATERALAS RDC

104 **5.40.0779-1-1**
COMANDI BILATERALI RDC
DOUBLE CONTROLS RDC
DOUBLE COMMANDES RDC
DOPPELSTEUERUNG RDC
MONDOS BILATERALAS RDC

105 **5.22.0781-1-0**
DISTRIBUTORE (8 ELEMENTI) RDC - ECM4
CONTROL VALVE (8 SECTION) RDC - ECM4
DISTRIBUTEUR (8 VOIES) RDC - ECM4
STUEURBLOCK (8 ELEMENTE) RDC - ECM4
DISTRIBUIDOR (8 ELEMENTOS) RDC - ECM4

106 **5.40.0683-2-0**
FILTRO AD ALTA PRESSIONE (IMPIANTO OLEODINAMICO)
HIGH PRESSURE FILTER (HYDRAULIC SYSTEM)
FILTRE HAUTE PRESSION (INSTALLATION HYDRAULIQUE)
HOCHDRUCKFILTER (HYDRAULIKANLAGE)
FILTRO DE ALTA PRESION (INSTALACION HIDRAULICA)

107 **3.18.0159-1-0**
FILTRO AD ALTA PRESSIONE
HIGH PRESSURE FILTER
FILTRE HAUTE PRESSION
HOCHDRUCKFILTER
FILTRO DE ALTA PRESION

108 **7.89.2107-1-0**
KIT RADIOCOMANDO EU. 24 V
WIRELESS CONTROL KIT EU. 24 V
KIT RADIOTELECOMMANDE EU. 24 V
FUNKSTEUERUNG-SATZ EU. 24 V
KIT RADIOMANDO EU. 24 V

109 **7.89.2041-1-0**
KIT RADIOCOMANDO U.S.A 12V
WIRELESS CONTROL KIT U.S.A 12V
KIT RADIOTELECOMMANDE U.S.A 12V
FUNKSTEUERUNG-SATZ U.S.A 12V
KIT RADIOMANDO U.S.A 12V

110 **7.89.2146-1-0**
KIT RADIOCOMANDO RDC 12V
WIRELESS CONTROL KIT RDC 12V
KIT RADIOTELECOMMANDE RDC 12V
FUNKSTEUERUNG-SATZ RDC 12V
KIT RADIOMANDO RDC 12V

HC151 TCU

112 **5.40.0682-1-0**
COMANDI ECM4
CONTROLS ECM4
COMMANDES ECM4
STUEURUGEN ECM4
MANDOS ECM4

113 **5.40.0682-2-0**

COMANDI ECM4
CONTROLS ECM4
COMMANDES ECM4
STEUERUGEN ECM4
MANDOS ECM4

114 **5.40.0682-3-0**

COMANDI ECM4
CONTROLS ECM4
COMMANDES ECM4
STEUERUGEN ECM4
MANDOS ECM4

115 **5.40.0682-4-0**

COMANDI ECM4
CONTROLS ECM4
COMMANDES ECM4
STEUERUGEN ECM4
MANDOS ECM4

116 **5.40.0682-5-0**

COMANDI ECM4
CONTROLS ECM4
COMMANDES ECM4
STEUERUGEN ECM4
MANDOS ECM4

117 **7.88.5015-1-0**

INDICATORE LUMINOSO
PILOT LAMP
LAMPE-TÉMOIN
KONTROLLAMPE
LÁMPARA SEÑAL

118 **5.40.0682-6-0**

COMANDI ECM4
CONTROLS ECM4
COMMANDES ECM4
STEUERUGEN ECM4
MANDOS ECM4

119 **7.88.1784-1-0**

KIT CELLA DI CARICO LIS/RLC (RDC)
LOAD INDICATION SYSTEM LIS/RLC (RDC)
SYSTÈME D'INDICATION DE CHARGE LIS/RLC (RDC)
LADEANZEIGE SYSTEM LIS/RLC (RDC)
SISTEMA DE INDICACIÓN DE CARGA LIS/RLC (RDC)

HC151 TCU EN 12999-A3

121 **5.40.1496-1-0**

COMANDI (ECM 4) EN 12999-A3
CONTROLS (ECM 4) EN 12999-A3
COMMANDES (ECM 4) EN 12999-A3
STEUERUGEN (ECM 4) EN 12999-A3
MANDOS (ECM 4) EN 12999-A3

122 **5.22.0868-1-0**

DISTRIBUTORE (6 ELEMENTI) RDC - ECM4
CONTROL VALVE (6 SECTION) RDC - ECM4
DISTRIBUTEUR (6 VOIES) RDC - ECM4
STUEBLOCK (6 ELEMENTE) RDC - ECM4
DISTRIBUIDOR (6 ELEMENTOS) RDC - ECM4

123 **5.41.1235-1-0**

CONTROLLO ROTAZIONE EN-12999-A3
ROTATION CONTROL EN-12999-A3
CONTRÔLE ROTATION EN-12999-A3
KONTROLLE ROTATION EN-12999-A3
CONTROL ROTACIÓN EN-12999-A3

124 **5.41.1235-1-1**

CONTROLLO ROTAZIONE EN-12999-A3
ROTATION CONTROL EN-12999-A3
CONTRÔLE ROTATION EN-12999-A3
KONTROLLE ROTATION EN-12999-A3
CONTROL ROTACIÓN EN-12999-A3

125 **5.41.1254-2-0**

CONTROLLO STABILITA' EN-12999-A3
STABILITY CONTROL EN-12999-A3
CONTRÔLE DE LA STABILITE' EN-12999-A3
STABILITÄTSKONTROLLE EN-12999-A3
CONTROL DE LA ESTABILIDAD EN-12999-A3

126 **5.41.1390-2-0**

CONTROLLO STABILITA' EN12999-A3
STABILITY CONTROL EN12999-A3
CONTRÔLE DE LA STABILITE' EN12999-A3
STABILITÄTSKONTROLLE EN12999-A3
CONTROL DE LA ESTABILIDAD EN12999-A3

127 5.41.1391-1-0

CONTROLLO ROTAZIONE EN-12999-A3
ROTATION CONTROL EN-12999-A3
CONTRÔLE ROTATION EN-12999-A3
KONTROLLE ROTATION EN-12999-A3
CONTROL ROTACION EN-12999-A3

128 5.40.1482-2-1

COMANDI (RDC EBB-X TCU-ECM4) EN12999-A3
CONTROLS (RDC EBB-X TCU-ECM4) EN12999-A3
COMMANDES (RDC EBB-X TCU-ECM4) EN12999-A3
STEUERUGEN (RDC EBB-X TCU-ECM4) EN12999-A3
MANDOS (RDC EBB-X TCU-ECM4) EN12999-A3

129 5.43.1028-2-0

COMANDI (RDC EBB-X TCU-ECM4) EN12999-A3
CONTROLS (RDC EBB-X TCU-ECM4) EN12999-A3
COMMANDES (RDC EBB-X TCU-ECM4) EN12999-A3
STEUERUGEN (RDC EBB-X TCU-ECM4) EN12999-A3
MANDOS (RDC EBB-X TCU-ECM4) EN12999-A3

130 5.40.1496-3-0

COMANDI (RDC EBB-X TCU-ECM4) EN12999-A3
CONTROLS (RDC EBB-X TCU-ECM4) EN12999-A3
COMMANDES (RDC EBB-X TCU-ECM4) EN12999-A3
STEUERUGEN (RDC EBB-X TCU-ECM4) EN12999-A3
MANDOS (RDC EBB-X TCU-ECM4) EN12999-A3

131 5.40.1496-4-0

COMANDI (RDC EBB-X TCU-ECM4) EN12999-A3
CONTROLS (RDC EBB-X TCU-ECM4) EN12999-A3
COMMANDES (RDC EBB-X TCU-ECM4) EN12999-A3
STEUERUGEN (RDC EBB-X TCU-ECM4) EN12999-A3
MANDOS (RDC EBB-X TCU-ECM4) EN12999-A3

132 5.40.1496-5-0

COMANDI (RDC EBB-X TCU-ECM4) EN12999-A3
CONTROLS (RDC EBB-X TCU-ECM4) EN12999-A3
COMMANDES (RDC EBB-X TCU-ECM4) EN12999-A3
STEUERUGEN (RDC EBB-X TCU-ECM4) EN12999-A3
MANDOS (RDC EBB-X TCU-ECM4) EN12999-A3

133 5.40.1496-6-0

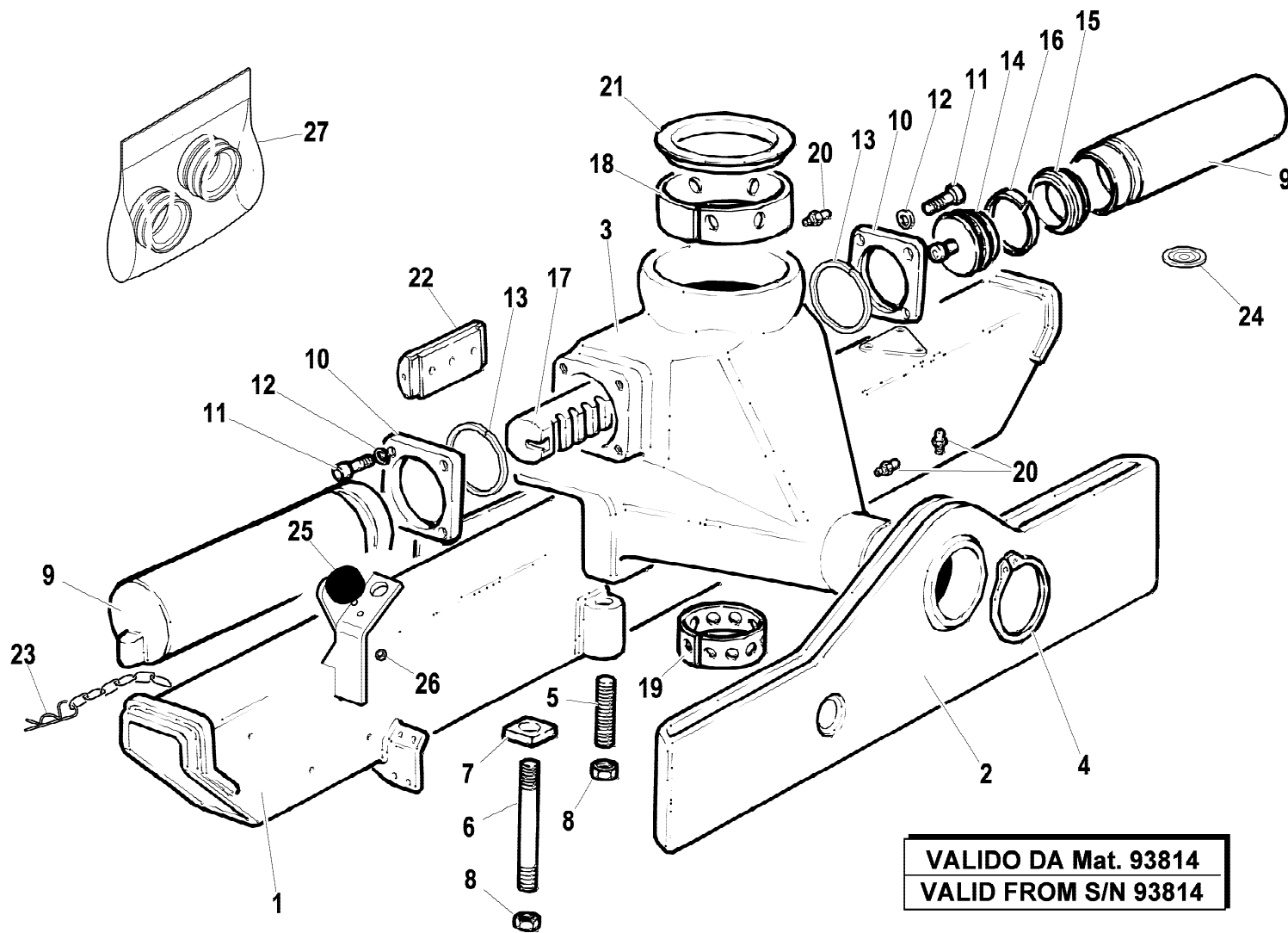
COMANDI (RDC EBB-X TCU-ECM4) EN12999-A3
CONTROLS (RDC EBB-X TCU-ECM4) EN12999-A3
COMMANDES (RDC EBB-X TCU-ECM4) EN12999-A3
STEUERUGEN (RDC EBB-X TCU-ECM4) EN12999-A3
MANDOS (RDC EBB-X TCU-ECM4) EN12999-A3

134 5.40.1496-7-0

COMANDI (RDC EBB-X TCU-ECM4) EN12999-A3
CONTROLS (RDC EBB-X TCU-ECM4) EN12999-A3
COMMANDES (RDC EBB-X TCU-ECM4) EN12999-A3
STEUERUGEN (RDC EBB-X TCU-ECM4) EN12999-A3
MANDOS (RDC EBB-X TCU-ECM4) EN12999-A3

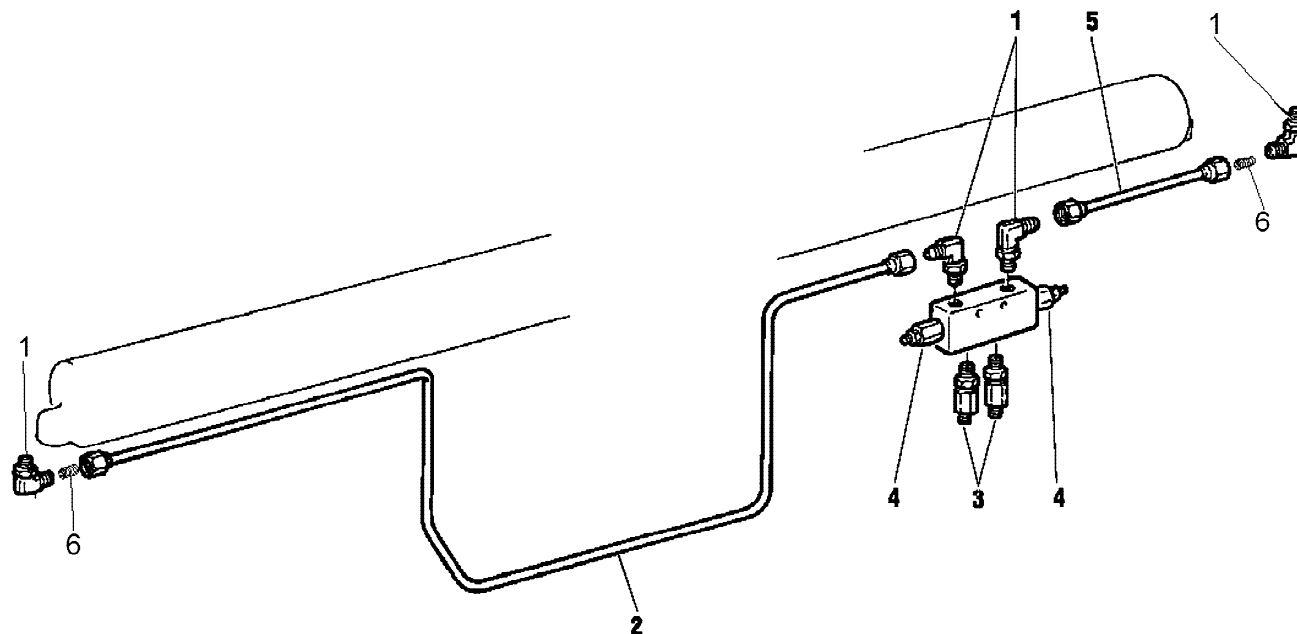
135 7.89.2199-1-0

KIT RADIOCOMANDO (CAN BUS) EU. EN12999-A3
WIRELESS CONTROL KIT (CAN BUS) EU. EN12999-A3
KIT RADIOTELECOMMANDE (CAN BUS) EU. EN12999-A3
FUNKSTEUERUNG-SATZ (CAN BUS) EU. EN12999-A3
KIT RADIOMANDO (CAN BUS) EU. EN12999-A3



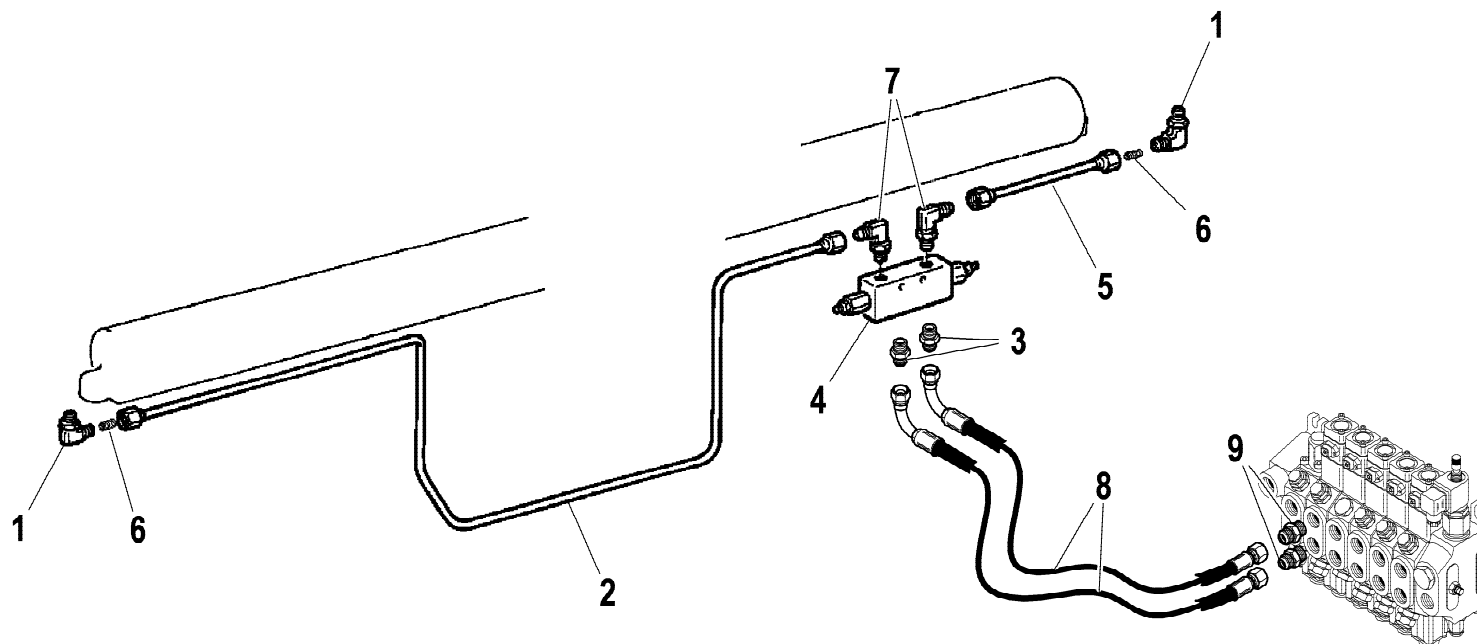
rif.	codice	Q.tà
1	W.56.01.025.00	1
2	W.56.01.001.00	1
3	W.56.01.026.00	1
4	3.07.0078	1
5	W.738.024	2
6	W.738.032	4
7	W.56.01.023.00	2
8	3.04.0320	6
9	W.44.01.026.00	2
10	W.44.01.025.00	2
11	3.02.0131	8
12	3.06.0173	8
13	3.07.0158	2
14	W.34.01.012.00	2
15	W.358.504	2
16	W.305.002	2
17	W.44.01.006.00	1
18	W.102.190	1
19	5.14.1044	1
20	3.08.0016	3
21	W.44.01.009.00	1
22	W.44.01.501.00	1
23	3.06.0924	1
24	3.18.0116	1
25	3.19.0100	1
26	3.04.0305	1
27	W.365.141	1

rif.	codice	Q.tà
1	W.470.424	4
2	W.44.01.015.00	1
3	3.10.1043	2
4	W.470.062	1
5	W.44.01.016.00	1
6	W.470.425	2



VALIDO DA mat. 93814
VALID FROM serial number 93814

rif.	codice	Q.tà
1	W.470.424	2
2	W.44.01.015.00	1
3	3.10.1043	2
4	W.470.062	1
5	W.44.01.016.00	1
6	W.470.425	2
7	3.10.1127	2
8	W.456.133	2
9	3.10.1044	2



1/1

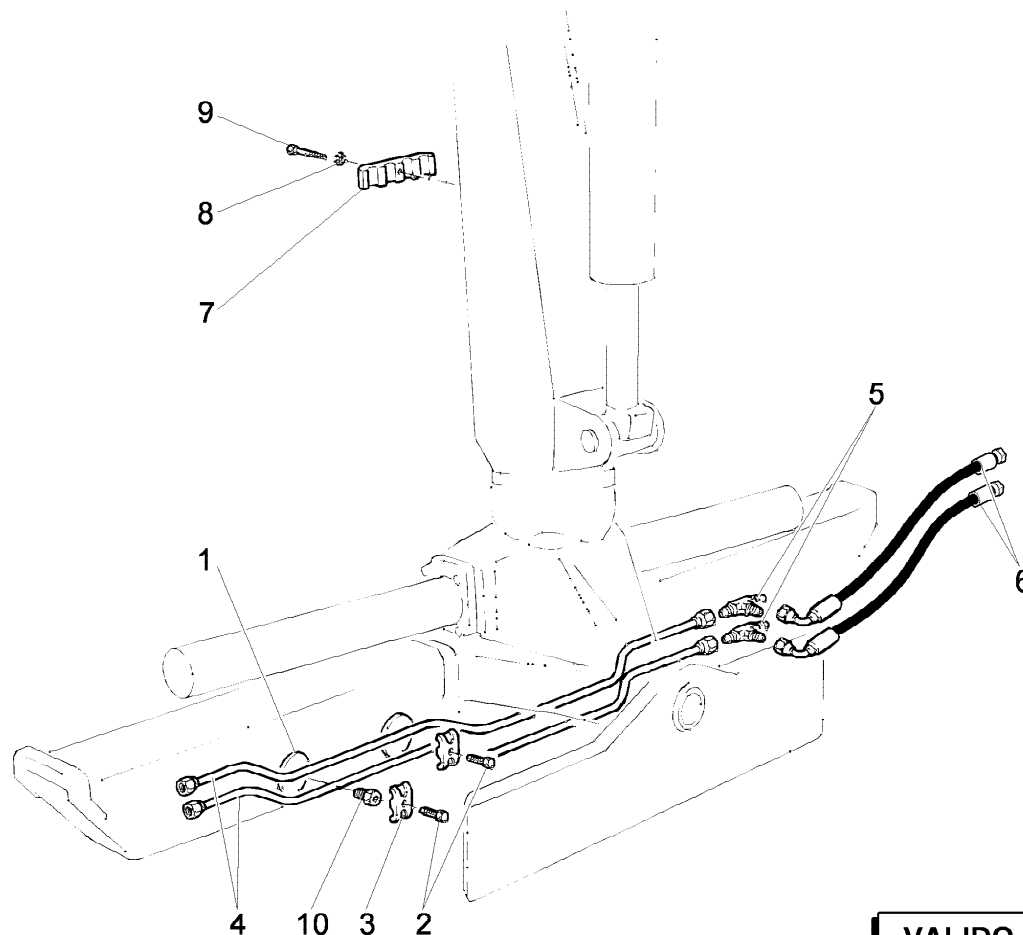
HYVA® CRANE
HC151

IMPIANTO IDRAULICO (MARTINETTO ROTAZIONE) EN 12999-A3
 HYDRAULIC SYSTEM (SLEWING HYDRAULIC JACK) EN 12999-A3
 INSTALLATION HYDRAULIQUE (VERIN ROTATION) EN 12999-A3
 HYDRAULIKANLAGE (DREH SCHUBZYLINDER) EN 12999-A3
 INSTALACION HIDRAULICA (GATO ROTACION) EN 12999-A3

Tavola
W.044.503-2-0

Data pag.
 aprile 2011 3

rif.	codice	Q.tà
1	W.34.05.014.00	3
2	3.01.0339	2
3	5.00.0077	2
4	W.44.01.019.00	2
5	3.12.0004	2
6	W.456.133	2
7	W.128.030	1
8	3.06.0918	1
9	3.01.0030	1
10	W.34.05.013.00	2



VALIDO DA Mat. 93814
VALID FROM S/N 93814

1/1

HYVA[®] CRANE

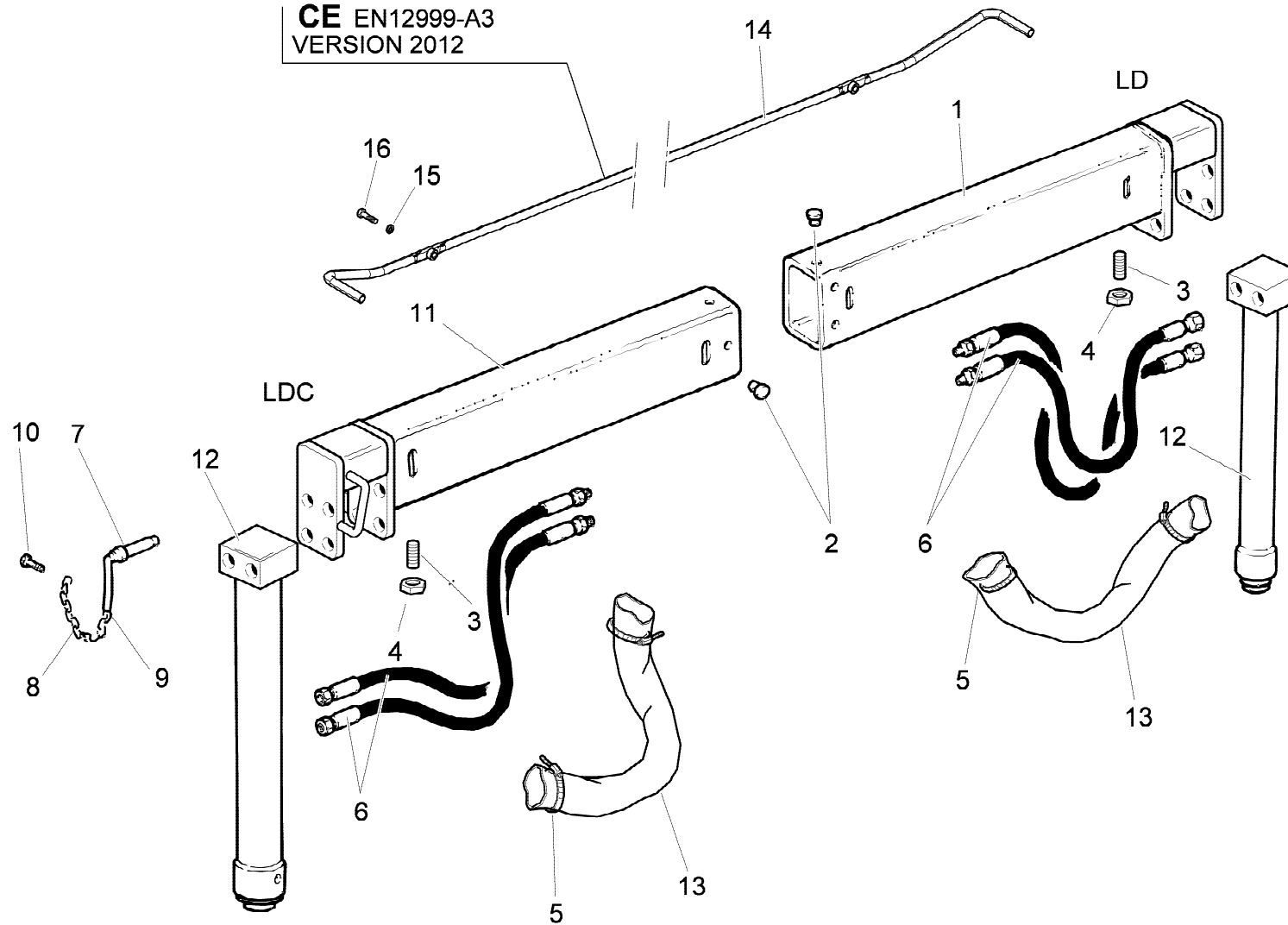
HC151

IMPIANTO IDRAULICO (STABILIZZATORI)
 HYDRAULIC SYSTEM (STABILIZERS)
 INSTALLATION HYDRAULIQUE (STABILISATEURS)
 HYDRAULIKANLAGE (STABILISATOREN)
 INSTALACION HIDRAULICA (ESTABILIZADORES)

Tavola
5.76.0142-2-0

Data pag.
 maggio 2011 4

CE EN12999-A3
VERSION 2012



rif.	codice	Q.tà
1	5.07.0451	1
2	W.37.04.007.00	8
3	W.56.04.020.00	2
4	3.04.0251	2
5	3.19.0012	4
6	W.456.767	4
7	W.101.300	4
8	W.27.04.011.03	4
9	3.06.0929	4
10	3.01.0323	4
11	5.07.0452	1
12	W.56.04.502.00	2
13	3.19.0198	2,8m
14	5.00.2216	1
15	3.06.0056	2
16	3.01.0355	2

1/1

HYVA® CRANE

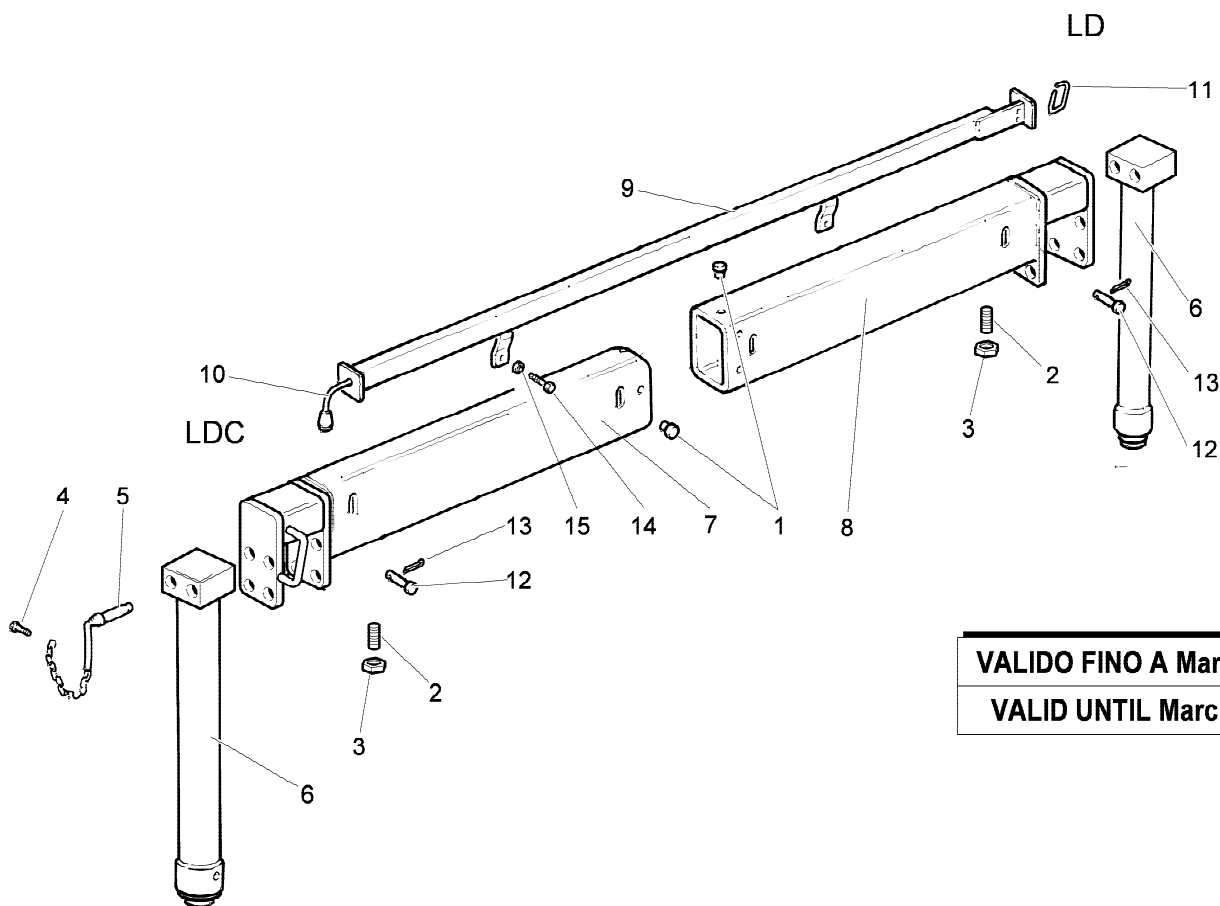
HC151

ASTE STABILIZZATRICI
STABILIZER ROD
TIGES DE STABILISATION
STÜTZSTANGEN
BARRAS ESTABILIZADORAS

Tavola
5.76.0142-1-1

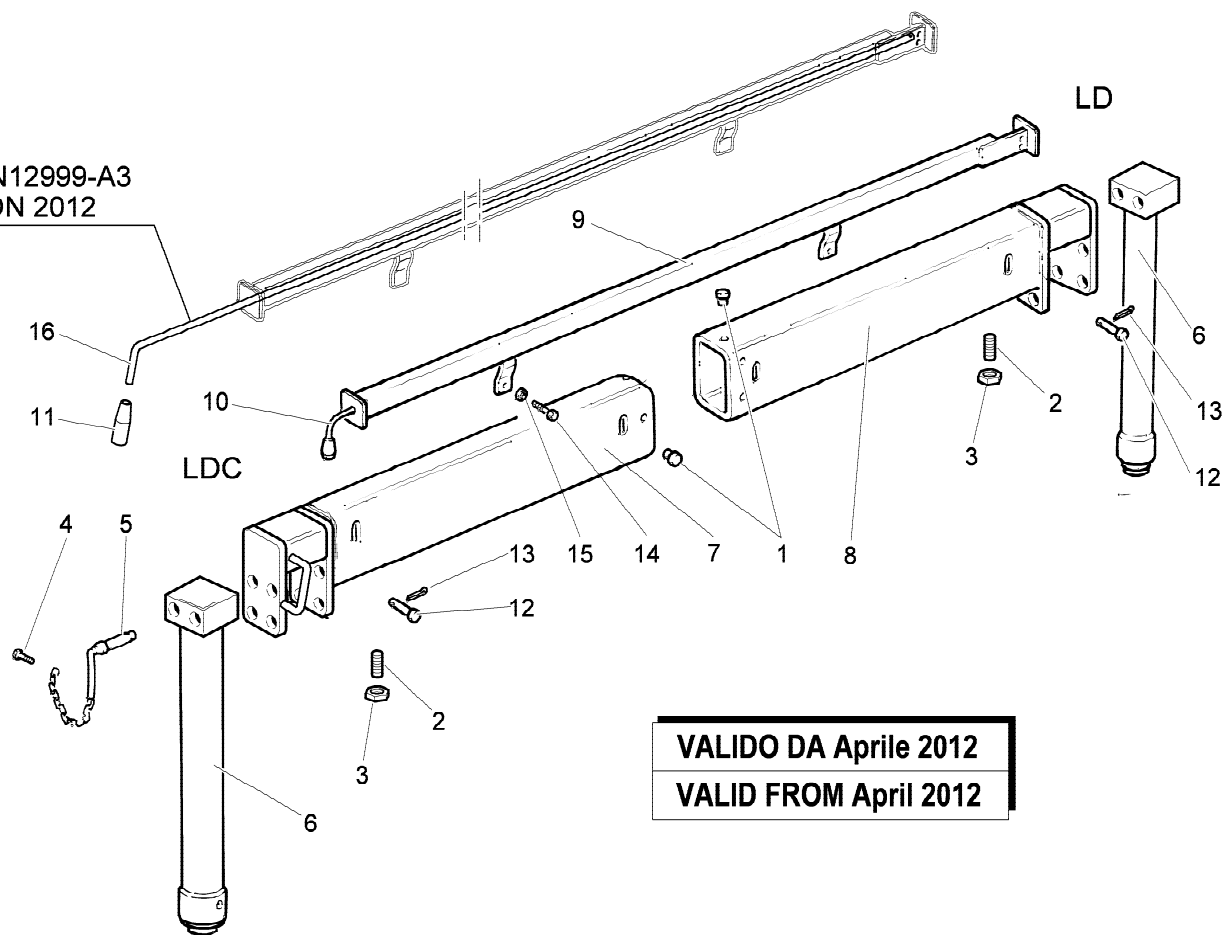
Data pag.
maggio 2011 5

rif.	codice	Q.tà
1	W.37.04.007.00	8
2	W.56.04.020.00	2
3	3.04.0251	2
4	3.01.0323	4
5	W.101.300	4
6	W.56.04.502.00	2
7	W.56.04.008.00	1
8	W.56.04.007.00	1
9	W.44.04.030.00	1
10	W.44.04.032.00	1
11	W.44.04.031.00	1
12	W.101.020	2
13	3.06.0908	2
14	3.01.0354	2
15	3.06.0056	2



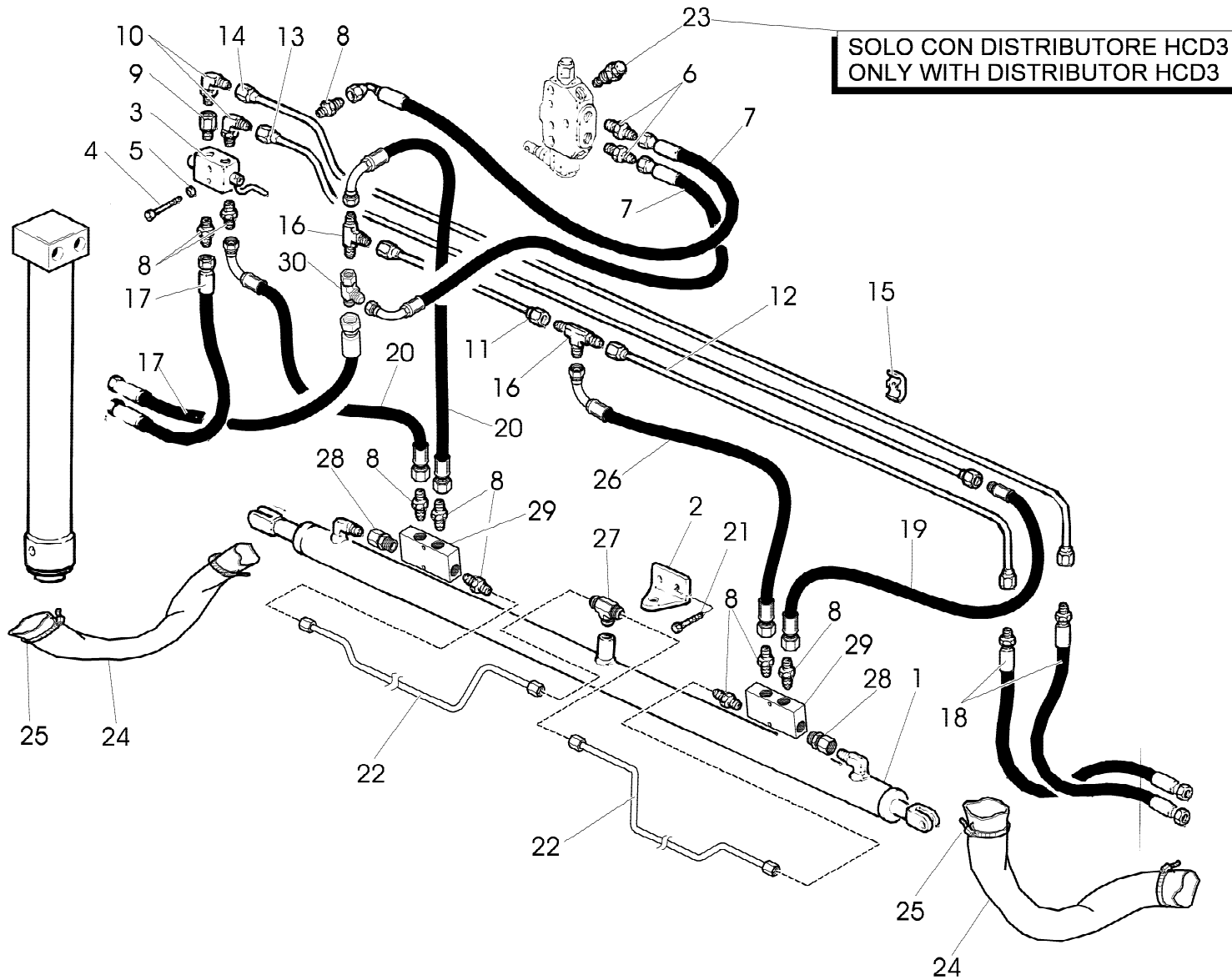
VALIDO FINO A Marzo 2012
VALID UNTIL March 2012

CE EN12999-A3
VERSION 2012



rif.	codice	Q.tà
1	W.37.04.007.00	8
2	W.56.04.020.00	2
3	3.04.0251	2
4	3.01.0323	4
5	W.101.300	4
6	W.56.04.502.00	2
7	W.56.04.008.00	1
8	W.56.04.007.00	1
9	W.44.04.030.00	1
10	W.44.04.032.00	1
11	W.664.003	1
12	W.101.020	2
13	3.06.0908	2
14	3.01.0354	2
15	3.06.0056	2
16	5.00.2234	1

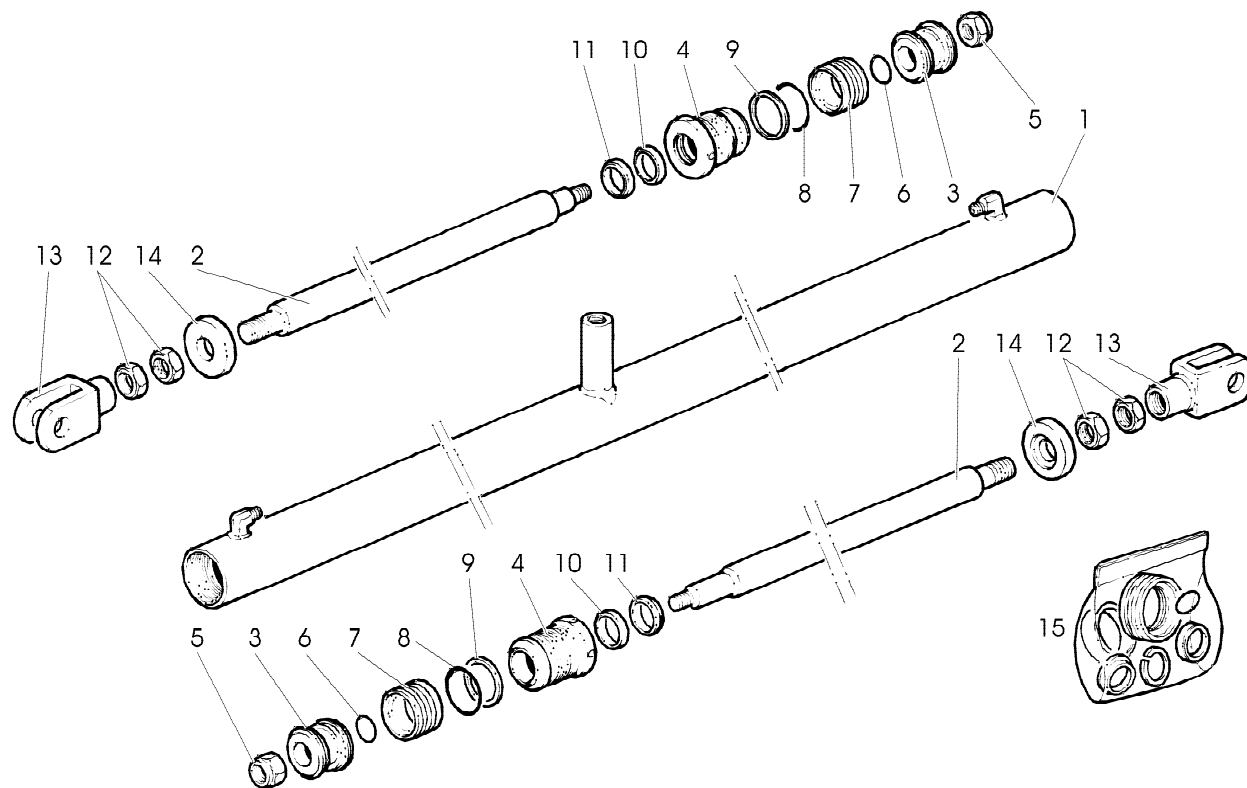
VALIDO DA Aprile 2012
VALID FROM April 2012



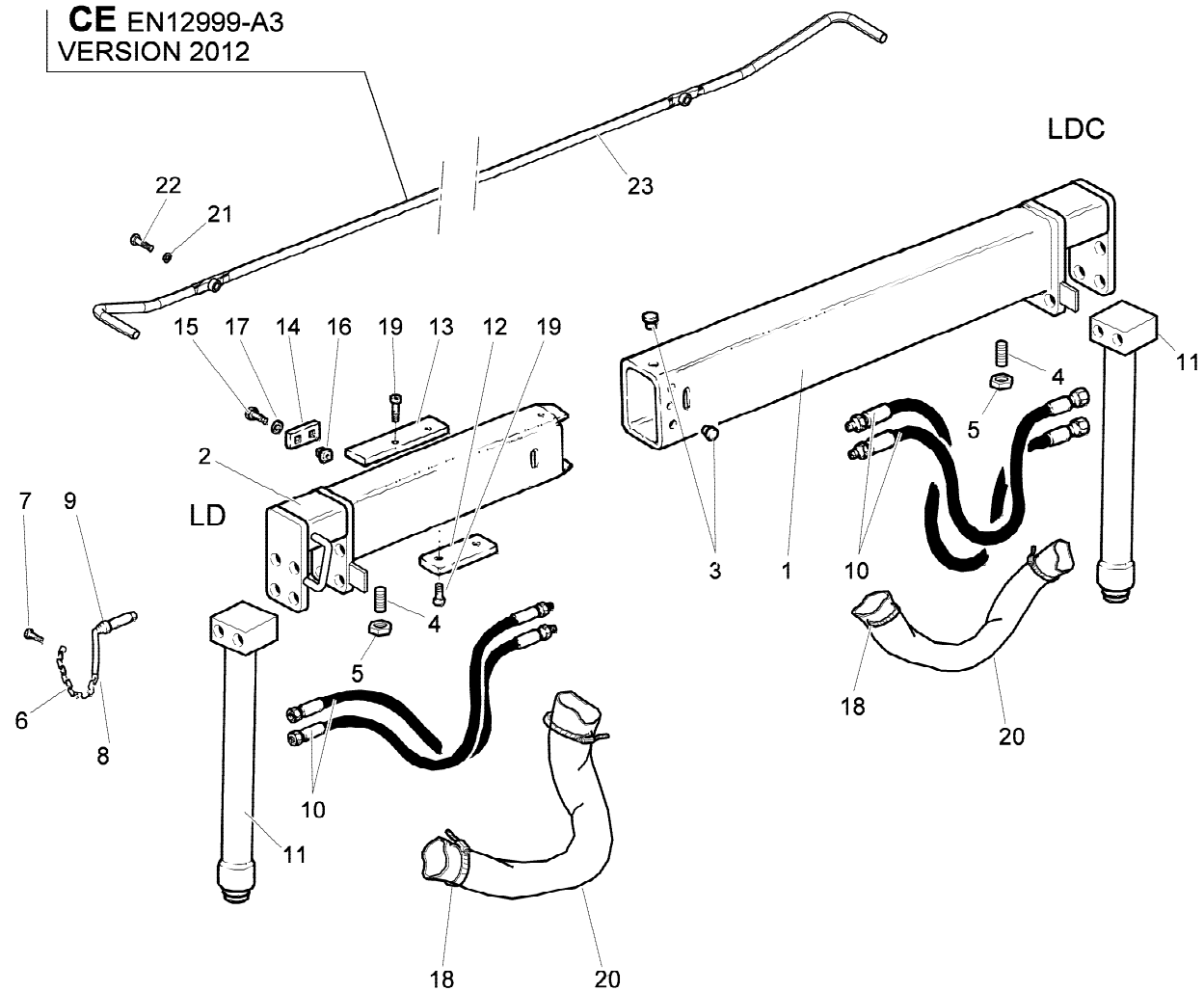
rif.	codice	Q.tà
1	W.56.04.503.00	1
2	W.44.04.025.00	1
3	5.22.0256	1
4	3.01.0353	2
5	3.06.0056	6
6	3.10.1041	2
7	W.456.086	2
8	3.10.1039	9
9	3.11.0266	1
10	3.10.1124	2
11	W.44.04.026.00	1
12	W.44.04.027.00	1
13	W.44.04.028.00	1
14	W.44.04.029.00	1
15	5.00.0077	4
16	3.10.1080	2
17	W.456.006	2
18	W.456.889	2
19	5.26.1117	1
20	5.26.1116	2
21	3.01.0355	4
22	W.56.04.026.00	2
23	W.HC0.635	1
24	3.19.0198	2,6m
25	3.19.0012	4
26	W.456.052	1
27	3.12.0302	1
28	3.12.0064	2
29	W.470.076	2
30	3.12.0003	1

1/1

rif.	codice	Q.tà
1	W.56.04.014.00	1
2	W.56.04.015.00	2
3	W.105.058	2
4	W.120.061	2
5	3.04.0306	2
6	W.360.070	2
7	W.359.035	2
8	W360.010	2
9	W.304.004	2
10	W.358.022	2
11	W.361.011	2
12	3.04.0214	4
13	W.44.04.021.00	2
14	W.44.04.020.00	2
15	W.365.064	2



**CE EN12999-A3
VERSION 2012**



rif.	codice	Q.tà
1	W.56.04.003.00	1
2	W.56.04.002.00	1
3	W.37.04.007.00	4
4	W.56.04.020.00	2
5	3.04.0251	2
6	W.27.04.011.03	4
7	3.01.0323	4
8	3.06.0929	4
9	W.101.300	4
10	W.456.788	4
11	W.56.04.502.00	2
12	W.56.04.005.00	1
13	W.56.04.004.00	1
14	W.44.03.031.00	4
15	3.01.0336	8
16	W.37.03.008.00	8
17	3.06.0006	8
18	3.19.0012	4
19	3.01.0353	4
20	3.19.0198	3,8m
21	3.06.0056	2
22	3.01.0355	2
23	5.00.2216	1

1/1

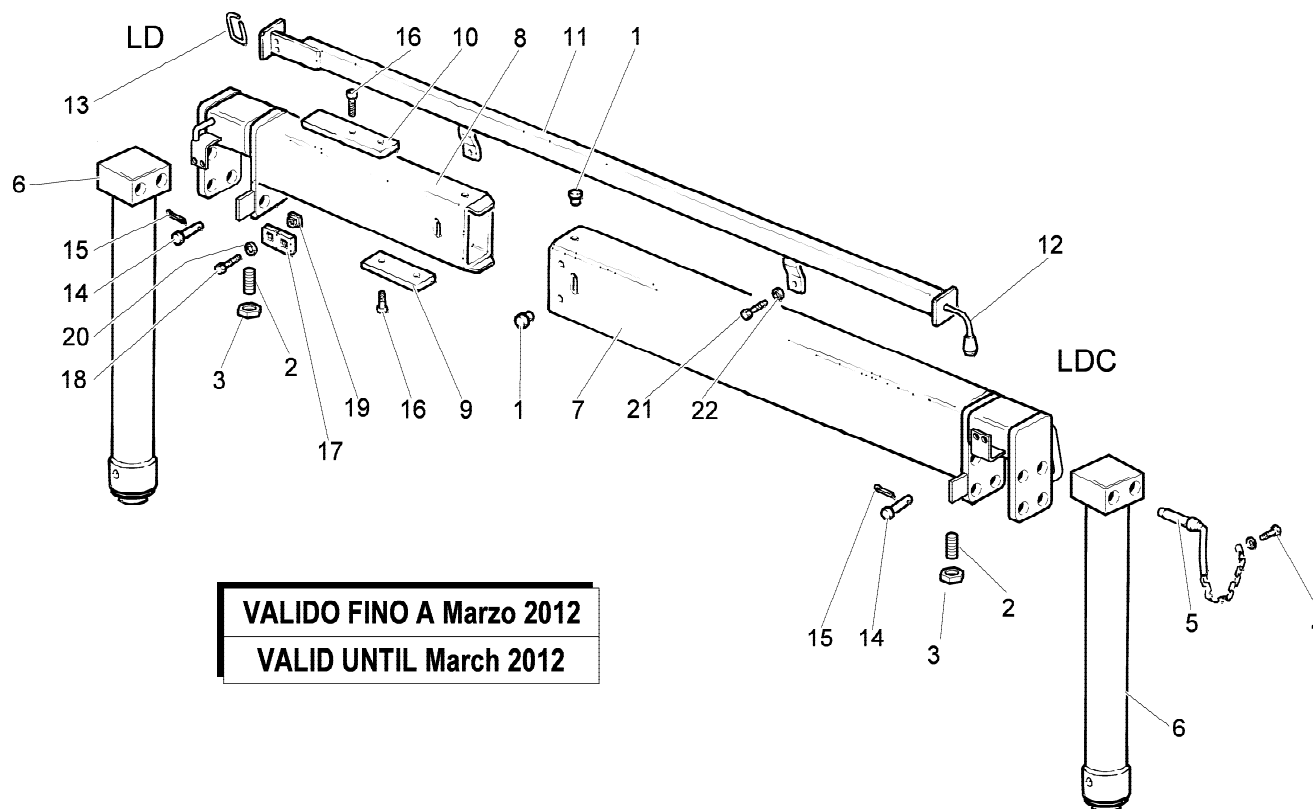
HYVA[®] CRANE
HC151

ASTE STABILIZZATRICI EXTRA ESTENDIBILI
STABILIZER CONNECTING RODS EXTRA-EXTENSIBLE
EXTENSION DES STABILISATEURS EXTRA-EXTENSIBLE
STÜTZSTANGEN EXTRA-AUSDEHNBARE
VARILLAS ESTABILIZADORES EXTRA-EXTENSIBLE

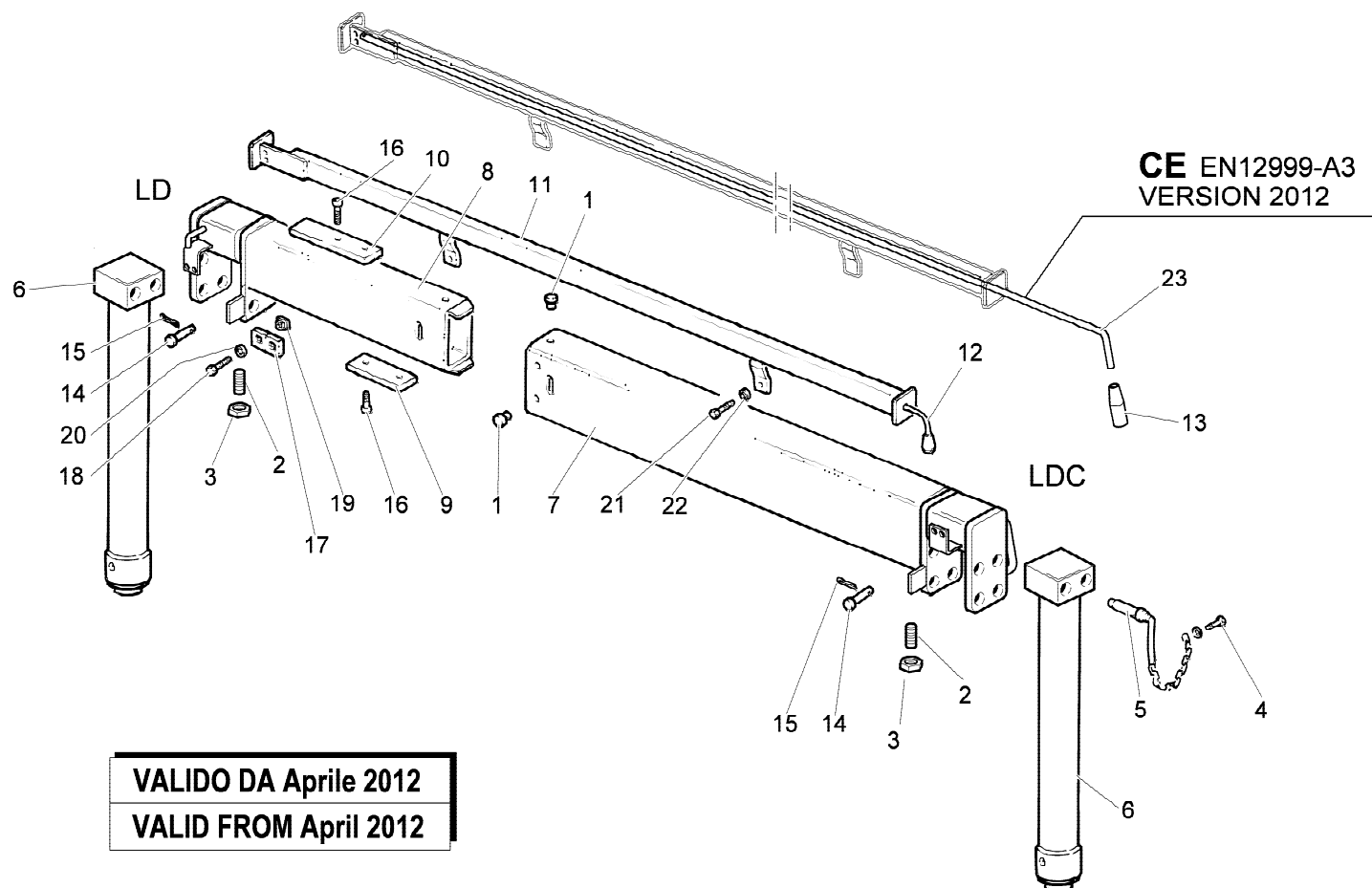
Tavola
5.76.0143-1-0

Data pag.
dicembre 2006 10

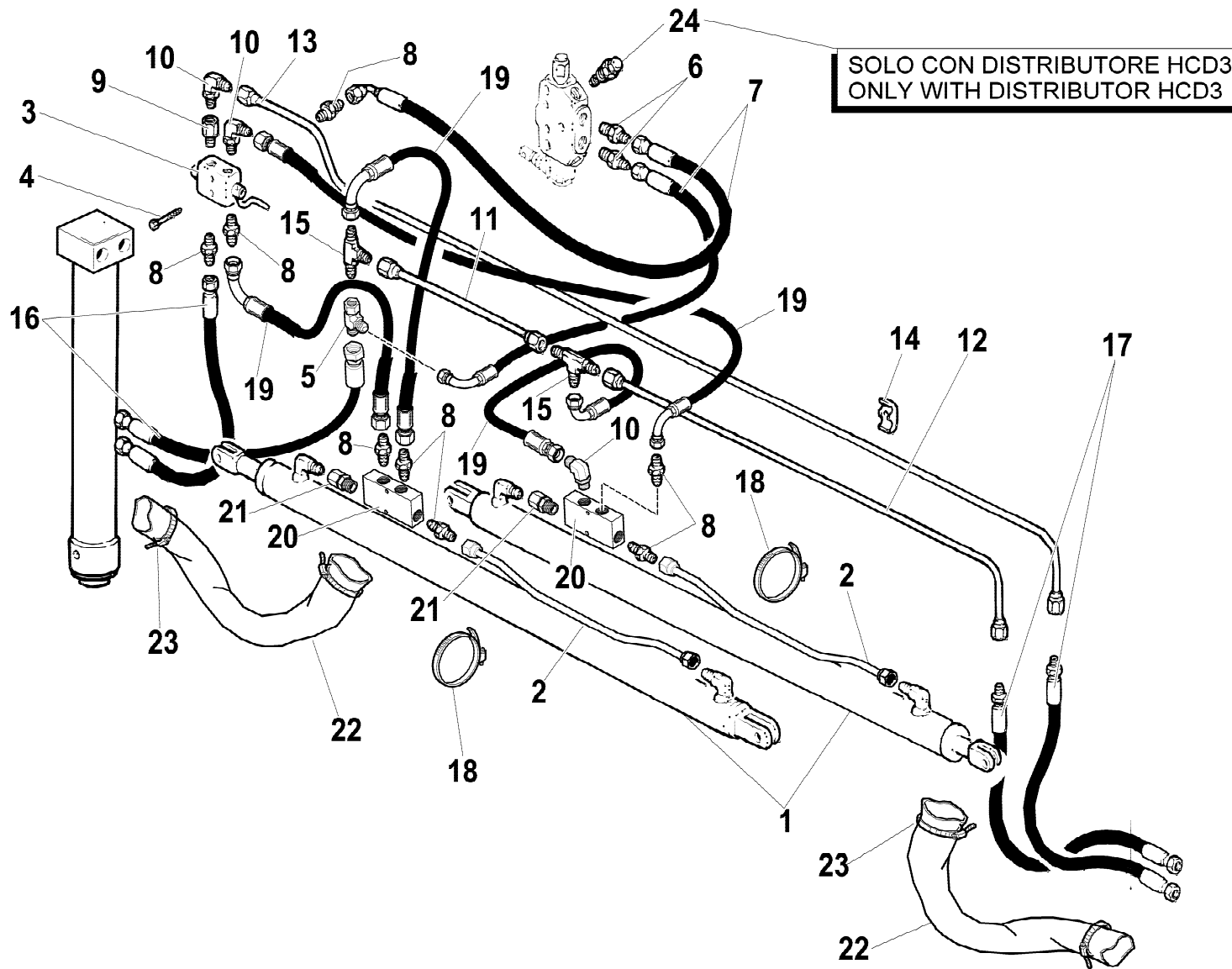
rif.	codice	Q.tà
1	W.37.04.007.00	4
2	W.56.04.020.00	2
3	3.04.0251	2
4	3.01.0323	4
5	W.101.300	4
6	W.56.04.502.00	2
7	W.56.04.010.00	1
8	W.56.04.009.00	1
9	W.56.04.005.00	1
10	W.56.04.004.00	1
11	W.44.04.030.00	1
12	W.44.04.032.00	1
13	W.44.04.031.00	1
14	W.101.020	4
15	3.06.0908	4
16	3.01.0353	2
17	W.44.03.031.00	4
18	3.01.0336	8
19	W.37.03.008.00	8
20	3.06.0006	8
21	3.01.0354	2
22	3.06.0056	2



rif.	codice	Q.tà
1	W.37.04.007.00	4
2	W.56.04.020.00	2
3	3.04.0251	2
4	3.01.0323	4
5	W.101.300	4
6	W.56.04.502.00	2
7	W.56.04.010.00	1
8	W.56.04.009.00	1
9	W.56.04.005.00	1
10	W.56.04.004.00	1
11	W.44.04.030.00	1
12	W.44.04.032.00	1
13	W.664.003	1
14	W.101.020	4
15	3.06.0908	4
16	3.01.0353	2
17	W.44.03.031.00	4
18	3.01.0336	8
19	W.37.03.008.00	8
20	3.06.0006	8
21	3.01.0354	2
22	3.06.0056	2
23	5.00.2234	1



VALIDO DA Aprile 2012
VALID FROM April 2012



SOLO CON DISTRIBUTORE HCD3
ONLY WITH DISTRIBUTOR HCD3

rif.	codice	Q.tà
1	W.56.04.504.00	2
2	W.56.04.025.00	2
3	5.22.0256	1
4	3.01.0353	2
5	3.12.0003	1
6	3.10.1041	2
7	W.456.086	2
8	3.10.1039	8
9	3.11.0266	1
10	3.10.1124	3
11	W.44.04.026.00	1
12	W.44.04.027.00	1
13	W.44.04.029.00	1
14	5.00.0077	4
15	3.10.1080	2
16	W.456.020	2
17	W.456.890	2
18	3.19.0025	4
19	5.26.1116	4
20	W.470.076	2
21	3.12.0064	2
22	3.19.0198	2,7m
23	3.19.0012	4
24	W.HC0.635	1

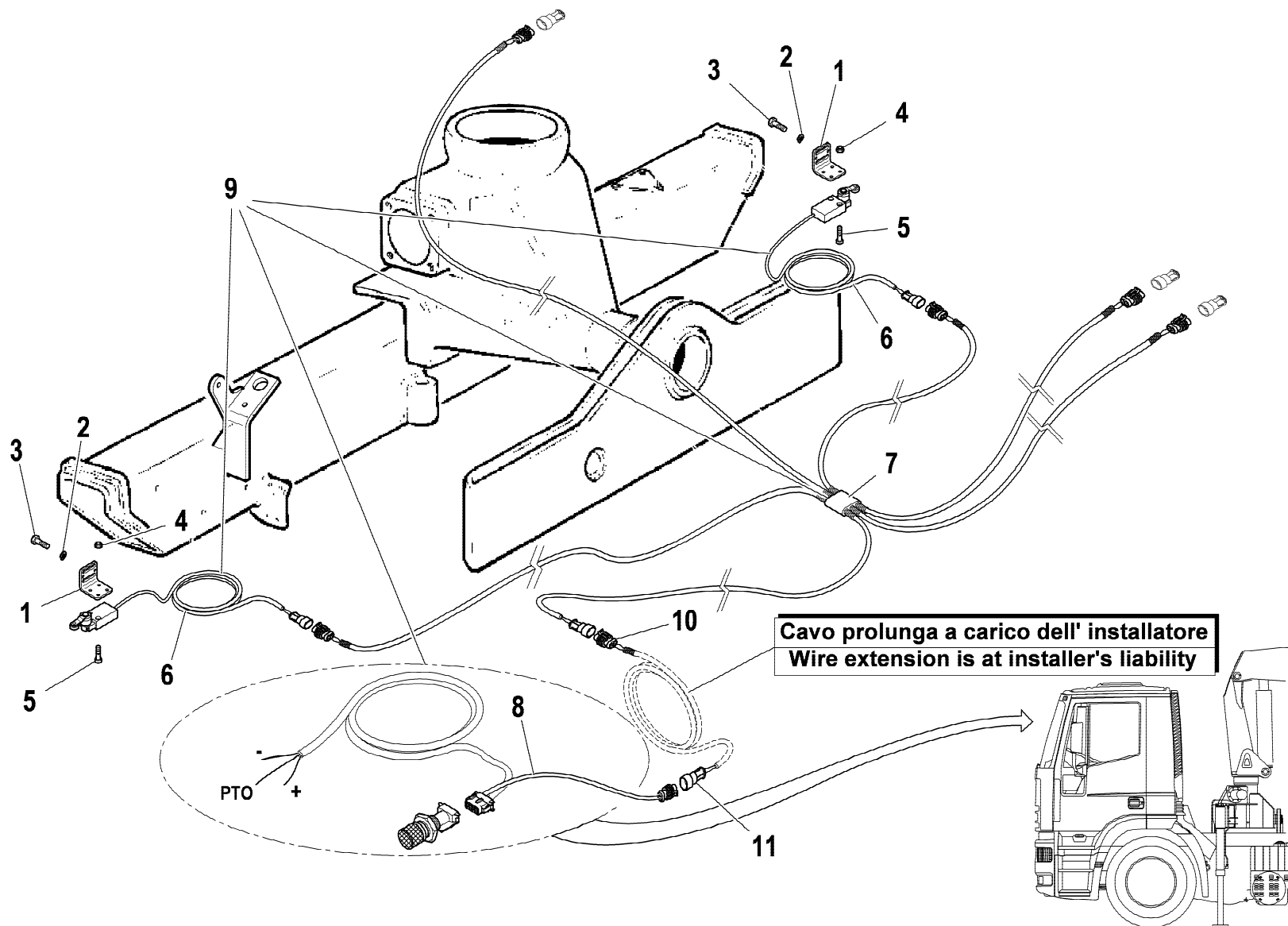


HC151

IMPIANTO IDRAULICO (ASTE STABILIZZATRICI EXTRA ESTENDIBILI)
 HYDRAULIC SYSTEM (STABILIZER CONNECTING RODS EXTRA-EXTENSIBLE)
 INSTALLATION HYDRAULIQUE (EXTENSION DES STABILISATEURS EXTRA-EXTENSIBLE)
 HYDRAULIKANLAGE (STÜTZSTANGEN EXTRA-AUSDEHNBARE)
 INSTALACION HIDRAULICA (VARILLAS ESTABILIZADORES EXTRA-EXTENSIBLE)

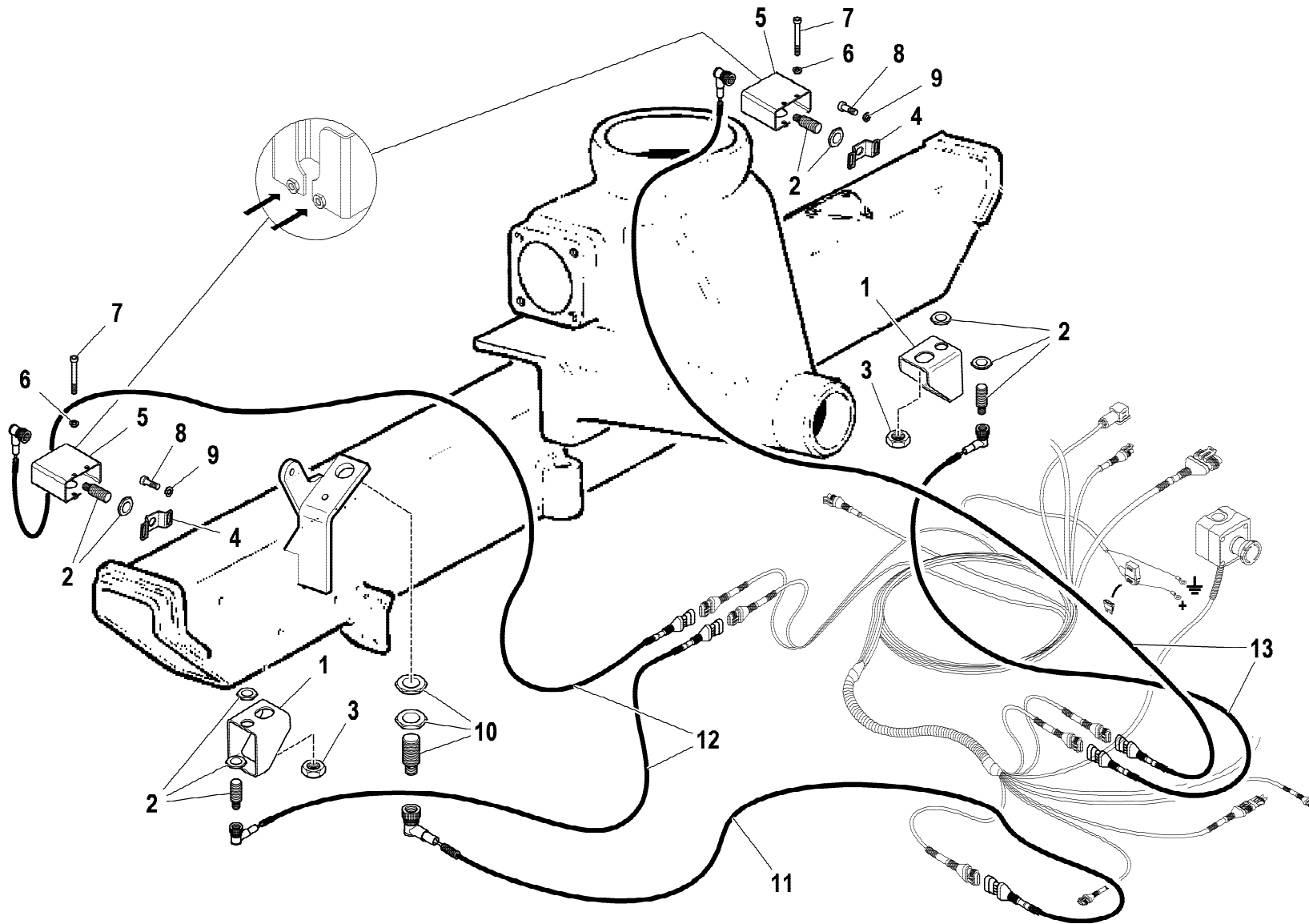
Tavola
5.76.0140-1-0

rif.	codice	Q.tà
1	5.00.1951	2
2	3.06.0053	4
3	3.01.0323	4
4	3.04.0041	4
5	3.02.0885	4
6	3.31.1356	2
7	3.31.1353	1
8	3.31.1354	1
9	3.31.1352	1
10	3.31.0431	1
11	3.31.0432	1



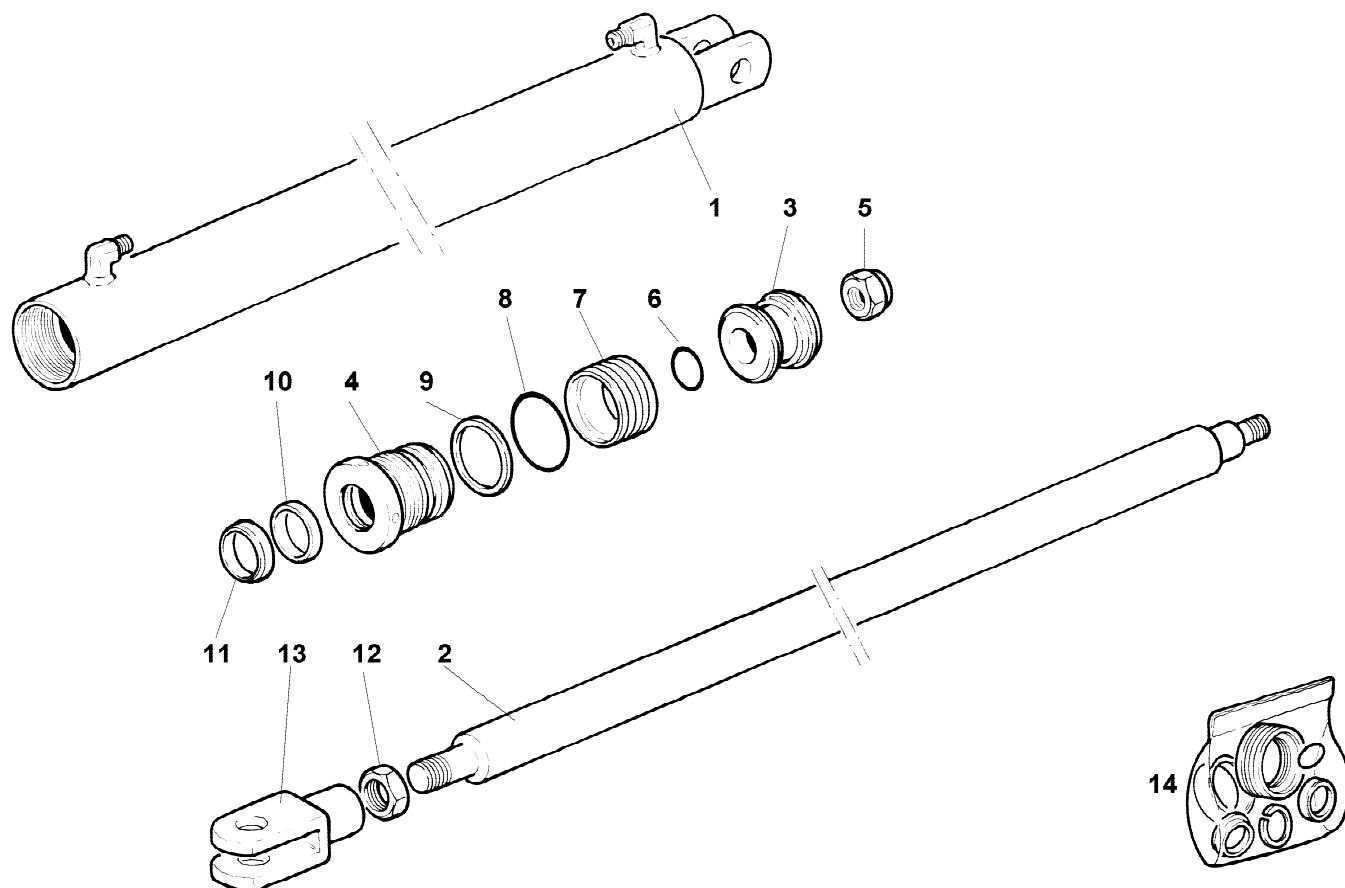
Cavo prolunga a carico dell' installatore
Wire extension is at installer's liability

PTO +
-



rif.	codice	Q.tà
1	5.00.0422	2
2	3.31.1311	4
3	3.04.0251	2
4	5.00.0420	2
5	5.09.1310	2
6	3.06.0053	4
7	3.02.0045	4
8	3.02.0902	4
9	3.06.0055	4
10	3.31.1312	1
11	3.31.1372	1
12	3.31.1377	2
13	3.311332	2

rif.	codice	Q.tà
1	W.56.04.013.00	1
2	W.56.04.012.00	1
3	W.105.058	1
4	W.120.061	1
5	3.04.0306	1
6	W.360.070	1.
7	W.359.035	1
8	W.360.010	1
9	W.304.004	1
10	W.358.022	1
11	W.361.011	1
12	3.04.0214	1
13	W.591.003	1
14	W.365.064	1



1/1

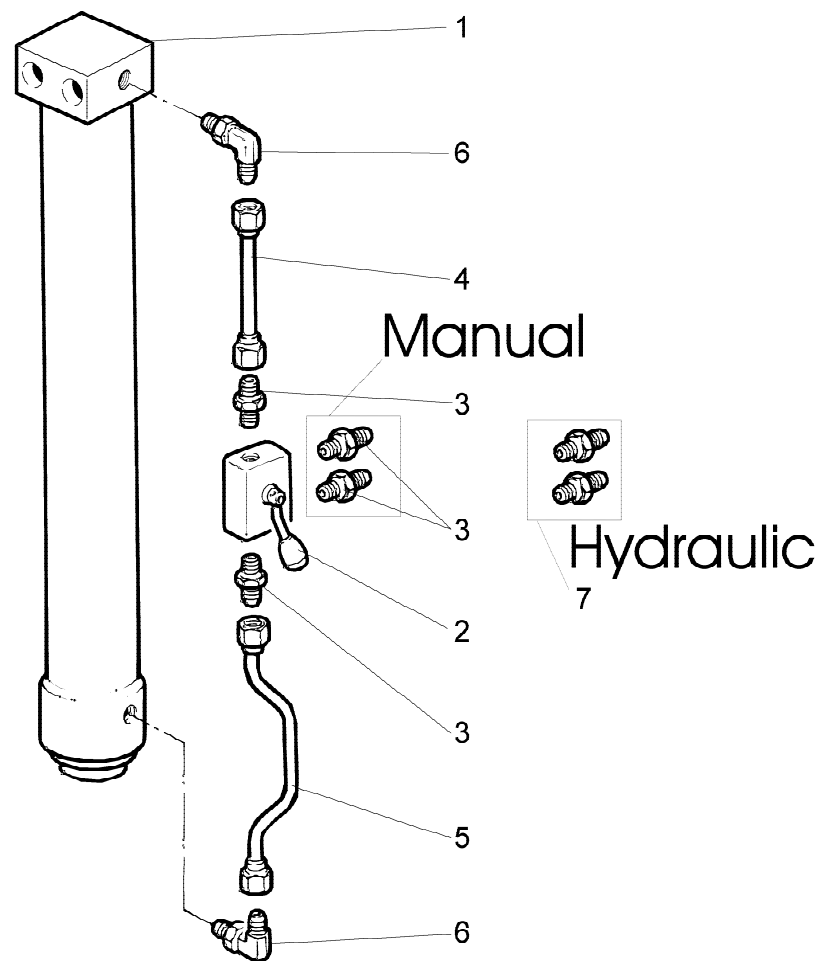
HYVA[®] CRANE
HC151

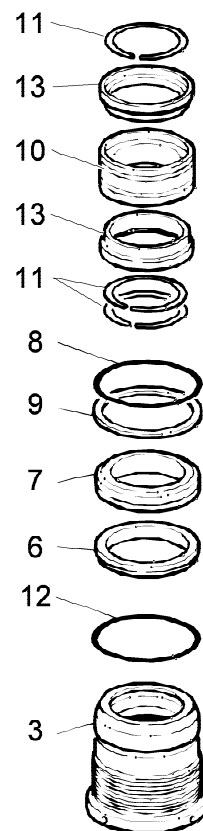
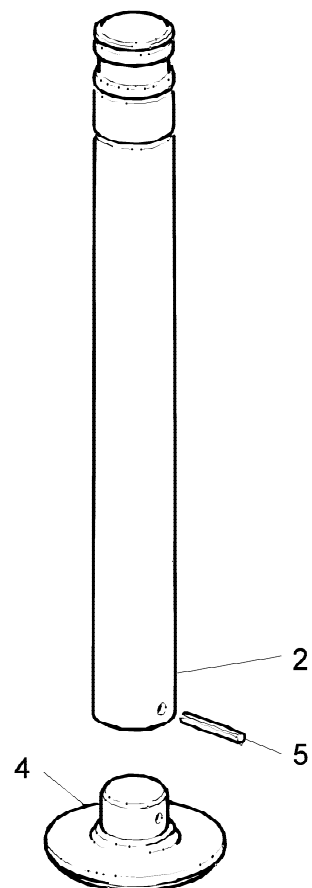
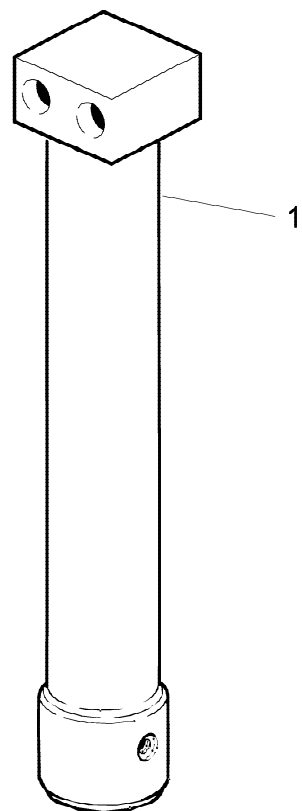
MARTINETTO SFILLO ASTE EXTRA ESTENDIBILI
 ROD EXTENSION HYDRAULIC CYLINDER EXTRA-EXTENSIBLE
 VERIN RALLONGE TIGE SEXTRA-EXTENSIBLE
 STANGENVERLAENGERUNGSWINDE EXTRA-AUSDEHNBARE
 GATO DE PROLONGACIO VASTAGOS EXTRA-EXTENSIBLE

Tavola
W.56.04.504.00-1-0

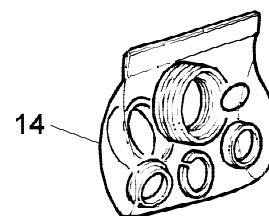
Data pag.
 febbraio 2007 16

rif.	codice	Q.tà
1	W.56.04.501.00	1
2	5.22.0047	1
3	3.10.1043	4
4	W.44.04.011.00	1
5	W.44.04.012.00	1
6	3.10.1127	2
7	3.10.1040	2

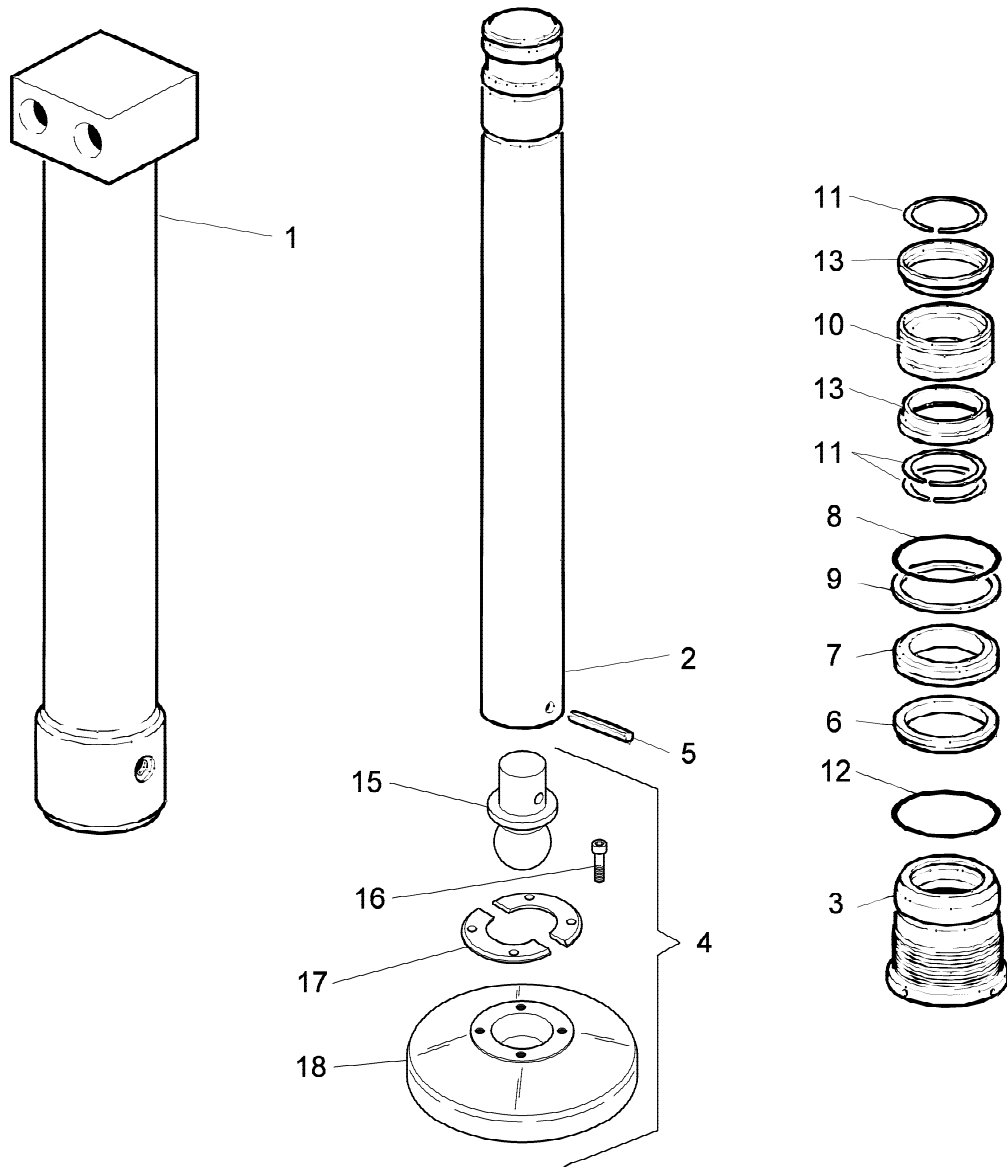




VALIDO FINO a Gennaio 2010
VALID UNTIL January 2010

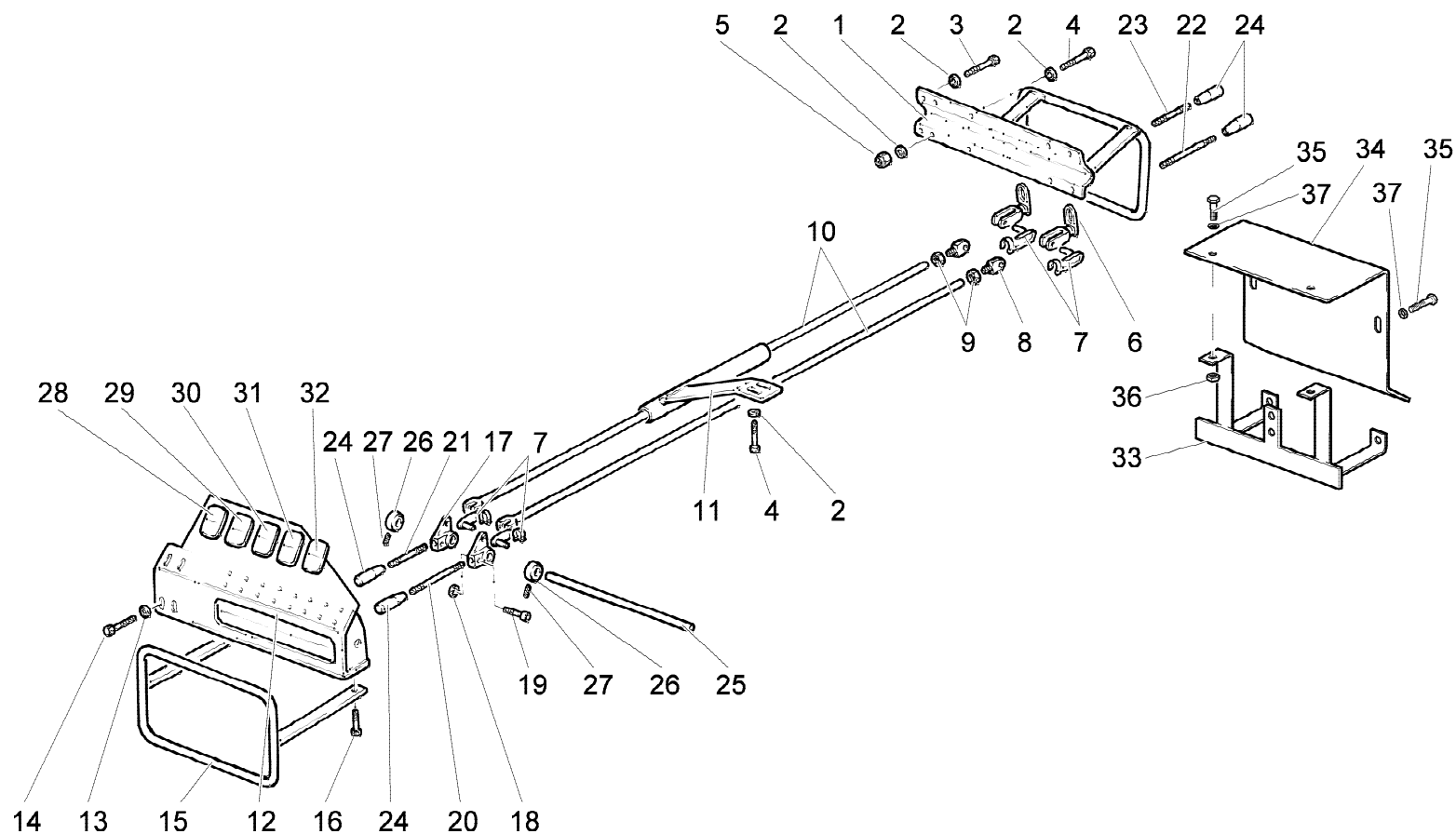


rif.	codice	Q.tà
1	W.56.04.006.00	1
2	W.44.04.004.00	1
3	W.120.076	1
4	W.27.04.006.00	1
5	W.726.009	1
6	W.361.020	1
7	W.358.029	1
8	W.360.014	1
9	W.304.010	1
10	W.359.020	1
11	W.509.307	3
12	W.360.053	1
13	W.44.04.005.00	2
14	W.365.082	1



VALIDO da Febbraio 2010
VALID FROM February 2010

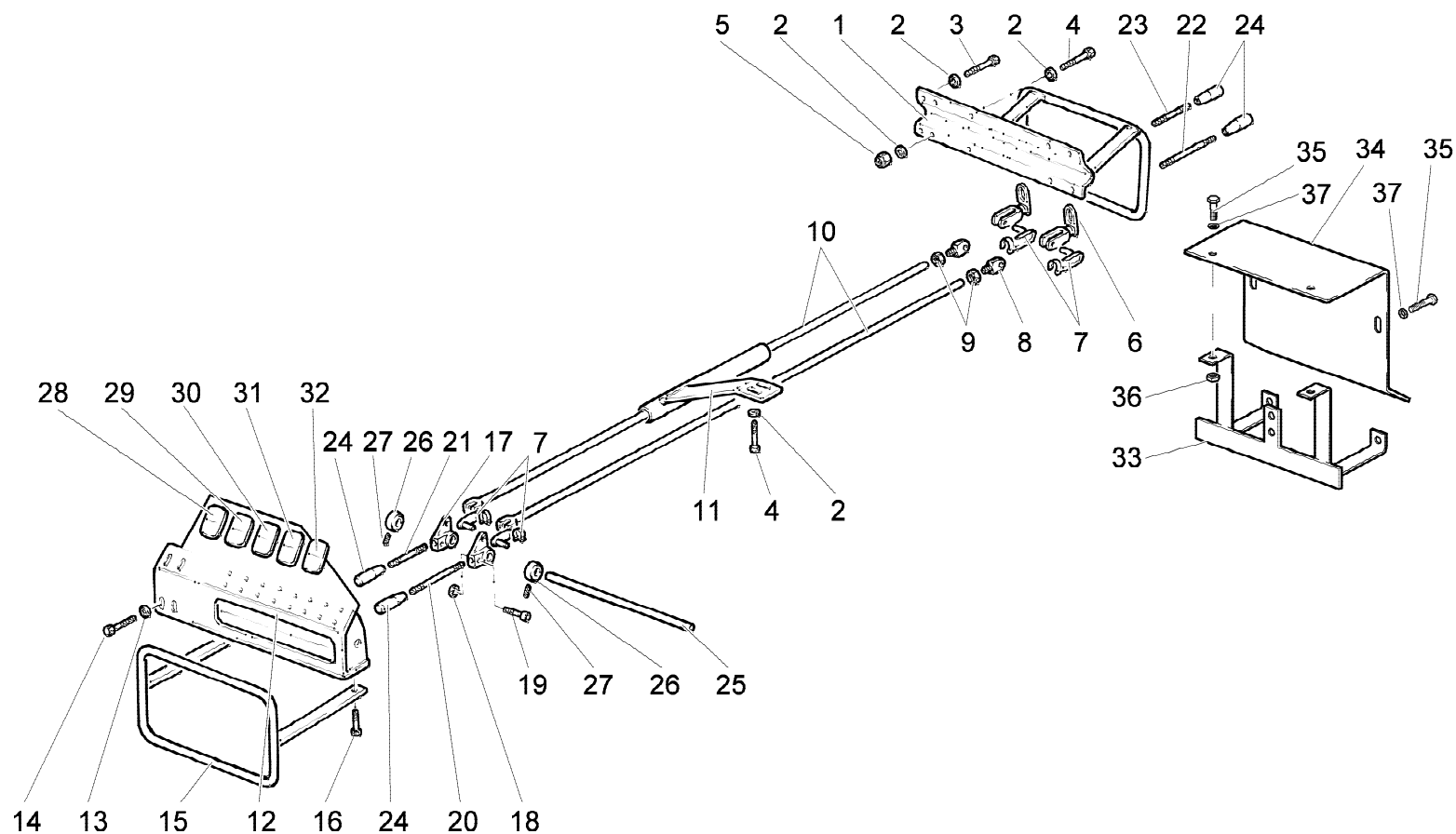
rif.	codice	Q.tà
1	W.56.04.006.00	1
2	W.44.04.004.00	1
3	W.120.076	1
4	W.57.04.502.00	1
5	W.726.009	1
6	W.361.020	1
7	W.358.029	1
8	W.360.014	1
9	W.304.010	1
10	W.359.020	1
11	W.509.307	3
12	W.360.053	1
13	W.44.04.005.00	2
14	W.365.082	1
15	W.57.04.006.00	1
16	3.02.0035	4
17	W.57.04.008.00	2
18	W.57.04.007.00	1



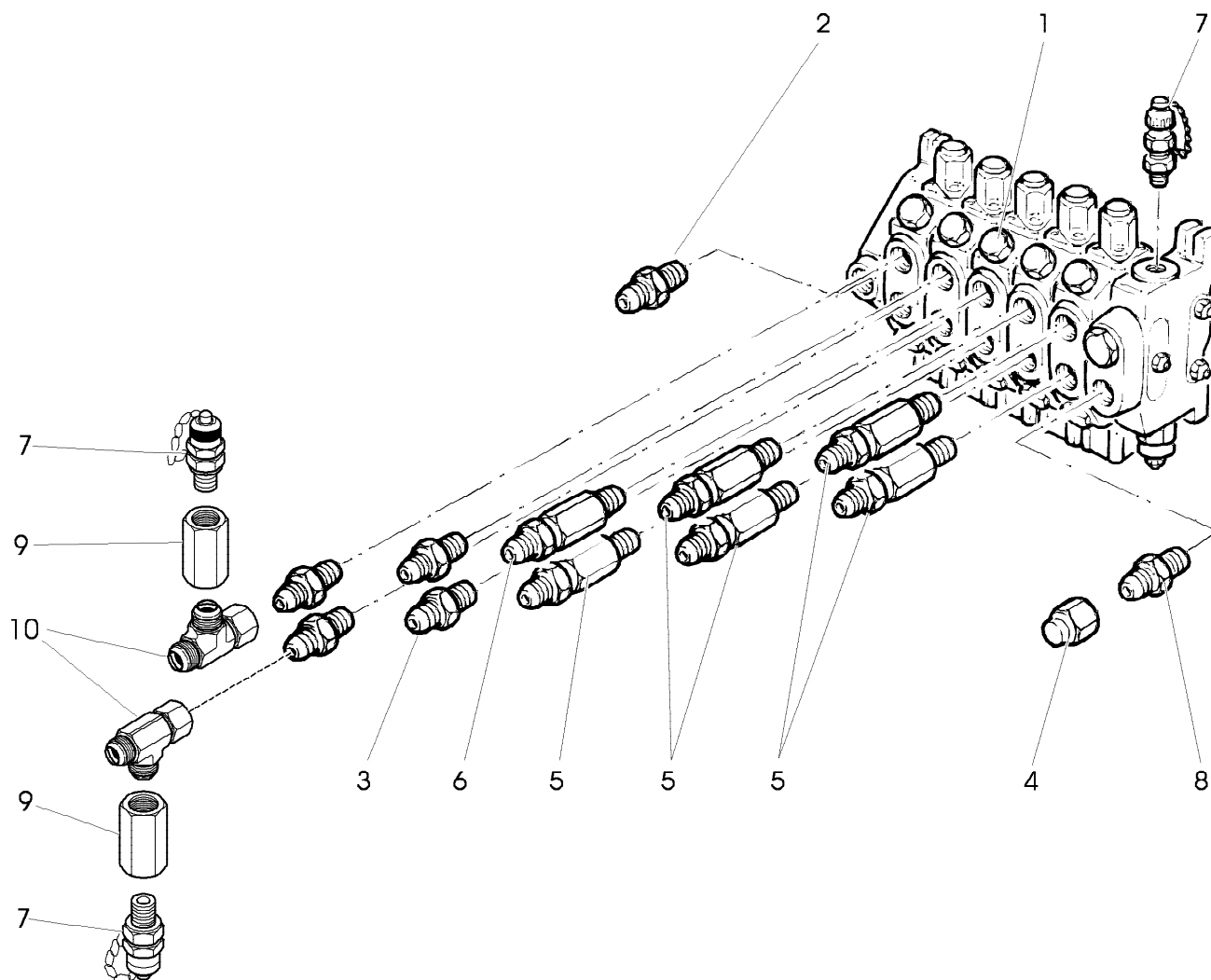
rif.	codice	Q.tà
1	W.44.05.002.00	1
2	3.06.0029	12
3	3.01.0337	4
4	3.01.0066	3
5	3.04.0524	5
6	W.33.05.008.00	5
7	3.30.0453	10
8	W.01.05.036.00	5
9	3.04.0081	5
10	W.27.05.095.00	5
11	W.44.05.003.00	1
12	W.44.05.001.00	1
13	3.06.0914	4
14	3.01.0353	4
15	W.44.05.019.00	1
16	3.01.0030	2
17	W.27.05.090.00	5
18	3.04.0393	5
19	3.02.0021	5
20	W.44.05.017.00	4
21	W.44.05.018.00	1
22	W.338.802	4
23	W.338.801	1
24	W.664.003	10
25	W.101.182	1
26	W.27.01.027.03	2
27	3.06.0229	2
28	W.573.265	2
29	W.573.266	2
30	W.573.267	2
31	W.573.269	2

1/2

rif.	codice	Q.tà
32	W.573.270	2
33	W.41.05.055.00	1
34	W.27.05.131.00	1
35	3.01.0015	4
36	3.04.0372	4
37	3.06.0005	4



rif.	codice	Q.tà
1	W.338.407	1
2	3.10.1058	1
3	3.10.1044	4
4	3.11.0050	1
5	W.402.109	5
6	W.402.110	1
7	3.11.1523	3
8	3.10.1051	1
9	3.12.0356	2
10	3.12.0004	2



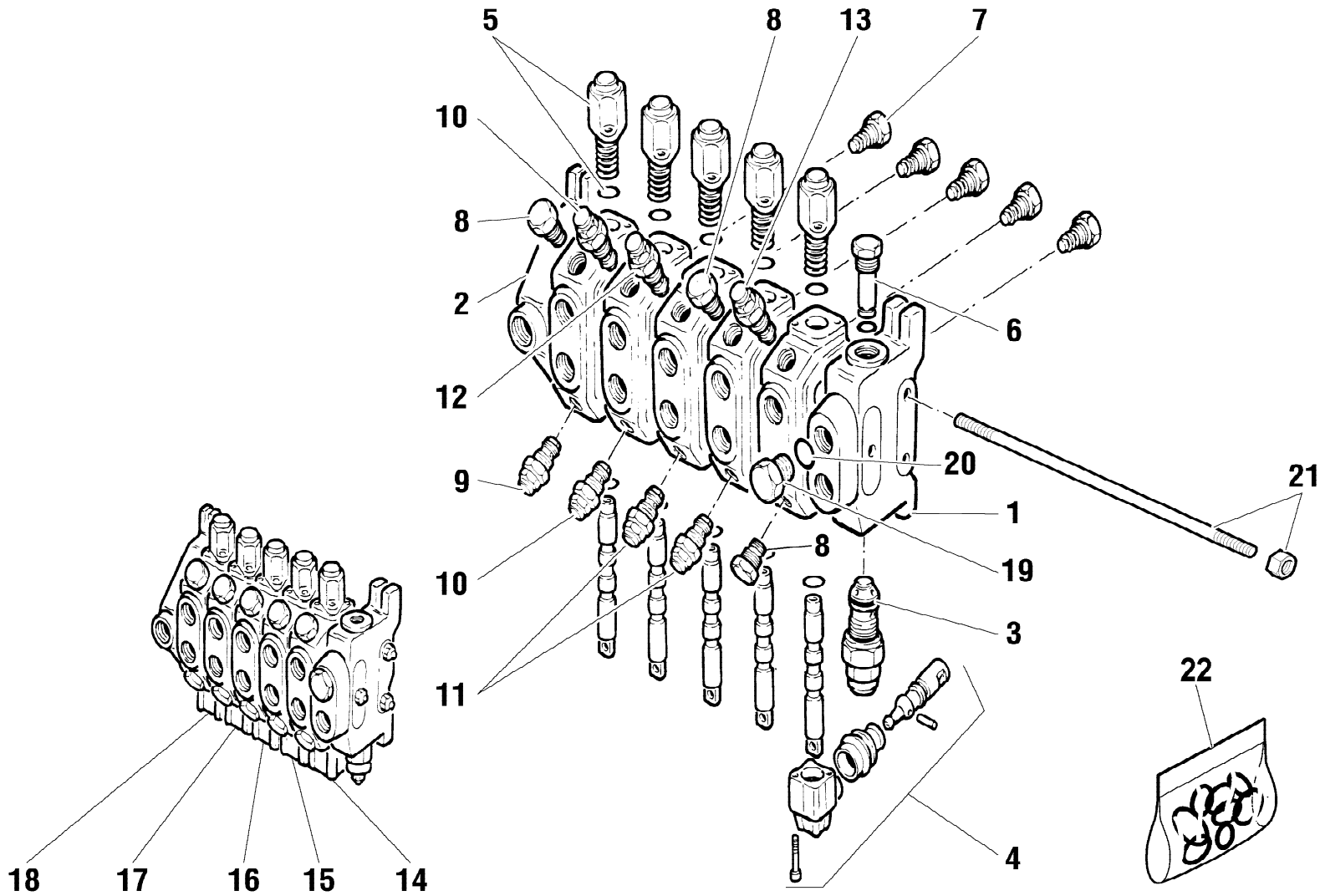
1/1

HYVA[®] CRANE
HC151

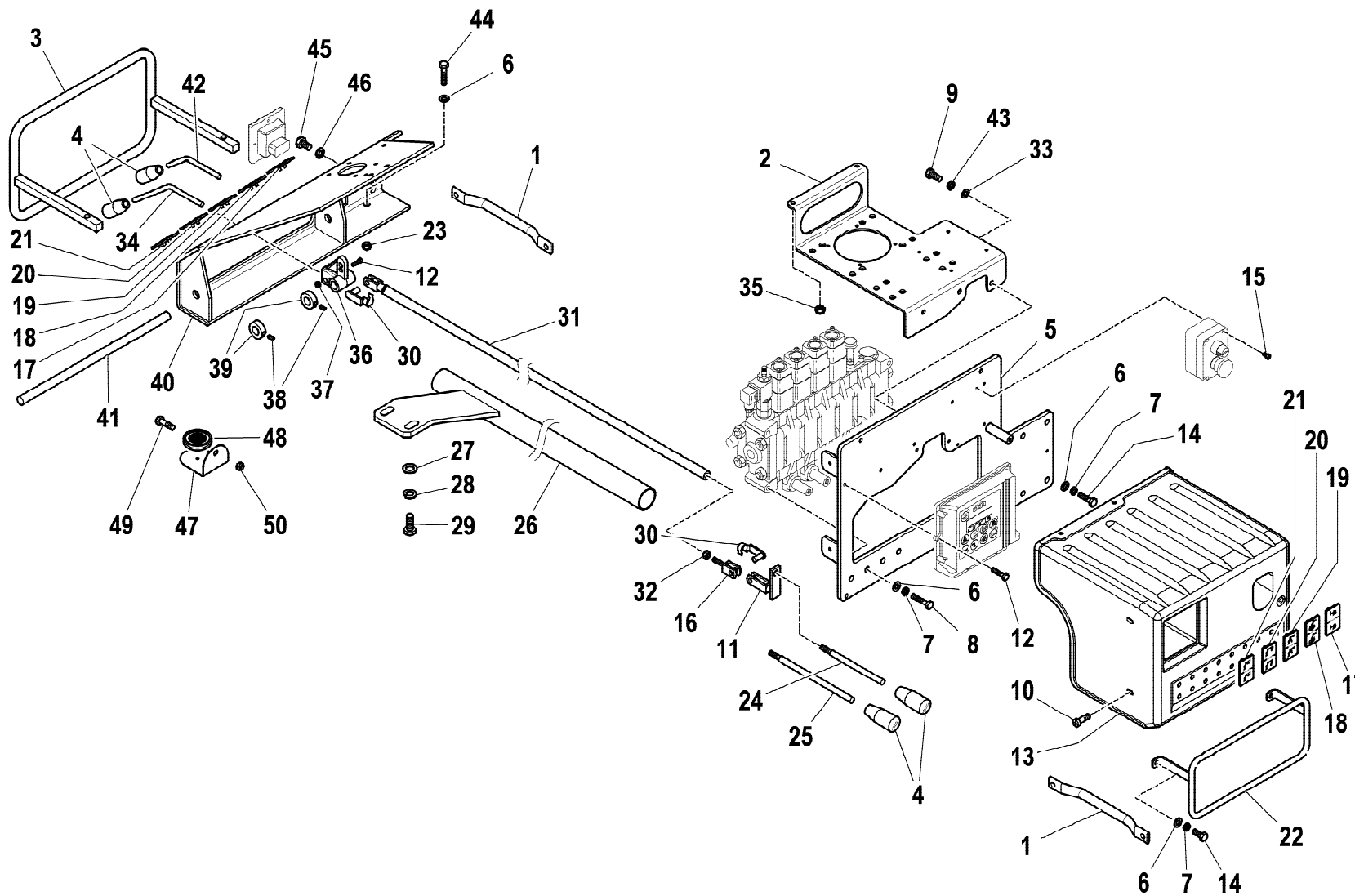
DISTRIBUTORE COMPLETO (5 ELEMENTI) NOCE
 CONTROL VALVE ASS'Y (5 SECTION) NOCE
 DISTRIBUTEUR COMPLET (5 VOIES) NOCE
 STEUERBLOCK (IM GANZEN) (5 ELEMENTE) NOCE
 DISTRIBUIDOR COMPLETO (5 ELEMENTOS) NOCE

Tavola
W.044.502-1-1

Data pag.
 aprile 2011 21



rif.	codice	Q.tà
1	W.HC.0601	1
2	W.HC.0602	1
3	W.HC.0636	1
4	W.HC.0660	5
5	5.22.5431	5
6	W.HC.0637	1
7	W.HC.0638	5
8	W.HC.0639	3
9	W.HC.0640	1
10	W.HC.0641	2
11	W.HC.0642	2
12	W.HC.0643	1
13	W.HC.0635	1
14	W.HC.0613	1
15	W.HC.0614	1
16	W.HC.0615	1
17	W.HC.0621	1
18	W.HC.0617	1
19	W.HC.0645	1
20	W.HC.0646	1
21	W.HC.0649	3
22	W.HC.0700	1



rif.	codice	Q.tà
1	5.00.1829	2
2	5.09.1201	1
3	W.44.05.019.00	1
4	W.664.003	10
5	5.09.1200	1
6	3.06.0006	10
7	3.06.0055	8
8	3.01.0066	3
9	3.01.0325	2
10	3.02.0960	5
11	W.33.05.008.00	5
12	3.02.0021	7
13	5.09.1202	1
14	3.01.0337	6
15	3.02.0895	2
16	W.01.05.036.00	1
17	W.573.265	2
18	W.573.266	2
19	W.573.267	2
20	W.573.269	2
21	W.573.270	2
22	5.09.0910	1
23	3.04.0040	2
24	W.338.801	1
25	W.338.802	4
26	W.44.05.003.00	1
27	3.06.0057	2
28	3.06.0018	2
29	3.01.0369	2
30	3.30.0453	10
31	W.44.05.004.00	5

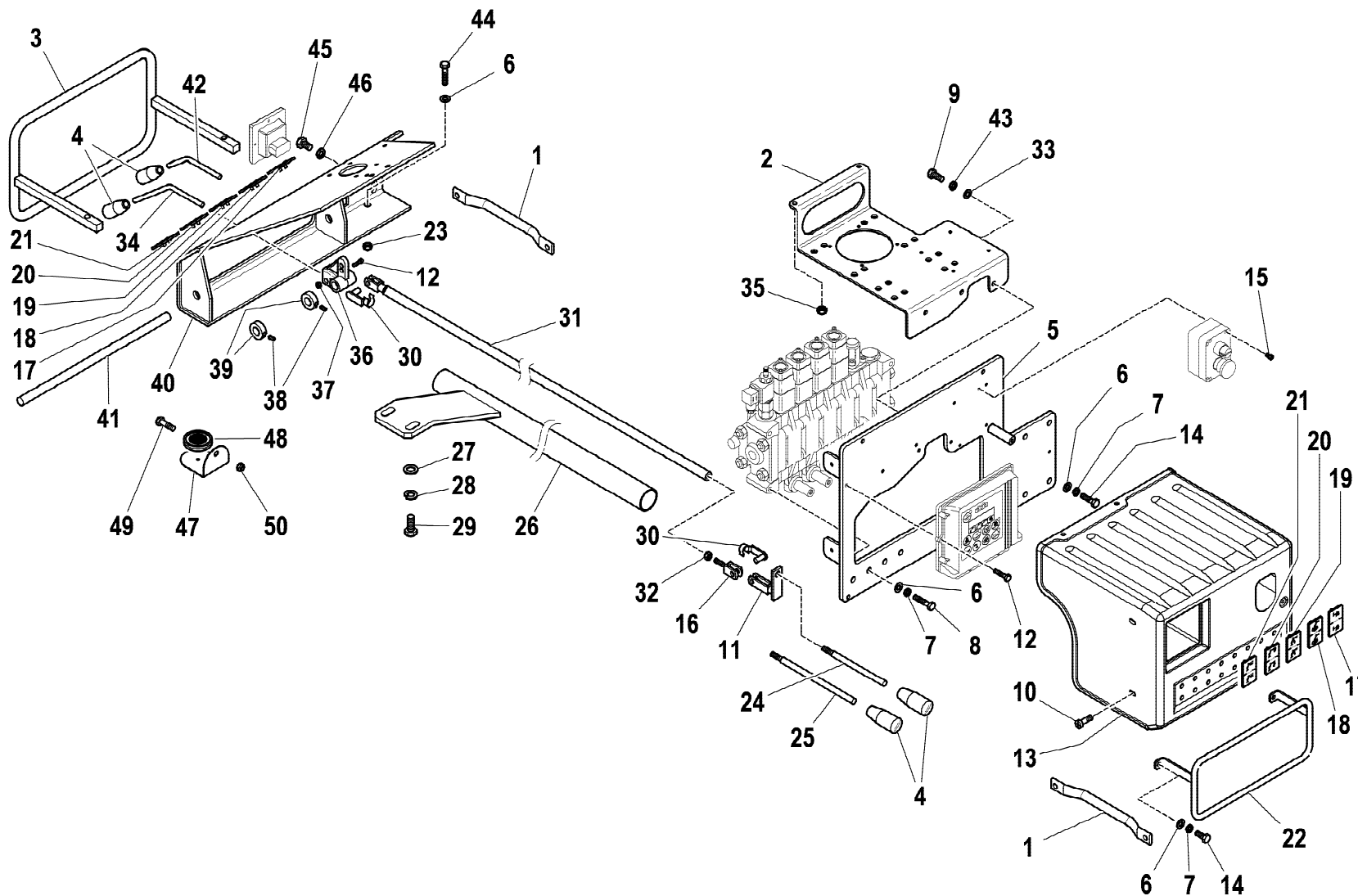
1/2

HYVA[®] CRANE
HC151

COMANDI BILATERALI (CE) EN 12999-A3
 DOUBLE CONTROLS (CE) EN 12999-A3
 DOUBLE COMMANDES (CE) EN 12999-A3
 DOPPELSTEUERUNG (CE) EN 12999-A3
 MONDOS BILATERALAS (CE) EN 12999-A3

Tavola
W.044.505-2-0

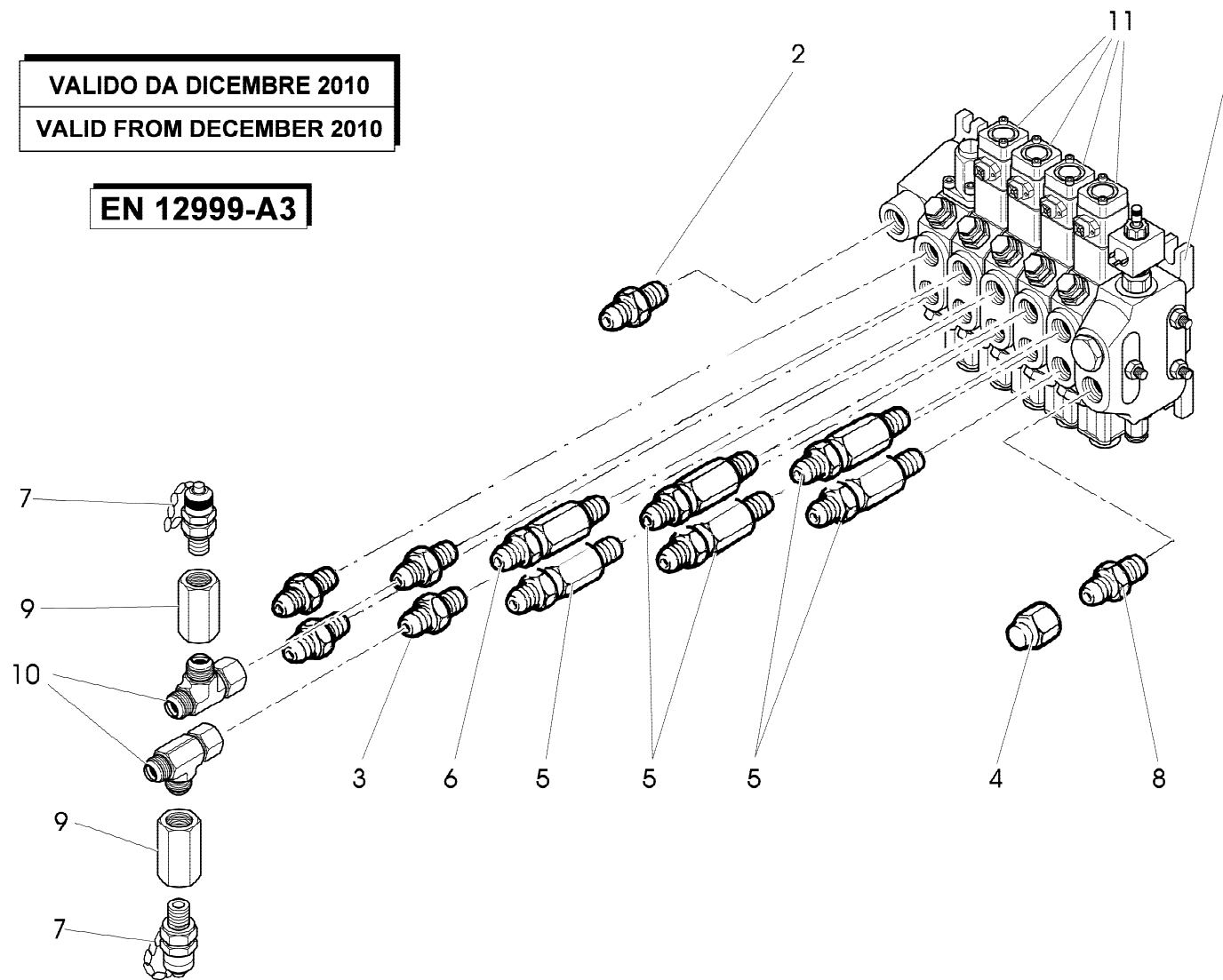
Data pag.
 maggio 2011 23.1



rif.	codice	Q.tà
32	3.04.0081	5
33	3.06.0005	2
34	W.44.05.017.00	4
35	3.04.0519	2
36	W.27.05.090.00	5
37	3.04.0393	5
38	3.06.0229	2
39	W.27.01.027.03	2
40	W.44.05.001.00	1
41	W.101.182	1
42	W.44.05.018.00	1
43	3.06.0053	2
44	3.01.0030	2
45	3.01.0353	3
46	3.06.0056	3
47	W.57.05.016.00	2
48	3.18.0116	2
49	3.01.0015	2
50	3.04.0372	2

VALIDO DA DICEMBRE 2010
 VALID FROM DECEMBER 2010

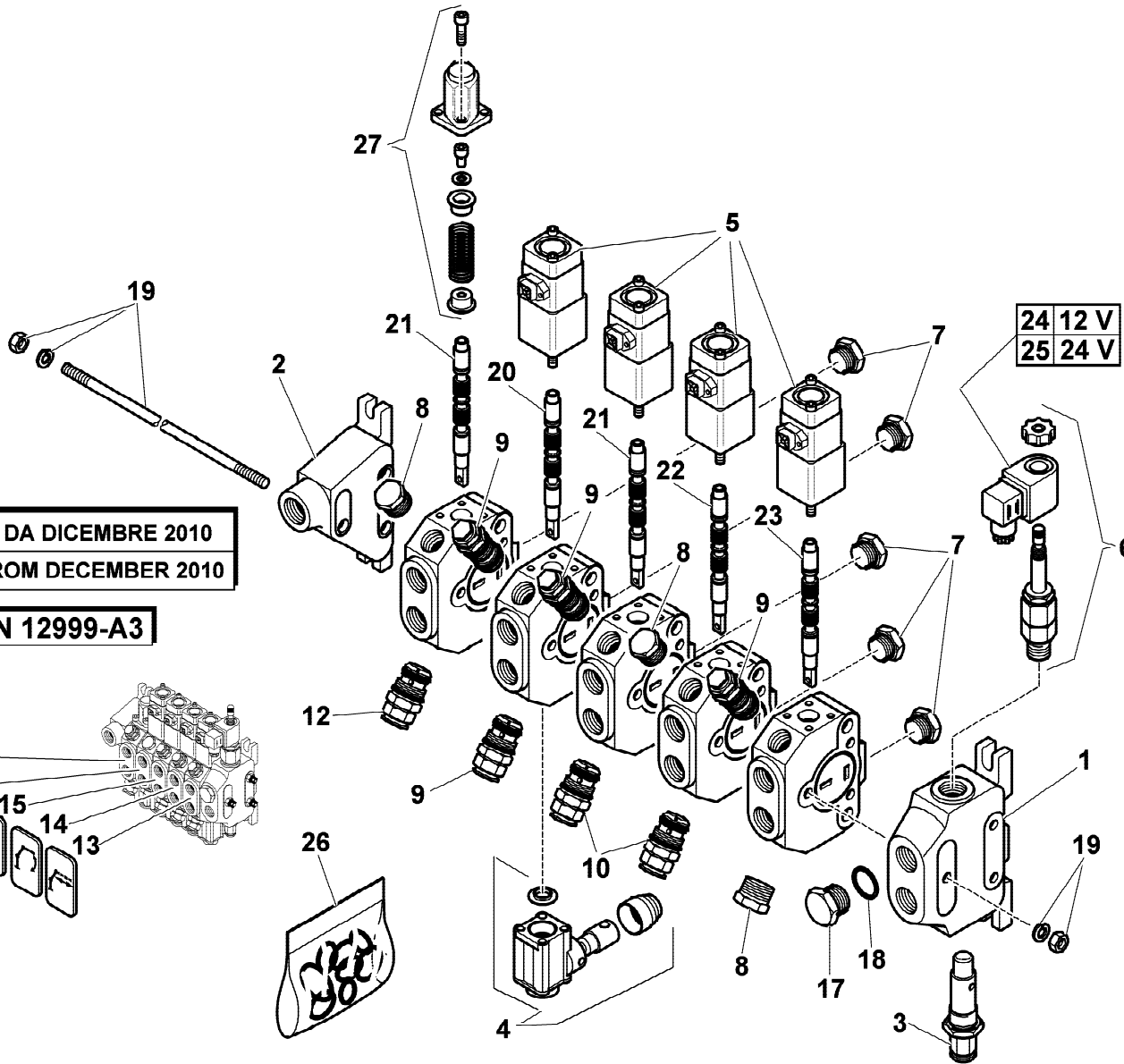
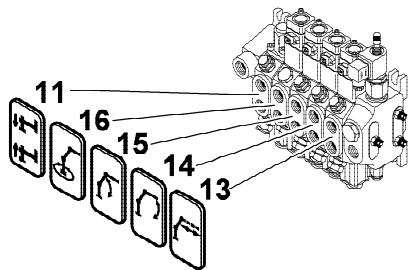
EN 12999-A3



rif.	codice	Q.tà
1	W.338.407	1
2	3.10.1058	1
3	3.10.1044	4
4	3.11.0050	1
5	W.402.109	5
6	W.402.110	1
7	3.11.1523	3
8	3.10.1051	1
9	3.12.0356	2
10	3.12.0004	2
11	5.22.5420	4

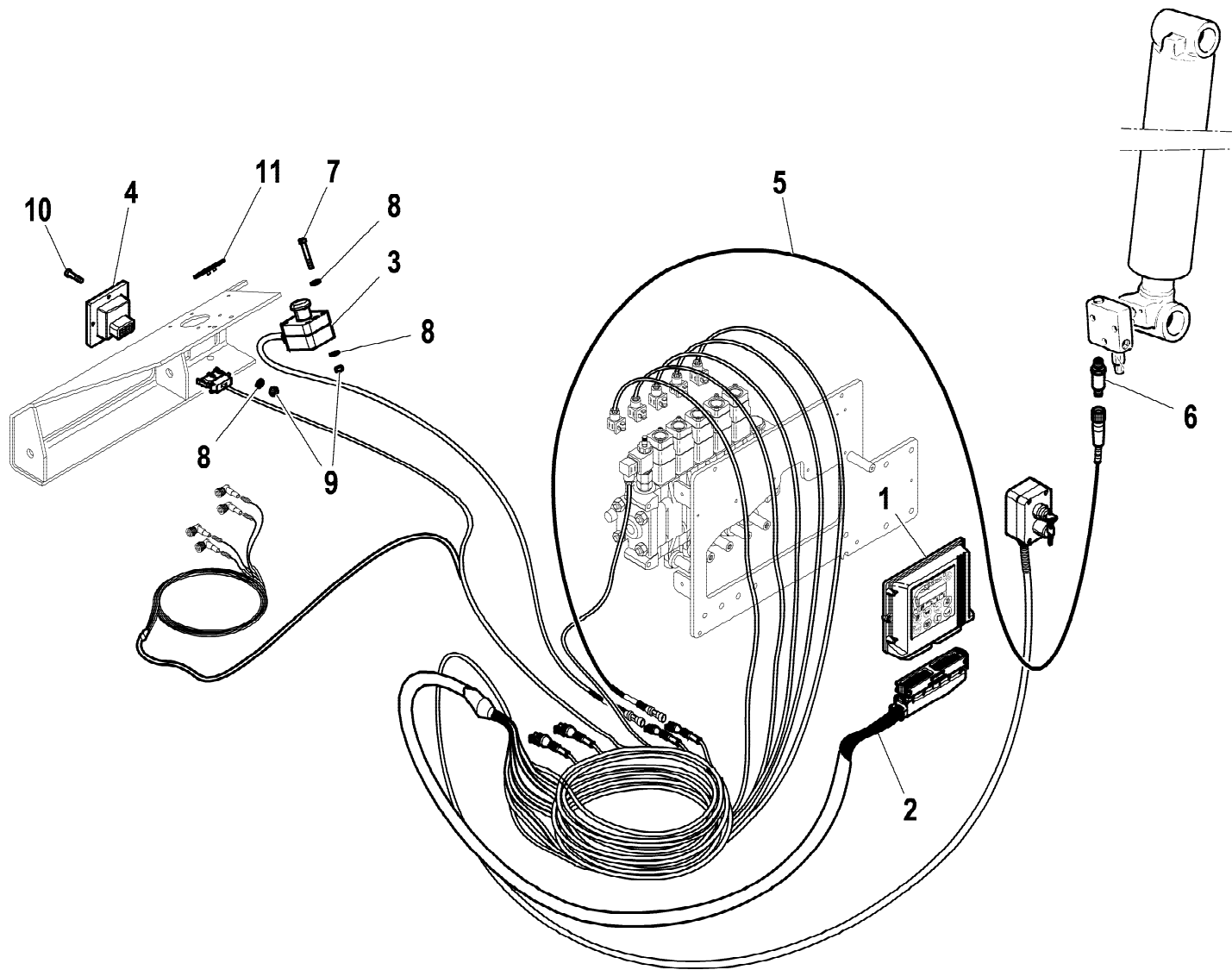
VALIDO DA DICEMBRE 2010
VALID FROM DECEMBER 2010

EN 12999-A3



rif.	codice	Q.tà
1	W.HC.0601	1
2	W.HC.0602	1
3	W.HC.0636	1
4	W.HC.0660	5
5	5.22.5420	4
6	5.22.5429	1
7	W.HC.0638	5
8	W.HC.0639	3
9	5.22.5432	4
10	5.22.5455	2
11	W.HC.0617	1
12	5.22.5454	1
13	W.HC.0618	1
14	W.HC.0614	1
15	W.HC.0615	1
16	W.HC.0621	1
17	W.HC.0645	1
18	W.HC.0646	1
19	W.HC.0649	3
20	W.HC.0630	1
21	5.22.5434	2
22	W.HC.0629	1
23	W.HC.0628	1
24	3.31.1046	1
25	3.31.1047	1
26	W.HC.0700	1
27	5.22.5431	1

24 12 V
25 24 V



rif.	codice	Q.tà
1	3.31.1423	1
2	5.16.0085	1
3	3.31.1400	1
4	3.31.1328	1
5	5.16.0084	1
6	3.31.0612	1
7	3.02.0013	4
8	3.06.0030	10
9	3.04.0518	6
10	3.02.0885	2
11	5.81.3567	1

1/1

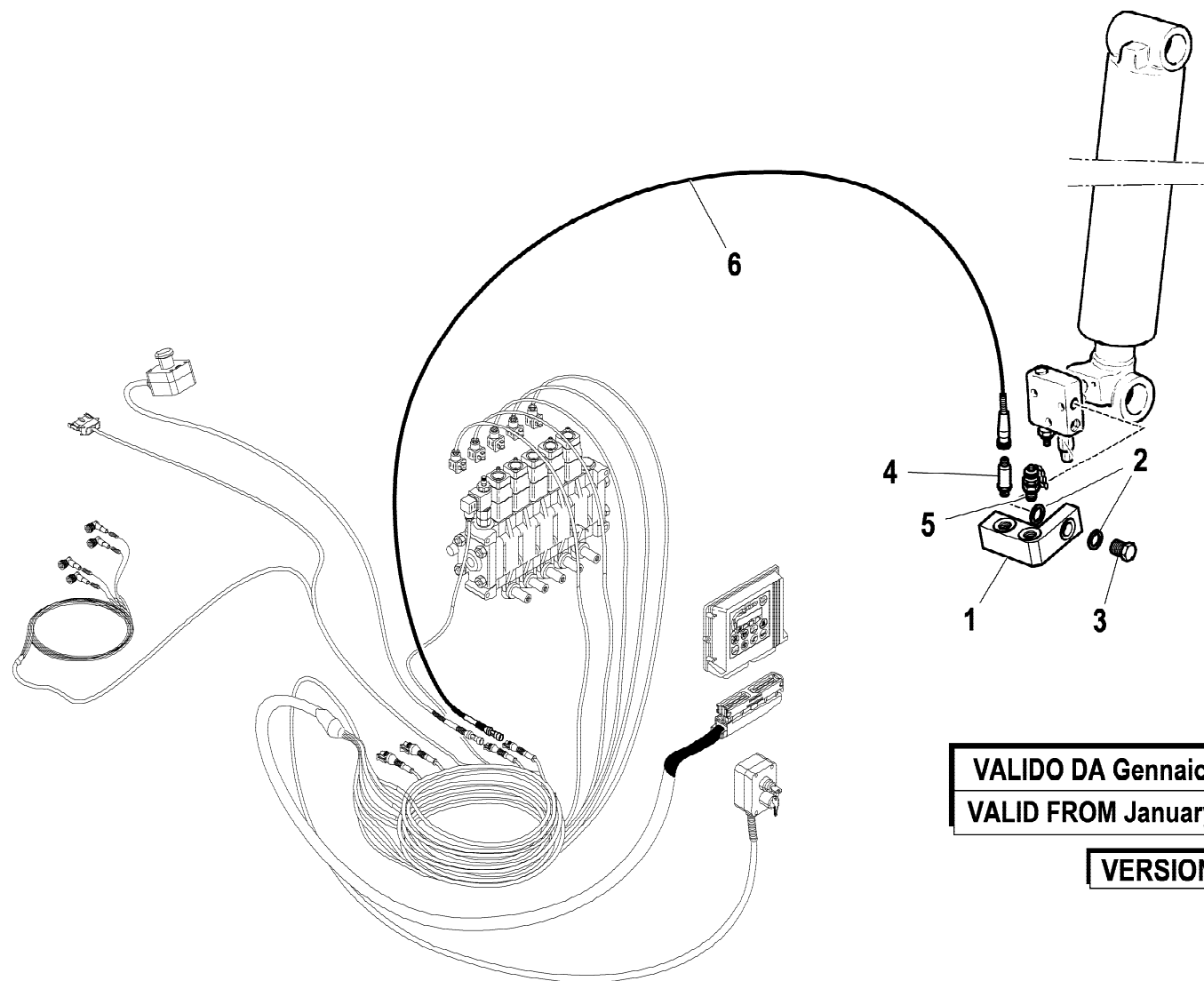
HYVA[®] CRANE
HC151

COMANDI BILATERALI (CE) EN12999-A3
 DOUBLE CONTROLS (CE) EN12999-A3
 DOUBLE COMMANDES (CE) EN12999-A3
 DOPPELSTEUERUNG (CE) EN12999-A3
 MONDOS BILATERALAS (CE) EN12999-A3

Tavola
W.044.505-3-1

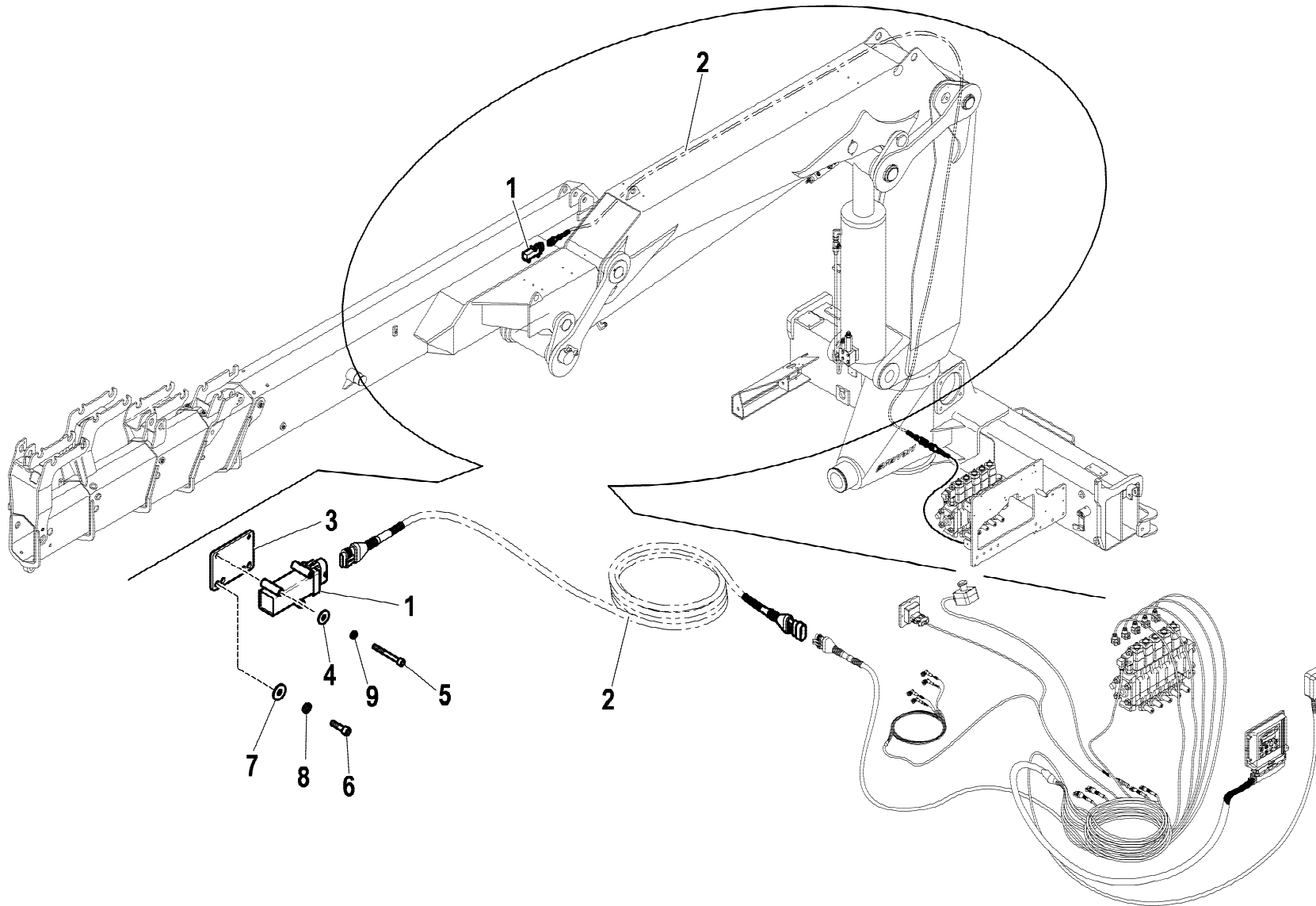
Data pag.
 maggio 2011 26

rif.	codice	Q.tà
1	5.00.2055	1
2	3.06.0143	2
3	3.11.0078	1
4	3.31.0612	1
5	3.11.1523	1
6	5.16.0084	1



VALIDO DA Gennaio 2012
VALID FROM January 2012

VERSION 2012



rif.	codice	Q.tà
1	3.31.1150	1
2	5.16.0076	1
3	5.00.2108	1
4	3.06.0003	2
5	3.02.0018	2
6	3.02.0033	2
7	3.06.0005	2
8	3.06.0053	2
9	3.06.0065	2

1/1

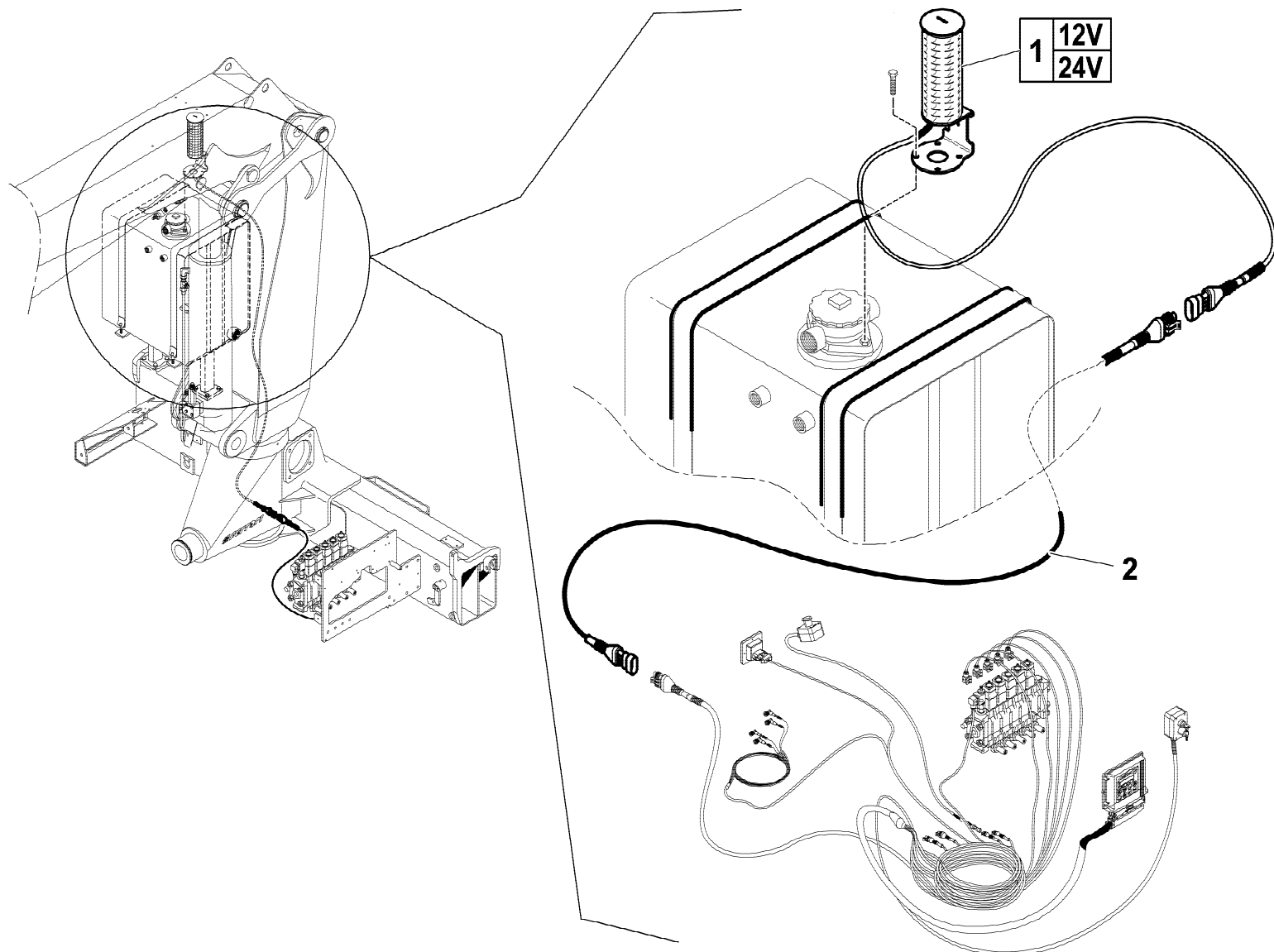
HYVA[®] CRANE
HC151

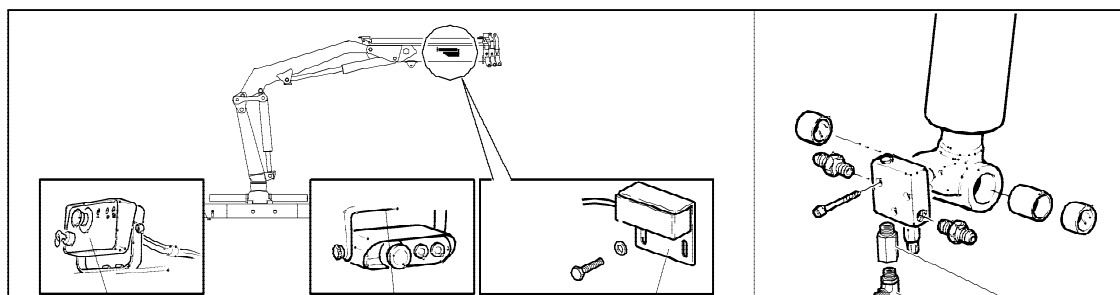
COMANDI BILATERALI (CE) EN12999-A3
 DOUBLE CONTROLS (CE) EN12999-A3
 DOUBLE COMMANDES (CE) EN12999-A3
 DOPPELSTEUERUNG (CE) EN12999-A3
 MONDOS BILATERALAS (CE) EN12999-A3

Tavola
W.044.505-4-0

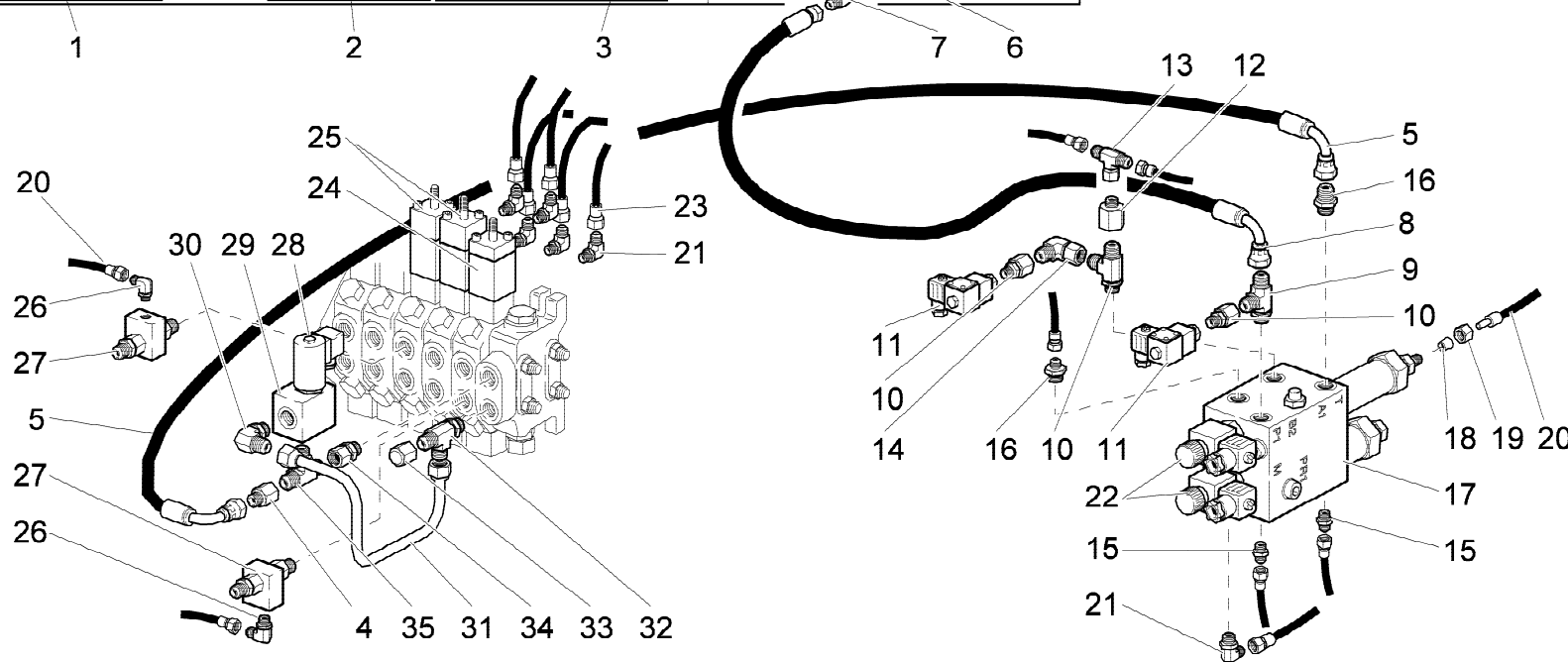
Data pag.
 maggio 2011 28

rif.	codice	Q.tà
1	3.31.1159	1
2	5.16.0003	1





VALIDO FINO A MARZO 2005
VALID UNTIL MARCH 2005



ref.	codice	Q.tà
1	W.285.036	1
2	W.285.035	1
3	W.264.806	1
4	3.12.0209	1
5	W.455.527	1
6	5.22.0300	1
7	3.10.1124	1
8	W.456.092	1
9	3.10.1175	2
10	3.12.0064	2
11	W.283.006	2
12	3.12.0200	1
13	3.12.0111	1
14	3.12.0011	1
15	3.10.1034	2
16	3.10.1039	2
17	5.22.0544	1
18	3.10.0956	1
19	3.10.0952	1
20	W.465.004	1
21	3.10.1194	6
22	3.31.0242	2
23	W.465.001	5
24	5.22.5370	1
25	5.22.5371	2
26	3.10.1195	2
27	3.12.1000	2
28	W.222.003	1
29	W.470.607	1
30	3.10.1131	1
31	W.44.05.059.00	1

1/2

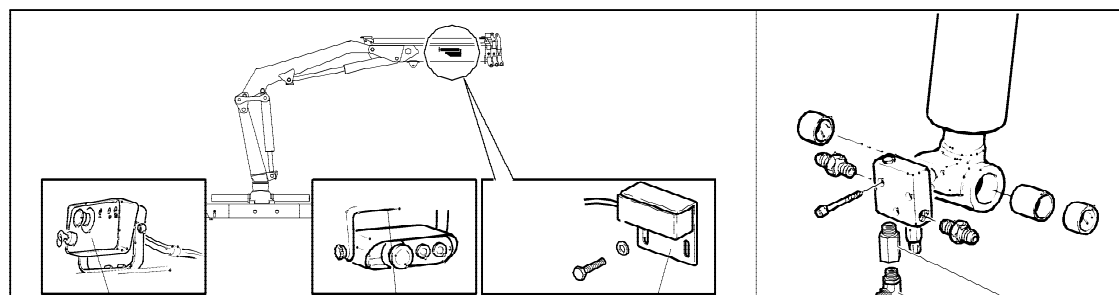
HYVA[®] CRANE
HC151

LIMITATORE DI MOMENTO
 MOMENT LIMITING DEVICE
 LIMITEUR DE MOMENT
 HUB-MOMENTBEGRENZER
 LIMITADOR DE MOMENTO

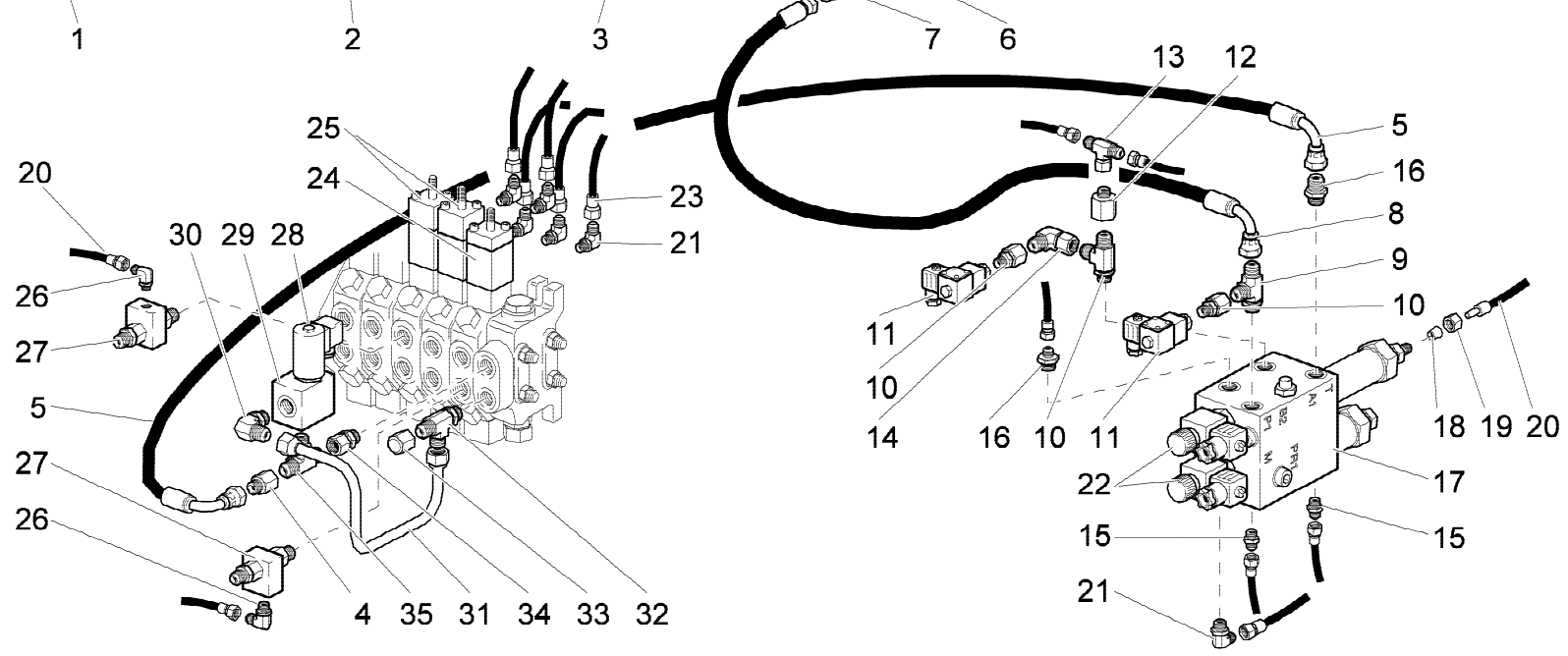
Tavola
W.44.05.525.00-1-1

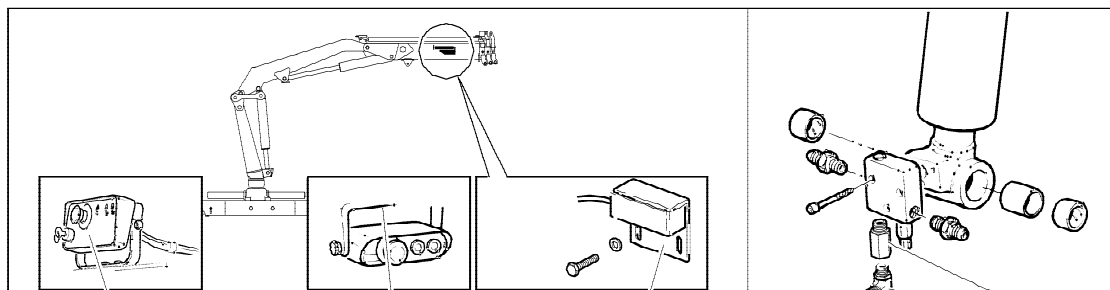
Data pag.
 settembre 2010 30.1

rif.	codice	Q.tà
32	3.10.1179	1
33	3.11.0050	1
34	3.12.0067	1
35	3.12.0306	1

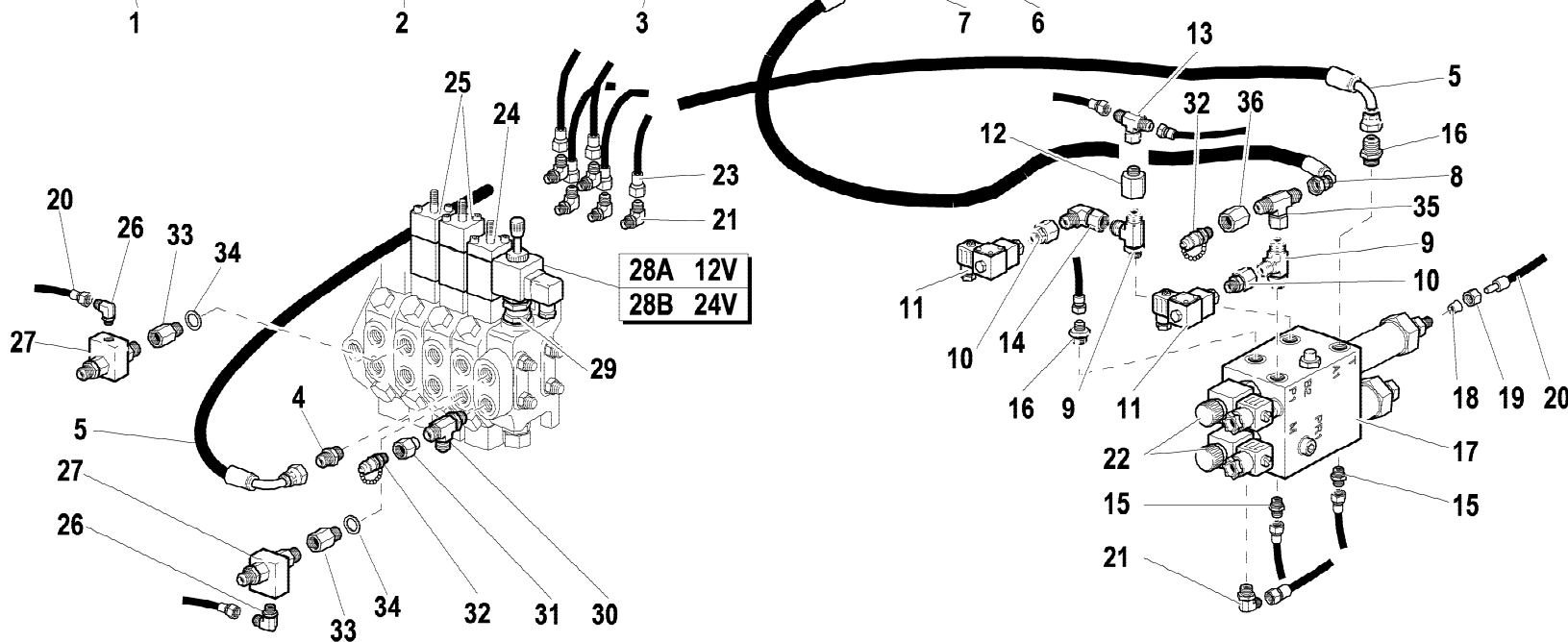


VALIDO FINO A MARZO 2005
VALID UNTIL MARCH 2005





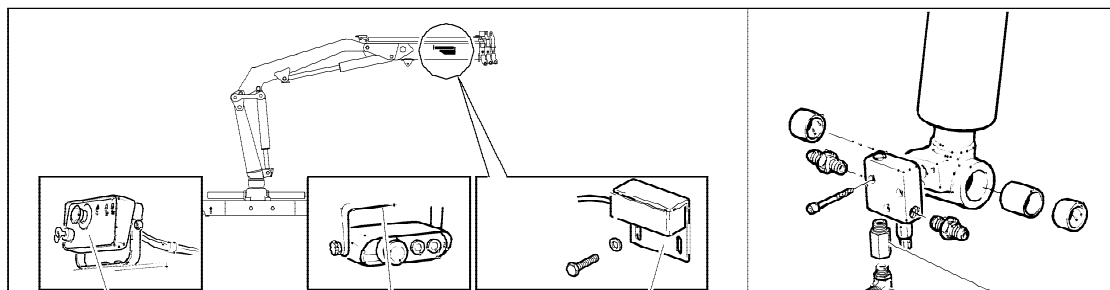
VALIDO da Aprile 2005
VALID FROM April 2005



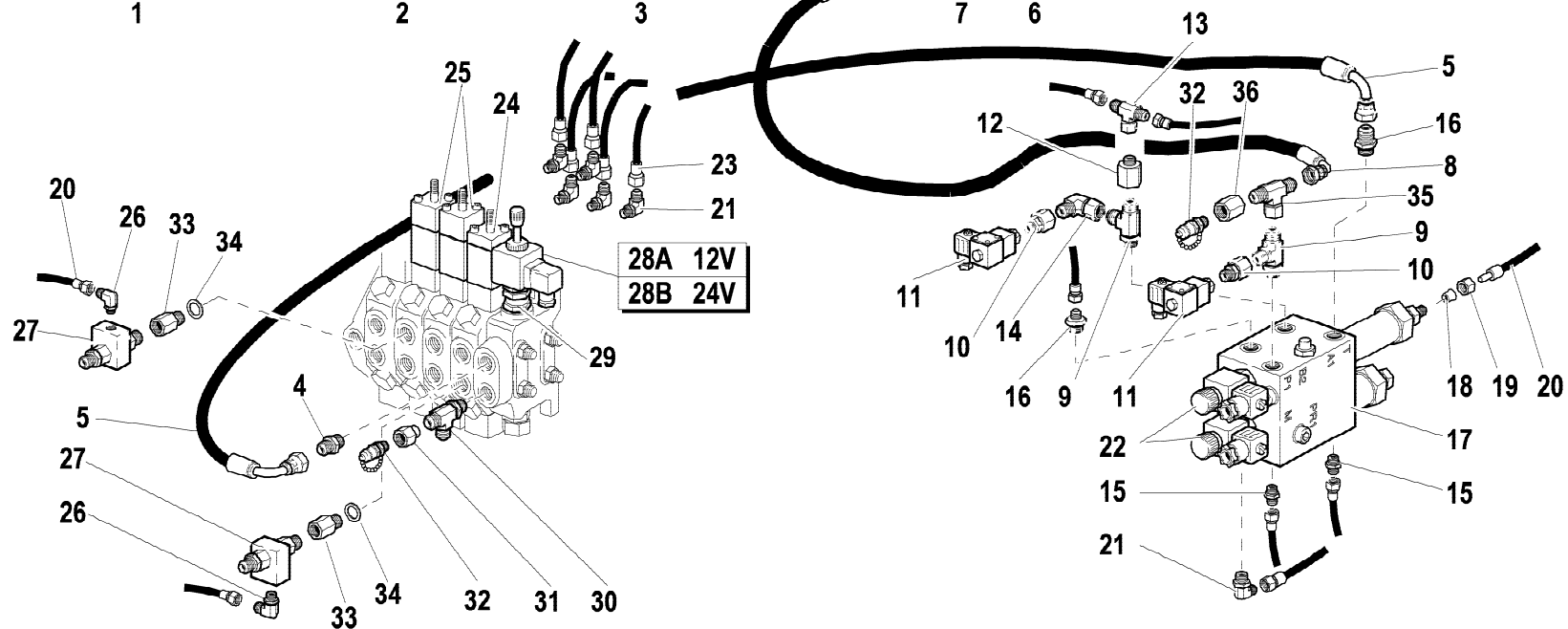
rif.	codice	Q.tà
1	W.285.036	1
2	W.285.035	1
3	W.264.806	1
4	3.10.1041	1
5	W.455.527	1
6	5.22.0300	1
7	3.10.1124	1
8	W.456.092	1
9	3.10.1175	2
10	3.12.0064	2
11	W.283.006	2
12	3.12.0200	1
13	3.12.0111	1
14	3.12.0011	1
15	3.10.1034	2
16	3.10.1039	2
17	5.22.0544	1
18	3.10.0956	1
19	3.10.0952	1
20	W.465.004	1
21	3.10.1194	6
22	3.31.0242	2
23	W.465.001	5
24	5.22.5370	1
25	5.22.5371	2
26	3.10.1195	2
27	3.12.1000	2
28 A	3.31.1046	1
28 B	3.31.1047	1
29	5.22.5429	1
30	3.10.1179	1

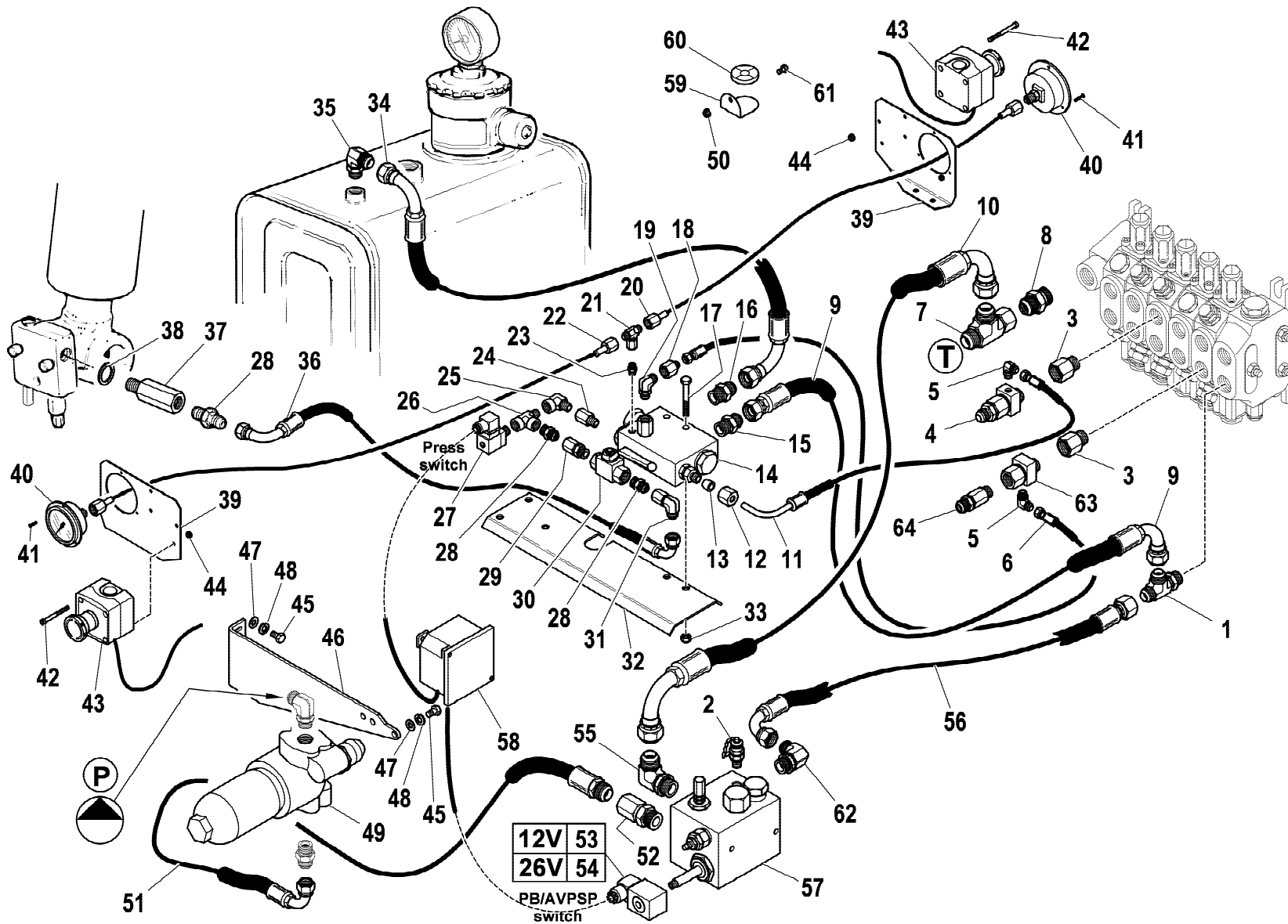
1/2

rif.	codice	Q.tà
31	3.12.0314	1
32	3.11.1523	2
33	3.11.0113	2
34	3.06.0145	2
35	3.12.0341	1
36	3.12.0385	1



VALIDO da Aprile 2005
VALID FROM April 2005





rif.	codice	Q.tà
1	3.10.1179	1
2	3.11.1523	1
3	3.11.0113	2
4	3.12.1000	1
5	3.10.1121	2
6	W.456.015	1
7	3.12.0331	1
8	3.10.1058	1
9	5.27.1799	1
10	W.455.870	1
11	W.468.151	1
12	3.10.0952	1
13	3.10.0956	1
14	5.22.0135	1
15	3.10.1044	1
16	3.10.1051	1
17	3.01.0033	2
18	3.12.0201	1
19	3.10.1124	1
20	W.458.458	1
21	3.12.0111	1
22	5.30.0090	1
23	3.12.0382	1
24	3.11.0270	1
25	3.11.1512	1
26	3.10.1215	1
27	3.31.0153	1
28	3.10.1039	3
29	3.12.0064	2
30	5.22.0063	1
31	3.12.0011	1

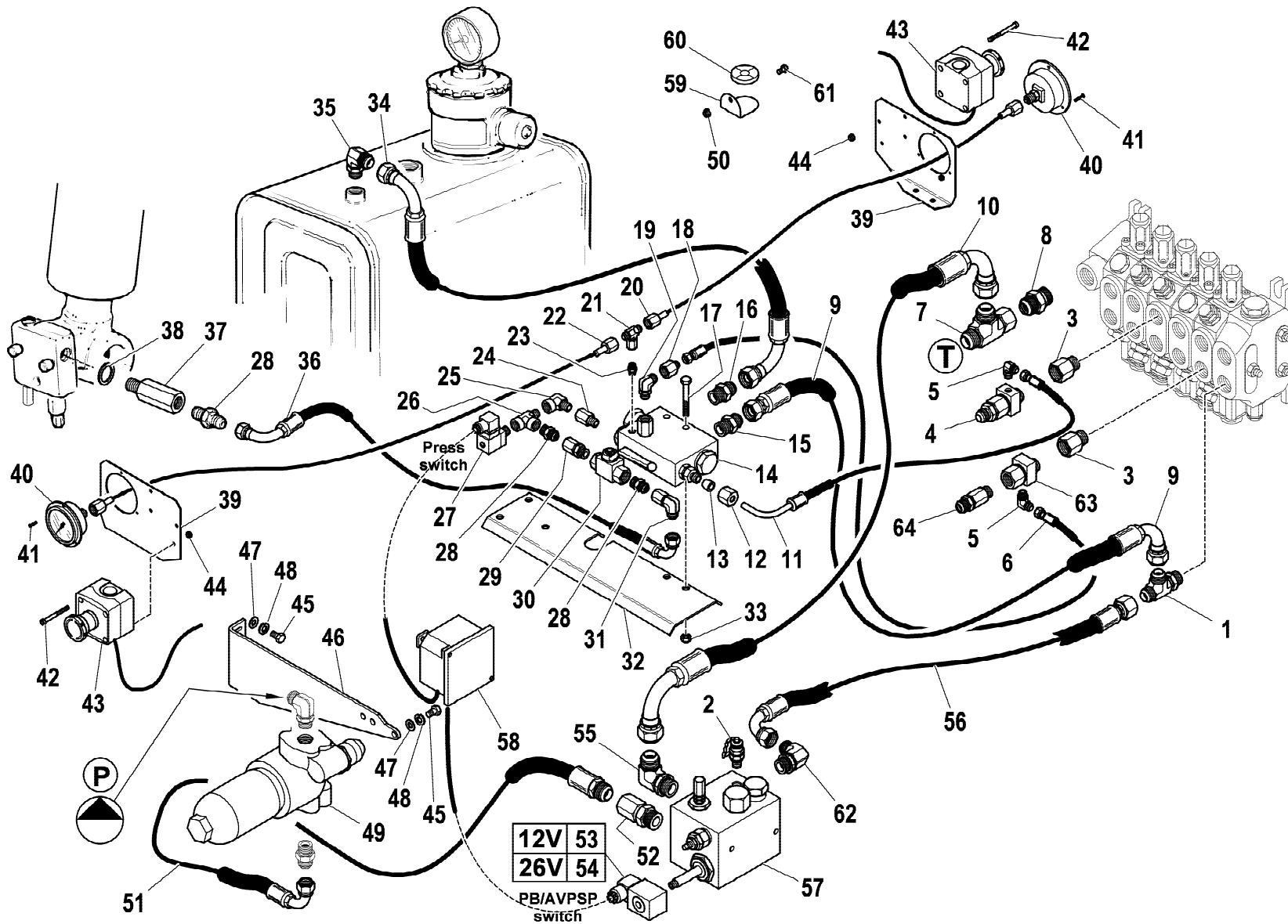
1/3

HYVA[®] CRANE
HC151

LIMITATORE DI MOMENTO (VALVOLA) AVPS - CE
 MOMENT LIMITING DEVICE (VALVE) AVPS - CE
 LIMITEUR DE MOMENT (SOUPAPE) AVPS - CE
 HUB-MOMENTBEGRENZER (VENTIL) AVPS - CE
 LIMITADOR DE MOMENTO (VALVULA) AVPS - CE

Tavola
5.44.0087-1-0

Data pag.
ottobre 2011 32.1



rif.	codice	Q.tà
32	W.44.05.023.00	1
33	3.04.0303	2
34	5.28.0795	1
35	3.12.0012	1
36	W.456.080	1
37	5.22.0300	1
38	3.06.0143	1
39	W.39.05.054.00	2
40	3.18.0150	2
41	3.02.0950	6
42	3.02.0023	4
43	W.57.05.552.00	1
44	3.04.0392	4
45	3.01.0027	4
46	5.09.1068	1
47	3.06.0006	4
48	3.06.0055	4
49	3.18.0141	1
50	3.04.0372	2
51	5.28.0810	1
52	3.12.0080	1
53	3.31.1046	1
54	3.31.1047	1
55	3.10.1133	1
56	5.28.0812	1
57	5.22.0639	1
58	3.31.0388	1
59	W.57.05.016.00	2
60	3.18.0116	2
61	3.01.0325	2
62	3.10.1134	1

2/3

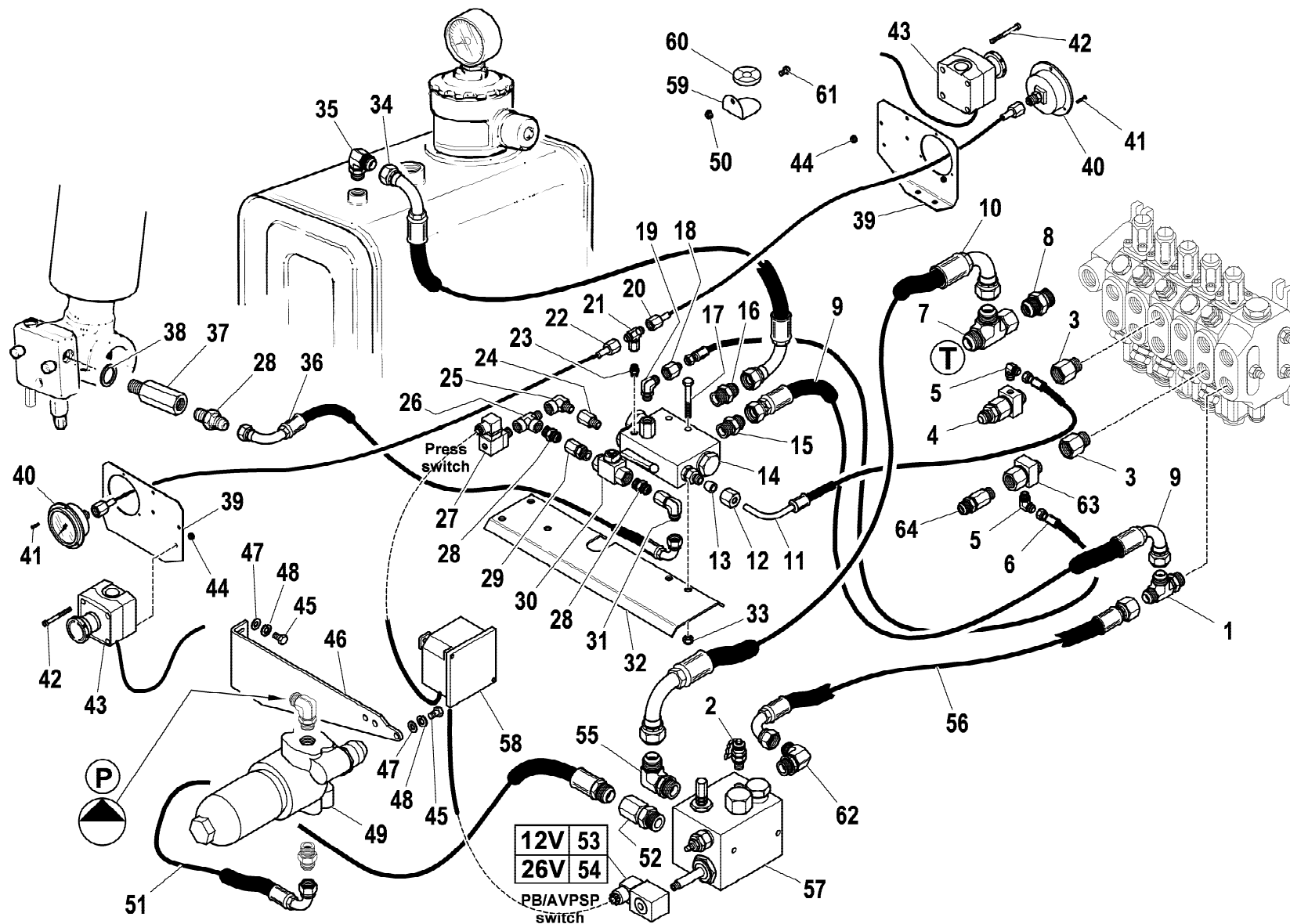
HYVA[®] CRANE
HC151

LIMITATORE DI MOMENTO (VALVOLA) AVPS - CE
 MOMENT LIMITING DEVICE (VALVE) AVPS - CE
 LIMITEUR DE MOMENT (SOUPAPE) AVPS - CE
 HUB-MOMENTBEGRENZER (VENTIL) AVPS - CE
 LIMITADOR DE MOMENTO (VALVULA) AVPS - CE

Tavola
5.44.0087-1-0

Data pag.
 ottobre 2011 32.2

rif.	codice	Q.tà
63	W.410.508	1
64	W.402.109	1



3/3

HYVA® CRANE
HC151

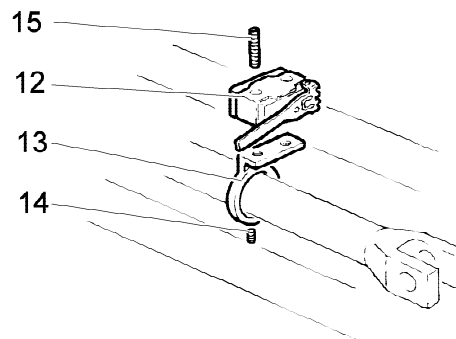
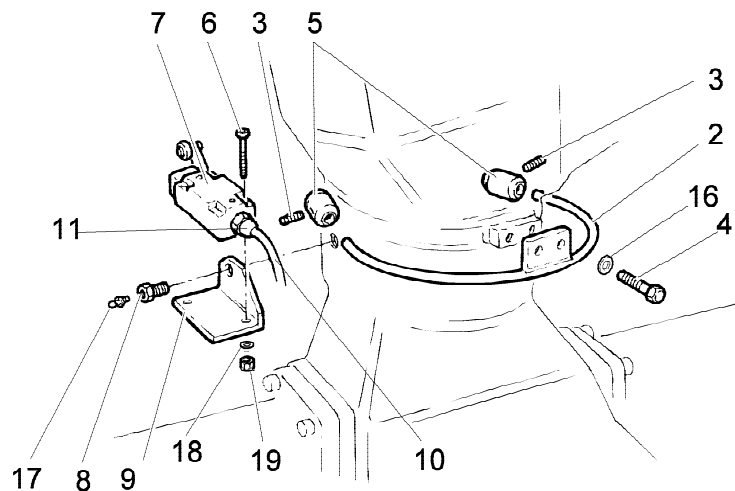
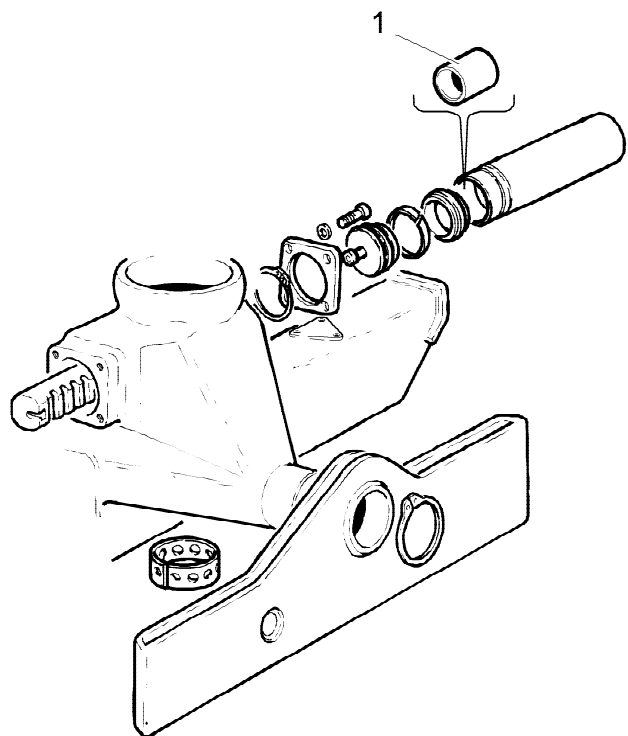
LIMITATORE DI MOMENTO (VALVOLA) AVPS - CE
MOMENT LIMITING DEVICE (VALVE) AVPS - CE
LIMITEUR DE MOMENT (SOUPAPE) AVPS - CE
HUB-MOMENTBEGRENZER (VENTIL) AVPS - CE
LIMITADOR DE MOMENTO (VALVULA) AVPS - CE

Tavola
5.44.0087-1-0

Data pag.
ottobre 2011 32.3

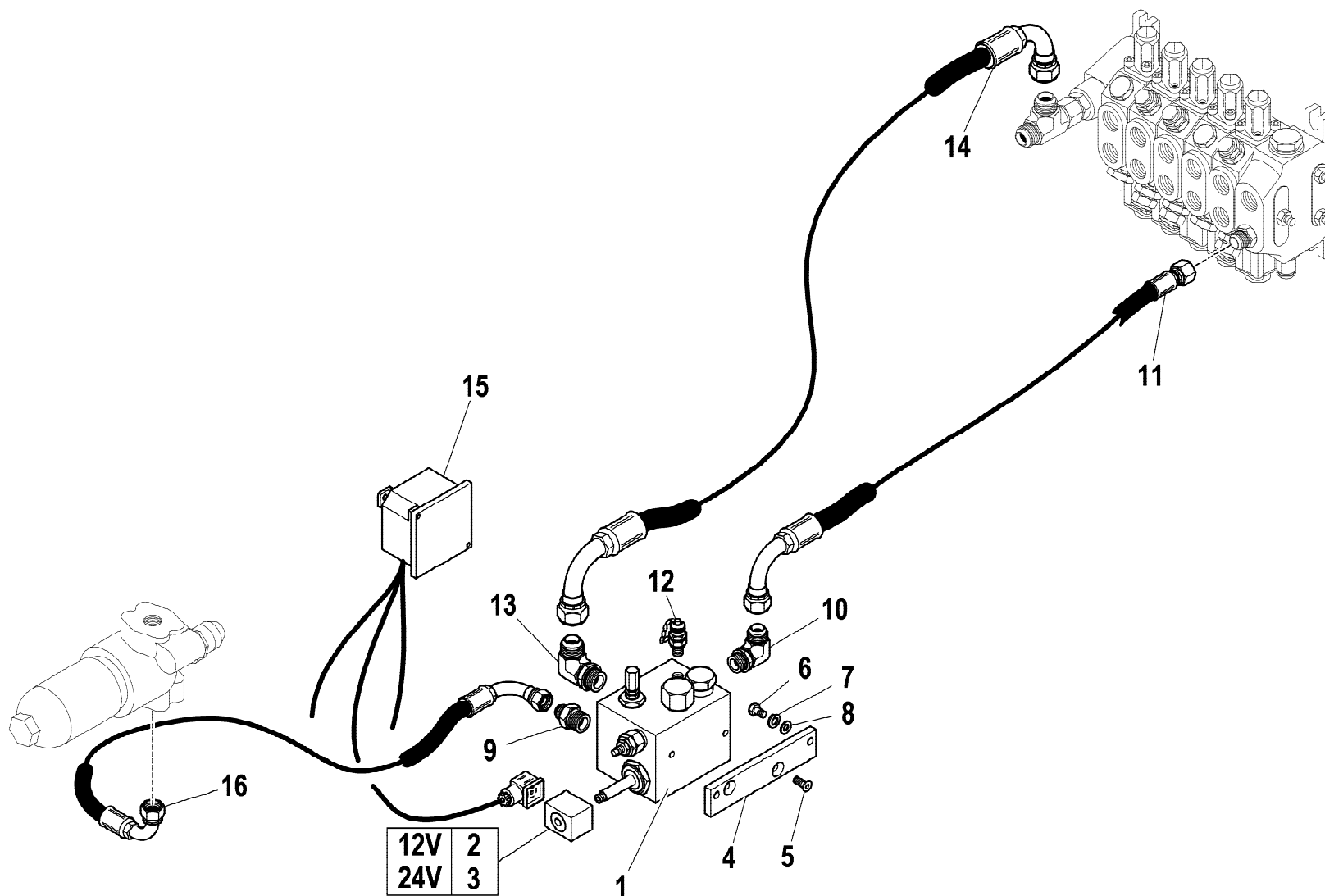
KIT W440552700

240°



rif.	codice	Q.tà
1	W.44.01.023.00	2
2	W.44.05.047.00	1
3	3.06.0507	2
4	3.02.0354	2
5	W.44.05.048.00	2
6	3.02.0958	2
7	W.251.008	1
8	W.44.05.049.00	1
9	W.44.05.050.00	1
10	W.44.05.051.00	1
11	3.31.0379	1
12	W.264.803	1
13	W.29.05.046.00	1
14	3.06.0229	1
15	3.02.0953	2
16	3.06.0914	2
17	3.08.0531	1
18	3.06.0003	2
19	3.04.0518	1

rif.	codice	Q.tà
1	5.22.0639	1
2	3.31.0238	1
3	3.31.0242	1
4	5.00.1781	1
5	3.02.0899	2
6	3.01.0339	2
7	3.06.0055	2
8	3.06.0006	2
9	3.12.0073	1
10	3.10.1134	1
11	5.28.0812	1
12	3.11.1523	1
13	3.10.1133	1
14	W.455.870	1
15	3.31.0946	1
16	5.28.0795	1



12V	2
24V	3

1/1

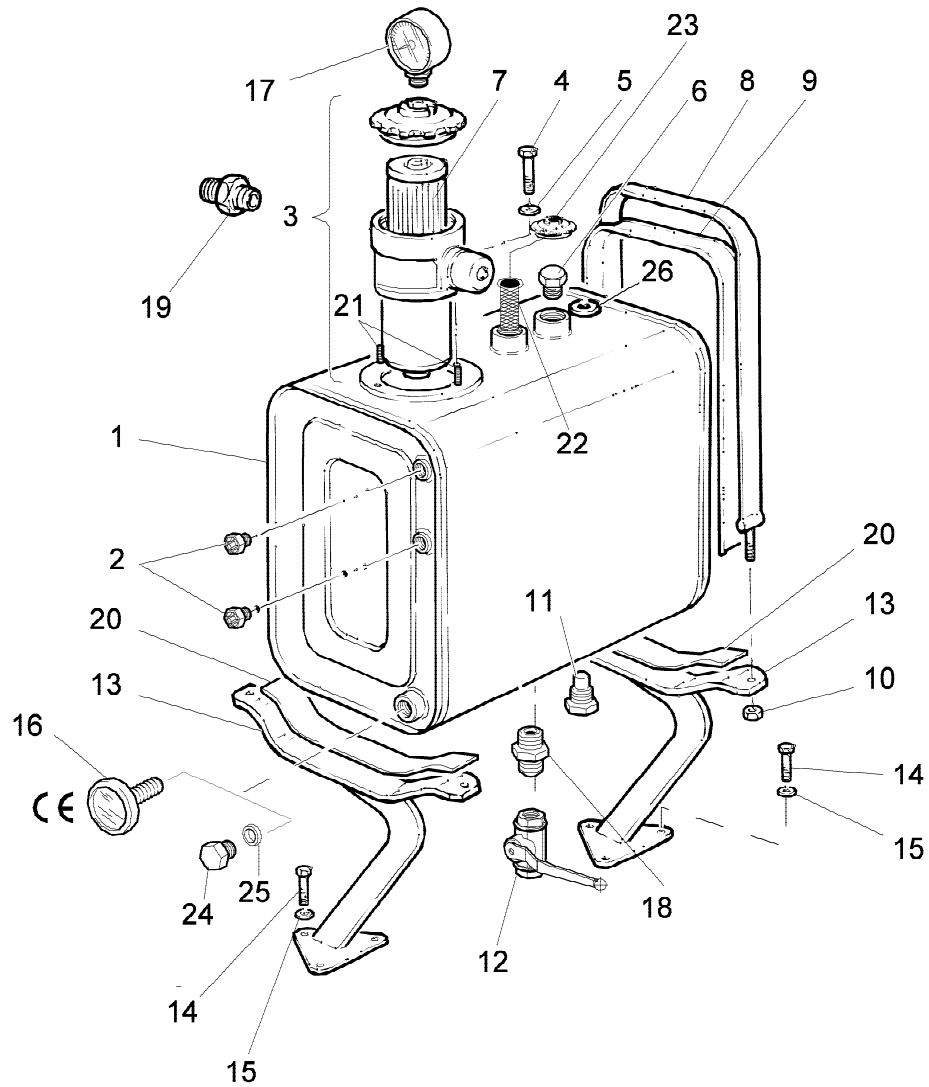
HYVA® CRANE

HC151

VALVOLA "PB"
VALVE "PB"
SOUPAPE "PB"
VENTIL "PB"
VALVULA "PB"

Tavola
5.44.0077-1-0

Data pag.
dicembre 2007 34

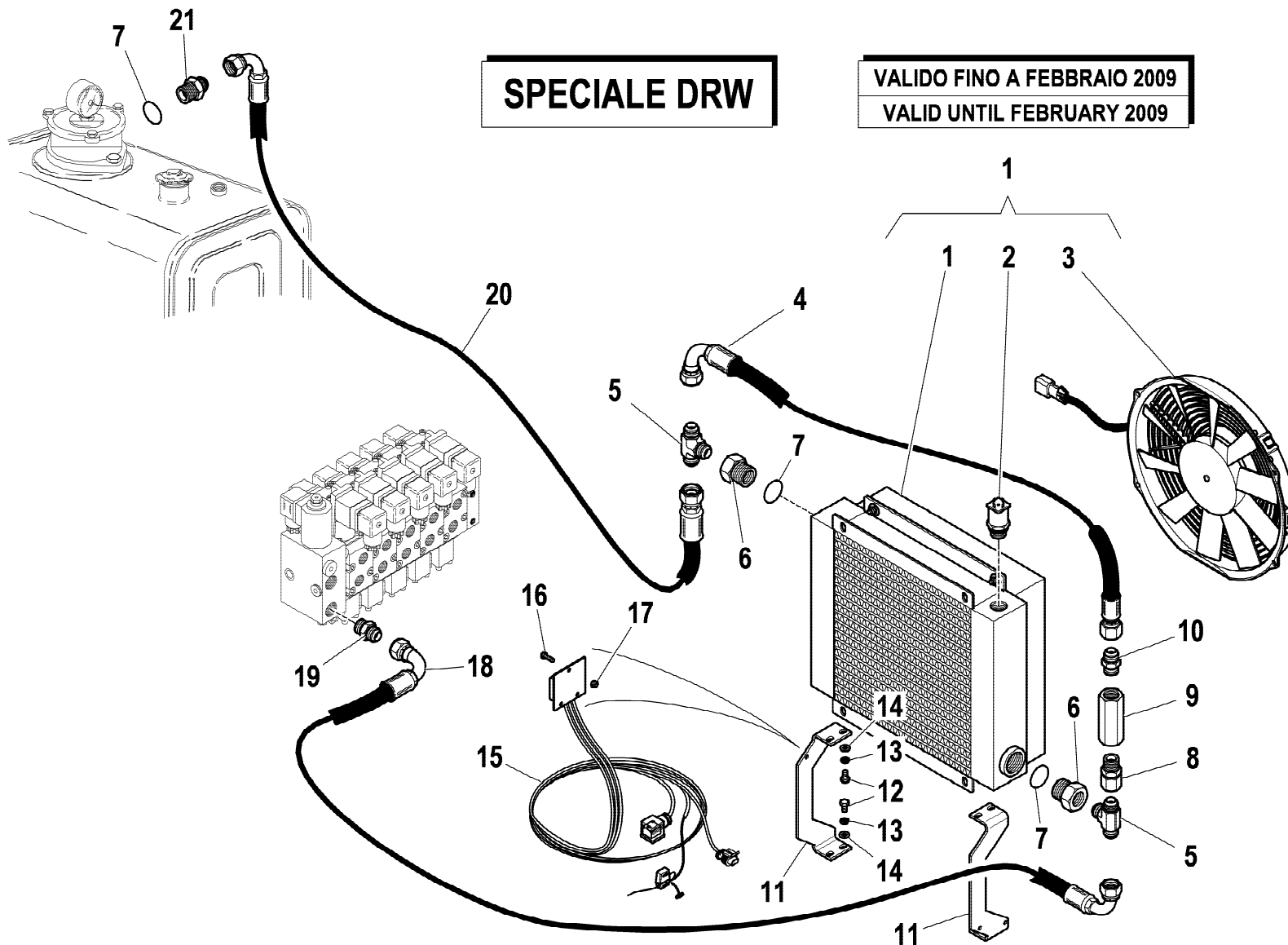


rif.	codice	Q.tà
1	W.438.011	1
2	W.370.002	2
3	3.18.0200	1
4	3.01.0339	2
5	3.06.0006	2
6	3.11.0061	1
7	3.18.0110	1
8	W.44.05.006.00	2
9	3.19.0020	2
10	3.04.0524	4
11	3.11.0070	1
12	5.22.0952	1
13	W.44.05.005.00	2
14	3.01.0027	6
15	3.06.0029	6
16	3.18.0097	1
17	3.18.0147	1
18	3.11.0281	1
19	3.10.1057	1
20	W.605.006	m 0.8
21	3.06.0936	2
22	W.449.015	1
23	W.449.014	1
24	3.11.0065	1
25	3.06.0145	1
26	3.06.0144	1

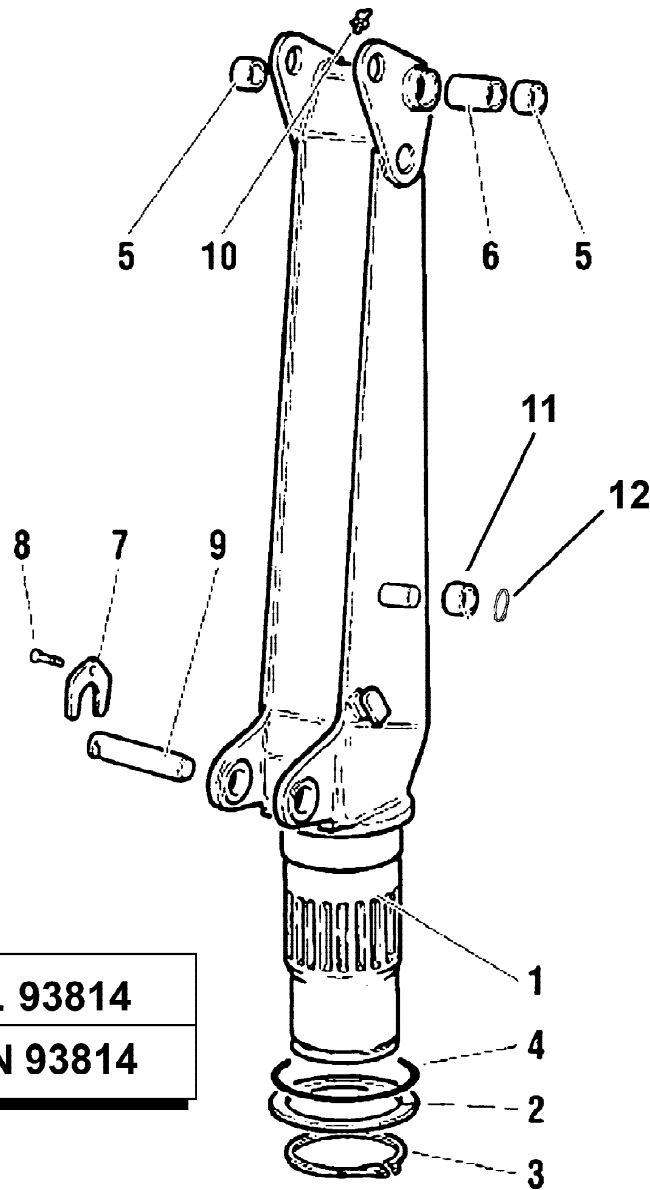
SPECIALE DRW

VALIDO FINO A FEBBRAIO 2009

VALID UNTIL FEBRUARY 2009



rif.	codice	Q.tà
1	5.71.0094	1
2	W.437.101	1
3	5.71.0095	1
4	5.29.0202	1
5	3.12.0355	2
6	3.11.0180	2
7	3.06.0150	3
8	3.12.0333	1
9	W.470.206	1
10	3.10.1056	1
11	W.55.05.008.00	2
12	3.01.0336	4
13	3.06.0055	4
14	3.06.0006	4
15	W.437.005	1
16	3.01.0015	2
17	3.04.0372	2
18	5.29.0079	1
19	3.10.1058	1
20	W.455.897	1
21	3.10.1057	1



VALIDO DA Mat. 93814

VALID FROM S/N 93814

rif.	codice	Q.tà
1	W.56.02.029.00	1
2	W.44.01.010.00	1
3	3.07.0156	1
4	W.360.085	1
5	5.14.0695	2
6	W.56.02.009.00	1
7	W.44.02.010.00	1
8	3.02.0550	1
9	W101.259	1
10	3.08.0016	1
11	5.14.0776	1
12	3.07.0027	1

1/1

HYVA® CRANE

HC151

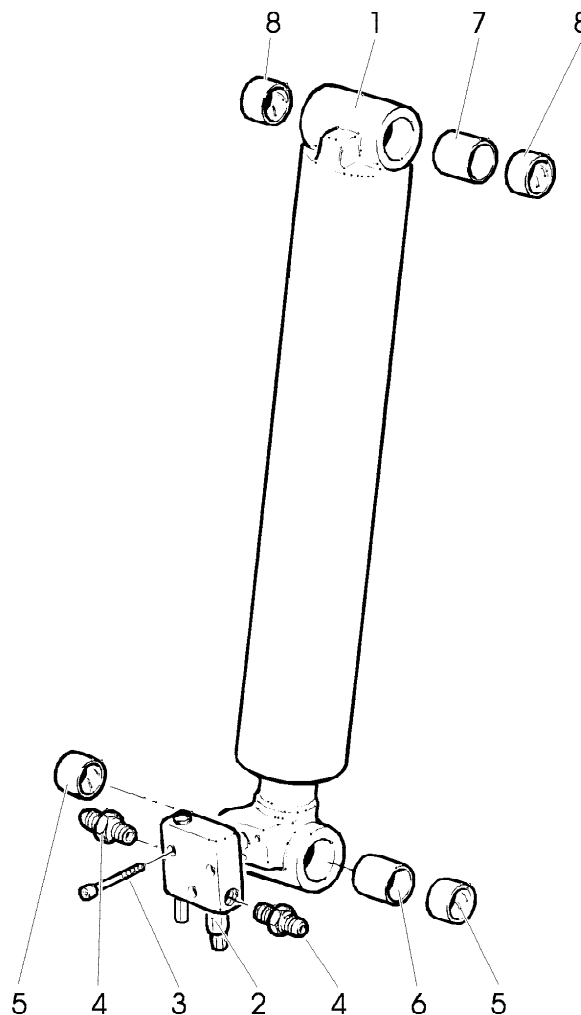
COLONNA
COLUMN
COLONNE
SAEULE
COLUMNNA

Tavola

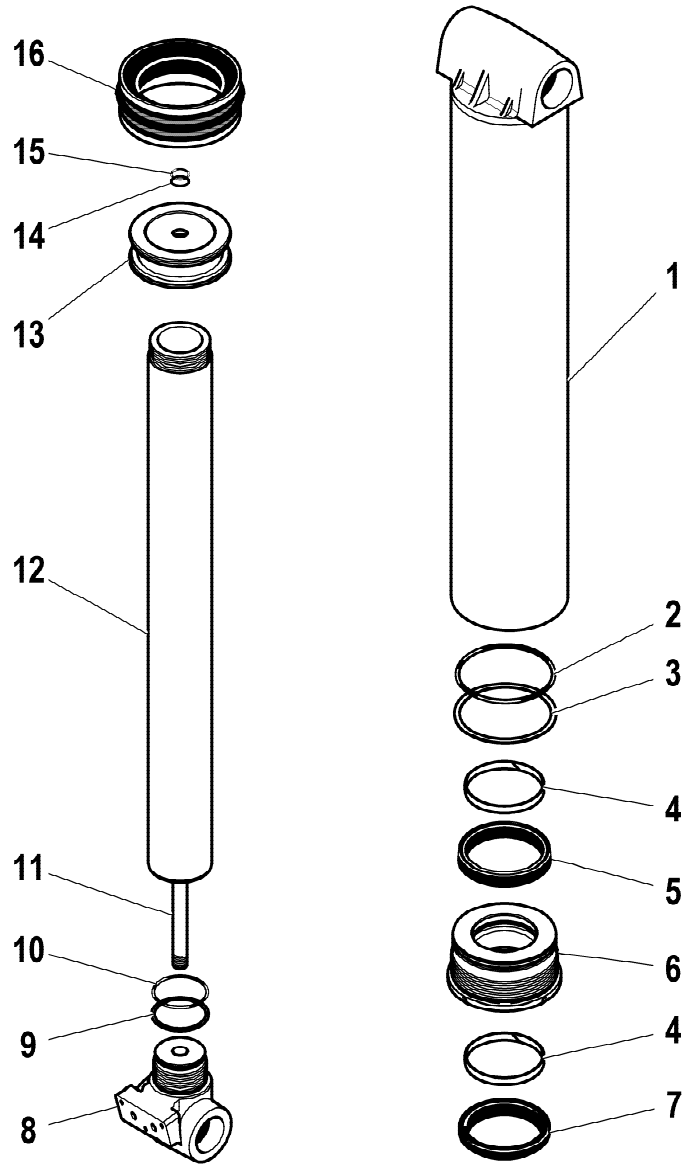
W.056.206-1-0

Data pag.
febbraio 2007 38

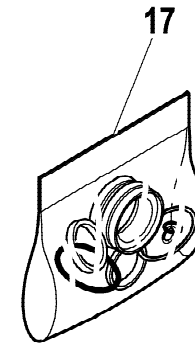
rif.	codice	Q.tà
1	W.56.02.501.00	1
2	W.470.064	1
3	3.02.0045	3
4	3.10.1043	2
5	5.14.0695	2
6	W.44.02.018.00	1
7	W.56.02.012.00	1
8	W.102.158	2



VALIDO DA Mat. 93814
VALID FROM S/N 93814



rif.	codice	Q.tà
1	W.56.02.006.00	1
2	W.360.029	1
3	W.304.033	1
4	W.305.007	2
5	W.358.514	1
6	W.120.079	1
7	W.361.021	1
8	W.56.02.005.00	1
9	W.304.032	1
10	W.360.099	1
11	W.56.02.008.00	1
12	W.56.02.007.00	1
13	W.105.073	1
14	W.304.024	2
15	W.360.002	1
16	W.359.031	1
17	W.365.096	1



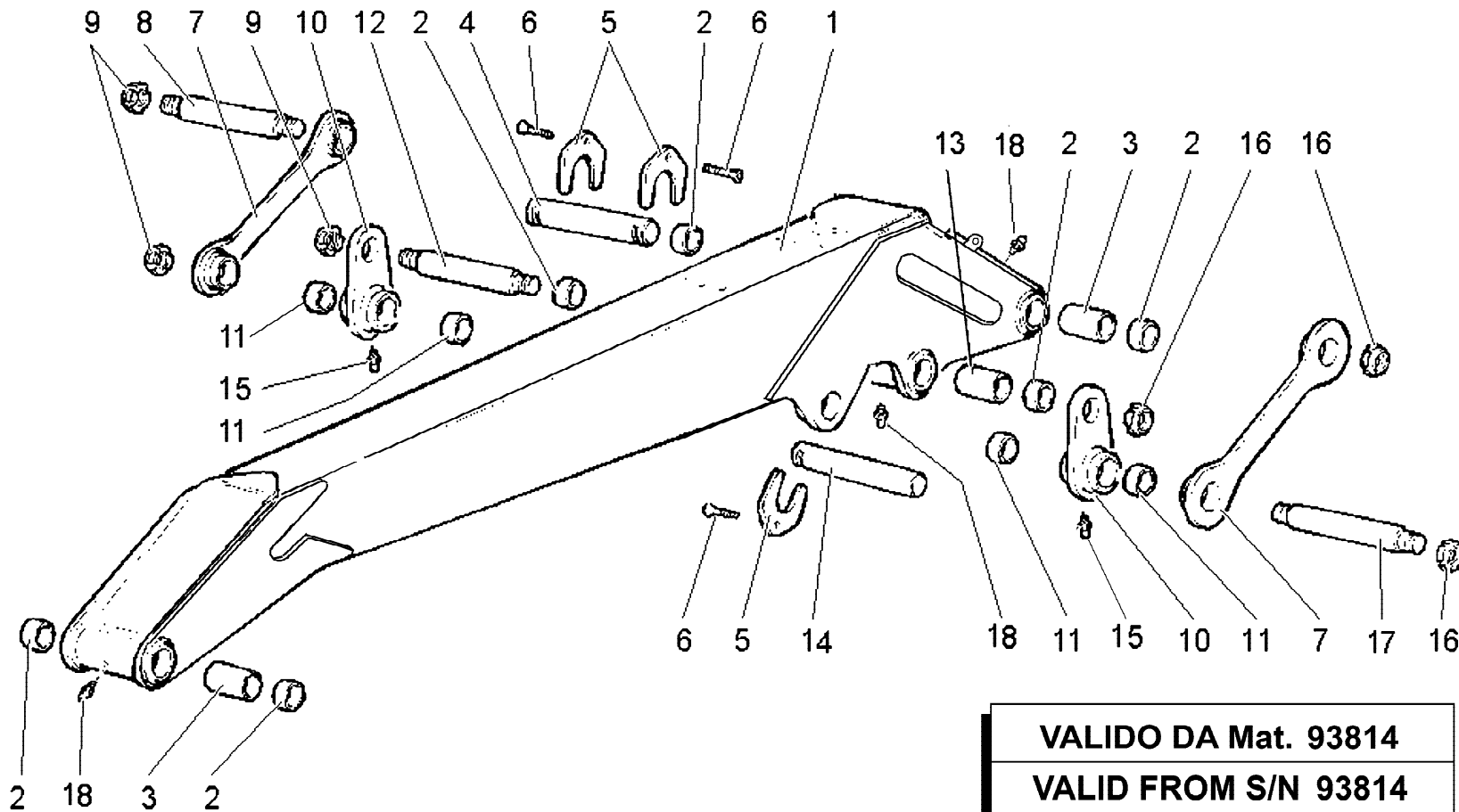
1/1

HYVA[®] CRANE
HC151

MARTINETTO SOLLEVAMENTO
 LIFTING HYDRAULIC CYLINDER
 VERIN DE LEVAGE
 HUBZYLINDER
 GATO DE ELEVACION

Tavola
W.56.02.501.00-1-1

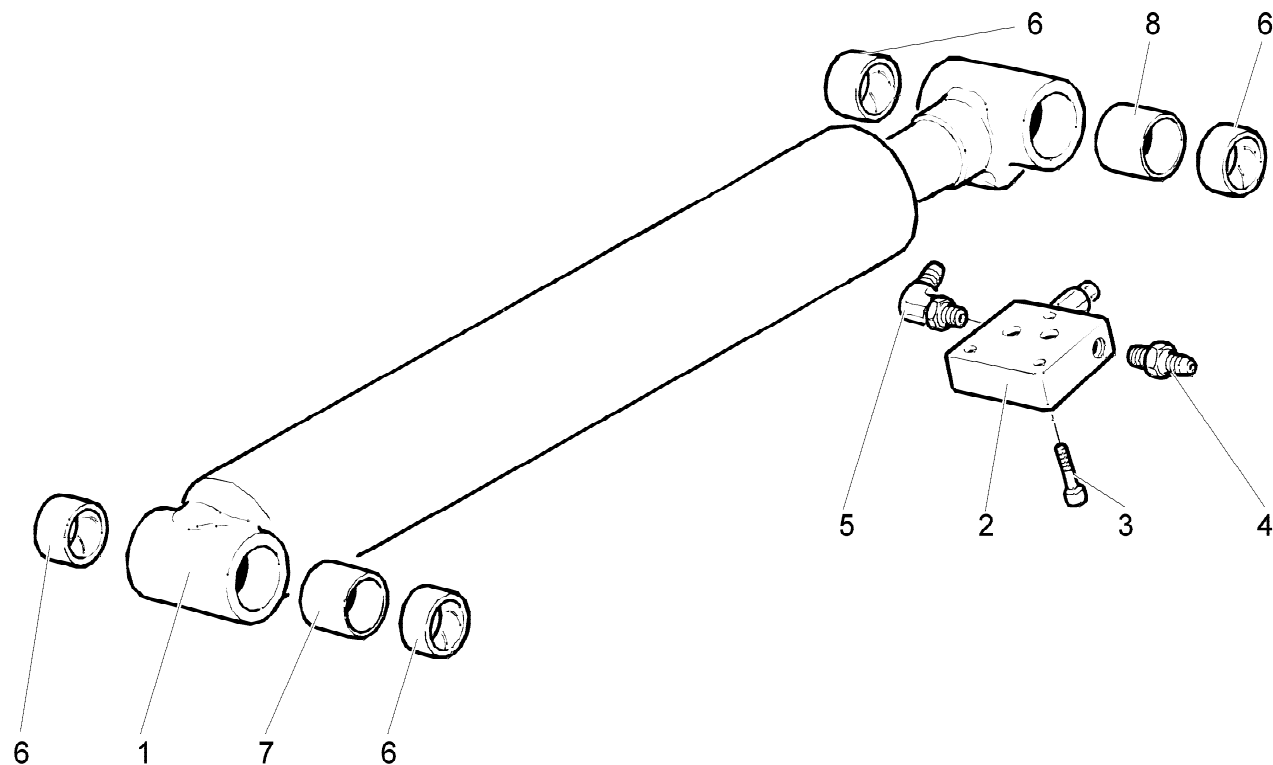
Data pag.
 febbraio 2007 40



rif.	codice	Q.tà
1	W.56.02.027.00	1
2	5.14.0695	6
3	W.56.02.010.00	2
4	W.101.291	1
5	W.44.02.010.00	3
6	3.02.0550	3
7	W.56.02.003.00	2
8	W.101.294	1
9	3.04.0506	4
10	W.56.02.004.00	2
11	W.102.158	4
12	W.101.295	1
13	W.56.02.011.00	1
14	W.101.262	1
15	3.08.0016	2
16	3.04.0508	2
17	W.101.296	1
18	3.08.0533	3

VALIDO DA Mat. 93814
VALID FROM S/N 93814

rif.	codice	Q.tà
1	W.56.03.501.00	1
2	W.470.064	1
3	3.02.0045	3
4	3.10.1043	1
5	3.10.1127	1
6	5.14.0695	4
7	W.56.02.013.00	1
8	W.44.02.019.00	1



1/1

HYVA[®] CRANE

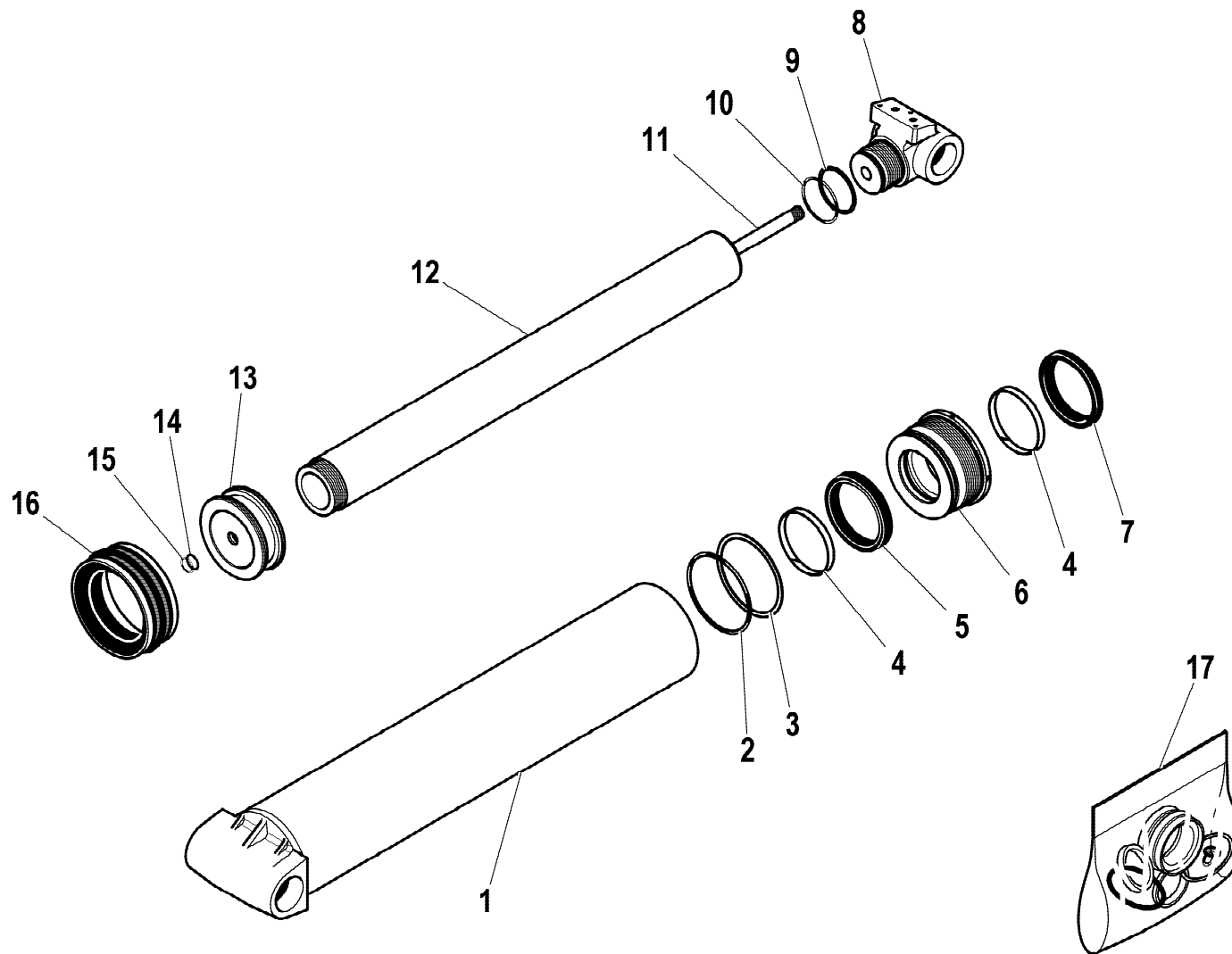
HC151

IMPIANTO IDRAULICO (MARTINETTO ARTICOLAZIONE)
 HYDRAULIC SYSTEM (ARTICULATION HYDRAULIC JACK)
 INSTALLATION HYDRAULIQUE (VERIN D'ARTICULATION)
 HYDRAULIKANLAGE (GELENKSHEBEBOCK)
 INSTALACION HIDRAULICA (GATO ARTICULACION)

W.56.03.507.00-1-1

Data pag.
 marzo 2007 42

Tavola



rif.	codice	Q.tà
1	W.56.03.010.00	1
2	W.360.029	1
3	W.304.033	1
4	W.305.007	2
5	W.358.514	1
6	W.120.079	1
7	W.361.021	1
8	W.56.02.005.00	1
9	W.304.032	1
10	W.360.099	1
11	W.56.03.012.00	1
12	W.56.03.011.00	1
13	W.105.073	1
14	W.304.024	2
15	W.360.002	1
16	W.359.031	1
17	W.365.096	1

1/1

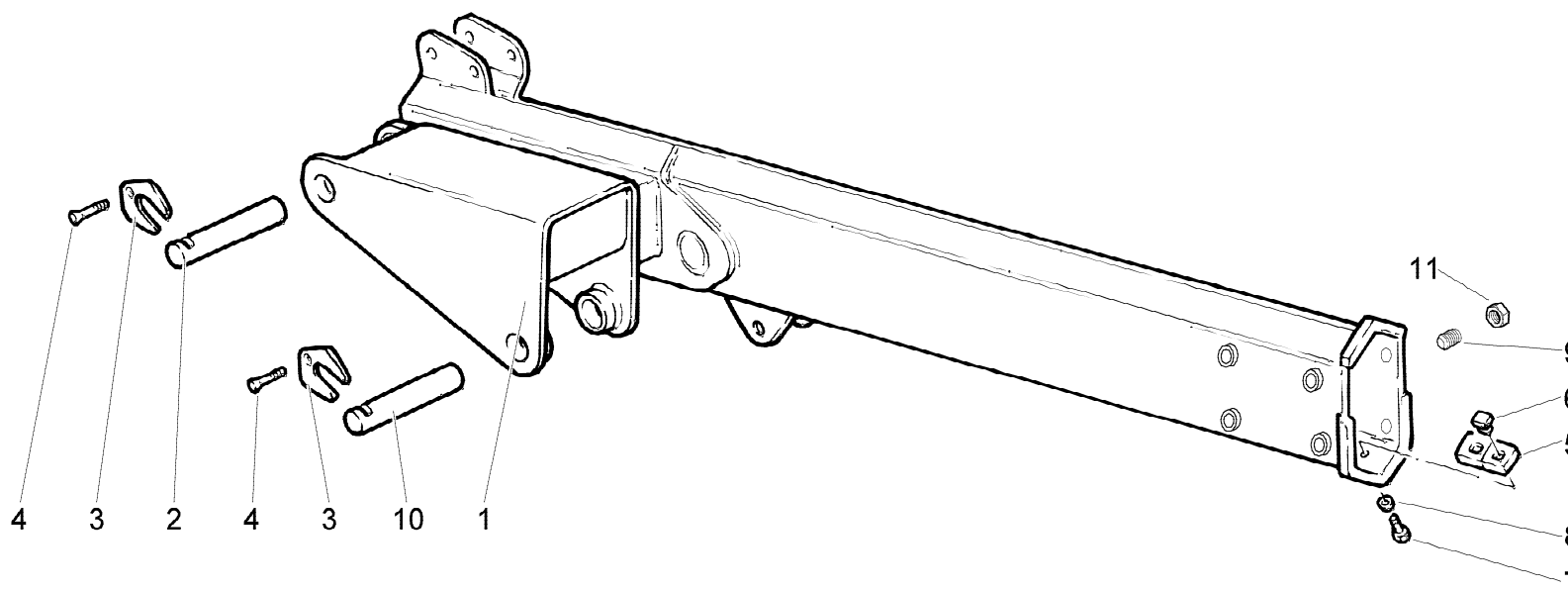
HYVA[®] CRANE
HC151

MARTINETTO ARTICOLAZIONE
 ARTICULATION HYDRAULIC JACK
 VERIN D' ARTICULATION
 GELENKSHEBEBOCK
 GATO DE ARTICULACION

Tavola
W.56.03.501.00-1-1

Data pag.
 dicembre 2007 43

rif.	codice	Q.tà
1	W.56.03.052.00	1
2	W.101.293	1
3	W.44.02.010.00	2
4	3.02.0550	2
5	W.56.03.063.00	2
6	W.27.03.031.00	4
7	3.01.0055	4
8	3.06.0006	4
9	W.42.03.054.00	8
10	W.101.292	1
11	3.04.0251	8



1/1

HYVA[®] CRANE

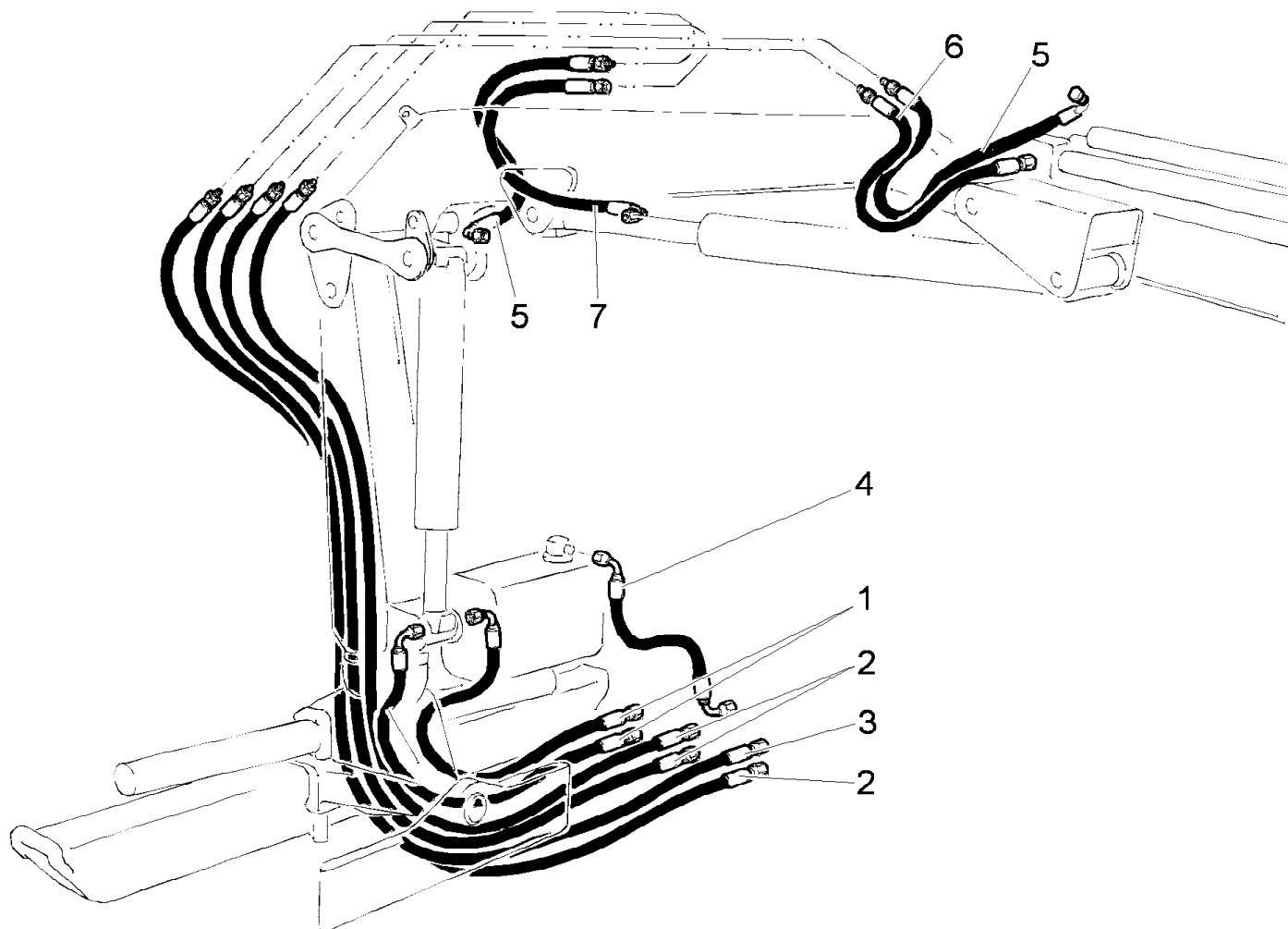
HC151

2° BRACCIO
2ND BOOM
2EME BRAS
2. ARM
2° BRAZO

Tavola
W.056.301-1-3

Data pag.
febbraio 2007 44

rif.	codice	Q.tà
1	W.456.157	2
2	W.456.766	3
3	W.456.807	1
4	5.29.0236	1
5	W.456.408	2
6	5.28.0883	1
7	W.456.413	1



1/1

HYVA® CRANE

HC151

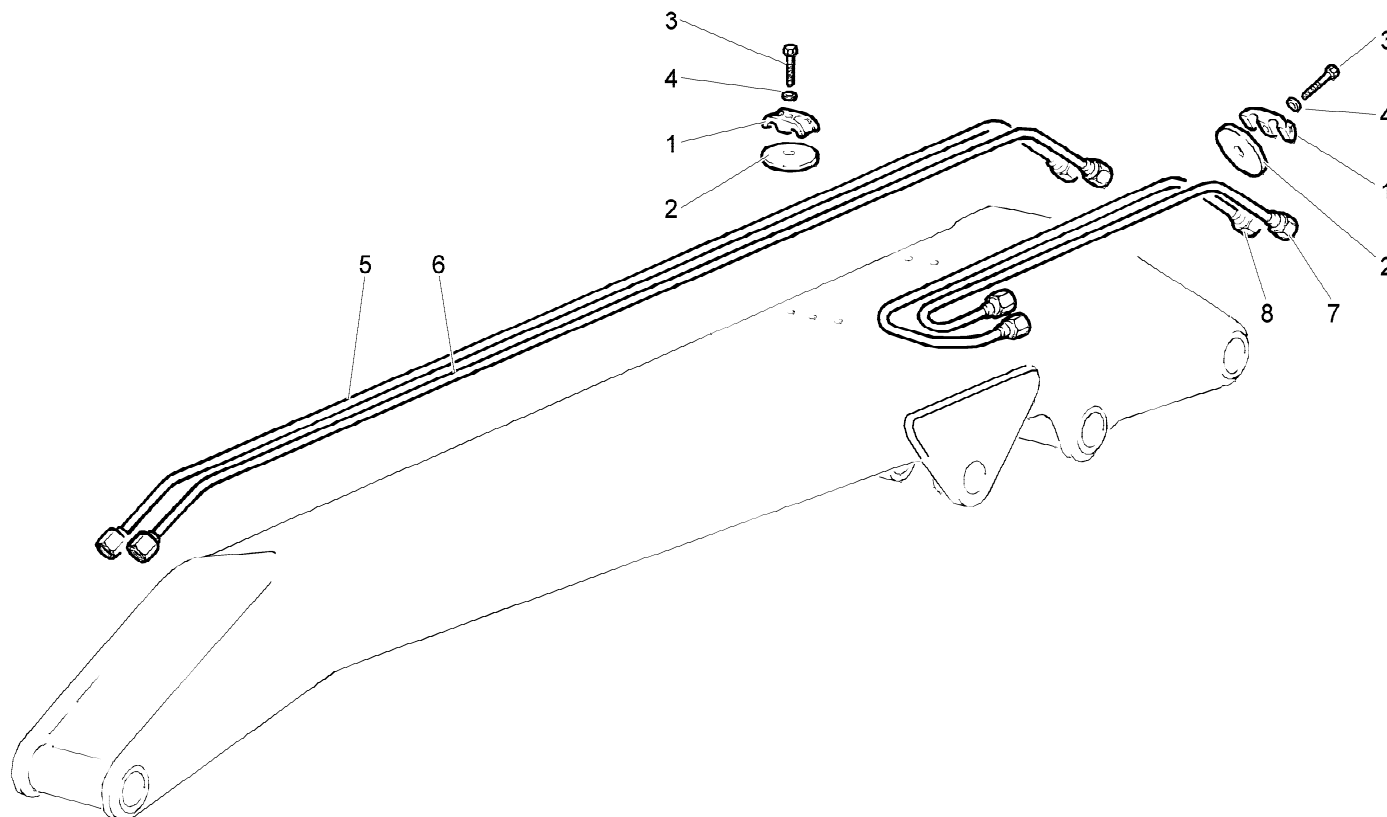
SERIE TUBI FLESSIBILI
 SET OF HOSES
 JEU DE TOYAUX FLEXIBLES
 SCHLAUCHSATZ
 SERIE DE TUBOS FLEXIBLE

W.444.173.RGN-1-0

Tavola

Data pag.
 settembre 2008 45

rif.	codice	Q.tà
1	W.128.006	5
2	W.34.05.014.00	5
3	3.01.0031	5
4	W.695.007	5
5	W.56.02.014.00	1
6	W.56.02.015.00	1
7	W.56.02.016.00	1
8	W.56.02.017.00	1
9	W.128.015	3
10	W.34.05.013.00	5



1/1

HYVA[®] CRANE

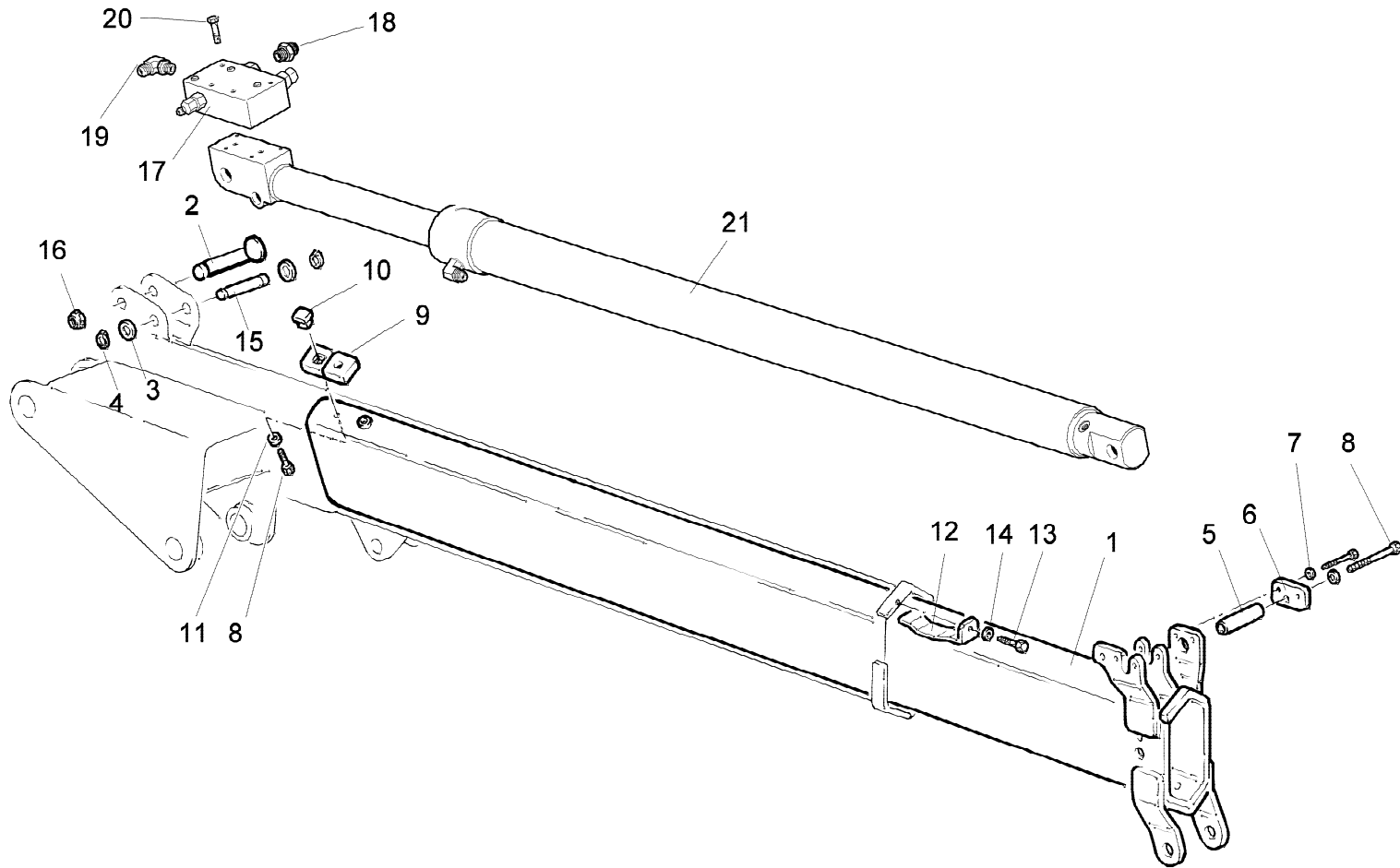
HC151

IMPIANTO IDRAULICO (1° E 2° BRACCIO)
 HYDRAULIC SYSTEM (1TH E 2ND BOOM)
 INSTALLATION HYDRAULIQUE (1ERE ET 2EME BRAS)
 HYDRAULIKANLAGE (1TEN UNT 2.TEN GELENKARM)
 INSTALACION HIDRAULICA (1° Y 2° BRAZO)

Tavola

W.056.504-1-1

Data pag.
 febbraio 2007 46



rif.	codice	Q.tà
1	W.56.03.054.00	1
2	W.101.297	1
3	3.07.0017	2
4	3.06.0012	2
5	W.101.258	1
6	W.44.03.022.00	1
7	W.694.003	3
8	3.01.0337	3
9	W.56.03.075.00	2
10	W.27.03.031.00	2
11	3.06.0055	2
12	W.56.03.045.00	2
13	3.02.0034	2
14	3.06.0005	2
15	W.101.242	1
16	3.04.0502	1
17	W.470.070	1
18	3.10.1044	1
19	3.10.1131	1
20	3.01.0037	4
21	W.56.03.508.00	1

1/1

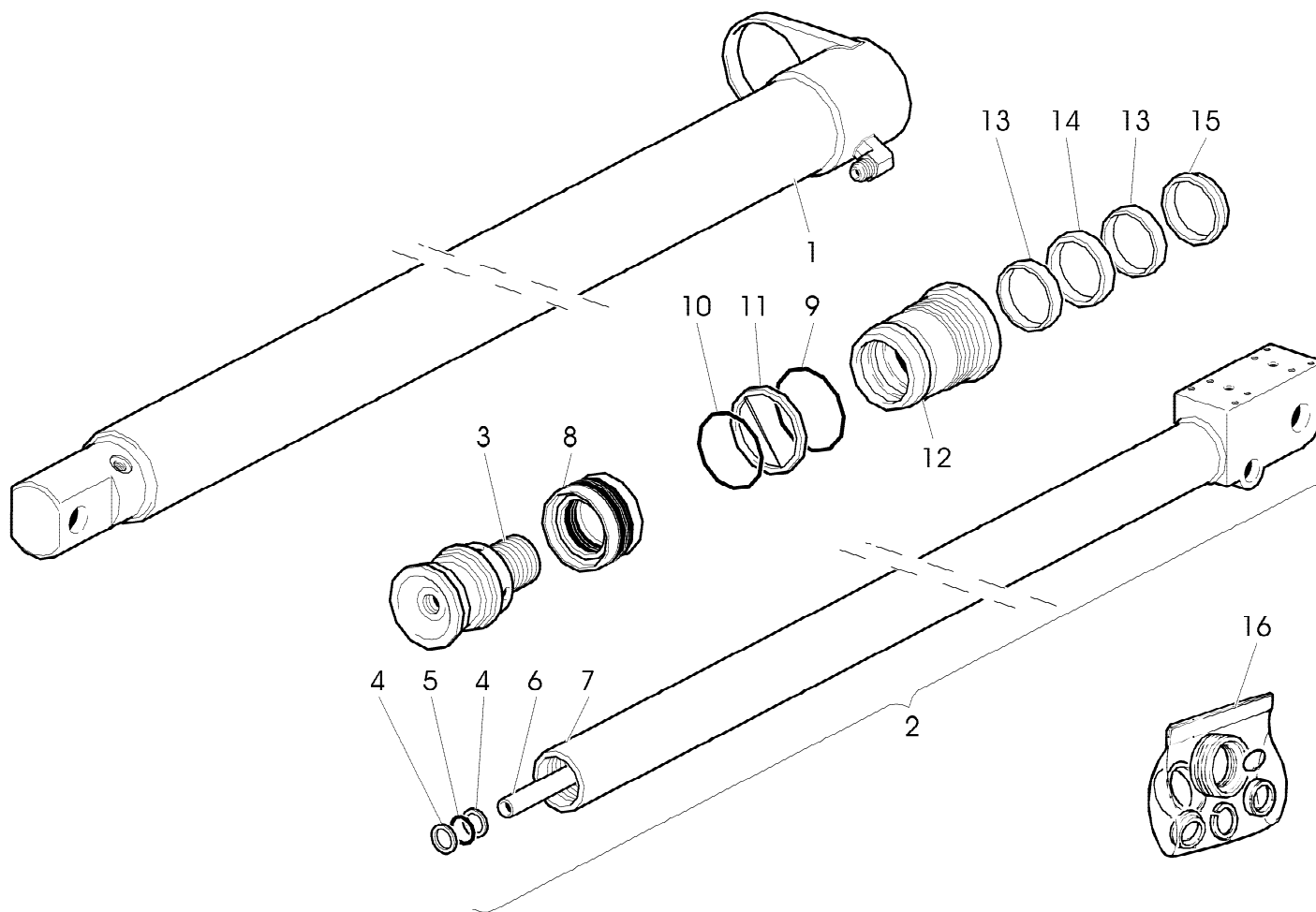
HYVA® CRANE
HC151

1° SFILLO
 1ST EXTENSION
 1ERE RALLONGE
 1. VERLAENGERUNG
 1°PROLONGACION

Tavola
W.056.302-1-3

Data pag.
 febbraio 2007 47

rif.	codice	Q.tà
1	W.56.03.050.00	1
2	W.56.03.049.00	1
3	W.56.03.049.01	1
4	W.304.006	2
5	W.360.018	1
6	W.56.03.049.04	1
7	W.56.03.049.03	1
8	W.359.039	1
9	W.360.101	1
10	W.360.113	1
11	W.304.041	1
12	W.120.096	1
13	W.305.005	2
14	W.358.023	1
15	W.361.018	1
16	W.365.120	1



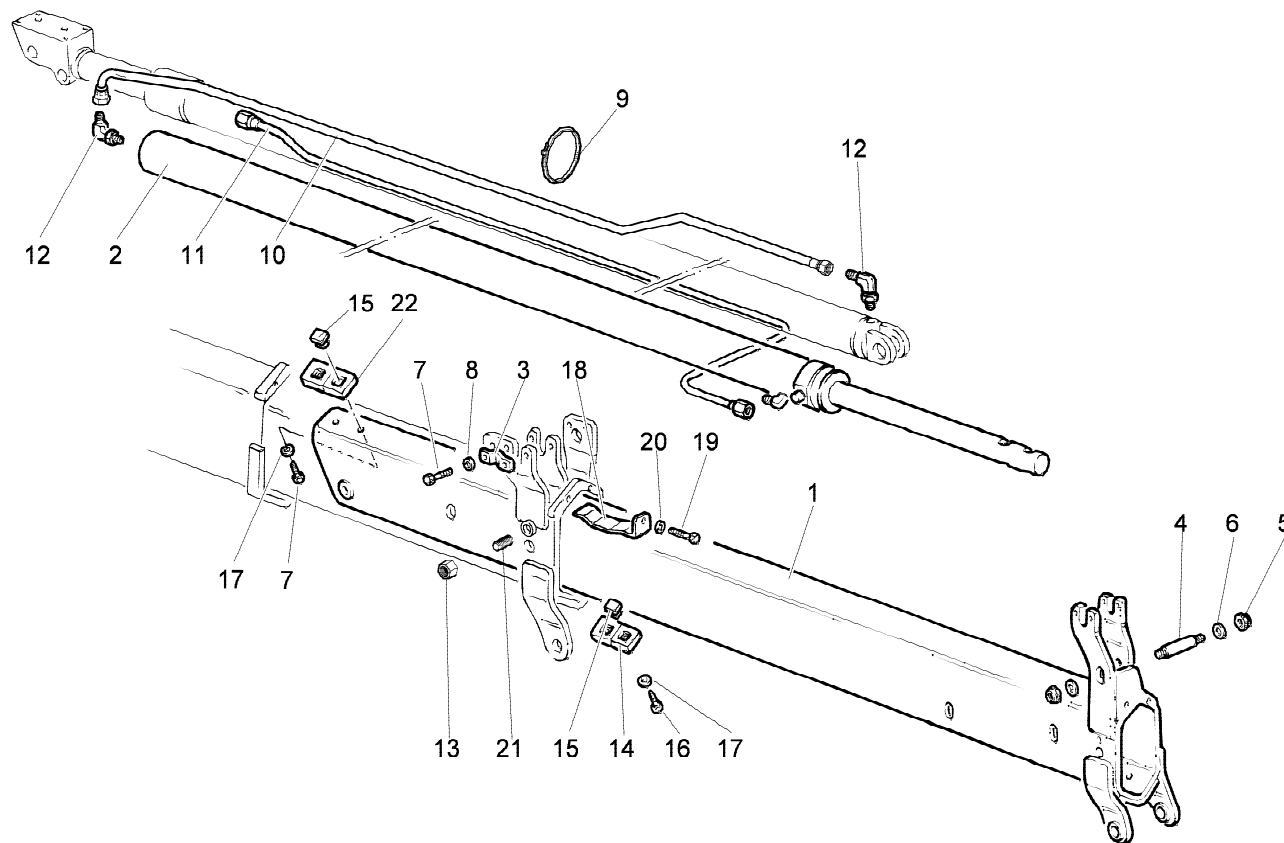
1/1

HYVA® CRANE
HC151

MARTINETTO 1° SFILLO
 1ST EXSTENSION HYDRAULIC
 VÉRIN 1ÈRE RALLONGE
 1. SCHUBZYLINDER
 GATO 1ª EXTENSIÓN

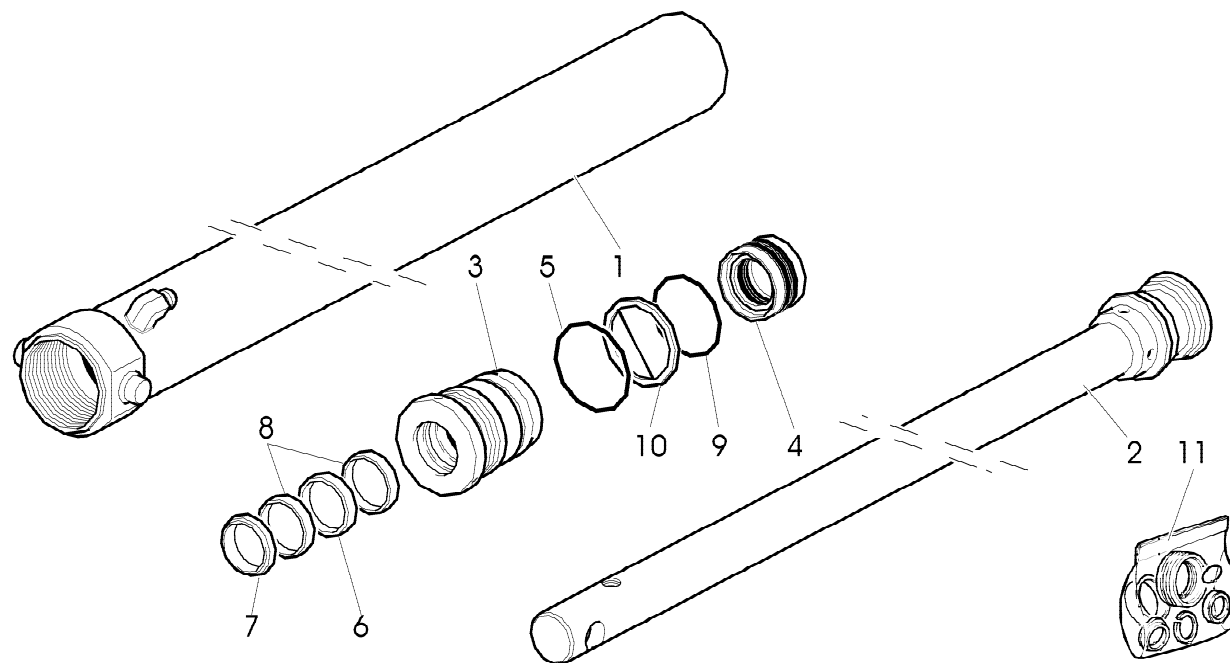
Tavola
W.56.03.508.00-1-0

Data pag.
 febbraio 2007 48



rif.	codice	Q.tà
1	W.56.03.055.00	1
2	W.56.03.509.00	1
3	W.44.03.030.00	1
4	W.101.301	1
5	3.04.0498	2
6	3.06.0010	2
7	3.01.0337	6
8	3.06.0055	2
9	3.19.0023	1
10	W.57.03.004.00	1
11	W.56.03.031.00	1
12	3.10.1127	2
13	3.04.0086	2
14	W.44.03.043.00	2
15	W.27.03.031.00	8
16	3.01.0336	4
17	3.06.0029	6
18	W.56.03.045.00	2
19	3.02.0034	2
20	3.06.0005	2
21	W.43.06.020.00	2
22	W.56.03.076.00	2

rif.	codice	Q.tà
1	W.56.03.016.00	1
2	W.56.03.051.00	1
3	W.120.097	1
4	W.359.017	1
5	W.360.096	1
6	W.358.036	1
7	W.361.016	1
8	W.305.004	2
9	W.360.087	1
10	W.304.027	1
11	W.365.121	1



1/1

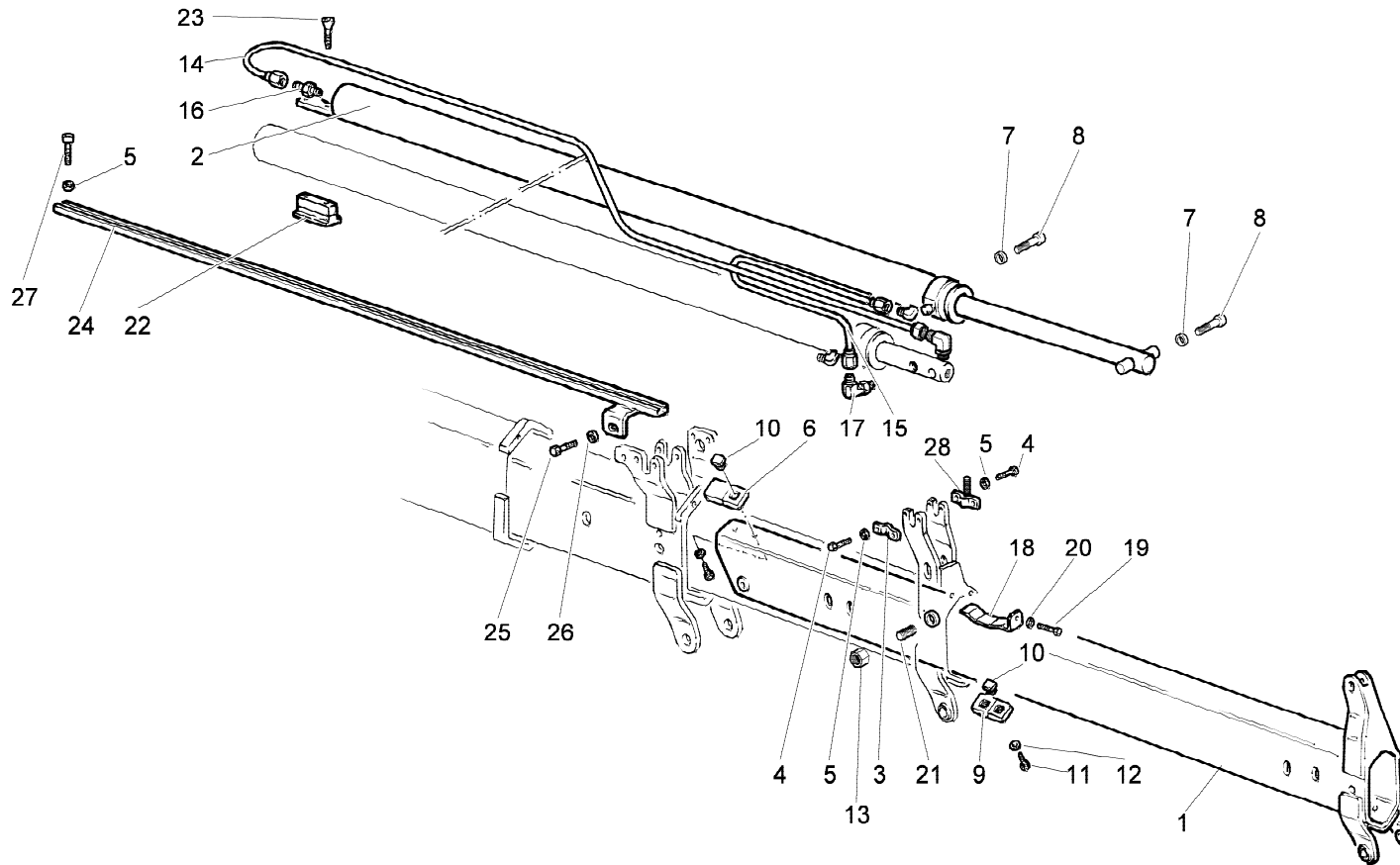
HYVA[®] CRANE

HC151

MARTINETTO 2° SFILLO
 2ND EXTENSION HYDRAULIC JACK
 VÉRIN 2ÉME RALLONGE
 2. SCHUBZYLINDER
 GATO 2ª EXTENSIÓN

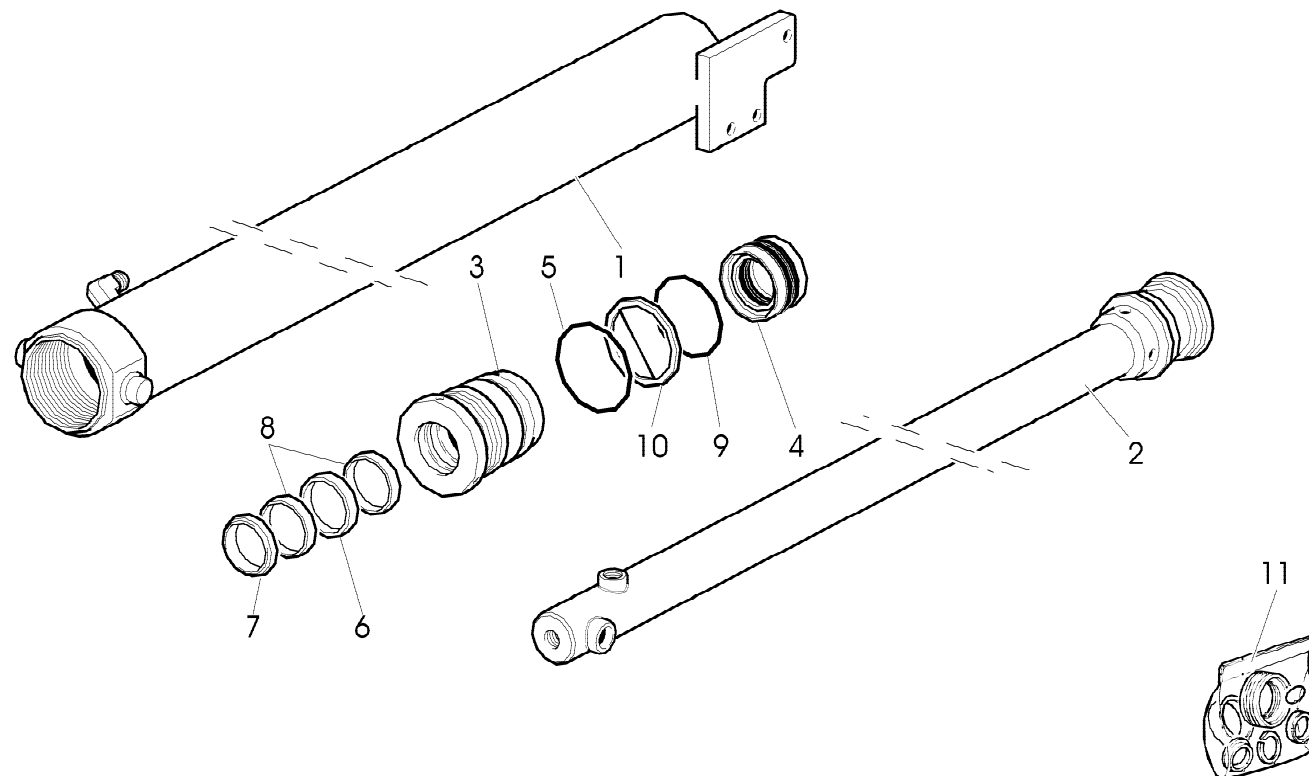
W.56.03.509.00-1-0

Tavola
 Data pag.
 febbraio 2007 50



rif.	codice	Q.tà
1	W.56.03.056.00	1
2	W.56.03.504.00	1
3	W.44.03.030.00	2
4	3.01.0337	4
5	3.06.0055	5
6	W.56.03.061.00	2
7	W.56.03.044.00	4
8	3.02.0436	4
9	W.44.03.045.00	2
10	W.27.03.031.00	6
11	3.01.0336	6
12	3.06.0029	6
13	3.04.0086	2
14	W.56.03.085.00	1
15	W.56.03.034.00	1
16	3.10.1043	1
17	3.10.1127	2
18	W.56.03.045.00	2
19	3.02.0034	2
20	3.06.0005	2
21	W.43.06.020.00	2
22	W.44.03.052.00	1
23	3.02.0907	2
24	W.56.03.040.00	1
25	3.01.0353	1
26	3.06.0056	1
27	3.02.0051	1
28	W.56.03.039.00	1

rif.	codice	Q.tà
1	W.56.03.017.00	1
2	W.56.03.018.00	1
3	W.120.082	1
4	W.359.016	1
5	W.360.099	1
6	W.358.021	1
7	W.361.014	1
8	W.305.014	2
9	W.360.024	1
10	W.304.015	1
11	W.365.099	1



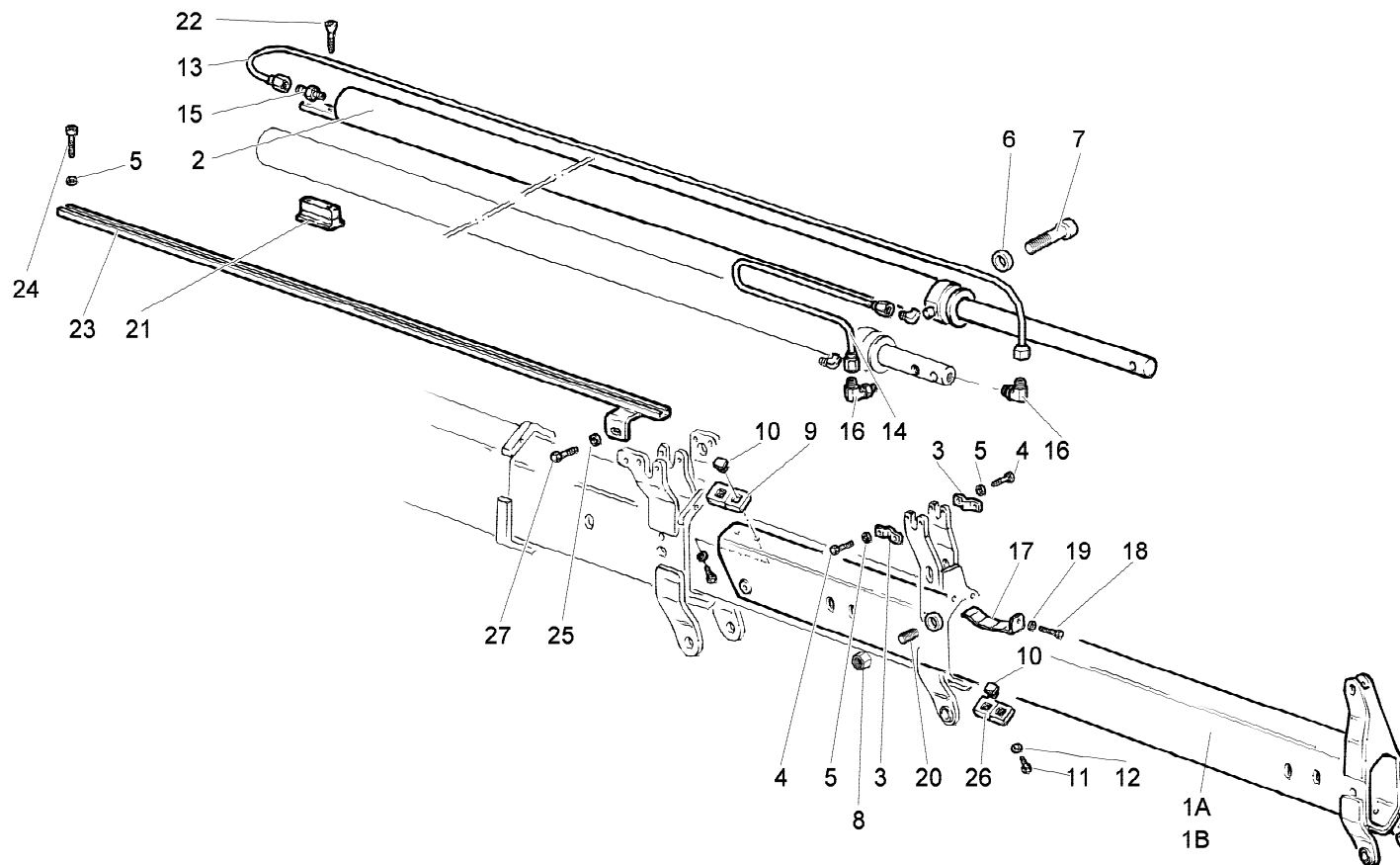
1/1

HYVA[®] CRANE
HC151

MARTINETTO 3° SFILLO
 3RD EXTENSION HYDRAULIC JACK
 VÉRIN 3ÈME RALLONGE
 3. SCHUBZYLINDER
 GATO 3ª EXTENSIÓN

Tavola
W.56.03.504.00-1-0

Data pag.
 febbraio 2007 52



rif.	codice	Q.tà
1 A	W.56.03.057.00	1
1 B	W.56.03.059.00	1
2	W.56.03.505.00	1
3	W.44.03.030.00	4
4	3.01.0337	4
5	3.06.0055	5
6	W.56.03.044.00	4
7	3.02.0436	4
8	3.04.0086	2
9	W.56.03.060.00	2
10	W.27.03.031.00	8
11	3.01.0336	8
12	3.06.0029	8
13	W.56.03.086.00	1
14	W.56.03.037.00	1
15	3.10.1043	1
16	3.10.1127	2
17	W.56.03.045.00	2
18	3.02.0034	2
19	3.06.0005	2
20	W.43.06.020.00	2
21	W.44.03.052.00	1
22	3.02.0907	2
23	W.56.03.041.00	1
24	3.02.0051	1
25	3.06.0056	1
26	W.56.03.062.00	2
27	3.01.0353	1

1/1

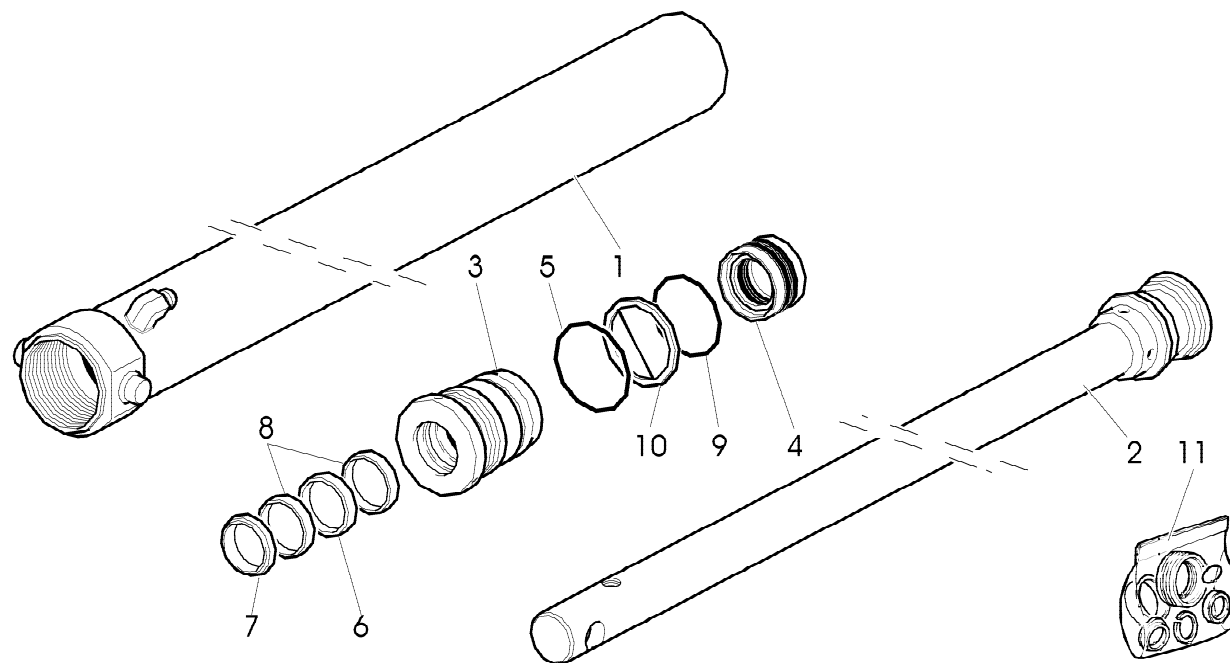
HYVA[®] CRANE
HC151

4° SFILLO
 4TH EXTENSION
 4EME RALLONGE
 4. VERLAENGERUNG
 4° PROLONGACION

Tavola
W.56.03.512.00-1-3

Data pag.
 marzo 2007 53

rif.	codice	Q.tà
1	W.56.03.019.00	1
2	W.56.03.020.00	1
3	W.120.082	1
4	W.359.016	1
5	W.360.099	1
6	W.358.021	1
7	W.361.014	1
8	W.305.014	2
9	W.360.024	1
10	W.304.015	1
11	W.365.099	1



1/1

HYVA[®] CRANE

HC151

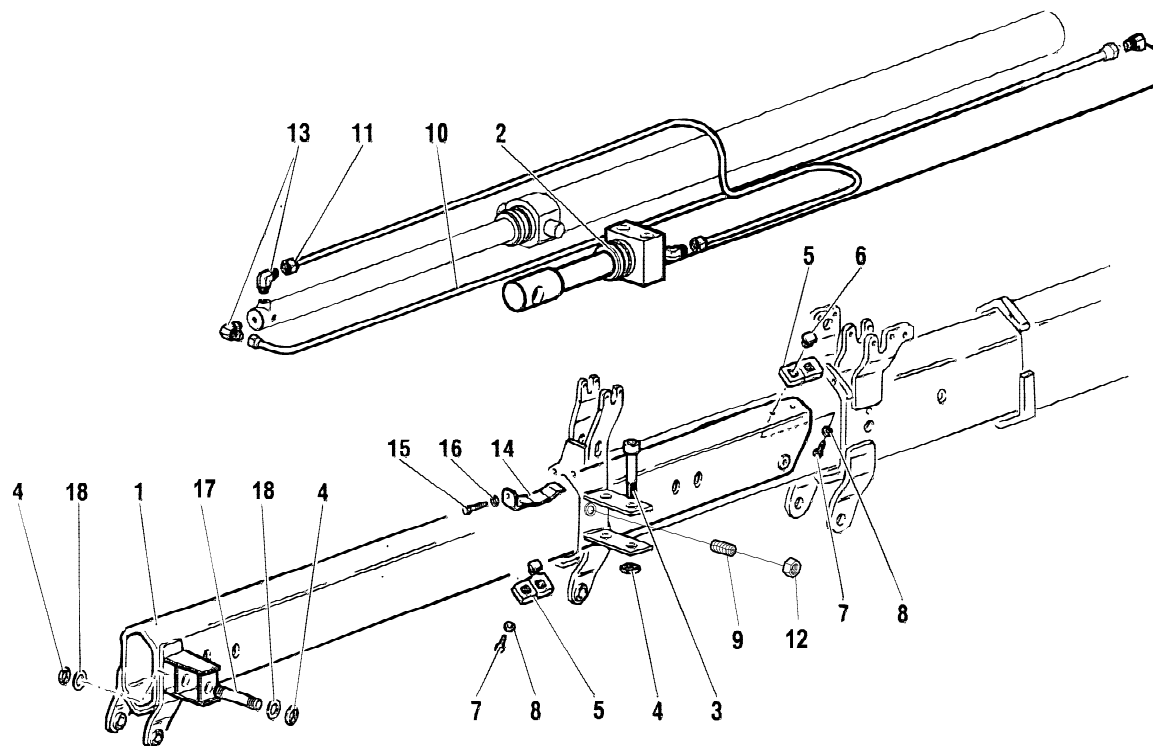
MARTINETTO 4° SFILLO
 4TH EXTENSION HYDRAULIC JACK
 VÉRIN 4ÈME RALLONGE
 4. SCHUBZYLINDER
 GATO 4ª EXTENSIÓN

W.56.03.505.00-1-0

Tavola

Data pag.
 febbraio 2007 54

rif.	codice	Q.tà
1	W.56.03.058.00	1
2	W.56.03.506.00	1
3	3.02.0316	2
4	3.04.0309	4
5	W.56.03.062.00	4
6	W.27.03.031.00	8
7	3.01.0336	8
8	3.06.0029	8
9	W.43.06.020.00	2
10	W.56.03.087.00	1
11	W.56.03.038.00	1
12	3.04.0086	2
13	3.10.1127	2
14	W.56.03.045.00	2
15	3.02.0034	2
16	3.06.0005	2
17	W.101.281	1
18	3.06.0010	2



1/1

HYVA® CRANE

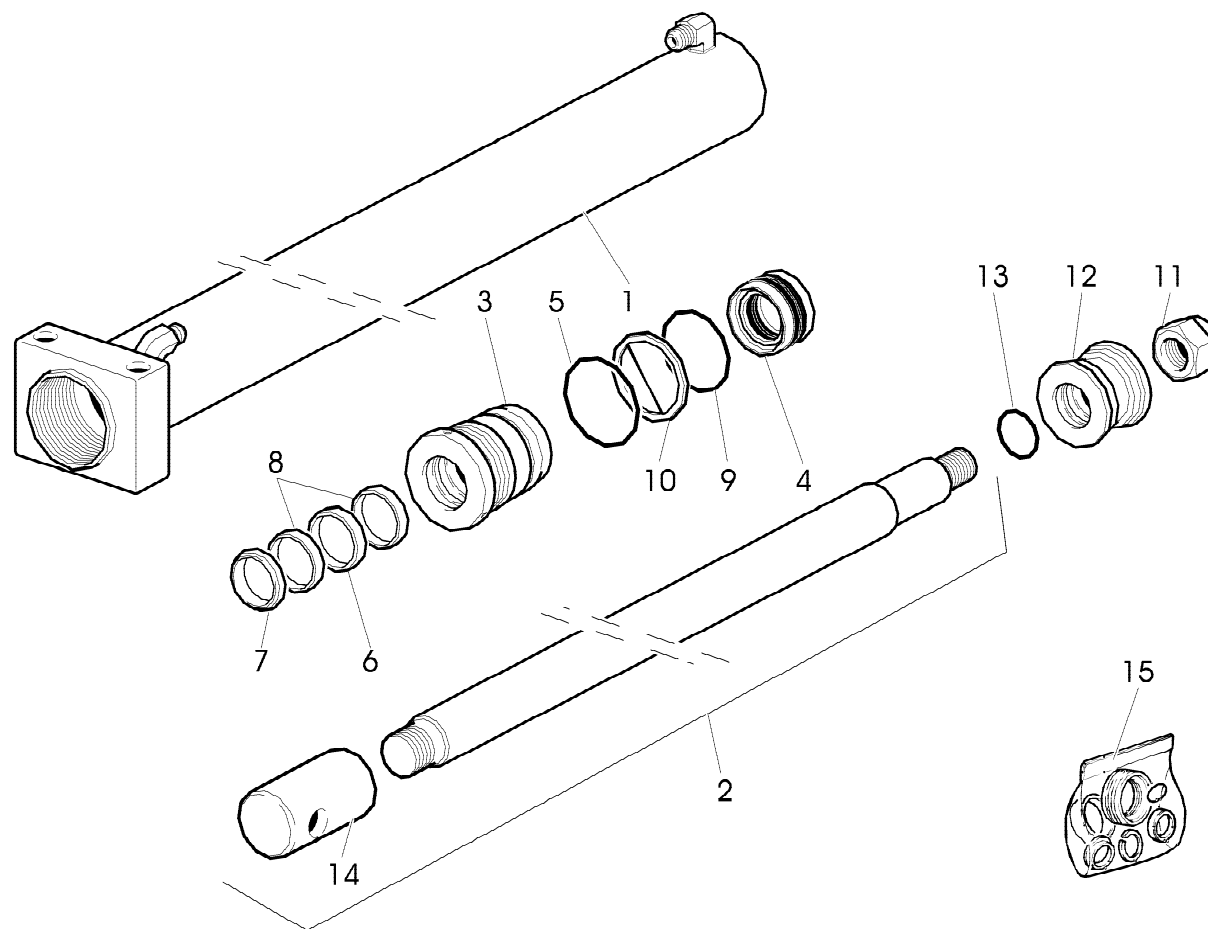
HC151

5° SFILO
5TH EXTENSION
5EME RALLONGE
5. VERLAENGERUNG
5° PROLONGACION

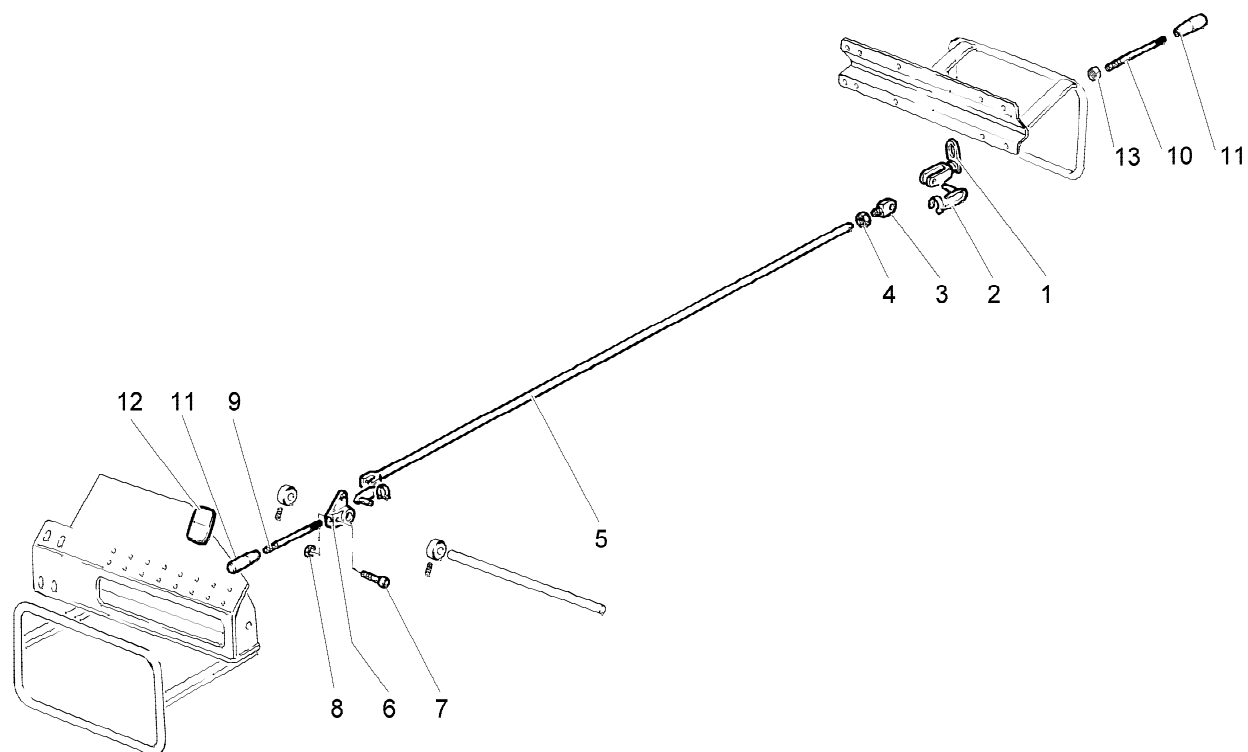
Tavola
W.56.03.513.00-1-3

Data pag.
marzo 2007 55

rif.	codice	Q.tà
1	W.56.03.021.00	1
2	W.56.03.022.00	1
3	W.120.083	1
4	W.359.015	1
5	W.360.095	1
6	W.358.002	1
7	W.361.012	1
8	W.305.003	2
9	W.360.023	1
10	W.304.003	1
11	3.04.0322	1
12	W.105.021	1
13	W.360.019	1
14	W.56.03.022.01	1
15	W.365.100	1



rif.	codice	Q.tà
1	W.33.05.008.00	1
2	3.30.0451	2
3	W.01.05.036.00	1
4	3.04.0081	1
5	W.27.05.095.00	1
6	W.27.05.090.00	1
7	3.02.0021	1
8	3.04.0393	1
9	W.44.05.017.00	1
10	W.338.802	1
11	W.664.003	2
12	W.573.272	2
13	3.04.0040	1



1/1

HYVA® CRANE

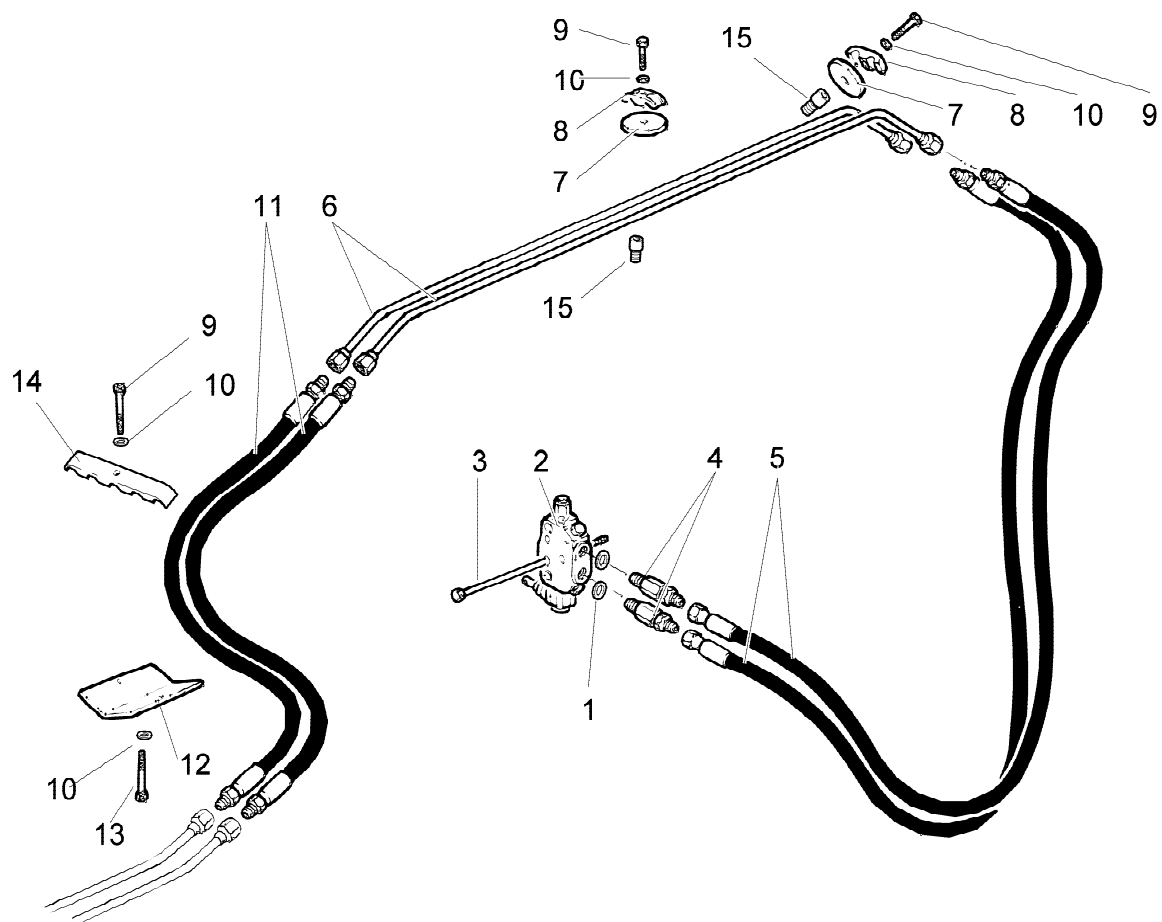
HC151

COMANDI (6° ELEMENTO)
 CONTROLS (6TH ELEMENT)
 COMMANDES (6E ELEMENT)
 STEUERUGEN (6. ELEMENT)
 MANDOS (6° ELEMENTO)

Tavola
W.56.05.513.00-1-2

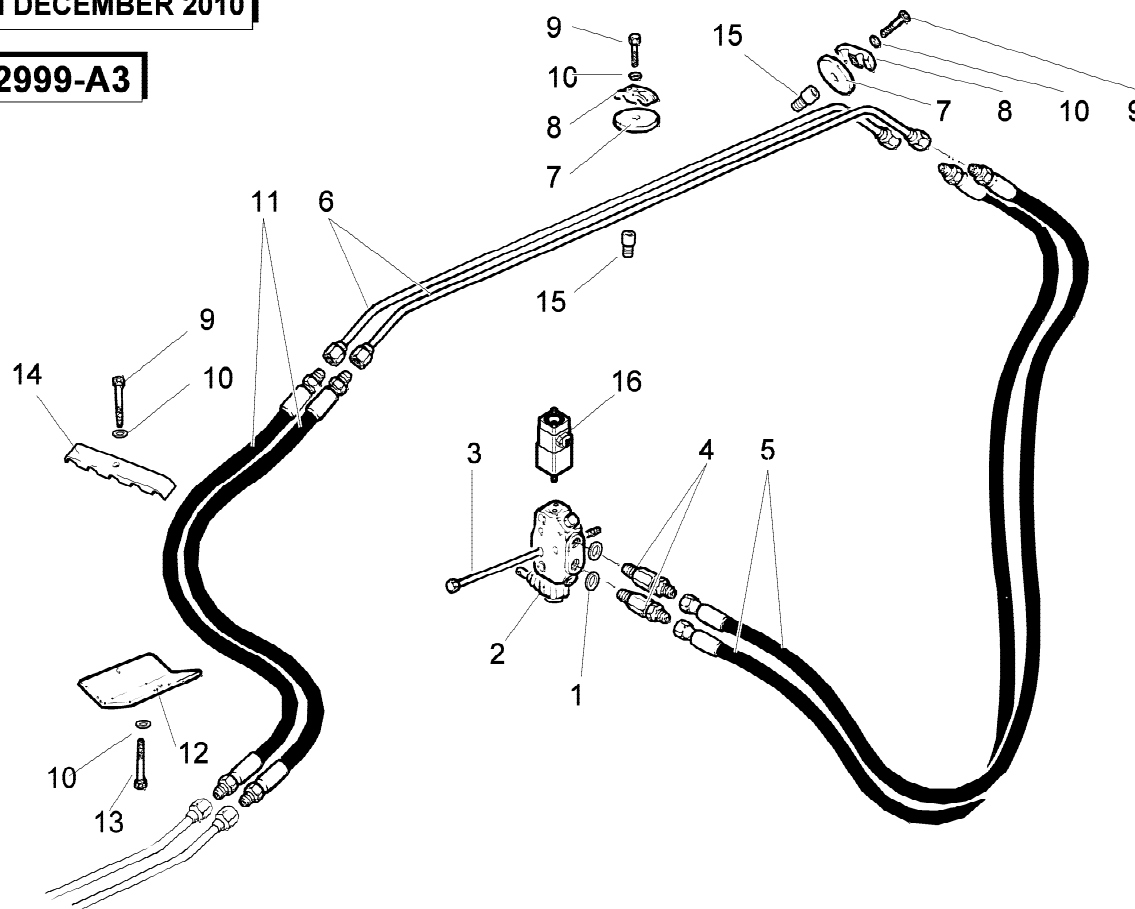
Data pag.
 dicembre 2008 57

rif.	codice	Q.tà
1	W.432.003	2
2	W.HC0610	1
3	W.HC0650	3
4	W.402.109	2
5	W.456.766	2
6	W.56.02.014.00	2
7	W.34.05.014.00	3
8	W.128.006	3
9	3.01.0031	4
10	3.06.0006	5
11	W.456.603	2
12	W.44.05.012.00	1
13	3.01.0027	2
14	W.128.030	1
15	W.34.05.013.00	3

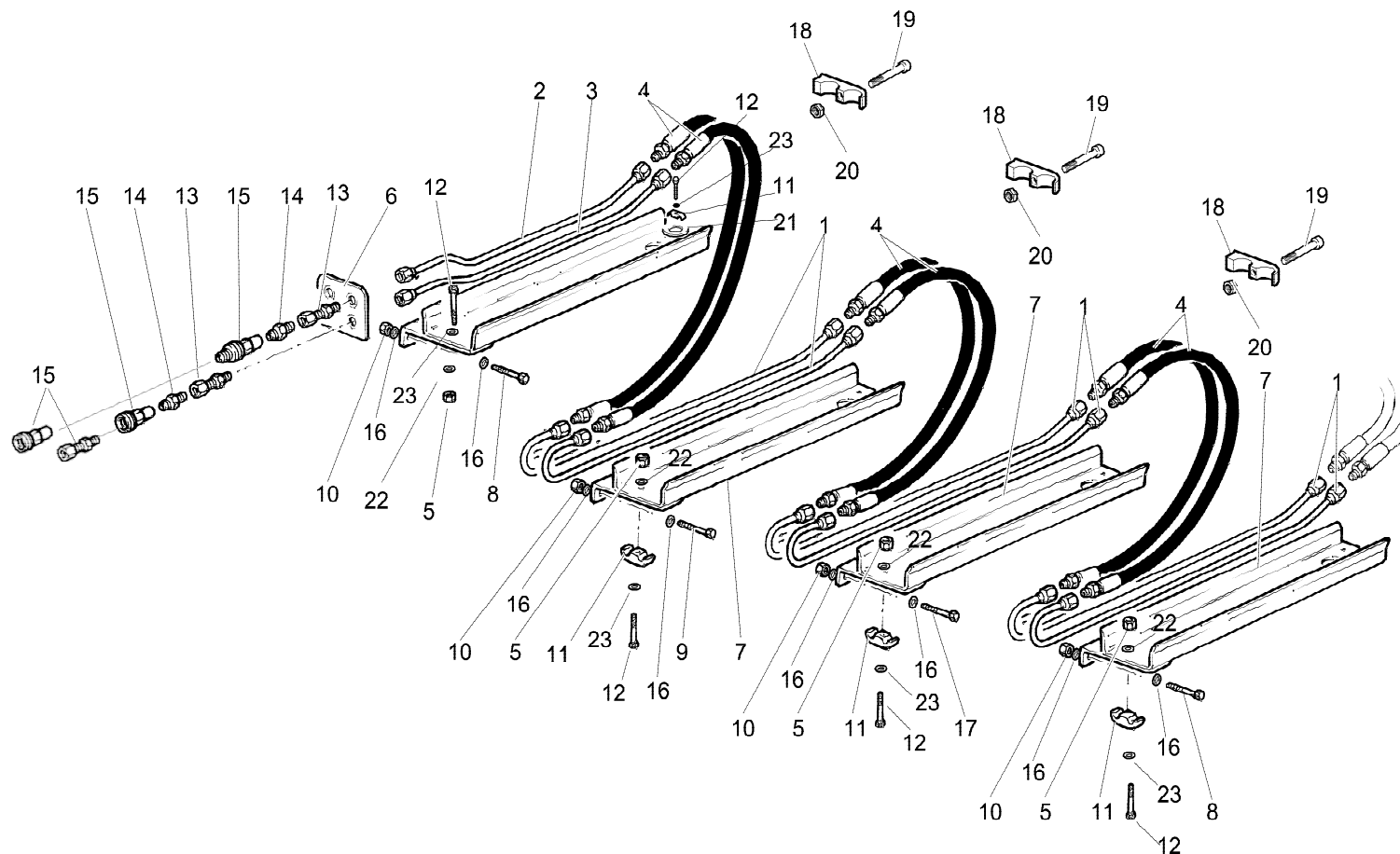


VALIDO DA DICEMBRE 2010
 VALID FROM DECEMBER 2010

EN 12999-A3

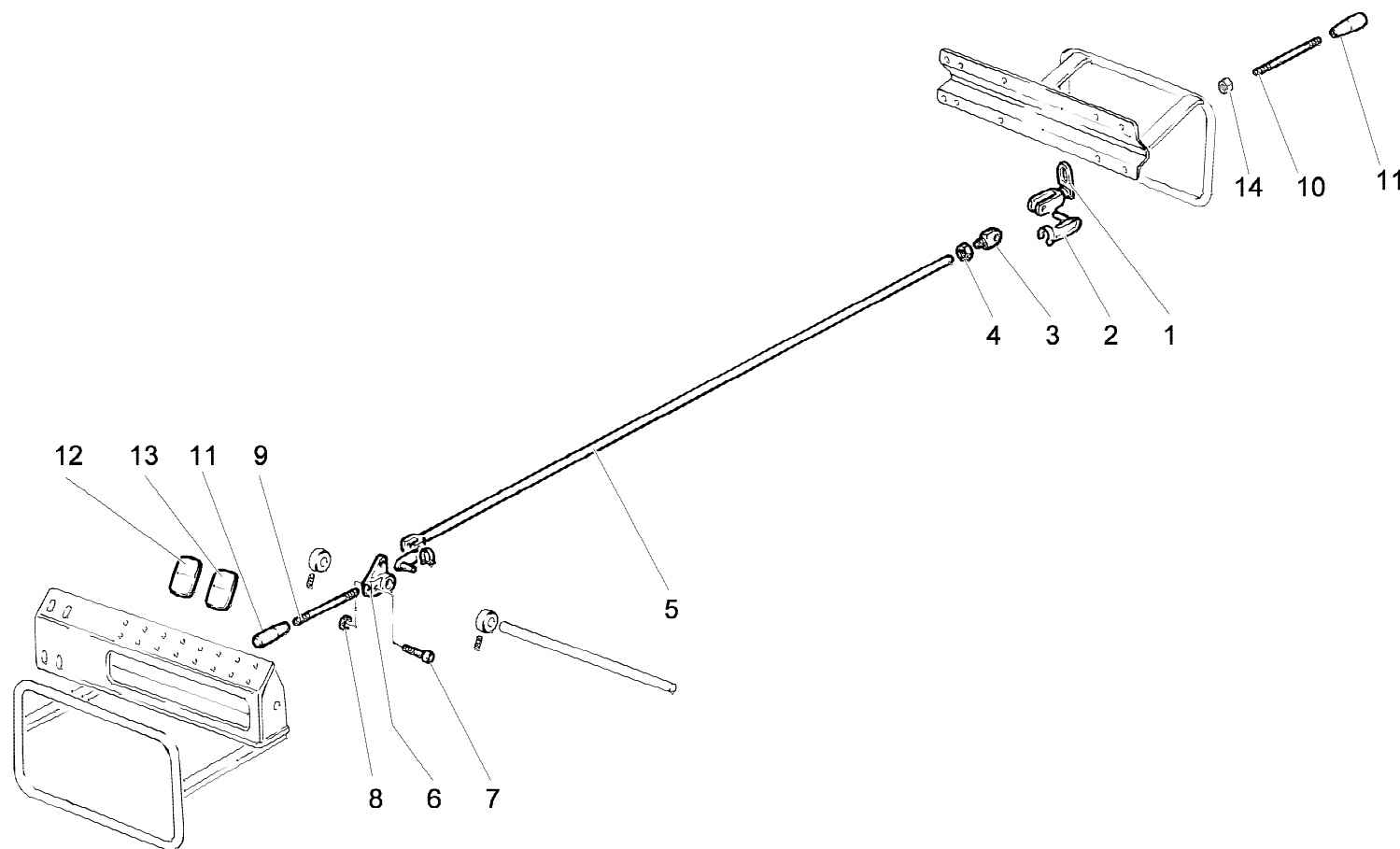


rif.	codice	Q.tà
1	3.06.0145	2
2	W.HC.0610	3
3	W.HC.0650	3
4	W.402.109	2
5	W.456.766	2
6	W.56.02.014.00	2
7	W.34.05.014.00	3
8	5.00.0077	3
10	3.06.0006	5
11	W.456.603	2
12	W.44.05.012.00	1
13	3.01.0027	2
14	W.128.030	1
15	W.34.05.013.00	3
16	5.22.5420	1



rif.	codice	Q.tà
1	W.44.05.007.00	6
2	W.44.05.008.00	1
3	W.44.05.009.00	1
4	W.456.593	6
5	3.04.0524	8
6	W.44.05.011.00	1
7	W.44.05.010.00	4
8	3.01.0354	4
9	3.01.0352	2
10	3.04.0335	6
11	5.00.0077	7
12	3.01.0030	7
13	3.12.0402	2
14	W.380.002	2
15	3.11.0420	2
16	3.06.0914	16
17	3.01.0356	2
18	W.56.03.043.00	12
19	3.01.0018	6
20	3.04.0372	6
21	W.34.05.014.00	1
22	3.06.0006	7
23	3.06.0918	7

rif.	codice	Q.tà
1	W.33.05.008.00	2
2	3.30.0451	4
3	W.01.05.036.00	2
4	3.04.0081	2
5	W.27.05.095.00	2
6	W.27.05.090.00	2
7	3.02.0021	2
8	3.04.0393	2
9	W.44.05.017.00	2
10	W.338.802	2
11	W.664.003	4
12	W.573.272	2
13	W.573.271	2
14	3.04.0040	2



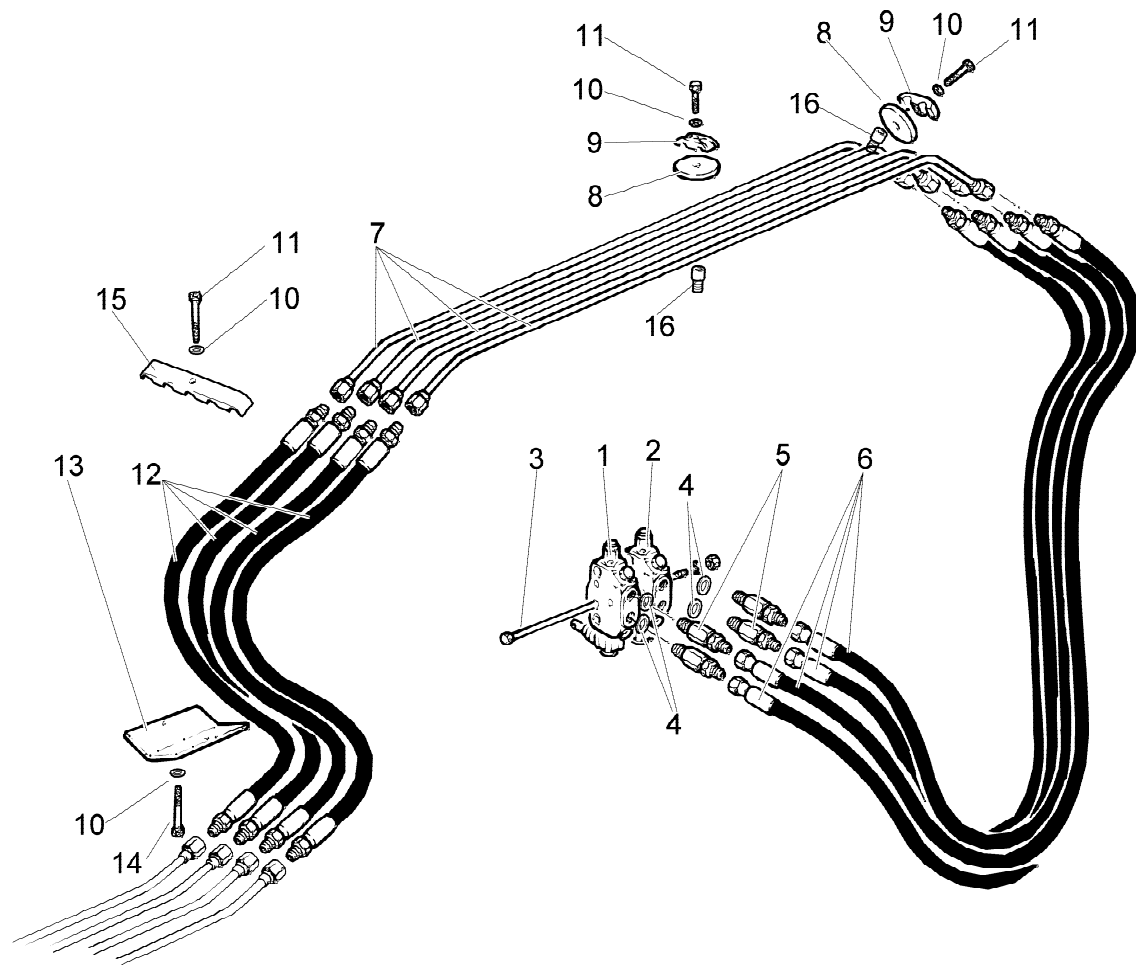
1/1

HYVA® CRANE
HC151

COMANDI (6°-7° ELEMENTO)
CONTROLS (6TH-7TH ELEMENT)
COMMANDES (6E-7E ELEMENTS)
STEUERUGEN (6.-7. ELEMENT)
MANDOS (6°-7° ELEMENTO)

Tavola
W.56.05.517.00-1-2

Data pag.
febbraio 2007 61



rif.	codice	Q.tà
1	W.HC0.610	1
2	W.HC0.611	1
3	W.HC0.651	3
4	3.06.0145	4
5	W.402.109	4
6	W.456.766	4
7	W.56.02.014.00	4
8	W.34.05.014.00	6
9	5.00.0077	6
10	3.01.0031	7
11	3.06.0006	9
12	W.456.603	4
13	W.44.05.012.00	1
14	3.01.0027	2
15	W.128.030	1
16	W.34.05.013.00	6



HC151

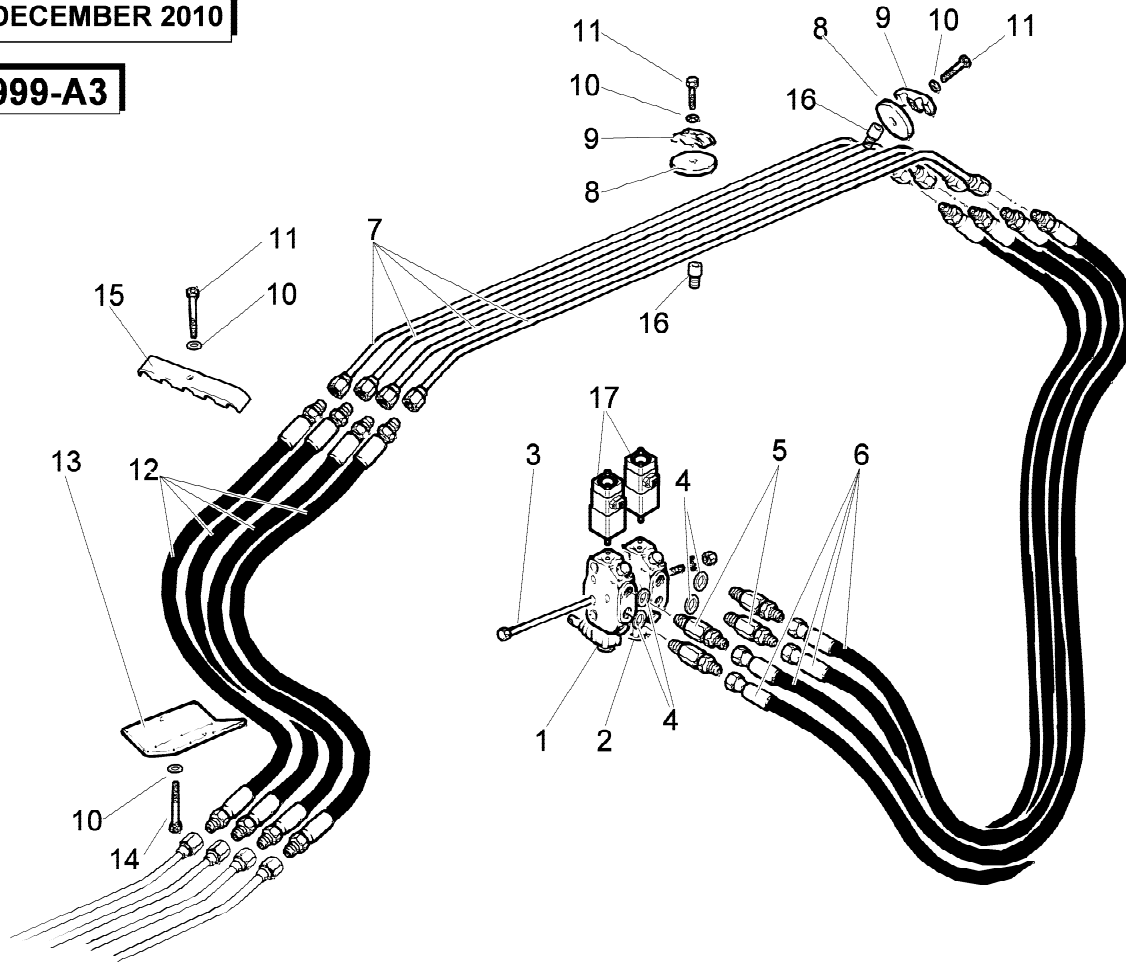
IMPIANTO IDRAULICO (6°-7° ELEMENTO)
 HYDRAULIC SYSTEM (6TH-7TH ELEMENT)
 INSTALLATION HYDRAULIQUE (6E-7E ELEMENTS)
 HYDRAULIKANLAGE (6.-7. ELEMENT)
 INSTALACION HIDRAULICA (6°-7° ELEMENTO)

Tavola
W.56.05.517.00-2-2

VALIDO DA DICEMBRE 2010

VALID FROM DECEMBER 2010

EN 12999-A3



rif.	codice	Q.tà
1	W.HC.0610	1
2	W.HC.0611	1
3	W.HC.0651	1
4	3.06.0145	4
5	W.402.109	4
6	W.456.766	4
7	W.56.02.014.00	4
8	W.34.05.014.00	6
9	5.00.0077	6
10	3.06.0006	9
11	3.01.0031	7
12	W.456.603	4
13	W.44.05.012.00	1
14	3.01.0027	1
15	W.128.030	6
16	W.34.05.013.00	6
17	5.22.5420	2

1/1

HYVA® CRANE

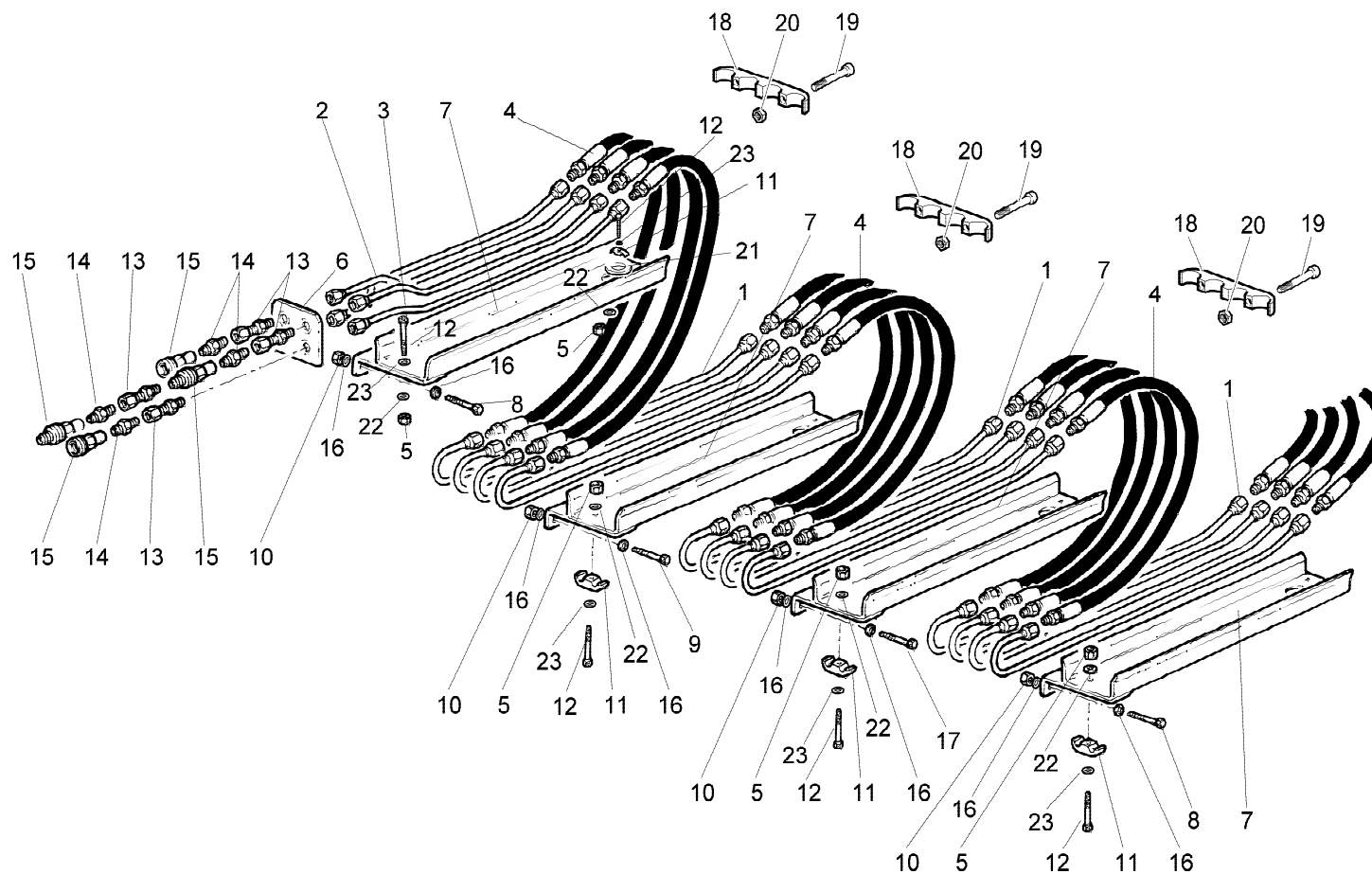
HC151

IMPIANTO IDRAULICO (6°-7° ELEMENTO) EN 12999-A3
HYDRAULIC SYSTEM (6TH-7TH ELEMENT) EN 12999-A3
INSTALLATION HYDRAULIQUE (6E-7E ELEMENTS) EN 12999-A3
HYDRAULIKANLAGE (6.-7. ELEMENT) EN 12999-A3
INSTALACION HIDRAULICA (6°-7° ELEMENTO) EN 12999-A3

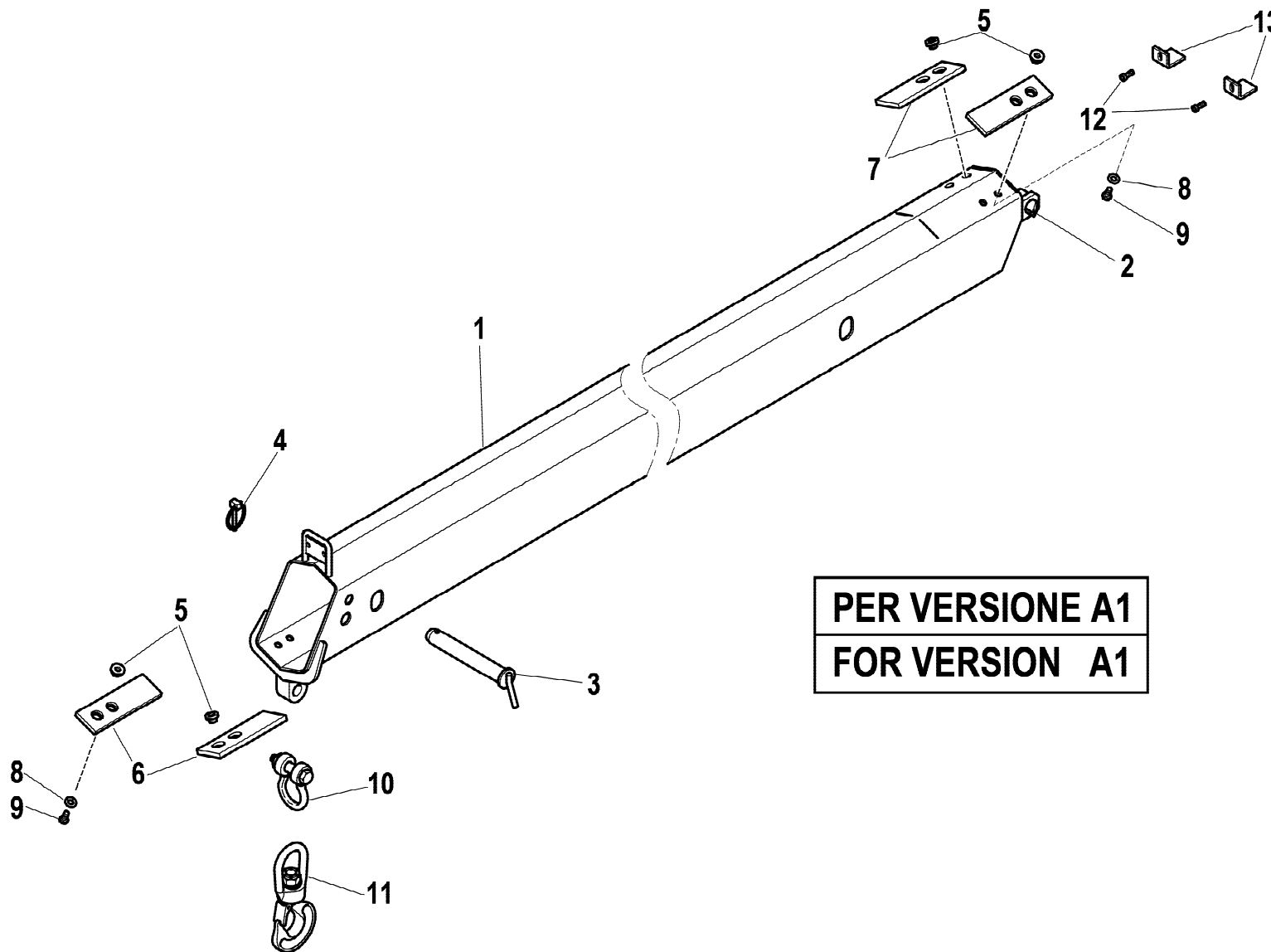
Tavola

5.21.2038-1-0

Data pag.
maggio 2011 63

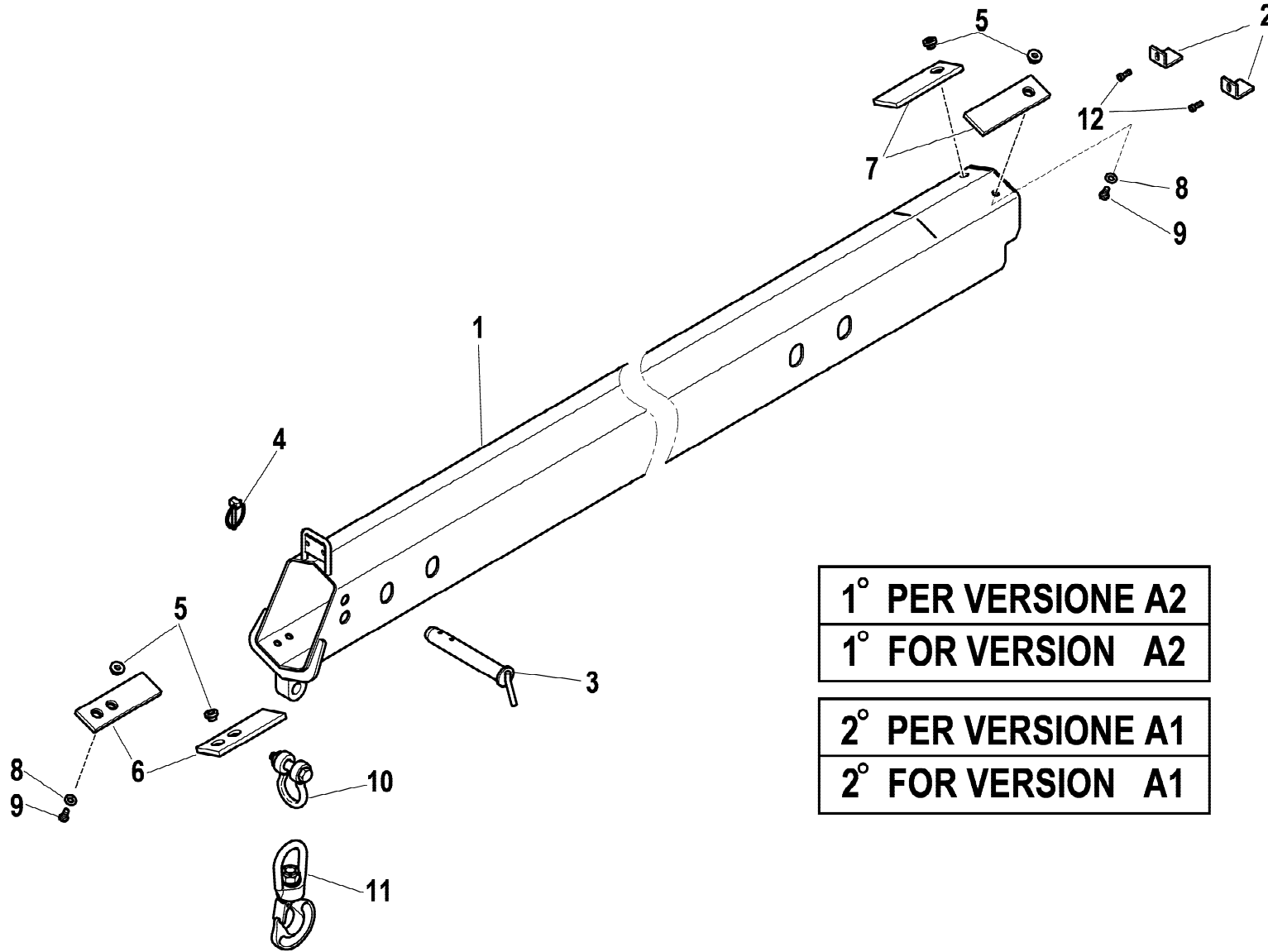


rif.	codice	Q.tà
1	W.44.05.007.00	12
2	W.44.05.008.00	2
3	W.44.05.009.00	2
4	W.456.593	12
5	3.04.0524	15
6	W.44.05.011.00	1
7	W.44.05.010.00	4
8	3.01.0354	4
9	3.01.0352	2
10	3.04.0335	8
11	5.00.0077	14
12	3.01.0030	15
13	W.402.012	4
14	W.380.002	4
15	W.372.002	2
16	3.06.0914	16
17	3.01.0356	2
18	W.56.03.043.00	12
19	3.01.0018	12
20	3.04.0372	12
21	W.34.05.014.00	2
22	3.06.0006	15
23	3.06.0918	15



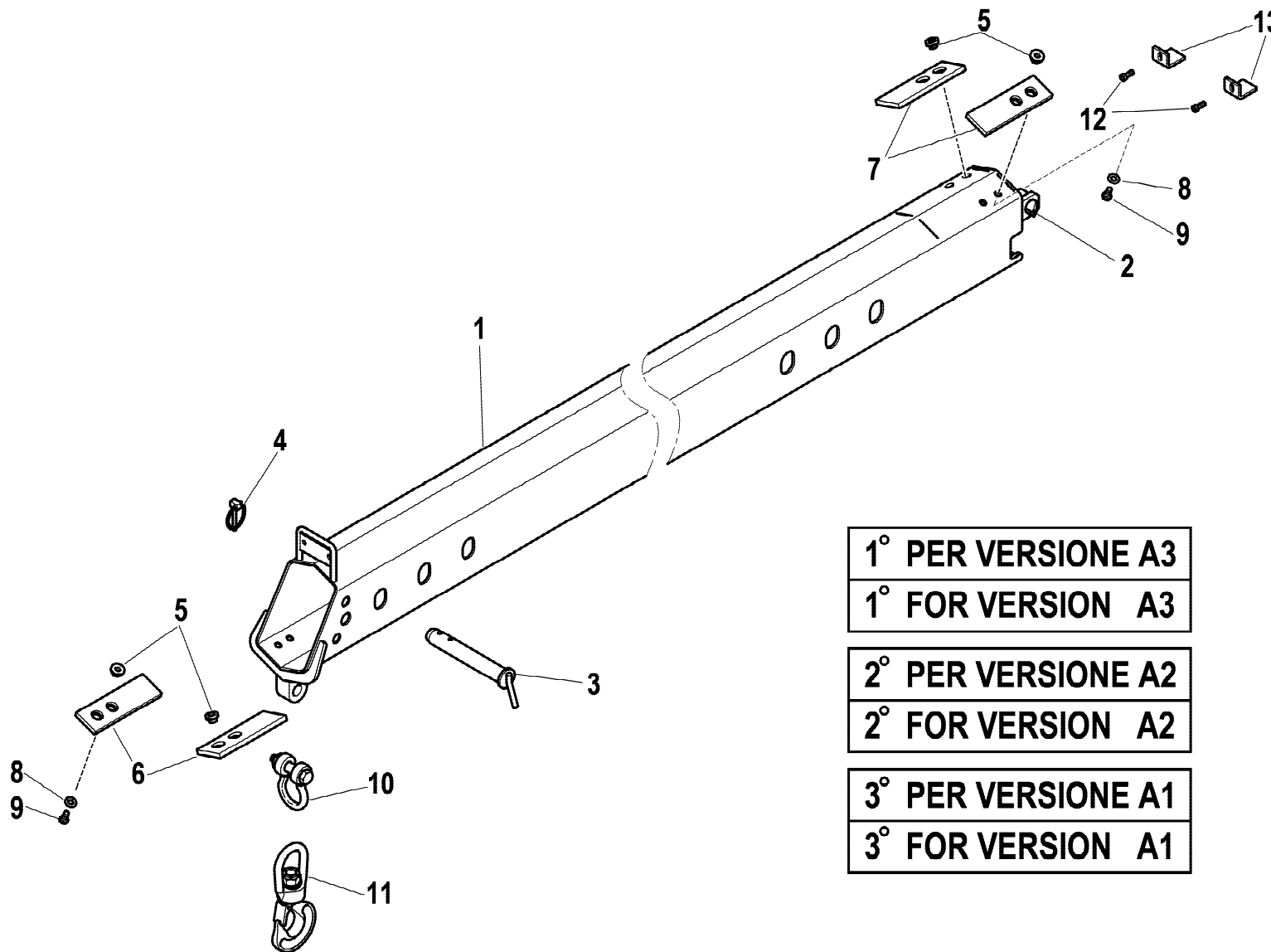
rif.	codice	Q.tà
1	W.56.03.064.00	1
2	W.27.03.507.00	1
3	W.33.03.044.00	1
4	3.06.0753	1
5	W.27.03.031.00	8
6	W.44.03.044.00	2
7	W.44.03.043.00	2
8	3.06.0006	8
9	3.01.0336	8
10	3.20.0067	1
11	W.599.011	1
12	3.02.0034	2
13	W.56.03.045.00	2

PER VERSIONE A1
FOR VERSION A1



1° PER VERSIONE A2
1° FOR VERSION A2
2° PER VERSIONE A1
2° FOR VERSION A1

rif.	codice	Q.tà
1	W.56.03.065.00	1
2	W.56.03.045.00	2
3	W.101.289	1
4	3.06.0753	1
5	W.27.03.031.00	6
6	W.44.03.045.00	2
7	W.56.03.061.00	2
8	3.06.0006	6
9	3.01.0336	6
10	3.20.0067	1
11	W.599.011	1
12	3.02.0034	2

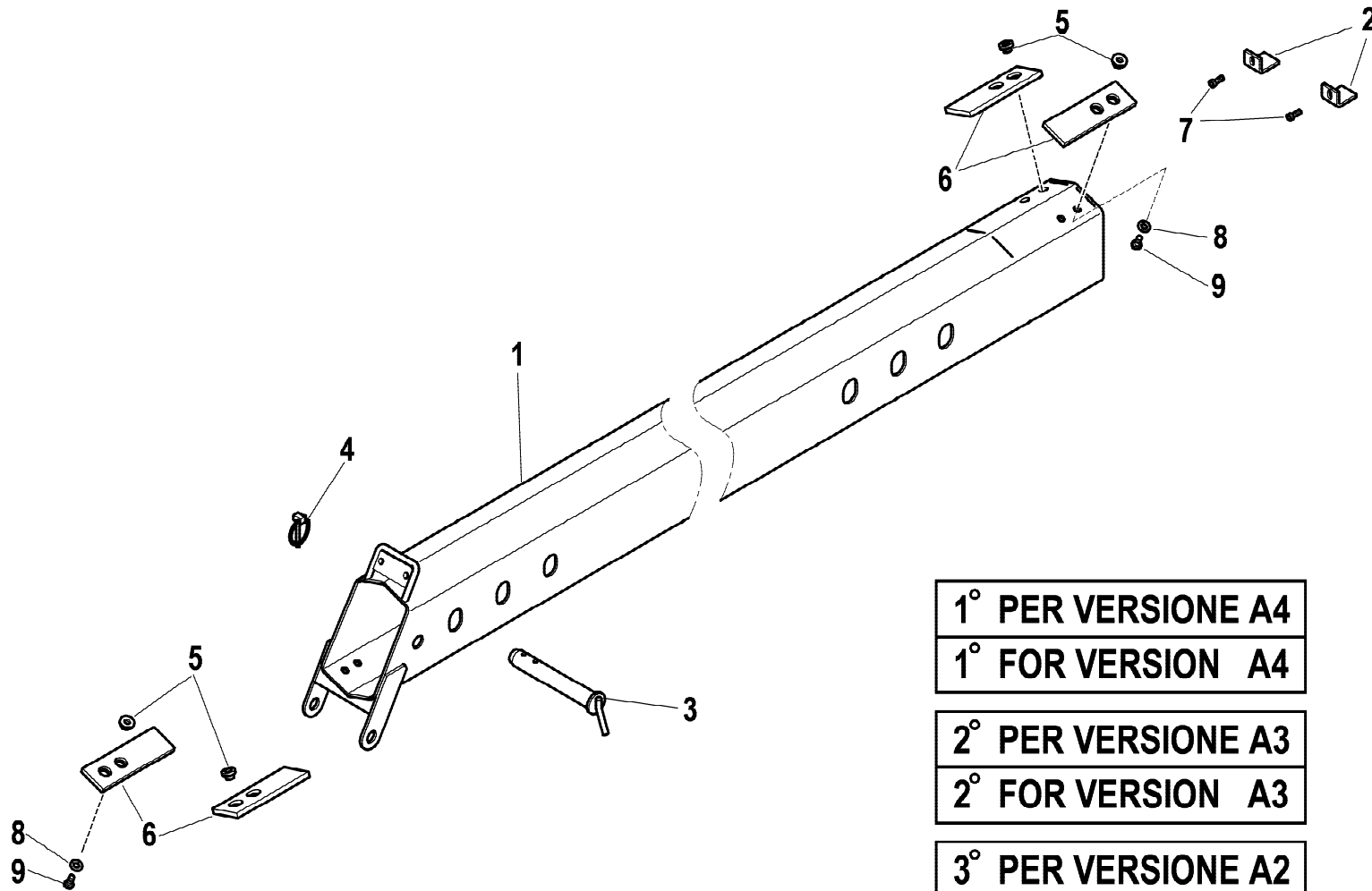


1° PER VERSIONE A3
 1° FOR VERSION A3

2° PER VERSIONE A2
 2° FOR VERSION A2

3° PER VERSIONE A1
 3° FOR VERSION A1

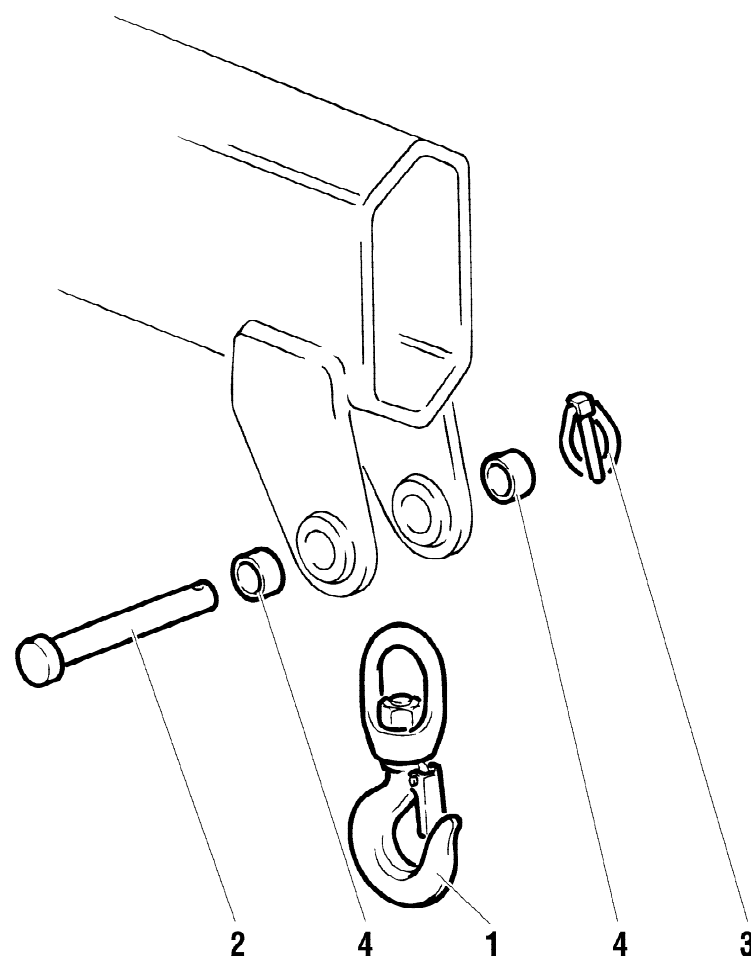
rif.	codice	Q.tà
1	W.56.03.066.00	1
2	W.27.03.507.00	1
3	W.101.289	1
4	3.06.0753	1
5	W.27.03.031.00	8
6	W.56.03.062.00	2
7	W.56.03.060.00	2
8	3.06.0006	8
9	3.01.0336	8
10	3.20.0067	1
11	W.599.011	1
12	3.02.0034	2
13	W.56.03.045.00	2



1° PER VERSIONE A4
1° FOR VERSION A4
2° PER VERSIONE A3
2° FOR VERSION A3
3° PER VERSIONE A2
3° FOR VERSION A2

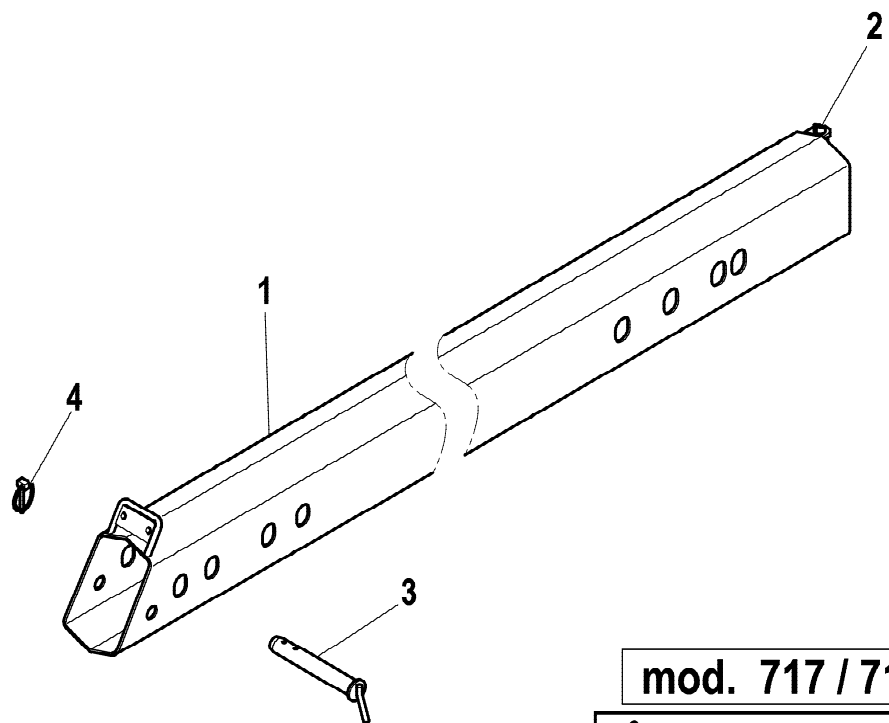
rif.	codice	Q.tà
1	W.56.03.067.00	1
2	W.56.03.045.00	2
3	W.101.289	1
4	3.06.0753	1
5	W.27.03.031.00	8
6	W.56.03.062.00	4
7	3.02.0034	2
8	3.06.0006	8
9	3.01.0336	8

rif.	codice	Q.tà
1	W.599.005	1
2	W.101.288	1
3	3.06.0757	1
4	W.08.02.00.109	2



4403516001-0

rif.	codice	Q.tà
1	W.56.03.028.00	1
2	W.36.03.503.00	1
3	W.101.289	1
4	3.06.0757	1



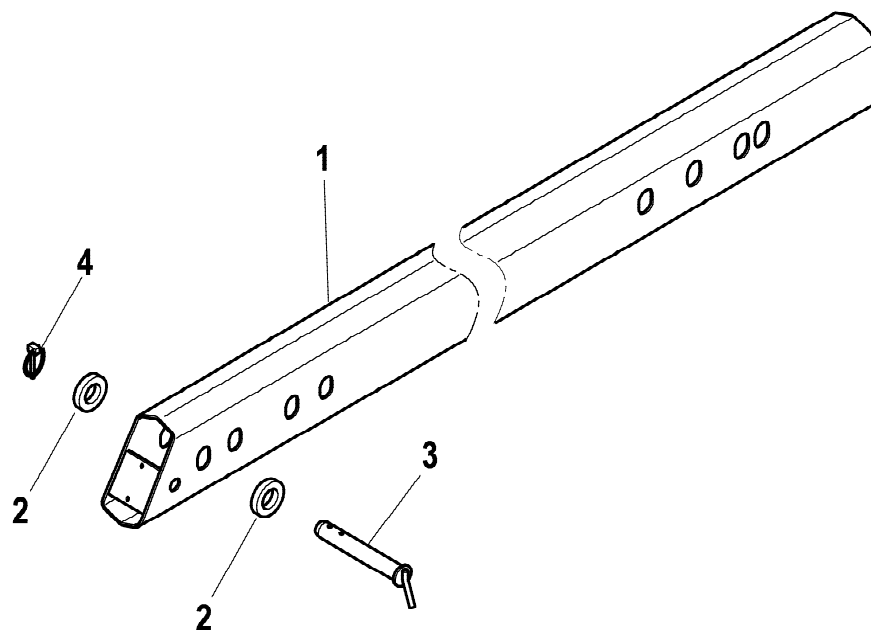
mod. 717 / 719

- 1° PER VERSIONE A6
- 1° FOR VERSION A6
- 2° PER VERSIONE A5
- 2° FOR VERSION A5
- 3° PER VERSIONE A4
- 3° FOR VERSION A4

mod. 712 / 714

- 1° PER VERSIONE A5
- 1° FOR VERSION A5
- 2° PER VERSIONE A4
- 2° FOR VERSION A4
- 3° PER VERSIONE A3
- 3° FOR VERSION A3

rif.	codice	Q.tà
1	W.56.03.029.00	1
2	W.32.03.015.00	2
3	W.101.289	1
4	3.06.0757	1



mod. 717 / 719

2° PER VERSIONE A6

2° FOR VERSION A6

3° PER VERSIONE A5

3° FOR VERSION A5

mod. 712 / 714

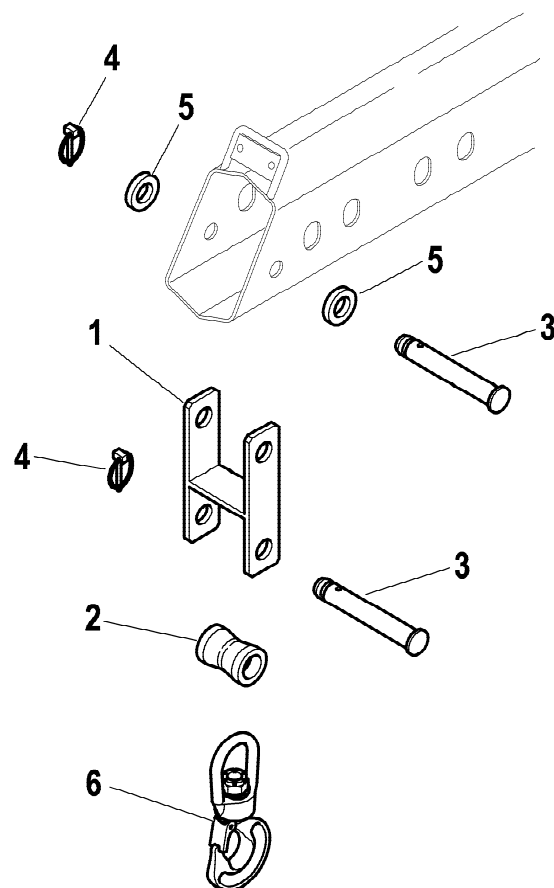
2° PER VERSIONE A5

2° FOR VERSION A5

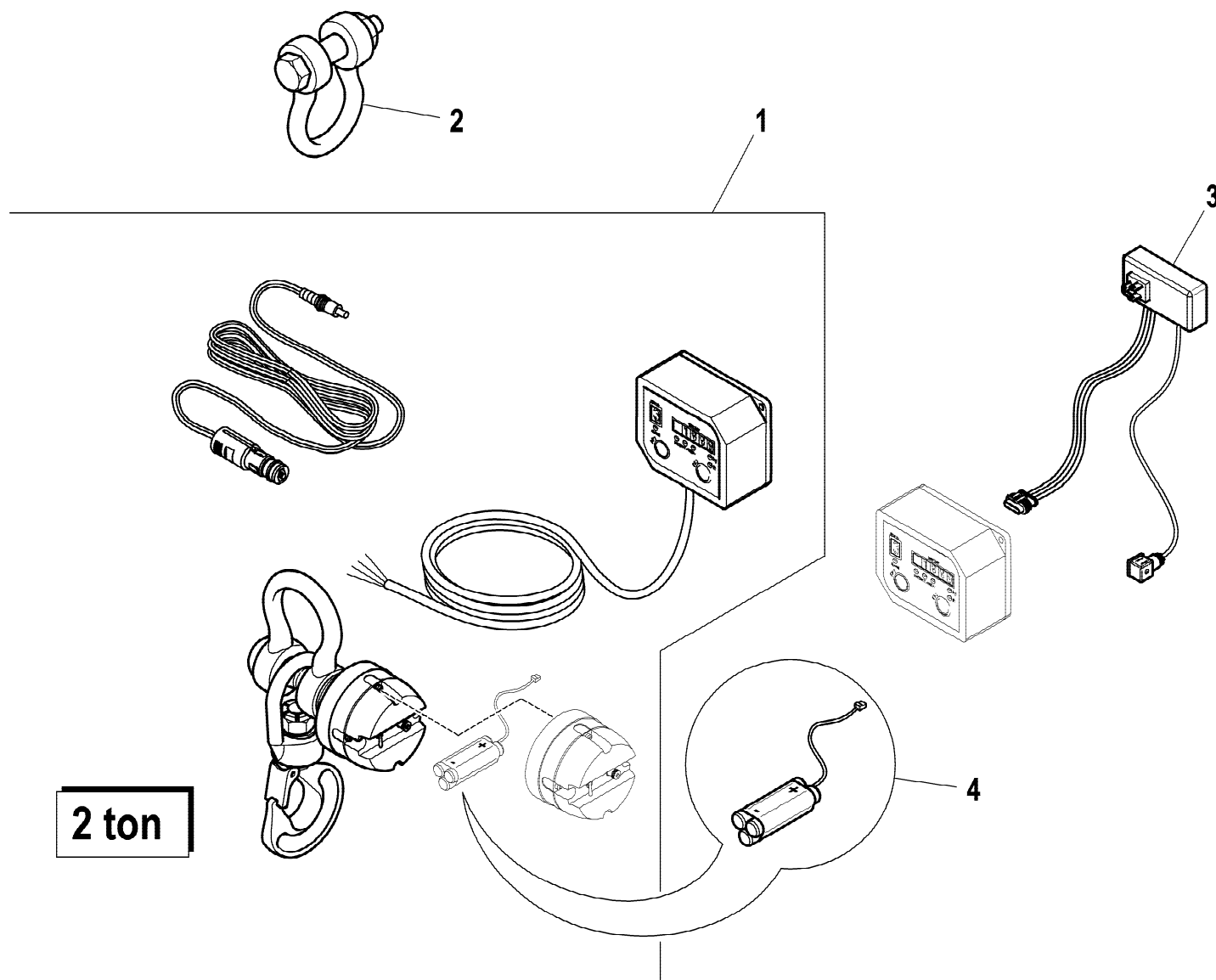
3° PER VERSIONE A4

3° FOR VERSION A4

rif.	codice	Q.tà
1	W.56.03.046.00	1
2	W.17.03.047.00	1
3	W.101.079	2
4	3.06.0753	2
5	W.32.03.015.00	2
6	W.599.005	1

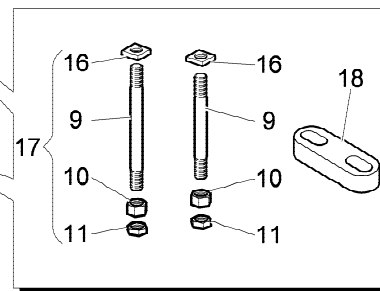
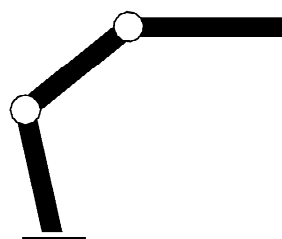
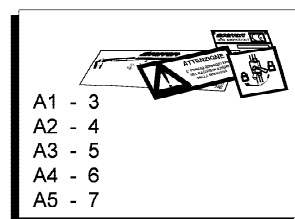
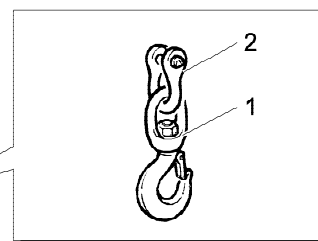
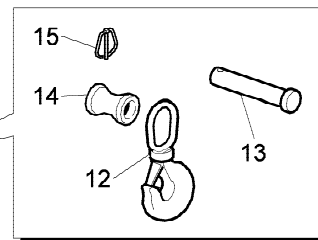
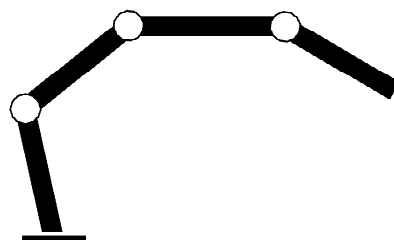
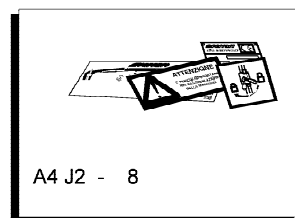


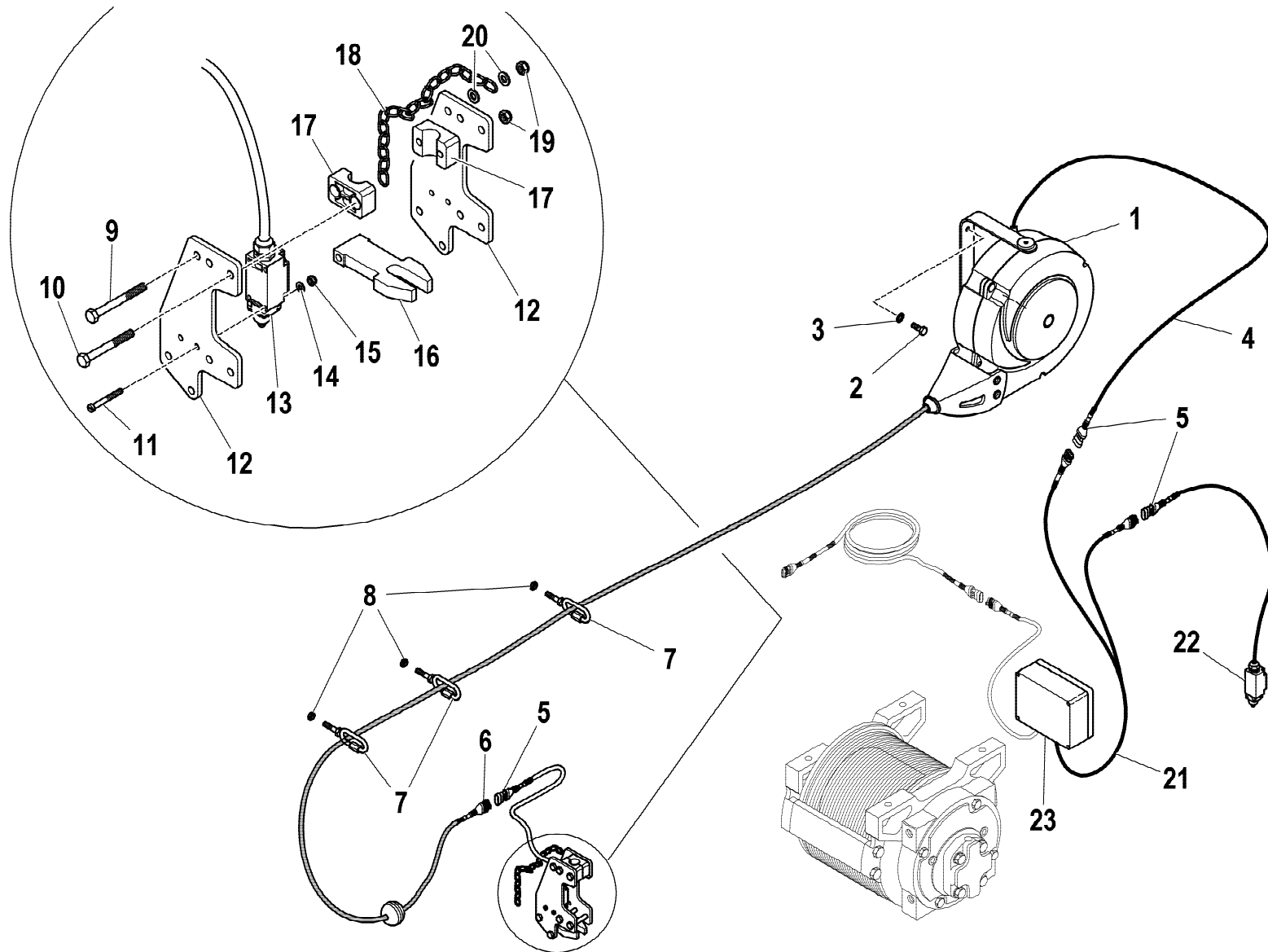
rif.	codice	Q.tà
1	5.73.0506	1
2	3.20.0050	1
3	W.236.510	1
4	3.31.1542	1



2 ton

rif.	codice	Q.tà
1	W.599.006	1
2	3.20.0073	1
3	W.572.141	1
4	W.572.142	1
5	W.572.143	1
6	W.572.144	1
7	W.572.145	1
8	W.572.146	1
9	W.738.010	8
10	3.04.0229	16
11	3.04.0230	16
12	W.599.005	1
13	W.101.308	1
14	W.37.03.007.00	1
15	W.559.602	1
16	5.00.0086	16
17	W.28.00.501.00	1
18	W.01.00.002.00	4





rif.	codice	Q.tà
1	3.31.0160	1
2	3.01.0027	2
3	3.06.0102	2
4	W.236.010	1
5	3.31.0432	3
6	3.31.0431	3
7	W.648.005	3
8	3.04.0039	3
9	3.01.0024	1
10	3.01.0025	6
11	3.02.0024	2
12	W.44.05.095.00	2
13	W.251.013	1
14	3.06.0004	3
15	3.04.0392	2
16	W.44.05.096.00	1
17	W.128.034	4
18	W.27.04.011.03	1
19	3.04.0372	7
20	3.06.0005	2
21	3.31.1080	1
22	5.73.0304	1
23	5.73.0217	1

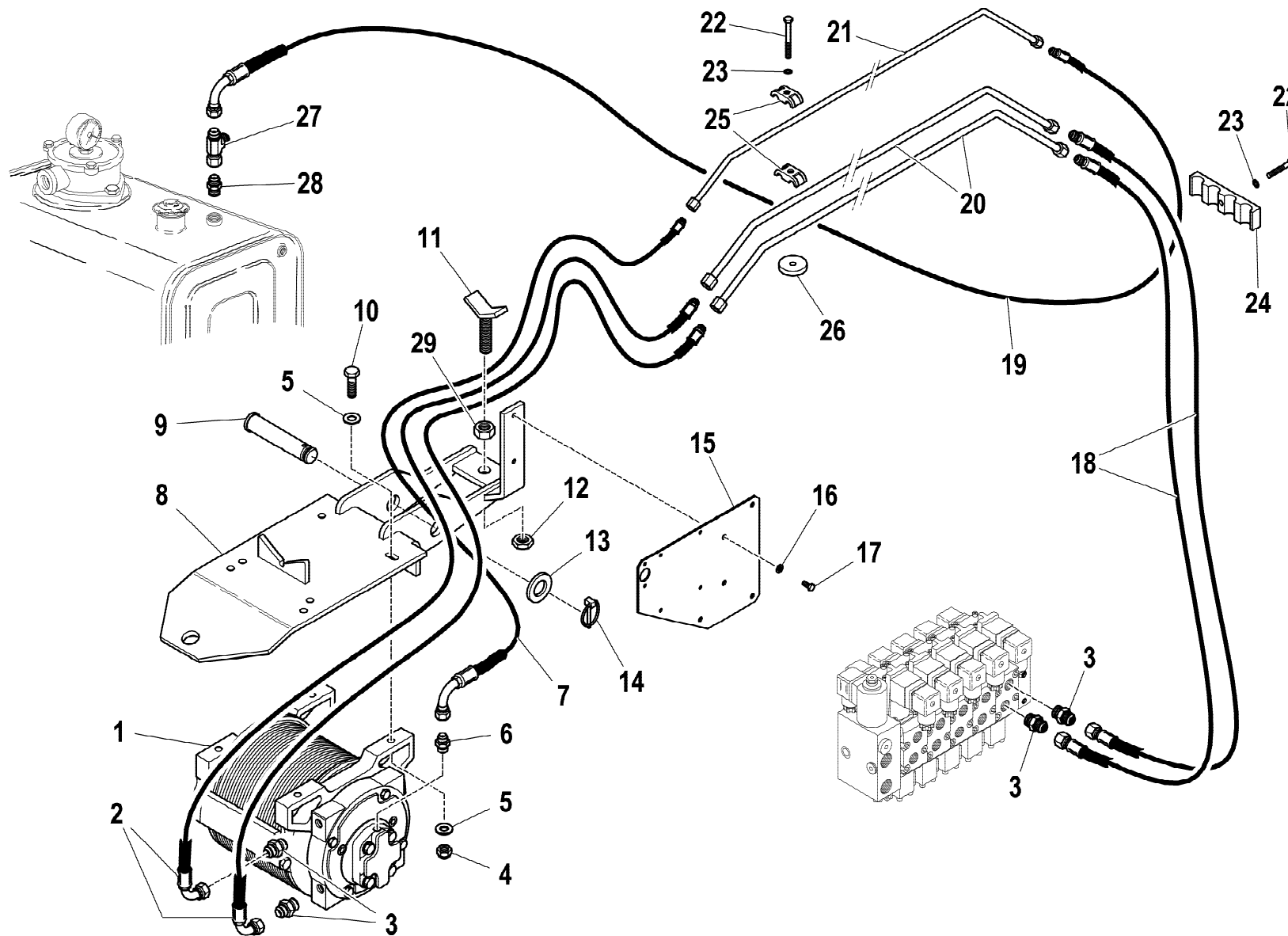
1/1

HYVA[®] CRANE
HC151

ARGANO (IMPIANTO ELETTRICO)
 WINCH (ELECTRICAL EQUIPMENT)
 TREUIL (INSTALLATION ELECTRIQUE)
 WINDE (ELEKTRISCHANLAGE)
 CABRESTANTE (SISTEMA ELECTRICO)

Tavola
W.7.83.4031-1-0

Data pag.
 dicembre 2007 75



rif.	codice	Q.tà
1	5.72.0169	1
2	W.456.410	2
3	3.10.1044	4
4	3.04.0328	4
5	3.06.0031	8
6	3.10.1039	1
7	5.26.1078	1
8	W.44.05.038.00	1
9	W.101.287	1
10	3.01.0063	4
11	W.41.05.049.00	1
12	3.04.0089	1
13	3.06.0016	1
14	3.06.0753	1
15	W.61.05.019.00	1
16	3.06.0006	2
17	3.01.0337	2
18	W.456.766	2
19	5.26.1077	1
20	W.56.02.014.00	2
21	W.56.02.028.00	1
22	3.01.0037	5
23	3.06.0055	5
24	W.128.030	2
25	5.00.0077	6
26	W.34.05.014.00	3
27	3.12.0003	1
28	3.10.1041	1
29	3.04.0012	1

1/1

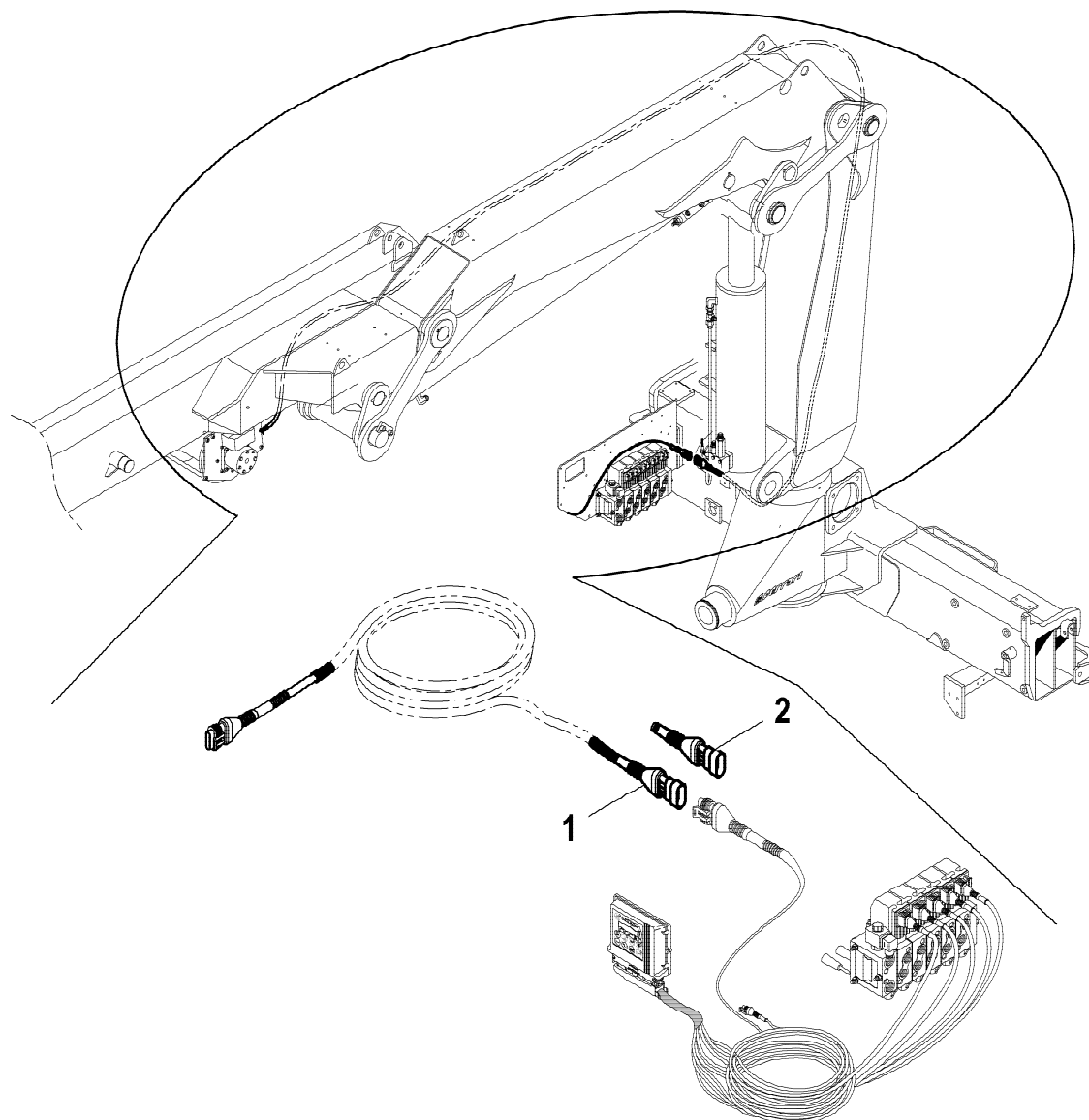
HYVA® CRANE
HC151

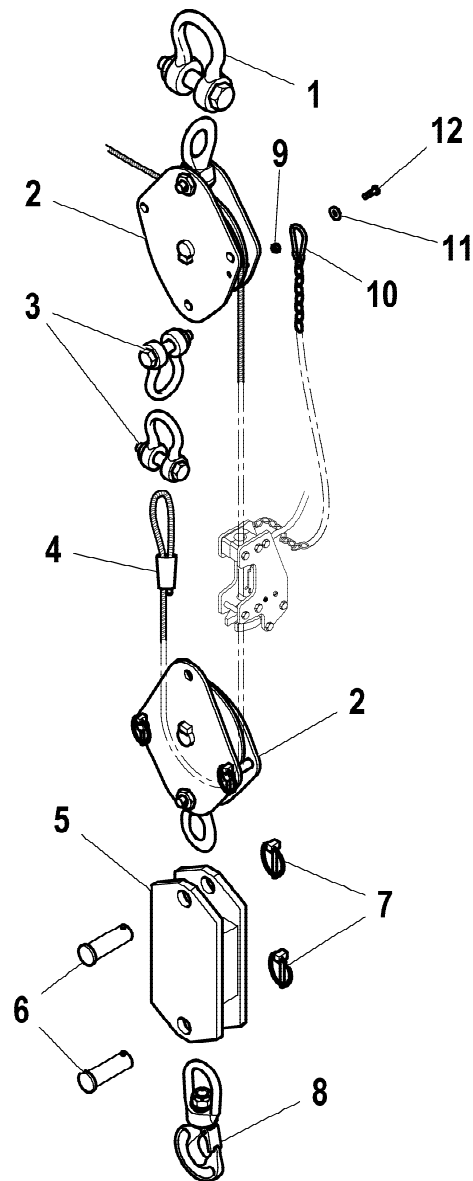
ARGANO (IMPIANTO OLEODINAMICO)
WINCH (HYDRAULIC SYSTEM)
TREUIL (INSTALLATION HYDRAULIQUE)
WINDE (HYDRAULIKANLAGE)
CABRESTANTE (INSTALACION HIDRAULICA)

Tavola
W.7.83.4031-2-0

Data pag.
dicembre 2007 76

rif.	codice	Q.tà
1	5.16.0004	1
2	5.16.0013	1





rif.	codice	Q.tà
1	3.20.0073	1
2	5.73.0026	2
3	3.20.0050	2
4	5.73.0124	1
5	W.61.05.001.00	1
6	W.101.120	2
7	3.06.0753	2
8	W.599.006	1
9	3.04.0081	2
10	3.06.0391	2
11	3.06.0030	2
12	3.01.0015	2

1/1

HYVA[®] CRANE

HC151

KIT TIRO DOPPIO PER ARGANO
 KIT DOUBLE LINE PULL OF THE WINCH
 KIT LIGNE DOUBLE DU TREUIL
 KIT FÜR WINDE MIT DOPPELTER ZUG
 KIT TIRO DOBLE PARA EL CABRESTANTE

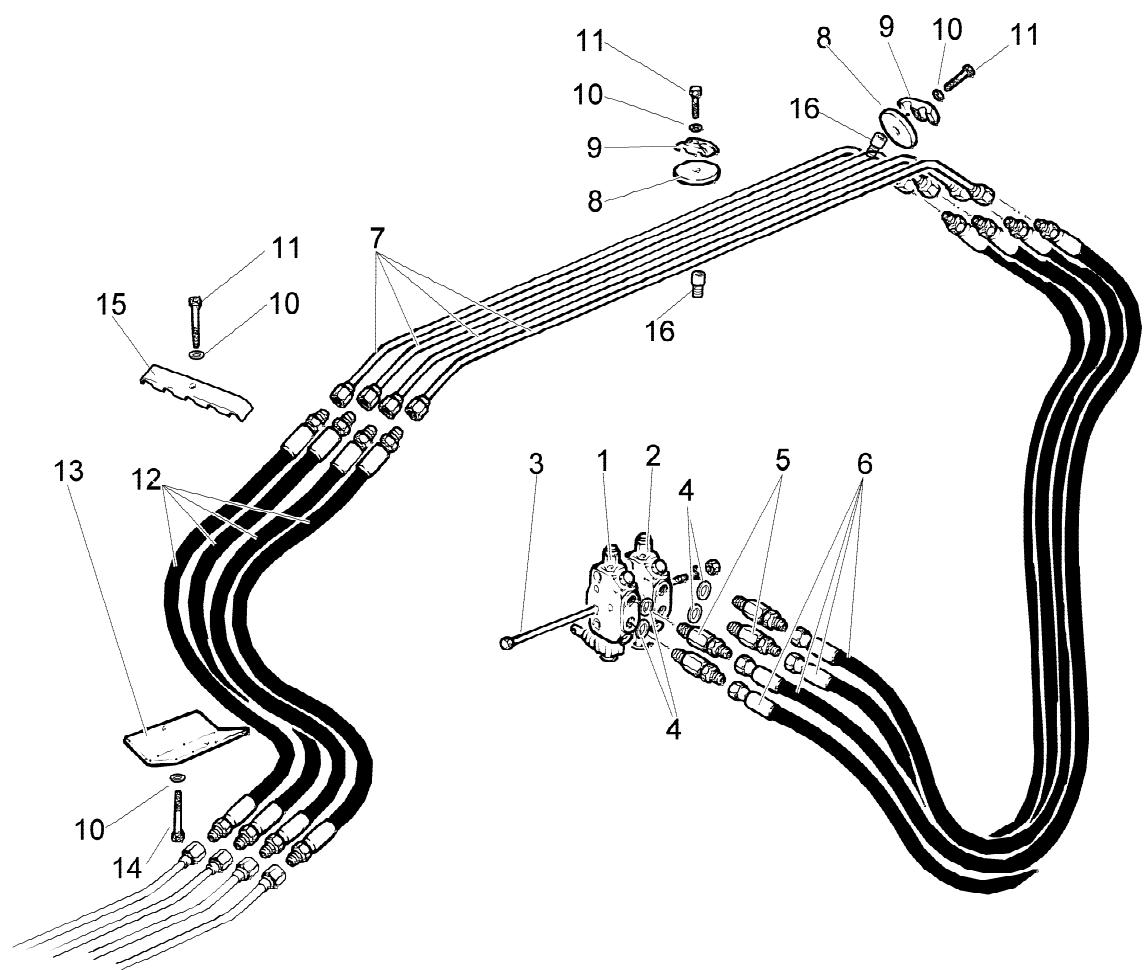
Tavola
W.7.83.4025-1-0

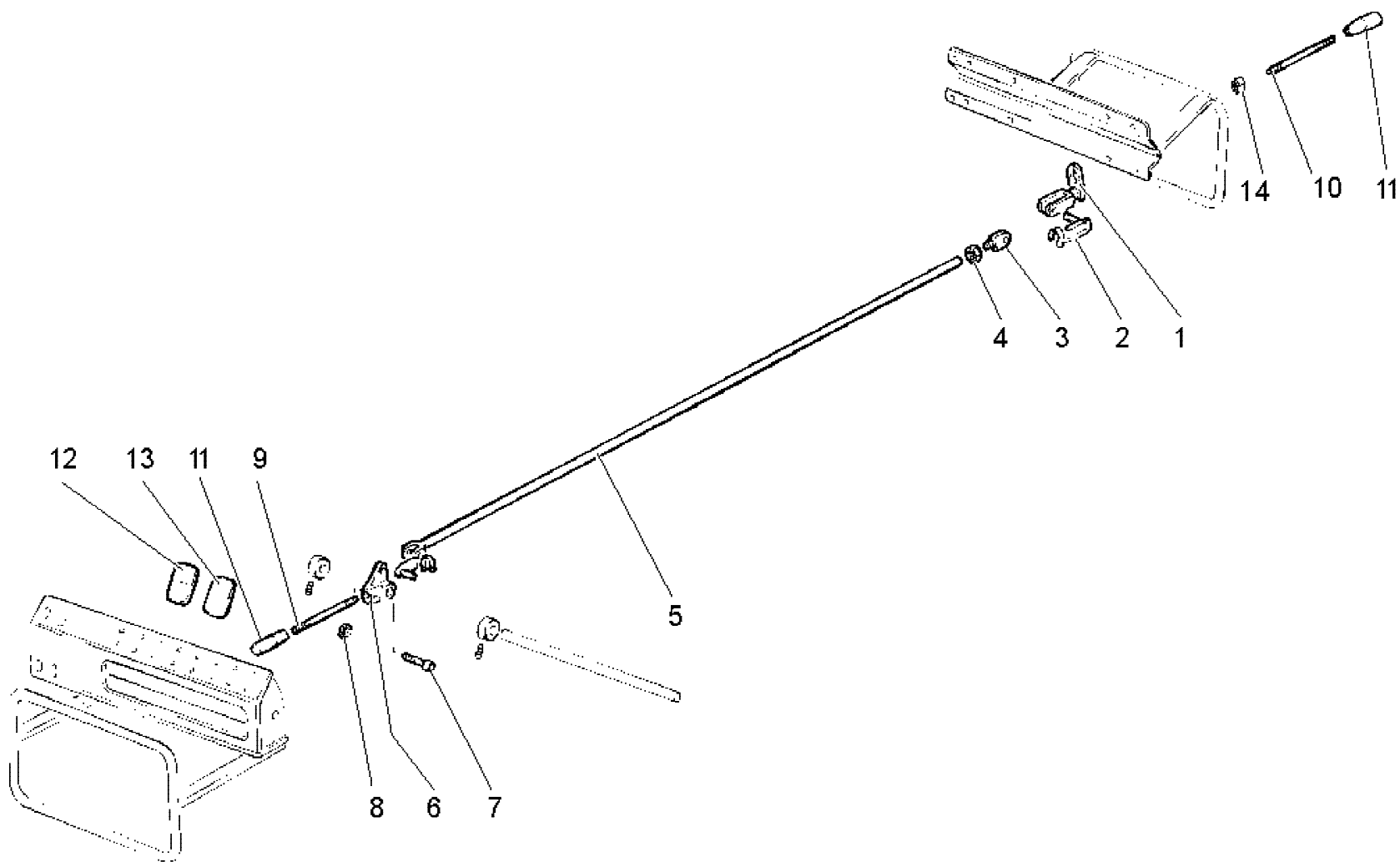
Data pag.
 dicembre 2007 78



HC151 A4J2

rif.	codice	Q.tà
1	W.HC.0622	1
2	W.HC.0618	1
3	W.HC.0651	1
4	3.06.0145	4
5	W.402.109	4
6	W.456.766	4
7	W.56.02.014.00	4
8	W.34.05.014.00	6
9	5.00.0077	6
10	3.06.0006	9
11	3.01.0031	7
12	W.456.603	4
13	W.44.05.012.00	1
14	3.01.0027	2
15	W.128.030	1
16	W.34.05.013.00	6





rif.	codice	Q.tà
1	W.33.05.008.00	2
2	3.30.0453	4
3	W.01.05.036.00	2
4	3.04.0040	2
5	W.27.05.095.00	2
6	W.27.05.090.00	2
7	3.02.0021	2
8	3.04.0393	2
9	W.44.05.017.00	2
10	W.338.802	2
11	W.664.003	4
12	W.573.317	2
13	W.573.318	2
14	3.04.0039	2

W.56.06.511.00-2-2

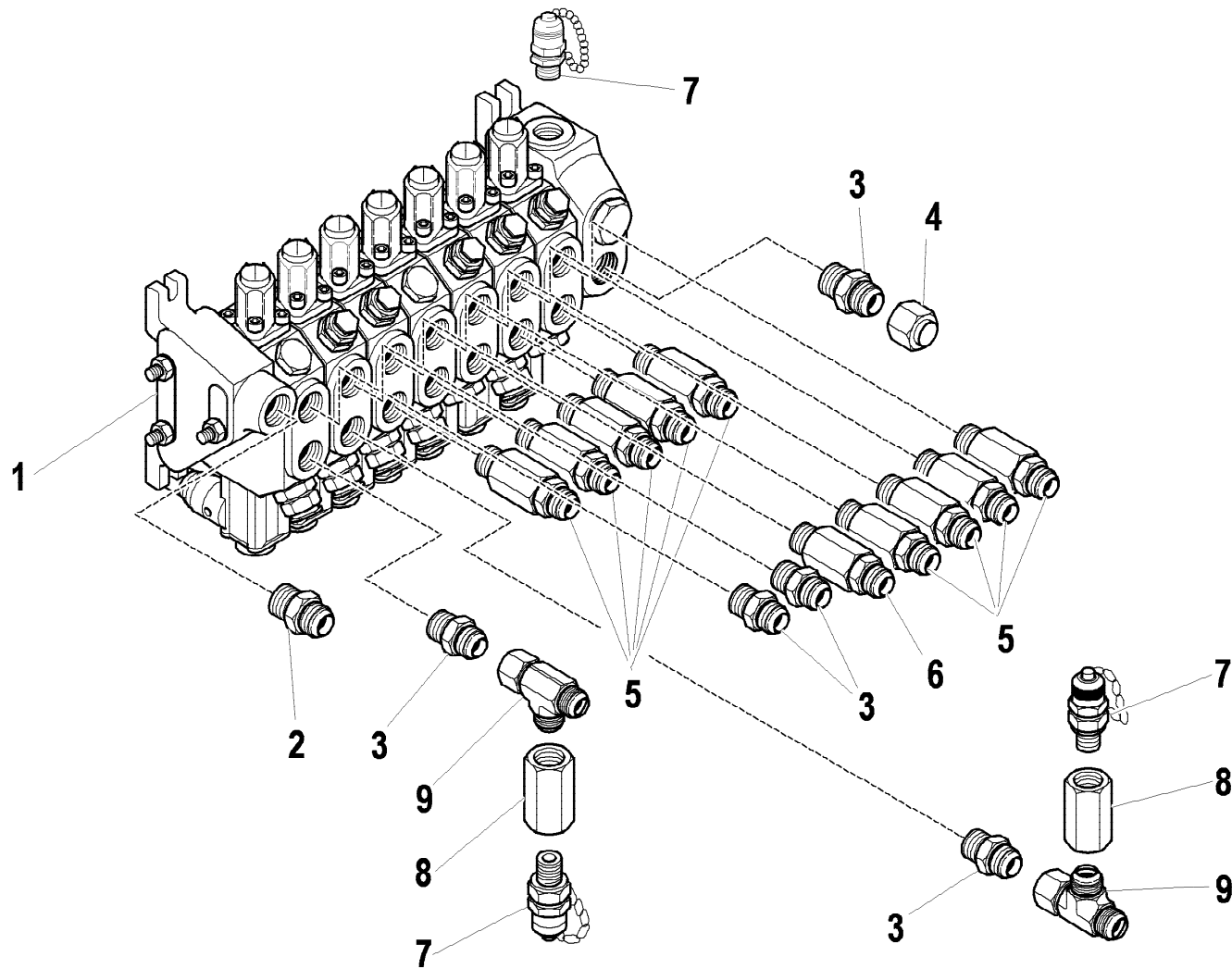
1/1

HYVA® CRANE
HC151

COMANDI (PROLUNGA ARTICOLATA)
CONTROLS (ARTICULATED EXTENSION)
COMMANDES (RALLONGE ARTICULEE)
STEUERUGEN (GELENKVERLANGERUNG)
MANDOS (PROLONGACION ARTICULADA)

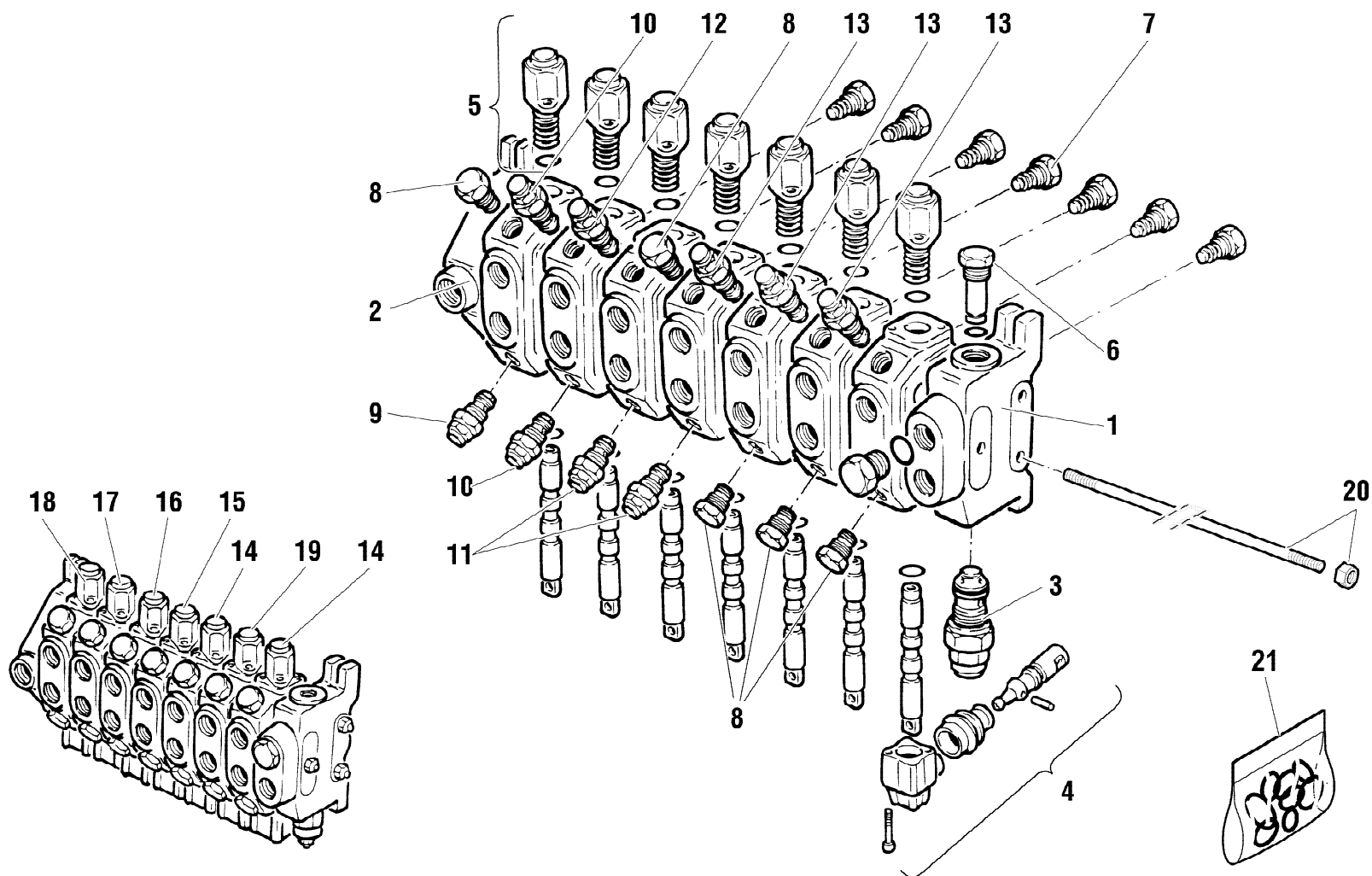
Tavola
W.56.06.511.00-2-2

Data pag.
dicembre 2007 81



rif.	codice	Q.tà
1	W.338.408	1
2	3.10.1058	1
3	3.10.1044	5
4	3.11.0041	1
5	W.402.109	9
6	W.402.110	1
7	3.11.1523	3
8	3.12.0356	2
9	3.12.0004	2

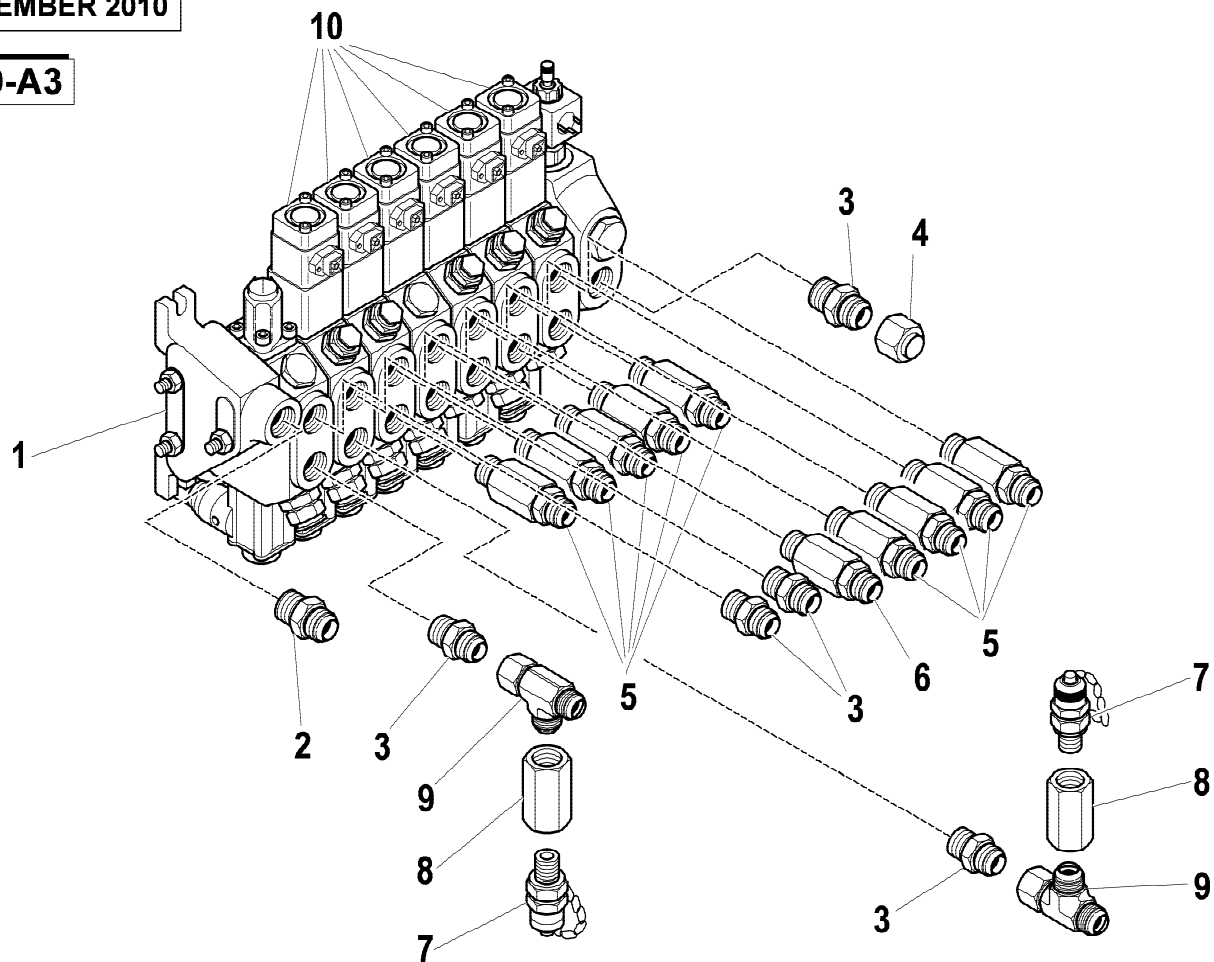
rif.	codice	Q.tà
1	W.HC.0601	1
2	W.HC.0602	1
3	W.HC.0636	1
4	W.HC.0660	7
5	5.22.5431	7
6	W.HC.0637	1
7	W.HC.0638	7
8	W.HC.0639	5
9	W.HC.0640	1
10	W.HC.0641	2
11	W.HC.0642	2
12	W.HC.0643	1
13	W.HC.0635	3
14	W.HC.0618	2
15	W.HC.0614	1
16	W.HC.0615	1
17	W.HC.0621	1
18	W.HC.0617	1
19	W.HC.0622	1
20	W.HC.0651	3
21	W.HC.0701	1



338/08-1-1

VALIDO DA DICEMBRE 2010
 VALID FROM DECEMBER 2010

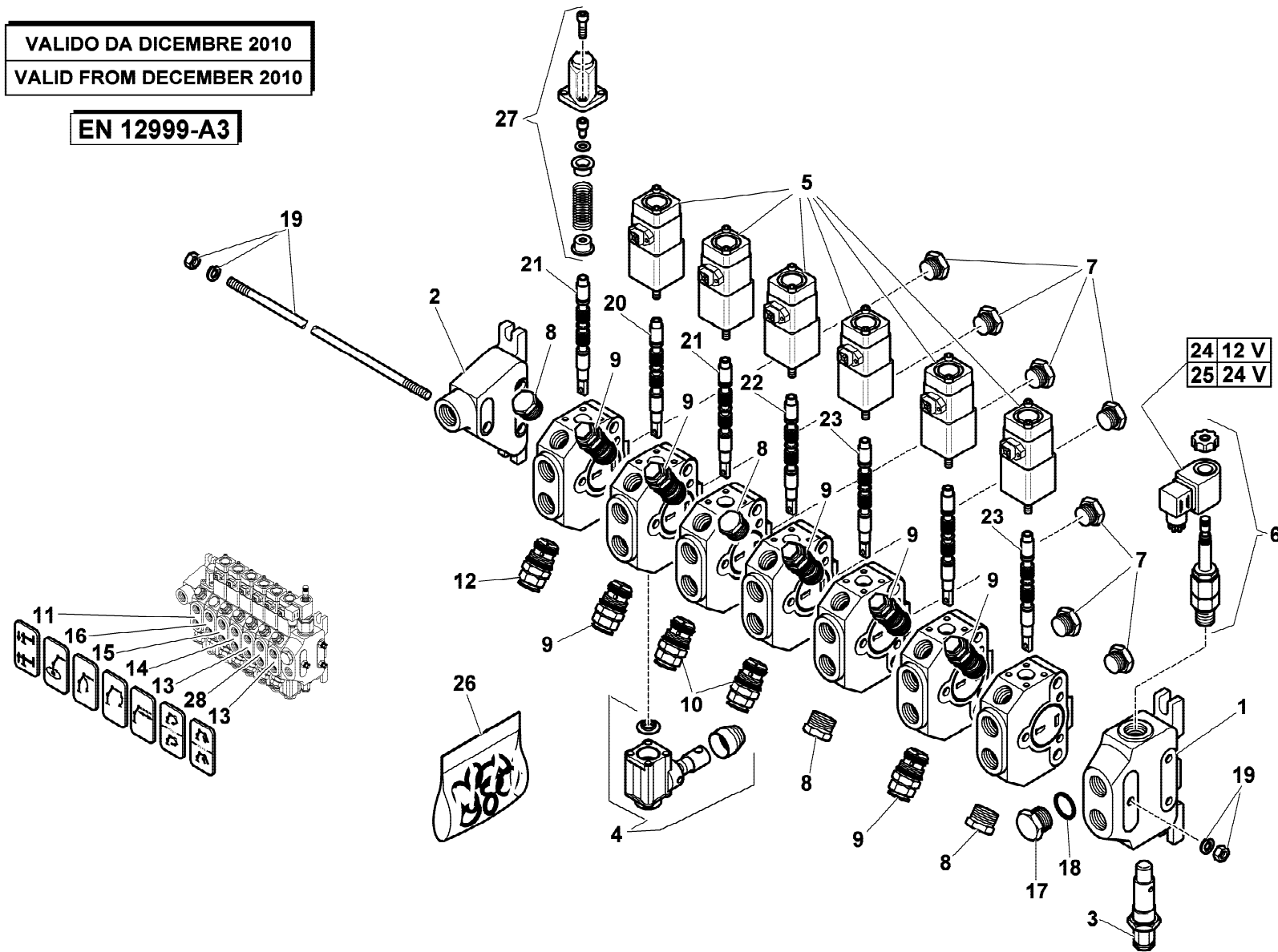
EN 12999-A3



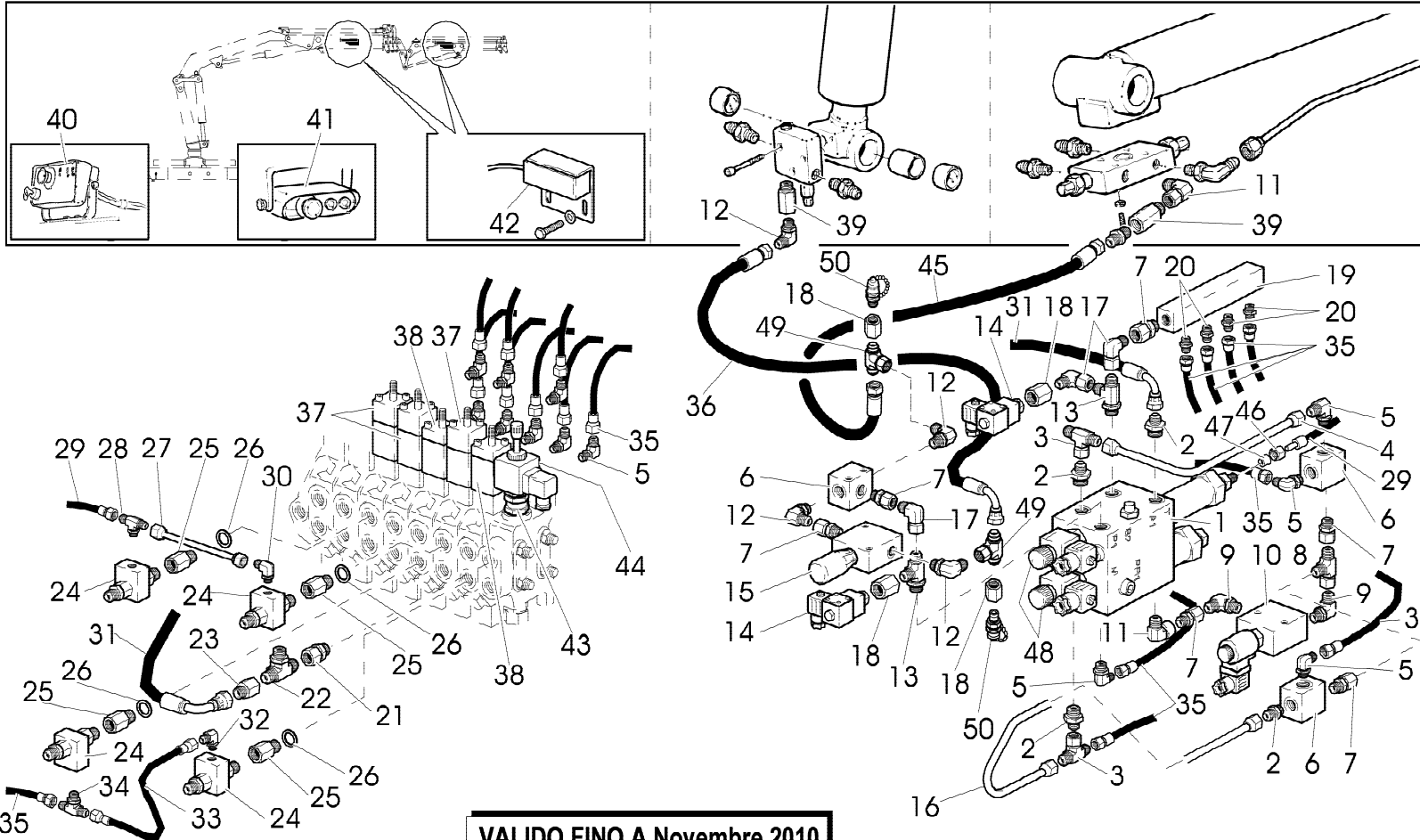
rif.	codice	Q.tà
1	W.338.408	1
2	3.10.1058	1
3	3.10.1044	5
4	3.11.0041	1
5	W.402.109	9
6	W.402.110	1
7	3.11.1523	2
8	3.12.0356	2
9	3.12.0004	2
10	5.22.5420	6

VALIDO DA DICEMBRE 2010
VALID FROM DECEMBER 2010

EN 12999-A3

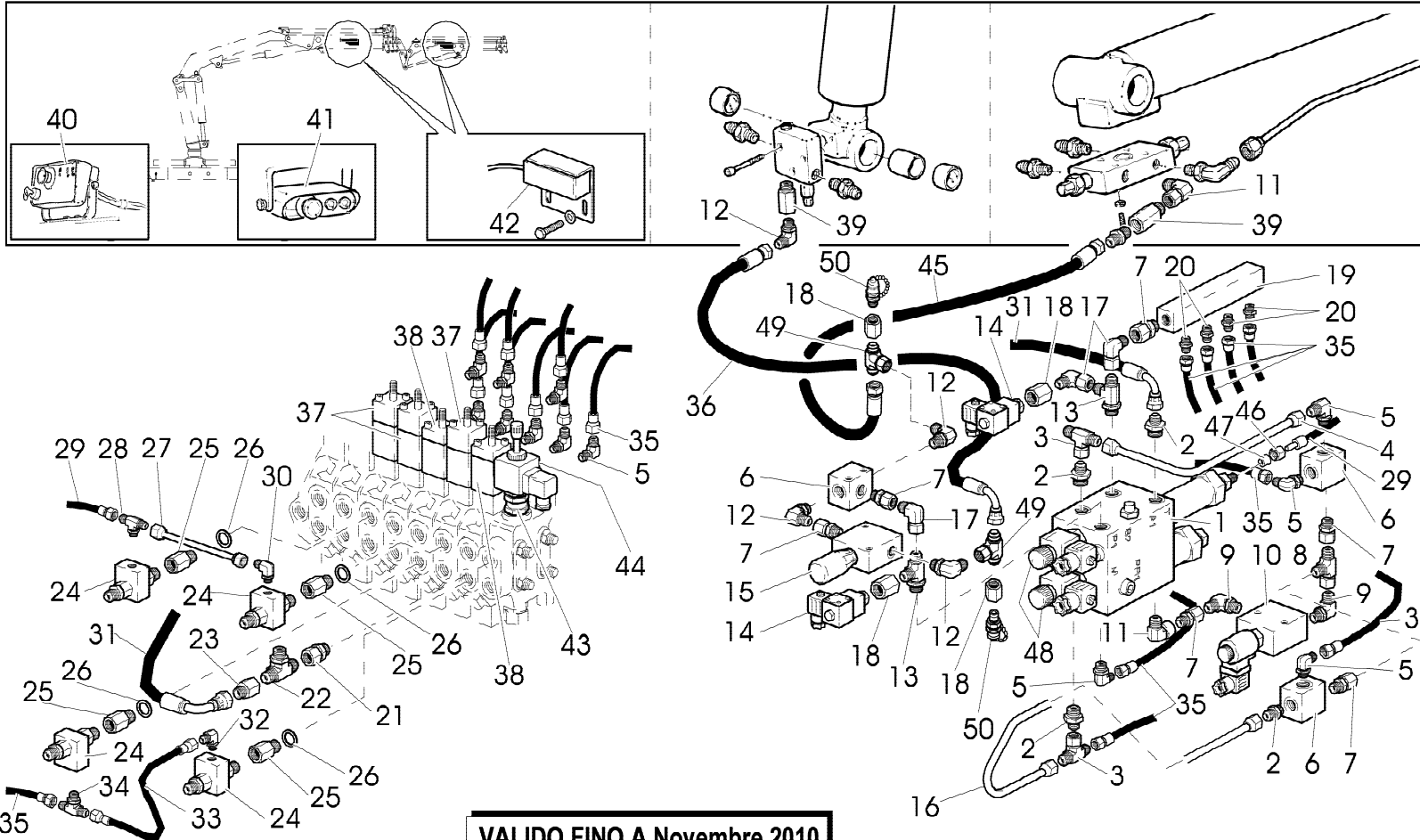


rif.	codice	Q.tà
1	W.HC.0601	1
2	W.HC.0602	1
3	W.HC.0636	1
4	W.HC.0660	7
5	5.22.5420	6
6	5.22.5429	1
7	W.HC.0638	7
8	W.HC.0639	4
9	5.22.5432	7
10	5.22.5455	2
11	W.HC.0617	1
12	5.22.5454	1
13	W.HC.0618	2
14	W.HC.0614	1
15	W.HC.0615	1
16	W.HC.0621	1
17	W.HC.0645	1
18	W.HC.0646	1
19	W.HC.0651	3
20	W.HC.0630	1
21	5.22.5434	2
22	W.HC.0629	1
23	W.HC.0628	2
24	3.31.1046	1
25	3.31.1047	1
26	W.HC.0701	1
27	5.22.5431	1
28	W.HC.0622	1



VALIDO FINO A Novembre 2010
VALID UNTIL November 2010

rif.	codice	Q.tà
1	W.471.005	1
2	3.10.1037	4
3	3.12.0111	4
4	W.27.05.141.00	1
5	3.10.1194	12
6	W.470.060	3
7	3.12.0064	6
8	3.12.0003	1
9	W.403.513	2
10	W.470.604	1
11	3.11.1512	2
12	3.10.1124	4
13	3.10.1175	2
14	W.283.007	2
15	W.470.861	1
16	W.27.05.142.00	1
17	3.12.0011	3
18	3.12.0385	4
19	W.27.05.138.00	1
20	3.10.1033	6
21	3.12.0067	1
22	3.12.0306	1
23	3.12.0209	1
24	W.402.115	4
25	3.11.0113	1
26	3.06.0145	4
27	5.39.2185	1
28	3.12.0384	1
29	W.465.002	1
30	3.10.1121	1
31	W.455.527	1
1/2		



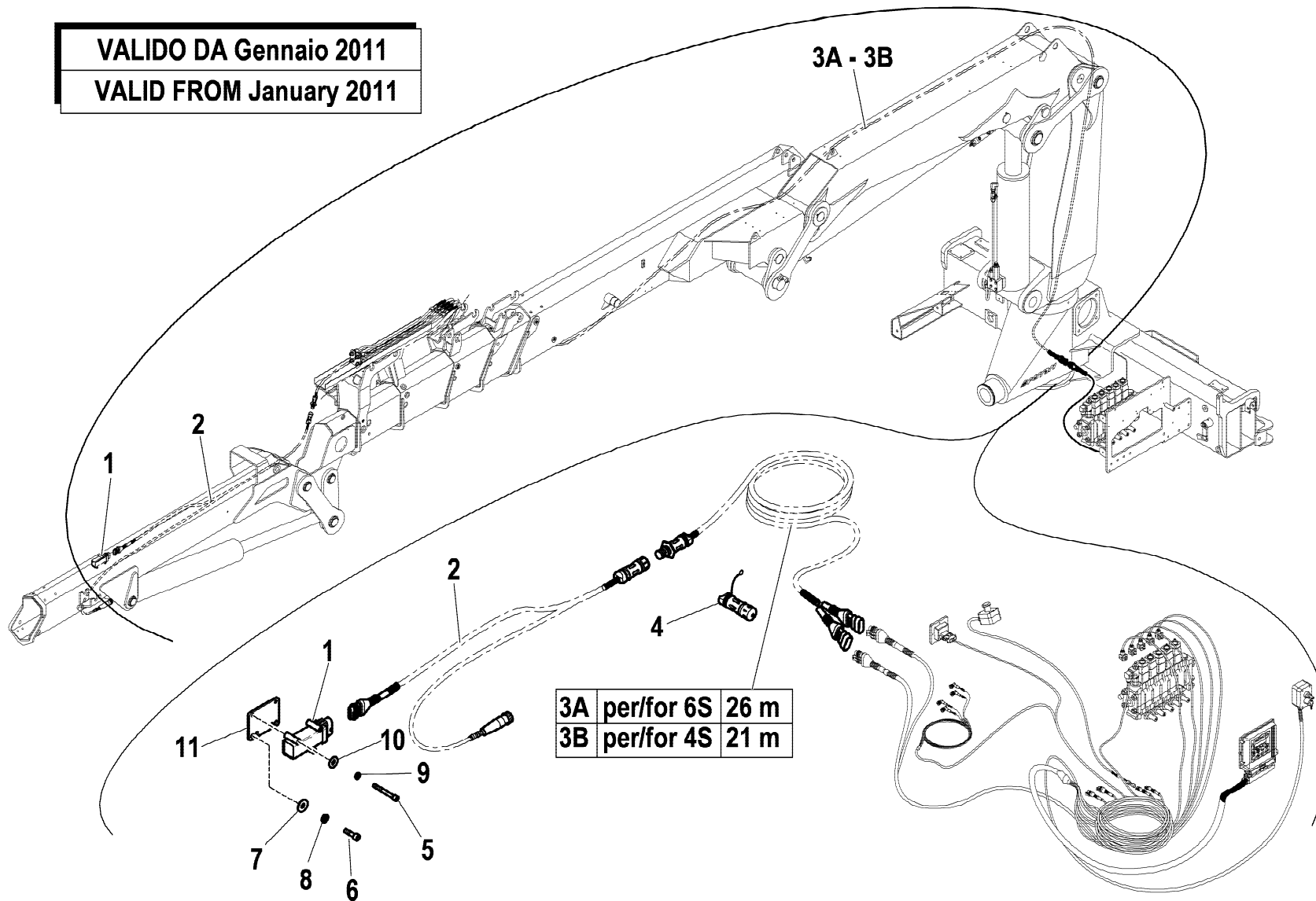
VALIDO FINO A Novembre 2010
 VALID UNTIL November 2010

44052900-1-3

rif.	codice	Q.tà
32	3.10.1195	1
33	W.465.101	3
34	3.12.0383	2
35	W.465.001	8
36	W.456.092	1
37	W.HC0.665	2
38	W.HC0.667	3
39	5.22.0300	2
40	W.285.036	1
41	W.285.035	1
42	W.264.806	1
43	W.470.607	1
44	W.222.003	1
45	W.468.151	1
46	3.10.0952	1
47	3.10.0956	1
48	W.222.006	2
49	3.12.0341	2
50	3.11.1523	2

VALIDO DA Gennaio 2011

VALID FROM January 2011



3A	per/for 6S	26 m
3B	per/for 4S	21 m

rif.	codice	Q.tà
1	3.31.1150	1
2	5.16.0079	1
3 A	5.16.0077	1
3 B	5.16.0078	1
4	5.16.0080	1
5	3.02.0018	2
6	3.02.0033	2
7	3.06.0005	2
8	3.06.0053	2
9	3.06.0065	2
10	3.06.0003	2
11	5.00.2108	1



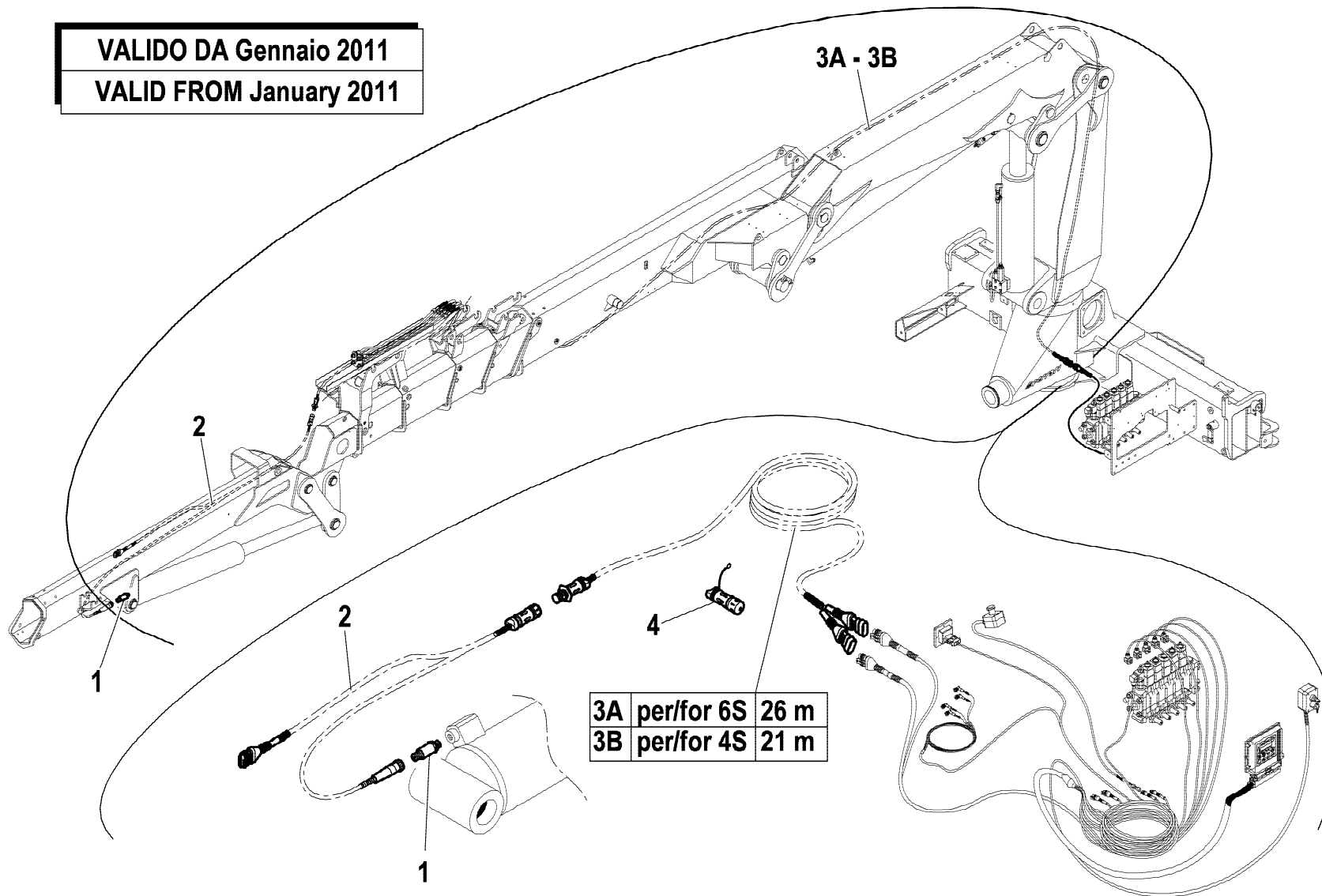
HC151

COMANDI BILATERALI (CE) EN12999-A3
 DOUBLE CONTROLS (CE) EN12999-A3
 DOUBLE COMMANDES (CE) EN12999-A3
 DOPPELSTEUERUNG (CE) EN12999-A3
 MONDOS BILATERALAS (CE) EN12999-A3

Tavola
W.044.505-6-0

VALIDO DA Gennaio 2011

VALID FROM January 2011



rif.	codice	Q.tà
1	3.31.0612	1
2	5.16.0079	1
3 A	5.16.0077	1
3 B	5.16.0078	1
4	5.16.0080	1

1/1

HYVA® CRANE

HC151

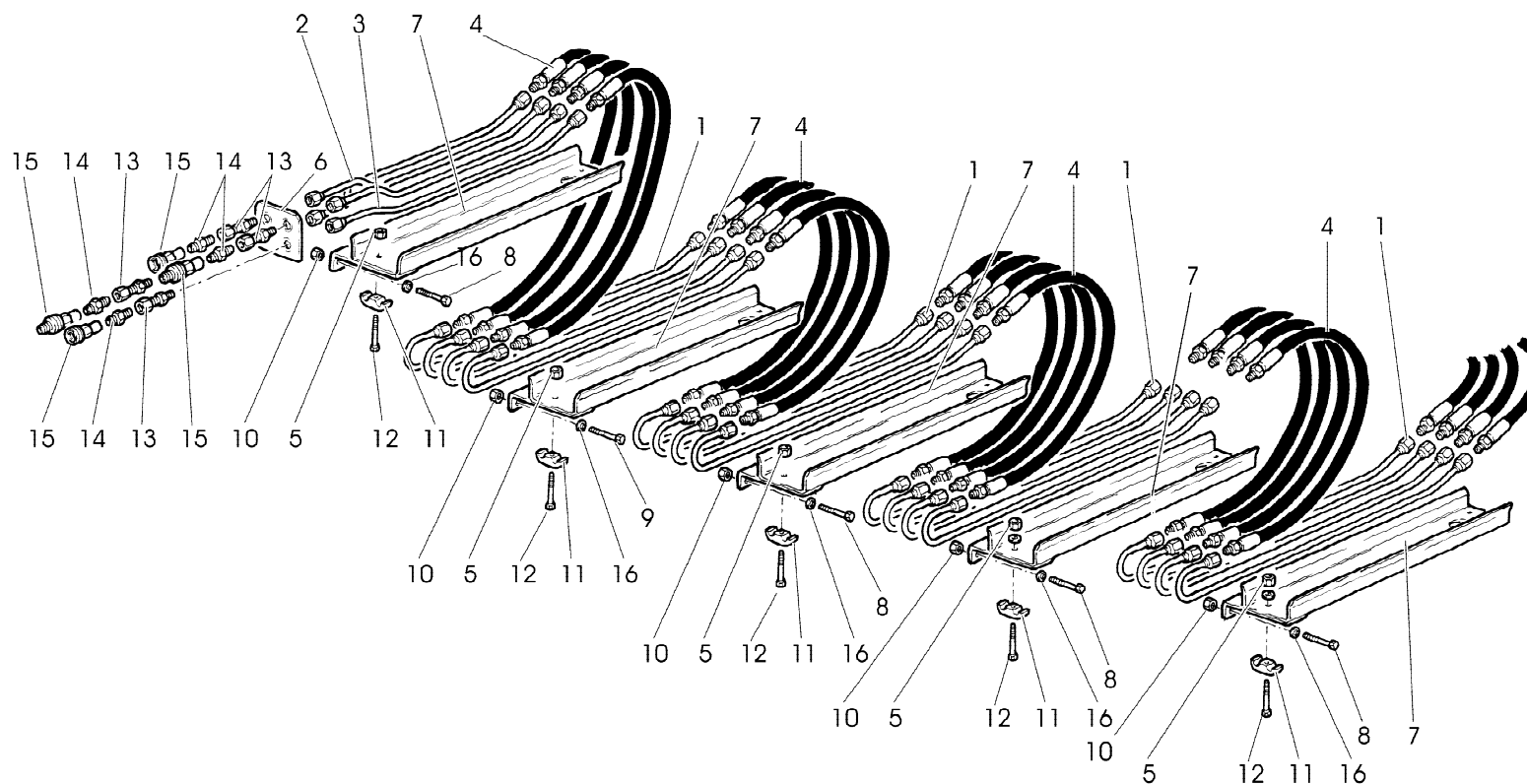
COMANDI BILATERALI (CE) EN12999-A3
DOUBLE CONTROLS (CE) EN12999-A3
DOUBLE COMMANDES (CE) EN12999-A3
DOPPELSTEUERUNG (CE) EN12999-A3
MONDOS BILATERALAS (CE) EN12999-A3

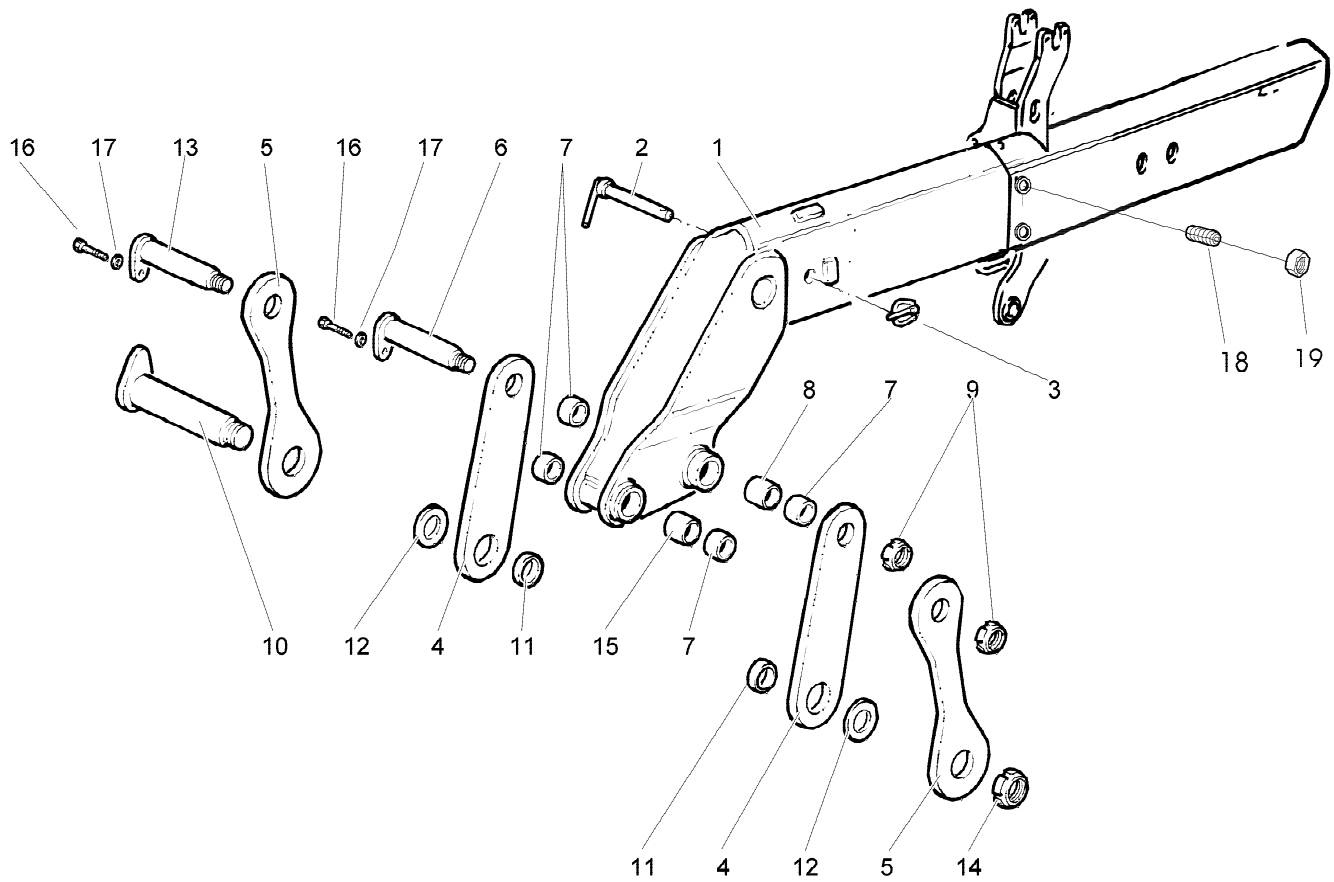
Tavola

W.044.505-7-0

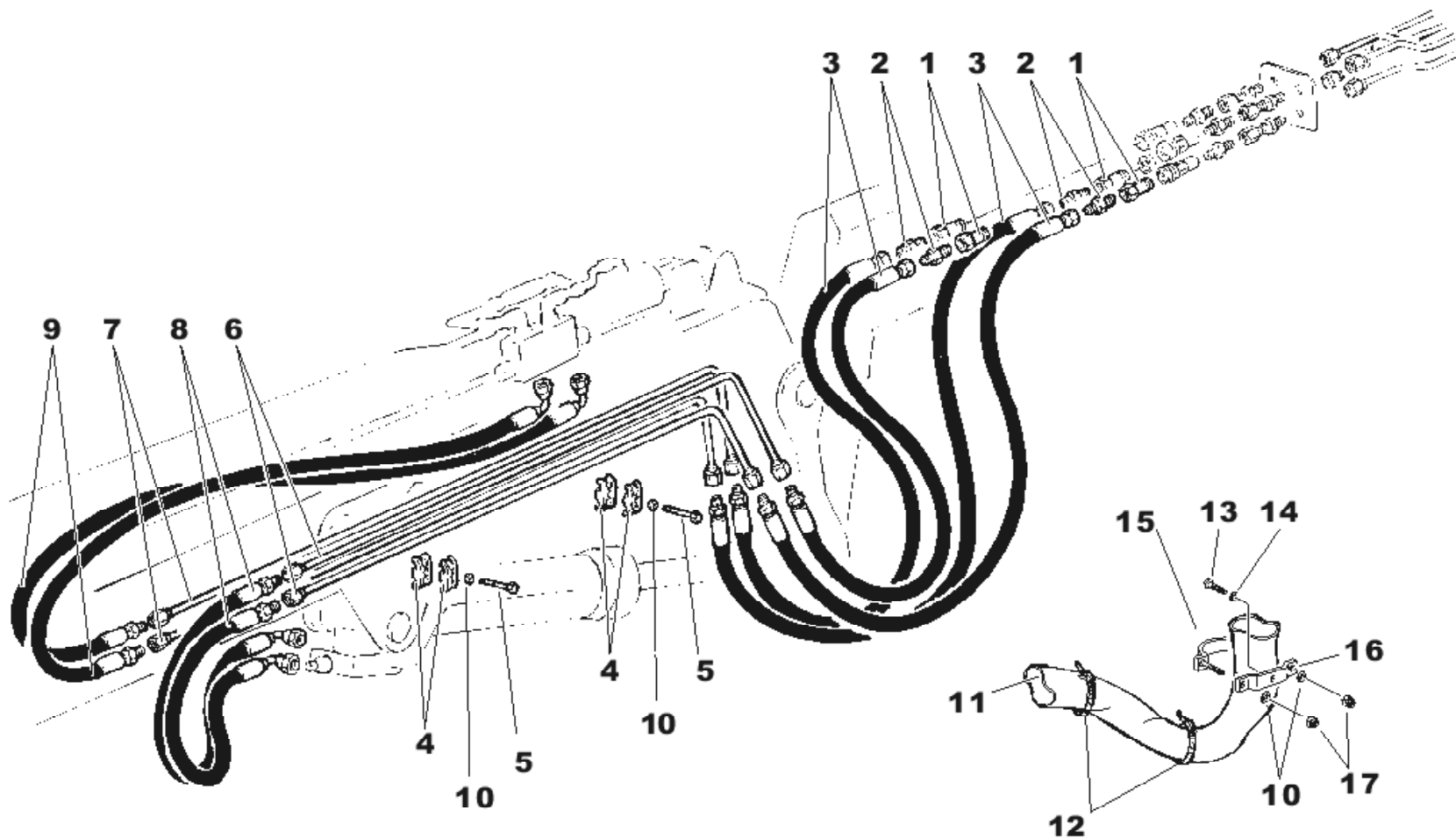
Data pag.
maggio 2011 88

rif.	codice	Q.tà
1	W.44.05.007.00	16
2	W.44.05.008.00	2
3	W.44.05.009.00	2
4	W.456.599	16
5	3.04.0524	20
6	W.44.05.011.00	1
7	W.44.05.010.00	5
8	3.01.0354	8
9	3.01.0352	2
10	3.04.0335	8
11	5.00.0077	18
12	3.01.0030	18
13	3.12.0402	4
14	3.11.0249	4
15	3.11.0420	4
16	3.06.0056	10



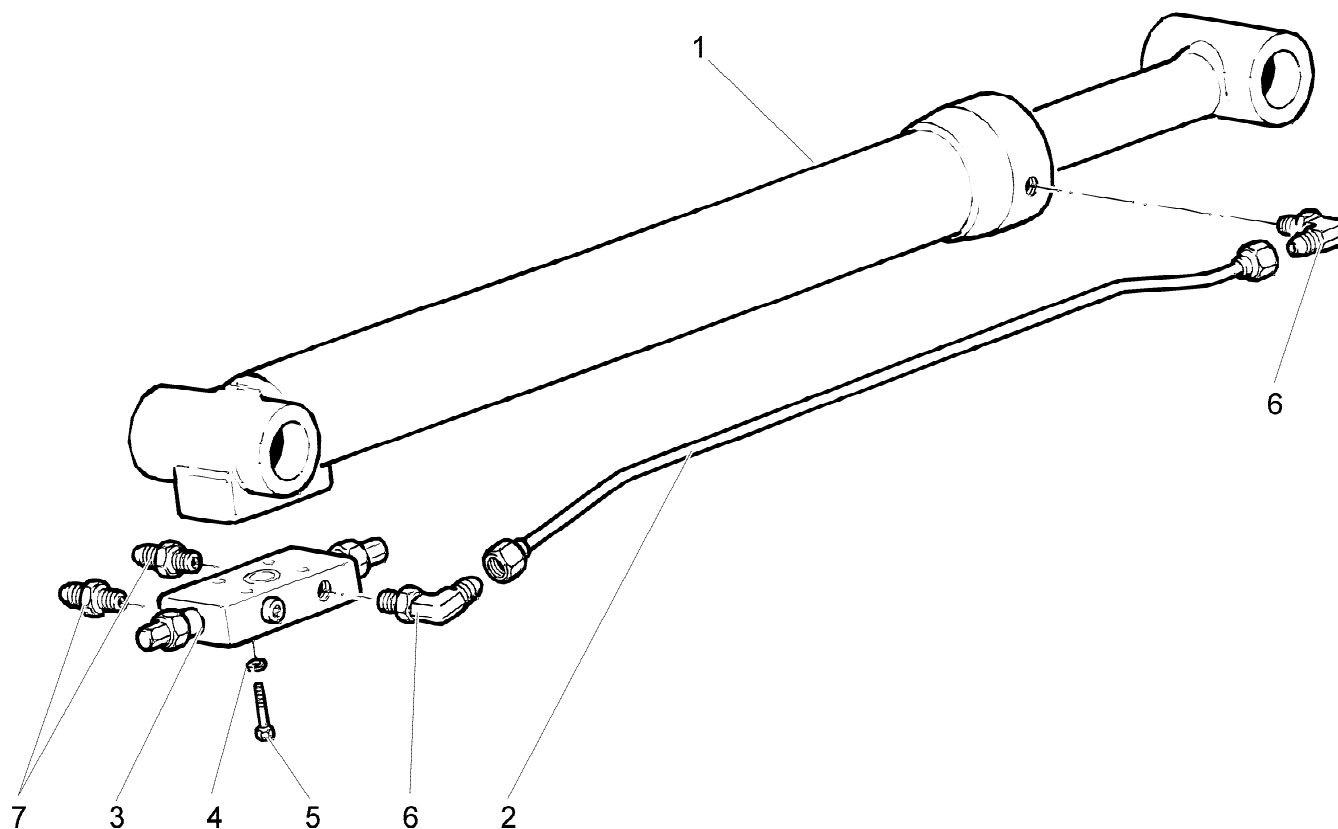


rif.	codice	Q.tà
1	W.56.06.001.00	1
2	W.101.289	1
3	W.559.503	1
4	W.44.06.002.00	2
5	W.44.06.003.00	2
6	W.101.279	1
7	W.102.134	4
8	W.44.06.008.00	1
9	W.601.007	2
10	W.101.280	1
11	W.102.136	2
12	W.44.06.015.00	2
13	W.101.277	1
14	W.601.011	1
15	W.44.06.009.00	1
16	3.01.0354	2
17	3.06.0056	2
18	W.43.06.020.00	4
19	3.04.0046	4



rif.	codice	Q.tà
1	W.372.002	2
2	W.403.102	4
3	W.456.860	4
4	W.128.006	4
5	3.01.0031	2
6	W.44.06.013.00	2
7	W.44.06.012.00	2
8	W.456.909	2
9	W.456.912	2
10	3.06.0006	4
11	W.742.003	2
12	W.238.007	2
13	3.01.0353	1
14	3.06.0914	1
15	5.00.0036	1
16	5.00.0614	1
17	3.04.0303	2

rif.	codice	Q.tà
1	W.44.06.503.00	1
2	W.44.06.011.00	1
3	5.22.0548	1
4	3.06.0055	4
5	3.01.0031	4
6	3.10.1127	2
7	3.10.1043	2



1/1

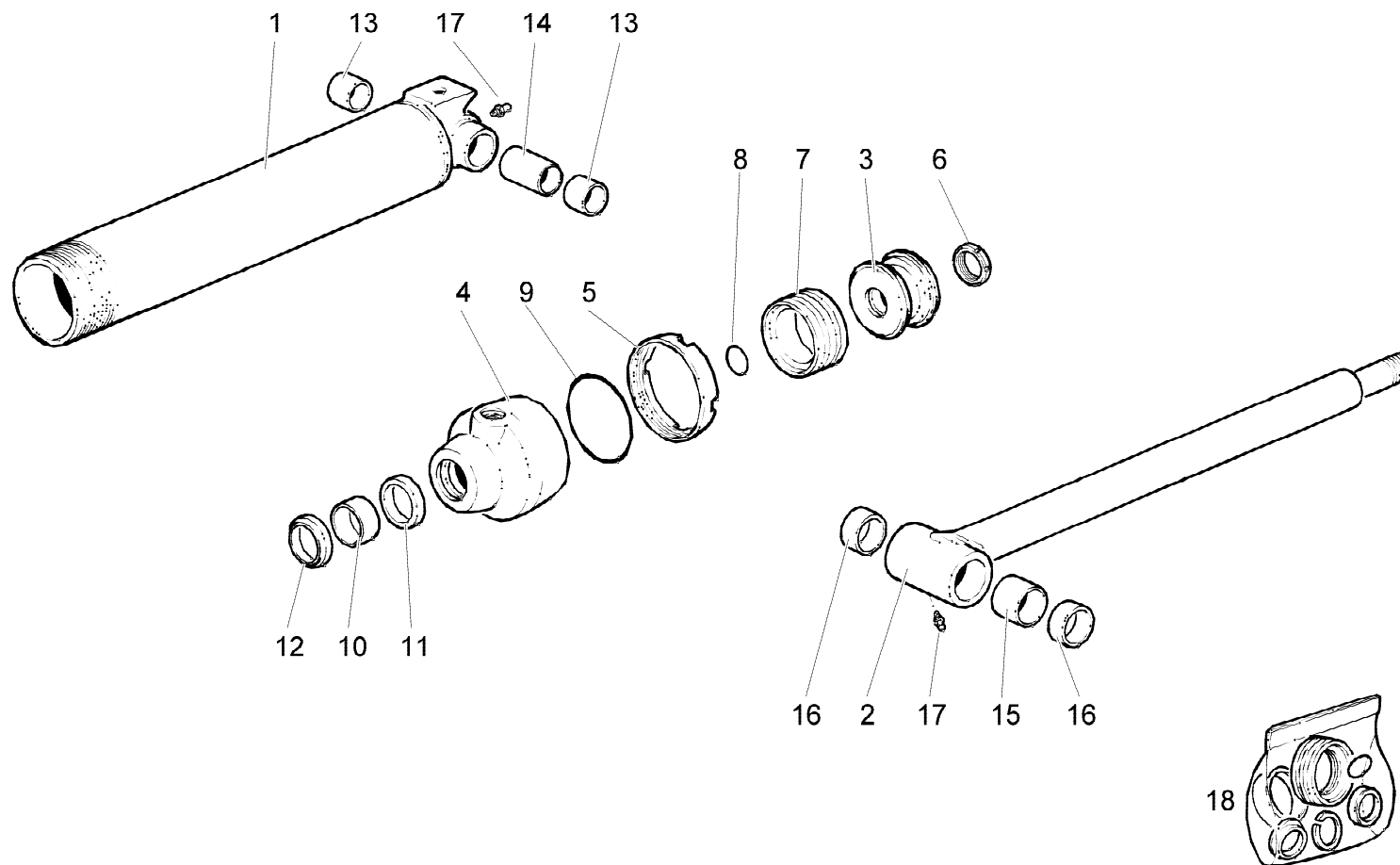
HYVA[®] CRANE
HC151

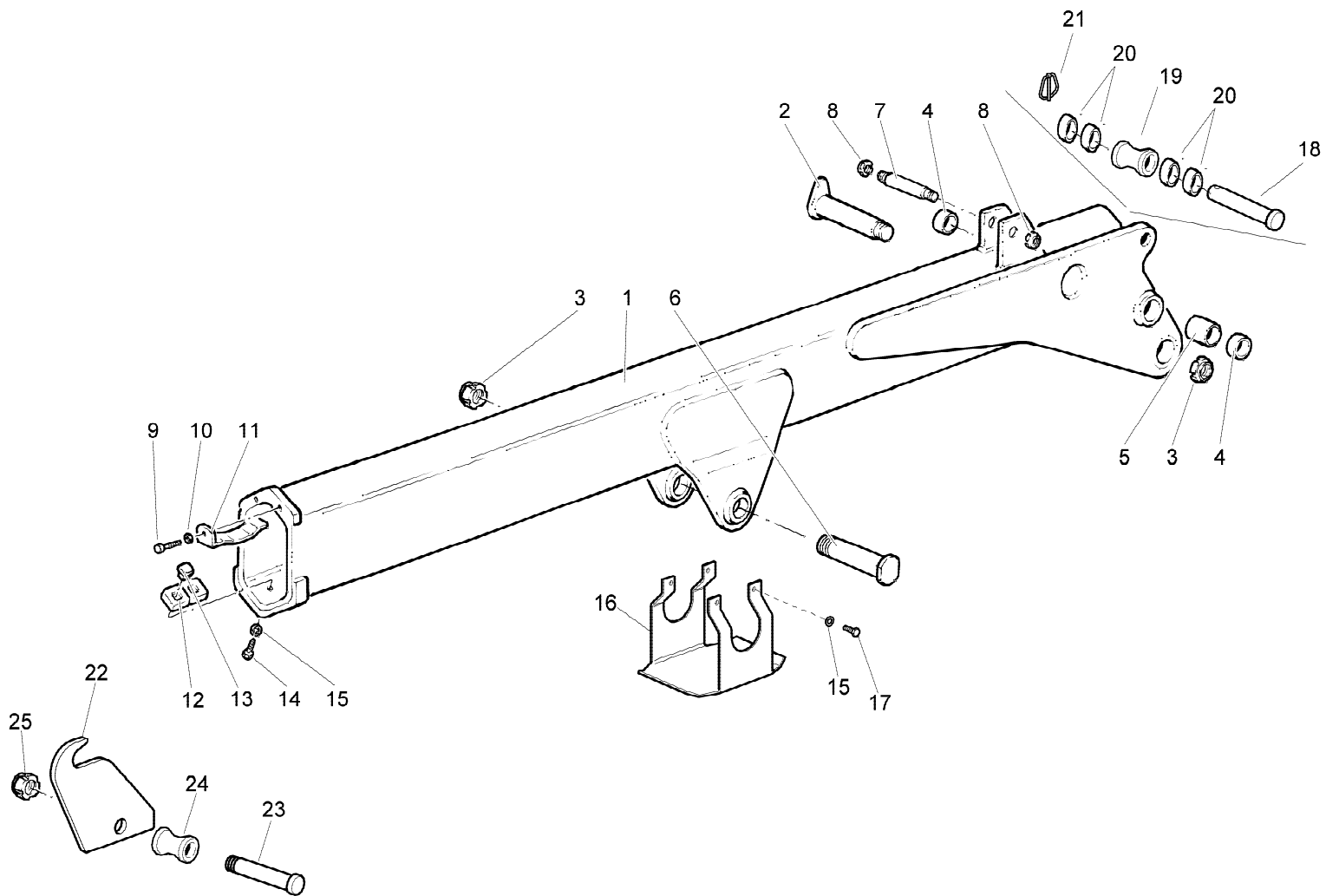
IMPIANTO IDRAULICO (MARTINETTO ARTICOLAZIONE) JIB
 HYDRAULIC SYSTEM (ARTICULATION HYDRAULIC JACK) JIB
 INSTALLATION HYDRAULIQUE (VERIN D' ARTICULATION) JIB
 HYDRAULIKANLAGE (GELENKSHEBEBOCK) JIB
 INSTALACION HIDRAULICA (GATO DE ARTICULACION) JIB

Tavola
W.44.06.504.00-1-0

Data pag.
 dicembre 2008 92

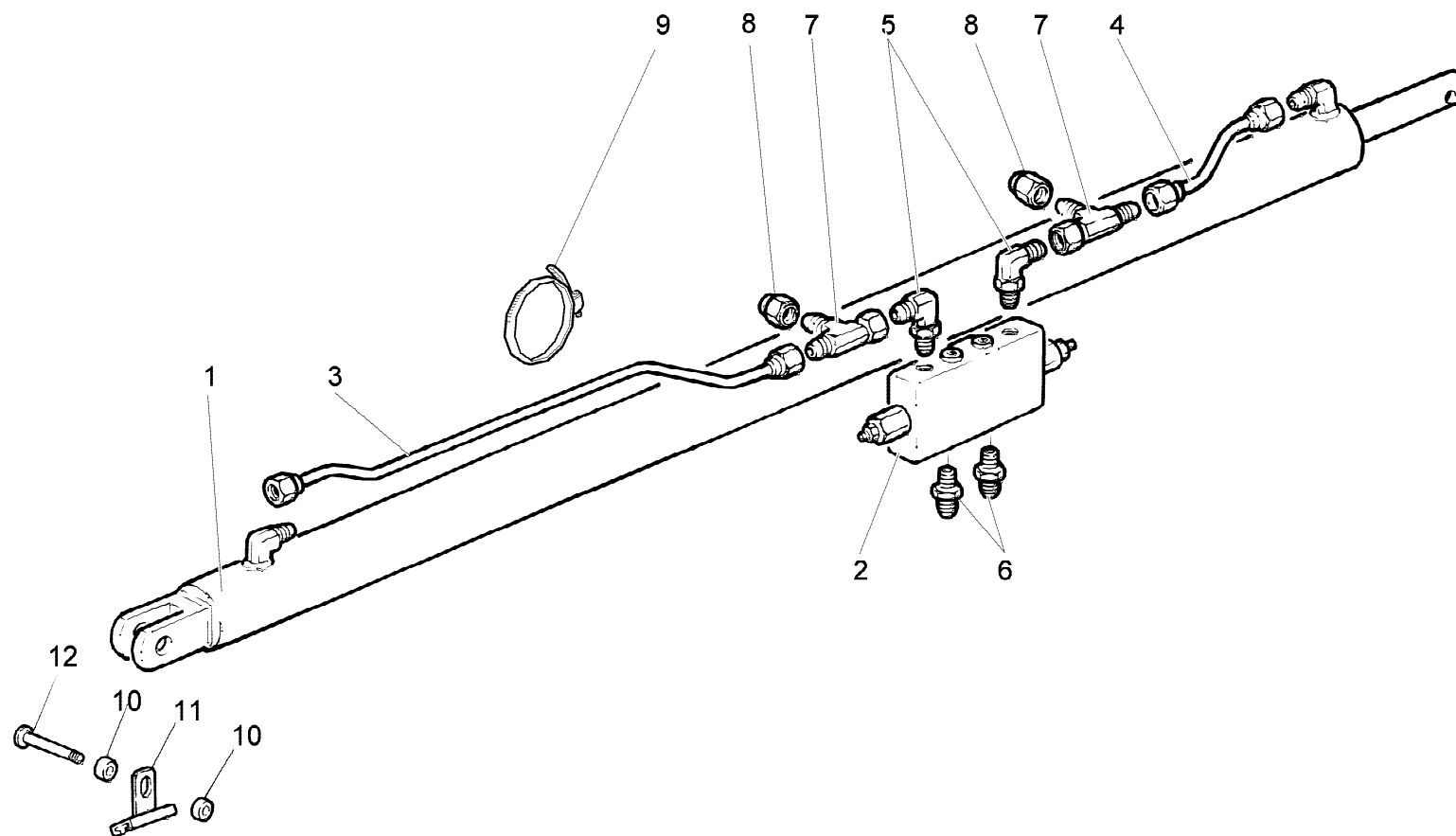
rif.	codice	Q.tà
1	W.44.06.005.00	1
2	W.44.06.006.00	1
3	W.105.079	1
4	W.37.02.005.00	1
5	W.37.02.007.00	1
6	3.04.0505	1
7	W.359.019	1
8	W.360.109	1
9	W.360.044	1
10	W.102.133	1
11	W.358.021	1
12	W.361.014	1
13	W.102.134	2
14	W.37.02.008.00	1
15	W.44.06.007.00	1
16	W.102.136	2
17	3.08.0500	2
18	W.365.108	1





rif.	codice	Q.tà
1	W.44.06.004.00	1
2	W.101.278	1
3	3.04.0505	2
4	W.102.134	2
5	W.44.06.010.00	1
6	W.101.283	1
7	W.101.218	1
8	3.04.0498	2
9	3.01.0323	2
10	3.06.0005	2
11	W.37.03.006.00	2
12	W.38.03.006.00	2
13	W.37.03.008.00	4
14	3.01.0055	4
15	3.06.0006	8
16	W.55.06.003.00	1
17	3.01.0337	4
18	W.101.084	1
19	W.39.03.010.00	1
20	W.32.03.015.00	4
21	W.559.602	1
22	W.44.06.014.00	1
23	W.101.004	1
24	W.27.03.032.00	1
25	3.04.0502	1

rif.	codice	Q.tà
1	W.38.03.501.00	1
2	5.22.0122	1
3	W.38.05.003.00	1
4	W.38.05.004.00	1
5	3.10.1125	2
6	3.10.1040	2
7	3.12.0003	2
8	3.11.0040	2
9	3.19.0012	1
10	W.38.03.009.00	2
11	W.38.03.008.00	1
12	W.101.213	1



1/1

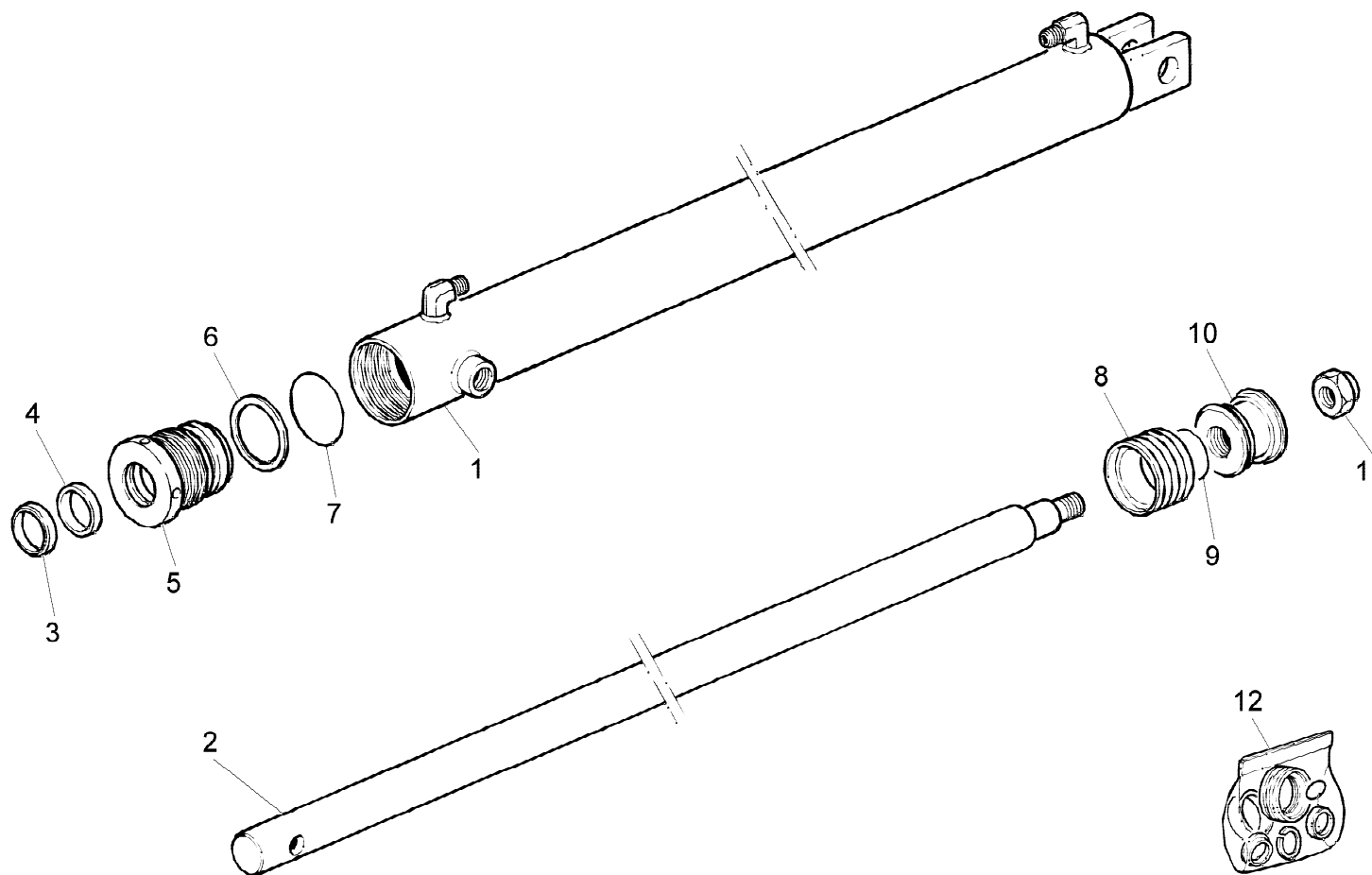
HYVA[®] CRANE
HC151

IMPIANTO IDRAULICO (MARTINETTO 1°SFILO) JIB
HYDRAULIC SYSTEM (1TH EXTENSION HYDRAULIC CYLINDER) JIB
INSTALLATION HYDRAULIQUE (VERIN 1ERE RALLONGE) JIB
HYDRAULIKANLAGE (1. SCHUBZYLINDER) JIB
INSTALACION HIDRAULICA (1° GATO DE PROLONGACION) JIB

Tavola
W.38.03.502.00-1-3

Data pag.
dicembre 2008 95

rif.	codice	Q.tà
1	W.38.03.004.00	1
2	W.38.03.005.00	1
3	W.361.012	1
4	W.358.002	1
5	W.120.056	1
6	W.304.018	1.
7	W.360.049	1
8	W.359.010	1
9	W.360.002	1
10	W.105.061	1
11	3.04.0377	1
12	W.365.060	1



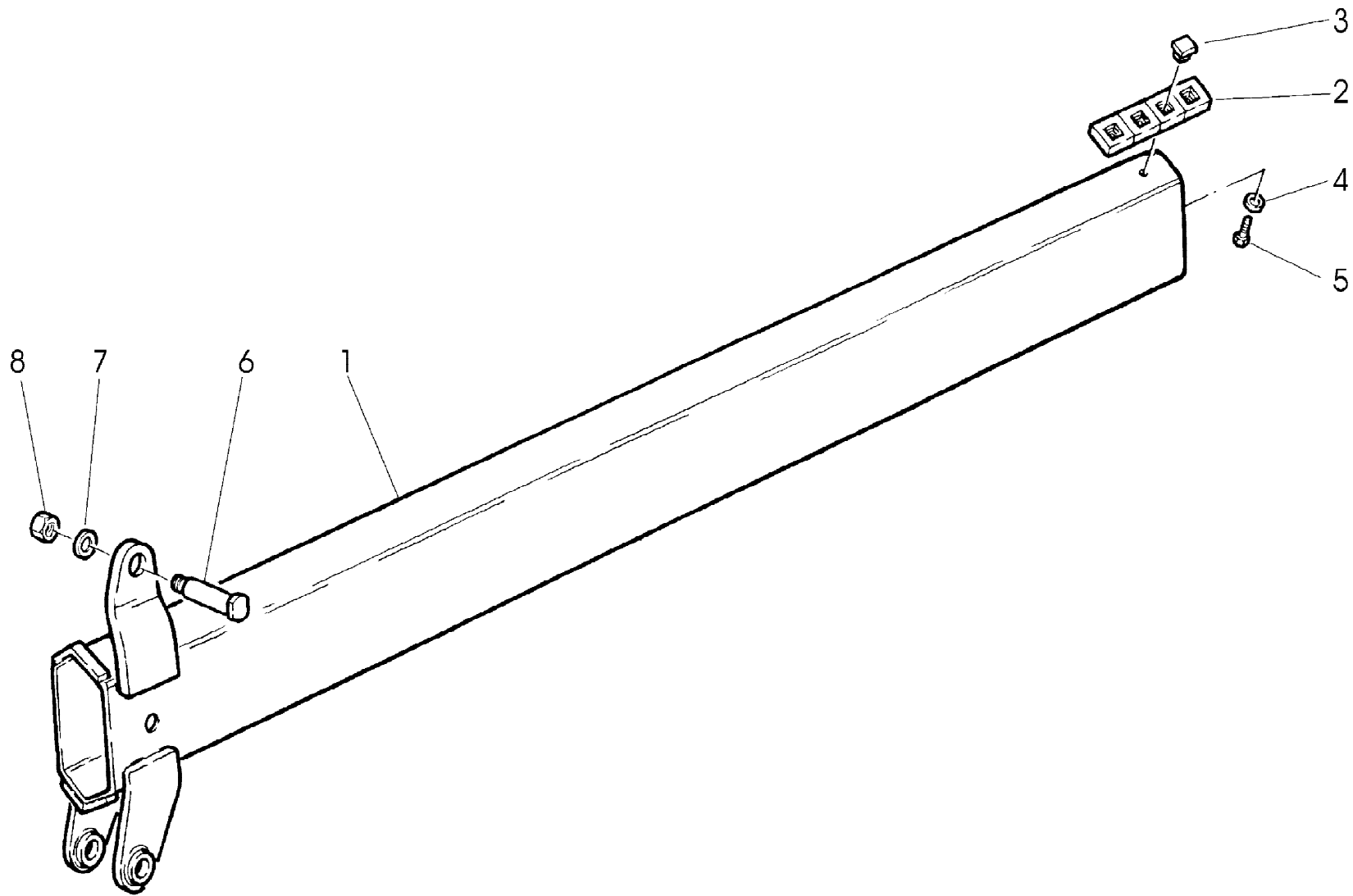
1/1

HYVA[®] CRANE
HC151

MARTINETTO 1° ESTENSIONE
 1ST EXTENSION HYDRAULIC JACK
 VERIN 1° ELEMENT TELESCOPIQUE
 SCHUBZYLINDER 1. ELEMENT
 GATO 1° EXTENSION

Tavola
W.38.03.501.00-1-6

Data pag.
 dicembre 2009 96



rif.	codice	Q.tà
1	W.38.03.002.00	1
2	W.38.03.007.00	2
3	W.37.03.008.00	4
4	3.06.0029	4
5	3.01.0336	4
6	W.101.213	1
7	3.06.0009	1
8	3.04.0086	1

1/1

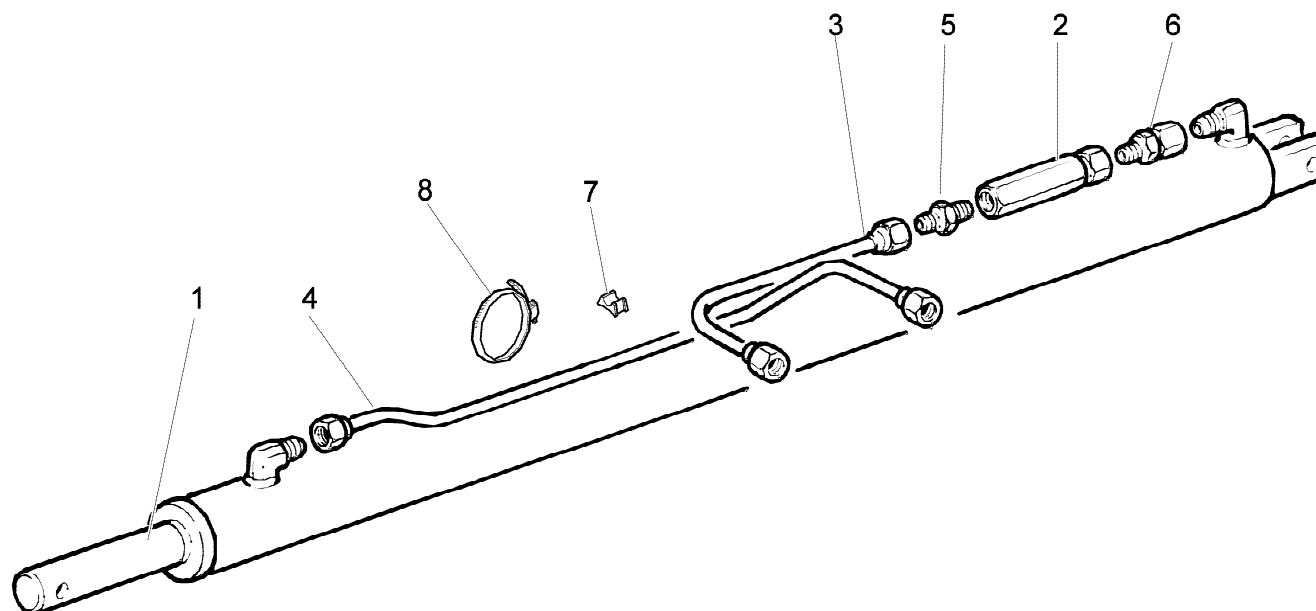
HYVA® CRANE
HC151

1° SFILO JIB
 1ST EXTENSION JIB
 1ERE RALLONGE JIB
 1. VERLAENGERUNG JIB
 1°PROLONGACION JIB

Tavola
W.038.302-1-0

Data pag.
 dicembre 2008 97

rif.	codice	Q.tà
1	W.37.03.501.00	1
2	W.470.853	1
3	W.38.05.005.00	1
4	W.38.05.006.00	1
5	3.10.1040	1
6	3.12.0065	1
7	5.14.0133	1
8	3.19.0023	1



1/1

HYVA[®] CRANE

HC151

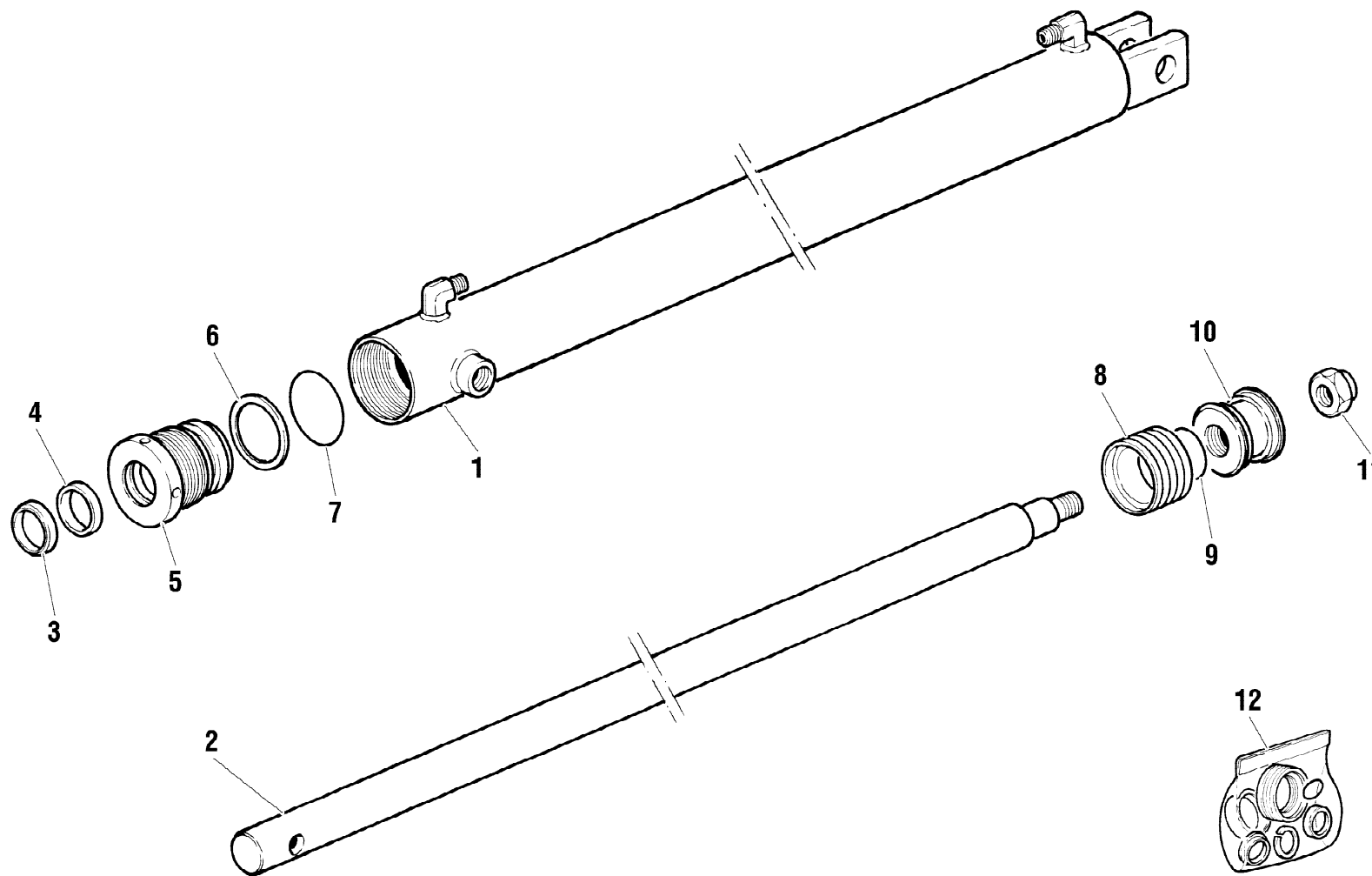
IMPIANTO IDRAULICO (2° SFILO) JIB
 HYDRAULIC SYSTEM (2ND EXTENSION) JIB
 INSTALLATION HYDRAULIQUE (2EME RALLONGE) JIB
 HYDRAULIKANLAGE (2. VERLAENGERUNG) JIB
 INSTALACION HIDRAULICA (2°PROLONGACION) JIB

W.38.03.510.00-1-0

Tavola

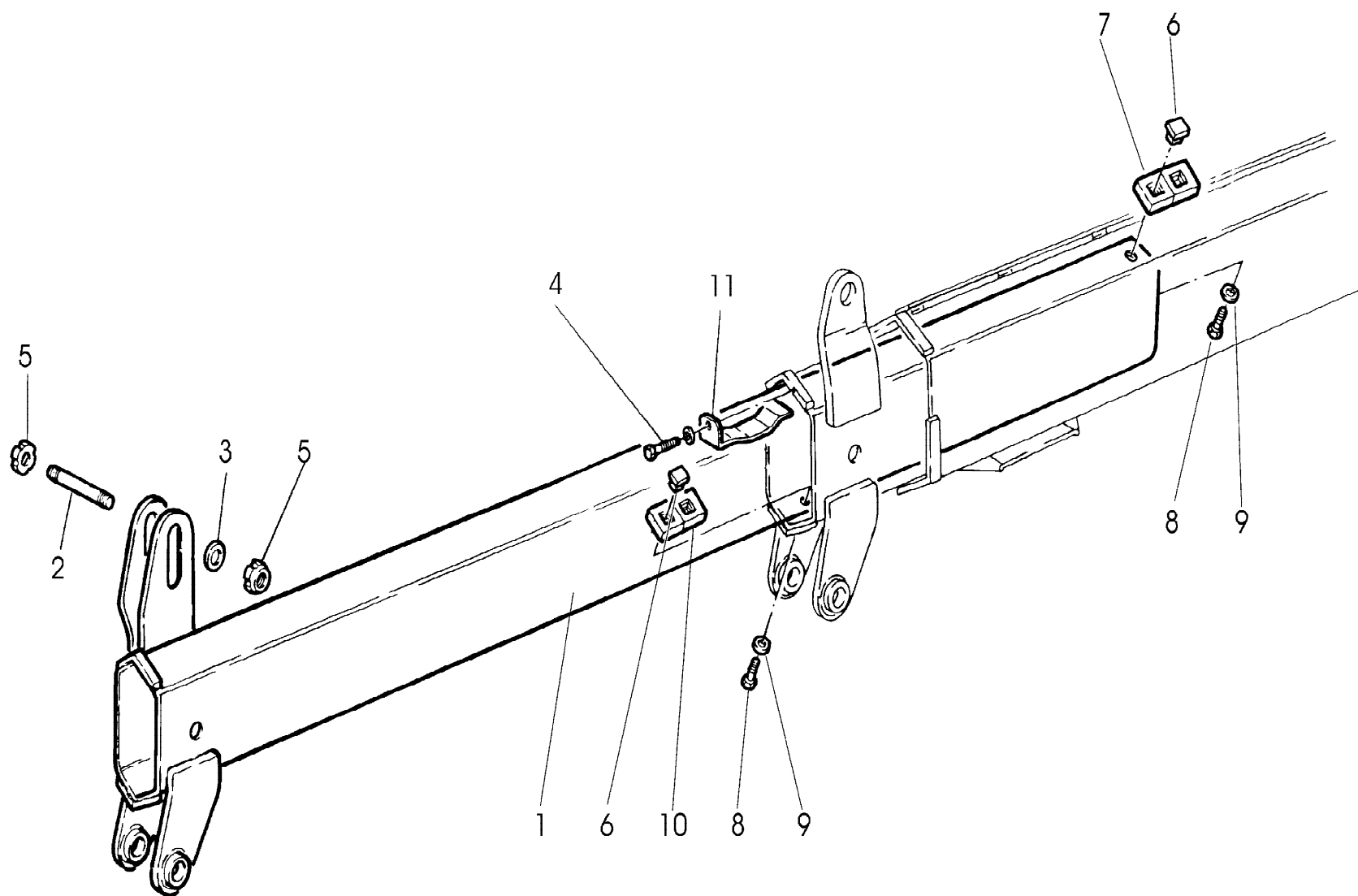
Data pag.
 dicembre 2008 98

rif.	codice	Q.tà
1	W.37.03.004.00	1
2	W.37.03.005.00	1
3	W.361.011	1
4	W.358.022	1
5	W.120.061	1
6	W.304.004	1
7	W.360.010	1
8	W.359.035	1
9	W.360.070	1
10	W.105.058	1
11	3.04.0306	1
12	W.365.064	1

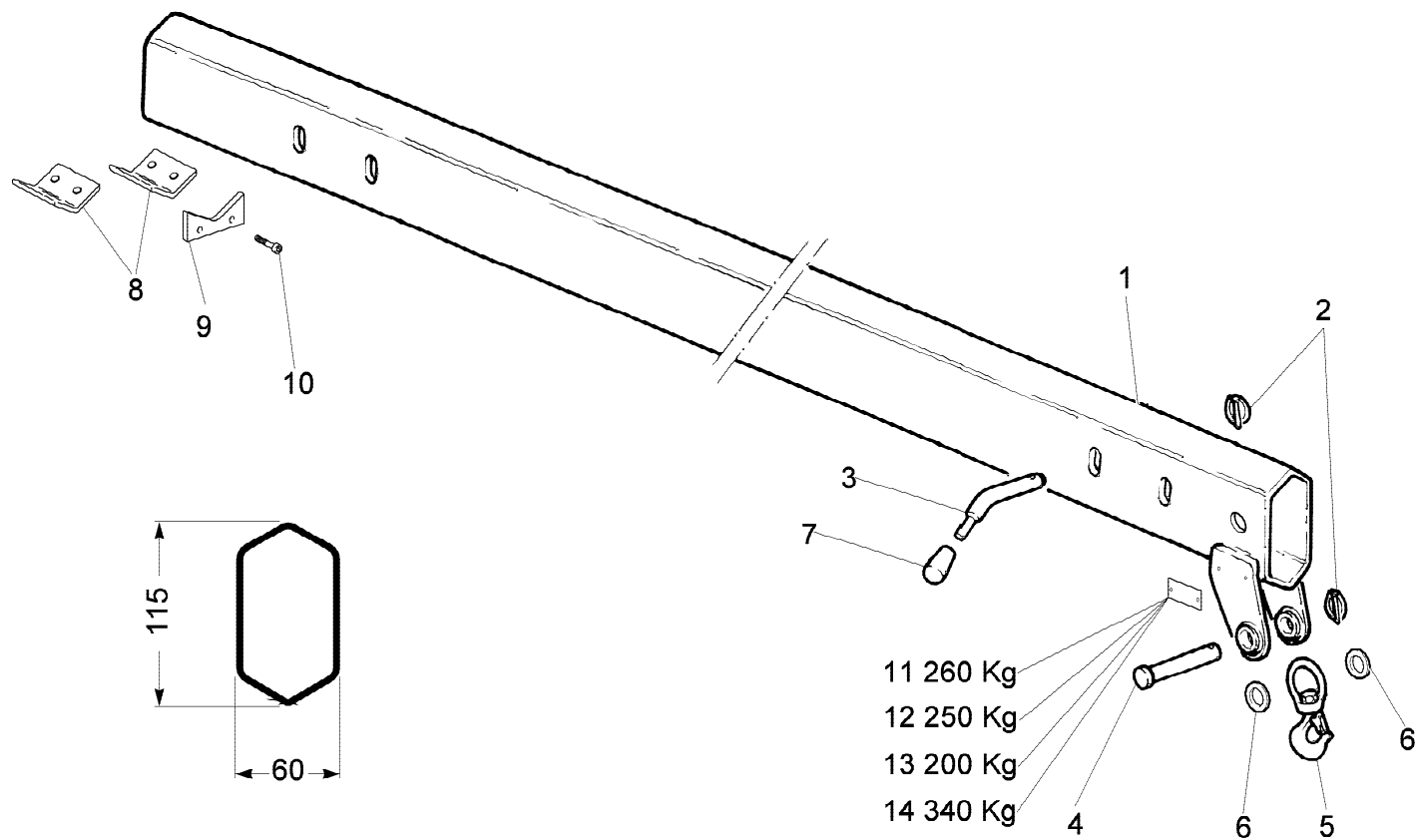


370350100-1-6

rif.	codice	Q.tà
1	W.38.03.003.00	1
2	W.101.218	1
3	3.06.0010	2
4	3.01.0323	2
5	3.04.0498	2
6	W.37.03.008.00	8
7	W.37.03.010.00	2
8	3.01.0336	8
9	3.06.0029	8
10	W.37.03.009.00	2
11	3.06.0683	2

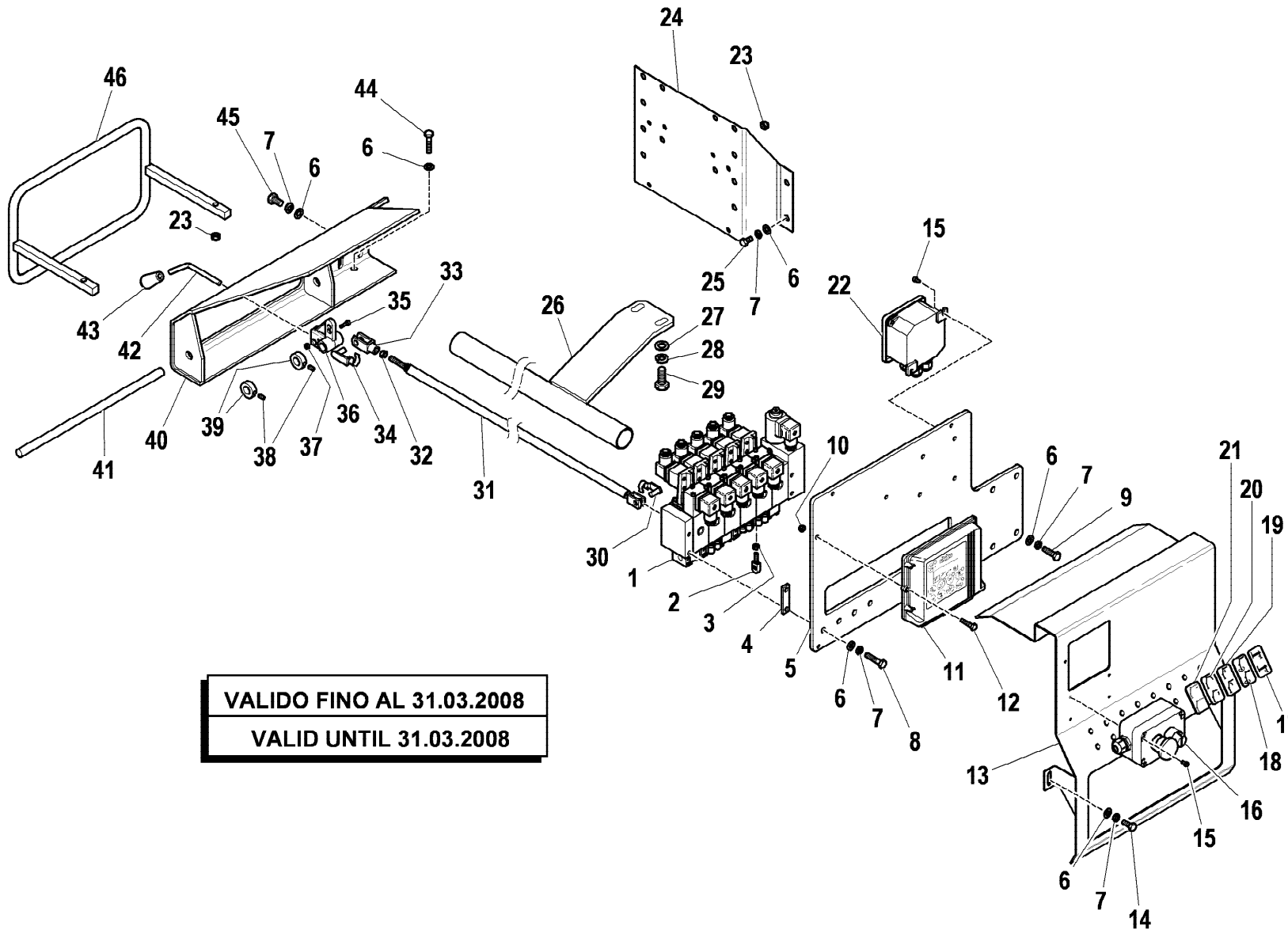


rif.	codice	Q.tà
1	W.37.03.003.00	1
2	3.06.0753	2
3	W.101.324	1
4	W.101.080	1
5	W.599.001	1
6	W.13.03.029.00	2
7	W.664.003	1
8	W.38.03.018.00	2
9	W.38.03.019.00	1
10	3.02.0034	2
11	W.573.919	1
12	W.573.920	1
13	W.573.918	1
14	W.575.107	1





HC151 X



VALIDO FINO AL 31.03.2008
 VALID UNTIL 31.03.2008

rif.	codice	Q.tà
1	5.22.0794	1
2	W.01.05.036.00	2
3	3.04.0081	1
4	5.00.1791	2
5	W.56.05.028.00	1
6	3.06.0006	15
7	3.06.0055	17
8	3.01.0339	3
9	3.01.0027	6
10	3.04.0372	2
11	3.31.0828	1
12	3.01.0022	2
13	W.56.05.030.00	1
14	3.01.0337	2
15	3.02.0022	4
16	3.31.0994	1
17	W.573.265	1
18	W.573.266	1
19	W.573.267	1
20	W.573.269	1
21	W.573.270	1
22	3.31.0820	1
23	3.04.0040	1
24	W.59.05.060.00	1
25	3.01.0055	4
26	W.44.05.003.00	1
27	3.06.0057	2
28	3.06.0018	2
29	3.01.0369	2
30	3.30.0451	1
31	W.56.05.031.00	1

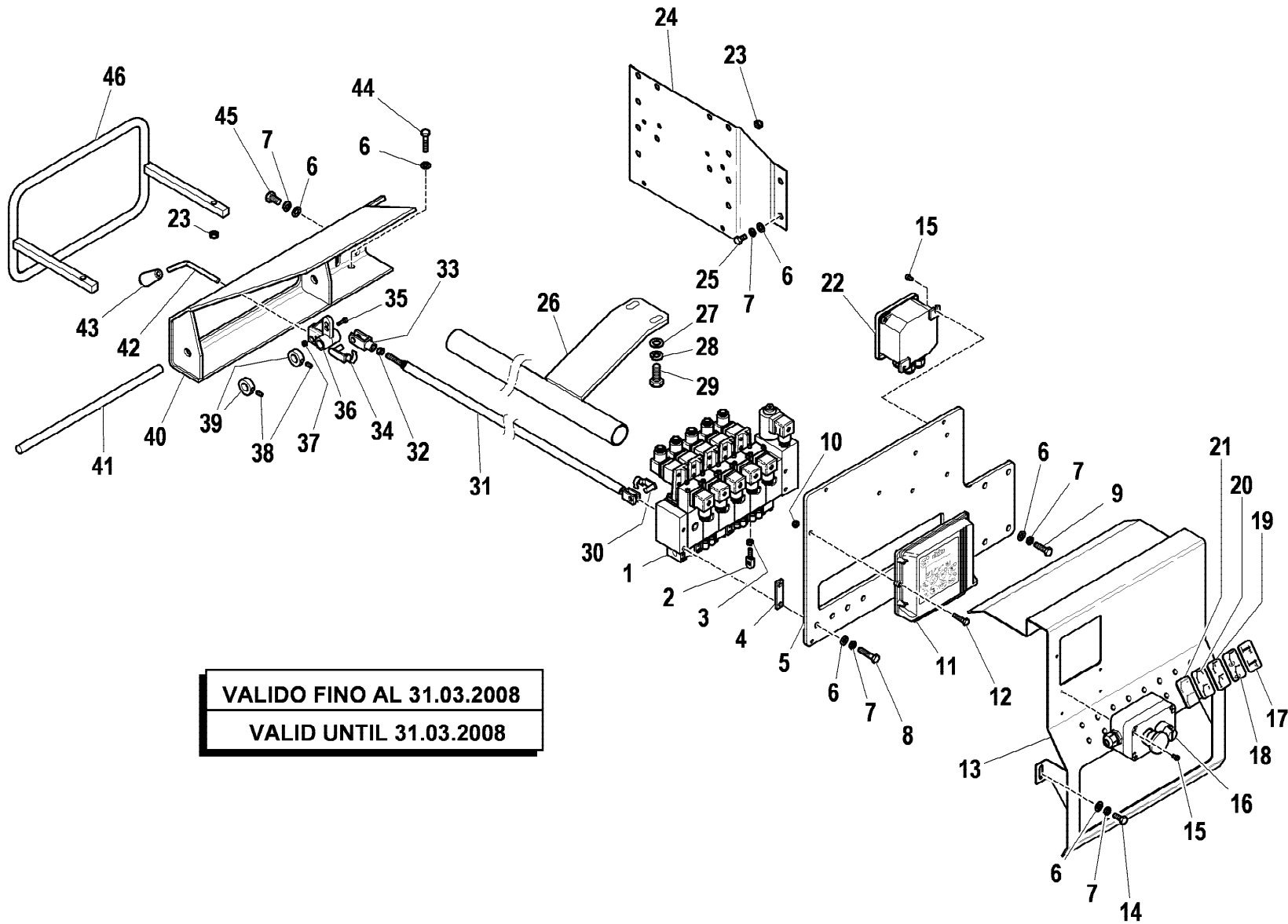
1/2

HYVA® CRANE
 HC151

COMANDI BILATERALI RDC
 DOUBLE CONTROLS RDC
 DOUBLE COMMANDES RDC
 DOPPELSTEUERUNG RDC
 MONDOS BILATERALAS RDC

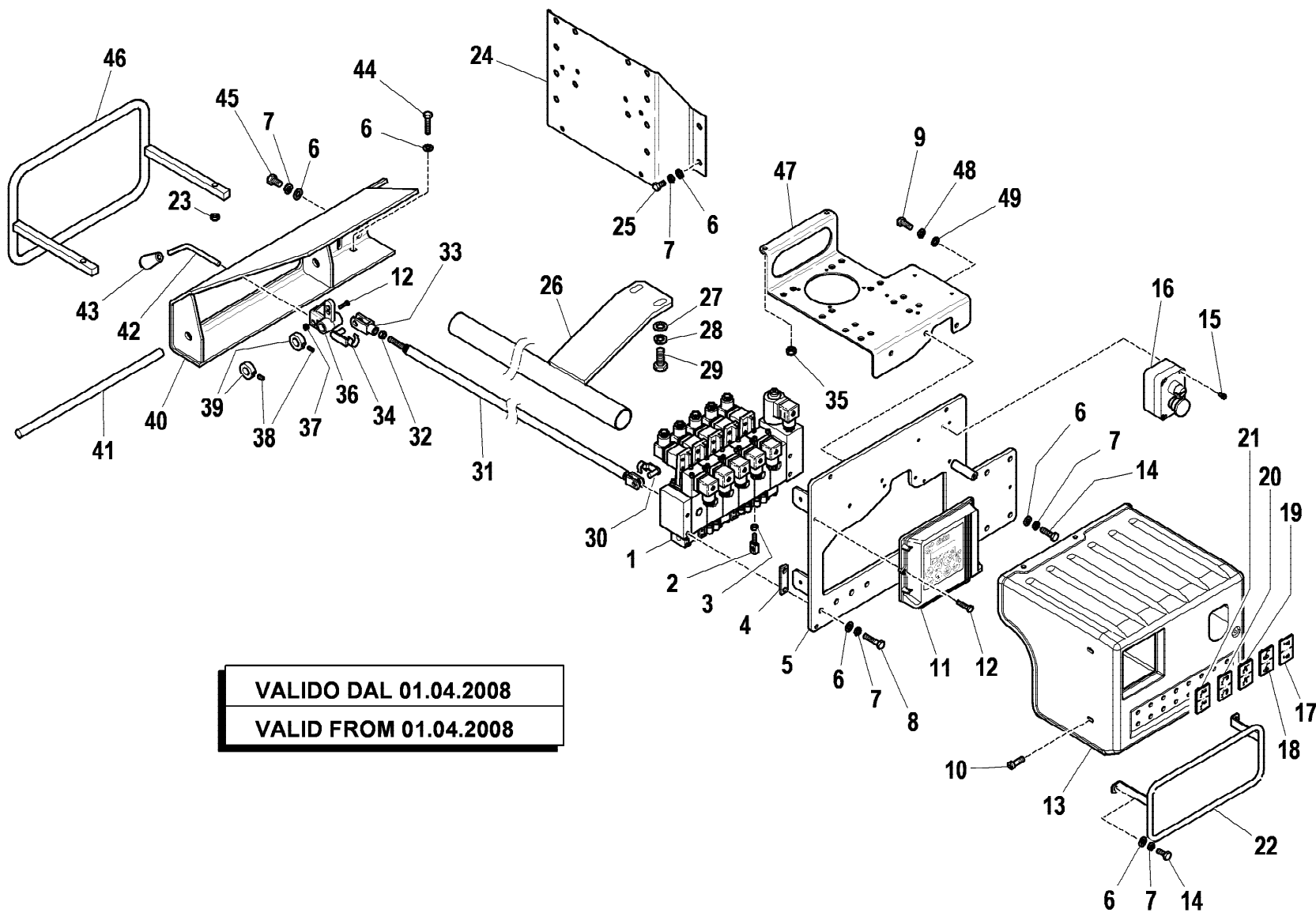
Tavola
5.40.0779-1-0

Data pag.
 dicembre 2007 103.1



rif.	codice	Q.tà
32	3.04.0045	1
33	3.30.0433	1
34	3.30.0453	1
35	3.02.0021	2
36	W.27.05.090.00	1
37	3.04.0393	1
38	3.06.0229	2
39	W.27.01.027.03	2
40	W.44.05.001.00	1
41	W.101.182	1
42	W.44.05.018.00	1
43	W.664.003	1
44	3.01.0030	2
45	3.01.0353	4
46	W.44.05.019.00	1

VALIDO FINO AL 31.03.2008
 VALID UNTIL 31.03.2008



VALIDO DAL 01.04.2008
 VALID FROM 01.04.2008

rif.	codice	Q.tà
1	5.22.0794	1
2	W.01.05.036.00	2
3	3.04.0081	1
4	5.00.1791	2
5	5.09.1200	1
6	3.06.0006	20
7	3.06.0055	18
8	3.01.0066	3
9	3.01.0325	2
10	3.02.0960	5
11	3.31.0828	1
12	3.02.0021	4
13	5.09.1202	1
14	3.01.0337	6
15	3.02.0895	2
16	3.31.0692	1
17	W.573.265	1
18	W.573.266	1
19	W.573.267	1
20	W.573.269	1
21	W.573.270	1
22	5.09.1204	1
23	3.04.0040	2
24	W.59.05.060.00	1
25	3.01.0055	4
26	W.44.05.003.00	1
27	3.06.0057	2
28	3.06.0018	2
29	3.01.0369	2
30	3.30.0451	1
31	W.56.05.031.00	1

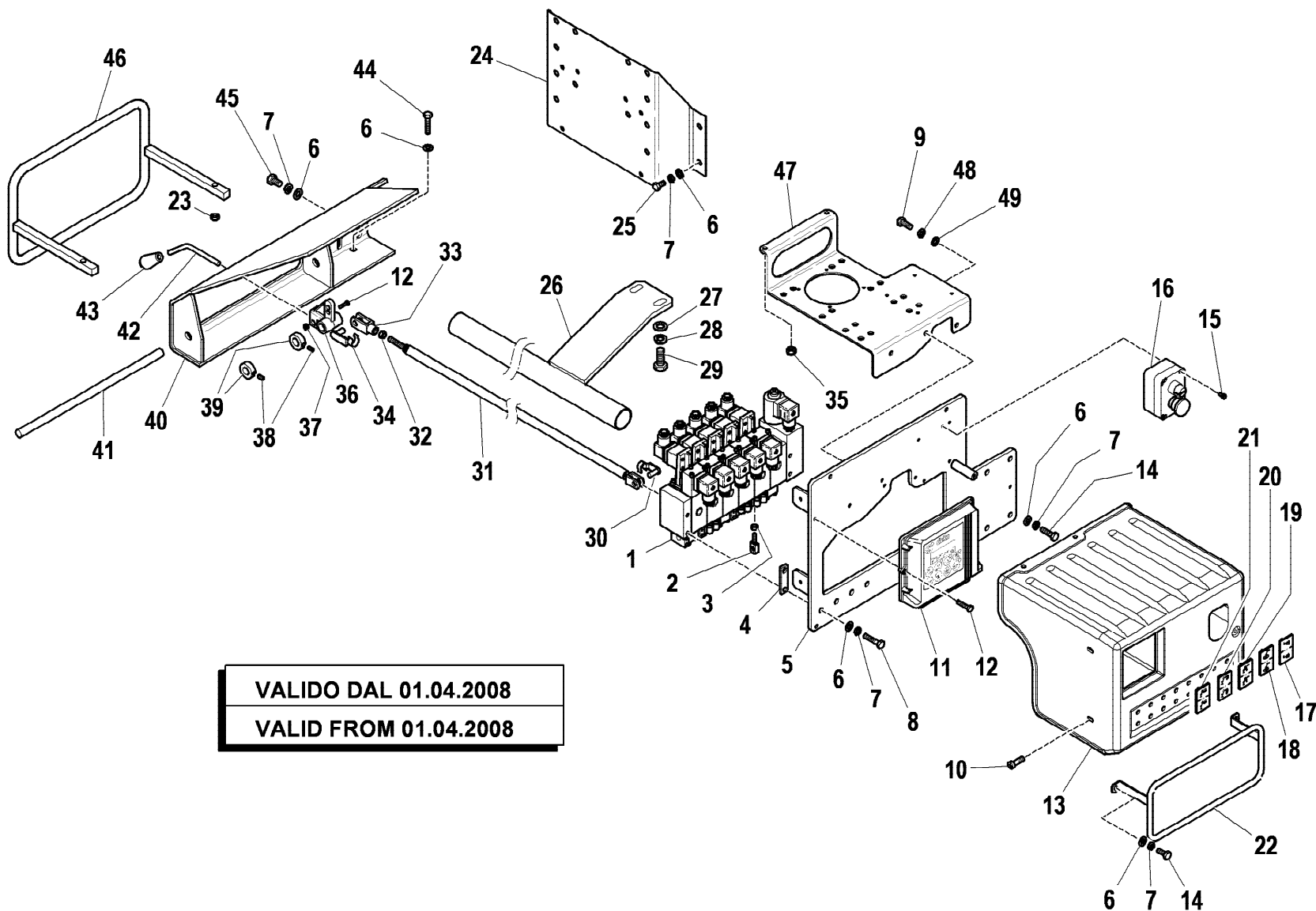
1/2

HYVA® CRANE
 HC151

COMANDI BILATERALI RDC
 DOUBLE CONTROLS RDC
 DOUBLE COMMANDES RDC
 DOPPELSTEUERUNG RDC
 MONDOS BILATERALAS RDC

Tavola
5.40.0779-1-1

Data pag.
 ottobre 2008 104.1

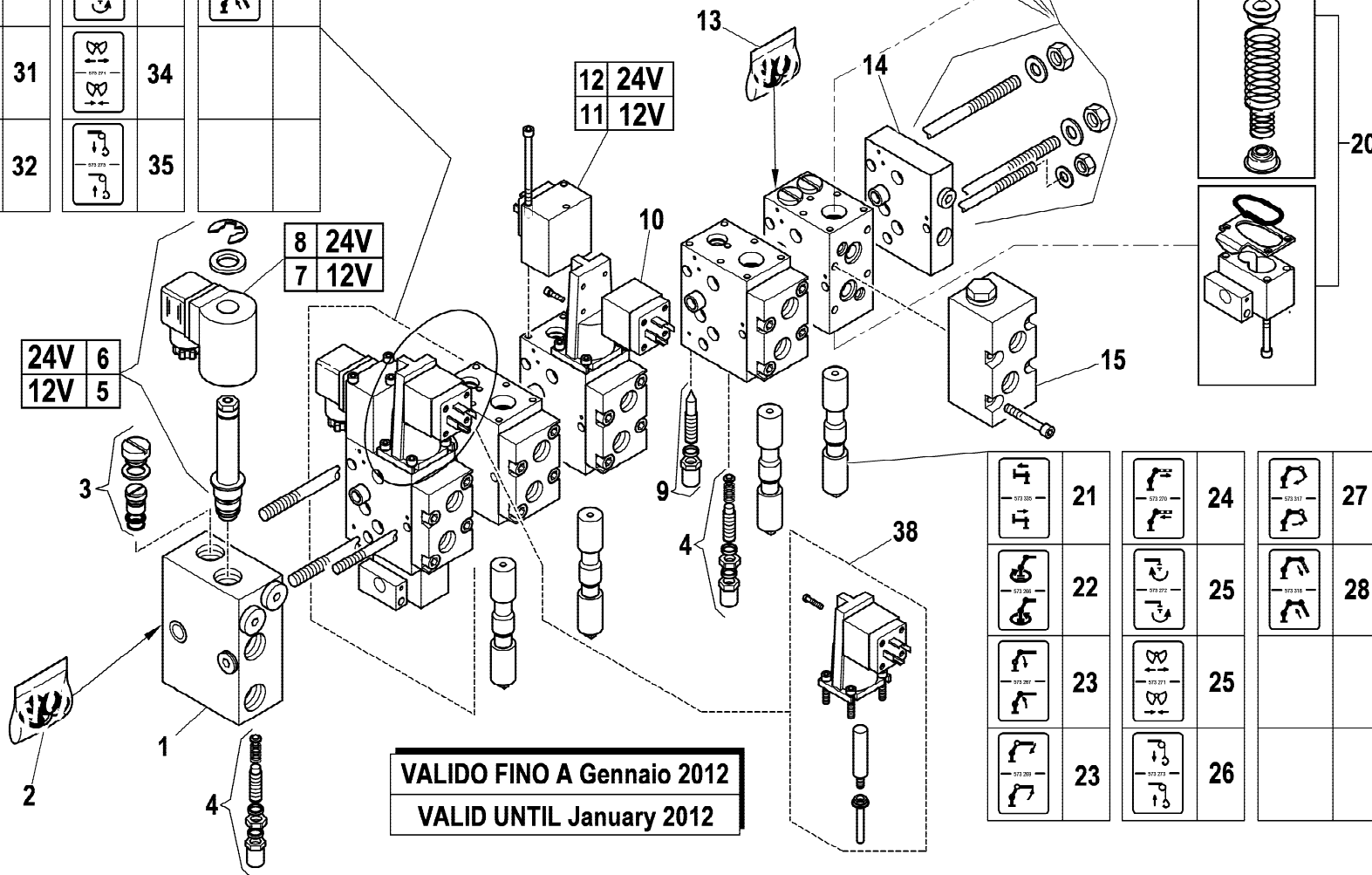


VALIDO DAL 01.04.2008
 VALID FROM 01.04.2008

rif.	codice	Q.tà
32	3.04.0045	1
33	3.30.0433	1
34	3.30.0453	1
35	3.04.0519	2
36	W.27.05.090.00	1
37	3.04.0393	1
38	3.06.0229	2
39	W.27.01.027.03	2
40	W.44.05.001.00	1
41	W.101.182	1
42	W.44.05.018.00	1
43	W.664.003	1
44	3.01.0030	2
45	3.01.0353	4
46	W.44.05.019.00	1
47	5.09.1201	1
48	3.06.0053	2
49	3.06.0005	2

	29		33		36
	30		34		37
	31		34		
	32		35		

Kit tiranti per 5 elementi	5-element tie rod unit	19
Kit tiranti per 6 elementi	6-element tie rod unit	18
Kit tiranti per 7 elementi	7-element tie rod unit	17
Kit tiranti per 8 elementi	8-element tie rod unit	16

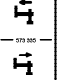



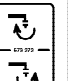



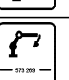
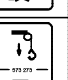


VALIDO FINO A Gennaio 2012
VALID UNTIL January 2012

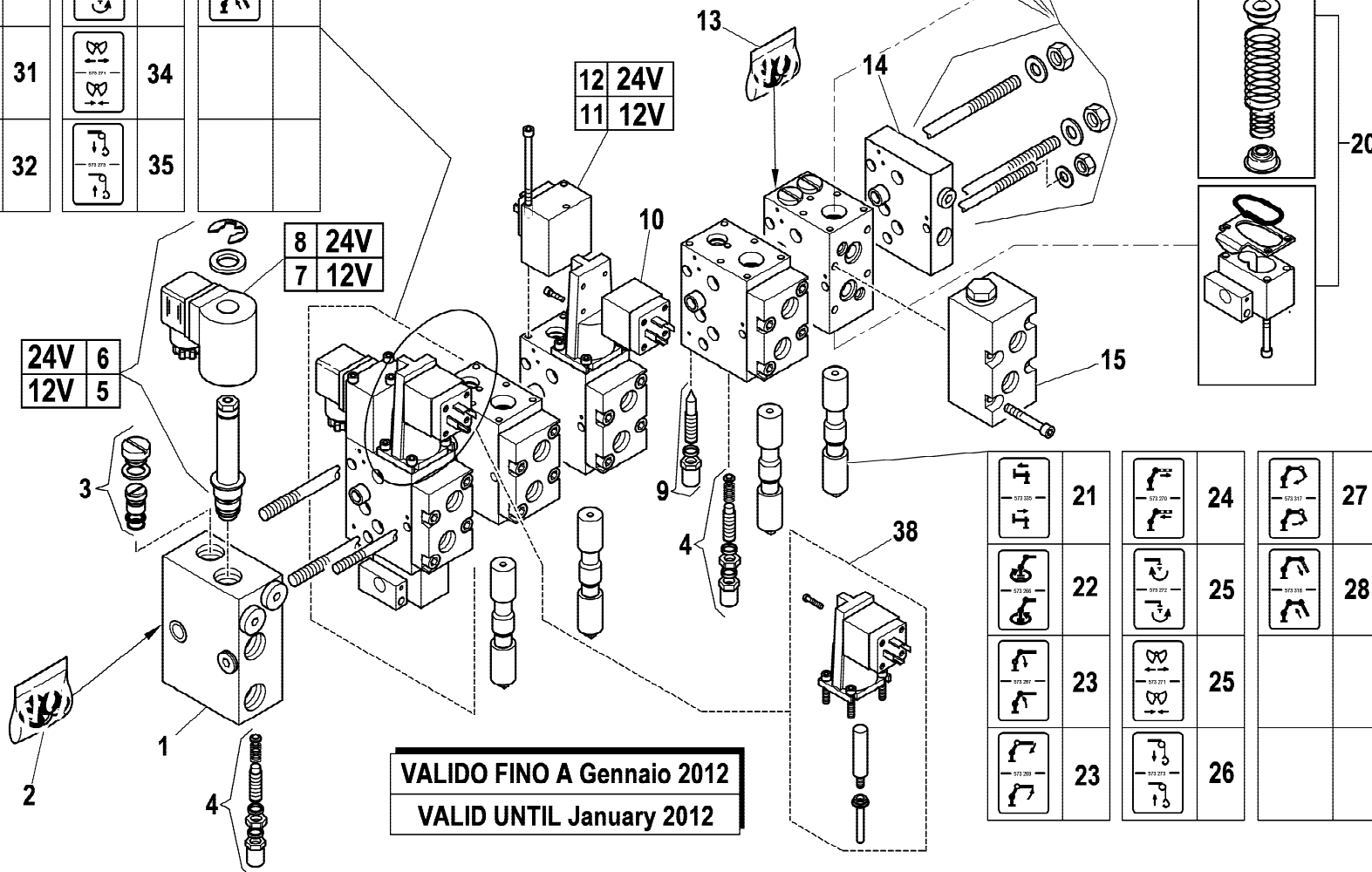
	21		24		27
	22		25		28
	23		25		
	23		26		

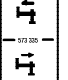
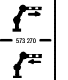


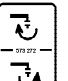
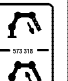



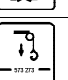
rif.	codice	Q.tà
1	5.22.5607	1
2	5.22.5608	1
3	5.22.5609	1
4	5.22.5610	2
5	5.22.5611	1
6	5.22.5612	1
7	5.22.5613	1
8	5.22.5614	1
9	5.22.5623	1
10	5.22.5617	1
11	5.22.5615	1
12	5.22.5616	1
13	5.22.5618	1
14	5.22.5619	1
15	5.22.5622	1
16	5.22.5605	1
17	5.22.5621	1
18	5.22.5620	1
19	5.22.5673	1
20	5.22.5671	1
21	5.22.5624	1
22	5.22.5625	1
23	5.22.5774	2
24	5.22.5606	1
25	5.22.5660	2
26	5.22.5628	1
27	5.22.5661	1
28	5.22.5627	1
29	5.22.5629	1
30	5.22.5662	1
31	5.22.5663	1

1/2

	29		33		36
	30		34		37
	31		34		
	32		35		

Kit tiranti per 5 elementi	5-element tie rod unit	19
Kit tiranti per 6 elementi	6-element tie rod unit	18
Kit tiranti per 7 elementi	7-element tie rod unit	17
Kit tiranti per 8 elementi	8-element tie rod unit	16

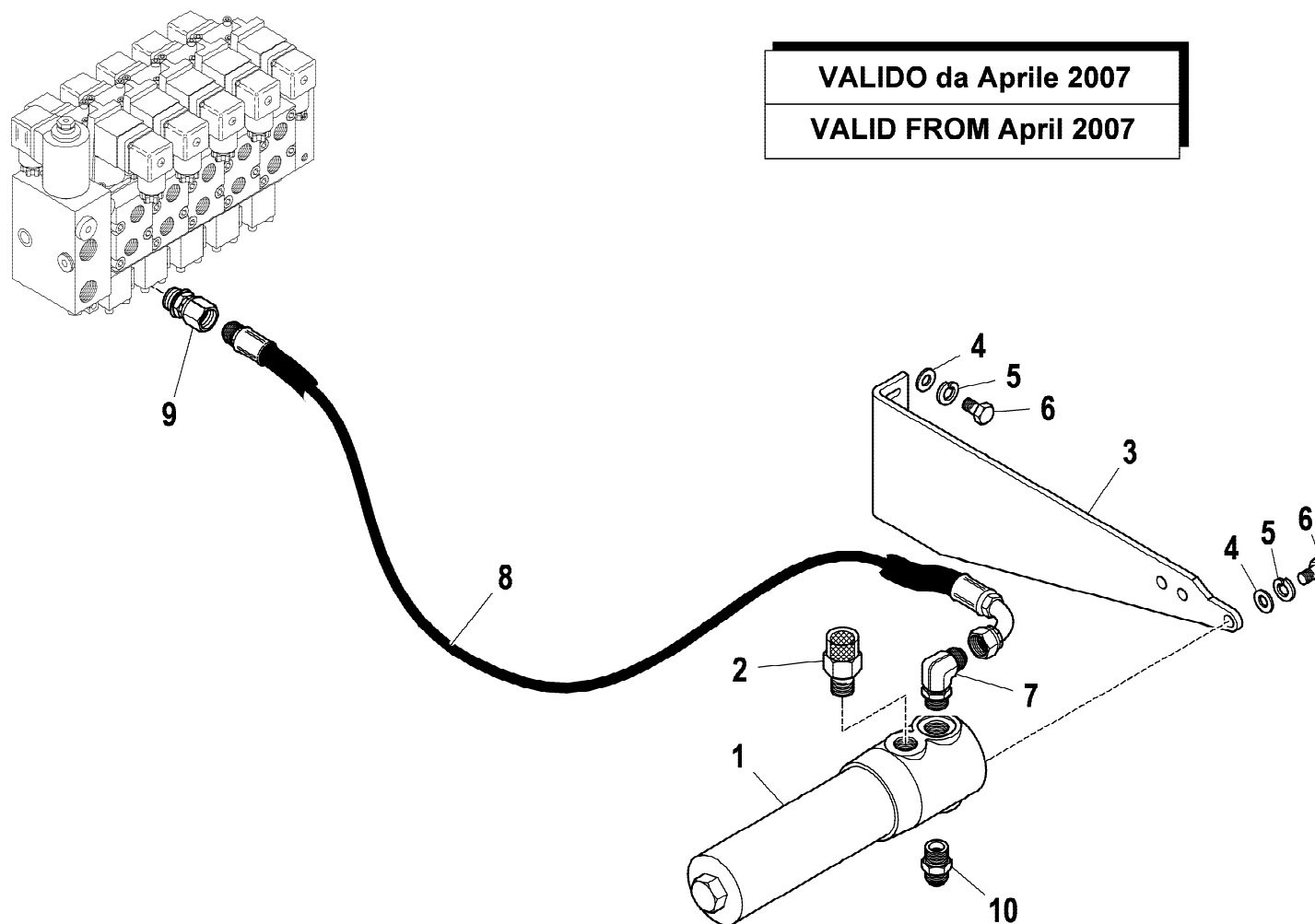


	21		24		27
	22		25		28
	23		25		
	23		26		

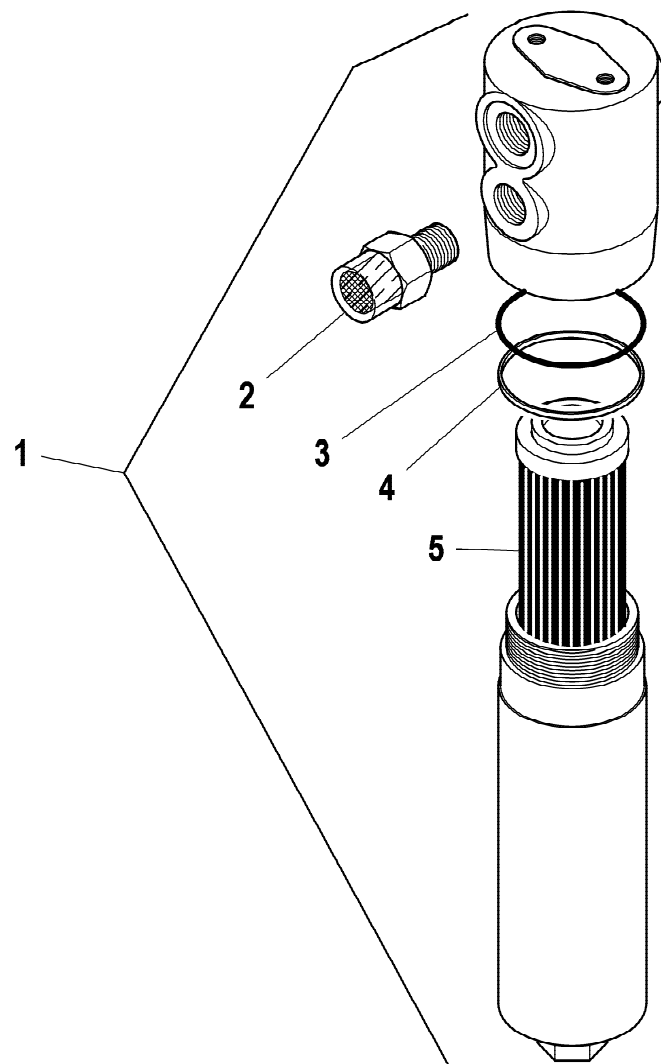
rif.	codice	Q.tà
32	5.22.5664	1
33	5.22.5665	1
34	5.22.5670	2
35	5.22.5669	1
36	5.22.5666	1
37	5.22.5667	1
38	5.22.5073	1

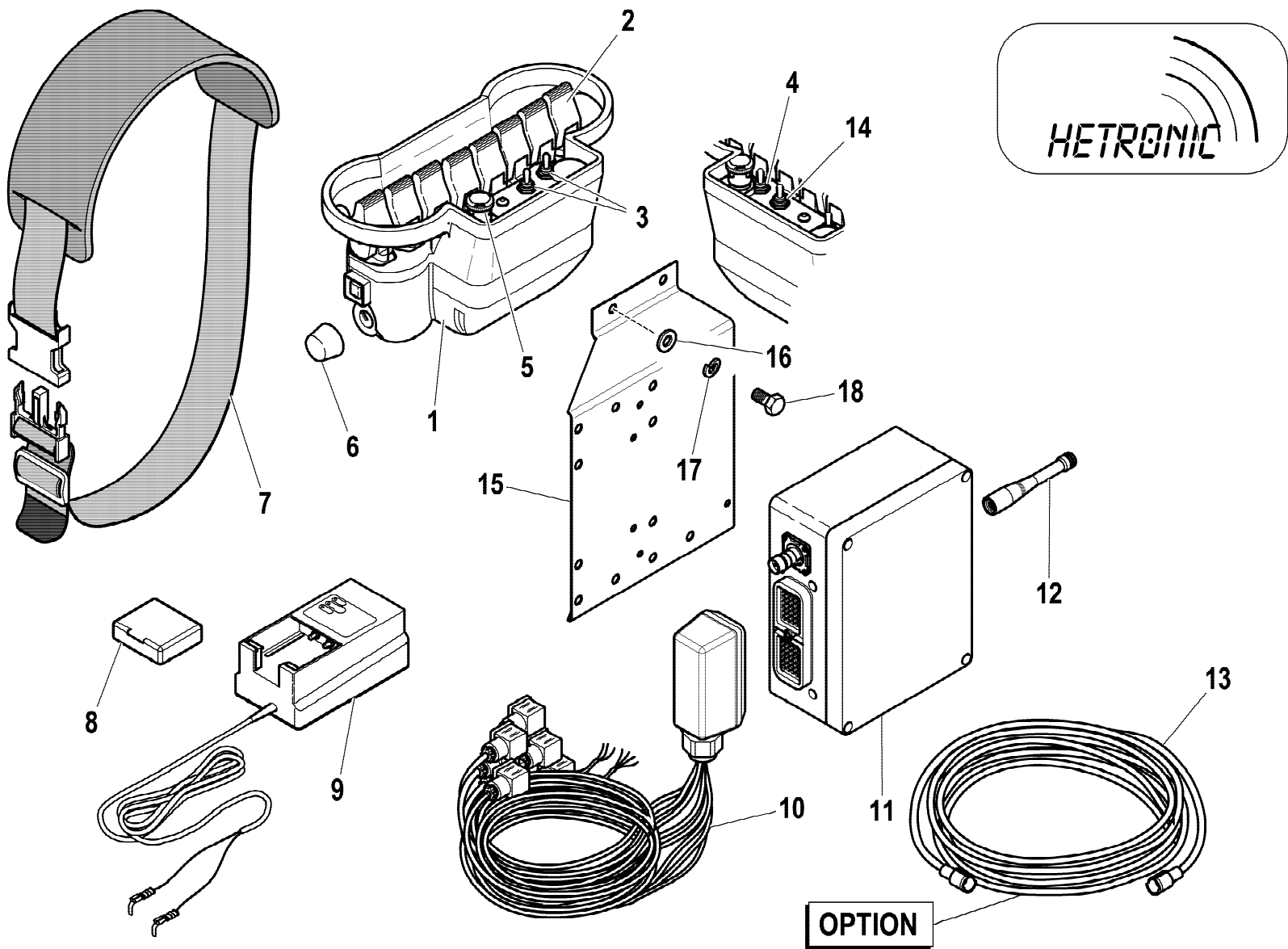
rif.	codice	Q.tà
1	3.18.0159	1
2	3.18.0192	1
3	5.09.1068	1
4	3.06.0006	4
5	3.06.0055	4
6	3.01.0027	4
7	3.10.1134	1
8	5.28.0810	1
9	3.12.0067	1
10	3.12.0073	1

VALIDO da Aprile 2007
VALID FROM April 2007



rif.	codice	Q.tà
1	3.18.0159	1
2	3.18.0192	1
3	3.45.0080	1
4	3.46.0080	1
5	3.18.0160	1





rif.	codice	Q.tà
1	3.31.0901	1
2	3.31.0796	8
3	3.31.0786	2
4	3.31.0785	1
5	3.31.0788	1
6	3.31.0795	1
7	3.31.0799	1
8	3.31.0641	2
9	3.31.0797	1
10	3.31.0899	1
11	3.31.0900	1
12	3.31.0775	1
13	3.31.0933	1
14	3.31.1029	1
15	W.59.05.060.00	1
16	3.06.0914	4
17	3.06.0056	4
18	3.01.0349	4

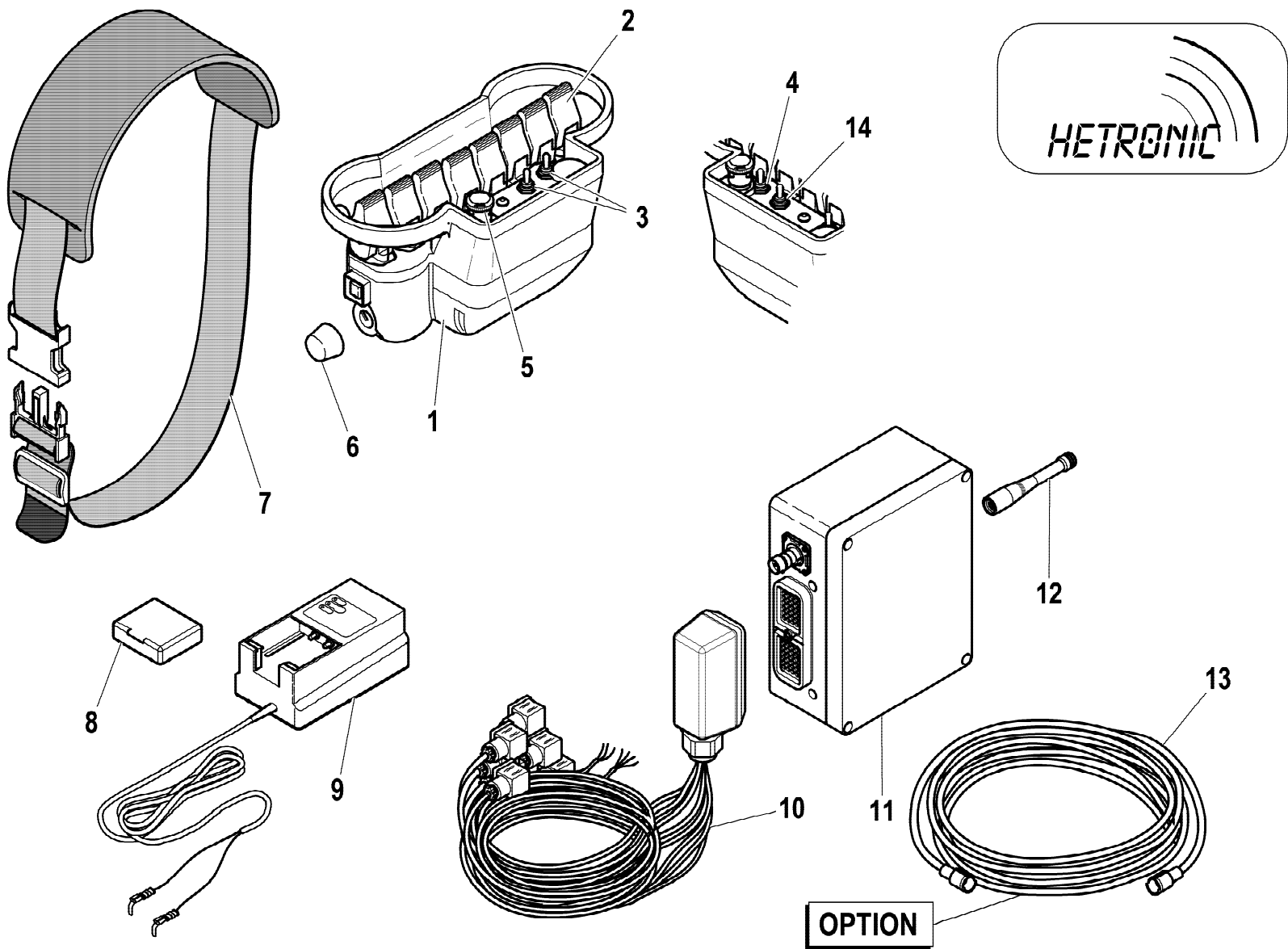
OPTION



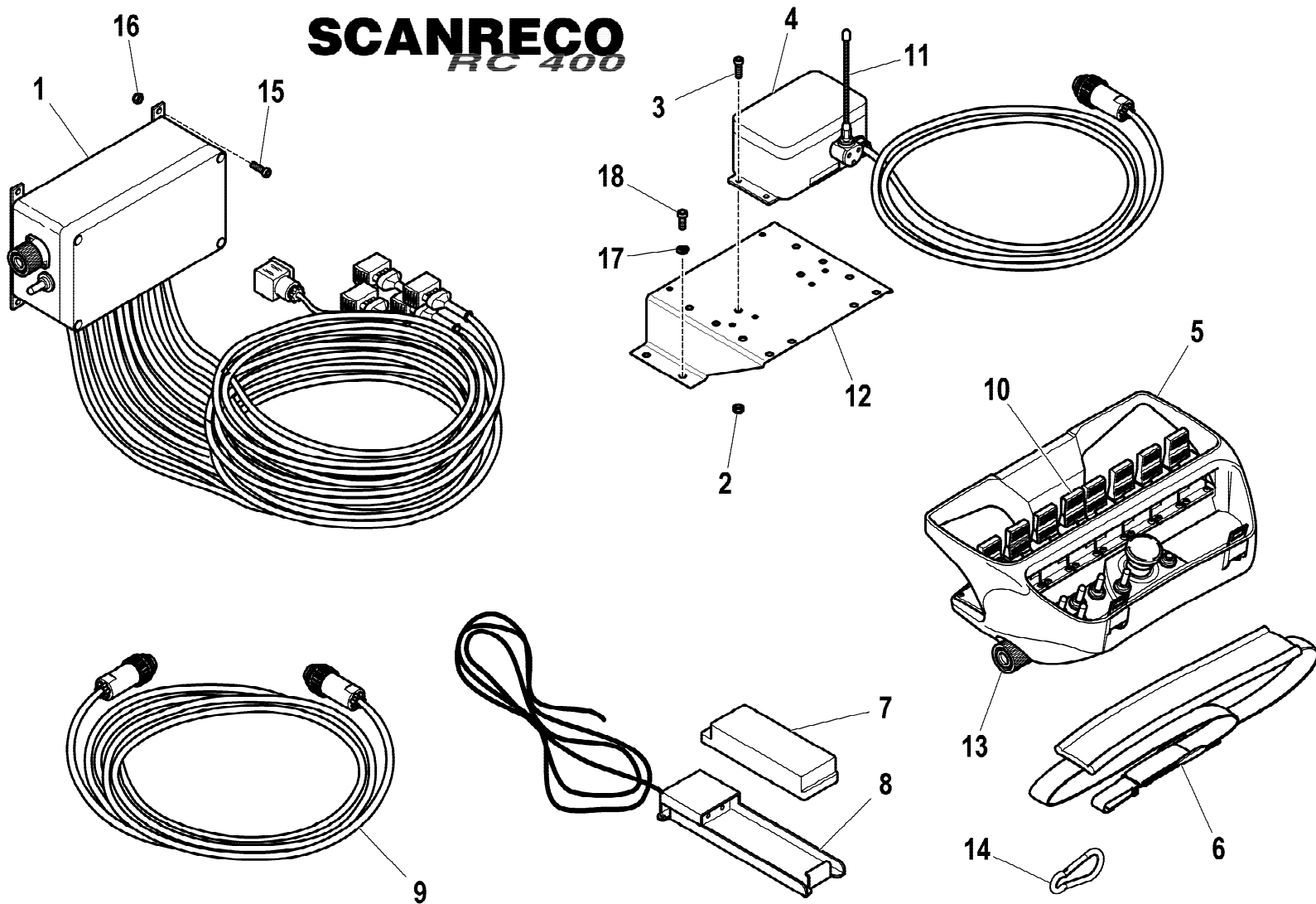
HC151

KIT RADIOCOMANDO EU. 24 V
 WIRELESS CONTROL KIT EU. 24 V
 KIT RADIOTELECOMMANDE EU. 24 V
 FUNKSTEUERUNG-SATZ EU. 24 V
 KIT RADIOMANDO EU. 24 V

Tavola
7.89.2107-1-0



rif.	codice	Q.tà
1	3.31.0943	1
2	3.31.0796	8
3	3.31.0786	2
4	3.31.0785	1
5	3.31.0788	1
6	3.31.0795	1
7	3.31.0799	1
8	3.31.0641	2
9	3.31.0797	1
10	3.31.0899	1
11	3.31.0942	1
12	3.31.0775	1
13	3.31.0933	1
14	3.31.1029	1

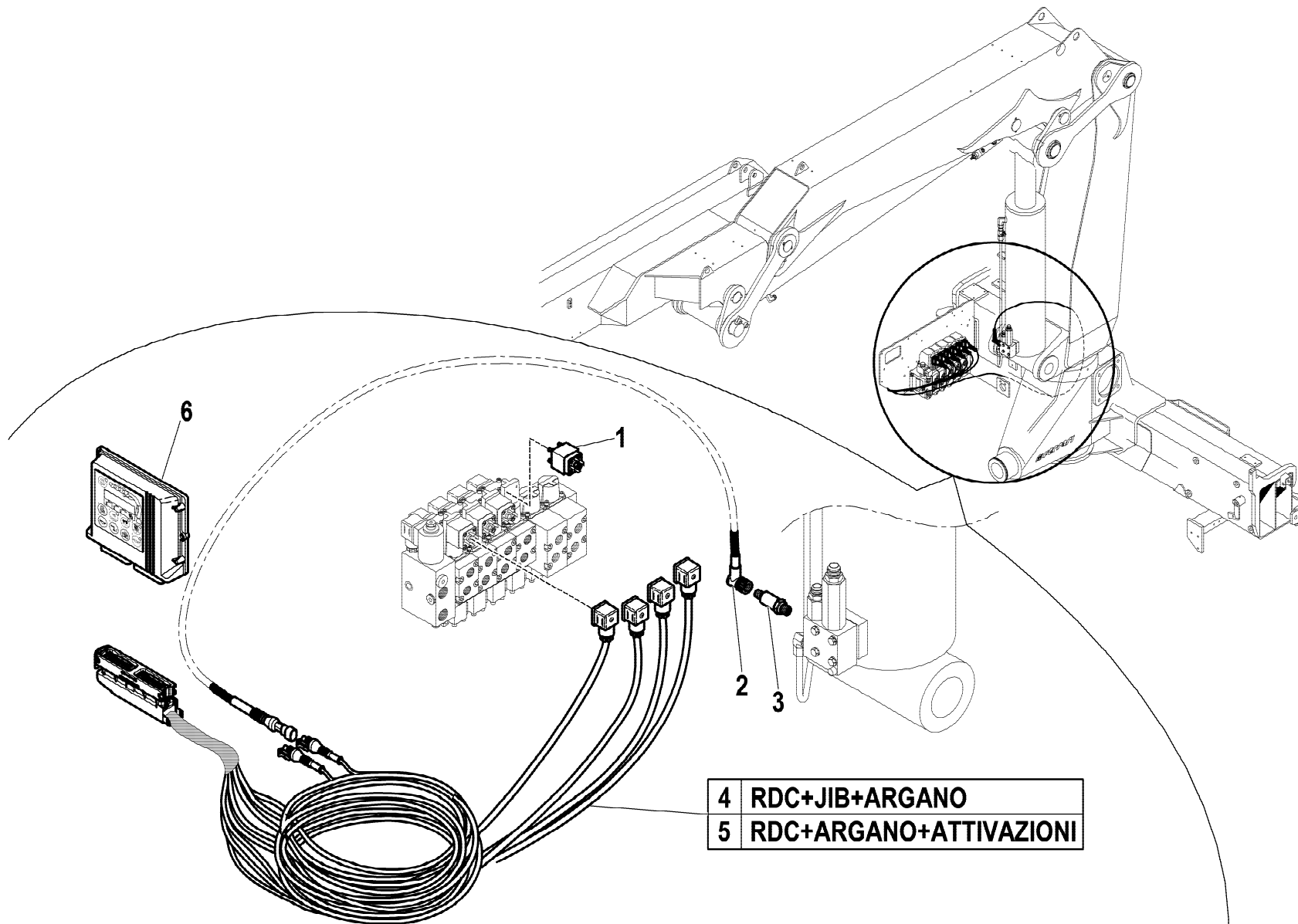


rif.	codice	Q.tà
1	3.31.0910	1
2	3.04.0372	4
3	3.01.0325	4
4	3.31.0535	1
5	3.32.0026	1
6	3.19.0226	1
7	3.31.0483	2
8	3.31.0471	1
9	3.31.0536	1
10	3.31.0445	8
11	3.31.0683	1
12	W.59.05.060.00	1
13	3.31.0850	1
14	3.19.0259	1
15	3.01.0316	2
16	3.04.0392	2
17	3.06.0055	4
18	3.02.0051	4

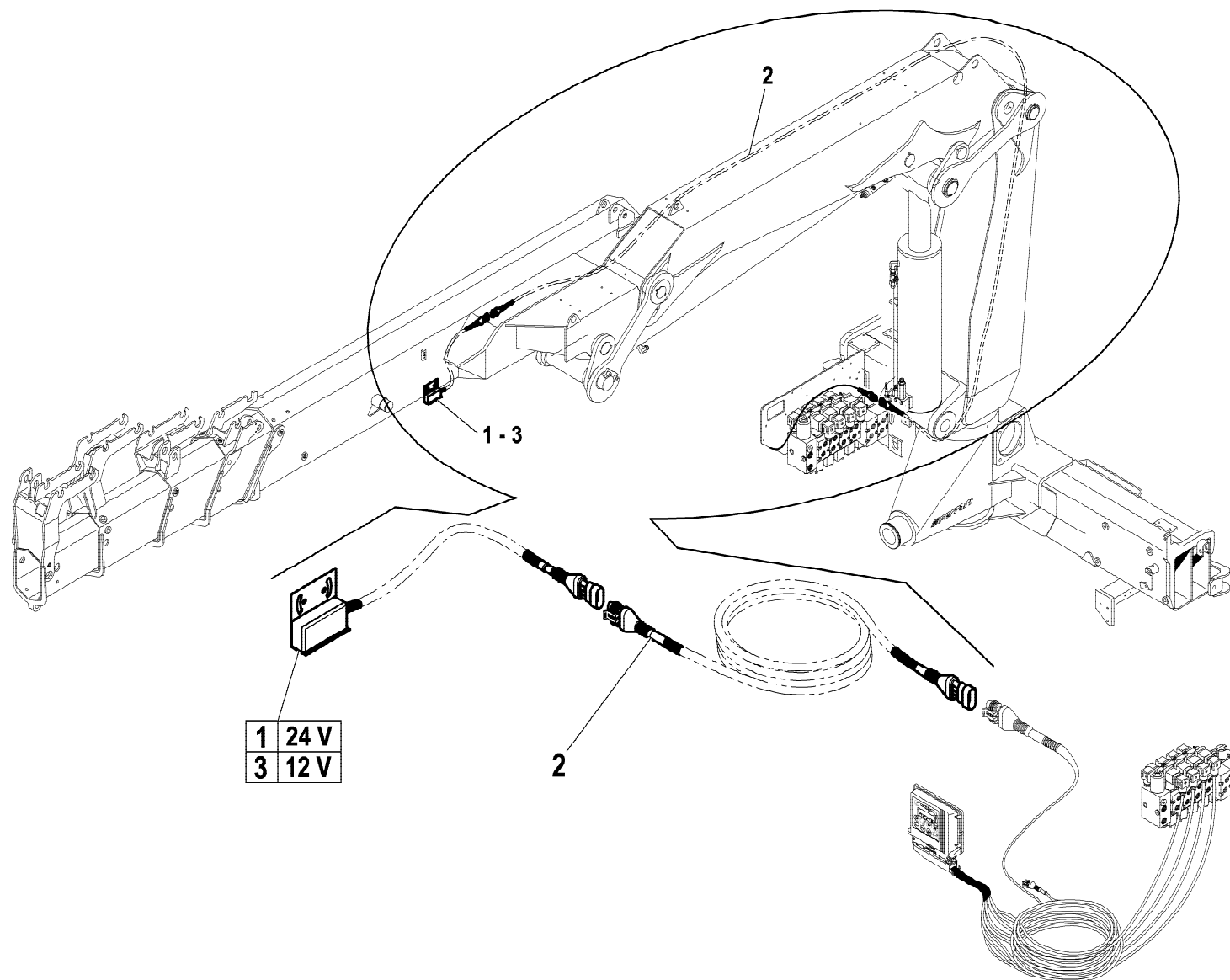


HC151 TCU

rif.	codice	Q.tà
1	5.22.5617	4
2	5.16.0001	1
3	3.31.0612	1
4	5.16.0030	1
5	5.16.0031	1
6	3.31.0828	1



rif.	codice	Q.tà
1	3.31.0541	1
2	5.16.0002	1
3	3.31.0723	1



HYVA[®] CRANE
HC151

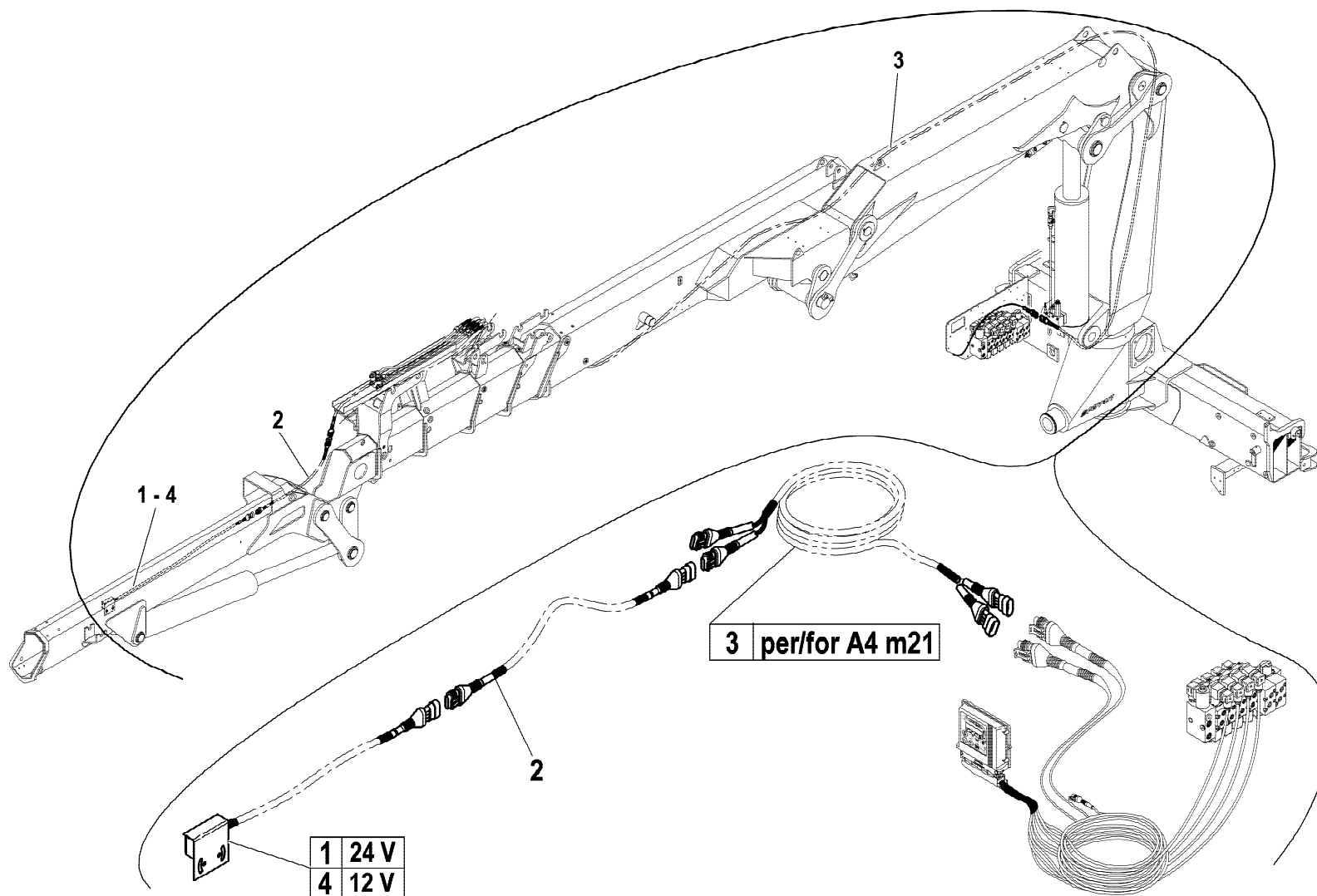
COMANDI ECM4
 CONTROLS ECM4
 COMMANDES ECM4
 STEUERUGEN ECM4
 MANDOS ECM4

1/1

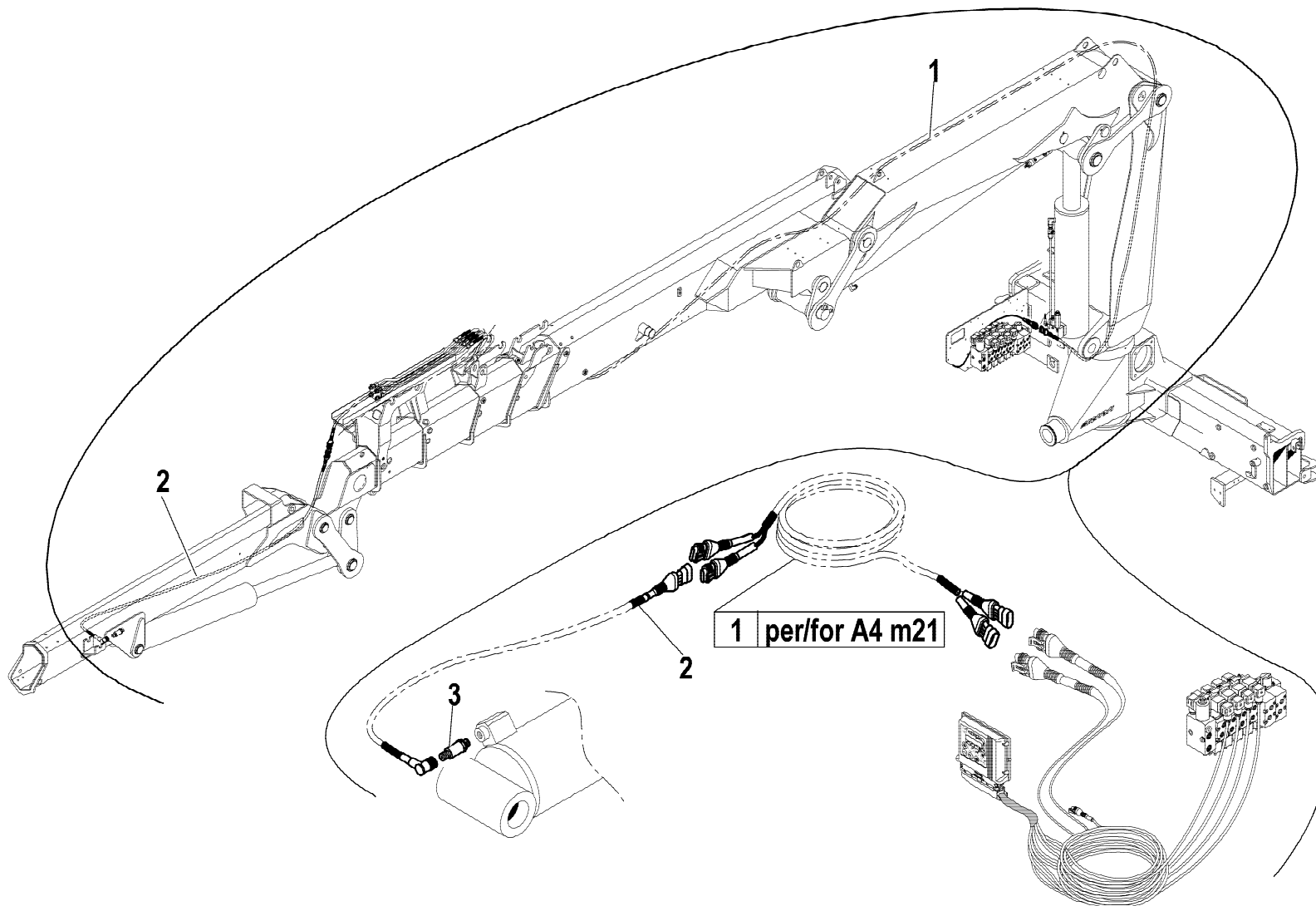
Tavola
5.40.0682-2-0

Data pag.
 gennaio 2007 113

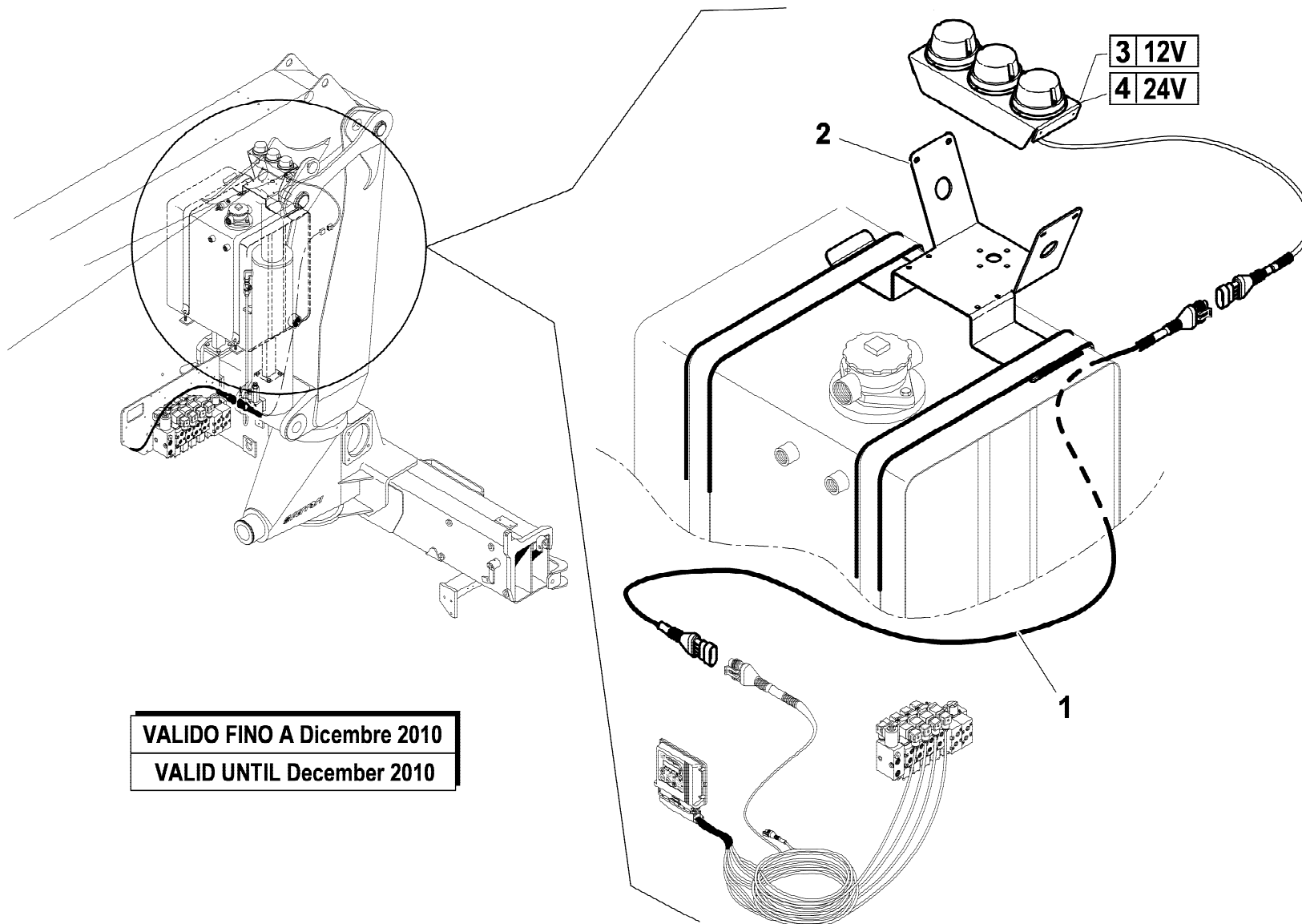
rif.	codice	Q.tà
1	3.31.0541	1
2	5.16.0016	1
3	5.16.0019	1
4	3.31.0723	1



rif.	codice	Q.tà
1	5.16.0019	1
2	5.16.0001	1
3	3.31.0612	1

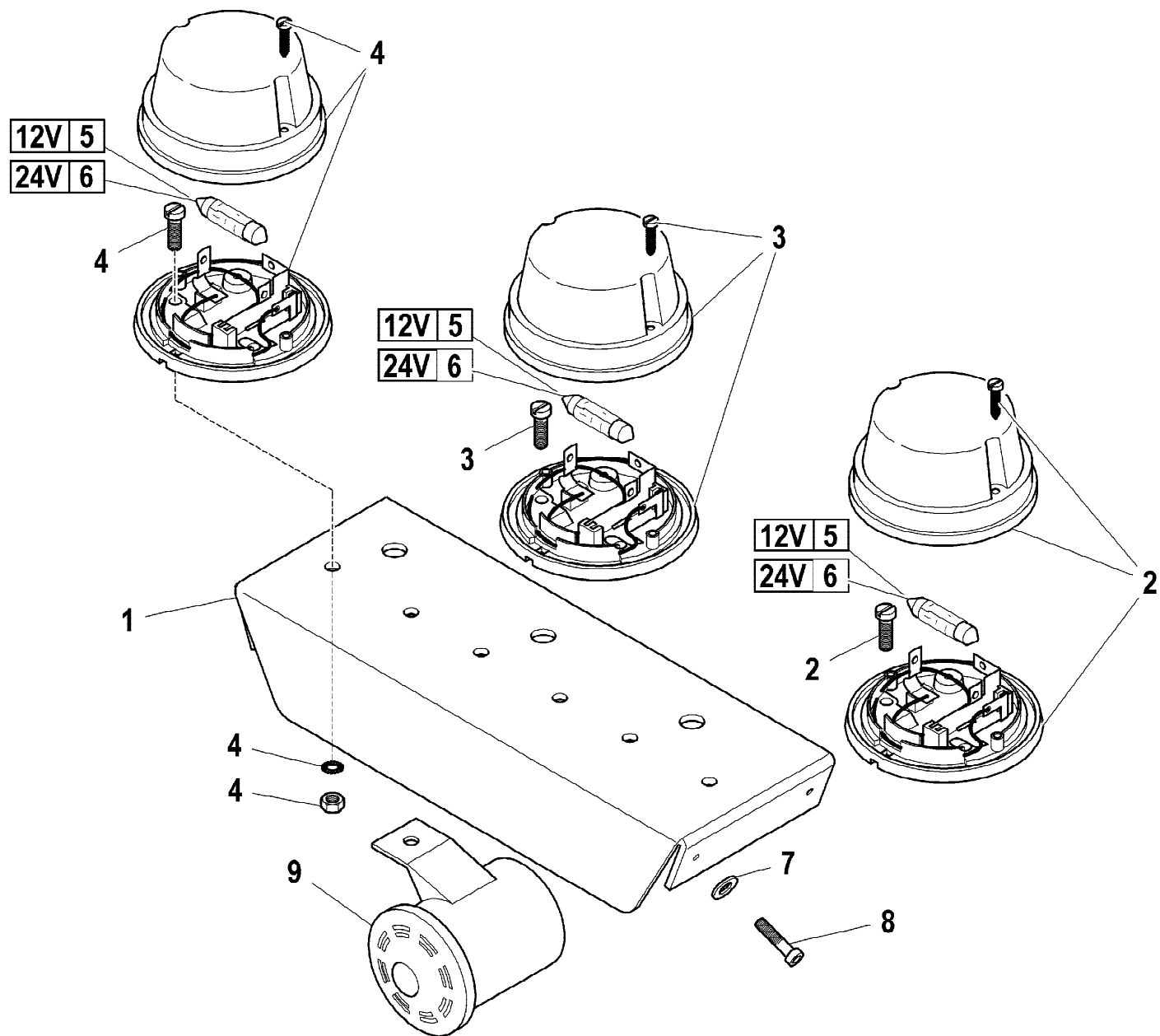


rif.	codice	Q.tà
1	5.16.0003	1
2	5.00.1657	1
3	3.31.0819	1
4	3.31.0809	1



VALIDO FINO A Dicembre 2010
 VALID UNTIL December 2010

rif.	codice	Q.tà
1	5.00.1662	1
2	3.31.0811	1
3	3.31.0812	1
4	3.31.0810	1
5	3.31.0818	3
6	3.31.0813	3
7	3.06.0003	4
8	3.02.0885	4
9	3.31.0911	1



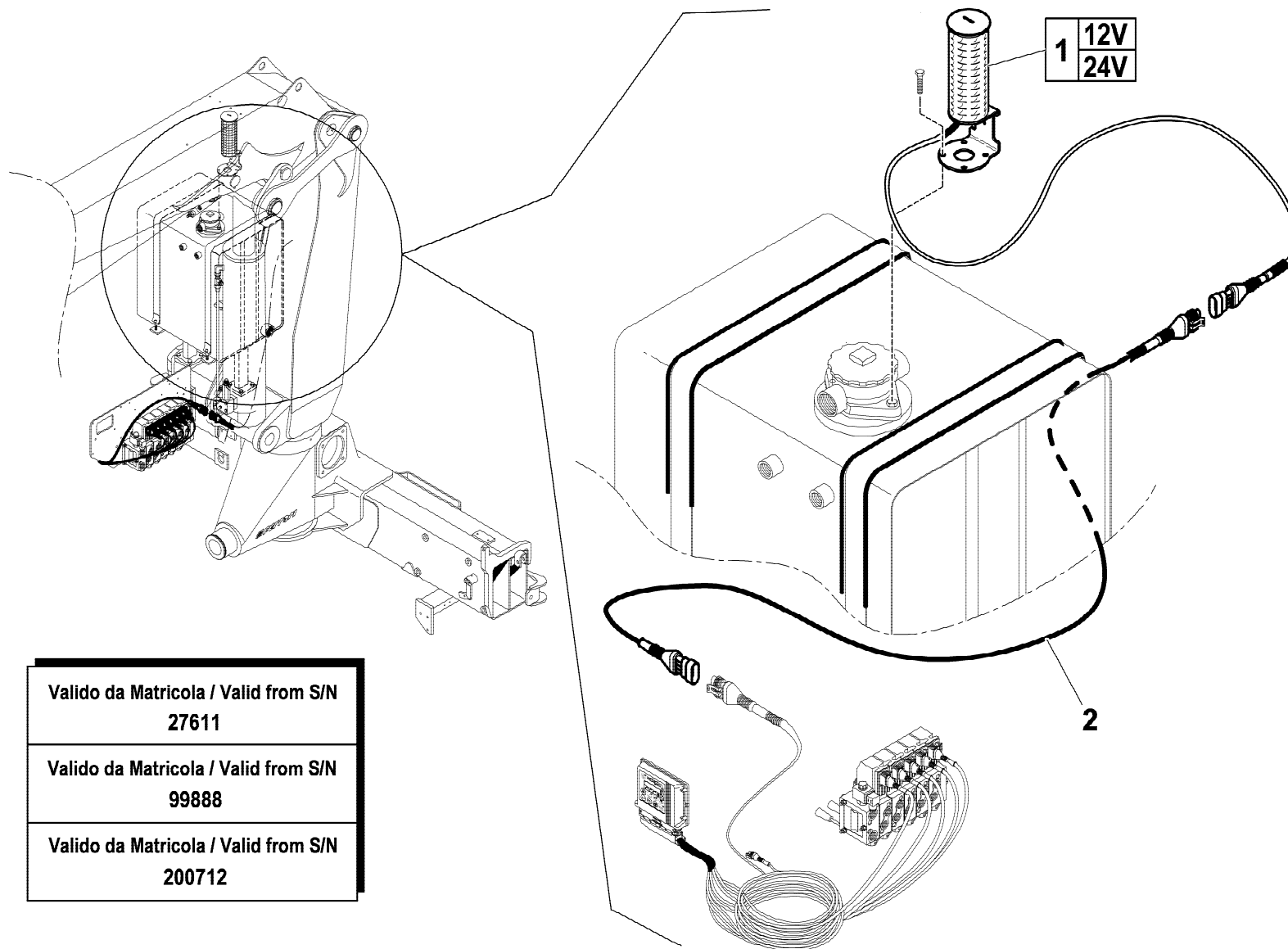
HC151

INDICATORE LUMINOSO
PILOT LAMP
LAMPE-TÉMOIN
KONTROLLAMPE
LÁMPARA SEÑAL

Tavola
7.88.5015-1-0

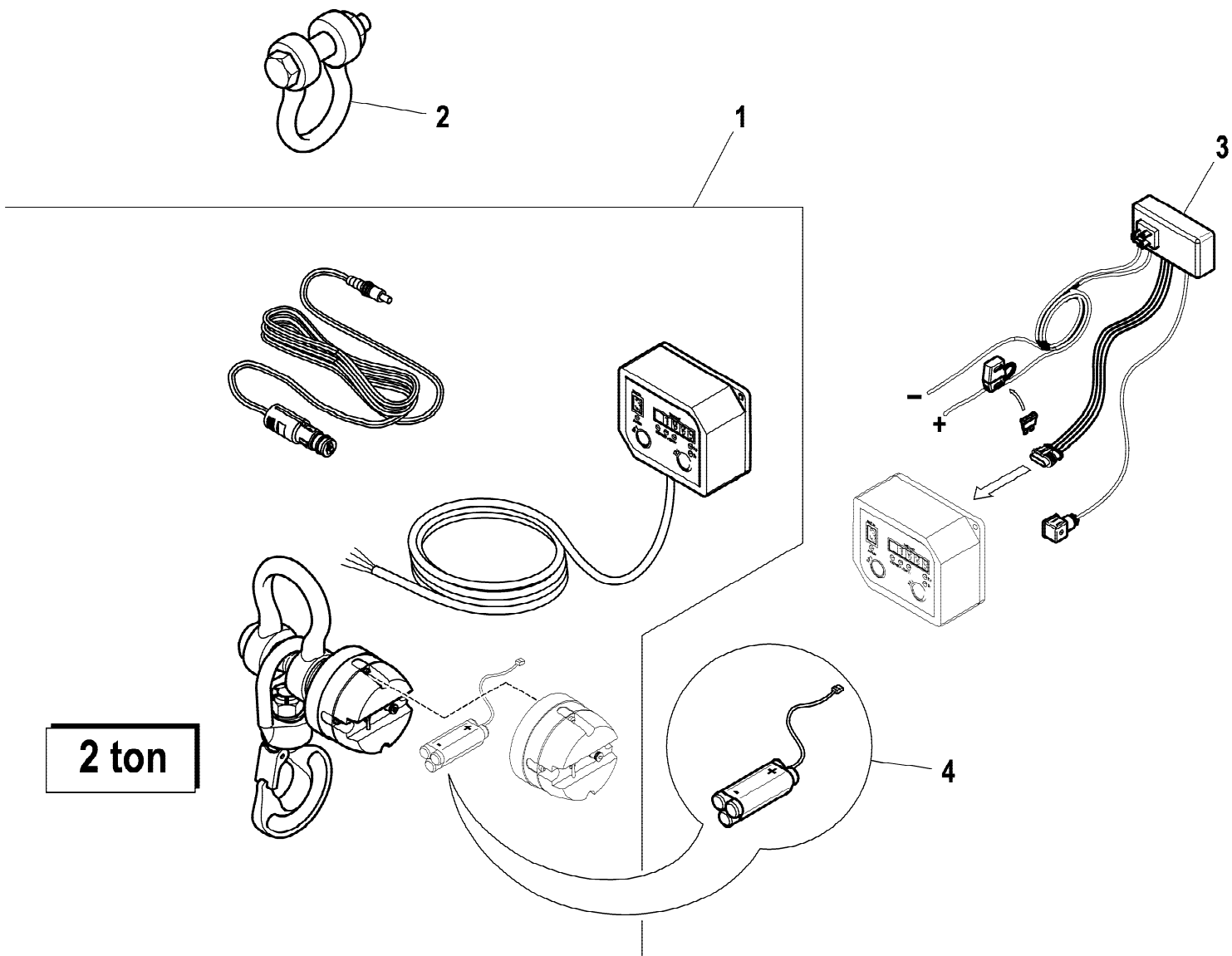
Data pag.
giugno 2006 117

rif.	codice	Q.tà
1	3.31.1159	1
2	5.16.0003	1



Valido da Matricola / Valid from S/N 27611
Valido da Matricola / Valid from S/N 99888
Valido da Matricola / Valid from S/N 200712

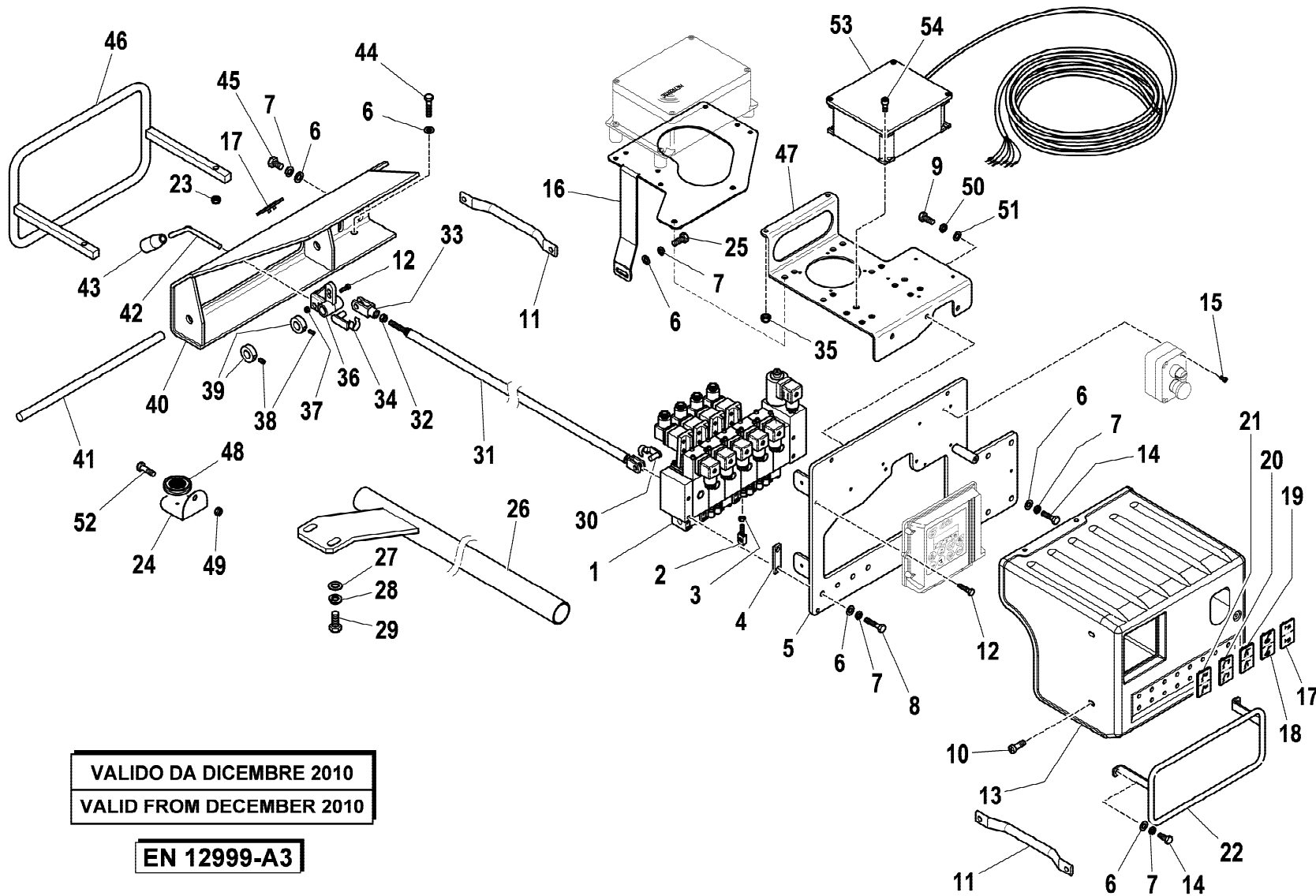
rif.	codice	Q.tà
1	5.73.0506	1
2	3.20.0050	1
3	W.236.508	1
4	3.31.1542	1



2 ton



HC151 TCU EN 12999-A3



VALIDO DA DICEMBRE 2010
 VALID FROM DECEMBER 2010

EN 12999-A3

rif.	codice	Q.tà
1	5.22.0784	1
2	W.01.05.036.00	1
3	3.04.0081	1
4	5.00.1791	2
5	5.09.1200	1
6	3.06.0006	20
7	3.06.0055	18
8	3.01.0066	3
9	3.01.0325	2
10	3.02.0960	5
11	5.00.1829	2
12	3.02.0021	4
13	5.09.1202	1
14	3.01.0337	6
15	3.02.0895	2
16	5.00.2099	1
17	W.573.265	2
18	W.573.266	1
19	W.573.267	1
20	W.573.269	1
21	W.573.270	1
22	5.09.1204	1
23	3.04.0040	2
24	W.57.05.016.00	2
25	3.01.0055	4
26	W.44.05.003.00	1
27	3.06.0057	2
28	3.06.0018	2
29	3.01.0369	2
30	3.30.0451	1
31	W.56.05.031.00	1

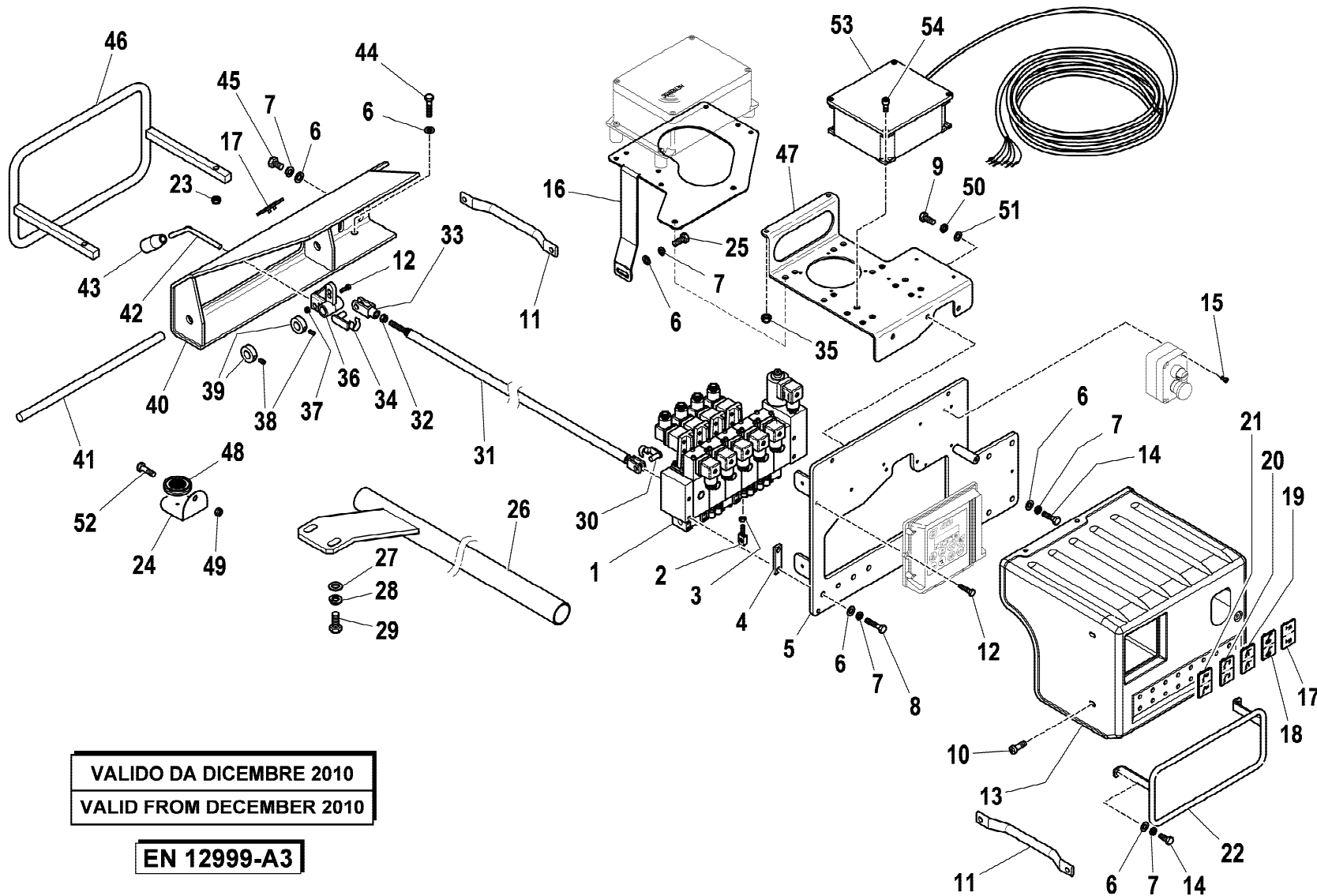
1/2

HYVA CRANE
 HC151

COMANDI (ECM 4) EN 12999-A3
 CONTROLS (ECM 4) EN 12999-A3
 COMMANDES (ECM 4) EN 12999-A3
 STEUERUGEN (ECM 4) EN 12999-A3
 MANDOS (ECM 4) EN 12999-A3

Tavola
5.40.1496-1-0

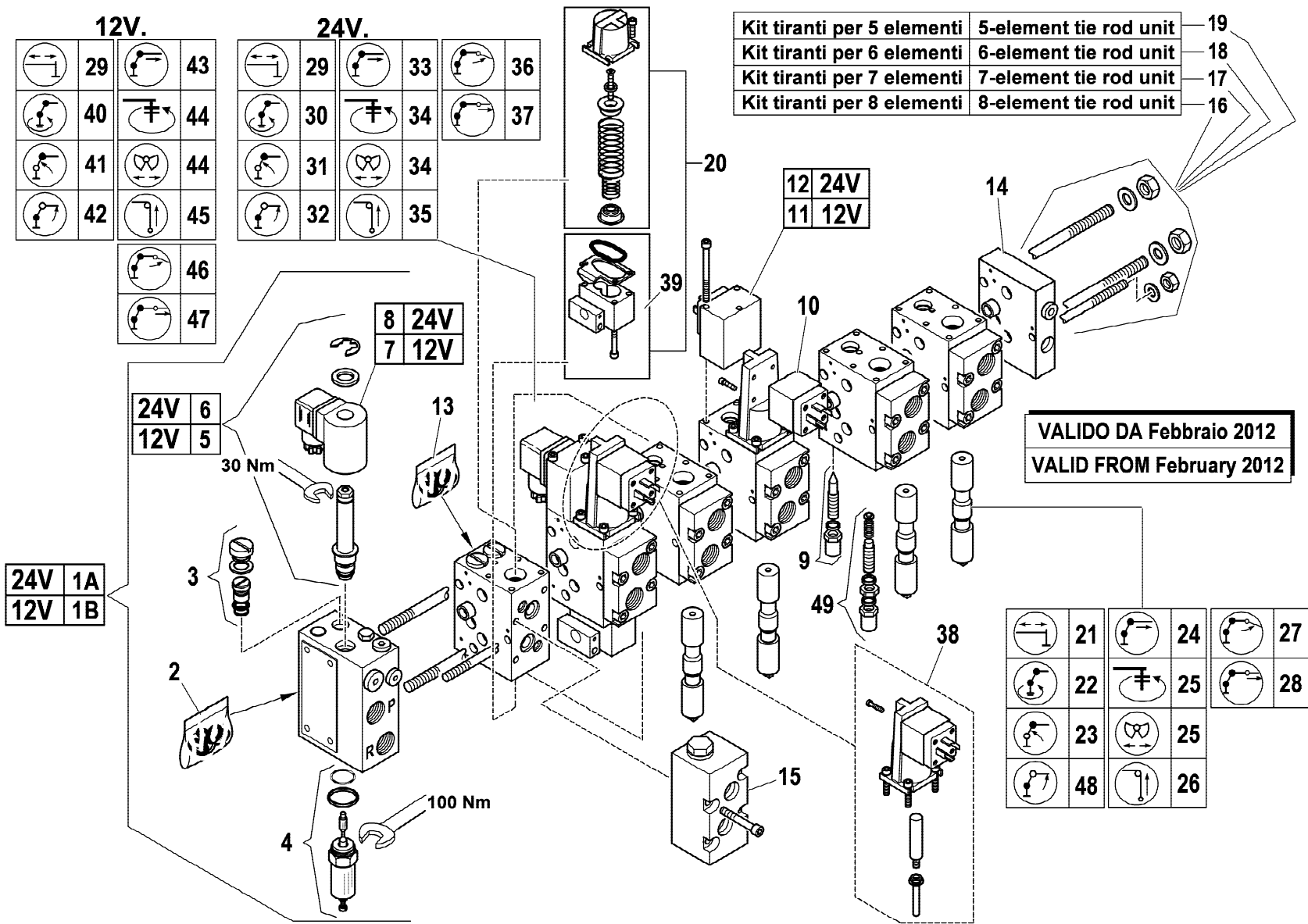
Data pag.
 maggio 2011 121.1



VALIDO DA DICEMBRE 2010
 VALID FROM DECEMBER 2010

EN 12999-A3

rif.	codice	Q.tà
32	3.04.0045	1
33	3.30.0433	1
34	3.30.0453	1
35	3.04.0519	2
36	W.27.05.090.00	1
37	3.04.0393	1
38	3.06.0229	2
39	W.27.01.027.03	2
40	W.44.05.001.00	1
41	W.101.182	1
42	W.44.05.018.00	1
43	W.664.003	1
44	3.01.0030	2
45	3.01.0353	4
46	W.44.05.019.00	1
47	5.09.1201	1
48	3.18.0116	2
49	3.04.0372	2
50	3.06.0053	2
51	3.06.0005	2
52	3.01.0015	2
53	3.31.1405	1
54	3.02.0028	4



- | | | |
|----------------------------|------------------------|----|
| Kit tiranti per 5 elementi | 5-element tie rod unit | 19 |
| Kit tiranti per 6 elementi | 6-element tie rod unit | 18 |
| Kit tiranti per 7 elementi | 7-element tie rod unit | 17 |
| Kit tiranti per 8 elementi | 8-element tie rod unit | 16 |

VALIDO DA Febbraio 2012
VALID FROM February 2012

ref.	codice	Q.tà
1 A	5.22.5695	1
1 B	5.22.5696	1
2	5.22.5923	1
3	5.22.5609	1
4	5.22.5697	1
5	5.22.5611	1
6	5.22.5612	1
7	5.22.5613	1
8	5.22.5614	1
9	5.22.5623	1
10	5.22.5617	1
11	5.22.5615	1
12	5.22.5616	1
13	5.22.5618	1
14	5.22.5619	1
15	5.22.5622	1
16	5.22.5605	1
17	5.22.5621	1
18	5.22.5620	1
19	5.22.5673	1
20	5.22.5671	1
21	5.22.5624	1
22	5.22.5625	1
23	5.22.5626	1
24	5.22.5606	1
25	5.22.5660	2
26	5.22.5628	1
27	5.22.5661	1
28	5.22.5627	1
29	5.22.5629	1
30	5.22.5662	1

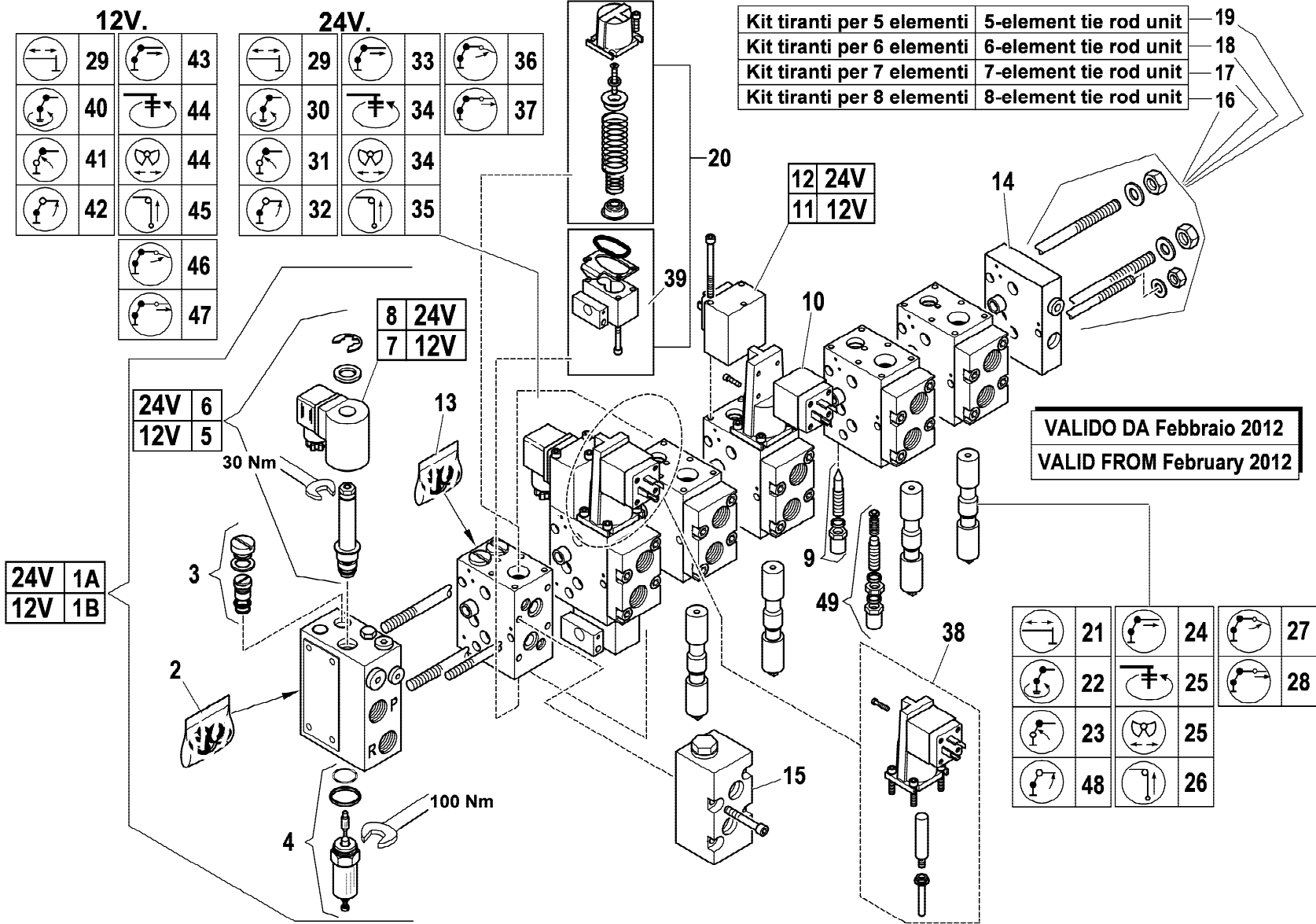


HC151

DISTRIBUTORE (6 ELEMENTI) RDC - ECM4
 CONTROL VALVE (6 SECTION) RDC - ECM4
 DISTRIBUTEUR (6 VOIES) RDC - ECM4
 STEUERBLOCK (6 ELEMENTE) RDC - ECM4
 DISTRIBUIDOR (6 ELEMENTOS) RDC - ECM4

Tavola
5.22.0868-1-0

Data pag.
 giugno 2012 122.1



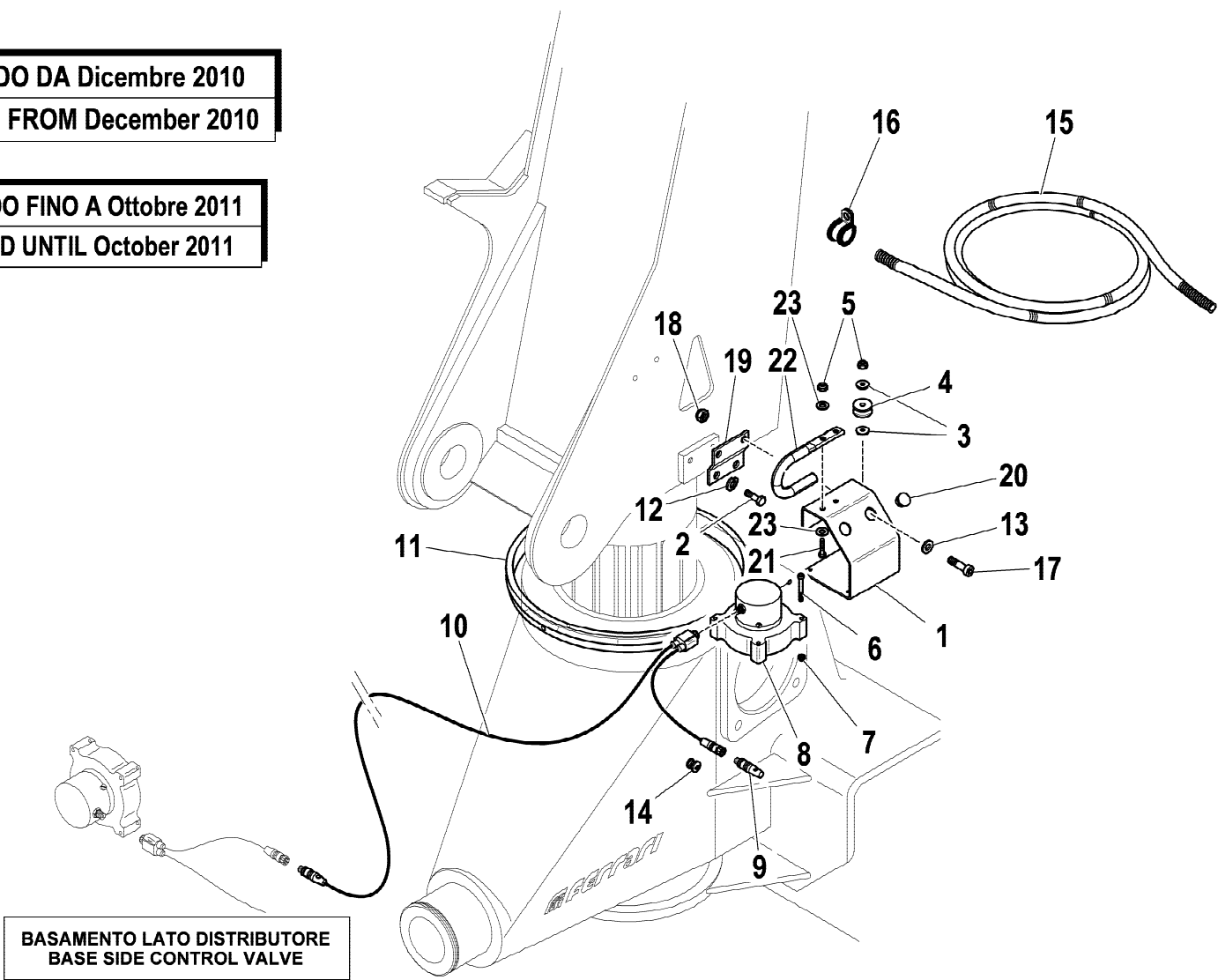
Kit tiranti per 5 elementi	5-element tie rod unit	19
Kit tiranti per 6 elementi	6-element tie rod unit	18
Kit tiranti per 7 elementi	7-element tie rod unit	17
Kit tiranti per 8 elementi	8-element tie rod unit	16

VALIDO DA Febbraio 2012
VALID FROM February 2012

rif.	codice	Q.tà
31	5.22.5920	1
32	5.22.5664	1
33	5.22.5665	1
34	5.22.5670	2
35	5.22.5669	1
36	5.22.5666	1
37	5.22.5667	1
38	5.22.5073	1
39	5.22.5672	1
40	5.22.5063	1
41	5.22.5921	1
42	5.22.5065	1
43	5.22.5066	1
44	5.22.5067	2
45	5.22.5068	1
46	5.22.....	1
47	5.22.....	1
48	5.22.5774	1
49	5.22.5610	1

VALIDO DA Dicembre 2010
VALID FROM December 2010

VALIDO FINO A Ottobre 2011
VALID UNTIL October 2011

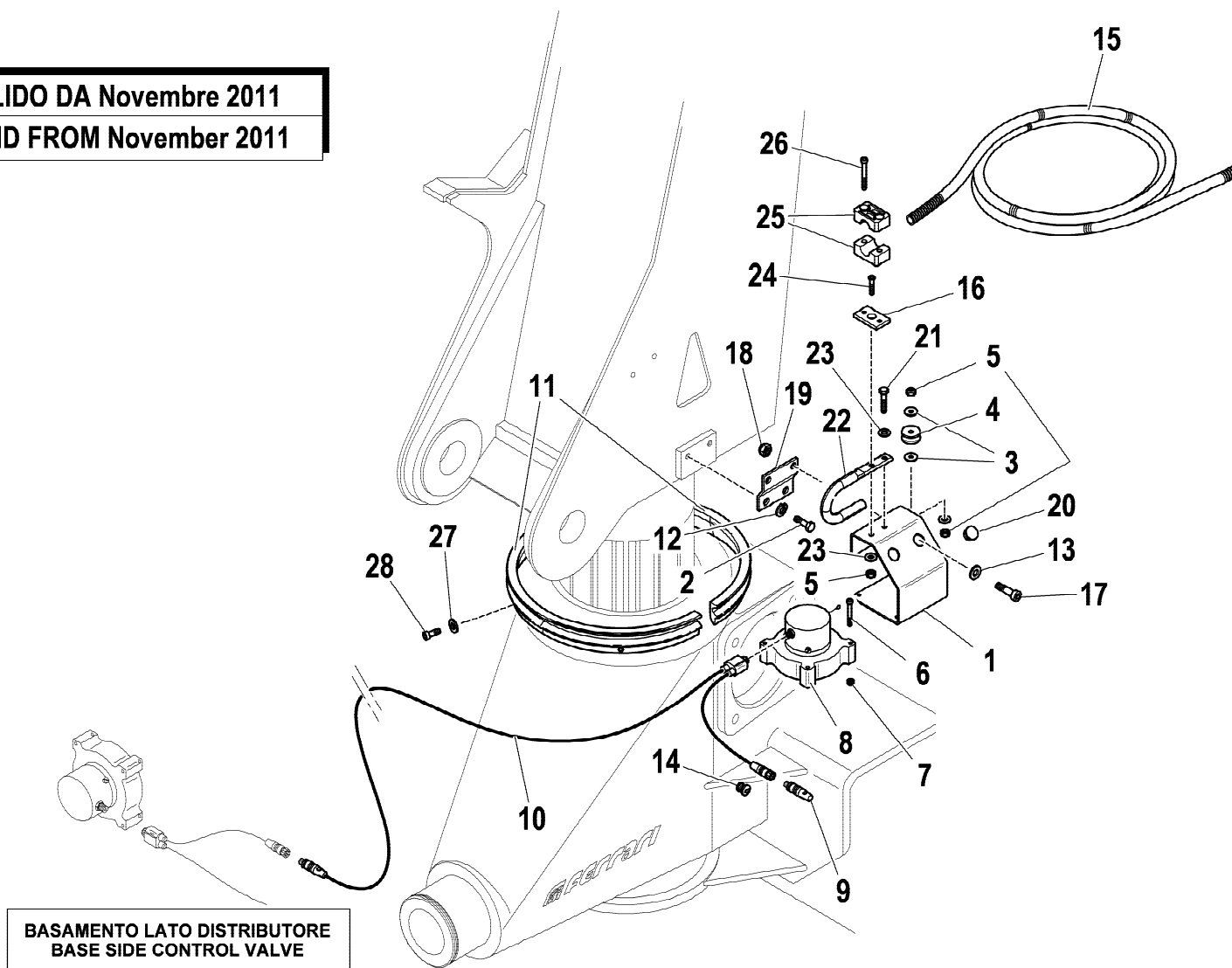


BASAMENTO LATO DISTRIBUTORE
BASE SIDE CONTROL VALVE

rif.	codice	Q.tà
1	5.09.1301	1
2	3.01.0353	2
3	3.06.0030	2
4	5.14.1080	1
5	3.04.0372	3
6	3.02.0019	3
7	3.04.0518	3
8	3.31.1313	1
9	3.31.1327	1
10	3.31.1325	1
11	5.14.1094	1
12	3.06.0056	2
13	3.06.0914	2
14	3.31.1326	1
15	3.19.0295	mt2.5
16	3.19.0036	1
17	3.02.0072	2
18	3.04.0304	2
19	5.00.0424	1
20	3.19.0301	2
21	3.01.0022	2
22	5.00.2124	1
23	3.06.0005	4

VALIDO DA Novembre 2011

VALID FROM November 2011



BASAMENTO LATO DISTRIBUTORE
BASE SIDE CONTROL VALVE

rif.	codice	Q.tà
1	5.09.1301	1
2	3.01.0353	2
3	3.06.0030	2
4	5.14.1080	1
5	3.04.0372	3
6	3.02.0019	3
7	3.04.0518	3
8	3.31.1313	1
9	3.31.1327	1
10	3.31.1325	1
11	5.14.1122	2
12	3.06.0056	2
13	3.06.0914	2
14	3.31.1326	1
15	3.19.0295	mt2.5
16	5.00.0454	1
17	3.02.0072	2
18	3.04.0304	2
19	5.00.0424	1
20	3.19.0301	2
21	3.01.0022	1
22	5.00.2124	1
23	3.06.0005	3
24	3.02.0907	1
25	3.19.0185	2
26	3.02.0039	2
27	3.06.0004	4
28	3.02.0022	4

1/1

HYVA® CRANE

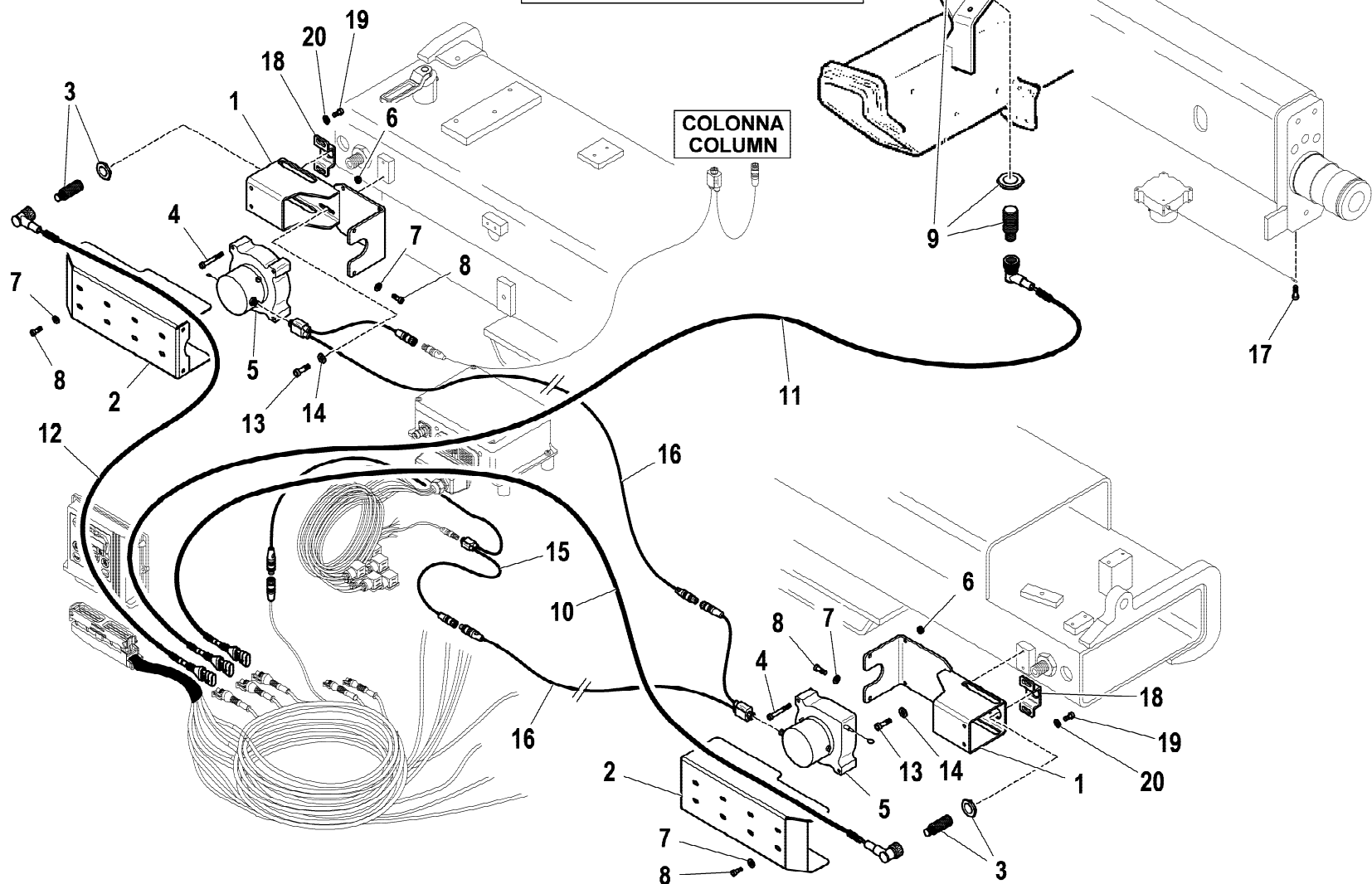
HC151

CONTROLLO ROTAZIONE EN-12999-A3
 ROTATION CONTROL EN-12999-A3
 CONTRÔLE ROTATION EN-12999-A3
 KONTROLLE ROTATION EN-12999-A3
 CONTROL ROTACIÓN EN-12999-A3

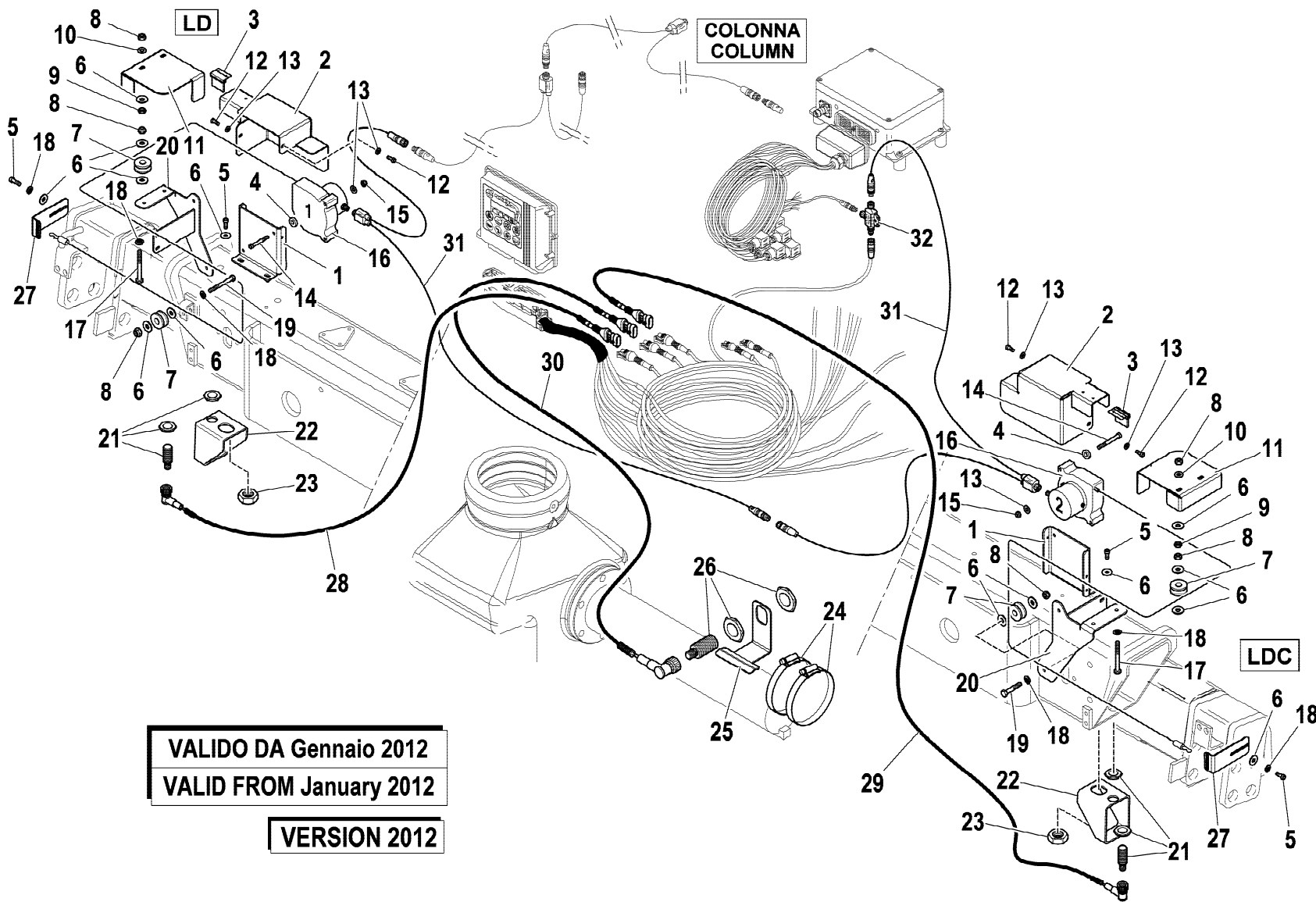
Tavola
5.41.1235-1-1

Data pag.
 giugno 2012 124

VALIDO DA Gennaio 2011
 VALID FROM January 2011

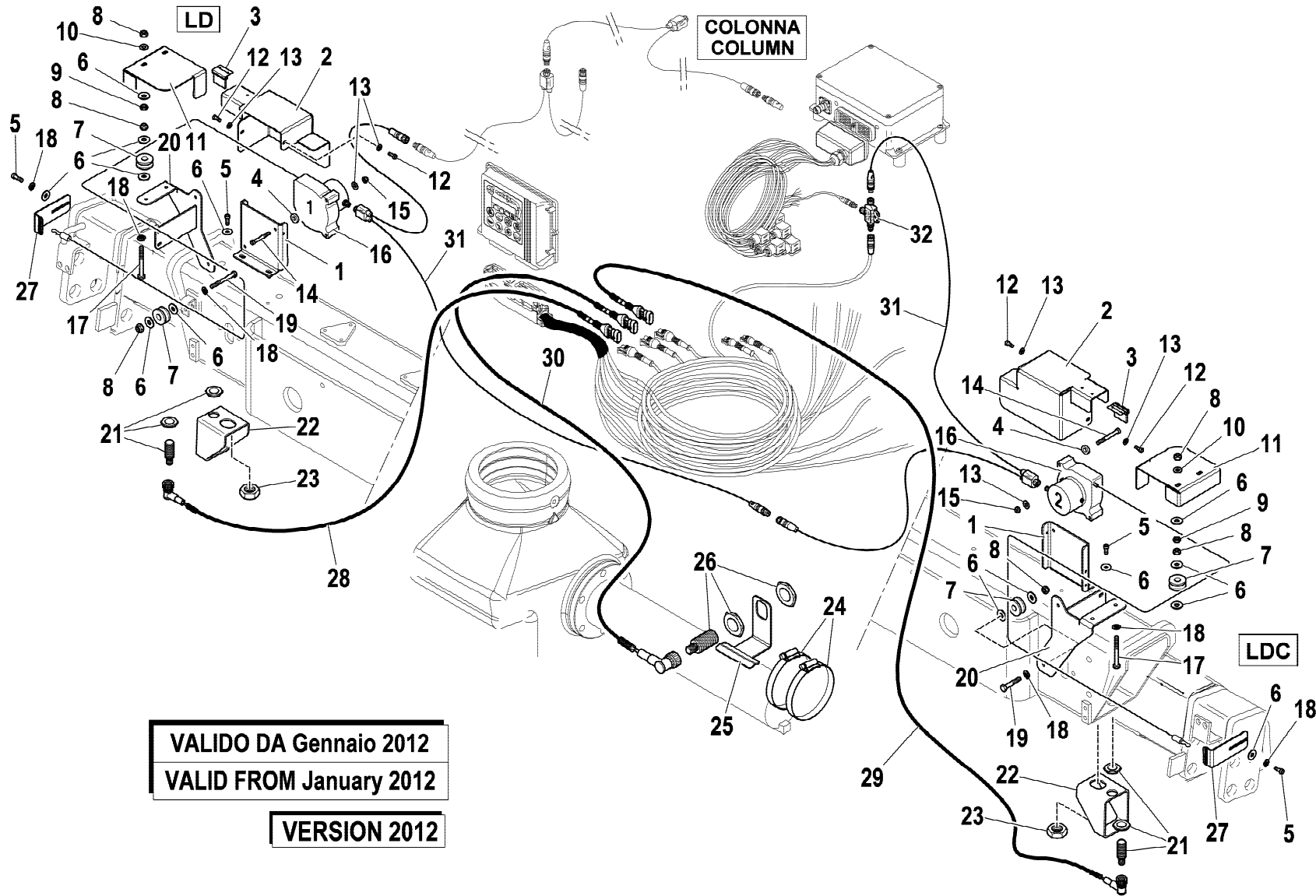


rif.	codice	Q.tà
1	5.09.1277	2
2	5.00.2060	2
3	3.31.1311	2
4	3.02.0019	6
5	3.31.1313	2
6	3.04.0518	6
7	3.06.0004	8
8	3.02.0022	8
9	3.31.1312	1
10	3.31.1332	1
11	3.31.1372	1
12	3.31.1377	1
13	3.02.0034	6
14	3.06.0030	8
15	3.31.1398	1
16	3.31.1325	2
17	3.02.0895	2
18	5.00.0443	2
19	3.02.0033	4
20	3.06.0053	4

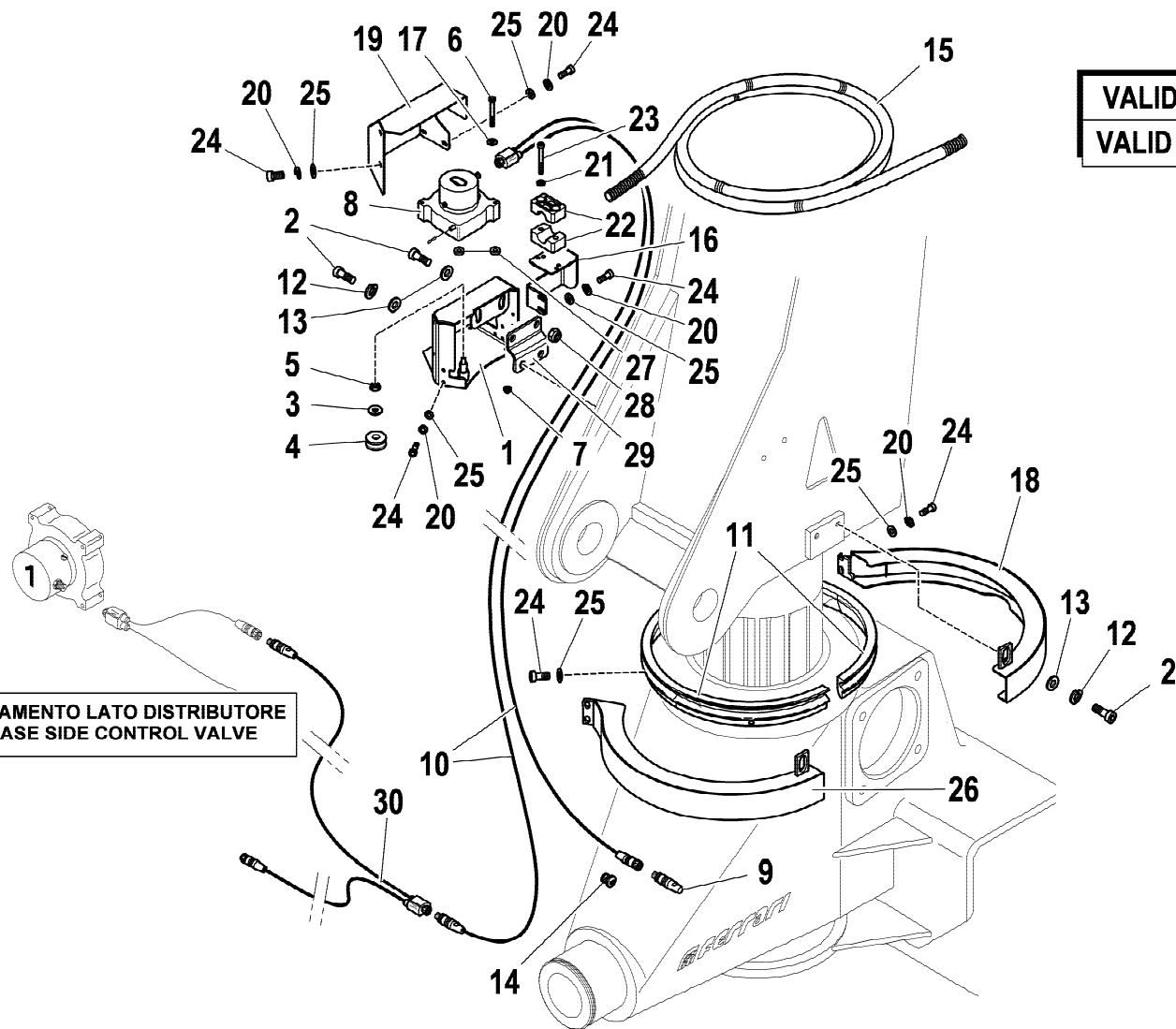


VALIDO DA Gennaio 2012
 VALID FROM January 2012
 VERSION 2012

rif.	codice	Q.tà
1	5.00.2212	2
2	5.00.2213	2
3	5.00.2175	2
4	3.19.0039	4
5	3.02.0034	8
6	3.06.0030	28
7	5.14.1138	8
8	3.04.0372	12
9	3.04.0081	4
10	3.06.0005	4
11	5.00.2225	2
12	3.02.0895	6
13	3.06.0003	10
14	3.02.0019	4
15	3.04.0518	4
16	3.31.1313	2
17	3.01.0011	4
18	3.06.0053	12
19	3.01.0010	4
20	5.00.2224	2
21	3.31.1311	2
22	5.00.0422	2
23	3.04.0251	2
24	3.19.0021	2
25	5.00.2217	1
26	3.31.1312	1
27	5.00.2215	2
28	3.31.1332	1
29	3.31.1377	1
30	3.31.1372	1
31	3.31.1325	2



VALIDO DA Gennaio 2012
 VALID FROM January 2012
 VERSION 2012



VALIDO DA Gennaio 2012
VALID FROM January 2012

VERSION 2012

rif.	codice	Q.tà
1	5.09.1398	1
2	3.02.0080	6
3	3.06.0030	1
4	5.14.1135	1
5	3.04.0372	1
6	3.02.0019	2
7	3.04.0518	2
8	3.31.1313	1
9	3.31.1327	1
10	3.31.1325	1
11	5.14.1122	2
12	3.06.0056	4
13	3.06.0914	6
14	3.31.1326	1
15	3.19.0295	mt2.5
16	5.00.2193	1
17	3.06.0003	2
18	5.09.1406	1
19	5.00.2177	1
20	3.06.0052	10
21	3.19.0178	2
22	3.19.0185	2
23	3.02.0039	2
24	3.02.0022	16
25	3.06.0004	16
26	5.09.1407	1
27	3.19.0039	2
28	3.04.0304	2
29	5.00.2214	1
30	3.31.1398	1



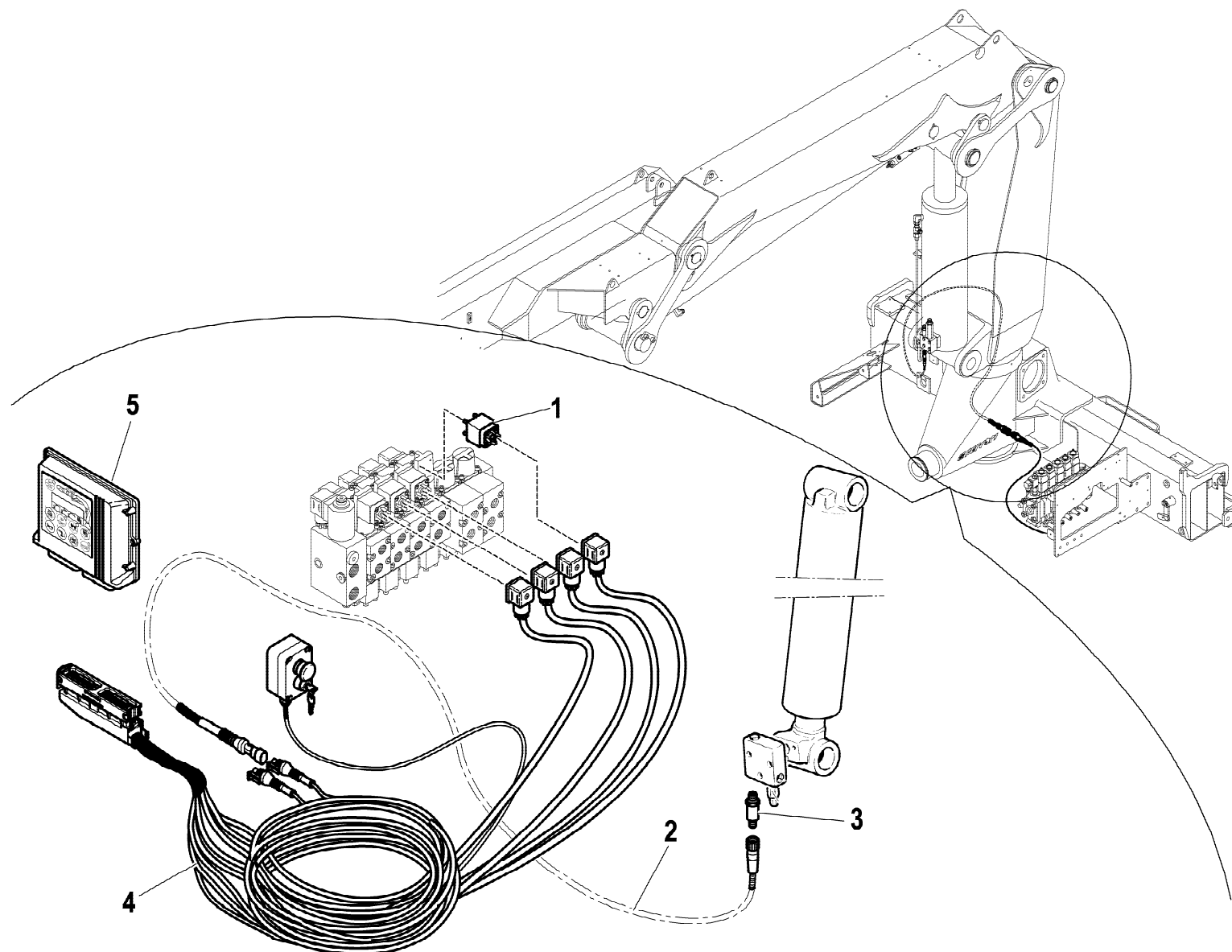
HC151

CONTROLLO ROTAZIONE EN-12999-A3
 ROTATION CONTROL EN-12999-A3
 CONTRÔLE ROTATION EN-12999-A3
 KONTROLLE ROTATION EN-12999-A3
 CONTROL ROTACIÓN EN-12999-A3

Tavola
5.41.1391-1-0

Data pag.
 giugno 2012 127

rif.	codice	Q.tà
1	5.22.5617	4
2	5.16.0084	1
3	3.31.0612	1
4	5.16.0073	1
5	3.31.1423	1



1/1

HYVA[®] CRANE
HC151

COMANDI (RDC EBB-X TCU-ECM4) EN12999-A3
 CONTROLS (RDC EBB-X TCU-ECM4) EN12999-A3
 COMMANDES (RDC EBB-X TCU-ECM4) EN12999-A3
 STEUERUGEN (RDC EBB-X TCU-ECM4) EN12999-A3
 MANDOS (RDC EBB-X TCU-ECM4) EN12999-A3

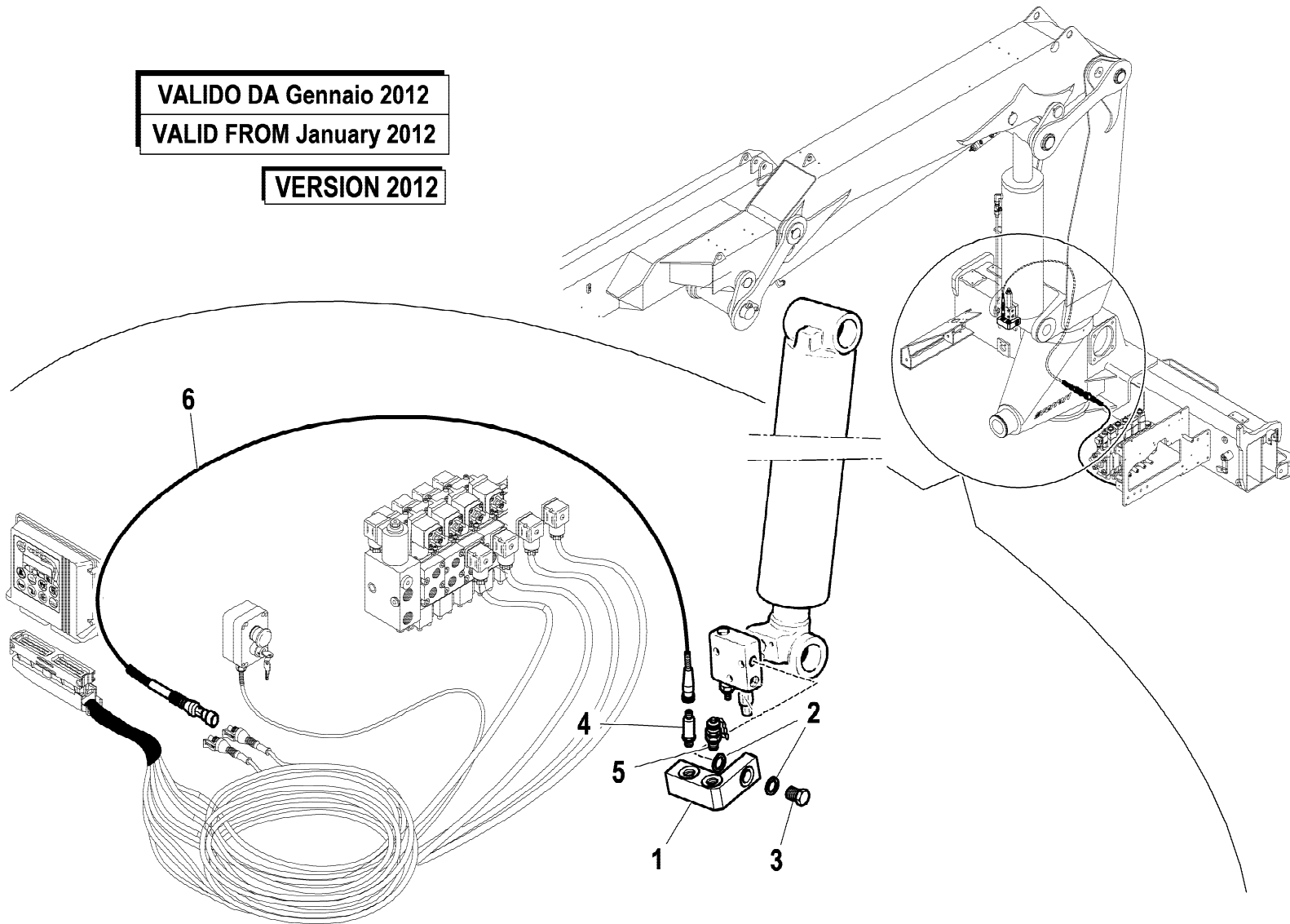
Tavola
5.40.1482-2-1

Data pag.
 maggio 2011 128

VALIDO DA Gennaio 2012

VALID FROM January 2012

VERSION 2012



rif.	codice	Q.tà
1	5.00.2055	1
2	3.06.0143	2
3	3.11.0078	1
4	3.31.0612	1
5	3.11.1523	1
6	5.16.0084	1

1/1

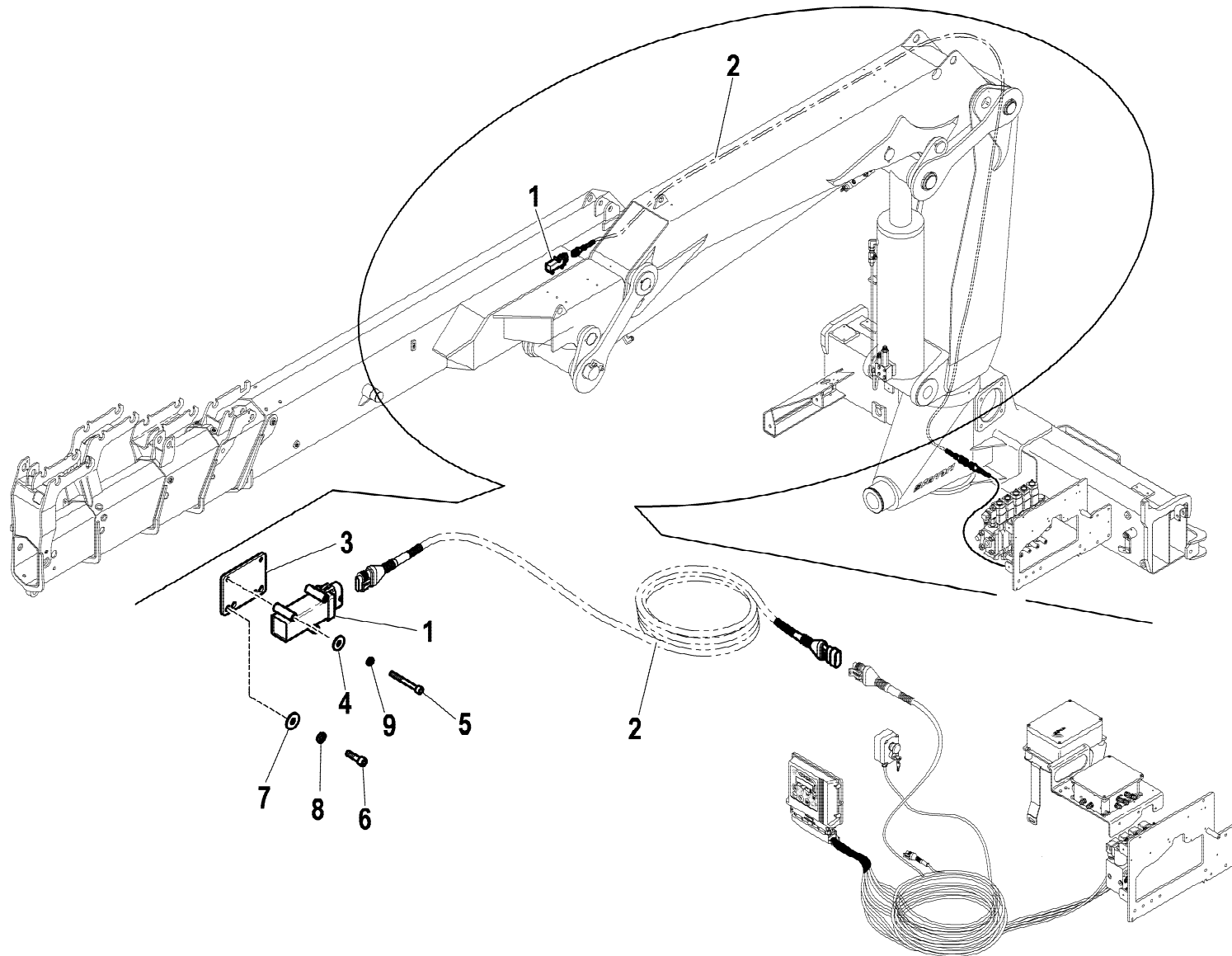
HYVA® CRANE
HC151

COMANDI (RDC EBB-X TCU-ECM4) EN12999-A3
CONTROLS (RDC EBB-X TCU-ECM4) EN12999-A3
COMMANDES (RDC EBB-X TCU-ECM4) EN12999-A3
STEUERUGEN (RDC EBB-X TCU-ECM4) EN12999-A3
MANDOS (RDC EBB-X TCU-ECM4) EN12999-A3

Tavola

5.43.1028-2-0

Data pag.
giugno 2012 129



rif.	codice	Q.tà
1	3.31.1150	1
2	5.16.0076	1
3	5.00.2108	1
4	3.06.0003	2
5	3.02.0018	2
6	3.02.0033	2
7	3.06.0005	2
8	3.06.0053	2
9	3.06.0065	2

1/1

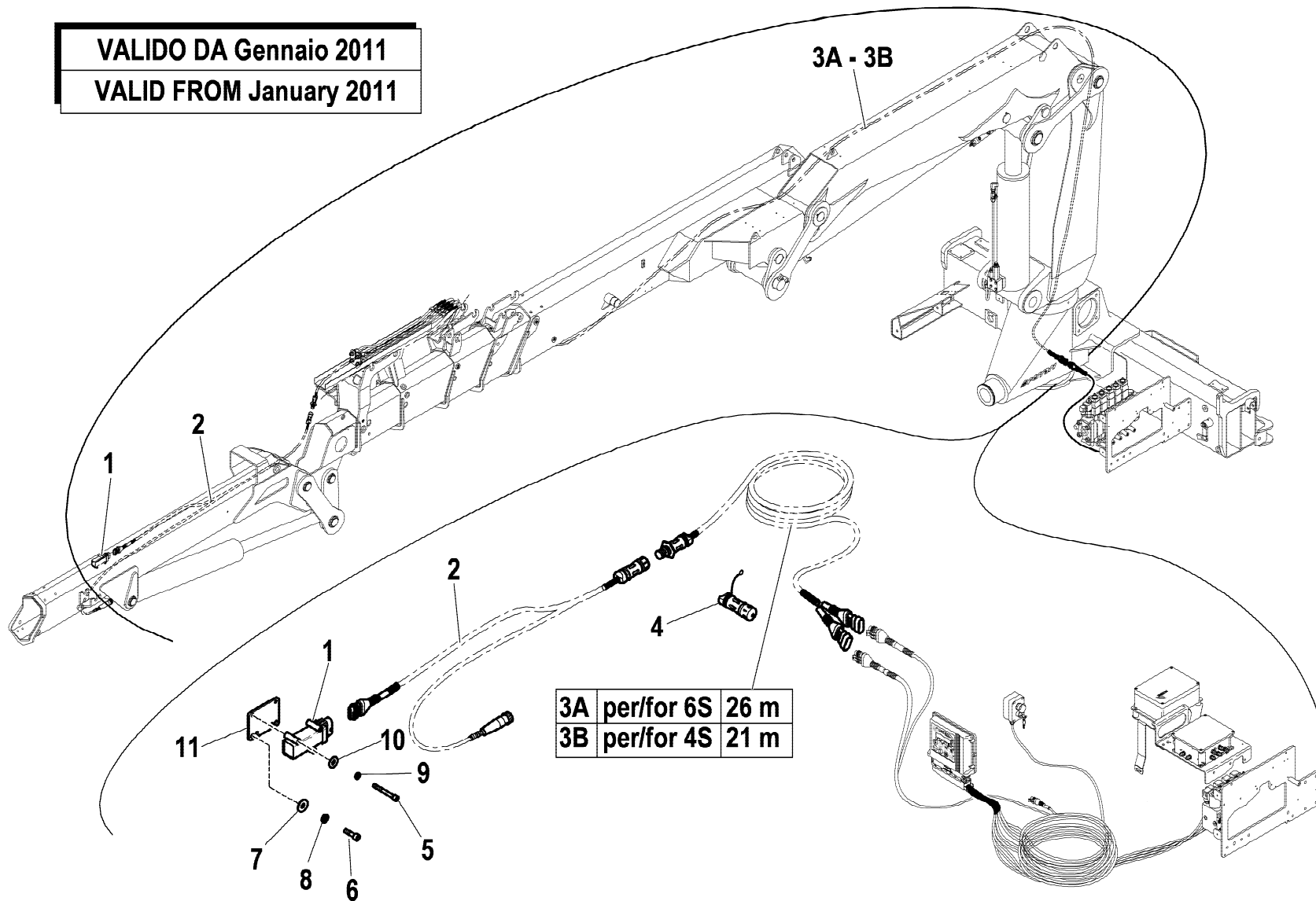
HYVA[®] CRANE
HC151

COMANDI (RDC EBB-X TCU-ECM4) EN12999-A3
 CONTROLS (RDC EBB-X TCU-ECM4) EN12999-A3
 COMMANDES (RDC EBB-X TCU-ECM4) EN12999-A3
 STEUERUGEN (RDC EBB-X TCU-ECM4) EN12999-A3
 MANDOS (RDC EBB-X TCU-ECM4) EN12999-A3

Tavola
5.40.1496-3-0

Data pag.
 maggio 2011 130

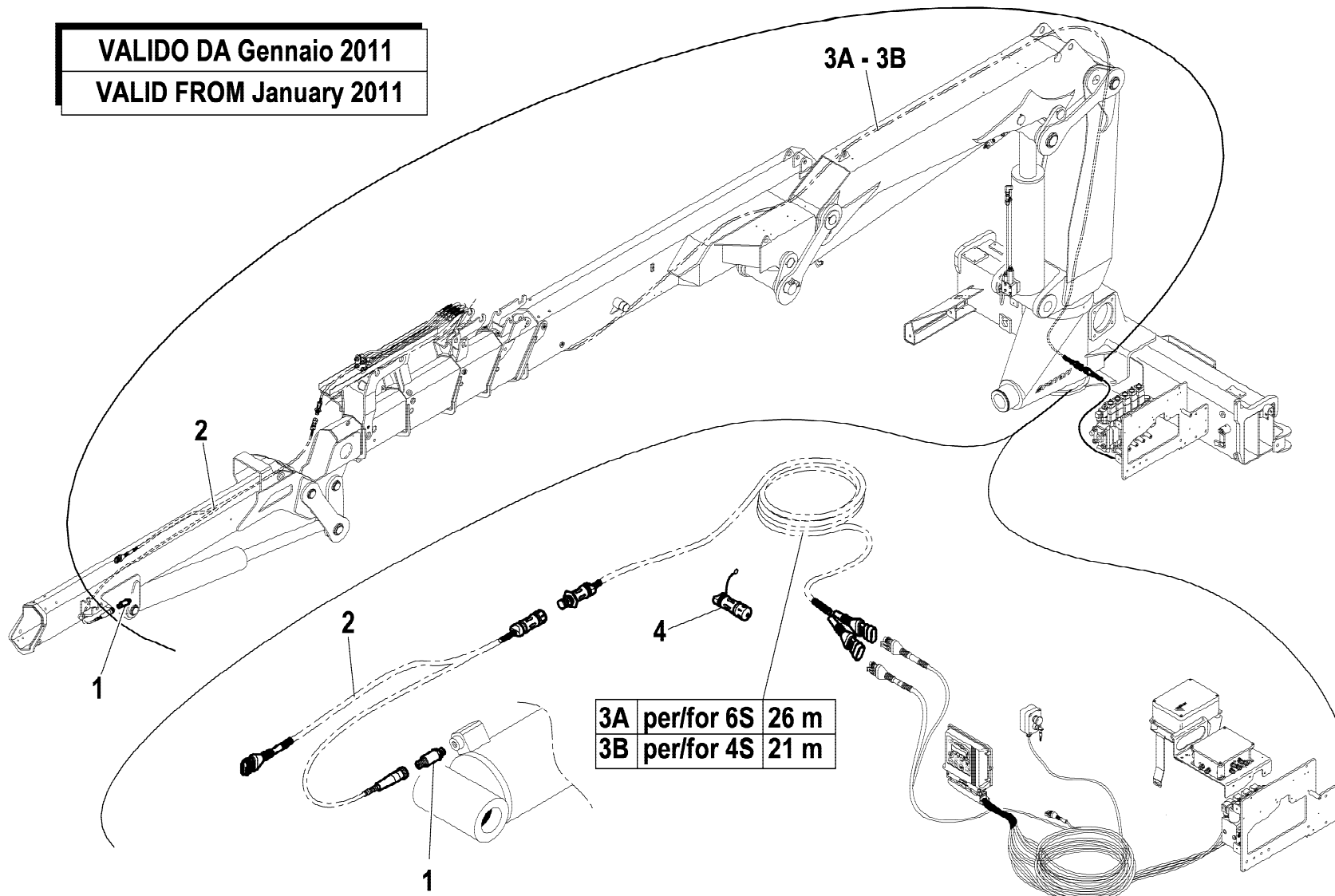
VALIDO DA Gennaio 2011
VALID FROM January 2011



rif.	codice	Q.tà
1	3.31.1150	1
2	5.16.0079	1
3 A	5.16.0077	1
3 B	5.16.0078	1
4	5.16.0080	1
5	3.02.0018	2
6	3.02.0033	2
7	3.06.0005	2
8	3.06.0053	2
9	3.06.0065	2
10	3.06.0003	2
11	5.00.2108	1

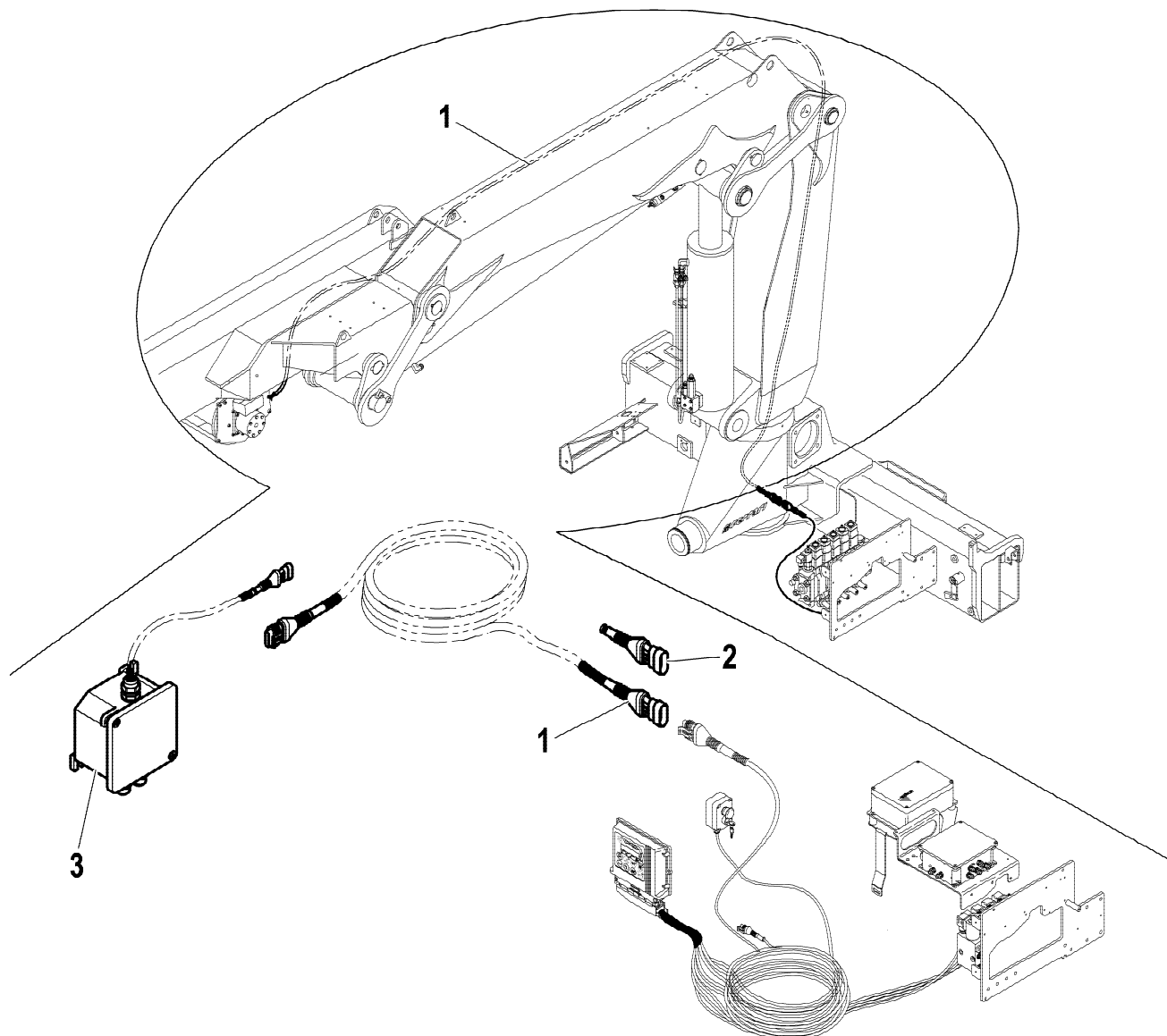
VALIDO DA Gennaio 2011

VALID FROM January 2011

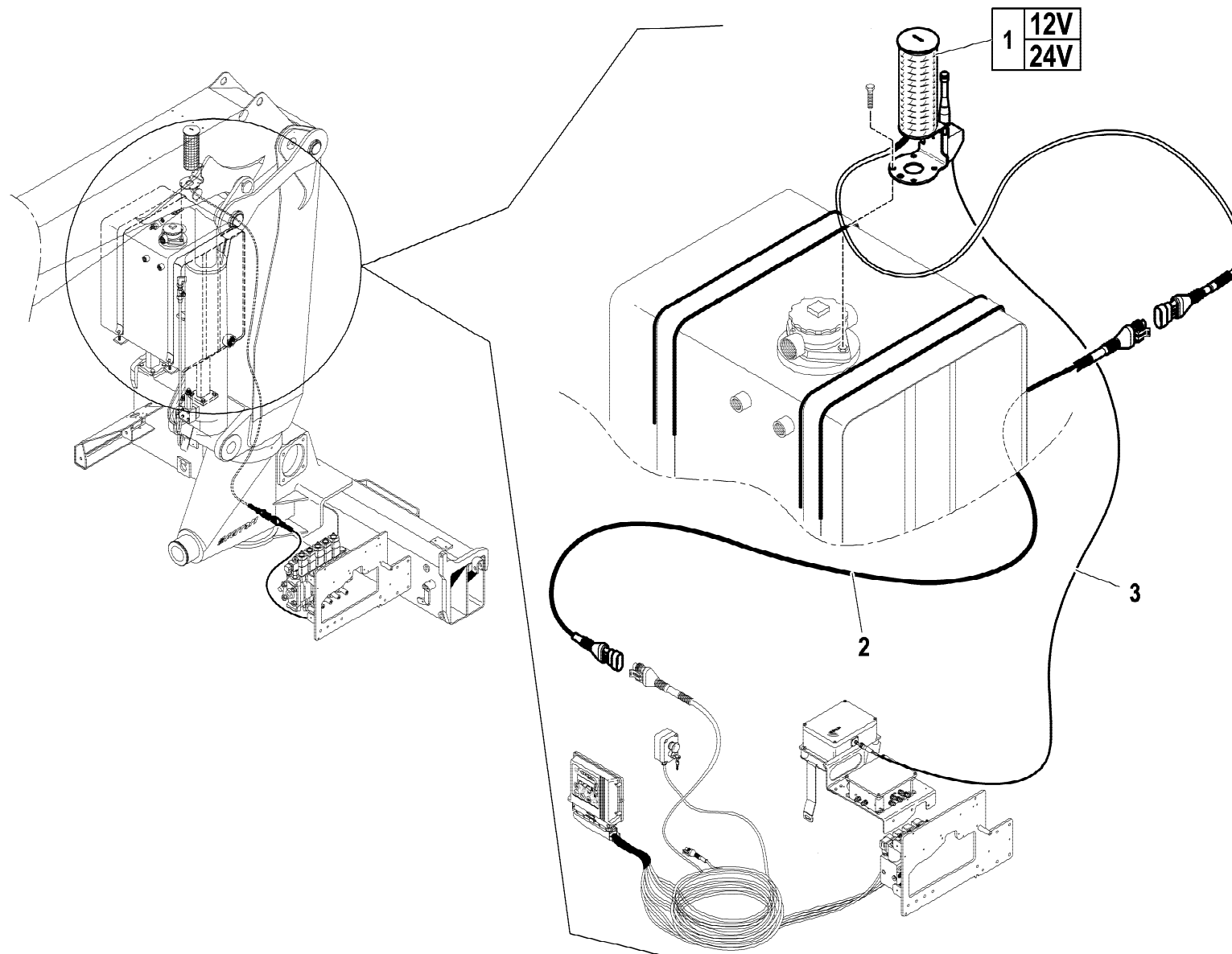


rif.	codice	Q.tà
1	3.31.0612	1
2	5.16.0079	1
3 A	5.16.0077	1
3 B	5.16.0078	1
4	5.16.0080	1

rif.	codice	Q.tà
1	5.16.0004	1
2	5.16.0013	1
3	3.31.0663	1



rif.	codice	Q.tà
1	3.31.1159	1
2	5.16.0003	1
3	3.31.1131	1



1/1

HYVA[®] CRANE
HC151

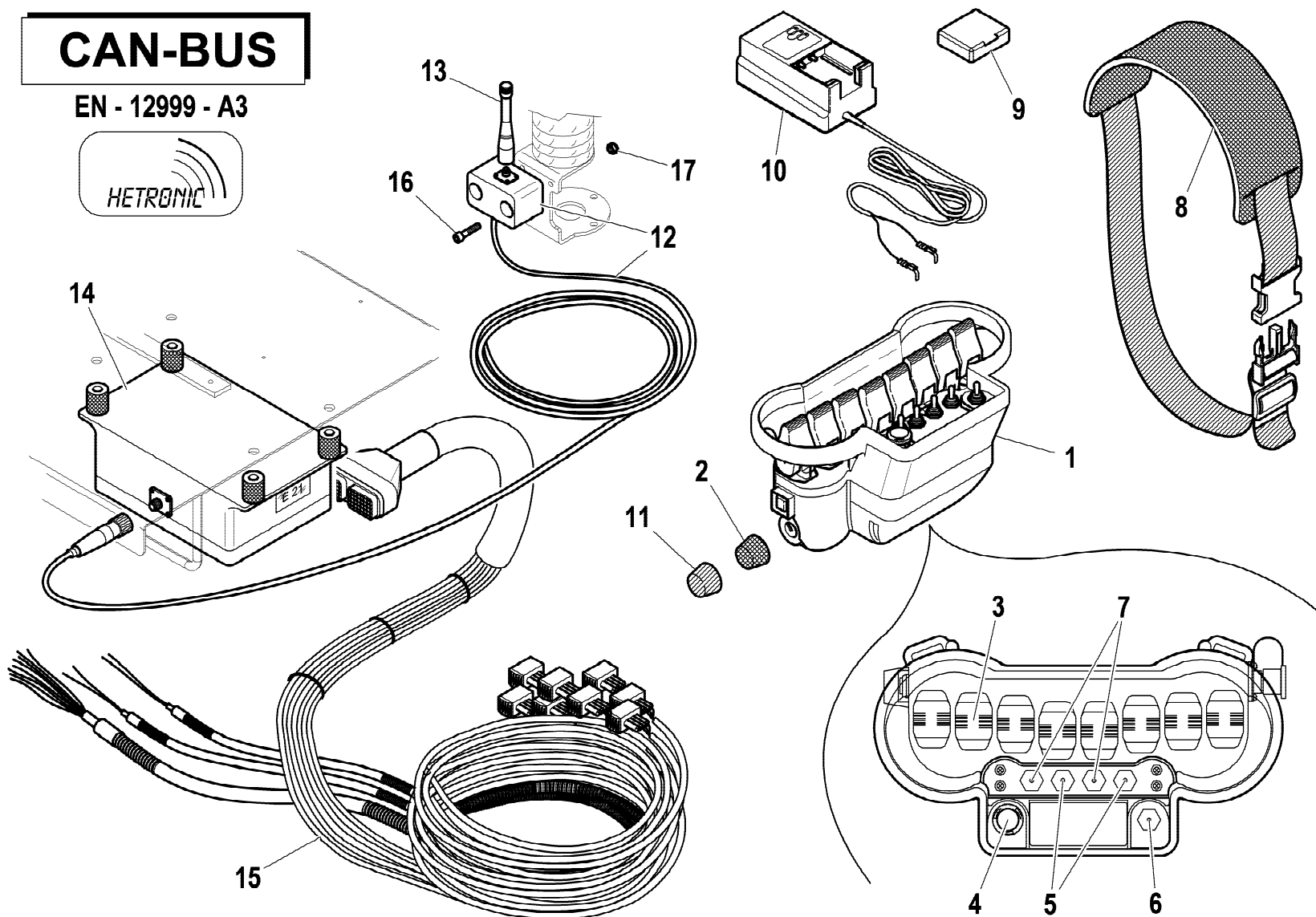
COMANDI (RDC EBB-X TCU-ECM4) EN12999-A3
 CONTROLS (RDC EBB-X TCU-ECM4) EN12999-A3
 COMMANDES (RDC EBB-X TCU-ECM4) EN12999-A3
 STEUERUGEN (RDC EBB-X TCU-ECM4) EN12999-A3
 MANDOS (RDC EBB-X TCU-ECM4) EN12999-A3

Tavola
5.40.1496-7-0

Data pag.
 maggio 2011 134

CAN-BUS

EN - 12999 - A3



rif.	codice	Q.tà
1	3.31.1442	1
2	3.31.0795	1
3	3.31.0796	8
4	3.31.0788	1
5	3.31.0786	2
6	3.31.0785	1
7	3.31.0787	2
8	3.31.1031	1
9	3.31.0641	2
10	3.31.0797	1
11	3.31.0924	1
12	3.31.1131	1
13	3.31.0861	1
14	3.31.1443	1
15	3.31.1444	1
16	3.02.0024	2
17	3.04.0392	2