



GRU - GRUAS - CRANES - GRUES - KRANE

Catalogo parti di ricambio

Catalogue des pieces detachees

HC101

Catalogo de piezas de repuestos

Ersatzteilkatalog

Spare parts book

1 W.044.002-1-0

ACCESSORI E ALLEGATI
 FITTINGS AND ENCLOSURES
 ACCESSOIRES ET PIÈCES ADJOINTE
 ZUBEHÖR UND BEHAGEN
 ACCESORIOS Y ANEXOS

2 W.044.101-1-4

BASAMENTO
 BASE
 SOLLE
 UNTERBAU
 BASE

3 5.42.0128-1-0

BASAMENTO
 BASE
 SOLLE
 UNTERBAU
 BASE

4 W.044.503710-1-1

IMPIANTO IDRAULICO (MARTINETTO ROTAZIONE)
 HYDRAULIC SYSTEM (SLEWING HYDRAULIC JACK)
 INSTALLATION HYDRAULIQUE (VERIN ROTATION)
 HYDRAULIKANLAGE (DREH SCHUBZYLINDER)
 INSTALACION HIDRAULICA (GATO ROTACION)

5 W.044.503710-1-2

IMPIANTO IDRAULICO (MARTINETTO ROTAZIONE)
 HYDRAULIC SYSTEM (SLEWING HYDRAULIC JACK)
 INSTALLATION HYDRAULIQUE (VERIN ROTATION)
 HYDRAULIKANLAGE (DREH SCHUBZYLINDER)
 INSTALACION HIDRAULICA (GATO ROTACION)

6 W.044.503-2-0

IMPIANTO IDRAULICO (MARTINETTO ROTAZIONE) EN 12999-A3
 HYDRAULIC SYSTEM (SLEWING HYDRAULIC JACK) EN 12999-A3
 INSTALLATION HYDRAULIQUE (VERIN ROTATION) EN 12999-A3
 HYDRAULIKANLAGE (DREH SCHUBZYLINDER) EN 12999-A3
 INSTALACION HIDRAULICA (GATO ROTACION) EN 12999-A3

7 W.44.04.511.00-1-1

ASTE STABILIZZATRICI
 STABILIZER CONNECTING RODS
 EXTENSION DES STABILISATEURS
 STÜTZSTANGEN
 VARILLAS ESTABILIZADORES

8 W.44.04.511.00-2-0

ASTE STABILIZZATRICI
 STABILIZER CONNECTING RODS
 EXTENSION DES STABILISATEURS
 STÜTZSTANGEN
 VARILLAS ESTABILIZADORES

9 W.44.04.511.00-3-0

IMPIANTO IDRAULICO (STABILIZZATORI)
 HYDRAULIC SYSTEM (STABILIZERS)
 INSTALLATION HYDRAULIQUE (STABILISATEURS)
 HYDRAULIKANLAGE (STABILISATOREN)
 INSTALACION HIDRAULICA (ESTABILIZADORES)

10 W.44.04.510.00-1-2

ASTE STABILIZZATRICI EXTRA ESTENDIBILI
 STABILIZER CONNECTING RODS EXTRA-EXTENSIBLE
 EXTENSION DES STABILISATEURS EXTRA-EXTENSIBLE
 STÜTZSTANGEN EXTRA-AUSDEHNBARE
 VARILLAS ESTABILIZADORES EXTRA-EXTENSIBLE

11 W.44.04.510.00-2-0

ASTE STABILIZZATRICI EXTRA ESTENDIBILI
 STABILIZER CONNECTING RODS EXTRA-EXTENSIBLE
 EXTENSION DES STABILISATEURS EXTRA-EXTENSIBLE
 STÜTZSTANGEN EXTRA-AUSDEHNBARE
 VARILLAS ESTABILIZADORES EXTRA-EXTENSIBLE

12 W.44.04.512.00-1-1

ASTE STABILIZZATRICI (ALLARGAMENTO IDRAULICO)
 STABILIZER ROD (HYDRAULIC LENGTHENING)
 TIGES DE STABILISATION (RALLONGEANTE HYDRAULIQUE)
 STÜTZSTANGEN (HYDRAULISCHER VERLÄNGERNDER)
 BARRAS ESTABILIZADORAS (ALARGA HIDRAULICO)

13 W.44.04.512.00-2-0

ASTE STABILIZZATRICI (ALLARGAMENTO IDRAULICO)
 STABILIZER ROD (HYDRAULIC LENGTHENING)
 TIGES DE STABILISATION (RALLONGEANTE HYDRAULIQUE)
 STÜTZSTANGEN (HYDRAULISCHER VERLÄNGERNDER)
 BARRAS ESTABILIZADORAS (ALARGA HIDRAULICO)

14 W.44.04.512.00-2-1

IMPIANTO IDRAULICO (ASTE STABILIZZATRICI)
 HYDRAULIC SYSTEM (STABILIZER ROD)
 INSTALLATION HYDRAULIQUE (TIGES DE STABILISATION)
 HYDRAULIKANLAGE (STÜTZSTANGEN)
 INSTALACION HIDRAULICA (BARRAS ESTABILIZADORAS)

15 W.44.04.503.00-1-1

MARTINETTO SFILO ASTE
ROD EXTENSION HYDRAULIC CYLINDER
VERIN RALLONGE TIGES
STANGENVERLAENGERUNGSWINDE
GATO DE PROLONGACION VASTAGOS

16 W.44.04.513.00-1-1

ASTE STABILIZZATRICI EXTRA ESTENDIBILI (ALLARGAMENTO IDRAULICO)
STABILIZER CONNECTING RODS EXTRA-EXTENSIBLE (HYDRAULIC LENGTHENING)
EXTENSION DES STABILISATEURS EXTRA-EXTENSIBLE (RALLONGEANTE HYDRAULIQUE)
STÜTZSTANGEN EXTRA-AUSDEHNBARE (HYDRAULISCHER VERLÄNGERNDER)
VARILLAS ESTABILIZADORES EXTRA-EXTENSIBLE (ALARGA HIDRÁULICO)

17 W.44.04.513.00-2-0

ASTE STABILIZZATRICI EXTRA ESTENDIBILI (ALLARGAMENTO IDRAULICO)
STABILIZER CONNECTING RODS EXTRA-EXTENSIBLE (HYDRAULIC LENGTHENING)
EXTENSION DES STABILISATEURS EXTRA-EXTENSIBLE (RALLONGEANTE HYDRAULIQUE)
STÜTZSTANGEN EXTRA-AUSDEHNBARE (HYDRAULISCHER VERLÄNGERNDER)
VARILLAS ESTABILIZADORES EXTRA-EXTENSIBLE (ALARGA HIDRÁULICO)

18 5.41.0980-1-0

KIT CONTROLLO CHIUSURA ASTE STAB. MANUALI EN 12999-A3
CONTROL DEVICES LOCKING FOR OUTRIGGERS LEGS EN 12999-A3
KIT DE CONTRÔLE DE FERMETURE TIGES STABILISATEURS MANUELS EN 12999-A3
KIT SCHLUSSKONTROLLE FÜR MANUELLEN ABSTÜTZSTANGEN EN 12999-A3
KIT CONTROL CIERRE VASTAGO ESTABILIZADORES EN 12999-A3

19 5.41.1220-1-0

CONTROLLO STABILITA' EN-12999-A3
STABILITY CONTROL EN-12999-A3
CONTRÔLE DE LA STABILITE' EN-12999-A3
STABILITÄTSKONTROLLE EN-12999-A3
CONTROL DE LA ESTABILIDAD EN-12999-A3

20 W.44.04.513.00-2-1

IMPIANTO IDRAULICO (ASTE STABILIZZATRICI EXTRA ESTENDIBILI)
HYDRAULIC SYSTEM (STABILIZER CONNECTING RODS EXTRA-EXTENSIBLE)
INSTALLATION HYDRAULIQUE (EXTENSION DES STABILISATEURS EXTRA-EXTENSIBLE)
HYDRAULIKANLAGE (STÜTZSTANGEN EXTRA-AUSDEHNBARE)
INSTALACION HIDRÁULICA (VARILLAS ESTABILIZADORES EXTRA-EXTENSIBLE)

21 W.44.04.505.00-1-0

MARTINETTO SFILO ASTE EXTRA ESTENDIBILI (LATO DOPPI COMANDI)
ROD EXTENSION HYDRAULIC CYLINDER EXTRA-EXTENSIBLE (DOUBLE CONTROLS SIDE)
VERIN RALLONGE TIGE SEXTRA-EXTENSIBLE (AU CÔTÉ DOUBLE COMM.)
STANGENVERLAENGERUNGSWINDE EXTRA-AUSDEHNBARE (DOPPELSTEUERUNG SEIT)
GATO DE PROLONGACION VASTAGOS EXTRA-EXTENSIBLE (L. MAND. BILAT.)

22 W.44.04.504.00-1-0

MARTINETTO SFILO ASTE EXTRA ESTENDIBILI (LATO DISTRIBUTORE)
ROD EXTENSION HYDRAULIC CYLINDER EXTRA-EXTENSIBLE (CONTROL VALVE SIDE)
VERIN RALLONGE TIGE SEXTRA-EXTENSIBLE (CÔTÉ DISTRIBUTEUR)
STANGENVERLAENGERUNGSWINDE EXTRA-AUSDEHNBARE (STEUERBLOCK SEITE)
GATO DE PROLONGACION VASTAGOS EXTRA-EXTENSIBLE (LADO DISTRIB.)

23 W.44.04.502.00-1-1

IMPIANTO IDRAULICO (MARTINETTO STABILIZZATORE)
HYDRAULIC SYSTEM (STABILISER RAM)
INSTALLATION HYDRAULIQUE (VERIN STABILISATEUR)
HYDRAULIKANLAGE (STABILISATOR SCHUBZYLINDER)
INSTALACION HIDRÁULICA (GATO ESTABILIZADOR)

24 W.44.04.501.00-1-0

MARTINETTO STABILIZZATORE
STABILISER RAM
VERIN STABILISATEUR
STABILISATOR SCHUBZYLINDER
GATO ESTABILIZADOR

25 W.44.04.501.00-1-1

MARTINETTO STABILIZZATORE
STABILISER RAM
VERIN STABILISATEUR
STABILISATOR SCHUBZYLINDER
GATO ESTABILIZADOR

26 W.044.505-1-2

COMANDI BILATERALI NOCE
DOUBLE CONTROLS NOCE
DOUBLE COMMANDES NOCE
DOPPELSTEUERUNG NOCE
MONDOS BILATERALAS NOCE

27 W.044.502-1-1

DISTRIBUTORE COMPLETO (5 ELEMENTI) NOCE
CONTROL VALVE ASS'Y (5 SECTION) NOCE
DISTRIBUTEUR COMPLET (5 VOIES) NOCE
STEUERBLOCK (IM GANZEN) (5 ELEMENTE) NOCE
DISTRIBUIDOR COMPLETO (5 ELEMENTOS) NOCE

28 W.338.407-1-2

DISTRIBUTORE (5 ELEMENTI) NOCE
CONTROL VALVE (5 SECTION) NOCE
DISTRIBUTEUR (5 VOIES) NOCE
STEUERBLOCK (5 ELEMENTE) NOCE
DISTRIBUIDOR (5 ELEMENTOS) NOCE

29 W.044.505-2-0

COMANDI BILATERALI (CE) EN 12999-A3
DOUBLE CONTROLS (CE) EN 12999-A3
DOUBLE COMMANDES (CE) EN 12999-A3
DOPPELSTEUERUNG (CE) EN 12999-A3
MONDOS BILATERALAS (CE) EN 12999-A3

30 W.044.502-2-0

DISTRIBUTORE COMPLETO (5 ELEMENTI) EN 12999-A3
CONTROL VALVE ASS'Y (5 SECTION) EN 12999-A3
DISTRIBUTEUR COMPLET (5 VOIES) EN 12999-A3
STUEBERBLOCK (IM GANZEN) (5 ELEMENTE) EN 12999-A3
DISTRIBUIDOR COMPLETO (5 ELEMENTOS) EN 12999-A3

31 W.338.407-2-0

DISTRIBUTORE (5 ELEMENTI) EN 12999-A3
CONTROL VALVE (5 SECTION) EN 12999-A3
DISTRIBUTEUR (5 VOIES) EN 12999-A3
STUEBERBLOCK (5 ELEMENTE) EN 12999-A3
DISTRIBUIDOR (5 ELEMENTOS) EN 12999-A3

32 W.044.505-3-1

COMANDI BILATERALI (CE) EN12999-A3
DOUBLE CONTROLS (CE) EN12999-A3
DOUBLE COMMANDES (CE) EN12999-A3
DOPPELSTEUERUNG (CE) EN12999-A3
MONDOS BILATERALAS (CE) EN12999-A3

33 W.044.505-4-0

COMANDI BILATERALI (CE) EN12999-A3
DOUBLE CONTROLS (CE) EN12999-A3
DOUBLE COMMANDES (CE) EN12999-A3
DOPPELSTEUERUNG (CE) EN12999-A3
MONDOS BILATERALAS (CE) EN12999-A3

34 W.044.505-5-0

COMANDI BILATERALI (CE) EN12999-A3
DOUBLE CONTROLS (CE) EN12999-A3
DOUBLE COMMANDES (CE) EN12999-A3
DOPPELSTEUERUNG (CE) EN12999-A3
MONDOS BILATERALAS (CE) EN12999-A3

35 W.44.05.525.00-1-1

LIMITATORE DI MOMENTO
MOMENT LIMITING DEVICE
LIMITEUR DE MOMENT
HUB-MOMENTBEGRENZER
LIMITADOR DE MOMENTO

36 W.44.05.525.00-1-4

LIMITATORE DI MOMENTO (CE)
MOMENT LIMITING DEVICE (CE)
LIMITEUR DE MOMENT (CE)
HUB-MOMENTBEGRENZER (CE)
LIMITADOR DE MOMENTO (CE)

37 W.44.05.561.00-1-0

LIMITATORE DI MOMENTO - ECO CE
MOMENT LIMITING DEVICE - ECO CE
LIMITEUR DE MOMENT - ECO CE
HUB-MOMENTBEGRENZER - ECO CE
LIMITADOR DE MOMENTO - ECO CE

38 W.44.05.528.00-1-2

LIMITATORE DI ROTAZIONE
ROTATION LIMITING DEVICE
LIMITEUR DE ROTATION
DREHMOMENTBEGRENZER
LIMITADOR DE ROTACION

39 W.044.501-1-6

SERBATOIO OLIO
OIL RESERVOIR
RÉSERVOIR D'HUILE
OELBEHAELTER
DEPOSITO ACEITE

40 W.044.201-1-1

COLONNA
COLUMN
COLONNE
SAEULE
COLUMNNA

41 W.44.02.502.00-1-0

IMPIANTO IDRAULICO (MARTINETTO SOLLEVAMENTO)
HYDRAULIC SYSTEM (LIFTING HYDRAULIC CYLINDER)
INSTALLATION HYDRAULIQUE (VERIN DE LEVAGE)
HYDRAULIKANLAGE (HUBZYLINDER)
INSTALACION HIDRAULICA (GATO DE ELEVACION)

42 W.44.02.501.00-1-1

MARTINETTO SOLLEVAMENTO
LIFTING HYDRAULIC CYLINDER
VERIN DE LEVAGE
HUBZYLINDER
GATO DE ELEVACION

43 W.044.202-1-2

1° BRACCIO
1ST BOOM
1ERE BRAS
1. ARM
1° BRAZO

44 W.44.03.506.00-1-1

IMPIANTO IDRAULICO (MARTINETTO ARTICOLAZIONE)
HYDRAULIC SYSTEM (ARTICULATION HYDRAULIC JACK)
INSTALLATION HYDRAULIQUE (VERIN D' ARTICULATION)
HYDRAULIKANLAGE (GELENKSHEBEBOCK)
INSTALACION HIDRAULICA (GATO DE ARTICULACION)

45 W.44.03.504.00-1-0

MARTINETTO ARTICOLAZIONE
ARTICULATION HYDRAULIC JACK
VERIN D' ARTICULATION
GELENKSHEBEBOCK
GATO DE ARTICULACION

46 W.044.303-1-3

2° BRACCIO
2ND BOOM
2EME BRAS
2. ARM
2° BRAZO

47 W.444.173-1-0

SERIE TUBI FLESSIBILI
SET OF HOSES
JEU DE TOYAUX FLEXIBLES
SCHLAUCHSATZ
SERIE DE TUBOS FLEXIBLE

48 W.044.504-1-1

IMPIANTO IDRAULICO (1° E 2° BRACCIO)
HYDRAULIC SYSTEM (1TH E 2ND BOOM)
INSTALLATION HYDRAULIQUE (1ERE ET 2EME BRAS)
HYDRAULIKANLAGE (1TEN UNT 2.TEN GELENKARM)
INSTALACION HIDRAULICA (1° Y 2° BRAZO)

49 W.044.302-1-2

1° SFILO
1ST EXTENSION
1ERE RALLONGE
1. VERLAENGERUNG
1°PROLONGACION

50 W.44.03.505.00-1-0

IMPIANTO IDRAULICO (MARTINETTO 1° SFILO)
HYDRAULIC SYSTEM (1ST EXSTENSION HYDRAULIC)
INSTALLATION HYDRAULIQUE (VERIN 1ERE RALLONGE)
HYDRAULIKANLAGE (1. SCHUBZYLINDER)
INSTALACION HIDRAULICA (GATO 1ª EXTENSIÓN)

51 W.44.03.501.00-1-1

MARTINETTO 1° SFILO
1ST EXSTENSION HYDRAULIC
VERIN 1ERE RALLONGE
1. SCHUBZYLINDER
GATO 1ª EXTENSIÓN

52 W.44.03.518.00-1-2

2° SFILO
2ND EXTENSION
2EME RALLONGE
2. VERLAENGERUNG
2°PROLONGACION

53 W.44.03.502.00-1-0

MARTINETTO 2° SFILO
2ND EXTENSION HYDRAULIC JACK
VERIN 2EME RALLONGE
2. SCHUBZYLINDER
GATO 2ª EXTENSIÓN

54 W.44.03.519.00-1-3

3° SFILO
3RD EXTENSION
3EME RALLONGE
3. VERLAENGERUNG
3°PROLONGACION

55 W.44.03.507.00-1-0

MARTINETTO 3° SFILO
3RD EXTENSION HYDRAULIC JACK
VERIN 3EME RALLONGE
3. SCHUBZYLINDER
GATO 3ª EXTENSIÓN

56 W.44.03.520.00-1-2

4° SFILO
4TH EXTENSION
4EME RALLONGE
4. VERLAENGERUNG
4° PROLONGACION

57 W.44.03.508.00-1-0

MARTINETTO 4° SFILO
4TH EXTENSION HYDRAULIC JACK
VÉRIN 4ÈME RALLONGE
4. SCHUBZYLINDER
GATO 4ª EXTENSION

58 W.44.05.512.00-1-3

COMANDI (6° ELEMENTO)
CONTROLS (6TH ELEMENT)
COMMANDES (6E ELEMENT)
STEUERUGEN (6. ELEMENT)
MANDOS (6° ELEMENTO)

59 W.44.05.512.00-2-1

IMPIANTO IDRAULICO (6° ELEMENTO)
HYDRAULIC SYSTEM (6TH ELEMENT)
INSTALLATION HYDRAULIQUE (6E ELEMENT)
HYDRAULIKANLAGE (6. ELEMENT)
INSTALACION HIDRAULICA (6° ELEMENTO)

60 5.21.2039-1-0

IMPIANTO IDRAULICO (6° ELEMENTO) EN 12999-A3
HYDRAULIC SYSTEM (6TH ELEMENT) EN 12999-A3
INSTALLATION HYDRAULIQUE (6E ELEMENT) EN 12999-A3
HYDRAULIKANLAGE (6. ELEMENT) EN 12999-A3
INSTALACION HIDRAULICA (6° ELEMENTO) EN 12999-A3

61 W.44.05.512.00-3-3

IMPIANTO IDRAULICO (1ª ATTIVAZIONE PER 3S)
HYDRAULIC SYSTEM (1ST ACTIVATION FOR 3S)
INSTALLATION HYDRAULIQUE (1ERE ACTIVATION POUR 3S)
HYDRAULIKANLAGE (1. AKTIVIERUNG FÜR 3S)
INSTALACION HIDRAULICA (1ª ACTIVACIÓN PARA 3S)

62 W.44.05.515.00-1-2

COMANDI (6°-7° ELEMENTO)
CONTROLS (6TH-7TH ELEMENT)
COMMANDES (6E-7E ELEMENTS)
STEUERUGEN (6.-7. ELEMENT)
MANDOS (6°-7° ELEMENTO)

63 W.44.05.515.00-2-1

IMPIANTO IDRAULICO (6°-7° ELEMENTO)
HYDRAULIC SYSTEM (6TH-7TH ELEMENT)
INSTALLATION HYDRAULIQUE (6E-7E ELEMENTS)
HYDRAULIKANLAGE (6.-7. ELEMENT)
INSTALACION HIDRAULICA (6°-7° ELEMENTO)

64 5.21.2041-1-0

IMPIANTO IDRAULICO (6°-7° ELEMENTO) EN 12999-A3
HYDRAULIC SYSTEM (6TH-7TH ELEMENT) EN 12999-A3
INSTALLATION HYDRAULIQUE (6E-7E ELEMENTS) EN 12999-A3
HYDRAULIKANLAGE (6.-7. ELEMENT) EN 12999-A3
INSTALACION HIDRAULICA (6°-7° ELEMENTO) EN 12999-A3

65 W.44.05.515.00-3-2

IMPIANTO IDRAULICO (1ª E 2ª ATTIVAZIONE PER 3S)
HYDRAULIC SYSTEM (1ST AND 2ND ACTIVATION FOR 3S)
INSTALLATION HYDRAULIQUE (1ERE ET 2EME ACTIVATION POUR 3S)
HYDRAULIKANLAGE (1. UND 2. AKTIVIERUNG FÜR 3S)
INSTALACION HIDRAULICA (1ª Y 2ª ACTIVACIÓN PARA 3S)

66 W.44.03.512.00-1-1

PROLUNGA MANUALE (A)
MANUAL EXTENSION (A)
RALLONGE MANUELLE (A)
MANUAL-VERLÄNGERUNG (A)
PROLONGACION MANUAL (A)

67 W.44.03.513.00-1-1

PROLUNGA MANUALE (B)
MANUAL EXTENSION (B)
RALLONGE MANUELLE (B)
MANUAL-VERLÄNGERUNG (B)
PROLONGACION MANUAL (B)

68 W.44.03.521.00-1-0

PROLUNGA MANUALE (C)
MANUAL EXTENSION (C)
RALLONGE MANUELLE (C)
MANUAL-VERLÄNGERUNG (C)
PROLONGACION MANUAL (C)

69 W.44.03.522.00-1-0

PROLUNGA MANUALE (D)
MANUAL EXTENSION (D)
RALLONGE MANUELLE (D)
MANUAL-VERLÄNGERUNG (D)
PROLONGACION MANUAL (D)

70 W.44.03.516.00-1-0

GANCIO (PROLUNGA MANUALE) A-B
HOOK (MANUAL EXTENSION) A-B
CROCHET (RALLONGE MANUELLE) A-B
HAKEN (MANUAL-VERLÄNGERUNG) A-B
GANCHO (PROLONGACION MANUAL) A-B

71 W.44.03.517.00-1-0

GANCIO (PROLUNGA MANUALE) C-D
 HOOK (MANUAL EXTENSION) C-D
 CROCHET (RALLONGE MANUELLE) C-D
 HAKEN (MANUAL-VERLÄNGERUNG) C-D
 GANCHO (PROLONGACION MANUAL) C-D

72 7.88.1824-1-0

KIT CELLA DI CARICO LIS/RLC
 LOAD INDICATION SYSTEM LIS/RLC
 SYSTÈME D'INDICATION DE CHARGE LIS/RLC
 LADEANZEIGE SYSTEM LIS/RLC
 SISTEMA DE INDICACIÓN DE CARGA LIS/RLC

HC101 A3 JIB2

74 W.44.06.511.00-3-0

IMPIANTO IDRAULICO 710 A3-JIB2
 HYDRAULIC SYSTEM 710 A3-JIB2
 INSTALLATION HYDRAULIQUE 710 A3-JIB2
 HYDRAULIKANLAGE 710 A3-JIB2
 INSTALACION HIDRAULICA 710 A3-JIB2

75 W.44.06.511.00-2-1

COMANDI 710 A3-JIB2
 CONTROLS 710 A3-JIB2
 COMMANDES 710 A3-JIB2
 STEUERUGEN 710 A3-JIB2
 MANDOS 710 A3-JIB2

76 W.044.506-1-0

DISTRIBUTORE (7 ELEMENTI) A3 - JIB2
 CONTROL VALVE (7 SECTION) A3 - JIB2
 DISTRIBUTEUR (7 VOIES) A3 - JIB2
 STEUERBLOCK (7 ELEMENTE) A3 - JIB2
 DISTRIBUIDOR (7 ELEMENTOS) A3 - JIB2

77 W.338.408-1-2

DISTRIBUTORE (7 ELEMENTI) A3 - JIB2
 CONTROL VALVE (7 SECTION) A3 - JIB2
 DISTRIBUTEUR (7 VOIES) A3 - JIB2
 STEUERBLOCK (7 ELEMENTE) A3 - JIB2
 DISTRIBUIDOR (7 ELEMENTOS) A3 - JIB2

78 W.044.506-2-0

DISTRIBUTORE COMPLETO (7 ELEMENTI) EN 12999-A3
 CONTROL VALVE ASS'Y (7 SECTION) EN 12999-A3
 DISTRIBUTEUR COMPLET (7 VOIES) EN 12999-A3
 STEUERBLOCK (IM GANZEN) (7 ELEMENTE) EN 12999-A3
 DISTRIBUIDOR COMPLETO (7 ELEMENTOS) EN 12999-A3

79 W.338.408-2-0

DISTRIBUTORE (7 ELEMENTI) EN 12999-A3
 CONTROL VALVE (7 SECTION) EN 12999-A3
 DISTRIBUTEUR (7 VOIES) EN 12999-A3
 STEUERBLOCK (7 ELEMENTE) EN 12999-A3
 DISTRIBUIDOR (7 ELEMENTOS) EN 12999-A3

80 W.44.05.529.00-1-3

LIMITATORE DI MOMENTO (PROLUNGA ARTICOLATA)
 MOMENT LIMITING DEVICE (ARTICULATED EXTENSION)
 LIMITEUR DE MOMENT (RALLONGE ARTICULEE)
 HUB-MOMENTBEGRENZER (GELENKVERLÄNGERUNG)
 LIMITADOR DE MOMENTO (PROLONGACION ARTICULADA)

81 W.044.505-6-0

COMANDI BILATERALI (CE) EN12999-A3
 DOUBLE CONTROLS (CE) EN12999-A3
 DOUBLE COMMANDES (CE) EN12999-A3
 DOPPELSTEUERUNG (CE) EN12999-A3
 MONDOS BILATERALAS (CE) EN12999-A3

82 W.044.505-7-0

COMANDI BILATERALI (CE) EN12999-A3
 DOUBLE CONTROLS (CE) EN12999-A3
 DOUBLE COMMANDES (CE) EN12999-A3
 DOPPELSTEUERUNG (CE) EN12999-A3
 MONDOS BILATERALAS (CE) EN12999-A3

83 W.44.06.511.00-4-0

ATTIVAZIONE JIB
 ACTUATION JIB
 ACTIVATION JIB
 AKTIVIERUNG JIB
 ACTIVACIONES JIB

84 W.44.06.510.00-1-1

INNESTO E BIELLE 710 A3 - JIB2
 CONNECTION AND CONNECTING ROD 710 A3 - JIB2
 RACCORD ET BIELLES 710 A3 - JIB2
 KUPPLING UND PLEUELSTANGEN 710 A3 - JIB2
 ACOPLAMENTO Y BIELAS 710 A3 - JIB2

85 W.44.06.511.00-1-2

IMPIANTO IDRAULICO CILINDRI (JIB) 710 A3 - JIB2
 HYDRAULIC SYSTEM CYLINDERS (JIB) 710 A3 - JIB2
 INSTALLATION HYDRAULIQUE VERIN (JIB) 710 A3 - JIB2
 HYDRAULIKANLAGEZYLINDER (JIB) 710 A3 - JIB2
 INSTALACION HIDRAULICA CILINDROS (JIB) 710 A3 - JIB2

86 W.44.06.504.00-1-0

IMPIANTO IDRAULICO (MARTINETTO ARTICOLAZIONE) JIB
 HYDRAULIC SYSTEM (ARTICULATION HYDRAULIC JACK) JIB
 INSTALLATION HYDRAULIQUE (VERIN D' ARTICULATION) JIB
 HYDRAULIKANLAGE (GELENKSHEBEBOCK) JIB
 INSTALACION HIDRAULICA (GATO DE ARTICULACION) JIB

87 W.44.06.503.00-1-0

MARTINETTO ARTICOLAZIONE JIB
 ARTICULATION HYDRAULIC JACK JIB
 VERIN D' ARTICULATION JIB
 GELENKSHEBEBOCK JIB
 GATO DE ARTICULACION JIB

88 W.44.06.510.00-2-2

BRACCIO JIB 710 A3 - JIB2
 JIB ARM 710 A3 - JIB2
 BRAS JIB 710 A3 - JIB2
 JIB ARM 710 A3 - JIB2
 BRAZO 710 A3 - JIB2

89 W.38.03.501.00-1-6

MARTINETTO 1° ESTENSIONE
 1ST EXTENSION HYDRAULIC JACK
 VERIN 1° ELEMENT TELESCOPIQUE
 SCHUBZYLINDER 1. ELEMENT
 GATO 1° EXTENSION

90 W.038.302-1-0

1° SFILO JIB
 1ST EXTENSION JIB
 1ERE RALLONGE JIB
 1. VERLAENGERUNG JIB
 1°PROLONGACION JIB

91 W.038.303-1-1

2° SFILO JIB
 2ND EXTENSION JIB
 2EME RALLONGE JIB
 2. VERLAENGERUNG JIB
 2°PROLONGACION JIB

92 W.38.03.510.00-1-0

IMPIANTO IDRAULICO (2° SFILO) JIB
 HYDRAULIC SYSTEM (2ND EXTENSION) JIB
 INSTALLATION HYDRAULIQUE (2EME RALLONGE) JIB
 HYDRAULIKANLAGE (2. VERLAENGERUNG) JIB
 INSTALACION HIDRAULICA (2°PROLONGACION) JIB

93 W.37.03.501.00-1-6

MARTINETTO 2° SFILO
 2ND EXTENSION HYDRAULIC JACK
 VERIN 2EME RALLONGE
 2. SCHUBZYLINDER
 GATO 2ª EXTENSION

HC101 SDA

95 W.044.507-1-2

IMPIANTO IDRAULICO (MARTINETTO ROTAZIONE) SDA
 HYDRAULIC SYSTEM (SLEWING HYDRAULIC JACK) SDA
 INSTALLATION HYDRAULIQUE (VERIN ROTATION) SDA
 HYDRAULIKANLAGE (DREH SCHUBZYLINDER) SDA
 INSTALACION HIDRAULICA (GATO ROTACION) SDA

96 W.044.507-2-1

IMPIANTO IDRAULICO SDA
 HYDRAULIC SYSTEM SDA
 INSTALLATION HYDRAULIQUE SDA
 HYDRAULIKANLAGE SDA
 INSTALACION HIDRAULICA SDA

97 W.444.181-1-1

SERIE TUBI FLESSIBILI SDA
 SET OF HOSES SDA
 JEU DE TOYAUX FLEXIBLES SDA
 SCHLAUCHSATZ SDA
 SERIE DE TUBOS FLEXIBLE SDA

98 W.44.05.523.00-1-2

COMANDI FLEXBALL SDA
 FLEXBALL CONTROLS SDA
 COMMANDES FLEXBALL SDA
 FLEXBALL STEUERUNGEN SDA
 MANDOS FLEXBALL SDA

99 W.044.508-1-1

DISTRIBUTORE COMPLETO (6 ELEMENTI) SDA
CONTROL VALVE ASS'Y (6 SECTION) SDA
DISTRIBUTEUR COMPLET (6 VOIES) SDA
STUEBERBLOCK (IM GANZEN) (6 ELEMENTE) SDA
DISTRIBUIDOR COMPLETO (6 ELEMENTOS) SDA

100 W.044.509-1-3

COMANDI BILATERALI SDA
DOUBLE CONTROLS SDA
DOUBLE COMMANDES SDA
DOPPELSTEUERUNG SDA
MONDOS BILATERALAS SDA

101 W.44.05.53900-2-4

PROTEZIONI (LIMITATORE DI MOMENTO) SDA
GUARDS (MOMENT LIMITING DEVICE) SDA
PROTECTIONS (LIMITEUR DE MOMENT) SDA
SCHUTZEN (HUB-MOMENTBEGRENZER) SDA
PROTECCIONES (LIMITADOR DE MOMENTO) SDA

102 W.044.510-1-2

SEDILE SDA
SEAT SDA
SIEGE SDA
SITZ SDA
ASIENTO SDA

HC101 X

104 5.40.0966-1-0

COMANDI BILATERALI RDC
DOUBLE CONTROLS RDC
DOUBLE COMMANDES RDC
DOPPELSTEUERUNG RDC
MONDOS BILATERALAS RDC

105 5.40.0966-1-1

COMANDI BILATERALI RDC
DOUBLE CONTROLS RDC
DOUBLE COMMANDES RDC
DOPPELSTEUERUNG RDC
MONDOS BILATERALAS RDC

106 5.22.0781-1-0

DISTRIBUTORE (8 ELEMENTI) RDC - ECM4
CONTROL VALVE (8 SECTION) RDC - ECM4
DISTRIBUTEUR (8 VOIES) RDC - ECM4
STUEBERBLOCK (8 ELEMENTE) RDC - ECM4
DISTRIBUIDOR (8 ELEMENTOS) RDC - ECM4

107 5.40.0683-1-0

FILTRO AD ALTA PRESSIONE
HIGH PRESSURE FILTER
FILTRE HAUTE PRESSION
HOCHDRUCKFILTER
FILTRO DE ALTA PRESION

108 5.40.0683-2-0

FILTRO AD ALTA PRESSIONE (IMPIANTO OLEODINAMICO)
HIGH PRESSURE FILTER (HYDRAULIC SYSTEM)
FILTRE HAUTE PRESSION (INSTALLATION HYDRAULIQUE)
HOCHDRUCKFILTER (HYDRAULIKANLAGE)
FILTRO DE ALTA PRESION (INSTALACION HIDRAULICA)

109 3.18.0159-1-0

FILTRO AD ALTA PRESSIONE
HIGH PRESSURE FILTER
FILTRE HAUTE PRESSION
HOCHDRUCKFILTER
FILTRO DE ALTA PRESION

110 7.89.2107-1-0

KIT RADIOCOMANDO EU. 24 V
WIRELESS CONTROL KIT EU. 24 V
KIT RADIOTELECOMMANDE EU. 24 V
FUNKSTEUERUNG-SATZ EU. 24 V
KIT RADIOMANDO EU. 24 V

111 7.89.2041-1-0

KIT RADIOCOMANDO U.S.A 12V
WIRELESS CONTROL KIT U.S.A 12V
KIT RADIOTELECOMMANDE U.S.A 12V
FUNKSTEUERUNG-SATZ U.S.A 12V
KIT RADIOMANDO U.S.A 12V

112 7.89.2146-1-0

KIT RADIOCOMANDO RDC 12V
WIRELESS CONTROL KIT RDC 12V
KIT RADIOTELECOMMANDE RDC 12V
FUNKSTEUERUNG-SATZ RDC 12V
KIT RADIOMANDO RDC 12V

HC101 TCU

114 5.40.0966-2-0

COMANDI ECM4
 CONTROLS ECM4
 COMMANDES ECM4
 STEUERUGEN ECM4
 MANDOS ECM4

115 5.40.0966-3-0

COMANDI ECM4
 CONTROLS ECM4
 COMMANDES ECM4
 STEUERUGEN ECM4
 MANDOS ECM4

116 5.40.0966-4-0

COMANDI ECM4
 CONTROLS ECM4
 COMMANDES ECM4
 STEUERUGEN ECM4
 MANDOS ECM4

117 5.40.0966-5-0

COMANDI ECM4
 CONTROLS ECM4
 COMMANDES ECM4
 STEUERUGEN ECM4
 MANDOS ECM4

118 5.40.0966-6-0

COMANDI ECM4
 CONTROLS ECM4
 COMMANDES ECM4
 STEUERUGEN ECM4
 MANDOS ECM4

119 7.88.5015-1-0

INDICATORE LUMINOSO
 PILOT LAMP
 LAMPE-TÉMOIN
 KONTROLLAMPE
 LAMPARA SEÑAL

120 5.40.0966-7-0

COMANDI ECM4
 CONTROLS ECM4
 COMMANDES ECM4
 STEUERUGEN ECM4
 MANDOS ECM4

121 7.88.1784-1-0

KIT CELLA DI CARICO LIS/RLC (RDC)
 LOAD INDICATION SYSTEM LIS/RLC (RDC)
 SYSTÈME D'INDICATION DE CHARGE LIS/RLC (RDC)
 LADEANZEIGE SYSTEM LIS/RLC (RDC)
 SISTEMA DE INDICACIÓN DE CARGA LIS/RLC (RDC)

HC101 TCU EN 12999-A3

123 5.40.1482-1-0

COMANDI (ECM 4) EN 12999-A3
 CONTROLS (ECM 4) EN 12999-A3
 COMMANDES (ECM 4) EN 12999-A3
 STEUERUGEN (ECM 4) EN 12999-A3
 MANDOS (ECM 4) EN 12999-A3

124 5.22.0868-1-0

DISTRIBUTORE (6 ELEMENTI) RDC - ECM4
 CONTROL VALVE (6 SECTION) RDC - ECM4
 DISTRIBUTEUR (6 VOIES) RDC - ECM4
 STEUERBLOCK (6 ELEMENTE) RDC - ECM4
 DISTRIBUIDOR (6 ELEMENTOS) RDC - ECM4

125 5.41.1235-1-0

CONTROLLO ROTAZIONE EN-12999-A3
 ROTATION CONTROL EN-12999-A3
 CONTRÔLE ROTATION EN-12999-A3
 KONTROLLE ROTATION EN-12999-A3
 CONTROL ROTACIÓN EN-12999-A3

126 5.41.1235-1-1

CONTROLLO ROTAZIONE EN-12999-A3
 ROTATION CONTROL EN-12999-A3
 CONTRÔLE ROTATION EN-12999-A3
 KONTROLLE ROTATION EN-12999-A3
 CONTROL ROTACIÓN EN-12999-A3

127 5.41.1254-1-0

CONTROLLO STABILITA' EN-12999-A3
STABILITY CONTROL EN-12999-A3
CONTRÔLE DE LA STABILITE' EN-12999-A3
STABILITÄTSKONTROLLE EN-12999-A3
CONTROL DE LA ESTABILIDAD EN-12999-A3

128 5.41.1390-1-0

CONTROLLO STABILITA' EN12999-A3
STABILITY CONTROL EN12999-A3
CONTRÔLE DE LA STABILITE' EN12999-A3
STABILITÄTSKONTROLLE EN12999-A3
CONTROL DE LA ESTABILIDAD EN12999-A3

129 5.41.1391-1-0

CONTROLLO ROTAZIONE EN-12999-A3
ROTATION CONTROL EN-12999-A3
CONTRÔLE ROTATION EN-12999-A3
KONTROLLE ROTATION EN-12999-A3
CONTROL ROTACIÓN EN-12999-A3

130 5.40.1482-2-1

COMANDI (RDC EBB-X TCU-ECM4) EN12999-A3
CONTROLS (RDC EBB-X TCU-ECM4) EN12999-A3
COMMANDES (RDC EBB-X TCU-ECM4) EN12999-A3
STEUERUGEN (RDC EBB-X TCU-ECM4) EN12999-A3
MANDOS (RDC EBB-X TCU-ECM4) EN12999-A3

131 5.40.1482-3-0

COMANDI (RDC EBB-X TCU-ECM4) EN12999-A3
CONTROLS (RDC EBB-X TCU-ECM4) EN12999-A3
COMMANDES (RDC EBB-X TCU-ECM4) EN12999-A3
STEUERUGEN (RDC EBB-X TCU-ECM4) EN12999-A3
MANDOS (RDC EBB-X TCU-ECM4) EN12999-A3

132 5.40.1482-4-0

COMANDI (RDC EBB-X TCU-ECM4) EN12999-A3
CONTROLS (RDC EBB-X TCU-ECM4) EN12999-A3
COMMANDES (RDC EBB-X TCU-ECM4) EN12999-A3
STEUERUGEN (RDC EBB-X TCU-ECM4) EN12999-A3
MANDOS (RDC EBB-X TCU-ECM4) EN12999-A3

133 5.40.1482-5-0

COMANDI (RDC EBB-X TCU-ECM4) EN12999-A3
CONTROLS (RDC EBB-X TCU-ECM4) EN12999-A3
COMMANDES (RDC EBB-X TCU-ECM4) EN12999-A3
STEUERUGEN (RDC EBB-X TCU-ECM4) EN12999-A3
MANDOS (RDC EBB-X TCU-ECM4) EN12999-A3

134 5.40.1482-6-0

COMANDI (RDC EBB-X TCU-ECM4) EN12999-A3
CONTROLS (RDC EBB-X TCU-ECM4) EN12999-A3
COMMANDES (RDC EBB-X TCU-ECM4) EN12999-A3
STEUERUGEN (RDC EBB-X TCU-ECM4) EN12999-A3
MANDOS (RDC EBB-X TCU-ECM4) EN12999-A3

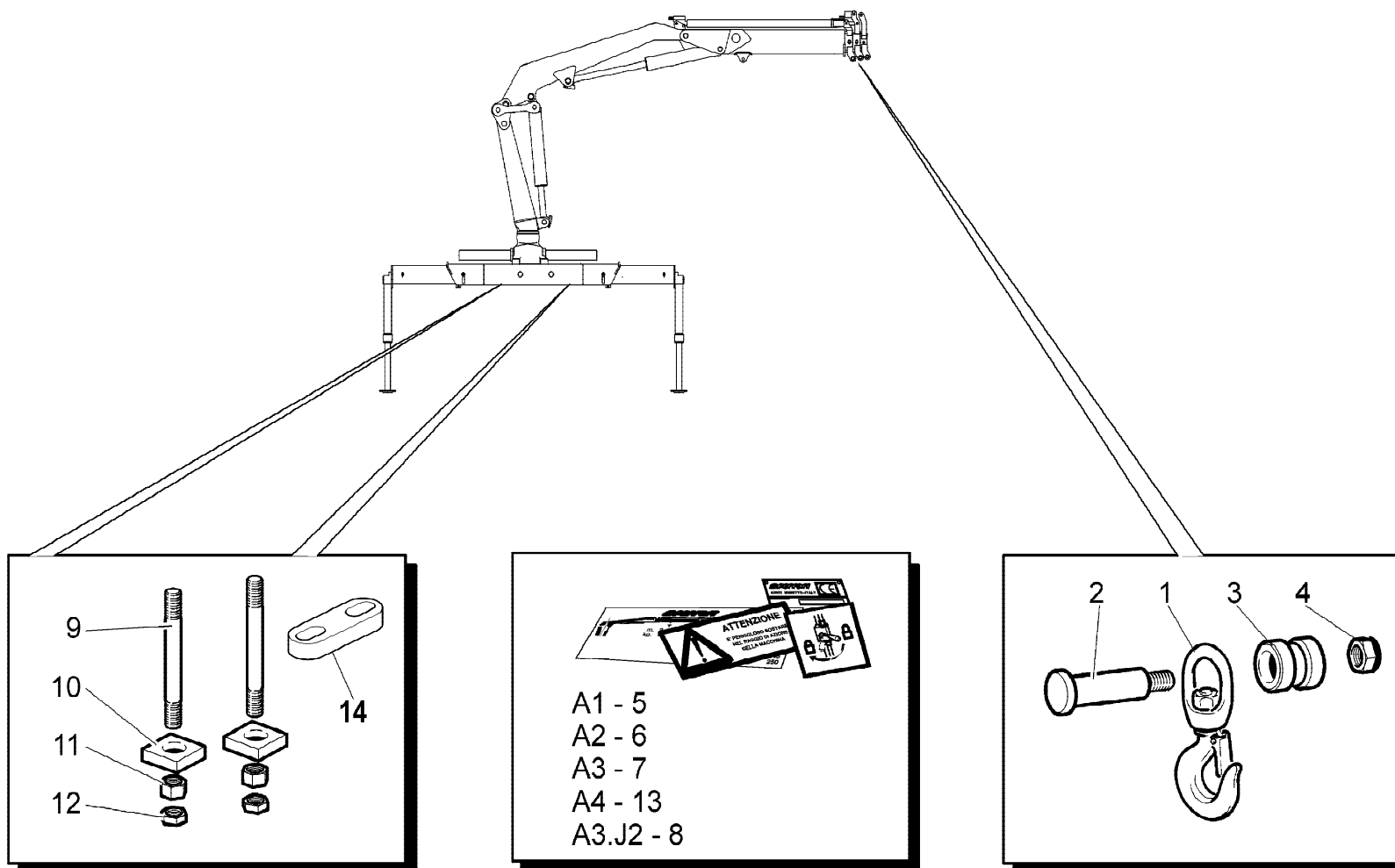
135 5.40.1482-7-0

COMANDI (RDC EBB-X TCU-ECM4) EN12999-A3
CONTROLS (RDC EBB-X TCU-ECM4) EN12999-A3
COMMANDES (RDC EBB-X TCU-ECM4) EN12999-A3
STEUERUGEN (RDC EBB-X TCU-ECM4) EN12999-A3
MANDOS (RDC EBB-X TCU-ECM4) EN12999-A3

136 7.89.2199-1-0

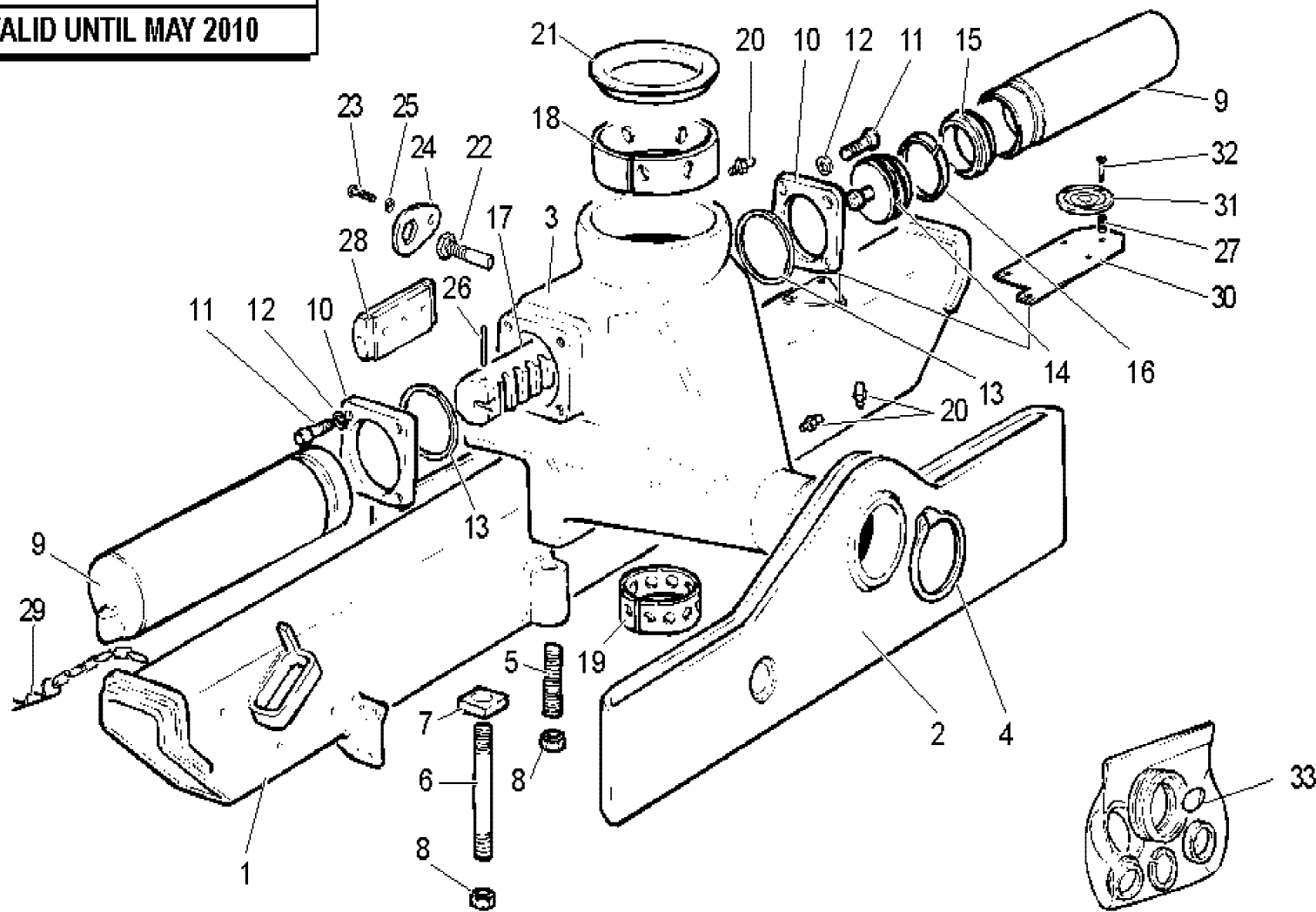
KIT RADIOCOMANDO (CAN BUS) EU. EN12999-A3
WIRELESS CONTROL KIT (CAN BUS) EU. EN12999-A3
KIT RADIOTELECOMMANDE (CAN BUS) EU. EN12999-A3
FUNKSTEUERUNG-SATZ (CAN BUS) EU. EN12999-A3
KIT RADIOMANDO (CAN BUS) EU. EN12999-A3

rif.	codice	Q.tà
1	W.599.011	1
2	W.101.014	1
3	W.27.03.032.00	1
4	3.04.0381	1
5	W.572.125 CE	1
6	W.572.126 CE	1
7	W.572.127 CE	1
8	W.572.128 CE	1
9	W.738.010	8
10	5.00.0086	16
11	3.04.0229	16
12	3.04.0230	16
13	W.572.180	1
14	W.01.00.002.00	4



044001-1-1

VALIDO FINO A MAGGIO 2010
VALID UNTIL MAY 2010



rif.	codice	Q.tà
1	W.44.01.001.00	1
2	W.44.01.003.00	1
3	W.44.01.004.00	1
4	W.509.008	1
5	W.738.013	2
6	W.738.020	2
7	W.34.01.015.00	2
8	W.571.321	4
9	W.44.01.026.00	2
10	W.44.01.025.00	2
11	3.02.0131	8
12	3.06.0173	8
13	W.44.01.024.00	2
14	W.34.01.012.00	2
15	W.358.504	2
16	W.305.002	2
17	W.44.01.006.00	1
18	W.102.190	1
19	W.44.01.008.00	1
20	3.08.0016	4
21	W.44.01.009.00	1
22	W.44.01.027.00	1
23	3.01.0355	1
24	W.37.01.004.00	1
25	3.06.0914	1
26	3.06.0604	2
27	W.641.008	3
28	W.44.01.501.00	1
29	3.06.0924	2
30	W.41.01.009.00	1
31	3.18.0116	1

1/2

HYVA[®] CRANE
HC101

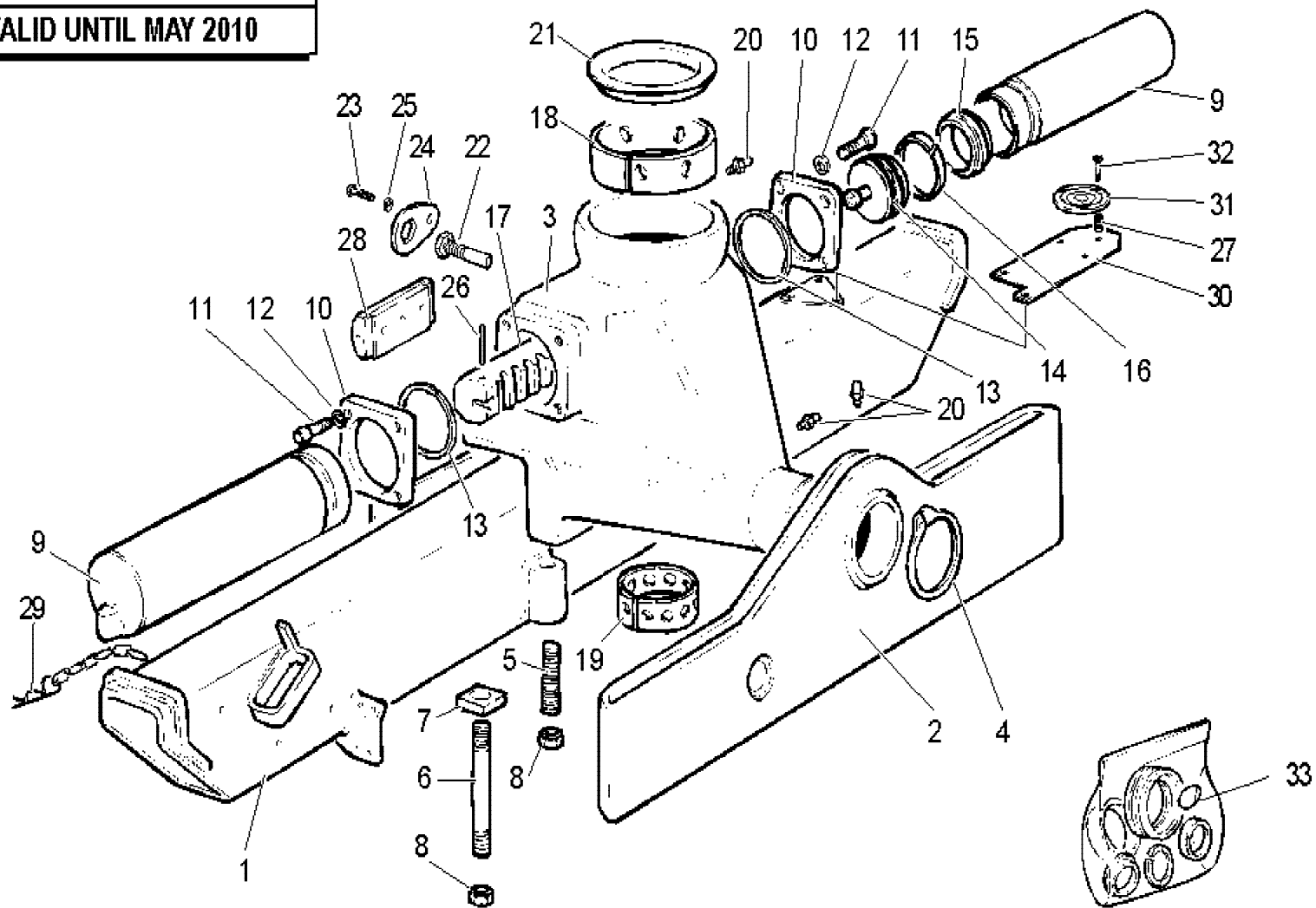
BASAMENTO
 BASE
 SOLLE
 UNTERBAU
 BASE

Tavola
W.044.101-1-4

Data pag.
 gennaio 2007 2.1

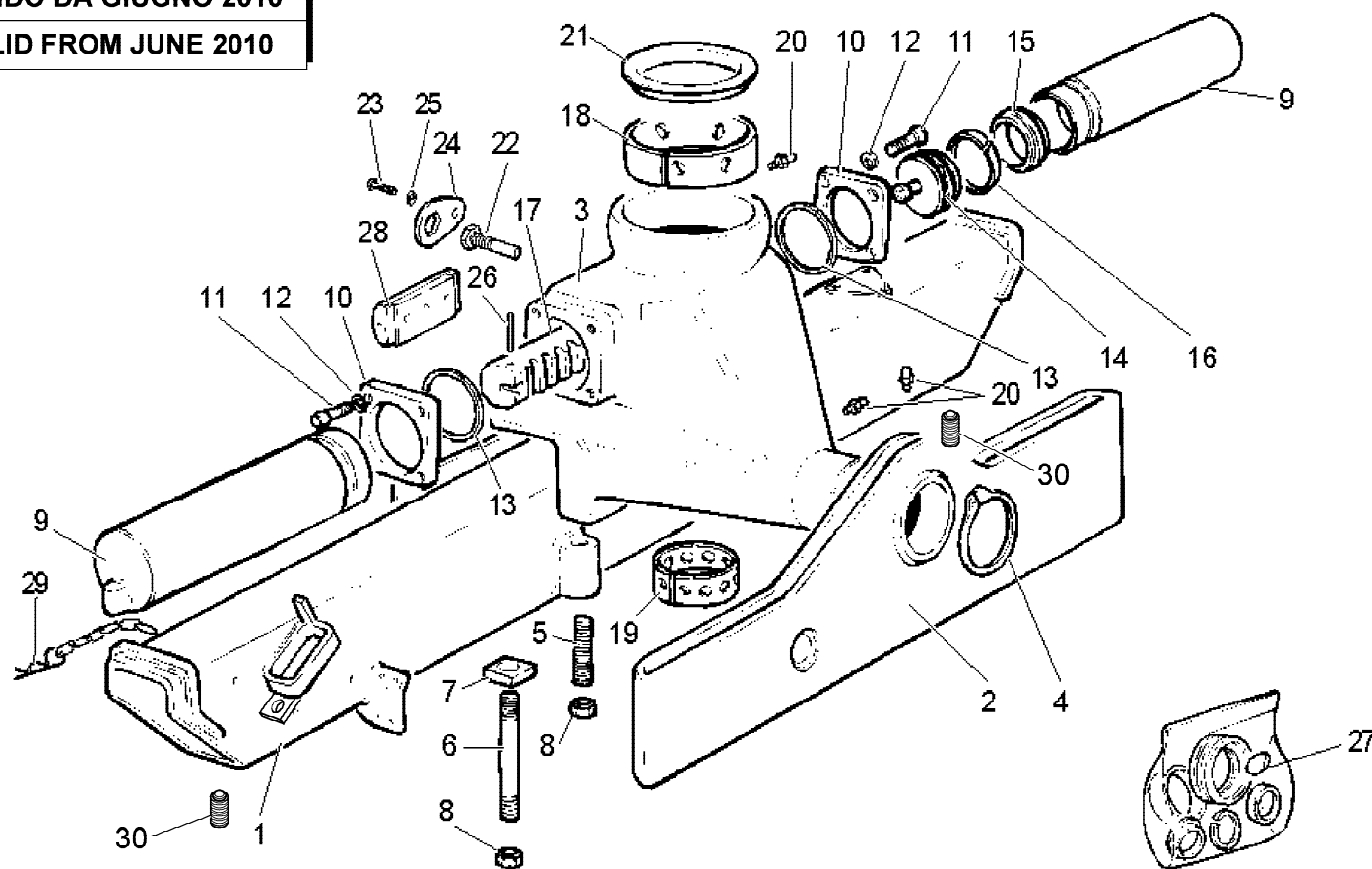
VALIDO FINO A MAGGIO 2010
VALID UNTIL MAY 2010

rif.	codice	Q.tà
32	W.752.416	3
33	W.365.141	2



VALIDO DA GIUGNO 2010

VALID FROM JUNE 2010



rif.	codice	Q.tà
1	4.20.0489	1
2	W.44.01.003.00	1
3	W.44.01.004.00	1
4	3.07.0078	1
5	W.738.013	2
6	W.738.020	2
7	W.34.01.015.00	2
8	3.04.0382	4
9	W.44.01.026.00	2
10	W.44.01.025.00	2
11	3.02.0131	8
12	3.06.0173	8
13	3.07.0158	2
14	W.34.01.012.00	2
15	W.358.504	2
16	W.305.002	2
17	W.44.01.006.00	1
18	W.102.190	1
19	5.14.1044	1
20	3.08.0016	4
21	W.44.01.009.00	1
22	W.44.01.027.00	1
23	3.01.0355	1
24	W.37.01.004.00	1
25	3.06.0914	1
26	3.06.0604	2
27	W.365.141	1
28	W.44.01.501.00	1
29	3.06.0924	2
30	W.56.04.020.00	2

1/1

HYVA® CRANE
HC101

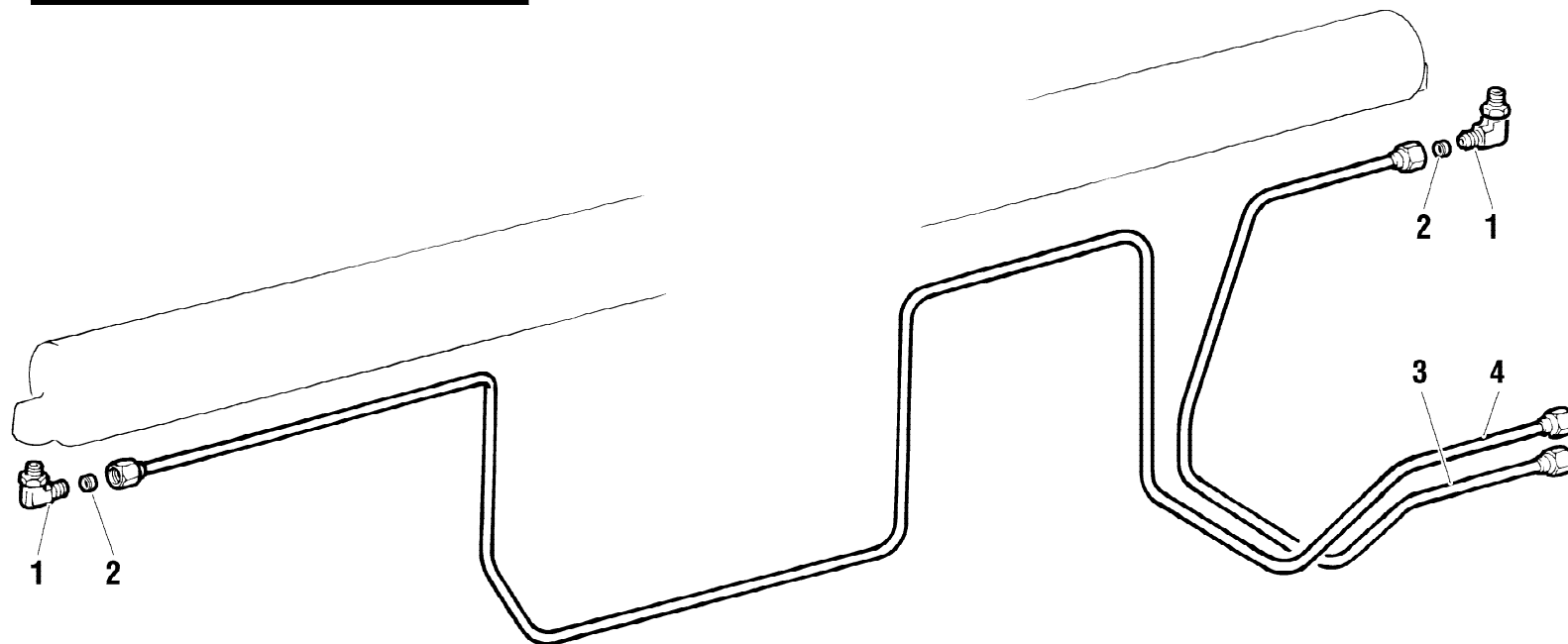
BASAMENTO
BASE
SOLLE
UNTERBAU
BASE

Tavola
5.42.0128-1-0

Data pag.
aprile 2011 3

rif.	codice	Q.tà
1	W.470.424	2
2	W.470.425	2
3	W.44.01.030.00	1
4	W.44.01.029.00	1

VALIDO FINO A Mat. 99018
VALID TO S/N 99018



1/1

HYVA[®] CRANE
HC101

IMPIANTO IDRAULICO (MARTINETTO ROTAZIONE)
 HYDRAULIC SYSTEM (SLEWING HYDRAULIC JACK)
 INSTALLATION HYDRAULIQUE (VERIN ROTATION)
 HYDRAULIKANLAGE (DREH SCHUBZYLINDER)
 INSTALACION HIDRAULICA (GATO ROTACION)

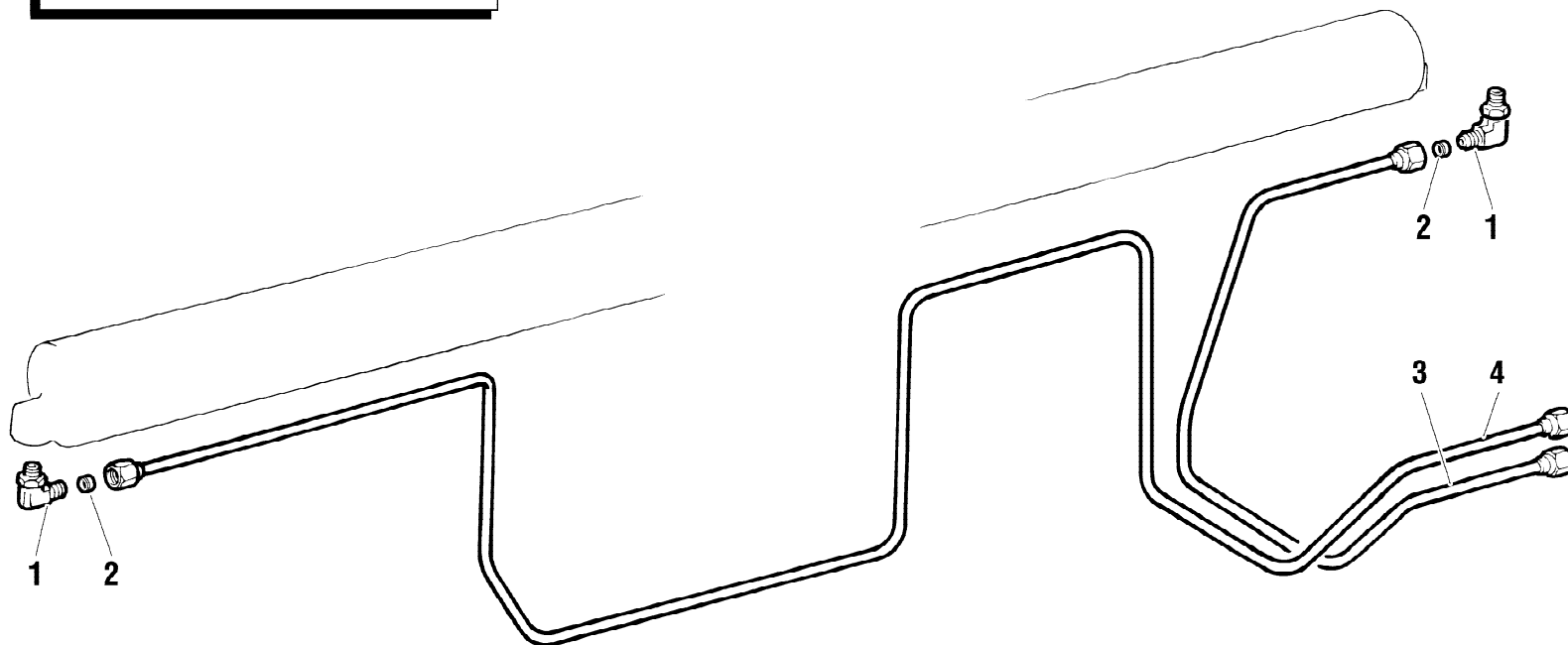
Tavola
W.044.503710-1-1

Data pag.
 novembre 2008 4

rif.	codice	Q.tà
1	W.470.424	2
2	W.470.425	2
3	5.39.0235	1
4	5.39.0236	1

VALIDO DA Mat. 99019

VALID FROM S/N 99019



1/1

HYVA® CRANE

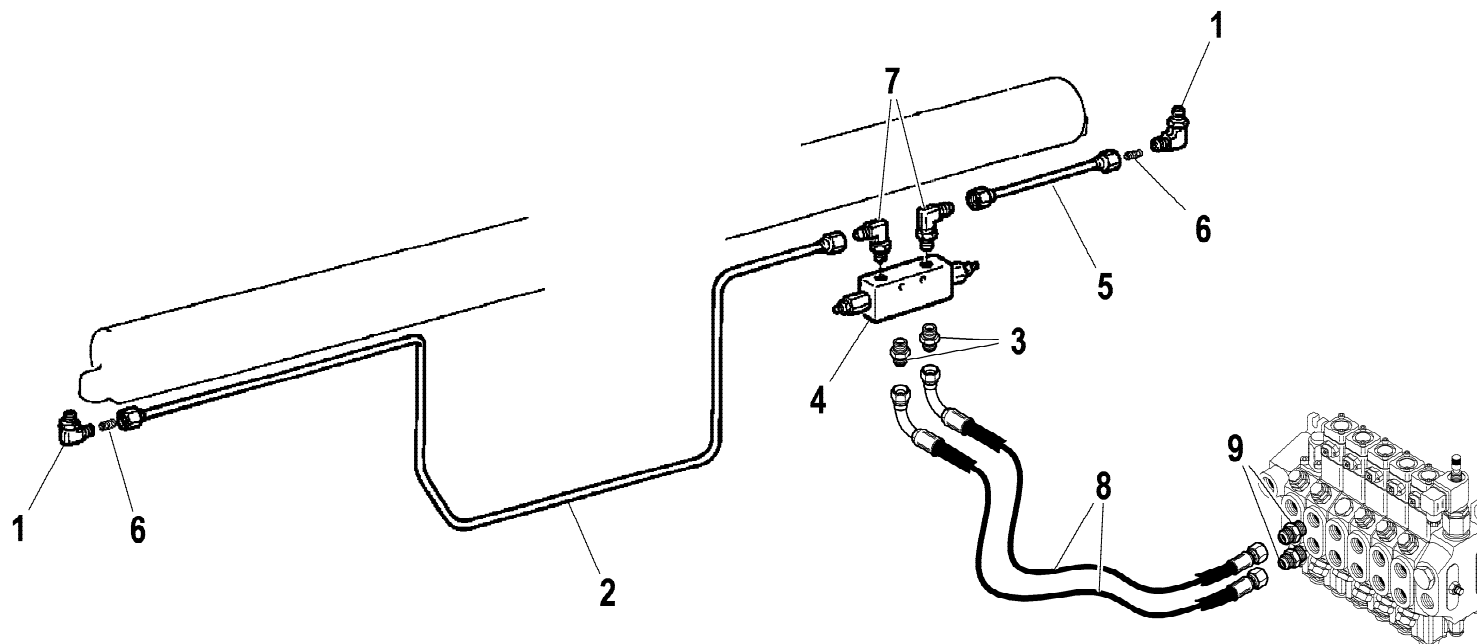
HC101

IMPIANTO IDRAULICO (MARTINETTO ROTAZIONE)
 HYDRAULIC SYSTEM (SLEWING HYDRAULIC JACK)
 INSTALLATION HYDRAULIQUE (VERIN ROTATION)
 HYDRAULIKANLAGE (DREH SCHUBZYLINDER)
 INSTALACION HIDRAULICA (GATO ROTACION)

Tavola
W.044.503710-1-2

Data pag.
 novembre 2008 5

rif.	codice	Q.tà
1	W.470.424	2
2	W.44.01.015.00	1
3	3.10.1043	2
4	W.470.062	1
5	W.44.01.016.00	1
6	W.470.425	2
7	3.10.1127	2
8	W.456.133	2
9	3.10.1044	2



1/1

HYVA[®] CRANE
HC101

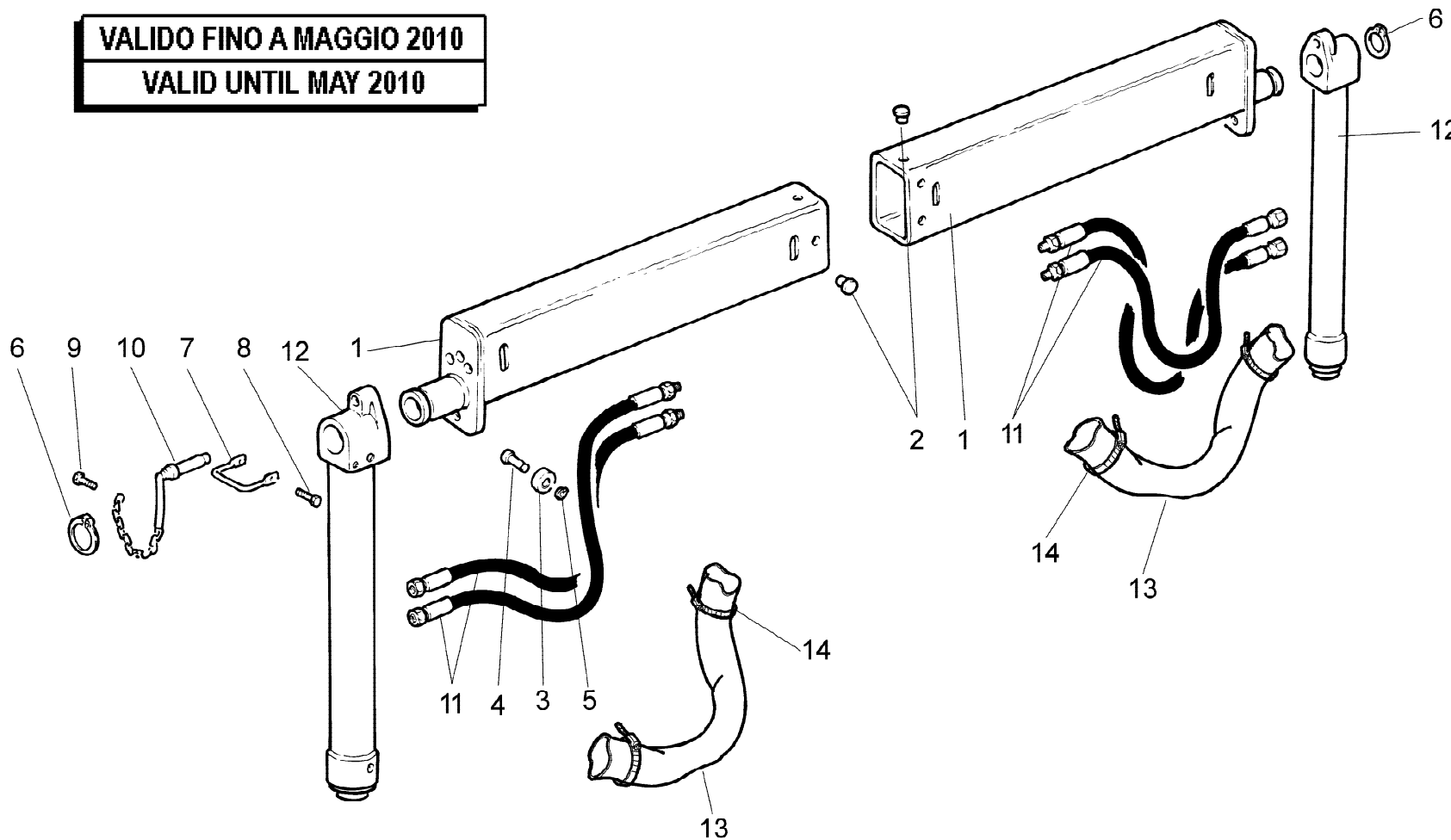
IMPIANTO IDRAULICO (MARTINETTO ROTAZIONE) EN 12999-A3
 HYDRAULIC SYSTEM (SLEWING HYDRAULIC JACK) EN 12999-A3
 INSTALLATION HYDRAULIQUE (VERIN ROTATION) EN 12999-A3
 HYDRAULIKANLAGE (DREH SCHUBZYLINDER) EN 12999-A3
 INSTALACION HIDRAULICA (GATO ROTACION) EN 12999-A3

Tavola
W.044.503-2-0

Data pag.
 aprile 2011 6

VALIDO FINO A MAGGIO 2010

VALID UNTIL MAY 2010



rif.	codice	Q.tà
1	W.44.04.001.00	2
2	W.37.04.007.00	8
3	W.27.04.007.00	2
4	W.101.126	2
5	3.07.0148	4
6	3.07.0060	2
7	W.34.04.024.00	2
8	3.01.0354	4
9	3.01.0323	2
10	W34.04.023.00	2
11	W.456.778	4
12	W.44.04.502.00	2
13	W.742.003	2,2m
14	W.238.007	4

440451100-1-1

1/1

HYVA[®] CRANE

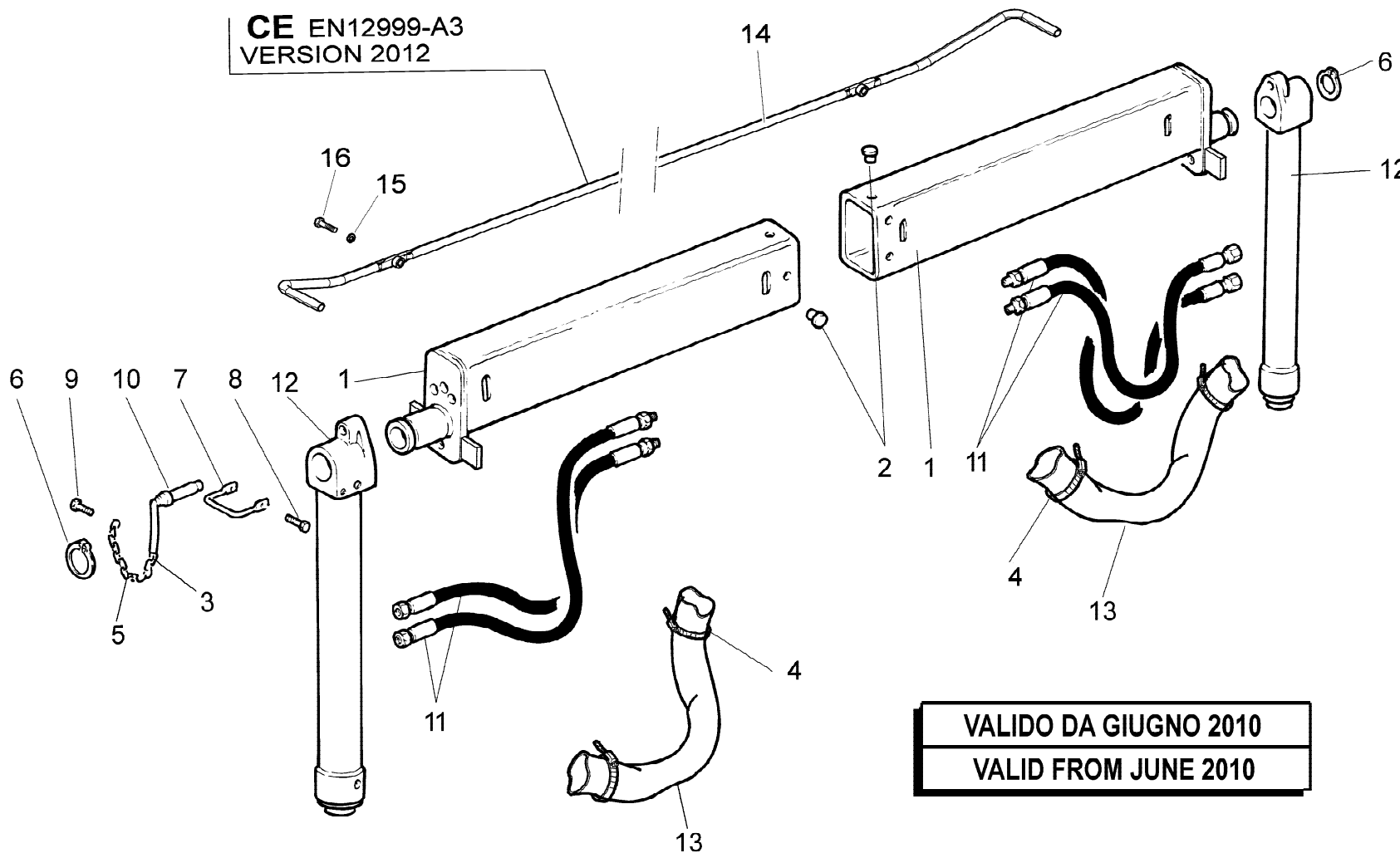
HC101

ASTE STABILIZZATRICI
 STABILIZER CONNECTING RODS
 EXTENSION DES STABILISATEURS
 STÜTZSTANGEN
 VARILLAS ESTABILIZADORES

Tavola
W.44.04.511.00-1-1

Data pag.
 febbraio 2007 7

CE EN12999-A3
VERSION 2012

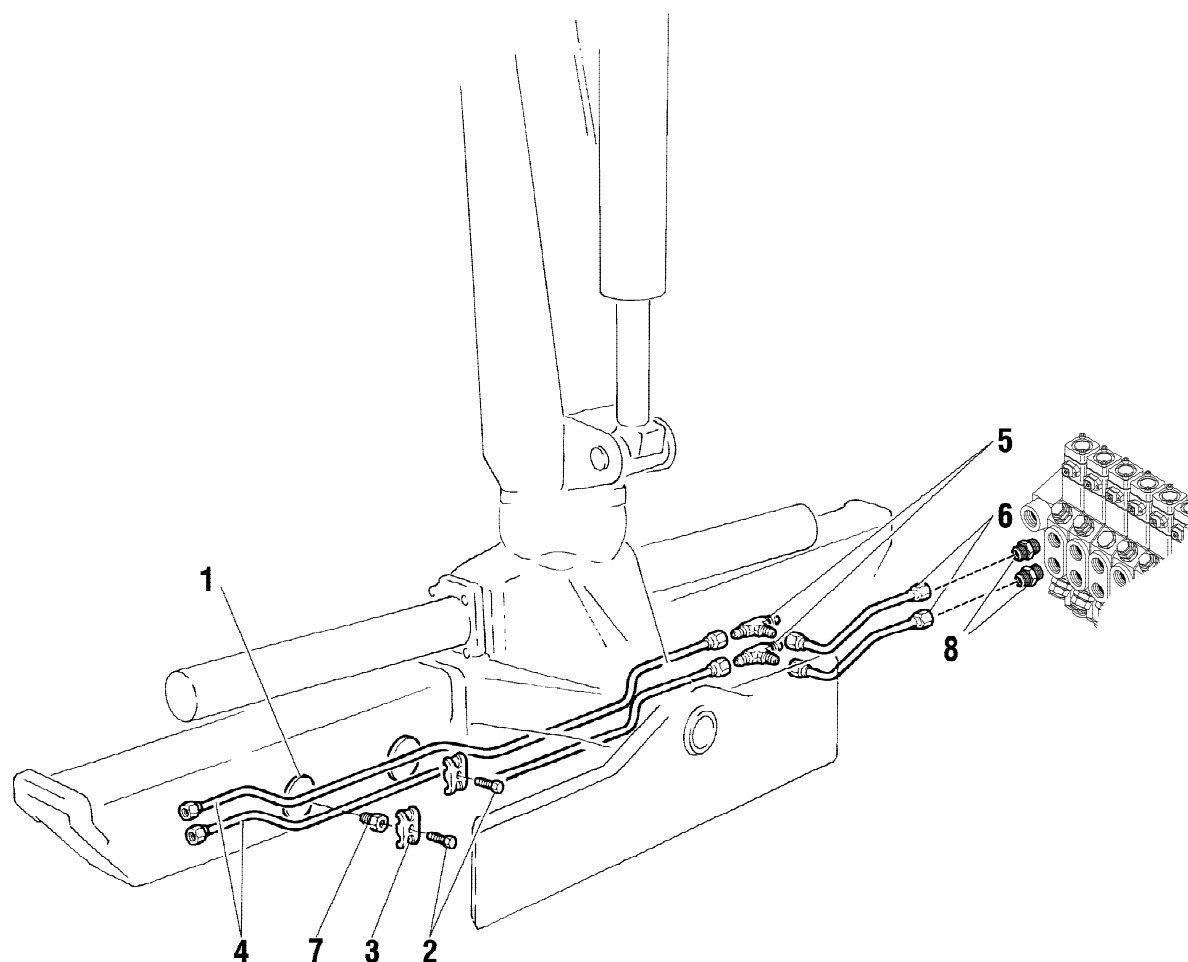


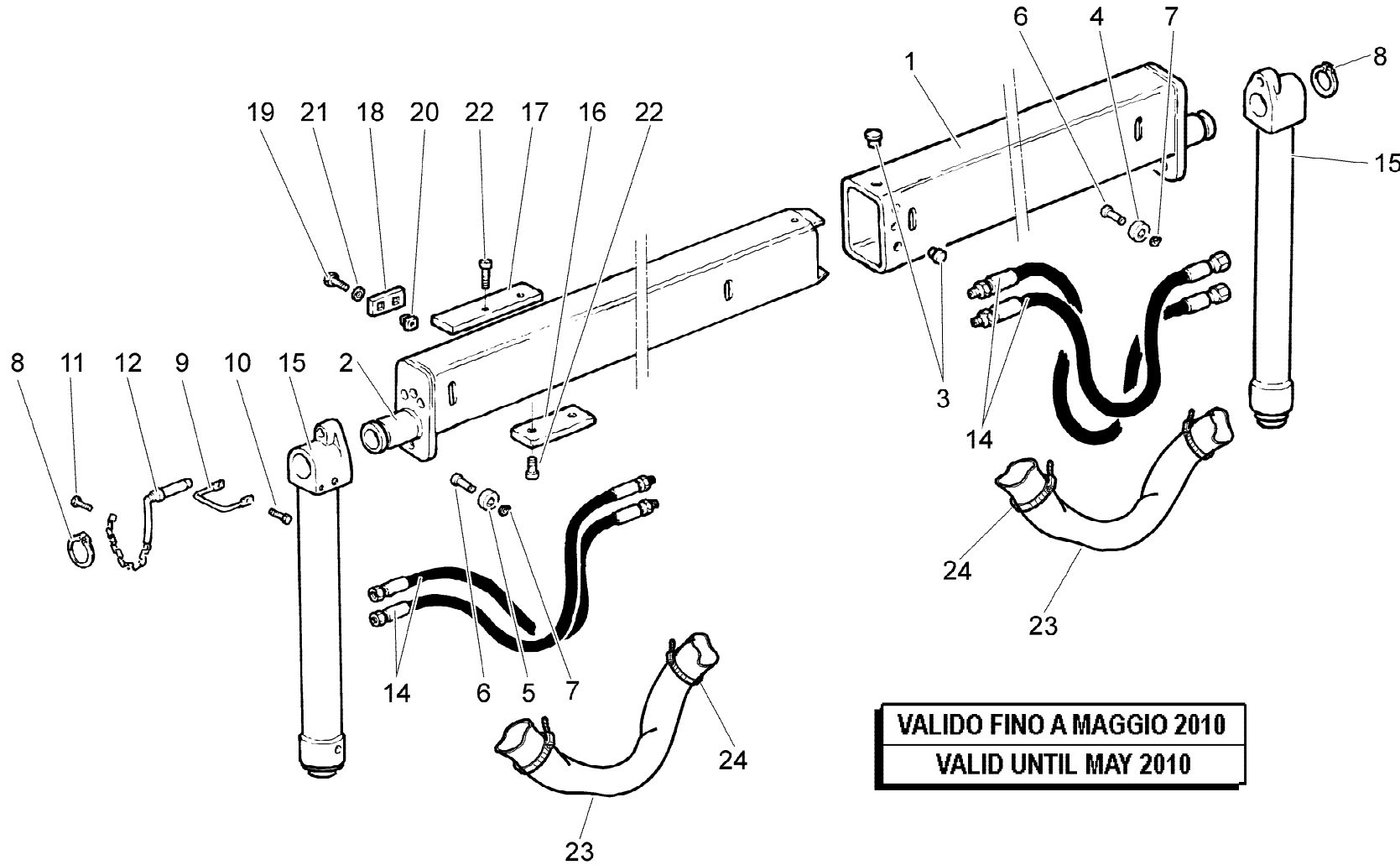
VALIDO DA GIUGNO 2010
VALID FROM JUNE 2010

rif.	codice	Q.tà
1	W.44.04.001.00	2
2	W.37.04.007.00	8
3	3.06.0929	2
4	3.19.0012	4
5	3.00.0018	2
6	3.07.0060	2
7	W.34.04.024.00	2
8	3.01.0354	4
9	3.01.0323	2
10	W34.04.023.00	2
11	W.456.778	4
12	W.44.04.502.00	2
13	3.19.0198	2,2m
14	5.00.2216	1
15	3.06.0056	2
16	3.01.0355	2

440451100-1-1

rif.	codice	Q.tà
1	W.34.05.014.00	3
2	3.01.0339	2
3	5.00.0077	3
4	W.44.01.019.00	2
5	3.12.0004	2
6	W.44.01.020.00	2
7	W.34.05.013.00	3
8	3.10.1044	2



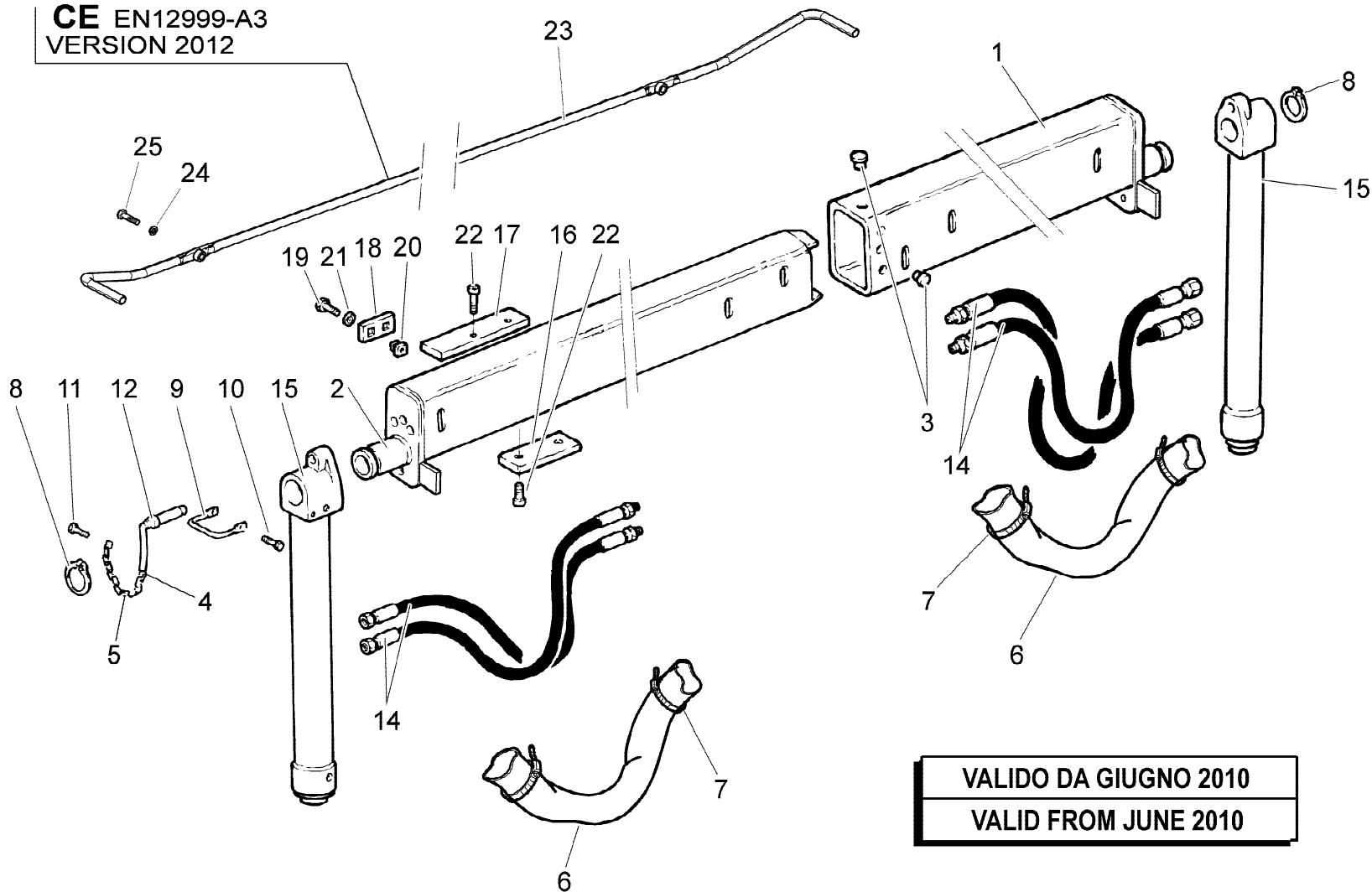


VALIDO FINO A MAGGIO 2010
VALID UNTIL MAY 2010

440451000-1-1

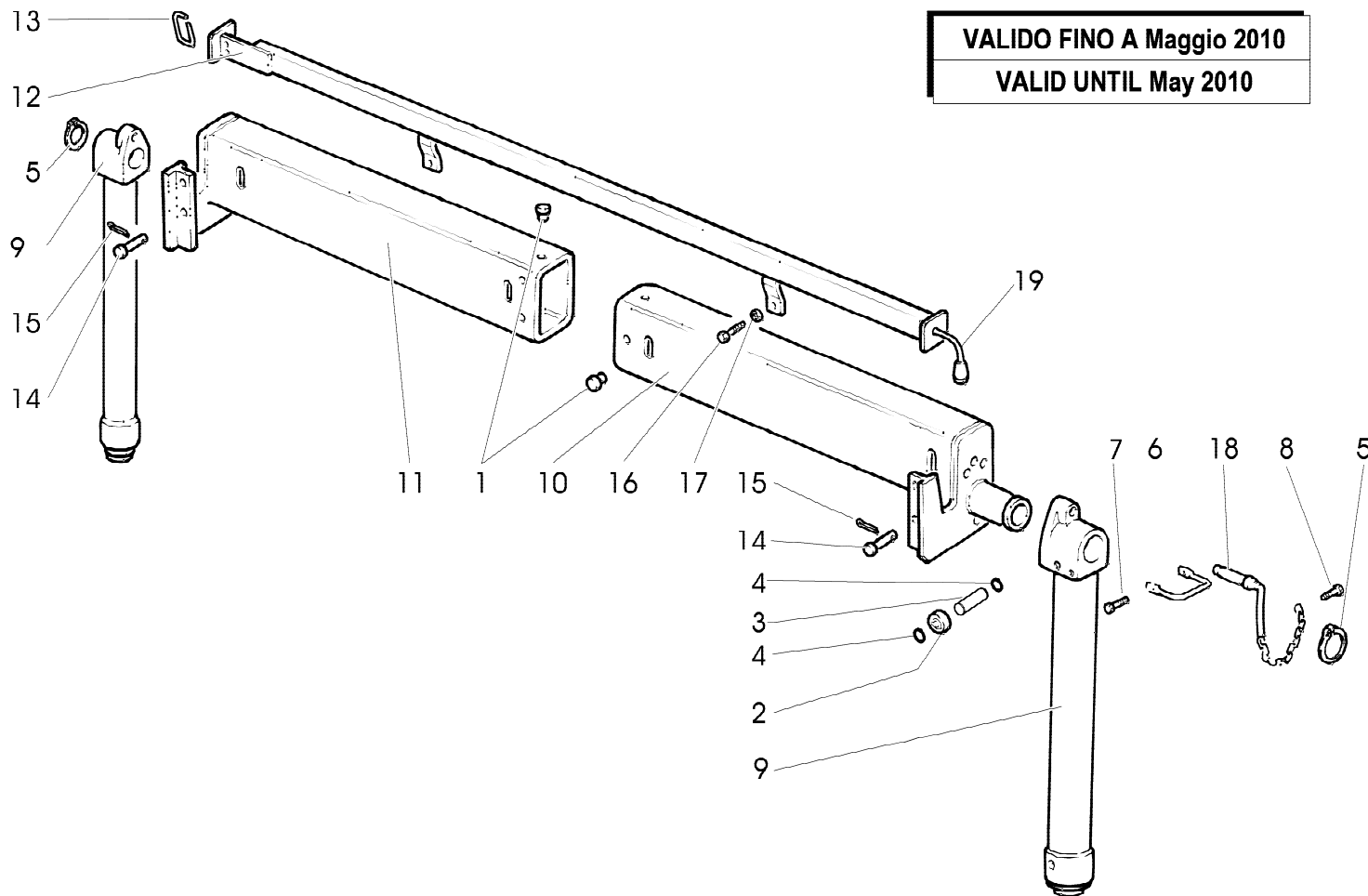
rif.	codice	Q.tà
1	W.44.04.022.00	1
2	W.44.04.023.00	1
3	W.37.04.007.00	4
4	W.27.04.007.00	1
5	W.34.04.021.00	1
6	W.101.126	2
7	3.07.0148	4
8	3.07.0060	2
9	W.34.04.024.00	2
10	3.01.0354	4
11	3.01.0323	2
12	W.34.04.023.00	2
14	W.456.775	4
15	W.44.04.502.00	2
16	W.44.04.008.00	1
17	W.44.04.007.00	1
18	W.44.03.031.00	4
19	3.01.0336	8
20	W.37.03.008.00	8
21	3.06.0006	8
22	3.01.0353	4
23	W.742.003	3,4m
24	W.238.007	4

CE EN12999-A3
VERSION 2012



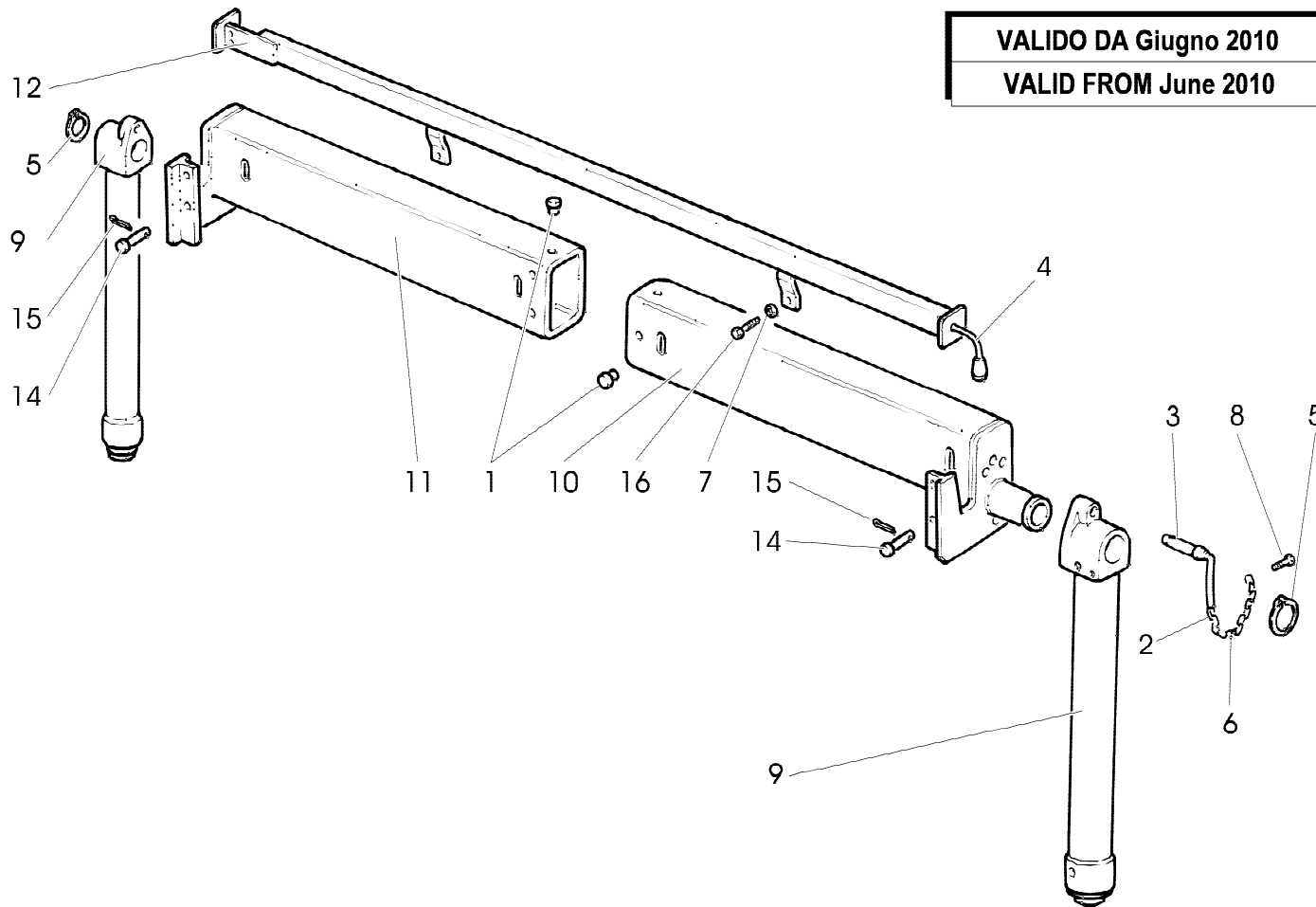
VALIDO DA GIUGNO 2010
VALID FROM JUNE 2010

rif.	codice	Q.tà
1	W.44.04.022.00	1
2	W.44.04.023.00	1
3	W.37.04.007.00	4
4	3.06.0929	2
5	3.00.0018	2
6	3.19.0198	3,4m
7	3.19.0012	4
8	3.07.0060	2
9	W.34.04.024.00	2
10	3.01.0354	4
11	3.01.0323	2
12	W.34.04.023.00	2
14	W.456.775	4
15	W.44.04.502.00	2
16	W.44.04.008.00	1
17	W.44.04.007.00	1
18	W.44.03.031.00	4
19	3.01.0336	8
20	W.37.03.008.00	8
21	3.06.0006	8
22	3.01.0353	4
23	5.00.2216	1
24	3.06.0056	2
25	3.01.0355	2

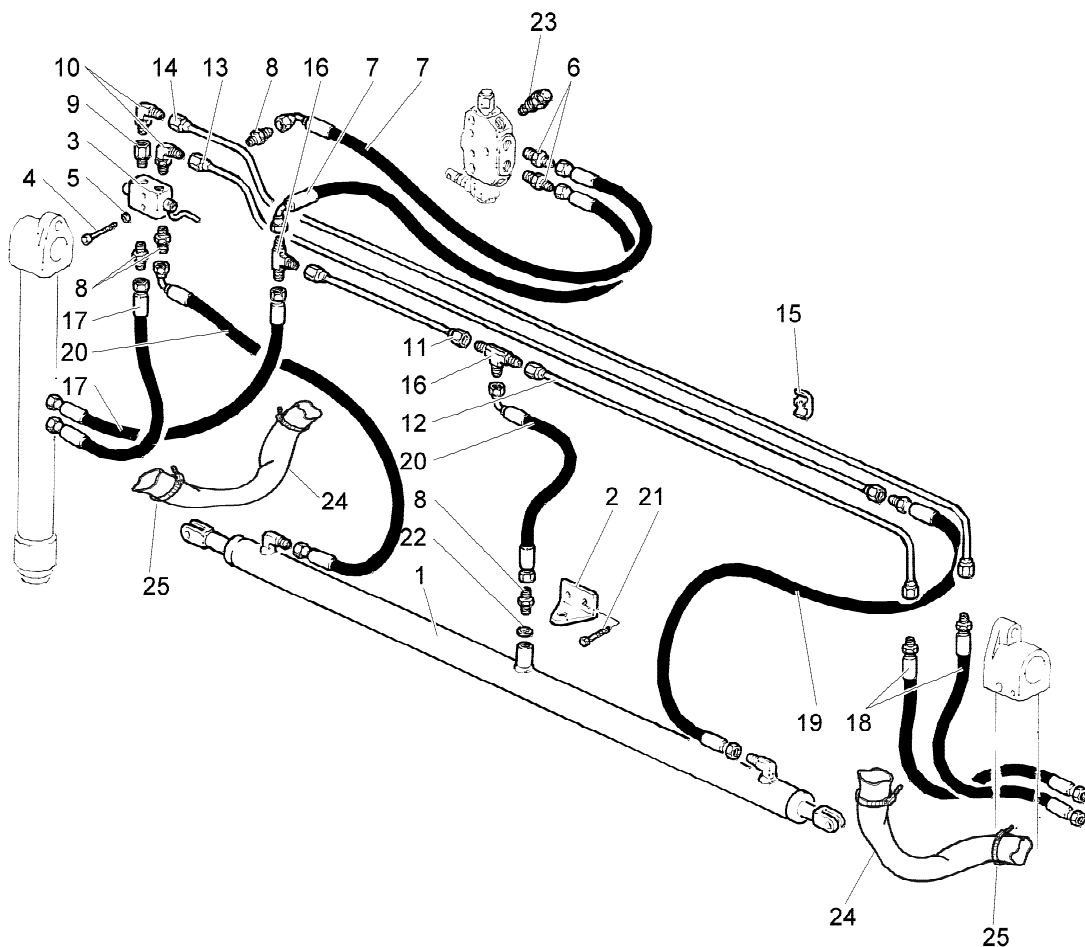


VALIDO FINO A Maggio 2010
VALID UNTIL May 2010

rif.	codice	Q.tà
1	W.37.04.007.00	8
2	W.27.04.007.00	2
3	W.101.126	2
4	3.07.0148	4
5	3.07.0060	2
6	W.34.04.024.00	2
7	3.01.0354	4
8	3.01.0353	2
9	W.44.04.502.00	2
10	W.44.04.019.00	1
11	W.44.04.024.00	1
12	W.44.04.030.00	1
13	W.44.04.031.00	1
14	W.101.020	2
15	3.06.0908	2
16	3.01.0355	2
17	3.06.0056	2
18	W.34.04.023.00	2
19	W.44.04.032.00	1



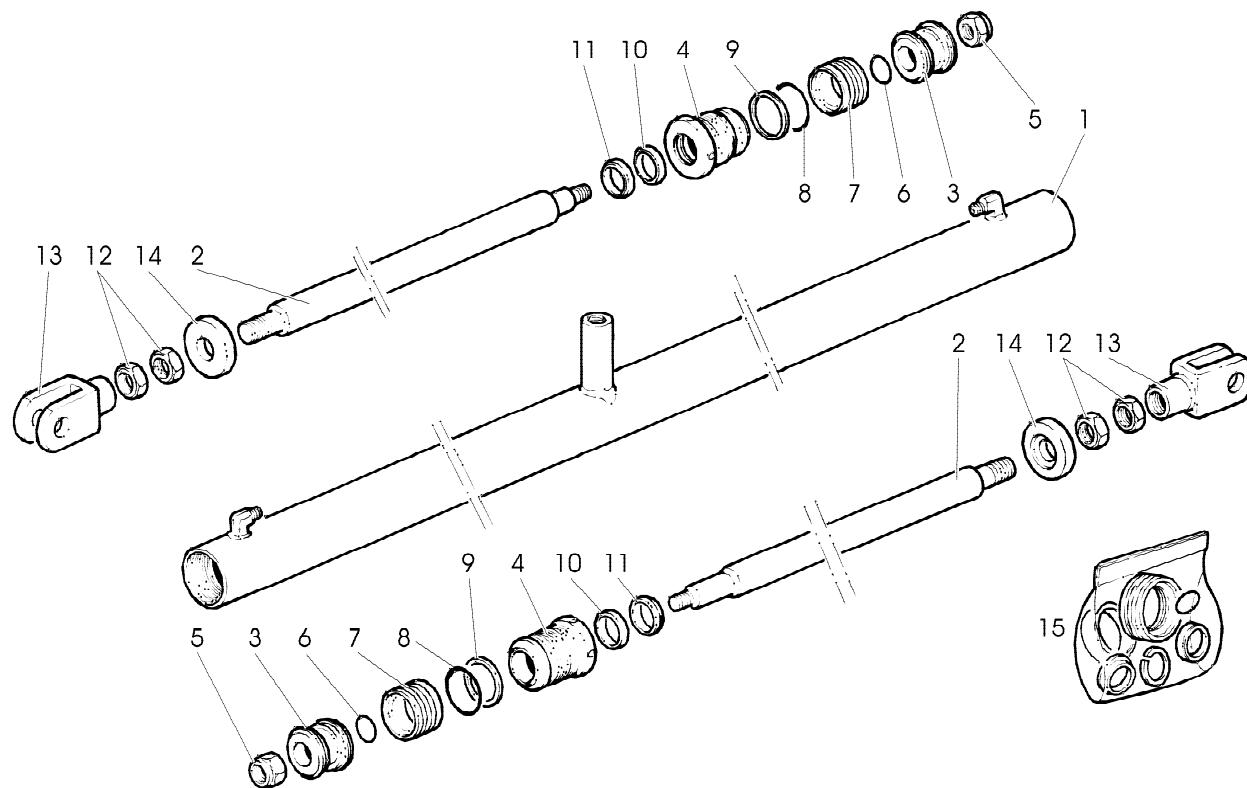
rif.	codice	Q.tà
1	W.37.04.007.00	8
2	3.06.0929	2
3	W.34.04.023.00	2
4	W.44.04.032.00	1
5	3.07.0060	2
6	3.00.0018	2
7	3.06.0056	2
8	3.01.0353	2
9	W.44.04.502.00	2
10	W.44.04.019.00	1
11	W.44.04.024.00	1
12	W.44.04.030.00	1
14	W.101.020	2
15	3.06.0908	2
16	3.01.0355	2

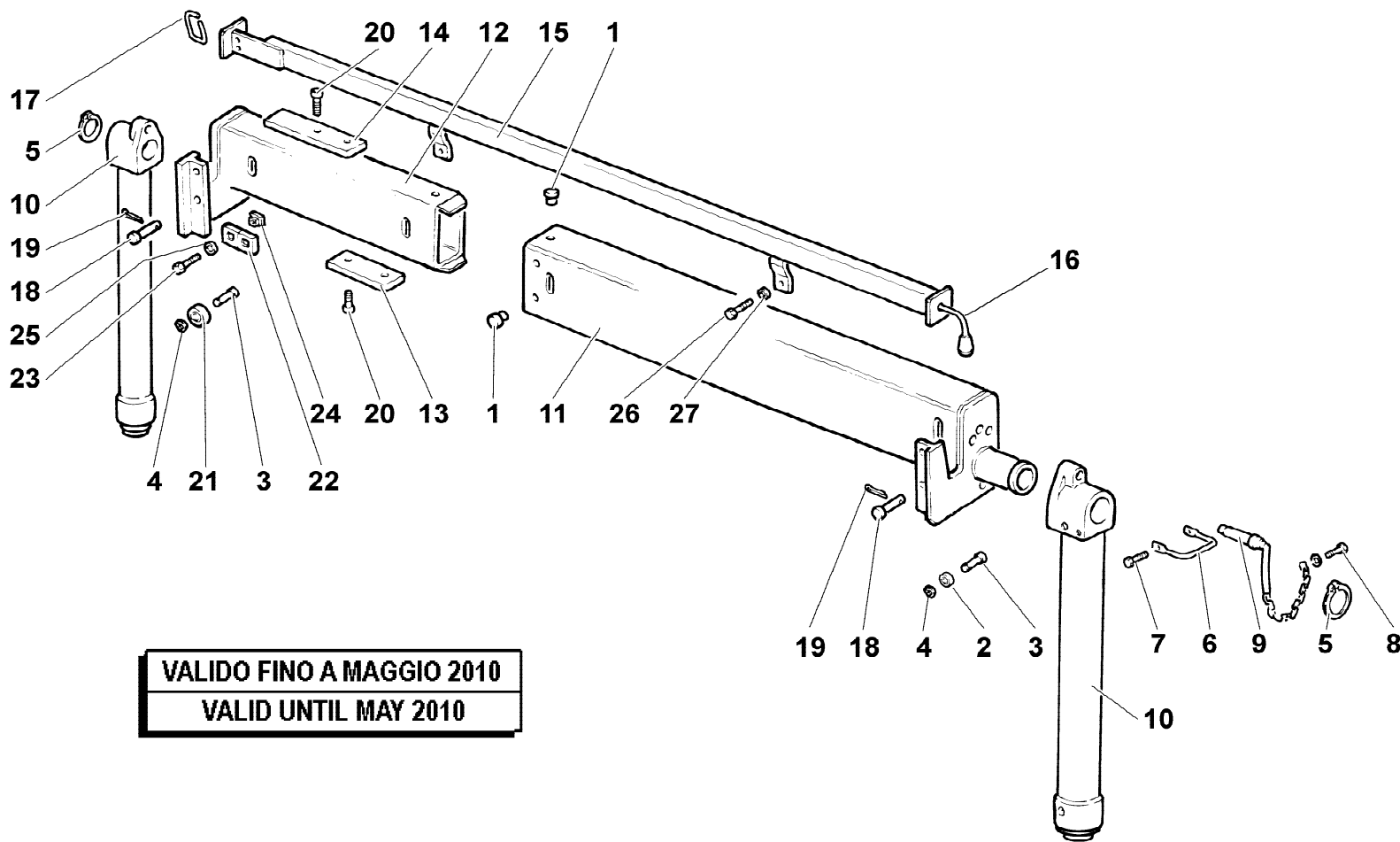


44051202-1

rif.	codice	Q.tà
1	W.44.04.503.00	1
2	W.44.04.025.00	1
3	5.22.0256	1
4	3.01.0353	2
5	3.06.0056	6
6	3.10.1041	2
7	W.456.086	2
8	3.10.1039	4
9	3.11.0266	1
10	3.10.1124	2
11	W.44.04.026.00	1
12	W.44.04.027.00	1
13	W.44.04.028.00	1
14	W.44.04.029.00	1
15	5.00.0077	4
16	3.10.1080	2
17	5.26.1115	2
18	W.456.860	2
19	5.26.1117	1
20	5.26.1116	2
21	3.01.0355	2
22	3.07.0022	1
23	W.HC.0635	1
24	3.19.0198	2,4m
25	3.19.0012	4

rif.	codice	Q.tà
1	W.44.04.013.00	1
2	W.44.04.014.00	2
3	W.105.058	2
4	W.120.061	2
5	3.04.0306	2
6	W.360.070	2
7	W.359.035	2
8	W.360.010	2
9	W.304.004	2
10	W.358.022	2
11	W.361.011	2
12	3.04.0214	4
13	W.44.04.021.00	2
14	W.44.04.020.00	2
15	W.365.064	2

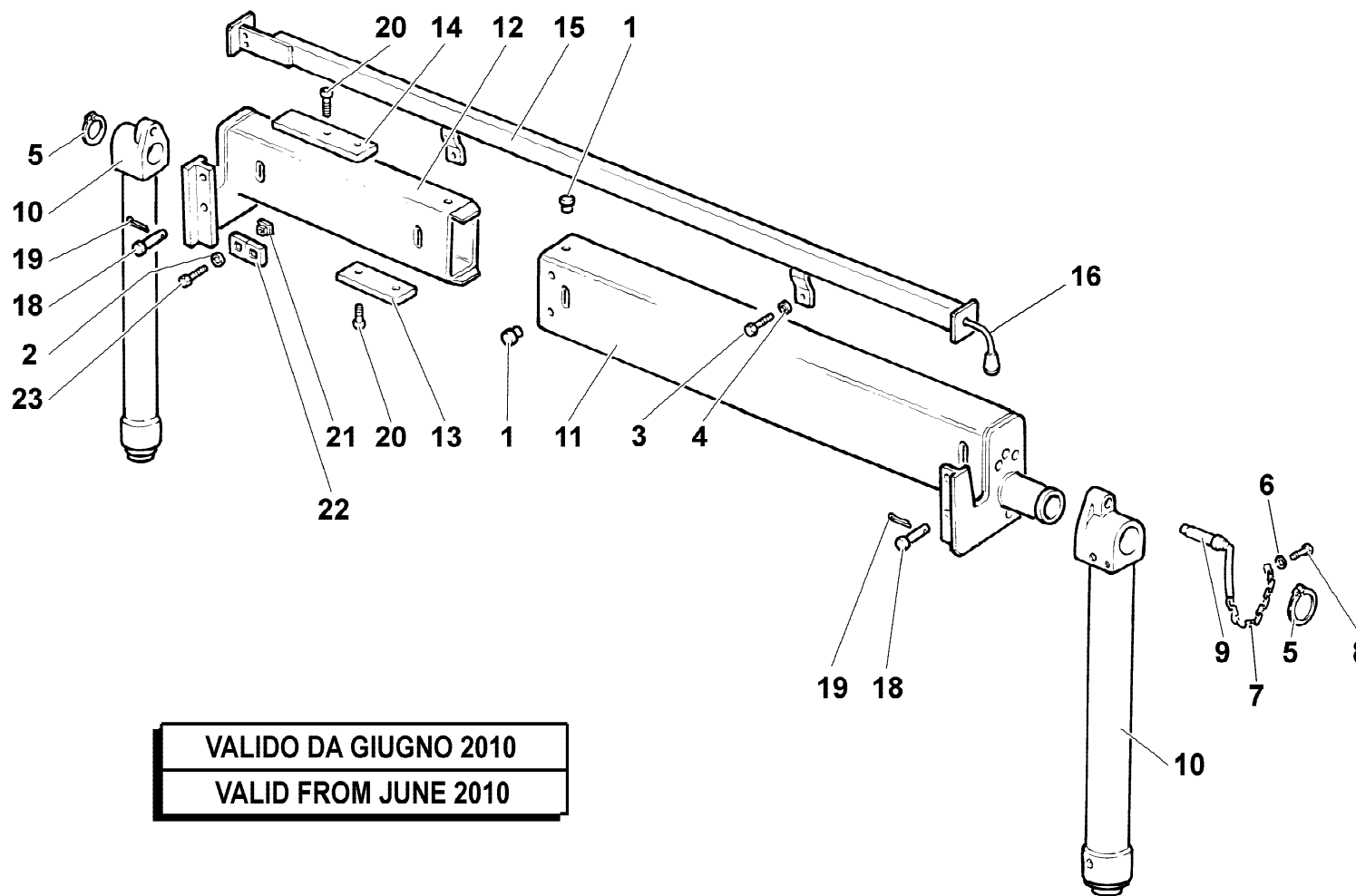




VALIDO FINO A MAGGIO 2010
VALID UNTIL MAY 2010

rif.	codice	Q.tà
1	W.37.04.007.00	4
2	W.27.04.007.00	1
3	W.101.126	2
4	3.07.0148	2
5	3.07.0052	2
6	W.34.04.024.00	2
7	3.01.0354	4
8	3.01.0323	2
9	W.34.04.023.00	2
10	W.44.04.502.00	2
11	W.44.04.033.00	1
12	W.44.04.034.00	1
13	W.44.04.008.00	1
14	W.44.04.007.00	1
15	W.44.04.030.00	1
16	W.44.04.032.00	1
17	W.44.04.031.00	1
18	W.101.020	2
19	3.06.0908	2
20	3.01.0353	2
21	W.34.04.021.00	1
22	W.44.03.031.00	4
23	3.01.0336	8
24	W.37.03.008.00	8
25	3.06.0006	8
26	3.01.0355	2
27	3.06.0056	2

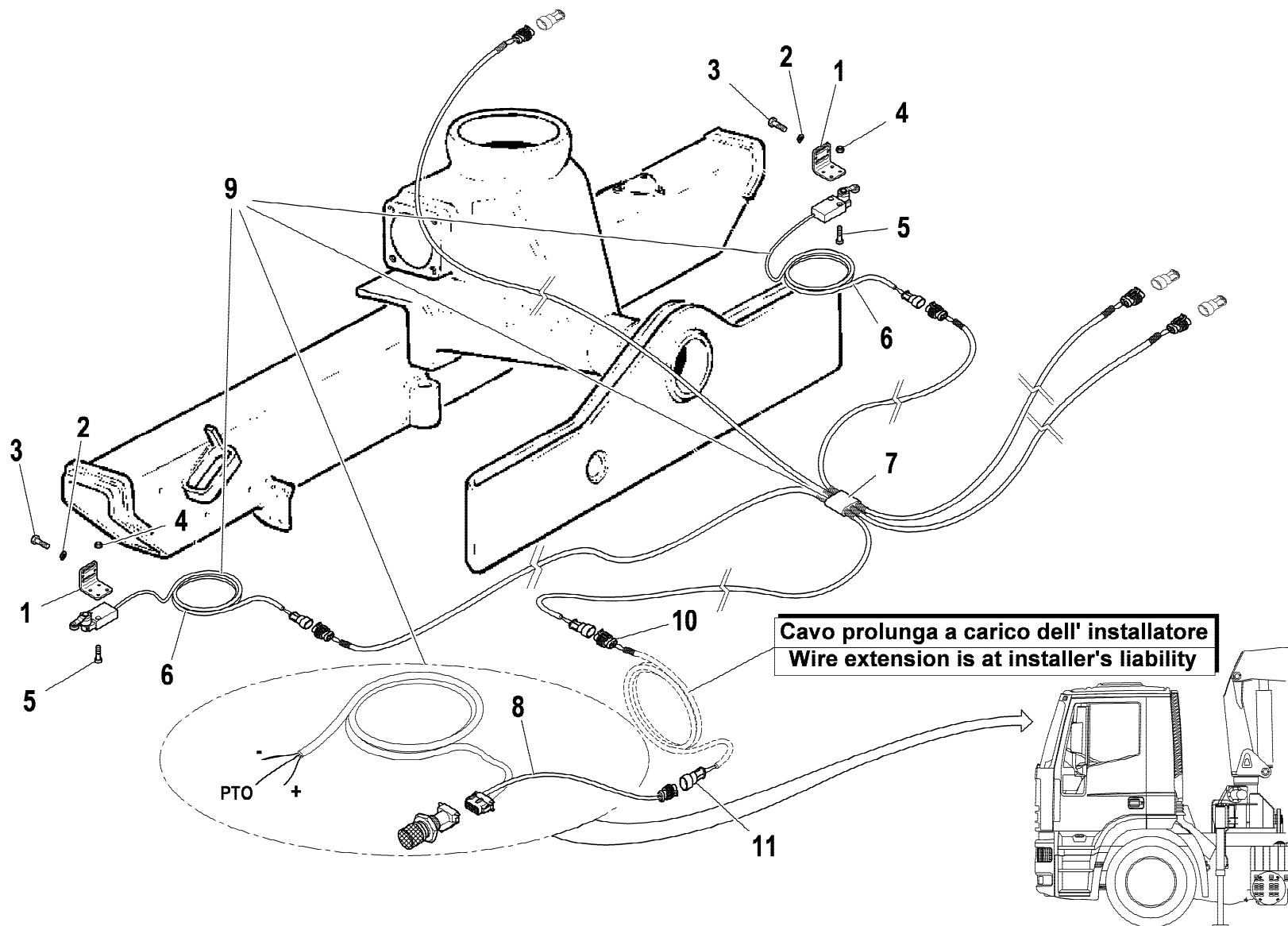
440451300-1-1



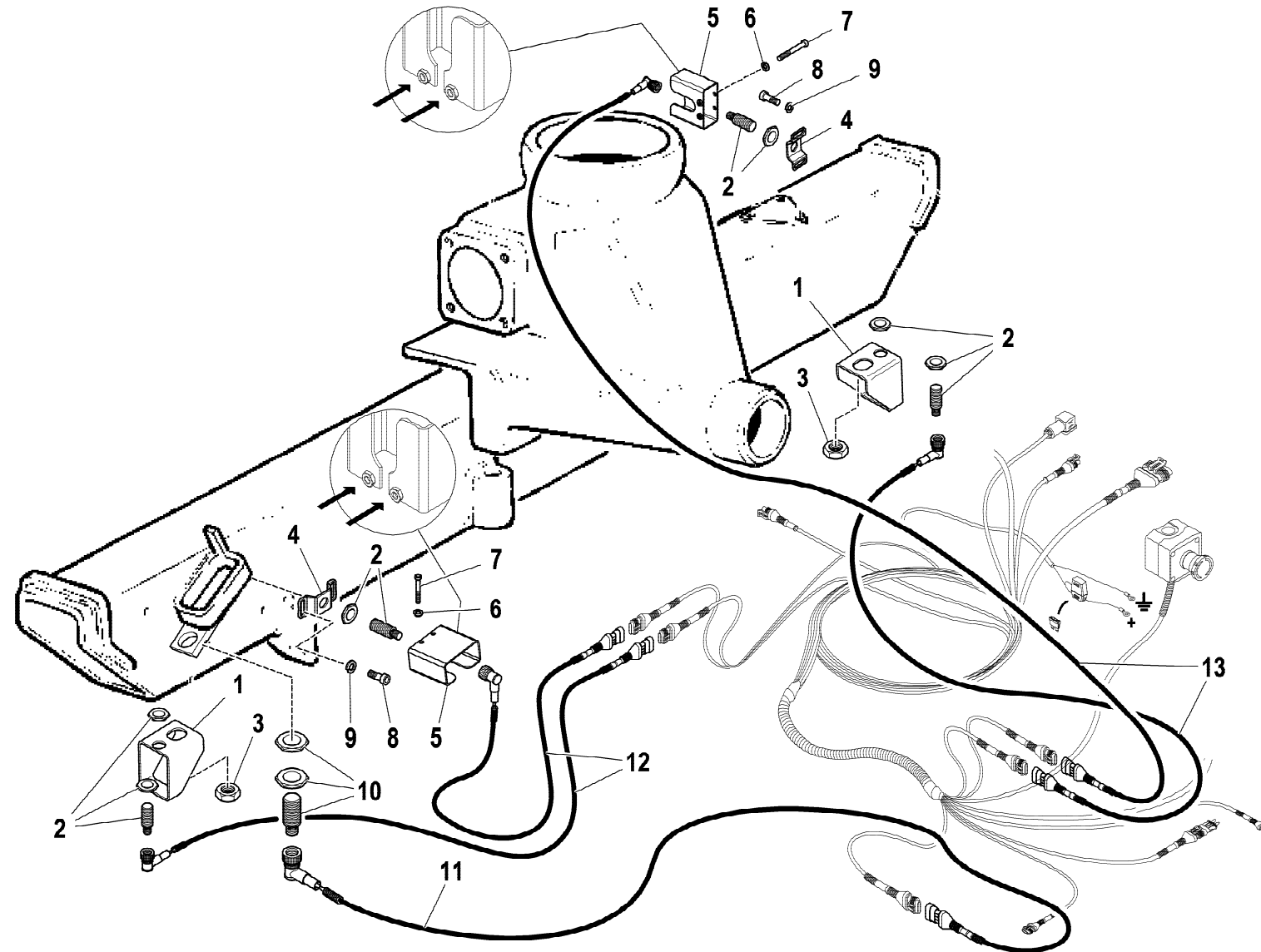
rif.	codice	Q.tà
1	W.37.04.007.00	4
2	3.06.0006	8
3	3.01.0355	2
4	3.06.0056	2
5	3.07.0052	2
6	3.06.0005	2
7	3.00.0018	2
8	3.01.0323	2
9	W.34.04.023.00	2
10	W.44.04.502.00	2
11	W.44.04.033.00	1
12	W.44.04.034.00	1
13	W.44.04.008.00	1
14	W.44.04.007.00	1
15	W.44.04.030.00	1
16	W.44.04.032.00	1
18	W.101.020	2
19	3.06.0908	2
20	3.01.0353	2
21	W.37.03.008.00	8
22	W.44.03.031.00	4
23	3.01.0336	8

VALIDO DA GIUGNO 2010
VALID FROM JUNE 2010

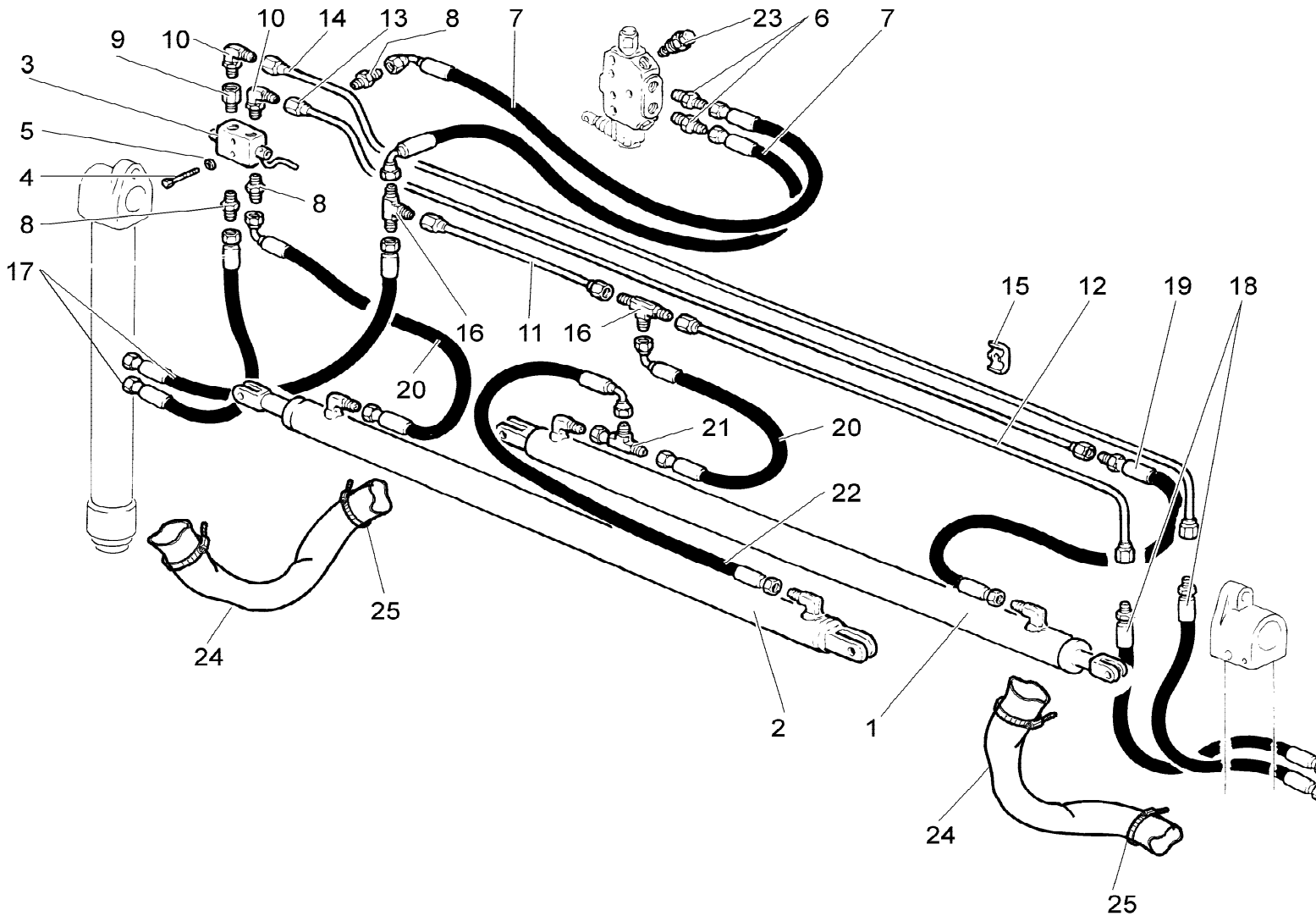
rif.	codice	Q.tà
1	5.00.1951	2
2	3.06.0053	4
3	3.01.0323	4
4	3.04.0041	4
5	3.02.0885	4
6	3.31.1356	2
7	3.31.1353	1
8	3.31.1354	1
9	3.31.1352	1
10	3.31.0431	1
11	3.31.0432	1



Cavo prolunga a carico dell' installatore
Wire extension is at installer's liability



rif.	codice	Q.tà
1	5.00.0422	2
2	3.31.1311	4
3	3.04.0251	2
4	5.00.0420	2
5	5.09.1310	2
6	3.06.0053	4
7	3.02.0045	4
8	3.02.0902	4
9	3.06.0055	4
10	3.31.1312	1
11	3.31.1372	1
12	3.31.1377	2
13	3.311332	2



rif.	codice	Q.tà
1	W.44.04.504.00	1
2	W.44.04.505.00	1
3	5.22.0256	1
4	3.01.0353	2
5	3.06.0056	2
6	3.10.1041	2
7	W.456.086	2
8	3.10.1039	3
9	3.11.0266	1
10	3.10.1124	2
11	W.44.04.026.00	1
12	W.44.04.027.00	1
13	W.44.04.028.00	1
14	W.44.04.029.00	1
15	5.00.0077	4
16	3.10.1080	2
17	W.456.010	2
18	5.26.1118	2
19	5.26.1117	1
20	5.26.1116	2
21	3.12.0003	1
22	W.456.052	1
23	W.HC.0635	1
24	3.19.0198	3,2m
25	3.19.0012	4

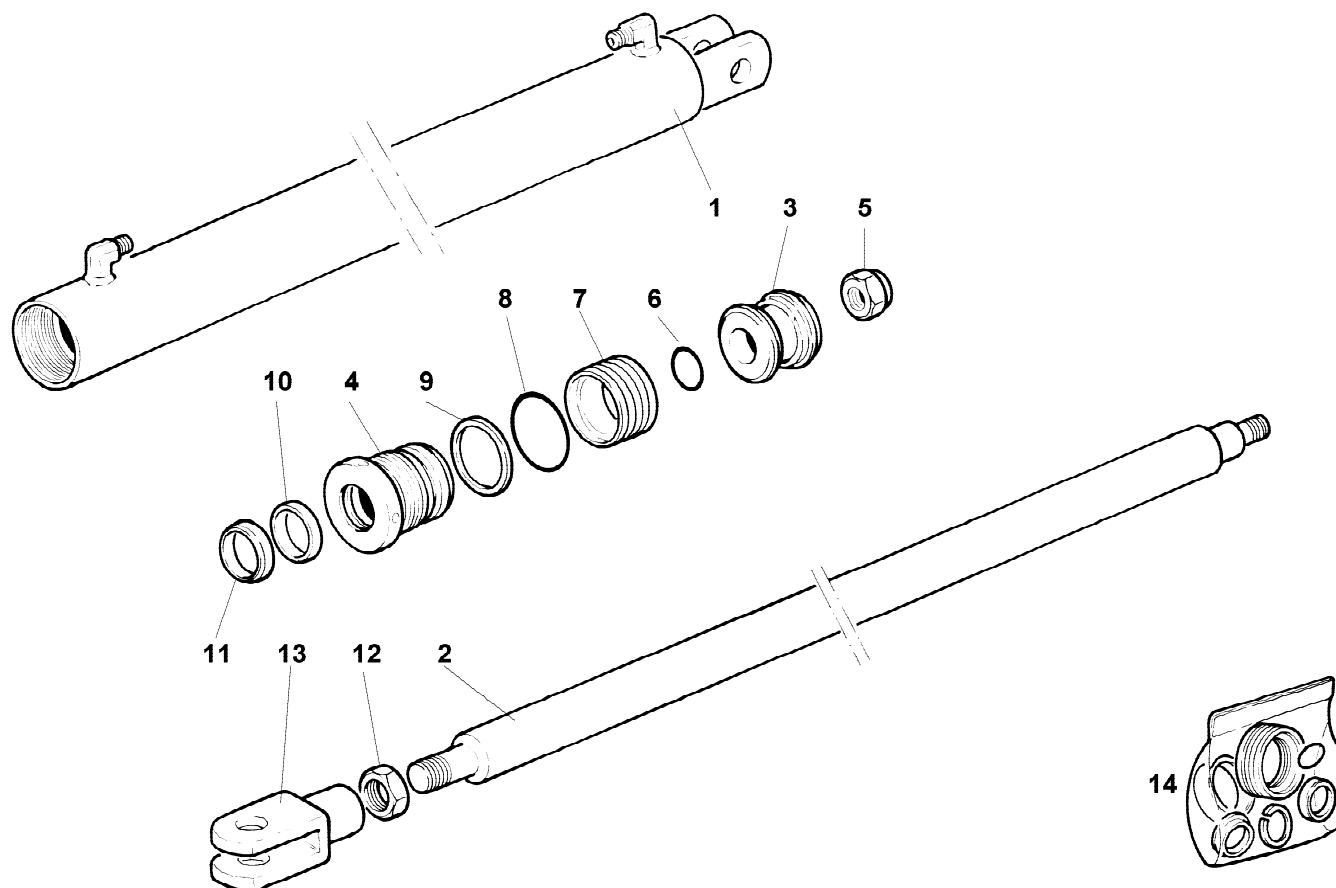
44051300-2-1



IMPIANTO IDRAULICO (ASTE STABILIZZATRICI EXTRA ESTENDIBILI)
 HYDRAULIC SYSTEM (STABILIZER CONNECTING RODS EXTRA-EXTENSIBLE)
 INSTALLATION HYDRAULIQUE (EXTENSION DES STABILISATEURS EXTRA-EXTENSIBLE)
 HYDRAULIKANLAGE (STÜTZSTANGEN EXTRA-AUSDEHNBARE)
 INSTALACION HIDRAULICA (VARILLAS ESTABILIZADORES EXTRA-EXTENSIBLE)

Tavola
W.44.04.513.00-2-1

rif.	codice	Q.tà
1	W.44.04.017.00	1
2	W.44.04.018.00	1
3	W.105.058	1
4	W120.061	1
5	3.04.0306	1
6	W.360.070	1
7	W.359.035	1
8	W.360.010	1
9	W.304.004	1
10	W.358.022	1
11	W.361.011	1
12	3.04.0214	1
13	W.591.003	1
14	W.365.064	1



1/1

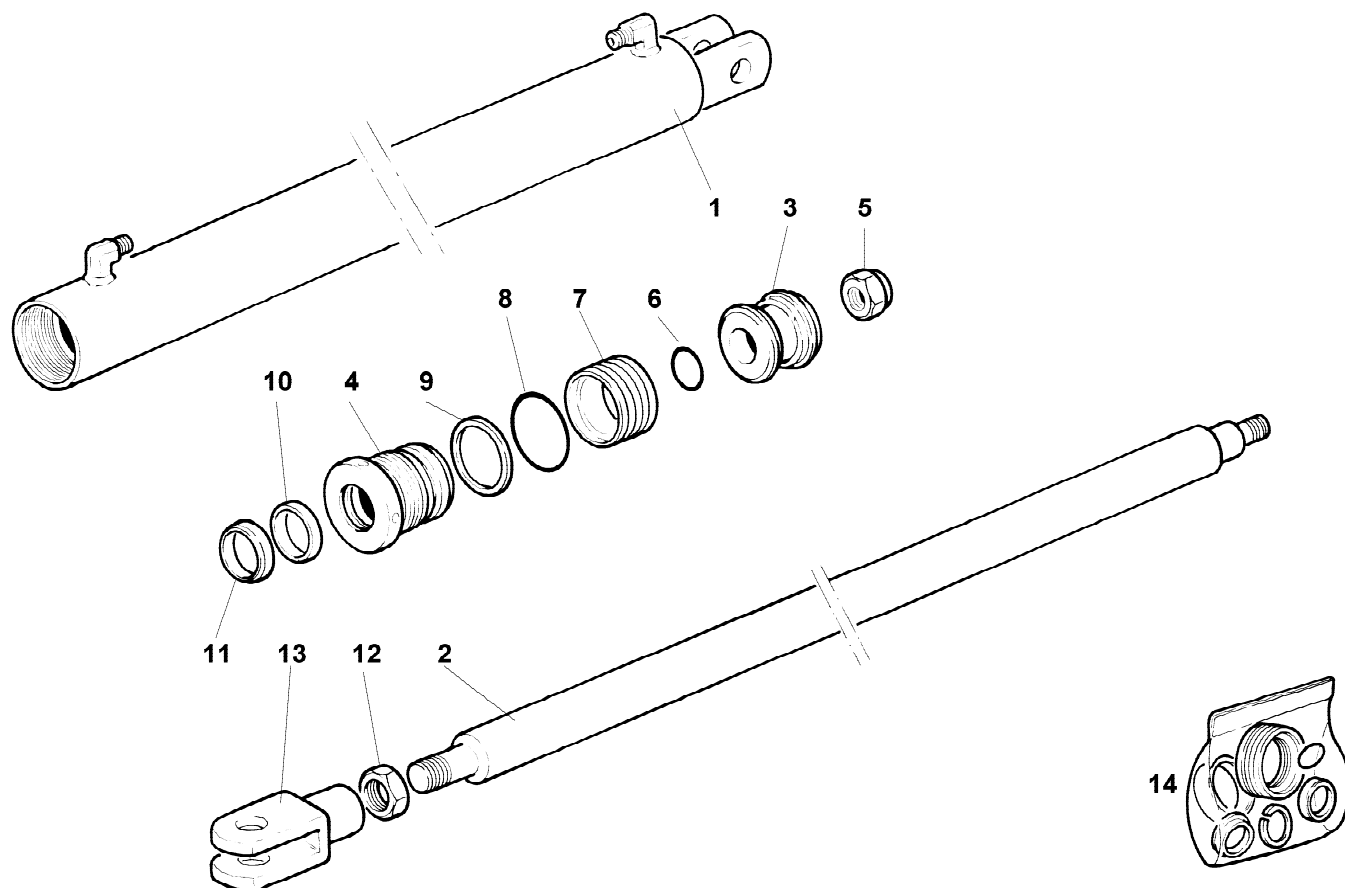
HYVA[®] CRANE
HC101

MARTINETTO SFILLO ASTE EXTRA ESTENDIBILI (LATO DOPPI COMANDI)
 ROD EXTENSION HYDRAULIC CYLINDER EXTRA-EXTENSIBLE (DOUBLE CONTROLS SIDE)
 VERIN RALLONGE TIGE SEXTRA-EXTENSIBLE (AU CÔTÉ DOUBLE COMM.)
 STANGENVERLAENGERUNGSWINDE EXTRA-AUSDEHNBARE (DOPPELSTEURUNG SEIT)
 GATO DE PROLONGACIO VASTAGOS EXTRA-EXTENSIBLE (L. MAND. BILAT.)

Tavola
W.44.04.505.00-1-0

Data pag.
febbraio 2007 21

rif.	codice	Q.tà
1	W.44.04.015.00	1
2	W.44.04.016.00	1
3	W.105.058	1
4	W120.061	1
5	3.04.0306	1
6	W.360.070	1
7	W.359.035	1
8	W.360.010	1
9	W.304.004	1
10	W.358.022	1
11	W.361.011	1
12	3.04.0214	1
13	W.591.003	1
14	W.365.064	1



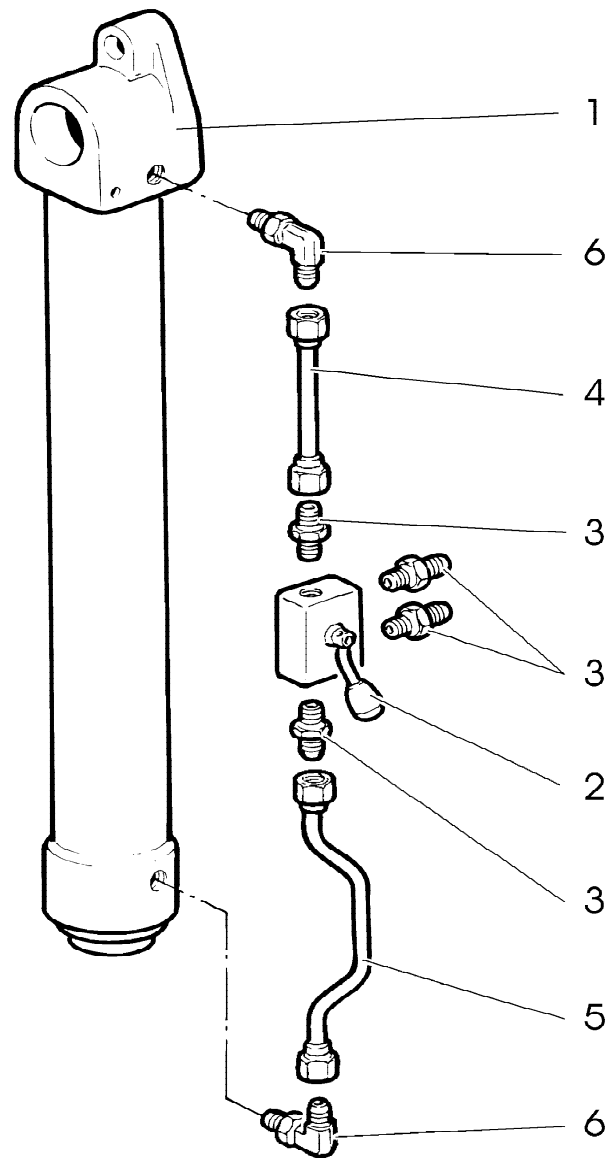
1/1

HYVA® CRANE
HC101

MARTINETTO SFILLO ASTE EXTRA ESTENDIBILI (LATO DISTRIBUTORE)
 ROD EXTENSION HYDRAULIC CYLINDER EXTRA-EXTENSIBLE (CONTROL VALVE SIDE)
 VERIN RALLONGE TIGE SEXTRA-EXTENSIBLE (CÔTE DISTRIBUTEUR)
 STANGENVERLAENGERUNGSWINDE EXTRA-AUSDEHNBARE (STUEBERBLOCK SEITE)
 GATO DE PROLONGACIO VASTAGOS EXTRA-EXTENSIBLE (LADO DISTRIB.)

Tavola
W.44.04.504.00-1-0

Data pag.
febbraio 2007 22



rif.	codice	Q.tà
1	W.44.04.501.00	1
2	5.22.0047	1
3	3.10.1043	4
4	W.44.04.011.00	1
5	W.44.04.012.00	1
6	3.10.1127	2

1/1

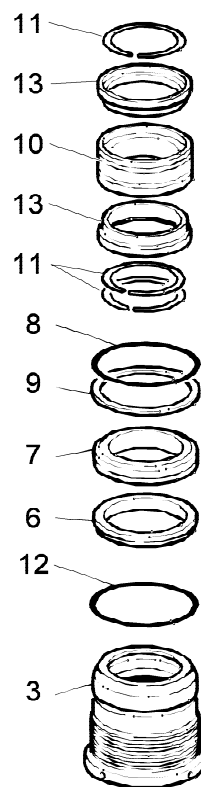
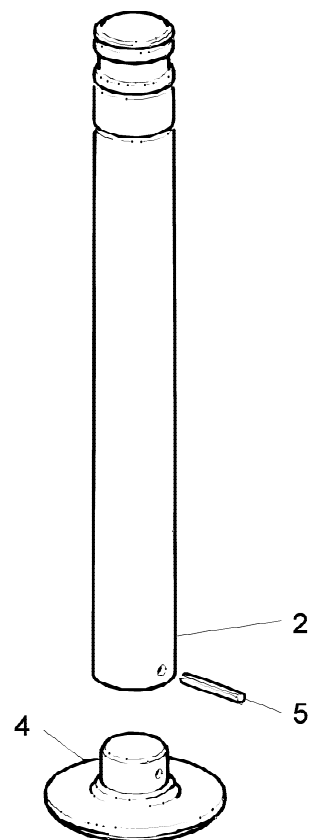
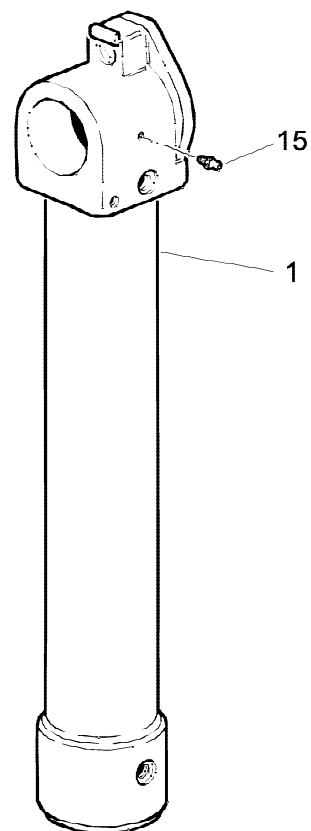
HYVA® CRANE
HC101

IMPIANTO IDRAULICO (MARTINETTO STABILIZZATORE)
HYDRAULIC SYSTEM (STABILISER RAM)
INSTALLATION HYDRAULIQUE (VERIN STABILISATEUR)
HYDRAULIKANLAGE (STABILISATOR SCHUBZYLINDER)
INSTALACION HIDRAULICA (GATO ESTABILIZADOR)

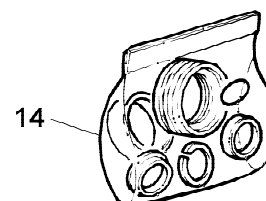
Tavola
W.44.04.502.00-1-1

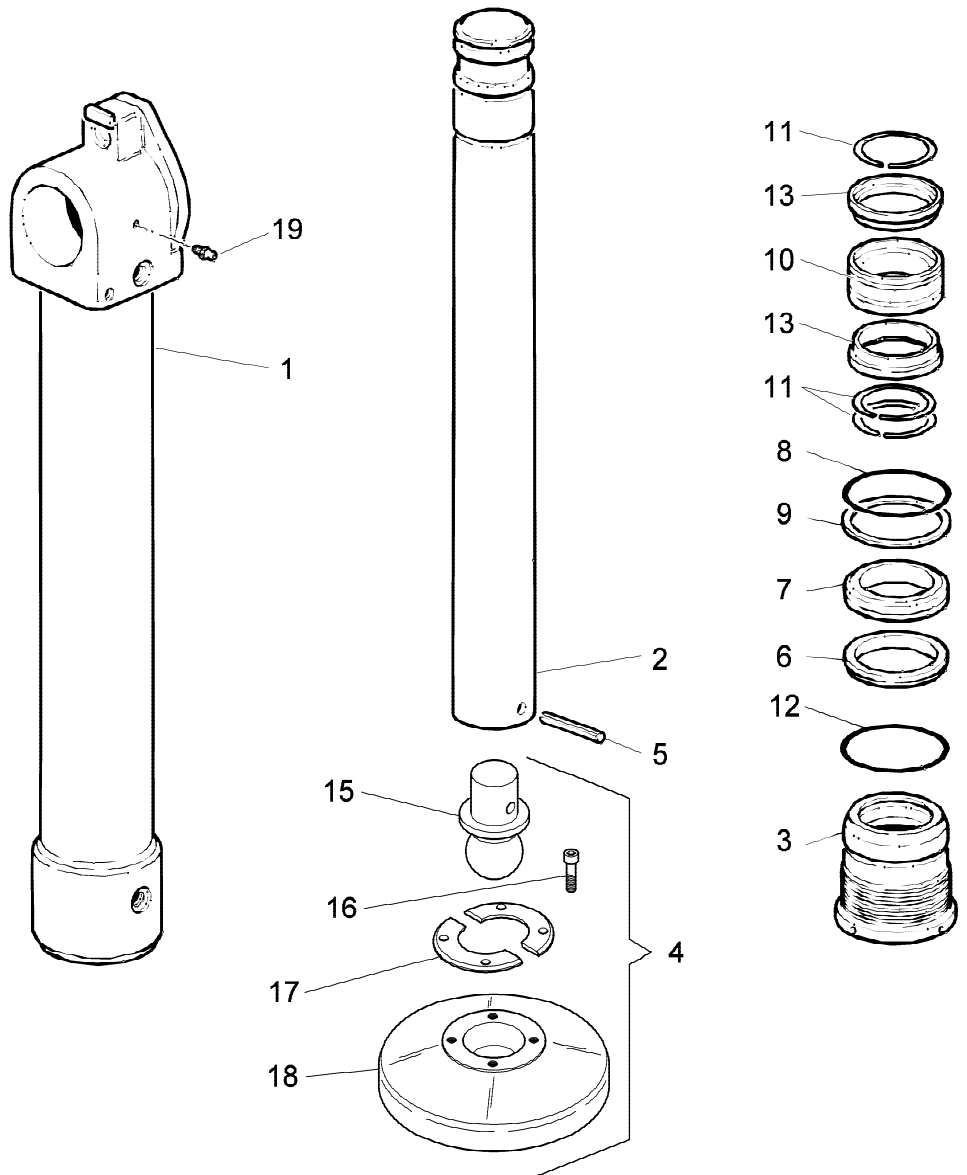
Data pag.
gennaio 2007 23

rif.	codice	Q.tà
1	W.44.04.002.00	1
2	W.44.04.004.00	1
3	W.120.076	1
4	W.27.04.006.00	1
5	W.726.009	1
6	W.361.020	1
7	W.358.029	1
8	W.360.014	1
9	W.304.010	1
10	W.359.020	1
11	3.07.0213	3
12	W.360.053	1
13	W.44.04.005.00	2
14	W.365.082	1
15	3.08.0016	1



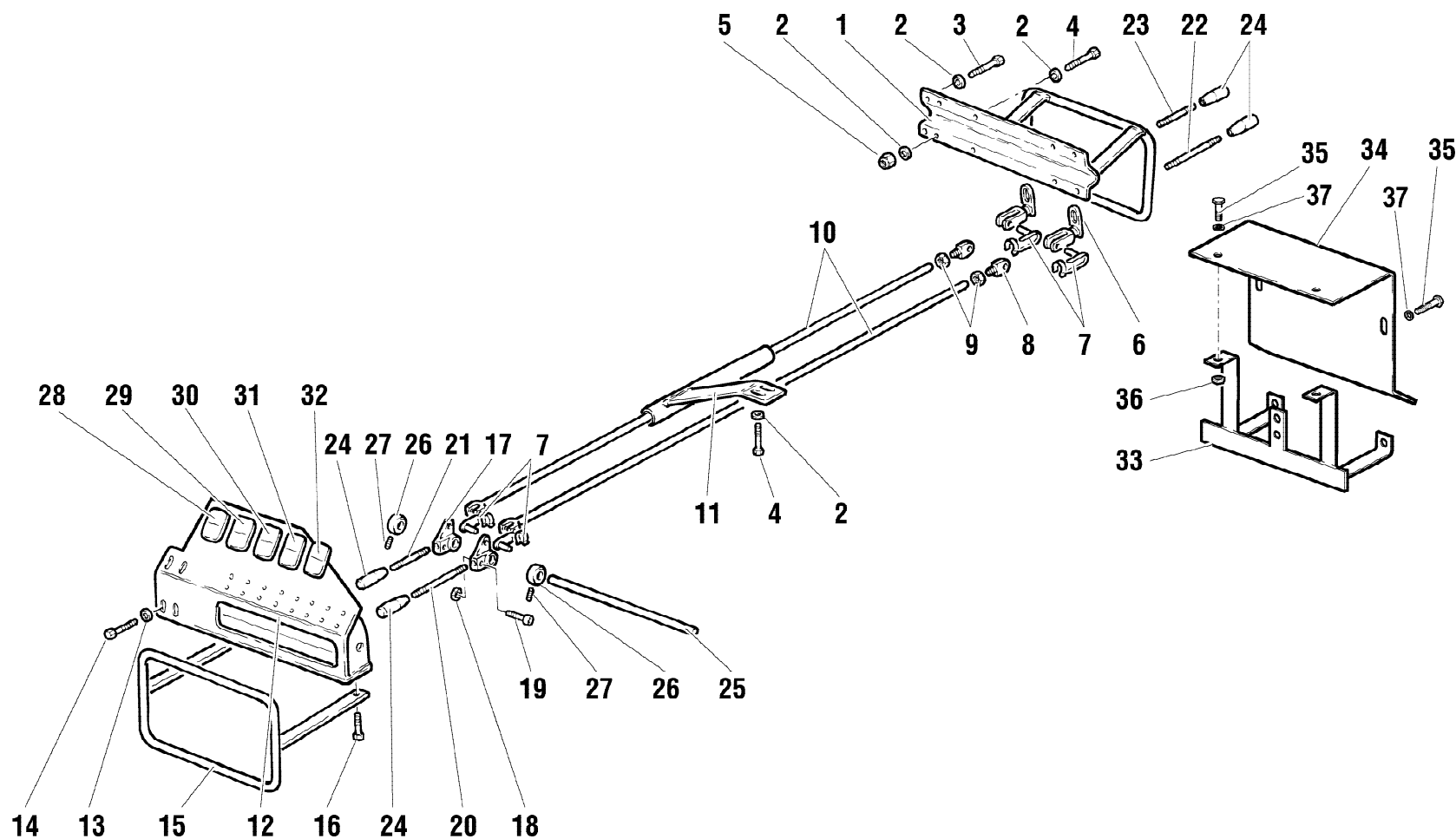
VALIDO FINO a Gennaio 2010
VALID UNTIL January 2010





VALIDO da Febbraio 2010
VALID FROM February 2010

rif.	codice	Q.tà
1	W.44.04.002.00	1
2	W.44.04.004.00	1
3	W.120.076	1
4	W.57.04.502.00	1
5	W.726.009	1
6	W.361.020	1
7	W.358.029	1
8	W.360.014	1
9	W.304.010	1
10	W.359.020	1
11	3.07.0213	3
12	W.360.053	1
13	W.44.04.005.00	2
14	W.365.082	1
15	W.57.04.006.00	1
16	3.02.0035	4
17	W.57.04.008.00	2
18	W.57.04.007.00	1
19	3.08.0016	1



044505-1-1

rif.	codice	Q.tà
1	W.44.05.002.00	1
2	3.06.0029	12
3	3.01.0337	4
4	3.01.0066	3
5	3.04.0524	5
6	W.33.05.008.00	5
7	3.30.0453	10
8	W01.05.036.00	5
9	3.04.0081	5
10	W.44.05.004.00	5
11	W.44.05.003.00	1
12	W.44.05.001.00	1
13	3.06.0914	4
14	3.01.0353	4
15	W.44.05.019.00	1
16	3.01.0030	2
17	W.27.05.090.00	5
18	3.04.0393	5
19	3.02.0021	5
20	W.44.05.017.00	4
21	W.44.05.018.00	1
22	W.338.802	4
23	W.338.801	1
24	W.664.003	10
25	W.101.182	1
26	W.27.01.027.03	2
27	3.06.0229	2
28	W.573.265	2
29	W.573.266	2
30	W.573.267	2
31	W.573.269	2

1/2

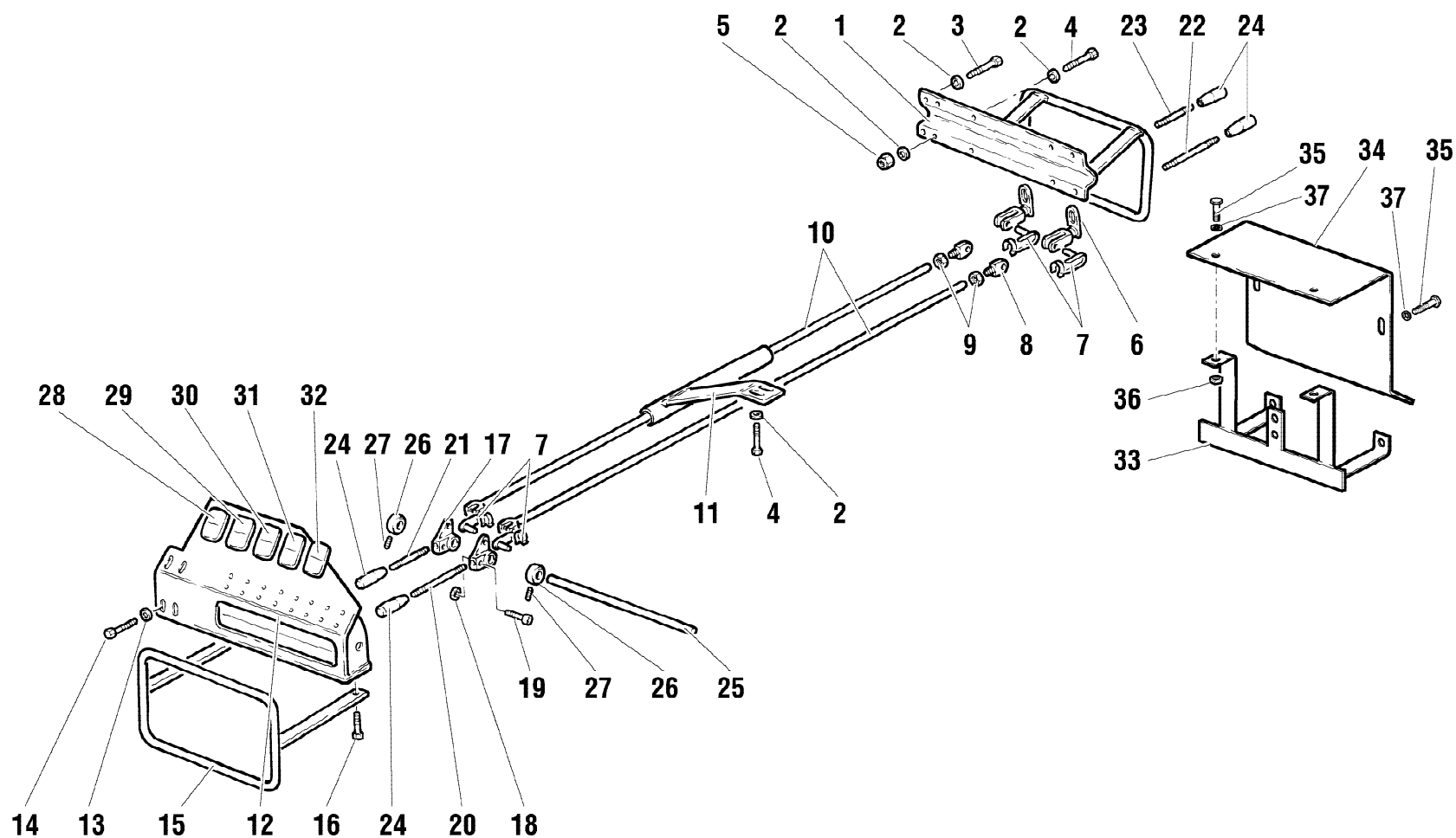
HYVA[®] CRANE
HC101

COMANDI BILATERALI NOCE
DOUBLE CONTROLS NOCE
DOUBLE COMMANDES NOCE
DOPPELSTEUERUNG NOCE
MONDOS BILATERALAS NOCE

Tavola
W.044.505-1-2

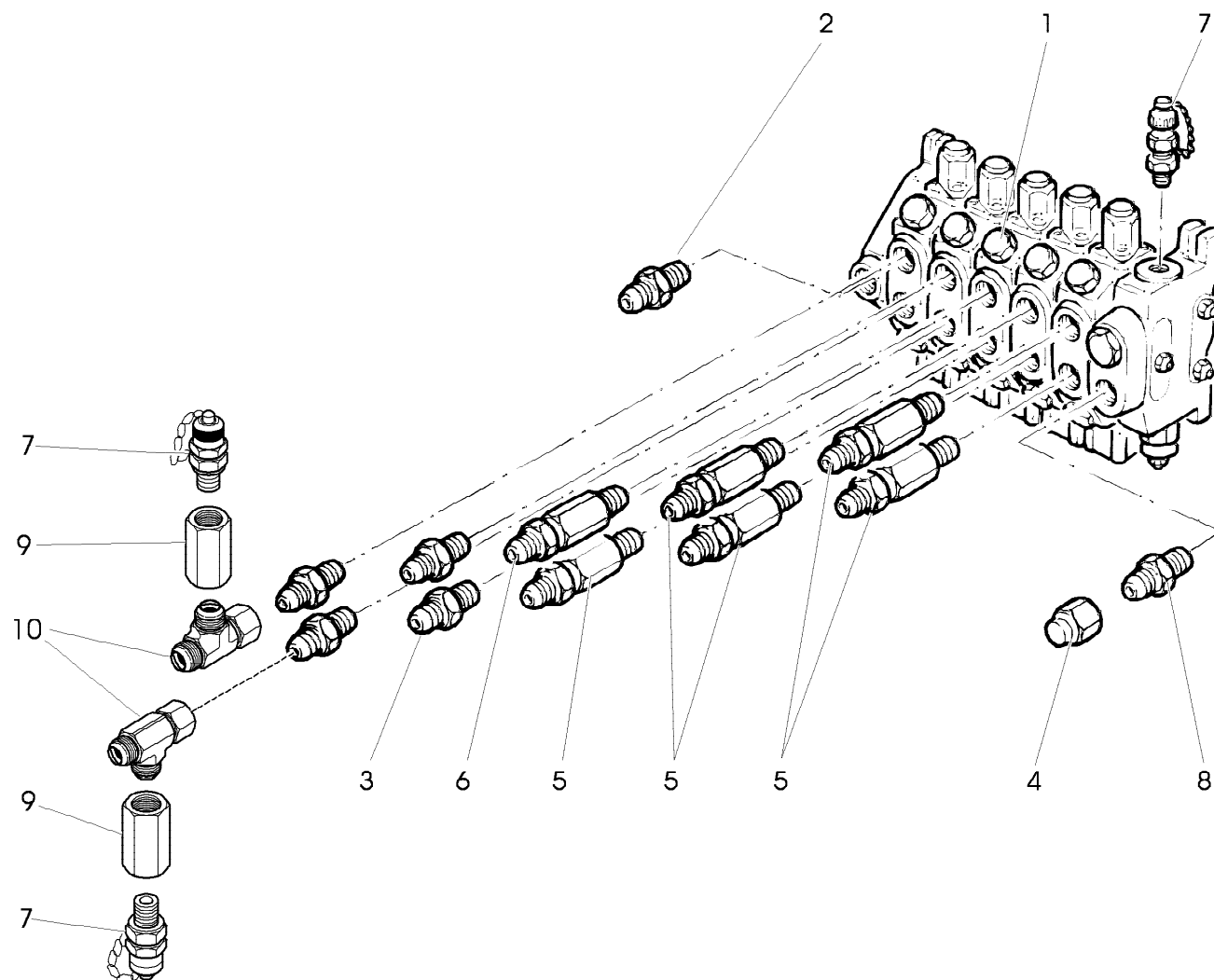
Data pag.
aprile 2011 26.1

rif.	codice	Q.tà
32	W.573.270	2
33	W.41.05.055.00	1
34	W.27.05.131.00	1
35	3.01.0015	4
36	3.04.0372	4
37	3.06.0005	4



044505-1-1

rif.	codice	Q.tà
1	W.338.407	1
2	3.10.1058	1
3	3.10.1044	4
4	3.11.0050	1
5	W.402.109	5
6	W.402.110	1
7	3.11.1523	3
8	3.10.1051	1
9	3.12.0356	2
10	3.12.0004	2



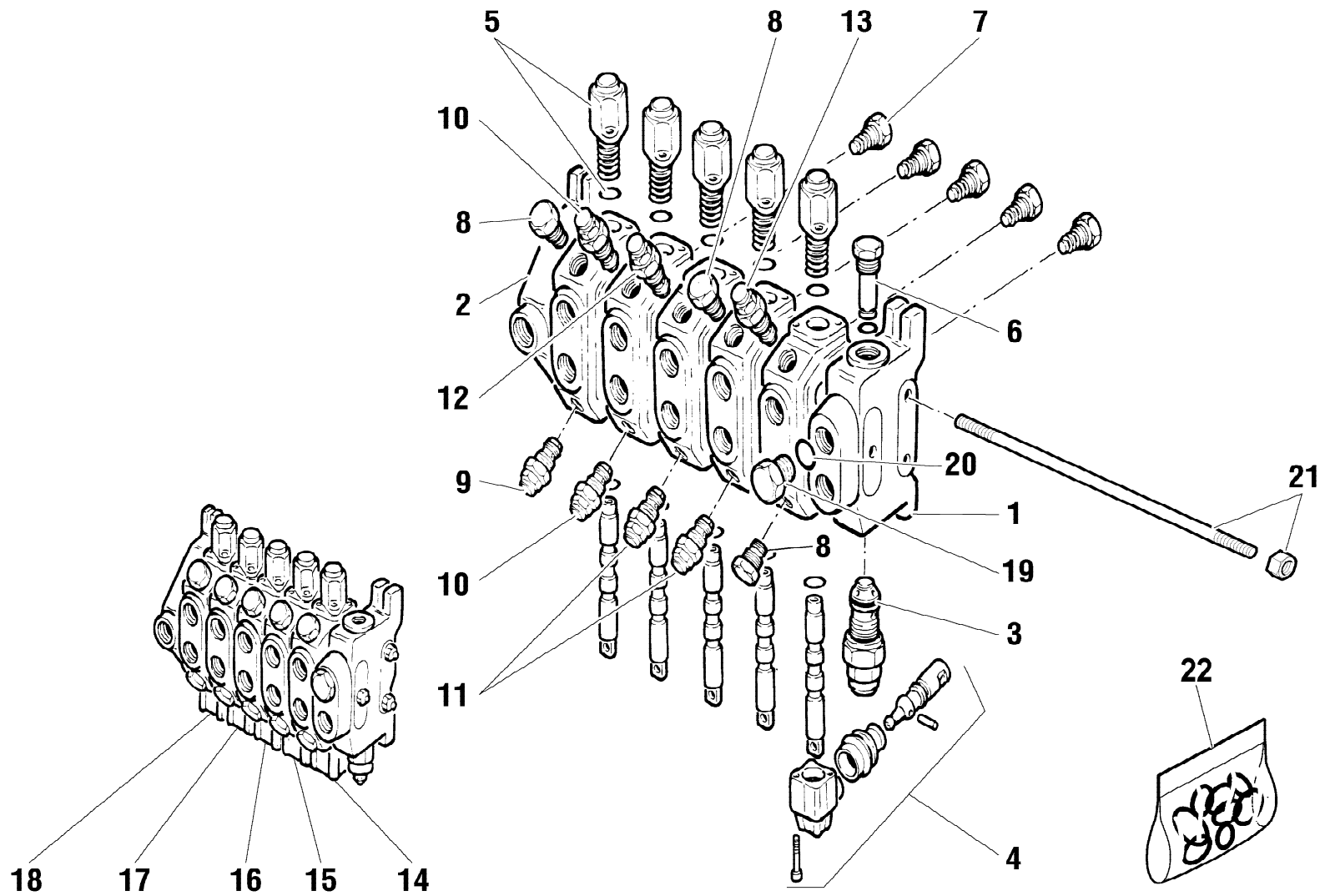
1/1

HYVA® CRANE
HC101

DISTRIBUTORE COMPLETO (5 ELEMENTI) NOCE
CONTROL VALVE ASS'Y (5 SECTION) NOCE
DISTRIBUTEUR COMPLET (5 VOIES) NOCE
STUEERBLOCK (IM GANZEN) (5 ELEMENTE) NOCE
DISTRIBUIDOR COMPLETO (5 ELEMENTOS) NOCE

Tavola
W.044.502-1-1

Data pag.
aprile 2011 27



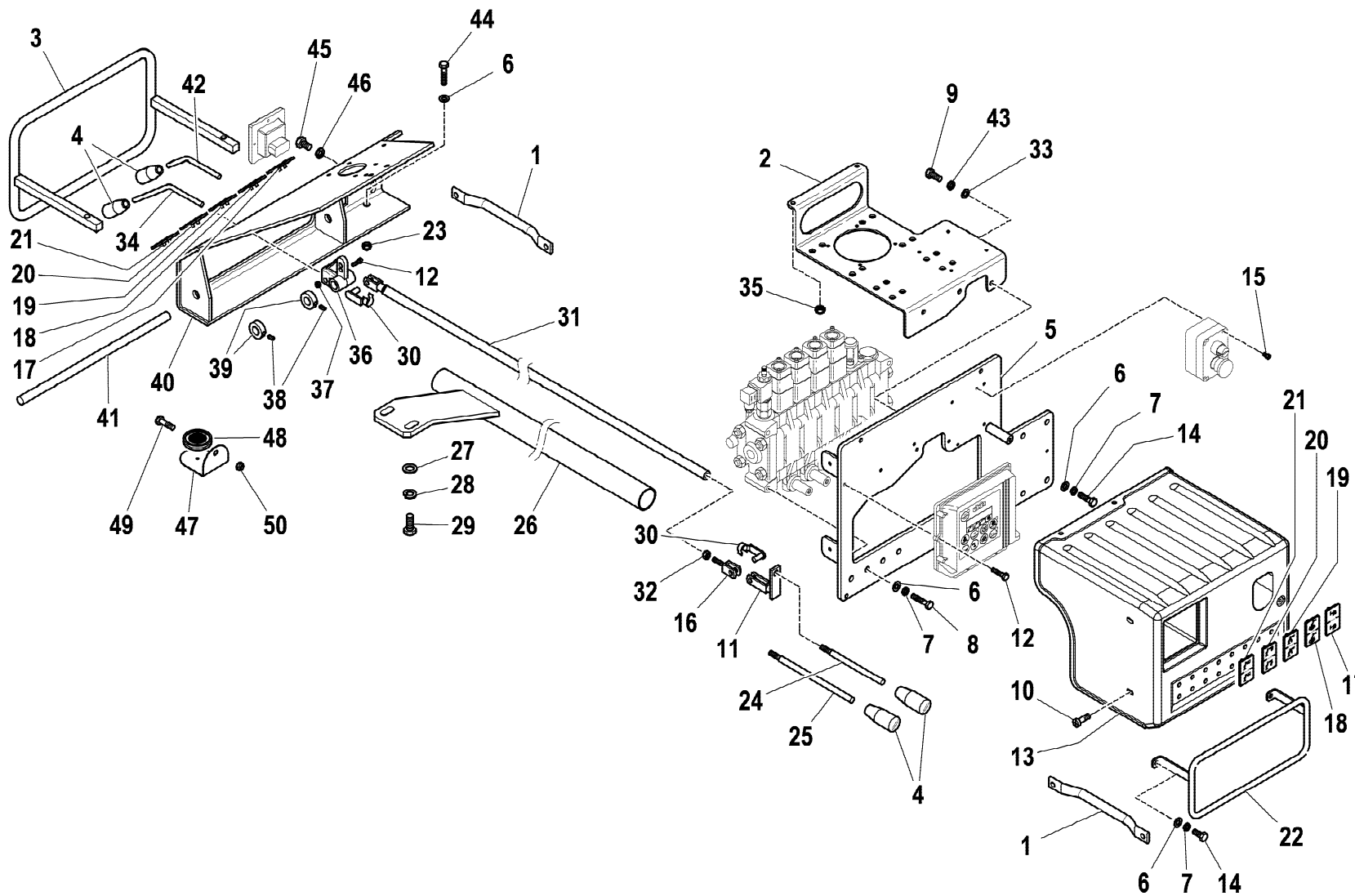
rif.	codice	Q.tà
1	W.HC.0601	1
2	W.HC.0602	1
3	W.HC.0636	1
4	W.HC.0660	5
5	5.22.5431	5
6	W.HC.0637	1
7	W.HC.0638	5
8	W.HC.0639	3
9	W.HC.0640	1
10	W.HC.0641	2
11	W.HC.0642	2
12	W.HC.0643	1
13	W.HC.0635	1
14	W.HC.0613	1
15	W.HC.0614	1
16	W.HC.0615	1
17	W.HC.0621	1
18	W.HC.0617	1
19	W.HC.0645	1
20	W.HC.0646	1
21	W.HC.0649	3
22	W.HC.0700	1



HC101

DISTRIBUTORE (5 ELEMENTI) NOCE
 CONTROL VALVE (5 SECTION) NOCE
 DISTRIBUTEUR (5 VOIES) NOCE
 STEUERBLOCK (5 ELEMENTE) NOCE
 DISTRIBUIDOR (5 ELEMENTOS) NOCE

Tavola
W.338.407-1-2



rif.	codice	Q.tà
1	5.00.1829	2
2	5.09.1201	1
3	W.44.05.019.00	1
4	W.664.003	10
5	5.09.1200	1
6	3.06.0006	10
7	3.06.0055	8
8	3.01.0066	3
9	3.01.0325	2
10	3.02.0960	5
11	W.33.05.008.00	5
12	3.02.0021	7
13	5.09.1202	1
14	3.01.0337	6
15	3.02.0895	2
16	W.01.05.036.00	1
17	W.573.265	2
18	W.573.266	2
19	W.573.267	2
20	W.573.269	2
21	W.573.270	2
22	5.09.0910	1
23	3.04.0040	2
24	W.338.801	1
25	W.338.802	4
26	W.44.05.003.00	1
27	3.06.0057	2
28	3.06.0018	2
29	3.01.0369	2
30	3.30.0453	10
31	W.44.05.004.00	5

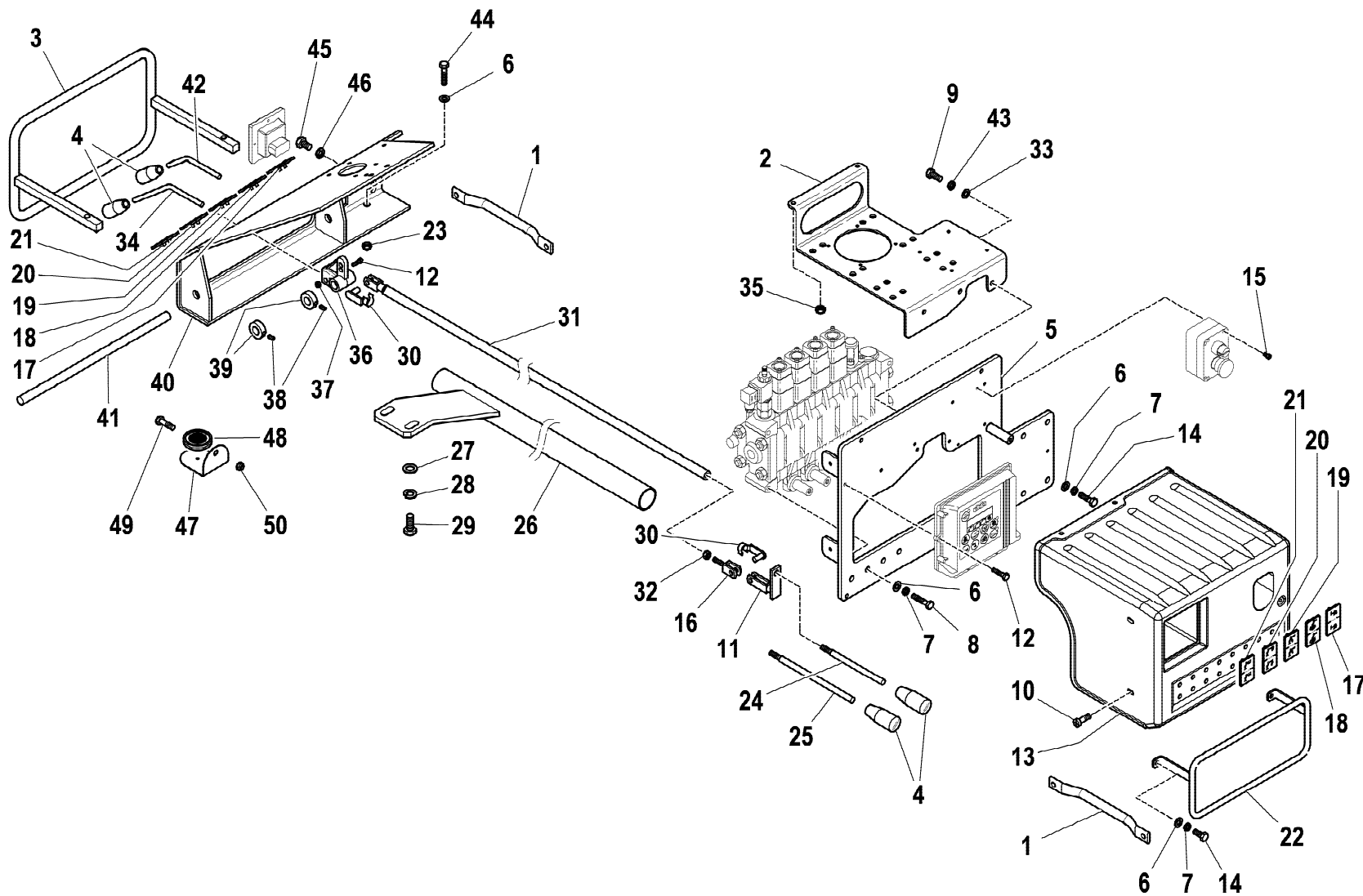
1/2

HYVA[®] CRANE
HC101

COMANDI BILATERALI (CE) EN 12999-A3
 DOUBLE CONTROLS (CE) EN 12999-A3
 DOUBLE COMMANDES (CE) EN 12999-A3
 DOPPELSTEUERUNG (CE) EN 12999-A3
 MONDOS BILATERALAS (CE) EN 12999-A3

Tavola
W.044.505-2-0

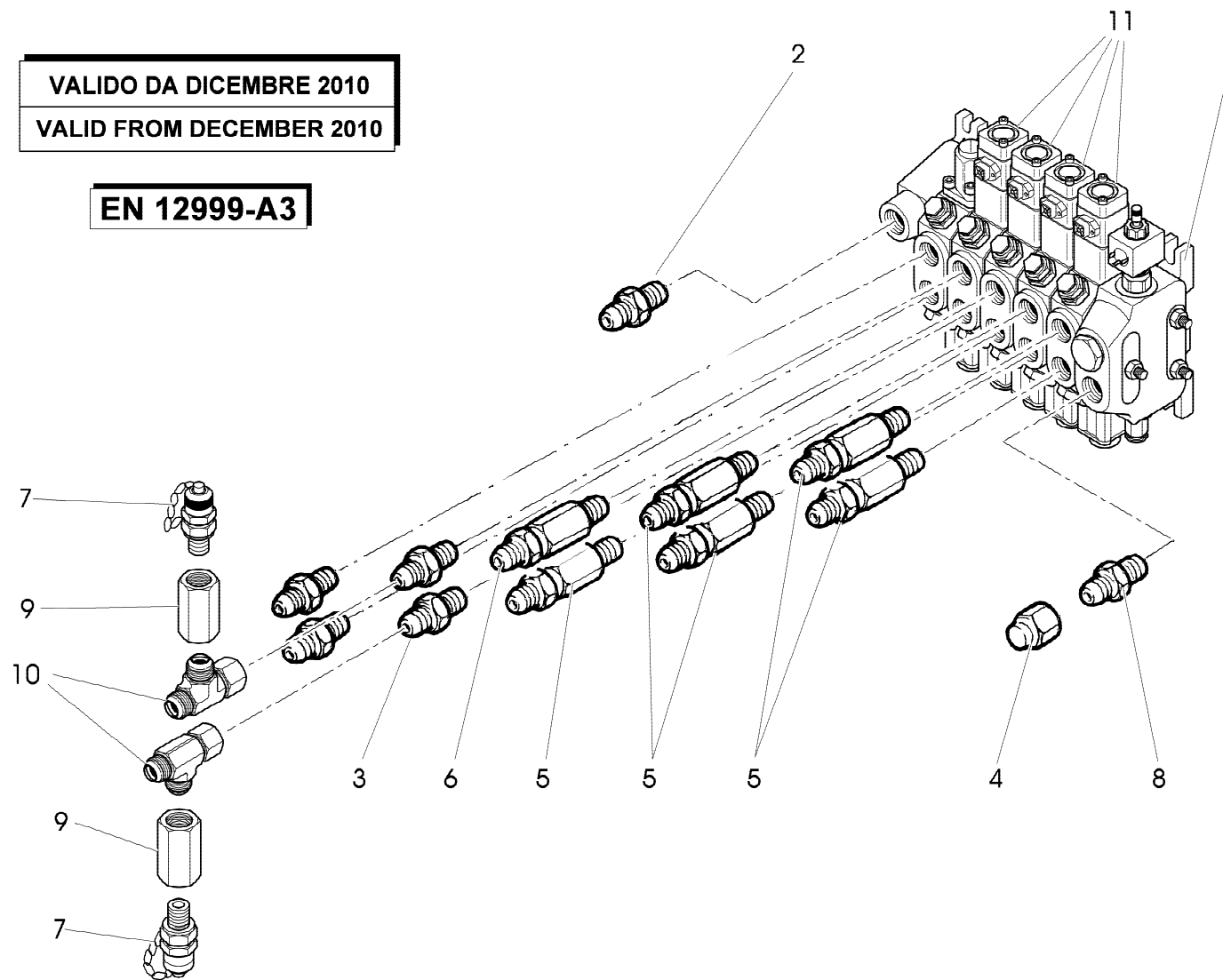
Data pag.
 maggio 2011 29.1



rif.	codice	Q.tà
32	3.04.0081	5
33	3.06.0005	2
34	W.44.05.017.00	4
35	3.04.0519	2
36	W.27.05.090.00	5
37	3.04.0393	5
38	3.06.0229	2
39	W.27.01.027.03	2
40	W.44.05.001.00	1
41	W.101.182	1
42	W.44.05.018.00	1
43	3.06.0053	2
44	3.01.0030	2
45	3.01.0353	3
46	3.06.0056	3
47	W.57.05.016.00	2
48	3.18.0116	2
49	3.01.0015	2
50	3.04.0372	2

VALIDO DA DICEMBRE 2010
 VALID FROM DECEMBER 2010

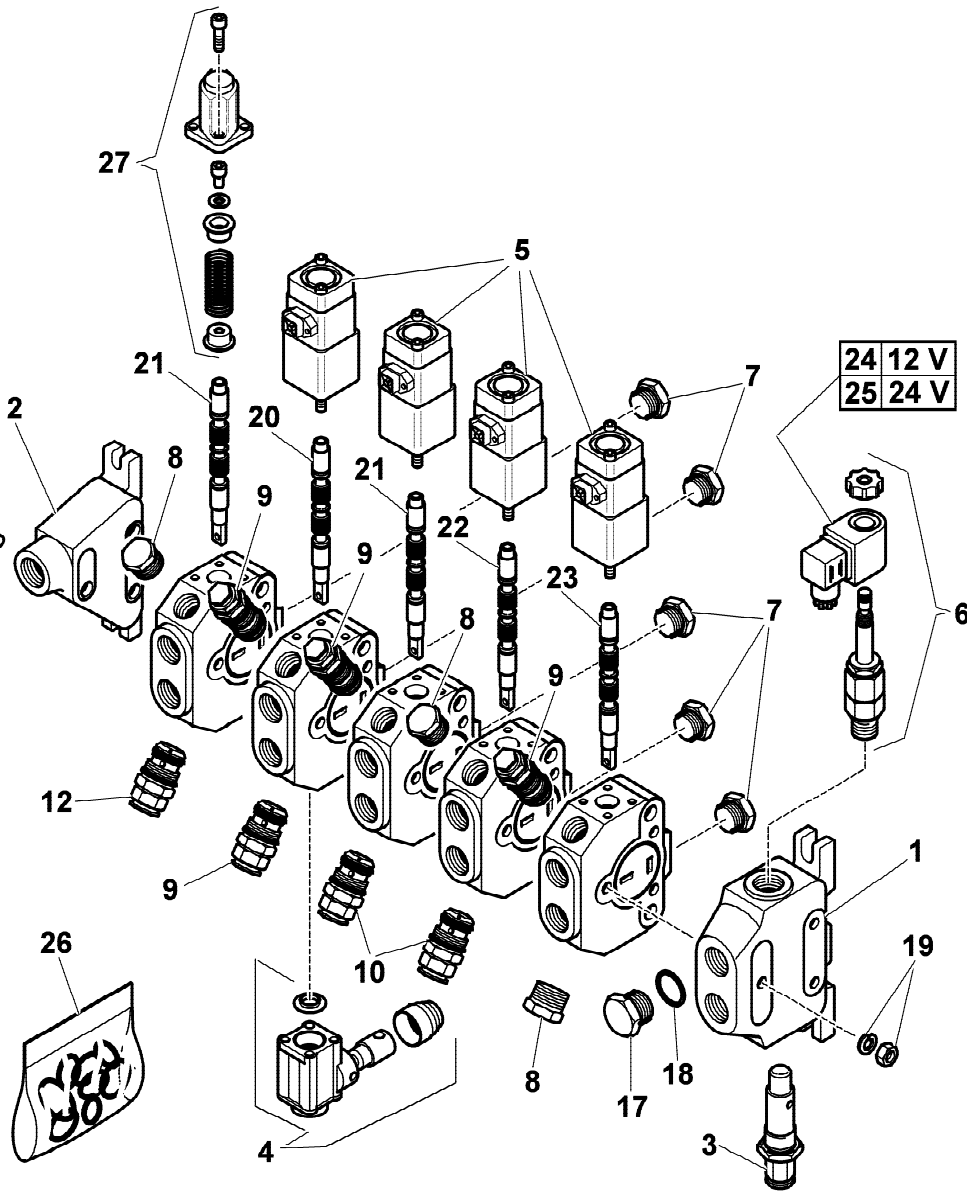
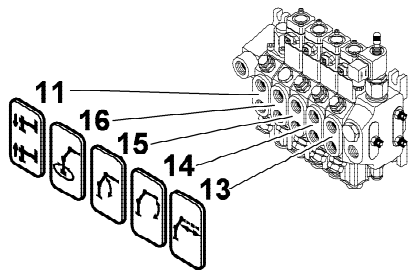
EN 12999-A3



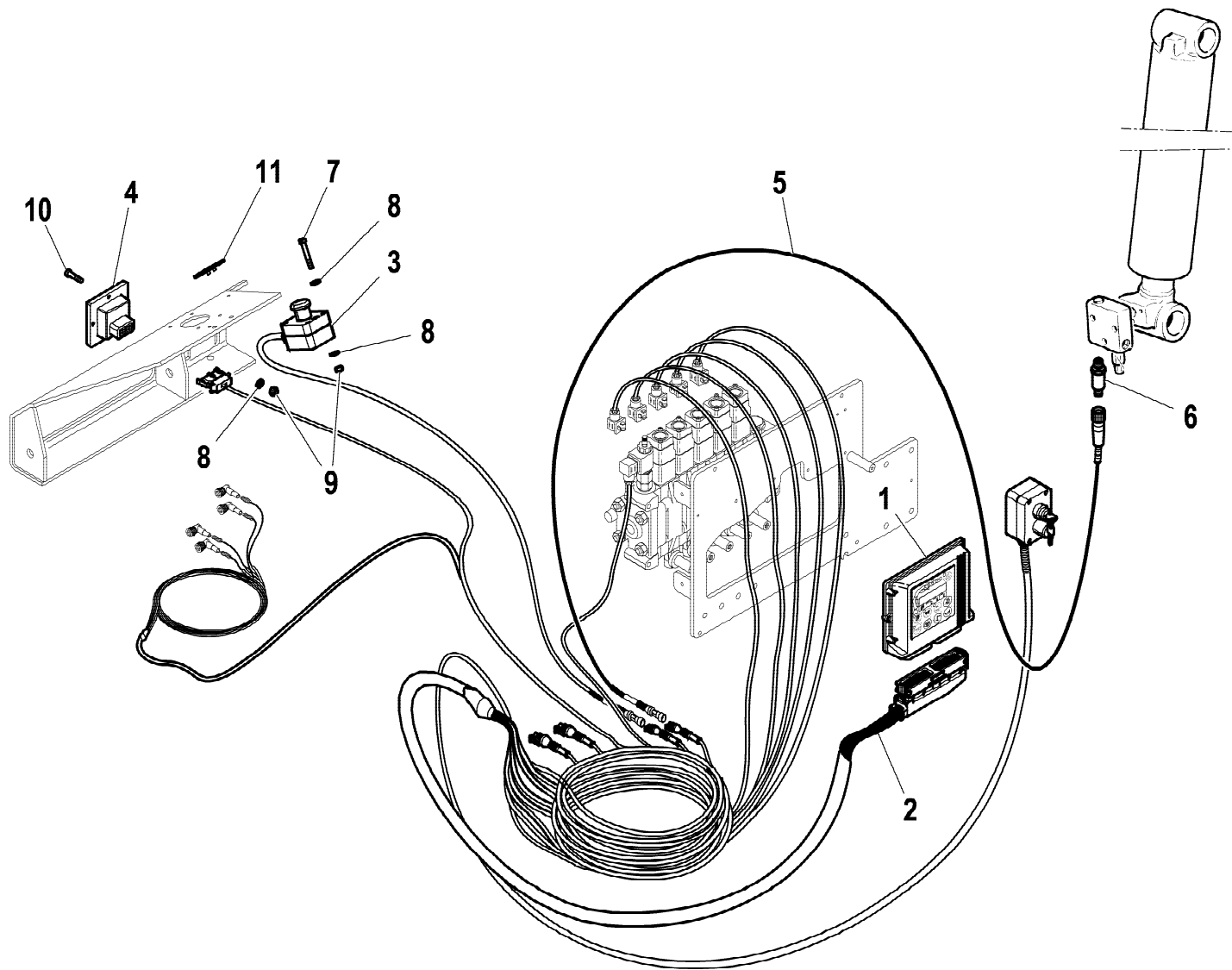
rif.	codice	Q.tà
1	W.338.407	1
2	3.10.1058	1
3	3.10.1044	4
4	3.11.0050	1
5	W.402.109	5
6	W.402.110	1
7	3.11.1523	3
8	3.10.1051	1
9	3.12.0356	2
10	3.12.0004	2
11	5.22.5420	4

VALIDO DA DICEMBRE 2010
VALID FROM DECEMBER 2010

EN 12999-A3



rif.	codice	Q.tà
1	W.HC.0601	1
2	W.HC.0602	1
3	W.HC.0636	1
4	W.HC.0660	5
5	5.22.5420	4
6	5.22.5429	1
7	W.HC.0638	5
8	W.HC.0639	3
9	5.22.5432	4
10	5.22.5455	2
11	W.HC.0617	1
12	5.22.5454	1
13	W.HC.0618	1
14	W.HC.0614	1
15	W.HC.0615	1
16	W.HC.0621	1
17	W.HC.0645	1
18	W.HC.0646	1
19	W.HC.0649	3
20	W.HC.0630	1
21	5.22.5434	2
22	W.HC.0629	1
23	W.HC.0628	1
24	3.31.1046	1
25	3.31.1047	1
26	W.HC.0700	1
27	5.22.5431	1



rif.	codice	Q.tà
1	3.31.1423	1
2	5.16.0085	1
3	3.31.1400	1
4	3.31.1328	1
5	5.16.0084	1
6	3.31.0612	1
7	3.02.0013	4
8	3.06.0030	10
9	3.04.0518	6
10	3.02.0885	2
11	5.81.3567	1

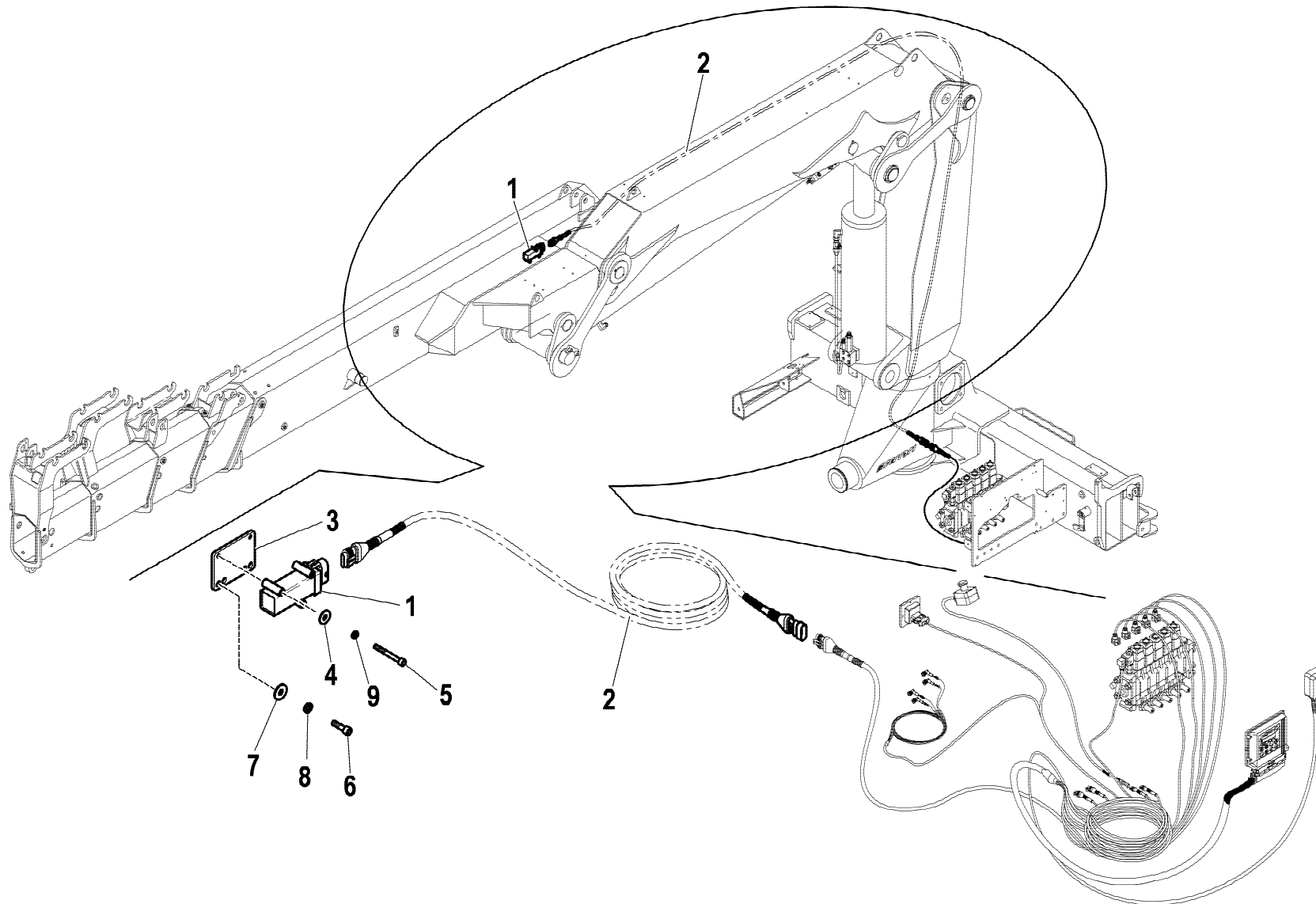
1/1

HYVA[®] CRANE
HC101

COMANDI BILATERALI (CE) EN12999-A3
 DOUBLE CONTROLS (CE) EN12999-A3
 DOUBLE COMMANDES (CE) EN12999-A3
 DOPPELSTEUERUNG (CE) EN12999-A3
 MONDOS BILATERALAS (CE) EN12999-A3

Tavola
W.044.505-3-1

Data pag.
 maggio 2011 32



rif.	codice	Q.tà
1	3.31.1150	1
2	5.16.0076	1
3	5.00.2108	1
4	3.06.0003	2
5	3.02.0018	2
6	3.02.0033	2
7	3.06.0005	2
8	3.06.0053	2
9	3.06.0065	2

1/1

HYVA[®] CRANE
HC101

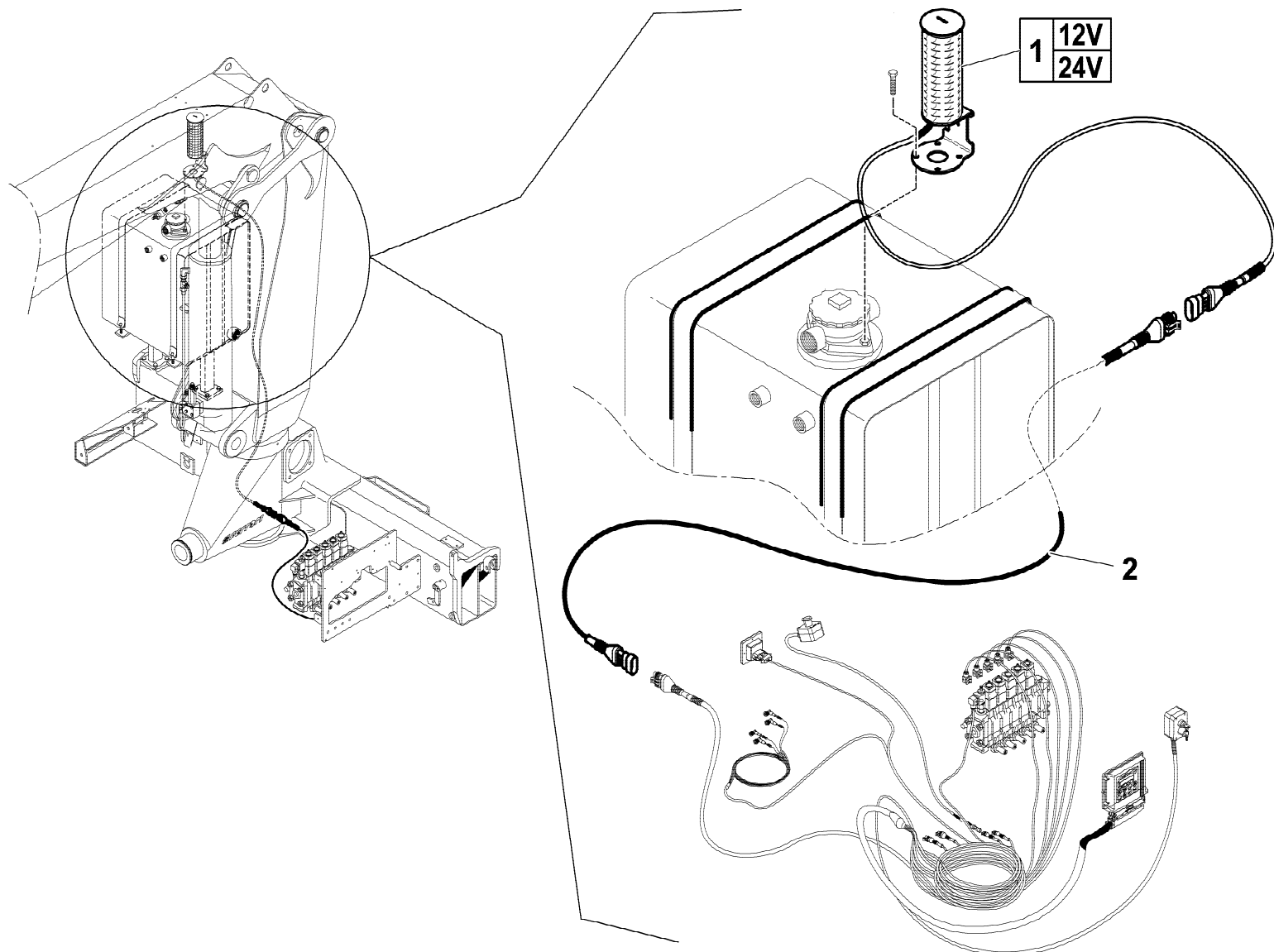
COMANDI BILATERALI (CE) EN12999-A3
 DOUBLE CONTROLS (CE) EN12999-A3
 DOUBLE COMMANDES (CE) EN12999-A3
 DOPPELSTEUERUNG (CE) EN12999-A3
 MONDOS BILATERALAS (CE) EN12999-A3

Tavola
W.044.505-4-0

Data pag.
 maggio 2011 33

rif.	codice	Q.tà
------	--------	------

1	3.31.1159	1
2	5.16.0003	1



1/1

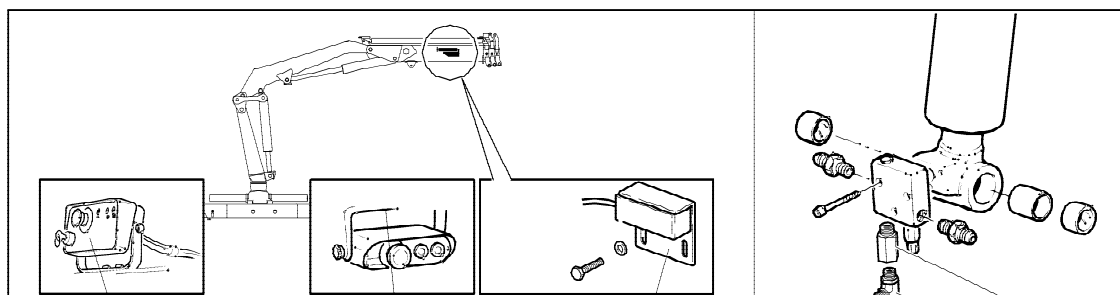
HYVA[®] CRANE

HC101

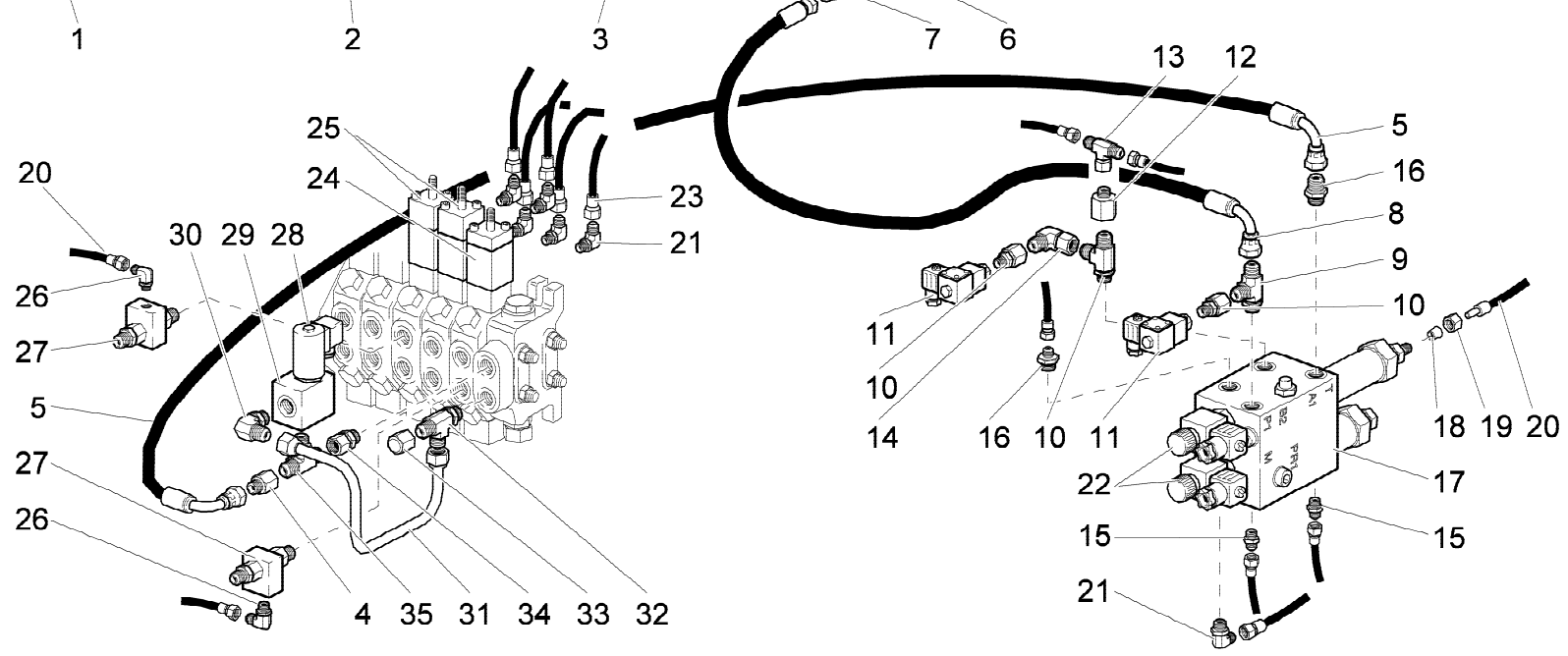
COMANDI BILATERALI (CE) EN12999-A3
 DOUBLE CONTROLS (CE) EN12999-A3
 DOUBLE COMMANDES (CE) EN12999-A3
 DOPPELSTEUERUNG (CE) EN12999-A3
 MONDOS BILATERALAS (CE) EN12999-A3

Tavola
W.044.505-5-0

Data pag.
 maggio 2011 34



VALIDO FINO A MARZO 2005
VALID UNTIL MARCH 2005



ref.	codice	Q.tà
1	W.285.036	1
2	W.285.035	1
3	W.264.806	1
4	3.12.0209	1
5	W.455.527	1
6	5.22.0300	1
7	3.10.1124	1
8	W.456.092	1
9	3.10.1175	2
10	3.12.0064	2
11	W.283.006	2
12	3.12.0200	1
13	3.12.0111	1
14	3.12.0011	1
15	3.10.1034	2
16	3.10.1039	2
17	5.22.0544	1
18	3.10.0956	1
19	3.10.0952	1
20	W.465.004	1
21	3.10.1194	6
22	3.31.0242	2
23	W.465.001	5
24	5.22.5370	1
25	5.22.5371	2
26	3.10.1195	2
27	3.12.1000	2
28	W.222.003	1
29	W.470.607	1
30	3.10.1131	1
31	W.44.05.059.00	1

1/2

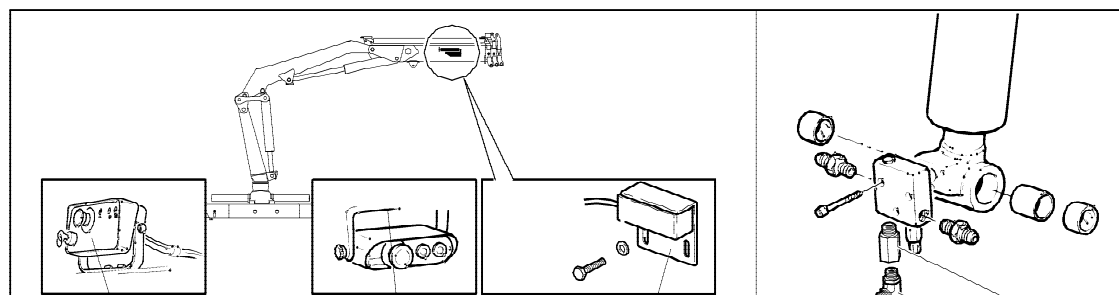
HYVA[®] CRANE
HC101

LIMITATORE DI MOMENTO
 MOMENT LIMITING DEVICE
 LIMITEUR DE MOMENT
 HUB-MOMENTBEGRENZER
 LIMITADOR DE MOMENTO

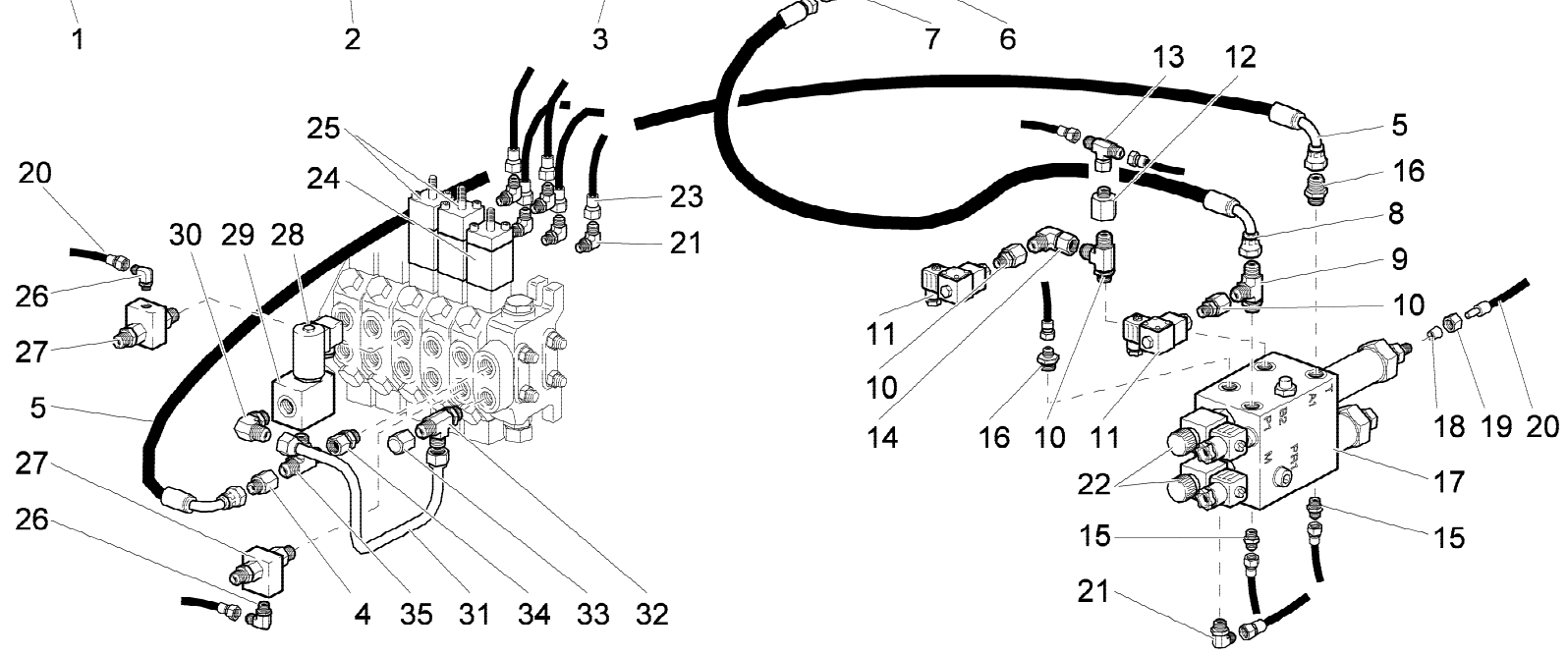
Tavola
W.44.05.525.00-1-1

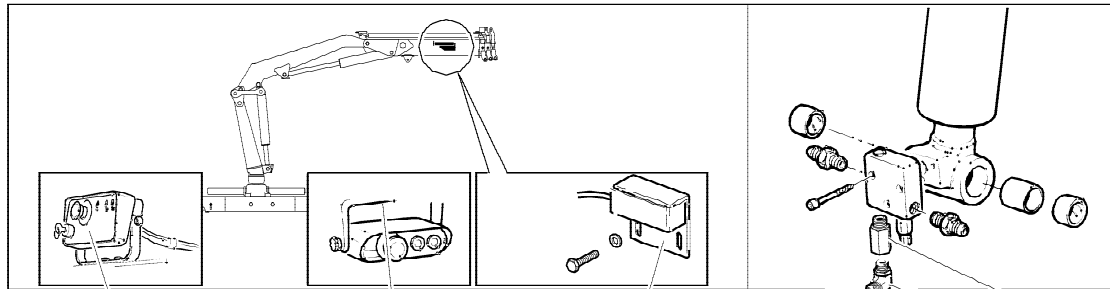
Data pag.
 settembre 2010 35.1

rif.	codice	Q.tà
32	3.10.1179	1
33	3.11.0050	1
34	3.12.0067	1
35	3.12.0306	1

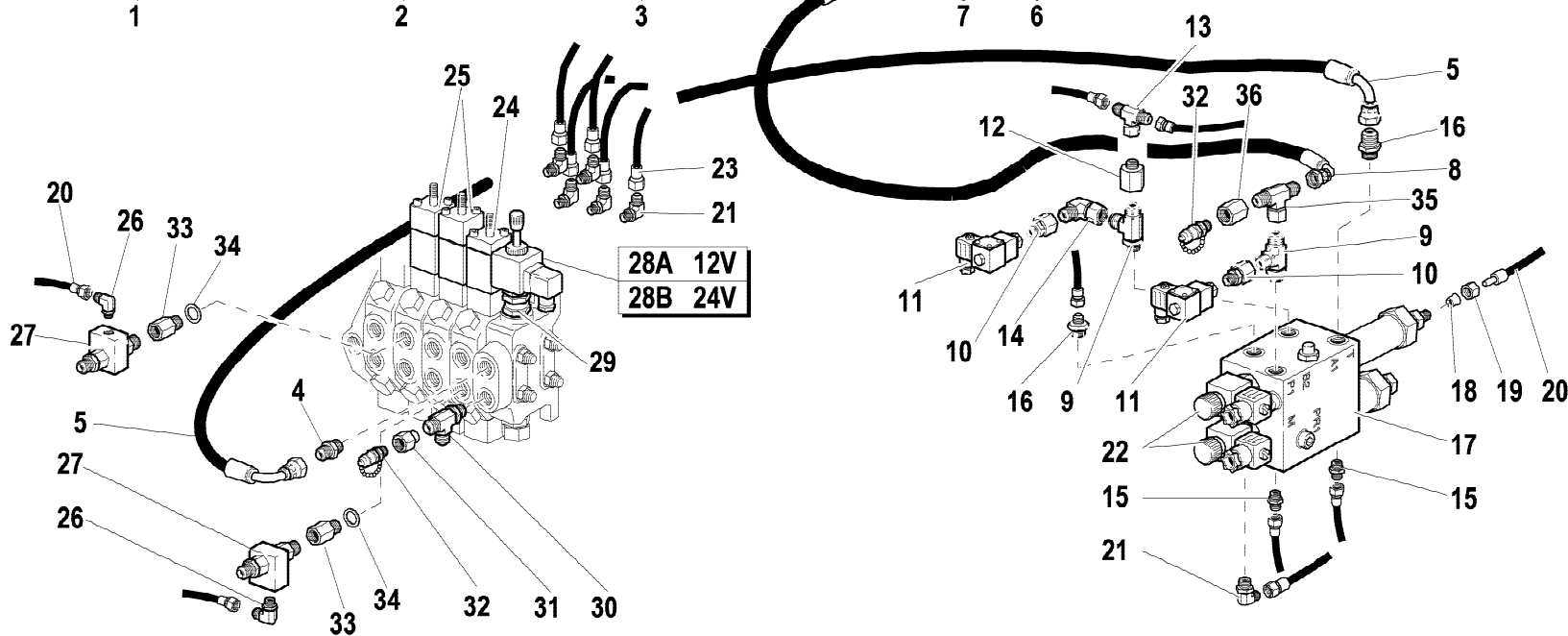


VALIDO FINO A MARZO 2005
VALID UNTIL MARCH 2005



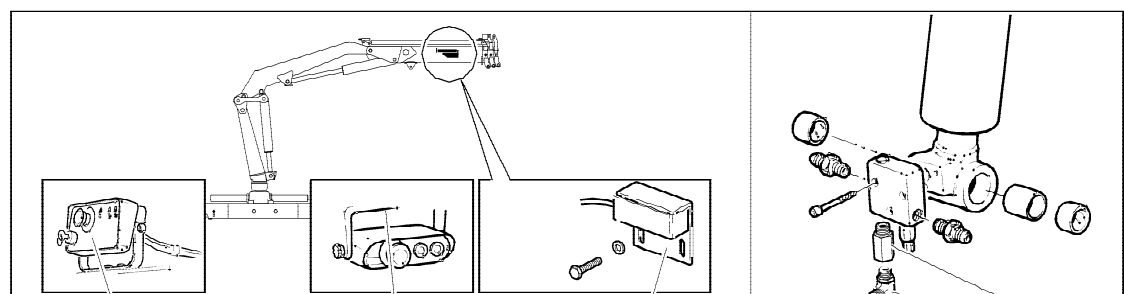


VALIDO da Aprile 2005
VALID FROM April 2005

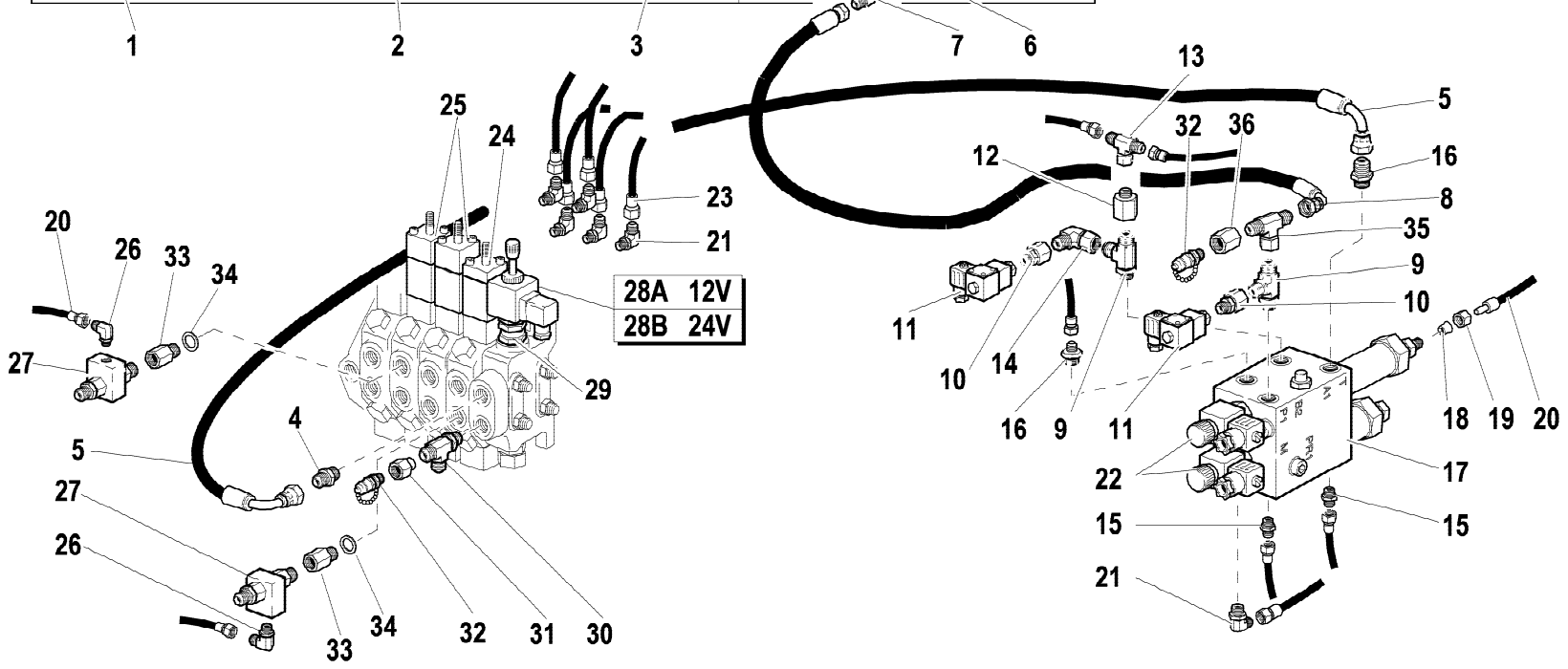


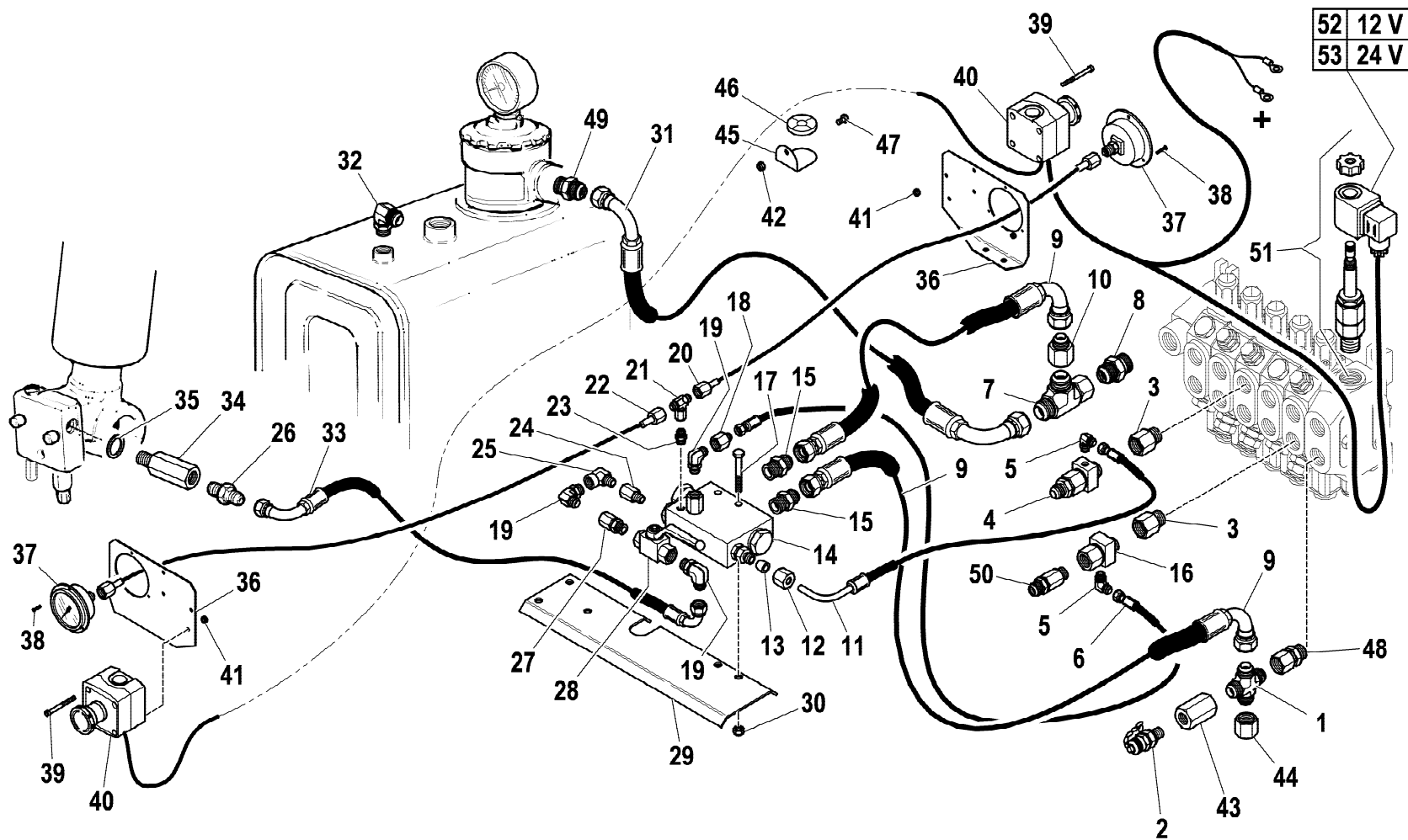
rif.	codice	Q.tà
1	W.285.036	1
2	W.285.035	1
3	W.264.806	1
4	3.10.1041	1
5	W.455.527	1
6	5.22.0300	1
7	3.10.1124	1
8	W.456.092	1
9	3.10.1175	2
10	3.12.0064	2
11	W.283.006	2
12	3.12.0200	1
13	3.12.0111	1
14	3.12.0011	1
15	3.10.1034	2
16	3.10.1039	2
17	5.22.0544	1
18	3.10.0956	1
19	3.10.0952	1
20	W.465.004	1
21	3.10.1194	6
22	3.31.0242	2
23	W.465.001	5
24	5.22.5370	1
25	5.22.5371	2
26	3.10.1195	2
27	3.12.1000	2
28 A	3.31.1046	1
28 B	3.31.1047	1
29	5.22.5429	1
30	3.10.1179	1
		1/2

rif.	codice	Q.tà
31	3.12.0314	1
32	3.11.1523	2
33	3.11.0113	2
34	3.06.0145	2
35	3.12.0341	1
36	3.12.0385	1



VALIDO da Aprile 2005
VALID FROM April 2005



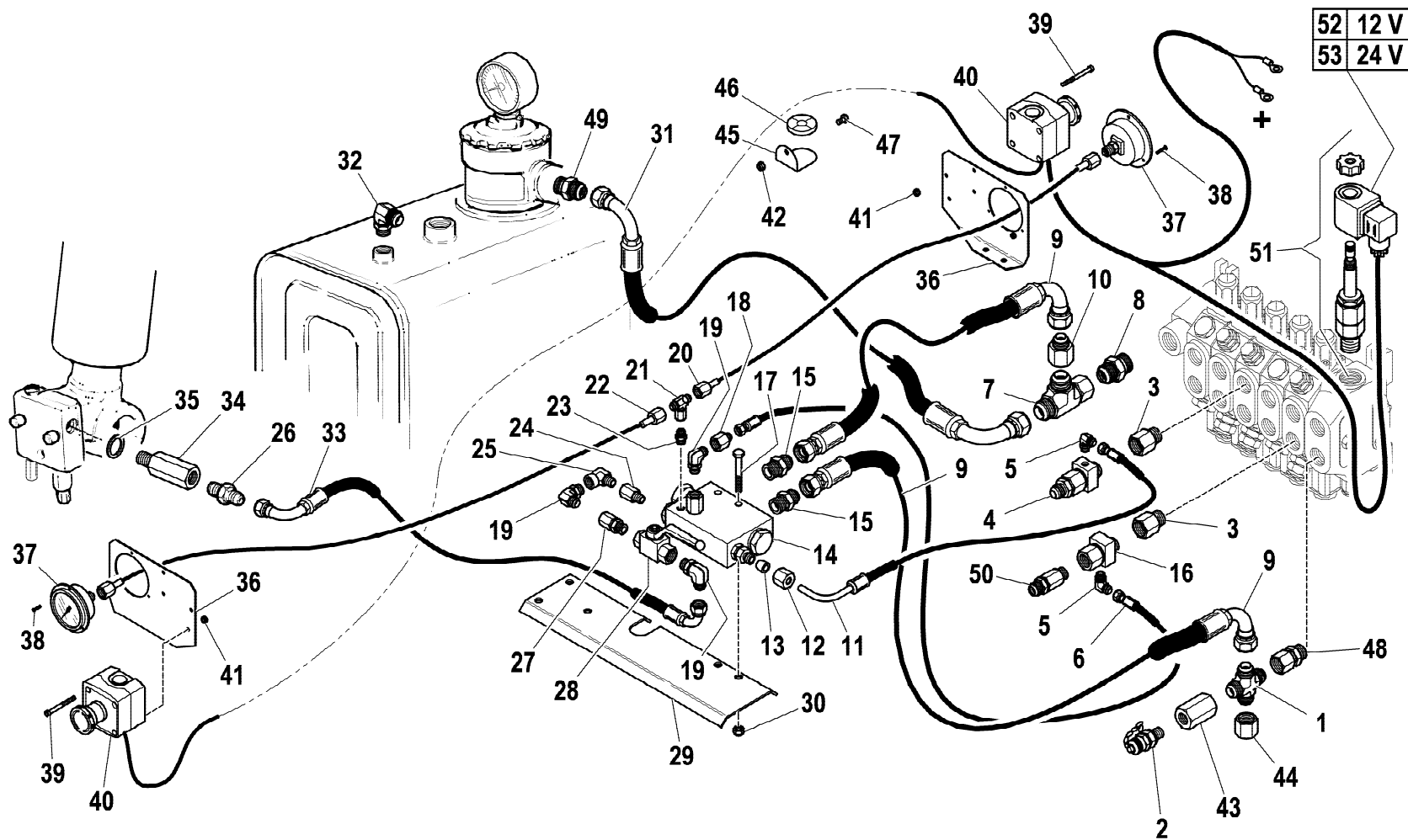


rif.	codice	Q.tà
1	3.12.0390	1
2	3.11.1523	1
3	3.11.0113	2
4	3.12.1000	1
5	3.10.1121	2
6	W.456.015	1
7	3.12.0331	1
8	3.10.1058	1
9	5.27.1799	2
10	3.12.0329	1
11	W.468.151	1
12	3.10.0952	1
13	3.10.0956	1
14	5.22.0135	1
15	3.10.1044	2
16	W.410.508	1
17	3.01.0035	2
18	3.12.0201	1
19	3.10.1124	3
20	W.458.458	1
21	3.12.0111	1
22	5.30.0090	1
23	3.12.0382	1
24	3.11.0270	1
25	3.11.1512	1
26	3.10.1039	1
27	3.12.0064	2
28	5.22.0063	1
29	W.44.05.023.00	1
30	3.04.0303	2
31	5.29.0236	1
1/2		

HYVA[®] CRANE
HC101

LIMITATORE DI MOMENTO - ECO CE
 MOMENT LIMITING DEVICE - ECO CE
 LIMITEUR DE MOMENT - ECO CE
 HUB-MOMENTBEGRENZER - ECO CE
 LIMITADOR DE MOMENTO - ECO CE

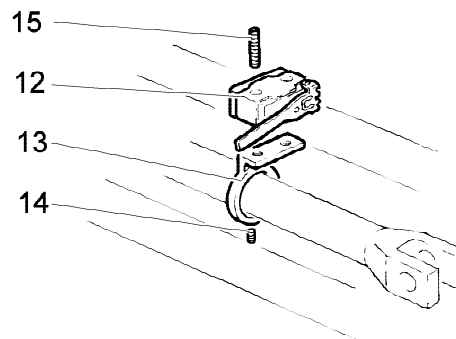
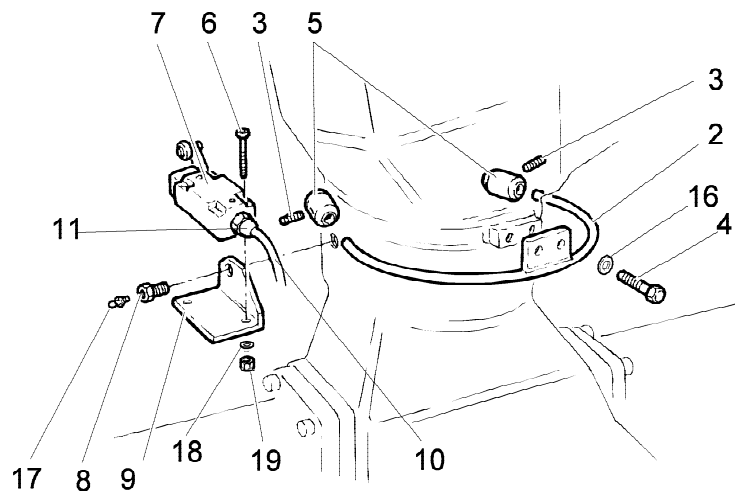
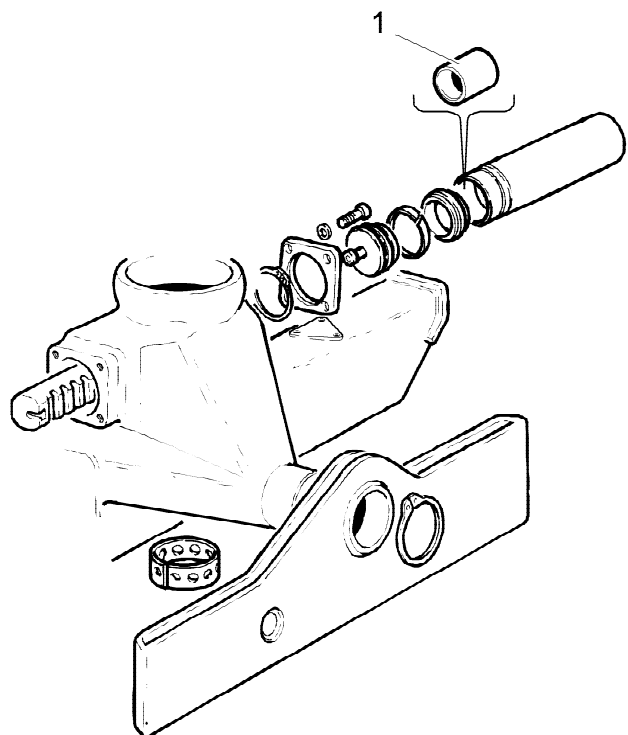
Tavola
W.44.05.561.00-1-0
 Data pag.
 ottobre 2011 37.1



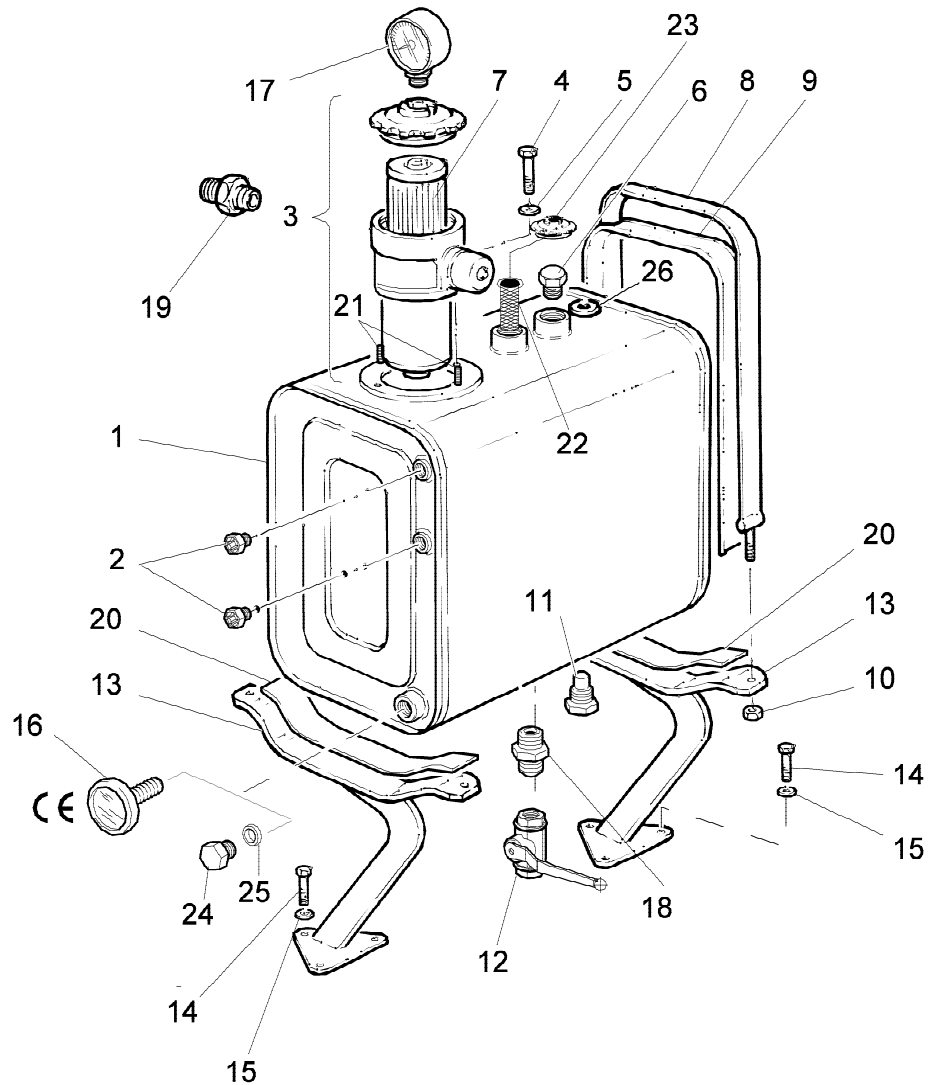
rif.	codice	Q.tà
32	3.12.0012	1
33	W.456.080	1
34	5.22.0300	1
35	3.06.0143	1
36	W.39.05.054.00	2
37	3.18.0150	2
38	3.02.0950	6
39	3.02.0023	4
40	W.57.05.552.00	1
41	3.04.0392	4
42	3.04.0372	2
43	3.12.0314	1
44	3.11.0050	1
45	W.57.05.016.00	2
46	3.18.0116	2
47	3.01.0325	2
48	3.12.0067	1
49	3.10.1057	1
50	W.402.109	1
51	5.22.5429	1
52	3.31.1046	1
53	3.31.1047	1

KIT W440552700

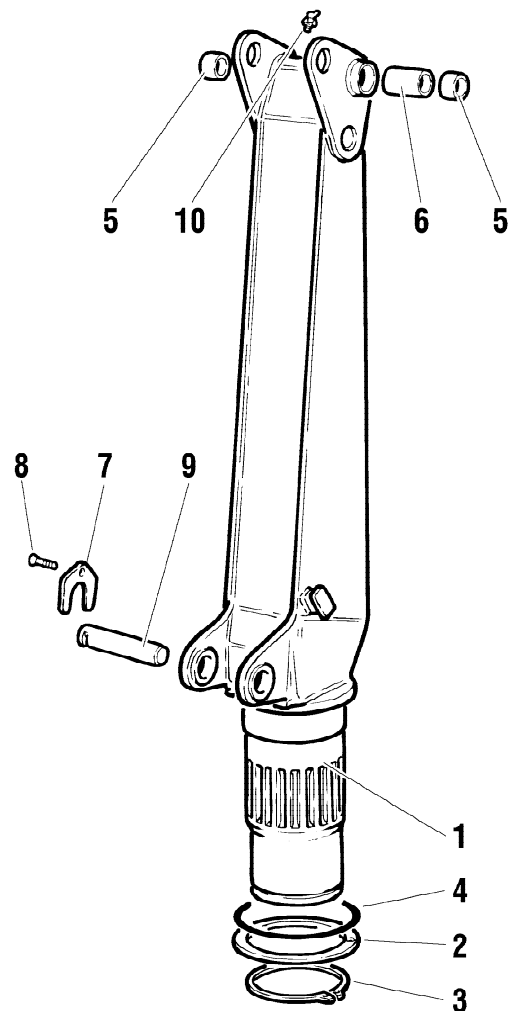
240°



rif.	codice	Q.tà
1	W.44.01.023.00	2
2	W.44.05.047.00	1
3	3.06.0507	2
4	3.02.0354	2
5	W.44.05.048.00	2
6	3.02.0958	2
7	W.251.008	1
8	W.44.05.049.00	1
9	W.44.05.050.00	1
10	W.44.05.051.00	1
11	3.31.0379	1
12	W.264.803	1
13	W.29.05.046.00	1
14	3.06.0229	1
15	3.02.0953	2
16	3.06.0914	2
17	3.08.0531	1
18	3.06.0003	2
19	3.04.0518	1



rif.	codice	Q.tà
1	W.438.011	1
2	W.370.002	2
3	3.18.0200	1
4	3.01.0339	2
5	3.06.0006	2
6	3.11.0061	1
7	3.18.0110	1
8	W.44.05.006.00	2
9	3.19.0020	2
10	3.04.0524	4
11	3.11.0070	1
12	5.22.0952	1
13	W.44.05.005.00	2
14	3.01.0027	6
15	3.06.0029	6
16	3.18.0097	1
17	3.18.0147	1
18	3.11.0281	1
19	3.10.1057	1
20	W.605.006	m 0.8
21	3.06.0936	2
22	W.449.015	1
23	W.449.014	1
24	3.11.0065	1
25	3.06.0145	1
26	3.06.0144	1



rif.	codice	Q.tà
1	W.44.02.001.00	1
2	W.44.01.010.00	1
3	3.07.0156	1
4	W.360.085	1
5	5.14.0695	2
6	W.44.02.016.00	1
7	W.44.02.010.00	1
8	3.02.0550	1
9	W.101.259	1
10	3.08.0016	1

044201-1-1

1/1

HYVA[®] CRANE

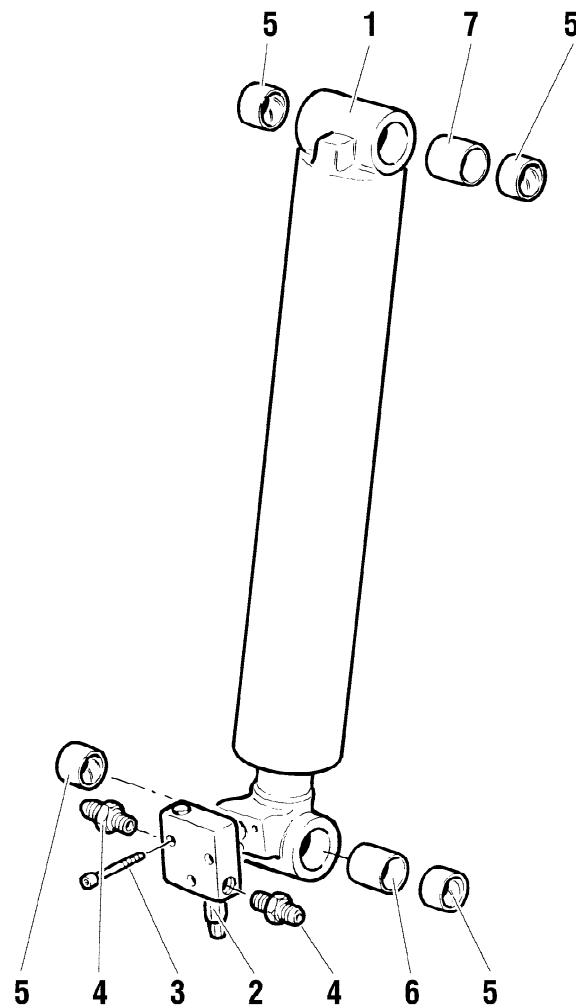
HC101

COLONNA
COLUMN
COLONNE
SAEULE
COLUMNNA

Tavola
W.044.201-1-1

Data pag.
gennaio 2007 40

rif.	codice	Q.tà
1	W.44.02.501.00	1
2	W.470.043	1
3	3.02.0045	3
4	3.10.1043	2
5	5.14.0695	4
6	W.44.02.019.00	1
7	W.44.02.018.00	1



440250200-1-0

1/1

HYVA[®] CRANE

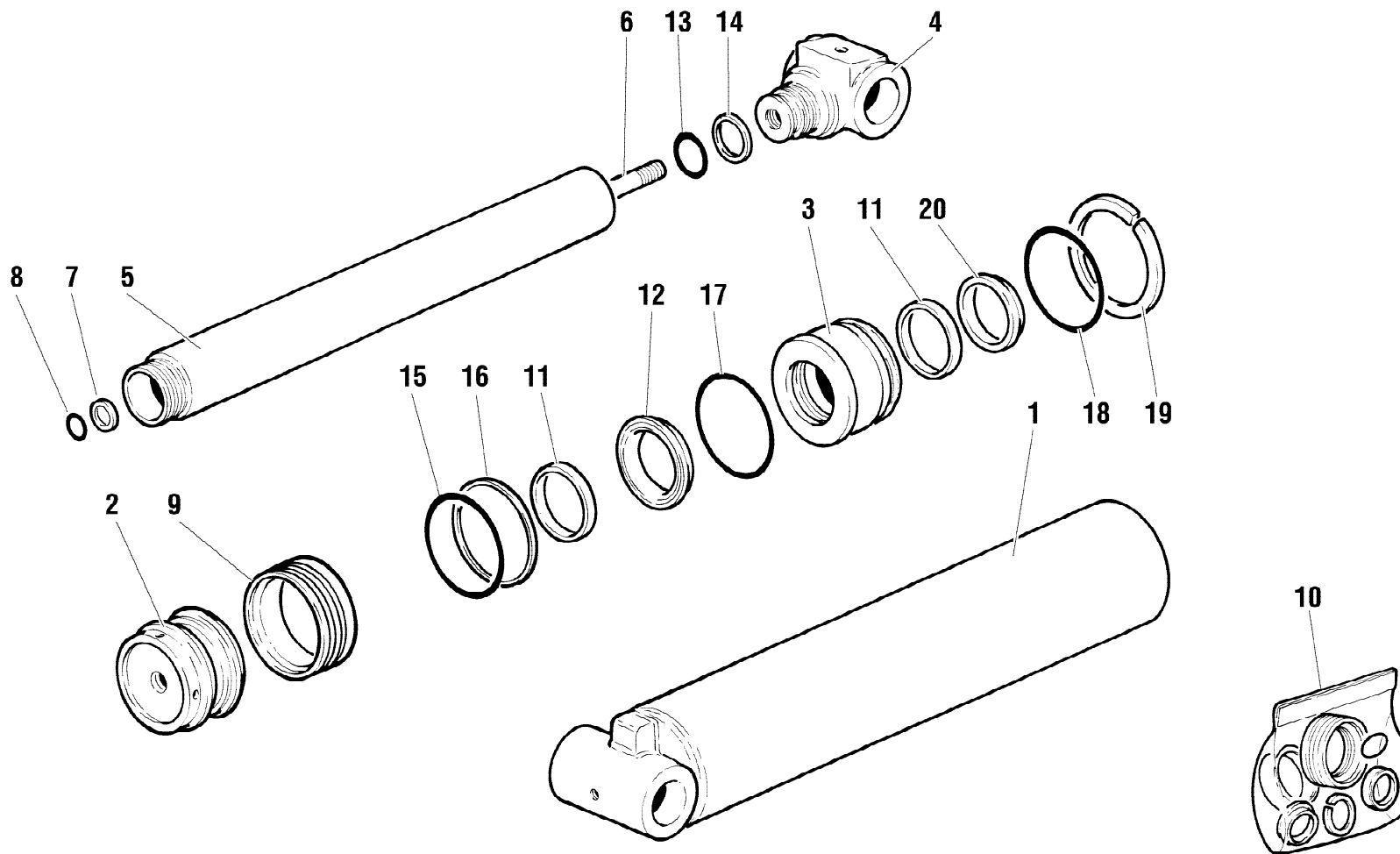
HC101

IMPIANTO IDRAULICO (MARTINETTO SOLLEVAMENTO)
 HYDRAULIC SYSTEM (LIFTING HYDRAULIC CYLINDER)
 INSTALLATION HYDRAULIQUE (VERIN DE LEVAGE)
 HYDRAULIKANLAGE (HUBZYLINDER)
 INSTALACION HIDRAULICA (GATO DE ELEVACION)

W.44.02.502.00-1-0

Tavola

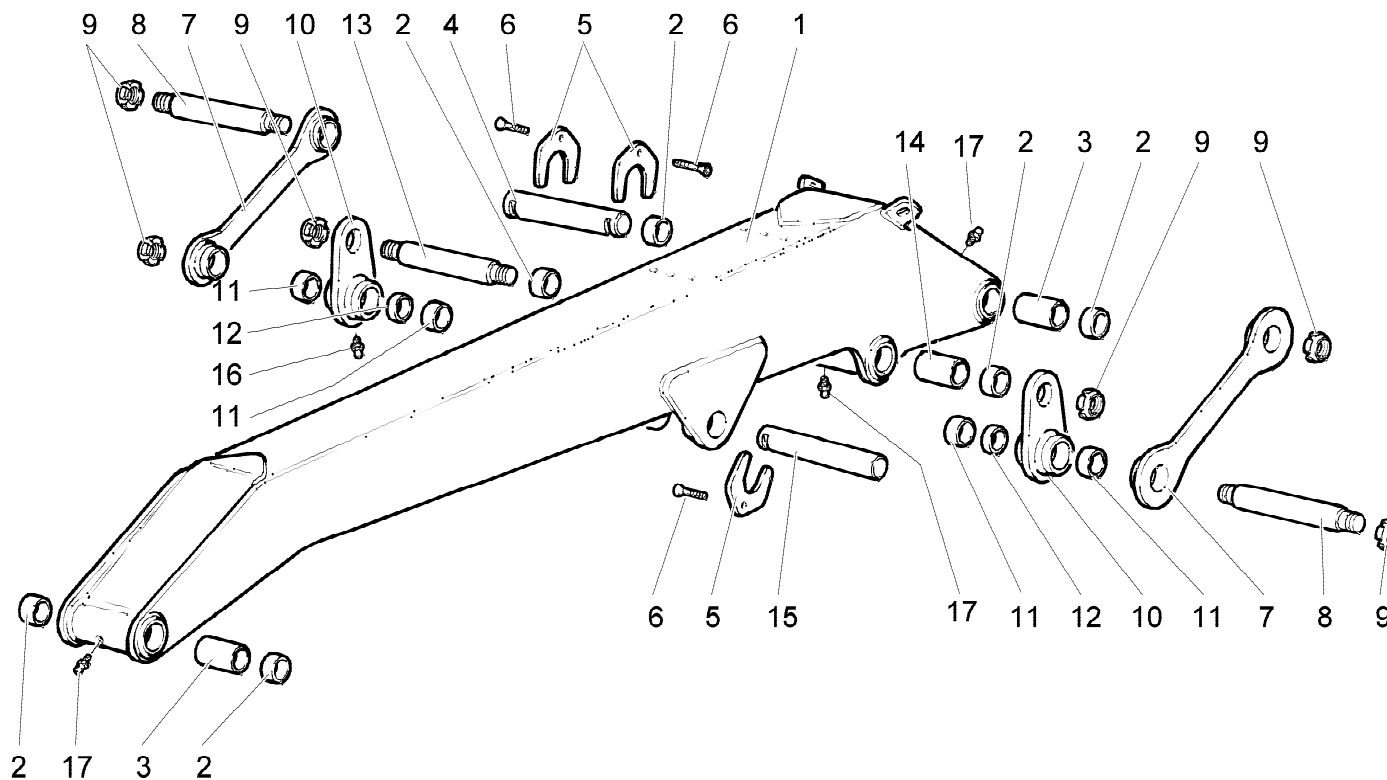
Data pag.
 febbraio 2007 41



rif.	codice	Q.tà
1	W.44.02.009.00	1
2	W.105.069	1
3	W.120.067	1
4	W.44.02.007.00	1
5	W.44.02.006.00	1
6	W.44.02.011.00	1
7	W.304.024	2
8	W.360.002	1
9	W.359.030	1
10	W.365.090	1
11	W.305.008	2
12	W.358.507	1
13	W.360.097	1
14	W.304.031	1
15	W.360.084	1
16	W.304.026	1
17	W.44.02.012.00	1
18	W.360.083	1
19	3.07.0088	1
20	W.361.022	1

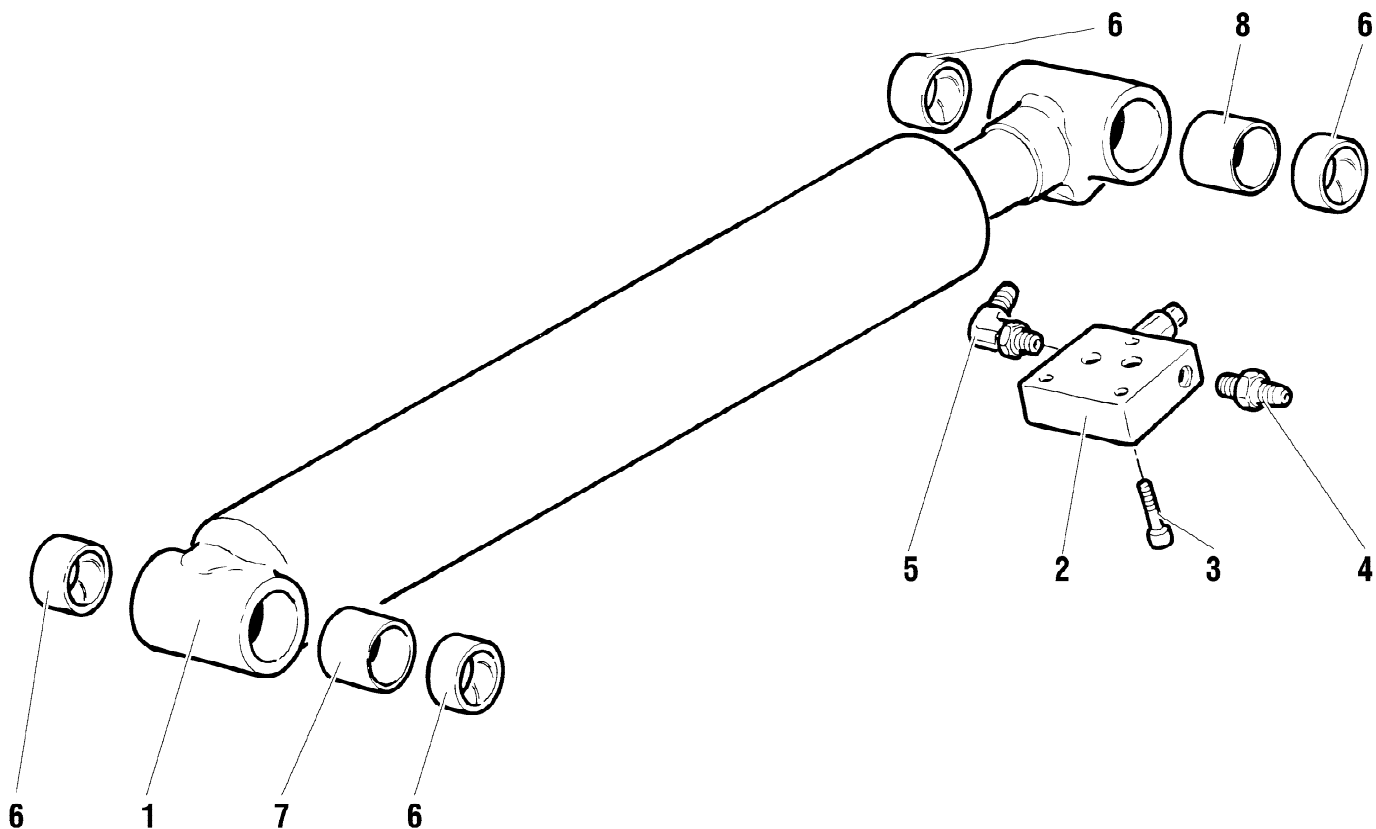
440250.100-1-1

rif.	codice	Q.tà
1	W.44.02.004.00	1
2	5.14.0695	6
3	W.44.02.014.00	2
4	W.101.261	1
5	W.44.02.010.00	3
6	3.02.0550	3
7	W.44.02.005.00	2
8	W.101.263	1
9	3.04.0506	6
10	W.44.02.015.00	2
11	5.14.1058	4
12	W.44.02.013.00	1
13	W.101.264	1
14	W.44.02.017.00	1
15	W.101.259	1
16	3.08.0016	2
17	3.08.0533	3



044202-1-2

rif.	codice	Q.tà
1	W.44.03.504.00	1
2	W.470.064	1
3	3.02.0045	3
4	3.10.1043	1
5	3.10.1127	1
6	5.14.0695	4
7	W.44.02.018.00	1
8	W.44.02.019.00	1



440350600-1-1

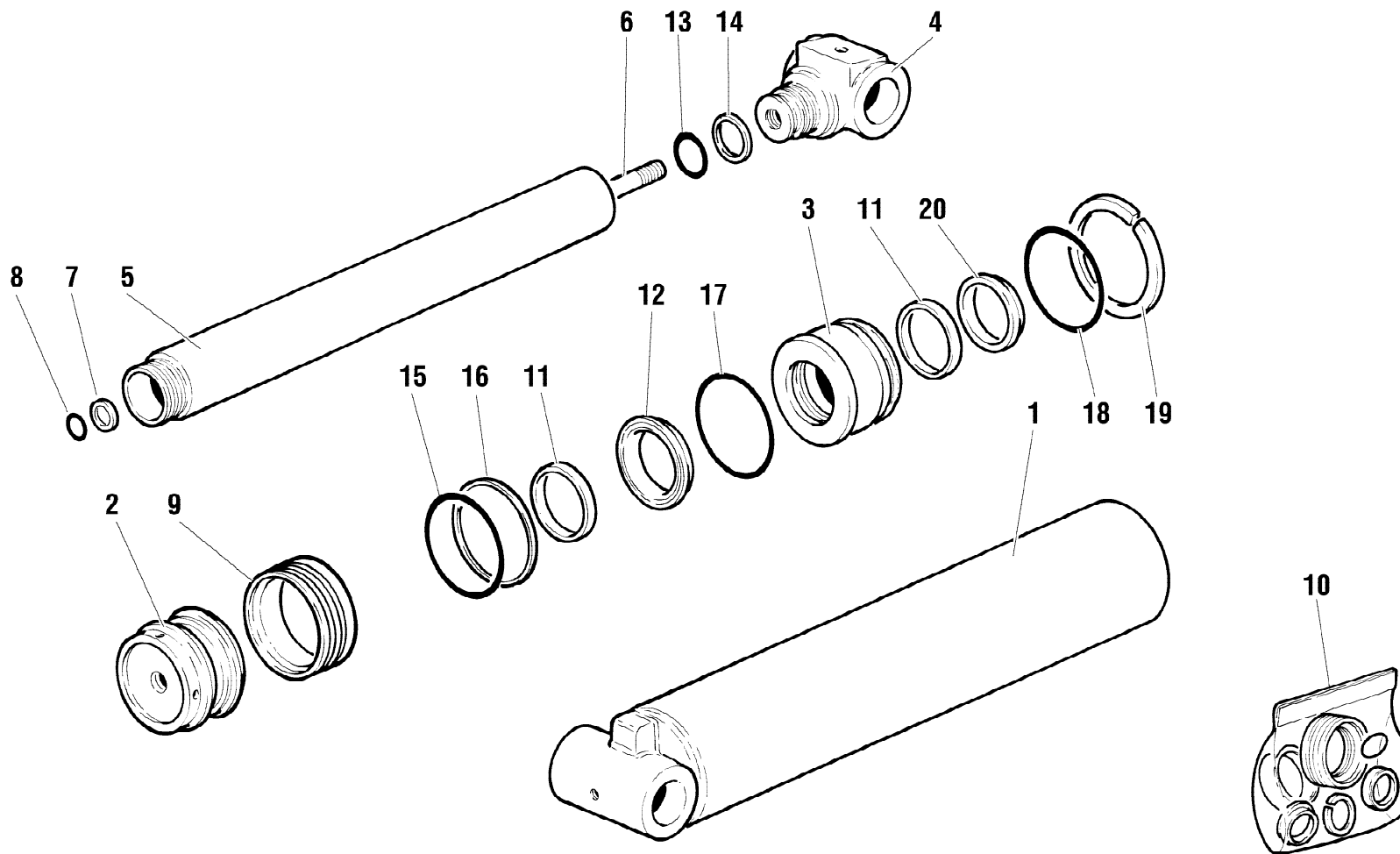
1/1

HYVA[®] CRANE
HC101

IMPIANTO IDRAULICO (MARTINETTO ARTICOLAZIONE)
 HYDRAULIC SYSTEM (ARTICULATION HYDRAULIC JACK)
 INSTALLATION HYDRAULIQUE (VERIN D' ARTICULATION)
 HYDRAULIKANLAGE (GELENKSHEBEBOCK)
 INSTALACION HIDRAULICA (GATO DE ARTICULACION)

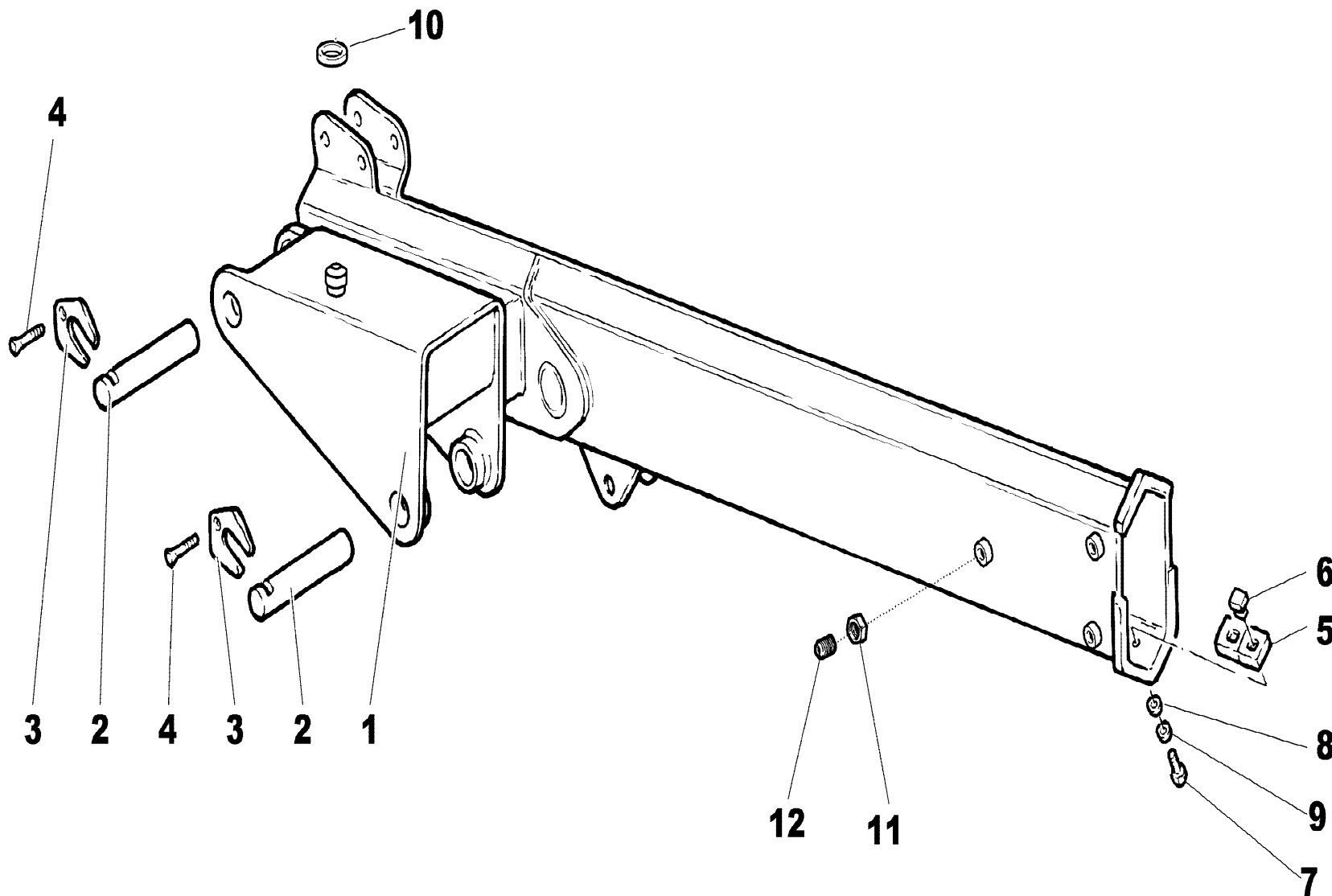
Tavola
W.44.03.506.00-1-1

Data pag.
 febbraio 2007 44



rif.	codice	Q.tà
1	W.44.03.011.00	1
2	W.105.069	1
3	W.120.067	1
4	W.44.02.007.00	1
5	W.44.03.010.00	1
6	W.44.03.012.00	1
7	W.304.024	2
8	W.360.002	1
9	W.359.030	1
10	W.365.090	1
11	W.305.008	2
12	W.358.507	1
13	W.360.097	1
14	W.304.031	1
15	W.360.084	1
16	W.304.026	1
17	W.44.02.012.00	1
18	W.360.083	1
19	3.07.0088	1
20	W.361.022	1

440350100-1-0



rif.	codice	Q.tà
1	W.44.03.057.00	1
2	W.101.262	2
3	W.44.02.010.00	2
4	3.02.0550	2
5	W.44.03.043.00	2
6	W.27.03.031.00	4
7	3.01.0336	4
8	3.06.0029	4
9	3.06.0918	4
10	W.732.005	1
11	3.04.0086	6
12	W.43.06.020.00	6

1/1

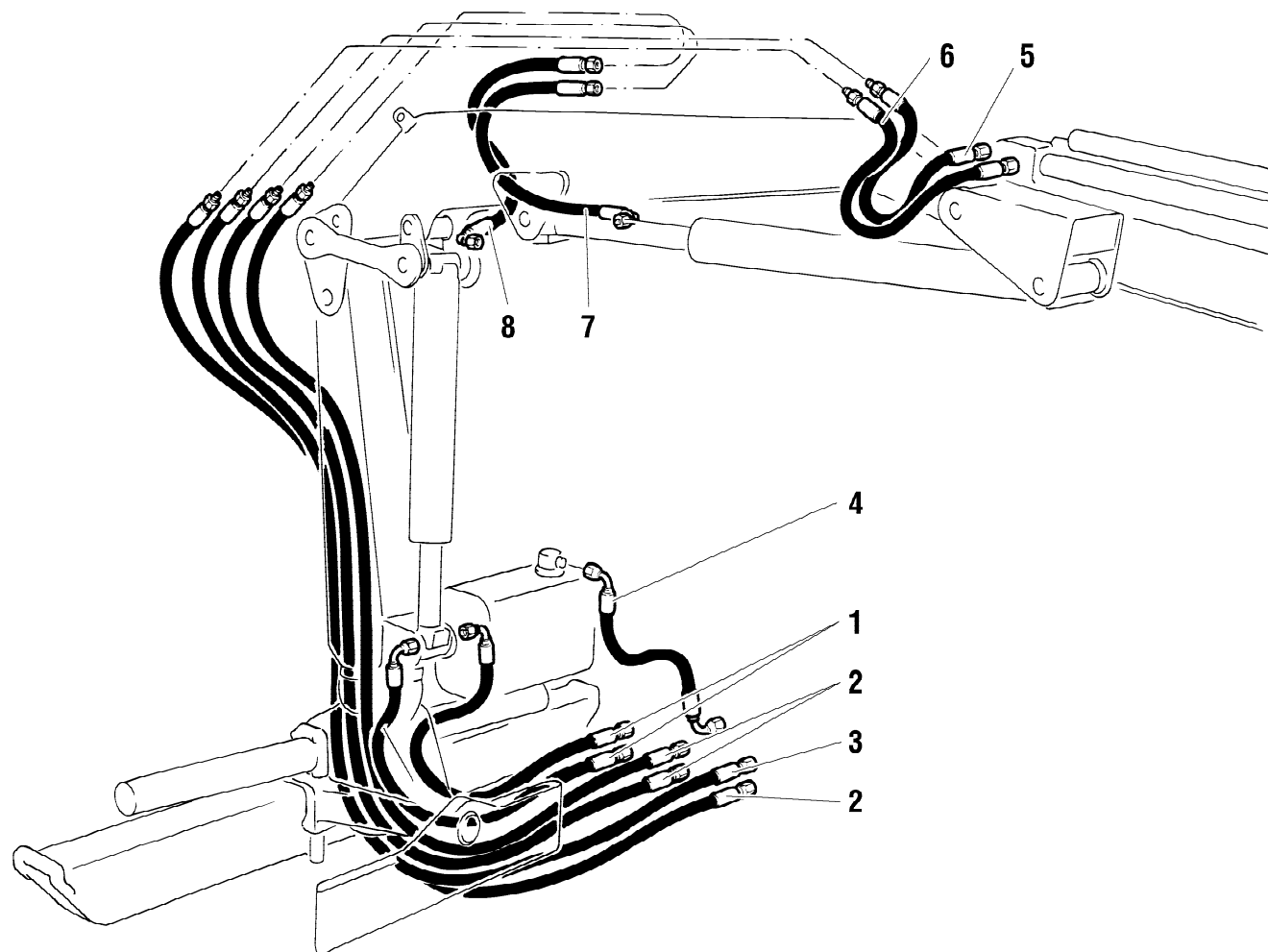
HYVA® CRANE
HC101

2° BRACCIO
2ND BOOM
2EME BRAS
2. ARM
2° BRAZO

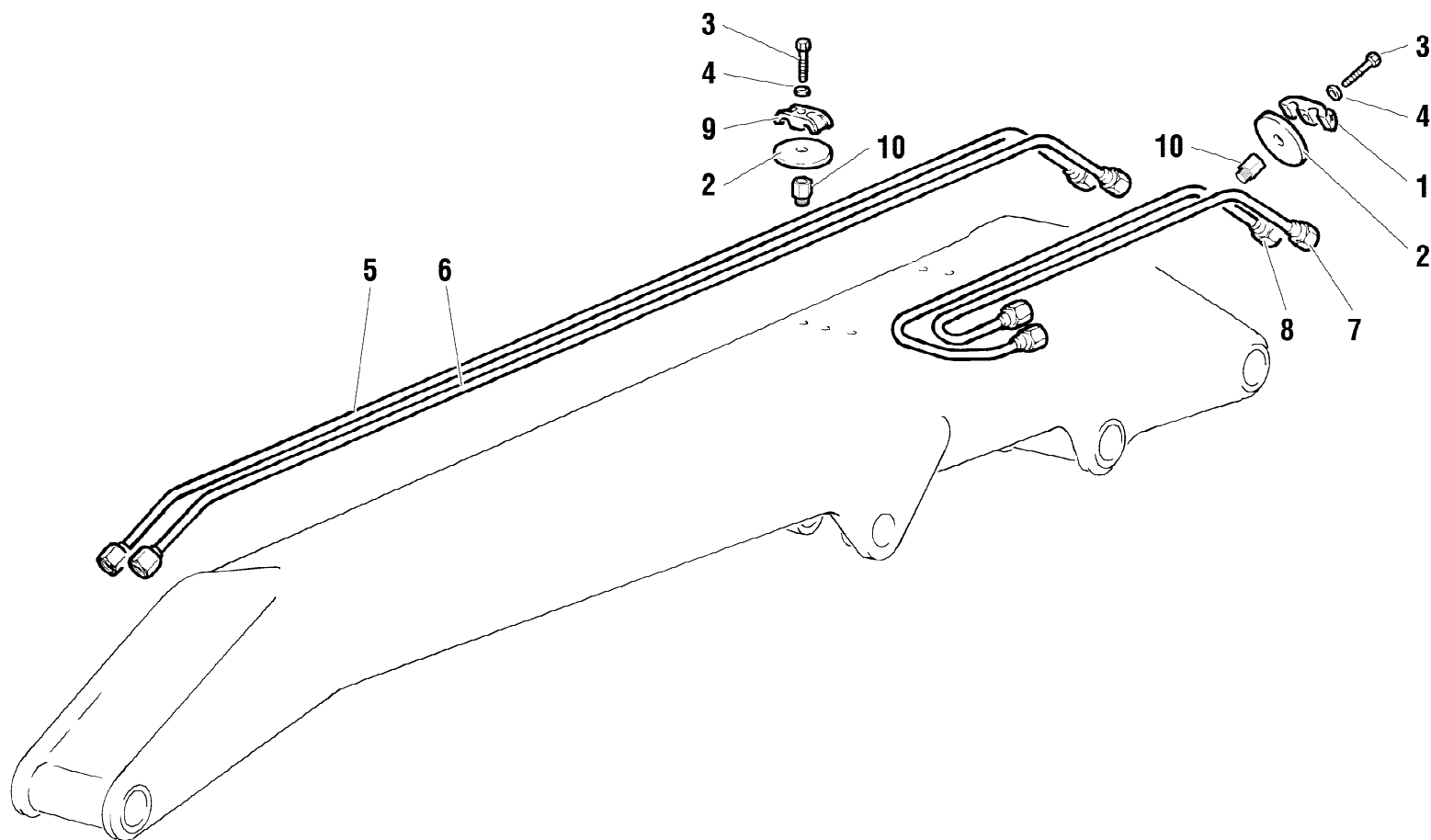
Tavola
W.044.303-1-3

Data pag.
febbraio 2007 46

rif.	codice	Q.tà
1	W.456.157	2
2	W.456.766	3
3	W.456.807	1
4	5.29.0236	1
5	W.456.773	1
6	W.456.805	1
7	W.456.413	1
8	W.456.408	1



rif.	codice	Q.tà
1	5.00.0077	2
2	W.34.05.014.00	5
3	3.01.0066	5
4	3.06.0918	5
5	W.44.02.020.00	1
6	W.44.02.021.00	1
7	W.44.02.022.00	1
8	W.44.02.023.00	1
9	5.00.0045	3
10	W.34.05.013.00	5



044504-1-1

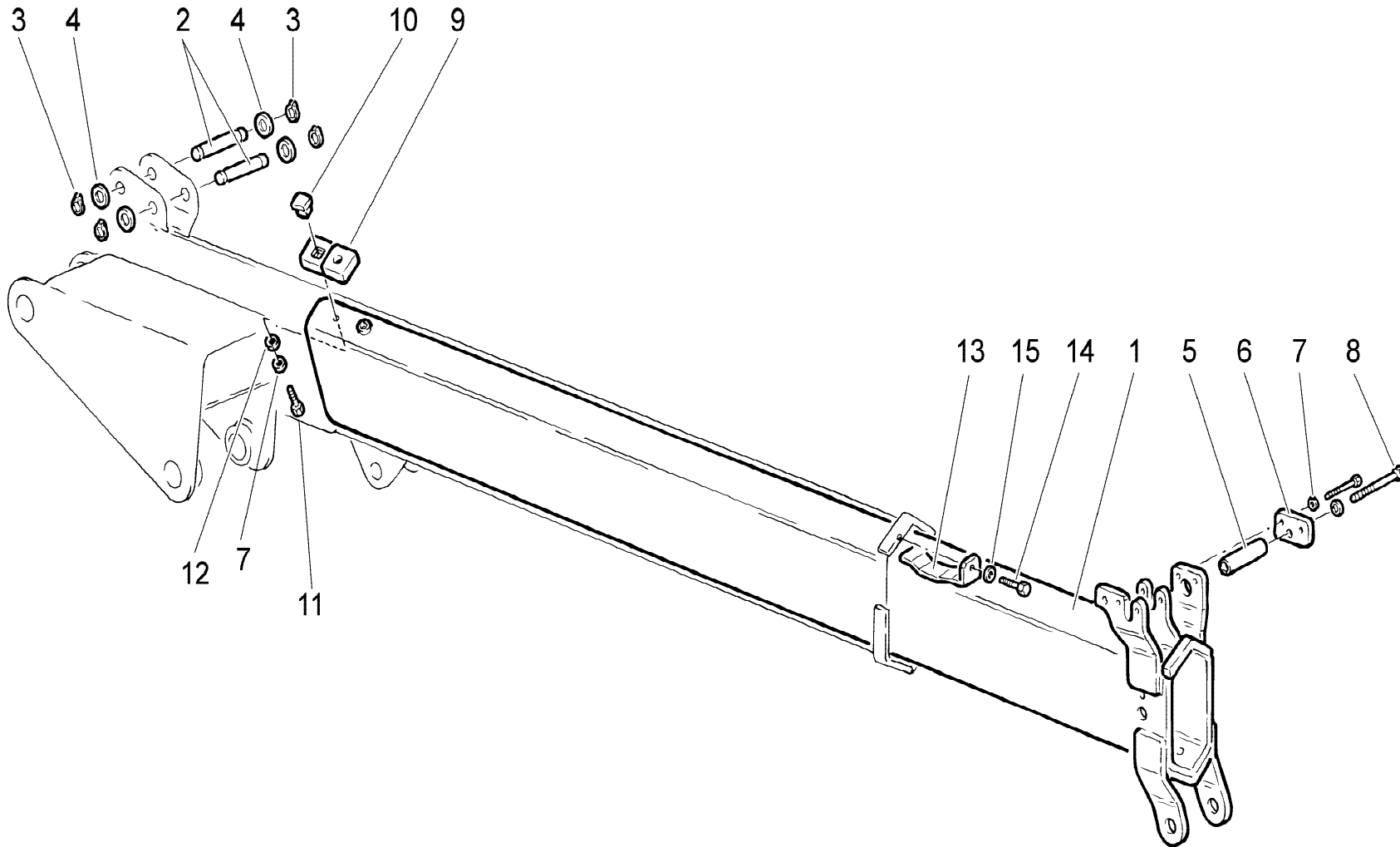
1/1

HYVA[®] CRANE
HC101

IMPIANTO IDRAULICO (1° E 2° BRACCIO)
HYDRAULIC SYSTEM (1TH E 2ND BOOM)
INSTALLATION HYDRAULIQUE (1ERE ET 2EME BRAS)
HYDRAULIKANLAGE (1TEN UNT 2.TEN GELENKARM)
INSTALACION HIDRAULICA (1° Y 2° BRAZO)

Tavola
W.044.504-1-1

Data pag.
febbraio 2007 48



rif.	codice	Q.tà
1	W.44.03.049.00	1
2	W.101.242	2
3	3.07.0017	4
4	3.06.0012	4
5	W.101.258	1
6	W.44.03.022.00	1
7	3.06.0055	3
8	3.01.0337	3
9	W.44.03.046.00	2
10	W.27.03.031.00	2
11	3.01.0336	2
12	3.06.0006	2
13	W.56.03.045.00	2
14	3.02.0034	2
15	3.06.0005	2

044302-1-2

1/1

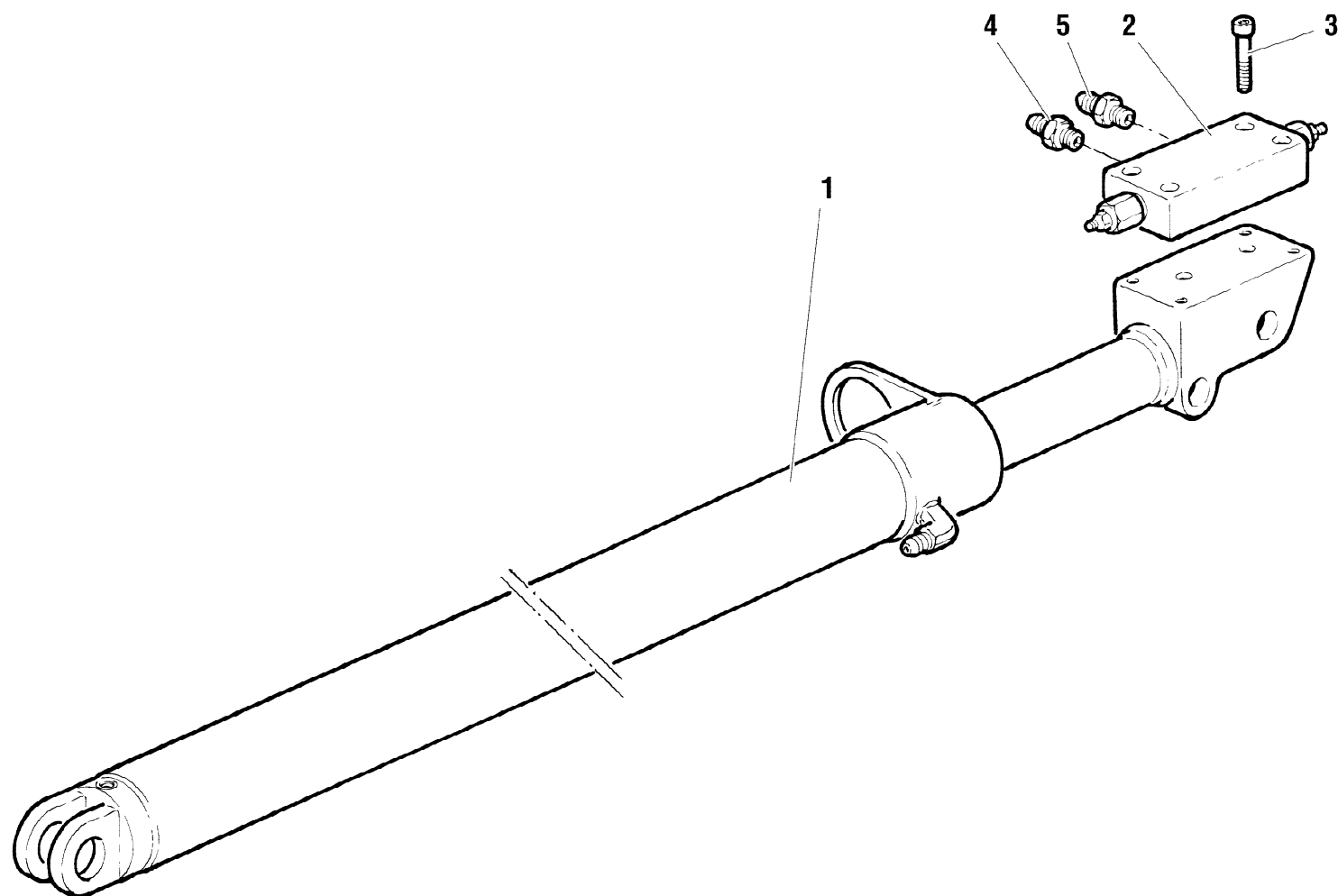
HYVA[®] CRANE
HC101

1° SFILO
 1ST EXTENSION
 1ERE RALLONGE
 1. VERLAENGERUNG
 1°PROLONGACION

Tavola
W.044.302-1-2

Data pag.
 febbraio 2007 49

rif.	codice	Q.tà
1	W.44.03.501.00	1
2	W.470.007	1
3	3.02.0058	4
4	3.10.1044	1
5	3.10.1051	1



440350500-1-0

1/1

HYVA[®] CRANE

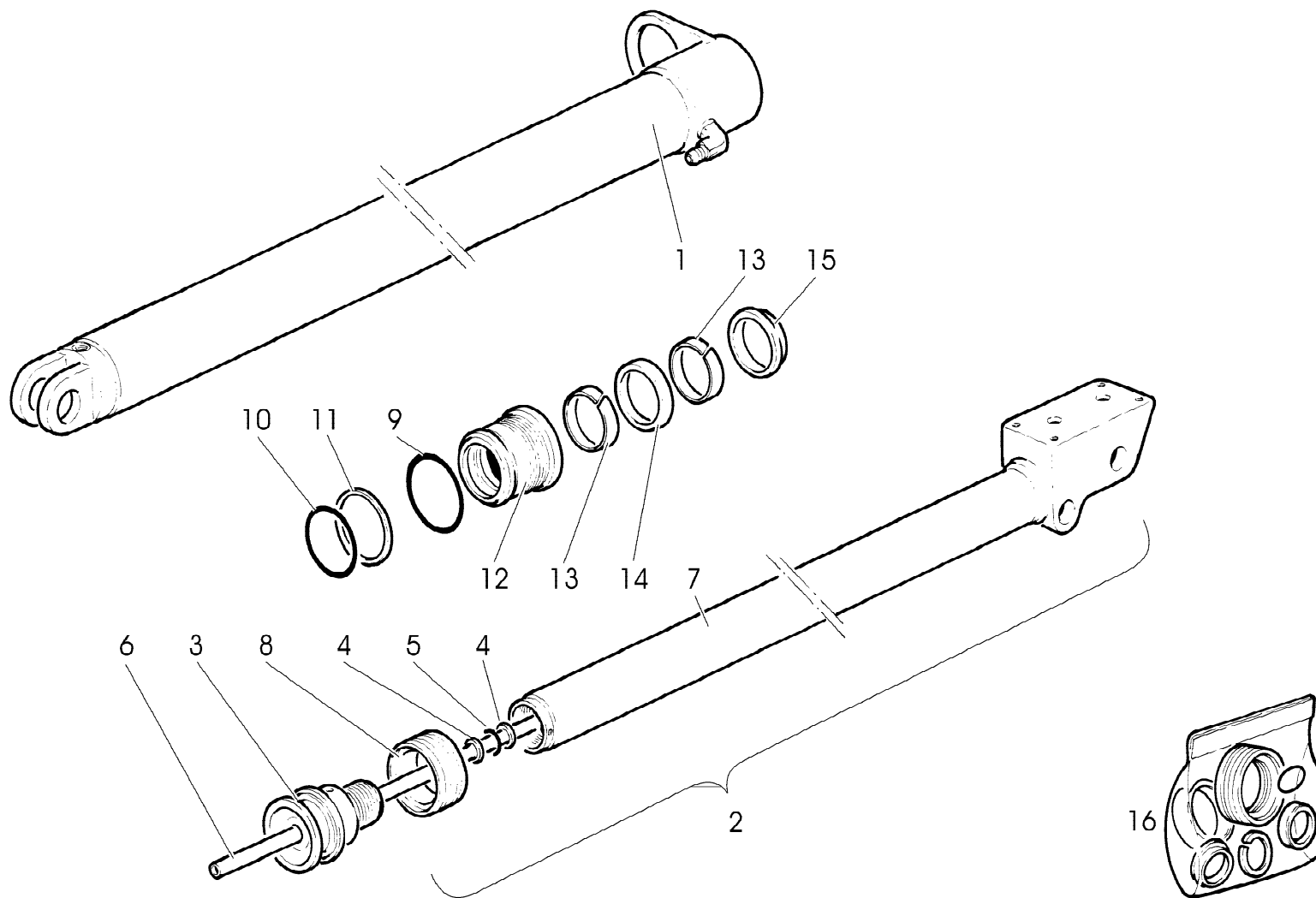
HC101

IMPIANTO IDRAULICO (MARTINETTO 1° SFILO)
 HYDRAULIC SYSTEM (1ST EXSTENSION HYDRAULIC)
 INSTALLATION HYDRAULIQUE (VÉRIN 1ÈRE RALLONGE)
 HYDRAULIKANLAGE (1. SCHUBZYLINDER)
 INSTALACION HIDRAULICA (GATO 1ª EXTENSIÓN)

Tavola
W.44.03.505.00-1-0

Data pag.
 febbraio 2007 50

rif.	codice	Q.tà
1	W.44.03.023.00	1
2	W.44.03.024.00	1
3	W.44.03.024.01	1
4	W.304.030	2
5	W.360.094	1
6	W.44.03.024.03	1
7	W.44.03.024.02	1
8	W.359.016	1
9	W.360.096	1
10	W.360.087	1
11	W.304.027	1
12	W.120.068	1
13	W.305.004	2
14	W.358.031	1
15	W.361.016	1
16	W.365.079	1



440350100-1-0

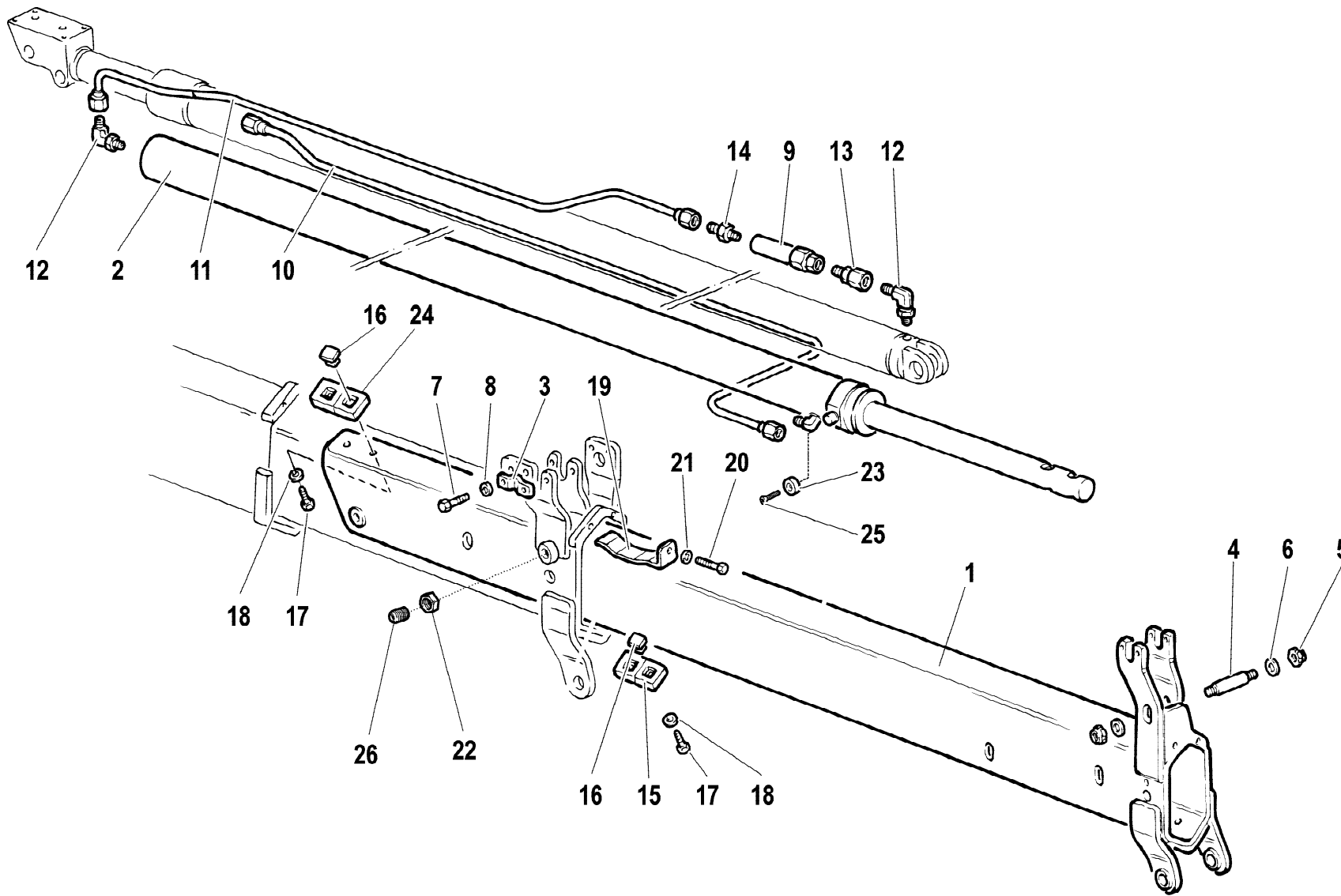
1/1

HYVA[®] CRANE
HC101

MARTINETTO 1° SFILLO
 1ST EXSTENSION HYDRAULIC
 VÉRIN 1ÈRE RALLONGE
 1. SCHUBZYLINDER
 GATO 1ª EXTENSIÓN

Tavola
W.44.03.501.00-1-1

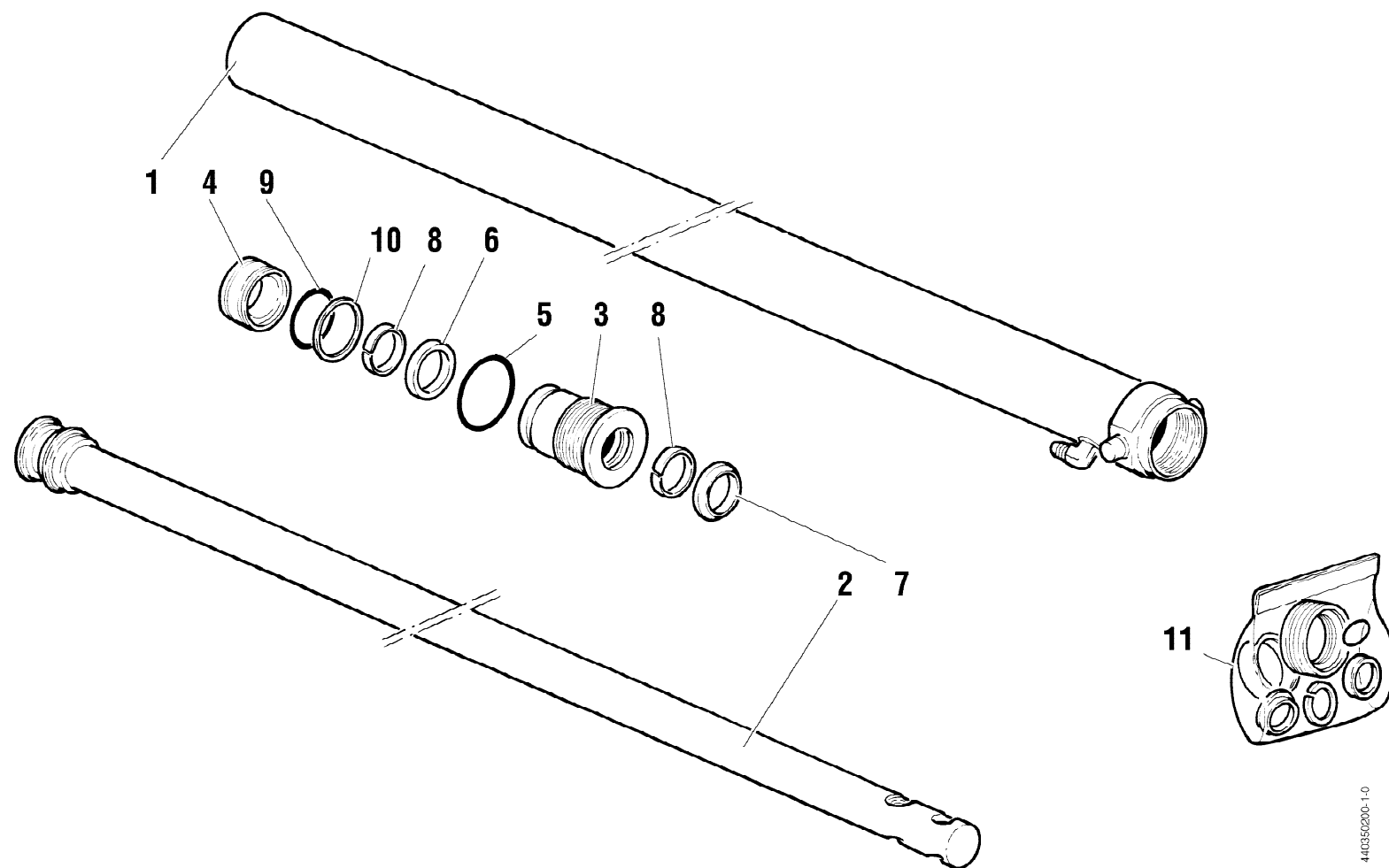
Data pag.
 febbraio 2007 51



rif.	codice	Q.tà
1	W.44.03.058.00	1
2	W.44.03.502.00	1
3	W.44.03.030.00	1
4	W.101.221	1
5	3.04.0498	2
6	3.06.0010	2
7	3.01.0337	2
8	3.06.0055	2
9	W.470.857	1
10	W.44.03.037.00	1
11	W.44.03.036.00	1
12	3.10.1127	2
13	3.12.0066	1
14	3.10.1043	1
15	W.44.03.045.00	2
16	W.27.03.031.00	8
17	3.01.0336	8
18	3.06.0006	8
19	W.56.03.045.00	2
20	3.02.0034	2
21	3.06.0005	2
22	W.43.06.020.00	2
23	W.56.03.044.00	1
24	W.44.03.044.00	2
25	3.02.0436	1
26	3.04.0086	2

440351800-1-1

rif.	codice	Q.tà
1	W.44.03.025.00	1
2	W.44.03.026.00	1
3	W.120.069	1
4	W.359.015	1
5	W.360.095	1
6	W.358.032	1
7	W.361.014	1
8	W.305.014	2
9	W.360.023	1
10	W.304.003	1
11	W.365.080	1



440350200-1-0

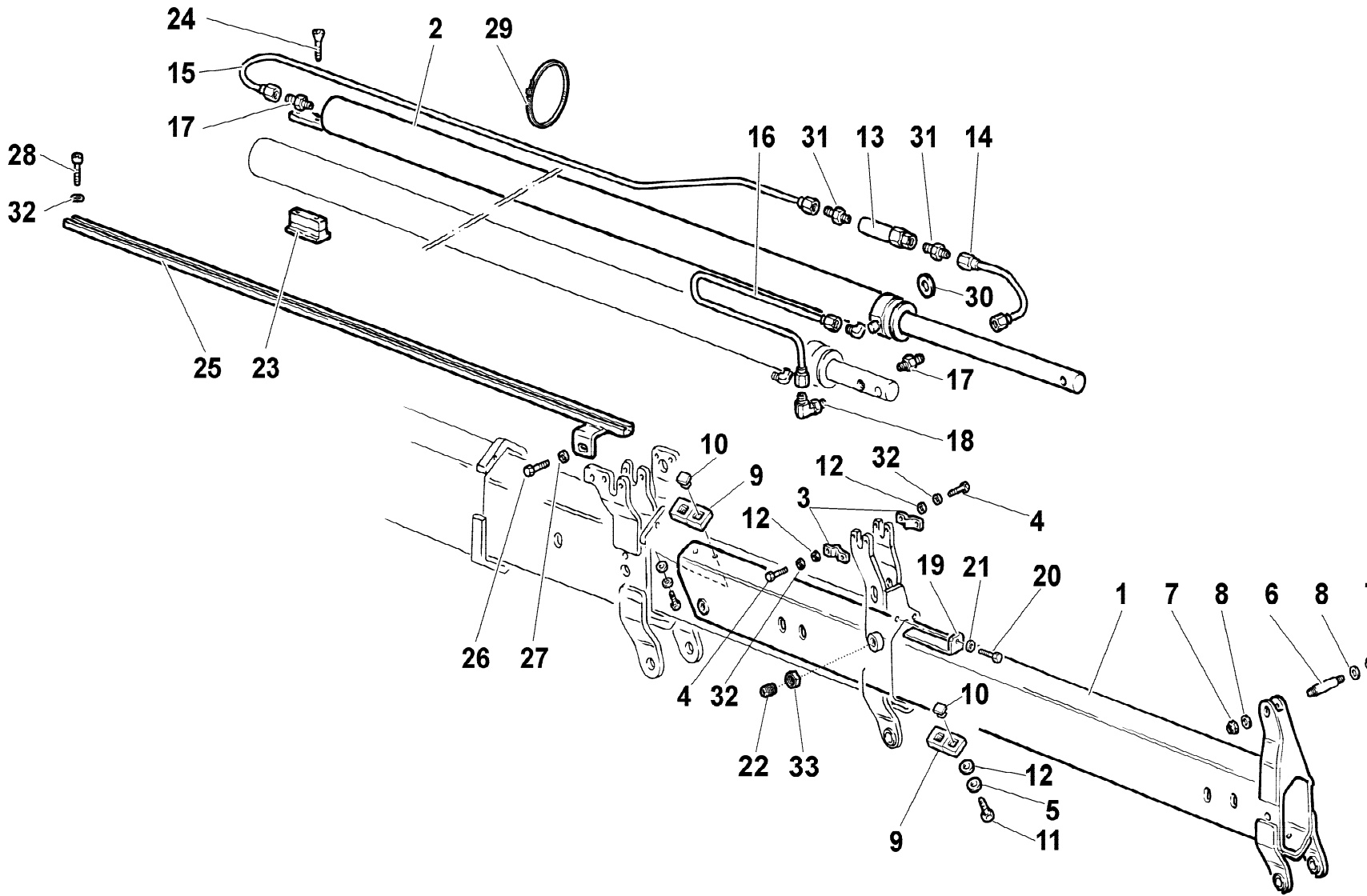
1/1

HYVA® CRANE
HC101

MARTINETTO 2° SFILLO
2ND EXTENSION HYDRAULIC JACK
VÉRIN 2ÈME RALLONGE
2. SCHUBZYLINDER
GATO 2ª EXTENSIÓN

Tavola
W.44.03.502.00-1-0

Data pag.
febbraio 2007 53



440351900-1-2

rif.	codice	Q.tà
1-A3	W.44.03.059.00	1
1-A4	W.44.03.060.00	1
2	W.44.03.507.00	1
3	W.44.03.030.00	2
4	3.01.0337	1
5	3.06.0918	8
6	W.101.221	1
7	3.04.0498	2
8	3.06.0010	2
9	W.56.03.060.00	4
10	W.27.03.031.00	8
11	3.01.0336	8
12	3.06.0029	12
13	W.470.855	1
14	W.44.03.070.00	1
15	W.44.03.039.00	1
16	W.44.03.073.00	1
17	3.10.1043	2
18	3.10.1127	1
19	W.56.03.045.00	2
20	3.02.0034	2
21	3.06.0005	2
22	W.43.06.020.00	2
23	W.44.03.052.00	1
24	3.02.0907	2
25	W.44.03.041.00	1
26	3.01.0353	1
27	3.06.0057	1
28	3.02.0051	1
29	3.19.0029	1
30	W.56.03.044.00	2

1/2

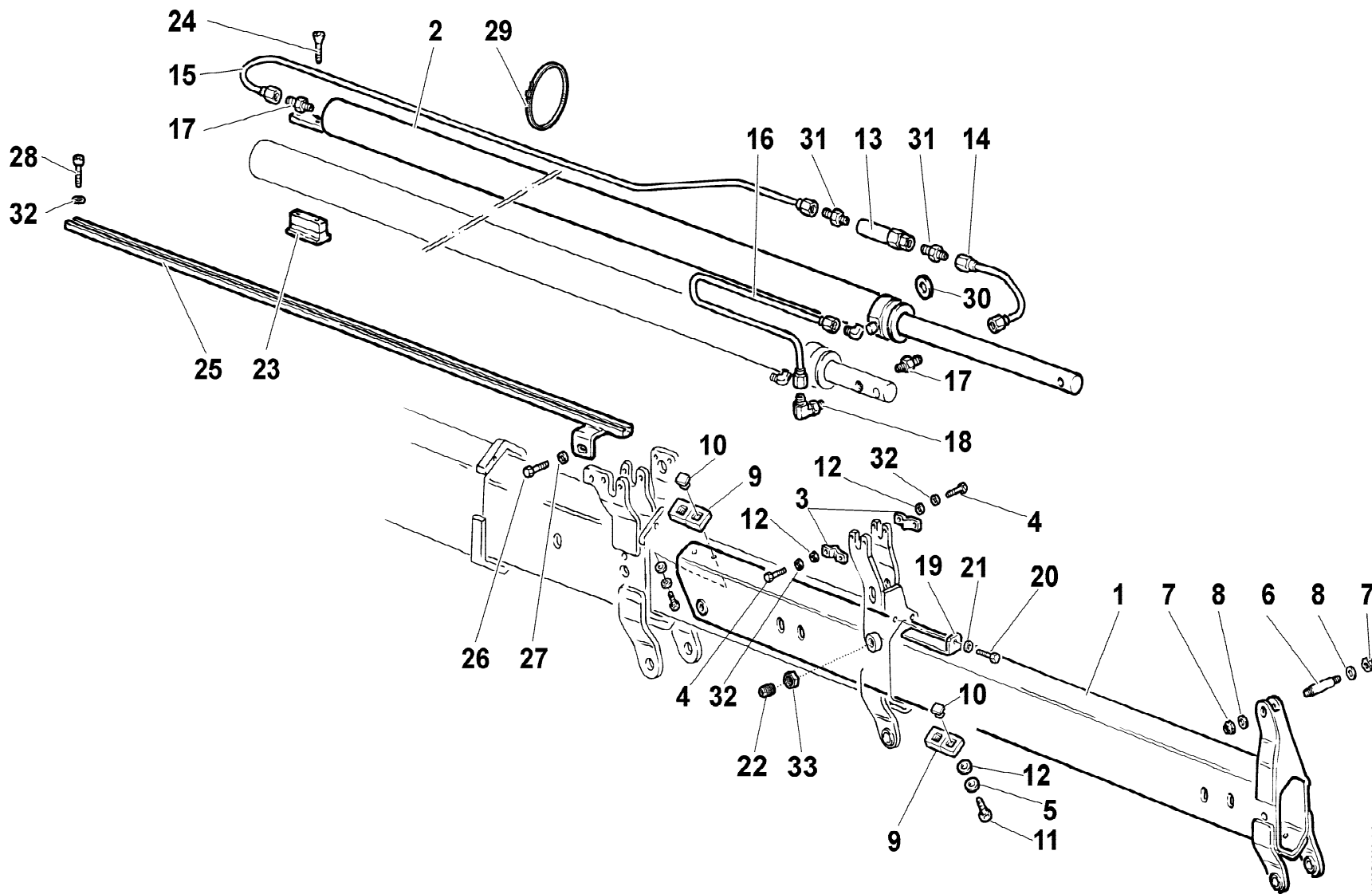
HYVA® CRANE
HC101

3° SFILLO
3RD EXTENSION
3EME RALLONGE
3. VERLAENGERUNG
3°PROLONGACION

Tavola
W.44.03.519.00-1-3

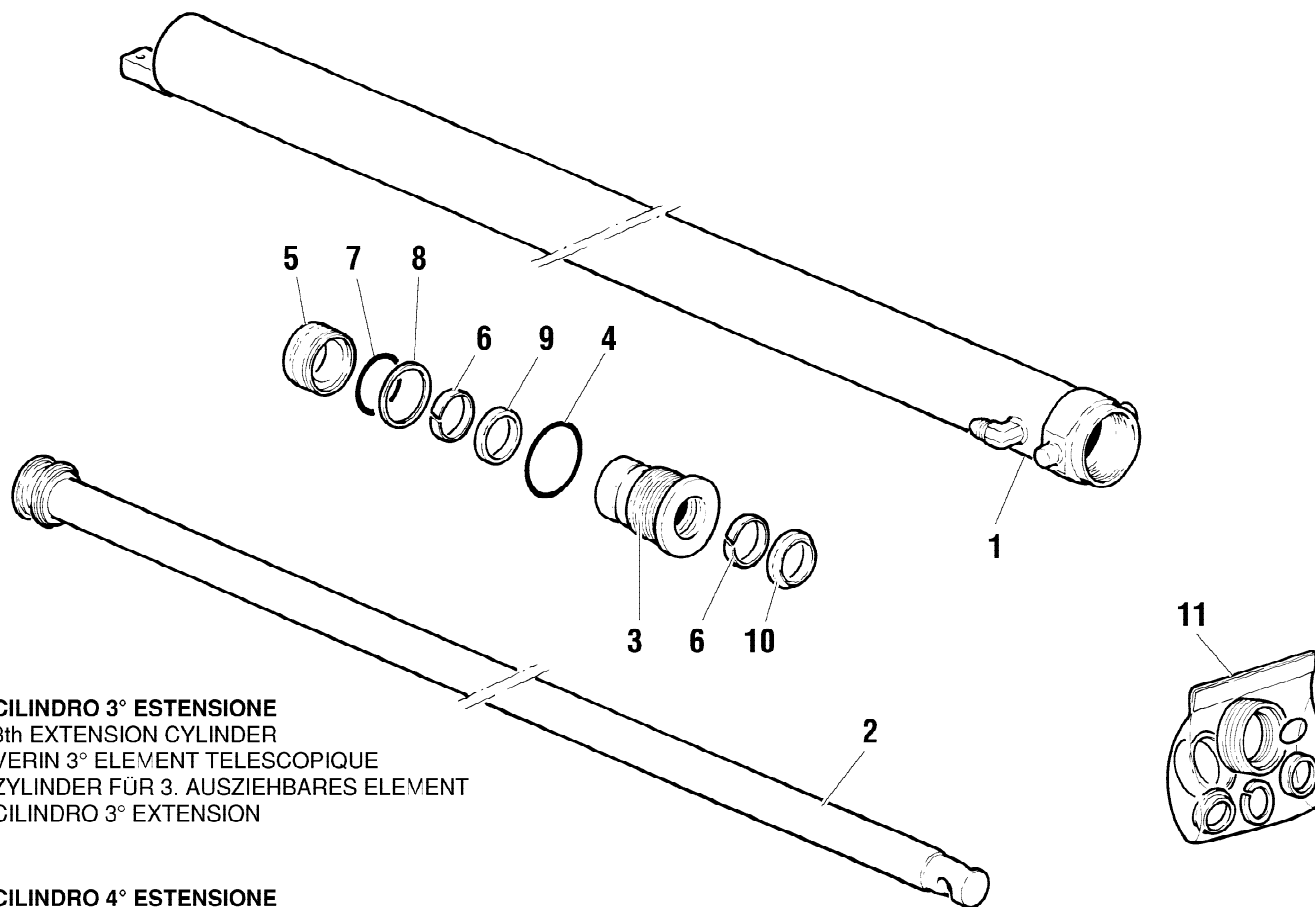
Data pag.
febbraio 2007 54.1

rif.	codice	Q.tà
31	3.10.1044	2
32	3.06.0055	5
33	3.04.0086	2



440351900-1-2

rif.	codice	Q.tà
1	W.44.03.027.00	1
2	W.44.03.063.00	1
3	W.120.070	1
4	W.360.095	1
5	W.359.015	1
6	W.305.015	2
7	W.360.023	1
8	W.304.003	1
9	W.358.033	1
10	W.361.013	1
11	W.365.081	1



gru base
base crane
grue std.
basiskran
grua base

A3

CILINDRO 3° ESTENSIONE
3th EXTENSION CYLINDER
VERIN 3° ELEMENT TELESCOPIQUE
ZYLINDER FÜR 3. AUSZIEHBARES ELEMENT
CILINDRO 3° EXTENSION

gru base
base crane
grue std.
basiskran
grua base

A4

CILINDRO 4° ESTENSIONE
4th EXTENSION CYLINDER
VERIN 4° ELEMENT TELESCOPIQUE
ZYLINDER FÜR 4. AUSZIEHBARES ELEMENT
CILINDRO 4° EXTENSION

440360700-1-0

1/1

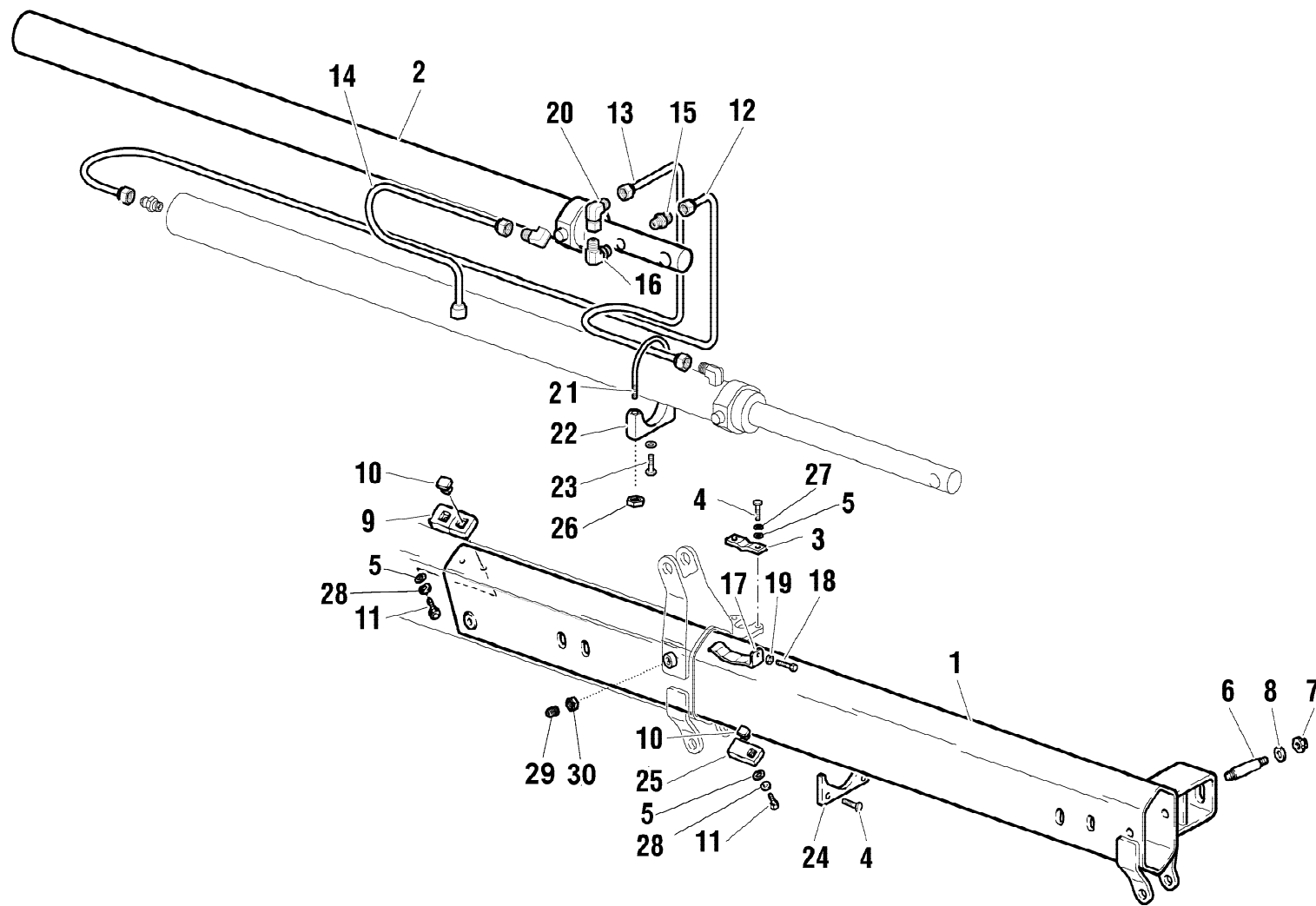
HYVA® CRANE

HC101

MARTINETTO 3° SFILO
3RD EXTENSION HYDRAULIC JACK
VÉRIN 3ÈME RALLONGE
3. SCHUBZYLINDER
GATO 3ª EXTENSIÓN

Tavola
W.44.03.507.00-1-0

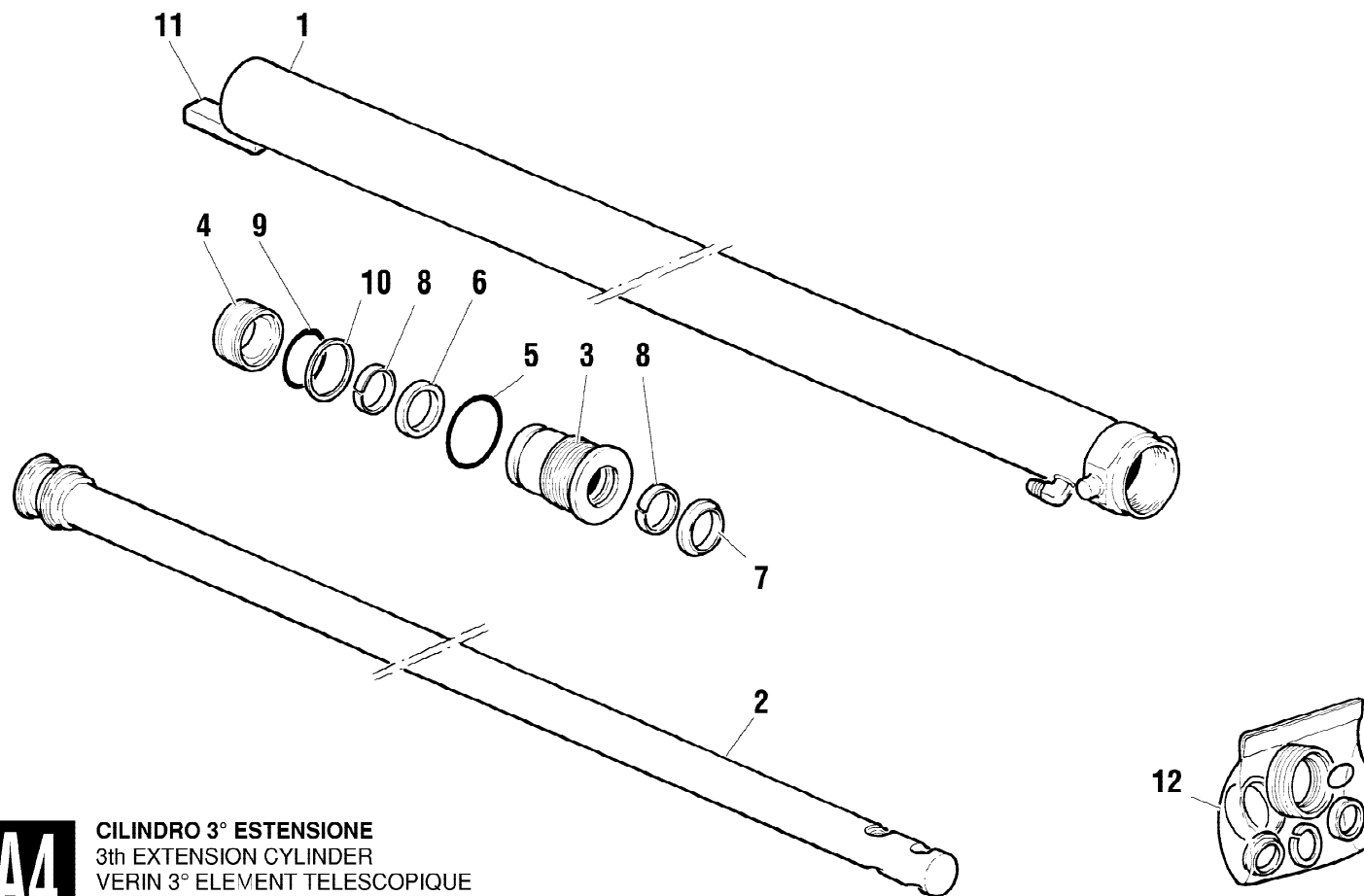
Data pag.
febbraio 2007 55



440352000-1-2

rif.	codice	Q.tà
1	W.44.03.055.00	1
2	W.44.03.508.00	1
3	W.44.03.030.00	2
4	3.01.0337	4
5	3.06.0029	4
6	W.101.221	1
7	3.04.0498	2
8	3.06.0010	2
9	W.56.03.062.00	2
10	W.27.03.031.00	6
11	3.01.0336	8
12	W.44.03.068.00	8
13	W.44.03.069.00	1
14	W.44.03.067.00	1
15	3.10.1043	1
16	3.10.1127	1
17	W.56.03.045.00	2
18	3.02.0034	2
19	3.06.0005	2
20	3.12.0031	1
21	W.599.702	1
22	W.44.03.065.00	1
23	3.01.0325	1
24	W.44.03.064.00	1
25	W.44.03.071.00	2
26	3.04.0524	2
27	3.06.0055	4
28	3.06.0918	6
29	3.04.0086	2
30	W.43.06.020.00	2

rif.	codice	Q.tà
1	W.44.03.025.00	1
2	W.44.03.026.00	1
3	W.120.069	1
4	W.359.015	1
5	W.360.095	1
6	W.358.032	1
7	W.361.014	1
8	W.305.014	1
9	W.360.023	1
10	W.304.003	1
11	W.44.03.066.00	1
12	W.365.080	1



gru base
base crane
grue std.
basiškranj
grua base

A4

CILINDRO 3° ESTENSIONE
3th EXTENSION CYLINDER
VERIN 3° ELEMENT TELESCOPIQUE
ZYLINDER FÜR 3. AUSZIEHBARES ELEMENT
CILINDRO 3° EXTENSION

440350800-1-0

1/1

HYVA® CRANE

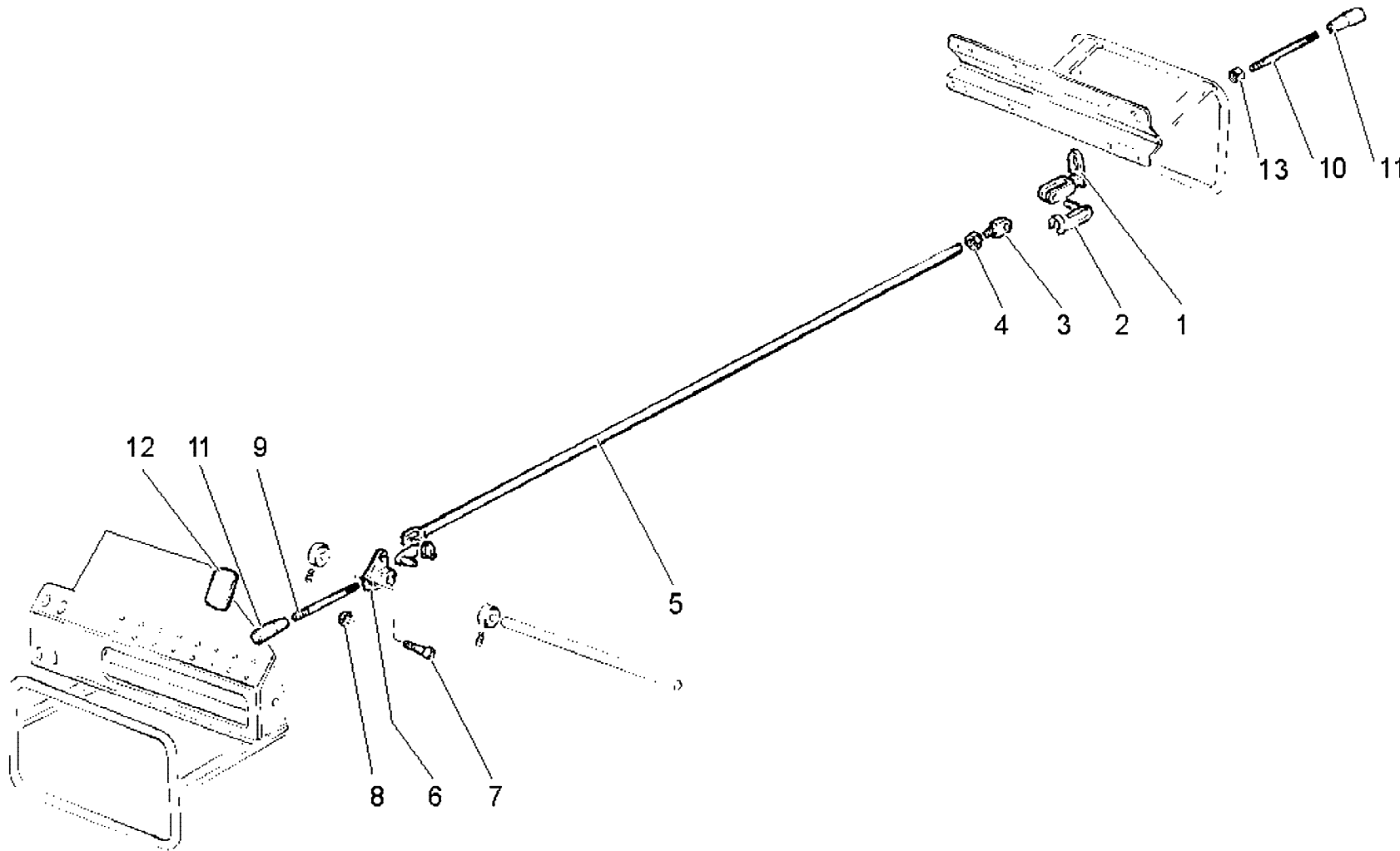
HC101

MARTINETTO 4° SFILO
4TH EXTENSION HYDRAULIC JACK
VÉRIN 4ÈME RALLONGE
4. SCHUBZYLINDER
GATO 4ª EXTENSIÓN

W.44.03.508.00-1-0

Tavola

Data pag.
febbraio 2007 57



rif.	codice	Q.tà
1	W.33.05.008.00	1
2	W.661.001	2
3	W.01.05.036.00	1
4	3.04.0081	1
5	W.44.05.004.00	1
6	W.27.05.090.00	1
7	3.02.0021	1
8	3.04.0393	1
9	W.44.05.017.00	1
10	W.338.802	1
11	W.664.003	2
12	W.573.272	2
13	3.04.0040	1

1-4-020-1-3

1/1

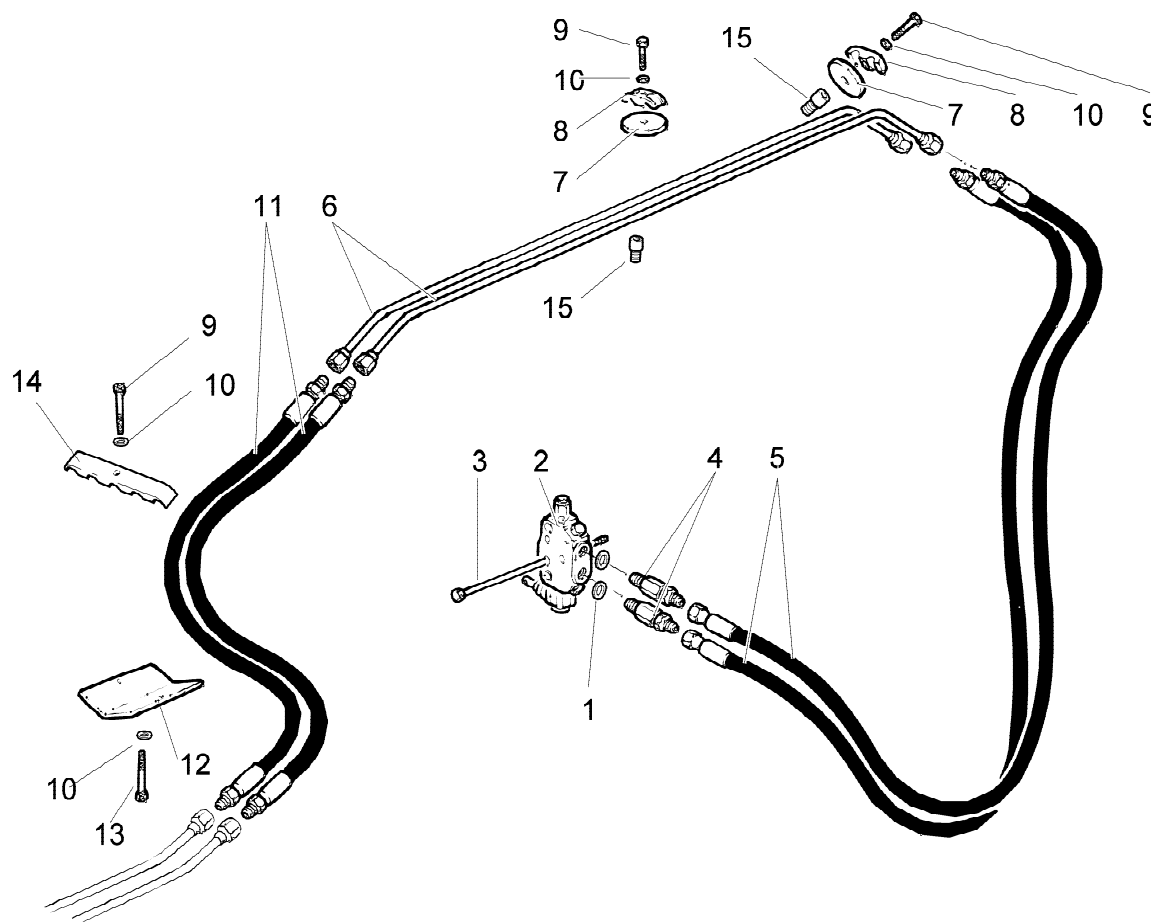
HYVA[®] CRANE
HC101

COMANDI (6° ELEMENTO)
 CONTROLS (6TH ELEMENT)
 COMMANDES (6E ELEMENT)
 STEUERUGEN (6. ELEMENT)
 MANDOS (6° ELEMENTO)

Tavola
W.44.05.512.00-1-3

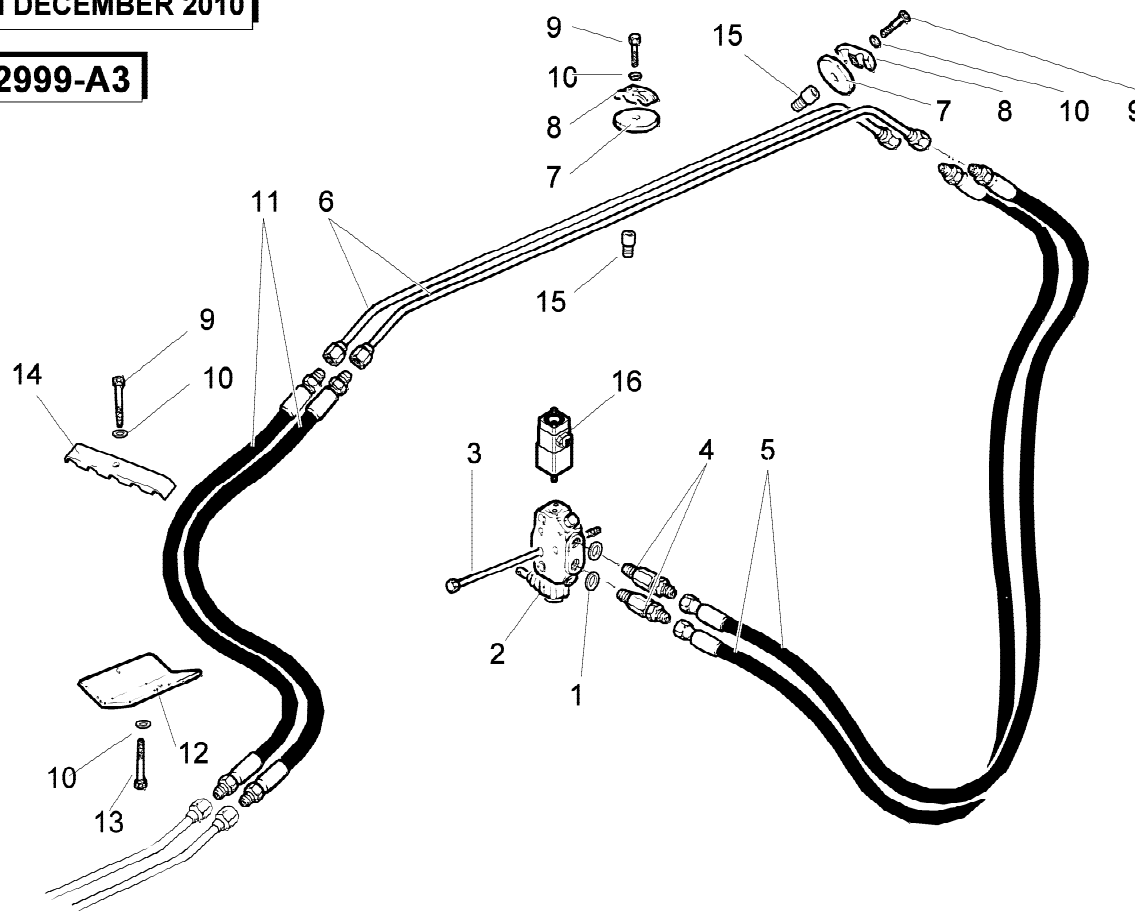
Data pag.
 gennaio 2007 58

rif.	codice	Q.tà
1	3.06.0145	2
2	W.HC.0610	3
3	W.HC.0650	3
4	W.402.109	2
5	W.456.766	2
6	W.44.02.020.00	2
7	W.34.05.014.00	3
8	5.00.0077	3
10	W3.06.0006	5
11	W.456.601	2
12	W.44.05.012.00	1
13	3.01.0027	2
14	W.128.030	1
15	W.34.05.013.00	3

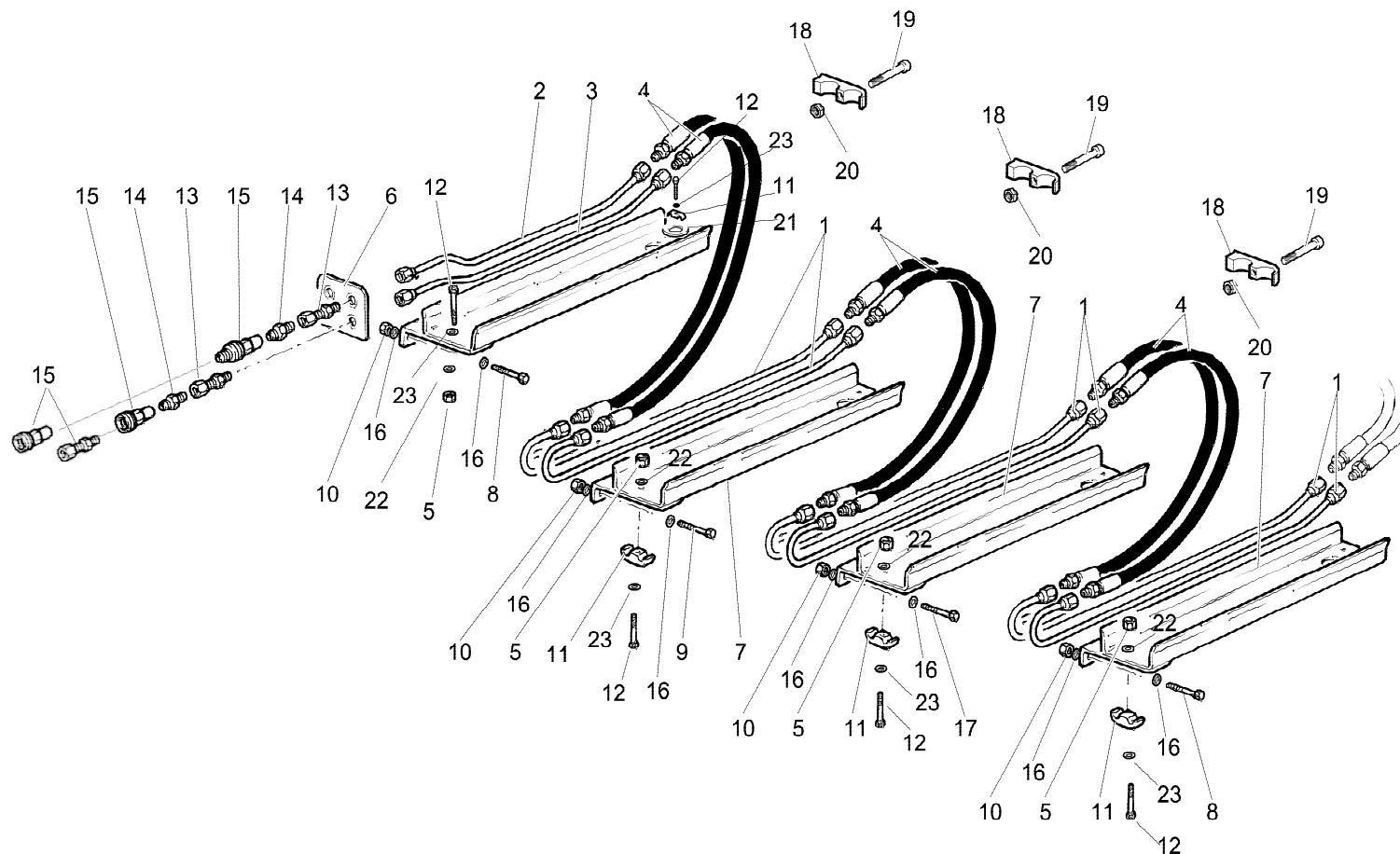


VALIDO DA DICEMBRE 2010
 VALID FROM DECEMBER 2010

EN 12999-A3

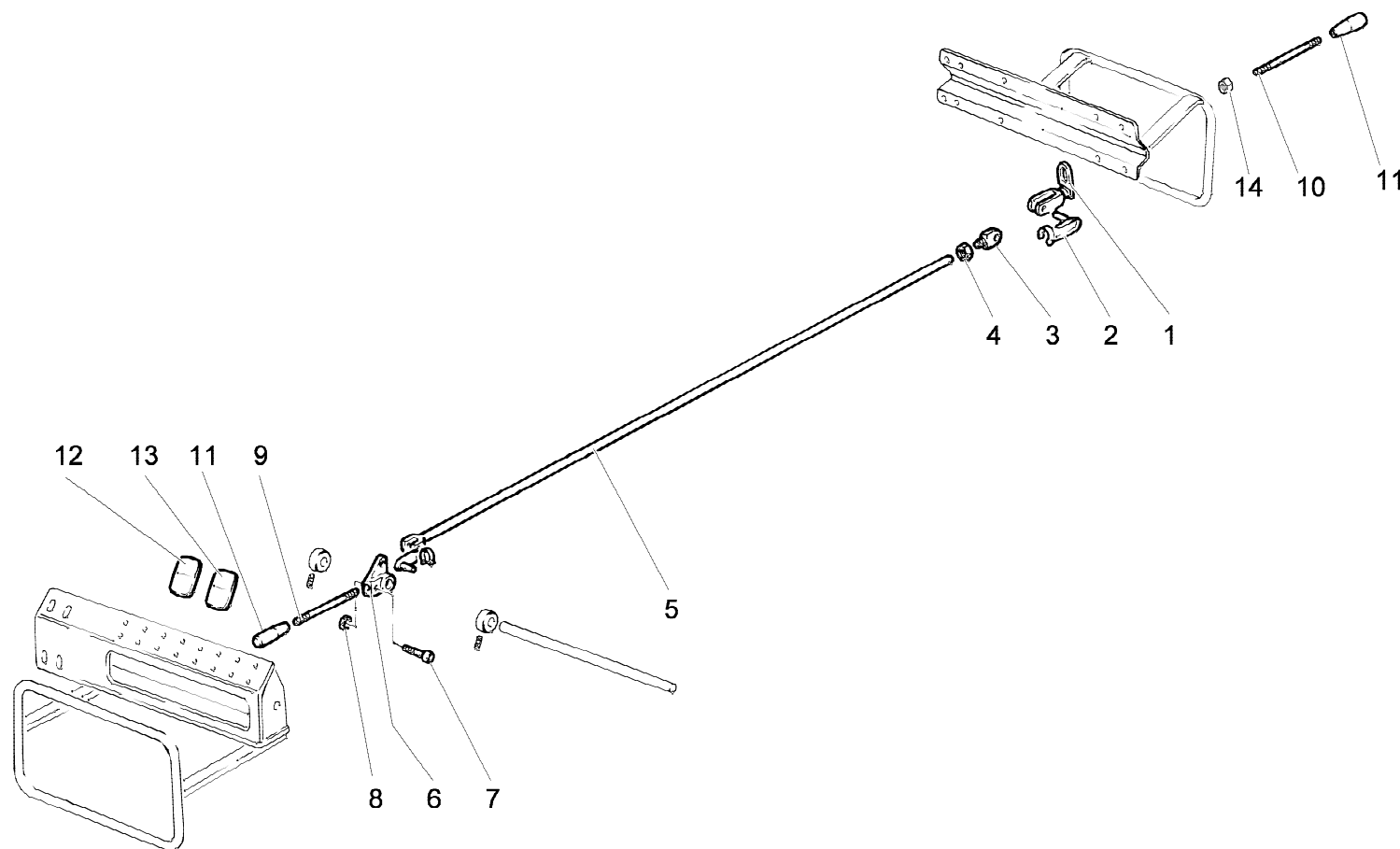


rif.	codice	Q.tà
1	3.06.0145	2
2	W.HC.0610	3
3	W.HC.0650	3
4	W.402.109	2
5	W.456.766	2
6	W.44.02.020.00	2
7	W.34.05.014.00	3
8	5.00.0077	3
10	3.06.0006	5
11	W.456.601	2
12	W.44.05.012.00	1
13	3.01.0027	2
14	W.128.030	1
15	W.34.05.013.00	3
16	5.22.5420	1



rif.	codice	Q.tà
1	W.44.05.007.00	6
2	W.44.05.008.00	1
3	W.44.05.009.00	1
4	W.456.593	6
5	3.04.0524	8
6	W.44.05.011.00	1
7	W.44.05.010.00	4
8	3.01.0358	4
9	3.01.0389	2
10	3.04.0335	6
11	5.00.0077	7
12	6.01.0030	7
13	3.12.0402	2
14	3.11.0249	2
15	3.11.0420	2
16	3.06.0914	16
17	3.01.0356	2
18	W.56.03.043.00	12
19	3.01.0018	6
20	3.04.0372	6
21	W.34.05.014.00	1
22	3.06.0006	7
23	3.06.0918	7

rif.	codice	Q.tà
1	W33.05.008.00	2
2	3.30.0451	4
3	W.01.05.036.00	2
4	3.04.0081	2
5	W.44.05.004.00	2
6	W.27.05.090.00	2
7	3.02.0021	2
8	3.04.0393	2
9	W.44.05.017.00	2
10	W.338.802	2
11	W.664.003	4
12	W.573.272	2
13	W.573.271	2
14	3.04.0040	2



1/1

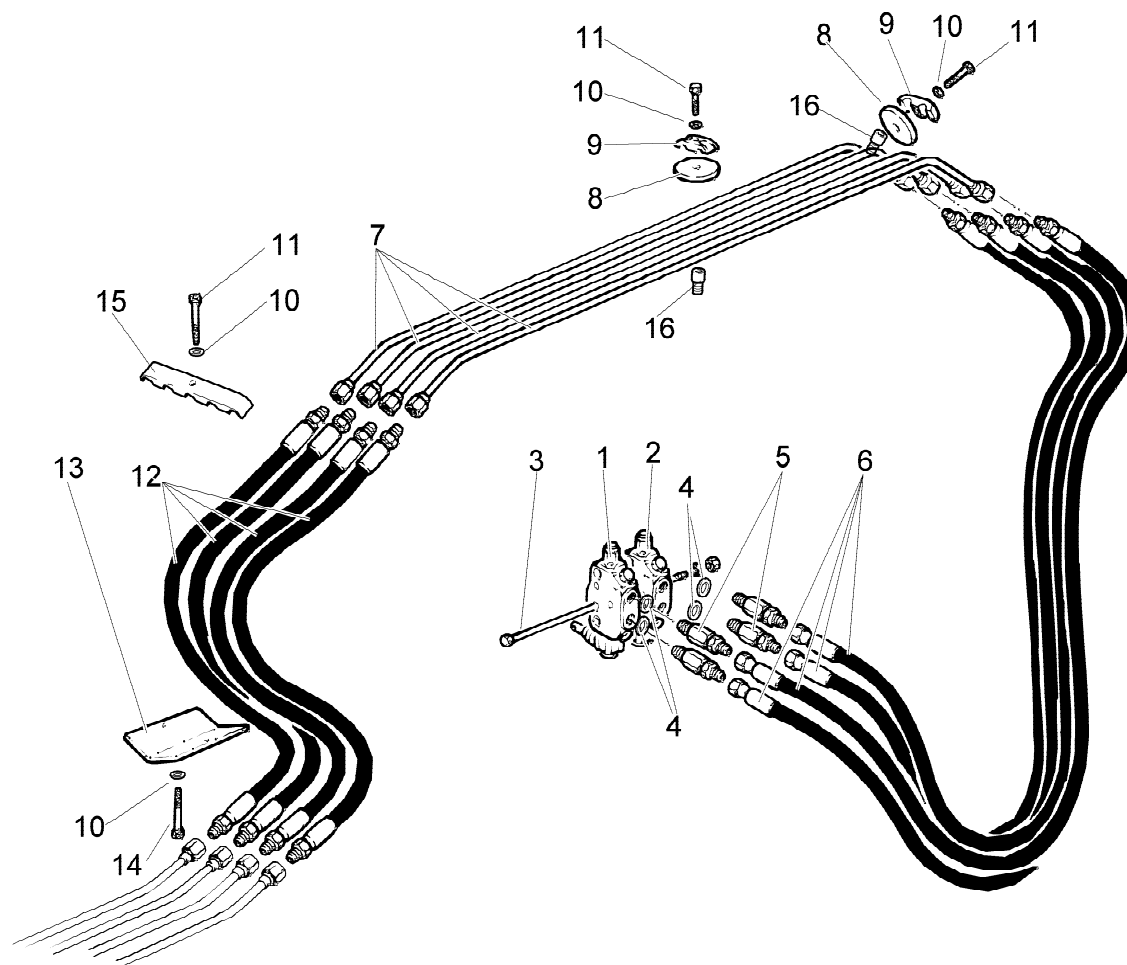
HYVA[®] CRANE
HC101

COMANDI (6°-7° ELEMENTO)
 CONTROLS (6TH-7TH ELEMENT)
 COMMANDES (6E-7E ELEMENTS)
 STEUERUGEN (6.-7. ELEMENT)
 MANDOS (6°-7° ELEMENTO)

Tavola
W.44.05.515.00-1-2

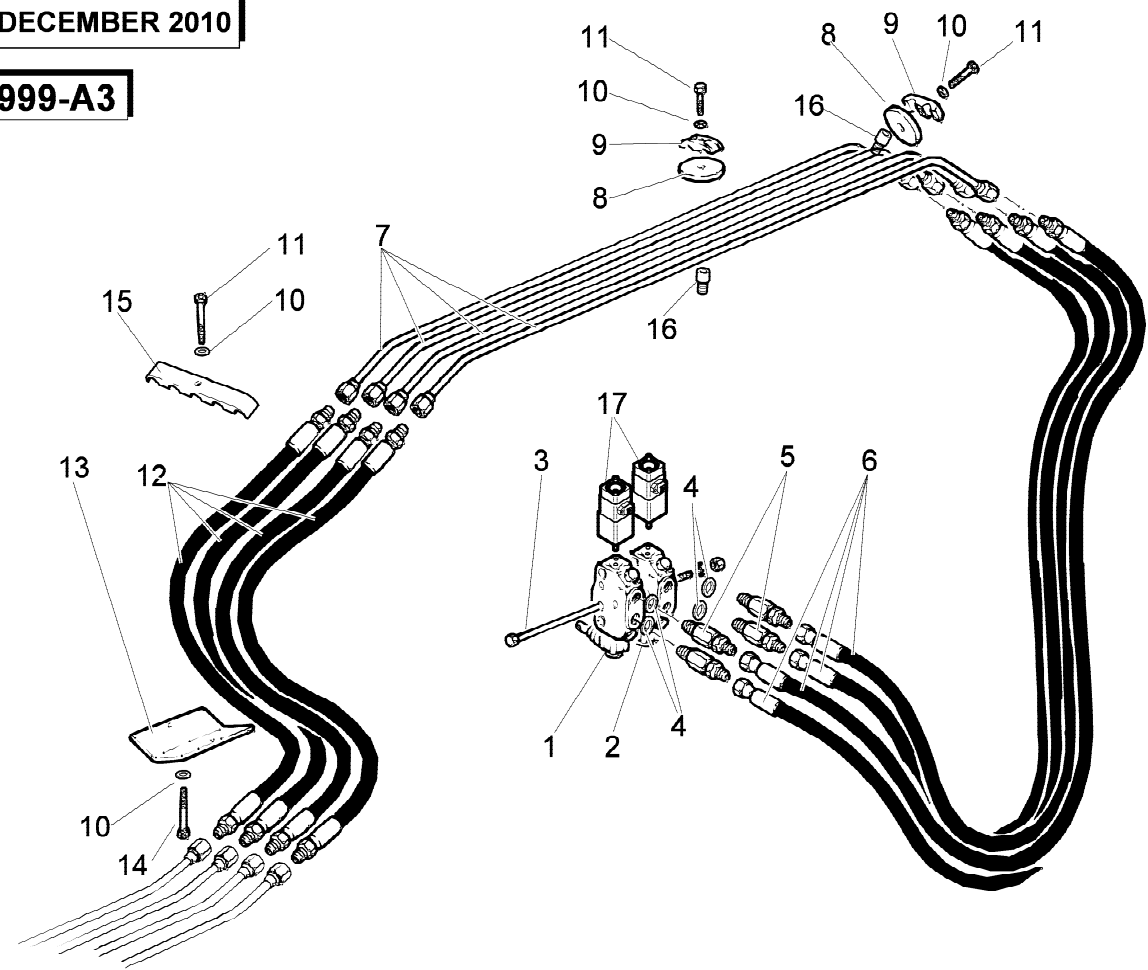
Data pag.
 febbraio 2007 62

rif.	codice	Q.tà
1	W.HC.0610	1
2	W.HC.0611	1
3	W.HC.0651	1
4	3.06.0145	4
5	W.402.109	4
6	W.456.766	4
7	W.44.02.020.00	4
8	W.34.05.014.00	6
9	5.00.0077	6
10	3.06.0006	9
11	3.01.0031	7
12	W.456.601	2
13	W.44.05.012.00	1
14	3.01.0027	1
15	W.128.030	6
16	W.34.05.013.00	6

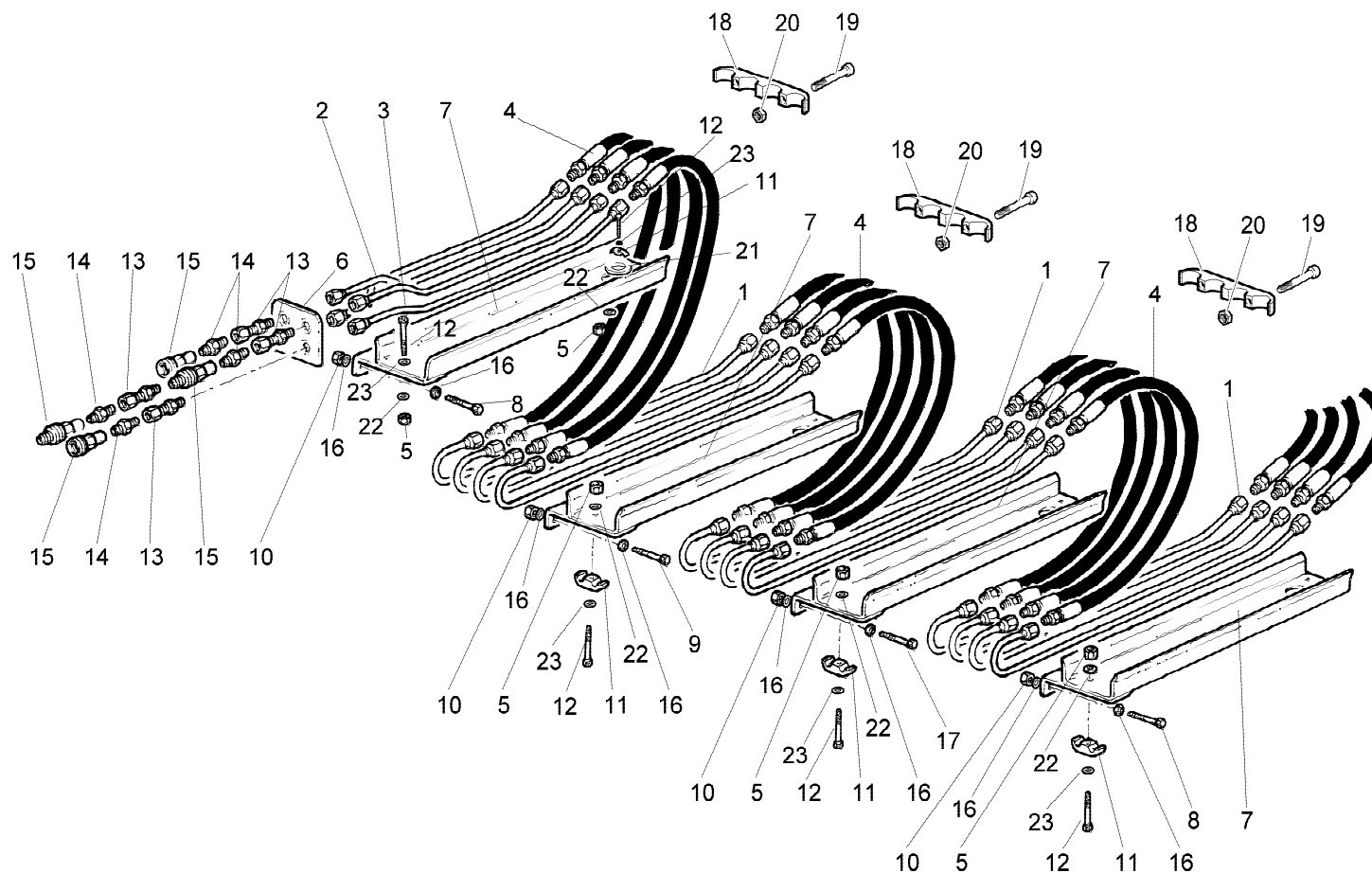


VALIDO DA DICEMBRE 2010
 VALID FROM DECEMBER 2010

EN 12999-A3



rif.	codice	Q.tà
1	W.HC.0610	1
2	W.HC.0611	1
3	W.HC.0651	1
4	3.06.0145	4
5	W.402.109	4
6	W.456.766	4
7	W.44.02.020.00	4
8	W.34.05.014.00	6
9	5.00.0077	6
10	3.06.0006	9
11	3.01.0031	7
12	W.456.601	4
13	W.44.05.012.00	1
14	3.01.0027	1
15	W.128.030	6
16	W.34.05.013.00	6
17	5.22.5420	2



rif.	codice	Q.tà
1	W.44.05.007.00	12
2	W.44.05.008.00	2
3	W.44.05.009.00	2
4	W.456.593	12
5	3.04.0524	15
6	W.44.05.011.00	1
7	W.44.05.010.00	4
8	3.01.0358	4
9	3.01.0389	2
10	3.04.0335	8
11	5.00.0077	14
12	6.01.0030	15
13	3.12.0402	4
14	3.11.0249	4
15	3.11.0420	2
16	3.06.0914	16
17	3.01.0356	2
18	W.56.03.043.00	12
19	3.01.0018	6
20	3.04.0372	12
21	W.34.05.014.00	2
22	3.06.0006	15
23	3.06.0918	15

1/1

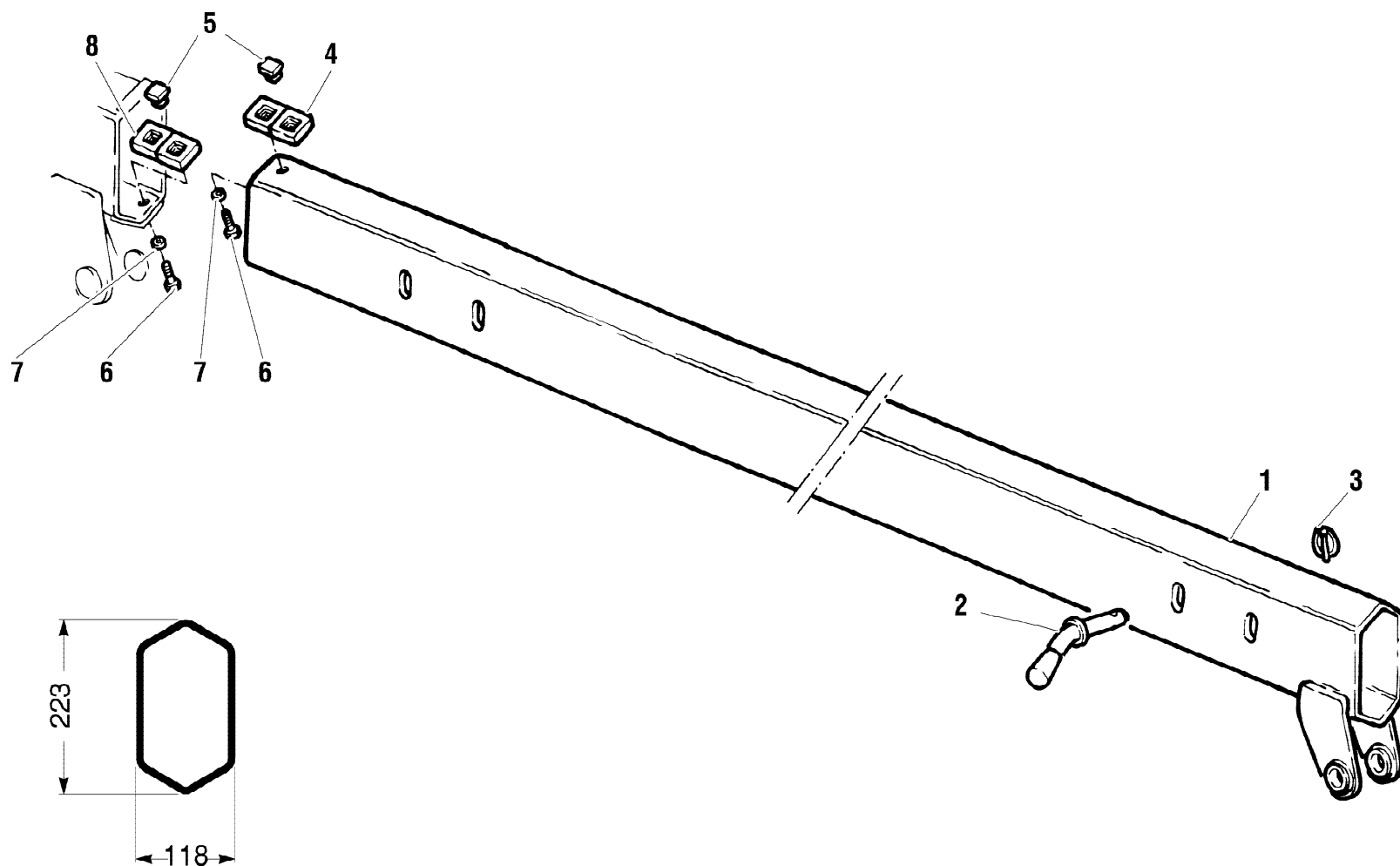
HYVA[®] CRANE
HC101

IMPIANTO IDRAULICO (1[^] E 2[^] ATTIVAZIONE PER 3S)
 HYDRAULIC SYSTEM (1ST AND 2ND ACTIVATION FOR 3S)
 INSTALLATION HYDRAULIQUE (1ERE ET 2EME ACTIVATION POUR 3S)
 HYDRAULIKANLAGE (1. UND 2. AKTIVIERUNG FÜR 3S)
 INSTALACION HIDRAULICA (1° Y 2° ACTIVACIÓN PARA 3S)

Tavola
W.44.05.515.00-3-2

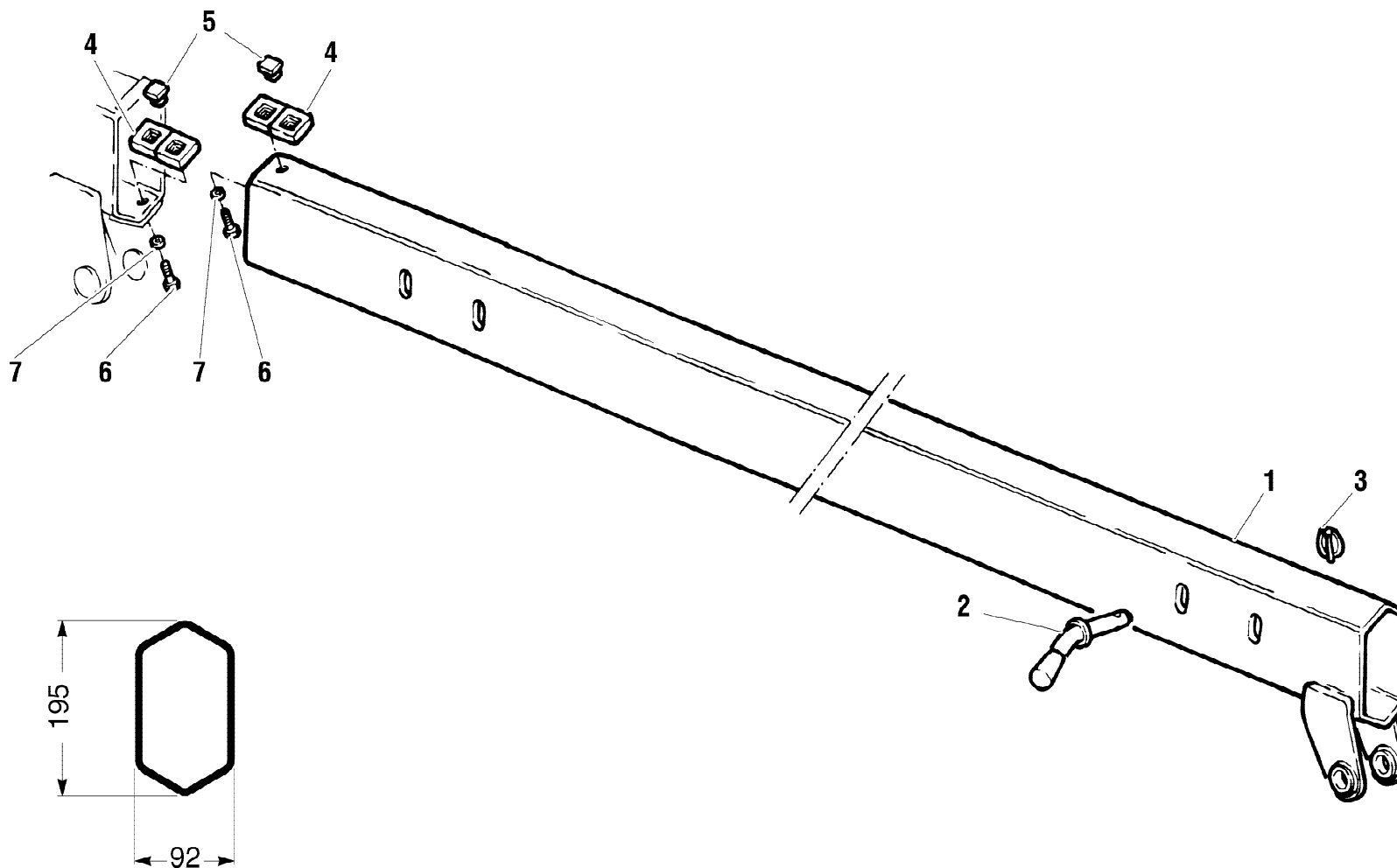
Data pag.
 febbraio 2007 65

rif.	codice	Q.tà
1	W.44.03.053.00	1
2	W.101.289	1
3	3.06.0753	1
4	W.44.03.045.00	2
5	W.27.03.031.00	8
6	3.01.0336	8
7	3.06.0006	8
8	W.44.03.044.00	2



440351200-1-1

rif.	codice	Q.tà
1	W.44.03.072.00	1
2	W.101.289	1
3	3.06.0753	1
4	W.44.03.045.00	2
5	W.27.03.031.00	8
6	3.01.0336	8
7	3.06.0006	8



440351300-1-1

1/1

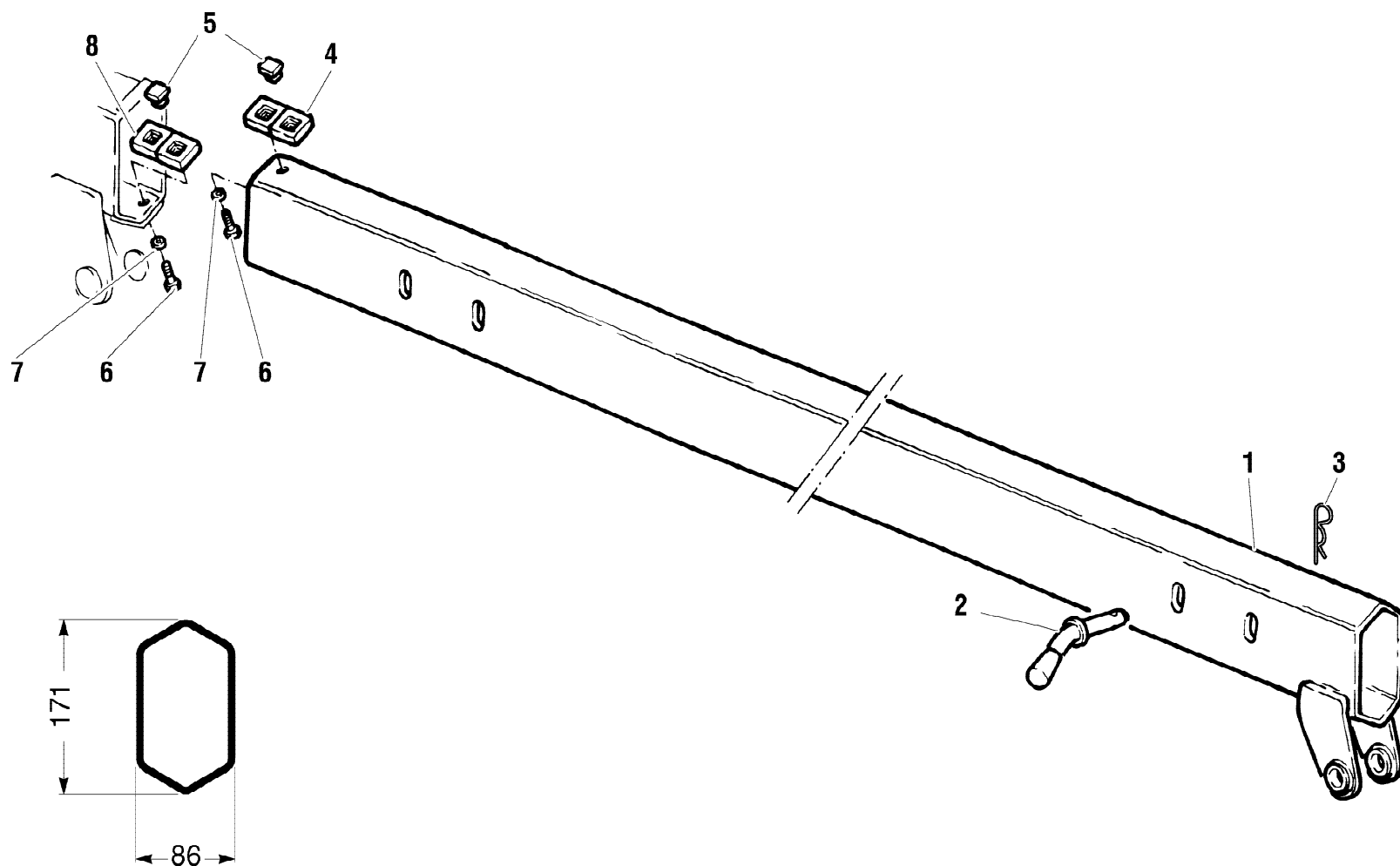
HYVA[®] CRANE
HC101

PROLUNGA MANUALE (B)
 MANUAL EXTENSION (B)
 RALLONGE MANUELLE (B)
 MANUAL-VERLÄNGERUNG (B)
 PROLONGACION MANUAL (B)

Tavola
W.44.03.513.00-1-1

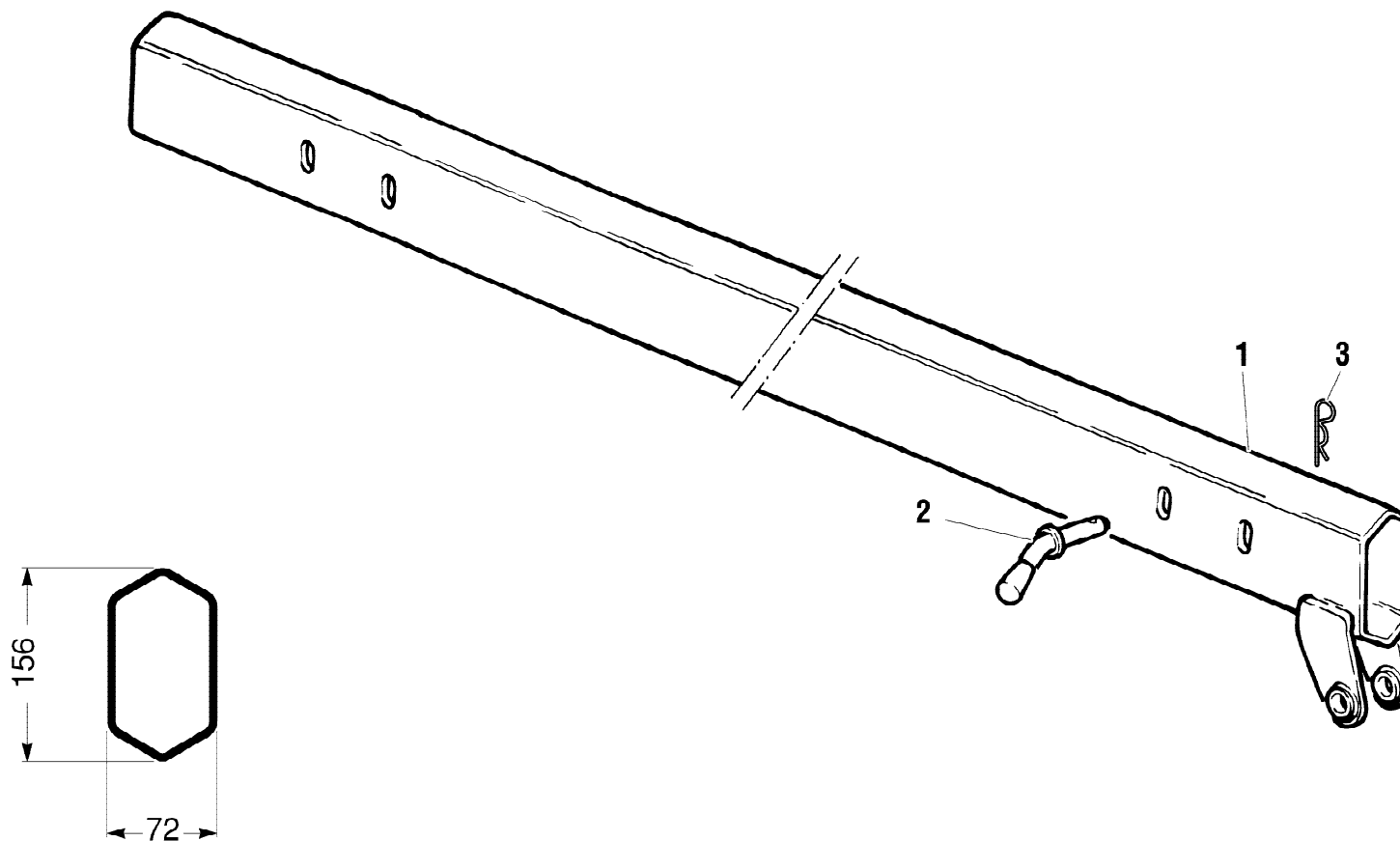
Data pag.
 febbraio 2007 67

rif.	codice	Q.tà
1	W.44.03.061.00	1
2	W.101.289	1
3	3.06.0924	1
4	W.56.03.062.00	2
5	W.27.03.031.00	8
6	3.01.0336	8
7	3.06.0006	8
8	W.44.03.071.00	2



440352100-1-0

rif.	codice	Q.tà
1	W.44.03.062.00	1
2	W.101.289	1
3	3.06.0924	1



440362200-1-0

1/1

HYVA® CRANE

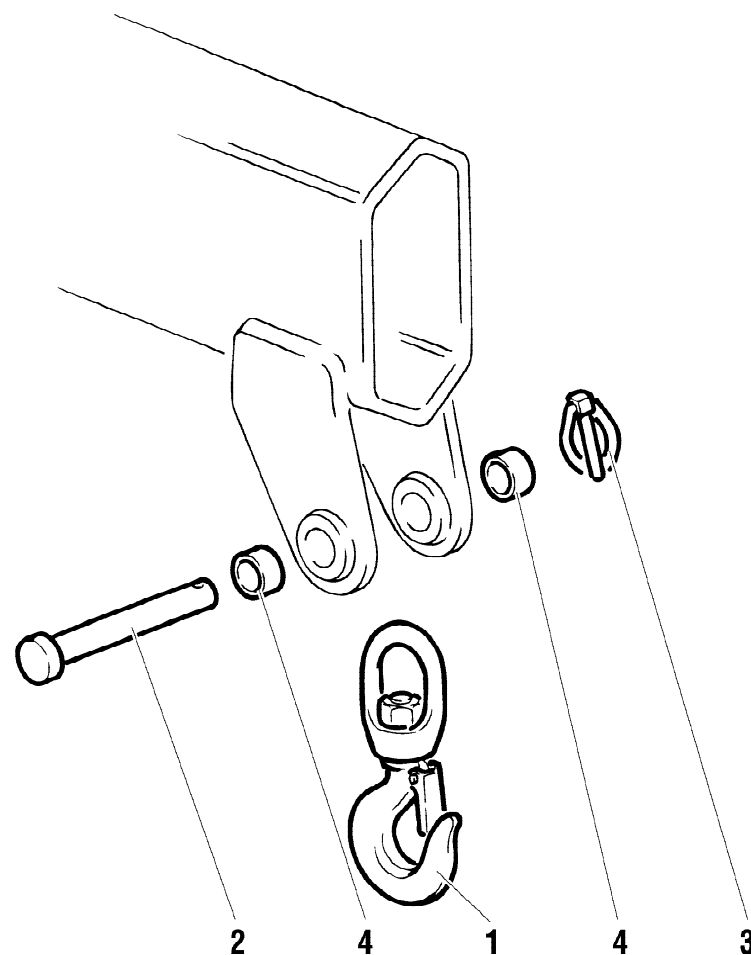
HC101

PROLUNGA MANUALE (D)
 MANUAL EXTENSION (D)
 RALLONGE MANUELLE (D)
 MANUAL-VERLÄNGERUNG (D)
 PROLONGACION MANUAL (D)

Tavola
W.44.03.522.00-1-0

Data pag.
 marzo 2013 69

rif.	codice	Q.tà
1	W.599.005	1
2	W.101.287	1
3	3.06.0757	1
4	W.08.02.001.09	2



440351600-1-0

1/1

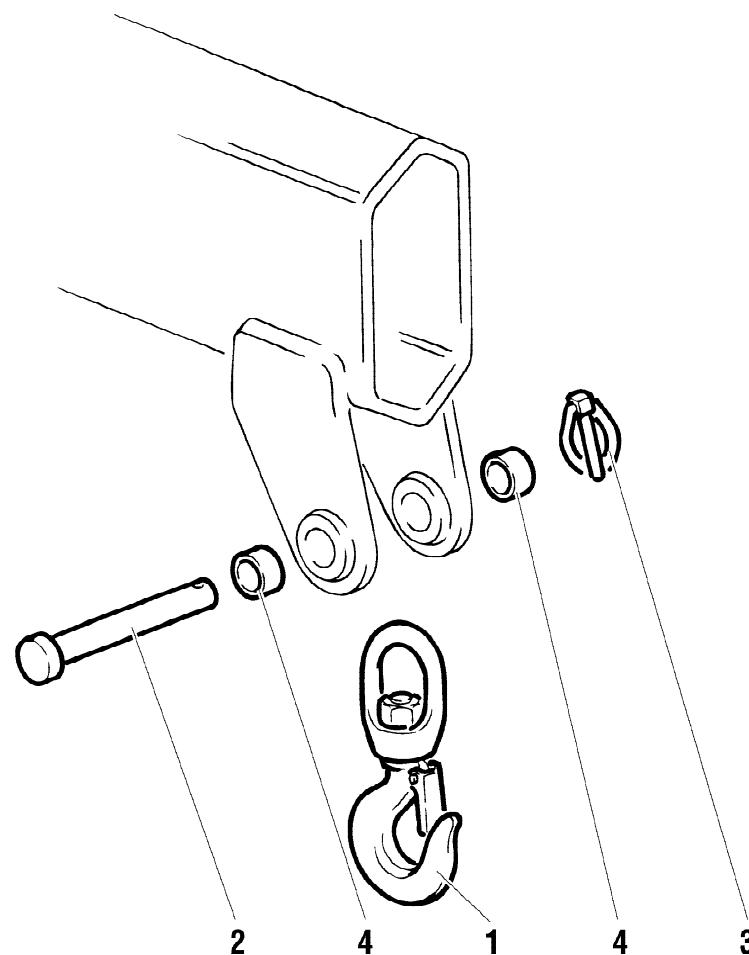
HYVA[®] CRANE
HC101

GANCIO (PROLUNGA MANUALE) A-B
 HOOK (MANUAL EXTENSION) A-B
 CROCHET (RALLONGE MANUELLE) A-B
 HAKEN (MANUAL-VERLÄNGERUNG) A-B
 GANCHO (PROLONGACION MANUAL) A-B

Tavola
W.44.03.516.00-1-0

Data pag.
 febbraio 2007 70

rif.	codice	Q.tà
1	W.599.005	1
2	W.101.288	1
3	3.06.0757	1
4	W.08.02.001.09	2



440351600-1-0

1/1

HYVA[®] CRANE

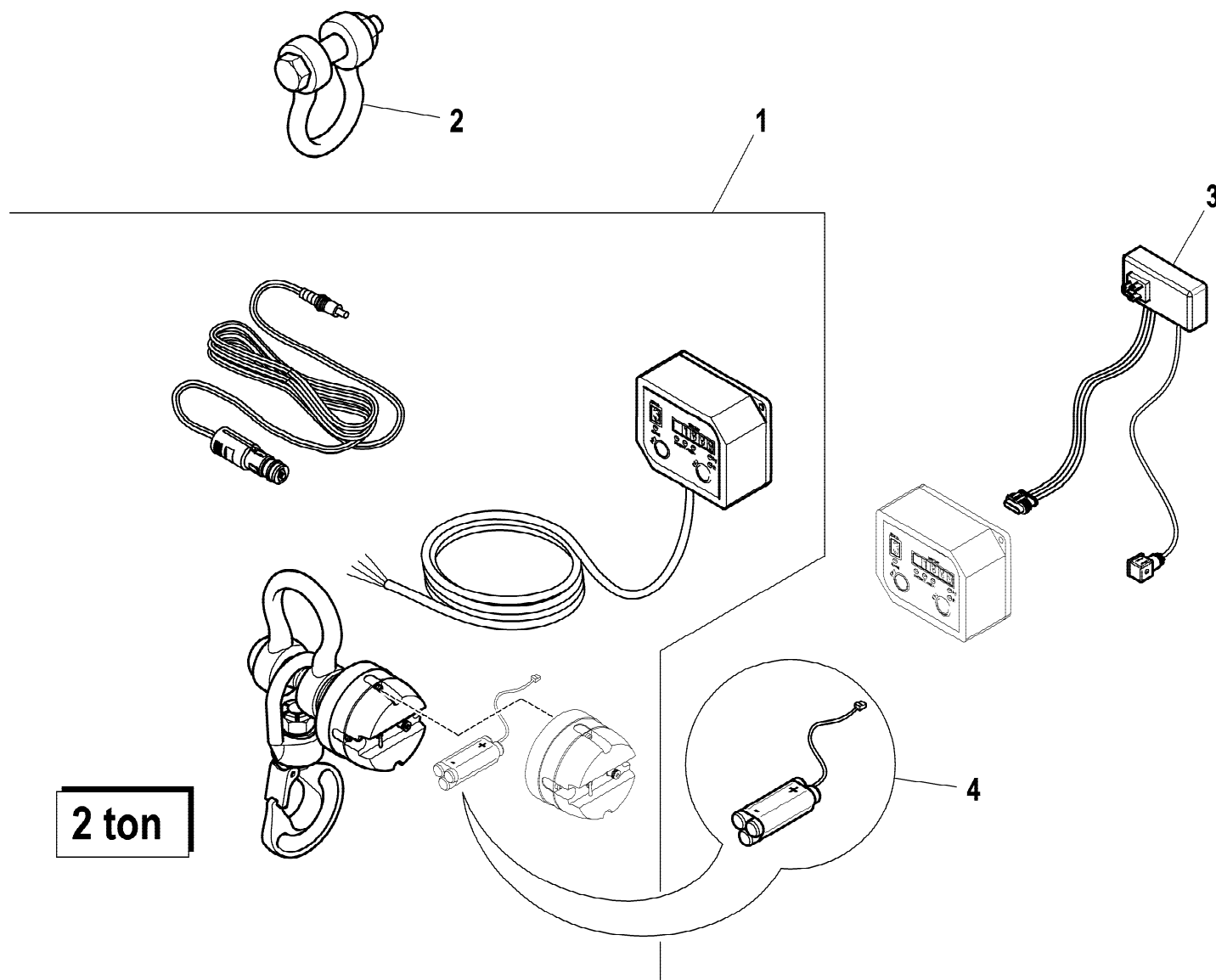
HC101

GANCIO (PROLUNGA MANUALE) C-D
 HOOK (MANUAL EXTENSION) C-D
 CROCHET (RALLONGE MANUELLE) C-D
 HAKEN (MANUAL-VERLÄNGERUNG) C-D
 GANCHO (PROLONGACION MANUAL) C-D

Tavola
W.44.03.517.00-1-0

Data pag.
 febbraio 2007 71

rif.	codice	Q.tà
1	5.73.0506	1
2	3.20.0050	1
3	W.236.510	1
4	3.31.1542	1

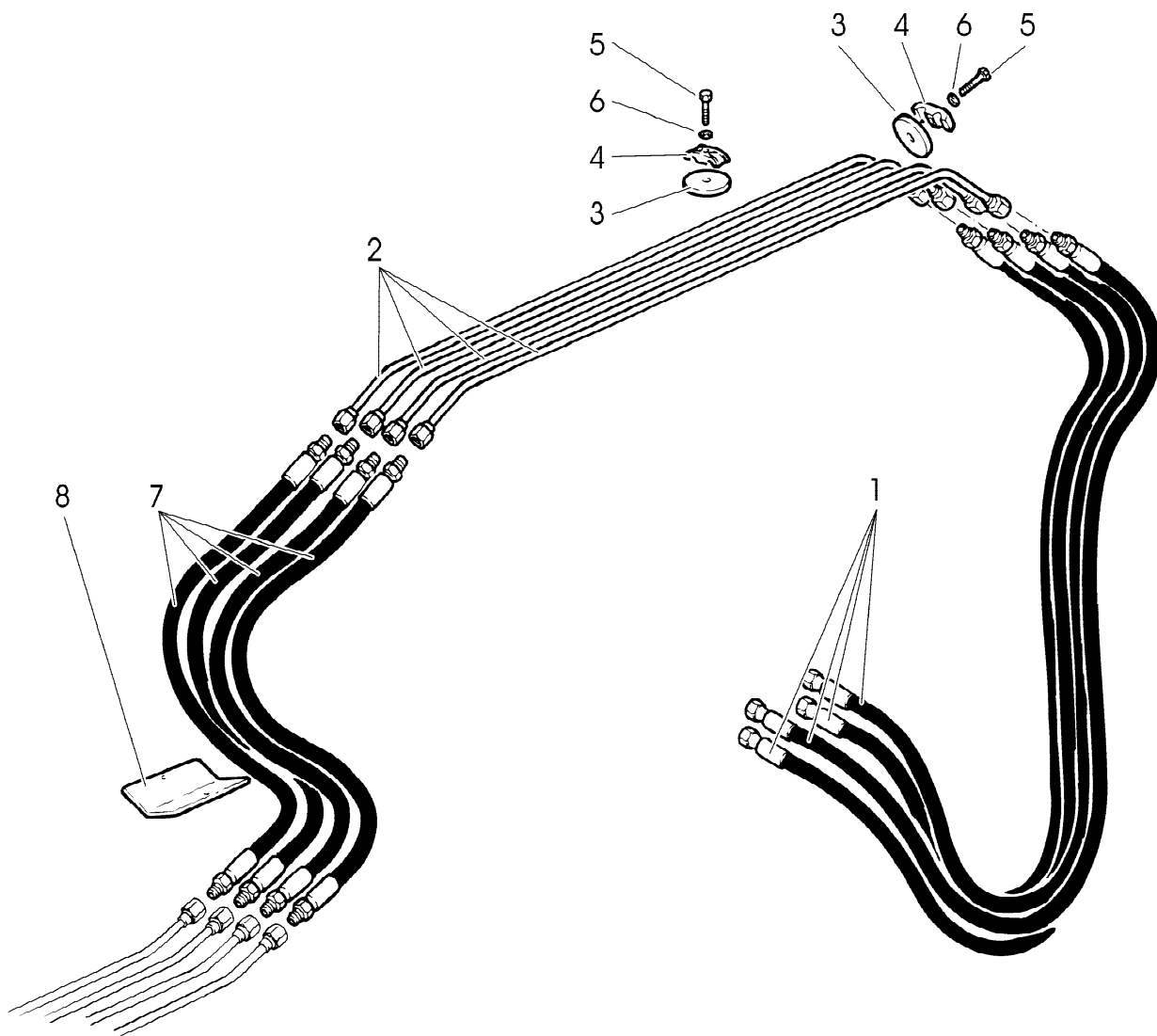


2 ton



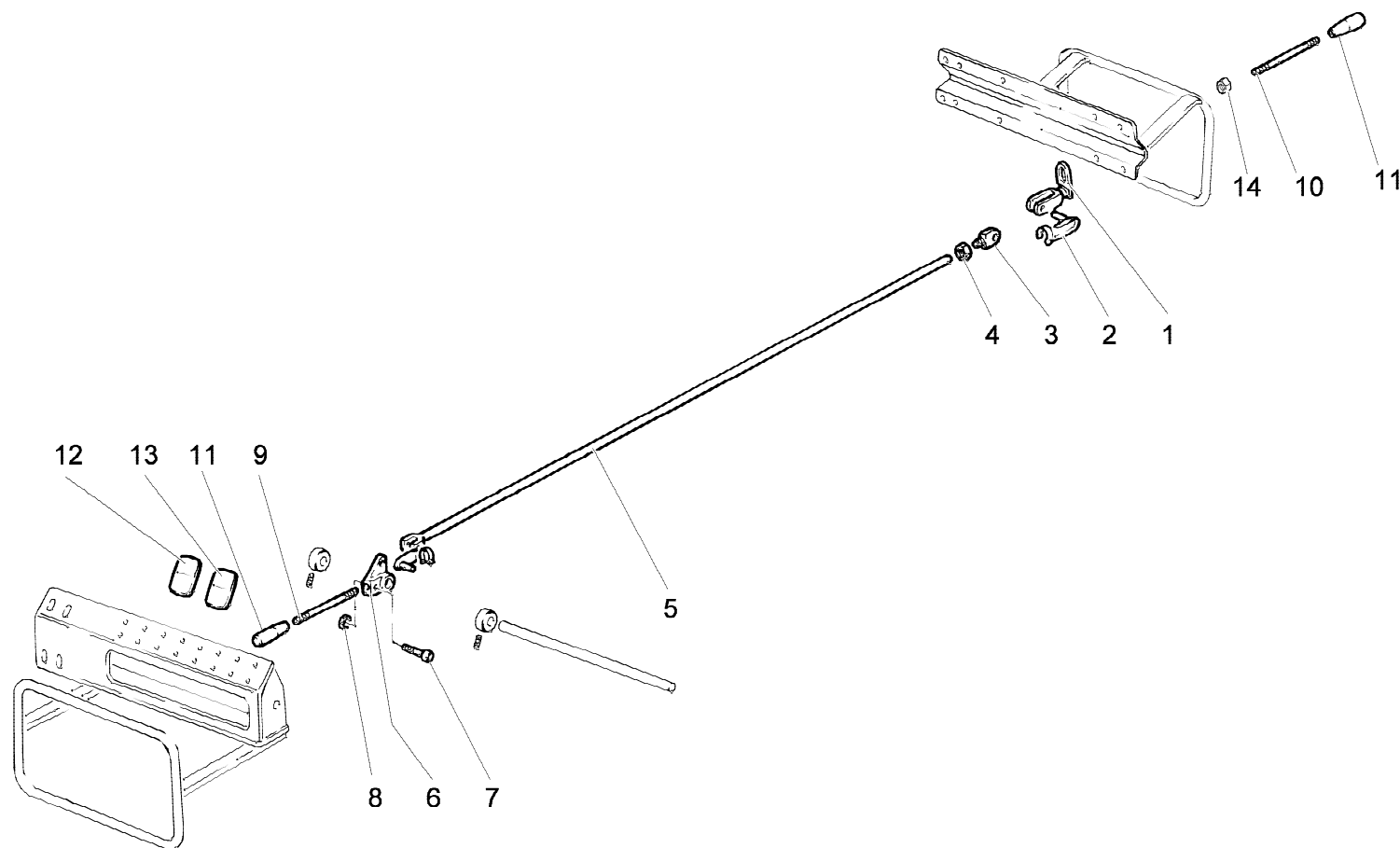
HC101 A3 JIB2

rif.	codice	Q.tà
1	W.456.766	4
2	W.44.02.020.00	4
3	W.34.05.014.00	6
4	5.00.0077	6
5	3.01.0031	6
6	3.06.0006	6
7	W.456.601	4
8	W.44.05.012.00	1



440651100-3-0

rif.	codice	Q.tà
1	W.33.05.008.00	2
2	3.30.0453	4
3	W.01.05.036.00	2
4	3.04.0040	2
5	W.44.05.004.00	1
6	W.27.05.090.00	2
7	3.02.0021	2
8	3.04.0393	2
9	W.44.05.017.00	2
10	W.338.802	2
11	W.664.003	4
12	W.573.317	2
13	W.573.318	2
14	3.04.0039	2



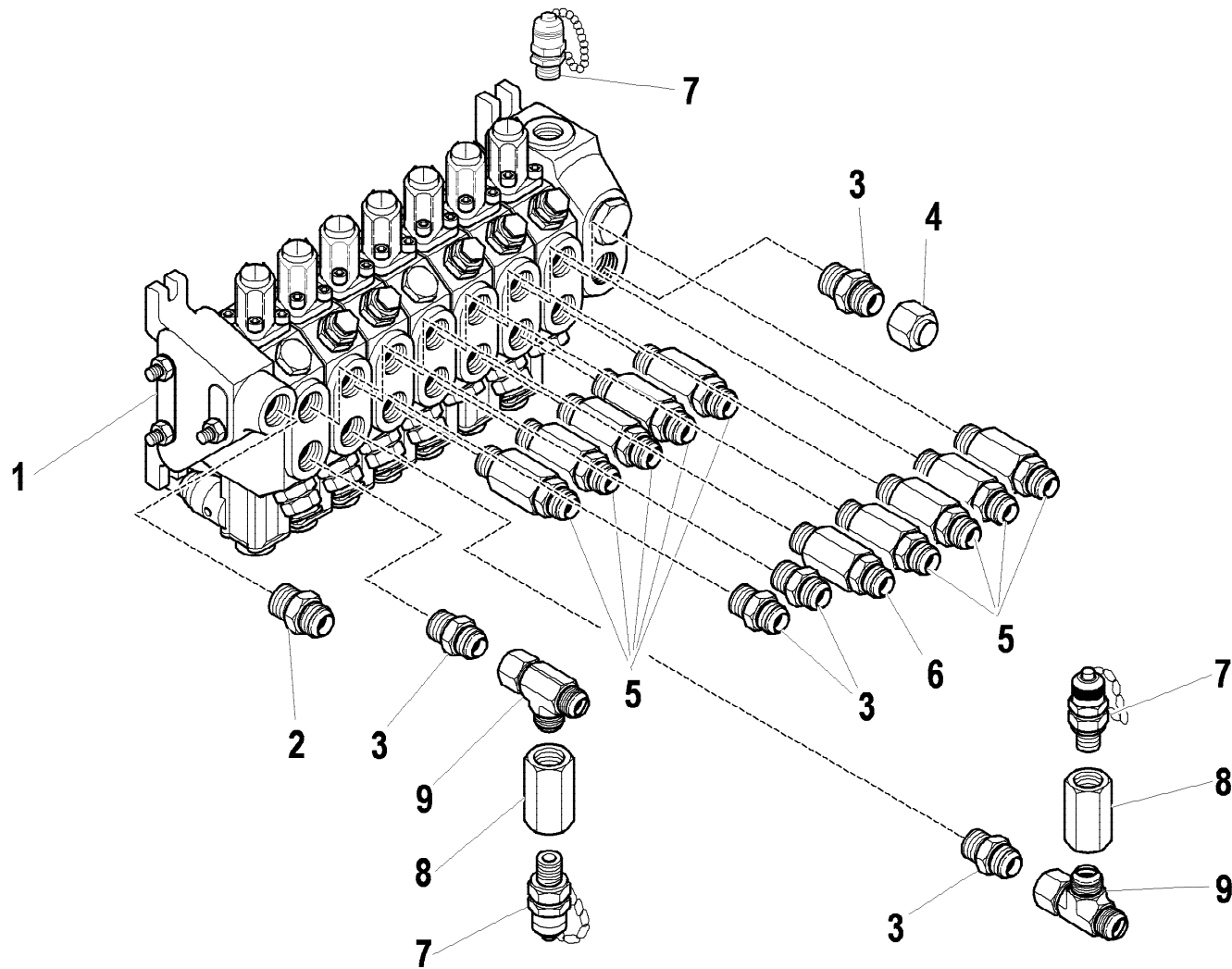
1/1

HYVA® CRANE
HC101

COMANDI 710 A3-JIB2
CONTROLS 710 A3-JIB2
COMMANDES 710 A3-JIB2
STEUERUGEN 710 A3-JIB2
MANDOS 710 A3-JIB2

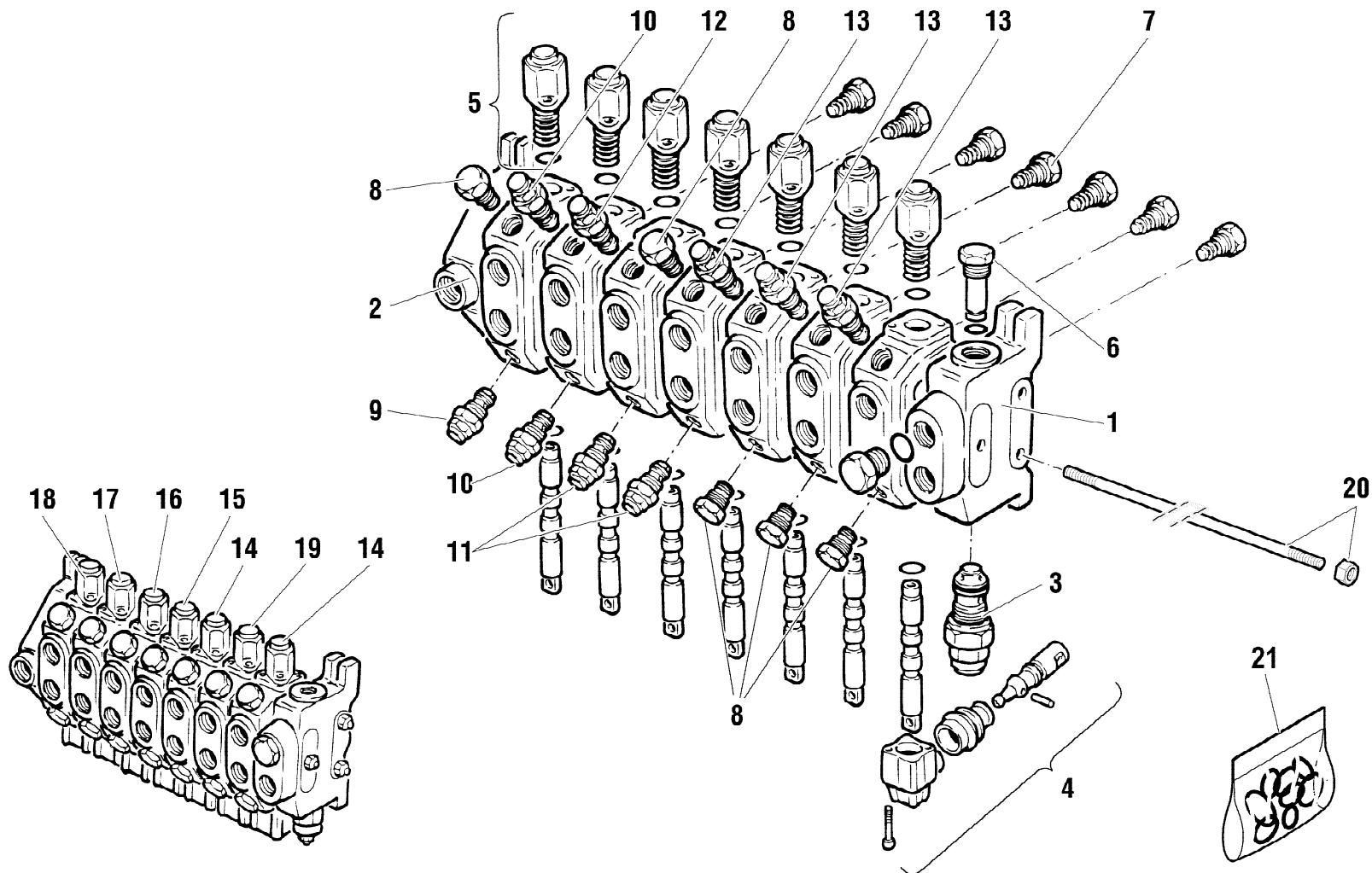
Tavola
W.44.06.511.00-2-1

Data pag.
febbraio 2007 75



rif.	codice	Q.tà
1	W.338.408	1
2	3.10.1058	1
3	3.10.1044	5
4	3.11.0041	1
5	W.402.109	9
6	W.402.110	1
7	3.11.1523	3
8	3.12.0356	2
9	3.12.0004	2

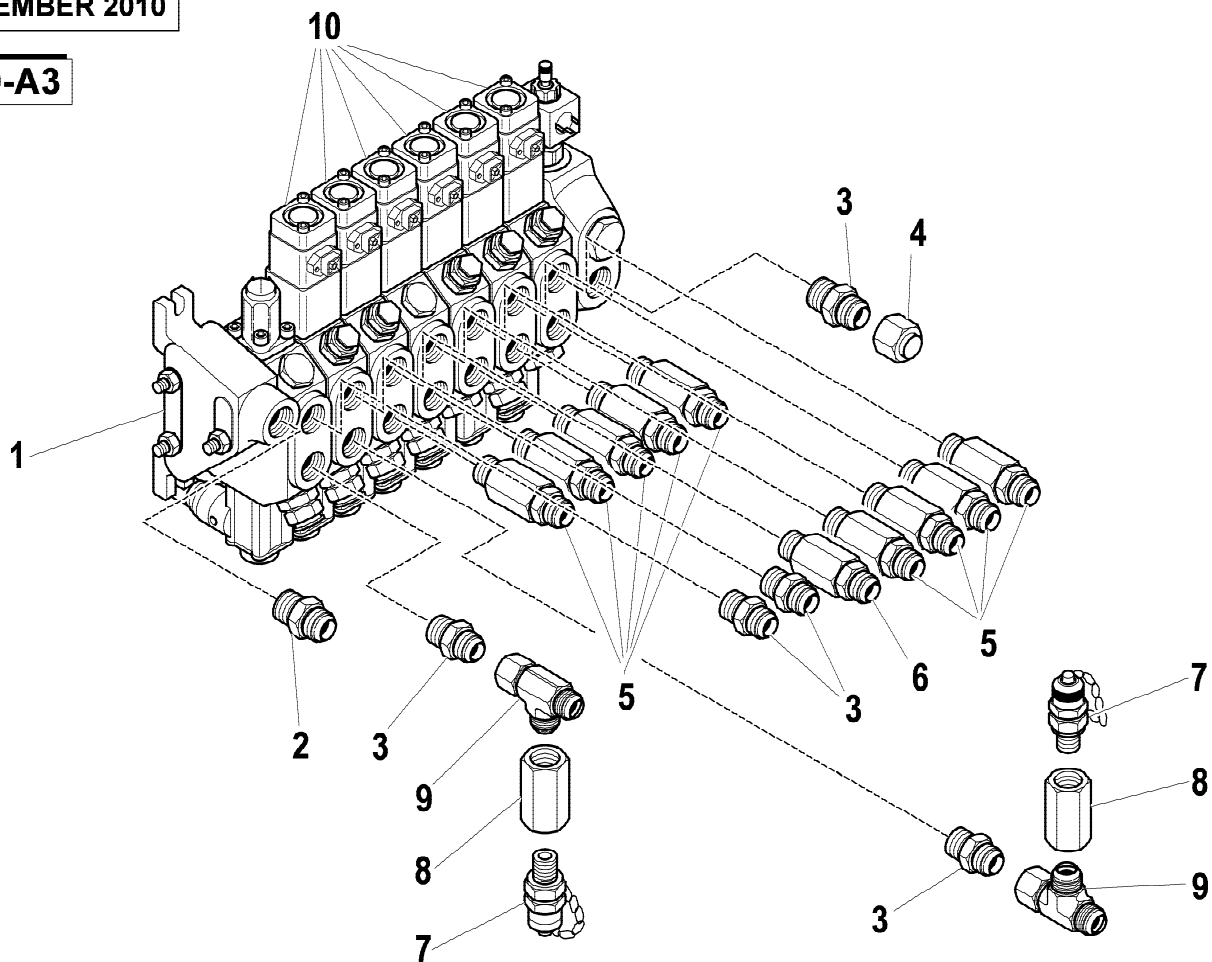
rif.	codice	Q.tà
1	W.HC.0601	1
2	W.HC.0602	1
3	W.HC.0636	1
4	W.HC.0660	7
5	5.22.5431	7
6	W.HC.0637	1
7	W.HC.0638	7
8	W.HC.0639	5
9	W.HC.0640	1
10	W.HC.0641	2
11	W.HC.0642	2
12	W.HC.0643	1
13	W.HC.0635	3
14	W.HC.0618	2
15	W.HC.0614	1
16	W.HC.0615	1
17	W.HC.0621	1
18	W.HC.0617	1
19	W.HC.0622	1
20	W.HC.0651	3
21	W.HC.0701	1



338/08-1-1

VALIDO DA DICEMBRE 2010
 VALID FROM DECEMBER 2010

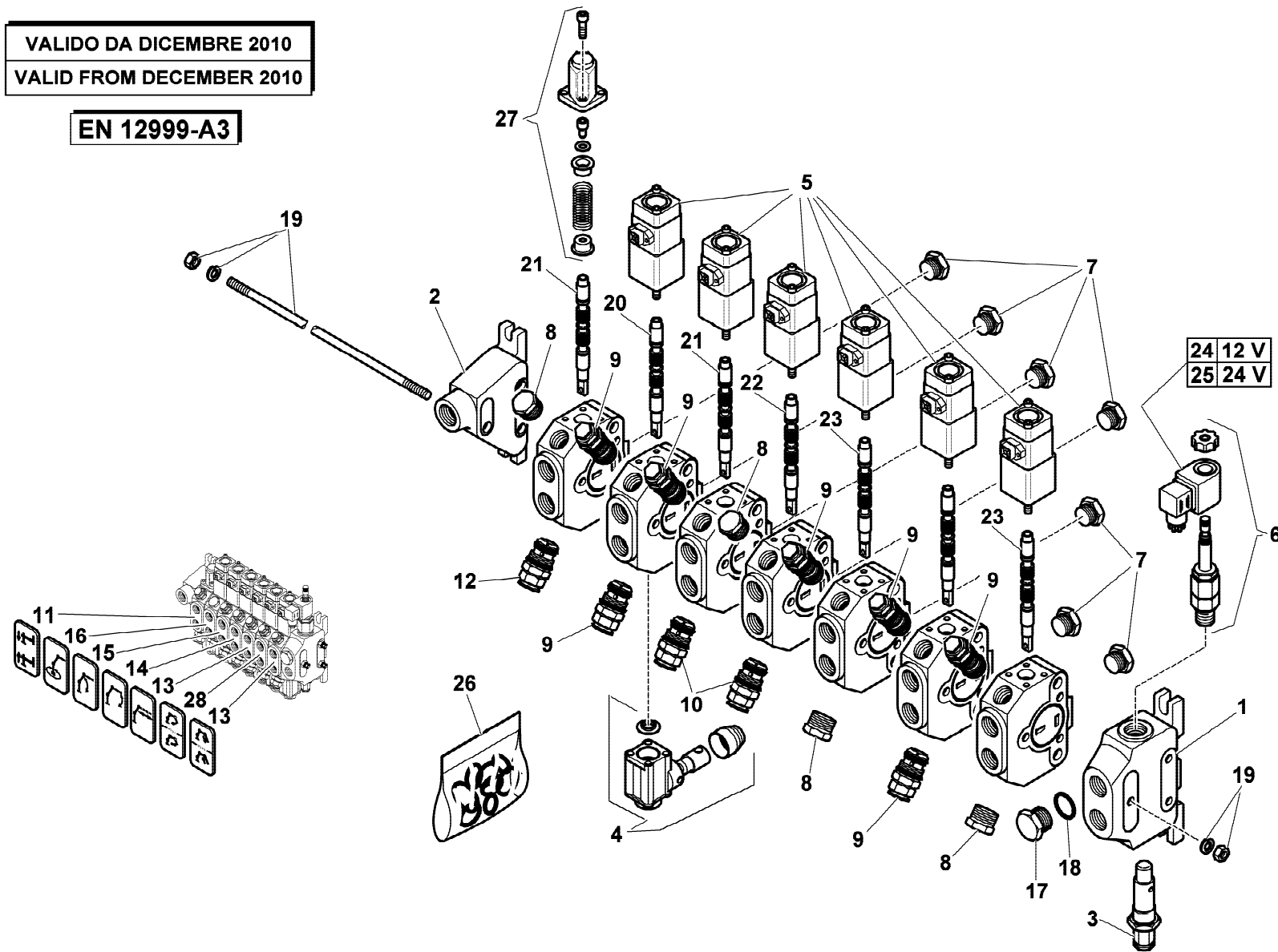
EN 12999-A3



rif.	codice	Q.tà
1	W.338.408	1
2	3.10.1058	1
3	3.10.1044	5
4	3.11.0041	1
5	W.402.109	9
6	W.402.110	1
7	3.11.1523	2
8	3.12.0356	2
9	3.12.0004	2
10	5.22.5420	6

VALIDO DA DICEMBRE 2010
VALID FROM DECEMBER 2010

EN 12999-A3



rif.	codice	Q.tà
1	W.HC.0601	1
2	W.HC.0602	1
3	W.HC.0636	1
4	W.HC.0660	7
5	5.22.5420	6
6	5.22.5429	1
7	W.HC.0638	7
8	W.HC.0639	4
9	5.22.5432	7
10	5.22.5455	2
11	W.HC.0617	1
12	5.22.5454	1
13	W.HC.0618	2
14	W.HC.0614	1
15	W.HC.0615	1
16	W.HC.0621	1
17	W.HC.0645	1
18	W.HC.0646	1
19	W.HC.0651	3
20	W.HC.0630	1
21	5.22.5434	2
22	W.HC.0629	1
23	W.HC.0628	2
24	3.31.1046	1
25	3.31.1047	1
26	W.HC.0701	1
27	5.22.5431	1
28	W.HC.0622	1

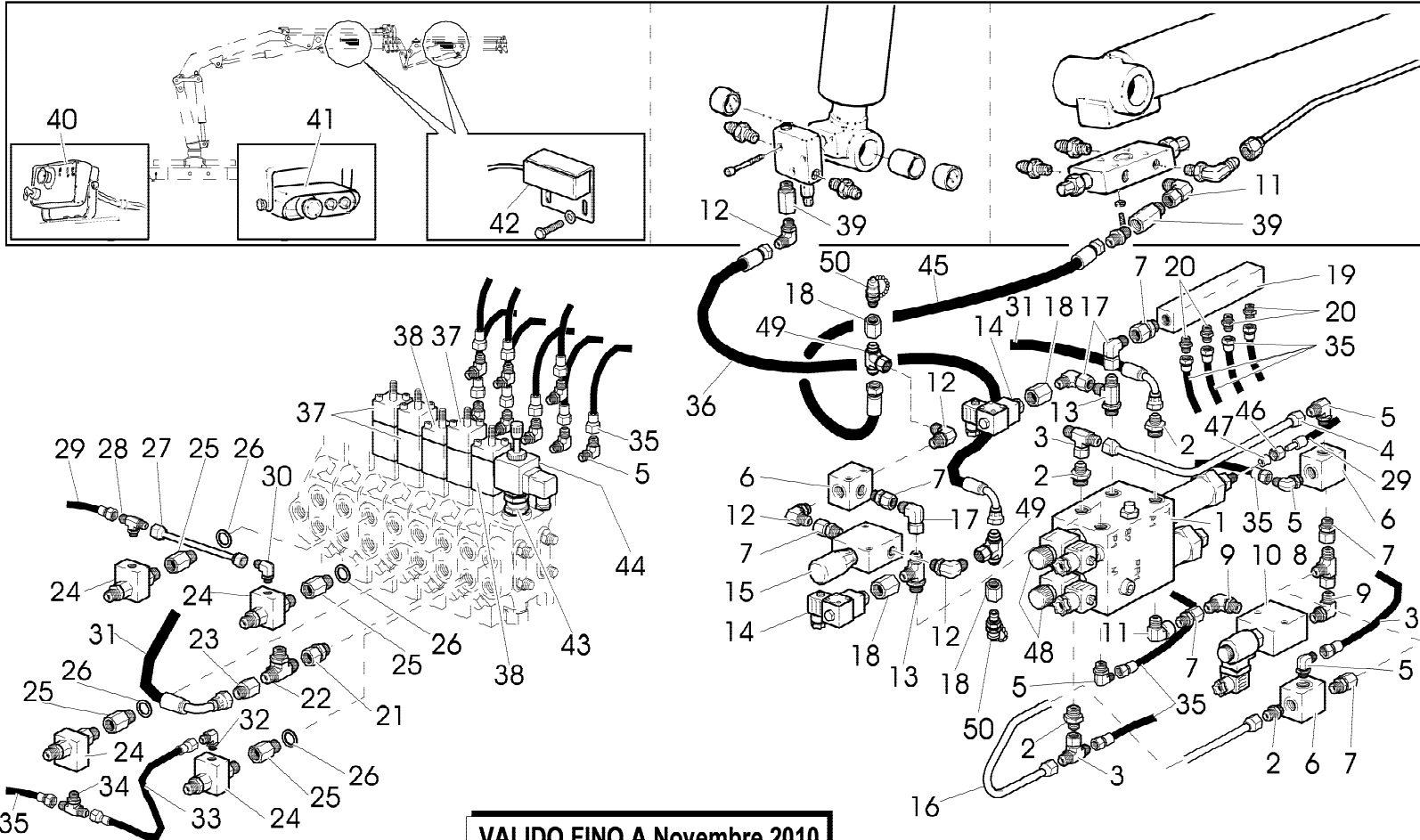


HC101

DISTRIBUTORE (7 ELEMENTI) EN 12999-A3
CONTROL VALVE (7 SECTION) EN 12999-A3
DISTRIBUTEUR (7 VOIES) EN 12999-A3
STUERBLOCK (7 ELEMENTE) EN 12999-A3
DISTRIBUIDOR (7 ELEMENTOS) EN 12999-A3

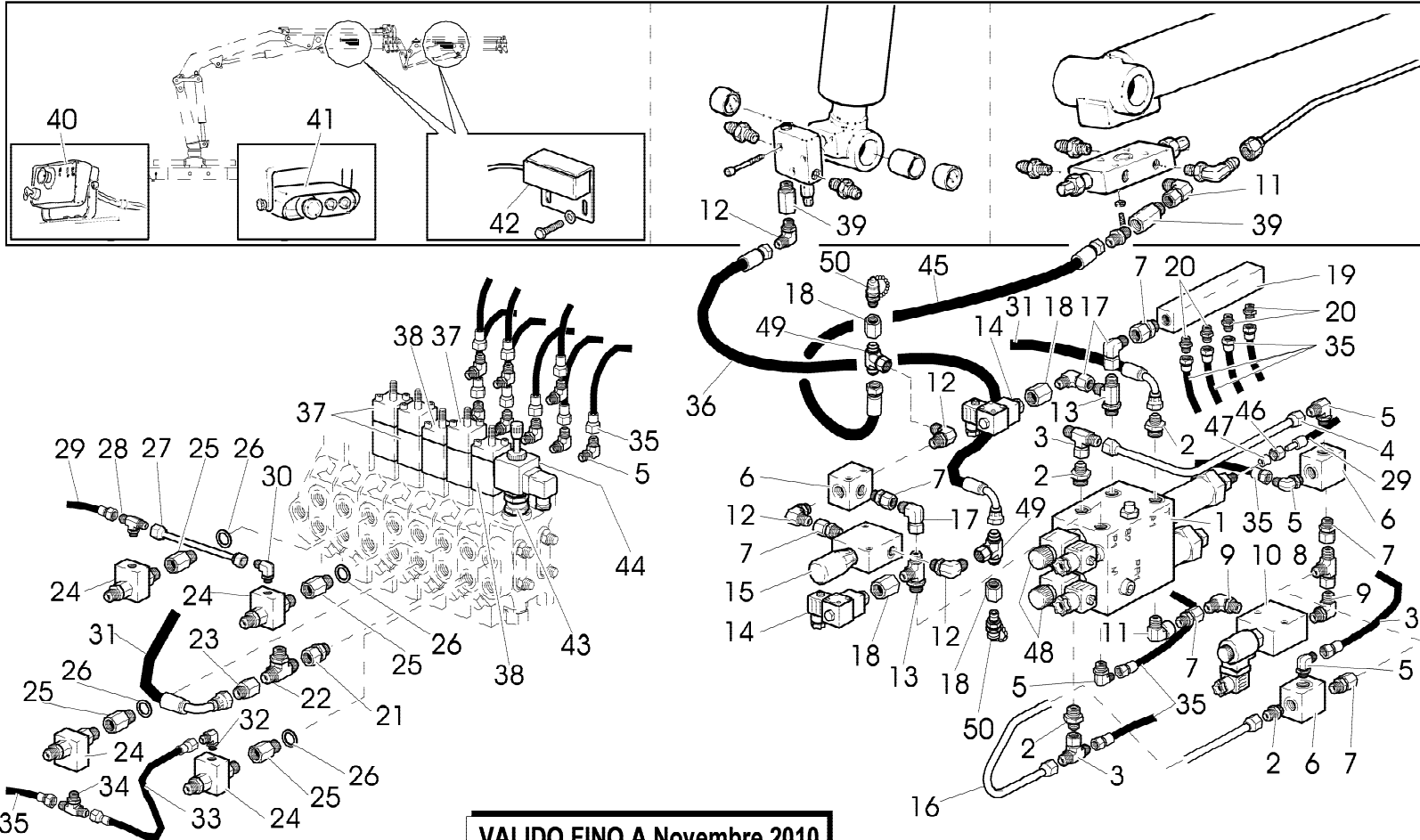
Tavola
W.338.408-2-0

Data pag.
maggio 2011 79



VALIDO FINO A Novembre 2010
VALID UNTIL November 2010

rif.	codice	Q.tà
1	W.471.005	1
2	3.10.1037	4
3	3.12.0111	4
4	W.27.05.141.00	1
5	3.10.1194	12
6	W.470.060	3
7	3.12.0064	6
8	3.12.0003	1
9	W.403.513	2
10	W.470.604	1
11	3.11.1512	2
12	3.10.1124	4
13	3.10.1175	2
14	W.283.007	2
15	W.470.861	1
16	W.27.05.142.00	1
17	3.12.0011	3
18	3.12.0385	4
19	W.27.05.138.00	1
20	3.10.1033	6
21	3.12.0067	1
22	3.12.0306	1
23	3.12.0209	1
24	W.402.115	4
25	3.11.0113	1
26	3.06.0145	4
27	5.39.2185	1
28	3.12.0384	1
29	W.465.002	1
30	3.10.1121	1
31	W.455.527	1
1/2		



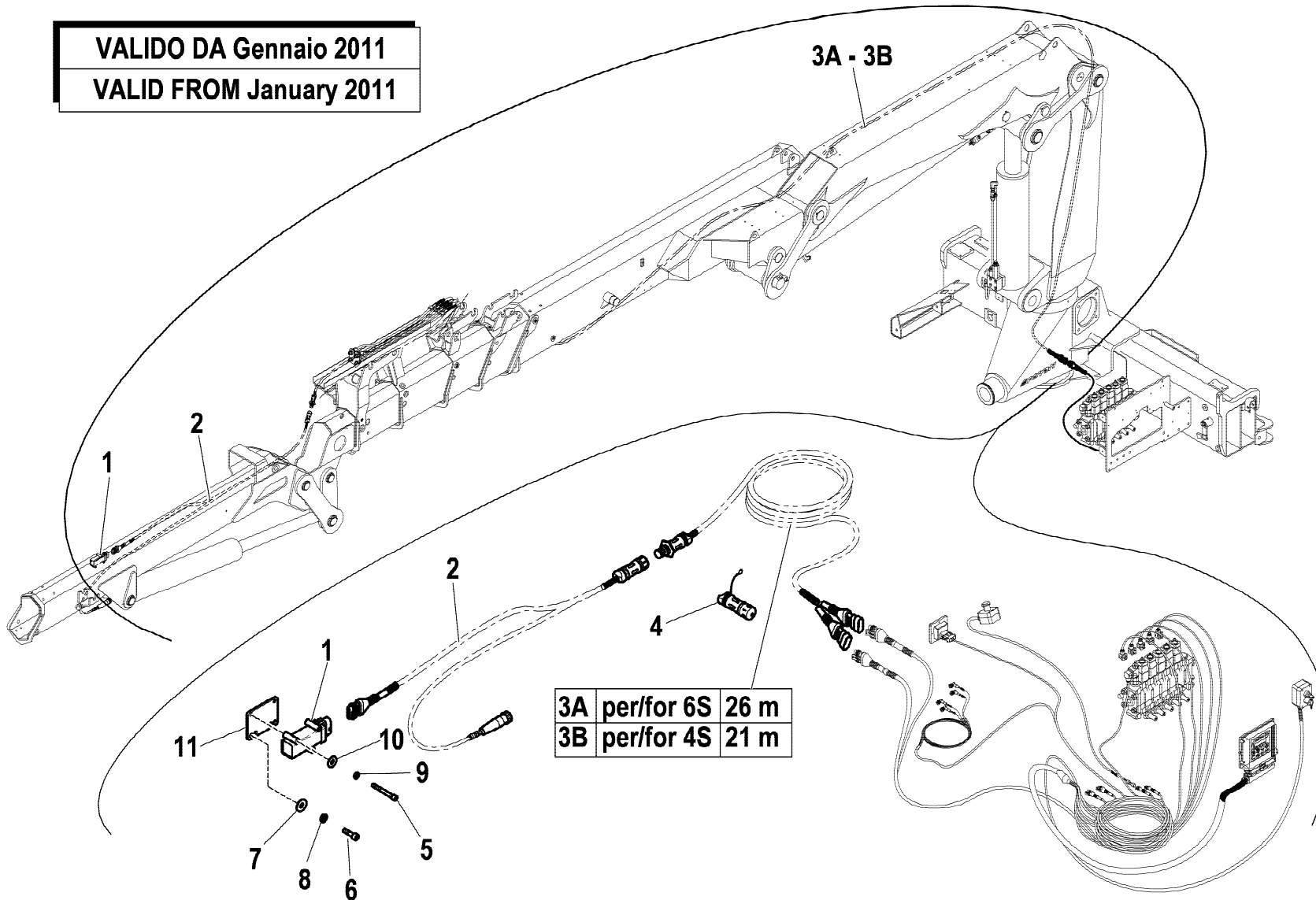
VALIDO FINO A Novembre 2010
VALID UNTIL November 2010

rif.	codice	Q.tà
32	3.10.1195	1
33	W.465.101	3
34	3.12.0383	2
35	W.465.001	8
36	W.456.092	1
37	W.HC0.665	2
38	W.HC0.667	3
39	5.22.0300	2
40	W.285.036	1
41	W.285.035	1
42	W.264.806	1
43	W.470.607	1
44	W.222.003	1
45	W.468.151	1
46	3.10.0952	1
47	3.10.0956	1
48	W.222.006	2
49	3.12.0341	2
50	3.11.1523	2

44052900-1-3

VALIDO DA Gennaio 2011

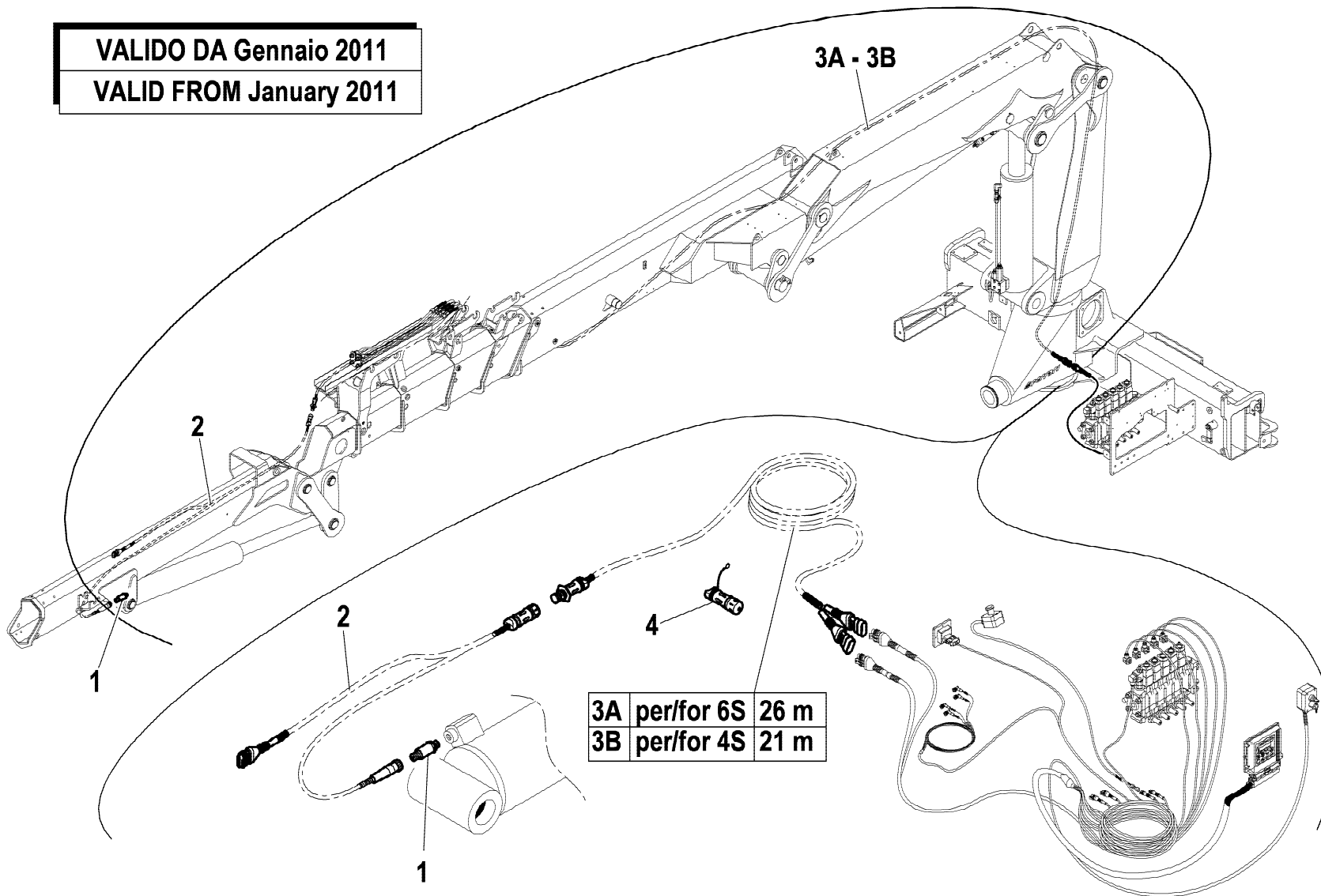
VALID FROM January 2011



rif.	codice	Q.tà
1	3.31.1150	1
2	5.16.0079	1
3 A	5.16.0077	1
3 B	5.16.0078	1
4	5.16.0080	1
5	3.02.0018	2
6	3.02.0033	2
7	3.06.0005	2
8	3.06.0053	2
9	3.06.0065	2
10	3.06.0003	2
11	5.00.2108	1

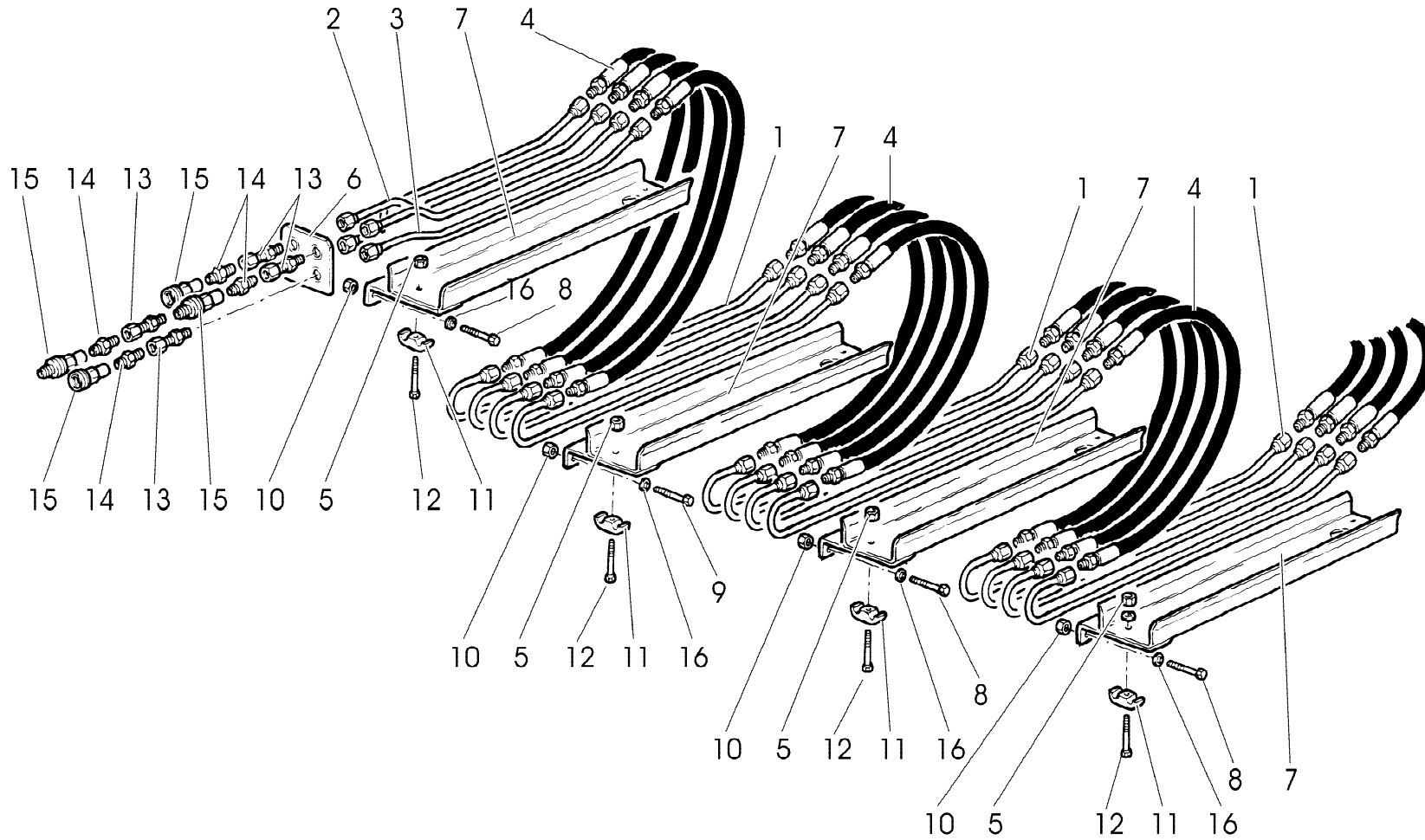
VALIDO DA Gennaio 2011

VALID FROM January 2011



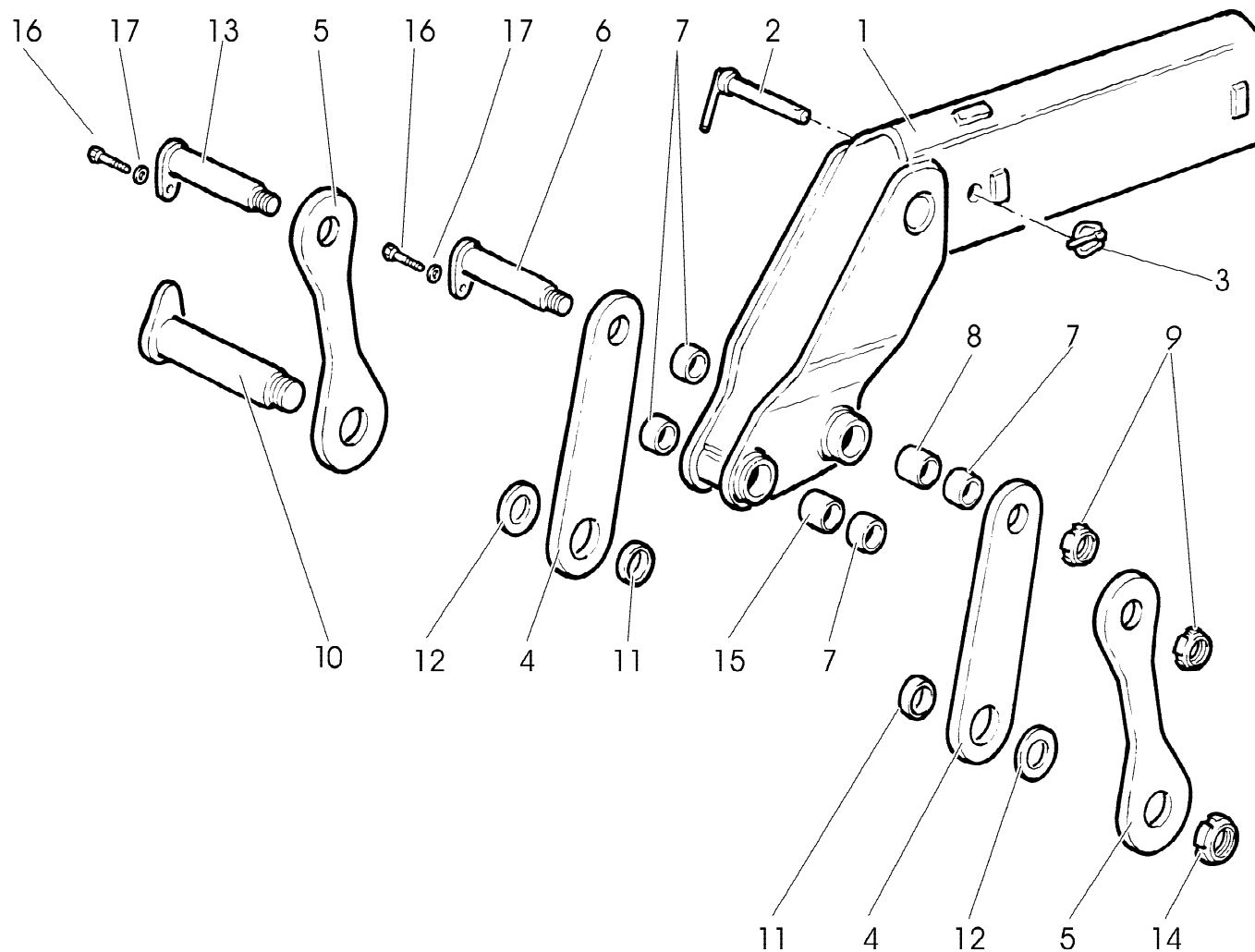
3A	per/for 6S	26 m
3B	per/for 4S	21 m

rif.	codice	Q.tà
1	3.31.0612	1
2	5.16.0079	1
3 A	5.16.0077	1
3 B	5.16.0078	1
4	5.16.0080	1



rif.	codice	Q.tà
1	W.44.05.007.00	12
2	W.44.05.008.00	2
3	W.44.05.009.00	2
4	W.456.593	12
5	3.04.0524	16
6	W.44.05.011.00	1
7	W.44.05.010.00	4
8	3.01.0354	6
9	3.01.0352	2
10	3.04.0335	6
11	5.00.0077	14
12	3.01.0030	14
13	3.12.0402	4
14	3.11.0249	4
15	3.11.0420	2
16	3.06.0056	8

44051100-40



rif.	codice	Q.tà
1	W.56.06.001.00	1
2	W.101.289	1
3	3.06.0924	1
4	W.44.06.002.00	2
5	W.44.06.003.00	2
6	W101.279	1
7	W.102.134	4
8	W.44.06.008.00	1
9	3.04.0505	2
10	W.101.280	1
11	W.102.136	2
12	W.44.06.015.00	2
13	W.101.277	1
14	3.04.0506	1
15	W.44.06.009.00	1
16	3.01.0354	2
17	3.06.0056	2

44061000-1-0

1/1

HYVA® CRANE

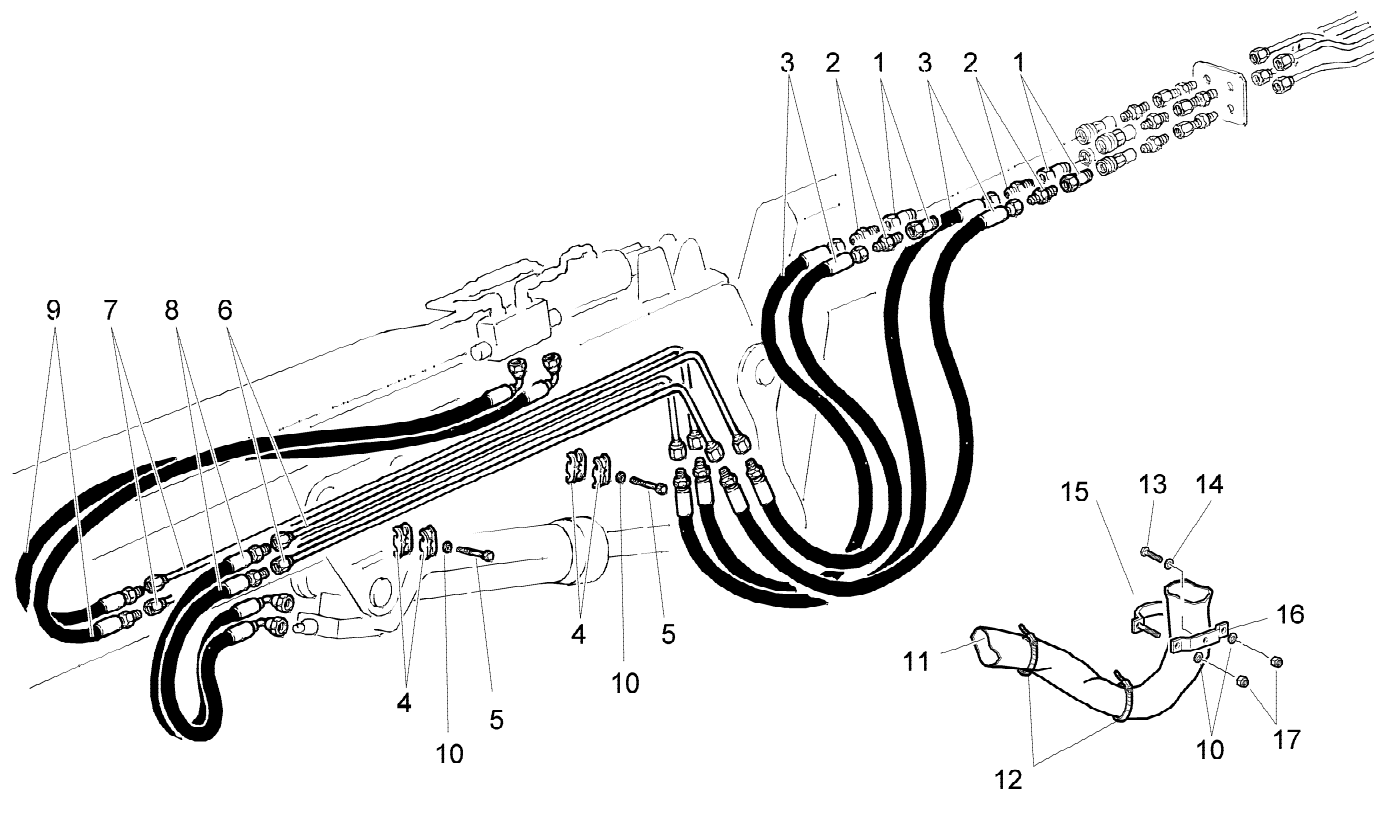
HC101

INNESTO E BIELLE 710 A3 - JIB2
 CONNECTION AND CONNECTING ROD 710 A3 - JIB2
 RACCORD ET BIELLES 710 A3 - JIB2
 KUPPLING UND PLEUELSTANGEN 710 A3 - JIB2
 ACOPLAMENTO Y BIELAS 710 A3 - JIB2

Tavola
W.44.06.510.00-1-1

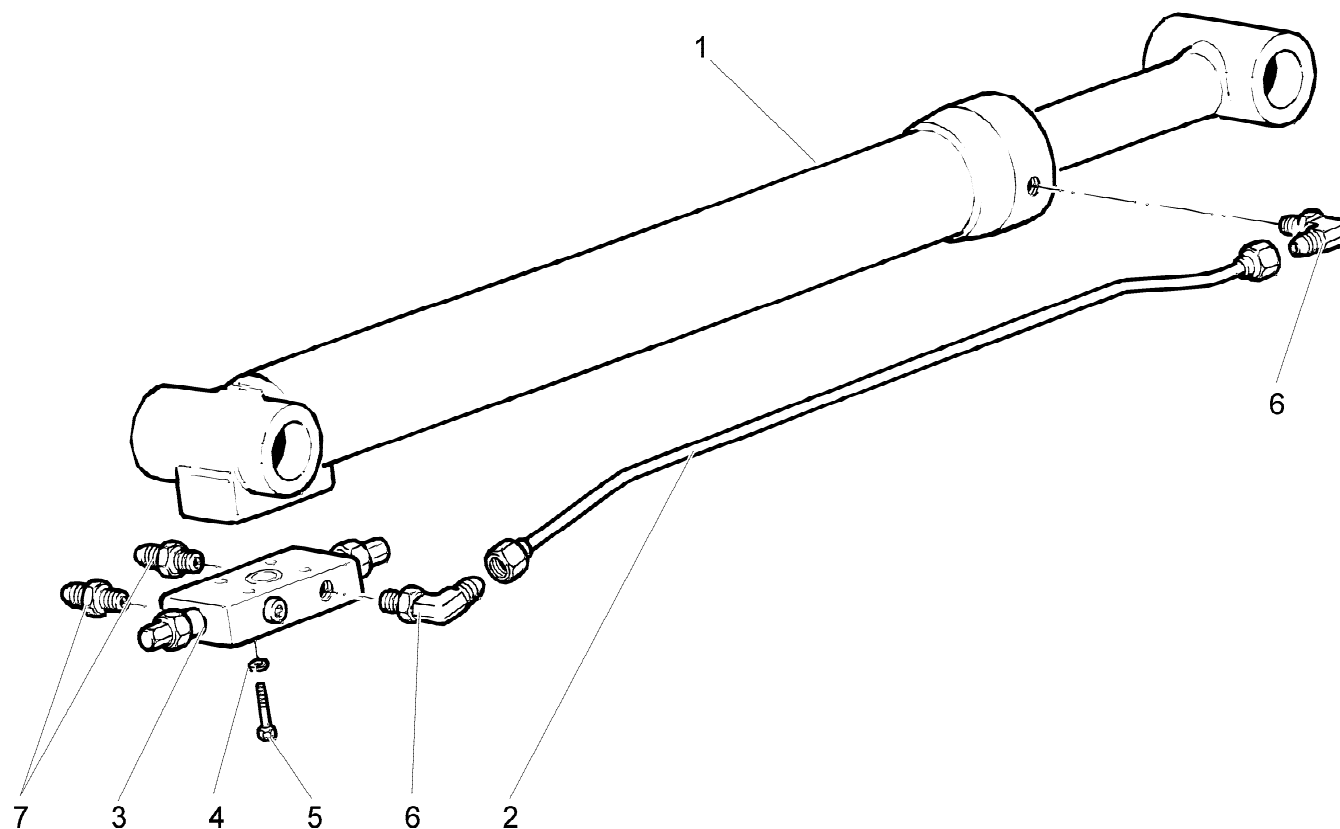
Data pag.
 febbraio 2007 84

rif.	codice	Q.tà
1	3.11.0420	2
2	3.10.1040	4
3	W456.872	4
4	5.00.0077	4
5	3.01.0031	2
6	W.44.06.013.00	2
7	W.44.06.012.00	2
8	W.456.909	2
9	W.456.912	2
10	3.06.0006	4
11	W.742.003	2
12	238.007	2
13	3.01.0353	1
14	3.06.0914	1
15	5.00.0036	1
16	5.00.0614	1
17	3.04.0303	2



440651100-1-2

rif.	codice	Q.tà
1	W.44.06.503.00	1
2	W.44.06.011.00	1
3	5.22.0548	1
4	3.06.0055	4
5	3.01.0031	4
6	3.10.1127	2
7	3.10.1043	2



1/1

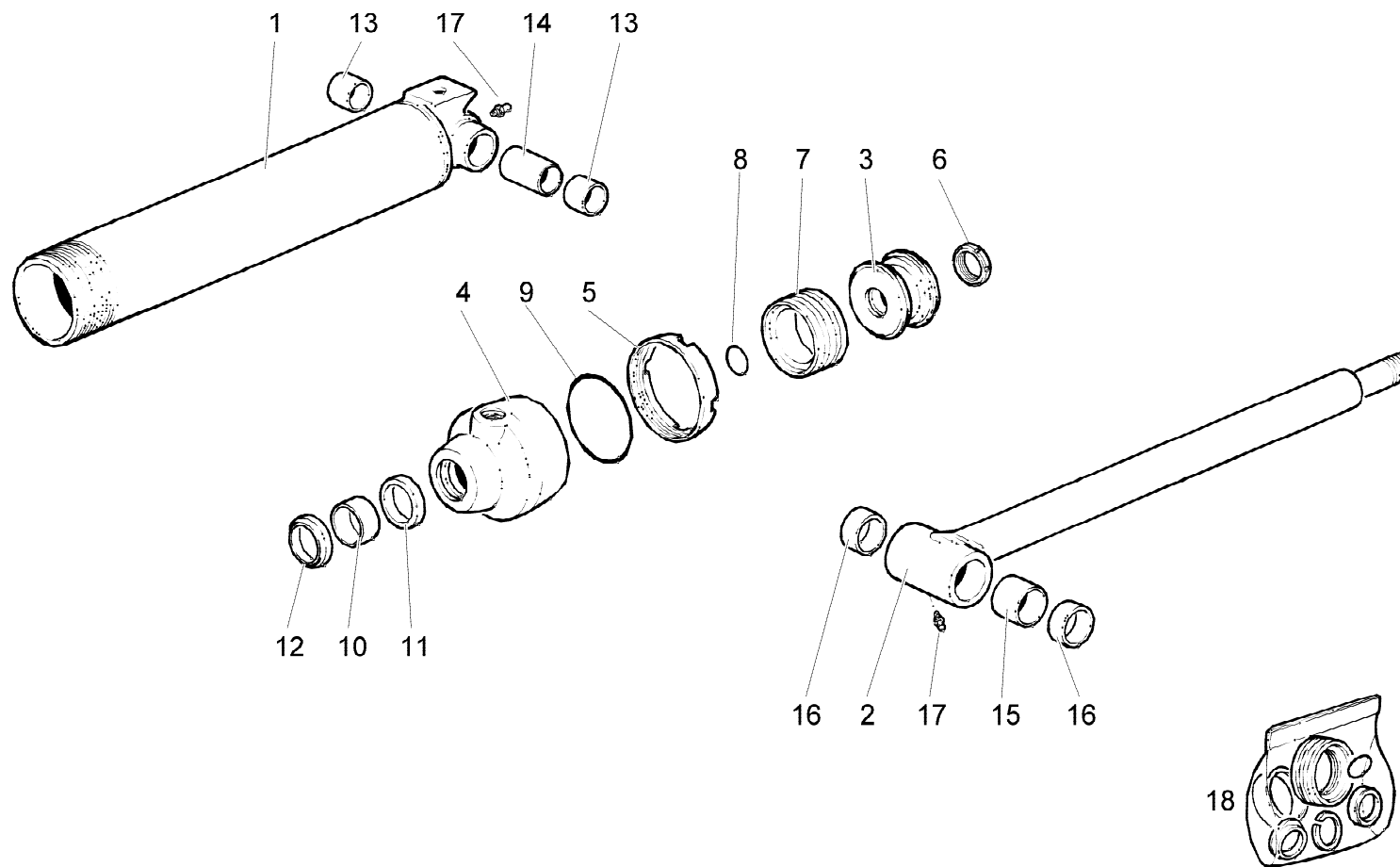
HYVA[®] CRANE
HC101

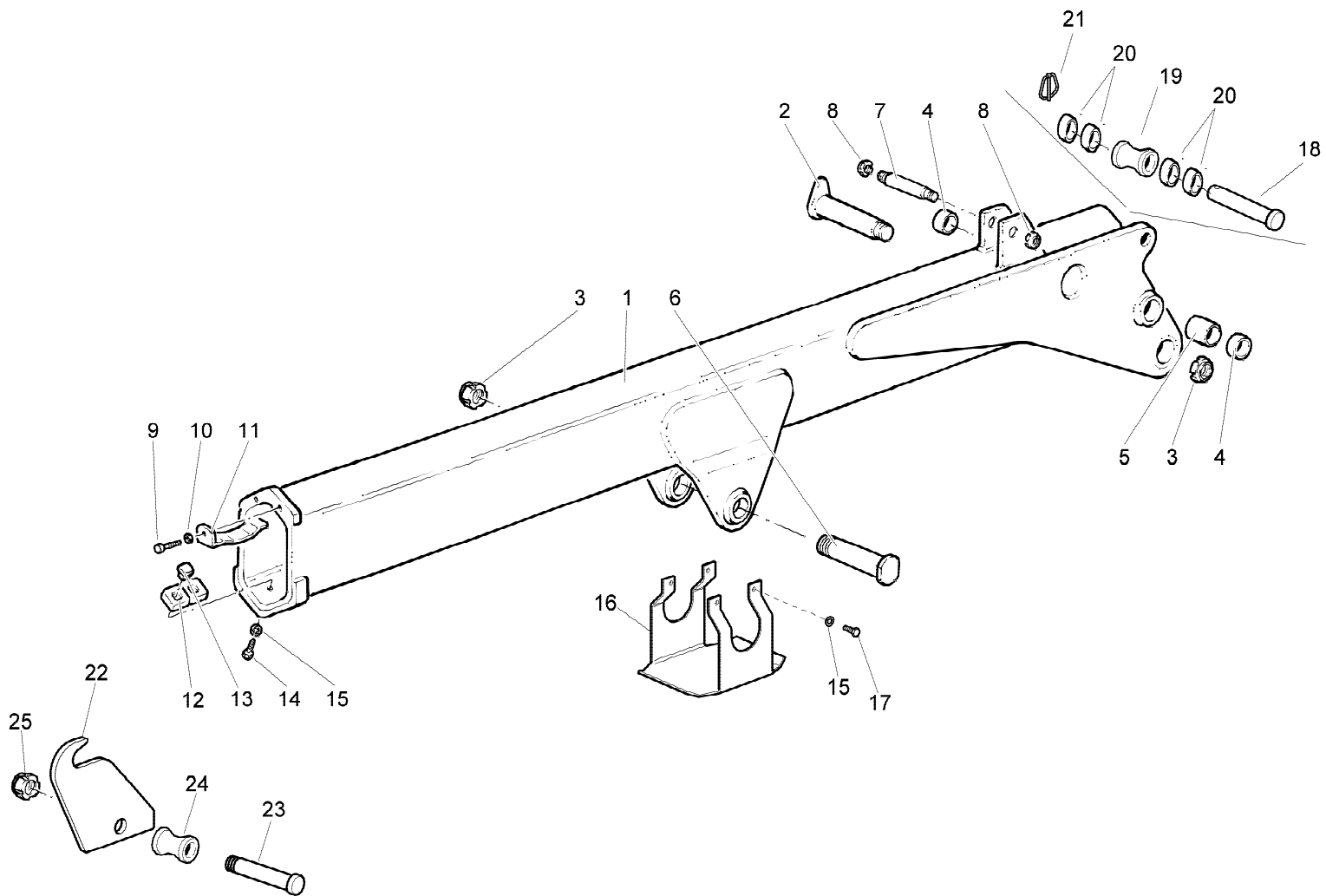
IMPIANTO IDRAULICO (MARTINETTO ARTICOLAZIONE) JIB
 HYDRAULIC SYSTEM (ARTICULATION HYDRAULIC JACK) JIB
 INSTALLATION HYDRAULIQUE (VERIN D' ARTICULATION) JIB
 HYDRAULIKANLAGE (GELENKSHEBEBOCK) JIB
 INSTALACION HIDRAULICA (GATO DE ARTICULACION) JIB

Tavola
W.44.06.504.00-1-0

Data pag.
 dicembre 2008 86

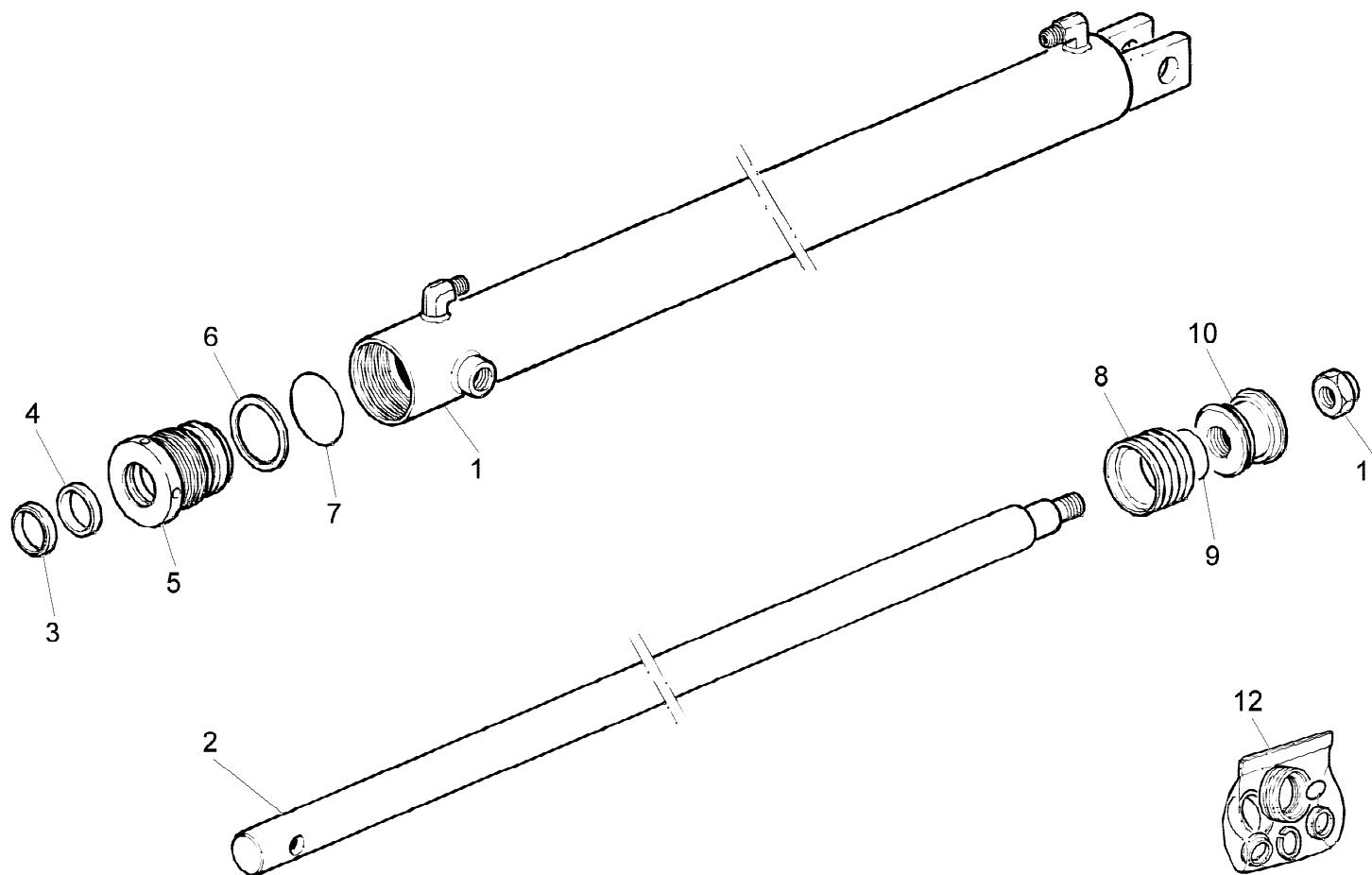
rif.	codice	Q.tà
1	W.44.06.005.00	1
2	W.44.06.006.00	1
3	W.105.079	1
4	W.37.02.005.00	1
5	W.37.02.007.00	1
6	3.04.0505	1
7	W.359.019	1
8	W.360.109	1
9	W.360.044	1
10	W.102.133	1
11	W.358.021	1
12	W.361.014	1
13	W.102.134	2
14	W.37.02.008.00	1
15	W.44.06.007.00	1
16	W.102.136	2
17	3.08.0500	2
18	W.365.108	1





rif.	codice	Q.tà
1	W.44.06.004.00	1
2	W.101.278	1
3	3.04.0505	2
4	W.102.134	2
5	W.44.06.010.00	1
6	W.101.283	1
7	W.101.218	1
8	3.04.0498	2
9	3.01.0323	2
10	3.06.0005	2
11	W.37.03.006.00	2
12	W.38.03.006.00	2
13	W.37.03.008.00	4
14	3.01.0055	4
15	3.06.0006	8
16	W.55.06.003.00	1
17	3.01.0337	4
18	W.101.084	1
19	W.39.03.010.00	1
20	W.32.03.015.00	4
21	3.06.0753	1
22	W.44.06.014.00	1
23	W.101.004	1
24	W.27.03.032.00	1
25	3.04.0502	1

rif.	codice	Q.tà
1	W.38.03.004.00	1
2	W.38.03.005.00	1
3	W.361.012	1
4	W.358.002	1
5	W.120.056	1
6	W.304.018	1.
7	W.360.049	1
8	W.359.010	1
9	W.360.002	1
10	W.105.061	1
11	3.04.0377	1
12	W.365.060	1



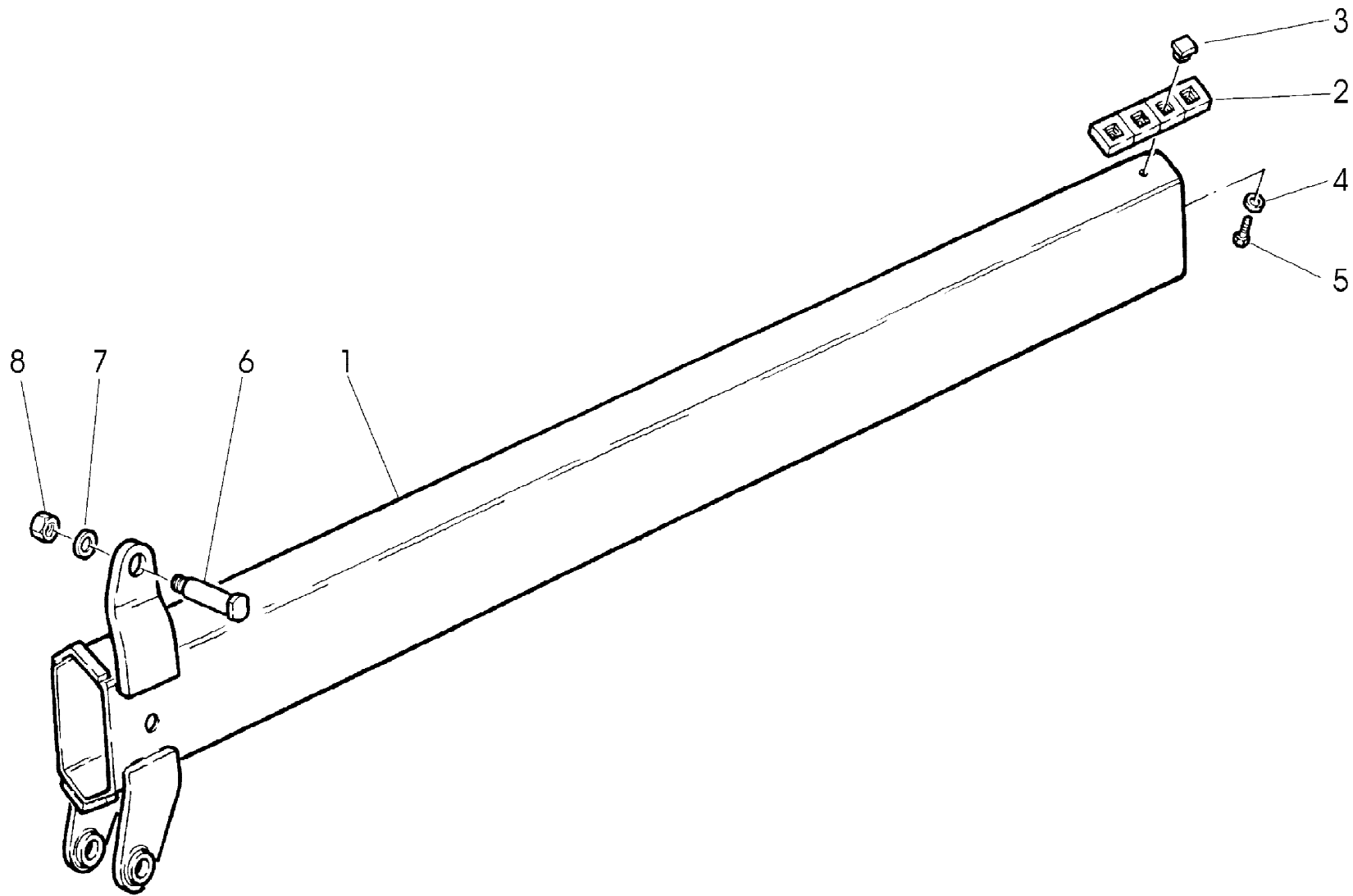
1/1

HYVA[®] CRANE
HC101

MARTINETTO 1° ESTENSIONE
 1ST EXTENSION HYDRAULIC JACK
 VERIN 1° ELEMENT TELESCOPIQUE
 SCHUBZYLINDER 1. ELEMENT
 GATO 1° EXTENSION

Tavola
W.38.03.501.00-1-6

Data pag.
 dicembre 2009 89



rif.	codice	Q.tà
1	W.38.03.002.00	1
2	W.38.03.007.00	2
3	W.37.03.008.00	4
4	3.06.0029	4
5	3.01.0336	4
6	W.101.213	1
7	3.06.0009	1
8	3.04.0086	1

1/1

HYVA® CRANE

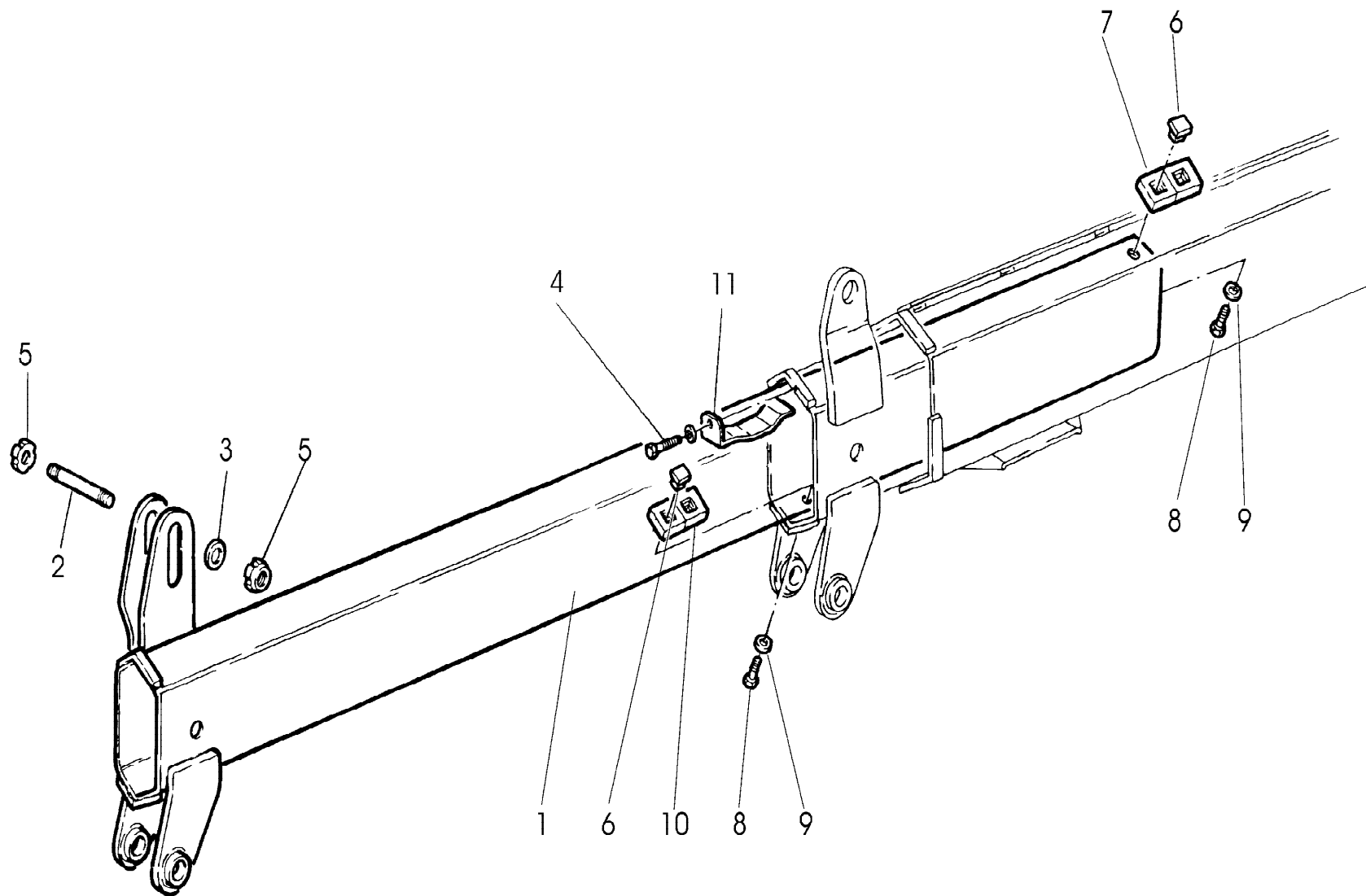
HC101

1° SFILLO JIB
 1ST EXTENSION JIB
 1ERE RALLONGE JIB
 1. VERLAENGERUNG JIB
 1°PROLONGACION JIB

Tavola

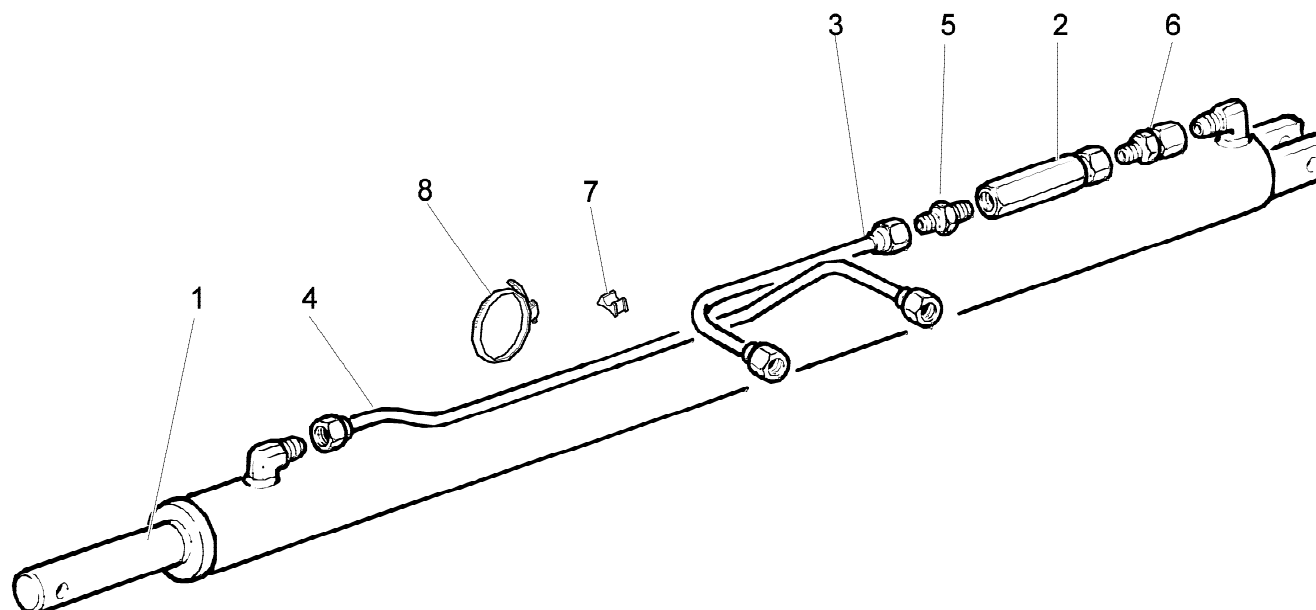
W.038.302-1-0

Data pag.
 dicembre 2008 90



rif.	codice	Q.tà
1	W.38.03.003.00	1
2	W.101.218	1
3	3.06.0010	2
4	3.01.0323	2
5	3.04.0498	2
6	W.37.03.008.00	8
7	W.37.03.010.00	2
8	3.01.0336	8
9	3.06.0029	8
10	W.37.03.009.00	2
11	3.06.0683	2

rif.	codice	Q.tà
1	W.37.03.501.00	1
2	W.470.853	1
3	W.38.05.005.00	1
4	W.38.05.006.00	1
5	3.10.1040	1
6	3.12.0065	1
7	5.14.0133	1
8	3.19.0023	1



1/1

HYVA[®] CRANE

HC101

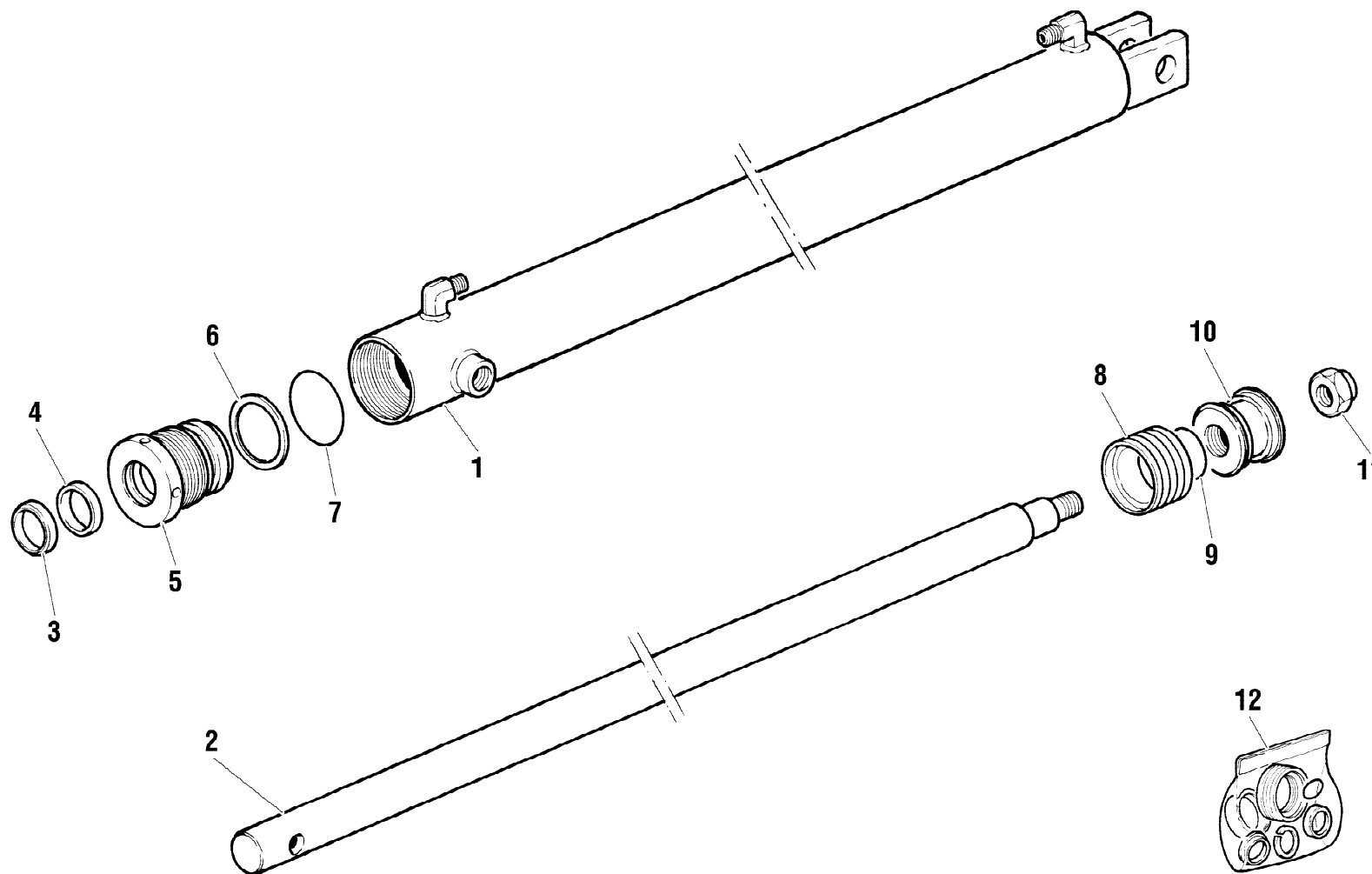
IMPIANTO IDRAULICO (2° SFILO) JIB
 HYDRAULIC SYSTEM (2ND EXTENSION) JIB
 INSTALLATION HYDRAULIQUE (2EME RALLONGE) JIB
 HYDRAULIKANLAGE (2. VERLAENGERUNG) JIB
 INSTALACION HIDRAULICA (2°PROLONGACION) JIB

W.38.03.510.00-1-0

Tavola

Data pag.
 dicembre 2008 92

rif.	codice	Q.tà
1	W.37.03.004.00	1
2	W.37.03.005.00	1
3	W.361.011	1
4	W.358.022	1
5	W.120.061	1
6	W.304.004	1
7	W.360.010	1
8	W.359.035	1
9	W.360.070	1
10	W.105.058	1
11	3.04.0306	1
12	W.365.064	1



370350100-1-6

1/1

HYVA® CRANE
HC101

MARTINETTO 2° SFILLO
2ND EXTENSION HYDRAULIC JACK
VÉRIN 2ÈME RALLONGE
2. SCHUBZYLINDER
GATO 2ª EXTENSIÓN

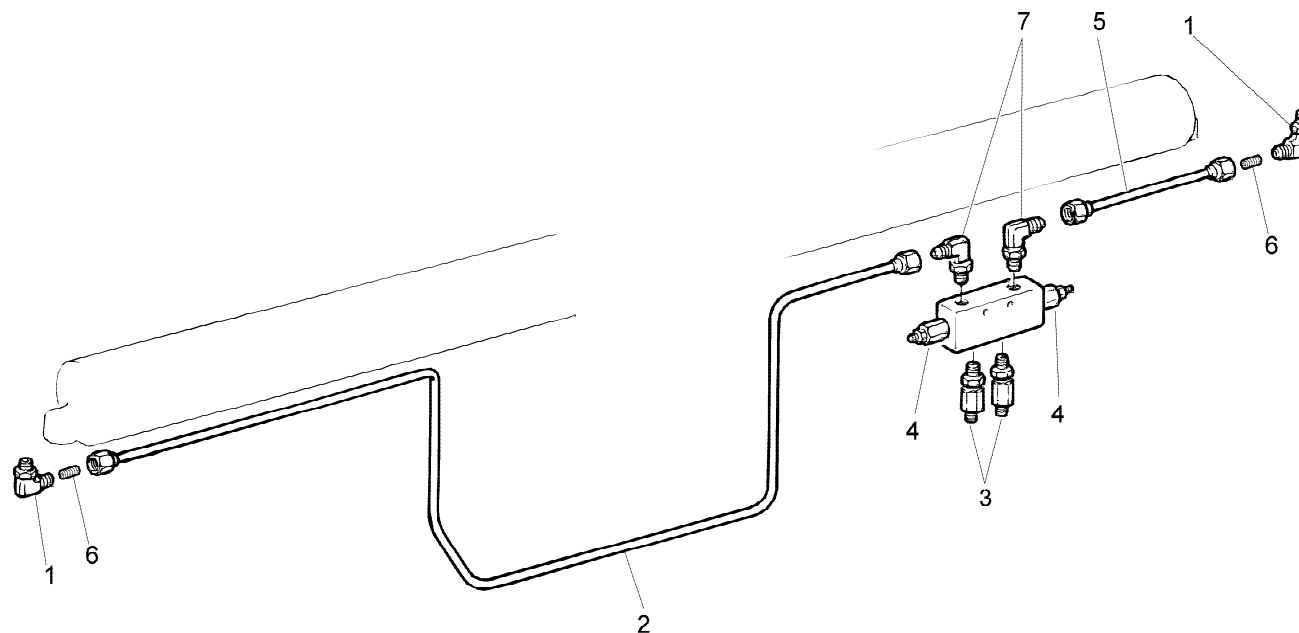
Tavola
W.37.03.501.00-1-6

Data pag.
dicembre 2009 93



HC101 SDA

rif.	codice	Q.tà
1	4.03.0503	4
2	W.44.01.015.00	1
3	W.402.111	2
4	W470.062	1
5	W.44.01.016.00	1
6	W.470.425	2



1/1

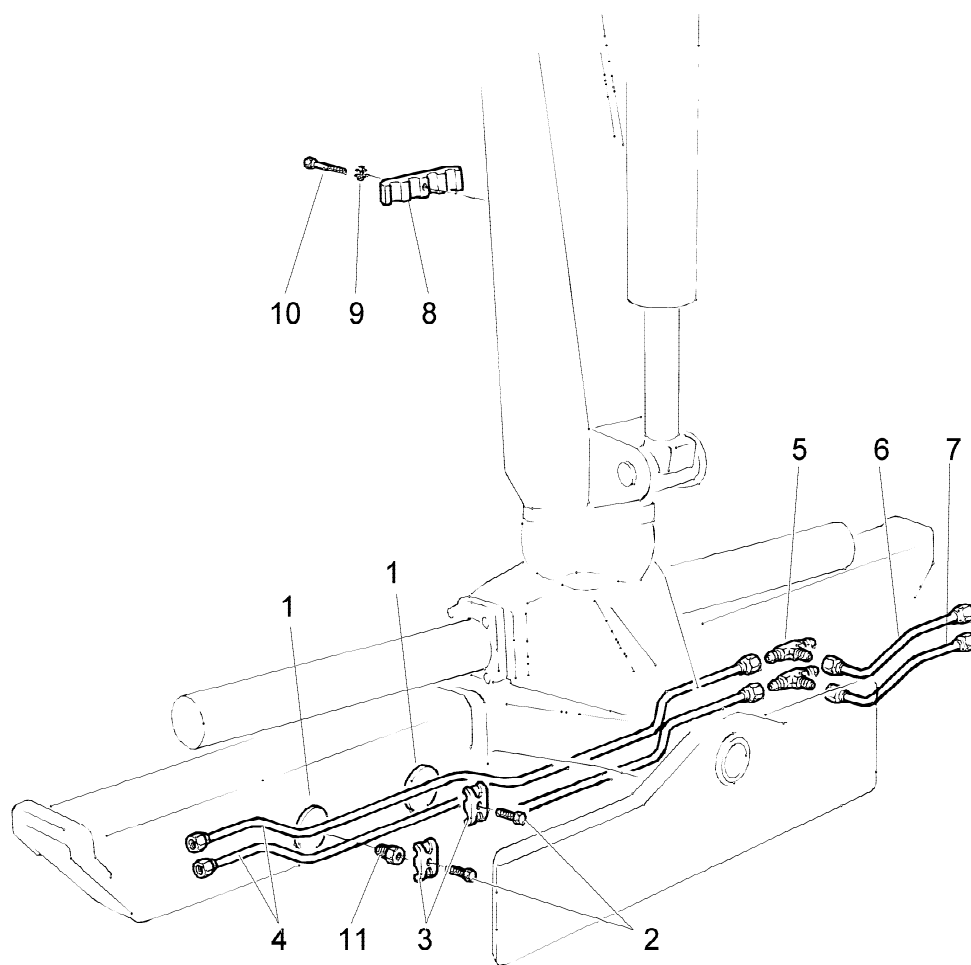
HYVA[®] CRANE
HC101

IMPIANTO IDRAULICO (MARTINETTO ROTAZIONE) SDA
 HYDRAULIC SYSTEM (SLEWING HYDRAULIC JACK) SDA
 INSTALLATION HYDRAULIQUE (VERIN ROTATION) SDA
 HYDRAULIKANLAGE (DREH SCHUBZYLINDER) SDA
 INSTALACION HIDRAULICA (GATO ROTACION) SDA

Tavola
W.044.507-1-2

Data pag.
 febbraio 2007 95

rif.	codice	Q.tà
1	W.34.05.014.00	3
1	3.01.0339	2
1	5.00.0077	2
4	W.44.01.019.00	2
5	3.12.0004	2
6	W.44.01.021.00	1
7	W.44.01.022.00	1
8	W.128.030	1
9	3.06.0918	1
10	3.01.0030	1
11	W.34.05.013.00	2



1/1

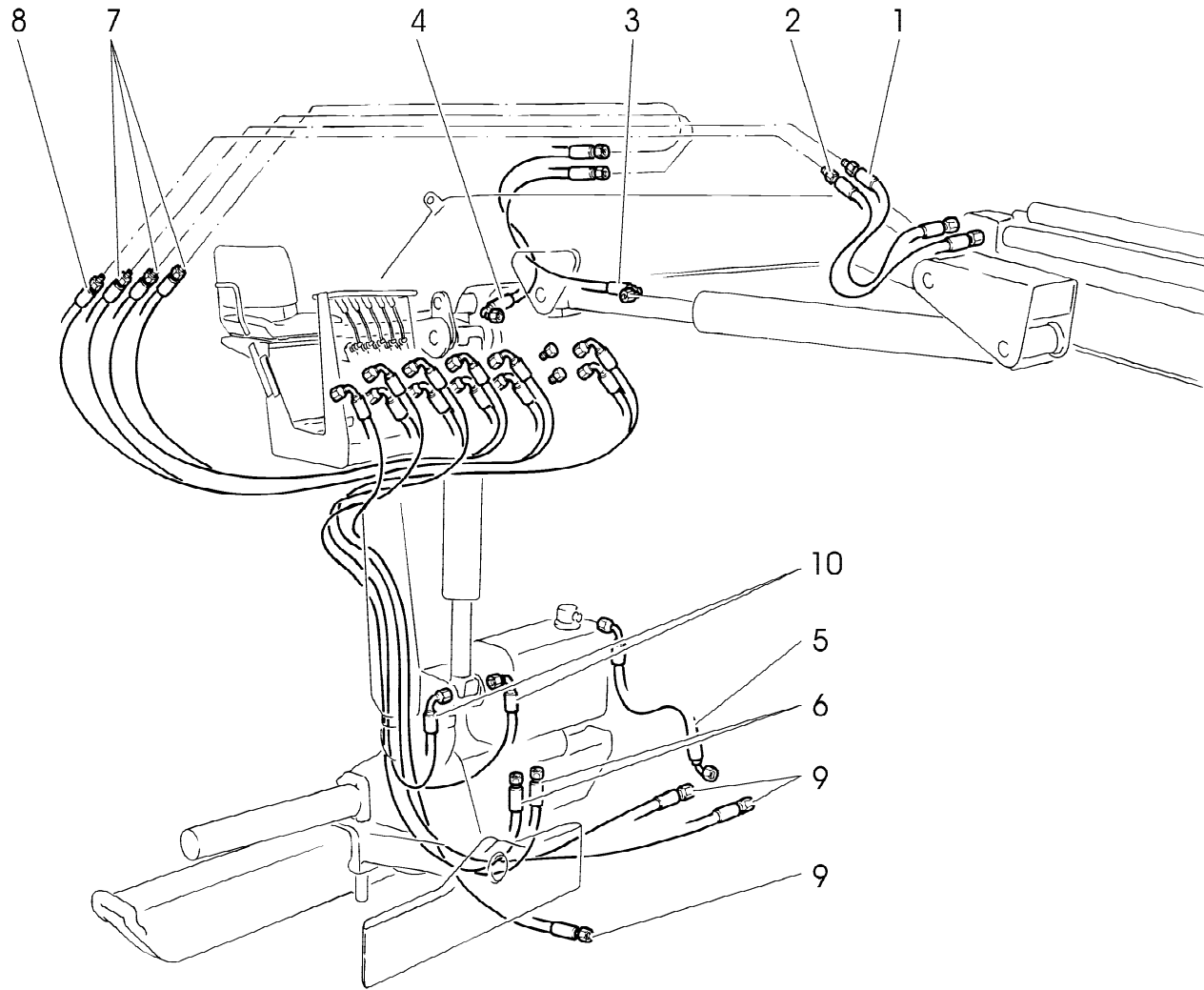
HYVA[®] CRANE

HC101

IMPIANTO IDRAULICO SDA
 HYDRAULIC SYSTEM SDA
 INSTALLATION HYDRAULIQUE SDA
 HYDRAULIKANLAGE SDA
 INSTALACION HIDRAULICA SDA

Tavola
W.044.507-2-1

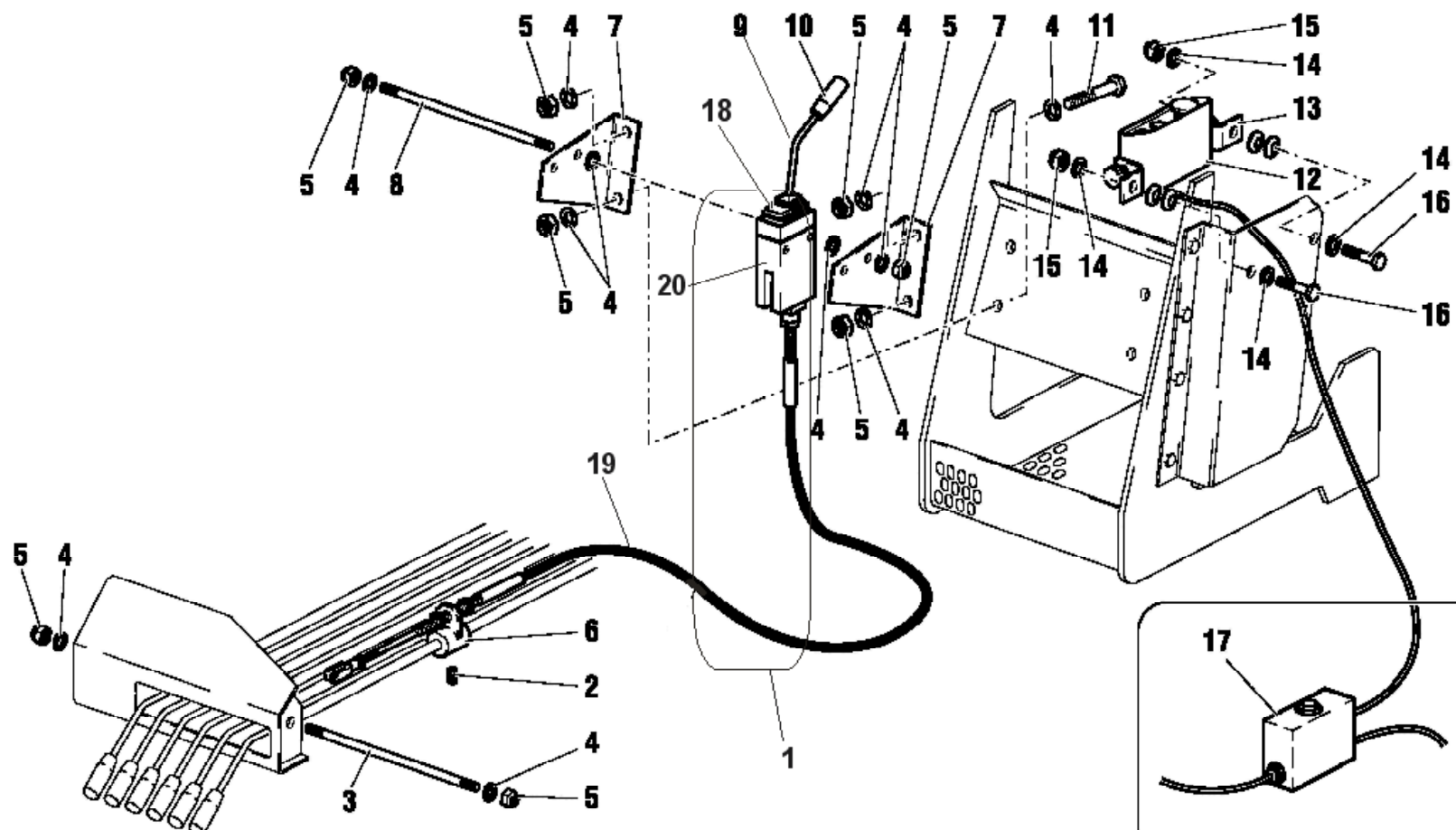
Data pag.
 febbraio 2007 96



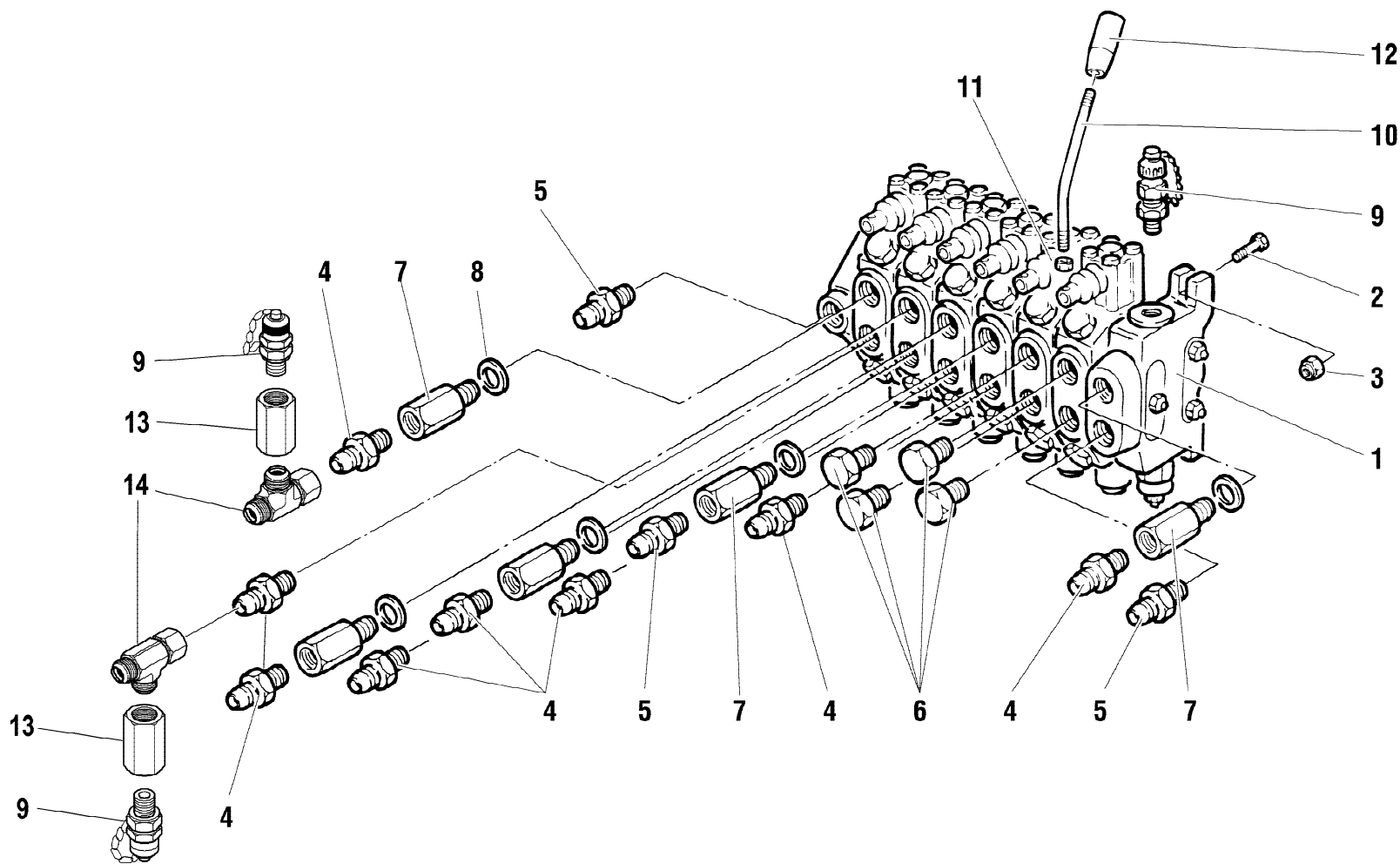
rif.	codice	Q.tà
1	W.456.773	1
2	W.456.805	1
3	W.456.413	1
4	W.456.408	1
5	W.455.867	1
6	W.456.184	2
7	W.456.421	3
8	W.456.446	1
9	W.456.191	3
10	W.456.510	2

444181-1-10

rif.	codice	Q.tà
1	W.539.009	1
2	3.06.0229	12
3	W.44.05.041.00	1
4	3.06.0006	18
5	3.04.0524	10
6	W.44.05.040.00	6
7	W.44.05.028.00	2
8	W.738.012	2
9	W.44.05.029.00	6
10	W.664.003	6
11	3.01.0337	4
12	W.285012	1
13	W.32.05.007.00	2
14	3.06.0005	4
15	3.04.0372	2
16	3.01.0013	2
17	W.285.024	1
18	W.539.503	1
19	W.539.504	1
20	W.539.505	1



rif.	codice	Q.tà
1	W.338410	1
2	3.01.0066	3
3	3.04.0524	3
4	3.10.1044	9
5	3.10.1051	3
6	3.11.0065	4
7	3.11.0117	5
8	W.432.512	8
9	3.11.1523	3
10	W.44.05.035.00	4
11	3.04.0039	4
12	W.664.003	4
13	3.12.0356	2
14	3.12.0004	2



044508-1-0

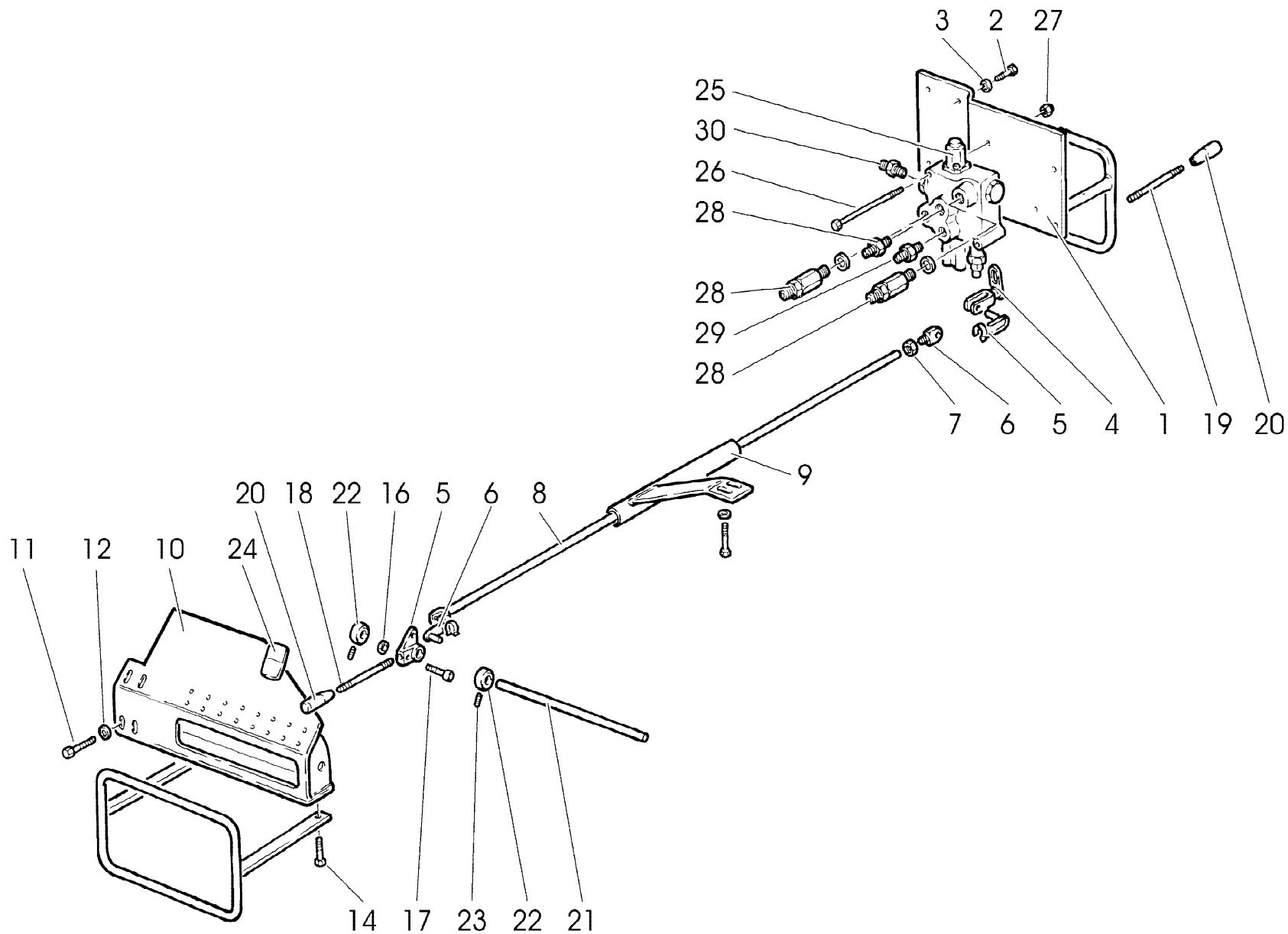
1/1

HYVA®
CRANE
HC101

DISTRIBUTORE COMPLETO (6 ELEMENTI) SDA
CONTROL VALVE ASS'Y (6 SECTION) SDA
DISTRIBUTEUR COMPLET (6 VOIES) SDA
STUEBLOCK (IM GANZEN) (6 ELEMENTE) SDA
DISTRIBUIDOR COMPLETO (6 ELEMENTOS) SDA

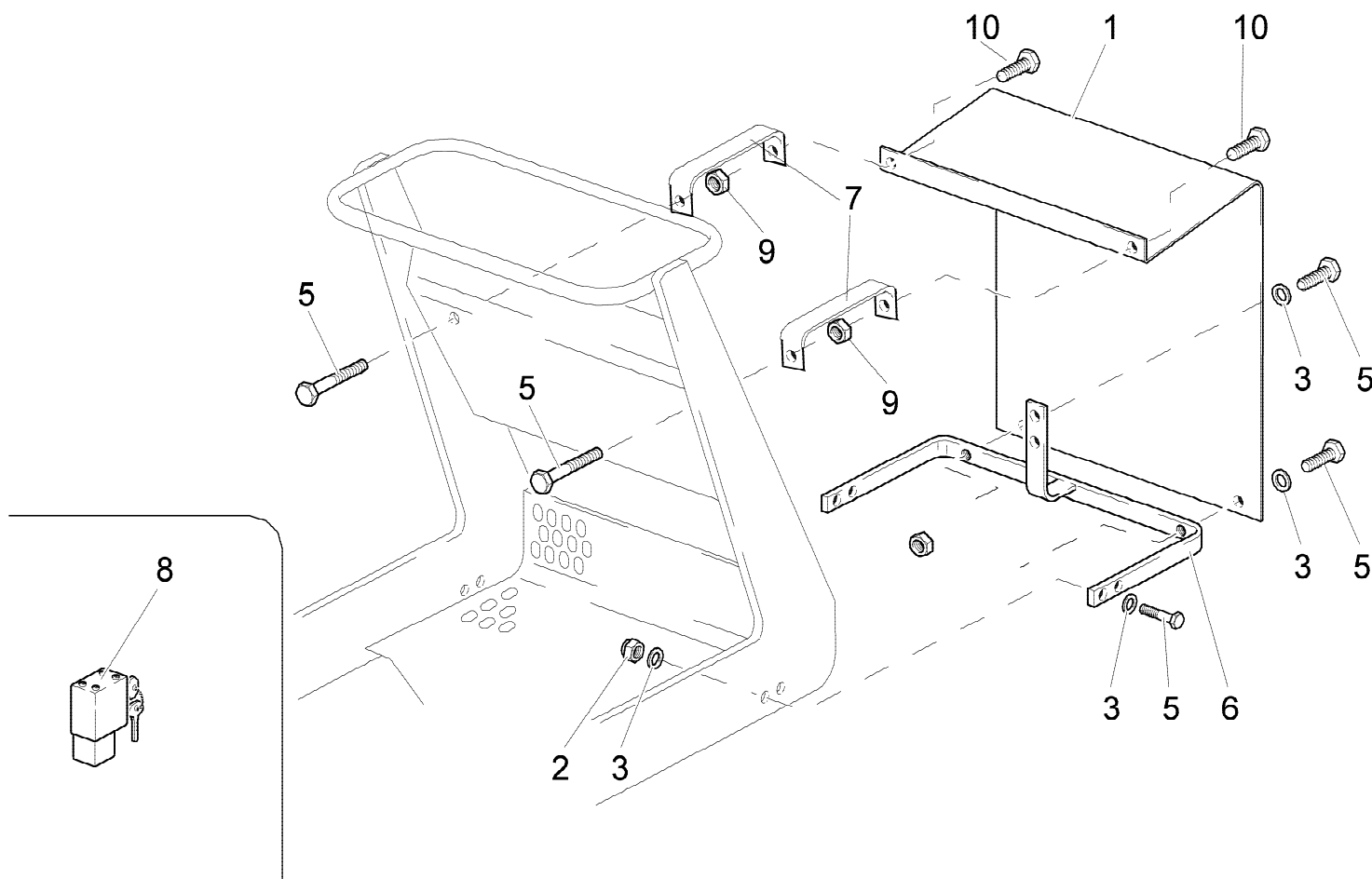
Tavola
W.044.508-1-1

Data pag.
febbraio 2007 99



rif.	codice	Q.tà
1	W.44.05.036.00	1
2	3.01.0337	4
3	3.06.0029	12
4	W.33.05.008.00	1
5	3.30.0451	2
6	W.01.05.036.00	2
7	3.04.0081	1
8	W.44.05.004.00	1
9	W.44.05.003.00	1
10	44.05.001.00	1
11	3.06.0914	4
12	3.01.0353	4
13	W.44.05.019.00	1
14	3.01.0030	2
15	W.27.05.090.00	1
16	3.04.0393	1
17	3.02.0021	1
18	W.44.05.018.00	1
19	W338.801	1
20	W.664.003	1
21	W.101.182	1
22	W.27.01.027.03	2
23	3.06.0229	2
24	W.573.265	2
25	W.338.091	1
26	3.01.0388	4
27	3.04.0372	3
28	W.402.110	2
29	3.10.1044	2
30	3.10.1058	1

rif.	codice	Q.tà
1	W.44.05.042.00	1
2	3.04.0524	8
3	3.06.0006	8
4	3.01.0027	8
5	W.44.05.043.00	1
6	W.44.05.057.00	1
7	W.44.05.610.00	1
8	3.04.0039	2
9	W.59.05.017.00	1
10	3.02.0021	2



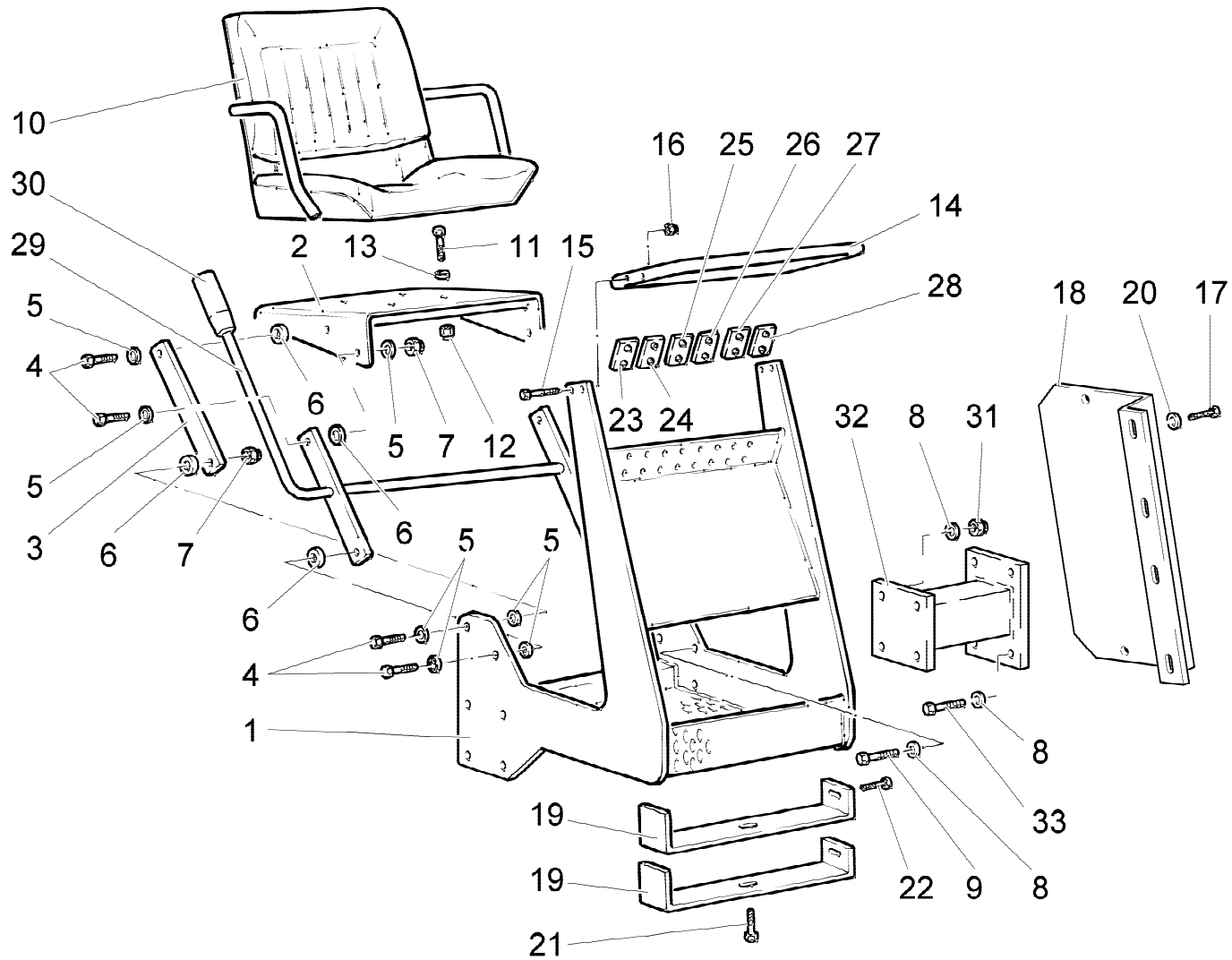
1/1

HYVA[®] CRANE
HC101

PROTEZIONI (LIMITATORE DI MOMENTO) SDA
 GUARDS (MOMENT LIMITING DEVICE) SDA
 PROTECTIONS (LIMITEUR DE MOMENT) SDA
 SCHUTZEN (HUB-MOMENTBEGRENZER) SDA
 PROTECCIONES (LIMITADOR DE MOMENTO) SDA

Tavola
W.44.05.53900-2-4

Data pag.
 febbraio 2007 101



rif.	codice	Q.tà
1	W.44.05.024.00	1
2	W.44.05.025.00	1
3	W.44.05.027.00	2
4	3.01.0394	8
5	3.06.0018	16
6	W.44.05.031.00	8
7	3.04.0314	8
8	3.06.0914	8
9	3.01.0358	1
10	W.708.003	1
11	3.01.0027	4
12	3.04.0524	4
13	3.06.0029	4
14	W.44.05.030.00	1
15	3.01.0022	4
16	3.04.0081	4
17	3.01.0323	4
18	W.44.05.044.00	1
19	W.44.05.061.00	2
20	3.06.0005	4
21	3.01.0035	2
22	3.01.0336	2
23	W.573.266	1
24	W.573.267	1
25	W.573.269	1
26	W.573.270	1
27	W.573.272	1
28	W.573.271	1
29	W.44.05.046.00	1
30	W.664.018	1
31	304.0335	4
1/2		

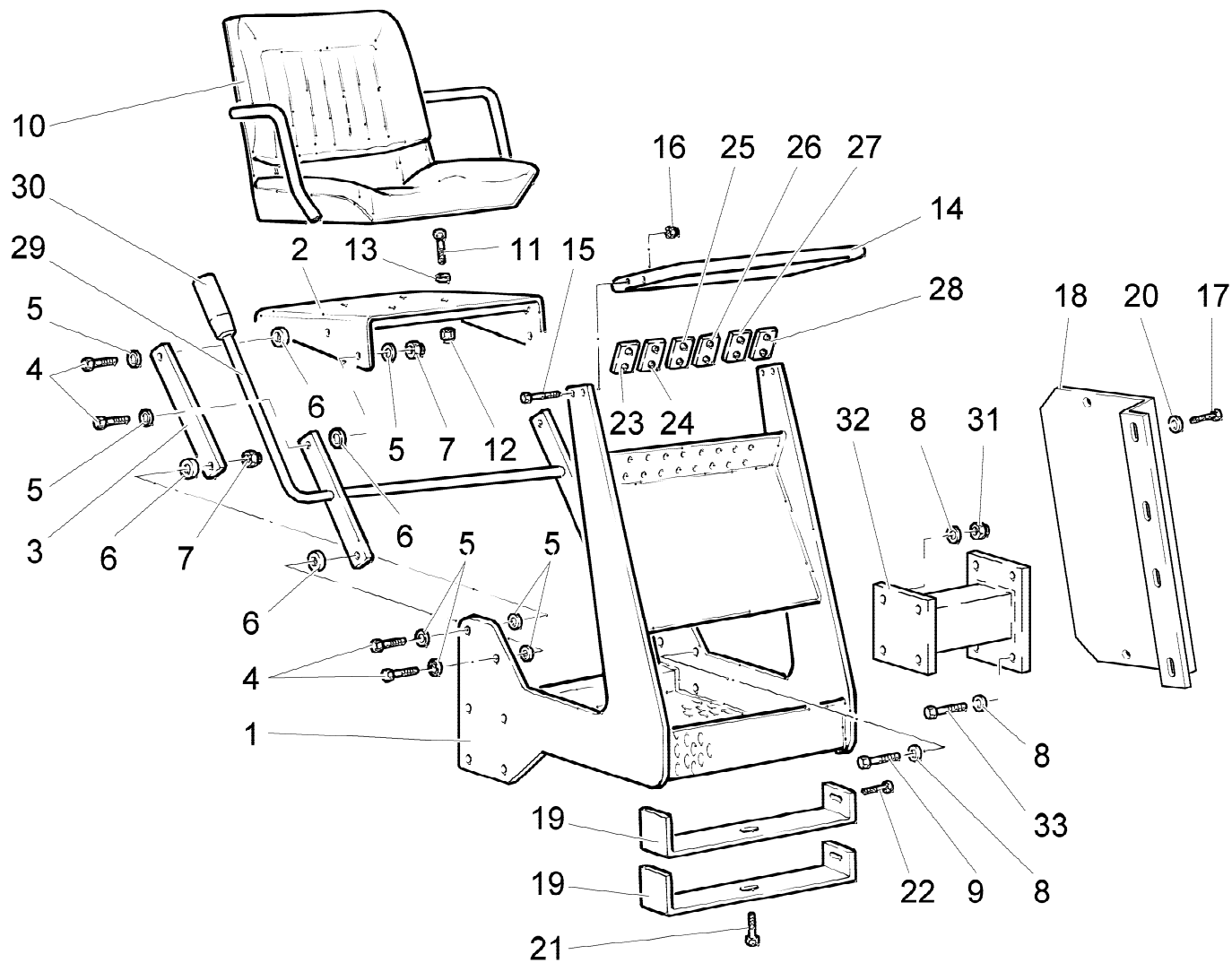
HYVA[®] CRANE
HC101

SEDILE SDA
 SEAT SDA
 SIEGE SDA
 SITZ SDA
 ASIENITO SDA

Tavola
W.044.510-1-2

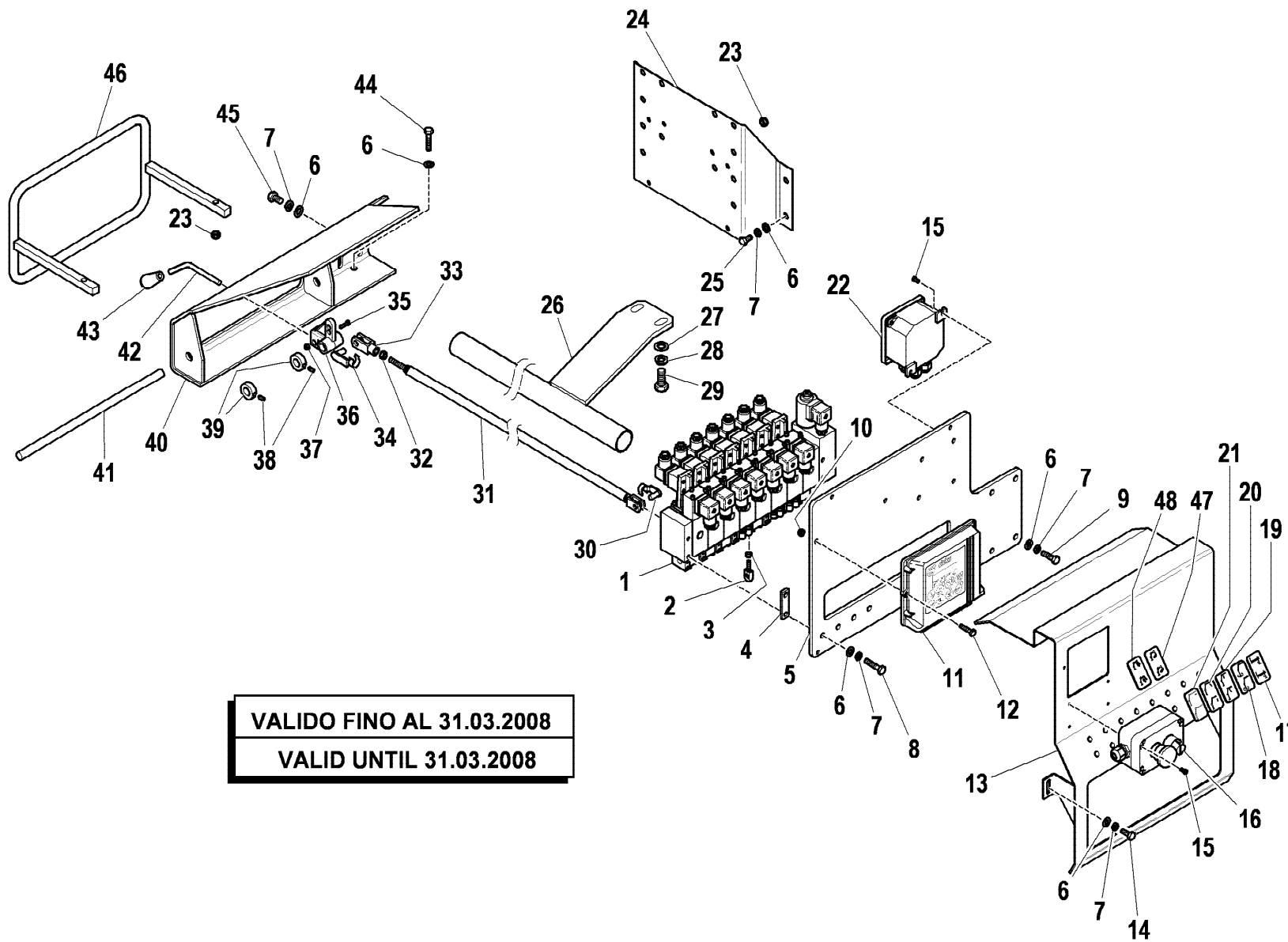
Data pag.
 febbraio 2007 102.1

rif.	codice	Q.tà
32	W.44.05.063.00	1
33	3.01.0389	4





HC101 X



VALIDO FINO AL 31.03.2008
 VALID UNTIL 31.03.2008

rif.	codice	Q.tà
1	5.22.0782	1
2	W.01.05.036.00	2
3	3.04.0081	1
4	5.00.1791	2
5	W.56.05.028.00	1
6	3.06.0006	15
7	3.06.0055	17
8	3.01.0339	3
9	3.01.0027	6
10	3.04.0372	2
11	3.31.0828	1
12	3.01.0022	2
13	W.56.05.030.00	1
14	3.01.0337	2
15	3.02.0022	4
16	3.31.0869	1
17	W.573.265	1
18	W.573.266	1
19	W.573.267	1
20	W.573.269	1
21	W.573.270	1
22	3.31.0820	1
23	3.04.0040	1
24	W.59.05.060.00	1
25	3.01.0055	4
26	W.44.05.003.00	1
27	3.06.0057	2
28	3.06.0018	2
29	3.01.0369	2
30	3.30.0451	1
31	5.09.1196	1

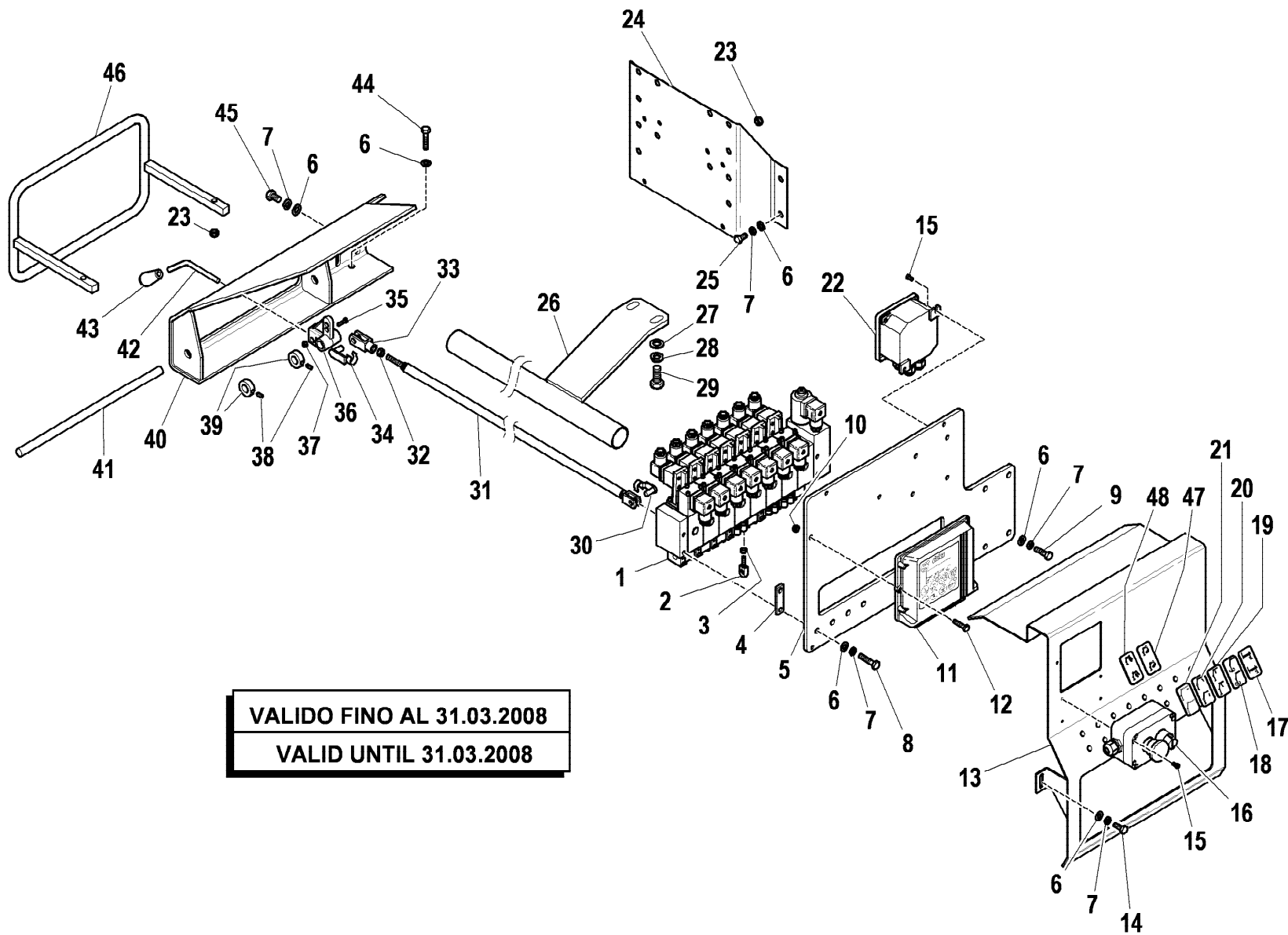
1/2

HYVA® CRANE
 HC101

COMANDI BILATERALI RDC
 DOUBLE CONTROLS RDC
 DOUBLE COMMANDES RDC
 DOPPELSTEUERUNG RDC
 MONDOS BILATERALAS RDC

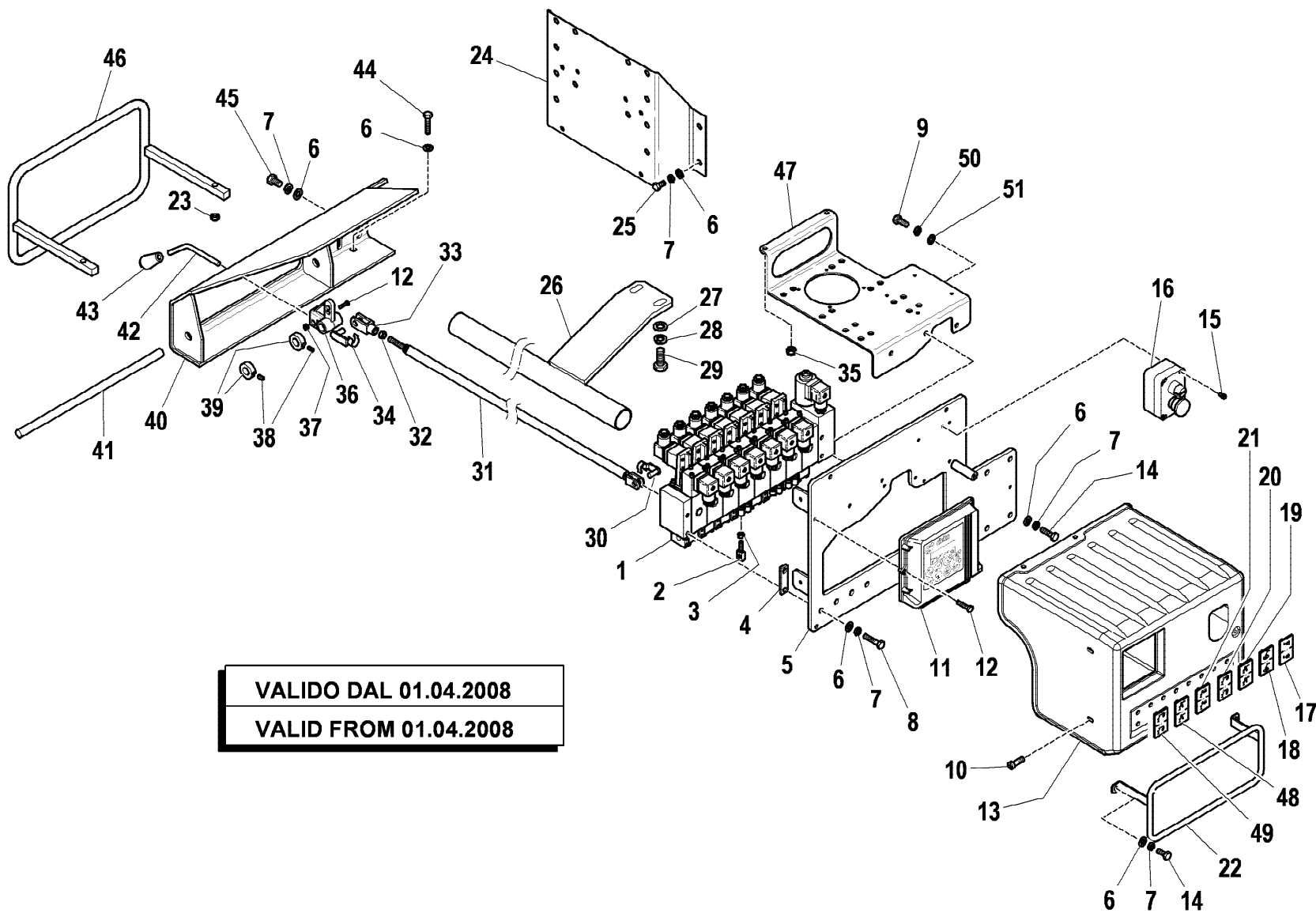
Tavola
5.40.0966-1-0

Data pag.
 ottobre 2008 104.1



VALIDO FINO AL 31.03.2008
 VALID UNTIL 31.03.2008

rif.	codice	Q.tà
32	3.04.0045	1
33	3.30.0433	1
34	3.30.0453	1
35	3.02.0021	2
36	W.27.05.090.00	1
37	3.04.0393	1
38	3.06.0229	2
39	W.27.01.027.03	2
40	W.44.05.001.00	1
41	W.101.182	1
42	W.44.05.018.00	1
43	W.664.003	1
44	3.01.0030	2
45	3.01.0353	4
46	W.44.05.019.00	1
47	W.573.317	1
48	W.573.318	1



VALIDO DAL 01.04.2008
 VALID FROM 01.04.2008

rif.	codice	Q.tà
1	5.22.0782	1
2	W.01.05.036.00	2
3	3.04.0081	1
4	5.00.1791	2
5	5.09.1200	1
6	3.06.0006	20
7	3.06.0055	18
8	3.01.0066	3
9	3.01.0325	2
10	3.02.0960	5
11	3.31.0828	1
12	3.02.0021	4
13	5.09.1202	1
14	3.01.0337	6
15	3.02.0895	2
16	3.31.0692	1
17	W.573.265	1
18	W.573.266	1
19	W.573.267	1
20	W.573.269	1
21	W.573.270	1
22	5.09.1204	1
23	3.04.0040	2
24	W.59.05.060.00	1
25	3.01.0055	4
26	W.44.05.003.00	1
27	3.06.0057	2
28	3.06.0018	2
29	3.01.0369	2
30	3.30.0451	1
31	5.09.1196	1

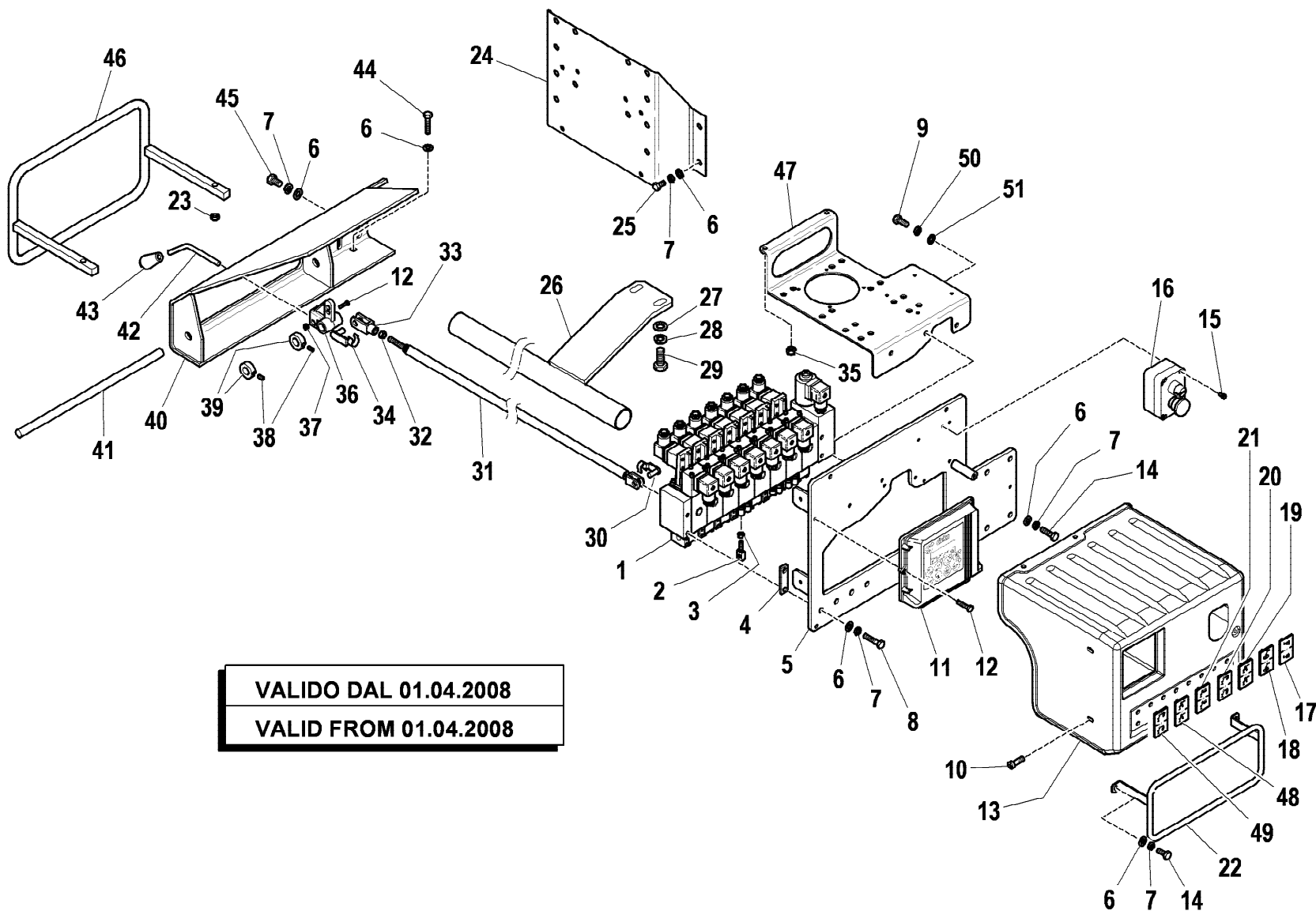
1/2

HYVA® CRANE
 HC101

COMANDI BILATERALI RDC
 DOUBLE CONTROLS RDC
 DOUBLE COMMANDES RDC
 DOPPELSTEUERUNG RDC
 MONDOS BILATERALAS RDC

Tavola
5.40.0966-1-1

Data pag.
 ottobre 2008 105.1

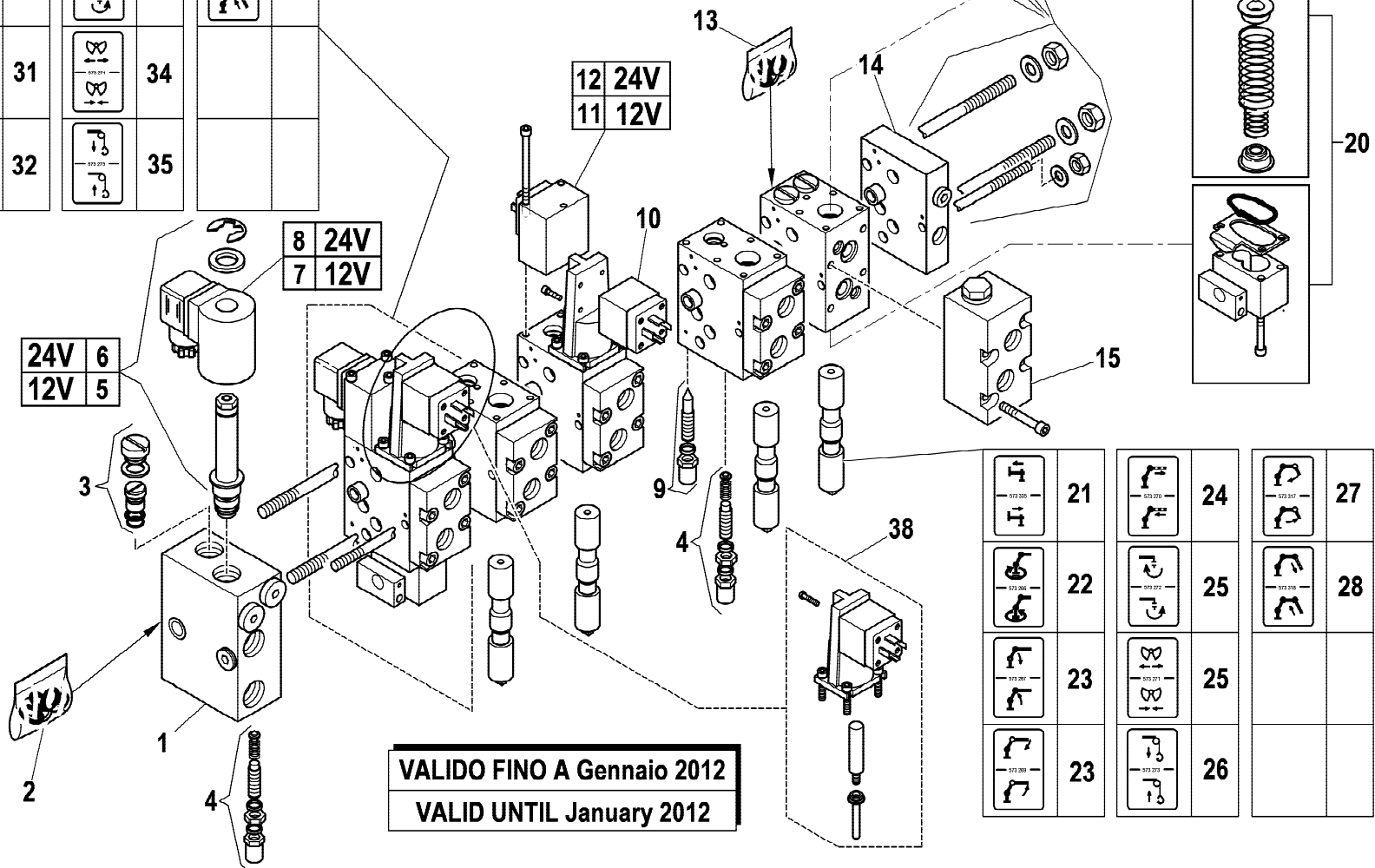


VALIDO DAL 01.04.2008
 VALID FROM 01.04.2008

rif.	codice	Q.tà
32	3.04.0045	1
33	3.30.0433	1
34	3.30.0453	1
35	3.04.0519	2
36	W.27.05.090.00	1
37	3.04.0393	1
38	3.06.0229	2
39	W.27.01.027.03	2
40	W.44.05.001.00	1
41	W.101.182	1
42	W.44.05.018.00	1
43	W.664.003	1
44	3.01.0030	2
45	3.01.0353	4
46	W.44.05.019.00	1
47	5.09.1201	1
48	W.573.317	1
49	W.573.318	1
50	3.06.0053	2
51	3.06.0005	2

	29		33		36
	30		34		37
	31		34		
	32		35		

Kit tiranti per 5 elementi	5-element tie rod unit	19
Kit tiranti per 6 elementi	6-element tie rod unit	18
Kit tiranti per 7 elementi	7-element tie rod unit	17
Kit tiranti per 8 elementi	8-element tie rod unit	16



VALIDO FINO A Gennaio 2012
VALID UNTIL January 2012

	21		24		27
	22		25		28
	23		25		
	23		26		

ref.	codice	Q.tà
1	5.22.5607	1
2	5.22.5608	1
3	5.22.5609	1
4	5.22.5610	2
5	5.22.5611	1
6	5.22.5612	1
7	5.22.5613	1
8	5.22.5614	1
9	5.22.5623	1
10	5.22.5617	1
11	5.22.5615	1
12	5.22.5616	1
13	5.22.5618	1
14	5.22.5619	1
15	5.22.5622	1
16	5.22.5605	1
17	5.22.5621	1
18	5.22.5620	1
19	5.22.5673	1
20	5.22.5671	1
21	5.22.5624	1
22	5.22.5625	1
23	5.22.5774	2
24	5.22.5606	1
25	5.22.5660	2
26	5.22.5628	1
27	5.22.5661	1
28	5.22.5627	1
29	5.22.5629	1
30	5.22.5662	1
31	5.22.5663	1



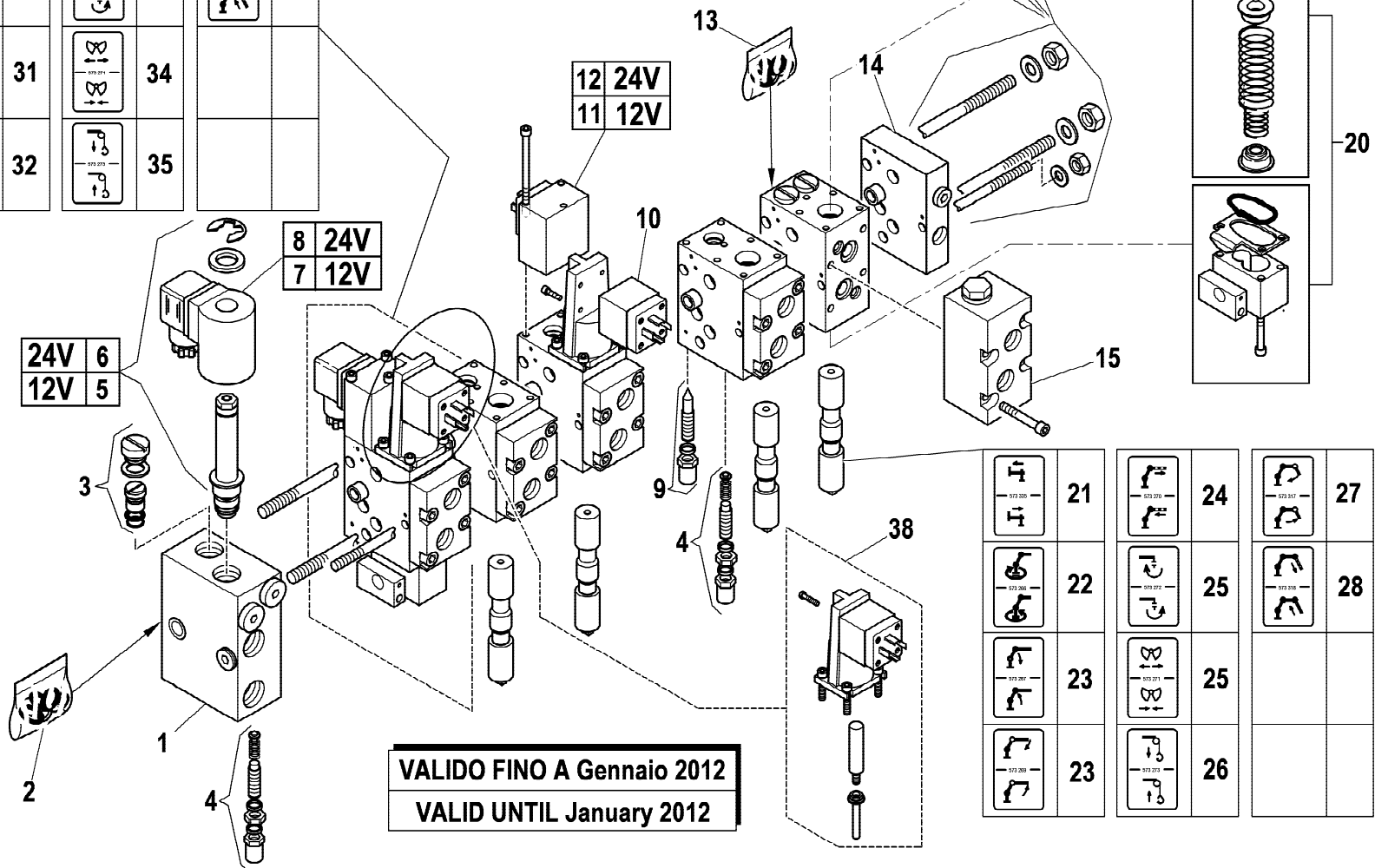
HC101

DISTRIBUTORE (8 ELEMENTI) RDC - ECM4
 CONTROL VALVE (8 SECTION) RDC - ECM4
 DISTRIBUTEUR (8 VOIES) RDC - ECM4
 STEUERBLOCK (8 ELEMENTE) RDC - ECM4
 DISTRIBUIDOR (8 ELEMENTOS) RDC - ECM4

Tavola
5.22.0781-1-0

	29		33		36
	30		34		37
	31		34		
	32		35		

Kit tiranti per 5 elementi	5-element tie rod unit	19
Kit tiranti per 6 elementi	6-element tie rod unit	18
Kit tiranti per 7 elementi	7-element tie rod unit	17
Kit tiranti per 8 elementi	8-element tie rod unit	16



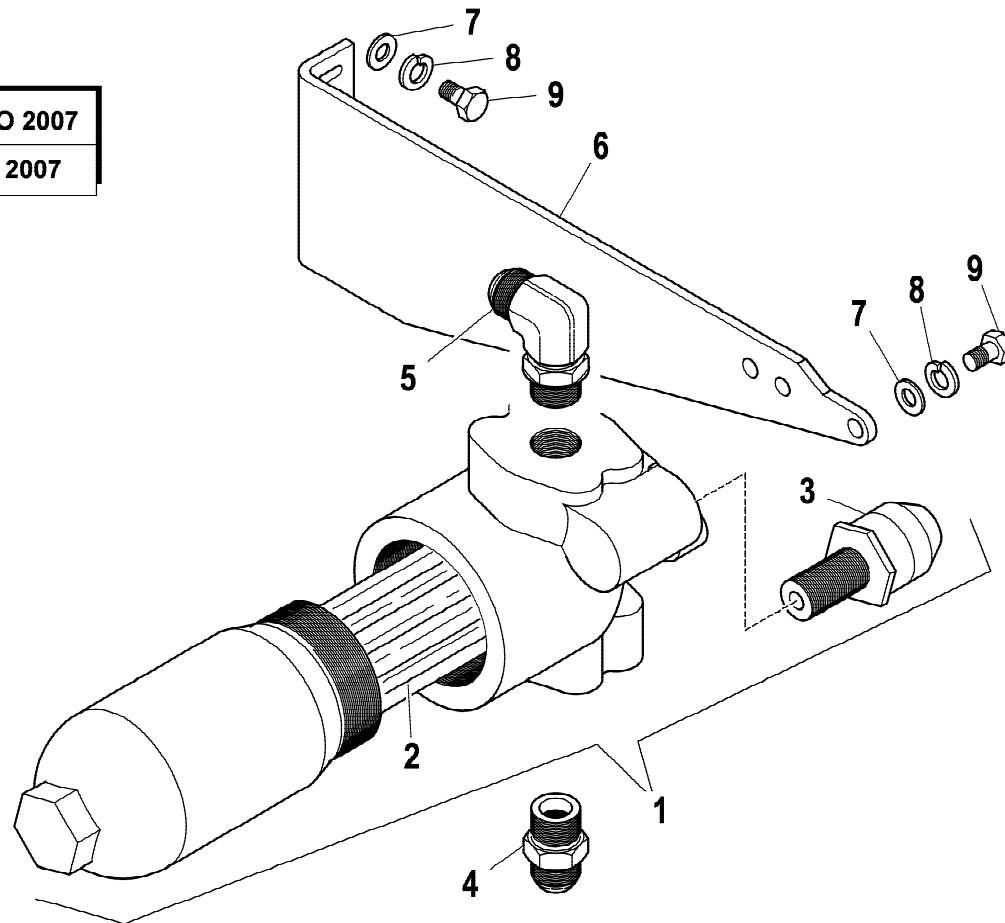
VALIDO FINO A Gennaio 2012
VALID UNTIL January 2012

	21		24		27
	22		25		28
	23		25		
	23		26		

rif.	codice	Q.tà
32	5.22.5664	1
33	5.22.5665	1
34	5.22.5670	2
35	5.22.5669	1
36	5.22.5666	1
37	5.22.5667	1
38	5.22.5073	1

VALIDO FINO A MARZO 2007

VALID UNTIL MARCH 2007



rif.	codice	Q.tà
1	3.18.0141	1
2	3.18.0143	1
3	3.18.0140	1
4	3.12.0073	1
5	3.10.1134	1
6	5.09.1068	1
7	3.06.0006	4
8	3.06.0055	4
9	3.01.0027	4

1/1

HYVA® CRANE

HC101

FILTRO AD ALTA PRESSIONE
HIGH PRESSURE FILTER
FILTRE HAUTE PRESSION
HOCHDRUCKFILTER
FILTRO DE ALTA PRESION

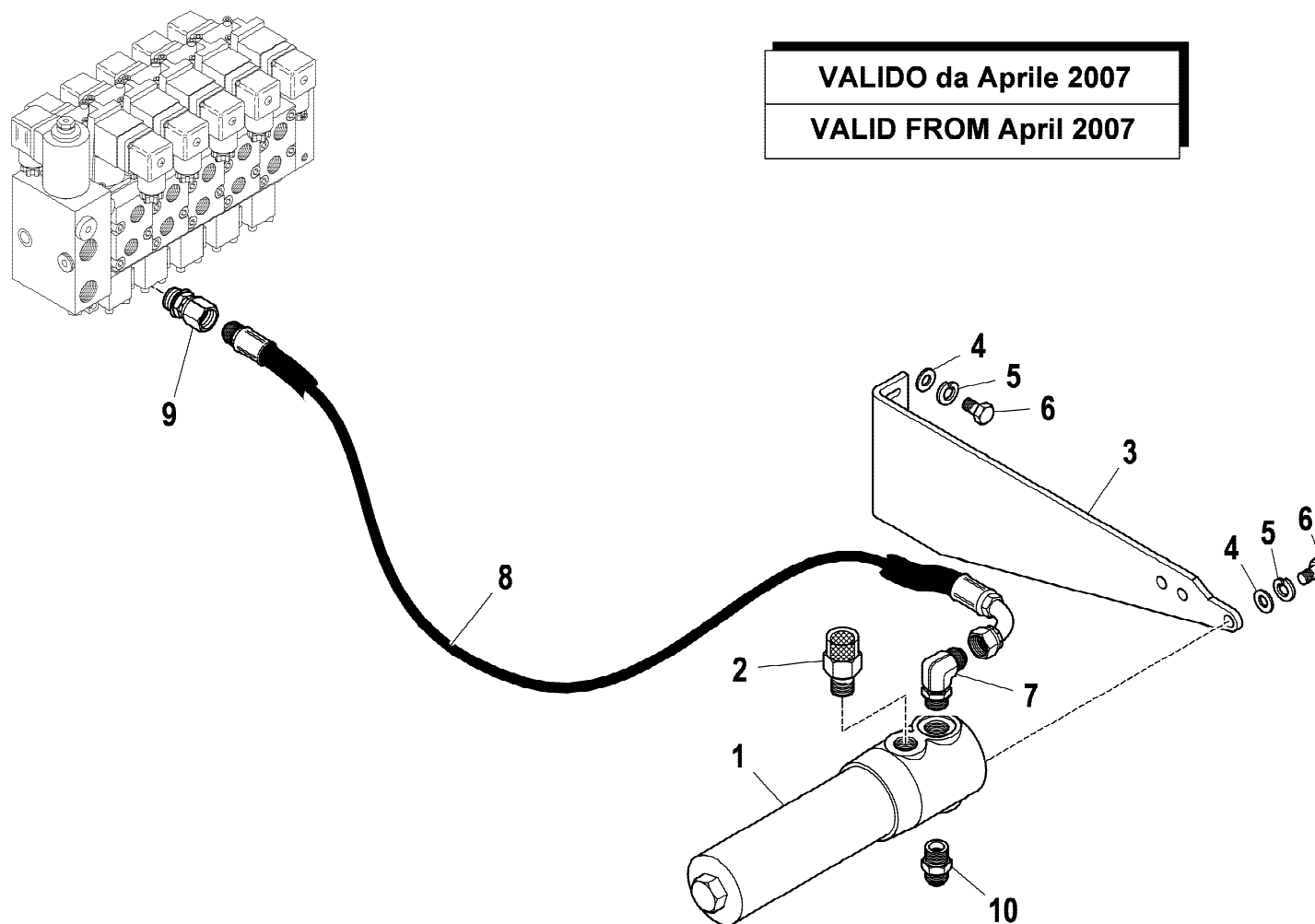
Tavola

5.40.0683-1-0

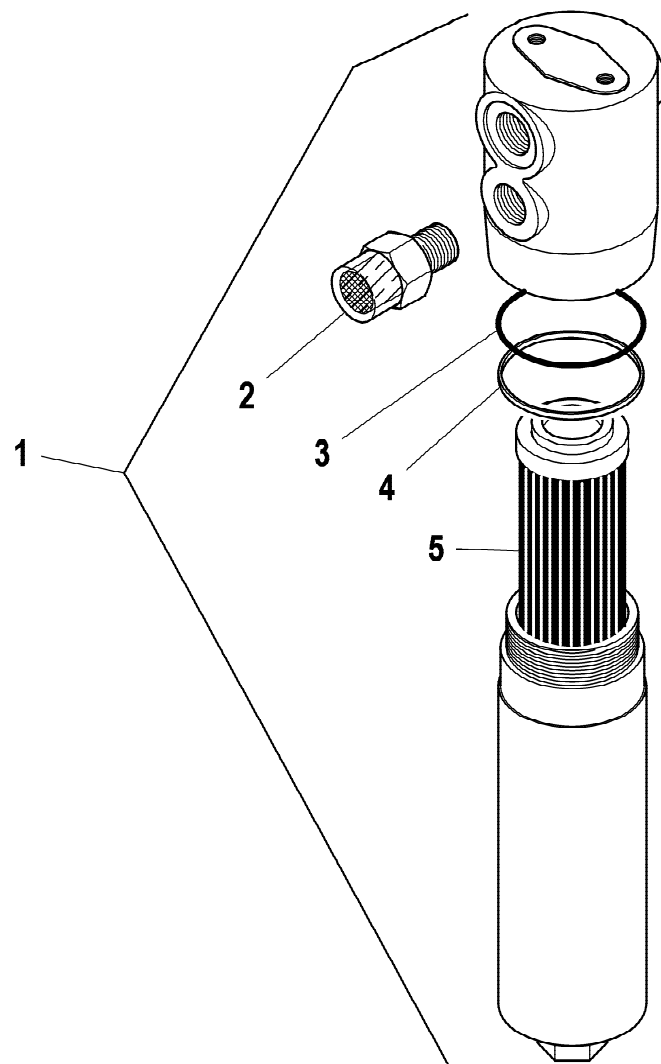
Data pag.
dicembre 2006 107

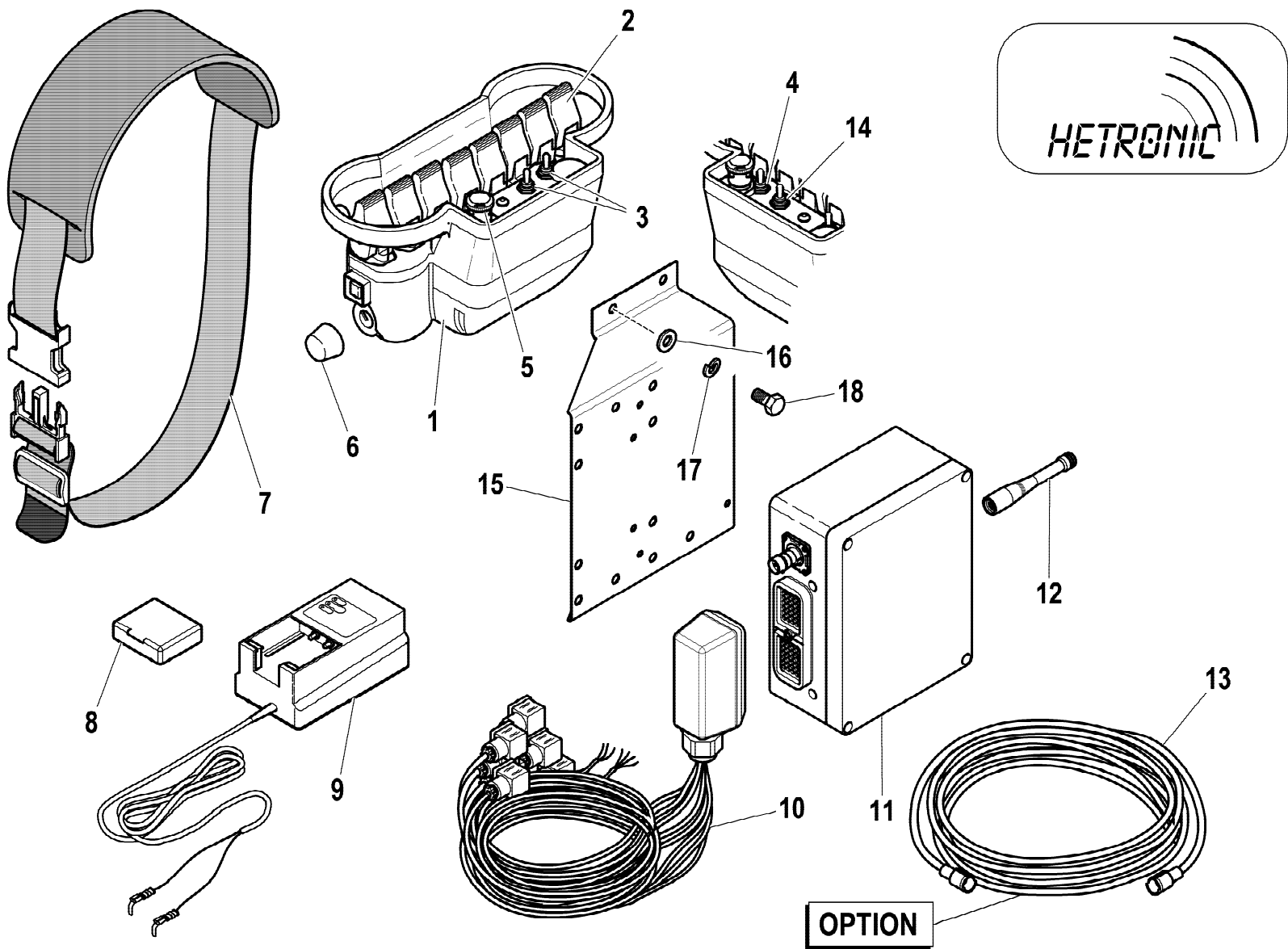
rif.	codice	Q.tà
1	3.18.0159	1
2	3.18.0192	1
3	5.09.1068	1
4	3.06.0006	4
5	3.06.0055	4
6	3.01.0027	4
7	3.10.1134	1
8	5.28.0810	1
9	3.12.0067	1
10	3.12.0073	1

VALIDO da Aprile 2007
VALID FROM April 2007

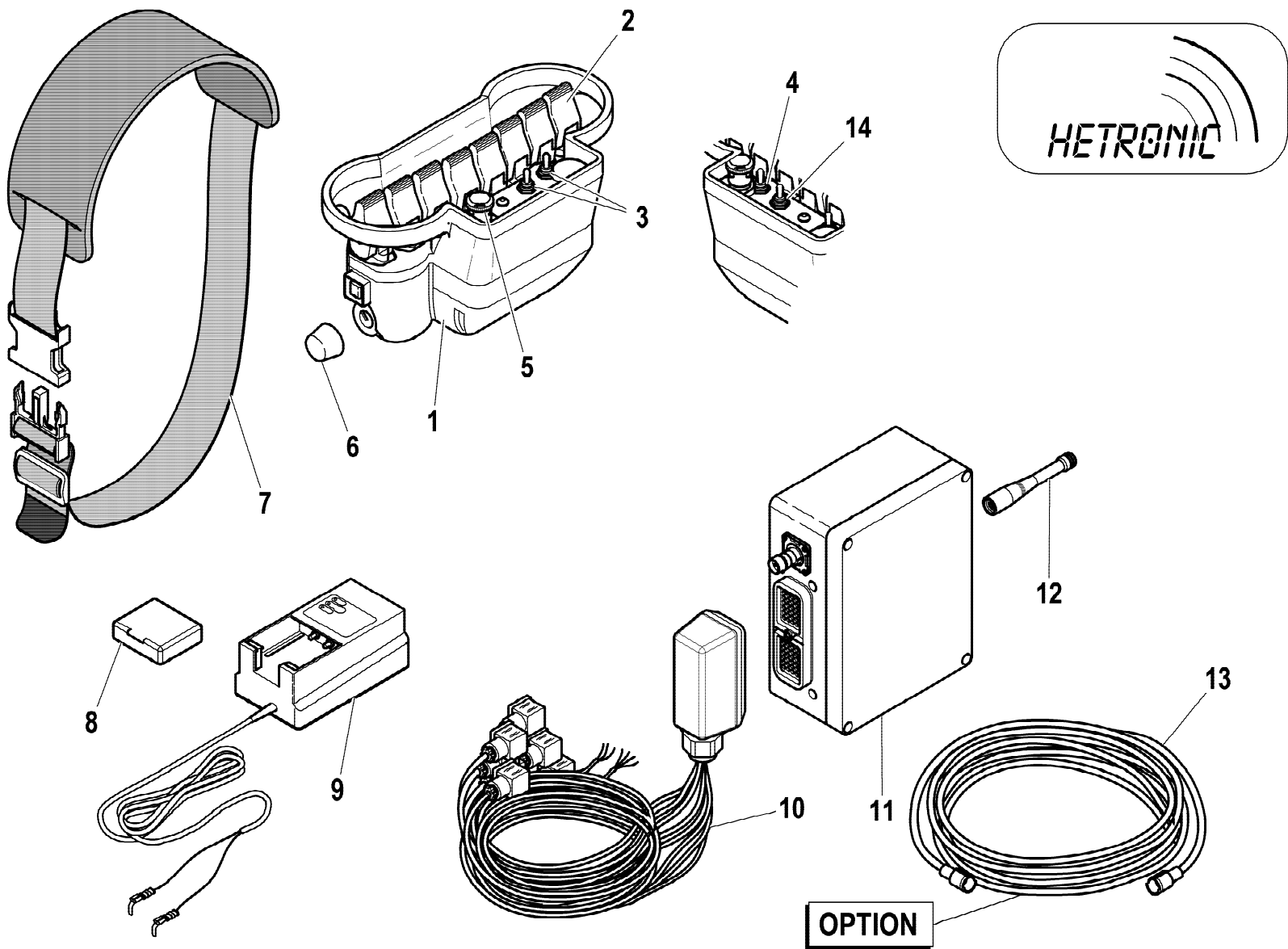


rif.	codice	Q.tà
1	3.18.0159	1
2	3.18.0192	1
3	3.45.0080	1
4	3.46.0080	1
5	3.18.0160	1

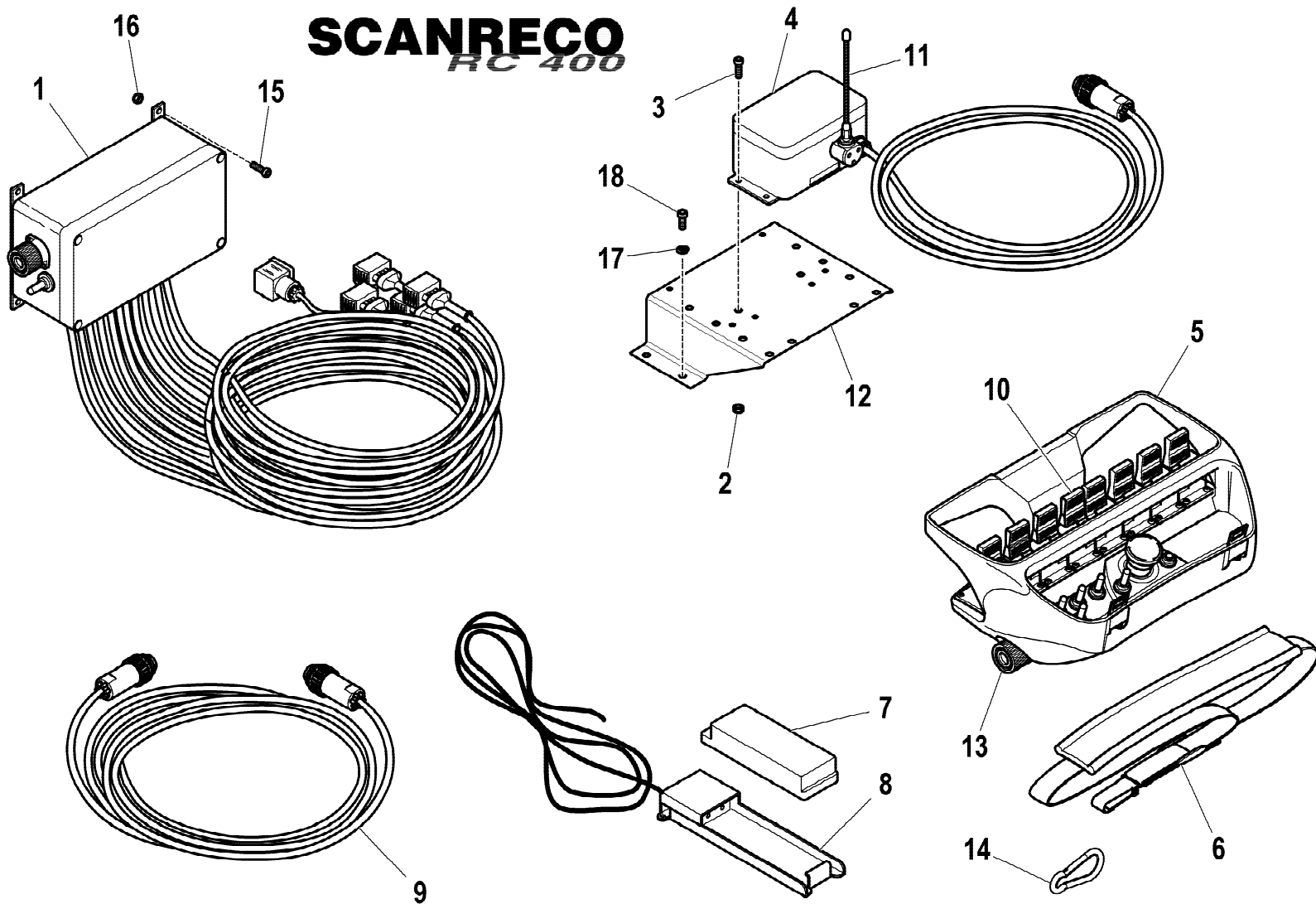




rif.	codice	Q.tà
1	3.31.0901	1
2	3.31.0796	8
3	3.31.0786	2
4	3.31.0785	1
5	3.31.0788	1
6	3.31.0795	1
7	3.31.0799	1
8	3.31.0641	2
9	3.31.0797	1
10	3.31.0899	1
11	3.31.0900	1
12	3.31.0775	1
13	3.31.0933	1
14	3.31.1029	1
15	W.59.05.060.00	1
16	3.06.0914	4
17	3.06.0056	4
18	3.01.0349	4



rif.	codice	Q.tà
1	3.31.0943	1
2	3.31.0796	8
3	3.31.0786	2
4	3.31.0785	1
5	3.31.0788	1
6	3.31.0795	1
7	3.31.0799	1
8	3.31.0641	2
9	3.31.0797	1
10	3.31.0899	1
11	3.31.0942	1
12	3.31.0775	1
13	3.31.0933	1
14	3.31.1029	1



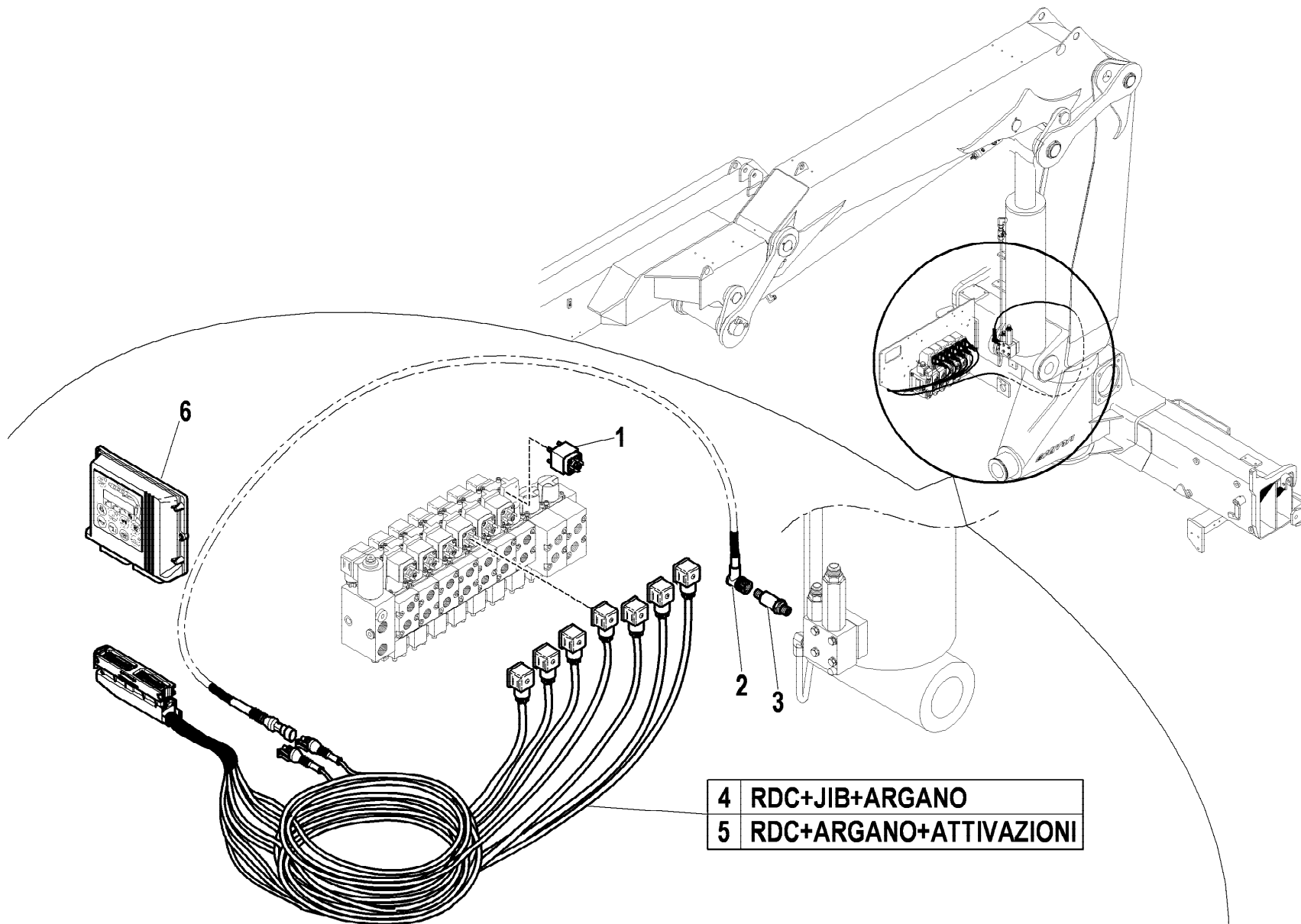
SCANRECO
RC 400

rif.	codice	Q.tà
1	3.31.0910	1
2	3.04.0372	4
3	3.01.0325	4
4	3.31.0535	1
5	3.32.0026	1
6	3.19.0226	1
7	3.31.0483	2
8	3.31.0471	1
9	3.31.0536	1
10	3.31.0445	8
11	3.31.0683	1
12	W.59.05.060.00	1
13	3.31.0850	1
14	3.19.0259	1
15	3.01.0316	2
16	3.04.0392	2
17	3.06.0055	4
18	3.02.0051	4



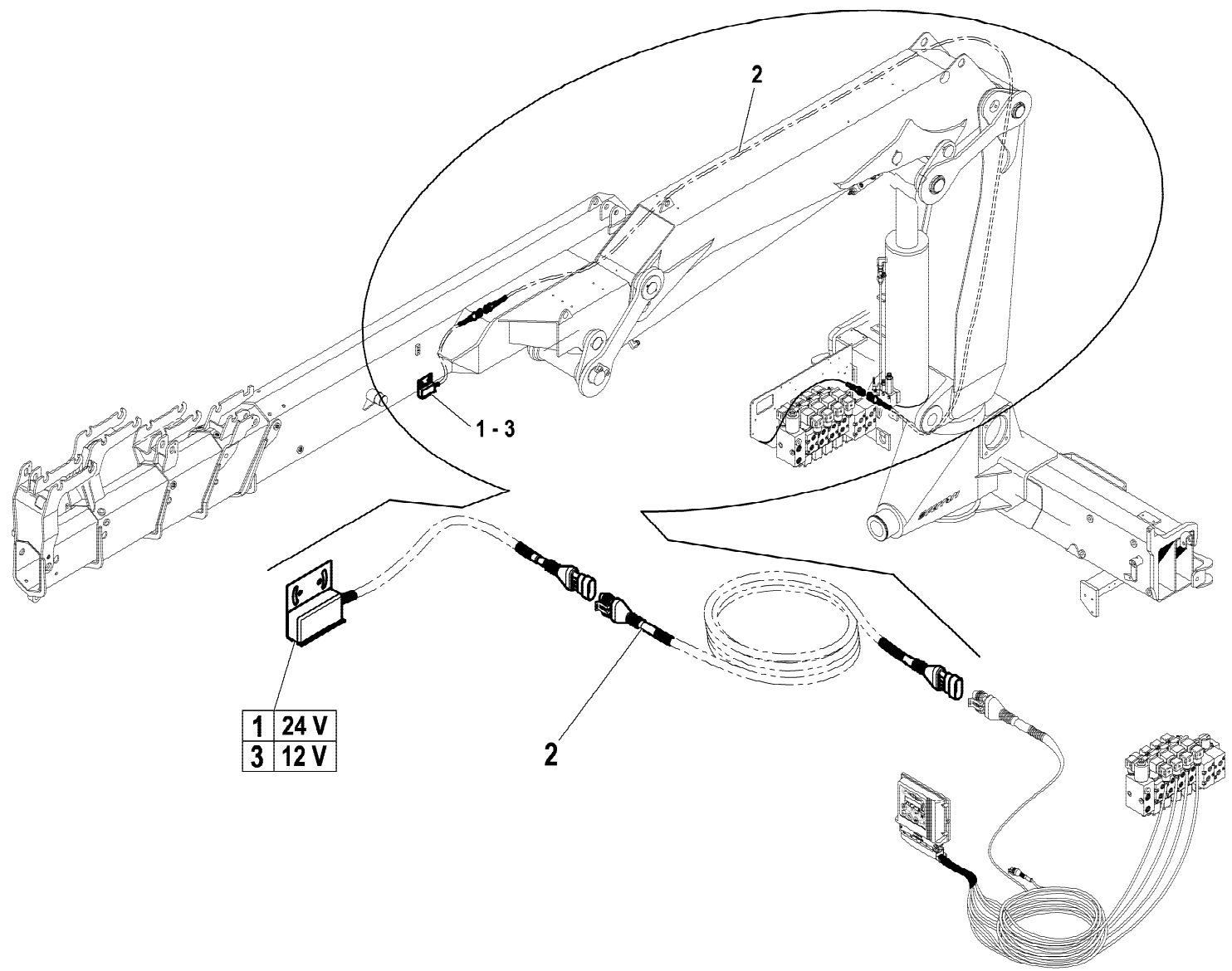
HC101 TCU

rif.	codice	Q.tà
1	5.22.5617	7
2	5.16.0001	1
3	3.31.0612	1
4	5.16.0030	1
5	5.16.0031	1
6	3.31.0828	1

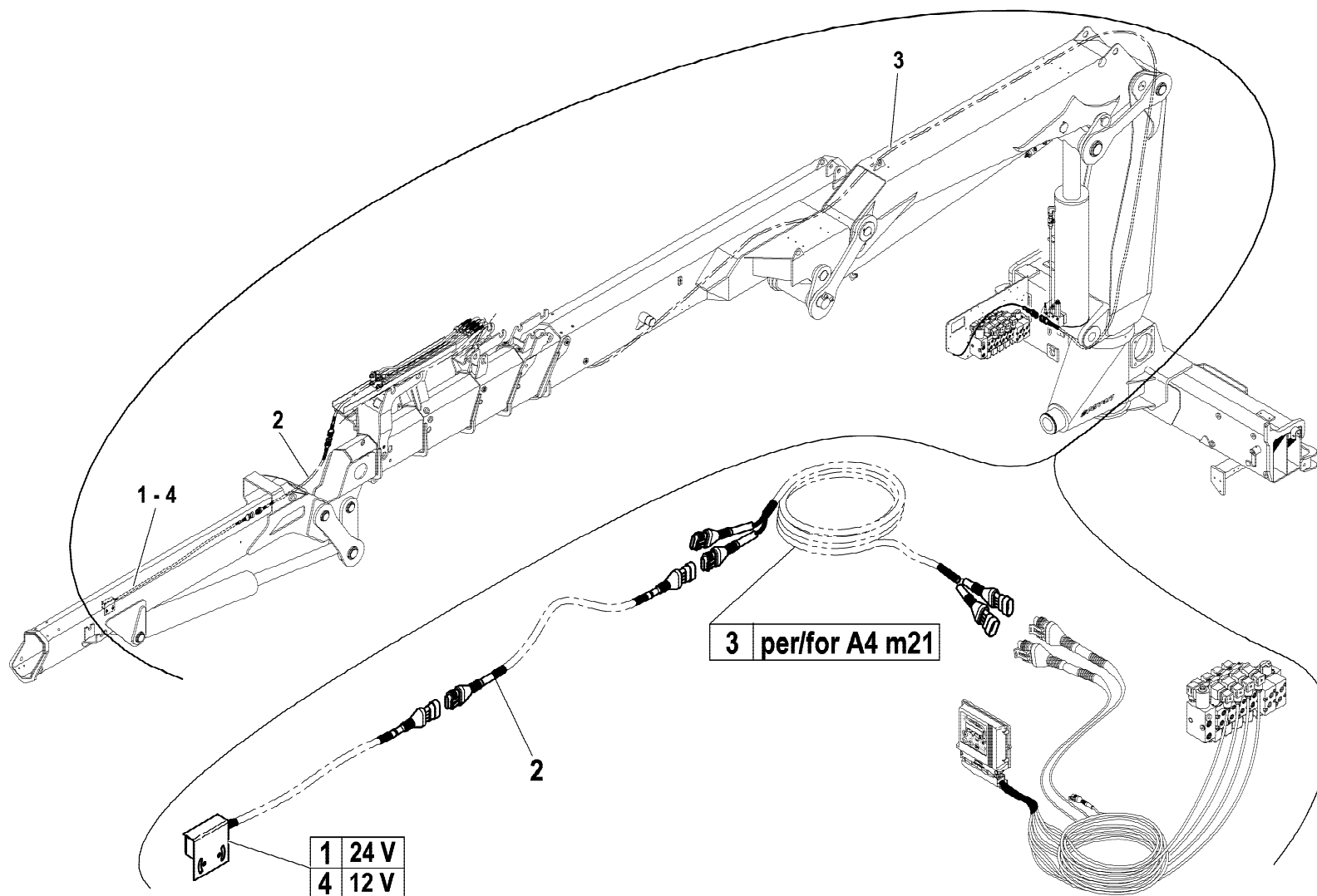


4	RDC+JIB+ARGANO
5	RDC+ARGANO+ATTIVAZIONI

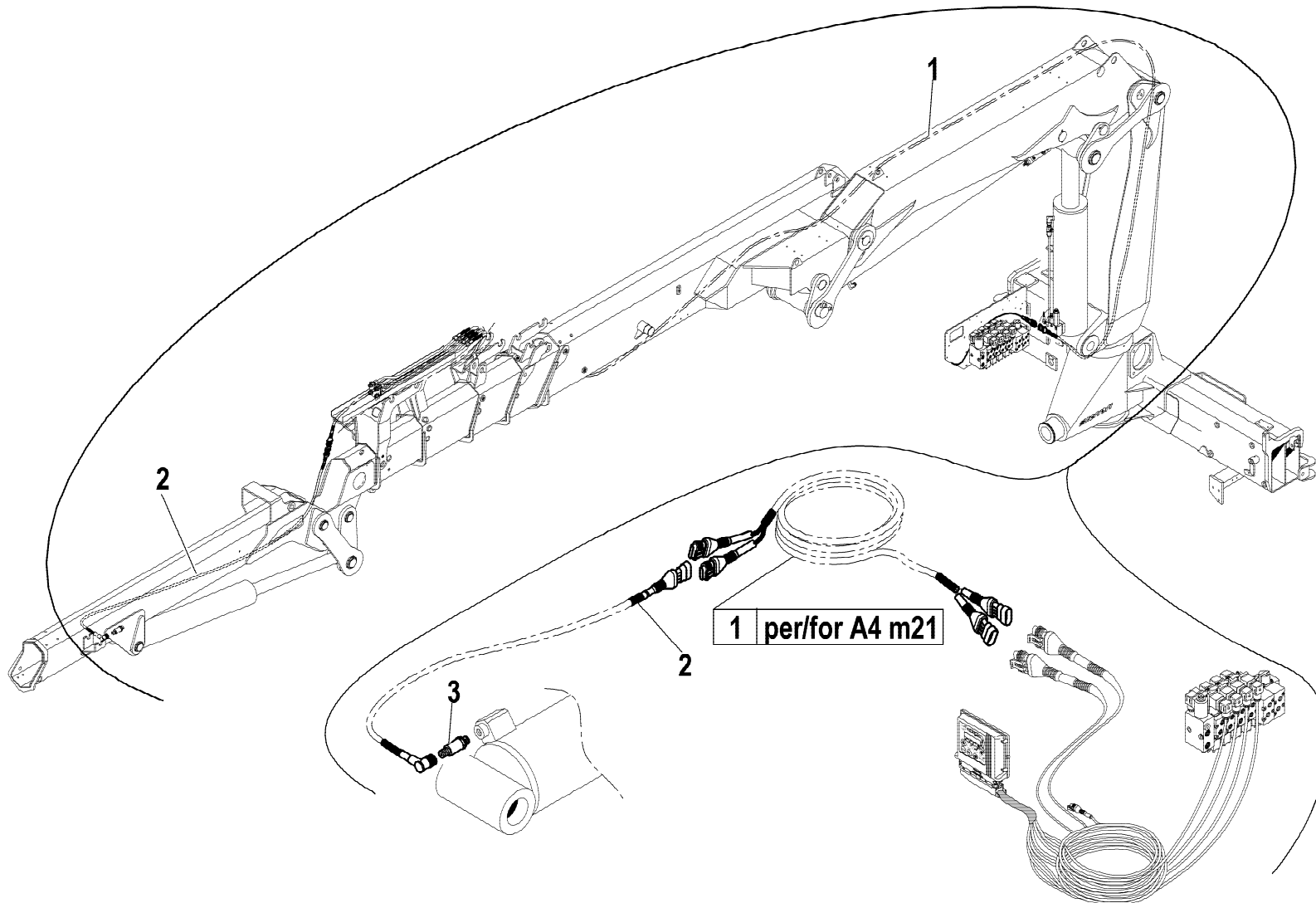
rif.	codice	Q.tà
1	3.31.0541	1
2	5.16.0002	1
3	3.31.0723	1



rif.	codice	Q.tà
1	3.31.0541	1
2	5.16.0016	1
3	5.16.0019	1
4	3.31.0723	1



rif.	codice	Q.tà
1	5.16.0019	1
2	5.16.0001	1
3	3.31.0612	1



1/1

HYVA® CRANE

HC101

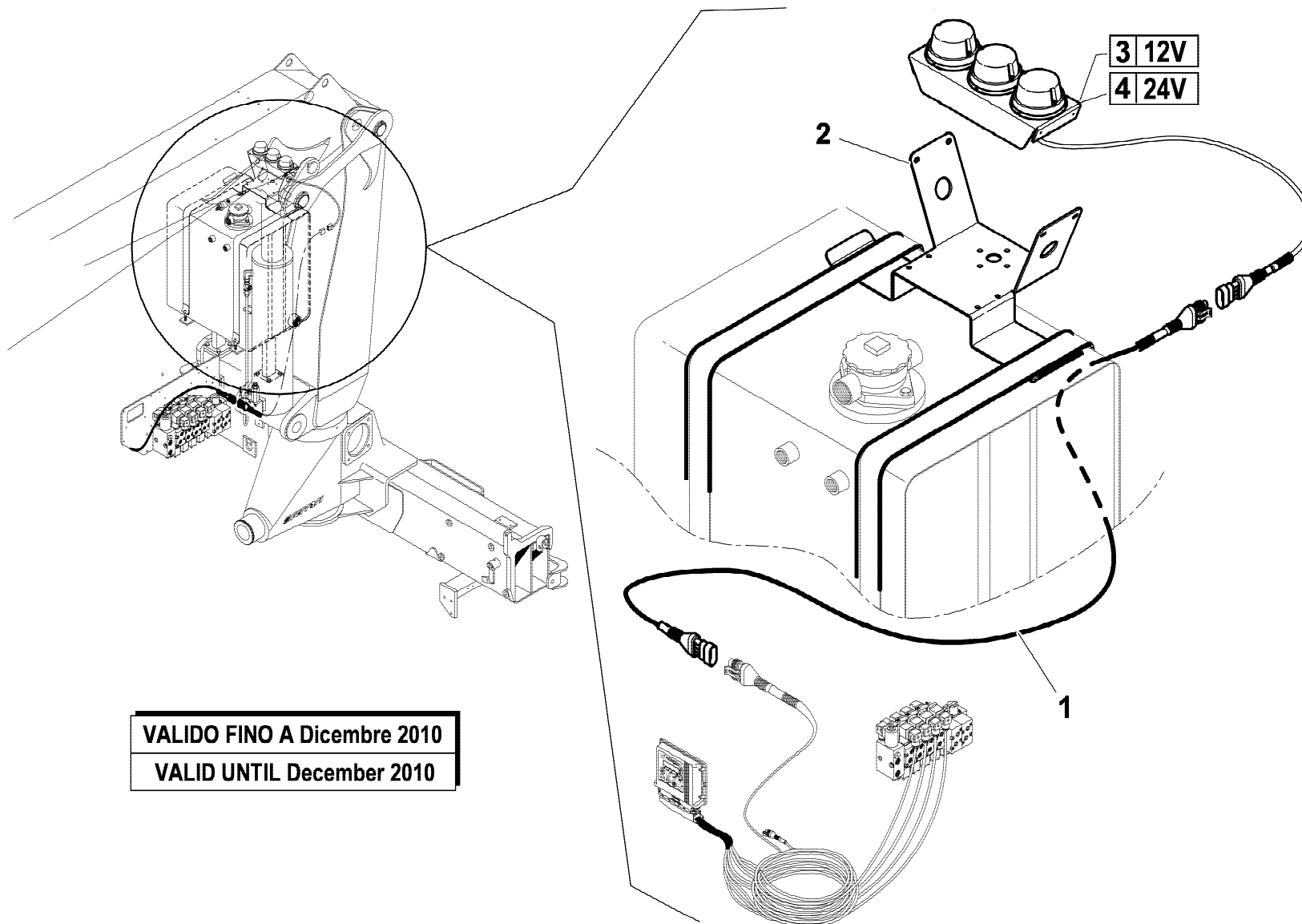
COMANDI ECM4
 CONTROLS ECM4
 COMMANDES ECM4
 STEUERUGEN ECM4
 MANDOS ECM4

Tavola

5.40.0966-5-0

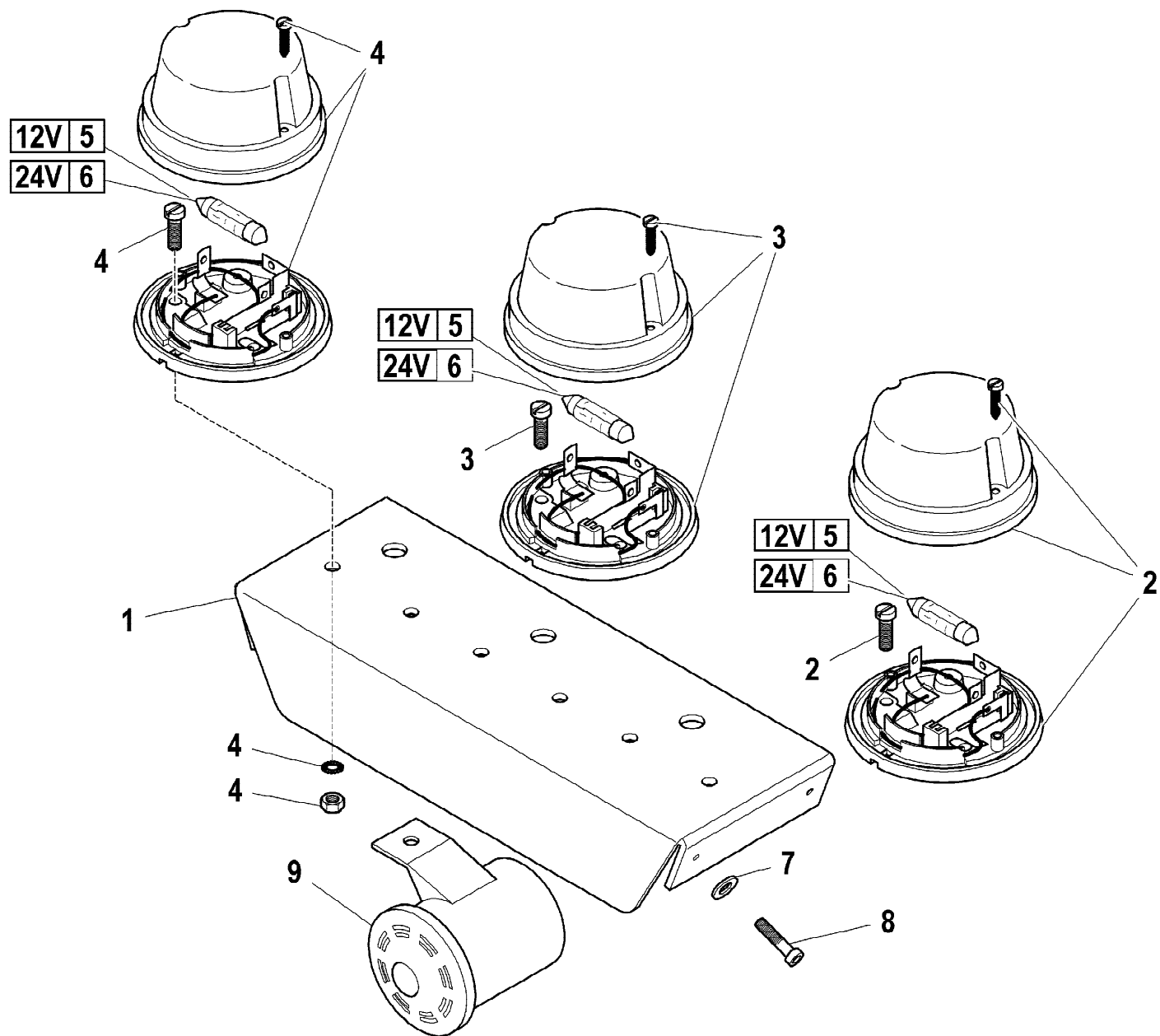
Data pag.
 ottobre 2008 117

rif.	codice	Q.tà
1	5.16.0003	1
2	5.00.1657	1
3	3.31.0819	1
4	3.31.0809	1



VALIDO FINO A Dicembre 2010
 VALID UNTIL December 2010

rif.	codice	Q.tà
1	5.00.1662	1
2	3.31.0811	1
3	3.31.0812	1
4	3.31.0810	1
5	3.31.0818	3
6	3.31.0813	3
7	3.06.0003	4
8	3.02.0885	4
9	3.31.0911	1



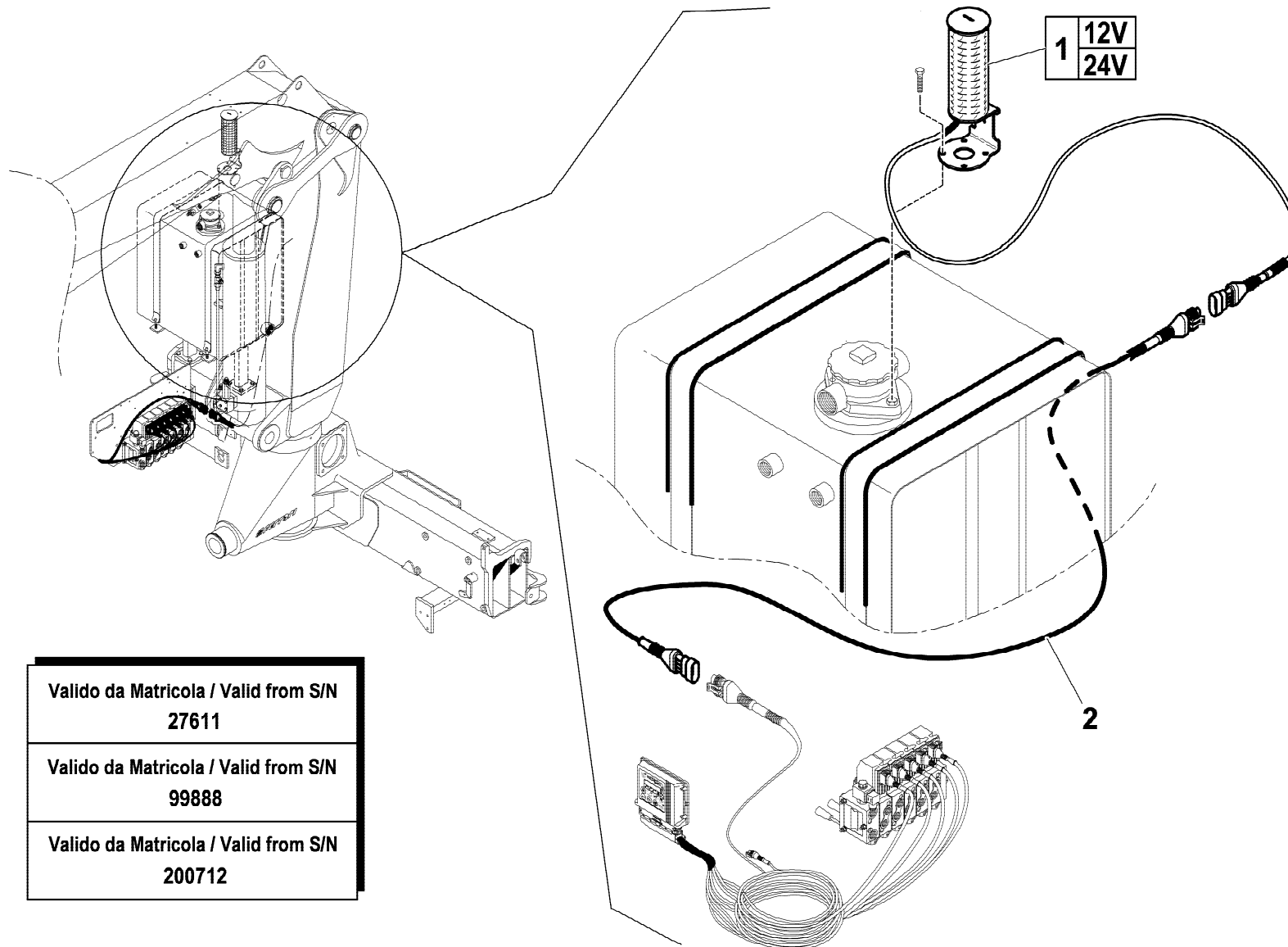
HC101

INDICATORE LUMINOSO
 PILOT LAMP
 LAMPE-TÉMOIN
 KONTROLLAMPE
 LÁMPARA SEÑAL

Tavola
7.88.5015-1-0

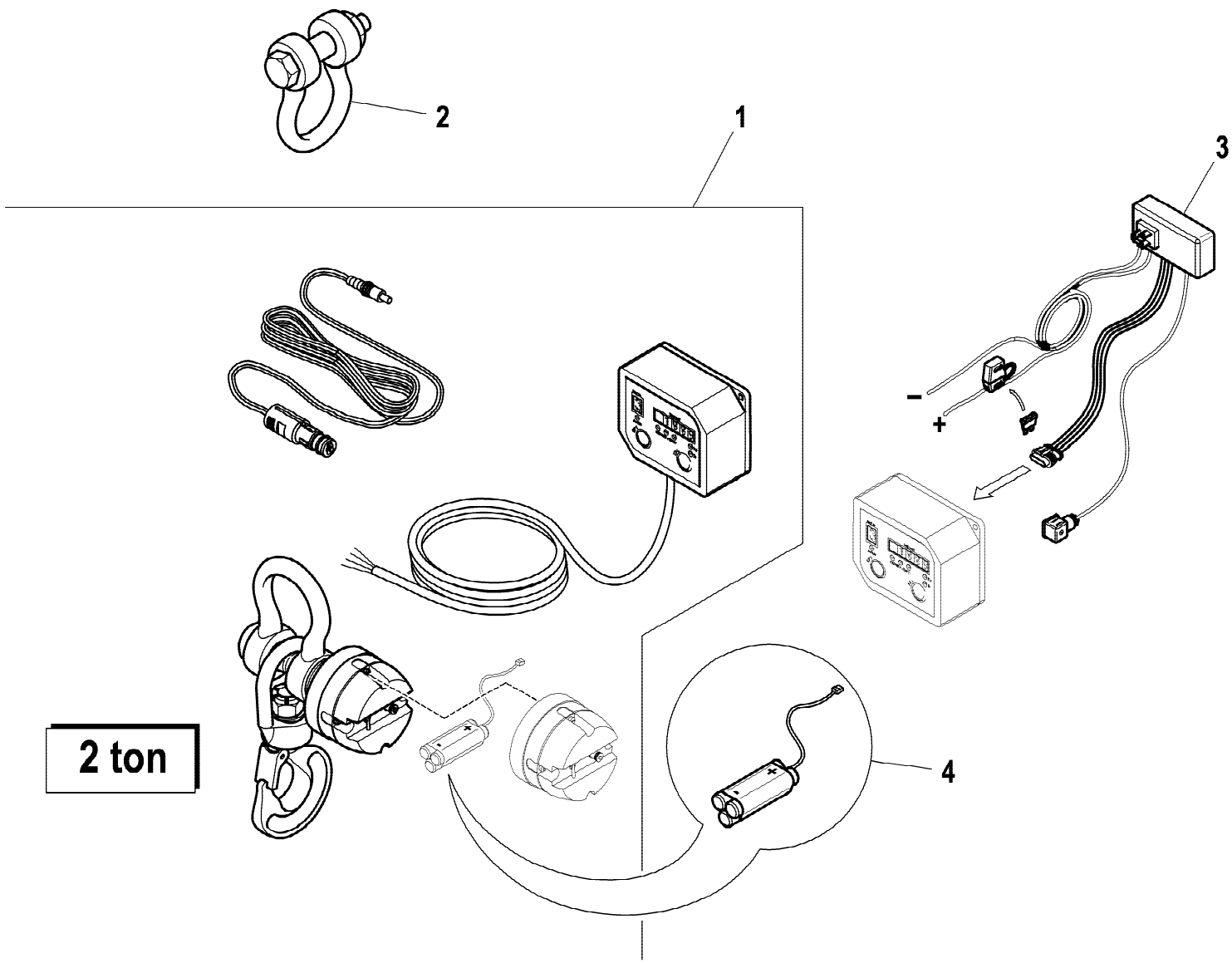
Data pag.
 giugno 2006 119

rif.	codice	Q.tà
1	3.31.1159	1
2	5.16.0003	1



Valido da Matricola / Valid from S/N 27611
Valido da Matricola / Valid from S/N 99888
Valido da Matricola / Valid from S/N 200712

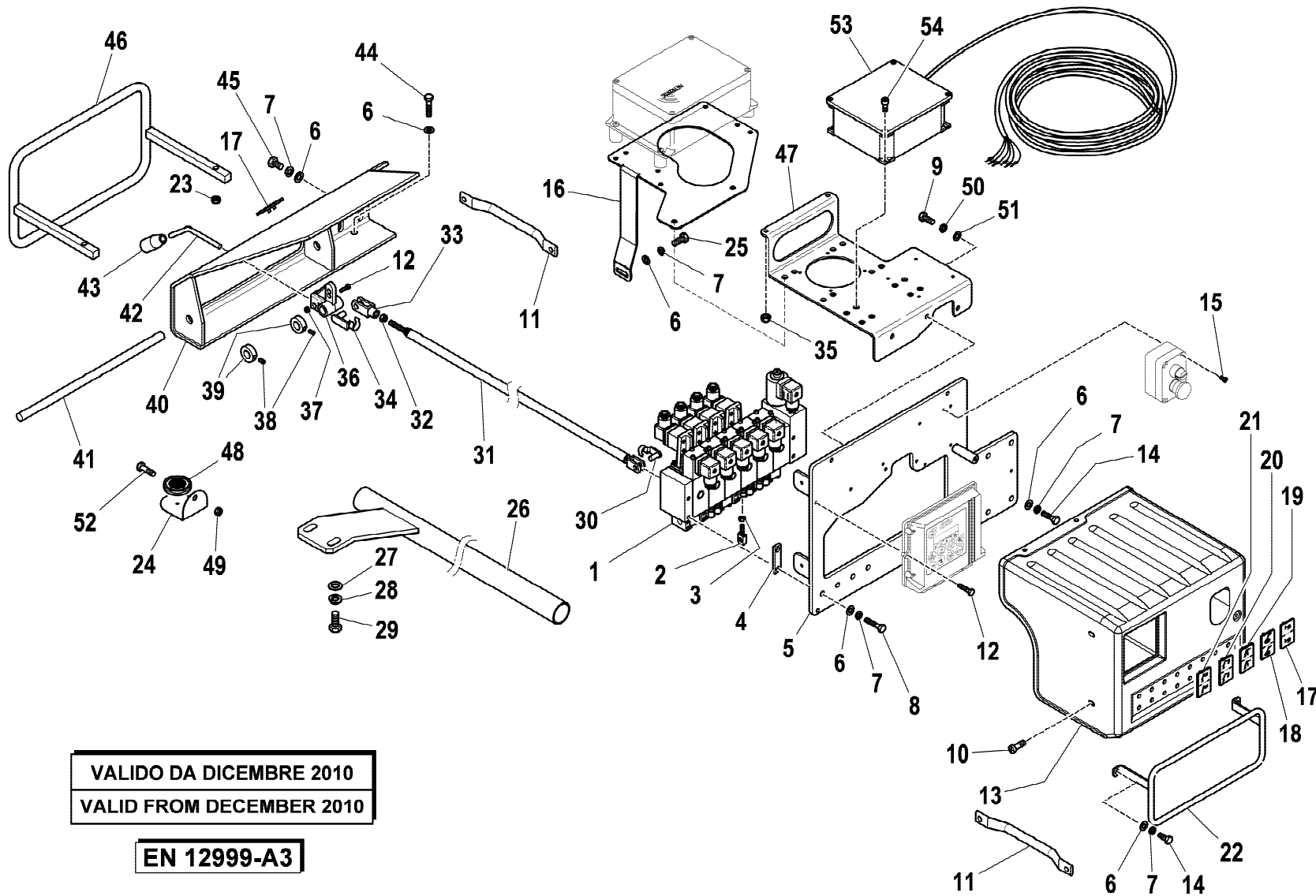
rif.	codice	Q.tà
1	5.73.0506	1
2	3.20.0050	1
3	W.236.508	1
4	3.31.1542	1



2 ton



HC101 TCU EN 12999-A3



VALIDO DA DICEMBRE 2010
 VALID FROM DECEMBER 2010

EN 12999-A3

rif.	codice	Q.tà
1	5.22.0784	1
2	W.01.05.036.00	1
3	3.04.0081	1
4	5.00.1791	2
5	5.09.1200	1
6	3.06.0006	20
7	3.06.0055	18
8	3.01.0066	3
9	3.01.0325	2
10	3.02.0960	5
11	5.00.1829	2
12	3.02.0021	4
13	5.09.1202	1
14	3.01.0337	6
15	3.02.0895	2
16	5.00.2099	1
17	W.573.265	2
18	W.573.266	1
19	W.573.267	1
20	W.573.269	1
21	W.573.270	1
22	5.09.1204	1
23	3.04.0040	2
24	W.57.05.016.00	2
25	3.01.0055	4
26	W.44.05.003.00	1
27	3.06.0057	2
28	3.06.0018	2
29	3.01.0369	2
30	3.30.0451	1
31	5.09.1196	1

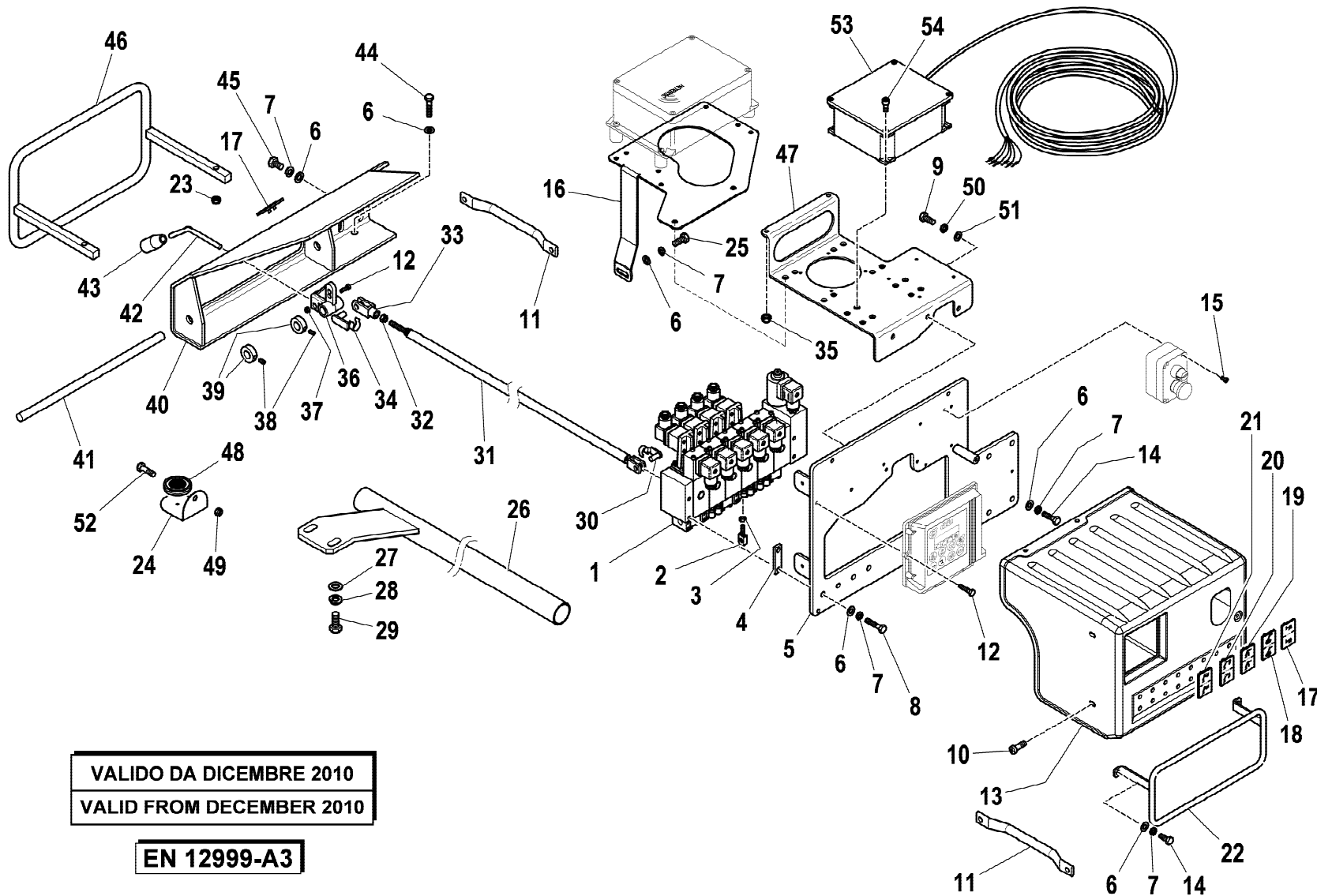
1/2

HYVA CRANE
 HC101

COMANDI (ECM 4) EN 12999-A3
 CONTROLS (ECM 4) EN 12999-A3
 COMMANDES (ECM 4) EN 12999-A3
 STEUERUGEN (ECM 4) EN 12999-A3
 MANDOS (ECM 4) EN 12999-A3

Tavola
5.40.1482-1-0

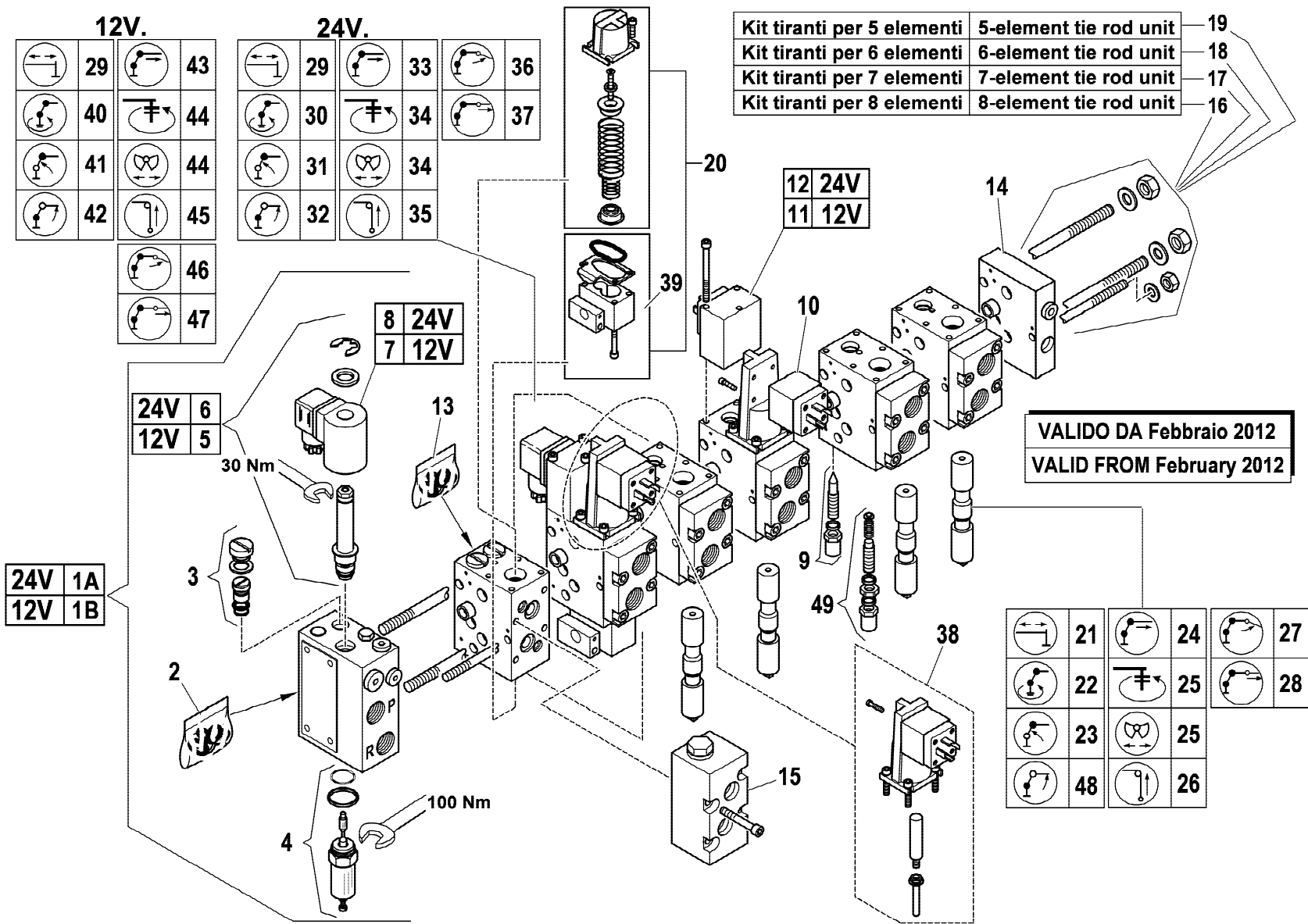
Data pag.
 maggio 2011 123.1



VALIDO DA DICEMBRE 2010
 VALID FROM DECEMBER 2010

EN 12999-A3

rif.	codice	Q.tà
32	3.04.0045	1
33	3.30.0433	1
34	3.30.0453	1
35	3.04.0519	2
36	W.27.05.090.00	1
37	3.04.0393	1
38	3.06.0229	2
39	W.27.01.027.03	2
40	W.44.05.001.00	1
41	W.101.182	1
42	W.44.05.018.00	1
43	W.664.003	1
44	3.01.0030	2
45	3.01.0353	4
46	W.44.05.019.00	1
47	5.09.1201	1
48	3.18.0116	2
49	3.04.0372	2
50	3.06.0053	2
51	3.06.0005	2
52	3.01.0015	2
53	3.31.1405	1
54	3.02.0028	4



rif.	codice	Q.tà
1 A	5.22.5695	1
1 B	5.22.5696	1
2	5.22.5923	1
3	5.22.5609	1
4	5.22.5697	1
5	5.22.5611	1
6	5.22.5612	1
7	5.22.5613	1
8	5.22.5614	1
9	5.22.5623	1
10	5.22.5617	1
11	5.22.5615	1
12	5.22.5616	1
13	5.22.5618	1
14	5.22.5619	1
15	5.22.5622	1
16	5.22.5605	1
17	5.22.5621	1
18	5.22.5620	1
19	5.22.5673	1
20	5.22.5671	1
21	5.22.5624	1
22	5.22.5625	1
23	5.22.5626	1
24	5.22.5606	1
25	5.22.5660	2
26	5.22.5628	1
27	5.22.5661	1
28	5.22.5627	1
29	5.22.5629	1
30	5.22.5662	1

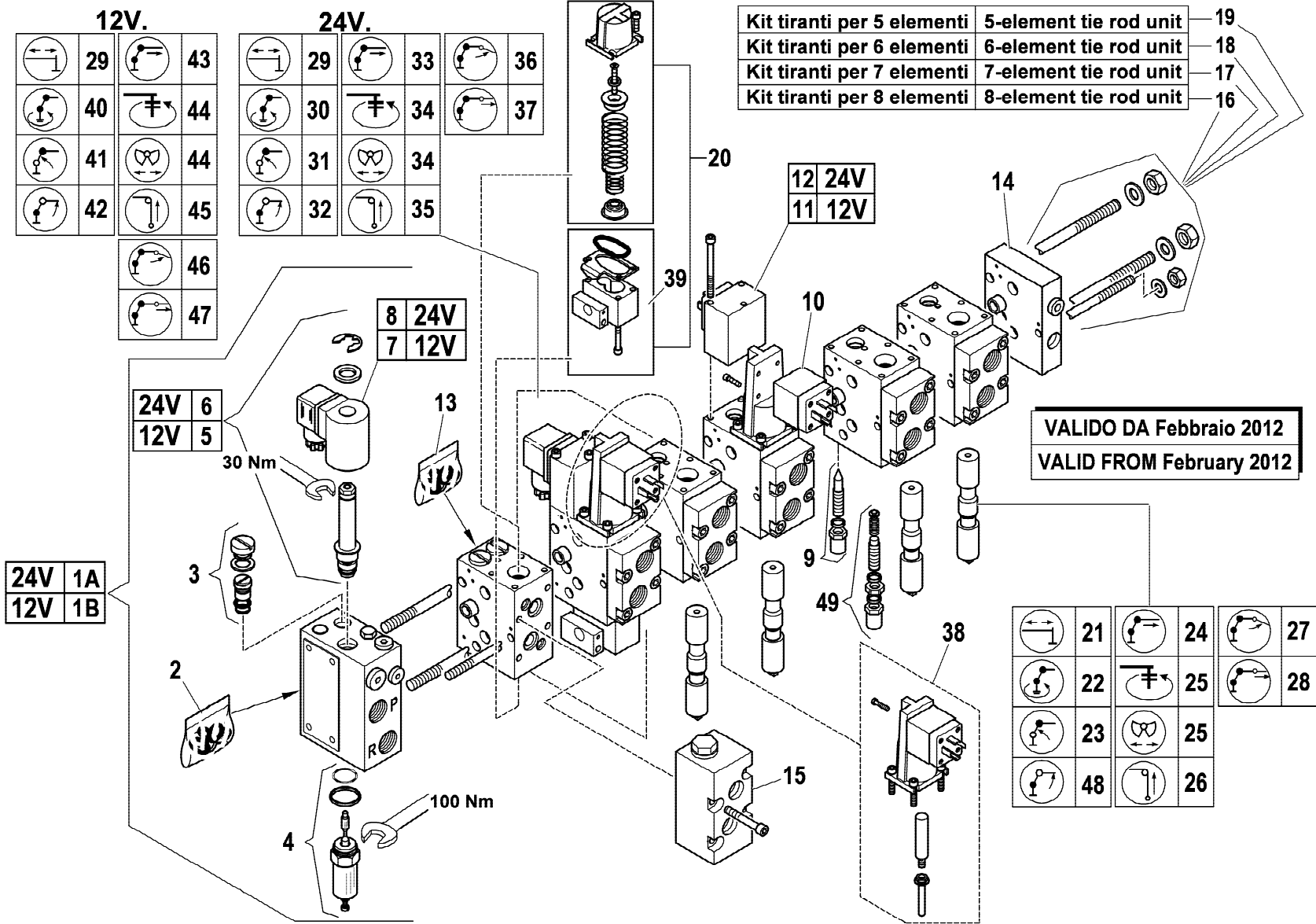


HC101

DISTRIBUTORE (6 ELEMENTI) RDC - ECM4
 CONTROL VALVE (6 SECTION) RDC - ECM4
 DISTRIBUTEUR (6 VOIES) RDC - ECM4
 STEUERBLOCK (6 ELEMENTE) RDC - ECM4
 DISTRIBUIDOR (6 ELEMENTOS) RDC - ECM4

Tavola
5.22.0868-1-0

Data pag.
 giugno 2012 124.1



Kit tiranti per 5 elementi	5-element tie rod unit	19
Kit tiranti per 6 elementi	6-element tie rod unit	18
Kit tiranti per 7 elementi	7-element tie rod unit	17
Kit tiranti per 8 elementi	8-element tie rod unit	16

12V.

29	43
40	44
41	44
42	45
46	
47	

24V.

29	33	36
30	34	37
31	34	
32	35	

8	24V
7	12V

24V	6
12V	5

24V	1A
12V	1B

12	24V
11	12V

VALIDO DA Febbraio 2012
VALID FROM February 2012

21	24	27
22	25	28
23	25	
48	26	

rif.	codice	Q.tà
31	5.22.5920	1
32	5.22.5664	1
33	5.22.5665	1
34	5.22.5670	2
35	5.22.5669	1
36	5.22.5666	1
37	5.22.5667	1
38	5.22.5073	1
39	5.22.5672	1
40	5.22.5063	1
41	5.22.5921	1
42	5.22.5065	1
43	5.22.5066	1
44	5.22.5067	2
45	5.22.5068	1
46	5.22.....	1
47	5.22.....	1
48	5.22.5774	1
49	5.22.5610	1



HC101

DISTRIBUTORE (6 ELEMENTI) RDC - ECM4
 CONTROL VALVE (6 SECTION) RDC - ECM4
 DISTRIBUTEUR (6 VOIES) RDC - ECM4
 STEUERBLOCK (6 ELEMENTE) RDC - ECM4
 DISTRIBUIDOR (6 ELEMENTOS) RDC - ECM4

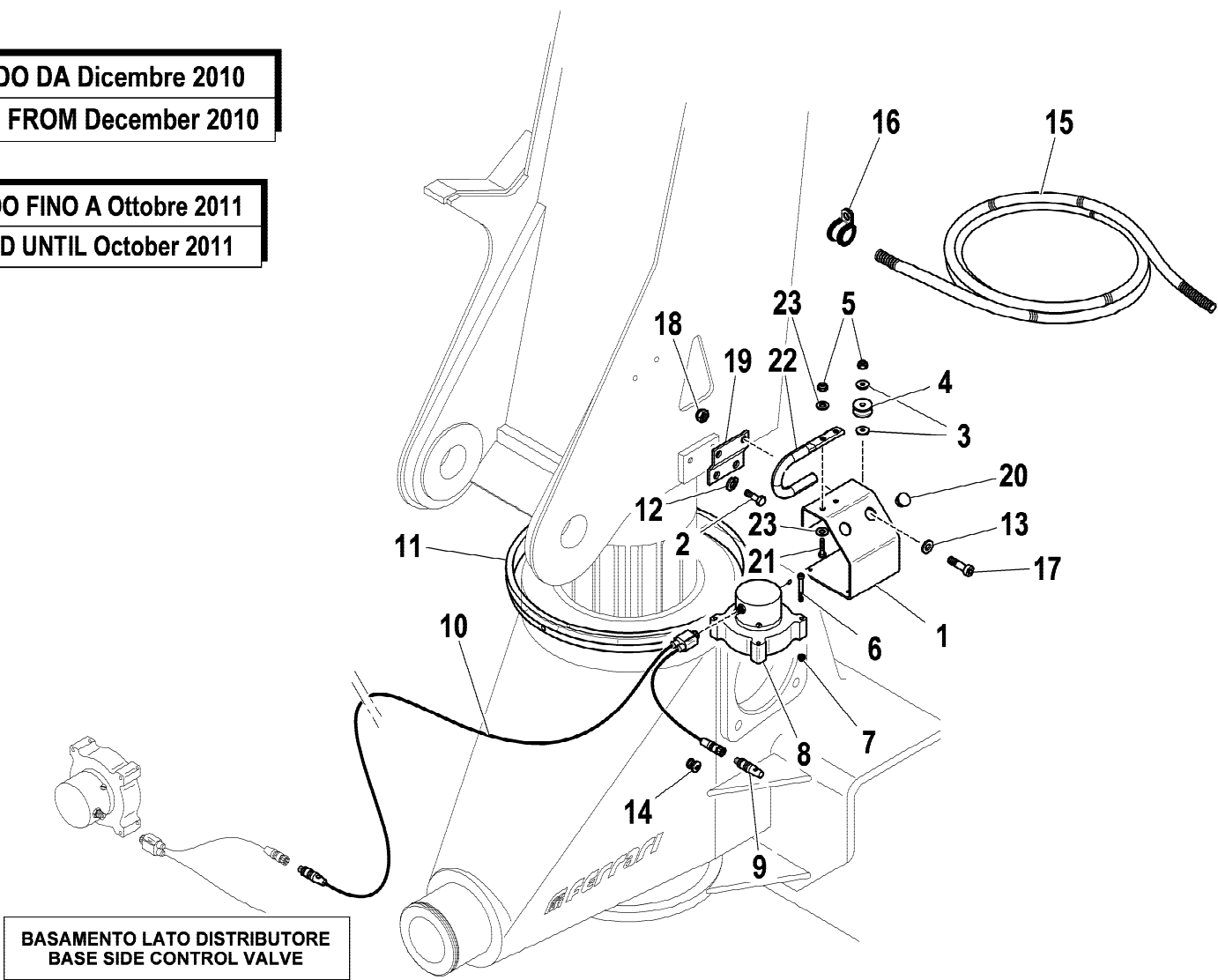
Tavola
5.22.0868-1-0

Data pag.
giugno 2012 124.2

rif.	codice	Q.tà
1	5.09.1301	1
2	3.01.0353	2
3	3.06.0030	2
4	5.14.1080	1
5	3.04.0372	3
6	3.02.0019	3
7	3.04.0518	3
8	3.31.1313	1
9	3.31.1327	1
10	3.31.1325	1
11	5.14.1094	1
12	3.06.0056	2
13	3.06.0914	2
14	3.31.1326	1
15	3.19.0295	mt2.5
16	3.19.0036	1
17	3.02.0072	2
18	3.04.0304	2
19	5.00.0424	1
20	3.19.0301	2
21	3.01.0022	2
22	5.00.2124	1
23	3.06.0005	4

VALIDO DA Dicembre 2010
VALID FROM December 2010

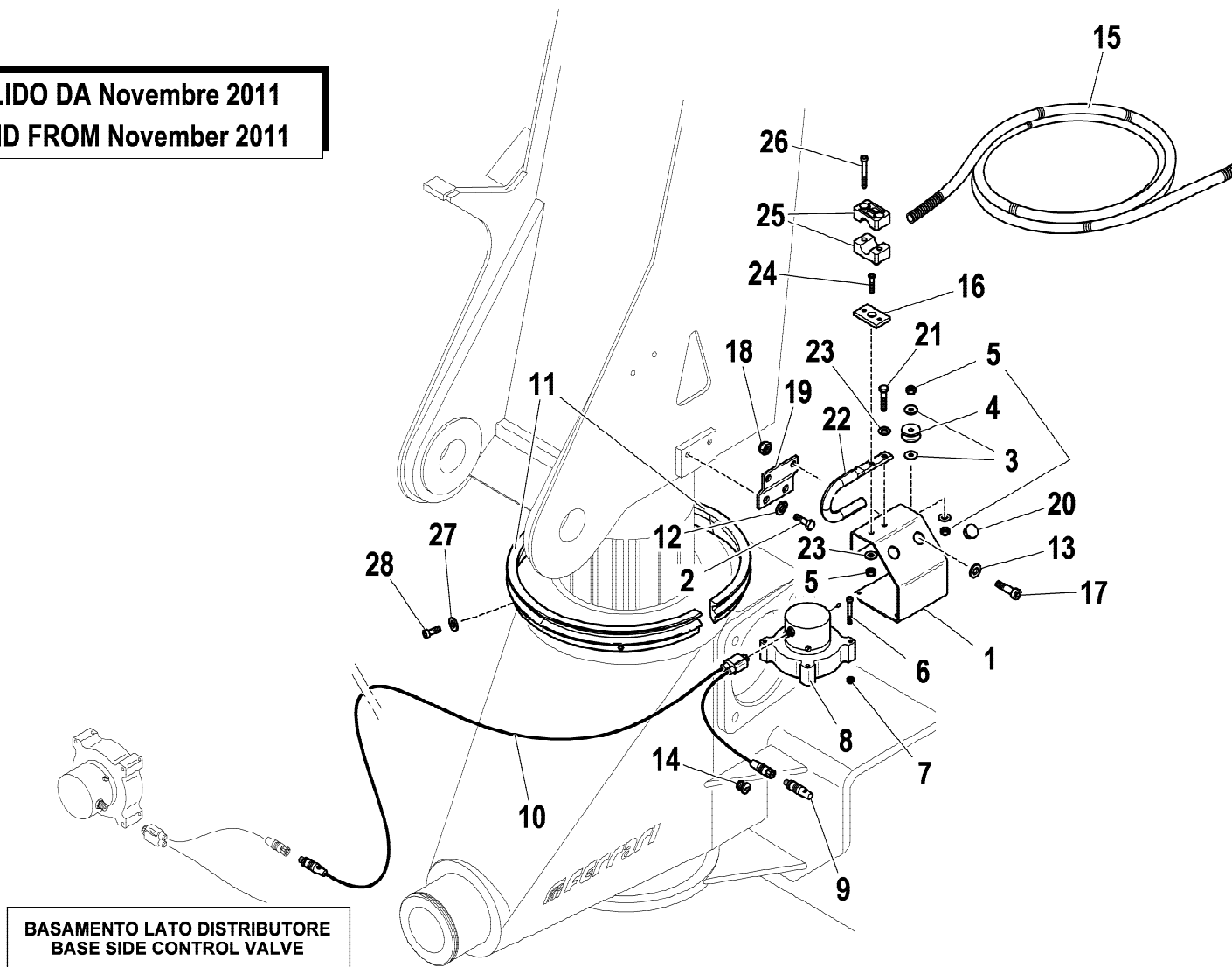
VALIDO FINO A Ottobre 2011
VALID UNTIL October 2011



BASAMENTO LATO DISTRIBUTORE
BASE SIDE CONTROL VALVE

VALIDO DA Novembre 2011

VALID FROM November 2011



BASAMENTO LATO DISTRIBUTORE
BASE SIDE CONTROL VALVE

rif.	codice	Q.tà
1	5.09.1301	1
2	3.01.0353	2
3	3.06.0030	2
4	5.14.1080	1
5	3.04.0372	3
6	3.02.0019	3
7	3.04.0518	3
8	3.31.1313	1
9	3.31.1327	1
10	3.31.1325	1
11	5.14.1122	2
12	3.06.0056	2
13	3.06.0914	2
14	3.31.1326	1
15	3.19.0295	mt2.5
16	5.00.0454	1
17	3.02.0072	2
18	3.04.0304	2
19	5.00.0424	1
20	3.19.0301	2
21	3.01.0022	1
22	5.00.2124	1
23	3.06.0005	3
24	3.02.0907	1
25	3.19.0185	2
26	3.02.0039	2
27	3.06.0004	4
28	3.02.0022	4

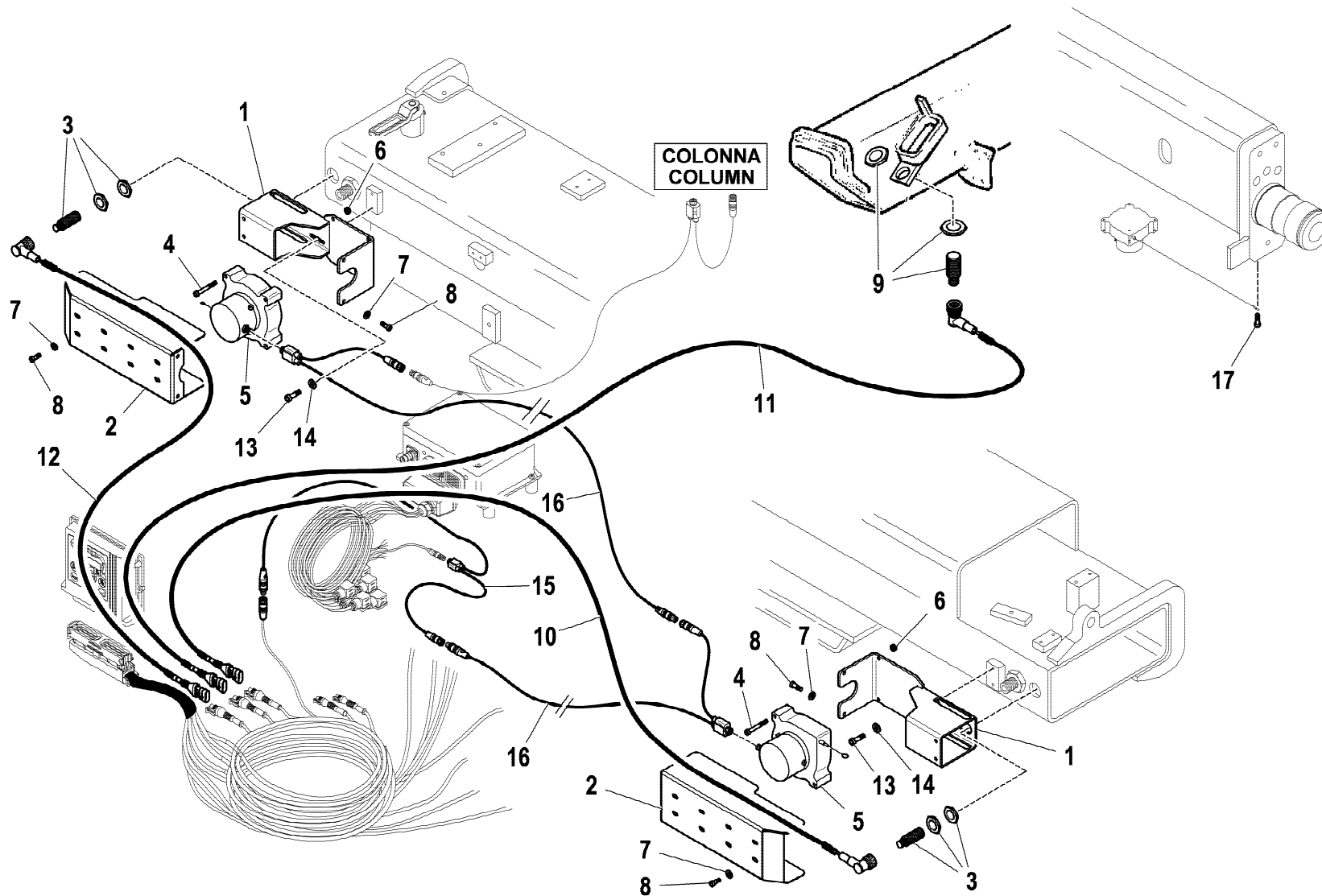
1/1

HYVA® CRANE
HC101

CONTROLLO ROTAZIONE EN-12999-A3
ROTATION CONTROL EN-12999-A3
CONTRÔLE ROTATION EN-12999-A3
KONTROLLE ROTATION EN-12999-A3
CONTROL ROTACIÓN EN-12999-A3

Tavola
5.41.1235-1-1

Data pag.
giugno 2012 126



rif.	codice	Q.tà
1	5.09.1277	2
2	5.00.2060	2
3	3.31.1311	2
4	3.02.0019	6
5	3.31.1313	2
6	3.04.0518	6
7	3.06.0004	8
8	3.02.0022	8
9	3.31.1312	1
10	3.31.1332	1
11	3.31.1372	1
12	3.31.1377	1
13	3.02.0034	6
14	3.06.0030	8
15	3.31.1398	1
16	3.31.1325	2
17	3.02.0895	2

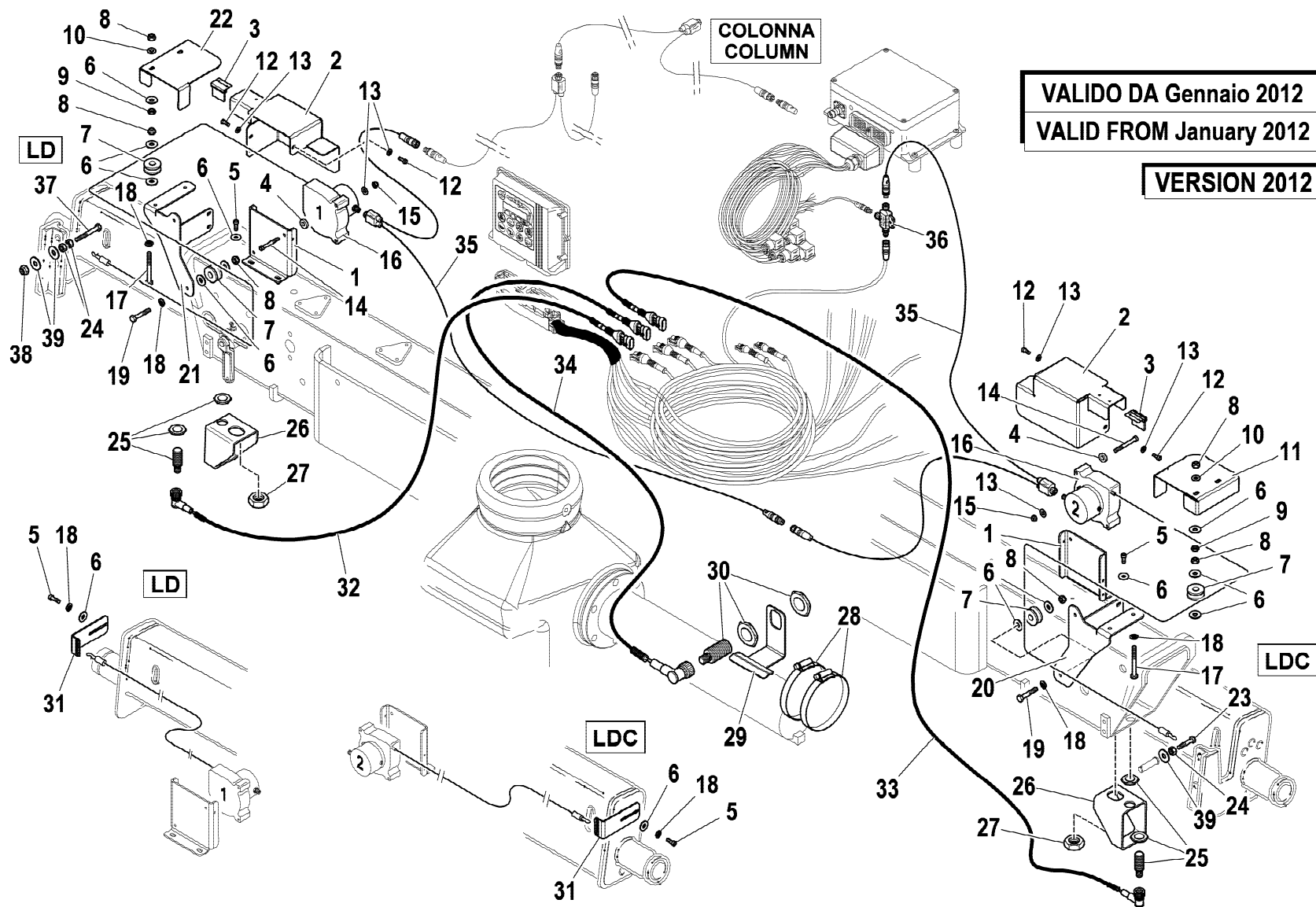
1/1

HYVA[®] CRANE
HC101

CONTROLLO STABILITA' EN-12999-A3
 STABILITY CONTROL EN-12999-A3
 CONTRÔLE DE LA STABILITE' EN-12999-A3
 STABILITÄTSKONTROLLE EN-12999-A3
 CONTROL DE LA ESTABILIDAD EN-12999-A3

Tavola
5.41.1254-1-0

Data pag.
 maggio 2011 127



rif.	codice	Q.tà
1	5.00.2212	2
2	5.00.2213	2
3	5.00.2175	2
4	3.19.0039	4
5	3.02.0034	8
6	3.06.0030	28
7	5.14.1138	8
8	3.04.0372	12
9	3.04.0081	4
10	3.06.0005	4
11	5.00.2225	1
12	3.02.0895	6
13	3.06.0003	10
14	3.02.0019	4
15	3.04.0518	4
16	3.31.1313	2
17	3.01.0011	4
18	3.06.0053	12
19	3.01.0010	4
20	5.00.2224	1
21	5.00.2226	1
22	5.00.2227	1
23	3.01.0031	1
24	3.04.0045	3
25	3.31.1311	2
26	5.00.0422	2
27	3.04.0251	2
28	3.19.0021	2
29	5.00.2217	1
30	3.31.1312	1
31	5.00.2215	2

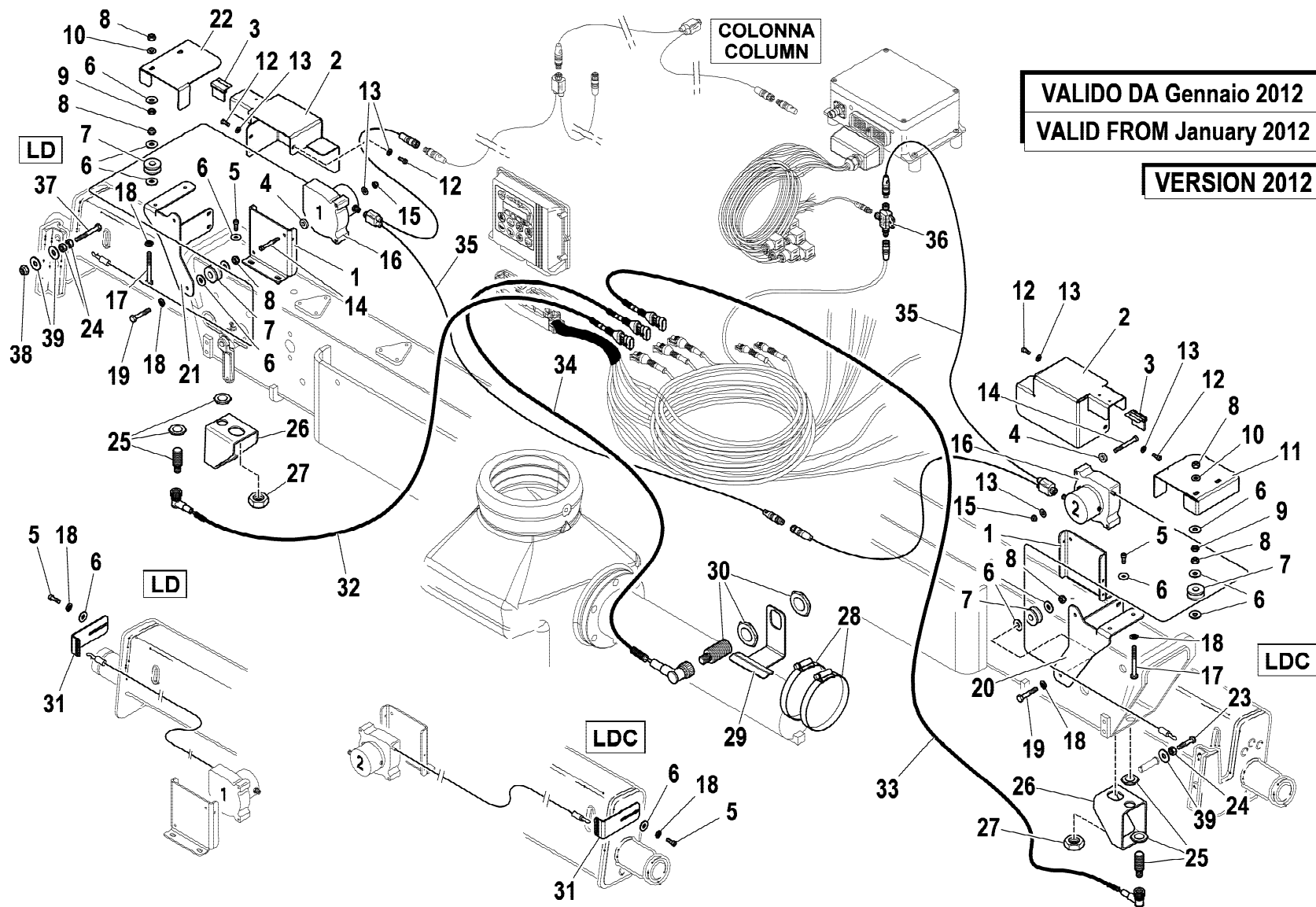
1/2

HYVA[®] CRANE
HC101

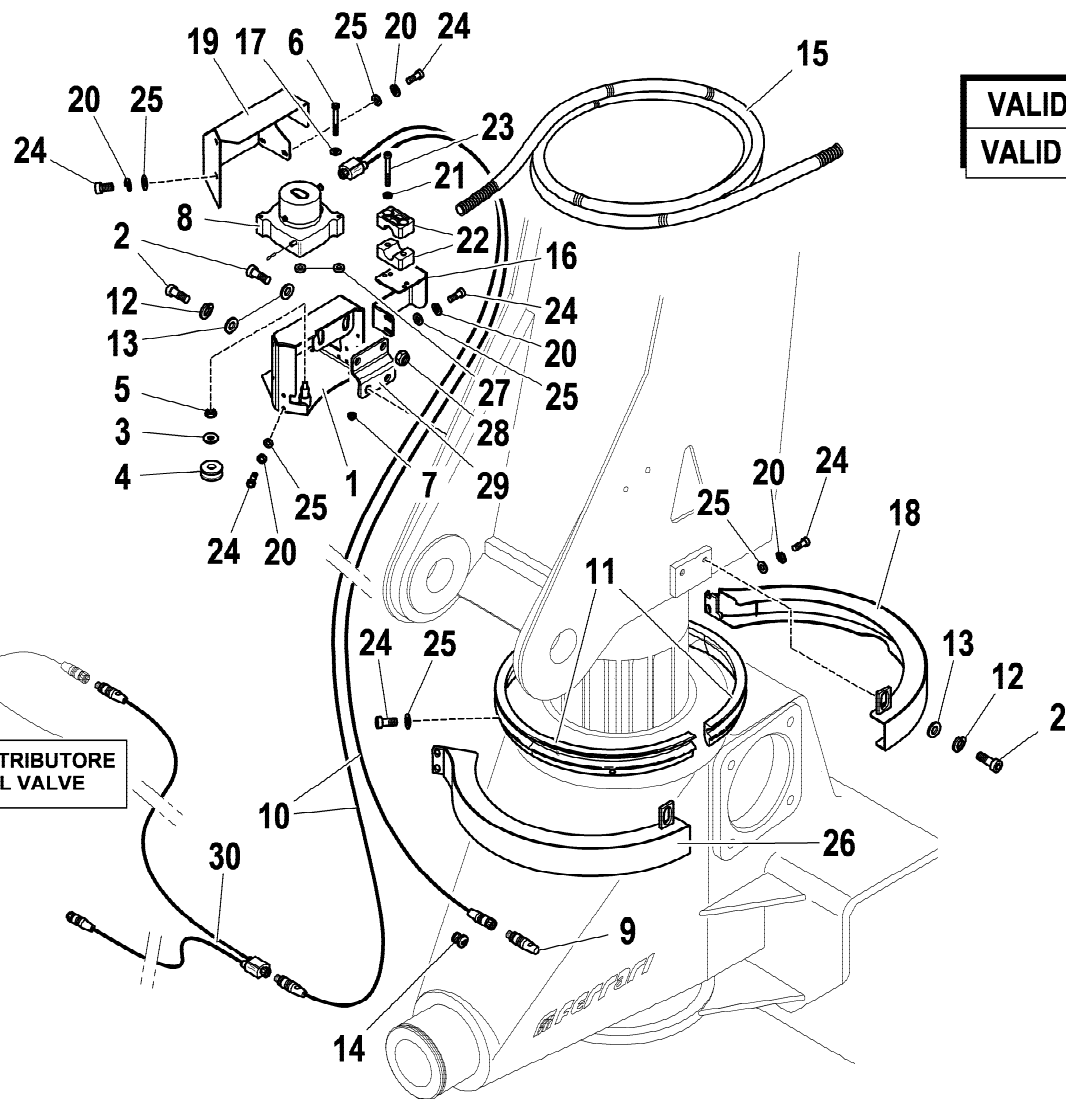
CONTROLLO STABILITA' EN12999-A3
 STABILITY CONTROL EN12999-A3
 CONTRÔLE DE LA STABILITE' EN12999-A3
 STABILITÄTSKONTROLLE EN12999-A3
 CONTROL DE LA ESTABILIDAD EN12999-A3

Tavola
5.41.1390-1-0

Data pag.
 giugno 2012 128.1



rif.	codice	Q.tà
32	3.31.1332	1
33	3.31.1377	1
34	3.31.1372	1
35	3.31.1325	2
36	3.31.1323	1
37	3.01.0036	1
38	3.04.0303	1
39	3.06.0029	3



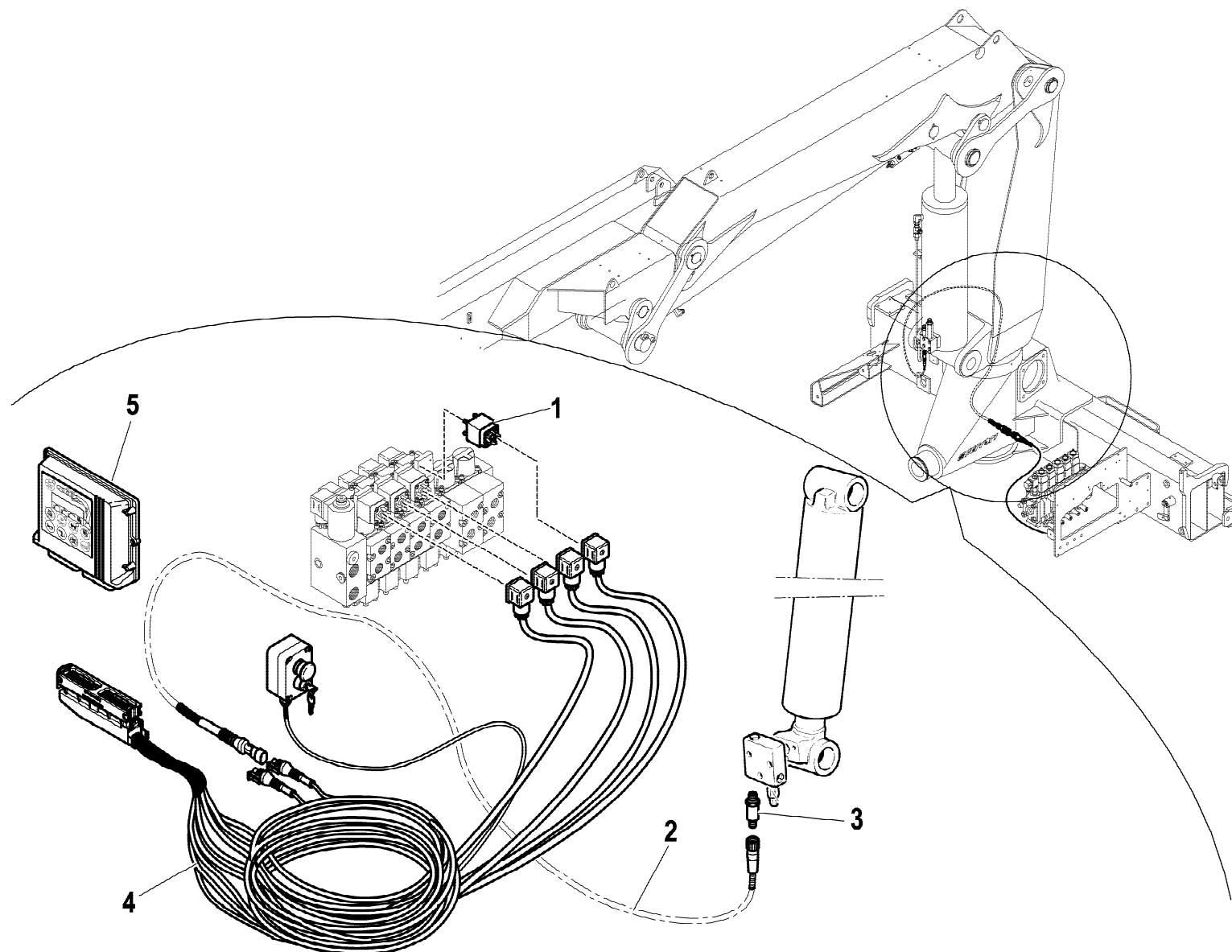
VALIDO DA Gennaio 2012
VALID FROM January 2012

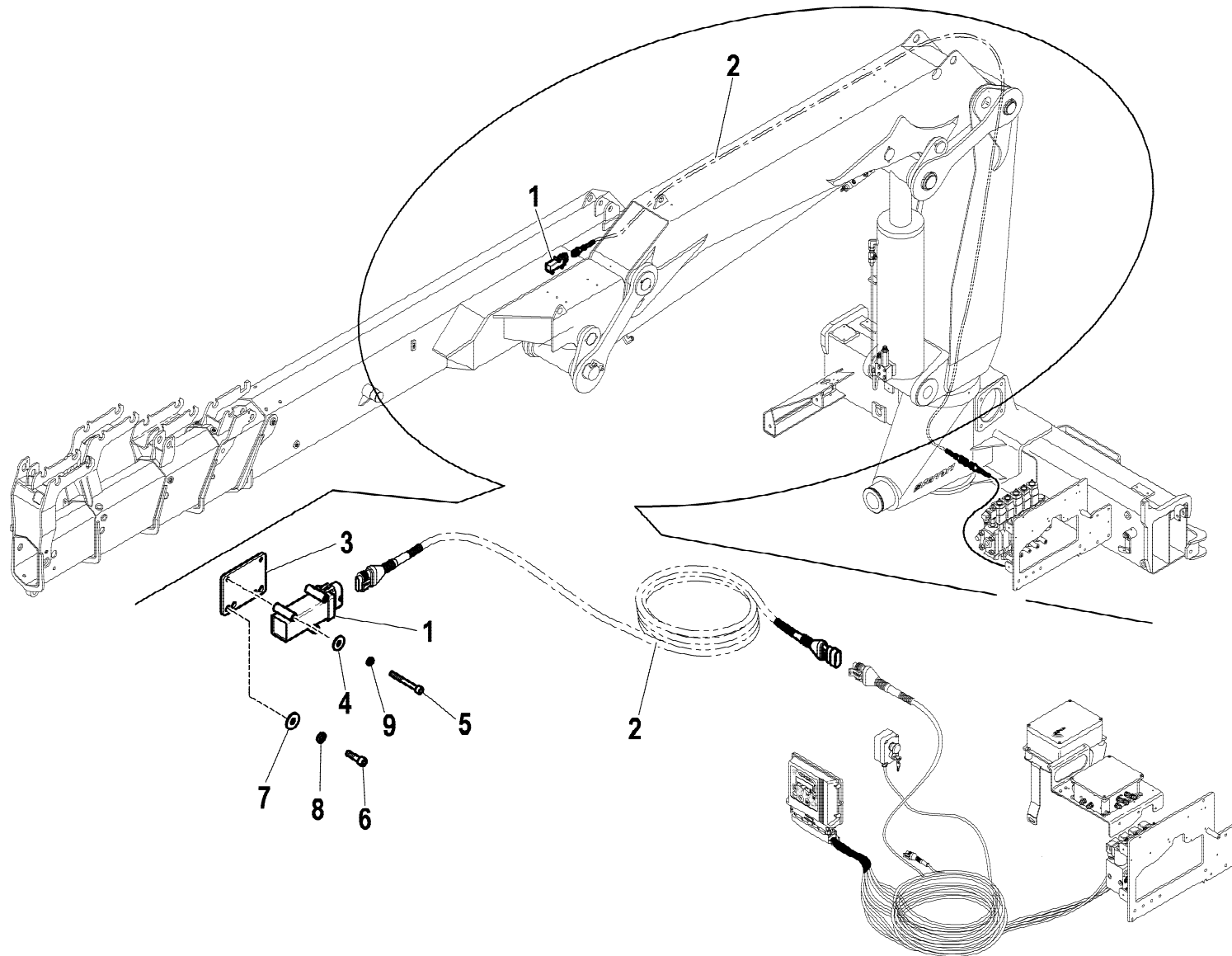
VERSION 2012

BASAMENTO LATO DISTRIBUTORE
BASE SIDE CONTROL VALVE

rif.	codice	Q.tà
1	5.09.1398	1
2	3.02.0080	6
3	3.06.0030	1
4	5.14.1135	1
5	3.04.0372	1
6	3.02.0019	2
7	3.04.0518	2
8	3.31.1313	1
9	3.31.1327	1
10	3.31.1325	1
11	5.14.1122	2
12	3.06.0056	4
13	3.06.0914	6
14	3.31.1326	1
15	3.19.0295	mt2.5
16	5.00.2193	1
17	3.06.0003	2
18	5.09.1406	1
19	5.00.2177	1
20	3.06.0052	10
21	3.19.0178	2
22	3.19.0185	2
23	3.02.0039	2
24	3.02.0022	16
25	3.06.0004	16
26	5.09.1407	1
27	3.19.0039	2
28	3.04.0304	2
29	5.00.2214	1
30	3.31.1398	1

rif.	codice	Q.tà
1	5.22.5617	4
2	5.16.0084	1
3	3.31.0612	1
4	5.16.0073	1
5	3.31.1423	1





rif.	codice	Q.tà
1	3.31.1150	1
2	5.16.0076	1
3	5.00.2108	1
4	3.06.0003	2
5	3.02.0018	2
6	3.02.0033	2
7	3.06.0005	2
8	3.06.0053	2
9	3.06.0065	2

1/1

HYVA® CRANE
HC101

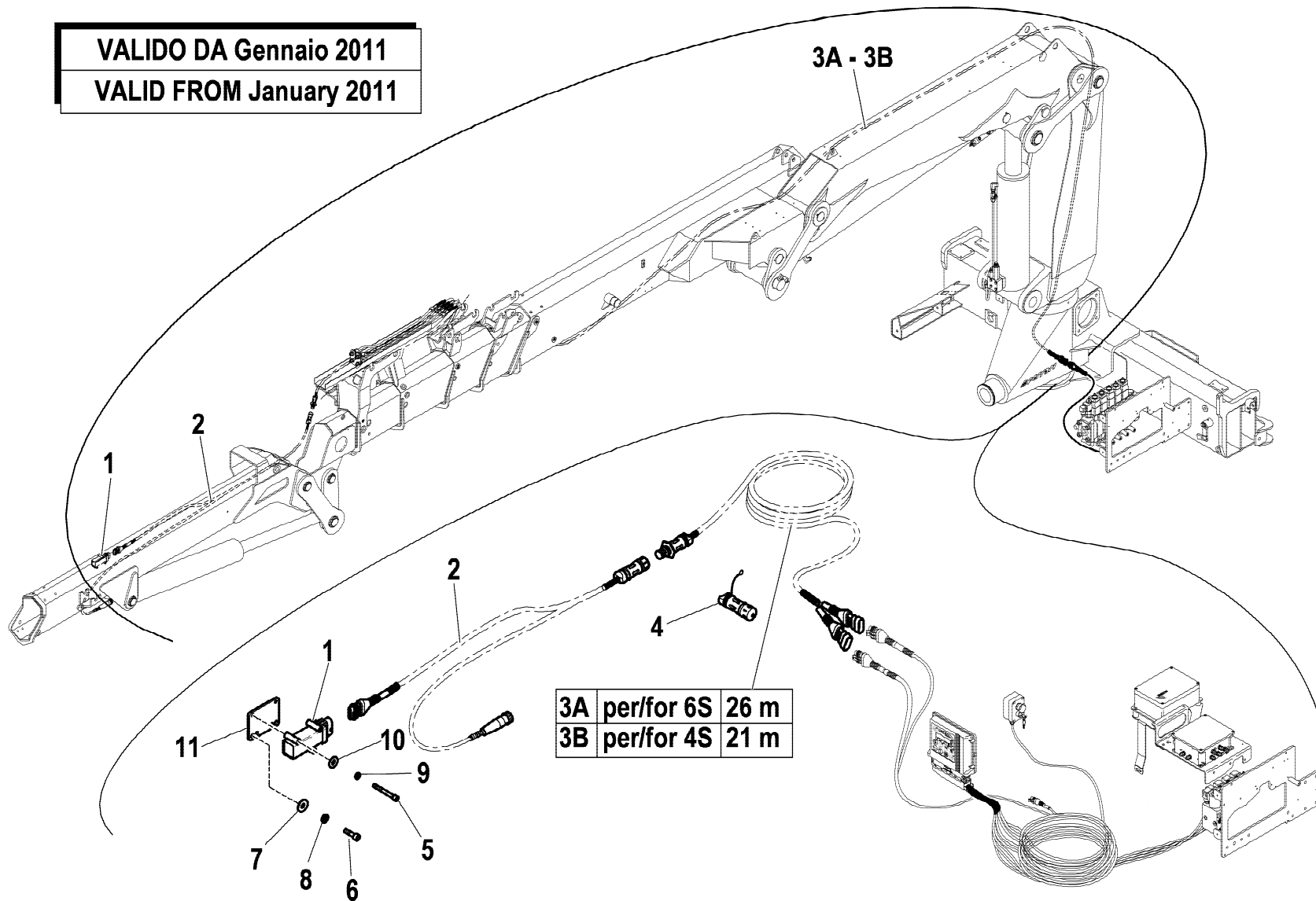
COMANDI (RDC EBB-X TCU-ECM4) EN12999-A3
 CONTROLS (RDC EBB-X TCU-ECM4) EN12999-A3
 COMMANDES (RDC EBB-X TCU-ECM4) EN12999-A3
 STEUERUGEN (RDC EBB-X TCU-ECM4) EN12999-A3
 MANDOS (RDC EBB-X TCU-ECM4) EN12999-A3

Tavola
5.40.1482-3-0

Data pag.
maggio 2011 131

VALIDO DA Gennaio 2011

VALID FROM January 2011



rif.	codice	Q.tà
1	3.31.1150	1
2	5.16.0079	1
3 A	5.16.0077	1
3 B	5.16.0078	1
4	5.16.0080	1
5	3.02.0018	2
6	3.02.0033	2
7	3.06.0005	2
8	3.06.0053	2
9	3.06.0065	2
10	3.06.0003	2
11	5.00.2108	1

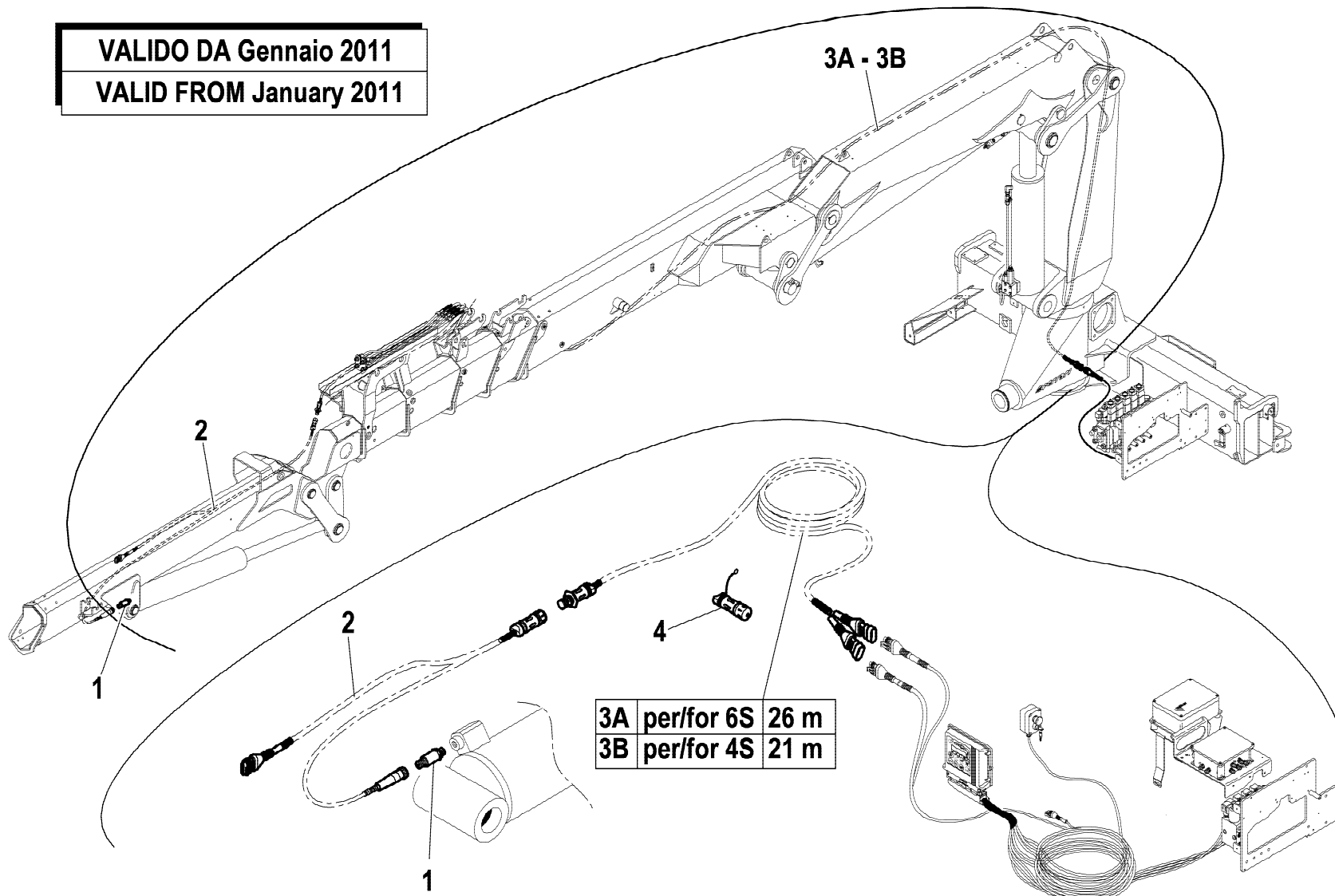


HC101

COMANDI (RDC EBB-X TCU-ECM4) EN12999-A3
 CONTROLS (RDC EBB-X TCU-ECM4) EN12999-A3
 COMMANDES (RDC EBB-X TCU-ECM4) EN12999-A3
 STEUERUGEN (RDC EBB-X TCU-ECM4) EN12999-A3
 MANDOS (RDC EBB-X TCU-ECM4) EN12999-A3

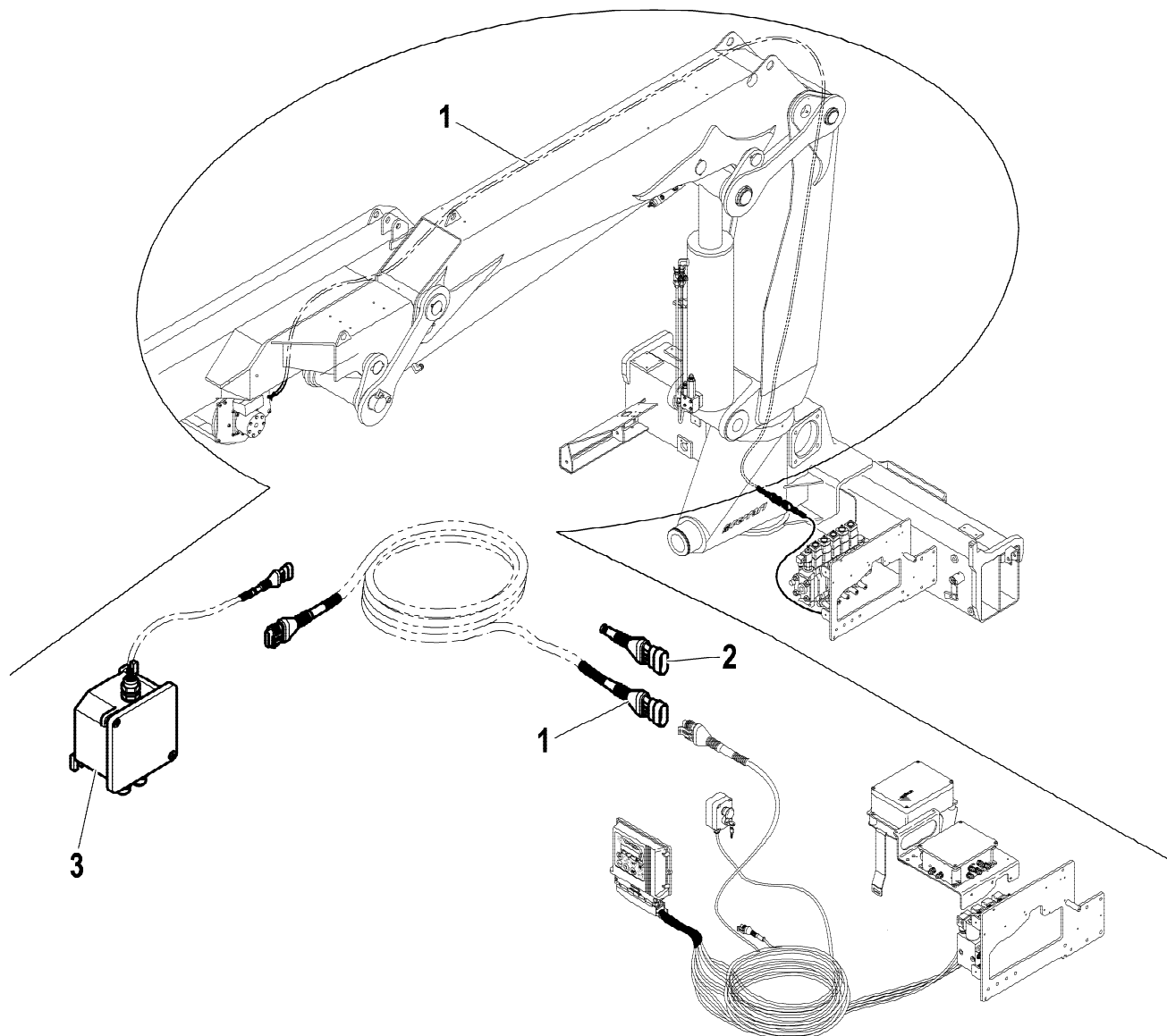
VALIDO DA Gennaio 2011

VALID FROM January 2011

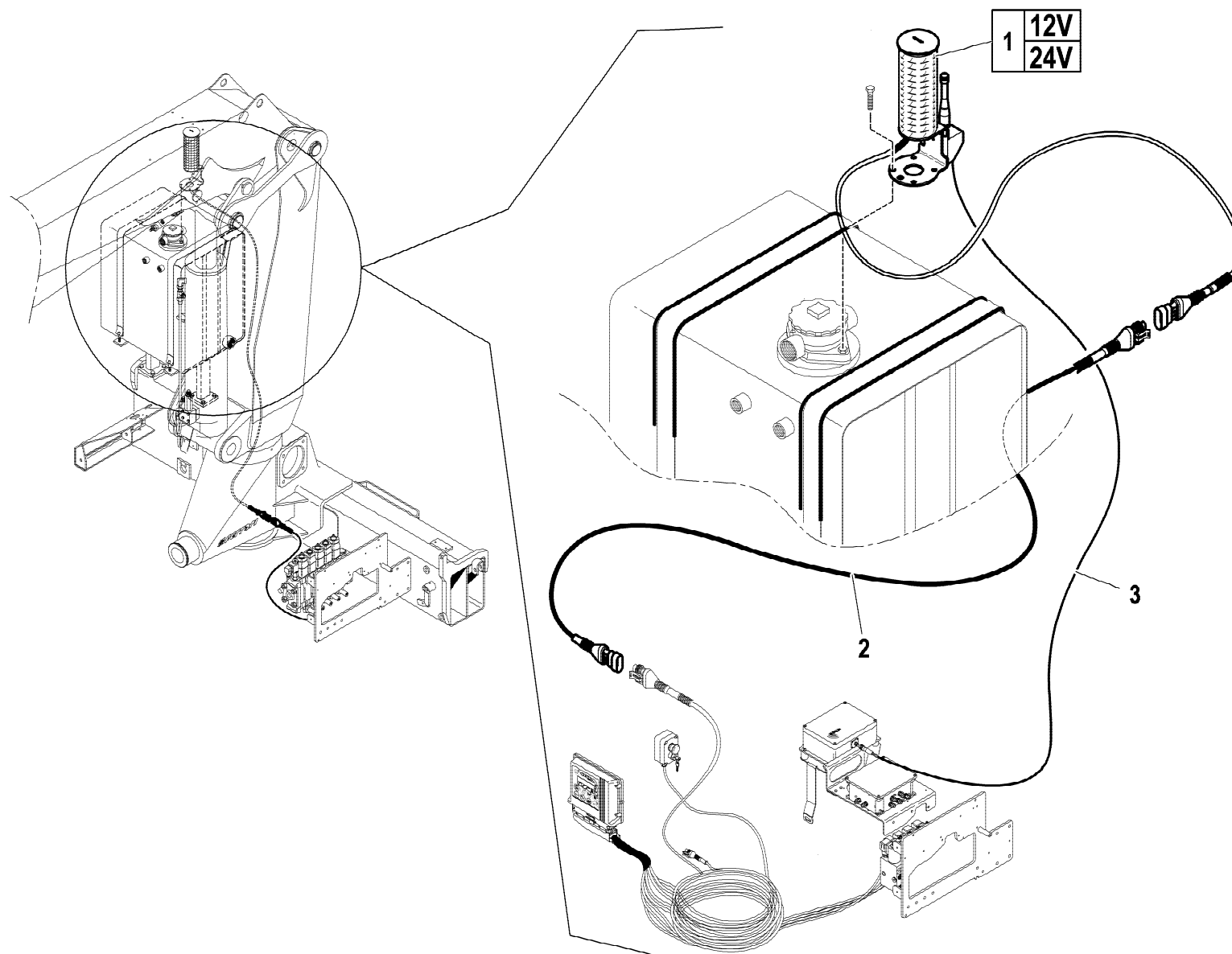


rif.	codice	Q.tà
1	3.31.0612	1
2	5.16.0079	1
3 A	5.16.0077	1
3 B	5.16.0078	1
4	5.16.0080	1

rif.	codice	Q.tà
1	5.16.0004	1
2	5.16.0013	1
3	3.31.0663	1



rif.	codice	Q.tà
1	3.31.1159	1
2	5.16.0003	1
3	3.31.1131	1



1/1

HYVA® CRANE
HC101

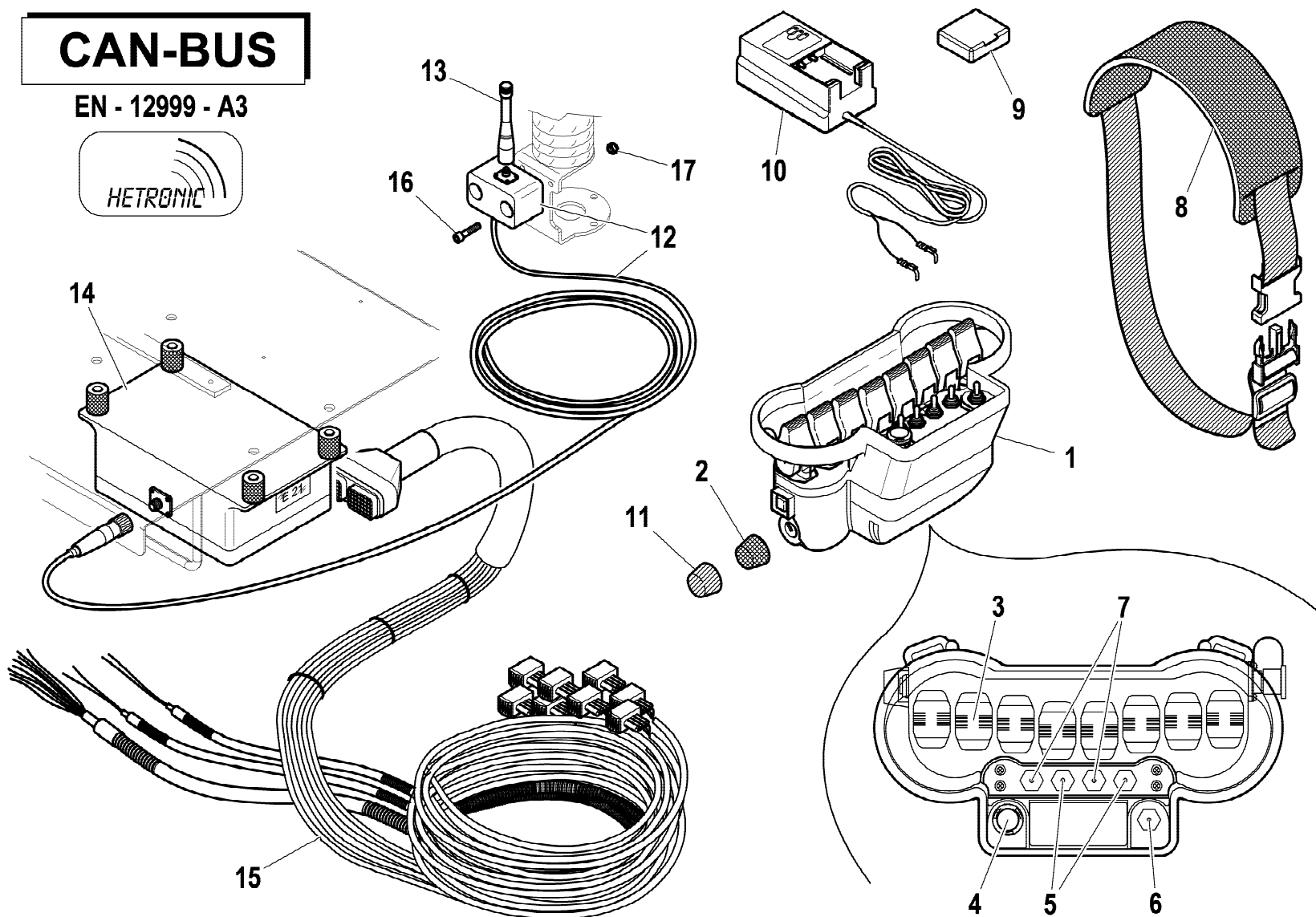
COMANDI (RDC EBB-X TCU-ECM4) EN12999-A3
 CONTROLS (RDC EBB-X TCU-ECM4) EN12999-A3
 COMMANDES (RDC EBB-X TCU-ECM4) EN12999-A3
 STEUERUGEN (RDC EBB-X TCU-ECM4) EN12999-A3
 MANDOS (RDC EBB-X TCU-ECM4) EN12999-A3

Tavola
5.40.1482-7-0

Data pag.
maggio 2011 135

CAN-BUS

EN - 12999 - A3



rif.	codice	Q.tà
1	3.31.1442	1
2	3.31.0795	1
3	3.31.0796	8
4	3.31.0788	1
5	3.31.0786	2
6	3.31.0785	1
7	3.31.0787	2
8	3.31.1031	1
9	3.31.0641	2
10	3.31.0797	1
11	3.31.0924	1
12	3.31.1131	1
13	3.31.0861	1
14	3.31.1443	1
15	3.31.1444	1
16	3.02.0024	2
17	3.04.0392	2