

Model
TELESCOPIC 1 BOOM
HA70

Logbook code
7881377.0
Edition
01/2015



Table index

Logbook code

7881377.0

1/4

| Page | Table code | Q.ty | Table heading | | Validity |
|------|-------------|------|---|--|----------|
| 7 | 5501768-1.0 | 1 | Plate kit (Version) | | |
| 8 | 5502000-3.0 | 1 | Plate kit (CRANES) | | |
| 9 | 5420082-1.0 | 1 | BASE | | |
| 10 | 6240132-1.0 | 1 | Slewing | | |
| 11 | 6240132-3.0 | 1 | Slewing | | |
| 12 | 6240195-1.0 | 1 | Slewing (Retaining ring) | | |
| 13 | 6240132-2.0 | 1 | HYDRAULIC SYSTEM (Slewing Hydraulic jack) | | |
| 14 | 5760162-1.0 | 1 | Stabilizer connecting rods | | |
| 15 | 5760162-3.0 | 1 | Hydraulic system (CE) | | |
| 16 | 5760162-2.0 | 1 | Hydraulic system (not CE) | | |
| 17 | 5760161-1.0 | 1 | Stabilizer connecting rods (Extra-extensible) | | |
| 19 | 5760161-3.0 | 1 | HYDRAULIC SYSTEM EXTRA-EXTENSIBLE (CE) | | |
| 20 | 5760161-2.0 | 1 | HYDRAULIC SYSTEM EXTRA-EXTENSIBLE (not CE) | | |
| 21 | 5760164-1.0 | 1 | Stabilizer connecting rods (Revolving) | | |
| 22 | 5760164-3.0 | 1 | Hydraulic system (CE) | | |
| 23 | 5760164-2.0 | 1 | Hydraulic system (not CE) | | |
| 24 | 5760163-1.0 | 1 | Stabilizer connecting rods extra-extensible (Revolving) | | |
| 26 | 5760163-3.0 | 1 | HYDRAULIC SYSTEM EXTRA-EXTENSIBLE (CE) | | |
| 27 | 5760163-2.0 | 1 | HYDRAULIC SYSTEM EXTRA-EXTENSIBLE (not CE) | | |
| 28 | 5411095-1.0 | 1 | CONTROL DEVICES LOCKING FOR OUTRIGGERS LEGS | | |

| Page | Table code | Q.ty | Table heading | | Validity |
|------|-------------|------|--|--|----------|
| 29 | 5411095-2.0 | 1 | CONTROL DEVICES LOCKING FOR OUTRIGGERS LEGS | | |
| 30 | 6200154-1.0 | 1 | Stabilizer Hydraulic jack (DX) | | |
| 31 | 6200155-1.0 | 1 | Stabilizer Hydraulic jack (SX) | | |
| 32 | 6400154-1.0 | 1 | Stabilizer Hydraulic jack | | |
| 33 | 6200267-1.0 | 1 | Stabilizer Hydraulic jack (ROTATING) | | |
| 34 | 6400213-1.0 | 1 | Stabilizer Hydraulic jack (ROTATING) | | |
| 35 | 5411269-2.0 | 1 | STABILITY CONTROL (EN12999-A3) | | |
| 36 | 7880943-1.0 | 1 | Kit (ROTATION CONTROL) | | |
| 38 | 7880943-1.1 | 1 | Kit (ROTATION CONTROL) | | |
| 40 | 7880943-2.0 | 1 | Kit (ROTATION CONTROL) | | |
| 42 | 5380038-1.0 | 1 | ROD EXTENSION HYDRAULIC CYLINDER EXTRA-EXTENSIBLE | | |
| 43 | 5760222-1.0 | 1 | Stabilizer connecting rods extra-extensible (hydraulic lengthening) | | |
| 45 | 5760223-1.0 | 1 | Stabilizer connecting rods extra-extensible revolving (hydraulic) | | |
| 47 | 5380038-2.0 | 1 | DOUBLE CONTROLS (Stabilizers rods) | | |
| 48 | 5380038-3.0 | 1 | HYDRAULIC SYSTEM (not CE) | | |
| 49 | 5380039-3.0 | 1 | HYDRAULIC SYSTEM (CE) | | |
| 50 | 6200268-1.0 | 1 | HYDRAULIC SYSTEM ROD EXTENSION HYDRAULIC | | |
| 51 | 6400268-1.0 | 1 | Rod extensio hydraulic (Control valve side) | | |
| 52 | 6200272-1.0 | 1 | HYDRAULIC SYSTEM ROD EXTENSION HYDRAULIC | | |
| 53 | 6400272-1.0 | 1 | ROD EXSTENSION HYDRAULIC CYLINDER (Double controls side) | | |

| Page | Table code | Q.ty | Table heading | | Validity |
|------|-------------|------|--|--|----------|
| 54 | 5400874-1.0 | 1 | DOUBLE CONTROLS | | |
| 56 | 5220817-1.0 | 1 | Control valve (6 section) | | |
| 57 | 5220817-3.0 | 1 | Control valve (6 section) | | |
| 58 | 5220479-1.0 | 1 | Control valve (6 section) | | |
| 59 | 5401592-1.0 | 1 | DOUBLE CONTROLS (CE) | | |
| 61 | 5401598-1.0 | 1 | Control unit (STABILITY CONTROL) | | |
| 63 | 5401592-2.0 | 1 | DOUBLE CONTROLS (CE) | | |
| 64 | 5401573-4.0 | 1 | DOUBLE CONTROLS (CE) | | |
| 65 | 5400879-1.0 | 1 | DOUBLE CONTROLS | | |
| 67 | 5220820-1.0 | 1 | Control valve (5 section) | | |
| 68 | 5430159-1.0 | 1 | Moment limiting device | | |
| 70 | 5430164-1.0 | 1 | Moment limiting device | | |
| 72 | 5430165-1.0 | 1 | Moment limiting device | | |
| 74 | 5210012-1.0 | 1 | 1 EXTRA FUNCTION KIT CLOSED CENTRE SPOOL | | |
| 75 | 5210013-1.0 | 1 | 1 EXTRA FUNCTION KIT OPEN CENTRE SPOOL | | |
| 76 | 5210109-1.0 | 1 | 2 EXTRA FUNCTION KIT CLOSED CENTRE SPOOL | | |
| 77 | 5210041-1.0 | 1 | 1 EXTRA FUNCTION KIT CLOSED CENTRE SPOOL | | |
| 79 | 5210042-1.0 | 1 | 1 EXTRA FUNCTION KIT OPEN CENTRE SPOOL | | |
| 81 | 5210040-1.0 | 1 | 2 EXTRA FUNCTION KIT CLOSED CENTRE SPOOL | | |
| 83 | 3310543-1.0 | 1 | ELECTRICS CONTROLS | | |

| Page | Table code | Q.ty | Table heading | | Validity |
|------|-------------|------|---|--|----------|
| 84 | 5400877-1.0 | 1 | Oil reservoir (not CE) | | |
| 85 | 5400877-2.0 | 1 | Oil reservoir (not CE) | | |
| 86 | 5400508-1.0 | 1 | Oil reservoir (CE) | | |
| 87 | 5400508-2.0 | 1 | Oil reservoir (CE) | | |
| 88 | 3180195-1.0 | 1 | Oil filter | | |
| 89 | 7888030-1.0 | 1 | Heat exchange unit | | |
| 90 | 5460091-1.0 | 1 | Column | | |
| 91 | 6230079-1.3 | 1 | HYDRAULIC SYSTEM (LIFTING HYDRAULIC CYLINDER) | | |
| 92 | 6430079-1.0 | 1 | LIFTING HYDRAULIC CYLINDER | | |
| 93 | 5470097-1.0 | 1 | 1ST BOOM | | |
| 94 | 5490094-1.0 | 1 | 1st EXTENSION | | |
| 95 | 6210402-2.0 | 1 | HYDRAULIC SYSTEM (1st EXSTENSION HYDRAULIC) | | |
| 97 | 6410415-1.0 | 1 | 1st EXSTENSION HYDRAULIC | | |
| 98 | 5530053-1.0 | 1 | 2nd EXTENSION | | |
| 99 | 6210414-1.0 | 1 | HYDRAULIC SYSTEM (2nd EXTENSION HYDRAULIC JACK) | | |
| 100 | 6410414-1.0 | 1 | Extension Hydraulic jack | | |
| 101 | 6210415-1.0 | 1 | HYDRAULIC SYSTEM (2nd EXTENSION HYDRAULIC JACK) | | |
| 102 | 5540059-1.0 | 1 | 3rd EXTENSION | | |
| 103 | 6210399-1.0 | 1 | HYDRAULIC SYSTEM (3rd extension Hydraulic jack) | | |
| 104 | 6210400-1.0 | 1 | HYDRAULIC SYSTEM (3rd extension Hydraulic jack) | | |

| Page | Table code | Q.ty | Table heading | Validity |
|------|-------------|------|---|----------|
| 105 | 5560048-1.0 | 1 | 4th EXTENSION | |
| 106 | 6210401-1.0 | 1 | HYDRAULIC SYSTEM (4th extension Hydraulic jack) | |
| 107 | 7800006-1.0 | 1 | Manual extension (1st) | |
| 108 | 7800007-1.0 | 1 | Manual extension (1st) | |
| 109 | 7800008-1.0 | 1 | Manual extension (1st) | |
| 110 | 7800009-1.0 | 1 | Manual extension (1st) | |
| 111 | 5410987-1.0 | 1 | HOOK KIT | |
| 112 | 7881824-1.0 | 1 | LOAD INDICATION SYSTEM (LIS/RLC) | |
| 113 | 5590006-1.0 | 1 | 1st ACTIVATION FOR 1S | |
| 115 | 5590249-1.0 | 1 | 1st ACTIVATION FOR 2S | |
| 117 | 5590250-1.0 | 1 | 1st ACTIVATION FOR 3S | |
| 119 | 5590251-1.0 | 1 | 1st ACTIVATION FOR 4S | |
| 121 | 5600007-1.0 | 1 | 2st ACTIVATION FOR 1S | |
| 122 | 5600093-1.0 | 1 | 2nd ADDITIONAL ACTUATION | |
| 123 | 7882394-1.0 | 1 | KIT QUICK COUPLING | |
| 124 | 7900339-1.0 | 1 | SUPPORT FOR WINCH'S PULLEY KIT | |
| 125 | 7900021-1.0 | 1 | SUPPORT FOR WINCH'S PULLEY KIT | |
| 126 | 7900022-1.0 | 1 | SUPPORT FOR WINCH'S PULLEY KIT | |
| 127 | 7880372-2.0 | 1 | Assembly kit | |
| 129 | | | HA70 AS WINCH | |

| Page | Table code | Q.ty | Table heading | Validity |
|------|-------------|------|---|----------|
| 130 | 5740172-1.0 | 1 | ACTUATION FOR WINCH | |
| 132 | 7882532-1.0 | 1 | Rotation limiting device (Electric) | |
| 133 | 5400874-2.0 | 1 | DOUBLE CONTROLS | |
| 136 | 7834219-1.0 | 1 | WINCH KIT | |
| 137 | | | HA70 F | |
| 138 | 5420015-1.0 | 1 | Base | |
| 139 | 6240057-1.0 | 1 | Slewing | |
| 140 | 6240212-1.0 | 1 | Slewing (Retaining ring) | |
| 141 | 6240057-2.0 | 1 | Slewing Hydraulic jack (Hydraulic system) | |
| 142 | 5400310-1.0 | 1 | CONTROLS | |
| 144 | 5460093-1.0 | 1 | Column | |
| 145 | 6230079-1.0 | 1 | HYDRAULIC SYSTEM (LIFTING HYDRAULIC CYLINDER) | |
| 146 | 6210402-4.0 | 1 | HYDRAULIC SYSTEM (1st EXSTENSION HYDRAULIC) | |
| 149 | | | HA70 M | |
| 150 | 6240059-1.0 | 1 | Slewing | |
| 151 | 6240199-1.0 | 1 | Slewing (Retaining ring) | |
| 152 | 6240059-2.0 | 1 | Slewing Hydraulic jack (Hydraulic system) | |
| 153 | 6230092-3.0 | 1 | LIFTING HYDRAULIC CYLINDER (Hydraulic system) | |
| 154 | 6210421-2.0 | 1 | HYDRAULIC SYSTEM (1st EXSTENSION HYDRAULIC) | |
| 156 | 6410421-1.0 | 1 | 1st EXSTENSION HYDRAULIC | |

| Page | Table code | Q.ty | Table heading | | Validity |
|------|-------------|------|---|--|----------|
| 157 | 6210424-1.0 | 1 | HYDRAULIC SYSTEM (2nd EXTENSION HYDRAULIC JACK) | | |
| 158 | 6210426-1.0 | 1 | HYDRAULIC SYSTEM (3rd extension Hydraulic jack) | | |
| 159 | 6410422-1.0 | 1 | Extension Hydraulic jack | | |
| 160 | 6210425-1.0 | 1 | HYDRAULIC SYSTEM (3rd extension Hydraulic jack) | | |
| 161 | 6210427-1.0 | 1 | HYDRAULIC SYSTEM (4th extension Hydraulic jack) | | |
| 163 | | | HA70 X | | |
| 164 | 5220424-1.0 | 1 | Control valve (5 section) | | |
| 166 | 5400702-1.0 | 1 | CONTROLS | | |
| 168 | 5402179-1.0 | 1 | CONTROLS (RDC) | | |
| 170 | 5405013-1.0 | 1 | Auxiliary wiring (Limiting device) | | |
| 171 | 5405013-2.0 | 1 | Moment limiting device | | |
| 172 | 3310822-1.0 | 1 | Light column | | |
| 173 | 7892099-2.0 | 1 | Complete wireless control (not CE) | | |
| 175 | 7892500-1.0 | 1 | Complete wireless control (PTO) | | |
| 177 | 5401023-1.0 | 1 | Auxiliary wiring (Limiting device) | | |
| 178 | 5400738-1.0 | 1 | High pressure filter | | |
| 179 | 7881784-1.0 | 1 | LOAD INDICATION SYSTEM (RDC) | | |
| 181 | | | HA70 X EN 12999 - A3 | | |
| 182 | 5220424-2.0 | 1 | Control valve (5 section) | | |
| 184 | 5401583-1.0 | 1 | Control unit (RDC) | | |

| Page | Table code | Q.ty | Table heading | | Validity |
|------|-------------|------|-------------------------------------|--|----------|
| 186 | 5402187-1.0 | 1 | Control unit (RDC) | | |
| 188 | 5401581-1.0 | 1 | High pressure filter | | |
| 189 | 7892099-3.0 | 1 | Kit (Wireless control) | | |
| 191 | 7892500-2.0 | 1 | Complete wireless control (PTO) | | |
| 193 | 5405052-4.0 | 1 | Kit CE (STABILITY CONTROL) | | |
| 195 | 5405052-7.0 | 1 | Kit CE (STABILITY CONTROL) | | |
| 196 | 5405052-2.0 | 1 | Moment limiting device (CE) | | |
| 198 | 5405052-6.0 | 1 | Moment limiting device (EN12999-A3) | | |

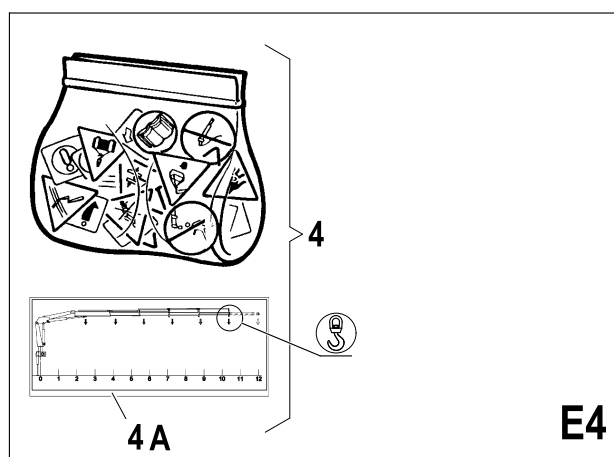
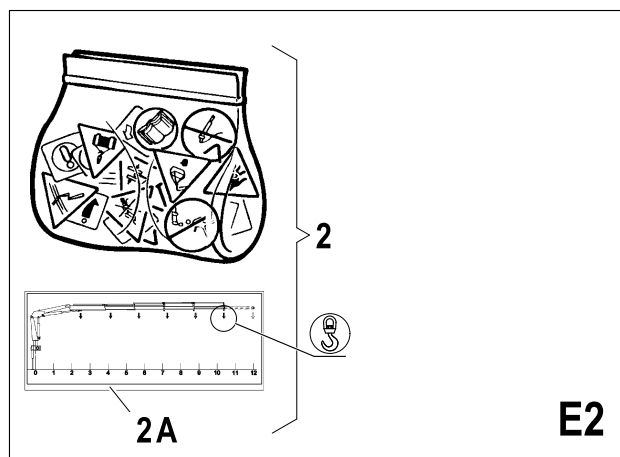
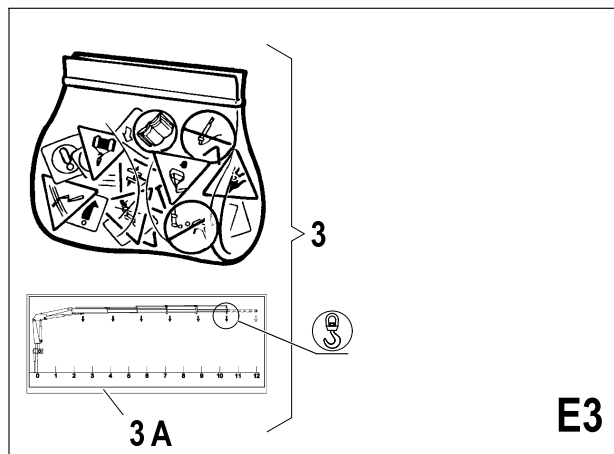
Plate kit (Version)

Code

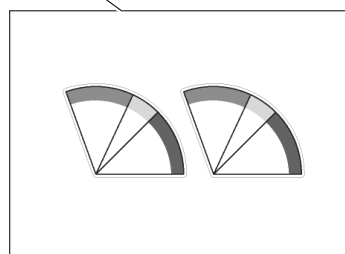
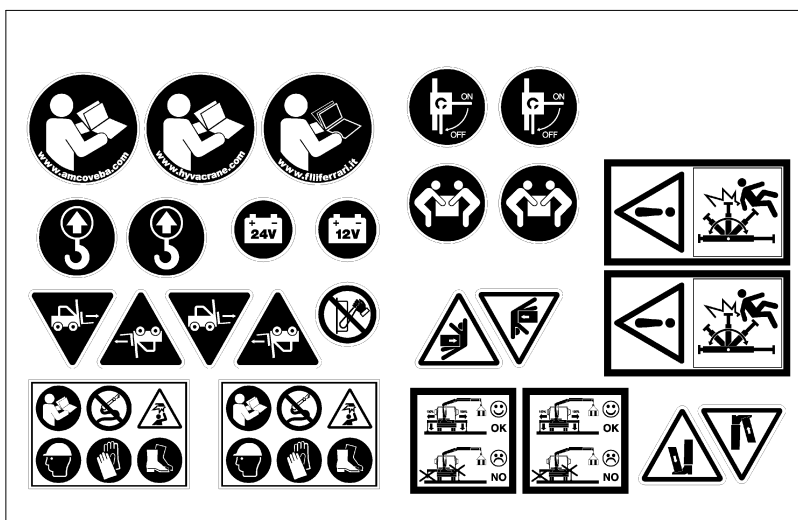
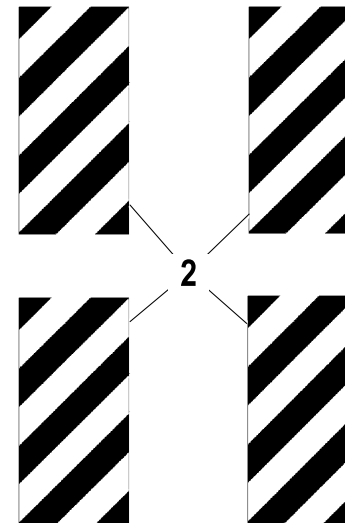
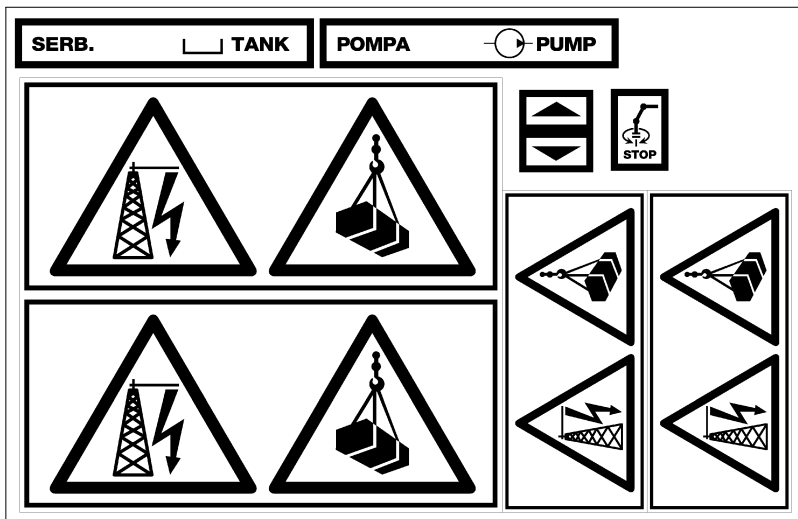
5501768-1.0

1/1

| R | Pos. | Code Variant | Q.ty | Description |
|---|------|--------------|------|-------------|
| | 2 | 5501768 | 1 | |
| | 2 A | 5813813 | 2 | |
| | 3 | 5501769 | 1 | |
| | 3 A | 5813814 | 2 | |
| | 4 | 5501770 | 1 | |
| | 4 A | 5813815 | 2 | |



| R | Pos. | Code Variant | Q.ty | Description |
|---|---------|--------------|------|-----------------------------------|
| 1 | 5502000 | | 1 | kit Standard instructions sticker |
| 2 | 5813851 | | 4 | |

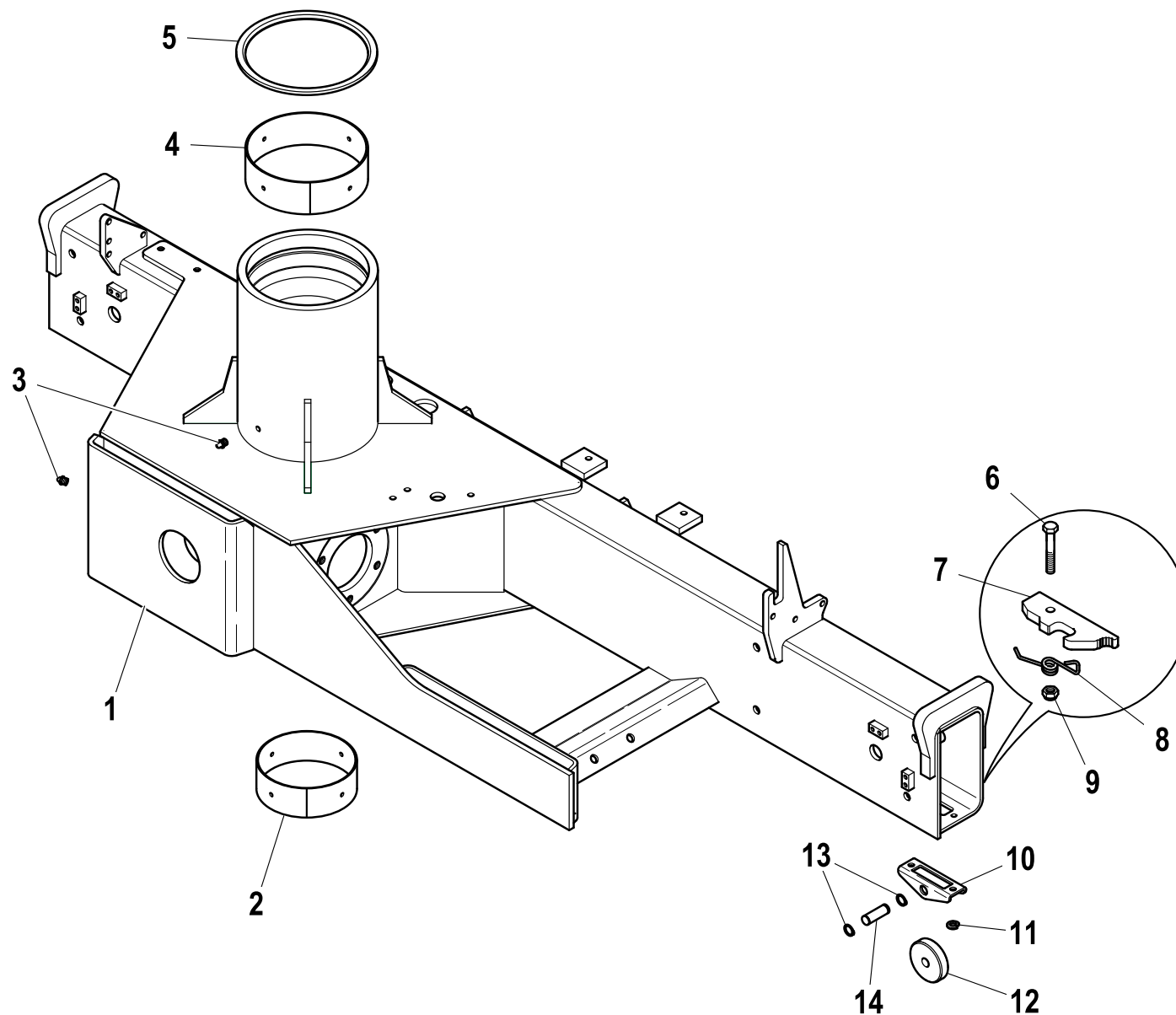


BASE

Code

5420082-1.0

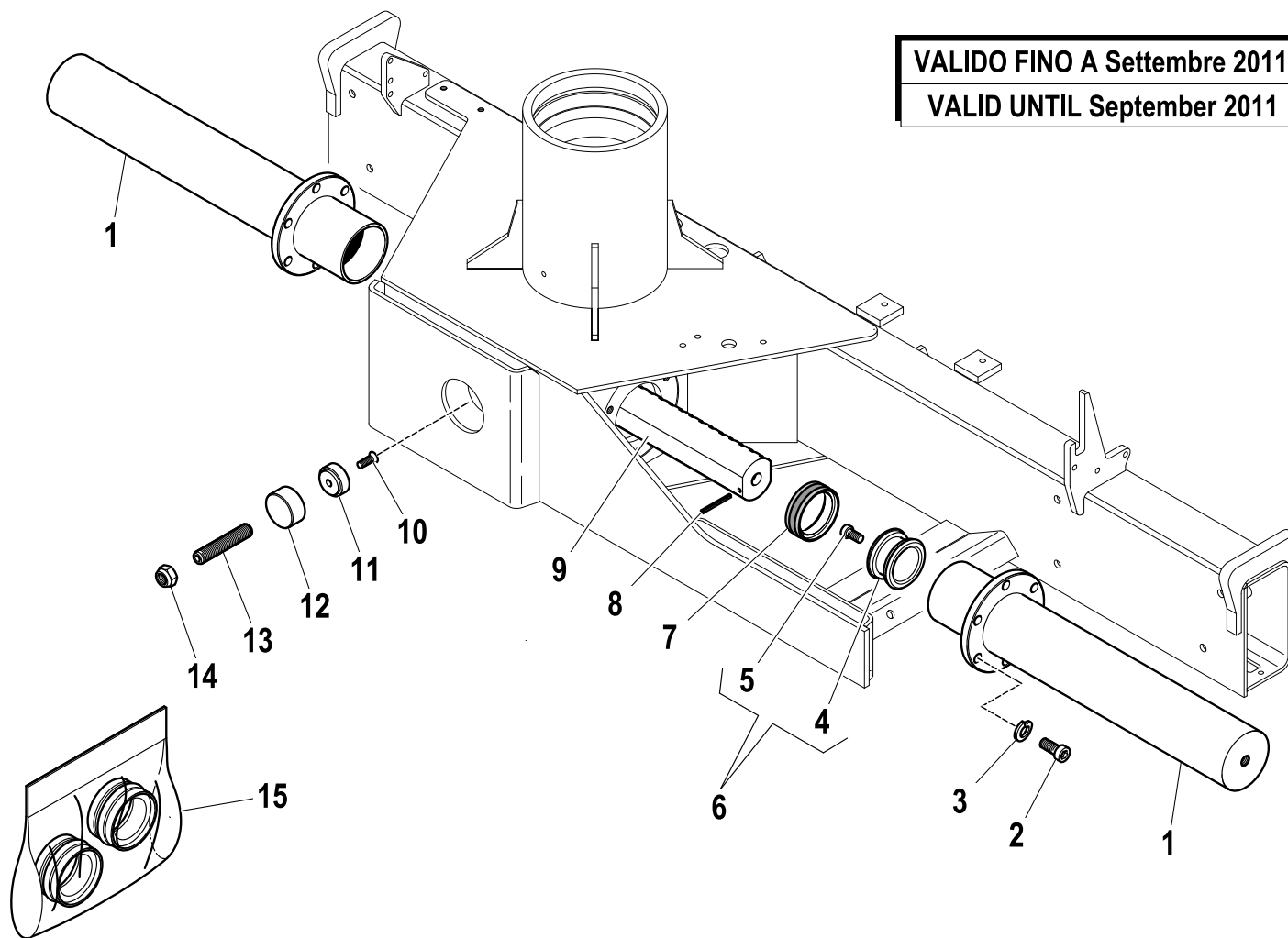
1/1



| R | Pos. | Code Variant | Q.ty | Description |
|---|------|--------------|------|-----------------------------------|
| | 1 | 5060170 | 1 | Base |
| | 2 | 5140667 | 1 | |
| | 3 | 3080501 | 2 | Grease nipple |
| | 4 | 5140668 | 1 | |
| | 5 | 5140669 | 1 | |
| | 6 | 3010018 | 2 | Hex screw [M6X40 8.8 ZC UNI 5737] |
| | 7 | 5001431 | 2 | |
| | 8 | 3060953 | 2 | |
| | 9 | 3040372 | 2 | Stopnut |
| | 10 | 5001432 | 2 | |
| | 11 | 3060055 | 4 | Split lock washer [D=8.4 C72 ZC] |
| | 12 | 5140788 | 2 | |
| | 13 | 3070148 | 4 | Seeger |
| | 14 | 5150760 | 2 | |

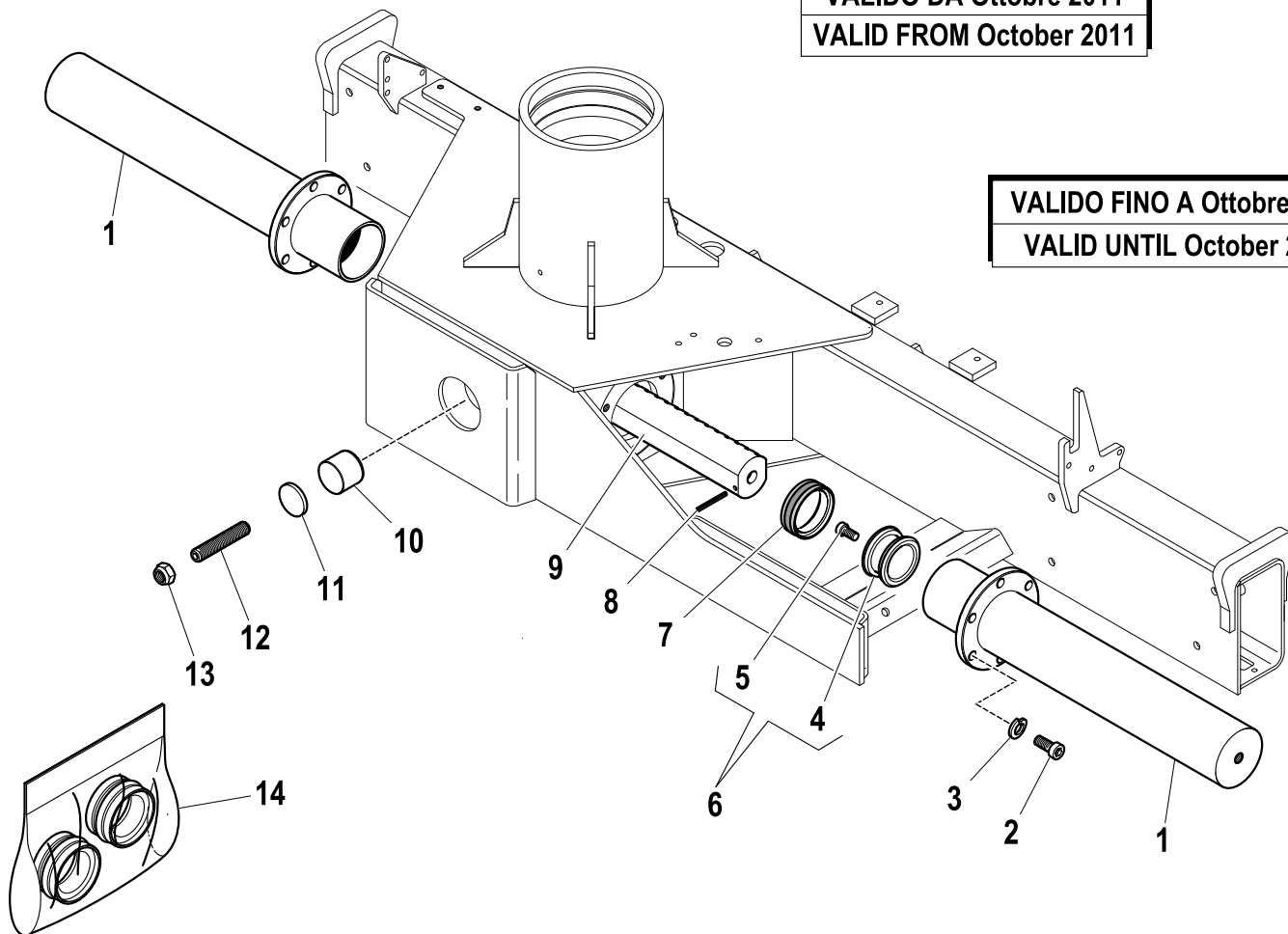
| R | Pos. | Code Variant | Q.ty | Description |
|---|------|--------------|------|---|
| | 1 | 6070584 | 2 | |
| | 2 | 3020109 | 12 | Socket head cap screw [M14X35 8.8 ZC UNI 5931] |
| | 3 | 3060050 | 12 | Split lock washer [D=14 C72 ZC] |
| | 4 | 6050229 | 1 | Piston (Slewing) |
| | 5 | 3020075 | 1 | Socket head cap screw [M12X25 12.9 ZC UNI 5931] |
| | 6 | 6050240 | 2 | |
| | 7 | 3400514 | 2 | |
| | 8 | 3060607 | 2 | Spring pin |
| | 9 | 5050111 | 1 | Toothed rack |
| | 10 | 3020499 | 1 | TSEI screw [M10X25 10.9 ZC UNI 5933] |
| | 11 | 5140600 | 1 | |
| | 12 | 5000229 | 1 | |
| | 13 | 3060917 | 1 | Grub screw |
| | 14 | 3040308 | 1 | Stopnut |
| | 15 | 5550680 | 1 | Seal kit (Slewing) |

VALIDO FINO A Settembre 2011
VALID UNTIL September 2011



VALIDO DA Ottobre 2011
VALID FROM October 2011

VALIDO FINO A Ottobre 2013
VALID UNTIL October 2013



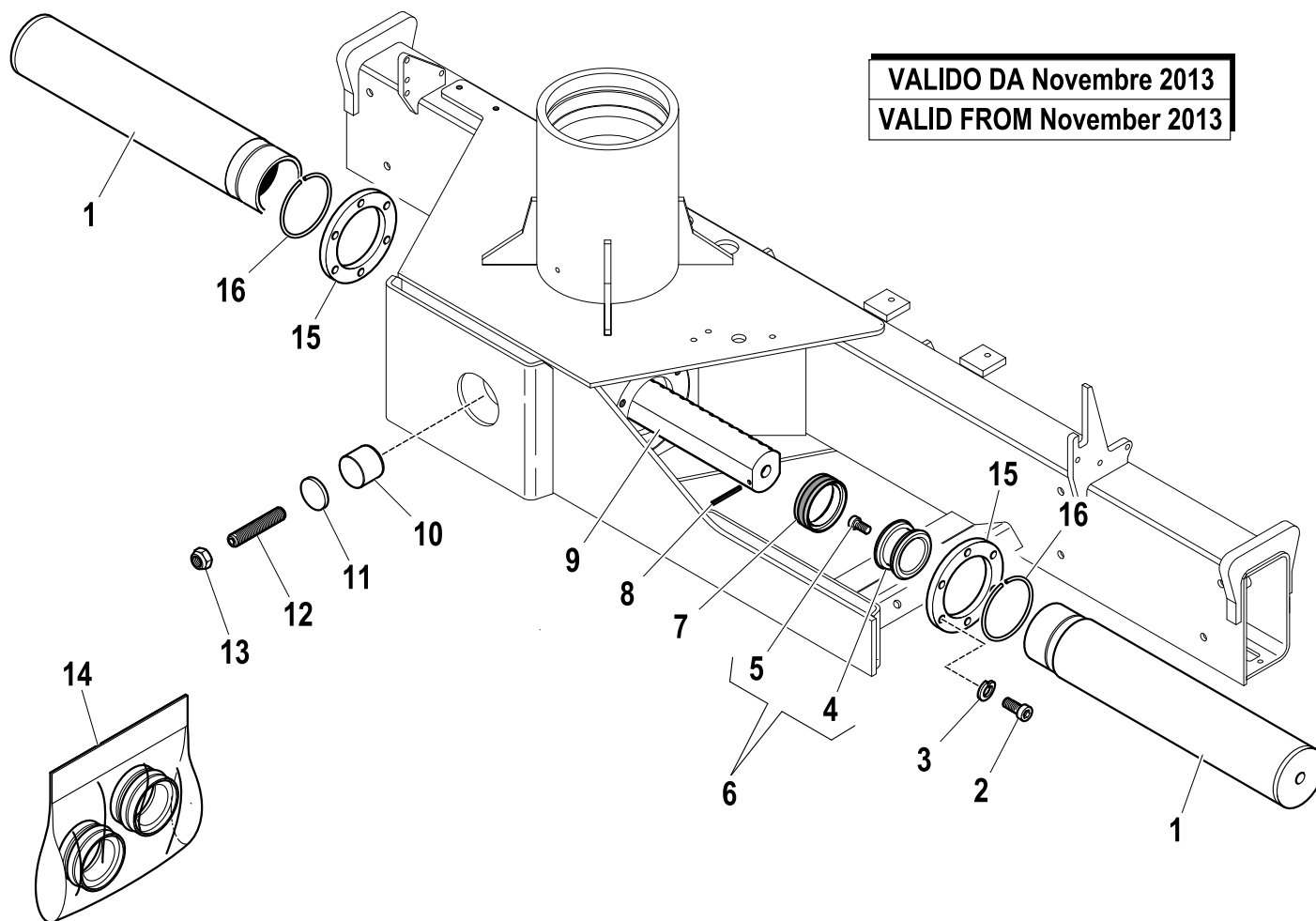
| R | Pos. | Code Variant | Q.ty | Description |
|---|------|--------------|------|---|
| | 1 | 6070584 | 2 | |
| | 2 | 3020109 | 12 | Socket head cap screw [M14X35 8.8 ZC UNI 5931] |
| | 3 | 3060050 | 12 | Split lock washer [D=14 C72 ZC] |
| | 4 | 6050229 | 1 | Piston (Slewing) |
| | 5 | 3020075 | 1 | Socket head cap screw [M12X25 12.9 ZC UNI 5931] |
| | 6 | 6050240 | 2 | |
| | 7 | 3400514 | 2 | |
| | 8 | 3060608 | 2 | Spring pin |
| | 9 | 5050111 | 1 | Toothed rack |
| | 10 | 5140781 | 1 | |
| | 11 | 5001570 | 1 | |
| | 12 | 3060917 | 1 | Grub screw |
| | 13 | 3040308 | 1 | Stopnut |
| | 14 | 5550680 | 1 | Seal kit (Slewing) |

Slewing (Retaining ring)

Code

6240195-1.0

1/1



VALIDO DA Novembre 2013
VALID FROM November 2013

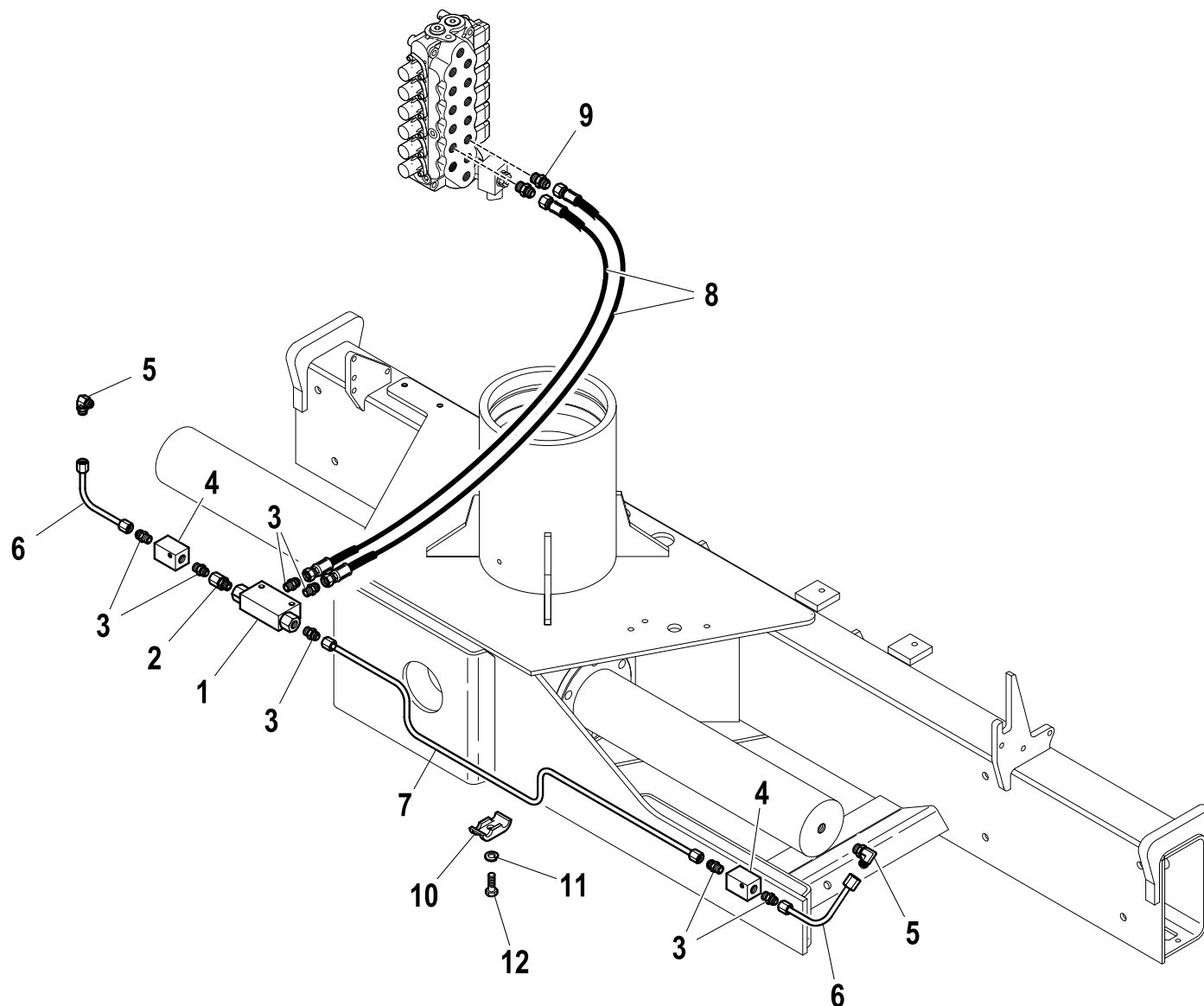
| R | Pos. | Code Variant | Q.ty | Description |
|---|------|--------------|------|---|
| | 1 | 6070708 | 2 | Liner (Assembly) |
| | 2 | 3020109 | 12 | Socketed head cap screw [M14X35 8.8 ZC UNI 5931] |
| | 3 | 3060050 | 12 | Split lock washer [D=14 C72 ZC] |
| | 4 | 6050229 | 1 | Piston (Slewing) |
| | 5 | 3020075 | 1 | Socketed head cap screw [M12X25 12.9 ZC UNI 5931] |
| | 6 | 6050240 | 2 | |
| | 7 | 3400514 | 2 | |
| | 8 | 3060608 | 2 | Spring pin |
| | 9 | 5050111 | 1 | Toothed rack |
| | 10 | 5140781 | 1 | |
| | 11 | 5001570 | 1 | |
| | 12 | 3060917 | 1 | Grub screw |
| | 13 | 3040308 | 1 | Stopnut |
| | 14 | 5550680 | 1 | Seal kit (Slewing) |
| | 15 | 5002438 | 2 | Flange (Slewing) |
| | 16 | 3070207 | 2 | Snap ring |

HYDRAULIC SYSTEM (Slewing Hydraulic jack)

Code

6240132-2.0

1/1



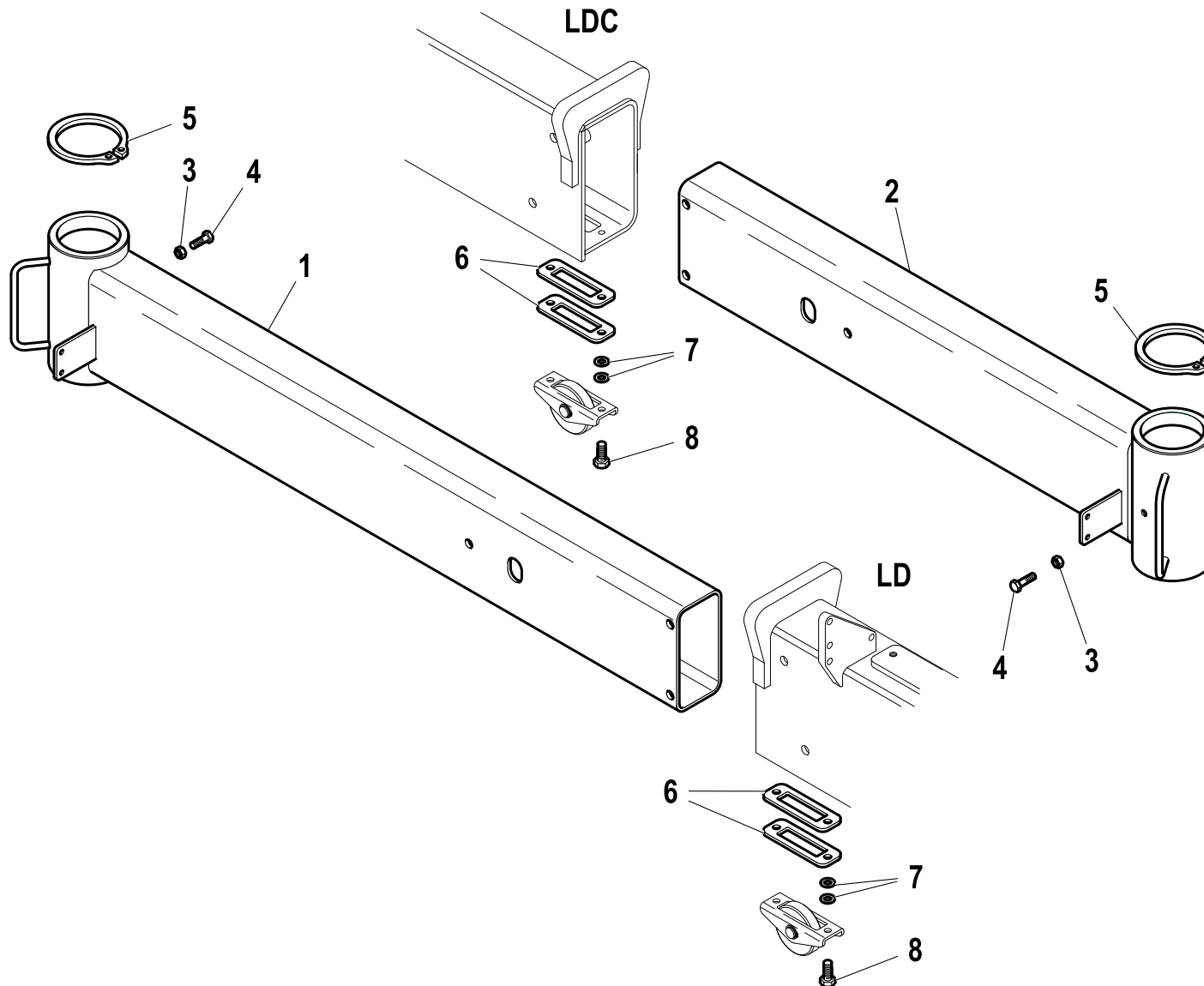
| R | Pos. | Code Variant | Q.ty | Description |
|---|------|--------------|------|--------------------------------------|
| | 1 | 5220559 | 1 | Holding valve |
| | 2 | 3120064 | 1 | Straight pipe fitting |
| | 3 | 3101039 | 7 | Straight pipe fitting |
| | 4 | 5220093 | 2 | Non-return valve |
| | 5 | 3101125 | 2 | 90° Connection |
| | 6 | 5391676 | 2 | |
| | 7 | 5391677 | 1 | |
| | 8 | 5260674 | 2 | Flexible hose |
| | 9 | 3101043 | 2 | Straight pipe fitting |
| | 10 | 5000077 | 1 | Clamp (Rigid Pipe) |
| | 11 | 3060055 | 1 | Split lock washer [D=8.4 C72 ZC] |
| | 12 | 3010339 | 1 | Hex screw [M8X25 8.8 ZC IF UNI 5739] |

Stabilizer connecting rods

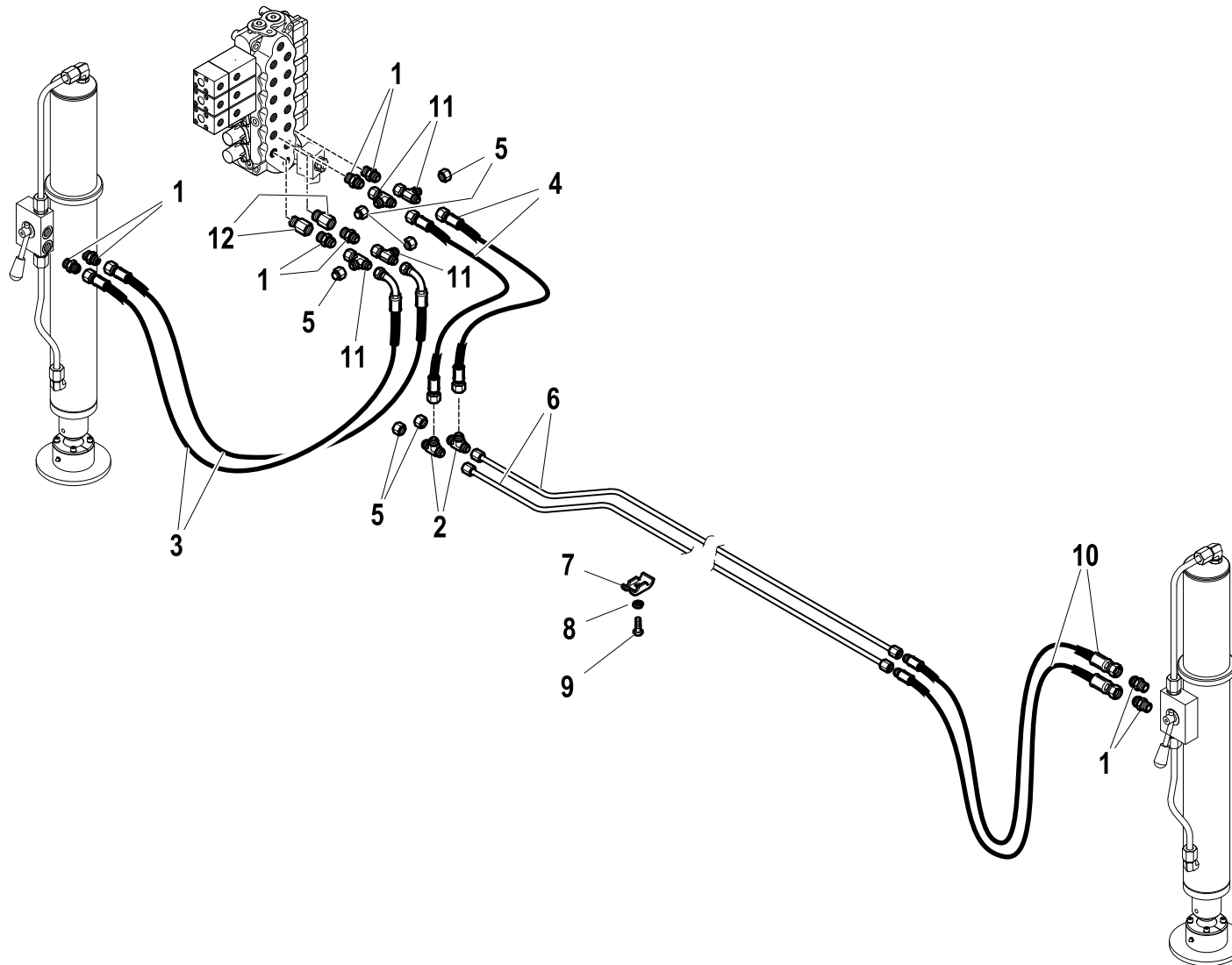
Code

5760162-1.0

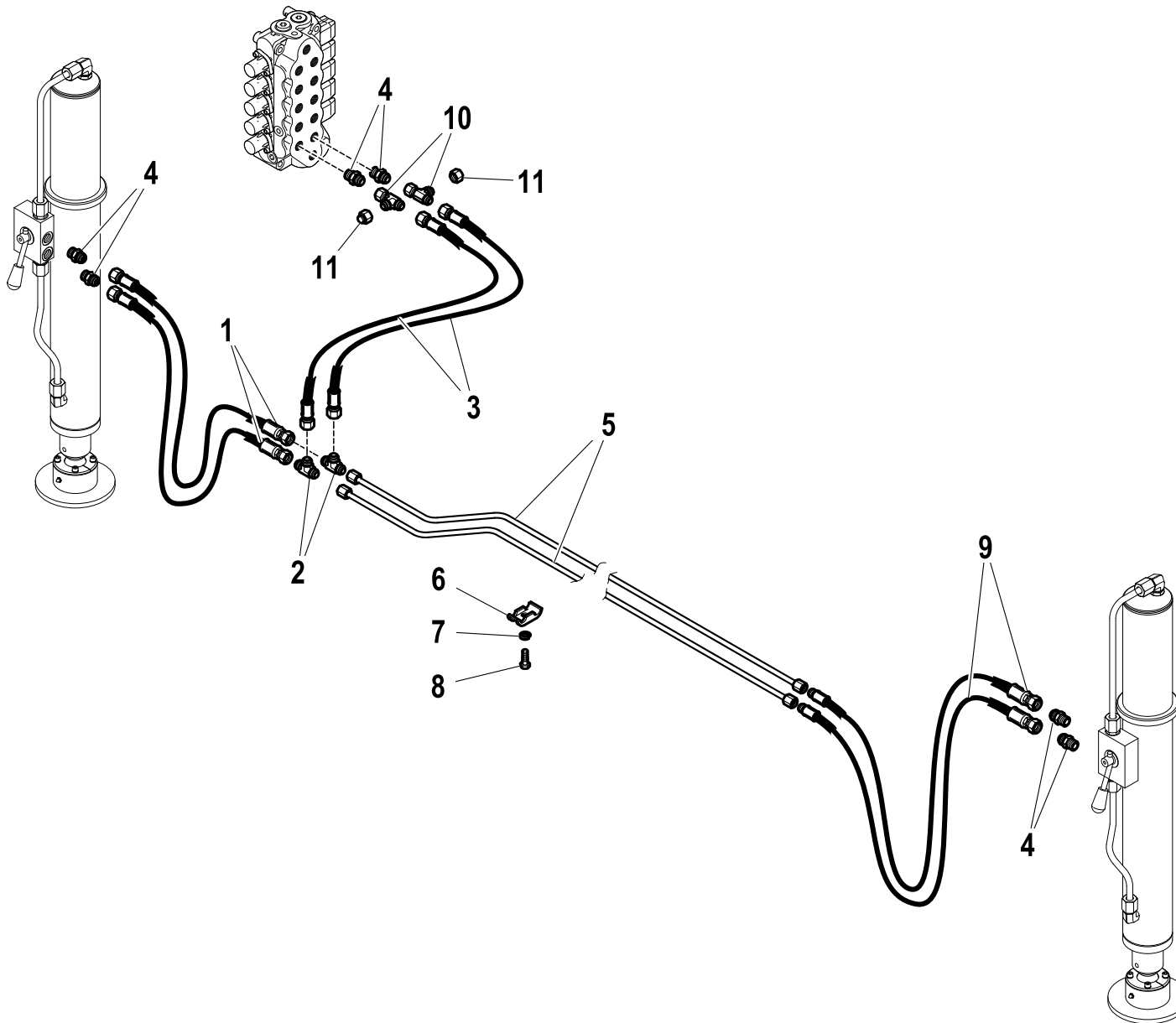
1/1



| R | Pos. | Code Variant | Q.ty | Description |
|---|------|--------------|------|---|
| | 1 | 5070391 | 1 | |
| | 2 | 5070392 | 1 | |
| | 3 | 3040045 | 2 | Nut |
| | 4 | 3020875 | 2 | Socket head cap screw [M8X20 ZC UNI 5931] |
| | 5 | 3070063 | 2 | Seeger |
| | 6 | 5001433 | 4 | |
| | 7 | 3060957 | 8 | Washer |
| | 8 | 3010339 | 4 | Hex screw [M8X25 8.8 ZC IF UNI 5739] |



| R | Pos. | Code Variant | Q.ty | Description |
|---|------|--------------|------|--------------------------------------|
| | 1 | 3101040 | 8 | Straight pipe fitting |
| | 2 | 3101080 | 2 | Tee fitting |
| | 3 | 5260962 | 2 | |
| | 4 | 5261066 | 2 | Flexible hose |
| | 5 | 3110040 | 6 | Female plug |
| | 6 | 5391128 | 2 | |
| | 7 | 5000077 | 2 | Clamp (Rigid Pipe) |
| | 8 | 3060055 | 2 | Split lock washer [D=8.4 C72 ZC] |
| | 9 | 3010339 | 2 | Hex screw [M8X25 8.8 ZC IF UNI 5739] |
| | 10 | 5260963 | 2 | |
| | 11 | 3120003 | 4 | Tee fitting |
| | 12 | 3110001 | 2 | Straight pipe fitting |



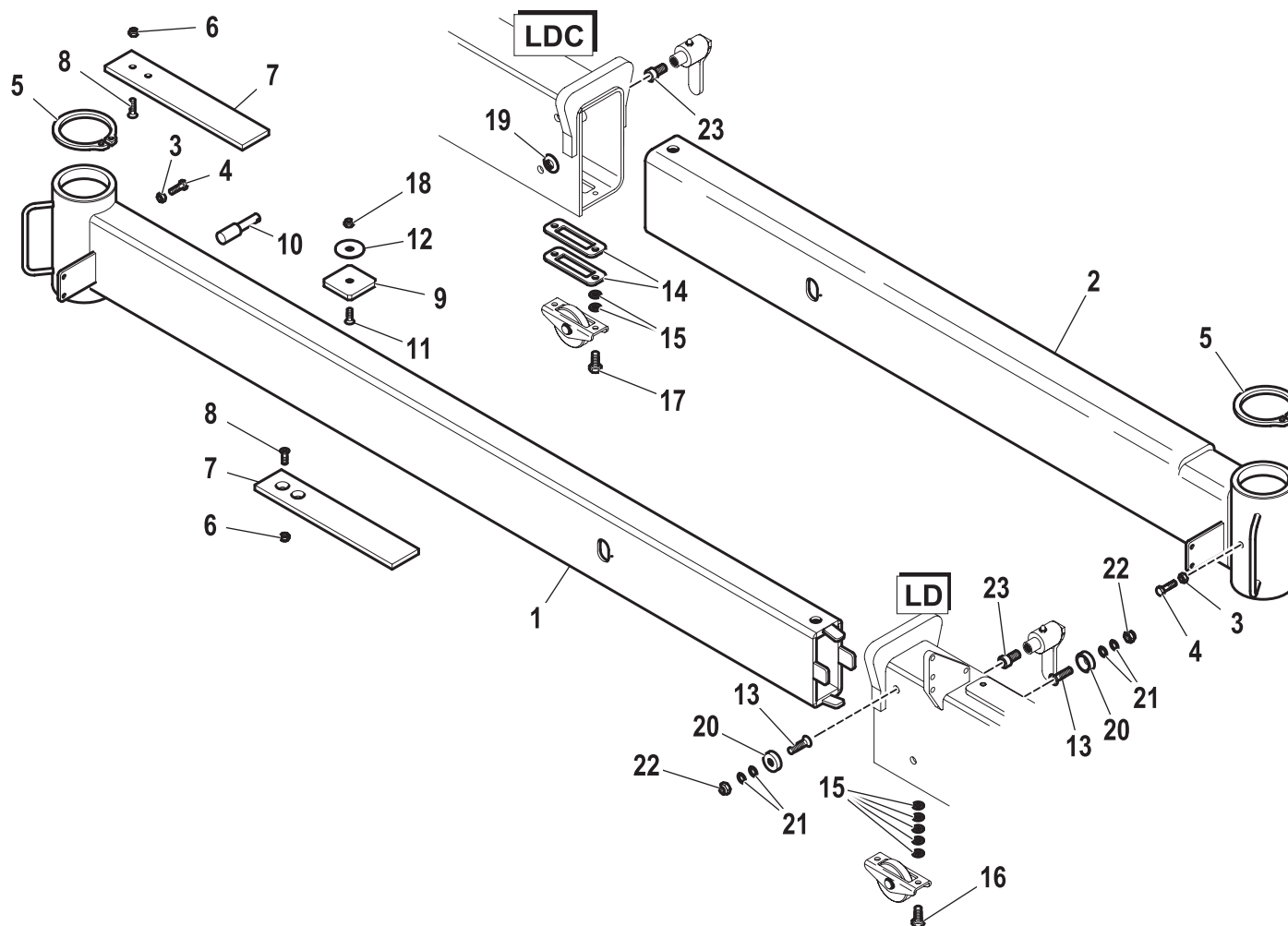
| R | Pos. | Code Variant | Q.ty | Description |
|---|------|--------------|------|--------------------------------------|
| | 1 | 5260964 | 2 | |
| | 2 | 3101080 | 2 | Tee fitting |
| | 3 | 5261066 | 2 | Flexible hose |
| | 4 | 3101040 | 6 | Straight pipe fitting |
| | 5 | 5391128 | 2 | |
| | 6 | 5000077 | 2 | Clamp (Rigid Pipe) |
| | 7 | 3060055 | 2 | Split lock washer [D=8.4 C72 ZC] |
| | 8 | 3010339 | 2 | Hex screw [M8X25 8.8 ZC IF UNI 5739] |
| | 9 | 5260963 | 2 | |
| | 10 | 3120003 | 2 | Tee fitting |
| | 11 | 3110040 | 2 | Female plug |

Stabilizer connecting rods (Extra-extendible)

Code

5760161-1.0

1/2



| R | Pos. | Code Variant | Q.ty | Description |
|---|------|--------------|------|---|
| | 1 | 5070390 | 1 | |
| | 2 | 5070389 | 1 | |
| | 3 | 3040045 | 2 | Nut |
| | 4 | 3020875 | 2 | Socket head cap screw [M8X20 ZC UNI 5931] |
| | 5 | 3070063 | 2 | Seeger |
| | 6 | 3040303 | 4 | Stopnut |
| | 7 | 5141050 | 2 | |
| | 8 | 3020455 | 4 | TSEI screw [M8X25 ZC UNI 5933] |
| | 9 | 5140019 | 1 | |
| | 10 | 4160279 | 1 | |
| | 11 | 3020500 | 1 | TSEI screw [M10X35 8.8 ZC UNI 5933] |
| | 12 | 3060007 | 1 | Flat washer [D.10X40X2.5 UNI 6593 ZC] |
| | 13 | 3020921 | 8 | TSEI screw [M12X35 8.8 ZC UNI 5933] |
| | 14 | 5001433 | 2 | |
| | 15 | 3060957 | 14 | Washer |
| | 16 | 3010027 | 2 | Hex screw [M8X20 8.8 ZC IF UNI 5739] |
| | 17 | 3010339 | 2 | Hex screw [M8X25 8.8 ZC IF UNI 5739] |
| | 18 | 3040304 | 1 | Stopnut |
| | 19 | W370400700 | 2 | Button (Coupling backlash) |
| | 20 | 5140991 | 8 | |

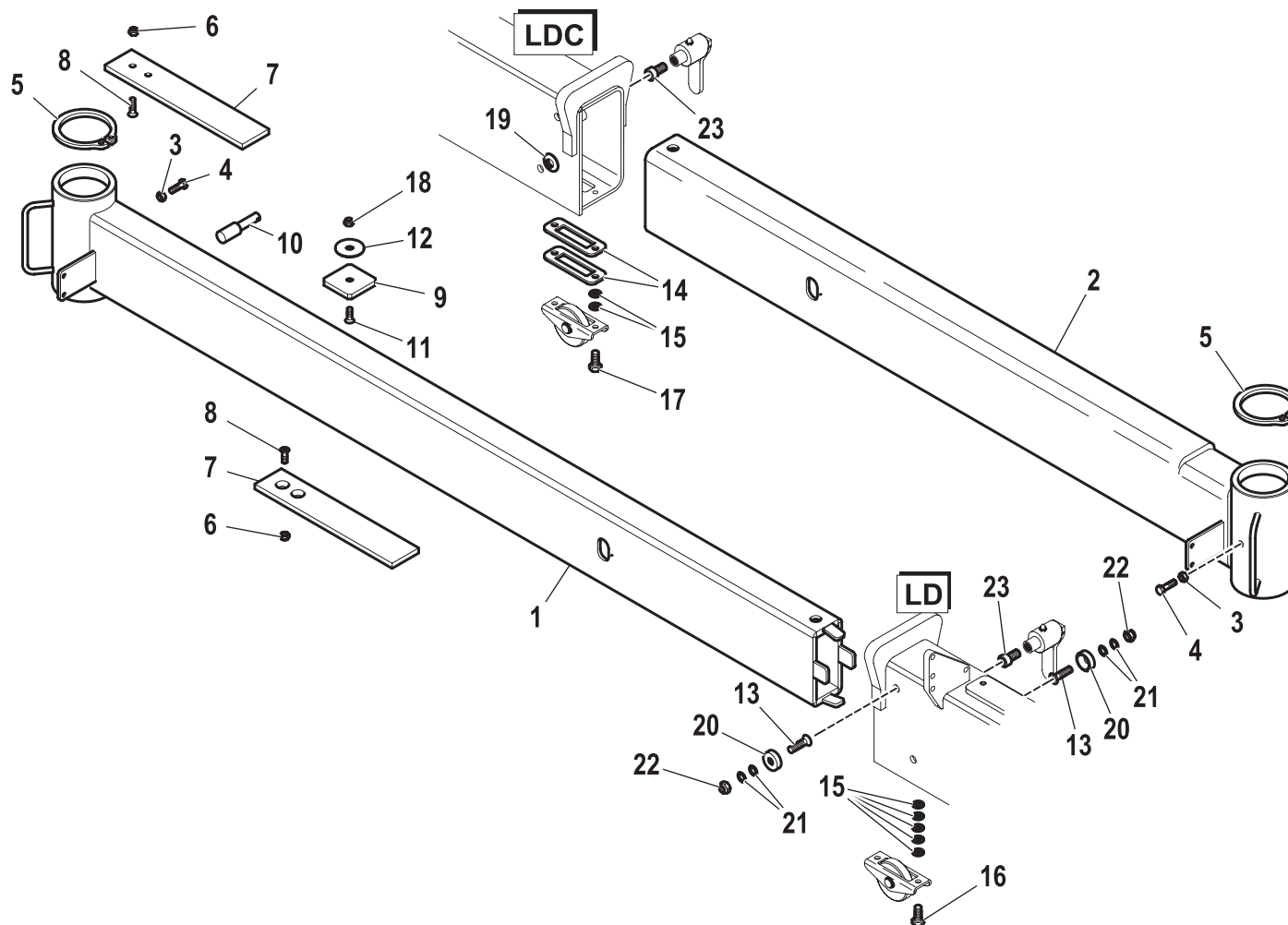
Stabilizer connecting rods (Extra-extendible)

Code

5760161-1.0

2/2

| R | Pos. | Code Variant | Q.ty | Description |
|---|------|--------------|------|---|
| | 21 | 3060959 | 8 | |
| | 22 | 3040305 | 8 | Stopnut |
| | 23 | 3020876 | 2 | Socket head cap screw [M12X16 8.8 ZC UNI 5931] |

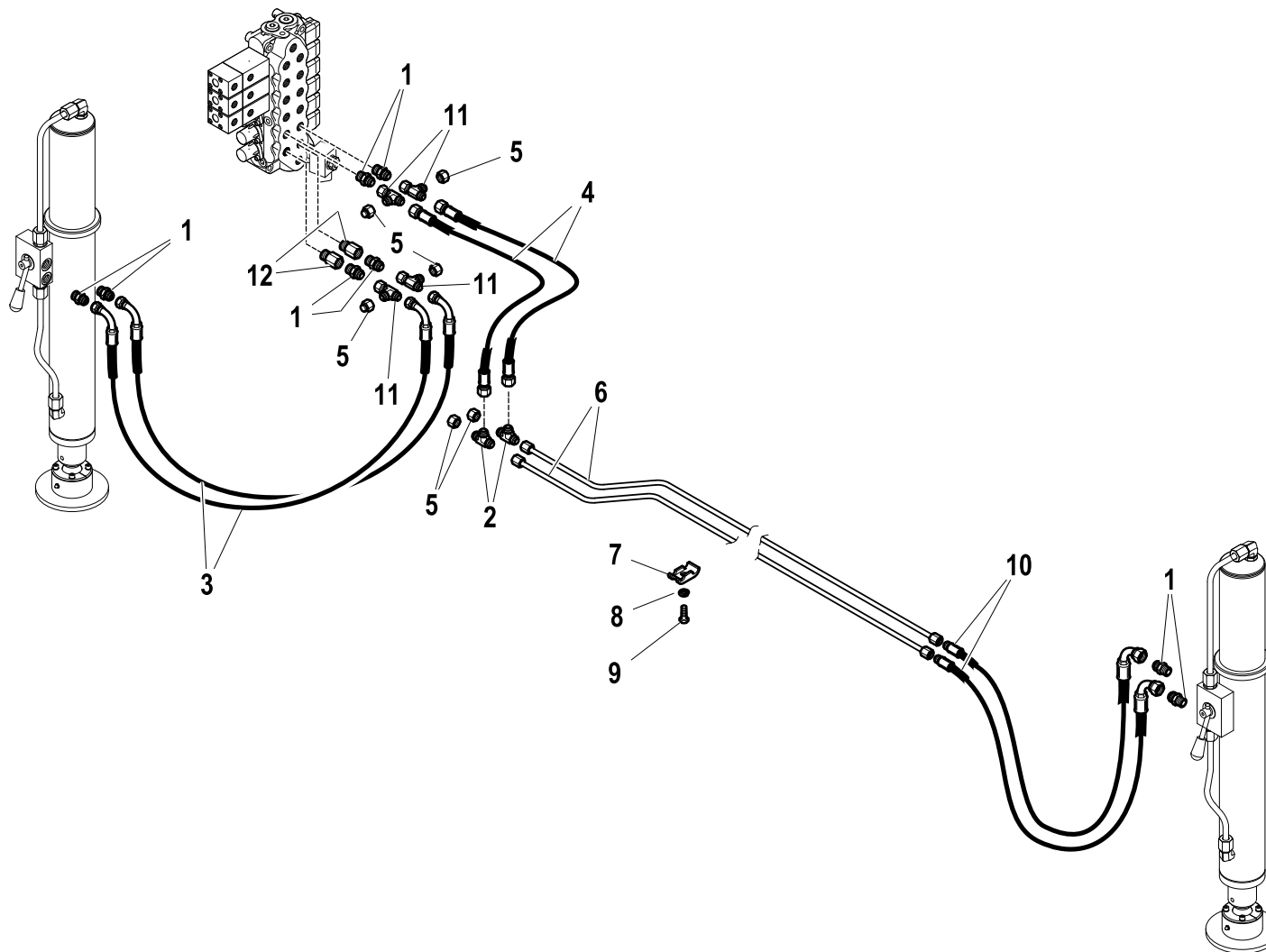


HYDRAULIC SYSTEM EXTRA-EXTENSIBLE (CE)

Code

5760161-3.0

1/1



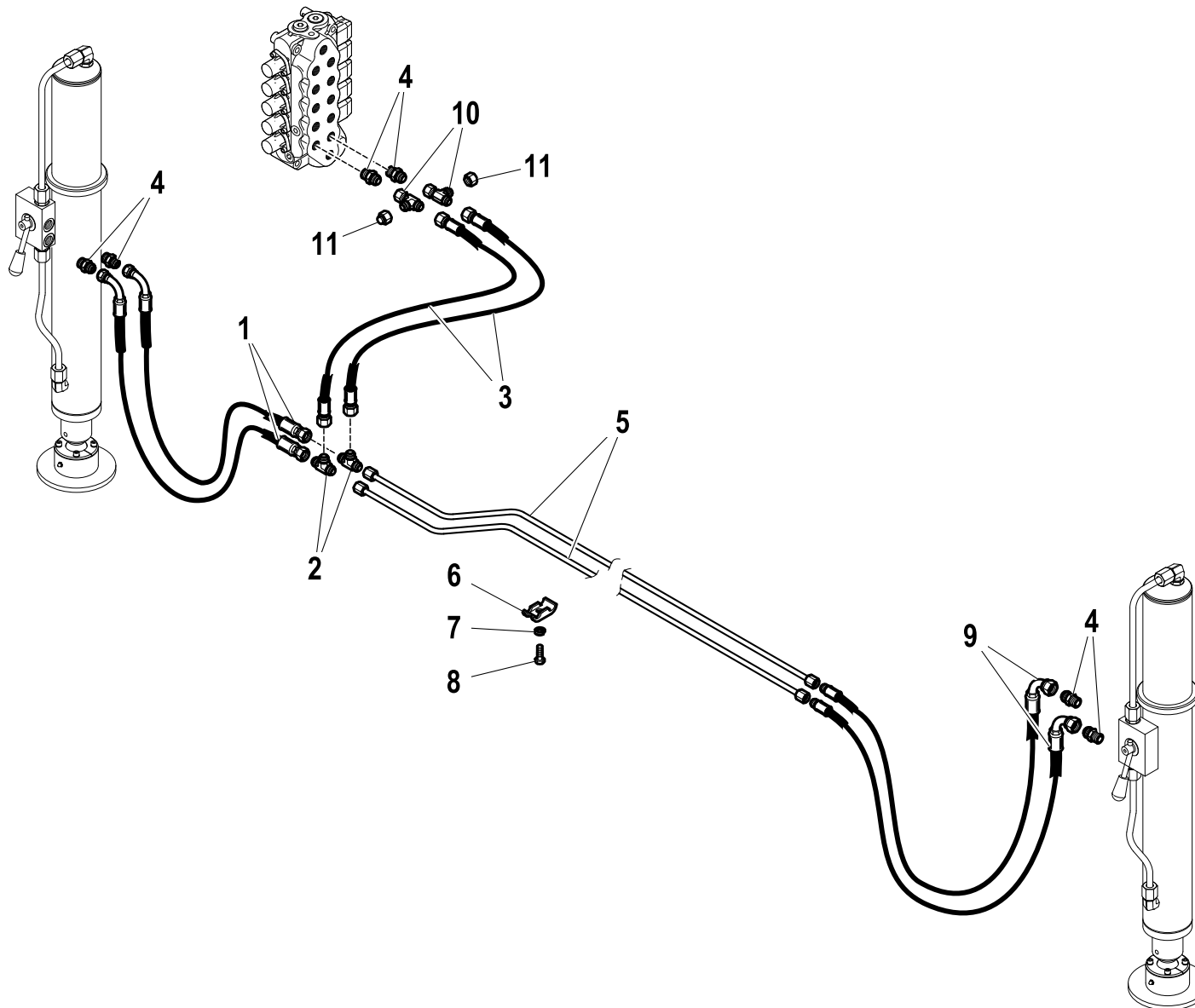
| R | Pos. | Code Variant | Q.ty | Description |
|---|------|--------------|------|--------------------------------------|
| | 1 | 3101040 | 8 | Straight pipe fitting |
| | 2 | 3101080 | 2 | Tee fitting |
| | 3 | 5260965 | 2 | Flexible hose |
| | 4 | 5261066 | 2 | Flexible hose |
| | 5 | 3110040 | 6 | Female plug |
| | 6 | 5391128 | 2 | |
| | 7 | 5000077 | 2 | Clamp (Rigid Pipe) |
| | 8 | 3060055 | 2 | Split lock washer [D=8.4 C72 ZC] |
| | 9 | 3010339 | 2 | Hex screw [M8X25 8.8 ZC IF UNI 5739] |
| | 10 | 5260966 | 2 | Flexible hose |
| | 11 | 3120003 | 4 | Tee fitting |
| | 12 | 3110001 | 2 | Straight pipe fitting |

HYDRAULIC SYSTEM EXTRA-EXTENSIBLE (not CE)

Code

5760161-2.0

1/1



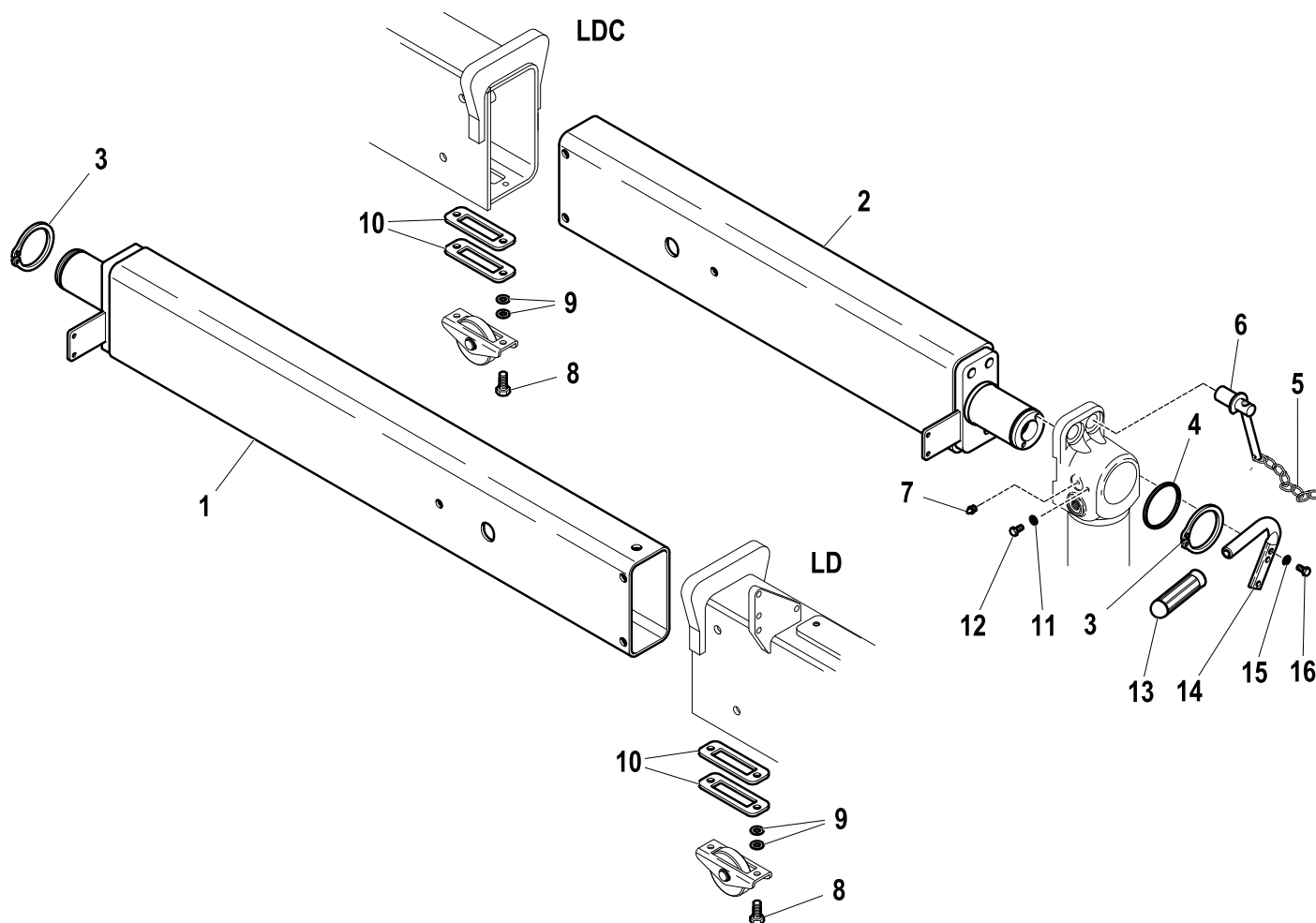
| R | Pos. | Code Variant | Q.ty | Description |
|---|------|--------------|------|--------------------------------------|
| | 1 | 5260848 | 2 | Flexible hose |
| | 2 | 3101080 | 2 | Tee fitting |
| | 3 | 5261066 | 2 | Flexible hose |
| | 4 | 3101040 | 6 | Straight pipe fitting |
| | 5 | 5391128 | 2 | |
| | 6 | 5000077 | 2 | Clamp (Rigid Pipe) |
| | 7 | 3060055 | 2 | Split lock washer [D=8.4 C72 ZC] |
| | 8 | 3010339 | 2 | Hex screw [M8X25 8.8 ZC IF UNI 5739] |
| | 9 | 5260966 | 2 | Flexible hose |
| | 10 | 3120003 | 2 | Tee fitting |
| | 11 | 3110040 | 2 | Female plug |

Stabilizer connecting rods (Revolving)

Code

5760164-1.0

1/1



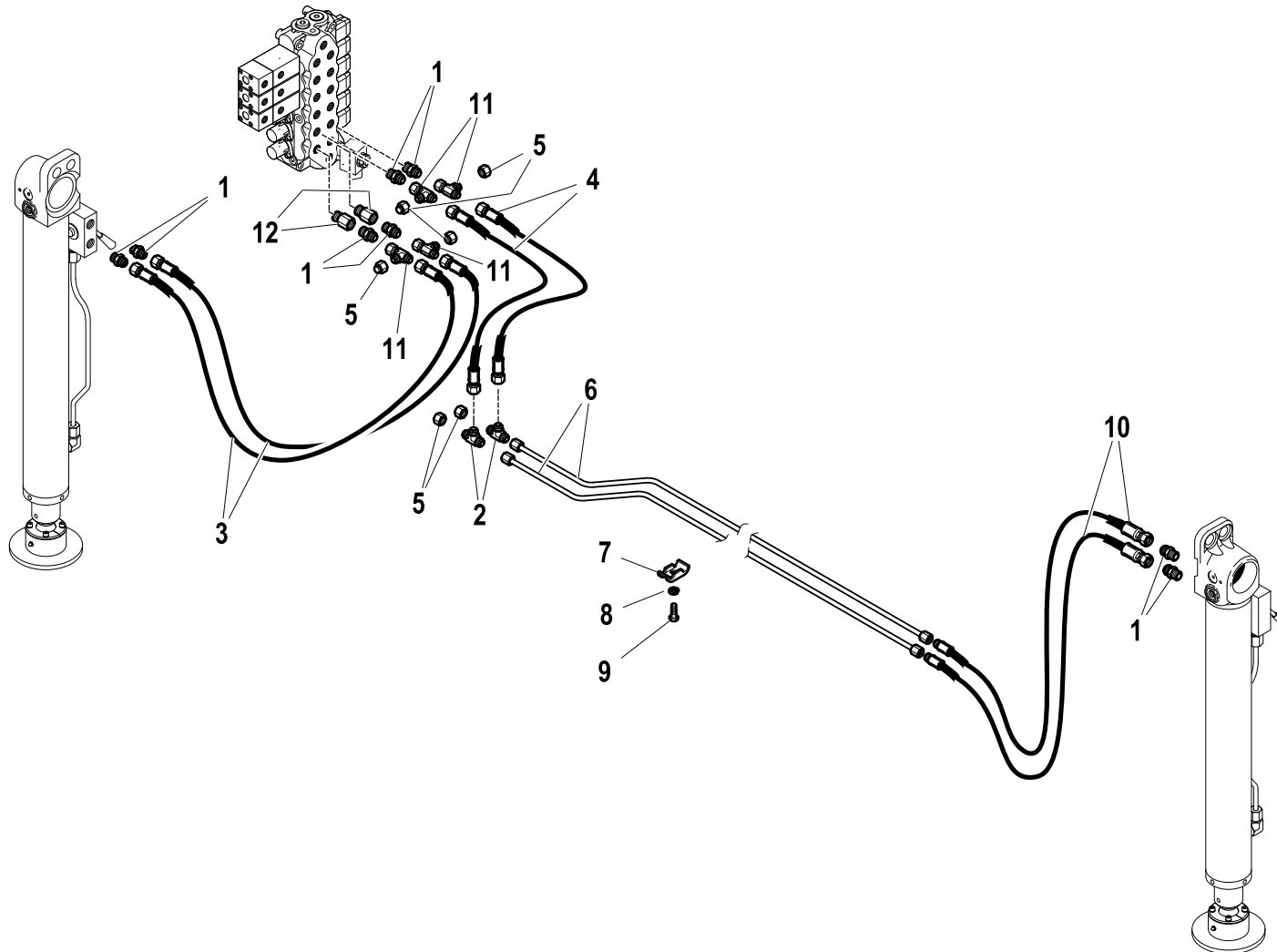
| R | Pos. | Code Variant | Q.ty | Description |
|---|------|--------------|-------|--------------------------------------|
| | 1 | 5070405 | 1 | |
| | 2 | 5070400 | 1 | |
| | 3 | 3070052 | 2 | Seeger |
| | 4 | 5000183 | 2 | |
| | 5 | 3000007 | mt0.7 | |
| | 6 | W101219 | 2 | |
| | 7 | 3080501 | 2 | Grease nipple |
| | 8 | 3010339 | 4 | Hex screw [M8X25 8.8 ZC IF UNI 5739] |
| | 9 | 3060957 | 8 | Washer |
| | 10 | 5001433 | 4 | |
| | 11 | 3060030 | 2 | Flat washer [D.6.6X18 UNI 6593 ZC] |
| | 12 | 3010323 | 2 | Hex screw [M6X10 8.8 ZC UNI 5739] |
| | 13 | W664018 | 2 | |
| | 14 | W370401800 | 2 | |
| | 15 | 3060005 | 4 | Flat washer [D.6.4 UNI 6592 ZC] |
| | 16 | 3010325 | 4 | Hex screw [M6X16 8.8 ZC UNI 5739] |

Hydraulic system (CE)

Code

5760164-3.0

1/1



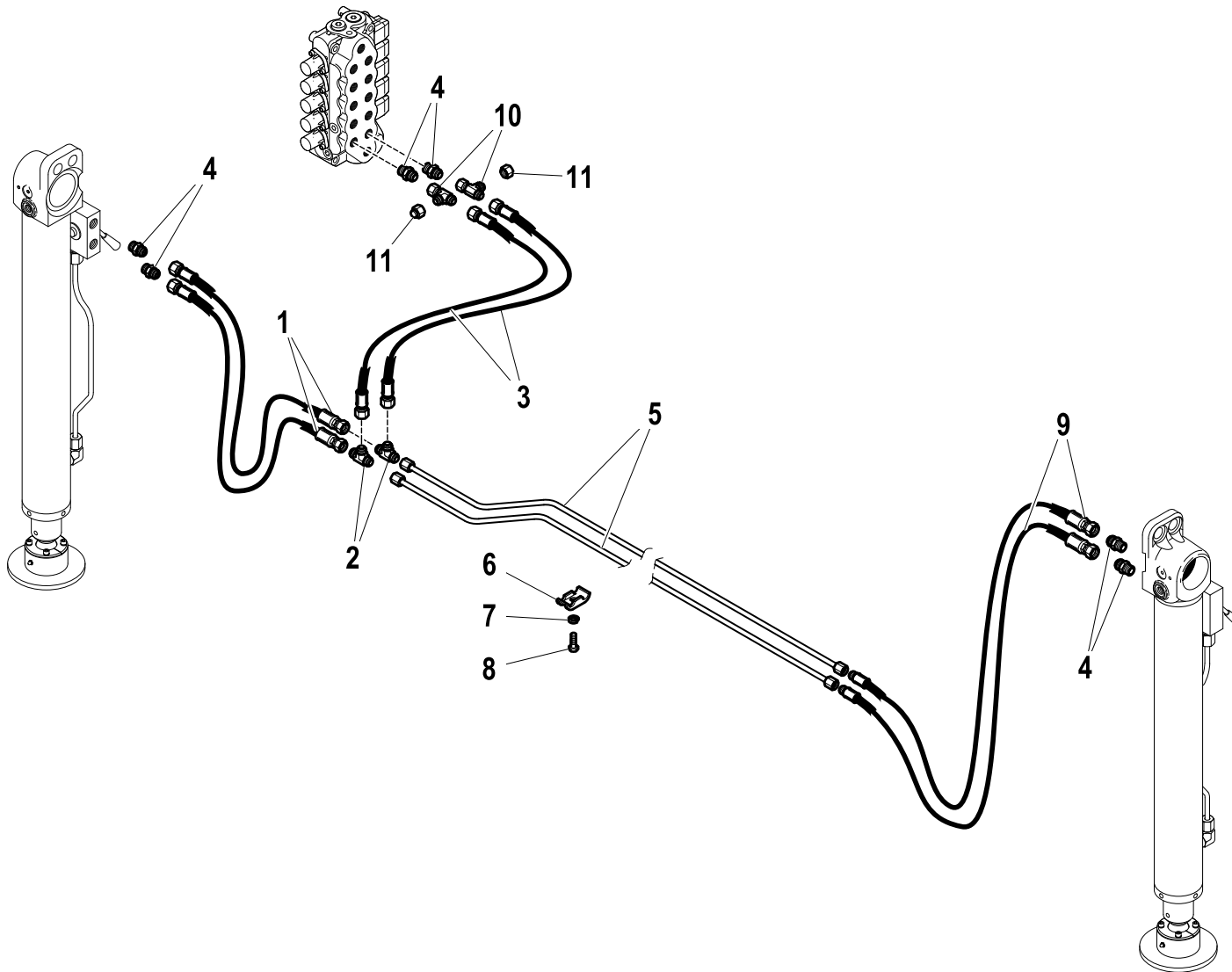
| R | Pos. | Code Variant | Q.ty | Description |
|---|------|--------------|------|--------------------------------------|
| | 1 | 3101040 | 8 | Straight pipe fitting |
| | 2 | 3101080 | 2 | Tee fitting |
| | 3 | 5261110 | 2 | Flexible hose |
| | 4 | 5261066 | 2 | Flexible hose |
| | 5 | 3110040 | 6 | Female plug |
| | 6 | 5391128 | 2 | |
| | 7 | 5000077 | 2 | Clamp (Rigid Pipe) |
| | 8 | 3060055 | 2 | Split lock washer [D=8.4 C72 ZC] |
| | 9 | 3010339 | 2 | Hex screw [M8X25 8.8 ZC IF UNI 5739] |
| | 10 | 5261111 | 2 | Flexible hose |
| | 11 | 3120003 | 4 | Tee fitting |
| | 12 | 3110001 | 2 | Straight pipe fitting |

Hydraulic system (not CE)

Code

5760164-2.0

1/1



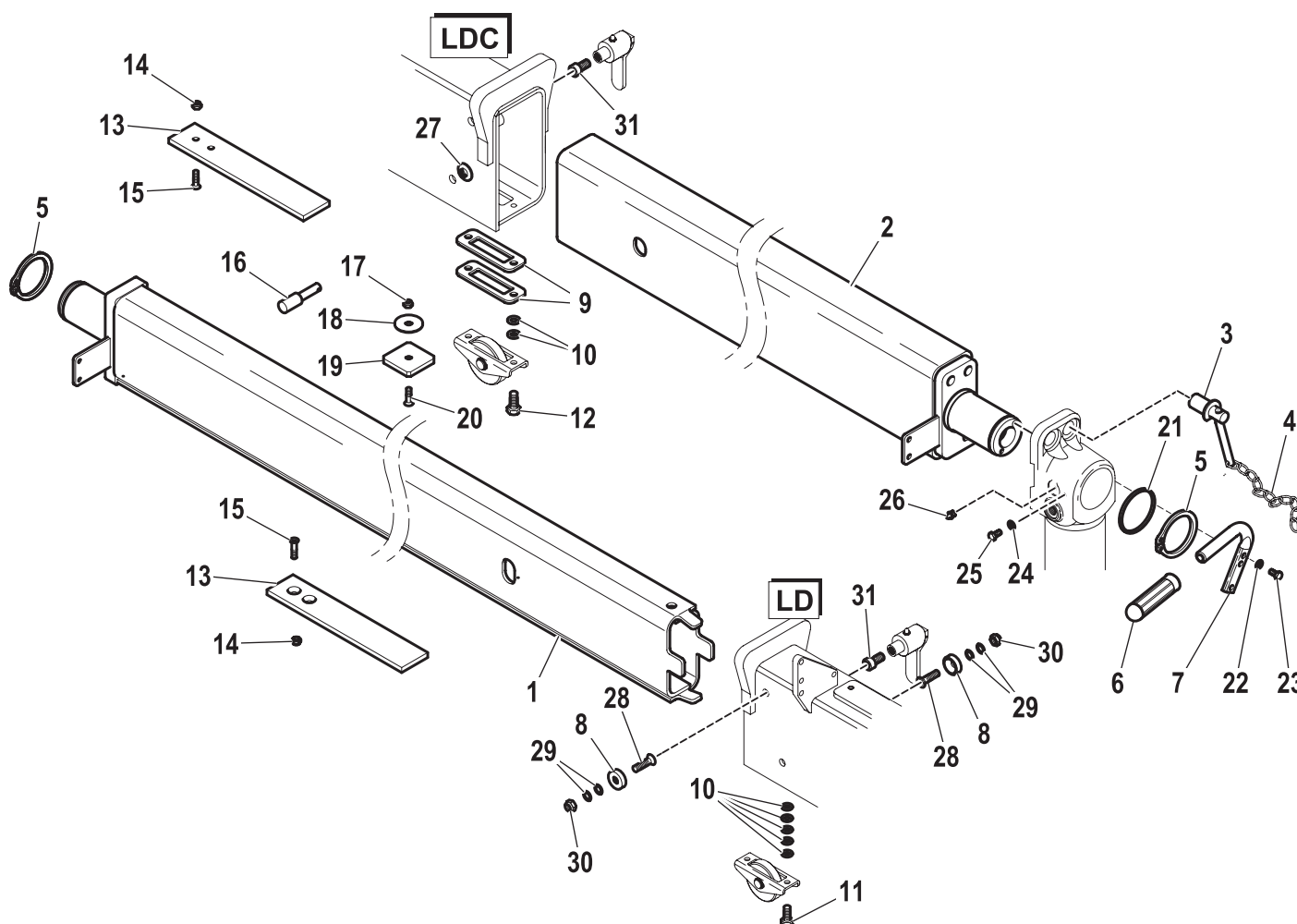
| R | Pos. | Code Variant | Q.ty | Description |
|---|------|--------------|------|--------------------------------------|
| | 1 | 5261113 | 2 | Flexible hose |
| | 2 | 3101080 | 2 | Tee fitting |
| | 3 | 5261066 | 2 | Flexible hose |
| | 4 | 3101040 | 6 | Straight pipe fitting |
| | 5 | 5391128 | 2 | |
| | 6 | 5000077 | 2 | Clamp (Rigid Pipe) |
| | 7 | 3060055 | 2 | Split lock washer [D=8.4 C72 ZC] |
| | 8 | 3010339 | 2 | Hex screw [M8X25 8.8 ZC IF UNI 5739] |
| | 9 | 5261111 | 2 | Flexible hose |
| | 10 | 3120003 | 2 | Tee fitting |
| | 11 | 3110040 | 2 | Female plug |

Stabilizer connecting rods extra-extensible (Revolving)

Code

5760163-1.0

1/2



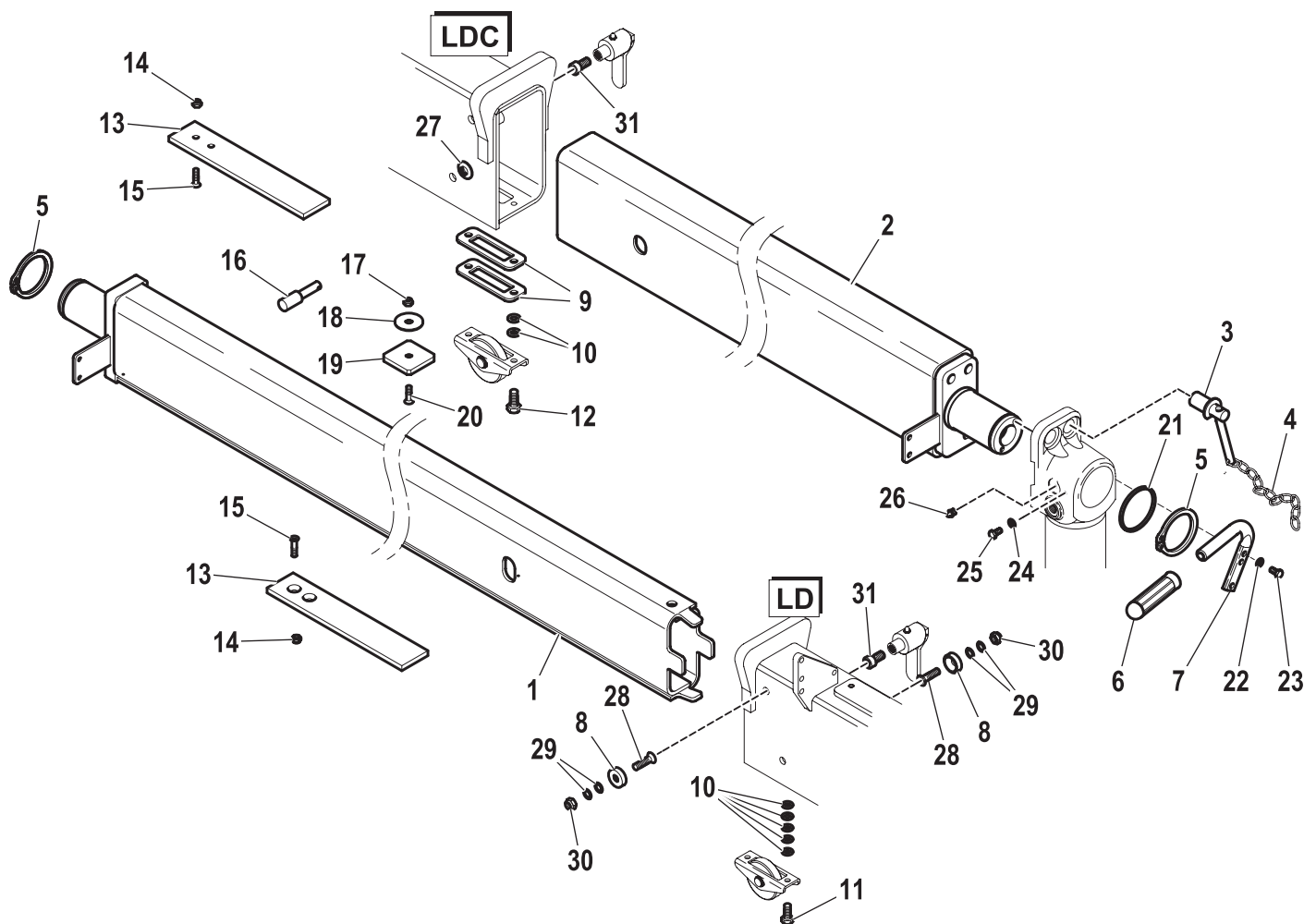
| R | Pos. | Code Variant | Q.ty | Description |
|---|------|--------------|-------|---------------------------------------|
| | 1 | 5070406 | 1 | |
| | 2 | 5070407 | 1 | |
| | 3 | W101219 | 2 | |
| | 4 | 3000007 | mt0.7 | |
| | 5 | 3070052 | 2 | Seeger |
| | 6 | W664018 | 2 | |
| | 7 | W370401800 | 2 | |
| | 8 | 5140991 | 8 | |
| | 9 | 5001433 | 2 | |
| | 10 | 3060957 | 14 | Washer |
| | 11 | 3010027 | 2 | Hex screw [M8X20 8.8 ZC IF UNI 5739] |
| | 12 | 3010339 | 2 | Hex screw [M8X25 8.8 ZC IF UNI 5739] |
| | 13 | 5141050 | 2 | |
| | 14 | 3040303 | 4 | Stopnut |
| | 15 | 3020455 | 4 | TSEI screw [M8X25 ZC UNI 5933] |
| | 16 | 4160279 | 1 | |
| | 17 | 3040304 | 1 | Stopnut |
| | 18 | 3060007 | 1 | Flat washer [D.10X40X2.5 UNI 6593 ZC] |
| | 19 | 5140019 | 1 | |
| | 20 | 3020500 | 1 | TSEI screw [M10X35 8.8 ZC UNI 5933] |

Stabilizer connecting rods extra-extensible (Revolving)

Code

5760163-1.0

2/2



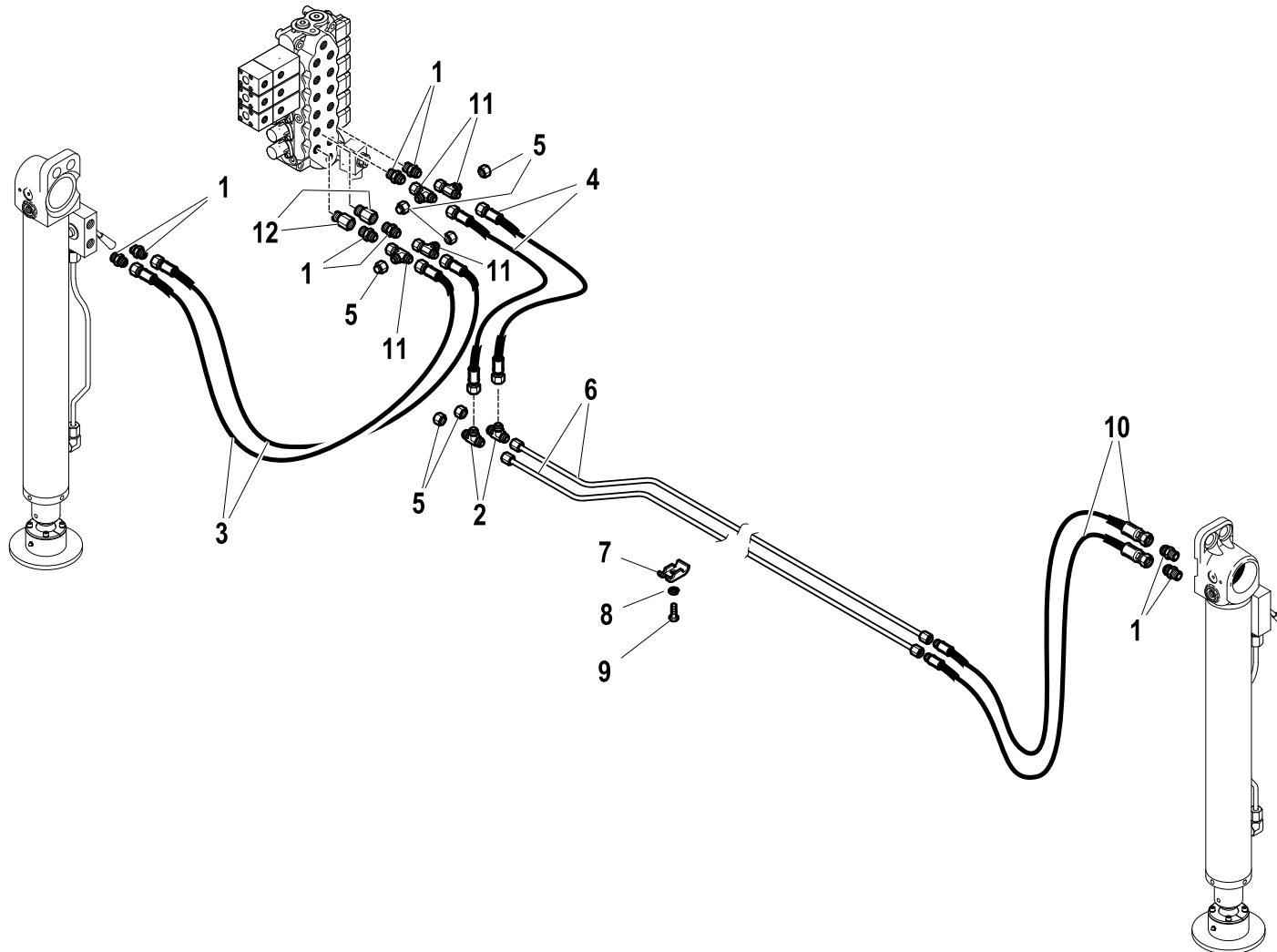
| R | Pos. | Code Variant | Q.ty | Description |
|---|------|--------------|------|--|
| | 21 | 5000183 | 2 | |
| | 22 | 3060005 | 4 | Flat washer [D.6.4 UNI 6592 ZC] |
| | 23 | 3010325 | 4 | Hex screw [M6X16 8.8 ZC UNI 5739] |
| | 24 | 3060030 | 2 | Flat washer [D.6.6X18 UNI 6593 ZC] |
| | 25 | 3010323 | 2 | Hex screw [M6X10 8.8 ZC UNI 5739] |
| | 26 | 3080501 | 2 | Grease nipple |
| | 27 | W370400700 | 2 | Button (Coupling backlash) |
| | 28 | 3020921 | 8 | TSEI screw [M12X35 8.8 ZC UNI 5933] |
| | 29 | 3060959 | 8 | |
| | 30 | 3040305 | 8 | Stopnut |
| | 31 | 3020876 | 2 | Socked head cap screw [M12X16 8.8 ZC UNI 5931] |

HYDRAULIC SYSTEM EXTRA-EXTENSIBLE (CE)

Code

5760163-3.0

1/1



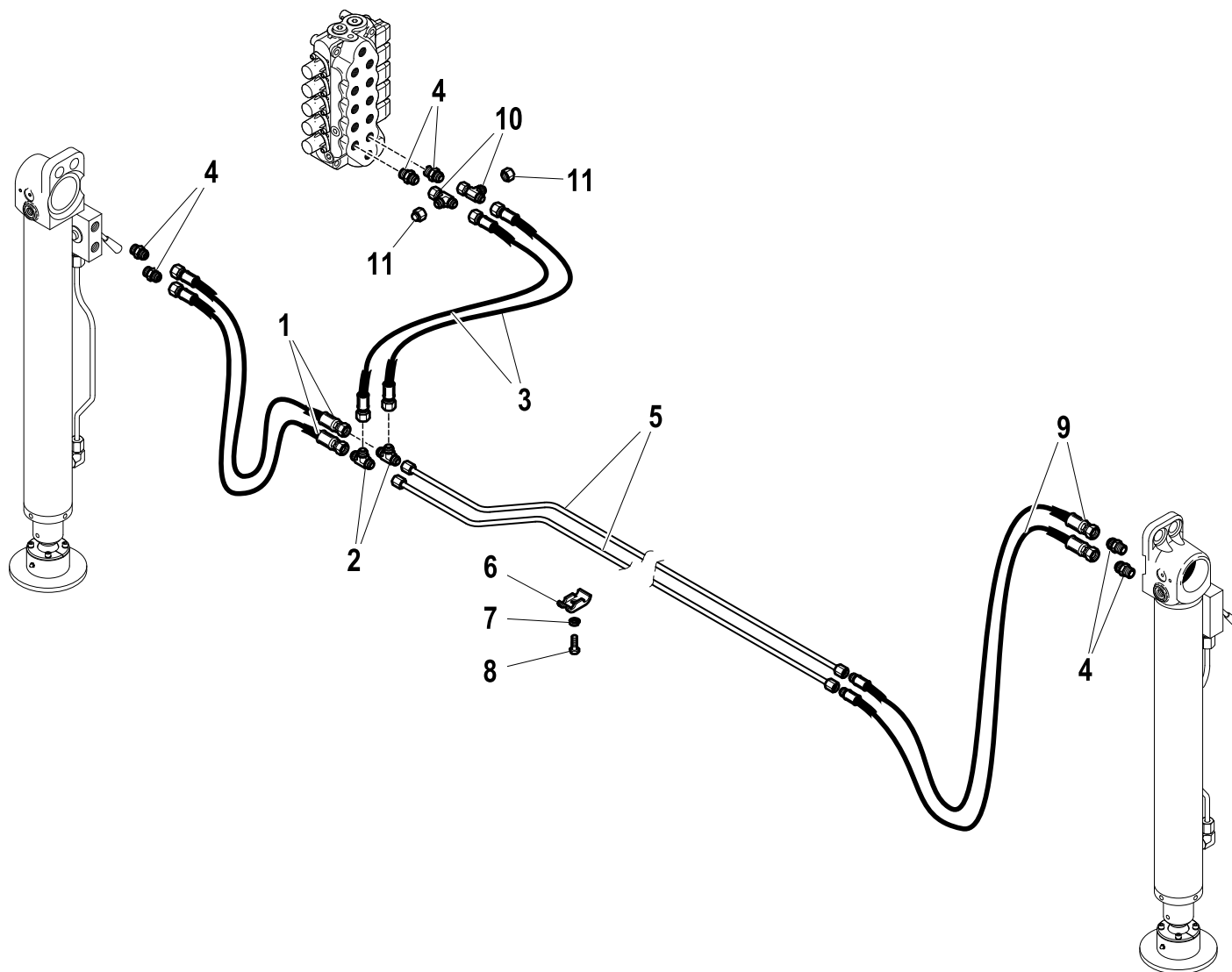
| R | Pos. | Code Variant | Q.ty | Description |
|---|------|--------------|------|--------------------------------------|
| | 1 | 3101040 | 8 | Straight pipe fitting |
| | 2 | 3101080 | 2 | Tee fitting |
| | 3 | 5261281 | 2 | Flexible hose |
| | 4 | 5261066 | 2 | Flexible hose |
| | 5 | 3110040 | 6 | Female plug |
| | 6 | 5391128 | 2 | |
| | 7 | 5000077 | 2 | Clamp (Rigid Pipe) |
| | 8 | 3060055 | 2 | Split lock washer [D=8.4 C72 ZC] |
| | 9 | 3010339 | 2 | Hex screw [M8X25 8.8 ZC IF UNI 5739] |
| | 10 | 5261280 | 2 | Flexible hose |
| | 11 | 3120003 | 4 | Tee fitting |
| | 12 | 3110001 | 2 | Straight pipe fitting |

HYDRAULIC SYSTEM EXTRA-EXTENSIBLE (not CE)

Code

5760163-2.0

1/1



| R | Pos. | Code Variant | Q.ty | Description |
|---|------|--------------|------|--------------------------------------|
| | 1 | 5260983 | 2 | Flexible hose |
| | 2 | 3101080 | 2 | Tee fitting |
| | 3 | 5261066 | 2 | Flexible hose |
| | 4 | 3101040 | 6 | Straight pipe fitting |
| | 5 | 5391128 | 2 | |
| | 6 | 5000077 | 2 | Clamp (Rigid Pipe) |
| | 7 | 3060055 | 2 | Split lock washer [D=8.4 C72 ZC] |
| | 8 | 3010339 | 2 | Hex screw [M8X25 8.8 ZC IF UNI 5739] |
| | 9 | 5261280 | 2 | Flexible hose |
| | 10 | 3120003 | 2 | Tee fitting |
| | 11 | 3110040 | 2 | Female plug |

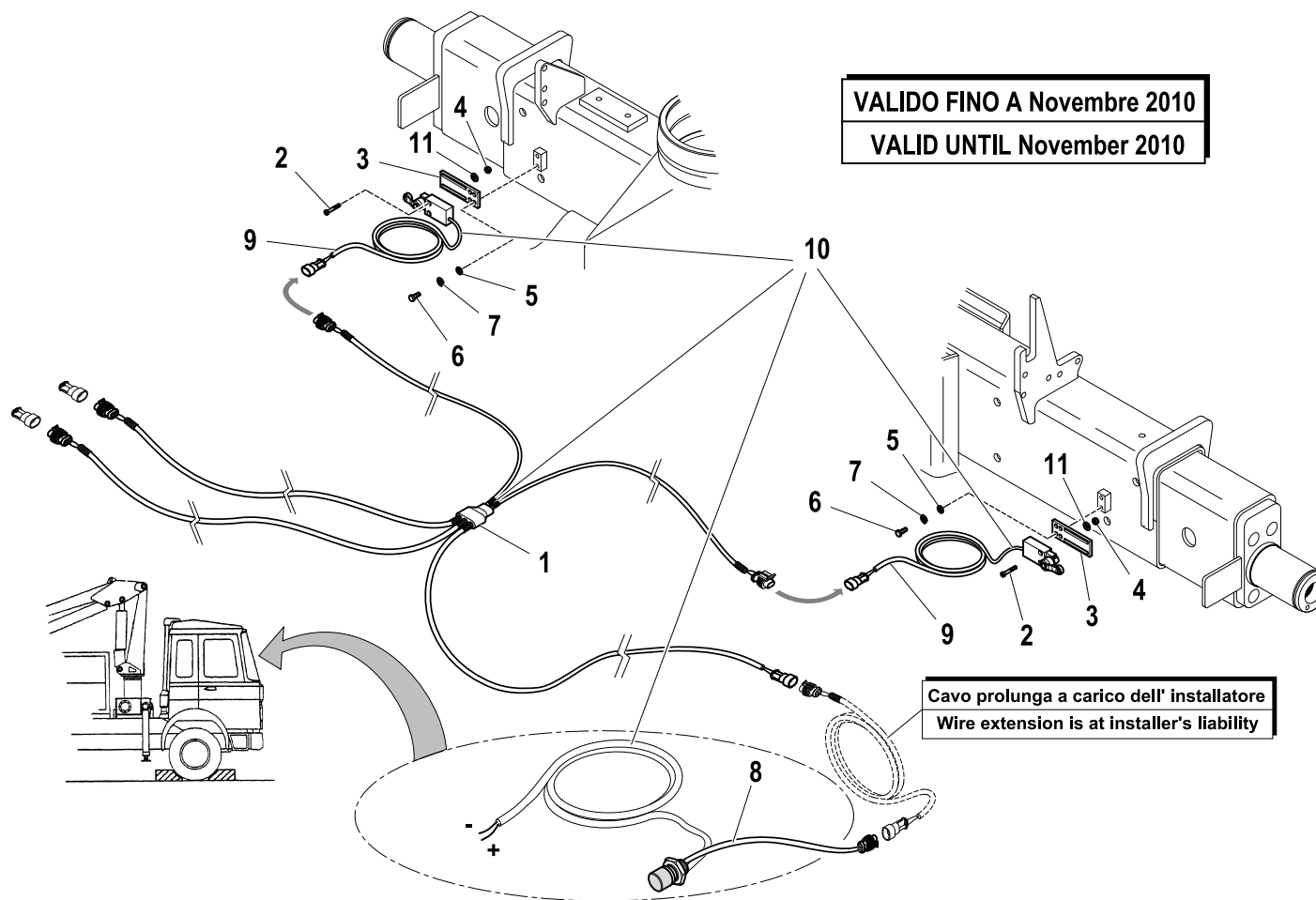
CONTROL DEVICES LOCKING FOR OUTRIGGERS LEGS

Code

5411095-1.0

1/1

| R | Pos. | Code Variant | Q.ty | Description |
|---|------|--------------|------|---|
| | 1 | 3311129 | 1 | |
| | 2 | 3020014 | 4 | Socket head cap screw [M4X25X0.7 8.8 ZC UNI 5931] |
| | 3 | 5000218 | 2 | |
| | 4 | 3040041 | 4 | Nut |
| | 5 | 3060030 | 4 | Flat washer [D.6.6X18 UNI 6593 ZC] |
| | 6 | 3010325 | 4 | Hex screw [M6X16 8.8 ZC UNI 5739] |
| | 7 | 3060053 | 4 | Split lock washer [D=6.4 C72 ZC] |
| | 8 | 3311130 | 1 | |
| | 9 | 3311144 | 2 | |
| | 10 | 3311132 | 1 | |
| | 11 | 3060003 | 4 | Flat washer [D.4 UNI 6592 ZC] |



VALIDO FINO A Novembre 2010
VALID UNTIL November 2010

Cavo prolunga a carico dell' installatore
Wire extension is at installer's liability

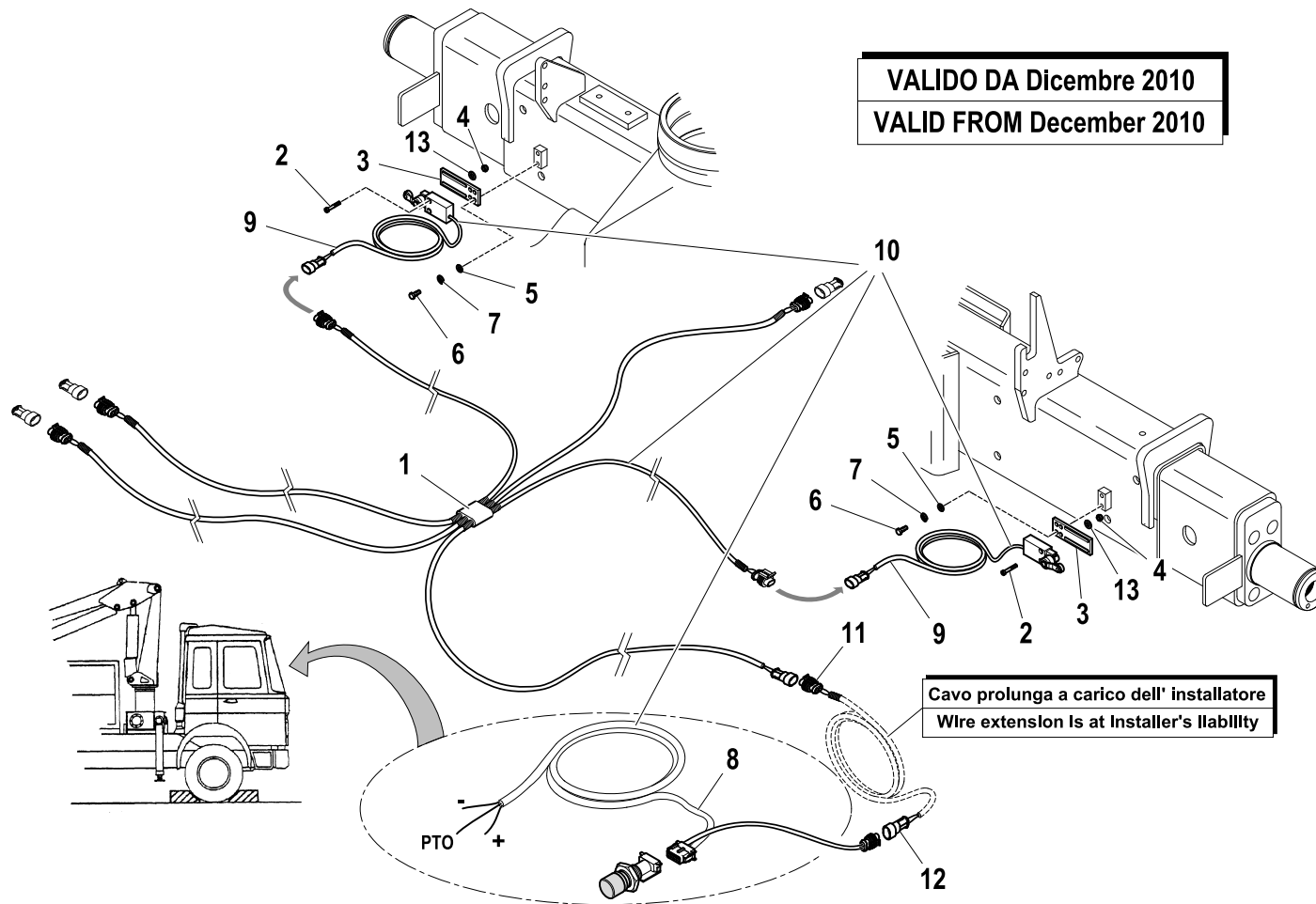
CONTROL DEVICES LOCKING FOR OUTRIGGERS LEGS

Code

5411095-2.0

1/1

| R | Pos. | Code Variant | Q.ty | Description |
|---|------|--------------|------|---|
| | 1 | 3311353 | 1 | |
| | 2 | 3020014 | 4 | Socket head cap screw [M4X25X0.7 8.8 ZC UNI 5931] |
| | 3 | 5000218 | 2 | |
| | 4 | 3040041 | 4 | Nut |
| | 5 | 3060030 | 4 | Flat washer [D.6.6X18 UNI 6593 ZC] |
| | 6 | 3010325 | 4 | Hex screw [M6X16 8.8 ZC UNI 5739] |
| | 7 | 3060053 | 4 | Split lock washer [D=6.4 C72 ZC] |
| | 8 | 3311354 | 1 | |
| | 9 | 3311356 | 2 | |
| | 10 | 3311352 | 1 | |
| | 11 | 3310431 | 1 | |
| | 12 | 3310432 | 1 | |
| | 13 | 3060003 | 4 | Flat washer [D.4 UNI 6592 ZC] |

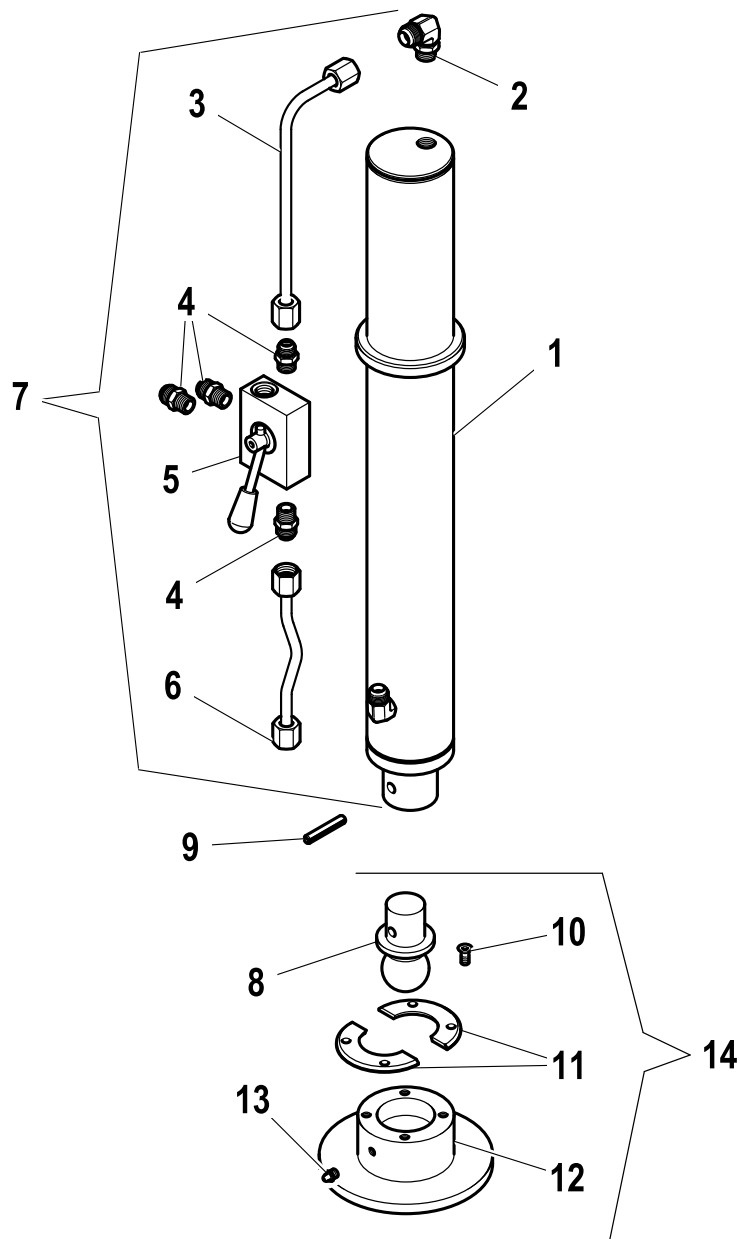


Stabilizer Hydraulic jack (DX)

Code

6200154-1.0

1/1



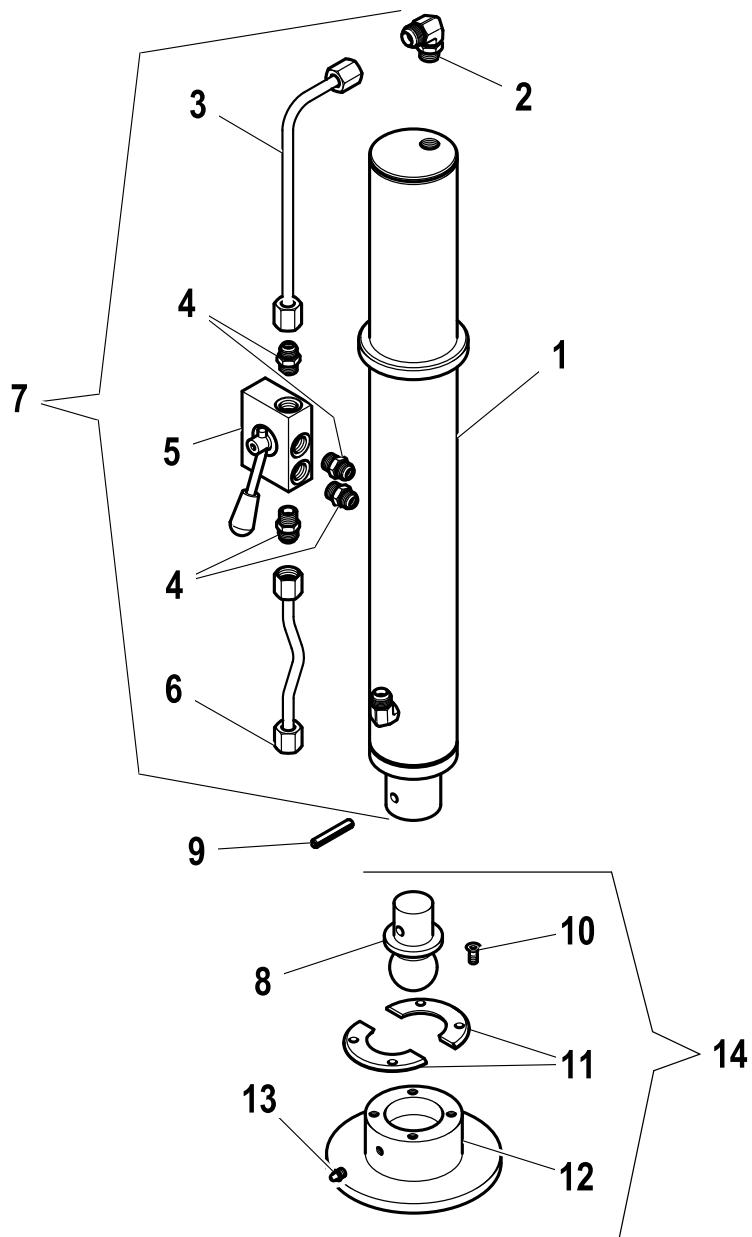
| R | Pos. | Code Variant | Q.ty | Description |
|---|------|--------------|------|-------------------------------------|
| | 1 | 6400154 | 1 | Stabilizer Hydraulic jack |
| | 2 | 3101125 | 1 | 90° Connection |
| | 3 | 5391463 | 1 | |
| | 4 | 3101040 | 4 | Straight pipe fitting |
| | 5 | 5220047 | 1 | |
| | 6 | 5391464 | 1 | |
| | 7 | 6200154 | 1 | Stabilizer Hydraulic jack |
| | 8 | 4160397 | 1 | |
| | 9 | 3060632 | 1 | Spring pin |
| | 10 | 3020452 | 4 | TSEI screw [M8X16 10.9 ZC UNI 5933] |
| | 11 | 4160398 | 1 | |
| | 12 | 5090815 | 1 | |
| | 13 | 3080512 | 1 | Grease nipple |
| | 14 | 5920002 | 1 | |

Stabilizer Hydraulic jack (SX)

Code

6200155-1.0

1/1



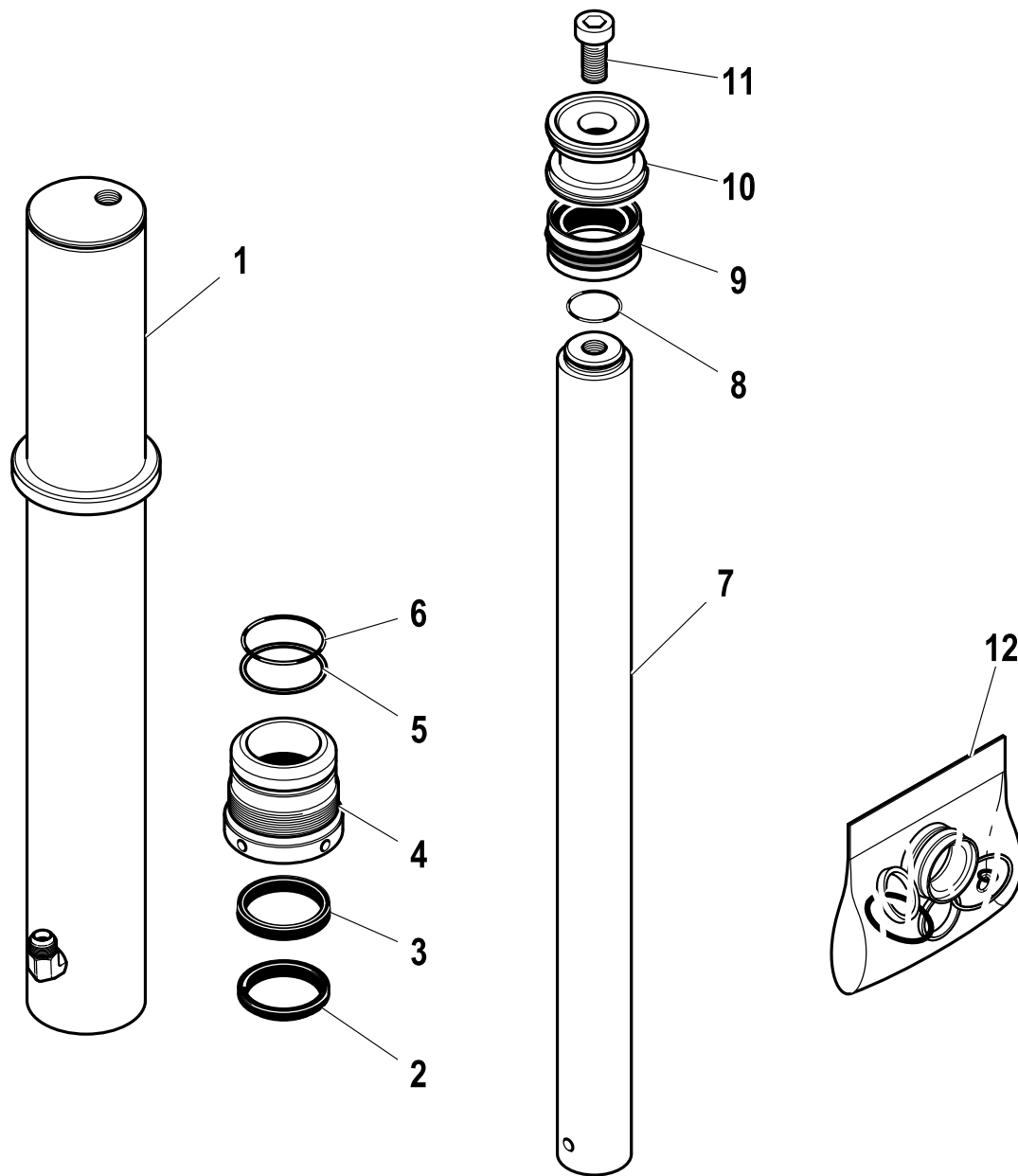
| R | Pos. | Code Variant | Q.ty | Description |
|---|------|--------------|------|-------------------------------------|
| | 1 | 6400154 | 1 | Stabilizer Hydraulic jack |
| | 2 | 3101125 | 1 | 90° Connection |
| | 3 | 5391463 | 1 | |
| | 4 | 3101040 | 4 | Straight pipe fitting |
| | 5 | 5220048 | 1 | |
| | 6 | 5391464 | 1 | |
| | 7 | 6200155 | 1 | Stabilizer Hydraulic jack |
| | 8 | 4160397 | 1 | |
| | 9 | 3060632 | 1 | Spring pin |
| | 10 | 3020452 | 4 | TSEI screw [M8X16 10.9 ZC UNI 5933] |
| | 11 | 4160398 | 1 | |
| | 12 | 5090815 | 1 | |
| | 13 | 3080512 | 1 | Grease nipple |
| | 14 | 5920002 | 1 | |

Stabilizer Hydraulic jack

Code

6400154-1.0

1/1



| R | Pos. | Code Variant | Q.ty | Description |
|---|------|--------------|------|---|
| | 1 | 6070405 | 1 | |
| | 2 | 3420026 | 1 | W-ring |
| | 3 | 3400090 | 1 | |
| | 4 | 6040252 | 1 | |
| | 5 | 3460380 | 1 | |
| | 6 | 3450085 | 1 | |
| | 7 | 6030338 | 1 | |
| | 8 | 3450066 | 1 | |
| | 9 | 3400510 | 1 | |
| | 10 | 6050230 | 1 | |
| | 11 | 3020126 | 1 | Socketed head cap screw [M16X35 8.8 ZC UNI 5931] |
| | 12 | 5550684 | 1 | |

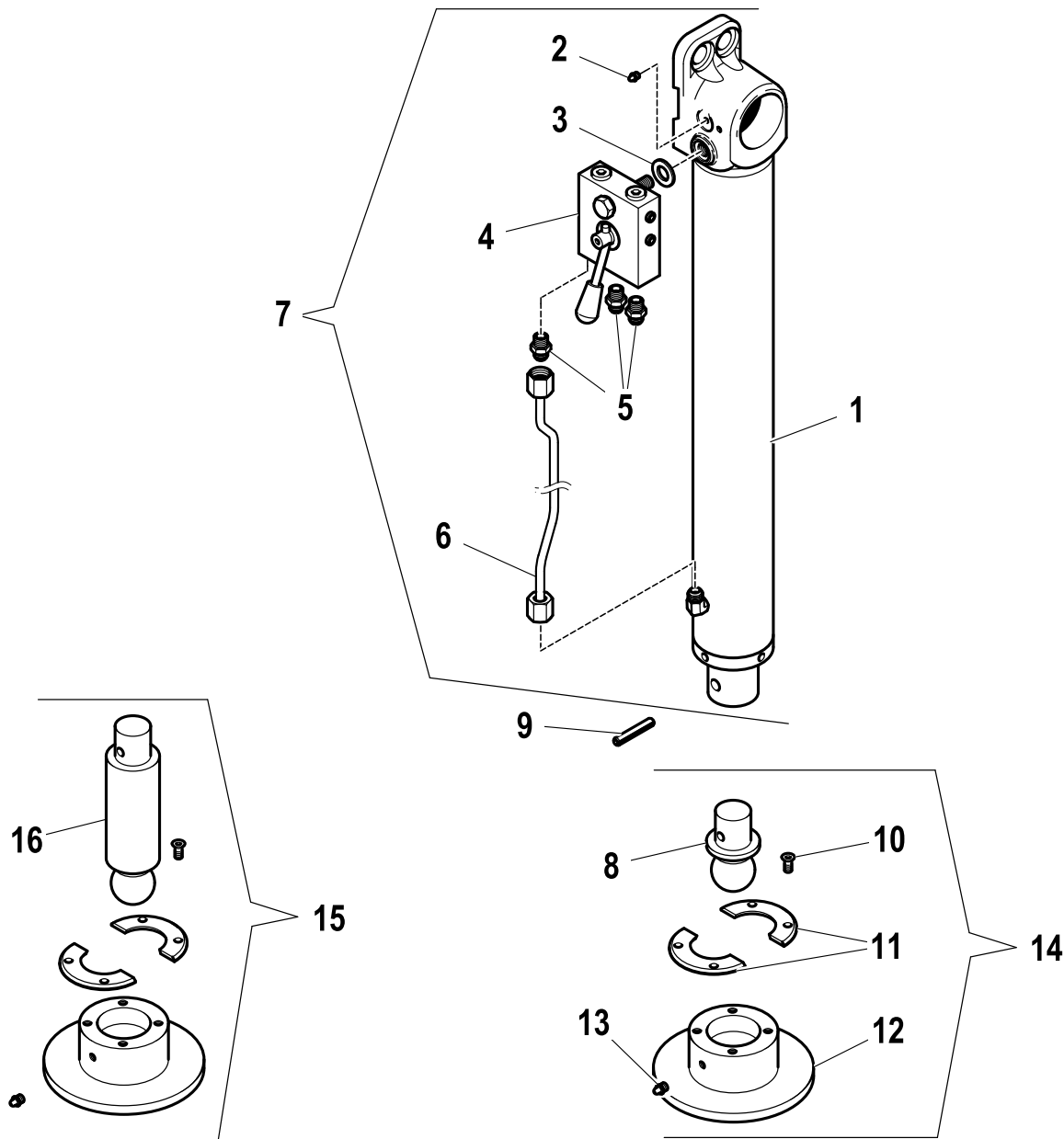
Stabilizer Hydraulic jack (ROTATING)

Code

6200267-1.0

1/1

| R | Pos. | Code Variant | Q.ty | Description |
|---|------|--------------|------|-------------------------------------|
| | 1 | 6400213 | 1 | Stabilizer Hydraulic jack |
| | 2 | 3080500 | 1 | Grease nipple |
| | 3 | 3060143 | 1 | Sealing washer [BSP 1/4"] |
| | 4 | W470053 | 1 | Manually operated valve |
| | 5 | 3101039 | 3 | Straight pipe fitting |
| | 6 | 5390080 | 1 | |
| | 7 | 6200267 | 1 | Stabilizer Hydraulic jack |
| | 8 | 4160397 | 1 | |
| | 9 | 3060632 | 1 | Spring pin |
| | 10 | 3020452 | 4 | TSEI screw [M8X16 10.9 ZC UNI 5933] |
| | 11 | 4160398 | 1 | |
| | 12 | 5090815 | 1 | |
| | 13 | 3080501 | 1 | Grease nipple |
| | 14 | 5920002 | 1 | |
| | 15 | 5920003 | 1 | |
| | 16 | 4160497 | 1 | |

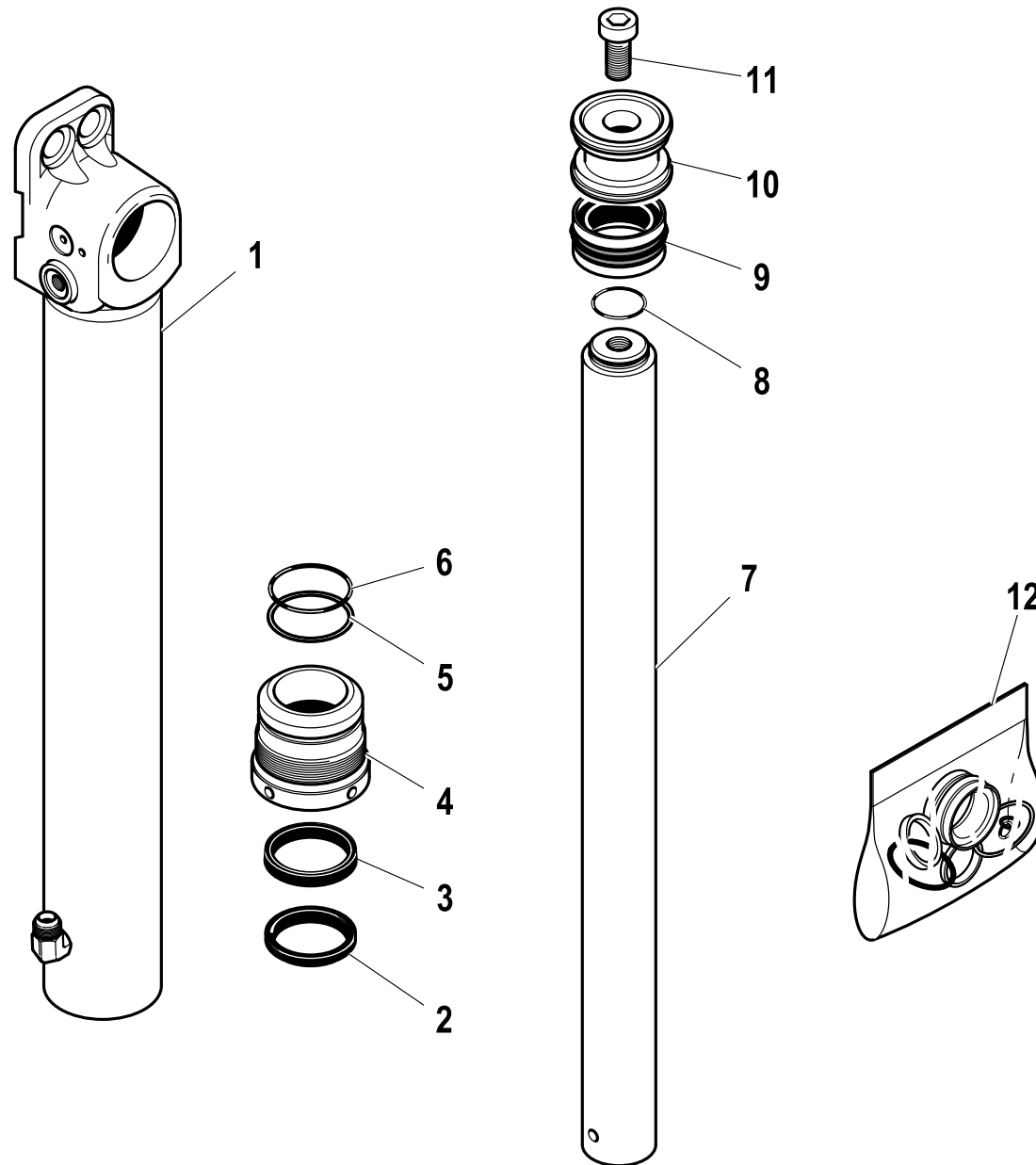


Stabilizer Hydraulic jack (ROTATING)

Code

6400213-1.0

1/1



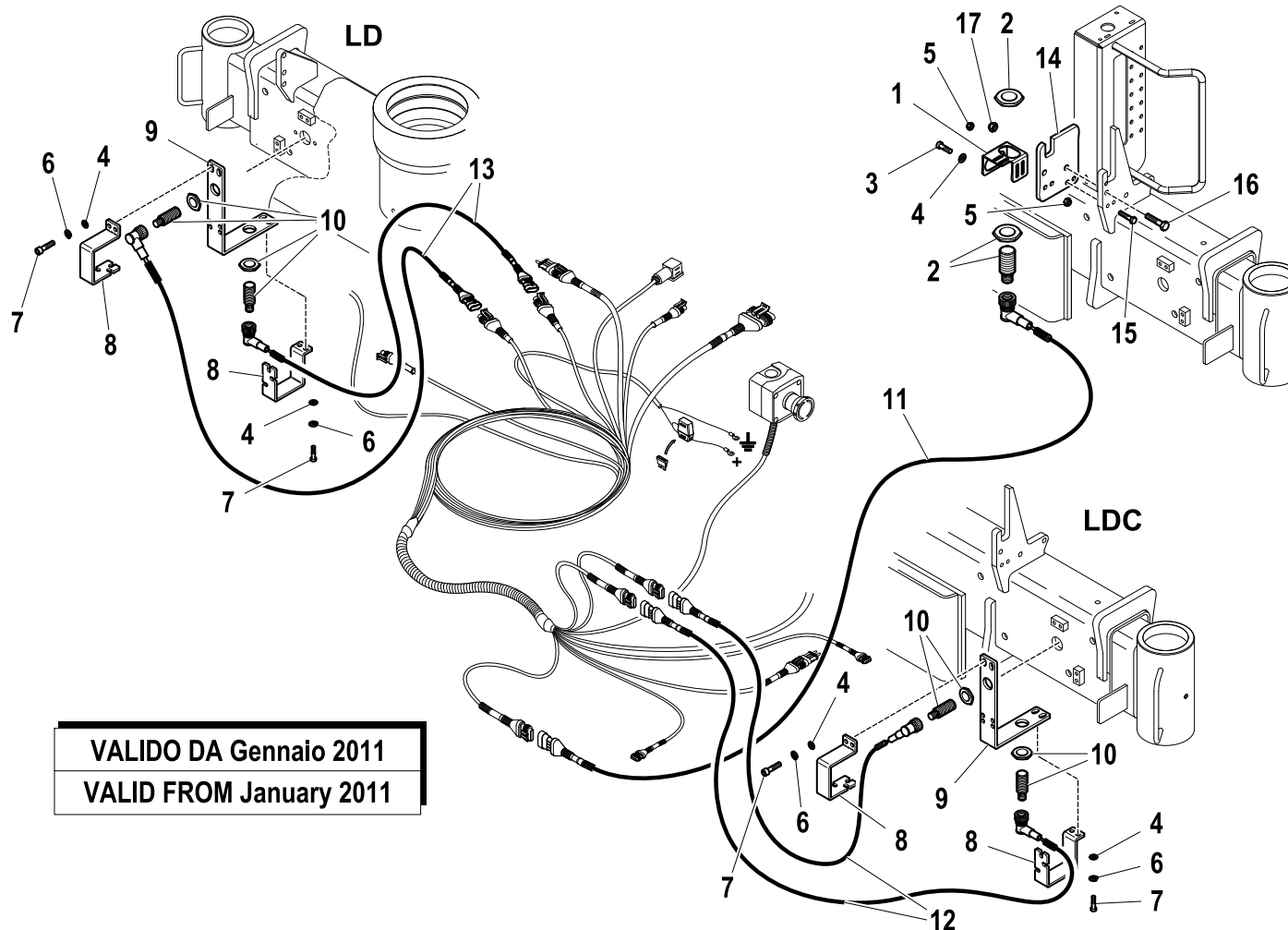
| R | Pos. | Code Variant | Q.ty | Description |
|---|------|--------------|------|---|
| | 1 | 6070516 | 1 | |
| | 2 | 3420026 | 1 | W-ring |
| | 3 | 3400090 | 1 | |
| | 4 | 6040252 | 1 | |
| | 5 | 3460380 | 1 | |
| | 6 | 3450085 | 1 | |
| | 7 | 6030689 | 1 | |
| | 8 | 3450066 | 1 | |
| | 9 | 3400510 | 1 | |
| | 10 | 6050230 | 1 | |
| | 11 | 3020126 | 1 | Socket head cap screw [M16X35 8.8 ZC UNI 5931] |
| | 12 | 5550684 | 1 | |

STABILITY CONTROL (EN12999-A3)

Code

5411269-2.0

1/1



| R | Pos. | Code Variant | Q.ty | Description |
|---|------|--------------|------|---|
| | 1 | 5002051 | 1 | Support (Proximity switch) |
| | 2 | 3311312 | 1 | Proximity switch |
| | 3 | 3020037 | 2 | Socketed head cap screw [M6X25 8.8 ZC UNI 5931] |
| | 4 | 3060030 | 10 | Flat washer [D.6.6X18 UNI 6593 ZC] |
| | 5 | 3040372 | 4 | Stopnut |
| | 6 | 3060053 | 8 | Split lock washer [D=6.4 C72 ZC] |
| | 7 | 3020035 | 8 | Socketed head cap screw [M6X20 8.8 ZC UNI 5931] |
| | 8 | 5002026 | 4 | Guard (Proximity switch) |
| | 9 | 5002027 | 2 | Support (Proximity switch) |
| | 10 | 3311311 | 4 | Proximity switch |
| | 11 | 3311372 | 1 | Electric wiring |
| | 12 | 3311377 | 2 | |
| | 13 | 3311332 | 2 | |
| | 14 | 5002106 | 1 | Support |
| | 15 | 3010017 | 2 | Hex screw [M6X35 8.8 ZC UNI 5737] |
| | 16 | 3010390 | 1 | Hex screw [M8X35 ZC UNI 5739] |
| | 17 | 3040303 | 1 | Stopnut |

VALIDO DA Gennaio 2011
VALID FROM January 2011

Kit (ROTATION CONTROL)

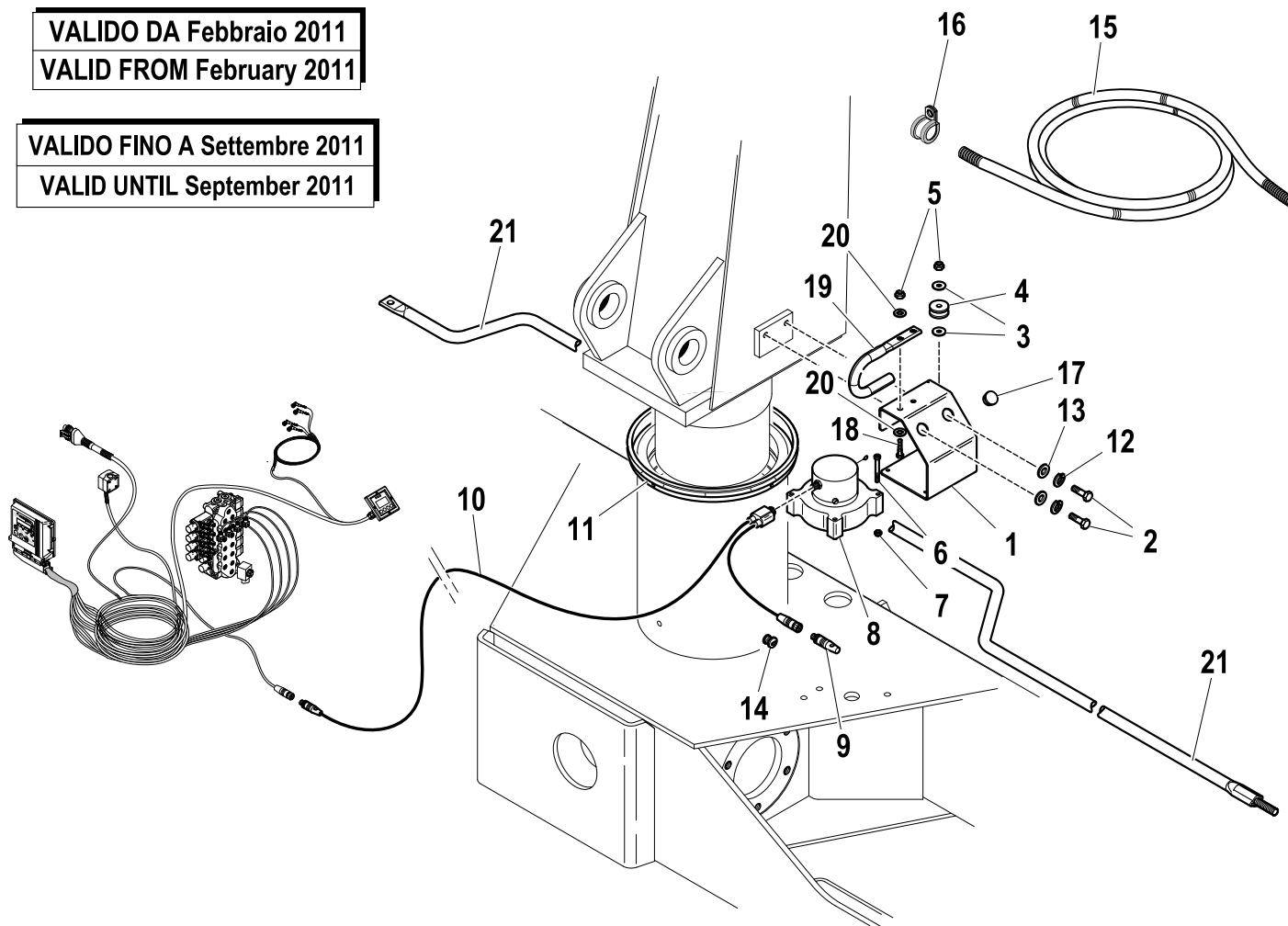
Code

7880943-1.0

1/2

VALIDO DA Febbraio 2011
VALID FROM February 2011

VALIDO FINO A Settembre 2011
VALID UNTIL September 2011



| R | Pos. | Code Variant | Q.ty | Description |
|---|------|--------------|-------|---|
| | 1 | 5091301 | 1 | |
| | 2 | 3020080 | 2 | Socket head cap screw [M10X16 12.9 ZC UNI 5931] |
| | 3 | 3060030 | 2 | Flat washer [D.6.6X18 UNI 6593 ZC] |
| | 4 | 5141080 | 1 | |
| | 5 | 3040372 | 3 | Stopnut |
| | 6 | 3020019 | 3 | Socket head cap screw [M4X40 8.8 ZC UNI 5931] |
| | 7 | 3040518 | 3 | Stopnut |
| | 8 | 3311313 | 1 | |
| | 9 | 3311327 | 1 | Connector (Electric) |
| | 10 | 3311325 | 1 | |
| | 11 | 5141097 | 1 | |
| | 12 | 3060056 | 2 | Split lock washer [D=10 C72 ZC] |
| | 13 | 3060914 | 2 | Flat washer [D.10.5X21X2 UNI 6592 ZC] |
| | 14 | 3311326 | 1 | |
| | 15 | 3190295 | mt2.5 | |
| | 16 | 3190036 | 1 | |
| | 17 | 3190301 | 2 | |
| | 18 | 3010022 | 2 | Hex screw [M6X25 8.8 ZC UNI 5739] |
| | 19 | 5002124 | 1 | |
| | 20 | 3060005 | 4 | Flat washer [D.6.4 UNI 6592 ZC] |

Kit (ROTATION CONTROL)

Code

7880943-1.0

2/2

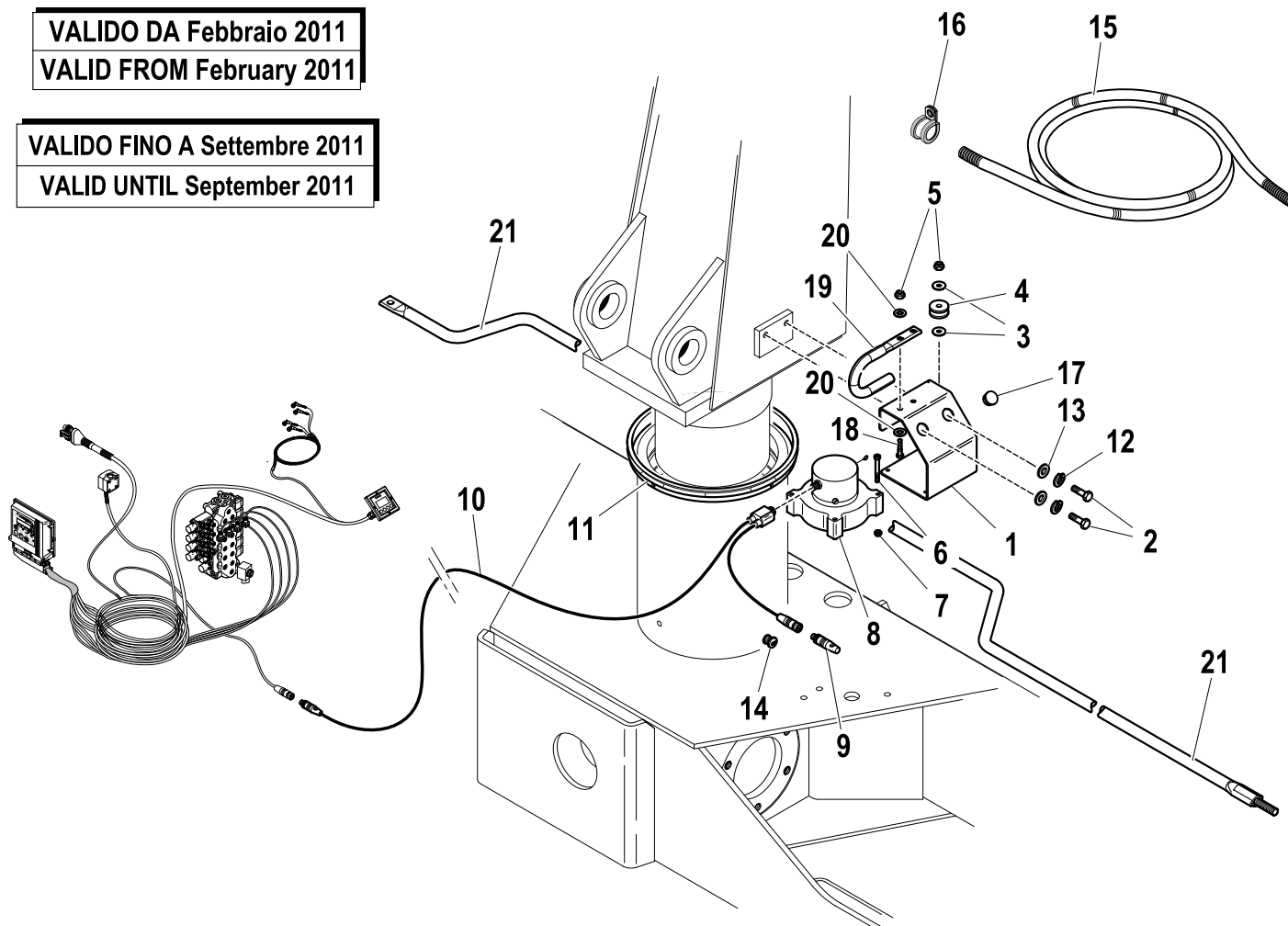
| R | Pos. | Code Variant | Q.ty | Description |
|---|------|--------------|------|-------------|
| | 21 | 5091338 | 1 | |

VALIDO DA Febbraio 2011

VALID FROM February 2011

VALIDO FINO A Settembre 2011

VALID UNTIL September 2011



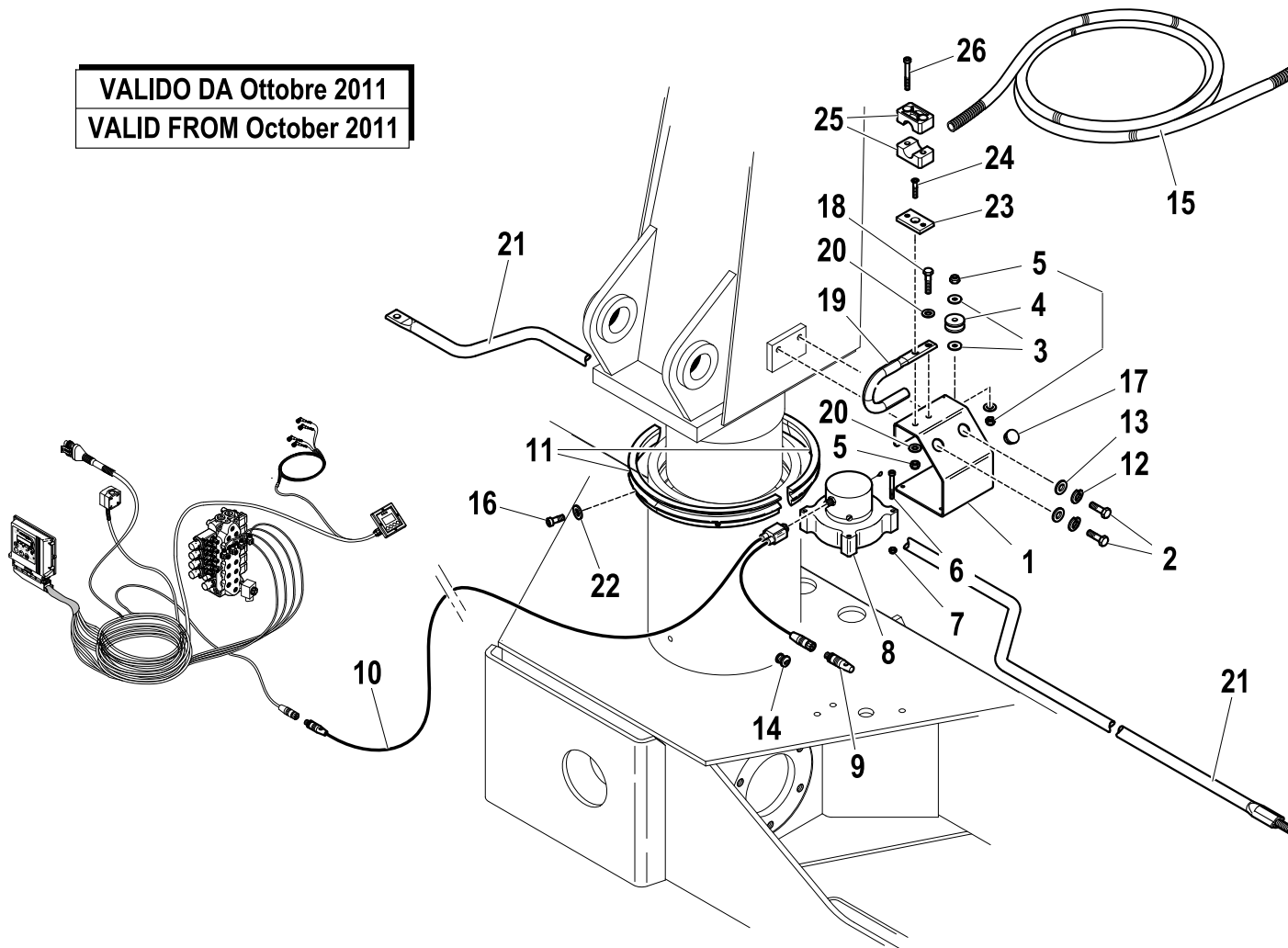
Kit (ROTATION CONTROL)

Code

7880943-1.1

1/2

**VALIDO DA Ottobre 2011
VALID FROM October 2011**



| R | Pos. | Code Variant | Q.ty | Description |
|---|------|--------------|-------|---|
| | 1 | 5091301 | 1 | |
| | 2 | 3020080 | 2 | Socket head cap screw [M10X16 12.9 ZC UNI 5931] |
| | 3 | 3060030 | 2 | Flat washer [D.6.6X18 UNI 6593 ZC] |
| | 4 | 5141080 | 1 | |
| | 5 | 3040372 | 3 | Stopnut |
| | 6 | 3020019 | 3 | Socket head cap screw [M4X40 8.8 ZC UNI 5931] |
| | 7 | 3040518 | 3 | Stopnut |
| | 8 | 3311313 | 1 | |
| | 9 | 3311327 | 1 | Connector (Electric) |
| | 10 | 3311325 | 1 | |
| | 11 | 5141117 | 2 | |
| | 12 | 3060056 | 2 | Split lock washer [D=10 C72 ZC] |
| | 13 | 3060914 | 2 | Flat washer [D.10.5X21X2 UNI 6592 ZC] |
| | 14 | 3311326 | 1 | |
| | 15 | 3190295 | mt2.5 | |
| | 16 | 3020021 | 4 | Socket head cap screw [M5X12X0.8 8.8 ZC UNI 5931] |
| | 17 | 3190301 | 2 | |
| | 18 | 3010022 | 1 | Hex screw [M6X25 8.8 ZC UNI 5739] |
| | 19 | 5002124 | 1 | |
| | 20 | 3060005 | 3 | Flat washer [D.6.4 UNI 6592 ZC] |

Kit (ROTATION CONTROL)

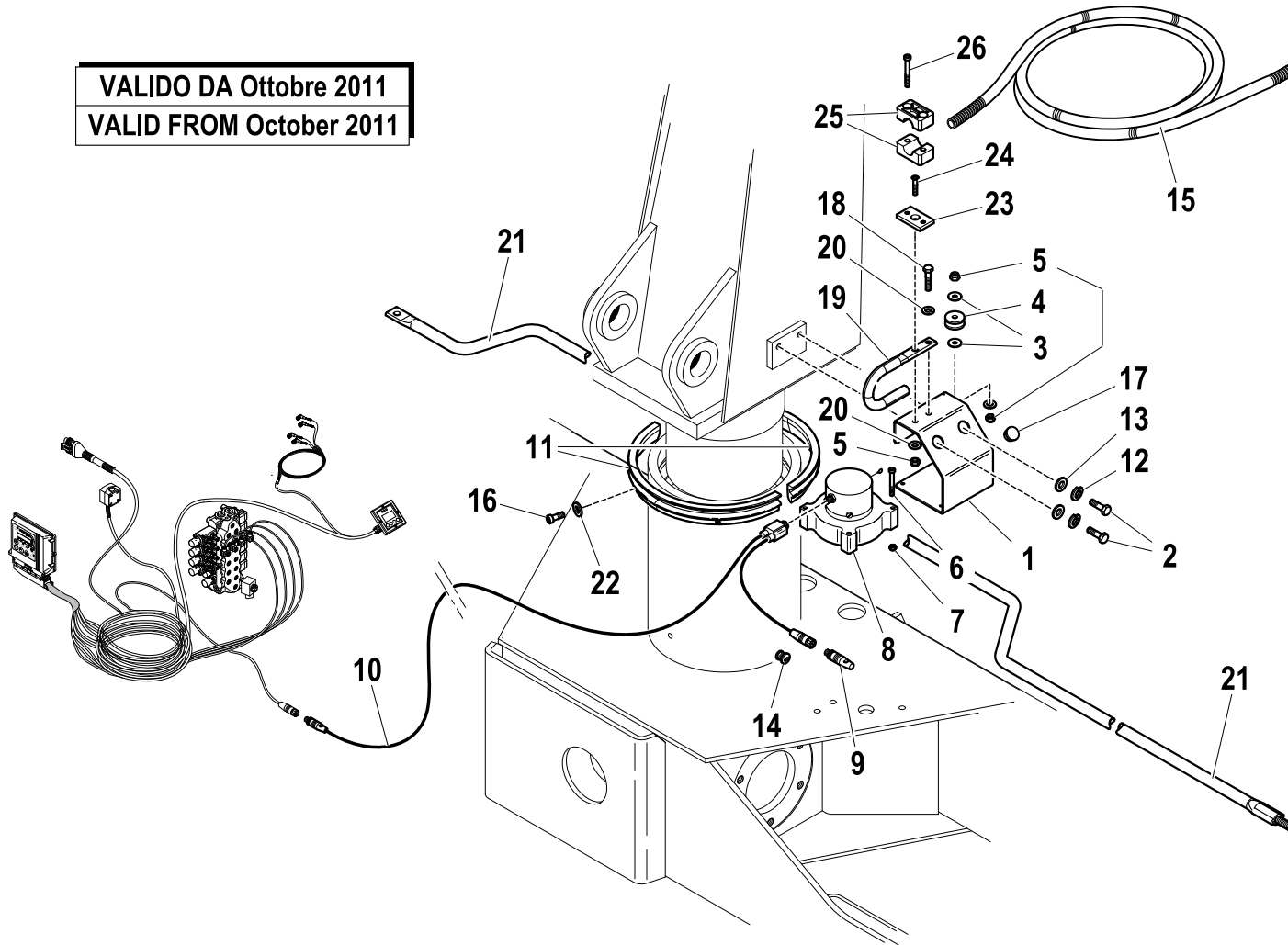
Code

7880943-1.1

2/2

VALIDO DA Ottobre 2011
VALID FROM October 2011

| R | Pos. | Code Variant | Q.ty | Description |
|---|------|--------------|------|---|
| | 21 | 5091338 | 1 | |
| | 22 | 3060004 | 4 | Flat washer [D.5 UNI 6592 ZC] |
| | 23 | 5000454 | 1 | |
| | 24 | 3020907 | 1 | TSEI screw [M6X25 10.9 ZC UNI 5933] |
| | 25 | 3190185 | 2 | |
| | 26 | 3020039 | 2 | Socket head cap screw [M6X35 8.8 ZC UNI 5931] |



Kit (ROTATION CONTROL)

Code

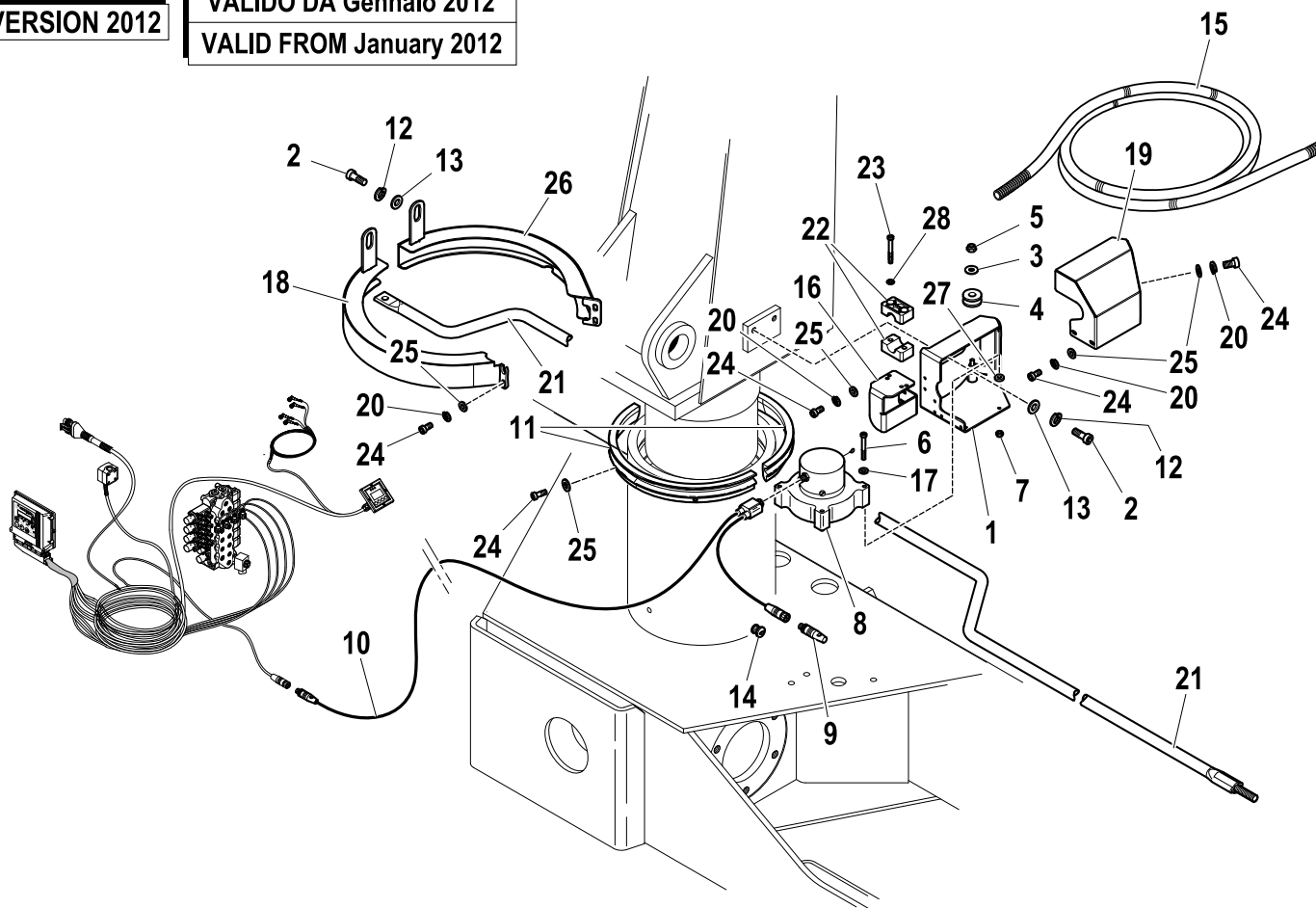
7880943-2.0

1/2

VERSION 2012

VALIDO DA Gennaio 2012

VALID FROM January 2012



| R | Pos. | Code Variant | Q.ty | Description |
|---|------|--------------|-------|---|
| | 1 | 5091398 | 1 | |
| | 2 | 3020080 | 4 | Socket head cap screw [M10X16 12.9 ZC UNI 5931] |
| | 3 | 3060030 | 1 | Flat washer [D.6.6X18 UNI 6593 ZC] |
| | 4 | 5141135 | 1 | |
| | 5 | 3040372 | 1 | Stopnut |
| | 6 | 3020019 | 2 | Socket head cap screw [M4X40 8.8 ZC UNI 5931] |
| | 7 | 3040518 | 2 | Stopnut |
| | 8 | 3311313 | 1 | |
| | 9 | 3311327 | 1 | Connector (Electric) |
| | 10 | 3311325 | 1 | |
| | 11 | 5141117 | 2 | |
| | 12 | 3060056 | 4 | Split lock washer [D=10 C72 ZC] |
| | 13 | 3060914 | 4 | Flat washer [D.10.5X21X2 UNI 6592 ZC] |
| | 14 | 3311326 | 1 | |
| | 15 | 3190295 | mt2.5 | |
| | 16 | 5002193 | 1 | |
| | 17 | 3060003 | 2 | Flat washer [D.4 UNI 6592 ZC] |
| | 18 | 5002230 | 1 | |
| | 19 | 5002177 | 1 | |
| | 20 | 3060052 | 10 | Split lock washer [D=5.5 C72 ZC] |

Kit (ROTATION CONTROL)

Code

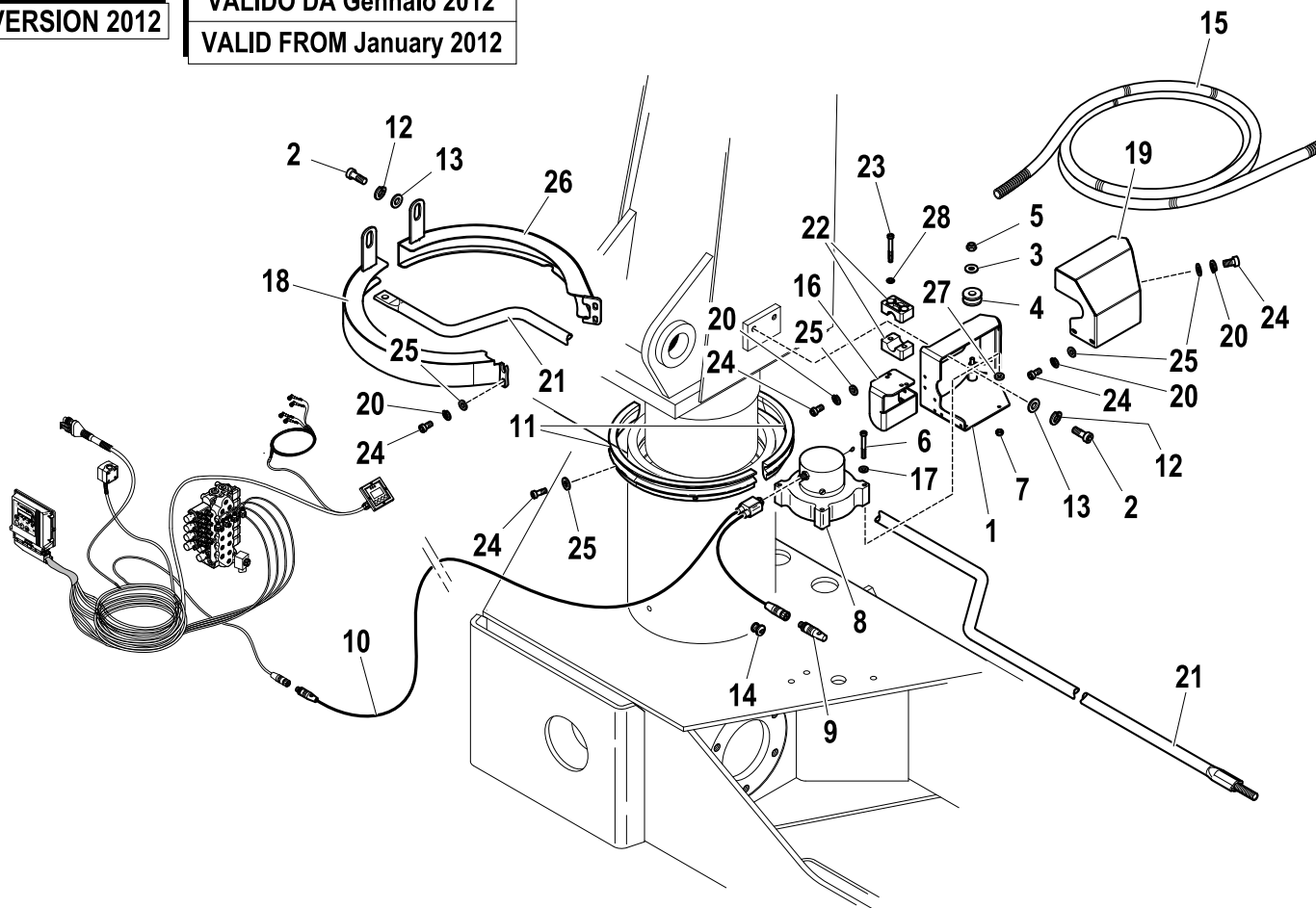
7880943-2.0

2/2

VERSION 2012

VALIDO DA Gennaio 2012

VALID FROM January 2012



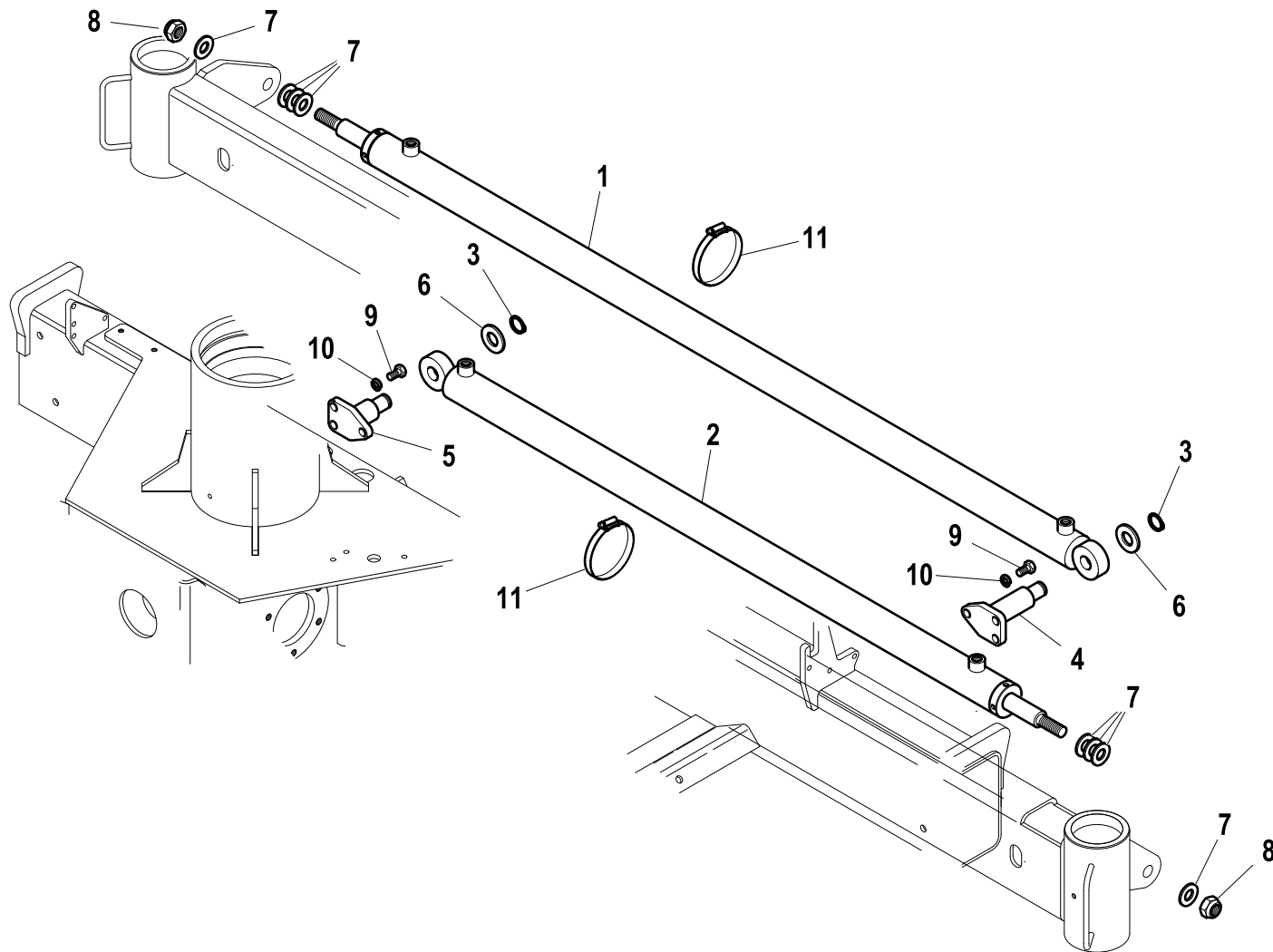
| R | Pos. | Code Variant | Q.ty | Description |
|---|------|--------------|------|---|
| | 21 | 5091338 | 1 | |
| | 22 | 3190185 | 2 | |
| | 23 | 3020039 | 2 | Socket head cap screw [M6X35 8.8 ZC UNI 5931] |
| | 24 | 3020022 | 16 | Socket head cap screw [M5X10 8.8 ZC UNI 5931] |
| | 25 | 3060004 | 16 | Flat washer [D.5 UNI 6592 ZC] |
| | 26 | 5002229 | 1 | |
| | 27 | 3190039 | 2 | Insulator |
| | 28 | 3190178 | 2 | |

ROD EXTENSION HYDRAULIC CYLINDER EXTRA-EXTENSIBLE

Code

5380038-1.0

1/1



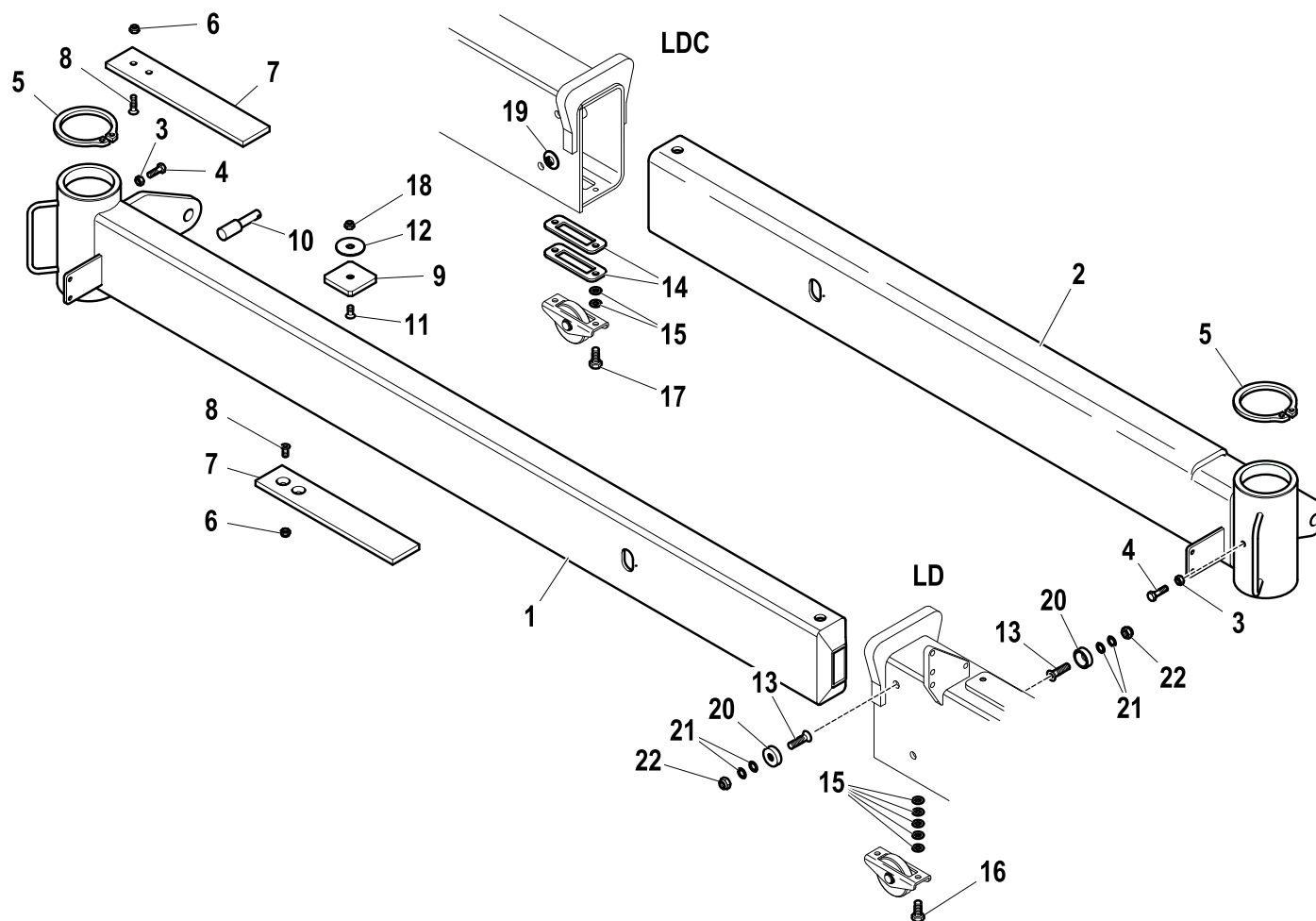
| R | Pos. | Code Variant | Q.ty | Description |
|---|------|--------------|------|---------------------------------------|
| | 1 | 6400268 | 1 | Extension jacks |
| | 2 | 6400272 | 1 | Extension jacks |
| | 3 | 3070017 | 2 | Seeger |
| | 4 | 5090053 | 1 | |
| | 5 | 5090054 | 1 | |
| | 6 | 3060012 | 2 | Flat washer [D.21X37X3 UNI 6592 ZC] |
| | 7 | 3060010 | 8 | Flat washer [D.17X30X3 UNI 6592 ZC] |
| | 8 | 3040307 | 2 | Stopnut |
| | 9 | 3010355 | 6 | Hex screw [M10X25 8.8 ZC IF UNI 5739] |
| | 10 | 3060056 | 6 | Split lock washer [D=10 C72 ZC] |
| | 11 | 3190025 | 4 | Clamp |

Stabilizer connecting rods extra-extensible (hydraulic lengthening)

Code

5760222-1.0

1/2



| R | Pos. | Code Variant | Q.ty | Description |
|---|------|--------------|------|---|
| | 1 | 5070013 | 1 | |
| | 2 | 5070015 | 1 | |
| | 3 | 3040045 | 2 | Nut |
| | 4 | 3020875 | 2 | Socket head cap screw [M8X20 ZC UNI 5931] |
| | 5 | 3070063 | 2 | Seeger |
| | 6 | 3040303 | 4 | Stopnut |
| | 7 | 5141050 | 2 | |
| | 8 | 3020455 | 4 | TSEI screw [M8X25 ZC UNI 5933] |
| | 9 | 5140019 | 1 | |
| | 10 | 4160279 | 1 | |
| | 11 | 3020500 | 1 | TSEI screw [M10X35 8.8 ZC UNI 5933] |
| | 12 | 3060007 | 1 | Flat washer [D.10X40X2.5 UNI 6593 ZC] |
| | 13 | 3020921 | 8 | TSEI screw [M12X35 8.8 ZC UNI 5933] |
| | 14 | 5001433 | 2 | |
| | 15 | 3060957 | 14 | Washer |
| | 16 | 3010027 | 2 | Hex screw [M8X20 8.8 ZC IF UNI 5739] |
| | 17 | 3010339 | 2 | Hex screw [M8X25 8.8 ZC IF UNI 5739] |
| | 18 | 3040304 | 1 | Stopnut |
| | 19 | W370400700 | 2 | Button (Coupling backlash) |
| | 20 | 5140991 | 8 | |

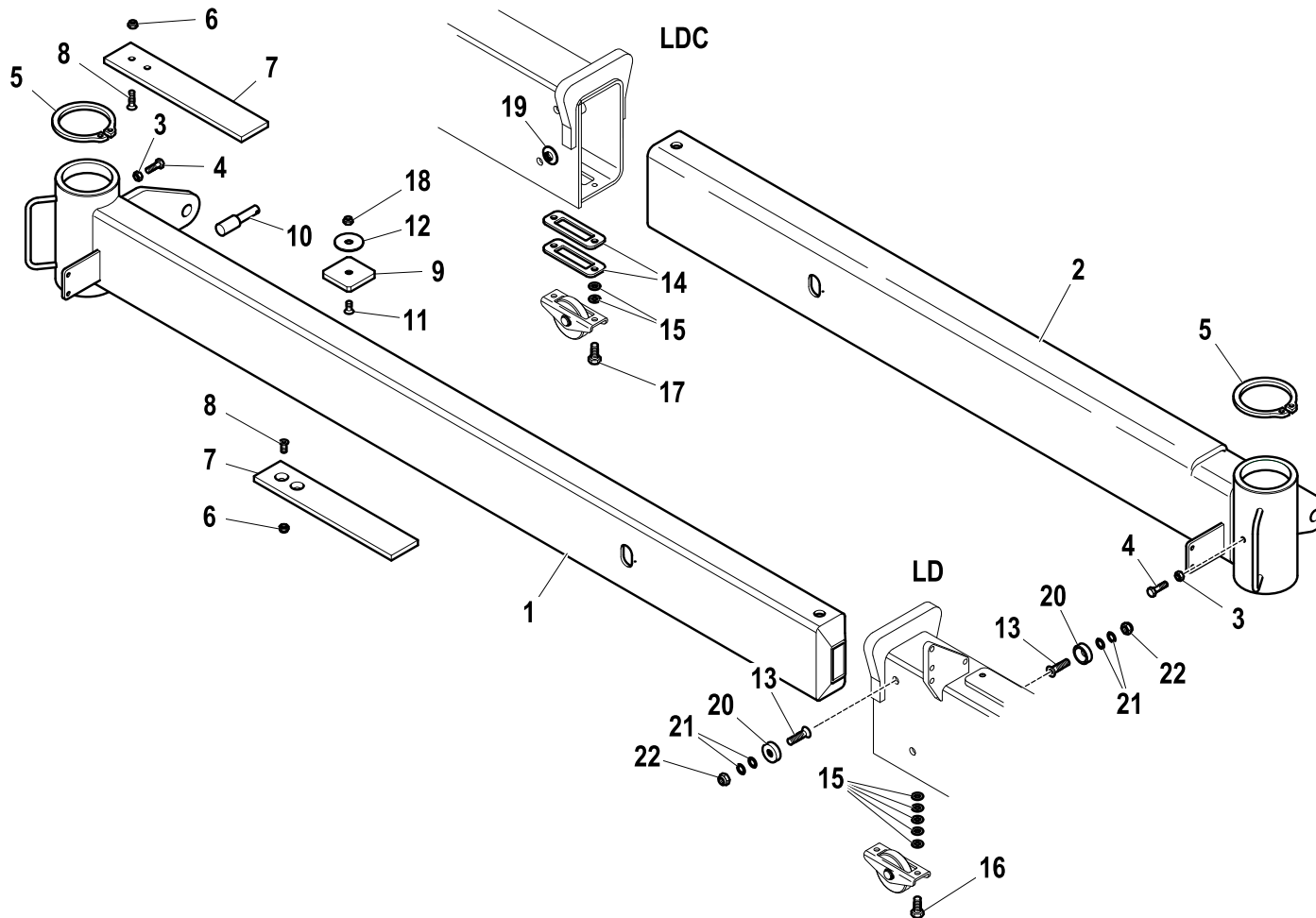
Stabilizer connecting rods extra-extensible (hydraulic lengthening)

Code

5760222-1.0

2/2

| R | Pos. | Code Variant | Q.ty | Description |
|---|------|--------------|------|-------------|
| | 21 | 3060959 | 8 | |
| | 22 | 3040305 | 8 | Stopnut |

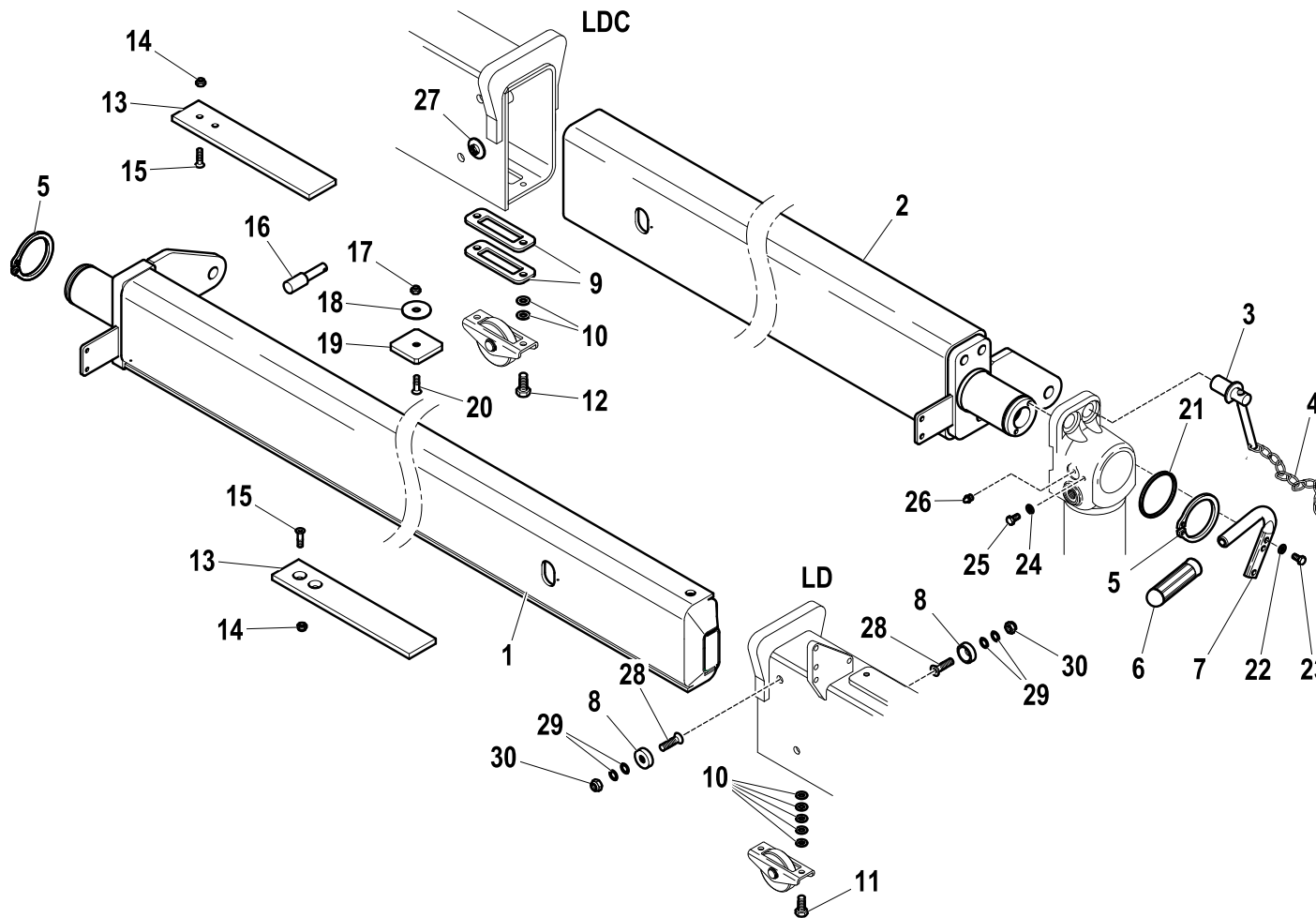


Stabilizer connecting rods extra-extensible revolving (hydraulic lengthening)

Code

5760223-1.0

1/2



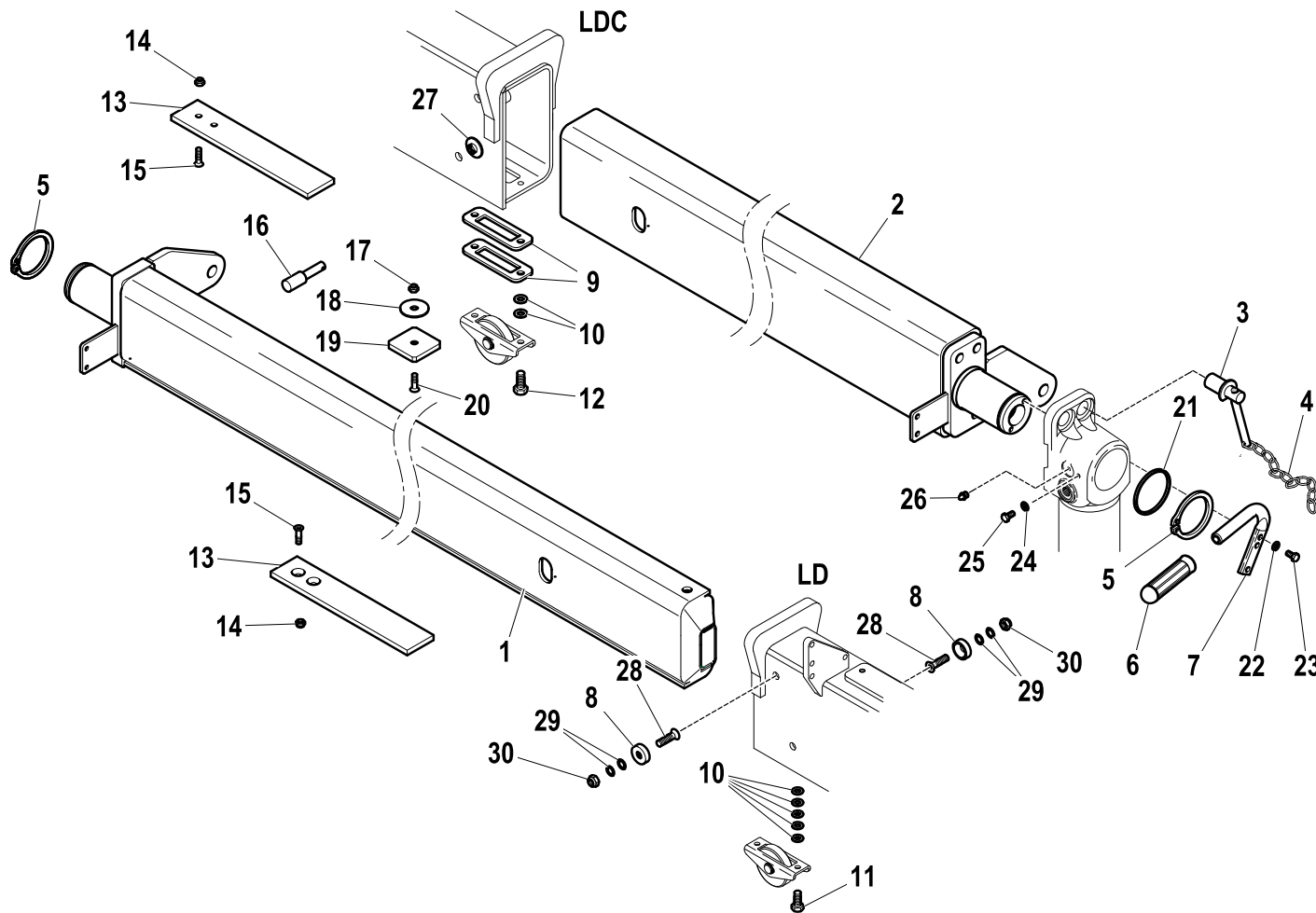
| R | Pos. | Code Variant | Q.ty | Description |
|---|------|--------------|-------|---------------------------------------|
| | 1 | 5070009 | 1 | Stabilizer rod |
| | 2 | 5070010 | 1 | Stabilizer rod |
| | 3 | W101219 | 2 | |
| | 4 | 3000007 | mt0.7 | |
| | 5 | 3070052 | 2 | Seeger |
| | 6 | W664018 | 2 | |
| | 7 | W370401800 | 2 | |
| | 8 | 5140991 | 8 | |
| | 9 | 5001433 | 2 | |
| | 10 | 3060957 | 14 | Washer |
| | 11 | 3010027 | 2 | Hex screw [M8X20 8.8 ZC IF UNI 5739] |
| | 12 | 3010339 | 2 | Hex screw [M8X25 8.8 ZC IF UNI 5739] |
| | 13 | 5141050 | 2 | |
| | 14 | 3040303 | 4 | Stopnut |
| | 15 | 3020455 | 4 | TSEI screw [M8X25 ZC UNI 5933] |
| | 16 | 4160279 | 1 | |
| | 17 | 3040304 | 1 | Stopnut |
| | 18 | 3060007 | 1 | Flat washer [D.10X40X2.5 UNI 6593 ZC] |
| | 19 | 5140019 | 1 | |
| | 20 | 3020500 | 1 | TSEI screw [M10X35 8.8 ZC UNI 5933] |

Stabilizer connecting rods extra-extensible revolving (hydraulic lengthening)

Code

5760223-1.0

2/2



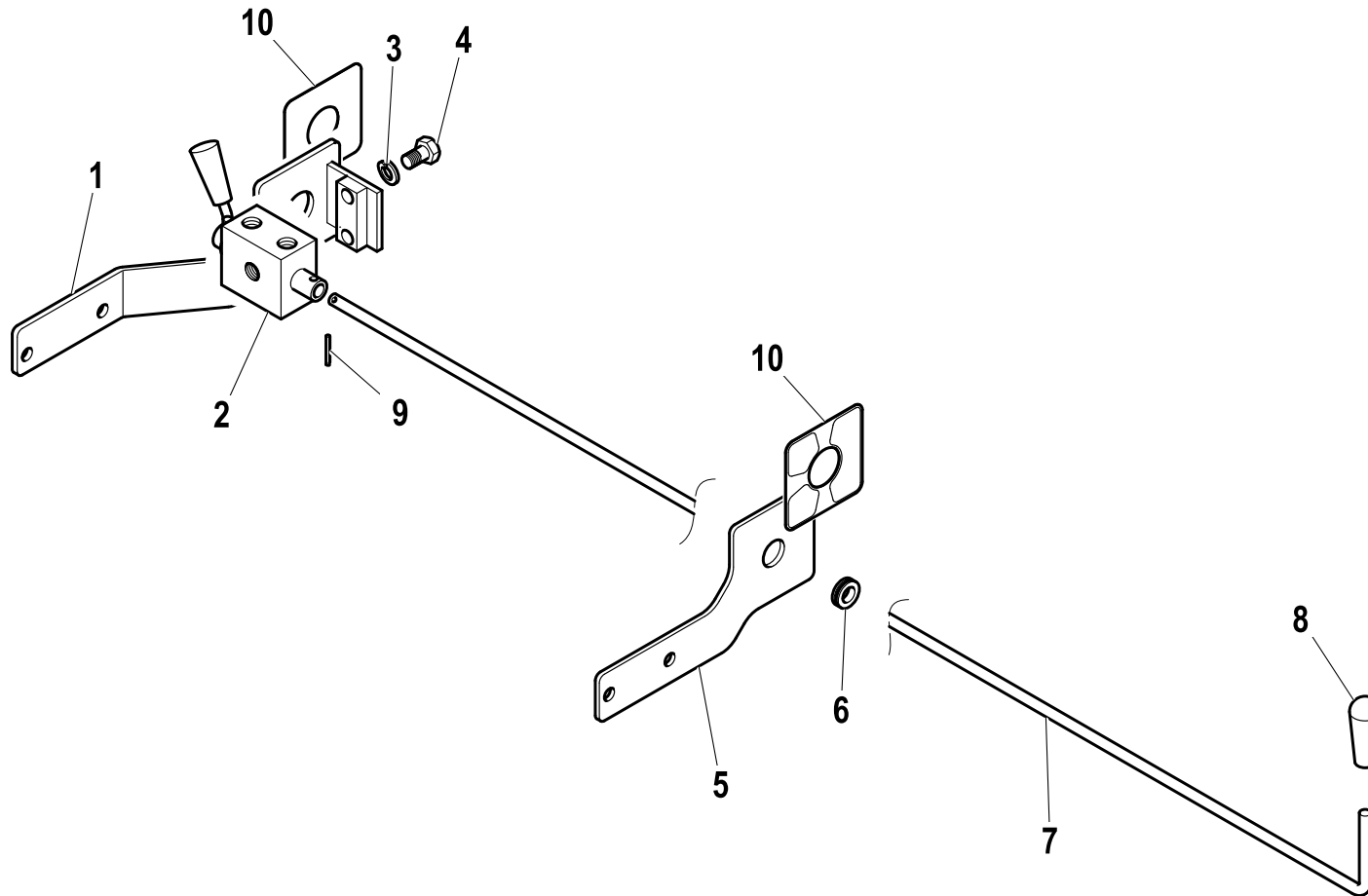
| R | Pos. | Code Variant | Q.ty | Description |
|---|------|--------------|------|-------------------------------------|
| | 21 | 5000183 | 2 | |
| | 22 | 3060005 | 4 | Flat washer [D.6.4 UNI 6592 ZC] |
| | 23 | 3010325 | 4 | Hex screw [M6X16 8.8 ZC UNI 5739] |
| | 24 | 3060030 | 2 | Flat washer [D.6.6X18 UNI 6593 ZC] |
| | 25 | 3010323 | 2 | Hex screw [M6X10 8.8 ZC UNI 5739] |
| | 26 | 3080501 | 2 | Grease nipple |
| | 27 | W370400700 | 2 | Button (Coupling backlash) |
| | 28 | 3020921 | 8 | TSEI screw [M12X35 8.8 ZC UNI 5933] |
| | 29 | 3060959 | 8 | |
| | 30 | 3040305 | 8 | Stopnut |

DOUBLE CONTROLS (Stabilizers rods)

Code

5380038-2.0

1/1



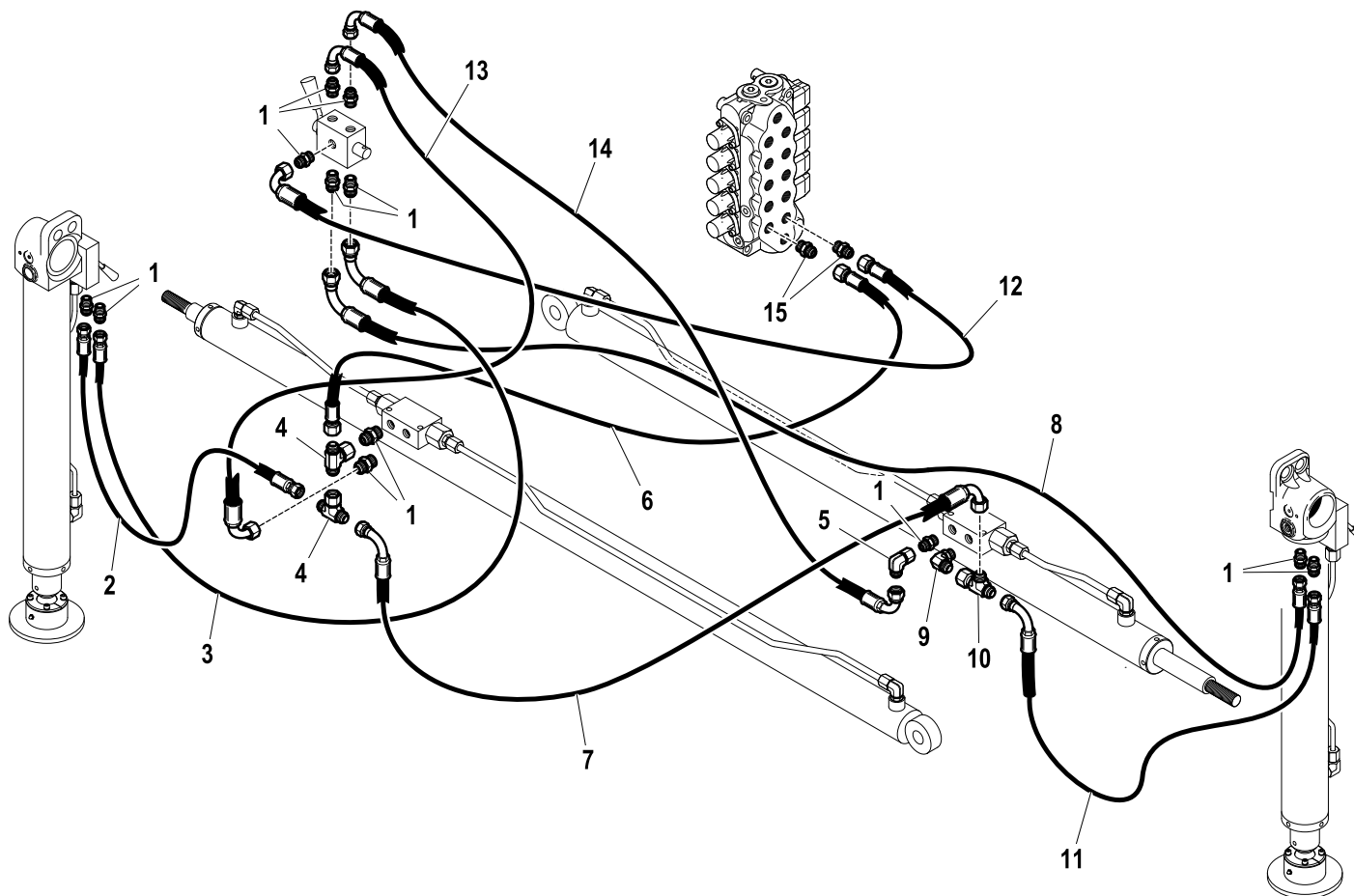
| R | Pos. | Code Variant | Q.ty | Description |
|---|------|--------------|------|------------------------------------|
| | 1 | 5090937 | 1 | |
| | 2 | 5220256 | 1 | |
| | 3 | 3060056 | 2 | Split lock washer [D=10 C72 ZC] |
| | 4 | 3010354 | 2 | Hex screw [M10X20 8.8 ZC UNI 5739] |
| | 5 | 5001494 | 1 | |
| | 6 | 3190255 | 1 | |
| | 7 | 5150783 | 1 | |
| | 8 | 3190010 | 1 | Knob |
| | 9 | 3060596 | 1 | Spring pin |
| | 10 | 5812483 | 2 | |

HYDRAULIC SYSTEM (not CE)

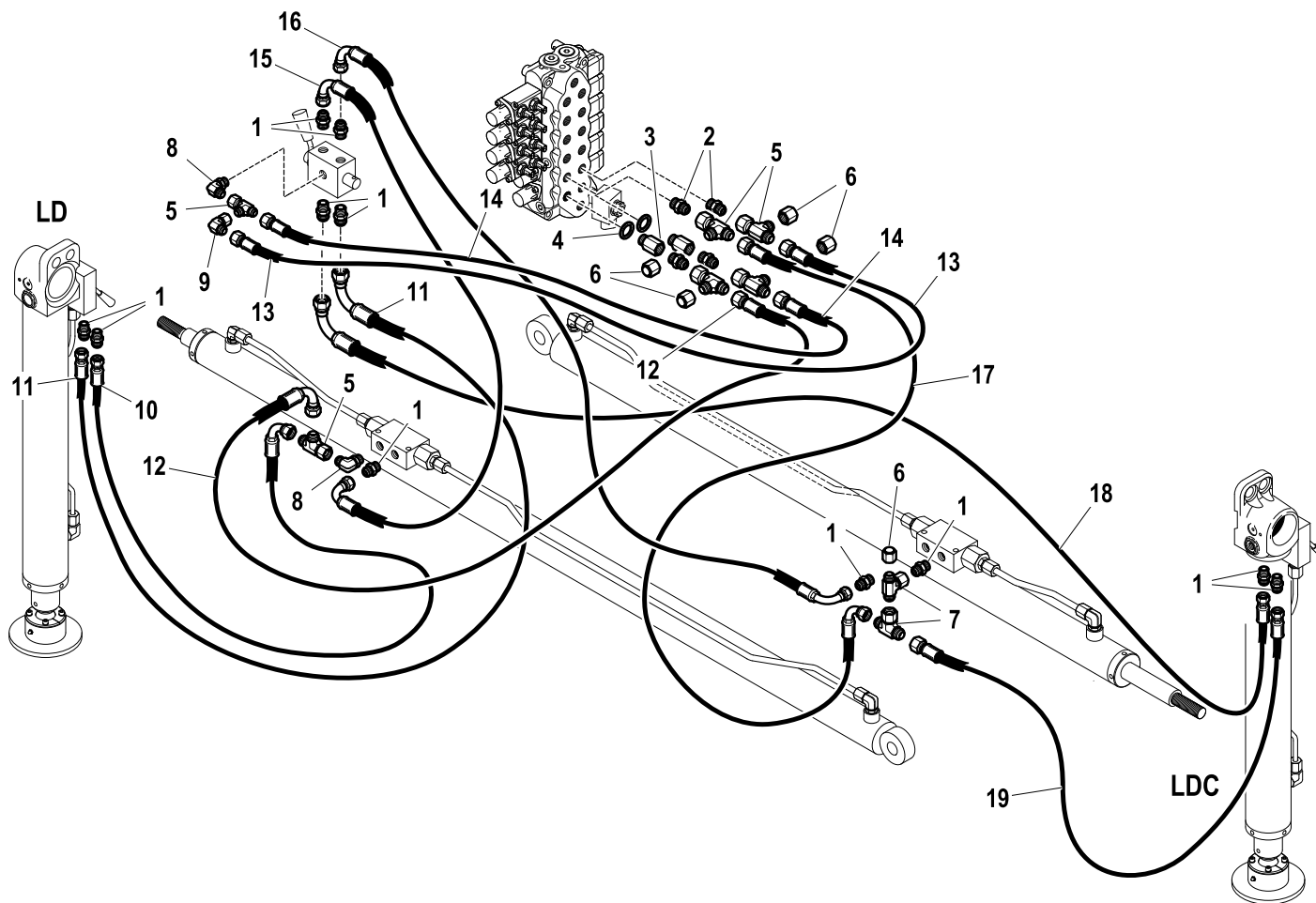
Code

5380038-3.0

1/1



| R | Pos. | Code Variant | Q.ty | Description |
|---|------|--------------|------|-----------------------|
| | 1 | 3101039 | 12 | Straight pipe fitting |
| | 2 | 5261132 | 1 | Flexible hose |
| | 3 | 5261127 | 1 | Flexible hose |
| | 4 | 3120341 | 2 | Tee fitting |
| | 5 | 3120011 | 1 | 90° Connection |
| | 6 | 5260841 | 1 | Flexible hose |
| | 7 | 5261131 | 1 | Flexible hose |
| | 8 | 5261128 | 1 | Flexible hose |
| | 9 | 3101124 | 1 | 90° Connection |
| | 10 | 3120003 | 1 | Tee fitting |
| | 11 | 5261130 | 1 | Flexible hose |
| | 12 | 5261250 | 1 | Flexible hose |
| | 13 | 5260840 | 1 | Flexible hose |
| | 14 | 5261129 | 1 | Flexible hose |
| | 15 | 3101040 | 2 | Straight pipe fitting |



| R | Pos. | Code Variant | Q.ty | Description |
|---|------|--------------|------|---------------------------|
| | 1 | 3101039 | 11 | Straight pipe fitting |
| | 2 | 3101040 | 4 | Straight pipe fitting |
| | 3 | 3110001 | 2 | Straight pipe fitting |
| | 4 | 3060144 | 2 | Sealing washer [BSP 3/8"] |
| | 5 | 3120003 | 6 | Tee fitting |
| | 6 | 3110040 | 5 | Female plug |
| | 7 | 3120341 | 2 | Tee fitting |
| | 8 | 3101124 | 1 | 90° Connection |
| | 9 | 3120011 | 1 | 90° Connection |
| | 10 | 5261130 | 1 | Flexible hose |
| | 11 | 5261127 | 1 | Flexible hose |
| | 12 | 5261250 | 1 | Flexible hose |
| | 13 | 5260849 | 1 | Flexible hose |
| | 14 | 5260841 | 1 | Flexible hose |
| | 15 | 5260840 | 1 | Flexible hose |
| | 16 | 5261131 | 1 | Flexible hose |
| | 17 | 5261137 | 1 | Flexible hose |
| | 18 | 5261128 | 1 | Flexible hose |
| | 19 | 5261132 | 1 | Flexible hose |

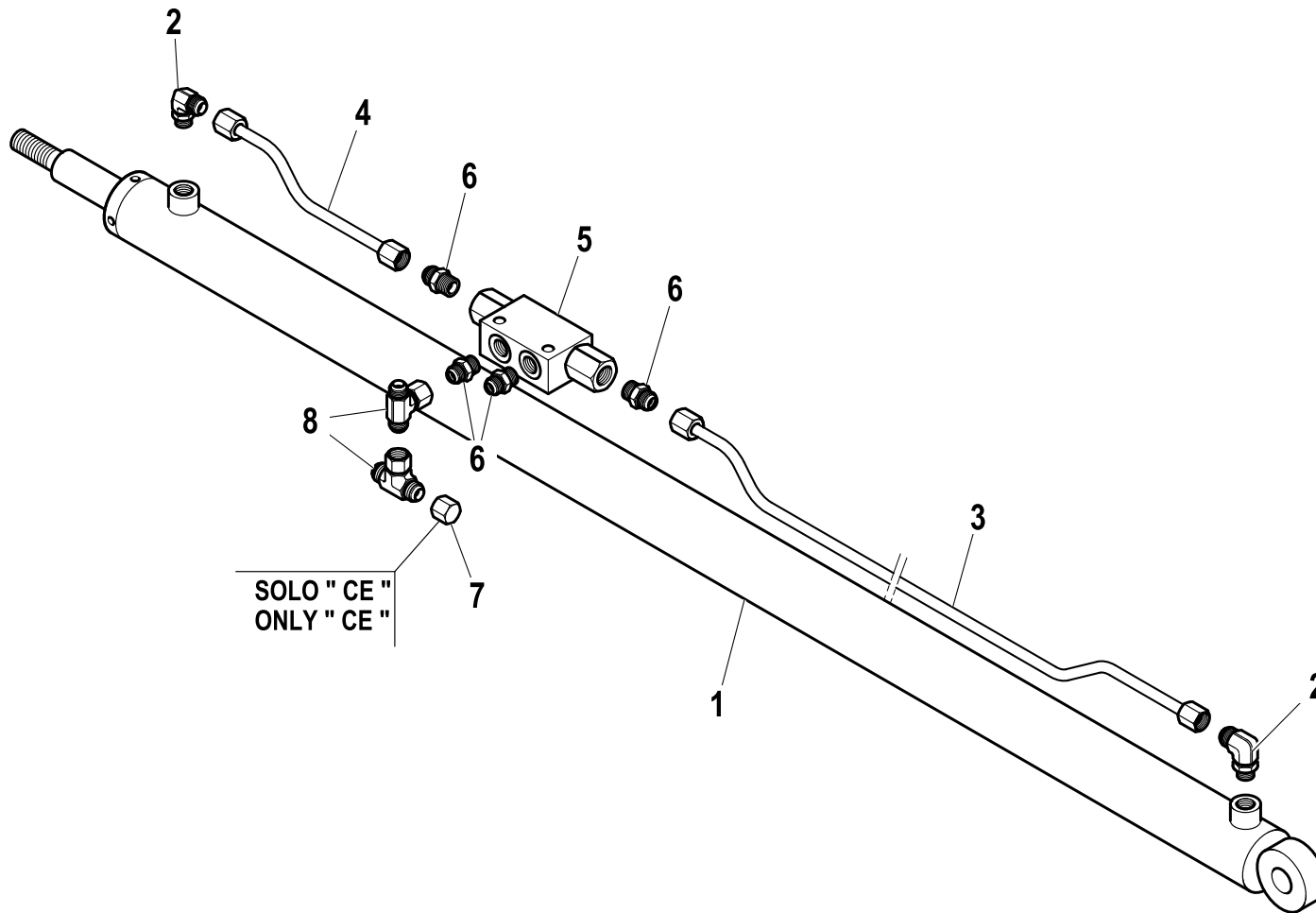
HYDRAULIC SYSTEM ROD EXTENSION HYDRAULIC CYLINDER (Control valve side)

Code

6200268-1.0

1/1

| R | Pos. | Code Variant | Q.ty | Description |
|---|------|--------------|------|-----------------------|
| | 1 | 6400268 | 1 | Extension jacks |
| | 2 | 3101124 | 2 | 90° Connection |
| | 3 | 5392381 | 1 | |
| | 4 | 5392236 | 1 | |
| | 5 | 5220559 | 1 | Holding valve |
| | 6 | 3101039 | 4 | Straight pipe fitting |
| | 7 | 3110040 | 1 | Female plug |
| | 8 | 3120341 | 2 | Tee fitting |

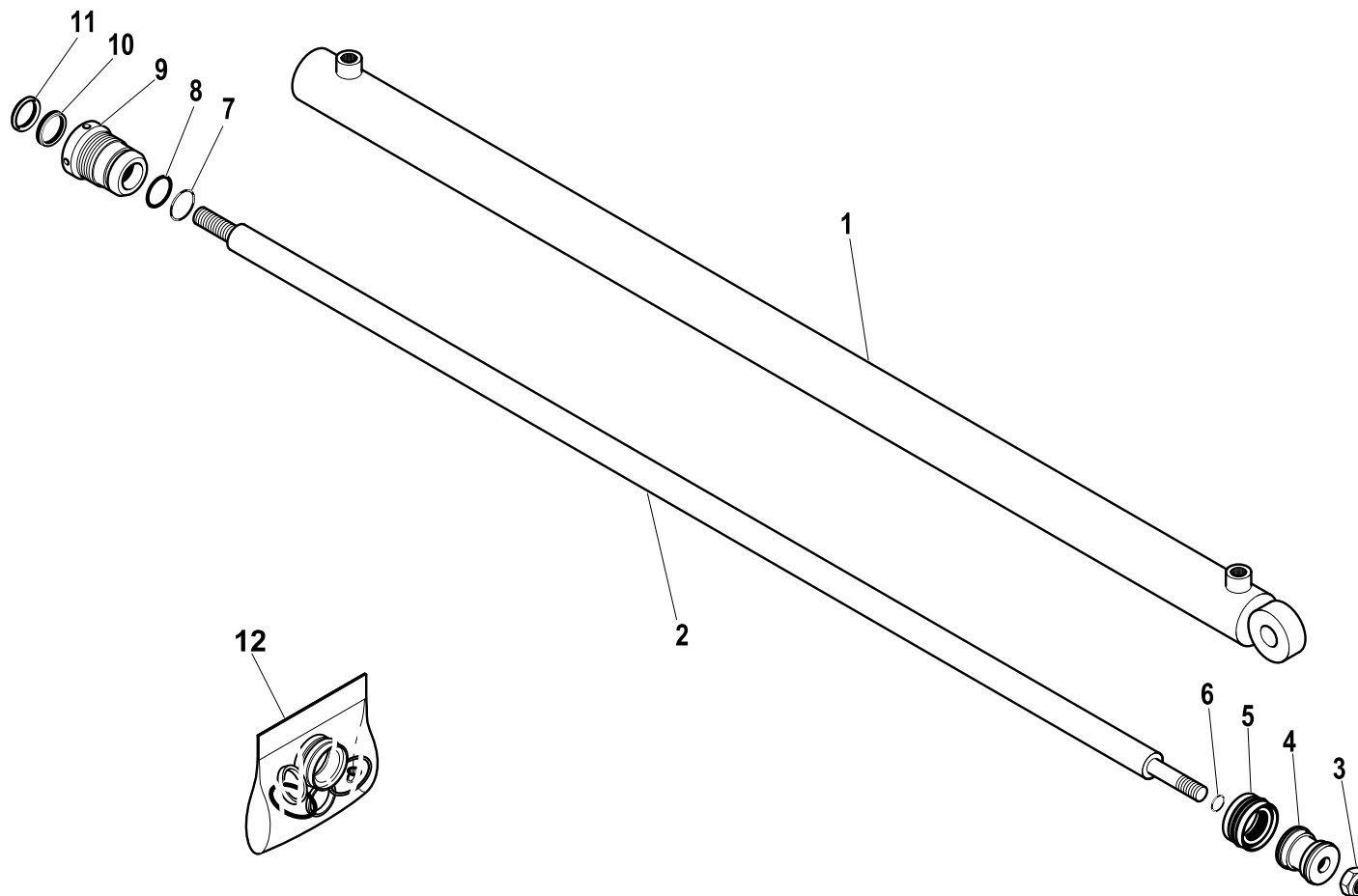


Rod extensio hydraulic (Control valve side)

Code

6400268-1.0

1/1



| R | Pos. | Code Variant | Q.ty | Description |
|---|------|--------------|------|-------------|
| | 1 | 6070610 | 1 | |
| | 2 | 6030908 | 1 | |
| | 3 | 3040306 | 1 | Stopnut |
| | 4 | 6050142 | 1 | |
| | 5 | 3400503 | 1 | |
| | 6 | 3450006 | 1 | |
| | 7 | 3450067 | 1 | |
| | 8 | 3460067 | 1 | |
| | 9 | 6040154 | 1 | |
| | 10 | 3400029 | 1 | |
| | 11 | 3420011 | 1 | |
| | 12 | 5550709 | 1 | |

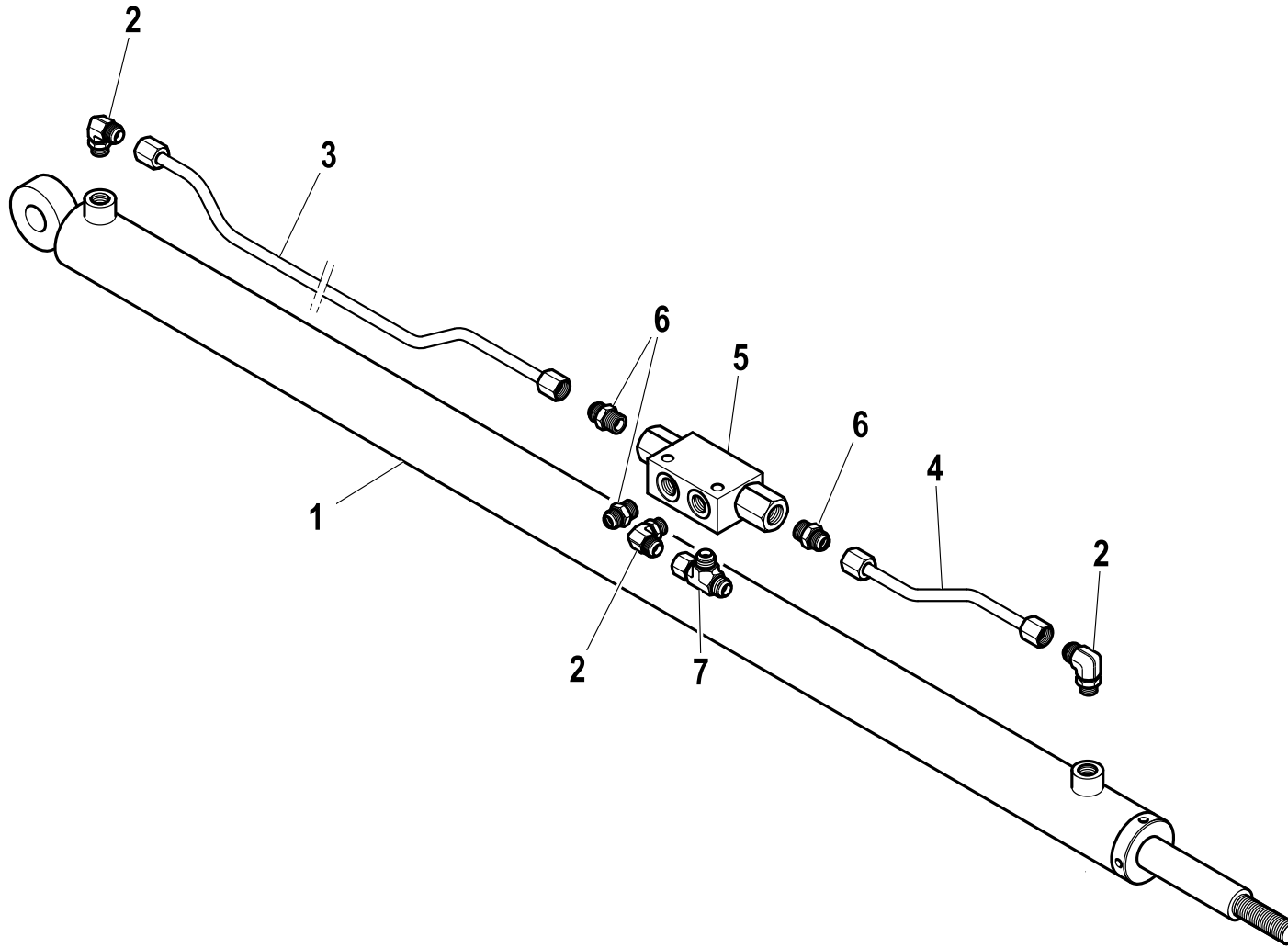
HYDRAULIC SYSTEM ROD EXTENSION HYDRAULIC CYLINDER (Double controls side)

Code

6200272-1.0

1/1

| R | Pos. | Code Variant | Q.ty | Description |
|---|------|--------------|------|-----------------------|
| | 1 | 6400272 | 1 | Extension jacks |
| | 2 | 3101124 | 3 | 90° Connection |
| | 3 | 5392382 | 1 | |
| | 4 | 5392236 | 1 | |
| | 5 | 5220559 | 1 | Holding valve |
| | 6 | 3101039 | 3 | Straight pipe fitting |
| | 7 | 3120003 | 1 | Tee fitting |

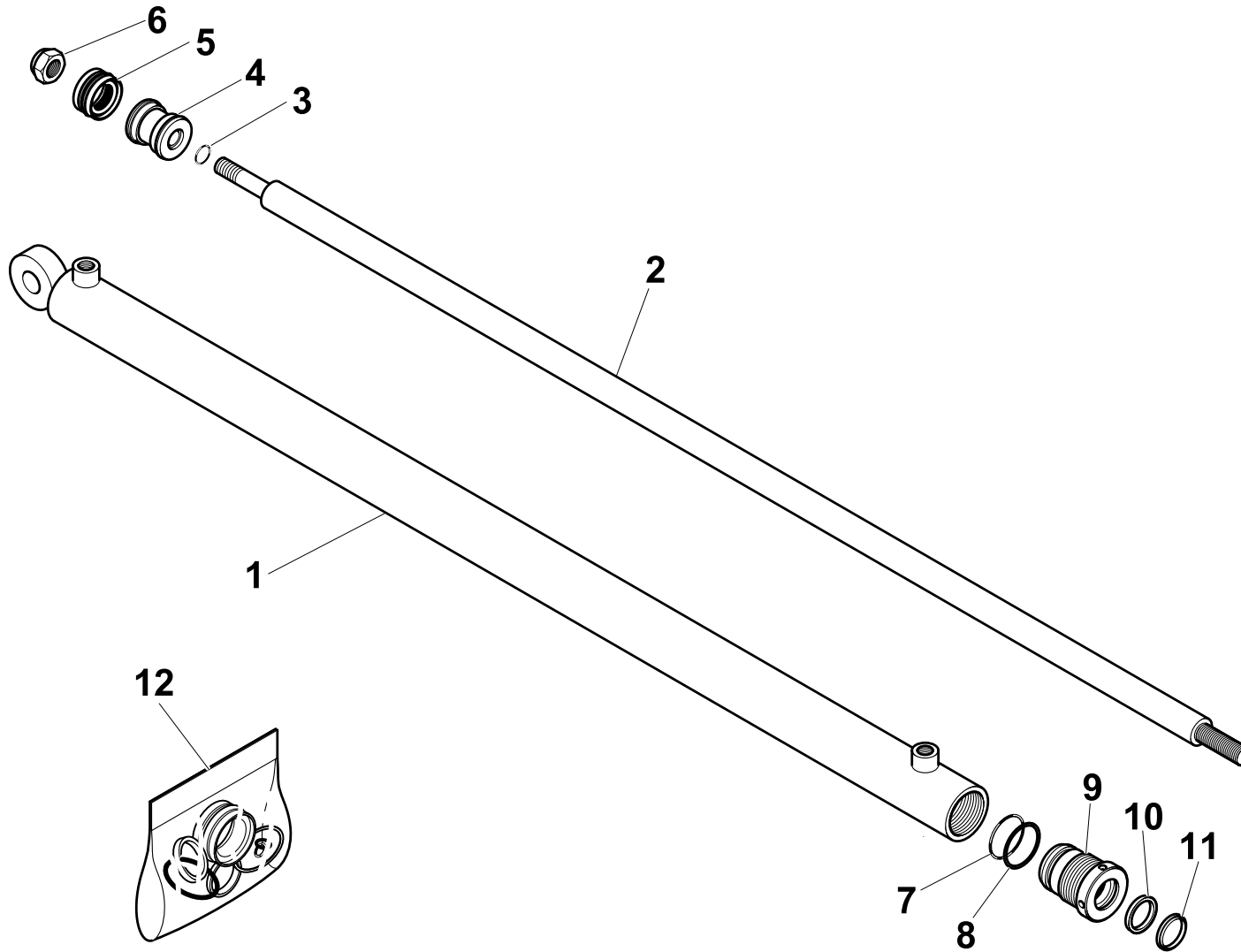


ROD EXSTENSION HYDRAULIC CYLINDER (Double controls side)

Code

6400272-1.0

1/1



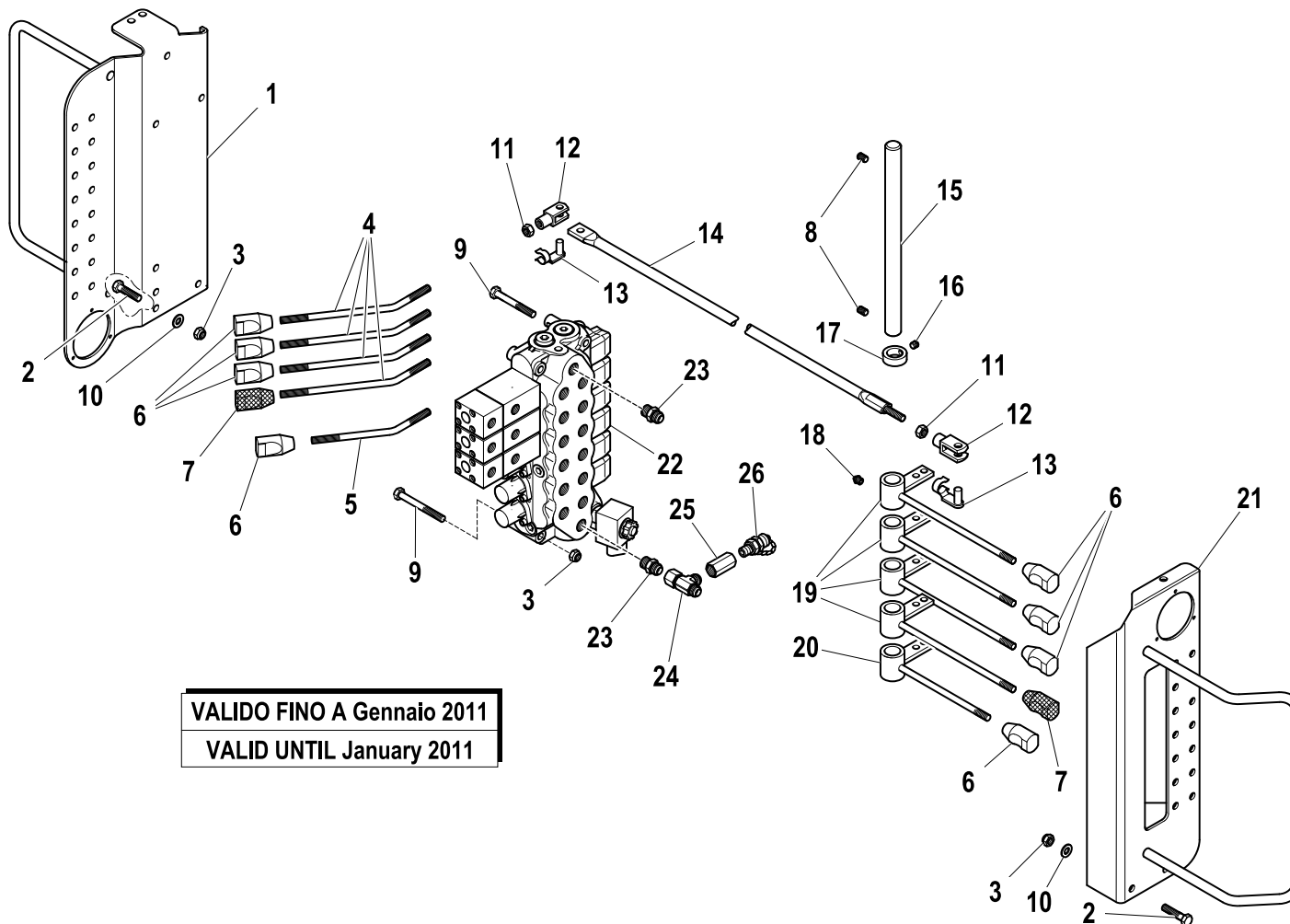
| R | Pos. | Code Variant | Q.ty | Description |
|---|------|--------------|------|-------------|
| | 1 | 6070609 | 1 | |
| | 2 | 6030907 | 1 | |
| | 3 | 3450006 | 1 | |
| | 4 | 6050142 | 1 | |
| | 5 | 3400503 | 1 | |
| | 6 | 3040306 | 1 | Stopnut |
| | 7 | 3450067 | 1 | |
| | 8 | 3460067 | 1 | |
| | 9 | 6040154 | 1 | |
| | 10 | 3400029 | 1 | |
| | 11 | 3420011 | 1 | |
| | 12 | 5550709 | 1 | |

DOUBLE CONTROLS

Code

5400874-1.0

1/2



VALIDO FINO A Gennaio 2011

VALID UNTIL January 2011

| R | Pos. | Code Variant | Q.ty | Description |
|---|------|--------------|------|--------------------------------------|
| | 1 | 5091007 | 1 | |
| | 2 | 3010390 | 4 | Hex screw [M8X35 ZC UNI 5739] |
| | 3 | 3040303 | 7 | Stopnut |
| | 4 | 5000657 | 4 | Control lever |
| | 5 | 5000659 | 1 | Control lever |
| | 6 | 3190197 | 8 | Knob |
| | 7 | 3190217 | 2 | |
| | 8 | 3060936 | 2 | Grub screw |
| | 9 | 3010036 | 2 | Hex screw [M8X65 8.8 ZC UNI 5739] |
| | 10 | 3060006 | 10 | Flat washer [D.8 UNI 6592 ZC] |
| | 11 | 3040045 | 11 | Nut |
| | 12 | 3300431 | 10 | Fork |
| | 13 | 3300451 | 10 | Fork clip |
| | 14 | 5090442 | 5 | |
| | 15 | 5150474 | 1 | |
| | 16 | 3060232 | 1 | Grub screw [Grano M6X6 UNI 5927 ZC.] |
| | 17 | 5000670 | 1 | Ring |
| | 18 | 3080500 | 6 | Grease nipple |
| | 19 | 5090433 | 4 | Control lever |
| | 20 | 5090434 | 1 | Control lever |

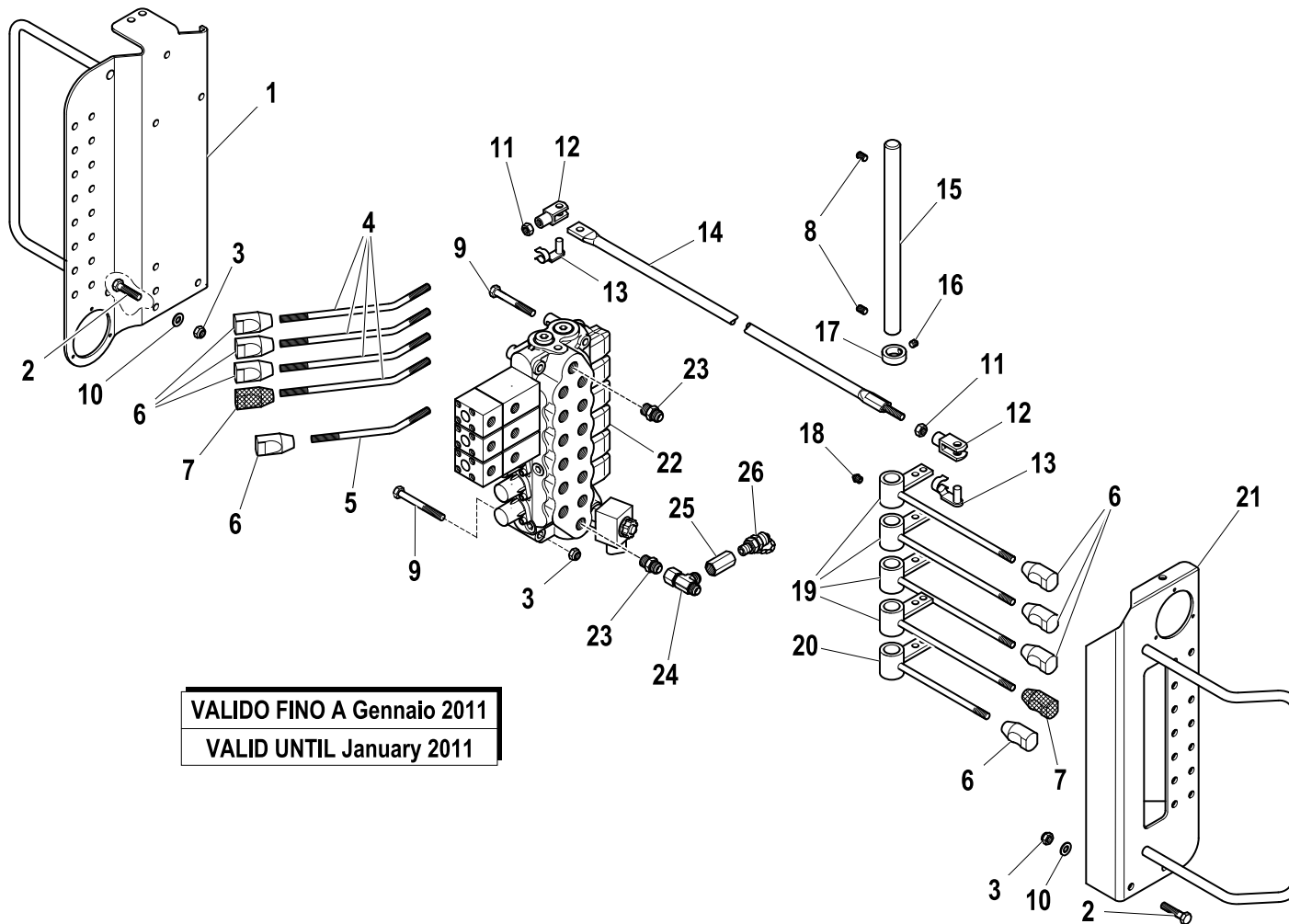
DOUBLE CONTROLS

Code

5400874-1.0

2/2

| R | Pos. | Code Variant | Q.ty | Description |
|---|------|--------------|------|--|
| | 21 | 5091006 | 1 | |
| | 22 | 5220817 | 1 | |
| | 23 | 3101043 | 2 | Straight pipe fitting |
| | 24 | 3120004 | 1 | Tee fitting |
| | 25 | 3120356 | 1 | Reducing fitting |
| | 26 | 3111523 | 1 | Pipe fitting (Tapping point) [RACC. MILITES 16X2-1/4"G] |



VALIDO FINO A Gennaio 2011
VALID UNTIL January 2011

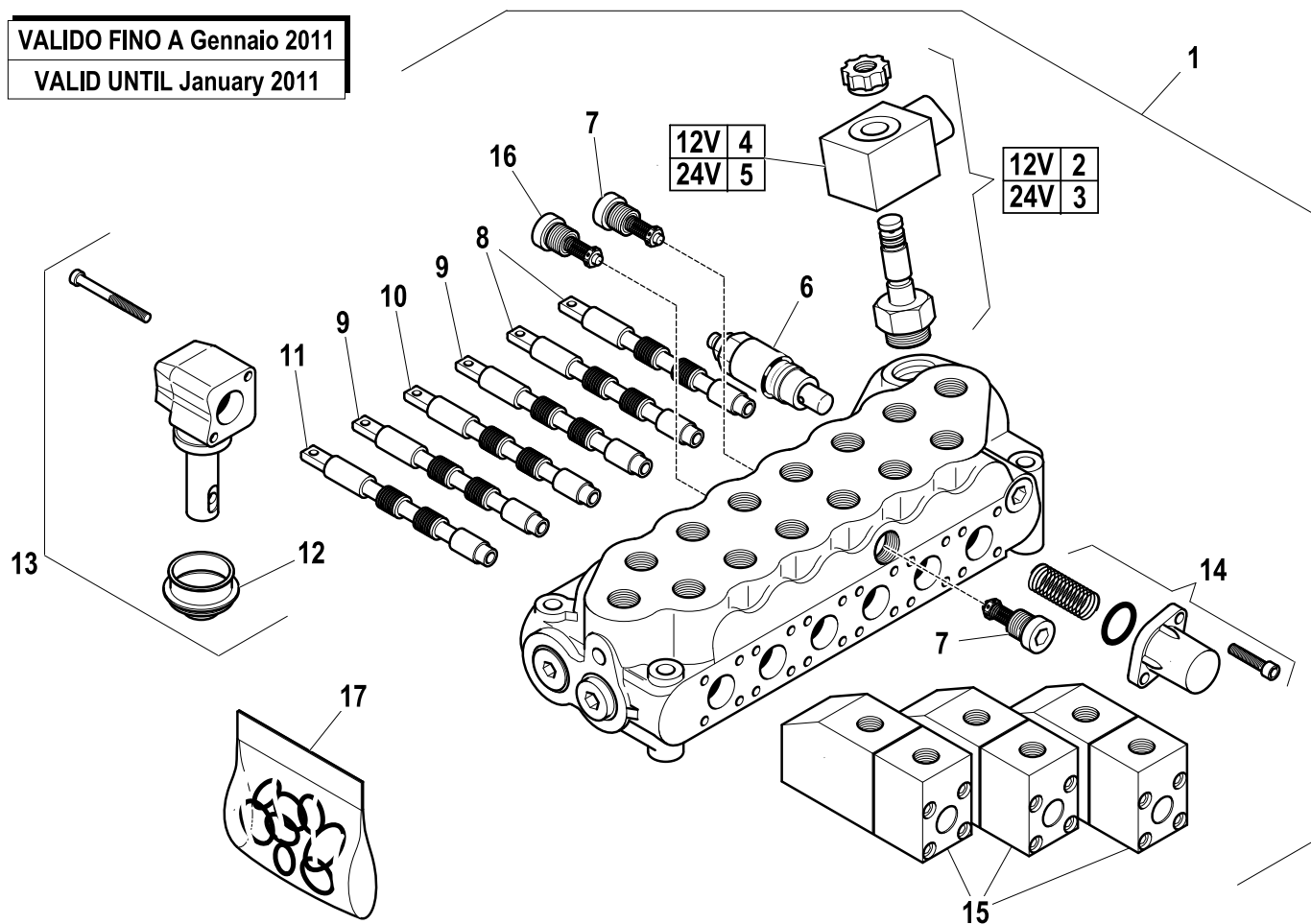
Control valve (6 section)

Code

5220817-1.0

1/1

VALIDO FINO A Gennaio 2011
VALID UNTIL January 2011



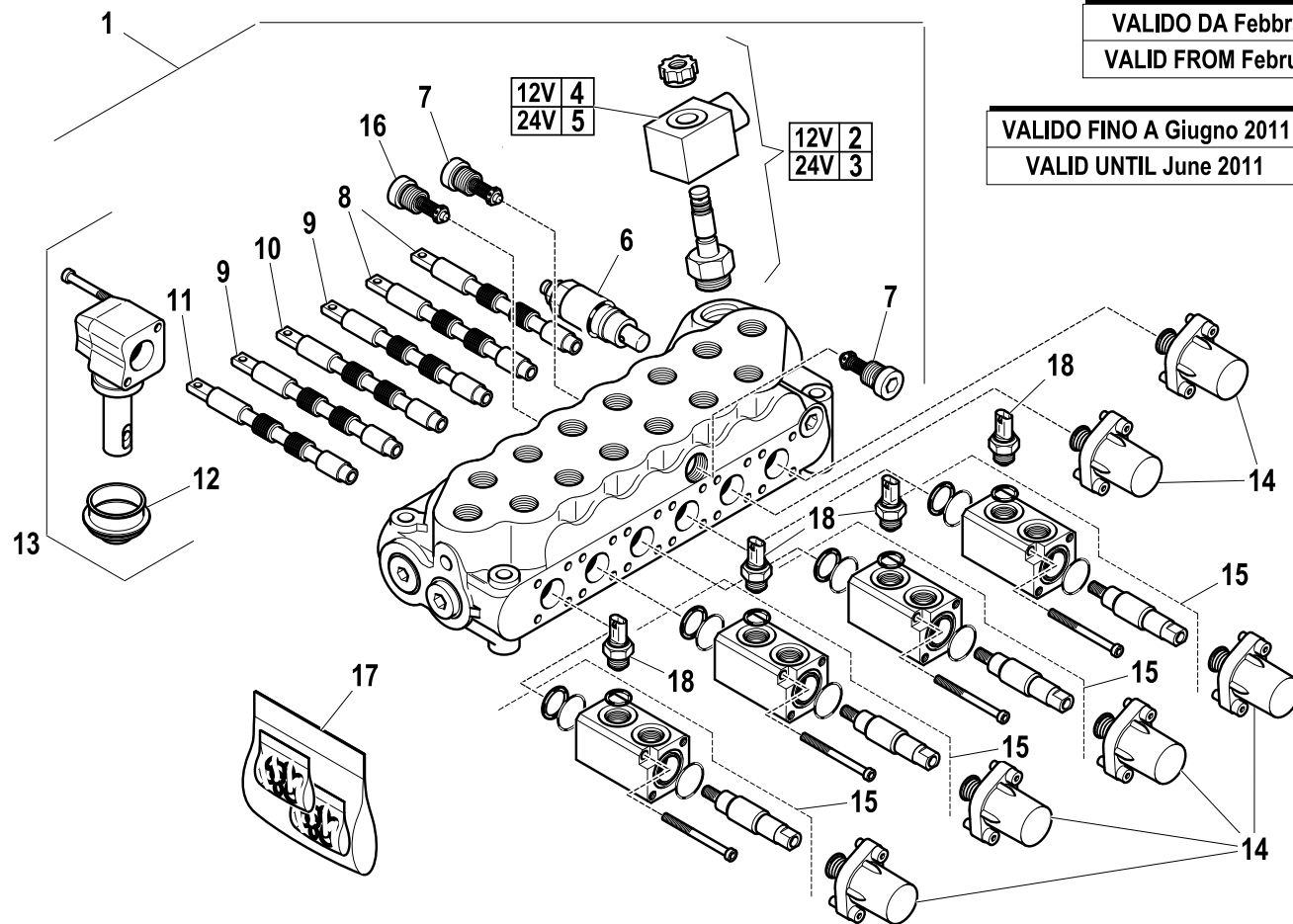
| R | Pos. | Code Variant | Q.ty | Description |
|---|------|--------------|------|----------------|
| | 1 | 5220817 | 1 | |
| | 2 | 5225789 | 1 | |
| | 3 | 5225788 | 1 | |
| | 4 | 3310238 | 1 | Solenoid (12V) |
| | 5 | 3310242 | 1 | Solenoid (24V) |
| | 6 | 5225705 | 1 | |
| | 7 | 5225791 | 2 | |
| | 8 | 5225793 | 2 | |
| | 9 | 5225794 | 2 | |
| | 10 | 5225795 | 1 | |
| | 11 | 5225796 | 1 | |
| | 12 | 5225022 | 6 | |
| | 13 | 5225261 | 6 | |
| | 14 | 5225262 | 3 | |
| | 15 | 5225059 | 3 | |
| | 16 | 5225792 | 1 | |
| | 17 | 5225797 | 1 | |

Control valve (6 section)

Code

5220817-3.0

1/1



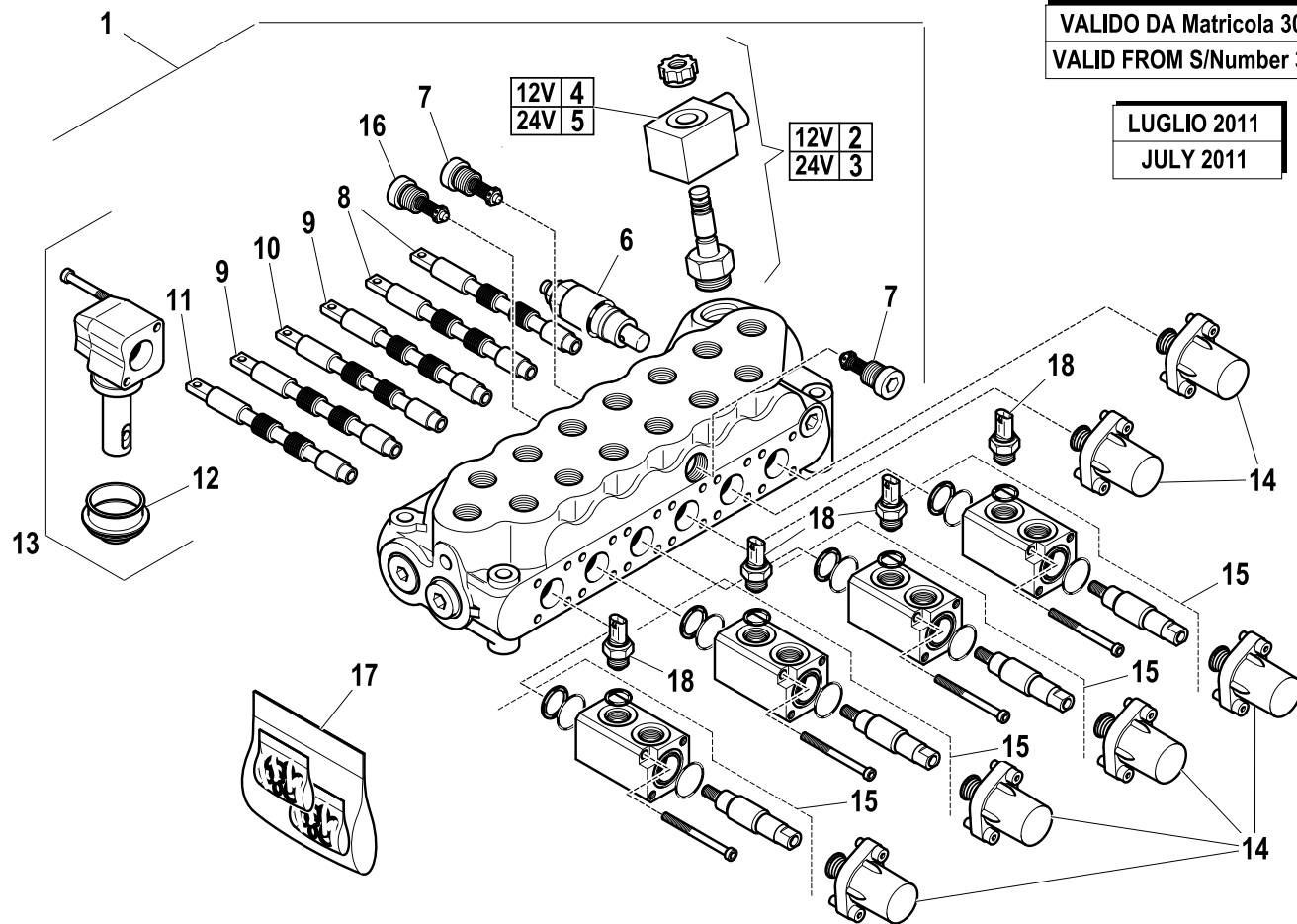
| R | Pos. | Code Variant | Q.ty | Description |
|---|------|--------------|------|----------------|
| | 1 | 5220817 | 1 | |
| | 2 | 5225789 | 1 | |
| | 3 | 5225788 | 1 | |
| | 4 | 3310238 | 1 | Solenoid (12V) |
| | 5 | 3310242 | 1 | Solenoid (24V) |
| | 6 | 5225705 | 1 | |
| | 7 | 5225791 | 2 | |
| | 8 | 5225793 | 2 | |
| | 9 | 5225794 | 2 | |
| | 10 | 5225795 | 1 | |
| | 11 | 5225796 | 1 | |
| | 12 | 5225022 | 6 | |
| | 13 | 5225261 | 6 | |
| | 14 | 5225262 | 6 | |
| | 15 | 5225848 | 4 | |
| | 16 | 5225792 | 1 | |
| | 17 | 5225900 | 1 | |
| | 18 | 5225832 | 8 | |

Control valve (6 section)

Code

5220479-1.0

1/1



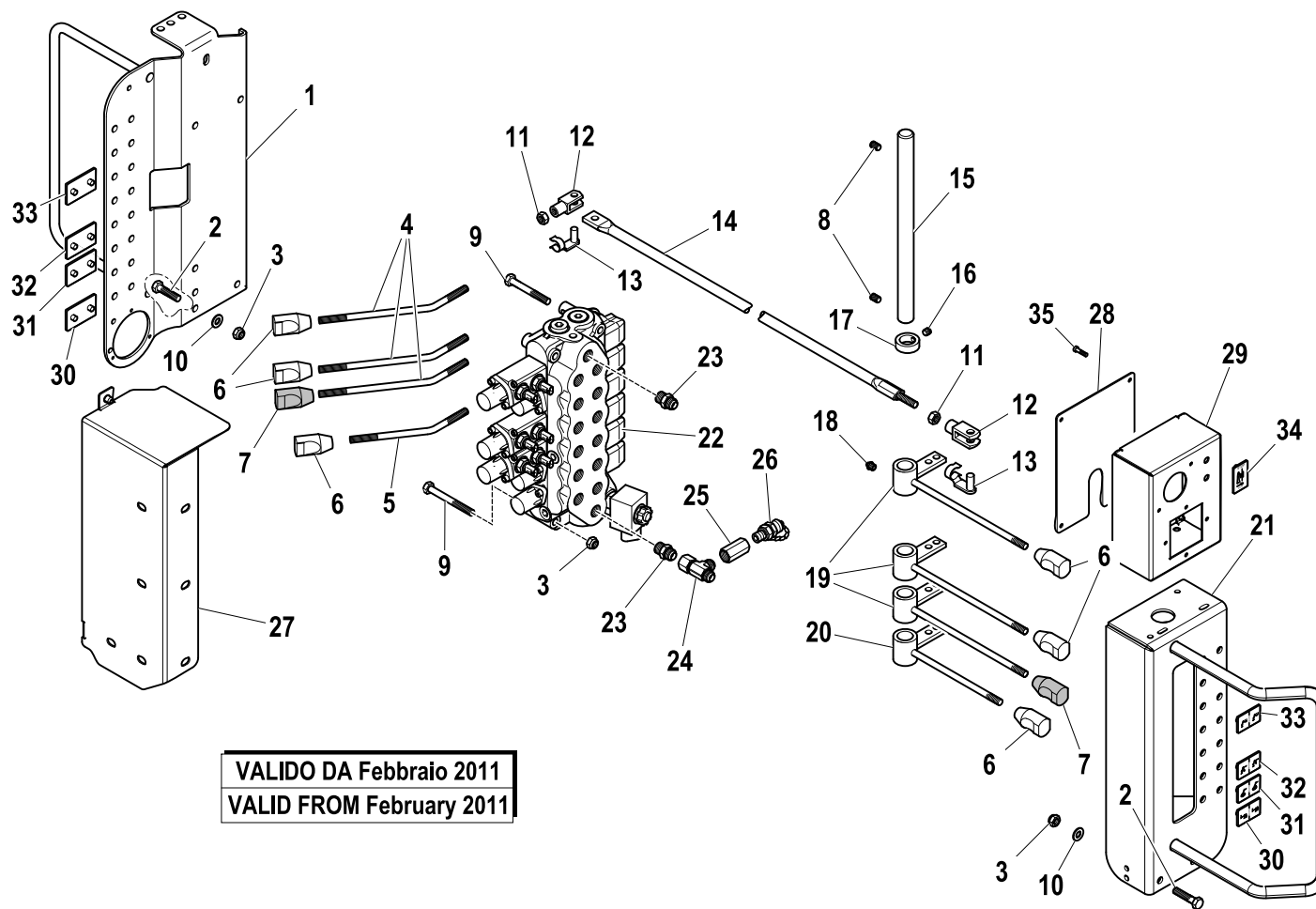
| R | Pos. | Code Variant | Q.ty | Description |
|---|------|--------------|------|-------------|
| | 1 | 5220479 | 1 | |
| | 2 | 5225897 | 1 | |
| | 3 | 5225896 | 1 | |
| | 4 | 3311438 | 1 | |
| | 5 | 3311437 | 1 | |
| | 6 | 5225705 | 1 | |
| | 7 | 5225791 | 2 | |
| | 8 | 5225793 | 2 | |
| | 9 | 5225794 | 2 | |
| | 10 | 5225795 | 1 | |
| | 11 | 5225796 | 1 | |
| | 12 | 5225022 | 6 | |
| | 13 | 5225261 | 6 | |
| | 14 | 5225262 | 6 | |
| | 15 | 5225848 | 4 | |
| | 16 | 5225792 | 1 | |
| | 17 | 5225900 | 1 | |
| | 18 | 5225832 | 8 | |

DOUBLE CONTROLS (CE)

Code

5401592-1.0

1/2



VALIDO DA Febbraio 2011
VALID FROM February 2011

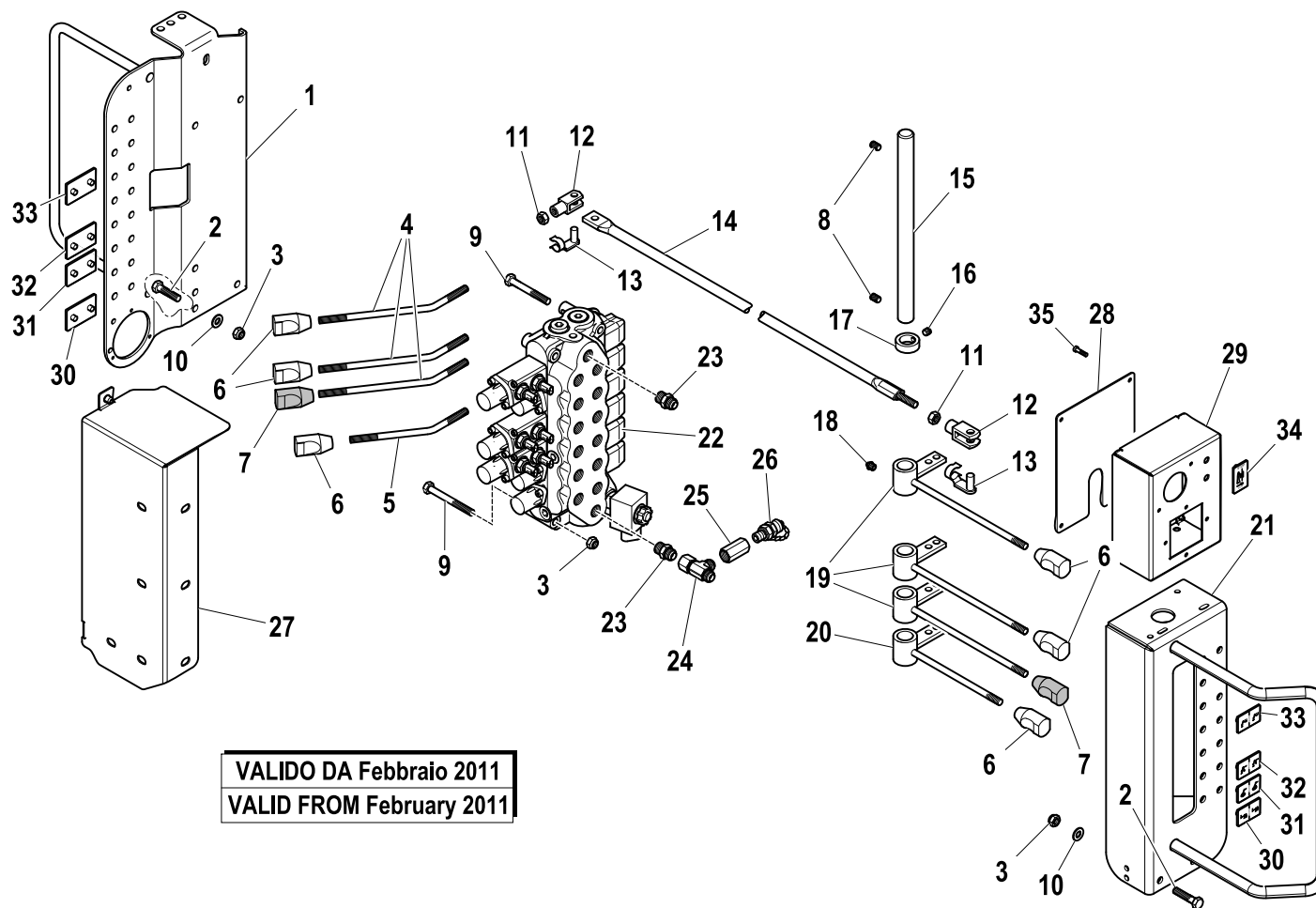
| R | Pos. | Code Variant | Q.ty | Description |
|---|------|--------------|------|--------------------------------------|
| | 1 | 5091007 | 1 | |
| | 2 | 3010390 | 4 | Hex screw [M8X35 ZC UNI 5739] |
| | 3 | 3040303 | 7 | Stopnut |
| | 4 | 5000657 | 3 | Control lever |
| | 5 | 5000659 | 1 | Control lever |
| | 6 | 3190197 | 6 | Knob |
| | 7 | 3190217 | 2 | |
| | 8 | 3060936 | 2 | Grub screw |
| | 9 | 3010036 | 2 | Hex screw [M8X65 8.8 ZC UNI 5739] |
| | 10 | 3060006 | 10 | Flat washer [D.8 UNI 6592 ZC] |
| | 11 | 3040045 | 11 | Nut |
| | 12 | 3300431 | 8 | Fork |
| | 13 | 3300451 | 8 | Fork clip |
| | 14 | 5090442 | 4 | |
| | 15 | 5150474 | 1 | |
| | 16 | 3060232 | 1 | Grub screw [Grano M6X6 UNI 5927 ZC.] |
| | 17 | 5000670 | 1 | Ring |
| | 18 | 3080500 | 5 | Grease nipple |
| | 19 | 5090433 | 3 | Control lever |
| | 20 | 5090434 | 1 | Control lever |

DOUBLE CONTROLS (CE)

Code

5401592-1.0

2/2



VALIDO DA Febbraio 2011
VALID FROM February 2011

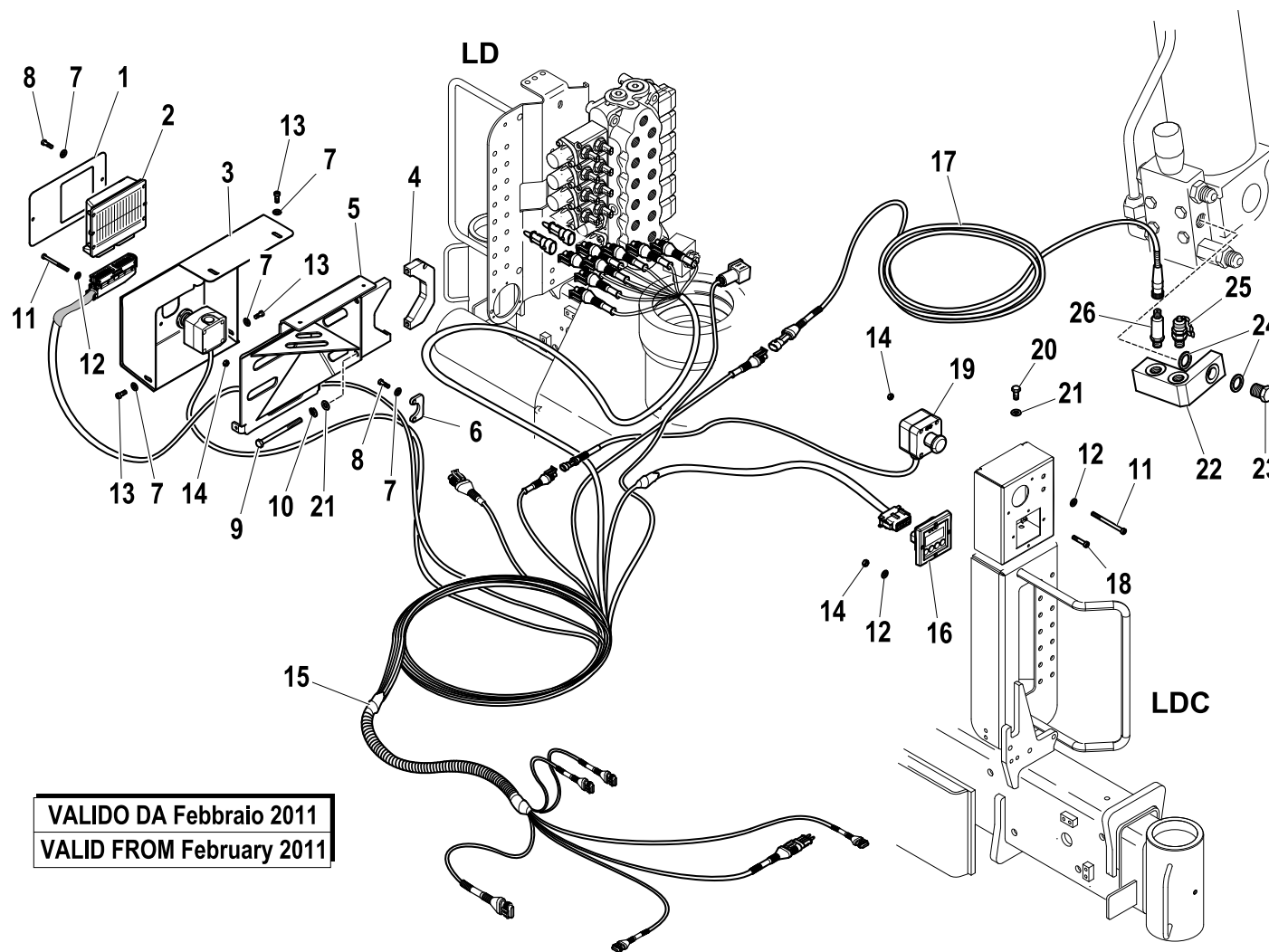
| R | Pos. | Code Variant | Q.ty | Description |
|---|------|--------------|------|--|
| | 21 | 5091334 | 1 | |
| | 22 | 5220479 | 1 | |
| | 23 | 3101043 | 2 | Straight pipe fitting |
| | 24 | 3120004 | 1 | Tee fitting |
| | 25 | 3120356 | 1 | Reducing fitting |
| | 26 | 3111523 | 1 | Pipe fitting (Tapping point) [RACC. MILITES 16X2-1/4"G] |
| | 27 | 5091340 | 1 | |
| | 28 | 5002094 | 1 | |
| | 29 | 5002093 | 1 | |
| | 30 | 5812795 | 2 | |
| | 31 | 5812796 | 2 | |
| | 32 | 5812797 | 2 | |
| | 33 | 5812800 | 2 | |
| | 34 | 5813567 | 1 | |
| | 35 | 3020895 | 4 | Socket head cap screw [M4X10 8.8 ZC UNI 5931] |

Control unit (STABILITY CONTROL)

Code

5401598-1.0

1/2



VALIDO DA Febbraio 2011
VALID FROM February 2011

| R | Pos. | Code Variant | Q.ty | Description |
|----|------|--------------|------|---|
| 1 | | 5000622 | 1 | |
| 2 | | 3311423 | 1 | Moment limiting device [SUPERATO] |
| 3 | | 5090104 | 1 | |
| 4 | | 5002075 | 1 | |
| 5 | | 5090103 | 1 | |
| 6 | | 5000179 | 1 | |
| 7 | | 3060004 | 8 | Flat washer [D.5 UNI 6592 ZC] |
| 8 | | 3020023 | 4 | Socketed head cap screw [M5X16 8.8 ZC UNI 5931] |
| 9 | | 3010396 | 2 | Hex screw [M8X130 8.8 ZC UNI 5737] |
| 10 | | 3060055 | 2 | Split lock washer [D=8.4 C72 ZC] |
| 11 | | 3020012 | 4 | Socketed head cap screw [M4X70 8.8 ZC UNI 5931] |
| 12 | | 3060003 | 8 | Flat washer [D.4 UNI 6592 ZC] |
| 13 | | 3020021 | 4 | Socketed head cap screw [M5X12X0.8 8.8 ZC UNI 5931] |
| 14 | | 3040518 | 8 | Stopnut |
| 15 | | 5160086 | 1 | |
| 16 | | 3311328 | 1 | DIGITAL INSTRUMENT PANEL (Moment limiting device) |
| 17 | | 5160084 | 1 | Electric wiring |
| 18 | | 3020885 | 4 | Socketed head cap screw [M4X20 8.8 ZC UNI 5931] |
| 19 | | 3311400 | 1 | Electric wiring |
| 20 | | 3010337 | 2 | Hex screw [M8X16 8.8 ZC UNI 5739] |

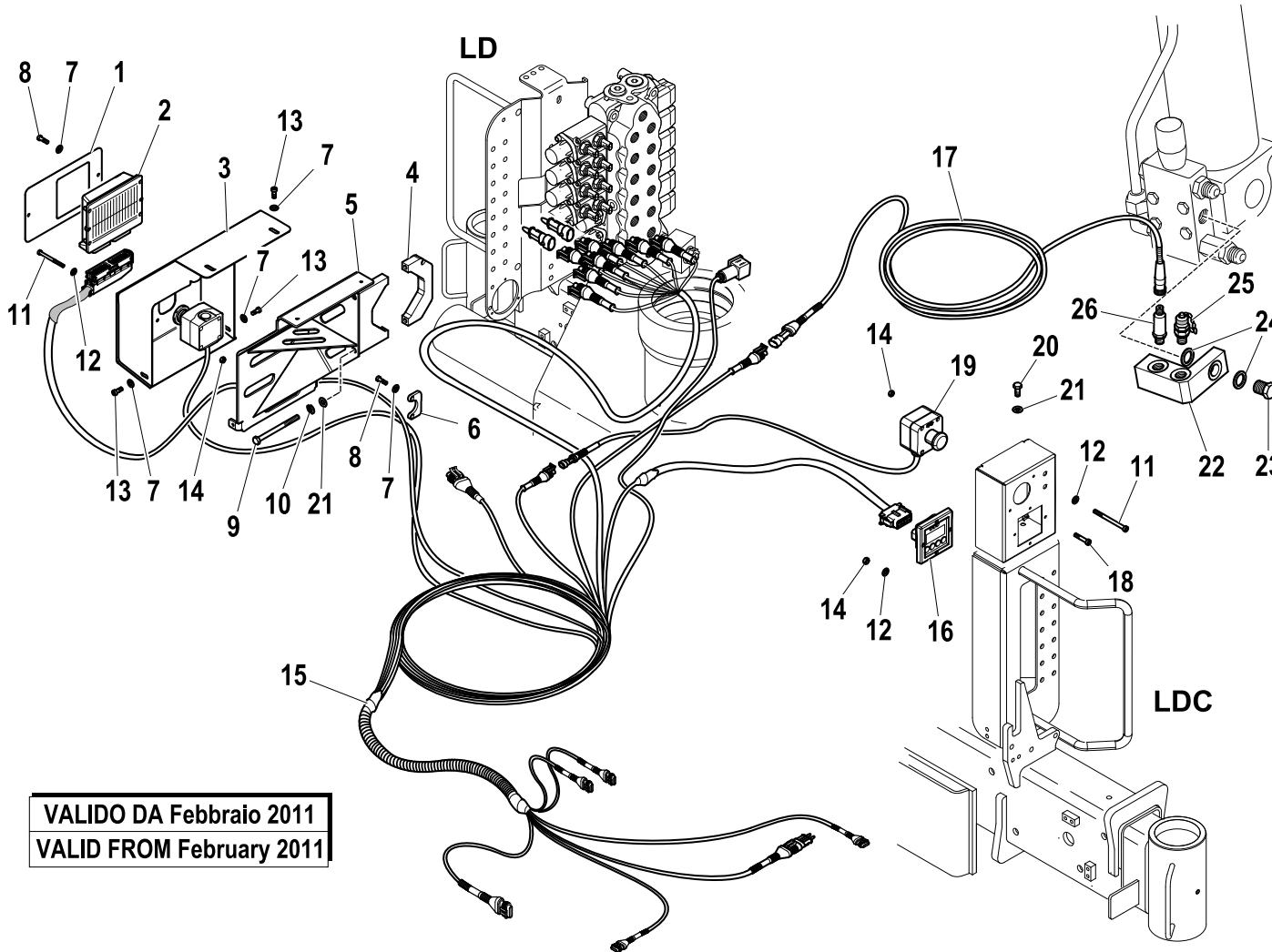
Control unit (STABILITY CONTROL)

Code

5401598-1.0

2/2

| R | Pos. | Code Variant | Q.ty | Description |
|---|------|--------------|------|---|
| | 21 | 3060006 | 4 | Flat washer [D.8 UNI 6592 ZC] |
| | 22 | 5002055 | 1 | Manifold (Pick-up) |
| | 23 | 3110078 | 1 | Bolt (banjo bolt) |
| | 24 | 3060143 | 2 | Sealing washer [BSP 1/4"] |
| | 25 | 3111523 | 1 | Pipe fitting (Tapping point) [RACC. MILITES 16X2-1/4"G] |
| | 26 | 3310612 | 1 | Pressure sensor |



VALIDO DA Febbraio 2011
VALID FROM February 2011

DOUBLE CONTROLS (CE)

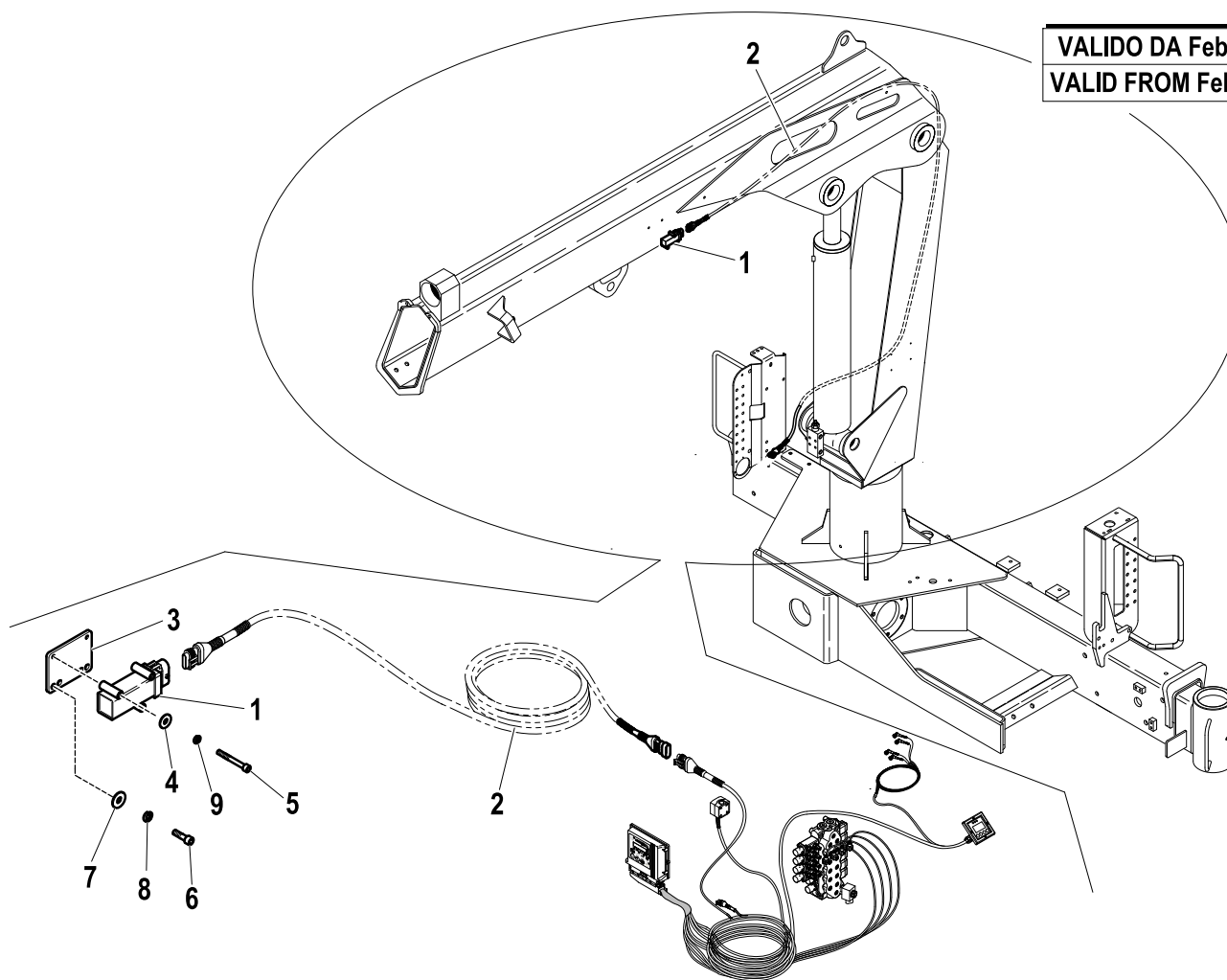
Code

5401592-2.0

1/1

| R | Pos. | Code Variant | Q.ty | Description |
|---|------|--------------|------|---|
| | 1 | 3311150 | 1 | Tiltmeter |
| | 2 | 5160076 | 1 | |
| | 3 | 5002108 | 1 | Support plate (Tiltmeter) |
| | 4 | 3060003 | 2 | Flat washer [D.4 UNI 6592 ZC] |
| | 5 | 3020018 | 2 | Socketed head cap screw [M4X30 8.8 ZC UNI 5931] |
| | 6 | 3020033 | 2 | Socketed head cap screw [M6X10 8.8 ZC UNI 5931] |
| | 7 | 3060005 | 2 | Flat washer [D.6.4 UNI 6592 ZC] |
| | 8 | 3060053 | 2 | Split lock washer [D=6.4 C72 ZC] |
| | 9 | 3060065 | 2 | Split lock washer [D=4.1 C72 ZC] |

VALIDO DA Febbraio 2011
VALID FROM February 2011



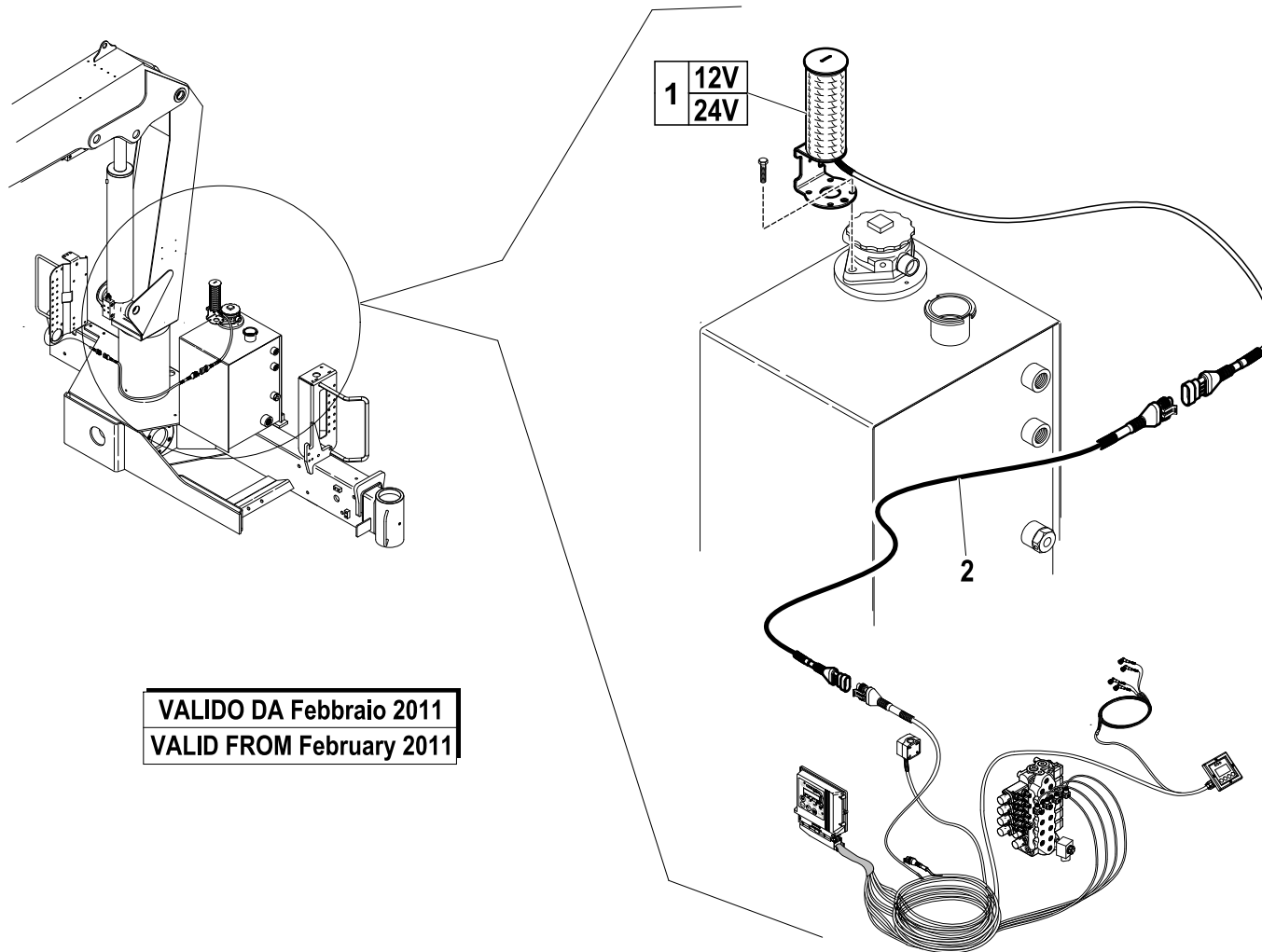
DOUBLE CONTROLS (CE)

Code

5401573-4.0

1/1

| R | Pos. | Code Variant | Q.ty | Description |
|---|------|--------------|------|-----------------|
| 1 | | 3311159 | 1 | Signal Columns |
| 2 | | 5160003 | 1 | Electric wiring |



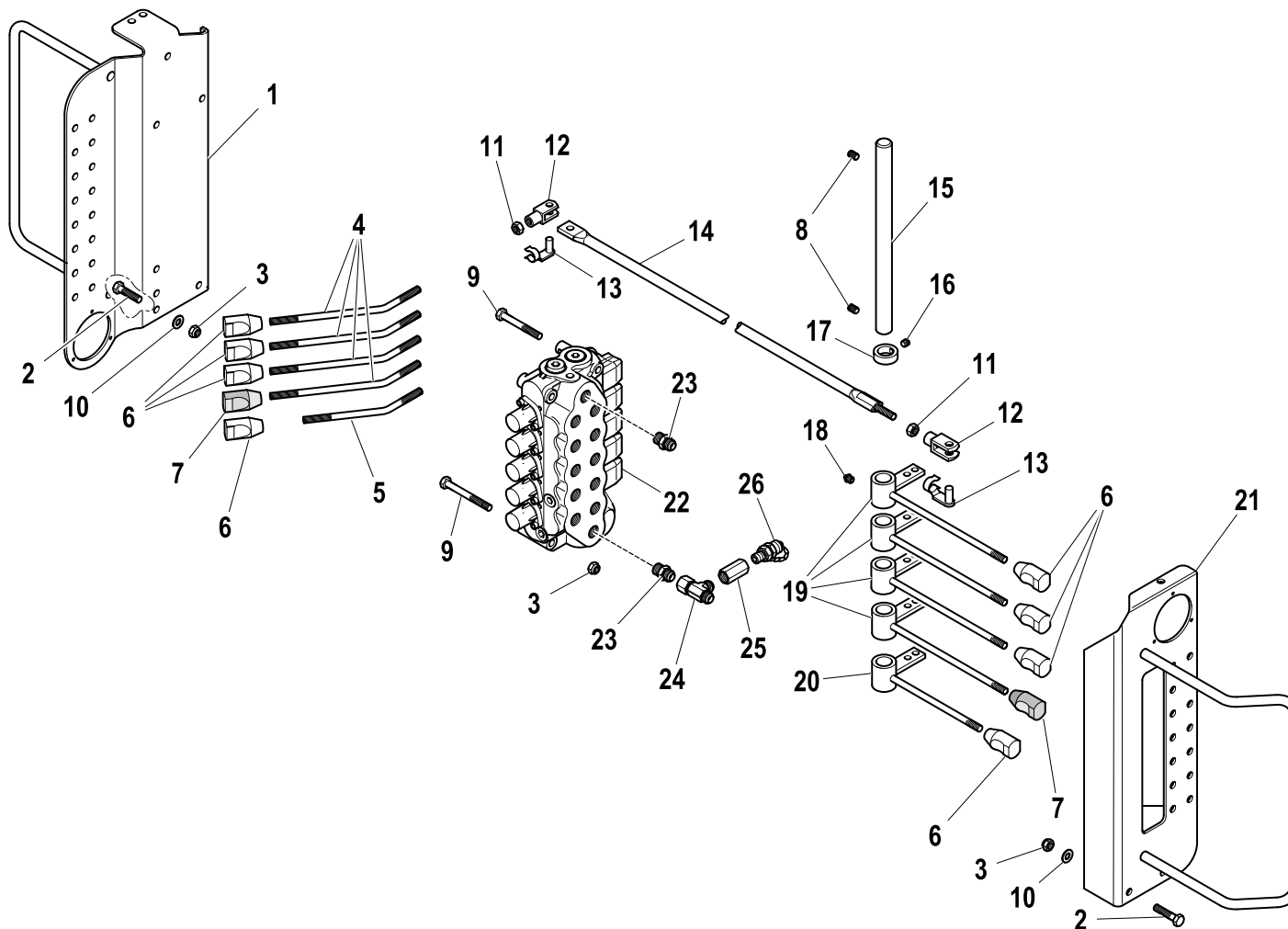
VALIDO DA Febbraio 2011
VALID FROM February 2011

DOUBLE CONTROLS

Code

5400879-1.0

1/2



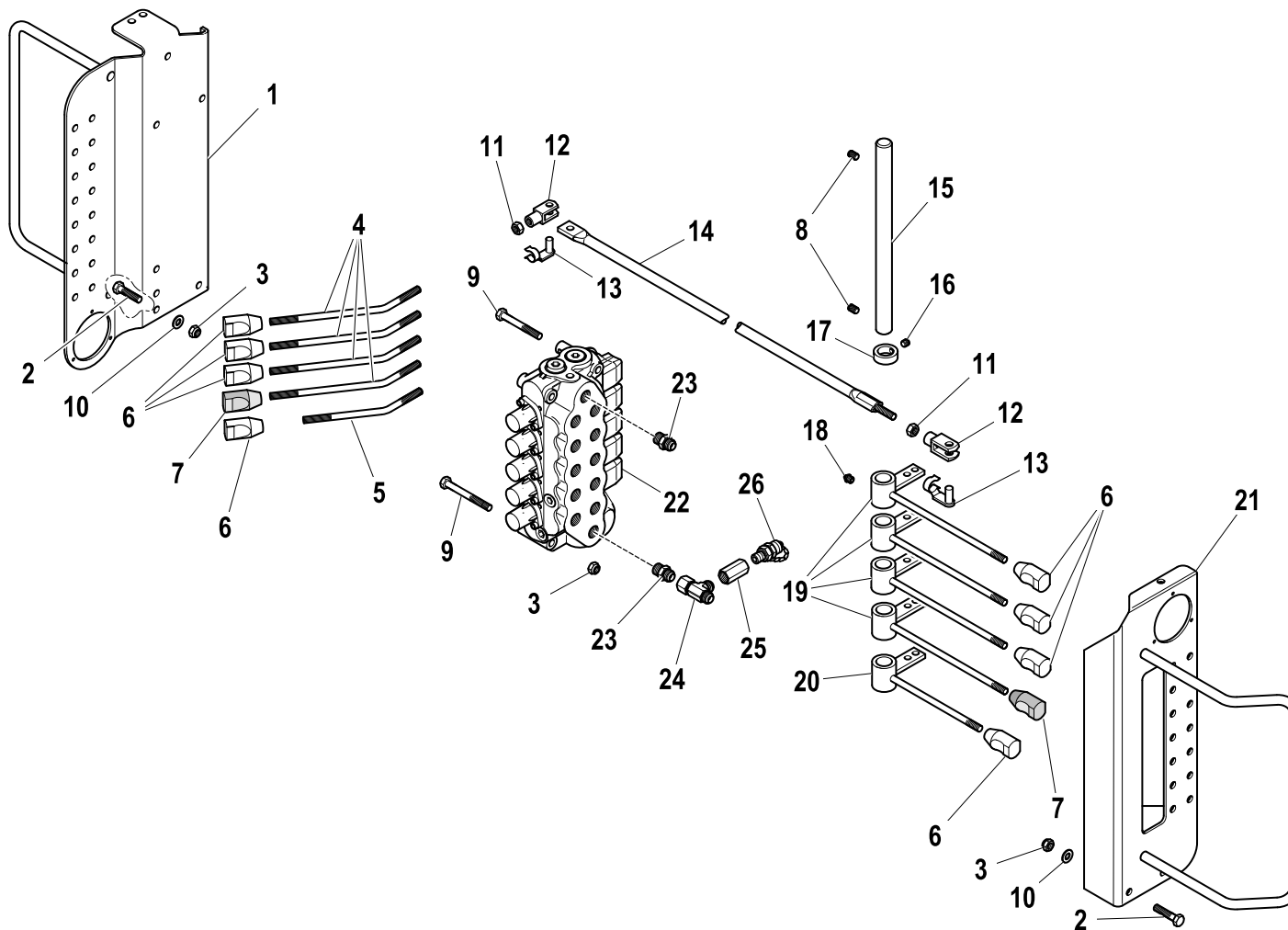
| R | Pos. | Code Variant | Q.ty | Description |
|---|------|--------------|------|--------------------------------------|
| | 1 | 5091007 | 1 | |
| | 2 | 3010390 | 4 | Hex screw [M8X35 ZC UNI 5739] |
| | 3 | 3040303 | 7 | Stopnut |
| | 4 | 5000657 | 4 | Control lever |
| | 5 | 5000659 | 1 | Control lever |
| | 6 | 3190197 | 8 | Knob |
| | 7 | 3190217 | 2 | |
| | 8 | 3060936 | 2 | Grub screw |
| | 9 | 3010073 | 2 | Hex screw [M8X60 8.8 ZC UNI 5739] |
| | 10 | 3060006 | 10 | Flat washer [D.8 UNI 6592 ZC] |
| | 11 | 3040045 | 10 | Nut |
| | 12 | 3300431 | 10 | Fork |
| | 13 | 3300451 | 10 | Fork clip |
| | 14 | 5090442 | 5 | |
| | 15 | 5150474 | 1 | |
| | 16 | 3060232 | 1 | Grub screw [Grano M6X6 UNI 5927 ZC.] |
| | 17 | 5000670 | 1 | Ring |
| | 18 | 3080500 | 6 | Grease nipple |
| | 19 | 5090433 | 4 | Control lever |
| | 20 | 5090434 | 1 | Control lever |

DOUBLE CONTROLS

Code

5400879-1.0

2/2



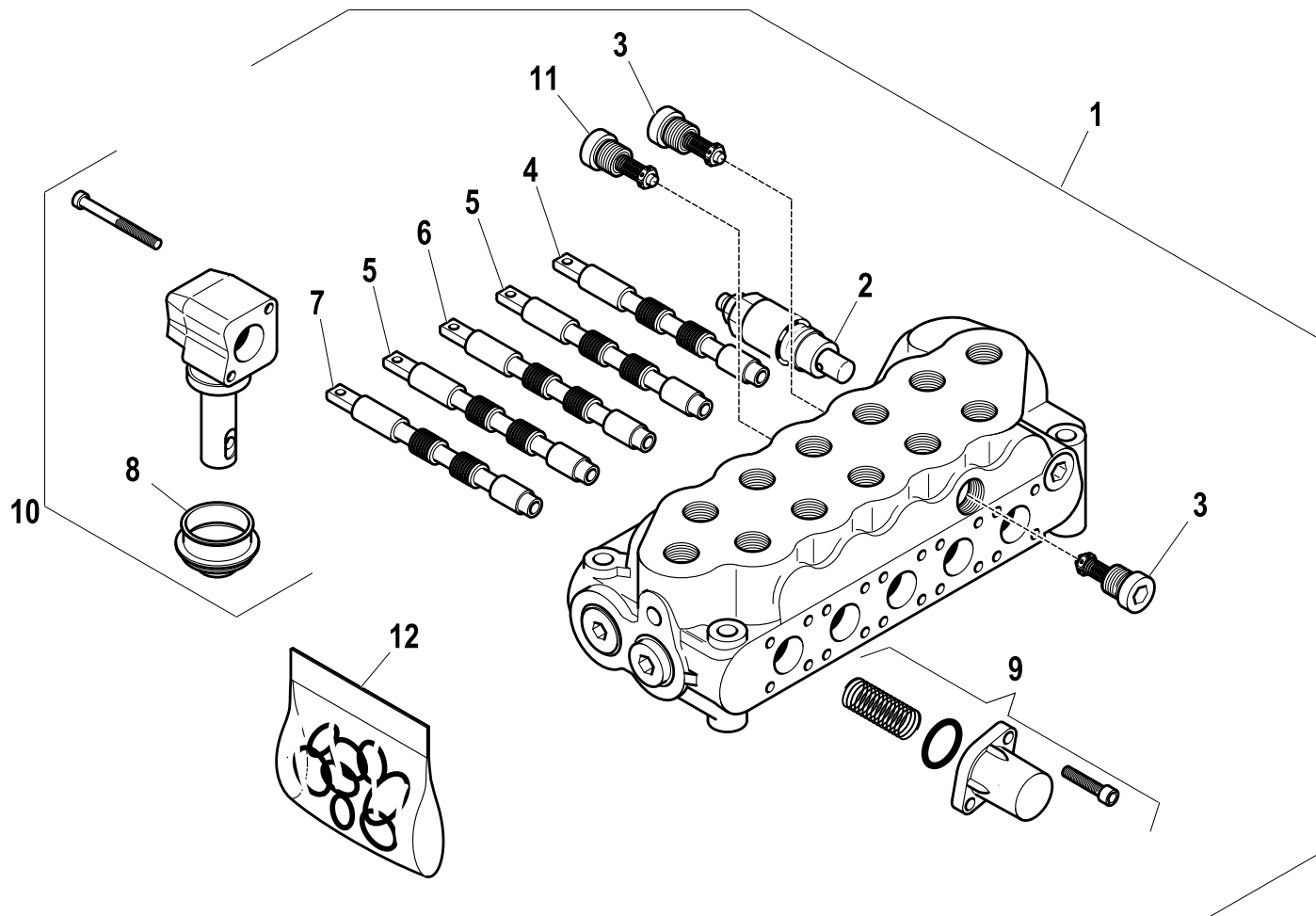
| R | Pos. | Code Variant | Q.ty | Description |
|---|------|--------------|------|--|
| | 21 | 5091006 | 1 | |
| | 22 | 5220820 | 1 | |
| | 23 | 3101043 | 2 | Straight pipe fitting |
| | 24 | 3120004 | 1 | Tee fitting |
| | 25 | 3120356 | 1 | Reducing fitting |
| | 26 | 3111523 | 1 | Pipe fitting (Tapping point) [RACC. MILITES 16X2-1/4"G] |

Control valve (5 section)

Code

5220820-1.0

1/1



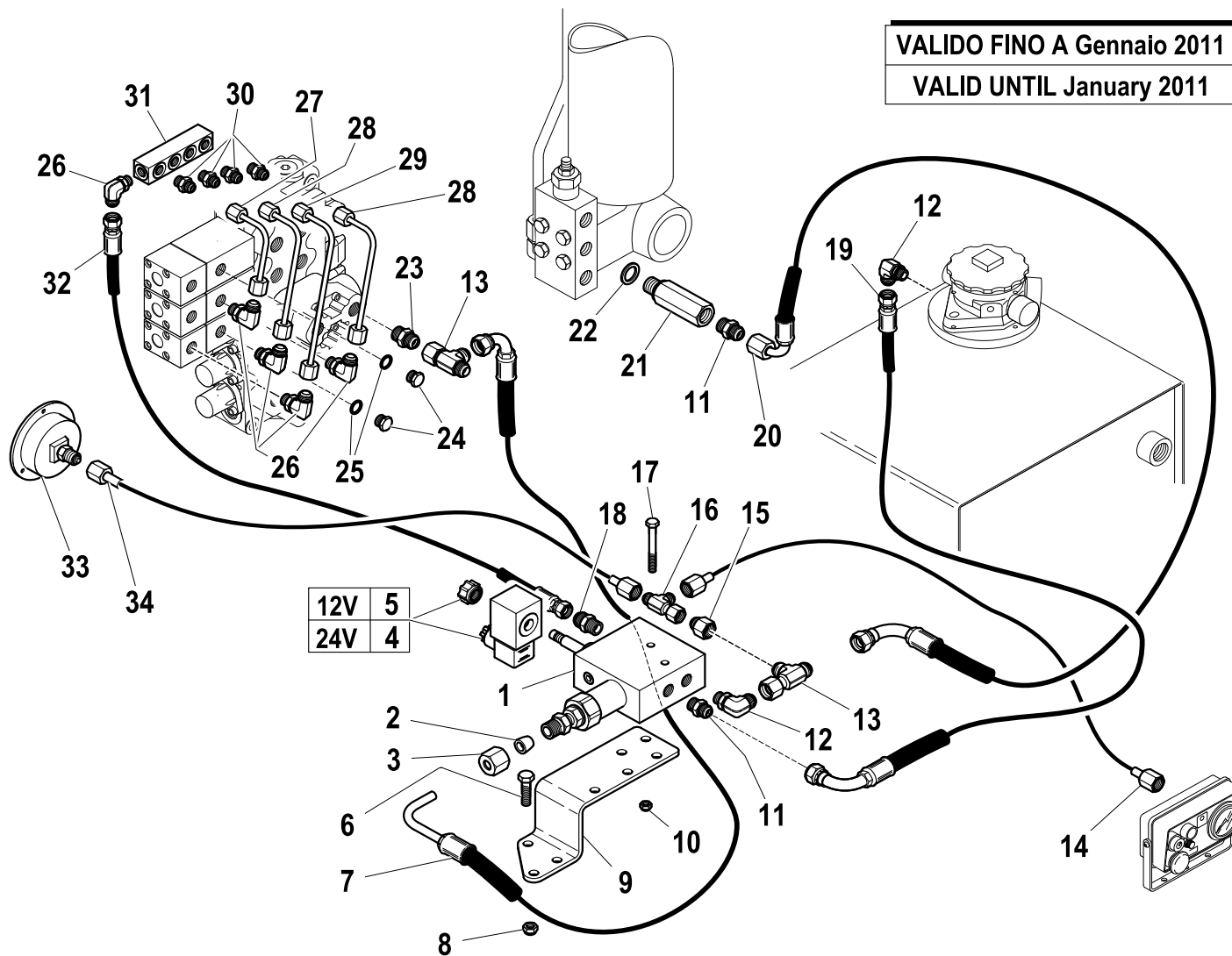
| R | Pos. | Code Variant | Q.ty | Description |
|---|------|--------------|------|-------------|
| | 1 | 5220820 | 1 | |
| | 2 | 5225705 | 1 | |
| | 3 | 5225791 | 2 | |
| | 4 | 5225793 | 1 | |
| | 5 | 5225794 | 2 | |
| | 6 | 5225795 | 1 | |
| | 7 | 5225796 | 1 | |
| | 8 | 5225022 | 5 | |
| | 9 | 5225262 | 5 | |
| | 10 | 5225261 | 5 | |
| | 11 | 5225792 | 1 | |
| | 12 | 5225798 | 1 | |

Moment limiting device

Code

5430159-1.0

1/2



| R | Pos. | Code Variant | Q.ty | Description |
|---|------|--------------|------|-----------------------------------|
| | 1 | 5220578 | 1 | |
| | 2 | 3100956 | 1 | Ring (Tightening) |
| | 3 | 3100952 | 1 | Nut |
| | 4 | 3310242 | 1 | Solenoid (24V) |
| | 5 | 3310238 | 1 | Solenoid (12V) |
| | 6 | 3010029 | 2 | Hex screw [M8X30 8.8 ZC UNI 5737] |
| | 7 | 5260829 | 1 | Flexible hose |
| | 8 | 3040303 | 2 | Stopnut |
| | 9 | 5001580 | 1 | |
| | 10 | 3040372 | 2 | Stopnut |
| | 11 | 3101039 | 2 | Straight pipe fitting |
| | 12 | 3101124 | 1 | 90° Connection |
| | 13 | 3120003 | 2 | Tee fitting |
| | 14 | 5300085 | 1 | |
| | 15 | 3120200 | 1 | Reducing fitting |
| | 16 | 3120001 | 1 | Tee fitting |
| | 17 | 3010399 | 1 | Hex screw [M6X55 8.8 ZC UNI 5739] |
| | 18 | 3101034 | 1 | Straight pipe fitting |
| | 19 | 5260828 | 1 | Flexible hose |
| | 20 | 5261057 | 1 | Flexible hose |

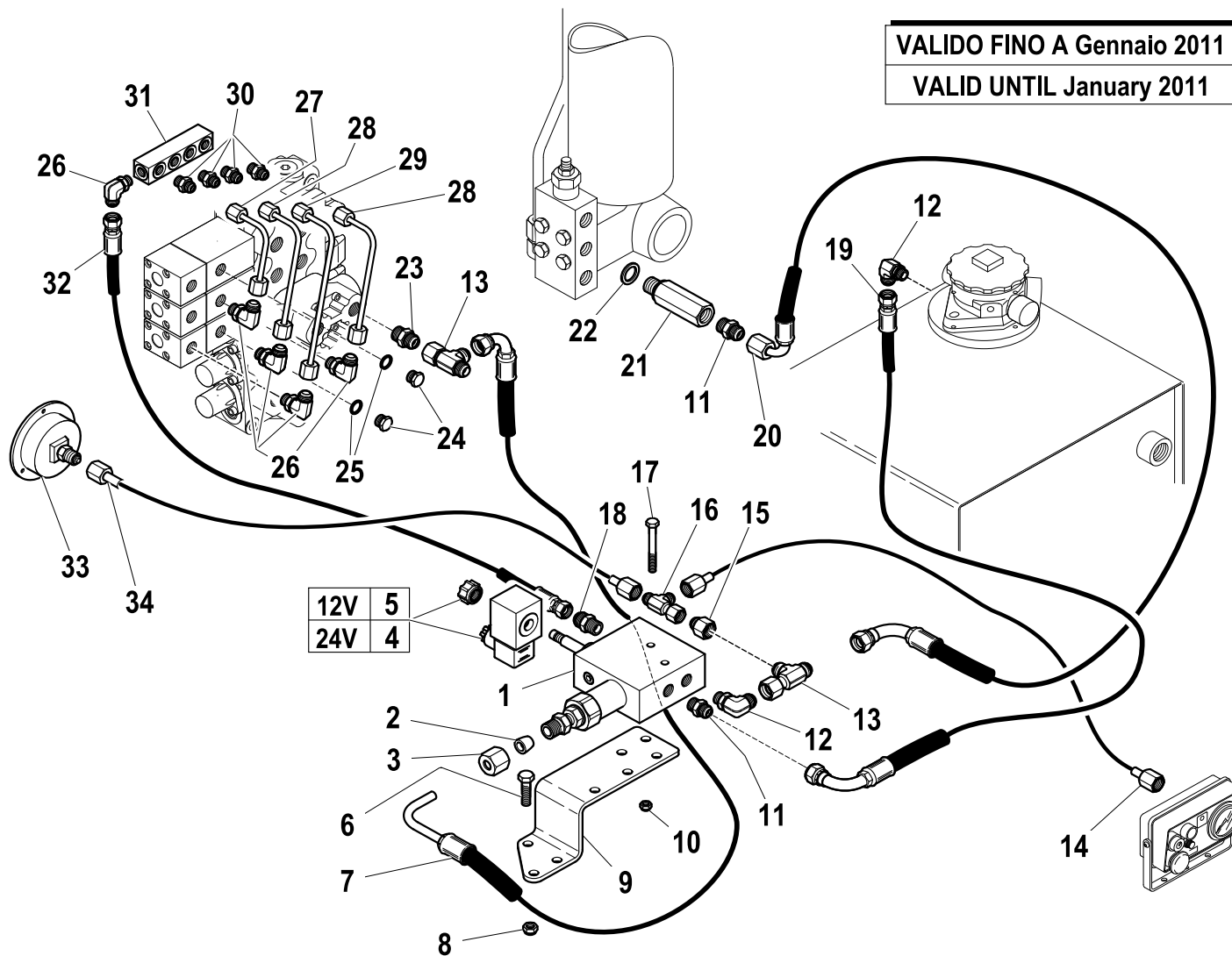
Moment limiting device

Code

5430159-1.0

2/2

VALIDO FINO A Gennaio 2011
VALID UNTIL January 2011



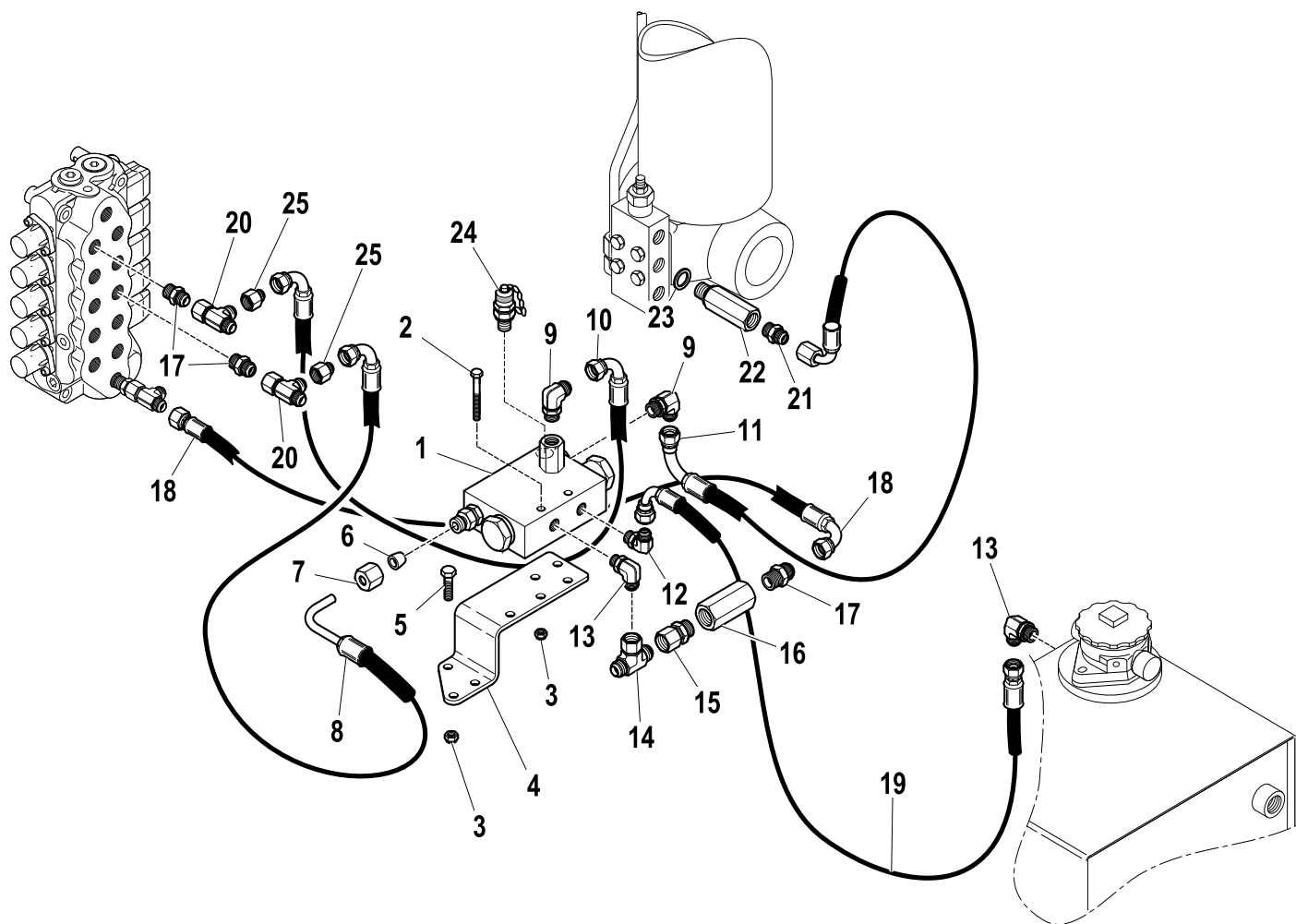
| R | Pos. | Code Variant | Q.ty | Description |
|---|------|--------------|------|---------------------------|
| | 21 | 5220300 | 1 | Hose burst valve (Sleeve) |
| | 22 | 3060143 | 1 | Sealing washer [BSP 1/4"] |
| | 23 | 3101040 | 1 | Straight pipe fitting |
| | 24 | 3110066 | 2 | Plug |
| | 25 | 3060142 | 2 | Sealing washer [BSP 1/8"] |
| | 26 | 3101195 | 5 | 90° Connection |
| | 27 | 5392099 | 1 | |
| | 28 | 5392100 | 2 | |
| | 29 | 5392101 | 1 | |
| | 30 | 3101033 | 4 | Straight pipe fitting |
| | 31 | 5001564 | 1 | Manifold |
| | 32 | 5260827 | 1 | Flexible hose |
| | 33 | 3180150 | 1 | Pressure gauge |
| | 34 | 5300082 | 1 | |

Moment limiting device

Code

5430164-1.0

1/2



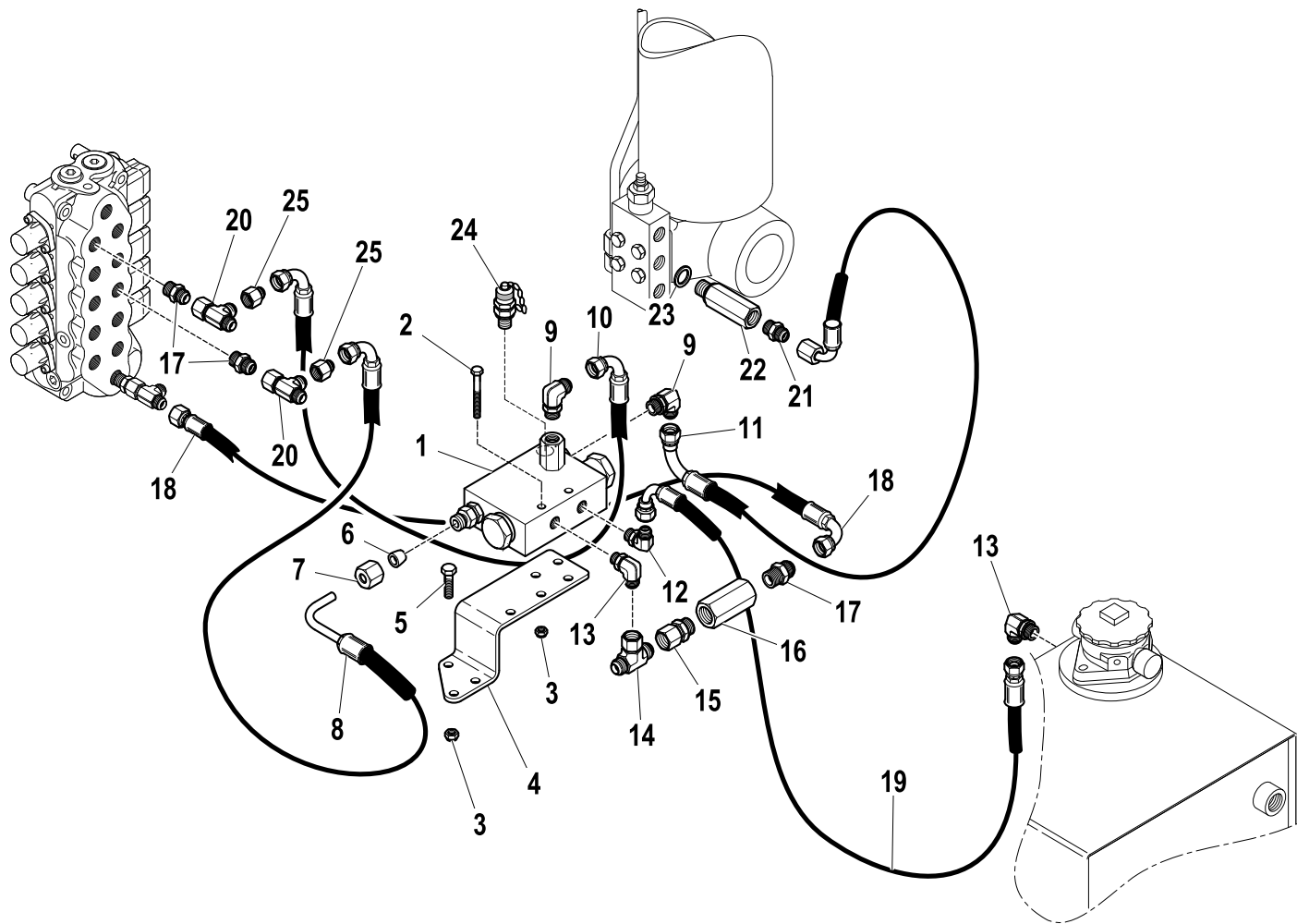
| R | Pos. | Code Variant | Q.ty | Description |
|---|------|--------------|------|-----------------------------------|
| | 1 | 5220135 | 1 | Limiting device (Hydraulic) |
| | 2 | 3010034 | 2 | Hex screw [M8X55 8.8 UNI 5737 ZC] |
| | 3 | 3040303 | 4 | Stopnut |
| | 4 | 5001580 | 1 | |
| | 5 | 3010029 | 2 | Hex screw [M8X30 8.8 ZC UNI 5737] |
| | 6 | 3100956 | 1 | Ring (Tightening) |
| | 7 | 3100952 | 1 | Nut |
| | 8 | 5260829 | 1 | Flexible hose |
| | 9 | 3101124 | 2 | 90° Connection |
| | 10 | 5261024 | 1 | Flexible hose |
| | 11 | 5260826 | 1 | Flexible hose |
| | 12 | 3101128 | 1 | 90° Connection |
| | 13 | 3101131 | 1 | 90° Connection |
| | 14 | 3120112 | 1 | Tee fitting |
| | 15 | 3120006 | 1 | Straight pipe fitting |
| | 16 | 5220634 | 1 | Non-return valve |
| | 17 | 3101043 | 3 | Straight pipe fitting |
| | 18 | 5271729 | 1 | Flexible hose |
| | 19 | 5281137 | 1 | Flexible hose |
| | 20 | 3120004 | 2 | Tee fitting |

Moment limiting device

Code

5430164-1.0

2/2



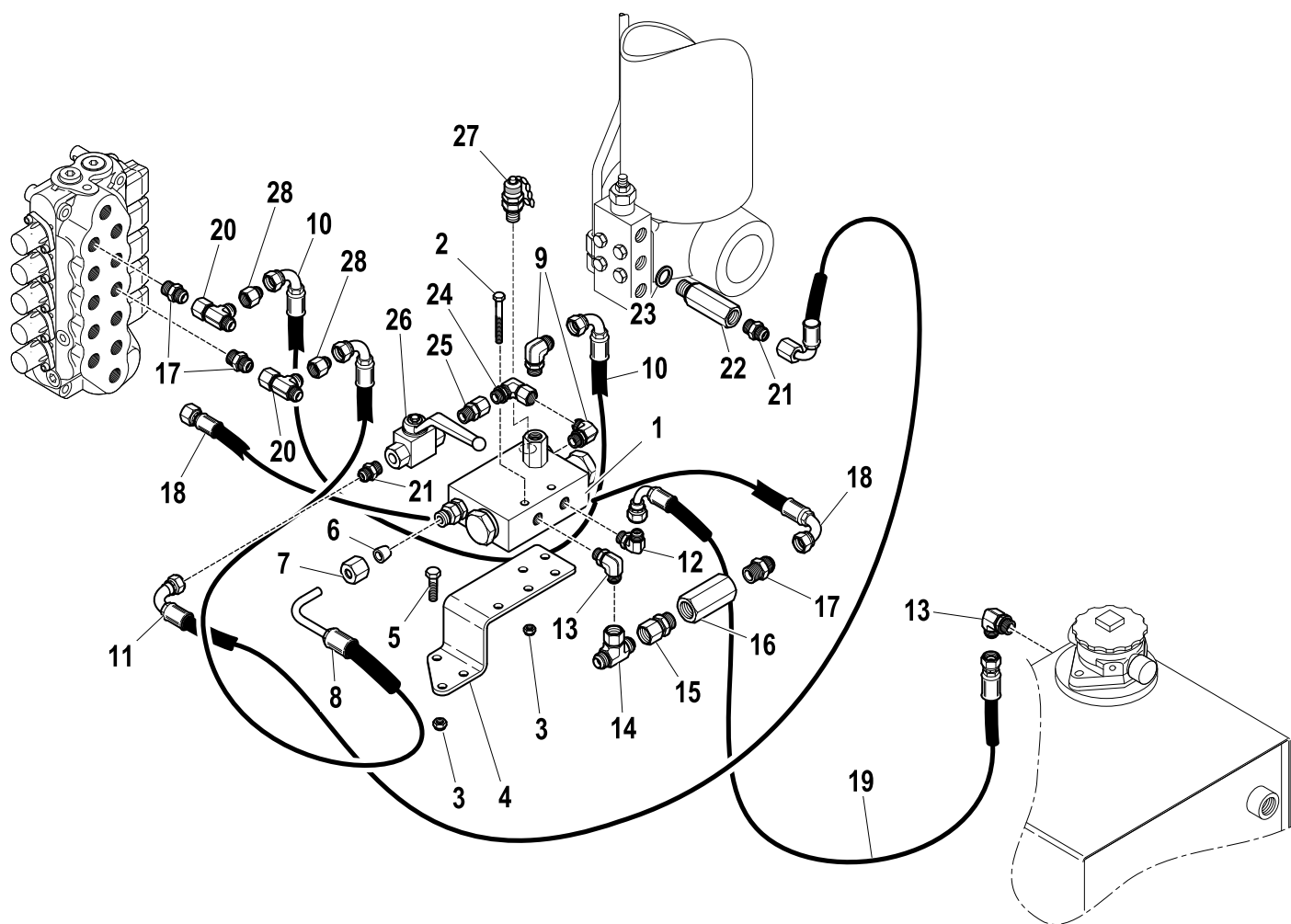
| R | Pos. | Code Variant | Q.ty | Description |
|---|------|--------------|------|---------------------------|
| | 21 | 3101039 | 2 | Straight pipe fitting |
| | 22 | 5220300 | 1 | Hose burst valve (Sleeve) |
| | 23 | 3060143 | 1 | Sealing washer [BSP 1/4"] |
| | 24 | 3111583 | 1 | Tapping point |
| | 25 | 3120204 | 2 | Reducing fitting |

Moment limiting device

Code

5430165-1.0

1/2



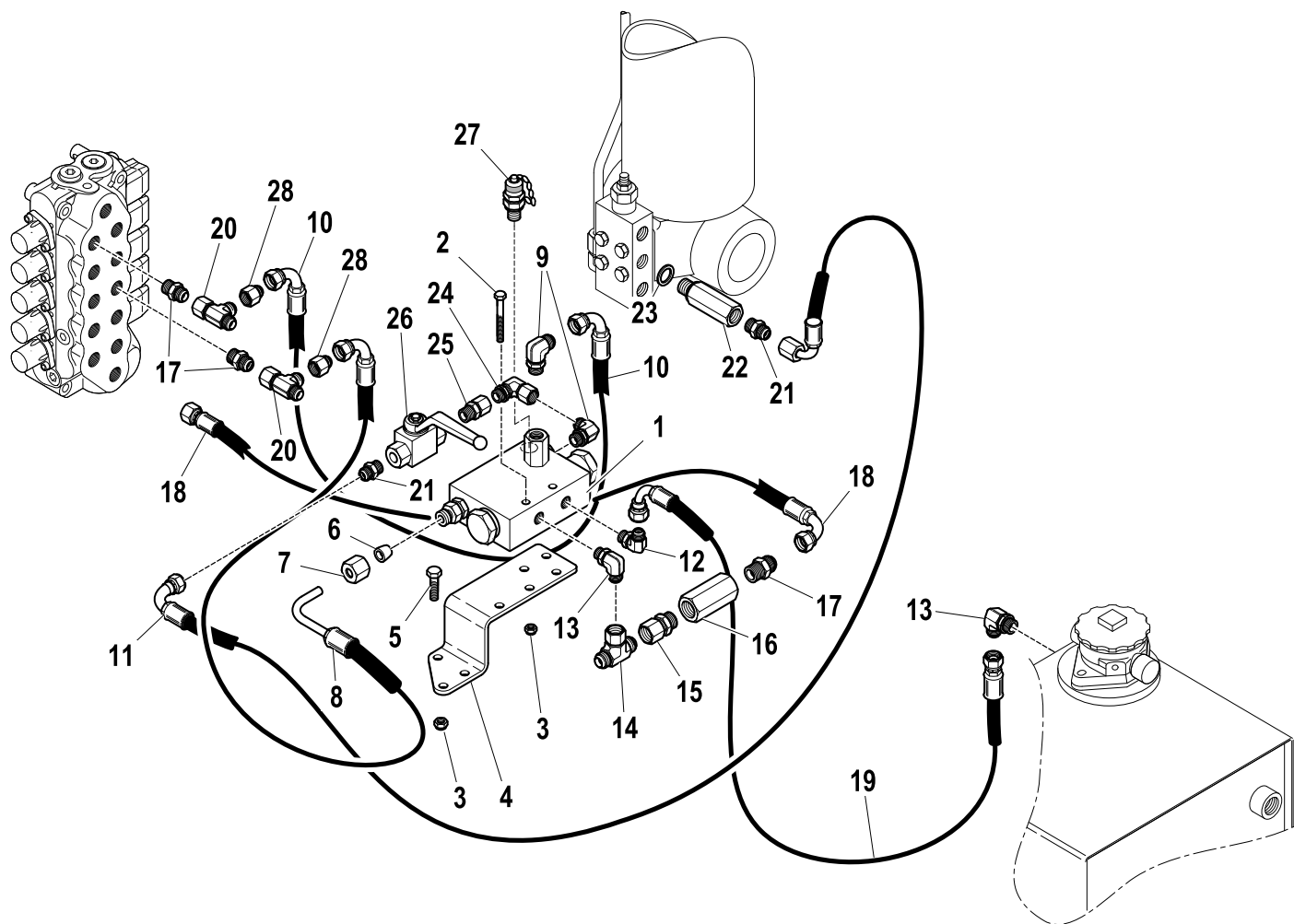
| R | Pos. | Code Variant | Q.ty | Description |
|---|------|--------------|------|-----------------------------------|
| | 1 | 5220135 | 1 | Limiting device (Hydraulic) |
| | 2 | 3010034 | 2 | Hex screw [M8X55 8.8 UNI 5737 ZC] |
| | 3 | 3040303 | 4 | Stopnut |
| | 4 | 5001580 | 1 | |
| | 5 | 3010029 | 2 | Hex screw [M8X30 8.8 ZC UNI 5737] |
| | 6 | 3100956 | 1 | Ring (Tightening) |
| | 7 | 3100952 | 1 | Nut |
| | 8 | 5260829 | 1 | Flexible hose |
| | 9 | 3101124 | 2 | 90° Connection |
| | 10 | 5261024 | 1 | Flexible hose |
| | 11 | 5260826 | 1 | Flexible hose |
| | 12 | 3101128 | 1 | 90° Connection |
| | 13 | 3101131 | 1 | 90° Connection |
| | 14 | 3120112 | 1 | Tee fitting |
| | 15 | 3120066 | 1 | Straight pipe fitting |
| | 16 | 5220634 | 1 | Non-return valve |
| | 17 | 3101043 | 3 | Straight pipe fitting |
| | 18 | 5271729 | 1 | Flexible hose |
| | 19 | 5281137 | 1 | Flexible hose |
| | 20 | 3120004 | 2 | Tee fitting |

Moment limiting device

Code

5430165-1.0

2/2



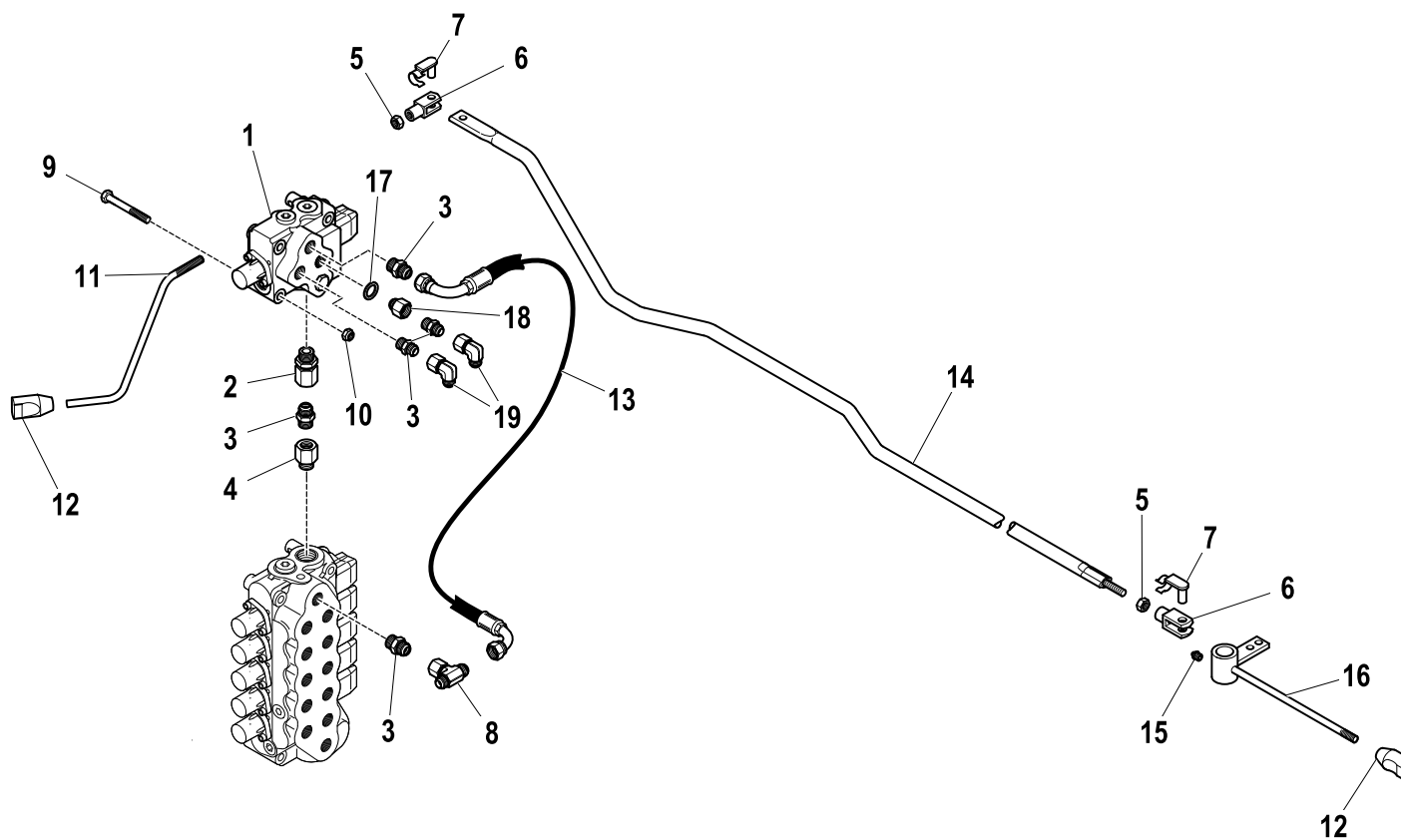
| R | Pos. | Code Variant | Q.ty | Description |
|---|------|--------------|------|---------------------------|
| | 21 | 3101039 | 2 | Straight pipe fitting |
| | 22 | 5220300 | 1 | Hose burst valve (Sleeve) |
| | 23 | 3060143 | 1 | Sealing washer [BSP 1/4"] |
| | 24 | 3120011 | 1 | 90° Connection |
| | 25 | 3120064 | 1 | Straight pipe fitting |
| | 26 | 5220063 | 1 | |
| | 27 | 3111583 | 1 | Tapping point |
| | 28 | 3120204 | 2 | Reducing fitting |

1 EXTRA FUNCTION KIT CLOSED CENTRE SPOOL

Code

5210012-1.0

1/1



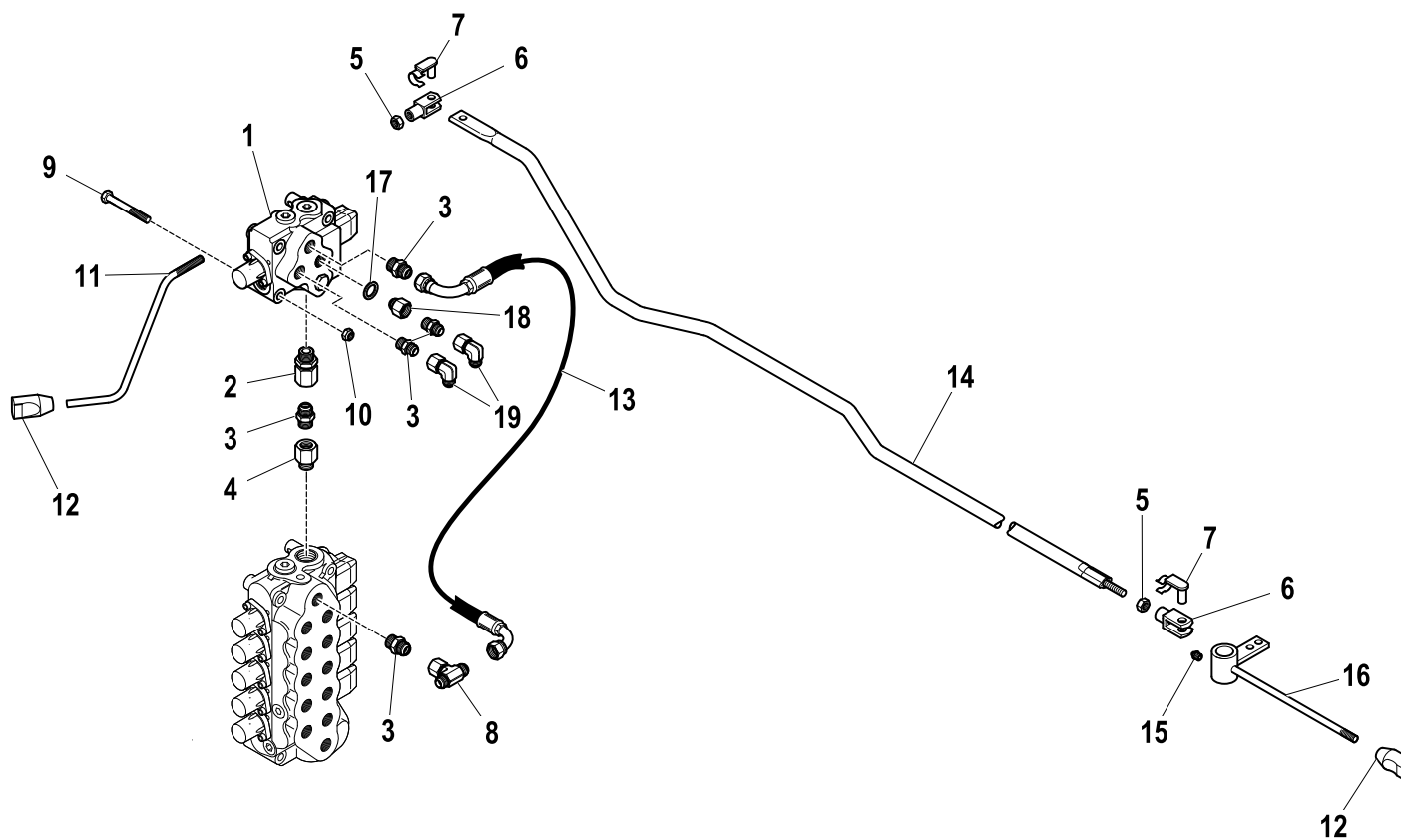
| R | Pos. | Code Variant | Q.ty | Description |
|---|------|--------------|------|-----------------------------------|
| | 1 | 5220298 | 1 | |
| | 2 | 3120066 | 1 | Straight pipe fitting |
| | 3 | 3101043 | 5 | Straight pipe fitting |
| | 4 | 5225240 | 1 | |
| | 5 | 3040045 | 2 | Nut |
| | 6 | 3300431 | 2 | Fork |
| | 7 | 3300451 | 2 | Fork clip |
| | 8 | 3120112 | 1 | Tee fitting |
| | 9 | 3010036 | 1 | Hex screw [M8X65 8.8 ZC UNI 5739] |
| | 10 | 3040303 | 1 | Stopnut |
| | 11 | 5001830 | 1 | Control lever |
| | 12 | 3190197 | 2 | Knob |
| | 13 | 5271175 | 1 | Flexible hose |
| | 14 | 5090489 | 1 | |
| | 15 | 3080500 | 1 | Grease nipple |
| | 16 | 5090433 | 1 | Control lever |
| | 17 | 3060144 | 1 | Sealing washer [BSP 3/8"] |
| | 18 | 3110112 | 1 | Straight pipe fitting |
| | 19 | 3120031 | 2 | 90° Connection |

1 EXTRA FUNCTION KIT OPEN CENTRE SPOOL

Code

5210013-1.0

1/1



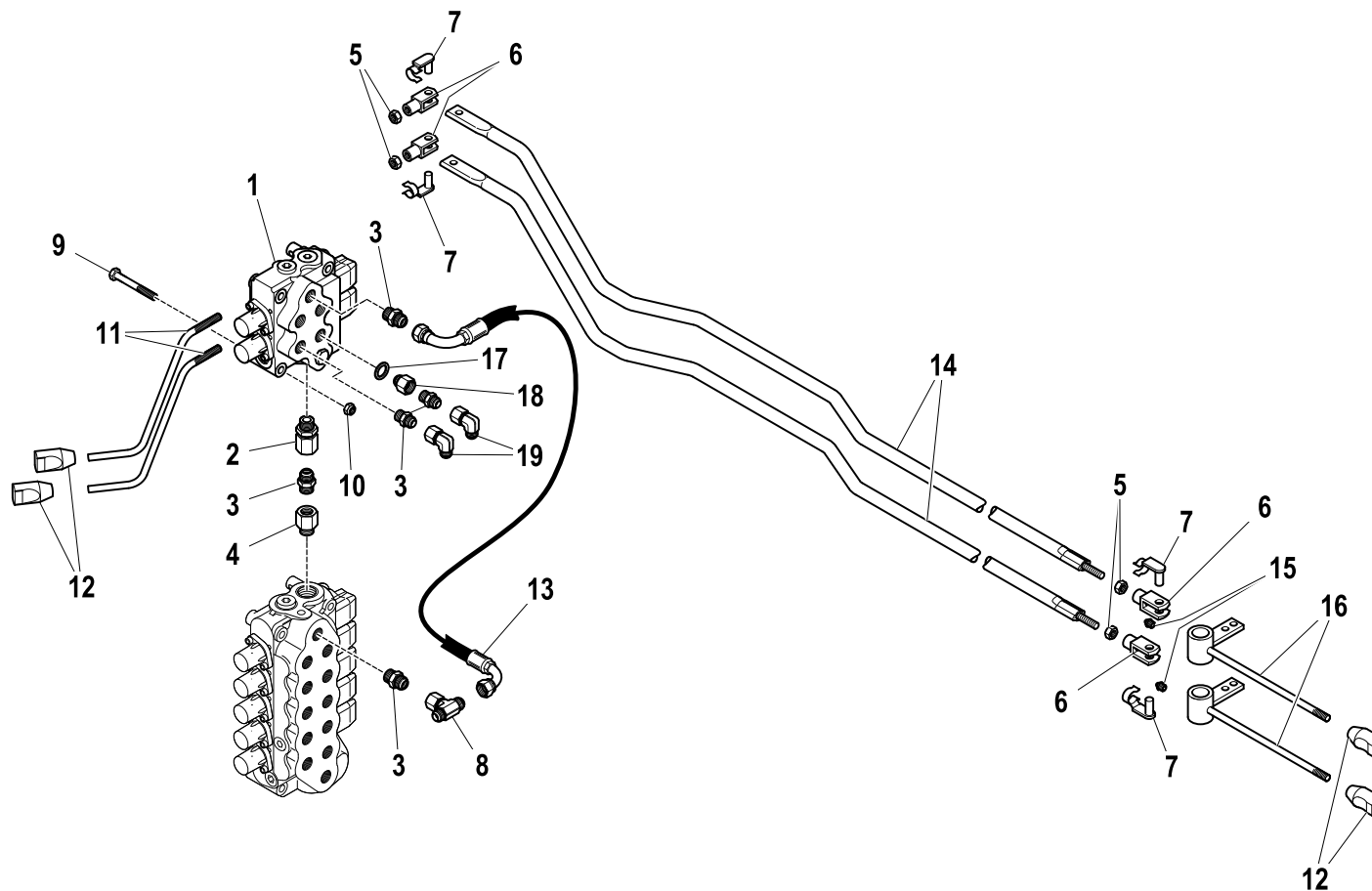
| R | Pos. | Code Variant | Q.ty | Description |
|---|------|--------------|------|-----------------------------------|
| | 1 | 5220297 | 1 | |
| | 2 | 3120066 | 1 | Straight pipe fitting |
| | 3 | 3101043 | 5 | Straight pipe fitting |
| | 4 | 5225240 | 1 | |
| | 5 | 3040045 | 2 | Nut |
| | 6 | 3300431 | 2 | Fork |
| | 7 | 3300451 | 2 | Fork clip |
| | 8 | 3120112 | 1 | Tee fitting |
| | 9 | 3010036 | 1 | Hex screw [M8X65 8.8 ZC UNI 5739] |
| | 10 | 3040303 | 1 | Stopnut |
| | 11 | 5001830 | 1 | Control lever |
| | 12 | 3190197 | 2 | Knob |
| | 13 | 5271175 | 1 | Flexible hose |
| | 14 | 5090489 | 1 | |
| | 15 | 3080500 | 1 | Grease nipple |
| | 16 | 5090433 | 1 | Control lever |
| | 17 | 3060144 | 1 | Sealing washer [BSP 3/8"] |
| | 18 | 3110112 | 1 | Straight pipe fitting |
| | 19 | 3120031 | 2 | 90° Connection |

2 EXTRA FUNCTION KIT CLOSED CENTRE SPOOL

Code

5210109-1.0

1/1



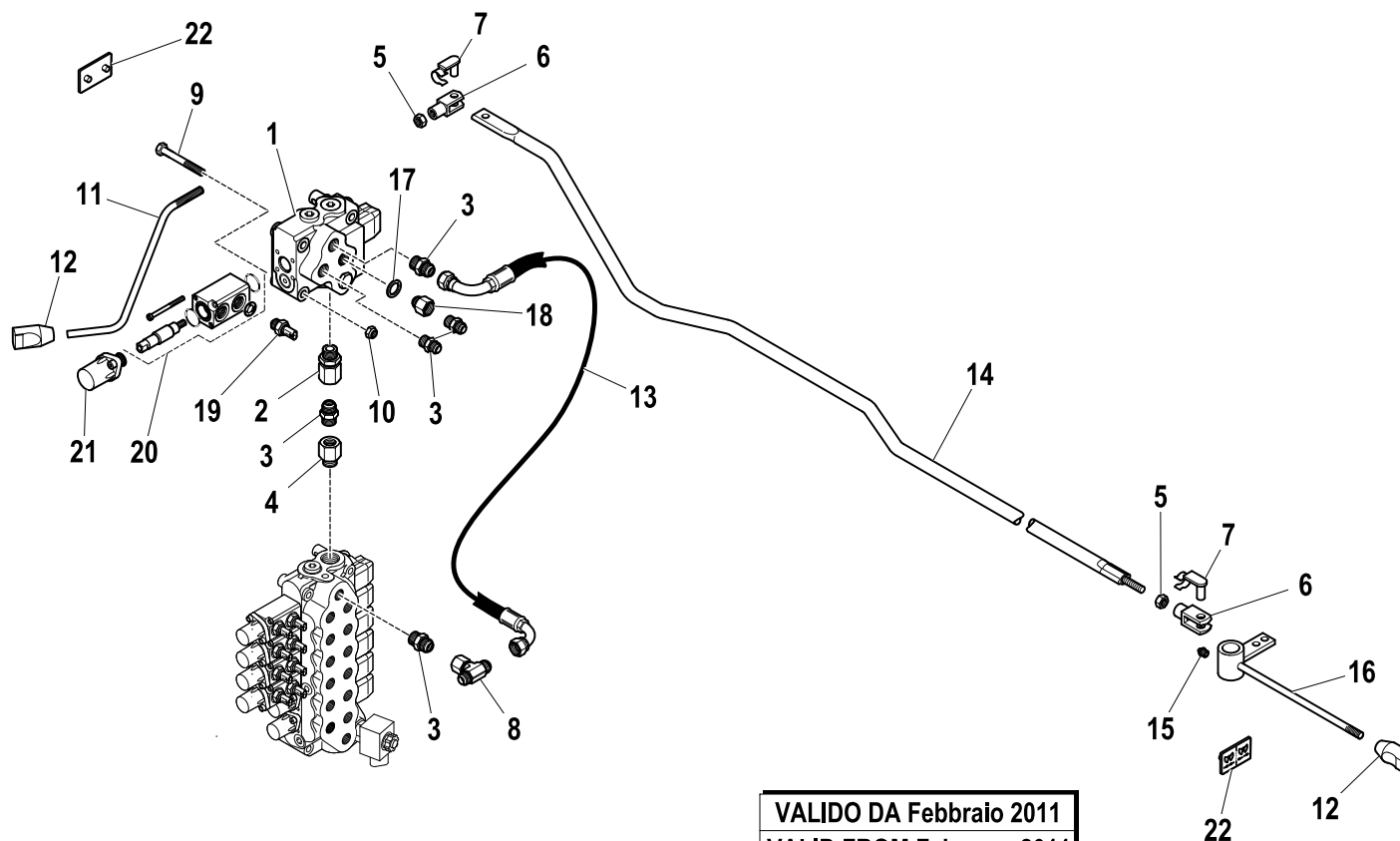
| R | Pos. | Code Variant | Q.ty | Description |
|---|------|--------------|------|-----------------------------------|
| | 1 | 5220286 | 1 | |
| | 2 | 3120066 | 1 | Straight pipe fitting |
| | 3 | 3101043 | 7 | Straight pipe fitting |
| | 4 | 5225240 | 1 | |
| | 5 | 3040045 | 4 | Nut |
| | 6 | 3300431 | 4 | Fork |
| | 7 | 3300451 | 4 | Fork clip |
| | 8 | 3120112 | 1 | Tee fitting |
| | 9 | 3010036 | 1 | Hex screw [M8X65 8.8 ZC UNI 5739] |
| | 10 | 3040303 | 1 | Stopnut |
| | 11 | 5001830 | 2 | Control lever |
| | 12 | 3190197 | 4 | Knob |
| | 13 | 5271175 | 1 | Flexible hose |
| | 14 | 5090489 | 2 | |
| | 15 | 3080500 | 2 | Grease nipple |
| | 16 | 5090433 | 2 | Control lever |
| | 17 | 3060144 | 2 | Sealing washer [BSP 3/8"] |
| | 18 | 3110112 | 2 | Straight pipe fitting |
| | 19 | 3120031 | 4 | 90° Connection |

1 EXTRA FUNCTION KIT CLOSED CENTRE SPOOL

Code

5210041-1.0

1/2



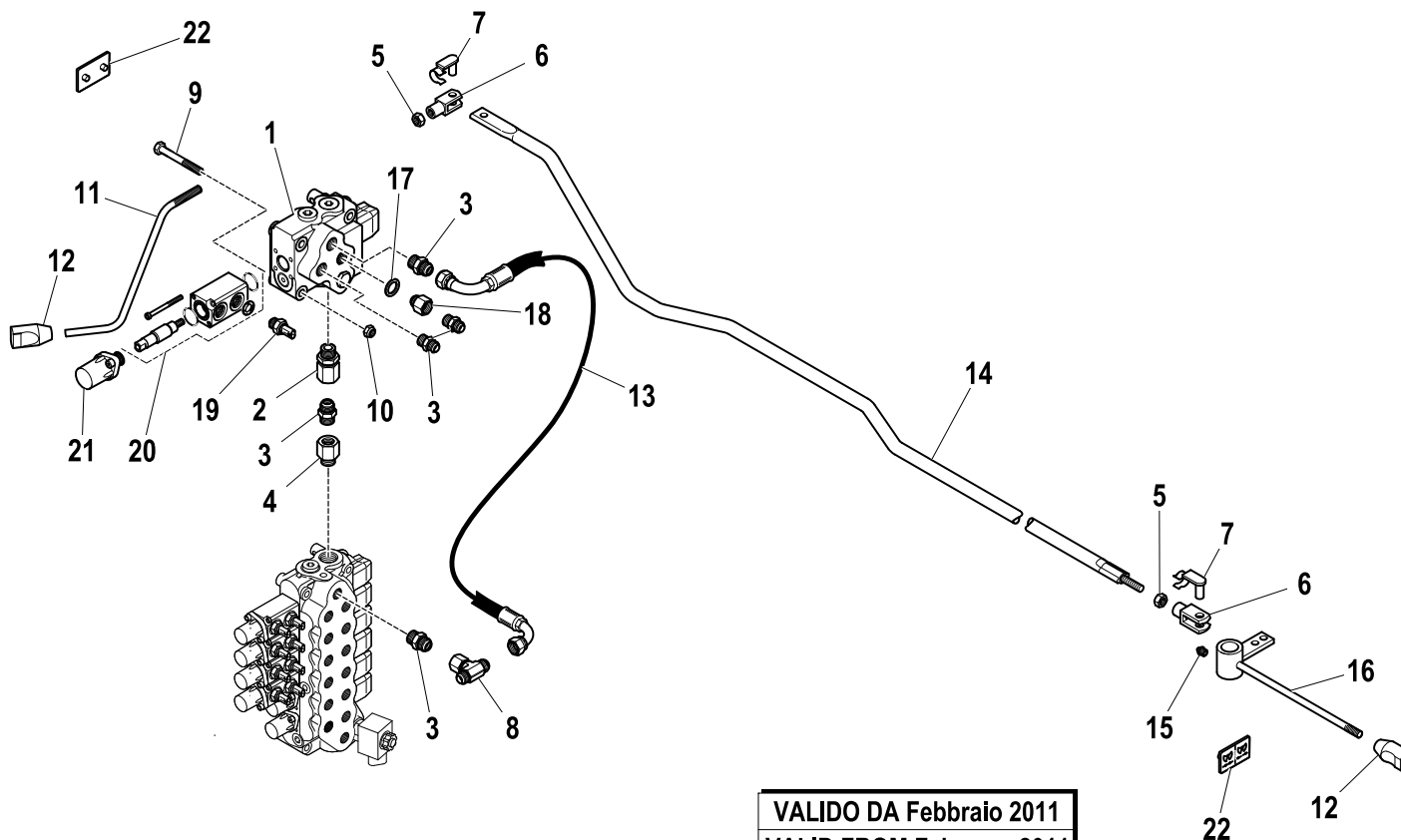
VALIDO DA Febbraio 2011
VALID FROM February 2011

| R | Pos. | Code Variant | Q.ty | Description |
|---|------|--------------|------|-----------------------------------|
| | 1 | 5220298 | 1 | |
| | 2 | 3120066 | 1 | Straight pipe fitting |
| | 3 | 3101043 | 5 | Straight pipe fitting |
| | 4 | 5225240 | 1 | |
| | 5 | 3040045 | 2 | Nut |
| | 6 | 3300431 | 2 | Fork |
| | 7 | 3300451 | 2 | Fork clip |
| | 8 | 3120112 | 1 | Tee fitting |
| | 9 | 3010036 | 1 | Hex screw [M8X65 8.8 ZC UNI 5739] |
| | 10 | 3040303 | 1 | Stopnut |
| | 11 | 5001830 | 1 | Control lever |
| | 12 | 3190197 | 2 | Knob |
| | 13 | 5271175 | 1 | Flexible hose |
| | 14 | 5090489 | 1 | |
| | 15 | 3080500 | 1 | Grease nipple |
| | 16 | 5090433 | 1 | Control lever |
| | 17 | 3060144 | 1 | Sealing washer [BSP 3/8"] |
| | 18 | 3110112 | 1 | Straight pipe fitting |
| | 19 | 5225832 | 2 | |
| | 20 | 5225847 | 1 | |

1 EXTRA FUNCTION KIT CLOSED CENTRE SPOOL

| | | |
|--------------------|--|------------|
| Code | | |
| 5210041-1.0 | | 2/2 |

| R | Pos. | Code Variant | Q.ty | Description |
|---|------|--------------|------|-------------|
| | 21 | 5225262 | 1 | |
| | 22 | 5812801 | 2 | |

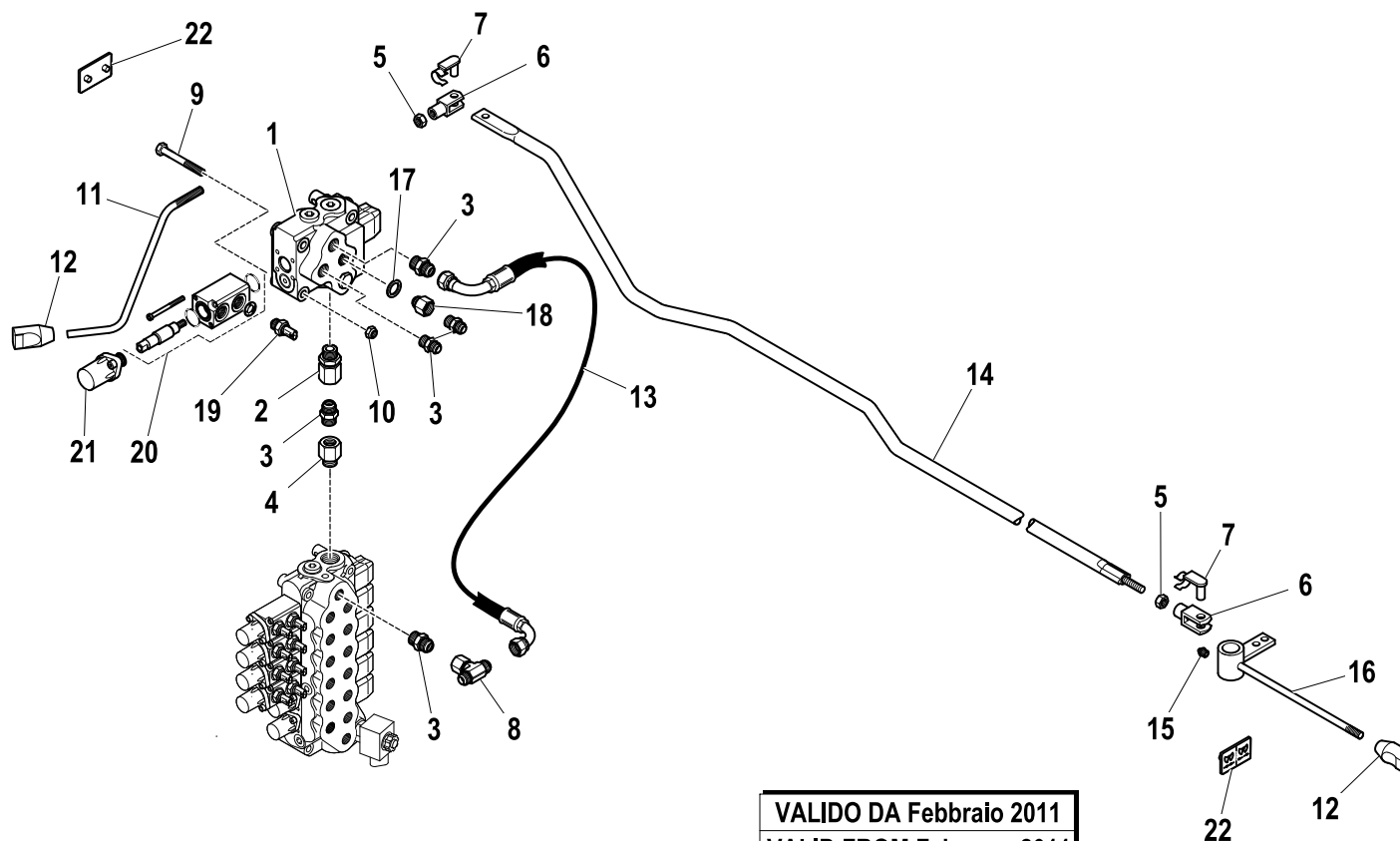


1 EXTRA FUNCTION KIT OPEN CENTRE SPOOL

Code

5210042-1.0

1/2



VALIDO DA Febbraio 2011
VALID FROM February 2011

| R | Pos. | Code Variant | Q.ty | Description |
|---|------|--------------|------|-----------------------------------|
| | 1 | 5220297 | 1 | |
| | 2 | 3120066 | 1 | Straight pipe fitting |
| | 3 | 3101043 | 5 | Straight pipe fitting |
| | 4 | 5225240 | 1 | |
| | 5 | 3040045 | 2 | Nut |
| | 6 | 3300431 | 2 | Fork |
| | 7 | 3300451 | 2 | Fork clip |
| | 8 | 3120112 | 1 | Tee fitting |
| | 9 | 3010036 | 1 | Hex screw [M8X65 8.8 ZC UNI 5739] |
| | 10 | 3040303 | 1 | Stopnut |
| | 11 | 5001830 | 1 | Control lever |
| | 12 | 3190197 | 2 | Knob |
| | 13 | 5271175 | 1 | Flexible hose |
| | 14 | 5090489 | 1 | |
| | 15 | 3080500 | 1 | Grease nipple |
| | 16 | 5090433 | 1 | Control lever |
| | 17 | 3060144 | 1 | Sealing washer [BSP 3/8"] |
| | 18 | 3110112 | 1 | Straight pipe fitting |
| | 19 | 5225832 | 2 | |
| | 20 | 5225847 | 1 | |

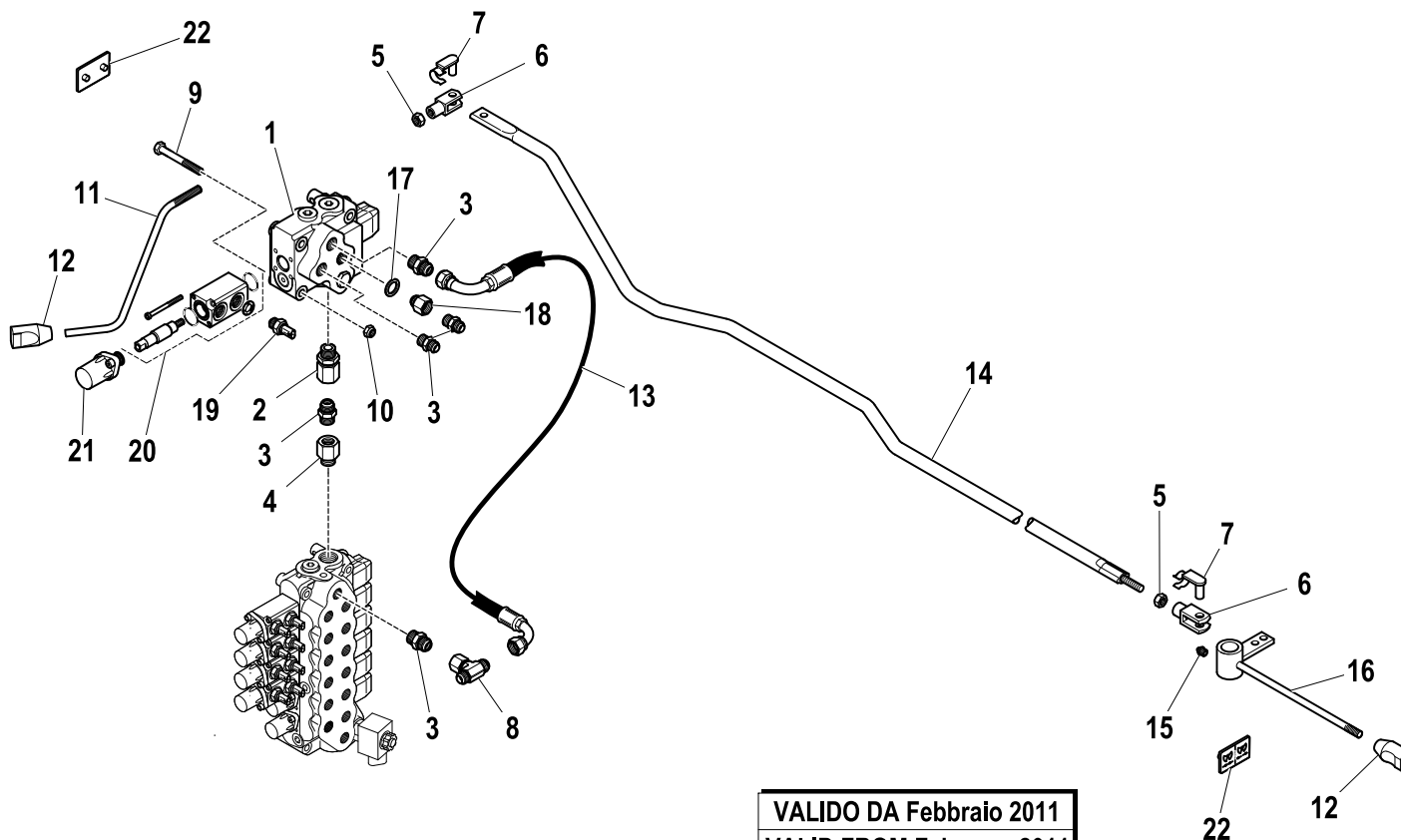
1 EXTRA FUNCTION KIT OPEN CENTRE SPOOL

Code

5210042-1.0

2/2

| R | Pos. | Code Variant | Q.ty | Description |
|---|------|--------------|------|-------------|
| | 21 | 5225262 | 1 | |
| | 22 | 5812803 | 2 | |

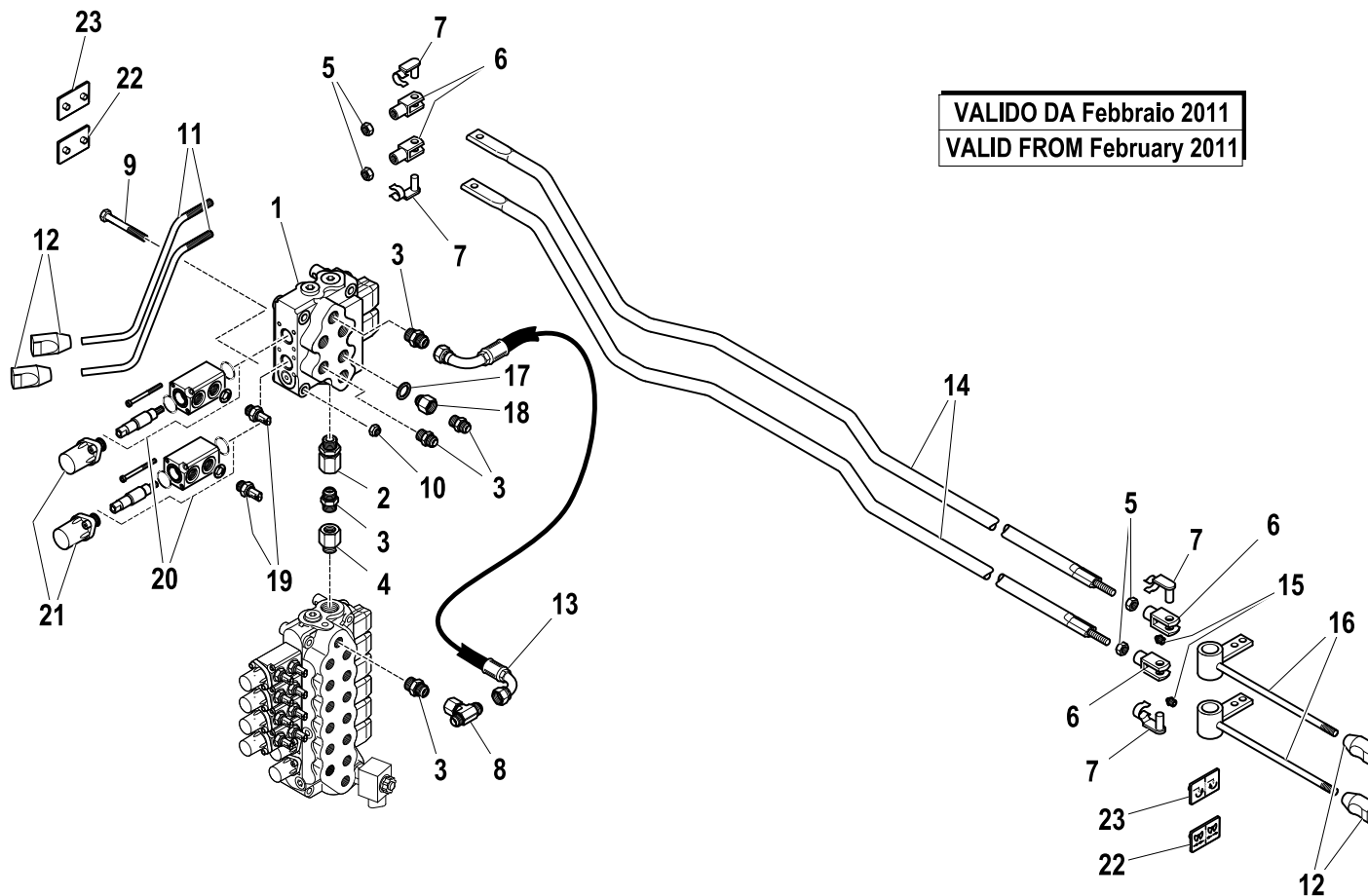


2 EXTRA FUNCTION KIT CLOSED CENTRE SPOOL

Code

5210040-1.0

1/2



VALIDO DA Febbraio 2011
VALID FROM February 2011

| R | Pos. | Code Variant | Q.ty | Description |
|---|------|--------------|------|-----------------------------------|
| | 1 | 5220286 | 1 | |
| | 2 | 3120066 | 1 | Straight pipe fitting |
| | 3 | 3101043 | 7 | Straight pipe fitting |
| | 4 | 5225240 | 1 | |
| | 5 | 3040045 | 4 | Nut |
| | 6 | 3300431 | 4 | Fork |
| | 7 | 3300451 | 4 | Fork clip |
| | 8 | 3120112 | 1 | Tee fitting |
| | 9 | 3010036 | 1 | Hex screw [M8X65 8.8 ZC UNI 5739] |
| | 10 | 3040303 | 1 | Stopnut |
| | 11 | 5001830 | 2 | Control lever |
| | 12 | 3190197 | 4 | Knob |
| | 13 | 5271175 | 1 | Flexible hose |
| | 14 | 5090489 | 2 | |
| | 15 | 3080500 | 2 | Grease nipple |
| | 16 | 5090433 | 2 | Control lever |
| | 17 | 3060144 | 2 | Sealing washer [BSP 3/8"] |
| | 18 | 3110112 | 2 | Straight pipe fitting |
| | 19 | 5225832 | 4 | |
| | 20 | 5225847 | 2 | |

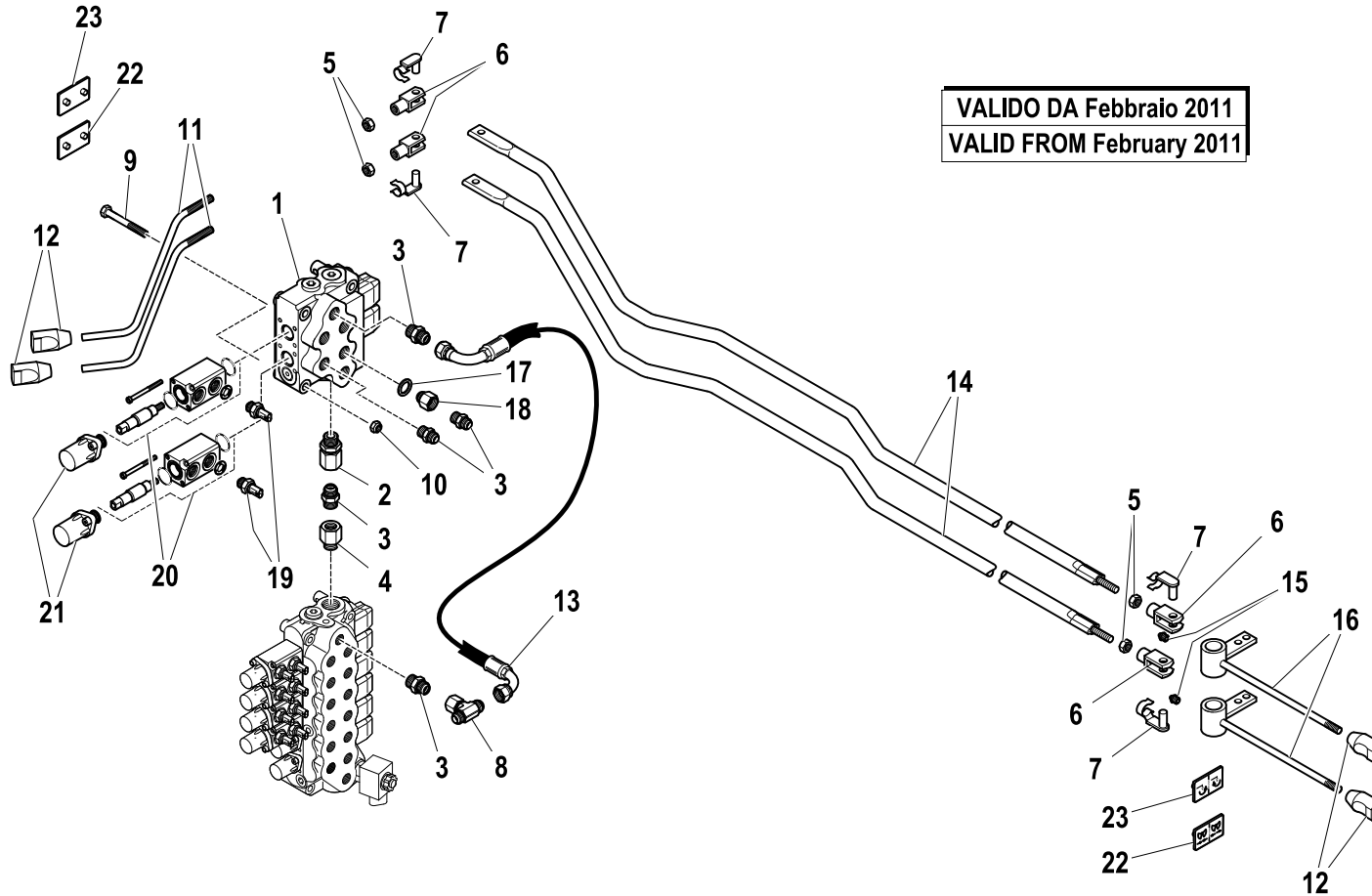
2 EXTRA FUNCTION KIT CLOSED CENTRE SPOOL

Code

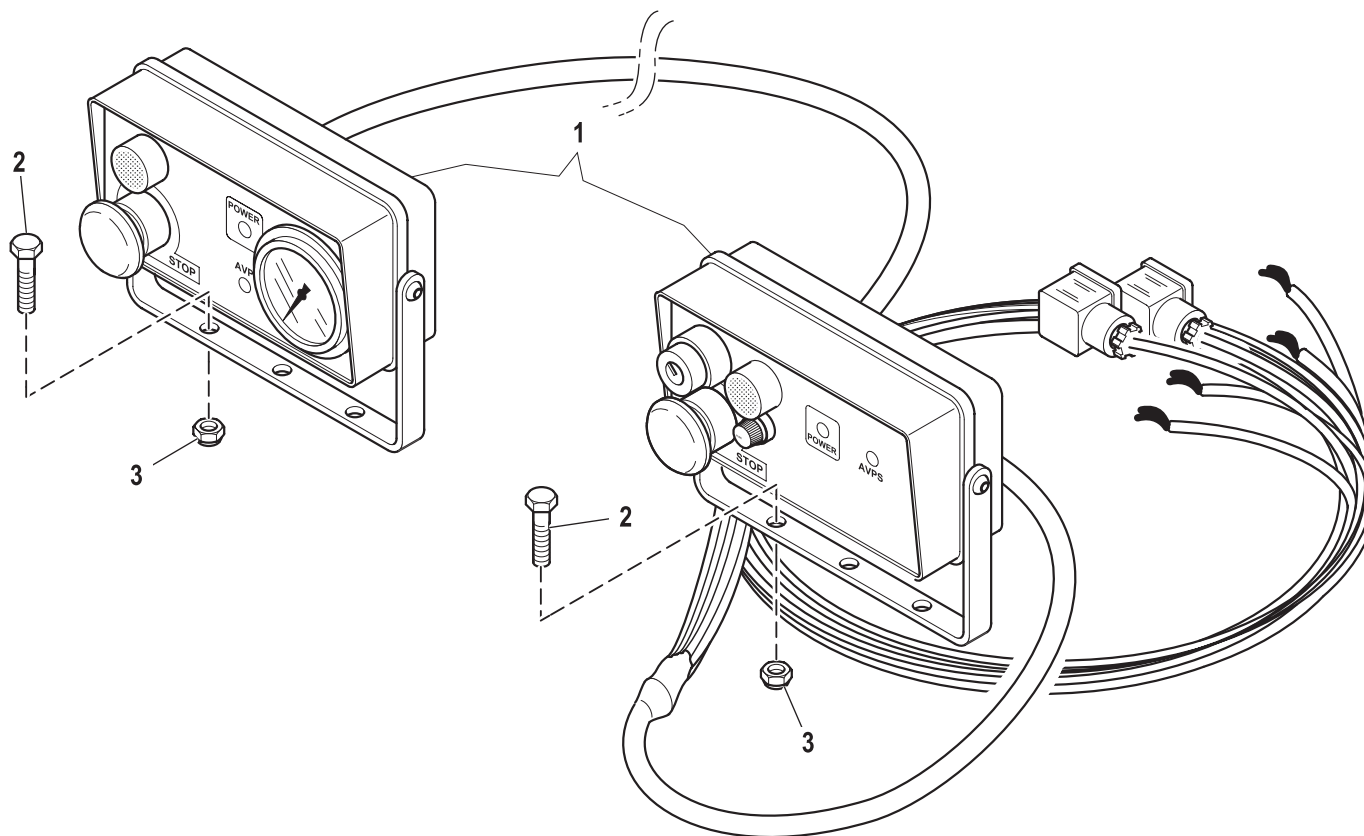
5210040-1.0

2/2

| R | Pos. | Code Variant | Q.ty | Description |
|---|------|--------------|------|-------------|
| | 21 | 5225262 | 2 | |
| | 22 | 5812801 | 2 | |
| | 23 | 5812802 | 2 | |



| R | Pos. | Code Variant | Q.ty | Description |
|---|------|--------------|------|--------------------------------------|
| | 1 | 3310543 | 1 | Dashboard (Electric) |
| | 2 | 3010027 | 4 | Hex screw [M8X20 8.8 ZC IF UNI 5739] |
| | 3 | 3040303 | 4 | Stopnut |

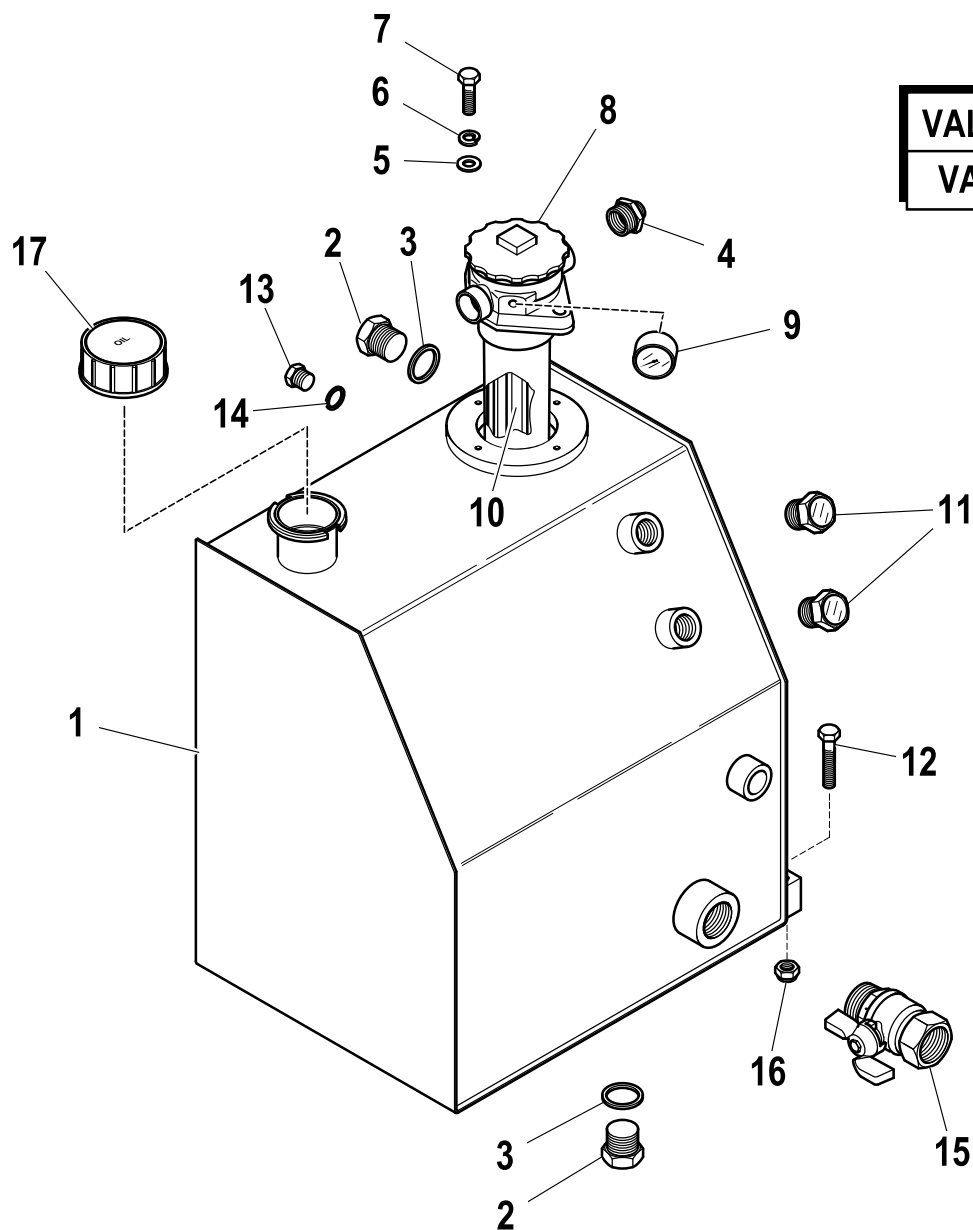


Oil reservoir (not CE)

Code

5400877-1.0

1/1



VALIDO FINO a Settembre 2011
VALID UNTIL September 2011

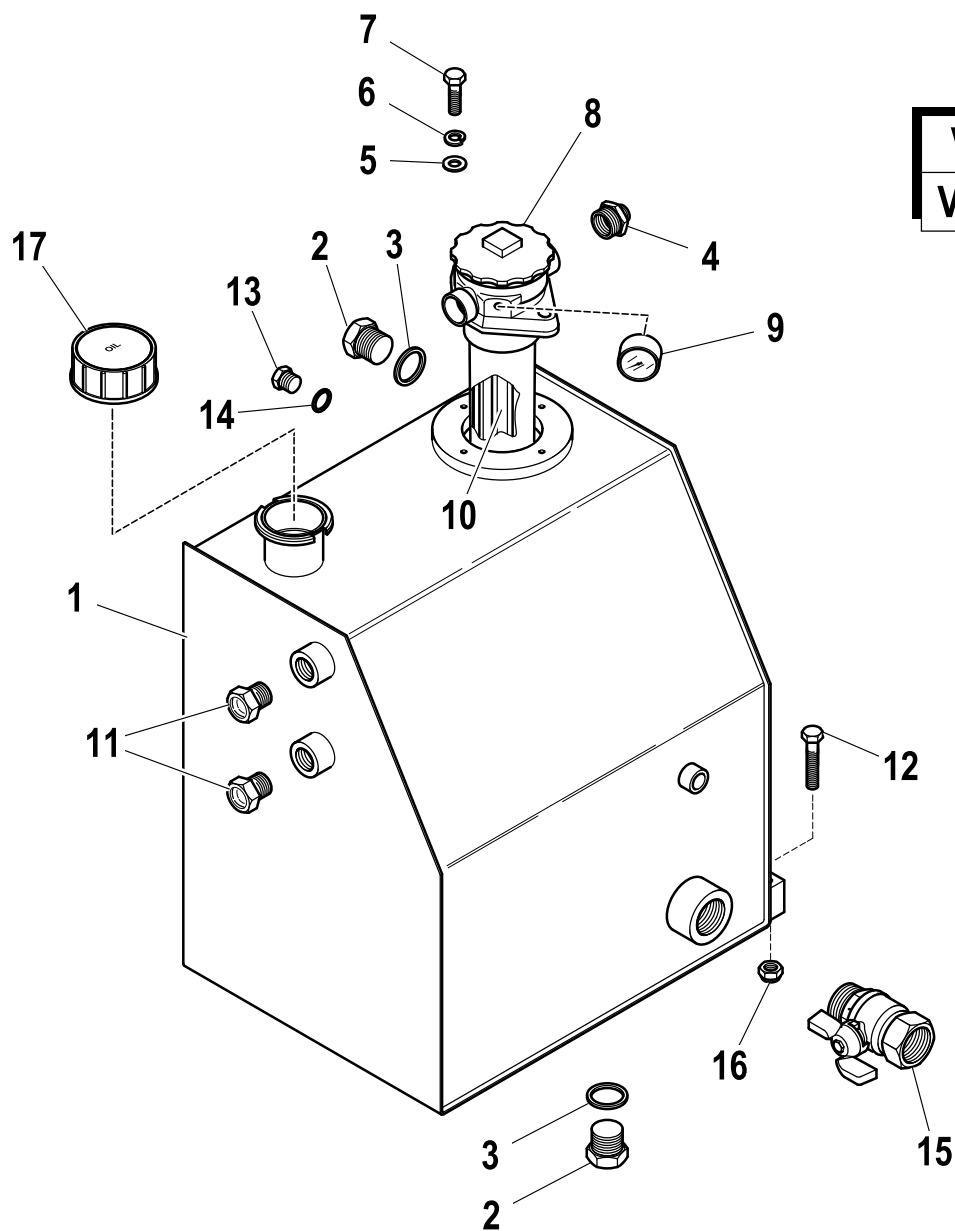
| R | Pos. | Code Variant | Q.ty | Description |
|---|------|--------------|------|--------------------------------------|
| | 1 | 5091147 | 1 | |
| | 2 | 3110065 | 2 | Plug |
| | 3 | 3060145 | 2 | Sealing washer [BSP 1/2"] |
| | 4 | 3101051 | 1 | Straight pipe fitting |
| | 5 | 3060006 | 2 | Flat washer [D.8 UNI 6592 ZC] |
| | 6 | 3060055 | 5 | Split lock washer [D=8.4 C72 ZC] |
| | 7 | 3010339 | 2 | Hex screw [M8X25 8.8 ZC IF UNI 5739] |
| | 8 | 3180195 | 1 | Oil filter |
| | 9 | 3180147 | 1 | Pressure gauge (Clogging indicator) |
| | 10 | 3180112 | 1 | Filtering cartridge |
| | 11 | 3180099 | 2 | |
| | 12 | 3010033 | 3 | Hex screw [M8X50 8.8 ZC UNI 5737] |
| | 13 | 3110062 | 1 | Plug |
| | 14 | 3060143 | 1 | Sealing washer [BSP 1/4"] |
| | 15 | 3140305 | 1 | |
| | 16 | 3040303 | 3 | Stopnut |
| | 17 | W449009 | 1 | Tank cap (Spill door) |

Oil reservoir (not CE)

Code

5400877-2.0

1/1



VALIDO DA Ottobre 2011
VALID FROM October 2011

| R | Pos. | Code Variant | Q.ty | Description |
|---|------|--------------|------|--------------------------------------|
| | 1 | 5091147 | 1 | |
| | 2 | 3110065 | 2 | Plug |
| | 3 | 3060145 | 2 | Sealing washer [BSP 1/2"] |
| | 4 | 3101051 | 1 | Straight pipe fitting |
| | 5 | 3060006 | 2 | Flat washer [D.8 UNI 6592 ZC] |
| | 6 | 3060055 | 5 | Split lock washer [D=8.4 C72 ZC] |
| | 7 | 3010339 | 2 | Hex screw [M8X25 8.8 ZC IF UNI 5739] |
| | 8 | 3180195 | 1 | Oil filter |
| | 9 | 3180147 | 1 | Pressure gauge (Clogging indicator) |
| | 10 | 3180112 | 1 | Filtering cartridge |
| | 11 | 3180188 | 2 | |
| | 12 | 3010033 | 3 | Hex screw [M8X50 8.8 ZC UNI 5737] |
| | 13 | 3110062 | 1 | Plug |
| | 14 | 3060143 | 1 | Sealing washer [BSP 1/4"] |
| | 15 | 3140305 | 1 | |
| | 16 | 3040303 | 3 | Stopnut |
| | 17 | W449009 | 1 | Tank cap (Spill door) |

Oil reservoir (CE)

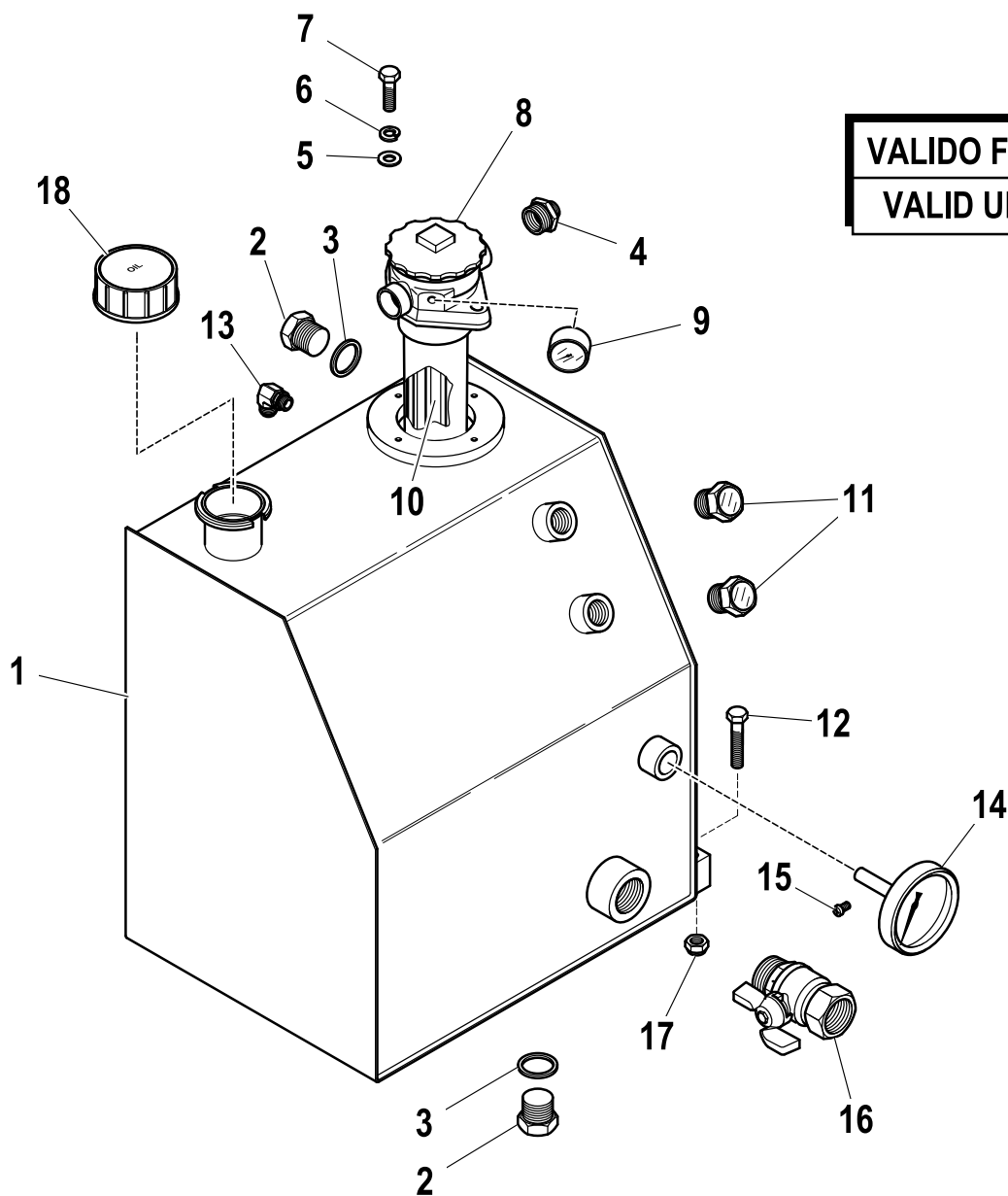
Code

5400508-1.0

1/1

VALIDO FINO a Settembre 2011

VALID UNTIL September 2011



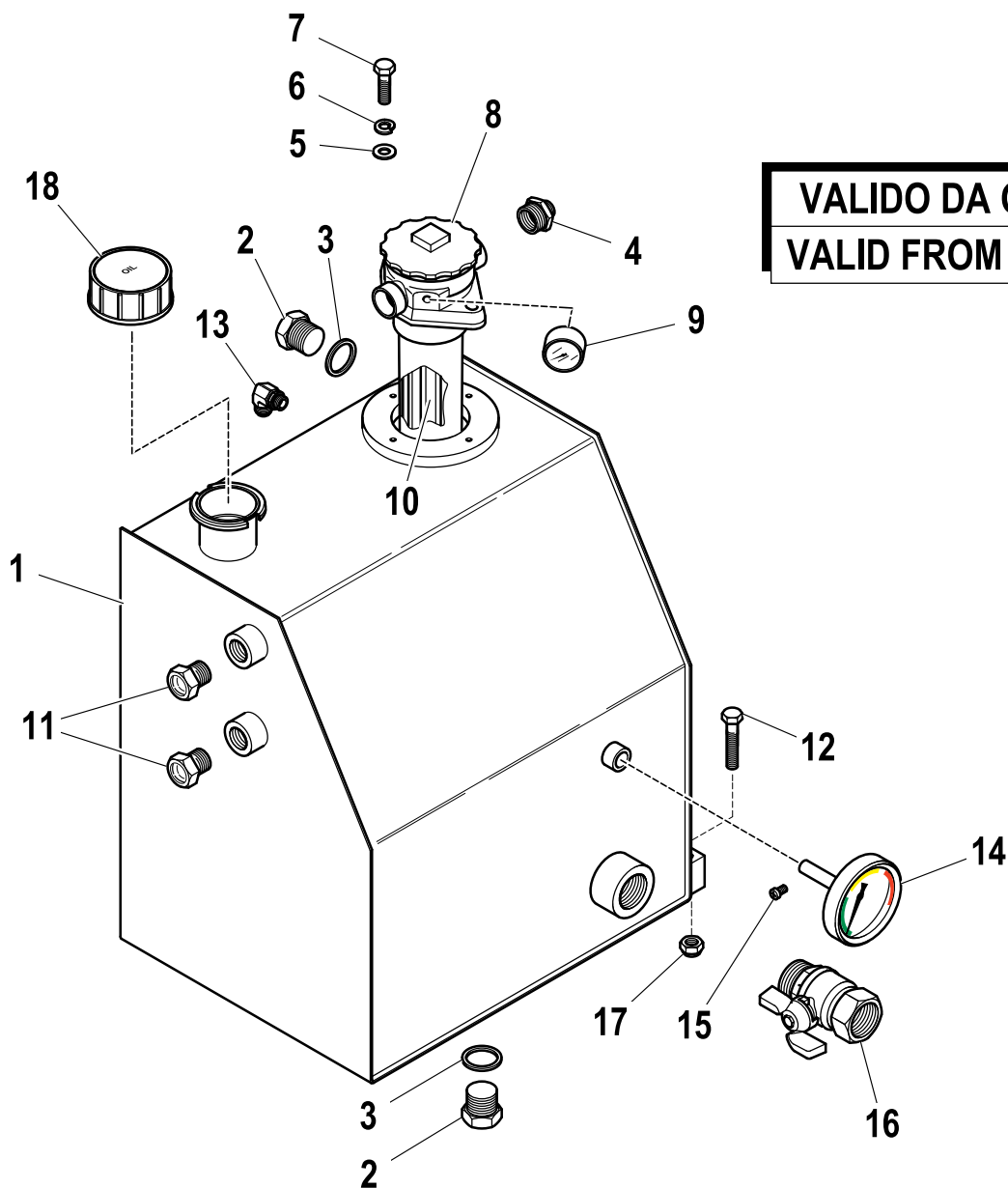
| R | Pos. | Code Variant | Q.ty | Description |
|---|------|--------------|------|--------------------------------------|
| | 1 | 5091147 | 1 | |
| | 2 | 3110065 | 2 | Plug |
| | 3 | 3060145 | 2 | Sealing washer [BSP 1/2"] |
| | 4 | 3101051 | 1 | Straight pipe fitting |
| | 5 | 3060006 | 2 | Flat washer [D.8 UNI 6592 ZC] |
| | 6 | 3060055 | 5 | Split lock washer [D=8.4 C72 ZC] |
| | 7 | 3010339 | 2 | Hex screw [M8X25 8.8 ZC IF UNI 5739] |
| | 8 | 3180195 | 1 | Oil filter |
| | 9 | 3180147 | 1 | Pressure gauge (Clogging indicator) |
| | 10 | 3180112 | 1 | Filtering cartridge |
| | 11 | 3180099 | 2 | |
| | 12 | 3010033 | 3 | Hex screw [M8X50 8.8 ZC UNI 5737] |
| | 13 | 3101124 | 1 | 90° Connection |
| | 14 | 3180097 | 1 | |
| | 15 | 3020881 | 1 | [M3X8 UNI7687 ZC TAGLIO CR.] |
| | 16 | 3140305 | 1 | |
| | 17 | 3040303 | 3 | Stopnut |
| | 18 | W449009 | 1 | Tank cap (Spill door) |

Oil reservoir (CE)

Code

5400508-2.0

1/1



VALIDO DA Ottobre 2011
VALID FROM October 2011

| R | Pos. | Code Variant | Q.ty | Description |
|---|------|--------------|------|--------------------------------------|
| | 1 | 5091147 | 1 | |
| | 2 | 3110065 | 2 | Plug |
| | 3 | 3060145 | 2 | Sealing washer [BSP 1/2"] |
| | 4 | 3101051 | 1 | Straight pipe fitting |
| | 5 | 3060006 | 2 | Flat washer [D.8 UNI 6592 ZC] |
| | 6 | 3060055 | 5 | Split lock washer [D=8.4 C72 ZC] |
| | 7 | 3010339 | 2 | Hex screw [M8X25 8.8 ZC IF UNI 5739] |
| | 8 | 3180195 | 1 | Oil filter |
| | 9 | 3180147 | 1 | Pressure gauge (Clogging indicator) |
| | 10 | 3180112 | 1 | Filtering cartridge |
| | 11 | 3180188 | 2 | |
| | 12 | 3010033 | 3 | Hex screw [M8X50 8.8 ZC UNI 5737] |
| | 13 | 3101124 | 1 | 90° Connection |
| | 14 | 3180221 | 1 | Thermometer |
| | 15 | 3020881 | 1 | [M3X8 UNI7687 ZC TAGLIO CR.] |
| | 16 | 3140305 | 1 | |
| | 17 | 3040303 | 3 | Stopnut |
| | 18 | W449009 | 1 | Tank cap (Spill door) |

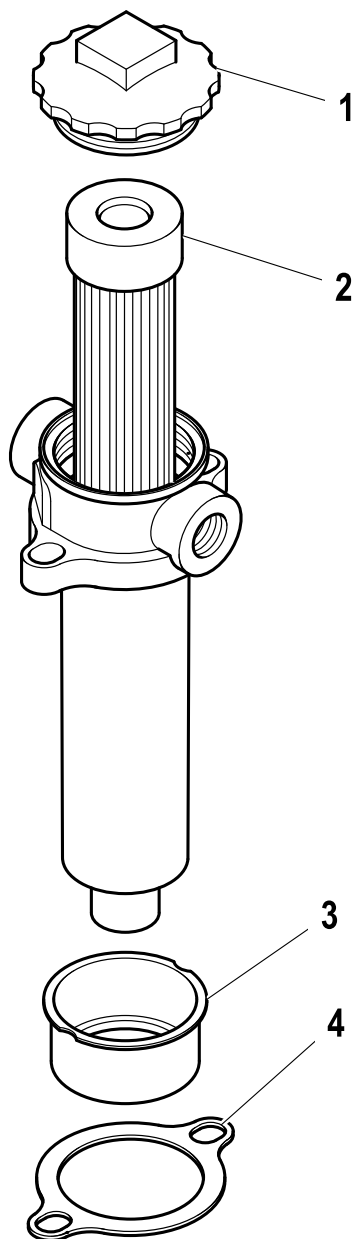
Oil filter

Code

3180195-1.0

1/1

| R | Pos. | Code Variant | Q.ty | Description |
|---|------|--------------|------|---------------------|
| | 1 | 3180113 | 1 | |
| | 2 | 3180112 | 1 | Filtering cartridge |
| | 3 | 3180155 | 1 | |
| | 4 | 3180120 | 1 | |



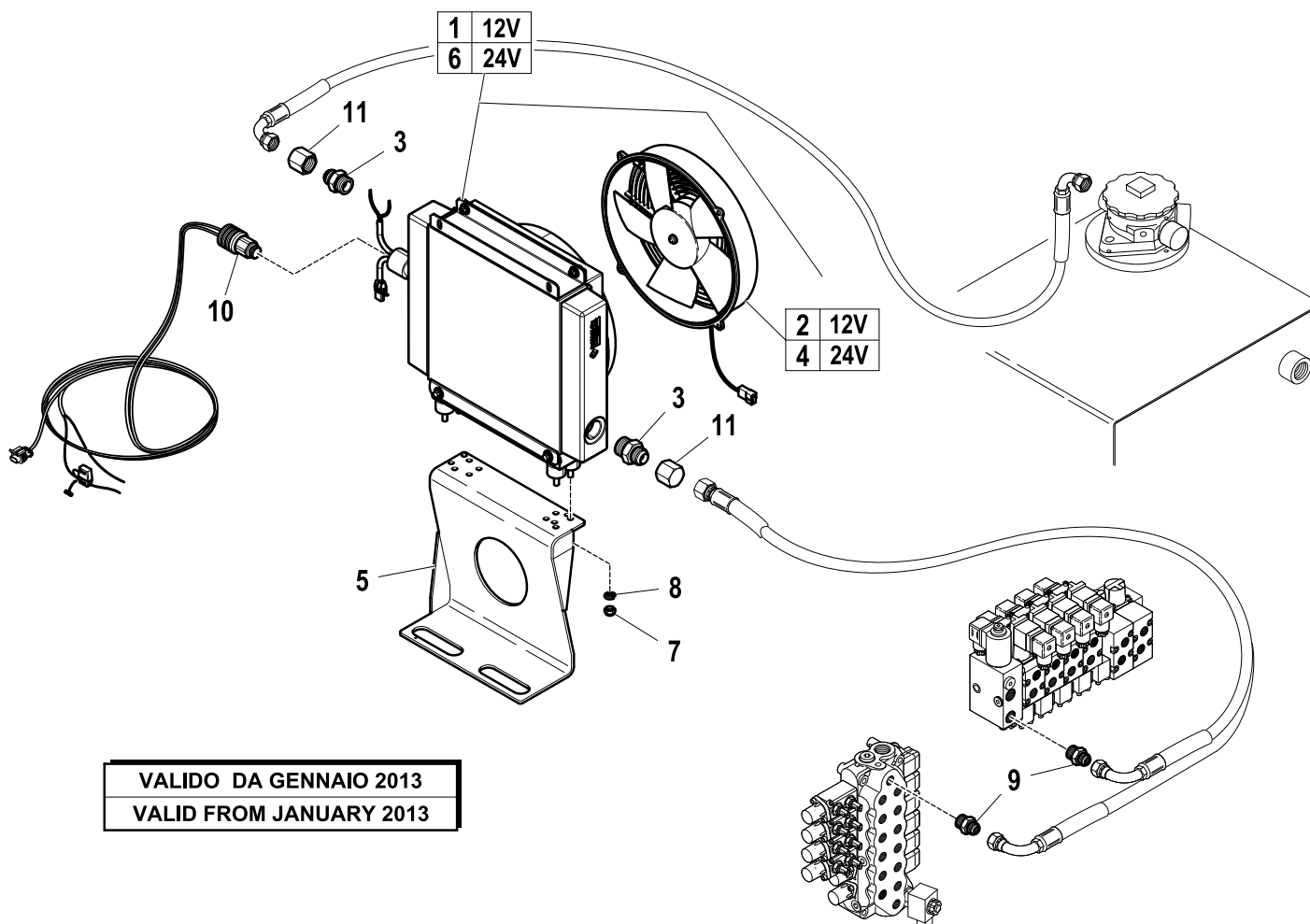
VALIDO DA Mat. 20593 - 03/07/2006
VALID FROM S/N 20593 - 03/07/2006

Heat exchange unit

Code

7888030-1.0

1/1



VALIDO DA GENNAIO 2013
VALID FROM JANUARY 2013

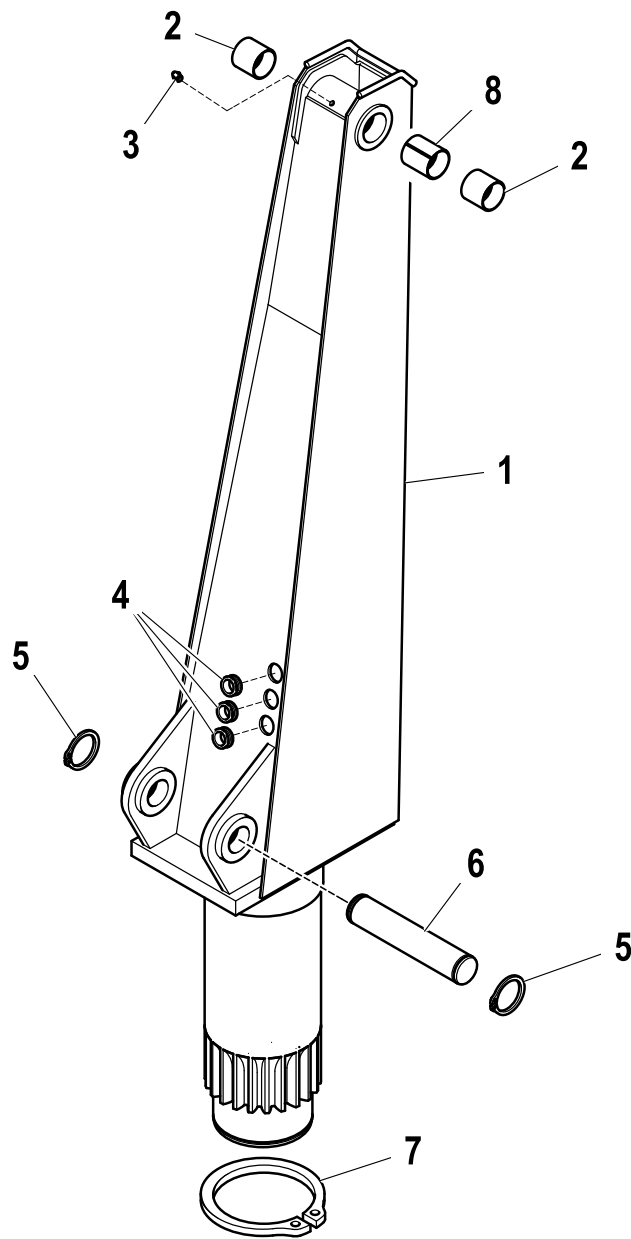
| R | Pos. | Code Variant | Q.ty | Description |
|---|------|--------------|------|-----------------------------------|
| | 1 | 5710118 | 1 | Heat exchange unit |
| | 2 | 5710119 | 1 | Electric fan (Heat exchange unit) |
| | 3 | 3101057 | 2 | Straight pipe fitting |
| | 4 | 5710117 | 1 | Electric fan |
| | 5 | 5001229 | 1 | |
| | 6 | 5710116 | 1 | Heat exchange unit |
| | 7 | 3040303 | 4 | Stopnut |
| | 8 | 3060055 | 4 | Split lock washer [D=8.4 C72 ZC] |
| | 9 | 3101043 | 1 | Straight pipe fitting |
| | 10 | 3311408 | 1 | Thermostat (Wire assembly) |
| | 11 | 3110059 | 2 | Plug |

Column

Code

5460091-1.0

1/1



| R | Pos. | Code Variant | Q.ty | Description |
|---|------|--------------|------|---------------|
| | 1 | 5040118 | 1 | Column |
| | 2 | 5140124 | 2 | |
| | 3 | 3080501 | 1 | Grease nipple |
| | 4 | W180201000 | 3 | |
| | 5 | 3070041 | 2 | Seeger |
| | 6 | 5150488 | 1 | |
| | 7 | 3070100 | 1 | Seeger |
| | 8 | 5001116 | 1 | |

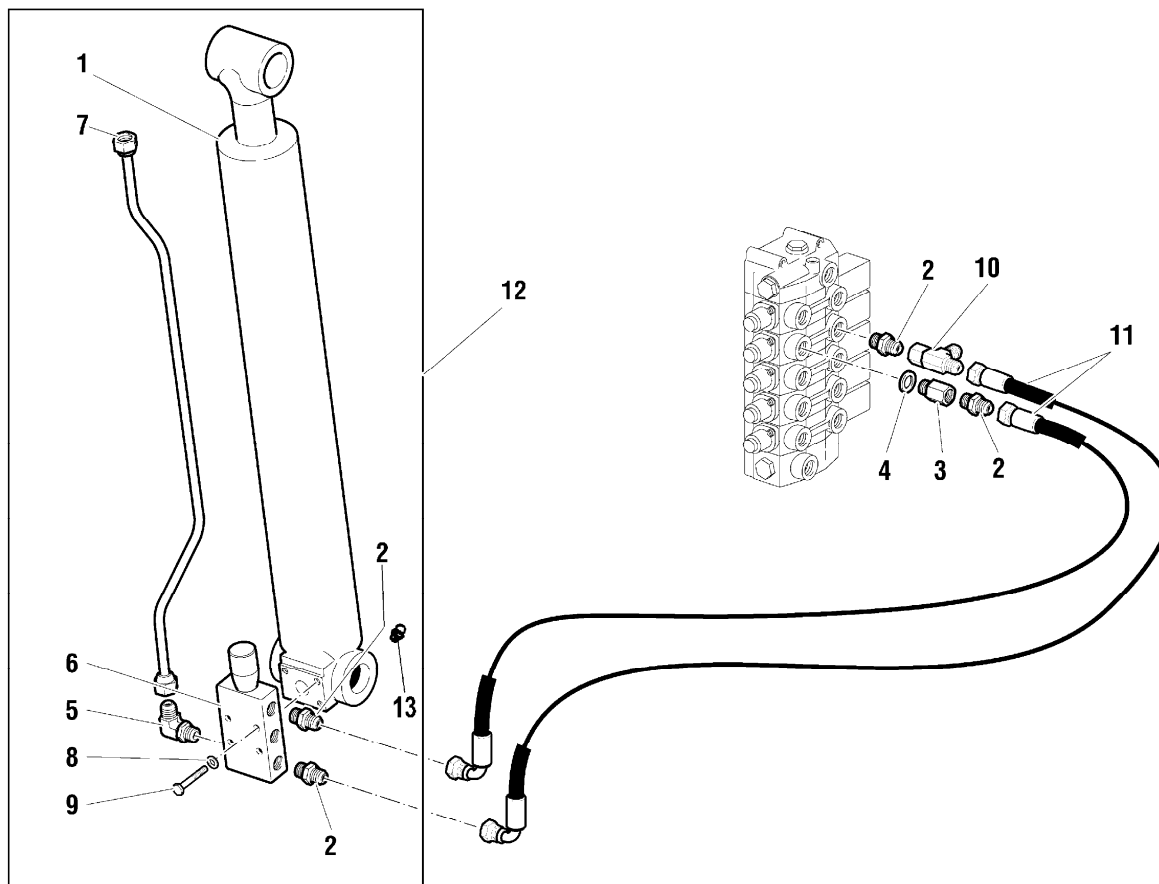
HYDRAULIC SYSTEM (LIFTING HYDRAULIC CYLINDER)

Code

6230079-1.3

1/1

| R | Pos. | Code Variant | Q.ty | Description |
|---|------|--------------|------|-----------------------------------|
| | 1 | 6430079 | 1 | Lifting jack |
| | 2 | 3101043 | 4 | Straight pipe fitting |
| | 3 | 3110112 | 1 | Straight pipe fitting |
| | 4 | 3060144 | 1 | Sealing washer [BSP 3/8"] |
| | 5 | 3101127 | 1 | 90° Connection |
| | 6 | 5220547 | 1 | |
| | 7 | 5391052 | 1 | |
| | 8 | 3060055 | 4 | Split lock washer [D=8.4 C72 ZC] |
| | 9 | 3010033 | 4 | Hex screw [M8X50 8.8 ZC UNI 5737] |
| | 10 | 3120004 | 1 | Tee fitting |
| | 11 | 5270866 | 2 | Flexible hose |
| | 12 | 6230079 | 1 | Lifting jack |
| | 13 | 3080512 | 1 | Grease nipple |



6.23.0079-1.3

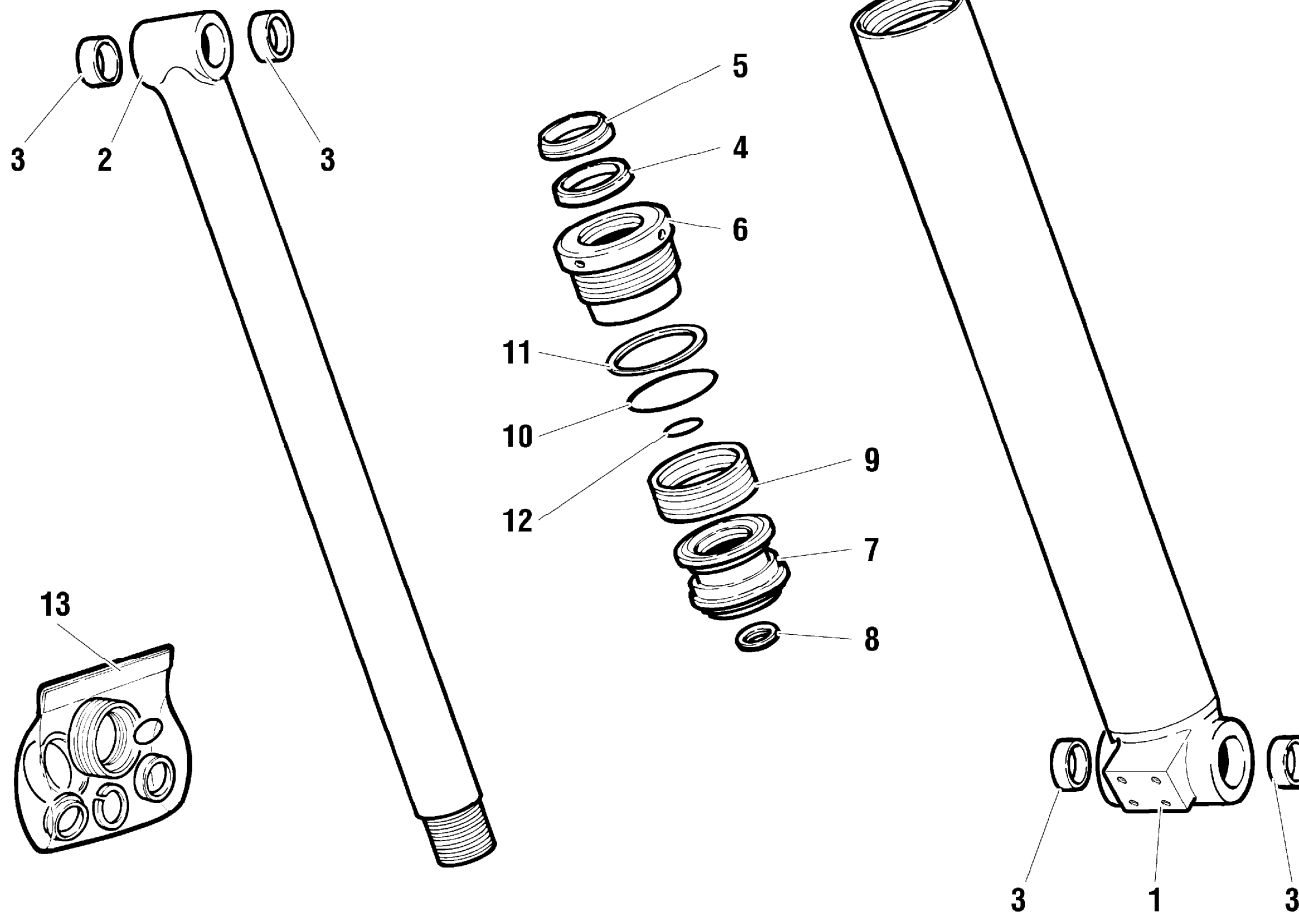
LIFTING HYDRAULIC CYLINDER

Code

6430079-1.0

1/1

| R | Pos. | Code Variant | Q.ty | Description |
|---|------|--------------|------|---------------------------------------|
| | 1 | 6070352 | 1 | |
| | 2 | 6030346 | 1 | |
| | 3 | 5140124 | 4 | |
| | 4 | 3400111 | 1 | |
| | 5 | 3420030 | 1 | W-ring |
| | 6 | 6040106 | 1 | |
| | 7 | 6050237 | 1 | |
| | 8 | 3040500 | 1 | Self-locking ringnut |
| | 9 | 3400519 | 1 | |
| | 10 | 3450224 | 1 | |
| | 11 | 3460224 | 1 | |
| | 12 | 3450119 | 1 | |
| | 13 | 5550681 | 1 | Seal kit (lifting hydraulic cylinder) |



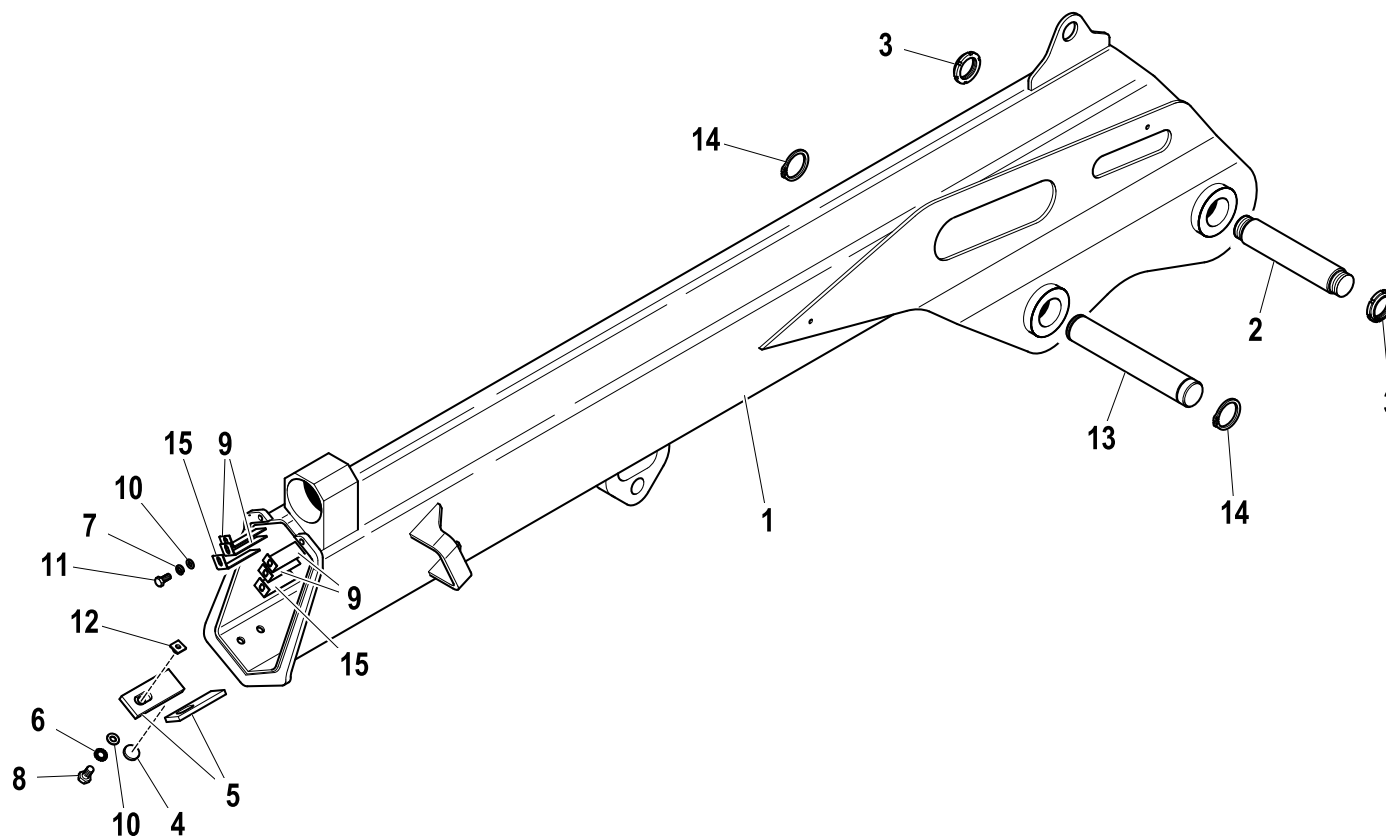
1ST BOOM

Code

5470097-1.0

1/1

| R | Pos. | Code Variant | Q.ty | Description |
|---|------|--------------|------|---|
| | 1 | 5030297 | 1 | Main boom |
| | 2 | 5150642 | 1 | |
| | 3 | 3040500 | 2 | Self-locking ringnut |
| | 4 | 5140656 | 2 | Button (Backlash) |
| | 5 | 5140722 | 2 | Slide shoe |
| | 6 | 3060918 | 2 | Tooth lock washer [D.8 TIPO A UNI8842 ZC] |
| | 7 | 3060055 | 4 | Split lock washer [D=8.4 C72 ZC] |
| | 8 | 3010336 | 2 | Hex screw [M8X12 8.8 ZC UNI 5739] |
| | 9 | 5000685 | 4 | Plate (Thickness) |
| | 10 | 3060006 | 4 | Flat washer [D.8 UNI 6592 ZC] |
| | 11 | 3010337 | 2 | Hex screw [M8X16 8.8 ZC UNI 5739] |
| | 12 | 5001087 | 2 | Button (Control board) |
| | 13 | 5150488 | 1 | |
| | 14 | 3070041 | 2 | Seeger |
| | 15 | 5000780 | 2 | Plate (Thickness) |



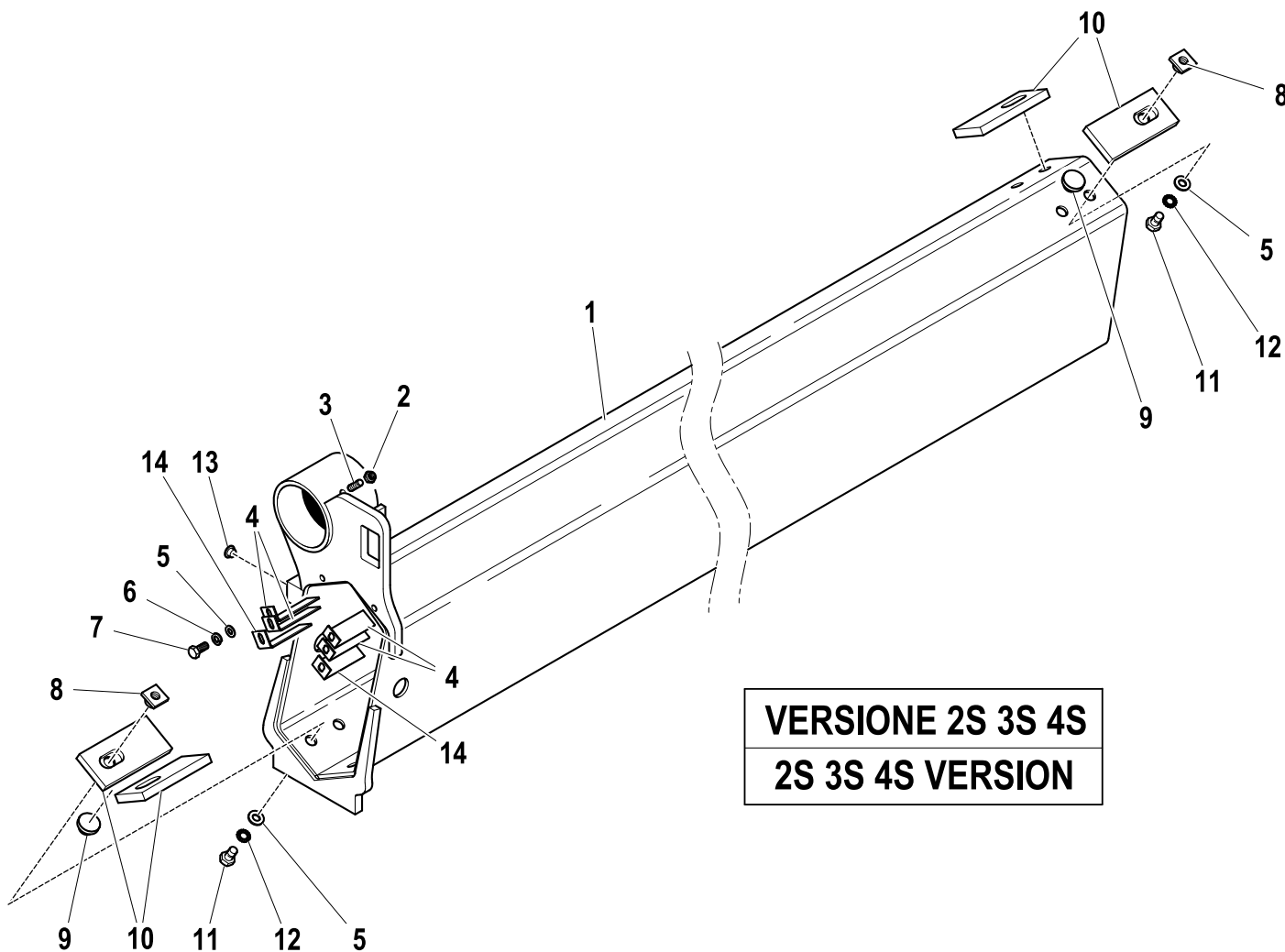
1st EXTENSION

Code

5490094-1.0

1/1

| R | Pos. | Code Variant | Q.ty | Description |
|---|------|--------------|------|---|
| | 1 | 5020538 | 1 | Extension |
| | 2 | 3040519 | 1 | Stopnut |
| | 3 | 3060505 | 1 | Grub screw |
| | 4 | 5000685 | 4 | Plate (Thickness) |
| | 5 | 3060006 | 4 | Flat washer [D.8 UNI 6592 ZC] |
| | 6 | 3060055 | 2 | Split lock washer [D=8.4 C72 ZC] |
| | 7 | 3010337 | 2 | Hex screw [M8X16 8.8 ZC UNI 5739] |
| | 8 | 5001087 | 2 | Button (Control board) |
| | 9 | 5140656 | 2 | Button (Backlash) |
| | 10 | 5140722 | 4 | Slide shoe |
| | 11 | 3010336 | 2 | Hex screw [M8X12 8.8 ZC UNI 5739] |
| | 12 | 3060918 | 2 | Tooth lock washer [D.8 TIPO A UNI8842 ZC] |
| | 13 | W734017 | 4 | |
| | 14 | 5000780 | 2 | Plate (Thickness) |



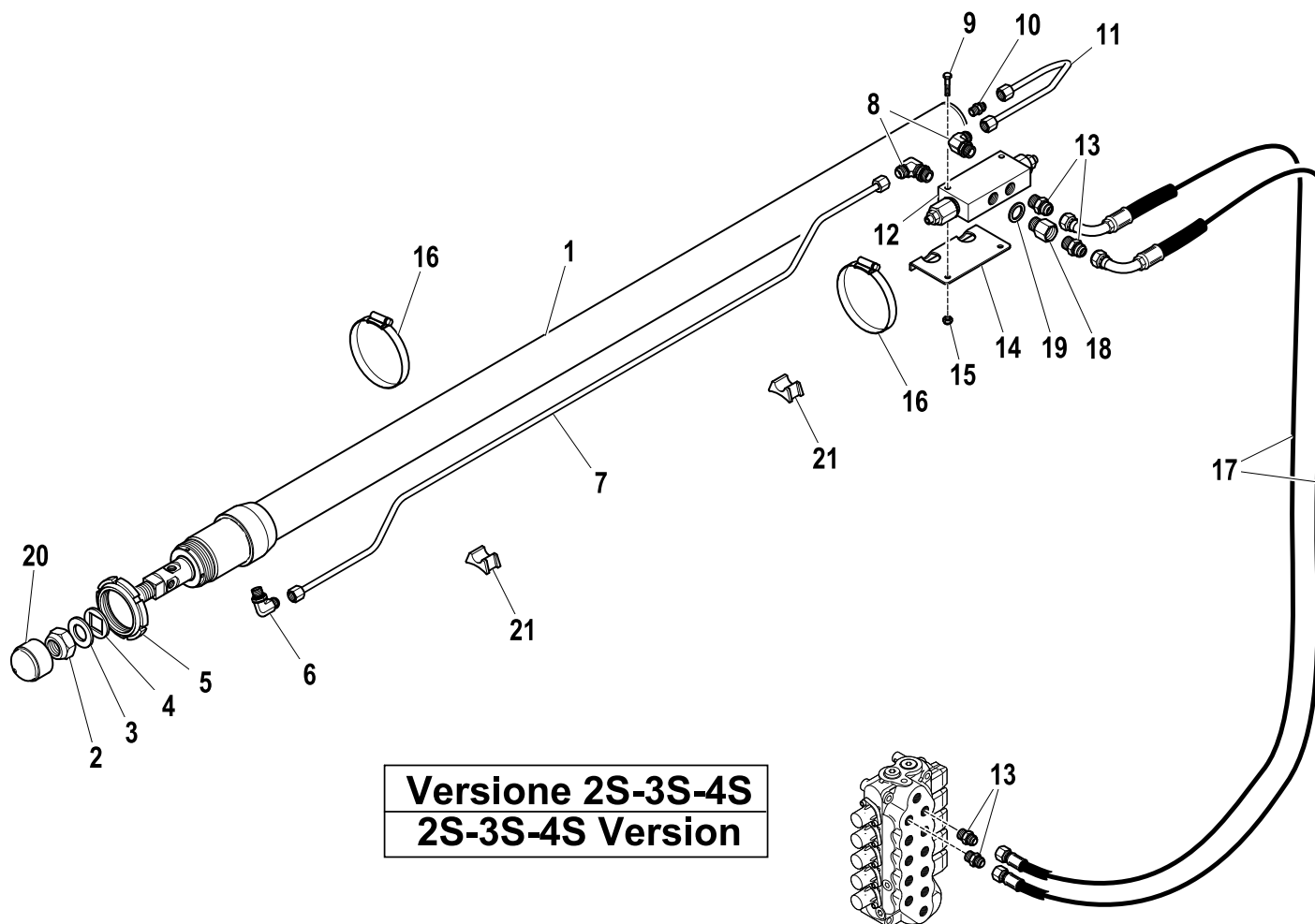
VERSIONE 2S 3S 4S
2S 3S 4S VERSION

HYDRAULIC SYSTEM (1st EXSTENSION HYDRAULIC)

Code

6210402-2.0

1/2



Versione 2S-3S-4S
2S-3S-4S Version

| R | Pos. | Code Variant | Q.ty | Description |
|---|------|--------------|------|-------------------------------------|
| | 1 | 6410415 | 1 | Extension jacks |
| | 2 | 3040390 | 1 | Stopnut |
| | 3 | 3060014 | 1 | Flat washer [D.25X44X4 UNI 6592 ZC] |
| | 4 | 5001365 | 1 | Lock washer (Control board) |
| | 5 | 3040510 | 1 | Self-locking ringnut |
| | 6 | 3101124 | 1 | 90° Connection |
| | 7 | 5392237 | 1 | Bonderized tube (Iron) |
| | 8 | 3101125 | 2 | 90° Connection |
| | 9 | 3010019 | 2 | Hex screw [M6X45 8.8 ZC UNI 5737] |
| | 10 | 3101039 | 1 | Straight pipe fitting |
| | 11 | 5392091 | 1 | Bonderized tube (Iron) |
| | 12 | 5220122 | 1 | Valve |
| | 13 | 3101043 | 4 | Straight pipe fitting |
| | 14 | 5001579 | 1 | |
| | 15 | 3040372 | 2 | Stopnut |
| | 16 | 3190025 | 3 | Clamp |
| | 17 | 5271895 | 2 | Flexible hose |
| | 18 | 3110112 | 1 | Straight pipe fitting |
| | 19 | 3060144 | 1 | Sealing washer [BSP 3/8"] |
| | 20 | 3190244 | 1 | Plug (Guard) |

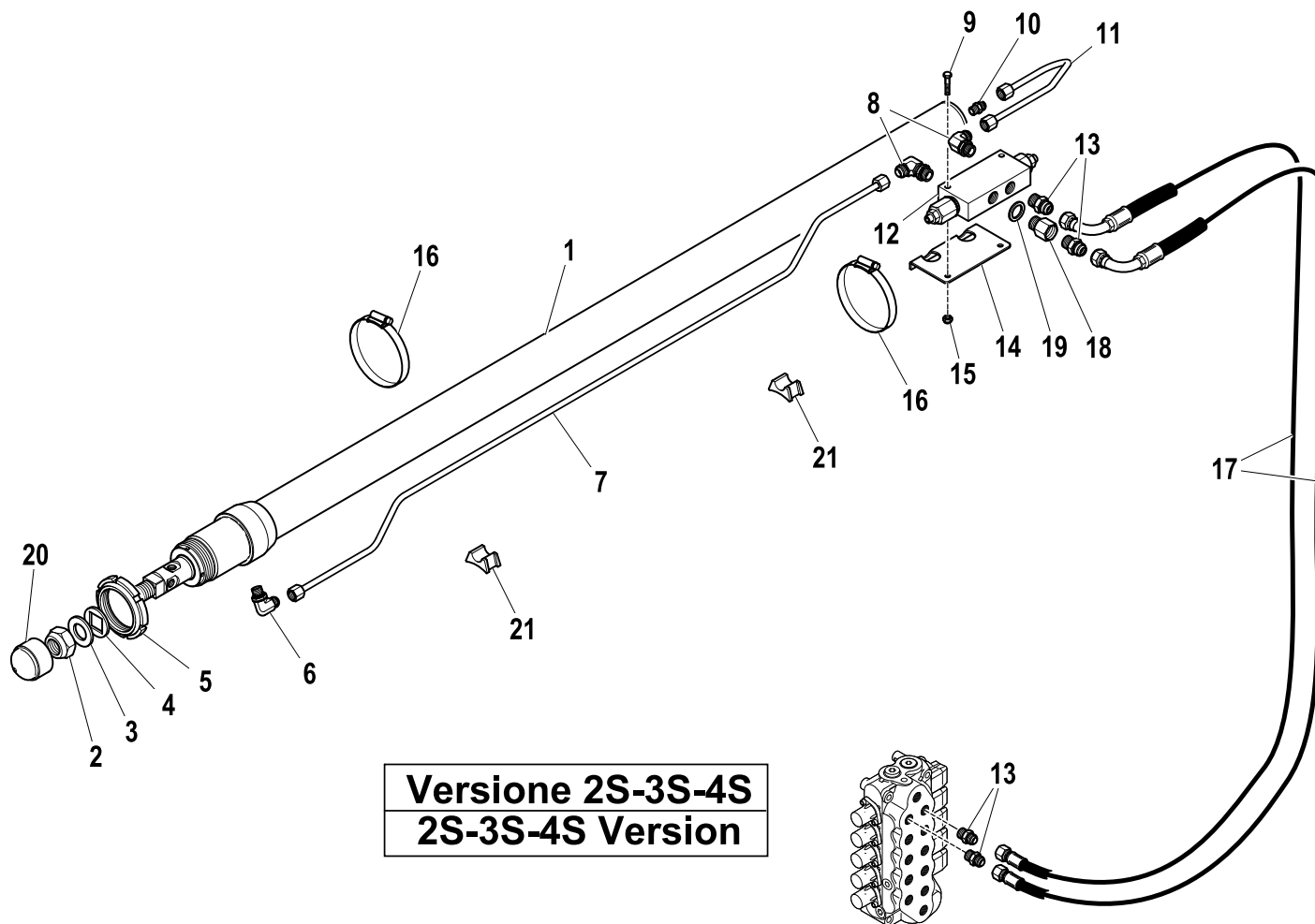
HYDRAULIC SYSTEM (1st EXSTENSION HYDRAULIC)

Code

6210402-2.0

2/2

| R | Pos. | Code Variant | Q.ty | Description |
|---|------|--------------|------|-----------------|
| | 21 | 5140133 | 2 | Piping mounting |



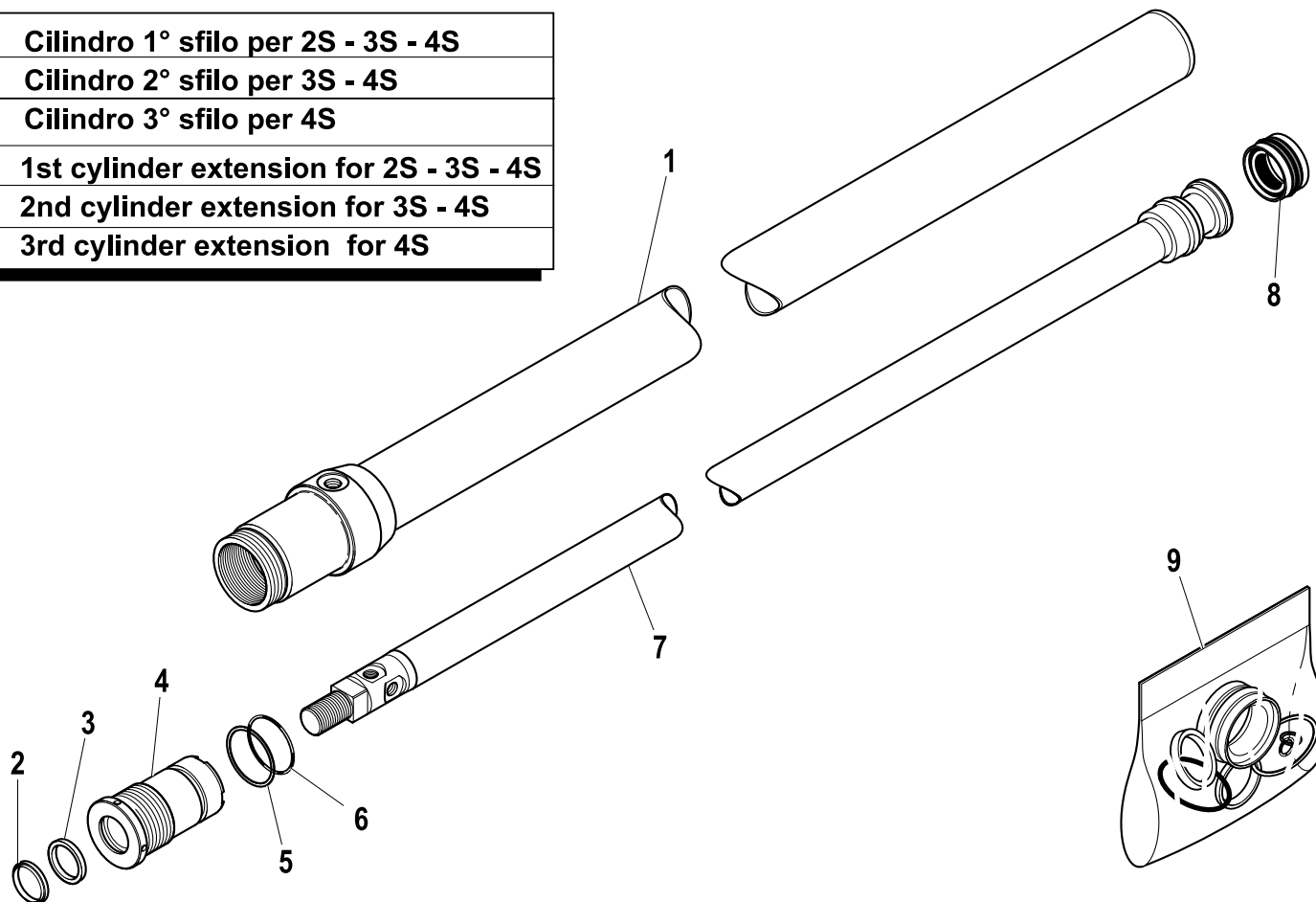
1st EXTENSION HYDRAULIC

Code

6410415-1.0

1/1

- Cilindro 1° sfilo per 2S - 3S - 4S**
- Cilindro 2° sfilo per 3S - 4S**
- Cilindro 3° sfilo per 4S**
- 1st cylinder extension for 2S - 3S - 4S**
- 2nd cylinder extension for 3S - 4S**
- 3rd cylinder extension for 4S**



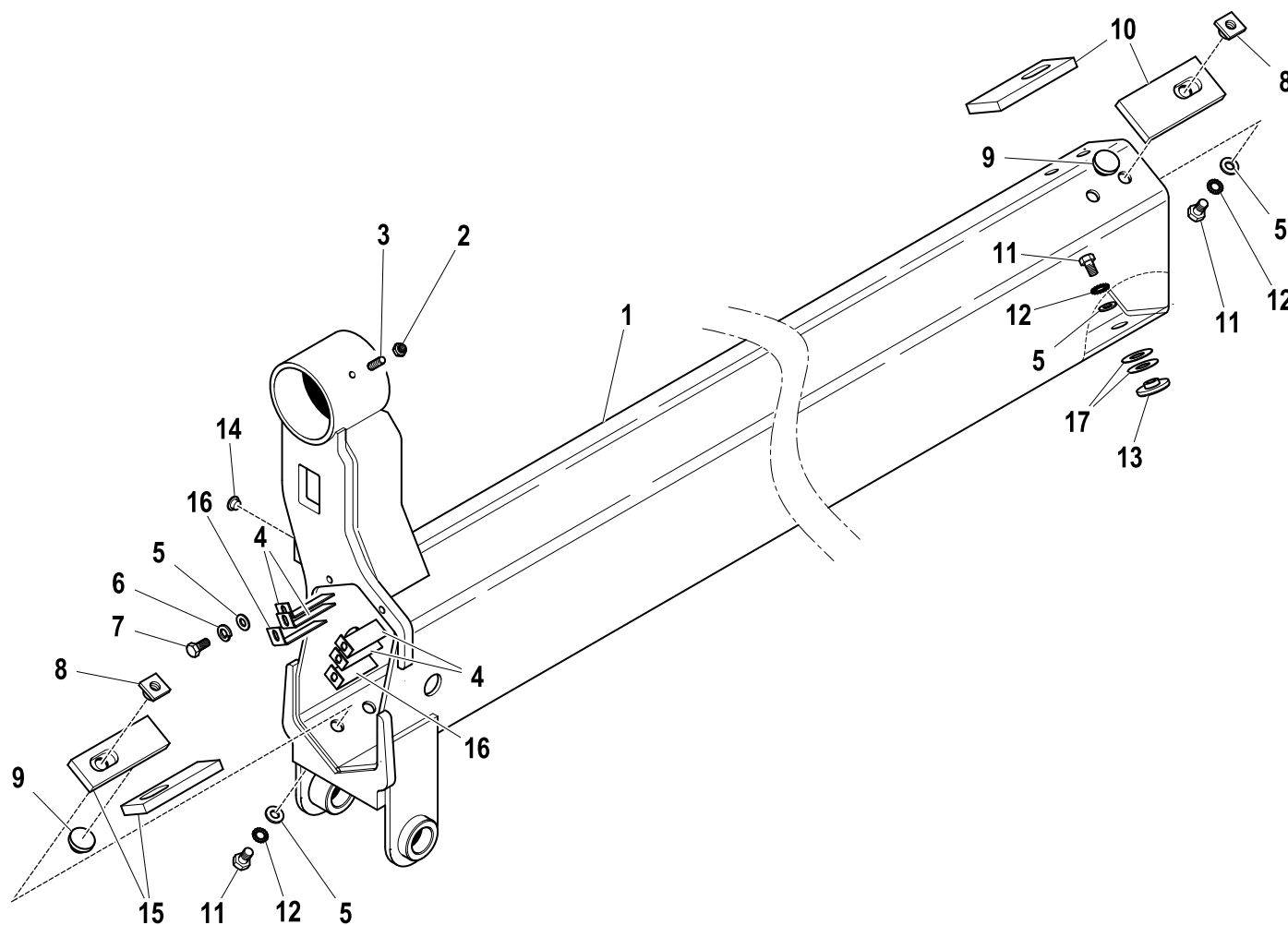
| R | Pos. | Code Variant | Q.ty | Description |
|---|------|--------------|------|-------------|
| | 1 | 6070583 | 1 | |
| | 2 | 3420018 | 1 | |
| | 3 | 3400055 | 1 | |
| | 4 | 6040290 | 1 | |
| | 5 | 3460119 | 1 | |
| | 6 | 3450118 | 1 | |
| | 7 | 6030862 | 1 | |
| | 8 | 3400505 | 1 | |
| | 9 | 5550760 | 1 | |

2nd EXTENSION

Code

5530053-1.0

1/1



| R | Pos. | Code Variant | Q.ty | Description |
|---|------|--------------|------|---|
| | 1 | 5020539 | 1 | Extension |
| | 2 | 3040519 | 1 | Stopnut |
| | 3 | 3060505 | 1 | Grub screw |
| | 4 | 5000685 | 4 | Plate (Thickness) |
| | 5 | 3060006 | 8 | Flat washer [D.8 UNI 6592 ZC] |
| | 6 | 3060055 | 2 | Split lock washer [D=8.4 C72 ZC] |
| | 7 | 3010337 | 2 | Hex screw [M8X16 8.8 ZC UNI 5739] |
| | 8 | 5001087 | 4 | Button (Control board) |
| | 9 | 5140656 | 4 | Button (Backlash) |
| | 10 | 5140722 | 2 | Slide shoe |
| | 11 | 3010336 | 6 | Hex screw [M8X12 8.8 ZC UNI 5739] |
| | 12 | 3060918 | 6 | Tooth lock washer [D.8 TIPO A UNI8842 ZC] |
| | 13 | 5001462 | 2 | |
| | 14 | W734017 | 4 | |
| | 15 | 5140783 | 2 | |
| | 16 | 5000780 | 2 | Plate (Thickness) |
| | 17 | 5002218 | 4 | Washer |

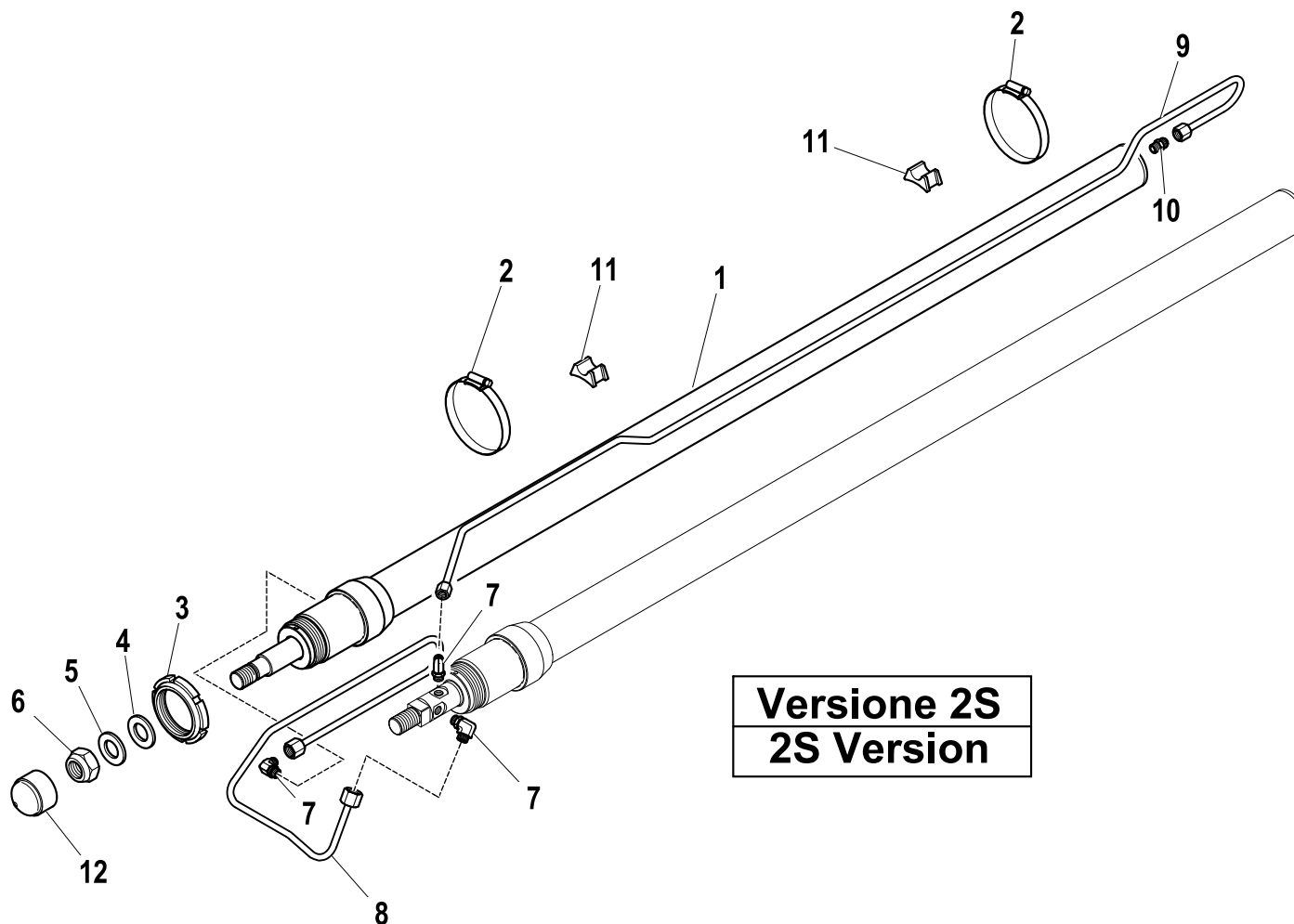
HYDRAULIC SYSTEM (2nd EXTENSION HYDRAULIC JACK)

Code

6210414-1.0

1/1

| R | Pos. | Code Variant | Q.ty | Description |
|---|------|--------------|------|-------------------------------------|
| | 1 | 6410414 | 1 | |
| | 2 | 3190025 | 2 | Clamp |
| | 3 | 3040510 | 1 | Self-locking ringnut |
| | 4 | 5001575 | 1 | |
| | 5 | 3060014 | 1 | Flat washer [D.25X44X4 UNI 6592 ZC] |
| | 6 | 3040390 | 1 | Stopnut |
| | 7 | 3101124 | 3 | 90° Connection |
| | 8 | 5392094 | 1 | |
| | 9 | 5392248 | 1 | |
| | 10 | 3101039 | 1 | Straight pipe fitting |
| | 11 | 5140133 | 2 | Piping mounting |
| | 12 | 3190244 | 1 | Plug (Guard) |



Versione 2S
2S Version

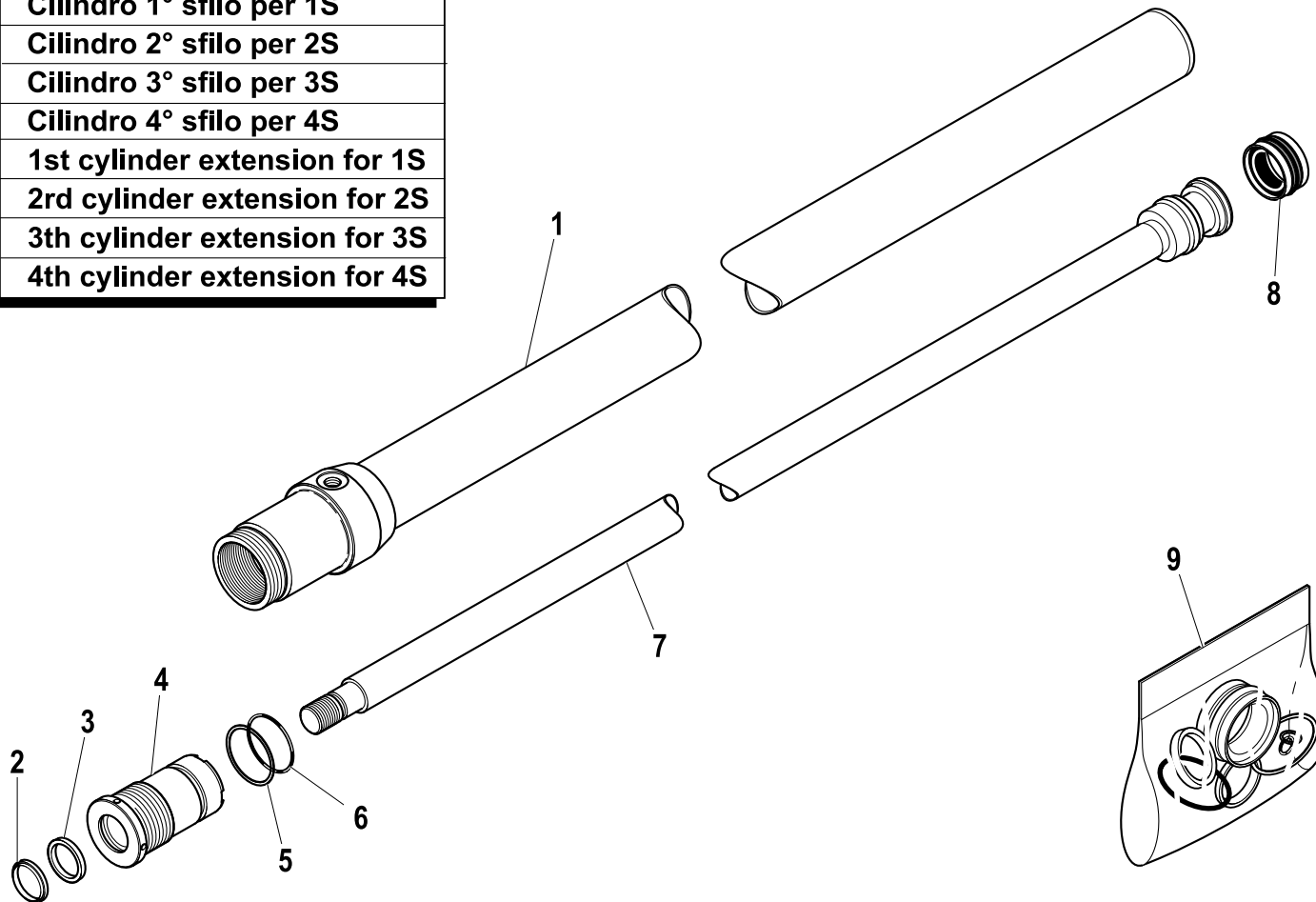
Extension Hydraulic jack

Code

6410414-1.0

1/1

- | |
|--------------------------------------|
| Cilindro 1° sfilo per 1S |
| Cilindro 2° sfilo per 2S |
| Cilindro 3° sfilo per 3S |
| Cilindro 4° sfilo per 4S |
| 1st cylinder extension for 1S |
| 2rd cylinder extension for 2S |
| 3th cylinder extension for 3S |
| 4th cylinder extension for 4S |



| R | Pos. | Code Variant | Q.ty | Description |
|---|------|--------------|------|-------------|
| | 1 | 6070583 | 1 | |
| | 2 | 3420015 | 1 | |
| | 3 | 3400043 | 1 | |
| | 4 | 6040291 | 1 | |
| | 5 | 3460119 | 1 | |
| | 6 | 3450118 | 1 | |
| | 7 | 6030860 | 1 | |
| | 8 | 3400505 | 1 | |
| | 9 | 5550761 | 1 | |

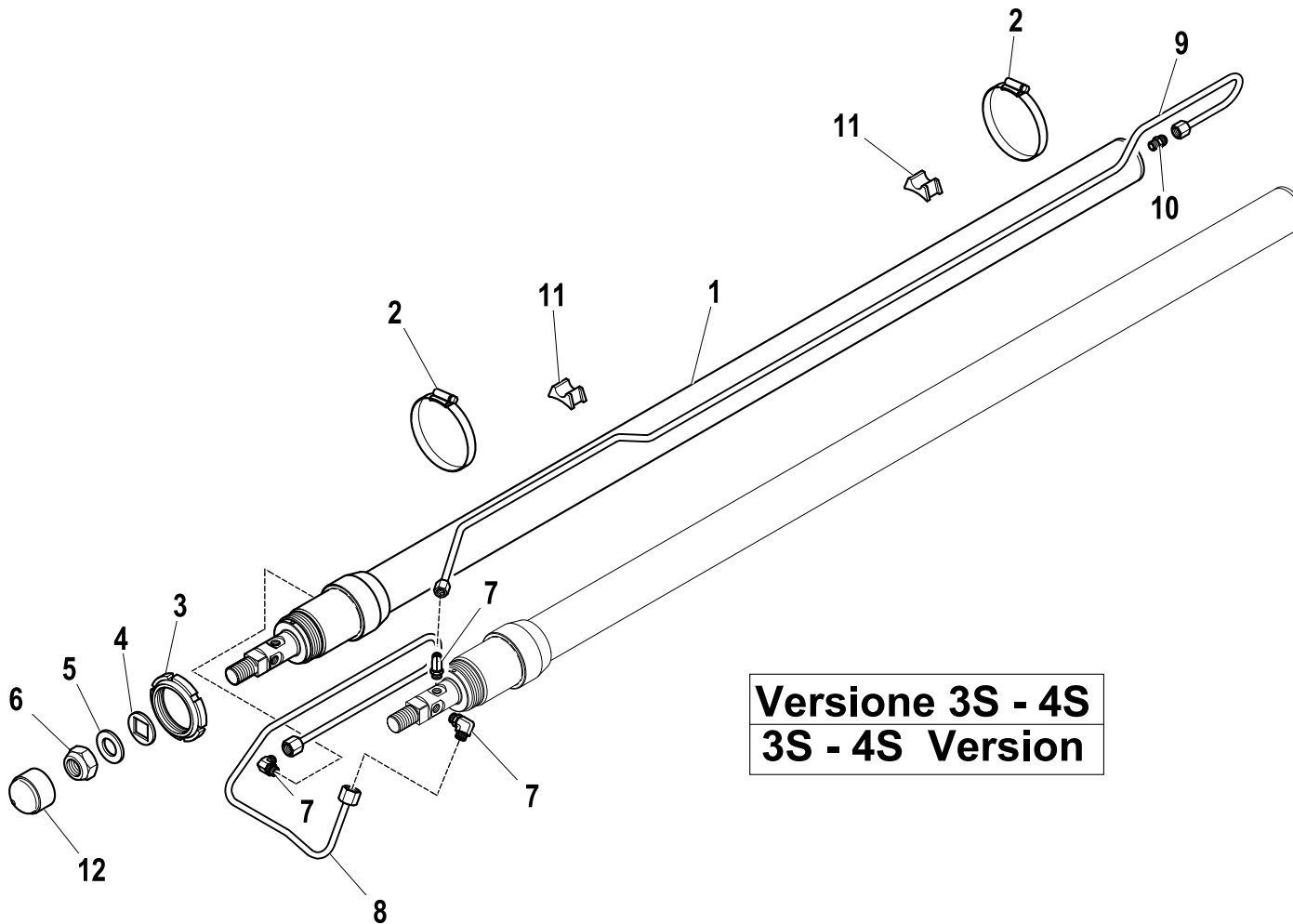
HYDRAULIC SYSTEM (2nd EXTENSION HYDRAULIC JACK)

Code

6210415-1.0

1/1

| R | Pos. | Code Variant | Q.ty | Description |
|---|------|--------------|------|-------------------------------------|
| | 1 | 6410415 | 1 | Extension jacks |
| | 2 | 3190025 | 2 | Clamp |
| | 3 | 3040510 | 1 | Self-locking ringnut |
| | 4 | 5001365 | 1 | Lock washer (Control board) |
| | 5 | 3060014 | 1 | Flat washer [D.25X44X4 UNI 6592 ZC] |
| | 6 | 3040390 | 1 | Stopnut |
| | 7 | 3101124 | 3 | 90° Connection |
| | 8 | 5392094 | 1 | |
| | 9 | 5392248 | 1 | |
| | 10 | 3101039 | 1 | Straight pipe fitting |
| | 11 | 5140133 | 2 | Piping mounting |
| | 12 | 3190244 | 1 | Plug (Guard) |



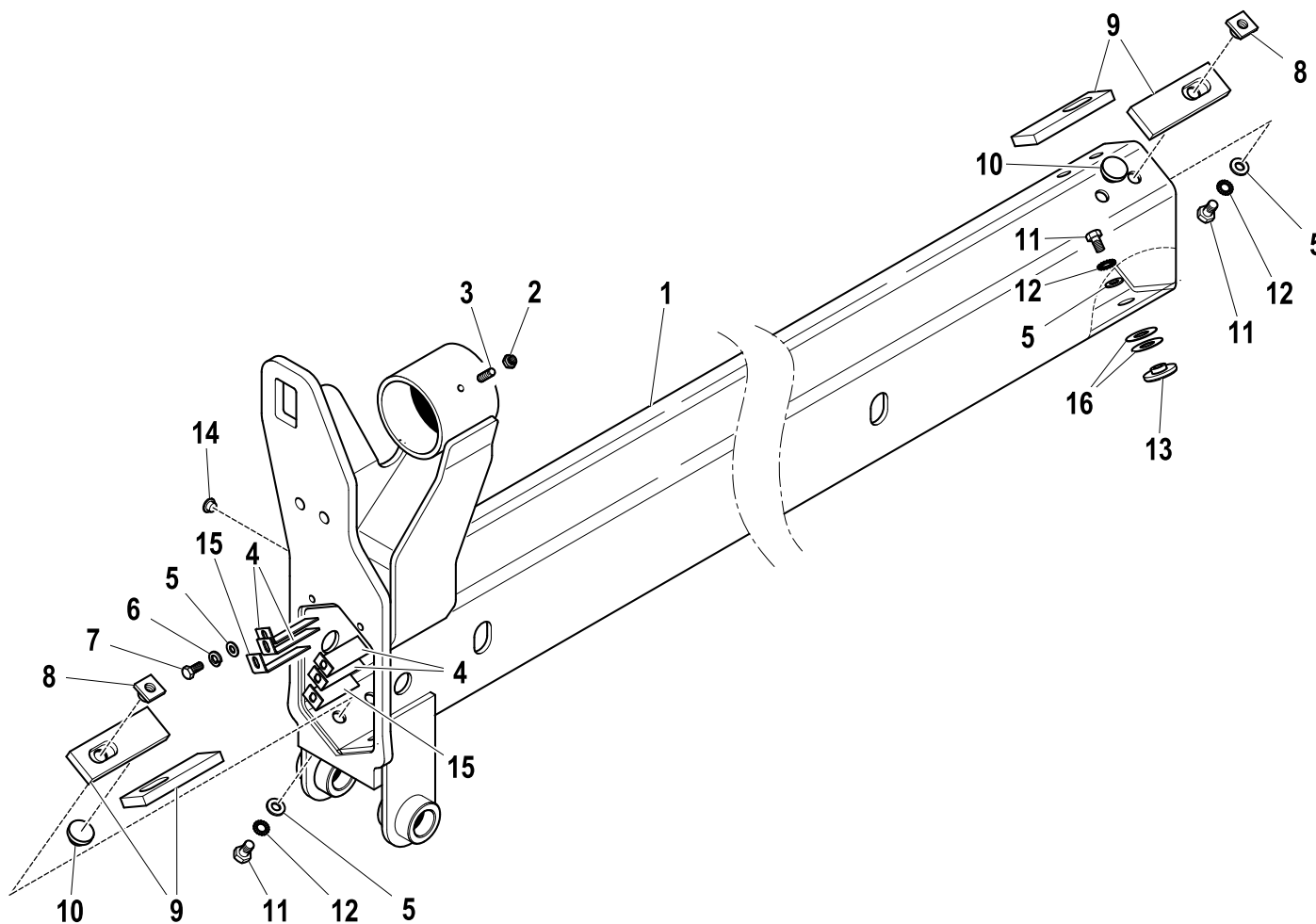
Versione 3S - 4S
3S - 4S Version

3rd EXTENSION

Code

5540059-1.0

1/1



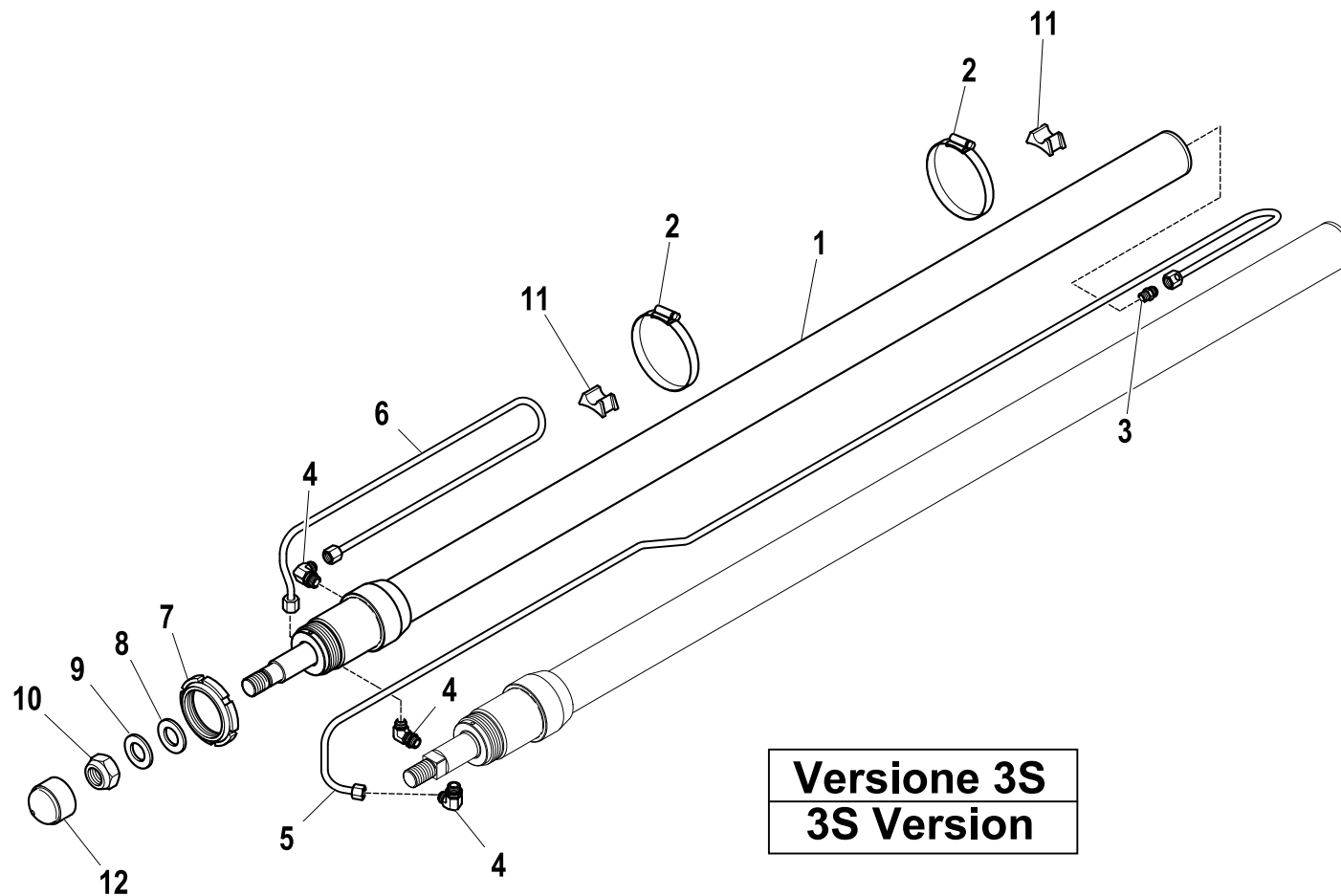
| R | Pos. | Code Variant | Q.ty | Description |
|---|------|--------------|------|---|
| | 1 | 5020540 | 1 | Extension |
| | 2 | 3040519 | 1 | Stopnut |
| | 3 | 3060505 | 1 | Grub screw |
| | 4 | 5000685 | 4 | Plate (Thickness) |
| | 5 | 3060006 | 8 | Flat washer [D.8 UNI 6592 ZC] |
| | 6 | 3060055 | 2 | Split lock washer [D=8.4 C72 ZC] |
| | 7 | 3010337 | 2 | Hex screw [M8X16 8.8 ZC UNI 5739] |
| | 8 | 5001087 | 4 | Button (Control board) |
| | 9 | 5140783 | 4 | |
| | 10 | 5140656 | 4 | Button (Backlash) |
| | 11 | 3010336 | 6 | Hex screw [M8X12 8.8 ZC UNI 5739] |
| | 12 | 3060918 | 6 | Tooth lock washer [D.8 TIPO A UNI8842 ZC] |
| | 13 | 5001462 | 2 | |
| | 14 | W734017 | 4 | |
| | 15 | 5000780 | 2 | Plate (Thickness) |
| | 16 | 5002218 | 4 | Washer |

HYDRAULIC SYSTEM (3rd extension Hydraulic jack)

Code

6210399-1.0

1/1



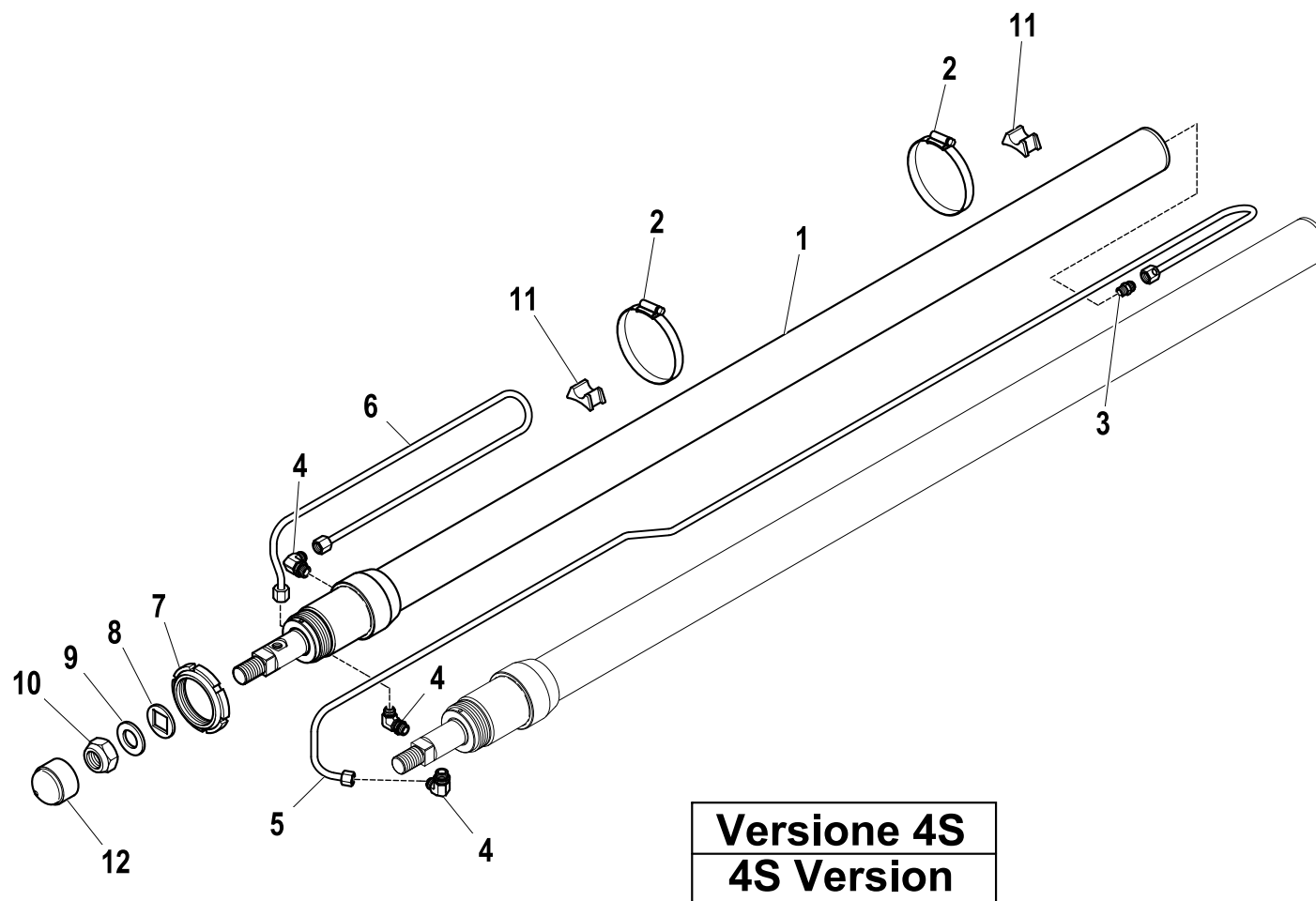
| R | Pos. | Code Variant | Q.ty | Description |
|---|------|--------------|------|-------------------------------------|
| | 1 | 6410414 | 1 | |
| | 2 | 3190025 | 2 | Clamp |
| | 3 | 3101039 | 1 | Straight pipe fitting |
| | 4 | 3101124 | 3 | 90° Connection |
| | 5 | 5392238 | 1 | |
| | 6 | 5392096 | 1 | |
| | 7 | 3040510 | 1 | Self-locking ringnut |
| | 8 | 5001575 | 1 | |
| | 9 | 3060014 | 1 | Flat washer [D.25X44X4 UNI 6592 ZC] |
| | 10 | 3040390 | 1 | Stopnut |
| | 11 | 5140133 | 2 | Piping mounting |
| | 12 | 3190244 | 1 | Plug (Guard) |

HYDRAULIC SYSTEM (3rd extension Hydraulic jack)

Code

6210400-1.0

1/1



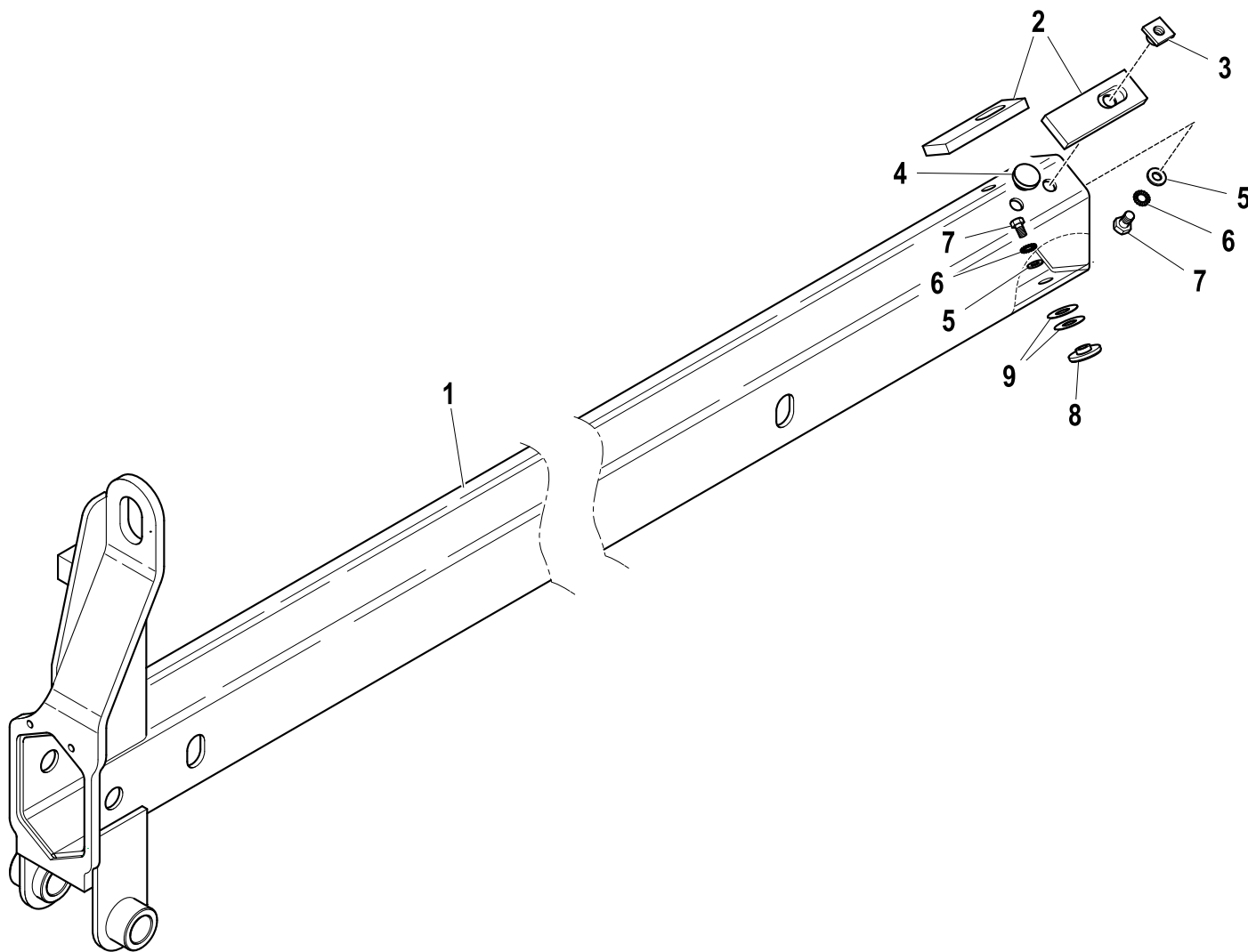
| R | Pos. | Code Variant | Q.ty | Description |
|---|------|--------------|------|-------------------------------------|
| | 1 | 6410415 | 1 | Extension jacks |
| | 2 | 3190025 | 2 | Clamp |
| | 3 | 3101039 | 1 | Straight pipe fitting |
| | 4 | 3101124 | 3 | 90° Connection |
| | 5 | 5392238 | 1 | |
| | 6 | 5392096 | 1 | |
| | 7 | 3040510 | 1 | Self-locking ringnut |
| | 8 | 5001365 | 1 | Lock washer (Control board) |
| | 9 | 3060014 | 1 | Flat washer [D.25X44X4 UNI 6592 ZC] |
| | 10 | 3040390 | 1 | Stopnut |
| | 11 | 5140133 | 2 | Piping mounting |
| | 12 | 3190244 | 1 | Plug (Guard) |

4th EXTENSION

Code

5560048-1.0

1/1



| R | Pos. | Code Variant | Q.ty | Description |
|---|------|--------------|------|---|
| | 1 | 5020541 | 1 | Extension |
| | 2 | 5140978 | 2 | |
| | 3 | 5001087 | 2 | Button (Control board) |
| | 4 | 5140656 | 2 | Button (Backlash) |
| | 5 | 3060006 | 4 | Flat washer [D.8 UNI 6592 ZC] |
| | 6 | 3060918 | 4 | Tooth lock washer [D.8 TIPO A UNI8842 ZC] |
| | 7 | 3010336 | 4 | Hex screw [M8X12 8.8 ZC UNI 5739] |
| | 8 | 5001462 | 2 | |
| | 9 | 5002218 | 4 | Washer |

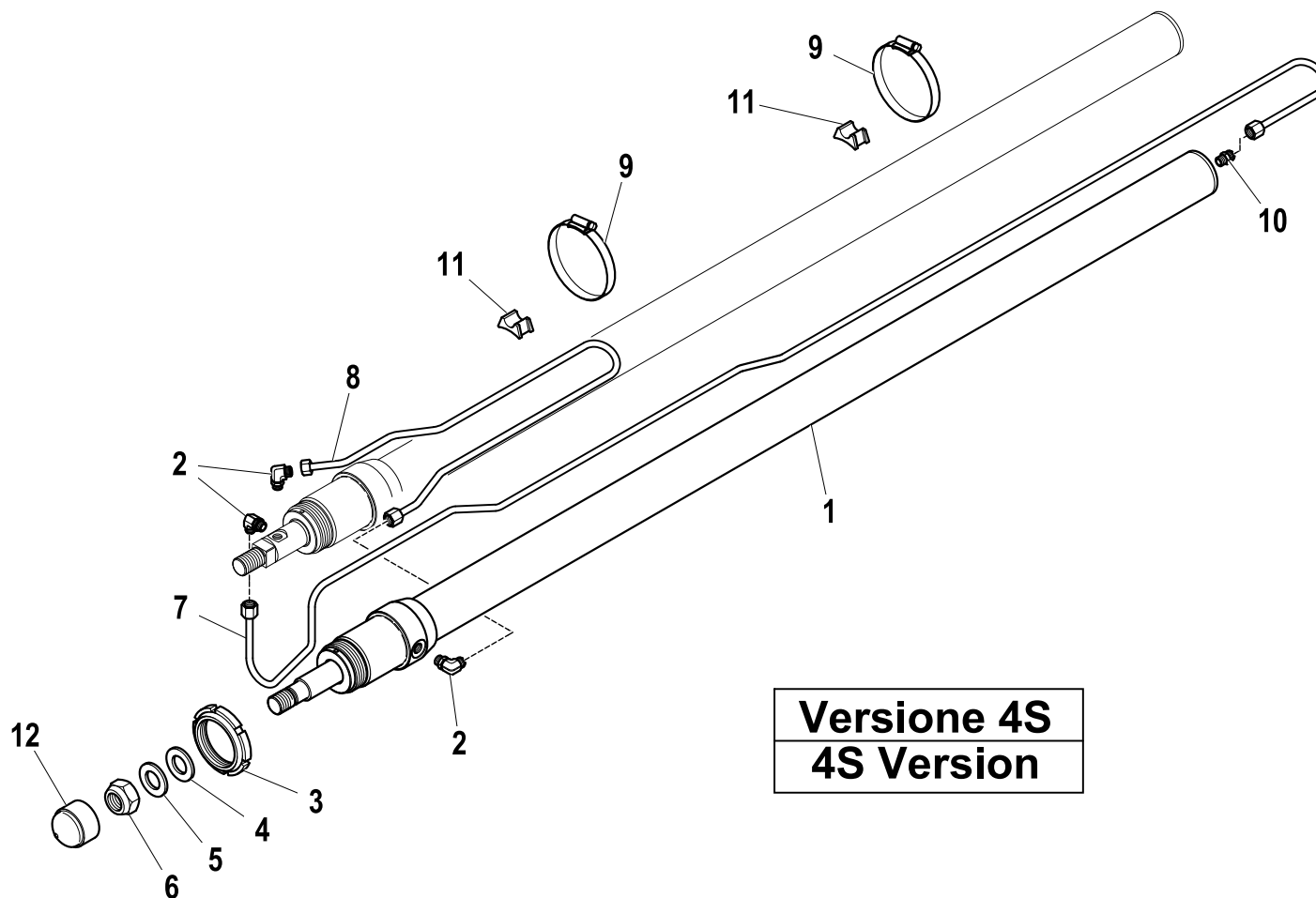
HYDRAULIC SYSTEM (4th extension Hydraulic jack)

Code

6210401-1.0

1/1

| R | Pos. | Code Variant | Q.ty | Description |
|---|------|--------------|------|-------------------------------------|
| | 1 | 6410414 | 1 | |
| | 2 | 3101124 | 3 | 90° Connection |
| | 3 | 3040510 | 1 | Self-locking ringnut |
| | 4 | 5001575 | 1 | |
| | 5 | 3060014 | 1 | Flat washer [D.25X44X4 UNI 6592 ZC] |
| | 6 | 3040390 | 1 | Stopnut |
| | 7 | 5392239 | 1 | |
| | 8 | 5392098 | 1 | |
| | 9 | 3190025 | 2 | Clamp |
| | 10 | 3101039 | 1 | Straight pipe fitting |
| | 11 | 5140133 | 2 | Piping mounting |
| | 12 | 3190244 | 1 | Plug (Guard) |



Versione 4S
4S Version

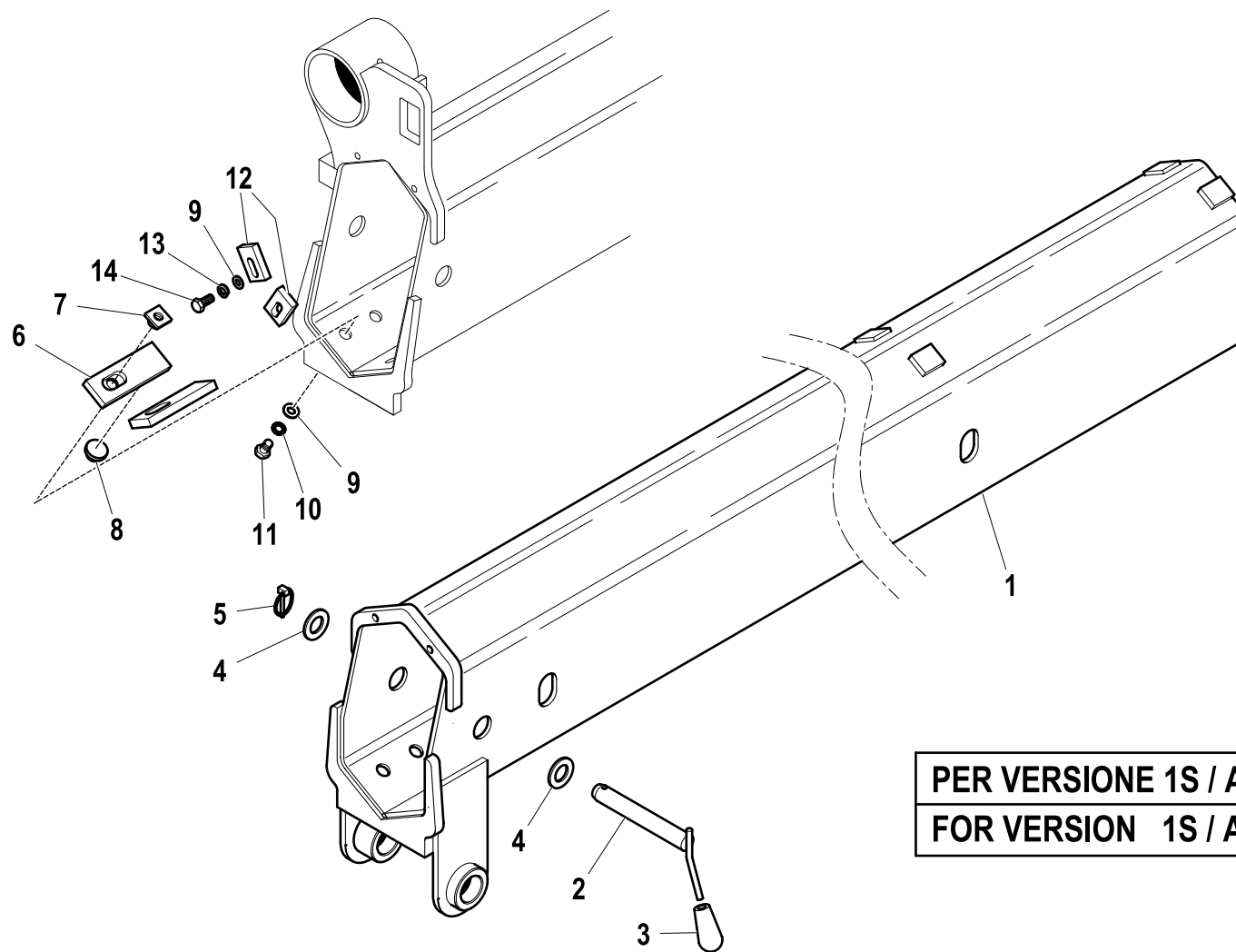
Manual extension (1st)

Code

7800006-1.0

1/1

| R | Pos. | Code Variant | Q.ty | Description |
|---|------|--------------|------|---|
| | 1 | 5010354 | 1 | Manual extension |
| | 2 | 5150821 | 1 | |
| | 3 | 3190010 | 1 | Knob |
| | 4 | 3060012 | 2 | Flat washer [D.21X37X3 UNI 6592 ZC] |
| | 5 | 3060753 | 1 | Cotter pin (Locking ring) |
| | 6 | 5140722 | 2 | Slide shoe |
| | 7 | 5001087 | 2 | Button (Control board) |
| | 8 | 5140656 | 2 | Button (Backlash) |
| | 9 | 3060006 | 4 | Flat washer [D.8 UNI 6592 ZC] |
| | 10 | 3060918 | 2 | Tooth lock washer [D.8 TIPO A UNI8842 ZC] |
| | 11 | 3010336 | 2 | Hex screw [M8X12 8.8 ZC UNI 5739] |
| | 12 | 5000753 | 2 | |
| | 13 | 3060055 | 2 | Split lock washer [D=8.4 C72 ZC] |
| | 14 | 3010027 | 2 | Hex screw [M8X20 8.8 ZC IF UNI 5739] |



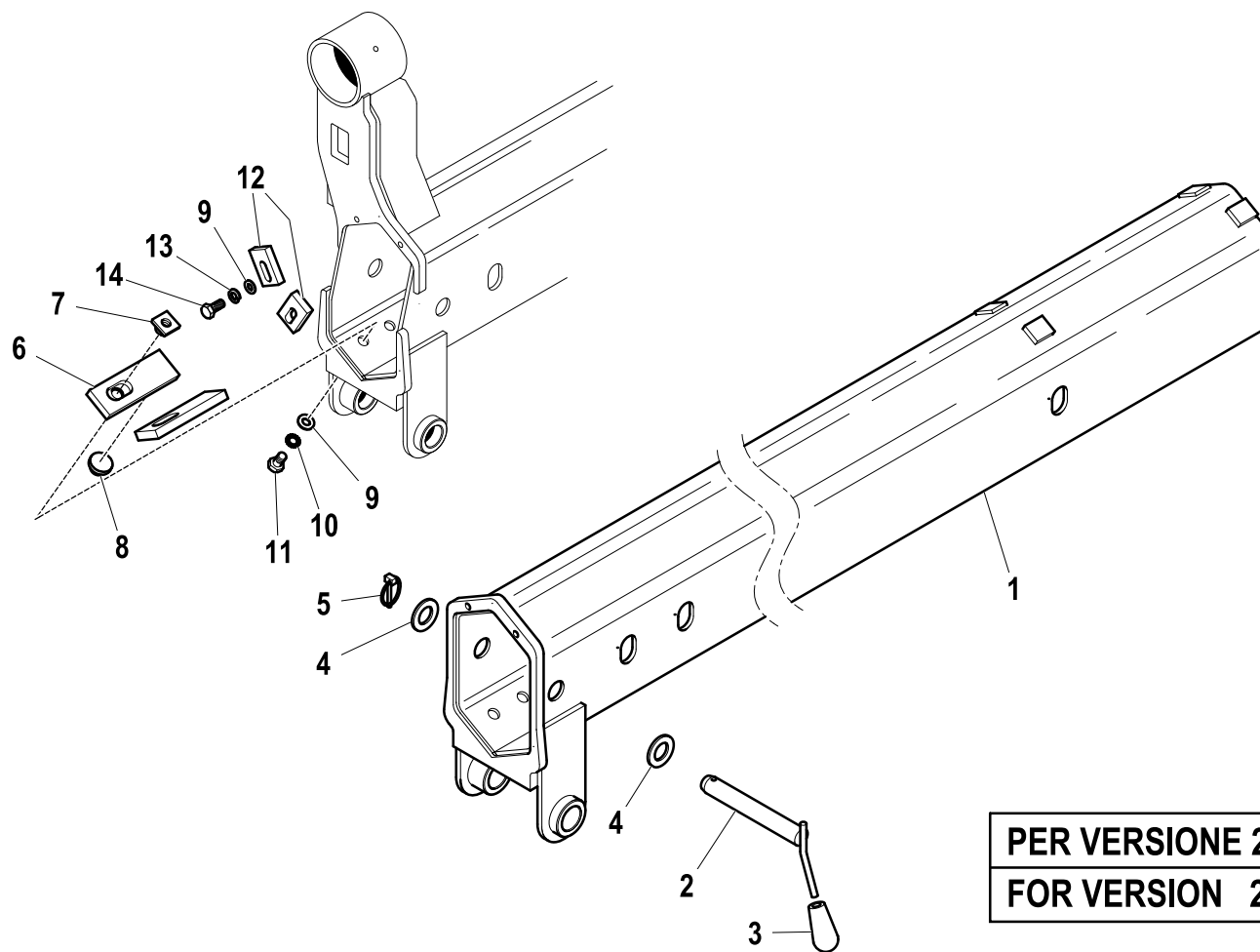
PER VERSIONE 1S / A1
FOR VERSION 1S / A1

Manual extension (1st)

Code

7800007-1.0

1/1



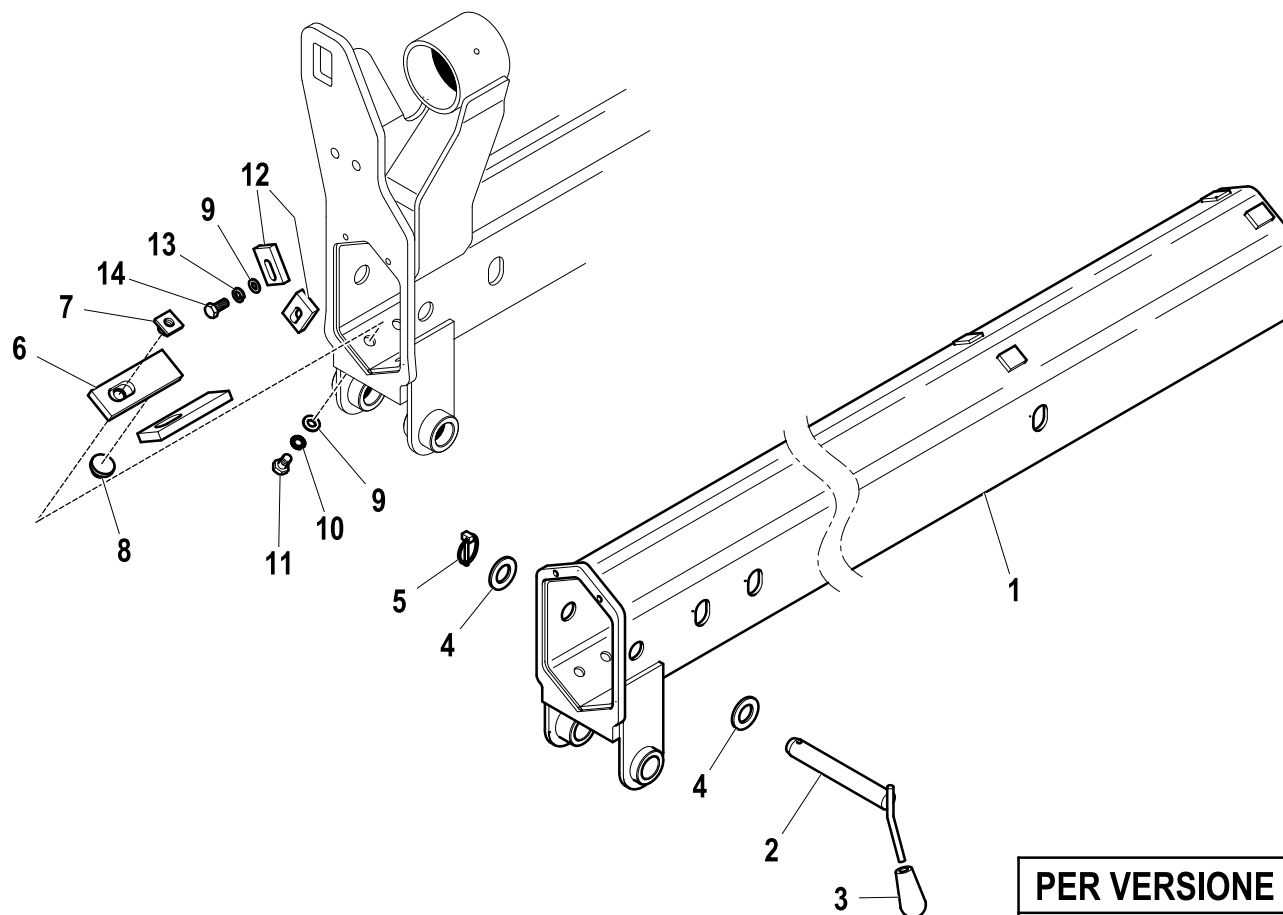
| R | Pos. | Code Variant | Q.ty | Description |
|---|------|--------------|------|---|
| | 1 | 5010355 | 1 | Manual extension |
| | 2 | 5150750 | 1 | |
| | 3 | 3190010 | 1 | Knob |
| | 4 | 3060012 | 2 | Flat washer [D.21X37X3 UNI 6592 ZC] |
| | 5 | 3060753 | 1 | Cotter pin (Locking ring) |
| | 6 | 5140783 | 2 | |
| | 7 | 5001087 | 2 | Button (Control board) |
| | 8 | 5140656 | 2 | Button (Backlash) |
| | 9 | 3060006 | 4 | Flat washer [D.8 UNI 6592 ZC] |
| | 10 | 3060918 | 2 | Tooth lock washer [D.8 TIPO A UNI8842 ZC] |
| | 11 | 3010336 | 2 | Hex screw [M8X12 8.8 ZC UNI 5739] |
| | 12 | 5000753 | 2 | |
| | 13 | 3060055 | 2 | Split lock washer [D=8.4 C72 ZC] |
| | 14 | 3010027 | 2 | Hex screw [M8X20 8.8 ZC IF UNI 5739] |

Manual extension (1st)

Code

7800008-1.0

1/1



PER VERSIONE 3S / A3
FOR VERSION 3S / A3

| R | Pos. | Code Variant | Q.ty | Description |
|---|------|--------------|------|---|
| | 1 | 5010356 | 1 | Manual extension |
| | 2 | 5150750 | 1 | |
| | 3 | 3190010 | 1 | Knob |
| | 4 | 3060012 | 2 | Flat washer [D.21X37X3 UNI 6592 ZC] |
| | 5 | 3060753 | 1 | Cotter pin (Locking ring) |
| | 6 | 5140783 | 2 | |
| | 7 | 5001087 | 2 | Button (Control board) |
| | 8 | 5140656 | 2 | Button (Backlash) |
| | 9 | 3060006 | 4 | Flat washer [D.8 UNI 6592 ZC] |
| | 10 | 3060918 | 2 | Tooth lock washer [D.8 TIPO A UNI8842 ZC] |
| | 11 | 3010336 | 2 | Hex screw [M8X12 8.8 ZC UNI 5739] |
| | 12 | 5000753 | 2 | |
| | 13 | 3060055 | 2 | Split lock washer [D=8.4 C72 ZC] |
| | 14 | 3010027 | 2 | Hex screw [M8X20 8.8 ZC IF UNI 5739] |

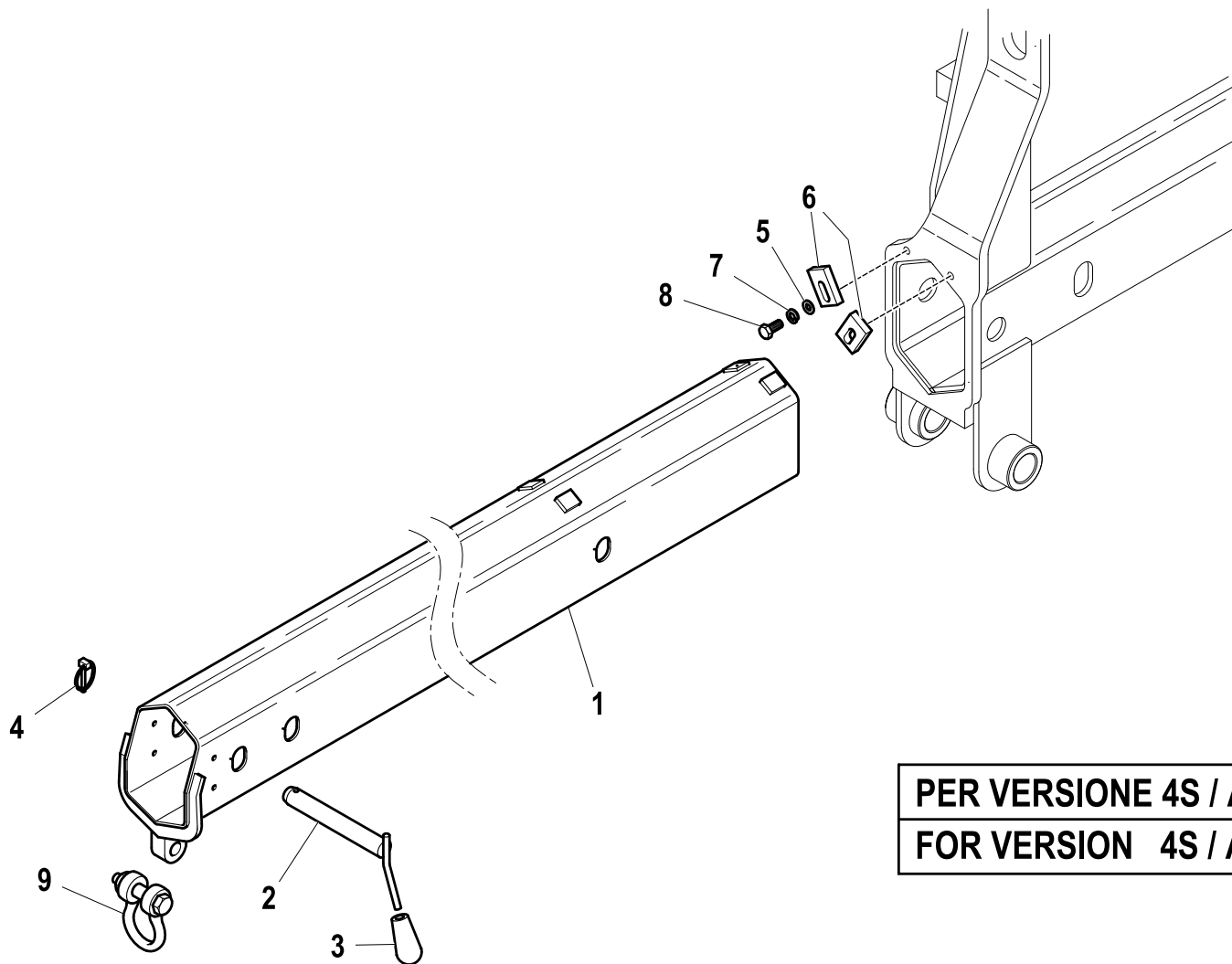
Manual extension (1st)

Code

7800009-1.0

1/1

| R | Pos. | Code Variant | Q.ty | Description |
|---|------|--------------|------|--------------------------------------|
| | 1 | 5010357 | 1 | Manual extension |
| | 2 | 5150891 | 1 | |
| | 3 | 3190010 | 1 | Knob |
| | 4 | 3060753 | 1 | Cotter pin (Locking ring) |
| | 5 | 3060006 | 2 | Flat washer [D.8 UNI 6592 ZC] |
| | 6 | 5000753 | 2 | |
| | 7 | 3060055 | 2 | Split lock washer [D=8.4 C72 ZC] |
| | 8 | 3010027 | 2 | Hex screw [M8X20 8.8 ZC IF UNI 5739] |
| | 9 | 3200050 | 1 | Shackles |



PER VERSIONE 4S / A4
FOR VERSION 4S / A4

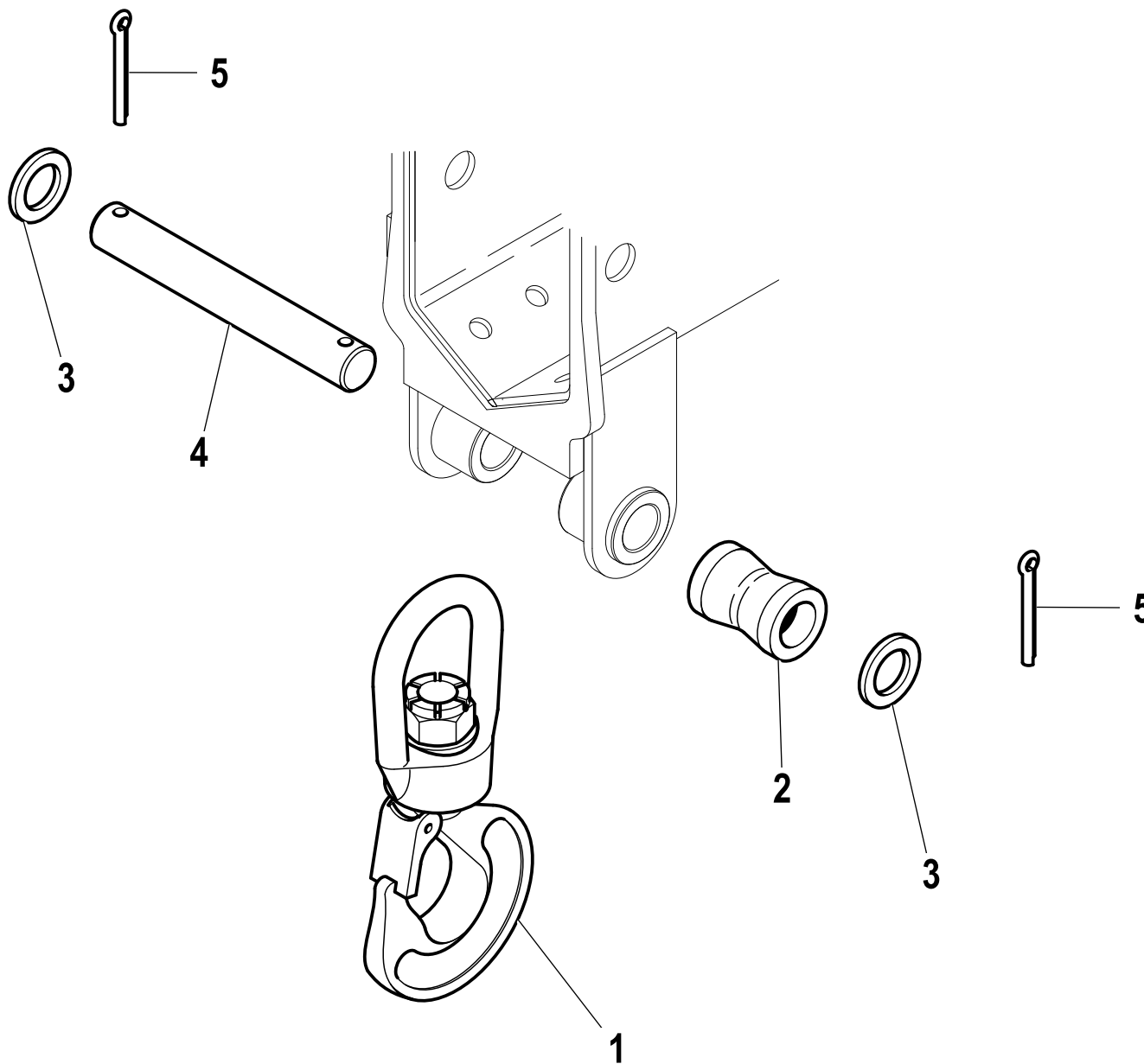
HOOK KIT

Code

5410987-1.0

1/1

| R | Pos. | Code Variant | Q.ty | Description |
|---|------|--------------|------|-------------------------------------|
| | 1 | 3200006 | 1 | Swivel hook |
| | 2 | W390301000 | 1 | |
| | 3 | 3060938 | 2 | Flat washer [D.25X39X4 UNI 1749 ZC] |
| | 4 | 5150826 | 1 | |
| | 5 | 3060902 | 2 | |



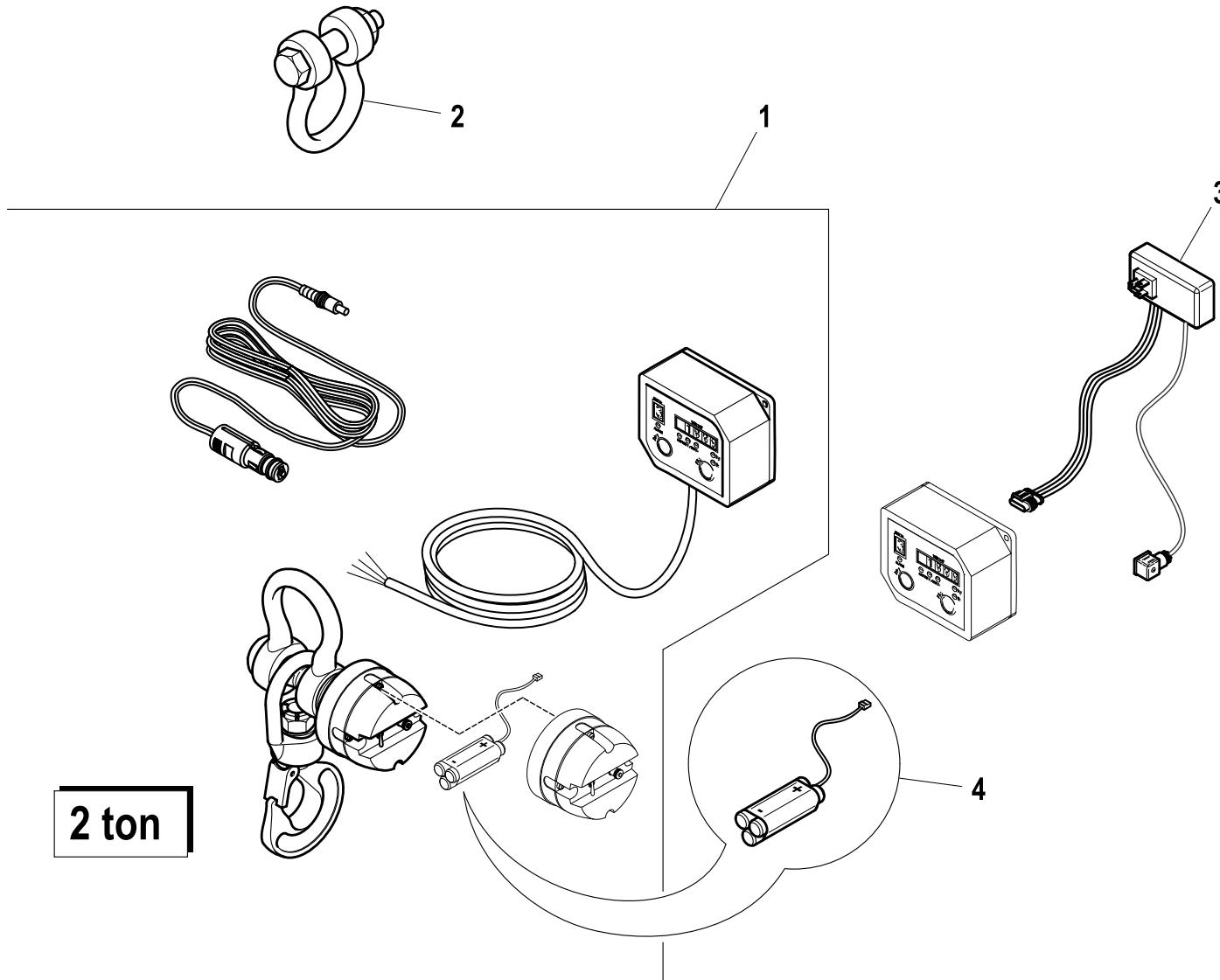
LOAD INDICATION SYSTEM (LIS/RLC)

Code

7881824-1.0

1/1

| R | Pos. | Code Variant | Q.ty | Description |
|---|------|--------------|------|-------------|
| | 1 | 5730506 | 1 | |
| | 2 | 3200050 | 1 | Shackles |
| | 3 | W236510 | 1 | |
| | 4 | 3311542 | 1 | |



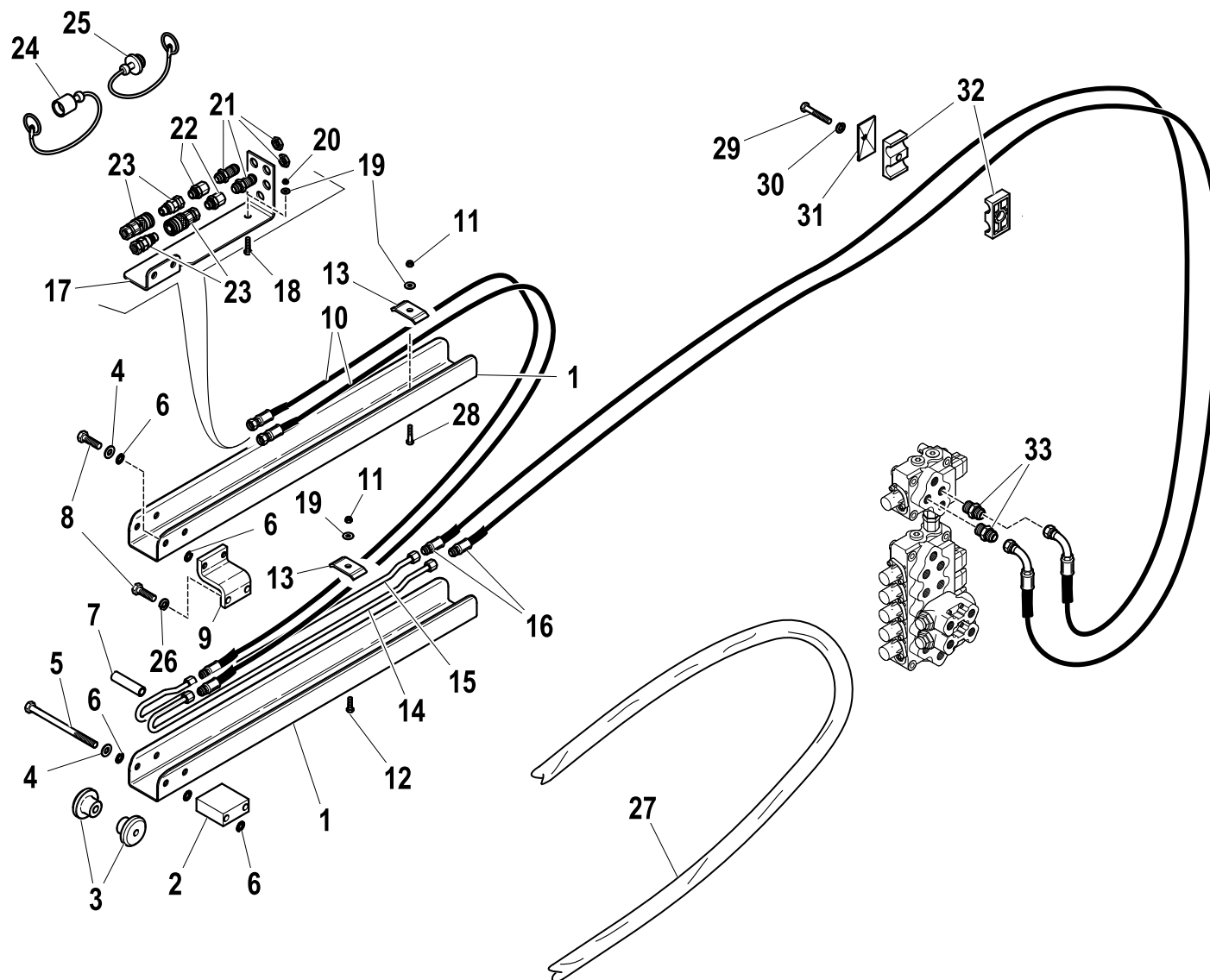
2 ton

1st ACTIVATION FOR 1S

Code

5590006-1.0

1/2



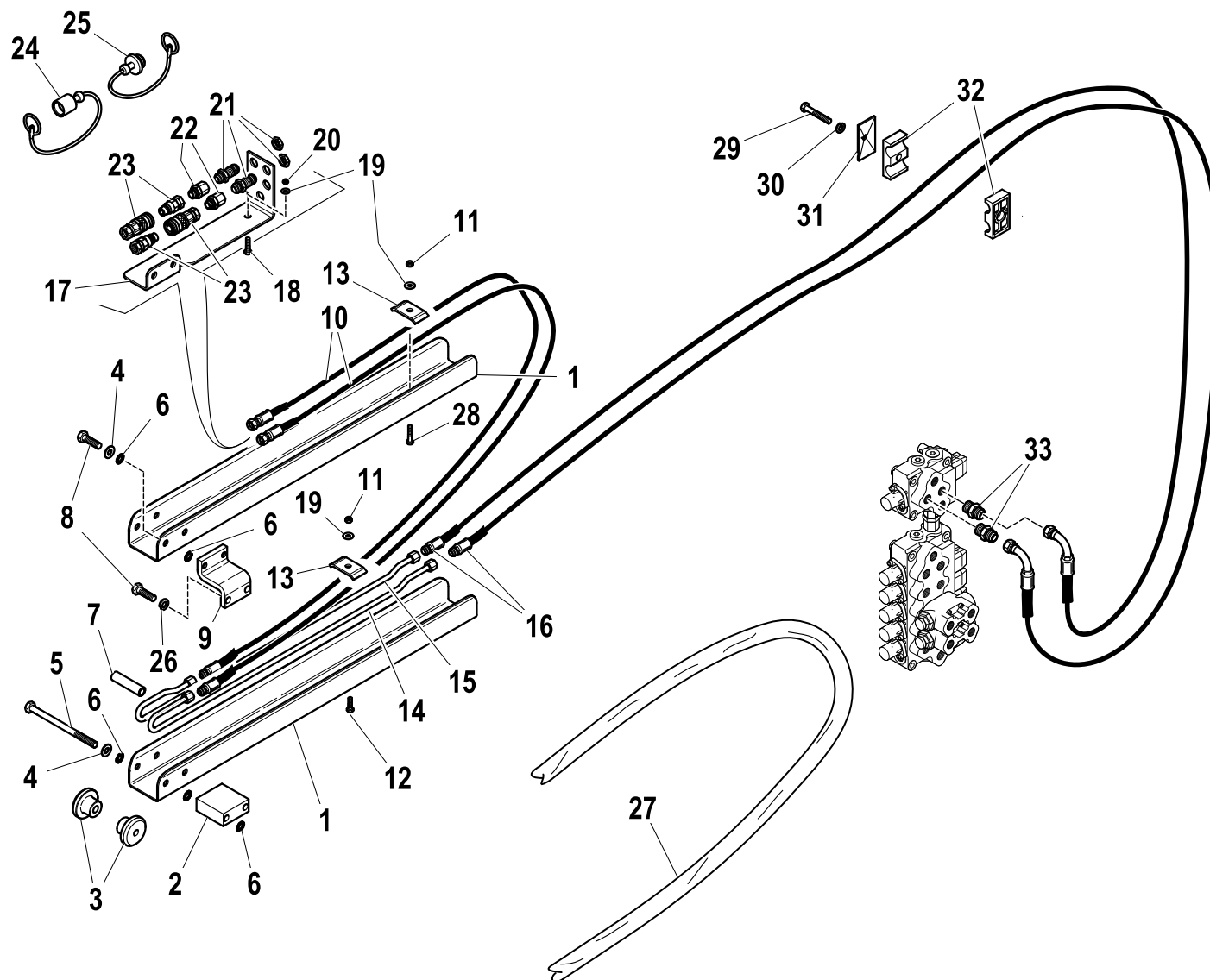
| R | Pos. | Code Variant | Q.ty | Description |
|---|------|--------------|------|---------------------------------------|
| | 1 | 5001484 | 2 | |
| | 2 | 5001481 | 1 | |
| | 3 | 5140976 | 2 | |
| | 4 | 3060914 | 6 | Flat washer [D.10.5X21X2 UNI 6592 ZC] |
| | 5 | 3010391 | 2 | Hex screw [M10X150 ZC UNI 5737] |
| | 6 | 3060920 | 10 | Tooth lock washer [D.10 TIPO A] |
| | 7 | 5001487 | 1 | |
| | 8 | 3010355 | 4 | Hex screw [M10X25 8.8 ZC IF UNI 5739] |
| | 9 | 5001483 | 1 | |
| | 10 | 5261058 | 2 | Flexible hose |
| | 11 | 3040519 | 2 | Stopnut |
| | 12 | 3010022 | 1 | Hex screw [M6X25 8.8 ZC UNI 5739] |
| | 13 | 5000033 | 2 | |
| | 14 | 5390207 | 1 | |
| | 15 | 5392105 | 1 | |
| | 16 | 5261114 | 2 | Flexible hose |
| | 17 | 5000107 | 1 | |
| | 18 | 3010027 | 1 | Hex screw [M8X20 8.8 ZC IF UNI 5739] |
| | 19 | 3060006 | 3 | Flat washer [D.8 UNI 6592 ZC] |
| | 20 | 3040303 | 1 | Stopnut |

1st ACTIVATION FOR 1S

Code

5590006-1.0

2/2



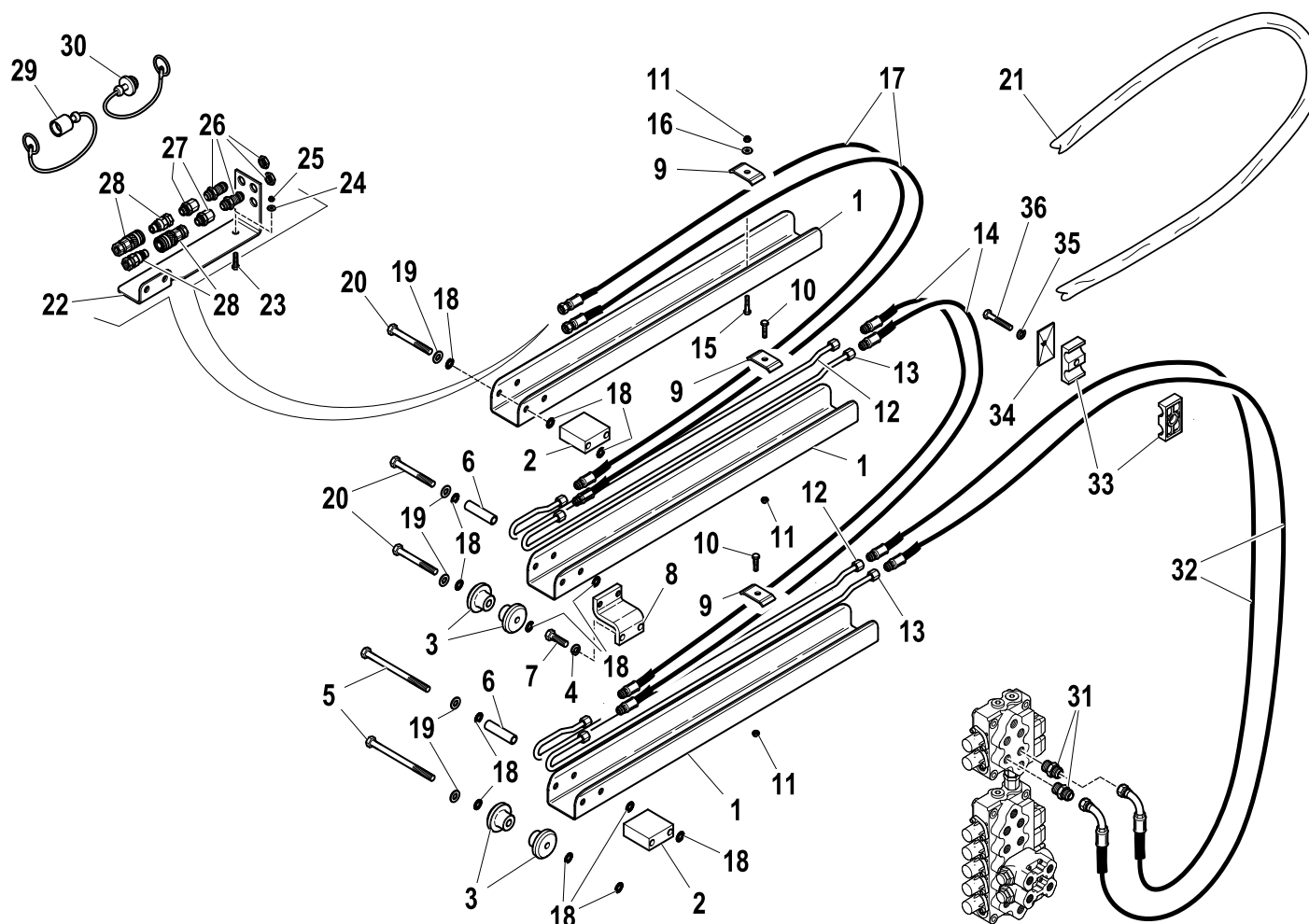
| R | Pos. | Code Variant | Q.ty | Description |
|---|------|--------------|------|---|
| | 21 | 3120309 | 2 | Wall-through pipe fitting |
| | 22 | 3120064 | 2 | Straight pipe fitting |
| | 23 | 3110542 | 2 | Quick coupling |
| | 24 | 3110003 | 1 | Female plug |
| | 25 | 3110002 | 1 | Plug |
| | 26 | 3060056 | 2 | Split lock washer [D=10 C72 ZC] |
| | 27 | 3190198 | 1 | Sheath (Flexible hose) |
| | 28 | 3020038 | 1 | Socketed head cap screw [M6X30 8.8 ZC UNI 5931] |
| | 29 | 3020040 | 2 | Socketed head cap screw [M6X40 8.8 ZC UNI 5931] |
| | 30 | 3060053 | 2 | Split lock washer [D=6.4 C72 ZC] |
| | 31 | 3190204 | 2 | Plate (Collar) |
| | 32 | 3190172 | 4 | Clamp (Set of hoses) |
| | 33 | 3101043 | 2 | Straight pipe fitting |

1st ACTIVATION FOR 2S

Code

5590249-1.0

1/2



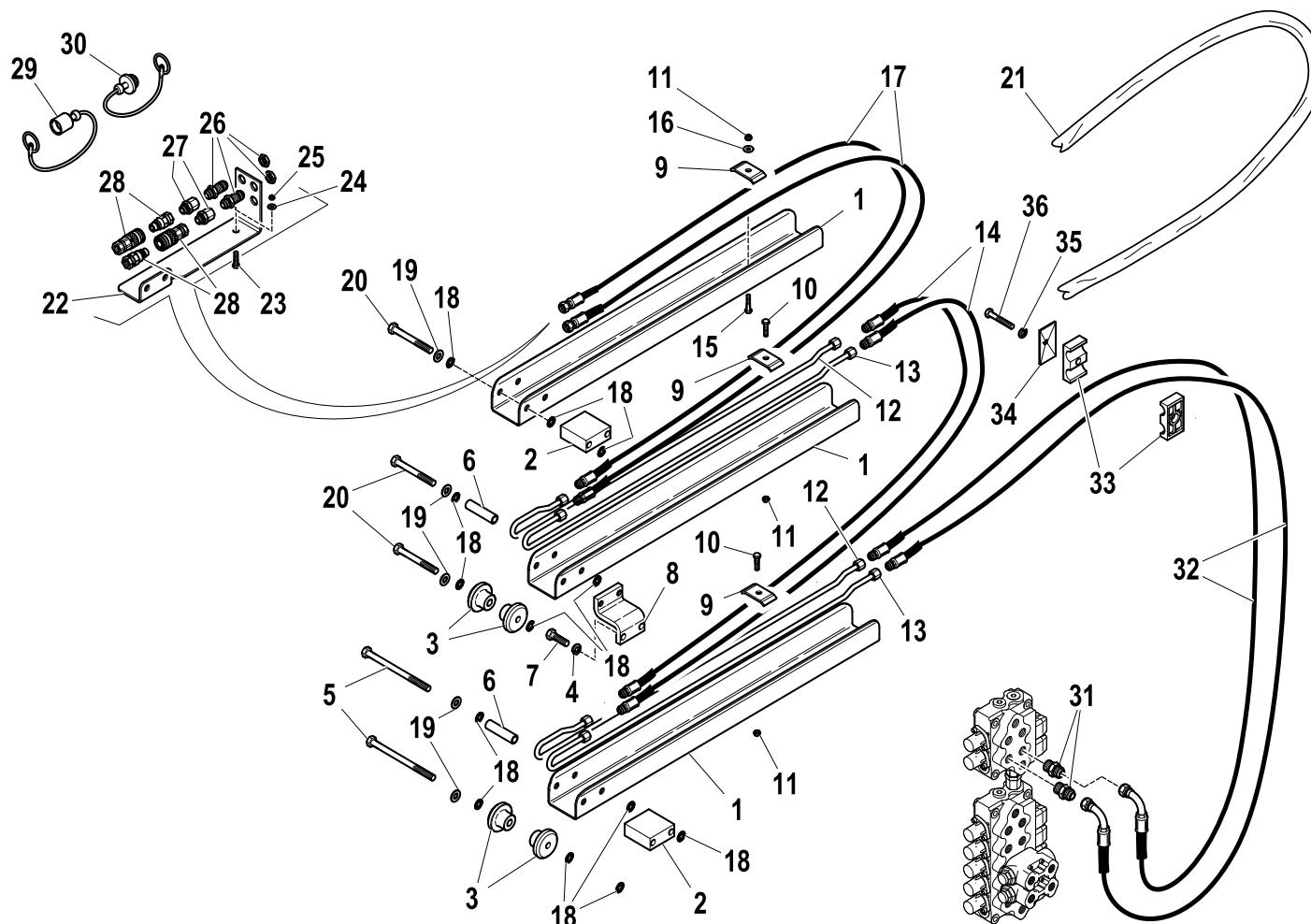
| R | Pos. | Code Variant | Q.ty | Description |
|---|------|--------------|------|---|
| | 1 | 5001484 | 3 | |
| | 2 | 5001481 | 2 | |
| | 3 | 5140976 | 4 | |
| | 4 | 3060056 | 2 | Split lock washer [D=10 C72 ZC] |
| | 5 | 3010391 | 2 | Hex screw [M10X150 ZC UNI 5737] |
| | 6 | 5001487 | 2 | |
| | 7 | 3010355 | 2 | Hex screw [M10X25 8.8 ZC IF UNI 5739] |
| | 8 | 5001483 | 1 | |
| | 9 | 5000033 | 3 | |
| | 10 | 3010022 | 2 | Hex screw [M6X25 8.8 ZC UNI 5739] |
| | 11 | 3040519 | 4 | Stopnut |
| | 12 | 5392105 | 2 | |
| | 13 | 5392106 | 2 | |
| | 14 | 5261059 | 2 | Flexible hose |
| | 15 | 3020038 | 2 | Socket head cap screw [M6X30 8.8 ZC UNI 5931] |
| | 16 | 3060006 | 2 | Flat washer [D.8 UNI 6592 ZC] |
| | 17 | 5261058 | 2 | Flexible hose |
| | 18 | 3060920 | 16 | Tooth lock washer [D.10 TIPO A] |
| | 19 | 3060914 | 6 | Flat washer [D.10.5X21X2 UNI 6592 ZC] |
| | 20 | 3010054 | 3 | Hex screw [M10X90 8.8 ZC UNI 5737] |

1st ACTIVATION FOR 2S

Code

5590249-1.0

2/2



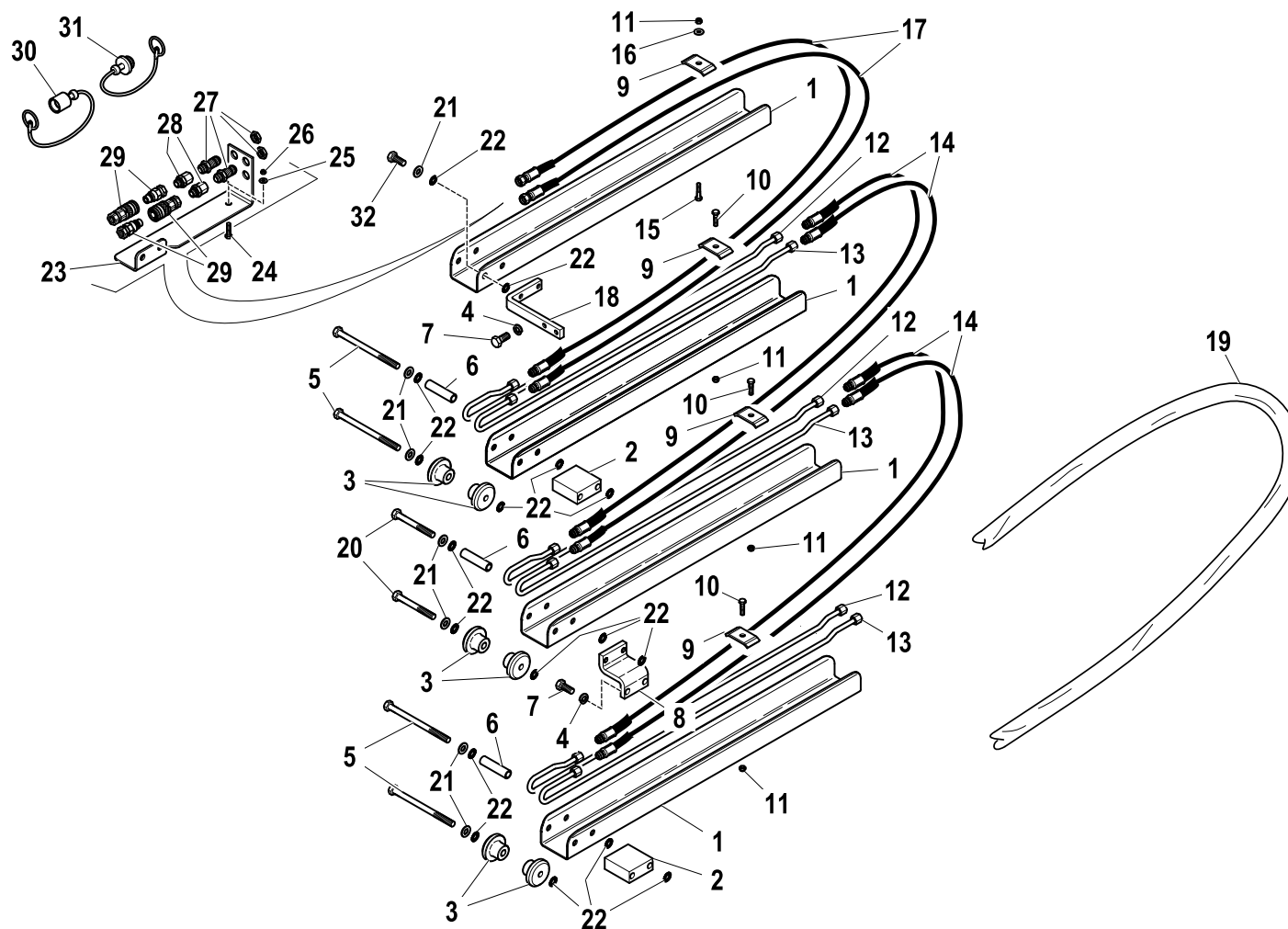
| R | Pos. | Code Variant | Q.ty | Description |
|---|------|--------------|------|---|
| | 21 | 3190198 | 1 | Sheath (Flexible hose) |
| | 22 | 5000107 | 1 | |
| | 23 | 3010015 | 1 | Hex screw [M6X20 8.8 ZC UNI 5739] |
| | 24 | 3060030 | 1 | Flat washer [D.6.6X18 UNI 6593 ZC] |
| | 25 | 3040372 | 1 | Stopnut |
| | 26 | 3120309 | 2 | Wall-through pipe fitting |
| | 27 | 3120064 | 2 | Straight pipe fitting |
| | 28 | 3110542 | 2 | Quick coupling |
| | 29 | 3110003 | 1 | Female plug |
| | 30 | 3110002 | 1 | Plug |
| | 31 | 3101043 | 2 | Straight pipe fitting |
| | 32 | 5261114 | 2 | Flexible hose |
| | 33 | 3190172 | 4 | Clamp (Set of hoses) |
| | 34 | 3190204 | 2 | Plate (Collar) |
| | 35 | 3060053 | 1 | Split lock washer [D=6.4 C72 ZC] |
| | 36 | 3020040 | 1 | Socketed head cap screw [M6X40 8.8 ZC UNI 5931] |

1st ACTIVATION FOR 3S

Code

5590250-1.0

1/2



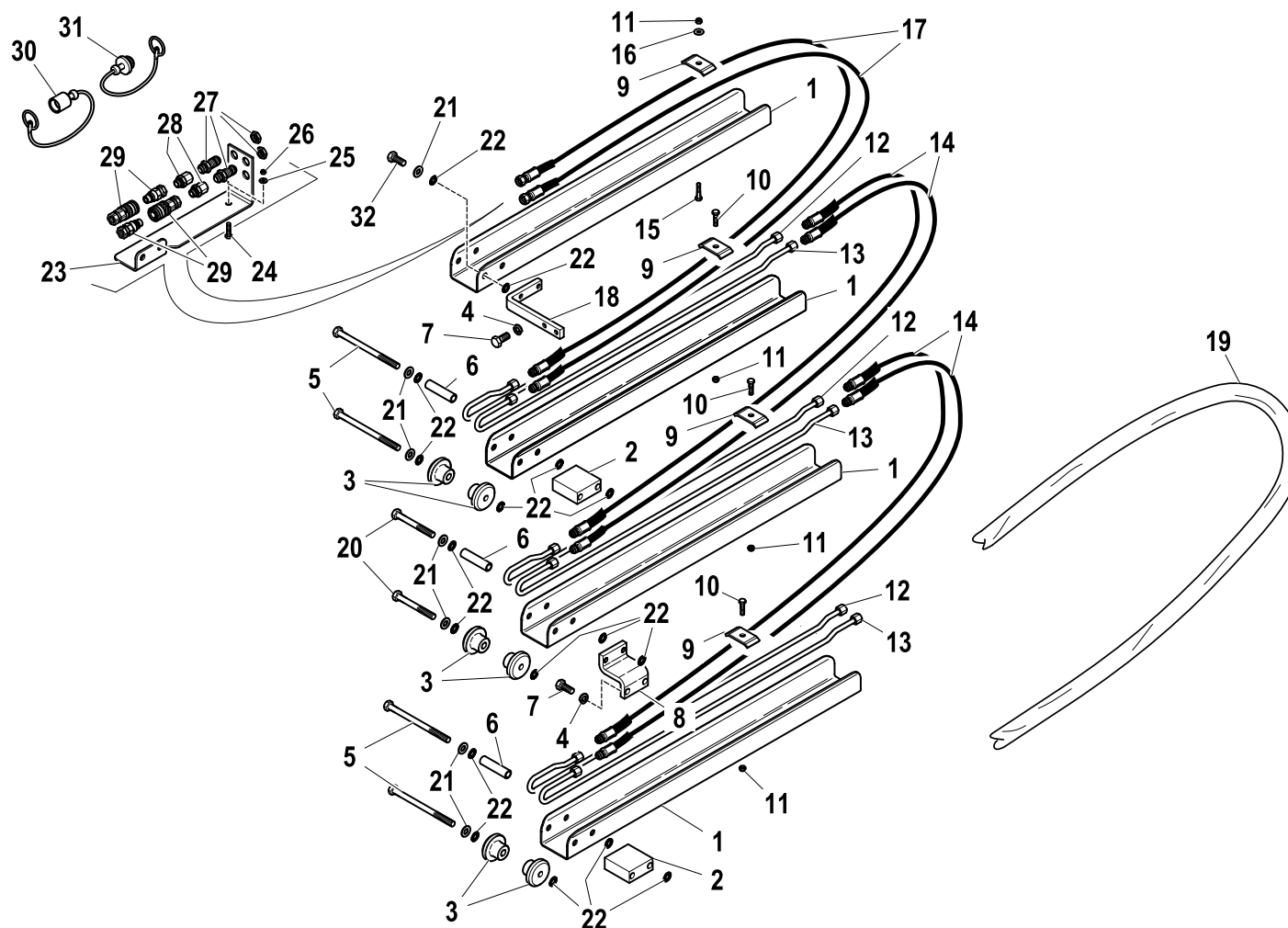
| R | Pos. | Code Variant | Q.ty | Description |
|---|------|--------------|------|---|
| | 1 | 5001484 | 4 | |
| | 2 | 5001481 | 2 | |
| | 3 | 5140976 | 6 | |
| | 4 | 3060056 | 6 | Split lock washer [D=10 C72 ZC] |
| | 5 | 3010391 | 4 | Hex screw [M10X150 ZC UNI 5737] |
| | 6 | 5001487 | 3 | |
| | 7 | 3010389 | 4 | Hex screw [M10X35 ZC UNI 5739] |
| | 8 | 5001483 | 1 | |
| | 9 | 5000033 | 4 | |
| | 10 | 3010022 | 3 | Hex screw [M6X25 8.8 ZC UNI 5739] |
| | 11 | 3040519 | 5 | Stopnut |
| | 12 | 5392105 | 3 | |
| | 13 | 5392106 | 3 | |
| | 14 | 5261059 | 4 | Flexible hose |
| | 15 | 3020038 | 2 | Socket head cap screw [M6X30 8.8 ZC UNI 5931] |
| | 16 | 3060006 | 2 | Flat washer [D.8 UNI 6592 ZC] |
| | 17 | 5261058 | 2 | Flexible hose |
| | 18 | 5001482 | 1 | |
| | 19 | 3190198 | 1 | Sheath (Flexible hose) |
| | 20 | 3010054 | 2 | Hex screw [M10X90 8.8 ZC UNI 5737] |

1st ACTIVATION FOR 3S

Code

5590250-1.0

2/2



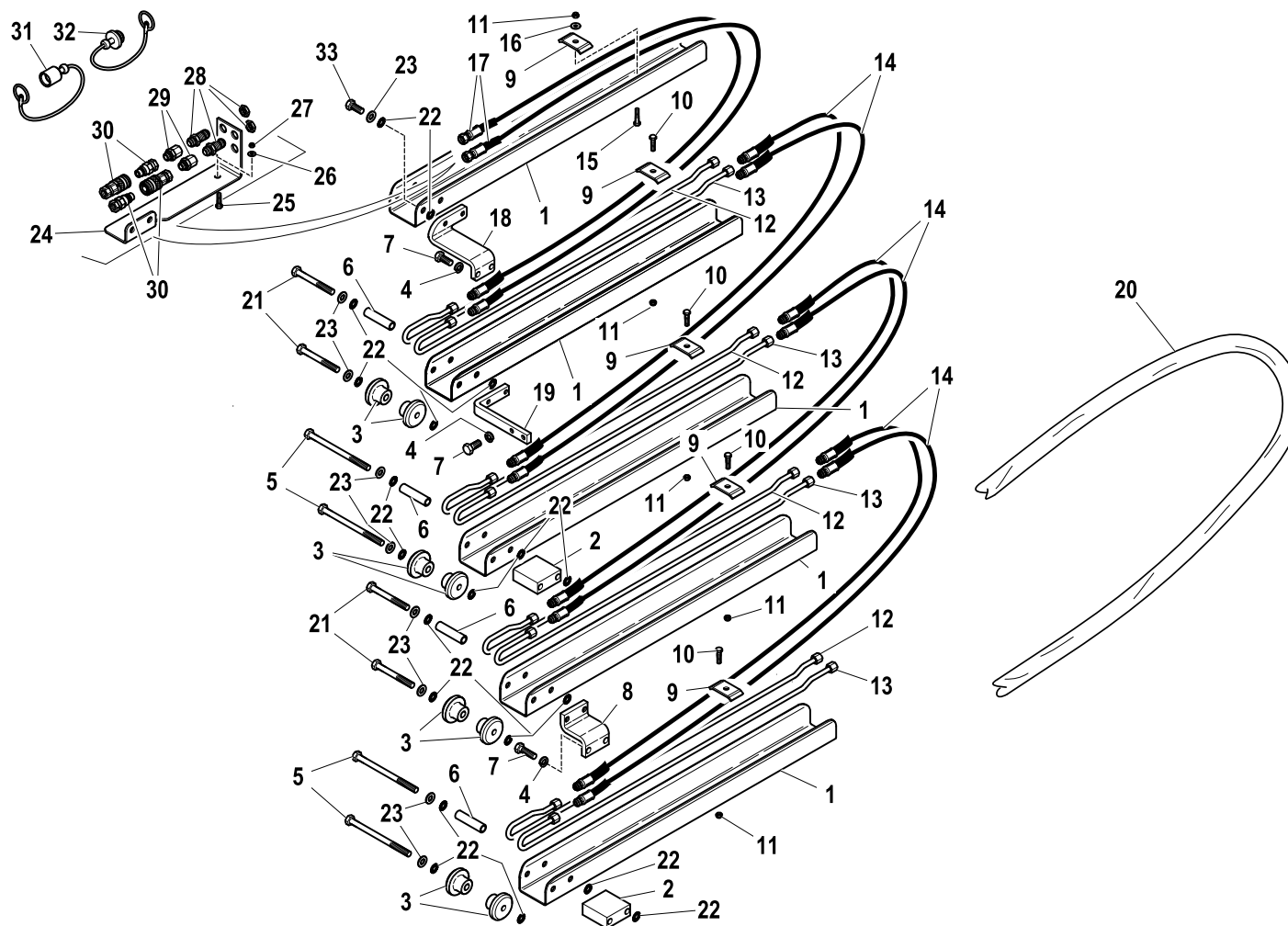
| R | Pos. | Code Variant | Q.ty | Description |
|---|------|--------------|------|---------------------------------------|
| | 21 | 3060914 | 6 | Flat washer [D.10.5X21X2 UNI 6592 ZC] |
| | 22 | 3060920 | 22 | Tooth lock washer [D.10 TIPO A] |
| | 23 | 5000107 | 1 | |
| | 24 | 3010015 | 1 | Hex screw [M6X20 8.8 ZC UNI 5739] |
| | 25 | 3060030 | 1 | Flat washer [D.6.6X18 UNI 6593 ZC] |
| | 26 | 3040372 | 1 | Stopnut |
| | 27 | 3120309 | 2 | Wall-through pipe fitting |
| | 28 | 3120064 | 2 | Straight pipe fitting |
| | 29 | 3110542 | 2 | Quick coupling |
| | 30 | 3110003 | 1 | Female plug |
| | 31 | 3110002 | 1 | Plug |
| | 32 | 3010355 | 2 | Hex screw [M10X25 8.8 ZC IF UNI 5739] |

1st ACTIVATION FOR 4S

Code

5590251-1.0

1/2



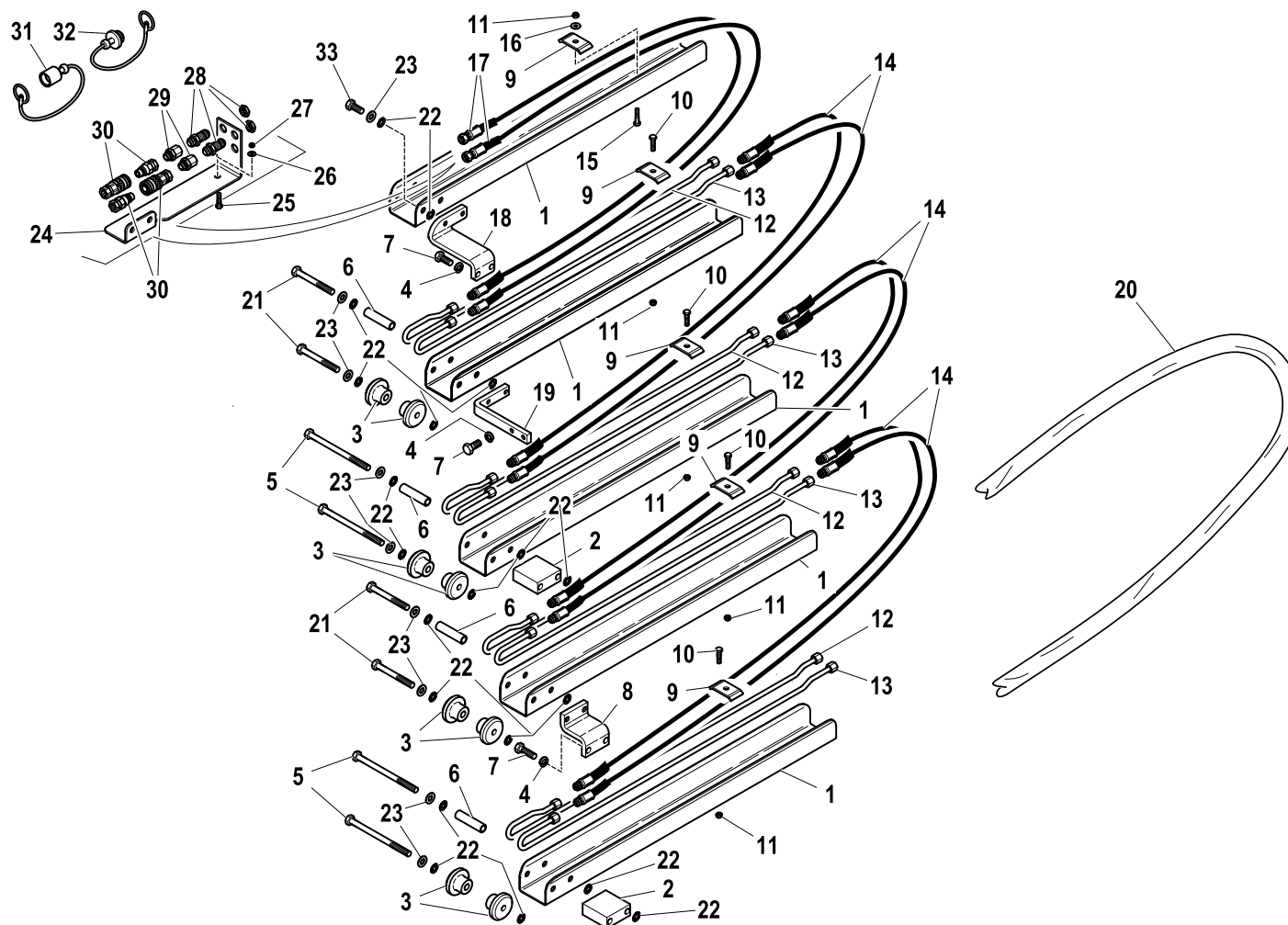
| R | Pos. | Code Variant | Q.ty | Description |
|---|------|--------------|------|---|
| | 1 | 5001484 | 5 | |
| | 2 | 5001481 | 2 | |
| | 3 | 5140976 | 8 | |
| | 4 | 3060056 | 8 | Split lock washer [D=10 C72 ZC] |
| | 5 | 3010391 | 4 | Hex screw [M10X150 ZC UNI 5737] |
| | 6 | 5001487 | 4 | |
| | 7 | 3010389 | 6 | Hex screw [M10X35 ZC UNI 5739] |
| | 8 | 5001483 | 1 | |
| | 9 | 5000033 | 5 | |
| | 10 | 3010022 | 3 | Hex screw [M6X25 8.8 ZC UNI 5739] |
| | 11 | 3040519 | 5 | Stopnut |
| | 12 | 5392105 | 4 | |
| | 13 | 5392106 | 4 | |
| | 14 | 5261059 | 6 | Flexible hose |
| | 15 | 3020038 | 2 | Socket head cap screw [M6X30 8.8 ZC UNI 5931] |
| | 16 | 3060006 | 2 | Flat washer [D.8 UNI 6592 ZC] |
| | 17 | 5261058 | 2 | Flexible hose |
| | 18 | 5001469 | 1 | |
| | 19 | 5001482 | 1 | |
| | 20 | 3190198 | 1 | Sheath (Flexible hose) |

1st ACTIVATION FOR 4S

Code

5590251-1.0

2/2



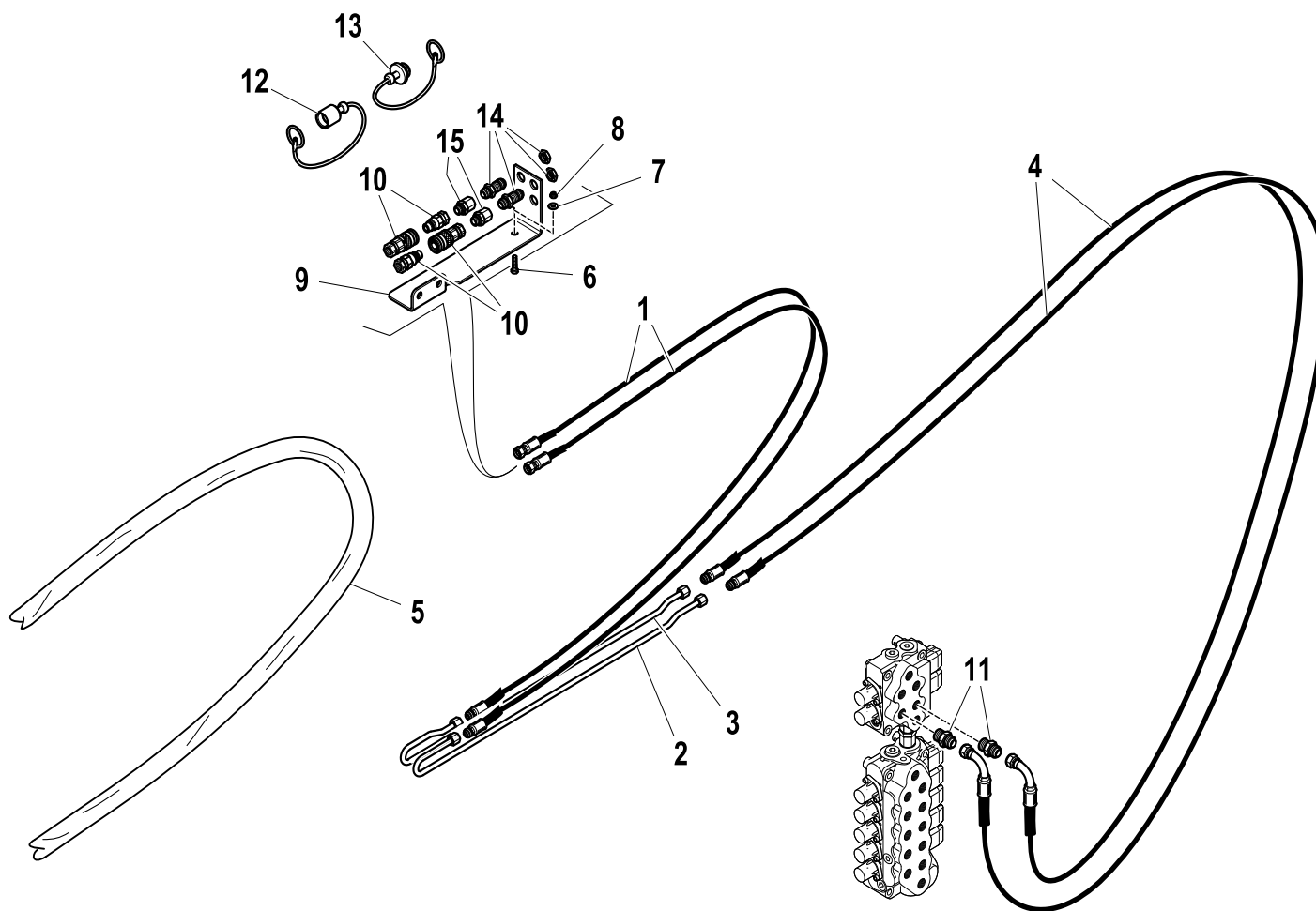
| R | Pos. | Code Variant | Q.ty | Description |
|---|------|--------------|------|---------------------------------------|
| | 21 | 3010054 | 4 | Hex screw [M10X90 8.8 ZC UNI 5737] |
| | 22 | 3060920 | 24 | Tooth lock washer [D.10 TIPO A] |
| | 23 | 3060914 | 8 | Flat washer [D.10.5X21X2 UNI 6592 ZC] |
| | 24 | 5000107 | 1 | |
| | 25 | 3010015 | 1 | Hex screw [M6X20 8.8 ZC UNI 5739] |
| | 26 | 3060030 | 1 | Flat washer [D.6.6X18 UNI 6593 ZC] |
| | 27 | 3040372 | 1 | Stopnut |
| | 28 | 3120309 | 2 | Wall-through pipe fitting |
| | 29 | 3120064 | 2 | Straight pipe fitting |
| | 30 | 3110542 | 2 | Quick coupling |
| | 31 | 3110003 | 1 | Female plug |
| | 32 | 3110002 | 1 | Plug |
| | 33 | 3010355 | 2 | Hex screw [M10X25 8.8 ZC IF UNI 5739] |

2st ACTIVATION FOR 1S

Code

560007-1.0

1/1



| R | Pos. | Code Variant | Q.ty | Description |
|---|------|--------------|-------|------------------------------------|
| | 1 | 5261058 | 2 | Flexible hose |
| | 2 | 5392106 | 1 | |
| | 3 | 5392105 | 1 | |
| | 4 | 5271150 | 2 | Flexible hose |
| | 5 | 3190198 | 1,5mt | Sheath (Flexible hose) |
| | 6 | 3010015 | 1 | Hex screw [M6X20 8.8 ZC UNI 5739] |
| | 7 | 3060030 | 1 | Flat washer [D.6.6X18 UNI 6593 ZC] |
| | 8 | 3040372 | 1 | Stopnut |
| | 9 | 5000107 | 1 | |
| | 10 | 3110542 | 2 | Quick coupling |
| | 11 | 3101043 | 2 | Straight pipe fitting |
| | 12 | 3110003 | 1 | Female plug |
| | 13 | 3110002 | 1 | Plug |
| | 14 | 3120309 | 2 | Wall-through pipe fitting |
| | 15 | 3120064 | 2 | Straight pipe fitting |

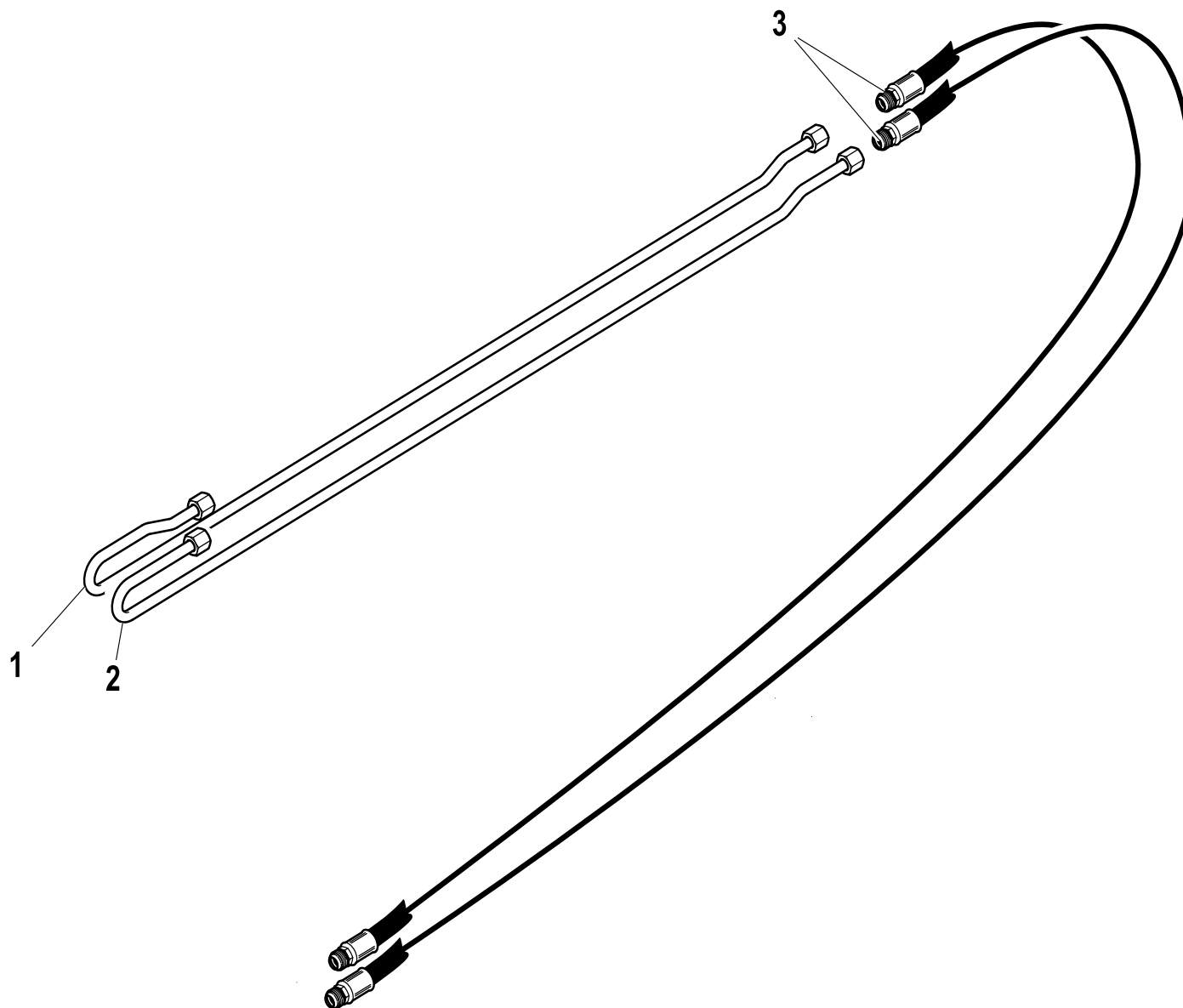
2nd ADDITIONAL ACTUATION

Code

560093-1.0

1/1

| R | Pos. | Code Variant | Q.ty | Description |
|---|------|--------------|------|---------------|
| | 1 | 5392105 | 1 | |
| | 2 | 5390207 | 1 | |
| | 3 | 5261059 | 2 | Flexible hose |

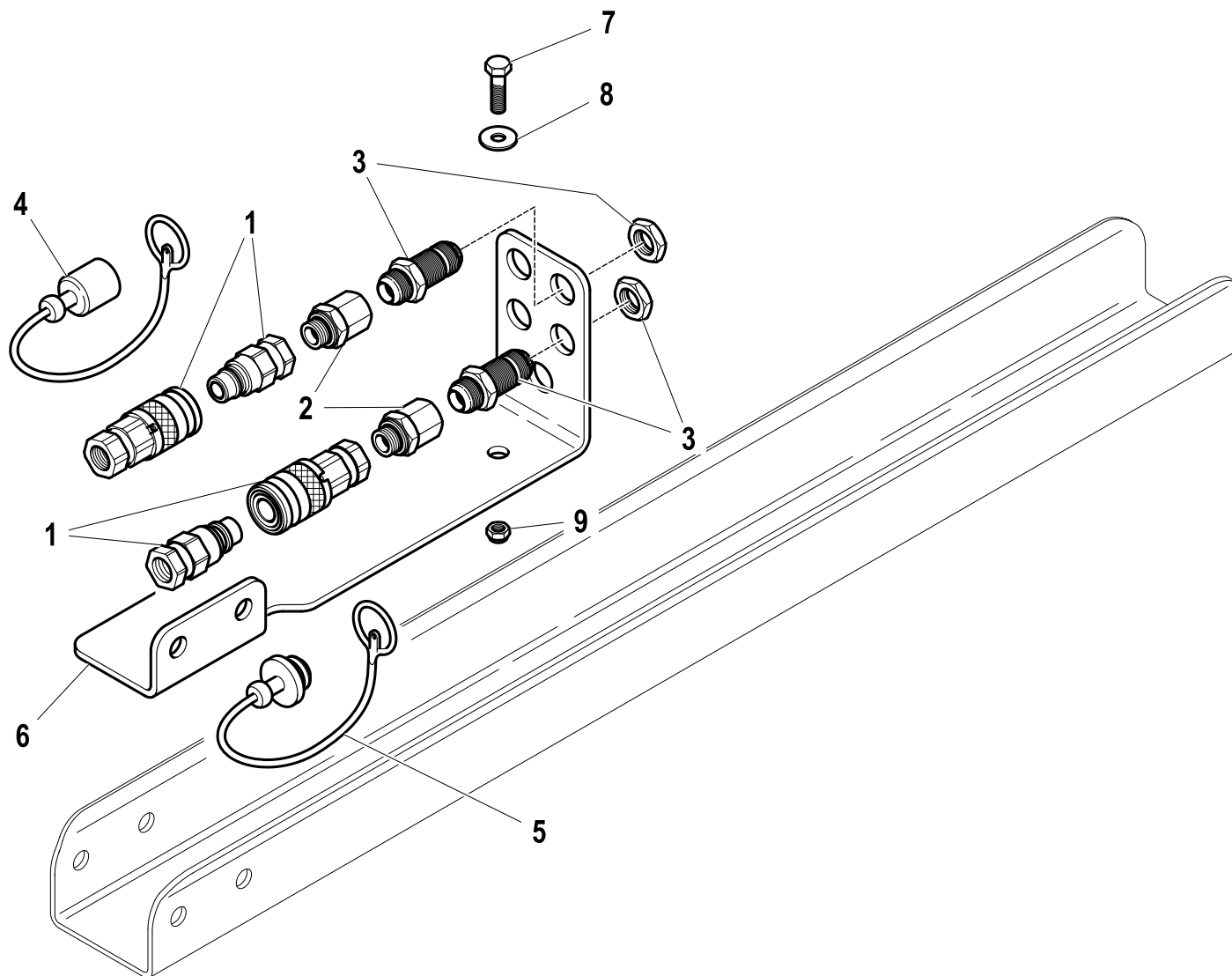


KIT QUICK COUPLING

Code

7882394-1.0

1/1



| R | Pos. | Code Variant | Q.ty | Description |
|---|------|--------------|------|------------------------------------|
| | 1 | 3110542 | 2 | Quick coupling |
| | 2 | 3120064 | 2 | Straight pipe fitting |
| | 3 | 3120309 | 2 | Wall-through pipe fitting |
| | 4 | 3110003 | 1 | Female plug |
| | 5 | 3110002 | 1 | Plug |
| | 6 | 5000107 | 1 | |
| | 7 | 3010015 | 1 | Hex screw [M6X20 8.8 ZC UNI 5739] |
| | 8 | 3060030 | 1 | Flat washer [D.6.6X18 UNI 6593 ZC] |
| | 9 | 3040372 | 1 | Stopnut |

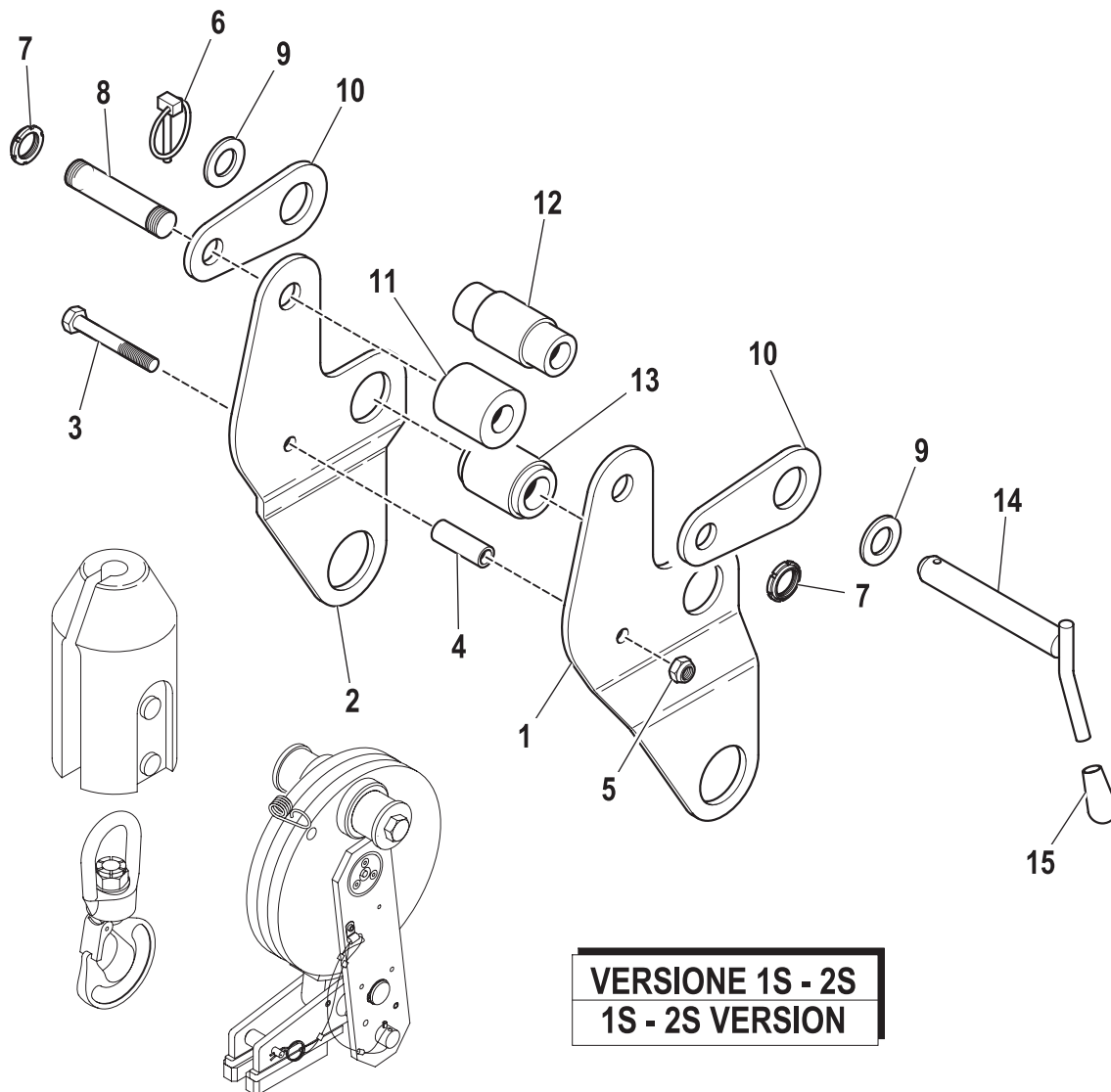
SUPPORT FOR WINCH'S PULLEY KIT

Code

7900339-1.0

1/1

| R | Pos. | Code Variant | Q.ty | Description |
|---|------|--------------|------|-------------------------------------|
| | 1 | 5001846 | 1 | |
| | 2 | 5001845 | 1 | |
| | 3 | 3010052 | 1 | Hex screw [M10X75 8.8 ZC UNI 5737] |
| | 4 | 5001875 | 1 | |
| | 5 | 3040304 | 1 | Stopnut |
| | 6 | 3060750 | 1 | |
| | 7 | 3040504 | 2 | Self-locking ringnut |
| | 8 | 5150781 | 1 | |
| | 9 | 3060012 | 2 | Flat washer [D.21X37X3 UNI 6592 ZC] |
| | 10 | 5000212 | 2 | |
| | 11 | 5141055 | 1 | |
| | 12 | 5001879 | 1 | |
| | 13 | 5001877 | 1 | |
| | 14 | 5150750 | 1 | |
| | 15 | 3190010 | 1 | Knob |



VERSIONE 1S - 2S
1S - 2S VERSION

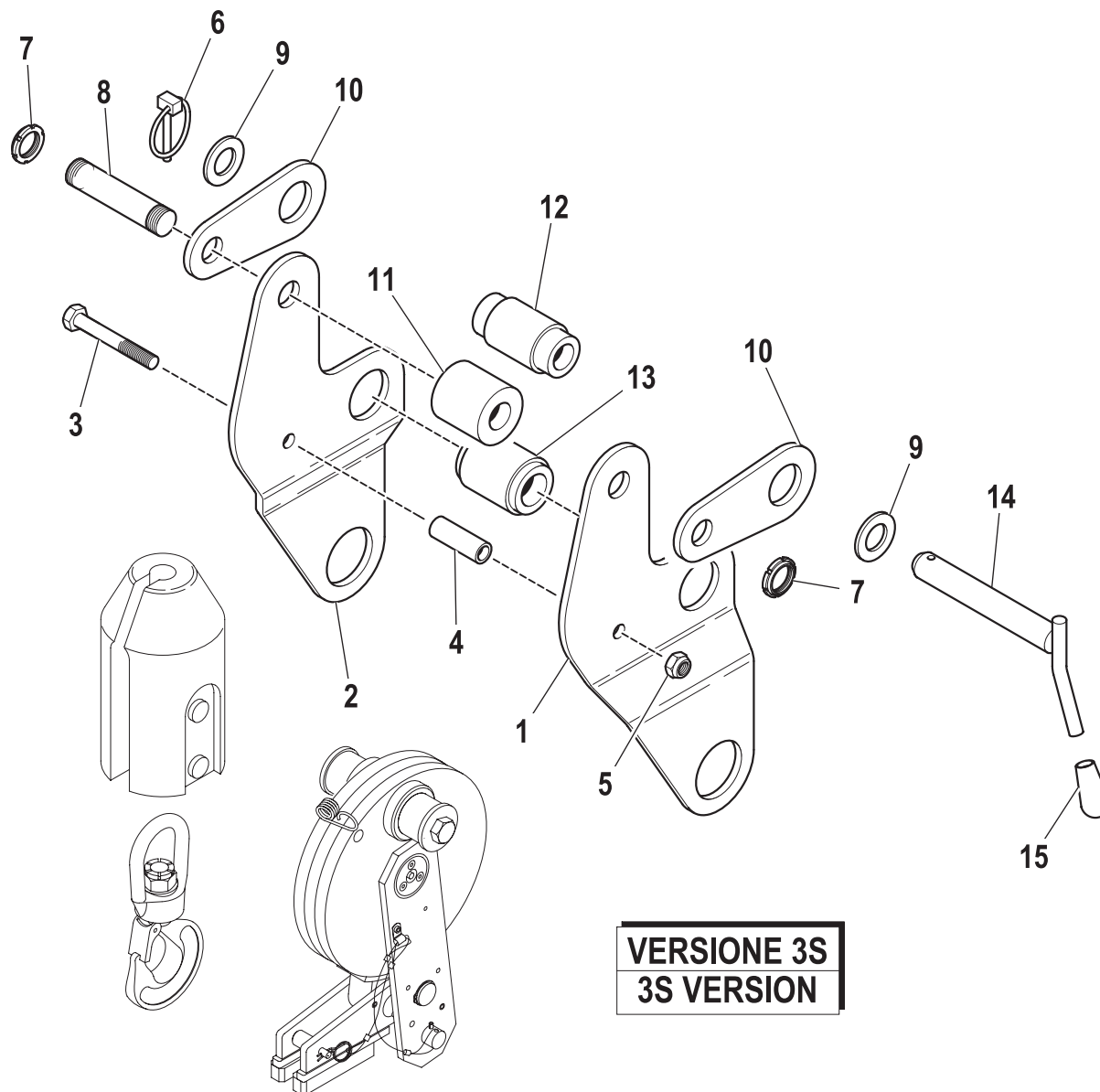
SUPPORT FOR WINCH'S PULLEY KIT

Code

7900021-1.0

1/1

| R | Pos. | Code Variant | Q.ty | Description |
|---|------|--------------|------|-------------------------------------|
| | 1 | 5001846 | 1 | |
| | 2 | 5001845 | 1 | |
| | 3 | 3010052 | 1 | Hex screw [M10X75 8.8 ZC UNI 5737] |
| | 4 | 5001875 | 1 | |
| | 5 | 3040304 | 1 | Stopnut |
| | 6 | 3060750 | 1 | |
| | 7 | 3040504 | 2 | Self-locking ringnut |
| | 8 | 5150781 | 1 | |
| | 9 | 3060012 | 2 | Flat washer [D.21X37X3 UNI 6592 ZC] |
| | 10 | 5001598 | 2 | |
| | 11 | 5141055 | 1 | |
| | 12 | 5001878 | 1 | |
| | 13 | 5001877 | 1 | |
| | 14 | 5150750 | 1 | |
| | 15 | 3190010 | 1 | Knob |



VERSIONE 3S
3S VERSION

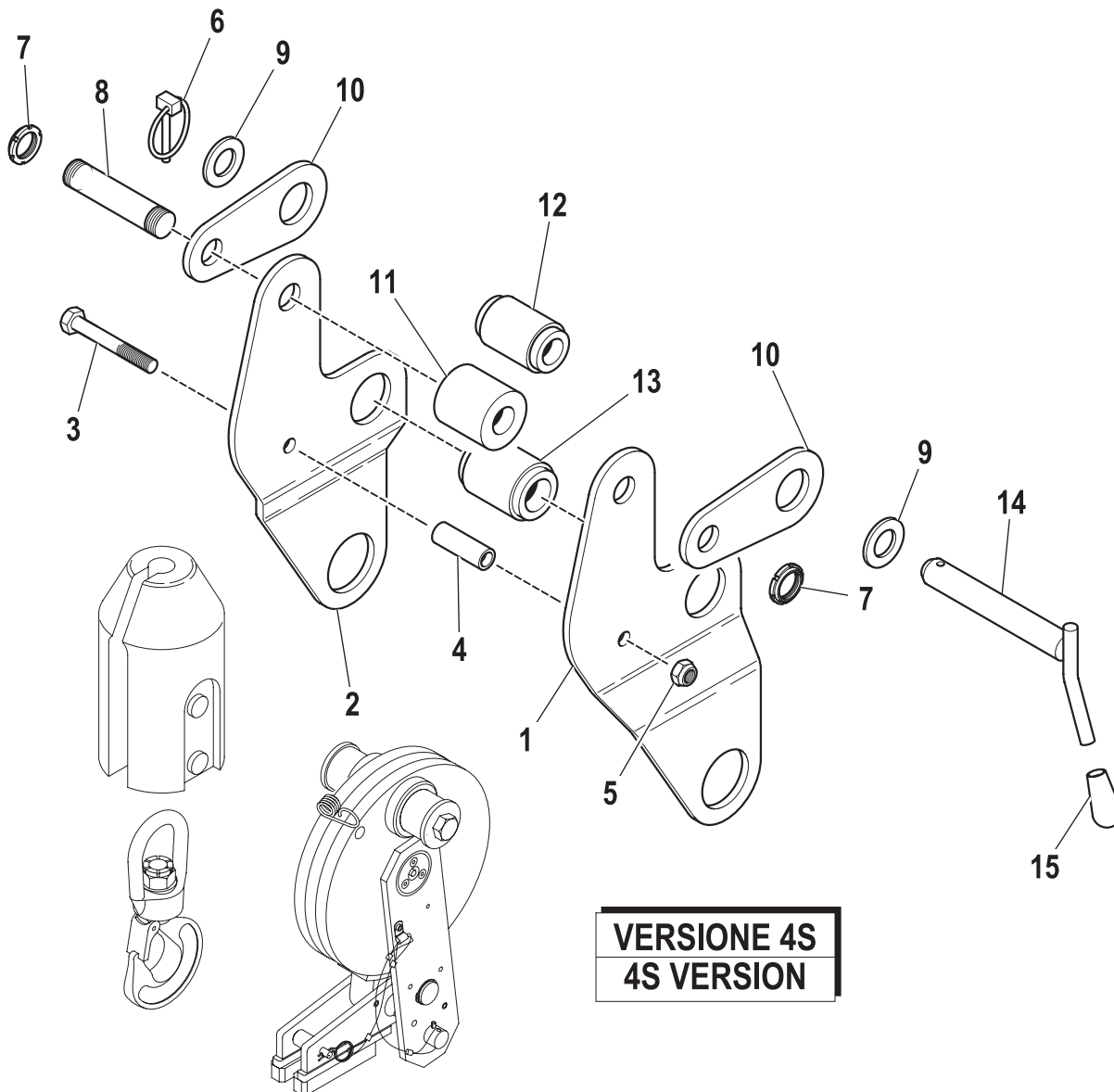
SUPPORT FOR WINCH'S PULLEY KIT

Code

7900022-1.0

1/1

| R | Pos. | Code Variant | Q.ty | Description |
|---|------|--------------|------|-------------------------------------|
| | 1 | 5001846 | 1 | |
| | 2 | 5001845 | 1 | |
| | 3 | 3010052 | 1 | Hex screw [M10X75 8.8 ZC UNI 5737] |
| | 4 | 5001875 | 1 | |
| | 5 | 3040304 | 1 | Stopnut |
| | 6 | 3060750 | 1 | |
| | 7 | 3040504 | 2 | Self-locking ringnut |
| | 8 | 5150781 | 1 | |
| | 9 | 3060012 | 2 | Flat washer [D.21X37X3 UNI 6592 ZC] |
| | 10 | 5001598 | 2 | |
| | 11 | 5141055 | 1 | |
| | 12 | 5001876 | 1 | |
| | 13 | 5001877 | 1 | |
| | 14 | 5150750 | 1 | |
| | 15 | 3190010 | 1 | Knob |

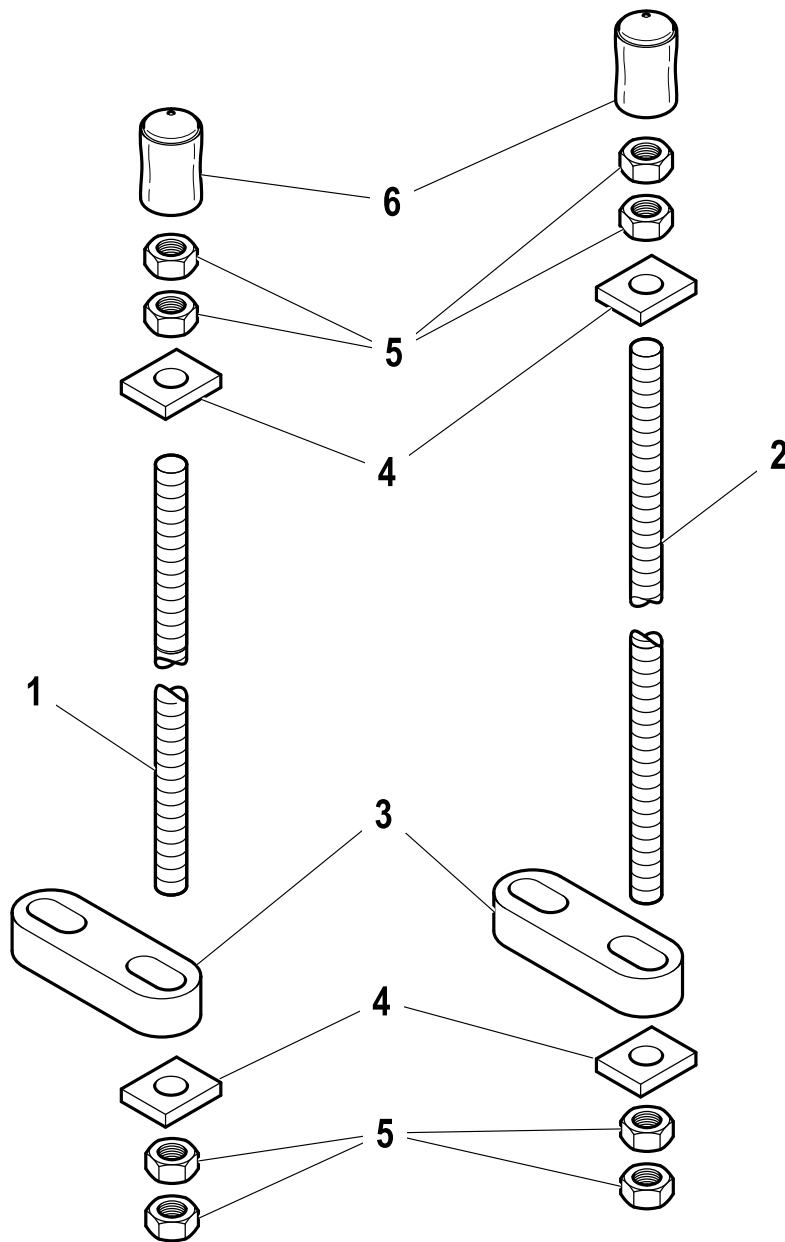


Assembly kit

Code

7880372-2.0

1/1



| R | Pos. | Code Variant | Q.ty | Description |
|---|------|--------------|------|-------------|
| | 1 | 5150654 | 6 | |
| | 2 | 5150658 | 2 | |
| | 3 | W010000200 | 4 | |
| | 4 | 5000084 | 16 | |
| | 5 | 3040186 | 32 | Nut |
| | 6 | 3190290 | 8 | |





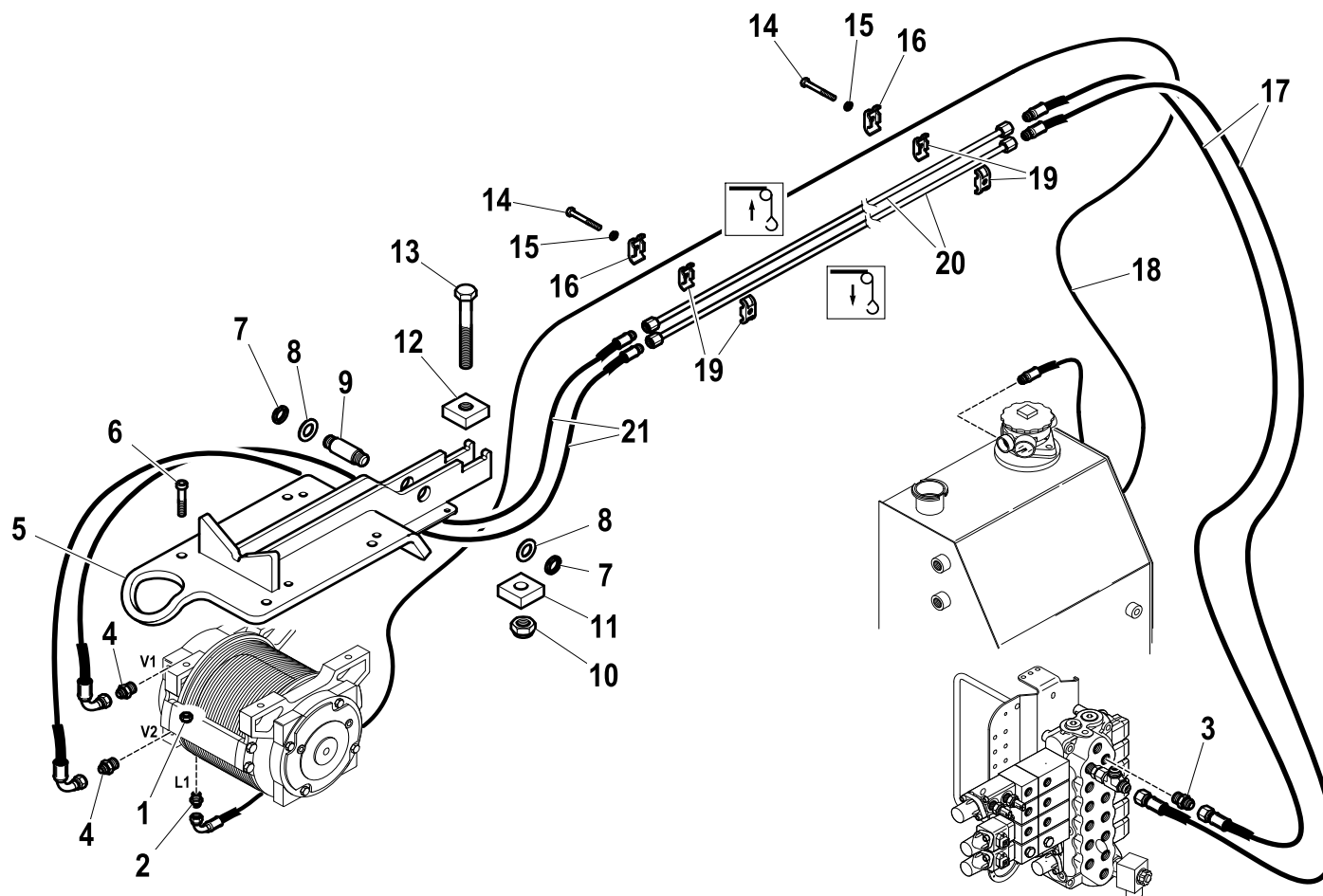
HA70 AS WINCH

ACTUATION FOR WINCH

Code

5740172-1.0

1/2



| R | Pos. | Code Variant | Q.ty | Description |
|---|------|--------------|------|--|
| | 1 | 3040305 | 4 | Stopnut |
| | 2 | 3101039 | 1 | Straight pipe fitting |
| | 3 | 3101043 | 1 | Straight pipe fitting |
| | 4 | 3101044 | 2 | Straight pipe fitting |
| | 5 | 5091162 | 1 | |
| | 6 | 3020104 | 4 | Socketed head cap screw [M12X50 8.8 ZC UNI 5931] |
| | 7 | 3040504 | 2 | Self-locking ringnut |
| | 8 | 3060012 | 2 | Flat washer [D.21X37X3 UNI 6592 ZC] |
| | 9 | 5150752 | 1 | |
| | 10 | 3040309 | 1 | Stopnut |
| | 11 | 5001608 | 1 | |
| | 12 | 5001607 | 1 | |
| | 13 | 3010486 | 1 | Hex screw [M20X150 8.8 ZC UNI 5739] |
| | 14 | 3010035 | 2 | Hex screw [M8X60 8.8 ZC UNI 5737] |
| | 15 | 3060055 | 2 | Split lock washer [D=8.4 C72 ZC] |
| | 16 | 5000045 | 2 | Clamp (Rigid Pipe) |
| | 17 | 5270864 | 2 | Flexible hose |
| | 18 | 5261326 | 1 | Flexible hose |
| | 19 | 5000077 | 4 | Clamp (Rigid Pipe) |
| | 20 | 5391352 | 2 | |

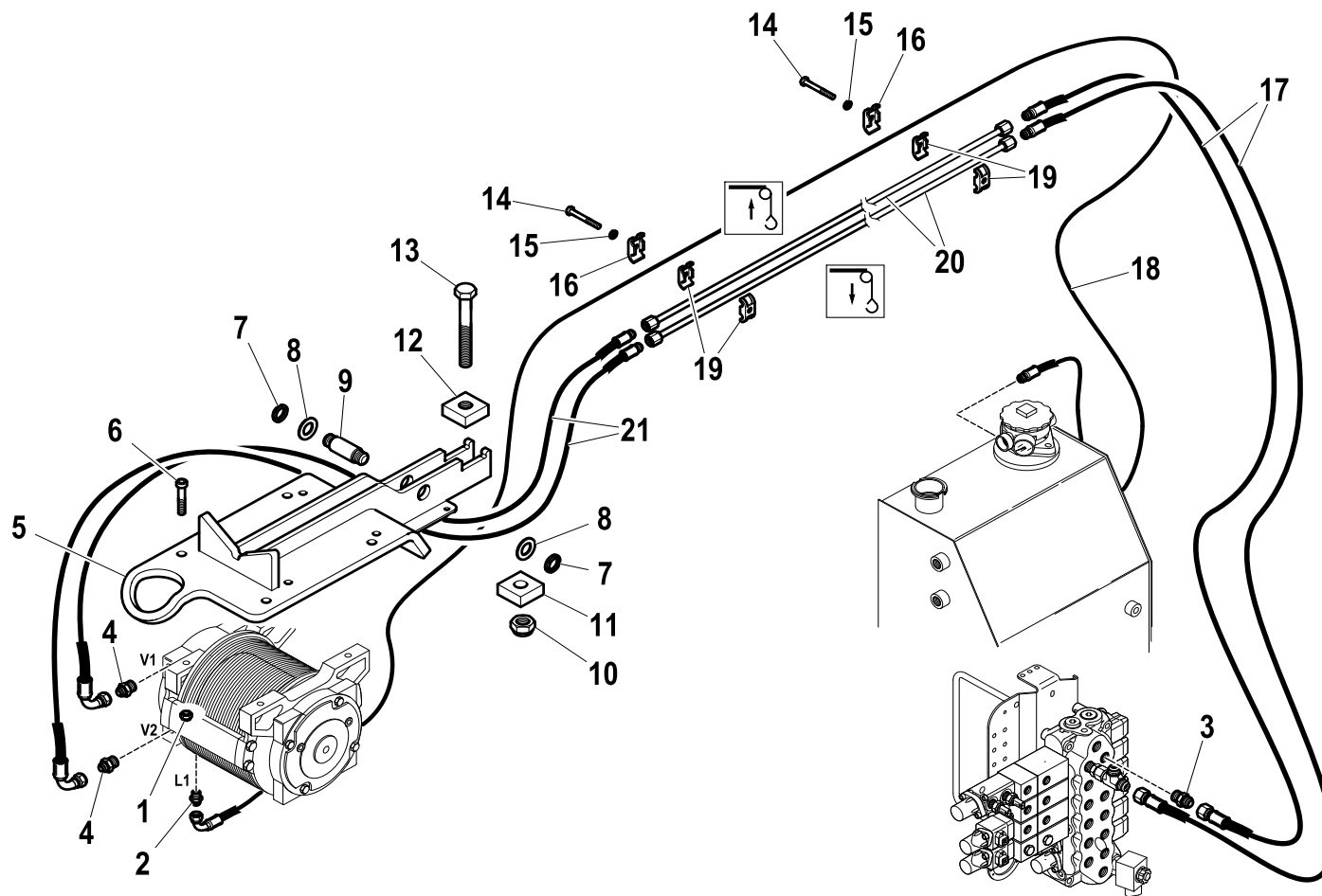
ACTUATION FOR WINCH

Code

5740172-1.0

2/2

| R | Pos. | Code Variant | Q.ty | Description |
|---|------|--------------|------|---------------|
| | 21 | 5271918 | 2 | Flexible hose |

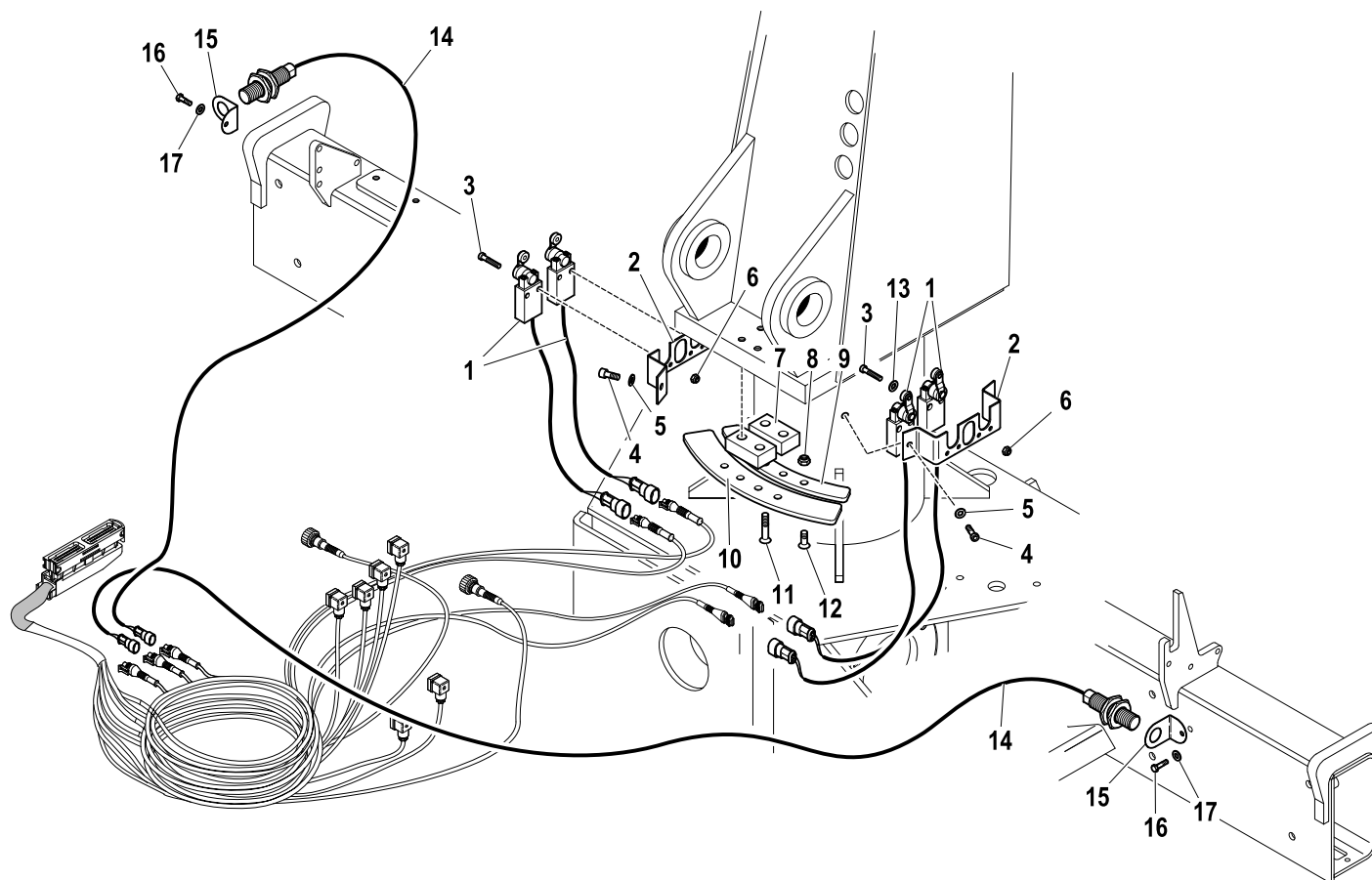


Rotation limiting device (Electric)

Code

7882532-1.0

1/1



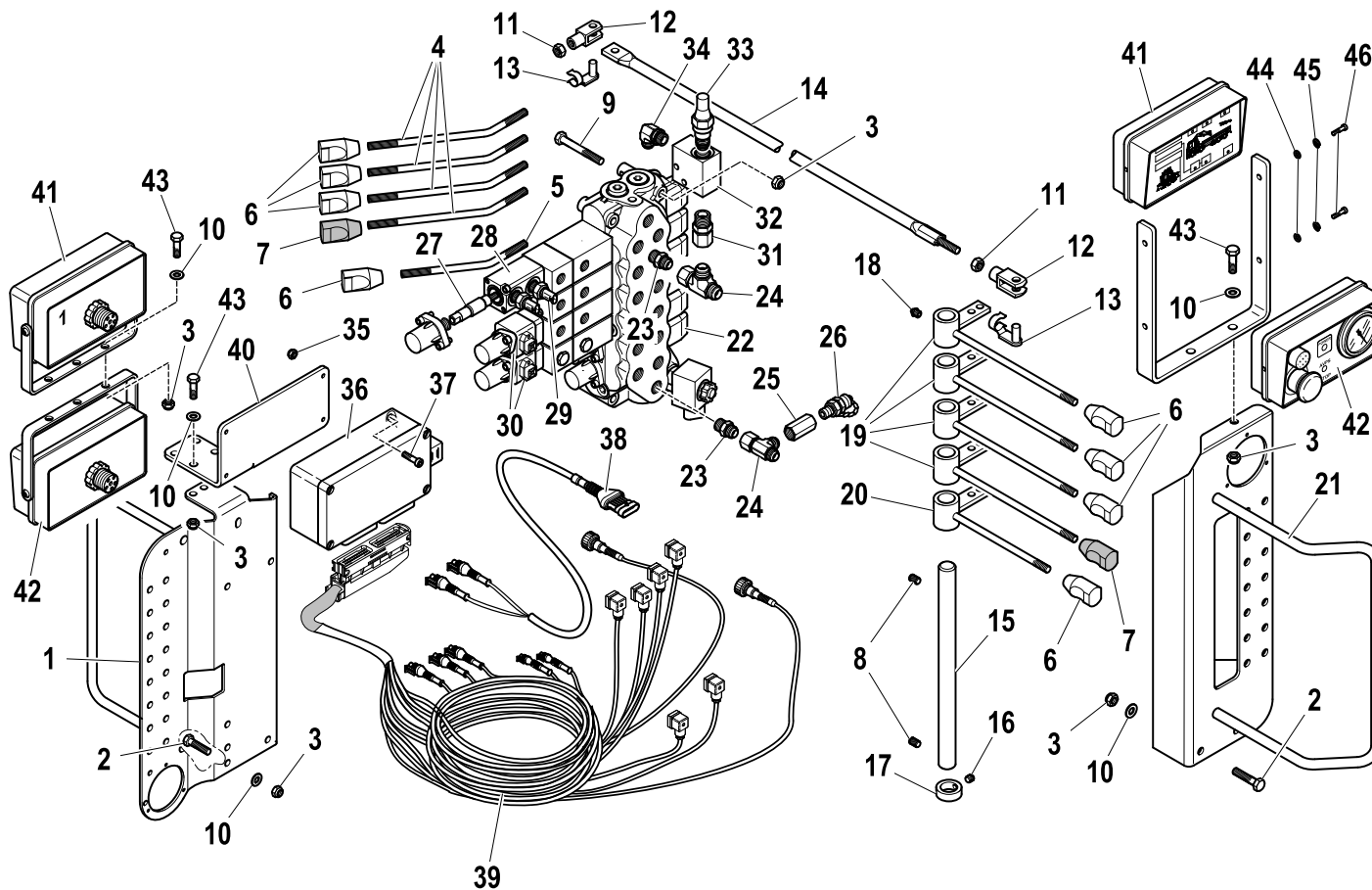
| R | Pos. | Code Variant | Q.ty | Description |
|---|------|--------------|------|---|
| | 1 | 5160009 | 4 | Electric wiring |
| | 2 | W610504600 | 2 | |
| | 3 | 3020014 | 8 | Socketed head cap screw [M4X25X0.7 8.8 ZC UNI 5931] |
| | 4 | 3020033 | 4 | Socketed head cap screw [M6X10 8.8 ZC UNI 5931] |
| | 5 | 3060005 | 4 | Flat washer [D.6.4 UNI 6592 ZC] |
| | 6 | 3040518 | 8 | Stopnut |
| | 7 | W610503400 | 2 | |
| | 8 | 3040372 | 4 | Stopnut |
| | 9 | 5002016 | 1 | |
| | 10 | 5002017 | 1 | |
| | 11 | 3020406 | 4 | TSEI screw [M6X30 10.9 ZC UNI 5933] |
| | 12 | 3020439 | 4 | TSEI screw [M6X16 ZC UNI 5933] |
| | 13 | 3060003 | 4 | Flat washer [D.4 UNI 6592 ZC] |
| | 14 | 3311304 | 2 | |
| | 15 | 5000166 | 2 | |
| | 16 | 3010325 | 2 | Hex screw [M6X16 8.8 ZC UNI 5739] |
| | 17 | 3060053 | 2 | Split lock washer [D=6.4 C72 ZC] |

DOUBLE CONTROLS

Code

5400874-2.0

1/3



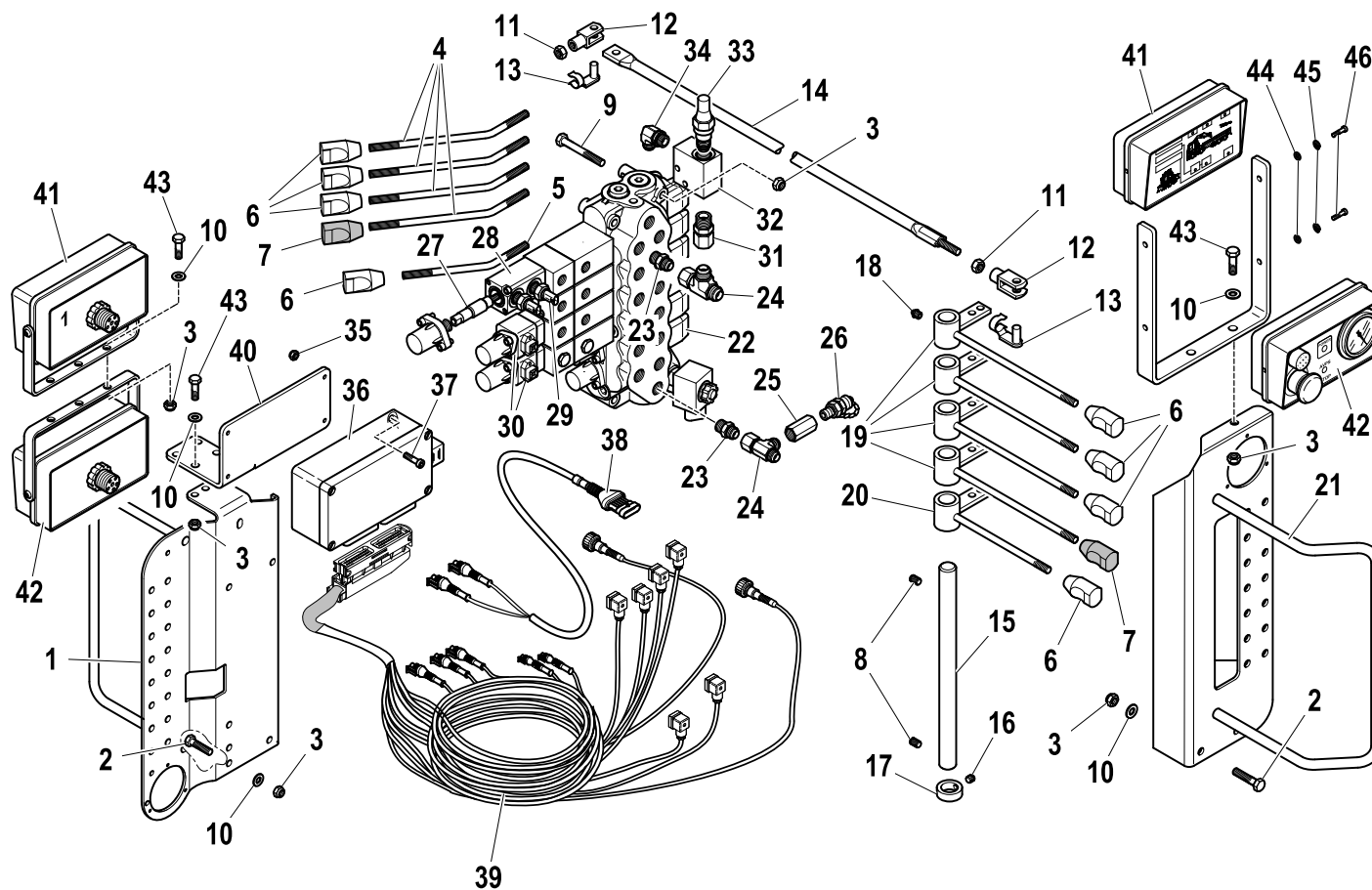
| R | Pos. | Code Variant | Q.ty | Description |
|---|------|--------------|------|--------------------------------------|
| | 1 | 5091007 | 1 | |
| | 2 | 3010390 | 4 | Hex screw [M8X35 ZC UNI 5739] |
| | 3 | 3040303 | 12 | Stopnut |
| | 4 | 5000657 | 4 | Control lever |
| | 5 | 5000659 | 1 | Control lever |
| | 6 | 3190197 | 8 | Knob |
| | 7 | 3190217 | 2 | |
| | 8 | 3060936 | 2 | Grub screw |
| | 9 | 3010036 | 2 | Hex screw [M8X65 8.8 ZC UNI 5739] |
| | 10 | 3060006 | 12 | Flat washer [D.8 UNI 6592 ZC] |
| | 11 | 3040045 | 11 | Nut |
| | 12 | 3300431 | 10 | Fork |
| | 13 | 3300451 | 10 | Fork clip |
| | 14 | 5090442 | 5 | |
| | 15 | 5150474 | 1 | |
| | 16 | 3060232 | 1 | Grub screw [Grano M6X6 UNI 5927 ZC.] |
| | 17 | 5000670 | 1 | Ring |
| | 18 | 3080500 | 6 | Grease nipple |
| | 19 | 5090433 | 4 | Control lever |
| | 20 | 5090434 | 1 | Control lever |

DOUBLE CONTROLS

Code

5400874-2.0

2/3



| R | Pos. | Code Variant | Q.ty | Description |
|---|------|--------------|------|--|
| | 21 | 5091006 | 1 | |
| | 22 | 5220479 | 1 | |
| | 23 | 3101043 | 2 | Straight pipe fitting |
| | 24 | 3120004 | 2 | Tee fitting |
| | 25 | 3120356 | 1 | Reducing fitting |
| | 26 | 3111523 | 1 | Pipe fitting (Tapping point) [RACC. MILITES 16X2-1/4"G] |
| | 27 | 5225906 | 1 | |
| | 28 | 5225848 | 1 | |
| | 29 | 5225905 | 2 | |
| | 30 | 5225585 | 2 | |
| | 31 | 3120074 | 1 | Straight pipe fitting |
| | 32 | 5220303 | 1 | |
| | 33 | 5225517 | 1 | |
| | 34 | 3101124 | 1 | 90° Connection |
| | 35 | 3040518 | 4 | Stopnut |
| | 36 | 3311291 | 1 | |
| | 37 | 3020885 | 4 | Socketed head cap screw [M4X20 8.8 ZC UNI 5931] |
| | 38 | 3311481 | 1 | |
| | 39 | 3311305 | 1 | |
| | 40 | 5000176 | 1 | |

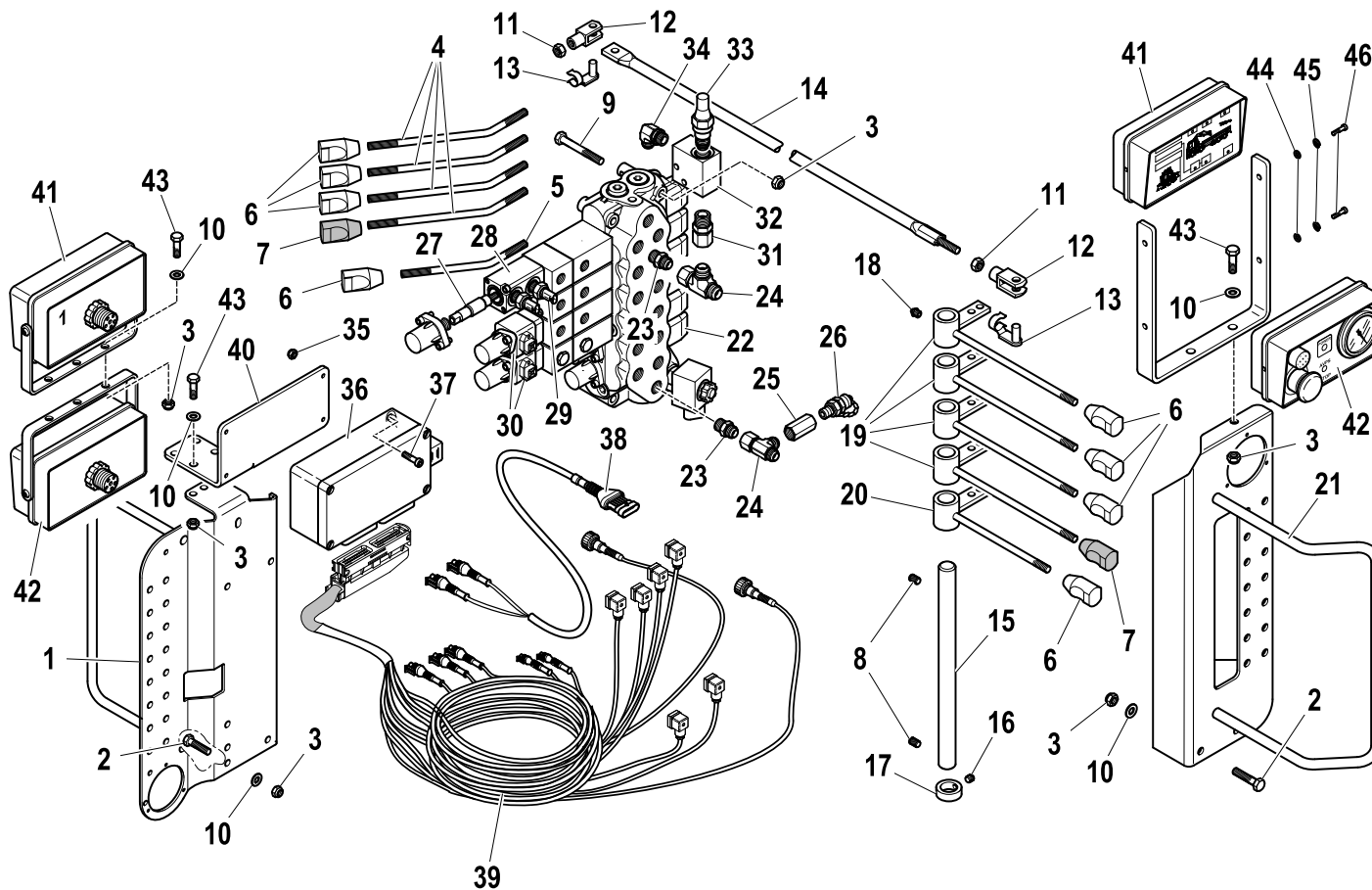
DOUBLE CONTROLS

Code

5400874-2.0

3/3

| R | Pos. | Code Variant | Q.ty | Description |
|---|------|--------------|------|---|
| | 41 | 3311292 | 2 | |
| | 42 | 3310543 | 2 | Dashboard (Electric) |
| | 43 | 3010027 | 5 | Hex screw [M8X20 8.8 ZC IF UNI 5739] |
| | 44 | 3060005 | 4 | Flat washer [D.6.4 UNI 6592 ZC] |
| | 45 | 3060053 | 4 | Split lock washer [D=6.4 C72 ZC] |
| | 46 | 3020034 | 4 | Socket head cap screw [M6X16 8.8 ZC UNI 5931] |

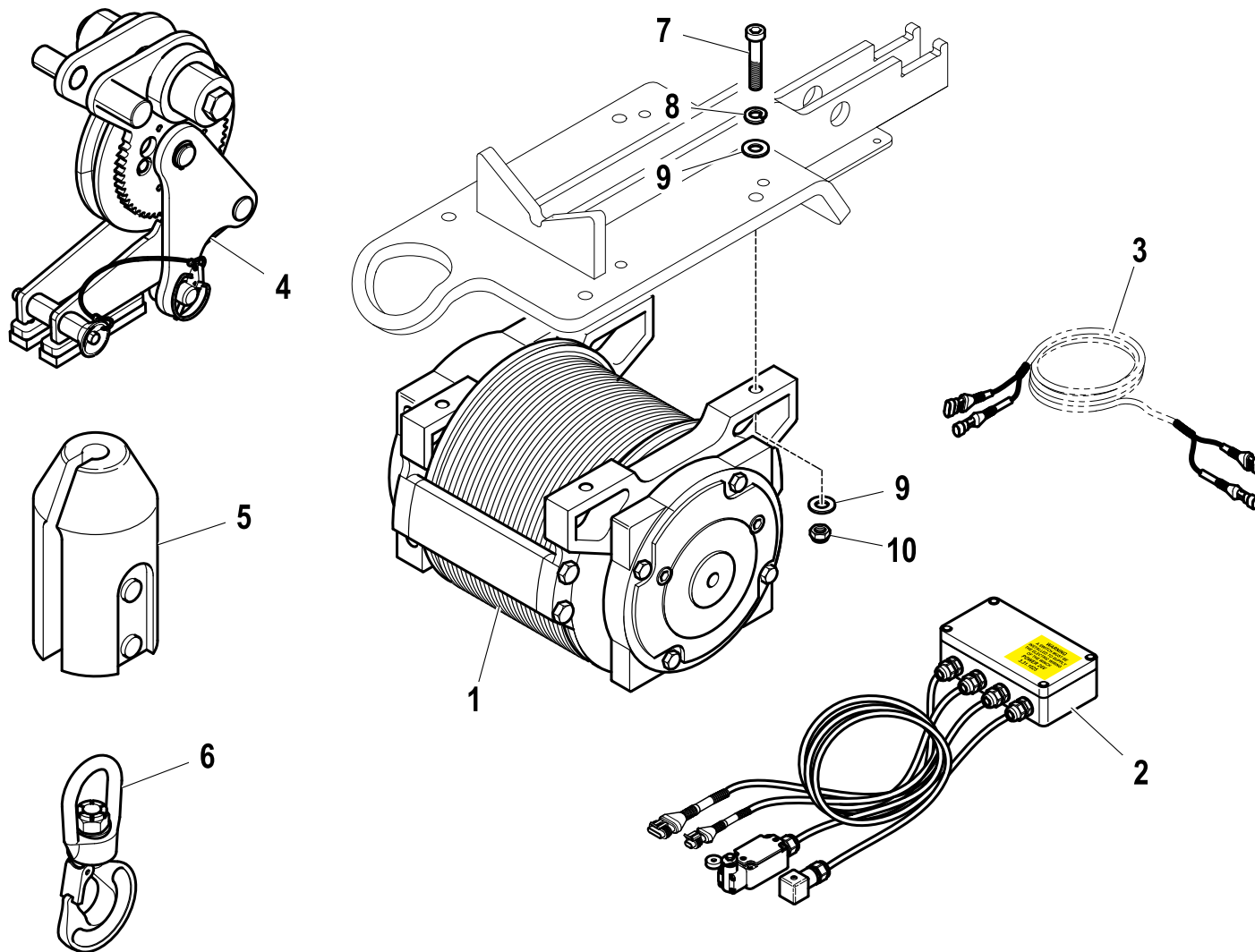


WINCH KIT

Code

7834219-1.0

1/1



| R | Pos. | Code Variant | Q.ty | Description |
|---|------|--------------|------|--|
| | 1 | 5720170 | 1 | |
| | 2 | 3311025 | 1 | |
| | 3 | 3311103 | 1 | |
| | 4 | 5730139 | 1 | |
| | 5 | 5730066 | 1 | |
| | 6 | 3200006 | 1 | Swivel hook |
| | 7 | 3020104 | 4 | Socked head cap screw [M12X50 8.8 ZC UNI 5931] |
| | 8 | 3060057 | 4 | Split lock washer [D=12 C72 ZC] |
| | 9 | 3060018 | 8 | Flat washer [D.12 UNI 6592 ZC] |
| | 10 | 3040305 | 4 | Stopnut |



HA70 F

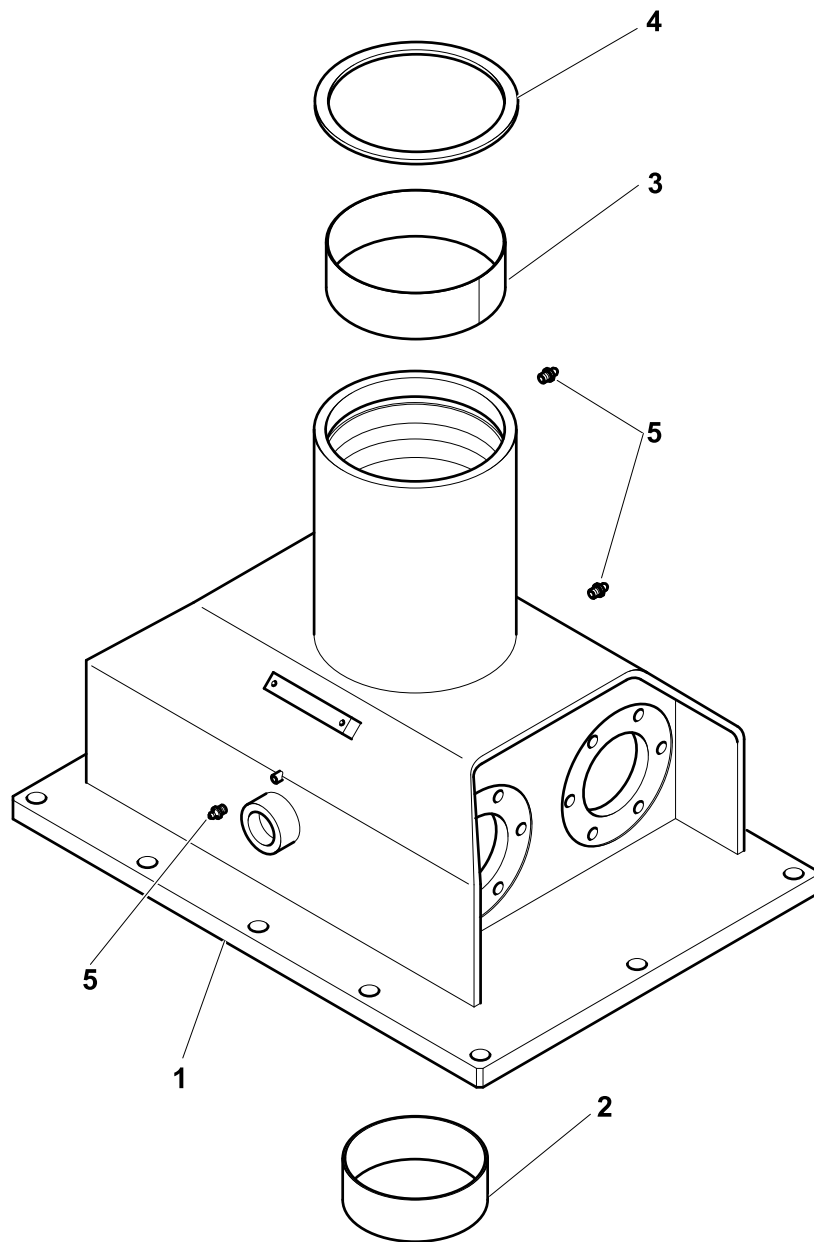
Base

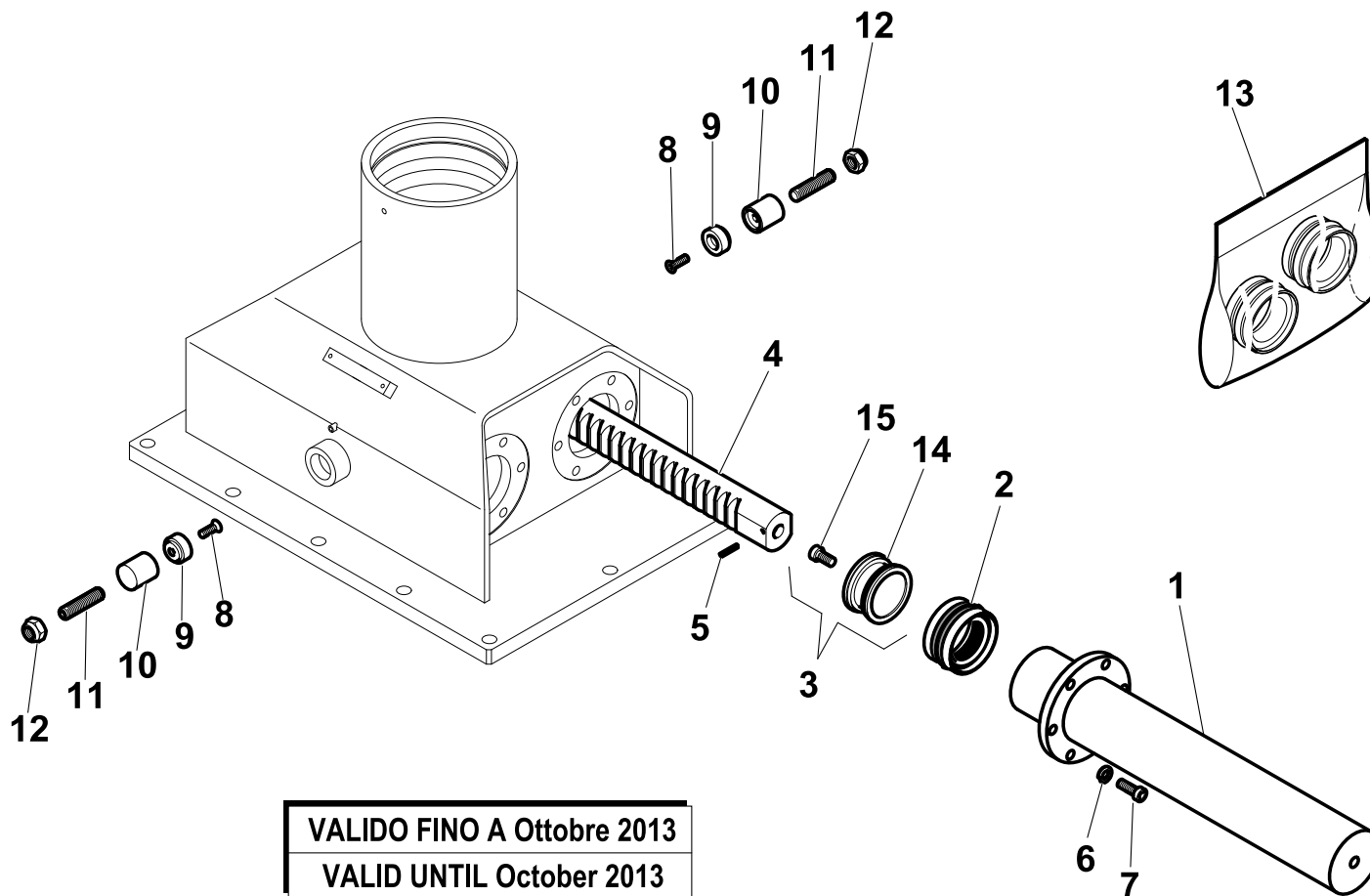
Code

5420015-1.0

1/1

| R | Pos. | Code Variant | Q.ty | Description |
|---|------|--------------|------|---------------|
| | 1 | 5060121 | 1 | Base |
| | 2 | 5140667 | 1 | |
| | 3 | 5140668 | 1 | |
| | 4 | 5140669 | 1 | |
| | 5 | 3080501 | 3 | Grease nipple |



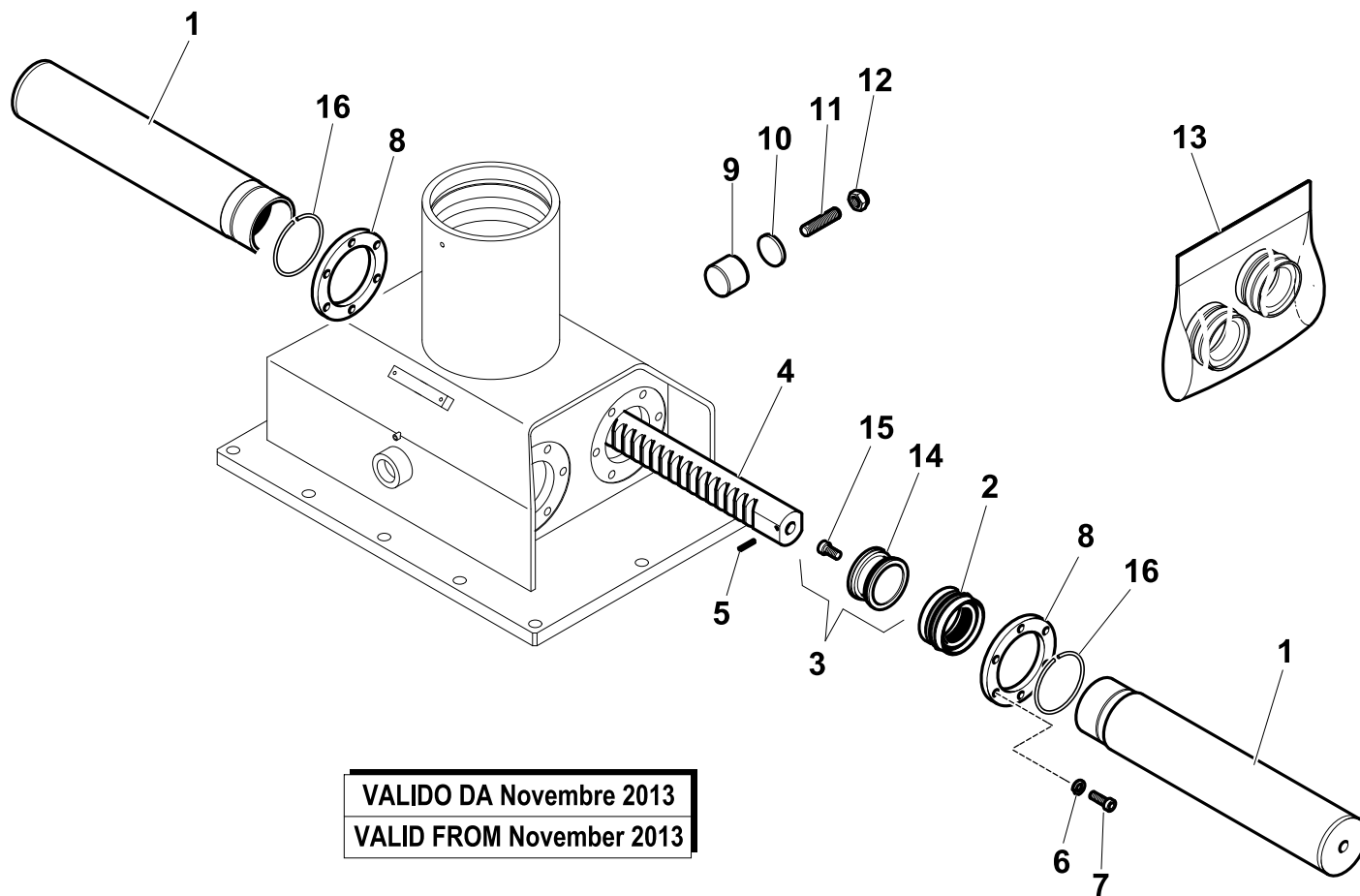


| R | Pos. | Code Variant | Q.ty | Description |
|---|------|--------------|------|---|
| | 1 | 6070338 | 4 | |
| | 2 | 3400514 | 4 | |
| | 3 | 6050240 | 4 | |
| | 4 | 5050075 | 2 | |
| | 5 | 3060604 | 2 | Spring pin |
| | 6 | 3060050 | 24 | Split lock washer [D=14 C72 ZC] |
| | 7 | 3020109 | 24 | Socketed head cap screw [M14X35 8.8 ZC UNI 5931] |
| | 8 | 3020499 | 2 | TSEI screw [M10X25 10.9 ZC UNI 5933] |
| | 9 | 5140600 | 2 | |
| | 10 | 5000229 | 2 | |
| | 11 | 3060917 | 2 | Grub screw |
| | 12 | 3040308 | 2 | Stopnut |
| | 13 | 5550680 | 2 | Seal kit (Slewing) |
| | 14 | 6050229 | 4 | Piston (Slewing) |
| | 15 | 3020075 | 4 | Socketed head cap screw [M12X25 12.9 ZC UNI 5931] |

Slewing (Retaining ring)

Code
6240212-1.0

1/1



VALIDO DA Novembre 2013
VALID FROM November 2013

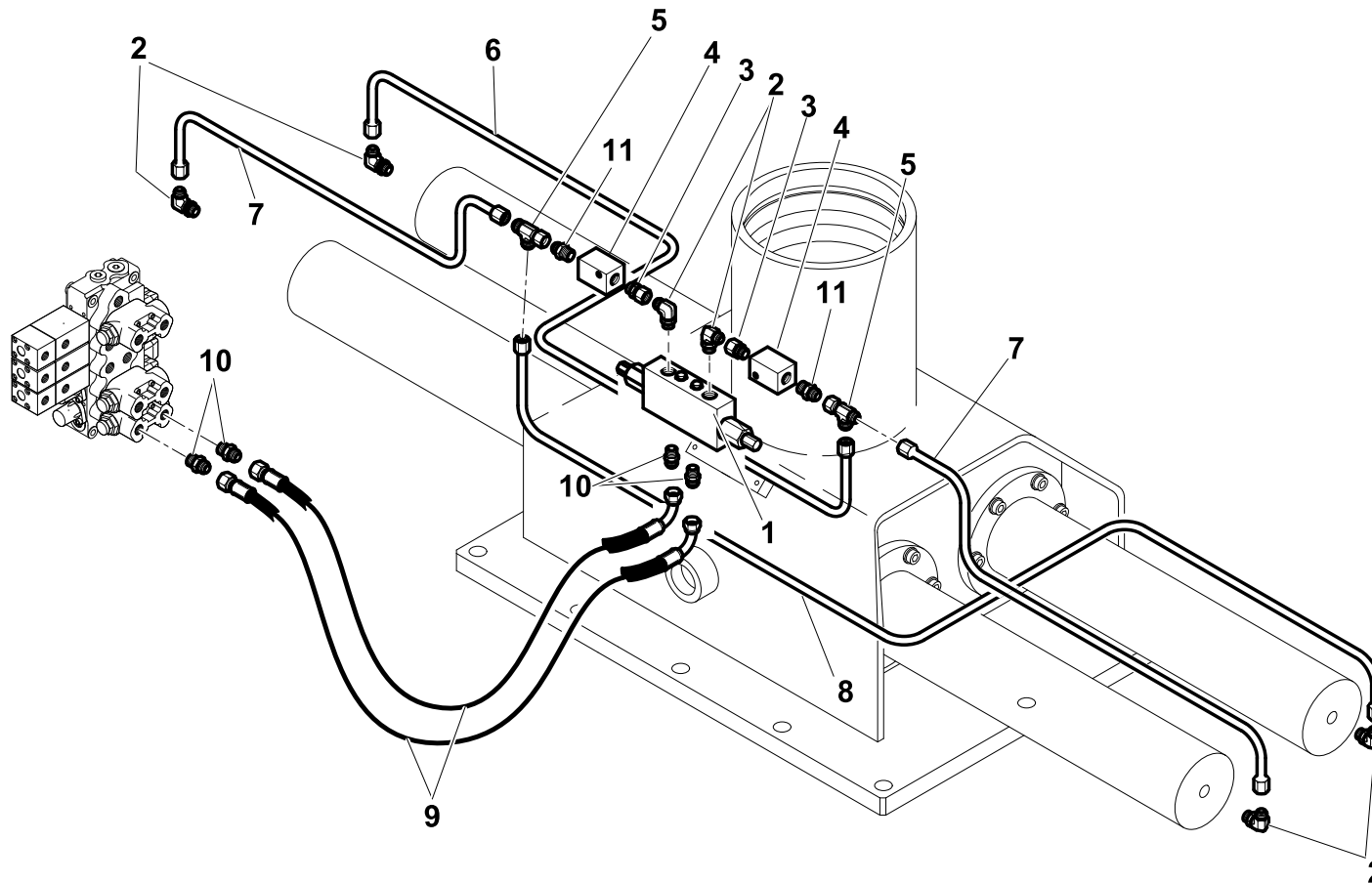
| R | Pos. | Code Variant | Q.ty | Description |
|---|------|--------------|------|---|
| | 1 | 6070721 | 4 | |
| | 2 | 3400514 | 4 | |
| | 3 | 6050240 | 4 | |
| | 4 | 5050075 | 2 | |
| | 5 | 3060604 | 2 | Spring pin |
| | 6 | 3060058 | 24 | Split lock washer [D=14 INOX] |
| | 7 | 3020109 | 24 | Socketed head cap screw [M14X35 8.8 ZC UNI 5931] |
| | 8 | 5002438 | 4 | Flange (Slewing) |
| | 9 | 5140781 | 2 | |
| | 10 | 5001570 | 2 | |
| | 11 | 3060917 | 2 | Grub screw |
| | 12 | 3040394 | 2 | Stopnut |
| | 13 | 5550680 | 2 | Seal kit (Slewing) |
| | 14 | 6050229 | 4 | Piston (Slewing) |
| | 15 | 3020075 | 4 | Socketed head cap screw [M12X25 12.9 ZC UNI 5931] |
| | 16 | 3070207 | 4 | Snap ring |

Slewing Hydraulic jack (Hydraulic system)

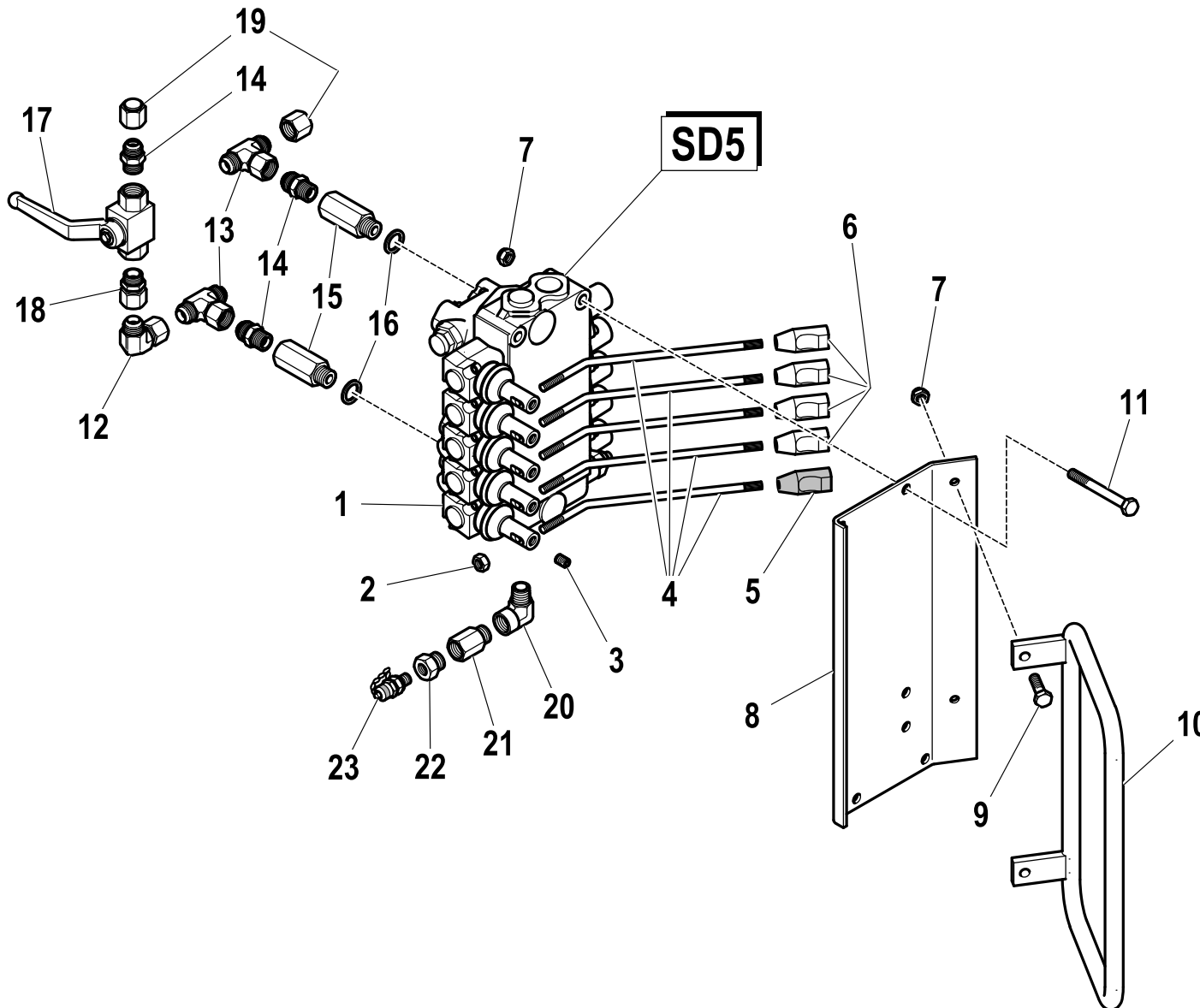
Code

6240057-2.0

1/1



| R | Pos. | Code Variant | Q.ty | Description |
|---|------|--------------|------|-----------------------|
| | 1 | 5220122 | 1 | Valve |
| | 2 | 3101125 | 6 | 90° Connection |
| | 3 | 3120064 | 2 | Straight pipe fitting |
| | 4 | 5220093 | 2 | Non-return valve |
| | 5 | 3120003 | 2 | Tee fitting |
| | 6 | 5391403 | 1 | |
| | 7 | 5391406 | 2 | |
| | 8 | 5391404 | 1 | |
| | 9 | 5271665 | 2 | Flexible hose |
| | 10 | 3101043 | 4 | Straight pipe fitting |
| | 11 | 3101039 | 2 | Straight pipe fitting |



| R | Pos. | Code Variant | Q.ty | Description |
|---|------|--------------|------|-----------------------------------|
| | 1 | 5220322 | 1 | |
| | 2 | 3040045 | 5 | Nut |
| | 3 | 3060936 | 5 | Grub screw |
| | 4 | 5000657 | 5 | Control lever |
| | 5 | 3190217 | 1 | |
| | 6 | 3190197 | 4 | Knob |
| | 7 | 3040303 | 5 | Stopnut |
| | 8 | 5090437 | 1 | |
| | 9 | 3010390 | 2 | Hex screw [M8X35 ZC UNI 5739] |
| | 10 | 5090440 | 1 | |
| | 11 | 3010036 | 3 | Hex screw [M8X65 8.8 ZC UNI 5739] |
| | 12 | 3120031 | 2 | 90° Connection |
| | 13 | 3120112 | 2 | Tee fitting |
| | 14 | 3101043 | 3 | Straight pipe fitting |
| | 15 | 3110110 | 2 | Straight pipe fitting |
| | 16 | 3060144 | 2 | Sealing washer [BSP 3/8"] |
| | 17 | 5220678 | 1 | |
| | 18 | 3120066 | 1 | Straight pipe fitting |
| | 19 | 3110041 | 2 | Female plug |
| | 20 | 3111522 | 1 | 90° Connection |

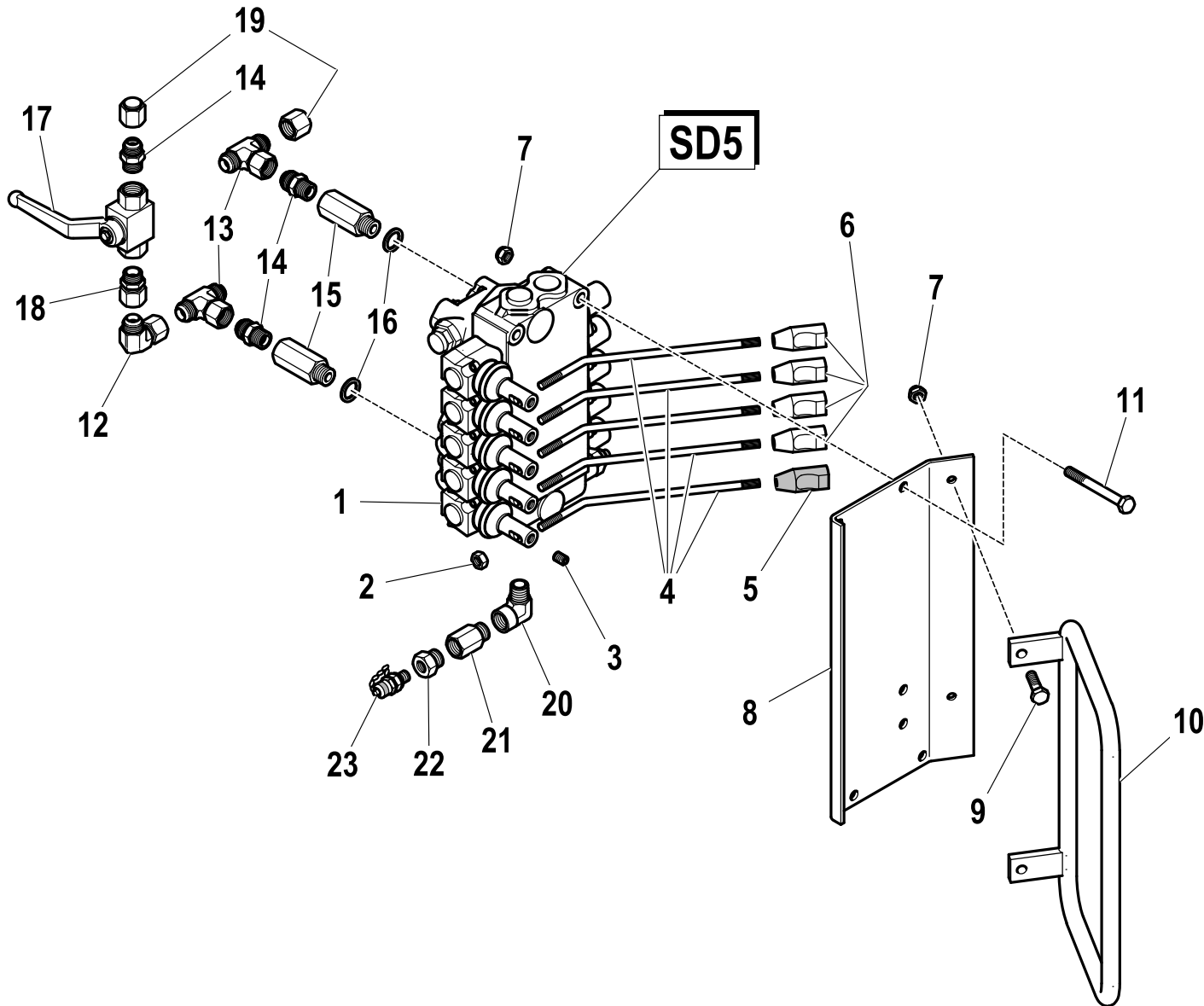
CONTROLS

Code

5400310-1.0

2/2

| R | Pos. | Code Variant | Q.ty | Description |
|---|------|--------------|------|--|
| | 21 | 3110112 | 1 | Straight pipe fitting |
| | 22 | 3110150 | 1 | Reducing fitting |
| | 23 | 3111523 | 1 | Pipe fitting (Tapping point) [RACC. MILITES 16X2-1/4"G] |

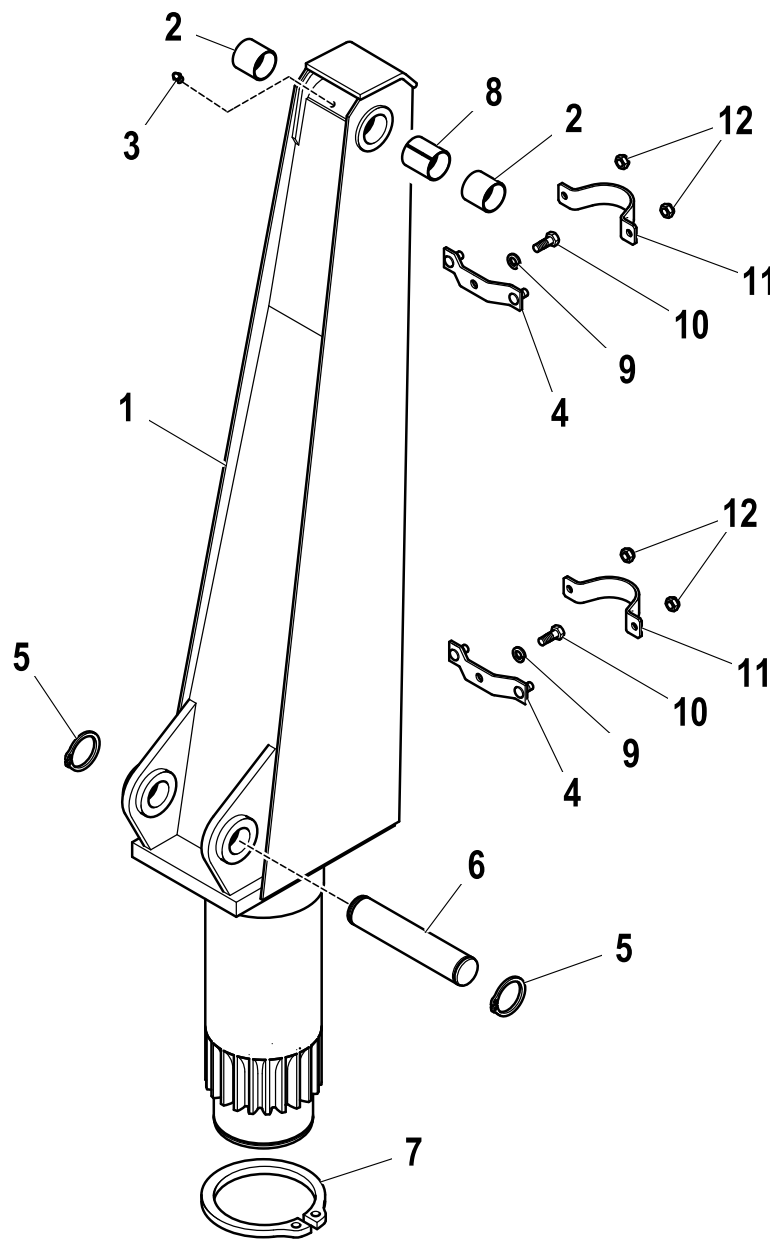


Column

Code

5460093-1.0

1/1



| R | Pos. | Code Variant | Q.ty | Description |
|---|------|--------------|------|--------------------------------------|
| | 1 | 5040530 | 1 | Column |
| | 2 | 5140124 | 2 | |
| | 3 | 3080501 | 1 | Grease nipple |
| | 4 | 5000614 | 2 | Base (Clamp) |
| | 5 | 3070041 | 2 | Seeger |
| | 6 | 5150488 | 1 | |
| | 7 | 3070100 | 1 | Seeger |
| | 8 | 5001116 | 1 | |
| | 9 | 3060055 | 2 | Split lock washer [D=8.4 C72 ZC] |
| | 10 | 3010027 | 2 | Hex screw [M8X20 8.8 ZC IF UNI 5739] |
| | 11 | 5000036 | 2 | Clamp |
| | 12 | 3040303 | 4 | Stopnut |

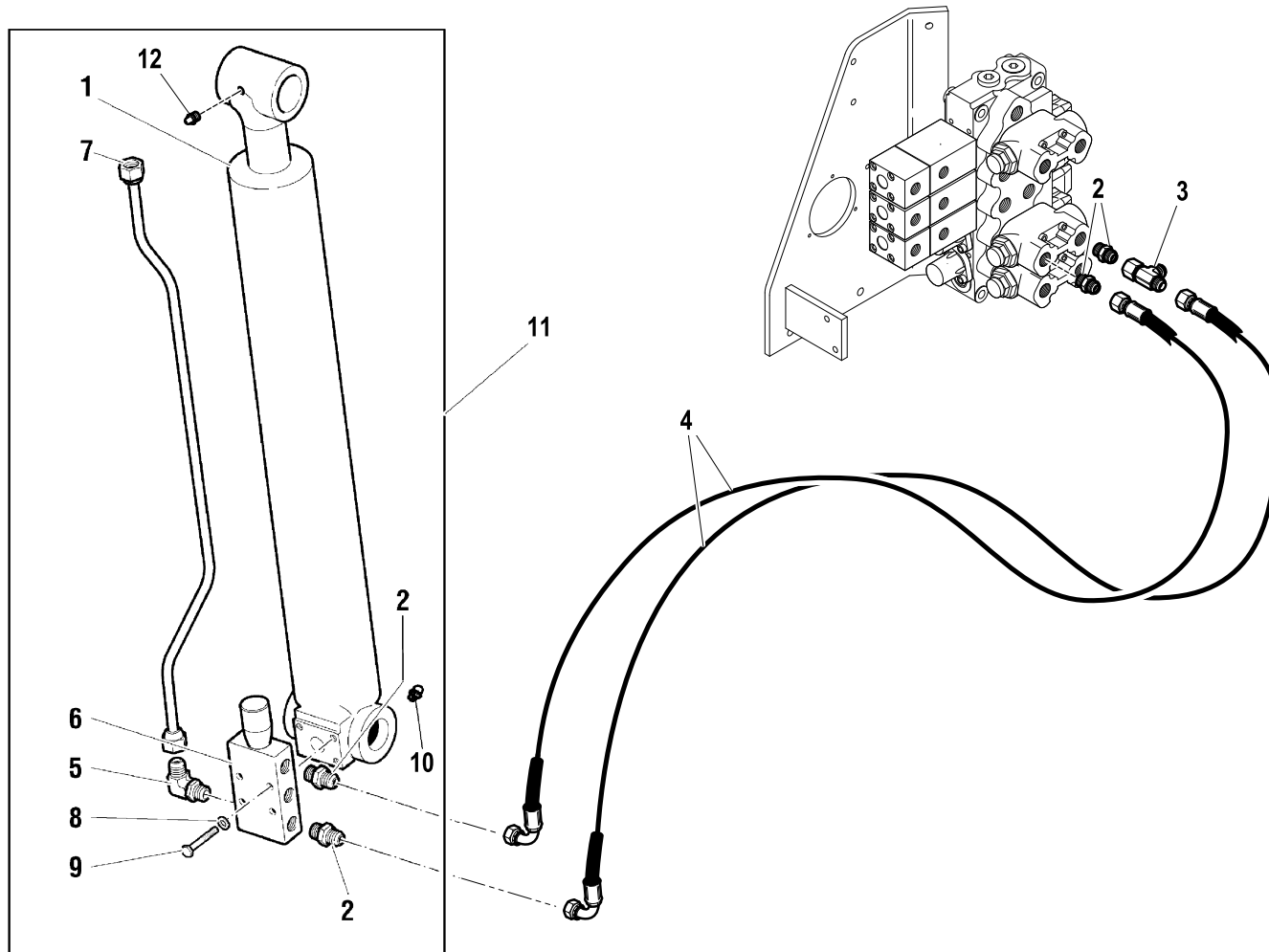
HYDRAULIC SYSTEM (LIFTING HYDRAULIC CYLINDER)

Code

6230079-1.0

1/1

| R | Pos. | Code Variant | Q.ty | Description |
|---|------|--------------|------|-----------------------------------|
| | 1 | 6430079 | 1 | Lifting jack |
| | 2 | 3101043 | 4 | Straight pipe fitting |
| | 3 | 3120004 | 1 | Tee fitting |
| | 4 | 5271664 | 2 | Flexible hose |
| | 5 | 3101127 | 1 | 90° Connection |
| | 6 | 5220547 | 1 | |
| | 7 | 5391052 | 1 | |
| | 8 | 3060055 | 4 | Split lock washer [D=8.4 C72 ZC] |
| | 9 | 3010033 | 4 | Hex screw [M8X50 8.8 ZC UNI 5737] |
| | 10 | 3080512 | 1 | Grease nipple |
| | 11 | 6230079 | 1 | Lifting jack |
| | 12 | 3080501 | 1 | Grease nipple |

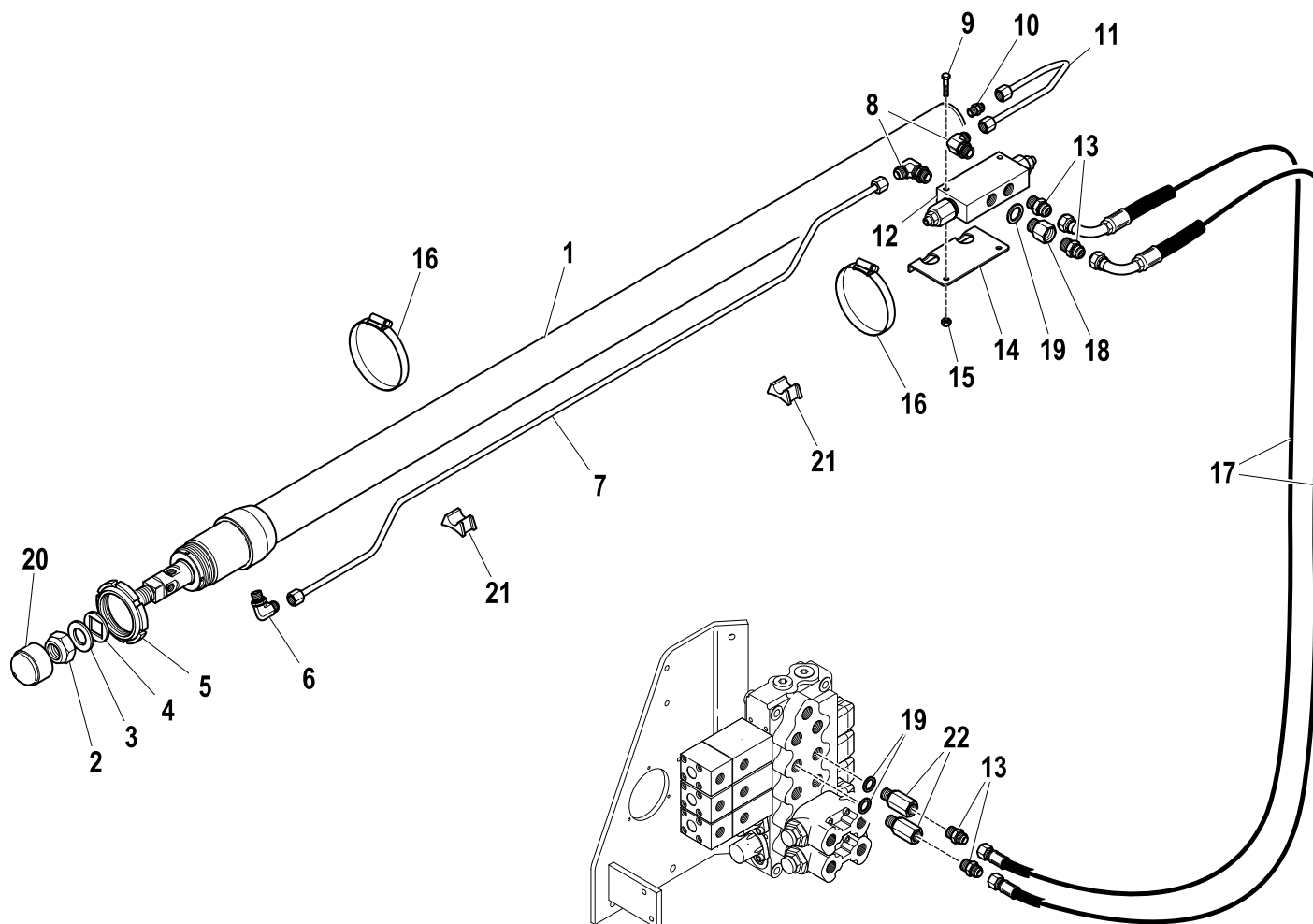


HYDRAULIC SYSTEM (1st EXSTENSION HYDRAULIC)

Code

6210402-4.0

1/2



| R | Pos. | Code Variant | Q.ty | Description |
|---|------|--------------|------|-------------------------------------|
| | 1 | 6410415 | 1 | Extension jacks |
| | 2 | 3040390 | 1 | Stopnut |
| | 3 | 3060014 | 1 | Flat washer [D.25X44X4 UNI 6592 ZC] |
| | 4 | 5001365 | 1 | Lock washer (Control board) |
| | 5 | 3040510 | 1 | Self-locking ringnut |
| | 6 | 3101124 | 1 | 90° Connection |
| | 7 | 5392237 | 1 | Bonderized tube (Iron) |
| | 8 | 3101125 | 2 | 90° Connection |
| | 9 | 3010019 | 2 | Hex screw [M6X45 8.8 ZC UNI 5737] |
| | 10 | 3101039 | 1 | Straight pipe fitting |
| | 11 | 5392091 | 1 | Bonderized tube (Iron) |
| | 12 | 5220122 | 1 | Valve |
| | 13 | 3101043 | 4 | Straight pipe fitting |
| | 14 | 5001579 | 1 | |
| | 15 | 3040372 | 2 | Stopnut |
| | 16 | 3190025 | 3 | Clamp |
| | 17 | 5271949 | 2 | Flexible hose |
| | 18 | 3110112 | 1 | Straight pipe fitting |
| | 19 | 3060144 | 3 | Sealing washer [BSP 3/8"] |
| | 20 | 3190244 | 1 | Plug (Guard) |

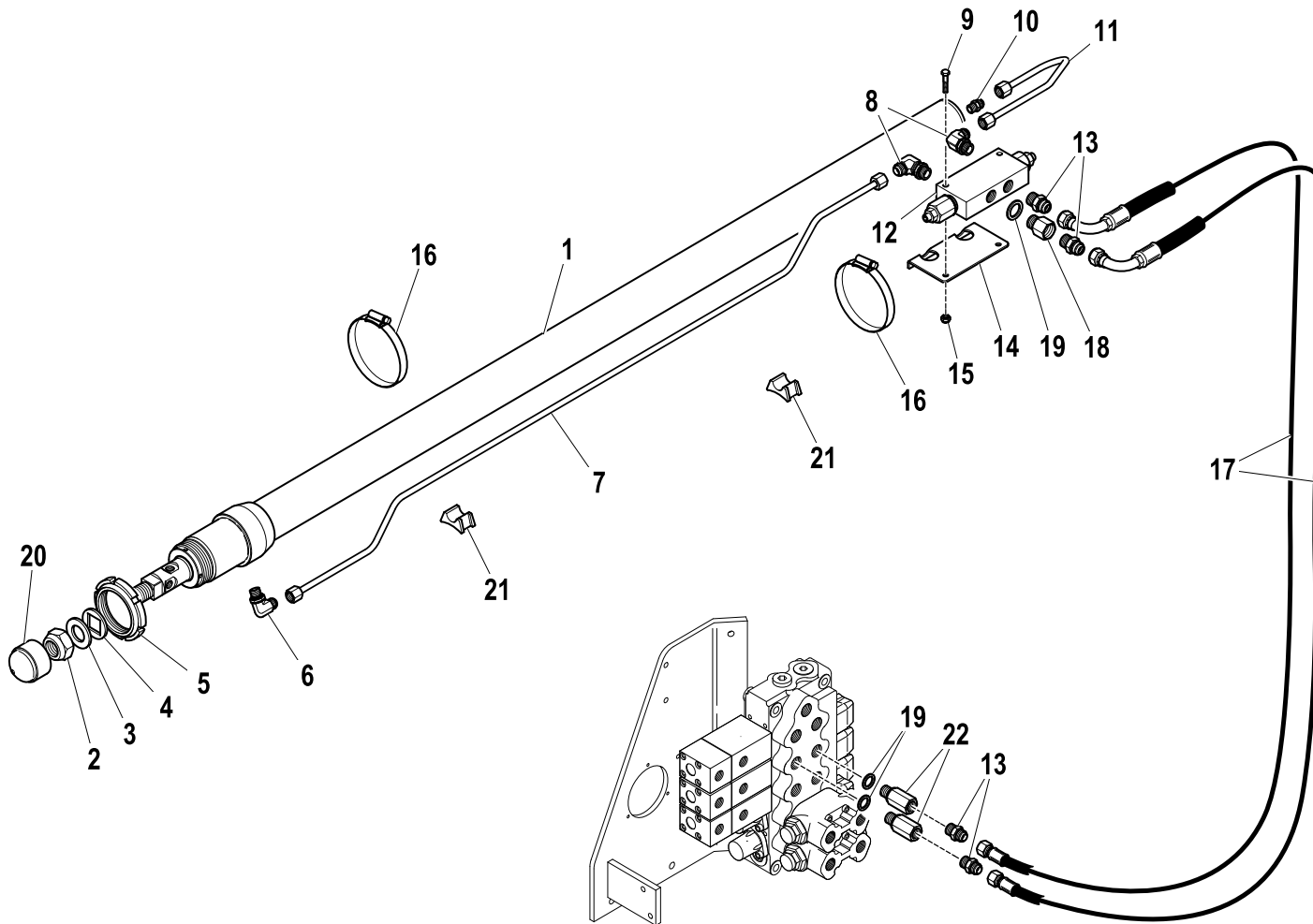
HYDRAULIC SYSTEM (1st EXSTENSION HYDRAULIC)

Code

6210402-4.0

2/2

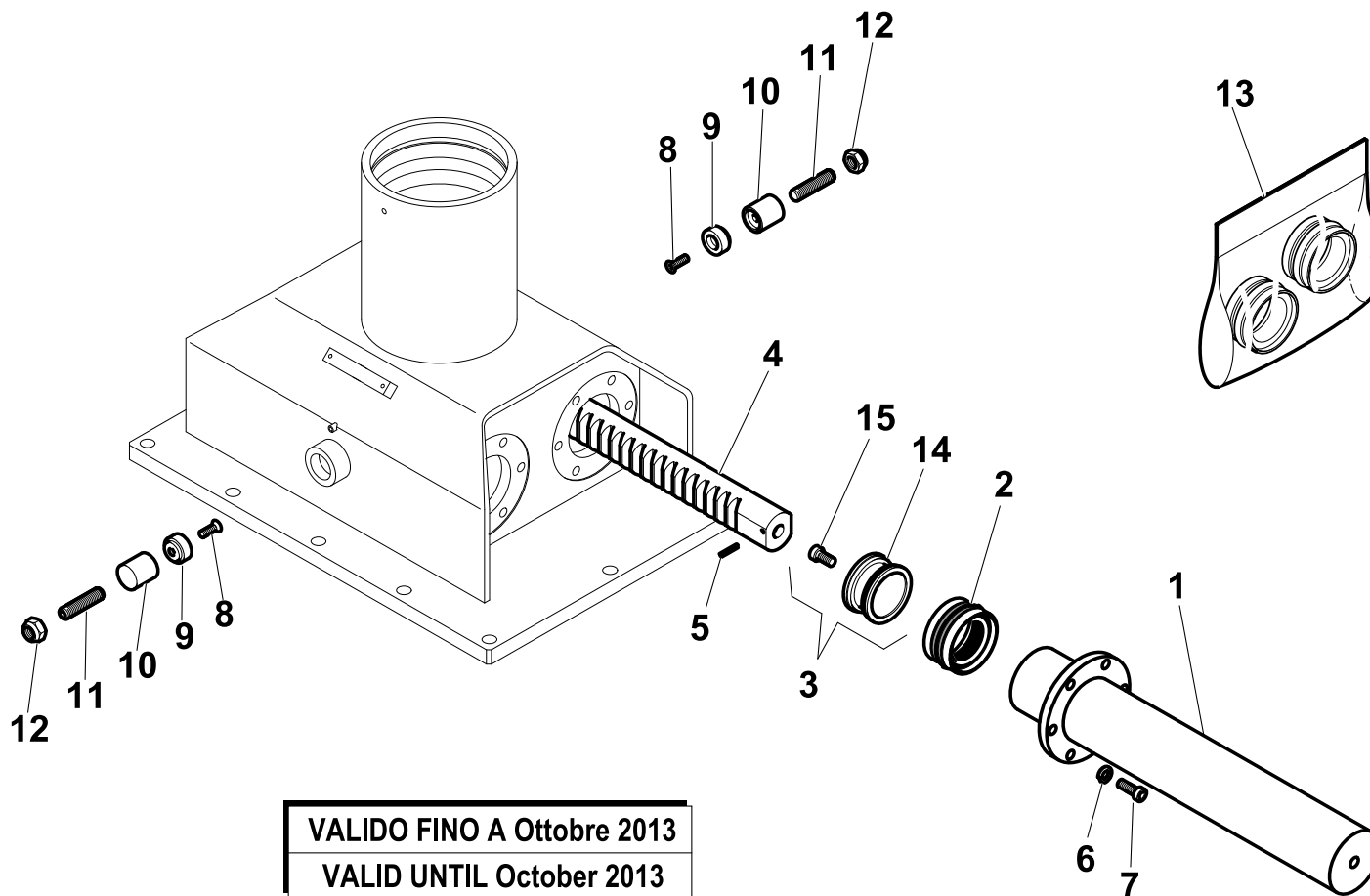
| R | Pos. | Code Variant | Q.ty | Description |
|---|------|--------------|------|-----------------------|
| | 21 | 5140133 | 2 | Piping mounting |
| | 22 | 3110110 | 2 | Straight pipe fitting |







HA70 M



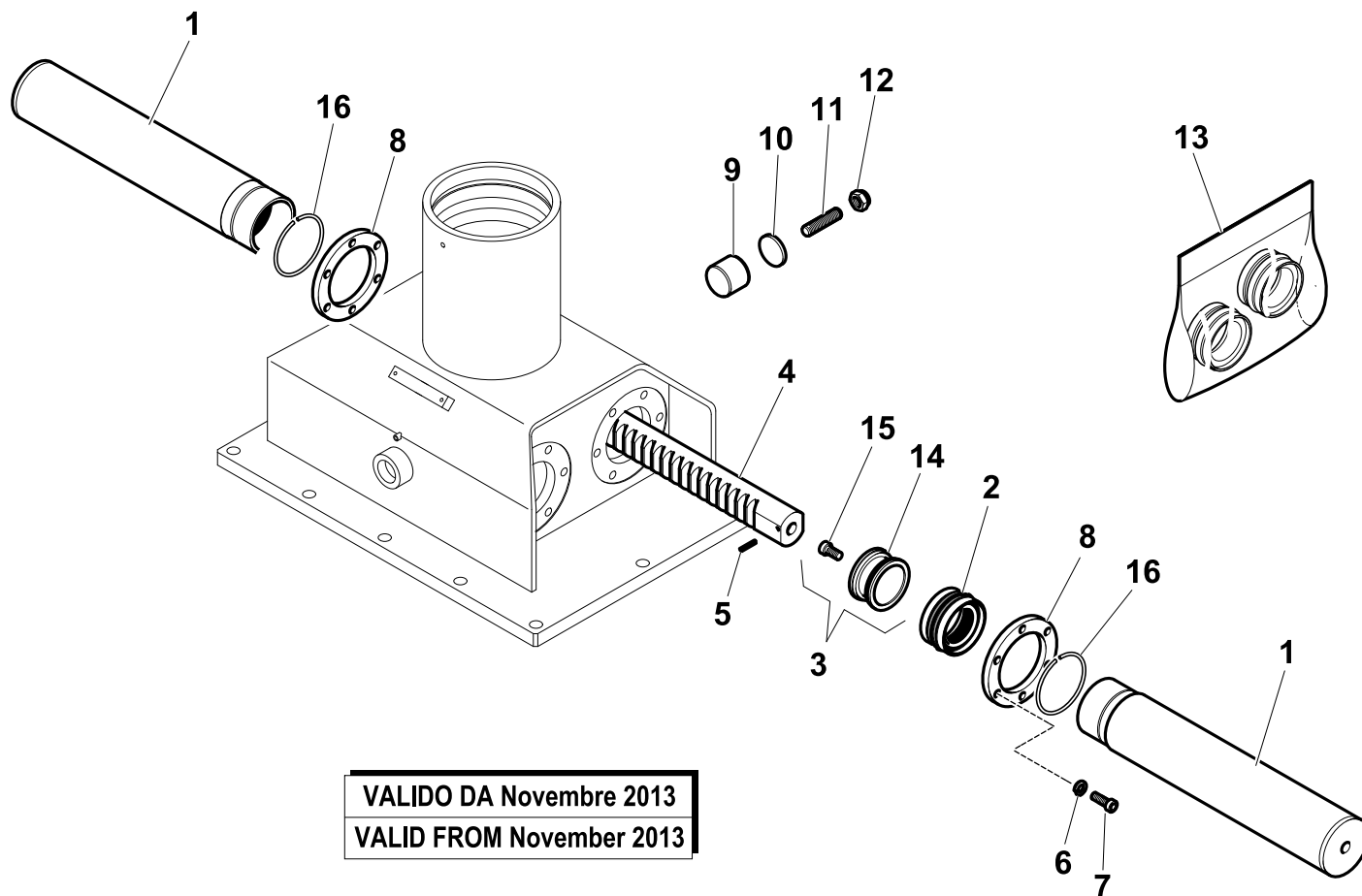
| R | Pos. | Code Variant | Q.ty | Description |
|---|------|--------------|------|---|
| | 1 | 6070389 | 4 | |
| | 2 | 3400514 | 4 | |
| | 3 | 6050240 | 4 | |
| | 4 | 5050075 | 2 | |
| | 5 | 3060604 | 2 | Spring pin |
| | 6 | 3060050 | 24 | Split lock washer [D=14 C72 ZC] |
| | 7 | 3020109 | 24 | Socketed head cap screw [M14X35 8.8 ZC UNI 5931] |
| | 8 | 3020499 | 2 | TSEI screw [M10X25 10.9 ZC UNI 5933] |
| | 9 | 5140600 | 2 | |
| | 10 | 5000229 | 2 | |
| | 11 | 3060917 | 2 | Grub screw |
| | 12 | 3040308 | 2 | Stopnut |
| | 13 | 5550680 | 2 | Seal kit (Slewing) |
| | 14 | 6050229 | 4 | Piston (Slewing) |
| | 15 | 3020075 | 4 | Socketed head cap screw [M12X25 12.9 ZC UNI 5931] |

Slewing (Retaining ring)

Code

6240199-1.0

1/1



VALIDO DA Novembre 2013
VALID FROM November 2013

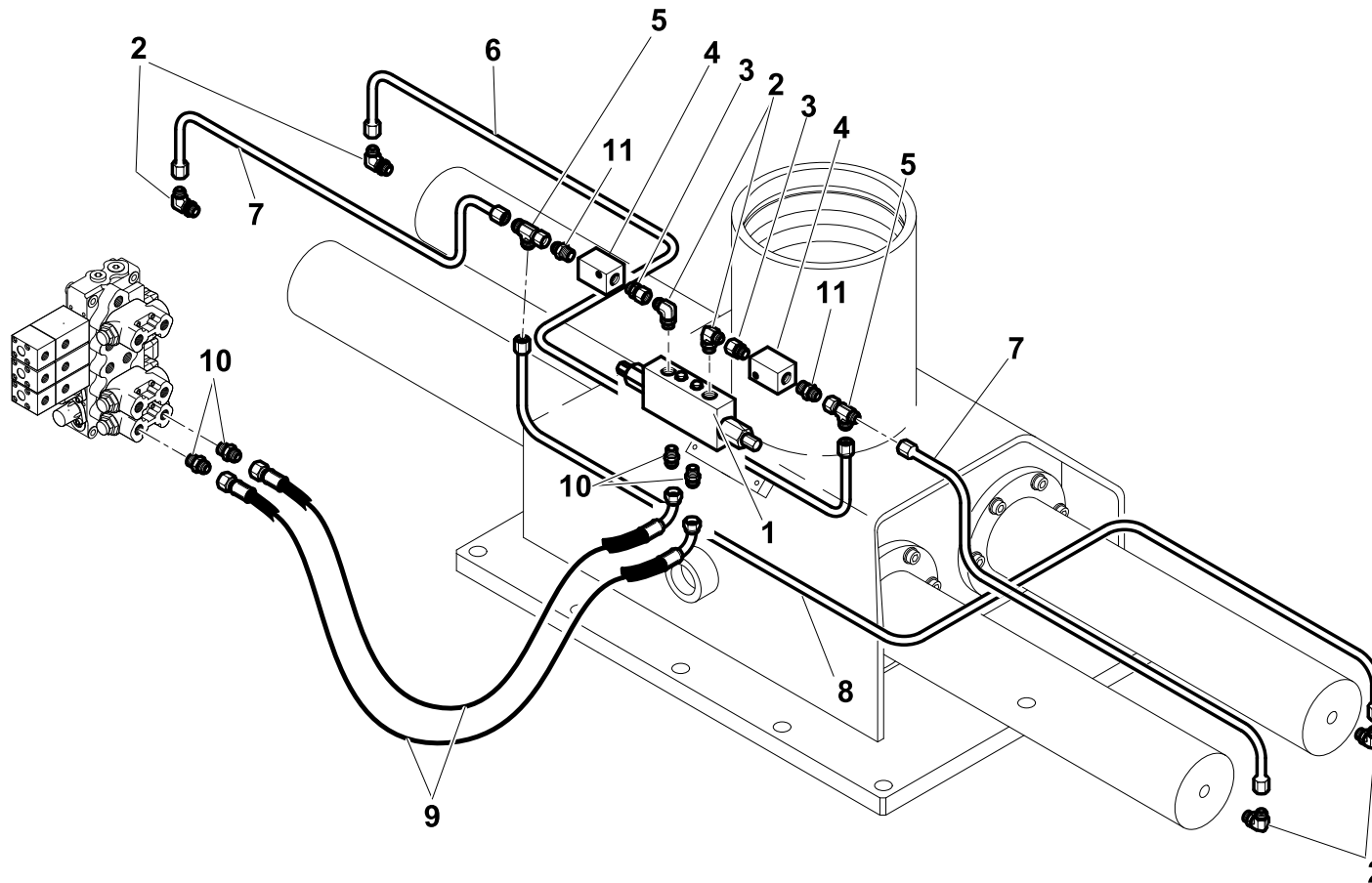
| R | Pos. | Code Variant | Q.ty | Description |
|---|------|--------------|------|---|
| | 1 | 6070709 | 4 | |
| | 2 | 3400514 | 4 | |
| | 3 | 6050240 | 4 | |
| | 4 | 5050075 | 2 | |
| | 5 | 3060604 | 2 | Spring pin |
| | 6 | 3060058 | 24 | Split lock washer [D=14 INOX] |
| | 7 | 3020109 | 24 | Socketed head cap screw [M14X35 8.8 ZC UNI 5931] |
| | 8 | 5002438 | 4 | Flange (Slewing) |
| | 9 | 5140781 | 2 | |
| | 10 | 5001570 | 2 | |
| | 11 | 3060917 | 2 | Grub screw |
| | 12 | 3040394 | 2 | Stopnut |
| | 13 | 5550680 | 2 | Seal kit (Slewing) |
| | 14 | 6050229 | 4 | Piston (Slewing) |
| | 15 | 3020075 | 4 | Socketed head cap screw [M12X25 12.9 ZC UNI 5931] |
| | 16 | 3070207 | 4 | Snap ring |

Slewing Hydraulic jack (Hydraulic system)

Code

6240059-2.0

1/1



| R | Pos. | Code Variant | Q.ty | Description |
|---|------|--------------|------|-----------------------|
| | 1 | 5220122 | 1 | Valve |
| | 2 | 3101125 | 6 | 90° Connection |
| | 3 | 3120064 | 2 | Straight pipe fitting |
| | 4 | 5220093 | 2 | Non-return valve |
| | 5 | 3120003 | 2 | Tee fitting |
| | 6 | 5391403 | 1 | |
| | 7 | 5391406 | 2 | |
| | 8 | 5391404 | 1 | |
| | 9 | 5271071 | 2 | Flexible hose |
| | 10 | 3101043 | 4 | Straight pipe fitting |
| | 11 | 3101039 | 4 | Straight pipe fitting |

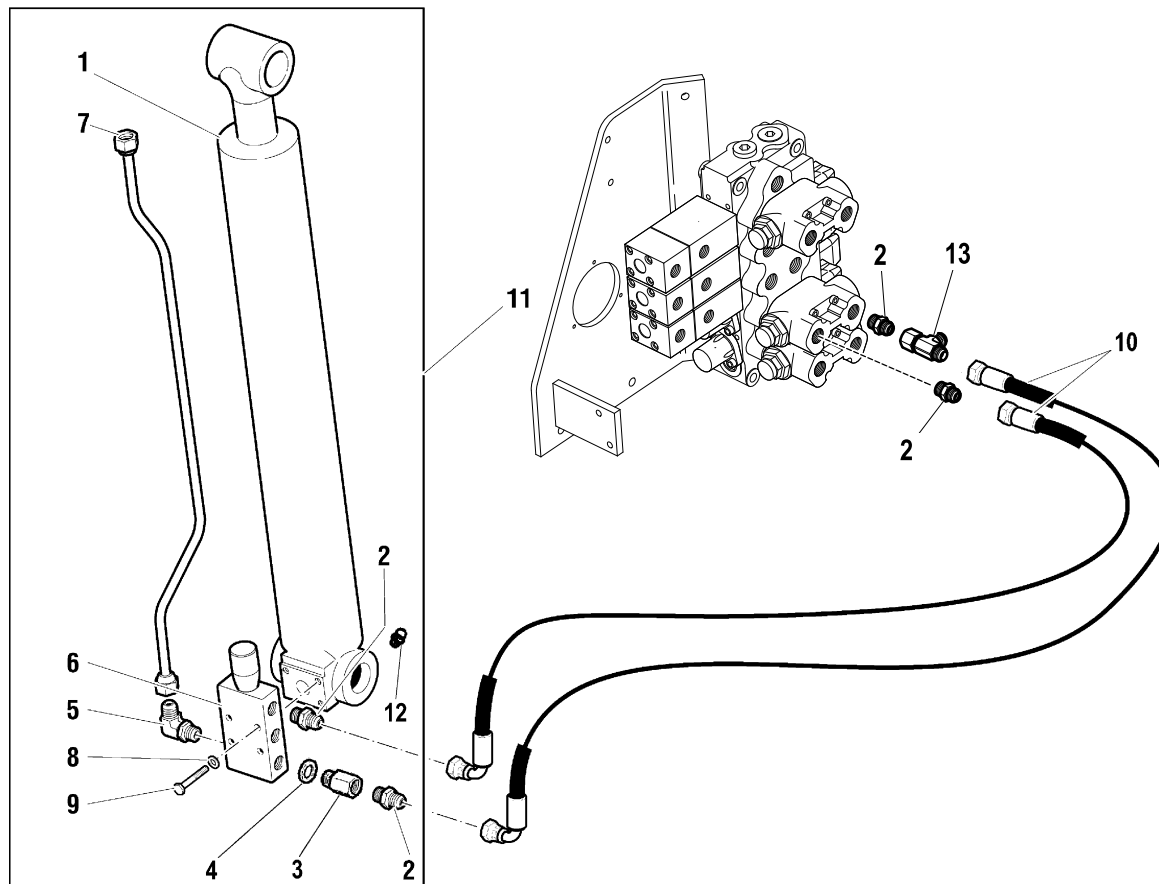
LIFTING HYDRAULIC CYLINDER (Hydraulic system)

Code

6230092-3.0

1/1

| R | Pos. | Code Variant | Q.ty | Description |
|---|------|--------------|------|-----------------------------------|
| | 1 | 6430092 | 1 | Lifting jack |
| | 2 | 3101043 | 4 | Straight pipe fitting |
| | 3 | 3110112 | 1 | Straight pipe fitting |
| | 4 | 3060144 | 1 | Sealing washer [BSP 3/8"] |
| | 5 | 3101127 | 1 | 90° Connection |
| | 6 | 5220547 | 1 | |
| | 7 | 5391052 | 1 | |
| | 8 | 3060055 | 4 | Split lock washer [D=8.4 C72 ZC] |
| | 9 | 3010033 | 4 | Hex screw [M8X50 8.8 ZC UNI 5737] |
| | 10 | 5271069 | 2 | Flexible hose |
| | 11 | 6230092 | 1 | Lifting jack |
| | 12 | 3080512 | 1 | Grease nipple |
| | 13 | 3120004 | 1 | Tee fitting |

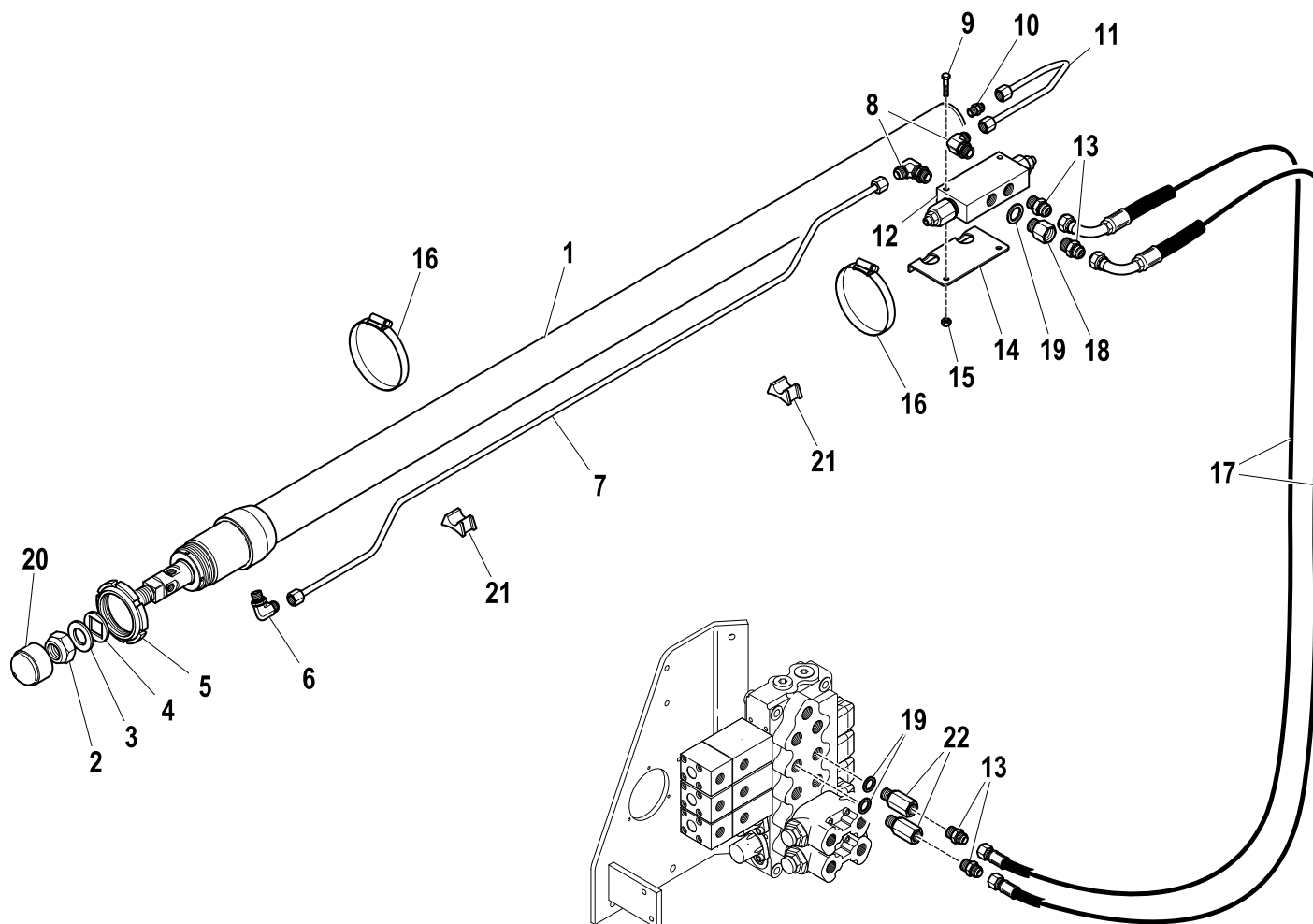


HYDRAULIC SYSTEM (1st EXSTENSION HYDRAULIC)

Code

6210421-2.0

1/2



| R | Pos. | Code Variant | Q.ty | Description |
|---|------|--------------|------|-------------------------------------|
| | 1 | 6410421 | 1 | |
| | 2 | 3040390 | 1 | Stopnut |
| | 3 | 3060014 | 1 | Flat washer [D.25X44X4 UNI 6592 ZC] |
| | 4 | 5001365 | 1 | Lock washer (Control board) |
| | 5 | 3040510 | 1 | Self-locking ringnut |
| | 6 | 3101124 | 1 | 90° Connection |
| | 7 | 5392237 | 1 | Bonderized tube (Iron) |
| | 8 | 3101125 | 2 | 90° Connection |
| | 9 | 3010019 | 2 | Hex screw [M6X45 8.8 ZC UNI 5737] |
| | 10 | 3101039 | 1 | Straight pipe fitting |
| | 11 | 5392091 | 1 | Bonderized tube (Iron) |
| | 12 | 5220122 | 1 | Valve |
| | 13 | 3101043 | 4 | Straight pipe fitting |
| | 14 | 5001579 | 1 | |
| | 15 | 3040372 | 2 | Stopnut |
| | 16 | 3190025 | 3 | Clamp |
| | 17 | 5271917 | 2 | Flexible hose |
| | 18 | 3110112 | 1 | Straight pipe fitting |
| | 19 | 3060144 | 3 | Sealing washer [BSP 3/8"] |
| | 20 | 3190244 | 1 | Plug (Guard) |

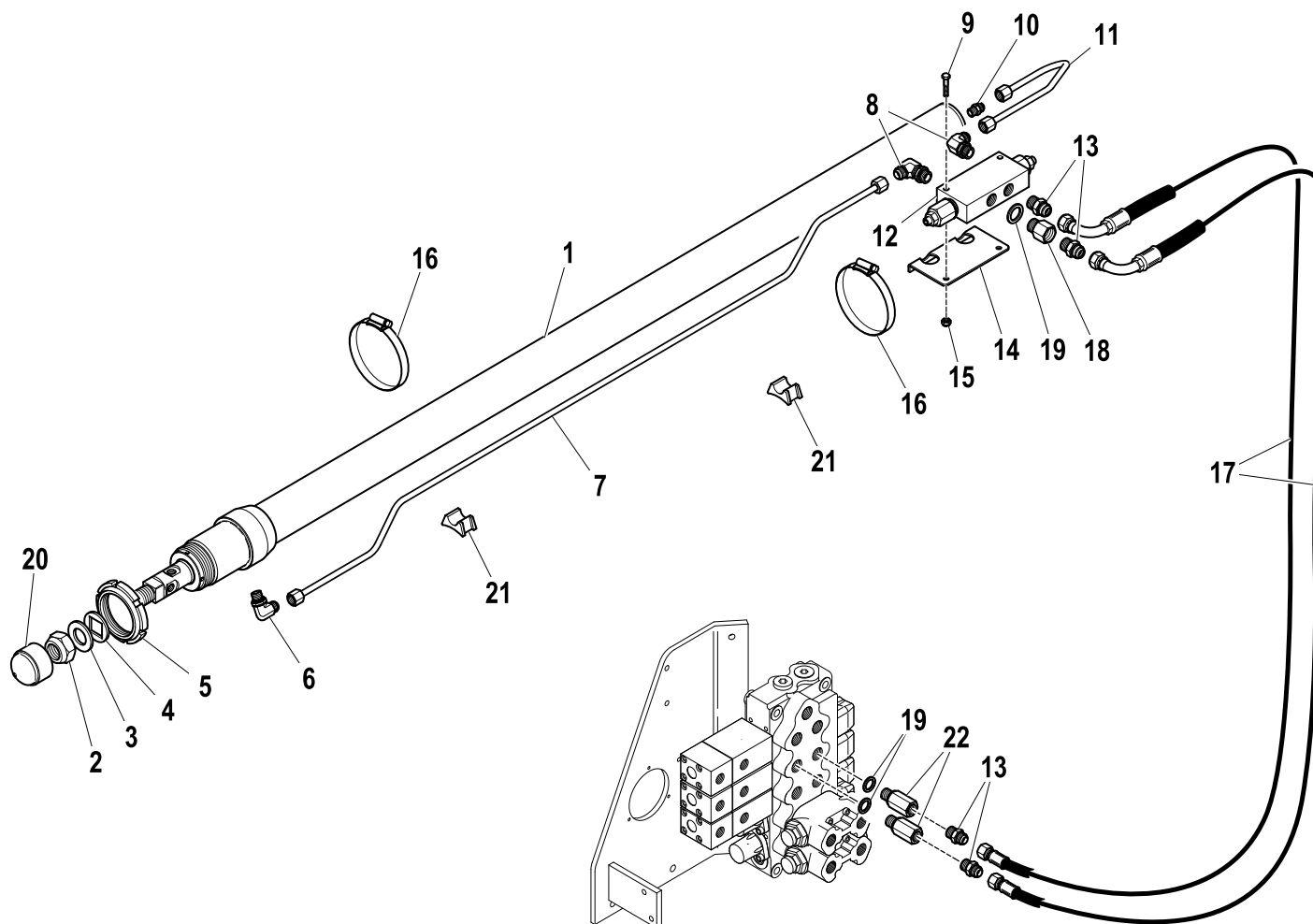
HYDRAULIC SYSTEM (1st EXSTENSION HYDRAULIC)

Code

6210421-2.0

2/2

| R | Pos. | Code Variant | Q.ty | Description |
|---|------|--------------|------|-----------------------|
| | 21 | 5140133 | 2 | Piping mounting |
| | 22 | 3110110 | 2 | Straight pipe fitting |



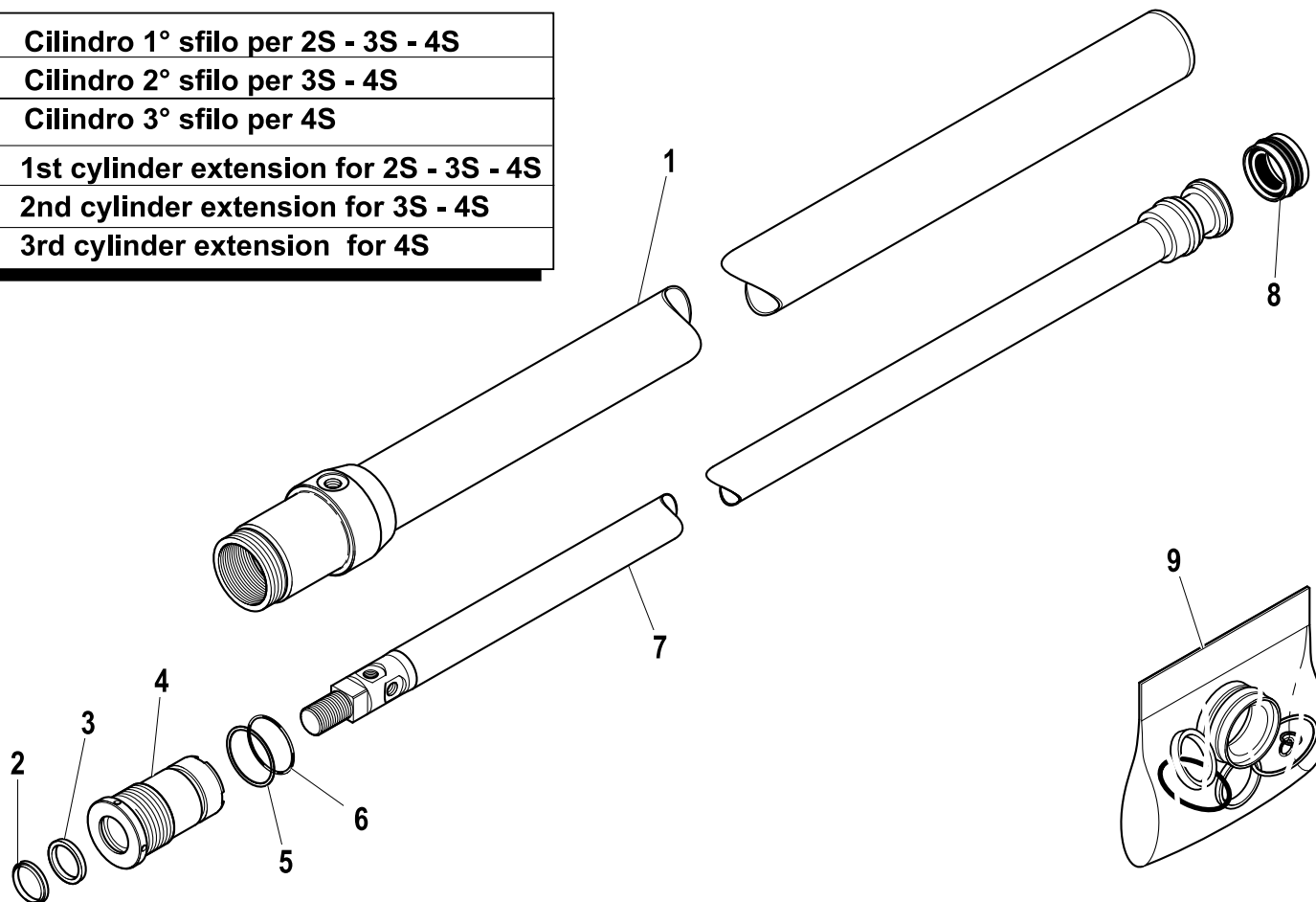
1st EXSTENSION HYDRAULIC

Code

6410421-1.0

1/1

- Cilindro 1° sfilo per 2S - 3S - 4S**
- Cilindro 2° sfilo per 3S - 4S**
- Cilindro 3° sfilo per 4S**
- 1st cylinder extension for 2S - 3S - 4S**
- 2nd cylinder extension for 3S - 4S**
- 3rd cylinder extension for 4S**



| R | Pos. | Code Variant | Q.ty | Description |
|---|------|--------------|------|-------------|
| | 1 | 6070583 | 1 | |
| | 2 | 3420018 | 1 | |
| | 3 | 3400055 | 1 | |
| | 4 | 6040290 | 1 | |
| | 5 | 3460119 | 1 | |
| | 6 | 3450118 | 1 | |
| | 7 | 6030890 | 1 | |
| | 8 | 3400505 | 1 | |
| | 9 | 5550760 | 1 | |

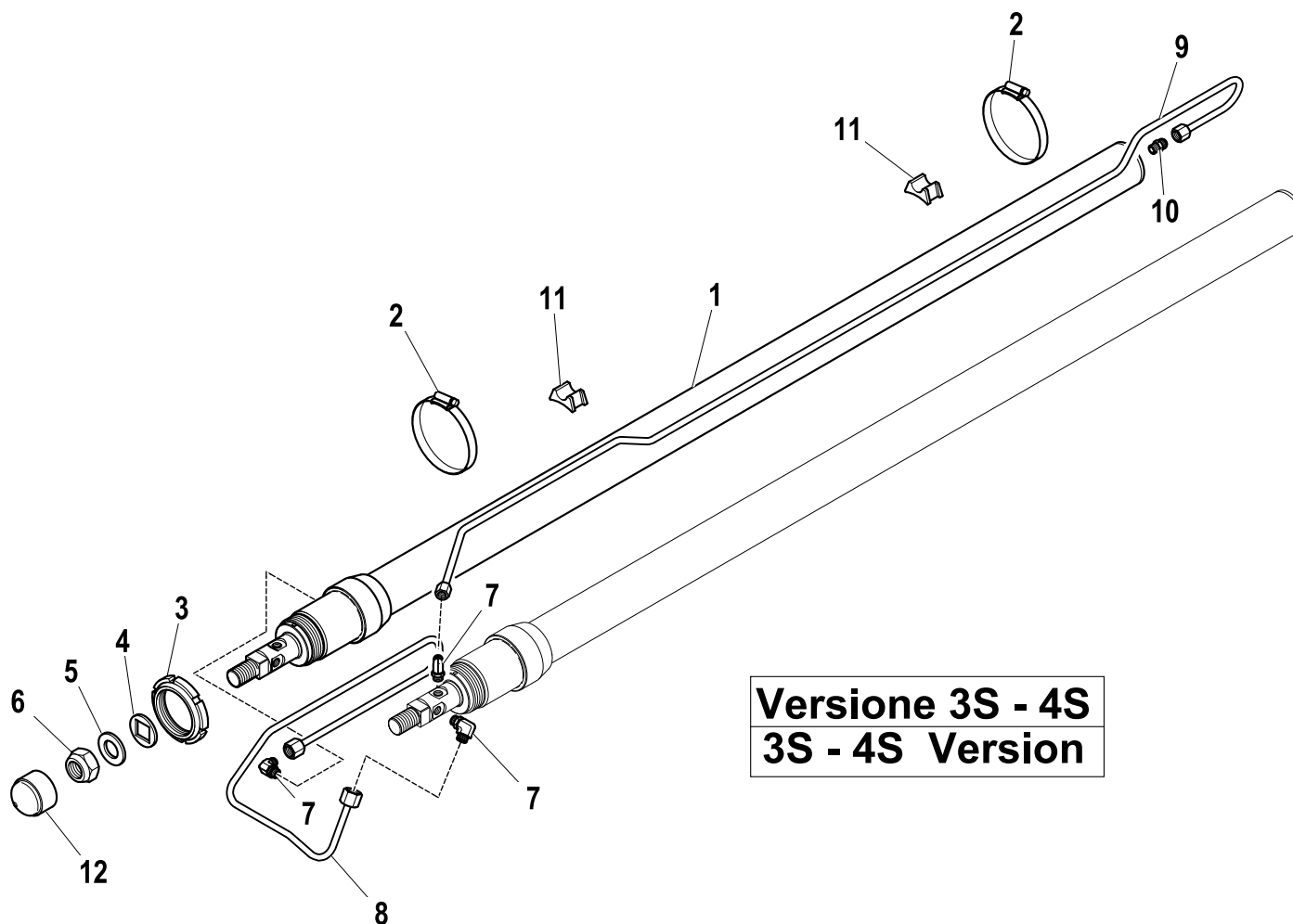
HYDRAULIC SYSTEM (2nd EXTENSION HYDRAULIC JACK)

Code

6210424-1.0

1/1

| R | Pos. | Code Variant | Q.ty | Description |
|---|------|--------------|------|-------------------------------------|
| | 1 | 6410421 | 1 | |
| | 2 | 3190025 | 2 | Clamp |
| | 3 | 3040510 | 1 | Self-locking ringnut |
| | 4 | 5001365 | 1 | Lock washer (Control board) |
| | 5 | 3060014 | 1 | Flat washer [D.25X44X4 UNI 6592 ZC] |
| | 6 | 3040390 | 1 | Stopnut |
| | 7 | 3101124 | 3 | 90° Connection |
| | 8 | 5392094 | 1 | |
| | 9 | 5392248 | 1 | |
| | 10 | 3101039 | 1 | Straight pipe fitting |
| | 11 | 5140133 | 2 | Piping mounting |
| | 12 | 3190244 | 1 | Plug (Guard) |



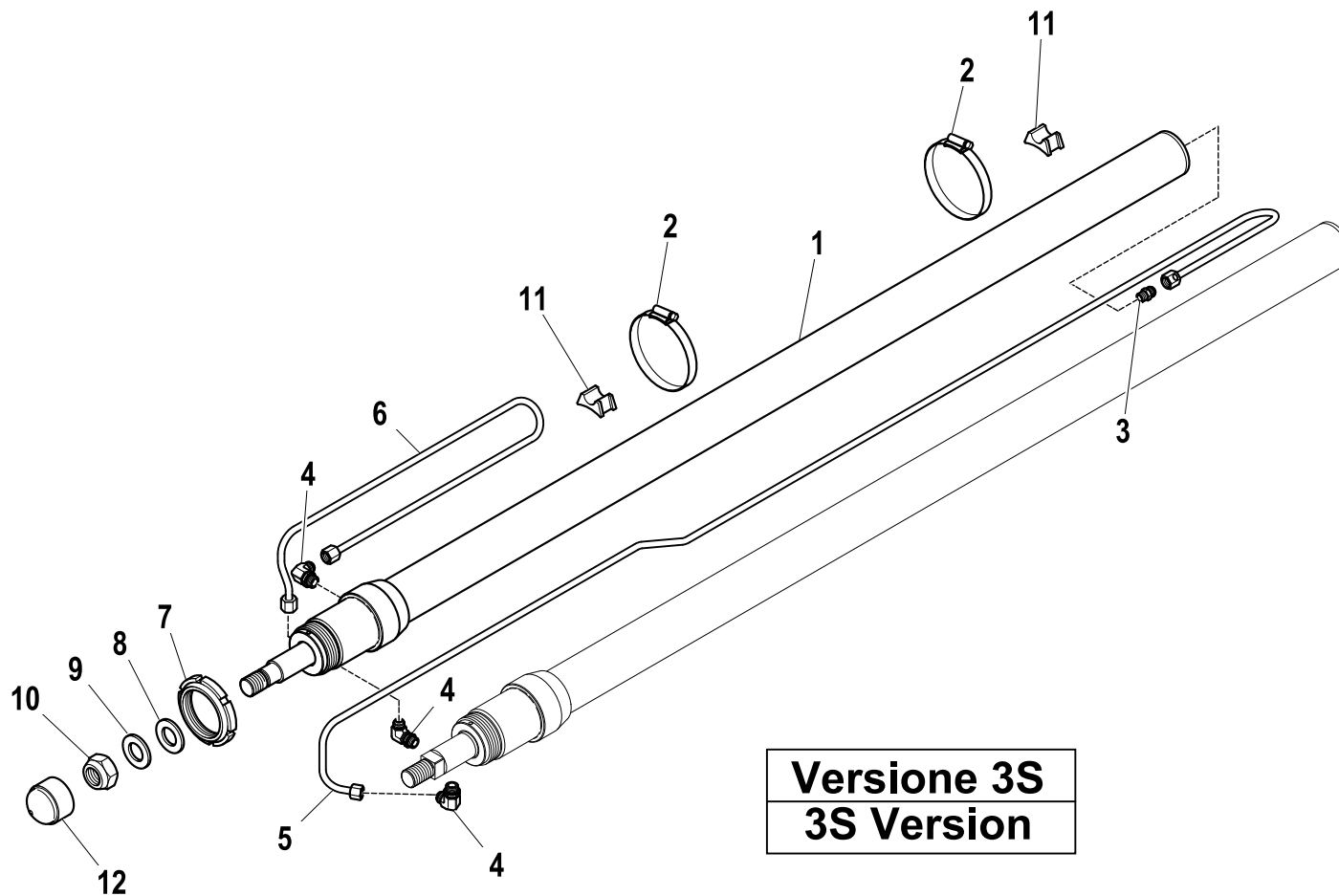
Versione 3S - 4S
3S - 4S Version

HYDRAULIC SYSTEM (3rd extension Hydraulic jack)

Code

6210426-1.0

1/1



| R | Pos. | Code Variant | Q.ty | Description |
|---|------|--------------|------|-------------------------------------|
| | 1 | 6410422 | 1 | |
| | 2 | 3190025 | 2 | Clamp |
| | 3 | 3101039 | 1 | Straight pipe fitting |
| | 4 | 3101124 | 3 | 90° Connection |
| | 5 | 5392238 | 1 | |
| | 6 | 5392096 | 1 | |
| | 7 | 3040510 | 1 | Self-locking ringnut |
| | 8 | 5001575 | 1 | |
| | 9 | 3060014 | 1 | Flat washer [D.25X44X4 UNI 6592 ZC] |
| | 10 | 3040390 | 1 | Stopnut |
| | 11 | 5140133 | 2 | Piping mounting |
| | 12 | 3190244 | 1 | Plug (Guard) |

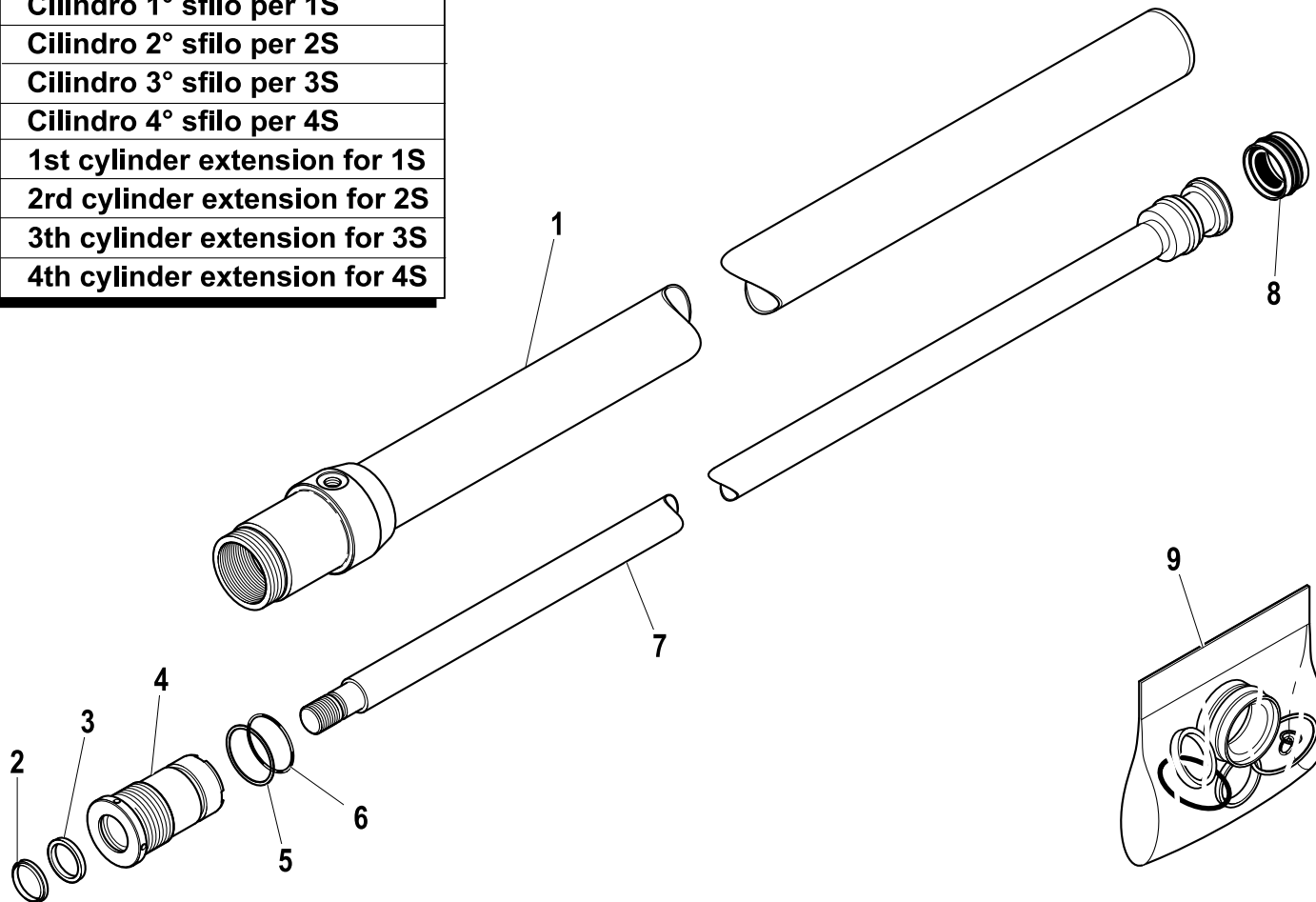
Extension Hydraulic jack

Code

6410422-1.0

1/1

| |
|--------------------------------------|
| Cilindro 1° sfilo per 1S |
| Cilindro 2° sfilo per 2S |
| Cilindro 3° sfilo per 3S |
| Cilindro 4° sfilo per 4S |
| 1st cylinder extension for 1S |
| 2rd cylinder extension for 2S |
| 3th cylinder extension for 3S |
| 4th cylinder extension for 4S |



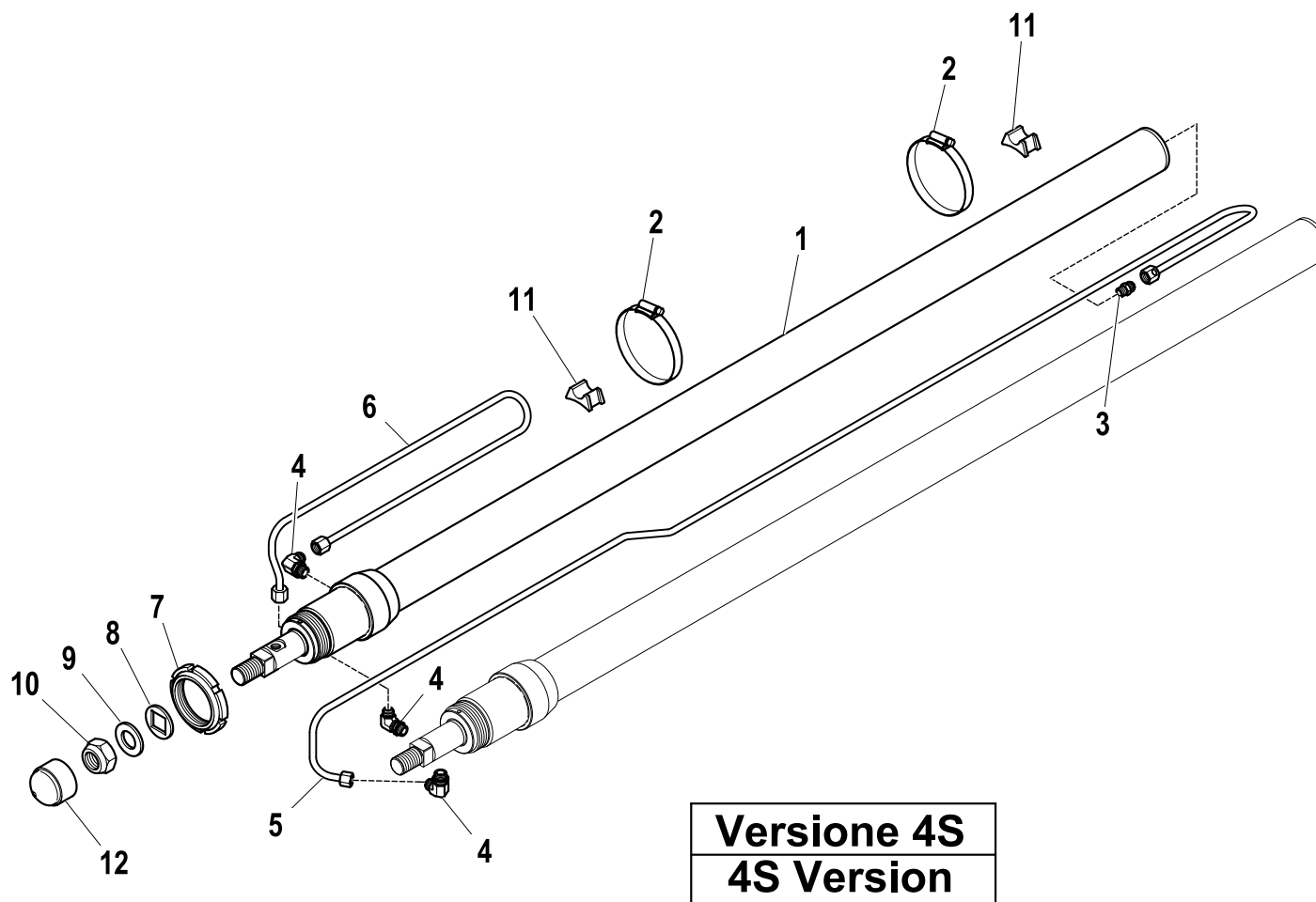
| R | Pos. | Code Variant | Q.ty | Description |
|---|------|--------------|------|-------------|
| | 1 | 6070583 | 1 | |
| | 2 | 3420015 | 1 | |
| | 3 | 3400043 | 1 | |
| | 4 | 6040291 | 1 | |
| | 5 | 3460119 | 1 | |
| | 6 | 3450118 | 1 | |
| | 7 | 6030892 | 1 | |
| | 8 | 3400505 | 1 | |
| | 9 | 5550761 | 1 | |

HYDRAULIC SYSTEM (3rd extension Hydraulic jack)

Code

6210425-1.0

1/1



Versione 4S
4S Version

| R | Pos. | Code Variant | Q.ty | Description |
|---|------|--------------|------|-------------------------------------|
| | 1 | 6410421 | 1 | |
| | 2 | 3190025 | 2 | Clamp |
| | 3 | 3101039 | 1 | Straight pipe fitting |
| | 4 | 3101124 | 3 | 90° Connection |
| | 5 | 5392238 | 1 | |
| | 6 | 5392096 | 1 | |
| | 7 | 3040510 | 1 | Self-locking ringnut |
| | 8 | 5001365 | 1 | Lock washer (Control board) |
| | 9 | 3060014 | 1 | Flat washer [D.25X44X4 UNI 6592 ZC] |
| | 10 | 3040390 | 1 | Stopnut |
| | 11 | 5140133 | 2 | Piping mounting |
| | 12 | 3190244 | 1 | Plug (Guard) |

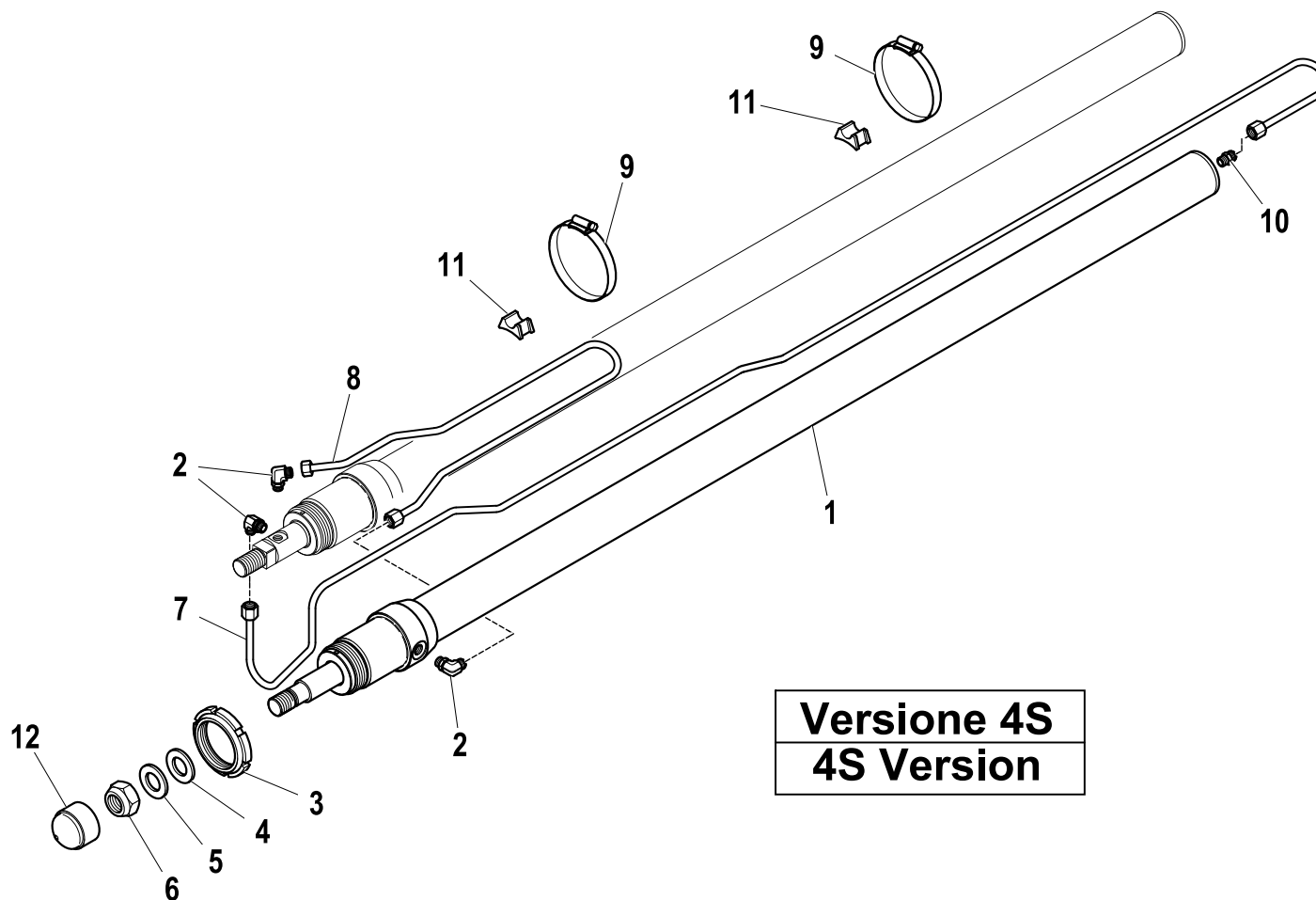
HYDRAULIC SYSTEM (4th extension Hydraulic jack)

Code

6210427-1.0

1/1

| R | Pos. | Code Variant | Q.ty | Description |
|---|------|--------------|------|-------------------------------------|
| | 1 | 6410422 | 1 | |
| | 2 | 3101124 | 3 | 90° Connection |
| | 3 | 3040510 | 1 | Self-locking ringnut |
| | 4 | 5001575 | 1 | |
| | 5 | 3060014 | 1 | Flat washer [D.25X44X4 UNI 6592 ZC] |
| | 6 | 3040390 | 1 | Stopnut |
| | 7 | 5392239 | 1 | |
| | 8 | 5392098 | 1 | |
| | 9 | 3190025 | 2 | Clamp |
| | 10 | 3101039 | 1 | Straight pipe fitting |
| | 11 | 5140133 | 2 | Piping mounting |
| | 12 | 3190244 | 1 | Plug (Guard) |



Versione 4S
4S Version





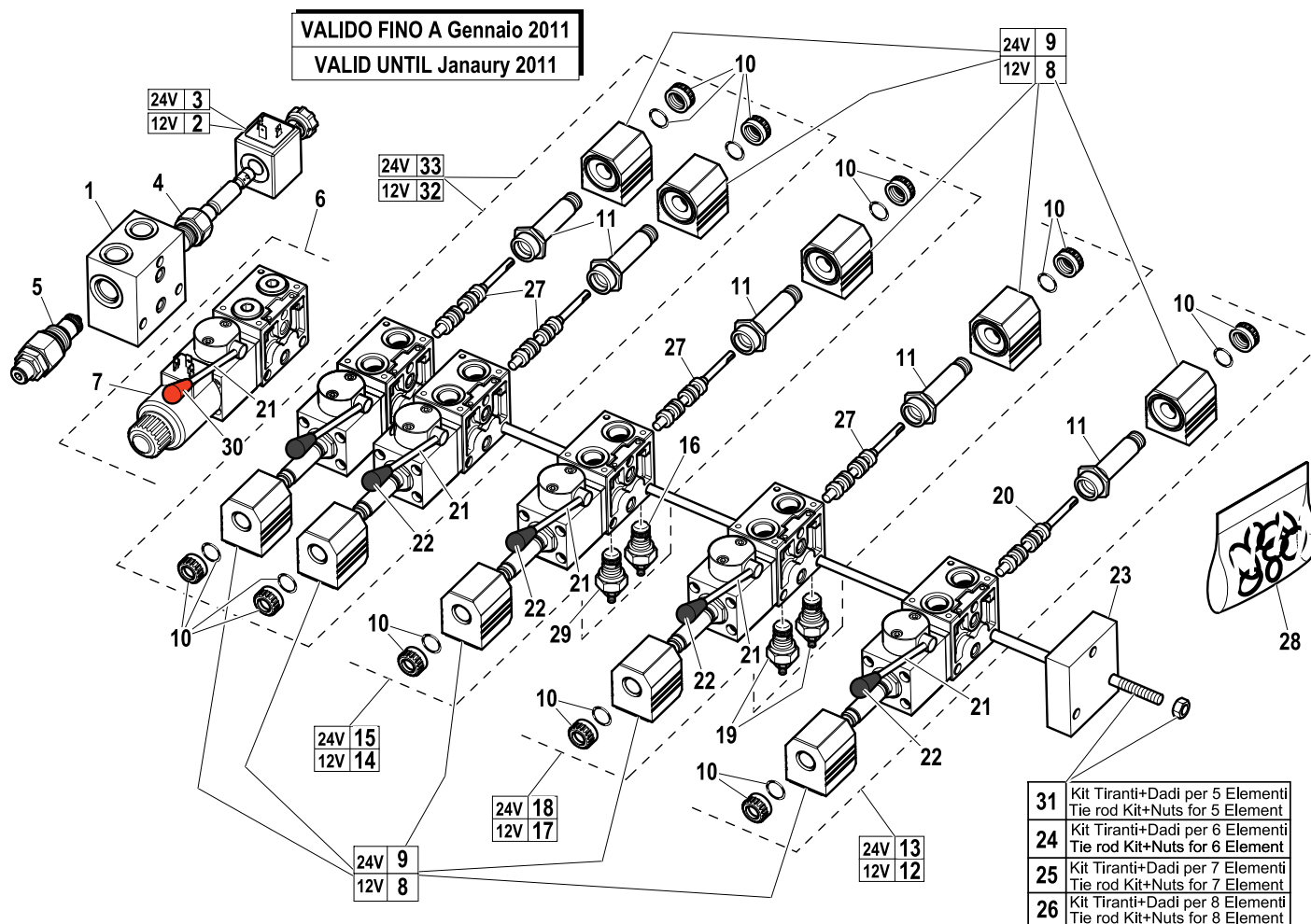
HA70 X

Control valve (5 section)

Code

5220424-1.0

1/2



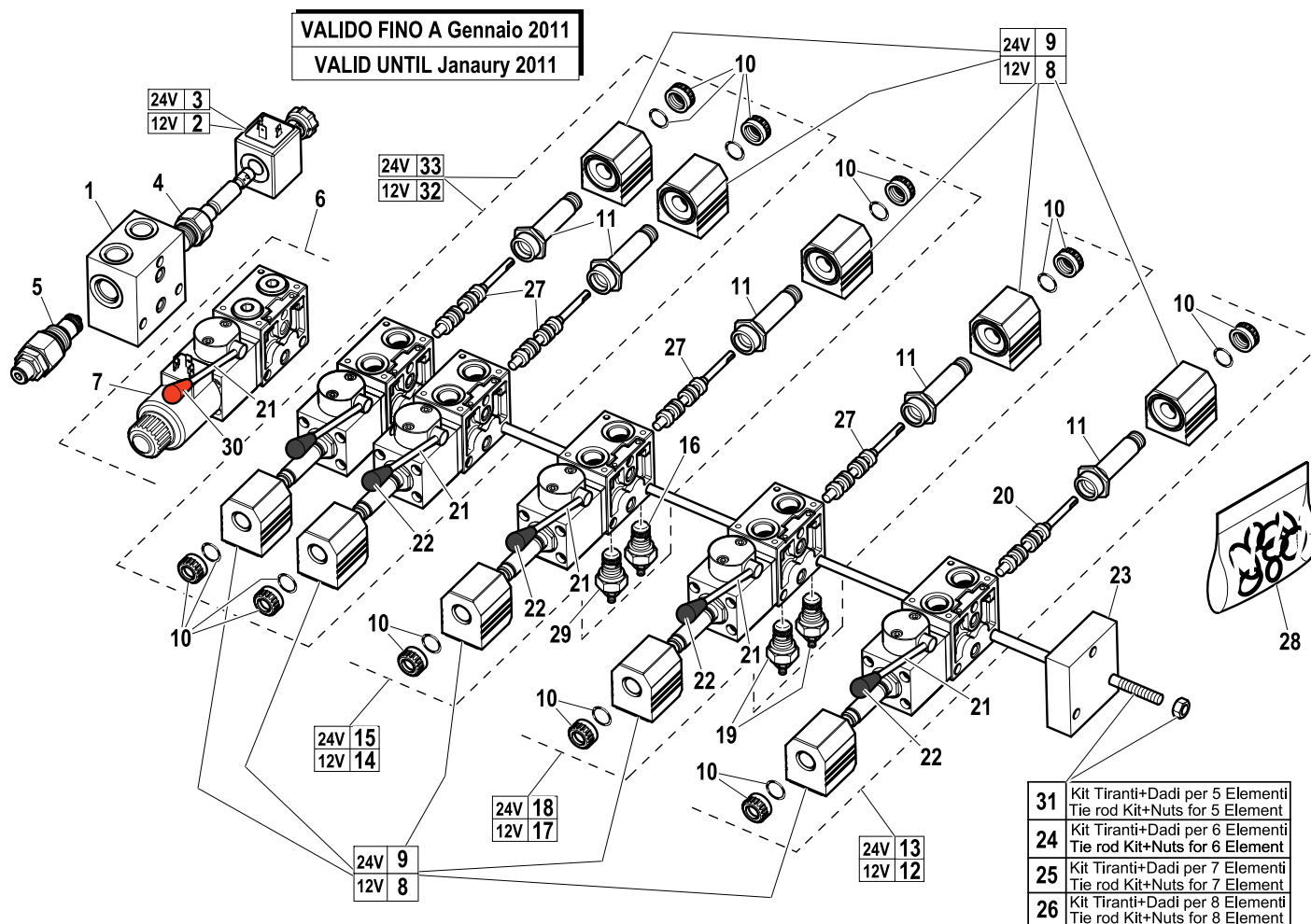
| R | Pos. | Code Variant | Q.ty | Description |
|----|------|--------------|------|-------------|
| 1 | | 5225719 | 1 | |
| 2 | | 3310906 | 1 | |
| 3 | | 3310904 | 1 | |
| 4 | | 5220569 | 1 | |
| 5 | | 5225718 | 1 | |
| 6 | | 5225720 | 1 | |
| 7 | | 3310903 | 1 | |
| 8 | | 3310907 | 10 | |
| 9 | | 3310905 | 10 | |
| 10 | | 5225721 | 10 | |
| 11 | | 5225768 | 10 | |
| 12 | | 5225755 | 1 | |
| 13 | | 5225760 | 1 | |
| 14 | | 5225726 | 1 | |
| 15 | | 5225759 | 1 | |
| 16 | | 5225729 | 1 | |
| 17 | | 5225725 | 1 | |
| 18 | | 5225758 | 1 | |
| 19 | | 5225736 | 2 | |
| 20 | | 5225715 | 1 | |

Control valve (5 section)

Code

5220424-1.0

2/2



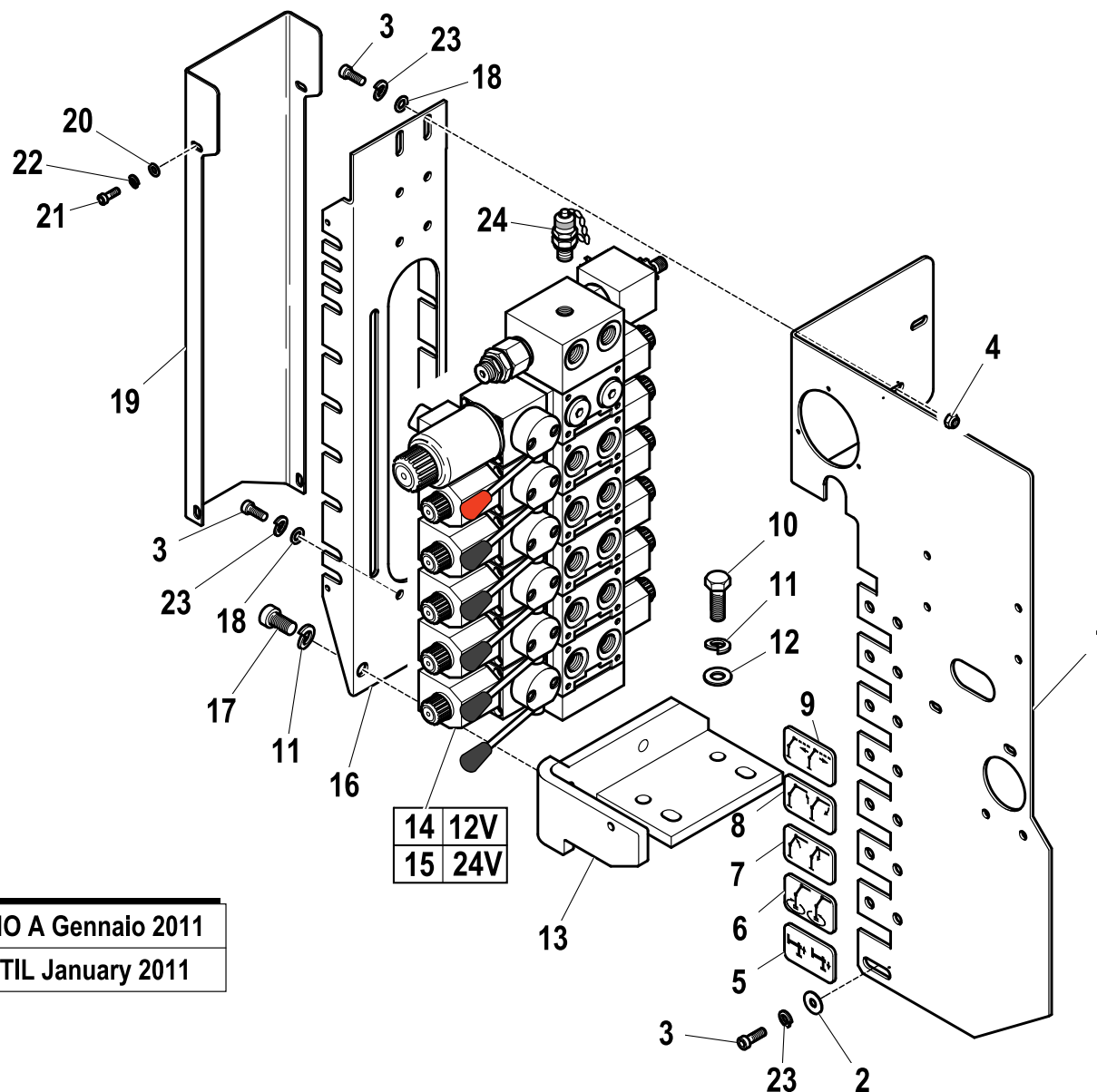
| R | Pos. | Code Variant | Q.ty | Description |
|---|------|--------------|------|---------------|
| | 21 | 5225722 | 6 | Control lever |
| | 22 | 5225723 | 5 | |
| | 23 | 5225727 | 1 | |
| | 24 | 5225730 | 1 | |
| | 25 | 5225731 | 1 | |
| | 26 | 5225732 | 1 | |
| | 27 | 5225716 | 4 | |
| | 28 | 5225733 | 1 | |
| | 29 | 5225728 | 1 | |
| | 30 | 5225818 | 1 | |
| | 31 | 5225843 | 1 | |
| | 32 | 5225724 | 2 | |
| | 33 | 5225757 | 2 | |

CONTROLS

Code

5400702-1.0

1/2



| R | Pos. | Code Variant | Q.ty | Description |
|---|------|--------------|------|---|
| | 1 | W370507600 | 1 | |
| | 2 | 3060030 | 1 | Flat washer [D.6.6X18 UNI 6593 ZC] |
| | 3 | 3020034 | 7 | Socketed head cap screw [M6X16 8.8 ZC UNI 5931] |
| | 4 | 3040372 | 2 | Stopnut |
| | 5 | W573278 | 1 | Small plate (CONTROL SYMBOLS) |
| | 6 | W573279 | 1 | |
| | 7 | W573280 | 1 | |
| | 8 | W573282 | 1 | |
| | 9 | W573283 | 1 | |
| | 10 | 3010354 | 2 | Hex screw [M10X20 8.8 ZC UNI 5739] |
| | 11 | 3060056 | 2 | Split lock washer [D=10 C72 ZC] |
| | 12 | 3060914 | 2 | Flat washer [D.10.5X21X2 UNI 6592 ZC] |
| | 13 | 5091056 | 1 | Support (Casing) |
| | 14 | 5220423 | 1 | Proportional control valve |
| | 15 | 5220424 | 1 | Proportional control valve |
| | 16 | W370507500 | 1 | |
| | 17 | 3020080 | 2 | Socketed head cap screw [M10X16 12.9 ZC UNI 5931] |
| | 18 | 3060005 | 8 | Flat washer [D.6.4 UNI 6592 ZC] |
| | 19 | W370507900 | 1 | |
| | 20 | 3060004 | 4 | Flat washer [D.5 UNI 6592 ZC] |

VALIDO FINO A Gennaio 2011

VALID UNTIL January 2011

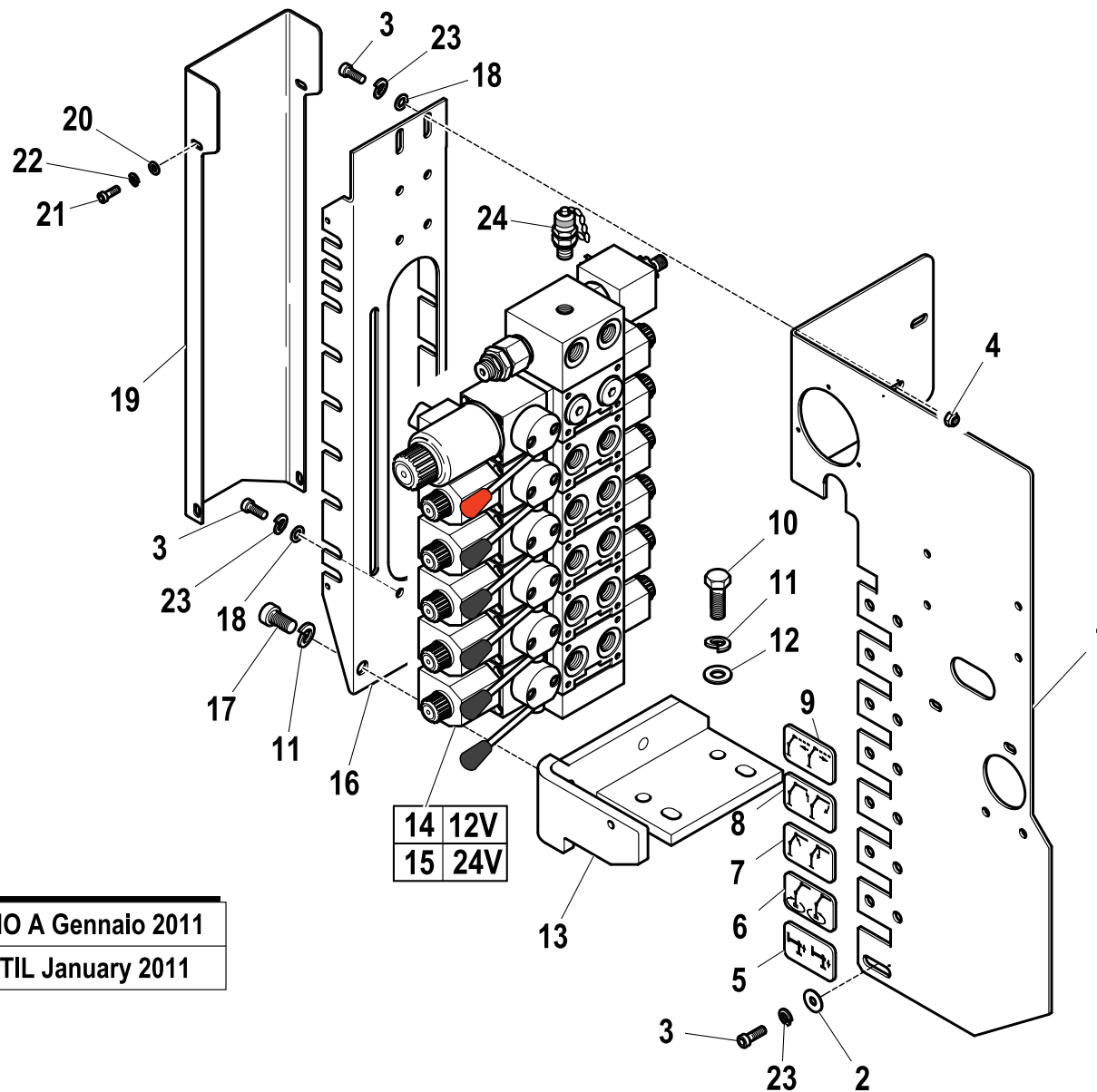
CONTROLS

Code

5400702-1.0

2/2

| R | Pos. | Code Variant | Q.ty | Description |
|---|------|--------------|------|---|
| | 21 | 3020021 | 4 | Socket head cap screw [M5X12X0.8 8.8 ZC UNI 5931] |
| | 22 | 3060052 | 4 | Split lock washer [D=5.5 C72 ZC] |
| | 23 | 3060053 | 4 | Split lock washer [D=6.4 C72 ZC] |
| | 24 | 3111523 | 1 | Pipe fitting (Tapping point) [RACC. MILITES 16X2-1/4"G] |



VALIDO FINO A Gennaio 2011

VALID UNTIL January 2011

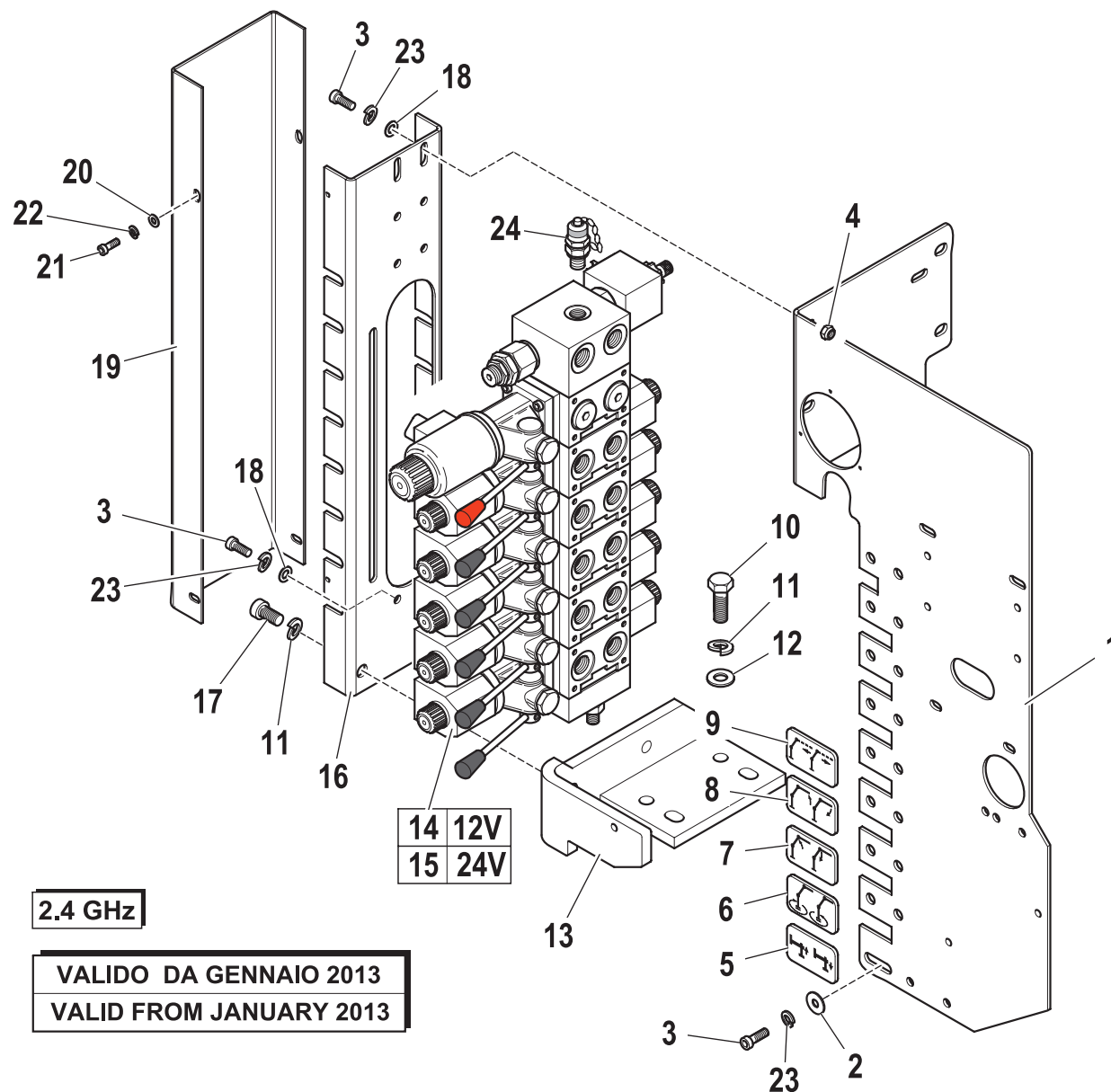
CONTROLS (RDC)

Code

5402179-1.0

1/2

| R | Pos. | Code Variant | Q.ty | Description |
|---|------|--------------|------|---|
| | 1 | 5091455 | 1 | Guard (Control unit) |
| | 2 | 3060030 | 1 | Flat washer [D.6.6X18 UNI 6593 ZC] |
| | 3 | 3020034 | 7 | Socketed head cap screw [M6X16 8.8 ZC UNI 5931] |
| | 4 | 3040372 | 2 | Stopnut |
| | 5 | W573278 | 1 | Small plate (CONTROL SYMBOLS) |
| | 6 | W573279 | 1 | |
| | 7 | W573280 | 1 | |
| | 8 | W573282 | 1 | |
| | 9 | W573283 | 1 | |
| | 10 | 3010355 | 2 | Hex screw [M10X25 8.8 ZC IF UNI 5739] |
| | 11 | 3060056 | 2 | Split lock washer [D=10 C72 ZC] |
| | 12 | 3060914 | 2 | Flat washer [D.10.5X21X2 UNI 6592 ZC] |
| | 13 | 5091056 | 1 | Support (Casing) |
| | 14 | 5220423 | 1 | Proportional control valve |
| | 15 | 5220424 | 1 | Proportional control valve |
| | 16 | 5091459 | 1 | Distributor support |
| | 17 | 3020080 | 2 | Socketed head cap screw [M10X16 12.9 ZC UNI 5931] |
| | 18 | 3060005 | 6 | Flat washer [D.6.4 UNI 6592 ZC] |
| | 19 | 5091451 | 1 | Lateral guards and supports |
| | 20 | 3060004 | 4 | Flat washer [D.5 UNI 6592 ZC] |



2.4 GHz

**VALIDO DA GENNAIO 2013
VALID FROM JANUARY 2013**

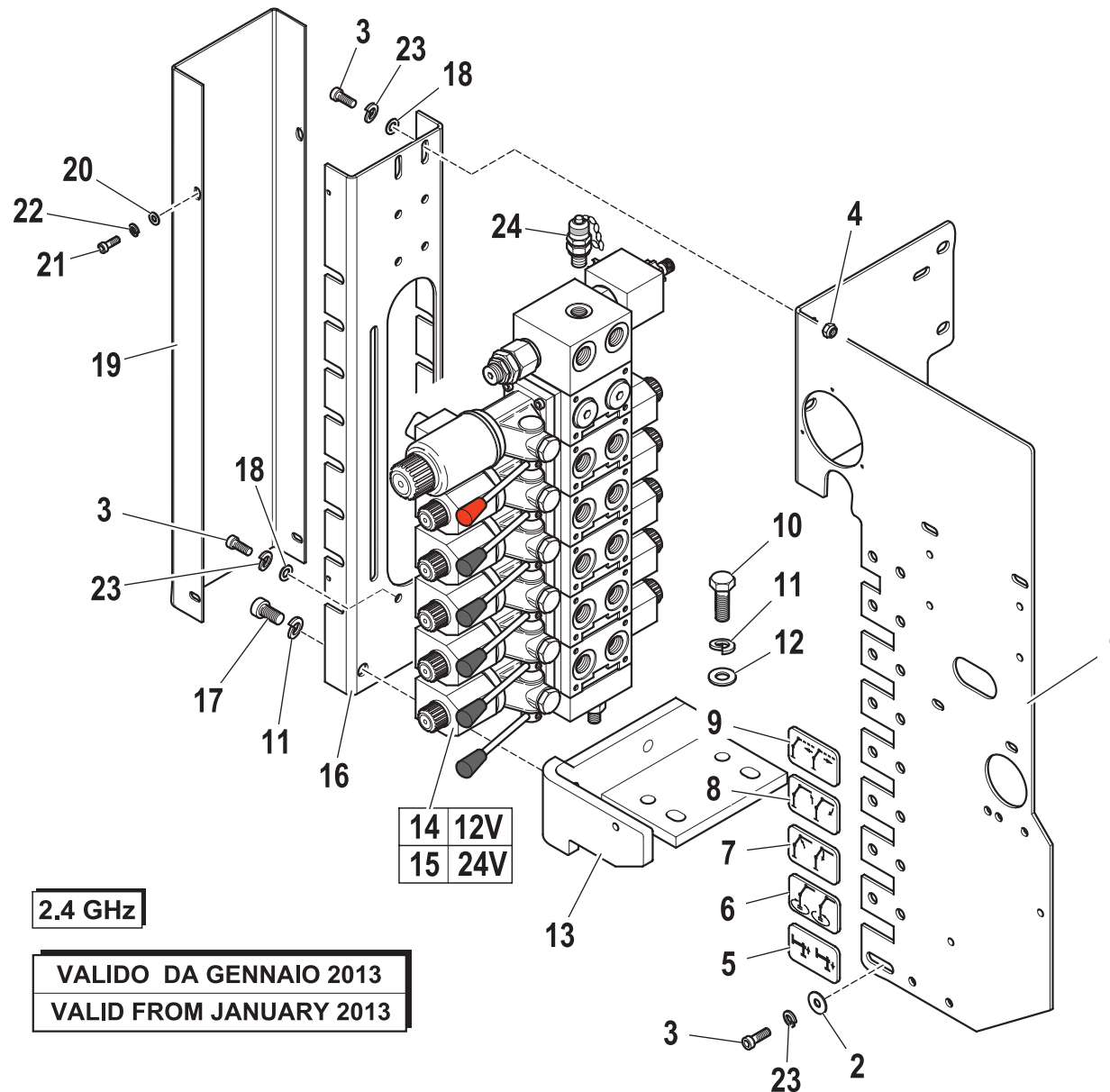
CONTROLS (RDC)

Code

5402179-1.0

2/2

| R | Pos. | Code Variant | Q.ty | Description |
|---|------|--------------|------|---|
| | 21 | 3020021 | 4 | Socket head cap screw [M5X12X0.8 8.8 ZC UNI 5931] |
| | 22 | 3060052 | 4 | Split lock washer [D=5.5 C72 ZC] |
| | 23 | 3060053 | 4 | Split lock washer [D=6.4 C72 ZC] |
| | 24 | 3111523 | 1 | Pipe fitting (Tapping point) [RACC. MILITES 16X2-1/4"G] |



2.4 GHz

**VALIDO DA GENNAIO 2013
VALID FROM JANUARY 2013**

Auxiliary wiring (Limiting device)

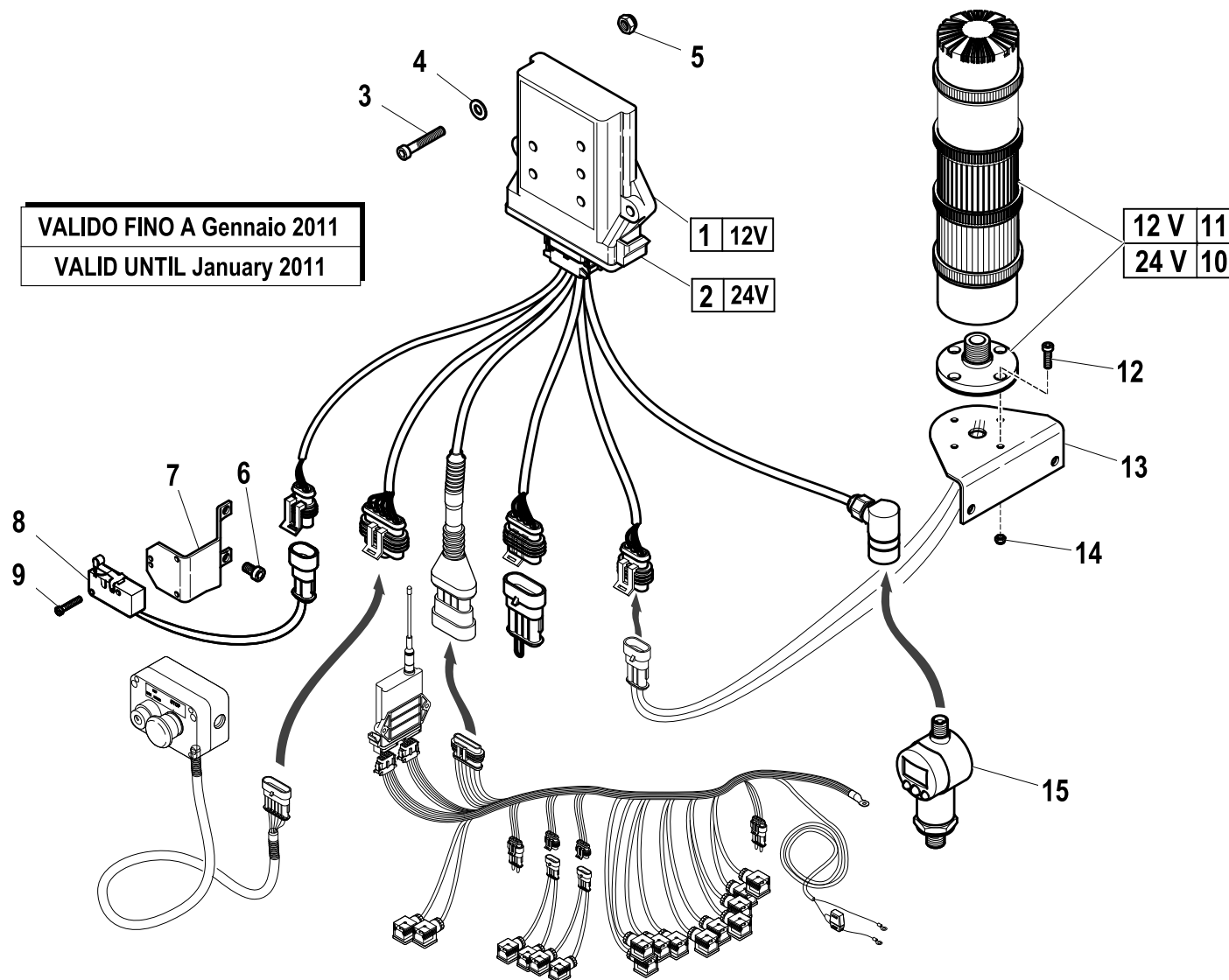
Code

5405013-1.0

1/1

| R | Pos. | Code Variant | Q.ty | Description |
|---|------|--------------|------|---|
| | 1 | 3310876 | 1 | |
| | 2 | 3310879 | 1 | |
| | 3 | 3020038 | 2 | Socket head cap screw [M6X30 8.8 ZC UNI 5931] |
| | 4 | 3060005 | 2 | Flat washer [D.6.4 UNI 6592 ZC] |
| | 5 | 3040372 | 2 | Stopnut |
| | 6 | 3020022 | 2 | Socket head cap screw [M5X10 8.8 ZC UNI 5931] |
| | 7 | 5001694 | 1 | |
| | 8 | 3310885 | 1 | Microswitch (Electric) |
| | 9 | 3020880 | 2 | [M3X15 UNI 7688 ZC TAGLIO CR.] |
| | 10 | 3310822 | 1 | |
| | 11 | 3310823 | 1 | |
| | 12 | 3020023 | 4 | Socket head cap screw [M5X16 8.8 ZC UNI 5931] |
| | 13 | W370508000 | 1 | Support (Flashing light) |
| | 14 | 3040392 | 4 | Stopnut |
| | 15 | 3310873 | 1 | Pressure monitor |

VALIDO FINO A Gennaio 2011
VALID UNTIL January 2011



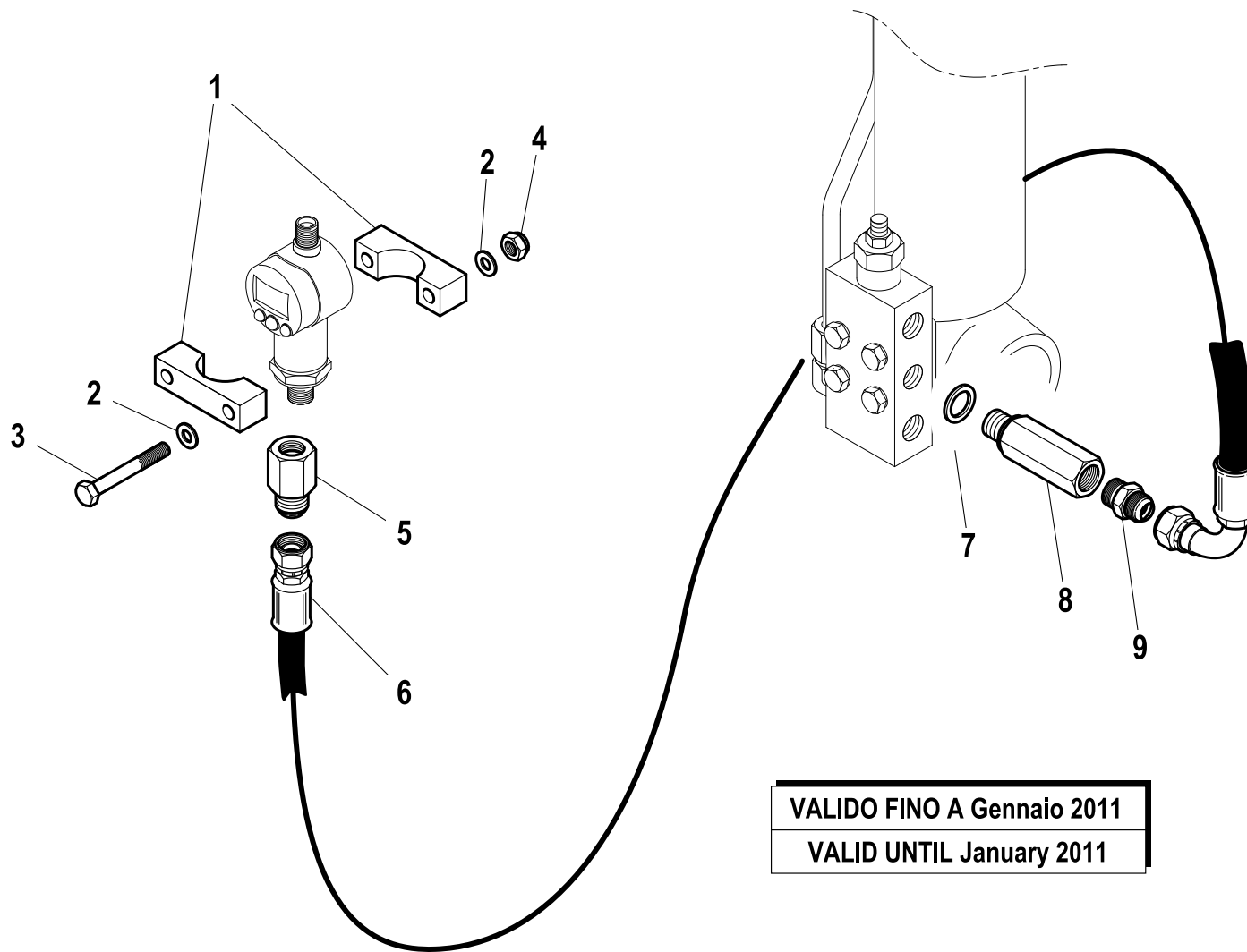
Moment limiting device

Code

5405013-2.0

1/1

| R | Pos. | Code Variant | Q.ty | Description |
|---|------|--------------|------|-----------------------------------|
| | 1 | 5141020 | 2 | Vehicle (Clamp) |
| | 2 | 3060005 | 4 | Flat washer [D.6.4 UNI 6592 ZC] |
| | 3 | 3010019 | 2 | Hex screw [M6X45 8.8 ZC UNI 5737] |
| | 4 | 3040372 | 2 | Stopnut |
| | 5 | 3120450 | 1 | Reducing fitting |
| | 6 | 5260908 | 1 | Flexible hose |
| | 7 | 3060143 | 1 | Sealing washer [BSP 1/4"] |
| | 8 | 5220300 | 1 | Hose burst valve (Sleeve) |
| | 9 | 3101039 | 1 | Straight pipe fitting |



VALIDO FINO A Gennaio 2011
VALID UNTIL January 2011

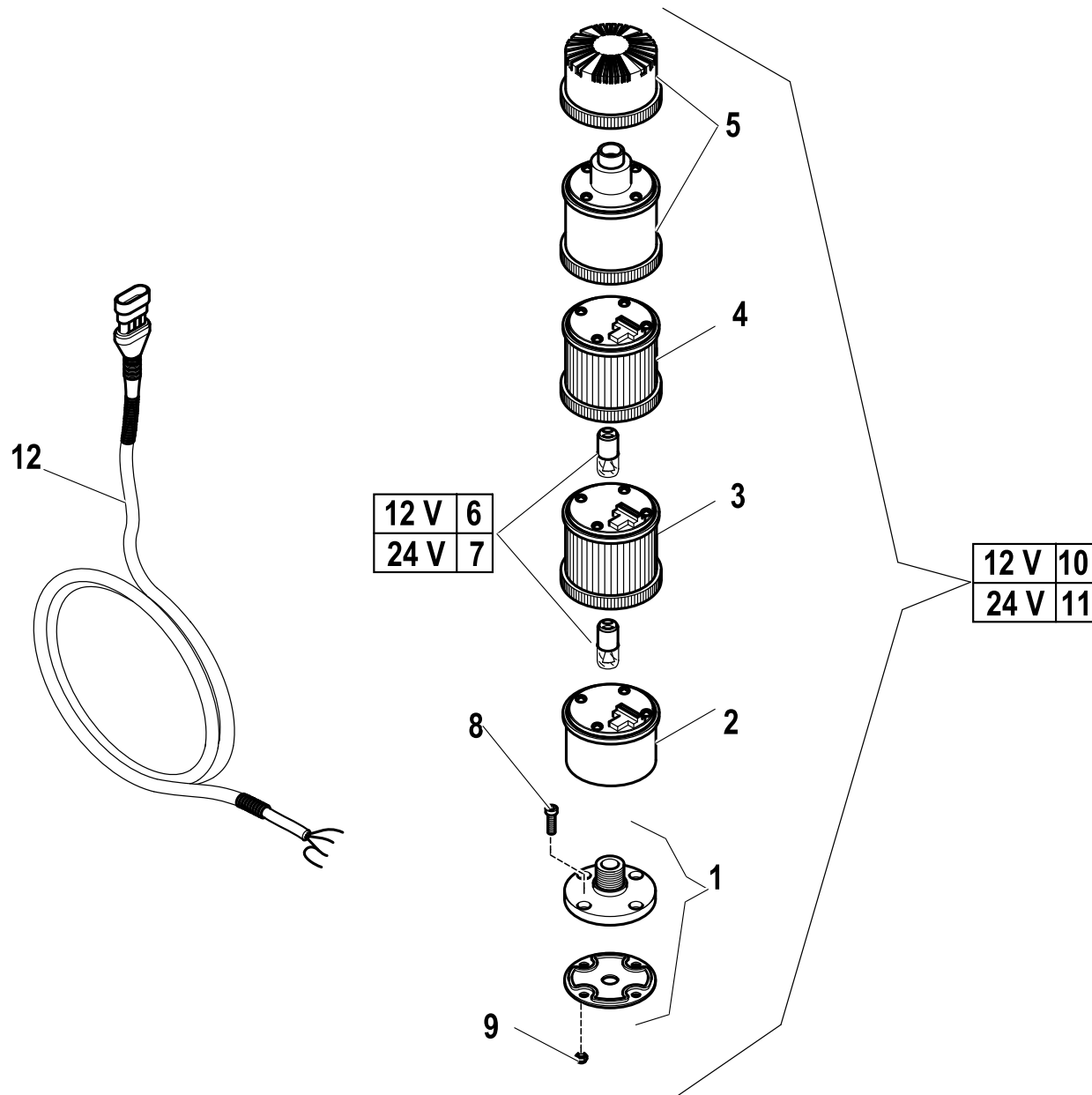
Light column

Code

3310822-1.0

1/1

| R | Pos. | Code Variant | Q.ty | Description |
|---|------|--------------|------|---|
| | 1 | 3310821 | 1 | |
| | 2 | 3310595 | 1 | |
| | 3 | 3310594 | 1 | |
| | 4 | 3310593 | 1 | |
| | 5 | 3310597 | 1 | |
| | 6 | 3310610 | 2 | |
| | 7 | 3310596 | 2 | |
| | 8 | 3020023 | 4 | Socket head cap screw [M5X16 8.8 ZC UNI 5931] |
| | 9 | 3040392 | 4 | Stopnut |
| | 10 | 3310823 | 1 | |
| | 11 | 3310822 | 1 | |
| | 12 | 3311110 | 1 | |



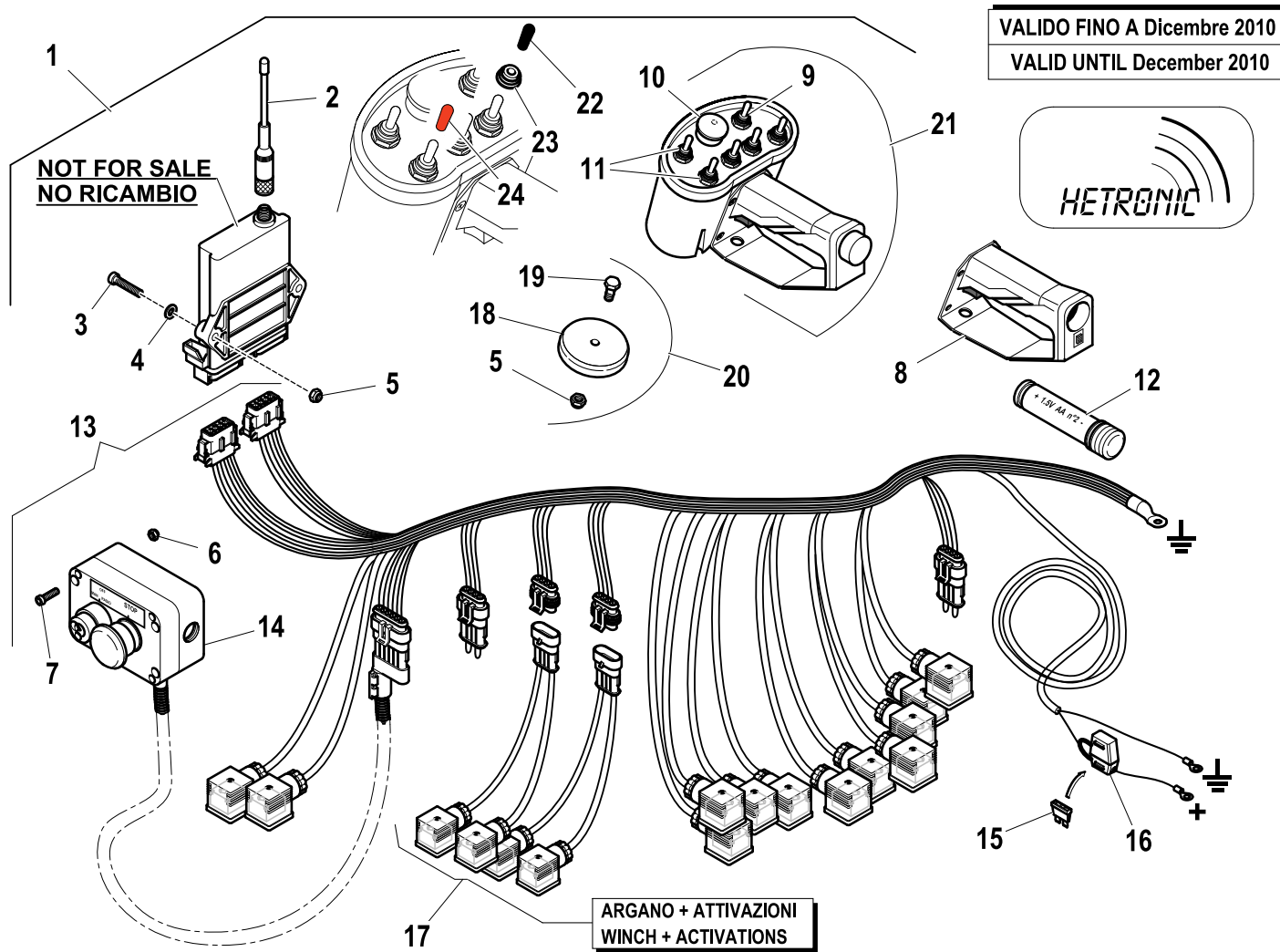
Complete wireless control (not CE)

Code

7892099-2.0

1/2

| R | Pos. | Code Variant | Q.ty | Description |
|---|------|--------------|------|---|
| | 1 | 5120095 | 1 | |
| | 2 | 3310861 | 1 | |
| | 3 | 3020038 | 2 | Socket head cap screw [M6X30 8.8 ZC UNI 5931] |
| | 4 | 3060005 | 2 | Flat washer [D.6.4 UNI 6592 ZC] |
| | 5 | 3040372 | 3 | Stopnut |
| | 6 | 3040392 | 8 | Stopnut |
| | 7 | 3020023 | 8 | Socket head cap screw [M5X16 8.8 ZC UNI 5931] |
| | 8 | 3311071 | 1 | Handle |
| | 9 | 3310891 | 1 | |
| | 10 | 3310892 | 1 | |
| | 11 | 3310890 | 5 | |
| | 12 | 3310893 | 1 | Battery compartment |
| | 13 | 3310860 | 1 | |
| | 14 | 3310908 | 1 | |
| | 15 | 3310688 | 1 | |
| | 16 | 3310852 | 1 | |
| | 17 | 3310862 | 2 | |
| | 18 | 3310064 | 1 | |
| | 19 | 3010324 | 1 | Hex screw [M6X12 8.8 ZC UNI 5739] |
| | 20 | 5410965 | 1 | Kit (Magnet) |



Complete wireless control (not CE)

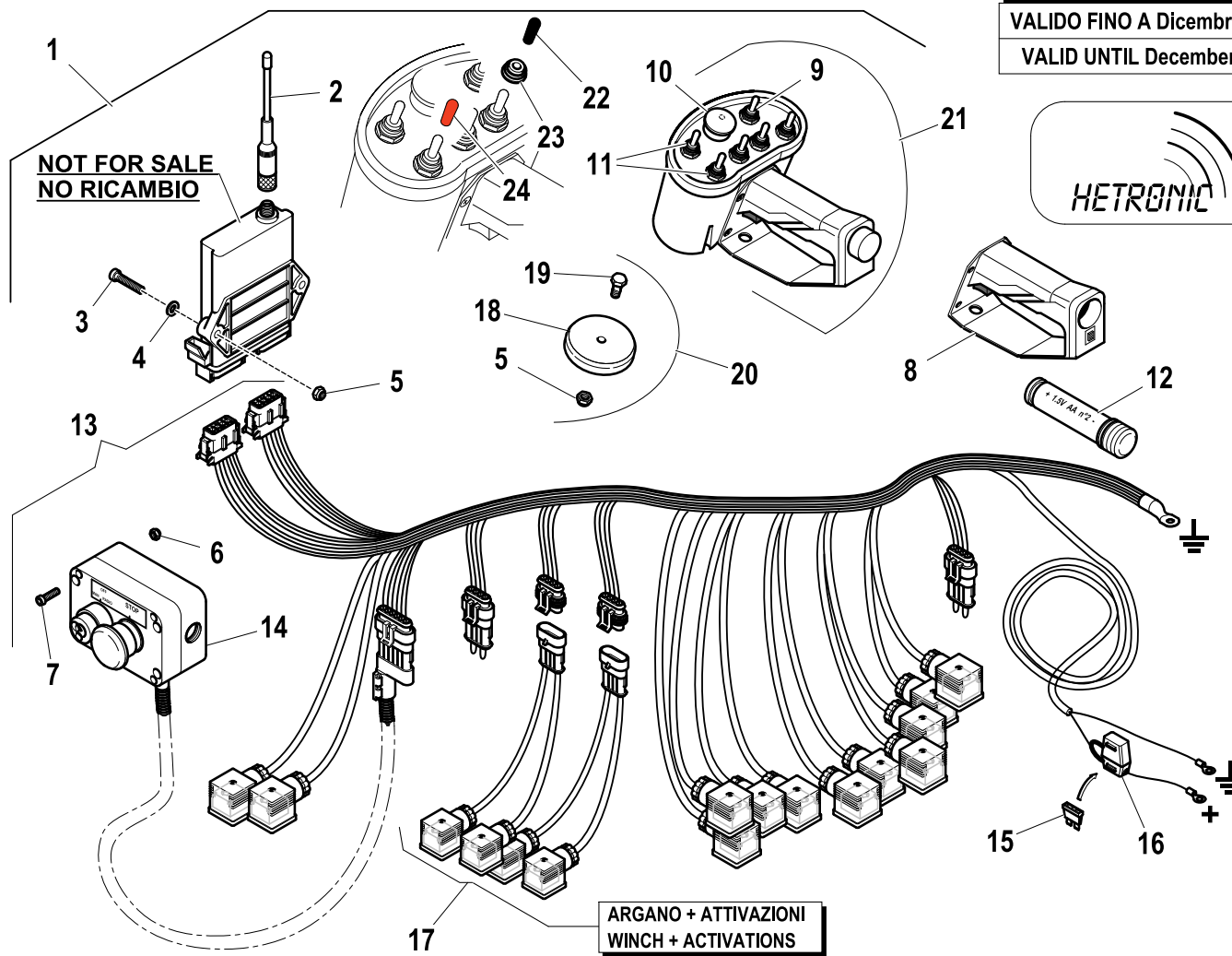
Code

7892099-2.0

2/2

| R | Pos. | Code Variant | Q.ty | Description |
|---|------|--------------|------|-------------|
| | 21 | 3310754 | 1 | |
| | 22 | 3311195 | 5 | |
| | 23 | 3311197 | 6 | |
| | 24 | 3311196 | 1 | |

VALIDO FINO A Dicembre 2010
VALID UNTIL December 2010

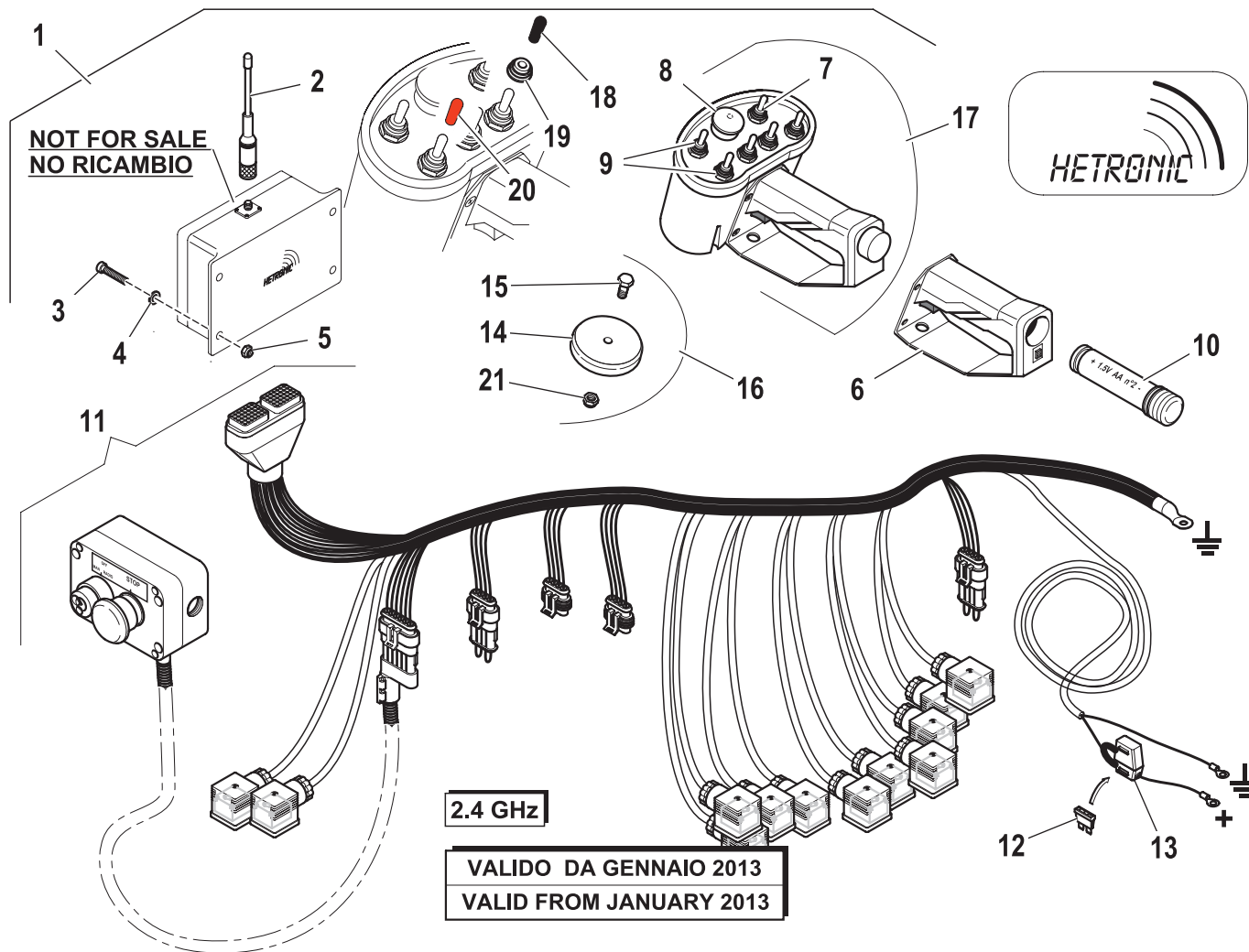


Complete wireless control (PTO)

Code

7892500-1.0

1/2



| R | Pos. | Code Variant | Q.ty | Description |
|---|------|--------------|------|---|
| | 1 | 5120154 | 1 | Complete wireless control |
| | 2 | 3311501 | 1 | Aerial (Wireless control) |
| | 3 | 3020028 | 4 | Socketed head cap screw [M5X20 8.8 ZC UNI 5931] |
| | 4 | 3060004 | 4 | Flat washer [D.5 UNI 6592 ZC] |
| | 5 | 3040392 | 4 | Stopnut |
| | 6 | 3311071 | 1 | Handle |
| | 7 | 3310891 | 1 | |
| | 8 | 3310892 | 1 | |
| | 9 | 3310890 | 5 | |
| | 10 | 3310893 | 1 | Battery compartment |
| | 11 | 3311509 | 1 | Electric wiring (Wireless control) |
| | 12 | 3310688 | 1 | |
| | 13 | 3310852 | 1 | |
| | 14 | 3310064 | 1 | |
| | 15 | 3010324 | 1 | Hex screw [M6X12 8.8 ZC UNI 5739] |
| | 16 | 5410965 | 1 | Kit (Magnet) |
| | 17 | 3311502 | 1 | Transmitter (Wireless control) |
| | 18 | 3311195 | 5 | |
| | 19 | 3311197 | 6 | |
| | 20 | 3311196 | 1 | |

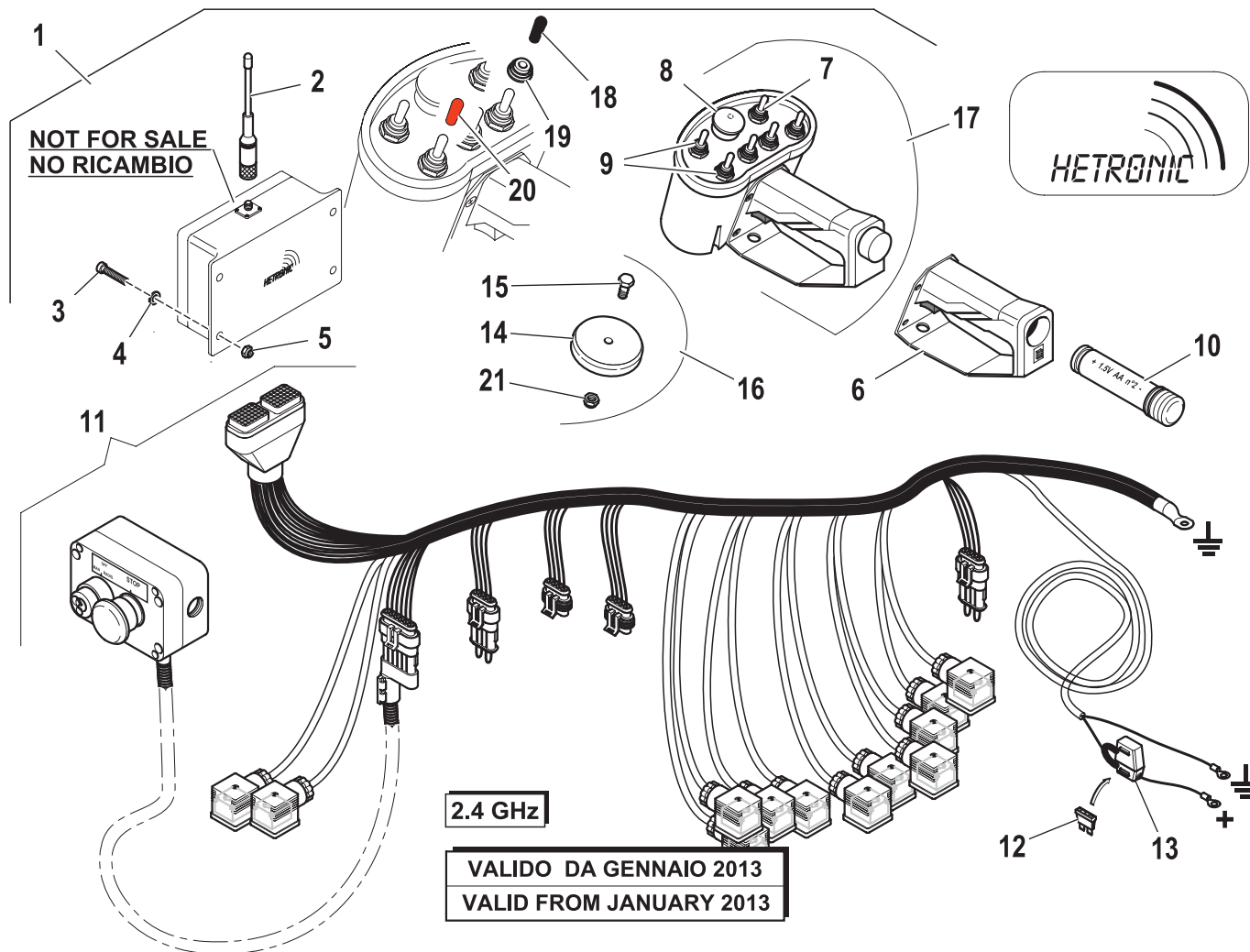
Complete wireless control (PTO)

Code

7892500-1.0

2/2

| R | Pos. | Code Variant | Q.ty | Description |
|---|------|--------------|------|-------------|
| | 21 | 3040372 | 1 | Stopnut |



Auxiliary wiring (Limiting device)

Code

5401023-1.0

1/1

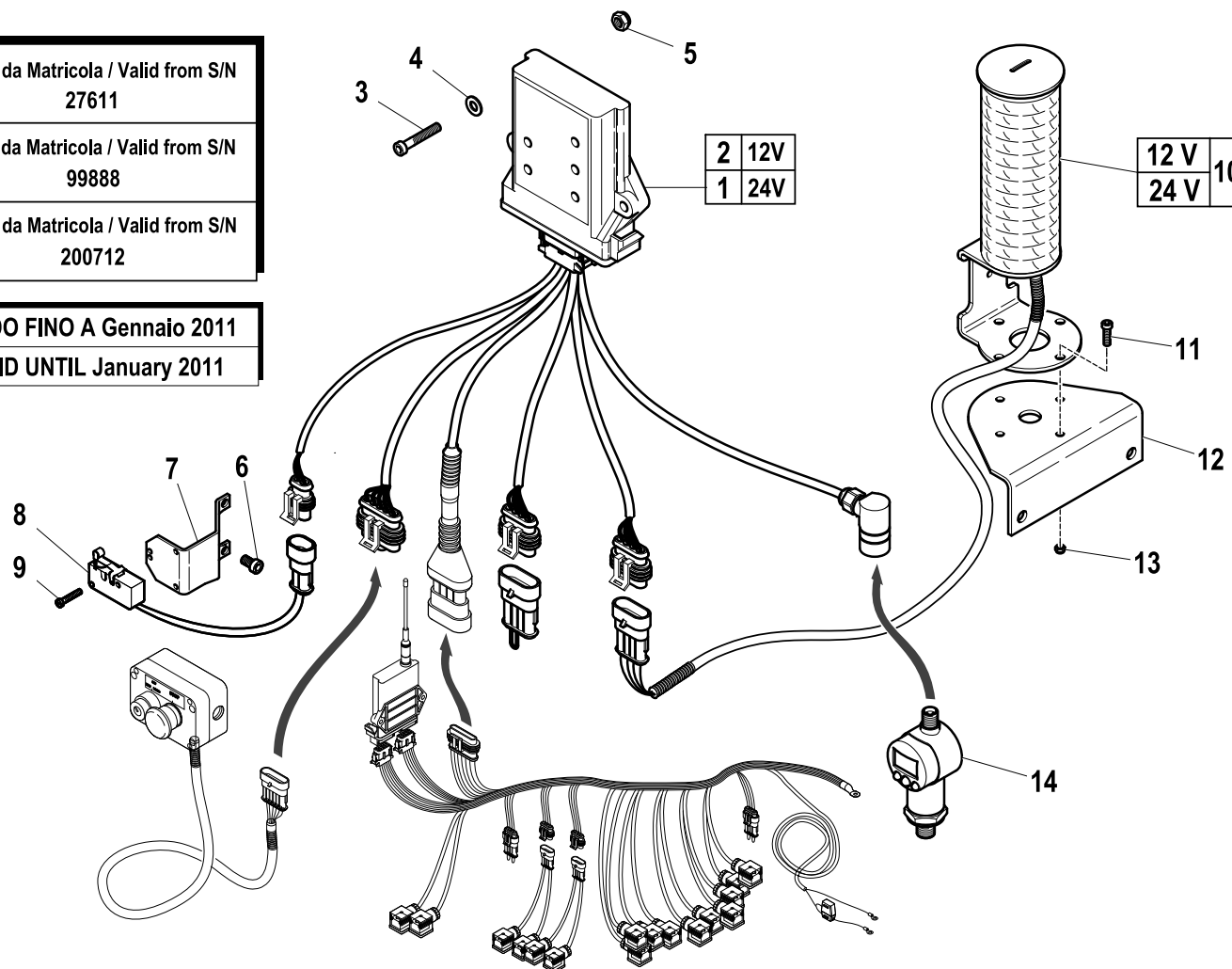
Valido da Matricola / Valid from S/N
27611

Valido da Matricola / Valid from S/N
99888

Valido da Matricola / Valid from S/N
200712

VALIDO FINO A Gennaio 2011

VALID UNTIL January 2011



| R | Pos. | Code Variant | Q.ty | Description |
|---|------|--------------|------|---|
| | 1 | 3311169 | 1 | |
| | 2 | 3311168 | 1 | |
| | 3 | 3020038 | 2 | Socket head cap screw [M6X30 8.8 ZC UNI 5931] |
| | 4 | 3060005 | 2 | Flat washer [D.6.4 UNI 6592 ZC] |
| | 5 | 3040372 | 2 | Stopnut |
| | 6 | 3020022 | 2 | Socket head cap screw [M5X10 8.8 ZC UNI 5931] |
| | 7 | 5001694 | 1 | |
| | 8 | 3310885 | 1 | Microswitch (Electric) |
| | 9 | 3020881 | 2 | [M3X8 UNI7687 ZC TAGLIO CR.] |
| | 10 | 3311159 | 1 | Signal Columns |
| | 11 | 3020023 | 4 | Socket head cap screw [M5X16 8.8 ZC UNI 5931] |
| | 12 | W370508000 | 1 | Support (Flashing light) |
| | 13 | 3040392 | 4 | Stopnut |
| | 14 | 3310873 | 1 | Pressure monitor |

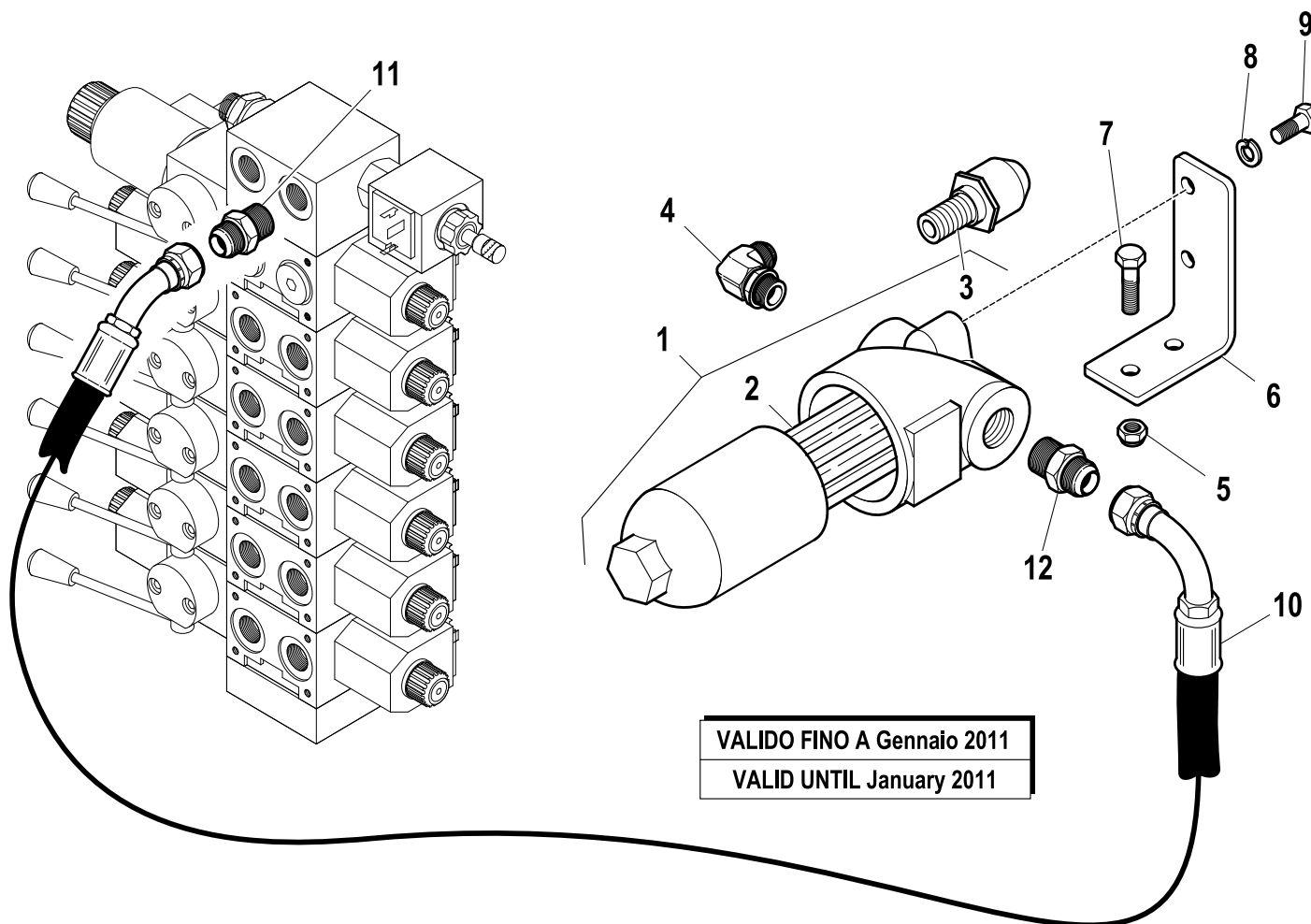
High pressure filter

Code

5400738-1.0

1/1

| R | Pos. | Code Variant | Q.ty | Description |
|---|------|--------------|------|--------------------------------------|
| | 1 | 3180138 | 1 | Oil filter |
| | 2 | 3180139 | 1 | Filtering cartridge |
| | 3 | 3180140 | 1 | |
| | 4 | 3101128 | 1 | 90° Connection |
| | 5 | 3040303 | 2 | Stopnut |
| | 6 | 5090670 | 1 | |
| | 7 | 3010339 | 2 | Hex screw [M8X25 8.8 ZC IF UNI 5739] |
| | 8 | 3060055 | 2 | Split lock washer [D=8.4 C72 ZC] |
| | 9 | 3010337 | 2 | Hex screw [M8X16 8.8 ZC UNI 5739] |
| | 10 | 5271751 | 1 | |
| | 11 | 3101043 | 1 | Straight pipe fitting |
| | 12 | 3101044 | 1 | Straight pipe fitting |



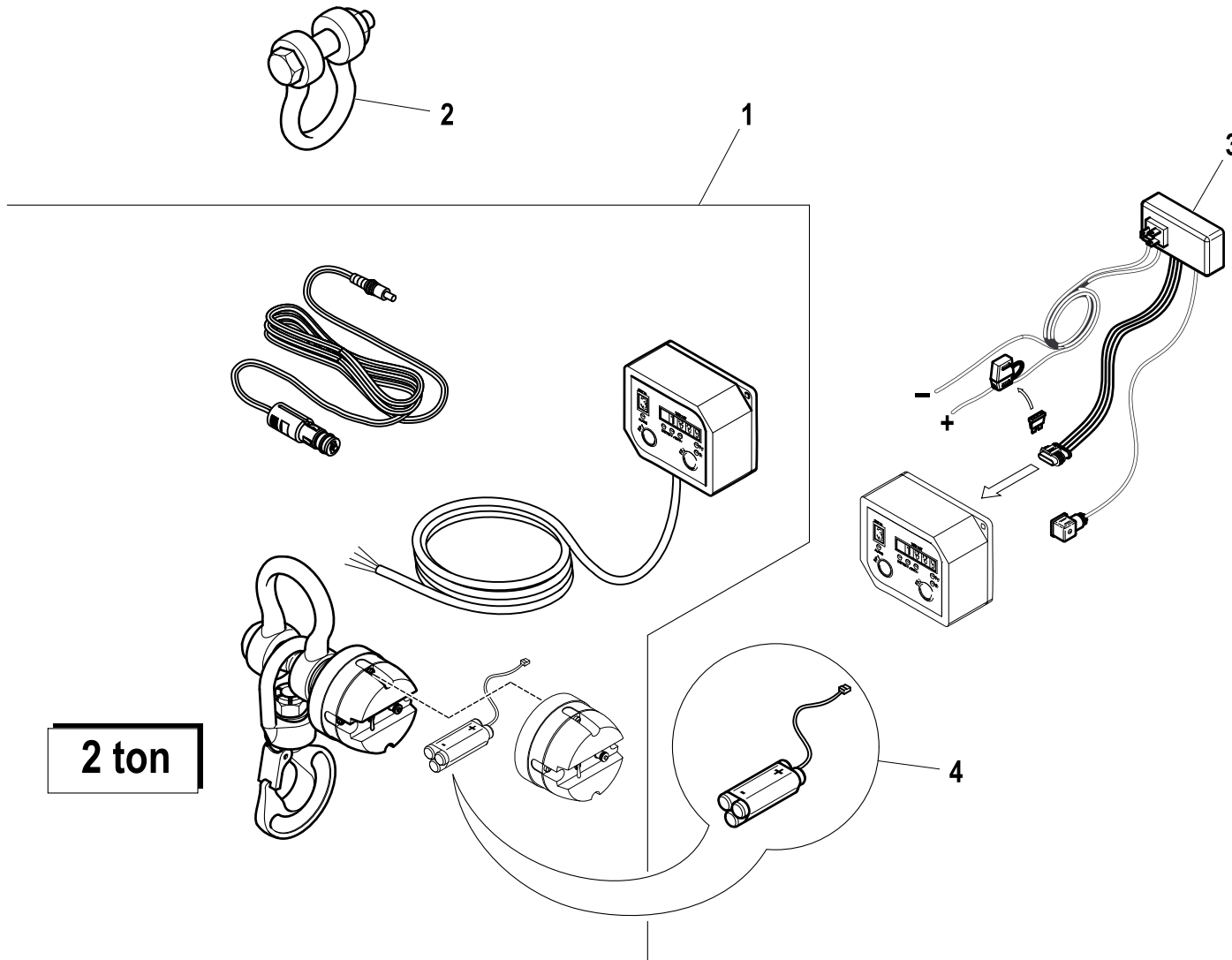
LOAD INDICATION SYSTEM (RDC)

Code

7881784-1.0

1/1

| R | Pos. | Code Variant | Q.ty | Description |
|---|------|--------------|------|-------------|
| 1 | | 5730506 | 1 | |
| 2 | | 3200050 | 1 | Shackles |
| 3 | | W236508 | 1 | |
| 4 | | 3311542 | 1 | |







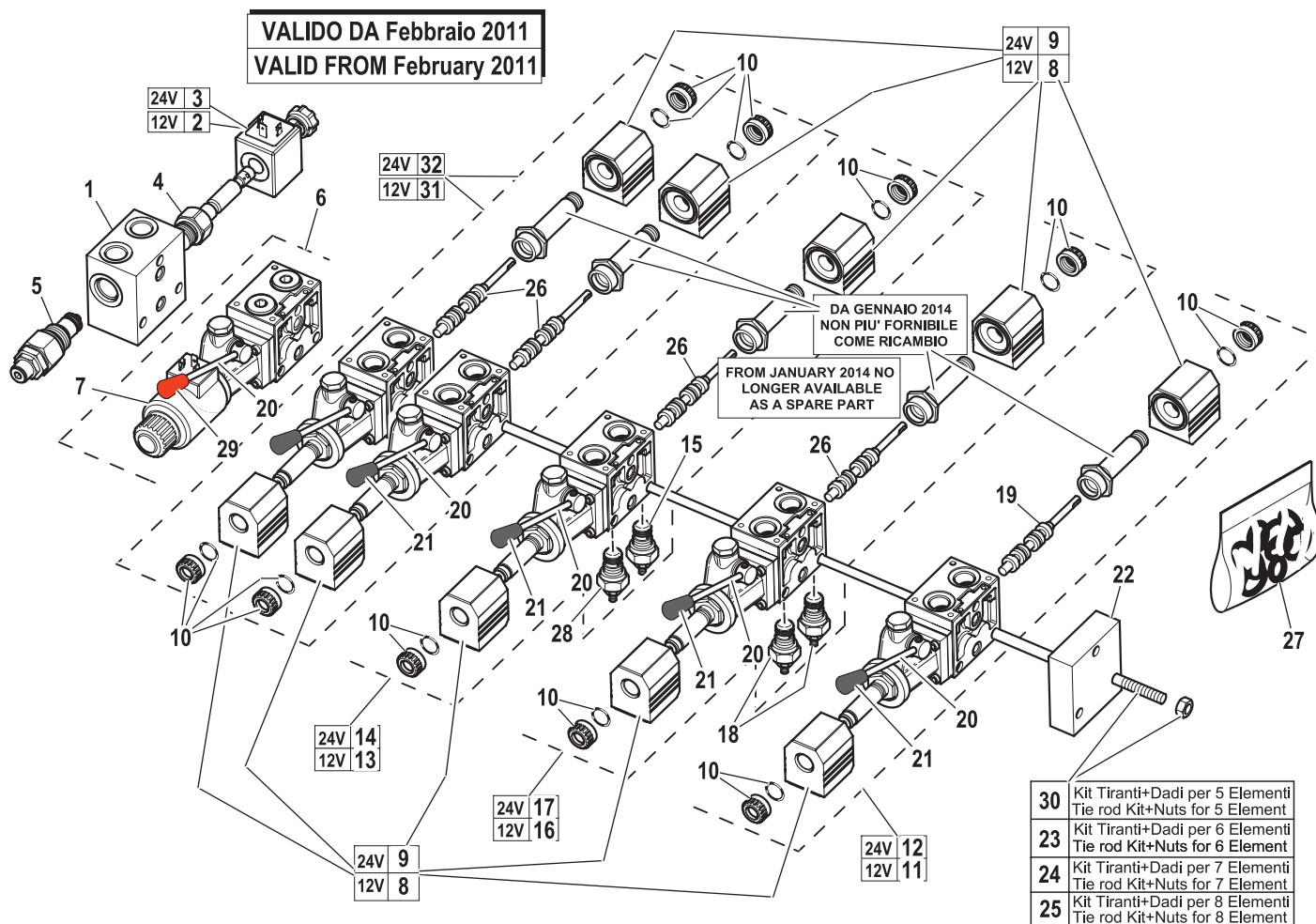
HA70 X EN 12999 - A3

Control valve (5 section)

Code

5220424-2.0

1/2



| R | Pos. | Code Variant | Q.ty | Description |
|---|------|--------------|------|---------------|
| | 1 | 5225719 | 1 | |
| | 2 | 3310906 | 1 | |
| | 3 | 3310904 | 1 | |
| | 4 | 5220569 | 1 | |
| | 5 | 5225718 | 1 | |
| | 6 | 5225876 | 1 | |
| | 7 | 3310903 | 1 | |
| | 8 | 3310907 | 10 | |
| | 9 | 3310905 | 10 | |
| | 10 | 5225721 | 10 | |
| | 11 | 5225881 | 1 | |
| | 12 | 5225886 | 1 | |
| | 13 | 5225879 | 1 | |
| | 14 | 5225884 | 1 | |
| | 15 | 5225729 | 1 | |
| | 16 | 5225889 | 1 | |
| | 17 | 5225891 | 1 | |
| | 18 | 5225736 | 2 | |
| | 19 | 5225715 | 1 | |
| | 20 | 5225800 | 6 | Control lever |

- 30 Kit Tiranti+Dadi per 5 Elementi
Tie rod Kit+Nuts for 5 Element
- 23 Kit Tiranti+Dadi per 6 Elementi
Tie rod Kit+Nuts for 6 Element
- 24 Kit Tiranti+Dadi per 7 Elementi
Tie rod Kit+Nuts for 7 Element
- 25 Kit Tiranti+Dadi per 8 Elementi
Tie rod Kit+Nuts for 8 Element

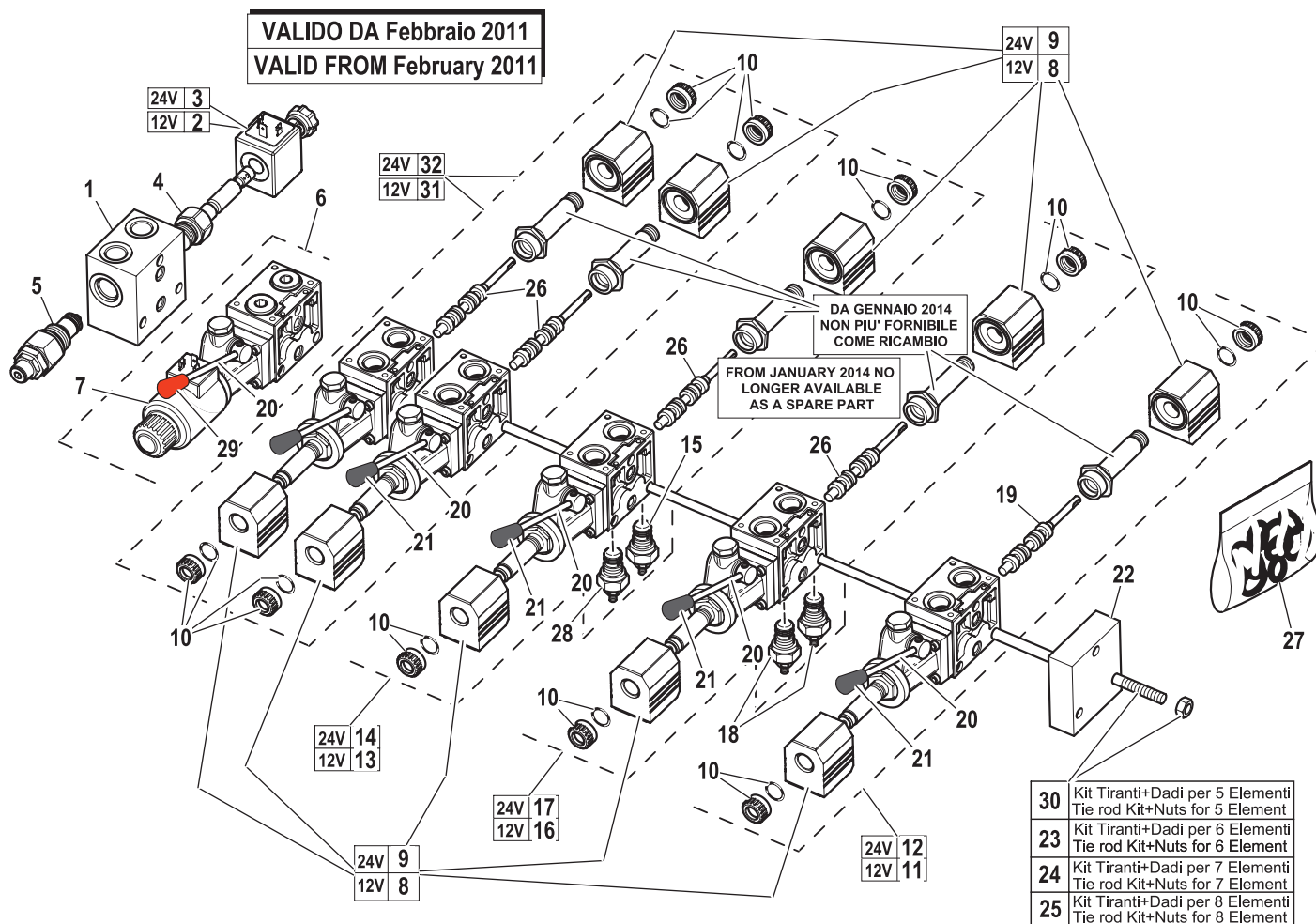
Control valve (5 section)

Code

5220424-2.0

2/2

| R | Pos. | Code Variant | Q.ty | Description |
|---|------|--------------|------|-------------|
| | 21 | 5225801 | 5 | |
| | 22 | 5225727 | 1 | |
| | 23 | 5225730 | 1 | |
| | 24 | 5225731 | 1 | |
| | 25 | 5225732 | 1 | |
| | 26 | 5225716 | 4 | |
| | 27 | 5225733 | 1 | |
| | 28 | 5225728 | 1 | |
| | 29 | 5225802 | 1 | |
| | 30 | 5225843 | 1 | |
| | 31 | 5225878 | 2 | |
| | 32 | 5225883 | 2 | |

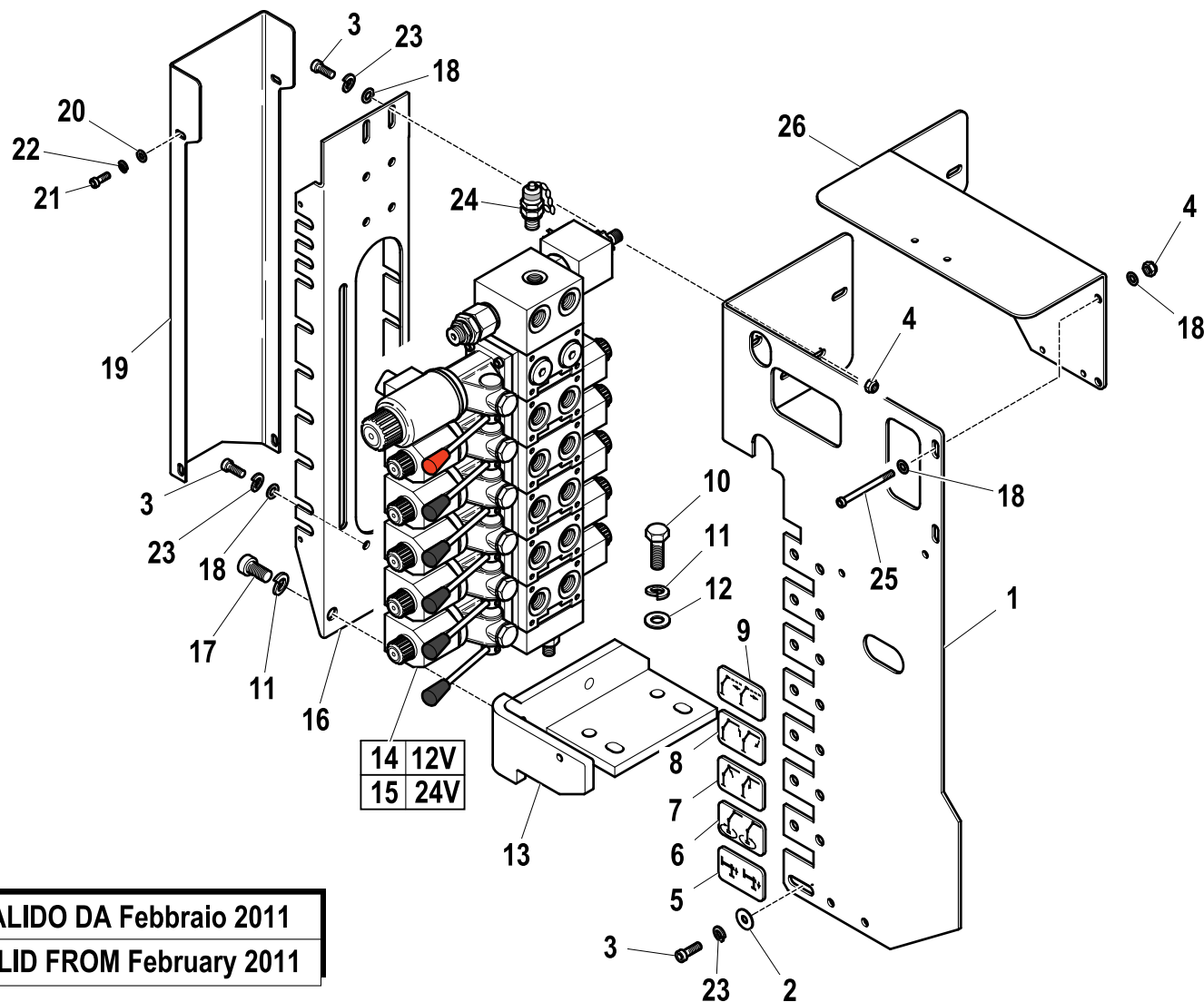


Control unit (RDC)

Code

5401583-1.0

1/2



| | |
|----|-----|
| 14 | 12V |
| 15 | 24V |

VALIDO DA Febbraio 2011
VALID FROM February 2011

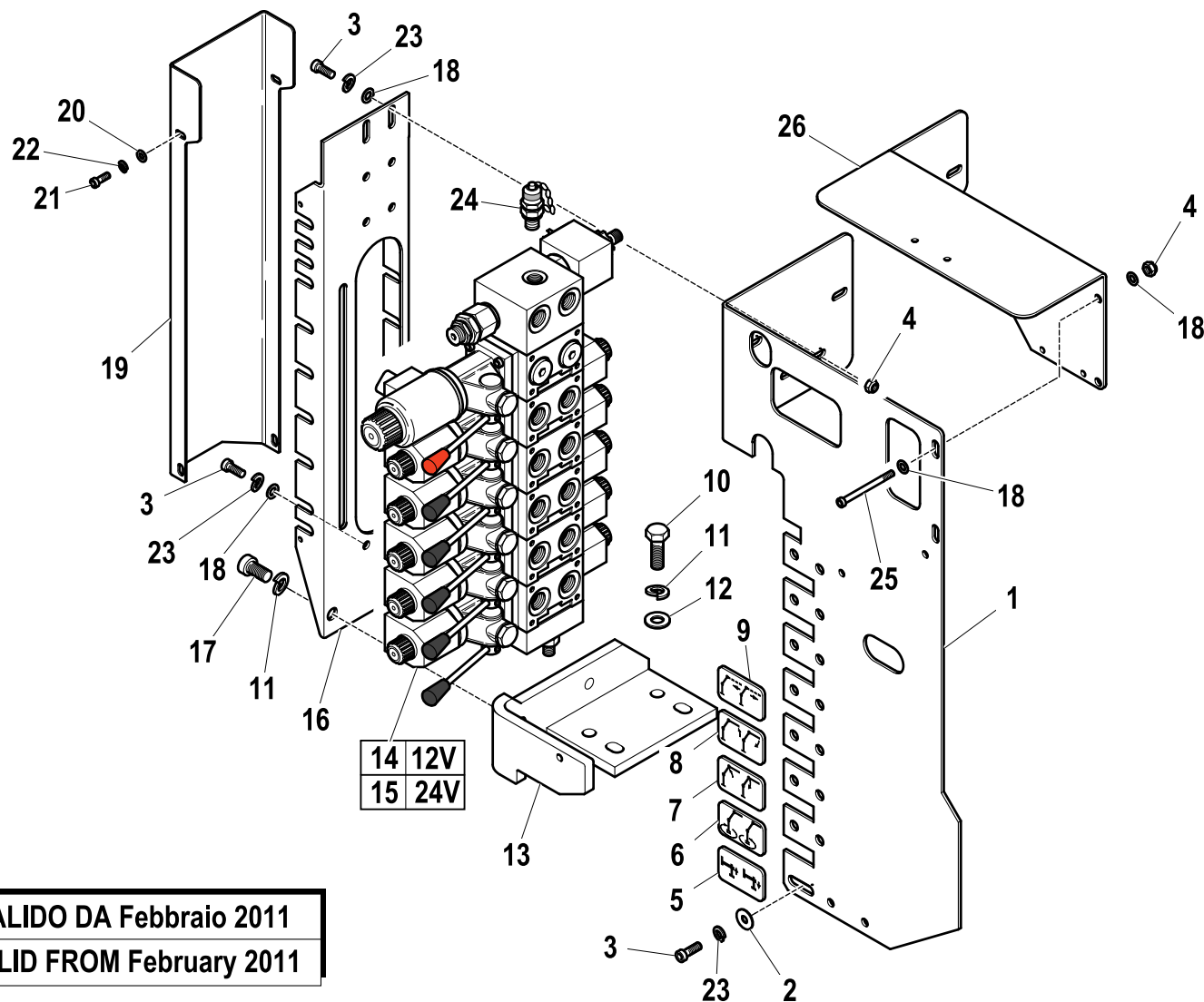
| R | Pos. | Code Variant | Q.ty | Description |
|---|------|--------------|------|---|
| | 1 | W370508100 | 1 | |
| | 2 | 3060030 | 1 | Flat washer [D.6.6X18 UNI 6593 ZC] |
| | 3 | 3020034 | 7 | Socketed head cap screw [M6X16 8.8 ZC UNI 5931] |
| | 4 | 3040372 | 4 | Stopnut |
| | 5 | W573278 | 1 | Small plate (CONTROL SYMBOLS) |
| | 6 | W573279 | 1 | |
| | 7 | W573280 | 1 | |
| | 8 | W573282 | 1 | |
| | 9 | W573283 | 1 | |
| | 10 | 3010355 | 2 | Hex screw [M10X25 8.8 ZC IF UNI 5739] |
| | 11 | 3060056 | 2 | Split lock washer [D=10 C72 ZC] |
| | 12 | 3060914 | 2 | Flat washer [D.10.5X21X2 UNI 6592 ZC] |
| | 13 | 5091056 | 1 | Support (Casing) |
| | 14 | 5220423 | 1 | Proportional control valve |
| | 15 | 5220424 | 1 | Proportional control valve |
| | 16 | W370507500 | 1 | |
| | 17 | 3020080 | 2 | Socketed head cap screw [M10X16 12.9 ZC UNI 5931] |
| | 18 | 3060005 | 10 | Flat washer [D.6.4 UNI 6592 ZC] |
| | 19 | W370507900 | 1 | |
| | 20 | 3060004 | 4 | Flat washer [D.5 UNI 6592 ZC] |

Control unit (RDC)

Code

5401583-1.0

2/2



| R | Pos. | Code Variant | Q.ty | Description |
|---|------|--------------|------|---|
| | 21 | 3020021 | 4 | Socket head cap screw [M5X12X0.8 8.8 ZC UNI 5931] |
| | 22 | 3060052 | 4 | Split lock washer [D=5.5 C72 ZC] |
| | 23 | 3060053 | 4 | Split lock washer [D=6.4 C72 ZC] |
| | 24 | 3111523 | 1 | Pipe fitting (Tapping point) [RACC. MILITES 16X2-1/4"G] |
| | 25 | 3020964 | 2 | Socket head cap screw [M6X70 8.8 ZC UNI 5931] |
| | 26 | W370508300 | 1 | |

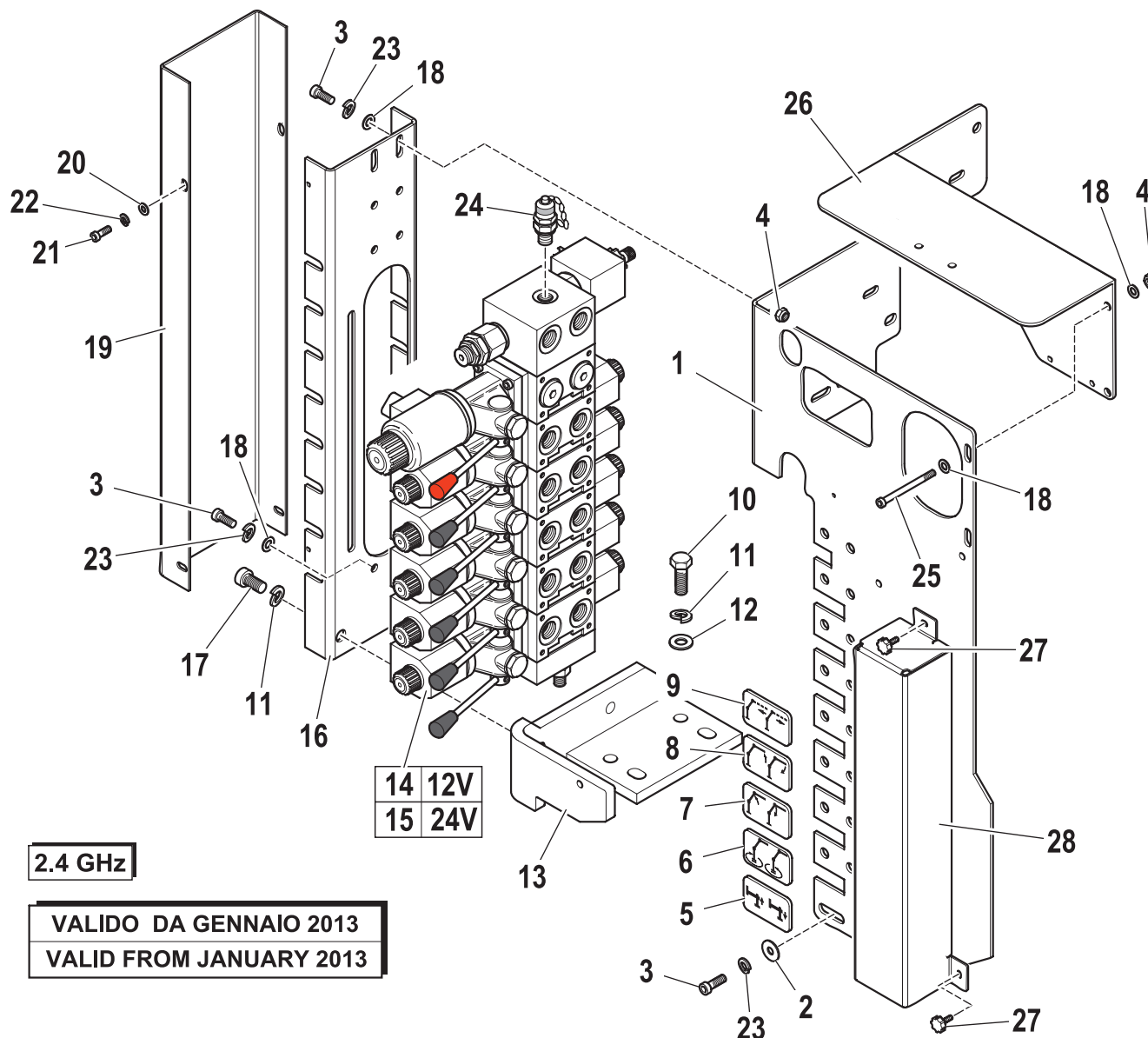
VALIDO DA Febbraio 2011
VALID FROM February 2011

Control unit (RDC)

Code

5402187-1.0

1/2



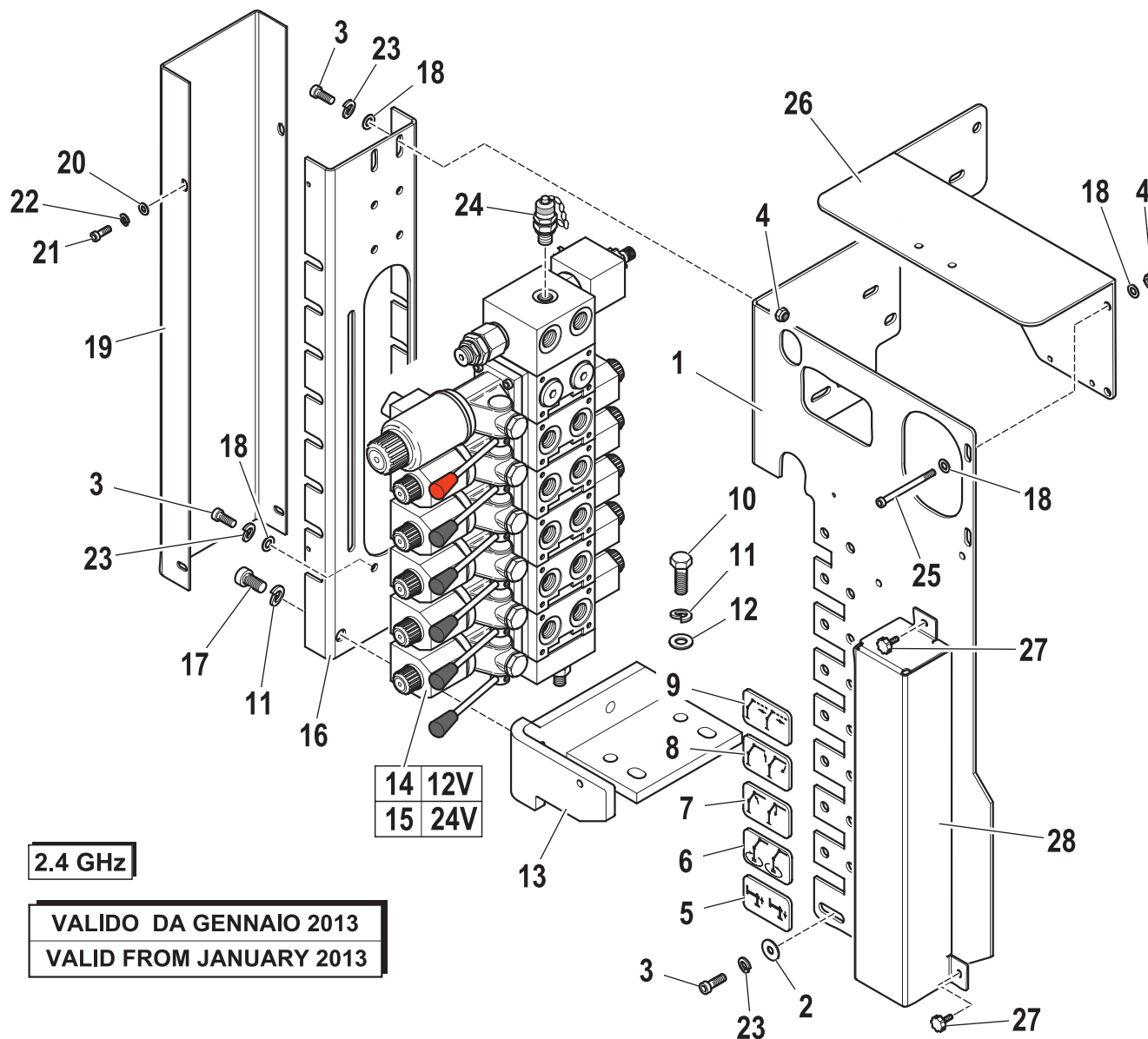
| R | Pos. | Code Variant | Q.ty | Description |
|---|------|--------------|------|---|
| | 1 | 5091454 | 1 | Guard (Control unit) |
| | 2 | 3060030 | 1 | Flat washer [D.6.6X18 UNI 6593 ZC] |
| | 3 | 3020034 | 7 | Socked head cap screw [M6X16 8.8 ZC UNI 5931] |
| | 4 | 3040372 | 4 | Stopnut |
| | 5 | W573278 | 1 | Small plate (CONTROL SYMBOLS) |
| | 6 | W573279 | 1 | |
| | 7 | W573280 | 1 | |
| | 8 | W573282 | 1 | |
| | 9 | W573283 | 1 | |
| | 10 | 3010355 | 2 | Hex screw [M10X25 8.8 ZC IF UNI 5739] |
| | 11 | 3060056 | 2 | Split lock washer [D=10 C72 ZC] |
| | 12 | 3060914 | 2 | Flat washer [D.10.5X21X2 UNI 6592 ZC] |
| | 13 | 5091056 | 1 | Support (Casing) |
| | 14 | 5220423 | 1 | Proportional control valve |
| | 15 | 5220424 | 1 | Proportional control valve |
| | 16 | 5091459 | 1 | Distributor support |
| | 17 | 3020080 | 2 | Socked head cap screw [M10X16 12.9 ZC UNI 5931] |
| | 18 | 3060005 | 10 | Flat washer [D.6.4 UNI 6592 ZC] |
| | 19 | 5091451 | 1 | Lateral guards and supports |
| | 20 | 3060004 | 4 | Flat washer [D.5 UNI 6592 ZC] |

Control unit (RDC)

Code

5402187-1.0

2/2



| R | Pos. | Code Variant | Q.ty | Description |
|---|------|--------------|------|---|
| | 21 | 3020021 | 4 | Socket head cap screw [M5X12X0.8 8.8 ZC UNI 5931] |
| | 22 | 3060052 | 4 | Split lock washer [D=5.5 C72 ZC] |
| | 23 | 3060053 | 4 | Split lock washer [D=6.4 C72 ZC] |
| | 24 | 3111523 | 1 | Pipe fitting (Tapping point) [RACC. MILITES 16X2-1/4"G] |
| | 25 | 3020964 | 2 | Socket head cap screw [M6X70 8.8 ZC UNI 5931] |
| | 26 | 5091488 | 1 | Cover (Moment limiting device) |
| | 27 | 3011000 | 2 | Handwheel |
| | 28 | 5091491 | 1 | Protective guard (Control levers) |

2.4 GHz

VALIDO DA GENNAIO 2013

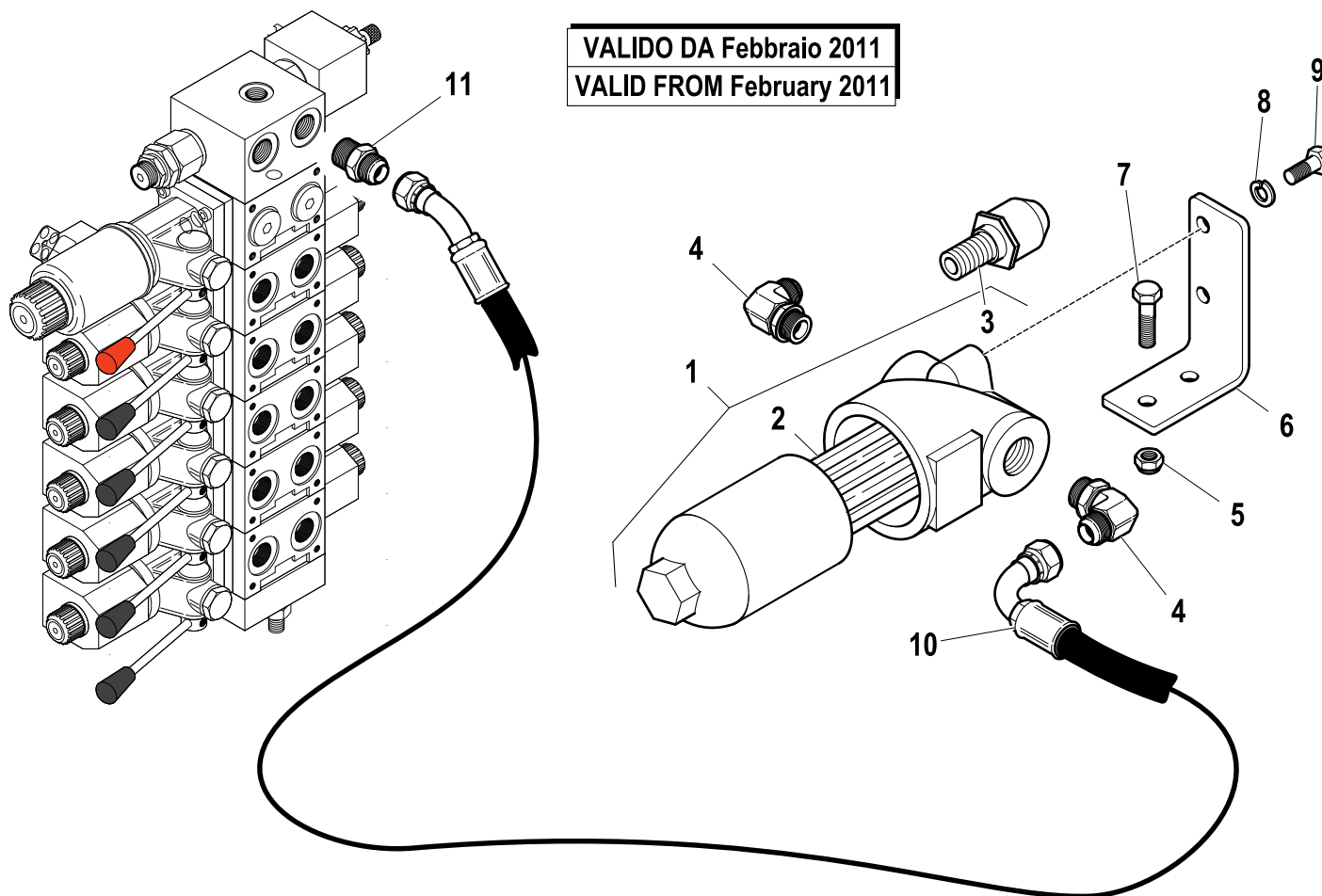
VALID FROM JANUARY 2013

High pressure filter

Code

5401581-1.0

1/1



| R | Pos. | Code Variant | Q.ty | Description |
|---|------|--------------|------|--------------------------------------|
| | 1 | 3180138 | 1 | Oil filter |
| | 2 | 3180139 | 1 | Filtering cartridge |
| | 3 | 3180140 | 1 | |
| | 4 | 3101128 | 2 | 90° Connection |
| | 5 | 3040303 | 2 | Stopnut |
| | 6 | 5090670 | 1 | |
| | 7 | 3010339 | 2 | Hex screw [M8X25 8.8 ZC IF UNI 5739] |
| | 8 | 3060055 | 2 | Split lock washer [D=8.4 C72 ZC] |
| | 9 | 3010337 | 2 | Hex screw [M8X16 8.8 ZC UNI 5739] |
| | 10 | 5271751 | 1 | |
| | 11 | 3101043 | 1 | Straight pipe fitting |

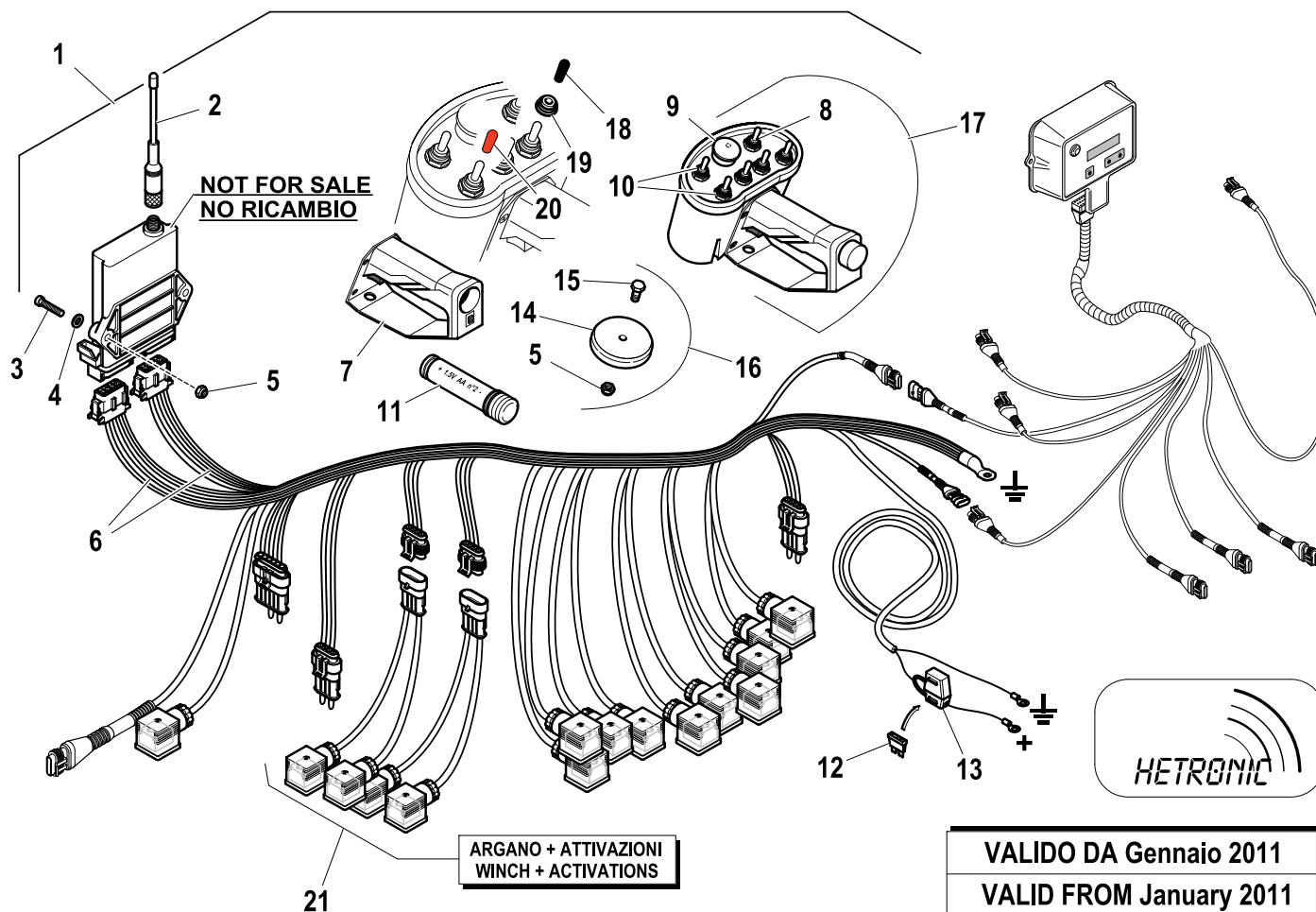
Kit (Wireless control)

Code

7892099-3.0

1/2

| R | Pos. | Code Variant | Q.ty | Description |
|---|------|--------------|------|---|
| | 1 | 5120095 | 1 | |
| | 2 | 3310861 | 1 | |
| | 3 | 3020038 | 2 | Socket head cap screw [M6X30 8.8 ZC UNI 5931] |
| | 4 | 3060005 | 2 | Flat washer [D.6.4 UNI 6592 ZC] |
| | 5 | 3040372 | 3 | Stopnut |
| | 6 | 3311385 | 1 | |
| | 7 | 3311071 | 1 | Handle |
| | 8 | 3310891 | 1 | |
| | 9 | 3310892 | 1 | |
| | 10 | 3310890 | 5 | |
| | 11 | 3310893 | 1 | Battery compartment |
| | 12 | 3310688 | 1 | |
| | 13 | 3310852 | 1 | |
| | 14 | 3310064 | 1 | |
| | 15 | 3010324 | 1 | Hex screw [M6X12 8.8 ZC UNI 5739] |
| | 16 | 5410965 | 1 | Kit (Magnet) |
| | 17 | 3310754 | 1 | |
| | 18 | 3311195 | 5 | |
| | 19 | 3311197 | 6 | |
| | 20 | 3311196 | 1 | |



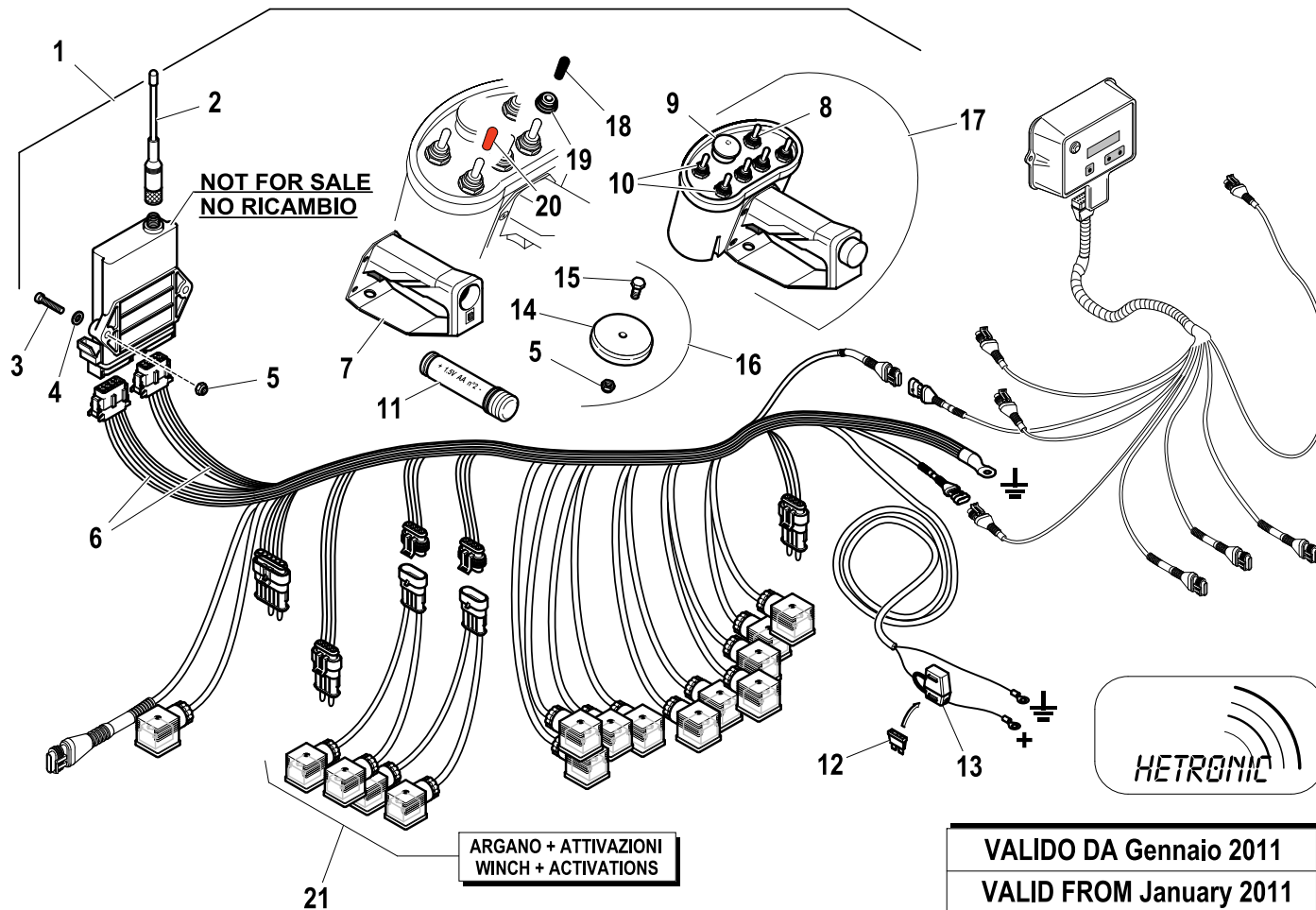
Kit (Wireless control)

Code

7892099-3.0

2/2

| R | Pos. | Code Variant | Q.ty | Description |
|---|------|--------------|------|-------------|
| | 21 | 3310862 | 2 | |

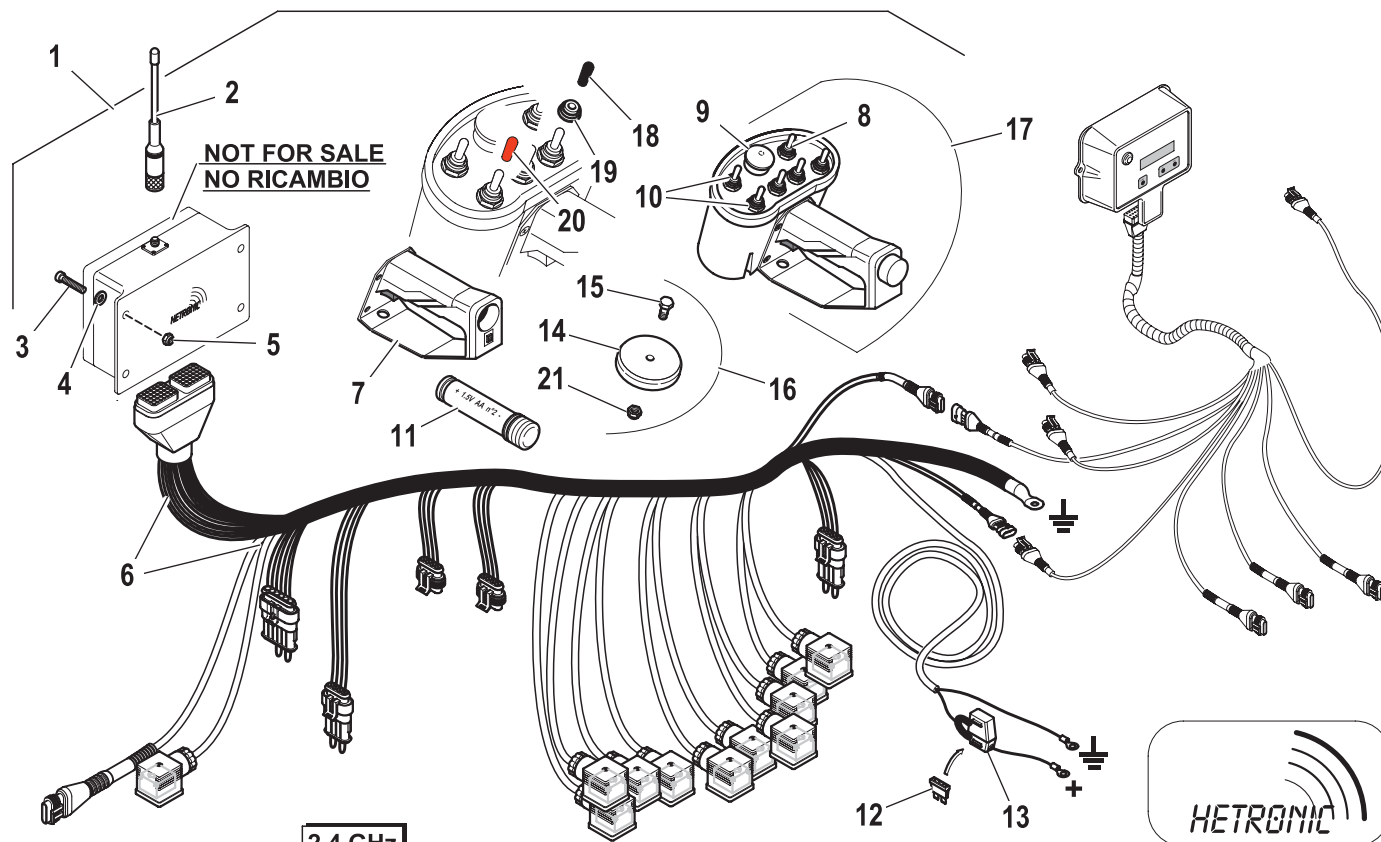


Complete wireless control (PTO)

Code

7892500-2.0

1/2



**NOT FOR SALE
NO RICAMBIO**

2.4 GHz

**VALIDO DA GENNAIO 2013
VALID FROM JANUARY 2013**

| R | Pos. | Code Variant | Q.ty | Description |
|---|------|--------------|------|---|
| | 1 | 5120154 | 1 | Complete wireless control |
| | 2 | 3311501 | 1 | Aerial (Wireless control) |
| | 3 | 3020028 | 4 | Socketed head cap screw [M5X20 8.8 ZC UNI 5931] |
| | 4 | 3060004 | 4 | Flat washer [D.5 UNI 6592 ZC] |
| | 5 | 3040392 | 4 | Stopnut |
| | 6 | 3311633 | 1 | Electric wiring |
| | 7 | 3311071 | 1 | Handle |
| | 8 | 3310891 | 1 | |
| | 9 | 3310892 | 1 | |
| | 10 | 3310890 | 5 | |
| | 11 | 3310893 | 1 | Battery compartment |
| | 12 | 3310688 | 1 | |
| | 13 | 3310852 | 1 | |
| | 14 | 3310064 | 1 | |
| | 15 | 3010324 | 1 | Hex screw [M6X12 8.8 ZC UNI 5739] |
| | 16 | 5410965 | 1 | Kit (Magnet) |
| | 17 | 3311502 | 1 | Transmitter (Wireless control) |
| | 18 | 3311195 | 5 | |
| | 19 | 3311197 | 6 | |
| | 20 | 3311196 | 1 | |

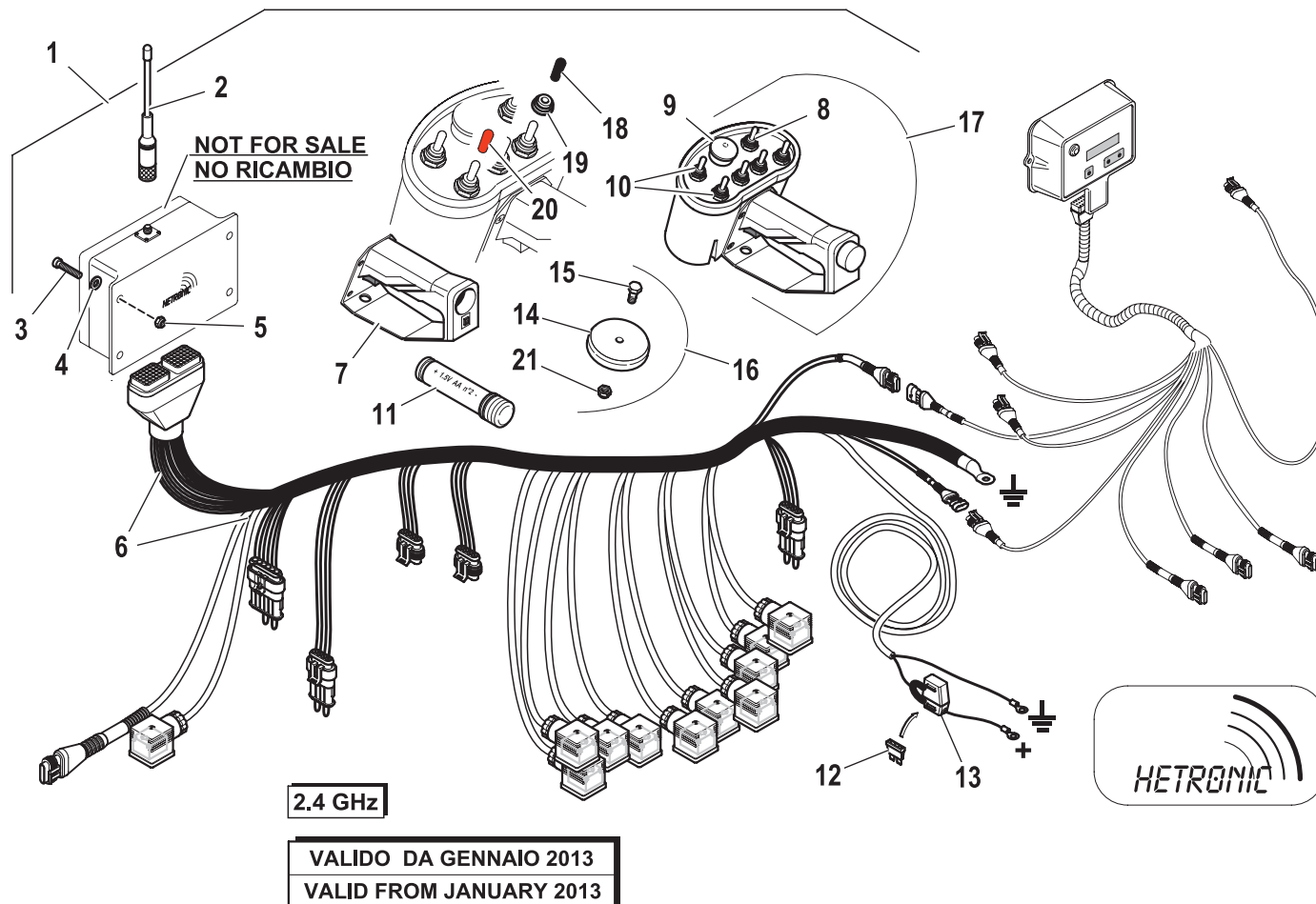
Complete wireless control (PTO)

Code

7892500-2.0

2/2

| R | Pos. | Code Variant | Q.ty | Description |
|---|------|--------------|------|-------------|
| | 21 | 3040372 | 1 | Stopnut |

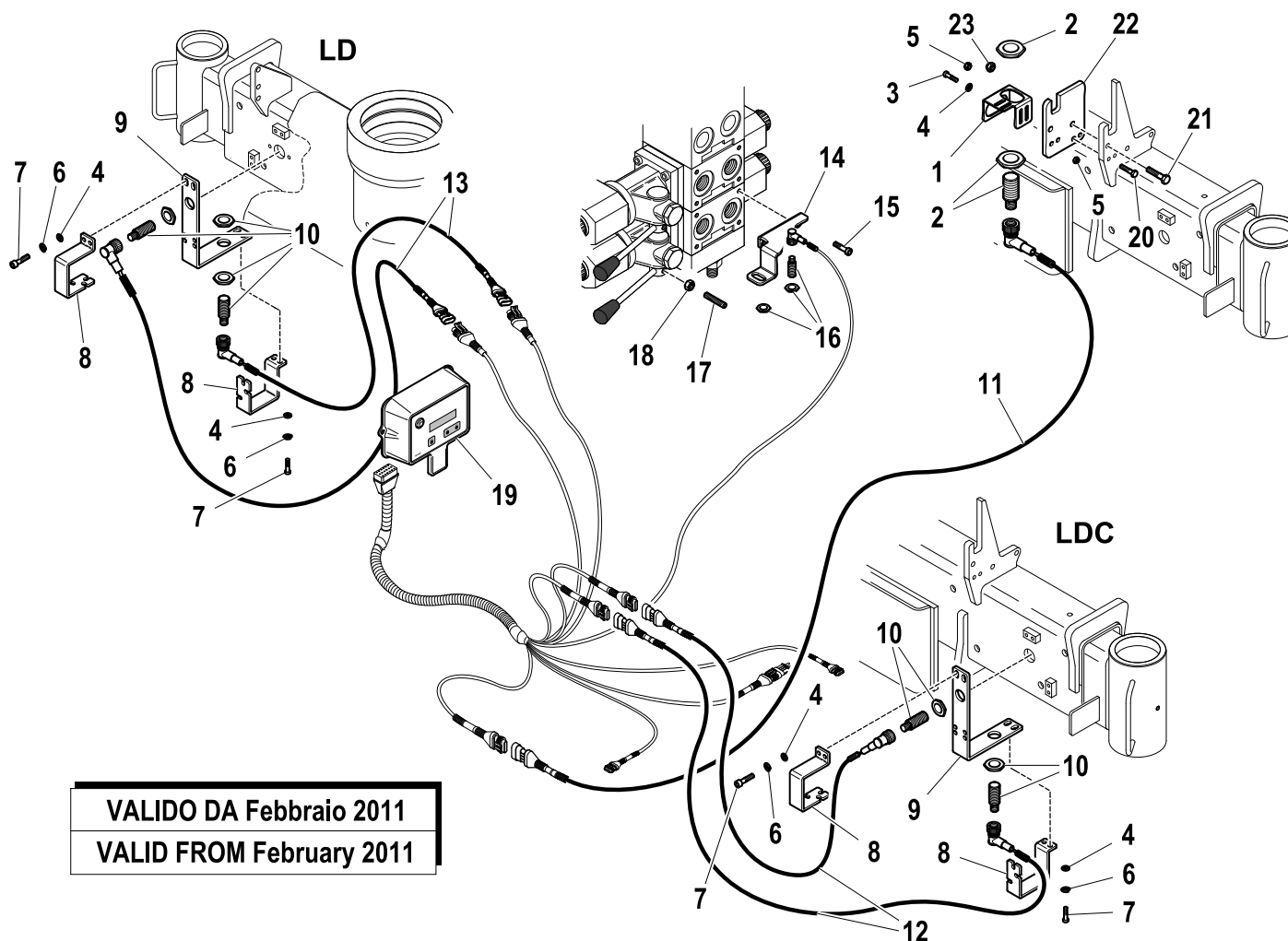


Kit CE (STABILITY CONTROL)

Code

5405052-4.0

1/2



| R | Pos. | Code Variant | Q.ty | Description |
|---|------|--------------|------|---|
| | 1 | 5002051 | 1 | Support (Proximity switch) |
| | 2 | 3311312 | 1 | Proximity switch |
| | 3 | 3020037 | 2 | Socketed head cap screw [M6X25 8.8 ZC UNI 5931] |
| | 4 | 3060030 | 10 | Flat washer [D.6.6X18 UNI 6593 ZC] |
| | 5 | 3040372 | 4 | Stopnut |
| | 6 | 3060053 | 8 | Split lock washer [D=6.4 C72 ZC] |
| | 7 | 3020035 | 8 | Socketed head cap screw [M6X20 8.8 ZC UNI 5931] |
| | 8 | 5002026 | 4 | Guard (Proximity switch) |
| | 9 | 5002027 | 2 | Support (Proximity switch) |
| | 10 | 3311311 | 4 | Proximity switch |
| | 11 | 3311372 | 1 | Electric wiring |
| | 12 | 3311342 | 2 | |
| | 13 | 3311332 | 2 | |
| | 14 | 5002103 | 1 | |
| | 15 | 3020022 | 2 | Socketed head cap screw [M5X10 8.8 ZC UNI 5931] |
| | 16 | 3311341 | 1 | |
| | 17 | 3060225 | 1 | Grub screw |
| | 18 | 3040391 | 1 | Hexagonal nut (Normal) |
| | 19 | 3311386 | 1 | |
| | 20 | 3010017 | 2 | Hex screw [M6X35 8.8 ZC UNI 5737] |

VALIDO DA Febbraio 2011
VALID FROM February 2011

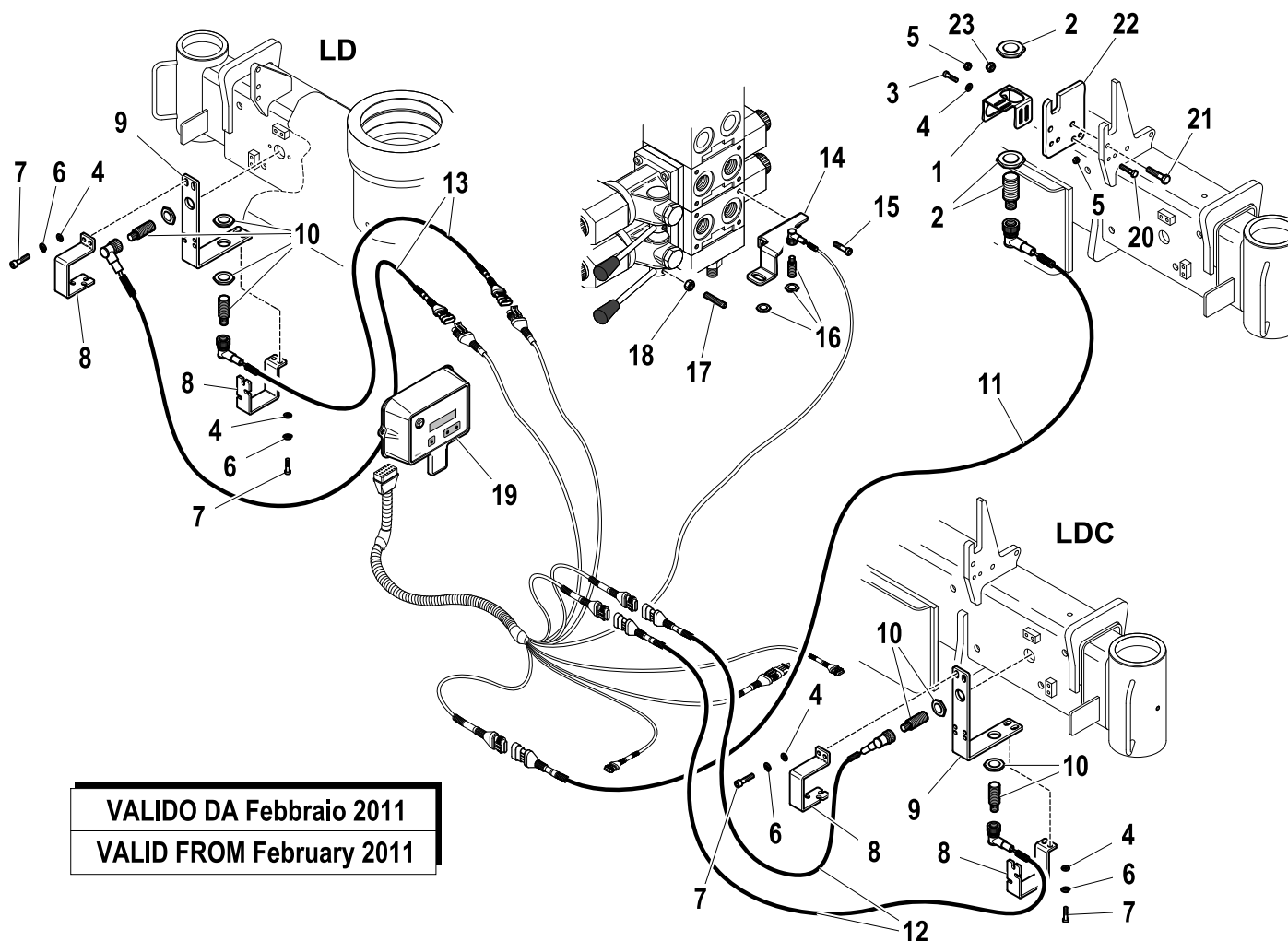
Kit CE (STABILITY CONTROL)

Code

5405052-4.0

2/2

| R | Pos. | Code Variant | Q.ty | Description |
|---|------|--------------|------|-------------------------------|
| | 21 | 3010390 | 1 | Hex screw [M8X35 ZC UNI 5739] |
| | 22 | 5002106 | 1 | Support |
| | 23 | 3040303 | 1 | Stopnut |



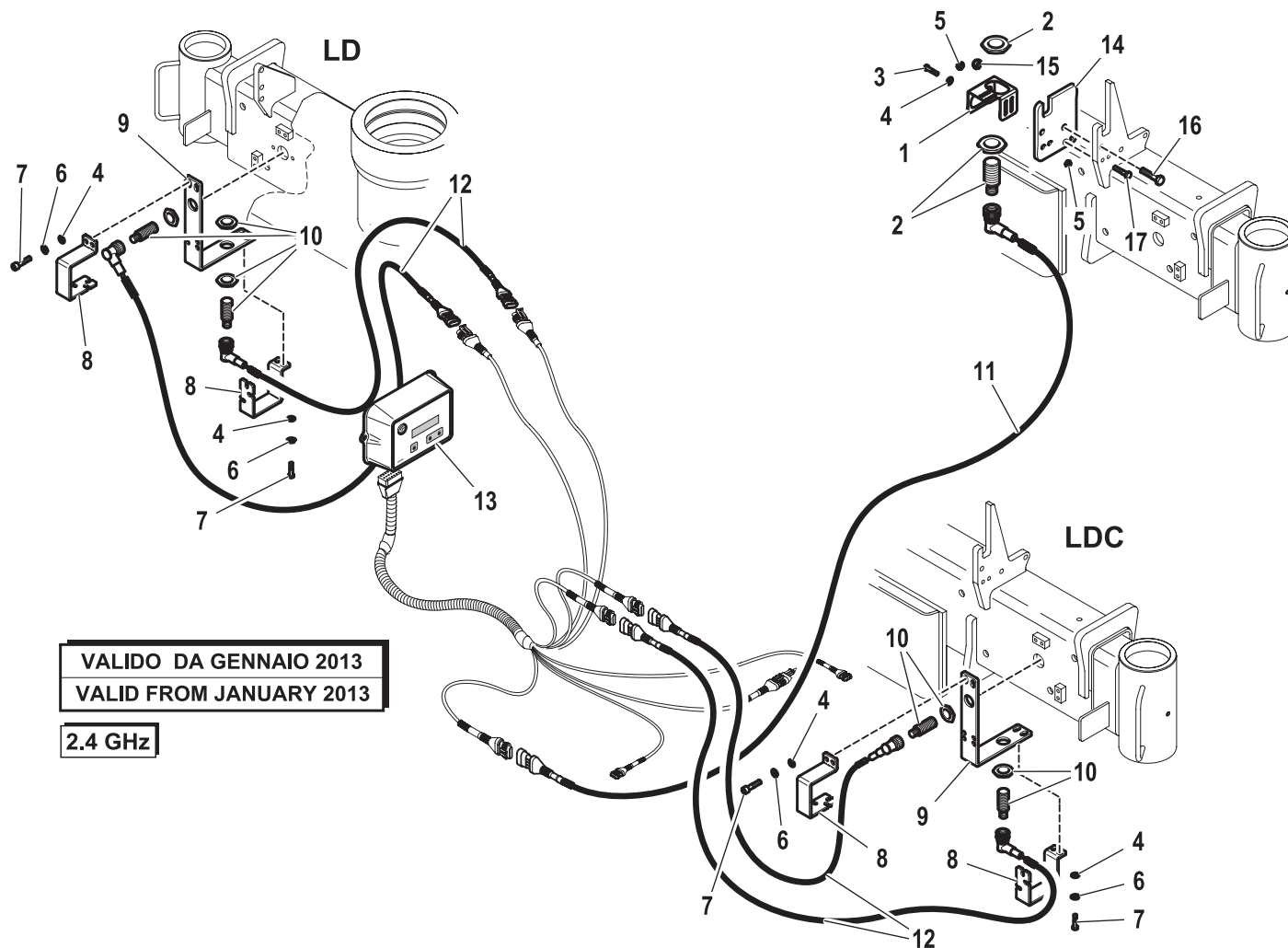
VALIDO DA Febbraio 2011
VALID FROM February 2011

Kit CE (STABILITY CONTROL)

Code

5405052-7.0

1/1



VALIDO DA GENNAIO 2013
VALID FROM JANUARY 2013

2.4 GHz

| R | Pos. | Code Variant | Q.ty | Description |
|---|------|--------------|------|---|
| | 1 | 5002051 | 1 | Support (Proximity switch) |
| | 2 | 3311312 | 1 | Proximity switch |
| | 3 | 3020037 | 2 | Socketed head cap screw [M6X25 8.8 ZC UNI 5931] |
| | 4 | 3060030 | 10 | Flat washer [D.6.6X18 UNI 6593 ZC] |
| | 5 | 3040372 | 4 | Stopnut |
| | 6 | 3060053 | 8 | Split lock washer [D=6.4 C72 ZC] |
| | 7 | 3020035 | 8 | Socketed head cap screw [M6X20 8.8 ZC UNI 5931] |
| | 8 | 5002026 | 4 | Guard (Proximity switch) |
| | 9 | 5002027 | 2 | Support (Proximity switch) |
| | 10 | 3311311 | 4 | Proximity switch |
| | 11 | 3311372 | 1 | Electric wiring |
| | 12 | 3311636 | 4 | Electric wiring |
| | 13 | 3311541 | 1 | Moment limiting device |
| | 14 | 5002106 | 1 | Support |
| | 15 | 3040303 | 1 | Stopnut |
| | 16 | 3010390 | 1 | Hex screw [M8X35 ZC UNI 5739] |
| | 17 | 3010017 | 2 | Hex screw [M6X35 8.8 ZC UNI 5737] |

Moment limiting device (CE)

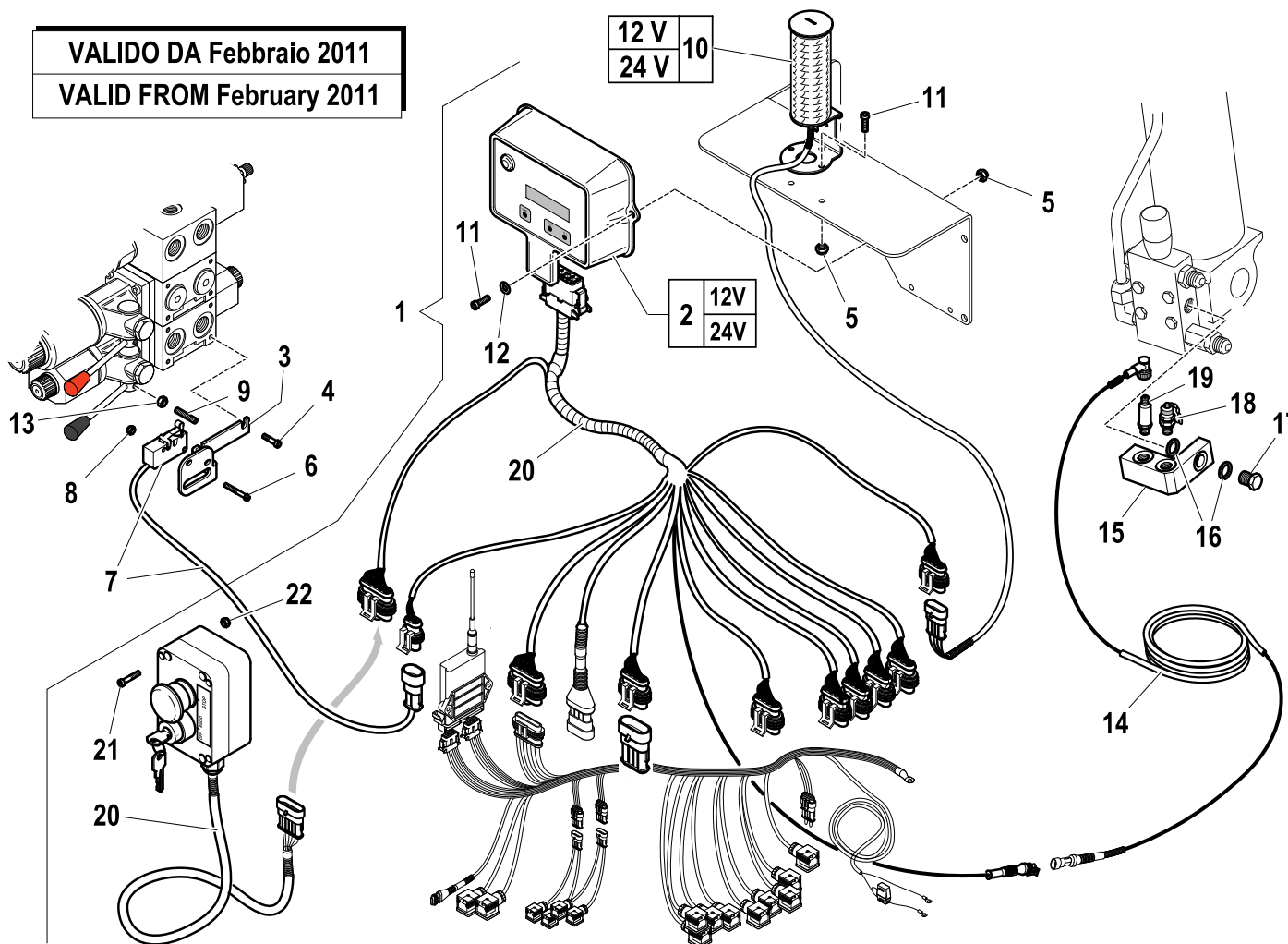
Code

5405052-2.0

1/2

| R | Pos. | Code Variant | Q.ty | Description |
|---|------|--------------|------|---|
| | 1 | 3311345 | 1 | |
| | 2 | 3311386 | 1 | |
| | 3 | 5001842 | 1 | Microswitch support |
| | 4 | 3020022 | 2 | Socket head cap screw [M5X10 8.8 ZC UNI 5931] |
| | 5 | 3040392 | 4 | Stopnut |
| | 6 | 3020879 | 2 | |
| | 7 | 3310885 | 1 | Microswitch (Electric) |
| | 8 | 3040516 | 2 | Stopnut |
| | 9 | 3060223 | 1 | Grub screw |
| | 10 | 3311159 | 1 | Signal Columns |
| | 11 | 3020023 | 4 | Socket head cap screw [M5X16 8.8 ZC UNI 5931] |
| | 12 | 3060004 | 2 | Flat washer [D.5 UNI 6592 ZC] |
| | 13 | 3040391 | 1 | Hexagonal nut (Normal) |
| | 14 | 5160001 | 1 | Electric wiring |
| | 15 | 5002055 | 1 | Manifold (Pick-up) |
| | 16 | 3060143 | 2 | Sealing washer [BSP 1/4"] |
| | 17 | 3110078 | 1 | Bolt (banjo bolt) |
| | 18 | 3111523 | 1 | Pipe fitting (Tapping point) [RACC. MILITES 16X2-1/4"G] |
| | 19 | 3310612 | 1 | Pressure sensor |
| | 20 | 3311384 | 1 | |

VALIDO DA Febbraio 2011
VALID FROM February 2011



Moment limiting device (CE)

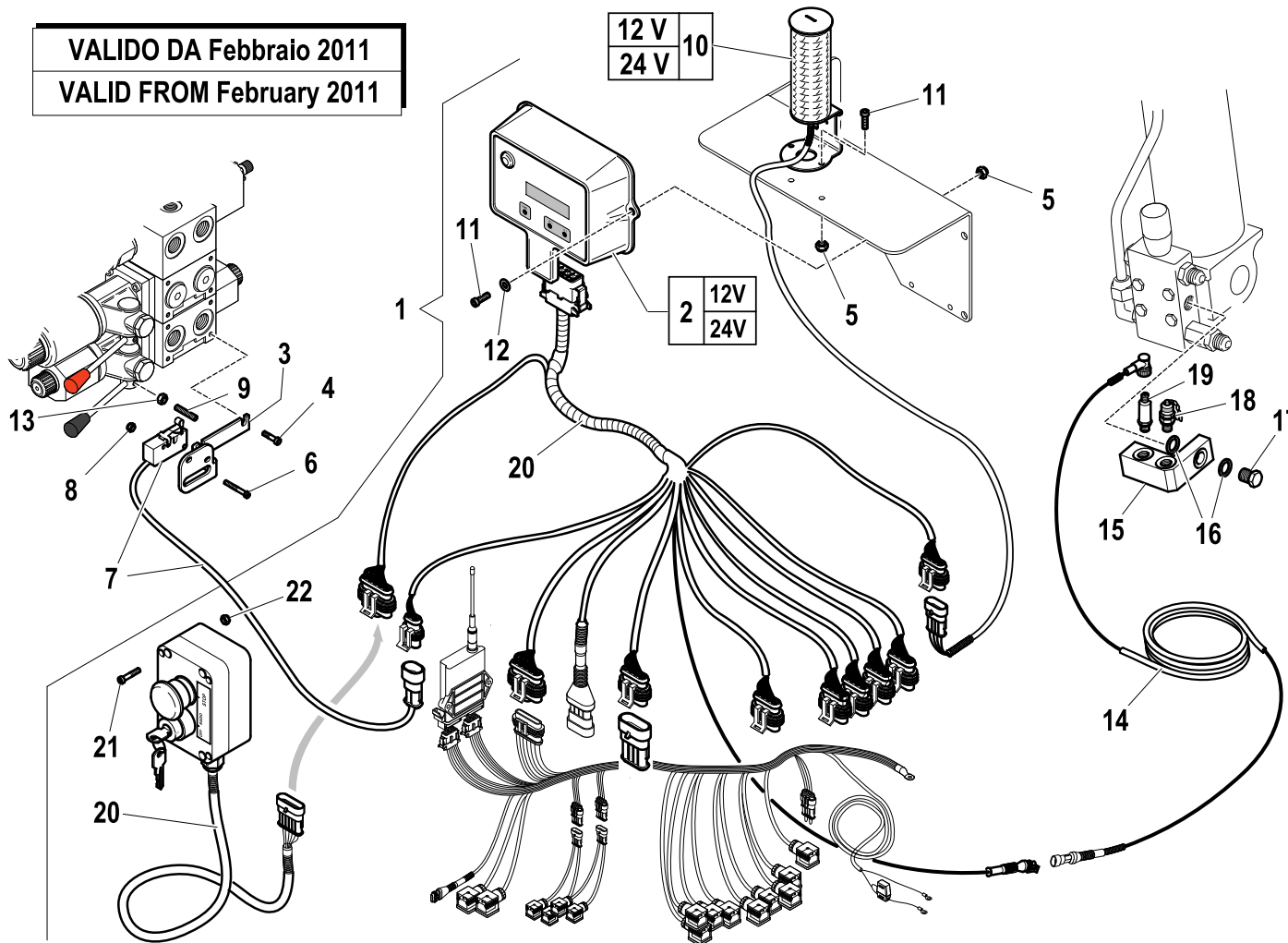
Code

5405052-2.0

2/2

| R | Pos. | Code Variant | Q.ty | Description |
|---|------|--------------|------|---|
| | 21 | 3020885 | 2 | Socket head cap screw [M4X20 8.8 ZC UNI 5931] |
| | 22 | 3040518 | 2 | Stopnut |

VALIDO DA Febbraio 2011
VALID FROM February 2011



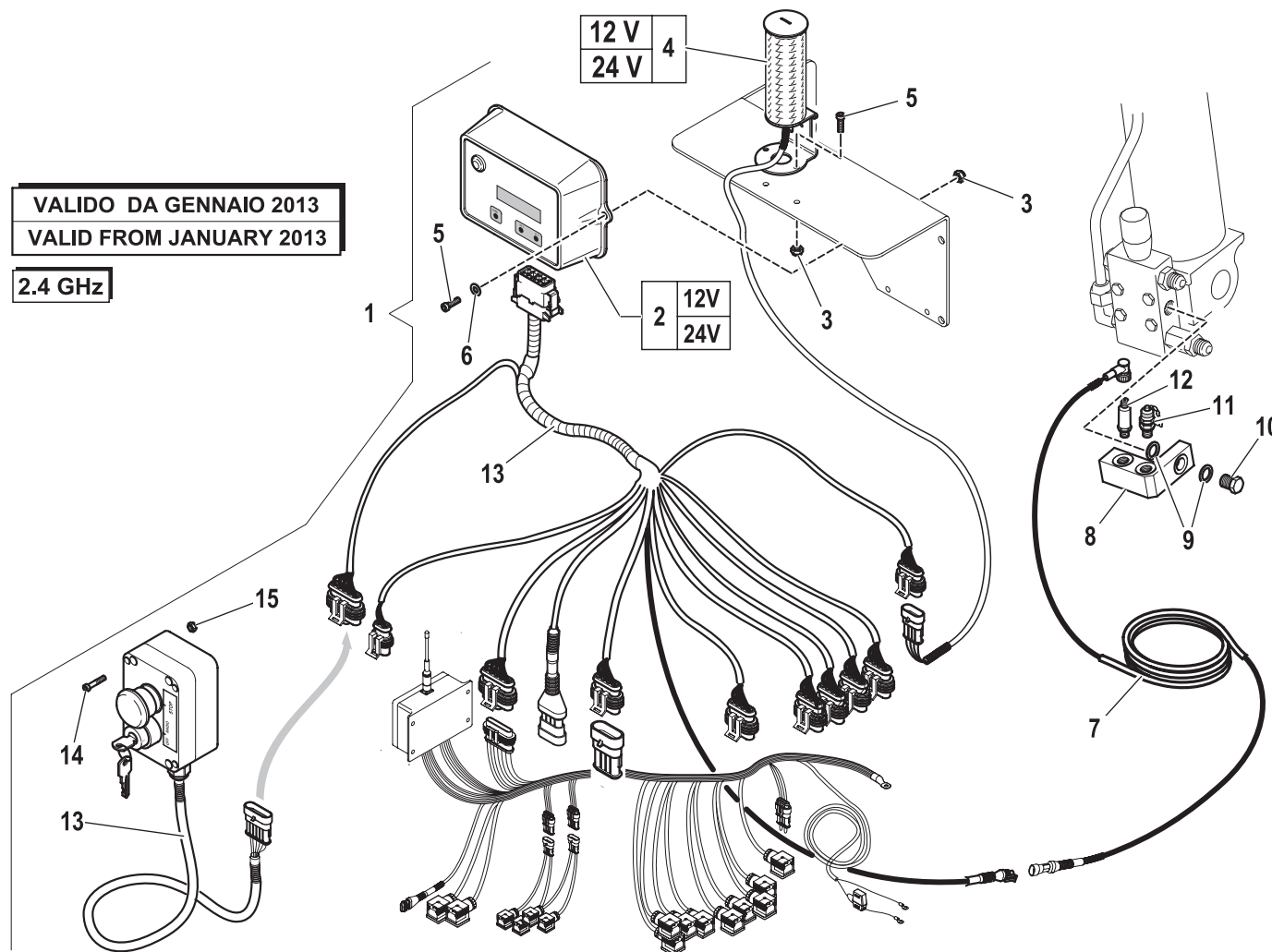
Moment limiting device (EN12999-A3)

Code

5405052-6.0

1/1

VALIDO DA GENNAIO 2013
 VALID FROM JANUARY 2013
 2.4 GHz



| R | Pos. | Code Variant | Q.ty | Description |
|---|------|--------------|------|---|
| | 1 | 3311634 | 1 | Electric wiring |
| | 2 | 3311541 | 1 | Moment limiting device |
| | 3 | 3040392 | 4 | Stopnut |
| | 4 | 3311159 | 1 | Signal Columns |
| | 5 | 3020023 | 4 | Socket head cap screw [M5X16 8.8 ZC UNI 5931] |
| | 6 | 3060004 | 2 | Flat washer [D.5 UNI 6592 ZC] |
| | 7 | 5160001 | 1 | Electric wiring |
| | 8 | 5002055 | 1 | Manifold (Pick-up) |
| | 9 | 3060143 | 2 | Sealing washer [BSP 1/4"] |
| | 10 | 3110078 | 1 | Bolt (banjo bolt) |
| | 11 | 3111523 | 1 | Pipe fitting (Tapping point) [RACC. MILITES 16X2-1/4"G] |
| | 12 | 3310612 | 1 | Pressure sensor |
| | 13 | 3311632 | 1 | Electric wiring |
| | 14 | 3020885 | 2 | Socket head cap screw [M4X20 8.8 ZC UNI 5931] |
| | 15 | 3040518 | 2 | Stopnut |