

Model
HA33

Logbook code
7880878.0
Edition
03/2010



| Page | Table code | Q.ty | Table heading | | Validity |
|------|----------------|------|---|--|----------|
| 5 | 5420104-1.0 | 1 | Base | | |
| 6 | W390451800-1.0 | 1 | STABILIZER ROD (standard) | | |
| 8 | W390451900-1.0 | 1 | STABILIZER ROD (Extra-extensible) | | |
| 10 | 5405043-1.0 | 1 | Kit CE (STABILITY CONTROL) | | |
| 11 | 5411029-2.0 | 1 | CONTROL DEVICES LOCKING FOR OUTRIGGERS LEGS | | |
| 12 | W390450400-1.1 | 1 | STABILISER RAM | | |
| 13 | W390450300-1.1 | 1 | Stabilizer Hydraulic jack | | |
| 14 | W054101-1.1 | 1 | Slewing | | |
| 16 | W520554600-1.0 | 1 | Moment limiting device | | |
| 17 | 5405038-1.0 | 1 | Moment limiting device (CE) | | |
| 18 | 5411082-1.1 | 1 | Motor pump (Electrical equipment) | | |
| 19 | 5411082-2.0 | 1 | Motor pump (Electrical equipment) | | |
| 20 | W338000-1.0 | 1 | Control valve | | |
| 21 | W338035-1.0 | 1 | Control valve (CE) | | |
| 22 | W530551000-1.1 | 1 | Hydraulic oil tank | | |
| 23 | W530551000-2.1 | 1 | Hydraulic oil tank | | |
| 24 | W530551000-1.0 | 1 | Hydraulic oil tank (CE) | | |
| 25 | W530551000-2.0 | 1 | Hydraulic oil tank (CE) | | |
| 26 | W350017-1.0 | 1 | Oil filter | | |
| 27 | 5510956-1.0 | 1 | Set of hoses | | |

| Page | Table code | Q.ty | Table heading | | Validity |
|------|-------------|------|---|--|----------|
| 28 | 5460083-1.0 | 1 | Column | | |
| 29 | 6230178-1.0 | 1 | LIFTING HYDRAULIC CYLINDER (Hydraulic system) | | |
| 30 | 6430178-1.0 | 1 | LIFTING HYDRAULIC CYLINDER | | |
| 31 | 5470093-1.0 | 1 | 1ST BOOM | | |
| 32 | 5490092-1.0 | 1 | 1st EXTENSION | | |
| 33 | 5490092-2.0 | 1 | Extension jacks (Assembly) | | |
| 34 | 6410398-1.0 | 1 | 1st EXSTENSION HYDRAULIC | | |
| 35 | 5530052-1.0 | 1 | 2nd extension | | |
| 36 | 6410399-1.0 | 1 | 2nd EXTENSION HYDRAULIC JACK | | |
| 37 | 5540058-1.0 | 1 | 3rd extension | | |
| 39 | 6210405-1.0 | 1 | 3rd extension Hydraulic jack | | |
| 40 | 5560046-1.0 | 1 | 4th EXTENSION | | |
| 42 | 6410400-1.0 | 1 | 4th extension Hydraulic jack | | |
| 43 | 5590247-1.0 | 1 | 1st ACTIVATION FOR 2S | | |
| 45 | 5590248-1.0 | 1 | 1st ACTIVATION FOR 3S | | |
| 47 | 7800362-1.0 | 1 | 1st mechanical extension (1S) | | |
| 48 | 7800363-1.0 | 1 | 1st mechanical extension (2S) | | |
| 49 | 7800364-1.0 | 1 | 1st mechanical extension (3S) | | |
| 50 | 7800365-1.0 | 1 | 1st mechanical extension (4S) | | |
| 51 | 7881872-1.0 | 1 | LOAD INDICATION SYSTEM | | |

| Page | Table code | Q.ty | Table heading | Validity |
|------|---------------|------|--|----------|
| 52 | 5750385-1.0 | 1 | Completion parts | |
| 53 | 5750385-2.0 | 1 | Completion parts | |
| 55 | HA33 X | | | |
| 56 | 5400483-1.0 | 1 | CONTROLS | |
| 58 | 5402246-1.0 | 1 | Control unit (RDC / NOCE) | |
| 60 | 5220416-1.0 | 1 | Control valve (4 section) | |
| 62 | 5400814-1.0 | 1 | High pressure filter | |
| 63 | 7892099-2.0 | 1 | Complete wireless control (not CE) | |
| 65 | 7892500-1.0 | 1 | Complete wireless control (PTO) | |
| 67 | 5400482-1.0 | 1 | ELECTRICS CONTROLS | |
| 68 | 5402259-1.0 | 1 | ELECTRICS CONTROLS (ETR) | |
| 69 | 7920056-1.0 | 1 | HYDRAULIC SYSTEM GAUGE | |
| 70 | 5411037-1.0 | 1 | Articulation Hydraulic jack (Hydraulic system) | |
| 71 | 5405017-2.0 | 1 | Moment limiting device | |
| 72 | 3310183-1.0 | 1 | Kit (Wireless control) | |
| 74 | 7892500-4.0 | 1 | Complete wireless control (ETR) | |
| 76 | 5405017-1.0 | 1 | Auxiliary wiring | |
| 77 | 3310822-1.0 | 1 | Light column | |
| 78 | 5405017-3.0 | 1 | Auxiliary wiring (Limiting device) | |
| 79 | 7881784-1.0 | 1 | LOAD INDICATION SYSTEM | |

| Page | Table code | Q.ty | Table heading | Validity |
|------|--------------------------|------|-------------------------------------|----------|
| 80 | 7834068-1.0 | 1 | WINCH KIT | |
| 81 | 7834068-2.0 | 1 | ACTUATION FOR WINCH | |
| 82 | 7834068-3.0 | 1 | WINCH KIT (Electrical equipment) | |
| 83 | HA33 X EN12999-A3 | | | |
| 84 | 5401470-1.0 | 1 | Control unit (RDC) | |
| 86 | 5402252-1.0 | 1 | Control unit (RDC / CE) | |
| 88 | 5220416-2.0 | 1 | Control valve (4 section) | |
| 90 | 5405049-1.0 | 1 | Kit CE (STABILITY CONTROL) | |
| 91 | 5405049-3.0 | 1 | STABILITY CONTROL (EN12999-A3) | |
| 92 | 5405046-1.0 | 1 | Moment limiting device (CE) | |
| 94 | 5405046-3.0 | 1 | Moment limiting device (CE) | |
| 95 | 7892099-3.0 | 1 | Kit (Wireless control) | |
| 97 | 7892500-2.0 | 1 | Complete wireless control (PTO) | |
| 99 | 5401528-1.0 | 1 | ELECTRICS CONTROLS (EN12999-A3) | |
| 101 | 5402262-1.0 | 1 | ELECTRICS CONTROLS (EN12999-A3) | |
| 103 | 5405049-2.0 | 1 | Kit CE (STABILITY CONTROL) | |
| 104 | 5405049-4.0 | 1 | STABILITY CONTROL (EN12999-A3) | |
| 105 | 5405046-2.0 | 1 | Moment limiting device (CE) | |
| 106 | 5405046-4.0 | 1 | Moment limiting device (EN12999-A3) | |
| 107 | 7892099-5.0 | 1 | Kit (Wireless control) | |



Table index

Logbook code

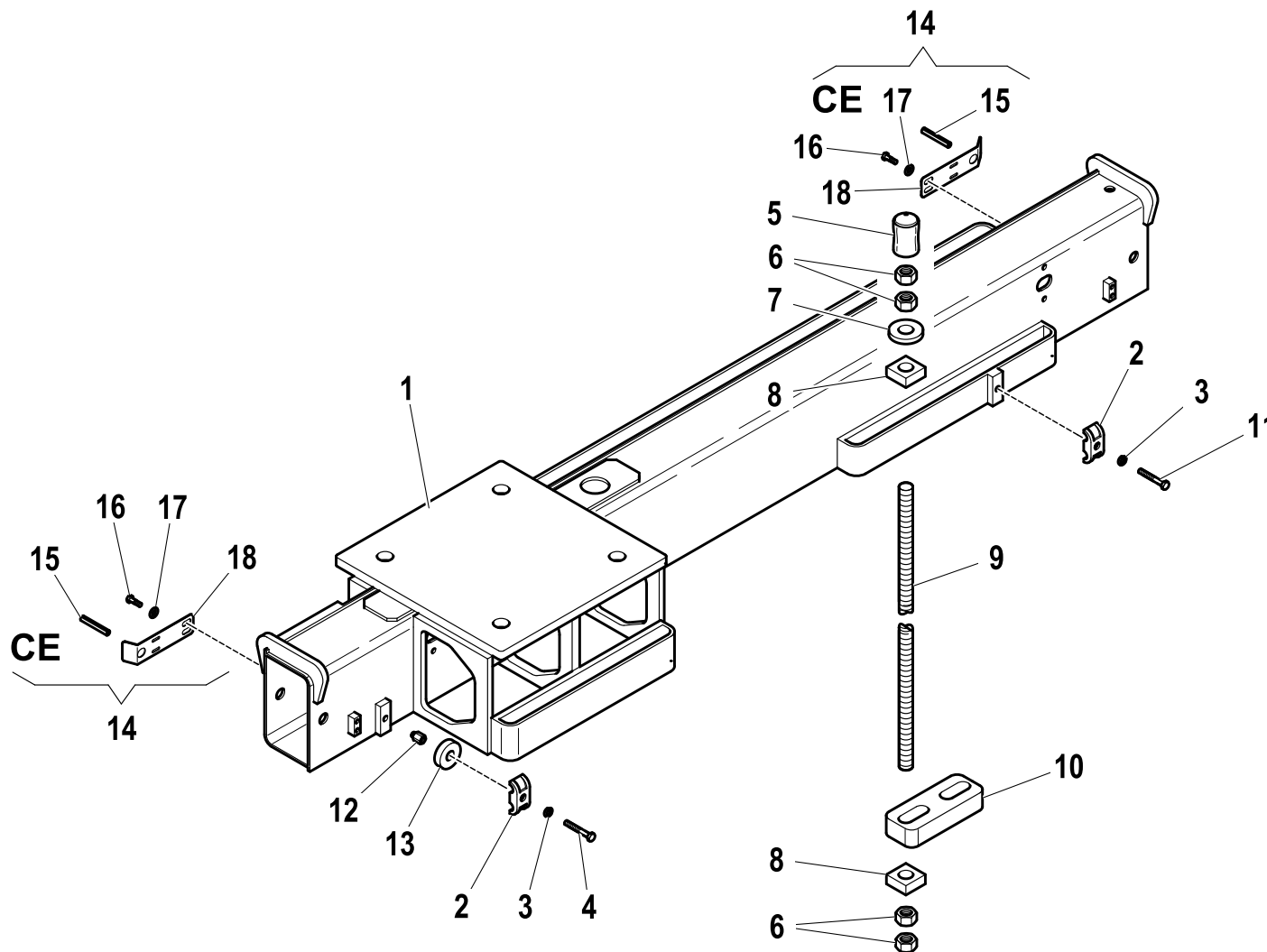
7880878.0

3/3

| Page | Table code | Q.ty | Table heading | Validity |
|------|-------------|------|--|----------|
| 109 | 7892500-3.0 | 1 | Complete wireless control (EN12999-A3) | |

| Page | Table code | Q.ty | Table heading | Validity |
|------|------------|------|---------------|----------|
|------|------------|------|---------------|----------|





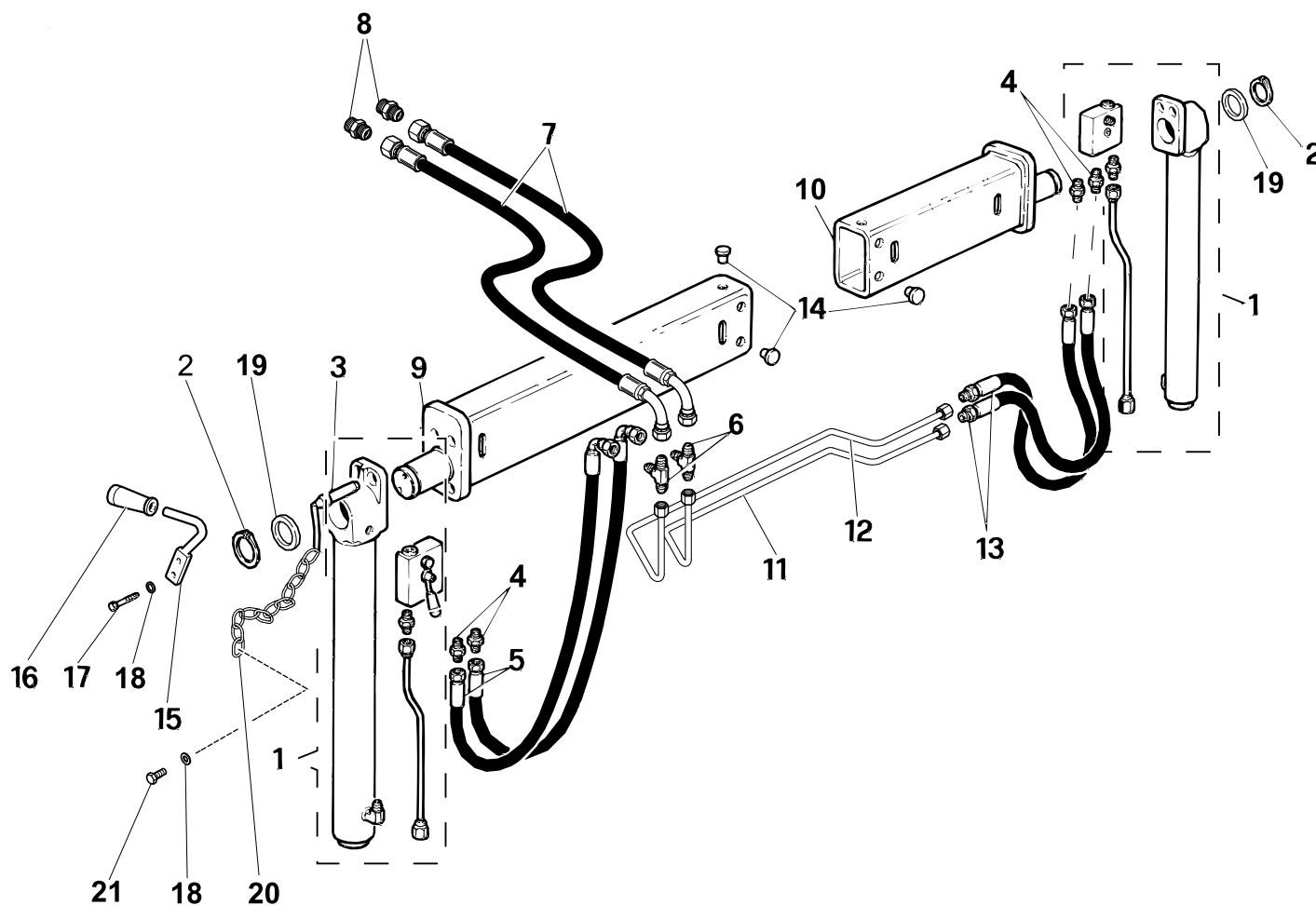
| R | Pos. | Code Variant | Q.ty | Description |
|---|------|--------------|------|--------------------------------------|
| | 1 | 5060176 | 1 | Base |
| | 2 | 5000077 | 2 | |
| | 3 | 3060006 | 2 | Flat washer [D.8 UNI 6592 ZC] |
| | 4 | 3010339 | 1 | Hex screw [M8X25 8.8 ZC IF UNI 5739] |
| | 5 | 3190290 | 8 | |
| | 6 | 3040186 | 32 | Nut |
| | 7 | 3060023 | 8 | Flat washer |
| | 8 | 5000084 | 16 | |
| | 9 | W738019 | 8 | |
| | 10 | W010000200 | 4 | |
| | 11 | 3010030 | 1 | Hex screw [M8X35 8.8 ZC UNI 5737] |
| | 12 | W340501300 | 1 | |
| | 13 | W340501400 | 1 | |
| | 14 | W360451200 | 2 | |
| | 15 | 3060026 | 2 | |
| | 16 | 3010323 | 4 | Hex screw [M6X10 8.8 ZC UNI 5739] |
| | 17 | 3060005 | 4 | Flat washer [D.6.4 UNI 6592 ZC] |
| | 18 | 3060685 | 2 | |

STABILIZER ROD (standard)

Code

W390451800-1.0

1/2



| R | Pos. | Code Variant | Q.ty | Description |
|---|------|--------------|------|-----------------------------------|
| | 1 | W390450400 | 2 | |
| | 2 | 3070052 | 2 | Seeger |
| | 3 | W101219 | 2 | |
| | 4 | 3101039 | 4 | Straight pipe fitting |
| | 5 | W456064 | 2 | |
| | 6 | 3101080 | 2 | Tee fitting |
| | 7 | 5261119 | 2 | Flexible hose |
| | 8 | 3101040 | 2 | Straight pipe fitting |
| | 9 | W400400100 | 1 | |
| | 10 | W390400200 | 1 | |
| | 11 | 5390209 | 1 | |
| | 12 | 5390224 | 1 | |
| | 13 | W456859 | 2 | |
| | 14 | W370400700 | 14 | Button (Coupling backlash) |
| | 15 | W370401800 | 2 | |
| | 16 | W664018 | 2 | |
| | 17 | 3010325 | 4 | Hex screw [M6X16 8.8 ZC UNI 5739] |
| | 18 | 3060005 | 6 | Flat washer [D.6.4 UNI 6592 ZC] |
| | 19 | 5000183 | 2 | |
| | 20 | 3000018 | 2 | |

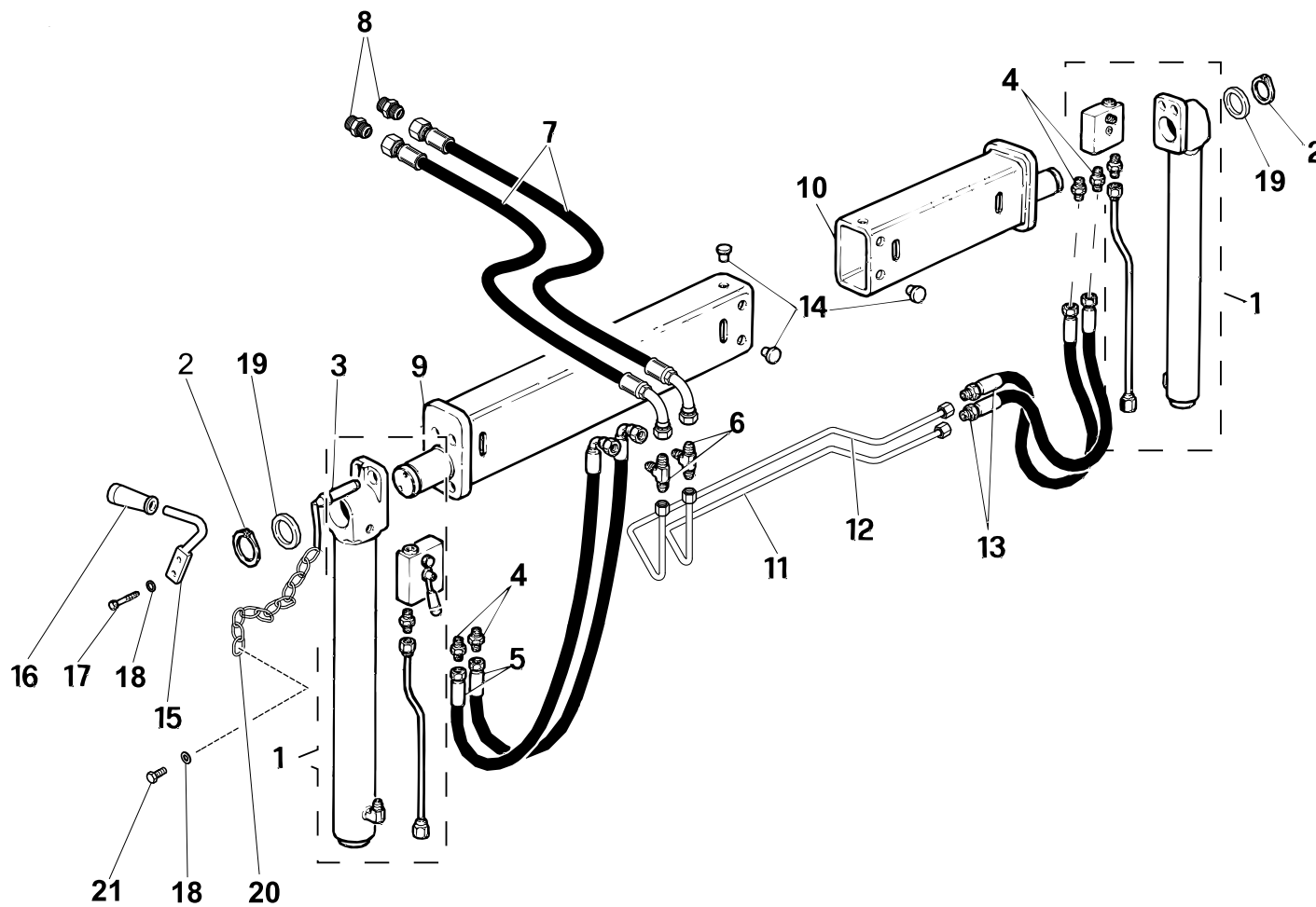
STABILIZER ROD (standard)

Code

W390451800-1.0

2/2

| R | Pos. | Code Variant | Q.ty | Description |
|---|------|--------------|------|-----------------------------------|
| | 21 | 3010323 | 2 | Hex screw [M6X10 8.8 ZC UNI 5739] |

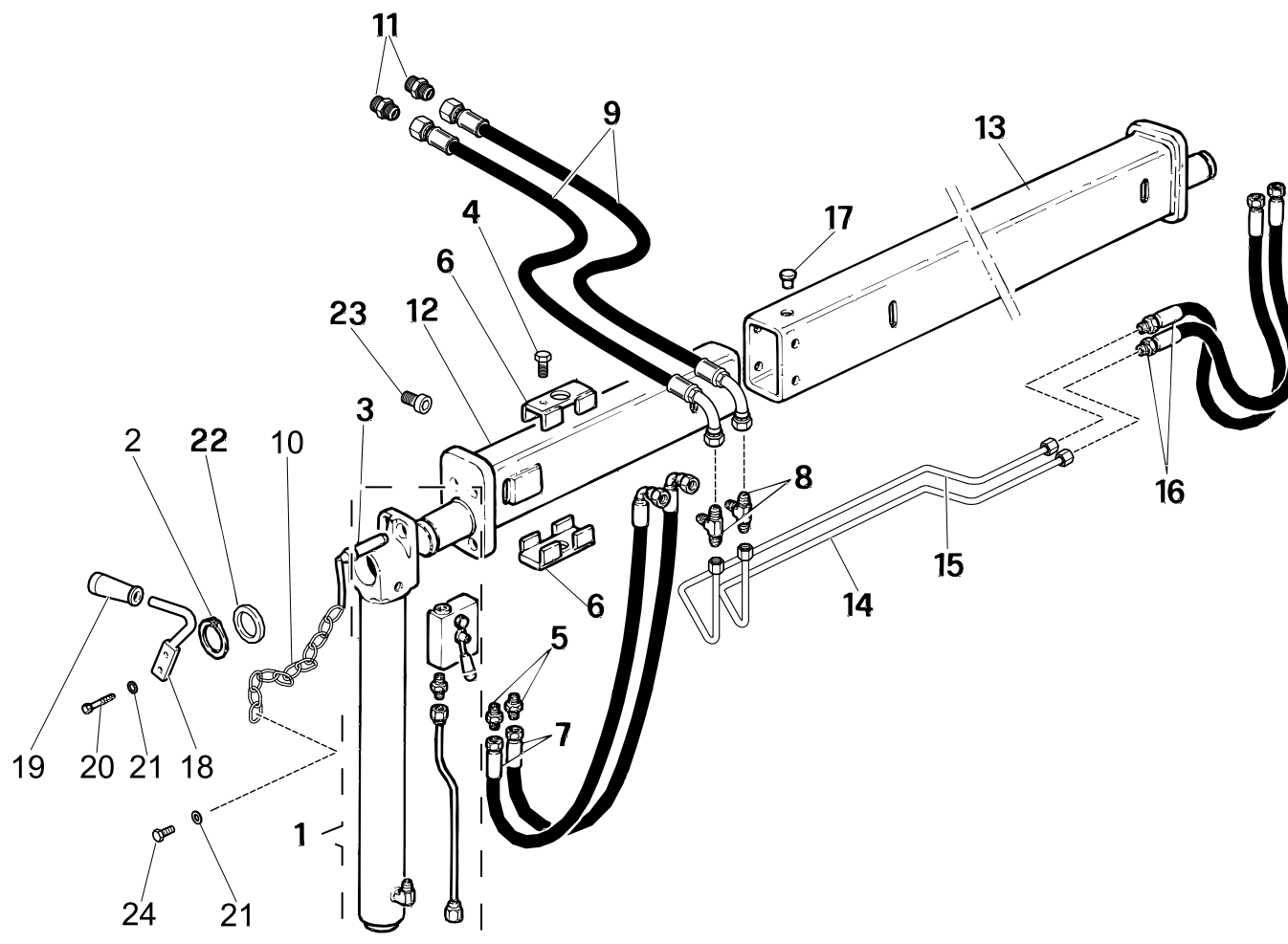


STABILIZER ROD (Extra-extensible)

Code

W390451900-1.0

1/2



| R | Pos. | Code Variant | Q.ty | Description |
|---|------|--------------|------|------------------------------------|
| | 1 | W390450400 | 2 | |
| | 2 | 3070052 | 2 | Seeger |
| | 3 | W101219 | 2 | |
| | 4 | 3010354 | 2 | Hex screw [M10X20 8.8 ZC UNI 5739] |
| | 5 | 3101039 | 4 | Straight pipe fitting |
| | 6 | W390401000 | 2 | |
| | 7 | W456052 | 2 | |
| | 8 | 3101080 | 2 | Tee fitting |
| | 9 | 5261119 | 2 | Flexible hose |
| | 10 | 3000018 | 2 | |
| | 11 | 3101040 | 2 | Straight pipe fitting |
| | 12 | W390400900 | 1 | |
| | 13 | W390400800 | 1 | |
| | 14 | 5390209 | 1 | |
| | 15 | 5390224 | 1 | |
| | 16 | W456872 | 2 | |
| | 17 | W370400700 | 14 | Button (Coupling backlash) |
| | 18 | W370401800 | 2 | |
| | 19 | W664018 | 2 | |
| | 20 | 3010325 | 4 | Hex screw [M6X16 8.8 ZC UNI 5739] |

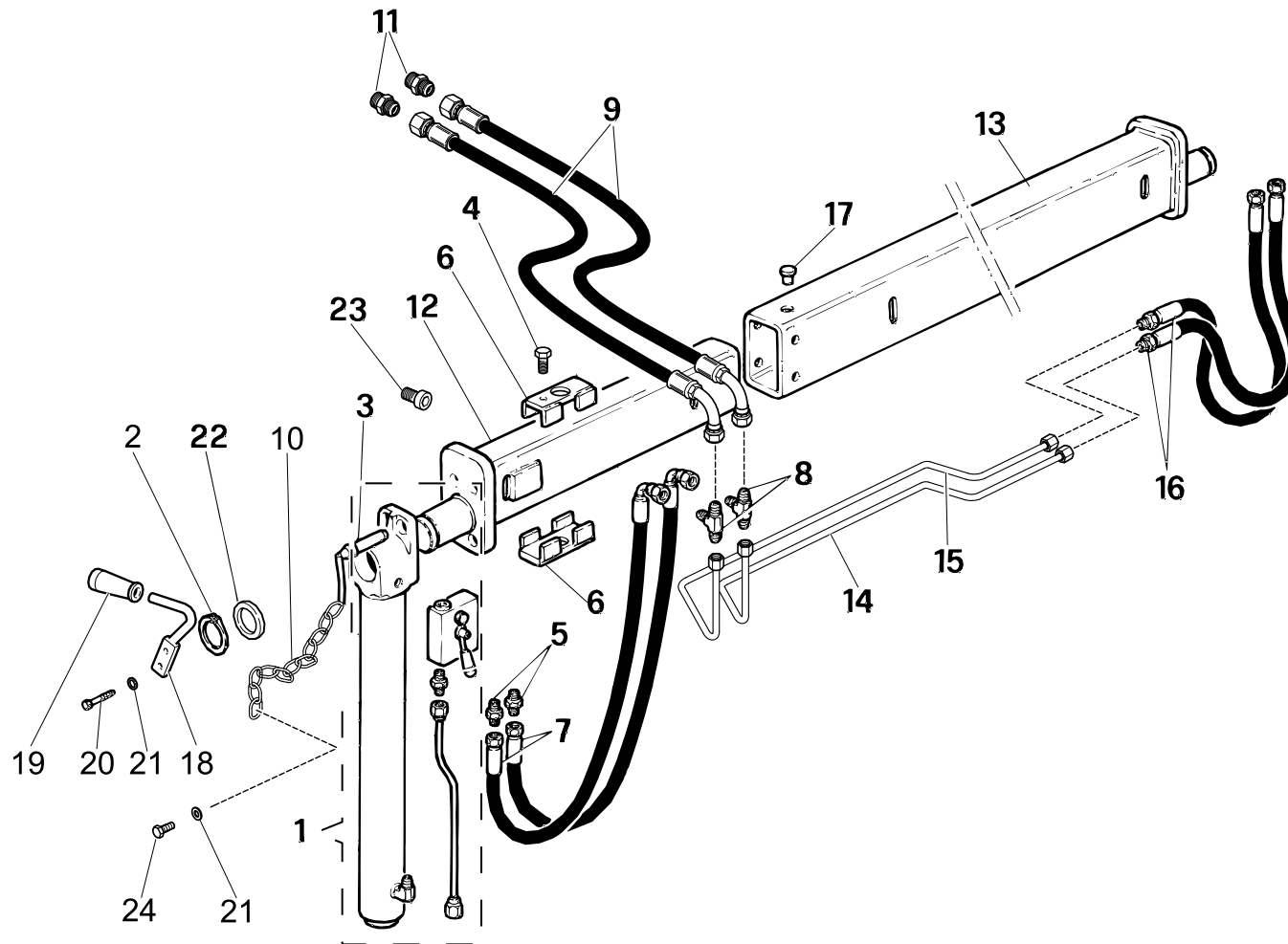
STABILIZER ROD (Extra-extendible)

Code

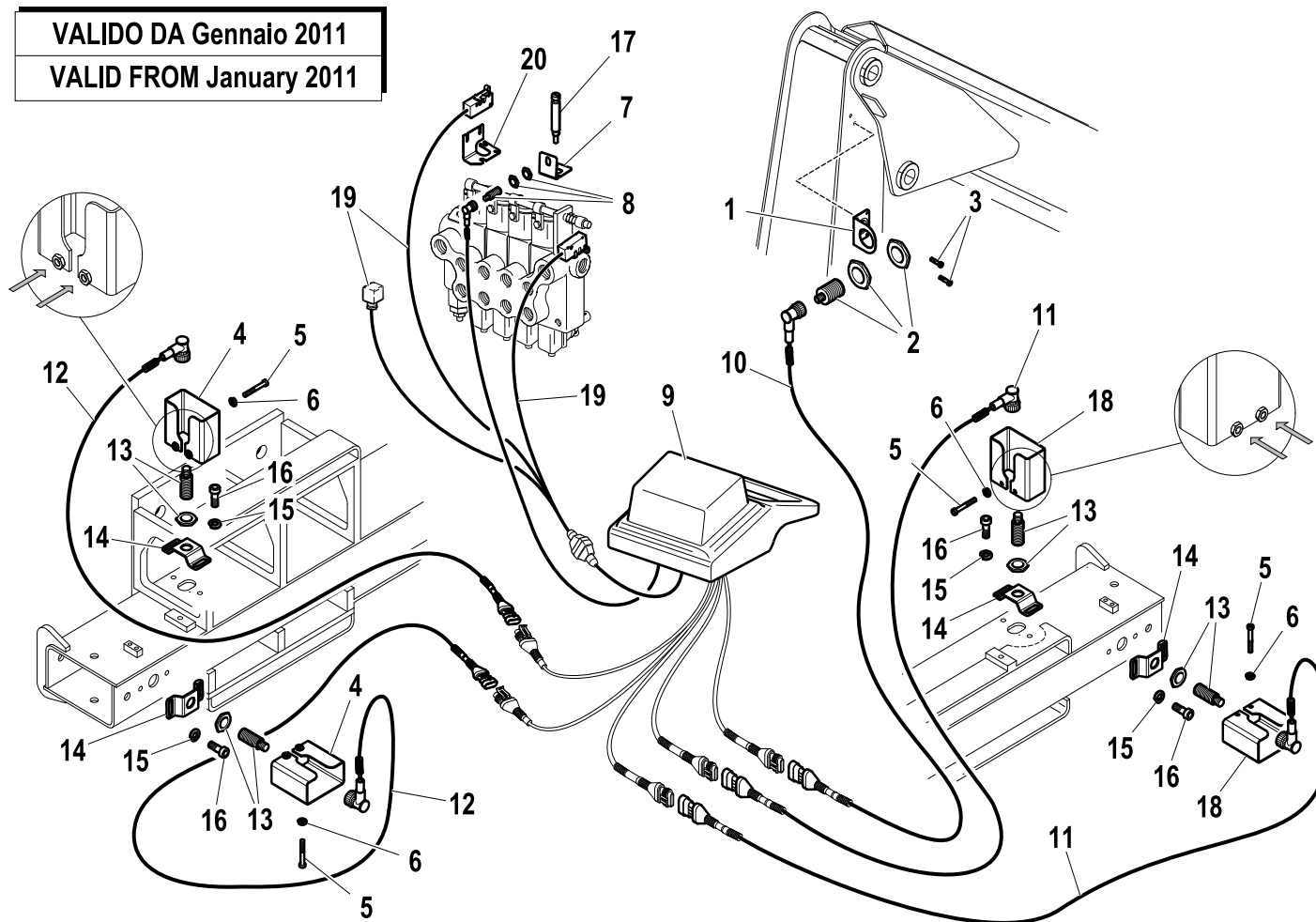
W390451900-1.0

2/2

| R | Pos. | Code Variant | Q.ty | Description |
|---|------|--------------|------|-----------------------------------|
| | 21 | 3060005 | 6 | Flat washer [D.6.4 UNI 6592 ZC] |
| | 22 | 5000183 | 2 | |
| | 23 | 3020033 | 1 | |
| | 24 | 3010323 | 2 | Hex screw [M6X10 8.8 ZC UNI 5739] |



VALIDO DA Gennaio 2011
VALID FROM January 2011



| R | Pos. | Code Variant | Q.ty | Description |
|---|------|--------------|------|---|
| | 1 | 5000426 | 1 | Support (Proximity switch) |
| | 2 | 3311312 | 1 | Proximity switch |
| | 3 | 3020895 | 2 | Socketed head cap screw [M4X10 8.8 ZC UNI 5931] |
| | 4 | 5091310 | 2 | Guard (Proximity switch) |
| | 5 | 3020045 | 8 | Socketed head cap screw [M6X45 8.8 ZC UNI 5931] |
| | 6 | 3060053 | 8 | Split lock washer [D=6.4 C72 ZC] |
| | 7 | 5000193 | 1 | |
| | 8 | 3311341 | 1 | |
| | 9 | 3311339 | 1 | |
| | 10 | 3311350 | 1 | Electric wiring |
| | 11 | 3311343 | 2 | |
| | 12 | 3311342 | 2 | |
| | 13 | 3311311 | 4 | Proximity switch |
| | 14 | 5000420 | 4 | Support (Proximity switch) |
| | 15 | 3060055 | 8 | Split lock washer [D=8.4 C72 ZC] |
| | 16 | 3020902 | 8 | Socketed head cap screw [M8X10 ZC UNI 5931] |
| | 17 | 5150033 | 1 | |
| | 18 | 5091306 | 2 | Guard (Proximity switch) |
| | 19 | 3311344 | 1 | |
| | 20 | W520501900 | 1 | |

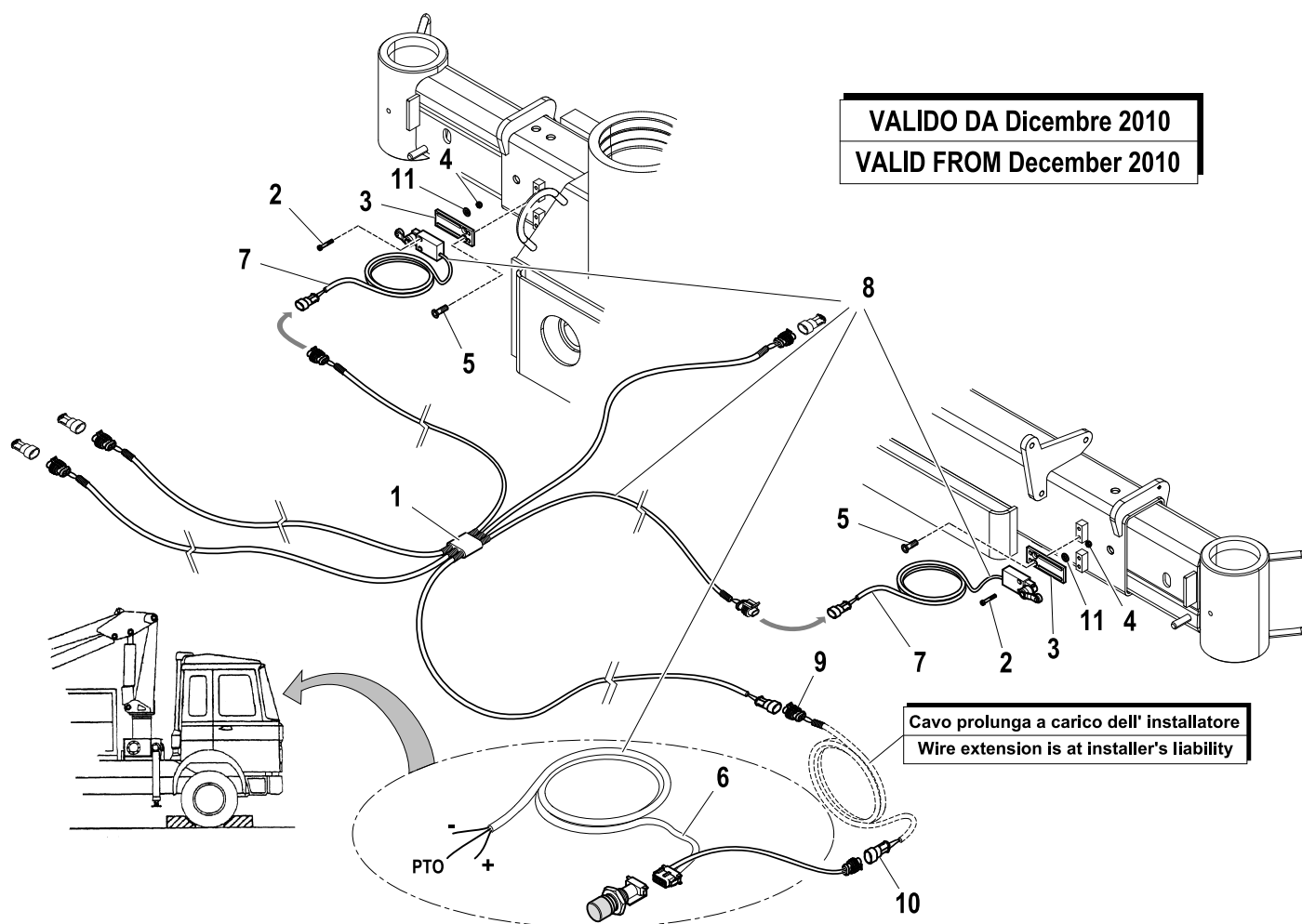
CONTROL DEVICES LOCKING FOR OUTRIGGERS LEGS

Code

5411029-2.0

1/1

| R | Pos. | Code Variant | Q.ty | Description |
|---|------|--------------|------|---|
| | 1 | 3311353 | 1 | |
| | 2 | 3020014 | 4 | Socketed head cap screw [M4X25X0.7 8.8 ZC UNI 5931] |
| | 3 | 5000218 | 2 | |
| | 4 | 3040041 | 4 | Nut |
| | 5 | 3020436 | 4 | TSEI screw [M6X10 ZC UNI 5933] |
| | 6 | 3311354 | 1 | |
| | 7 | 3311356 | 2 | |
| | 8 | 3311352 | 1 | |
| | 9 | 3310431 | 1 | |
| | 10 | 3310432 | 1 | |
| | 11 | 3060003 | 4 | Flat washer [D.4 UNI 6592 ZC] |



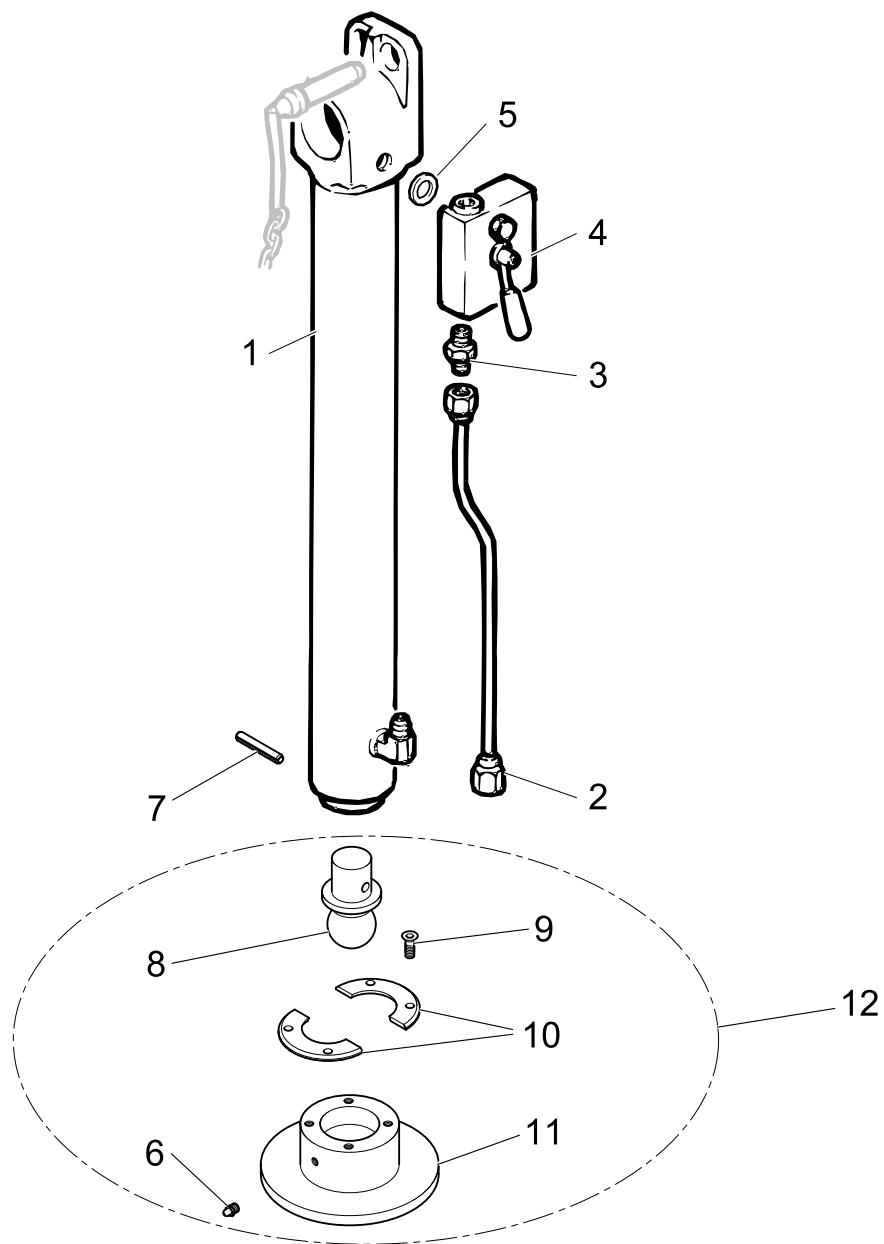
STABILISER RAM

Code

W390450400-1.1

1/1

| R | Pos. | Code Variant | Q.ty | Description |
|---|------|--------------|------|-------------------------------------|
| | 1 | W390450300 | 1 | |
| | 2 | W390506200 | 1 | |
| | 3 | 3101039 | 1 | Straight pipe fitting |
| | 4 | W470053 | 1 | Manually operated valve |
| | 5 | 3060143 | 1 | Sealing washer [BSP 1/4"] |
| | 6 | 3080512 | 1 | Grease nipple |
| | 7 | 3060632 | 1 | Spring pin |
| | 8 | 4160397 | 1 | |
| | 9 | 3020452 | 4 | TSEI screw [M8X16 10.9 ZC UNI 5933] |
| | 10 | 4160398 | 1 | |
| | 11 | 5090815 | 1 | |
| | 12 | 5920002 | 1 | |

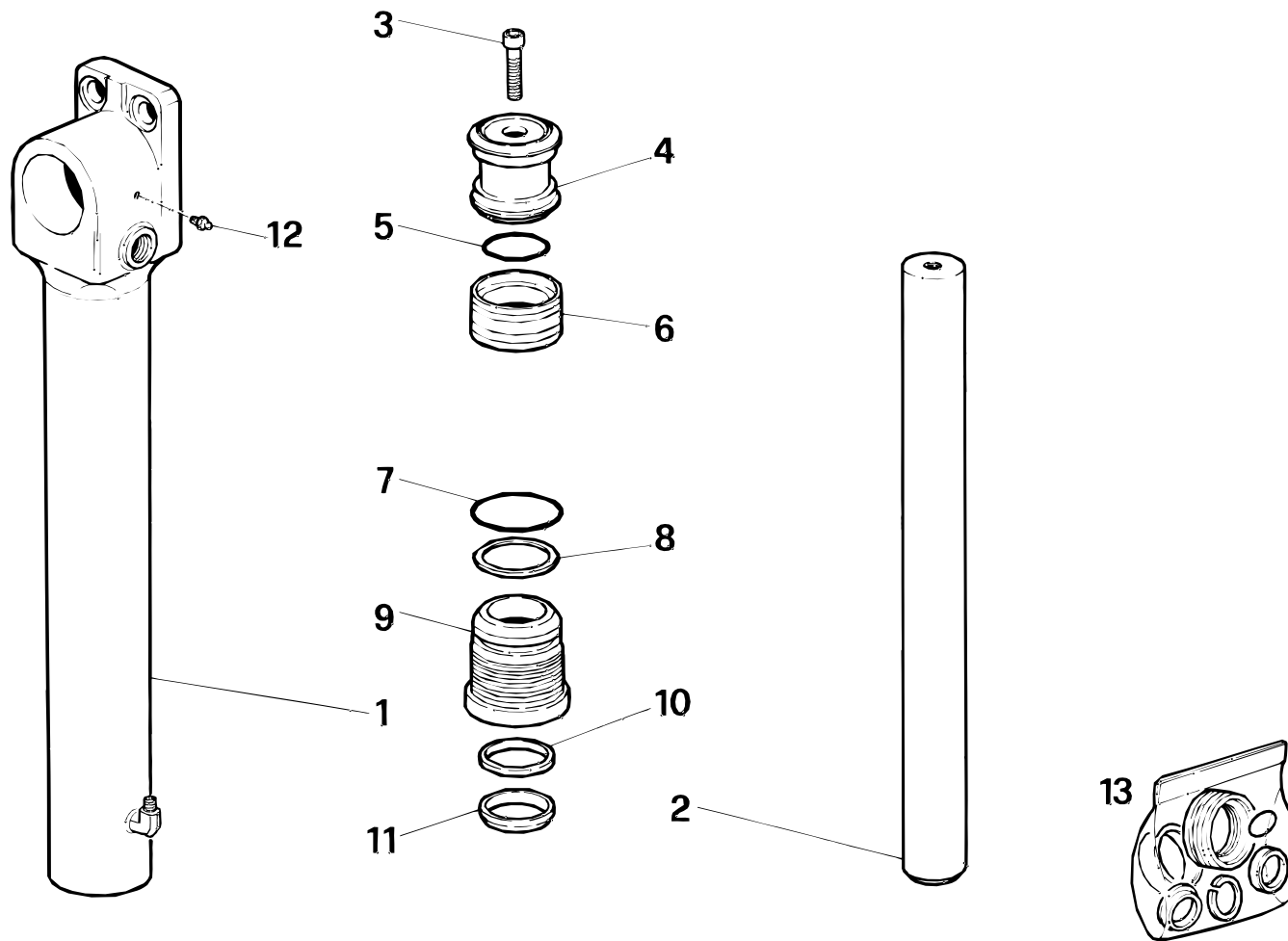


Stabilizer Hydraulic jack

Code

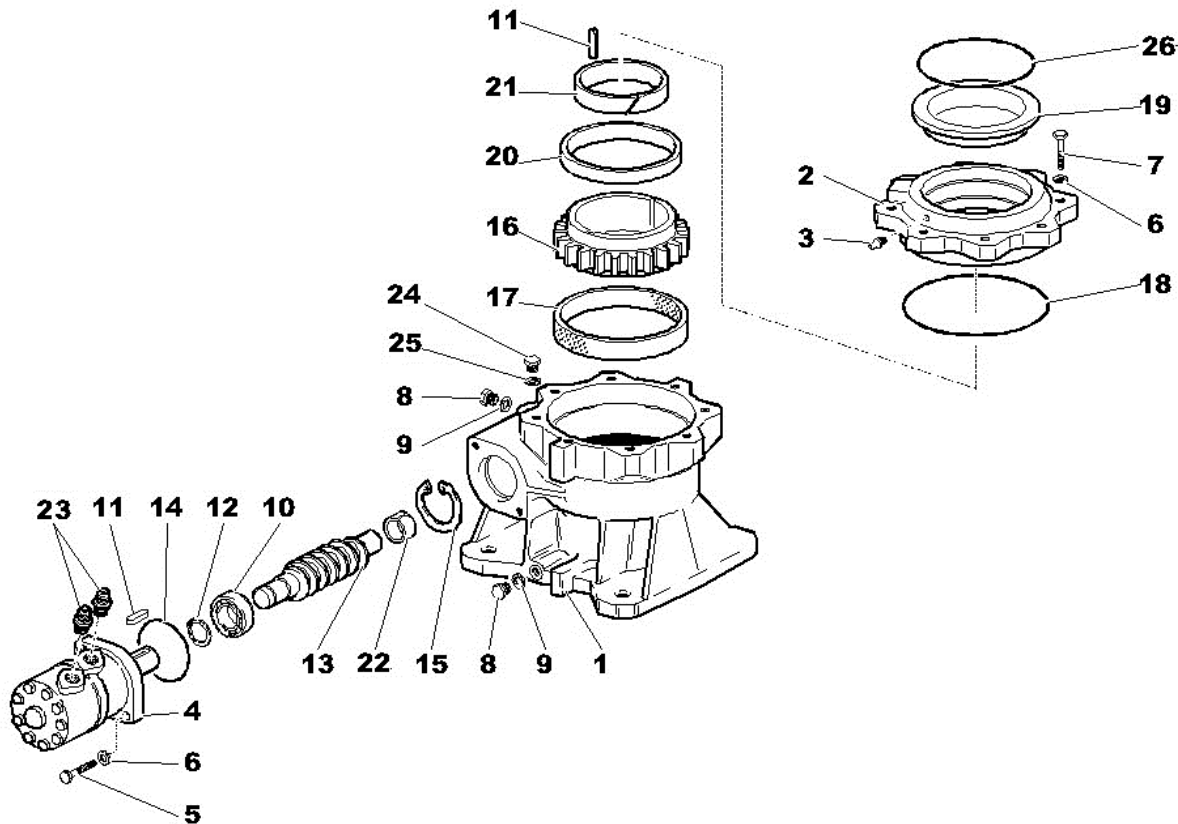
W390450300-1.1

1/1



| R | Pos. | Code Variant | Q.ty | Description |
|---|------|--------------|------|--|
| | 1 | W390400600 | 1 | |
| | 2 | W390402900 | 1 | |
| | 3 | 3020094 | 1 | Socket head cap screw [M12X40 8.8 ZC UNI 5931] |
| | 4 | W105057 | 1 | |
| | 5 | W360041 | 1 | |
| | 6 | W359017 | 1 | |
| | 7 | W360012 | 1 | |
| | 8 | W304023 | 1 | |
| | 9 | W120106 | 1 | |
| | 10 | W358010 | 1 | |
| | 11 | W361016 | 1 | |
| | 12 | 3080500 | 1 | Grease nipple |
| | 13 | W365058 | 1 | |

390450300-1-0



| R | Pos. | Code Variant | Q.ty | Description |
|---|------|--------------|------|---|
| | 1 | W540100100 | 1 | |
| | 2 | W540100400 | 1 | |
| | 3 | 3080500 | 1 | Grease nipple |
| | 4 | W379008 | 1 | |
| | 5 | 3020099 | 2 | Socket head cap screw [M12X35 10.9 ZC UNI 5931] |
| | 6 | 3060018 | 10 | Flat washer [D.12 UNI 6592 ZC] |
| | 7 | 3010372 | 8 | Hex screw [M12X50 8.8 ZC UNI 5740] |
| | 8 | 3110062 | 2 | Plug |
| | 9 | 3060143 | 2 | Sealing washer [BSP 1/4"] |
| | 10 | W568302 | 1 | |
| | 11 | W545002 | 2 | |
| | 12 | 3070038 | 1 | Seeger |
| | 13 | W540101500 | 1 | |
| | 14 | W360101 | 1 | |
| | 15 | 3070208 | 1 | Seeger |
| | 16 | W540101600 | 1 | |
| | 17 | W102171 | 1 | |
| | 18 | W360107 | 1 | |
| | 19 | W540101000 | 1 | |
| | 20 | W540101700 | 1 | |

66410-1.4

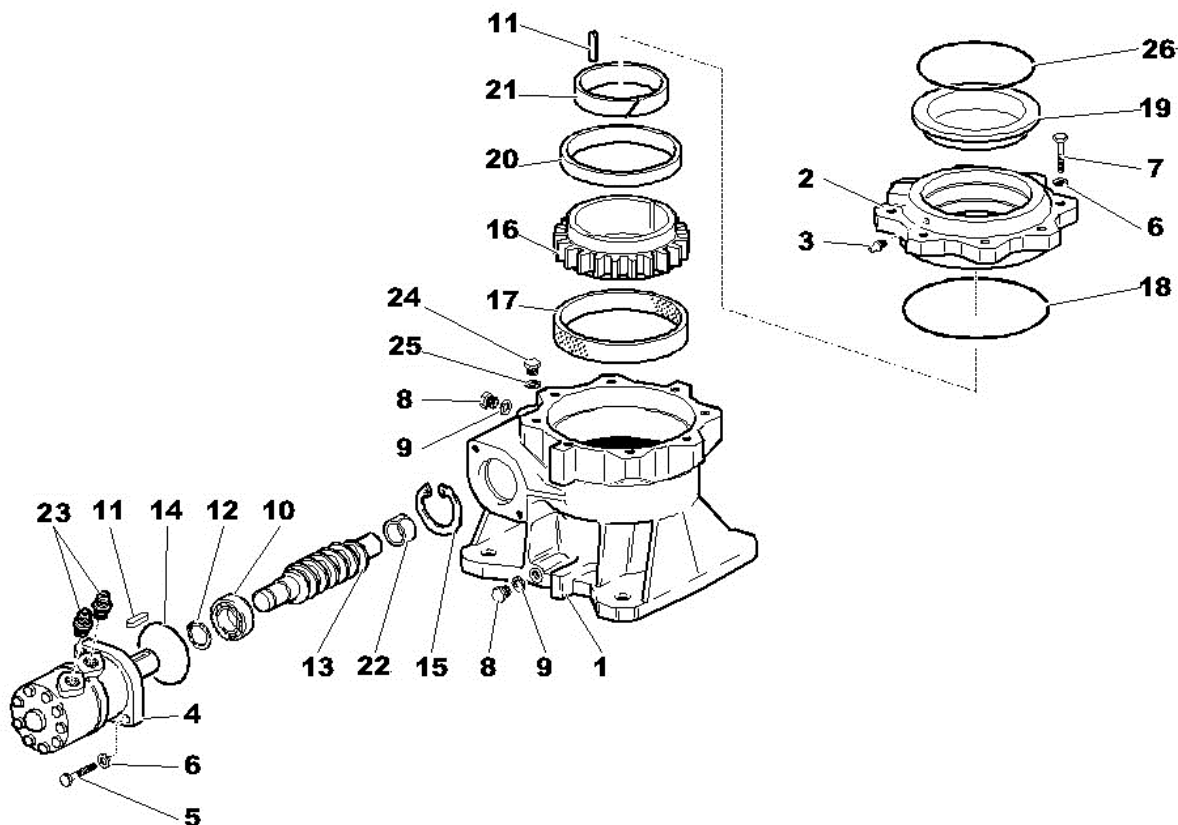
Slewing

Code

W054101-1.1

2/2

| R | Pos. | Code Variant | Q.ty | Description |
|---|------|--------------|------|---------------------------|
| | 21 | 5141048 | 1 | |
| | 22 | W102134 | 1 | |
| | 23 | 3101041 | 2 | Straight pipe fitting |
| | 24 | 3110061 | 1 | Plug |
| | 25 | 3060144 | 1 | Sealing washer [BSP 3/8"] |
| | 26 | W360108 | 1 | |



054101-1.1

Moment limiting device

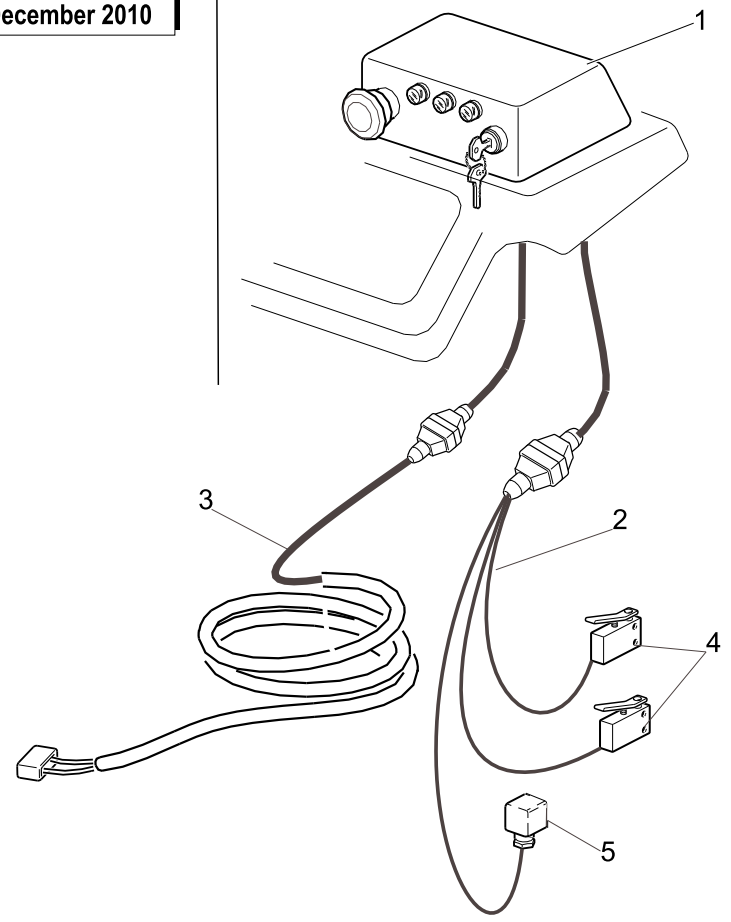
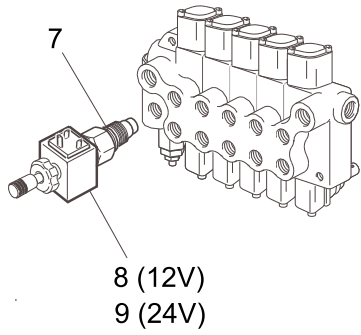
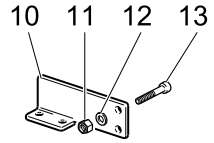
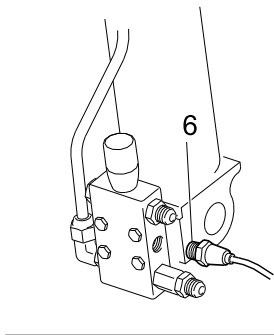
Code

W520554600-1.0

1/1

| R | Pos. | Code Variant | Q.ty | Description |
|---|------|--------------|------|-------------------------------|
| | 1 | W520550700 | 1 | |
| | 2 | W520503100 | 1 | |
| | 3 | W520503000 | 1 | |
| | 4 | 3310080 | 2 | |
| | 5 | W242002 | 1 | |
| | 6 | W287002 | 1 | |
| | 7 | W470619 | 1 | |
| | 8 | 3310238 | 1 | |
| | 9 | 3310242 | 1 | |
| | 10 | W520501900 | 1 | |
| | 11 | 3040010 | 2 | Tall headed nut |
| | 12 | 3060003 | 2 | Flat washer [D.4 UNI 6592 ZC] |
| | 13 | 3020954 | 2 | |

VALIDO FINO A Dicembre 2010
VALID UNTIL December 2010



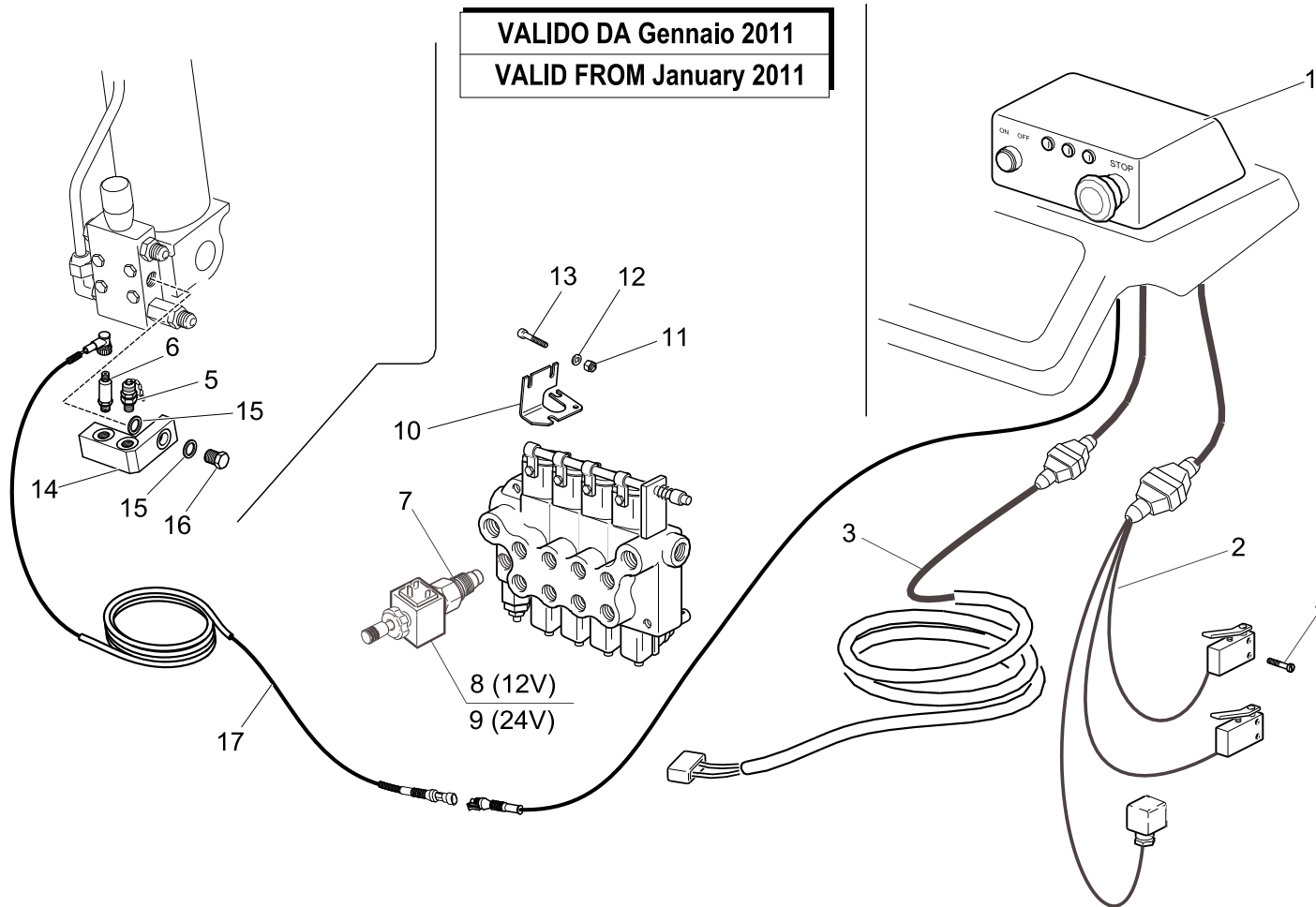
Moment limiting device (CE)

Code

5405038-1.0

1/1

| R | Pos. | Code Variant | Q.ty | Description |
|---|------|--------------|------|--|
| | 1 | 3311339 | 1 | |
| | 2 | 3311344 | 1 | |
| | 3 | 3311340 | 1 | |
| | 4 | 3020954 | 2 | |
| | 5 | 3111523 | 1 | Pipe fitting (Tapping point) [RACC. MILITES 16X2-1/4"G] |
| | 6 | 3310612 | 1 | Pressure sensor |
| | 7 | 5225770 | 1 | |
| | 8 | 3310238 | 1 | |
| | 9 | 3310242 | 1 | |
| | 10 | W520501900 | 1 | |
| | 11 | 3040041 | 2 | Nut |
| | 12 | 3060003 | 2 | Flat washer [D.4 UNI 6592 ZC] |
| | 13 | 3020019 | 2 | Socketed head cap screw [M4X40 8.8 ZC UNI 5931] |
| | 14 | 5002055 | 1 | Manifold (Pick-up) |
| | 15 | 3060143 | 2 | Sealing washer [BSP 1/4"] |
| | 16 | 3110078 | 1 | Bolt (banjo bolt) |
| | 17 | 5160001 | 1 | Electric wiring |

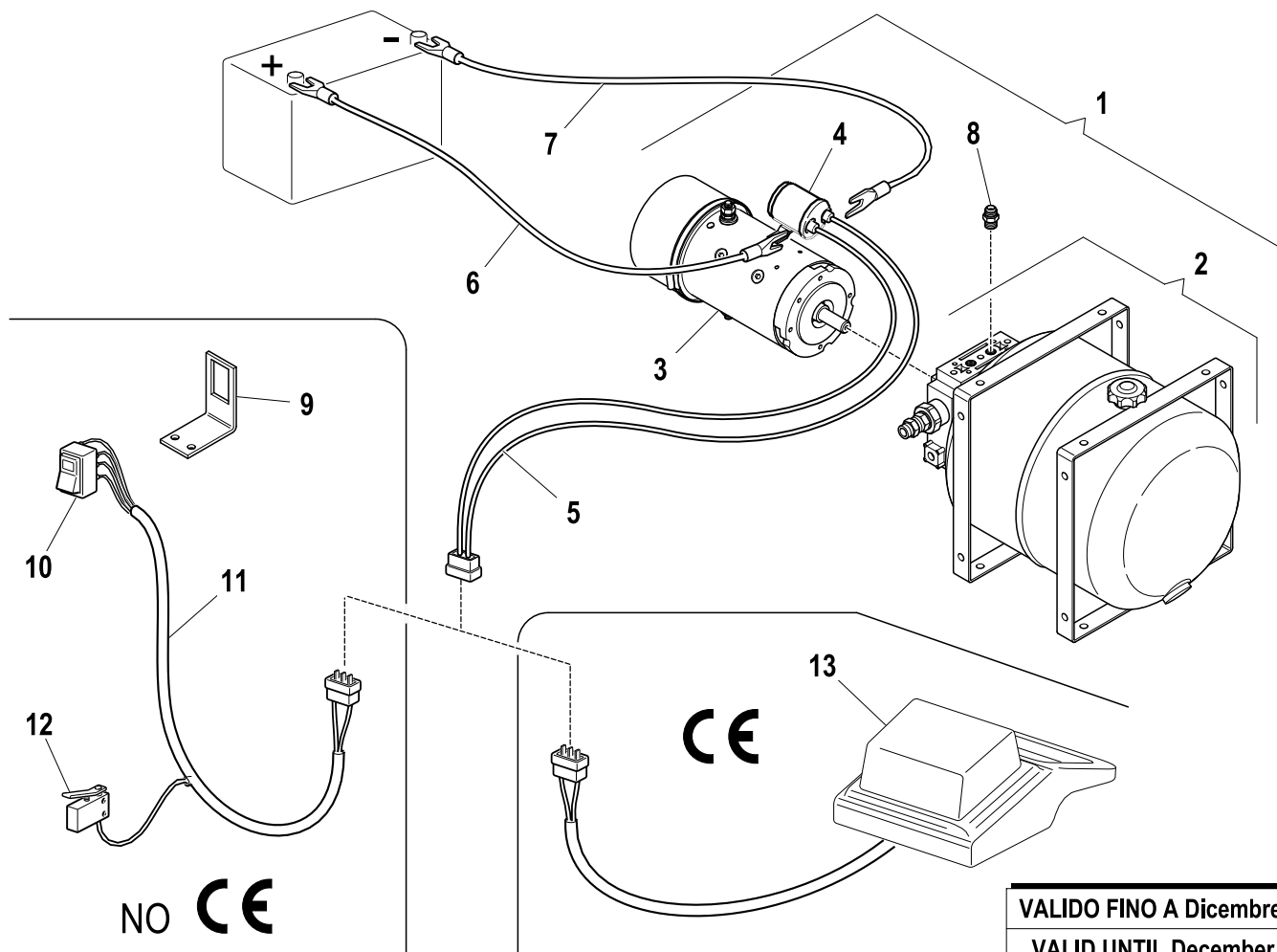


Motor pump (Electrical equipment)

Code

5411082-1.1

1/1



| R | Pos. | Code Variant | Q.ty | Description |
|---|------|--------------|------|--------------------------------|
| | 1 | 5710099 | 1 | |
| | 2 | 5410882 | 1 | |
| | 3 | 5710098 | 1 | |
| | 4 | 3311113 | 1 | |
| | 5 | 3310144 | 1 | |
| | 6 | 3310068 | 1 | Electric cable (positive pole) |
| | 7 | 3310067 | 1 | Electric cable (negative pole) |
| | 8 | 3101039 | 2 | Straight pipe fitting |
| | 9 | W370504500 | 1 | |
| | 10 | W264401 | 1 | |
| | 11 | W520502300 | 1 | |
| | 12 | 3310080 | 1 | |
| | 13 | W520550700 | 1 | |

VALIDO FINO A Dicembre 2010

VALID UNTIL December 2010

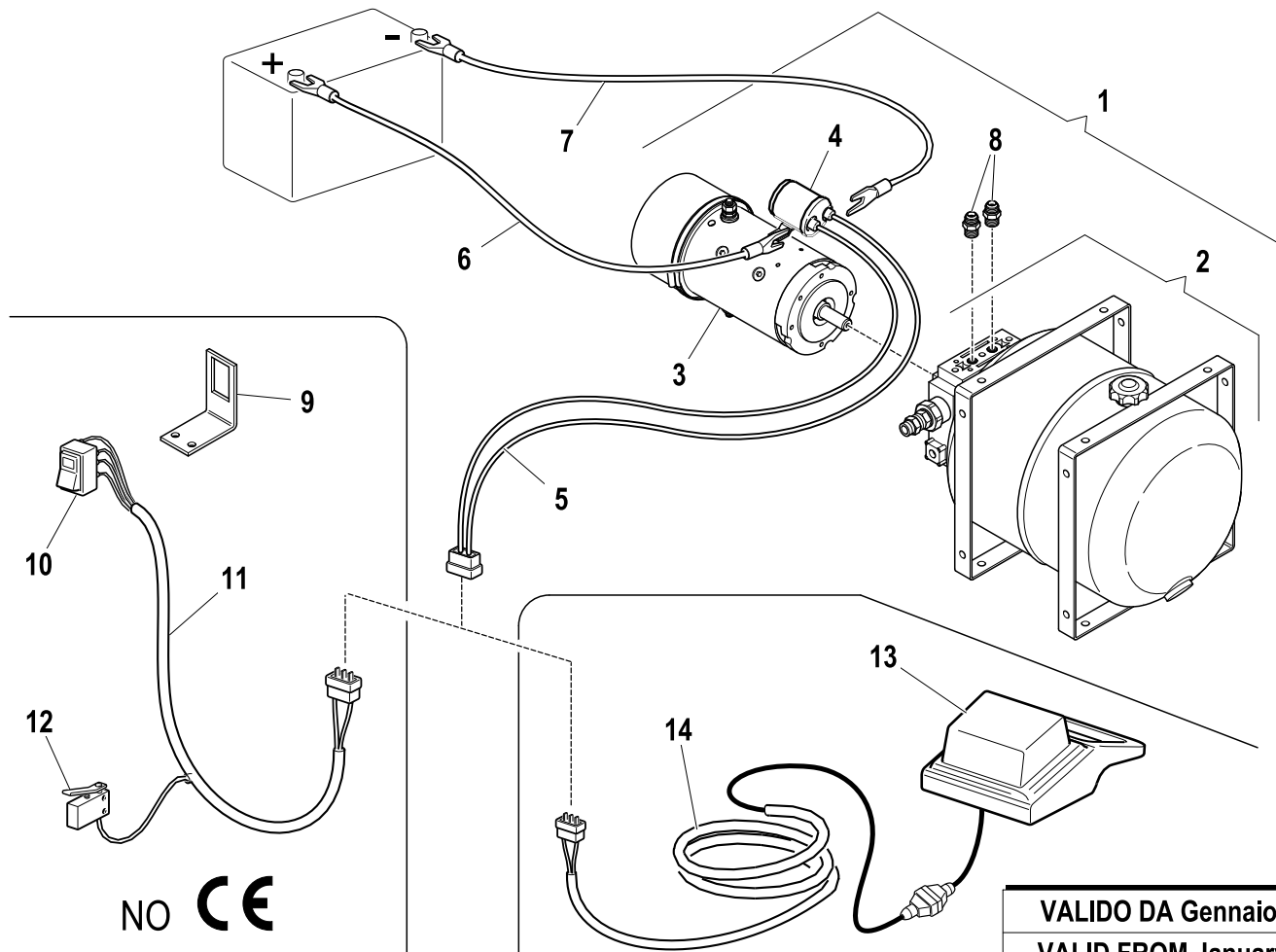
Motor pump (Electrical equipment)

Code

5411082-2.0

1/1

| R | Pos. | Code Variant | Q.ty | Description |
|---|------|--------------|------|--------------------------------|
| | 1 | 5710099 | 1 | |
| | 2 | 5410882 | 1 | |
| | 3 | 5710098 | 1 | |
| | 4 | 3311113 | 1 | |
| | 5 | 3310144 | 1 | |
| | 6 | 3310068 | 1 | Electric cable (positive pole) |
| | 7 | 3310067 | 1 | Electric cable (negative pole) |
| | 8 | 3101039 | 2 | Straight pipe fitting |
| | 9 | W370504500 | 1 | |
| | 10 | W264401 | 1 | |
| | 11 | W520502300 | 1 | |
| | 12 | 3310080 | 1 | |
| | 13 | 3311339 | 1 | |
| | 14 | 3311340 | 1 | |



VALIDO DA Gennaio 2011
VALID FROM January 2011

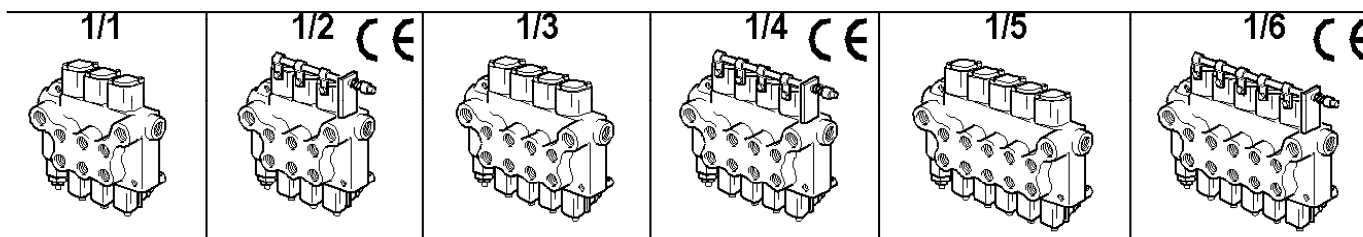
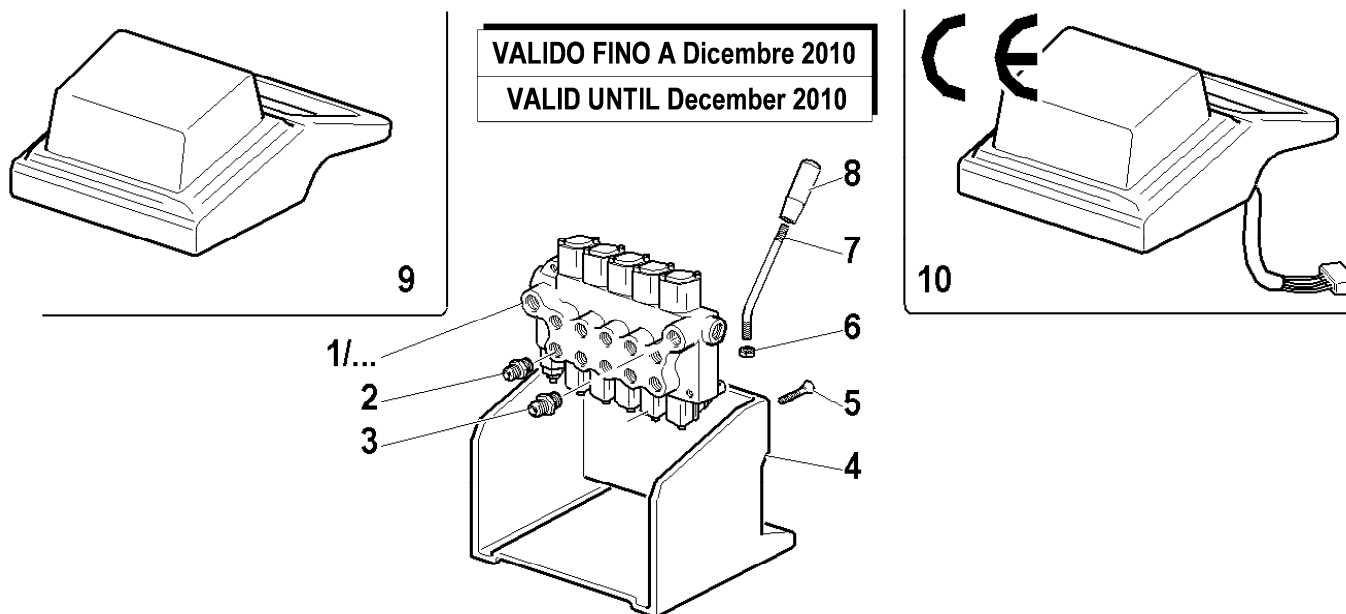
Control valve

Code

W338000-1.0

1/1

| R | Pos. | Code Variant | Q.ty | Description |
|----|------------|--------------|------|-----------------------------------|
| | 1.1 | W338036 | 1 | |
| | 1.2 | W338037 | 1 | |
| | 1.3 | W338034 | 1 | |
| | 1.4 | W338035 | 1 | |
| | 1.5 | W338032 | 1 | |
| | 1.6 | W338033 | 1 | |
| 2 | 3101039 | 10 | | Straight pipe fitting |
| 3 | 3101043 | 1 | | Straight pipe fitting |
| 4 | W520501800 | 1 | | |
| 5 | 3010336 | 2 | | Hex screw [M8X12 8.8 ZC UNI 5739] |
| 6 | 3040040 | 5 | | Lock nut |
| 7 | W520500600 | 5 | | |
| 8 | W664003 | 5 | | |
| 9 | W520502500 | 1 | | |
| 10 | W520550700 | 1 | | |



33800A-1-1

Control valve (CE)

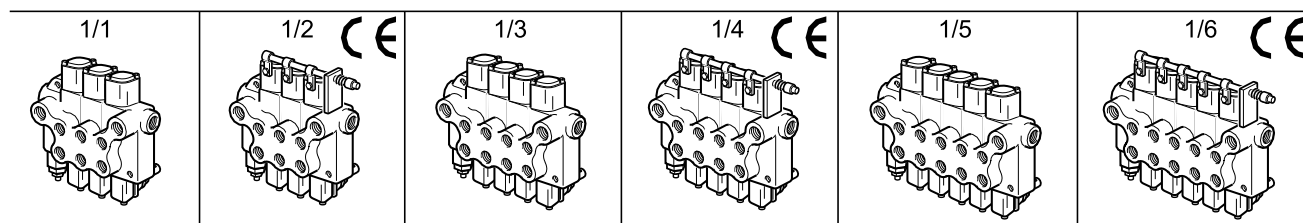
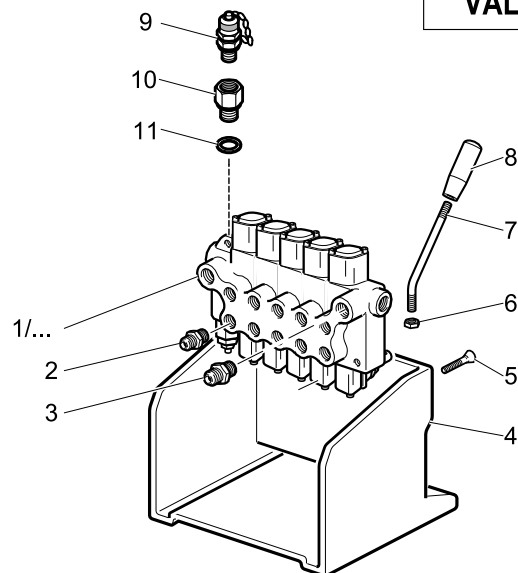
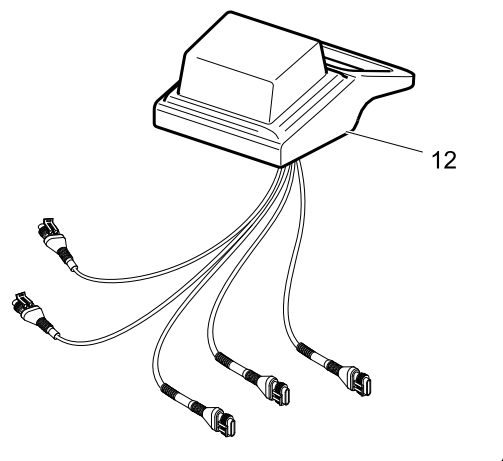
Code

W338035-1.0

1/1

| R | Pos. | Code Variant | Q.ty | Description |
|---|------|--------------|------|---|
| | 1.1 | W338036 | 1 | |
| | 1.2 | W338037 | 1 | |
| | 1.3 | W338034 | 1 | |
| | 1.4 | W338035 | 1 | |
| | 1.5 | W338032 | 1 | |
| | 1.6 | W338033 | 1 | |
| | 2 | 3101039 | 10 | Straight pipe fitting |
| | 3 | 3101043 | 1 | Straight pipe fitting |
| | 4 | W520501800 | 1 | |
| | 5 | 3010336 | 2 | Hex screw [M8X12 8.8 ZC UNI 5739] |
| | 6 | 3040040 | 5 | Lock nut |
| | 7 | W520500600 | 5 | |
| | 8 | W664003 | 5 | |
| | 9 | 3111523 | 1 | Pipe fitting (Tapping point) [RACC. MILITES 16X2-1/4"G] |
| | 10 | 3110150 | 1 | Reducing fitting |
| | 11 | 3060144 | 1 | Sealing washer [BSP 3/8"] |
| | 12 | 3311339 | 1 | |

VALIDO DA Gennaio 2011
VALID FROM January 2011



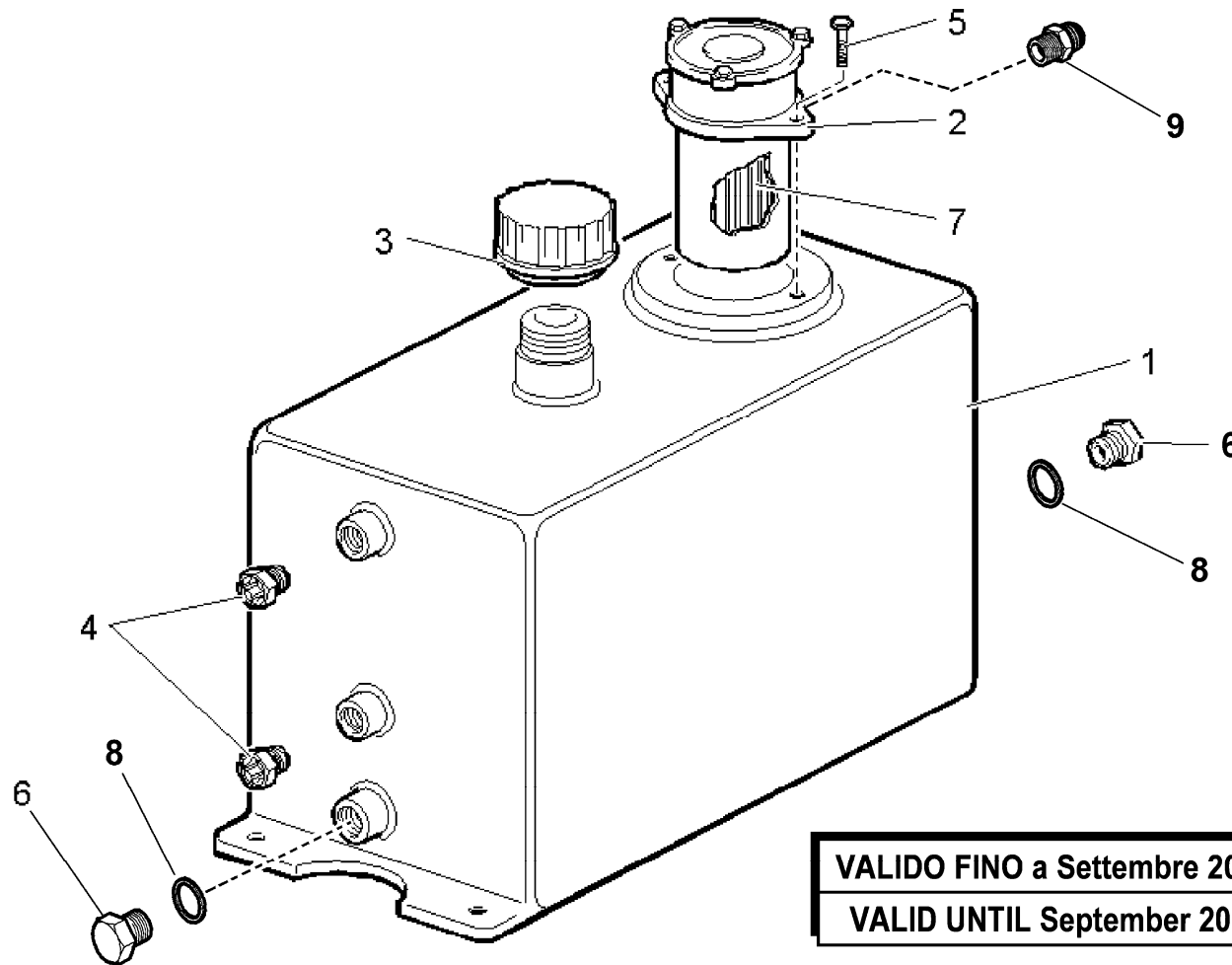
Hydraulic oil tank

Code

W530551000-1.1

1/1

| R | Pos. | Code Variant | Q.ty | Description |
|---|------|--------------|------|-----------------------------------|
| | 1 | W438014 | 1 | |
| | 2 | W350017 | 1 | |
| | 3 | W449009 | 1 | Tank cap (Spill door) |
| | 4 | W370005 | 2 | |
| | 5 | 3010325 | 2 | Hex screw [M6X16 8.8 ZC UNI 5739] |
| | 6 | 3110065 | 2 | Plug |
| | 7 | W350717 | 1 | |
| | 8 | 3060145 | 2 | Sealing washer [BSP 1/2"] |
| | 9 | 3101043 | 1 | Straight pipe fitting |



VALIDO FINO a Settembre 2010
VALID UNTIL September 2010

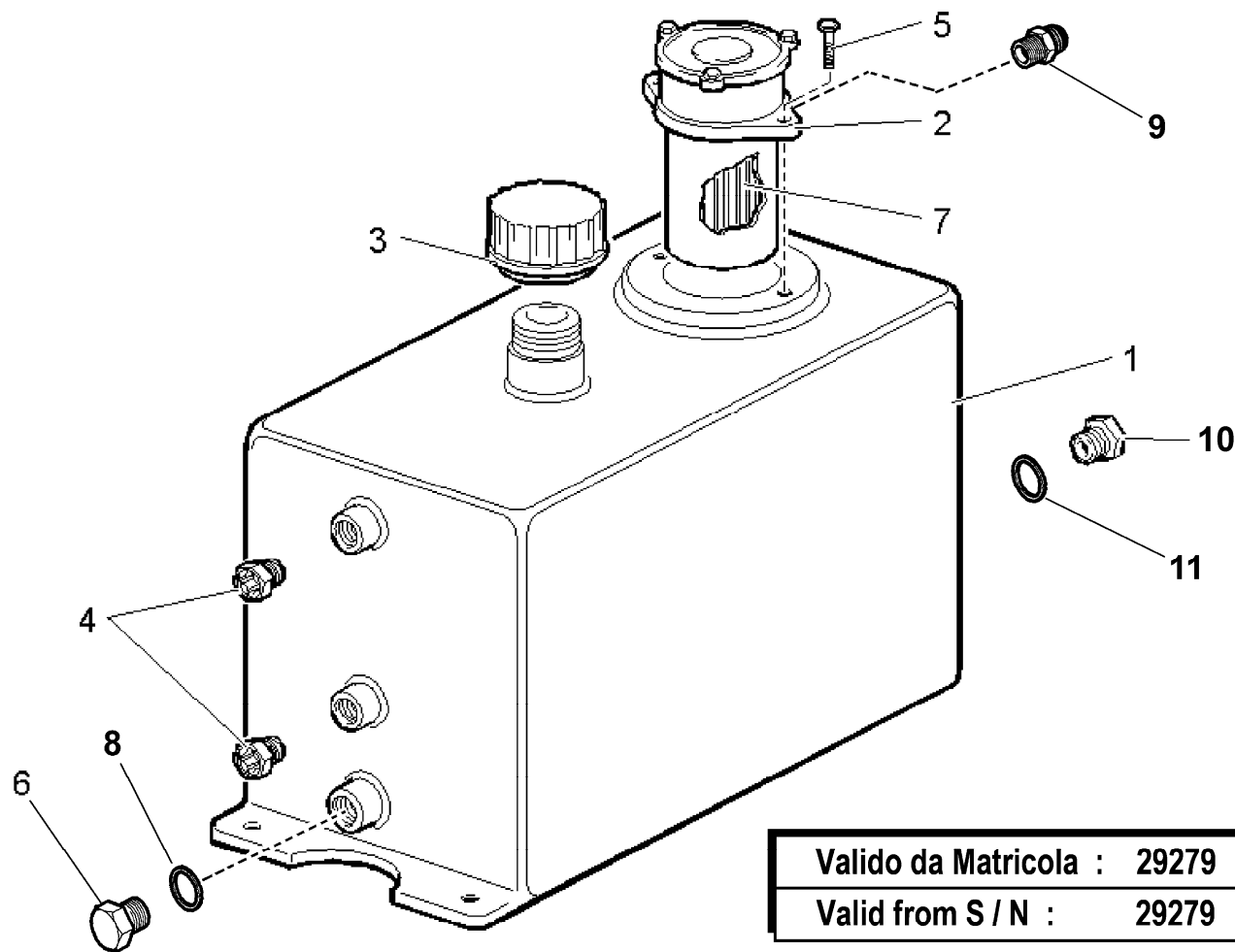
Hydraulic oil tank

Code

W530551000-2.1

1/1

| R | Pos. | Code Variant | Q.ty | Description | | | | | |
|---|------|--------------|------|-----------------------------------|--|----|---------|---|---------------------------|
| | 1 | W438014 | 1 | | | | | | |
| | 2 | W350017 | 1 | | | | | | |
| | 3 | W449009 | 1 | Tank cap (Spill door) | | | | | |
| | 4 | W370005 | 2 | | | | | | |
| | 5 | 3010325 | 2 | Hex screw [M6X16 8.8 ZC UNI 5739] | | | | | |
| | 6 | 3110065 | 1 | Plug | | | | | |
| | 7 | W350717 | 1 | | | | | | |
| | 8 | 3060145 | 1 | Sealing washer [BSP 1/2"] | | | | | |
| | 9 | 3101043 | 1 | Straight pipe fitting | | | | | |
| | 10 | 3110072 | 1 | Plug | | 11 | 3060146 | 1 | Sealing washer [BSP 3/4"] |
| | 11 | 3060146 | 1 | Sealing washer [BSP 3/4"] | | | | | |



Valido da Matricola : 29279

Valid from S / N : 29279

Hydraulic oil tank (CE)

Code

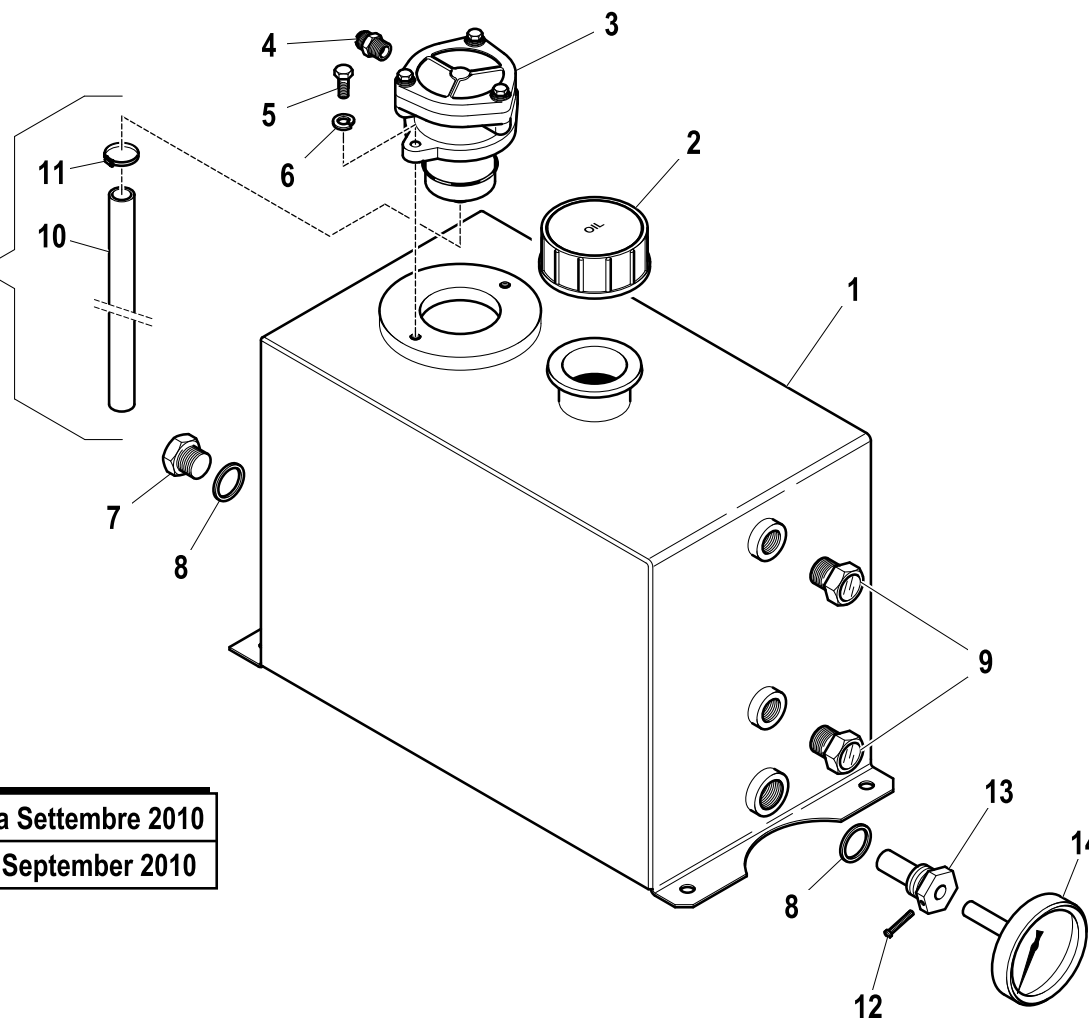
W530551000-1.0

1/1

| R | Pos. | Code Variant | Q.ty | Description |
|---|------|--------------|------|-----------------------------------|
| | 1 | W438014 | 1 | |
| | 2 | W449009 | 1 | Tank cap (Spill door) |
| | 3 | W350017 | 1 | |
| | 4 | 3101043 | 1 | Straight pipe fitting |
| | 5 | 3010325 | 2 | Hex screw [M6X16 8.8 ZC UNI 5739] |
| | 6 | 3060053 | 2 | Split lock washer [D=6.4 C72 ZC] |
| | 7 | 3110065 | 1 | Plug |
| | 8 | 3060145 | 2 | Sealing washer [BSP 1/2"] |
| | 9 | W370005 | 2 | |
| | 10 | 5310042 | 1 | |
| | 11 | 3190009 | 1 | Clamp |
| | 12 | 3020952 | 1 | |
| | 13 | W29500301 | 1 | |
| | 14 | 3180097 | 1 | |

VALIDO DA LUGLIO 2010
VALID FROM JULY 2010

VALIDO FINO a Settembre 2010
VALID UNTIL September 2010



Hydraulic oil tank (CE)

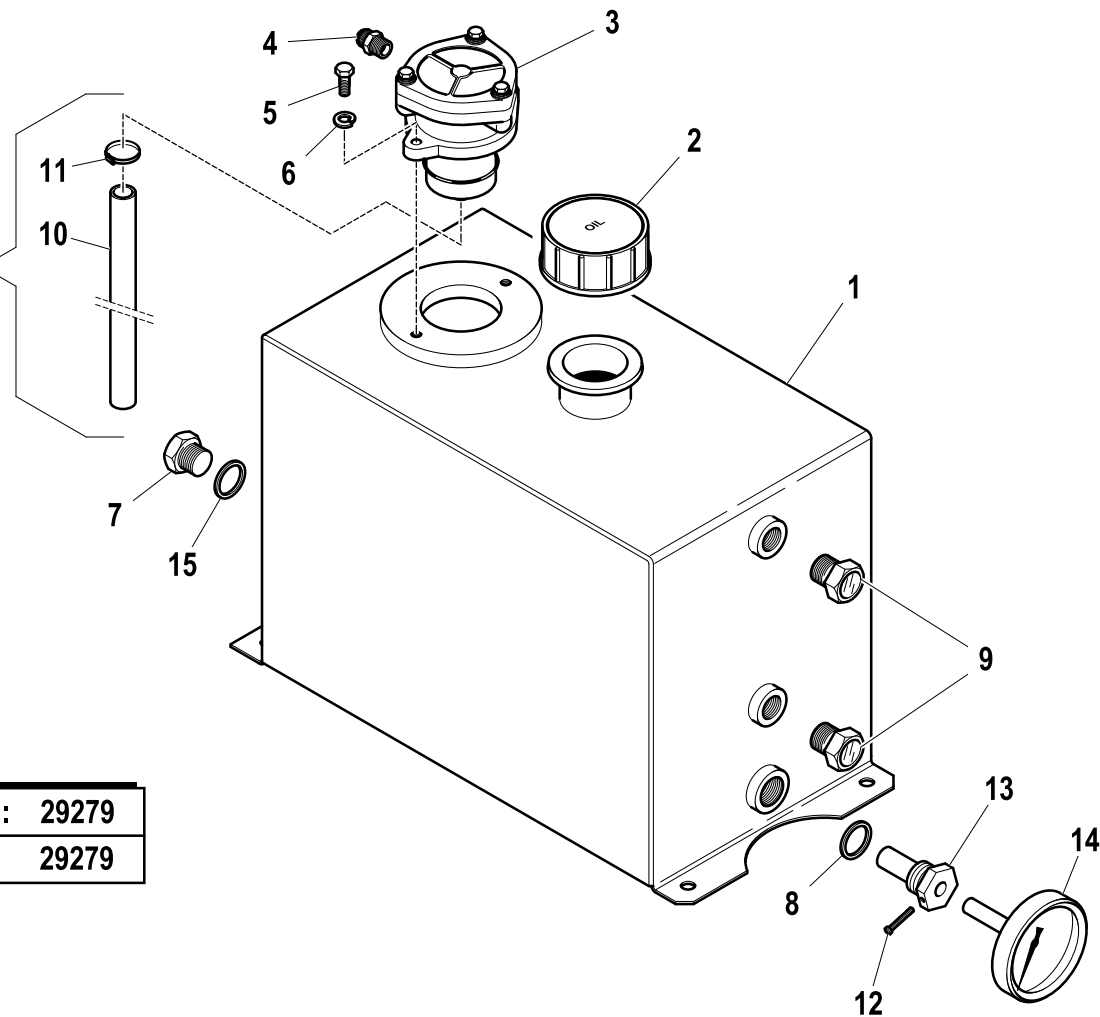
Code

W530551000-2.0

1/1

| R | Pos. | Code Variant | Q.ty | Description |
|---|------|--------------|------|-----------------------------------|
| | 1 | W438014 | 1 | |
| | 2 | W449009 | 1 | Tank cap (Spill door) |
| | 3 | W350017 | 1 | |
| | 4 | 3101043 | 1 | Straight pipe fitting |
| | 5 | 3010325 | 2 | Hex screw [M6X16 8.8 ZC UNI 5739] |
| | 6 | 3060053 | 2 | Split lock washer [D=6.4 C72 ZC] |
| | 7 | 3110072 | 1 | Plug |
| | 8 | 3060145 | 1 | Sealing washer [BSP 1/2"] |
| | 9 | W370005 | 2 | |
| | 10 | 5310042 | 1 | |
| | 11 | 3190009 | 1 | Clamp |
| | 12 | 3020952 | 1 | |
| | 13 | W29500301 | 1 | |
| | 14 | 3180097 | 1 | |
| | 15 | 3060146 | 1 | Sealing washer [BSP 3/4"] |

VALIDO DA LUGLIO 2010
VALID FROM JULY 2010



Valido da Matricola : 29279
Valid from S / N : 29279

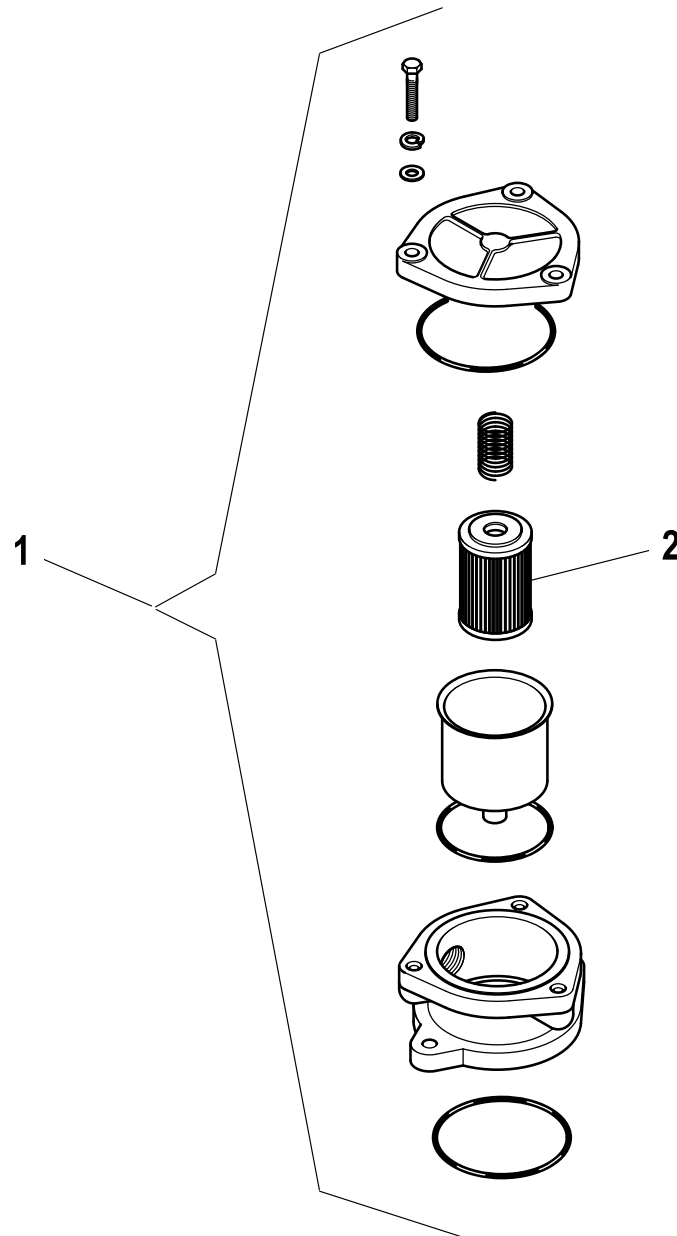
Oil filter

Code

W350017-1.0

1/1

| R | Pos. | Code Variant | Q.ty | Description |
|---|------|--------------|------|-------------|
| | 1 | W350017 | 1 | |
| | 2 | W350717 | 1 | |



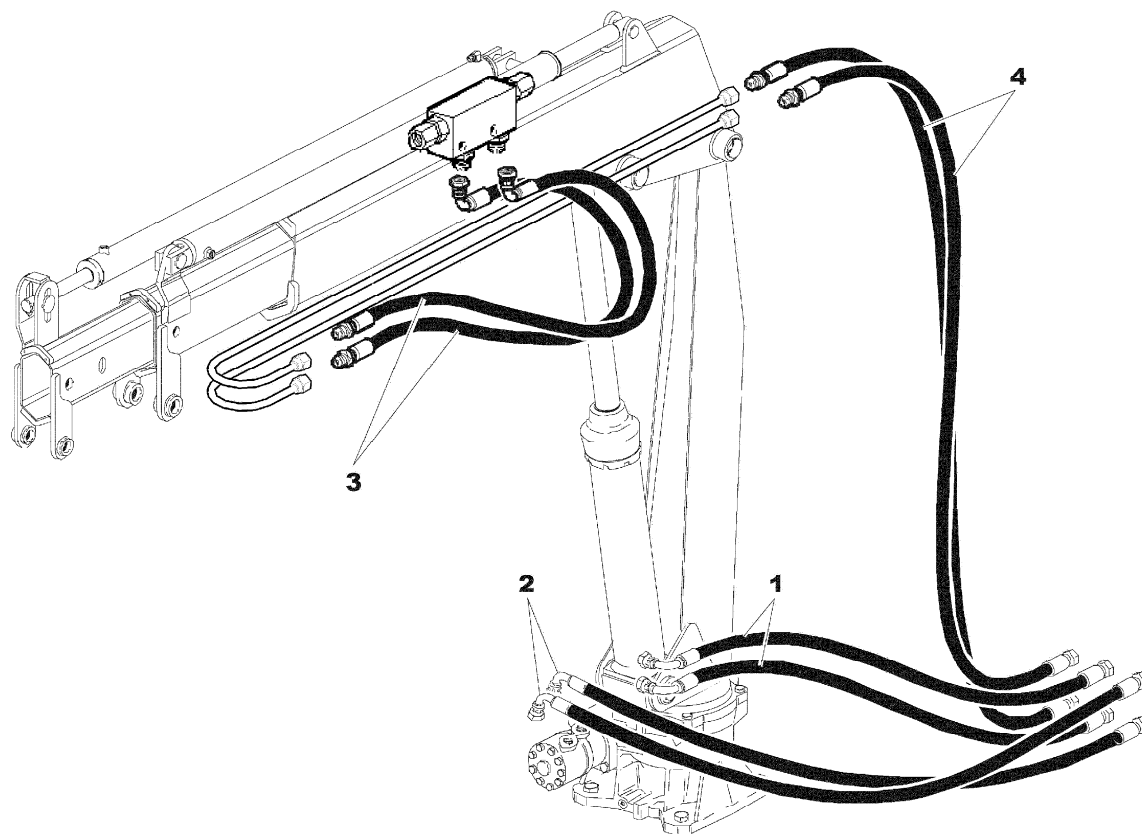
Set of hoses

Code

5510956-1.0

1/1

| R | Pos. | Code Variant | Q.ty | Description |
|---|------|--------------|------|---------------|
| | 1 | 5260774 | 2 | Flexible hose |
| | 2 | 5260773 | 2 | Flexible hose |
| | 3 | 5260779 | 2 | |
| | 4 | 5260778 | 2 | |

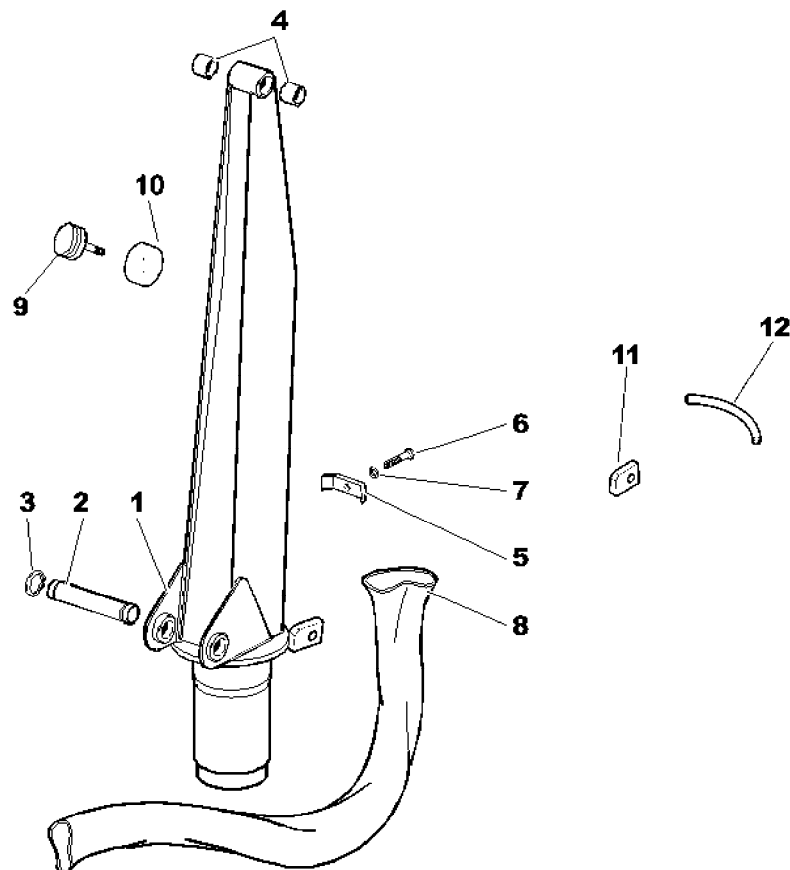


Column

Code

5460083-1.0

1/1



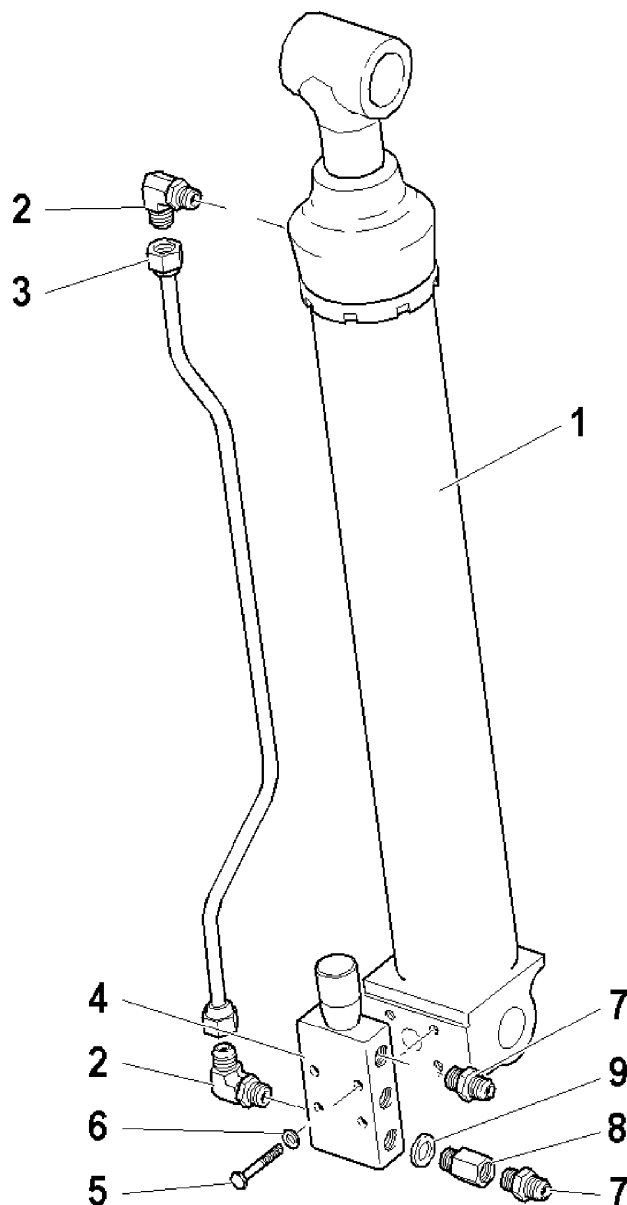
| R | Pos. | Code Variant | Q.ty | Description |
|---|------|--------------|------|---|
| | 1 | 5040115 | 1 | Column |
| | 2 | W101321 | 1 | |
| | 3 | 3070210 | 2 | Snap ring |
| | 4 | W102135 | 2 | |
| | 5 | 5000047 | 4 | |
| | 6 | 3020037 | 4 | Socketed head cap screw [M6X25 8.8 ZC UNI 5931] |
| | 7 | 3060101 | 4 | Tooth lock washer [D.6 TIPO A] |
| | 8 | 3190198 | 2.7m | |
| | 9 | W732001 | 1 | Anti-vibrating support |
| | 10 | 5140788 | 1 | |
| | 11 | 5000978 | 1 | |
| | 12 | 5001018 | 1 | |

LIFTING HYDRAULIC CYLINDER (Hydraulic system)

Code

6230178-1.0

1/1



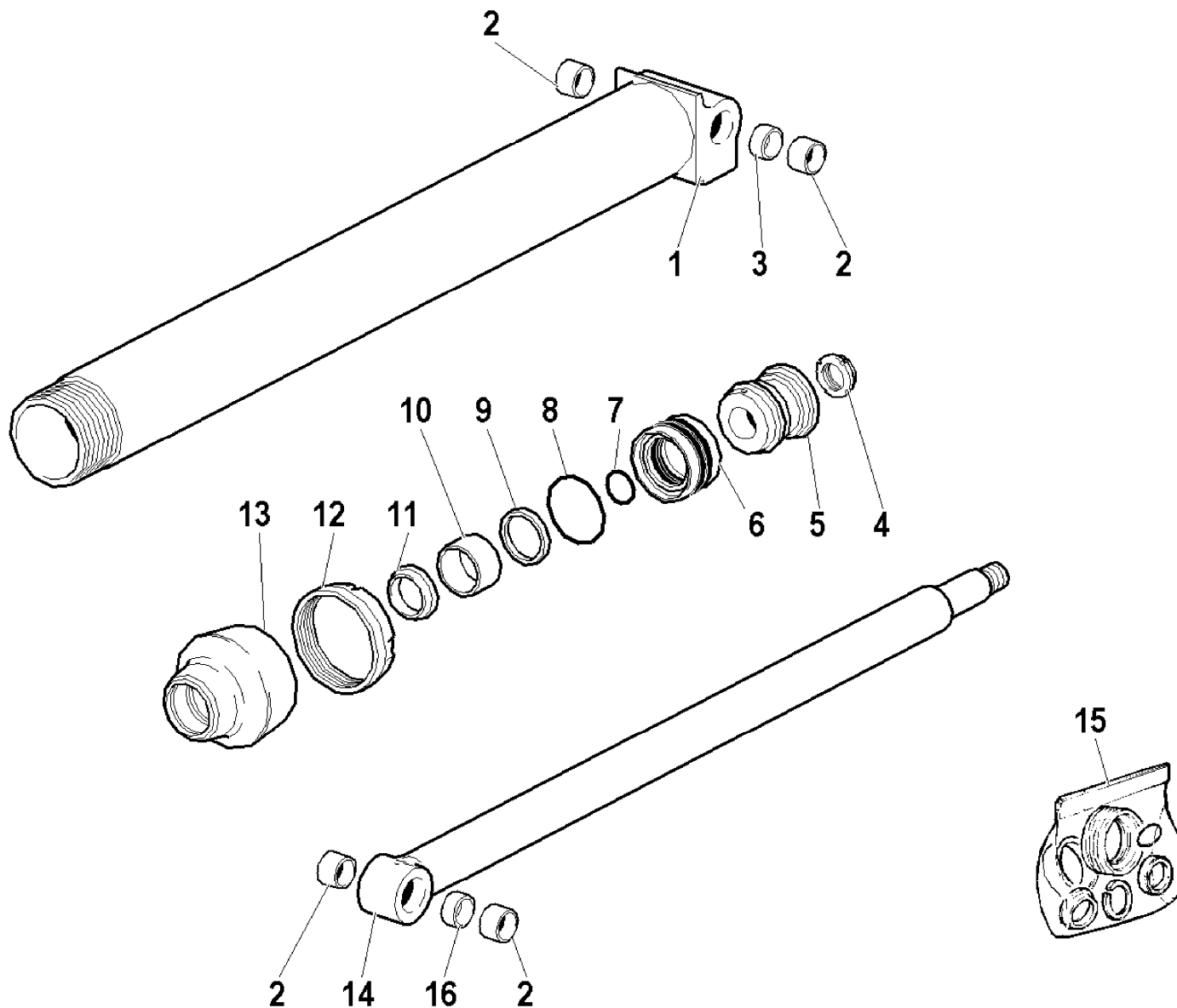
| R | Pos. | Code Variant | Q.ty | Description |
|---|------|--------------|------|-----------------------------------|
| | 1 | 6430178 | 1 | Lifting jack |
| | 2 | 3101125 | 2 | 90° Connection |
| | 3 | 5390016 | 1 | |
| | 4 | W470052 | 1 | |
| | 5 | 3010031 | 4 | Hex screw [M8X40 8.8 ZC UNI 5737] |
| | 6 | 3060055 | 4 | Split lock washer [D=8.4 C72 ZC] |
| | 7 | 3101040 | 2 | Straight pipe fitting |
| | 8 | 3110112 | 1 | Straight pipe fitting |
| | 9 | 3060144 | 1 | Sealing washer [BSP 3/8"] |

LIFTING HYDRAULIC CYLINDER

Code

6430178-1.0

1/1



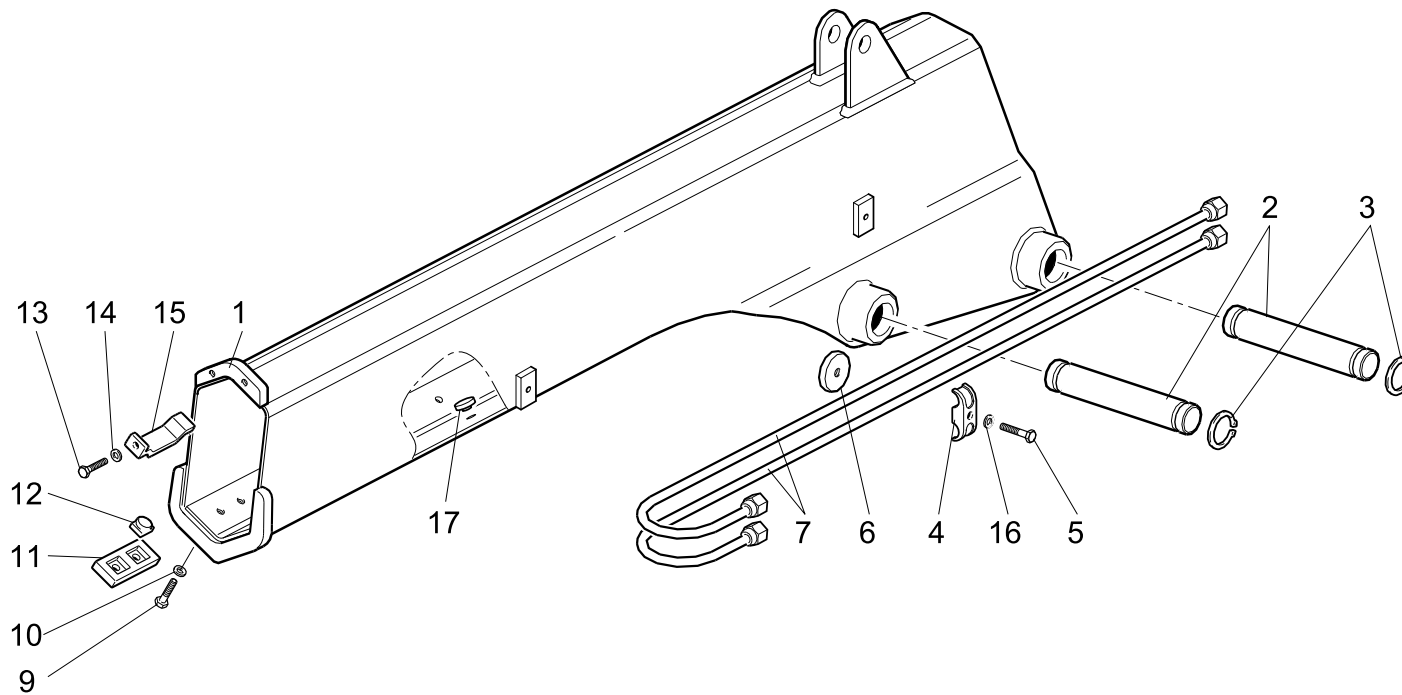
| R | Pos. | Code Variant | Q.ty | Description |
|---|------|--------------|------|----------------------|
| | 1 | 6070585 | 1 | |
| | 2 | W102135 | 4 | |
| | 3 | W400200600 | 1 | |
| | 4 | 3040505 | 1 | Self-locking ringnut |
| | 5 | W105074 | 1 | |
| | 6 | W359021 | 1 | |
| | 7 | W360076 | 1 | |
| | 8 | W360078 | 1 | |
| | 9 | W358010 | 1 | |
| | 10 | W102136 | 1 | |
| | 11 | W361016 | 1 | |
| | 12 | W380200400 | 1 | |
| | 13 | W380200200 | 1 | |
| | 14 | 6030865 | 1 | |
| | 15 | W365104 | 1 | |
| | 16 | W400200700 | 1 | |

1ST BOOM

Code

5470093-1.0

1/1



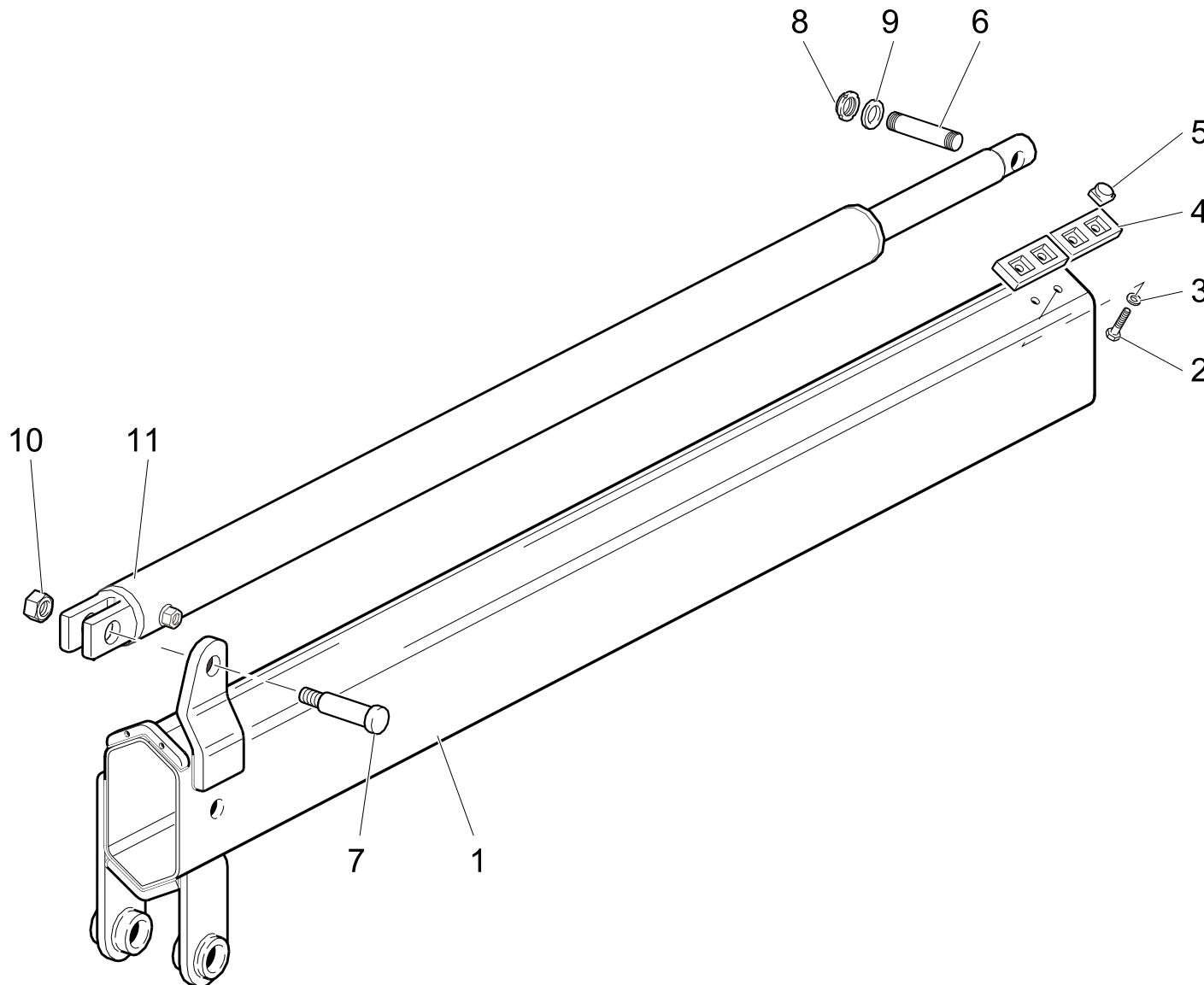
| R | Pos. | Code Variant | Q.ty | Description |
|---|------|--------------|------|-----------------------------------|
| | 1 | 5030293 | 1 | Main boom |
| | 2 | W101225 | 2 | |
| | 3 | 3070210 | 4 | Snap ring |
| | 4 | 5000077 | 2 | |
| | 5 | 3010030 | 2 | Hex screw [M8X35 8.8 ZC UNI 5737] |
| | 6 | W340501400 | 2 | |
| | 7 | W530202100 | 2 | |
| | 9 | 3010055 | 4 | Hex screw [M8X10 8.8 ZC UNI 5739] |
| | 10 | 3060006 | 4 | Flat washer [D.8 UNI 6592 ZC] |
| | 11 | 5140248 | 2 | |
| | 12 | W370300800 | 4 | |
| | 13 | 3010323 | 2 | Hex screw [M6X10 8.8 ZC UNI 5739] |
| | 14 | 3060005 | 2 | Flat washer [D.6.4 UNI 6592 ZC] |
| | 15 | 5000685 | 2 | |
| | 16 | 3060055 | 2 | Split lock washer [D=8.4 C72 ZC] |
| | 17 | W370400700 | 2 | Button (Coupling backlash) |

1st EXTENSION

Code

5490092-1.0

1/1



| R | Pos. | Code Variant | Q.ty | Description |
|---|------|--------------|------|-------------------------------------|
| | 1 | 5020530 | 1 | Extension |
| | 2 | 3010055 | 4 | Hex screw [M8X10 8.8 ZC UNI 5739] |
| | 3 | 3060006 | 4 | Flat washer [D.8 UNI 6592 ZC] |
| | 4 | 5140249 | 2 | |
| | 5 | W370300800 | 4 | |
| | 6 | W101244 | 1 | |
| | 7 | W101214 | 1 | |
| | 8 | 3040498 | 2 | Self-locking ringnut |
| | 9 | 3060010 | 2 | Flat washer [D.17X30X3 UNI 6592 ZC] |
| | 10 | 3040214 | 1 | Lock nut |
| | 11 | 6410398 | 1 | Extension Hydraulic jack |

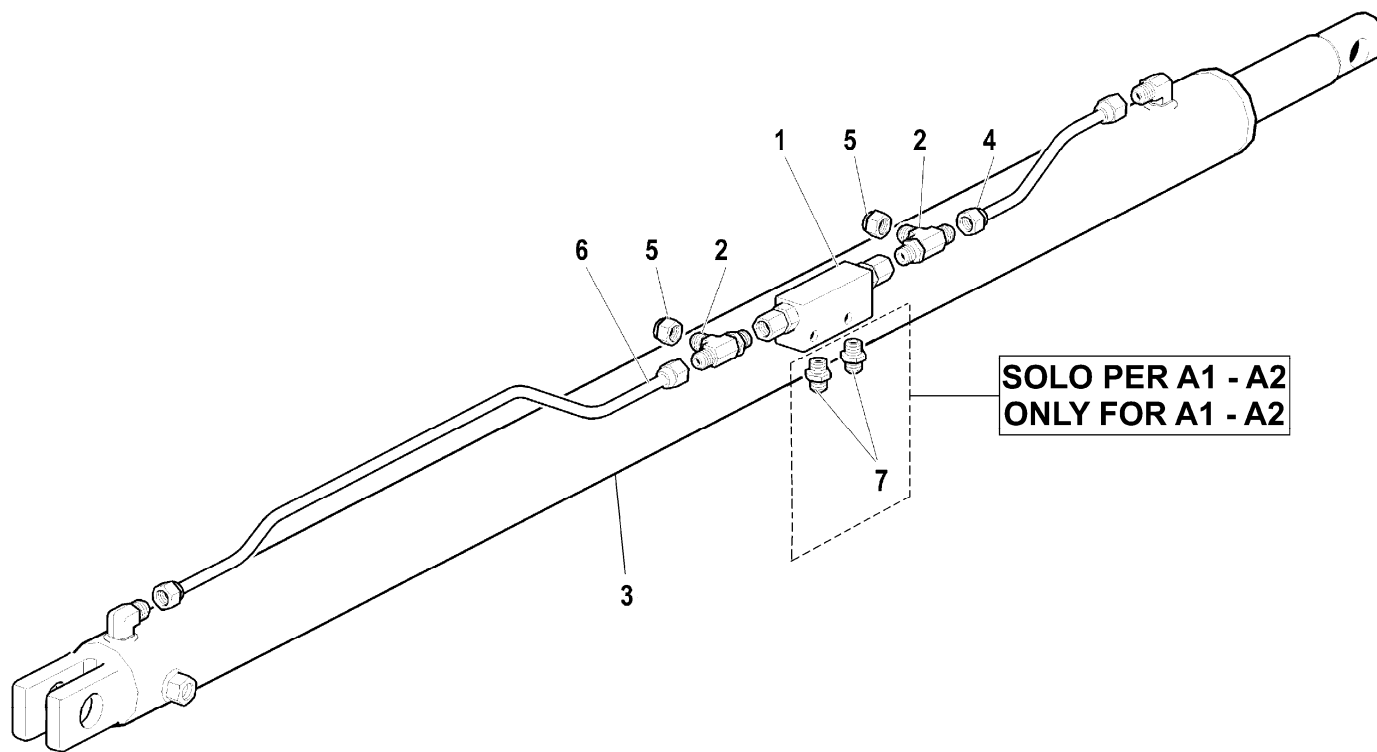
Extension jacks (Assembly)

Code

5490092-2.0

1/1

| R | Pos. | Code Variant | Q.ty | Description |
|---|------|--------------|------|--------------------------|
| | 1 | W470017 | 1 | |
| | 2 | 3101175 | 2 | Tee fitting |
| | 3 | 6410398 | 1 | Extension Hydraulic jack |
| | 4 | W530201900 | 1 | |
| | 5 | 3110040 | 2 | Female plug |
| | 6 | 5392370 | 1 | |
| | 7 | 3101039 | 2 | Straight pipe fitting |

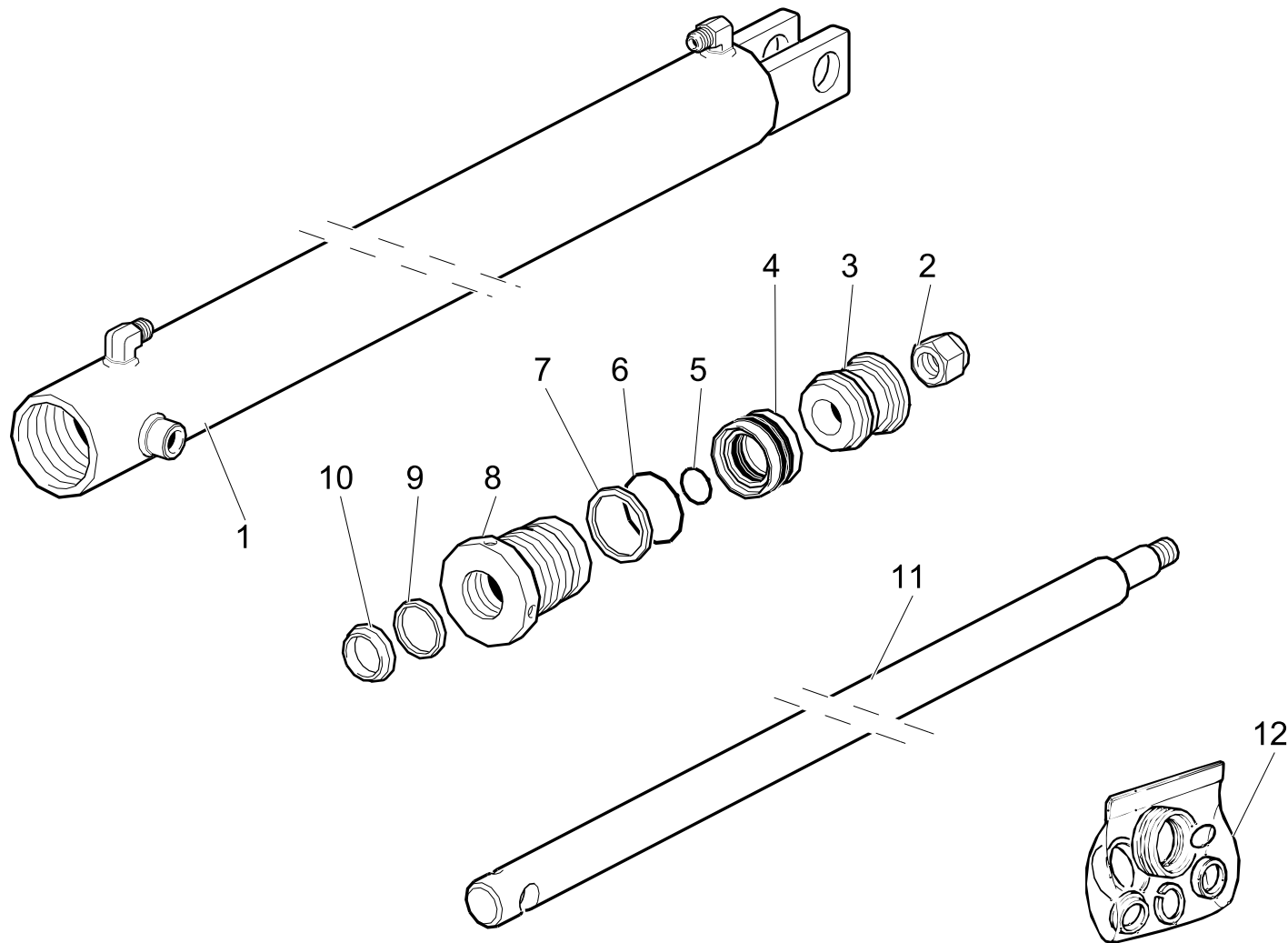


1st EXSTENSION HYDRAULIC

Code

6410398-1.0

1/1



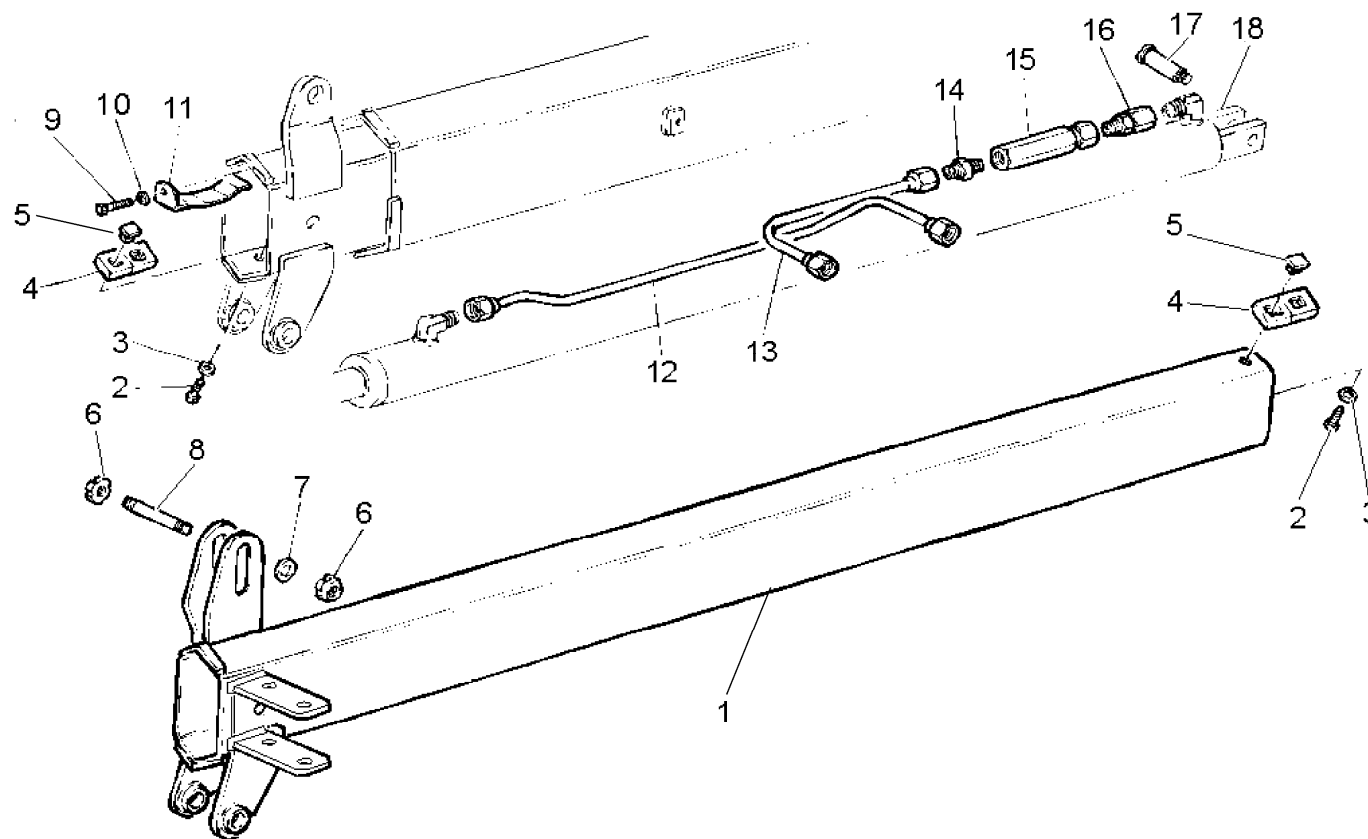
| R | Pos. | Code Variant | Q.ty | Description |
|---|------|--------------|------|-----------------|
| | 1 | 6070586 | 1 | |
| | 2 | 3040378 | 1 | Stopnut |
| | 3 | W105099 | 1 | |
| | 4 | W359013 | 1 | |
| | 5 | W360002 | 1 | |
| | 6 | W360022 | 1 | |
| | 7 | W304016 | 1 | |
| | 8 | W120054 | 1 | |
| | 9 | W358003 | 1 | |
| | 10 | W361013 | 1 | Seal (Oil seal) |
| | 11 | 6030867 | 1 | |
| | 12 | W365119 | 1 | |

2nd extension

Code

5530052-1.0

1/1



| R | Pos. | Code Variant | Q.ty | Description |
|---|------|--------------|------|-------------------------------------|
| | 1 | 5020531 | 1 | Extension |
| | 2 | 3010055 | 8 | Hex screw [M8X10 8.8 ZC UNI 5739] |
| | 3 | 3060006 | 8 | Flat washer [D.8 UNI 6592 ZC] |
| | 4 | 5140248 | 4 | |
| | 5 | W370300800 | 8 | |
| | 6 | 3040498 | 2 | Self-locking ringnut |
| | 7 | 3060010 | 2 | Flat washer [D.17X30X3 UNI 6592 ZC] |
| | 8 | W101218 | 1 | |
| | 9 | 3010323 | 2 | Hex screw [M6X10 8.8 ZC UNI 5739] |
| | 10 | 3060005 | 2 | Flat washer [D.6.4 UNI 6592 ZC] |
| | 11 | 5000685 | 4 | |
| | 12 | 5392371 | 1 | |
| | 13 | W530201700 | 1 | |
| | 14 | 3101040 | 1 | Straight pipe fitting |
| | 15 | W470853 | 1 | |
| | 16 | 3120065 | 1 | Straight pipe fitting |
| | 17 | W101214 | 1 | |
| | 18 | 6410399 | 1 | Extension Hydraulic jack |

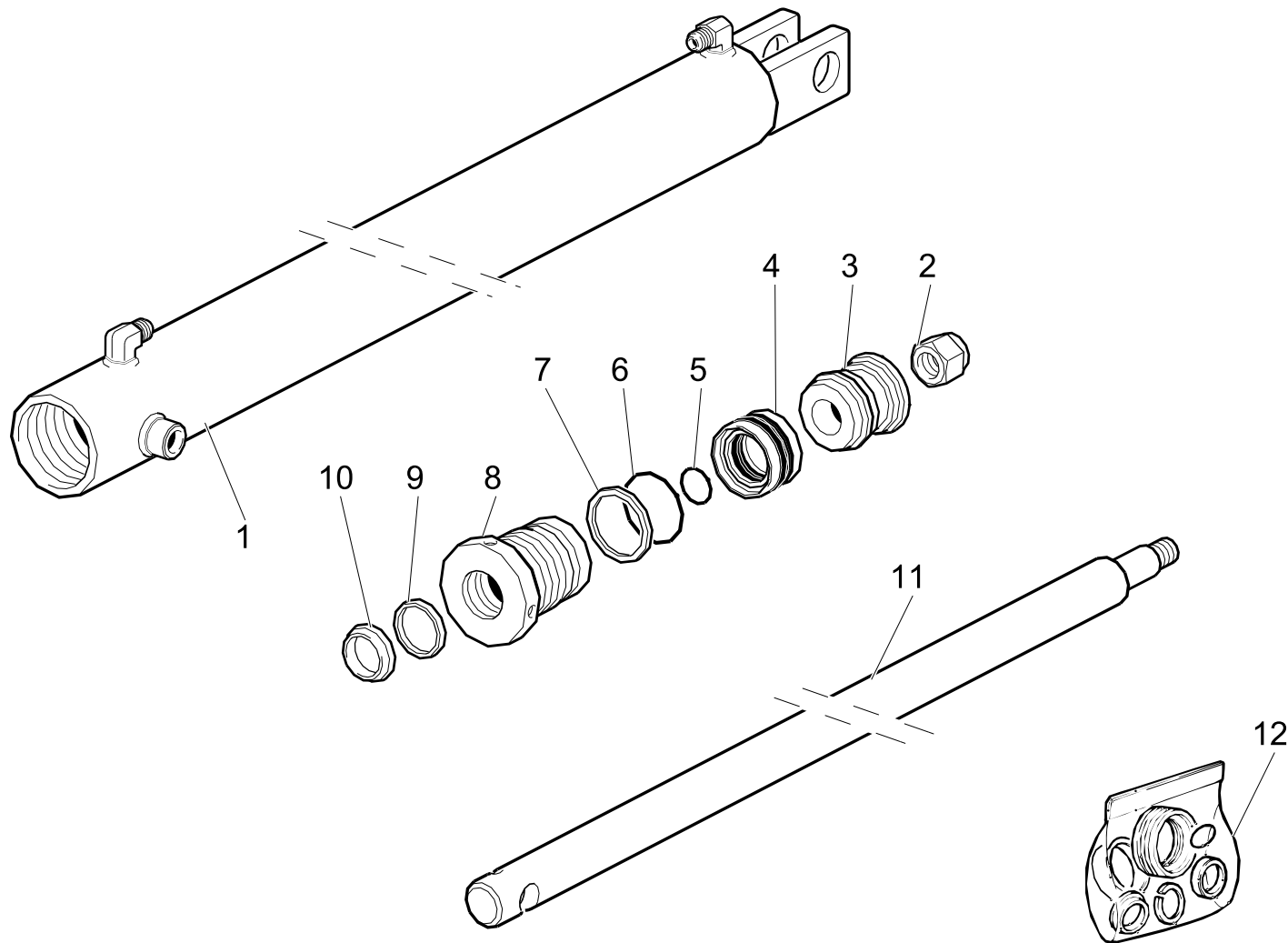
5530052-1.0

2nd EXTENSION HYDRAULIC JACK

Code

6410399-1.0

1/1



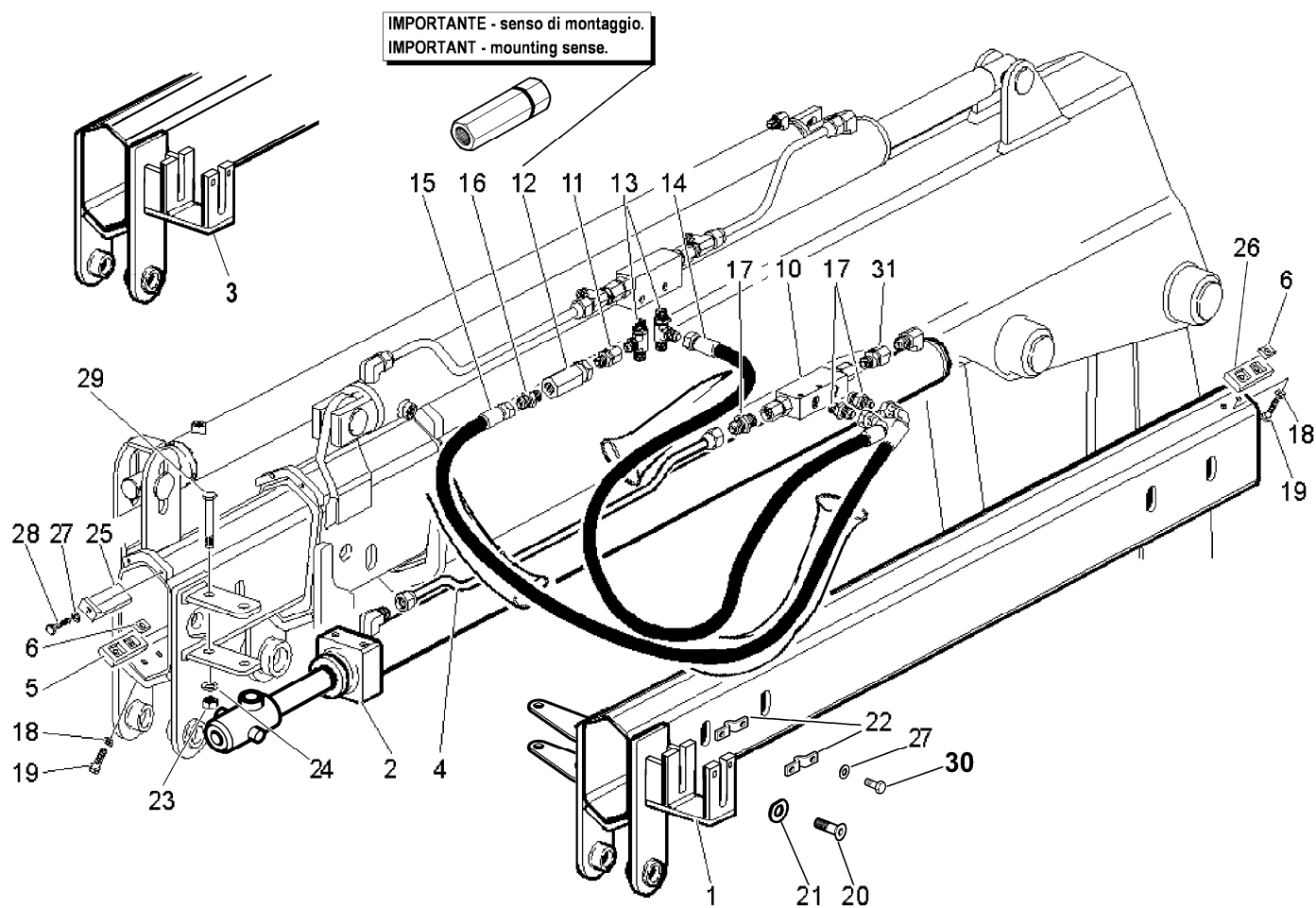
| R | Pos. | Code Variant | Q.ty | Description |
|---|------|--------------|------|-------------|
| | 1 | 6070587 | 1 | |
| | 2 | 3040377 | 1 | Stopnut |
| | 3 | W105061 | 1 | |
| | 4 | W359010 | 1 | |
| | 5 | W360002 | 1 | |
| | 6 | W360049 | 1 | |
| | 7 | W304018 | 1 | |
| | 8 | W120058 | 1 | |
| | 9 | W358001 | 1 | |
| | 10 | W361011 | 1 | |
| | 11 | 6030868 | 1 | |
| | 12 | W365061 | 1 | |

3rd extension

Code

5540058-1.0

1/2



| R | Pos. | Code Variant | Q.ty | Description |
|---|------|--------------|------|-----------------------------------|
| | 1 | 5020532 | 1 | Extension |
| | 2 | 6210405 | 1 | Extension Hydraulic jack |
| | 3 | 5020429 | 1 | Extension |
| | 4 | 5392372 | 1 | |
| | 5 | W370300900 | 2 | |
| | 6 | W370300800 | 8 | |
| | 10 | W470017 | 1 | |
| | 11 | 3120065 | 1 | Straight pipe fitting |
| | 12 | 5220573 | 1 | |
| | 13 | 3101175 | 2 | Tee fitting |
| | 14 | 5261134 | 1 | Flexible hose |
| | 15 | 5261135 | 1 | Flexible hose |
| | 16 | 3101040 | 1 | Straight pipe fitting |
| | 17 | 3101039 | 3 | Straight pipe fitting |
| | 18 | 3060006 | 8 | Flat washer [D.8 UNI 6592 ZC] |
| | 19 | 3010055 | 8 | Hex screw [M8X10 8.8 ZC UNI 5739] |
| | 20 | 3020436 | 2 | TSEI screw [M6X10 ZC UNI 5933] |
| | 21 | W560304400 | 2 | |
| | 22 | 5001881 | 2 | |
| | 23 | 3040335 | 2 | Stopnut |

3rd extension

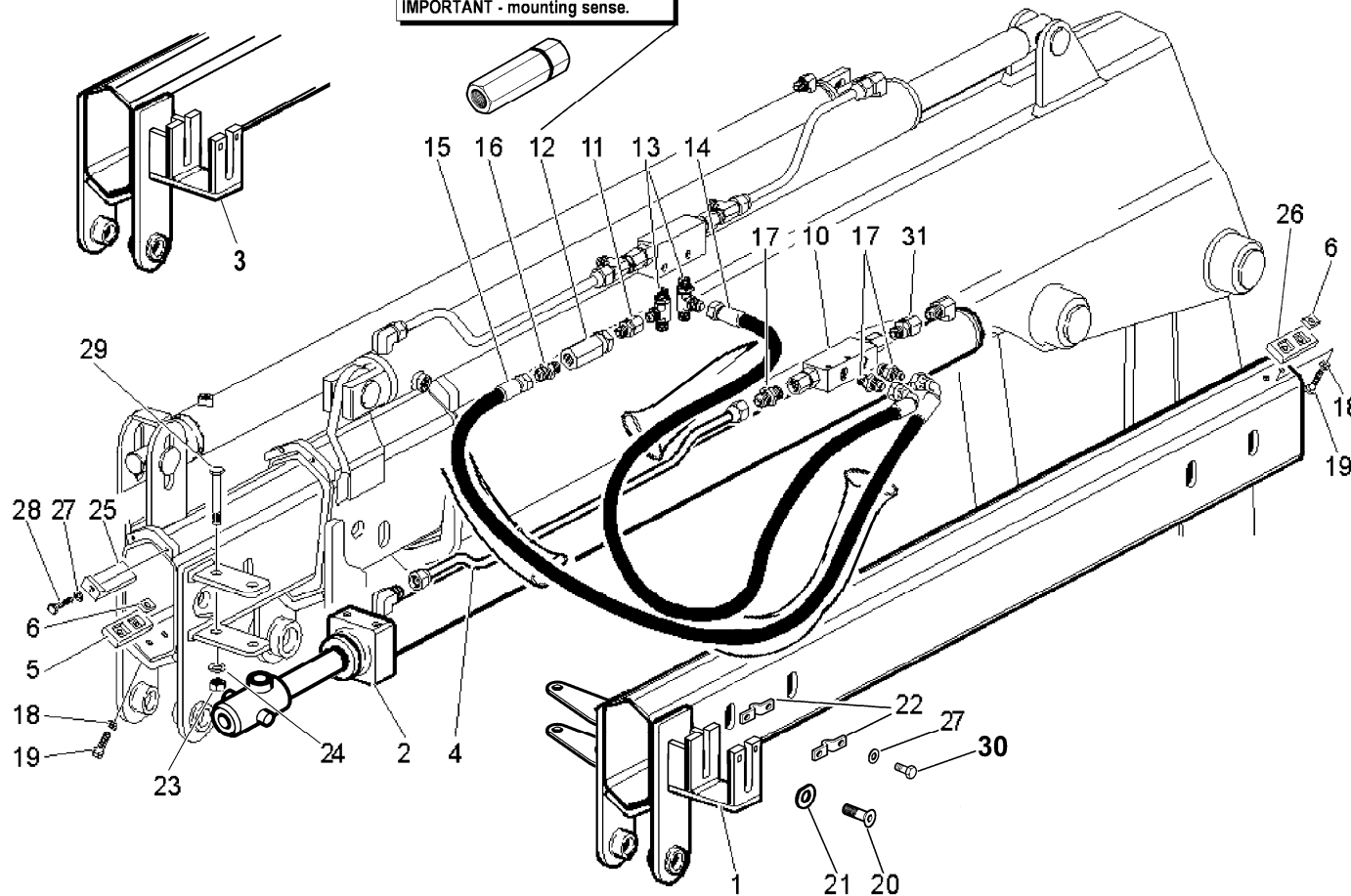
Code

5540058-1.0

2/2

| R | Pos. | Code Variant | Q.ty | Description |
|---|------|--------------|------|---------------------------------------|
| | 24 | 3060914 | 2 | Flat washer [D.10.5X21X2 UNI 6592 ZC] |
| | 25 | 5000685 | 2 | |
| | 26 | W360300400 | 2 | |
| | 27 | 3060005 | 6 | Flat washer [D.6.4 UNI 6592 ZC] |
| | 28 | 3010323 | 2 | Hex screw [M6X10 8.8 ZC UNI 5739] |
| | 29 | 3010362 | 2 | Hex screw [M10X100 8.8 ZC UNI 5737] |
| | 30 | 3010325 | 4 | Hex screw [M6X16 8.8 ZC UNI 5739] |
| | 31 | 3120064 | 1 | Straight pipe fitting |

**IMPORTANTE - senso di montaggio.
IMPORTANT - mounting sense.**

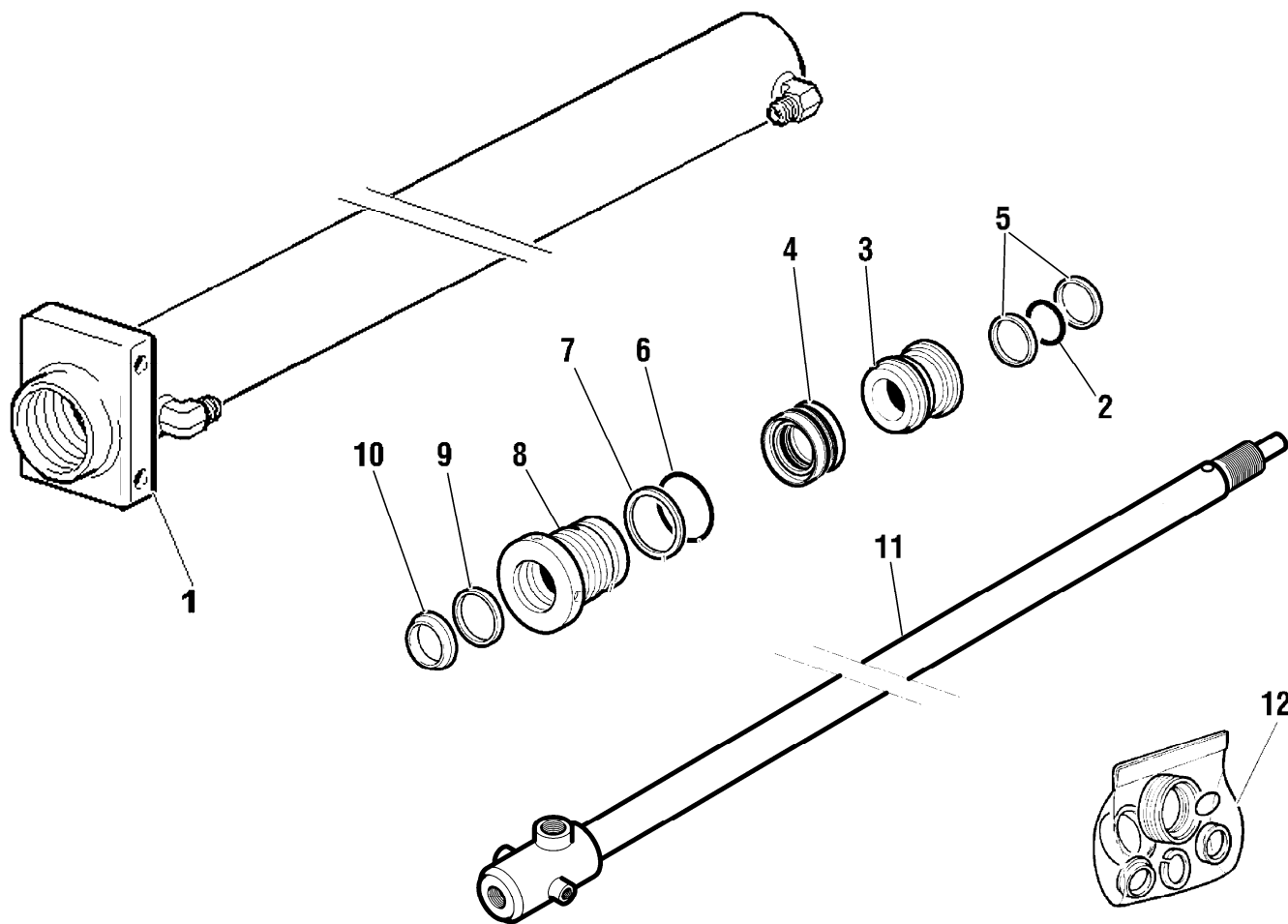


3rd extension Hydraulic jack

Code

6210405-1.0

1/1



| R | Pos. | Code Variant | Q.ty | Description |
|---|------|--------------|------|-------------|
| | 1 | 6070588 | 1 | |
| | 2 | W360094 | 1 | |
| | 3 | W105103 | 1 | |
| | 4 | W359010 | 1 | |
| | 5 | W304030 | 2 | |
| | 6 | W360049 | 1 | |
| | 7 | W304018 | 1 | |
| | 8 | W120058 | 1 | |
| | 9 | W358001 | 1 | |
| | 10 | W361011 | 1 | |
| | 11 | 6030871 | 1 | |
| | 12 | 5550795 | 1 | |

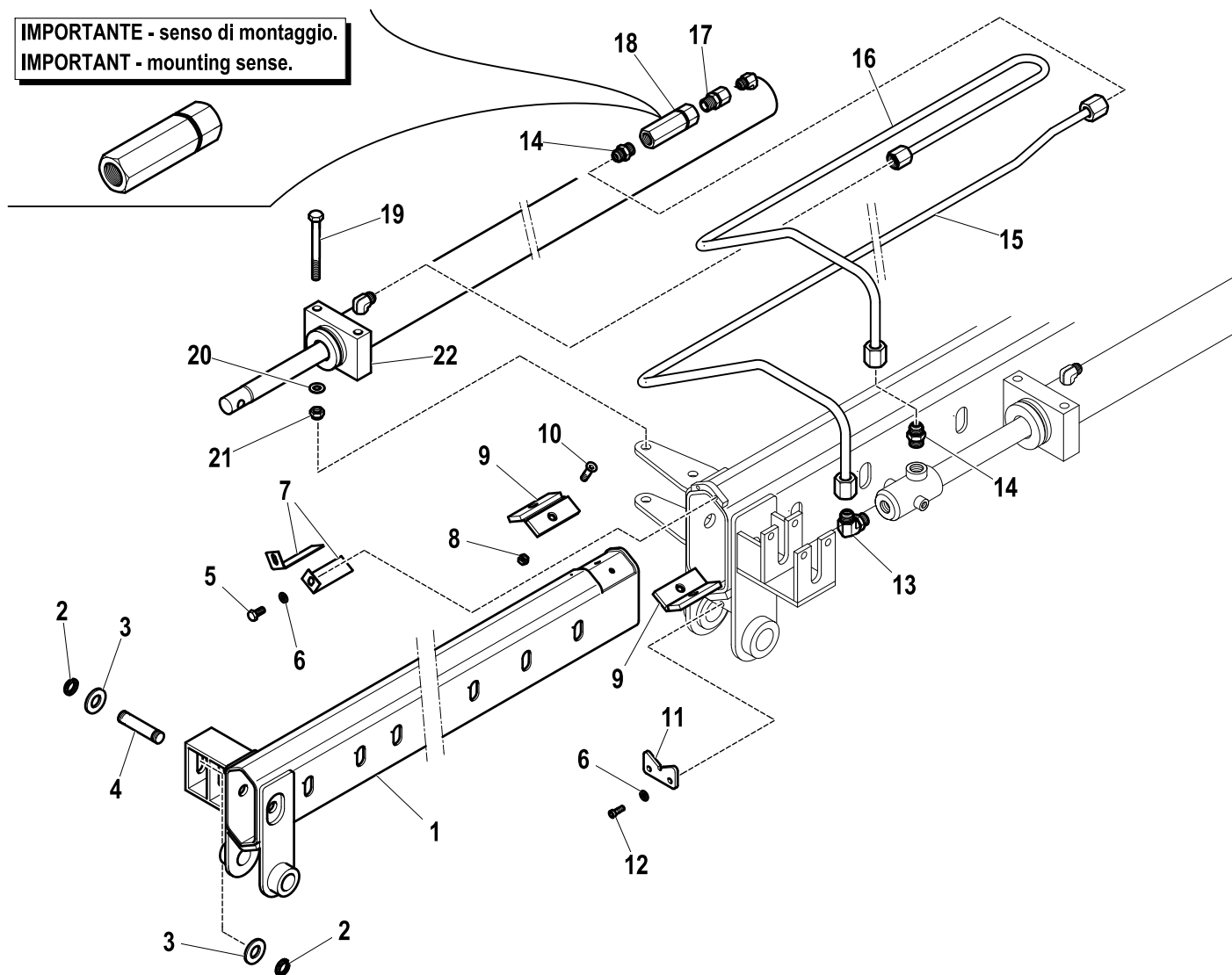
4th EXTENSION

Code

5560046-1.0

1/2

**IMPORTANTE - senso di montaggio.
IMPORTANT - mounting sense.**



| R | Pos. | Code Variant | Q.ty | Description |
|----|------|--------------|------|---|
| 1 | | 5020533 | 1 | Extension |
| 2 | | 3040498 | 2 | Self-locking ringnut |
| 3 | | 3060010 | 2 | Flat washer [D.17X30X3 UNI 6592 ZC] |
| 4 | | W101218 | 1 | |
| 5 | | 3010323 | 2 | Hex screw [M6X10 8.8 ZC UNI 5739] |
| 6 | | 3060005 | 4 | Flat washer [D.6.4 UNI 6592 ZC] |
| 7 | | 5000685 | 2 | |
| 8 | | W571316 | 2 | |
| 9 | | 5140800 | 2 | |
| 10 | | 3020401 | 2 | TSEI screw [M5X16 10.9 ZC UNI 5933] |
| 11 | | W380301900 | 1 | |
| 12 | | 3020034 | 2 | Socket head cap screw [M6X16 8.8 ZC UNI 5931] |
| 13 | | 3101125 | 1 | 90° Connection |
| 14 | | 3101040 | 2 | Straight pipe fitting |
| 15 | | 5392374 | 1 | |
| 16 | | 5392373 | 1 | |
| 17 | | 3120065 | 1 | Straight pipe fitting |
| 18 | | W470853 | 1 | |
| 19 | | 3010362 | 2 | Hex screw [M10X100 8.8 ZC UNI 5737] |
| 20 | | 3060914 | 2 | Flat washer [D.10.5X21X2 UNI 6592 ZC] |

4th EXTENSION

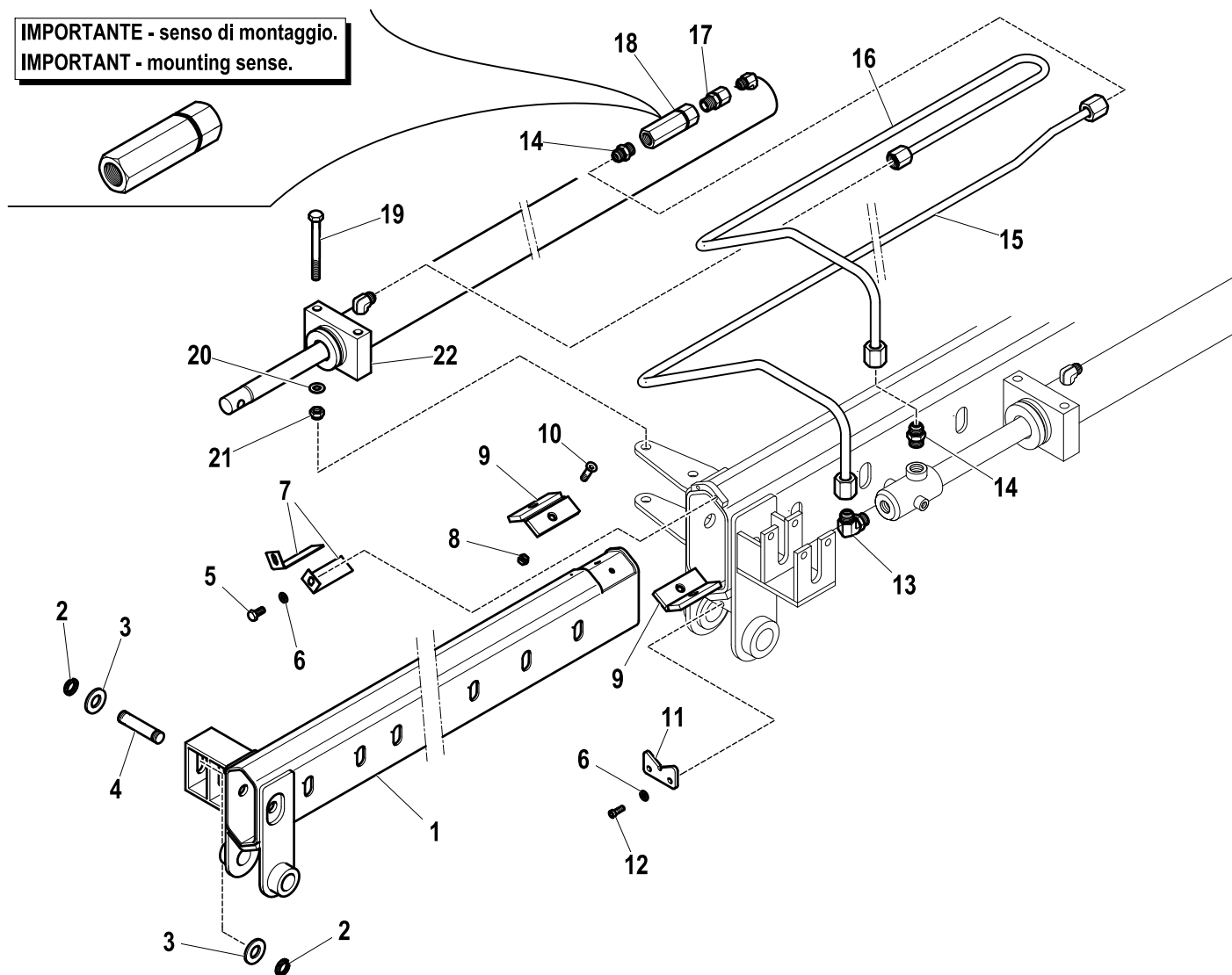
Code

5560046-1.0

2/2

| R | Pos. | Code Variant | Q.ty | Description |
|---|------|--------------|------|--------------------------|
| | 21 | 3040335 | 2 | Stopnut |
| | 22 | 6410400 | 1 | Extension Hydraulic jack |

**IMPORTANTE - senso di montaggio.
IMPORTANT - mounting sense.**

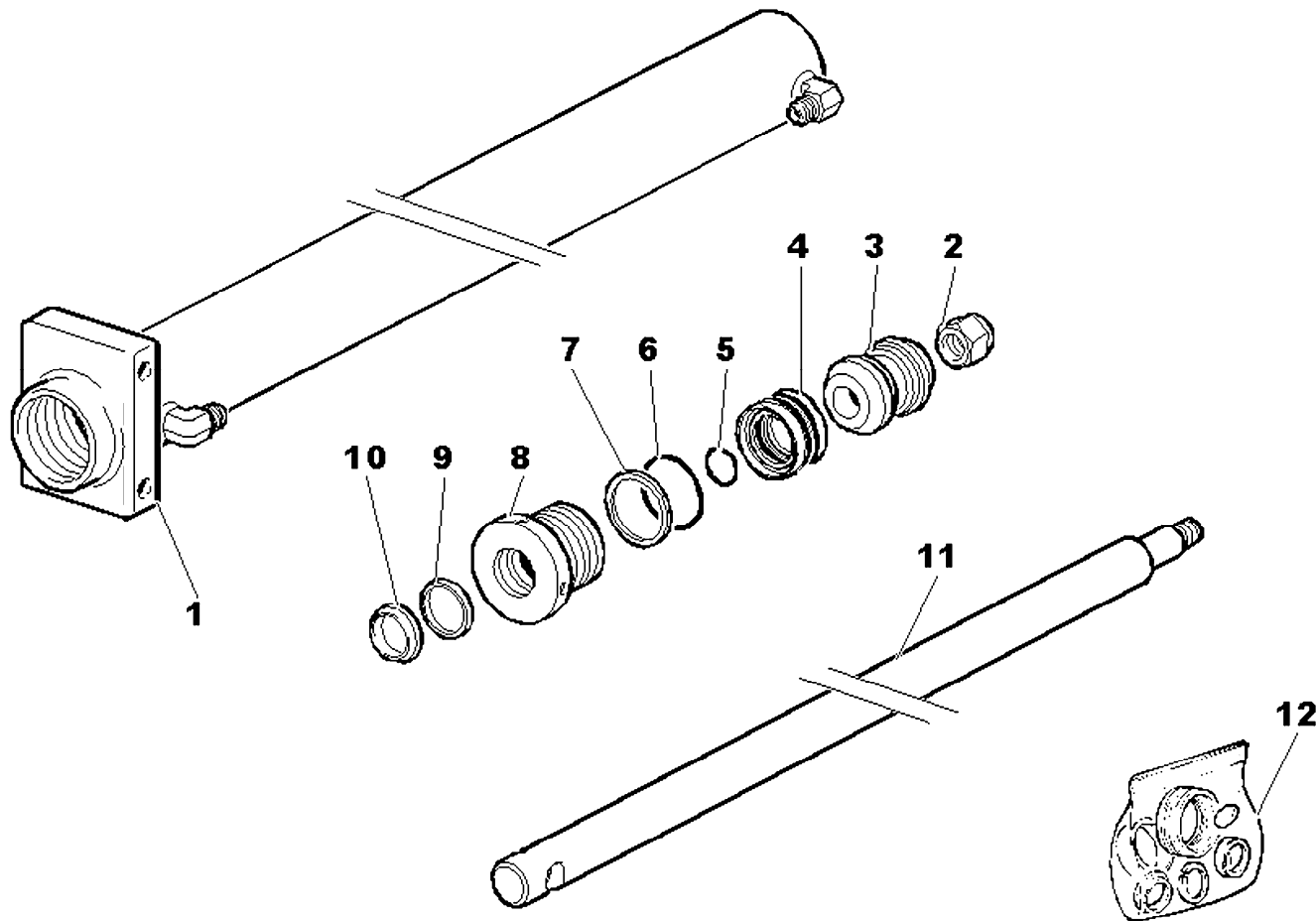


4th extension Hydraulic jack

Code

6410400-1.0

1/1



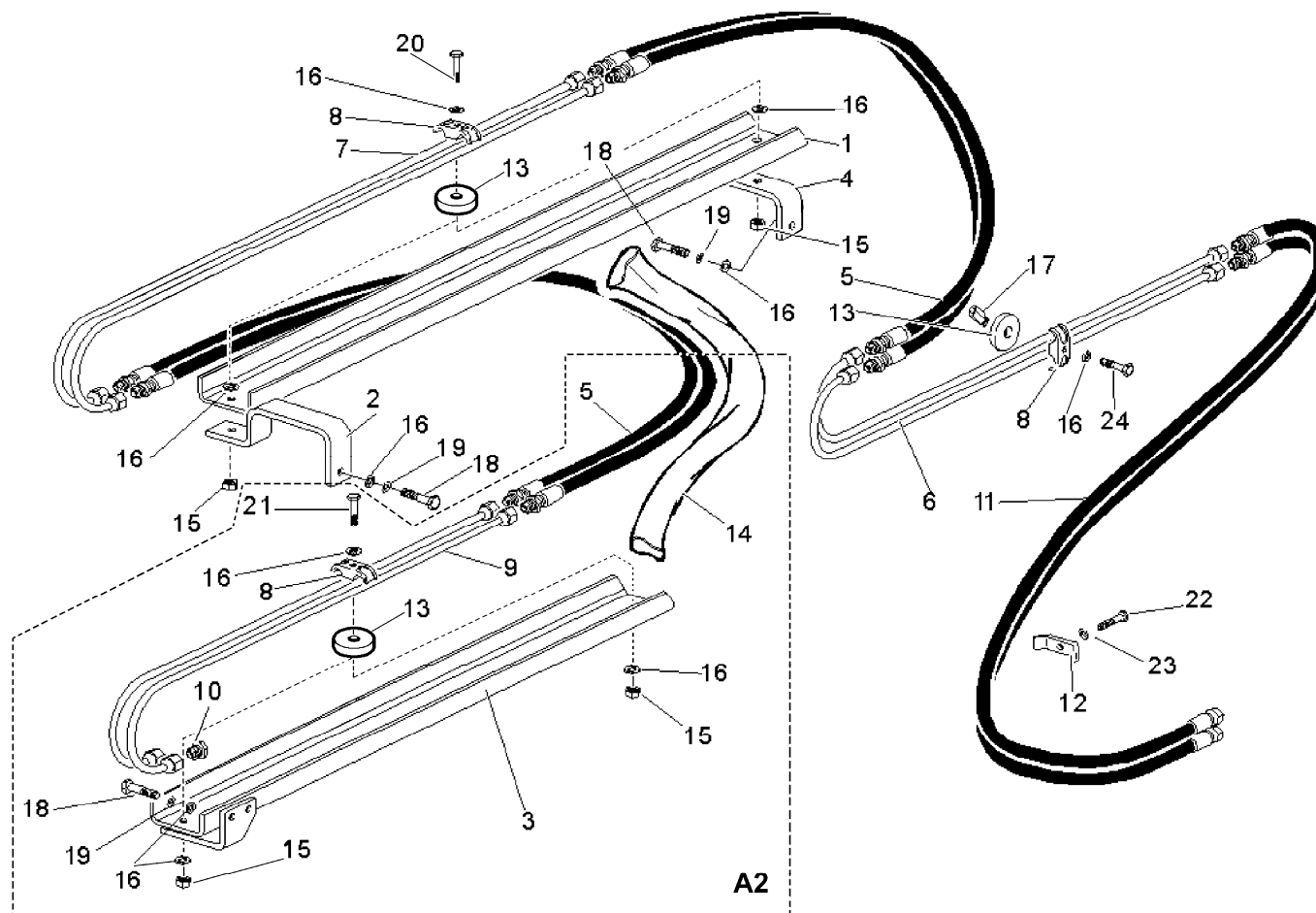
| R | Pos. | Code Variant | Q.ty | Description |
|---|------|--------------|------|-------------|
| | 1 | 6070588 | 1 | |
| | 2 | 3040377 | 1 | Stopnut |
| | 3 | W105061 | 1 | |
| | 4 | W359010 | 1 | |
| | 5 | W360002 | 1 | |
| | 6 | W360049 | 1 | |
| | 7 | W304018 | 1 | |
| | 8 | W120058 | 1 | |
| | 9 | W358001 | 1 | |
| | 10 | W361011 | 1 | |
| | 11 | 6030868 | 1 | |
| | 12 | W365061 | 1 | |

1st ACTIVATION FOR 2S

Code

5590247-1.0

1/2



| R | Pos. | Code Variant | Q.ty | Description |
|---|------|--------------|-------|---|
| | 1 | 5001914 | 1 | |
| | 2 | W530500100 | 1 | |
| | 3 | W530500300 | 1 | |
| | 4 | W530500200 | 1 | |
| | 5 | 5260914 | 4 | |
| | 6 | W520501300 | 2 | |
| | 7 | 5390011 | 2 | |
| | 8 | 5000077 | 6 | |
| | 9 | 5390012 | 2 | |
| | 10 | 3110053 | 2 | Plug |
| | 11 | 5260942 | 2 | |
| | 12 | W128039 | 3 | |
| | 13 | W340501400 | 6 | |
| | 14 | 3190198 | 1,5 m | |
| | 15 | 3040524 | 4 | Stopnut |
| | 16 | 3060006 | 8 | Flat washer [D.8 UNI 6592 ZC] |
| | 17 | W340501300 | 2 | |
| | 18 | 3010027 | 4 | Hex screw [M8X20 8.8 ZC IF UNI 5739] |
| | 19 | 3060918 | 4 | Tooth lock washer [D.8 TIPO A UNI8842 ZC] |
| | 20 | 3010033 | 2 | Hex screw [M8X50 8.8 ZC UNI 5737] |

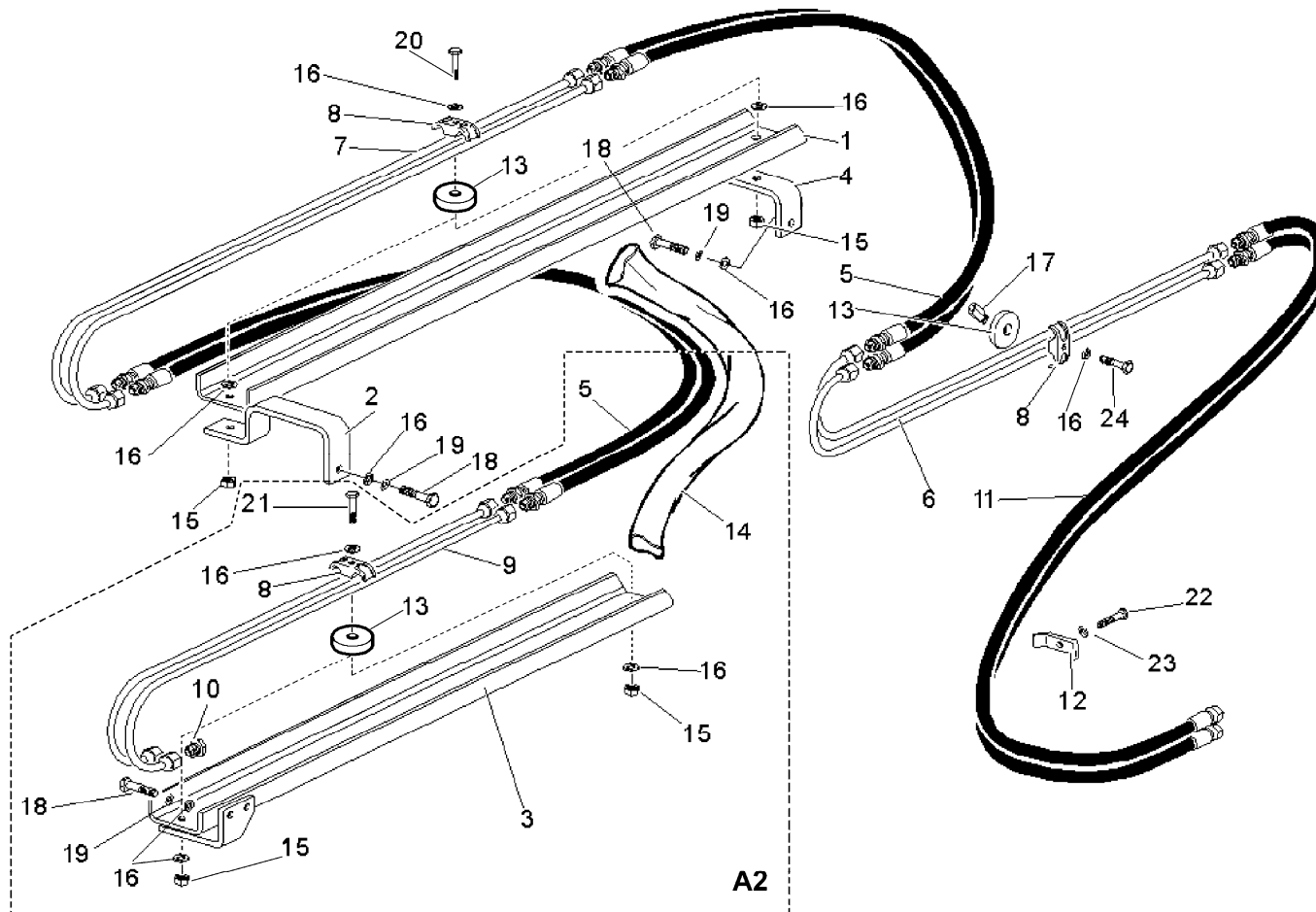
1st ACTIVATION FOR 2S

Code

5590247-1.0

2/2

| R | Pos. | Code Variant | Q.ty | Description |
|---|------|--------------|------|---|
| | 21 | 3010031 | 2 | Hex screw [M8X40 8.8 ZC UNI 5737] |
| | 22 | 3020037 | 3 | Socket head cap screw [M6X25 8.8 ZC UNI 5931] |
| | 23 | 3060101 | 3 | Tooth lock washer [D.6 TIPO A] |
| | 24 | 3010339 | 2 | Hex screw [M8X25 8.8 ZC IF UNI 5739] |



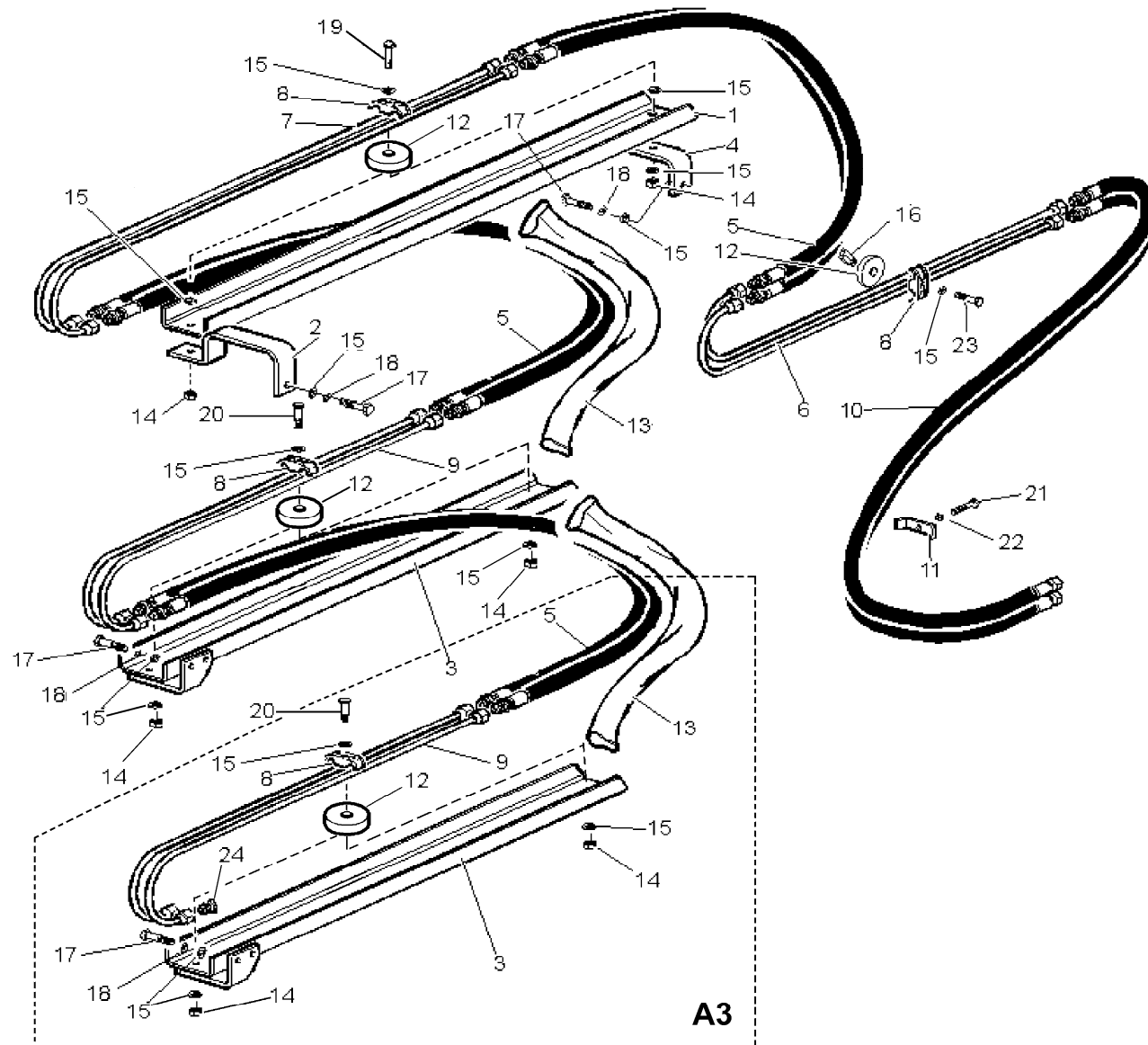
1st ACTIVATION FOR 3S

Code

5590248-1.0

1/2

| R | Pos. | Code Variant | Q.ty | Description |
|---|------|--------------|------|---|
| | 1 | 5001914 | 1 | |
| | 2 | W530500100 | 1 | |
| | 3 | W530500300 | 2 | |
| | 4 | W530500200 | 1 | |
| | 5 | 5260914 | 6 | |
| | 6 | W520501300 | 2 | |
| | 7 | 5390011 | 2 | |
| | 8 | 5000077 | 8 | |
| | 9 | 5390012 | 4 | |
| | 10 | 5260942 | 2 | |
| | 11 | W128039 | 3 | |
| | 12 | W340501400 | 8 | |
| | 13 | 3190198 | 3 m | |
| | 14 | 3040524 | 6 | Stopnut |
| | 15 | 3060006 | 10 | Flat washer [D.8 UNI 6592 ZC] |
| | 16 | W340501300 | 2 | |
| | 17 | 3010027 | 4 | Hex screw [M8X20 8.8 ZC IF UNI 5739] |
| | 18 | 3060918 | 4 | Tooth lock washer [D.8 TIPO A UNI8842 ZC] |
| | 19 | 3010033 | 2 | Hex screw [M8X50 8.8 ZC UNI 5737] |
| | 20 | 3010031 | 4 | Hex screw [M8X40 8.8 ZC UNI 5737] |



A3

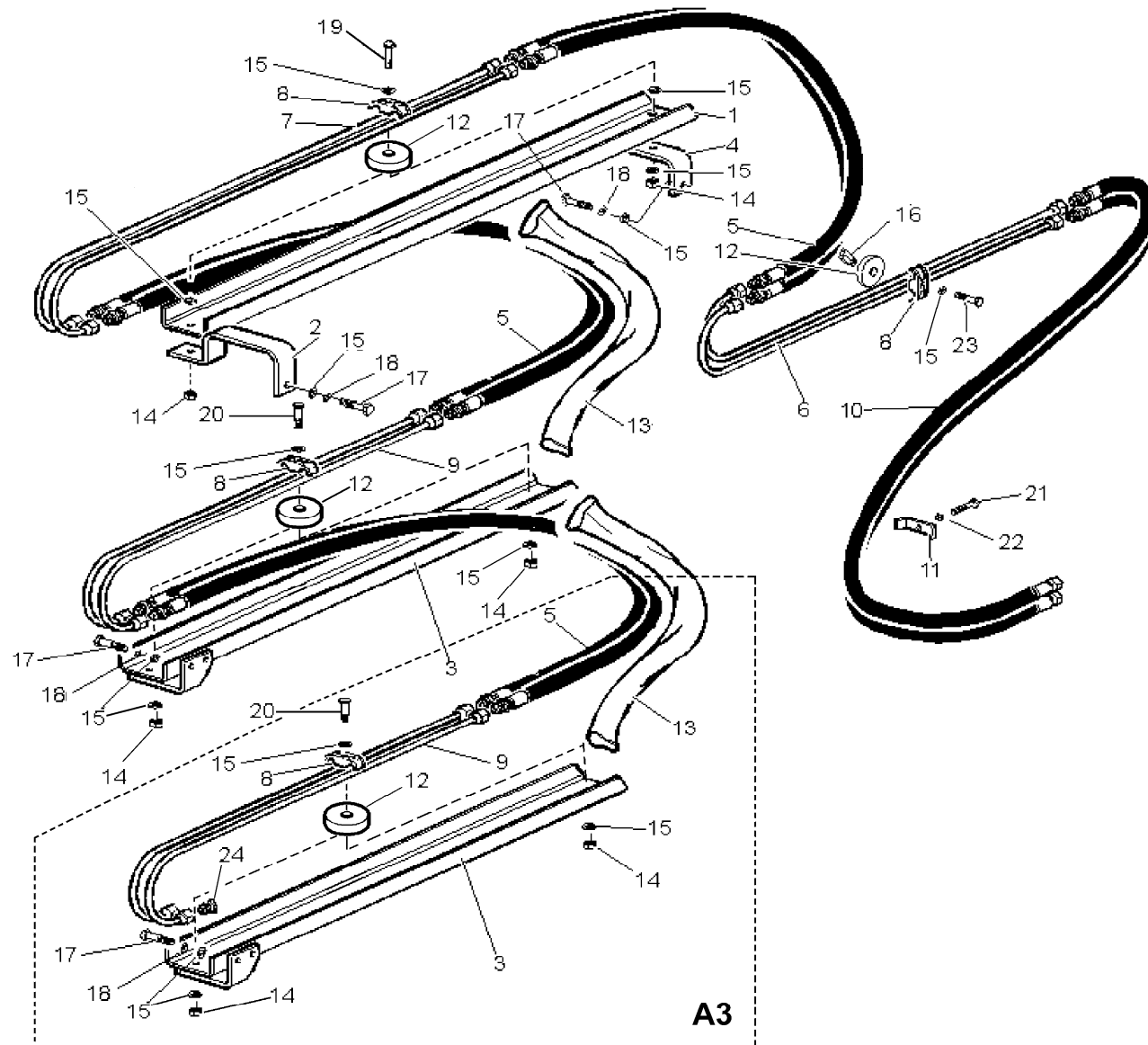
1st ACTIVATION FOR 3S

Code

5590248-1.0

2/2

| R | Pos. | Code Variant | Q.ty | Description |
|---|------|--------------|------|---|
| | 21 | 3020037 | 3 | Socketed head cap screw [M6X25 8.8 ZC UNI 5931] |
| | 22 | 3060101 | 3 | Tooth lock washer [D.6 TIPO A] |
| | 23 | 3010339 | 2 | Hex screw [M8X25 8.8 ZC IF UNI 5739] |
| | 24 | 3110053 | 2 | Plug |

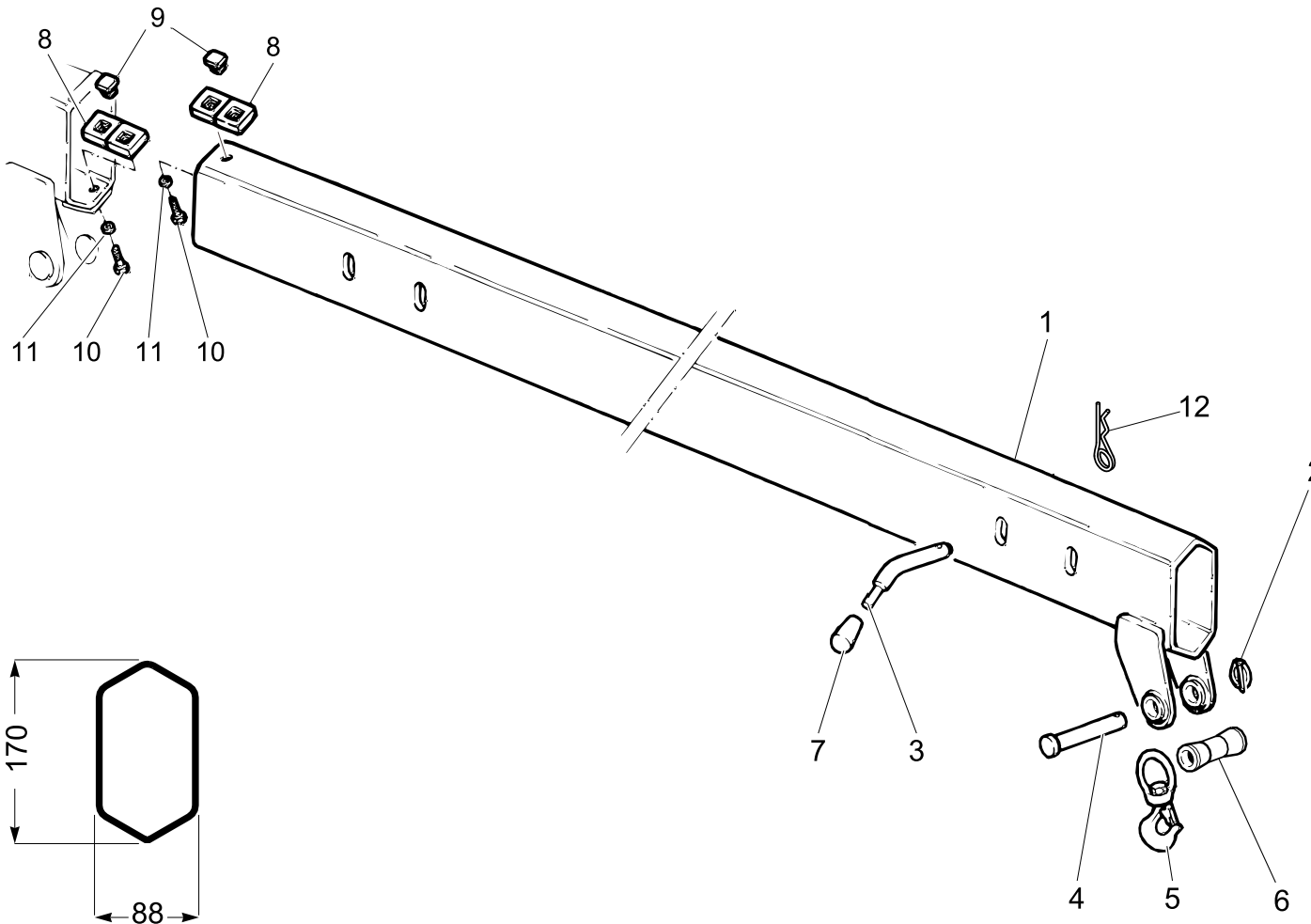


1st mechanical extension (1S)

Code

7800362-1.0

1/1



| R | Pos. | Code Variant | Q.ty | Description |
|---|------|--------------|------|-----------------------------------|
| | 1 | 5010013 | 1 | |
| | 2 | 3060753 | 1 | Cotter pin (Locking ring) |
| | 3 | W101046 | 1 | |
| | 4 | W101084 | 1 | |
| | 5 | W599002 | 1 | |
| | 6 | W390301000 | 1 | |
| | 7 | W664003 | 1 | |
| | 8 | W370300900 | 4 | |
| | 9 | W370300800 | 8 | |
| | 10 | 3010055 | 8 | Hex screw [M8X10 8.8 ZC UNI 5739] |
| | 11 | 3060006 | 8 | Flat washer [D.8 UNI 6592 ZC] |
| | 12 | 3060703 | 1 | Cotter pin |

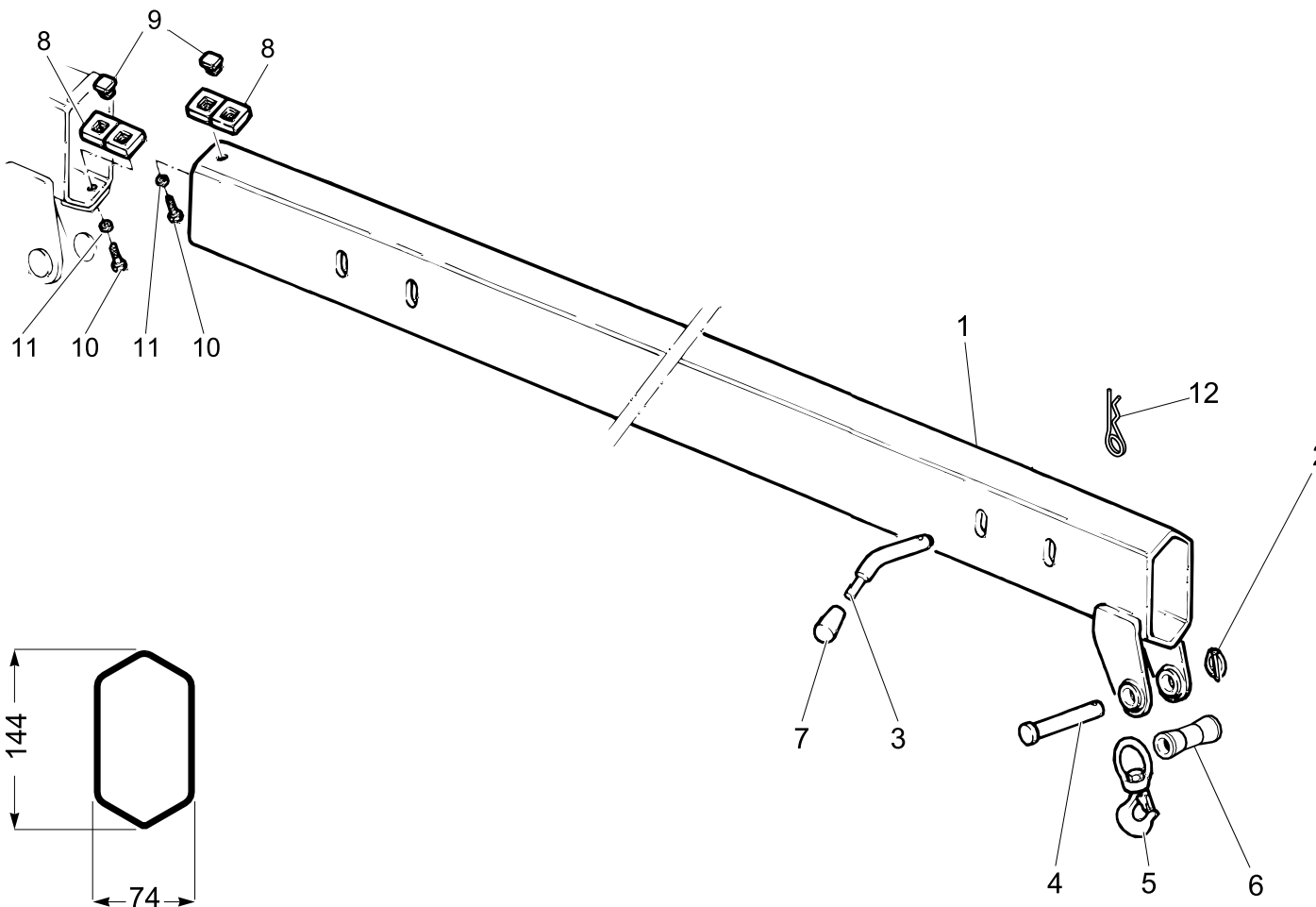
1st mechanical extension (2S)

Code

7800363-1.0

1/1

| R | Pos. | Code Variant | Q.ty | Description |
|---|------|--------------|------|-----------------------------------|
| | 1 | 5010014 | 1 | |
| | 2 | 3060753 | 1 | Cotter pin (Locking ring) |
| | 3 | W101046 | 1 | |
| | 4 | W101084 | 1 | |
| | 5 | W599002 | 1 | |
| | 6 | W390301000 | 1 | |
| | 7 | W664003 | 1 | |
| | 8 | W370300900 | 4 | |
| | 9 | W370300800 | 8 | |
| | 10 | 3010055 | 8 | Hex screw [M8X10 8.8 ZC UNI 5739] |
| | 11 | 3060006 | 8 | Flat washer [D.8 UNI 6592 ZC] |
| | 12 | 3060703 | 1 | Cotter pin |



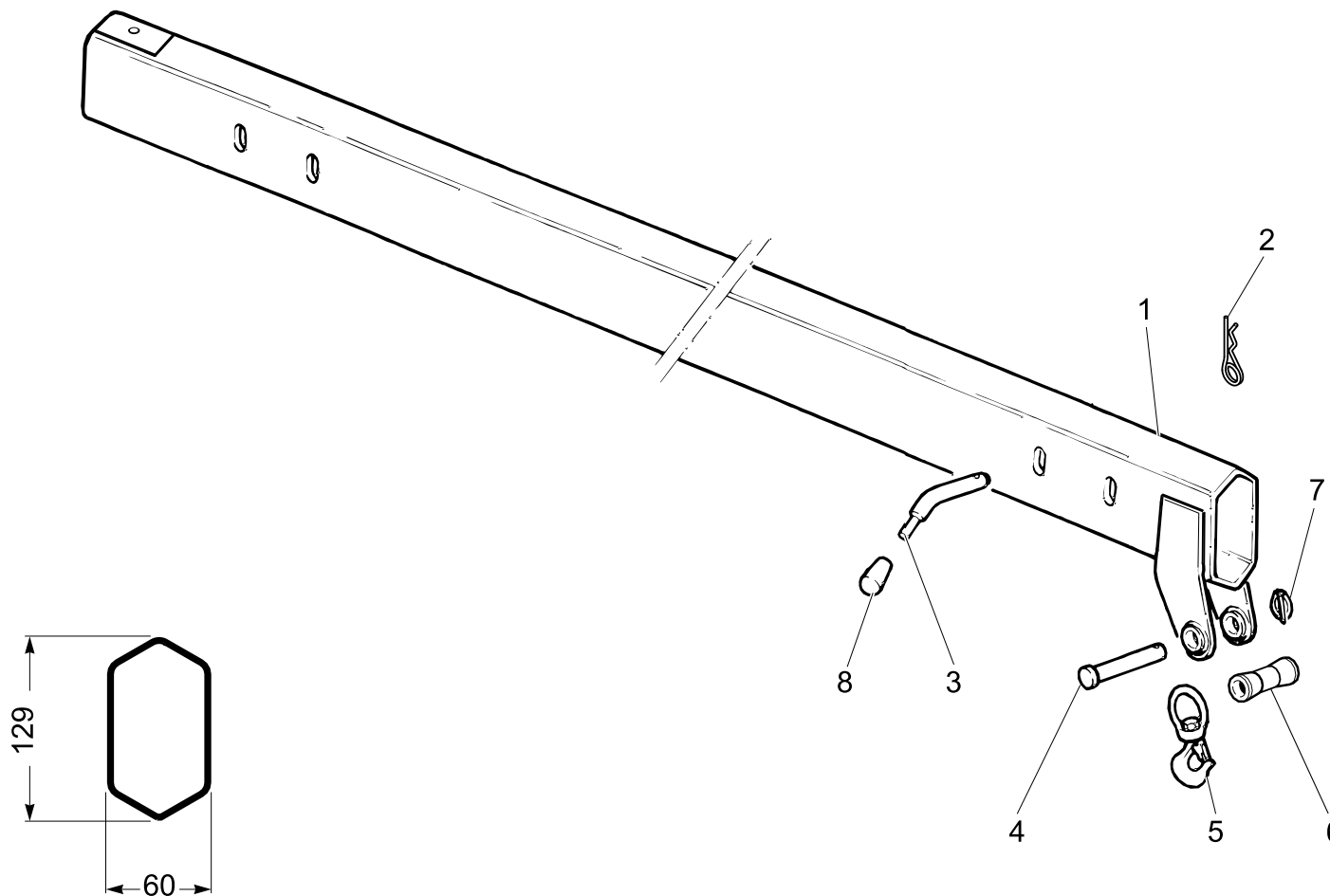
1st mechanical extension (3S)

Code

7800364-1.0

1/1

| R | Pos. | Code Variant | Q.ty | Description |
|---|------|--------------|------|---------------------------|
| | 1 | 5010015 | 1 | |
| | 2 | 3060703 | 1 | Cotter pin |
| | 3 | W101046 | 1 | |
| | 4 | W101084 | 1 | |
| | 5 | W599005 | 1 | |
| | 6 | W390301000 | 1 | |
| | 7 | 3060753 | 1 | Cotter pin (Locking ring) |
| | 8 | W664003 | 1 | |



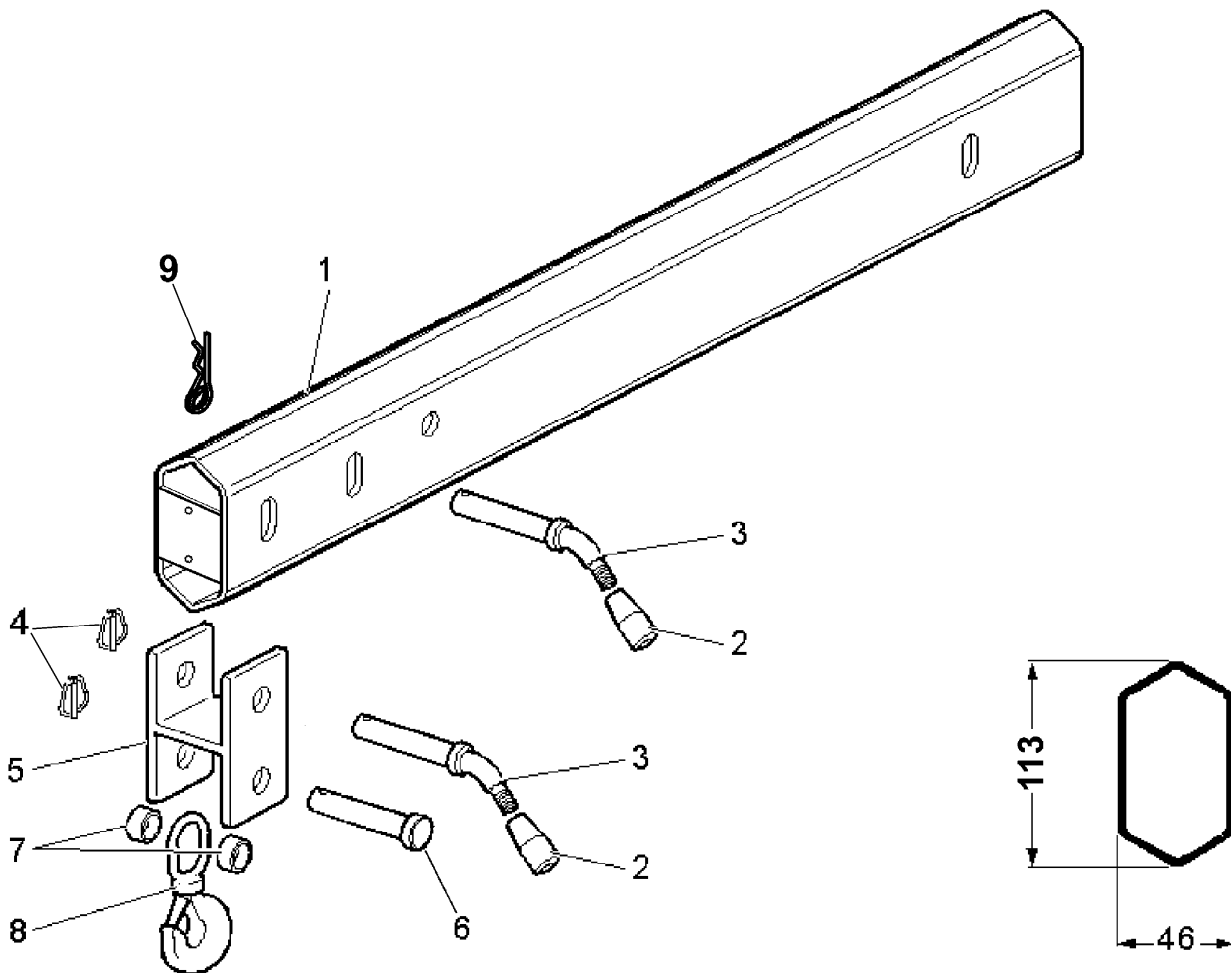
1st mechanical extension (4S)

Code

7800365-1.0

1/1

| R | Pos. | Code Variant | Q.ty | Description |
|---|------|--------------|------|---------------------------|
| | 1 | 5010012 | 1 | |
| | 2 | W664003 | 2 | |
| | 3 | W101324 | 2 | |
| | 4 | 3060753 | 2 | Cotter pin (Locking ring) |
| | 5 | W520201600 | 1 | |
| | 6 | W101080 | 1 | |
| | 7 | W130302900 | 2 | |
| | 8 | W599001 | 1 | |
| | 9 | 3060703 | 1 | Cotter pin |



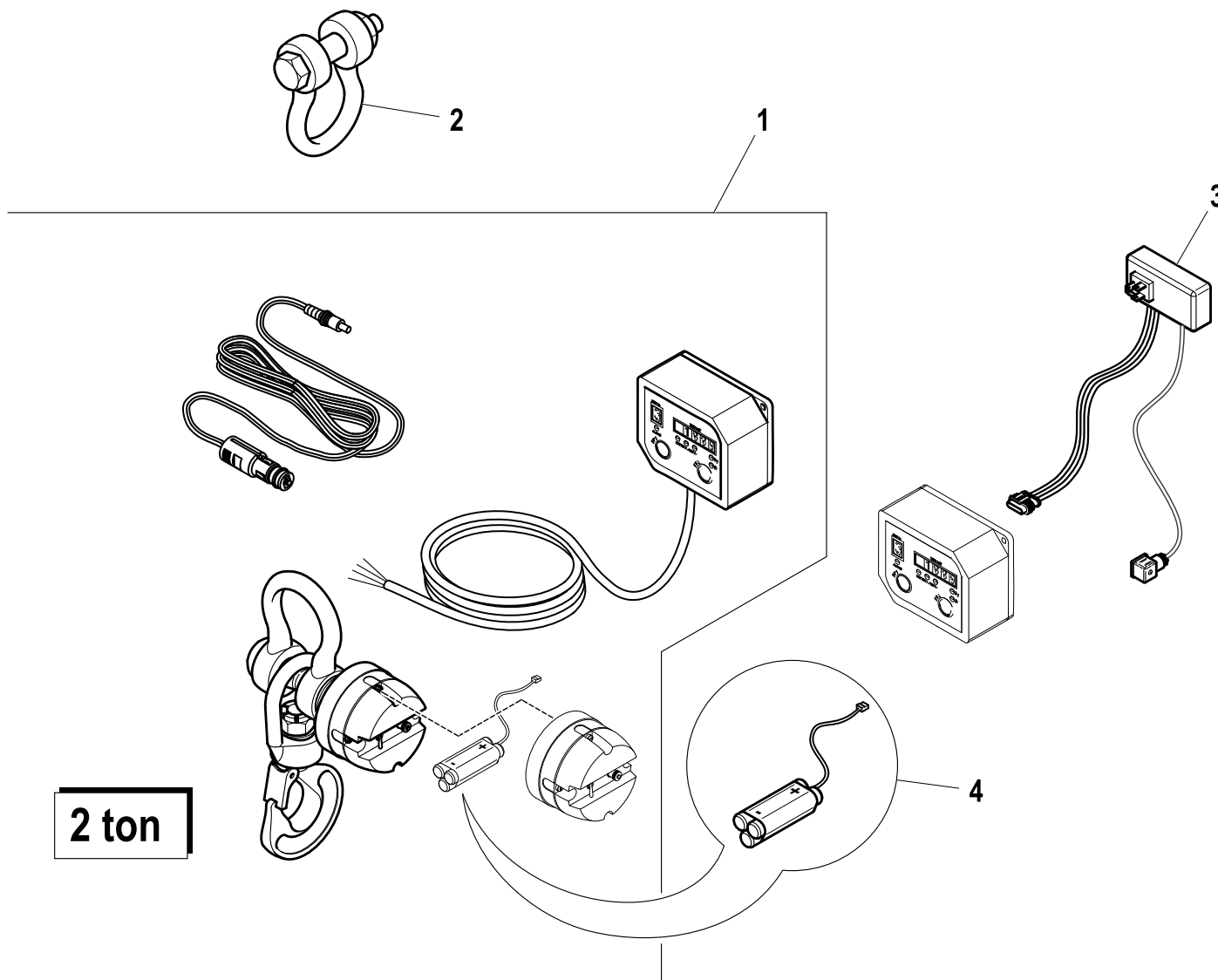
LOAD INDICATION SYSTEM

Code

7881872-1.0

1/1

| R | Pos. | Code Variant | Q.ty | Description |
|---|------|--------------|------|-------------|
| | 1 | 5730506 | 1 | |
| | 2 | 3200050 | 1 | Shackles |
| | 3 | W236510 | 1 | |
| | 4 | 3311542 | 1 | |



2 ton

Completion parts

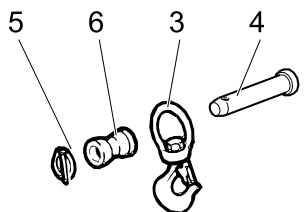
Code

5750385-1.0

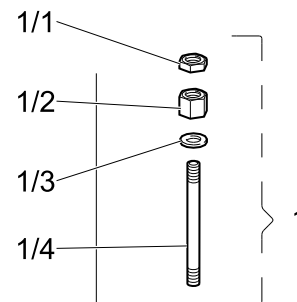
1/1

| R | Pos. | Code Variant | Q.ty | Description |
|---|------|--------------|------|--------------------------------|
| | 1 | W540050100 | 1 | |
| | 1/1 | 3040228 | 8 | Lock nut |
| | 1/2 | 3040227 | 8 | Tall headed nut |
| | 1/3 | 3060020 | 8 | Flat washer [D.22 UNI 6592 ZC] |
| | 1/4 | W738026 | 4 | |
| | 2/A1 | 5501244 | 1 | |
| | 2/A2 | 5501249 | 1 | |
| | 2/A3 | 5501248 | 1 | |
| | 2/A4 | 5501247 | 1 | |
| | 3 | W599003 | 1 | |
| | 4 | W101084 | 1 | |
| | 5 | 3060753 | 1 | Cotter pin (Locking ring) |
| | 6 | W390301000 | 1 | |

A1 - A2 - A3 - A4



VALIDO FINO A Febbraio 2011
VALID UNTIL February 2011



2/A1
2/A2
2/A3
2/A4



Completion parts

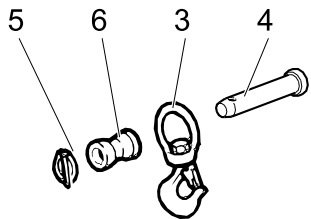
Code

5750385-2.0

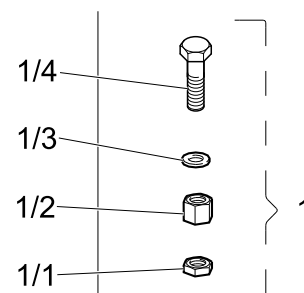
1/1

| R | Pos. | Code Variant | Q.ty | Description |
|---|------|--------------|------|-------------------------------------|
| | 1 | W540050100 | 1 | |
| | 1/1 | 3040228 | 4 | Lock nut |
| | 1/2 | 3040227 | 4 | Tall headed nut |
| | 1/3 | 3060020 | 8 | Flat washer [D.22 UNI 6592 ZC] |
| | 1/4 | 3010441 | 4 | Hex screw [M22X80 10.9 ZC UNI 5712] |
| | 2/A1 | 5501244 | 1 | |
| | 2/A2 | 5501249 | 1 | |
| | 2/A3 | 5501248 | 1 | |
| | 2/A4 | 5501247 | 1 | |
| | 3 | W599003 | 1 | |
| | 4 | W101084 | 1 | |
| | 5 | 3060753 | 1 | Cotter pin (Locking ring) |
| | 6 | W390301000 | 1 | |

A1 - A2 - A3 - A4



VALIDO DA Marzo 2011
VALID FROM March 2011



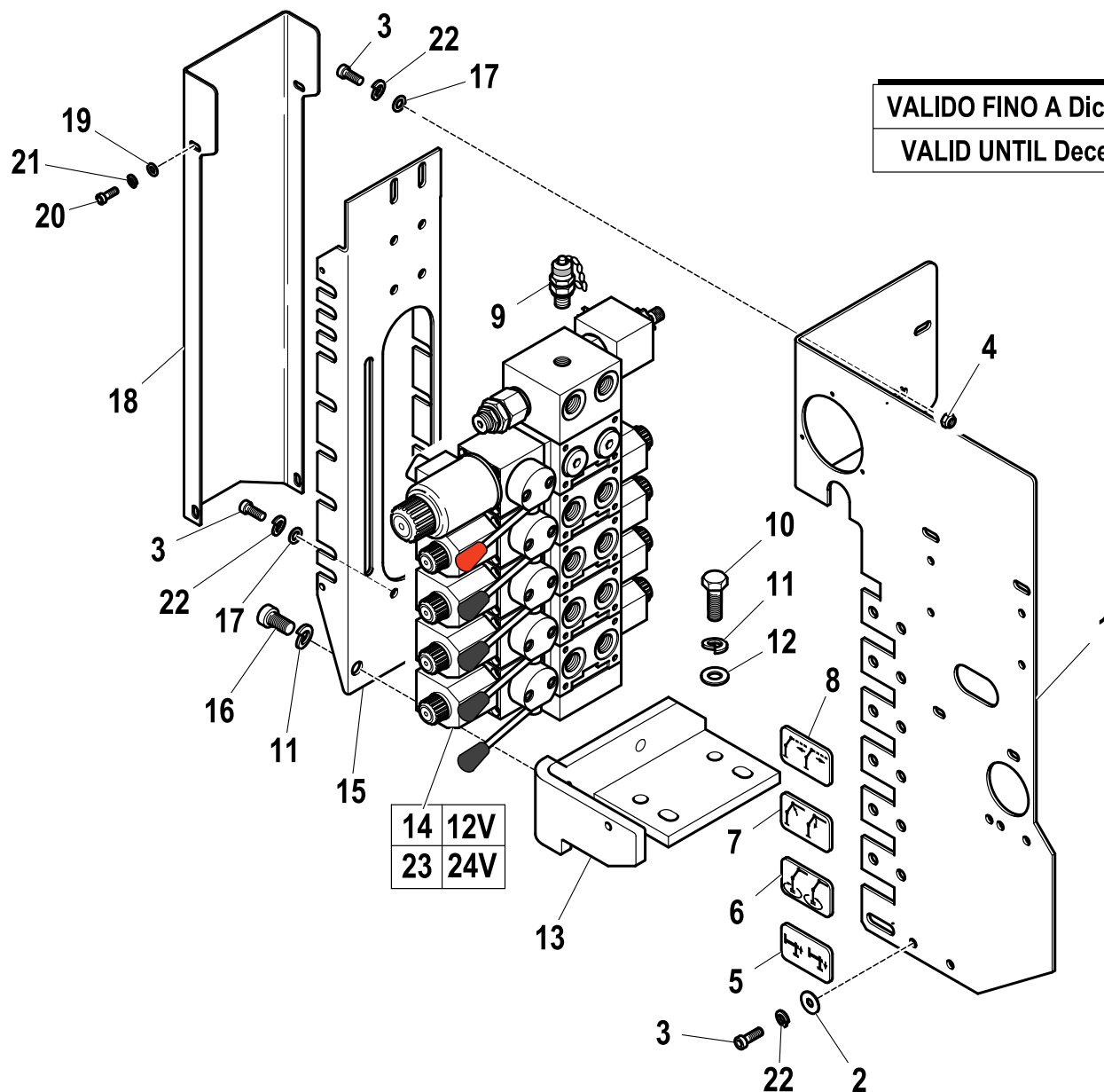
2/A1
2/A2
2/A3
2/A4







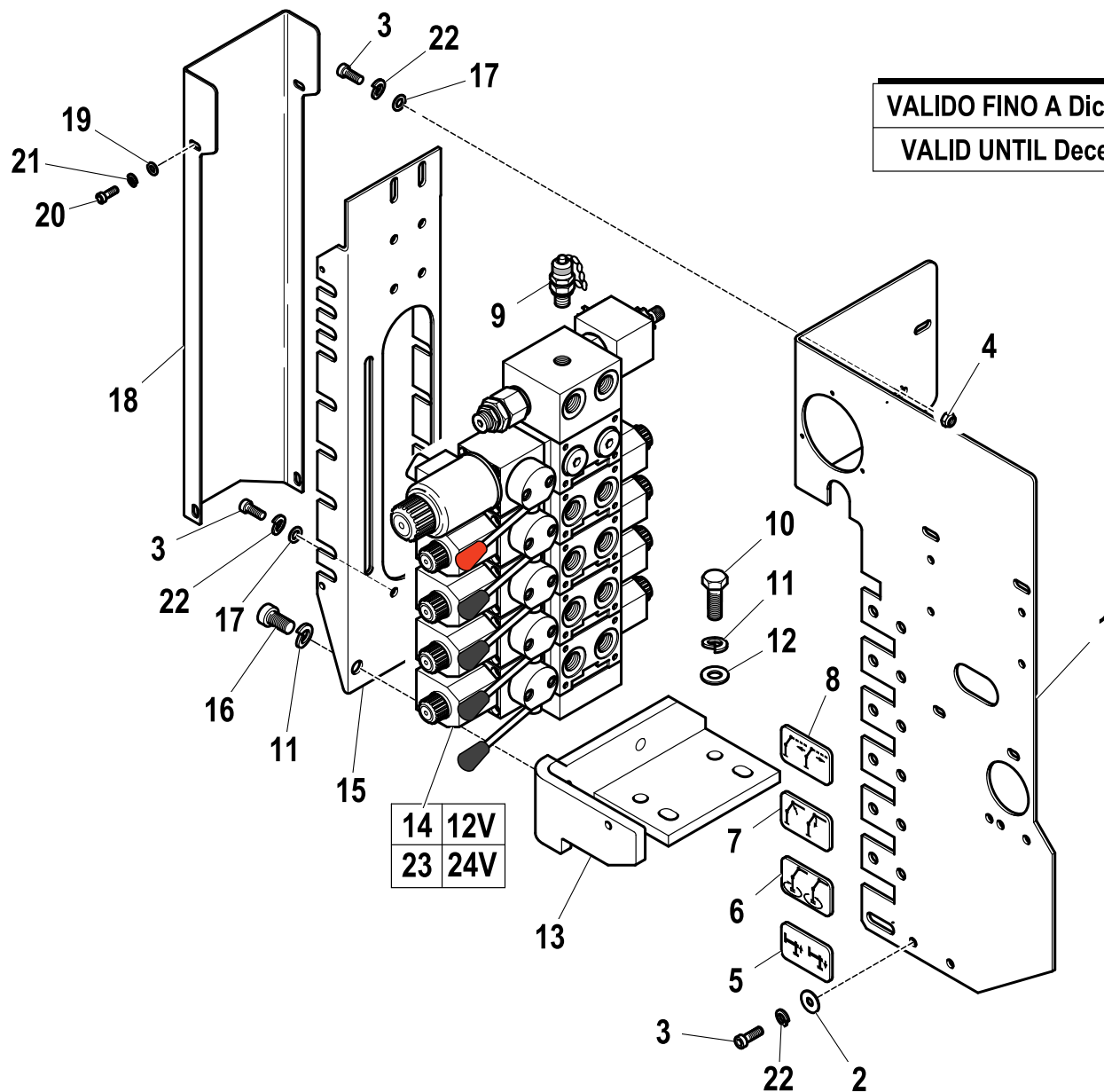
HA33 X



VALIDO FINO A Dicembre 2010
VALID UNTIL December 2010

| R | Pos. | Code Variant | Q.ty | Description |
|---|------|--------------|------|---|
| | 1 | 5091139 | 1 | |
| | 2 | 3060030 | 1 | Flat washer [D.6.6X18 UNI 6593 ZC] |
| | 3 | 3020034 | 7 | Socketed head cap screw [M6X16 8.8 ZC UNI 5931] |
| | 4 | 3040372 | 2 | Stopnut |
| | 5 | W573278 | 1 | |
| | 6 | W573412 | 1 | |
| | 7 | W573415 | 1 | |
| | 8 | W573303 | 1 | |
| | 9 | 3111523 | 1 | Pipe fitting (Tapping point) [RACC. MILITES 16X2-1/4"G] |
| | 10 | 3010355 | 2 | Hex screw [M10X25 8.8 ZC IF UNI 5739] |
| | 11 | 3060056 | 4 | Split lock washer [D=10 C72 ZC] |
| | 12 | 3060914 | 4 | Flat washer [D.10.5X21X2 UNI 6592 ZC] |
| | 13 | 5091056 | 1 | Support (Casing) |
| | 14 | 5220416 | 1 | |
| | 15 | 5091138 | 1 | |
| | 16 | 3020080 | 2 | Socketed head cap screw [M10X16 12.9 ZC UNI 5931] |
| | 17 | 3060005 | 6 | Flat washer [D.6.4 UNI 6592 ZC] |
| | 18 | 5091140 | 1 | |
| | 19 | 3060004 | 4 | Flat washer [D.5 UNI 6592 ZC] |
| | 20 | 3020021 | 4 | Socketed head cap screw [M5X12X0.8 8.8 ZC UNI 5931] |

| R | Pos. | Code Variant | Q.ty | Description |
|---|------|--------------|------|----------------------------------|
| | 21 | 3060052 | 4 | Split lock washer [D=5.5 C72 ZC] |
| | 22 | 3060053 | 4 | Split lock washer [D=6.4 C72 ZC] |
| | 23 | 5220431 | 1 | |



VALIDO FINO A Dicembre 2010
VALID UNTIL December 2010

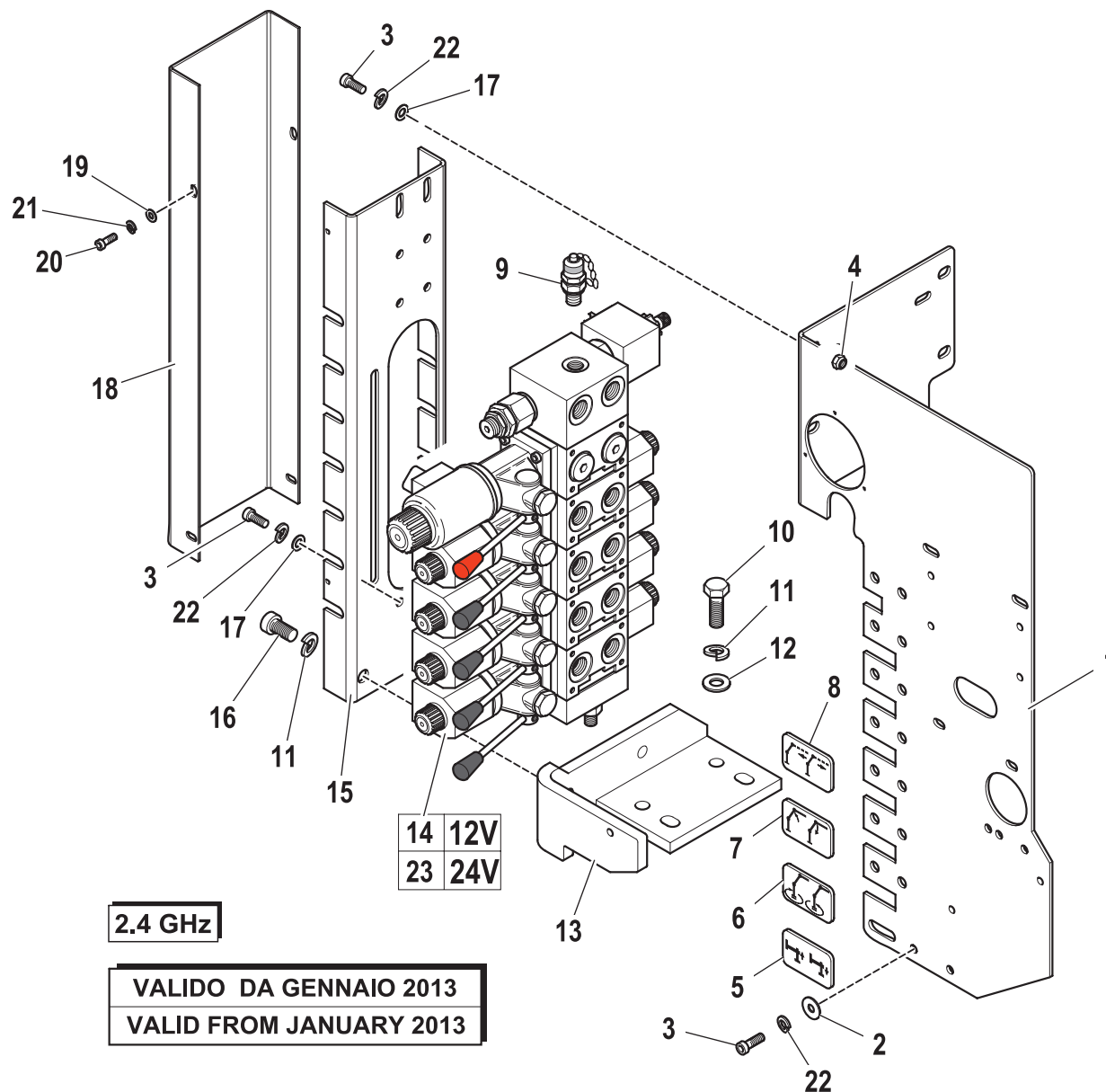
Control unit (RDC / NOCE)

Code

5402246-1.0

1/2

| R | Pos. | Code Variant | Q.ty | Description |
|---|------|--------------|------|---|
| | 1 | 5091453 | 1 | Guard (Control valve) |
| | 2 | 3060030 | 1 | Flat washer [D.6.6X18 UNI 6593 ZC] |
| | 3 | 3020034 | 7 | Socketed head cap screw [M6X16 8.8 ZC UNI 5931] |
| | 4 | 3040372 | 2 | Stopnut |
| | 5 | W573278 | 1 | |
| | 6 | W573412 | 1 | |
| | 7 | W573415 | 1 | |
| | 8 | W573303 | 1 | |
| | 9 | 3111523 | 1 | Pipe fitting (Tapping point) [RACC. MILITES 16X2-1/4"G] |
| | 10 | 3010355 | 2 | Hex screw [M10X25 8.8 ZC IF UNI 5739] |
| | 11 | 3060056 | 4 | Split lock washer [D=10 C72 ZC] |
| | 12 | 3060914 | 2 | Flat washer [D.10.5X21X2 UNI 6592 ZC] |
| | 13 | 5091056 | 1 | Support (Casing) |
| | 14 | 5220416 | 1 | |
| | 15 | 5091458 | 1 | Lateral guards and supports |
| | 16 | 3020080 | 2 | Socketed head cap screw [M10X16 12.9 ZC UNI 5931] |
| | 17 | 3060005 | 6 | Flat washer [D.6.4 UNI 6592 ZC] |
| | 18 | 5091422 | 1 | Casing () |
| | 19 | 3060004 | 4 | Flat washer [D.5 UNI 6592 ZC] |
| | 20 | 3020021 | 4 | Socketed head cap screw [M5X12X0.8 8.8 ZC UNI 5931] |



2.4 GHz

**VALIDO DA GENNAIO 2013
VALID FROM JANUARY 2013**

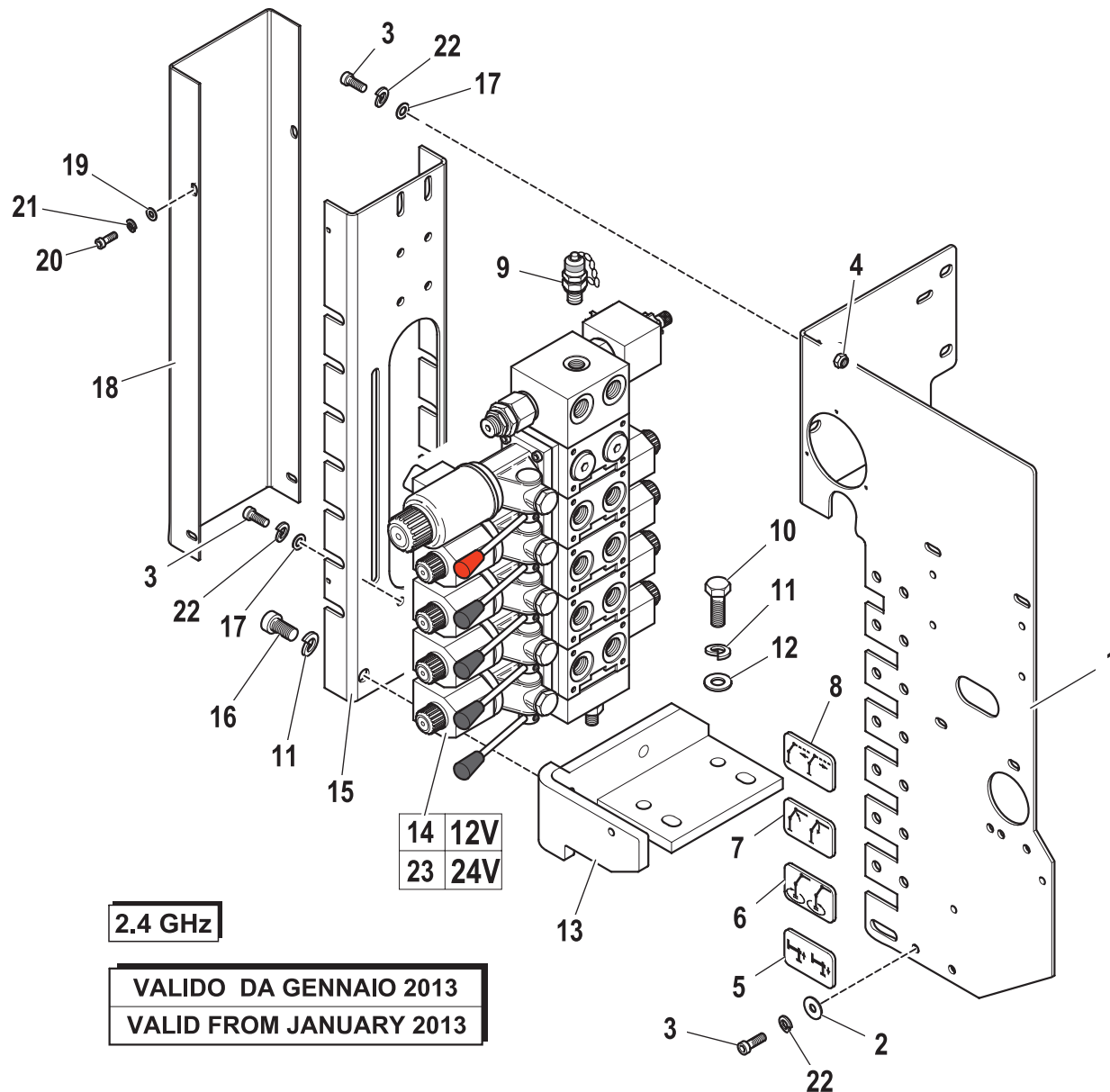
Control unit (RDC / NOCE)

Code

5402246-1.0

2/2

| R | Pos. | Code Variant | Q.ty | Description |
|---|------|--------------|------|----------------------------------|
| | 21 | 3060052 | 4 | Split lock washer [D=5.5 C72 ZC] |
| | 22 | 3060053 | 4 | Split lock washer [D=6.4 C72 ZC] |
| | 23 | 5220431 | 1 | |



2.4 GHz

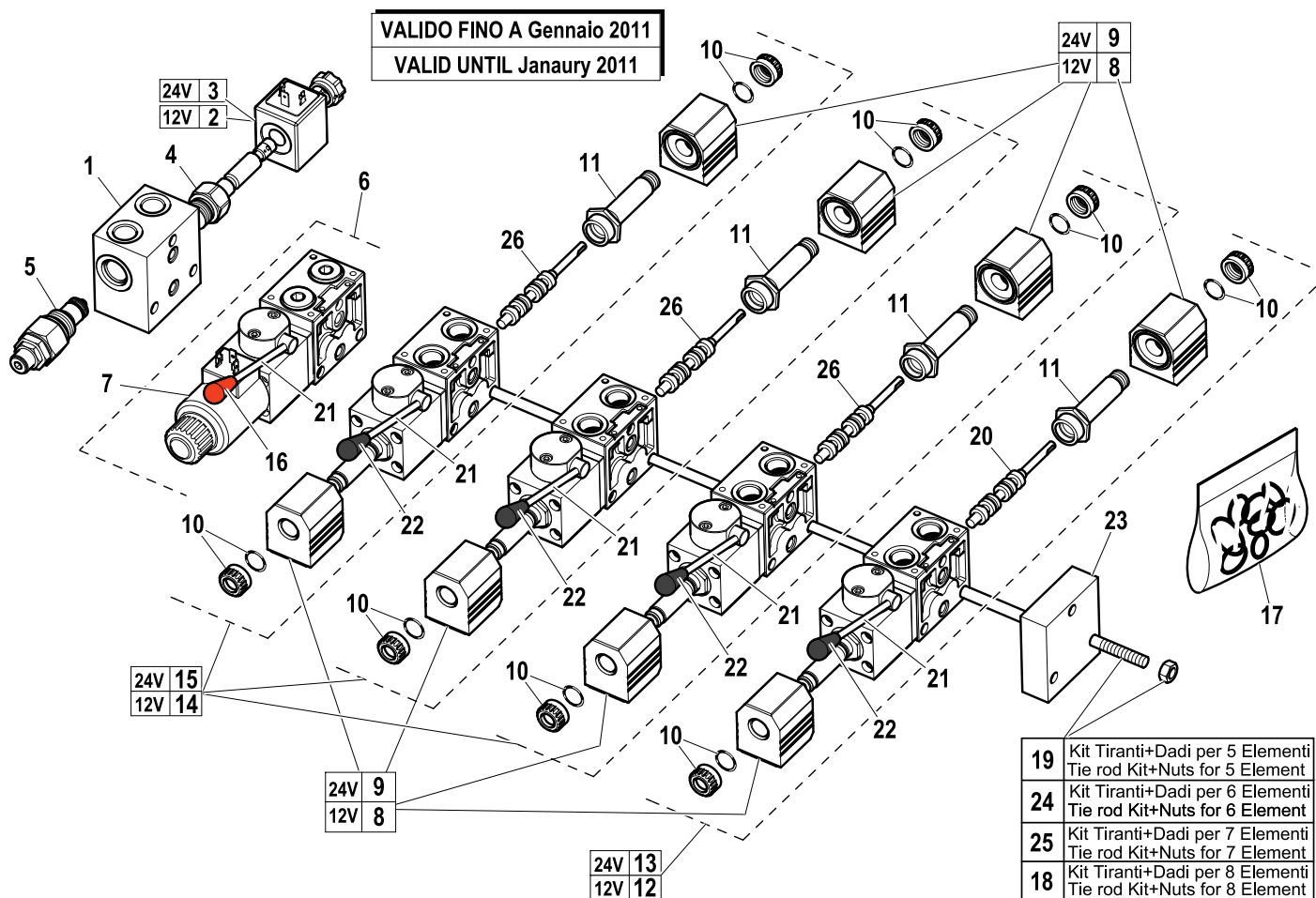
**VALIDO DA GENNAIO 2013
VALID FROM JANUARY 2013**

Control valve (4 section)

Code

5220416-1.0

1/2



| R | Pos. | Code Variant | Q.ty | Description |
|---|------|--------------|------|-------------|
| | 1 | 5225719 | 1 | |
| | 2 | 3310906 | 1 | |
| | 3 | 3310904 | 1 | |
| | 4 | 5220569 | 1 | |
| | 5 | 5225842 | 1 | |
| | 6 | 5225846 | 1 | |
| | 7 | 3310903 | 1 | |
| | 8 | 3310907 | 8 | |
| | 9 | 3310905 | 8 | |
| | 10 | 5225721 | 8 | |
| | 11 | 5225768 | 8 | |
| | 12 | 5225755 | 1 | |
| | 13 | 5225760 | 1 | |
| | 14 | 5225724 | 3 | |
| | 15 | 5225757 | 3 | |
| | 16 | 5225818 | 1 | |
| | 17 | 5225733 | 1 | |
| | 18 | 5225732 | 1 | |
| | 19 | 5225843 | 1 | |
| | 20 | 5225715 | 1 | |

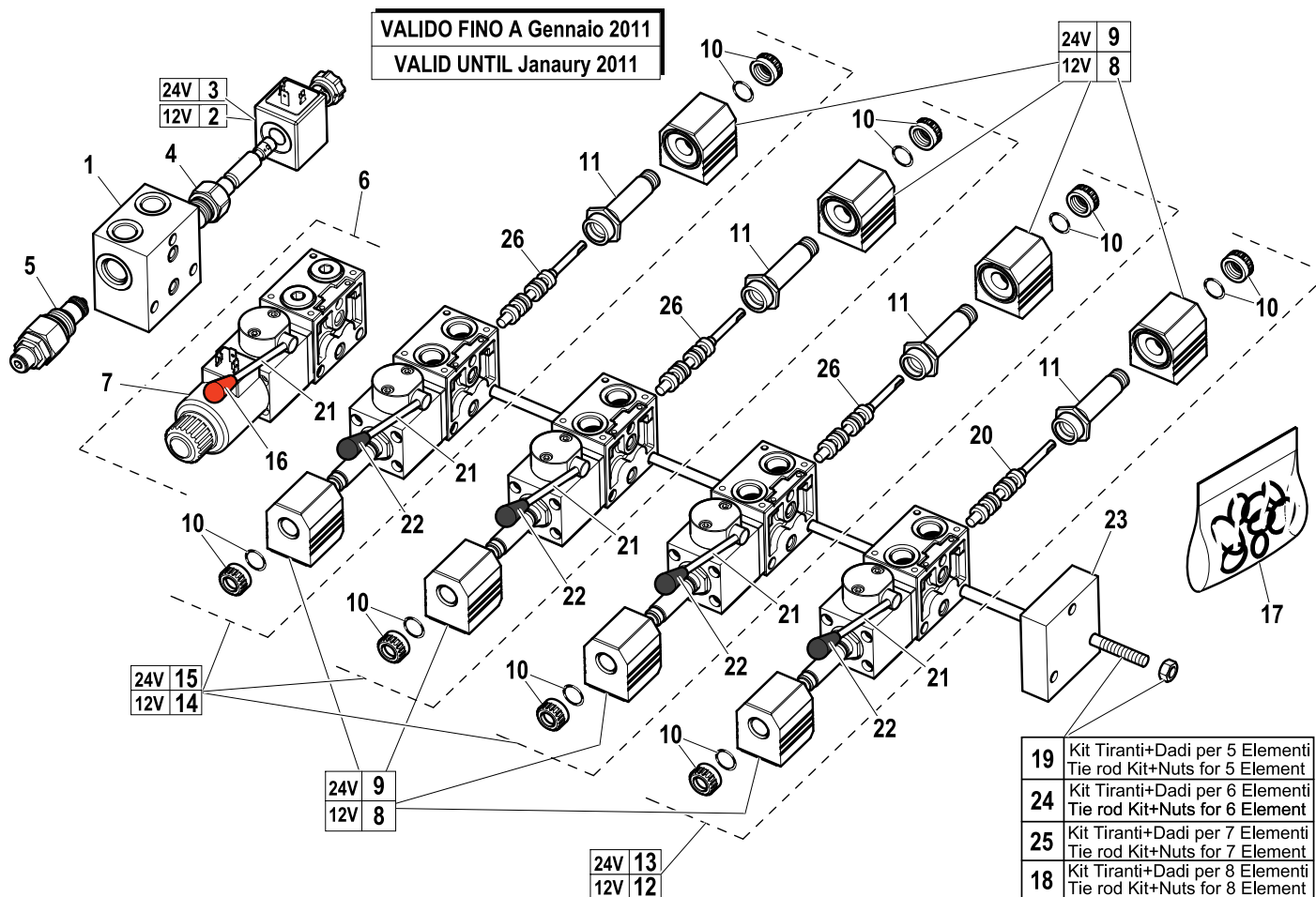
Control valve (4 section)

Code

5220416-1.0

2/2

| R | Pos. | Code Variant | Q.ty | Description |
|---|------|--------------|------|---------------|
| | 21 | 5225722 | 5 | Control lever |
| | 22 | 5225723 | 4 | |
| | 23 | 5225727 | 1 | |
| | 24 | 5225730 | 1 | |
| | 25 | 5225731 | 1 | |
| | 26 | 5225716 | 3 | |

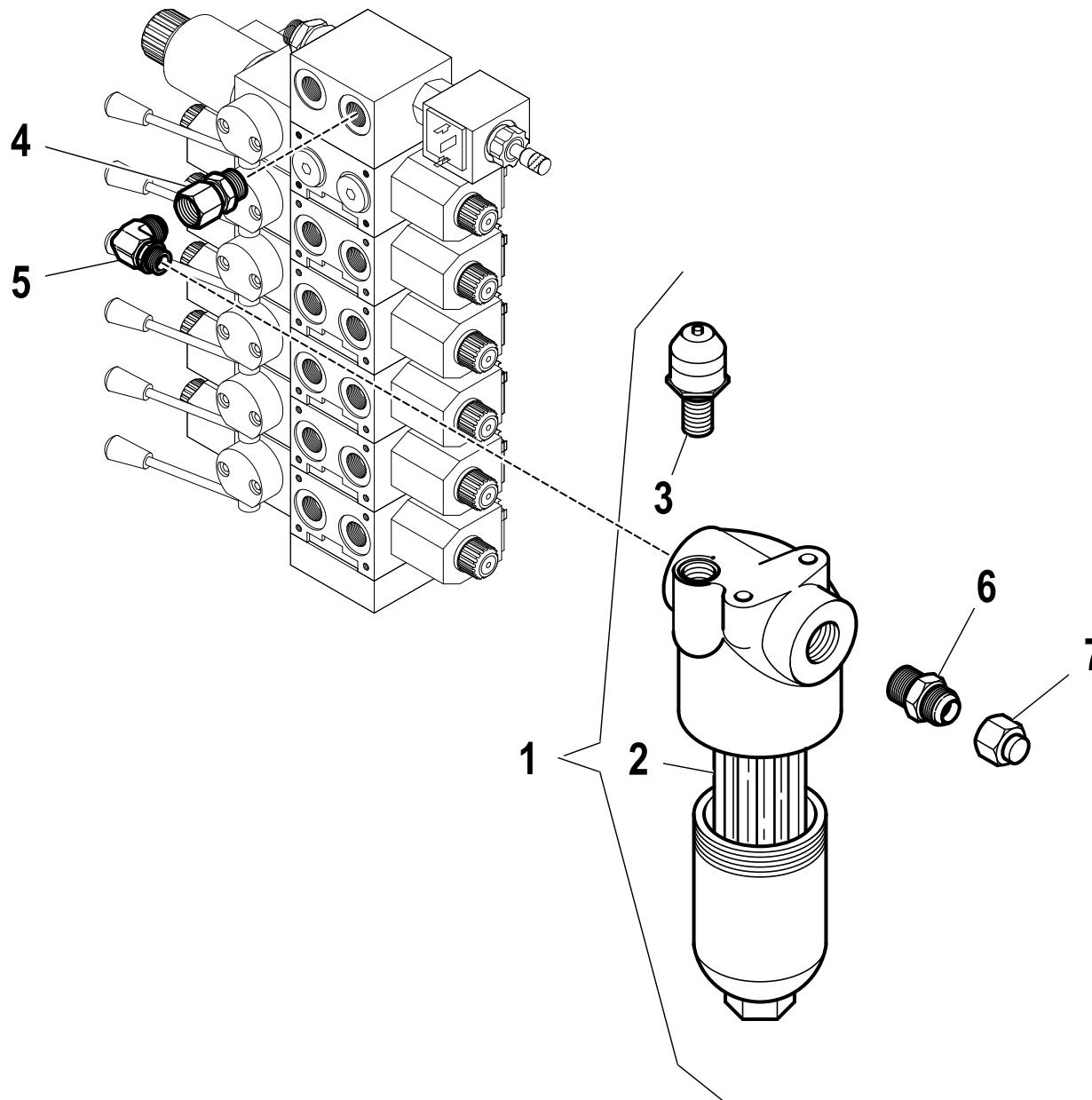


High pressure filter

Code

5400814-1.0

1/1



| R | Pos. | Code Variant | Q.ty | Description |
|---|------|--------------|------|-----------------------|
| | 1 | 3180138 | 1 | Oil filter |
| | 2 | 3180139 | 1 | Filtering cartridge |
| | 3 | 3180140 | 1 | |
| | 4 | 3120072 | 1 | Straight pipe fitting |
| | 5 | 3101131 | 1 | 90° Connection |
| | 6 | 3101044 | 1 | Straight pipe fitting |
| | 7 | 3110041 | 1 | Female plug |

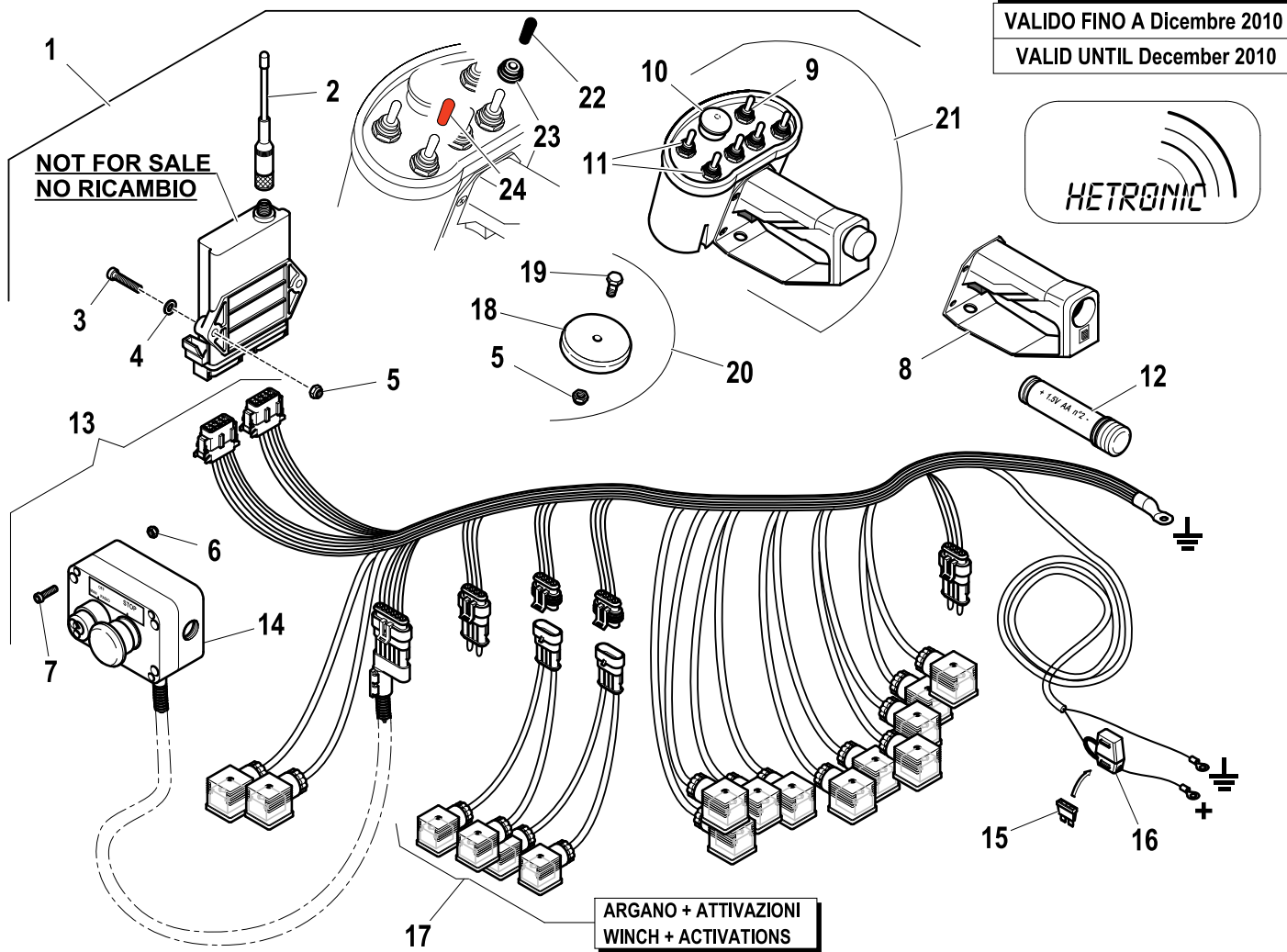
Complete wireless control (not CE)

Code

7892099-2.0

1/2

| R | Pos. | Code Variant | Q.ty | Description |
|---|------|--------------|------|---|
| | 1 | 5120095 | 1 | |
| | 2 | 3310861 | 1 | |
| | 3 | 3020038 | 2 | Socket head cap screw [M6X30 8.8 ZC UNI 5931] |
| | 4 | 3060005 | 2 | Flat washer [D.6.4 UNI 6592 ZC] |
| | 5 | 3040372 | 3 | Stopnut |
| | 6 | 3040392 | 8 | Stopnut |
| | 7 | 3020023 | 8 | Socket head cap screw [M5X16 8.8 ZC UNI 5931] |
| | 8 | 3311071 | 1 | Handle |
| | 9 | 3310891 | 1 | |
| | 10 | 3310892 | 1 | |
| | 11 | 3310890 | 5 | |
| | 12 | 3310893 | 1 | Battery compartment |
| | 13 | 3310860 | 1 | |
| | 14 | 3310908 | 1 | |
| | 15 | 3310688 | 1 | |
| | 16 | 3310852 | 1 | |
| | 17 | 3310862 | 2 | |
| | 18 | 3310064 | 1 | |
| | 19 | 3010324 | 1 | Hex screw [M6X12 8.8 ZC UNI 5739] |
| | 20 | 5410965 | 1 | Kit (Magnet) |



Complete wireless control (not CE)

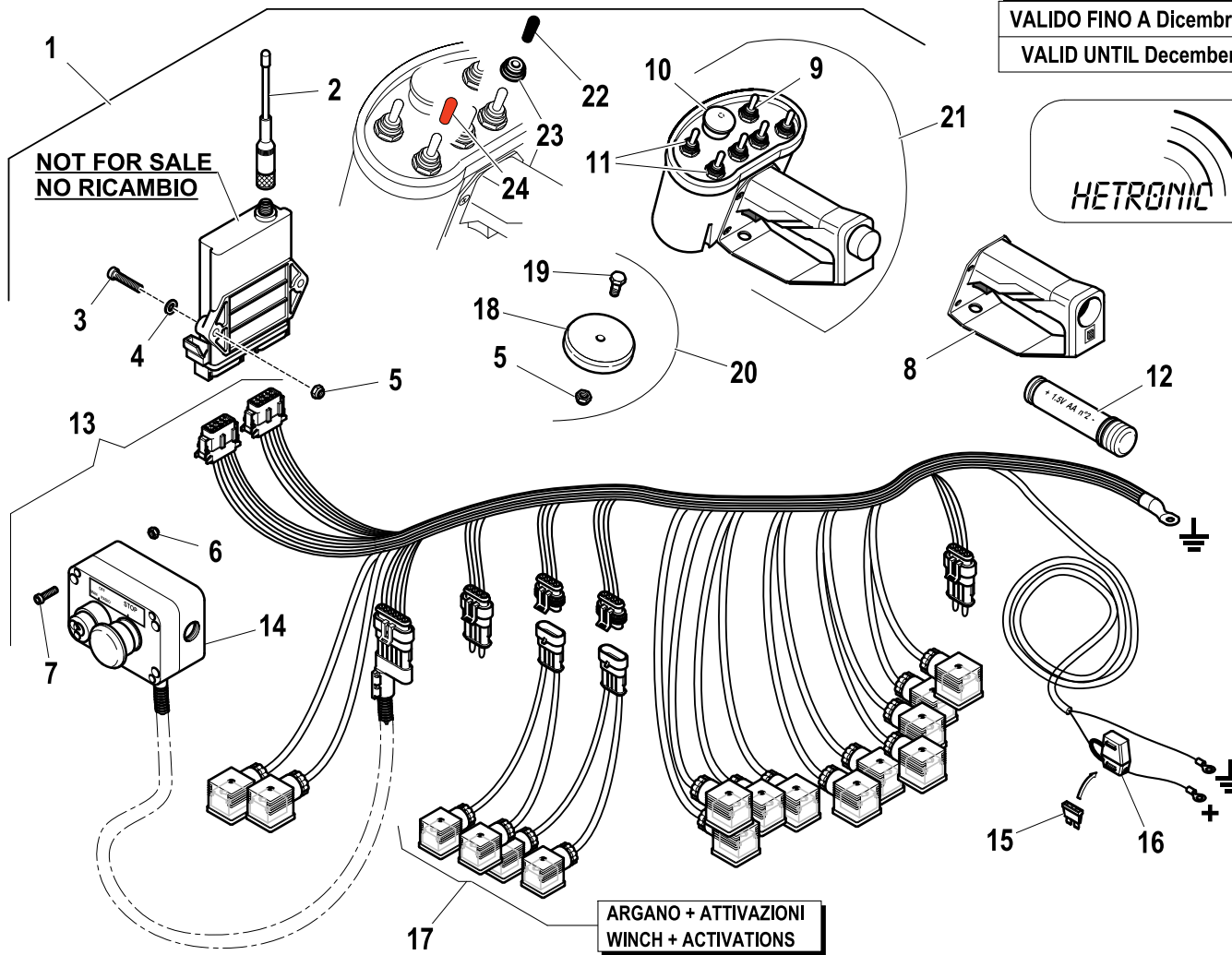
Code

7892099-2.0

2/2

| R | Pos. | Code Variant | Q.ty | Description |
|---|------|--------------|------|-------------|
| | 21 | 3310754 | 1 | |
| | 22 | 3311195 | 5 | |
| | 23 | 3311197 | 6 | |
| | 24 | 3311196 | 1 | |

VALIDO FINO A Dicembre 2010
VALID UNTIL December 2010



**NOT FOR SALE
NO RICAMBIO**

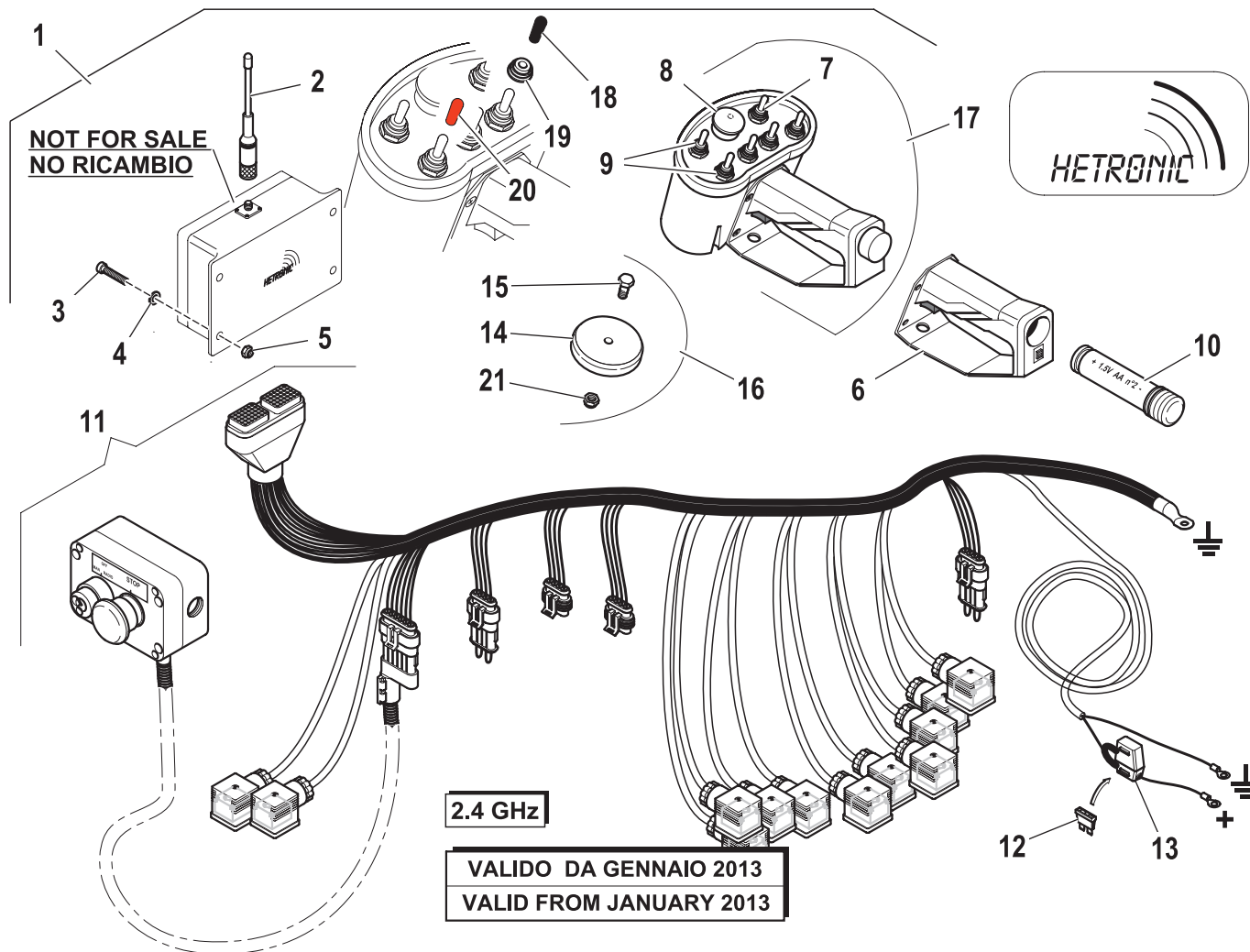
**ARGANO + ATTIVAZIONI
WINCH + ACTIVATIONS**

Complete wireless control (PTO)

Code

7892500-1.0

1/2

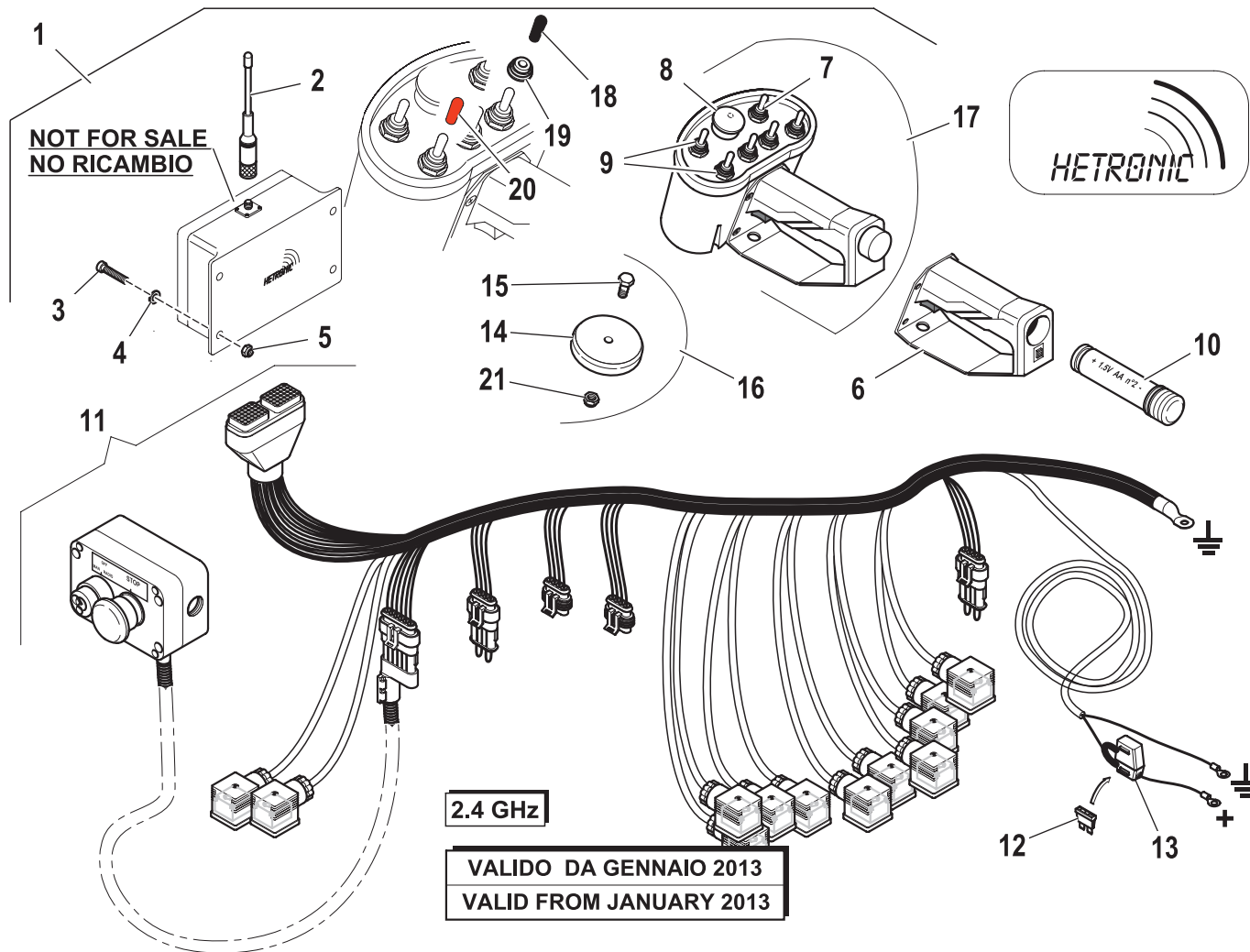


| R | Pos. | Code Variant | Q.ty | Description |
|---|------|--------------|------|---|
| | 1 | 5120154 | 1 | Complete wireless control |
| | 2 | 3311501 | 1 | Aerial (Wireless control) |
| | 3 | 3020028 | 4 | Socketed head cap screw [M5X20 8.8 ZC UNI 5931] |
| | 4 | 3060004 | 4 | Flat washer [D.5 UNI 6592 ZC] |
| | 5 | 3040392 | 4 | Stopnut |
| | 6 | 3311071 | 1 | Handle |
| | 7 | 3310891 | 1 | |
| | 8 | 3310892 | 1 | |
| | 9 | 3310890 | 5 | |
| | 10 | 3310893 | 1 | Battery compartment |
| | 11 | 3311509 | 1 | Electric wiring (Wireless control) |
| | 12 | 3310688 | 1 | |
| | 13 | 3310852 | 1 | |
| | 14 | 3310064 | 1 | |
| | 15 | 3010324 | 1 | Hex screw [M6X12 8.8 ZC UNI 5739] |
| | 16 | 5410965 | 1 | Kit (Magnet) |
| | 17 | 3311502 | 1 | Transmitter (Wireless control) |
| | 18 | 3311195 | 5 | |
| | 19 | 3311197 | 6 | |
| | 20 | 3311196 | 1 | |

Complete wireless control (PTO)

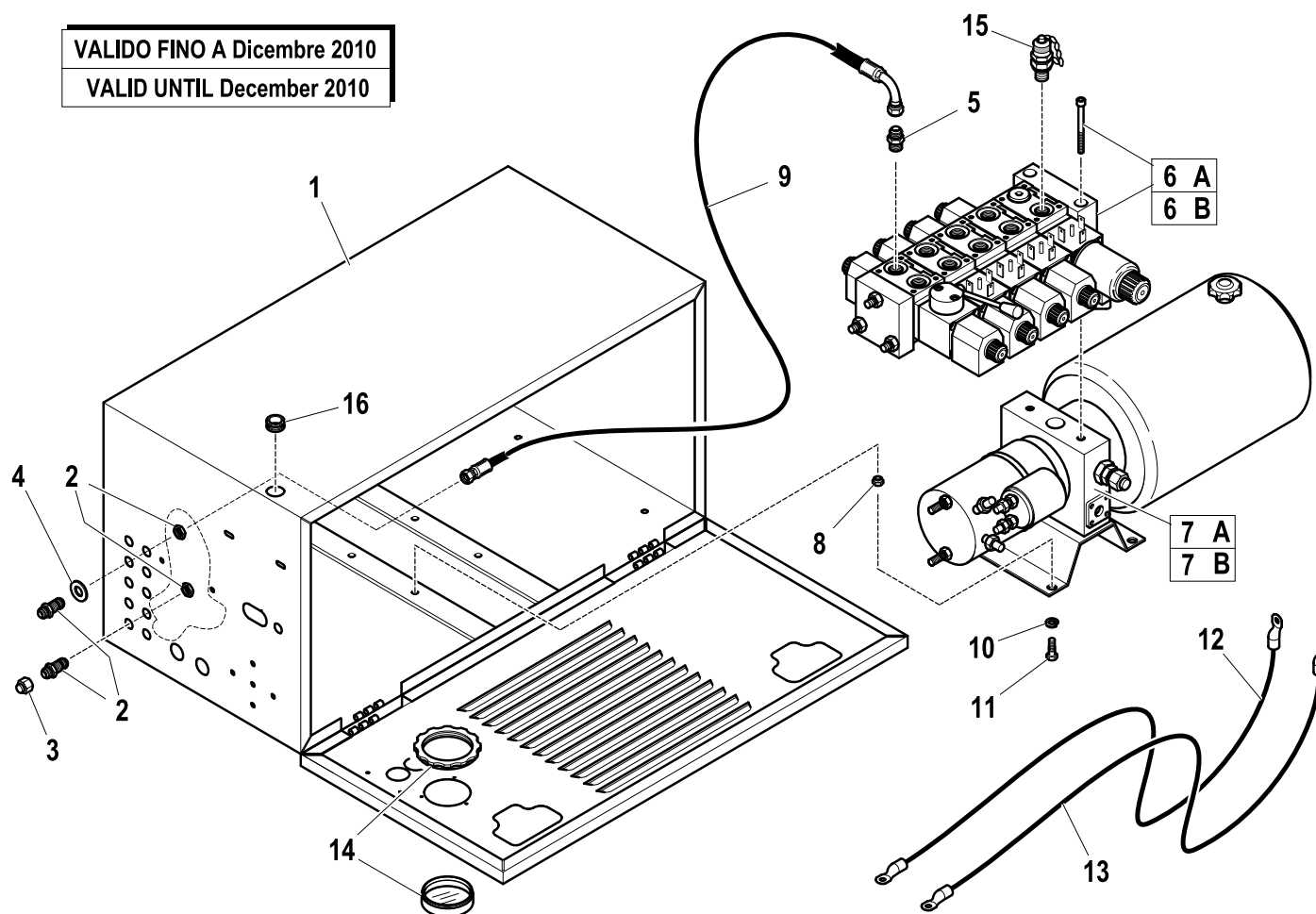
| | | |
|--------------------|--|-----|
| Code | | |
| 7892500-1.0 | | 2/2 |

| R | Pos. | Code Variant | Q.ty | Description |
|---|------|--------------|------|-------------|
| | 21 | 3040372 | 1 | Stopnut |



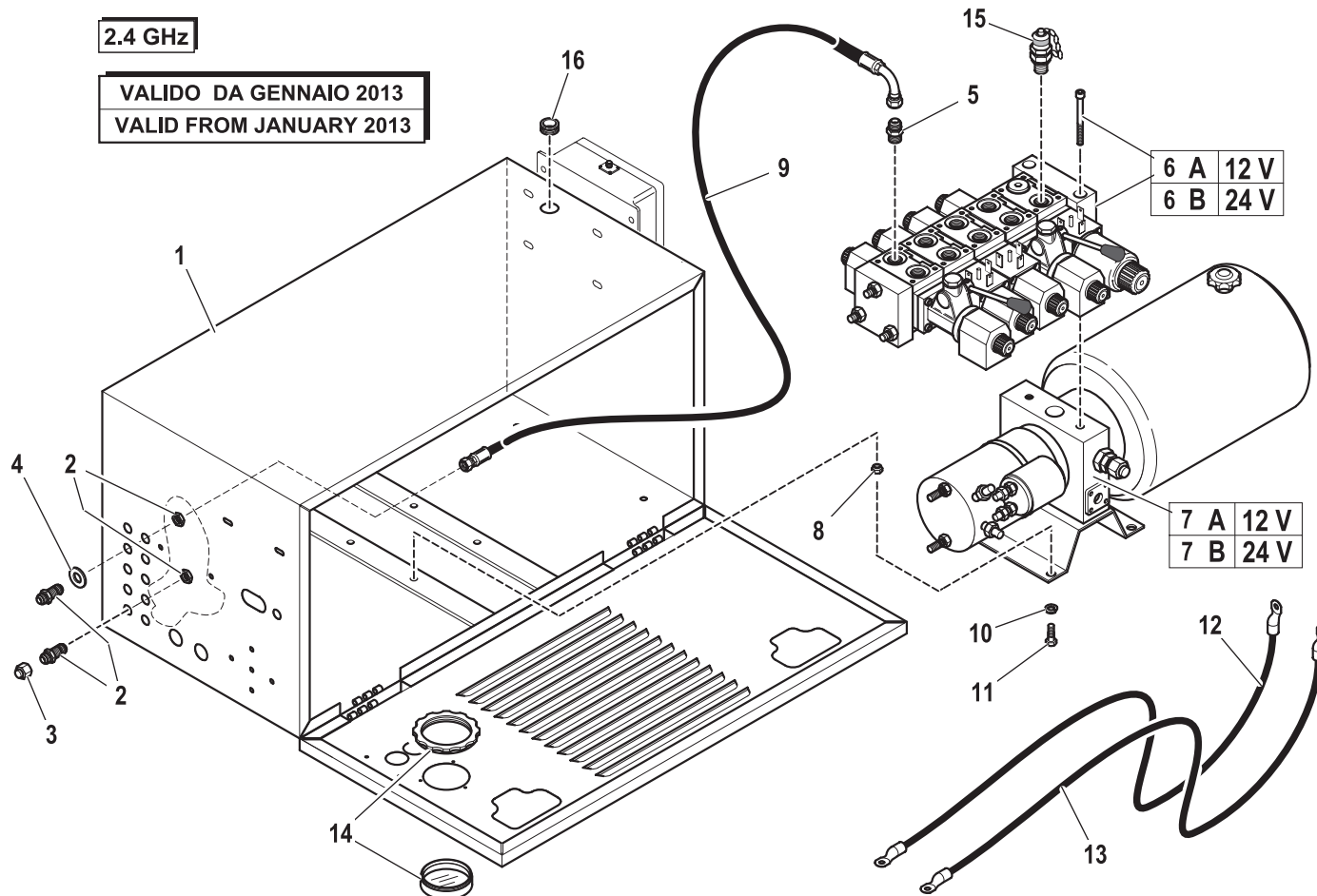
VALIDO FINO A Dicembre 2010

VALID UNTIL December 2010



| R | Pos. | Code Variant | Q.ty | Description |
|---|------|------------------|------|---|
| | 1 | 5090016 | 1 | |
| | 2 | 3120309 | 8 | Wall-through pipe fitting |
| | 3 | 3110040 | 2 | Female plug |
| | 4 | 3060009 | 8 | Flat washer [D.15X28X2.5 UNI 6592 ZC] |
| | 5 | 3101040 | 8 | Straight pipe fitting |
| | 6 A | 5220415 (12V) | 1 | |
| | 6 B | 5220429 (24V) | 1 | |
| | 7 A | W318009 (12V) | 1 | |
| | 7 B | W318010 (24V) | 1 | |
| | 8 | 3040303 | 4 | Stopnut |
| | 9 | 5260475 | 8 | Flexible hose |
| | 10 | 3060055 | 4 | Split lock washer [D=8.4 C72 ZC] |
| | 11 | 3010339 | 4 | Hex screw [M8X25 8.8 ZC IF UNI 5739] |
| | 12 | 3310067 | 1 | Electric cable (negative pole) |
| | 13 | 3310068 | 1 | Electric cable (positive pole) |
| | 14 | 3180208 | 1 | Oil level indicator |
| | 15 | 3111523 | 1 | Pipe fitting (Tapping point) [RACC. MILITES 16X2-1/4"G] |
| | 16 | 3190179 | 3 | Cable lead (Rubber) |

| R | Pos. | Code Variant | Q.ty | Description |
|---|------|--------------|------|---|
| | 1 | 5091456 | 1 | Junction box |
| | 2 | 3120309 | 8 | Wall-through pipe fitting |
| | 3 | 3110040 | 2 | Female plug |
| | 4 | 3060009 | 8 | Flat washer [D.15X28X2.5 UNI 6592 ZC] |
| | 5 | 3101040 | 8 | Straight pipe fitting |
| | 6 A | 5220469 | 1 | |
| | 6 B | 5220470 | 1 | |
| | 7 A | W318009 | 1 | |
| | 7 B | W318010 | 1 | |
| | 8 | 3040303 | 4 | Stopnut |
| | 9 | 5260475 | 8 | Flexible hose |
| | 10 | 3060055 | 4 | Split lock washer [D=8.4 C72 ZC] |
| | 11 | 3010339 | 4 | Hex screw [M8X25 8.8 ZC IF UNI 5739] |
| | 12 | 3310067 | 1 | Electric cable (negative pole) |
| | 13 | 3310068 | 1 | Electric cable (positive pole) |
| | 14 | 3180208 | 1 | Oil level indicator |
| | 15 | 3111523 | 1 | Pipe fitting (Tapping point) [RACC. MILITES 16X2-1/4"G] |
| | 16 | 3190179 | 3 | Cable lead (Rubber) |



HYDRAULIC SYSTEM GAUGE

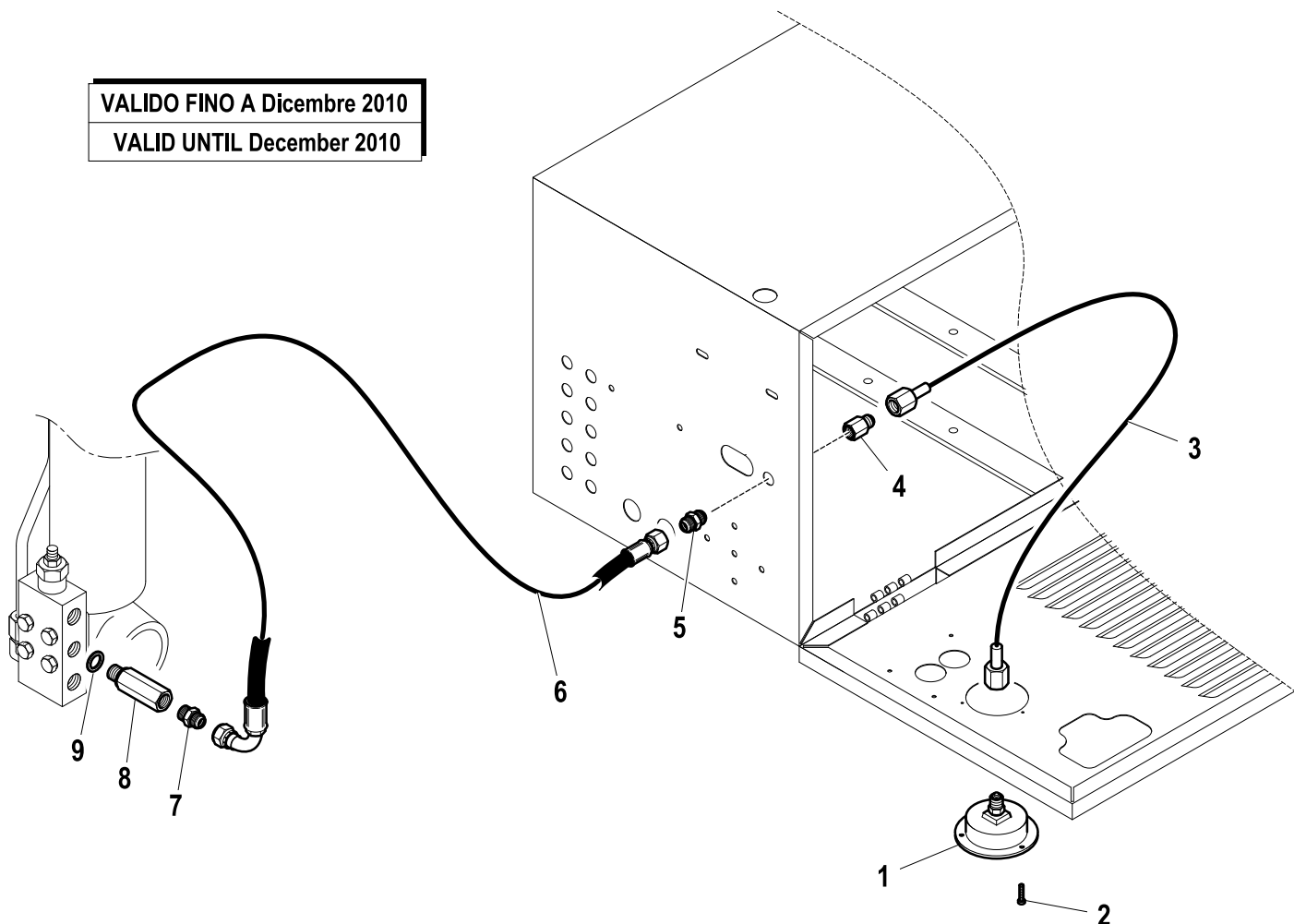
Code

7920056-1.0

1/1

VALIDO FINO A Dicembre 2010

VALID UNTIL December 2010



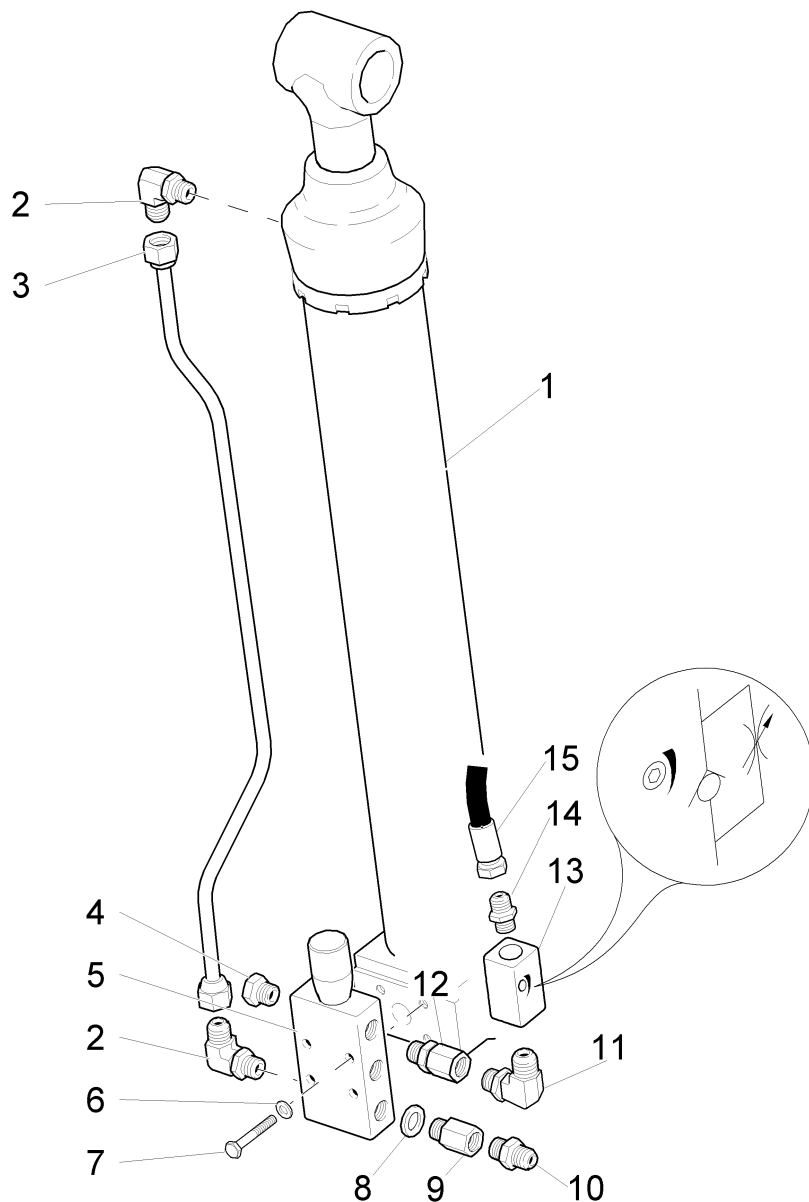
| R | Pos. | Code Variant | Q.ty | Description |
|---|------|--------------|------|---------------------------|
| | 1 | 3180150 | 1 | |
| | 2 | 3020950 | 3 | |
| | 3 | W458458 | 1 | |
| | 4 | 3120200 | 1 | Reducing fitting |
| | 5 | 3120099 | 1 | |
| | 6 | 5260337 | 1 | Flexible hose |
| | 7 | 3101039 | 1 | Straight pipe fitting |
| | 8 | 5220300 | 1 | Hose burst valve (Sleeve) |
| | 9 | 3060143 | 1 | Sealing washer [BSP 1/4"] |

Articulation Hydraulic jack (Hydraulic system)

Code

5411037-1.0

1/1



| R | Pos. | Code Variant | Q.ty | Description |
|---|------|--------------|------|-----------------------------------|
| | 1 | 6430178 | 1 | Lifting jack |
| | 2 | 3101125 | 2 | 90° Connection |
| | 3 | 5390016 | 1 | |
| | 4 | W449022 | 1 | |
| | 5 | W470052 | 1 | |
| | 6 | 3060055 | 4 | Split lock washer [D=8.4 C72 ZC] |
| | 7 | 3010031 | 4 | Hex screw [M8X40 8.8 ZC UNI 5737] |
| | 8 | 3060144 | 1 | Sealing washer [BSP 3/8"] |
| | 9 | 3110112 | 1 | Straight pipe fitting |
| | 10 | 3101040 | 1 | Straight pipe fitting |
| | 11 | 3101124 | 1 | 90° Connection |
| | 12 | 3120065 | 1 | Straight pipe fitting |
| | 13 | 5220093 | 1 | Non-return valve |
| | 14 | 3101039 | 1 | Straight pipe fitting |
| | 15 | W456035 | 1 | |

Moment limiting device

Code

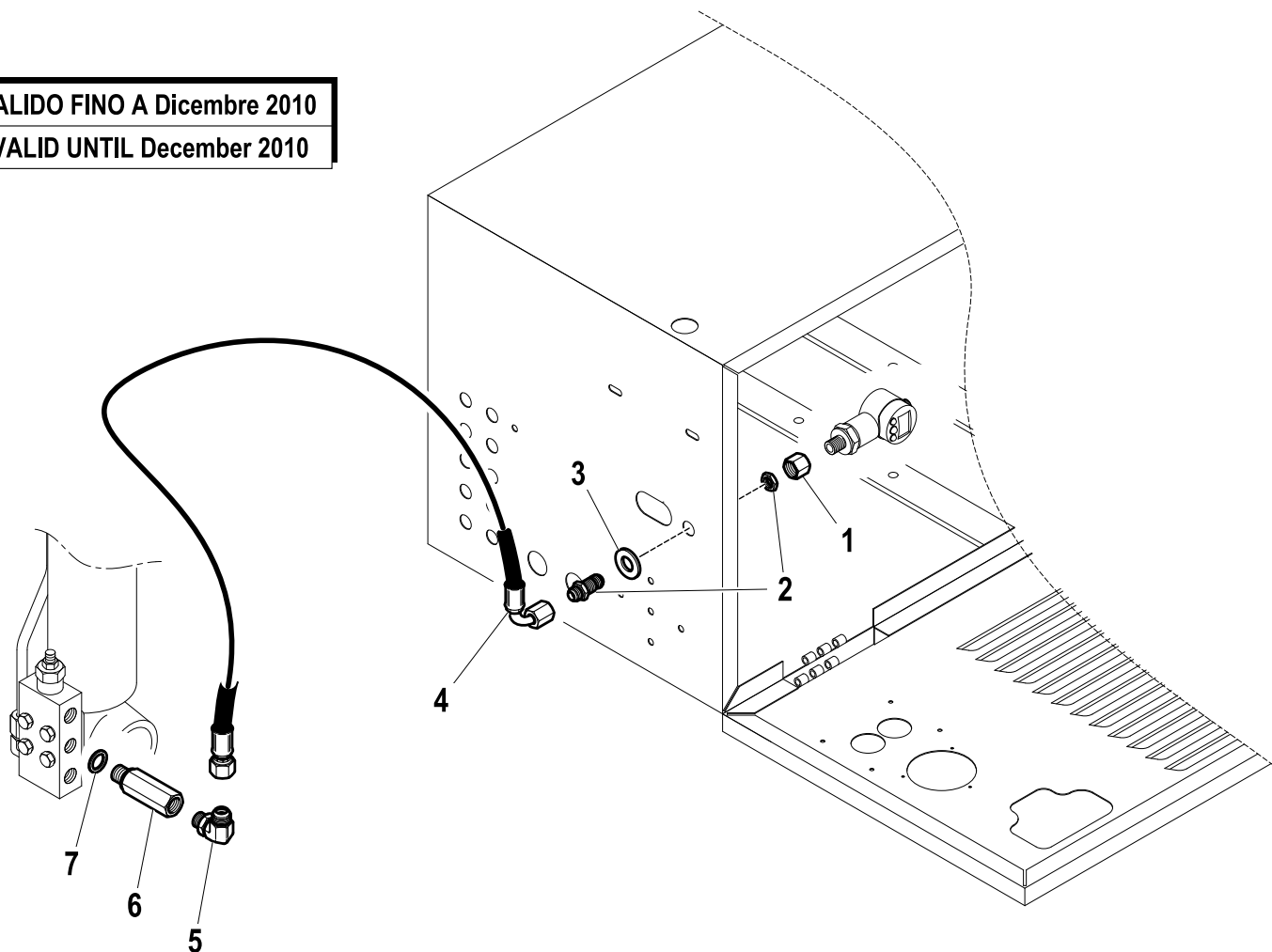
5405017-2.0

1/1

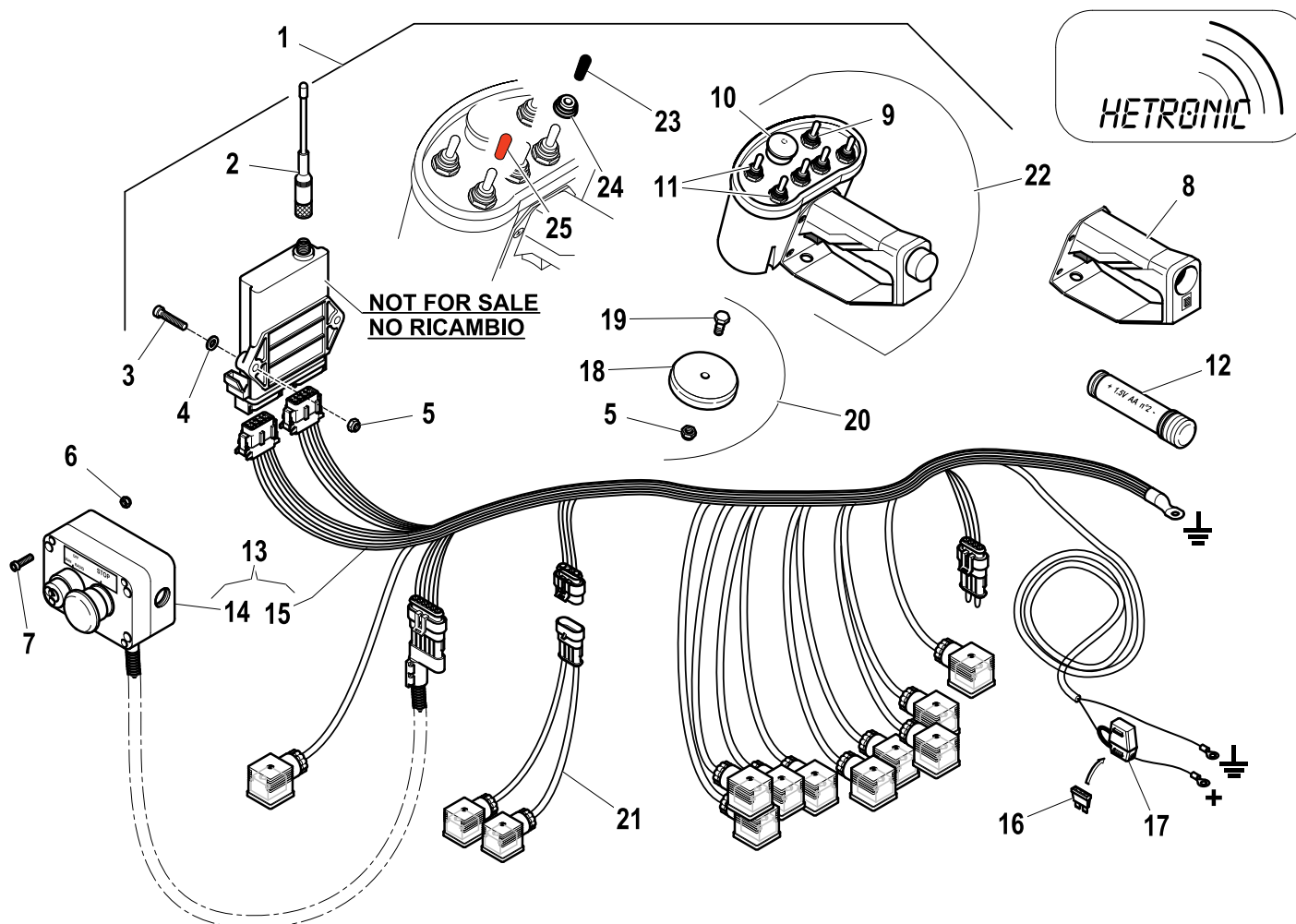
VALIDO FINO A Dicembre 2010

VALID UNTIL December 2010

| R | Pos. | Code Variant | Q.ty | Description |
|---|------|--------------|------|---|
| | 1 | 3120385 | 1 | Reducing fitting [RACC. FJ/FGAS 9/16J 1/4"] |
| | 2 | 3120309 | 1 | Wall-through pipe fitting |
| | 3 | 3060009 | 1 | Flat washer [D.15X28X2.5 UNI 6592 ZC] |
| | 4 | 5260337 | 1 | Flexible hose |
| | 5 | 3101124 | 1 | 90° Connection |
| | 6 | 5220300 | 1 | Hose burst valve (Sleeve) |
| | 7 | 3060143 | 1 | Sealing washer [BSP 1/4"] |



| R | Pos. | Code Variant | Q.ty | Description |
|---|------|--------------|------|---|
| | 1 | 5120095 | 1 | |
| | 2 | 3310861 | 1 | |
| | 3 | 3020038 | 2 | Socket head cap screw [M6X30 8.8 ZC UNI 5931] |
| | 4 | 3060005 | 2 | Flat washer [D.6.4 UNI 6592 ZC] |
| | 5 | 3040372 | 3 | Stopnut |
| | 6 | 3040392 | 4 | Stopnut |
| | 7 | 3020023 | 4 | Socket head cap screw [M5X16 8.8 ZC UNI 5931] |
| | 8 | 3311071 | 1 | Handle |
| | 9 | 3310891 | 1 | |
| | 10 | 3310892 | 1 | |
| | 11 | 3310890 | 5 | |
| | 12 | 3310893 | 1 | Battery compartment |
| | 13 | 3310183 | 1 | |
| | 14 | 3310908 | 1 | |
| | 15 | 3311152 | 1 | |
| | 16 | 3310688 | 1 | |
| | 17 | 3310852 | 1 | |
| | 18 | 3310064 | 1 | |
| | 19 | 3010324 | 1 | Hex screw [M6X12 8.8 ZC UNI 5739] |
| | 20 | 5410965 | 1 | Kit (Magnet) |



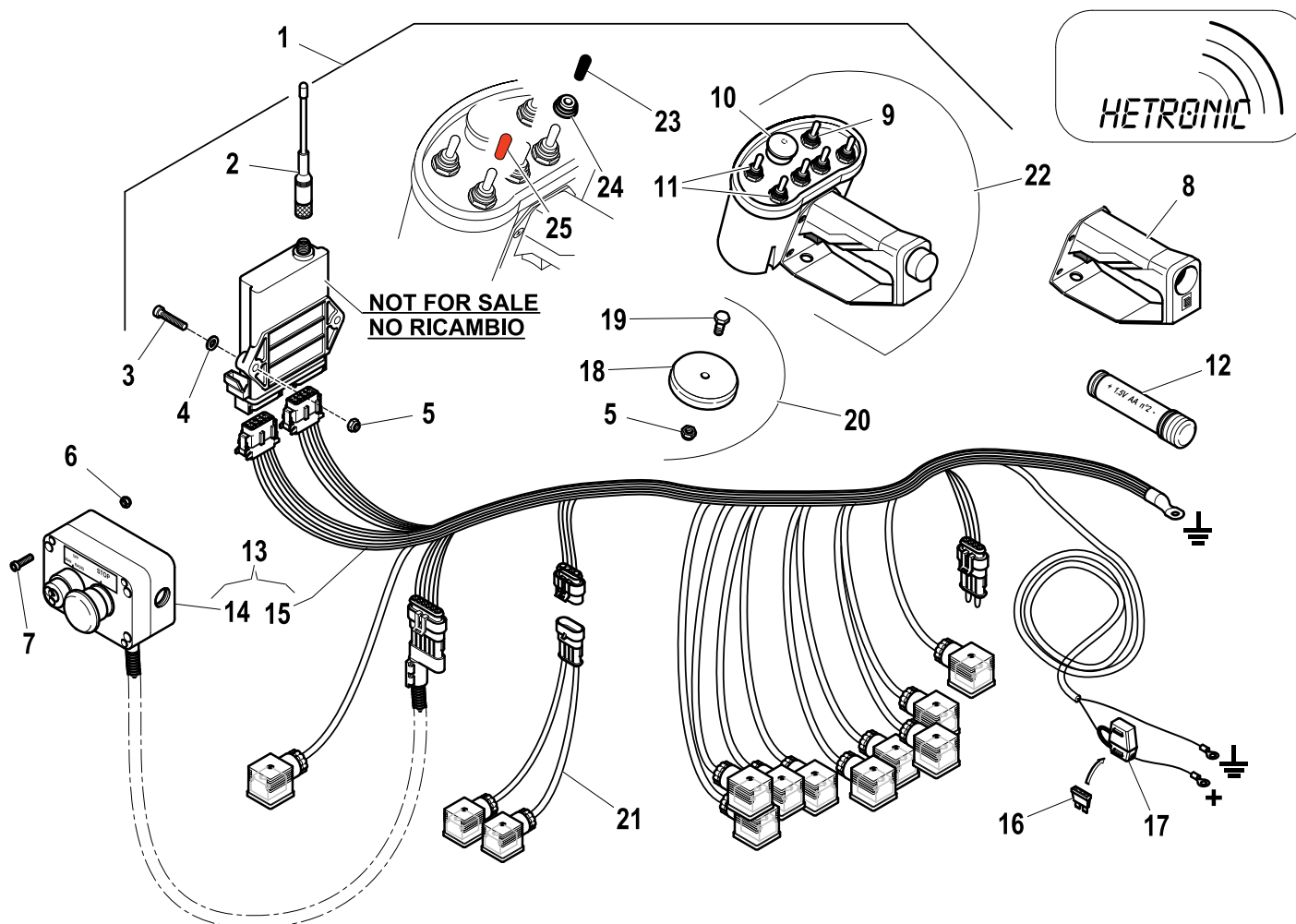
Kit (Wireless control)

Code

3310183-1.0

2/2

| R | Pos. | Code Variant | Q.ty | Description |
|---|------|--------------|------|-------------|
| | 21 | 3310862 | 1 | |
| | 22 | 3310754 | 1 | |
| | 23 | 3311195 | 5 | |
| | 24 | 3311197 | 6 | |
| | 25 | 3311196 | 1 | |

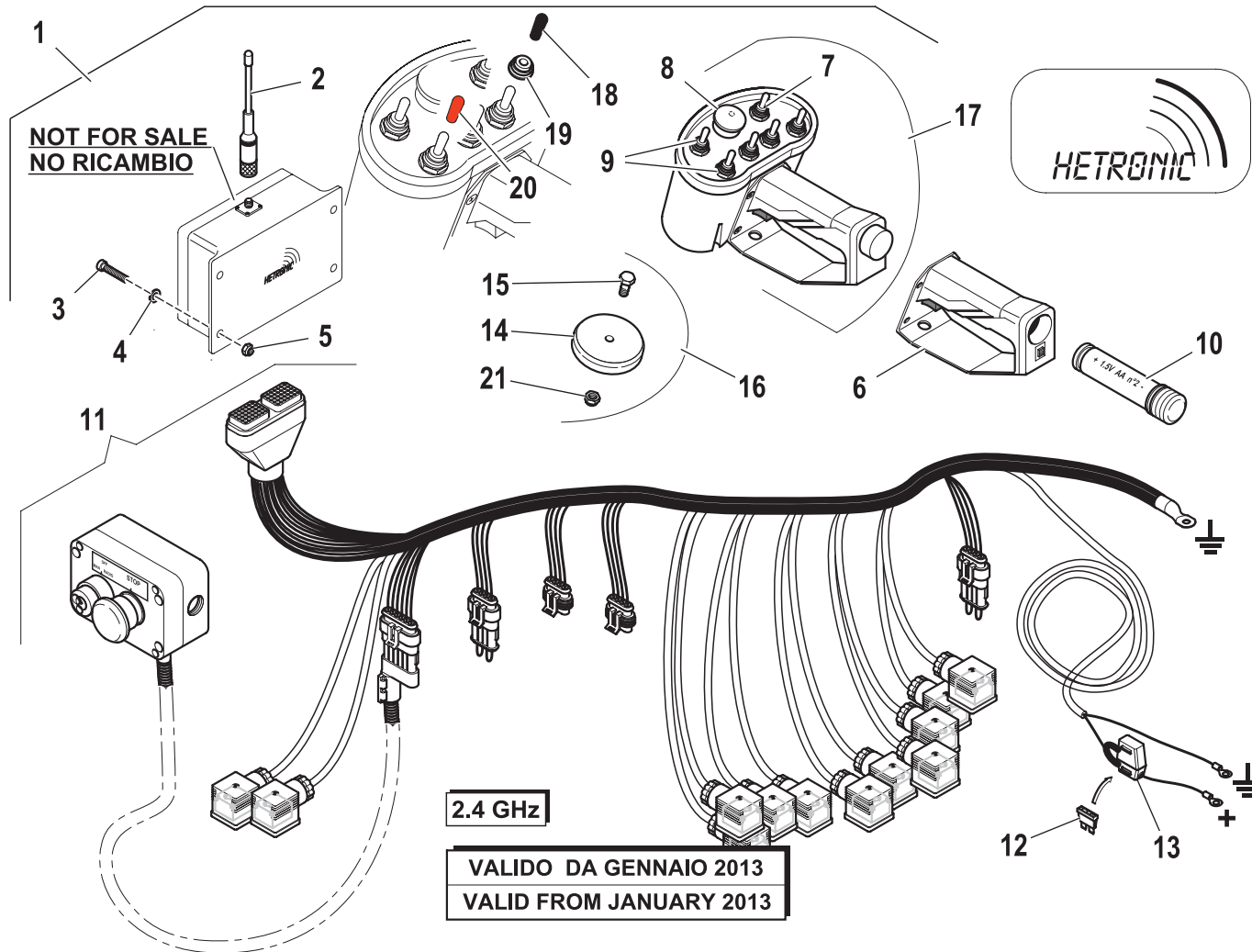


Complete wireless control (ETR)

Code

7892500-4.0

1/2



| R | Pos. | Code Variant | Q.ty | Description |
|---|------|--------------|------|---|
| | 1 | 5120154 | 1 | Complete wireless control |
| | 2 | 3311501 | 1 | Aerial (Wireless control) |
| | 3 | 3020028 | 4 | Socketed head cap screw [M5X20 8.8 ZC UNI 5931] |
| | 4 | 3060004 | 4 | Flat washer [D.5 UNI 6592 ZC] |
| | 5 | 3040392 | 4 | Stopnut |
| | 6 | 3311071 | 1 | Handle |
| | 7 | 3310891 | 1 | |
| | 8 | 3310892 | 1 | |
| | 9 | 3310890 | 5 | |
| | 10 | 3310893 | 1 | Battery compartment |
| | 11 | 3311510 | 1 | Electric wiring (ETR) |
| | 12 | 3310688 | 1 | |
| | 13 | 3310852 | 1 | |
| | 14 | 3310064 | 1 | |
| | 15 | 3010324 | 1 | Hex screw [M6X12 8.8 ZC UNI 5739] |
| | 16 | 5410965 | 1 | Kit (Magnet) |
| | 17 | 3311502 | 1 | Transmitter (Wireless control) |
| | 18 | 3311195 | 5 | |
| | 19 | 3311197 | 6 | |
| | 20 | 3311196 | 1 | |

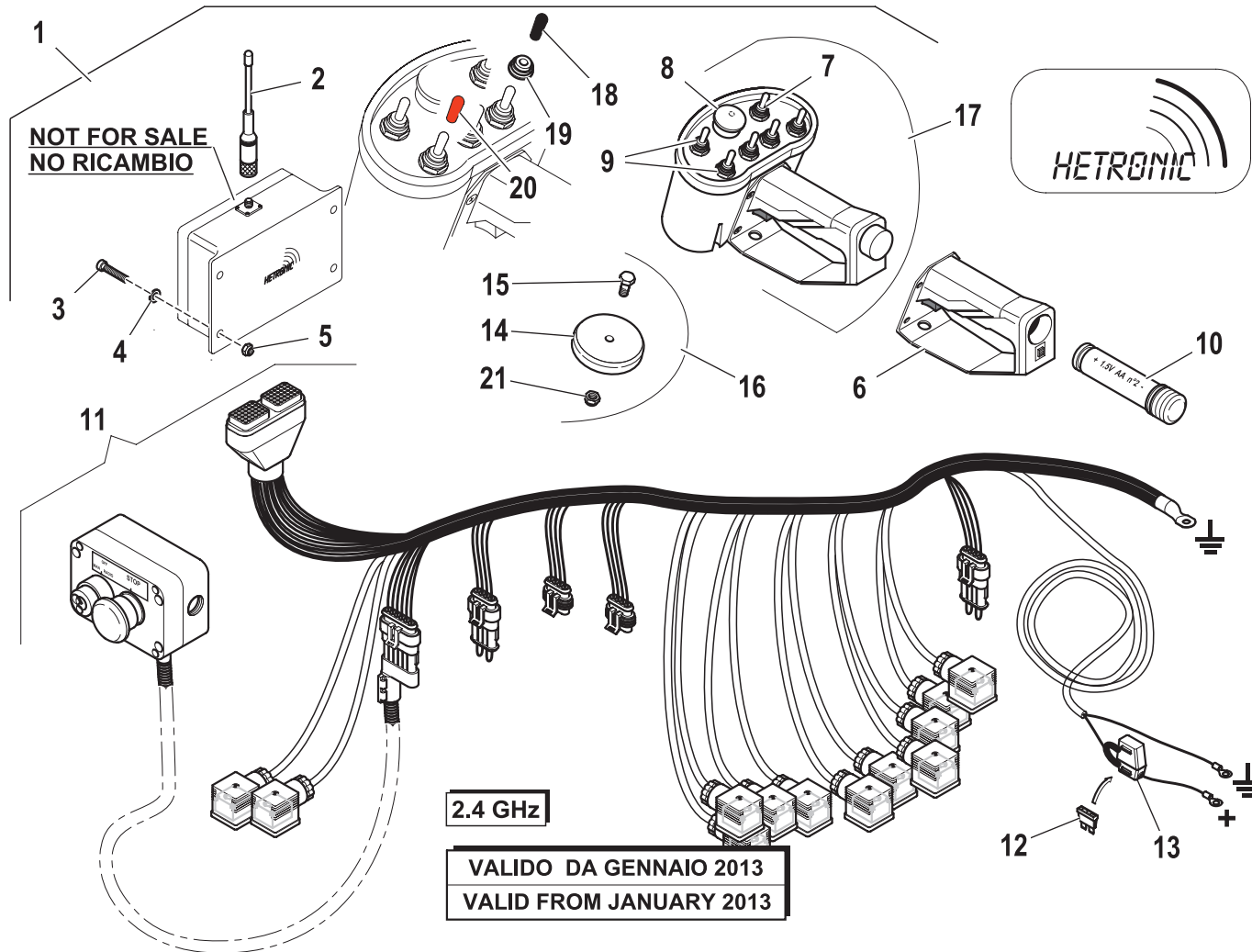
Complete wireless control (ETR)

Code

7892500-4.0

2/2

| R | Pos. | Code Variant | Q.ty | Description |
|---|------|--------------|------|-------------|
| | 21 | 3040372 | 1 | Stopnut |



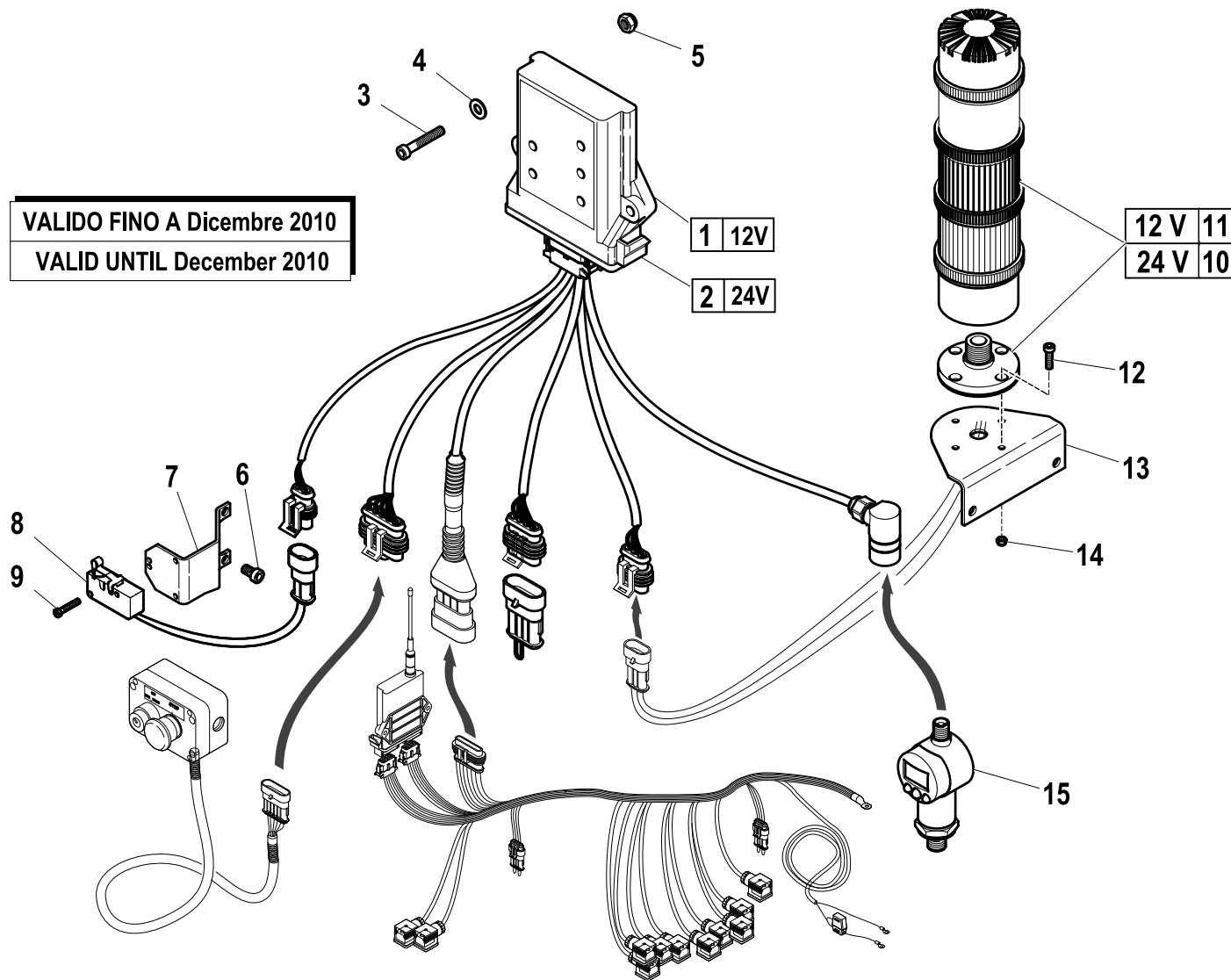
Auxiliary wiring

Code

5405017-1.0

1/1

VALIDO FINO A Dicembre 2010
VALID UNTIL December 2010



| R | Pos. | Code Variant | Q.ty | Description |
|---|------|--------------|------|---|
| | 1 | 3310876 | 1 | |
| | 2 | 3310879 | 1 | |
| | 3 | 3020038 | 2 | Socket head cap screw [M6X30 8.8 ZC UNI 5931] |
| | 4 | 3060005 | 2 | Flat washer [D.6.4 UNI 6592 ZC] |
| | 5 | 3040372 | 2 | Stopnut |
| | 6 | 3020022 | 2 | Socket head cap screw [M5X10 8.8 ZC UNI 5931] |
| | 7 | 5001694 | 1 | |
| | 8 | 3310885 | 1 | Microswitch (Electric) |
| | 9 | 3020880 | 2 | |
| | 10 | 3310822 | 1 | |
| | 11 | 3310823 | 1 | |
| | 12 | 3020023 | 4 | Socket head cap screw [M5X16 8.8 ZC UNI 5931] |
| | 13 | W370508000 | 1 | Support (Flashing light) |
| | 14 | 3040392 | 4 | Stopnut |
| | 15 | 3310873 | 1 | |

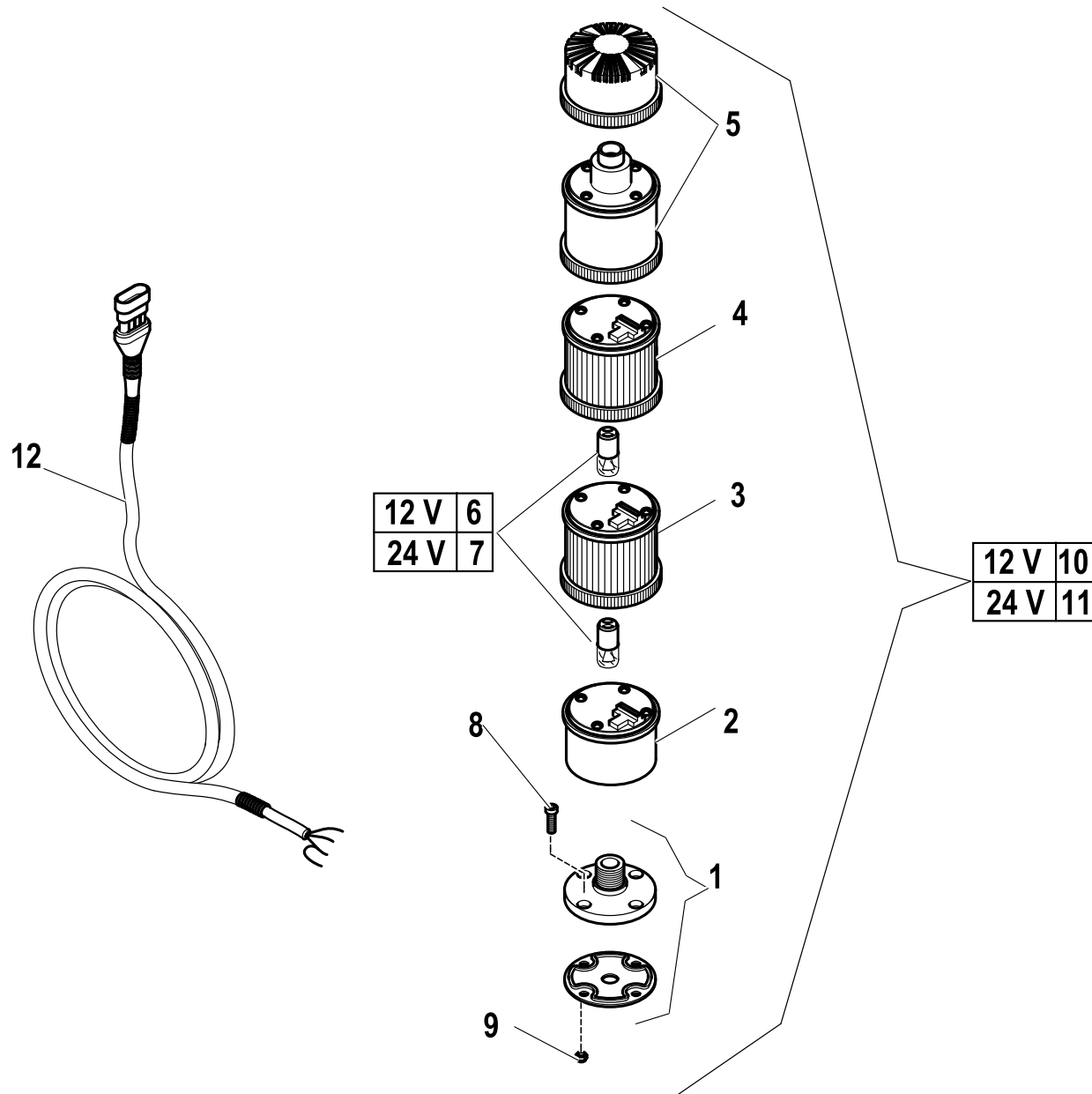
Light column

Code

3310822-1.0

1/1

| R | Pos. | Code Variant | Q.ty | Description |
|---|------|--------------|------|---|
| | 1 | 3310821 | 1 | |
| | 2 | 3310595 | 1 | |
| | 3 | 3310594 | 1 | |
| | 4 | 3310593 | 1 | |
| | 5 | 3310597 | 1 | |
| | 6 | 3310610 | 2 | |
| | 7 | 3310596 | 2 | |
| | 8 | 3020023 | 4 | Socket head cap screw [M5X16 8.8 ZC UNI 5931] |
| | 9 | 3040392 | 4 | Stopnut |
| | 10 | 3310823 | 1 | |
| | 11 | 3310822 | 1 | |
| | 12 | 3311110 | 1 | |



Auxiliary wiring (Limiting device)

Code

5405017-3.0

1/1

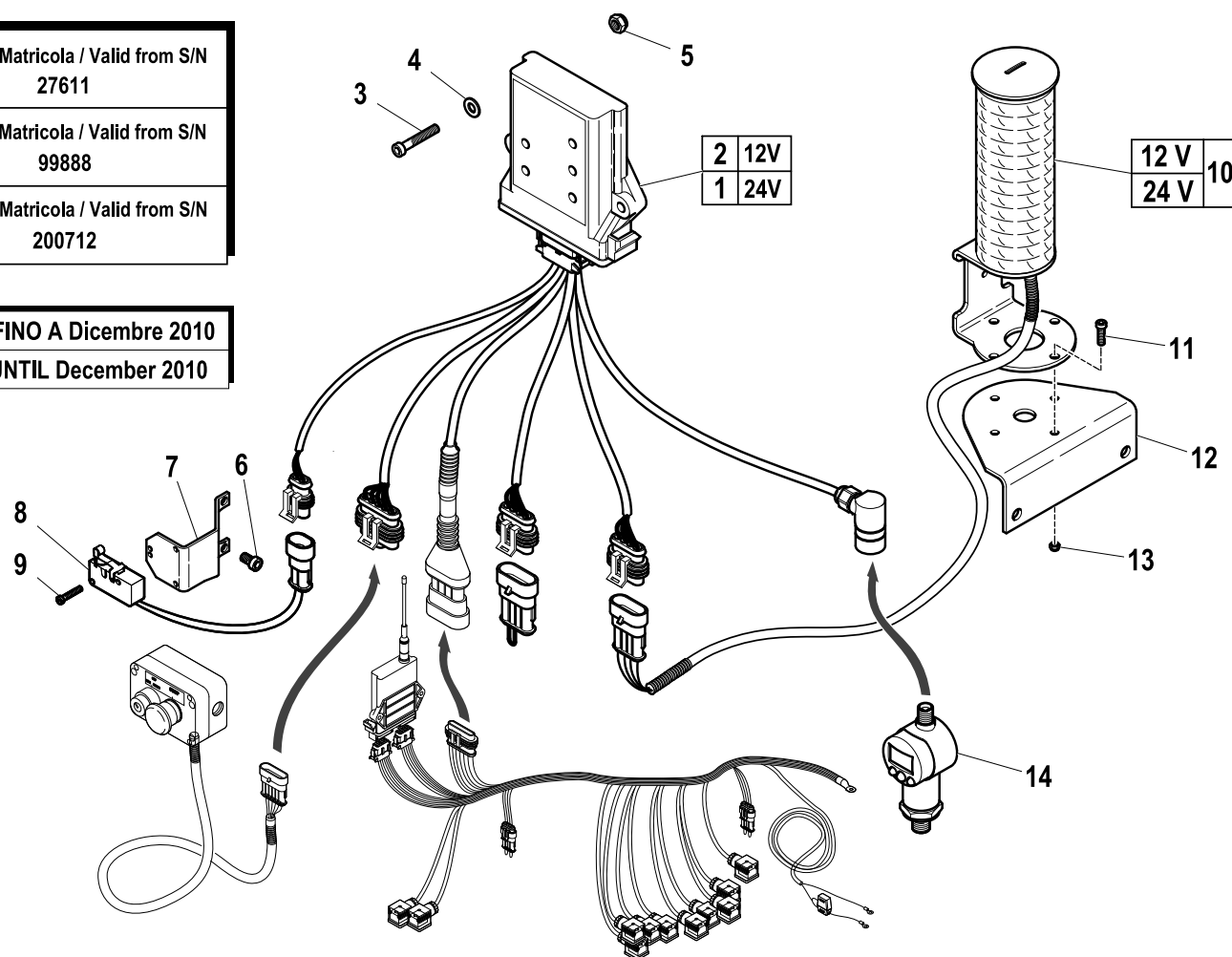
Valido da Matricola / Valid from S/N
27611

Valido da Matricola / Valid from S/N
99888

Valido da Matricola / Valid from S/N
200712

VALIDO FINO A Dicembre 2010

VALID UNTIL December 2010



| R | Pos. | Code Variant | Q.ty | Description |
|---|------|--------------|------|---|
| | 1 | 3311169 | 1 | |
| | 2 | 3311168 | 1 | |
| | 3 | 3020038 | 2 | Socket head cap screw [M6X30 8.8 ZC UNI 5931] |
| | 4 | 3060005 | 2 | Flat washer [D.6.4 UNI 6592 ZC] |
| | 5 | 3040372 | 2 | Stopnut |
| | 6 | 3020022 | 2 | Socket head cap screw [M5X10 8.8 ZC UNI 5931] |
| | 7 | 5001694 | 1 | |
| | 8 | 3310885 | 1 | Microswitch (Electric) |
| | 9 | 3020881 | 2 | |
| | 10 | 3311159 | 1 | Signal Columns |
| | 11 | 3020023 | 4 | Socket head cap screw [M5X16 8.8 ZC UNI 5931] |
| | 12 | W370508000 | 1 | Support (Flashing light) |
| | 13 | 3040392 | 4 | Stopnut |
| | 14 | 3310873 | 1 | |

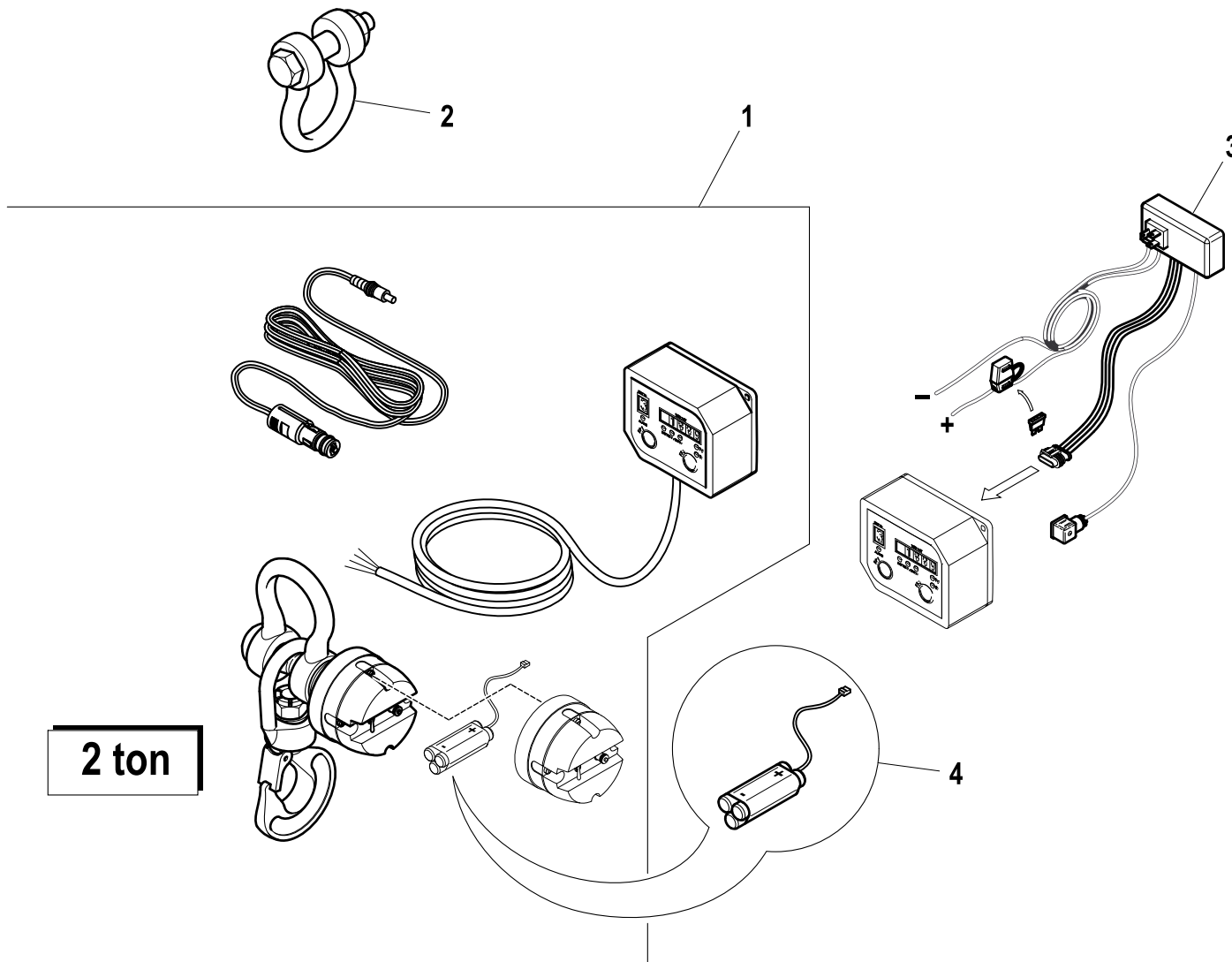
LOAD INDICATION SYSTEM

Code

7881784-1.0

1/1

| R | Pos. | Code Variant | Q.ty | Description |
|---|------|--------------|------|-------------|
| | 1 | 5730506 | 1 | |
| | 2 | 3200050 | 1 | Shackles |
| | 3 | W236508 | 1 | |
| | 4 | 3311542 | 1 | |



2 ton

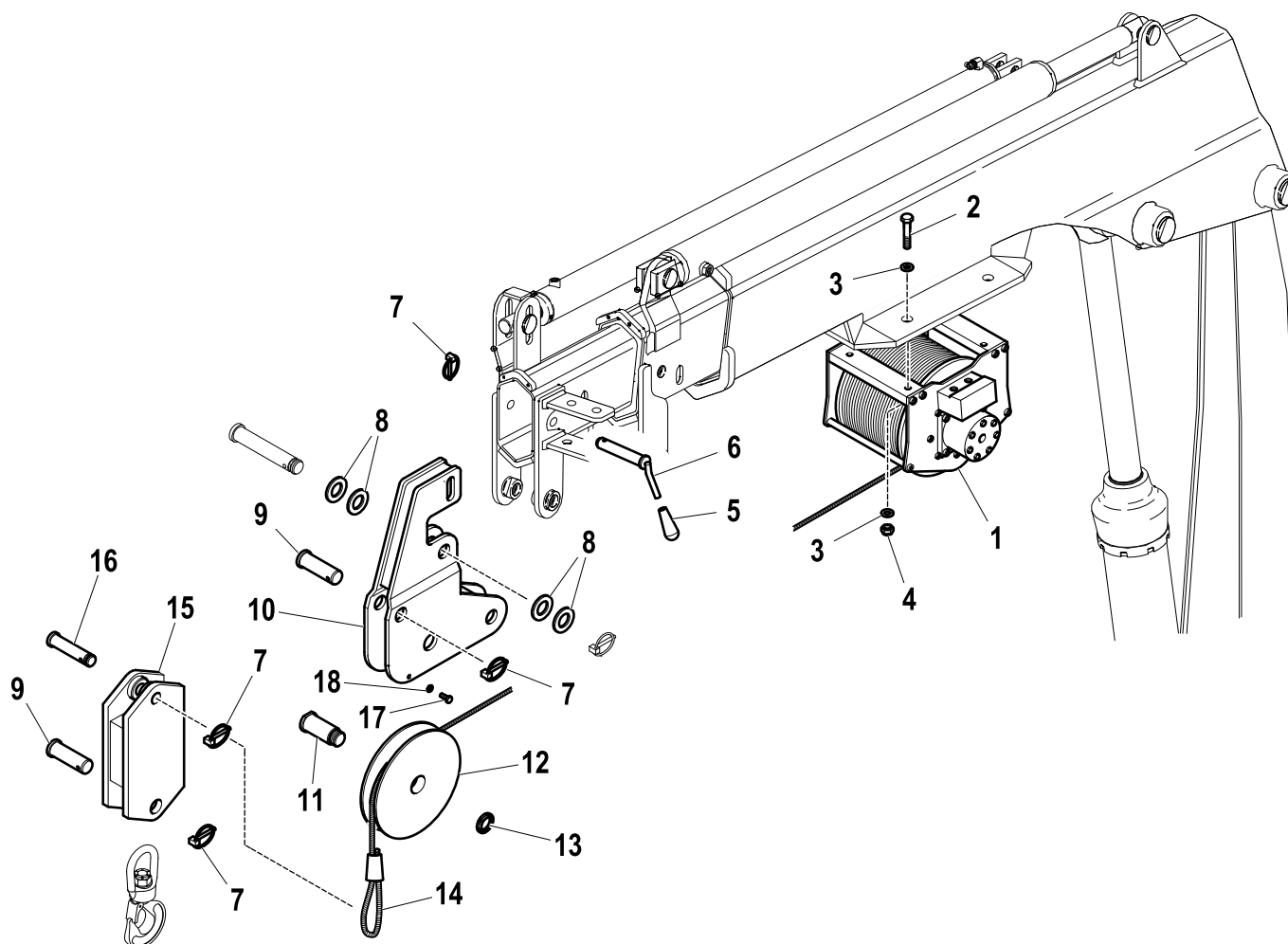
WINCH KIT

Code

7834068-1.0

1/1

| R | Pos. | Code Variant | Q.ty | Description |
|---|------|--------------|------|---|
| | 1 | W484041 | 1 | |
| | 2 | 3010415 | 4 | Hex screw [M10X55 8.8 ZC UNI 5737] |
| | 3 | 3060914 | 8 | Flat washer [D.10.5X21X2 UNI 6592 ZC] |
| | 4 | 3040326 | 4 | Stopnut |
| | 5 | W664003 | 1 | |
| | 6 | W101324 | 1 | |
| | 7 | 3060753 | 4 | Cotter pin (Locking ring) |
| | 8 | 3060014 | 4 | Flat washer [D.25X44X4 UNI 6592 ZC] |
| | 9 | W101163 | 2 | |
| | 10 | W530500500 | 1 | |
| | 11 | W101169 | 1 | |
| | 12 | W317004 | 1 | |
| | 13 | 3040502 | 1 | Self-locking ringnut [M25X1.5 NORMALE ZC] |
| | 14 | W597018 | 1 | |
| | 15 | W380502700 | 1 | |
| | 16 | W101083 | 1 | |
| | 17 | 3010325 | 2 | Hex screw [M6X16 8.8 ZC UNI 5739] |
| | 18 | 3040081 | 2 | Lock nut |

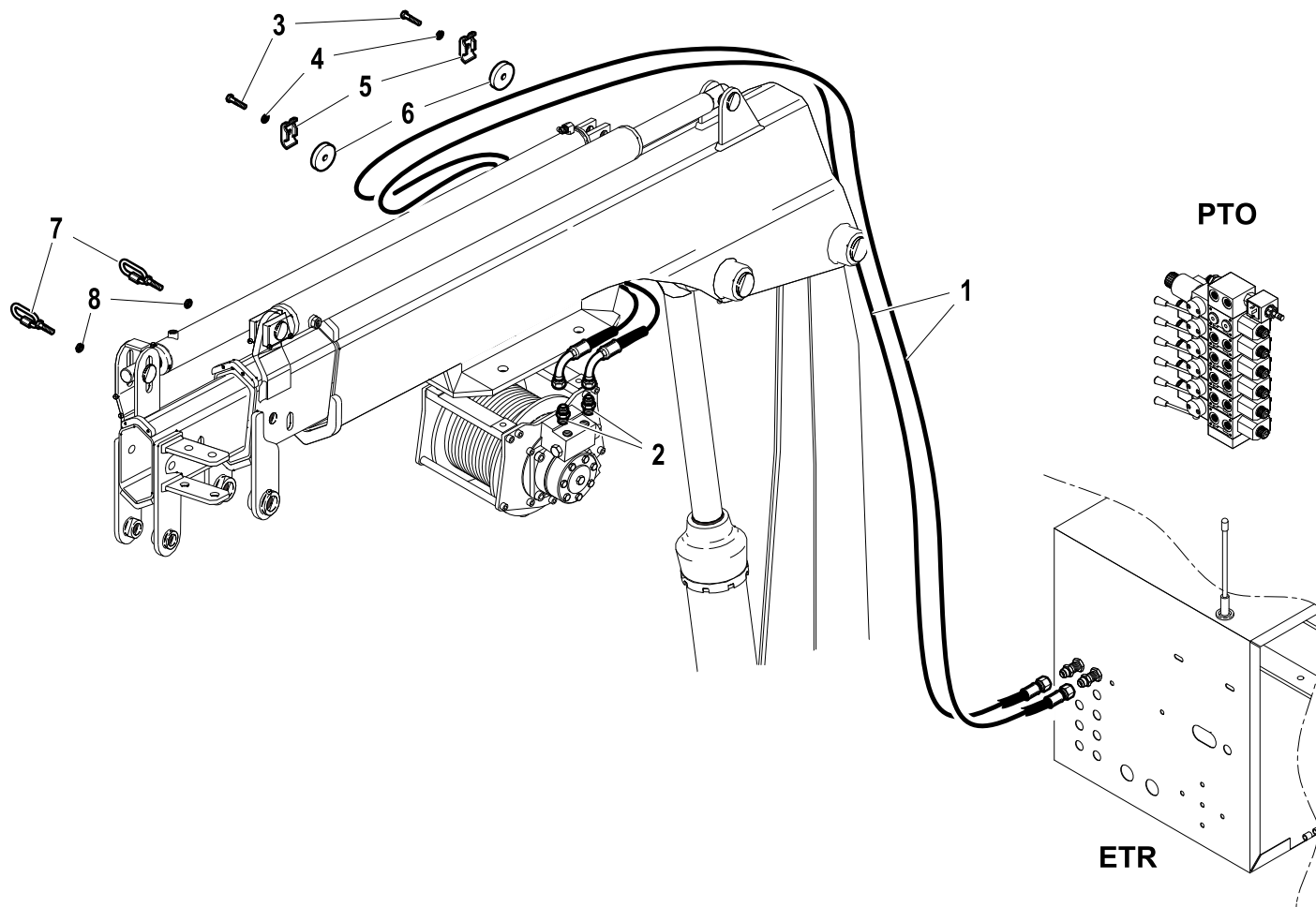


ACTUATION FOR WINCH

Code

7834068-2.0

1/1



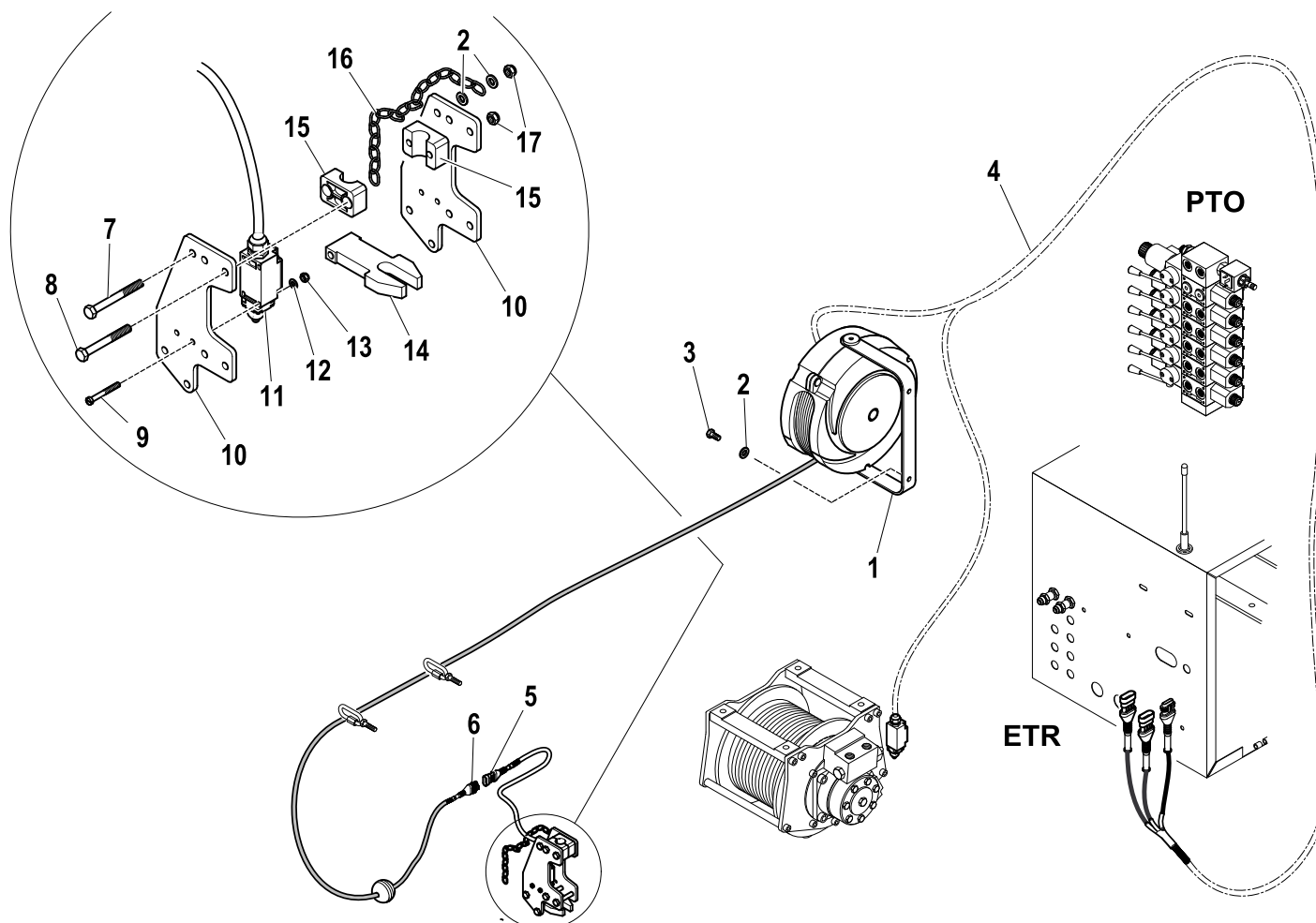
| R | Pos. | Code Variant | Q.ty | Description |
|---|------|--------------|------|-----------------------------------|
| | 1 | 5260775 | 2 | Flexible hose |
| | 2 | 3101042 | 2 | Straight pipe fitting |
| | 3 | 3010030 | 2 | Hex screw [M8X35 8.8 ZC UNI 5737] |
| | 4 | 3060006 | 2 | Flat washer [D.8 UNI 6592 ZC] |
| | 5 | 5000077 | 2 | |
| | 6 | W340501400 | 2 | |
| | 7 | W648005 | 2 | |
| | 8 | 3040039 | 2 | Tall headed nut |

WINCH KIT (Electrical equipment)

Code

7834068-3.0

1/1



| R | Pos. | Code Variant | Q.ty | Description |
|---|------|--------------|------|---|
| | 1 | 3311206 | 1 | |
| | 2 | 3060005 | 4 | Flat washer [D.6.4 UNI 6592 ZC] |
| | 3 | 3010323 | 2 | Hex screw [M6X10 8.8 ZC UNI 5739] |
| | 4 | 3310884 | 1 | |
| | 5 | 3310665 | 1 | |
| | 6 | 3310664 | 1 | |
| | 7 | 3010388 | 1 | Hex screw [M6X60 ZC UNI 5737] |
| | 8 | 3010025 | 6 | Hex screw [M6X55 8.8 ZC UNI 5737] |
| | 9 | 3020021 | 2 | Socket head cap screw [M5X12X0.8 8.8 ZC UNI 5931] |
| | 10 | W440509500 | 2 | |
| | 11 | W251013 | 1 | |
| | 12 | 3060004 | 2 | Flat washer [D.5 UNI 6592 ZC] |
| | 13 | 3040392 | 2 | Stopnut |
| | 14 | W440509600 | 1 | |
| | 15 | W128034 | 4 | |
| | 16 | W537102 | 2 | |
| | 17 | 3040372 | 7 | Stopnut |



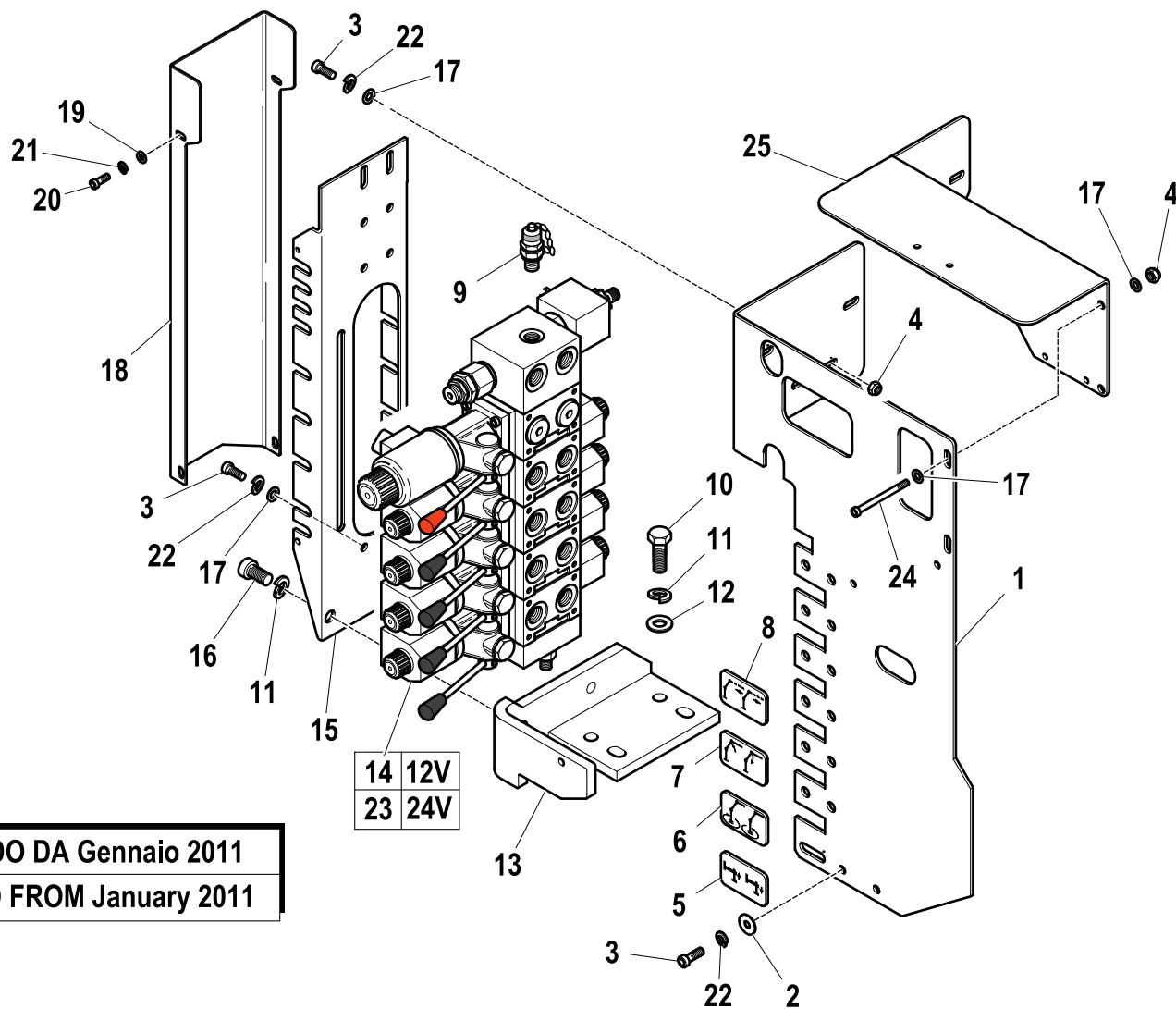
HA33 X EN12999-A3

Control unit (RDC)

Code

5401470-1.0

1/2



VALIDO DA Gennaio 2011
VALID FROM January 2011

| R | Pos. | Code Variant | Q.ty | Description |
|---|------|--------------|------|---|
| | 1 | 5091324 | 1 | |
| | 2 | 3060030 | 1 | Flat washer [D.6.6X18 UNI 6593 ZC] |
| | 3 | 3020034 | 7 | Socketed head cap screw [M6X16 8.8 ZC UNI 5931] |
| | 4 | 3040372 | 4 | Stopnut |
| | 5 | W573278 | 1 | |
| | 6 | W573412 | 1 | |
| | 7 | W573415 | 1 | |
| | 8 | W573303 | 1 | |
| | 9 | 3111523 | 1 | Pipe fitting (Tapping point) [RACC. MILITES 16X2-1/4"G] |
| | 10 | 3010355 | 2 | Hex screw [M10X25 8.8 ZC IF UNI 5739] |
| | 11 | 3060056 | 4 | Split lock washer [D=10 C72 ZC] |
| | 12 | 3060914 | 4 | Flat washer [D.10.5X21X2 UNI 6592 ZC] |
| | 13 | 5091056 | 1 | Support (Casing) |
| | 14 | 5220416 | 1 | |
| | 15 | 5091138 | 1 | |
| | 16 | 3020080 | 2 | Socketed head cap screw [M10X16 12.9 ZC UNI 5931] |
| | 17 | 3060005 | 10 | Flat washer [D.6.4 UNI 6592 ZC] |
| | 18 | 5091140 | 1 | |
| | 19 | 3060004 | 4 | Flat washer [D.5 UNI 6592 ZC] |
| | 20 | 3020021 | 4 | Socketed head cap screw [M5X12X0.8 8.8 ZC UNI 5931] |

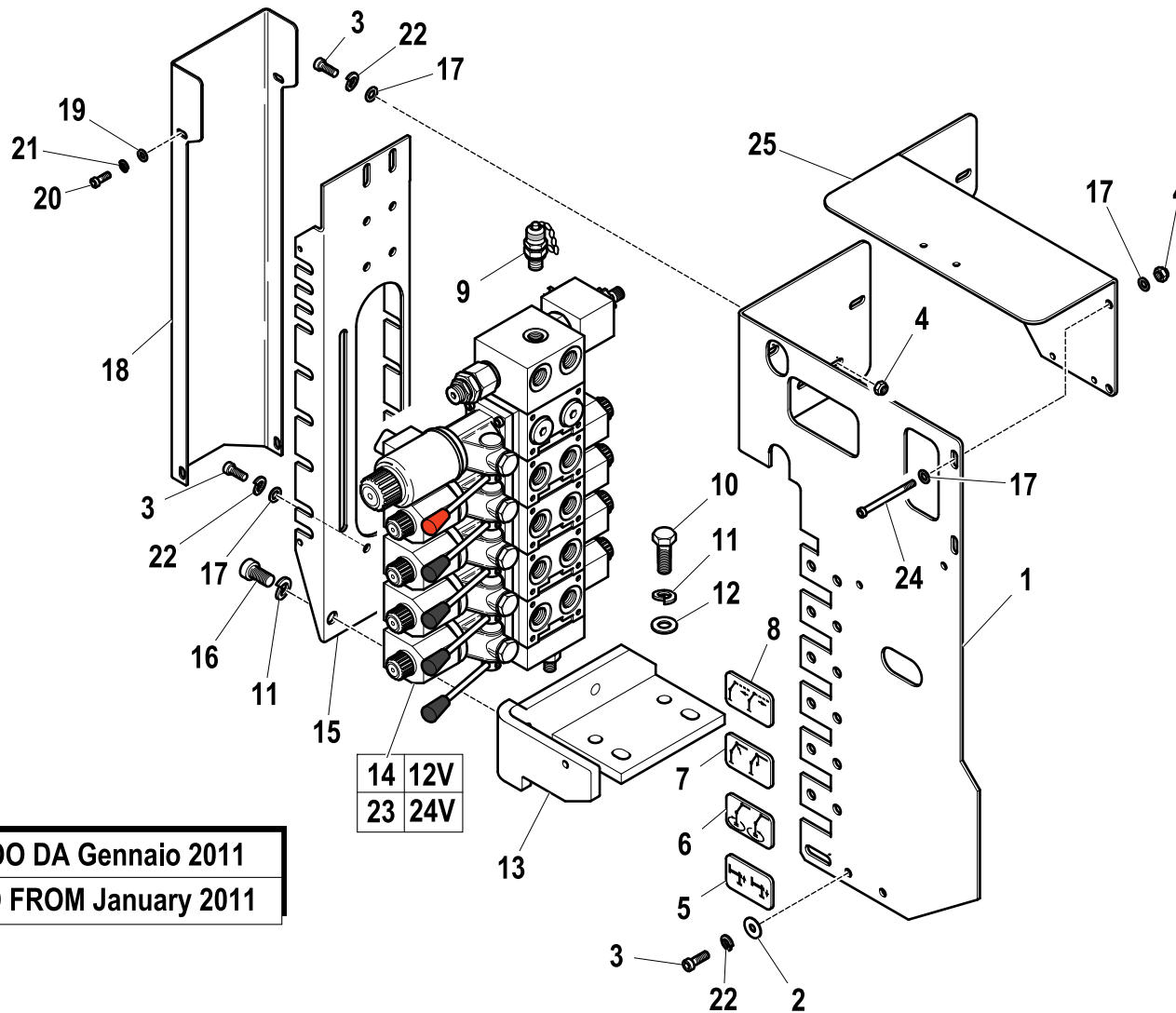
Control unit (RDC)

Code

5401470-1.0

2/2

| R | Pos. | Code Variant | Q.ty | Description |
|---|------|--------------|------|---|
| | 21 | 3060052 | 4 | Split lock washer [D=5.5 C72 ZC] |
| | 22 | 3060053 | 4 | Split lock washer [D=6.4 C72 ZC] |
| | 23 | 5220431 | 1 | |
| | 24 | 3020964 | 2 | Socketed head cap screw [M6X70 8.8 ZC UNI 5931] |
| | 25 | W370508300 | 1 | |



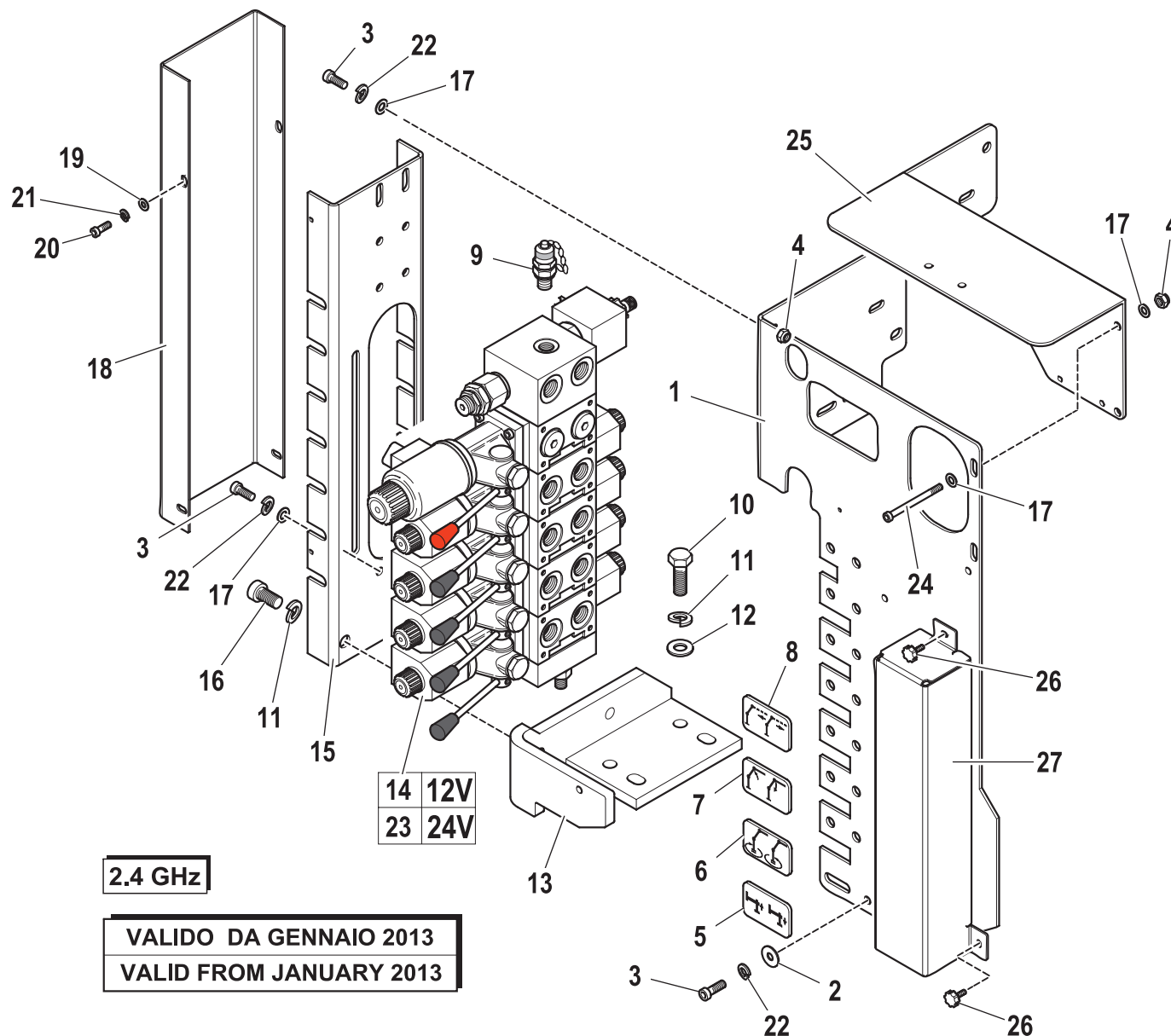
VALIDO DA Gennaio 2011
VALID FROM January 2011

Control unit (RDC / CE)

Code

5402252-1.0

1/2



| R | Pos. | Code Variant | Q.ty | Description |
|---|------|--------------|------|---|
| | 1 | 5091452 | 1 | Protective guard (Control valve) |
| | 2 | 3060030 | 1 | Flat washer [D.6.6X18 UNI 6593 ZC] |
| | 3 | 3020034 | 7 | Socketed head cap screw [M6X16 8.8 ZC UNI 5931] |
| | 4 | 3040372 | 4 | Stopnut |
| | 5 | W573278 | 1 | |
| | 6 | W573412 | 1 | |
| | 7 | W573415 | 1 | |
| | 8 | W573303 | 1 | |
| | 9 | 3111523 | 1 | Pipe fitting (Tapping point) [RACC. MILITES 16X2-1/4"G] |
| | 10 | 3010355 | 2 | Hex screw [M10X25 8.8 ZC IF UNI 5739] |
| | 11 | 3060056 | 4 | Split lock washer [D=10 C72 ZC] |
| | 12 | 3060914 | 2 | Flat washer [D.10.5X21X2 UNI 6592 ZC] |
| | 13 | 5091056 | 1 | Support (Casing) |
| | 14 | 5220416 | 1 | |
| | 15 | 5091458 | 1 | Lateral guards and supports |
| | 16 | 3020080 | 2 | Socketed head cap screw [M10X16 12.9 ZC UNI 5931] |
| | 17 | 3060005 | 10 | Flat washer [D.6.4 UNI 6592 ZC] |
| | 18 | 5091422 | 1 | Casing () |
| | 19 | 3060004 | 4 | Flat washer [D.5 UNI 6592 ZC] |
| | 20 | 3020021 | 4 | Socketed head cap screw [M5X12X0.8 8.8 ZC UNI 5931] |

2.4 GHz

**VALIDO DA GENNAIO 2013
VALID FROM JANUARY 2013**

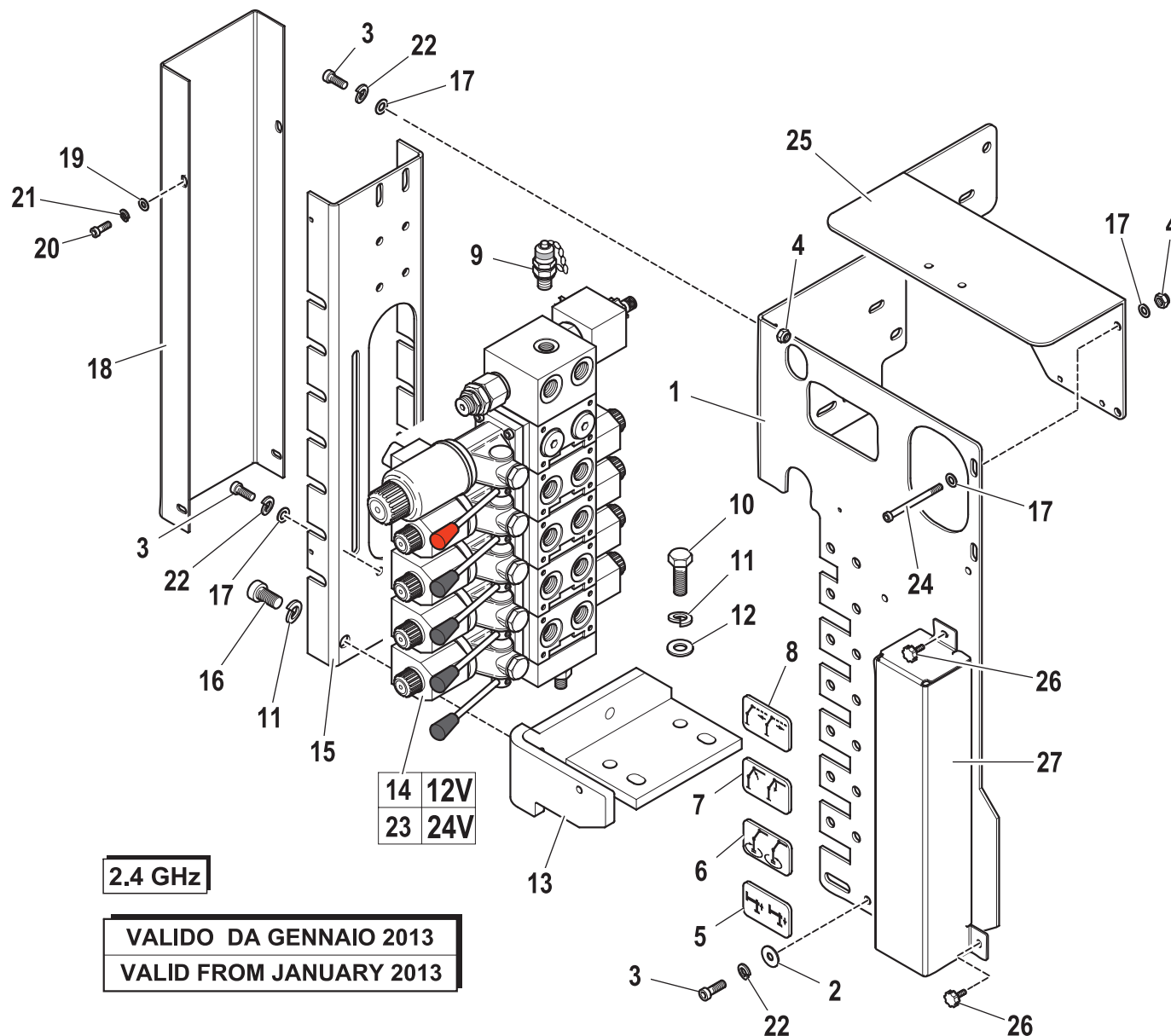
Control unit (RDC / CE)

Code

5402252-1.0

2/2

| R | Pos. | Code Variant | Q.ty | Description |
|---|------|--------------|------|---|
| | 21 | 3060052 | 4 | Split lock washer [D=5.5 C72 ZC] |
| | 22 | 3060053 | 4 | Split lock washer [D=6.4 C72 ZC] |
| | 23 | 5220431 | 1 | |
| | 24 | 3020964 | 2 | Socket head cap screw [M6X70 8.8 ZC UNI 5931] |
| | 25 | 5091488 | 1 | Cover (Moment limiting device) |
| | 26 | 3011000 | 2 | Handwheel |
| | 27 | 5091548 | 1 | Protective guard (Control levers) |



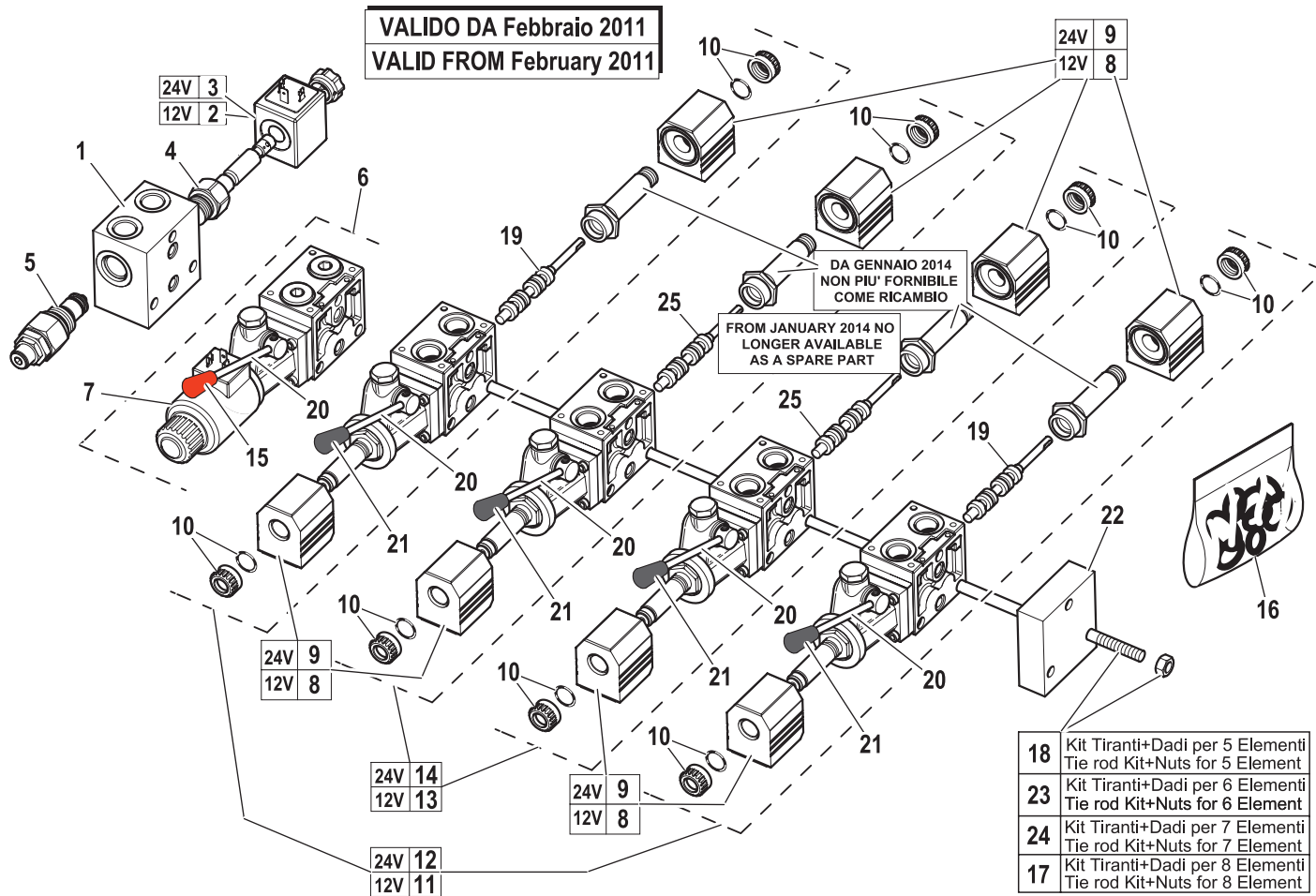
Control valve (4 section)

Code

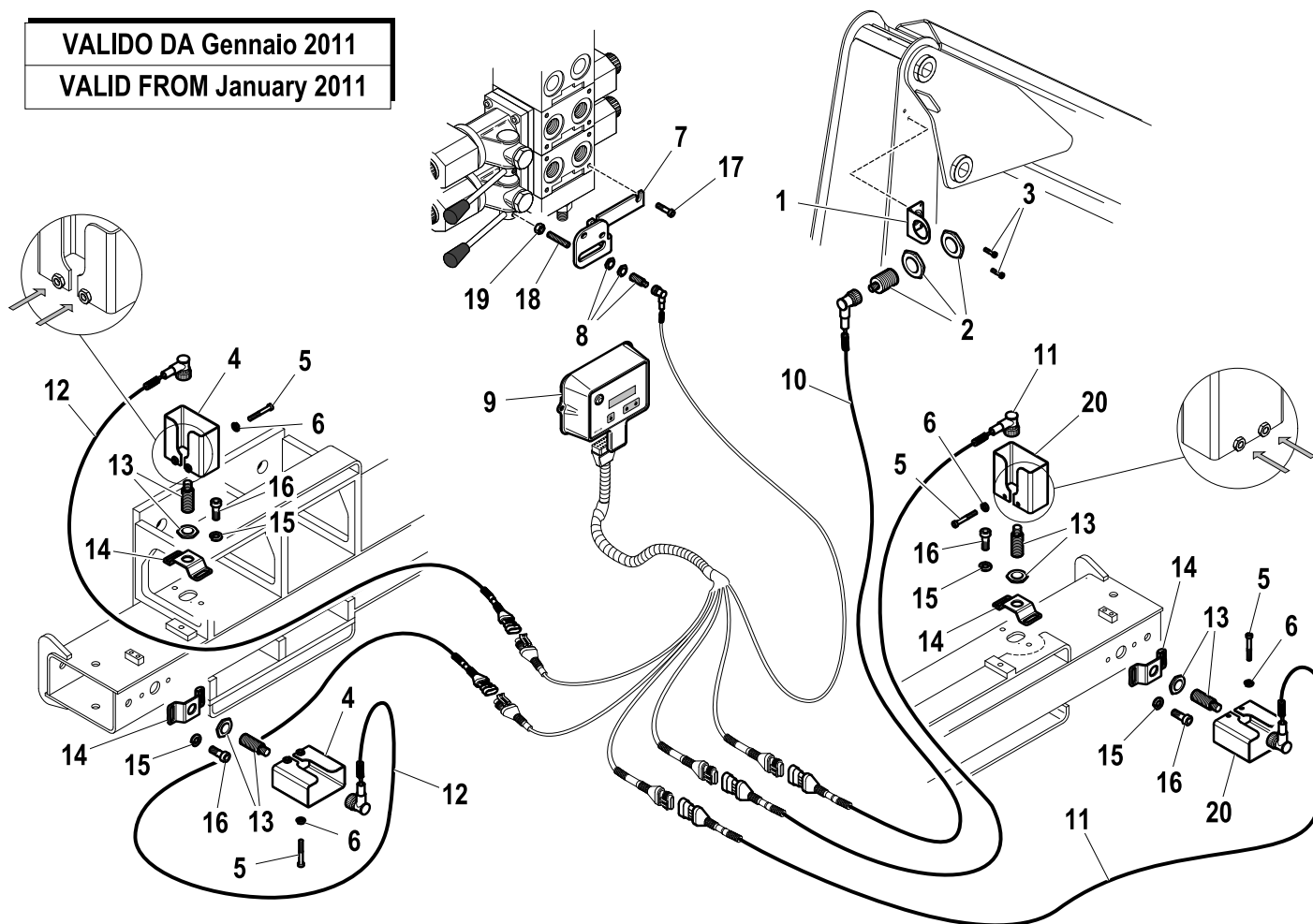
5220416-2.0

2/2

| R | Pos. | Code Variant | Q.ty | Description |
|---|------|--------------|------|-------------|
| | 21 | 5225801 | 4 | |
| | 22 | 5225727 | 1 | |
| | 23 | 5225730 | 1 | |
| | 24 | 5225731 | 1 | |
| | 25 | 5225716 | 2 | |

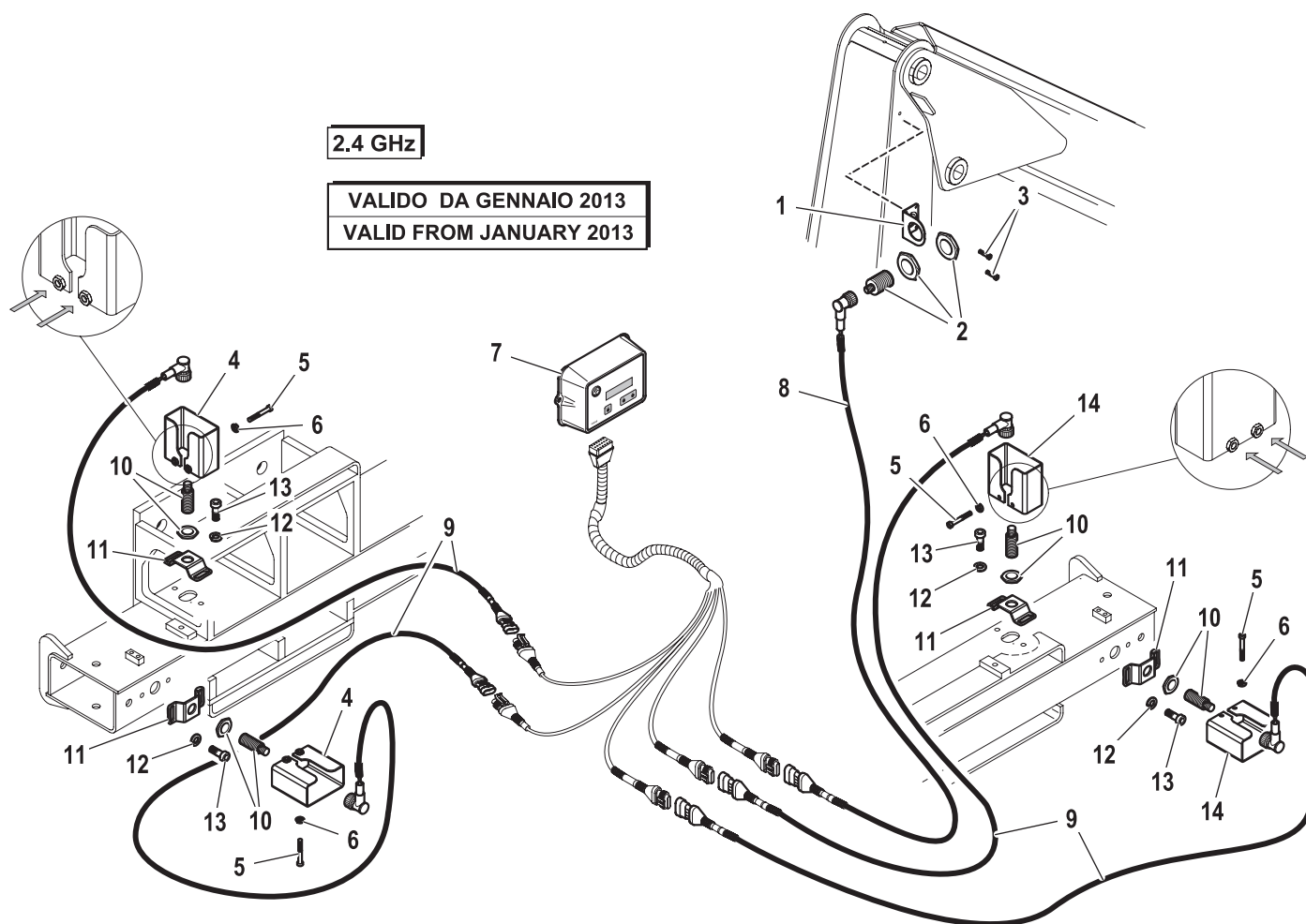


VALIDO DA Gennaio 2011
VALID FROM January 2011



| R | Pos. | Code Variant | Q.ty | Description |
|---|------|--------------|------|---|
| | 1 | 5000426 | 1 | Support (Proximity switch) |
| | 2 | 3311312 | 1 | Proximity switch |
| | 3 | 3020895 | 2 | Socketed head cap screw [M4X10 8.8 ZC UNI 5931] |
| | 4 | 5091310 | 2 | Guard (Proximity switch) |
| | 5 | 3020045 | 8 | Socketed head cap screw [M6X45 8.8 ZC UNI 5931] |
| | 6 | 3060053 | 8 | Split lock washer [D=6.4 C72 ZC] |
| | 7 | 5001842 | 1 | Microswitch support |
| | 8 | 3311341 | 1 | |
| | 9 | 3311386 | 1 | |
| | 10 | 3311350 | 1 | Electric wiring |
| | 11 | 3311343 | 2 | |
| | 12 | 3311342 | 2 | |
| | 13 | 3311311 | 4 | Proximity switch |
| | 14 | 5000420 | 4 | Support (Proximity switch) |
| | 15 | 3060055 | 8 | Split lock washer [D=8.4 C72 ZC] |
| | 16 | 3020902 | 8 | Socketed head cap screw [M8X10 ZC UNI 5931] |
| | 17 | 3020022 | 2 | Socketed head cap screw [M5X10 8.8 ZC UNI 5931] |
| | 18 | 3060223 | 1 | Grub screw |
| | 19 | 3040391 | 1 | Hexagonal nut (Normal) |
| | 20 | 5091306 | 2 | Guard (Proximity switch) |

| R | Pos. | Code Variant | Q.ty | Description |
|---|------|--------------|------|---|
| | 1 | 5000426 | 1 | Support (Proximity switch) |
| | 2 | 3311312 | 1 | Proximity switch |
| | 3 | 3020895 | 2 | Socketed head cap screw [M4X10 8.8 ZC UNI 5931] |
| | 4 | 5091310 | 2 | Guard (Proximity switch) |
| | 5 | 3020045 | 8 | Socketed head cap screw [M6X45 8.8 ZC UNI 5931] |
| | 6 | 3060053 | 8 | Split lock washer [D=6.4 C72 ZC] |
| | 7 | 3311541 | 1 | Moment limiting device |
| | 8 | 3311350 | 1 | Electric wiring |
| | 9 | 3311636 | 4 | Electric wiring |
| | 10 | 3311311 | 4 | Proximity switch |
| | 11 | 5000420 | 4 | Support (Proximity switch) |
| | 12 | 3060055 | 8 | Split lock washer [D=8.4 C72 ZC] |
| | 13 | 3020902 | 8 | Socketed head cap screw [M8X10 ZC UNI 5931] |
| | 14 | 5091306 | 2 | Guard (Proximity switch) |



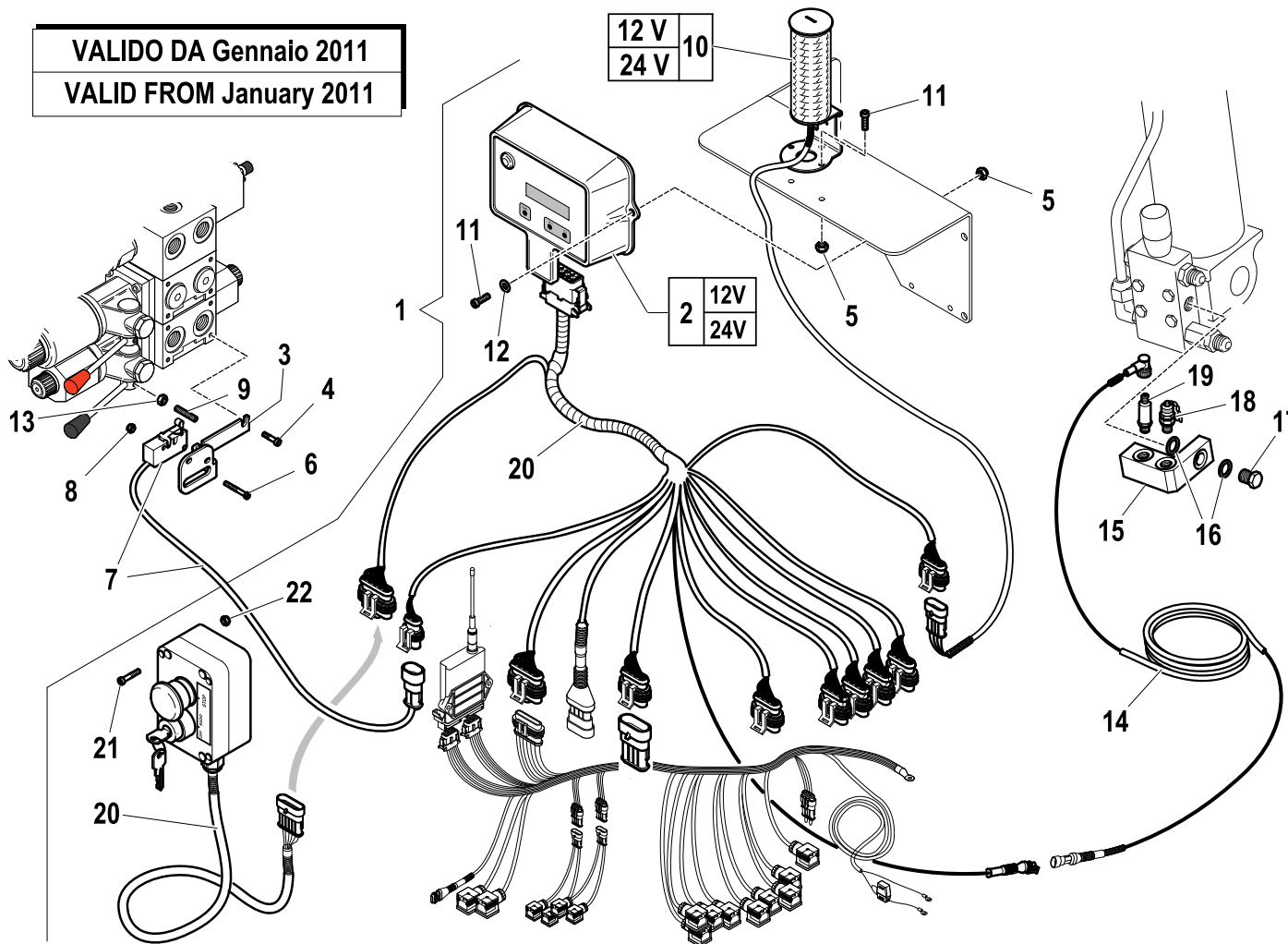
Moment limiting device (CE)

Code

5405046-1.0

1/2

VALIDO DA Gennaio 2011
VALID FROM January 2011



| R | Pos. | Code Variant | Q.ty | Description |
|---|------|--------------|------|---|
| | 1 | 3311345 | 1 | |
| | 2 | 3311386 | 1 | |
| | 3 | 5001842 | 1 | Microswitch support |
| | 4 | 3020022 | 2 | Socket head cap screw [M5X10 8.8 ZC UNI 5931] |
| | 5 | 3040392 | 4 | Stopnut |
| | 6 | 3020879 | 2 | |
| | 7 | 3310885 | 1 | Microswitch (Electric) |
| | 8 | 3040516 | 2 | Stopnut |
| | 9 | 3060223 | 1 | Grub screw |
| | 10 | 3311159 | 1 | Signal Columns |
| | 11 | 3020023 | 4 | Socket head cap screw [M5X16 8.8 ZC UNI 5931] |
| | 12 | 3060004 | 2 | Flat washer [D.5 UNI 6592 ZC] |
| | 13 | 3040391 | 1 | Hexagonal nut (Normal) |
| | 14 | 5160001 | 1 | Electric wiring |
| | 15 | 5002055 | 1 | Manifold (Pick-up) |
| | 16 | 3060143 | 2 | Sealing washer [BSP 1/4"] |
| | 17 | 3110078 | 1 | Bolt (banjo bolt) |
| | 18 | 3111523 | 1 | Pipe fitting (Tapping point) [RACC. MILITES 16X2-1/4"G] |
| | 19 | 3310612 | 1 | Pressure sensor |
| | 20 | 3311384 | 1 | |

Moment limiting device (CE)

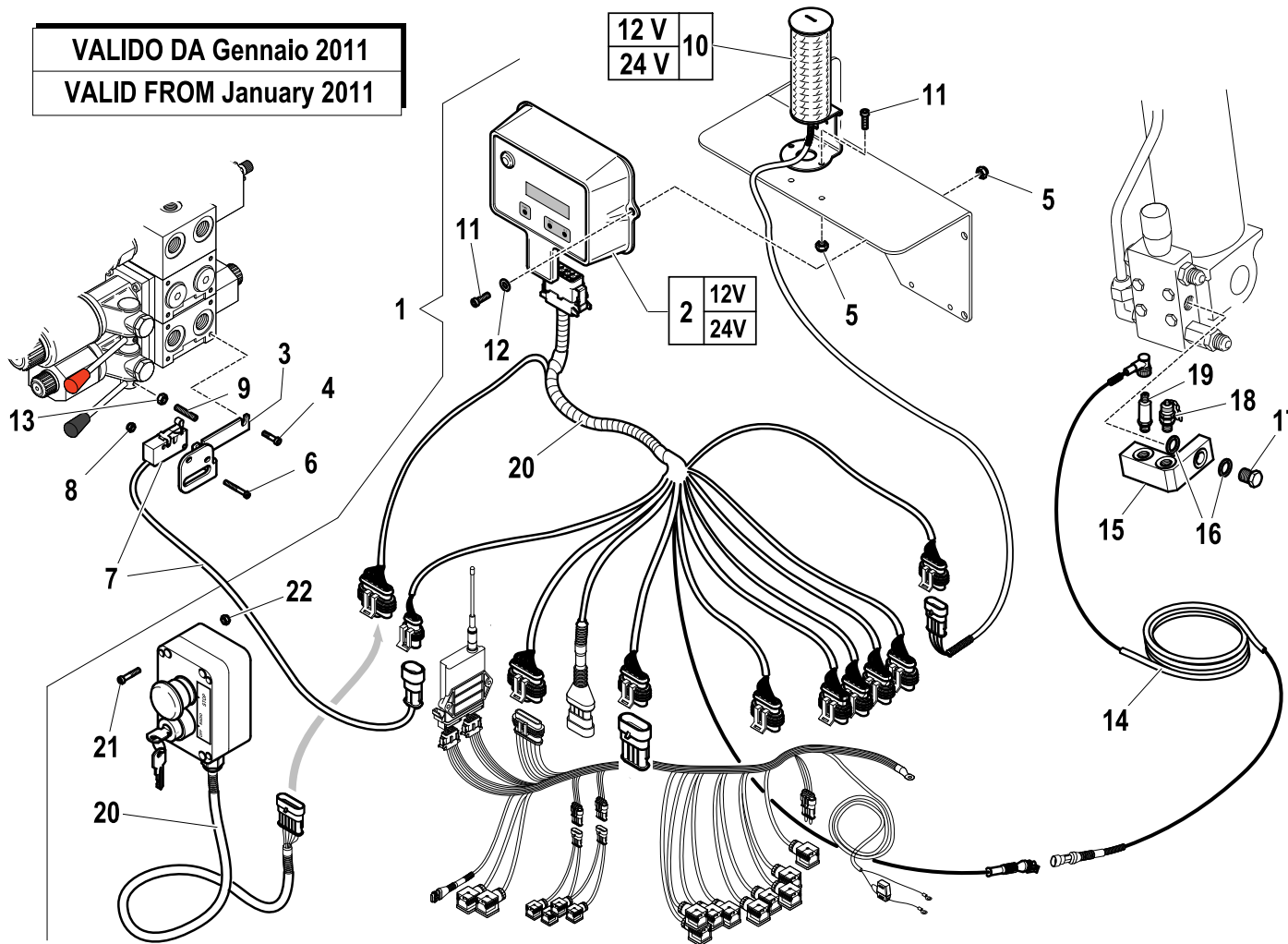
Code

5405046-1.0

2/2

| R | Pos. | Code Variant | Q.ty | Description |
|---|------|--------------|------|---|
| | 21 | 3020885 | 2 | Socket head cap screw [M4X20 8.8 ZC UNI 5931] |
| | 22 | 3040518 | 2 | Stopnut |

VALIDO DA Gennaio 2011
VALID FROM January 2011



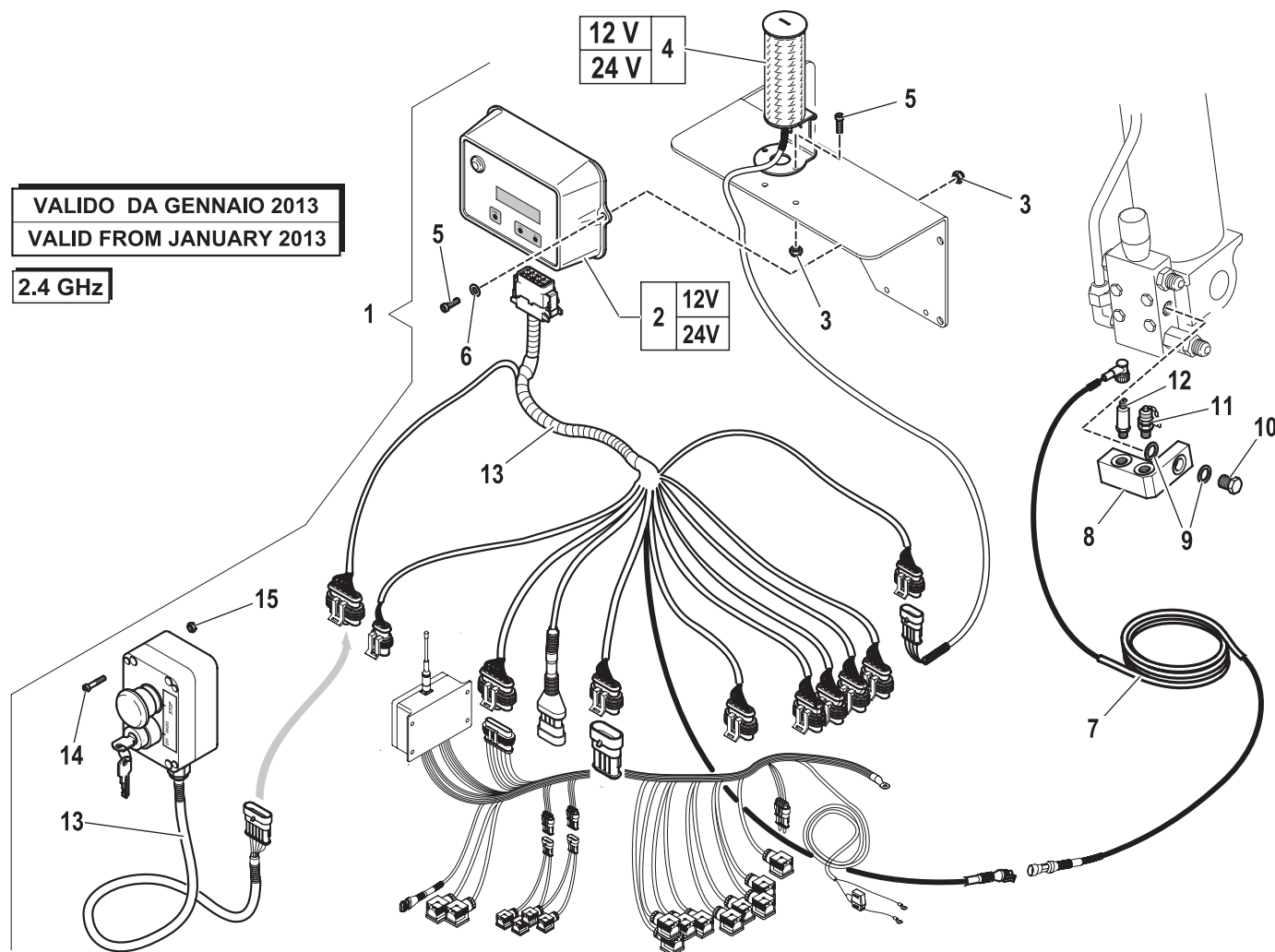
Moment limiting device (CE)

Code

5405046-3.0

1/1

VALIDO DA GENNAIO 2013
 VALID FROM JANUARY 2013
 2.4 GHz



| R | Pos. | Code Variant | Q.ty | Description |
|---|------|--------------|------|---|
| | 1 | 3311634 | 1 | Electric wiring |
| | 2 | 3311541 | 1 | Moment limiting device |
| | 3 | 3040392 | 4 | Stopnut |
| | 4 | 3311159 | 1 | Signal Columns |
| | 5 | 3020023 | 4 | Socket head cap screw [M5X16 8.8 ZC UNI 5931] |
| | 6 | 3060004 | 2 | Flat washer [D.5 UNI 6592 ZC] |
| | 7 | 5160001 | 1 | Electric wiring |
| | 8 | 5002055 | 1 | Manifold (Pick-up) |
| | 9 | 3060143 | 2 | Sealing washer [BSP 1/4"] |
| | 10 | 3110078 | 1 | Bolt (banjo bolt) |
| | 11 | 3111523 | 1 | Pipe fitting (Tapping point) [RACC. MILITES 16X2-1/4"G] |
| | 12 | 3310612 | 1 | Pressure sensor |
| | 13 | 3311632 | 1 | Electric wiring |
| | 14 | 3020885 | 2 | Socket head cap screw [M4X20 8.8 ZC UNI 5931] |
| | 15 | 3040518 | 2 | Stopnut |

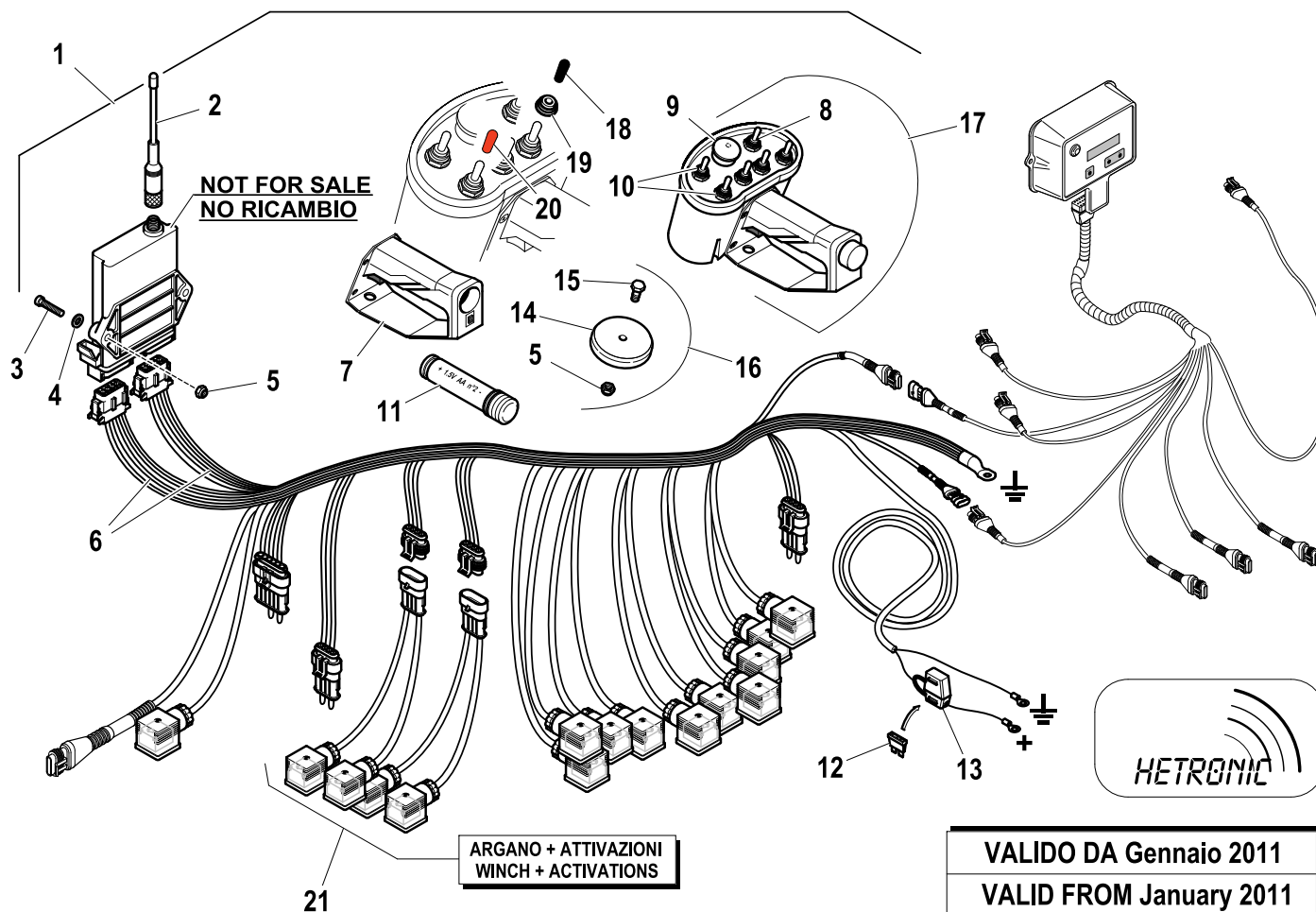
Kit (Wireless control)

Code

7892099-3.0

1/2

| R | Pos. | Code Variant | Q.ty | Description |
|---|------|--------------|------|---|
| | 1 | 5120095 | 1 | |
| | 2 | 3310861 | 1 | |
| | 3 | 3020038 | 2 | Socket head cap screw [M6X30 8.8 ZC UNI 5931] |
| | 4 | 3060005 | 2 | Flat washer [D.6.4 UNI 6592 ZC] |
| | 5 | 3040372 | 3 | Stopnut |
| | 6 | 3311385 | 1 | |
| | 7 | 3311071 | 1 | Handle |
| | 8 | 3310891 | 1 | |
| | 9 | 3310892 | 1 | |
| | 10 | 3310890 | 5 | |
| | 11 | 3310893 | 1 | Battery compartment |
| | 12 | 3310688 | 1 | |
| | 13 | 3310852 | 1 | |
| | 14 | 3310064 | 1 | |
| | 15 | 3010324 | 1 | Hex screw [M6X12 8.8 ZC UNI 5739] |
| | 16 | 5410965 | 1 | Kit (Magnet) |
| | 17 | 3310754 | 1 | |
| | 18 | 3311195 | 5 | |
| | 19 | 3311197 | 6 | |
| | 20 | 3311196 | 1 | |



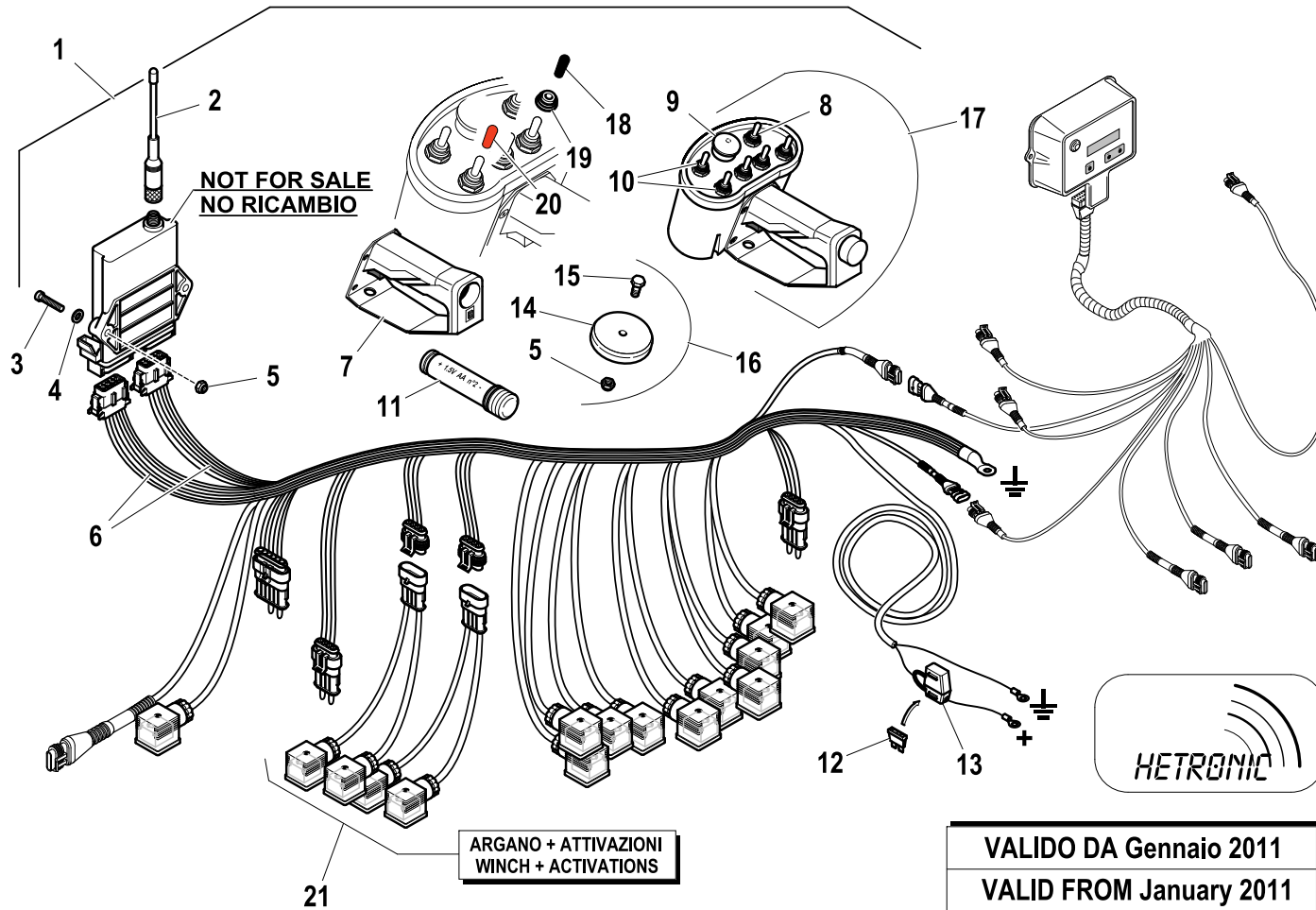
Kit (Wireless control)

Code

7892099-3.0

2/2

| R | Pos. | Code Variant | Q.ty | Description |
|---|------|--------------|------|-------------|
| | 21 | 3310862 | 2 | |

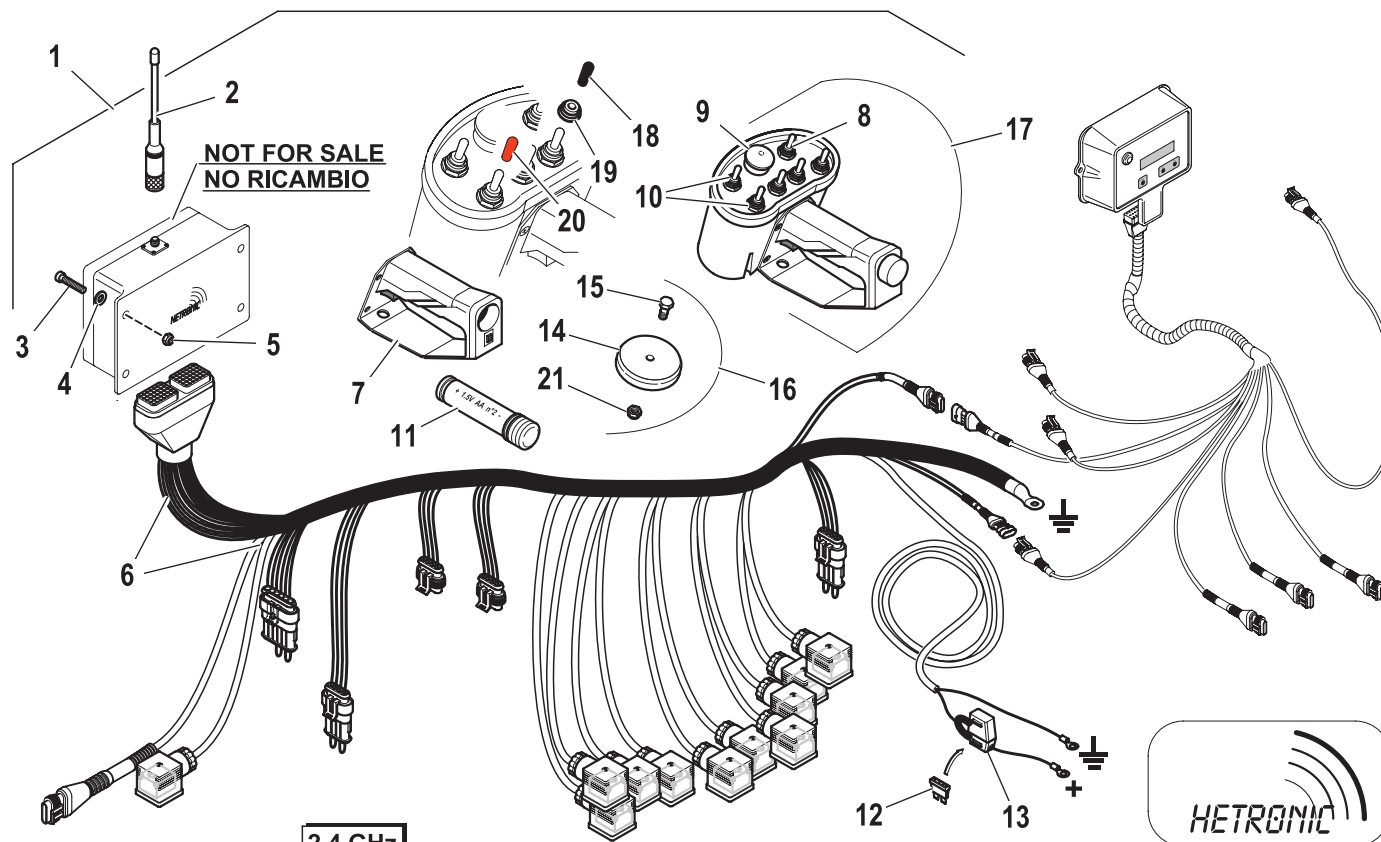


Complete wireless control (PTO)

Code

7892500-2.0

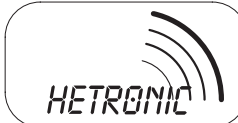
1/2



2.4 GHz

VALIDO DA GENNAIO 2013
VALID FROM JANUARY 2013

| R | Pos. | Code Variant | Q.ty | Description |
|---|------|--------------|------|---|
| | 1 | 5120154 | 1 | Complete wireless control |
| | 2 | 3311501 | 1 | Aerial (Wireless control) |
| | 3 | 3020028 | 4 | Socketed head cap screw [M5X20 8.8 ZC UNI 5931] |
| | 4 | 3060004 | 4 | Flat washer [D.5 UNI 6592 ZC] |
| | 5 | 3040392 | 4 | Stopnut |
| | 6 | 3311633 | 1 | Electric wiring |
| | 7 | 3311071 | 1 | Handle |
| | 8 | 3310891 | 1 | |
| | 9 | 3310892 | 1 | |
| | 10 | 3310890 | 5 | |
| | 11 | 3310893 | 1 | Battery compartment |
| | 12 | 3310688 | 1 | |
| | 13 | 3310852 | 1 | |
| | 14 | 3310064 | 1 | |
| | 15 | 3010324 | 1 | Hex screw [M6X12 8.8 ZC UNI 5739] |
| | 16 | 5410965 | 1 | Kit (Magnet) |
| | 17 | 3311502 | 1 | Transmitter (Wireless control) |
| | 18 | 3311195 | 5 | |
| | 19 | 3311197 | 6 | |
| | 20 | 3311196 | 1 | |



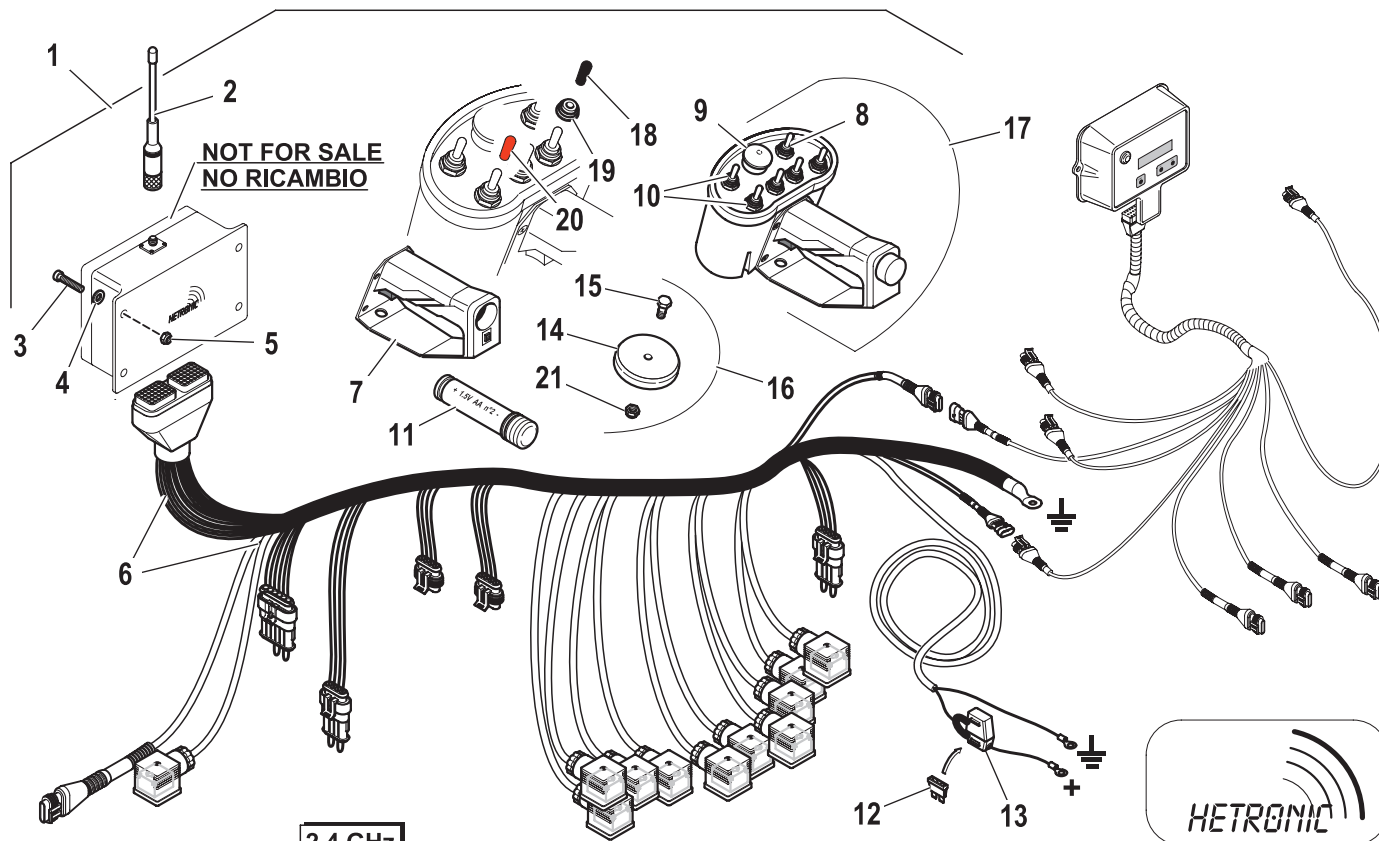
Complete wireless control (PTO)

Code

7892500-2.0

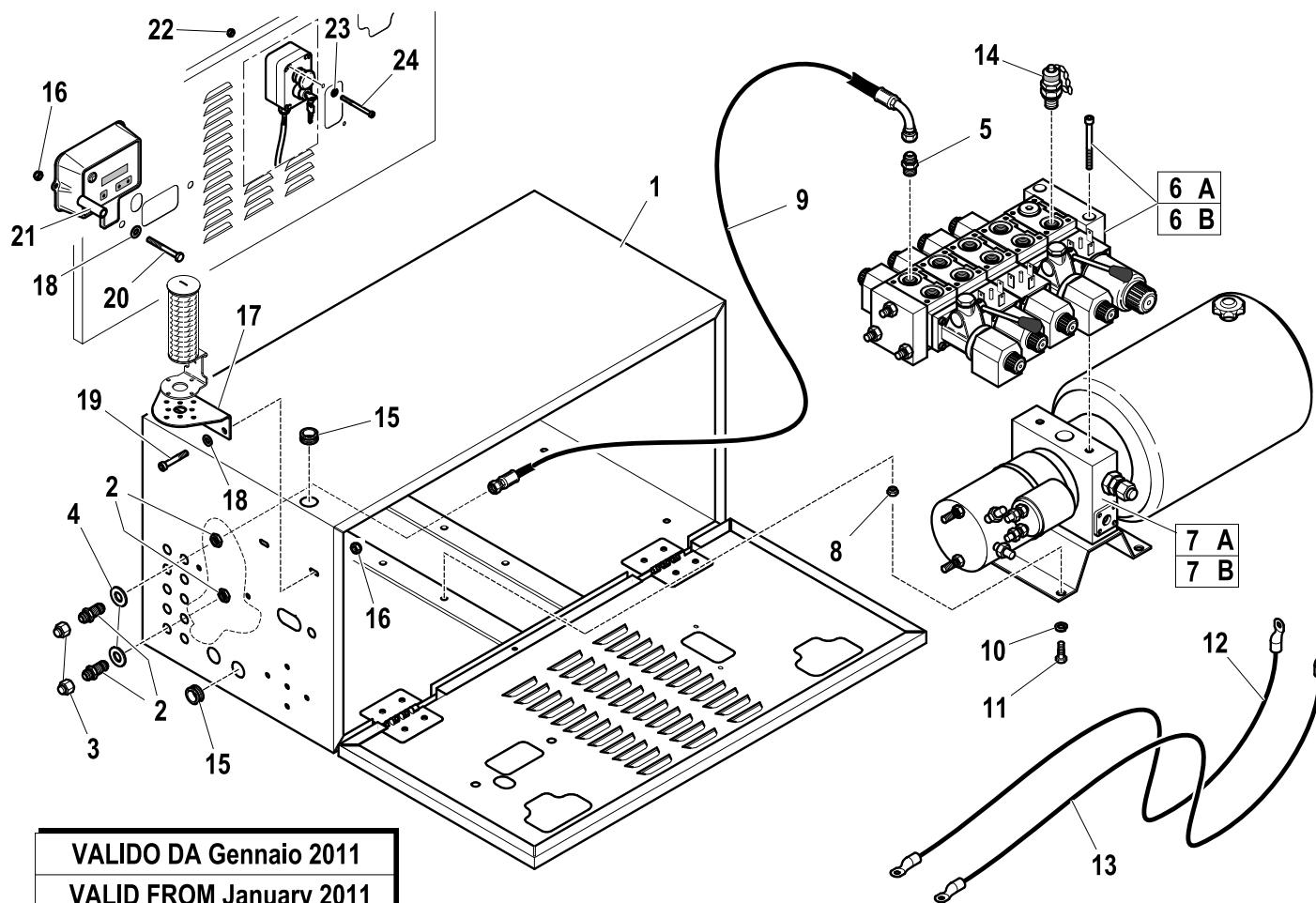
2/2

| R | Pos. | Code Variant | Q.ty | Description |
|---|------|--------------|------|-------------|
| | 21 | 3040372 | 1 | Stopnut |



2.4 GHz

VALIDO DA GENNAIO 2013
VALID FROM JANUARY 2013



VALIDO DA Gennaio 2011
VALID FROM January 2011

| R | Pos. | Code Variant | Q.ty | Description |
|---|------|---------------|------|---|
| | 1 | 5090134 | 1 | |
| | 2 | 3120309 | 8 | Wall-through pipe fitting |
| | 3 | 3110040 | 2 | Female plug |
| | 4 | 3060009 | 8 | Flat washer [D.15X28X2.5 UNI 6592 ZC] |
| | 5 | 3101040 | 8 | Straight pipe fitting |
| | 6 A | 5220469 (12V) | 1 | |
| | 6 B | 5220470 (24V) | 1 | |
| | 7 A | W318009 (12V) | 1 | |
| | 7 B | W318010 (24V) | 1 | |
| | 8 | 3040303 | 4 | Stopnut |
| | 9 | 5260475 | 8 | Flexible hose |
| | 10 | 3060055 | 4 | Split lock washer [D=8.4 C72 ZC] |
| | 11 | 3010339 | 4 | Hex screw [M8X25 8.8 ZC IF UNI 5739] |
| | 12 | 3310067 | 1 | Electric cable (negative pole) |
| | 13 | 3310068 | 1 | Electric cable (positive pole) |
| | 14 | 3111523 | 1 | Pipe fitting (Tapping point) [RACC. MILITES 16X2-1/4"G] |
| | 15 | 3190179 | 3 | Cable lead (Rubber) |
| | 16 | 3040372 | 4 | Stopnut |
| | 17 | W370508000 | 1 | Support (Flashing light) |
| | 18 | 3060005 | 4 | Flat washer [D.6.4 UNI 6592 ZC] |

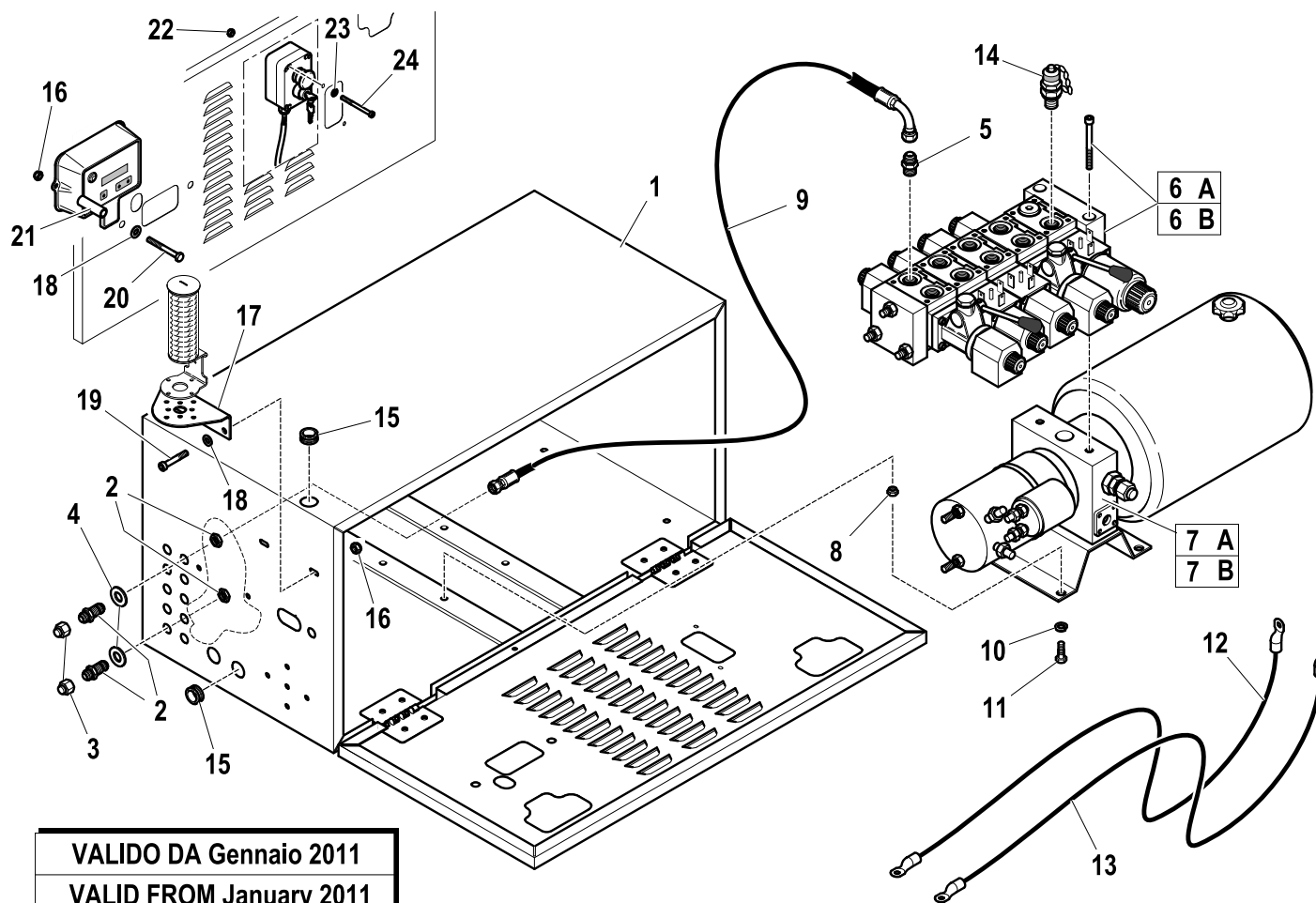
ELECTRICS CONTROLS (EN12999-A3)

Code

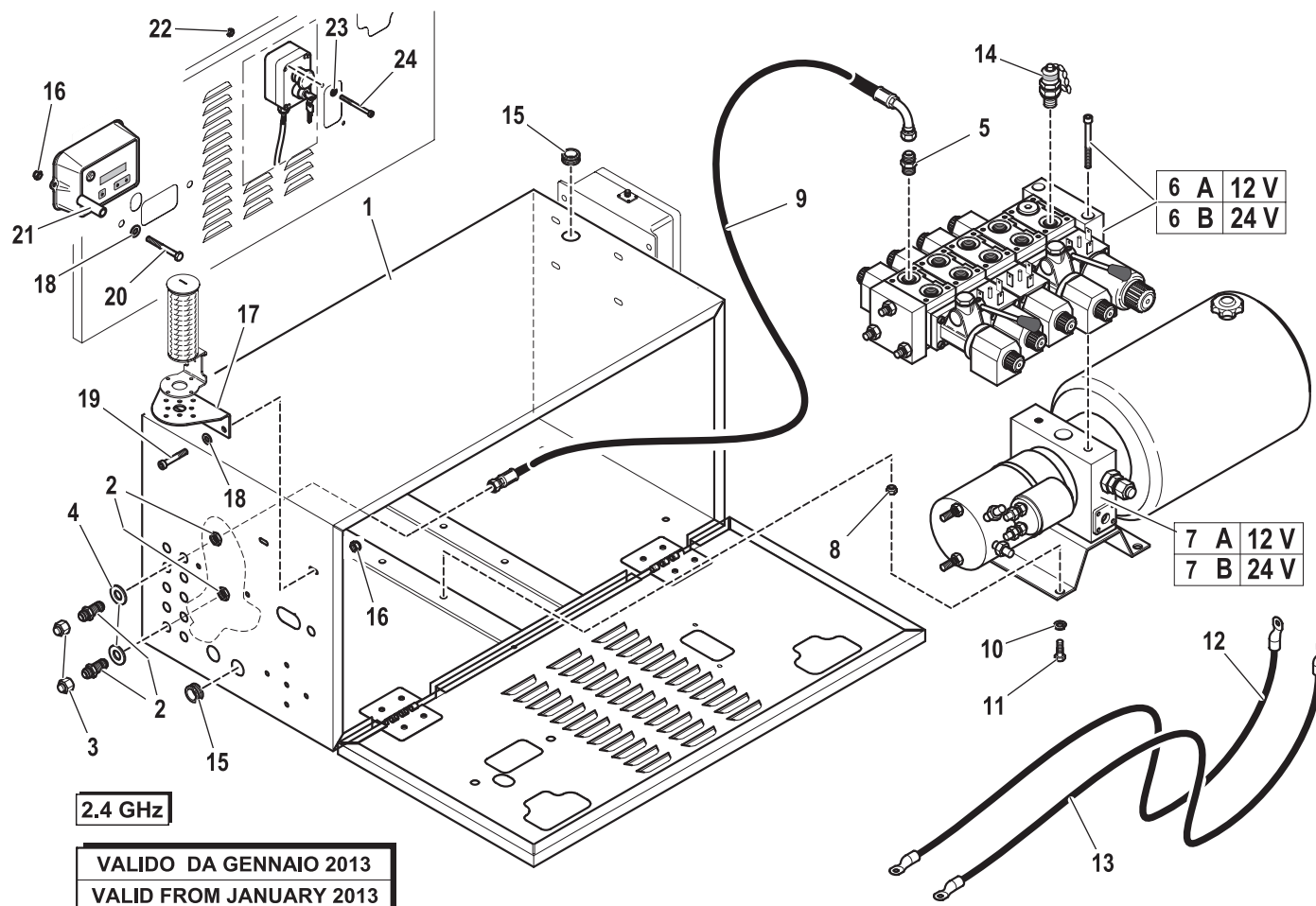
5401528-1.0

2/2

| R | Pos. | Code Variant | Q.ty | Description |
|---|------|--------------|------|---|
| | 19 | 3020038 | 2 | Socket head cap screw [M6X30 8.8 ZC UNI 5931] |
| | 20 | 3010388 | 2 | Hex screw [M6X60 ZC UNI 5737] |
| | 21 | 5002010 | 2 | Spacer |
| | 22 | 3040518 | 2 | Stopnut |
| | 23 | 3060003 | 2 | Flat washer [D.4 UNI 6592 ZC] |
| | 24 | 3020012 | 2 | Socket head cap screw [M4X70 8.8 ZC UNI 5931] |



VALIDO DA Gennaio 2011
VALID FROM January 2011



| R | Pos. | Code Variant | Q.ty | Description |
|---|------|--------------|------|---|
| | 1 | 5091457 | 1 | Junction box |
| | 2 | 3120309 | 8 | Wall-through pipe fitting |
| | 3 | 3110040 | 2 | Female plug |
| | 4 | 3060009 | 8 | Flat washer [D.15X28X2.5 UNI 6592 ZC] |
| | 5 | 3101040 | 8 | Straight pipe fitting |
| | 6 A | 5220469 | 1 | |
| | 6 B | 5220470 | 1 | |
| | 7 A | W318009 | 1 | |
| | 7 B | W318010 | 1 | |
| | 8 | 3040303 | 4 | Stopnut |
| | 9 | 5260475 | 8 | Flexible hose |
| | 10 | 3060055 | 4 | Split lock washer [D=8.4 C72 ZC] |
| | 11 | 3010339 | 4 | Hex screw [M8X25 8.8 ZC IF UNI 5739] |
| | 12 | 3310067 | 1 | Electric cable (negative pole) |
| | 13 | 3310068 | 1 | Electric cable (positive pole) |
| | 14 | 3111523 | 1 | Pipe fitting (Tapping point) [RACC. MILITES 16X2-1/4"G] |
| | 15 | 3190179 | 3 | Cable lead (Rubber) |
| | 16 | 3040372 | 4 | Stopnut |
| | 17 | W370508000 | 1 | Support (Flashing light) |
| | 18 | 3060005 | 4 | Flat washer [D.6.4 UNI 6592 ZC] |

2.4 GHz

VALIDO DA GENNAIO 2013
VALID FROM JANUARY 2013

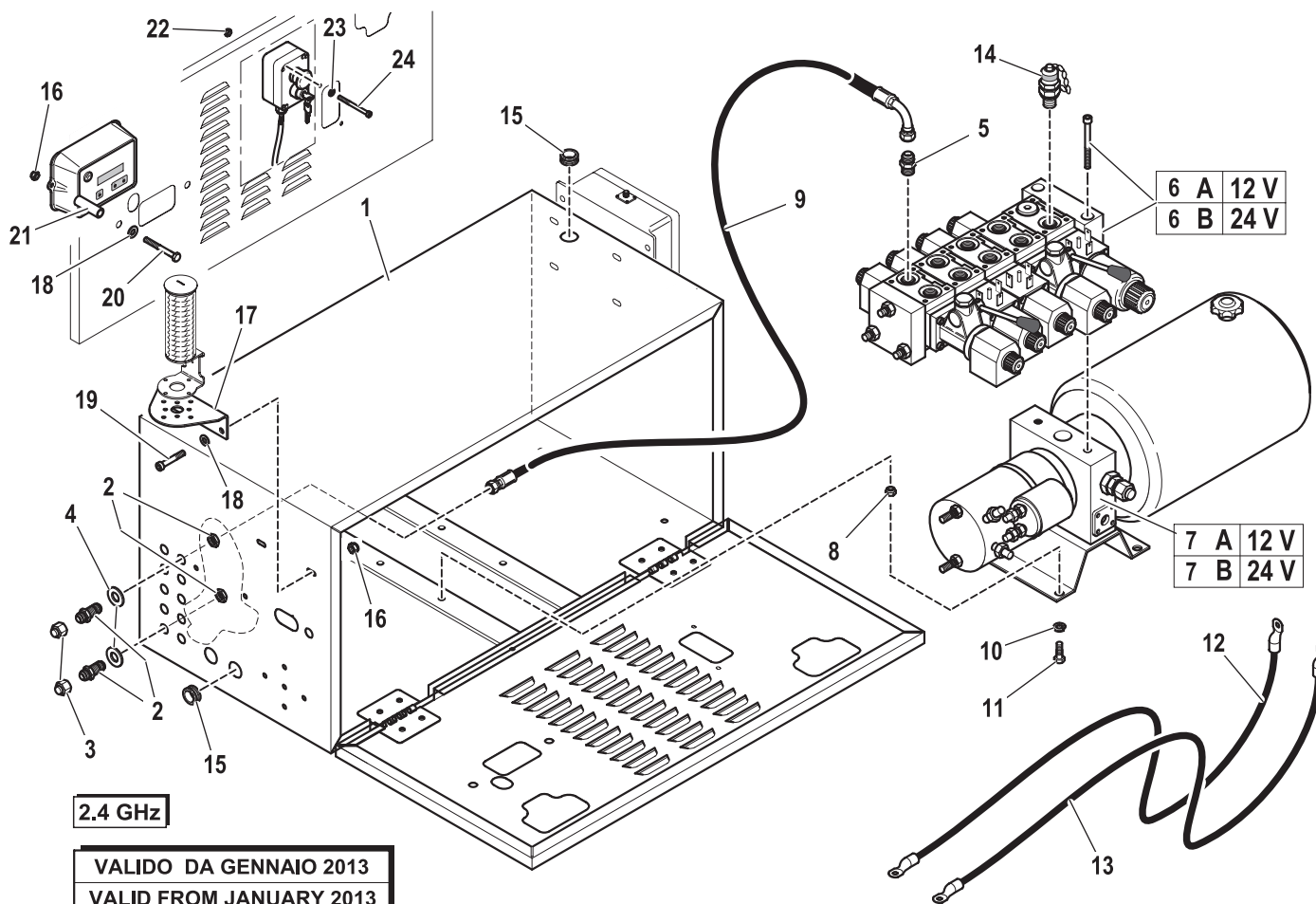
ELECTRICS CONTROLS (EN12999-A3)

Code

5402262-1.0

2/2

| R | Pos. | Code Variant | Q.ty | Description |
|---|------|--------------|------|---|
| | 19 | 3020038 | 2 | Socket head cap screw [M6X30 8.8 ZC UNI 5931] |
| | 20 | 3010388 | 2 | Hex screw [M6X60 ZC UNI 5737] |
| | 21 | 5002010 | 2 | Spacer |
| | 22 | 3040518 | 2 | Stopnut |
| | 23 | 3060003 | 2 | Flat washer [D.4 UNI 6592 ZC] |
| | 24 | 3020012 | 2 | Socket head cap screw [M4X70 8.8 ZC UNI 5931] |



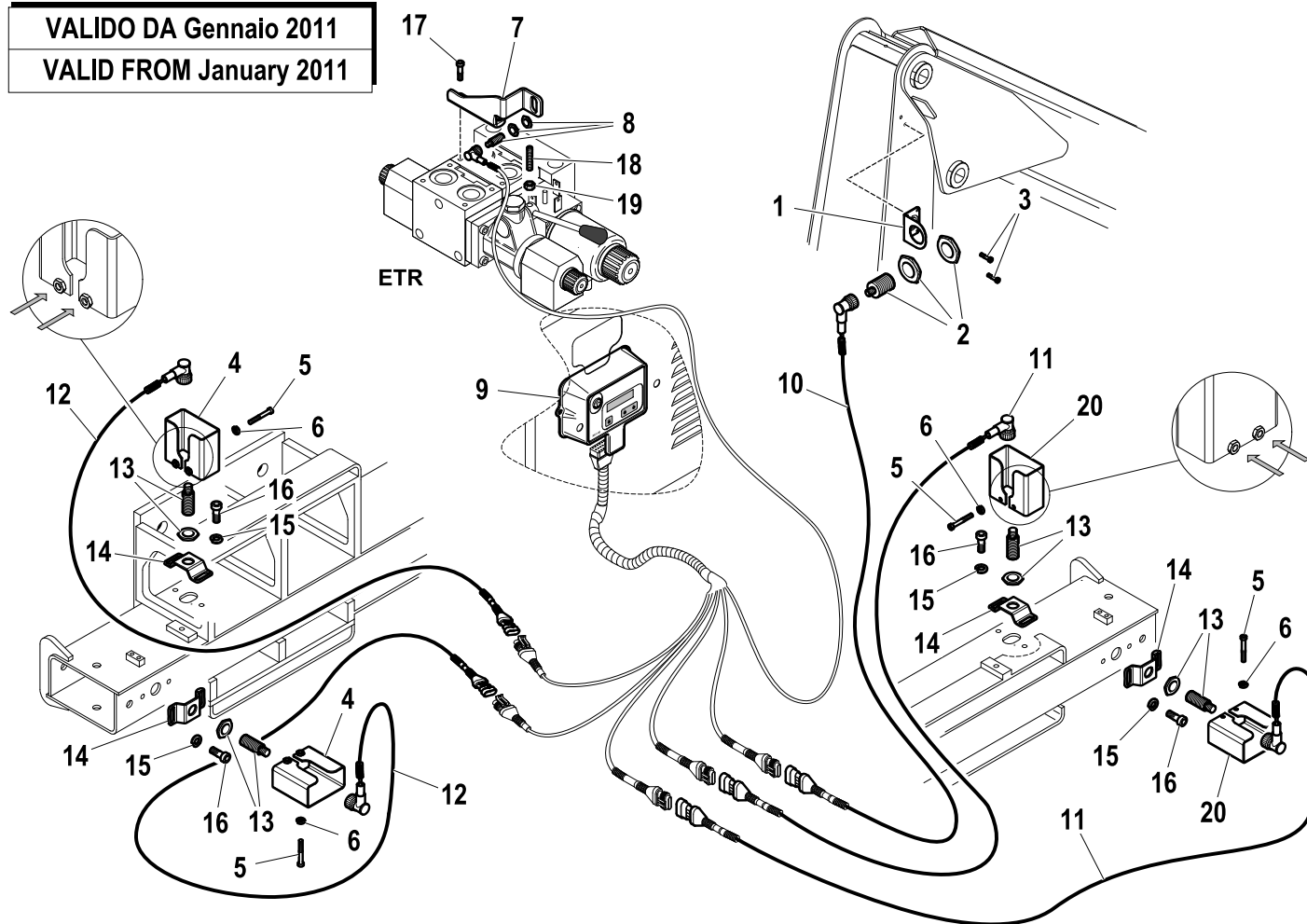
Kit CE (STABILITY CONTROL)

Code

5405049-2.0

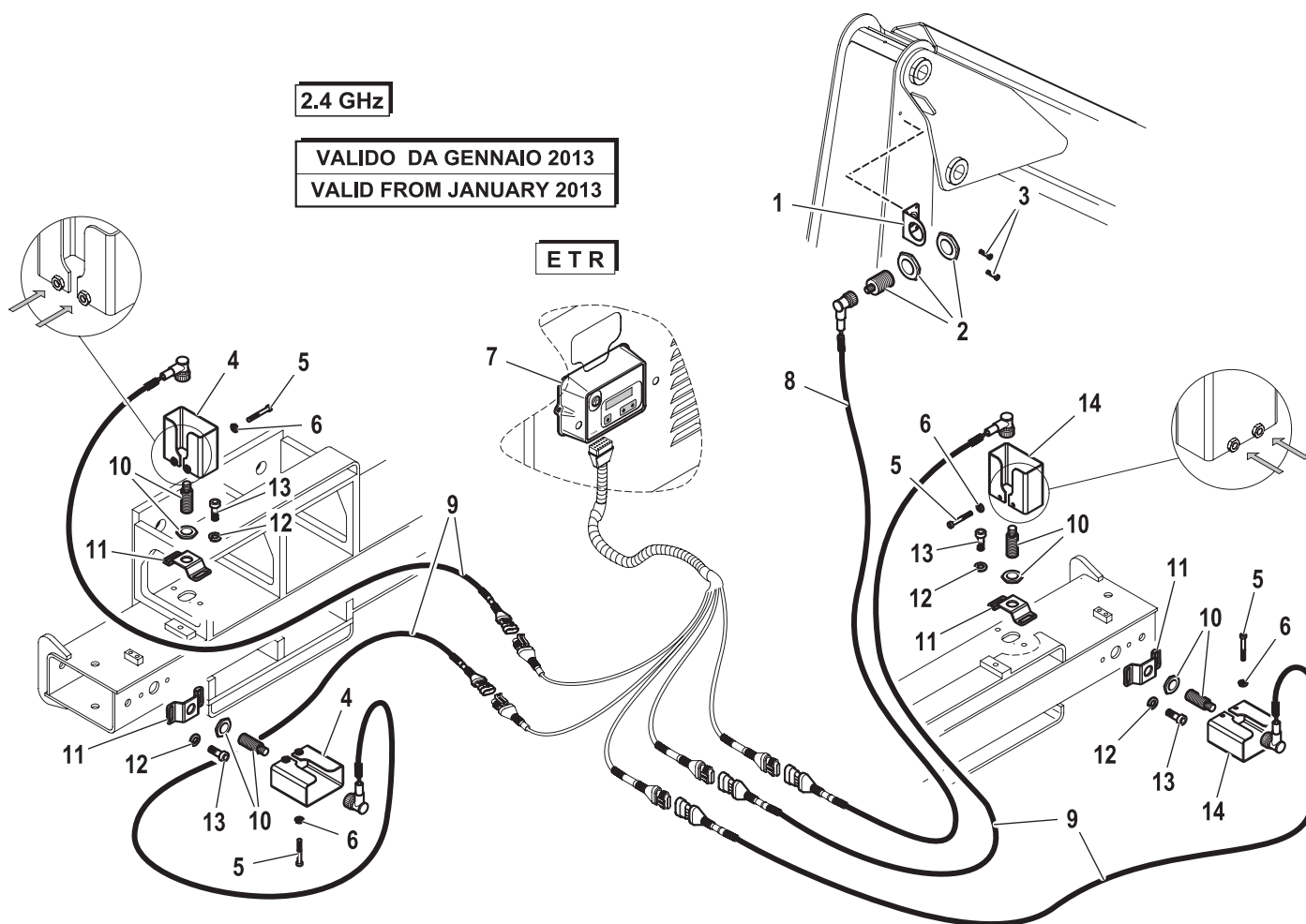
1/1

VALIDO DA Gennaio 2011
VALID FROM January 2011

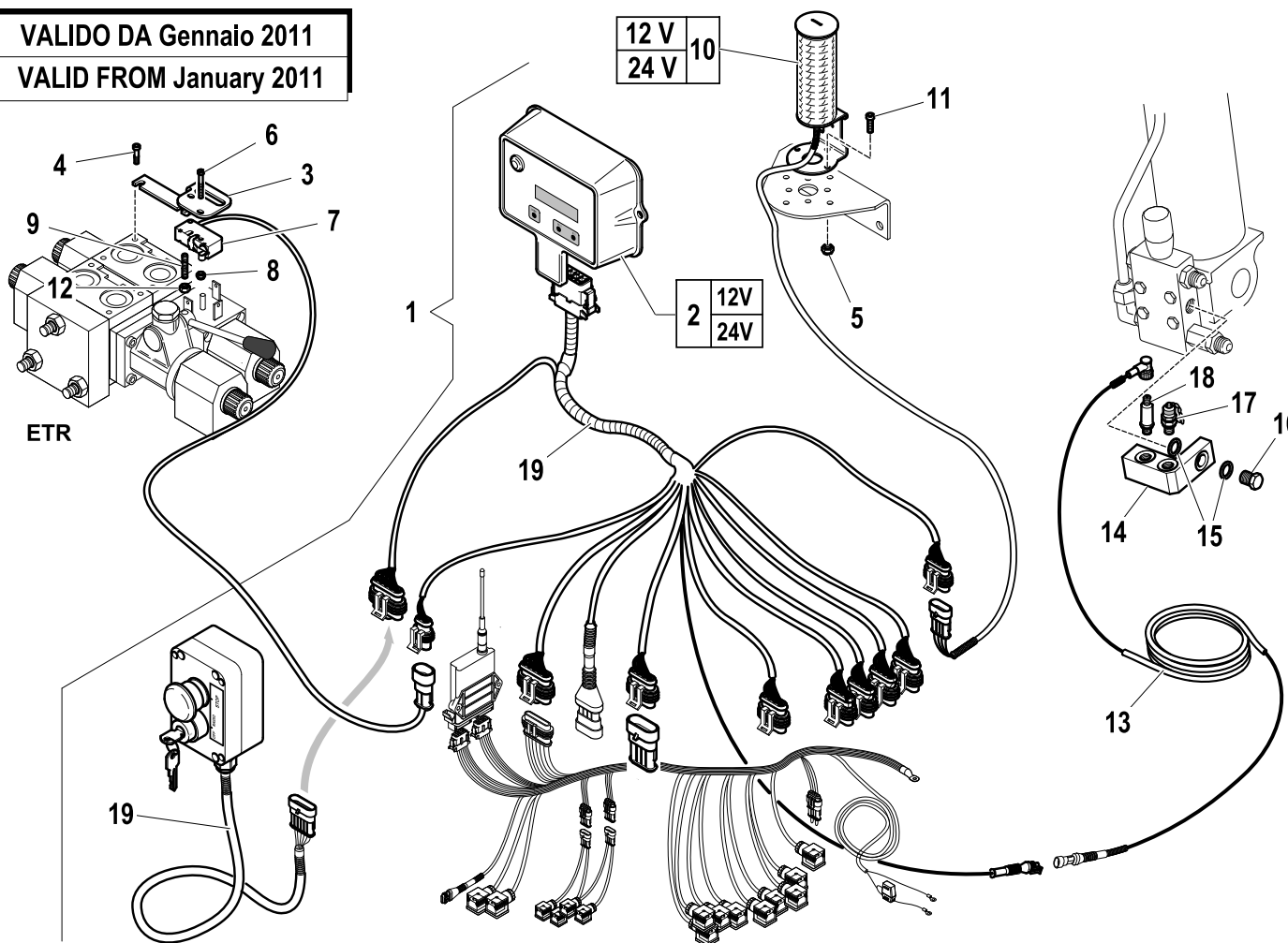


| R | Pos. | Code Variant | Q.ty | Description |
|---|------|--------------|------|---|
| | 1 | 5000426 | 1 | Support (Proximity switch) |
| | 2 | 3311312 | 1 | Proximity switch |
| | 3 | 3020895 | 2 | Socketed head cap screw [M4X10 8.8 ZC UNI 5931] |
| | 4 | 5091310 | 2 | Guard (Proximity switch) |
| | 5 | 3020045 | 8 | Socketed head cap screw [M6X45 8.8 ZC UNI 5931] |
| | 6 | 3060053 | 8 | Split lock washer [D=6.4 C72 ZC] |
| | 7 | 5002103 | 1 | |
| | 8 | 3311341 | 1 | |
| | 9 | 3311386 | 1 | |
| | 10 | 3311350 | 1 | Electric wiring |
| | 11 | 3311343 | 2 | |
| | 12 | 3311342 | 2 | |
| | 13 | 3311311 | 4 | Proximity switch |
| | 14 | 5000420 | 4 | Support (Proximity switch) |
| | 15 | 3060055 | 8 | Split lock washer [D=8.4 C72 ZC] |
| | 16 | 3020902 | 8 | Socketed head cap screw [M8X10 ZC UNI 5931] |
| | 17 | 3020022 | 2 | Socketed head cap screw [M5X10 8.8 ZC UNI 5931] |
| | 18 | 3060225 | 1 | Grub screw |
| | 19 | 3040391 | 1 | Hexagonal nut (Normal) |
| | 20 | 5091306 | 2 | Guard (Proximity switch) |

| R | Pos. | Code Variant | Q.ty | Description |
|---|------|--------------|------|---|
| | 1 | 5000426 | 1 | Support (Proximity switch) |
| | 2 | 3311312 | 1 | Proximity switch |
| | 3 | 3020895 | 2 | Socketed head cap screw [M4X10 8.8 ZC UNI 5931] |
| | 4 | 5091310 | 2 | Guard (Proximity switch) |
| | 5 | 3020045 | 8 | Socketed head cap screw [M6X45 8.8 ZC UNI 5931] |
| | 6 | 3060053 | 8 | Split lock washer [D=6.4 C72 ZC] |
| | 7 | 3311541 | 1 | Moment limiting device |
| | 8 | 3311350 | 1 | Electric wiring |
| | 9 | 3311636 | 4 | Electric wiring |
| | 10 | 3311311 | 4 | Proximity switch |
| | 11 | 5000420 | 4 | Support (Proximity switch) |
| | 12 | 3060055 | 8 | Split lock washer [D=8.4 C72 ZC] |
| | 13 | 3020902 | 8 | Socketed head cap screw [M8X10 ZC UNI 5931] |
| | 14 | 5091306 | 2 | Guard (Proximity switch) |



VALIDO DA Gennaio 2011
VALID FROM January 2011



| R | Pos. | Code Variant | Q.ty | Description |
|----|------|--------------|------|---|
| 1 | | 3311448 | 1 | |
| 2 | | 3311386 | 1 | |
| 3 | | 5001842 | 1 | Microswitch support |
| 4 | | 3020022 | 2 | Socket head cap screw [M5X10 8.8 ZC UNI 5931] |
| 5 | | 3040392 | 2 | Stopnut |
| 6 | | 3020879 | 2 | |
| 7 | | 3310885 | 1 | Microswitch (Electric) |
| 8 | | 3040516 | 2 | Stopnut |
| 9 | | 3060223 | 1 | Grub screw |
| 10 | | 3311159 | 1 | Signal Columns |
| 11 | | 3020023 | 2 | Socket head cap screw [M5X16 8.8 ZC UNI 5931] |
| 12 | | 3040391 | 1 | Hexagonal nut (Normal) |
| 13 | | 5160001 | 1 | Electric wiring |
| 14 | | 5002055 | 1 | Manifold (Pick-up) |
| 15 | | 3060143 | 2 | Sealing washer [BSP 1/4"] |
| 16 | | 3110078 | 1 | Bolt (banjo bolt) |
| 17 | | 3111523 | 1 | Pipe fitting (Tapping point) [RACC. MILITES 16X2-1/4"G] |
| 18 | | 3310612 | 1 | Pressure sensor |
| 19 | | 3311384 | 1 | |

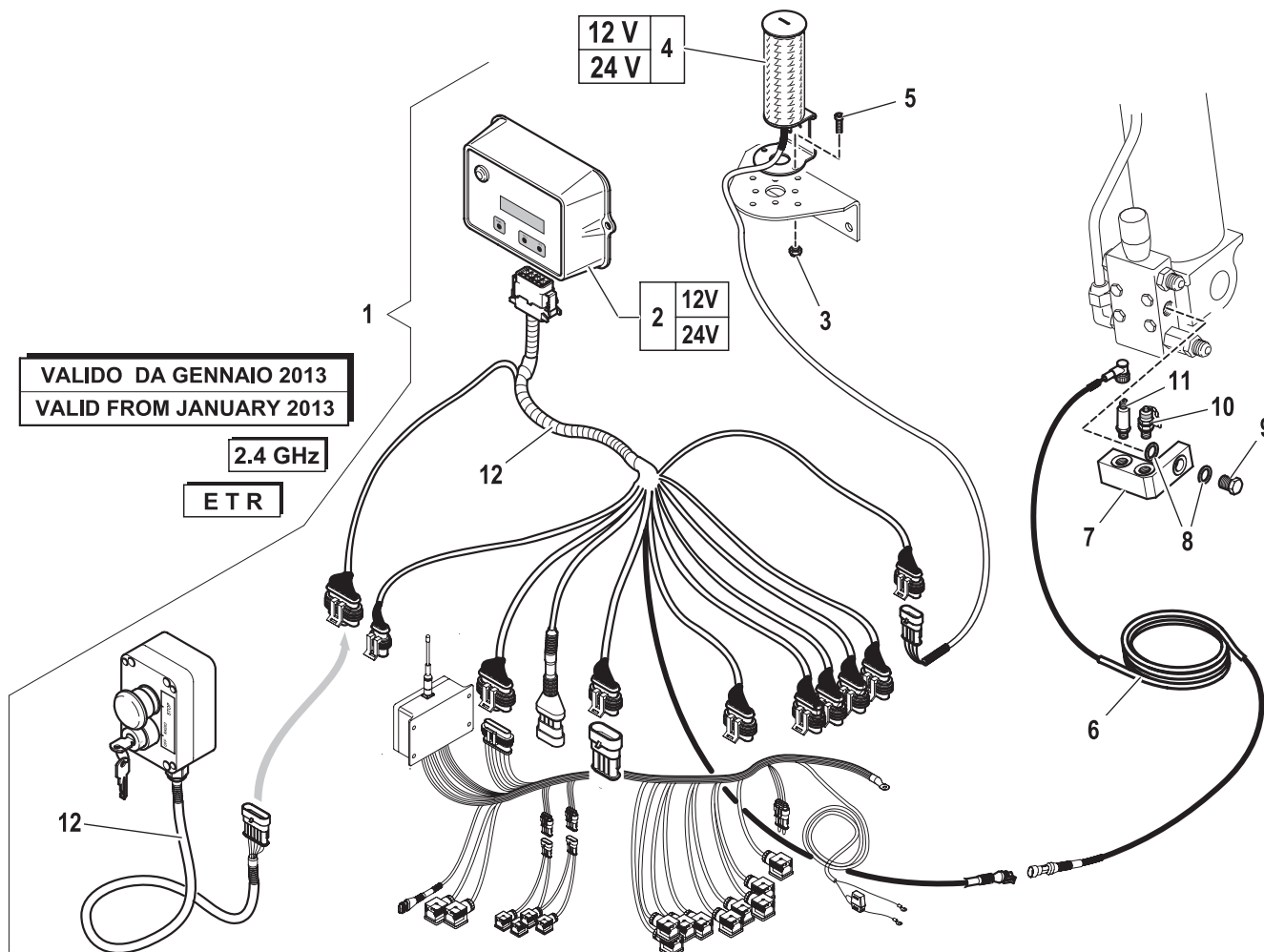
Moment limiting device (EN12999-A3)

Code

5405046-4.0

1/1

| R | Pos. | Code Variant | Q.ty | Description |
|---|------|--------------|------|---|
| | 1 | 3311640 | 1 | Electric wiring |
| | 2 | 3311541 | 1 | Moment limiting device |
| | 3 | 3040392 | 2 | Stopnut |
| | 4 | 3311159 | 1 | Signal Columns |
| | 5 | 3020023 | 2 | Socket head cap screw [M5X16 8.8 ZC UNI 5931] |
| | 6 | 5160001 | 1 | Electric wiring |
| | 7 | 5002055 | 1 | Manifold (Pick-up) |
| | 8 | 3060143 | 2 | Sealing washer [BSP 1/4"] |
| | 9 | 3110078 | 1 | Bolt (banjo bolt) |
| | 10 | 3111523 | 1 | Pipe fitting (Tapping point) [RACC. MILITES 16X2-1/4"G] |
| | 11 | 3310612 | 1 | Pressure sensor |
| | 12 | 3311632 | 1 | Electric wiring |



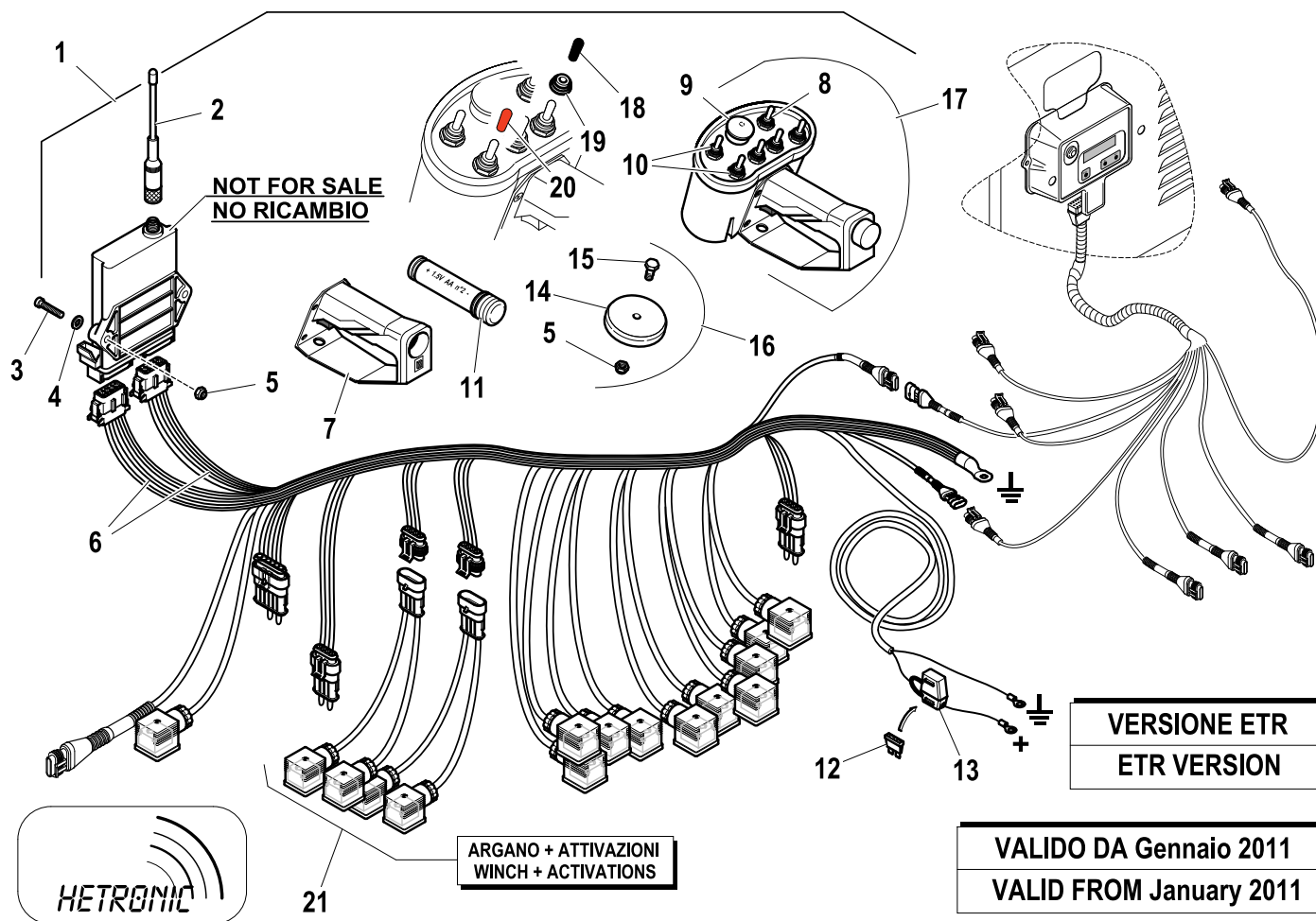
Kit (Wireless control)

Code

7892099-5.0

1/2

| R | Pos. | Code Variant | Q.ty | Description |
|---|------|--------------|------|---|
| | 1 | 5120095 | 1 | |
| | 2 | 3310861 | 1 | |
| | 3 | 3020038 | 2 | Socket head cap screw [M6X30 8.8 ZC UNI 5931] |
| | 4 | 3060005 | 2 | Flat washer [D.6.4 UNI 6592 ZC] |
| | 5 | 3040372 | 3 | Stopnut |
| | 6 | 3311447 | 1 | |
| | 7 | 3311071 | 1 | Handle |
| | 8 | 3310891 | 1 | |
| | 9 | 3310892 | 1 | |
| | 10 | 3310890 | 5 | |
| | 11 | 3310893 | 1 | Battery compartment |
| | 12 | 3310688 | 1 | |
| | 13 | 3310852 | 1 | |
| | 14 | 3310064 | 1 | |
| | 15 | 3010324 | 1 | Hex screw [M6X12 8.8 ZC UNI 5739] |
| | 16 | 5410965 | 1 | Kit (Magnet) |
| | 17 | 3310754 | 1 | |
| | 18 | 3311195 | 5 | |
| | 19 | 3311197 | 6 | |
| | 20 | 3311196 | 1 | |



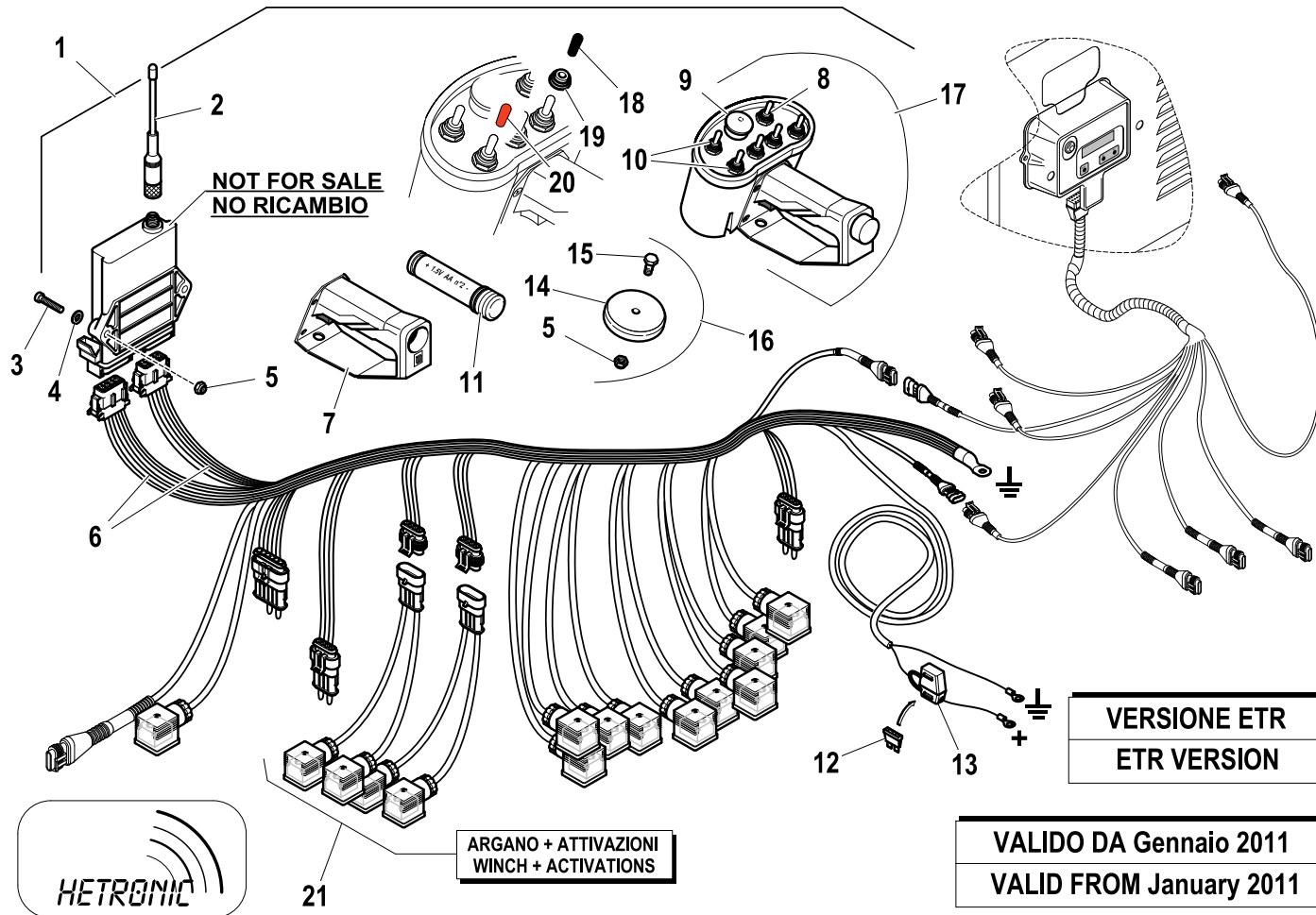
Kit (Wireless control)

Code

7892099-5.0

2/2

| R | Pos. | Code Variant | Q.ty | Description |
|---|------|--------------|------|-------------|
| | 21 | 3310862 | 2 | |



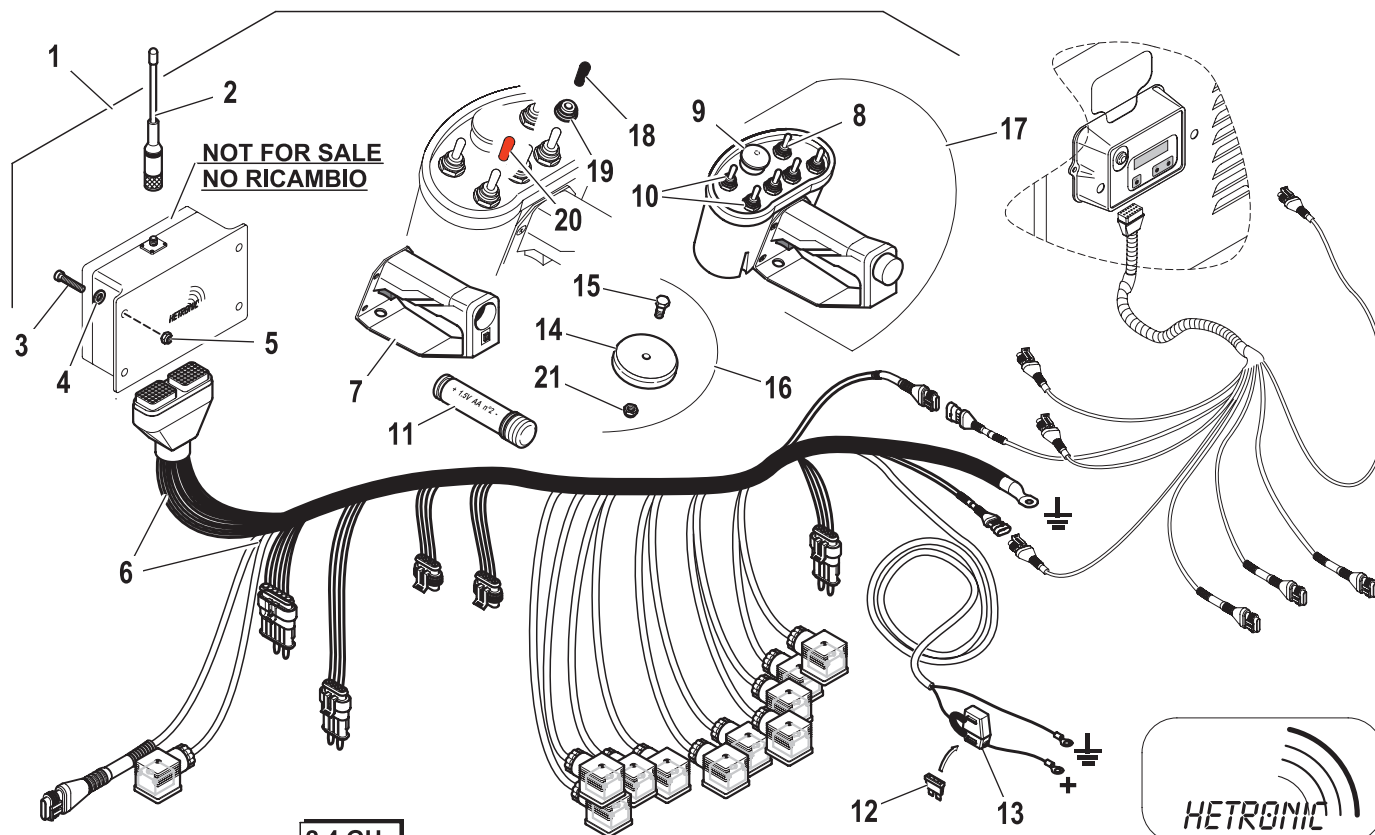
Complete wireless control (EN12999-A3)

Code

7892500-3.0

1/2

| R | Pos. | Code Variant | Q.ty | Description |
|---|------|--------------|------|---|
| | 1 | 5120154 | 1 | Complete wireless control |
| | 2 | 3311501 | 1 | Aerial (Wireless control) |
| | 3 | 3020028 | 4 | Socketed head cap screw [M5X20 8.8 ZC UNI 5931] |
| | 4 | 3060004 | 4 | Flat washer [D.5 UNI 6592 ZC] |
| | 5 | 3040392 | 4 | Stopnut |
| | 6 | 3311639 | 1 | Electric wiring |
| | 7 | 3311071 | 1 | Handle |
| | 8 | 3310891 | 1 | |
| | 9 | 3310892 | 1 | |
| | 10 | 3310890 | 5 | |
| | 11 | 3310893 | 1 | Battery compartment |
| | 12 | 3310688 | 1 | |
| | 13 | 3310852 | 1 | |
| | 14 | 3310064 | 1 | |
| | 15 | 3010324 | 1 | Hex screw [M6X12 8.8 ZC UNI 5739] |
| | 16 | 5410965 | 1 | Kit (Magnet) |
| | 17 | 3311502 | 1 | Transmitter (Wireless control) |
| | 18 | 3311195 | 5 | |
| | 19 | 3311197 | 6 | |
| | 20 | 3311196 | 1 | |



2.4 GHz

**VALIDO DA GENNAIO 2013
VALID FROM JANUARY 2013**

**VERSIONE ETR
ETR VERSION**

Complete wireless control (EN12999-A3)

Code

7892500-3.0

2/2

| R | Pos. | Code Variant | Q.ty | Description |
|---|------|--------------|------|-------------|
| | 21 | 3040372 | 1 | Stopnut |

