

Model  
**HA22**

Logbook code  
**7880551\_H .1**  
Edition  
02/2007



Page	Table code	Q.ty	Table heading		Validity
7	W520151200-1.1	1	Base		
8	W520151200-2.0	1	Base (" BST ")		
9	W520151300-1.1	1	Base		
10	W520151300-2.0	1	Base (" BSC ")		
11	W052101-1.0	1	SLEWING ASS'Y		
13	W5201019-1.0	1	BASE WITH 1 CROSSBAR (" BPS ")		
14	5405041-1.0	1	Kit CE (STABILITY CONTROL)		
15	W520451200-1.0	1	Stabilizers rods (Fixed - Mechanic)		
17	W520451100-1.0	1	Stabilizers rods (Fixed)		
19	5411029-3.0	1	CONTROL DEVICES LOCKING FOR OUTRIGGERS LEGS		
20	5405040-2.0	1	Kit CE (STABILITY CONTROL)		
22	W520450100-1.0	1	Stabilizer Hydraulic jack		
23	W520450100-1.1	1	Stabilizer Hydraulic jack		
24	W520451000-1.0	1	Stabilizers rods (Revolving)		
26	W360450200-1.1	1	Stabilizer Hydraulic jack (Hydraulic system)		
27	W360450100-1.5	1	Stabilizer Hydraulic jack		
28	W520451000-2.0	1	Stabilizers rods (Revolving)		
29	W360450200-1.2	1	Stabilizer Hydraulic jack (Hydraulic system)		
30	W360450100-1.6	1	Stabilizer Hydraulic jack		
31	W5204510LU-1.0	1	Stabilizer connecting rods extra-extensible revolving		

Page	Table code	Q.ty	Table heading		Validity
32	6200273-1.0	1	Stabilizer Hydraulic jack (Hydraulic system)		
33	6400273-1.0	1	Stabilizer Hydraulic jack		
34	W520554600-1.0	1	Moment limiting device		
35	5405038-1.0	1	Moment limiting device (CE)		
36	W338000-1.0	1	Control valve		
37	W338035-1.0	1	Control valve (CE)		
38	W520552300-1.0	1	Motor pump (Electrical equipment)		
39	W520555300-1.0	1	Motor pump (Electrical equipment)		
40	W530551000-1.1	1	Hydraulic oil tank		
41	W530551000-2.1	1	Hydraulic oil tank		
42	W530551000-1.0	1	Hydraulic oil tank (CE)		
43	W530551000-2.0	1	Hydraulic oil tank (CE)		
44	W350017-1.0	1	Oil filter		
45	W444204-1.0	1	Set of hoses		
46	W053201-1.1	1	Column		
47	W530250200-1.0	1	LIFTING HYDRAULIC CYLINDER (Hydraulic system)		
48	W530250100-1.0	1	LIFTING HYDRAULIC CYLINDER		
49	W053202-1.1	1	1ST BOOM		
50	W053202-1.2	1	1ST BOOM		
51	W053203-1.0	1	1st EXTENSION		

Page	Table code	Q.ty	Table heading		Validity
52	W540250300-1.1	1	1st EXSTENSION HYDRAULIC		
53	W540250600-1.0	1	Extension jacks (Assembly)		
54	W530251000-1.0	1	2nd extension		
55	W540250400-1.2	1	2nd EXTENSION HYDRAULIC JACK		
56	W530251400-1.0	1	3rd extension		
58	W540250500-1.0	1	3rd extension Hydraulic jack		
59	W530551100-1.0	1	1st ACTIVATION FOR 2S		
61	W530251100-1.0	1	Manual extension		
62	W530251200-1.0	1	Manual extension		
63	7881824-1.0	1	LOAD INDICATION SYSTEM (LIS/RLC)		
64	W053002-1.0	1	Completion parts		
65	<b>HA22 X</b>				
66	5400483-1.0	1	CONTROLS		
68	5402246-1.0	1	Control unit (RDC / NOCE)		
70	5220416-1.0	1	Control valve (4 section)		
72	5400814-1.0	1	High pressure filter		
73	7892099-2.0	1	Complete wireless control (not CE)		
75	7892500-1.0	1	Complete wireless control (PTO)		
77	5400482-1.0	1	ELECTRICS CONTROLS		
78	5402259-1.0	1	ELECTRICS CONTROLS (ETR)		

Page	Table code	Q.ty	Table heading		Validity
79	7920056-1.0	1	HYDRAULIC SYSTEM GAUGE		
80	5405017-2.0	1	Moment limiting device		
81	3310183-1.0	1	Kit (Wireless control)		
83	7892500-4.0	1	Complete wireless control (ETR)		
85	5405017-1.0	1	Auxiliary wiring		
86	3310822-1.0	1	Light column		
87	5405017-3.0	1	Auxiliary wiring (Limiting device)		
88	7881784-1.0	1	LOAD INDICATION SYSTEM		
89	7834068-1.0	1	WINCH KIT		
90	7834068-2.0	1	ACTUATION FOR WINCH		
91	7834068-3.0	1	WINCH KIT (Electrical equipment)		
93	<b>HA22 X EN12999-A3</b>				
94	5401470-1.0	1	Control unit (RDC)		
96	5402252-1.0	1	Control unit (RDC / CE)		
98	5220416-2.0	1	Control valve (4 section)		
100	5405050-3.0	1	Kit CE (STABILITY CONTROL)		
102	5405050-5.0	1	STABILITY CONTROL (EN12999-A3)		
103	5405046-1.0	1	Moment limiting device (CE)		
105	5405046-3.0	1	Moment limiting device (CE)		
106	7892099-3.0	1	Kit (Wireless control)		



## Table index

Logbook code

**7880551\_H .1**

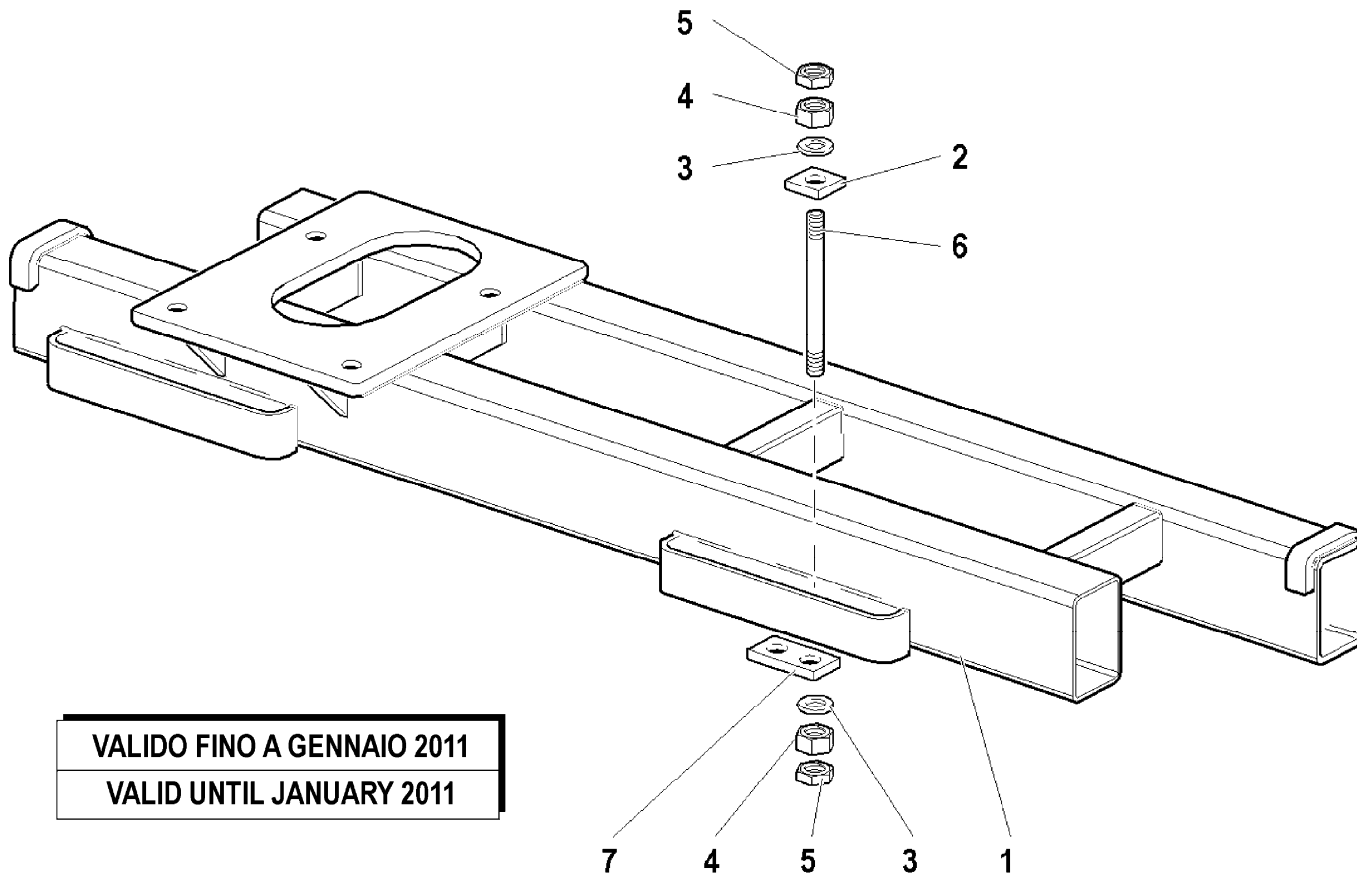
**3/3**

Page	Table code	Q.ty	Table heading	Validity
108	7892500-2.0	1	Complete wireless control (PTO)	
110	5401528-1.0	1	ELECTRICS CONTROLS (EN12999-A3)	
112	5402262-1.0	1	ELECTRICS CONTROLS (EN12999-A3)	
114	5405050-4.0	1	Kit CE (STABILITY CONTROL)	
116	5405050-6.0	1	STABILITY CONTROL (EN12999-A3)	
117	5405046-2.0	1	Moment limiting device (CE)	
118	5405046-4.0	1	Moment limiting device (EN12999-A3)	
119	7892099-5.0	1	Kit (Wireless control)	
121	7892500-3.0	1	Complete wireless control (EN12999-A3)	

Page	Table code	Q.ty	Table heading	Validity
------	------------	------	---------------	----------



R	Pos.	Code Variant	Q.ty	Description
	1	W520101100	1	
	2	W010000100	8	
	3	3060022	16	Flat washer
	4	3040052	16	Tall headed nut
	5	3040088	16	Lock nut
	6	W738018	8	
	7	W050000200	4	



VALIDO FINO A GENNAIO 2011  
 VALID UNTIL JANUARY 2011

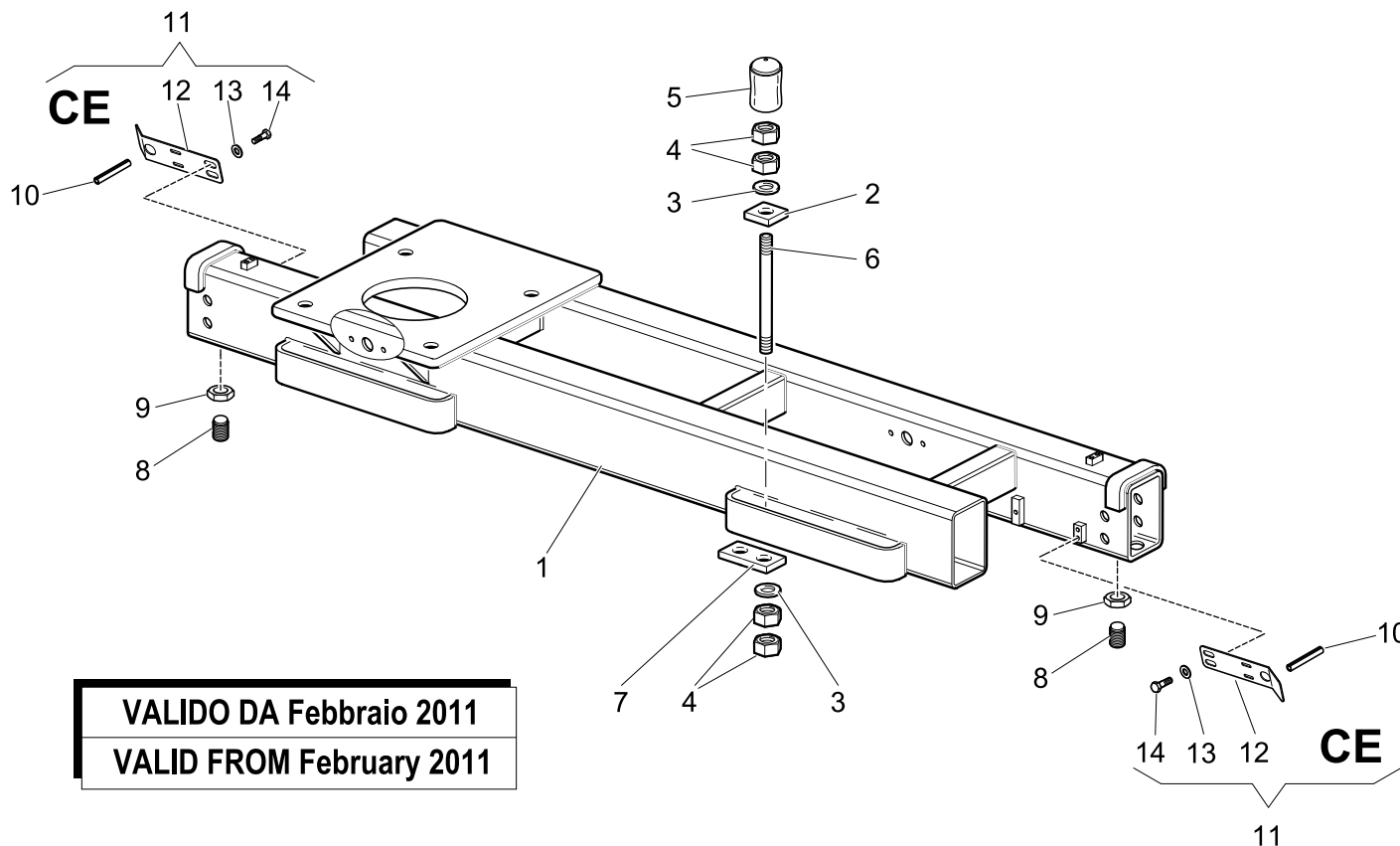
# Base (" BST ")

Code

**W520151200-2.0**

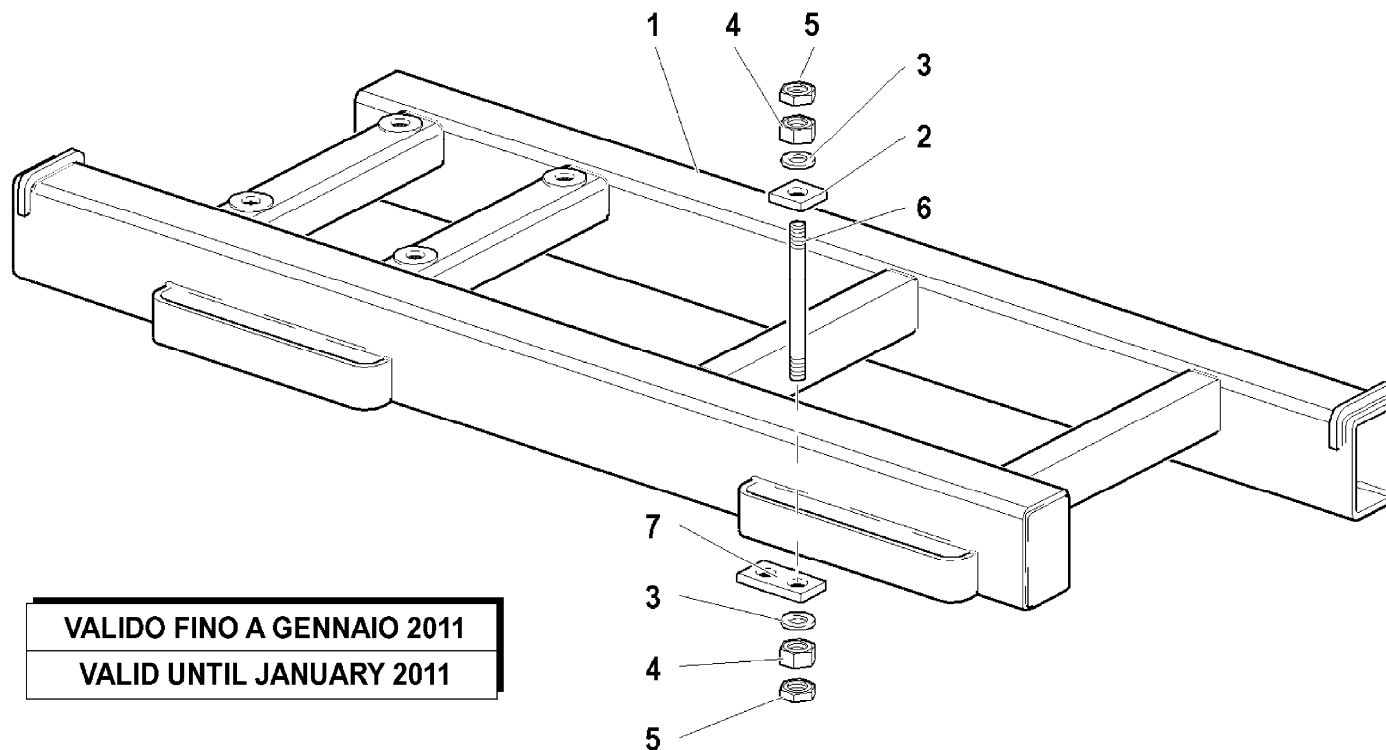
1/1

R	Pos.	Code Variant	Q.ty	Description
	1	W520101100	1	
	2	5000084	16	
	3	3060022	16	Flat washer
	4	3040185	32	Nut
	5	3190289	8	
	6	W738018	8	
	7	W050000200	4	
	8	W560402000	2	
	9	3040251	2	Lock nut [M24 8.G basso UNI 5589]
	10	3060026	2	
	11	W360451200	2	
	12	3060685	2	
	13	3060005	4	Flat washer [D.6.4 UNI 6592 ZC]
	14	3010323	4	Hex screw [M6X10 8.8 ZC UNI 5739]



**VALIDO DA Febbraio 2011**  
**VALID FROM February 2011**

R	Pos.	Code Variant	Q.ty	Description
	1	W520101200	1	
	2	W010000100	8	
	3	3060022	16	Flat washer
	4	3040052	16	Tall headed nut
	5	3040088	16	Lock nut
	6	W738018	8	
	7	W050000200	4	



VALIDO FINO A GENNAIO 2011

VALID UNTIL JANUARY 2011

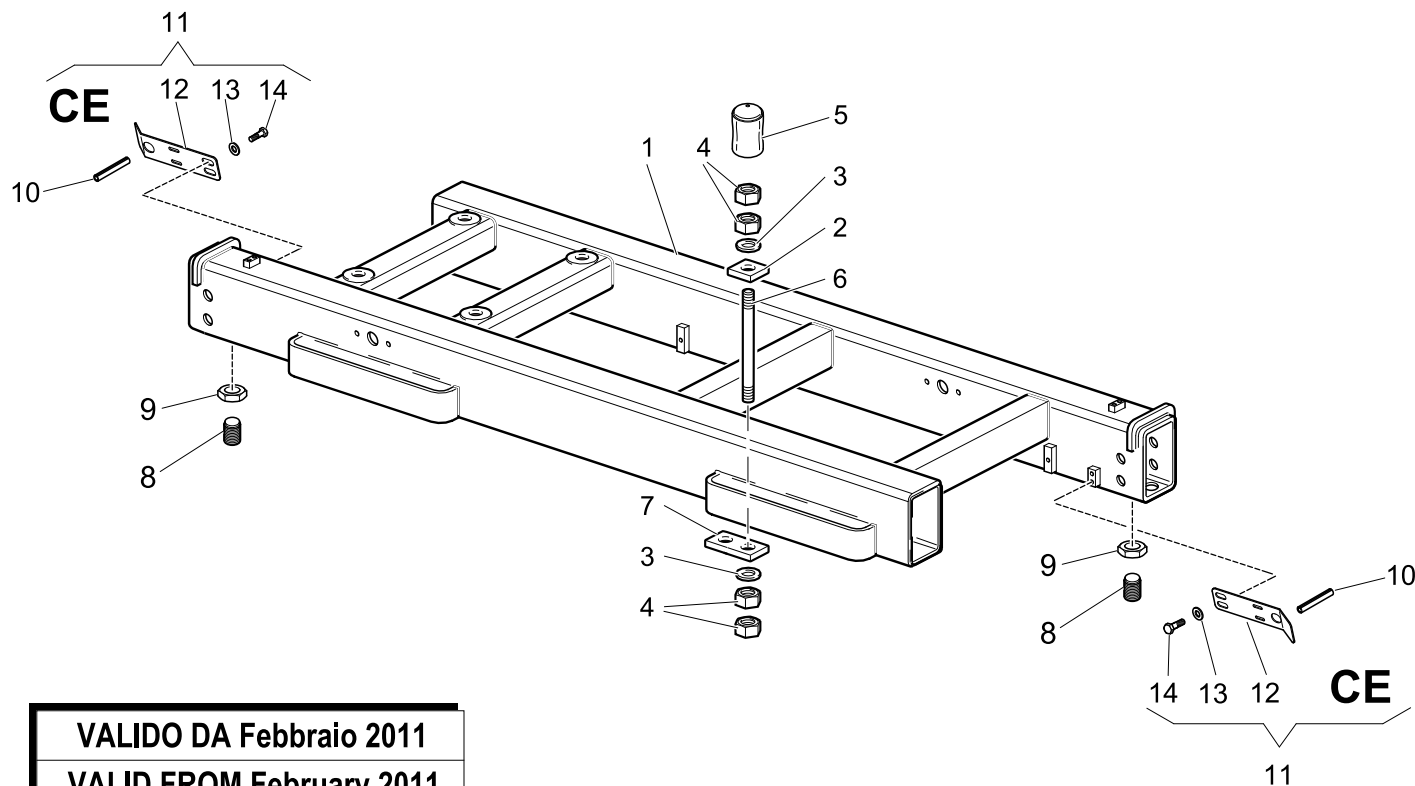
# Base (" BSC ")

Code

**W520151300-2.0**

1/1

R	Pos.	Code Variant	Q.ty	Description
	1	W520101200	1	
	2	5000084	16	
	3	3060022	16	Flat washer
	4	3040185	32	Nut
	5	3190289	8	
	6	W738018	8	
	7	W050000200	4	
	8	W560402000	2	
	9	3040251	2	Lock nut [M24 8.G basso UNI 5589]
	10	3060026	2	
	11	W360451200	2	
	12	3060685	2	
	13	3060005	4	Flat washer [D.6.4 UNI 6592 ZC]
	14	3010323	4	Hex screw [M6X10 8.8 ZC UNI 5739]



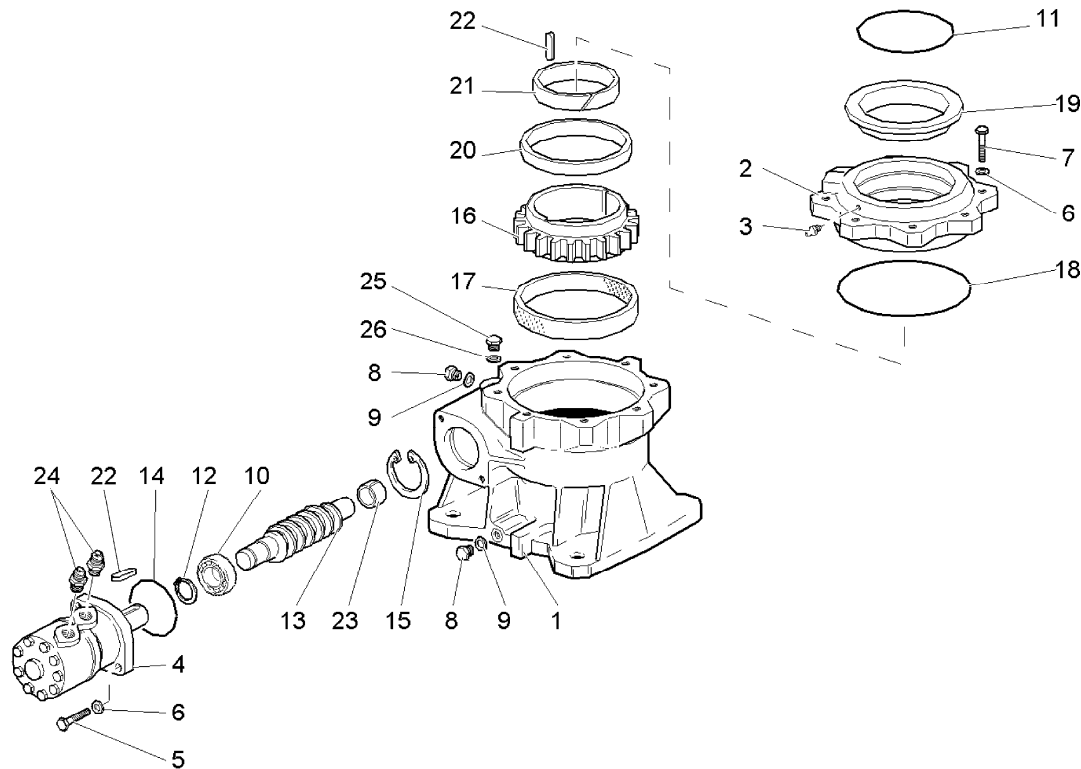
**VALIDO DA Febbraio 2011**  
**VALID FROM February 2011**

# SLEWING ASS'Y

Code

**W052101-1.0**

1/2



R	Pos.	Code Variant	Q.ty	Description
	1	W520100200	1	
	2	W520100300	1	
	3	3080513	1	Grease nipple
	4	W379008	1	
	5	3020099	2	Socketed head cap screw [M12X35 10.9 ZC UNI 5931]
	6	3060018	10	Flat washer [D.12 UNI 6592 ZC]
	7	3010371	8	Hex screw [M12X40 8.8 ZC UNI 5738]
	8	3110062	2	Plug
	9	3060143	2	Sealing washer [BSP 1/4"]
	10	W568302	1	
	11	W360092	1	
	12	3070038	1	Seeger
	13	W540101500	1	
	14	W360101	1	
	15	3070208	1	Seeger
	16	W520101000	1	
	17	W102170	1	
	18	W360071	1	
	19	W520100400	1	
	20	W520101500	1	

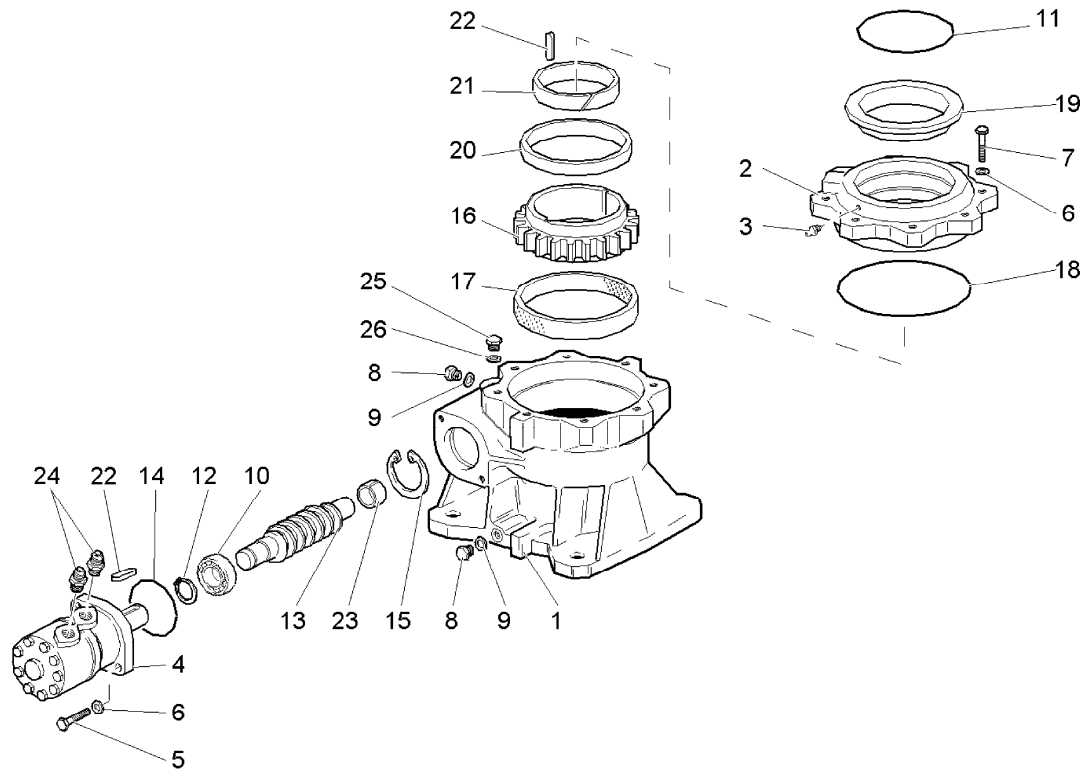
# SLEWING ASS'Y

Code

**W052101-1.0**

2/2

R	Pos.	Code Variant	Q.ty	Description
	21	5141047	1	
	22	W545002	2	
	23	W102134	1	
	24	3101041	2	Straight pipe fitting
	25	3110061	1	Plug
	26	3060144	1	Sealing washer [BSP 3/8"]



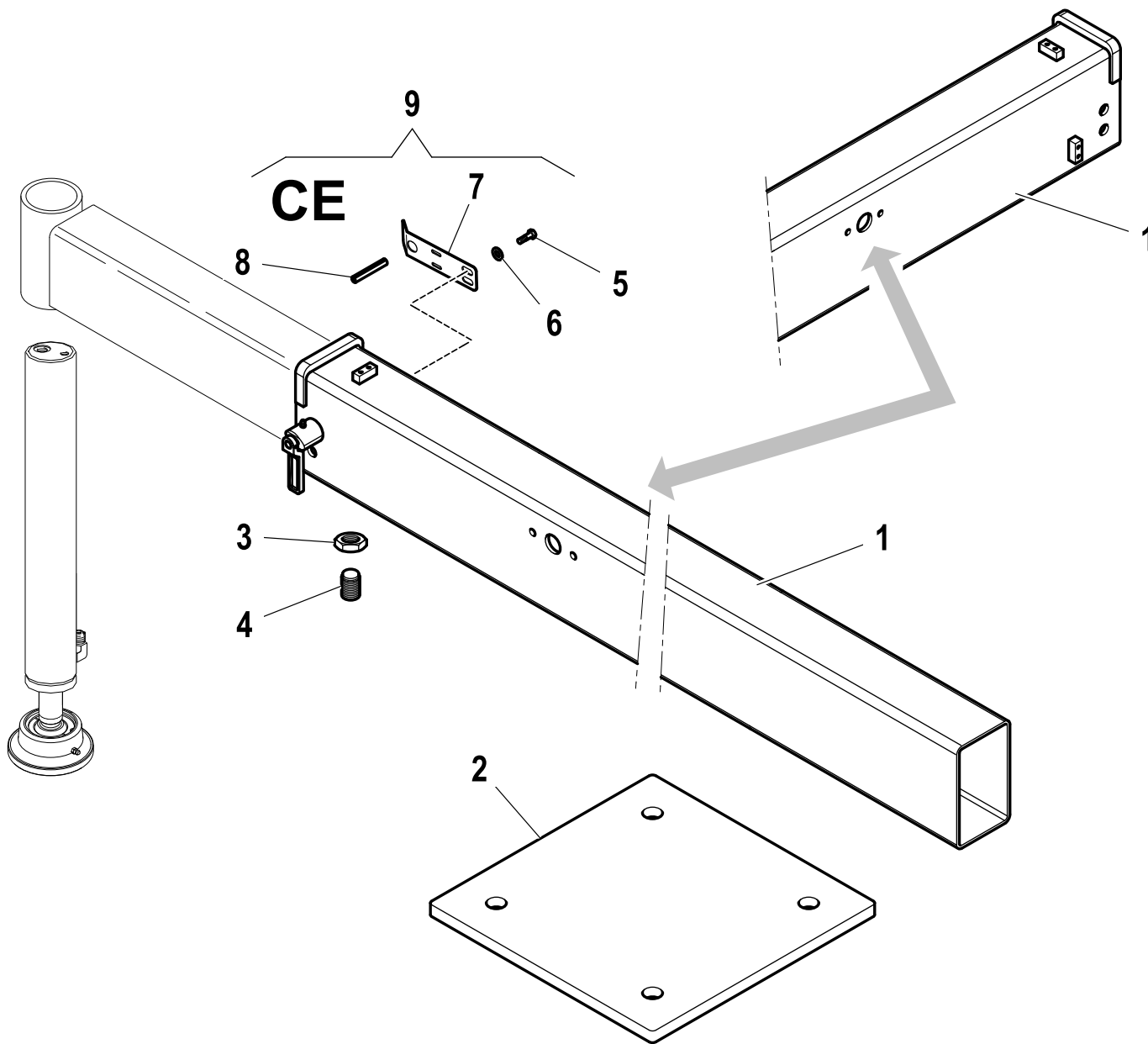


# BASE WITH 1 CROSSBAR (" BPS ")

Code

**W5201019-1.0**

1/1



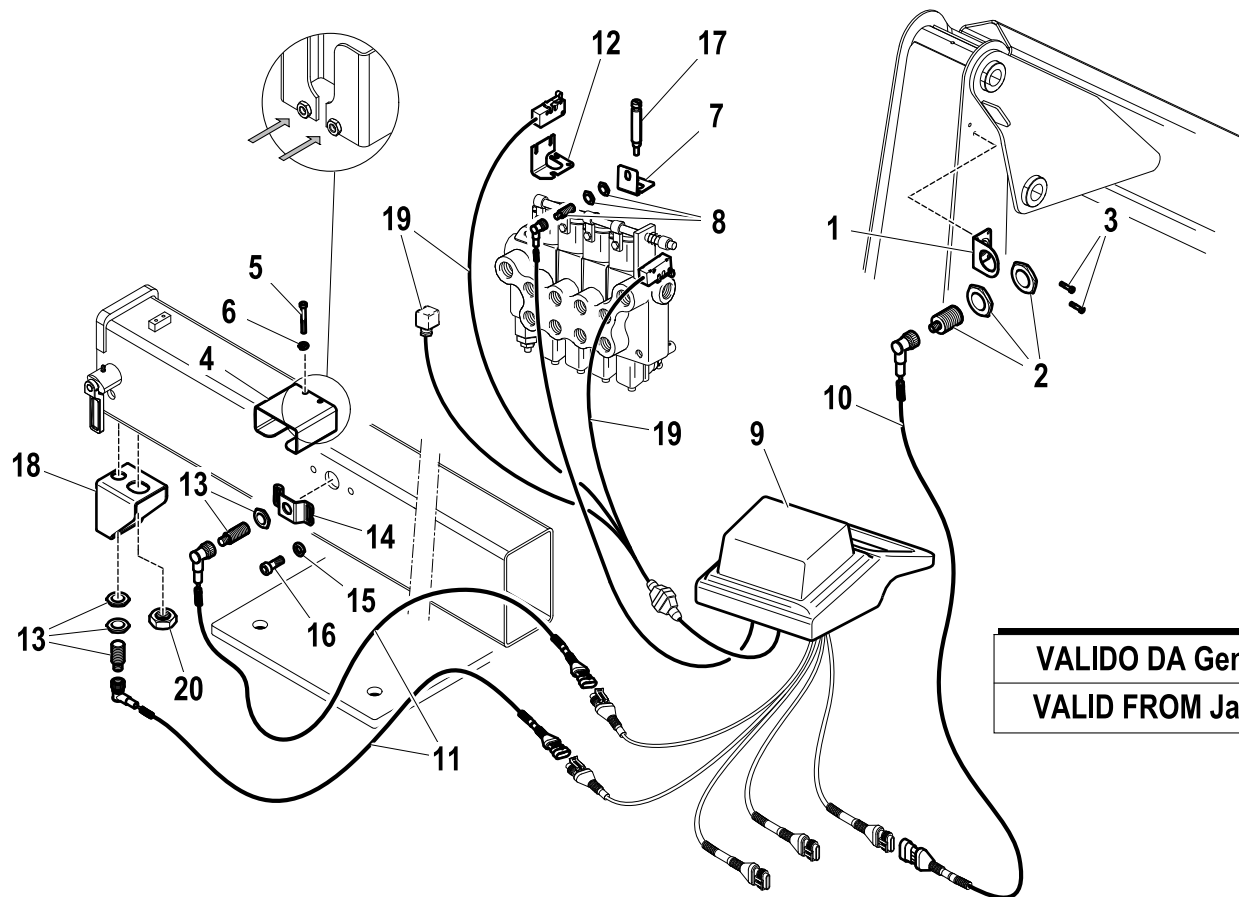
R	Pos.	Code Variant	Q.ty	Description
1		W520101900	1	
2		W520102000	1	
3		3040251	1	Lock nut [M24 8.G basso UNI 5589]
4		W560402000	1	
5		3010323	2	Hex screw [M6X10 8.8 ZC UNI 5739]
6		3060005	2	Flat washer [D.6.4 UNI 6592 ZC]
7		3060685	1	
8		3060026	1	
9		W520452000	1	

# Kit CE (STABILITY CONTROL)

Code

**5405041-1.0**

1/1



**VALIDO DA Gennaio 2011**  
**VALID FROM January 2011**

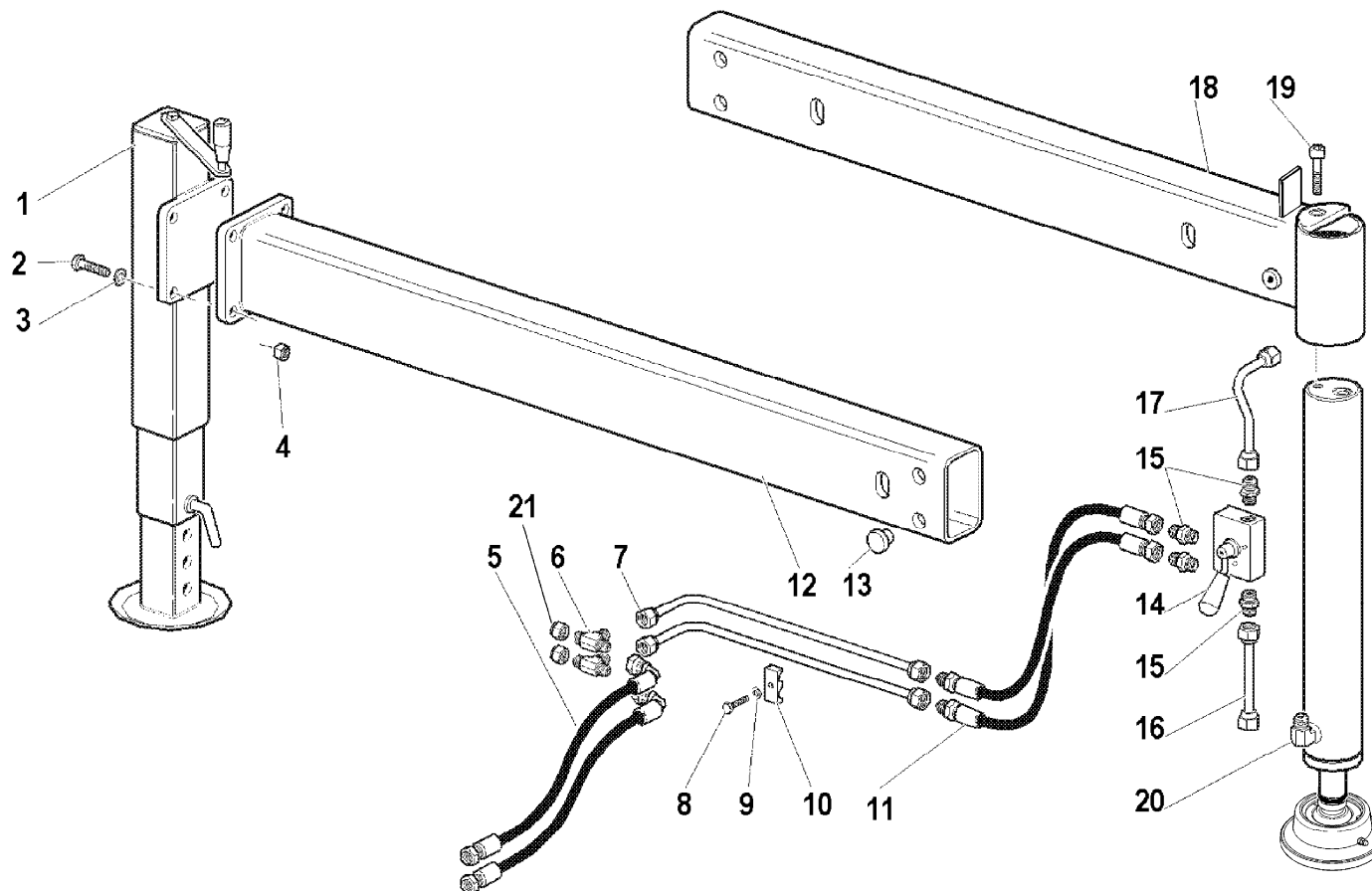
R	Pos.	Code Variant	Q.ty	Description
	1	5000426	1	Support (Proximity switch)
	2	3311312	1	Proximity switch
	3	3020895	2	Socketed head cap screw [M4X10 8.8 ZC UNI 5931]
	4	5091310	1	Guard (Proximity switch)
	5	3020045	2	Socketed head cap screw [M6X45 8.8 ZC UNI 5931]
	6	3060053	2	Split lock washer [D=6.4 C72 ZC]
	7	5000193	1	
	8	3311341	1	
	9	3311339	1	
	10	3311350	1	Electric wiring
	11	3311342	2	
	12	W520501900	1	
	13	3311311	2	Proximity switch
	14	5000420	1	Support (Proximity switch)
	15	3060055	2	Split lock washer [D=8.4 C72 ZC]
	16	3020902	2	Socketed head cap screw [M8X10 ZC UNI 5931]
	17	5150033	1	
	18	5000422	1	Support (Proximity switch)
	19	3311344	1	
	20	3040251	1	Lock nut [M24 8.G basso UNI 5589]

# Stabilizers rods (Fixed - Mechanic)

Code

**W520451200-1.0**

1/2

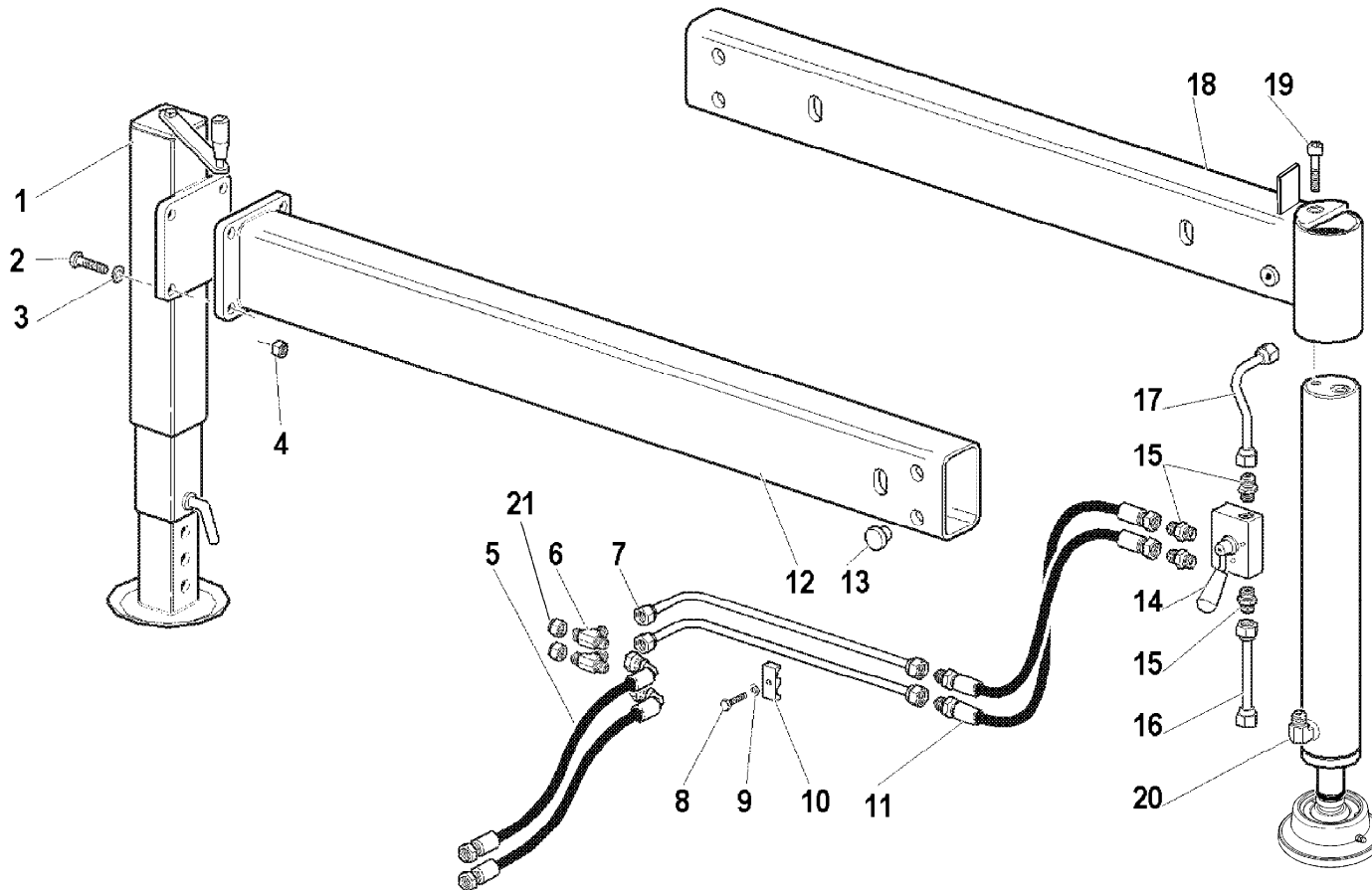


R	Pos.	Code Variant	Q.ty	Description
	1	W662003	1	
	2	3010358	4	Hex screw [M10X40 8.8 ZC UNI 5739]
	3	3060914	4	Flat washer [D.10.5X21X2 UNI 6592 ZC]
	4	3040335	4	Stopnut
	5	W456098	2	
	6	3101080	2	Tee fitting
	7	W520401000	2	
	8	3010339	3	Hex screw [M8X25 8.8 ZC IF UNI 5739]
	9	3060055	3	Split lock washer [D=8.4 C72 ZC]
	10	5000077	3	
	11	W456858	2	
	12	W520400700	1	
	13	W370400700	8	Button (Coupling backlash)
	14	5220048	1	
	15	3101040	4	Straight pipe fitting
	16	W370401500	1	
	17	W520401100	1	
	18	W520400500	1	
	19	3020080	1	Socket head cap screw [M10X16 12.9 ZC UNI 5931]
	20	W520450100	1	

# Stabilizers rods (Fixed - Mechanic)

Code		
<b>W520451200-1.0</b>		<b>2/2</b>

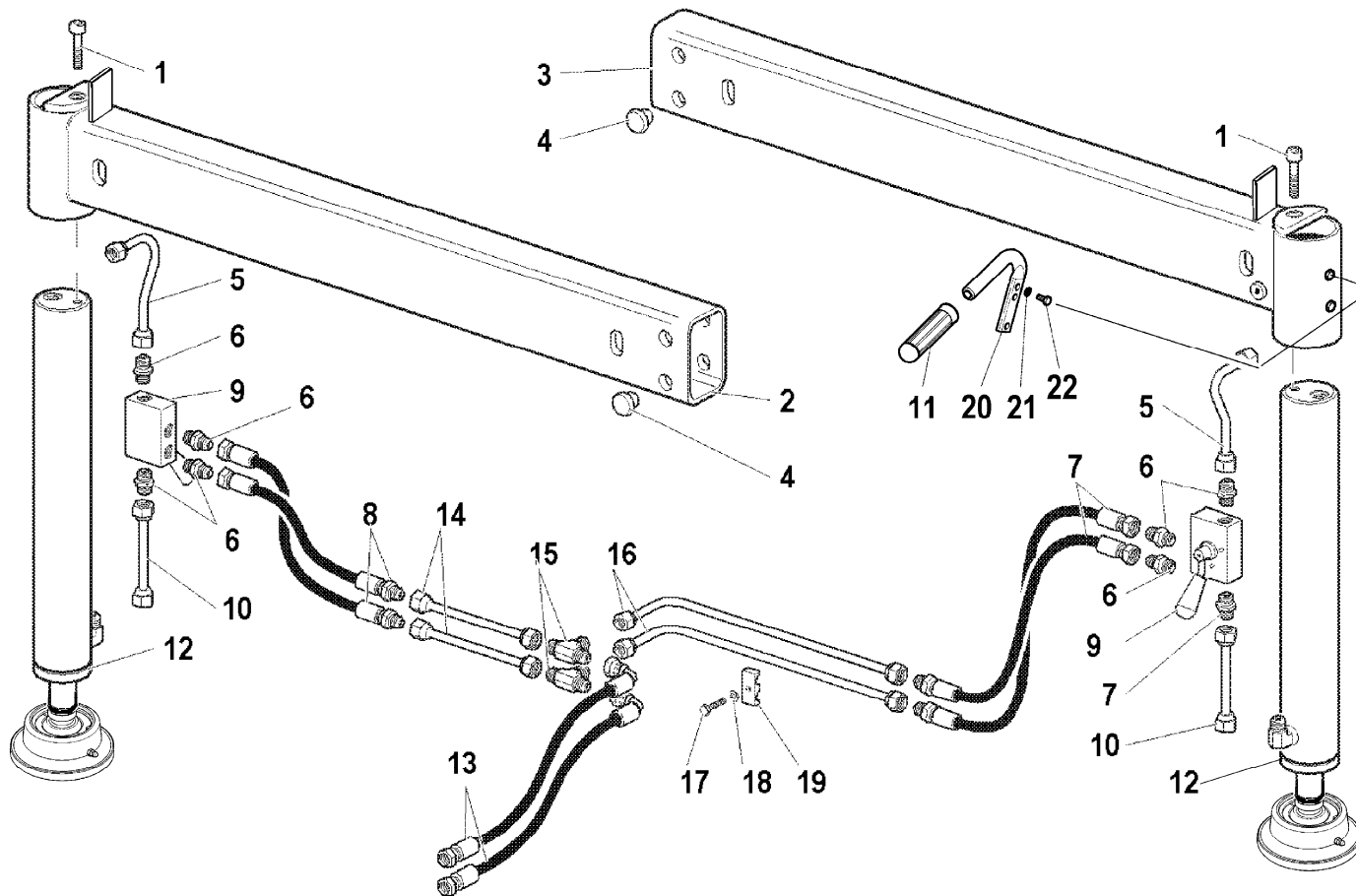
R	Pos.	Code Variant	Q.ty	Description
	21	3110053	2	Plug



# Stabilizers rods (Fixed)

Code  
**W520451100-1.0**

1/2



R	Pos.	Code Variant	Q.ty	Description
	1	3020080	2	Socket head cap screw [M10X16 12.9 ZC UNI 5931]
	2	W520400400	1	
	3	W520400500	1	
	4	W370400700	8	Button (Coupling backlash)
	5	W520401100	2	
	6	3101040	8	Straight pipe fitting
	7	W456858	2	
	8	W456859	2	
	9	5220048	2	
	10	W370401500	2	
	11	W664018	2	
	12	W520450100	2	
	13	W456098	2	
	14	W520401800	2	
	15	3101080	2	Tee fitting
	16	W520401000	2	
	17	3010339	3	Hex screw [M8X25 8.8 ZC IF UNI 5739]
	18	3060918	3	Tooth lock washer [D.8 TIPO A UNI8842 ZC]
	19	5000077	3	
	20	W370401800	2	

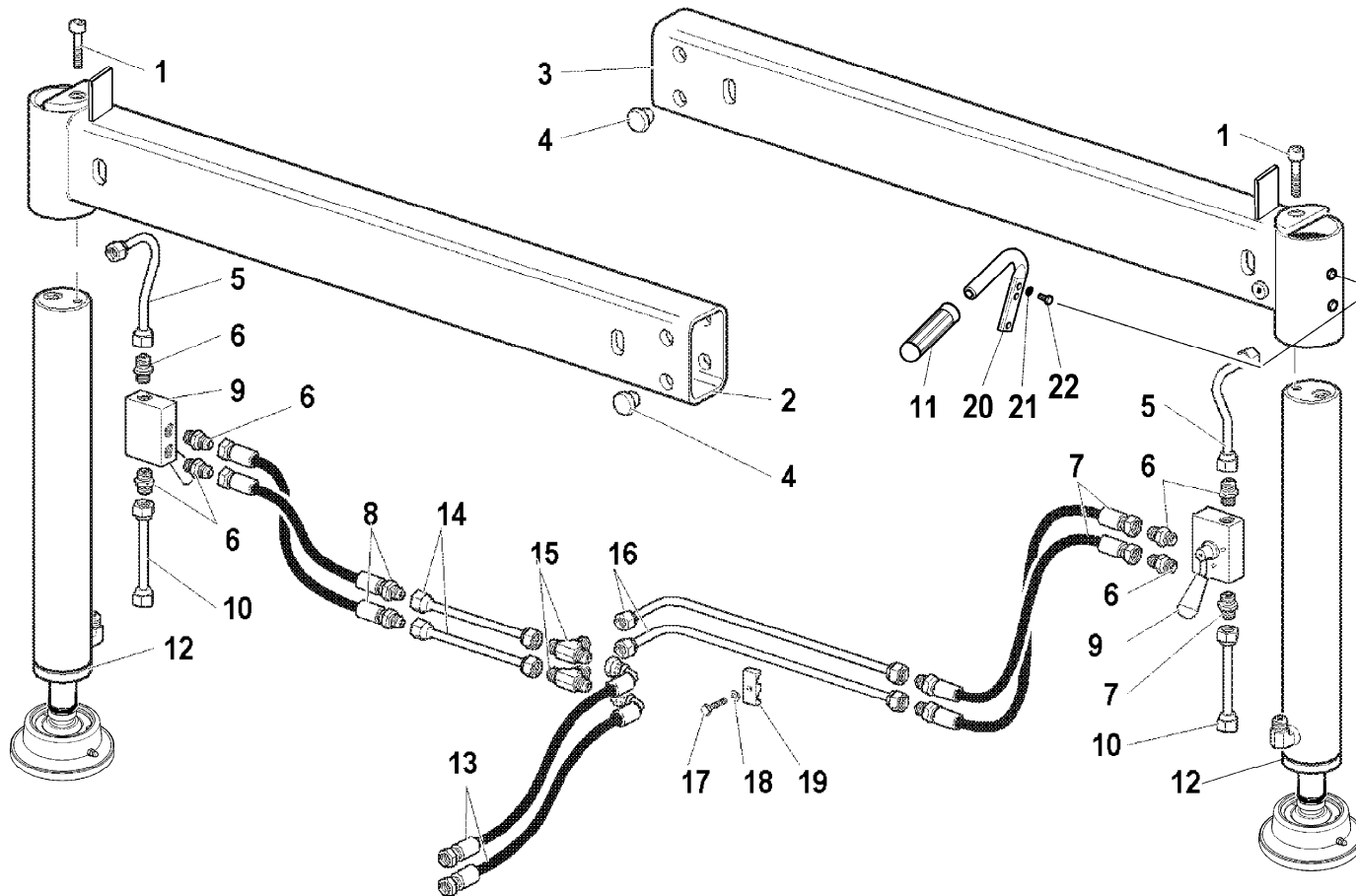
# Stabilizers rods (Fixed)

Code

**W520451100-1.0**

2/2

R	Pos.	Code Variant	Q.ty	Description
	21	3060005	4	Flat washer [D.6.4 UNI 6592 ZC]
	22	3010325	4	Hex screw [M6X16 8.8 ZC UNI 5739]



# CONTROL DEVICES LOCKING FOR OUTRIGGERS LEGS

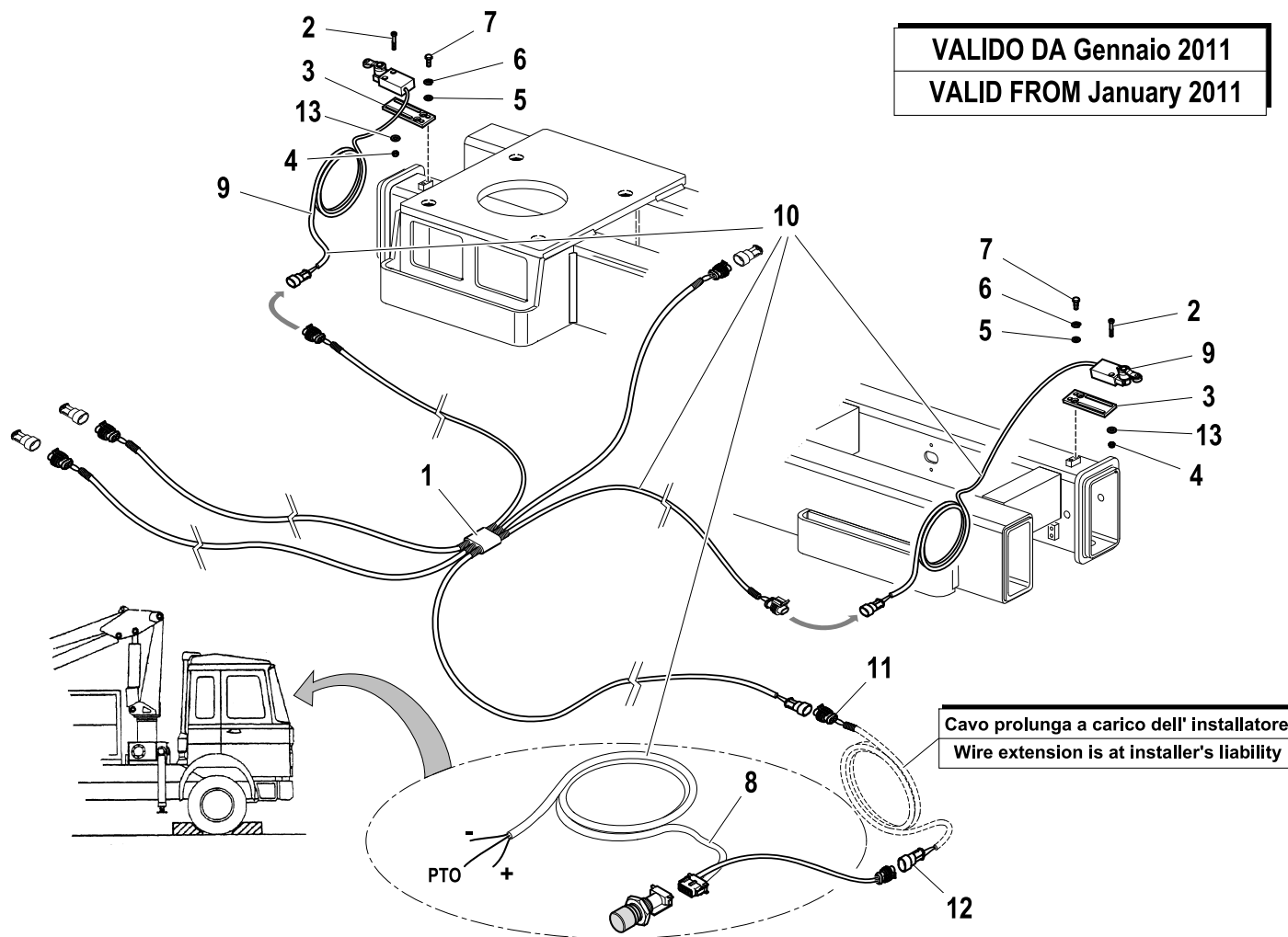
Code

**5411029-3.0**

1/1

R	Pos.	Code Variant	Q.ty	Description
	1	3311353	1	
	2	3020014	4	Socket head cap screw [M4X25X0.7 8.8 ZC UNI 5931]
	3	5000218	2	
	4	3040041	4	Nut
	5	3060030	4	Flat washer [D.6.6X18 UNI 6593 ZC]
	6	3060053	4	Split lock washer [D=6.4 C72 ZC]
	7	3010325	4	Hex screw [M6X16 8.8 ZC UNI 5739]
	8	3311354	1	
	9	3311356	2	
	10	3311352	1	
	11	3310431	1	
	12	3310432	1	
	13	3060003	4	Flat washer [D.4 UNI 6592 ZC]

**VALIDO DA Gennaio 2011  
VALID FROM January 2011**



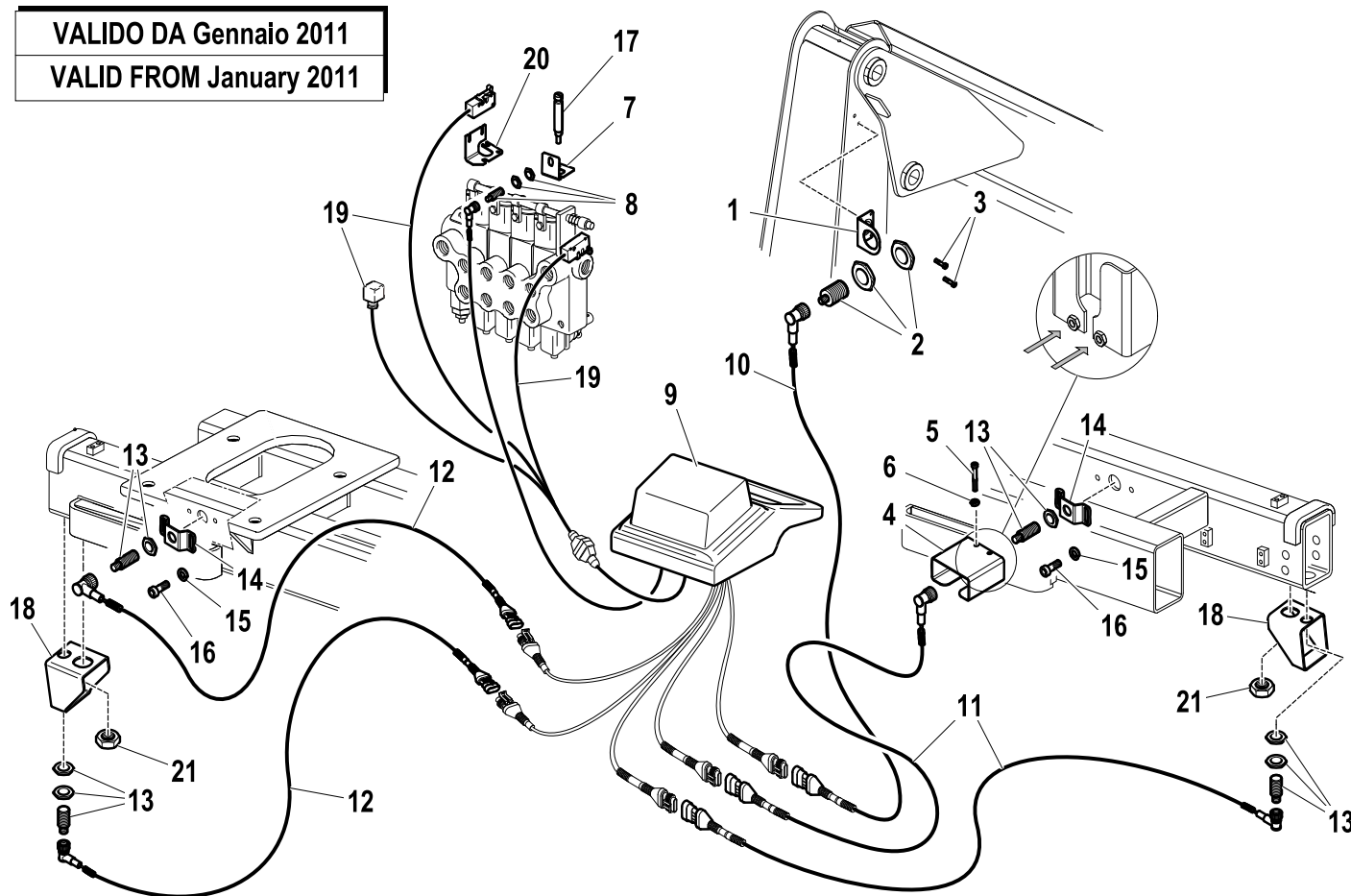
# Kit CE (STABILITY CONTROL)

Code

**5405040-2.0**

1/2

VALIDO DA Gennaio 2011  
VALID FROM January 2011



R	Pos.	Code Variant	Q.ty	Description
	1	5000426	1	Support (Proximity switch)
	2	3311312	1	Proximity switch
	3	3020895	2	Socketed head cap screw [M4X10 8.8 ZC UNI 5931]
	4	5091310	1	Guard (Proximity switch)
	5	3020045	2	Socketed head cap screw [M6X45 8.8 ZC UNI 5931]
	6	3060053	2	Split lock washer [D=6.4 C72 ZC]
	7	5000193	1	
	8	3311341	1	
	9	3311339	1	
	10	3311350	1	Electric wiring
	11	3311343	2	
	12	3311342	2	
	13	3311311	4	Proximity switch
	14	5000420	2	Support (Proximity switch)
	15	3060055	4	Split lock washer [D=8.4 C72 ZC]
	16	3020902	4	Socketed head cap screw [M8X10 ZC UNI 5931]
	17	5150033	1	
	18	5000422	2	Support (Proximity switch)
	19	3311344	1	
	20	W520501900	1	



# Kit CE (STABILITY CONTROL)

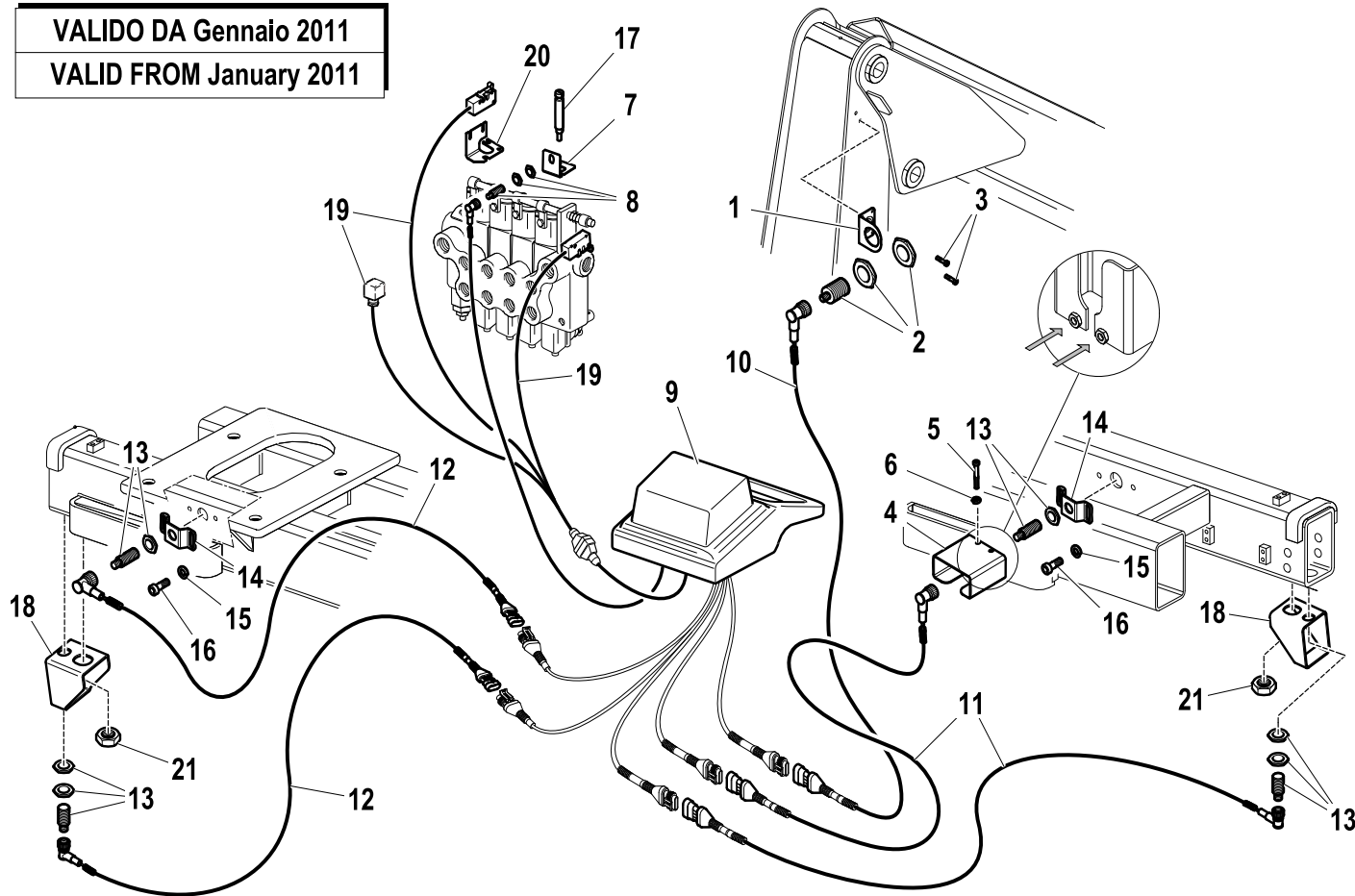
Code

**5405040-2.0**

2/2

R	Pos.	Code Variant	Q.ty	Description
	21	3040251	2	Lock nut [M24 8.G basso UNI 5589]

VALIDO DA Gennaio 2011  
VALID FROM January 2011



# Stabilizer Hydraulic jack

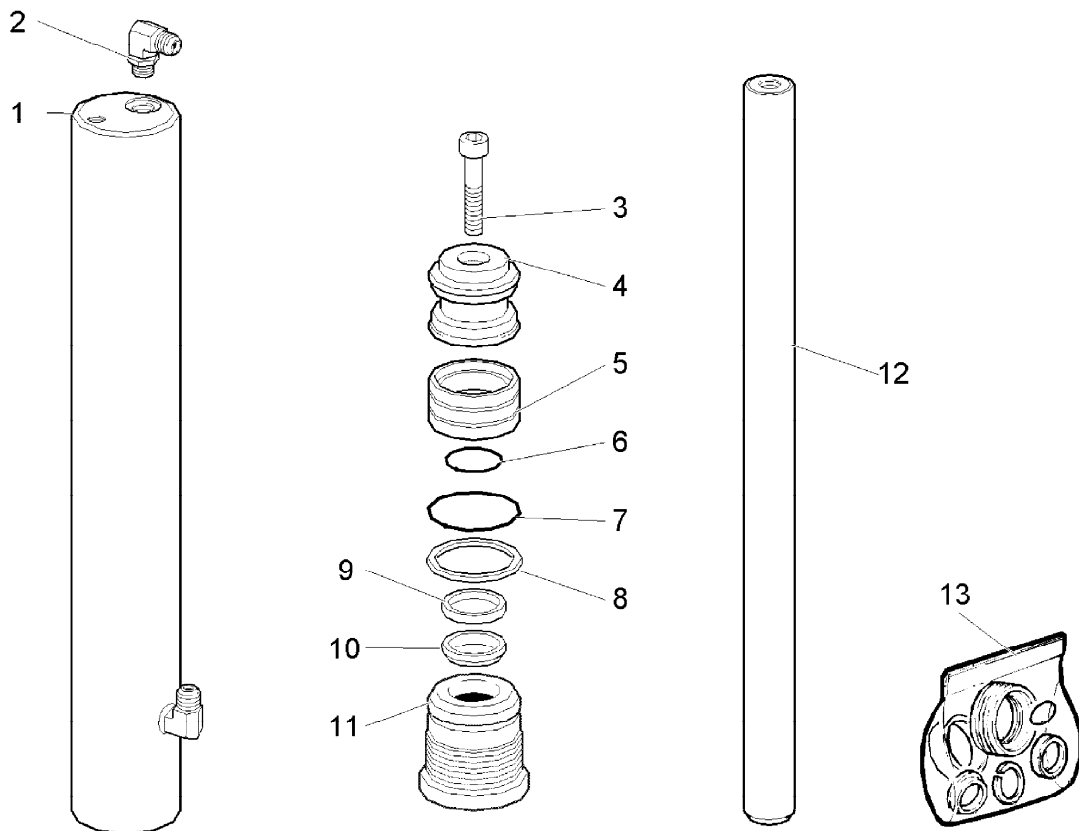
Code

**W520450100-1.0**

1/1

**VALIDO FINO a GIUGNO 2010**  
**VALID UNTIL JUNE 2010**

R	Pos.	Code Variant	Q.ty	Description
	1	W520400200	1	
	2	3101124	1	90° Connection
	3	3020094	1	Socket head cap screw [M12X40 8.8 ZC UNI 5931]
	4	W105068	1	
	5	W359013	1	
	6	W360003	1	
	7	W360022	1	
	8	W304016	1	
	9	W358002	1	
	10	W361012	1	
	11	W120065	1	
	12	W520400300	1	
	13	W365084	1	

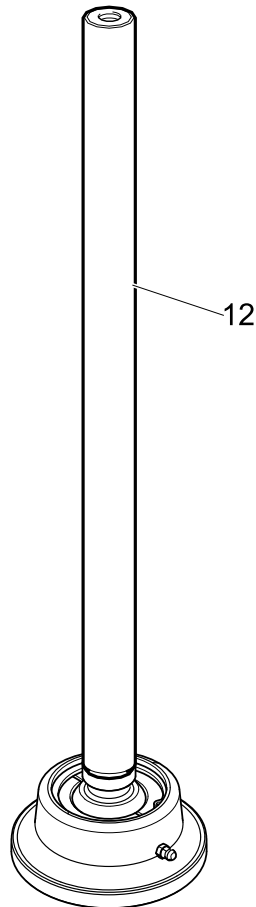
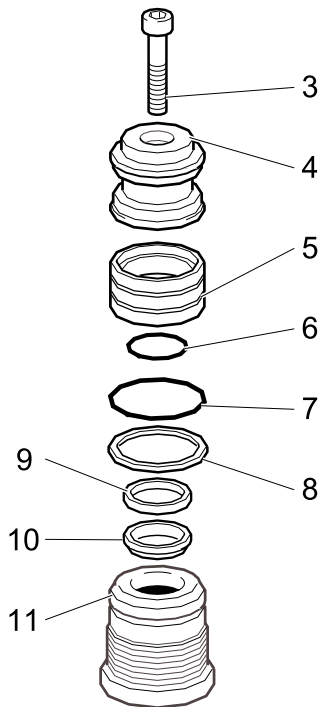
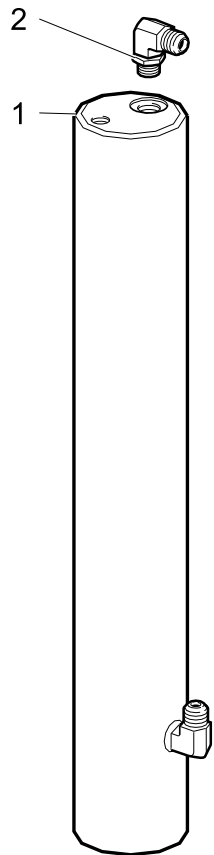


# Stabilizer Hydraulic jack

Code

**W520450100-1.1**

1/1



**VALIDO da LUGLIO 2010  
VALID FROM JULY 2010**

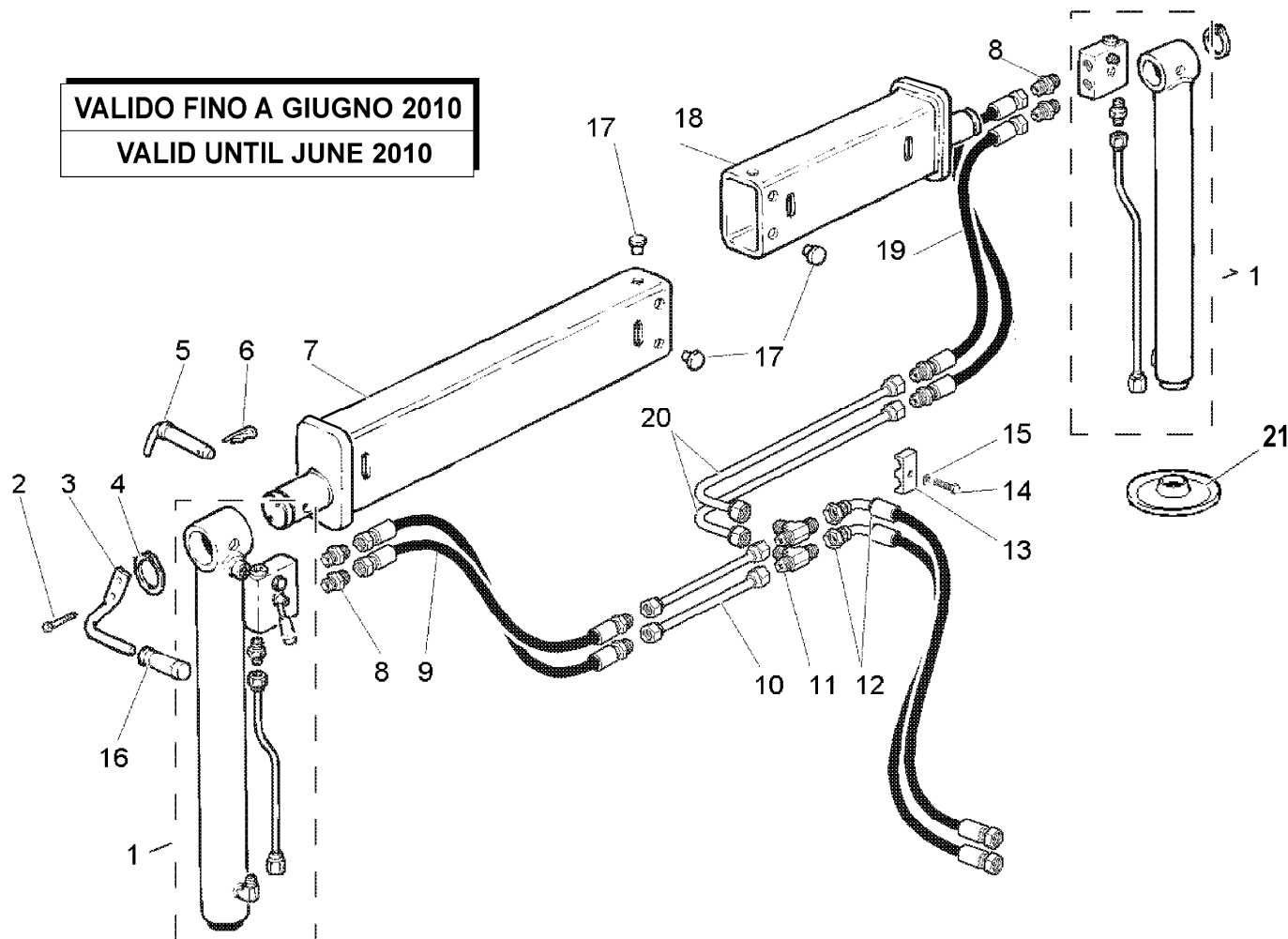
R	Pos.	Code Variant	Q.ty	Description
	1	W520400200	1	
	2	3101124	1	90° Connection
	3	3020094	1	Socket head cap screw [M12X40 8.8 ZC UNI 5931]
	4	W105068	1	
	5	W359013	1	
	6	W360003	1	
	7	W360022	1	
	8	W304016	1	
	9	W358002	1	
	10	W361012	1	
	11	W120065	1	
	12	W520401900	1	
	13	W365084	1	

# Stabilizers rods (Revolving)

Code  
**W520451000-1.0**

1/2

**VALIDO FINO A GIUGNO 2010**  
**VALID UNTIL JUNE 2010**



R	Pos.	Code Variant	Q.ty	Description
	1	W360450200	2	
	2	3010325	4	Hex screw [M6X16 8.8 ZC UNI 5739]
	3	W370401800	2	
	4	3070041	2	Seeger
	5	W080400300	2	
	6	W559501	2	
	7	W520400100	1	
	8	3101039	4	Straight pipe fitting
	9	W456860	2	
	10	W520401800	2	
	11	3101080	2	Tee fitting
	12	W456098	2	
	13	5000077	1	
	14	3010339	1	Hex screw [M8X25 8.8 ZC IF UNI 5739]
	15	3060918	1	Tooth lock washer [D.8 TIPO A UNI8842 ZC]
	16	W664018	2	
	17	W370400700	10	Button (Coupling backlash)
	18	W360400100	1	
	19	W456858	2	
	20	W520401000	2	

# Stabilizers rods (Revolving)

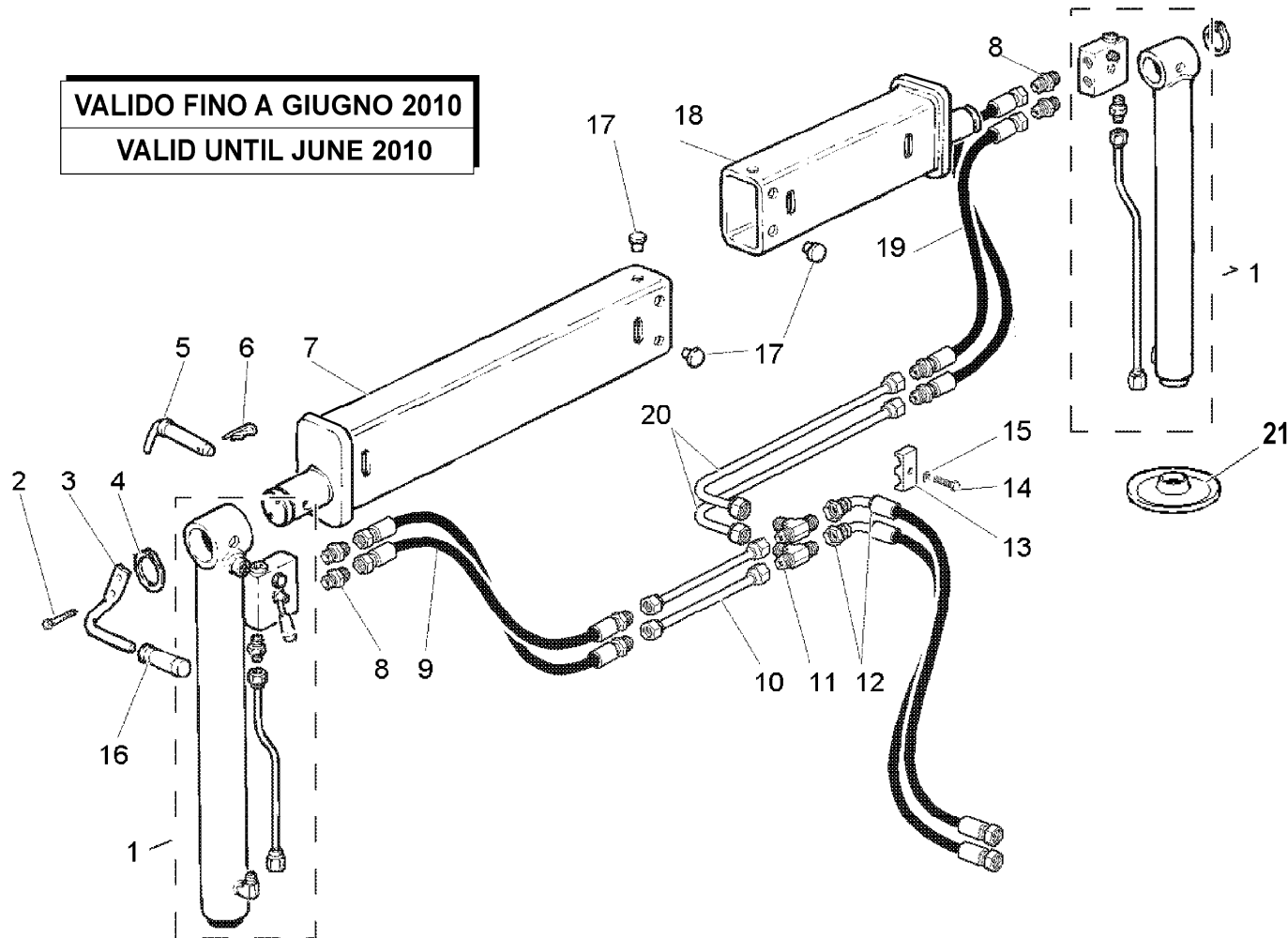
Code

**W520451000-1.0**

2/2

R	Pos.	Code Variant	Q.ty	Description
	21	5000078	2	

**VALIDO FINO A GIUGNO 2010**  
**VALID UNTIL JUNE 2010**

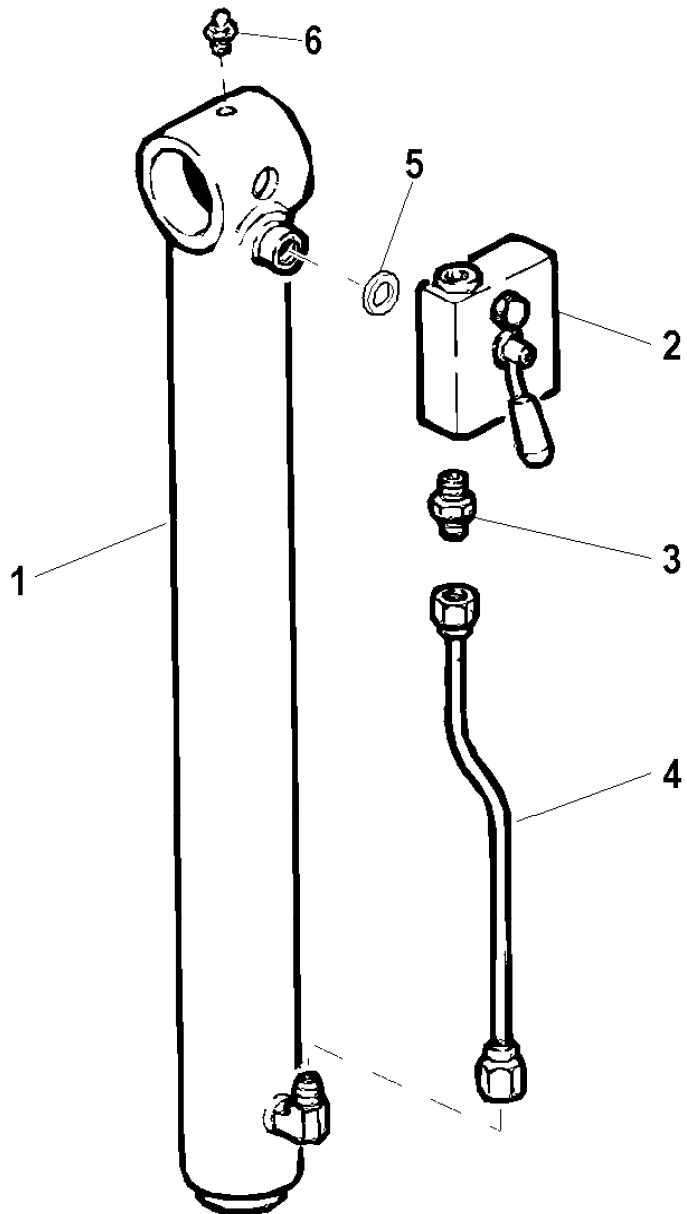


# Stabilizer Hydraulic jack (Hydraulic system)

Code

**W360450200-1.1**

1/1

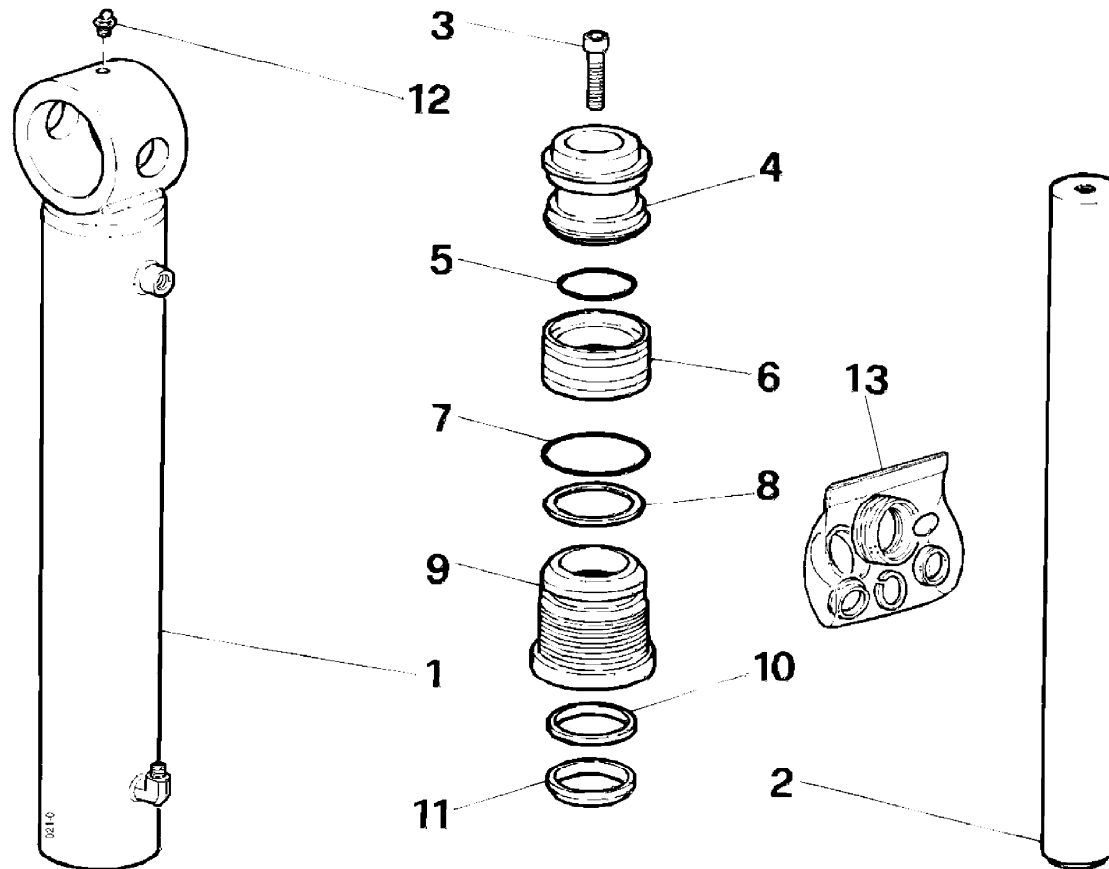


R	Pos.	Code Variant	Q.ty	Description
	1	W360450100	1	
	2	W470053	1	Manually operated valve
	3	3101039	1	Straight pipe fitting
	4	W360501600	1	
	5	3060143	1	Sealing washer [BSP 1/4"]
	6	3080500	1	Grease nipple

**VALIDO FINO a GIUGNO 2010**  
**VALID UNTIL JUNE 2010**

**VALIDO FINO a GIUGNO 2010**  
**VALID UNTIL JUNE 2010**

R	Pos.	Code Variant	Q.ty	Description
	1	W360400400	1	
	2	W360400500	1	
	3	3020094	1	Socketed head cap screw [M12X40 8.8 ZC UNI 5931]
	4	W105068	1	
	5	W360003	1	
	6	W359013	1	
	7	W360022	1	
	8	W304016	1	
	9	W120065	1	
	10	W358002	1	
	11	W361012	1	
	12	3080500	1	Grease nipple
	13	W365084	1	

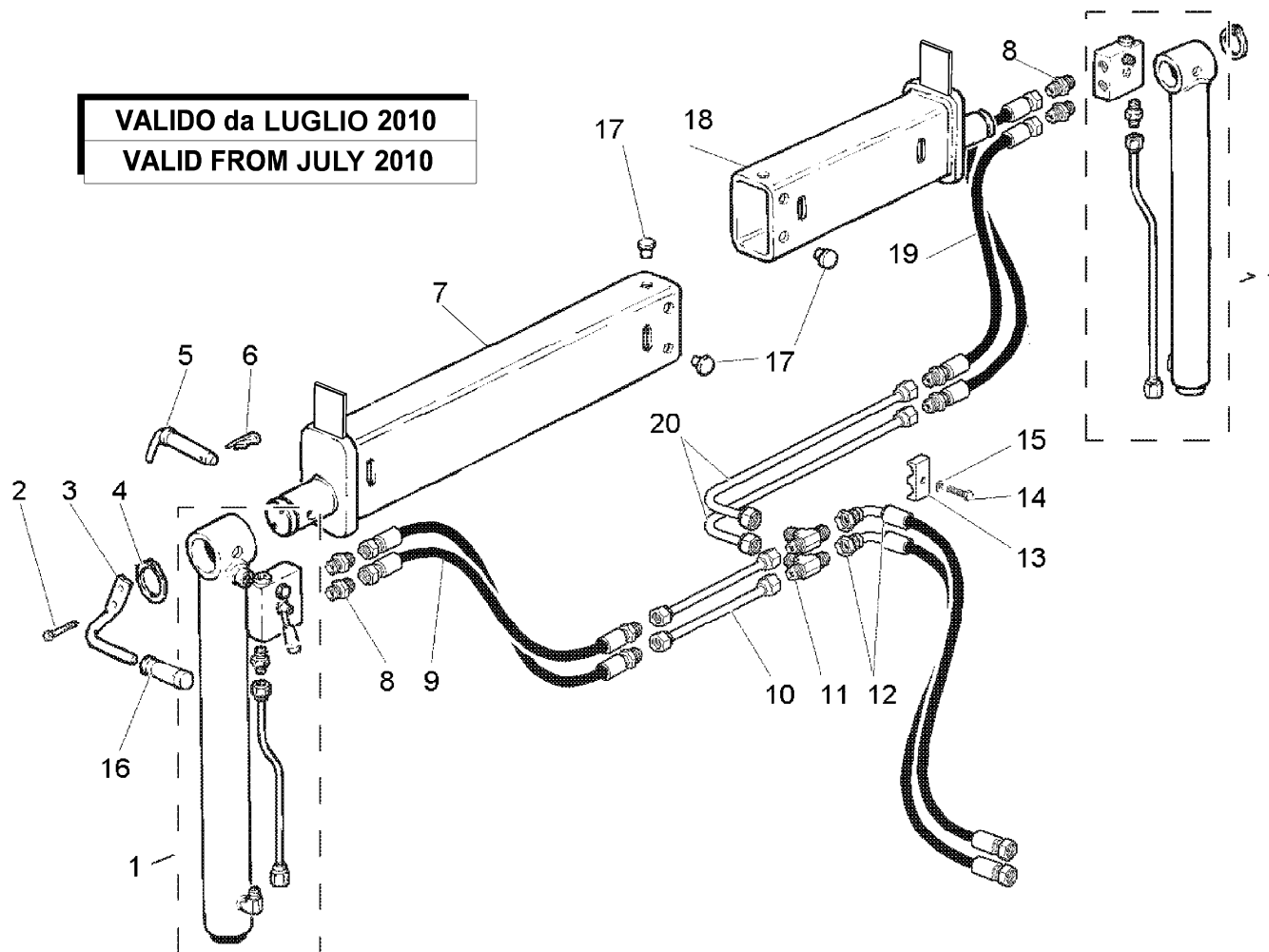


# Stabilizers rods (Revolving)

Code  
**W520451000-2.0**

1/1

**VALIDO da LUGLIO 2010**  
**VALID FROM JULY 2010**



R	Pos.	Code Variant	Q.ty	Description
	1	W360450200	2	
	2	3010325	4	Hex screw [M6X16 8.8 ZC UNI 5739]
	3	W370401800	2	
	4	3070041	2	Seeger
	5	W080400300	2	
	6	W559501	2	
	7	W520400100	1	
	8	3101039	4	Straight pipe fitting
	9	W456860	2	
	10	W520401800	2	
	11	3101080	2	Tee fitting
	12	W456098	2	
	13	5000077	1	
	14	3010339	1	Hex screw [M8X25 8.8 ZC IF UNI 5739]
	15	3060918	1	Tooth lock washer [D.8 TIPO A UNI8842 ZC]
	16	W664018	2	
	17	W370400700	10	Button (Coupling backlash)
	18	W360400100	1	
	19	W456858	2	
	20	W520401000	2	

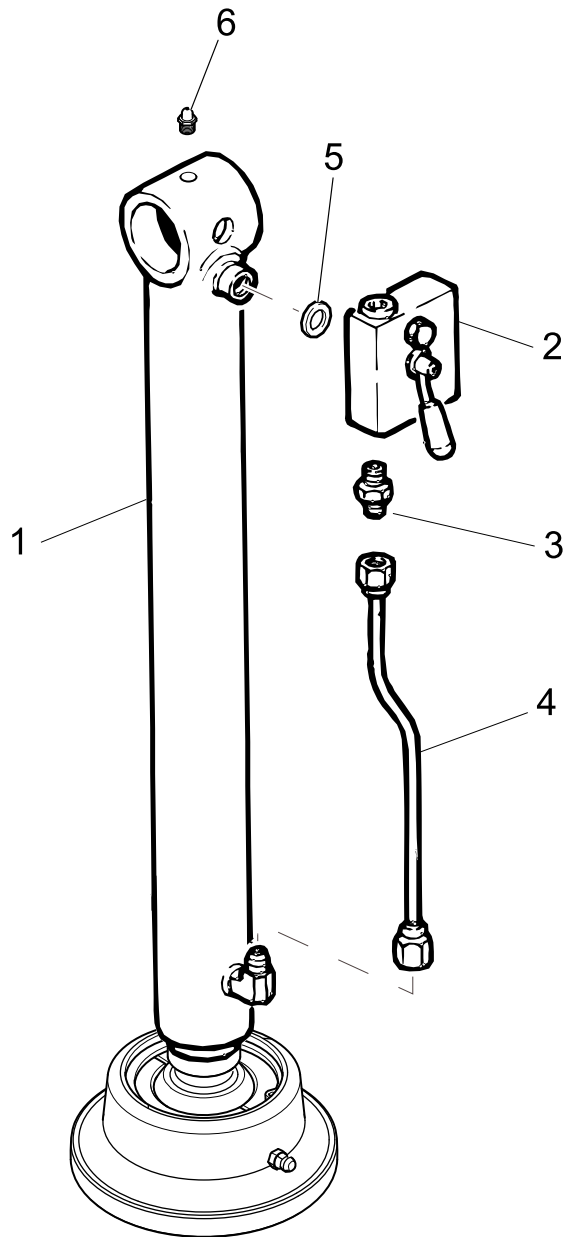


# Stabilizer Hydraulic jack (Hydraulic system)

Code

**W360450200-1.2**

1/1



R	Pos.	Code Variant	Q.ty	Description
	1	W360450100	1	
	2	W470053	1	Manually operated valve
	3	3101039	1	Straight pipe fitting
	4	W360501600	1	
	5	3060143	1	Sealing washer [BSP 1/4"]
	6	3080500	1	Grease nipple

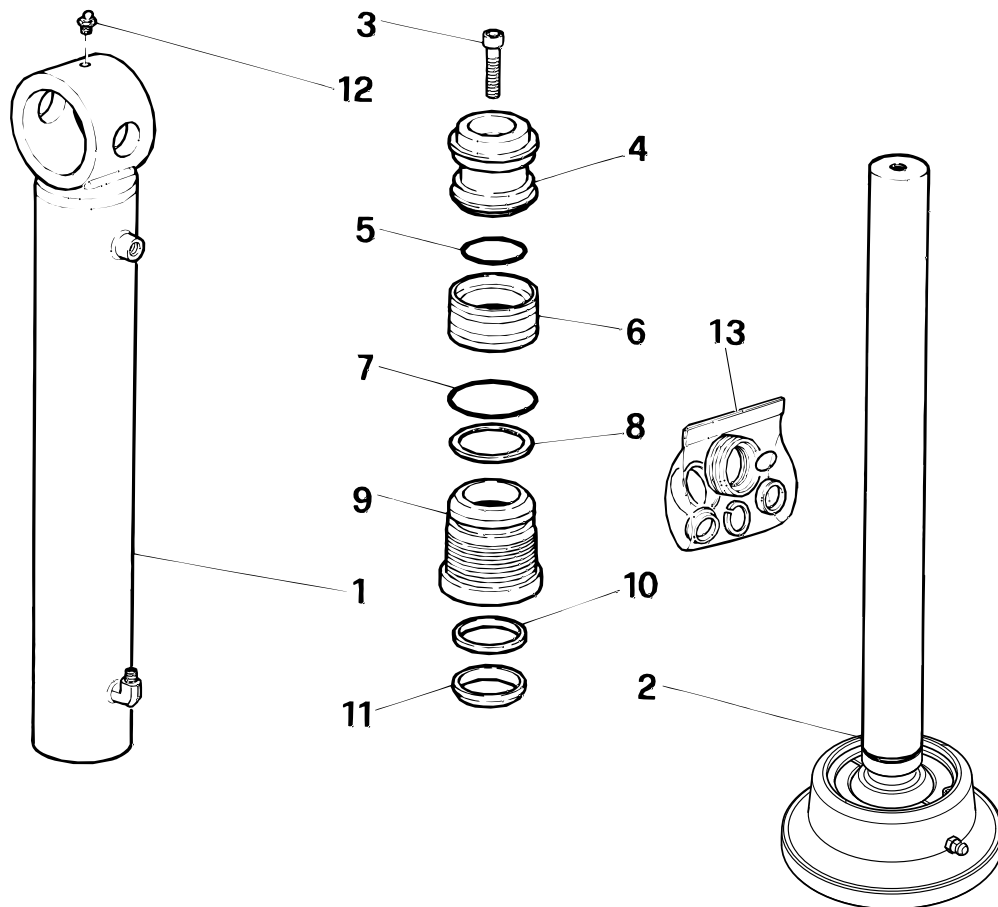
**VALIDO da LUGLIO 2010**  
**VALID FROM JULY 2010**

# Stabilizer Hydraulic jack

Code

**W360450100-1.6**

1/1



**VALIDO da LUGLIO 2010**  
**VALID FROM JULY 2010**

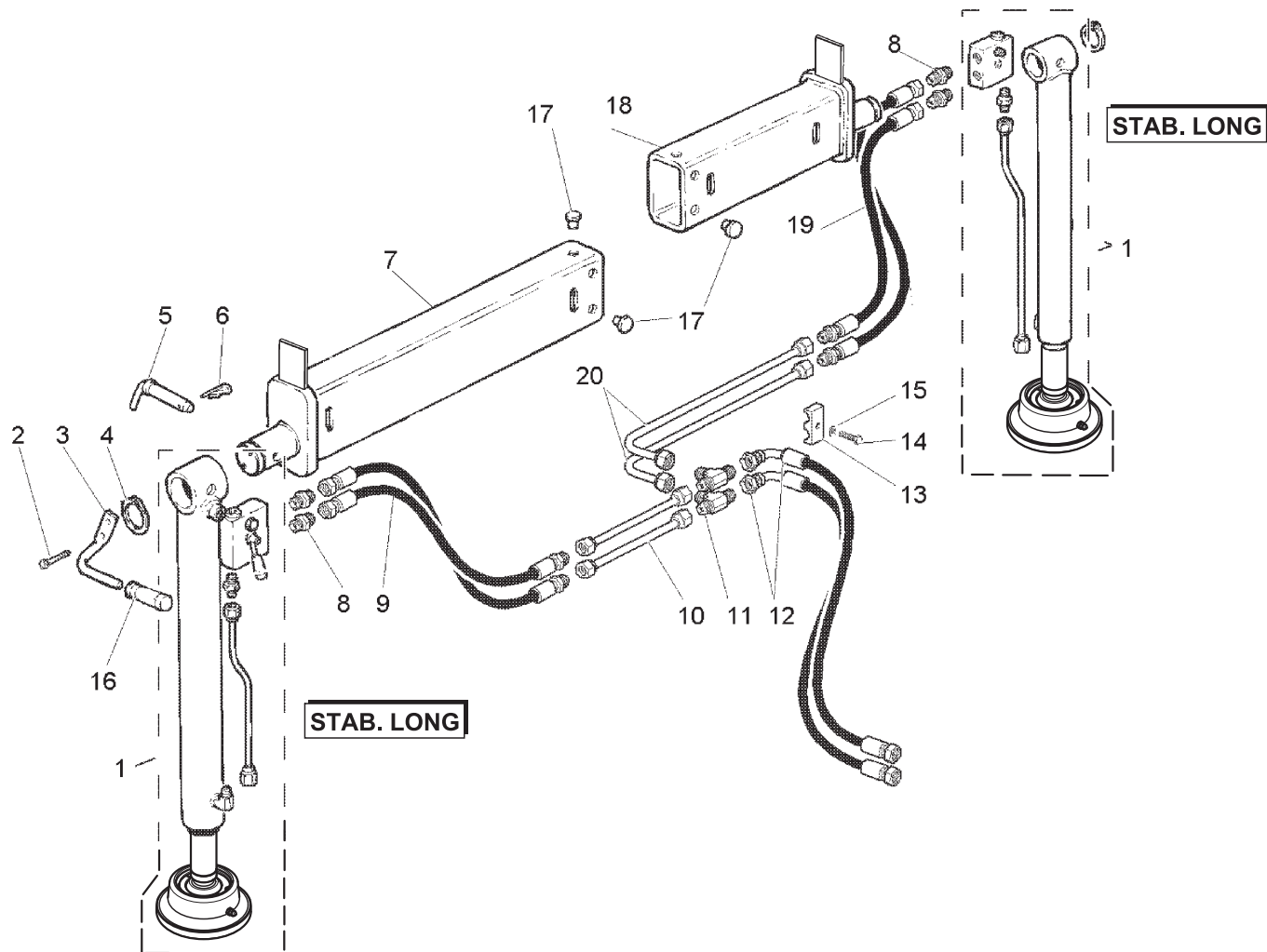
R	Pos.	Code Variant	Q.ty	Description
	1	W360400400	1	
	2	W360401000	1	
	3	3020094	1	Socket head cap screw [M12X40 8.8 ZC UNI 5931]
	4	W105068	1	
	5	W360003	1	
	6	W359013	1	
	7	W360022	1	
	8	W304016	1	
	9	W120065	1	
	10	W358002	1	
	11	W361012	1	
	12	3080500	1	Grease nipple
	13	W365084	1	

## Stabilizer connecting rods extra-extensible revolving

Code

**W5204510LU-1.0**

1/1



R	Pos.	Code Variant	Q.ty	Description
	1	6200273	2	Stabilizer Hydraulic jack
	2	3010325	4	Hex screw [M6X16 8.8 ZC UNI 5739]
	3	W370401800	2	
	4	3070041	2	Seeger
	5	W080400300	2	
	6	W559501	2	
	7	W520400100	1	
	8	3101039	4	Straight pipe fitting
	9	W456860	2	
	10	W520401800	2	
	11	3101080	2	Tee fitting
	12	W456098	2	
	13	5000077	1	
	14	3010339	1	Hex screw [M8X25 8.8 ZC IF UNI 5739]
	15	3060918	1	Tooth lock washer [D.8 TIPO A UNI8842 ZC]
	16	W664018	2	
	17	W370400700	10	Button (Coupling backlash)
	18	W360400100	1	
	19	W456858	2	
	20	W520401000	2	

# Stabilizer Hydraulic jack (Hydraulic system)

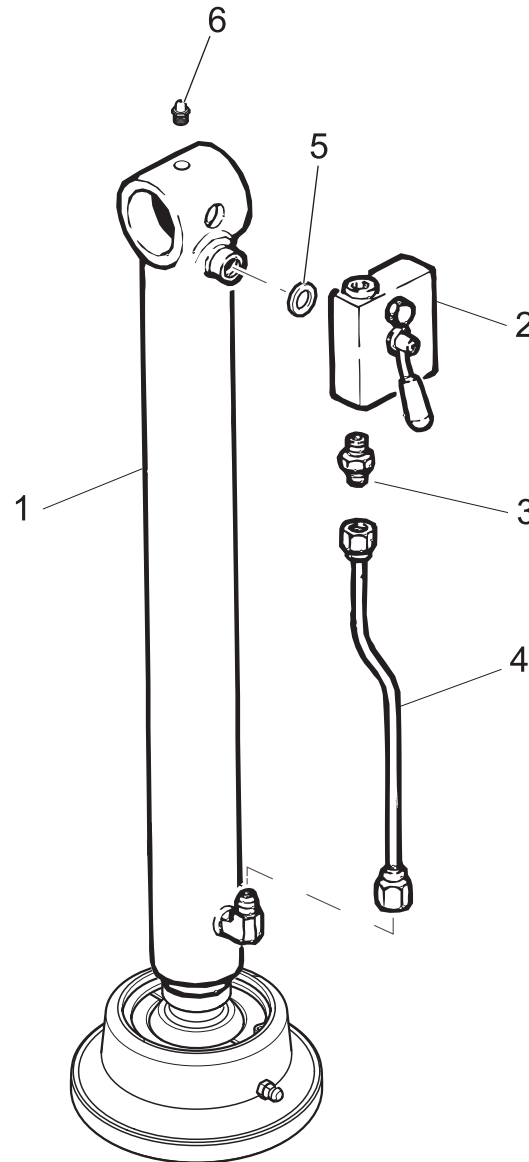
Code

**6200273-1.0**

1/1

R	Pos.	Code Variant	Q.ty	Description
	1	6400273	1	Stabilizer Hydraulic jack
	2	W470053	1	Manually operated valve
	3	3101039	1	Straight pipe fitting
	4	5390208	1	Iron pipe
	5	3060143	1	Sealing washer [BSP 1/4"]
	6	3080500	1	Grease nipple

**VERSIONE LUNGA  
LONG VERSION  
VERSION LONGUE  
LANGVERSION  
VERSIÓN LARGA**



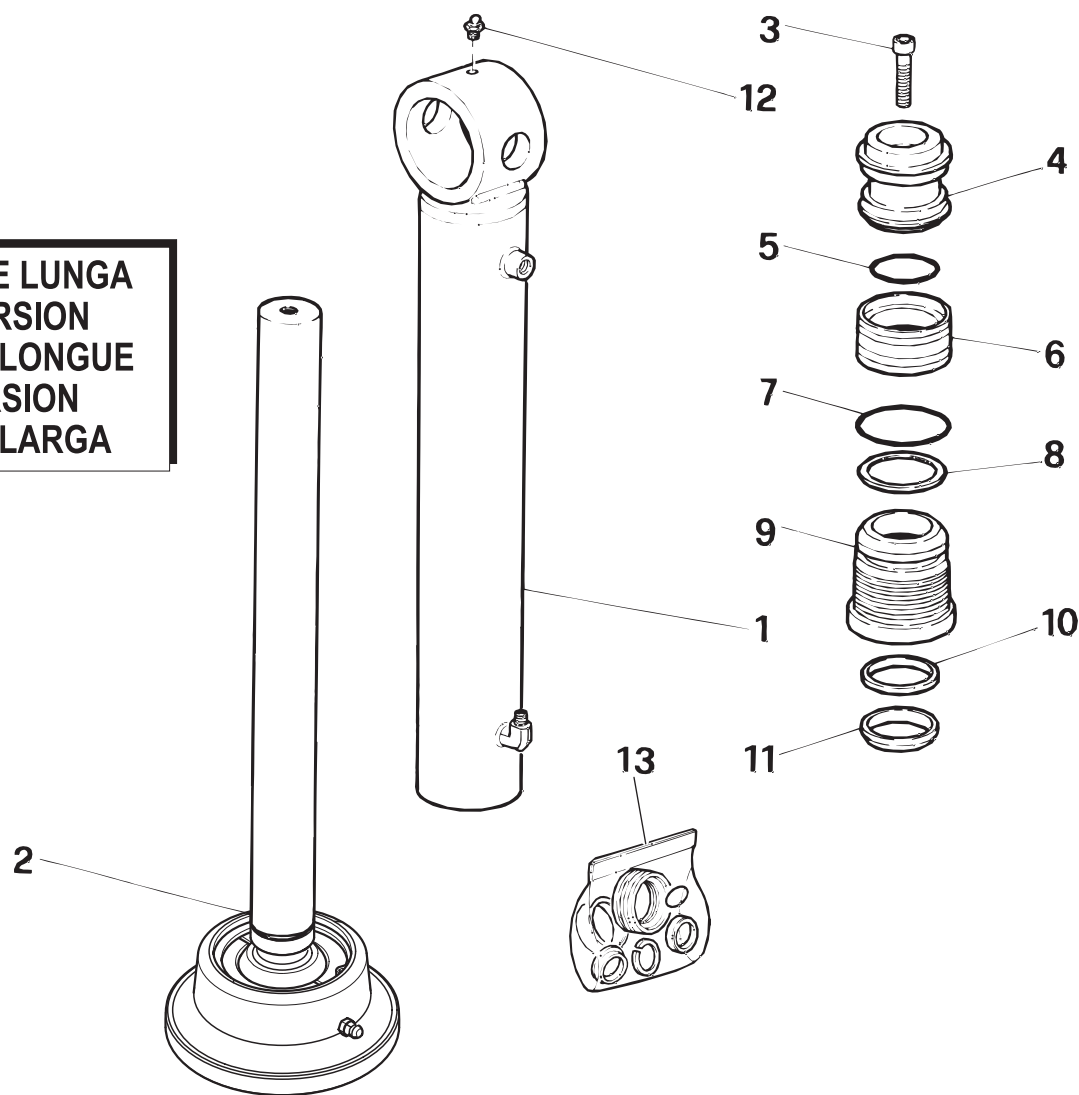
# Stabilizer Hydraulic jack

Code

**6400273-1.0**

1/1

VERSIONE LUNGA  
LONG VERSION  
VERSION LONGUE  
LANGVERSION  
VERSIÓN LARGA



R	Pos.	Code Variant	Q.ty	Description
	1	6070617	1	Liner (Stabilizer)
	2	6030134	1	Rod unit (Support base)
	3	3020094	1	Socket head cap screw [M12X40 8.8 ZC UNI 5931]
	4	W105068	1	
	5	W360003	1	
	6	W359013	1	
	7	W360022	1	
	8	W304016	1	
	9	W120065	1	
	10	W358002	1	
	11	W361012	1	
	12	3080500	1	Grease nipple
	13	W365084	1	

# Moment limiting device

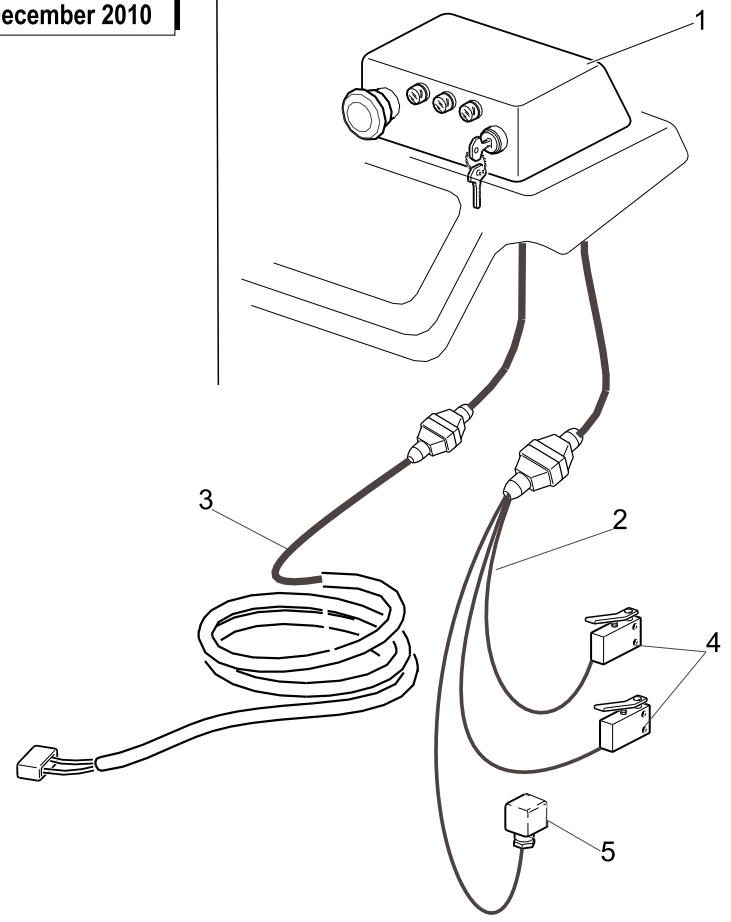
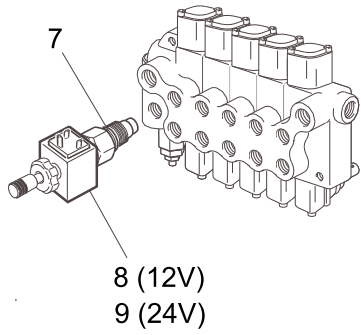
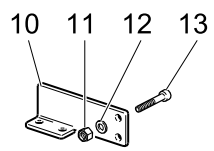
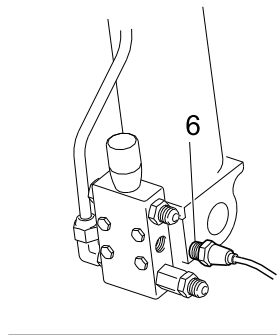
Code

**W520554600-1.0**

1/1

R	Pos.	Code Variant	Q.ty	Description
	1	W520550700	1	
	2	W520503100	1	
	3	W520503000	1	
	4	3310080	2	
	5	W242002	1	
	6	W287002	1	
	7	W470619	1	
	8	3310238	1	
	9	3310242	1	
	10	W520501900	1	
	11	3040010	2	Tall headed nut
	12	3060003	2	Flat washer [D.4 UNI 6592 ZC]
	13	3020954	2	

**VALIDO FINO A Dicembre 2010**  
**VALID UNTIL December 2010**



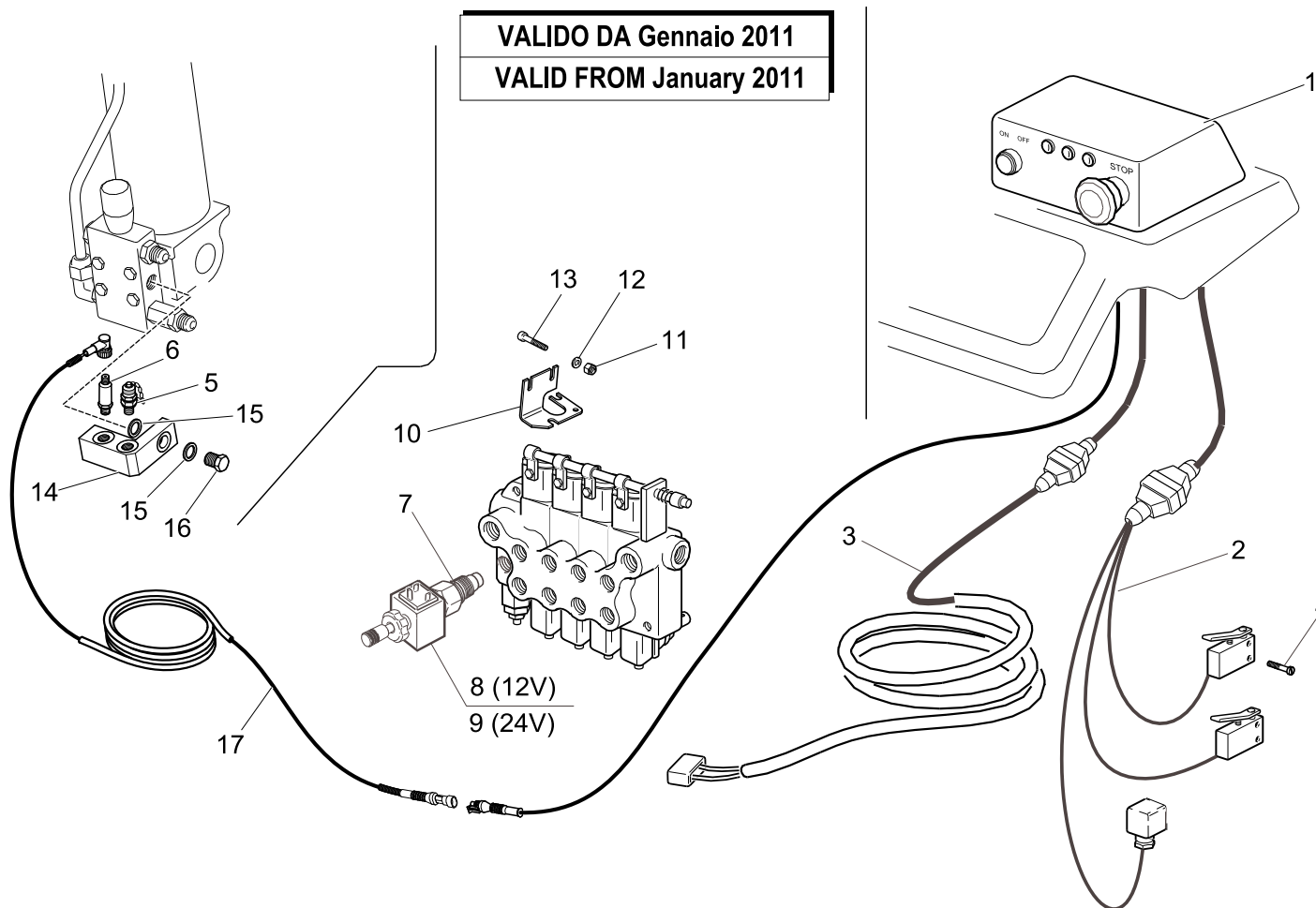
# Moment limiting device (CE)

Code

**5405038-1.0**

1/1

R	Pos.	Code Variant	Q.ty	Description
	1	3311339	1	
	2	3311344	1	
	3	3311340	1	
	4	3020954	2	
	5	3111523	1	Pipe fitting (Tapping point) [RACC. MILITES 16X2-1/4"G]
	6	3310612	1	Pressure sensor
	7	5225770	1	
	8	3310238	1	
	9	3310242	1	
	10	W520501900	1	
	11	3040041	2	Nut
	12	3060003	2	Flat washer [D.4 UNI 6592 ZC]
	13	3020019	2	Socketed head cap screw [M4X40 8.8 ZC UNI 5931]
	14	5002055	1	Manifold (Pick-up)
	15	3060143	2	Sealing washer [BSP 1/4"]
	16	3110078	1	Bolt (banjo bolt)
	17	5160001	1	Electric wiring



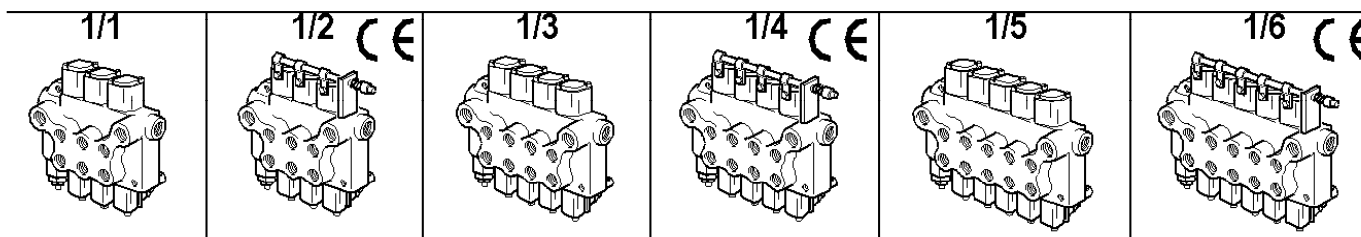
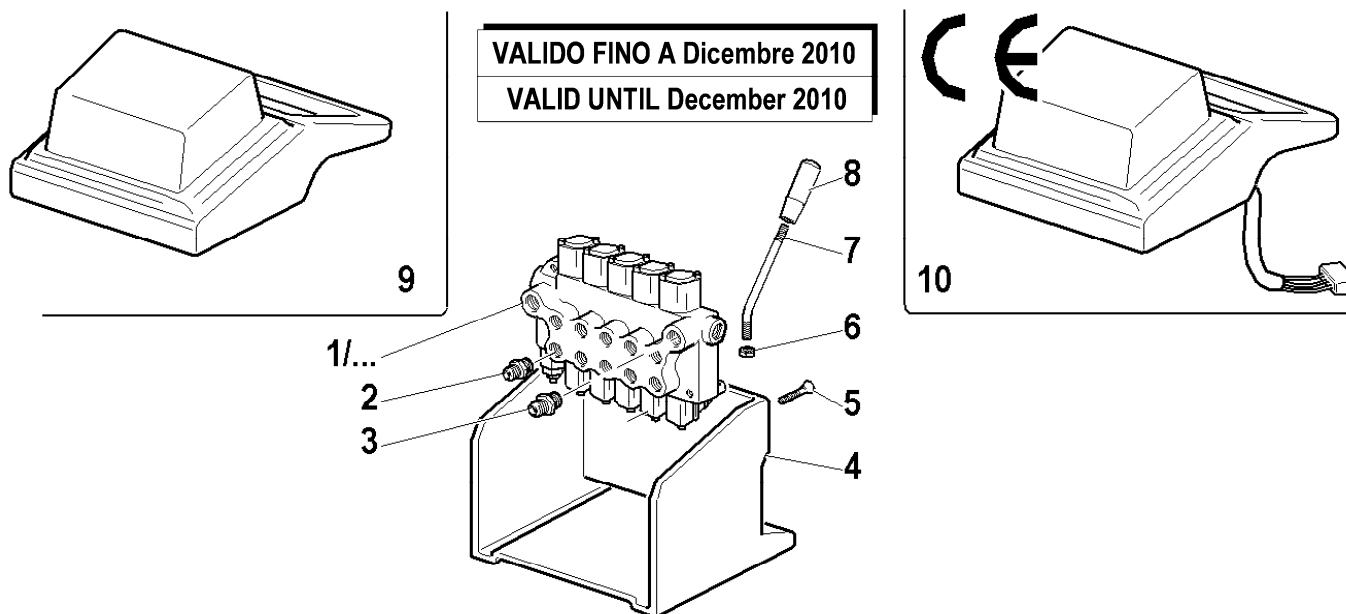
# Control valve

Code

**W338000-1.0**

1/1

R	Pos.	Code Variant	Q.ty	Description
	1.1	W338036	1	
	1.2	W338037	1	
	1.3	W338034	1	
	1.4	W338035	1	
	1.5	W338032	1	
	1.6	W338033	1	
2	3101039	10	Straight pipe fitting	
3	3101043	1	Straight pipe fitting	
4	W520501800	1		
5	3010336	2	Hex screw [M8X12 8.8 ZC UNI 5739]	
6	3040040	5	Lock nut	
7	W520500600	5		
8	W664003	5		
9	W520502500	1		
10	W520550700	1		



33800A-1-1



# Control valve (CE)

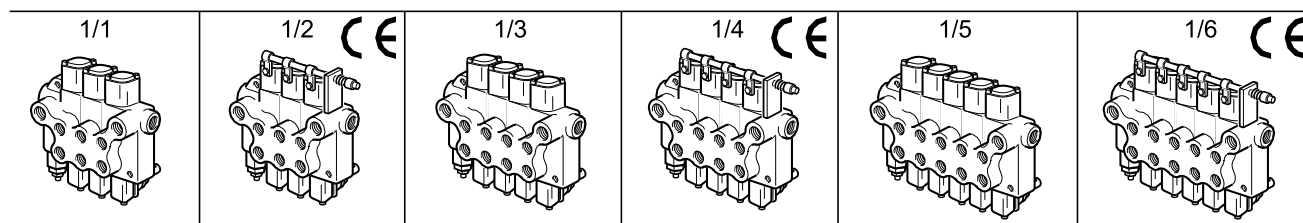
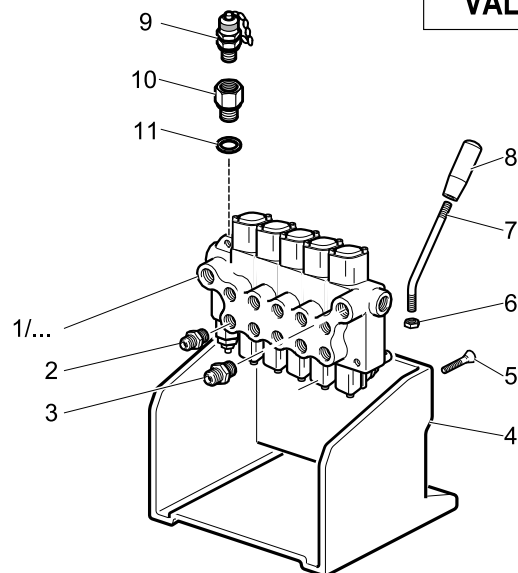
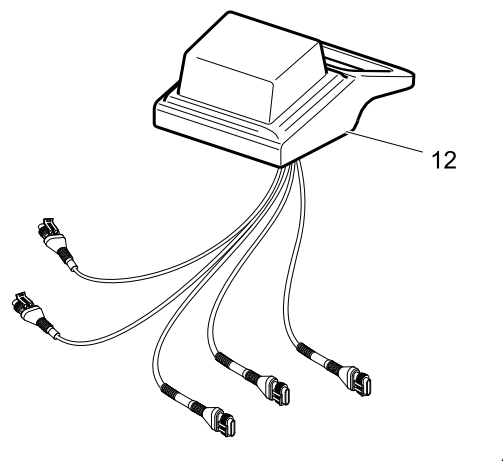
Code

**W338035-1.0**

1/1

R	Pos.	Code Variant	Q.ty	Description
	1.1	W338036	1	
	1.2	W338037	1	
	1.3	W338034	1	
	1.4	W338035	1	
	1.5	W338032	1	
	1.6	W338033	1	
	2	3101039	10	Straight pipe fitting
	3	3101043	1	Straight pipe fitting
	4	W520501800	1	
	5	3010336	2	Hex screw [M8X12 8.8 ZC UNI 5739]
	6	3040040	5	Lock nut
	7	W520500600	5	
	8	W664003	5	
	9	3111523	1	Pipe fitting (Tapping point) [RACC. MILITES 16X2-1/4"G]
	10	3110150	1	Reducing fitting
	11	3060144	1	Sealing washer [BSP 3/8"]
	12	3311339	1	

**VALIDO DA Gennaio 2011**  
**VALID FROM January 2011**



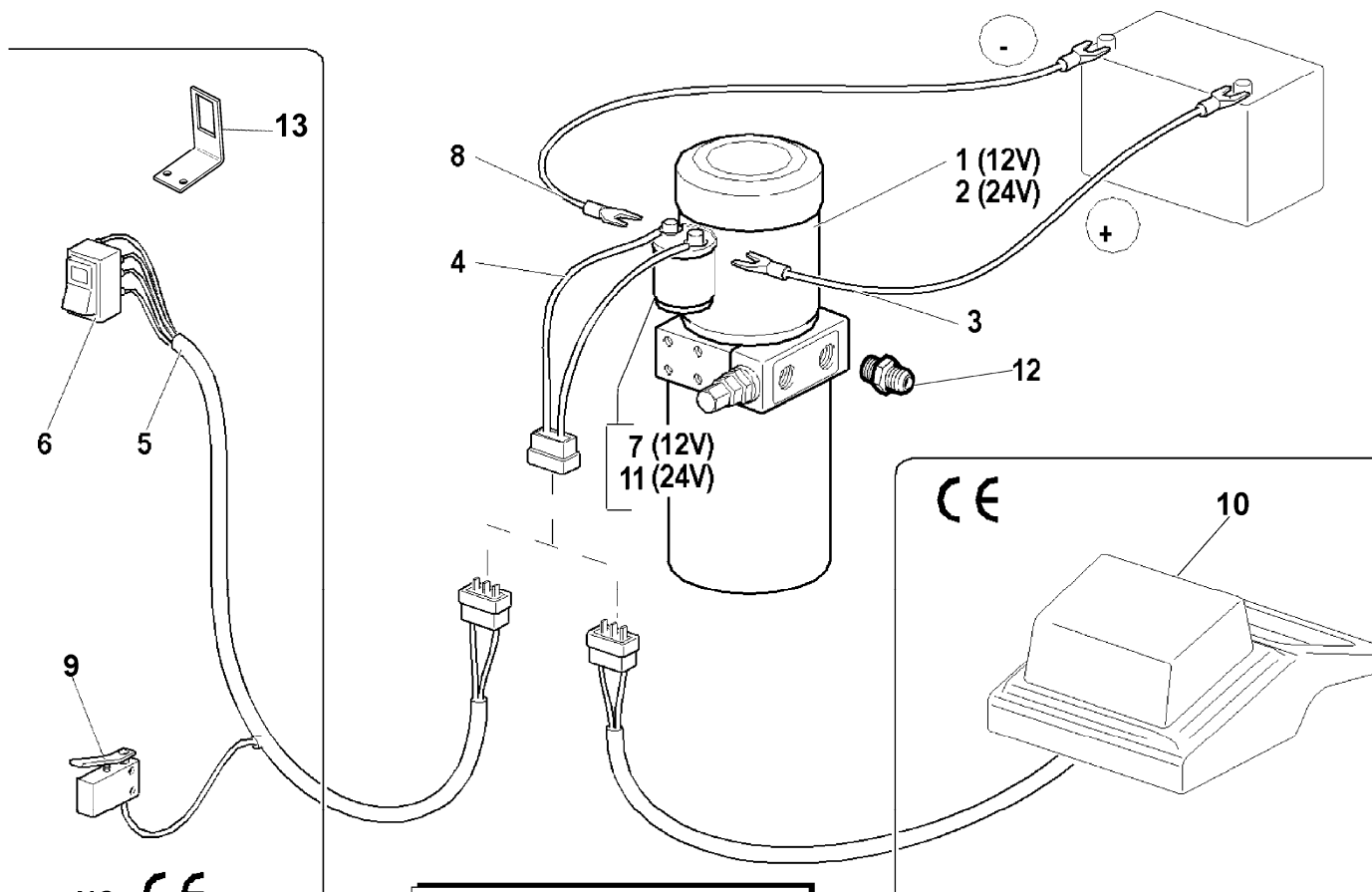
# Motor pump (Electrical equipment)

Code

**W520552300-1.0**

1/1

R	Pos.	Code Variant	Q.ty	Description
	1	W318009	1	
	2	W318010	1	
	3	W370503200	1	
	4	W520501600	1	
	5	W520502300	1	
	6	W264401	1	
	7	5710088	1	
	8	W370503300	1	
	9	3310080	1	
	10	W520550700	1	
	11	5710096	1	
	12	3101039	2	Straight pipe fitting
	13	W370504500	1	



**VALIDO FINO A Dicembre 2010**

**VALID UNTIL December 2010**

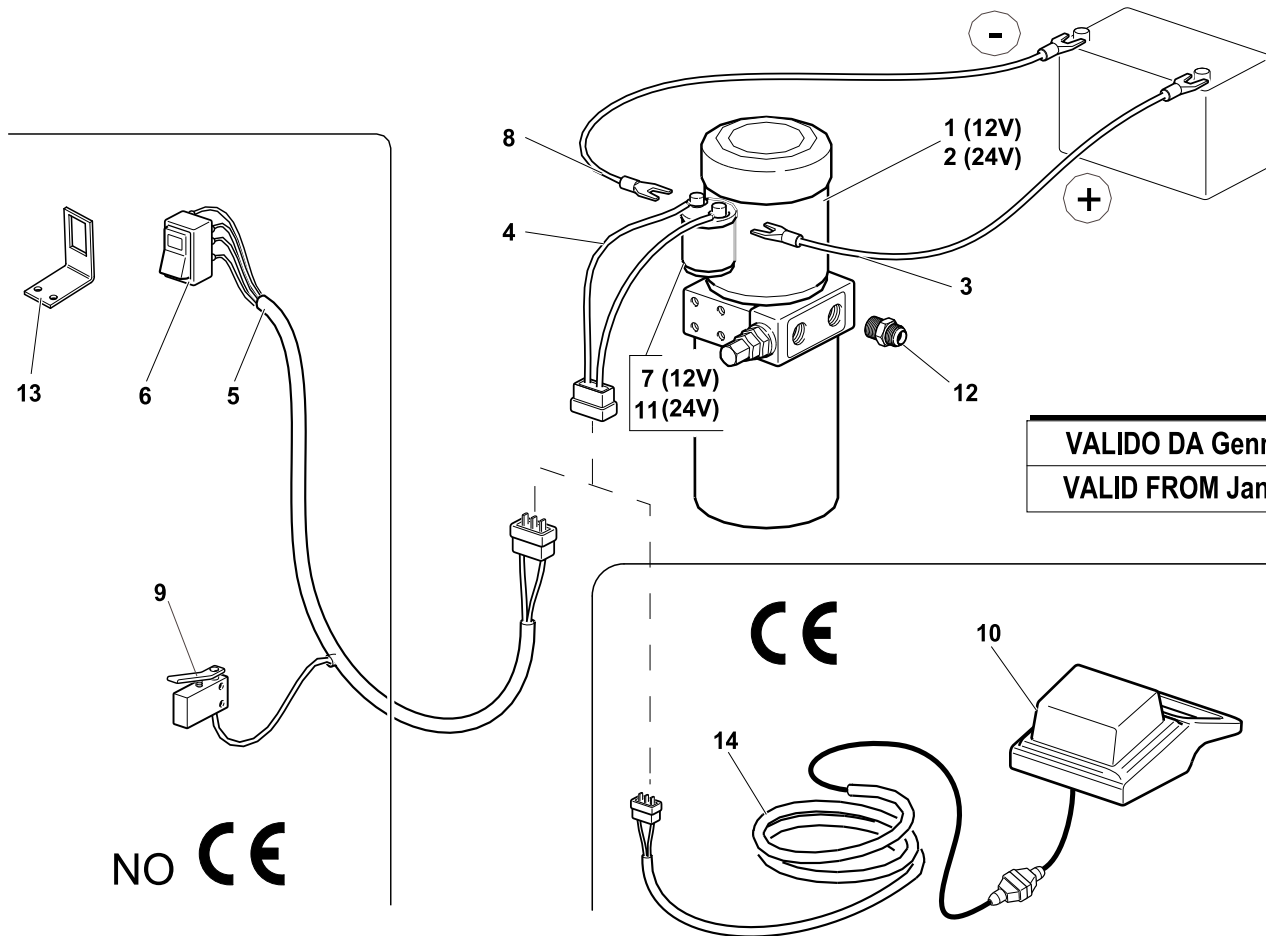
# Motor pump (Electrical equipment)

Code

**W52055300-1.0**

1/1

R	Pos.	Code Variant	Q.ty	Description
	1	W318009	1	
	2	W318010	1	
	3	W370503200	1	
	4	W520501600	1	
	5	W520502300	1	
	6	W264401	1	
	7	5710088	1	
	8	W370503300	1	
	9	3310080	1	
	10	3311339	1	
	11	5710096	1	
	12	3101039	2	Straight pipe fitting
	13	W370504500	1	
	14	3311340	1	



**VALIDO DA Gennaio 2011**  
**VALID FROM January 2011**

NO **CE**

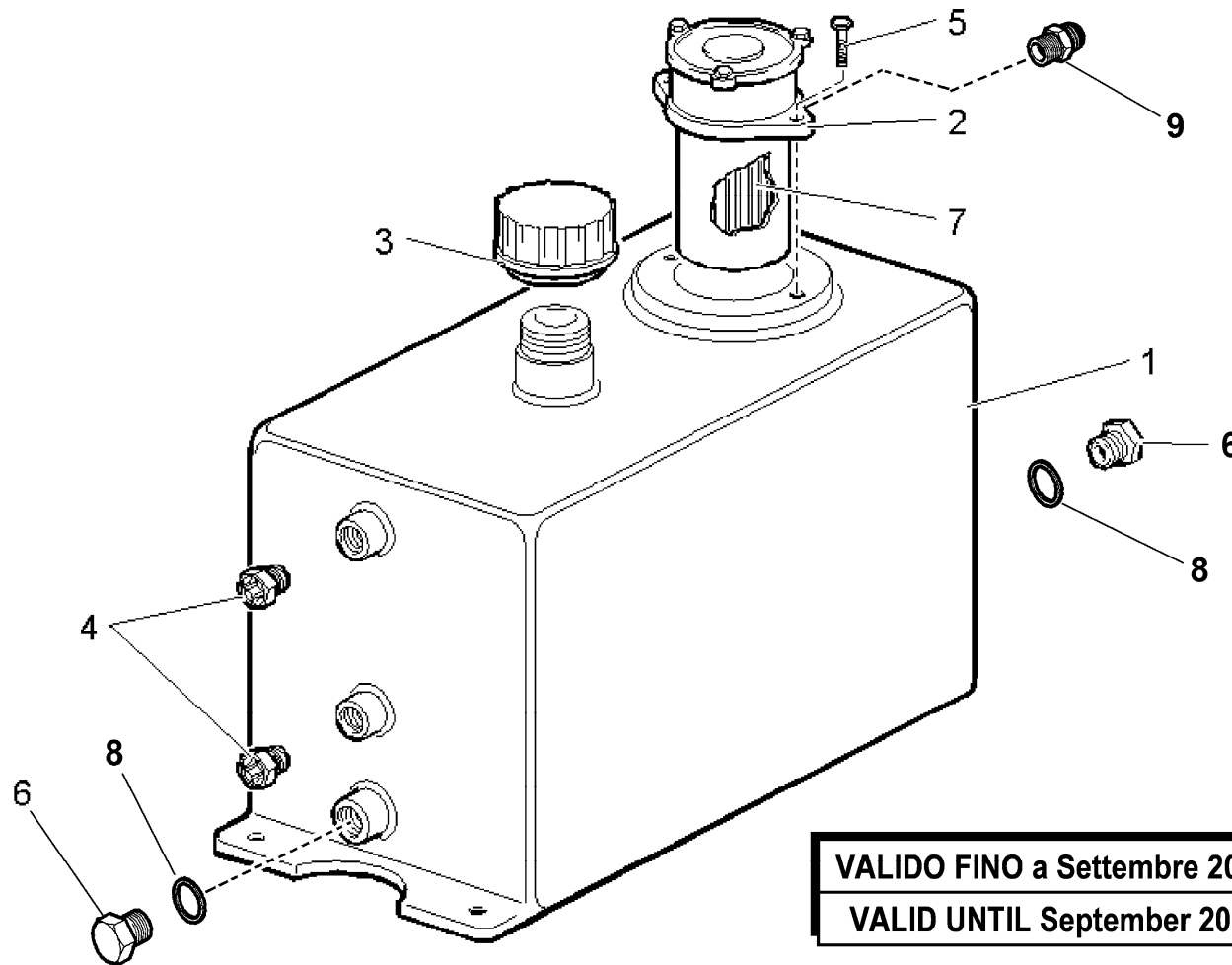
# Hydraulic oil tank

Code

**W530551000-1.1**

1/1

R	Pos.	Code Variant	Q.ty	Description
	1	W438014	1	
	2	W350017	1	
	3	W449009	1	Tank cap (Spill door)
	4	W370005	2	
	5	3010325	2	Hex screw [M6X16 8.8 ZC UNI 5739]
	6	3110065	2	Plug
	7	W350717	1	
	8	3060145	2	Sealing washer [BSP 1/2"]
	9	3101043	1	Straight pipe fitting

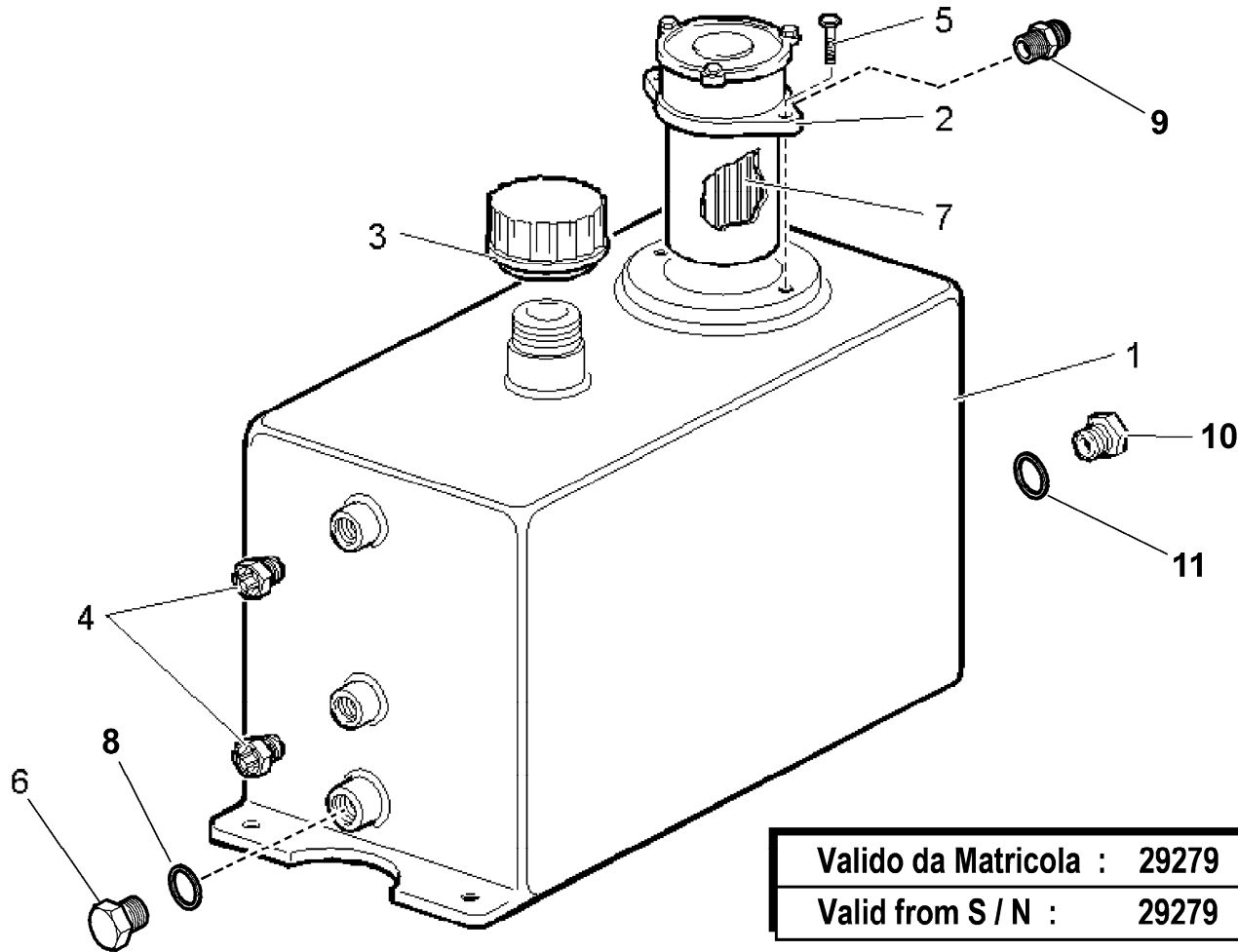


**VALIDO FINO a Settembre 2010**  
**VALID UNTIL September 2010**

# Hydraulic oil tank

Code		
<b>W530551000-2.1</b>		1/1

R	Pos.	Code Variant	Q.ty	Description					
	1	W438014	1						
	2	W350017	1						
	3	W449009	1	Tank cap (Spill door)					
	4	W370005	2						
	5	3010325	2	Hex screw [M6X16 8.8 ZC UNI 5739]					
	6	3110065	1	Plug					
	7	W350717	1						
	8	3060145	1	Sealing washer [BSP 1/2"]					
	9	3101043	1	Straight pipe fitting					
	10	3110072	1	Plug		11	3060146	1	Sealing washer [BSP 3/4"]
	11	3060146	1	Sealing washer [BSP 3/4"]					



**Valido da Matricola : 29279**  
**Valid from S / N : 29279**

# Hydraulic oil tank (CE)

Code

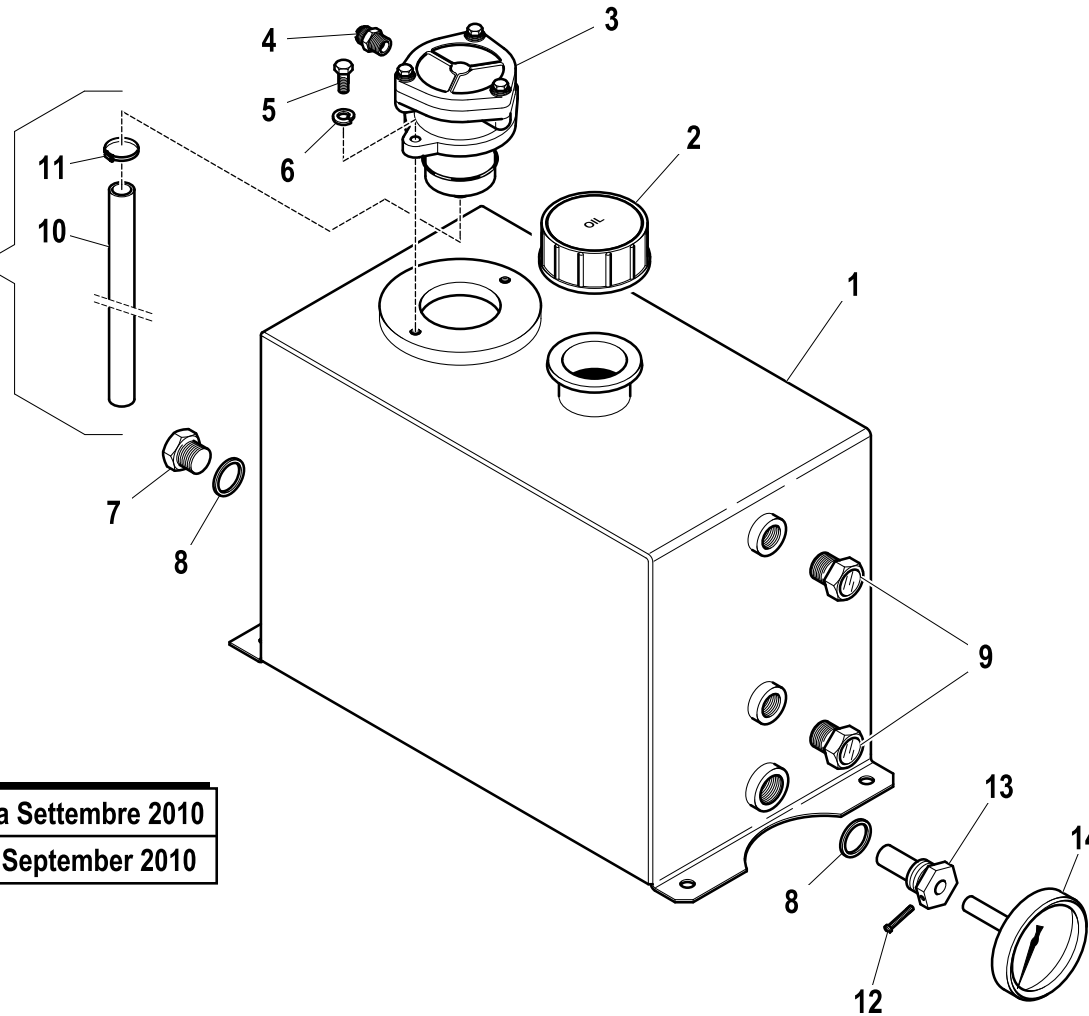
**W530551000-1.0**

1/1

R	Pos.	Code Variant	Q.ty	Description
	1	W438014	1	
	2	W449009	1	Tank cap (Spill door)
	3	W350017	1	
	4	3101043	1	Straight pipe fitting
	5	3010325	2	Hex screw [M6X16 8.8 ZC UNI 5739]
	6	3060053	2	Split lock washer [D=6.4 C72 ZC]
	7	3110065	1	Plug
	8	3060145	2	Sealing washer [BSP 1/2"]
	9	W370005	2	
	10	5310042	1	
	11	3190009	1	Clamp
	12	3020952	1	
	13	W29500301	1	
	14	3180097	1	

VALIDO DA LUGLIO 2010  
VALID FROM JULY 2010

VALIDO FINO a Settembre 2010  
VALID UNTIL September 2010



# Hydraulic oil tank (CE)

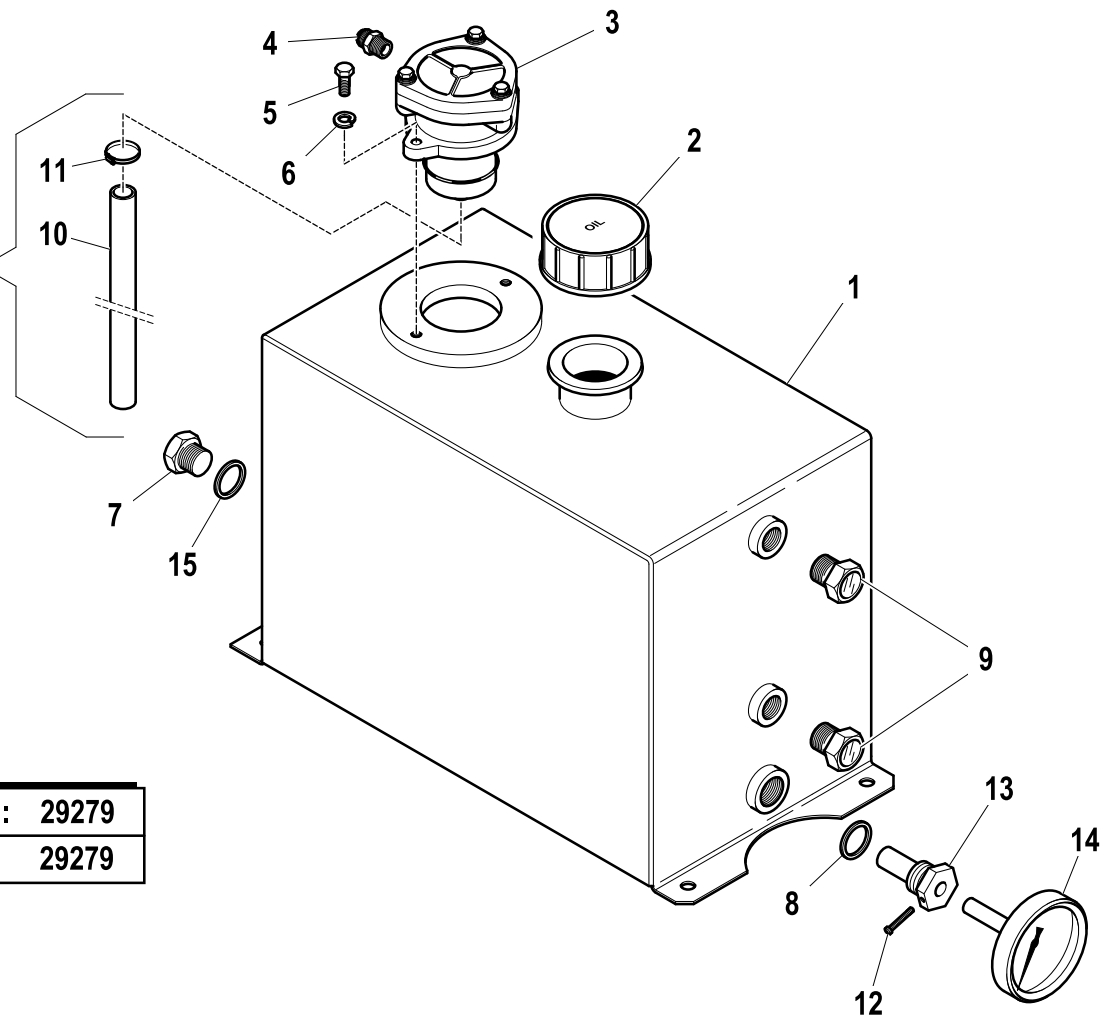
Code

**W530551000-2.0**

1/1

R	Pos.	Code Variant	Q.ty	Description
	1	W438014	1	
	2	W449009	1	Tank cap (Spill door)
	3	W350017	1	
	4	3101043	1	Straight pipe fitting
	5	3010325	2	Hex screw [M6X16 8.8 ZC UNI 5739]
	6	3060053	2	Split lock washer [D=6.4 C72 ZC]
	7	3110072	1	Plug
	8	3060145	1	Sealing washer [BSP 1/2"]
	9	W370005	2	
	10	5310042	1	
	11	3190009	1	Clamp
	12	3020952	1	
	13	W29500301	1	
	14	3180097	1	
	15	3060146	1	Sealing washer [BSP 3/4"]

VALIDO DA LUGLIO 2010  
VALID FROM JULY 2010



Valido da Matricola : 29279  
Valid from S / N : 29279

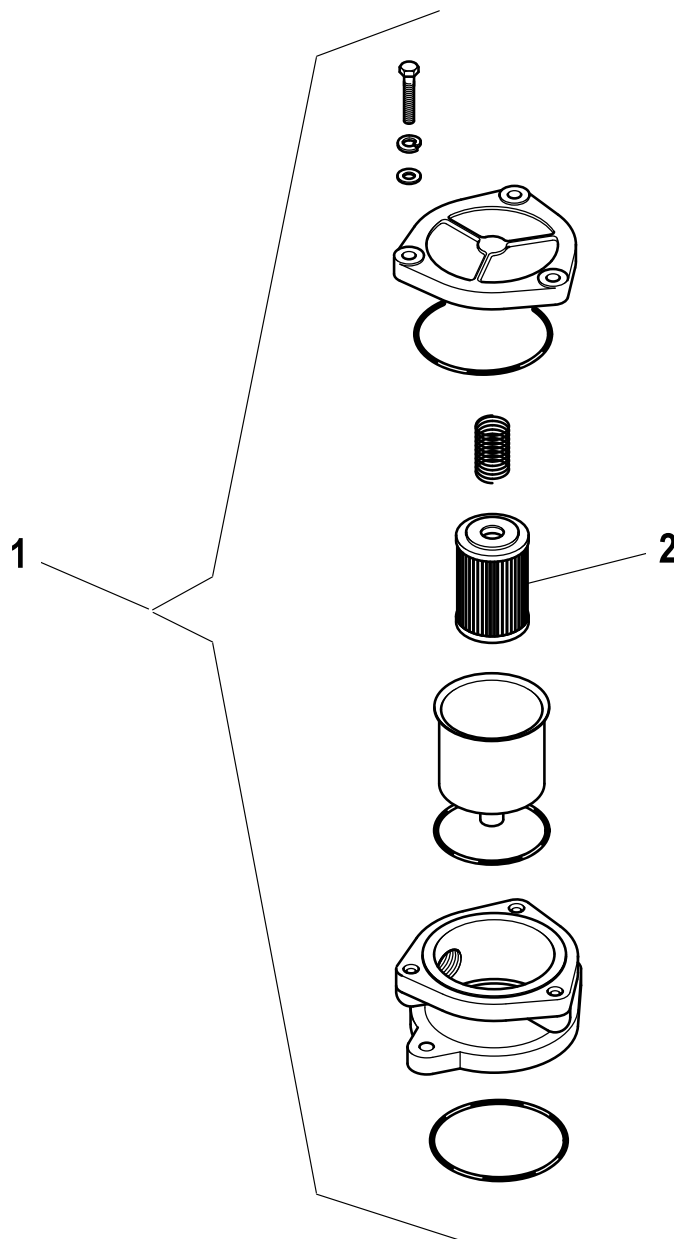
**Oil filter**

Code

**W350017-1.0**

1/1

R	Pos.	Code Variant	Q.ty	Description
	1	W350017	1	
	2	W350717	1	





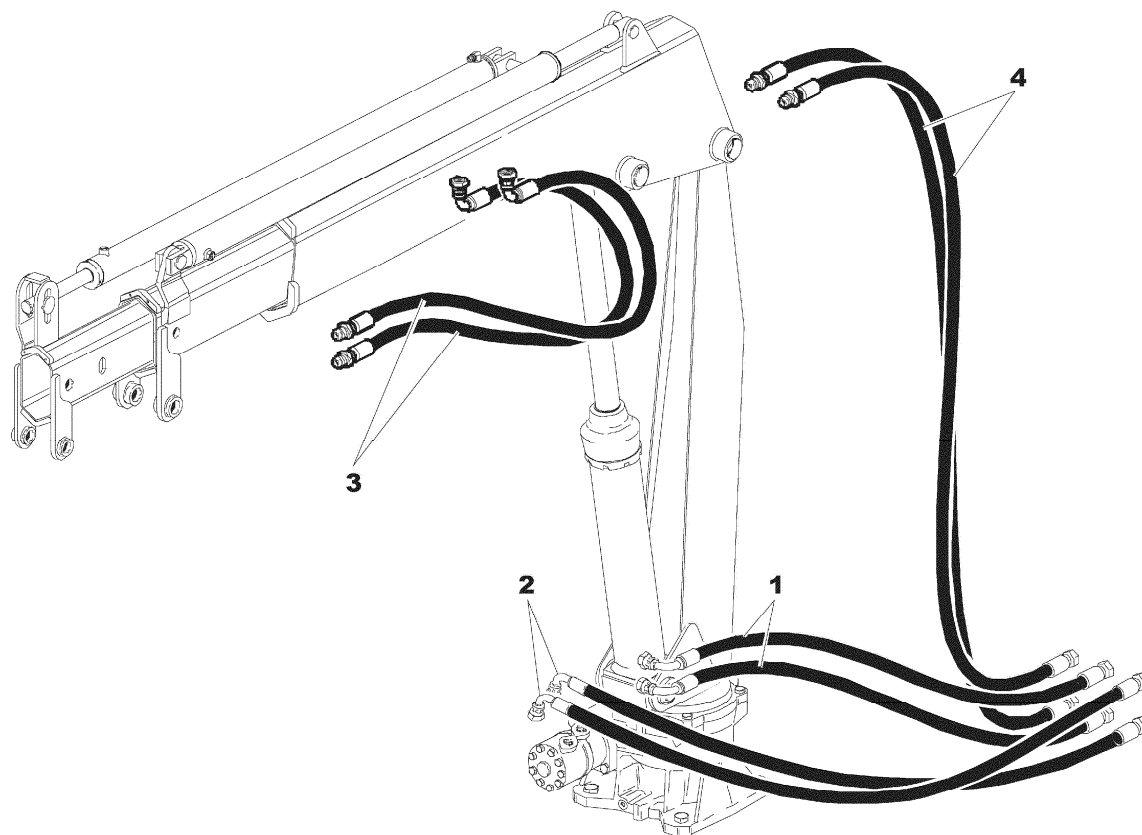
**Set of hoses**

Code

**W444204-1.0**

1/1

R	Pos.	Code Variant	Q.ty	Description
	1	5260774	2	Flexible hose
	2	5260773	2	Flexible hose
	3	5260777	2	Flexible hose
	4	5260776	2	Flexible hose



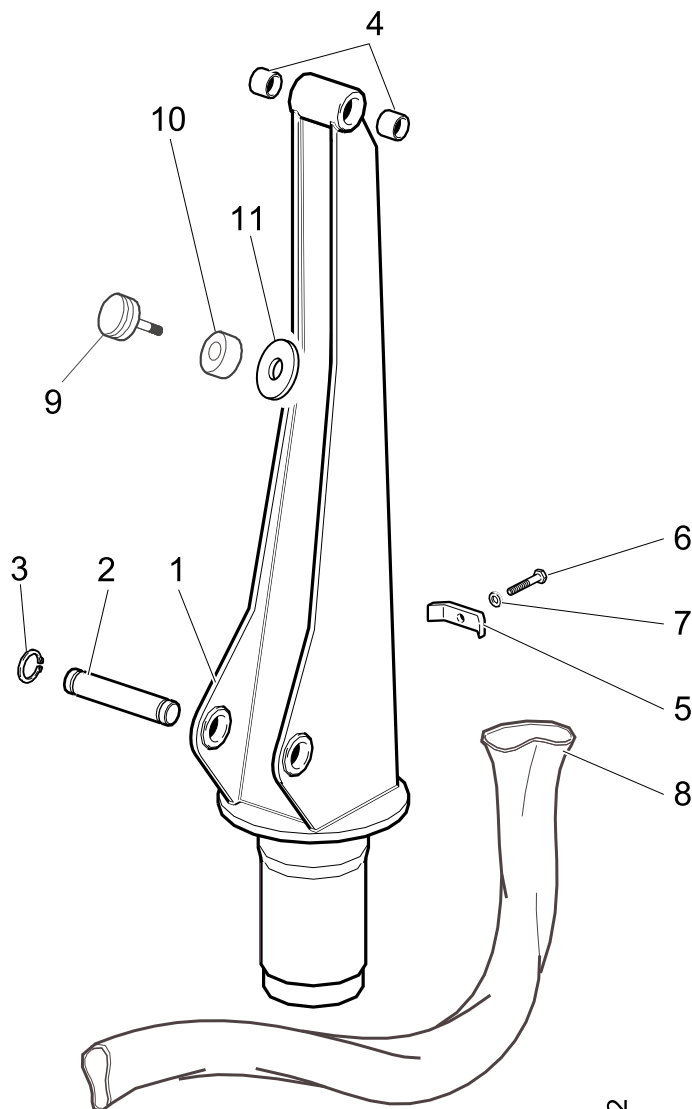
444204-1-0

# Column

Code

**W053201-1.1**

1/1



R	Pos.	Code Variant	Q.ty	Description
	1	W530200200	1	
	2	W101198	1	
	3	3070209	2	Snap ring
	4	W102134	2	
	5	5000047	4	
	6	3020037	4	Socket head cap screw [M6X25 8.8 ZC UNI 5931]
	7	3060101	4	Tooth lock washer [D.6 TIPO A]
	8	3190198	2,7m	
	9	W732001	1	Anti-vibrating support
	10	5140788	1	
	11	5001111	1	

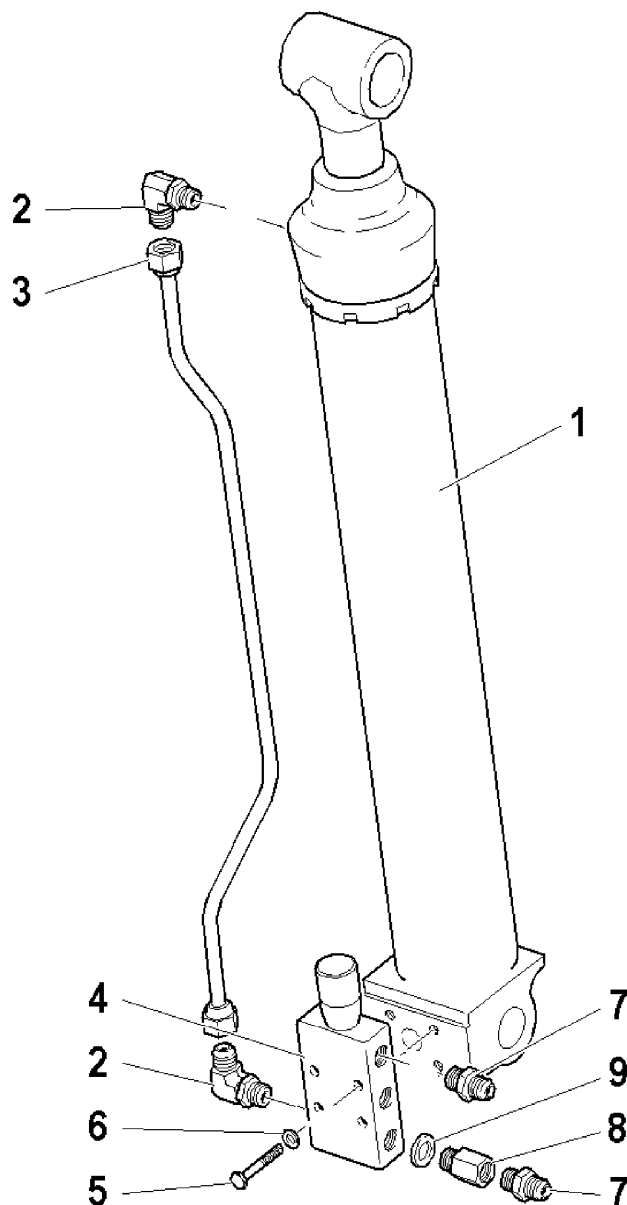
052201-1-2

# LIFTING HYDRAULIC CYLINDER (Hydraulic system)

Code

**W530250200-1.0**

1/1



R	Pos.	Code Variant	Q.ty	Description
	1	W530250100	1	
	2	3101125	2	90° Connection
	3	W530202300	1	
	4	W470052	1	
	5	3010031	4	Hex screw [M8X40 8.8 ZC UNI 5737]
	6	3060055	4	Split lock washer [D=8.4 C72 ZC]
	7	3101040	2	Straight pipe fitting
	8	3110112	1	Straight pipe fitting
	9	3060144	1	Sealing washer [BSP 3/8"]

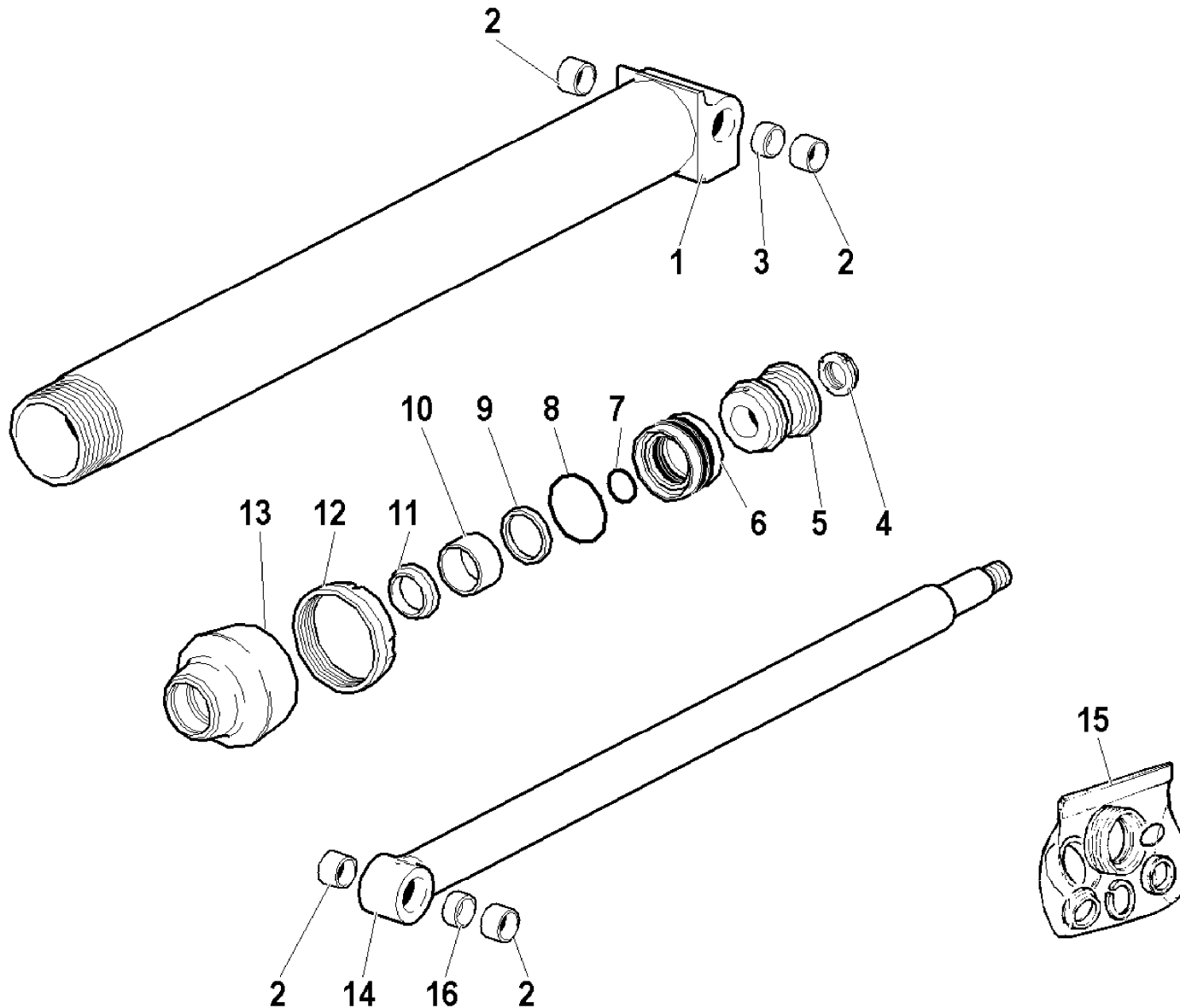
# LIFTING HYDRAULIC CYLINDER

Code

**W530250100-1.0**

1/1

R	Pos.	Code Variant	Q.ty	Description
	1	W530200400	1	
	2	W102134	4	
	3	W370200800	1	
	4	3040390	1	Stopnut
	5	W105001	1	
	6	W359019	1	
	7	W360020	1	
	8	W360044	1	
	9	W358021	1	
	10	W102133	1	
	11	W361014	1	
	12	W370200700	1	
	13	W370200500	1	
	14	W530200600	1	
	15	W365059	1	
	16	W370200900	1	

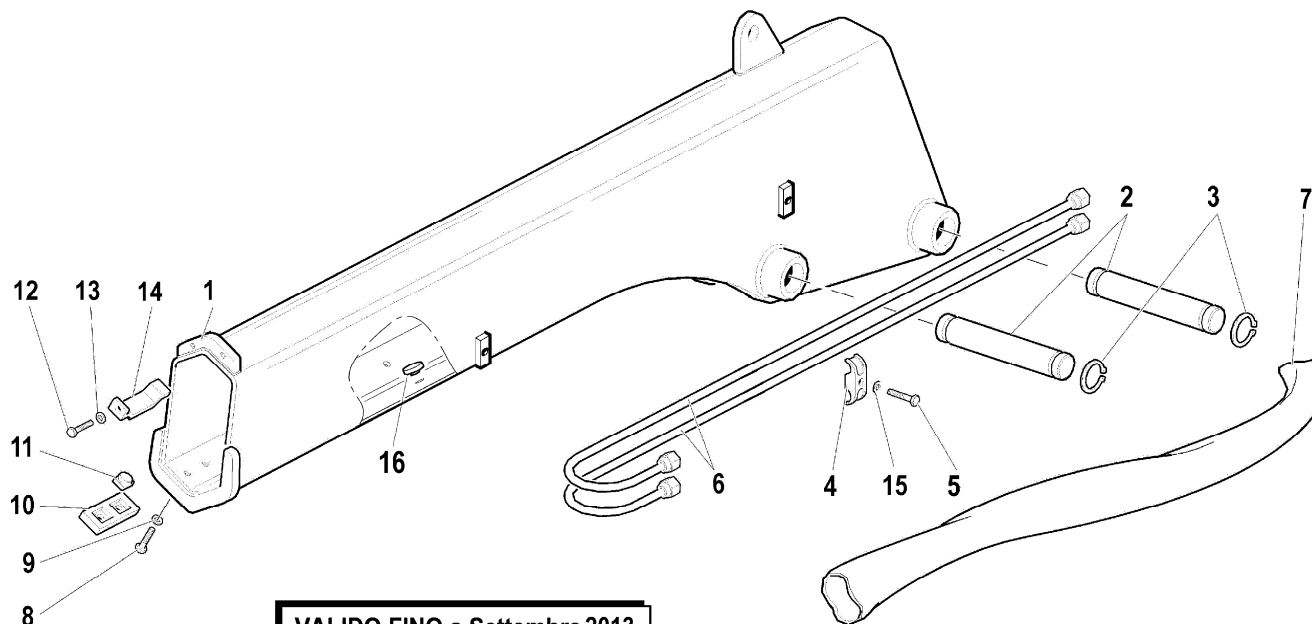


# 1ST BOOM

Code

**W053202-1.1**

1/1



**VALIDO FINO a Settembre 2013**  
**VALID UNTIL September 2013**

R	Pos.	Code Variant	Q.ty	Description
	1	W530200100	1	
	2	W101198	2	
	3	3070209	4	Snap ring
	4	5000077	2	
	5	3010030	2	Hex screw [M8X35 8.8 ZC UNI 5737]
	6	W530202100	2	
	7	3190198	0.85	mt
	8	3010055	4	Hex screw [M8X10 8.8 ZC UNI 5739]
	9	3060006	2	Flat washer [D.8 UNI 6592 ZC]
	10	5140248	2	
	11	W370300800	4	
	12	3010323	2	Hex screw [M6X10 8.8 ZC UNI 5739]
	13	3060005	2	Flat washer [D.6.4 UNI 6592 ZC]
	14	3060684	2	
	15	3060055	2	Split lock washer [D=8.4 C72 ZC]
	16	W370400700	2	Button (Coupling backlash)

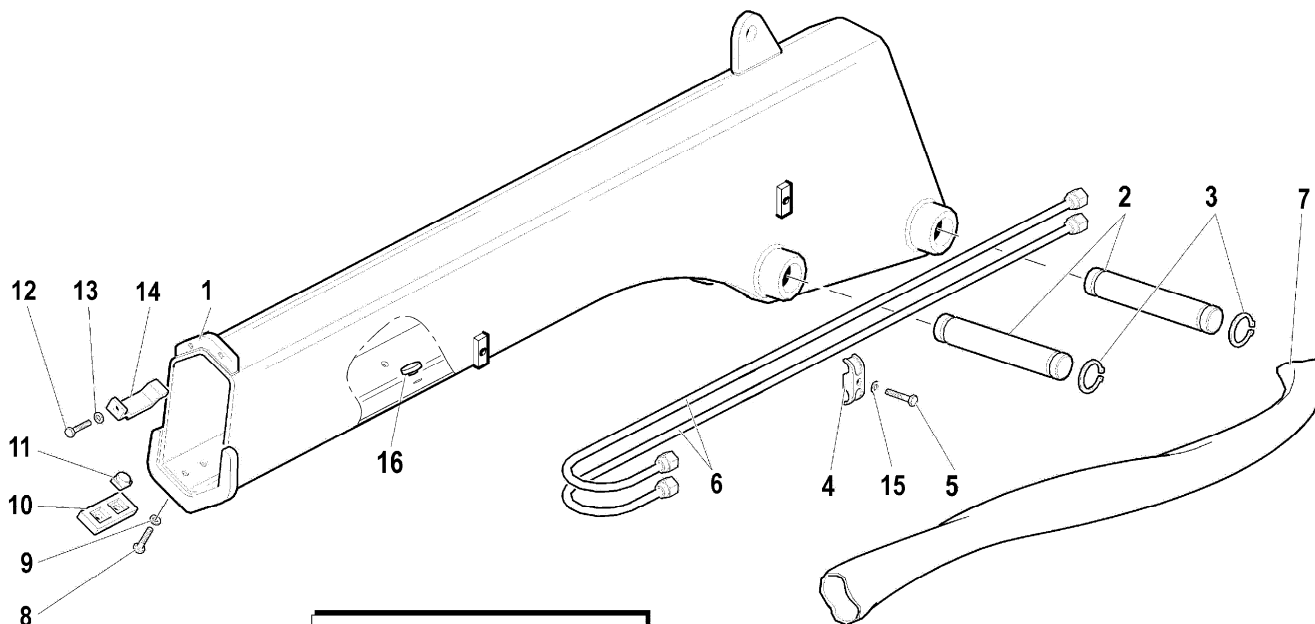
053202-1.0

# 1ST BOOM

Code

**W053202-1.2**

1/1



**VALIDO DA Ottobre 2013**  
**VALID FROM October 2013**

R	Pos.	Code Variant	Q.ty	Description
	1	W530200100	1	
	2	W101198	2	
	3	3070209	4	Snap ring
	4	5000077	2	
	5	3010030	2	Hex screw [M8X35 8.8 ZC UNI 5737]
	6	W530202100	2	
	7	3190198	0.85	mt
	8	3010055	4	Hex screw [M8X10 8.8 ZC UNI 5739]
	9	3060006	2	Flat washer [D.8 UNI 6592 ZC]
	10	W380300600	2	
	11	W370300800	4	
	12	3010323	2	Hex screw [M6X10 8.8 ZC UNI 5739]
	13	3060005	2	Flat washer [D.6.4 UNI 6592 ZC]
	14	3060684	2	
	15	3060055	2	Split lock washer [D=8.4 C72 ZC]
	16	W370400700	2	Button (Coupling backlash)

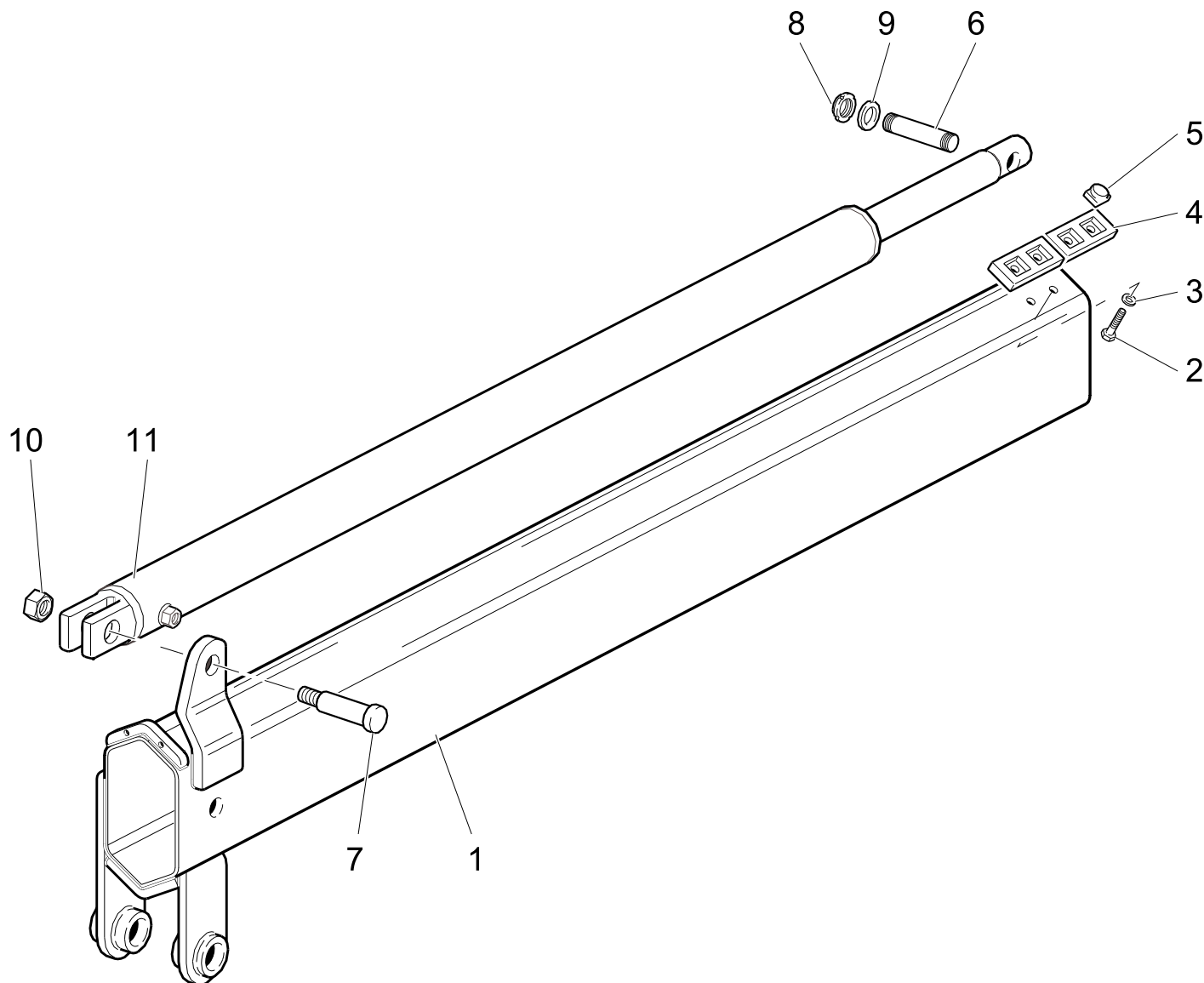
053202-1.0

# 1st EXTENSION

Code

**W053203-1.0**

1/1



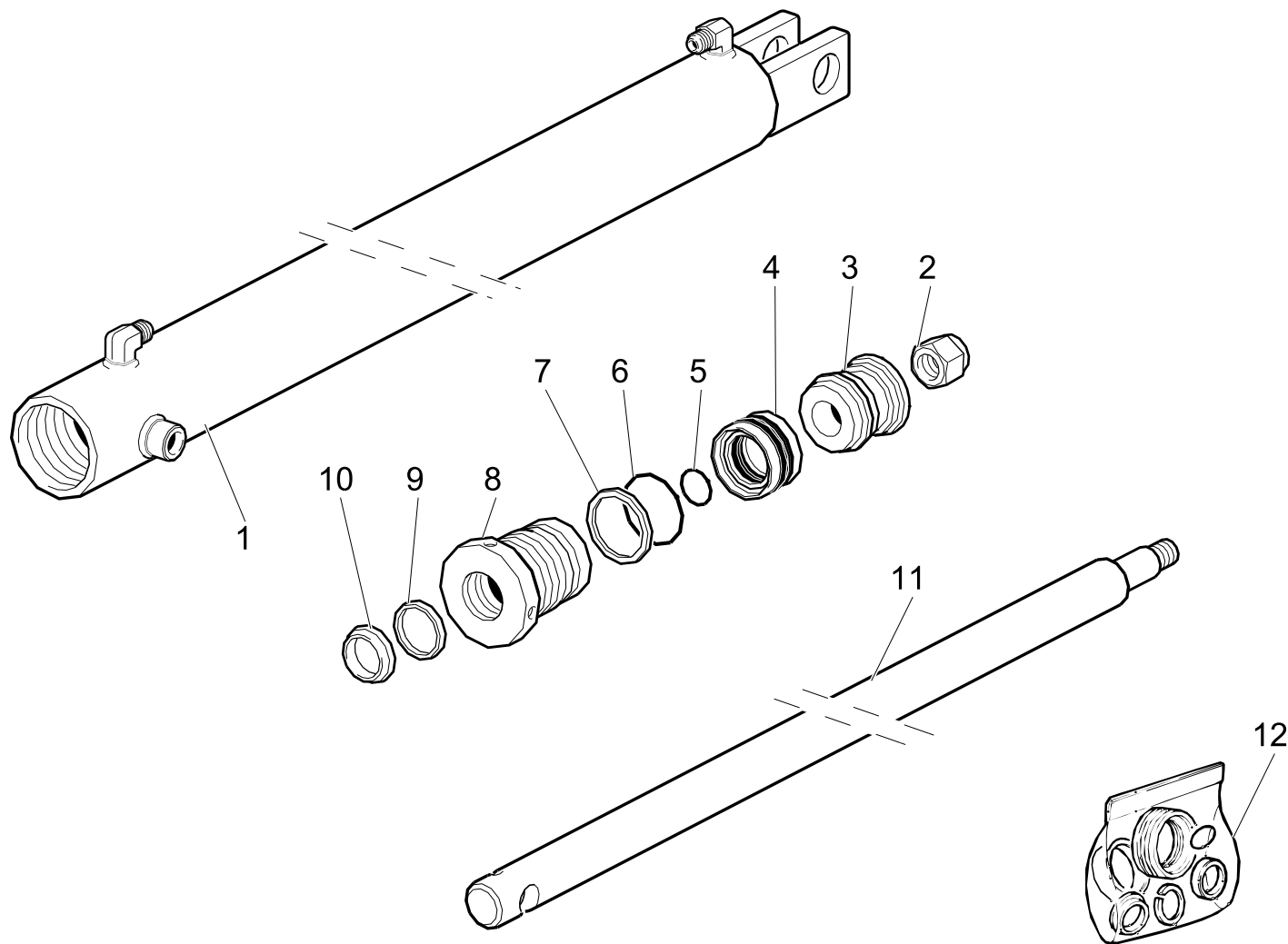
R	Pos.	Code Variant	Q.ty	Description
	1	W530201100	1	
	2	3010055	4	Hex screw [M8X10 8.8 ZC UNI 5739]
	3	3060006	4	Flat washer [D.8 UNI 6592 ZC]
	4	W380300700	2	
	5	W370300800	4	
	6	W101244	1	
	7	W101214	1	
	8	3040498	4	Self-locking ringnut
	9	3060010	4	Flat washer [D.17X30X3 UNI 6592 ZC]
	10	3040214	1	Lock nut
	11	W540250300	1	

# 1st EXSTENSION HYDRAULIC

Code

**W540250300-1.1**

1/1



R	Pos.	Code Variant	Q.ty	Description
	1	W540201200	1	
	2	3040378	1	Stopnut
	3	W105099	1	
	4	W359013	1	
	5	W360002	1	
	6	W360022	1	
	7	W304016	1	
	8	W120054	1	
	9	W358003	1	
	10	W361013	1	Seal (Oil seal)
	11	W540201300	1	
	12	W365119	1	



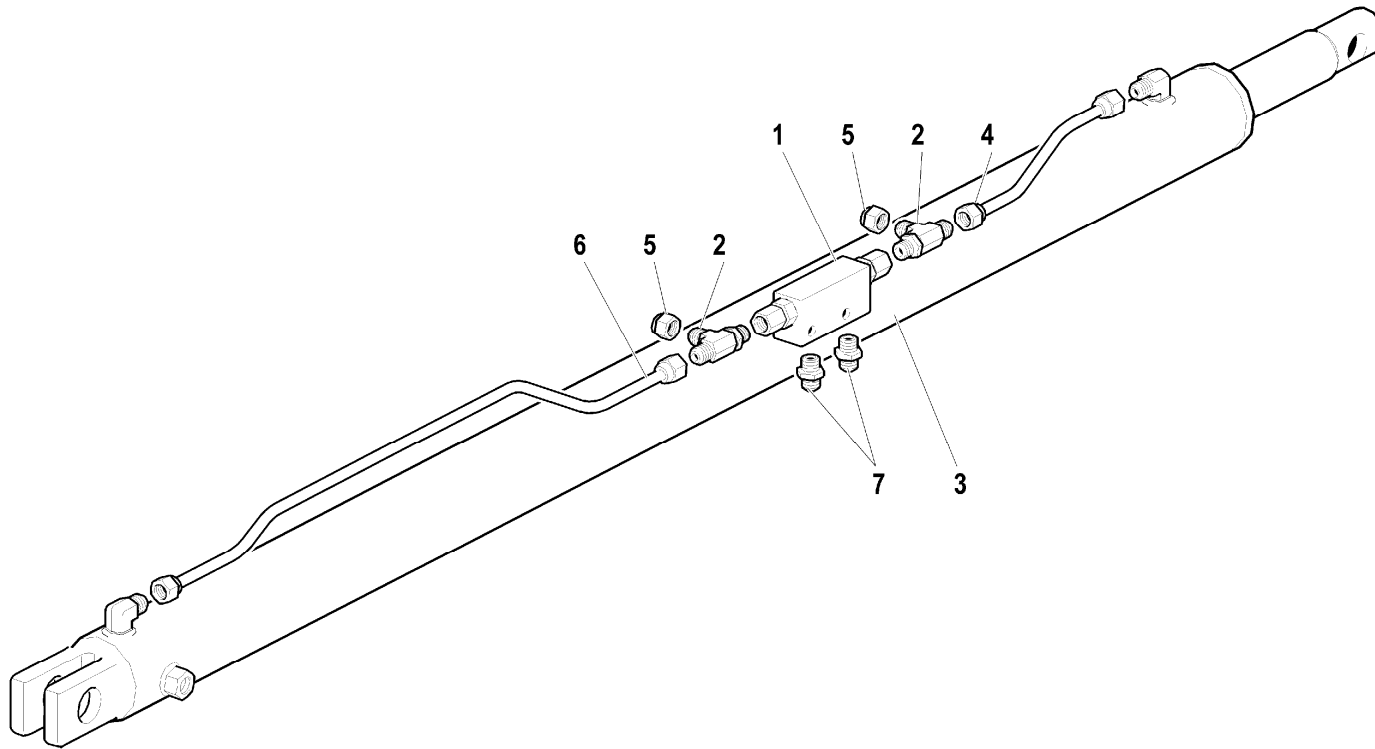
## Extension jacks (Assembly)

Code

**W540250600-1.0**

1/1

R	Pos.	Code Variant	Q.ty	Description
	1	W470017	1	
	2	3101175	2	Tee fitting
	3	W540250300	1	
	4	W530201900	1	
	5	3110040	2	Female plug
	6	W530202400	1	
	7	3101039	2	Straight pipe fitting



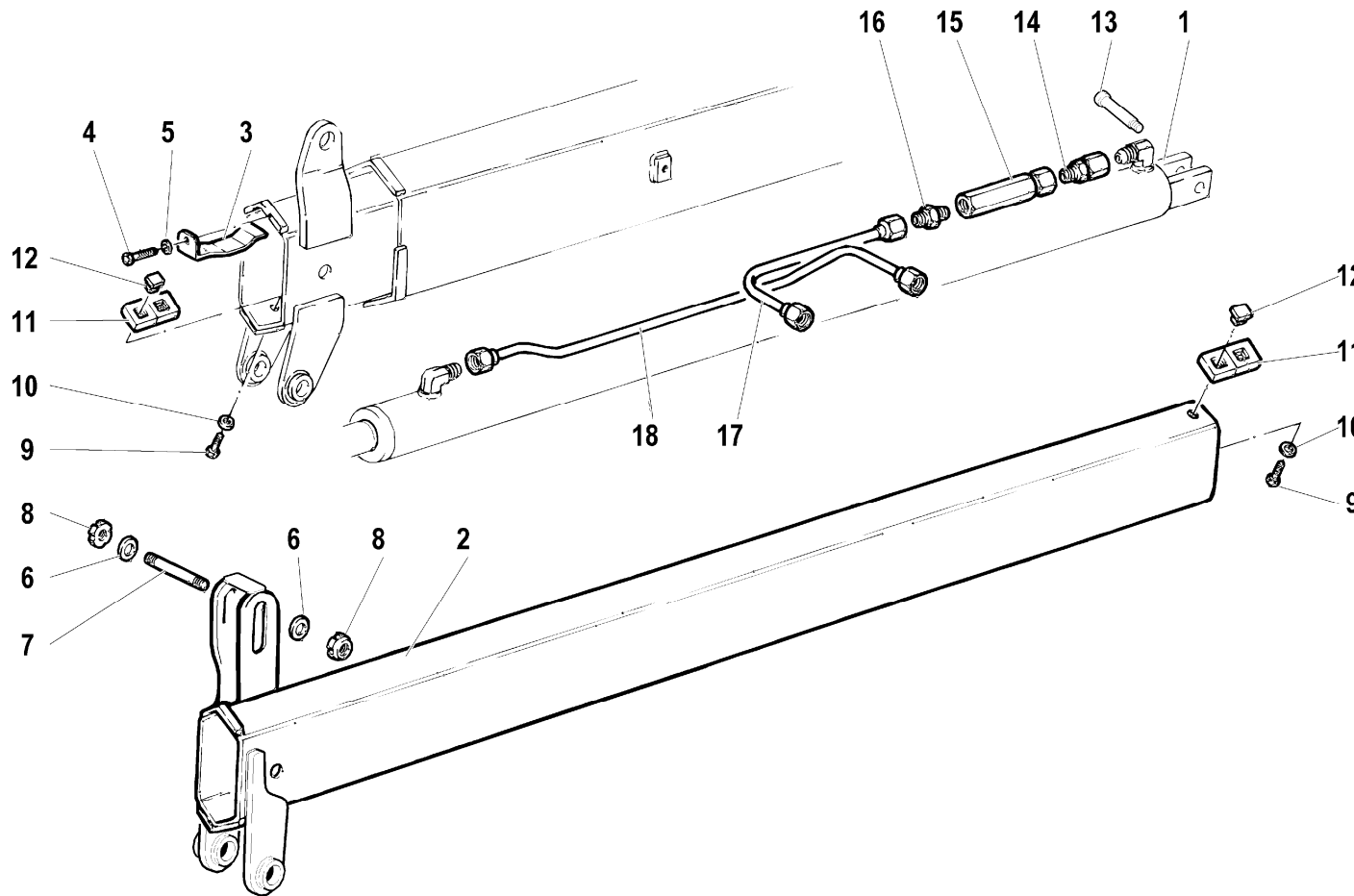
540250600-1.0

## 2nd extension

Code

**W530251000-1.0**

1/1



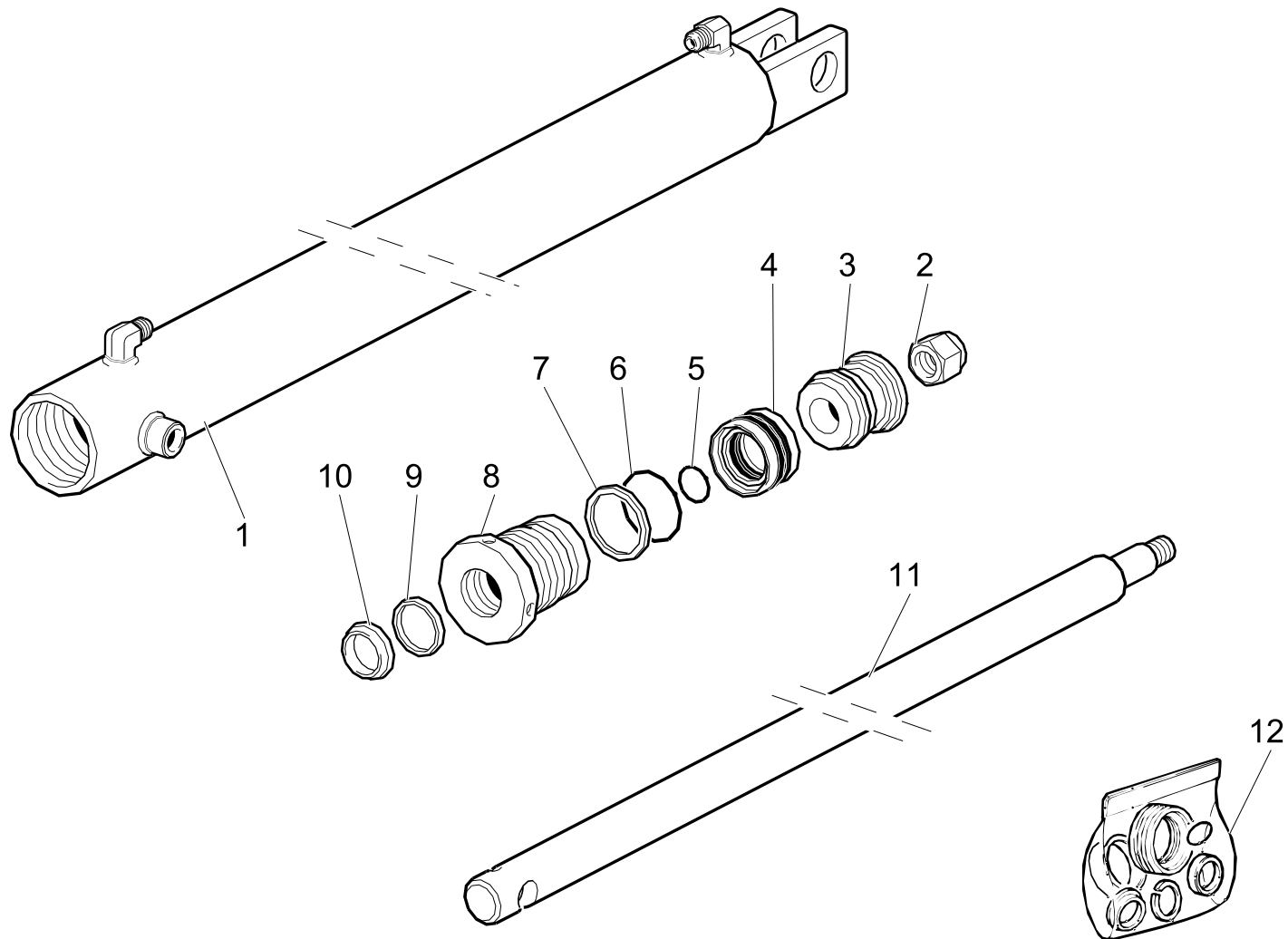
R	Pos.	Code Variant	Q.ty	Description
	1	W540250400	1	
	2	W530201200	1	
	3	W390301300	2	
	4	3060323	2	
	5	3060005	2	Flat washer [D.6.4 UNI 6592 ZC]
	6	3060010	1	Flat washer [D.17X30X3 UNI 6592 ZC]
	7	W101218	1	
	8	3040498	2	Self-locking ringnut
	9	3010055	8	Hex screw [M8X10 8.8 ZC UNI 5739]
	10	3060006	8	Flat washer [D.8 UNI 6592 ZC]
	11	W370300900	4	
	12	W370300800	8	
	13	W101214	1	
	14	3120065	1	Straight pipe fitting
	15	W470853	1	
	16	3101040	1	Straight pipe fitting
	17	W530201700	1	
	18	W530201800	1	

## 2nd EXTENSION HYDRAULIC JACK

Code

**W540250400-1.2**

1/1



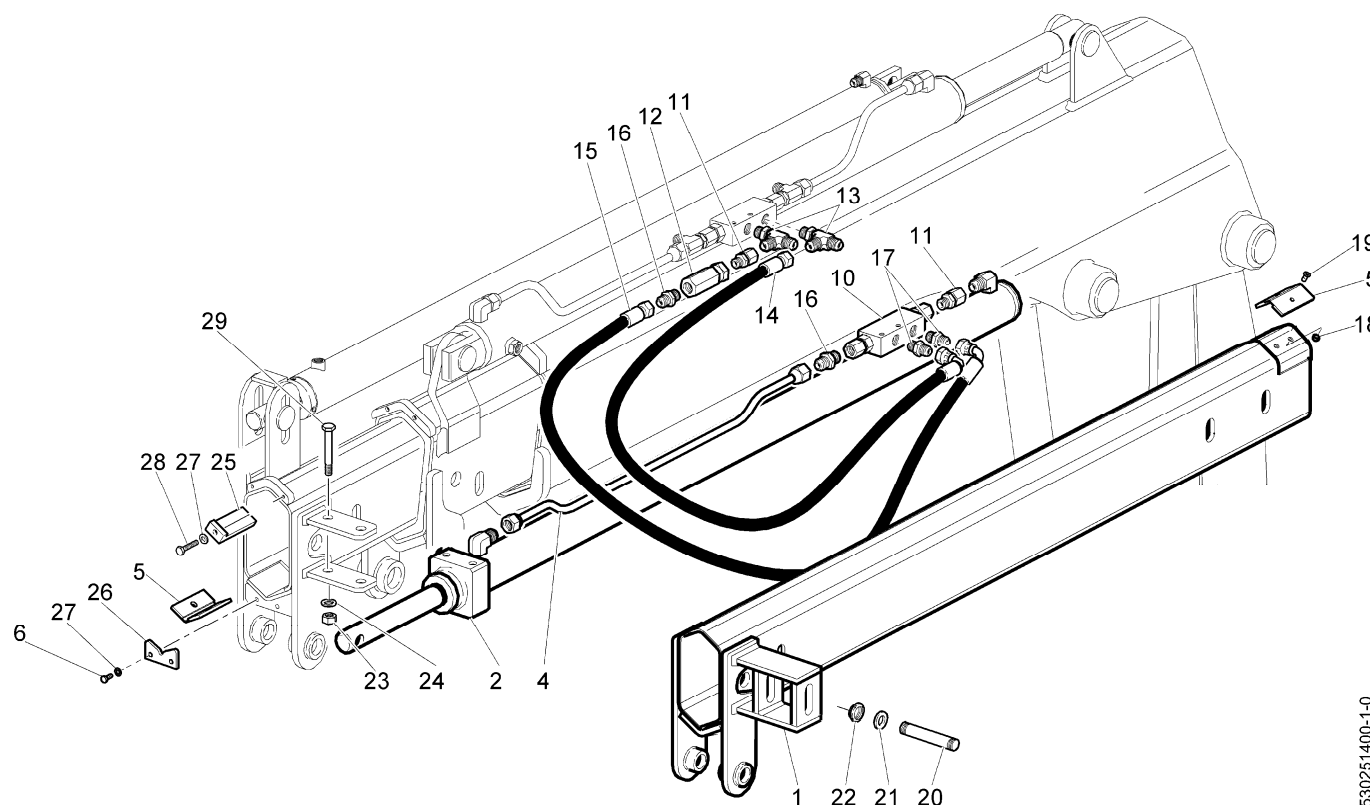
R	Pos.	Code Variant	Q.ty	Description
	1	W540201400	1	
	2	3040377	1	Stopnut
	3	W105061	1	
	4	W359010	1	
	5	W360002	1	
	6	W360049	1	
	7	W304018	1	
	8	W120058	1	
	9	W358001	1	
	10	W361011	1	
	11	W540201500	1	
	12	W365061	1	

### 3rd extension

Code

**W530251400-1.0**

1/2



R	Pos.	Code Variant	Q.ty	Description
	1	W530202000	1	
	2	W540250500	1	
	4	W540202000	1	
	5	W380301800	2	
	6	3020034	2	Socket head cap screw [M6X16 8.8 ZC UNI 5931]
	10	W470017	1	
	11	3120065	2	Straight pipe fitting
	12	5220573	1	
	13	3101175	2	Tee fitting
	14	5260999	1	
	15	5261133	1	
	16	3101040	2	Straight pipe fitting
	17	3101039	2	Straight pipe fitting
	18	3040392	2	Stopnut
	19	3020400	2	TSEI screw [M5X10 10.9 ZC UNI 5933]
	20	W101218	1	
	21	3060010	2	Flat washer [D.17X30X3 UNI 6592 ZC]
	22	3040498	2	Self-locking ringnut
	23	3040335	2	Stopnut
	24	3060914	2	Flat washer [D.10.5X21X2 UNI 6592 ZC]

530251400-1.0

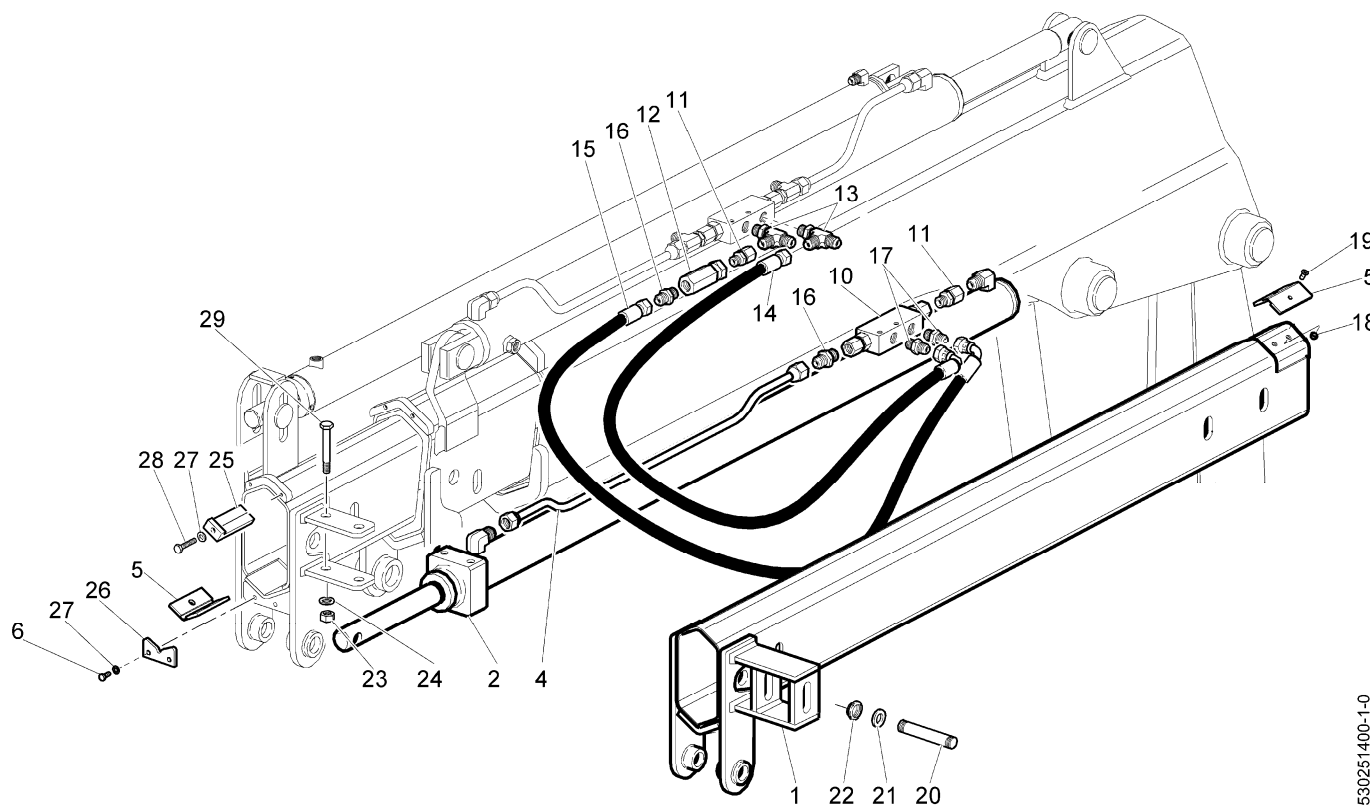
### 3rd extension

Code

**W530251400-1.0**

2/2

R	Pos.	Code Variant	Q.ty	Description
	25	3060684	2	
	26	W380301900	1	
	27	3060005	4	Flat washer [D.6.4 UNI 6592 ZC]
	28	3010323	2	Hex screw [M6X10 8.8 ZC UNI 5739]
	29	3010362	2	Hex screw [M10X100 8.8 ZC UNI 5737]



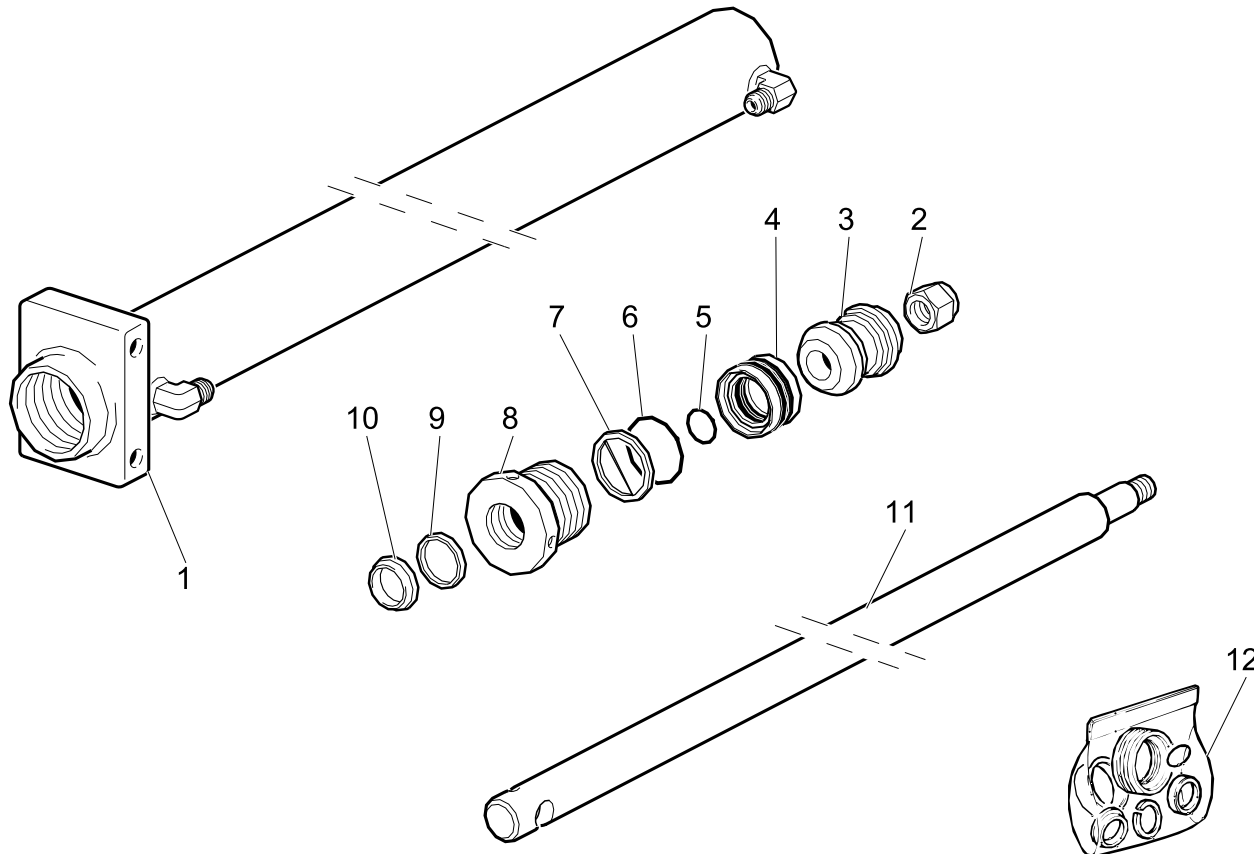
530251400-1-0

### 3rd extension Hydraulic jack

Code

**W540250500-1.0**

1/1



R	Pos.	Code Variant	Q.ty	Description
	1	W540201900	1	
	2	3040377	1	Stopnut
	3	W105061	1	
	4	W359010	1	
	5	W360002	1	
	6	W360049	1	
	7	W304018	1	
	8	W120058	1	
	9	W358001	1	
	10	W361011	1	
	11	W540201500	1	
	12	W365061	1	

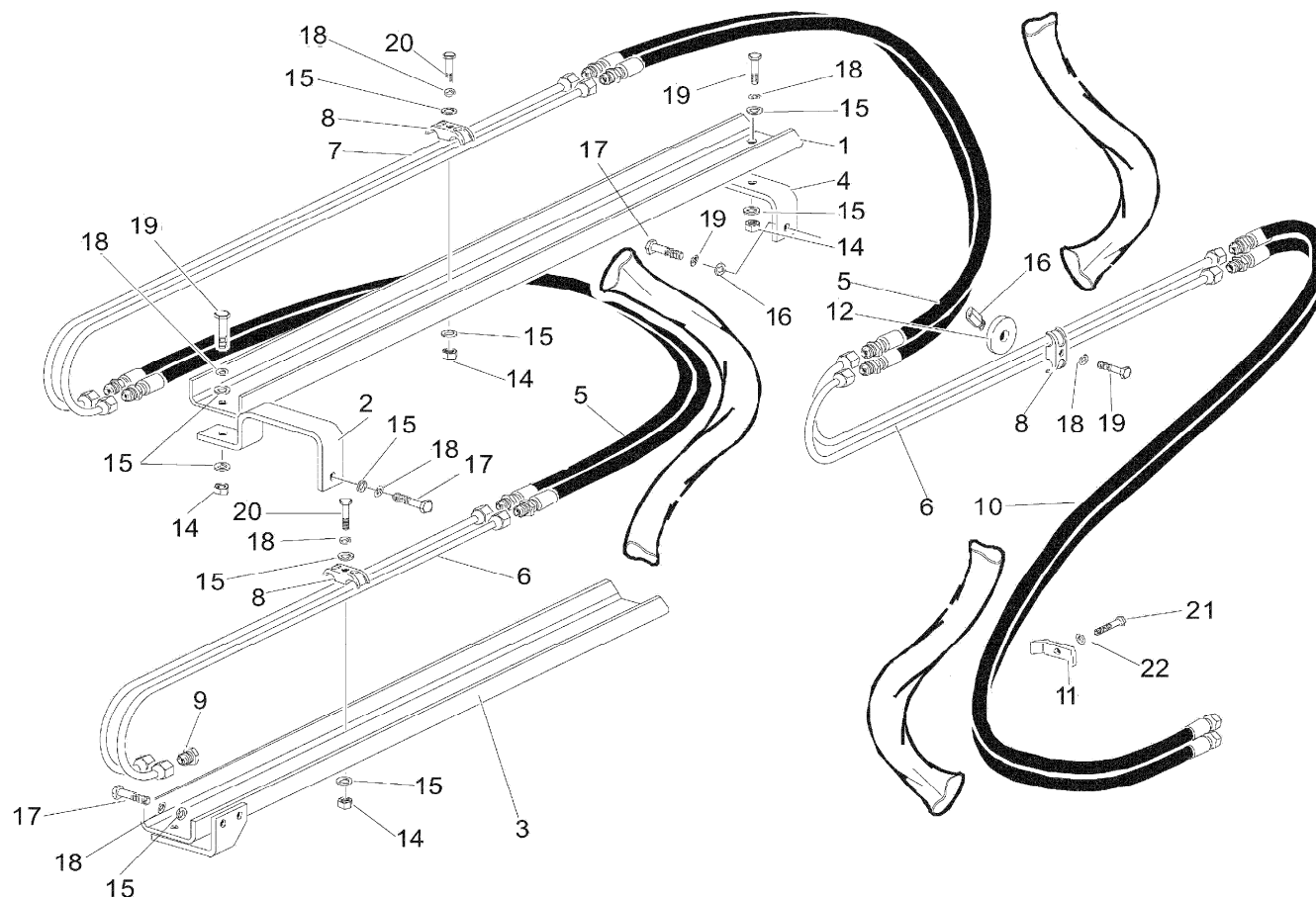
520250100-1-0

# 1st ACTIVATION FOR 2S

Code

**W530551100-1.0**

1/2



R	Pos.	Code Variant	Q.ty	Description
	1	W530500400	1	
	2	W530500100	1	
	3	W530500300	1	
	4	W530500200	1	
	5	W456882	4	
	6	W520501300	4	
	7	W520501200	2	
	8	5000077	6	
	9	3110053	2	Plug
	10	W456899	2	
	11	W128039	3	
	12	W340501400	2	
	14	3040524	6	Stopnut
	15	3060006	16	Flat washer [D.8 UNI 6592 ZC]
	16	W340501300	2	
	17	3010027	4	Hex screw [M8X20 8.8 ZC IF UNI 5739]
	18	3060918	12	Tooth lock washer [D.8 TIPO A UNI8842 ZC]
	19	3010339	4	Hex screw [M8X25 8.8 ZC IF UNI 5739]
	20	3010066	4	Hex screw [M8X30 8.8 ZC UNI 5739]
	21	3020037	3	Socketed head cap screw [M6X25 8.8 ZC UNI 5931]

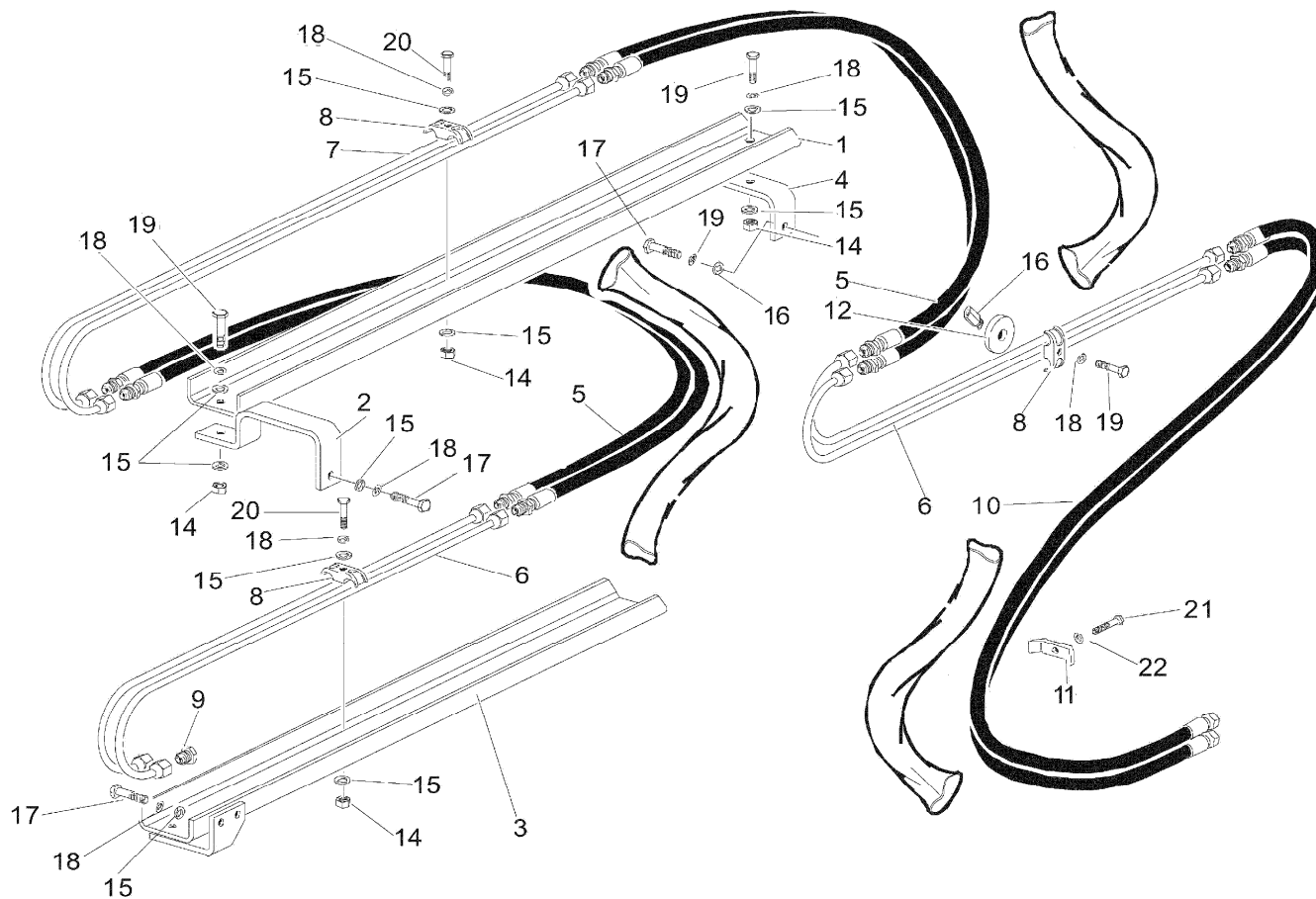
# 1st ACTIVATION FOR 2S

Code

**W530551100-1.0**

2/2

R	Pos.	Code Variant	Q.ty	Description
	22	3060101	3	Tooth lock washer [D.6 TIPO A]





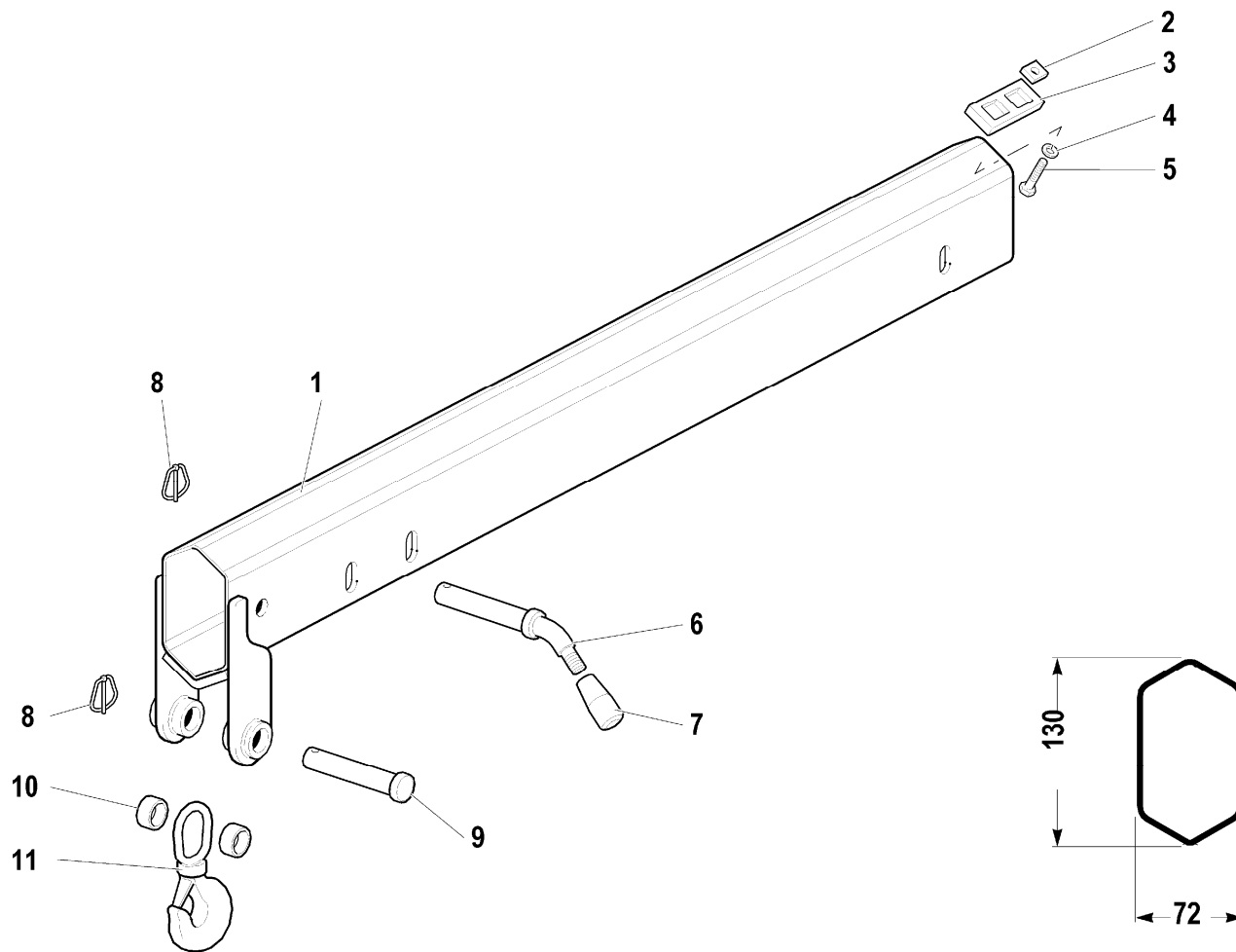
# Manual extension

Code

**W530251100-1.0**

1/1

R	Pos.	Code Variant	Q.ty	Description
	1	W530201500	1	
	2	W370300800	4	
	3	W370300900	2	
	4	3060006	4	Flat washer [D.8 UNI 6592 ZC]
	5	3010055	4	Hex screw [M8X10 8.8 ZC UNI 5739]
	6	W101046	1	
	7	W664003	1	
	8	3060753	2	Cotter pin (Locking ring)
	9	W101084	1	
	10	W130302900	2	
	11	W599001	1	



530251100-1.0

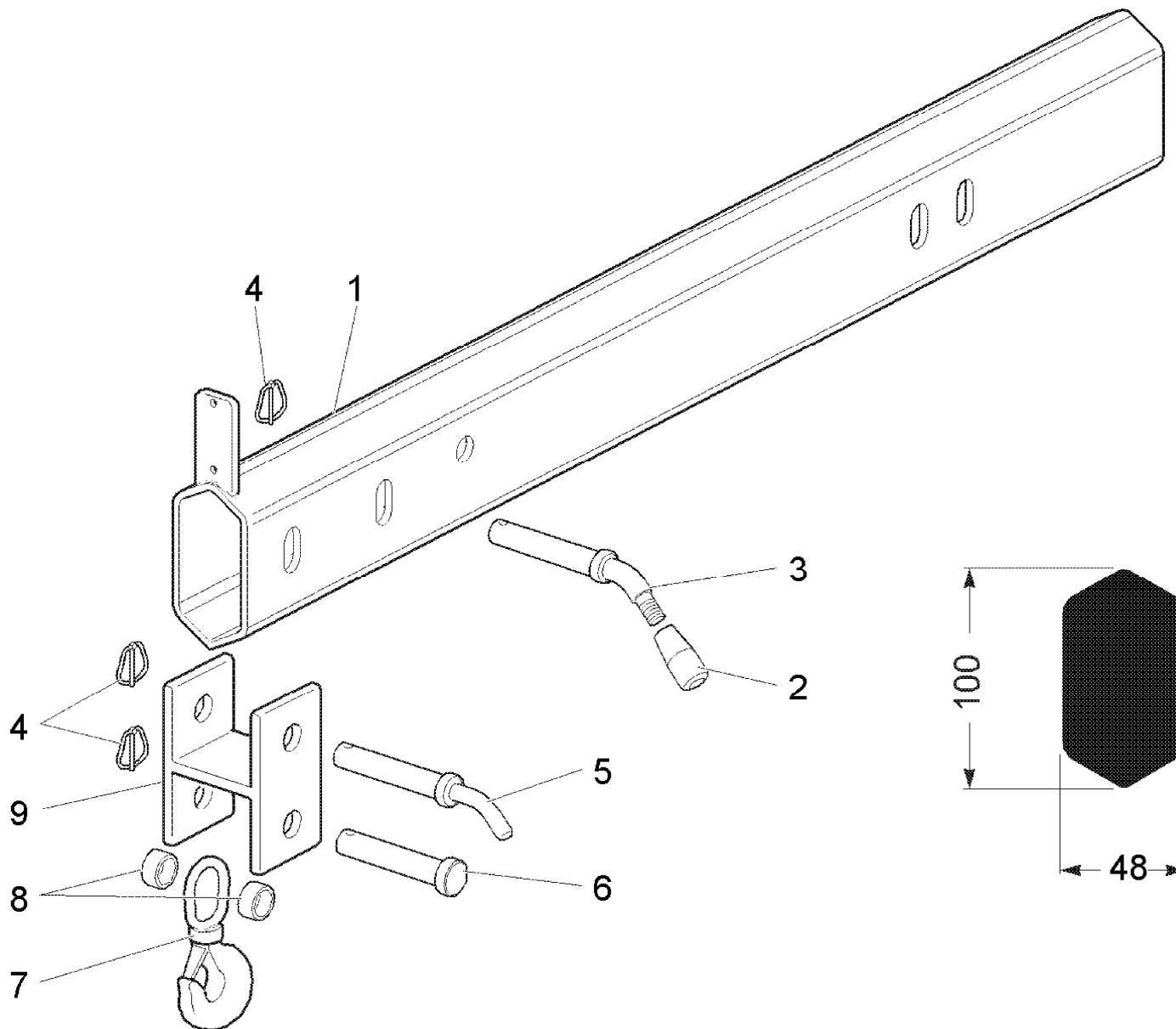
# Manual extension

Code

**W530251200-1.0**

1/1

R	Pos.	Code Variant	Q.ty	Description
	1	W530201300	1	
	2	W664003	1	
	3	W101046	1	
	4	3060753	3	Cotter pin (Locking ring)
	5	W101324	1	
	6	W101080	1	
	7	W599001	1	
	8	W130302900	2	
	9	W520201600	1	



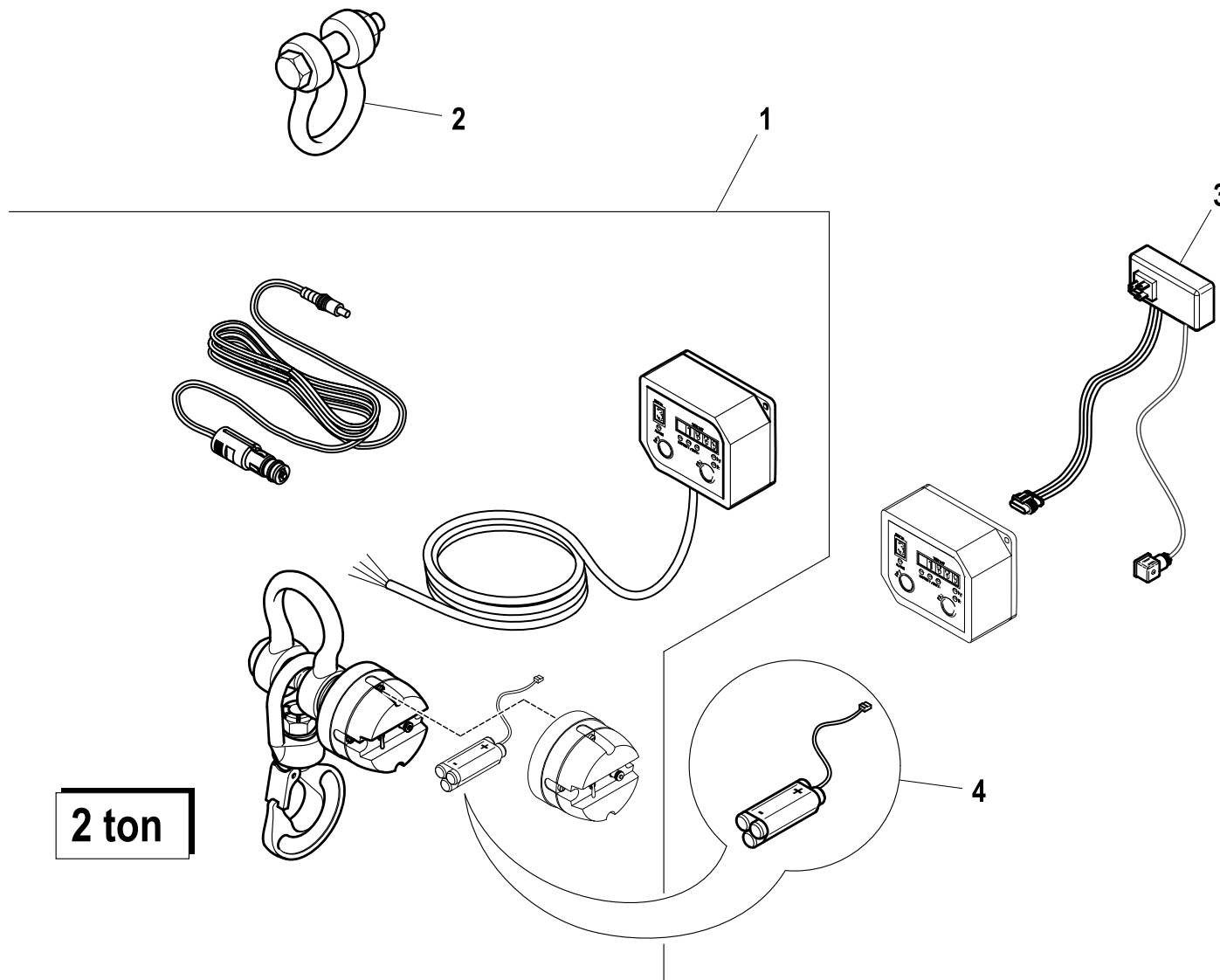
# LOAD INDICATION SYSTEM (LIS/RLC)

Code

**7881824-1.0**

1/1

R	Pos.	Code Variant	Q.ty	Description
	1	5730506	1	
	2	3200050	1	Shackles
	3	W236510	1	
	4	3311542	1	



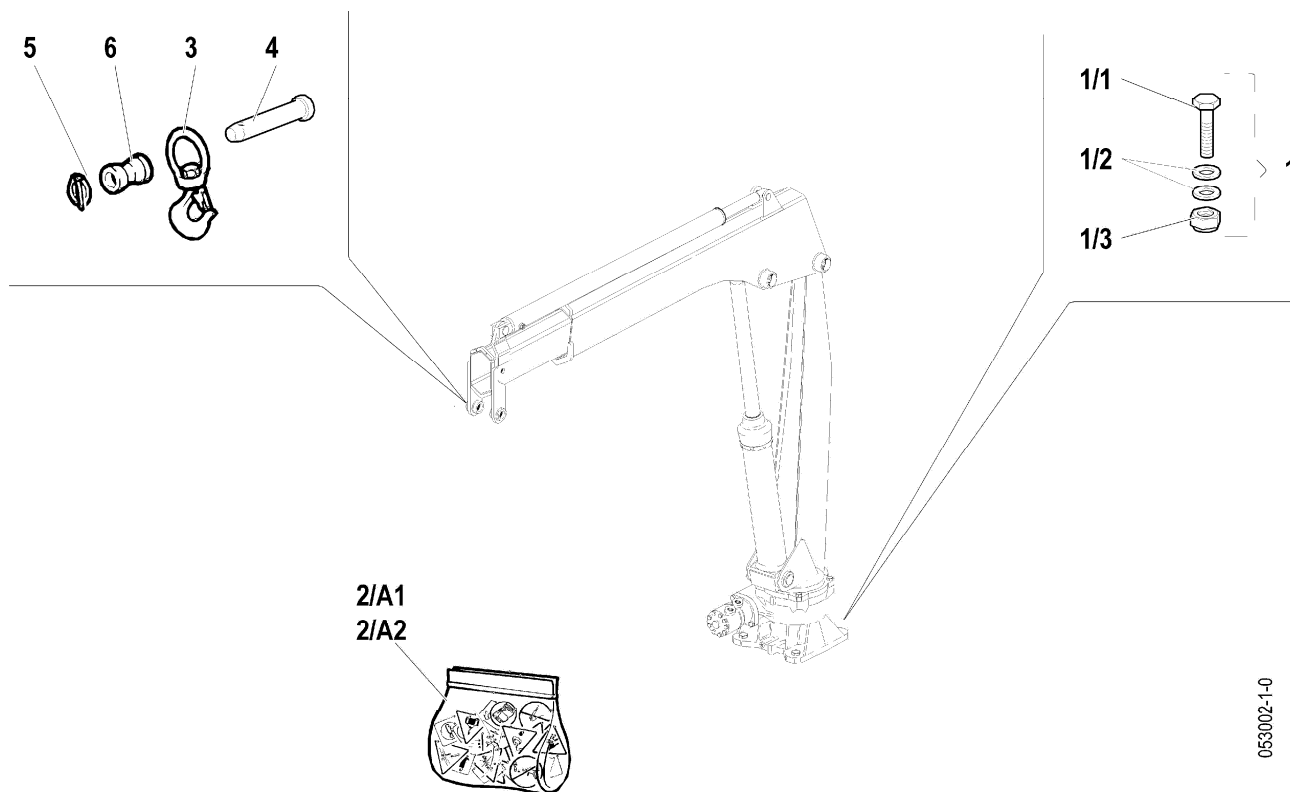
# Completion parts

Code

**W053002-1.0**

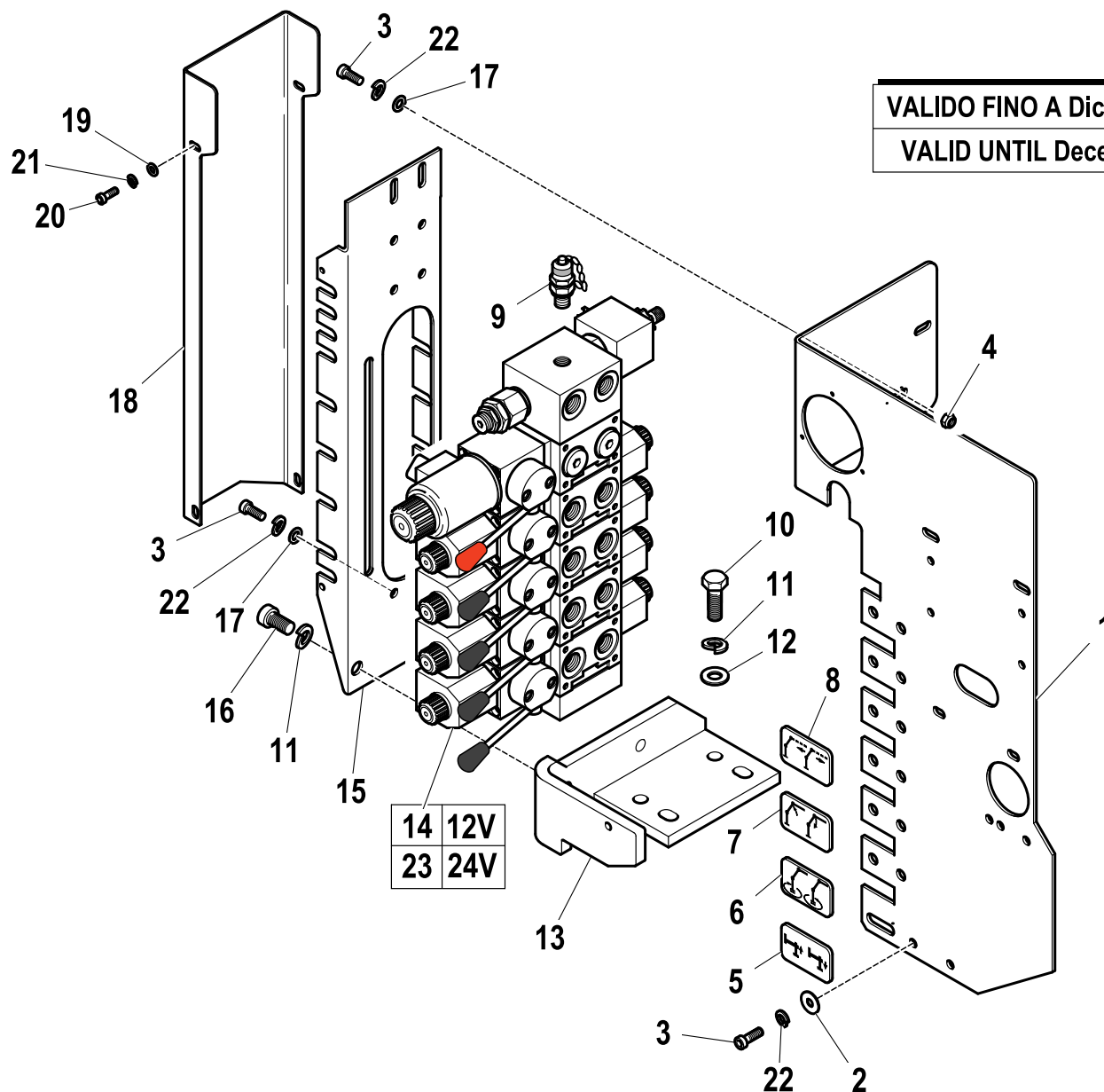
1/1

R	Pos.	Code Variant	Q.ty	Description
	1	W520050100	1	
	1.1	3010481	4	Hex screw [M20x70 10.9 ZC UNI 5738]
	1.2	3060012	8	Flat washer [D.21X37X3 UNI 6592 ZC]
	1.3	3040379	4	Stopnut
	3	W599005	1	
	4	W101084	1	
	5	3060753	1	Cotter pin (Locking ring)
	6	W390301000	1	
	2A1	W572163	1	
	2A2	W572164	1	





HA22 X



**VALIDO FINO A Dicembre 2010**  
**VALID UNTIL December 2010**

R	Pos.	Code Variant	Q.ty	Description
	1	5091139	1	
	2	3060030	1	Flat washer [D.6.6X18 UNI 6593 ZC]
	3	3020034	7	Socketed head cap screw [M6X16 8.8 ZC UNI 5931]
	4	3040372	2	Stopnut
	5	W573278	1	
	6	W573412	1	
	7	W573415	1	
	8	W573303	1	
	9	3111523	1	Pipe fitting (Tapping point) [RACC. MILITES 16X2-1/4"G]
	10	3010355	2	Hex screw [M10X25 8.8 ZC IF UNI 5739]
	11	3060056	4	Split lock washer [D=10 C72 ZC]
	12	3060914	4	Flat washer [D.10.5X21X2 UNI 6592 ZC]
	13	5091056	1	Support (Casing)
	14	5220416	1	
	15	5091138	1	
	16	3020080	2	Socketed head cap screw [M10X16 12.9 ZC UNI 5931]
	17	3060005	6	Flat washer [D.6.4 UNI 6592 ZC]
	18	5091140	1	
	19	3060004	4	Flat washer [D.5 UNI 6592 ZC]
	20	3020021	4	Socketed head cap screw [M5X12X0.8 8.8 ZC UNI 5931]

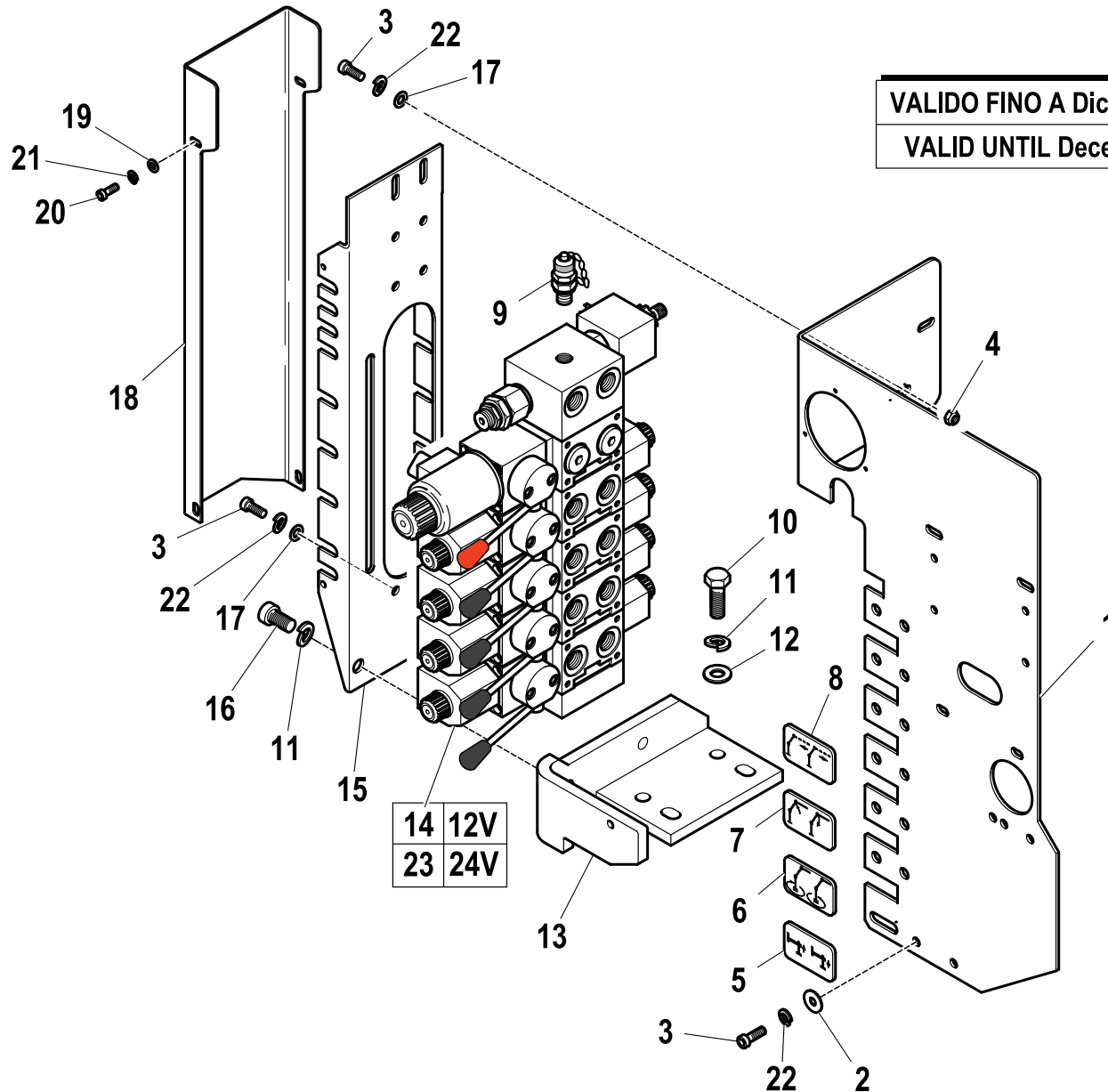
# CONTROLS

Code

**5400483-1.0**

2/2

R	Pos.	Code Variant	Q.ty	Description
	21	3060052	4	Split lock washer [D=5.5 C72 ZC]
	22	3060053	4	Split lock washer [D=6.4 C72 ZC]
	23	5220431	1	



**VALIDO FINO A Dicembre 2010**  
**VALID UNTIL December 2010**

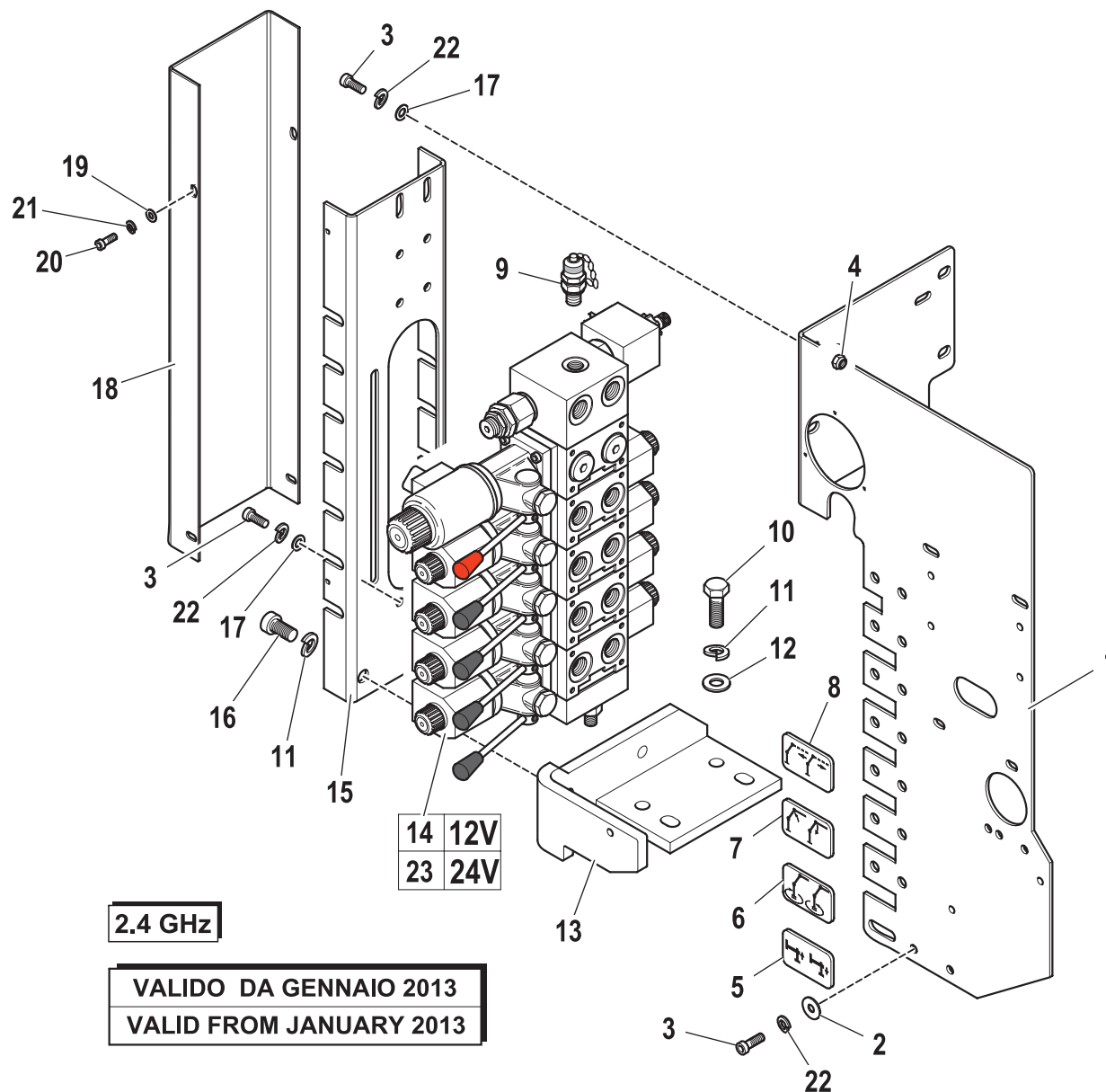
# Control unit (RDC / NOCE)

Code

**5402246-1.0**

1/2

R	Pos.	Code Variant	Q.ty	Description
	1	5091453	1	Guard (Control valve)
	2	3060030	1	Flat washer [D.6.6X18 UNI 6593 ZC]
	3	3020034	7	Socketed head cap screw [M6X16 8.8 ZC UNI 5931]
	4	3040372	2	Stopnut
	5	W573278	1	
	6	W573412	1	
	7	W573415	1	
	8	W573303	1	
	9	3111523	1	Pipe fitting (Tapping point) [RACC. MILITES 16X2-1/4"G]
	10	3010355	2	Hex screw [M10X25 8.8 ZC IF UNI 5739]
	11	3060056	4	Split lock washer [D=10 C72 ZC]
	12	3060914	2	Flat washer [D.10.5X21X2 UNI 6592 ZC]
	13	5091056	1	Support (Casing)
	14	5220416	1	
	15	5091458	1	Lateral guards and supports
	16	3020080	2	Socketed head cap screw [M10X16 12.9 ZC UNI 5931]
	17	3060005	6	Flat washer [D.6.4 UNI 6592 ZC]
	18	5091422	1	Casing ()
	19	3060004	4	Flat washer [D.5 UNI 6592 ZC]
	20	3020021	4	Socketed head cap screw [M5X12X0.8 8.8 ZC UNI 5931]



**2.4 GHz**

**VALIDO DA GENNAIO 2013  
VALID FROM JANUARY 2013**



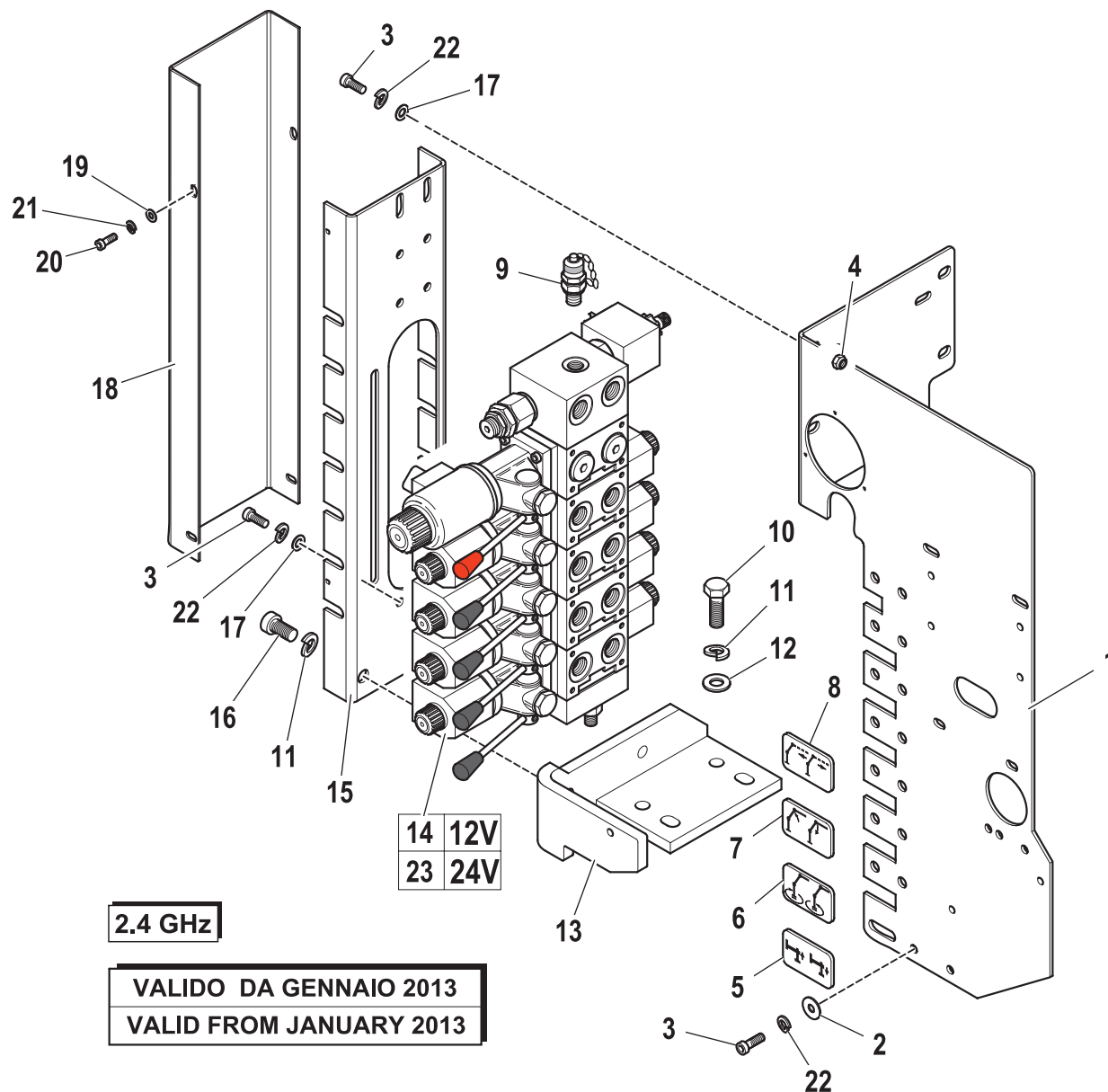
# Control unit (RDC / NOCE)

Code

**5402246-1.0**

2/2

R	Pos.	Code Variant	Q.ty	Description
	21	3060052	4	Split lock washer [D=5.5 C72 ZC]
	22	3060053	4	Split lock washer [D=6.4 C72 ZC]
	23	5220431	1	



**2.4 GHz**

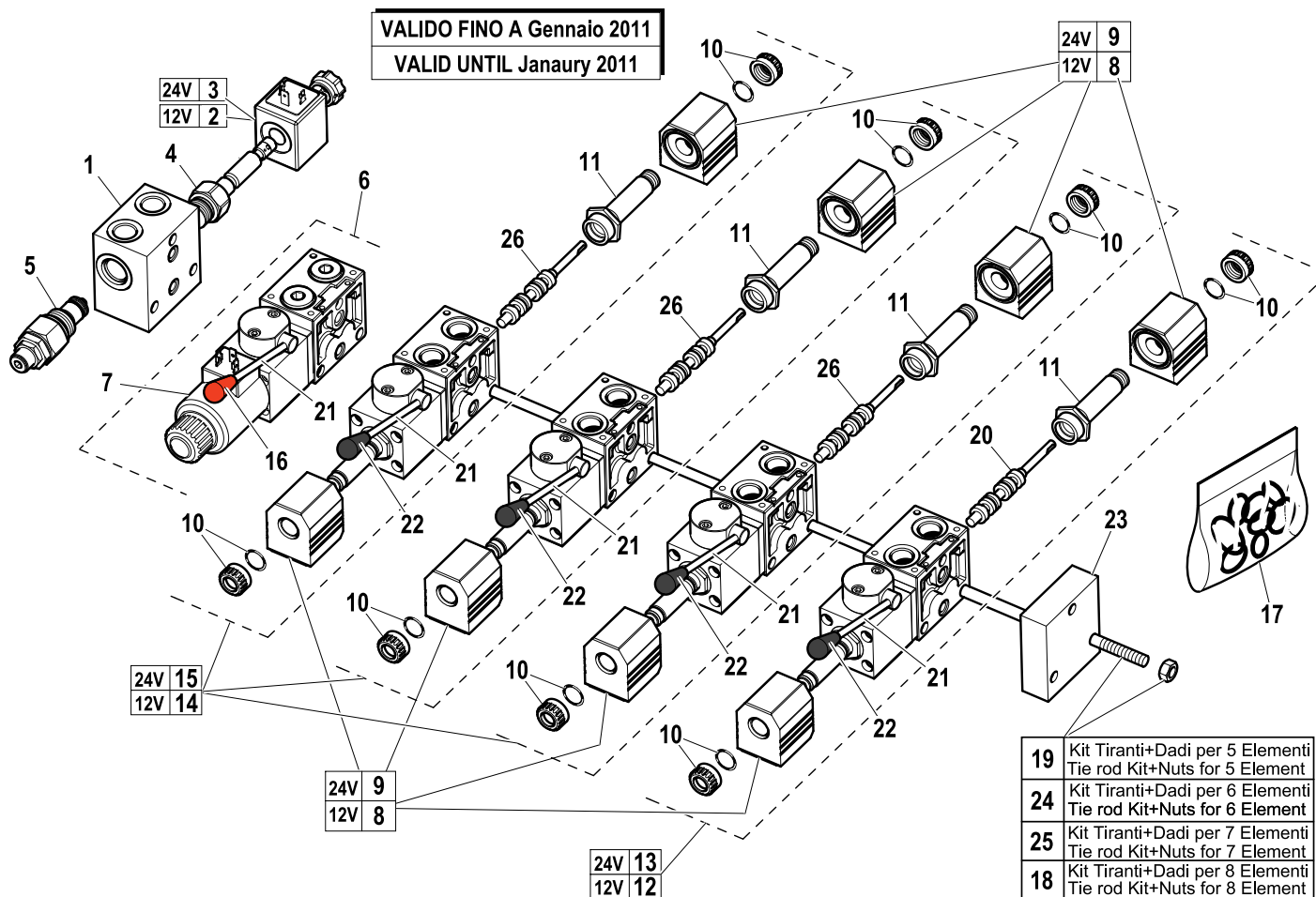
**VALIDO DA GENNAIO 2013  
VALID FROM JANUARY 2013**

# Control valve (4 section)

Code

**5220416-1.0**

1/2



R	Pos.	Code Variant	Q.ty	Description
	1	5225719	1	
	2	3310906	1	
	3	3310904	1	
	4	5220569	1	
	5	5225842	1	
	6	5225846	1	
	7	3310903	1	
	8	3310907	8	
	9	3310905	8	
	10	5225721	8	
	11	5225768	8	
	12	5225755	1	
	13	5225760	1	
	14	5225724	3	
	15	5225757	3	
	16	5225818	1	
	17	5225733	1	
	18	5225732	1	
	19	5225843	1	
	20	5225715	1	

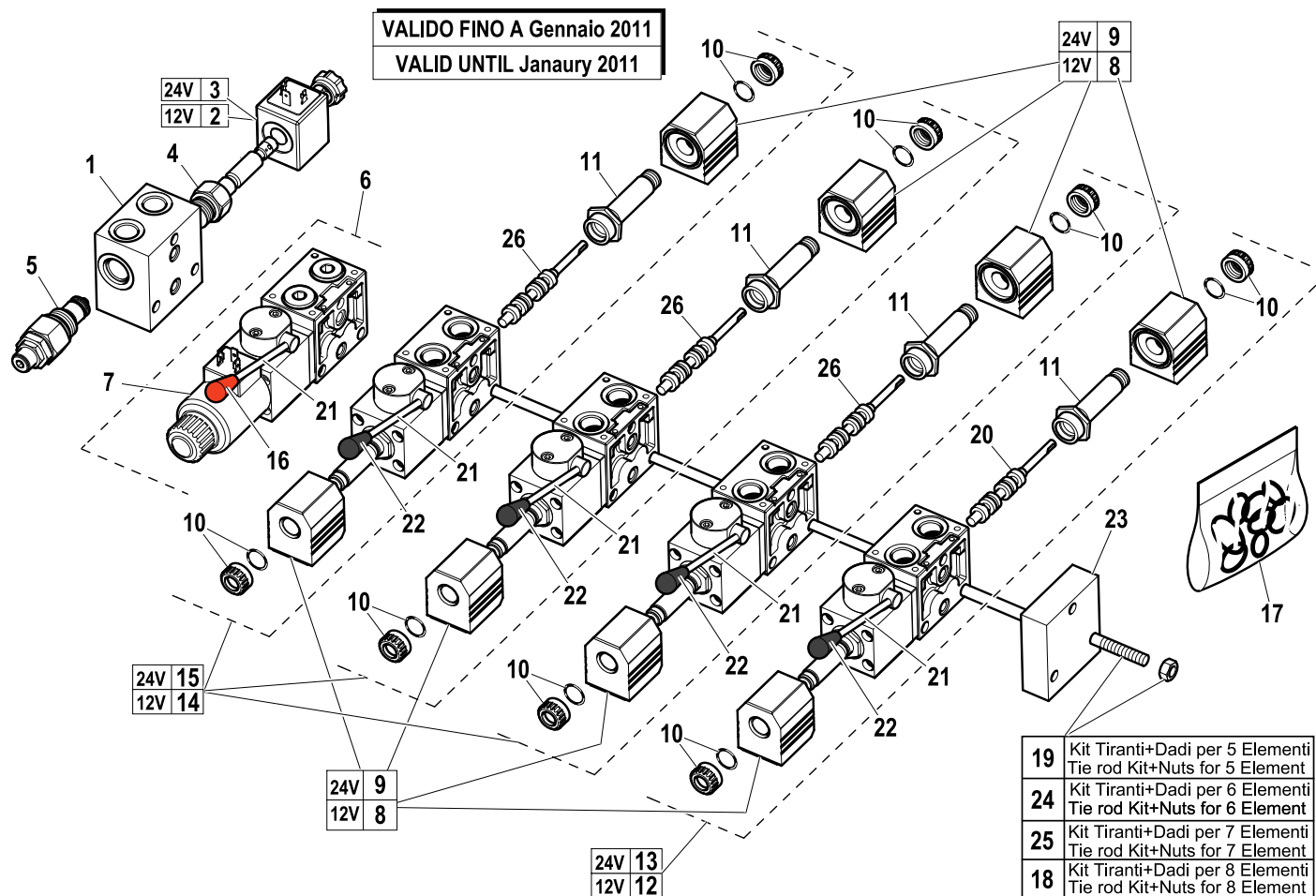
# Control valve (4 section)

Code

**5220416-1.0**

2/2

R	Pos.	Code Variant	Q.ty	Description
	21	5225722	5	Control lever
	22	5225723	4	
	23	5225727	1	
	24	5225730	1	
	25	5225731	1	
	26	5225716	3	

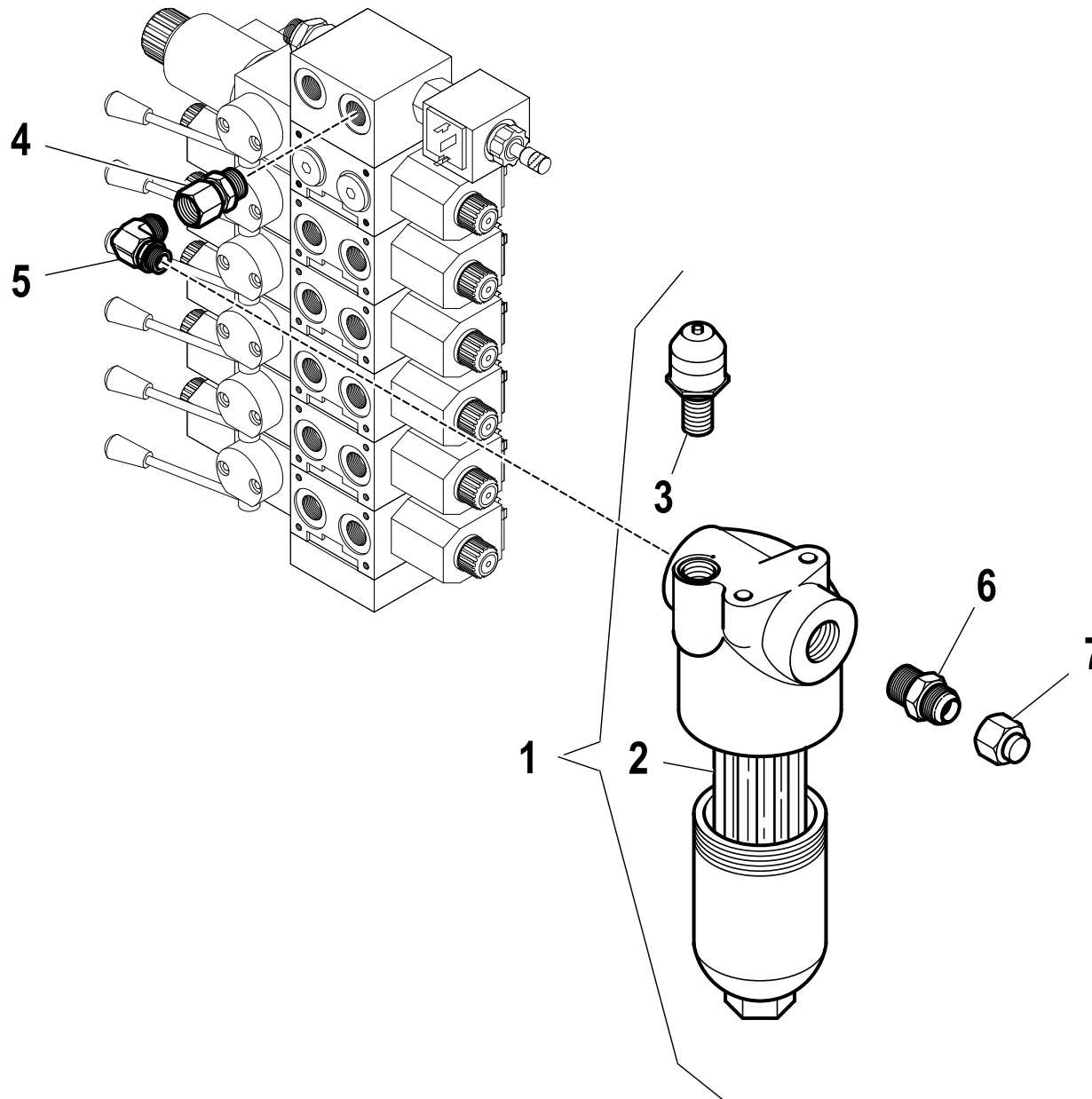


# High pressure filter

Code

**5400814-1.0**

1/1



R	Pos.	Code Variant	Q.ty	Description
	1	3180138	1	Oil filter
	2	3180139	1	Filtering cartridge
	3	3180140	1	
	4	3120072	1	Straight pipe fitting
	5	3101131	1	90° Connection
	6	3101044	1	Straight pipe fitting
	7	3110041	1	Female plug

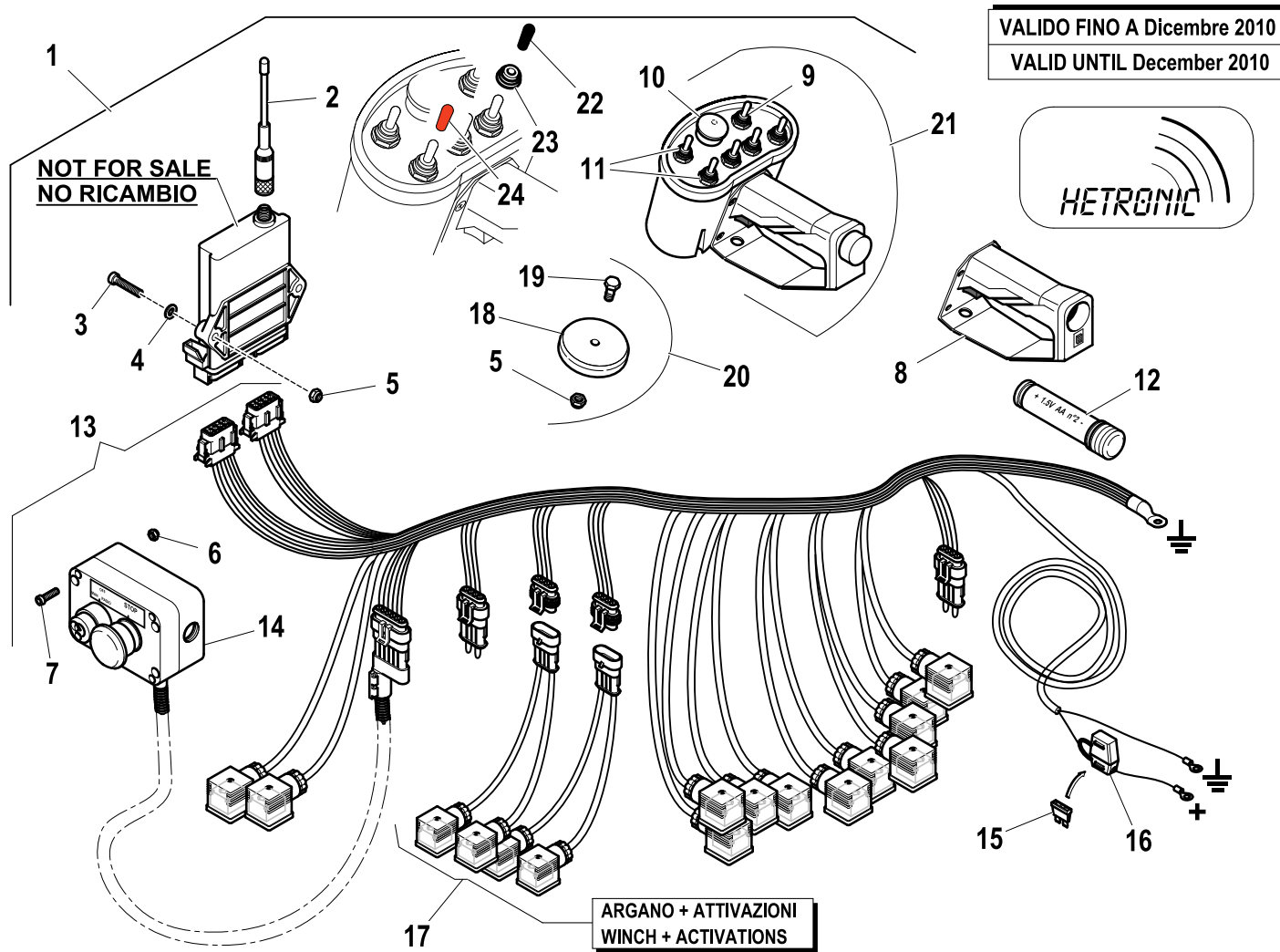
# Complete wireless control (not CE)

Code

**7892099-2.0**

1/2

R	Pos.	Code Variant	Q.ty	Description
	1	5120095	1	
	2	3310861	1	
	3	3020038	2	Socket head cap screw [M6X30 8.8 ZC UNI 5931]
	4	3060005	2	Flat washer [D.6.4 UNI 6592 ZC]
	5	3040372	3	Stopnut
	6	3040392	8	Stopnut
	7	3020023	8	Socket head cap screw [M5X16 8.8 ZC UNI 5931]
	8	3311071	1	Handle
	9	3310891	1	
	10	3310892	1	
	11	3310890	5	
	12	3310893	1	Battery compartment
	13	3310860	1	
	14	3310908	1	
	15	3310688	1	
	16	3310852	1	
	17	3310862	2	
	18	3310064	1	
	19	3010324	1	Hex screw [M6X12 8.8 ZC UNI 5739]
	20	5410965	1	Kit (Magnet)



# Complete wireless control (not CE)

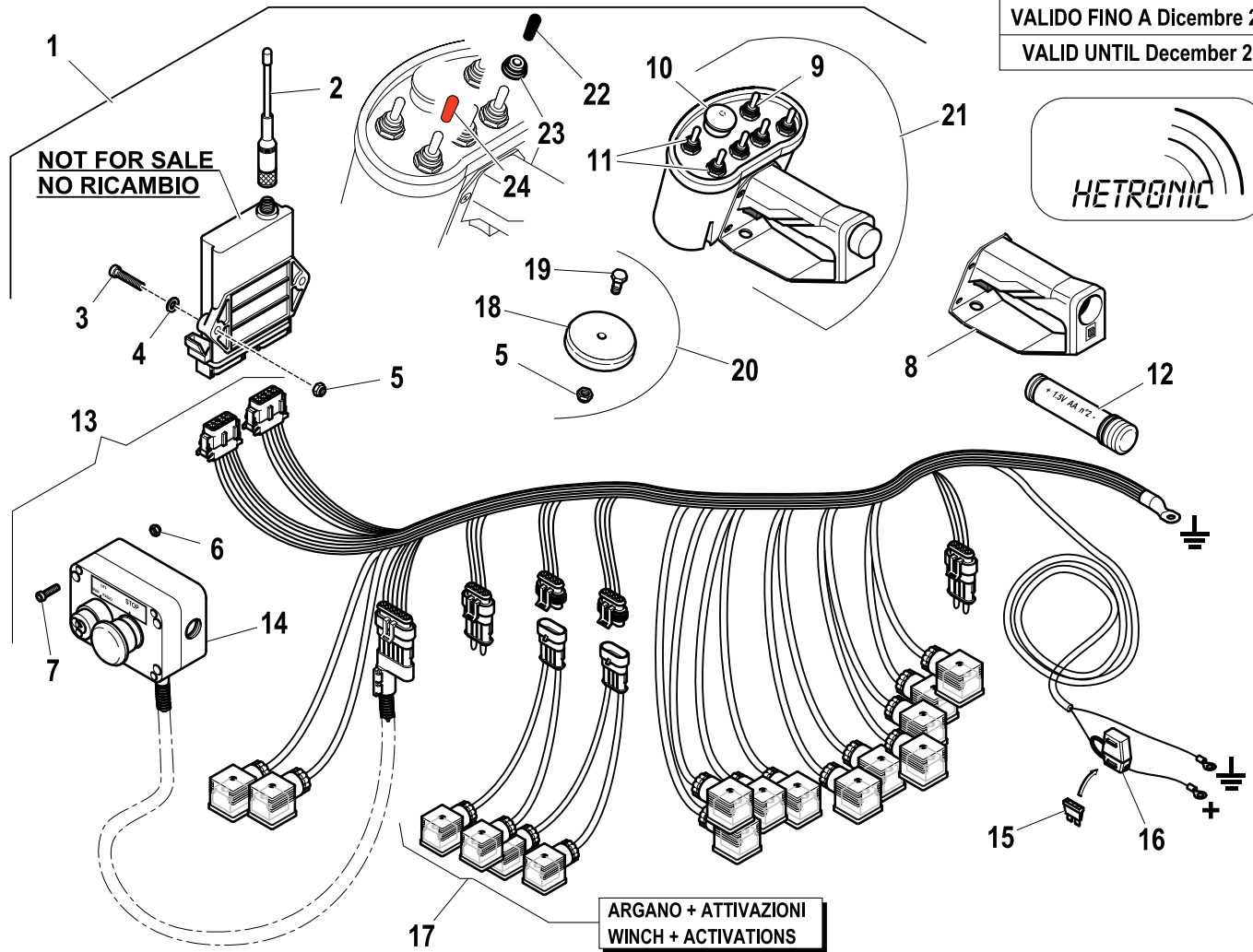
Code

**7892099-2.0**

2/2

R	Pos.	Code Variant	Q.ty	Description
	21	3310754	1	
	22	3311195	5	
	23	3311197	6	
	24	3311196	1	

**VALIDO FINO A Dicembre 2010**  
**VALID UNTIL December 2010**



**NOT FOR SALE**  
**NO RICAMBIO**

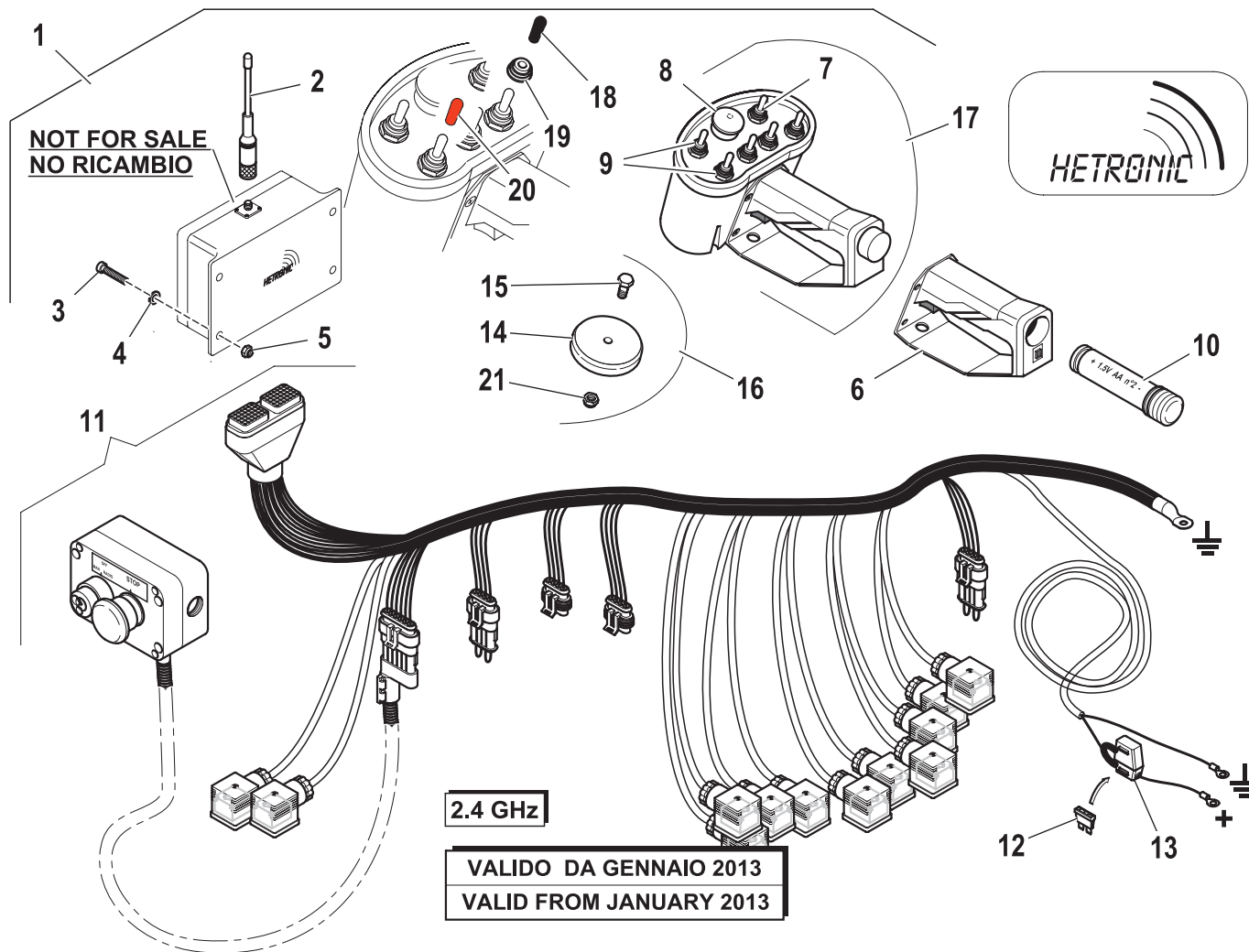
**ARGANO + ATTIVAZIONI**  
**WINCH + ACTIVATIONS**

# Complete wireless control (PTO)

Code

**7892500-1.0**

1/2



R	Pos.	Code Variant	Q.ty	Description
	1	5120154	1	Complete wireless control
	2	3311501	1	Aerial (Wireless control)
	3	3020028	4	Socketed head cap screw [M5X20 8.8 ZC UNI 5931]
	4	3060004	4	Flat washer [D.5 UNI 6592 ZC]
	5	3040392	4	Stopnut
	6	3311071	1	Handle
	7	3310891	1	
	8	3310892	1	
	9	3310890	5	
	10	3310893	1	Battery compartment
	11	3311509	1	Electric wiring (Wireless control)
	12	3310688	1	
	13	3310852	1	
	14	3310064	1	
	15	3010324	1	Hex screw [M6X12 8.8 ZC UNI 5739]
	16	5410965	1	Kit (Magnet)
	17	3311502	1	Transmitter (Wireless control)
	18	3311195	5	
	19	3311197	6	
	20	3311196	1	



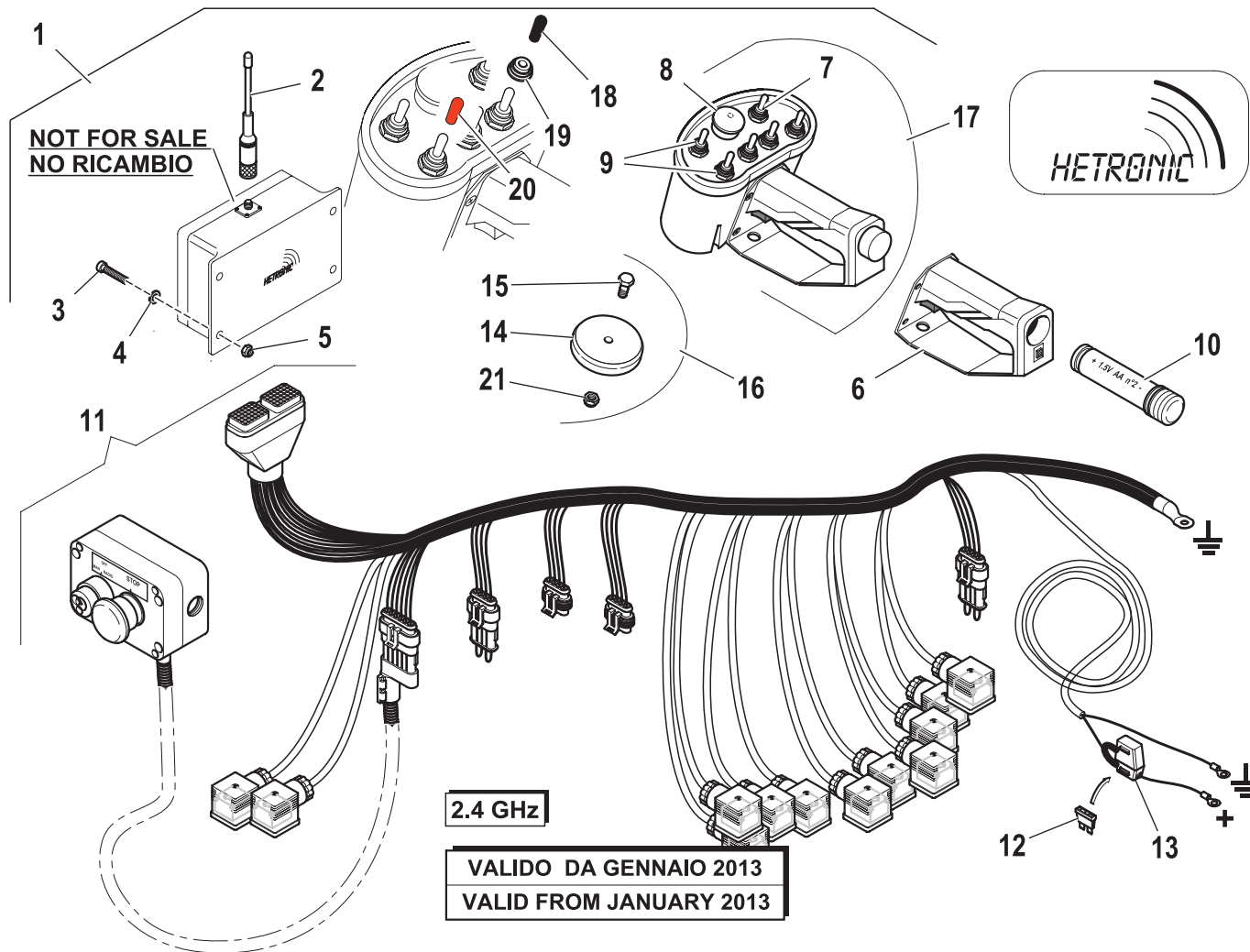
# Complete wireless control (PTO)

Code

**7892500-1.0**

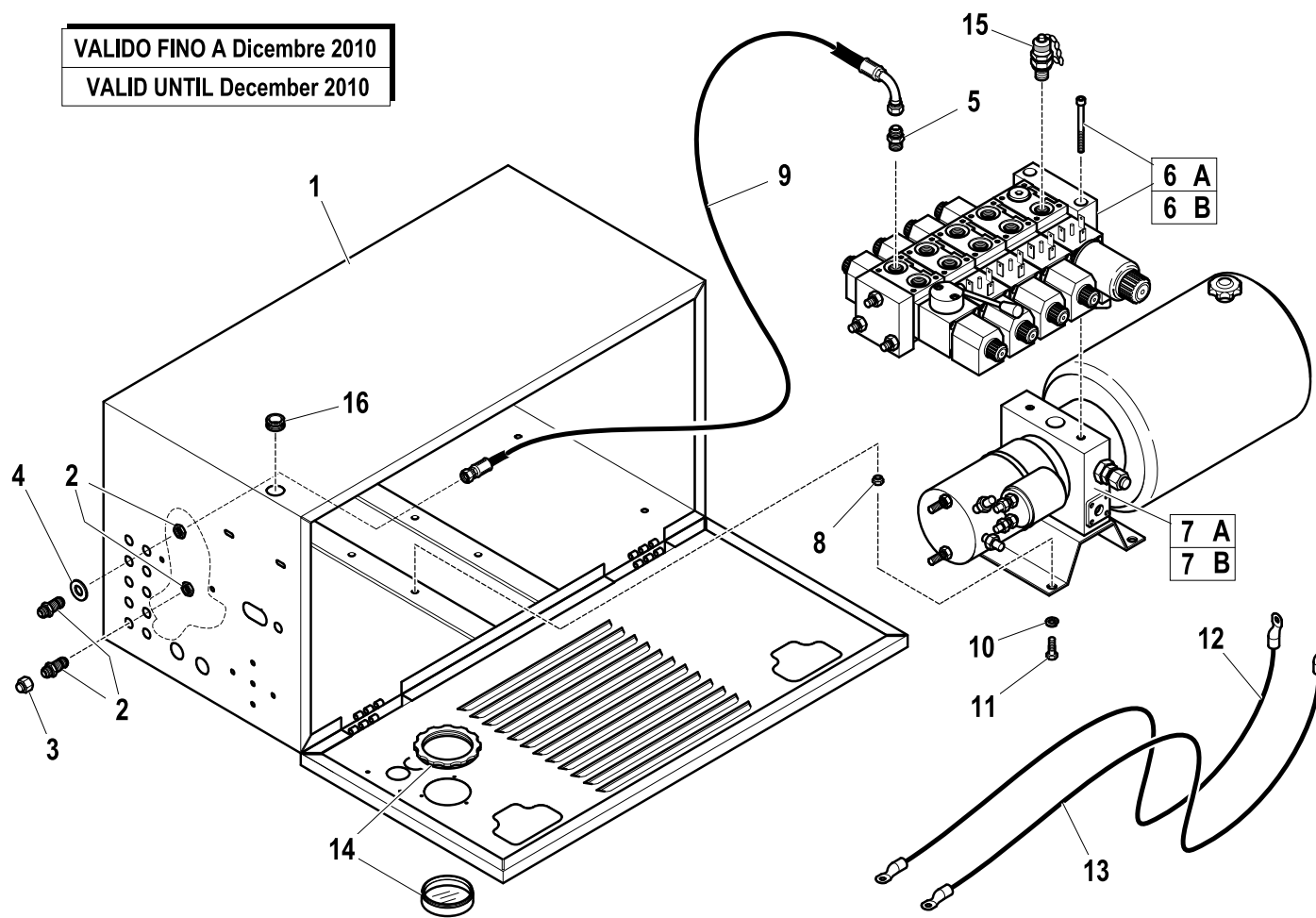
2/2

R	Pos.	Code Variant	Q.ty	Description
	21	3040372	1	Stopnut



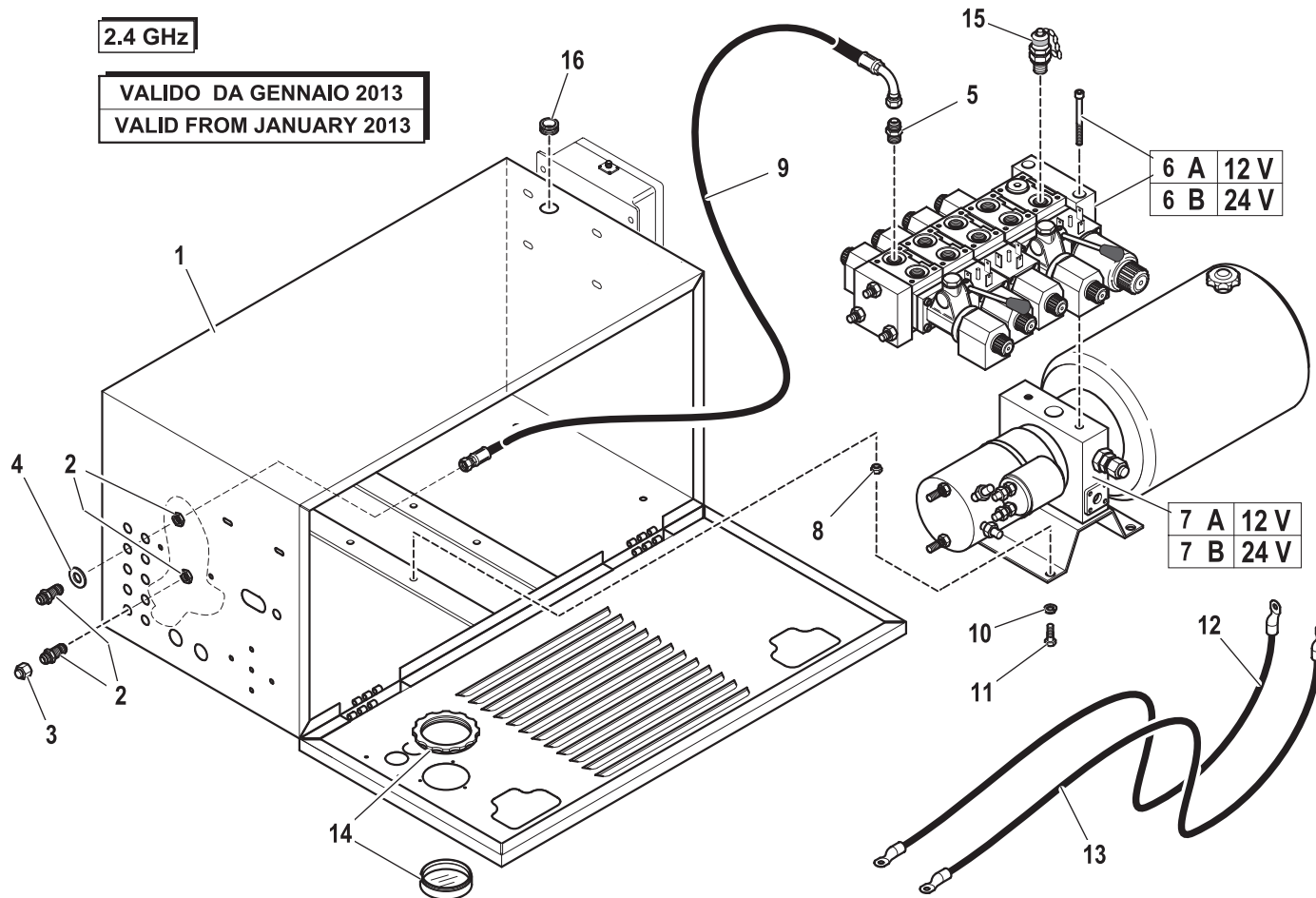


VALIDO FINO A Dicembre 2010  
VALID UNTIL December 2010



R	Pos.	Code Variant	Q.ty	Description
	1	5090016	1	
	2	3120309	8	Wall-through pipe fitting
	3	3110040	2	Female plug
	4	3060009	8	Flat washer [D.15X28X2.5 UNI 6592 ZC]
	5	3101040	8	Straight pipe fitting
	6 A	5220415 (12V)	1	
	6 B	5220429 (24V)	1	
	7 A	W318009 (12V)	1	
	7 B	W318010 (24V)	1	
	8	3040303	4	Stopnut
	9	5260475	8	Flexible hose
	10	3060055	4	Split lock washer [D=8.4 C72 ZC]
	11	3010339	4	Hex screw [M8X25 8.8 ZC IF UNI 5739]
	12	3310067	1	Electric cable (negative pole)
	13	3310068	1	Electric cable (positive pole)
	14	3180208	1	Oil level indicator
	15	3111523	1	Pipe fitting (Tapping point) [RACC. MILITES 16X2-1/4"G]
	16	3190179	3	Cable lead (Rubber)

R	Pos.	Code Variant	Q.ty	Description
	1	5091456	1	Junction box
	2	3120309	8	Wall-through pipe fitting
	3	3110040	2	Female plug
	4	3060009	8	Flat washer [D.15X28X2.5 UNI 6592 ZC]
	5	3101040	8	Straight pipe fitting
	6 A	5220469	1	
	6 B	5220470	1	
	7 A	W318009	1	
	7 B	W318010	1	
	8	3040303	4	Stopnut
	9	5260475	8	Flexible hose
	10	3060055	4	Split lock washer [D=8.4 C72 ZC]
	11	3010339	4	Hex screw [M8X25 8.8 ZC IF UNI 5739]
	12	3310067	1	Electric cable (negative pole)
	13	3310068	1	Electric cable (positive pole)
	14	3180208	1	Oil level indicator
	15	3111523	1	Pipe fitting (Tapping point) [RACC. MILITES 16X2-1/4"G]
	16	3190179	3	Cable lead (Rubber)



# HYDRAULIC SYSTEM GAUGE

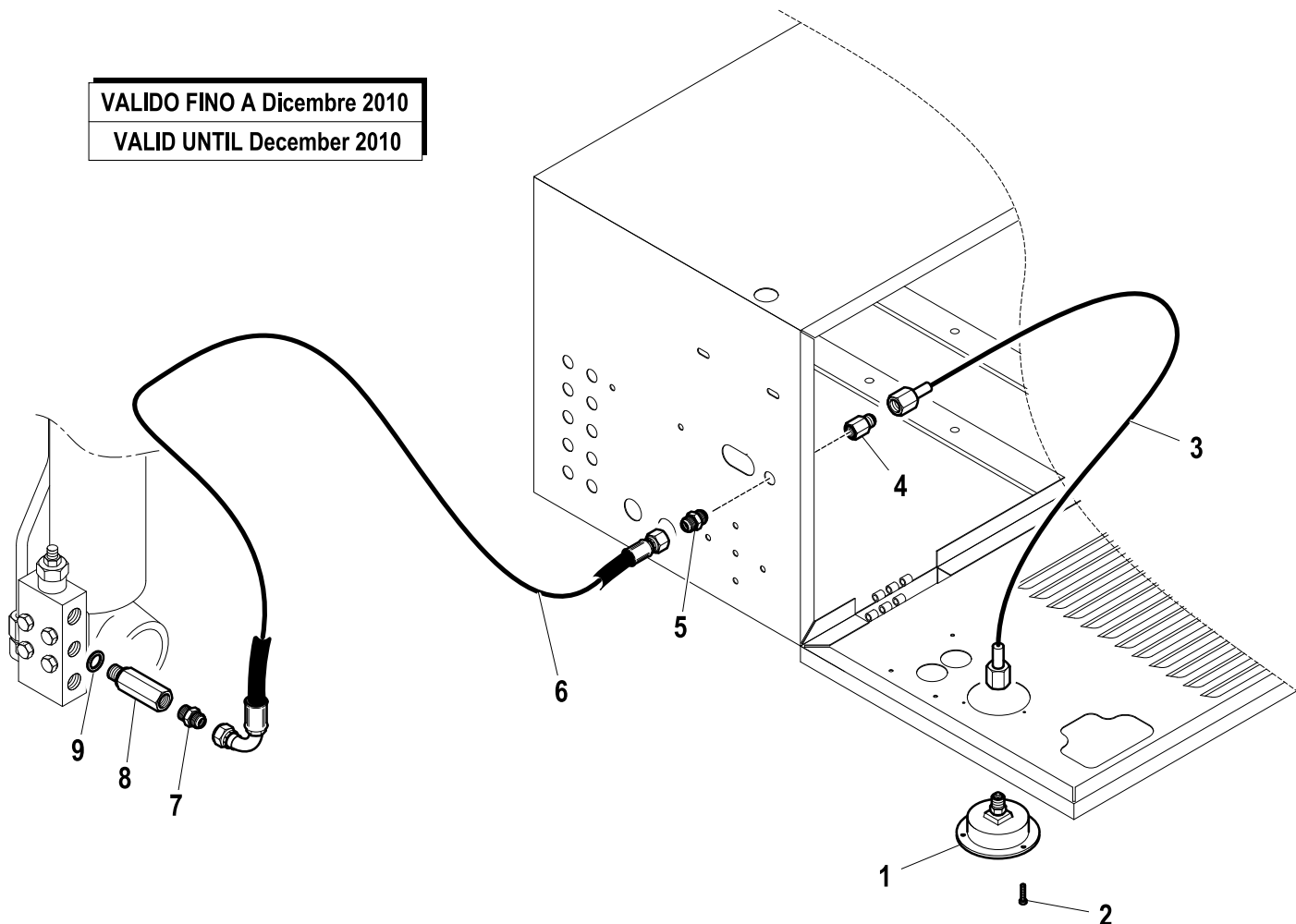
Code

**7920056-1.0**

1/1

VALIDO FINO A Dicembre 2010

VALID UNTIL December 2010



R	Pos.	Code Variant	Q.ty	Description
	1	3180150	1	
	2	3020950	3	
	3	W458458	1	
	4	3120200	1	Reducing fitting
	5	3120099	1	
	6	5260337	1	Flexible hose
	7	3101039	1	Straight pipe fitting
	8	5220300	1	Hose burst valve (Sleeve)
	9	3060143	1	Sealing washer [BSP 1/4"]

# Moment limiting device

Code

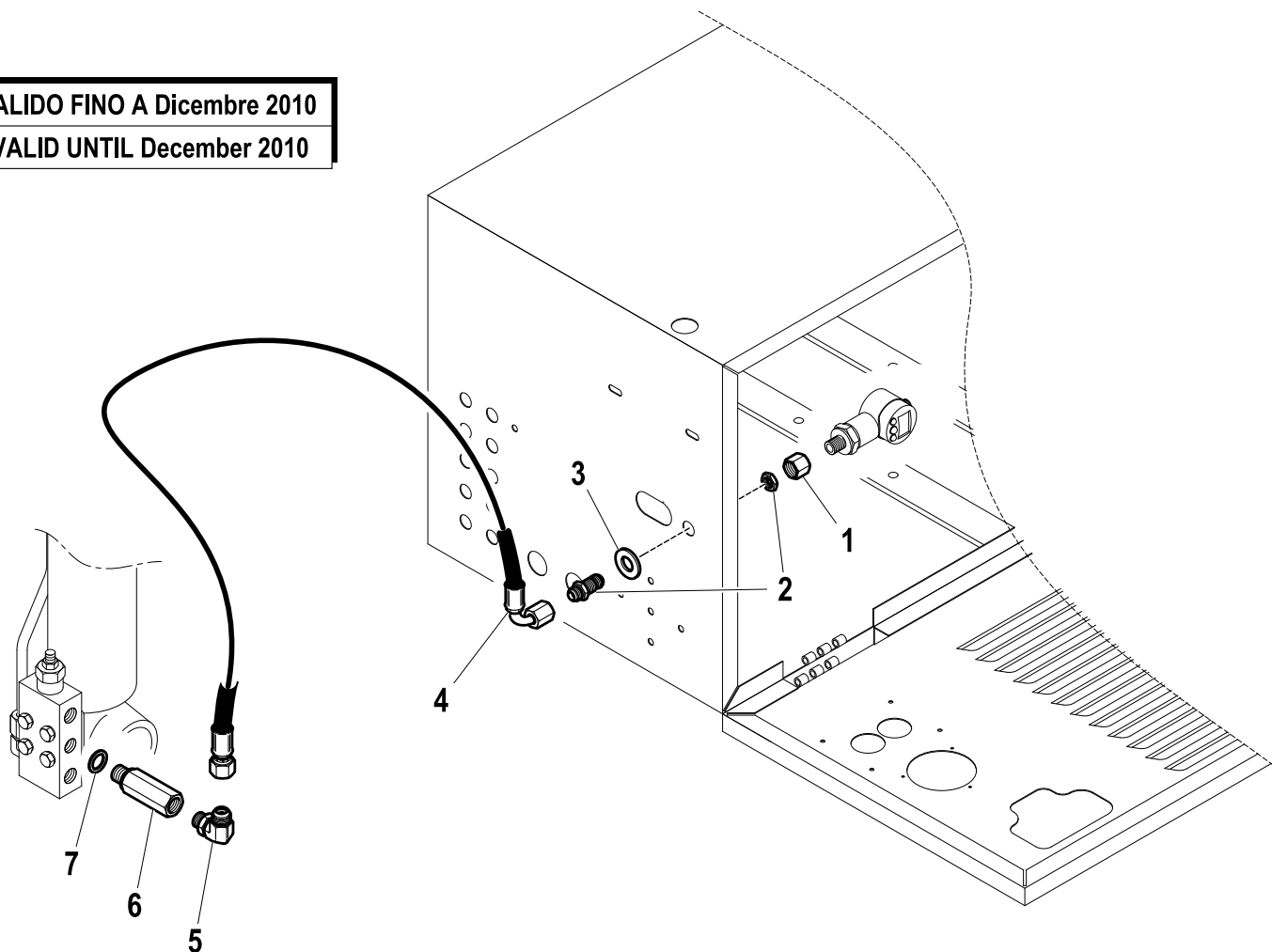
**5405017-2.0**

1/1

VALIDO FINO A Dicembre 2010

VALID UNTIL December 2010

R	Pos.	Code Variant	Q.ty	Description
	1	3120385	1	Reducing fitting [RACC. FJ/FGAS 9/16J 1/4"]
	2	3120309	1	Wall-through pipe fitting
	3	3060009	1	Flat washer [D.15X28X2.5 UNI 6592 ZC]
	4	5260337	1	Flexible hose
	5	3101124	1	90° Connection
	6	5220300	1	Hose burst valve (Sleeve)
	7	3060143	1	Sealing washer [BSP 1/4"]



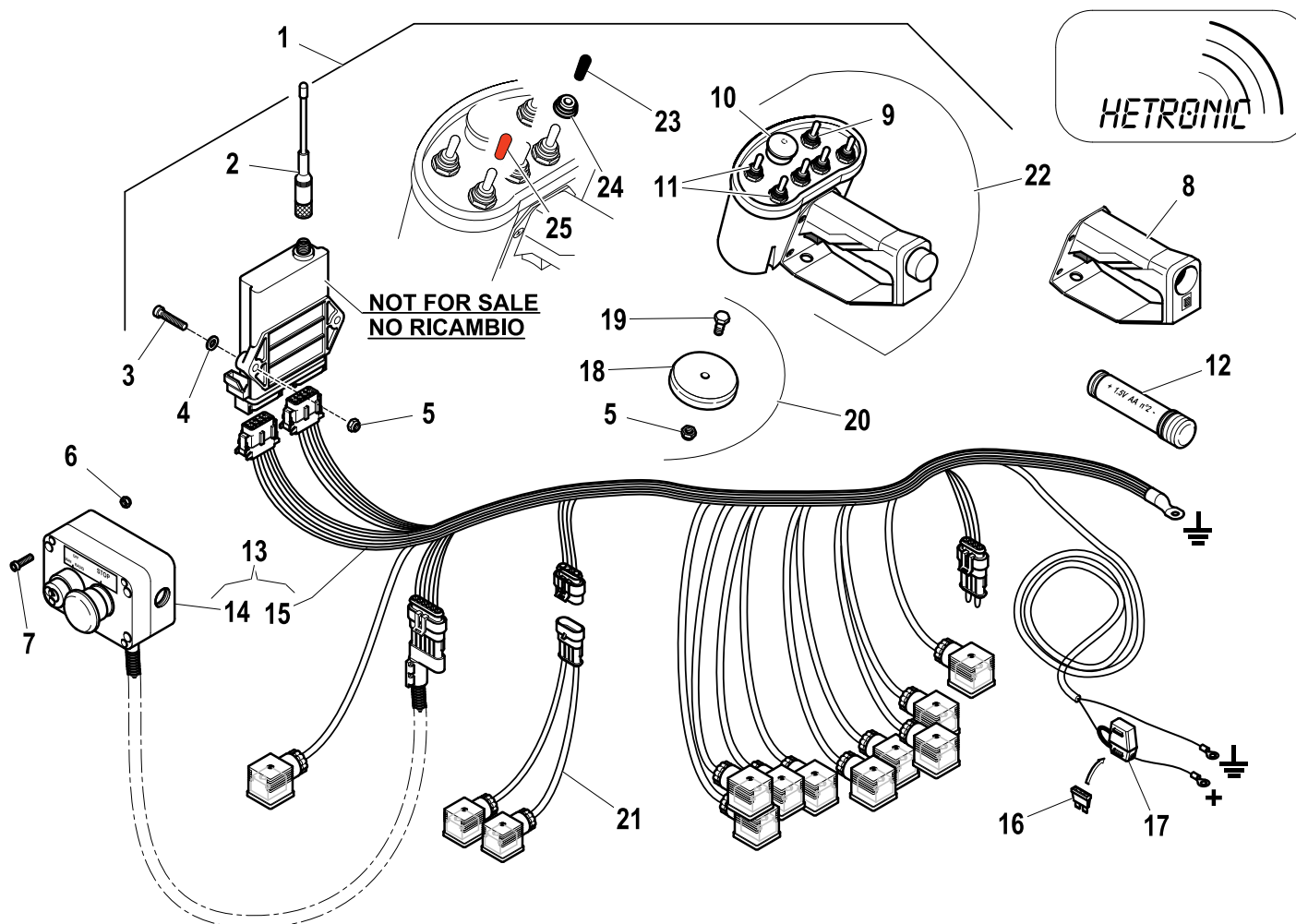
# Kit (Wireless control)

Code

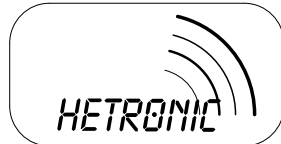
**3310183-1.0**

1/2

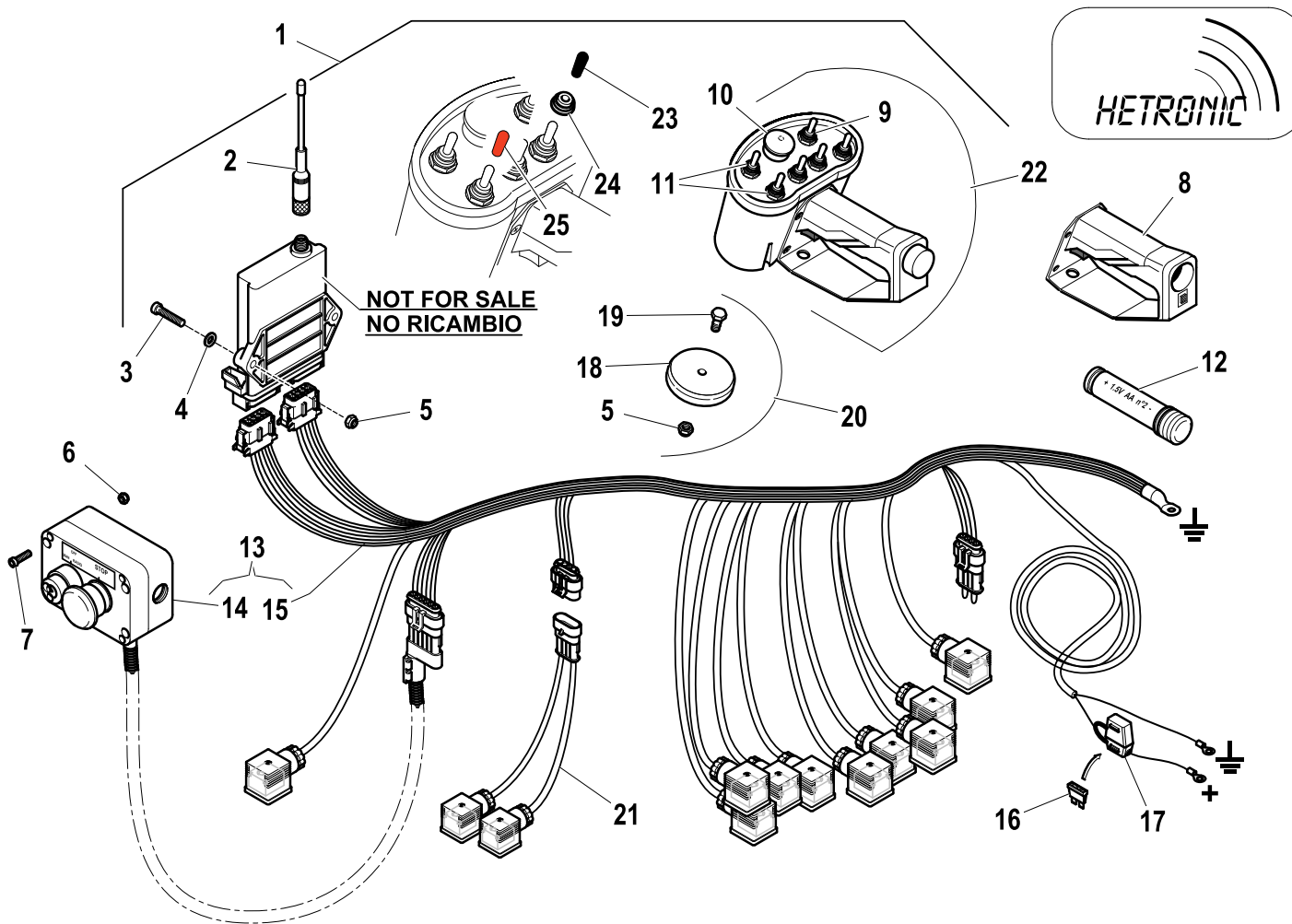
R	Pos.	Code Variant	Q.ty	Description
	1	5120095	1	
	2	3310861	1	
	3	3020038	2	Socket head cap screw [M6X30 8.8 ZC UNI 5931]
	4	3060005	2	Flat washer [D.6.4 UNI 6592 ZC]
	5	3040372	3	Stopnut
	6	3040392	4	Stopnut
	7	3020023	4	Socket head cap screw [M5X16 8.8 ZC UNI 5931]
	8	3311071	1	Handle
	9	3310891	1	
	10	3310892	1	
	11	3310890	5	
	12	3310893	1	Battery compartment
	13	3310183	1	
	14	3310908	1	
	15	3311152	1	
	16	3310688	1	
	17	3310852	1	
	18	3310064	1	
	19	3010324	1	Hex screw [M6X12 8.8 ZC UNI 5739]
	20	5410965	1	Kit (Magnet)



**NOT FOR SALE  
NO RICAMBIO**



R	Pos.	Code Variant	Q.ty	Description
	21	3310862	1	
	22	3310754	1	
	23	3311195	5	
	24	3311197	6	
	25	3311196	1	

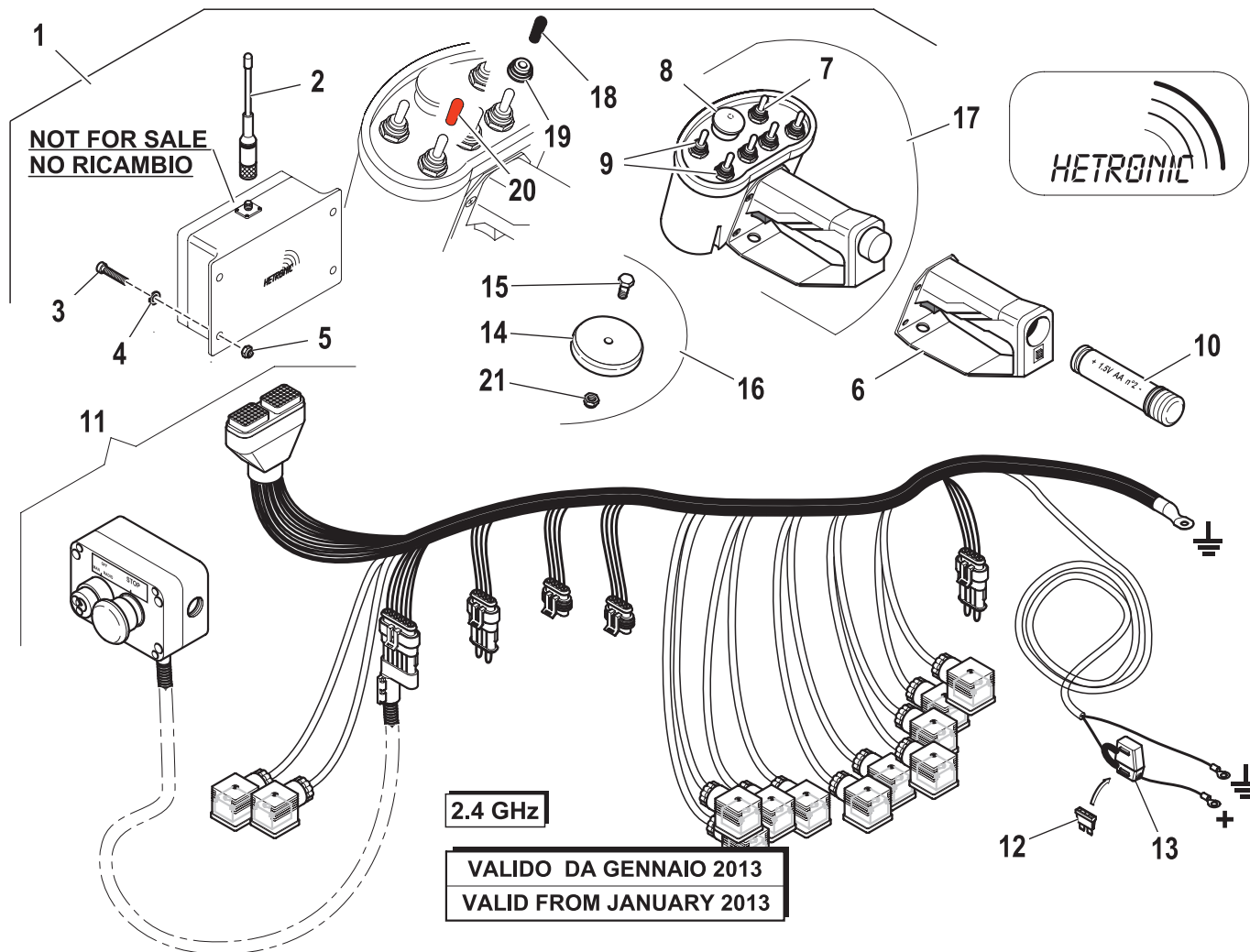


# Complete wireless control (ETR)

Code

**7892500-4.0**

1/2



R	Pos.	Code Variant	Q.ty	Description
1		5120154	1	Complete wireless control
2		3311501	1	Aerial (Wireless control)
3		3020028	4	Socketed head cap screw [M5X20 8.8 ZC UNI 5931]
4		3060004	4	Flat washer [D.5 UNI 6592 ZC]
5		3040392	4	Stopnut
6		3311071	1	Handle
7		3310891	1	
8		3310892	1	
9		3310890	5	
10		3310893	1	Battery compartment
11		3311510	1	Electric wiring (ETR)
12		3310688	1	
13		3310852	1	
14		3310064	1	
15		3010324	1	Hex screw [M6X12 8.8 ZC UNI 5739]
16		5410965	1	Kit (Magnet)
17		3311502	1	Transmitter (Wireless control)
18		3311195	5	
19		3311197	6	
20		3311196	1	

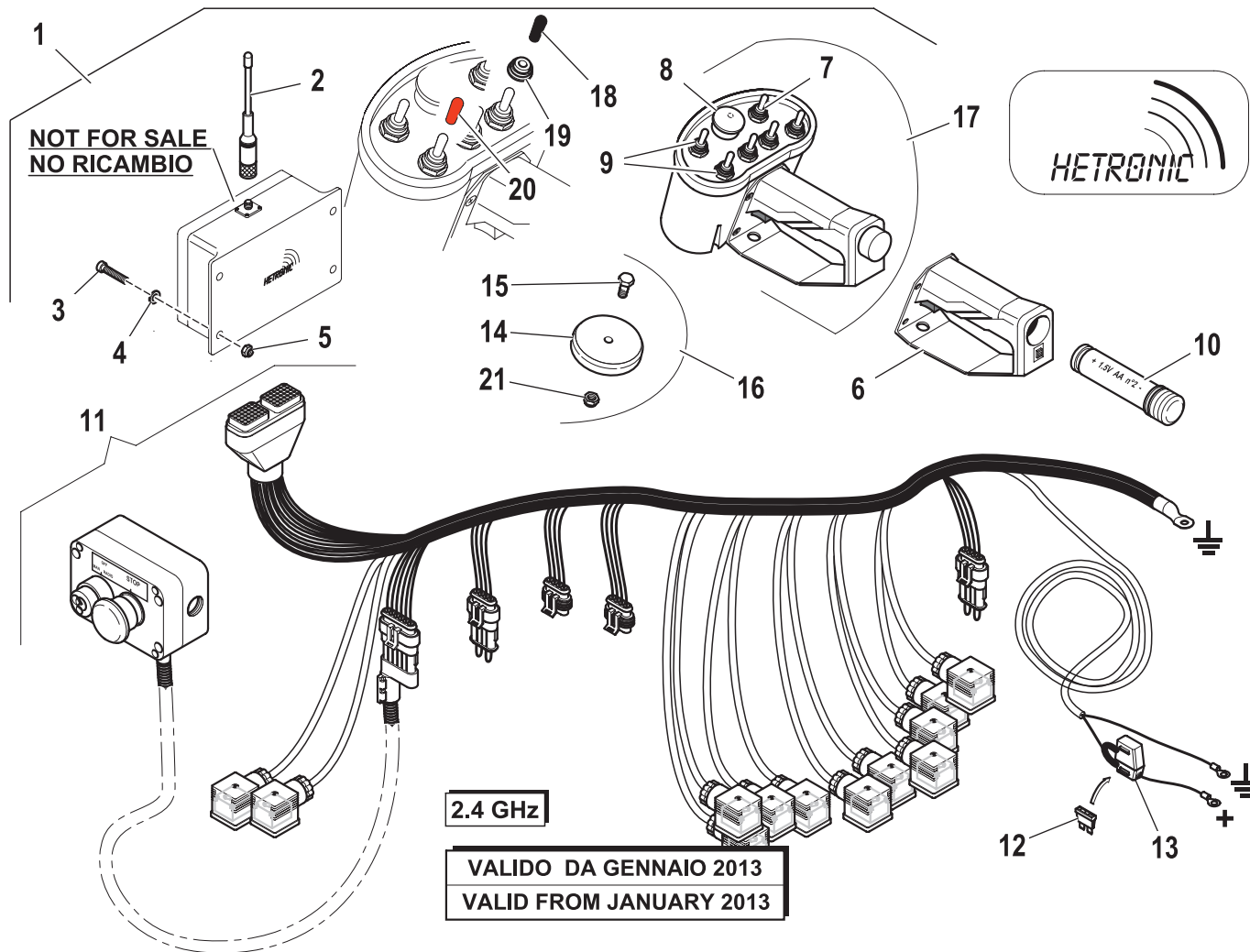
# Complete wireless control (ETR)

Code

**7892500-4.0**

2/2

R	Pos.	Code Variant	Q.ty	Description
	21	3040372	1	Stopnut





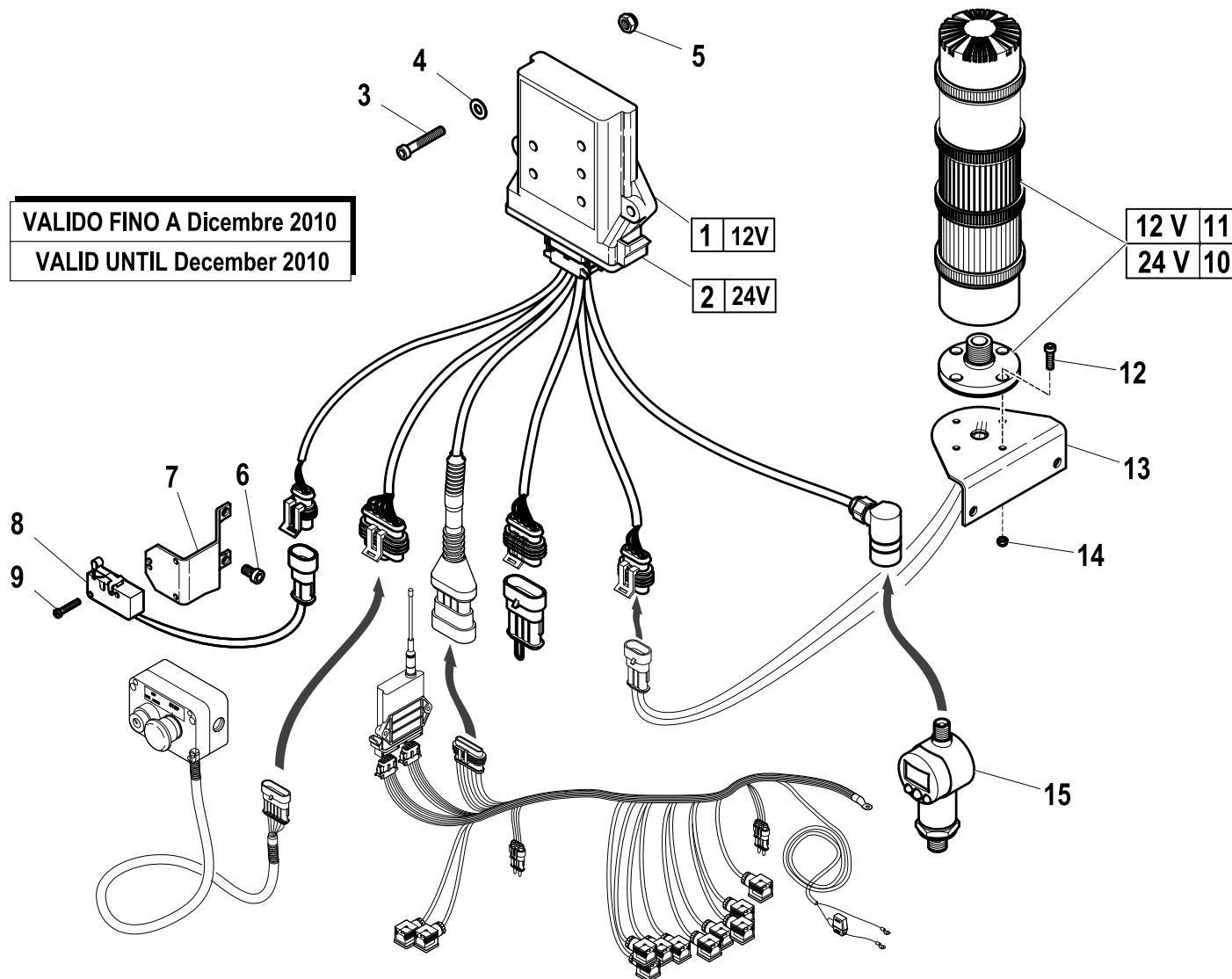
# Auxiliary wiring

Code

**5405017-1.0**

1/1

VALIDO FINO A Dicembre 2010  
VALID UNTIL December 2010



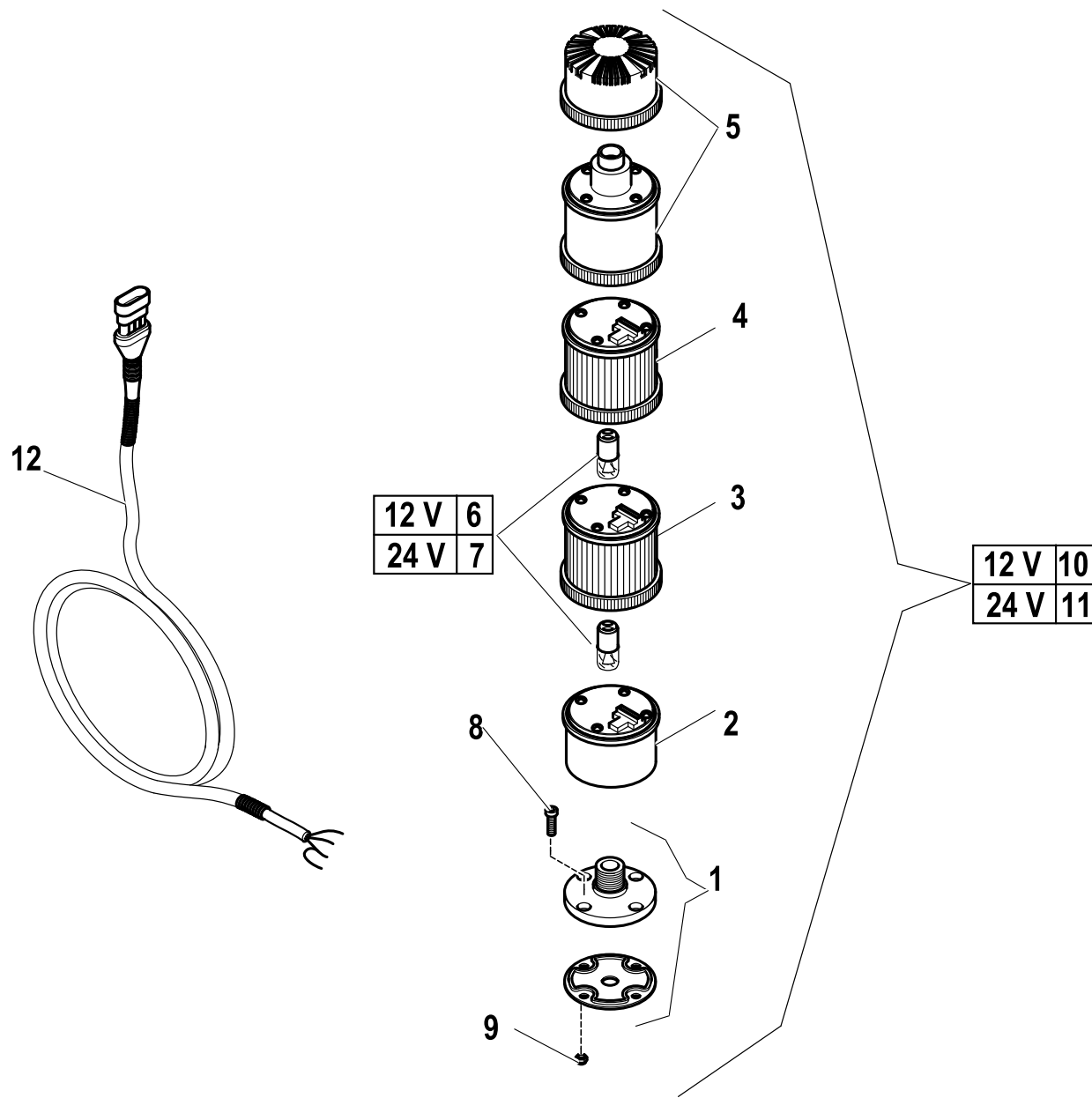
R	Pos.	Code Variant	Q.ty	Description
	1	3310876	1	
	2	3310879	1	
	3	3020038	2	Socket head cap screw [M6X30 8.8 ZC UNI 5931]
	4	3060005	2	Flat washer [D.6.4 UNI 6592 ZC]
	5	3040372	2	Stopnut
	6	3020022	2	Socket head cap screw [M5X10 8.8 ZC UNI 5931]
	7	5001694	1	
	8	3310885	1	Microswitch (Electric)
	9	3020880	2	
	10	3310822	1	
	11	3310823	1	
	12	3020023	4	Socket head cap screw [M5X16 8.8 ZC UNI 5931]
	13	W370508000	1	Support (Flashing light)
	14	3040392	4	Stopnut
	15	3310873	1	

# Light column

Code

**3310822-1.0**

1/1



R	Pos.	Code Variant	Q.ty	Description
	1	3310821	1	
	2	3310595	1	
	3	3310594	1	
	4	3310593	1	
	5	3310597	1	
	6	3310610	2	
	7	3310596	2	
	8	3020023	4	Socket head cap screw [M5X16 8.8 ZC UNI 5931]
	9	3040392	4	Stopnut
	10	3310823	1	
	11	3310822	1	
	12	3311110	1	

## Auxiliary wiring (Limiting device)

Code

**5405017-3.0**

1/1

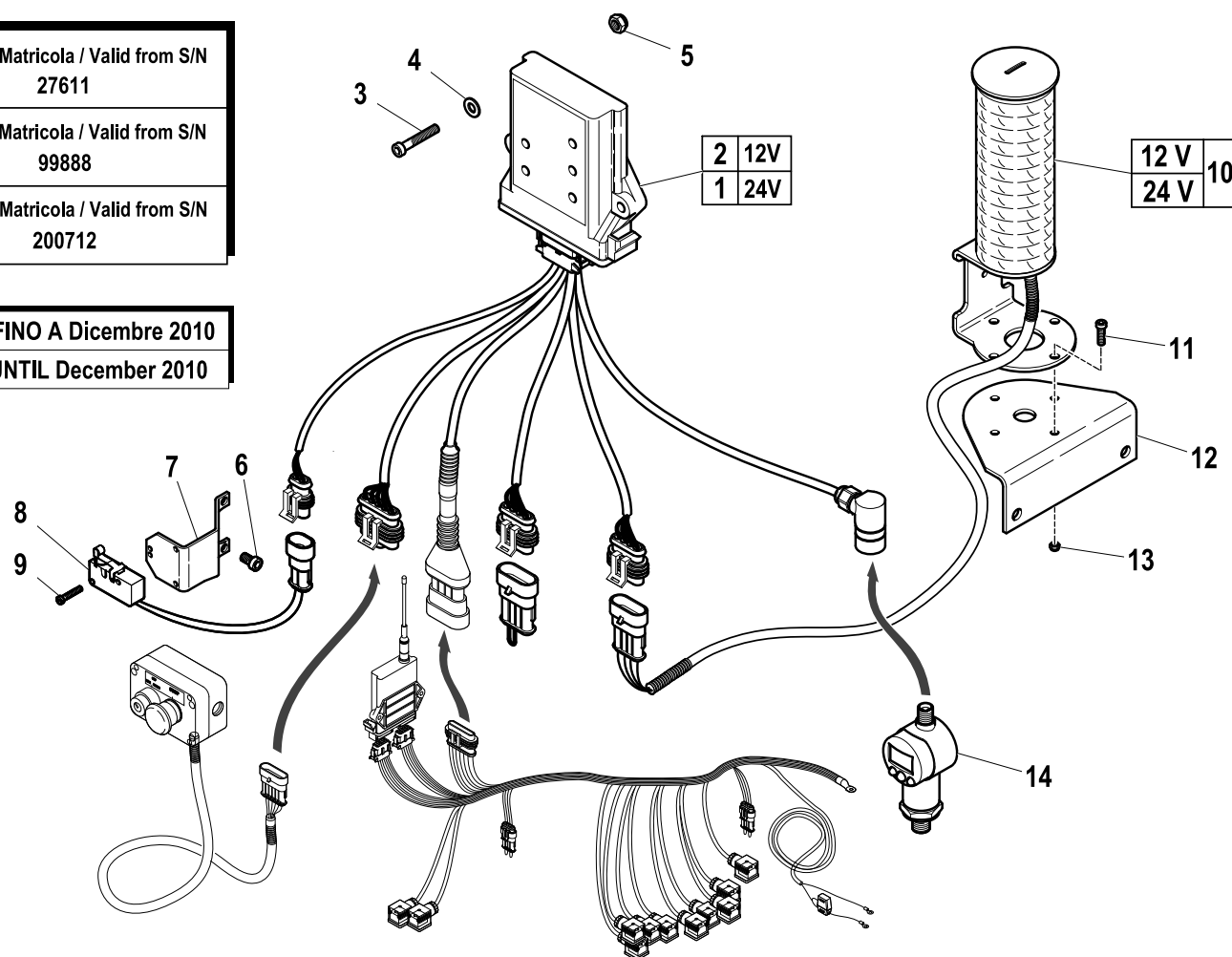
Valido da Matricola / Valid from S/N  
27611

Valido da Matricola / Valid from S/N  
99888

Valido da Matricola / Valid from S/N  
200712

VALIDO FINO A Dicembre 2010

VALID UNTIL December 2010



R	Pos.	Code Variant	Q.ty	Description
	1	3311169	1	
	2	3311168	1	
	3	3020038	2	Socket head cap screw [M6X30 8.8 ZC UNI 5931]
	4	3060005	2	Flat washer [D.6.4 UNI 6592 ZC]
	5	3040372	2	Stopnut
	6	3020022	2	Socket head cap screw [M5X10 8.8 ZC UNI 5931]
	7	5001694	1	
	8	3310885	1	Microswitch (Electric)
	9	3020881	2	
	10	3311159	1	Signal Columns
	11	3020023	4	Socket head cap screw [M5X16 8.8 ZC UNI 5931]
	12	W370508000	1	Support (Flashing light)
	13	3040392	4	Stopnut
	14	3310873	1	

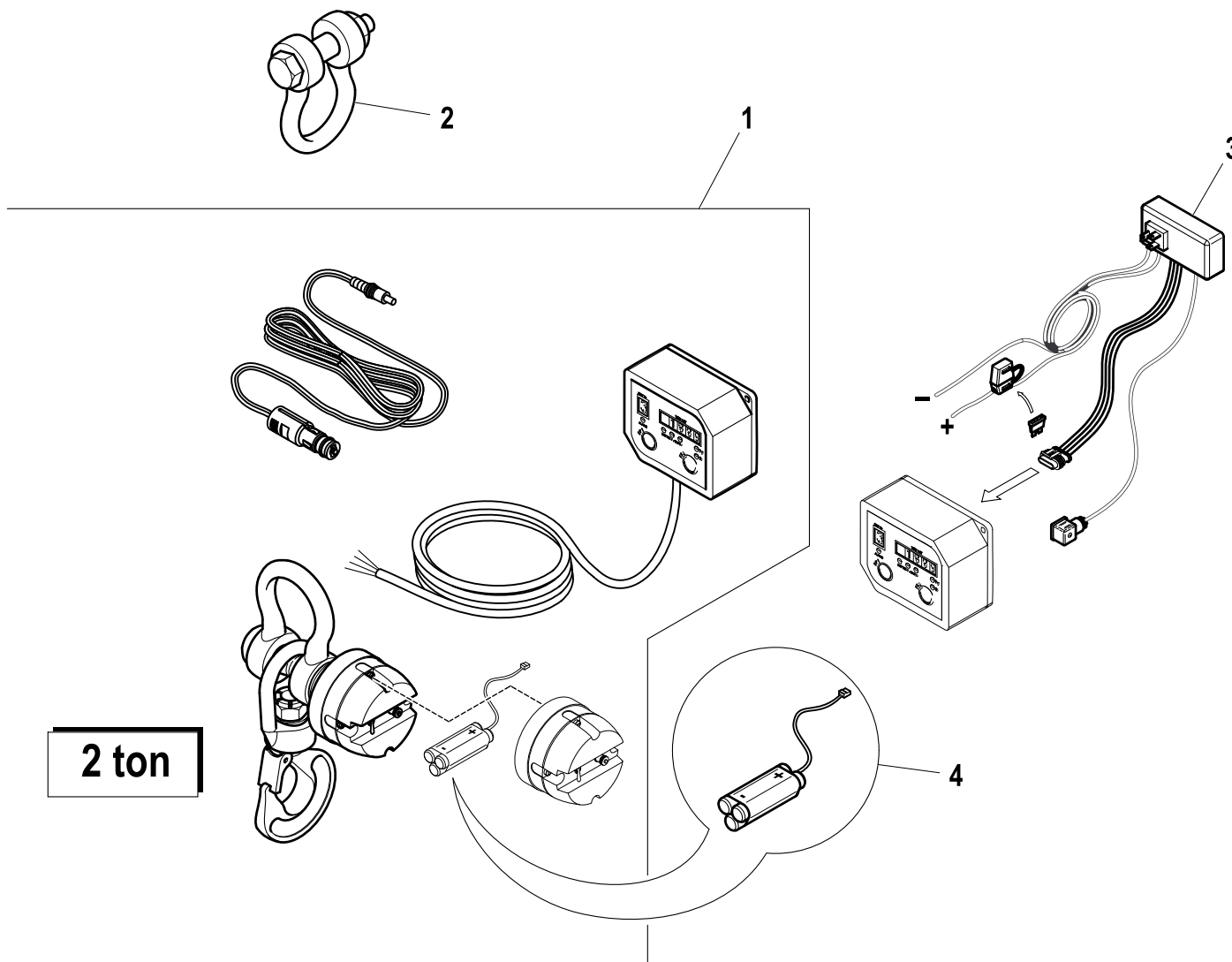
# LOAD INDICATION SYSTEM

Code

**7881784-1.0**

1/1

R	Pos.	Code Variant	Q.ty	Description
	1	5730506	1	
	2	3200050	1	Shackles
	3	W236508	1	
	4	3311542	1	



**2 ton**

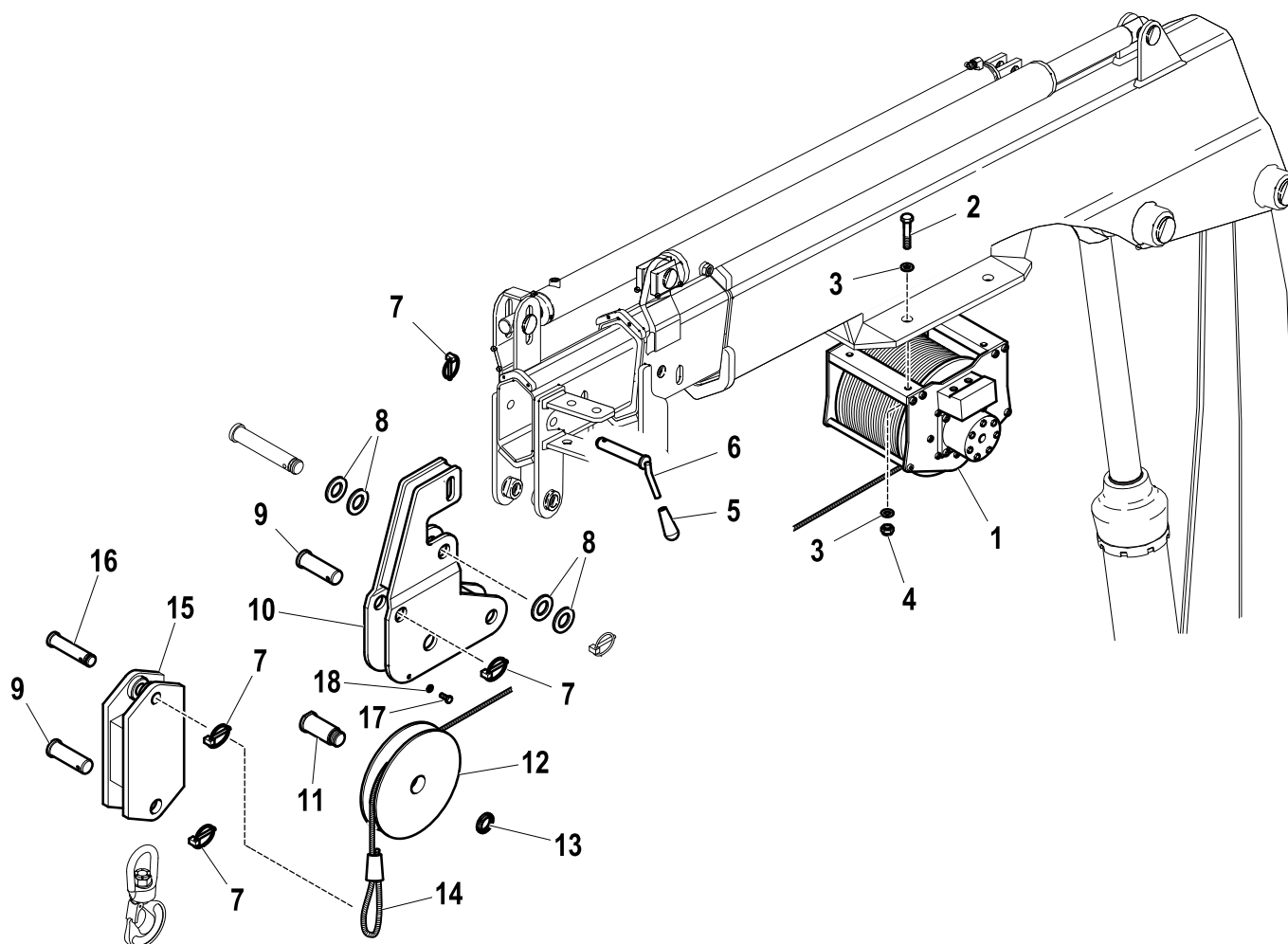
# WINCH KIT

Code

**7834068-1.0**

1/1

R	Pos.	Code Variant	Q.ty	Description
	1	W484041	1	
	2	3010415	4	Hex screw [M10X55 8.8 ZC UNI 5737]
	3	3060914	8	Flat washer [D.10.5X21X2 UNI 6592 ZC]
	4	3040326	4	Stopnut
	5	W664003	1	
	6	W101324	1	
	7	3060753	4	Cotter pin (Locking ring)
	8	3060014	4	Flat washer [D.25X44X4 UNI 6592 ZC]
	9	W101163	2	
	10	W530500500	1	
	11	W101169	1	
	12	W317004	1	
	13	3040502	1	Self-locking ringnut [M25X1.5 NORMALE ZC]
	14	W597018	1	
	15	W380502700	1	
	16	W101083	1	
	17	3010325	2	Hex screw [M6X16 8.8 ZC UNI 5739]
	18	3040081	2	Lock nut

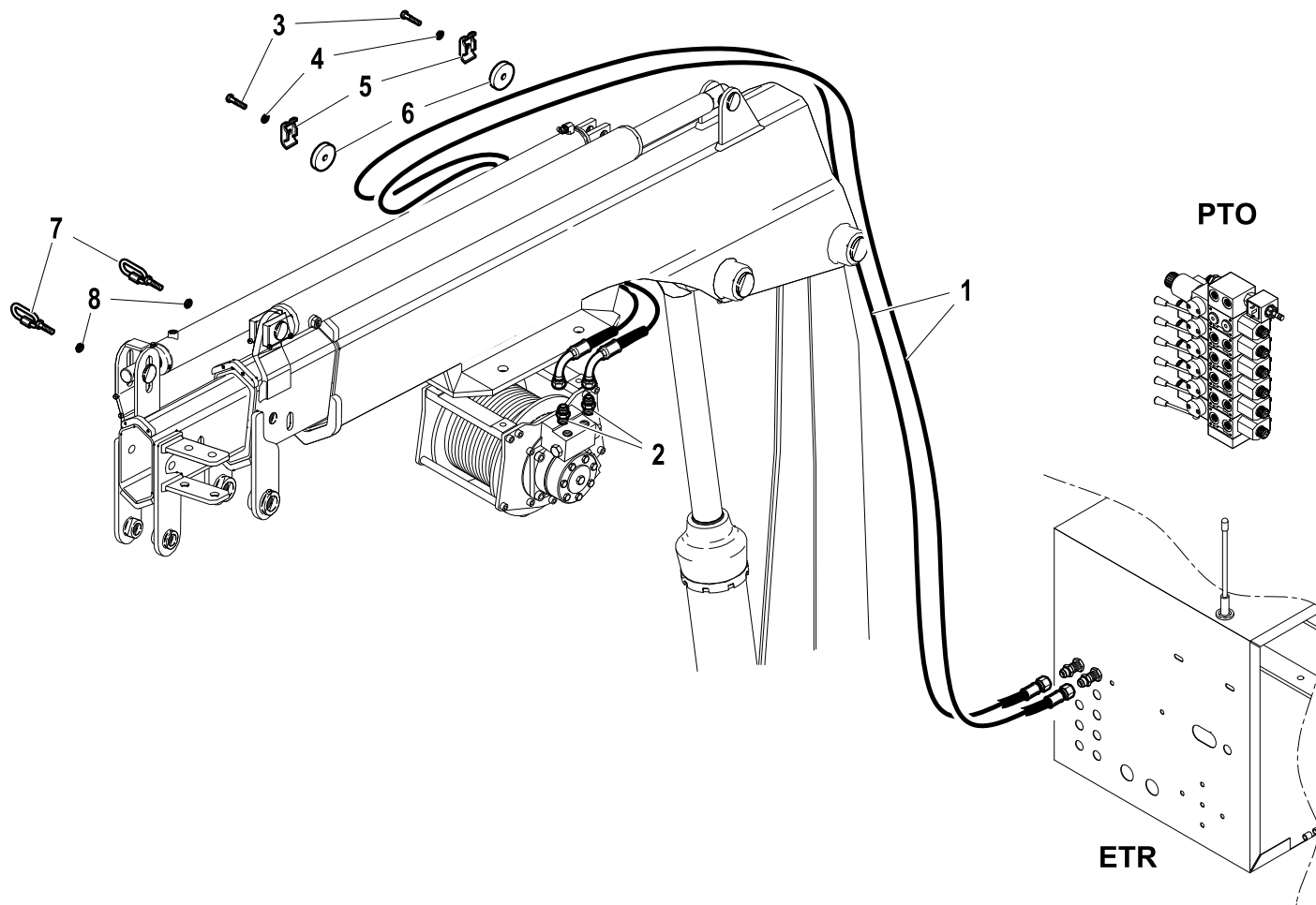


# ACTUATION FOR WINCH

Code

**7834068-2.0**

1/1



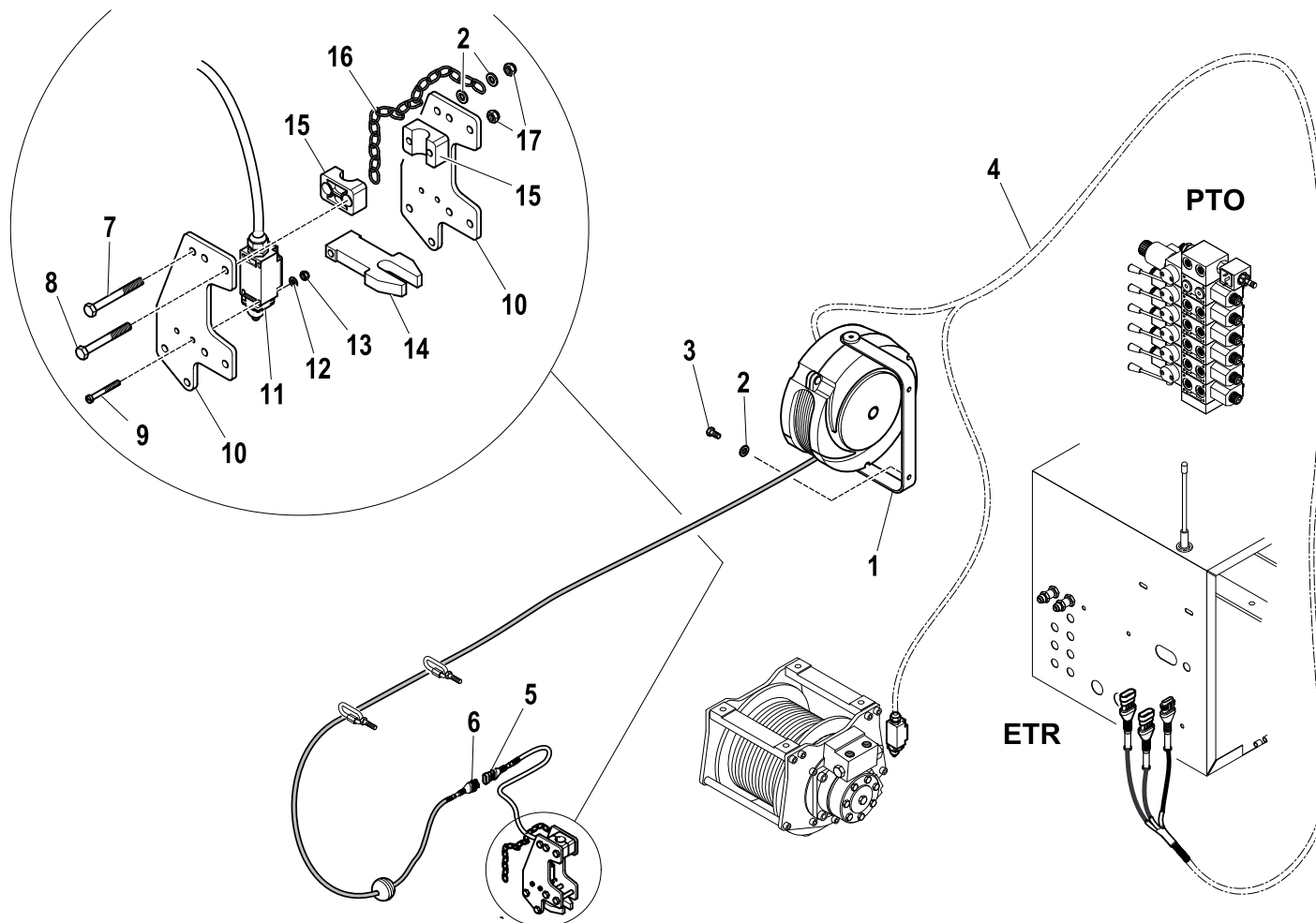
R	Pos.	Code Variant	Q.ty	Description
	1	5260775	2	Flexible hose
	2	3101042	2	Straight pipe fitting
	3	3010030	2	Hex screw [M8X35 8.8 ZC UNI 5737]
	4	3060006	2	Flat washer [D.8 UNI 6592 ZC]
	5	5000077	2	
	6	W340501400	2	
	7	W648005	2	
	8	3040039	2	Tall headed nut

# WINCH KIT (Electrical equipment)

Code

**7834068-3.0**

1/1



R	Pos.	Code Variant	Q.ty	Description
	1	3311206	1	
	2	3060005	4	Flat washer [D.6.4 UNI 6592 ZC]
	3	3010323	2	Hex screw [M6X10 8.8 ZC UNI 5739]
	4	3310884	1	
	5	3310665	1	
	6	3310664	1	
	7	3010388	1	Hex screw [M6X60 ZC UNI 5737]
	8	3010025	6	Hex screw [M6X55 8.8 ZC UNI 5737]
	9	3020021	2	Socket head cap screw [M5X12X0.8 8.8 ZC UNI 5931]
	10	W440509500	2	
	11	W251013	1	
	12	3060004	2	Flat washer [D.5 UNI 6592 ZC]
	13	3040392	2	Stopnut
	14	W440509600	1	
	15	W128034	4	
	16	W537102	2	
	17	3040372	7	Stopnut







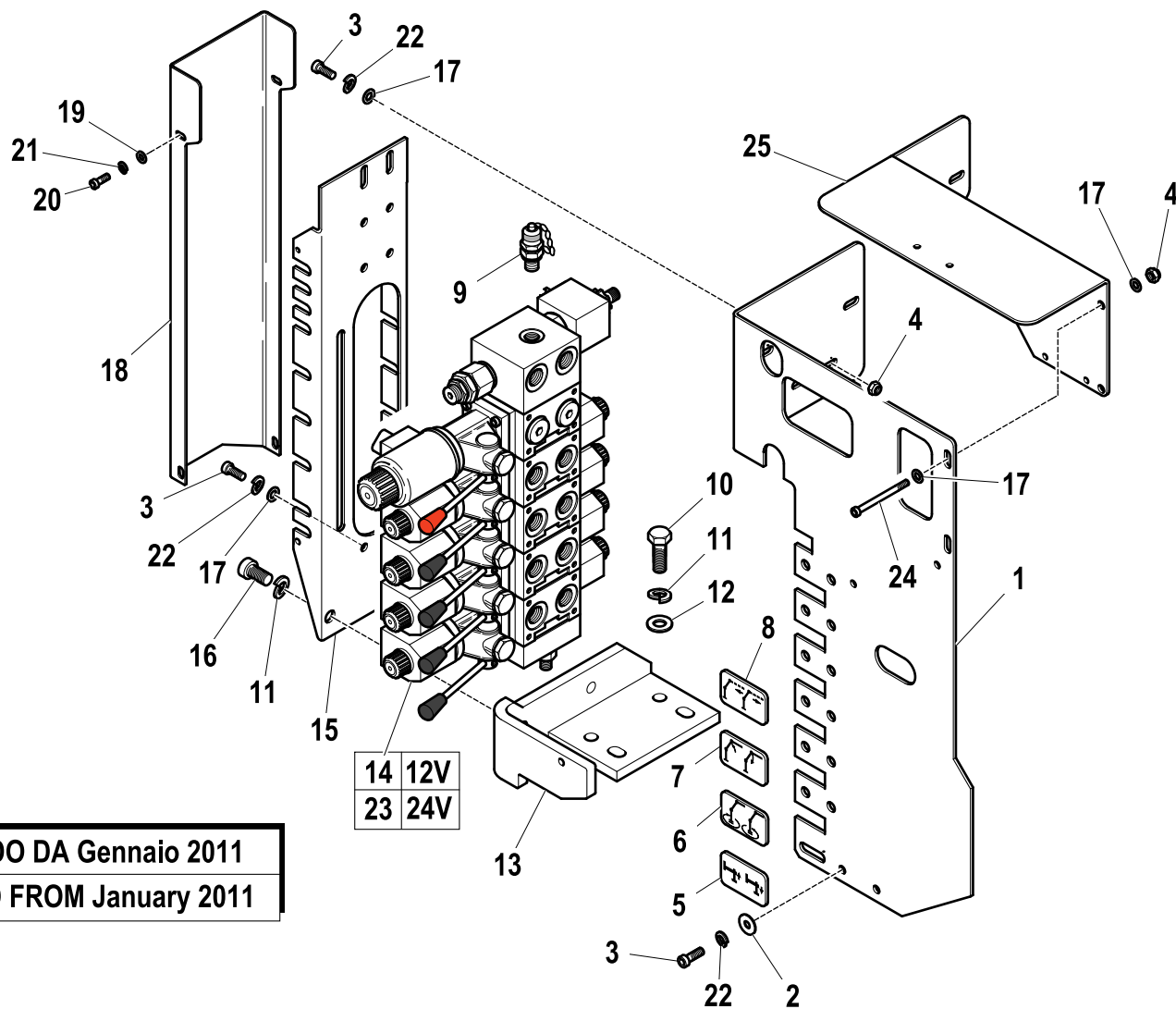
**HA22 X EN12999-A3**

# Control unit (RDC)

Code

**5401470-1.0**

1/2



**VALIDO DA Gennaio 2011**  
**VALID FROM January 2011**

R	Pos.	Code Variant	Q.ty	Description
	1	5091324	1	
	2	3060030	1	Flat washer [D.6.6X18 UNI 6593 ZC]
	3	3020034	7	Socketed head cap screw [M6X16 8.8 ZC UNI 5931]
	4	3040372	4	Stopnut
	5	W573278	1	
	6	W573412	1	
	7	W573415	1	
	8	W573303	1	
	9	3111523	1	Pipe fitting (Tapping point) [RACC. MILITES 16X2-1/4"G]
	10	3010355	2	Hex screw [M10X25 8.8 ZC IF UNI 5739]
	11	3060056	4	Split lock washer [D=10 C72 ZC]
	12	3060914	4	Flat washer [D.10.5X21X2 UNI 6592 ZC]
	13	5091056	1	Support (Casing)
	14	5220416	1	
	15	5091138	1	
	16	3020080	2	Socketed head cap screw [M10X16 12.9 ZC UNI 5931]
	17	3060005	10	Flat washer [D.6.4 UNI 6592 ZC]
	18	5091140	1	
	19	3060004	4	Flat washer [D.5 UNI 6592 ZC]
	20	3020021	4	Socketed head cap screw [M5X12X0.8 8.8 ZC UNI 5931]

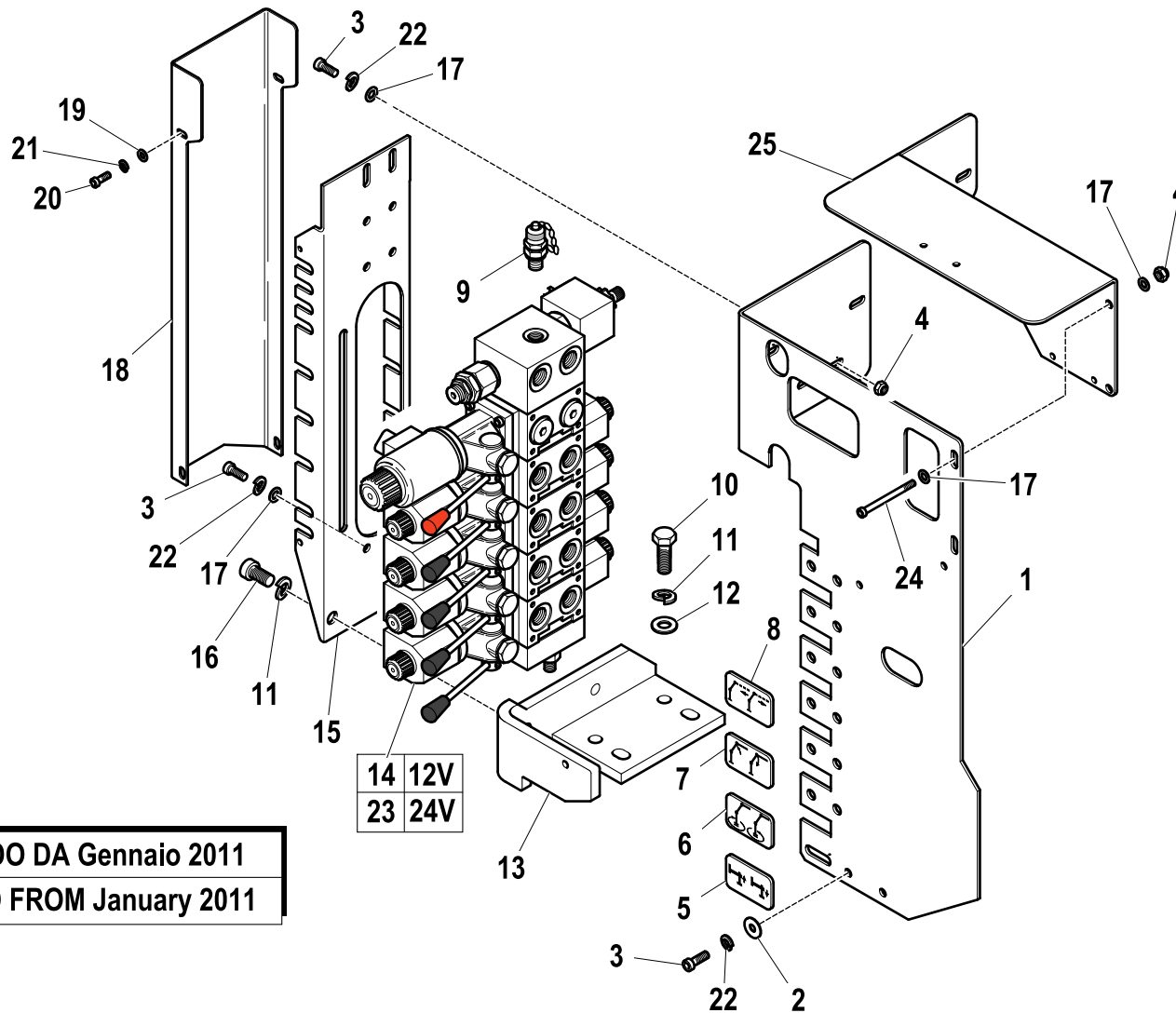
# Control unit (RDC)

Code

**5401470-1.0**

2/2

R	Pos.	Code Variant	Q.ty	Description
	21	3060052	4	Split lock washer [D=5.5 C72 ZC]
	22	3060053	4	Split lock washer [D=6.4 C72 ZC]
	23	5220431	1	
	24	3020964	2	Socketed head cap screw [M6X70 8.8 ZC UNI 5931]
	25	W370508300	1	



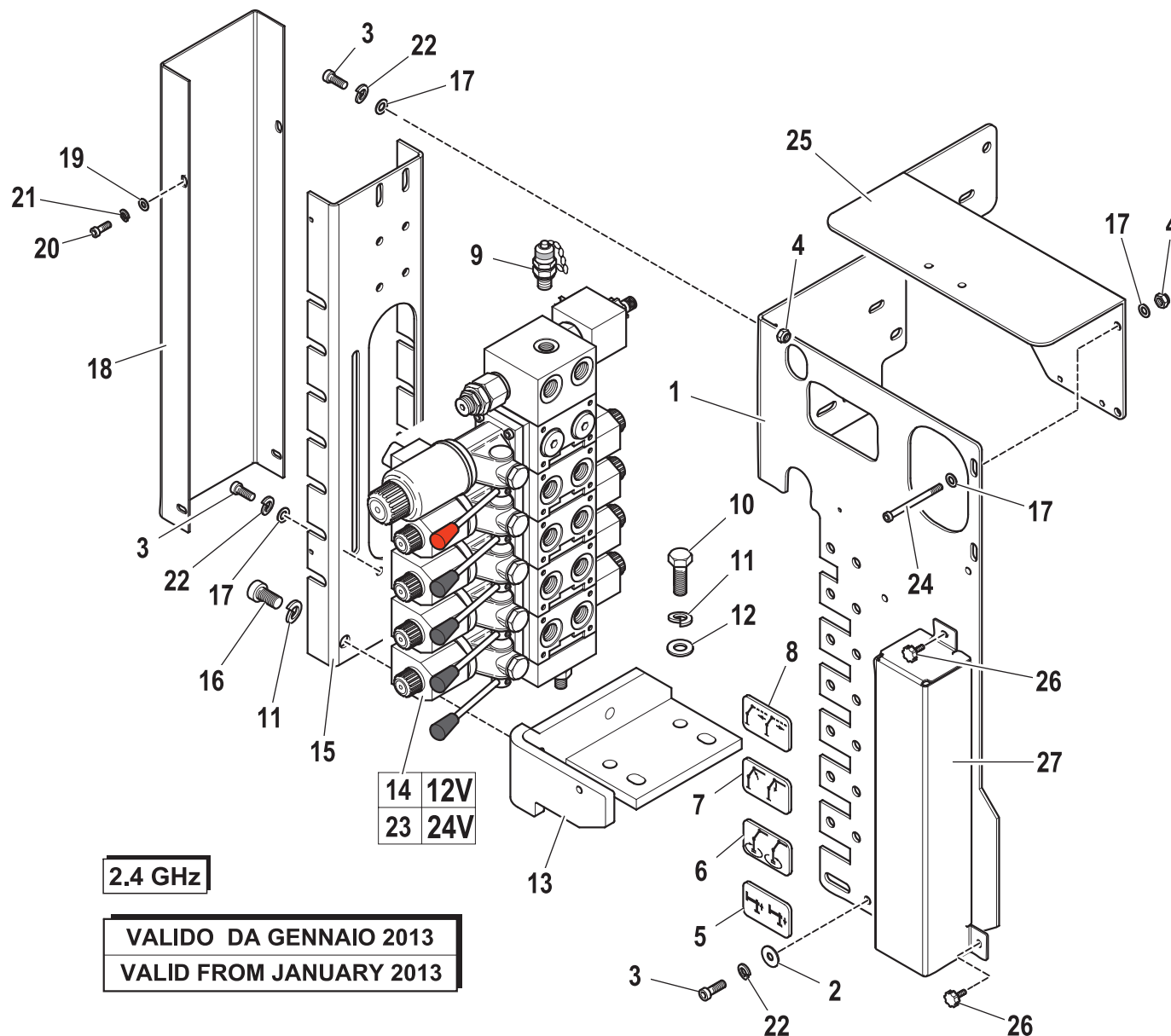
**VALIDO DA Gennaio 2011**  
**VALID FROM January 2011**

# Control unit (RDC / CE)

Code

**5402252-1.0**

1/2



R	Pos.	Code Variant	Q.ty	Description
	1	5091452	1	Protective guard (Control valve)
	2	3060030	1	Flat washer [D.6.6X18 UNI 6593 ZC]
	3	3020034	7	Socketed head cap screw [M6X16 8.8 ZC UNI 5931]
	4	3040372	4	Stopnut
	5	W573278	1	
	6	W573412	1	
	7	W573415	1	
	8	W573303	1	
	9	3111523	1	Pipe fitting (Tapping point) [RACC. MILITES 16X2-1/4"G]
	10	3010355	2	Hex screw [M10X25 8.8 ZC IF UNI 5739]
	11	3060056	4	Split lock washer [D=10 C72 ZC]
	12	3060914	2	Flat washer [D.10.5X21X2 UNI 6592 ZC]
	13	5091056	1	Support (Casing)
	14	5220416	1	
	15	5091458	1	Lateral guards and supports
	16	3020080	2	Socketed head cap screw [M10X16 12.9 ZC UNI 5931]
	17	3060005	10	Flat washer [D.6.4 UNI 6592 ZC]
	18	5091422	1	Casing ()
	19	3060004	4	Flat washer [D.5 UNI 6592 ZC]
	20	3020021	4	Socketed head cap screw [M5X12X0.8 8.8 ZC UNI 5931]

**2.4 GHz**

**VALIDO DA GENNAIO 2013  
VALID FROM JANUARY 2013**

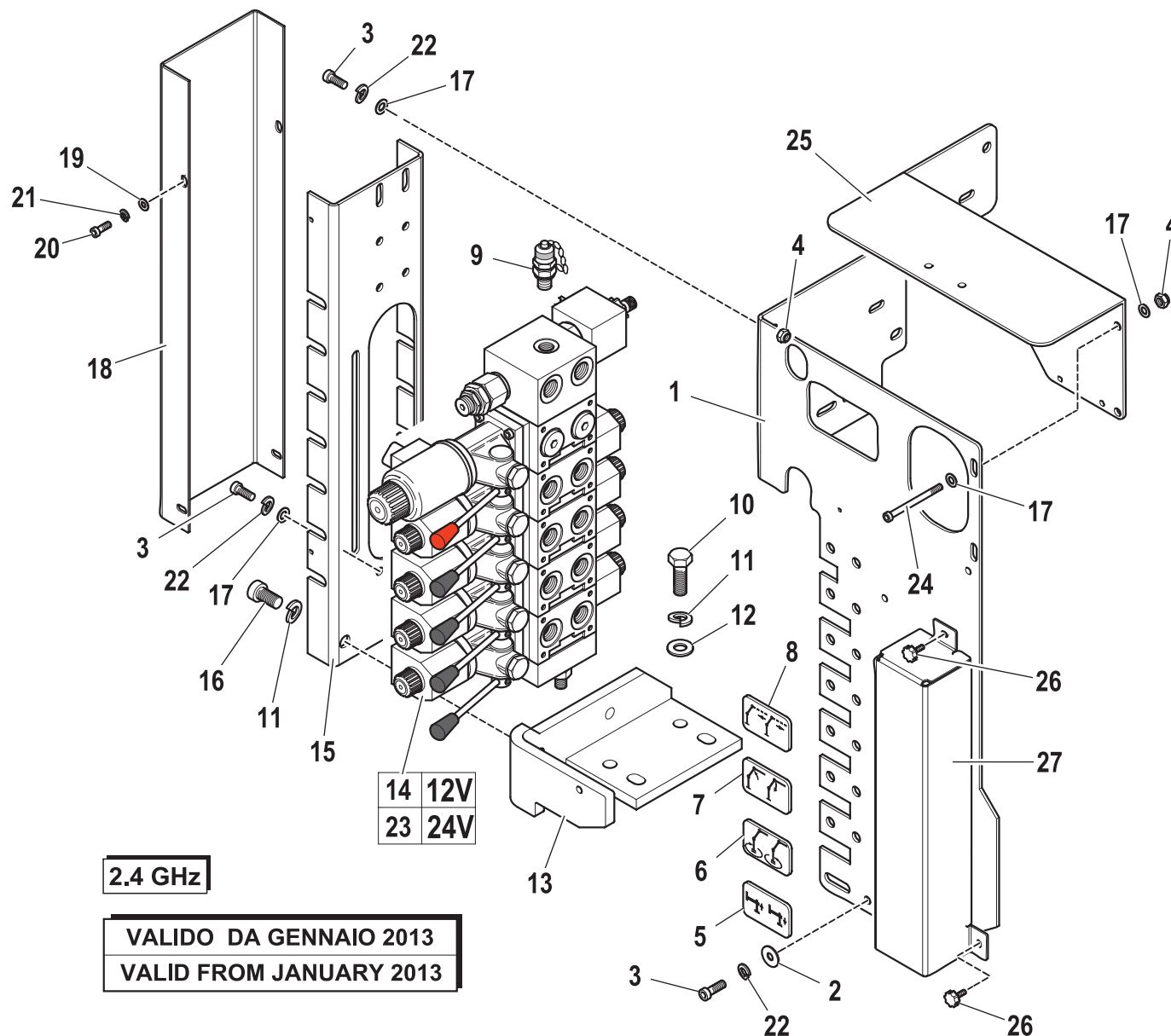
# Control unit (RDC / CE)

Code

**5402252-1.0**

2/2

R	Pos.	Code Variant	Q.ty	Description
	21	3060052	4	Split lock washer [D=5.5 C72 ZC]
	22	3060053	4	Split lock washer [D=6.4 C72 ZC]
	23	5220431	1	
	24	3020964	2	Socketed head cap screw [M6X70 8.8 ZC UNI 5931]
	25	5091488	1	Cover (Moment limiting device)
	26	3011000	2	Handwheel
	27	5091548	1	Protective guard (Control levers)





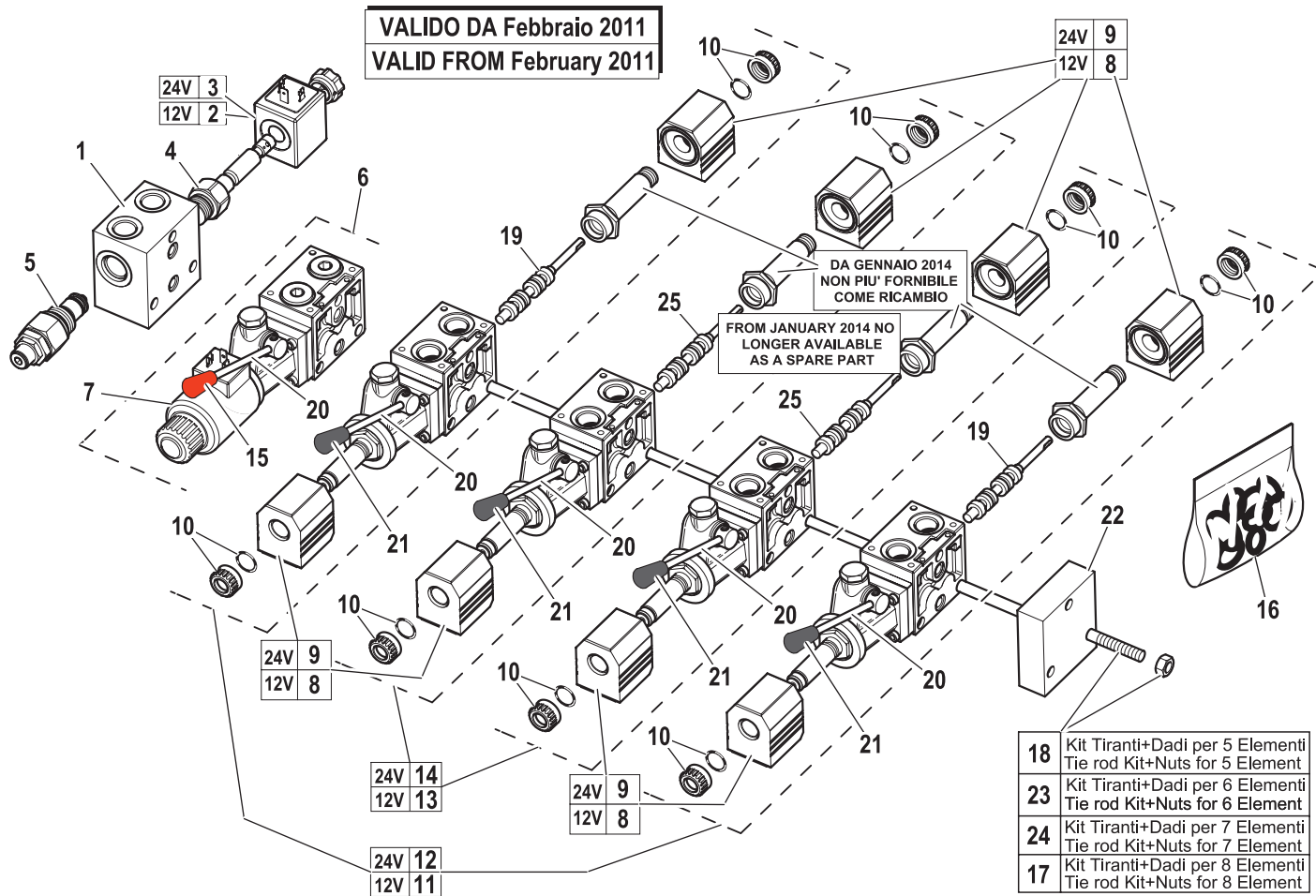
# Control valve (4 section)

Code

**5220416-2.0**

2/2

R	Pos.	Code Variant	Q.ty	Description
	21	5225801	4	
	22	5225727	1	
	23	5225730	1	
	24	5225731	1	
	25	5225716	2	





# Kit CE (STABILITY CONTROL)

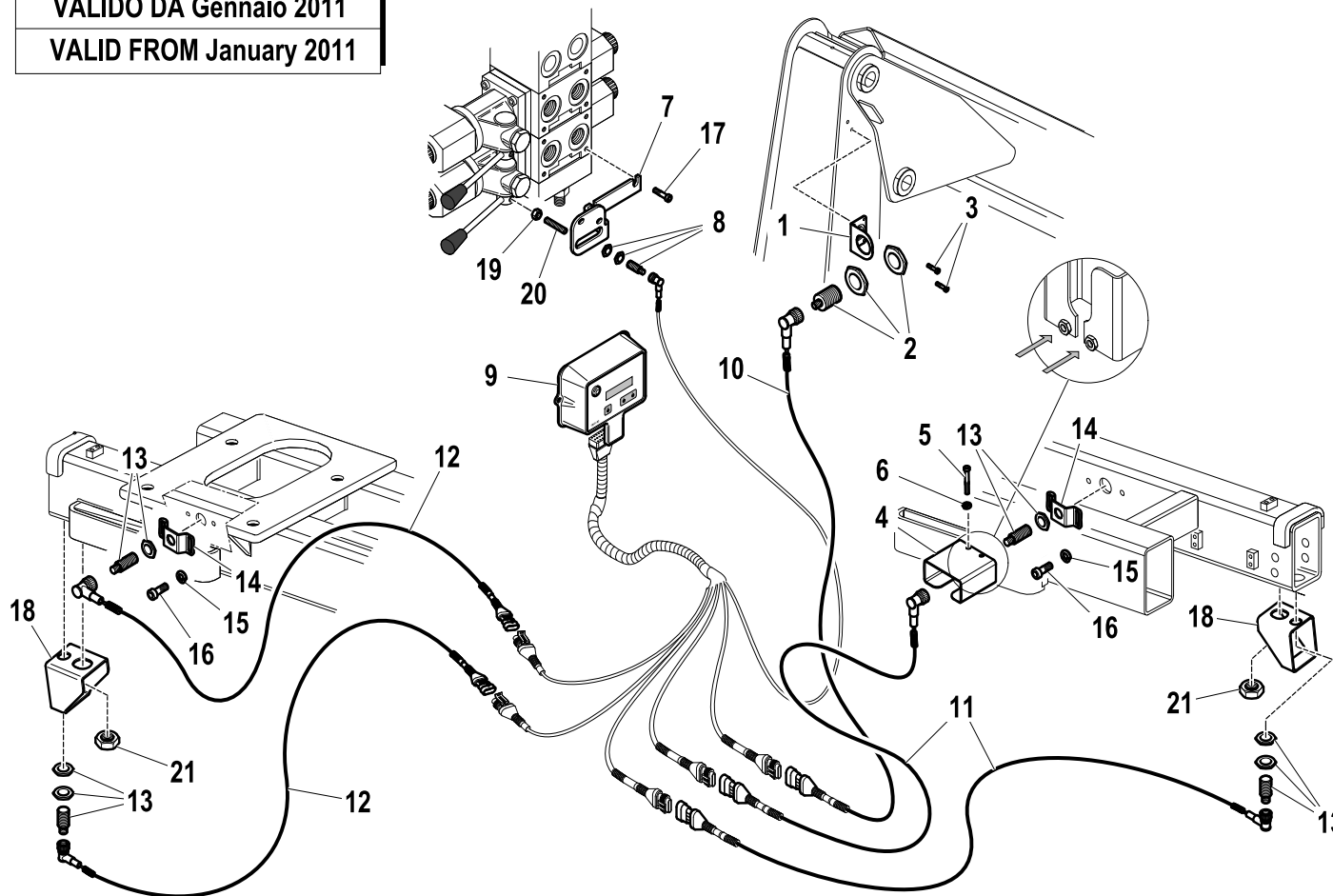
Code

**5405050-3.0**

1/2

VALIDO DA Gennaio 2011

VALID FROM January 2011



R	Pos.	Code Variant	Q.ty	Description
	1	5000426	1	Support (Proximity switch)
	2	3311312	1	Proximity switch
	3	3020895	2	Socketed head cap screw [M4X10 8.8 ZC UNI 5931]
	4	5091310	1	Guard (Proximity switch)
	5	3020045	2	Socketed head cap screw [M6X45 8.8 ZC UNI 5931]
	6	3060053	2	Split lock washer [D=6.4 C72 ZC]
	7	5001842	1	Microswitch support
	8	3311341	1	
	9	3311386	1	
	10	3311350	1	Electric wiring
	11	3311343	2	
	12	3311342	2	
	13	3311311	4	Proximity switch
	14	5000420	2	Support (Proximity switch)
	15	3060055	4	Split lock washer [D=8.4 C72 ZC]
	16	3020902	4	Socketed head cap screw [M8X10 ZC UNI 5931]
	17	3020022	2	Socketed head cap screw [M5X10 8.8 ZC UNI 5931]
	18	5000422	2	Support (Proximity switch)
	19	3040391	1	Hexagonal nut (Normal)
	20	3060223	1	Grub screw



# Kit CE (STABILITY CONTROL)

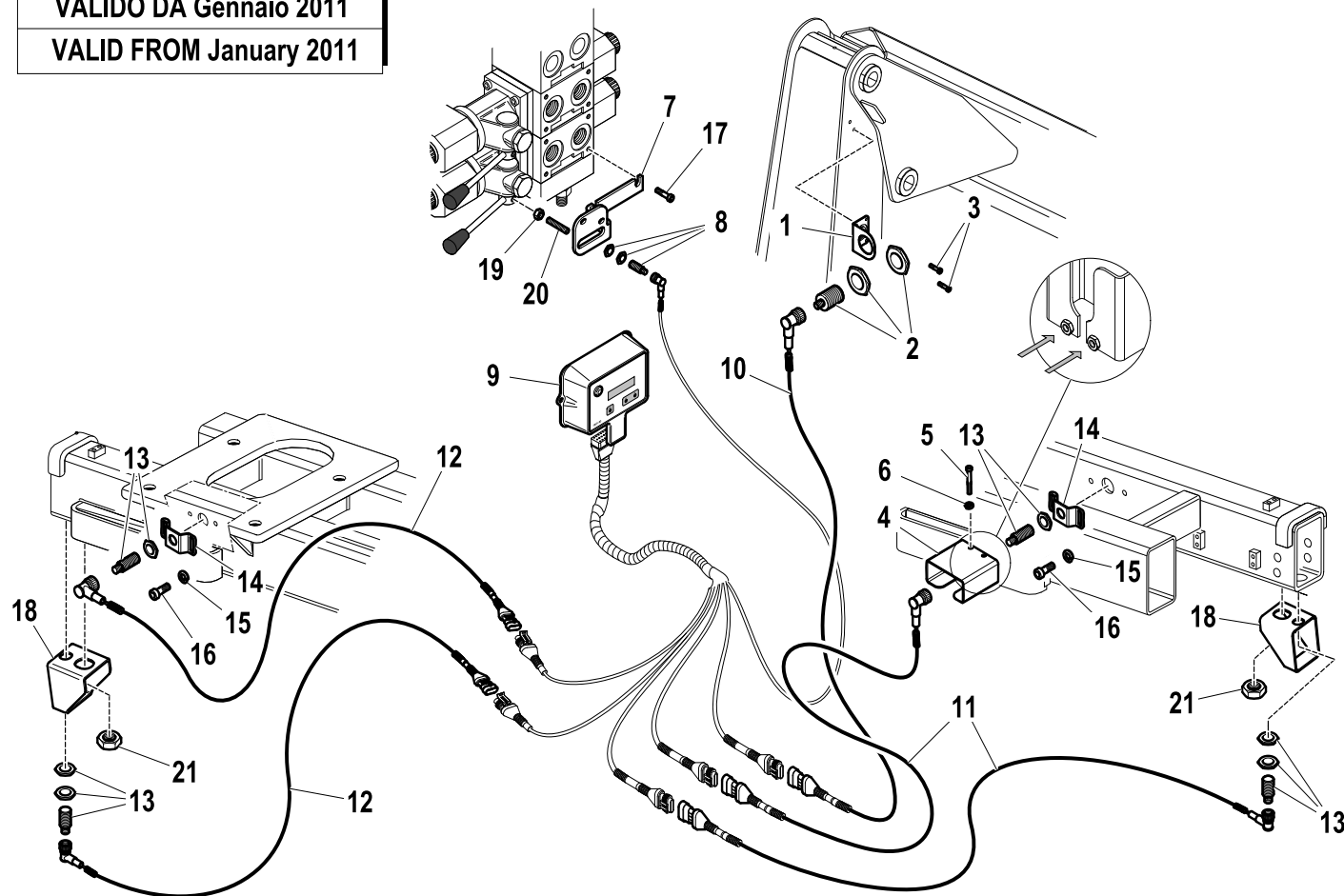
Code

**5405050-3.0**

2/2

R	Pos.	Code Variant	Q.ty	Description
	21	3040251	2	Lock nut [M24 8.G basso UNI 5589]

**VALIDO DA Gennaio 2011**  
**VALID FROM January 2011**



# STABILITY CONTROL (EN12999-A3)

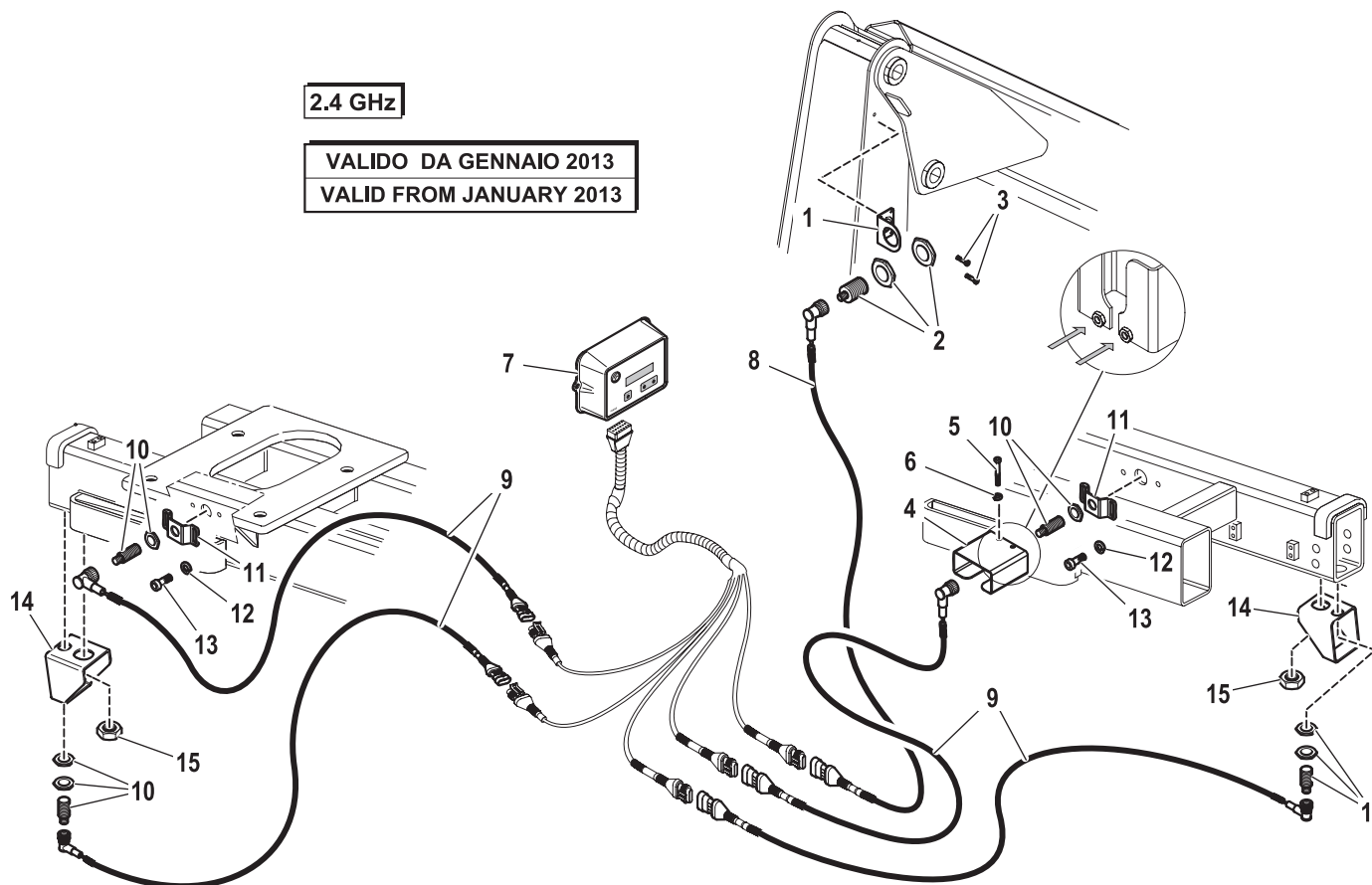
Code

**5405050-5.0**

1/1

2.4 GHz

VALIDO DA GENNAIO 2013  
VALID FROM JANUARY 2013



R	Pos.	Code Variant	Q.ty	Description
	1	5000426	1	Support (Proximity switch)
	2	3311312	1	Proximity switch
	3	3020895	2	Socketed head cap screw [M4X10 8.8 ZC UNI 5931]
	4	5091310	1	Guard (Proximity switch)
	5	3020045	2	Socketed head cap screw [M6X45 8.8 ZC UNI 5931]
	6	3060053	2	Split lock washer [D=6.4 C72 ZC]
	7	3311541	1	Moment limiting device
	8	3311350	1	Electric wiring
	9	3311636	4	Electric wiring
	10	3311311	4	Proximity switch
	11	5000420	2	Support (Proximity switch)
	12	3060055	4	Split lock washer [D=8.4 C72 ZC]
	13	3020902	4	Socketed head cap screw [M8X10 ZC UNI 5931]
	14	5000422	2	Support (Proximity switch)
	15	3040251	2	Lock nut [M24 8.G basso UNI 5589]

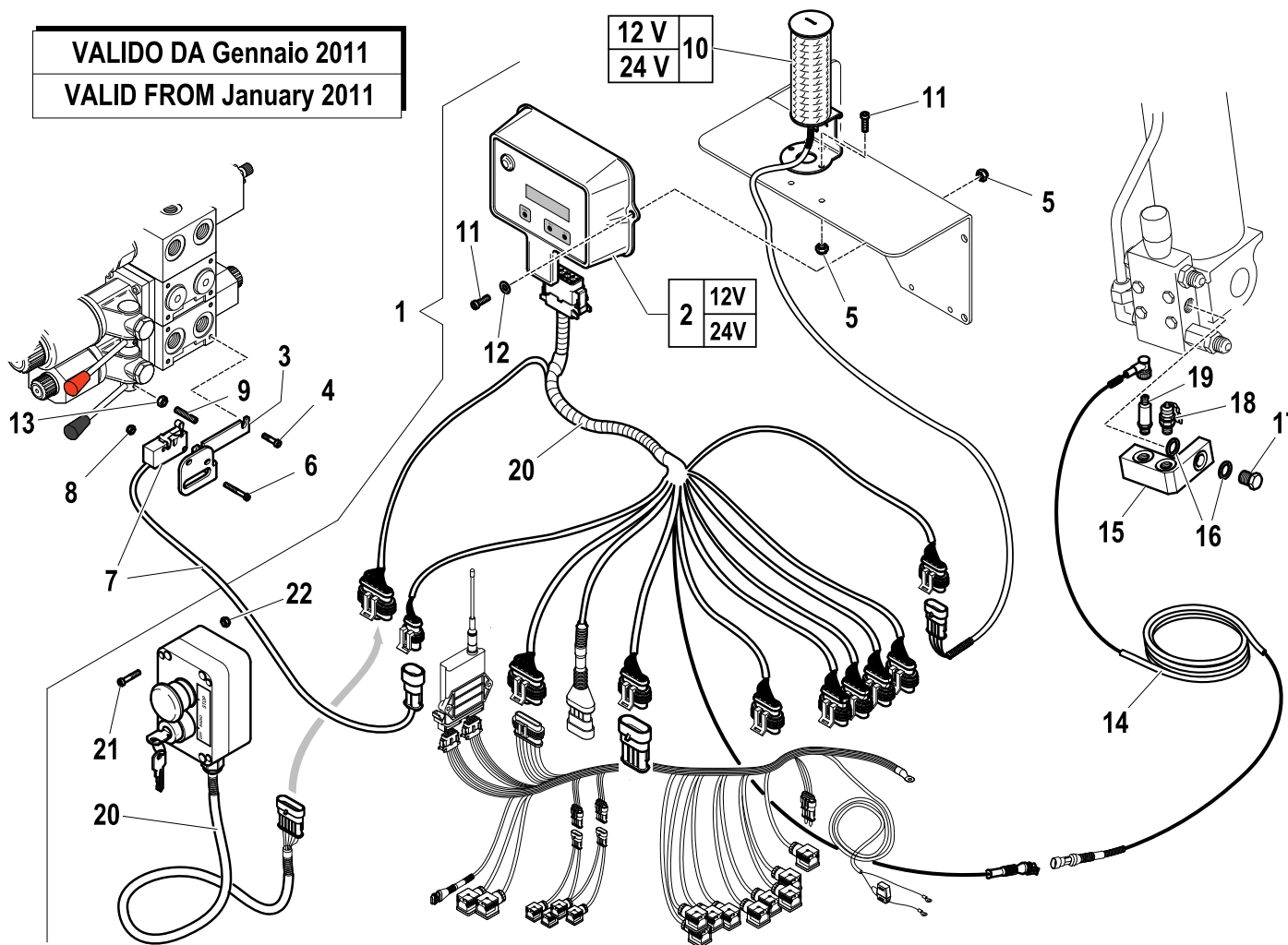
# Moment limiting device (CE)

Code

**5405046-1.0**

1/2

**VALIDO DA Gennaio 2011**  
**VALID FROM January 2011**



R	Pos.	Code Variant	Q.ty	Description
	1	3311345	1	
	2	3311386	1	
	3	5001842	1	Microswitch support
	4	3020022	2	Socket head cap screw [M5X10 8.8 ZC UNI 5931]
	5	3040392	4	Stopnut
	6	3020879	2	
	7	3310885	1	Microswitch (Electric)
	8	3040516	2	Stopnut
	9	3060223	1	Grub screw
	10	3311159	1	Signal Columns
	11	3020023	4	Socket head cap screw [M5X16 8.8 ZC UNI 5931]
	12	3060004	2	Flat washer [D.5 UNI 6592 ZC]
	13	3040391	1	Hexagonal nut (Normal)
	14	5160001	1	Electric wiring
	15	5002055	1	Manifold (Pick-up)
	16	3060143	2	Sealing washer [BSP 1/4"]
	17	3110078	1	Bolt (banjo bolt)
	18	3111523	1	Pipe fitting (Tapping point) [RACC. MILITES 16X2-1/4"G]
	19	3310612	1	Pressure sensor
	20	3311384	1	

# Moment limiting device (CE)

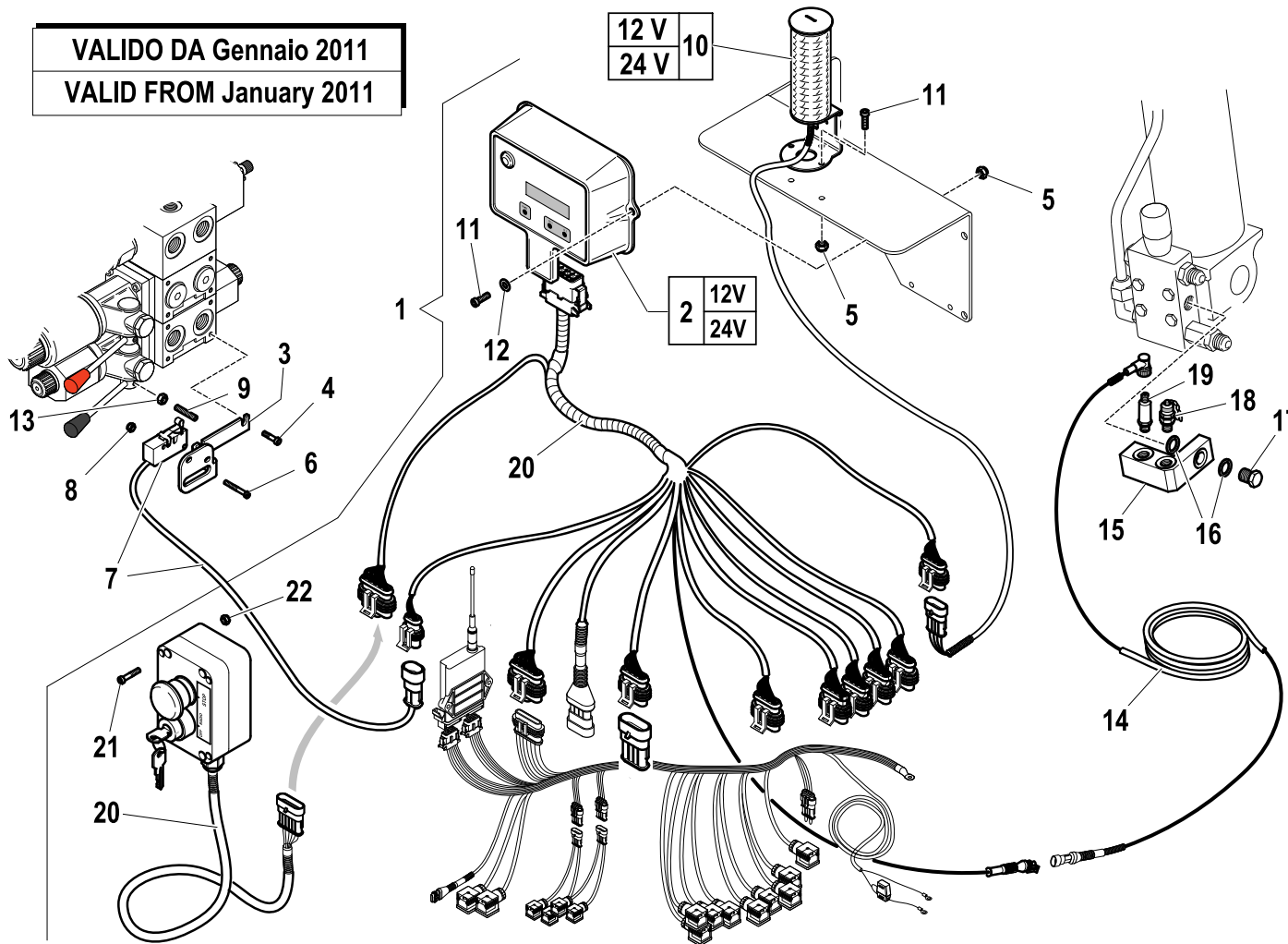
Code

**5405046-1.0**

2/2

R	Pos.	Code Variant	Q.ty	Description
	21	3020885	2	Socket head cap screw [M4X20 8.8 ZC UNI 5931]
	22	3040518	2	Stopnut

**VALIDO DA Gennaio 2011**  
**VALID FROM January 2011**



12 V  
24 V 10

2 12V  
24V

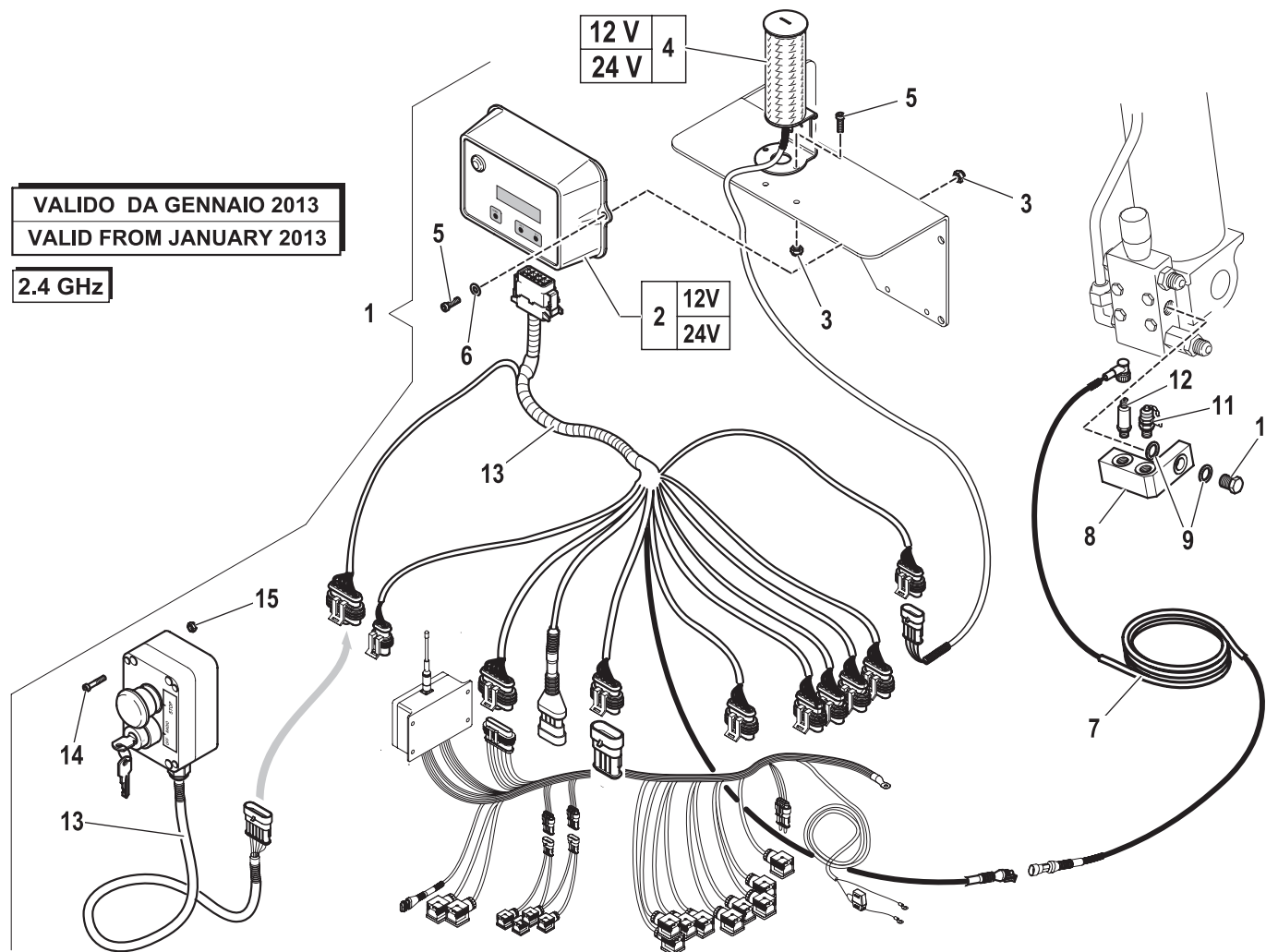
# Moment limiting device (CE)

Code

**5405046-3.0**

1/1

VALIDO DA GENNAIO 2013  
VALID FROM JANUARY 2013  
2.4 GHz



R	Pos.	Code Variant	Q.ty	Description
	1	3311634	1	Electric wiring
	2	3311541	1	Moment limiting device
	3	3040392	4	Stopnut
	4	3311159	1	Signal Columns
	5	3020023	4	Socket head cap screw [M5X16 8.8 ZC UNI 5931]
	6	3060004	2	Flat washer [D.5 UNI 6592 ZC]
	7	5160001	1	Electric wiring
	8	5002055	1	Manifold (Pick-up)
	9	3060143	2	Sealing washer [BSP 1/4"]
	10	3110078	1	Bolt (banjo bolt)
	11	3111523	1	Pipe fitting (Tapping point) [RACC. MILITES 16X2-1/4"G]
	12	3310612	1	Pressure sensor
	13	3311632	1	Electric wiring
	14	3020885	2	Socket head cap screw [M4X20 8.8 ZC UNI 5931]
	15	3040518	2	Stopnut

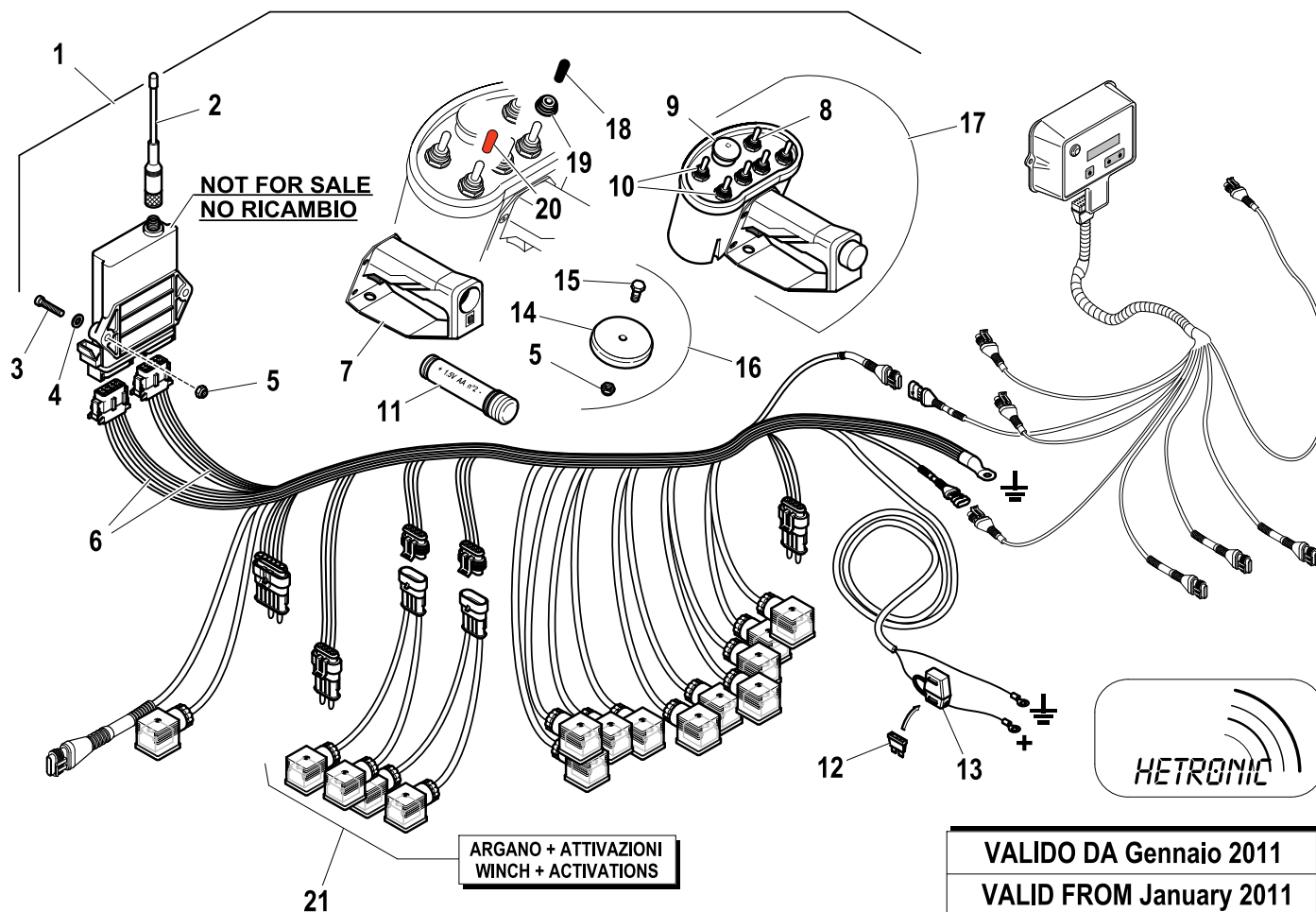
# Kit (Wireless control)

Code

**7892099-3.0**

1/2

R	Pos.	Code Variant	Q.ty	Description
	1	5120095	1	
	2	3310861	1	
	3	3020038	2	Socket head cap screw [M6X30 8.8 ZC UNI 5931]
	4	3060005	2	Flat washer [D.6.4 UNI 6592 ZC]
	5	3040372	3	Stopnut
	6	3311385	1	
	7	3311071	1	Handle
	8	3310891	1	
	9	3310892	1	
	10	3310890	5	
	11	3310893	1	Battery compartment
	12	3310688	1	
	13	3310852	1	
	14	3310064	1	
	15	3010324	1	Hex screw [M6X12 8.8 ZC UNI 5739]
	16	5410965	1	Kit (Magnet)
	17	3310754	1	
	18	3311195	5	
	19	3311197	6	
	20	3311196	1	



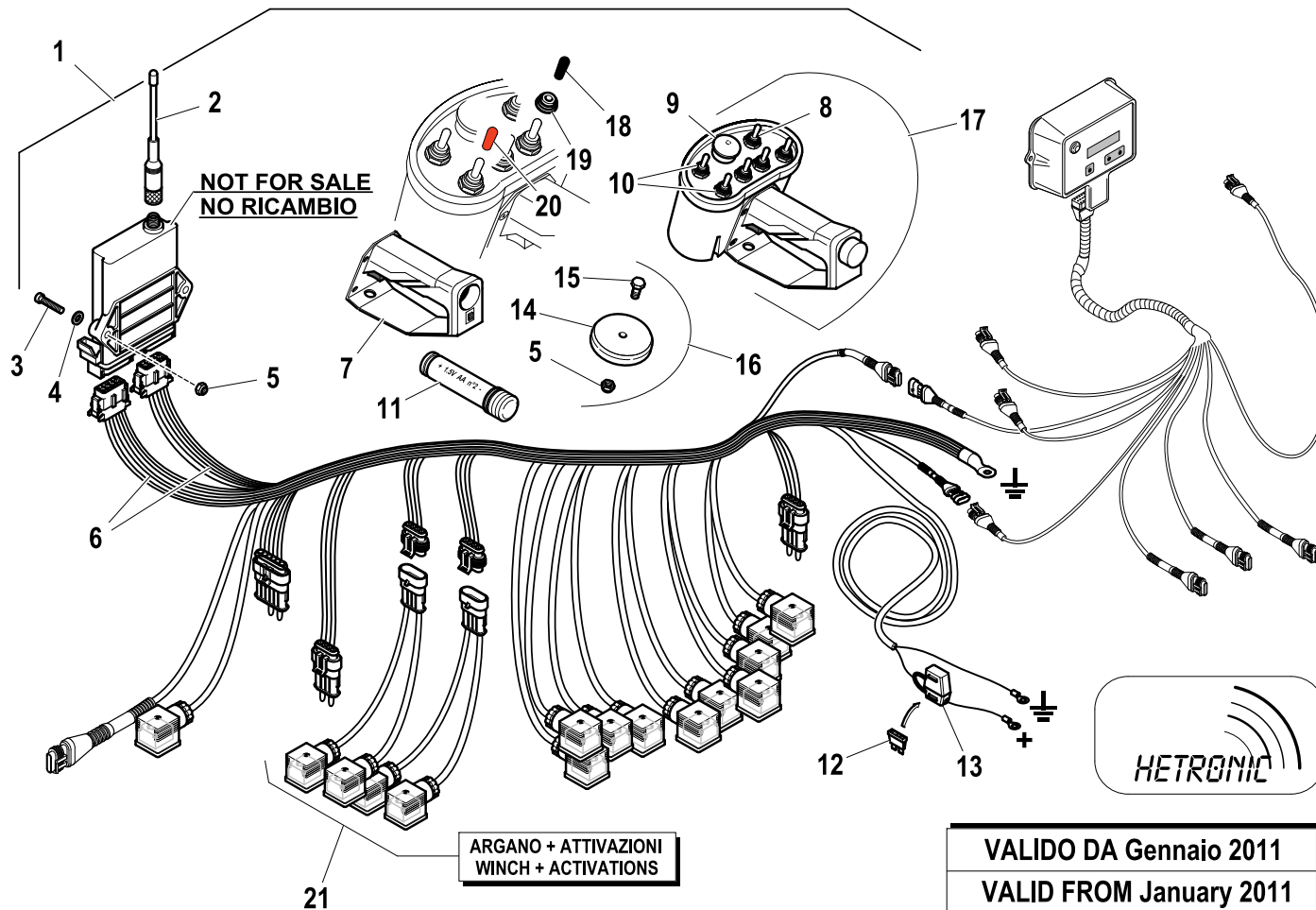
# Kit (Wireless control)

Code

**7892099-3.0**

2/2

R	Pos.	Code Variant	Q.ty	Description
	21	3310862	2	





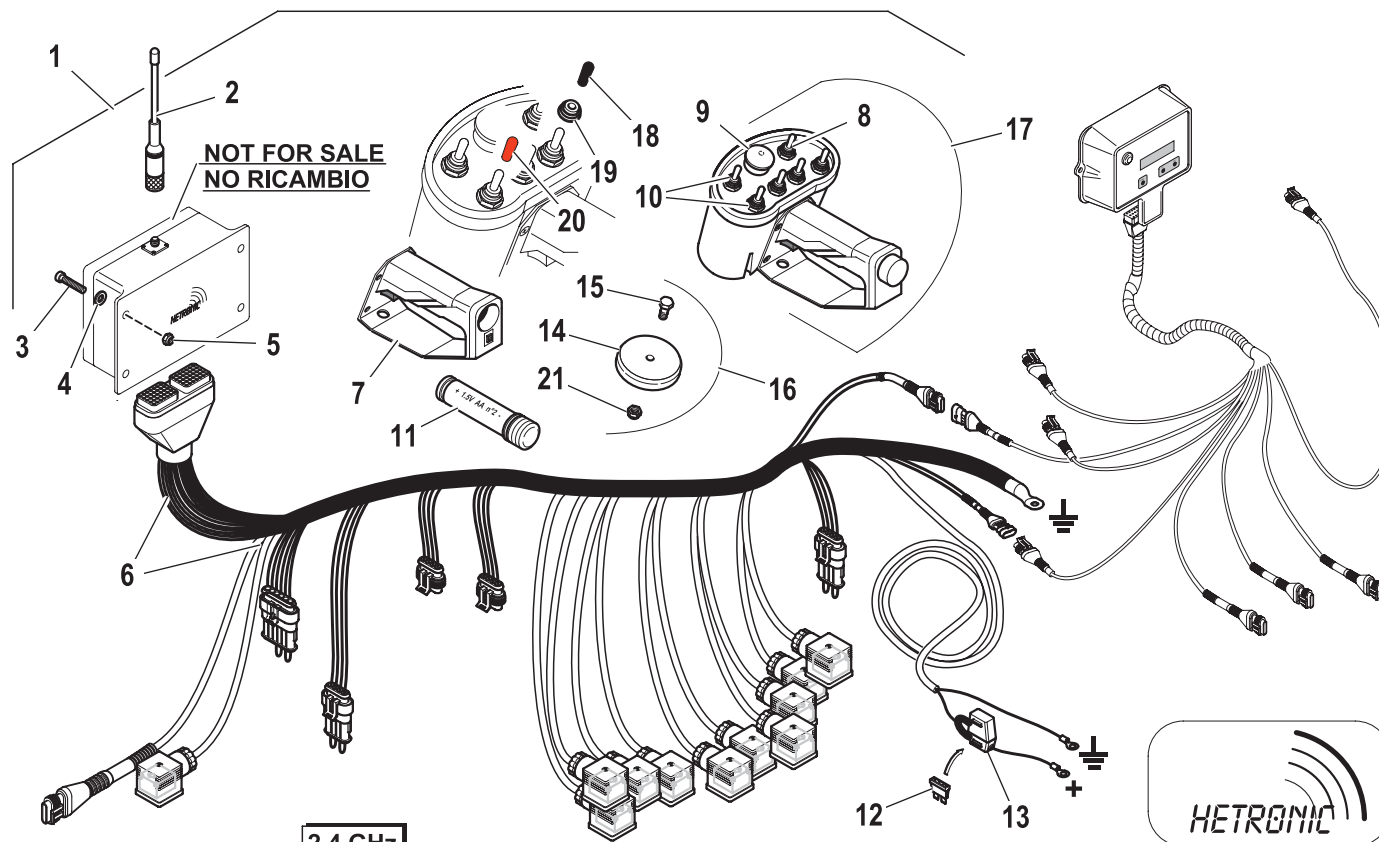
# Complete wireless control (PTO)

Code

**7892500-2.0**

1/2

R	Pos.	Code Variant	Q.ty	Description
	1	5120154	1	Complete wireless control
	2	3311501	1	Aerial (Wireless control)
	3	3020028	4	Socketed head cap screw [M5X20 8.8 ZC UNI 5931]
	4	3060004	4	Flat washer [D.5 UNI 6592 ZC]
	5	3040392	4	Stopnut
	6	3311633	1	Electric wiring
	7	3311071	1	Handle
	8	3310891	1	
	9	3310892	1	
	10	3310890	5	
	11	3310893	1	Battery compartment
	12	3310688	1	
	13	3310852	1	
	14	3310064	1	
	15	3010324	1	Hex screw [M6X12 8.8 ZC UNI 5739]
	16	5410965	1	Kit (Magnet)
	17	3311502	1	Transmitter (Wireless control)
	18	3311195	5	
	19	3311197	6	
	20	3311196	1	



**NOT FOR SALE  
NO RICAMBIO**

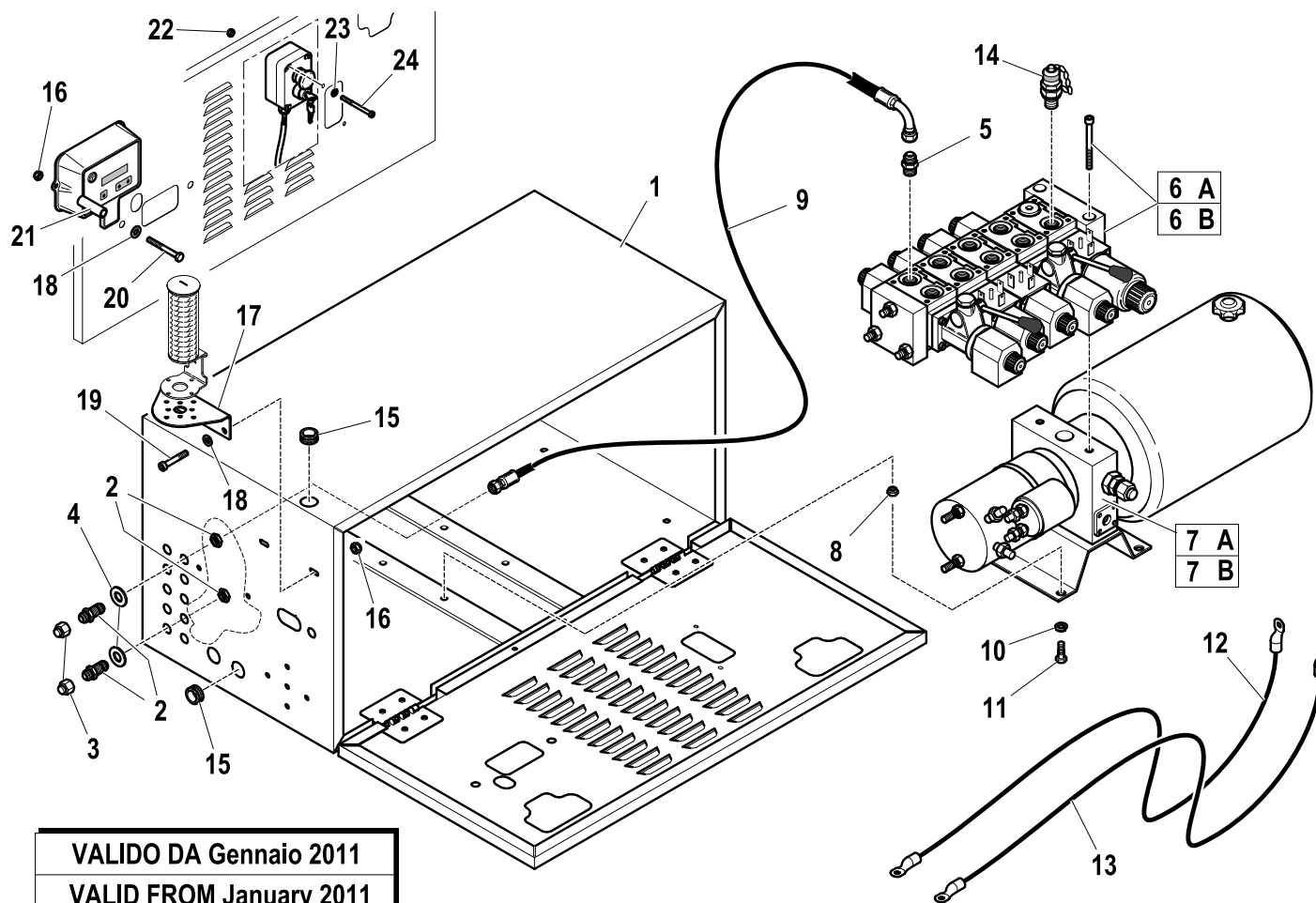
**2.4 GHz**

**VALIDO DA GENNAIO 2013  
VALID FROM JANUARY 2013**









R	Pos.	Code Variant	Q.ty	Description
	1	5090134	1	
	2	3120309	8	Wall-through pipe fitting
	3	3110040	2	Female plug
	4	3060009	8	Flat washer [D.15X28X2.5 UNI 6592 ZC]
	5	3101040	8	Straight pipe fitting
	6 A	5220469 (12V)	1	
	6 B	5220470 (24V)	1	
	7 A	W318009 (12V)	1	
	7 B	W318010 (24V)	1	
	8	3040303	4	Stopnut
	9	5260475	8	Flexible hose
	10	3060055	4	Split lock washer [D=8.4 C72 ZC]
	11	3010339	4	Hex screw [M8X25 8.8 ZC IF UNI 5739]
	12	3310067	1	Electric cable (negative pole)
	13	3310068	1	Electric cable (positive pole)
	14	3111523	1	Pipe fitting (Tapping point) [RACC. MILITES 16X2-1/4"G]
	15	3190179	3	Cable lead (Rubber)
	16	3040372	4	Stopnut
	17	W370508000	1	Support (Flashing light)
	18	3060005	4	Flat washer [D.6.4 UNI 6592 ZC]

**VALIDO DA Gennaio 2011**  
**VALID FROM January 2011**

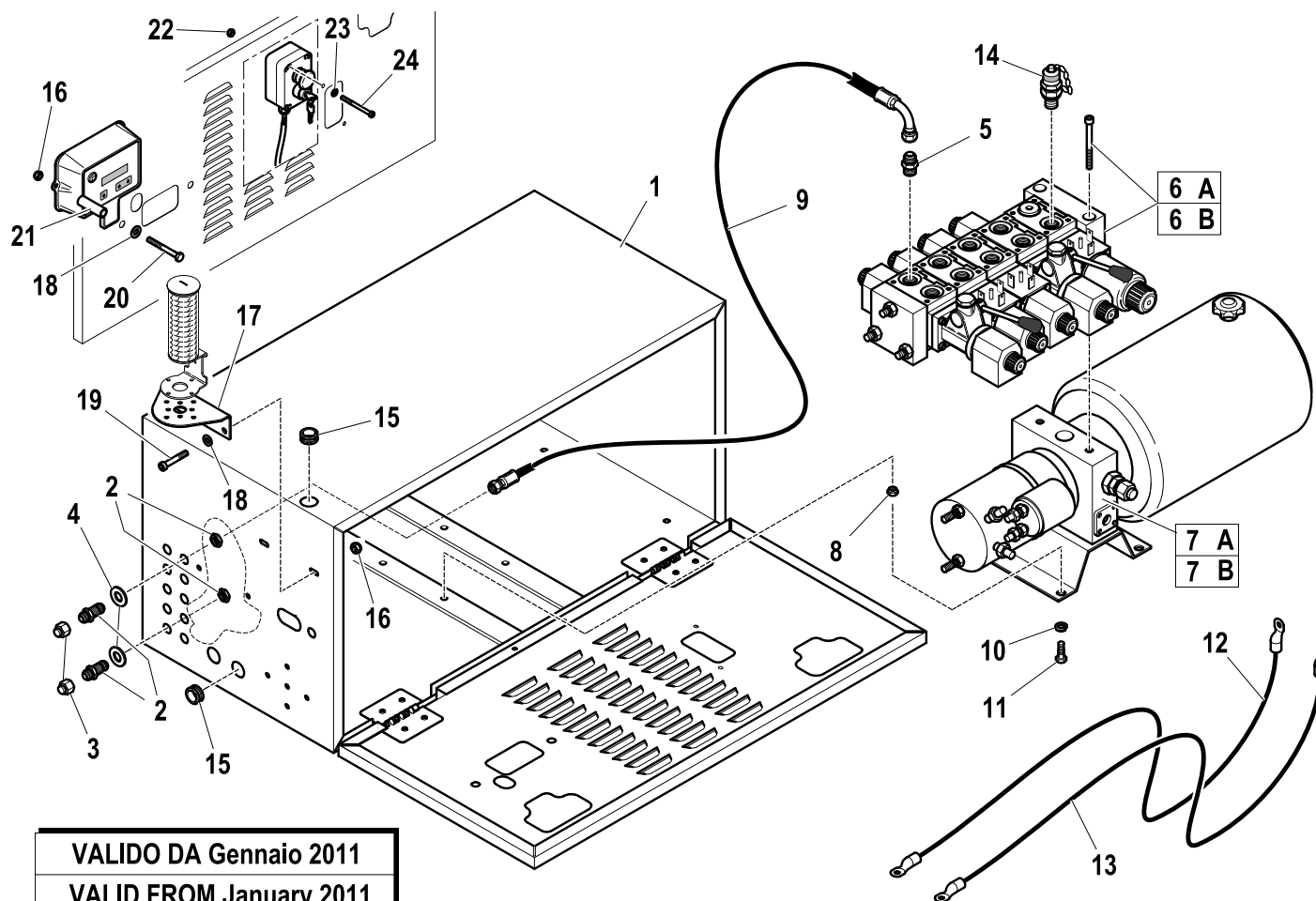
# ELECTRICS CONTROLS (EN12999-A3)

Code

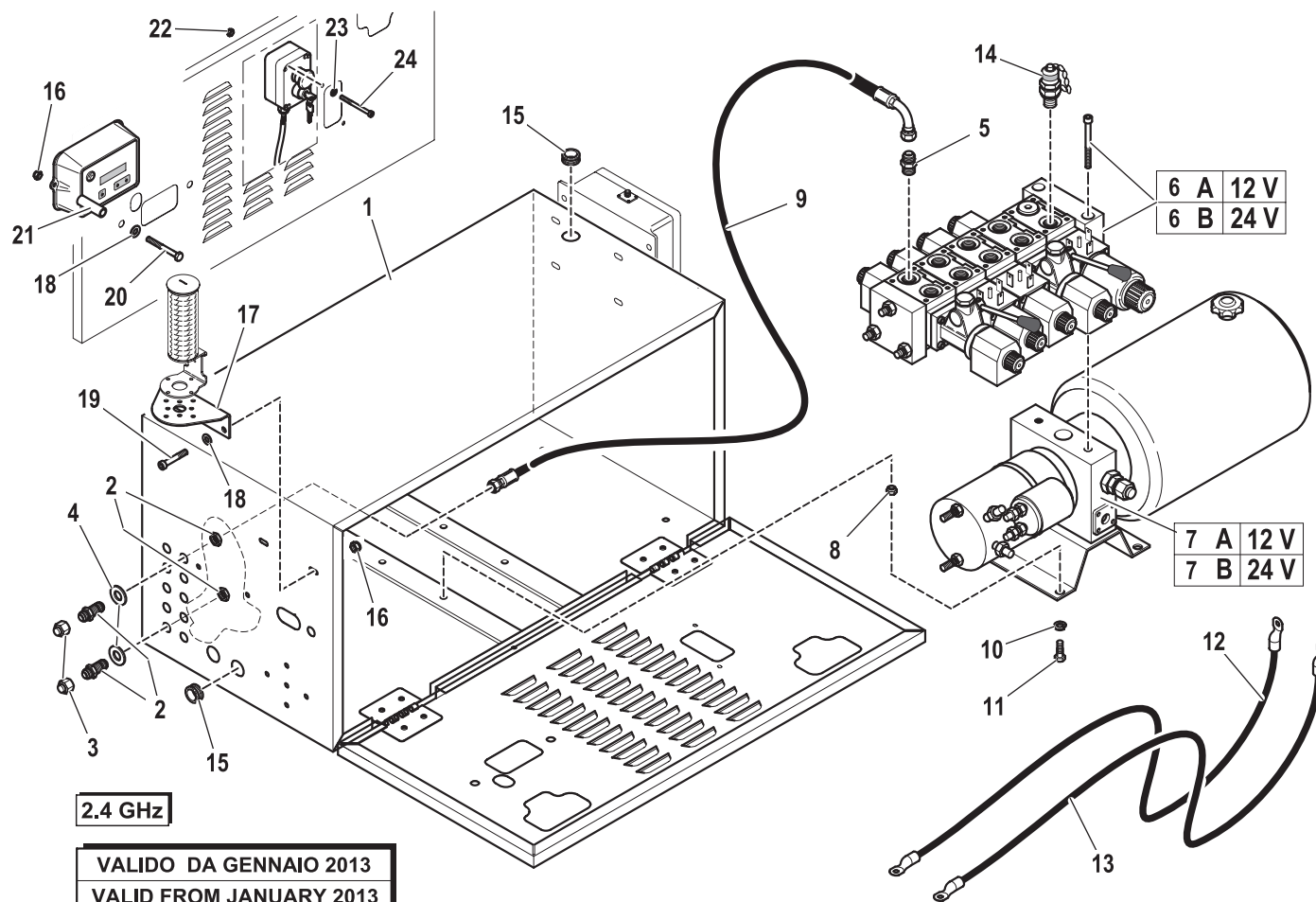
**5401528-1.0**

2/2

R	Pos.	Code Variant	Q.ty	Description
	19	3020038	2	Socket head cap screw [M6X30 8.8 ZC UNI 5931]
	20	3010388	2	Hex screw [M6X60 ZC UNI 5737]
	21	5002010	2	Spacer
	22	3040518	2	Stopnut
	23	3060003	2	Flat washer [D.4 UNI 6592 ZC]
	24	3020012	2	Socket head cap screw [M4X70 8.8 ZC UNI 5931]



**VALIDO DA Gennaio 2011**  
**VALID FROM January 2011**



R	Pos.	Code Variant	Q.ty	Description
	1	5091457	1	Junction box
	2	3120309	8	Wall-through pipe fitting
	3	3110040	2	Female plug
	4	3060009	8	Flat washer [D.15X28X2.5 UNI 6592 ZC]
	5	3101040	8	Straight pipe fitting
	6 A	5220469	1	6 A 12 V
	6 B	5220470	1	6 B 24 V
	7 A	W318009	1	7 A 12 V
	7 B	W318010	1	7 B 24 V
	8	3040303	4	Stopnut
	9	5260475	8	Flexible hose
	10	3060055	4	Split lock washer [D=8.4 C72 ZC]
	11	3010339	4	Hex screw [M8X25 8.8 ZC IF UNI 5739]
	12	3310067	1	Electric cable (negative pole)
	13	3310068	1	Electric cable (positive pole)
	14	3111523	1	Pipe fitting (Tapping point) [RACC. MILITES 16X2-1/4"G]
	15	3190179	3	Cable lead (Rubber)
	16	3040372	4	Stopnut
	17	W370508000	1	Support (Flashing light)
	18	3060005	4	Flat washer [D.6.4 UNI 6592 ZC]

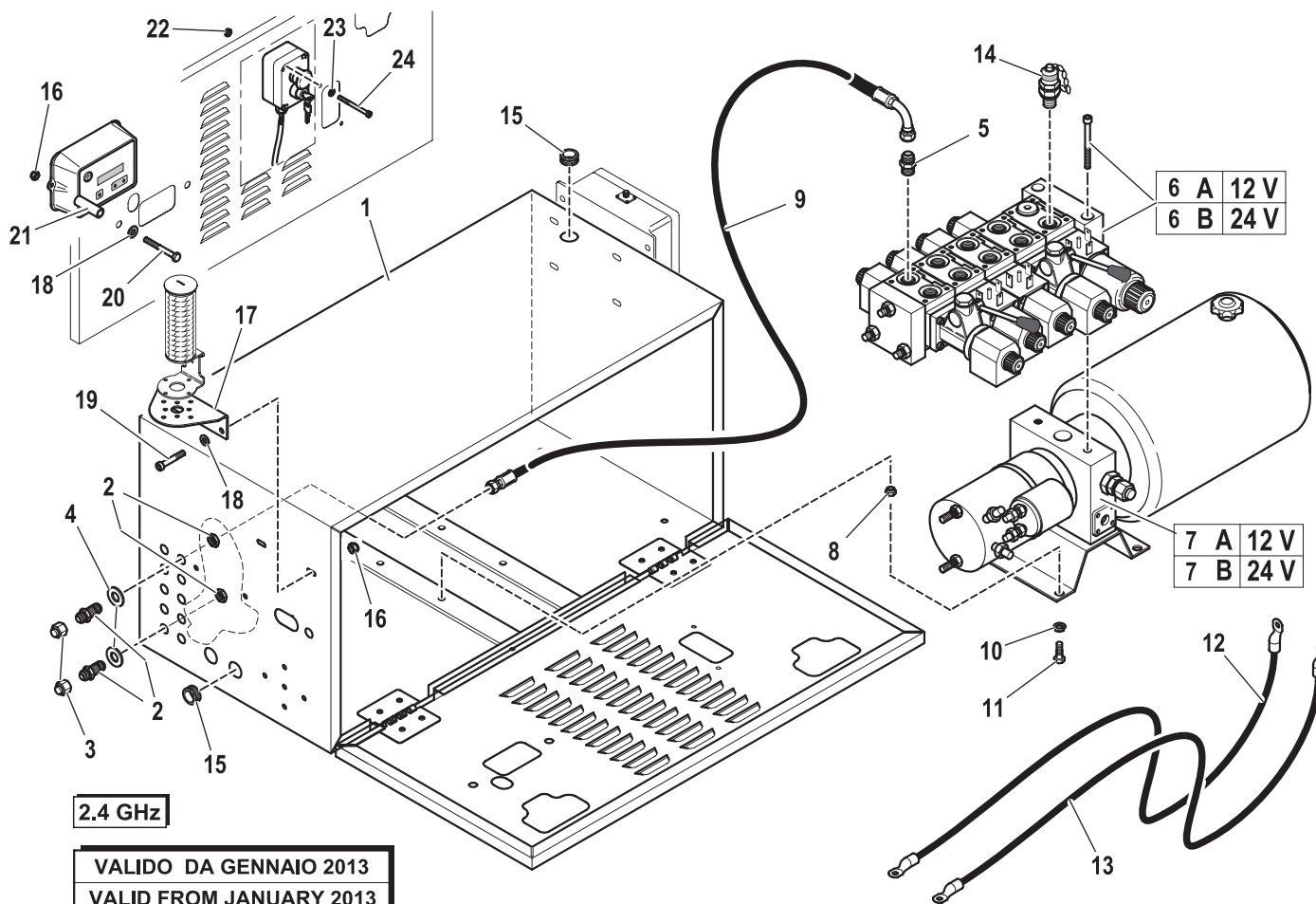
# ELECTRICS CONTROLS (EN12999-A3)

Code

**5402262-1.0**

2/2

R	Pos.	Code Variant	Q.ty	Description
	19	3020038	2	Socket head cap screw [M6X30 8.8 ZC UNI 5931]
	20	3010388	2	Hex screw [M6X60 ZC UNI 5737]
	21	5002010	2	Spacer
	22	3040518	2	Stopnut
	23	3060003	2	Flat washer [D.4 UNI 6592 ZC]
	24	3020012	2	Socket head cap screw [M4X70 8.8 ZC UNI 5931]



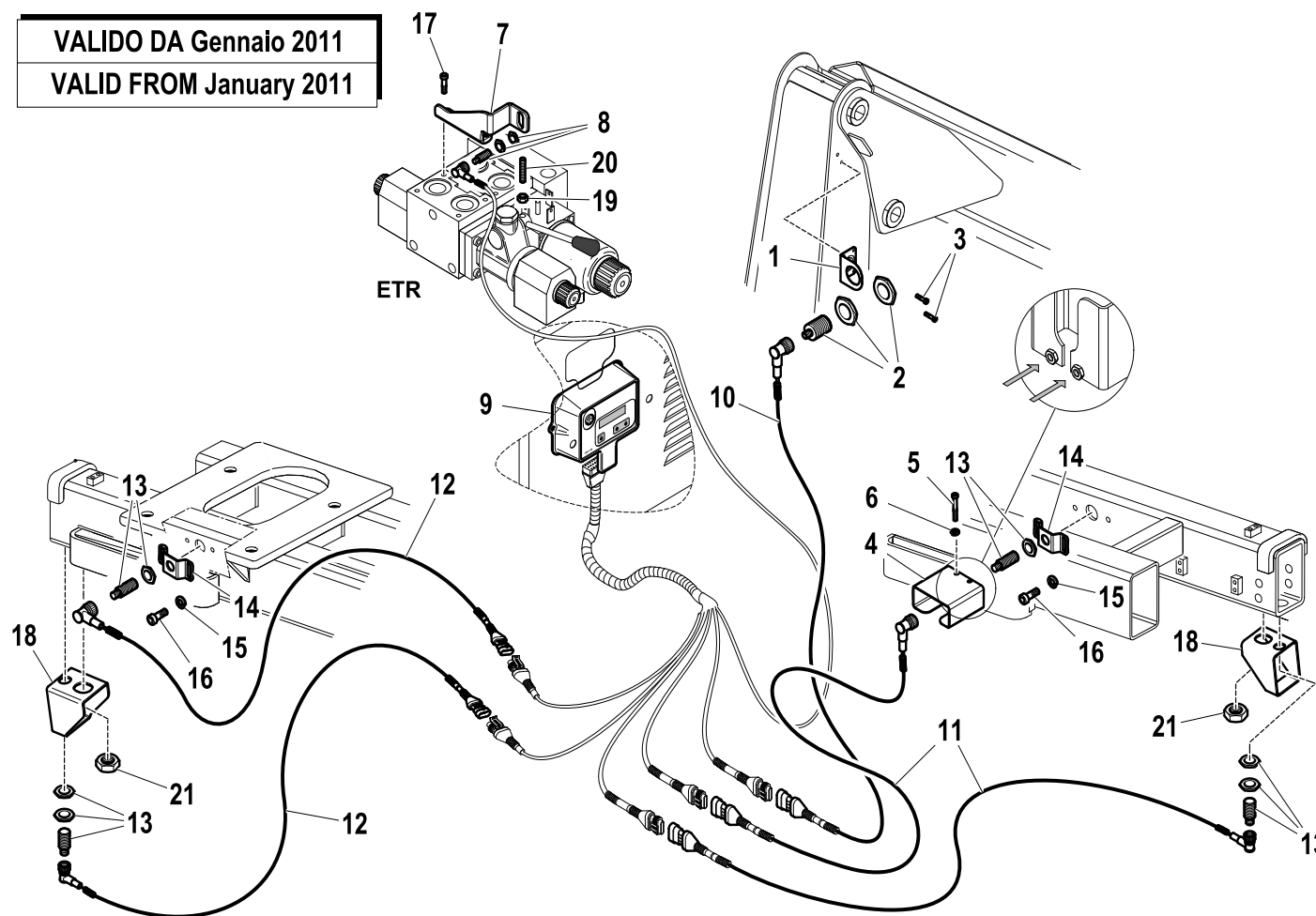
# Kit CE (STABILITY CONTROL)

Code

**5405050-4.0**

1/2

**VALIDO DA Gennaio 2011**  
**VALID FROM January 2011**



R	Pos.	Code Variant	Q.ty	Description
	1	5000426	1	Support (Proximity switch)
	2	3311312	1	Proximity switch
	3	3020895	2	Socketed head cap screw [M4X10 8.8 ZC UNI 5931]
	4	5091310	1	Guard (Proximity switch)
	5	3020045	2	Socketed head cap screw [M6X45 8.8 ZC UNI 5931]
	6	3060053	2	Split lock washer [D=6.4 C72 ZC]
	7	5002103	1	
	8	3311341	1	
	9	3311386	1	
	10	3311350	1	Electric wiring
	11	3311343	2	
	12	3311342	2	
	13	3311311	4	Proximity switch
	14	5000420	2	Support (Proximity switch)
	15	3060055	4	Split lock washer [D=8.4 C72 ZC]
	16	3020902	4	Socketed head cap screw [M8X10 ZC UNI 5931]
	17	3020022	2	Socketed head cap screw [M5X10 8.8 ZC UNI 5931]
	18	5000422	2	Support (Proximity switch)
	19	3040391	1	Hexagonal nut (Normal)
	20	3060225	1	Grub screw

# Kit CE (STABILITY CONTROL)

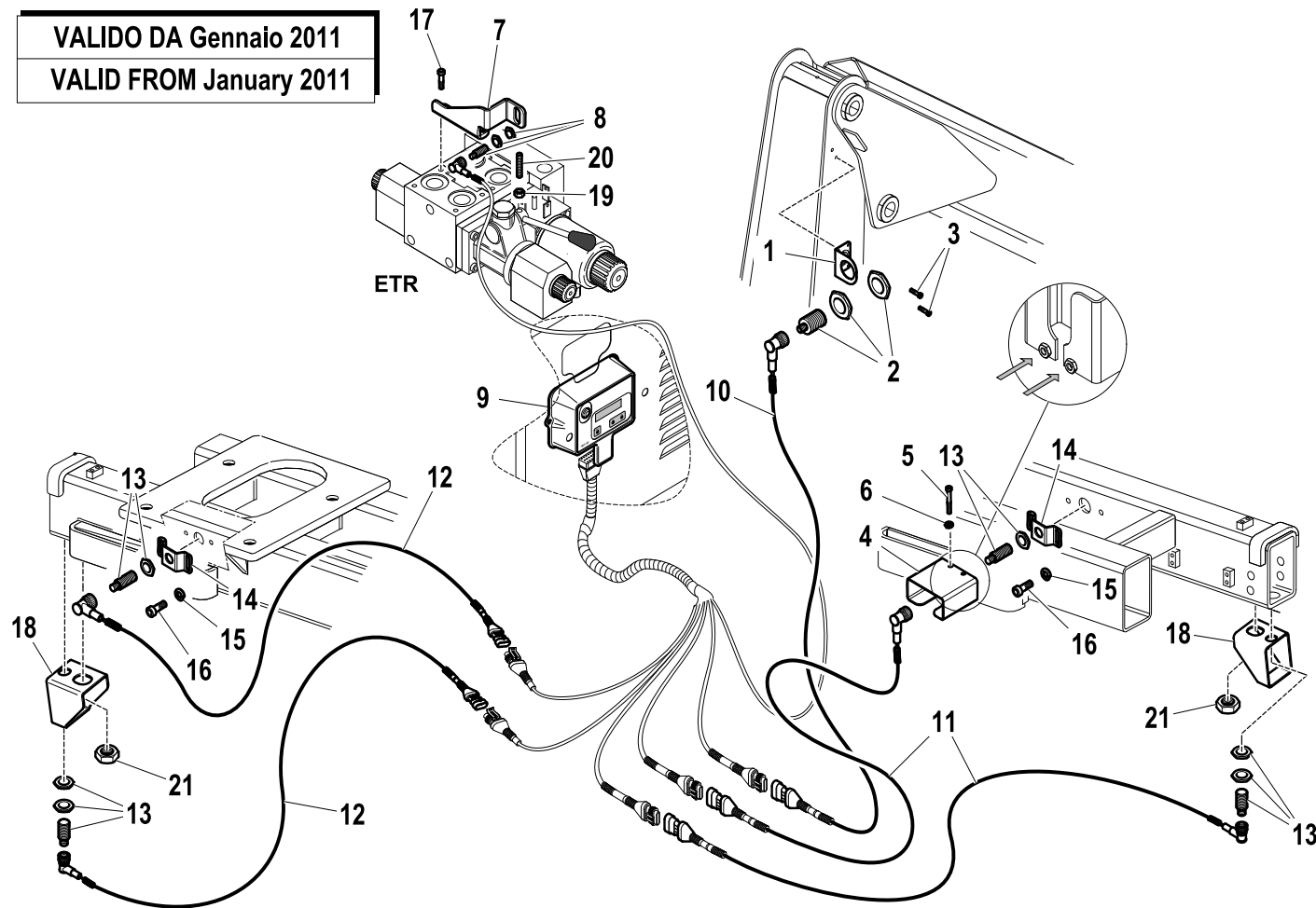
Code

**5405050-4.0**

2/2

R	Pos.	Code Variant	Q.ty	Description
	21	3040251	2	Lock nut [M24 8.G basso UNI 5589]

VALIDO DA Gennaio 2011  
VALID FROM January 2011





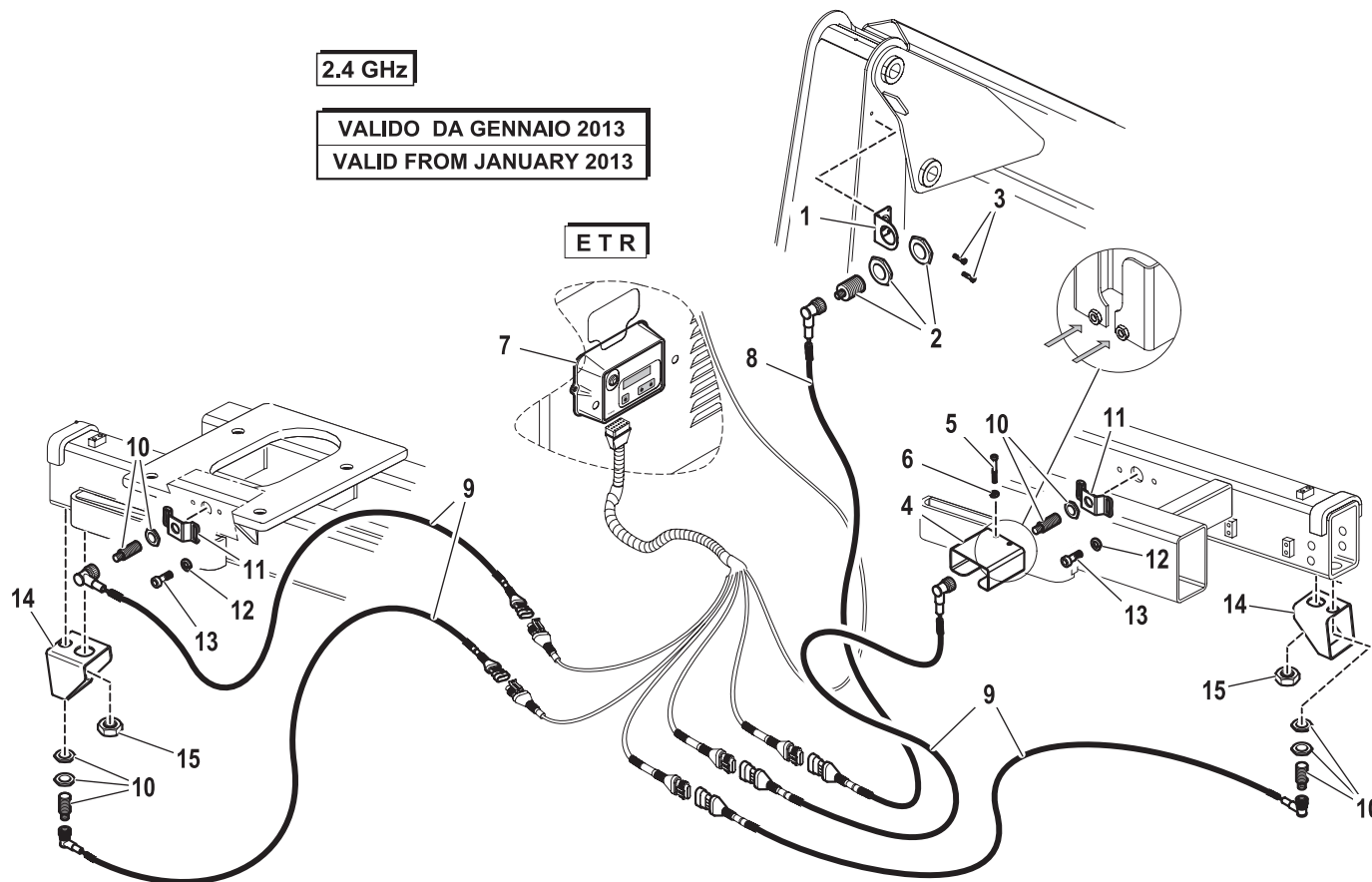
# STABILITY CONTROL (EN12999-A3)

Code

**5405050-6.0**

1/1

R	Pos.	Code Variant	Q.ty	Description
	1	5000426	1	Support (Proximity switch)
	2	3311312	1	Proximity switch
	3	3020895	2	Socketed head cap screw [M4X10 8.8 ZC UNI 5931]
	4	5091310	1	Guard (Proximity switch)
	5	3020045	2	Socketed head cap screw [M6X45 8.8 ZC UNI 5931]
	6	3060053	2	Split lock washer [D=6.4 C72 ZC]
	7	3311541	1	Moment limiting device
	8	3311350	1	Electric wiring
	9	3311636	4	Electric wiring
	10	3311311	4	Proximity switch
	11	5000420	2	Support (Proximity switch)
	12	3060055	4	Split lock washer [D=8.4 C72 ZC]
	13	3020902	4	Socketed head cap screw [M8X10 ZC UNI 5931]
	14	5000422	2	Support (Proximity switch)
	15	3040251	2	Lock nut [M24 8.G basso UNI 5589]





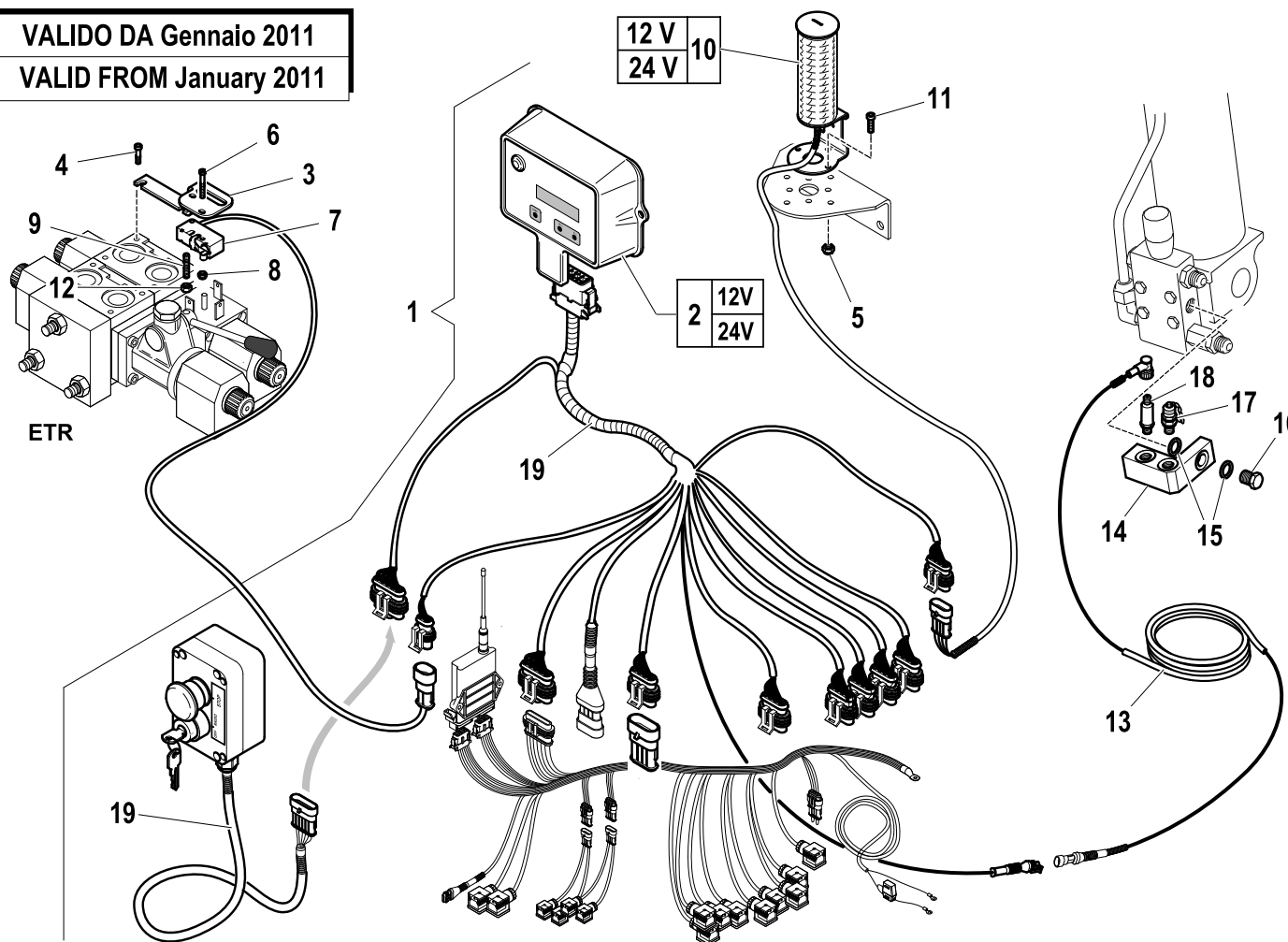
# Moment limiting device (CE)

Code

**5405046-2.0**

1/1

**VALIDO DA Gennaio 2011**  
**VALID FROM January 2011**



R	Pos.	Code Variant	Q.ty	Description
1		3311448	1	
2		3311386	1	
3		5001842	1	Microswitch support
4		3020022	2	Socket head cap screw [M5X10 8.8 ZC UNI 5931]
5		3040392	2	Stopnut
6		3020879	2	
7		3310885	1	Microswitch (Electric)
8		3040516	2	Stopnut
9		3060223	1	Grub screw
10		3311159	1	Signal Columns
11		3020023	2	Socket head cap screw [M5X16 8.8 ZC UNI 5931]
12		3040391	1	Hexagonal nut (Normal)
13		5160001	1	Electric wiring
14		5002055	1	Manifold (Pick-up)
15		3060143	2	Sealing washer [BSP 1/4"]
16		3110078	1	Bolt (banjo bolt)
17		3111523	1	Pipe fitting (Tapping point) [RACC. MILITES 16X2-1/4"G]
18		3310612	1	Pressure sensor
19		3311384	1	



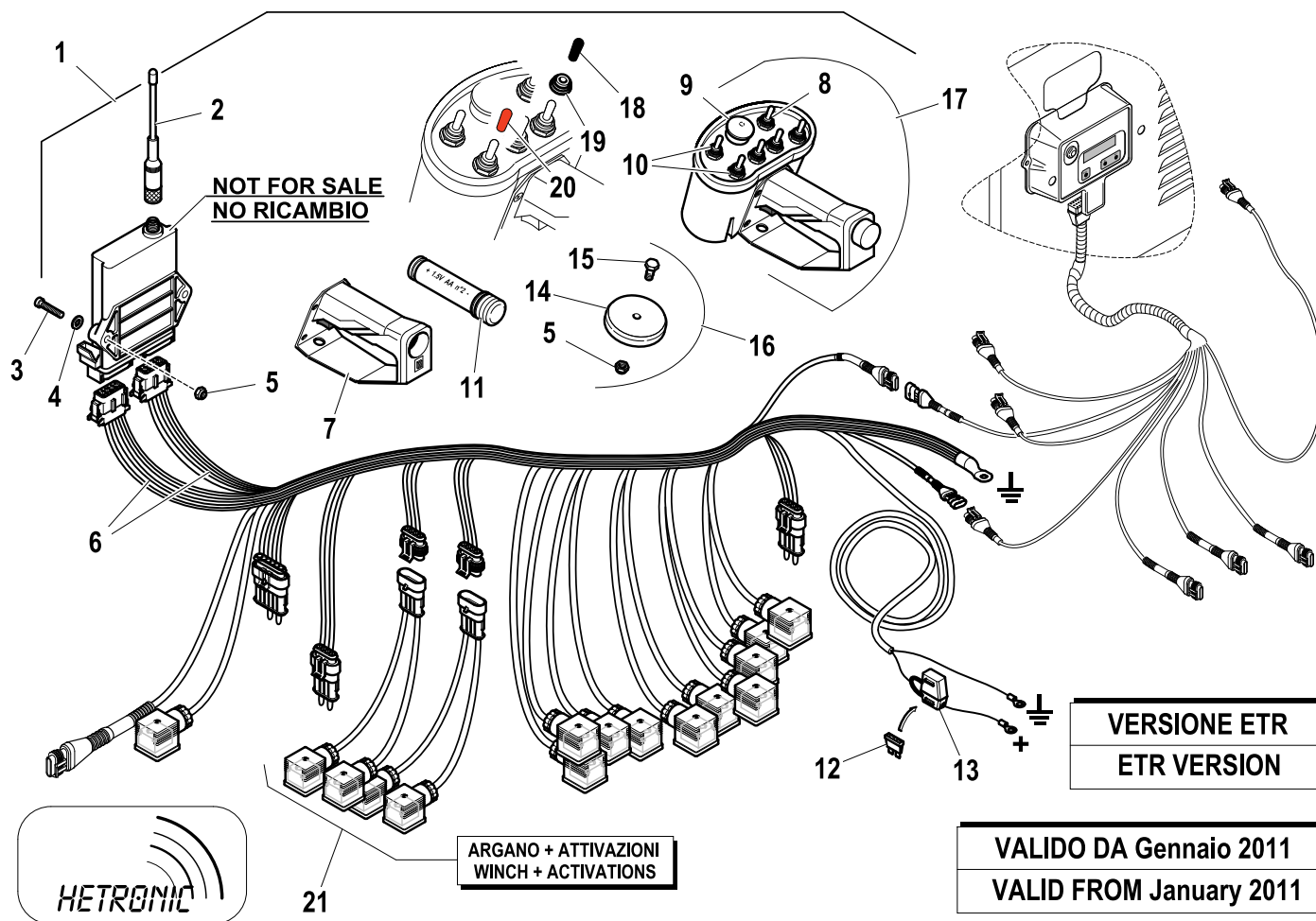
# Kit (Wireless control)

Code

**7892099-5.0**

1/2

R	Pos.	Code Variant	Q.ty	Description
	1	5120095	1	
	2	3310861	1	
	3	3020038	2	Socket head cap screw [M6X30 8.8 ZC UNI 5931]
	4	3060005	2	Flat washer [D.6.4 UNI 6592 ZC]
	5	3040372	3	Stopnut
	6	3311447	1	
	7	3311071	1	Handle
	8	3310891	1	
	9	3310892	1	
	10	3310890	5	
	11	3310893	1	Battery compartment
	12	3310688	1	
	13	3310852	1	
	14	3310064	1	
	15	3010324	1	Hex screw [M6X12 8.8 ZC UNI 5739]
	16	5410965	1	Kit (Magnet)
	17	3310754	1	
	18	3311195	5	
	19	3311197	6	
	20	3311196	1	



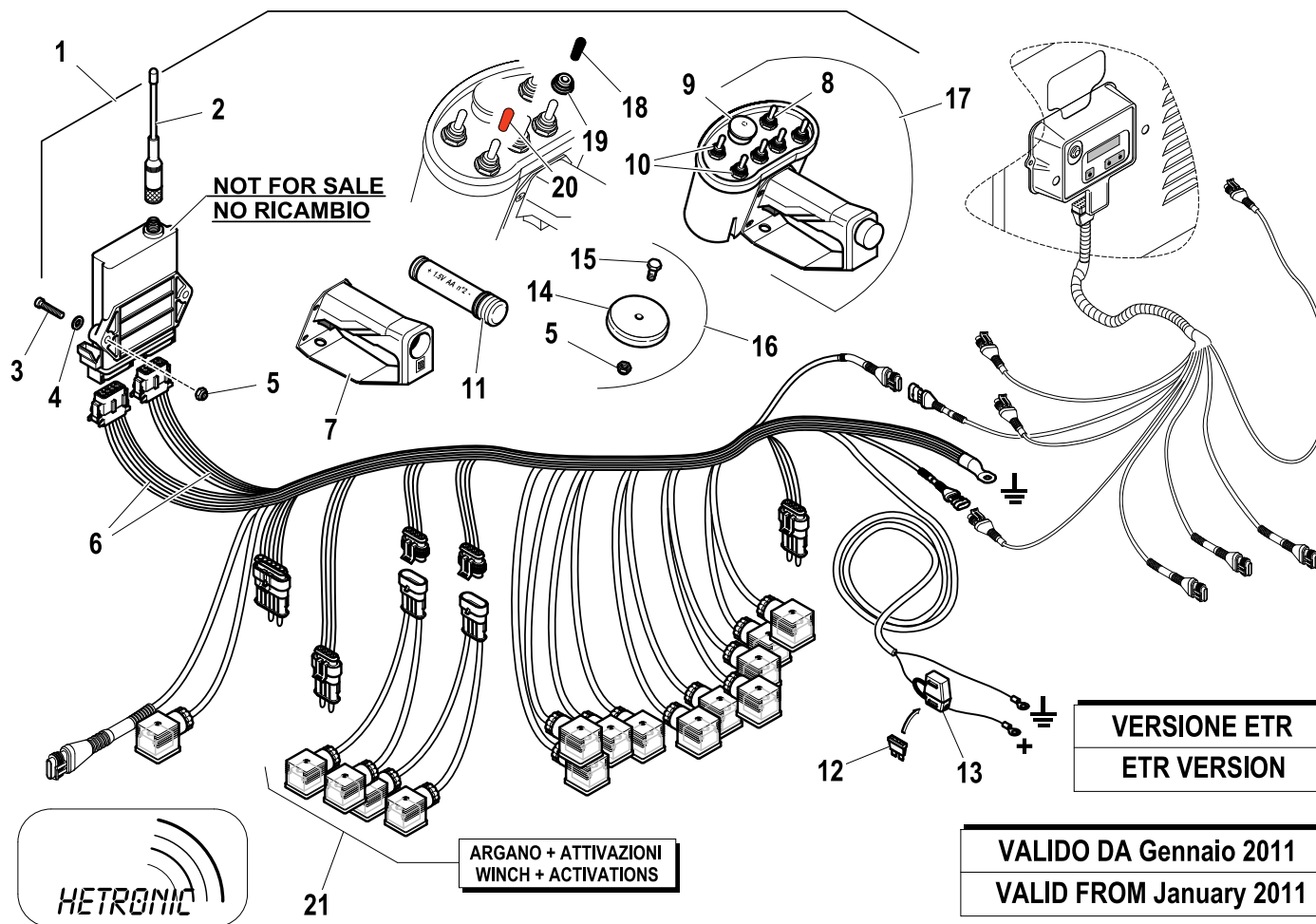
# Kit (Wireless control)

Code

**7892099-5.0**

2/2

R	Pos.	Code Variant	Q.ty	Description
	21	3310862	2	



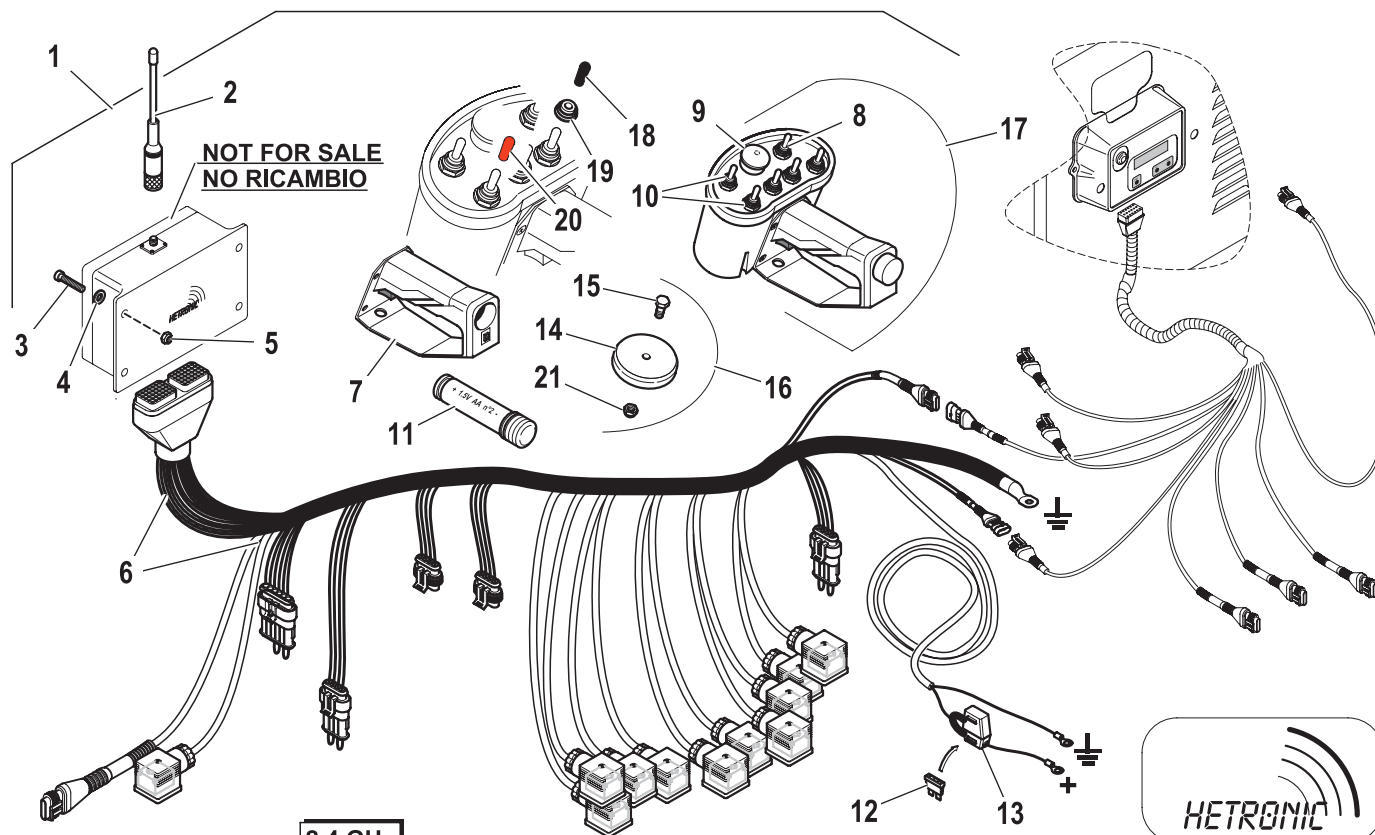
# Complete wireless control (EN12999-A3)

Code

**7892500-3.0**

1/2

R	Pos.	Code Variant	Q.ty	Description
	1	5120154	1	Complete wireless control
	2	3311501	1	Aerial (Wireless control)
	3	3020028	4	Socket head cap screw [M5X20 8.8 ZC UNI 5931]
	4	3060004	4	Flat washer [D.5 UNI 6592 ZC]
	5	3040392	4	Stopnut
	6	3311639	1	Electric wiring
	7	3311071	1	Handle
	8	3310891	1	
	9	3310892	1	
	10	3310890	5	
	11	3310893	1	Battery compartment
	12	3310688	1	
	13	3310852	1	
	14	3310064	1	
	15	3010324	1	Hex screw [M6X12 8.8 ZC UNI 5739]
	16	5410965	1	Kit (Magnet)
	17	3311502	1	Transmitter (Wireless control)
	18	3311195	5	
	19	3311197	6	
	20	3311196	1	



**2.4 GHz**

**VALIDO DA GENNAIO 2013  
VALID FROM JANUARY 2013**

**VERSIONE ETR  
ETR VERSION**

# Complete wireless control (EN12999-A3)

Code

**7892500-3.0**

2/2

R	Pos.	Code Variant	Q.ty	Description
	21	3040372	1	Stopnut

