

HYVA PTO'S



PNEUMATICALLY OPERATED POWER TAKE-OFF

Hyva

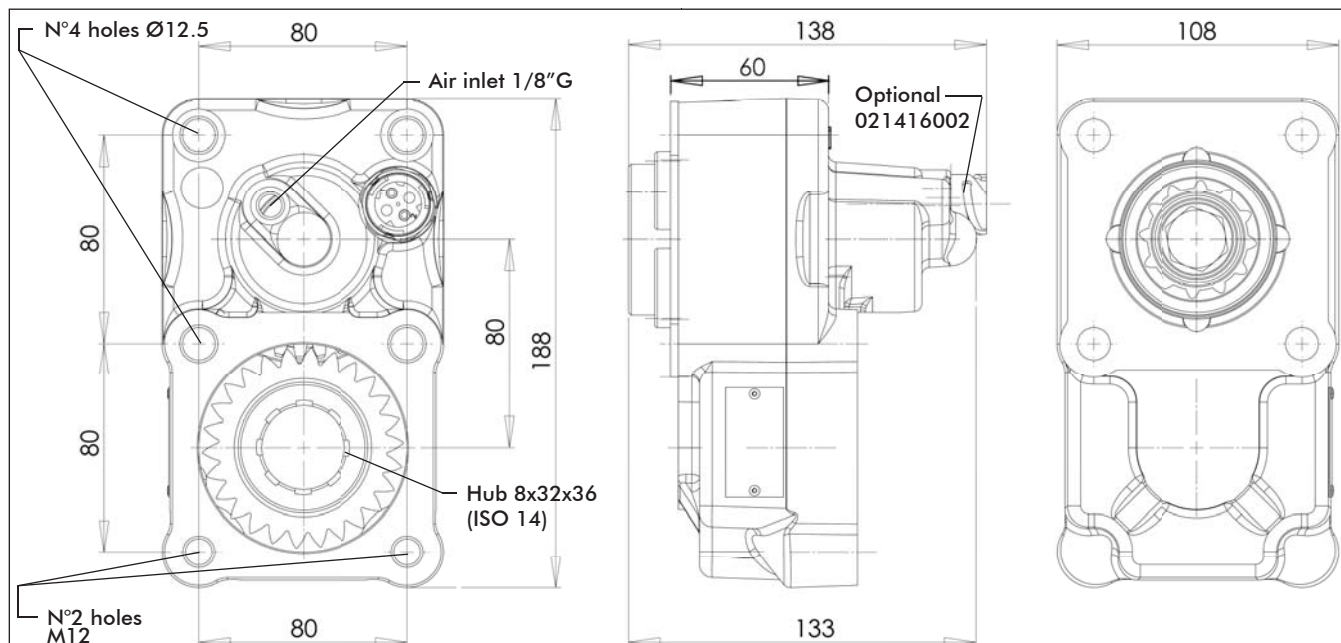
Partno. PTO:

021215040

Type Gearbox:

ZF

Page 1 / 1



Specifications

Type Gearbox	SEE INDEX
PTO ratio@1000 eng. rpm	SEE INDEX
Internal ratio	1:1,35
Max torque	300 Nm
Mounting side	Rear
Output	Rear
Rotation	Acw

Mounting kit

Part no.	SEE INDEX
----------	-----------

