

# HYVA CYLINDER

714 06 421



type: UMB 169-5-1480-K265-50-3/4"-HC

tipping weight: 19-29 ton

page # 1 / 2

Stage diameters <b>169</b> <b>149</b> <b>129</b> <b>110</b> <b>91</b>	front view cylinder		<table border="1"> <tr><td>A</td><td>230</td></tr> <tr><td>ØC</td><td>192</td></tr> <tr><td>G<sup>1</sup></td><td>532</td></tr> <tr><td>I</td><td>267</td></tr> <tr><td>K<sup>1</sup></td><td>265</td></tr> <tr><td>M<sup>1</sup></td><td>106</td></tr> <tr><td>ØP</td><td>110</td></tr> <tr><td>ØQ</td><td>75</td></tr> <tr><td>S</td><td>284</td></tr> <tr><td>ØW</td><td>50</td></tr> <tr><td>X</td><td>45</td></tr> </table>	A	230	ØC	192	G <sup>1</sup>	532	I	267	K <sup>1</sup>	265	M <sup>1</sup>	106	ØP	110	ØQ	75	S	284	ØW	50	X	45
A	230																								
ØC	192																								
G <sup>1</sup>	532																								
I	267																								
K <sup>1</sup>	265																								
M <sup>1</sup>	106																								
ØP	110																								
ØQ	75																								
S	284																								
ØW	50																								
X	45																								

<sup>1</sup>including 20 mm pull-out [tol. -5; +30 mm]

<sup>2</sup>cylinder is delivered including oil inlet swivel adapter and cup

## specifications

total stroke <sup>1</sup>	1480 mm
dry weight cylinder only	84 kg
total volume	22.1 L
working volume	20.4 L
maximum pressure	220 bar
maximum pump flow	98 l/min
maximum allowable thrust first stage <sup>3</sup>	25.0 ton
oil inlet	3/4" BSP

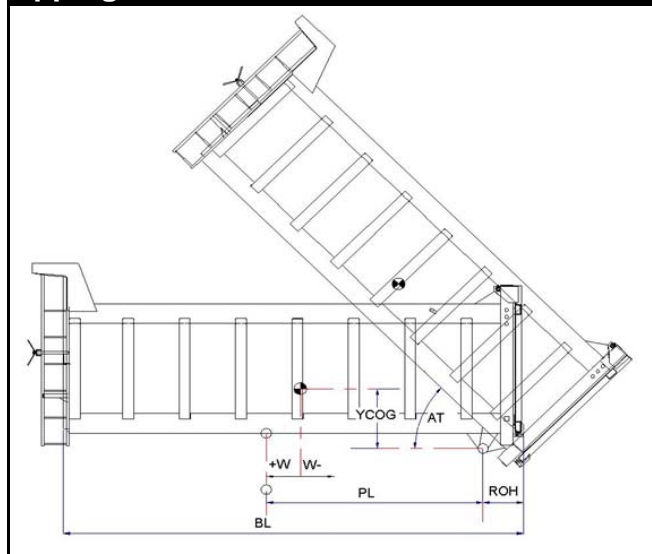
## technical notes

This cylinder is a lifting device only and may not be used as a structural member or be subjected to side load. Sideload and/or poor alignment might result in cylinder leakage. Hyva therefore strongly recommends the use of a cradle, even in instances where the cylinder only tips to the rear or to the side. The cylinder is painted black RAL9005. For suitable hydraulic oils, please refer to data sheet OIL-0011. For details of available brackets and cradles, please refer data sheet 015BRA06.

Detailed calculations can be made using the HYVA Tipper Program, freely available from [tipper.hyva.com](http://tipper.hyva.com).

<sup>3</sup>The cylinder thrust on the first stage (from the HYVA Tipper Program) must not exceed the maximum allowable (see specifications above).

## tipping view



## tipping weight

PL	1930			mm	1710		
YCOG	700			mm	700		
ROH	700			mm	700		
BL	5840	5260	4780	mm	5360	4820	4380
CYL w.r.t. COG (W)	-290	0	240	mm	-270	0	220
	Tipping weight for full stroke of 46°				Tipping weight for full stroke of 52°		
Tipping weight	19	23	28	ton	22	25	29
	Tipping weight for second last stage, up to 37°				Tipping weight for 2nd last stage, up to 42°		
Tipping weight	22	25	29	ton	22	25	29

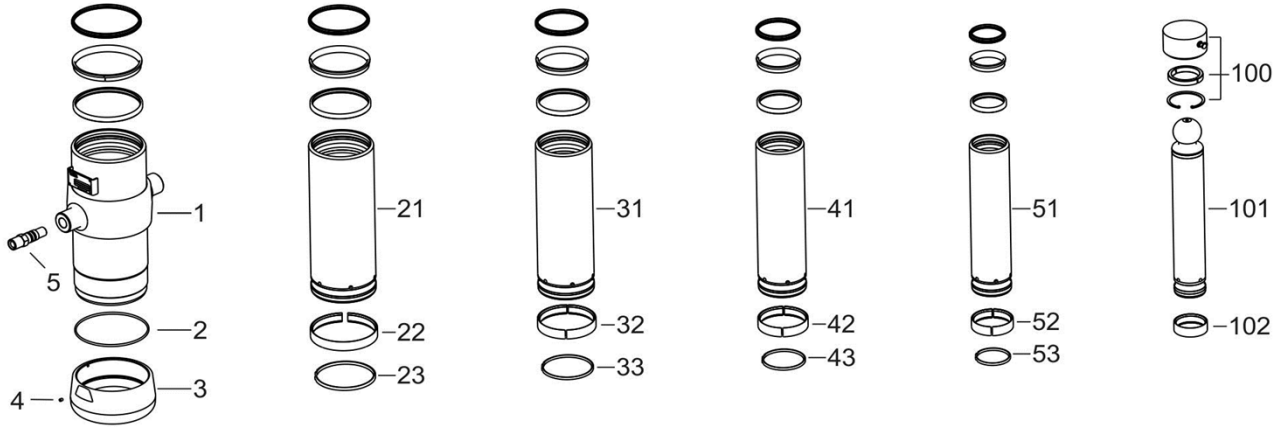
# HYVA CYLINDER

714 06 421

type

UMB 169-5-1480-K265-50-3/4"-HC

page # 2 / 2



Spare part list			
Pos	Part no.	Description	Qty.
1	73507300	BASE 191-0398-N0159	1
2	01226780	O-RING 184 X 4 70 SHORE	1
3	73101050	THREADED BOTTOM UM 191	1
4	01792571	LOCKING SCREW M6X12 INT. HEX. DIN 916	1
5	73103002	OIL INLET ADAPTOR UM 3/4"OT+O-RING	1
21	73606301	STAGE 169-0398-HC	1
22	71807169 K	SLIDER FL 169	1
23	71813169 K	LIFTRING FL 169x5	1
31	73605301	STAGE 149-0398-HC	1
32	71807149 K	SLIDER FL 149	1
33	71812149 K	LIFTRING FL 149/HP 150	1
41	73604301	STAGE 129-0398-HC	1
42	71807129 K	SLIDER FL 129/GF 129 (2 X 1/2)	1
43	71812129 K	LIFTRING FL 129/HP 129	1
51	73603301	STAGE 110-0398-HC	1
52	71807110 K	SLIDER FL 110/GF 110 (2 X 1/2)	1
53	71812110 K	LIFTRING FL 110	1

Spare part list			
Pos	Part no.	Description	Qty.
100	01745103	RETAINER KIT UMB D.75	1
101	73402301	PISTON B 091-0440-HC	1
102	71807091 K	SLIDER FL 091 (2 X 1/2)	1

Seal kit complete	
Part no.	Description
719 04 650K	Complete packset: Consists of all packsets with packset grease and o-ring.