

HYVA BRACKETS AND CRADLES



UM BRACKETS AND CRADLES

Hyva

type :

UM Brackets and cradles

note :

Please verify quoted dimensions with your local Hyva subsidiary or agent prior to use

page # 1 / 2

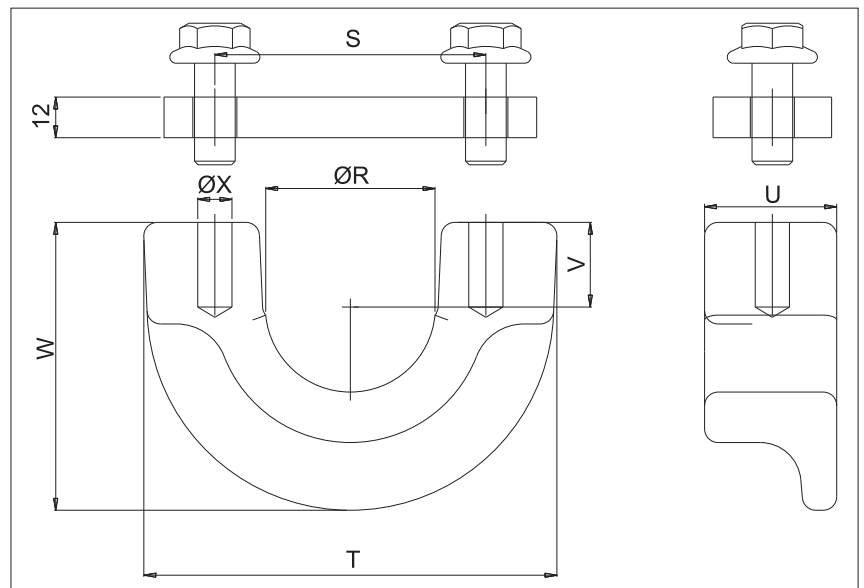
Weldable Brackets for cradles

Part No.	Description	For Cradle	ØR (mm)	S (mm)	T (mm)	U (mm)	V (mm)	W (mm)	ØX	Weight (kg)
73105035	Bracket to weld UM D50	129-169	50	80	122	39	20	85	M12	1.5
73105036	Bracket to weld UM D60	191	60	90	122	39	25	90	M12	2.1

These brackets are welded hinges. They are used to mount a cradle to the chassis.

Included are:

Bracket; closing plate and fasteners.



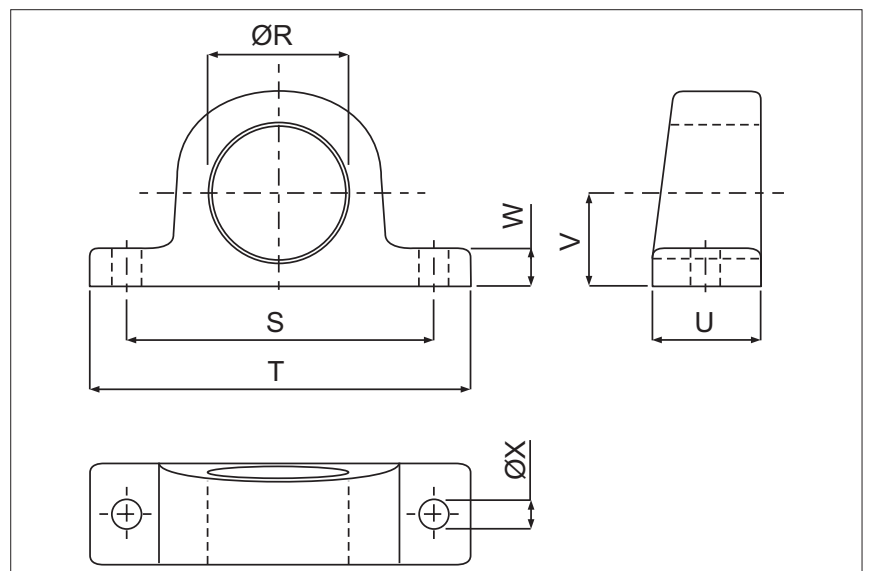
Boltable Brackets for cradles and cylinders

Part No.	Description	For Cradle	For Cylinder	ØR (mm)	S (mm)	T (mm)	U (mm)	V (mm)	W (mm)	ØX (mm)	Weight (kg)
73105073	Bracket UM to bolt D45	none	129	45.5	105	140	45	33	15	15	1.0
73105076	Bracket UM to bolt D50	129-169	149-169	50.5	120	155	50	37	17	15	1.4
73105079	Bracket UM to bolt D60	191	191	60.5	130	165	50	42	17	15	1.6

These brackets are bolted hinges. They can be used to mount the cradle to the chassis or to mount the cylinder directly in the chassis. (This is not recommended by Hyva, it will reduce the seal life).

Remarks:

This bracket is ordered a piece. The fasteners are not included.



HYVA BRACKETS AND CRADLES



UM BRACKETS AND CRADLES

Hyva type : UM Brackets and cradles
 note : Please verify quoted dimensions with your local Hyva subsidiary or agent prior to use

page # 2 / 2

UM Cradle with knock off and brackets

Part No.	Description	G (mm)	H (mm)	J (mm)	K (mm)	L (mm)	ØM (mm)	N (mm)	O (mm)	ØP (mm)	Q (°)	T (mm)	Z (mm)	Weight (kg)
73104023	Cradle UM 129-KOPN-PIN50-D50	240	137	280	180	135	45	35	39	50	60	122	360	12.8
73104033	Cradle UM 149-KOPN-PIN50-D50	310	137	330	210	152	50	37	39	50	60	122	410	26.7
73104043	Cradle UM 169-KOPN-PIN50-D50	320	137	380	235	162	50	37	39	50	60	122	460	33.0
73104053	Cradle UM 191-KOPN-PIN60-D60	340	147	400	250	190	60	45	39	60	60	122	480	45.6

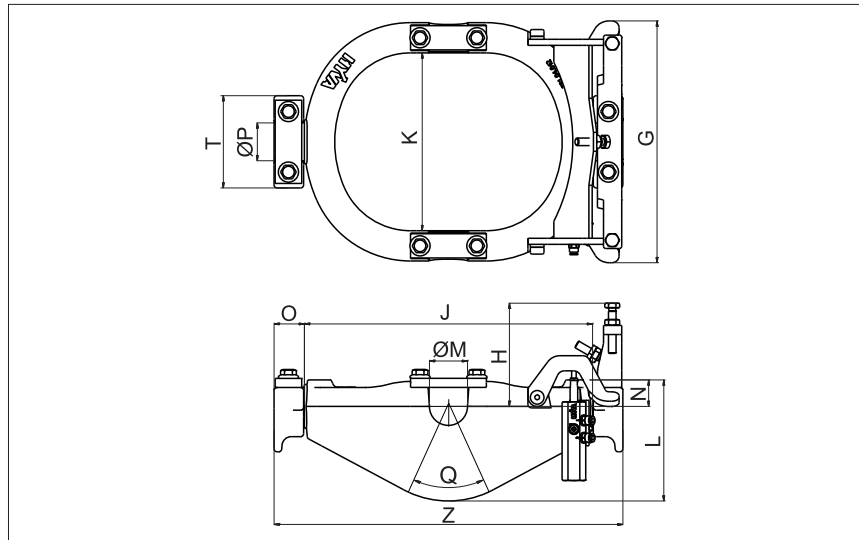
These Cradles are used for 3-way tipping applications and are strongly recommended for 1- and 2-way tipplers to increase the seal life of the cylinder.

Included are:

Cradle; knock off; closing plates; welded brackets and fasteners.

Remarks:

These cradles cannot be combined with the bolted brackets.



UM Cradles without knock off

Part No.	Description	J (mm)	K (mm)	L (mm)	ØM (mm)	N (mm)	O (mm)	ØP (mm)	Q (°)	Weight (kg)
73104021	Cradle UM 129-PIN50-D45	280	180	135	45	35	39	50	60	13.8
73104031	Cradle UM 149-PIN50-D50	330	210	152	50	37	39	50	60	20.4
73104041	Cradle UM 169-PIN50-D50	380	235	162	50	37	39	50	60	26.5
73104051	Cradle UM 191-PIN60-D60	400	250	190	60	45	39	60	60	38.9

These Cradles are used for 3-way tipping applications and are strongly recommended for 1- and 2-way tipplers to increase the seal life of the cylinder.

Included are:

Cradle; closing plates and fasteners.

Remarks:

The brackets (weldable or boltable) need to be ordered separately.

