

Validità - Validez - Validity - Validité - Gültigkeit



Codice libretto - Código libro - Logbook code - Code notice - Artikelnr. anleitung

**7.88.0746 rev.0**

GRU - GRUAS - CRANES - GRUES - KRANE

*Catalogo parti di ricambio*

*Catalogue des pieces detachees*

# HC801

*Catalogo de piezas de repuestos*

*Ersatzteilkatalog*

*Spare parts book*

**1 5.50.2000-3-0**

KIT TARGHETTE (GRU) GENERIC  
 PLATE KIT (CRANES) GENERIC  
 KIT DE PLAQUETTES (GRUES) GENERIC  
 SCHILD (KRANE) GENERIC  
 KIT PLACAS (GRUAS) GENERIC

**2 5.50.1456-1-0**

KIT TARGHETTE (VERSIONE) GRU  
 PLATE KIT (VERSION) GRU  
 KIT DE PLAQUETTES (VERSION) GRU  
 SCHILD (VERSION) GRU  
 KIT PLACAS (VERSION) GRU

**3 5.42.0076-1-0**

BASAMENTO  
 BASE  
 SOLLE  
 UNTERBAU  
 BASE

**4 5.42.0084-1-0**

BASAMENTO INTEGRALE  
 FULL BASEMENT  
 PLEIN - SOL  
 VÖLLE KELLER  
 SÓTANO COMPLETO

**5 5.42.0093-1-0**

BASAMENTO F  
 BASE F  
 SOLLE F  
 UNTERBAU F  
 BASE F

**6 6.24.0122-1-0**

GRUPPO ROTAZIONE (2 MOTORI)  
 SLEWING ASS'Y (2 ENGINES)  
 GROUPE ROTATION (2 MOTEURS)  
 DREHVORRICHTUNG (2 MOTOREN)  
 GRUPO ROTACION (2 MOTORES)

**7 7.88.0731-1-0**

GRUPPO ROTAZIONE (3° MOTORE)  
 SLEWING ASS'Y (3° ENGINE)  
 GROUPE ROTATION (3° MOTEUR)  
 DREHVORRICHTUNG (3 °MOTOR)  
 GRUPO ROTACION (3° MOTOR)

**8 5.46.0078-2-0**

GIUNTO ROTANTE ELETTRIDRAULICO  
 COME REVOLVING ELECTROHYDRAULIC  
 SE TOURNANT ELECTRO  
 KOMMEN DREHRESTAURANT ELEKTROHYDRAULISCHE  
 LIEGADO ROTATORIO ELECTROHYDRAULIC

**9 5.46.0121-1-0**

GIUNTO ROTANTE ELETTRIDRAULICO EN-12999-A3  
 COME REVOLVING ELECTROHYDRAULIC EN-12999-A3  
 SE TOURNANT ELECTRO EN-12999-A3  
 KOMMEN DREHRESTAURANT ELEKTROHYDRAULISCHE EN-12999-A3  
 LIEGADO ROTATORIO ELECTROHYDRAULIC EN-12999-A3

**10 5.41.1317-1-0**

CONTROLLO ROTAZIONE EN-12999-A3  
 ROTATION CONTROL EN-12999-A3  
 CONTRÔLE ROTATION EN-12999-A3  
 KONTROLLE ROTATION EN-12999-A3  
 CONTROL ROTACIÓN EN-12999-A3

**11 5.76.0150-1-0**

ASTE STABILIZZATRICI EXTRA ESTENDIBILI  
 STABILIZER CONNECTING RODS EXTRA-EXTENSIBLE  
 EXTENSION DES STABILISATEURS EXTRA-EXTENSIBLE  
 STÜTZSTANGEN EXTRA-AUSDEHNBARE  
 VARILLAS ESTABILIZADORES EXTRA-EXTENSIBLE

**12 5.41.1204-16-0**

KIT CONTROLLO CHIUSURA ASTE STAB. MANUALI EN-12999-A3  
 CONTROL DEVICES LOCKING FOR OUTRIGGERS LEGS EN-12999-A3  
 KIT DE CONTRÔLE DE FERMETURE TIGES STABILISATEURS MANUELS EN-12999-A3  
 KIT SCHLUSSKONTROLLE FÜR MANUELLEN ABSTÜTZSTANGEN EN-12999-A3  
 KIT CONTROL CIERRE VASTAGO ESTABILIZADORES EN-12999-A3

**13 5.41.1204-15-0**

CONTROLLO STABILITA' EN-12999-A3  
 STABILITY CONTROL EN-12999-A3  
 CONTRÔLE DE LA STABILITE' EN-12999-A3  
 STABILITÄTSKONTROLLE EN-12999-A3  
 CONTROL DE LA ESTABILIDAD EN-12999-A3

**14 5.41.1053-1-0**

GRUPPO ROTAZIONE (MARTINETTO STABILIZZATORE) GIR.AUT.  
 SLEWING ASS'Y (STABILISER RAM) GIR.AUT.  
 GROUPE ROTATION (VERIN STABILISATEUR) GIR.AUT.  
 DREHVORRICHTUNG (STABILISATOR SCHÜBZYLINDER) GIR.AUT.  
 GRUPO ROTACION (GATO ESTABILIZADOR) GIR.AUT.

**15 5.41.1035-1-0**

GRUPPO ROTAZIONE (MARTINETTO STABILIZZATORE) GIR.AUT.  
SLEWING ASS'Y (STABILISER RAM) GIR.AUT.  
GROUPE ROTATION (VERIN STABILISATEUR) GIR.AUT.  
DREHVORRICHTUNG (STABILISATOR SCHUBZYLINDER) GIR.AUT.  
GRUPO ROTACION (GATO ESTABILIZADOR) GIR.AUT.

**16 5.41.1079-1-0**

GRUPPO ROTAZIONE B.I. (MARTINETTO STABILIZZATORE) GIR.AUT.  
SLEWING ASS'Y B.I. (STABILISER RAM) GIR.AUT.  
GROUPE ROTATION B.I. (VERIN STABILISATEUR) GIR.AUT.  
DREHVORRICHTUNG B.I. (STABILISATOR SCHUBZYLINDER) GIR.AUT.  
GRUPO ROTACION B.I. (GATO ESTABILIZADOR) GIR.AUT.

**17 5.41.1036-1-0**

GRUPPO ROTAZIONE B.I. (MARTINETTO STABILIZZATORE) GIR.AUT.  
SLEWING ASS'Y B.I. (STABILISER RAM) GIR.AUT.  
GROUPE ROTATION B.I. (VERIN STABILISATEUR) GIR.AUT.  
DREHVORRICHTUNG B.I. (STABILISATOR SCHUBZYLINDER) GIR.AUT.  
GRUPO ROTACION B.I. (GATO ESTABILIZADOR) GIR.AUT.

**18 5.38.0036-1-0**

IMPIANTO IDRAULICO (MARTINETTO SFILO ASTE EXTRA ESTENDIBILI)  
HYDRAULIC SYSTEM (ROD EXTENSION HYDRAULIC CYLINDER EXTRA-EXTENSIBLE)  
INSTALLATION HYDRAULIQUE (VERIN RALLONGE TIGE EXTRA-EXTENSIBLE)  
HYDRAULIKANLAGE (STANGENVERLAENGERUNGSWINDE EXTRA-AUSDEHNBARE)  
INSTALACION HIDRAULICA (GATO DE PROLONGACION VASTAGOS EXTRA-EXTENSIBLE)

**19 6.40.0252-1-0**

MARTINETTO SFILO ASTE (1° SFILO)  
ROD EXTENSION HYDRAULIC CYLINDER (1ST EXTENSION)  
VERIN RALLONGE TIGES (1ERE RALLONGE)  
STANGENVERLAENGERUNGSWINDE (1. VERLAENGERUNG)  
GATO DE PROLONGACION VASTAGOS (1°PROLONGACION)

**20 6.40.0253-1-0**

MARTINETTO SFILO ASTE (2° SFILO)  
ROD EXTENSION HYDRAULIC CYLINDER (2ND EXTENSION)  
VERIN RALLONGE TIGES (2EME RALLONGE)  
STANGENVERLAENGERUNGSWINDE (2. VERLAENGERUNG)  
GATO DE PROLONGACION VASTAGOS (2°PROLONGACION)

**21 6.40.0253-1-1**

MARTINETTO SFILO ASTE (2° SFILO)  
ROD EXTENSION HYDRAULIC CYLINDER (2ND EXTENSION)  
VERIN RALLONGE TIGES (2EME RALLONGE)  
STANGENVERLAENGERUNGSWINDE (2. VERLAENGERUNG)  
GATO DE PROLONGACION VASTAGOS (2°PROLONGACION)

**22 5.76.0150-2-0**

ASTE STABILIZZATRICI EXTRA ESTENDIBILI  
STABILIZER CONNECTING RODS EXTRA-EXTENSIBLE  
EXTENSION DES STABILISATEURS EXTRA-EXTENSIBLE  
STÜTZSTANGEN EXTRA-AUSDEHNBARE  
VARILLAS ESTABILIZADORES EXTRA-EXTENSIBLE

**23 5.76.0150-3-0**

IMPIANTO IDRAULICO EXTRA ESTENDIBILI (MARTINETTO STABILIZZATORE)  
HYDRAULIC SYSTEM EXTRA-EXTENSIBLE (STABILISER RAM)  
INSTALLATION HYDRAULIQUE EXTRA-EXTENSIBLE (VERIN STABILISATEUR)  
HYDRAULIKANLAGE EXTRA-AUSDEHNBARE (STABILISATOR SCHUBZYLINDER)  
INSTALACION HIDRAULICA EXTRA-EXTENSIBLE (GATO ESTABILIZADOR)

**24 5.76.0150-4-0**

IMPIANTO IDRAULICO EXTRA ESTENDIBILI (MARTINETTO STABILIZZATORE)  
HYDRAULIC SYSTEM EXTRA-EXTENSIBLE (STABILISER RAM)  
INSTALLATION HYDRAULIQUE EXTRA-EXTENSIBLE (VERIN STABILISATEUR)  
HYDRAULIKANLAGE EXTRA-AUSDEHNBARE (STABILISATOR SCHUBZYLINDER)  
INSTALACION HIDRAULICA EXTRA-EXTENSIBLE (GATO ESTABILIZADOR)

**25 6.20.0254-1-0**

IMPIANTO IDRAULICO (MARTINETTO STABILIZZATORE) GIR. AUT.  
HYDRAULIC SYSTEM (STABILISER RAM) GIR. AUT.  
INSTALLATION HYDRAULIQUE (VERIN STABILISATEUR) GIR. AUT.  
HYDRAULIKANLAGE (STABILISATOR SCHUBZYLINDER) GIR. AUT.  
INSTALACION HIDRAULICA (GATO ESTABILIZADOR) GIR. AUT.

**26 6.40.0254-1-0**

MARTINETTO STABILIZZATORE GIR. AUT.  
STABILIZER HYDRAULIC JACK GIR. AUT.  
VERIN STABILISATEUR GIR. AUT.  
STABILISATOR SCHUBZYLINDER GIR. AUT.  
GATO ESTABILIZADOR GIR. AUT.

**27 6.20.0261-1-0**

IMPIANTO IDRAULICO (MARTINETTO STABILIZZATORE B.I.) GIR. AUT.  
HYDRAULIC SYSTEM (STABILISER RAM B.I.) GIR. AUT.  
INSTALLATION HYDRAULIQUE (VERIN STABILISATEUR B.I.) GIR. AUT.  
HYDRAULIKANLAGE (STABILISATOR SCHUBZYLINDER B.I.) GIR. AUT.  
INSTALACION HIDRAULICA (GATO ESTABILIZADOR B.I.) GIR. AUT.

**28 6.40.0261-1-0**

MARTINETTO STABILIZZATORE B.I. GIR. AUT.  
STABILISER RAM B.I. GIR. AUT.  
VERIN STABILISATEUR B.I. GIR. AUT.  
STABILISATOR SCHUBZYLINDER B.I. GIR. AUT.  
GATO ESTABILIZADOR B.I. GIR. AUT.

**29 5.40.0791-1-0**

COMANDI (STABILIZZATORI STANDARD)  
CONTROLS (STABILIZERS STANDARD)  
COMMANDES (NORNE STABILISATEURS)  
STEUERUGEN (STABILISATOREN STANDARD)  
MANDOS (ESTÁNDAR ESTABILIZADORES)

**30 5.22.0346-1-0**

DISTRIBUTORE STABILIZZATORI  
STABILIZER CONTROL VALVE  
DISTRIBUTEUR STABILISATEURS  
BEDIENUNG DEN ABSTÜTZUNGEN  
DISTRIBUDOR ESTABILIZADORE

**31 5.40.0791-2-0**

DEVIATORE (STABILIZZATORI STANDARD)  
SWITCH (STABILIZERS STANDARD)  
COMMUTEUR DE DEVIATION (NORNE STABILISATEURS)  
ABWEISER (STABILISATOREN STANDARD)  
DESVIADOR (ESTÁNDAR ESTABILIZADORES)

**32 5.40.0791-3-0**

IMPIANTO IDRAULICO (COMANDI PER STABILIZZATORI)  
HYDRAULIC SYSTEM (CONTROLS FOR STABILIZERS)  
INSTALLATION HYDRAULIQUE (COMMANDES POUR STABILISATEURS)  
HYDRAULIKANLAGE (STEUERUNG FÜR ABSTÜTZUNGEN)  
INSTALACION HIDRAULICA (MANDOS POR ESTABILIZADORES)

**33 5.40.0791-4-0**

IMPIANTO IDRAULICO (COMANDI PER STABILIZZATORI)  
HYDRAULIC SYSTEM (CONTROLS FOR STABILIZERS)  
INSTALLATION HYDRAULIQUE (COMMANDES POUR STABILISATEURS)  
HYDRAULIKANLAGE (STEUERUNG FÜR ABSTÜTZUNGEN)  
INSTALACION HIDRAULICA (MANDOS POR ESTABILIZADORES)

**34 5.22.0814-1-0**

DISTRIBUTORE (4 ELEMENTI) EBB  
CONTROL VALVE (4 SECTION) EBB  
DISTRIBUTEUR (4 VOIES) EBB  
STUEBERBLOCK (4 ELEMENTE) EBB  
DISTRIBUIDOR (4 ELEMENTOS) EBB

**35 5.40.0925-1-0**

COMANDI EBB  
CONTROLS EBB  
COMMANDES EBB  
STEUERUGEN EBB  
MANDOS EBB

**36 5.40.0925-2-0**

COMANDI EBB  
CONTROLS EBB  
COMMANDES EBB  
STEUERUGEN EBB  
MANDOS EBB

**37 5.40.0925-3-0**

COMANDI EBB  
CONTROLS EBB  
COMMANDES EBB  
STEUERUGEN EBB  
MANDOS EBB

**38 7.88.5015-1-0**

INDICATORE LUMINOSO  
PILOT LAMP  
LAMPE-TÉMOIN  
KONTROLLAMPE  
LÁMPARA SEÑAL

**39 7.89.2143-1-0**

KIT RADIOCOMANDO (CAN BUS) EU.  
WIRELESS CONTROL KIT (CAN BUS) EU.  
KIT RADIOTELECOMMANDE (CAN BUS) EU.  
FUNKSTEUERUNG-SATZ (CAN BUS) EU.  
KIT RADIOMANDO (CAN BUS) EU.

**40 7.89.2142-1-0**

KIT RADIOCOMANDO (CAN BUS) U.S.A  
WIRELESS CONTROL KIT (CAN BUS) U.S.A  
KIT RADIOTELECOMMANDE (CAN BUS) U.S.A  
FUNKSTEUERUNG-SATZ (CAN BUS) U.S.A  
KIT RADIOMANDO (CAN BUS) U.S.A

**41 7.89.2235-1-0**

KIT RADIOCOMANDO (RDC-EBB) DANFOSS 12 / 24V  
WIRELESS CONTROL KIT (RDC-EBB) DANFOSS 12 / 24V  
KIT RADIOTELECOMMANDE (RDC-EBB) DANFOSS 12 / 24V  
FUNKSTEUERUNG-SATZ (RDC-EBB) DANFOSS 12 / 24V  
KIT RADIOMANDO (RDC-EBB) DANFOSS 12 / 24V

**42 7.89.2234-1-0**

KIT RADIOCOMANDO (CAN BUS) EU. EN12999-A3  
WIRELESS CONTROL KIT (CAN BUS) EU. EN12999-A3  
KIT RADIOTELECOMMANDE (CAN BUS) EU. EN12999-A3  
FUNKSTEUERUNG-SATZ (CAN BUS) EU. EN12999-A3  
KIT RADIOMANDO (CAN BUS) EU. EN12999-A3

**43 5.40.1704-1-0**

COMANDI (RDC EBB-X TCU-ECM4) EN-12999-A3  
CONTROLS (RDC EBB-X TCU-ECM4) EN-12999-A3  
COMMANDES (RDC EBB-X TCU-ECM4) EN-12999-A3  
STEUERUGEN (RDC EBB-X TCU-ECM4) EN-12999-A3  
MANDOS (RDC EBB-X TCU-ECM4) EN-12999-A3

**44 5.40.1704-2-0**

COMANDI (RDC EBB-X TCU-ECM4) EN-12999-A3  
CONTROLS (RDC EBB-X TCU-ECM4) EN-12999-A3  
COMMANDES (RDC EBB-X TCU-ECM4) EN-12999-A3  
STEUERUGEN (RDC EBB-X TCU-ECM4) EN-12999-A3  
MANDOS (RDC EBB-X TCU-ECM4) EN-12999-A3

**45 5.40.1704-3-0**

COMANDI (RDC EBB-X TCU-ECM4) EN-12999-A3  
CONTROLS (RDC EBB-X TCU-ECM4) EN-12999-A3  
COMMANDES (RDC EBB-X TCU-ECM4) EN-12999-A3  
STEUERUGEN (RDC EBB-X TCU-ECM4) EN-12999-A3  
MANDOS (RDC EBB-X TCU-ECM4) EN-12999-A3

**46 5.40.0789-1-0**

SERBATOIO OLIO IDRAULICO  
HYDRAULIC OIL TANK  
RESERVOIR HUILE HYDRAULIQUE  
HYDRAULIKÖLBEHALTER  
DEPOSITO ACEITE HIDRAULICA

**47 3.18.0176-1-0**

FILTRO OLIO  
OIL FILTER  
FILTRE A HUILE  
OELFILTER  
FILTRO DE ACEITE

**48 7.88.8014-1-0**

SCAMBIATORE DI CALORE ( 12 V. )  
HEAT EXCHANGE UNIT ( 12 V. )  
ECHANGEUR DE CHALEUR ( 12 V. )  
WÄRMEAUSTAUSCHER ( 12 V. )  
INTERCAMBIADOR DE CALOR ( 12 V. )

**49 7.88.8015-1-0**

SCAMBIATORE DI CALORE ( 24 V. )  
HEAT EXCHANGE UNIT ( 24 V. )  
ECHANGEUR DE CHALEUR ( 24 V. )  
WÄRMEAUSTAUSCHER ( 24 V. )  
INTERCAMBIADOR DE CALOR ( 24 V. )

**50 5.40.0790-1-0**

FILTRO AD ALTA PRESSIONE RDC  
HIGH PRESSURE FILTER RDC  
FILTRE HAUTE PRESSION RDC  
HOCHDRUCKFILTER RDC  
FILTRO DE ALTA PRESION RDC

**51 5.40.0790-2-0**

FILTRO AD ALTA PRESSIONE (IMPIANTO OLEODINAMICO)  
HIGH PRESSURE FILTER (HYDRAULIC SYSTEM)  
FILTRE HAUTE PRESSION (INSTALLATION HYDRAULIQUE)  
HOCHDRUCKFILTER (HYDRAULIKANLAGE)  
FILTRO DE ALTA PRESION (INSTALACION HIDRAULICA)

**52 5.46.0078-1-0**

COLONNA  
COLUMN  
COLONNE  
SAEULE  
COLUMNNA

**53 5.36.0017-1-0**

BIELLE COLONNA  
COLUMN CONNECTING RODS  
TRINGLERIE COLONNE  
PLEUELWERK AN SAÜLE  
ACOPLAMIENTO COLUMNNA

**54 6.23.0169-1-0**

MARTINETTO SOLLEVAMENTO (IMPIANTO OLEODINAMICO)  
LIFTING HYDRAULIC CYLINDER (HYDRAULIC SYSTEM)  
VERIN DE LEVAGE (INSTALLATION HYDRAULIQUE)  
HUBZYLINDER (HYDRAULIKANLAGE)  
GATO DE ELEVACION (INSTALACION HIDRAULICA)

**55 6.43.0169-1-0**

MARTINETTO SOLLEVAMENTO  
LIFTING HYDRAULIC CYLINDER  
VERIN DE LEVAGE  
HUBZYLINDER  
GATO DE ELEVACION

**56 5.47.0087-1-0**

1° BRACCIO  
1ST BOOM  
1ERE BRAS  
1. ARM  
1° BRAZO

**57 5.36.0018-1-0**

BIELLE 1° E 2° BRACCIO  
 LINKAGE 1TH E 2ND BOOM  
 COLONNE DE TRINGLERIE 1ERE ET 2EME BRAS  
 PLEUELSTANGEN AN DEN 1TEN UNT 2.TEN GELENKARM  
 COLUMN DEL ACOPLAMENTO 1° Y 2° BRAZO

**58 6.23.0170-1-0**

MARTINETTO ARTICOLAZIONE (IMPIANTO OLEODINAMICO)  
 ARTICULATION HYDRAULIC JACK (HYDRAULIC SYSTEM)  
 VERIN D'ARTICULATION (INSTALLATION HYDRAULIQUE)  
 GELENKSHEBEBOCK (HYDRAULIKANLAGE)  
 GATO ARTICULACION (INSTALACION HIDRAULICA)

**59 6.43.0170-1-0**

MARTINETTO ARTICOLAZIONE  
 ARTICULATION HYDRAULIC JACK  
 VERIN D'ARTICULATION  
 GELENKSHEBEBOCK  
 GATO ARTICULACION

**60 5.48.0090-1-0**

2° BRACCIO  
 2ND BOOM  
 2EME BRAS  
 2. ARM  
 2° BRAZO

**61 5.49.0086-1-0**

1° SFILO  
 1ST EXTENSION  
 1ERE RALLONGE  
 1. VERLAENGERUNG  
 1°PROLONGACION

**62 6.21.0372-1-0**

MARTINETTO 1° SFILO (IMPIANTO OLEODINAMICO)  
 1ST EXSTENSION HYDRAULIC (HYDRAULIC SYSTEM)  
 VERIN 1ERE RALLONGE (INSTALLATION HYDRAULIQUE)  
 1. SCHUBZYLINDER (HYDRAULIKANLAGE)  
 GATO 1ª EXTENSION (INSTALACION HIDRAULICA)

**63 6.41.0372-1-0**

MARTINETTO 1° SFILO  
 1ST EXSTENSION HYDRAULIC  
 VERIN 1ERE RALLONGE  
 1. SCHUBZYLINDER  
 GATO 1ª EXTENSION

**64 5.65.0005-1-0**

2° SFILO  
 2ND EXTENSION  
 2EME RALLONGE  
 2. VERLAENGERUNG  
 2°PROLONGACION

**65 5.65.0008-1-0**

2° SFILO  
 2ND EXTENSION  
 2EME RALLONGE  
 2. VERLAENGERUNG  
 2°PROLONGACION

**66 5.65.0008-2-0**

INNESTO (GANCIO) 2S  
 COUPLING (HOOK) 2S  
 EMBRAYAGE (CROCHET) 2S  
 KUPPLUNG (HAKEN) 2S  
 ACOPLAMIENTO (GANCHO) 2S

**67 6.21.0472-1-0**

MARTINETTO 2° SFILO (IMPIANTO OLEODINAMICO) 2S-4S  
 2ND EXTENSION HYDRAULIC JACK (HYDRAULIC SYSTEM) 2S-4S  
 VERIN 2EME RALLONGE (INSTALLATION HYDRAULIQUE) 2S-4S  
 2. SCHUBZYLINDER (HYDRAULIKANLAGE) 2S-4S  
 GATO 2ª EXTENSION (INSTALACION HIDRAULICA) 2S-4S

**68 6.21.0373-1-0**

MARTINETTO 2° SFILO (IMPIANTO OLEODINAMICO) 6S-10S  
 2ND EXTENSION HYDRAULIC JACK (HYDRAULIC SYSTEM) 6S-10S  
 VERIN 2EME RALLONGE (INSTALLATION HYDRAULIQUE) 6S-10S  
 2. SCHUBZYLINDER (HYDRAULIKANLAGE) 6S-10S  
 GATO 2ª EXTENSION (INSTALACION HIDRAULICA) 6S-10S

**69 6.41.0373-1-0**

MARTINETTO 2° SFILO  
 2ND EXTENSION HYDRAULIC JACK  
 VERIN 2EME RALLONGE  
 2. SCHUBZYLINDER  
 GATO 2ª EXTENSION

**70 5.54.0053-1-0**

3° SFILO  
 3RD EXTENSION  
 3EME RALLONGE  
 3. VERLAENGERUNG  
 3°PROLONGACION

**71 6.21.0374-1-0**

MARTINETTO 3° SFILO (IMPIANTO OLEODINAMICO)  
3RD EXTENSION HYDRAULIC JACK (HYDRAULIC SYSTEM)  
VÉRIN 3ÈME RALLONGE (INSTALLATION HYDRAULIQUE)  
3. SCHUBZYLINDER (HYDRAULIKANLAGE)  
GATO 3ª EXTENSIÓN (INSTALACION HIDRAULICA)

**72 6.41.0374-1-0**

MARTINETTO 3° E 4° SFILO  
3RD AND 4TH EXTENSION HYDRAULIC CYLINDER  
VÉRIN 3ÈME ET 4ÈME RALLONGE  
3. UNT 4. VERLAENGERUNGSWINDE  
3° Y 4° GATO DE PROLONGACION

**73 5.56.0039-1-0**

4° SFILO  
4TH EXTENSION  
4ÈME RALLONGE  
4. VERLAENGERUNG  
4° PROLONGACION

**74 5.56.0052-1-0**

4° SFILO  
4TH EXTENSION  
4ÈME RALLONGE  
4. VERLAENGERUNG  
4° PROLONGACION

**75 5.56.0052-2-0**

INNESTO (GANCIO) 4S  
COUPLING (HOOK) 4S  
EMBRAYAGE (CROCHET) 4S  
KUPPLUNG (HAKEN) 4S  
ACOPLAMIENTO (GANCHO) 4S

**76 6.21.0375-1-0**

MARTINETTO 4° SFILO (IMPIANTO OLEODINAMICO)  
4TH EXTENSION HYDRAULIC JACK (HYDRAULIC SYSTEM)  
VÉRIN 4ÈME RALLONGE (INSTALLATION HYDRAULIQUE)  
4. SCHUBZYLINDER (HYDRAULIKANLAGE)  
GATO 4ª EXTENSIÓN (INSTALACION HIDRAULICA)

**77 5.57.0017-1-0**

5° SFILO  
5TH EXTENSION  
5ÈME RALLONGE  
5. VERLAENGERUNG  
5° PROLONGACION

**78 6.41.0375-1-0**

MARTINETTO 5°, 6° E 8° SFILO  
5TH, 6TH AND 8TH EXTENSION HYDRAULIC CYLINDER  
VÉRIN 5ÈME - 6ÈME ET 8ÈME RALLONGE  
5, 6. UNT 8. VERLAENGERUNGSWINDE  
5°, 6° Y 8° GATO DE PROLONGACION

**79 6.21.0376-1-0**

MARTINETTO 5° SFILO (IMPIANTO OLEODINAMICO)  
5TH EXTENSION HYDRAULIC JACK (HYDRAULIC SYSTEM)  
VÉRIN 5ÈME RALLONGE (INSTALLATION HYDRAULIQUE)  
5. SCHUBZYLINDER (HYDRAULIKANLAGE)  
GATO 5ª EXTENSIÓN (INSTALACION HIDRAULICA)

**80 5.58.0013-1-0**

6° SFILO  
6TH EXTENSION  
6ÈME RALLONGE  
6. VERLAENGERUNG  
6° PROLONGACION

**81 5.58.0019-1-0**

6° SFILO  
6TH EXTENSION  
6ÈME RALLONGE  
6. VERLAENGERUNG  
6° PROLONGACION

**82 5.58.0019-2-0**

INNESTO (GANCIO) 6S  
COUPLING (HOOK) 6S  
EMBRAYAGE (CROCHET) 6S  
KUPPLUNG (HAKEN) 6S  
ACOPLAMIENTO (GANCHO) 6S

**83 6.21.0377-1-0**

MARTINETTO 6° SFILO (IMPIANTO OLEODINAMICO)  
6TH EXTENSION HYDRAULIC JACK (HYDRAULIC SYSTEM)  
VÉRIN 6ÈME RALLONGE (INSTALLATION HYDRAULIQUE)  
6. SCHUBZYLINDER (HYDRAULIKANLAGE)  
GATO 6ª EXTENSIÓN (INSTALACION HIDRAULICA)

**84 5.33.0006-1-0**

7° SFILO  
7TH EXTENSION  
7ÈME RALLONGE  
7. VERLAENGERUNG  
7° PROLONGACION

**85 6.41.0376-1-0**  
 MARTINETTO 7° SFILO  
 7TH EXTENSION HYDRAULIC JACK  
 VÉRIN 7ÈME RALLONGE  
 7. SCHUBZYLINDER  
 GATO 7ª EXTENSION

**86 6.21.0378-1-0**  
 MARTINETTO 7° SFILO (IMPIANTO OLEODINAMICO)  
 7TH EXTENSION HYDRAULIC JACK (HYDRAULIC SYSTEM)  
 VÉRIN 7ÈME RALLONGE (INSTALLATION HYDRAULIQUE)  
 7. SCHUBZYLINDER (HYDRAULIKANLAGE)  
 GATO 7ª EXTENSION (INSTALACION HIDRAULICA)

**87 5.32.0005-1-0**  
 8° SFILO  
 8TH EXTENSION  
 8ÈME RALLONGE  
 8. VERLAENGERUNG  
 8° PROLONGACION

**88 6.21.0379-1-0**  
 MARTINETTO 8° SFILO (IMPIANTO OLEODINAMICO)  
 8TH EXTENSION HYDRAULIC JACK (HYDRAULIC SYSTEM)  
 VÉRIN 8ÈME RALLONGE (INSTALLATION HYDRAULIQUE)  
 8. SCHUBZYLINDER (HYDRAULIKANLAGE)  
 GATO 8ª EXTENSION (INSTALACION HIDRAULICA)

**89 5.19.0001-1-0**  
 9° SFILO  
 9TH EXTENSION  
 9ÈME RALLONGE  
 9. VERLAENGERUNG  
 9° PROLONGACION

**90 6.21.0380-1-0**  
 MARTINETTO 9° SFILO (IMPIANTO OLEODINAMICO)  
 9TH EXTENSION HYDRAULIC JACK (HYDRAULIC SYSTEM)  
 VÉRIN 9ÈME RALLONGE (INSTALLATION HYDRAULIQUE)  
 9. SCHUBZYLINDER (HYDRAULIKANLAGE)  
 GATO 9ª EXTENSION (INSTALACION HIDRAULICA)

**91 6.41.0377-1-0**  
 MARTINETTO 9° E 10° SFILO  
 9RD AND 10TH EXTENSION HYDRAULIC CYLINDER  
 VÉRIN 9ÈME ET 10ÈME RALLONGE  
 9. UNT 10. VERLAENGERUNGSWINDE  
 9° Y 10° GATO DE PROLONGACION

**92 5.10.0001-1-0**  
 10° SFILO  
 10TH EXTENSION  
 10ÈME RALLONGE  
 10. VERLAENGERUNG  
 10° PROLONGACION

**93 6.21.0381-1-0**  
 MARTINETTO 10° SFILO (IMPIANTO OLEODINAMICO)  
 10TH EXTENSION HYDRAULIC JACK (HYDRAULIC SYSTEM)  
 VÉRIN 10ÈME RALLONGE (INSTALLATION HYDRAULIQUE)  
 10. SCHUBZYLINDER (HYDRAULIKANLAGE)  
 GATO 10ª EXTENSION (INSTALACION HIDRAULICA)

**94 7.80.0368-1-0**  
 PROLUNGA MANUALE (1°)  
 MANUAL EXTENSION (1ST)  
 RALLONGE MANUELLE (1ÈRE)  
 MANUAL-VERLÄNGERUNG (1.)  
 PROLONGACION MANUAL (1°)

**95 7.80.0369-1-0**  
 PROLUNGA MANUALE (2°)  
 MANUAL EXTENSION (2ND)  
 RALLONGE MANUELLE (2ÈME)  
 MANUAL-VERLÄNGERUNG (2.)  
 PROLONGACION MANUAL (2°)

**96 7.80.0370-1-0**  
 PROLUNGA MANUALE  
 MANUAL EXTENSION  
 RALLONGE MANUELLE  
 MANUAL-VERLÄNGERUNG  
 PROLONGACION MANUAL

**97 7.80.0371-1-0**  
 PROLUNGA MANUALE (2°)  
 MANUAL EXTENSION (2ND)  
 RALLONGE MANUELLE (2ÈME)  
 MANUAL-VERLÄNGERUNG (2.)  
 PROLONGACION MANUAL (2°)

**98 7.80.0372-1-0**  
 PROLUNGA MANUALE  
 MANUAL EXTENSION  
 RALLONGE MANUELLE  
 MANUAL-VERLÄNGERUNG  
 PROLONGACION MANUAL



99 **7.80.0367-1-0**  
PROLUNGA MANUALE (1°)  
MANUAL EXTENSION (1ST)  
RALLONGE MANUELLE (1ERE)  
MANUAL-VERLÄNGERUNG (1.)  
PROLONGACION MANUAL (1°)

100 **5.74.1007-1-0**  
ATTIVAZIONE PER 6S  
ACTUATIONS FOR 6S  
ACTIVATIONS POUR 6S  
AKTIVIERUNGEN FÜR 6S  
ACACTIVACIONES PARA 6S

101 **5.74.1007-2-0**  
ATTIVAZIONE PER 6S  
ACTUATIONS FOR 6S  
ACTIVATIONS POUR 6S  
AKTIVIERUNGEN FÜR 6S  
ACACTIVACIONES PARA 6S

102 **5.40.0925-4-0**  
COMANDI EBB  
CONTROLS EBB  
COMMANDES EBB  
STEUERUGEN EBB  
MANDOS EBB

103 **7.90.0327-1-0**  
INGAMBONATURA PER ARGANO 6S  
ATTACHEMENT FOR WINCH 6S  
CONNEXION POUR TREUIL 6S  
KUPPLUNG FÜR WINDE 6S  
CONEXIÓN PARA CABRESTANTE 6S

104 **7.90.0321-1-0**  
INGAMBONATURA PER ARGANO 10S  
ATTACHEMENT FOR WINCH 10S  
CONNEXION POUR TREUIL 10S  
KUPPLUNG FÜR WINDE 10S  
CONEXIÓN PARA CABRESTANTE 10S

105 **7.88.0682-1-0**  
KIT GUIDA FUNE  
GUIDE ROPE KIT  
KIT DE GUIDE CORDE  
LEITFADEN SEIL KIT  
KIT DE GUÍA DE CABLE

106 **7.83.4224-1-0**  
ARGANO (IMPIANTO IDRAULICO)  
WINCH (HYDRAULIC SYSTEM)  
TREUIL (INSTALLATION HYDRAULIQUE)  
WINDE (HYDRAULIKANLAGE)  
CABRESTANTE (INSTALACION HIDRAULICA)

107 **7.88.0592-1-0**  
KIT MONTAGGIO  
ASSEMBLY KIT  
KIT MONTAGE  
EINBAUSATZ  
KIT MONTAJE

**HC801 JIB 6S**

109 **5.78.0043-1-0**  
INGAMBONATURA PER JIB 6S  
ATTACHEMENT FOR JIB 6S  
CONNEXION POUR JIB 6S  
KUPPLUNG FÜR JIB 6S  
CONEXIÓN PARA JIB 6S

110 **5.63.0009-1-0**  
BRACCIO JIB  
JIB ARM  
BRAS JIB  
JIB ARM  
BRAZO

111 **5.36.0020-1-0**  
KIT BIELLE JIB  
KIT CONNECTING ROD JIB  
KIT BIELLE JIB  
KIT PLEUEL JIB  
KIT BIELA JIB

112 **6.43.0174-1-0**  
MARTINETTO ARTICOLAZIONE (INTERNO) JIB6S  
ARTICULATION HYDRAULIC JACK (INTERNAL) JIB6S  
VERIN D'ARTICULATION (INTERNE) JIB6S  
GELENKSHEBEBOCK (INTERN) JIB6S  
GATO ARTICULACION (INTERNO) JIB6S

**113 6.43.0184-1-0**

MARTINETTO ARTICOLAZIONE (ESTERNO) JIB6S  
ARTICULATION HYDRAULIC JACK (EXTERNAL) JIB6S  
VERIN D'ARTICULATION (EXTERNE) JIB6S  
GELENKSHEBEBOCK (EXTERN) JIB6S  
GATO ARTICULACION (EXTERNO) JIB6S

**114 5.41.1056-1-0**

IMPIANTO IDRAULICO (MARTINETTO ARTICOLAZIONE) JIB6S  
HYDRAULIC SYSTEM (ARTICULATION HYDRAULIC JACK) JIB6S  
INSTALLATION HYDRAULIQUE (VERIN D' ARTICULATION) JIB6S  
HYDRAULIKANLAGE (GELENKSZYLINDER) JIB6S  
INSTALACION HIDRAULICA (GATO DE ARTICULACION) JIB6S

**115 5.49.0091-1-0**

1° SFILO JIB6  
1ST EXTENSION JIB6  
1ERE RALLONGE JIB6  
1. VERLAENGERUNG JIB6  
1°PROLONGACION JIB6

**116 6.21.0385-1-0**

MARTINETTO 1° SFILO (IMPIANTO OLEODINAMICO) JIB6S  
1ST EXSTENSION HYDRAULIC (HYDRAULIC SYSTEM) JIB6S  
VERIN 1ERE RALLONGE (INSTALLATION HYDRAULIQUE) JIB6S  
1. SCHUBZYLINDER (HYDRAULIKANLAGE) JIB6S  
GATO 1ª EXTENSION (INSTALACION HIDRAULICA) JIB6S

**117 6.41.0385-1-0**

MARTINETTO 1° E 2° SFILO  
1TH AND 2ND EXTENSION HYDRAULIC CYLINDER  
VERIN 1ERE AT 2EME RALLONGE  
1. UNT 2. VERLAENGERUNGSWINDE  
1° Y 2° GATO DE PROLONGACION

**118 5.65.0007-1-0**

2° SFILO JIB6  
2ND EXTENSION JIB6  
2EME RALLONGE JIB6  
2. VERLAENGERUNG JIB6  
2°PROLONGACION JIB6

**119 6.21.0386-1-0**

MARTINETTO 2° SFILO (IMPIANTO OLEODINAMICO) JIB6S  
2ND EXTENSION HYDRAULIC CYLINDER (HYDRAULIC SYSTEM) JIB6S  
VERIN 2EME RALLONGE (INSTALLATION HYDRAULIQUE) JIB6S  
2. VERLAENGERUNGSWINDE (HYDRAULIKANLAGE) JIB6S  
2° GATO DE PROLONGACION (INSTALACION HIDRAULICA) JIB6S

**120 5.66.0003-1-0**

3° SFILO JIB6  
3RD EXTENSION JIB6  
3EME RALLONGE JIB6  
3. VERLAENGERUNG JIB6  
3°PROLONGACION JIB6

**121 6.21.0387-1-0**

MARTINETTO 3° SFILO (IMPIANTO OLEODINAMICO) JIB6S  
3RD EXTENSION HYDRAULIC JACK (HYDRAULIC SYSTEM) JIB6S  
VERIN 3EME RALLONGE (INSTALLATION HYDRAULIQUE) JIB6S  
3. SCHUBZYLINDER (HYDRAULIKANLAGE) JIB6S  
GATO 3ª EXTENSION (INSTALACION HIDRAULICA) JIB6S

**122 6.41.0387-1-0**

MARTINETTO 3° E 4° SFILO  
3RD AND 4TH EXTENSION HYDRAULIC CYLINDER  
VERIN 3EME ET 4EME RALLONGE  
3. UNT 4. VERLAENGERUNGSWINDE  
3° Y 4° GATO DE PROLONGACION

**123 5.34.0011-1-0**

4° SFILO JIB6  
4TH EXTENSION JIB6  
4EME RALLONGE JIB6  
4. VERLAENGERUNG JIB6  
4° PROLONGACION JIB6

**124 6.21.0388-1-0**

MARTINETTO 4° SFILO (IMPIANTO OLEODINAMICO) JIB6S  
4TH EXTENSION HYDRAULIC JACK (HYDRAULIC SYSTEM) JIB6S  
VERIN 4EME RALLONGE (INSTALLATION HYDRAULIQUE) JIB6S  
4. SCHUBZYLINDER (HYDRAULIKANLAGE) JIB6S  
GATO 4ª EXTENSION (INSTALACION HIDRAULICA) JIB6S

**125 5.57.0021-1-0**

5° SFILO JIB6  
5TH EXTENSION JIB6  
5EME RALLONGE JIB6  
5. VERLAENGERUNG JIB6  
5° PROLONGACION JIB6

**126 6.21.0389-1-0**

MARTINETTO 5° SFILO (IMPIANTO OLEODINAMICO) JIB6S  
5TH EXTENSION HYDRAULIC JACK (HYDRAULIC SYSTEM) JIB6S  
VERIN 5EME RALLONGE (INSTALLATION HYDRAULIQUE) JIB6S  
5. SCHUBZYLINDER (HYDRAULIKANLAGE) JIB6S  
GATO 5ª EXTENSION (INSTALACION HIDRAULICA) JIB6S

127 **6.41.0388-1-0**  
MARTINETTO 5° SFILO  
5TH EXTENSION HYDRAULIC JACK  
VÉRIN 5ÈME RALLONGE  
5. SCHUBZYLINDER  
GATO 5ª EXTENSION

128 **5.58.0015-1-0**  
6° SFILO JIB6  
6TH EXTENSION JIB6  
6ÈME RALLONGE JIB6  
6. VERLAENGERUNG JIB6  
6° PROLONGACION JIB6

129 **6.21.0390-1-0**  
MARTINETTO 6° SFILO (IMPIANTO OLEODINAMICO) JIB6S  
6TH EXTENSION HYDRAULIC JACK (HYDRAULIC SYSTEM) JIB6S  
VÉRIN 6ÈME RALLONGE (INSTALLATION HYDRAULIQUE) JIB6S  
6. SCHUBZYLINDER (HYDRAULIKANLAGE) JIB6S  
GATO 6ª EXTENSION (INSTALACION HIDRAULICA) JIB6S

130 **6.41.0245-2-0**  
MARTINETTO 6° SFILO  
6TH EXTENSION HYDRAULIC JACK  
VÉRIN 6ÈME RALLONGE  
6. SCHUBZYLINDER  
GATO 6ª EXTENSION

131 **7.90.0326-1-0**  
INGAMBONATURA PER ARGANO JIB6S  
ATTACHEMENT FOR WINCH JIB6S  
CONNEXION POUR TREUIL JIB6S  
KUPPLUNG FÜR WINDE JIB6S  
CONEXIÓN PARA CABRESTANTE JIB6S

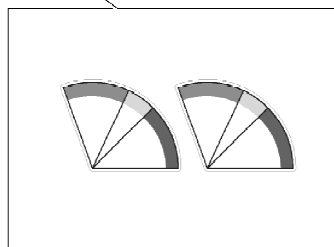
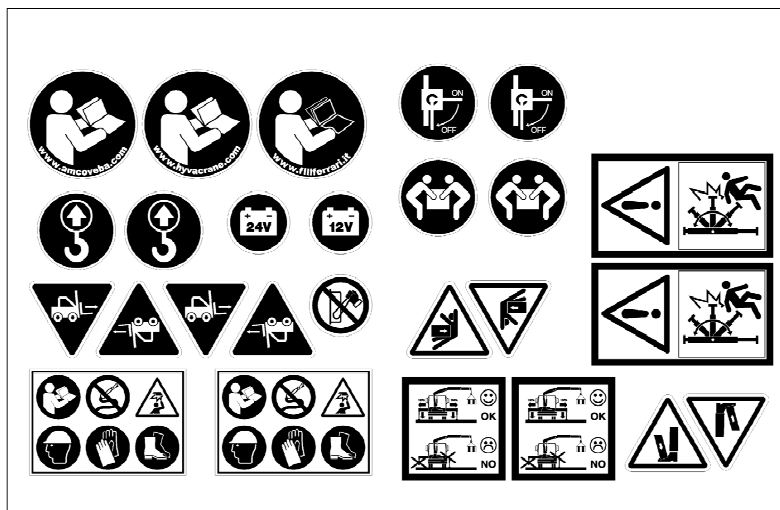
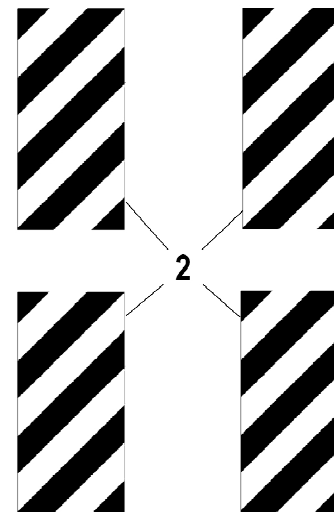
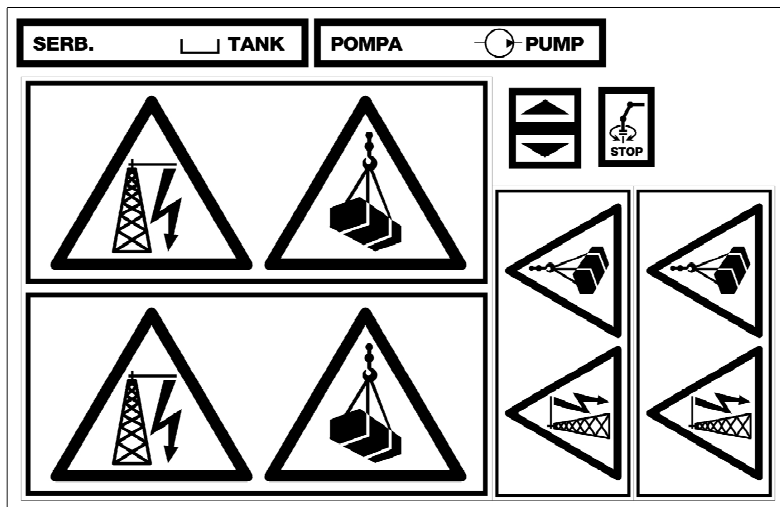
132 **5.40.0925-5-0**  
COMANDI EBB  
CONTROLS EBB  
COMMANDES EBB  
STEUERUGEN EBB  
MANDOS EBB

133 **5.40.1704-4-0**  
COMANDI (RDC EBB-X TCU-ECM4) EN12999-A3  
CONTROLS (RDC EBB-X TCU-ECM4) EN12999-A3  
COMMANDES (RDC EBB-X TCU-ECM4) EN12999-A3  
STEUERUGEN (RDC EBB-X TCU-ECM4) EN12999-A3  
MANDOS (RDC EBB-X TCU-ECM4) EN12999-A3

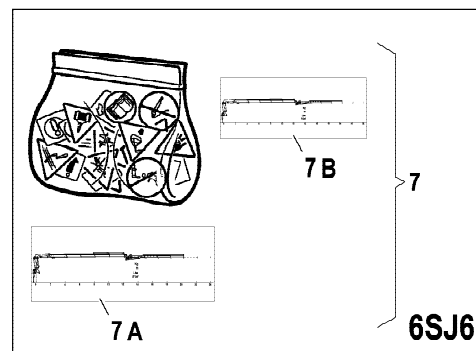
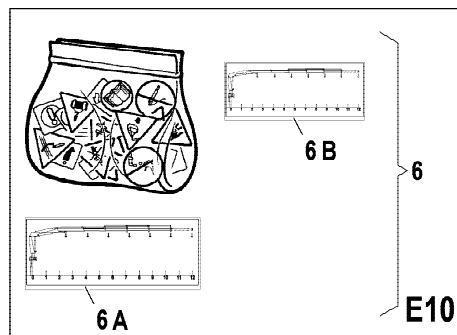
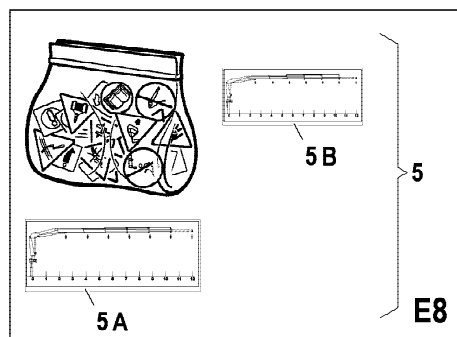
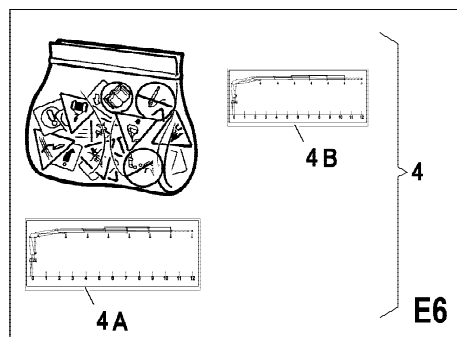
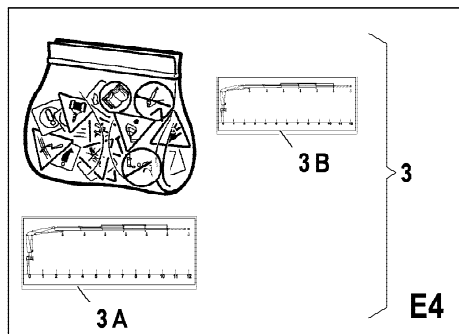
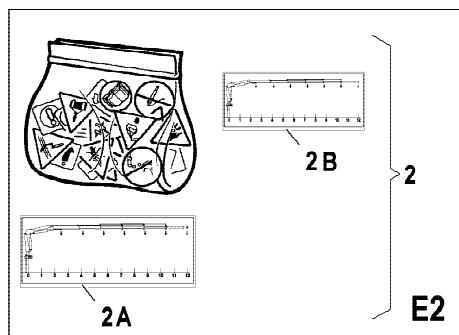
134 **7.83.4222-1-0**  
KIT ARGANO  
WINCH KIT  
KIT TREUIL  
KIT WINDE  
KIT TORNO

135 **5.74.0233-1-0**  
ARGANO (IMPIANTO IDRAULICO)  
WINCH (HYDRAULIC SYSTEM)  
TREUIL (INSTALLATION HYDRAULIQUE)  
WINDE (HYDRAULIKANLAGE)  
CABRESTANTE (INSTALACION HIDRAULICA)

rif.	codice	Q.tà
1	5.50.2000	1
2	5.81.3851	4

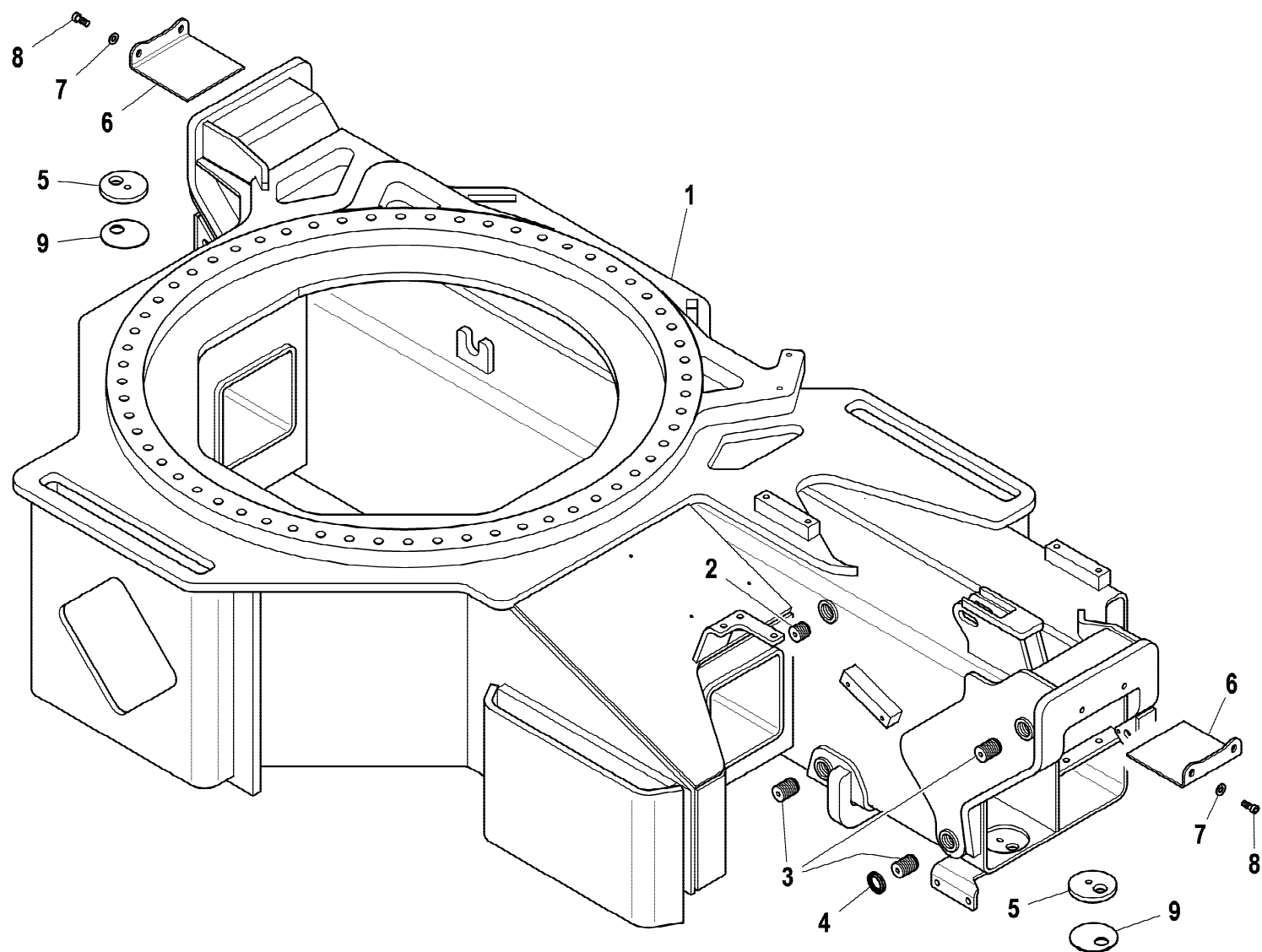


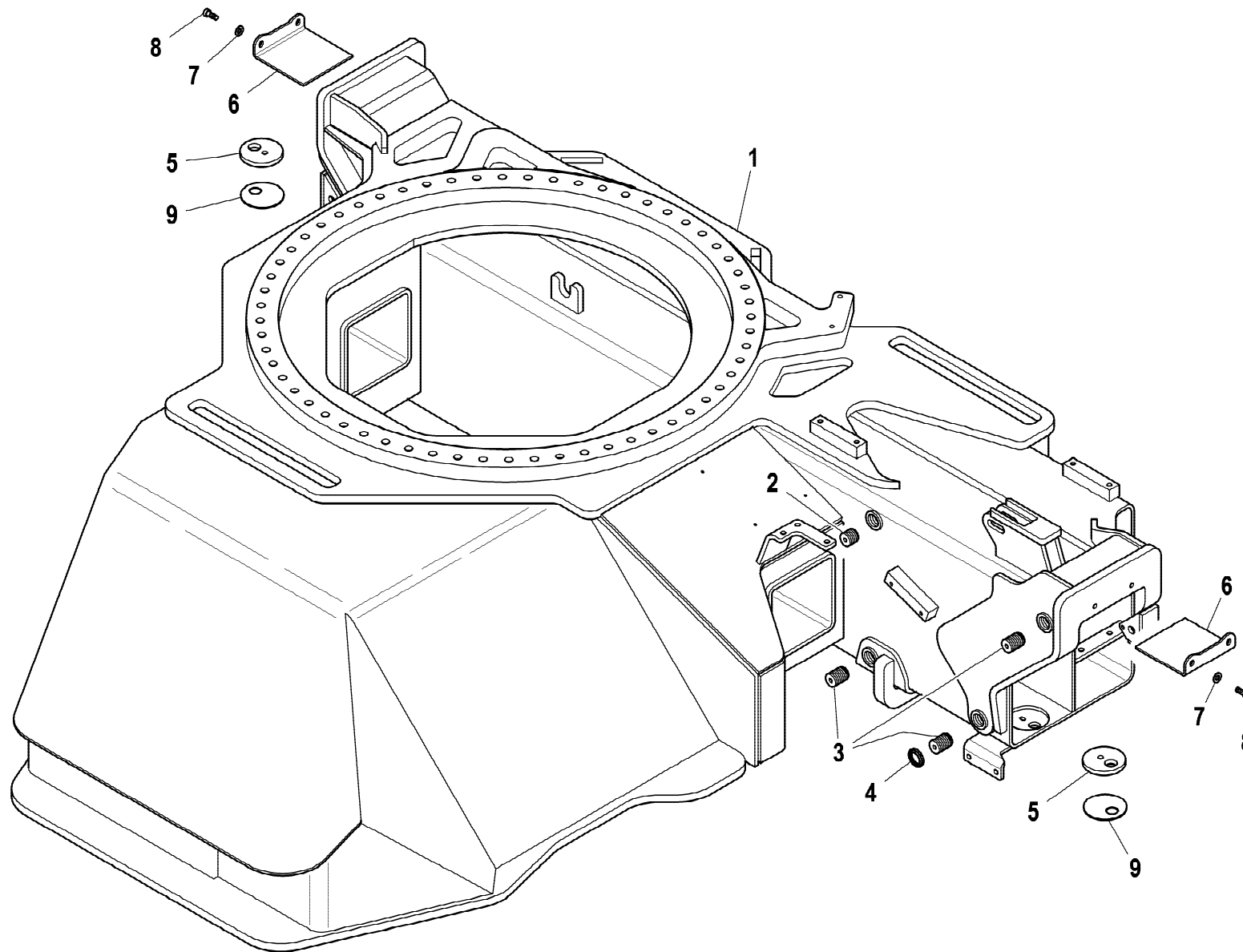
mod. HC 801



rif.	codice	Q.tà
2	5.50.1456	1
2 A	5.81.0854	2
2 B	5.81.0848	2
3	5.50.1457	1
3 A	5.81.0855	2
3 B	5.81.0849	2
4	5.50.1458	1
4 A	5.81.0856	2
4 B	5.81.0850	2
5	5.50.1459	1
5 A	5.81.0857	2
5 B	5.81.0851	2
6	5.50.1460	1
6 A	5.81.0858	2
6 B	5.81.0852	2
7	5.50.1461	1
7 A	5.81.0859	2
7 B	5.81.0853	2

rif.	codice	Q.tà
1	5.06.0166	1
2	5.00.1444	2
3	5.00.1582	6
4	3.04.0529	8
5	5.14.0795	2
6	5.00.1755	2
7	3.06.0056	4
8	3.02.0096	4
9	5.00.1934	2





rif.	codice	Q.tà
1	5.06.0171	1
2	5.00.1444	2
3	5.00.1582	6
4	3.04.0529	8
5	5.14.0795	2
6	5.00.1755	2
7	3.06.0914	4
8	3.02.0096	4
9	5.00.1934	2

1/1

**HYVA** CRANE

**HC801**

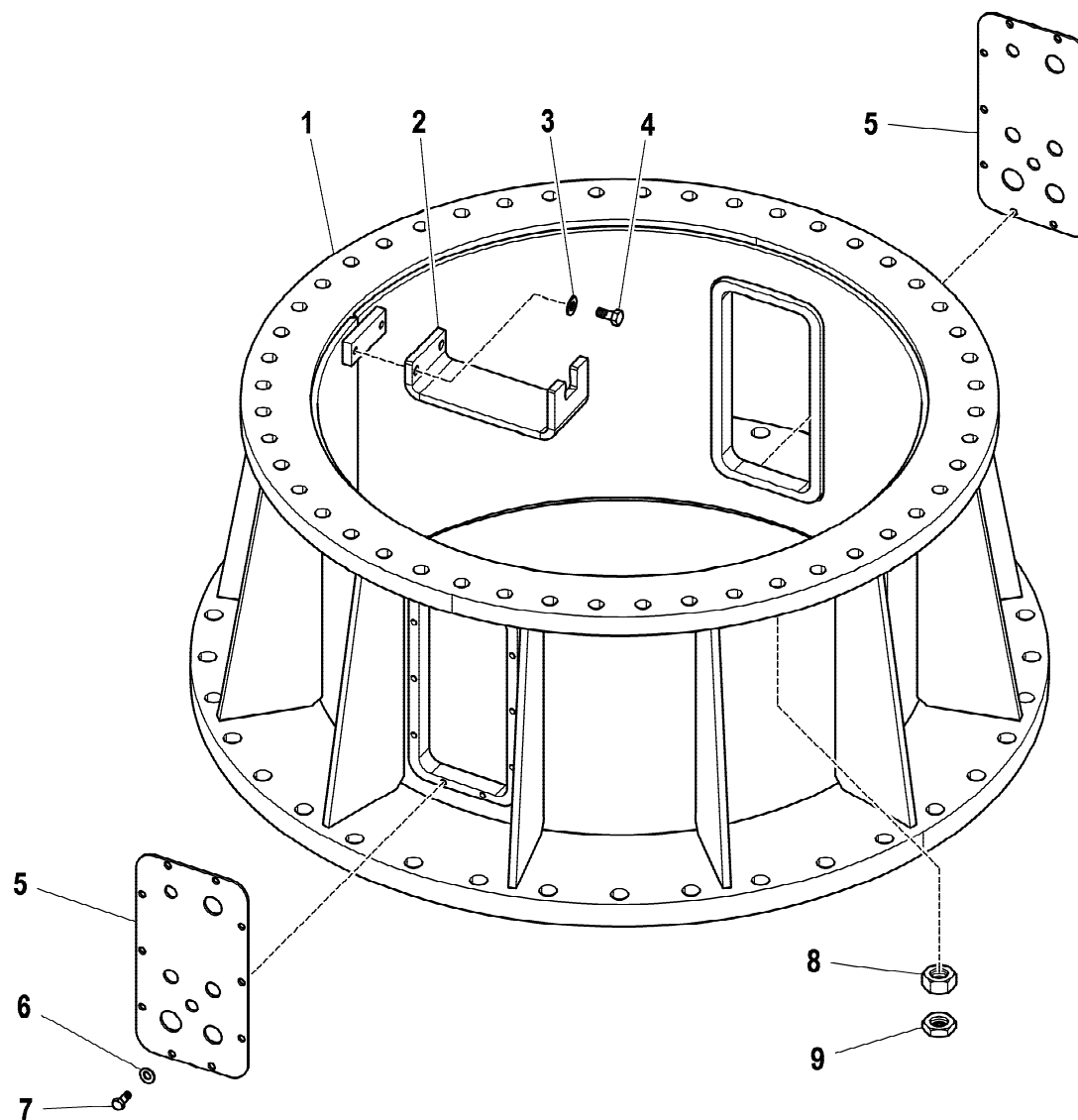
BASAMENTO INTEGRALE  
 FULL BASEMENT  
 PLEIN - SOL  
 VOLLE KELLER  
 SÓTANO COMPLETO

Tavola

**5.42.0084-1-0**

Data pag.  
 gennaio 2008 4

rif.	codice	Q.tà
1	5.06.0175	1
2	5.00.1919	1
3	3.06.0018	2
4	3.01.0369	2
5	5.00.1923	2
6	3.06.0914	20
7	3.01.0352	20
8	3.04.0012	48
9	3.04.0089	48



1/1

**HYVA** CRANE

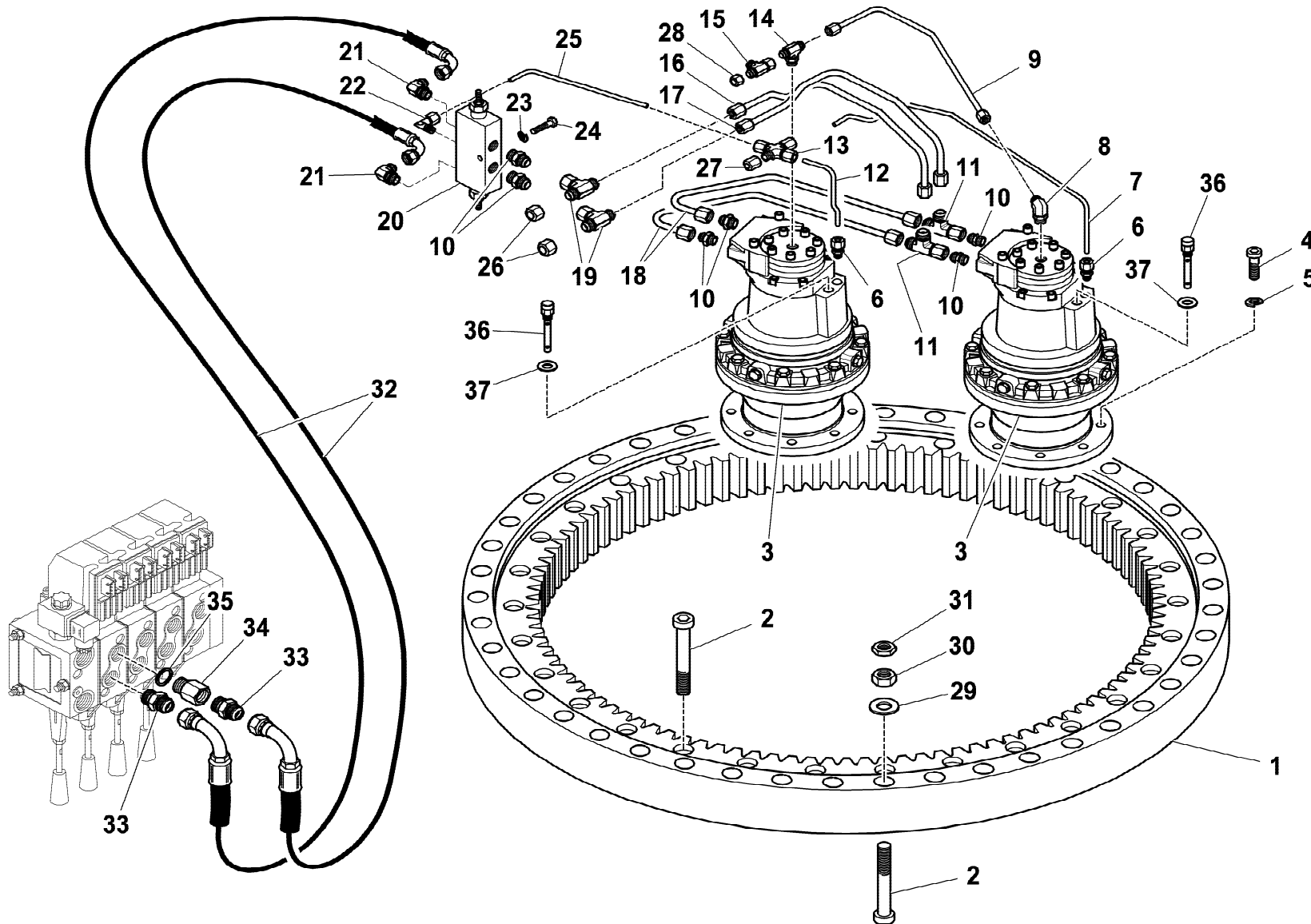
**HC801**

BASAMENTO F  
 BASE F  
 SOLLE F  
 UNTERBAU F  
 BASE F

Tavola  
**5.42.0093-1-0**

Data pag.  
 novembre 2008 5





rif.	codice	Q.tà
1	5.72.0255	1
2	3.02.0962	93
3	5.72.0260	2
4	3.02.0963	16
5	3.06.0050	16
6	3.10.1307	2
7	5.23.2283	1
8	3.10.1124	1
9	5.39.2286	1
10	3.10.1044	4
11	3.12.0004	2
12	5.23.2282	1
13	3.12.0600	1
14	3.12.0302	1
15	3.12.0003	1
16	5.39.2289	1
17	5.39.2290	1
18	5.39.2288	2
19	3.12.0112	2
20	5.22.1036	1
21	3.10.1131	2
22	3.10.0066	1
23	3.06.0055	1
24	3.01.0032	1
25	5.23.2285	1
26	3.11.0041	2
27	3.10.1224	1
28	3.11.0040	1
29	3.06.0019	45
30	3.04.0012	45
31	3.04.0089	45
1/2		

**HYVA** CRANE

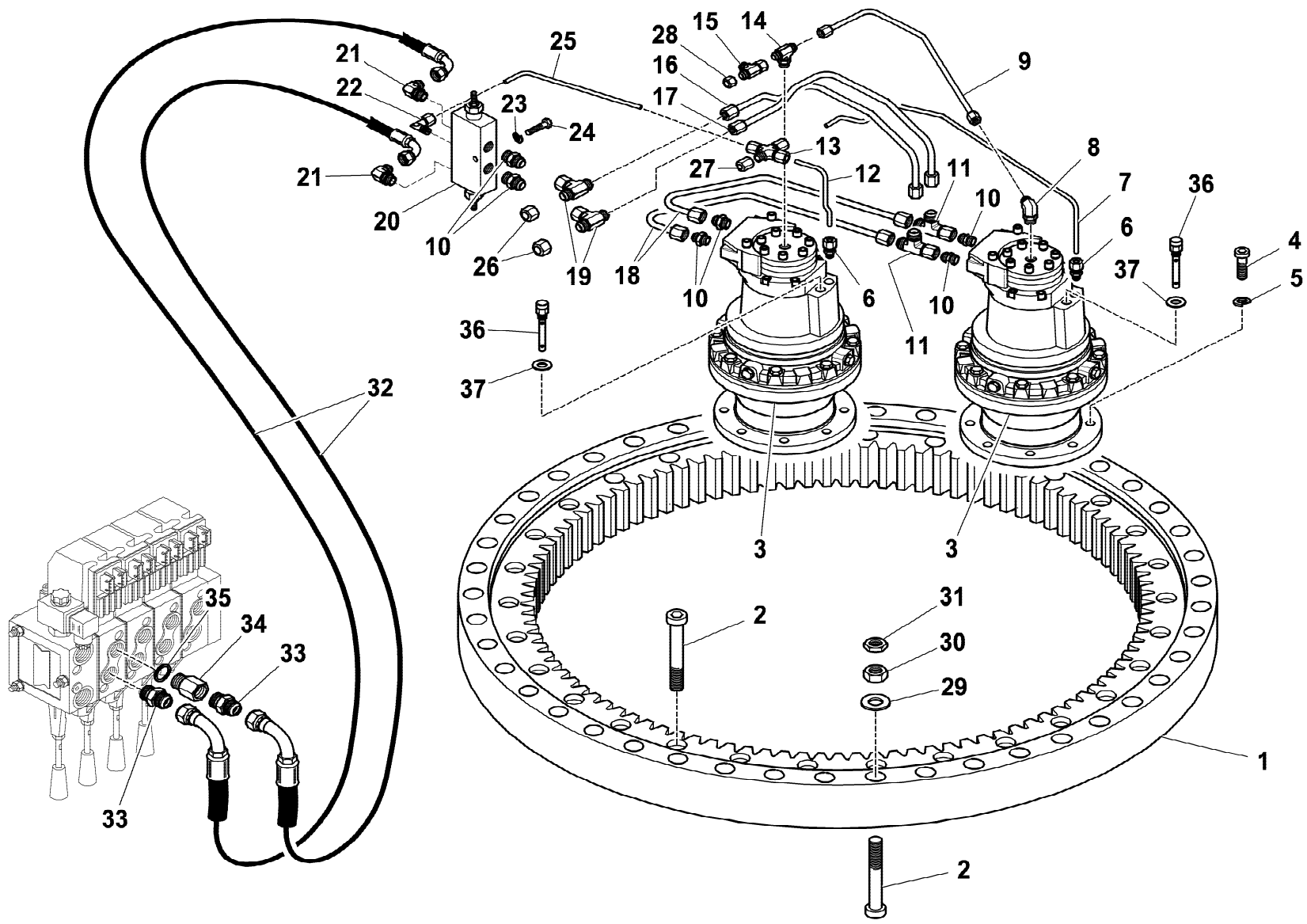
**HC801**

GRUPPO ROTAZIONE (2 MOTORI)  
 SLEWING ASS'Y (2 ENGINES)  
 GROUPE ROTATION (2 MOTEURS)  
 DREHVORRICHTUNG (2 MOTOREN)  
 GRUPO ROTACION (2 MOTORES)

Tavola  
**6.24.0122-1-0**

Data pag.  
 febbraio 2008 6.1

rif.	codice	Q.tà
32	5.28.0804	2
33	3.10.1051	2
34	3.11.0113	1
35	3.06.0145	1
36	5.72.0284	2
37	5.72.0285	2



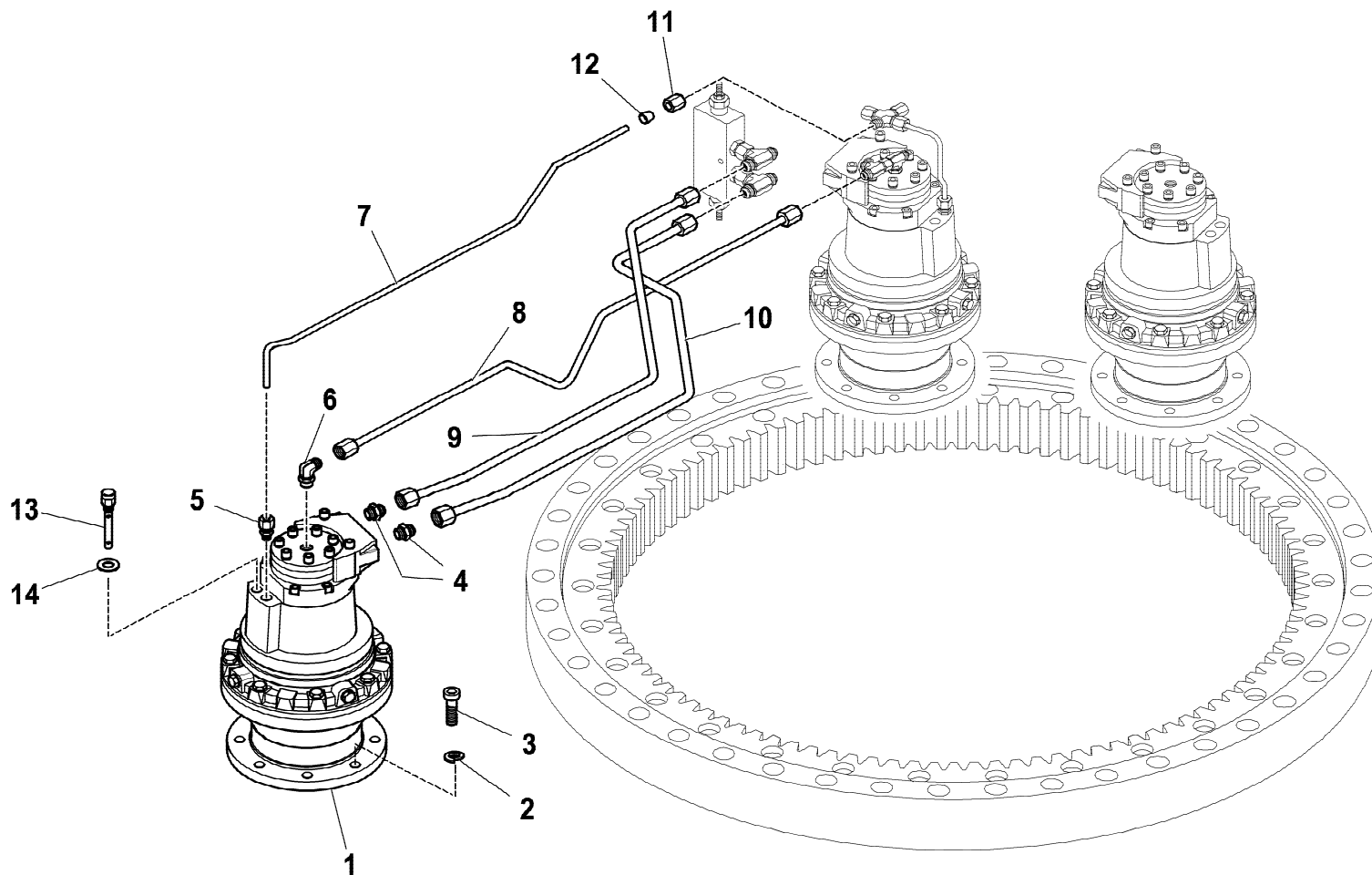
HC801

GRUPPO ROTAZIONE (2 MOTORI)  
 SLEWING ASS'Y (2 ENGINES)  
 GROUPE ROTATION (2 MOTEURS)  
 DREHVORRICHTUNG (2 MOTOREN)  
 GRUPO ROTACION (2 MOTORES)

Tavola  
**6.24.0122-1-0**

Data pag.  
 febbraio 2008 6.2

rif.	codice	Q.tà
1	5.72.0260	1
2	3.06.0050	8
3	3.02.0963	8
4	3.10.1044	2
5	3.10.1307	1
6	3.10.1124	1
7	5.23.2284	1
8	5.39.2287	1
9	5.39.2292	1
10	5.39.2291	1
11	3.10.0952	1
12	3.10.0956	1
13	5.72.0284	1
14	5.72.0285	1



1/1

**HYVA** CRANE

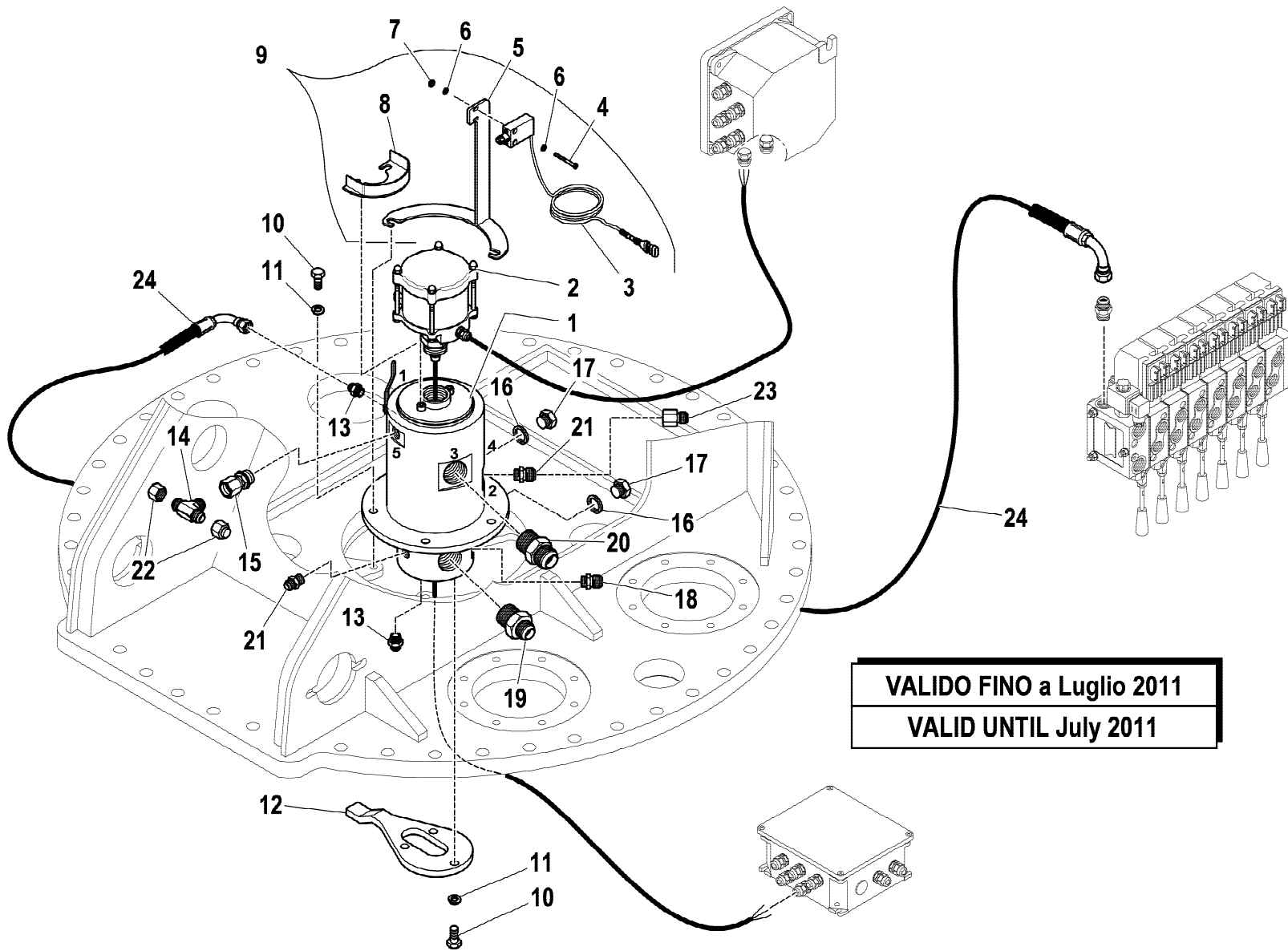
**HC801**

GRUPPO ROTAZIONE (3° MOTORE)  
 SLEWING ASS'Y (3° ENGINE)  
 GROUPE ROTATION (3° MOTEUR)  
 DREHVORRICHTUNG (3° MOTOR)  
 GRUPO ROTACION (3° MOTOR)

Tavola

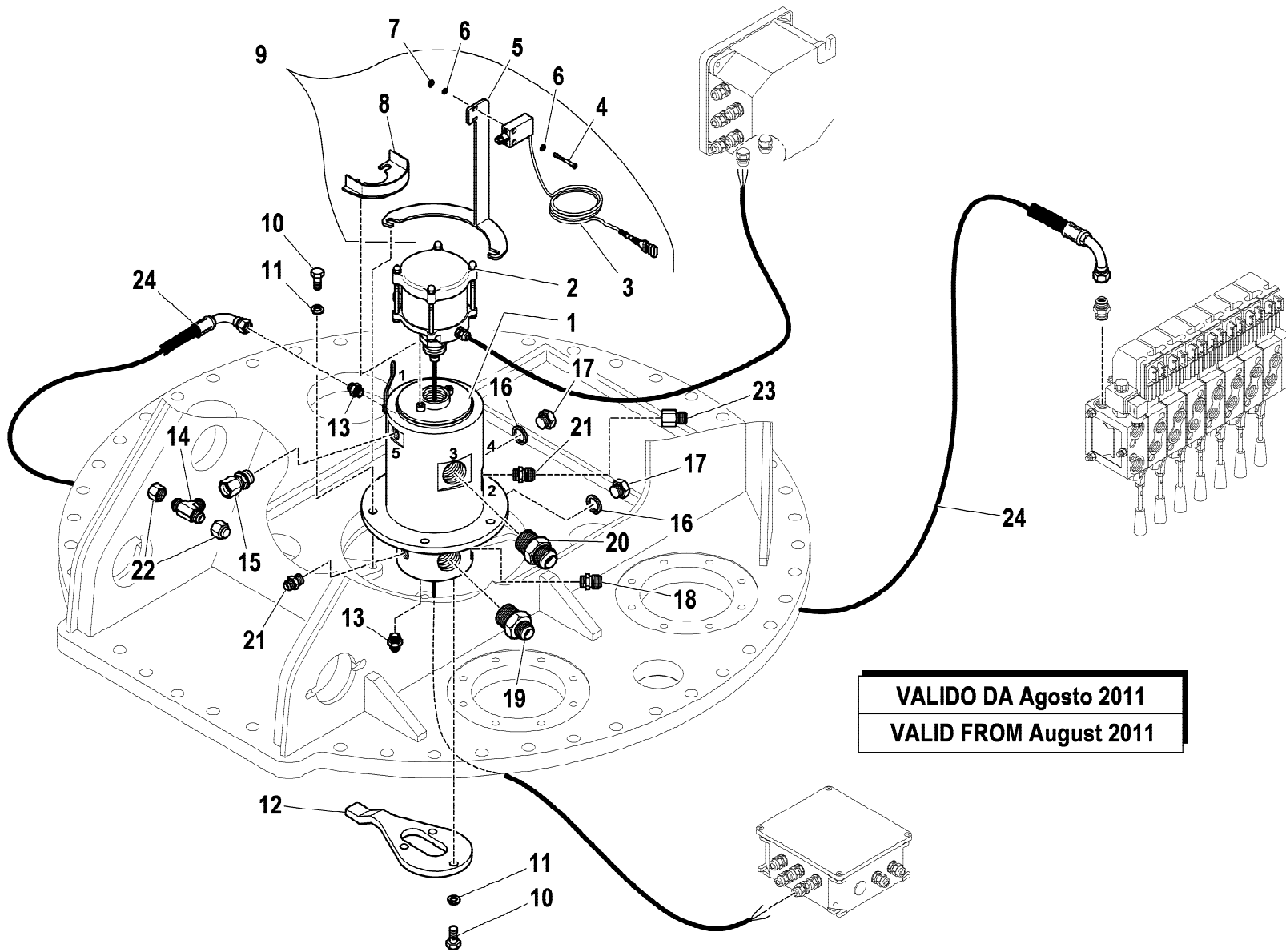
**7.88.0731-1-0**

Data pag.  
 febbraio 2008 7



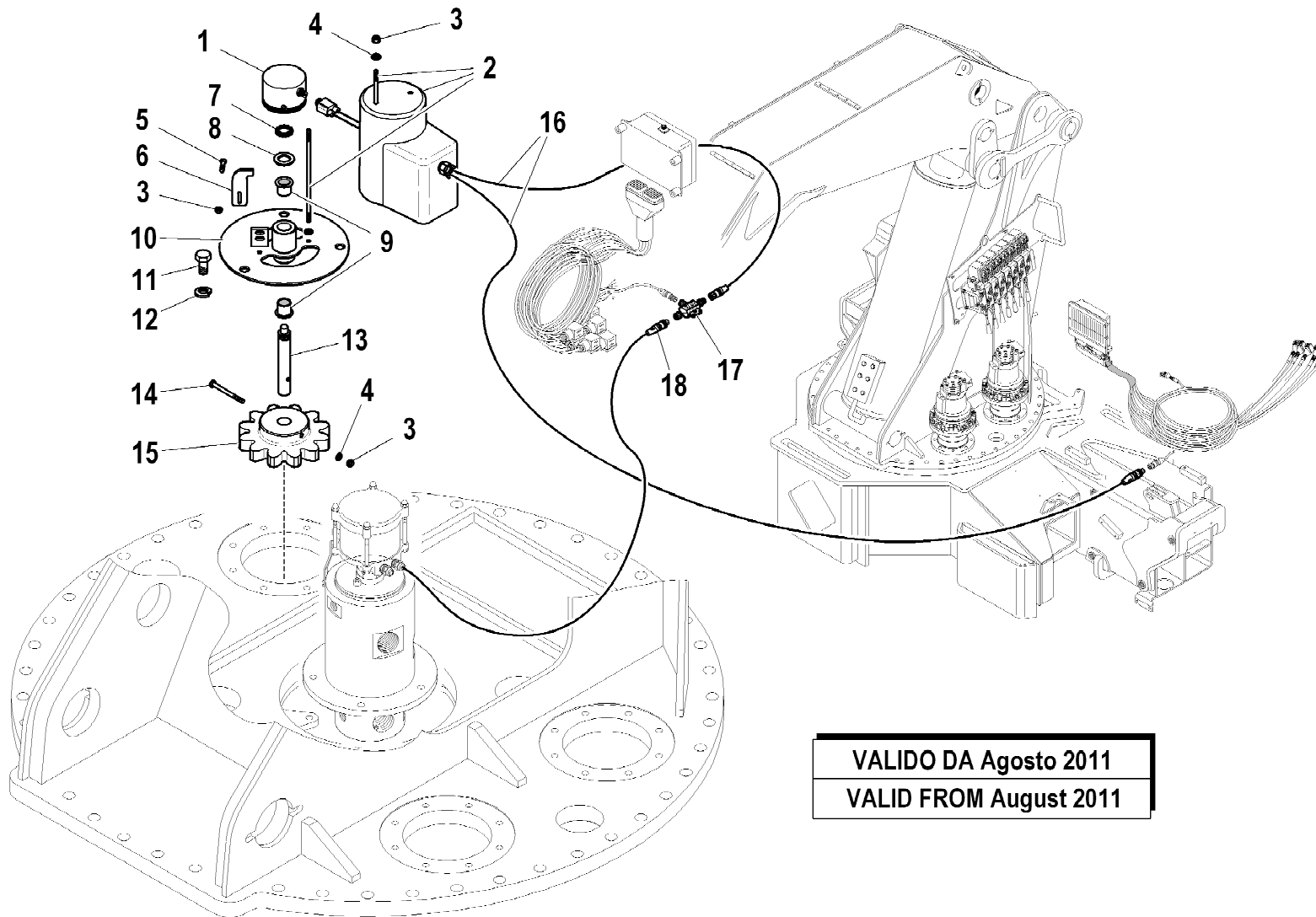
**VALIDO FINO a Luglio 2011**  
**VALID UNTIL July 2011**

rif.	codice	Q.tà
1	5.72.1047	1
2	3.31.1137	1
3	5.16.0048	2
4	3.02.0019	2
5	5.00.1900	1
6	3.06.0003	4
7	3.04.0518	2
8	5.00.1899	1
9	5.41.1076	1
10	3.01.0369	6
11	3.06.0057	6
12	5.00.1798	1
13	3.10.1041	2
14	3.12.0315	1
15	3.12.0067	1
16	3.06.0146	2
17	3.11.0072	2
18	3.10.1057	1
19	3.10.1233	1
20	3.10.1305	1
21	3.10.1051	2
22	3.11.0050	2
23	3.12.0209	1
24	5.26.0429	1



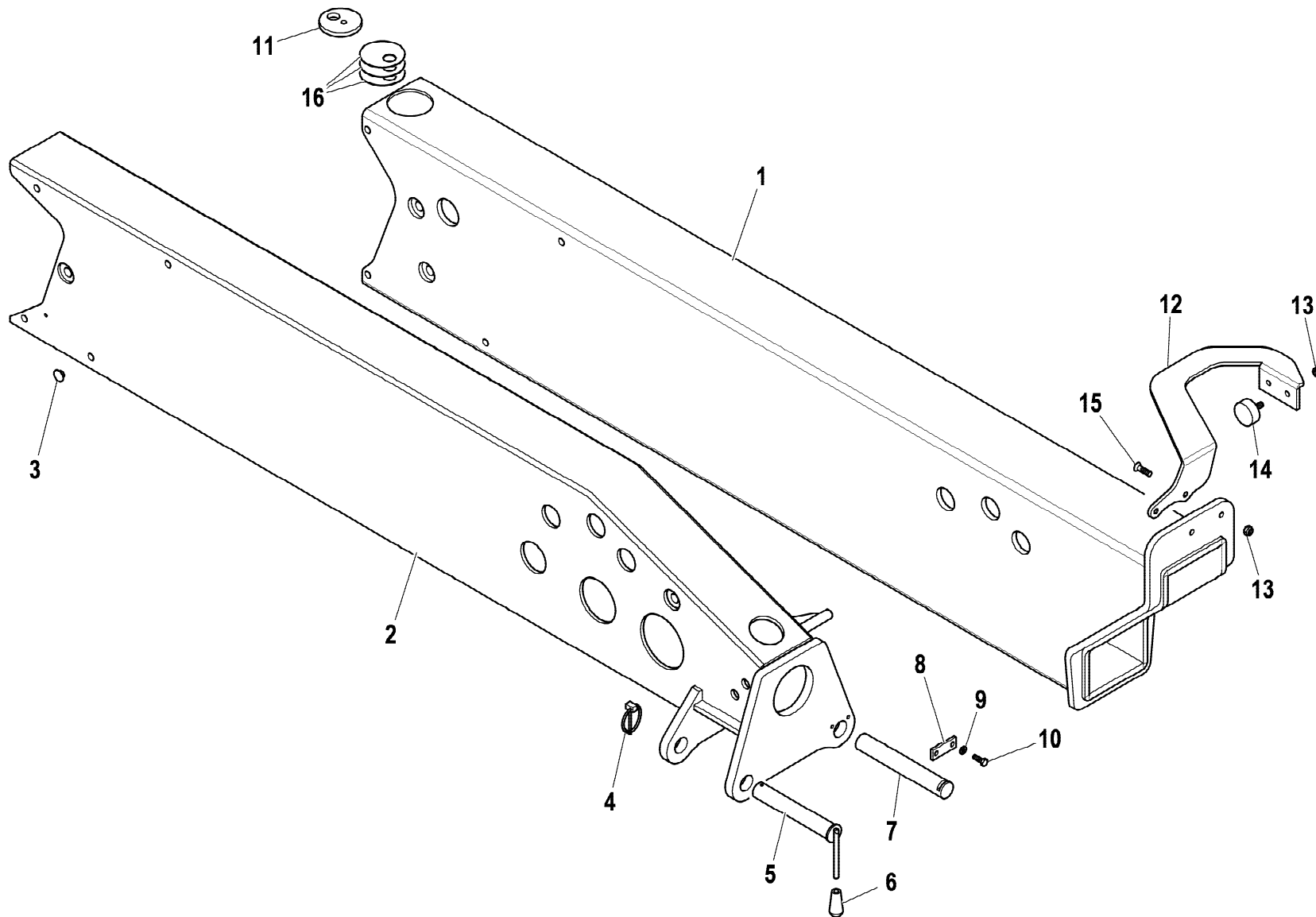
rif.	codice	Q.tà
1	5.72.1047	1
2	3.31.1243	1
3	5.16.0048	2
4	3.02.0019	2
5	5.00.1900	1
6	3.06.0003	4
7	3.04.0518	2
8	5.00.1899	1
9	5.41.1076	1
10	3.01.0369	6
11	3.06.0057	6
12	5.00.1798	1
13	3.10.1041	2
14	3.12.0315	1
15	3.12.0067	1
16	3.06.0146	2
17	3.11.0072	2
18	3.10.1057	1
19	3.10.1233	1
20	3.10.1305	1
21	3.10.1051	2
22	3.11.0050	2
23	3.12.0209	1
24	5.26.0429	1

**VALIDO DA Agosto 2011**  
**VALID FROM August 2011**



VALIDO DA Agosto 2011  
 VALID FROM August 2011

rif.	codice	Q.tà
1	3.31.1322	1
2	5.70.1014	1
3	3.04.0372	5
4	3.06.0005	3
5	3.01.0015	2
6	5.00.2036	1
7	3.06.0019	1
8	3.04.0504	1
9	5.14.1090	2
10	5.09.1302	1
11	3.01.0450	3
12	3.06.0050	3
13	5.15.0949	1
14	3.01.0386	1
15	5.05.0121	1
16	3.31.1398	1
17	3.31.1323	1
18	3.31.1466	1



rif.	codice	Q.tà
1	5.07.0372	1
2	5.07.0371	1
3	5.14.0777	12
4	3.06.0703	1
5	5.15.0770	1
6	3.19.0189	1
7	5.15.0833	1
8	5.00.0674	1
9	3.06.0006	2
10	3.01.0027	2
11	5.14.0795	1
12	5.00.1834	1
13	3.04.0304	4
14	3.19.0210	2
15	3.02.0500	2
16	5.00.1934	3

1/1

**HYVA** CRANE

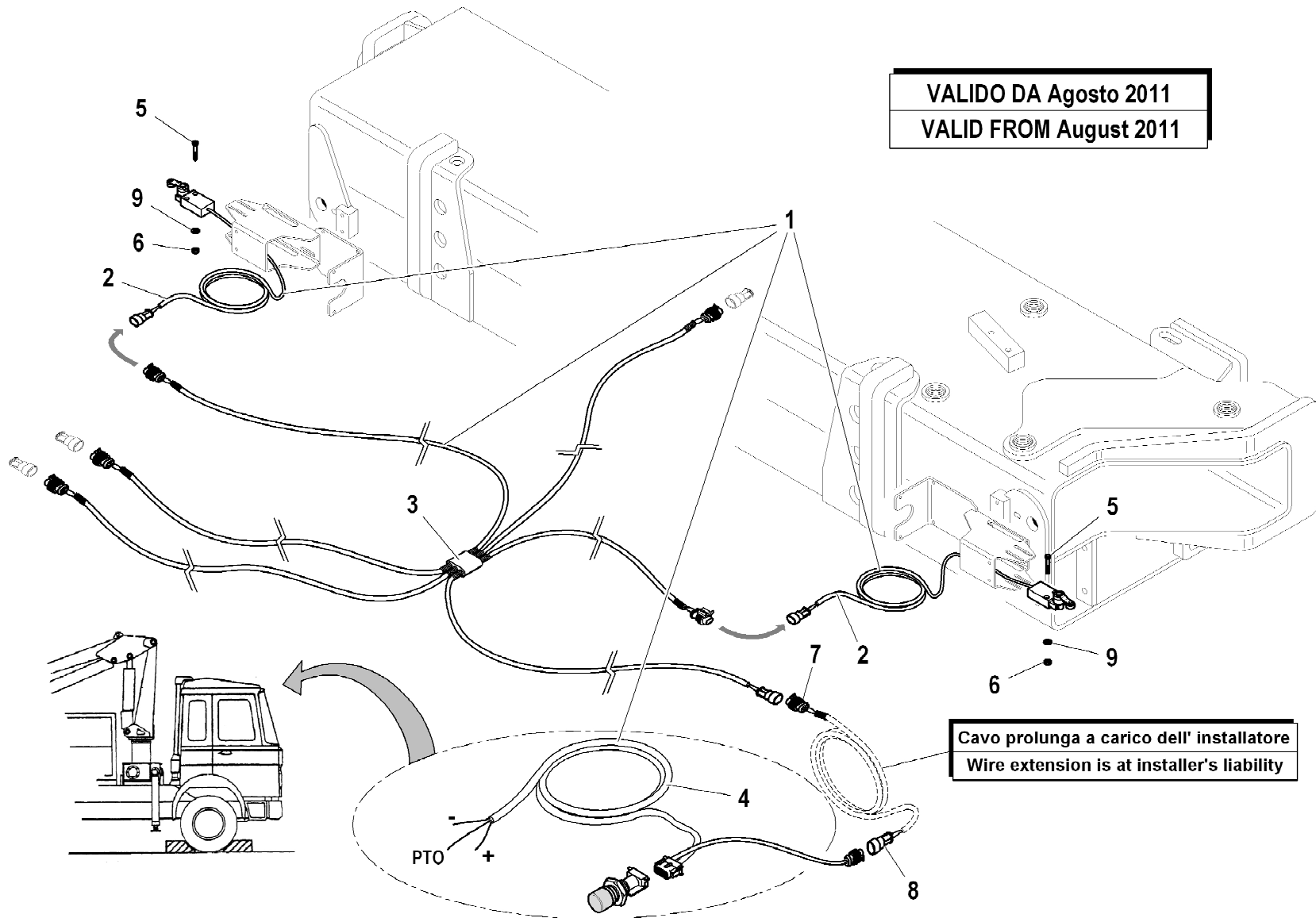
**HC801**

ASTE STABILIZZATRICI EXTRA ESTENDIBILI  
 STABILIZER CONNECTING RODS EXTRA-EXTENSIBLE  
 EXTENSION DES STABILISATEURS EXTRA-EXTENSIBLE  
 STÜTZSTANGEN EXTRA-AUSDEHNBARE  
 VARILLAS ESTABILIZADORES EXTRA-EXTENSIBLE

Tavola

**5.76.0150-1-0**

Data pag.  
 giugno 2007 11



**VALIDO DA Agosto 2011**  
**VALID FROM August 2011**

rif.	codice	Q.tà
1	3.31.1352	1
2	3.31.1356	2
3	3.31.1353	1
4	3.31.1354	1
5	3.02.0014	4
6	3.04.0518	4
7	3.31.0431	1
8	3.31.0432	1
9	3.06.0003	4

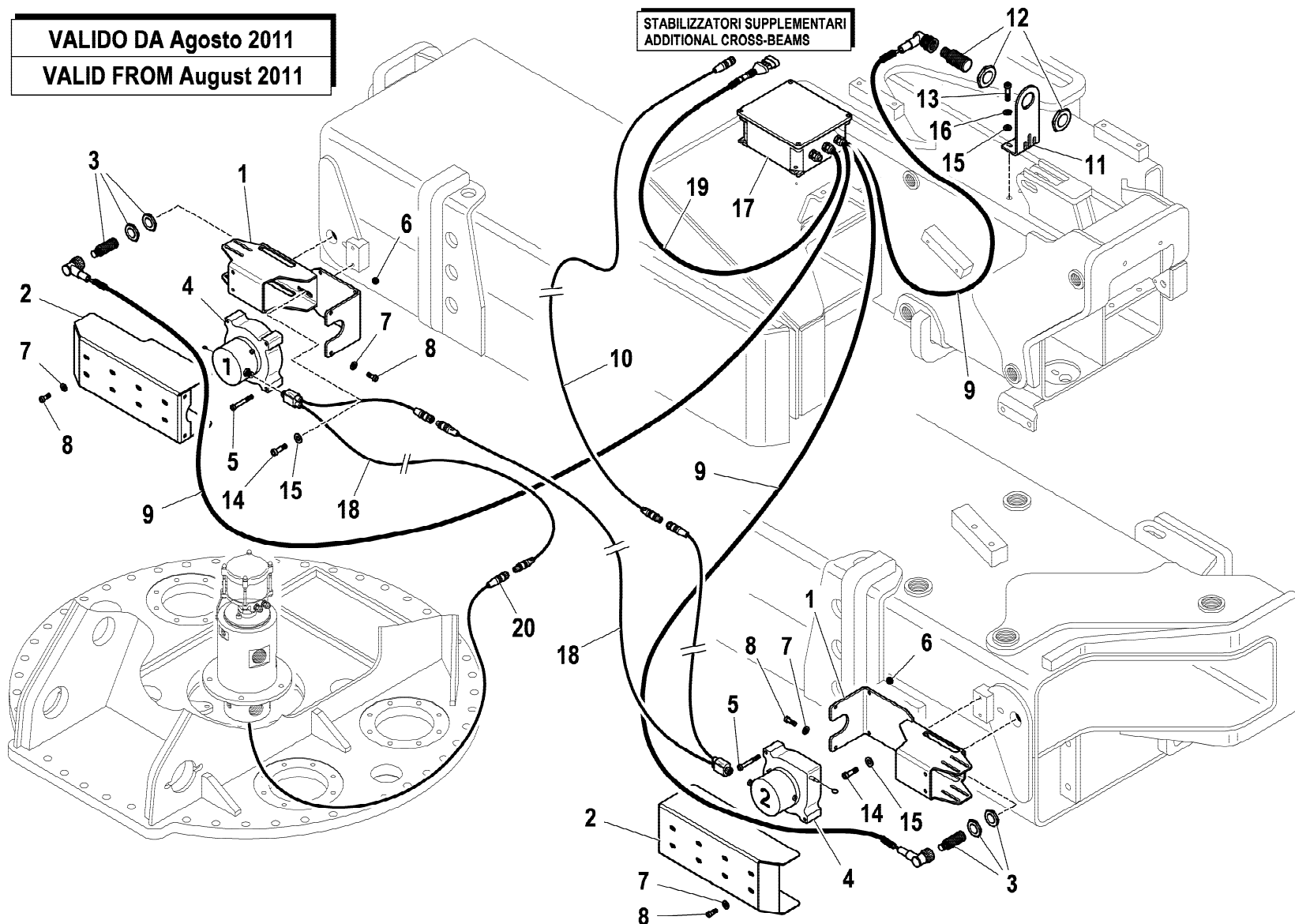
**Cavo prolunga a carico dell' installatore**  
**Wire extension is at installer's liability**



VALIDO DA Agosto 2011

VALID FROM August 2011

STABILIZZATORI SUPPLEMENTARI  
ADDITIONAL CROSS-BEAMS



rif.	codice	Q.tà
1	5.09.1299	2
2	5.00.2060	2
3	3.31.1311	2
4	3.31.1313	2
5	3.02.0019	6
6	3.04.0518	6
7	3.06.0004	8
8	3.02.0022	8
9	3.31.1465	3
10	3.31.1335	1
11	5.00.0453	1
12	3.31.1312	1
13	3.02.0033	2
14	3.02.0034	4
15	3.06.0030	6
16	3.06.0053	2
17	3.31.1405	1
18	3.31.1325	2
19	3.31.1418	1
20	3.31.1461	1

1/1

**HYVA** CRANE

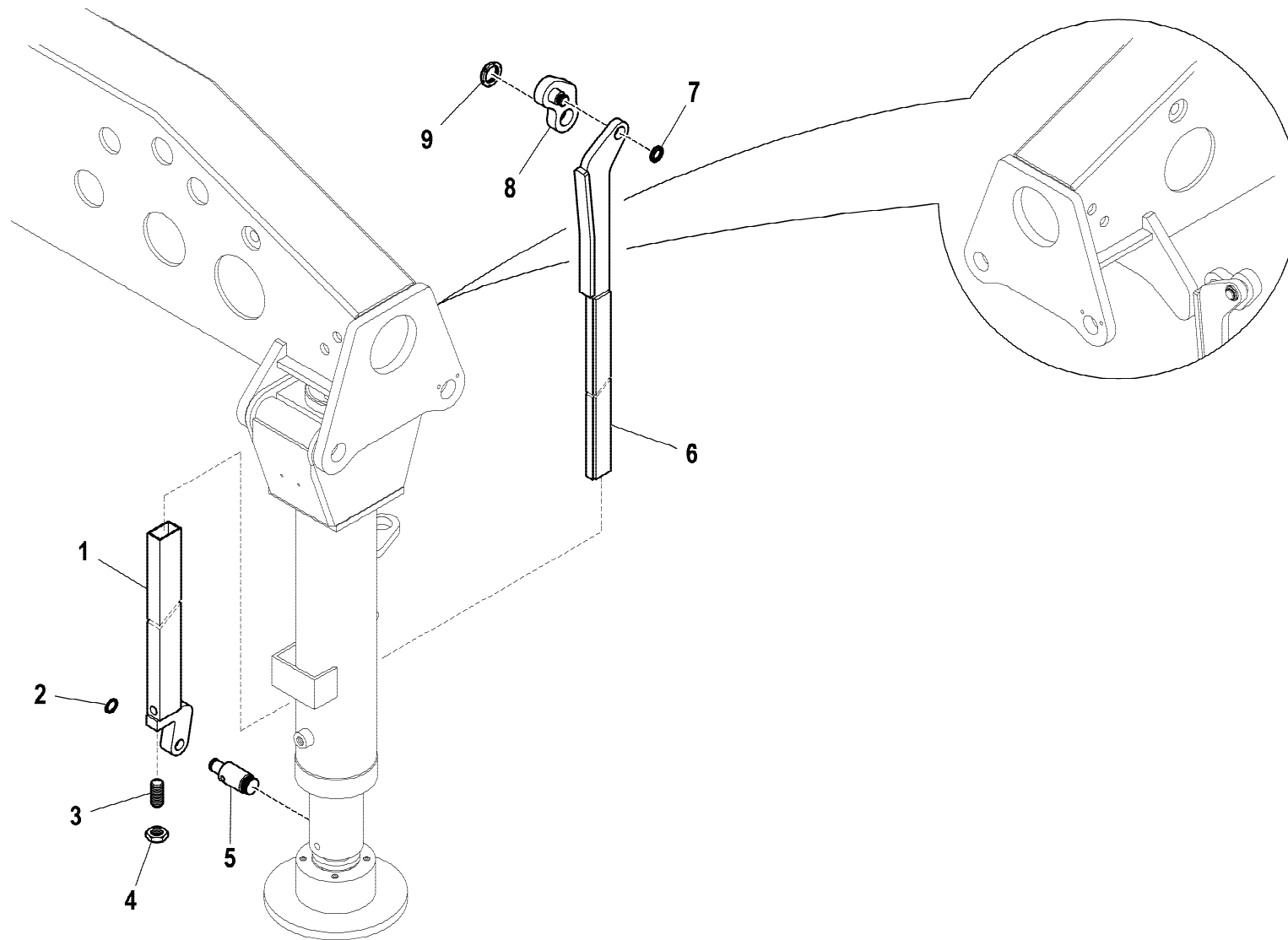
**HC801**

CONTROLLO STABILITA' EN-12999-A3  
STABILITY CONTROL EN-12999-A3  
CONTRÔLE DE LA STABILITE' EN-12999-A3  
STABILITÄTSKONTROLLE EN-12999-A3  
CONTROL DE LA ESTABILIDAD EN-12999-A3

Tavola

**5.41.1204-15-0**

Data pag.  
settembre 2012 13



rif.	codice	Q.tà
1	5.09.1089	1
2	3.07.0017	1
3	3.06.0996	1
4	3.04.0089	1
5	5.15.0902	1
6	5.09.1090	1
7	3.04.0504	1
8	5.00.1907	1
9	3.04.0505	1

1/1

**HYVA** CRANE

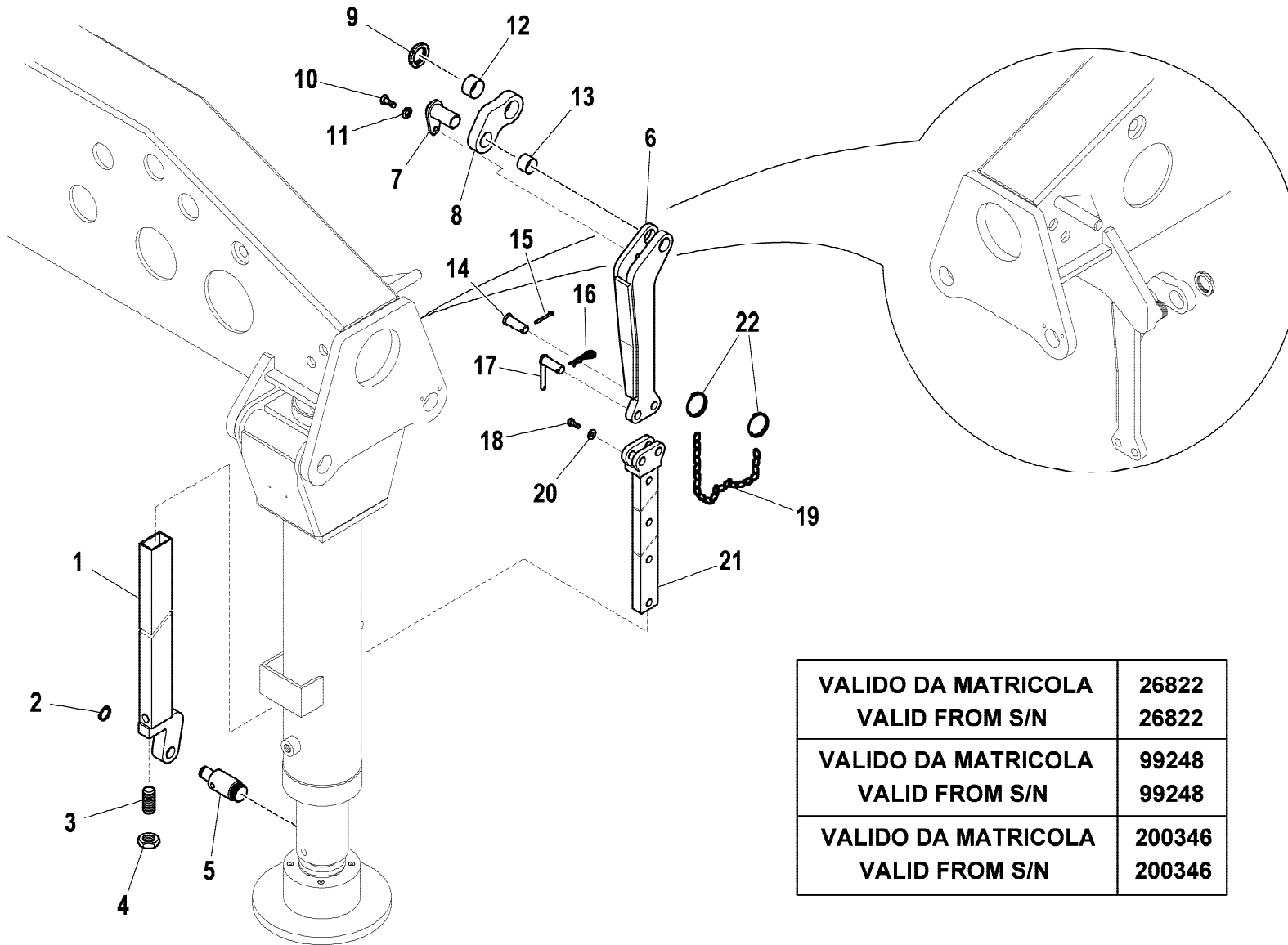
**HC801**

GRUPPO ROTAZIONE (MARTINETTO STABILIZZATORE) GIR.AUT.  
 SLEWING ASS'Y (STABILISER RAM) GIR.AUT.  
 GROUPE ROTATION (VERIN STABILISATEUR) GIR.AUT.  
 DREHVORRICHTUNG (STABILISATOR SCHUBZYLINDER) GIR.AUT.  
 GRUPO ROTACION (GATO ESTABILIZADOR) GIR.AUT.

Tavola

**5.41.1053-1-0**

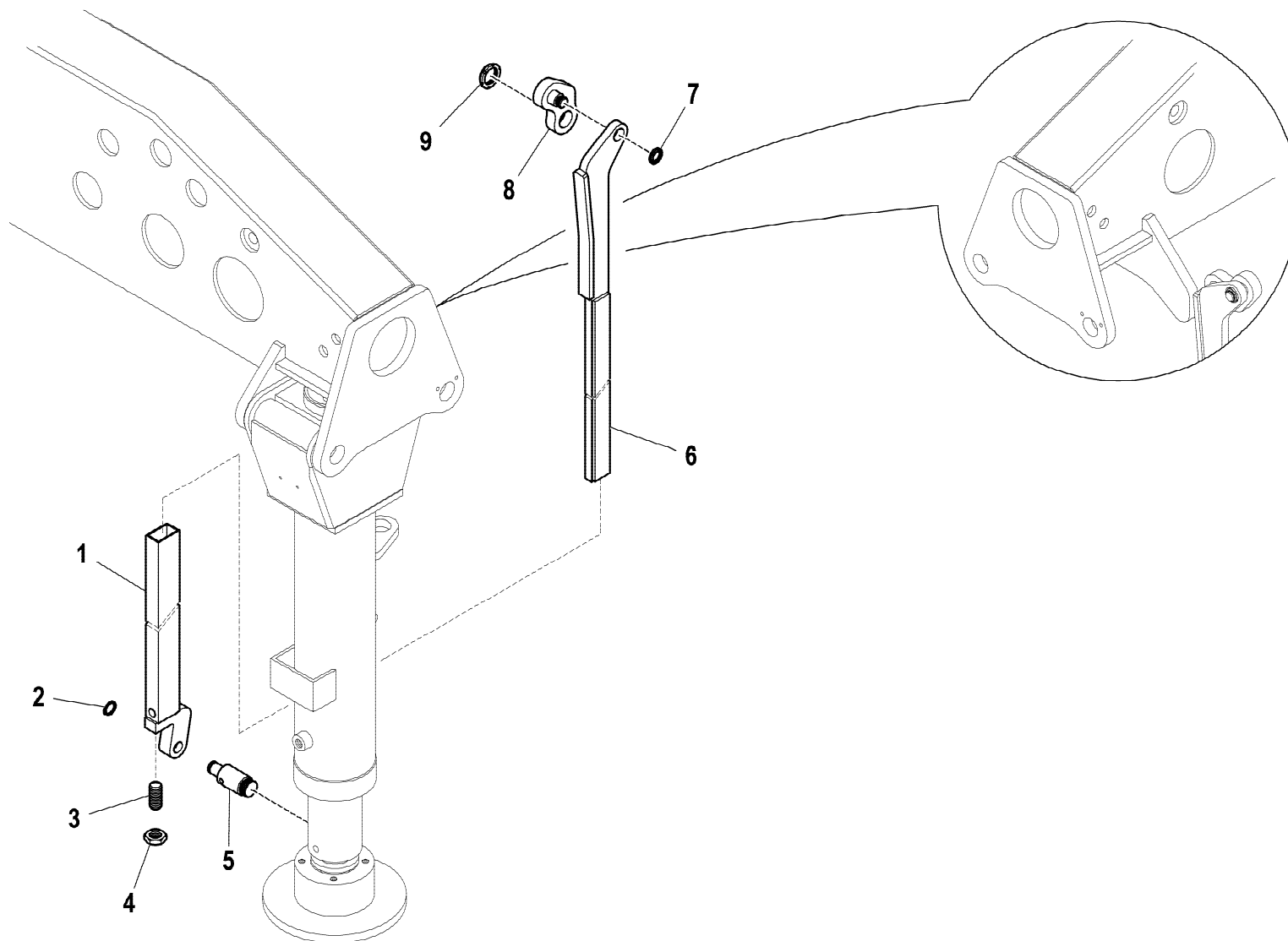
Data pag.  
 febbraio 2008 14



rif.	codice	Q.tà
1	5.09.1241	1
2	3.07.0017	1
3	3.06.0996	1
4	3.04.0089	1
5	5.15.0902	1
6	5.09.1239	1
7	5.15.0921	1
8	5.00.1944	1
9	3.04.0505	1
10	3.01.0337	1
11	3.06.0055	1
12	5.14.1065	1
13	5.14.1066	1
14	5.15.0912	1
15	3.06.0908	1
16	3.06.0706	1
17	5.15.0913	1
18	3.01.0325	1
19	W.27.04.011.03	1
20	3.06.0030	1
21	5.09.1240	1
22	3.06.0929	2

<b>VALIDO DA MATRICOLA</b>	<b>26822</b>
<b>VALID FROM S/N</b>	<b>26822</b>
<b>VALIDO DA MATRICOLA</b>	<b>99248</b>
<b>VALID FROM S/N</b>	<b>99248</b>
<b>VALIDO DA MATRICOLA</b>	<b>200346</b>
<b>VALID FROM S/N</b>	<b>200346</b>

rif.	codice	Q.tà
1	5.09.1208	1
2	3.07.0017	1
3	3.06.0996	1
4	3.04.0089	1
5	5.15.0902	1
6	5.09.1209	1
7	3.04.0504	1
8	5.00.1907	1
9	3.04.0505	1



1/1

**HYVA** CRANE

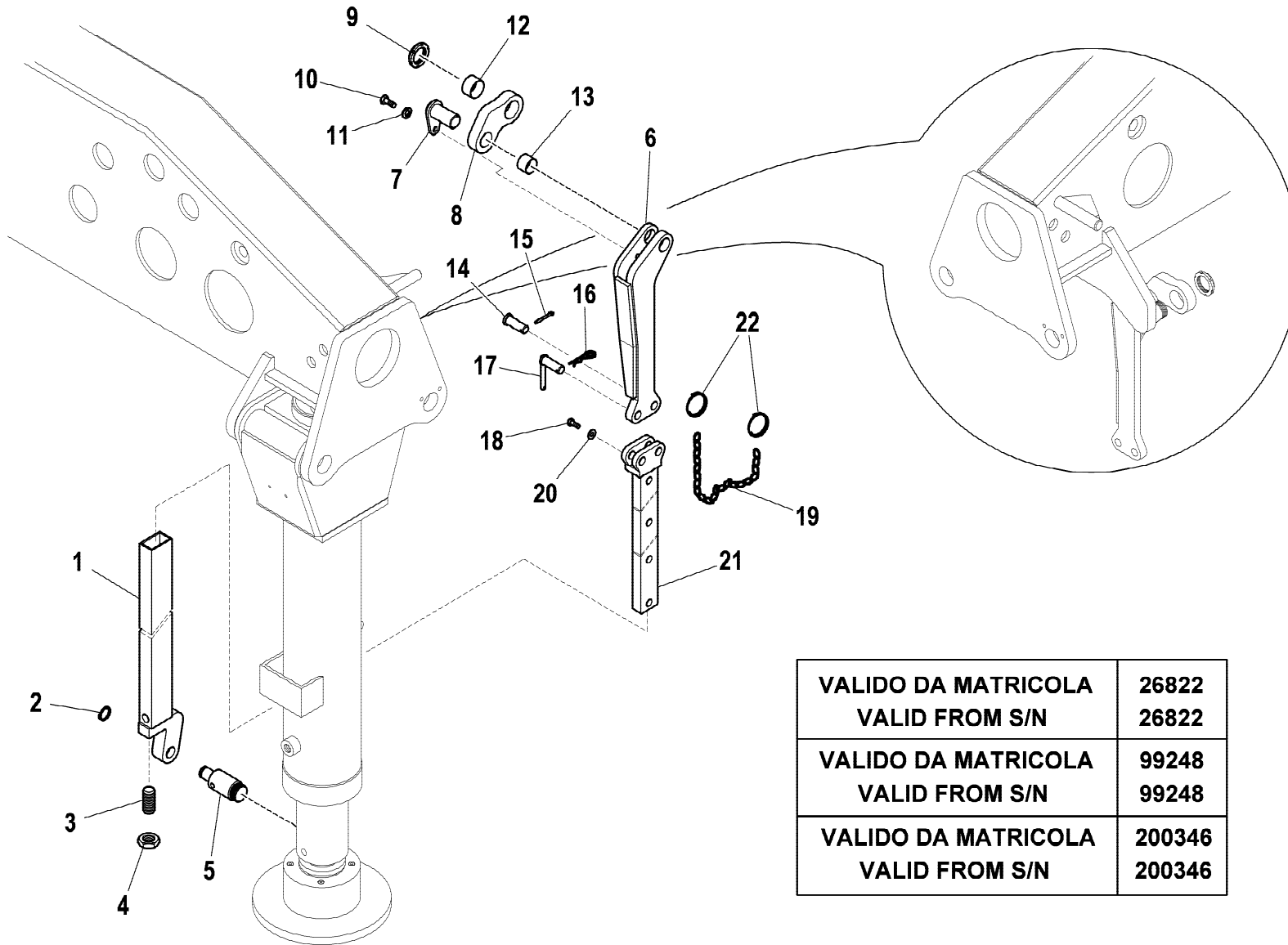
**HC801**

GRUPPO ROTAZIONE B.I. (MARTINETTO STABILIZZATORE) GIR.AUT.  
 SLEWING ASS'Y B.I. (STABILISER RAM) GIR.AUT.  
 GROUPE ROTATION B.I. (VERIN STABILISATEUR) GIR.AUT.  
 DREHVORRICHTUNG B.I. (STABILISATOR SCHUBZYLINDER) GIR.AUT.  
 GRUPO ROTACION B.I. (GATO ESTABILIZADOR) GIR.AUT.

Tavola

**5.41.1079-1-0**

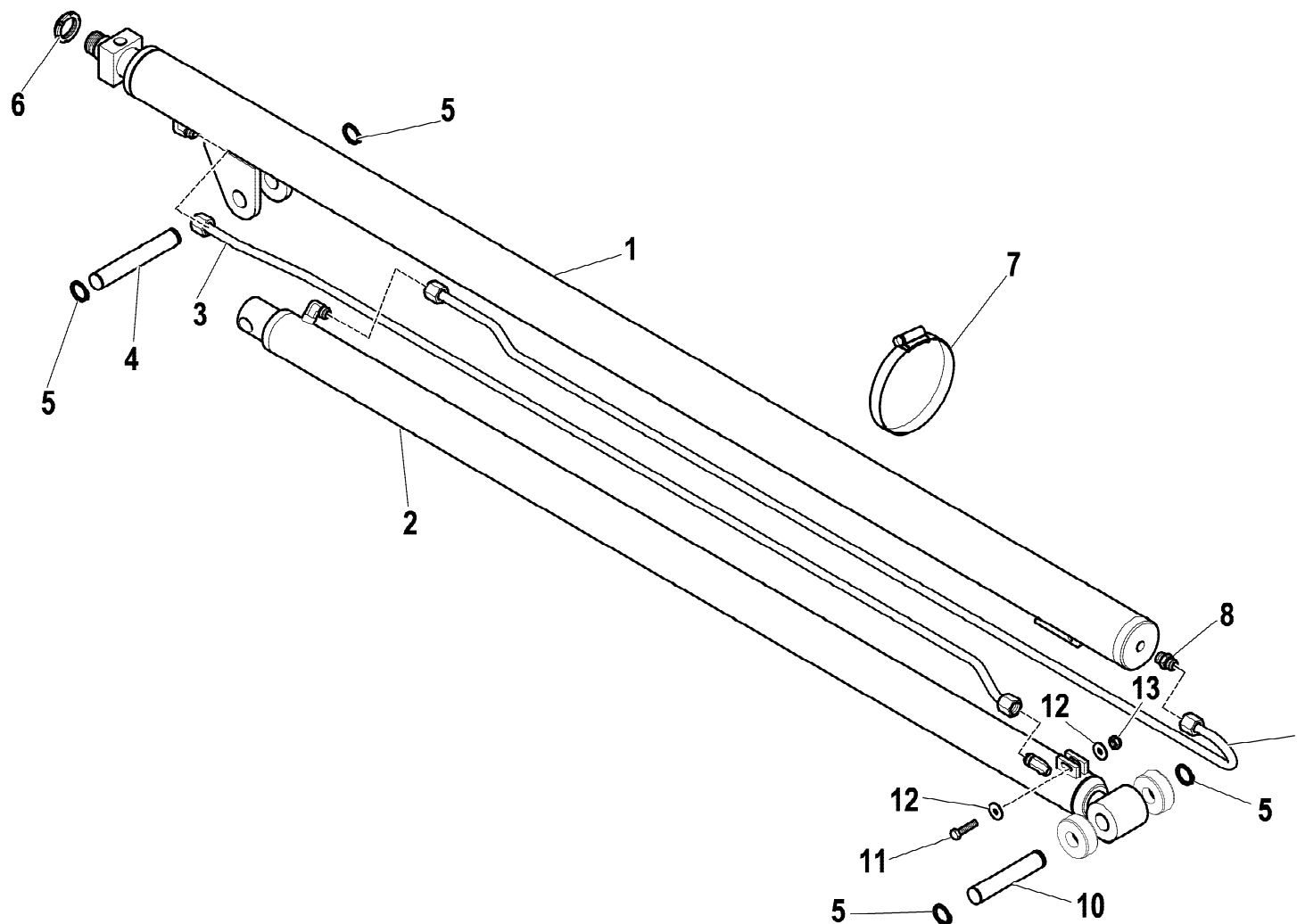
Data pag.  
 febbraio 2008 16



rif.	codice	Q.tà
1	5.09.1247	1
2	3.07.0017	1
3	3.06.0996	1
4	3.04.0089	1
5	5.15.0902	1
6	5.09.1239	1
7	5.15.0921	1
8	5.00.1944	1
9	3.04.0505	1
10	3.01.0337	1
11	3.06.0055	1
12	5.14.1065	1
13	5.14.1066	1
14	5.15.0912	1
15	3.06.0908	1
16	3.06.0706	1
17	5.15.0913	1
18	3.01.0325	1
19	W.27.04.011.03	1
20	3.06.0030	1
21	5.09.1248	1
22	3.06.0929	2

<b>VALIDO DA MATRICOLA VALID FROM S/N</b>	<b>26822 26822</b>
<b>VALIDO DA MATRICOLA VALID FROM S/N</b>	<b>99248 99248</b>
<b>VALIDO DA MATRICOLA VALID FROM S/N</b>	<b>200346 200346</b>

rif.	codice	Q.tà
1	6.40.0252	1
2	6.40.0253	1
3	5.39.2281	1
4	5.15.0855	1
5	3.07.0017	4
6	3.04.0502	1
7	3.19.0025	1
8	3.10.1039	1
9	5.39.2280	1
10	5.15.0854	1
11	3.01.0016	1
12	3.06.0030	2
13	3.04.0372	1



1/1

**HYVA** CRANE

**HC801**

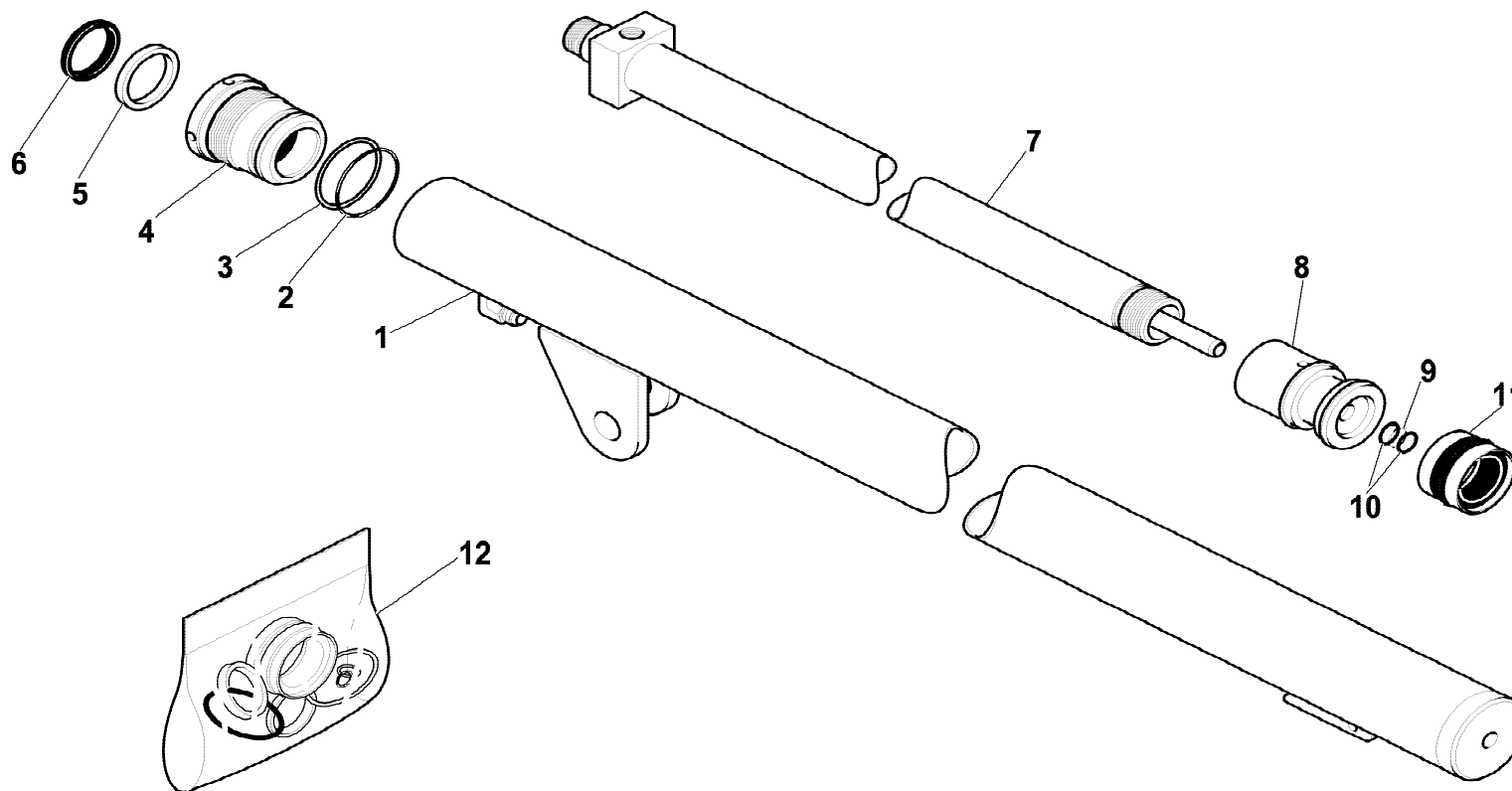
IMPIANTO IDRAULICO (MARTINETTO SFILLO ASTE EXTRA ESTENDIBILI)  
 HYDRAULIC SYSTEM (ROD EXTENSION HYDRAULIC CYLINDER EXTRA-EXTENSIBLE)  
 INSTALLATION HYDRAULIQUE (VERIN RALLONGE TIGE SEXTRA-EXTENSIBLE)  
 HYDRAULIKANLAGE (STANGENVERLAENGERUNGSWINDE EXTRA-AUSDEHNBARE)  
 INSTALACION HIDRAULICA (GATO DE PROLONGACIO VASTAGOS EXTRA-EXTENSIBLE)

Tavola

**5.38.0036-1-0**

Data pag.  
 aprile 2013 18

rif.	codice	Q.tà
1	6.07.0563	1
2	3.45.0117	1
3	3.46.0255	1
4	6.04.0298	1
5	3.40.0055	1
6	3.42.0018	1
7	6.03.0810	1
8	6.05.0312	1
9	3.45.0078	1
10	3.46.0078	2
11	3.40.0505	1
12	5.55.0772	1



1/1

**HYVA** CRANE

**HC801**

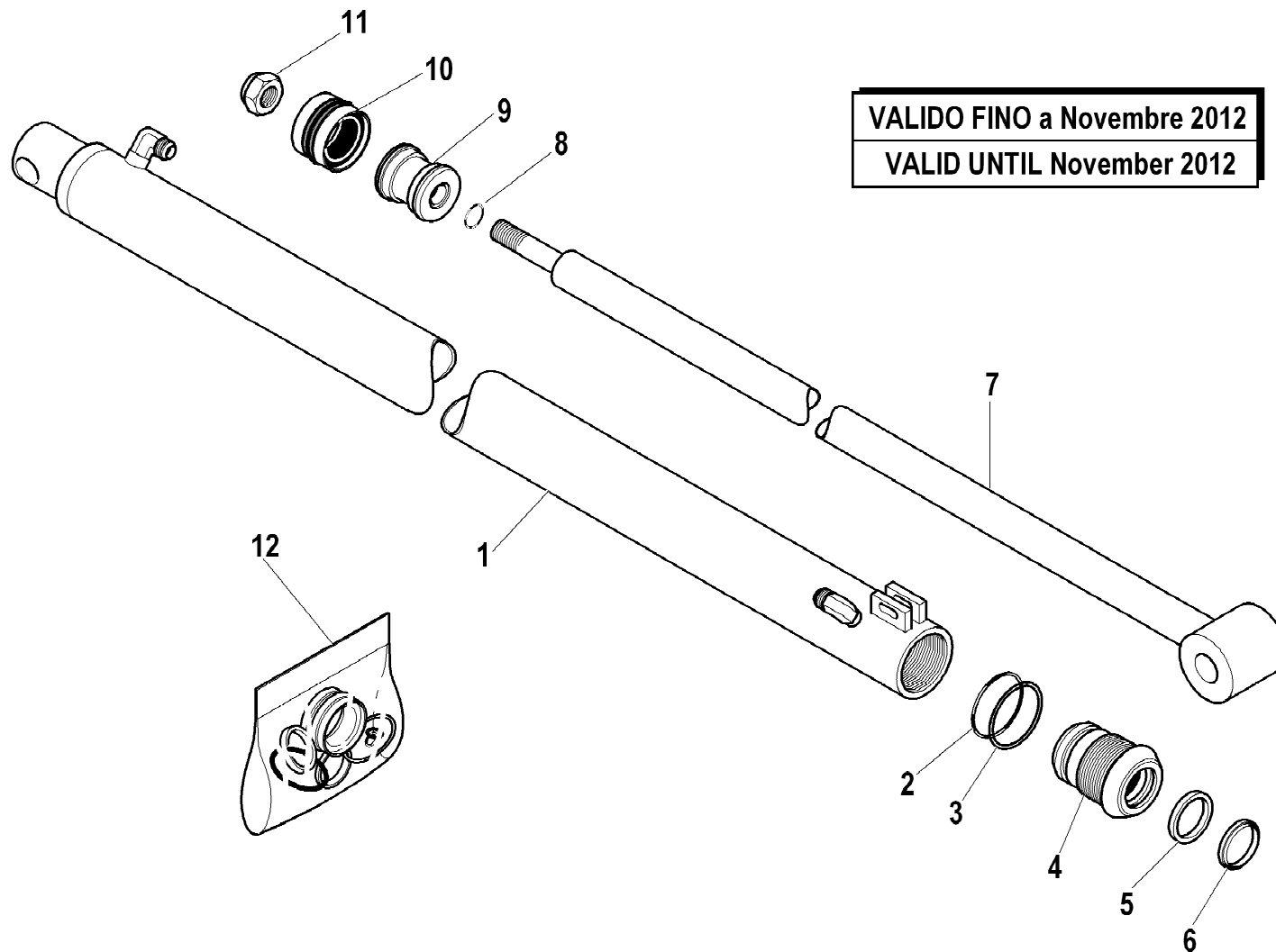
MARTINETTO SFILO ASTE (1° SFILO)  
 ROD EXSTENSION HYDRAULIC CYLINDER (1ST EXTENSION)  
 VERIN RALLONGE TIGES (1ERE RALLONGE)  
 STANGENVERLAENGERUNGSWINDE (1. VERLAENGERUNG)  
 GATO DE PROLONGACION VASTAGOS (1°PROLONGACION)

Tavola

**6.40.0252-1-0**

Data pag.  
 febbraio 2008 19

rif.	codice	Q.tà
1	6.07.0564	1
2	3.45.0067	1
3	3.46.0067	1
4	6.04.0302	1
5	3.40.0029	1
6	3.42.0011	1
7	6.03.0811	1
8	3.45.0006	1
9	6.05.0142	1
10	3.40.0503	1
11	3.04.0306	1
12	5.55.0709	1



1/1

**HYVA** CRANE

**HC801**

MARTINETTO SFILO ASTE (2° SFILO)  
 ROD EXTENSION HYDRAULIC CYLINDER (2ND EXTENSION)  
 VERIN RALLONGE TIGES (2EME RALLONGE)  
 STANGENVERLAENGERUNGSWINDE (2. VERLAENGERUNG)  
 GATO DE PROLONGACION VASTAGOS (2°PROLONGACION)

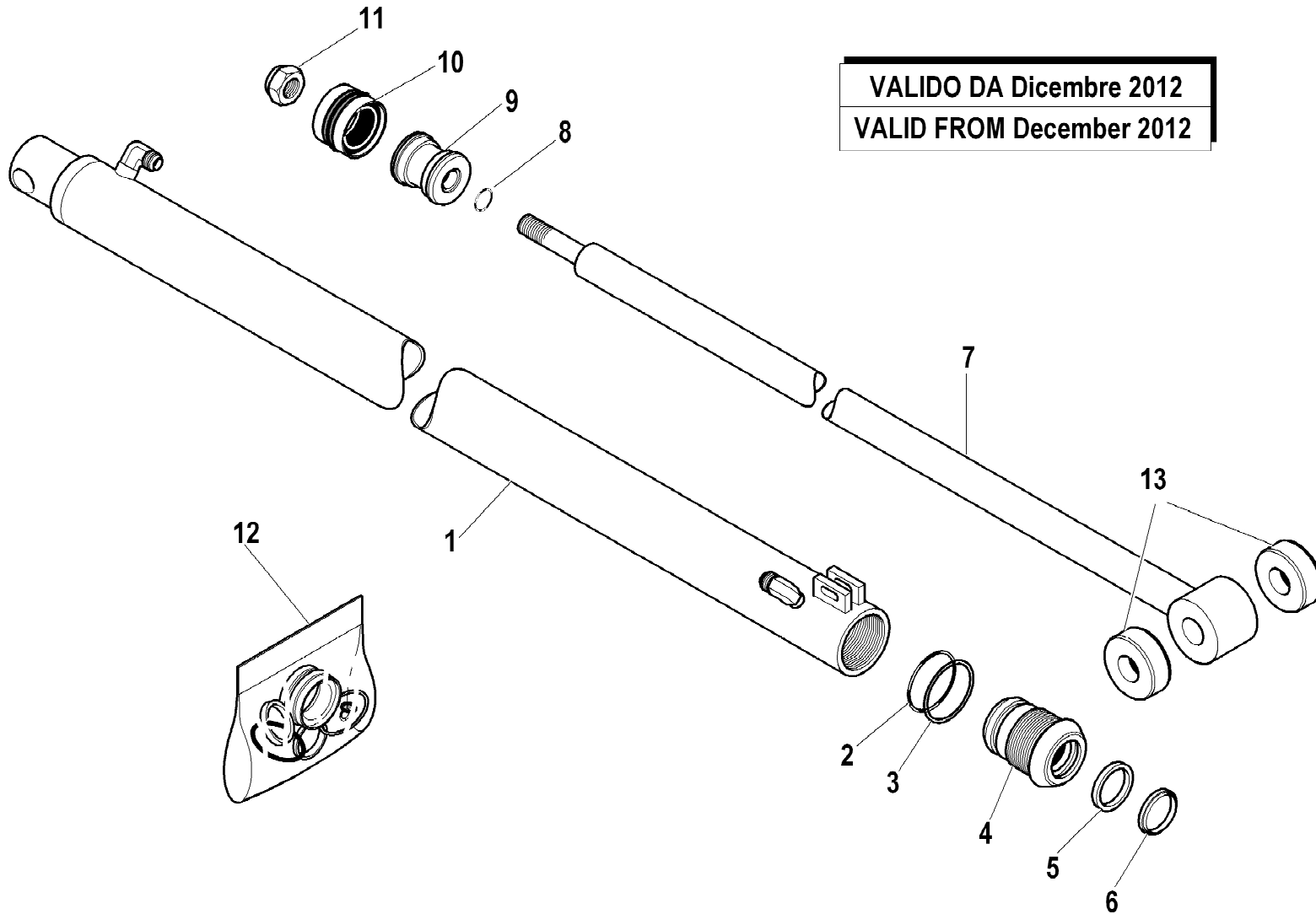
Tavola

**6.40.0253-1-0**

Data pag.  
 aprile 2013 20



VALIDO DA Dicembre 2012  
 VALID FROM December 2012



rif.	codice	Q.tà
1	6.07.0564	1
2	3.45.0067	1
3	3.46.0067	1
4	6.04.0302	1
5	3.40.0029	1
6	3.42.0011	1
7	6.03.0811	1
8	3.45.0006	1
9	6.05.0142	1
10	3.40.0503	1
11	3.04.0306	1
12	5.55.0709	1
13	5.14.1151	2

1/1

**HYVA** CRANE

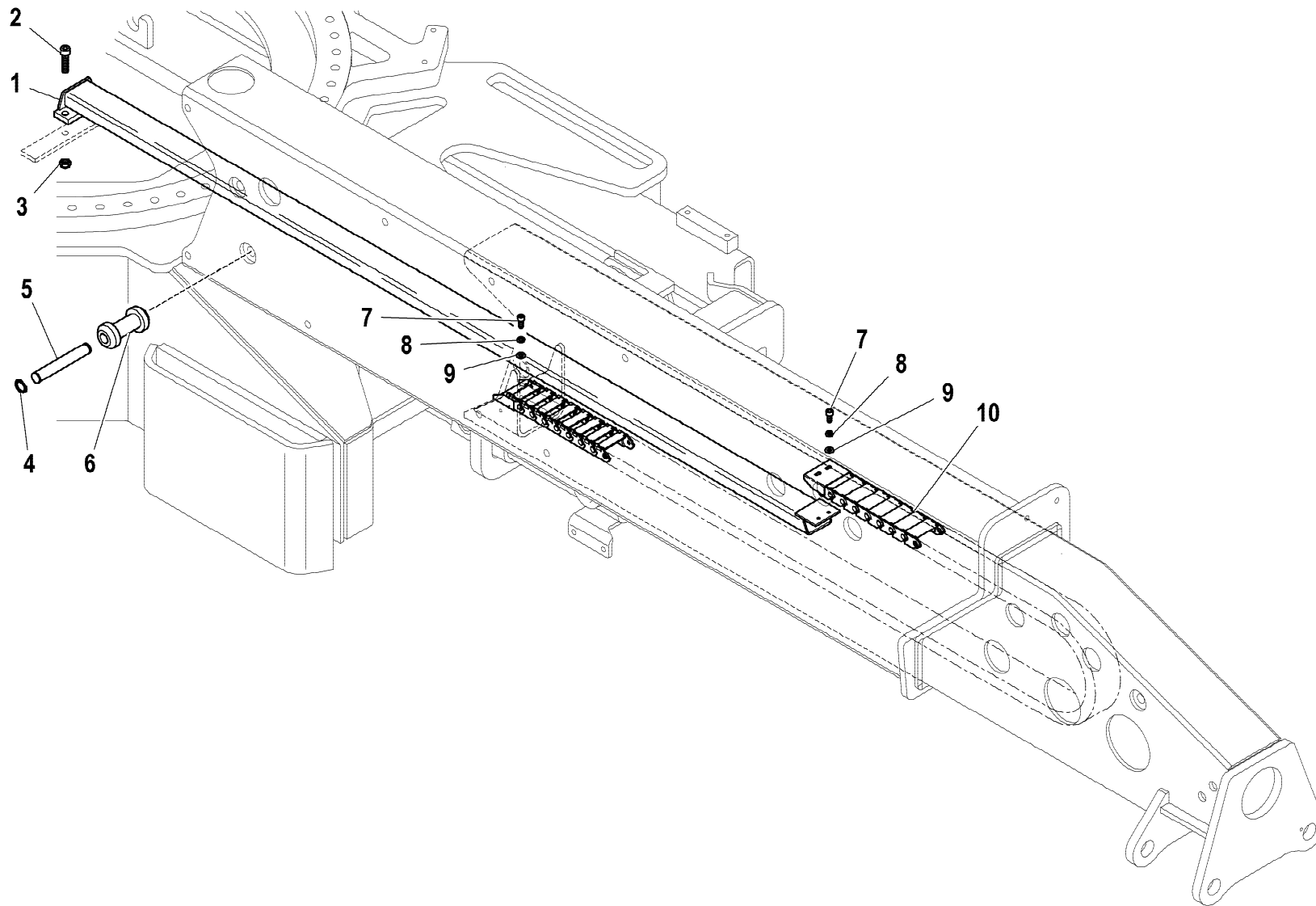
**HC801**

MARTINETTO SFILO ASTE (2° SFILO)  
 ROD EXSTENSION HYDRAULIC CYLINDER (2ND EXTENSION)  
 VERIN RALLONGE TIGES (2EME RALLONGE)  
 STANGENVERLAENGERUNGSWINDE (2. VERLAENGERUNG)  
 GATO DE PROLONGACION VASTAGOS (2°PROLONGACION)

Tavola

**6.40.0253-1-1**

Data pag.  
 aprile 2013 21



rif.	codice	Q.tà
1	5.09.1013	1
2	3.02.0081	2
3	3.04.0304	2
4	3.07.0017	4
5	5.15.0855	2
6	5.14.1027	2
7	3.02.0021	4
8	3.06.0052	4
9	3.06.0004	4
10	3.31.0939	1

1/1

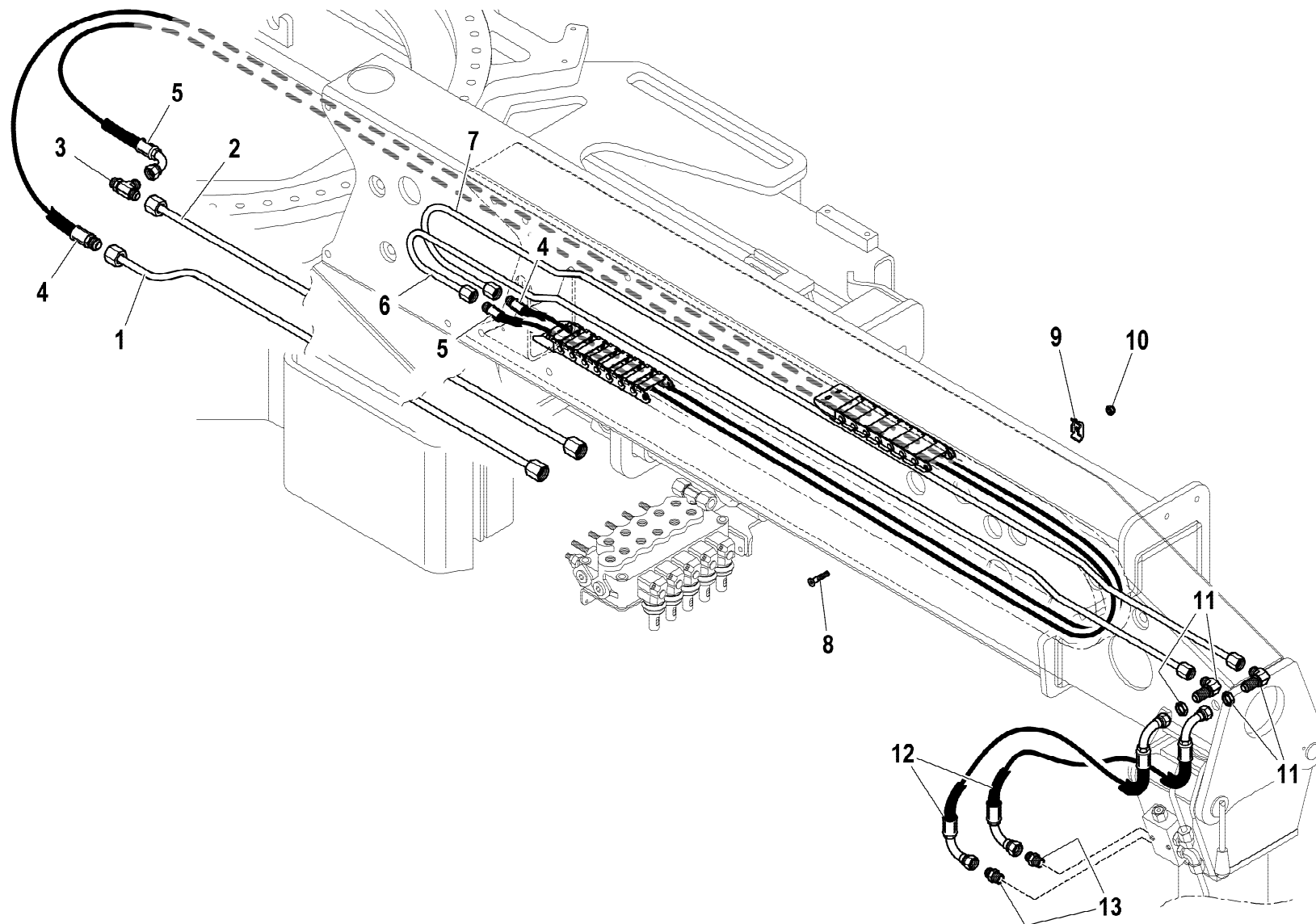
**HYVA** CRANE

**HC801**

ASTE STABILIZZATRICI EXTRA ESTENDIBILI  
 STABILIZER CONNECTING RODS EXTRA-EXTENSIBLE  
 EXTENSION DES STABILISATEURS EXTRA-EXTENSIBLE  
 STÜTZSTANGEN EXTRA-AUSDEHNBARE  
 VARILLAS ESTABILIZADORES EXTRA-EXTENSIBLE

Tavola  
**5.76.0150-2-0**

Data pag.  
 giugno 2007 22



rif.	codice	Q.tà
1	5.39.2267	1
2	5.39.2268	1
3	3.10.1176	1
4	5.27.1822	1
5	5.27.1823	1
6	5.39.2279	1
7	5.39.2278	1
8	3.02.0914	2
9	5.00.0077	2
10	3.04.0303	2
11	3.12.0323	2
12	5.27.1873	2
13	3.10.1043	2

1/1

**HYVA** CRANE

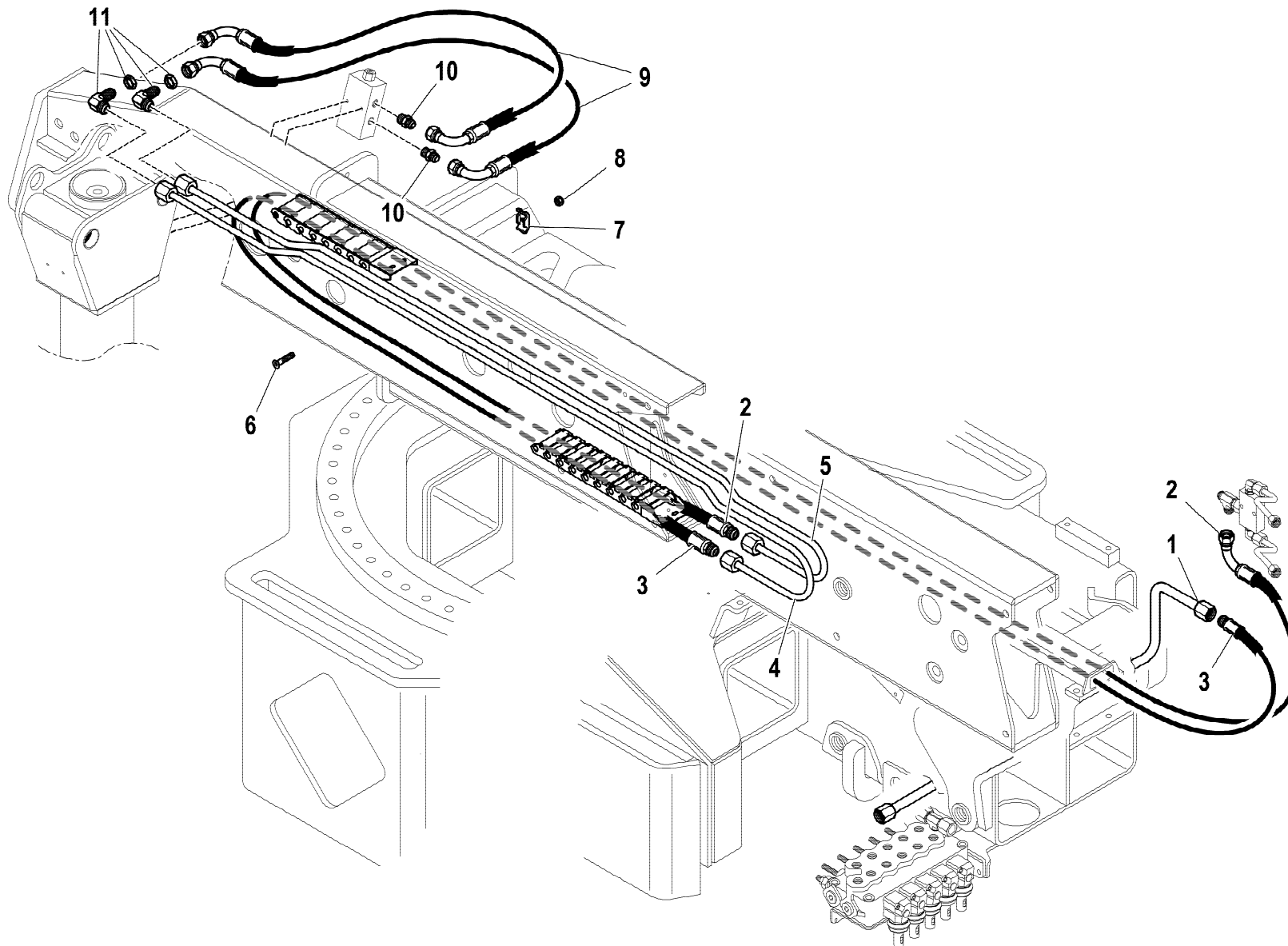
**HC801**

IMPIANTO IDRAULICO EXTRA ESTENDIBILI (MARTINETTO STABILIZZATORE)  
 HYDRAULIC SYSTEM EXTRA-EXTENSIBLE (STABILISER RAM)  
 INSTALLATION HYDRAULIQUE EXTRA-EXTENSIBLE (VERIN STABILISATEUR)  
 HYDRAULIKANLAGE EXTRA-AUSDEHNBARE (STABILISATOR SCHUBZYLINDER)  
 INSTALACION HIDRAULICA EXTRA-EXTENSIBLE (GATO ESTABILIZADOR)

Tavola

**5.76.0150-3-0**

Data pag.  
 febbraio 2008 23



rif.	codice	Q.tà
1	5.39.2270	1
2	5.27.1823	1
3	5.27.1822	1
4	5.39.2278	1
5	5.39.2279	1
6	3.02.0914	2
7	5.00.0077	2
8	3.04.0303	2
9	5.27.1873	2
10	3.10.1043	2
11	3.12.0323	2

1/1

**HYVA** CRANE

**HC801**

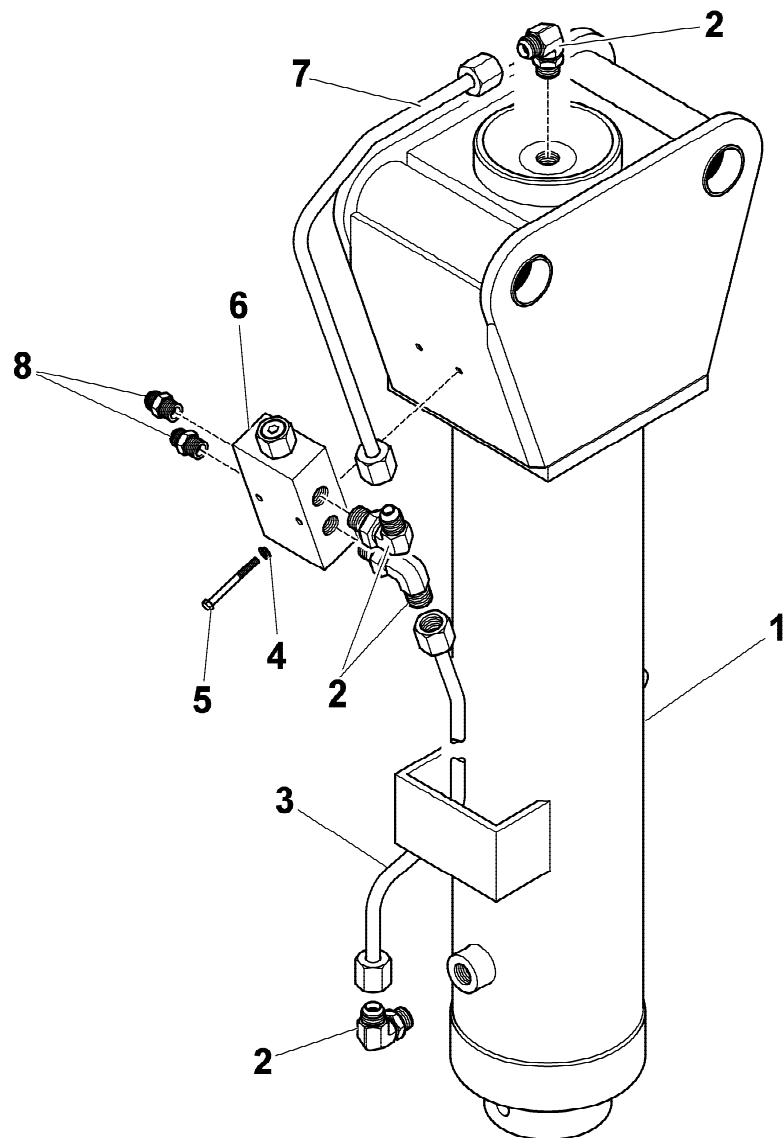
IMPIANTO IDRAULICO EXTRA ESTENDIBILI (MARTINETTO STABILIZZATORE)  
 HYDRAULIC SYSTEM EXTRA-EXTENSIBLE (STABILISER RAM)  
 INSTALLATION HYDRAULIQUE EXTRA-EXTENSIBLE (VERIN STABILISATEUR)  
 HYDRAULIKANLAGE EXTRA-AUSDEHNBARE (STABILISATOR SCHUBZYLINDER)  
 INSTALACION HIDRAULICA EXTRA-EXTENSIBLE (GATO ESTABILIZADOR)

Tavola

**5.76.0150-4-0**

Data pag.  
 febbraio 2008 24

rif.	codice	Q.tà
1	6.40.0254	1
2	3.10.1127	4
3	5.39.2333	1
4	3.06.0053	2
5	3.01.0019	2
6	5.22.0653	1
7	5.39.2332	1
8	3.10.1043	2



1/1

**HYVA** CRANE

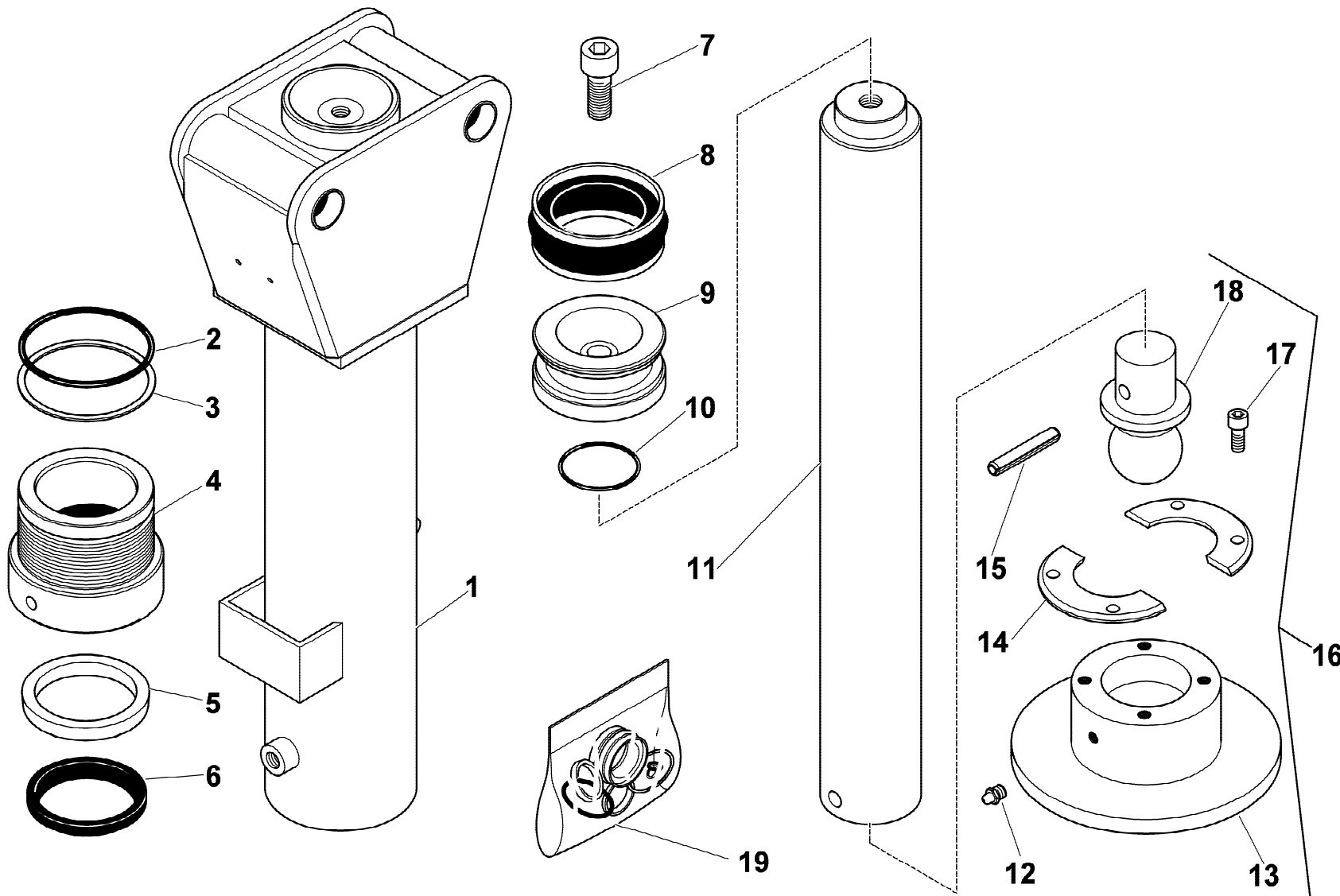
**HC801**

IMPIANTO IDRAULICO (MARTINETTO STABILIZZATORE) GIR. AUT.  
 HYDRAULIC SYSTEM (STABILISER RAM) GIR. AUT.  
 INSTALLATION HYDRAULIQUE (VERIN STABILISATEUR) GIR. AUT.  
 HYDRAULIKANLAGE (STABILISATOR SCHUBZYLINDER) GIR. AUT.  
 INSTALACION HIDRAULICA (GATO ESTABILIZADOR) GIR. AUT.

Tavola

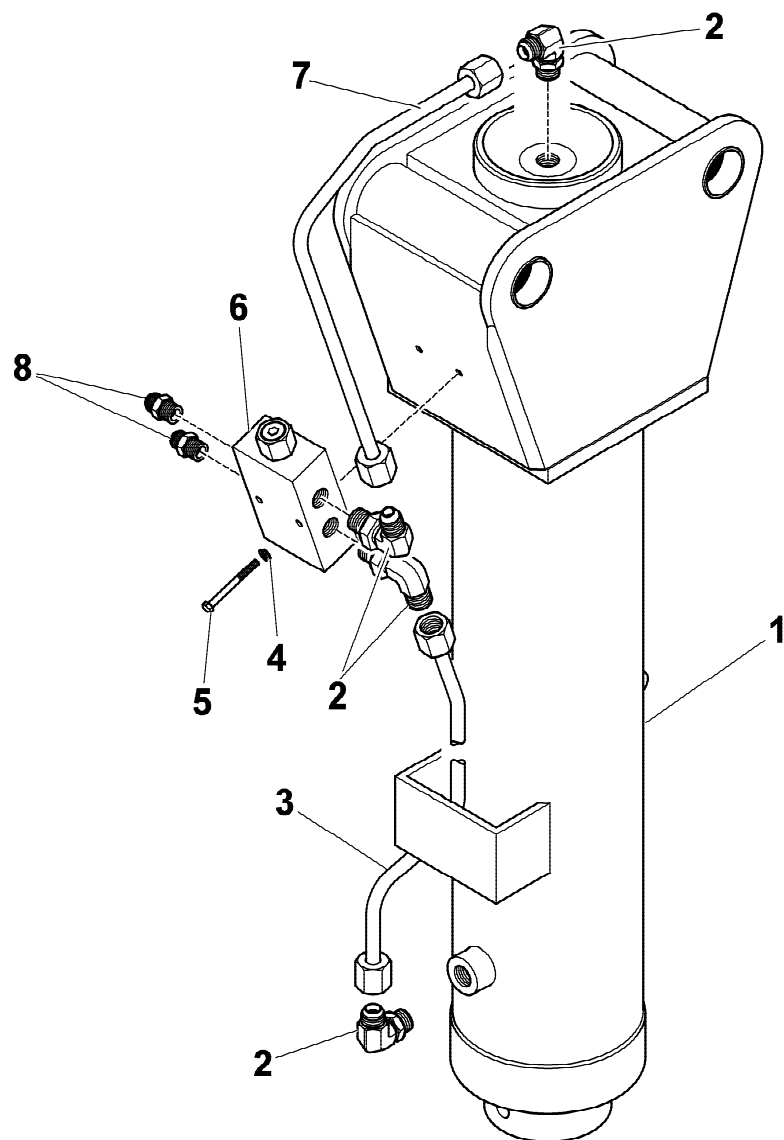
**6.20.0254-1-0**

Data pag.  
 febbraio 2008 25



rif.	codice	Q.tà
1	6.07.0565	1
2	3.45.0228	1
3	3.46.0228	1
4	6.04.0297	1
5	3.40.0169	1
6	3.42.0046	1
7	3.02.0315	1
8	3.40.0521	1
9	6.05.0311	1
10	3.45.0208	1
11	6.03.0812	1
12	3.08.0512	1
13	5.09.1207	1
14	4.16.0490	2
15	3.06.0627	1
16	5.41.1078	1
17	3.02.0899	4
18	4.16.0511	1
19	5.55.0771	1

rif.	codice	Q.tà
1	6.40.0261	1
2	3.10.1127	4
3	5.39.2375	1
4	3.06.0053	2
5	3.01.0019	2
6	5.22.0653	1
7	5.39.2332	1
8	3.10.1043	2



1/1

**HYVA** CRANE

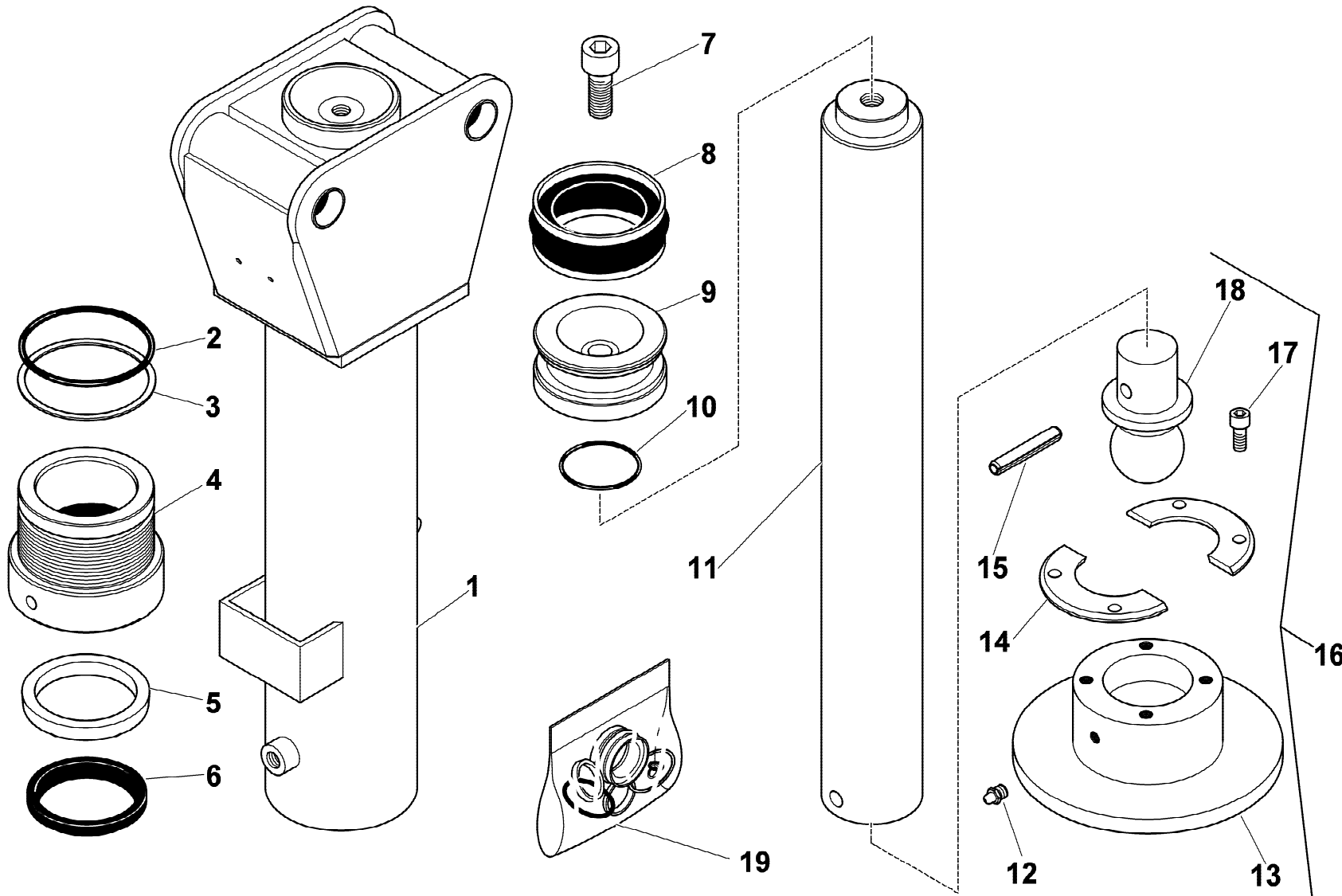
**HC801**

IMPIANTO IDRAULICO (MARTINETTO STABILIZZATORE B.I.) GIR. AUT.  
 HYDRAULIC SYSTEM (STABILISER RAM B.I.) GIR. AUT.  
 INSTALLATION HYDRAULIQUE (VERIN STABILISATEUR B.I.) GIR. AUT.  
 HYDRAULIKANLAGE (STABILISATOR SCHUBZYLINDER B.I.) GIR. AUT.  
 INSTALACION HIDRAULICA (GATO ESTABILIZADOR B.I.) GIR. AUT.

Tavola

**6.20.0261-1-0**

Data pag.  
 febbraio 2008 27



rif.	codice	Q.tà
1	6.07.0600	1
2	3.45.0228	1
3	3.46.0228	1
4	6.04.0297	1
5	3.40.0169	1
6	3.42.0046	1
7	3.02.0315	1
8	3.40.0521	1
9	6.05.0311	1
10	3.45.0208	1
11	6.03.0897	1
12	3.08.0512	1
13	5.09.1207	1
14	4.16.0490	2
15	3.06.0627	1
16	5.41.1078	1
17	3.02.0899	4
18	4.16.0511	1
19	5.55.0771	1

1/1

**HYVA** CRANE

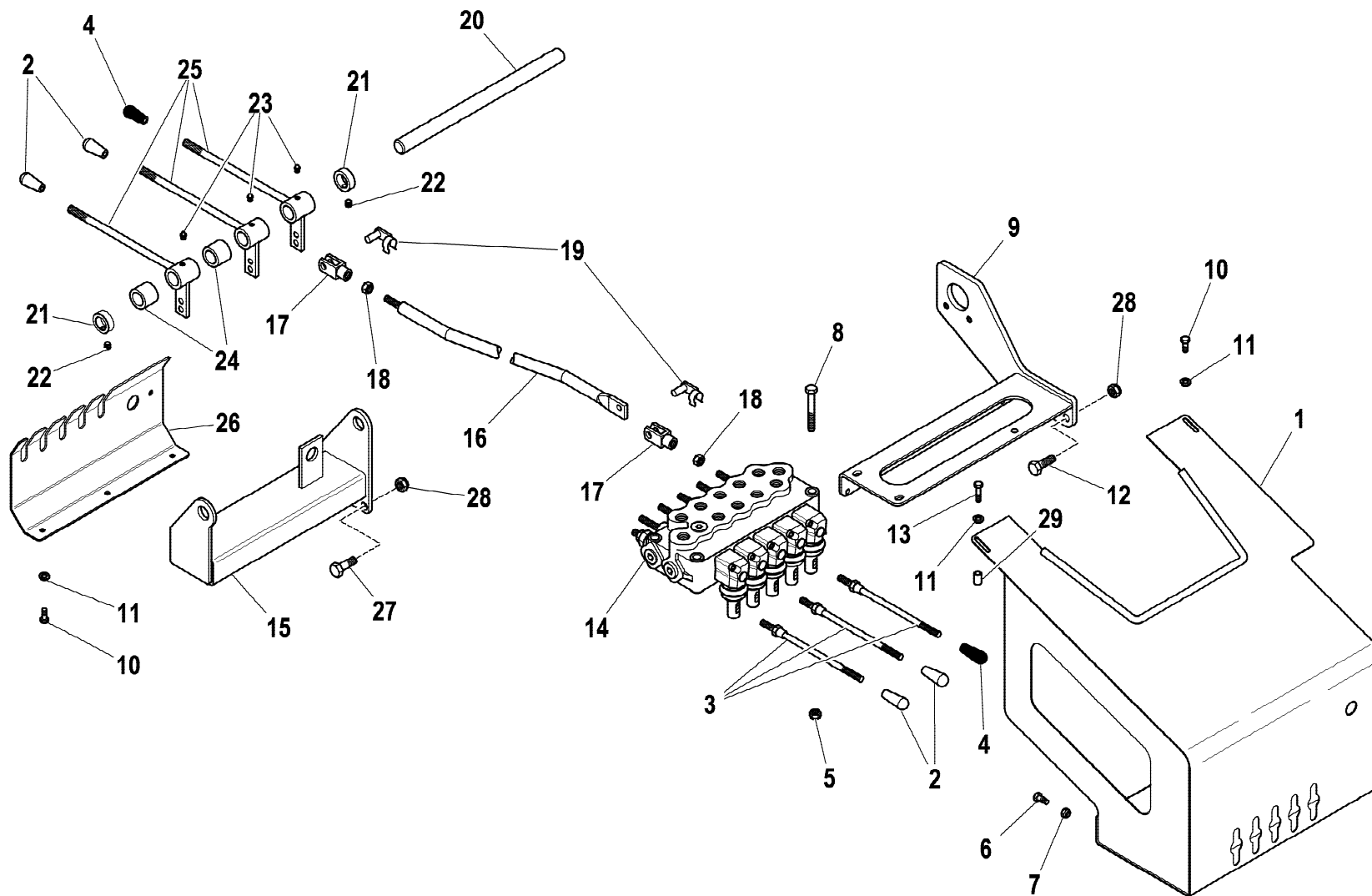
**HC801**

MARTINETTO STABILIZZATORE B.I. GIR. AUT.  
 STABILISER RAM B.I. GIR. AUT.  
 VERIN STABILISATEUR B.I. GIR. AUT.  
 STABILISATOR SCHUBZYLINDER B.I. GIR. AUT.  
 GATO ESTABILIZADOR B.I. GIR. AUT.

Tavola  
**6.40.0261-1-0**

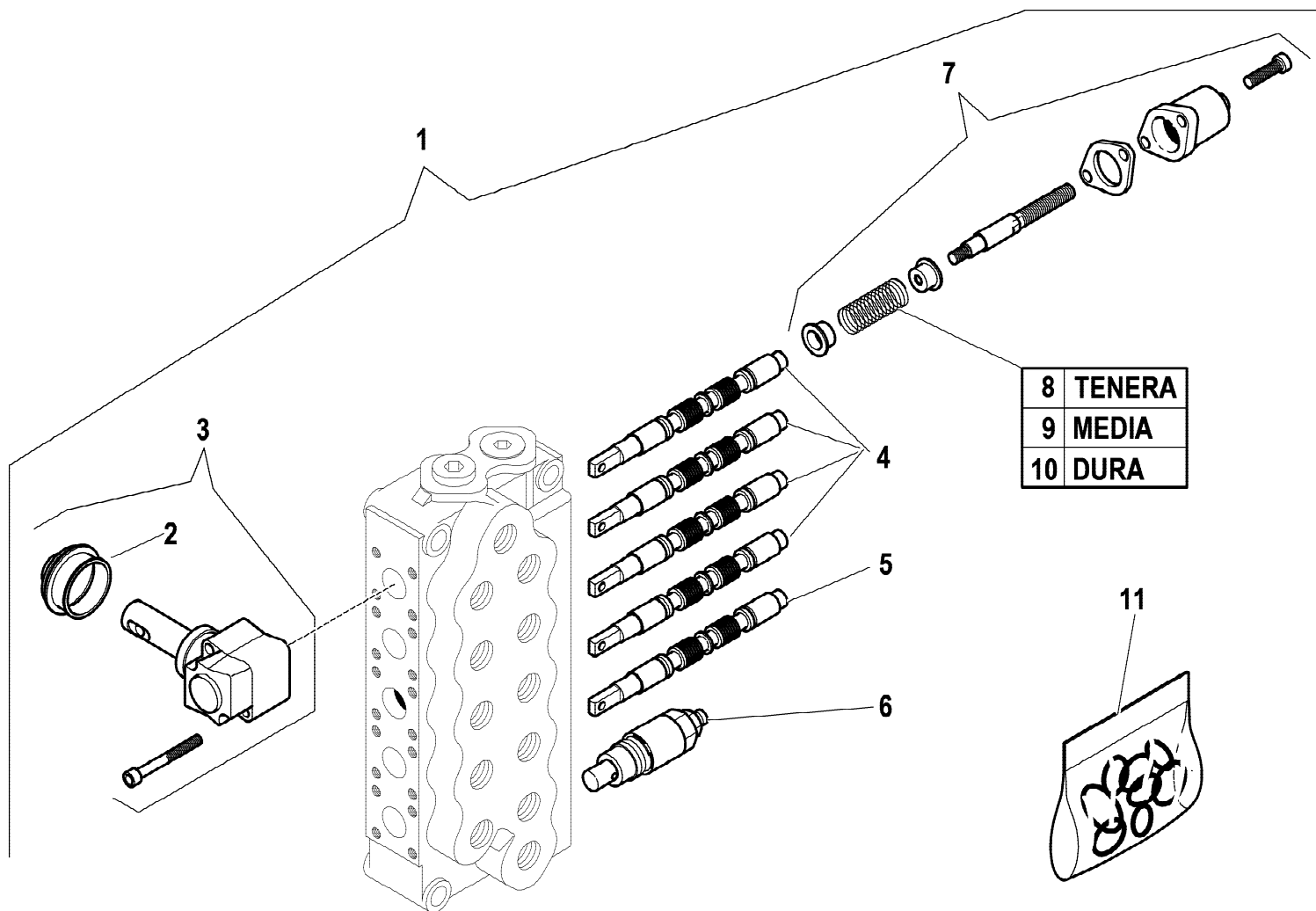
Data pag.  
 febbraio 2008 28



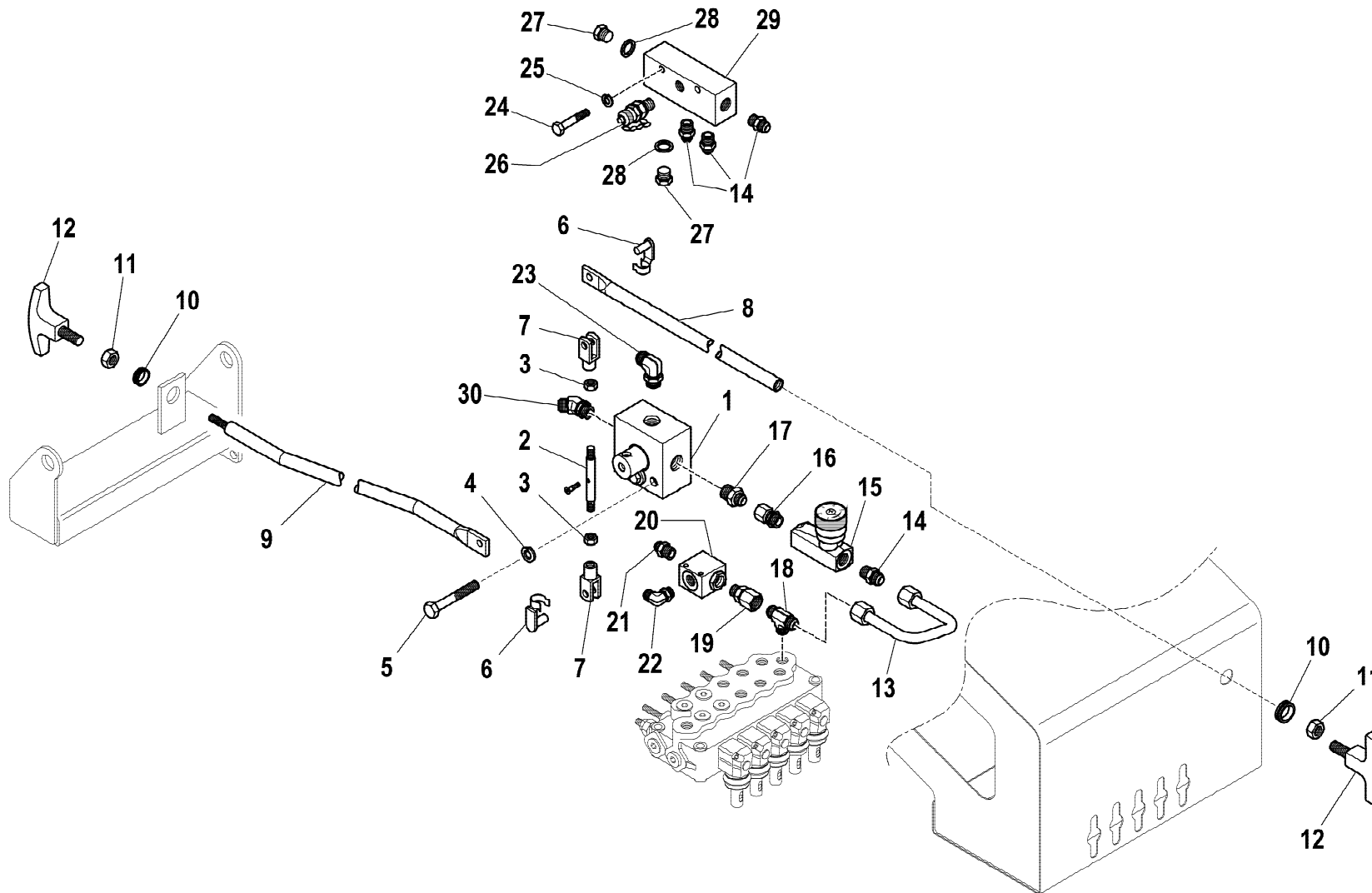


rif.	codice	Q.tà
1	5.09.1129	1
2	3.19.0197	4
3	5.22.0209	3
4	3.19.0217	2
5	3.04.0303	3
6	3.01.0325	2
7	3.04.0372	2
8	3.01.0035	3
9	5.09.1101	1
10	3.01.0323	4
11	3.06.0053	5
12	3.01.0415	2
13	3.01.0022	1
14	5.22.0346	1
15	5.09.0957	1
16	5.09.1099	3
17	3.30.0431	6
18	3.04.0045	6
19	3.30.0451	6
20	5.15.0787	1
21	5.00.0670	2
22	3.06.0233	2
23	3.08.0500	3
24	5.14.0737	2
25	5.09.1168	3
26	5.09.0958	1
27	3.01.0356	4
28	3.04.0304	4
29	5.00.1920	1

rif.	codice	Q.tà
1	5.22.0346	1
2	5.22.5022	5
3	5.22.5261	5
4	5.22.5258	4
5	5.22.5480	1
6	5.22.5257	1
7	5.22.5268	5
8	5.22.5479	5
9	5.22.5281	5
10	5.22.5285	5
11	5.22.5263	1



8	TENERA
9	MEDIA
10	DURA



rif.	codice	Q.tà
1	5.22.0599	1
2	5.00.1170	1
3	3.04.0045	2
4	3.06.0056	2
5	3.01.0415	2
6	3.30.0453	2
7	3.30.0433	2
8	5.09.0954	1
9	5.09.1100	1
10	3.19.0214	2
11	3.04.0047	2
12	3.19.0213	2
13	5.39.2277	1
14	3.10.1043	4
15	5.22.0712	1
16	3.12.0066	1
17	3.10.1045	1
18	3.12.0303	1
19	3.12.0074	1
20	5.22.0542	1
21	3.10.1039	1
22	3.10.1124	1
23	3.10.1133	1
24	3.01.0032	2
25	3.06.0055	2
26	3.11.1523	1
27	3.11.0061	2
28	3.06.0144	2
29	5.00.1159	1
30	3.12.0379	1

1/1

**HYVA** CRANE

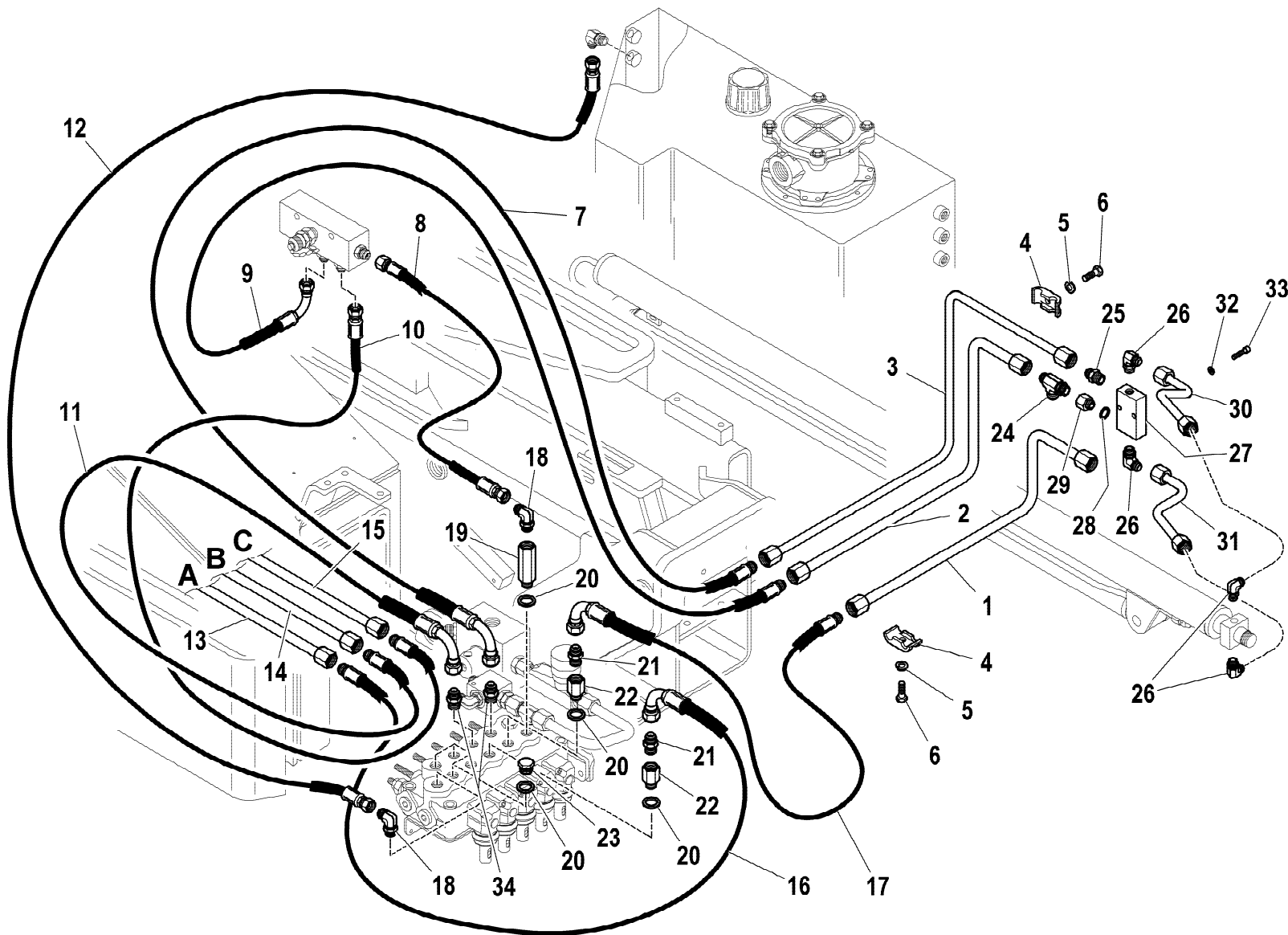
**HC801**

DEVIATORE (STABILIZZATORI STANDARD)  
 SWITCH (STABILIZERS STANDARD)  
 COMMUTEUR DE DEVIATION (NORNE STABILISATEURS)  
 ABWEISER (STABILISATOREN STANDARD)  
 DESVIADOR (ESTÁNDAR ESTABILIZADORES)

Tavola

**5.40.0791-2-0**

Data pag.  
 luglio 2007 31



rif.	codice	Q.tà
1	5.39.2270	1
2	5.39.2271	1
3	5.39.2269	1
4	5.00.0077	2
5	3.06.0055	2
6	3.01.0029	2
7	5.26.1089	1
8	5.27.1872	1
9	5.27.1868	1
10	5.27.1870	1
11	5.26.1090	1
12	5.28.0801	1
13	5.39.2267	1
14	5.39.2266	1
15	5.39.2268	1
16	5.27.1869	1
17	5.27.1871	1
18	3.10.1127	2
19	3.12.0352	1
20	3.06.0144	7
21	3.10.1043	2
22	3.11.0112	2
23	3.11.0061	4
24	3.10.1176	1
25	3.10.1039	1
26	3.10.1124	4
27	5.22.0965	1
28	3.06.0143	1
29	3.11.0108	1
30	5.39.2275	1
31	5.39.2274	1

1/2

**HYVA** CRANE

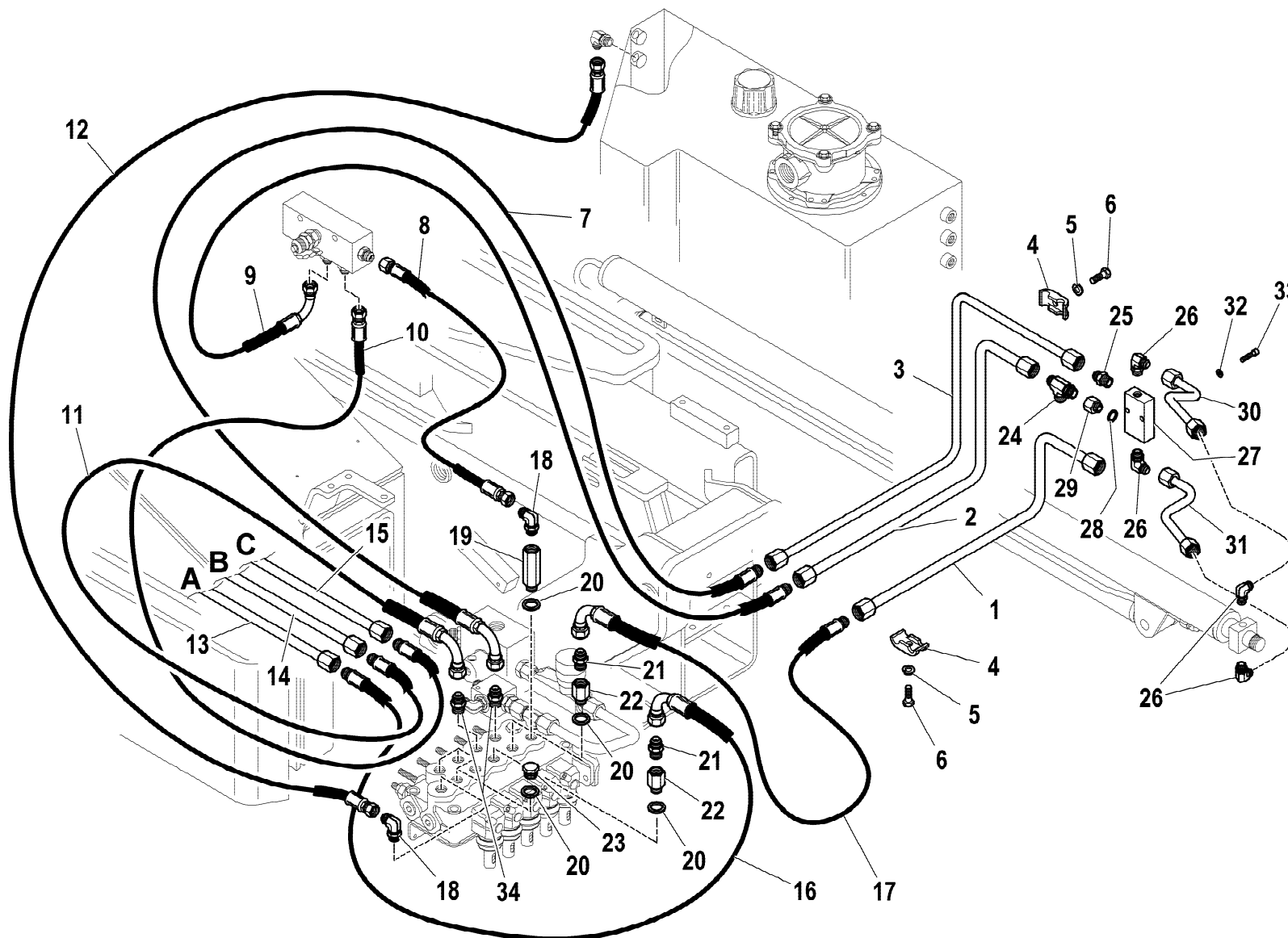
**HC801**

IMPIANTO IDRAULICO (COMANDI PER STABILIZZATORI)  
 HYDRAULIC SYSTEM (CONTROLS FOR STABILIZERS)  
 INSTALLATION HYDRAULIQUE (COMMANDES POUR STABILISATEURS)  
 HYDRAULIKANLAGE (STEUERUNG FÜR ABSTÜTZUNGEN)  
 INSTALACION HIDRAULICA (MANDOS POR ESTABILIZADORES)

Tavola  
**5.40.0791-3-0**

Data pag.  
 febbraio 2008 32.1

rif.	codice	Q.tà
32	3.06.0004	2
33	3.02.0029	2
34	3.10.1040	2



2/2

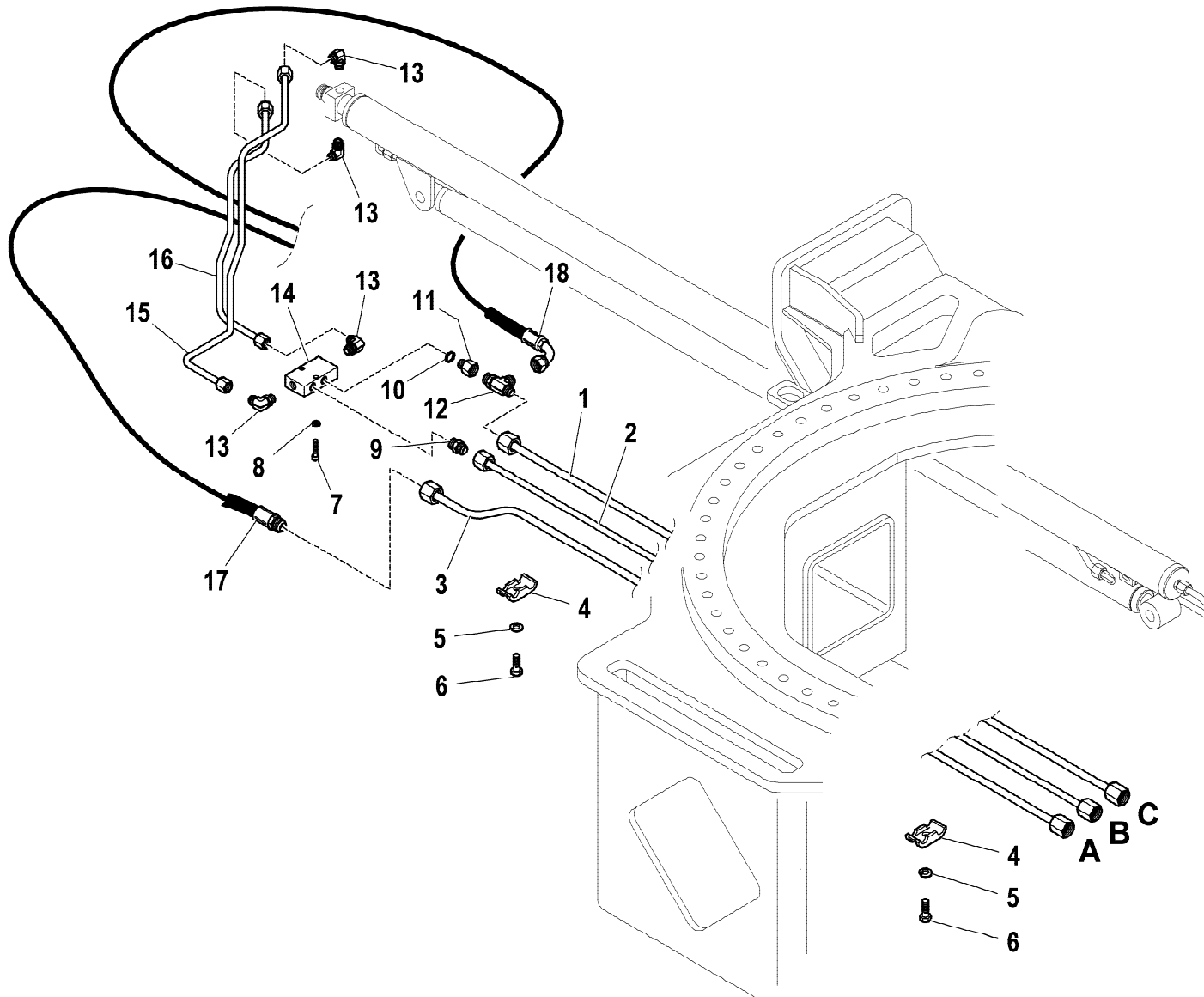
**HYVA** CRANE

**HC801**

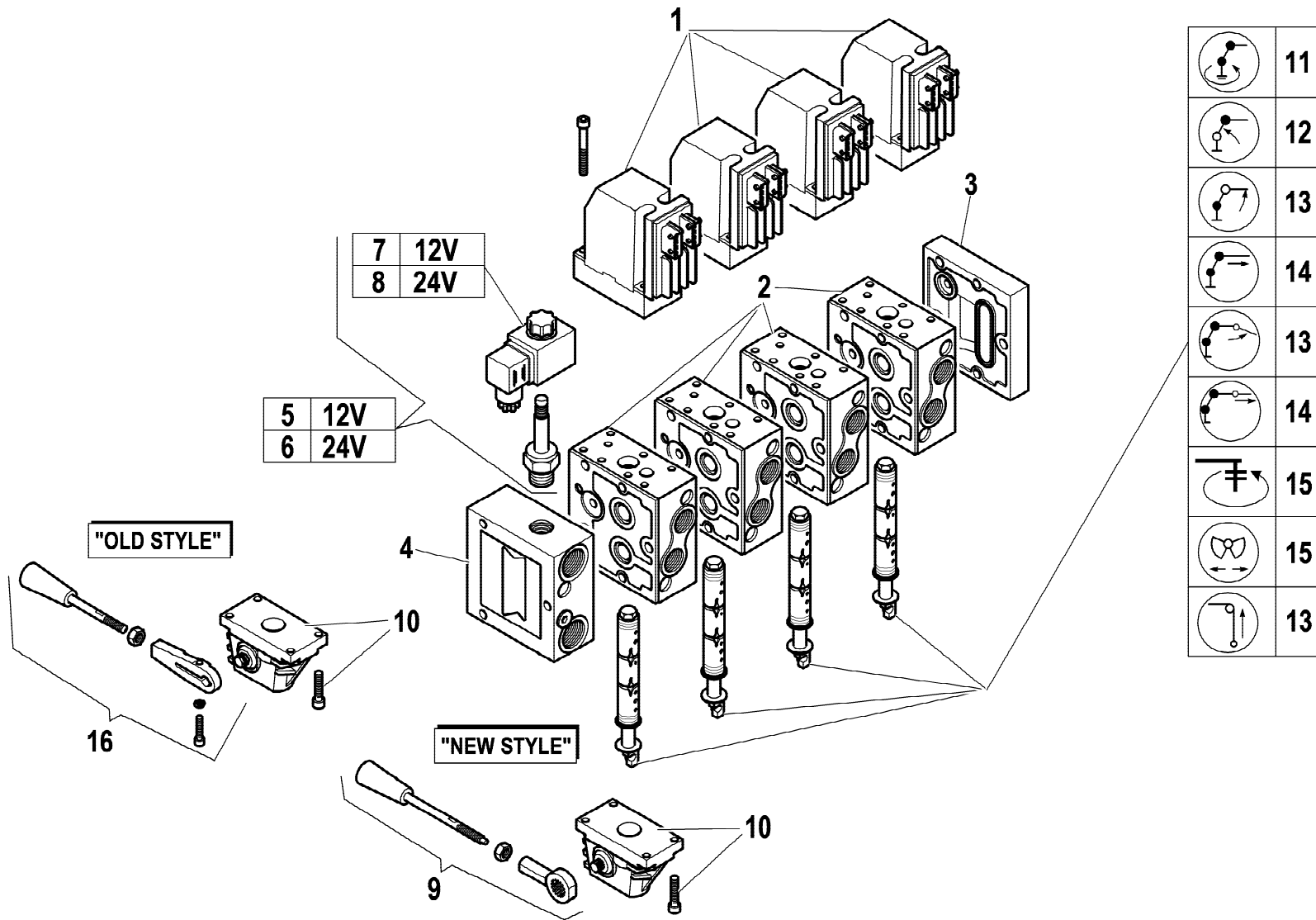
IMPIANTO IDRAULICO (COMANDI PER STABILIZZATORI)  
 HYDRAULIC SYSTEM (CONTROLS FOR STABILIZERS)  
 INSTALLATION HYDRAULIQUE (COMMANDES POUR STABILISATEURS)  
 HYDRAULIKANLAGE (STEUERUNG FÜR ABSTÜTZUNGEN)  
 INSTALACION HIDRAULICA (MANDOS POR ESTABILIZADORES)

Tavola  
**5.40.0791-3-0**

Data pag.  
 febbraio 2008 32.2



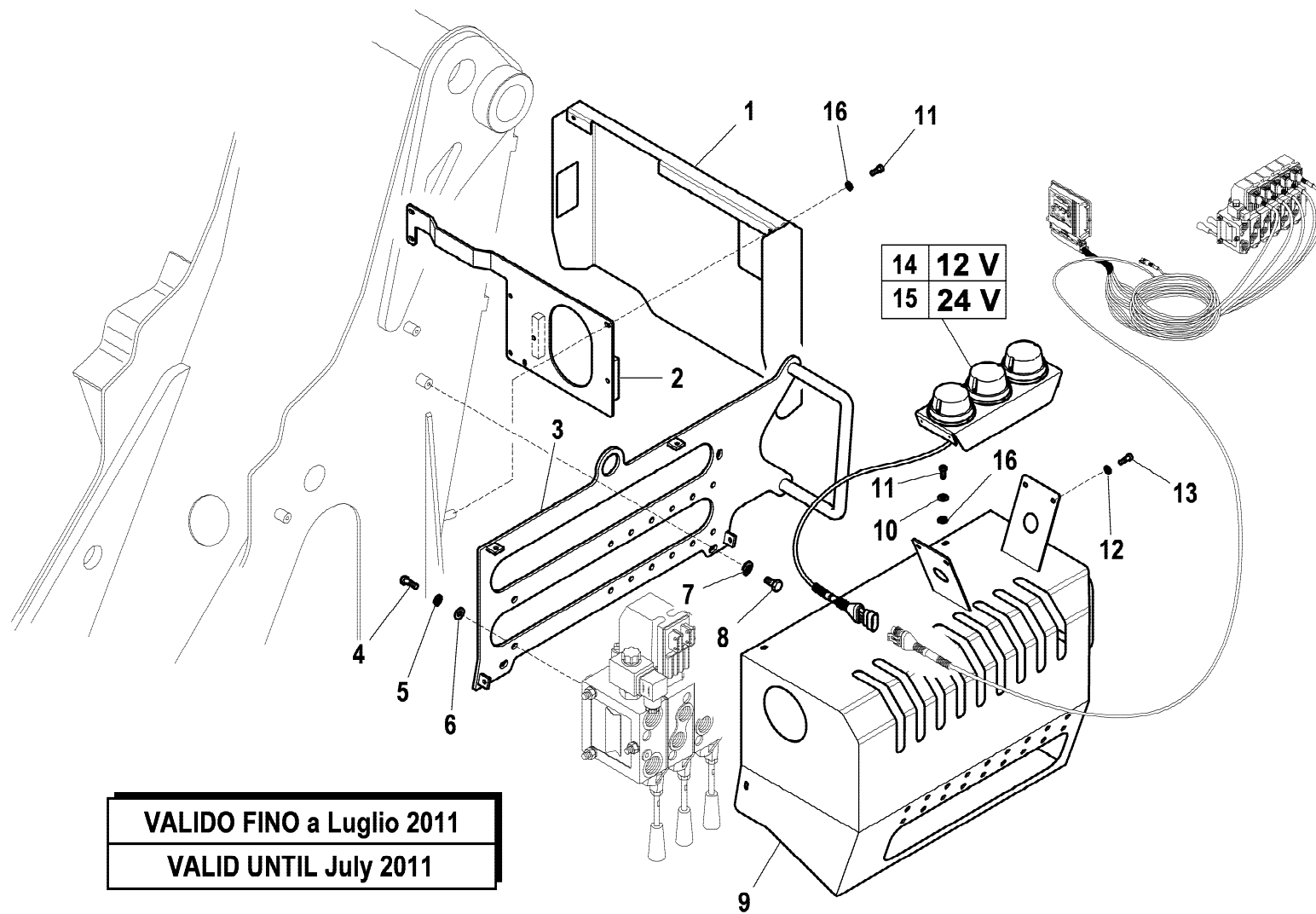
rif.	codice	Q.tà
1	5.39.2268	1
2	5.39.2266	1
3	5.39.2267	1
4	5.00.0077	2
5	3.06.0055	2
6	3.01.0029	2
7	3.02.0029	2
8	3.06.0004	2
9	3.10.1039	1
10	3.06.0143	1
11	3.11.0108	1
12	3.10.1176	1
13	3.10.1124	4
14	5.22.0965	1
15	5.39.2272	1
16	5.39.2273	1
17	5.27.1822	1
18	5.27.1823	1



	11
	12
	13
	14
	13
	14
	15
	15
	13

rif.	codice	Q.tà
1	5.22.5534	4
2	5.22.5398	4
3	5.22.5512	1
4	5.22.5596	1
5	5.22.5533	1
6	5.22.5510	1
7	3.31.0238	1
8	3.31.0242	1
9	5.22.5859	4
10	WDNF157B3173	4
11	5.22.5368	1
12	5.22.5367	1
13	5.22.5559	1
14	5.22.5734	1
15	5.22.5508	1
16	5.22.5858	4

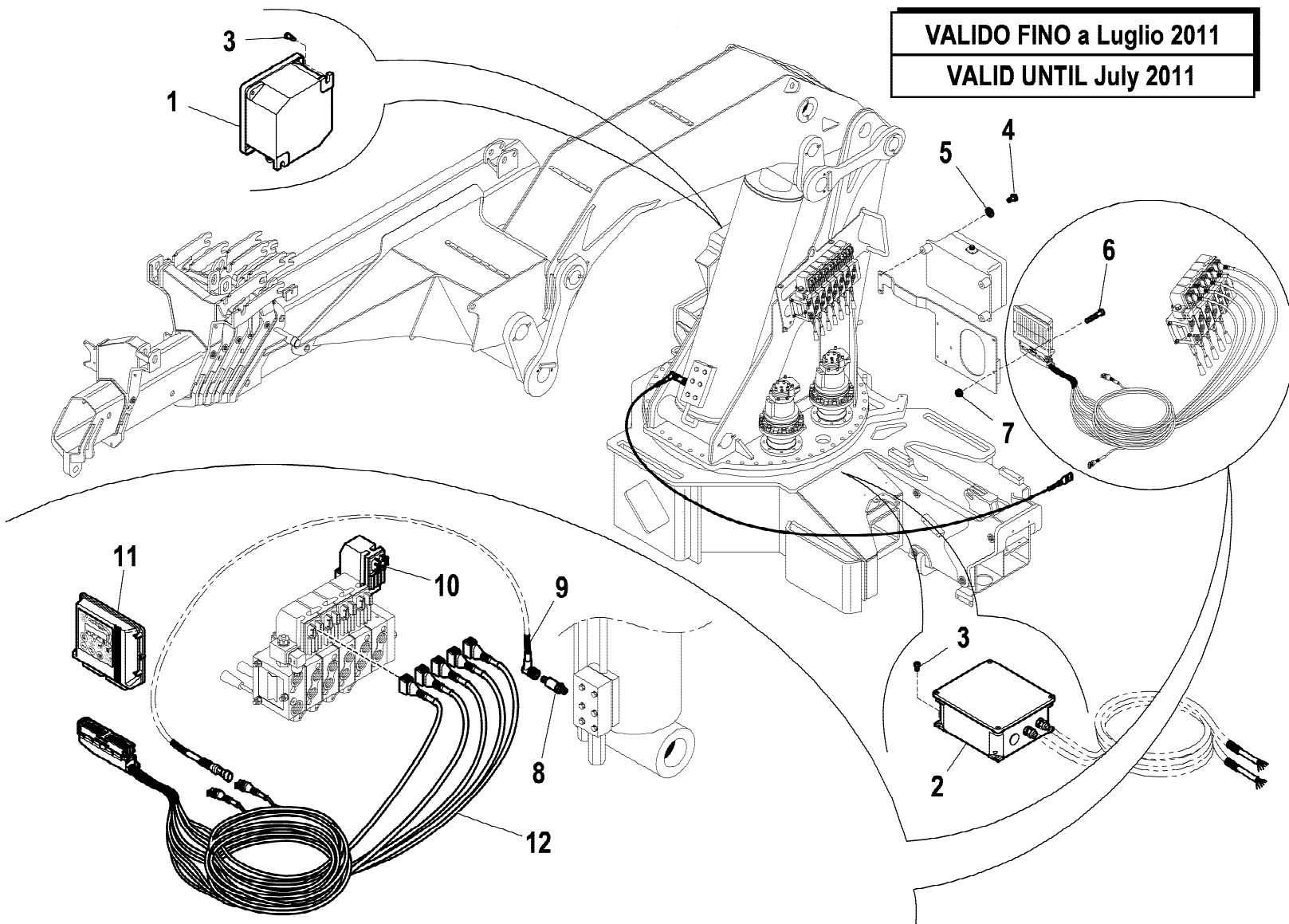
rif.	codice	Q.tà
1	5.09.1128	1
2	5.00.1821	1
3	5.09.1130	1
4	3.01.0027	4
5	3.06.0055	4
6	3.06.0006	4
7	3.06.0056	3
8	3.01.0354	3
9	5.09.1131	1
10	3.06.0030	4
11	3.02.0034	7
12	3.06.0003	4
13	3.02.0885	4
14	3.31.0819	1
15	3.31.0809	1
16	3.06.0053	7



**VALIDO FINO a Luglio 2011**  
**VALID UNTIL July 2011**

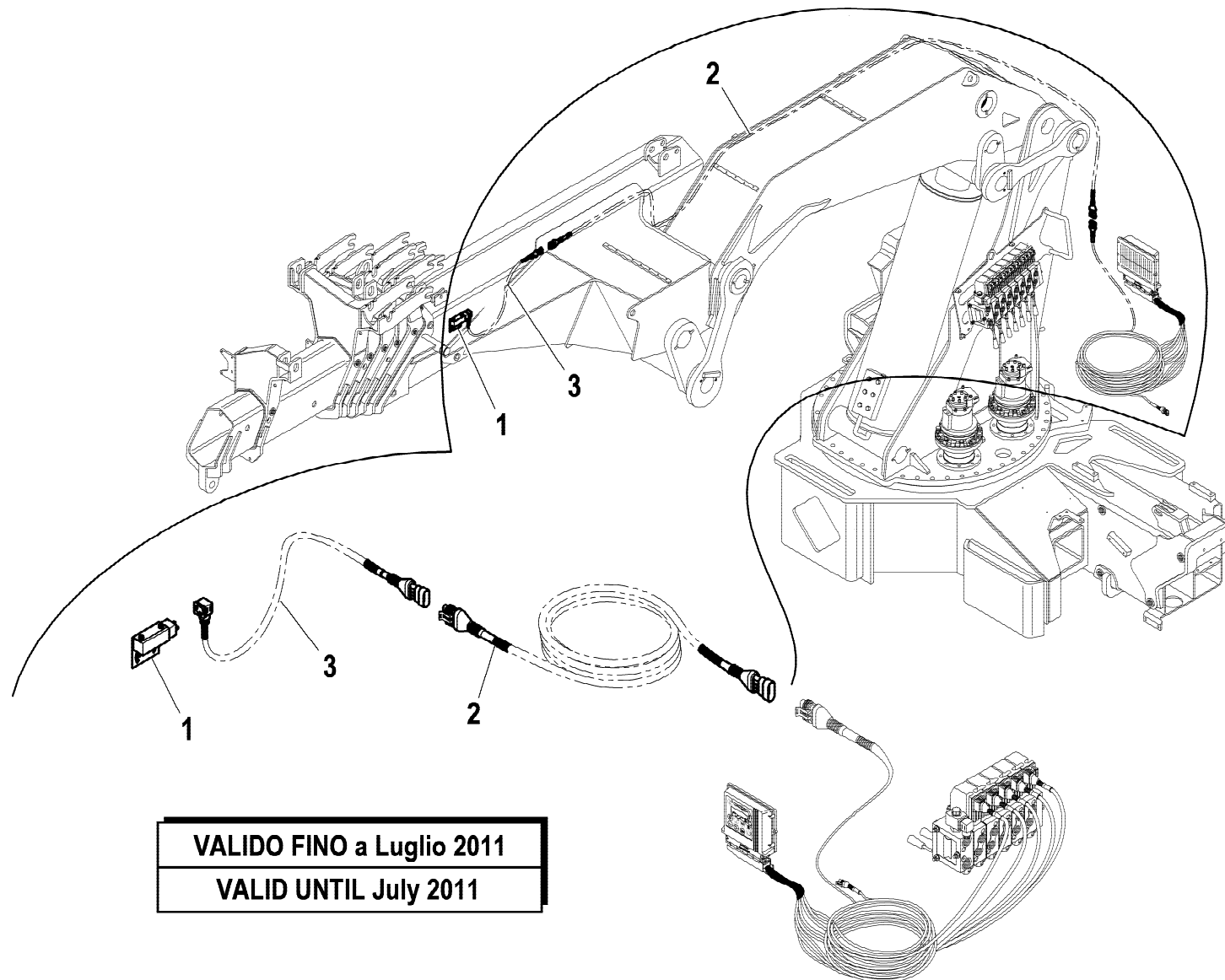


**VALIDO FINO a Luglio 2011**  
**VALID UNTIL July 2011**



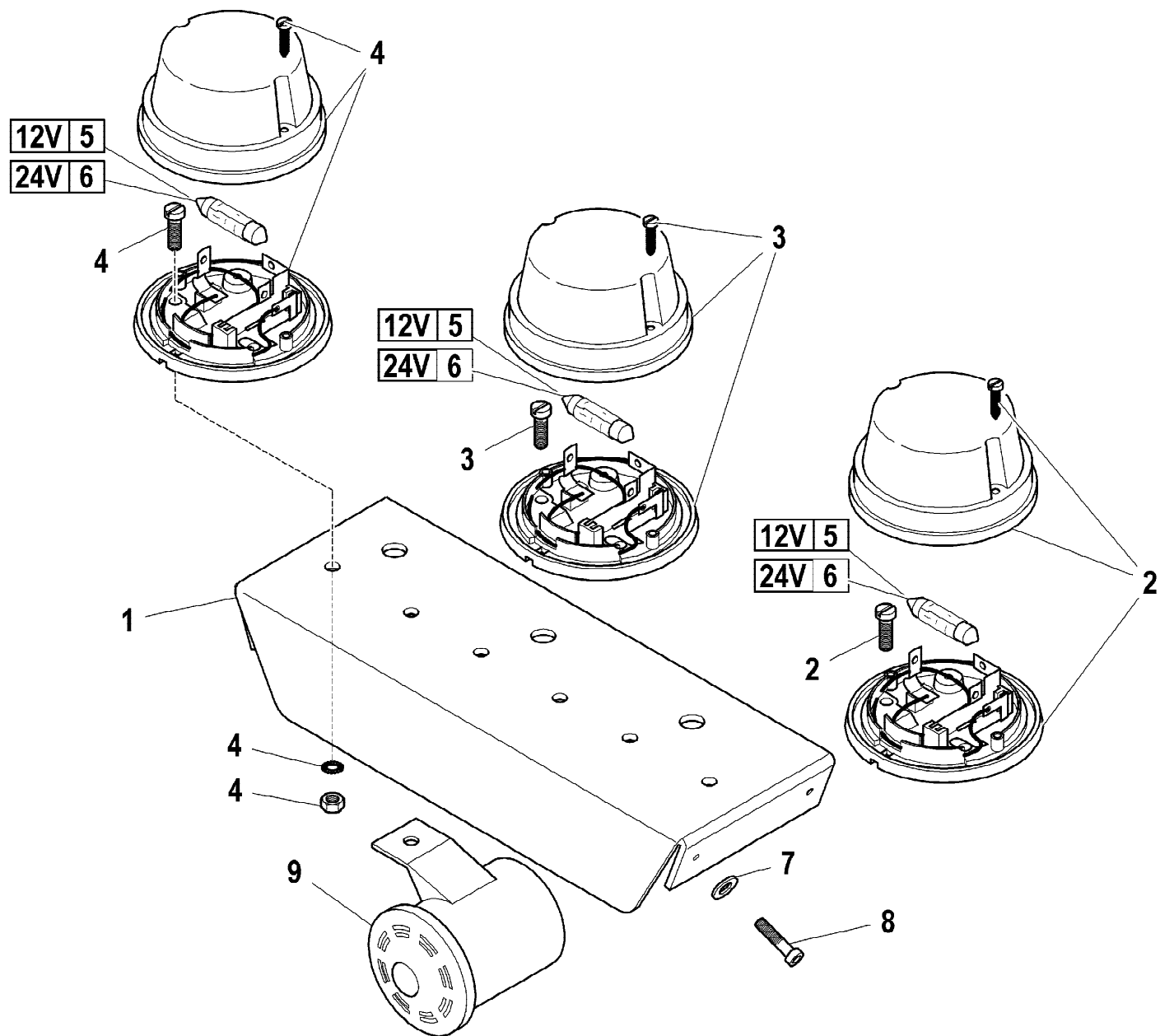
rif.	codice	Q.tà
1	3.31.0853	1
2	3.31.1090	1
3	3.02.0022	6
4	3.01.0323	3
5	3.06.0030	3
6	3.02.0024	2
7	3.04.0392	2
8	3.31.0612	1
9	5.16.0001	1
10	5.22.5534	7
11	3.31.0606	1
12	5.16.0043	1

rif.	codice	Q.tà
1	3.31.0662	1
2	5.16.0002	1
3	5.16.0042	1

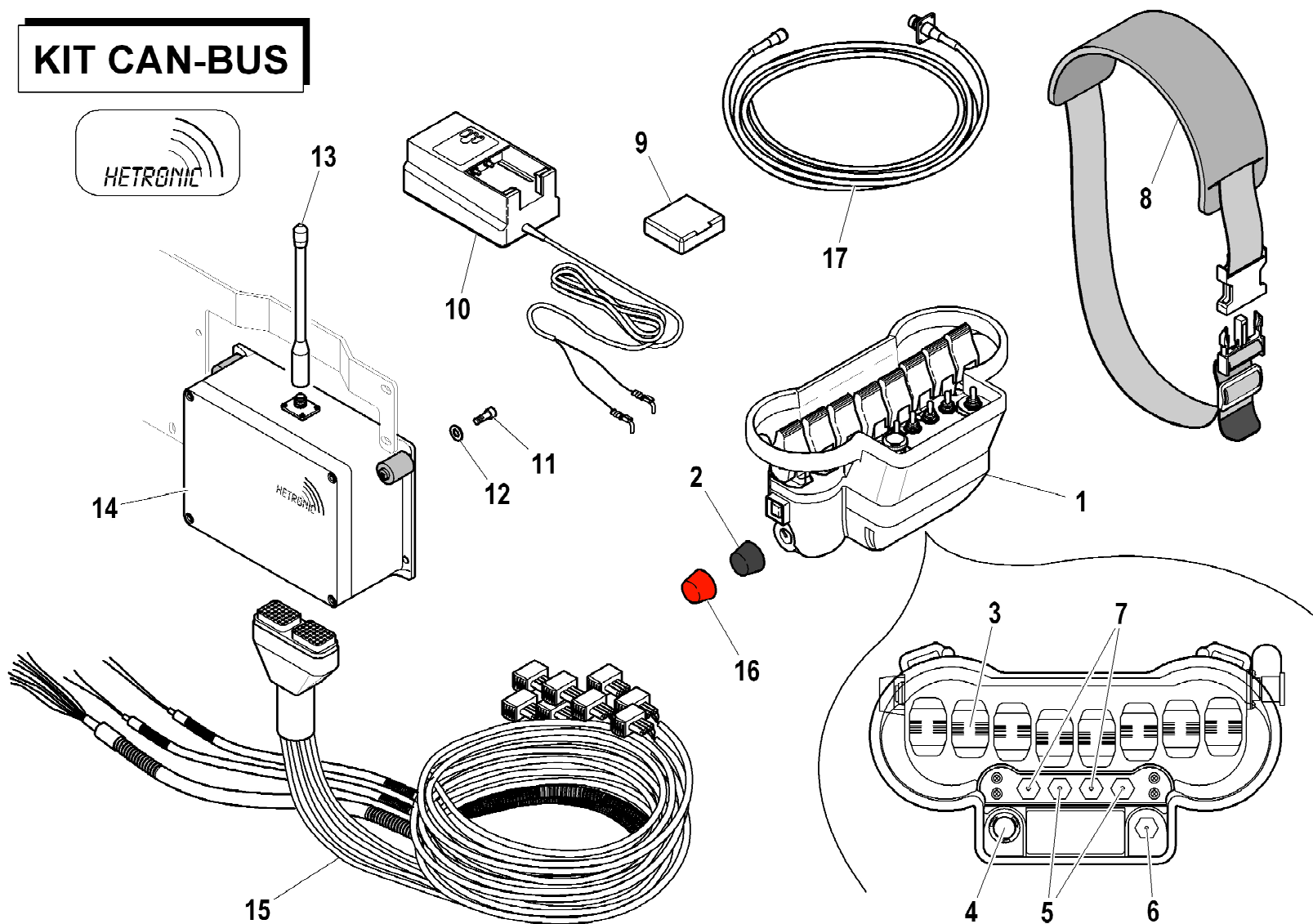


**VALIDO FINO a Luglio 2011**  
**VALID UNTIL July 2011**

rif.	codice	Q.tà
1	5.00.1662	1
2	3.31.0811	1
3	3.31.0812	1
4	3.31.0810	1
5	3.31.0818	3
6	3.31.0813	3
7	3.06.0003	4
8	3.02.0885	4
9	3.31.0911	1

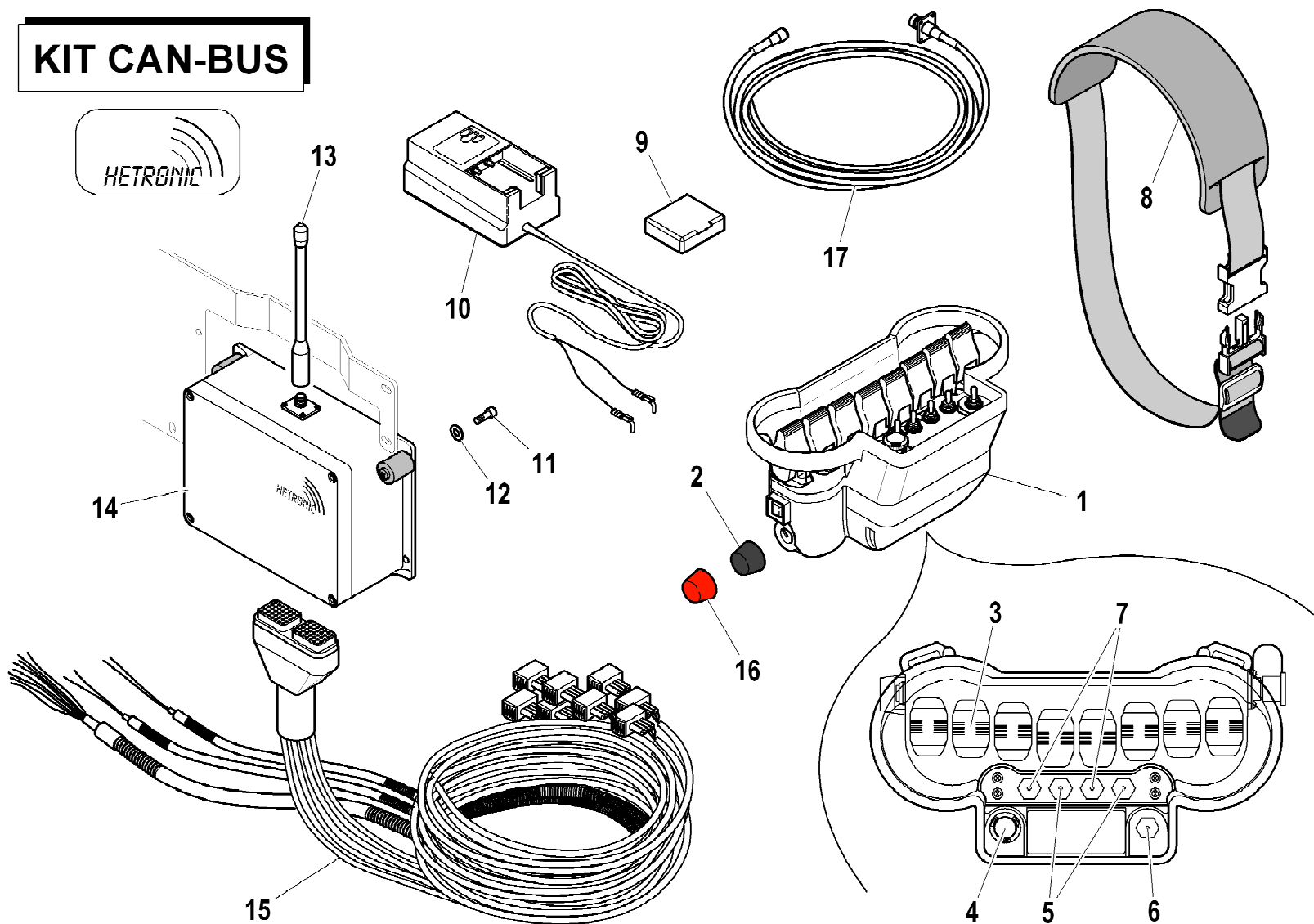


# KIT CAN-BUS



rif.	codice	Q.tà
1	3.31.1057	1
2	3.31.0795	1
3	3.31.0796	8
4	3.31.0788	1
5	3.31.0786	2
6	3.31.0785	1
7	3.31.0787	2
8	3.31.1031	1
9	3.31.0641	2
10	3.31.0797	1
11	5.00.1699	1
12	3.02.0405	4
13	3.31.0861	1
14	3.31.0057	1
15	3.31.1091	1
16	3.31.0924	1
17	3.31.1158	1

# KIT CAN-BUS



rif.	codice	Q.tà
1	3.31.1030	1
2	3.31.0795	1
3	3.31.0796	8
4	3.31.0788	1
5	3.31.0786	2
6	3.31.0785	1
7	3.31.0787	2
8	3.31.1031	1
9	3.31.0641	2
10	3.31.0797	1
11	5.00.1699	1
12	3.02.0405	4
13	3.31.0861	1
14	3.31.0056	1
15	3.31.1091	1
16	3.31.0924	1
17	3.31.1158	1

1/1

**HYVA** CRANE

**HC801**

KIT RADIOCOMANDO (CAN BUS) U.S.A  
 WIRELESS CONTROL KIT (CAN BUS) U.S.A  
 KIT RADIOTELECOMMANDE (CAN BUS) U.S.A  
 FUNKSTEUERUNG-SATZ (CAN BUS) U.S.A  
 KIT RADIOMANDO (CAN BUS) U.S.A

Tavola

**7.89.2142-1-0**

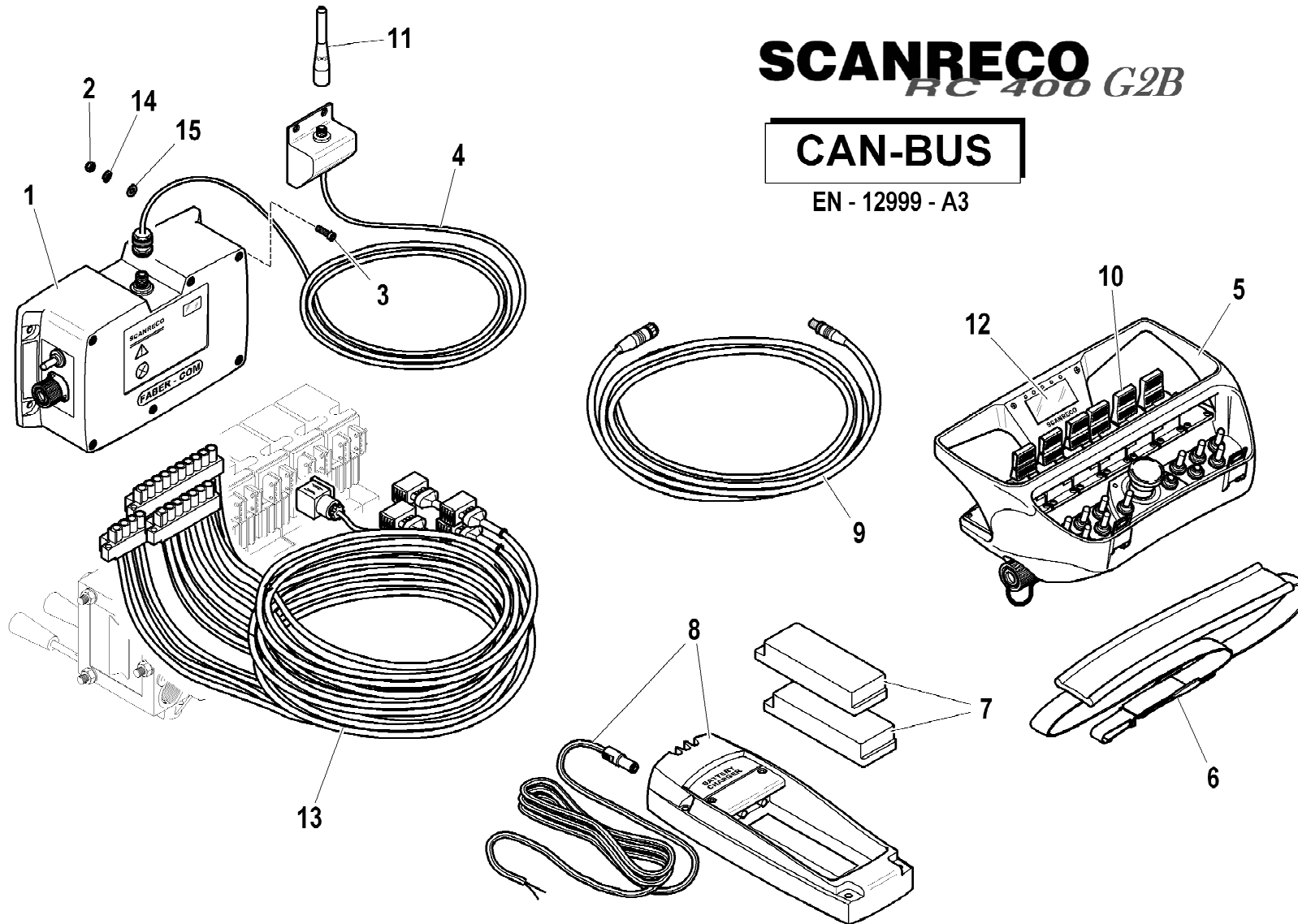
Data pag.  
 settembre 2012 40

# SCANRECO

RC 400 G2B

## CAN-BUS

EN - 12999 - A3



rif.	codice	Q.tà
1	3.31.1529	1
2	3.04.0392	4
3	3.02.0028	4
4	3.31.1242	1
5	3.31.1528	1
6	3.19.0226	1
7	3.31.0483	2
8	3.31.0471	1
9	3.31.1535	1
10	3.31.0445	6
11	3.31.1275	1
12	3.31.1532	1
13	3.31.1534	1
14	3.06.0052	4
15	3.06.0004	4

1/1

**HYVA** CRANE

**HC801**

KIT RADIOCOMANDO (RDC-EBB) DANFOSS 12 / 24V  
 WIRELESS CONTROL KIT (RDC-EBB) DANFOSS 12 / 24V  
 KIT RADIOTELECOMMANDE (RDC-EBB) DANFOSS 12 / 24V  
 FUNKSTEUERUNG-SATZ (RDC-EBB) DANFOSS 12 / 24V  
 KIT RADIOMANDO (RDC-EBB) DANFOSS 12 / 24V

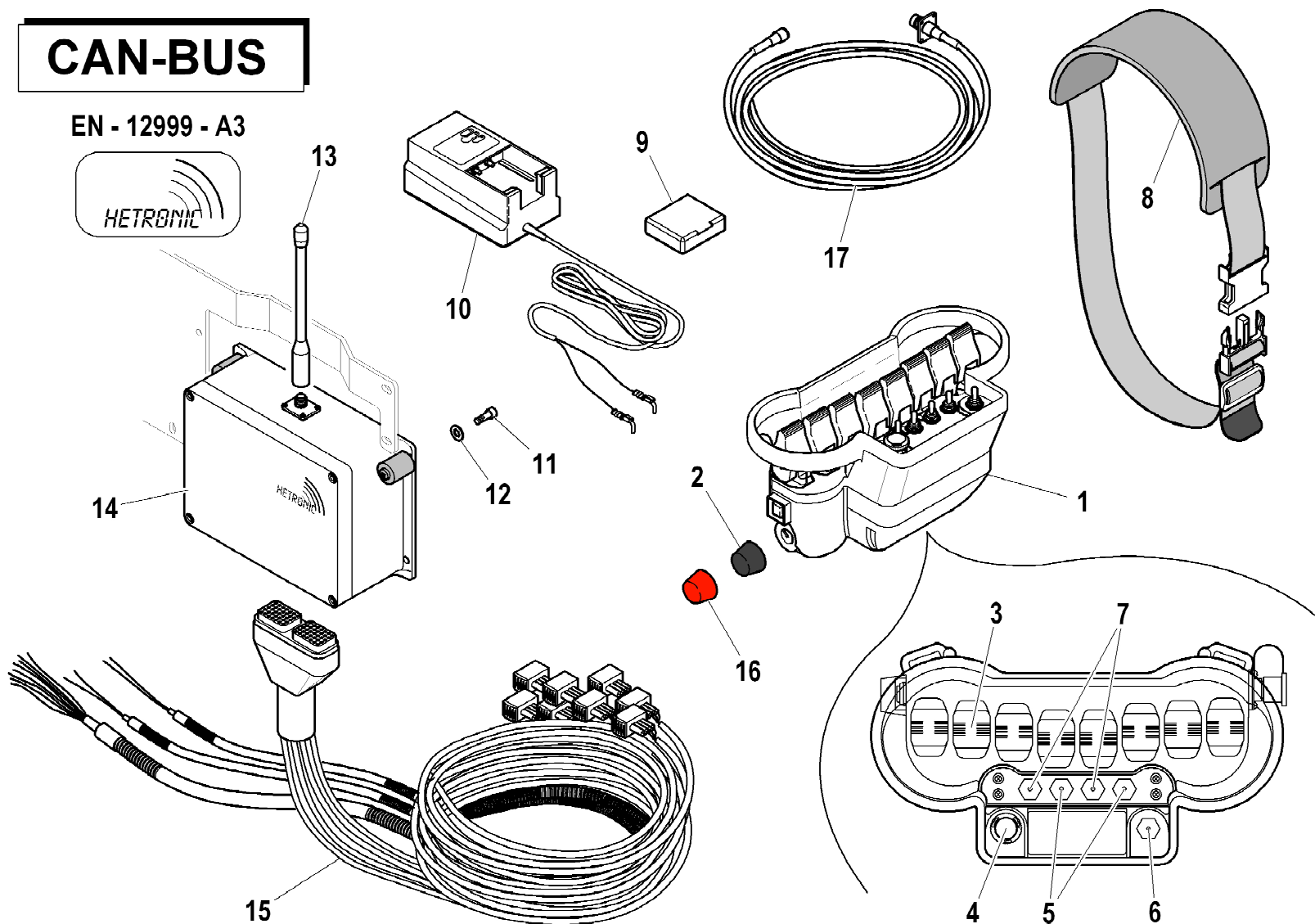
Tavola

**7.89.2235-1-0**

Data pag.  
 settembre 2012 41

# CAN-BUS

EN - 12999 - A3



rif.	codice	Q.tà
1	3.31.1429	1
2	3.31.0795	1
3	3.31.0796	8
4	3.31.0788	1
5	3.31.0786	2
6	3.31.0785	1
7	3.31.0787	2
8	3.31.1031	1
9	3.31.0641	2
10	3.31.0797	1
11	3.02.0034	4
12	3.06.0005	4
13	3.31.0861	1
14	3.31.1433	1
15	3.31.1091	1
16	3.31.0924	1
17	3.31.1158	1

1/1

**HYVA** CRANE

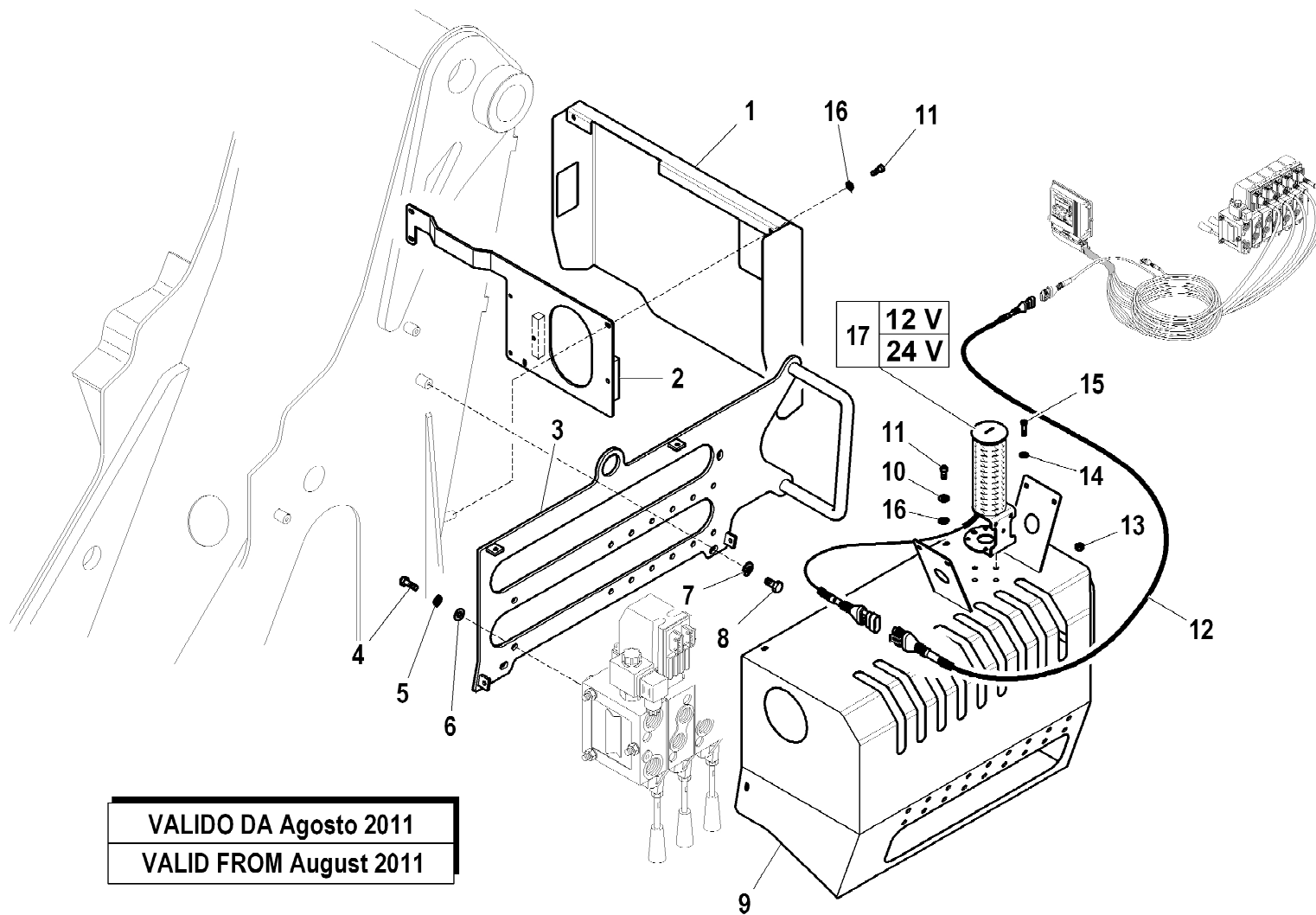
**HC801**

KIT RADIOCOMANDO (CAN BUS) EU. EN12999-A3  
 WIRELESS CONTROL KIT (CAN BUS) EU. EN12999-A3  
 KIT RADIOTELECOMMANDE (CAN BUS) EU. EN12999-A3  
 FUNKSTEUERUNG-SATZ (CAN BUS) EU. EN12999-A3  
 KIT RADIOMANDO (CAN BUS) EU. EN12999-A3

Tavola

**7.89.2234-1-0**

Data pag.  
 settembre 2012 42



VALIDO DA Agosto 2011  
 VALID FROM August 2011

rif.	codice	Q.tà
1	5.09.1128	1
2	5.00.1821	1
3	5.09.1130	1
4	3.01.0027	4
5	3.06.0055	4
6	3.06.0006	4
7	3.06.0056	3
8	3.01.0354	3
9	5.09.1131	1
10	3.06.0030	4
11	3.02.0034	7
12	5.16.0003	1
13	3.04.0392	2
14	3.06.0004	2
15	3.02.0021	2
16	3.06.0053	7
17	3.31.1159	1



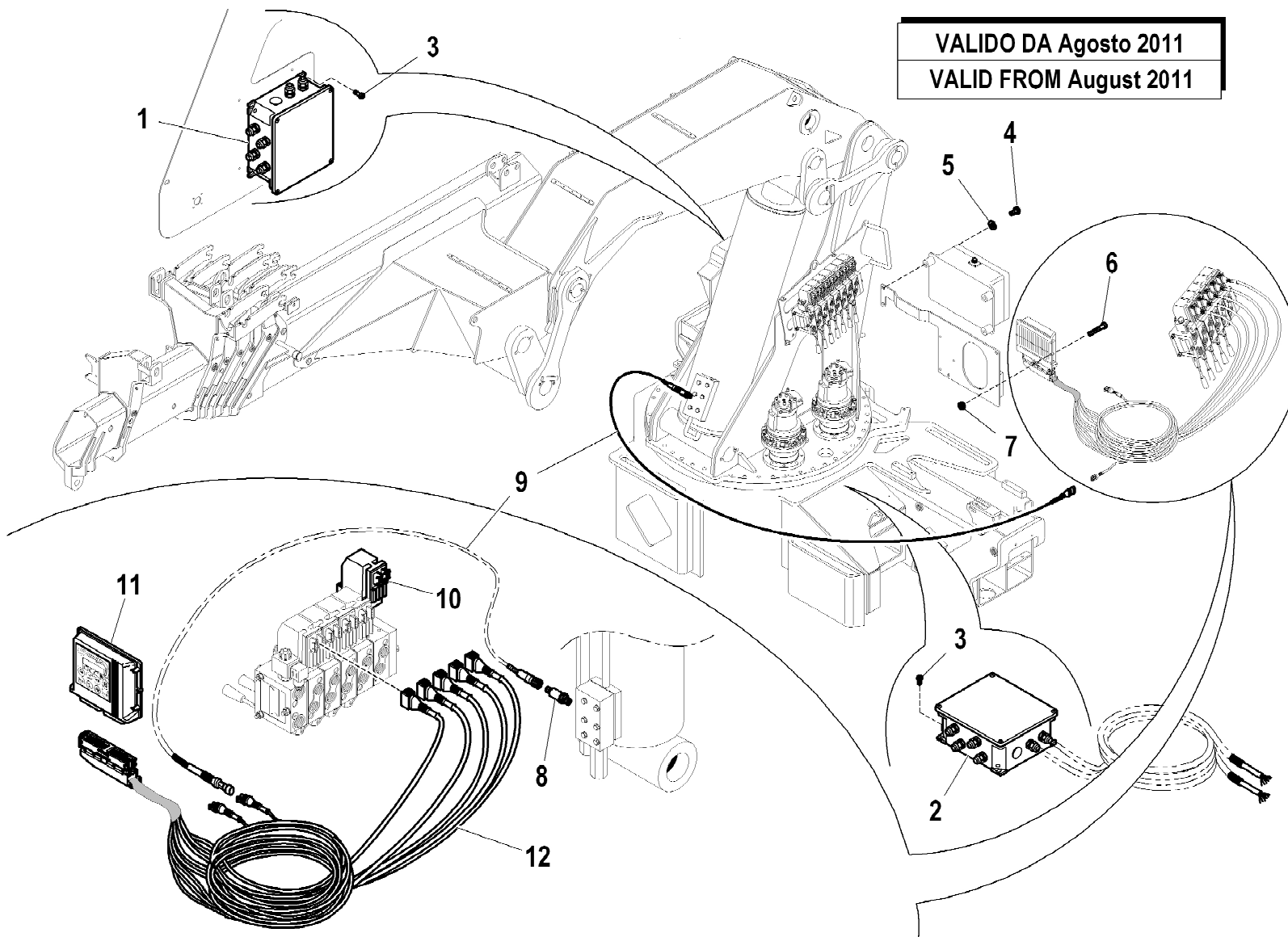
HC801

COMANDI (RDC EBB-X TCU-ECM4) EN-12999-A3  
 CONTROLS (RDC EBB-X TCU-ECM4) EN-12999-A3  
 COMMANDES (RDC EBB-X TCU-ECM4) EN-12999-A3  
 STEUERUGEN (RDC EBB-X TCU-ECM4) EN-12999-A3  
 MANDOS (RDC EBB-X TCU-ECM4) EN-12999-A3

Tavola  
**5.40.1704-1-0**

Data pag.  
 settembre 2012 43





rif.	codice	Q.tà
1	3.31.1395	1
2	3.31.1405	1
3	3.02.0022	8
4	3.01.0323	3
5	3.06.0030	3
6	3.02.0024	2
7	3.04.0392	2
8	3.31.0612	1
9	5.16.0084	1
10	5.22.5534	7
11	3.31.1421	1
12	5.16.0087	1

1/1

**HYVA** CRANE

**HC801**

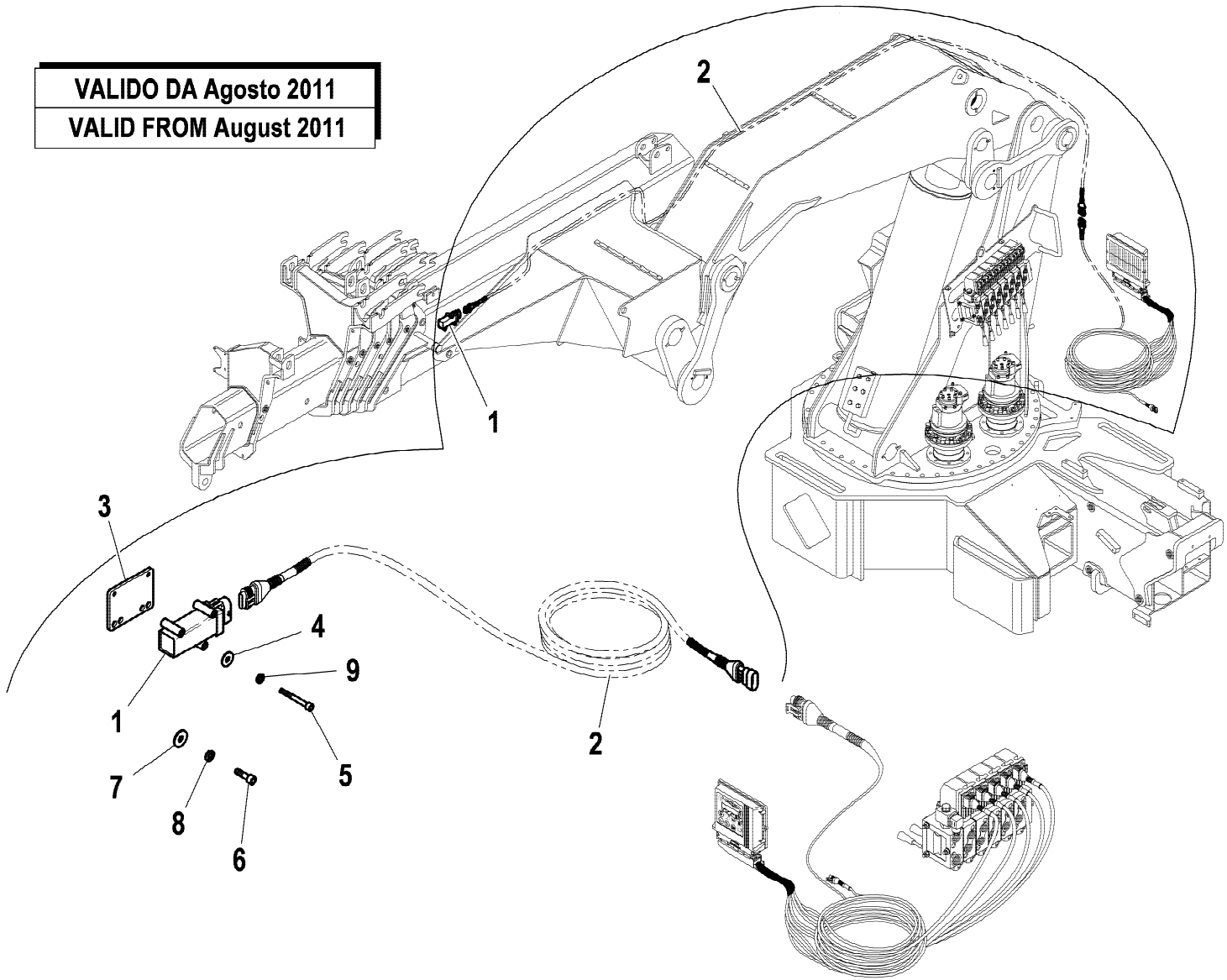
COMANDI (RDC EBB-X TCU-ECM4) EN-12999-A3  
 CONTROLS (RDC EBB-X TCU-ECM4) EN-12999-A3  
 COMMANDES (RDC EBB-X TCU-ECM4) EN-12999-A3  
 STEUERUGEN (RDC EBB-X TCU-ECM4) EN-12999-A3  
 MANDOS (RDC EBB-X TCU-ECM4) EN-12999-A3

Tavola

**5.40.1704-2-0**

Data pag.  
 settembre 2012 44

**VALIDO DA Agosto 2011**  
**VALID FROM August 2011**



rif.	codice	Q.tà
1	3.31.1150	1
2	5.16.0076	1
3	5.00.2108	1
4	3.06.0003	2
5	3.02.0018	2
6	3.02.0033	2
7	3.06.0005	2
8	3.06.0053	2
9	3.06.0065	2

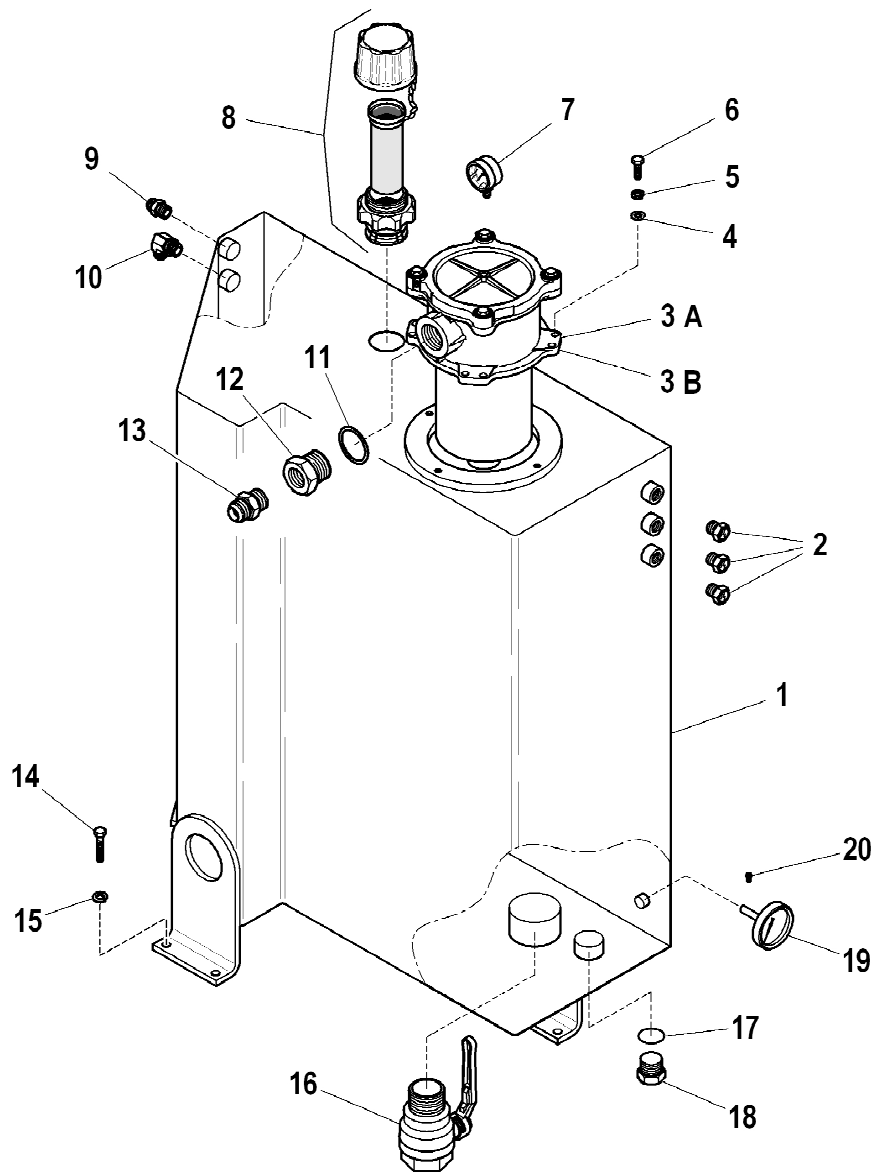


**HC801**

COMANDI (RDC EBB-X TCU-ECM4) EN-12999-A3  
 CONTROLS (RDC EBB-X TCU-ECM4) EN-12999-A3  
 COMMANDES (RDC EBB-X TCU-ECM4) EN-12999-A3  
 STEUERUGEN (RDC EBB-X TCU-ECM4) EN-12999-A3  
 MANDOS (RDC EBB-X TCU-ECM4) EN-12999-A3

Tavola  
**5.40.1704-3-0**

Data pag.  
 settembre 2012 45



rif.	codice	Q.tà
1	5.09.1153	1
2	3.18.0099	3
3 A	3.18.0176	1
3 B	3.18.0070	1
4	3.06.0914	4
5	3.06.0056	4
6	3.01.0355	4
7	3.18.0147	1
8	3.18.0193	1
9	3.10.1051	1
10	3.10.1131	1
11	3.06.0153	1
12	3.11.0079	1
13	3.10.1305	1
14	3.01.0369	6
15	3.06.0057	6
16	5.22.0710	1
17	3.06.0150	1
18	3.11.0064	1
19	3.18.0221	1
20	3.02.0880	1

1/1

**HYVA** CRANE

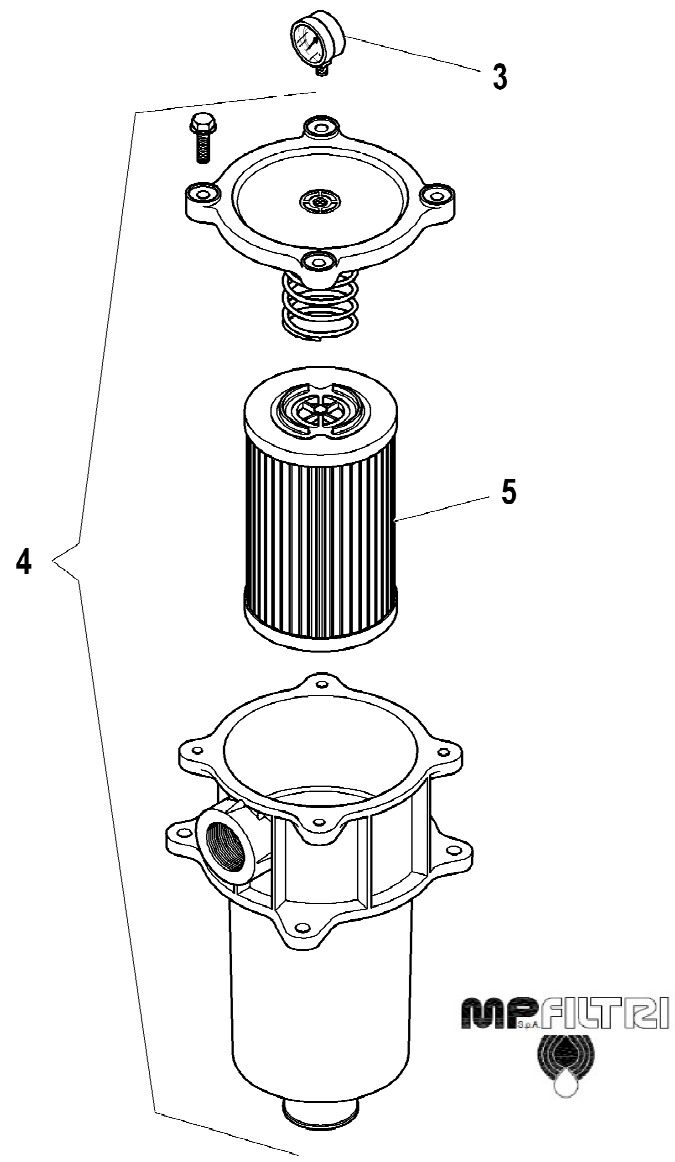
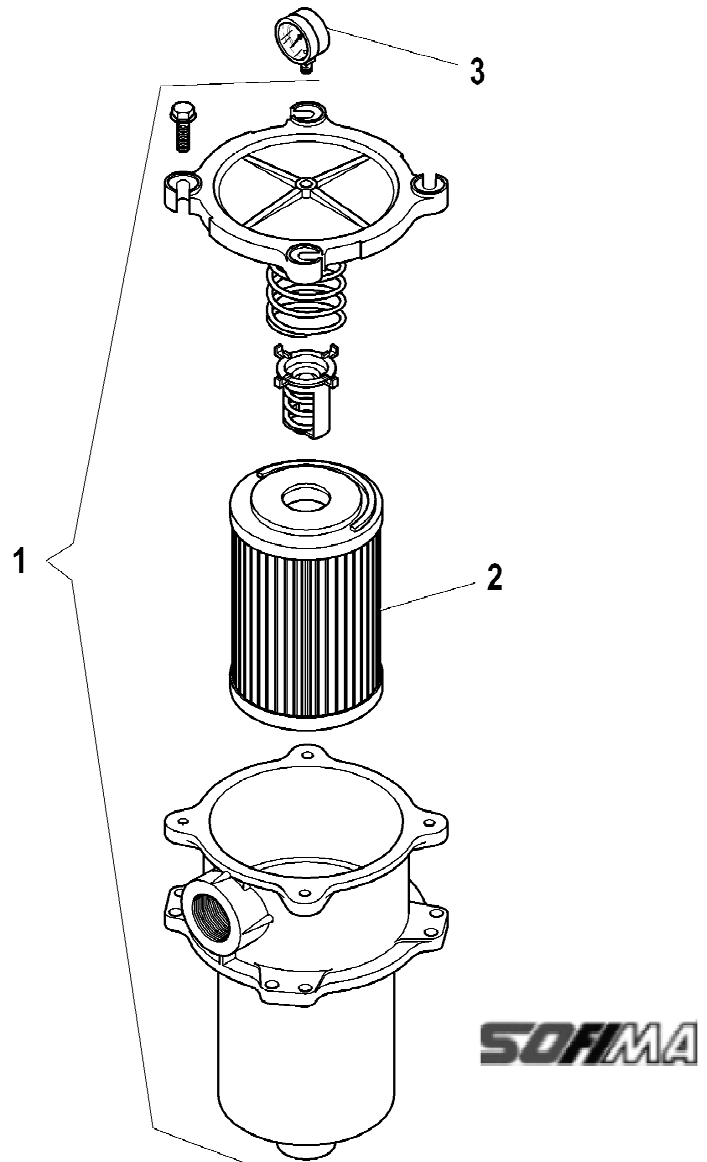
**HC801**

SERBATOIO OLIO IDRAULICO  
 HYDRAULIC OIL TANK  
 RESERVOIR HUILE HYDRAULIQUE  
 HYDRAULIKÖLBEHALTER  
 DEPOSITO ACEITE HIDRAULICA

Tavola

**5.40.0789-1-0**

Data pag.  
 febbraio 2008 46



rif.	codice	Q.tà
1	3.18.0176	1
2	3.18.0203	1
3	3.18.0147	1
4	3.18.0070	1
5	3.18.0071	1

1/1

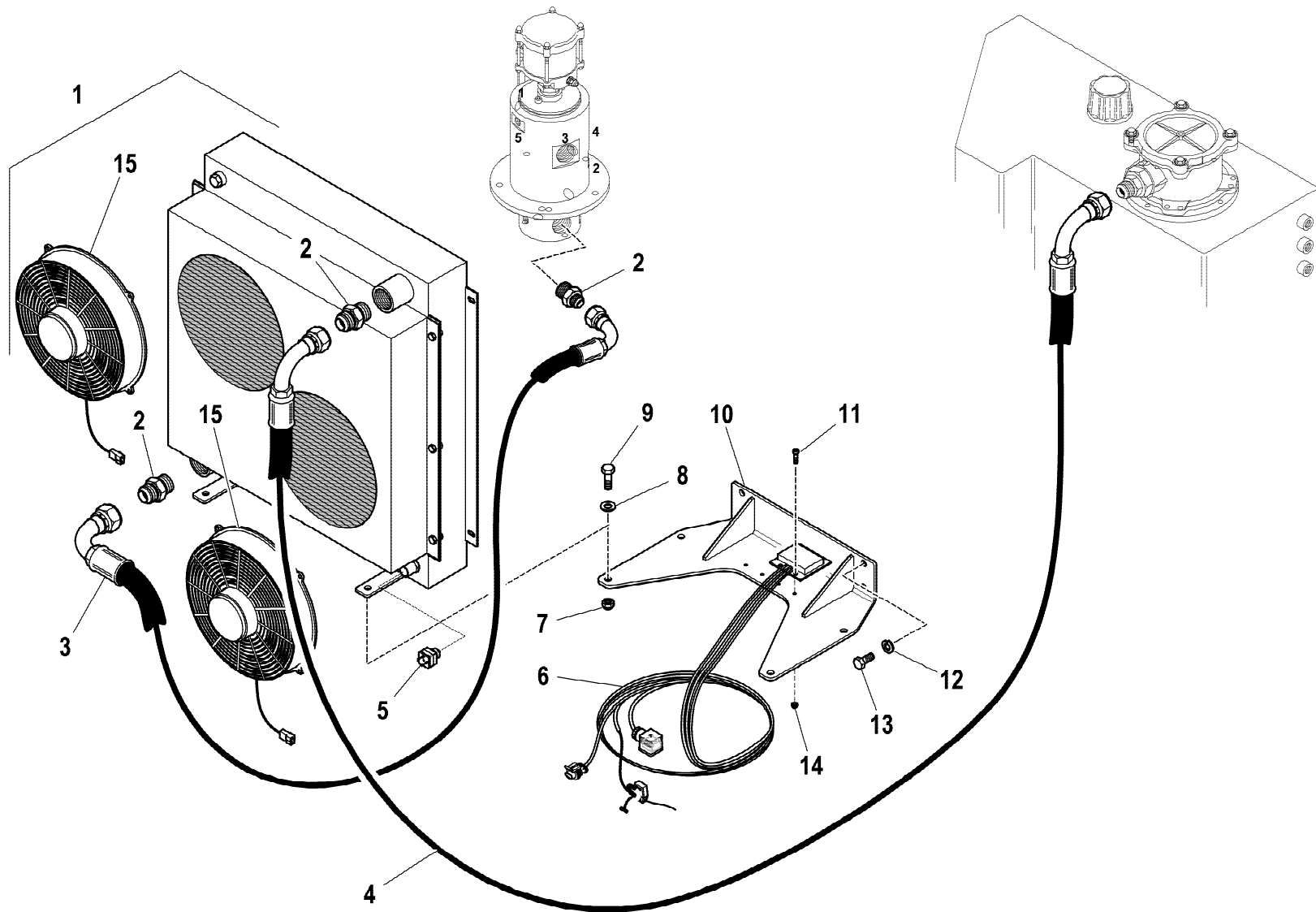
**HYVA** CRANE

**HC801**

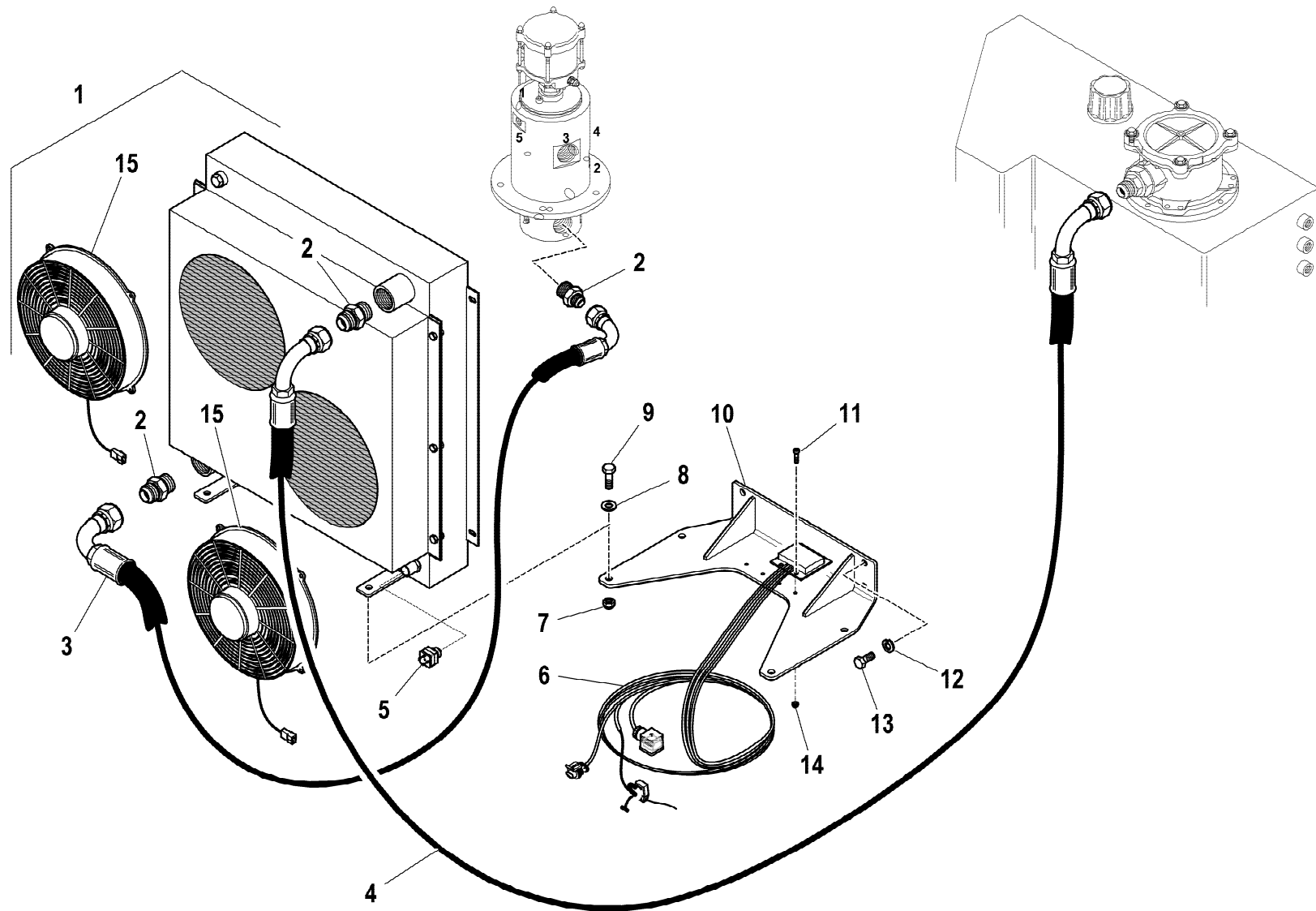
FILTRO OLIO  
OIL FILTER  
FILTRE A HUILE  
OELFILTER  
FILTRO DE ACEITE

Tavola  
**3.18.0176-1-0**

Data pag.  
aprile 2010 47

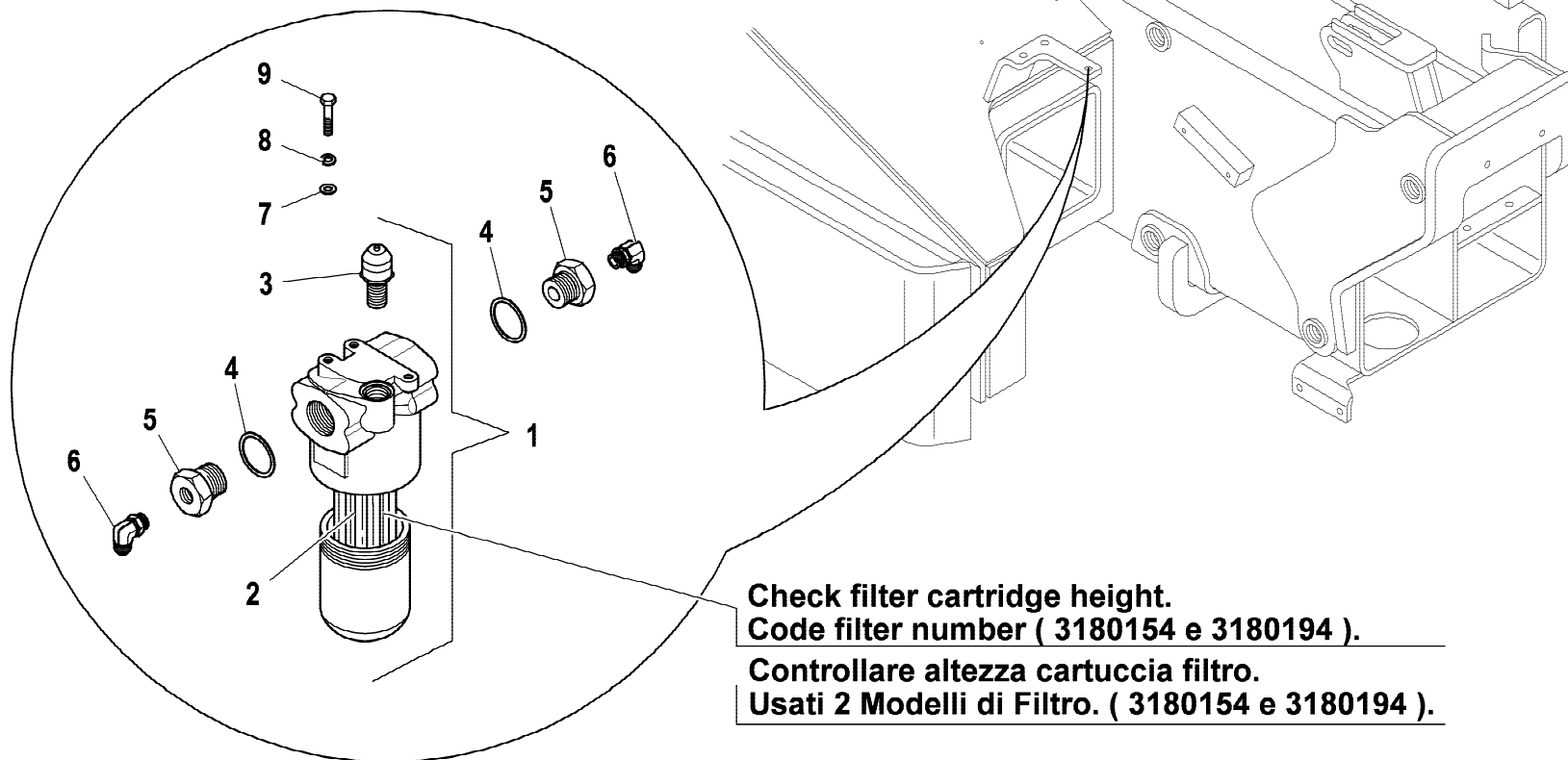


rif.	codice	Q.tà
1	5.71.0083	1
2	3.10.1305	3
3	5.31.0031	1
4	5.31.0032	1
5	3.31.0190	1
6	W.437.005	2
7	3.04.0304	4
8	3.06.0914	4
9	3.01.0389	4
10	5.09.1151	1
11	3.02.0028	4
12	3.06.0056	4
13	3.01.0355	4
14	3.04.0392	4
15	5.71.0089	2



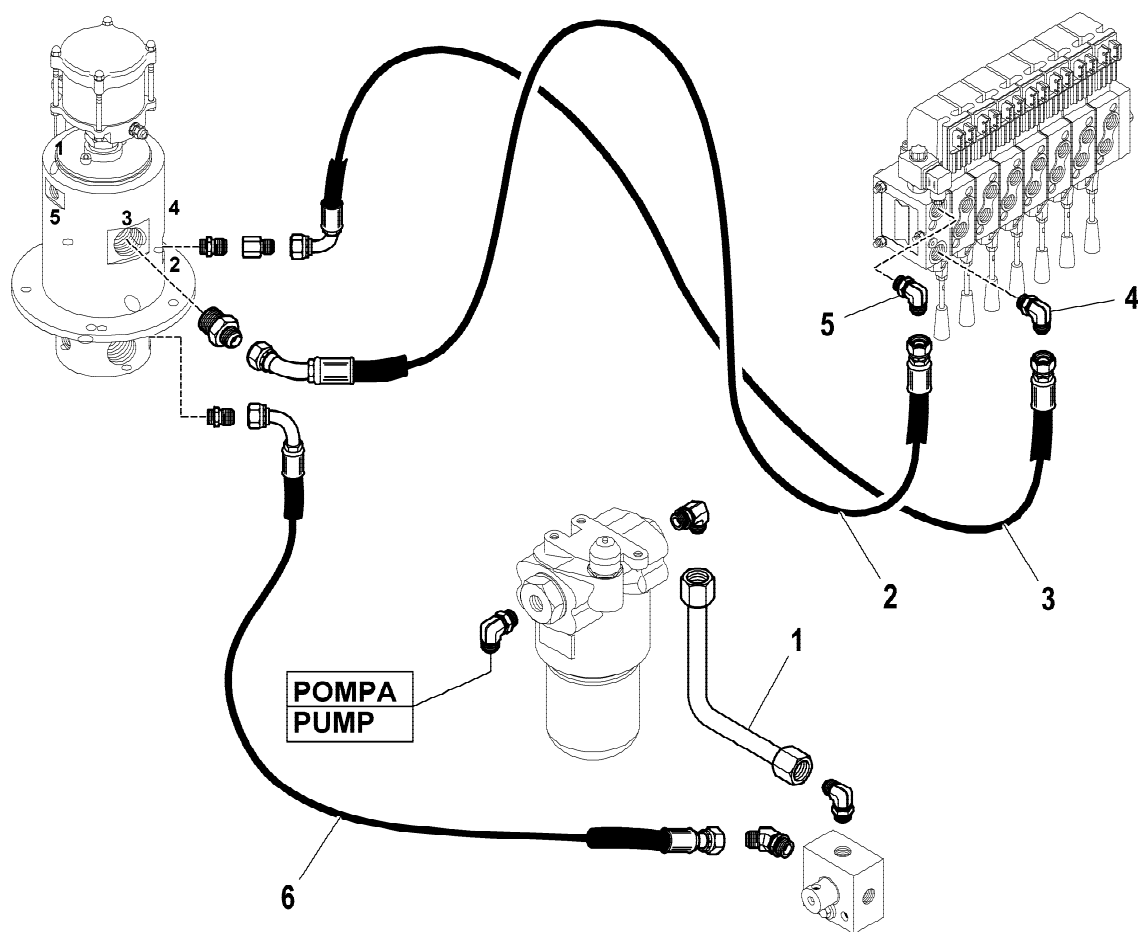
rif.	codice	Q.tà
1	5.71.0084	1
2	3.10.1305	3
3	5.31.0031	1
4	5.31.0032	1
5	3.31.0190	1
6	W.437.005	2
7	3.04.0304	4
8	3.06.0914	4
9	3.01.0389	4
10	5.09.1151	1
11	3.02.0028	4
12	3.06.0056	4
13	3.01.0355	4
14	3.04.0392	4
15	5.71.0090	2

rif.	codice	Q.tà
1	3.18.0194	1
2	3.18.0213	1
3	3.18.0140	1
4	3.06.0153	2
5	3.11.0187	2
6	3.10.1133	2
7	3.06.0914	3
8	3.06.0056	3
9	3.01.0355	3



**Check filter cartridge height.  
Code filter number ( 3180154 e 3180194 ).**  
**Controllare altezza cartuccia filtro.  
Usati 2 Modelli di Filtro. ( 3180154 e 3180194 ).**

rif.	codice	Q.tà
1	5.39.2276	1
2	5.31.0038	1
3	5.29.0184	1
4	3.10.1133	1
5	3.10.1135	1
6	5.29.0171	1



1/1

**HYVA** CRANE

**HC801**

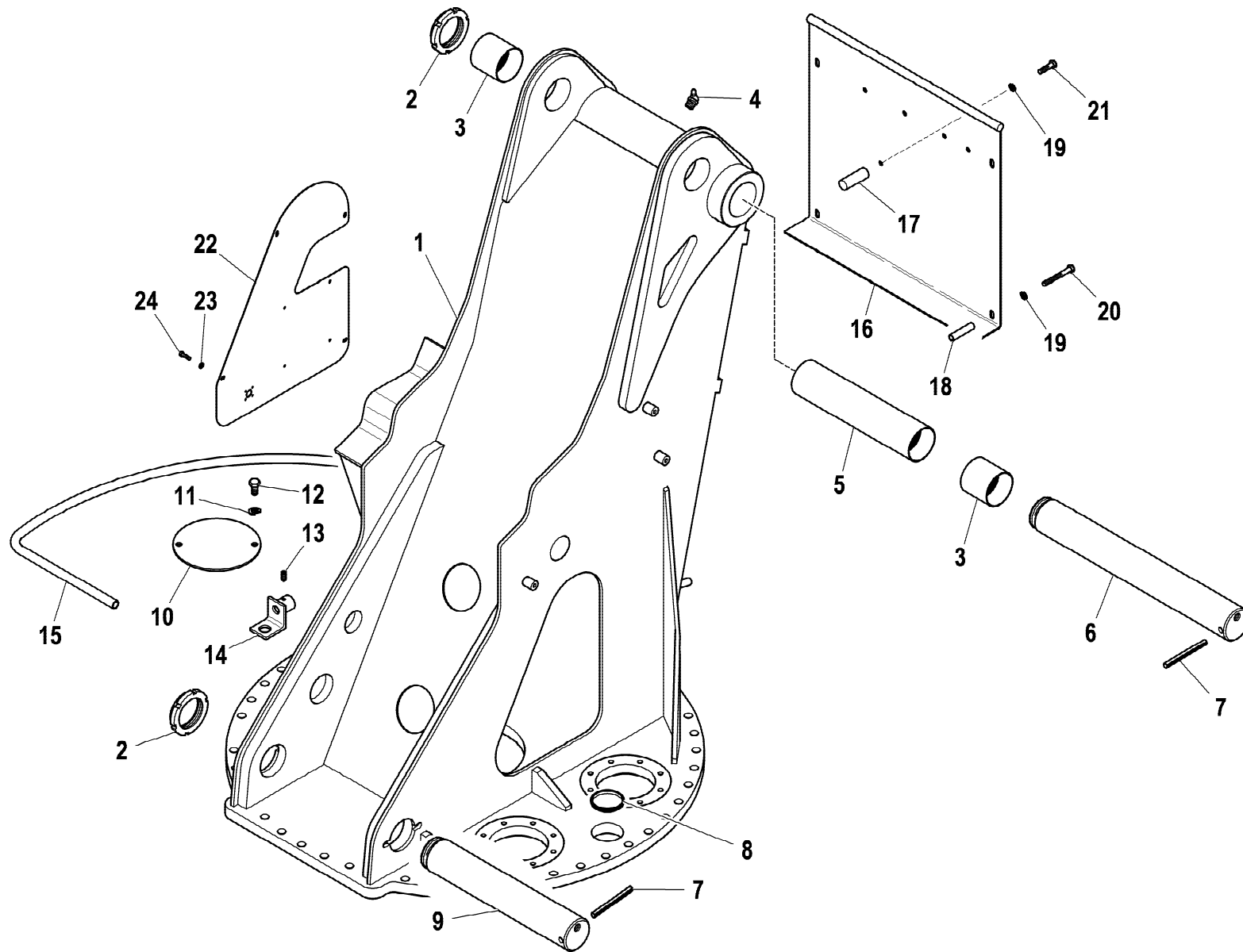
FILTRO AD ALTA PRESSIONE (IMPIANTO OLEODINAMICO)  
HIGH PRESSURE FILTER (HYDRAULIC SYSTEM)  
FILTRE HAUTE PRESSION (INSTALLATION HYDRAULIQUE)  
HOCHDRUCKFILTER (HYDRAULIKANLAGE)  
FILTRO DE ALTA PRESION (INSTALACION HIDRAULICA)

Tavola

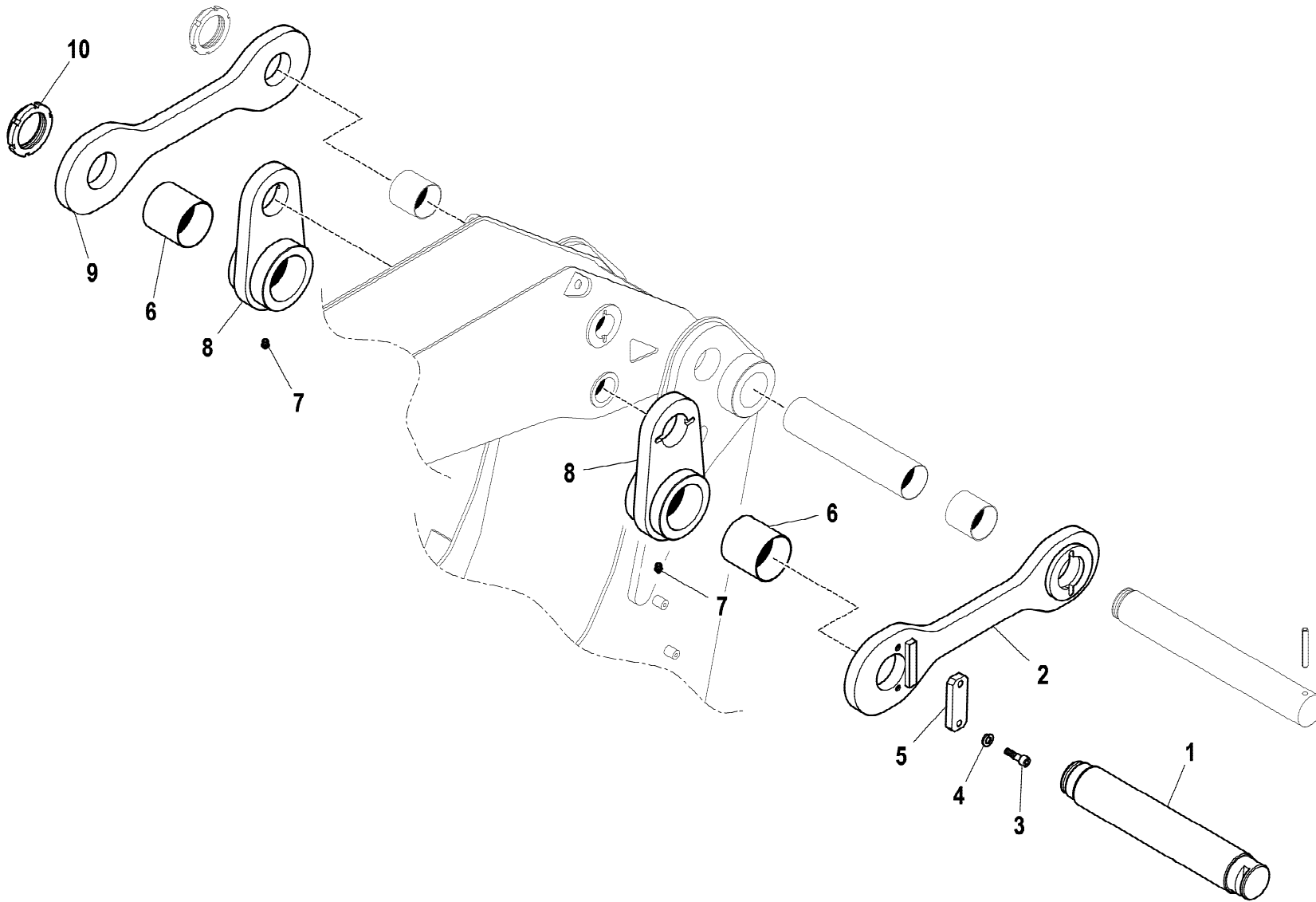
**5.40.0790-2-0**

Data pag.  
febbraio 2008 51





rif.	codice	Q.tà
1	5.04.0112	1
2	3.04.0513	2
3	5.14.0975	2
4	3.08.0512	1
5	5.00.1758	1
6	5.15.0858	1
7	3.06.1002	2
8	3.19.0239	1
9	5.15.0856	1
10	5.14.1035	1
11	3.06.0009	2
12	3.01.0450	2
13	3.06.0233	2
14	5.09.0424	2
15	5.00.1894	1
16	5.00.1884	1
17	5.00.1895	1
18	5.00.1883	4
19	3.06.0055	5
20	3.01.0036	4
21	3.01.0029	1
22	5.00.1963	1
23	3.06.0030	4
24	3.02.0022	4



rif.	codice	Q.tà
1	5.15.0860	1
2	5.09.1077	1
3	3.02.0131	2
4	3.06.0059	2
5	5.00.1756	1
6	5.14.1036	2
7	3.08.0501	2
8	5.09.1079	2
9	5.09.1078	1
10	3.04.0531	1

1/1

**HYVA** CRANE

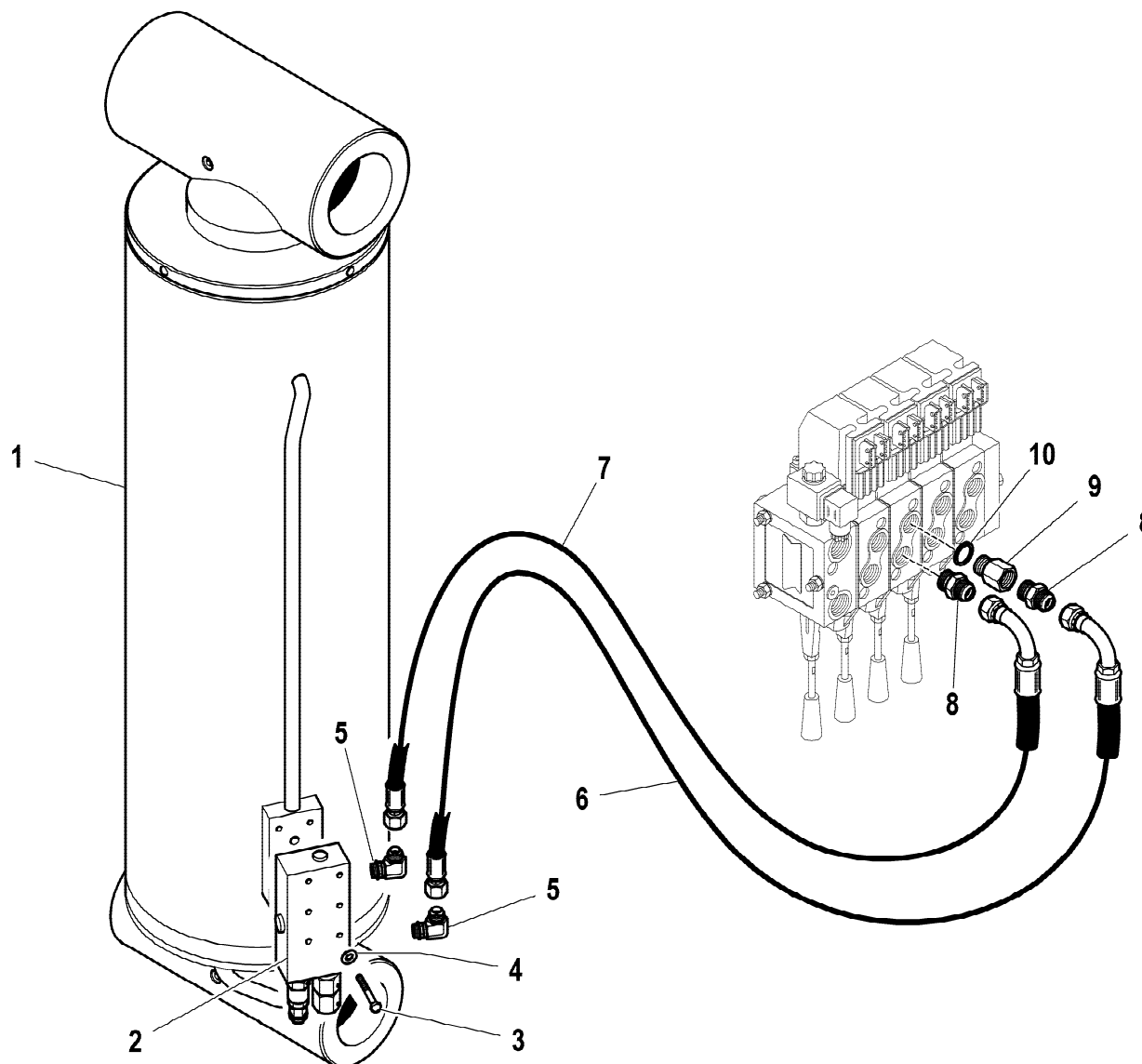
**HC801**

BIELLE COLONNA  
 COLUMN CONNECTING RODS  
 TRINGLERIE COLONNE  
 PLEUELWERK AN SÄULE  
 ACOPLAMIENTO COLUMNA

Tavola  
**5.36.0017-1-0**

Data pag.  
 gennaio 2008 53

rif.	codice	Q.tà
1	6.43.0169	1
2	5.22.0954	1
3	3.01.0033	6
4	3.06.0006	6
5	3.10.1131	2
6	5.28.0803	1
7	5.28.0805	1
8	3.10.1051	2
9	3.11.0113	1
10	3.06.0145	1



1/1

**HYVA** CRANE

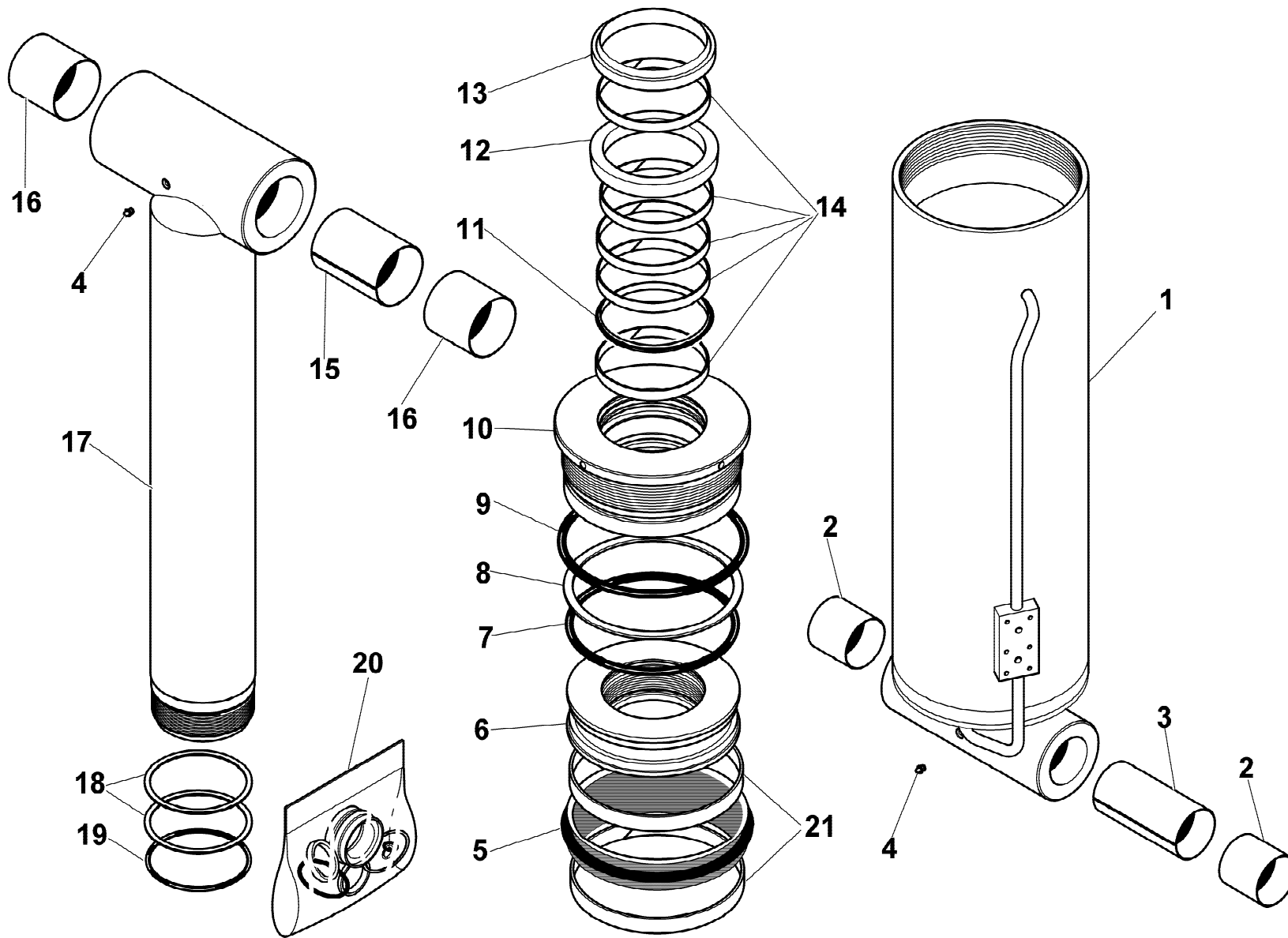
**HC801**

MARTINETTO SOLLEVAMENTO (IMPIANTO OLEODINAMICO)  
 LIFTING HYDRAULIC CYLINDER (HYDRAULIC SYSTEM)  
 VERIN DE LEVAGE (INSTALLATION HYDRAULIQUE)  
 HUBZYLINDER (HYDRAULIKANLAGE)  
 GATO DE ELEVACION (INSTALACION HIDRAULICA)

Tavola

**6.23.0169-1-0**

Data pag.  
 marzo 2008 54



rif.	codice	Q.tà
1	6.07.0573	1
2	5.14.0975	2
3	5.00.1736	1
4	3.08.0501	2
5	3.39.0600	1
6	6.05.0325	1
7	3.45.0418	1
8	3.46.0418	1
9	3.45.0188	1
10	6.04.0306	1
11	3.38.1800	1
12	3.39.0504	1
13	3.42.0077	1
14	3.36.1030	7
15	5.00.1737	1
16	5.14.1024	2
17	6.03.0826	1
18	3.46.0176	2
19	3.45.0176	1
20	5.55.0791	1
21	3.36.3001	2

1/1

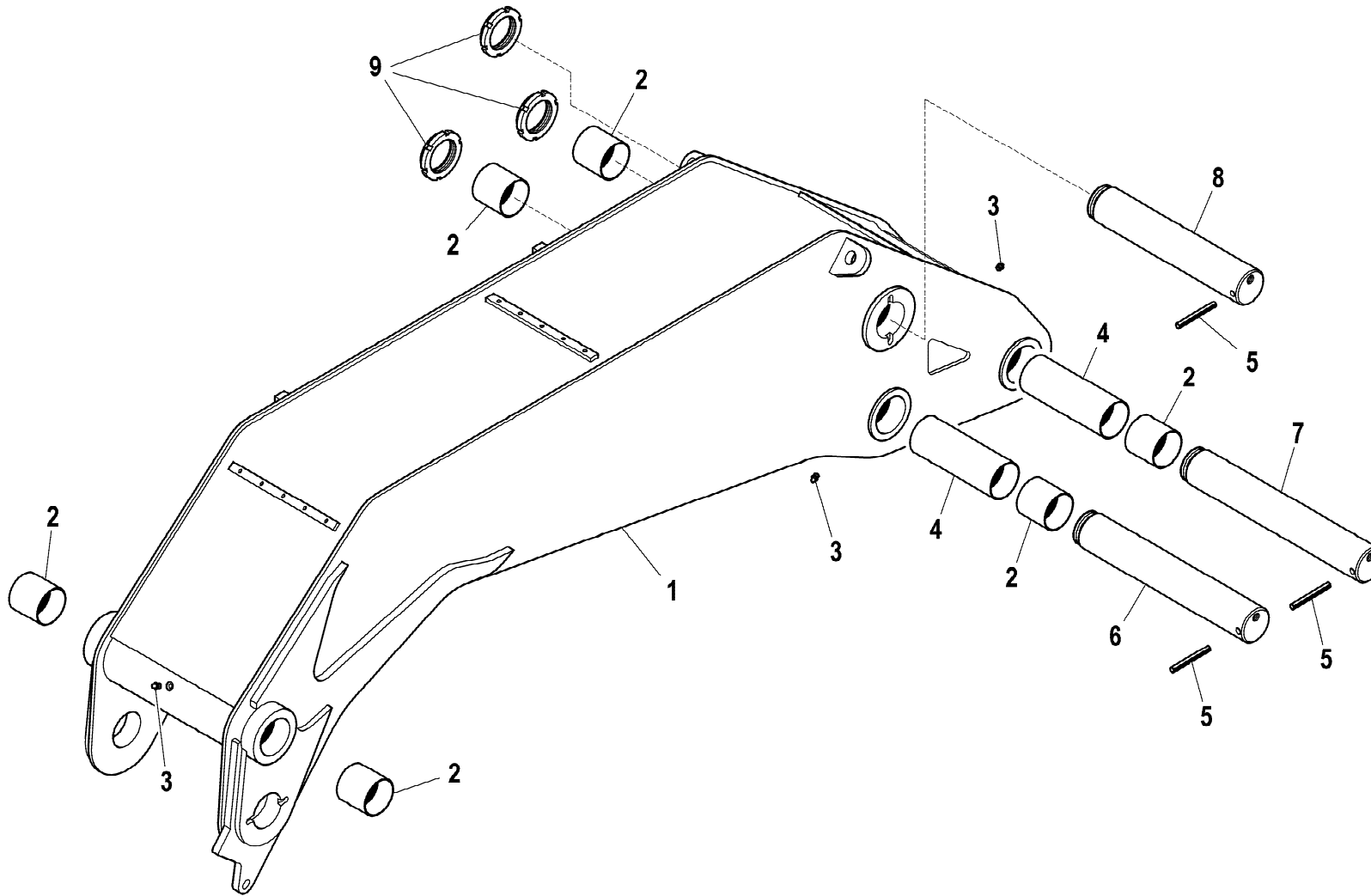
**HYVA** CRANE

**HC801**

MARTINETTO SOLLEVAMENTO  
LIFTING HYDRAULIC CYLINDER  
VERIN DE LEVAGE  
HUBZYLINDER  
GATO DE ELEVACION

Tavola  
**6.43.0169-1-0**

Data pag.  
marzo 2008 55



rif.	codice	Q.tà
1	5.03.0284	1
2	5.14.0975	6
3	3.08.0501	3
4	5.00.1760	2
5	3.06.1002	3
6	5.15.0859	1
7	5.15.0857	1
8	5.15.0864	1
9	3.04.0513	3

1/1

**HYVA** CRANE

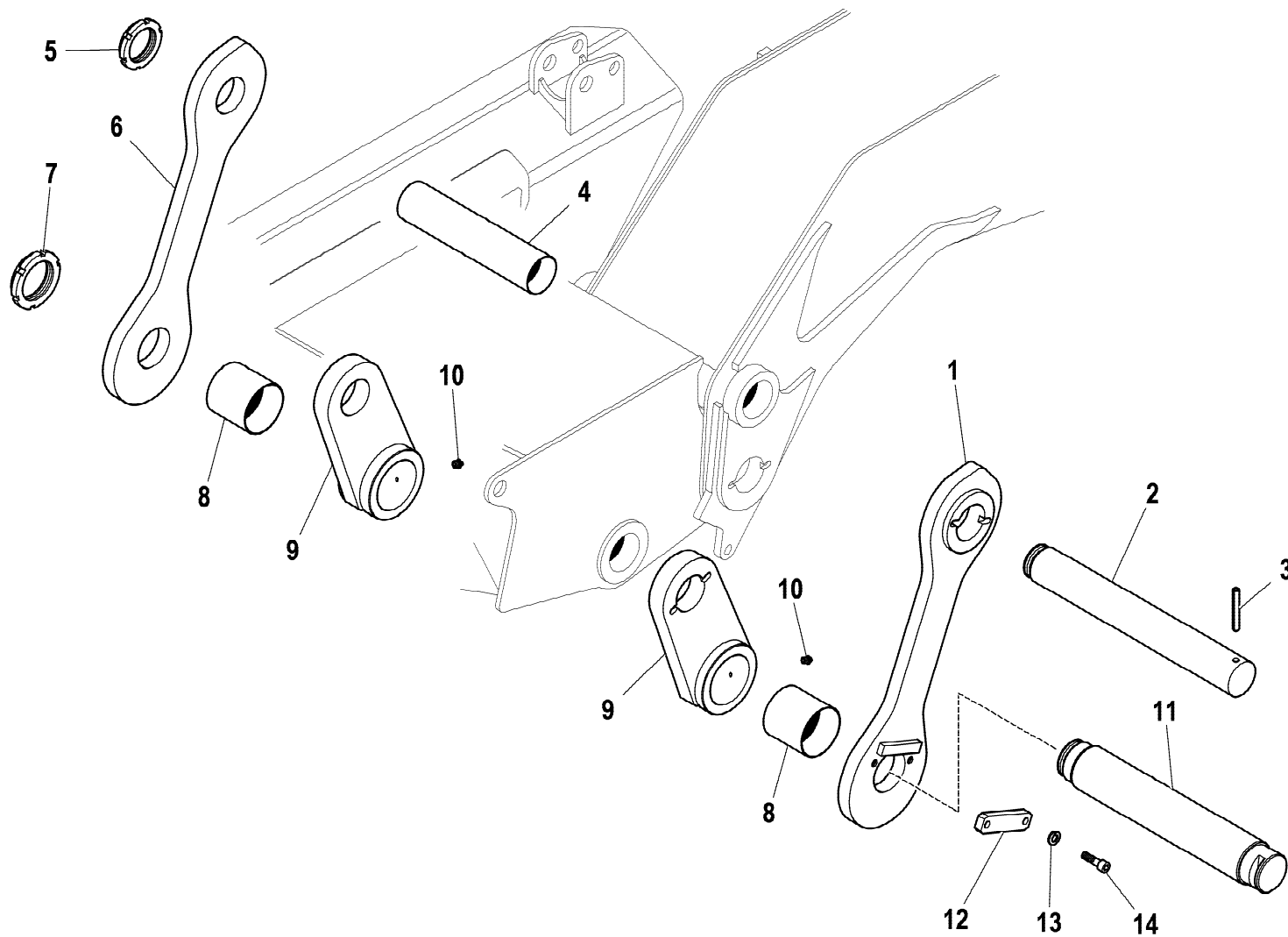
**HC801**

1° BRACCIO  
1ST BOOM  
1ERE BRAS  
1. ARM  
1° BRAZO

Tavola

**5.47.0087-1-0**

Data pag.  
agosto 2007 56



rif.	codice	Q.tà
1	5.09.1080	1
2	5.15.0862	1
3	3.06.1002	1
4	5.00.1759	1
5	3.04.0513	1
6	5.09.1081	1
7	3.04.0531	1
8	5.14.1024	2
9	5.09.1082	2
10	3.08.0501	2
11	5.15.0861	1
12	5.00.1756	1
13	3.06.0059	2
14	3.02.0131	2

1/1

**HYVA** CRANE

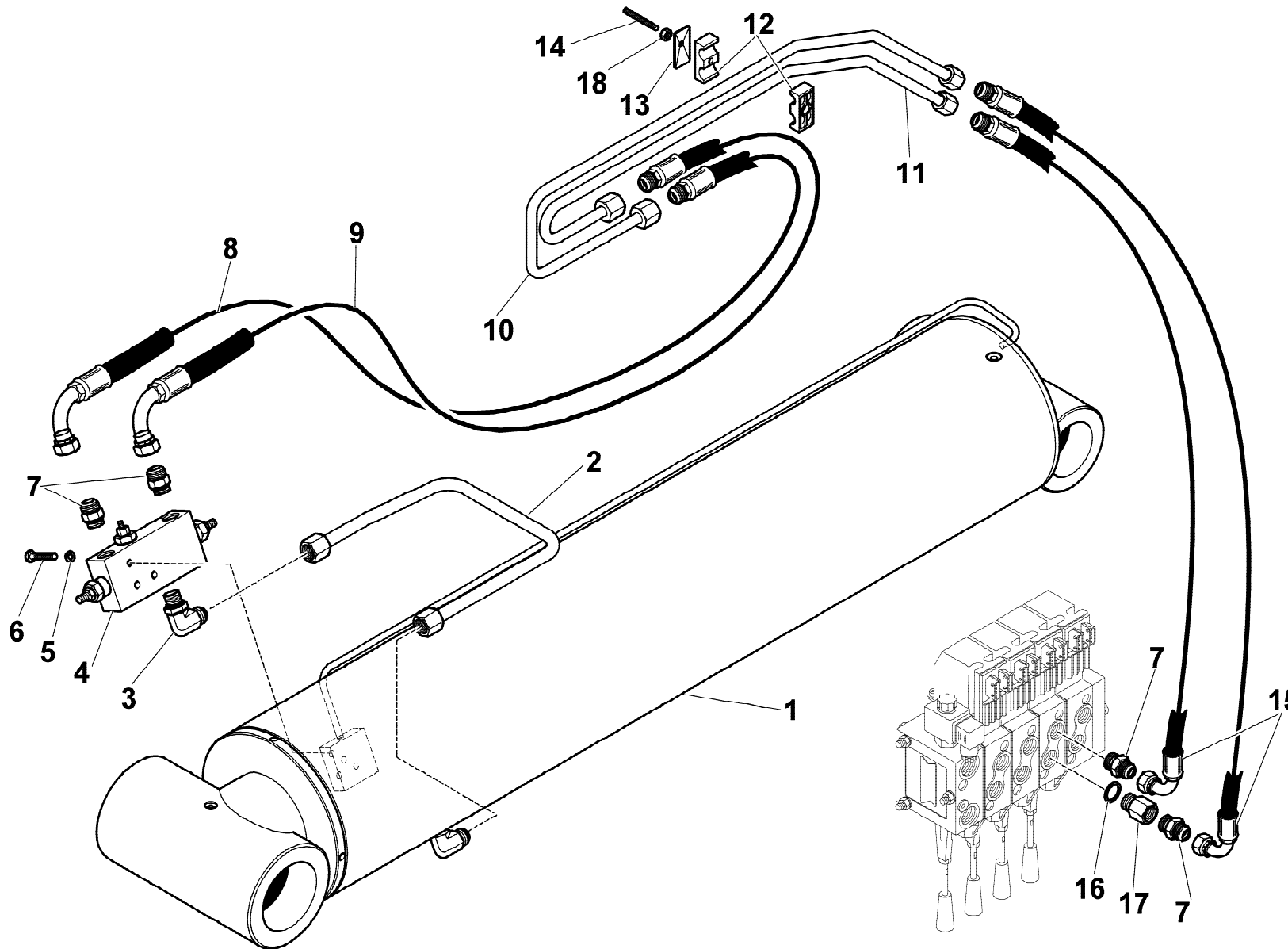
**HC801**

BIELLE 1° E 2° BRACCIO  
 LINKAGE 1TH E 2ND BOOM  
 COLONNE DE TRINGLERIE 1ERE ET 2EME BRAS  
 PLEUELSTANGEN AN DEN 1TEN UNT 2.TEN GELENKARM  
 COLUMNA DEL ACOPLAMENTO 1° Y 2° BRAZO

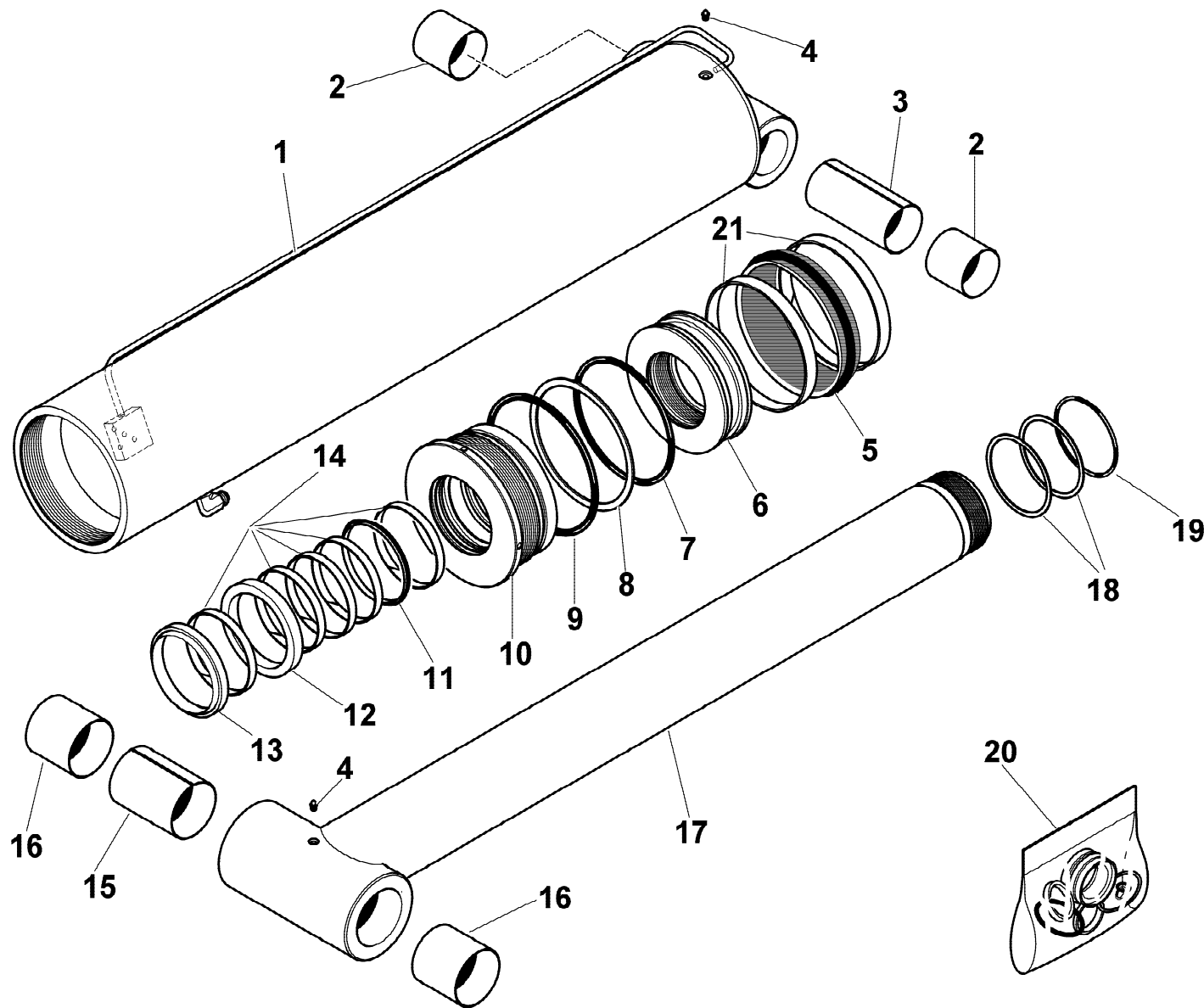
Tavola

**5.36.0018-1-0**

Data pag.  
 gennaio 2008 57



rif.	codice	Q.tà
1	6.43.0170	1
2	5.39.2306	1
3	3.10.1131	1
4	5.22.0665	1
5	3.06.0055	3
6	3.01.0032	3
7	3.10.1051	4
8	5.28.0808	1
9	5.28.0809	1
10	5.39.2368	1
11	5.39.2369	1
12	3.19.0172	4
13	3.19.0204	2
14	2.51.0005	2
15	5.28.1131	2
16	3.06.0145	1
17	3.11.0113	1
18	3.04.0303	2



rif.	codice	Q.tà
1	6.07.0575	1
2	5.14.0975	2
3	5.00.1741	1
4	3.08.0501	2
5	3.39.0601	1
6	6.05.0326	1
7	3.45.0415	1
8	3.46.0415	1
9	3.45.0189	1
10	6.04.0307	1
11	3.38.1800	1
12	3.39.0504	1
13	3.42.0077	1
14	3.36.1030	7
15	5.00.1737	1
16	5.14.1024	2
17	6.03.0830	1
18	3.46.0176	2
19	3.45.0176	1
20	5.55.0792	1
21	3.36.3002	2

1/1

**HYVA** CRANE

**HC801**

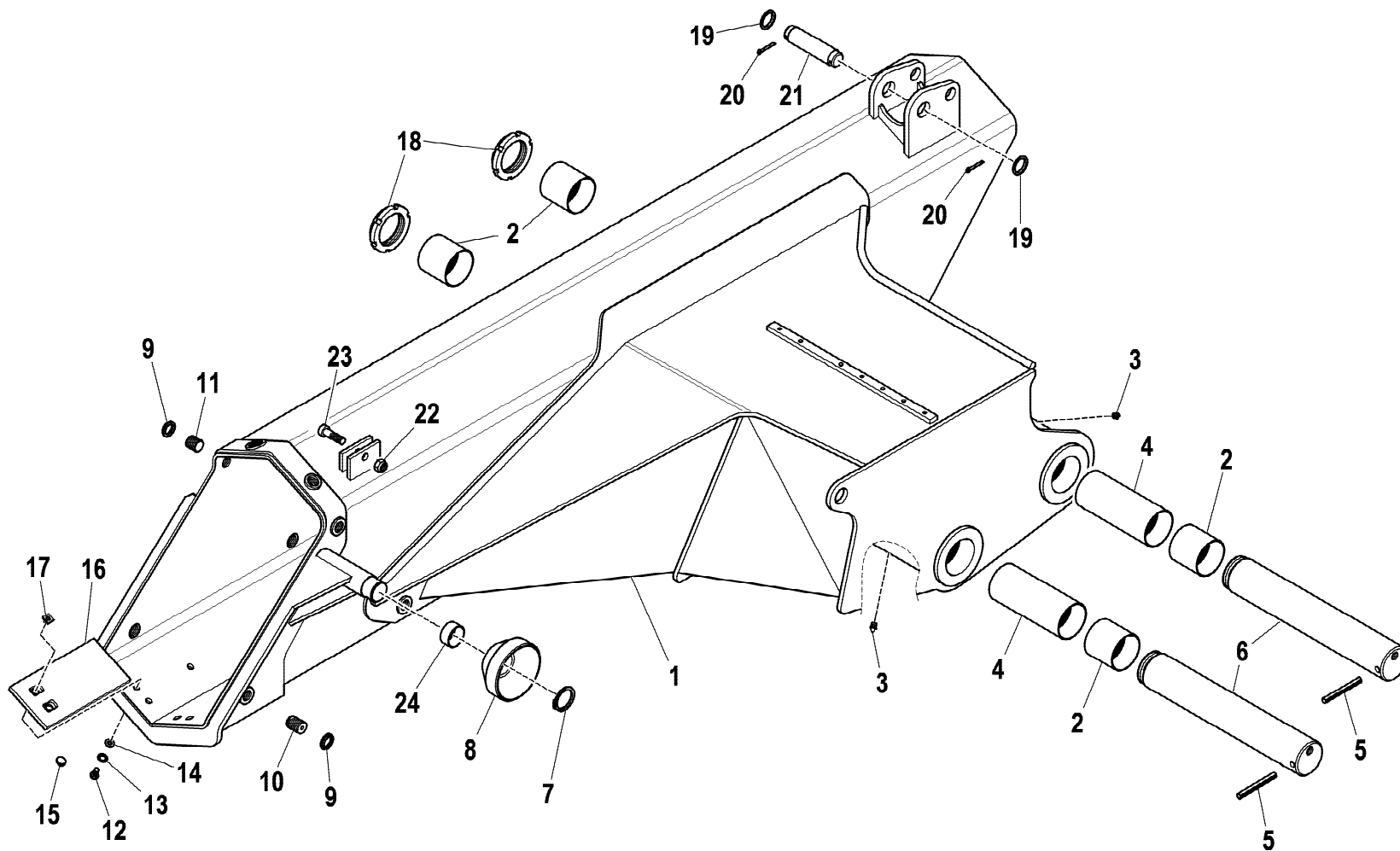
MARTINETTO ARTICOLAZIONE  
 ARTICULATION HYDRAULIC JACK  
 VERIN D'ARTICULATION  
 GELENKSHEBEBOCK  
 GATO ARTICULACION

Tavola

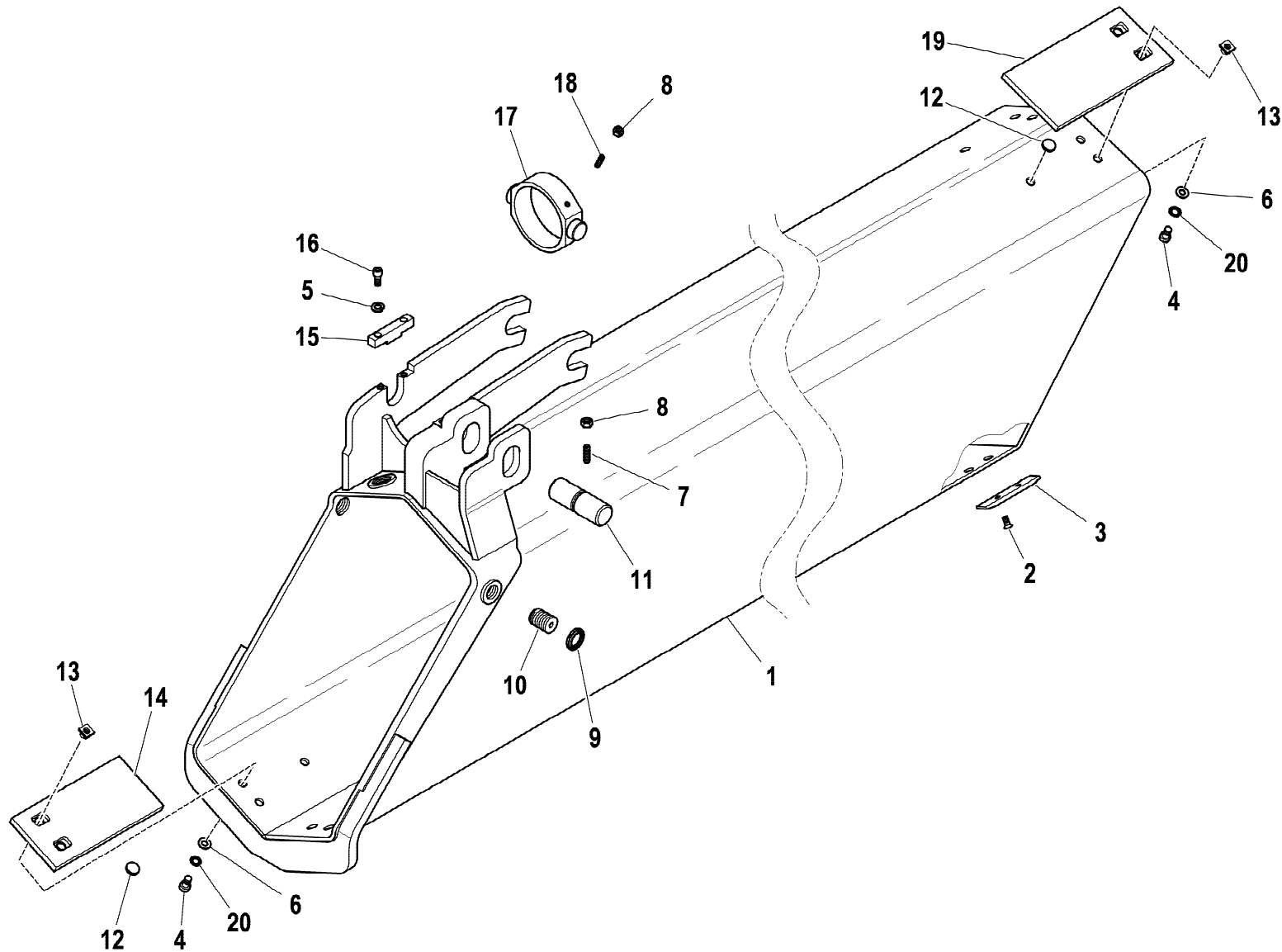
**6.43.0170-1-0**

Data pag.  
 marzo 2008 59

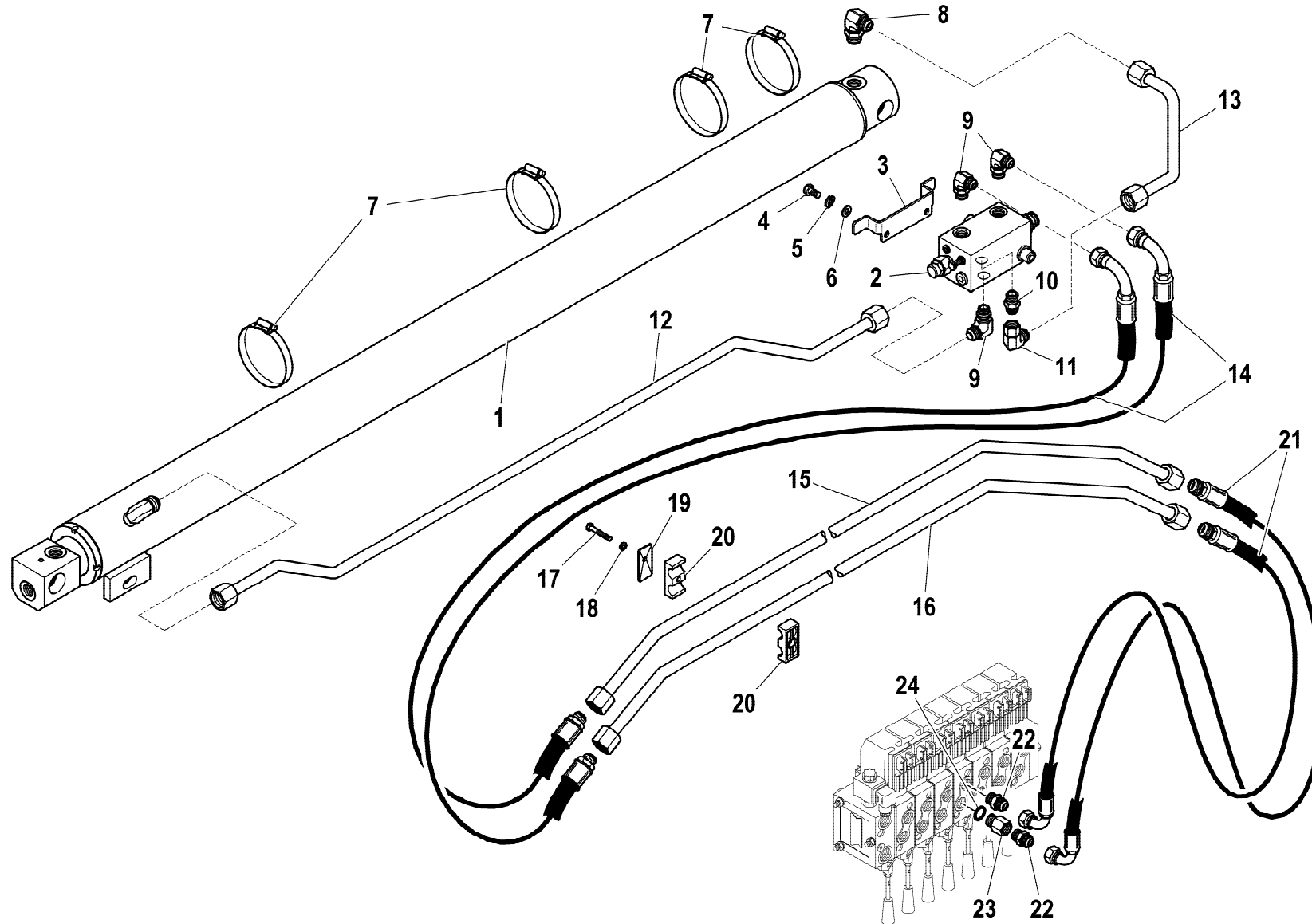




rif.	codice	Q.tà
1	5.03.0285	1
2	5.14.0975	4
3	3.08.0501	2
4	5.00.1761	2
5	3.06.1002	2
6	5.15.0863	2
7	3.07.0045	1
8	5.00.1824	1
9	3.04.0529	8
10	5.00.1582	7
11	5.00.1444	1
12	3.02.0080	4
13	3.06.0920	4
14	3.06.0914	4
15	5.00.1253	2
16	5.14.1028	2
17	5.00.0827	4
18	3.04.0513	2
19	3.06.0999	2
20	W.559.005	2
21	5.15.0865	1
22	3.04.0308	1
23	3.02.0143	1
24	5.14.1062	1



rif.	codice	Q.tà
1	5.02.0505	1
2	3.02.0450	4
3	5.00.1442	2
4	3.02.0080	8
5	3.06.0056	4
6	3.06.0914	8
7	3.06.0956	1
8	3.04.0046	3
9	3.04.0529	4
10	5.00.1582	4
11	5.15.0866	1
12	5.00.1253	4
13	5.00.0827	8
14	5.14.1029	2
15	5.00.1443	2
16	3.02.0071	4
17	5.00.1764	1
18	3.06.1000	2
19	5.14.1028	2
20	3.06.0920	8



rif.	codice	Q.tà
1	6.41.0372	1
2	5.22.0800	1
3	5.00.1837	1
4	3.01.0354	2
5	3.06.0056	2
6	3.06.0914	2
7	3.19.0021	4
8	3.10.1133	1
9	3.10.1132	3
10	3.10.1058	1
11	3.12.0336	1
12	5.39.2308	1
13	5.39.2307	1
14	5.29.0175	2
15	5.39.2366	1
16	5.39.2367	1
17	3.01.0096	1
18	3.06.0055	1
19	3.19.0221	1
20	3.19.0222	6
21	5.29.0194	2
22	3.10.1051	2
23	3.11.0113	1
24	3.06.0145	1

1/1

**HYVA** CRANE

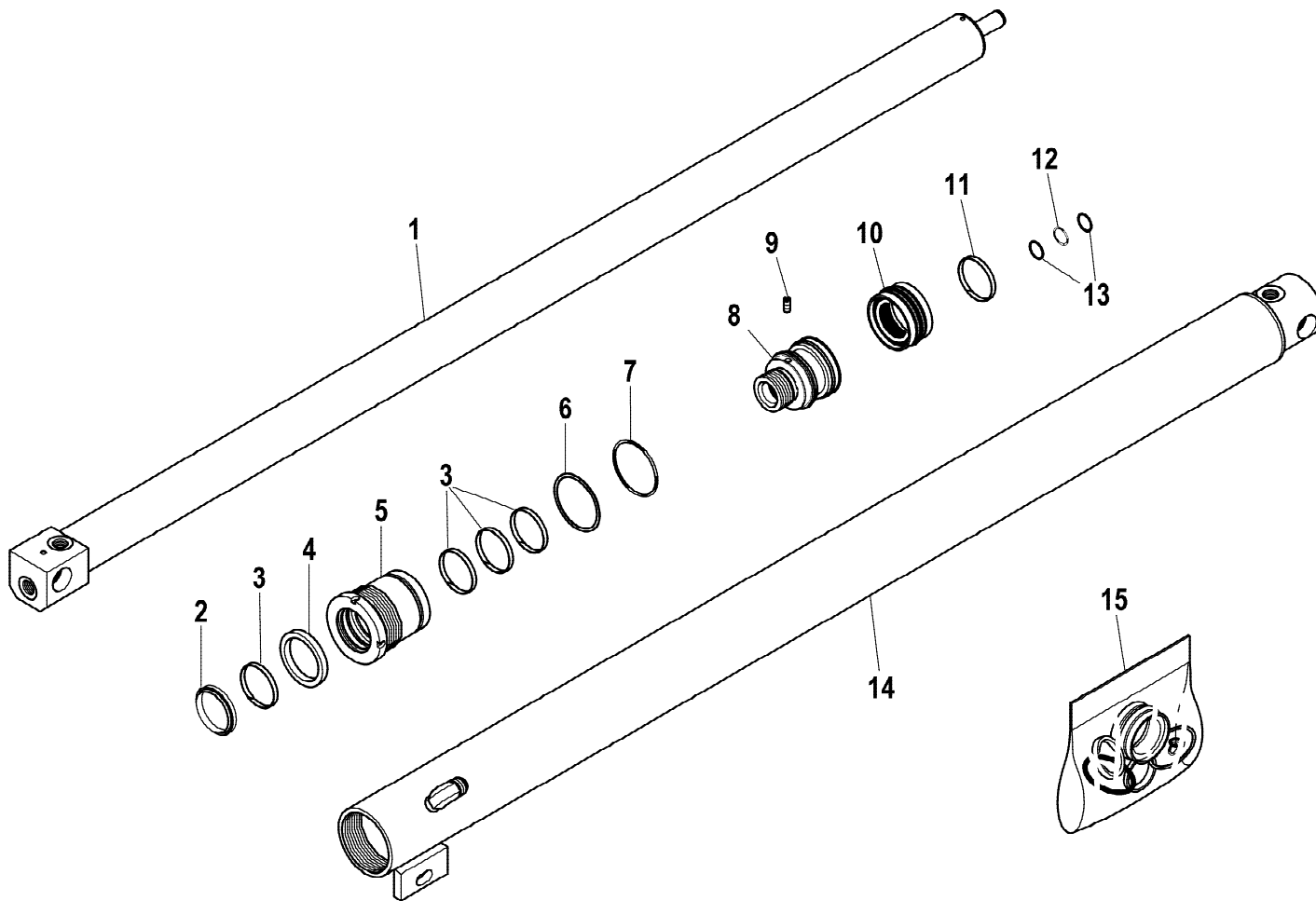
**HC801**

MARTINETTO 1° SFILLO (IMPIANTO OLEODINAMICO)  
 1ST EXSTENSION HYDRAULIC (HYDRAULIC SYSTEM)  
 VÉRIN 1ÈRE RALLONGE (INSTALLATION HYDRAULIQUE)  
 1. SCHUBZYLINDER (HYDRAULIKANLAGE)  
 GATO 1ª EXTENSIÓN (INSTALACION HIDRAULICA)

Tavola

**6.21.0372-1-0**

Data pag.  
 febbraio 2008 62



rif.	codice	Q.tà
1	6.03.0816	1
2	3.42.0036	1
3	3.36.1029	4
4	3.37.0160	1
5	6.04.0305	1
6	3.46.0154	1
7	3.45.0154	1
8	6.05.0324	1
9	3.06.0232	1
10	3.40.0516	1
11	3.36.0014	1
12	3.45.0104	1
13	3.46.0104	2
14	6.07.0566	1
15	5.55.0790	1

1/1

**HYVA** CRANE

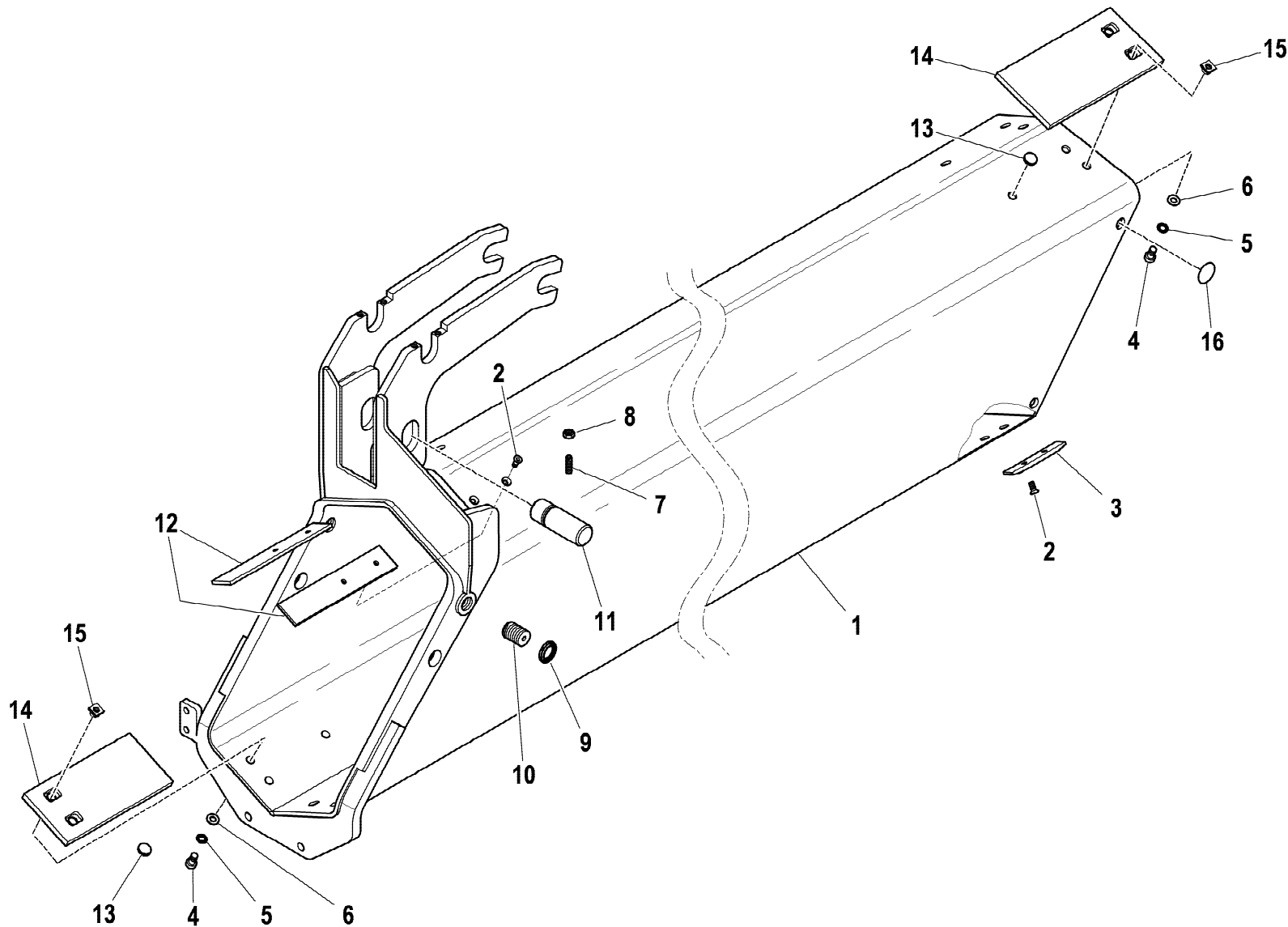
**HC801**

MARTINETTO 1° SFIL  
 1ST EXSTENSION HYDRAULIC  
 VÉRIN 1ÈRE RALLONGE  
 1. SCHUBZYLINDER  
 GATO 1ª EXTENSIÓN

Tavola

**6.41.0372-1-0**

Data pag.  
 agosto 2007 63



rif.	codice	Q.tà
1	5.02.0506	1
2	3.02.0450	8
3	5.00.1442	2
4	3.02.0080	8
5	3.06.0920	8
6	3.06.0914	8
7	3.06.0956	1
8	3.04.0046	1
9	3.04.0529	2
10	5.00.1582	2
11	5.15.0911	1
12	5.14.0974	2
13	5.00.1253	4
14	5.14.1029	4
15	5.00.0827	8
16	5.14.0789	4

1/1

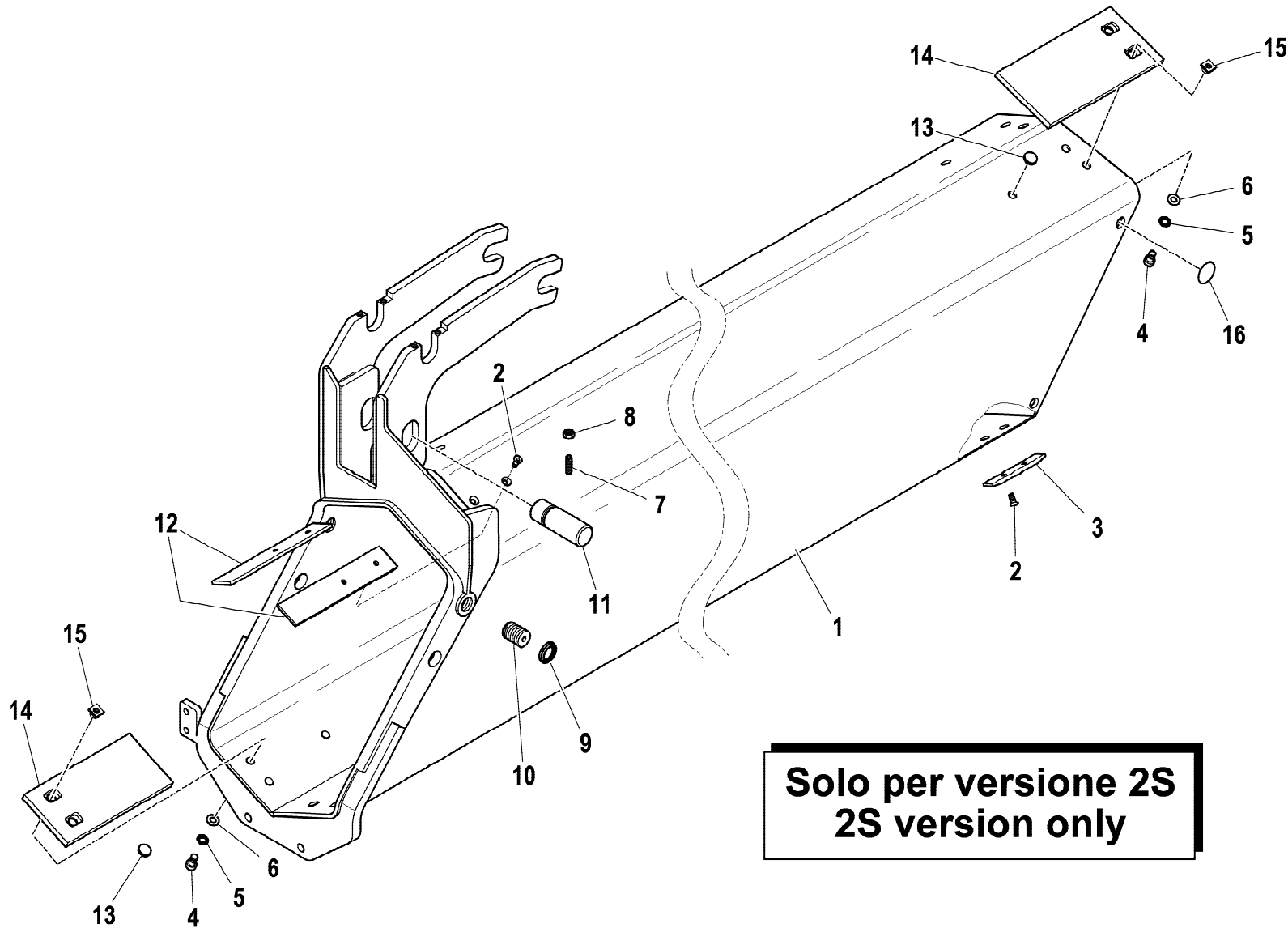
**HYVA** CRANE

**HC801**

2° SFILLO  
 2ND EXTENSION  
 2EME RALLONGE  
 2. VERLAENGERUNG  
 2°PROLONGACION

Tavola  
**5.65.0005-1-0**

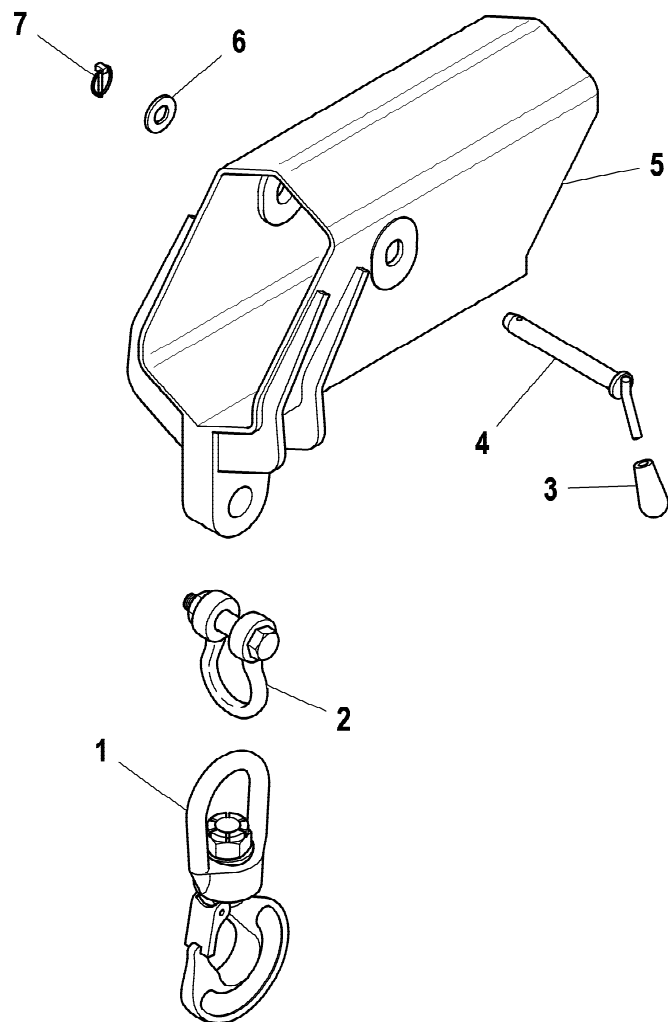
Data pag.  
 luglio 2007 64



rif.	codice	Q.tà
1	5.02.0506	1
2	3.02.0450	8
3	5.00.1442	2
4	3.02.0080	8
5	3.06.0920	8
6	3.06.0914	8
7	3.06.0956	1
8	3.04.0046	1
9	3.04.0529	2
10	5.00.1582	2
11	5.15.0911	1
12	5.14.0974	2
13	5.00.1253	4
14	5.14.1029	4
15	5.00.0827	8
16	5.14.0789	4

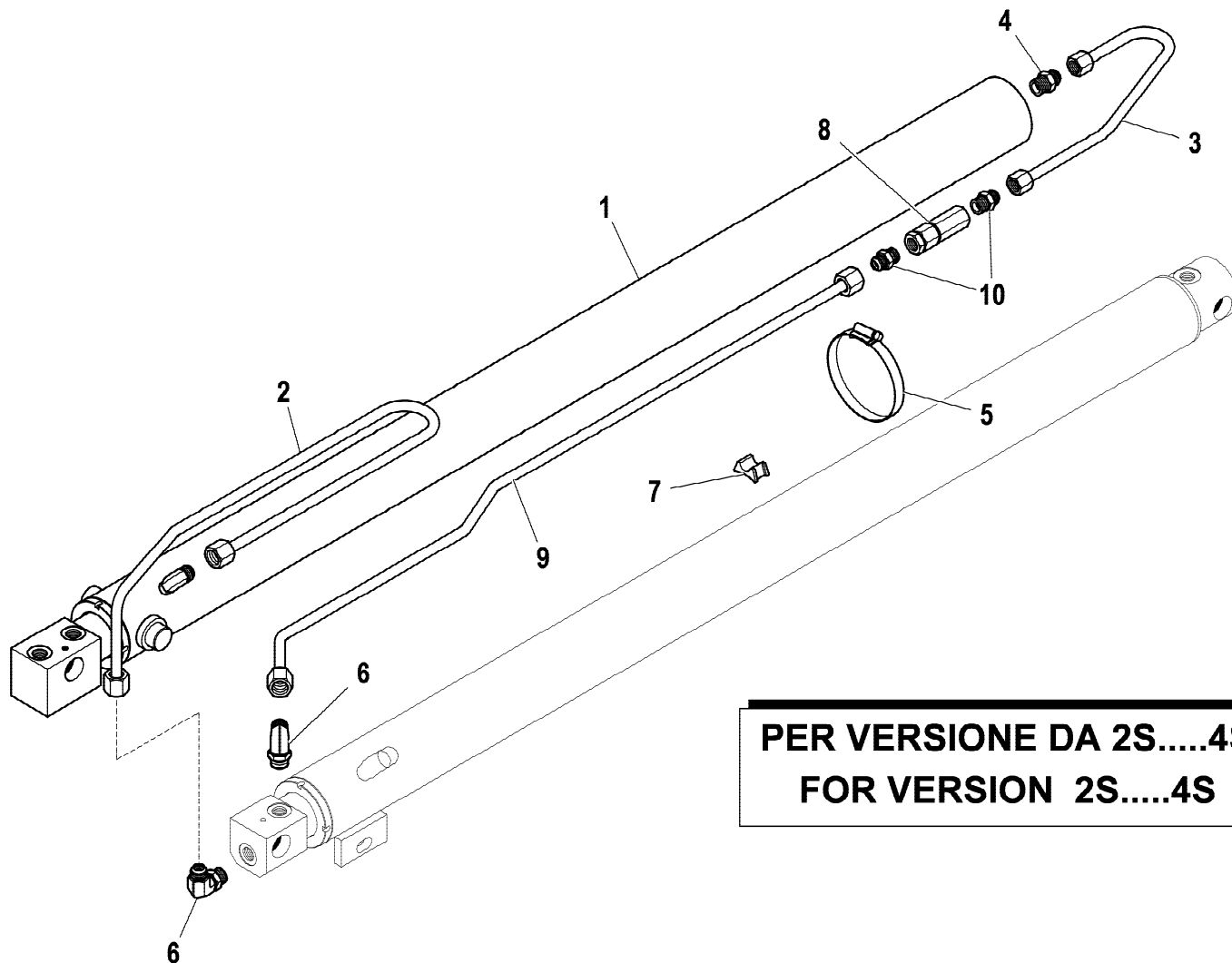
**Solo per versione 2S**  
**2S version only**

rif.	codice	Q.tà
1	3.20.0075	1
2	3.20.0072	1
3	3.19.0010	1
4	5.15.0045	1
5	5.09.0042	1
6	3.06.0016	1
7	3.06.0753	1



**SOLO PER 2S  
ONLY FOR 2S**

rif.	codice	Q.tà
1	6.41.0373	1
2	5.39.2310	1
3	5.39.2434	1
4	3.10.1056	1
5	3.19.0021	2
6	3.10.1133	2
7	5.14.0133	2
8	5.22.0692	1
9	5.39.2433	1
10	3.10.1058	2



**PER VERSIONE DA 2S.....4S  
FOR VERSION 2S.....4S**

1/1

**HYVA** CRANE

**HC801**

MARTINETTO 2° SFILLO (IMPIANTO OLEODINAMICO) 2S-4S  
2ND EXTENSION HYDRAULIC JACK (HYDRAULIC SYSTEM) 2S-4S  
VÉRIN 2ÈME RALLONGE (INSTALLATION HYDRAULIQUE) 2S-4S  
2. SCHUBZYLINDER (HYDRAULIKANLAGE) 2S-4S  
GATO 2ª EXTENSIÓN (INSTALACION HIDRAULICA) 2S-4S

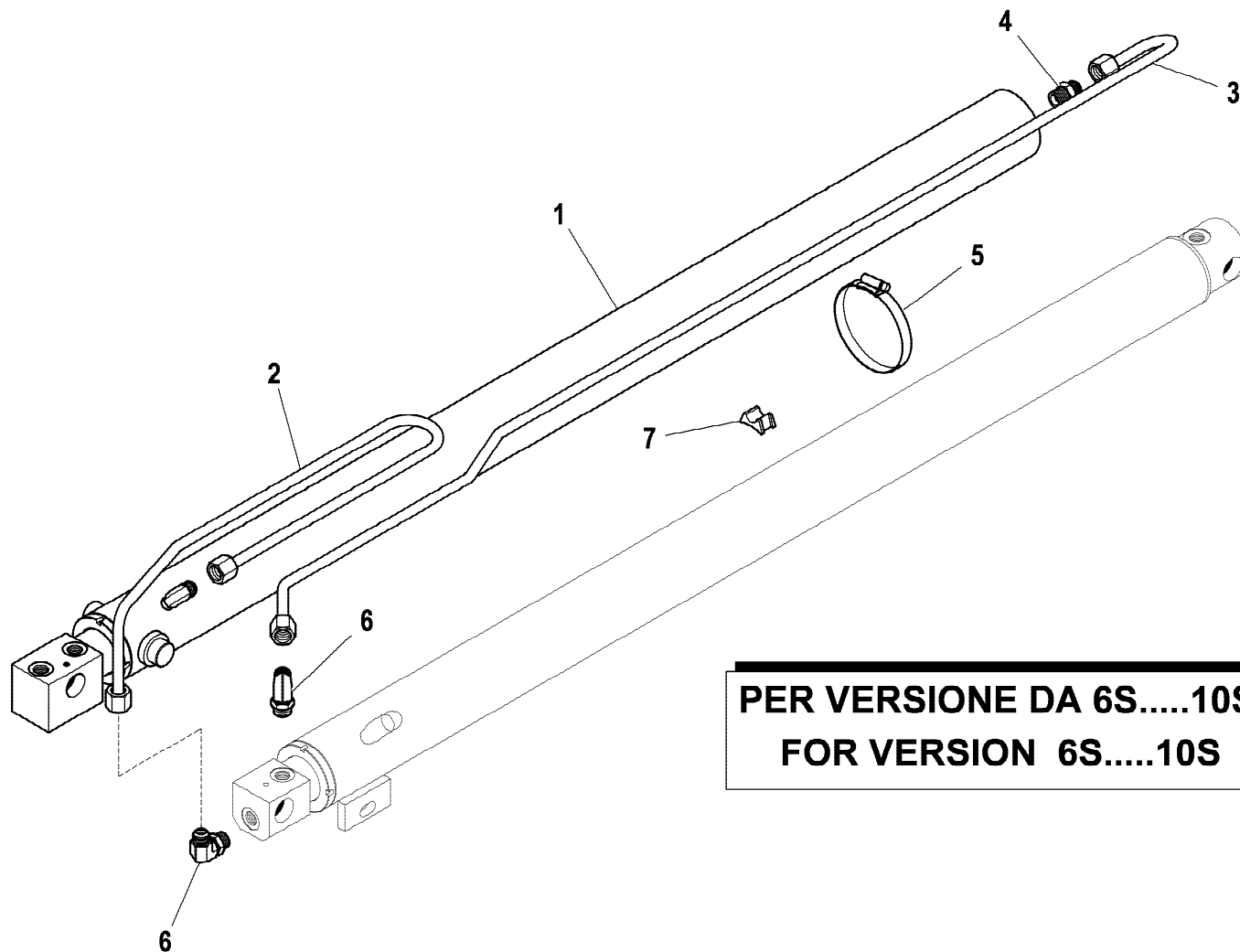
Tavola

**6.21.0472-1-0**

Data pag.  
dicembre 2011 67



rif.	codice	Q.tà
1	6.41.0373	1
2	5.39.2310	1
3	5.39.2309	1
4	3.10.1056	1
5	3.19.0021	2
6	3.10.1133	2
7	5.14.0133	2



**PER VERSIONE DA 6S.....10S  
FOR VERSION 6S.....10S**

1/1

**HYVA** CRANE

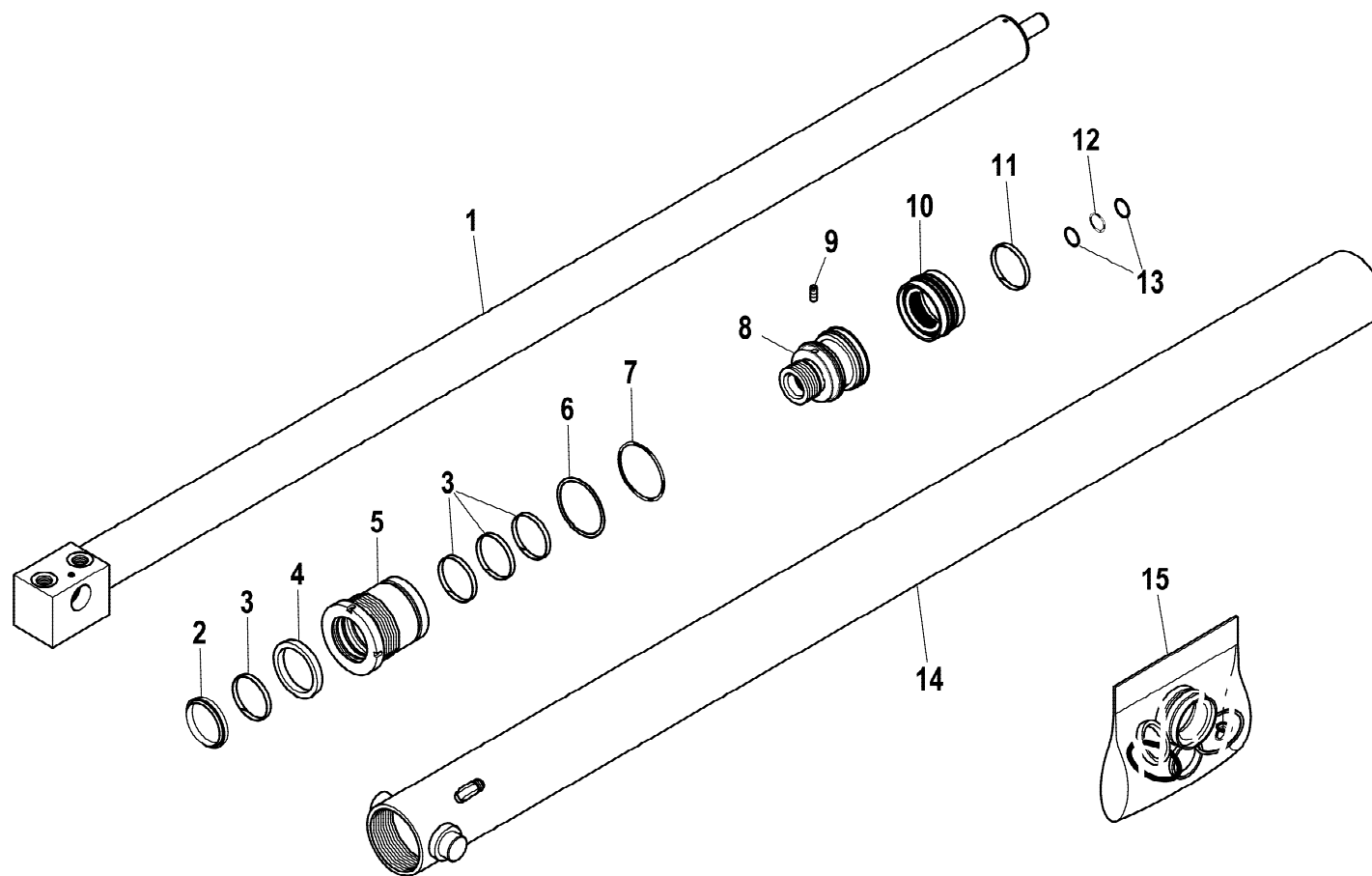
**HC801**

MARTINETTO 2° SFILLO (IMPIANTO OLEODINAMICO) 6S-10S  
 2ND EXTENSION HYDRAULIC JACK (HYDRAULIC SYSTEM) 6S-10S  
 VÉRIN 2ÈME RALLONGE (INSTALLATION HYDRAULIQUE) 6S-10S  
 2. SCHUBZYLINDER (HYDRAULIKANLAGE) 6S-10S  
 GATO 2ª EXTENSIÓN (INSTALACION HIDRAULICA) 6S-10S

Tavola

**6.21.0373-1-0**

Data pag.  
dicembre 2011 68



rif.	codice	Q.tà
1	6.03.0820	1
2	3.42.0036	1
3	3.36.1029	4
4	3.37.0160	1
5	6.04.0305	1
6	3.46.0154	1
7	3.45.0154	1
8	6.05.0324	1
9	3.06.0232	1
10	3.40.0516	1
11	3.36.0014	1
12	3.45.0104	1
13	3.46.0104	2
14	6.07.0569	1
15	5.55.0790	1

1/1

**HYVA** CRANE

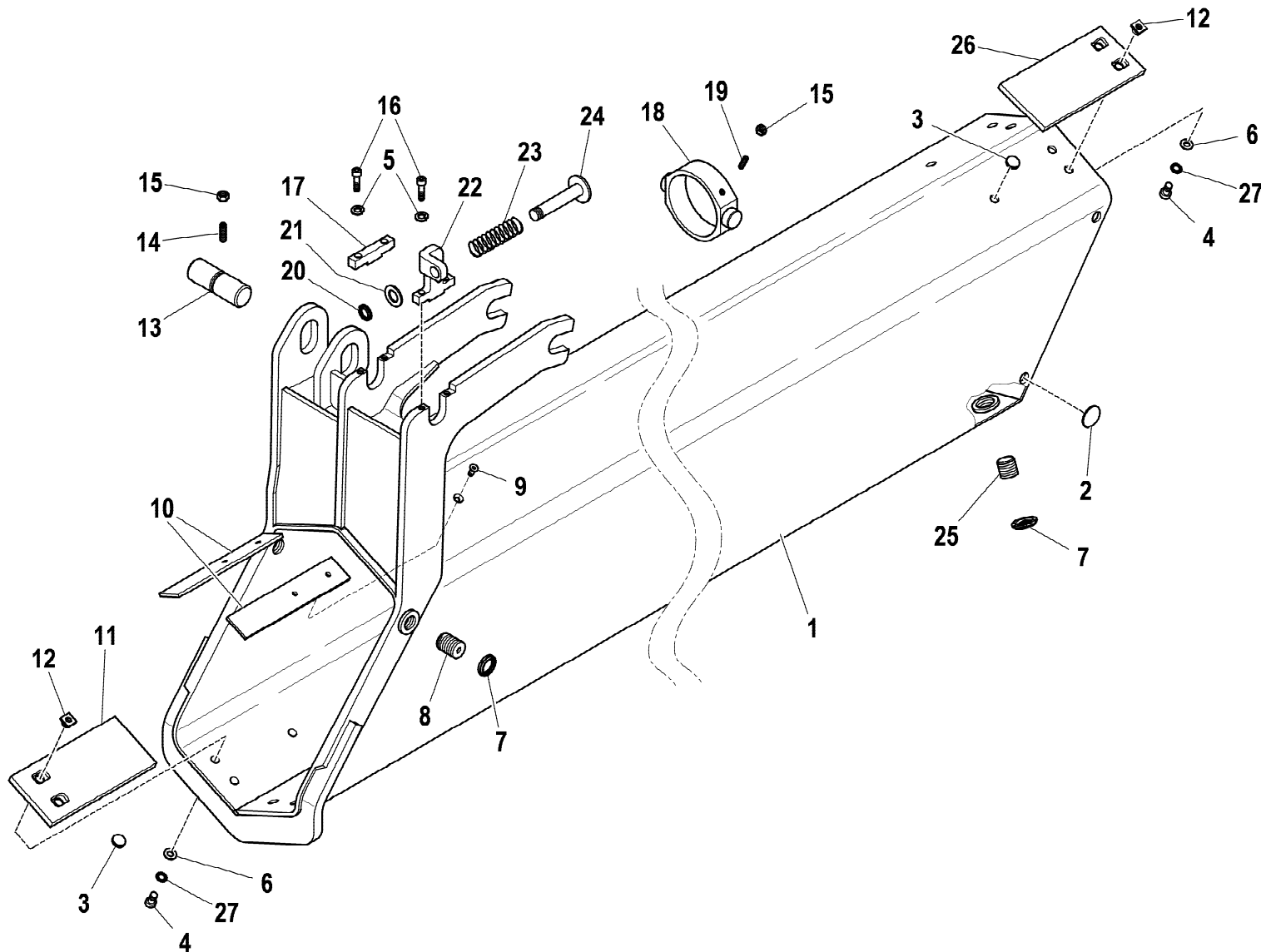
**HC801**

MARTINETTO 2° SFILLO  
 2ND EXTENSION HYDRAULIC JACK  
 VÉRIN 2ÉME RALLONGE  
 2. SCHUBZYLINDER  
 GATO 2ª EXTENSIÓN

Tavola

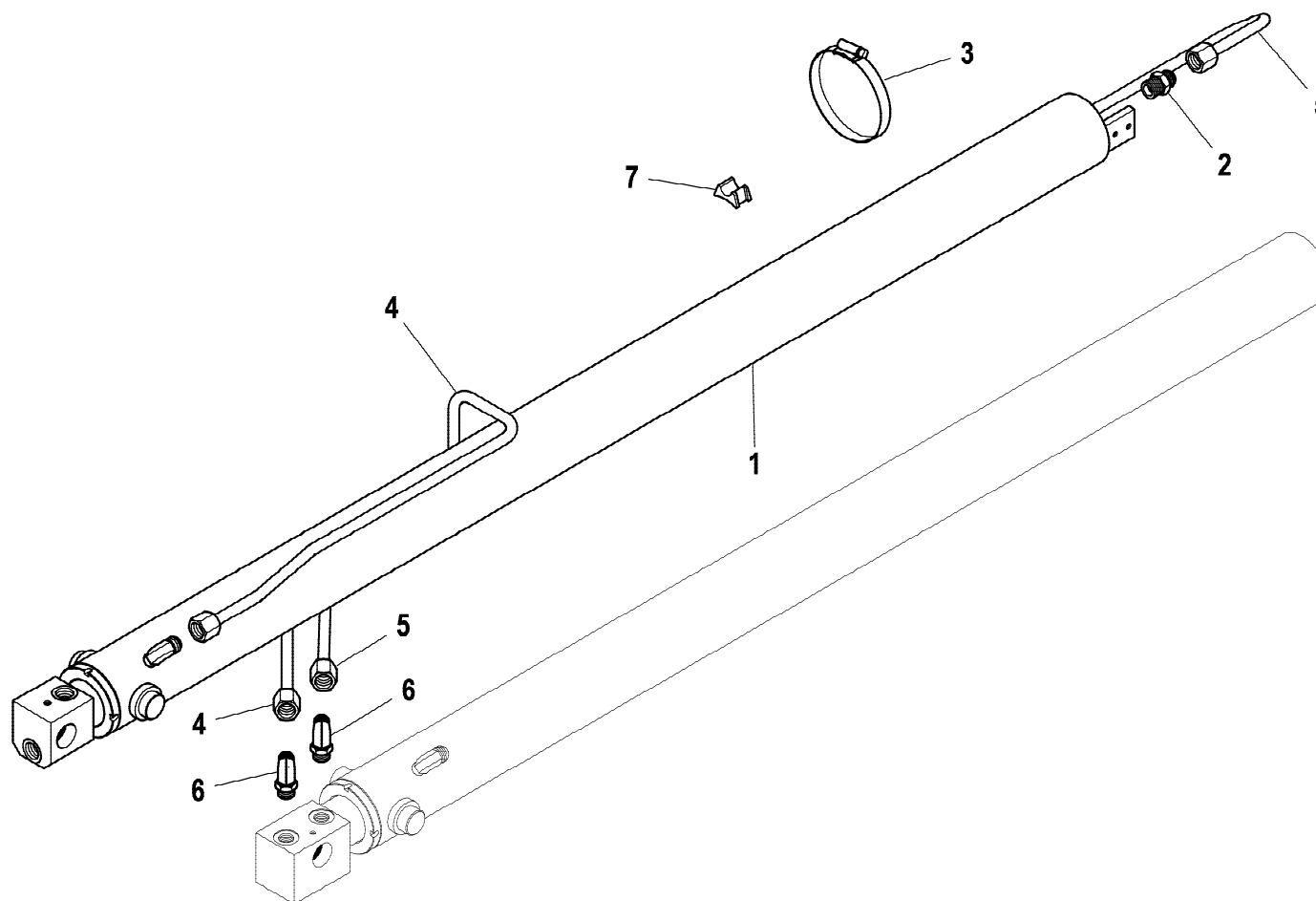
**6.41.0373-1-0**

Data pag.  
 agosto 2007 69



rif.	codice	Q.tà
1	5.02.0507	1
2	5.14.0789	4
3	5.00.1253	4
4	3.02.0080	8
5	3.06.0056	4
6	3.06.0914	8
7	3.04.0529	4
8	5.00.1582	2
9	3.02.0450	4
10	5.14.0974	2
11	5.14.1030	2
12	5.00.0827	8
13	5.15.0866	1
14	3.06.0956	1
15	3.04.0046	3
16	3.02.0071	4
17	5.00.1443	1
18	5.00.1764	1
19	3.06.1000	2
20	3.04.0504	1
21	3.06.0012	5
22	5.00.1844	1
23	3.06.1001	1
24	5.15.0870	1
25	5.00.1444	2
26	5.14.1029	2
27	3.06.0920	8

rif.	codice	Q.tà
1	6.41.0374	1
2	3.10.1056	1
3	3.19.0021	2
4	5.39.2312	1
5	5.39.2311	1
6	3.10.1133	2
7	5.14.0133	2



1/1

**HYVA** CRANE

**HC801**

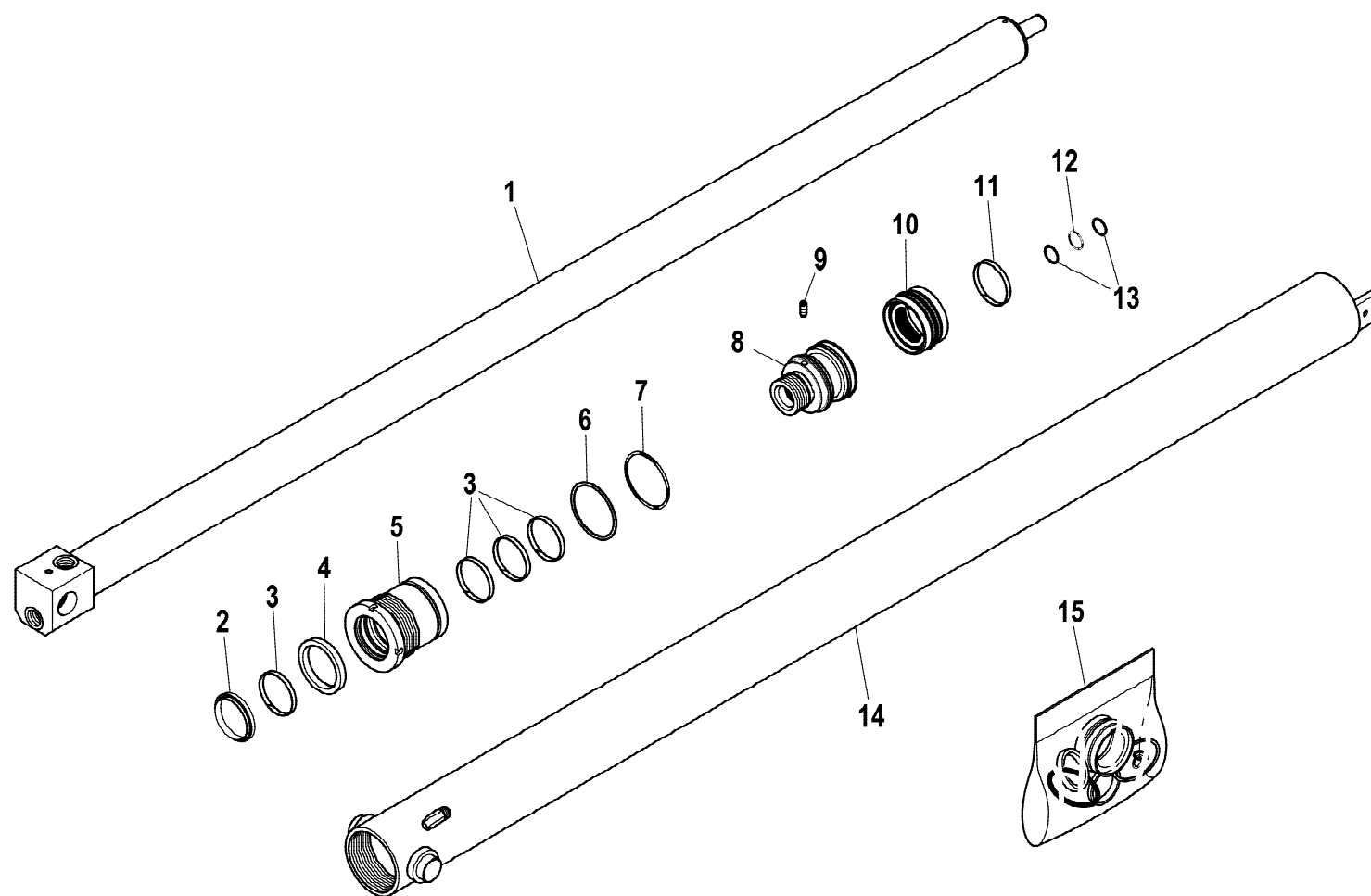
MARTINETTO 3° SFILLO (IMPIANTO OLEODINAMICO)  
 3RD EXTENSION HYDRAULIC JACK (HYDRAULIC SYSTEM)  
 VÉRIN 3ÈME RALLONGE (INSTALLATION HYDRAULIQUE)  
 3. SCHUBZYLINDER (HYDRAULIKANLAGE)  
 GATO 3ª EXTENSIÓN (INSTALACION HIDRAULICA)

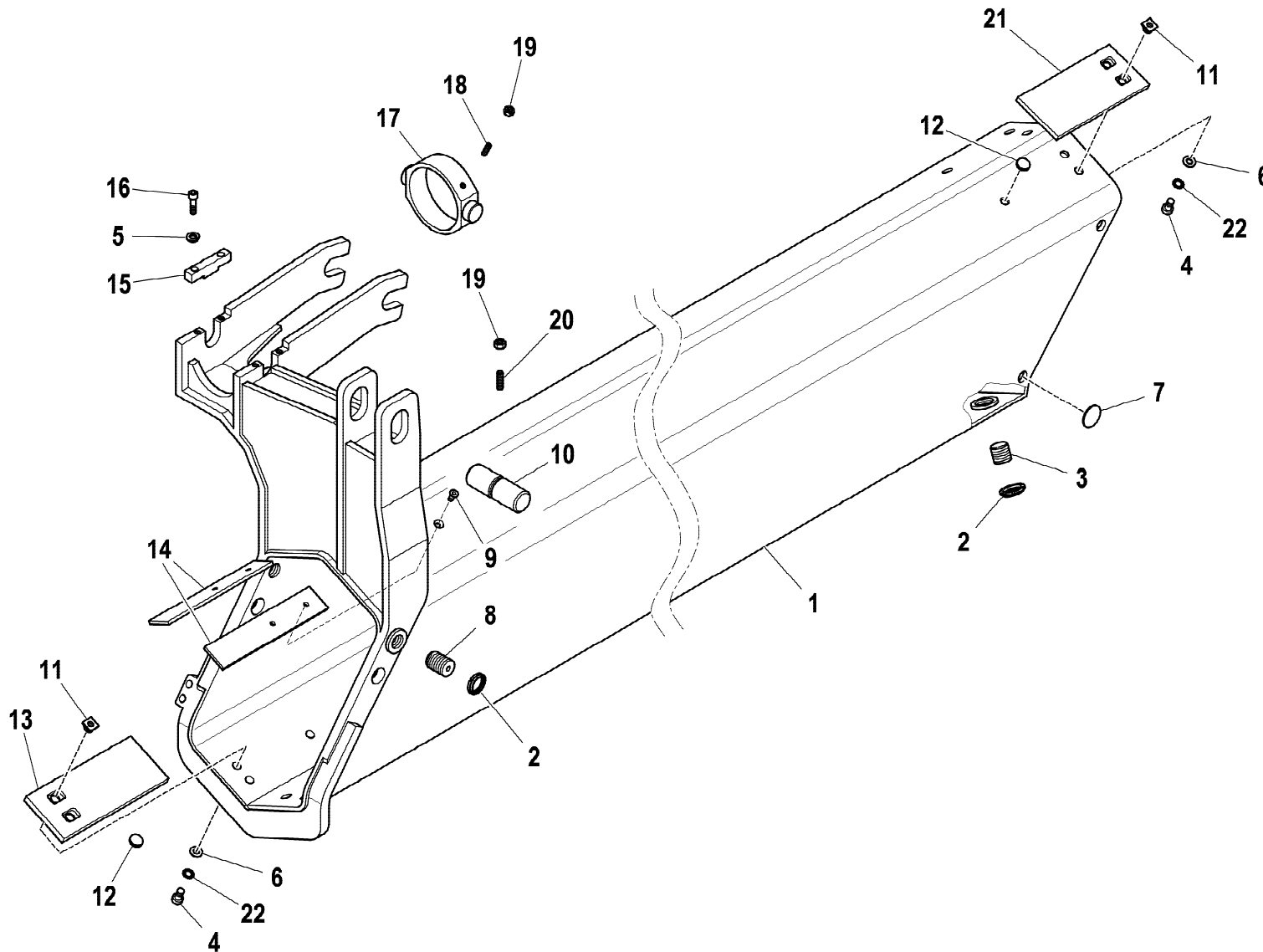
Tavola

**6.21.0374-1-0**

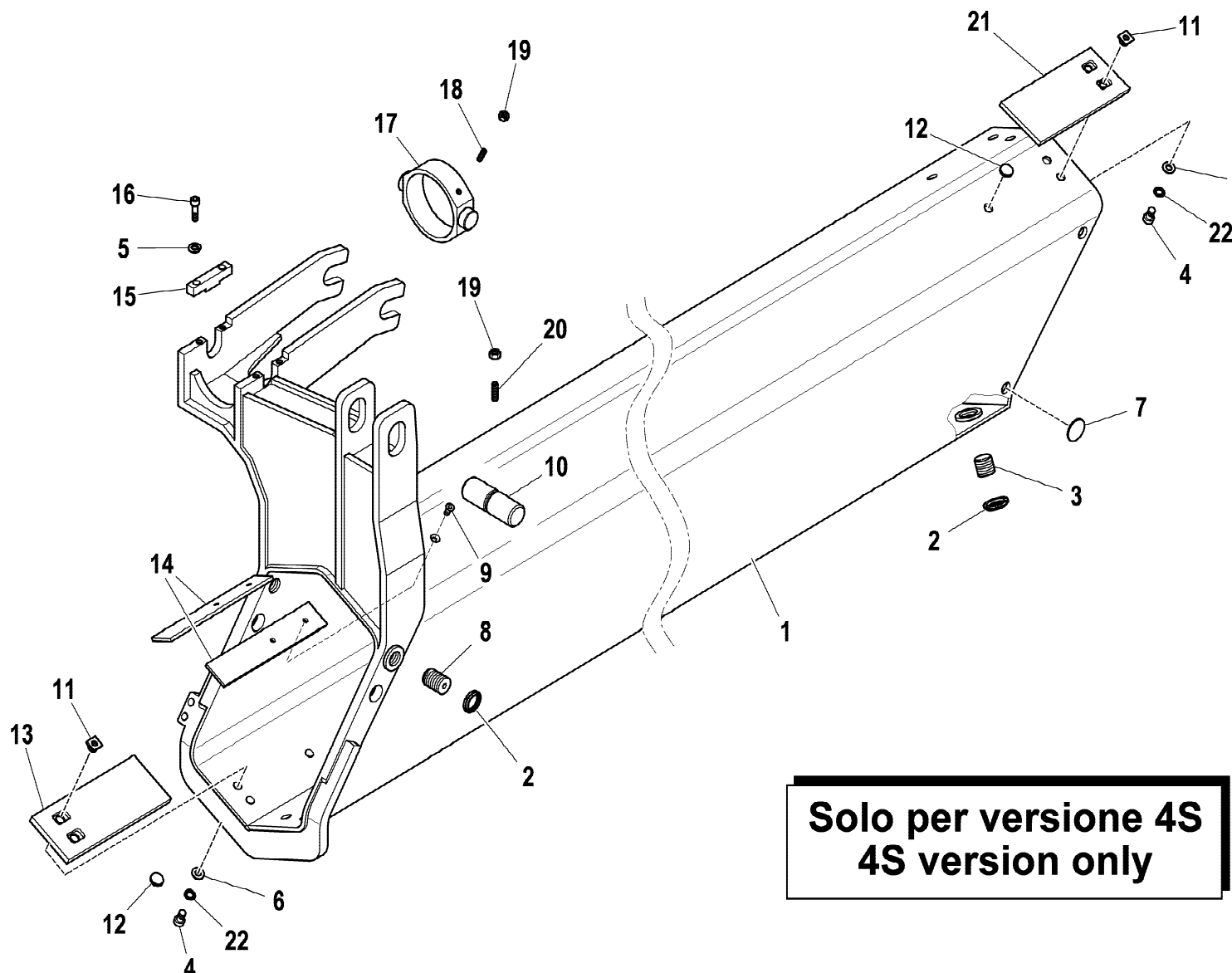
Data pag.  
 febbraio 2008 71

rif.	codice	Q.tà
1	6.03.0822	1
2	3.42.0036	1
3	3.36.1029	4
4	3.37.0160	1
5	6.04.0305	1
6	3.46.0154	1
7	3.45.0154	1
8	6.05.0324	1
9	3.06.0232	1
10	3.40.0516	1
11	3.36.0014	1
12	3.45.0104	1
13	3.46.0104	2
14	6.07.0570	1
15	5.55.0790	1



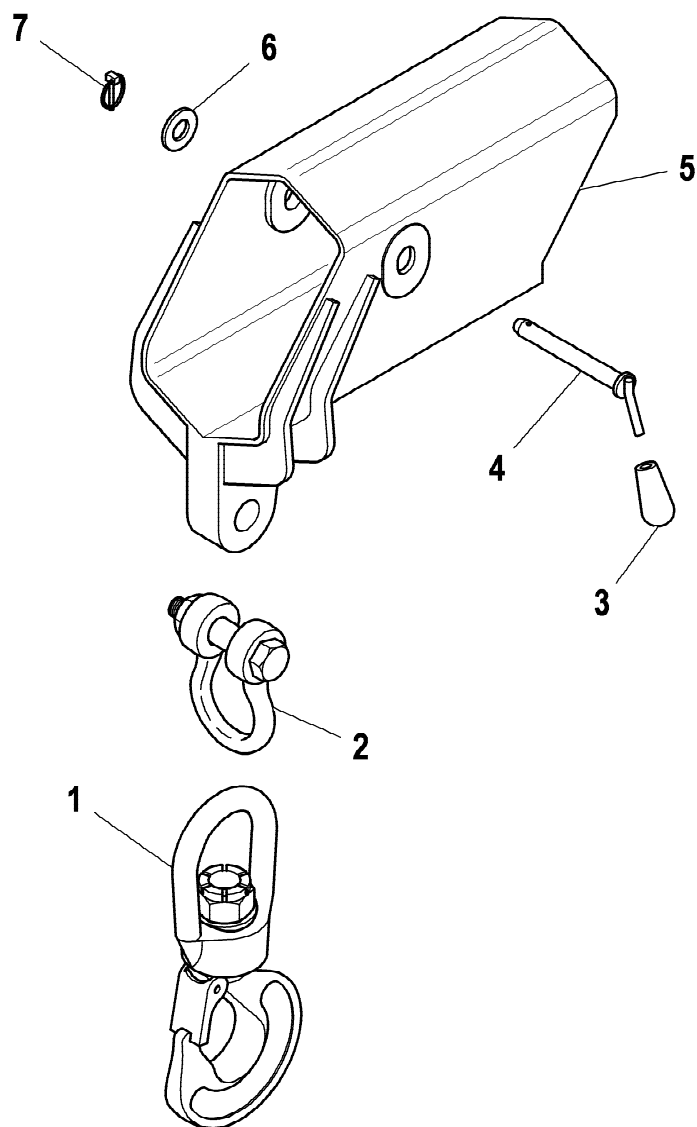


rif.	codice	Q.tà
1	5.02.0508	1
2	3.04.0529	4
3	5.00.1444	2
4	3.02.0080	8
5	3.06.0056	4
6	3.06.0914	8
7	5.14.0789	4
8	5.00.1582	2
9	3.02.0450	4
10	5.15.0866	1
11	5.00.0827	8
12	5.00.1253	4
13	5.14.1031	2
14	5.14.0974	2
15	5.00.1443	2
16	3.02.0071	4
17	5.00.1764	1
18	3.06.1000	2
19	3.04.0046	3
20	3.06.0956	1
21	5.14.1030	2
22	3.06.0920	8



rif.	codice	Q.tà
1	5.02.0508	1
2	3.04.0529	4
3	5.00.1444	2
4	3.02.0080	8
5	3.06.0056	4
6	3.06.0914	8
7	5.14.0789	4
8	5.00.1582	2
9	3.02.0450	4
10	5.15.0866	1
11	5.00.0827	8
12	5.00.1253	4
13	5.14.1031	2
14	5.14.0974	2
15	5.00.1443	2
16	3.02.0071	4
17	5.00.1764	1
18	3.06.1000	2
19	3.04.0046	3
20	3.06.0956	1
21	5.14.1030	2
22	3.06.0920	8

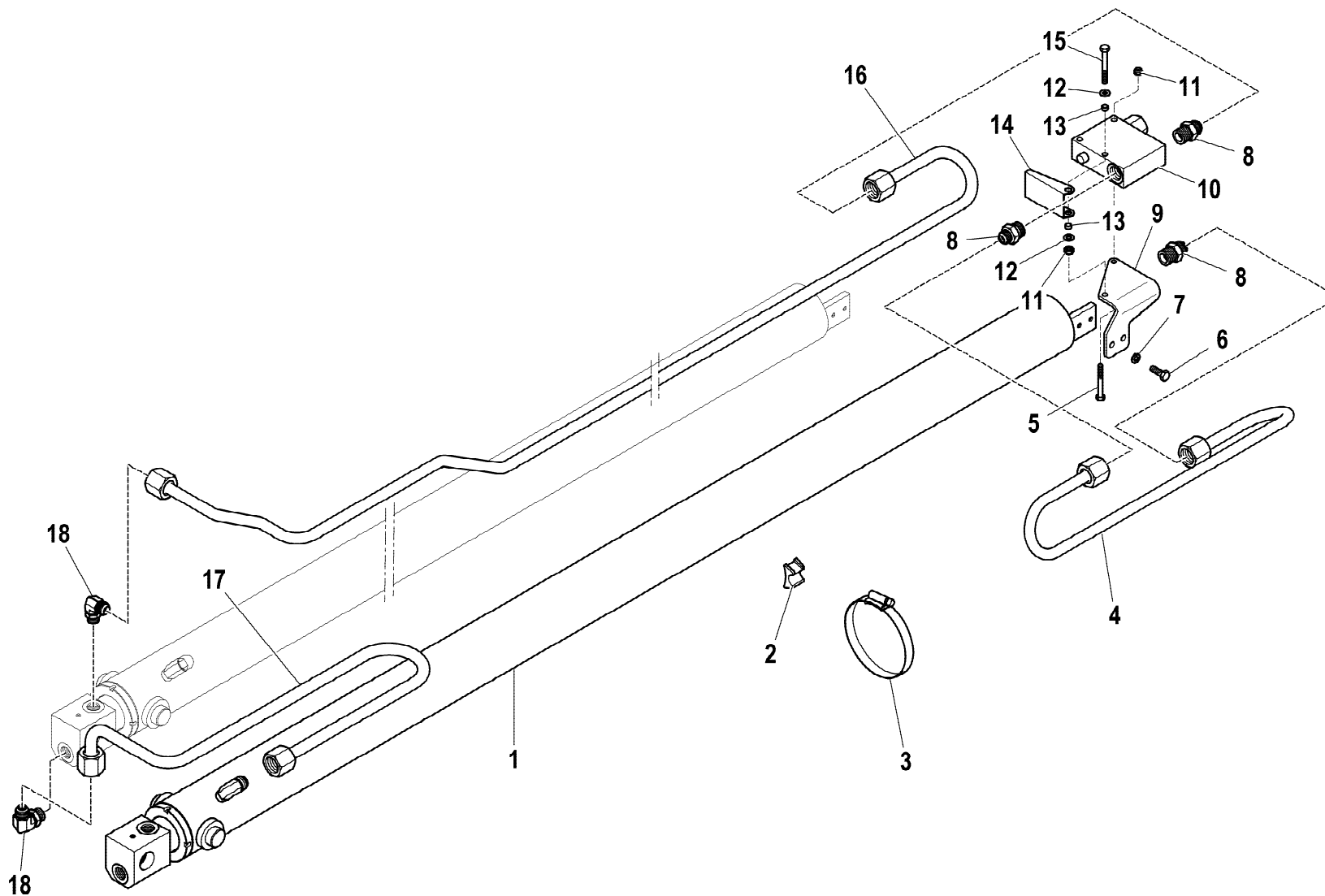
**Solo per versione 4S**  
**4S version only**



**SOLO PER 4S  
ONLY FOR 4S**

rif.	codice	Q.tà
1	3.20.0075	1
2	3.20.0072	1
3	3.19.0010	1
4	5.15.0044	1
5	5.09.0041	1
6	3.06.0016	1
7	3.06.0753	1





rif.	codice	Q.tà
1	6.41.0374	1
2	5.14.0133	2
3	3.19.0021	2
4	5.39.2314	1
5	3.01.0035	1
6	3.01.0355	2
7	3.06.0056	2
8	3.10.1056	3
9	5.00.1843	1
10	5.22.0960	1
11	3.04.0303	2
12	3.06.0006	2
13	W.102.116	2
14	5.00.1807	1
15	3.01.0037	1
16	5.39.2313	1
17	5.39.2315	1
18	3.10.1133	2

1/1

**HYVA** CRANE

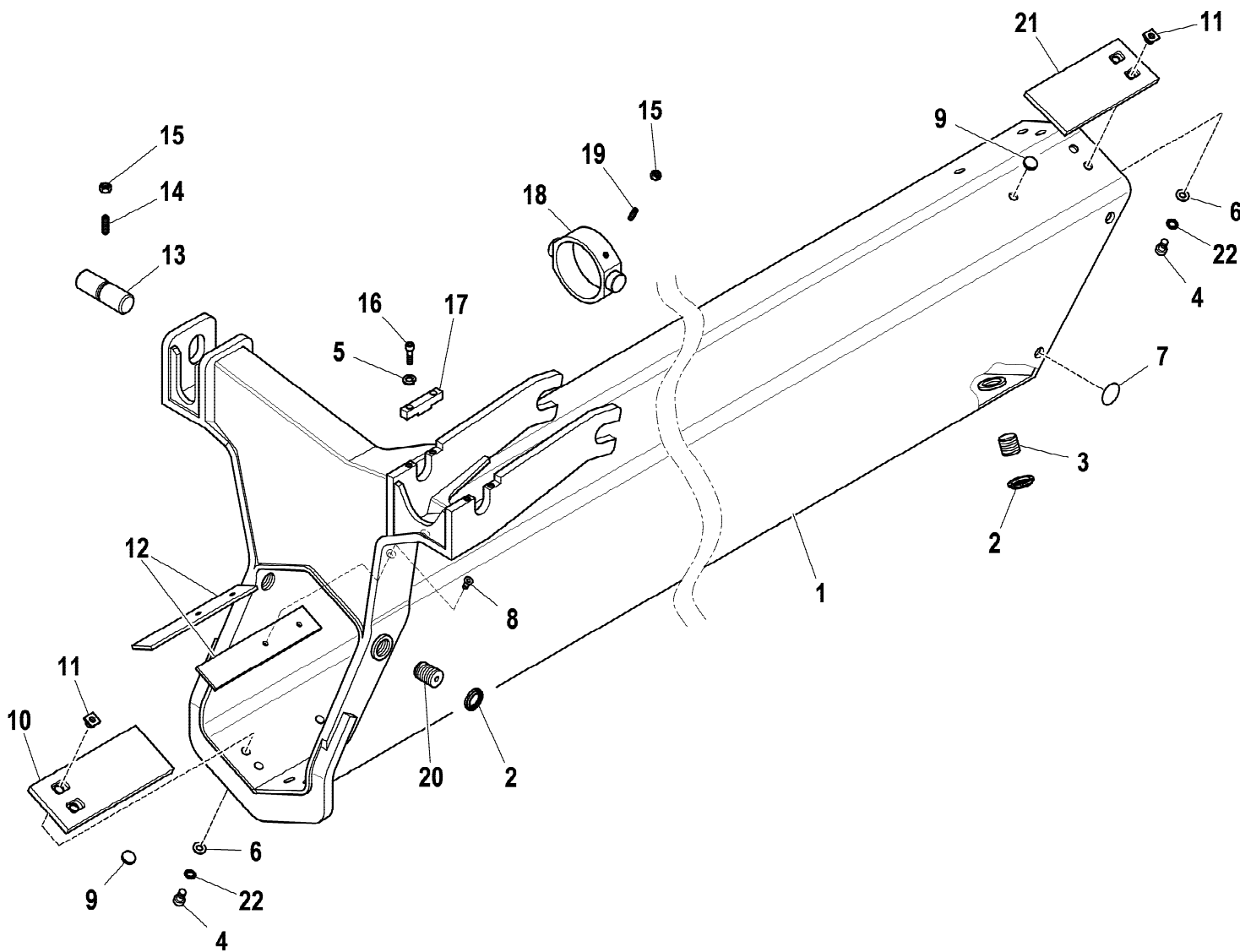
**HC801**

MARTINETTO 4° SFILLO (IMPIANTO OLEODINAMICO)  
 4TH EXTENSION HYDRAULIC JACK (HYDRAULIC SYSTEM)  
 VÉRIN 4ÈME RALLONGE (INSTALLATION HYDRAULIQUE)  
 4. SCHUBZYLINDER (HYDRAULIKANLAGE)  
 GATO 4ª EXTENSIÓN (INSTALACION HIDRAULICA)

Tavola

**6.21.0375-1-0**

Data pag.  
 febbraio 2008 76



rif.	codice	Q.tà
1	5.02.0509	1
2	3.04.0529	4
3	5.00.1444	2
4	3.02.0080	8
5	3.06.0056	4
6	3.06.0914	8
7	5.14.0789	4
8	3.02.0450	4
9	5.00.1253	4
10	5.14.1032	2
11	5.00.0827	8
12	5.14.0974	2
13	5.15.0769	1
14	3.06.0956	1
15	3.04.0046	3
16	3.02.0071	4
17	5.00.1443	2
18	5.00.1765	1
19	3.06.1000	2
20	5.00.1582	2
21	5.14.1031	2
22	3.06.0920	8



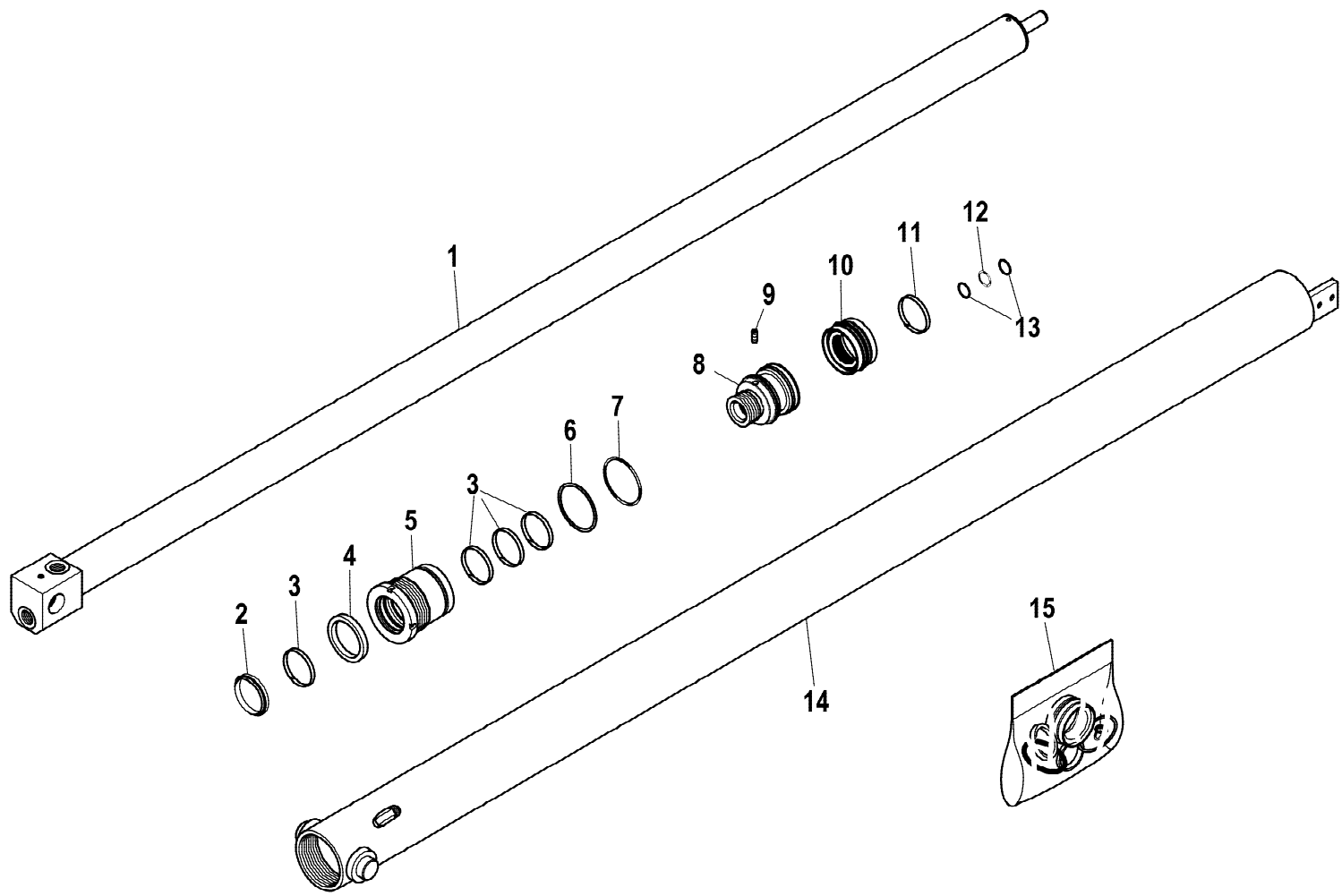
HC801

5° SFILLO  
 5TH EXTENSION  
 5EME RALLONGE  
 5. VERLAENGERUNG  
 5° PROLONGACION

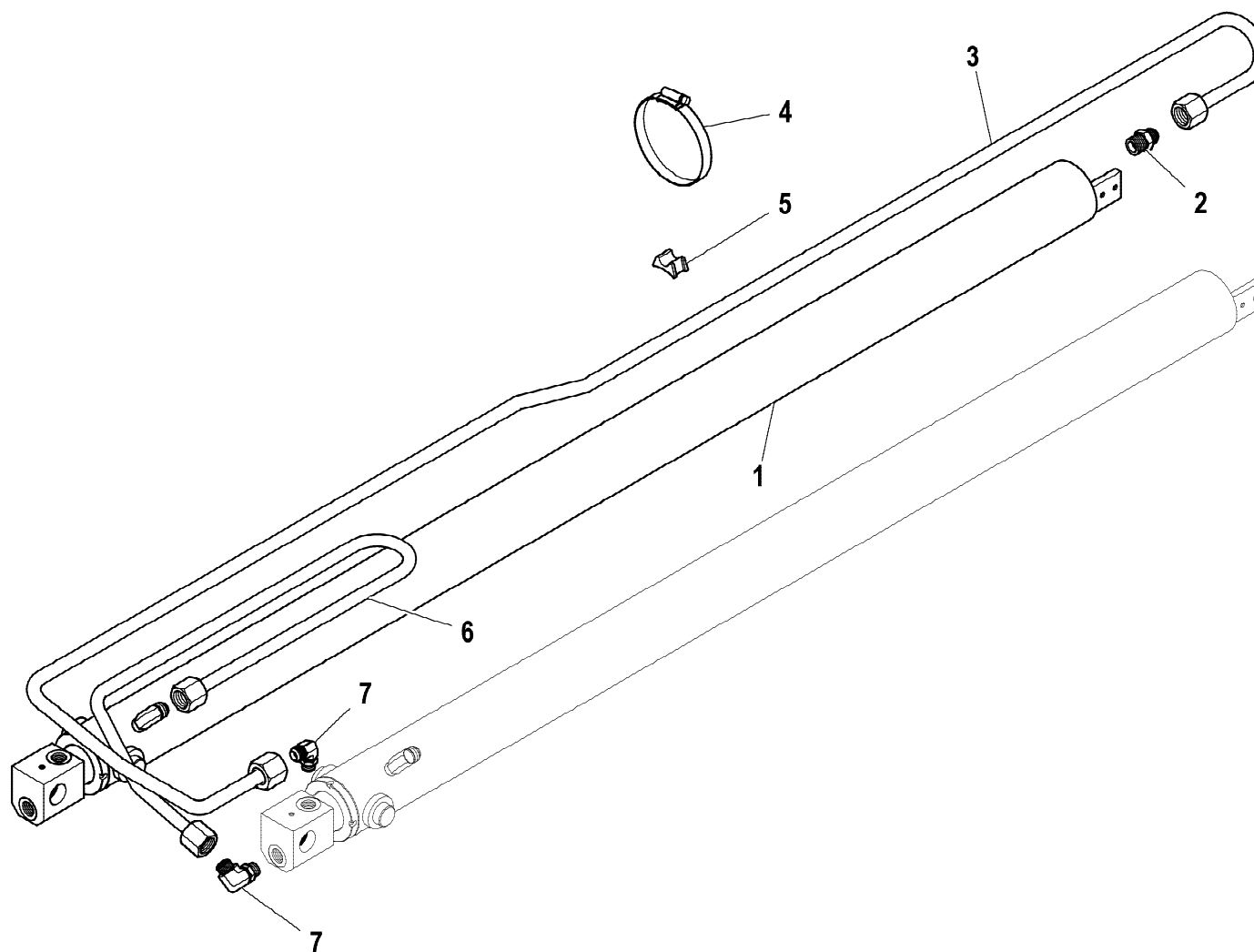
Tavola  
**5.57.0017-1-0**

Data pag.  
 agosto 2007 77

rif.	codice	Q.tà
1	6.03.0824	1
2	3.42.0032	1
3	3.36.1008	4
4	3.37.0144	1
5	6.04.0294	1
6	3.46.0253	1
7	3.45.0150	1
8	6.05.0306	1
9	3.06.0232	1
10	3.40.0514	1
11	3.36.0012	1
12	3.45.0049	1
13	3.46.0049	2
14	6.07.0571	1
15	5.55.0766	1



rif.	codice	Q.tà
1	6.41.0375	1
2	3.10.1056	1
3	5.39.2316	1
4	3.19.0021	2
5	5.14.0133	2
6	5.39.2317	1
7	3.10.1133	2



1/1

**HYVA** CRANE

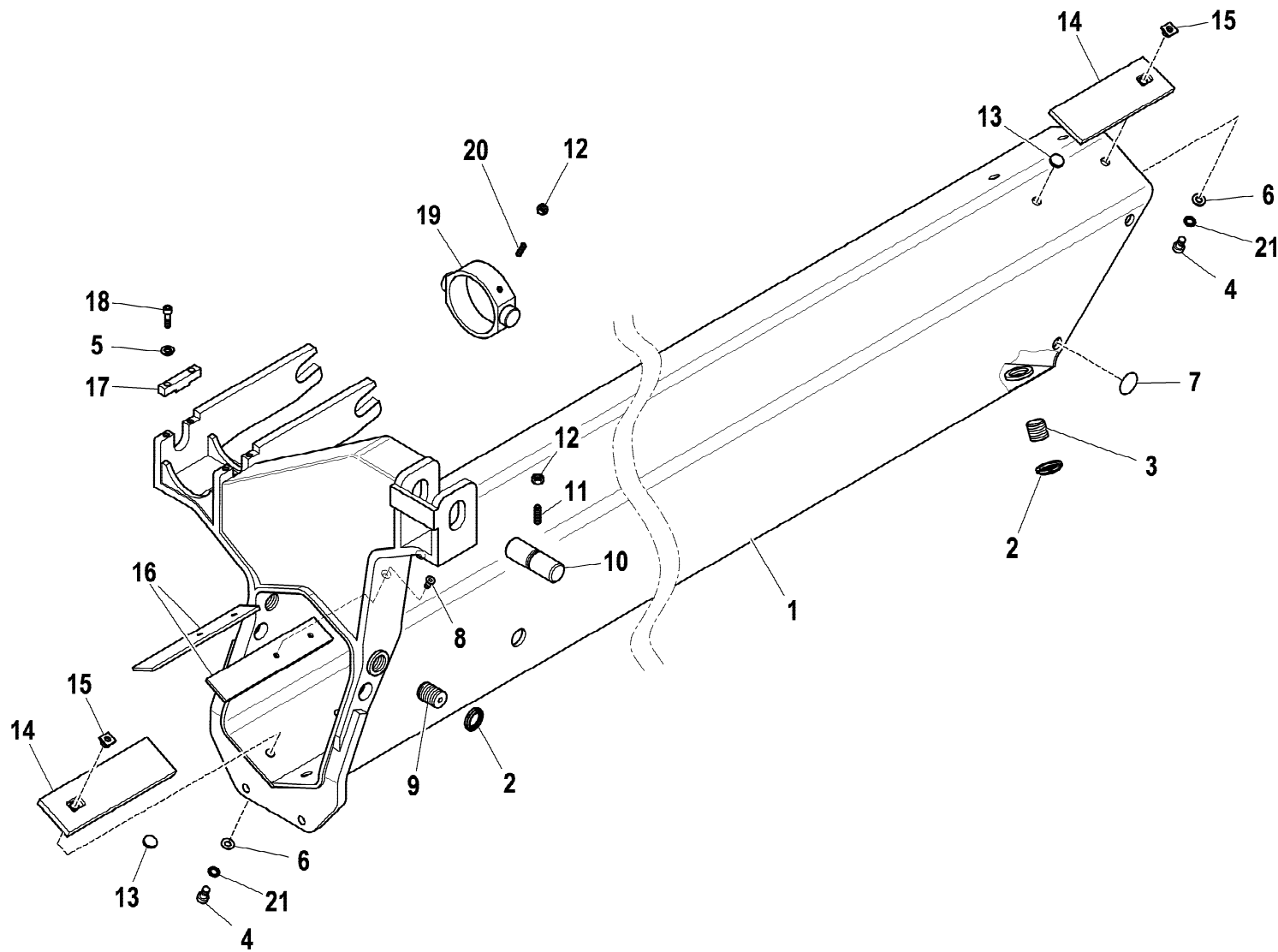
**HC801**

MARTINETTO 5° SFILO (IMPIANTO OLEODINAMICO)  
 5TH EXTENSION HYDRAULIC JACK (HYDRAULIC SYSTEM)  
 VÉRIN 5ÈME RALLONGE (INSTALLATION HYDRAULIQUE)  
 5. SCHUBZYLINDER (HYDRAULIKANLAGE)  
 GATO 5ª EXTENSIÓN (INSTALACION HIDRAULICA)

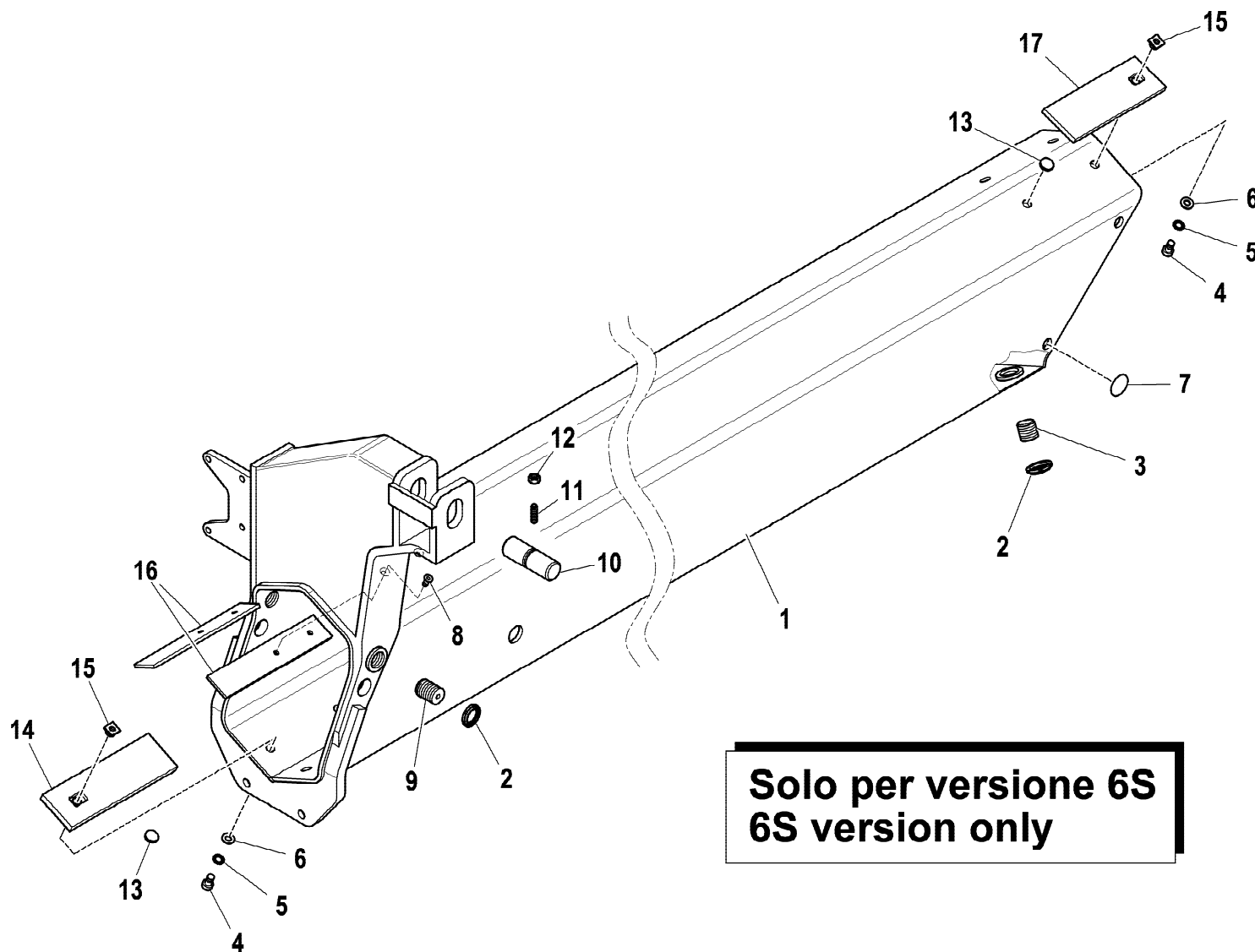
Tavola

**6.21.0376-1-0**

Data pag.  
 febbraio 2008 79



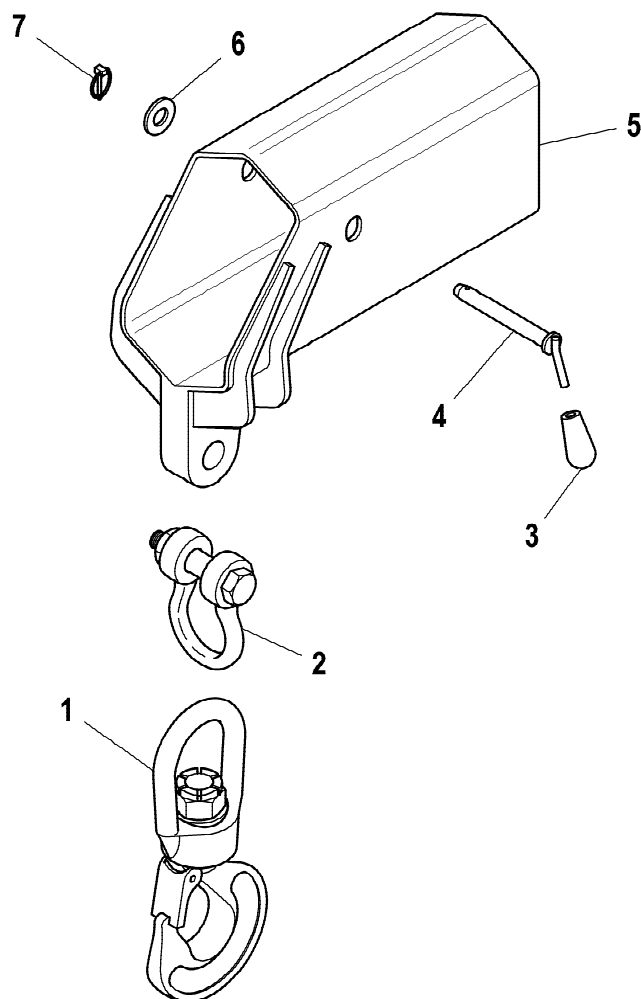
rif.	codice	Q.tà
1	5.02.0510	1
2	3.04.0529	4
3	5.00.1444	2
4	3.02.0080	6
5	3.06.0056	8
6	3.06.0914	6
7	5.14.0789	4
8	3.02.0450	4
9	5.00.1582	2
10	5.15.0769	1
11	3.06.0956	1
12	3.04.0046	3
13	5.00.1253	4
14	5.14.1033	4
15	5.00.0827	6
16	5.14.0974	2
17	5.00.1443	2
18	3.02.0071	4
19	5.00.1765	1
20	3.06.1000	2
21	3.06.0920	4



rif.	codice	Q.tà
1	5.02.0542	1
2	3.04.0529	4
3	5.00.1444	2
4	3.02.0080	4
5	3.06.0920	4
6	3.06.0914	4
7	5.14.0789	4
8	3.02.0450	4
9	5.00.1582	2
10	5.15.0769	1
11	3.06.0956	1
12	3.04.0046	3
13	5.00.1253	4
14	5.14.1033	2
15	5.00.0827	4
16	5.14.0974	2
17	5.14.1032	2

**Solo per versione 6S**  
**6S version only**

rif.	codice	Q.tà
1	3.20.0075	1
2	3.20.0072	1
3	3.19.0010	1
4	5.15.0900	1
5	5.09.1186	1
6	3.06.0016	1
7	3.06.0753	1



**SOLO PER 6S  
ONLY FOR 6S**

1/1

**HYVA** CRANE

**HC801**

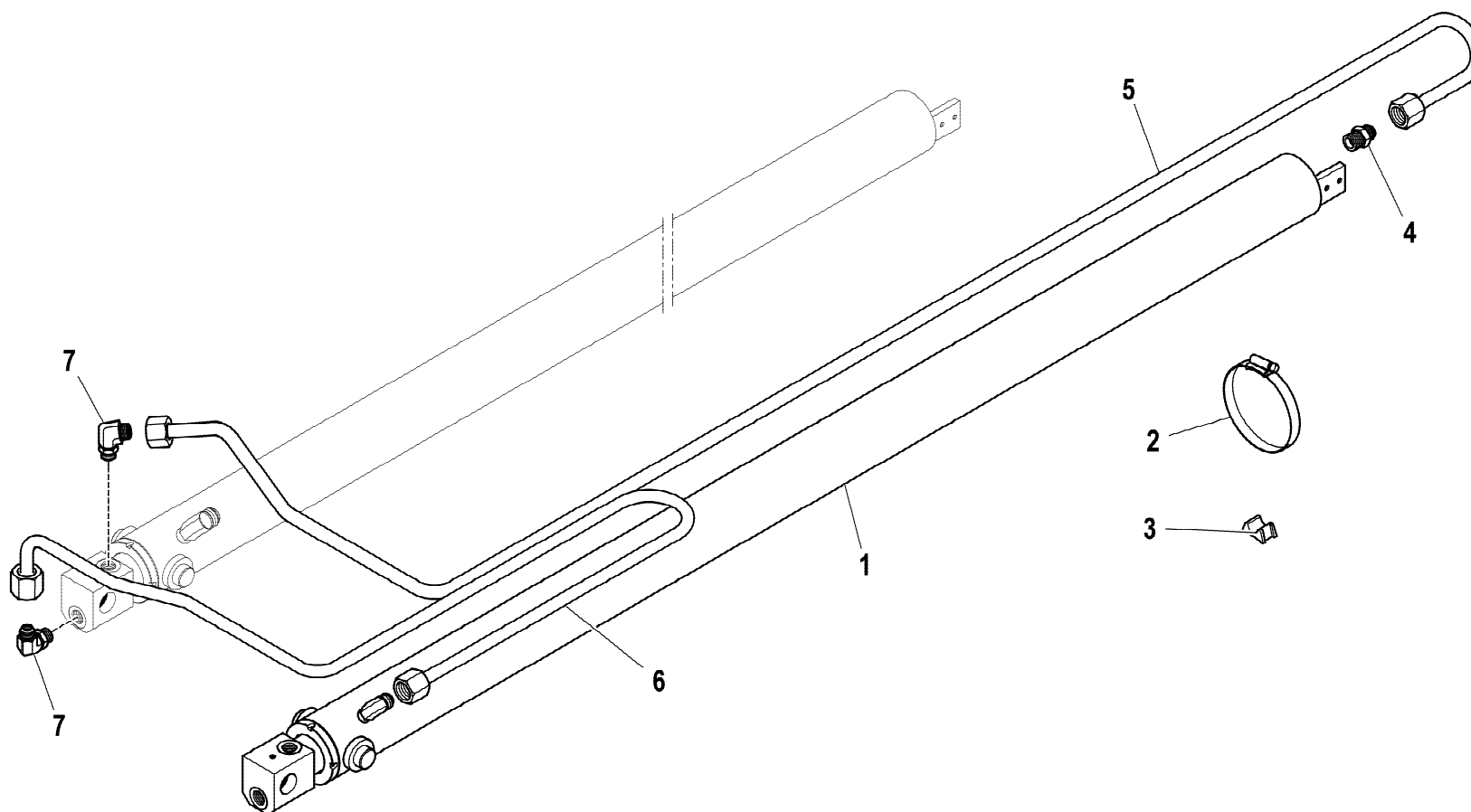
INNESTO (GANCIO) 6S  
COUPLING (HOOK) 6S  
EMBAYAGE (CROCHET) 6S  
KUPPLUNG (HAKEN) 6S  
ACOPLAMIENTO (GANCHO) 6S

Tavola

**5.58.0019-2-0**

Data pag.  
marzo 2008 82

rif.	codice	Q.tà
1	6.41.0375	1
2	3.19.0021	2
3	5.14.0133	2
4	3.10.1056	1
5	5.39.2318	1
6	5.39.2319	1
7	3.10.1133	2



1/1

**HYVA** CRANE

**HC801**

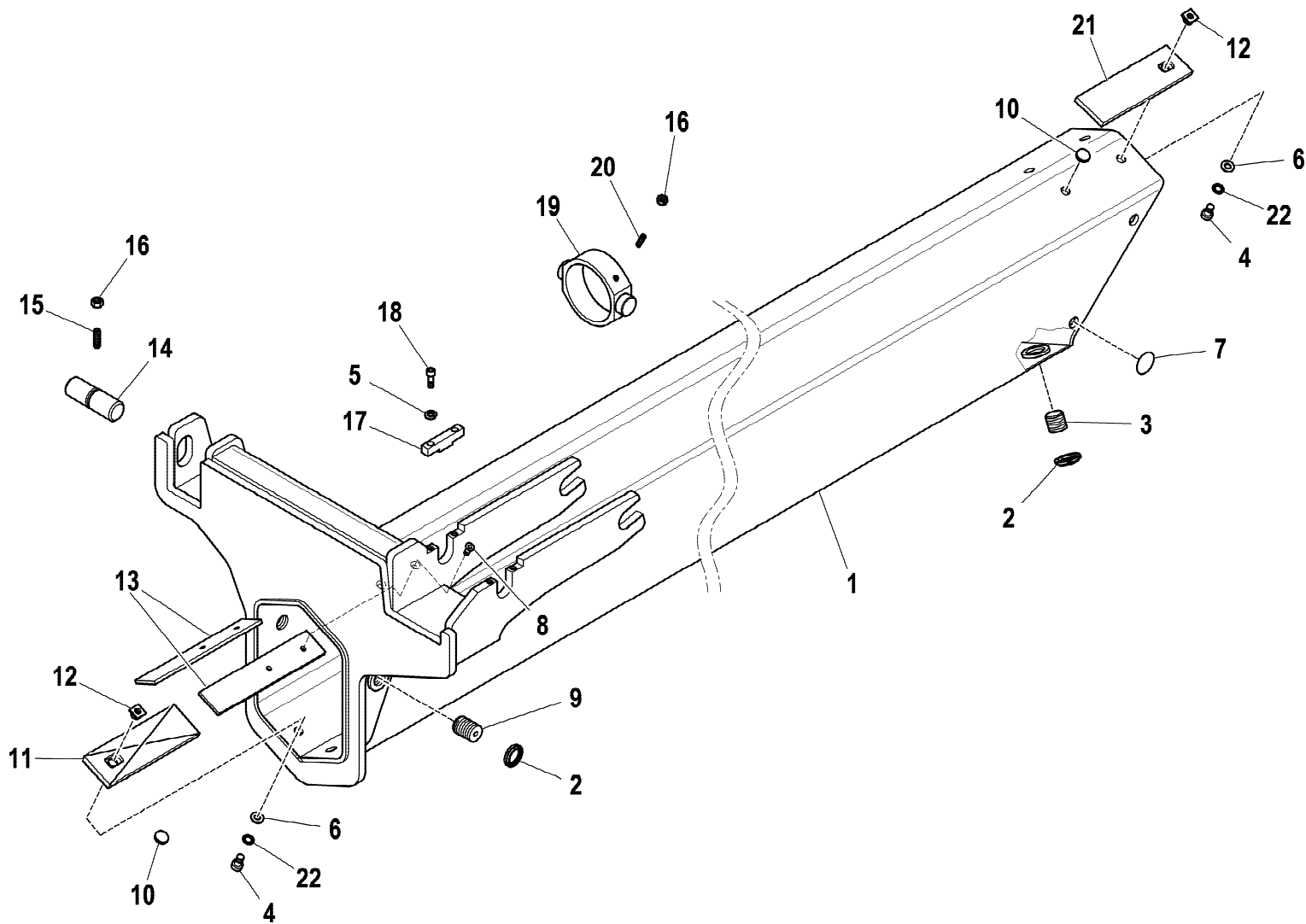
MARTINETTO 6° SFILO (IMPIANTO OLEODINAMICO)  
 6TH EXTENSION HYDRAULIC JACK (HYDRAULIC SYSTEM)  
 VÉRIN 6ÈME RALLONGE (INSTALLATION HYDRAULIQUE)  
 6. SCHUBZYLINDER (HYDRAULIKANLAGE)  
 GATO 6ª EXTENSIÓN (INSTALACION HIDRAULICA)

Tavola

**6.21.0377-1-0**

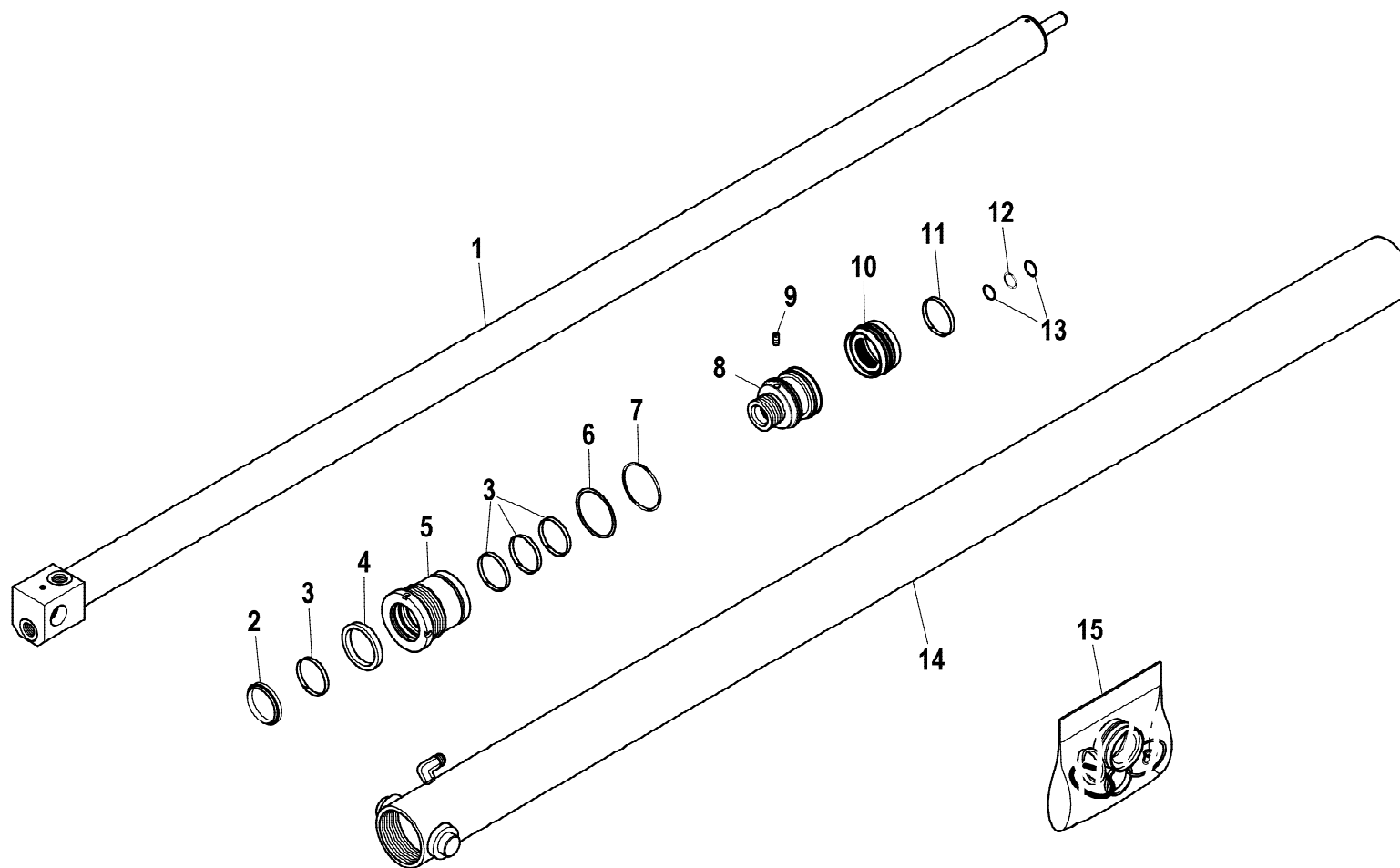
Data pag.  
 febbraio 2008 83



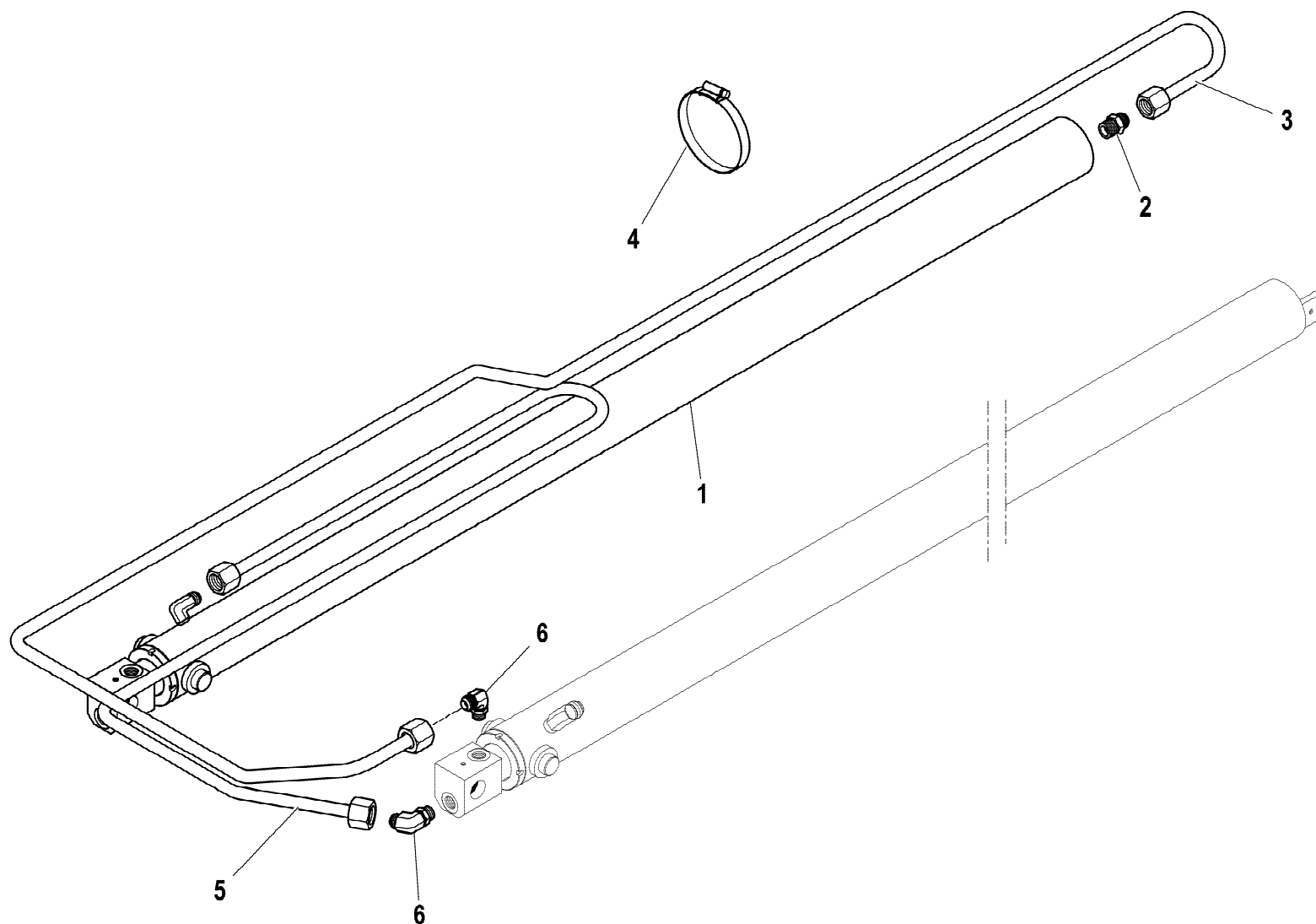


rif.	codice	Q.tà
1	5.02.0511	1
2	3.04.0529	4
3	5.00.1444	2
4	3.02.0080	4
5	3.06.0056	4
6	3.06.0914	4
7	5.14.0789	4
8	3.02.0450	4
9	5.00.1582	2
10	5.00.1253	4
11	5.14.0996	2
12	5.00.0827	4
13	5.14.0974	2
14	5.15.0769	1
15	3.06.0956	1
16	3.04.0046	3
17	5.00.1443	2
18	3.02.0071	4
19	5.00.1765	1
20	3.06.1000	2
21	5.14.1033	2
22	3.06.0920	4

rif.	codice	Q.tà
1	6.03.0824	1
2	3.42.0032	1
3	3.36.1008	4
4	3.37.0144	1
5	6.04.0294	1
6	3.46.0253	1
7	3.45.0150	1
8	6.05.0306	1
9	3.06.0232	1
10	3.40.0514	1
11	3.36.0012	1
12	3.45.0049	1
13	3.46.0049	2
14	6.07.0572	1
15	5.55.0766	1



rif.	codice	Q.tà
1	6.41.0376	1
2	3.10.1056	1
3	5.39.2320	1
4	3.19.0021	2
5	5.39.2321	1
6	3.10.1133	2



1/1

**HYVA** CRANE

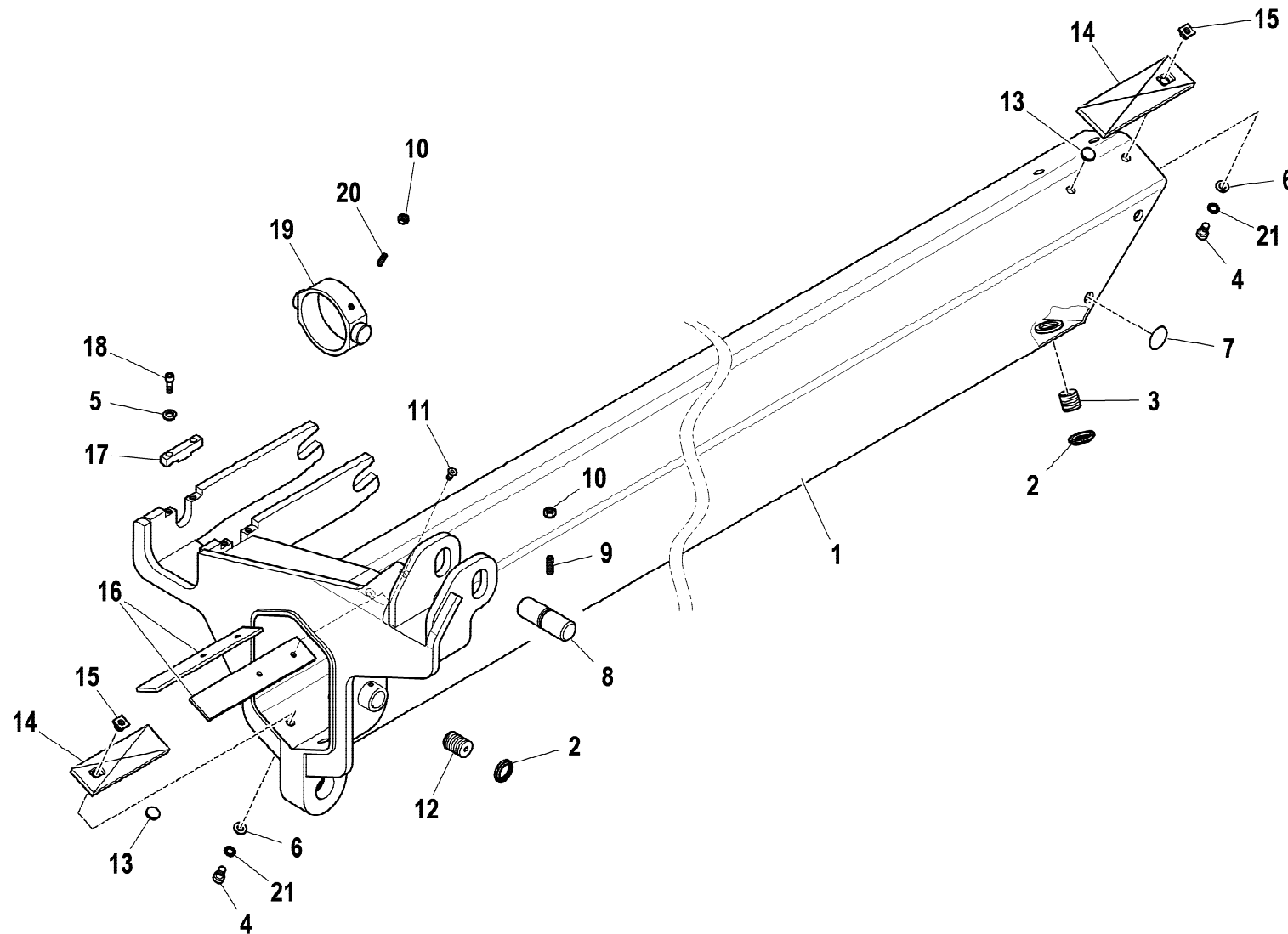
**HC801**

MARTINETTO 7° SFILÒ (IMPIANTO OLEODINAMICO)  
 7TH EXTENSION HYDRAULIC JACK (HYDRAULIC SYSTEM)  
 VÉRIN 7ÈME RALLONGE (INSTALLATION HYDRAULIQUE)  
 7. SCHUBZYLINDER (HYDRAULIKANLAGE)  
 GATO 7ª EXTENSIÓN (INSTALACION HIDRAULICA)

Tavola

**6.21.0378-1-0**

Data pag.  
 febbraio 2008 86



rif.	codice	Q.tà
1	5.02.0512	1
2	3.04.0529	4
3	5.00.1444	2
4	3.02.0080	4
5	3.06.0056	4
6	3.06.0914	4
7	5.14.0789	4
8	5.15.0769	1
9	3.06.0956	1
10	3.04.0046	3
11	3.02.0450	4
12	5.00.1582	2
13	5.00.1253	4
14	5.14.0996	4
15	5.00.0827	4
16	5.14.0974	2
17	5.00.1443	2
18	3.02.0071	4
19	5.00.1765	1
20	3.06.1000	2
21	3.06.0920	4

1/1

**HYVA** CRANE

**HC801**

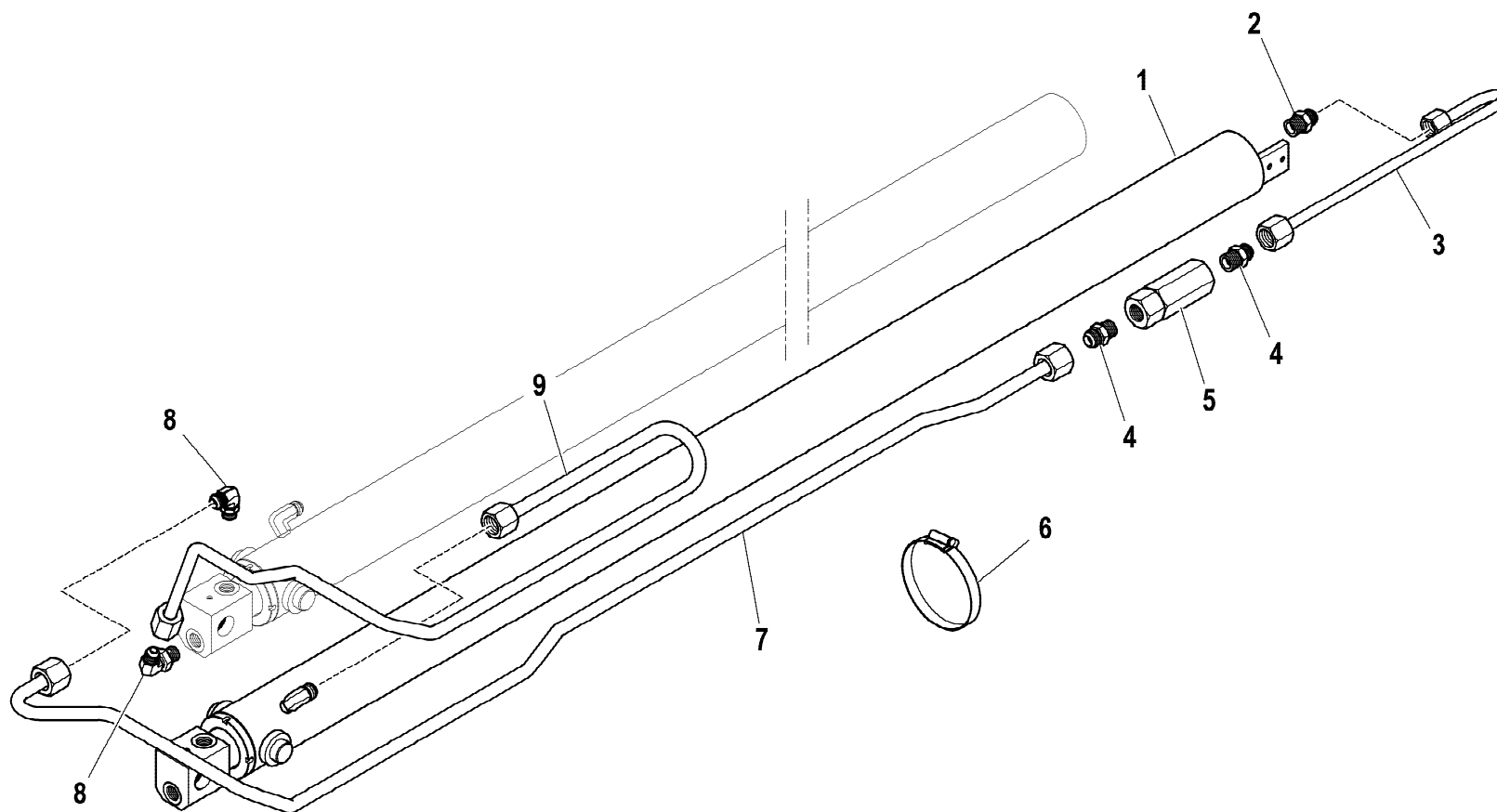
8° SFILO  
8TH EXTENSION  
8EME RALLONGE  
8. VERLAENGERUNG  
8° PROLONGACION

Tavola

**5.32.0005-1-0**

Data pag.  
agosto 2007 87

rif.	codice	Q.tà
1	6.41.0375	1
2	3.10.1056	1
3	5.39.2323	1
4	3.10.1058	2
5	5.22.0688	1
6	3.19.0021	2
7	5.39.2322	1
8	3.10.1133	2
9	5.39.2324	1



1/1

**HYVA** CRANE

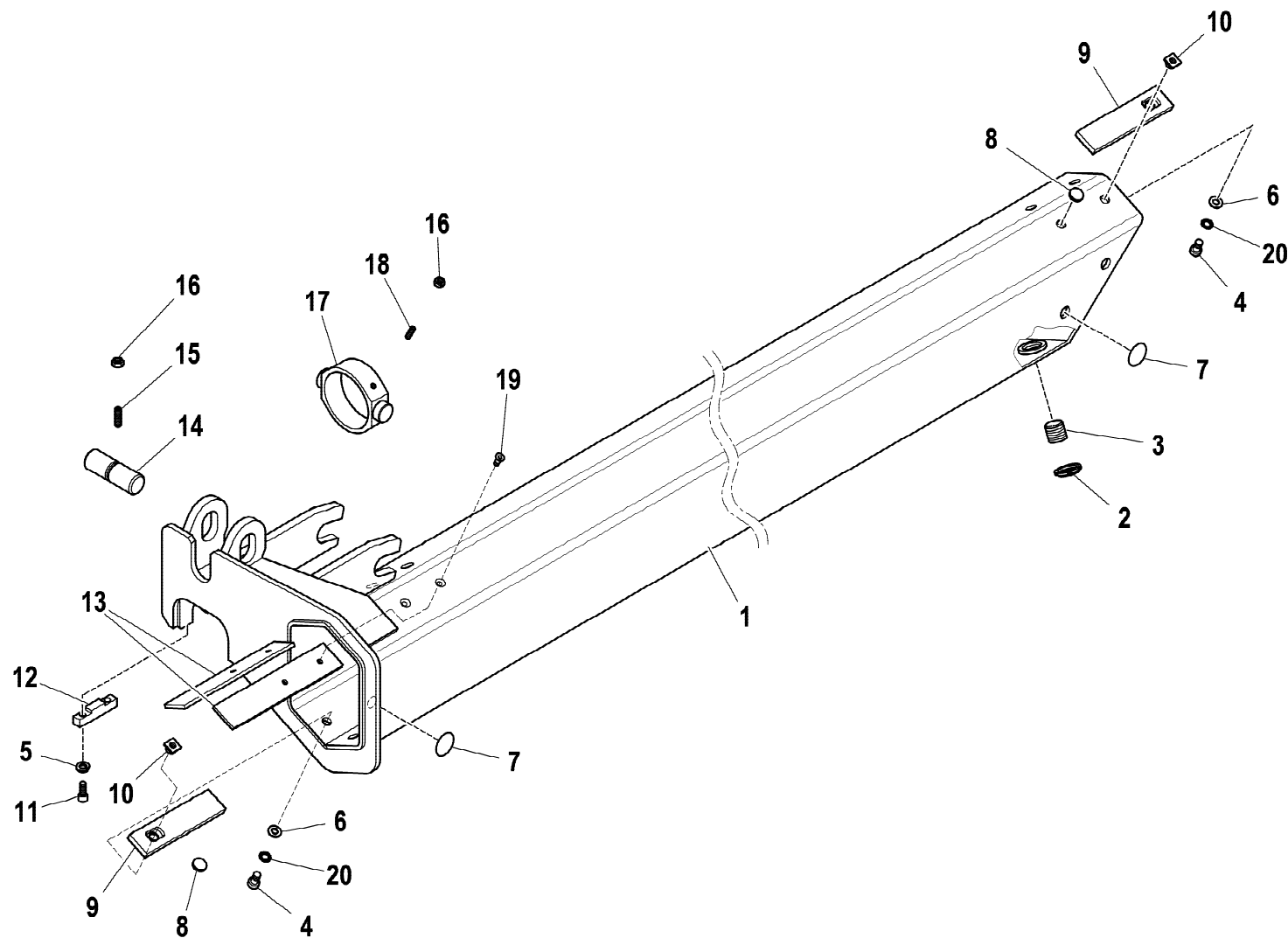
**HC801**

MARTINETTO 8° SFILO (IMPIANTO OLEODINAMICO)  
 8TH EXTENSION HYDRAULIC JACK (HYDRAULIC SYSTEM)  
 VÉRIN 8ÈME RALLONGE (INSTALLATION HYDRAULIQUE)  
 8. SCHUBZYLINDER (HYDRAULIKANLAGE)  
 GATO 8ª EXTENSIÓN (INSTALACION HIDRAULICA)

Tavola

**6.21.0379-1-0**

Data pag.  
 febbraio 2008 88



rif.	codice	Q.tà
1	5.02.0513	1
2	3.04.0529	2
3	5.00.1444	2
4	3.02.0080	4
5	3.06.0056	4
6	3.06.0914	4
7	5.14.0789	6
8	5.00.1253	4
9	5.14.0998	4
10	5.00.0827	4
11	3.02.0071	4
12	5.00.1443	2
13	5.14.0974	2
14	5.15.0769	1
15	3.06.0956	1
16	3.04.0046	3
17	5.00.1818	1
18	3.06.1000	2
19	3.02.0450	4
20	3.06.0920	4

1/1

**HYVA** CRANE

**HC801**

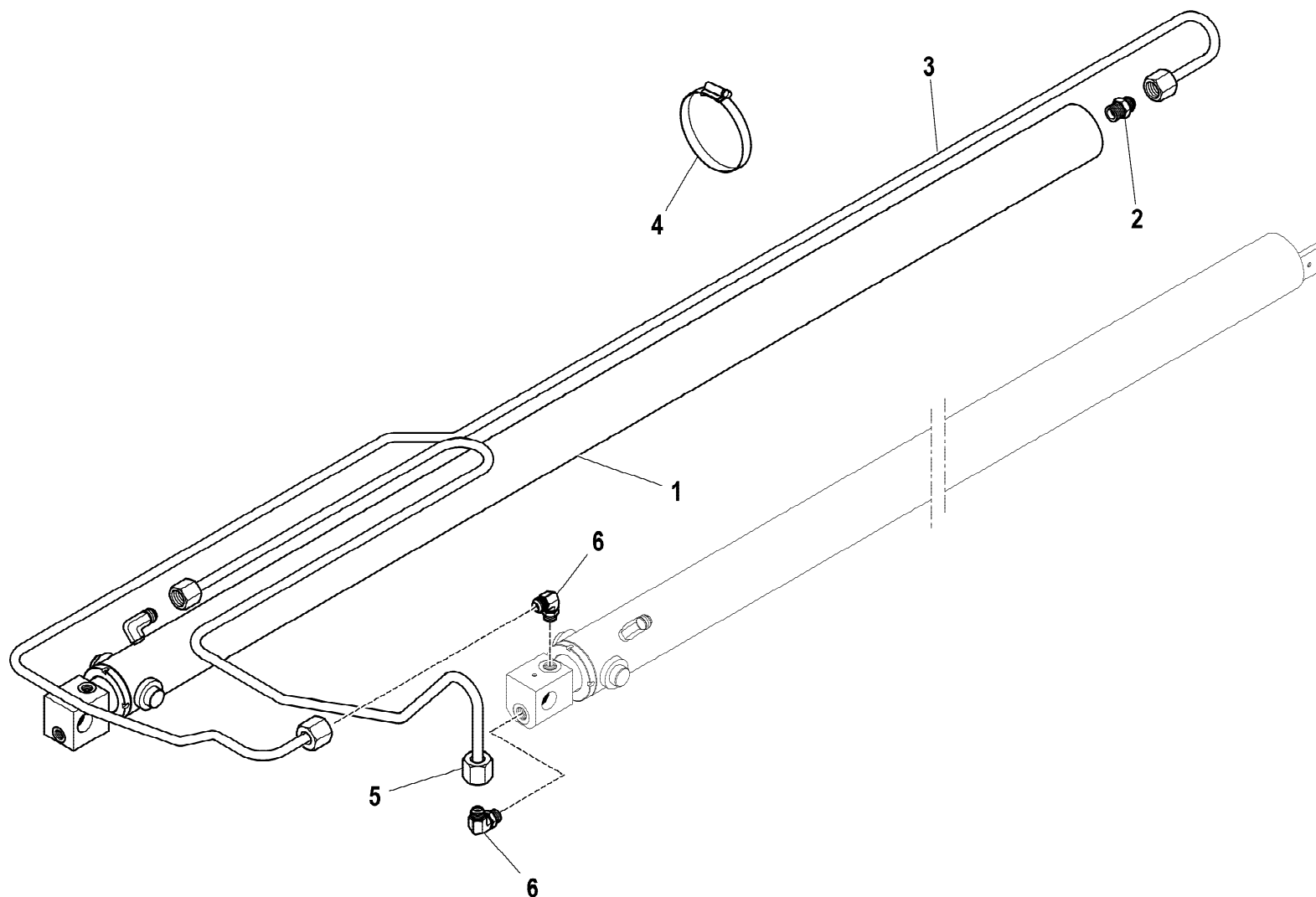
9° SFILO  
 9TH EXTENSION  
 9EME RALLONGE  
 9. VERLAENGERUNG  
 9° PROLONGACION

Tavola

**5.19.0001-1-0**

Data pag.  
 agosto 2007 89

rif.	codice	Q.tà
1	6.41.0377	1
2	3.10.1056	1
3	5.39.2325	1
4	3.19.0021	2
5	5.39.2326	1
6	3.10.1133	2



1/1

**HYVA** CRANE

**HC801**

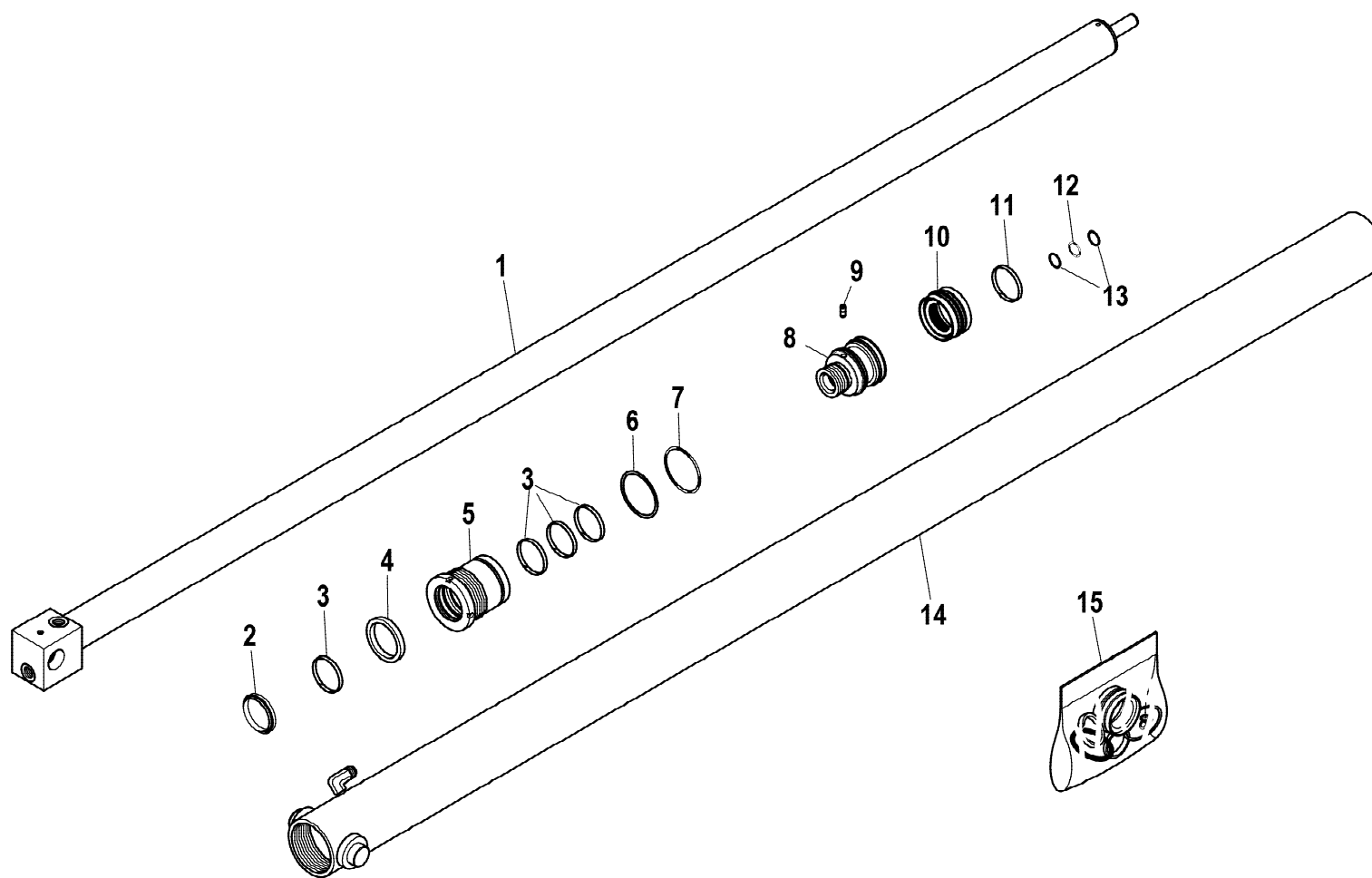
MARTINETTO 9° SFILO (IMPIANTO OLEODINAMICO)  
 9TH EXTENSION HYDRAULIC JACK (HYDRAULIC SYSTEM)  
 VÉRIN 9ÈME RALLONGE (INSTALLATION HYDRAULIQUE)  
 9. SCHUBZYLINDER (HYDRAULIKANLAGE)  
 GATO 9ª EXTENSIÓN (INSTALACION HIDRAULICA)

Tavola

**6.21.0380-1-0**

Data pag.  
 febbraio 2008 90

rif.	codice	Q.tà
1	6.03.0828	1
2	3.42.0030	1
3	3.36.1006	4
4	3.39.0502	1
5	6.04.0299	1
6	3.46.0149	1
7	3.45.0149	1
8	6.05.0307	1
9	3.06.0249	1
10	3.40.0513	1
11	3.36.1011	1
12	3.45.0049	1
13	3.46.0049	2
14	6.07.0574	1
15	5.55.0767	1



1/1

**HYVA** CRANE

**HC801**

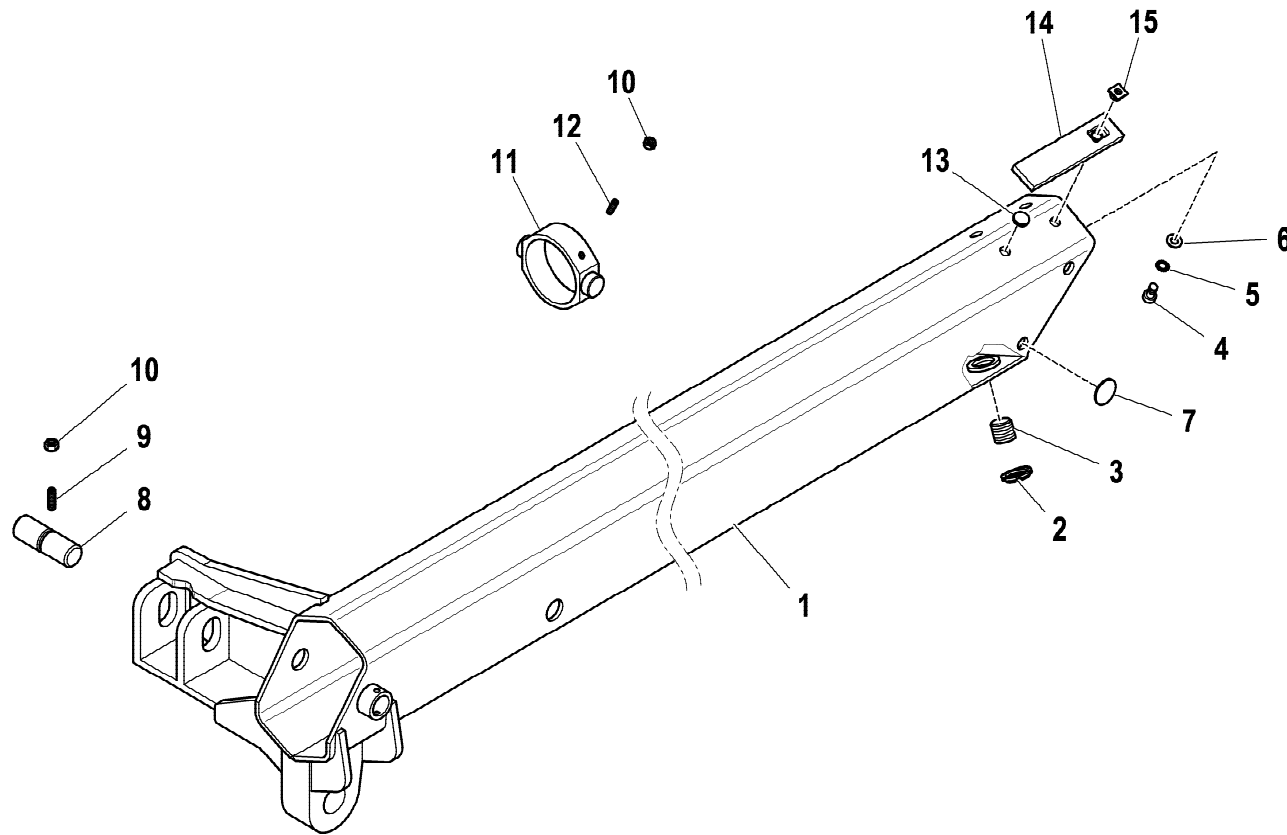
MARTINETTO 9° E 10° SFILO  
 9RD AND 10TH EXTENSION HYDRAULIC CYLINDER  
 VERIN 9ÈME ET 10ÈME RALLONGE  
 9. UNT 10. VERLAENGERUNGSWINDE  
 9° Y 10° GATO DE PROLONGACION

Tavola

**6.41.0377-1-0**

Data pag.  
 agosto 2007 91





rif.	codice	Q.tà
1	5.02.0514	1
2	3.04.0529	2
3	5.00.1444	2
4	3.02.0080	2
5	3.06.0920	2
6	3.06.0914	2
7	5.14.0789	4
8	5.15.0769	1
9	3.06.0956	1
10	3.04.0046	3
11	5.00.1818	1
12	3.06.1000	2
13	5.00.1253	2
14	5.14.0998	2
15	5.00.0827	2

1/1

**HYVA** CRANE

**HC801**

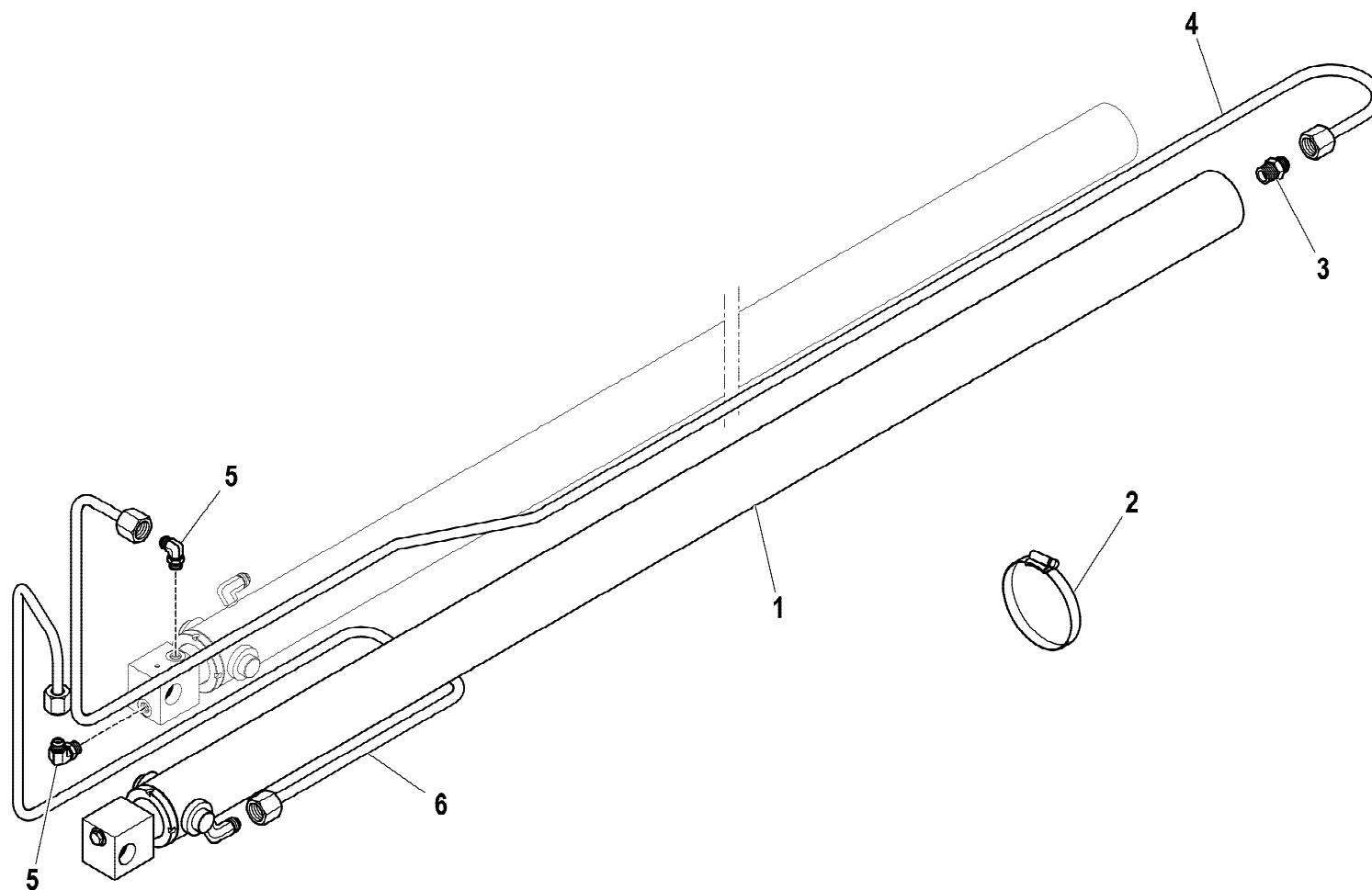
10° SFILO  
 10TH EXTENSION  
 10EME RALLONGE  
 10. VERLAENGERUNG  
 10° PROLONGACION

Tavola

**5.10.0001-1-0**

Data pag.  
 agosto 2007 92

rif.	codice	Q.tà
1	6.41.0377	1
2	3.19.0021	2
3	3.10.1056	1
4	5.39.2327	1
5	3.10.1133	2
6	5.39.2328	1



1/1

**HYVA** CRANE

**HC801**

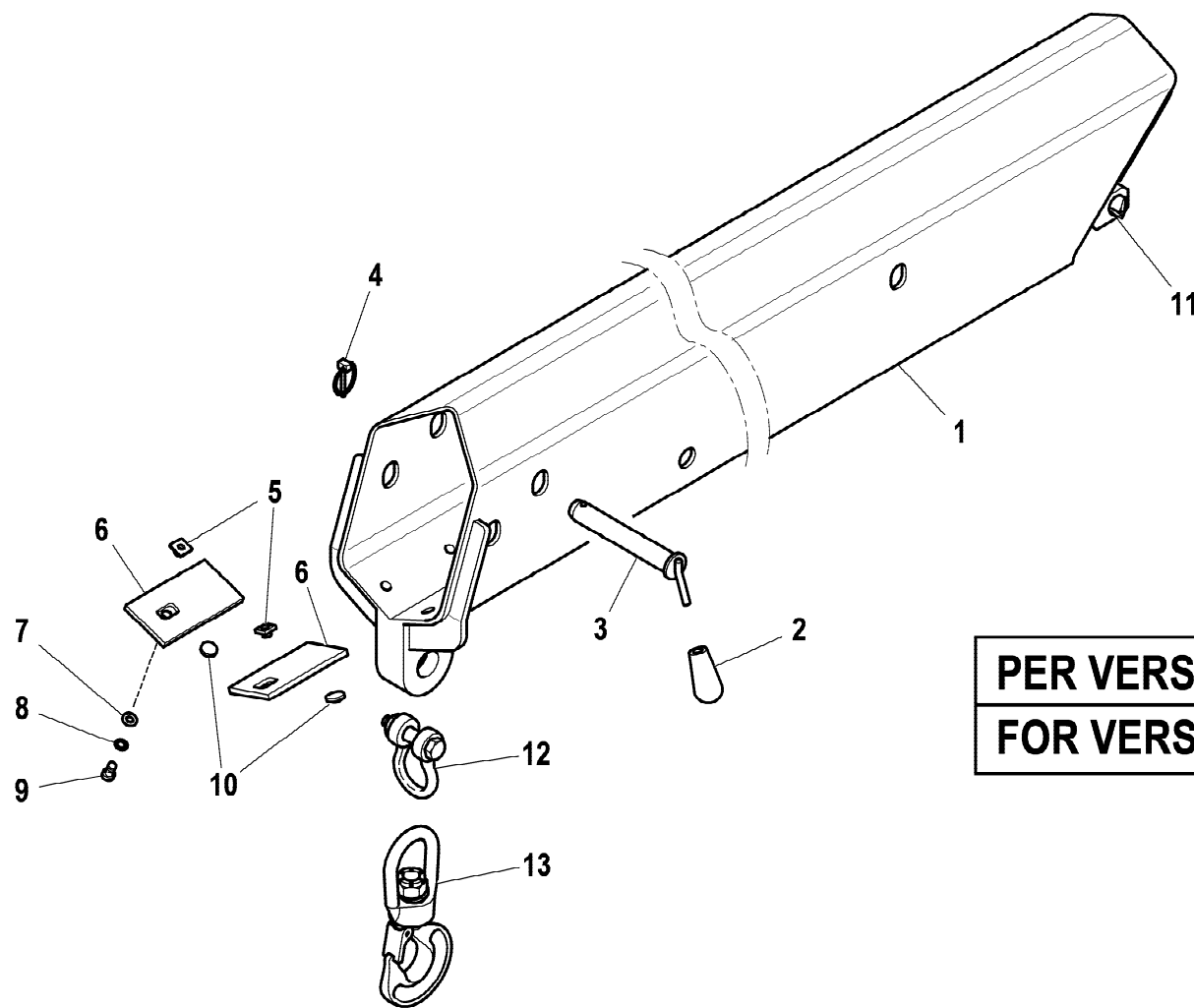
MARTINETTO 10° SFILO (IMPIANTO OLEODINAMICO)  
 10TH EXTENSION HYDRAULIC JACK (HYDRAULIC SYSTEM)  
 VÉRIN 10ÈME RALLONGE (INSTALLATION HYDRAULIQUE)  
 10. SCHUBZYLINDER (HYDRAULIKANLAGE)  
 GATO 10ª EXTENSIÓN (INSTALACION HIDRAULICA)

Tavola

**6.21.0381-1-0**

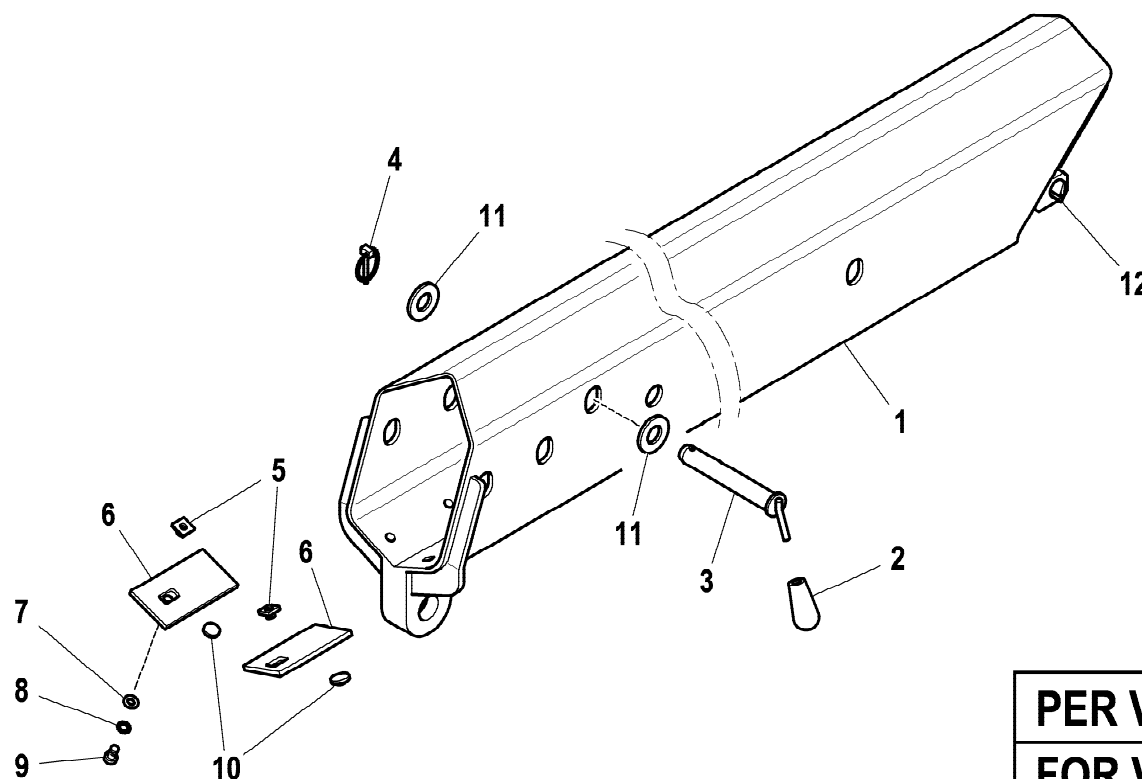
Data pag.  
 febbraio 2008 93

rif.	codice	Q.tà
1	5.01.0345	1
2	3.19.0010	1
3	5.15.0900	1
4	3.06.0753	1
5	5.00.0827	2
6	5.14.1033	2
7	3.06.0914	2
8	3.06.0920	2
9	3.02.0080	2
10	5.00.1253	2
11	5.00.0640	1
12	3.20.0067	1
13	3.20.0007	1



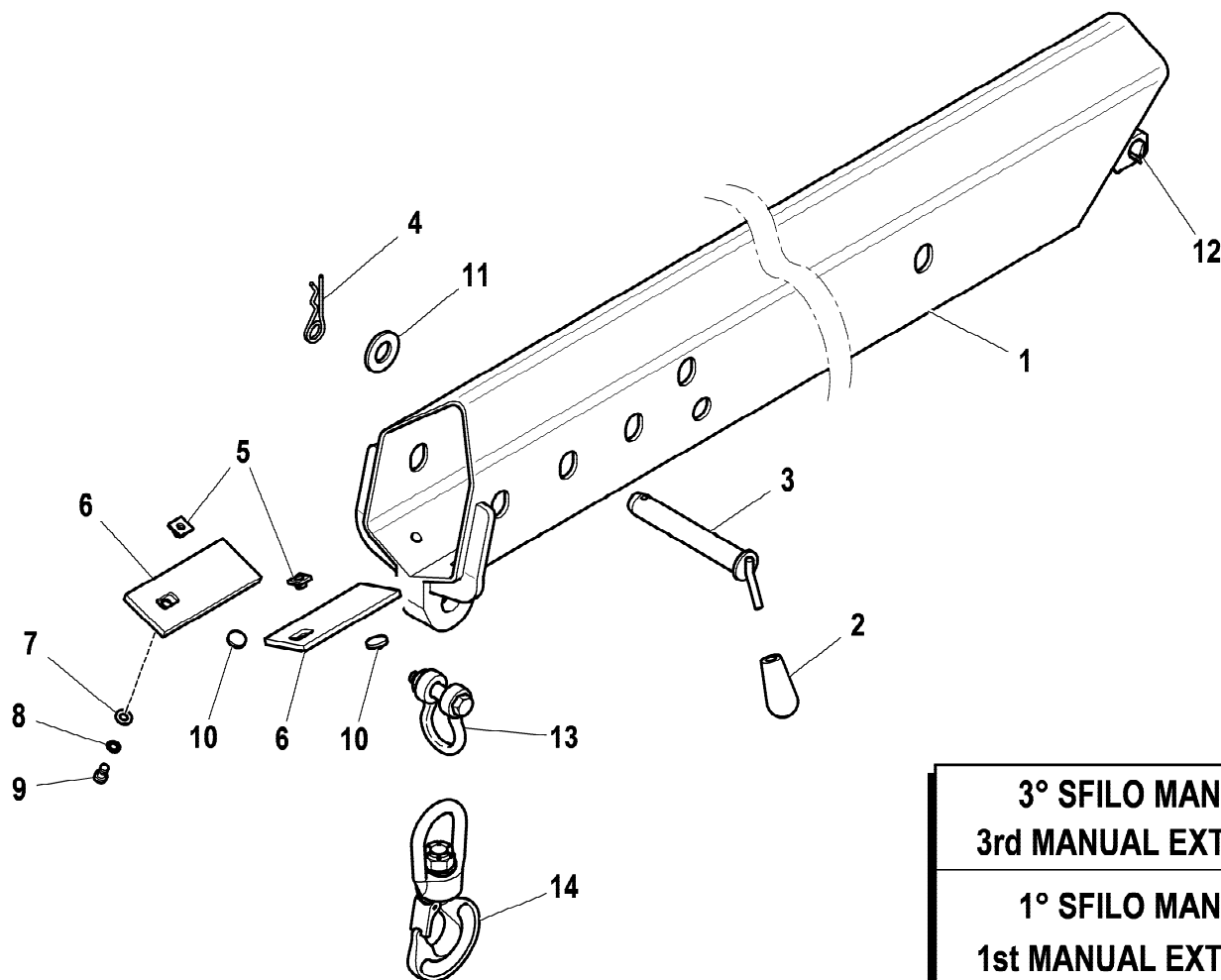
**PER VERSIONE 6S**  
**FOR VERSION 6S**

rif.	codice	Q.tà
1	5.01.0346	1
2	3.19.0010	1
3	5.15.0838	1
4	3.06.0753	1
5	5.00.0827	2
6	5.14.0996	2
7	3.06.0914	2
8	3.06.0920	2
9	3.02.0080	2
10	5.00.1253	2
11	3.06.0016	2
12	5.00.0640	1



**PER VERSIONE 6S**  
**FOR VERSION 6S**

rif.	codice	Q.tà
1	5.01.0347	1
2	3.19.0010	1
3	5.15.0838	1
4	3.06.0703	1
5	5.00.0827	2
6	5.14.0998	2
7	3.06.0914	2
8	3.06.0920	2
9	3.02.0080	2
10	5.00.1253	2
11	3.06.0016	1
12	5.00.0640	1
13	3.20.0067	1
14	3.20.0007	1

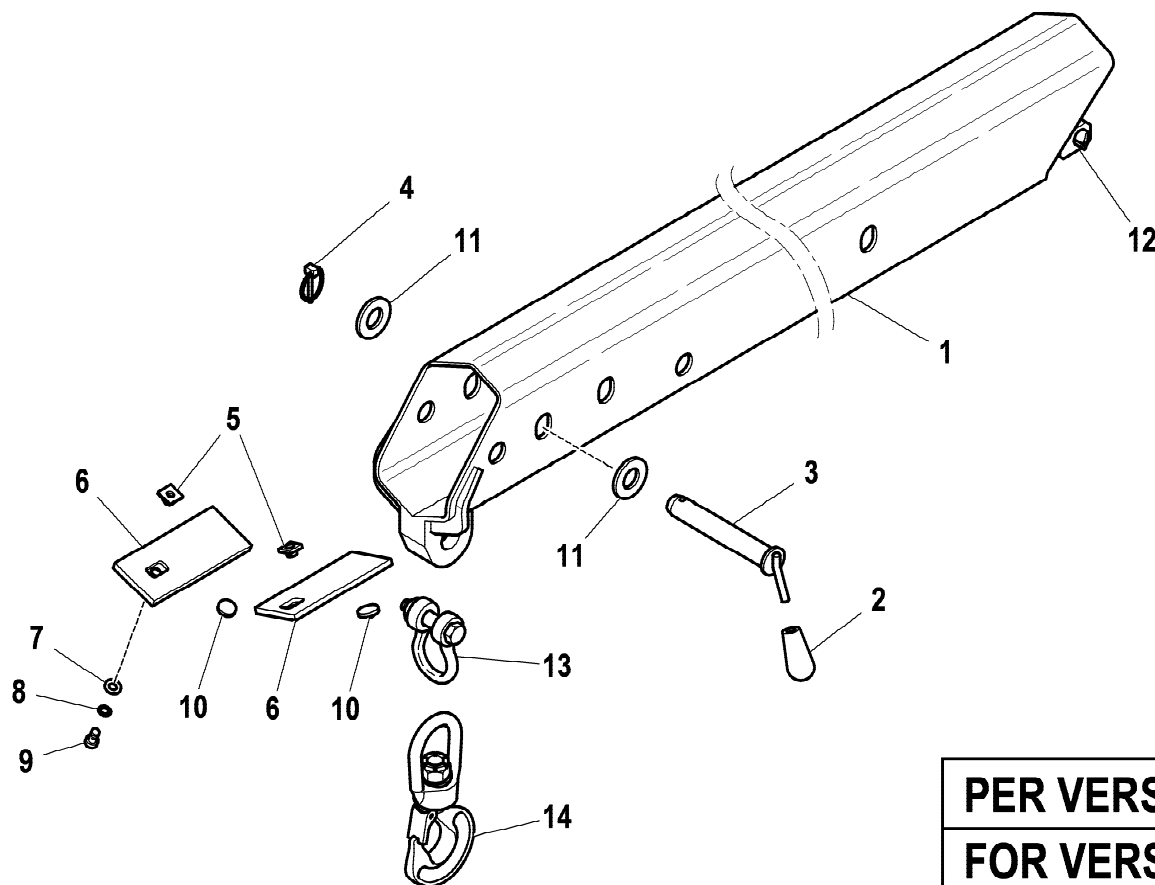


**3° SFILO MANUALE PER 6S**  
**3rd MANUAL EXTENSION FOR 6S**

---

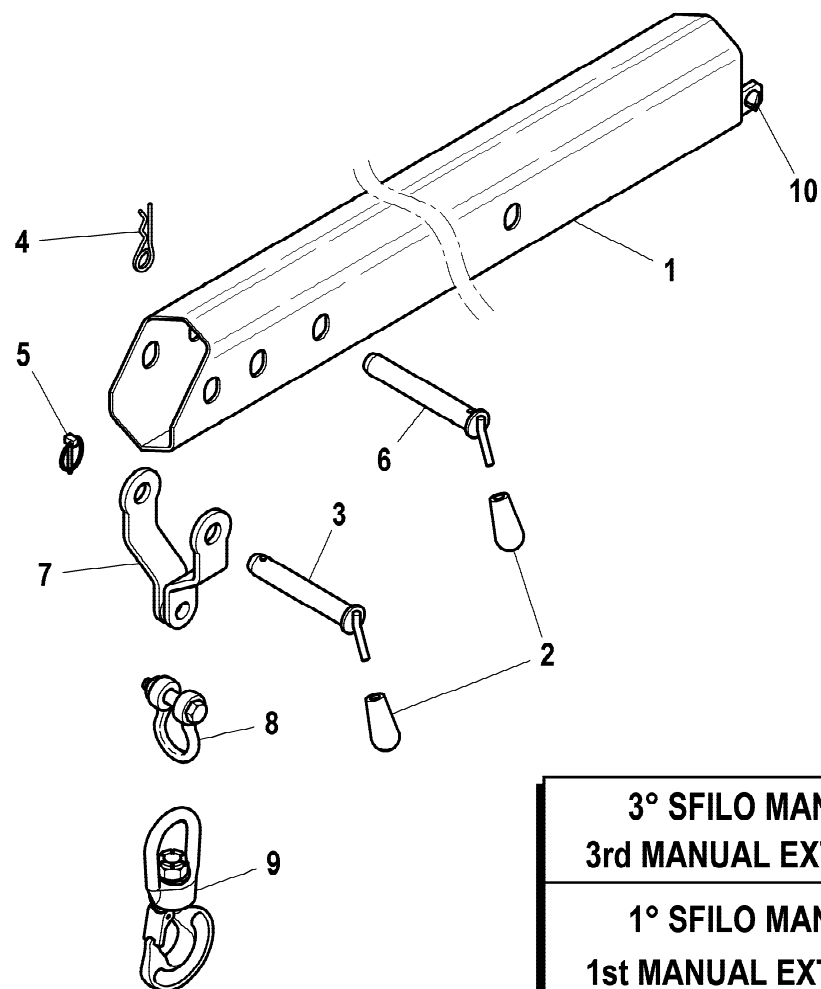
**1° SFILO MANUALE PER 8S**  
**1st MANUAL EXTENSION FOR 8S**

rif.	codice	Q.tà
1	5.01.0348	1
2	3.19.0010	1
3	5.15.0806	1
4	3.06.0753	1
5	5.00.0827	2
6	5.14.0998	2
7	3.06.0914	2
8	3.06.0920	2
9	3.02.0080	2
10	5.00.1253	2
11	3.06.0016	2
12	5.00.0640	1
13	3.20.0067	1
14	3.20.0007	1



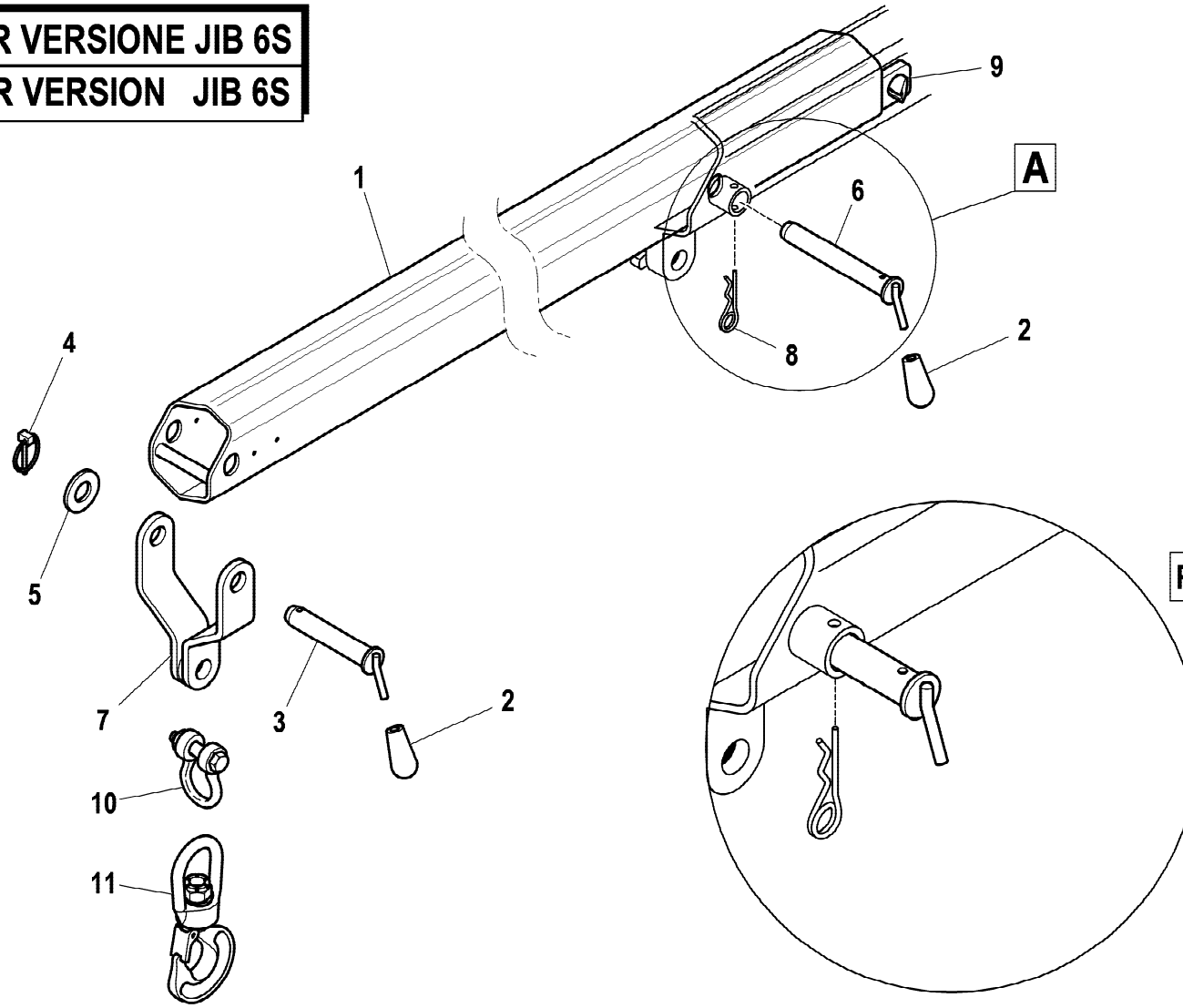
**PER VERSIONE 8S**  
**FOR VERSION 8S**

rif.	codice	Q.tà
1	5.01.0349	1
2	3.19.0010	2
3	5.15.0396	1
4	3.06.0703	1
5	3.06.0753	1
6	5.15.0893	1
7	5.00.1906	1
8	3.20.0067	1
9	3.20.0007	1
10	5.00.0640	1



<p><b>3° SFILO MANUALE PER 8S</b>  <b>3rd MANUAL EXTENSION FOR 8S</b></p>
<p><b>1° SFILO MANUALE PER 10S</b>  <b>1st MANUAL EXTENSION FOR 10S</b></p>

**PER VERSIONE JIB 6S**  
**FOR VERSION JIB 6S**



rif.	codice	Q.tà
1	5.01.0351	1
2	3.19.0010	2
3	5.15.0895	1
4	3.06.0753	1
5	3.06.0014	1
6	5.15.0905	1
7	5.00.1932	1
8	3.06.0924	1
9	5.00.0640	1
10	3.20.0067	1
11	3.20.0007	1

**PARTIC. A**

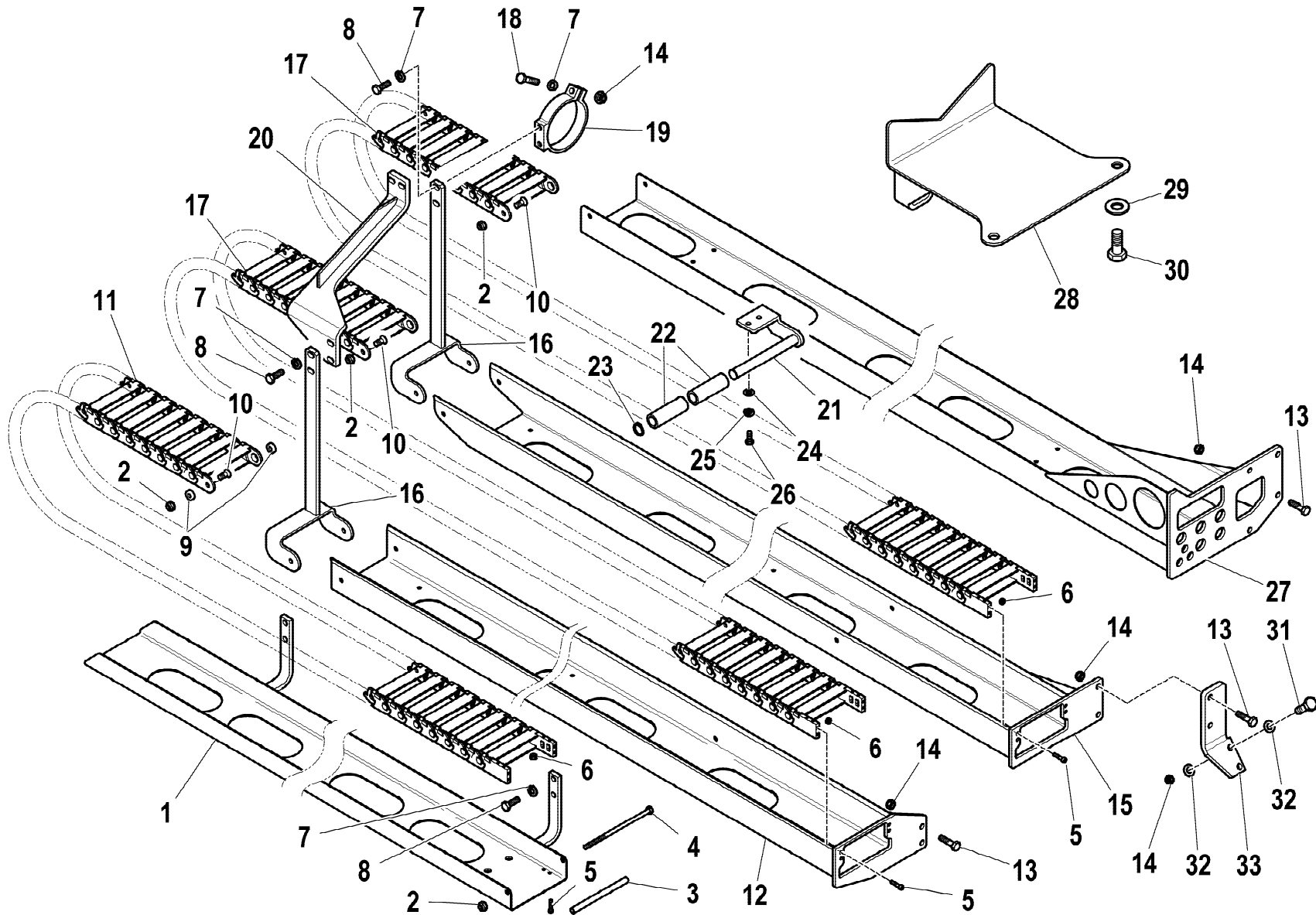


**HC801**

PROLUNGA MANUALE (1°)  
 MANUAL EXTENSION (1ST)  
 RALLONGE MANUELLE (1ERE)  
 MANUAL-VERLÄNGERUNG (1.)  
 PROLONGACION MANUAL (1°)

Tavola  
**7.80.0367-1-0**





rif.	codice	Q.tà
1	5.09.0940	1
2	3.04.0303	6
3	5.00.1676	1
4	3.01.0067	1
5	3.02.0030	12
6	3.04.0392	12
7	3.06.0056	6
8	3.01.0355	6
9	5.14.0980	2
10	3.02.0903	6
11	3.31.0635	1
12	5.09.1121	1
13	3.01.0358	11
14	3.04.0304	13
15	5.09.1122	1
16	5.09.1123	1
17	3.31.0633	2
18	3.01.0409	1
19	5.00.1915	1
20	5.09.1213	1
21	5.00.1916	1
22	5.14.0999	2
23	3.07.0017	1
24	3.06.0006	2
25	3.06.0055	2
26	3.01.0027	2
27	5.09.1124	1
28	5.09.1214	1
29	3.06.0012	2
30	3.01.0480	2
31	3.01.0046	2

1/2

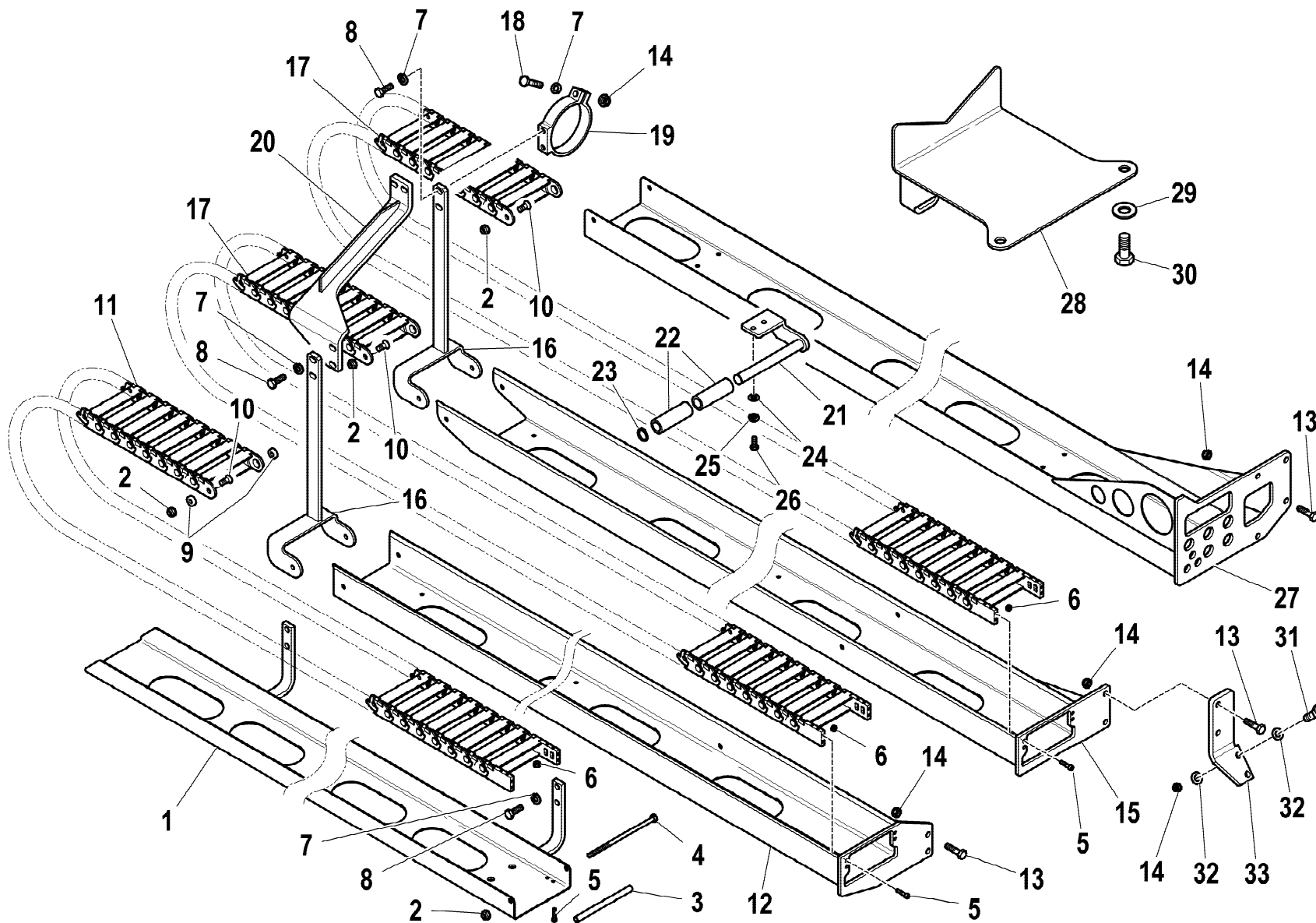
**HYVA** CRANE  
**HC801**

ATTIVAZIONE PER 6S  
 ACTUATIONS FOR 6S  
 ACTIVATIONS POUR 6S  
 AKTIVIERUNGEN FÜR 6S  
 AACTIVACIONES PARA 6S

Tavola  
**5.74.1007-1-0**

Data pag.  
 marzo 2008 100.1

rif.	codice	Q.tà
32	3.06.0914	4
33	5.00.1943	1



2/2

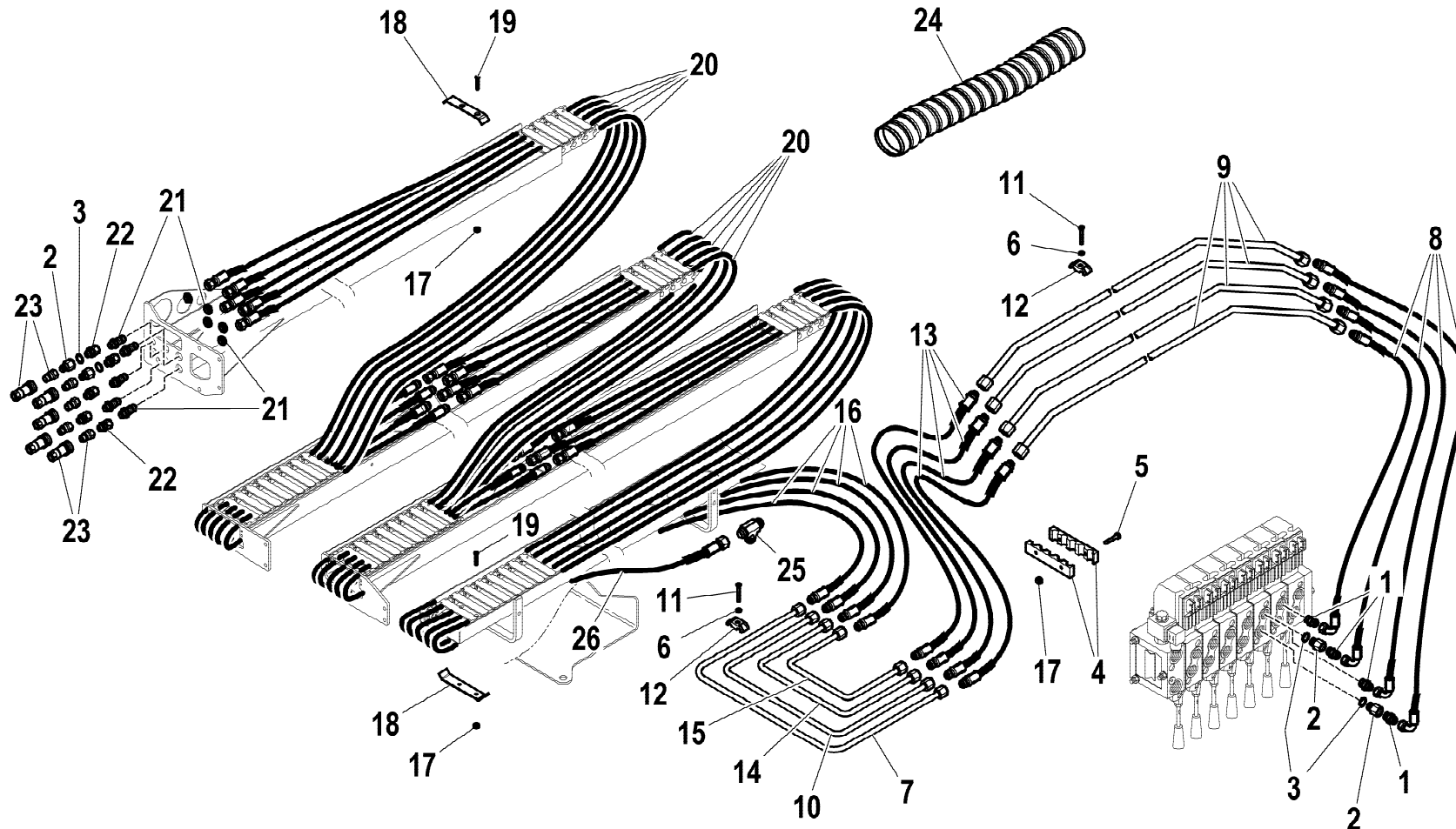
**HYVA** CRANE

**HC801**

ATTIVAZIONE PER 6S  
 ACTUATIONS FOR 6S  
 ACTIVATIONS POUR 6S  
 AKTIVIERUNGEN FÜR 6S  
 AACTIVACIONES PARA 6S

Tavola  
**5.74.1007-1-0**

Data pag.  
 marzo 2008 100.2



rif.	codice	Q.tà
1	3.10.1051	4
2	3.11.0113	4
3	3.06.0145	4
4	W.56.03.043.00	4
5	3.01.0018	4
6	3.06.0055	12
7	5.39.2358	1
8	5.28.0853	4
9	5.39.2354	4
10	5.39.2357	1
11	3.01.0030	12
12	5.00.0047	12
13	5.28.0854	4
14	5.39.2356	1
15	5.39.2355	1
16	5.28.1133	4
17	3.04.0372	20
18	5.00.1502	10
19	3.02.0915	18
20	5.28.1132	10
21	3.12.0313	5
22	3.12.0067	5
23	3.11.0541	5
24	3.19.0288	1
25	3.12.0315	1
26	5.28.0851	1



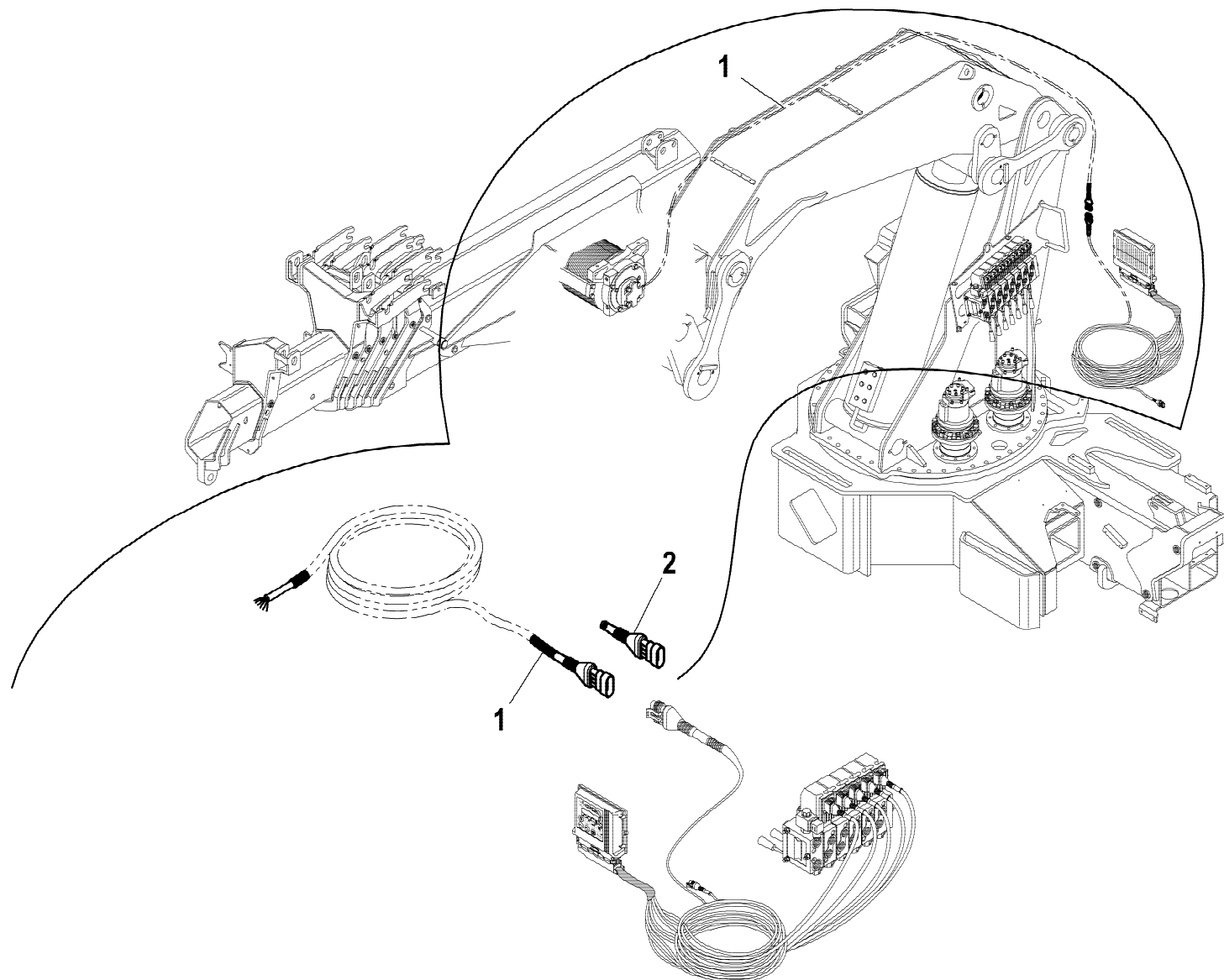
HC801

ATTIVAZIONE PER 6S  
 ACTUATIONS FOR 6S  
 ACTIVATIONS POUR 6S  
 AKTIVIERUNGEN FÜR 6S  
 AACTIVACIONES PARA 6S

Tavola  
**5.74.1007-2-0**

Data pag.  
 marzo 2008 101

rif.	codice	Q.tà
1	5.16.0004	1
2	5.16.0013	1



1/1

**HYVA** CRANE

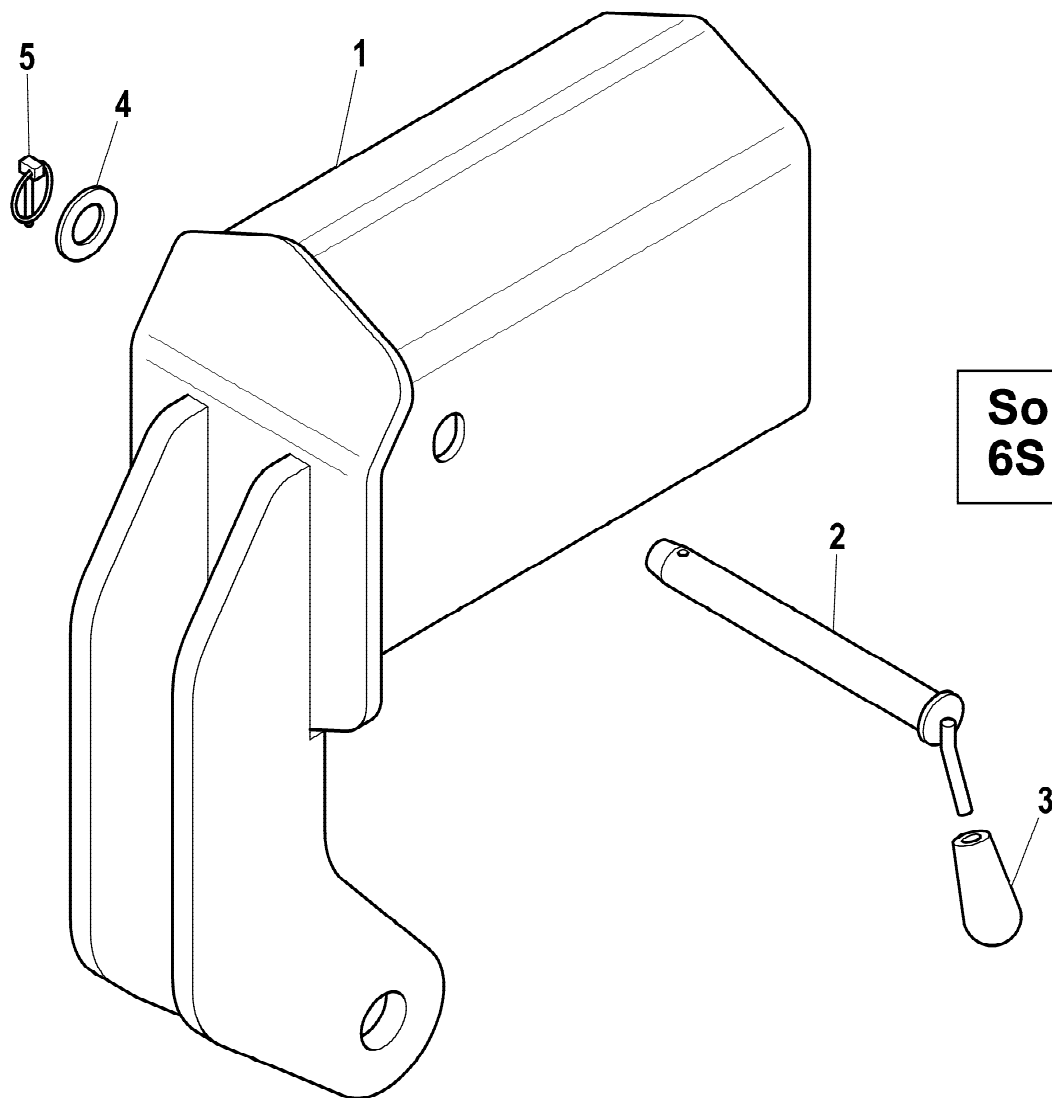
**HC801**

COMANDI EBB  
 CONTROLS EBB  
 COMMANDES EBB  
 STEUERUGEN EBB  
 MANDOS EBB

Tavola  
**5.40.0925-4-0**

Data pag.  
 marzo 2008 102

rif.	codice	Q.tà
1	5.09.1185	1
2	5.15.0900	1
3	3.19.0010	1
4	3.06.0016	1
5	3.06.0753	1



**Solo per versione 6S  
6S version only**

1/1

**HYVA** CRANE

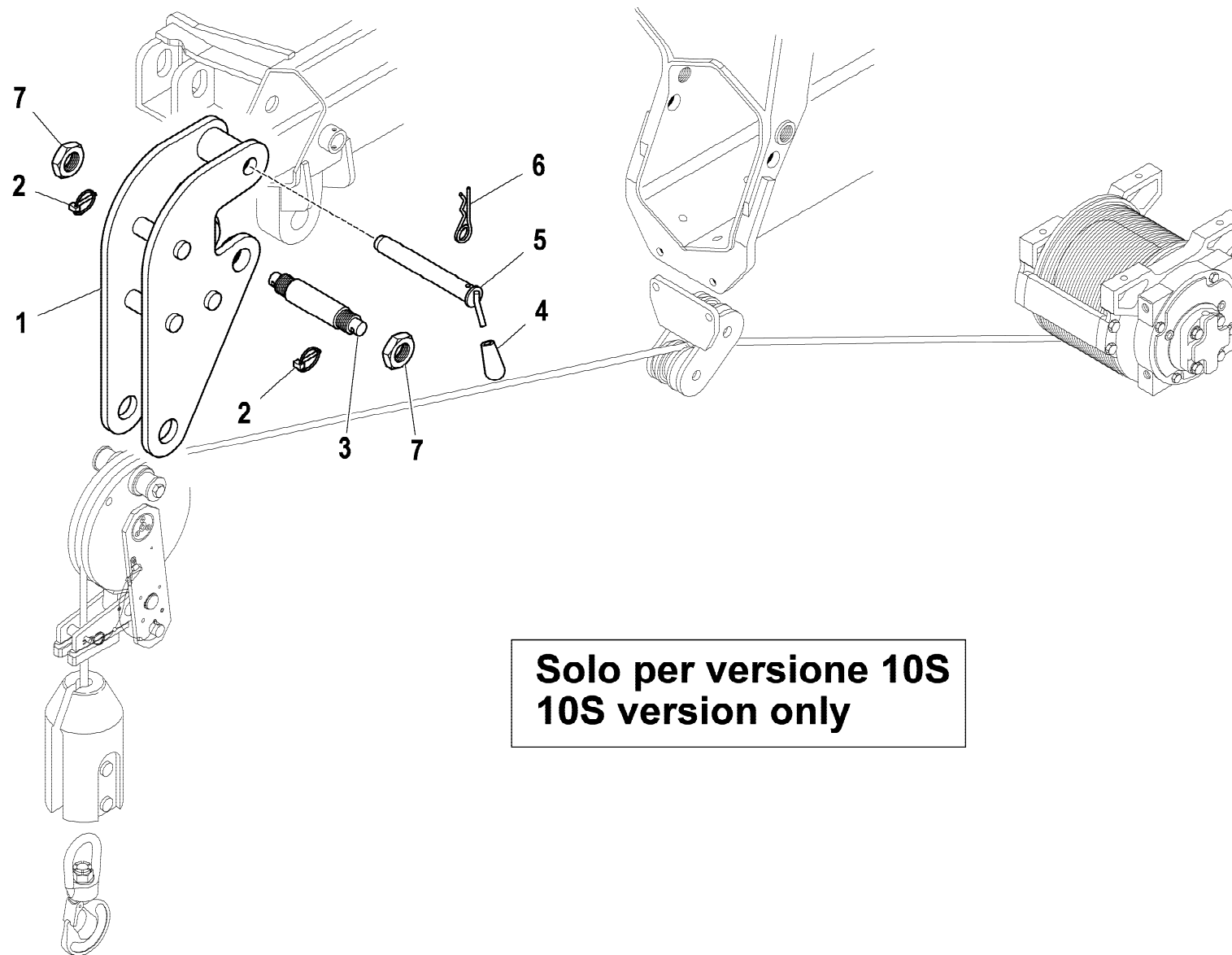
**HC801**

INGAMBONATURA PER ARGANO 6S  
ATTACHEMENT FOR WINCH 6S  
CONNEXION POUR TREUIL 6S  
KUPPLUNG FÜR WINDE 6S  
CONEXIÓN PARA CABRESTANTE 6S

Tavola

**7.90.0327-1-0**

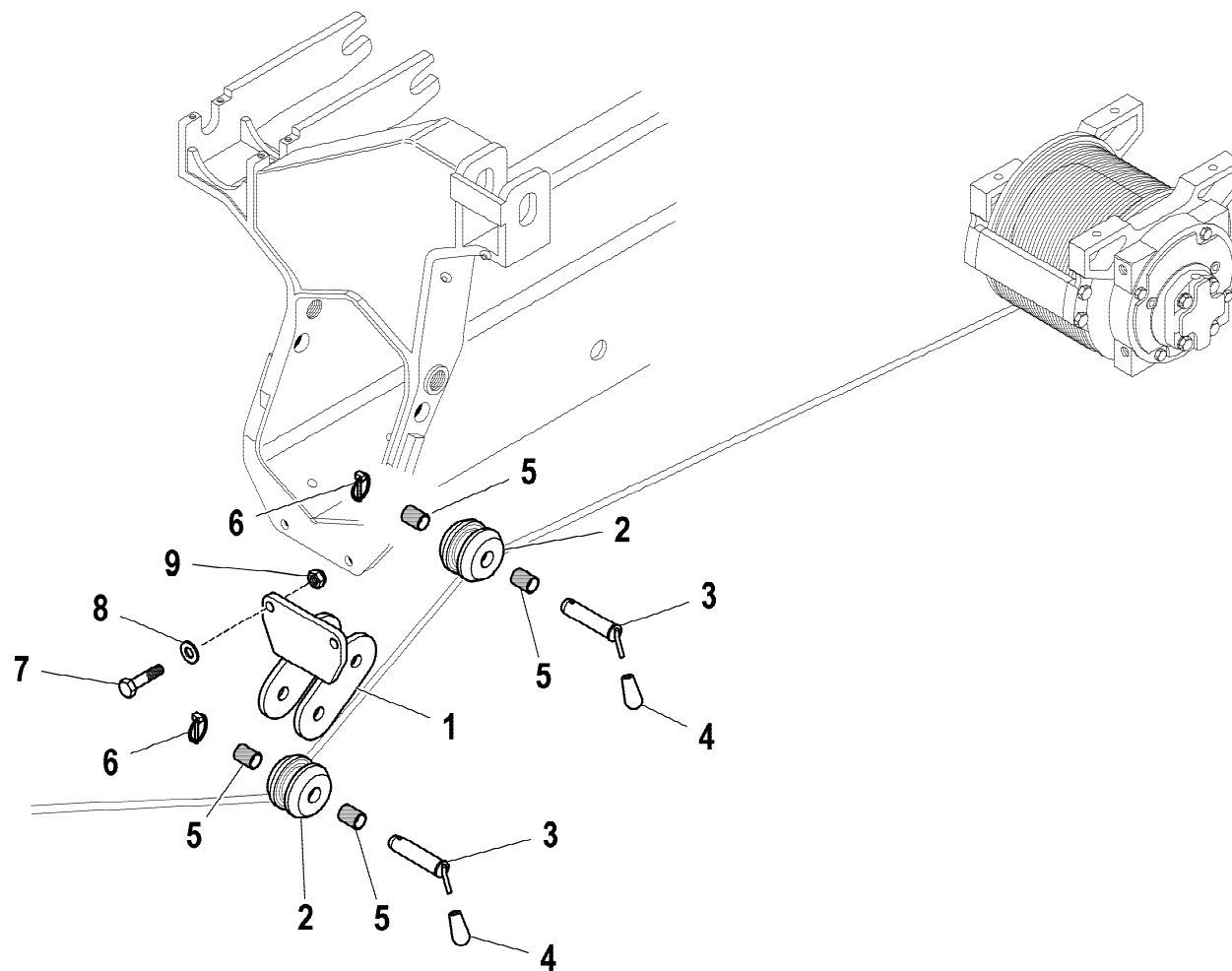
Data pag.  
aprile 2008 103

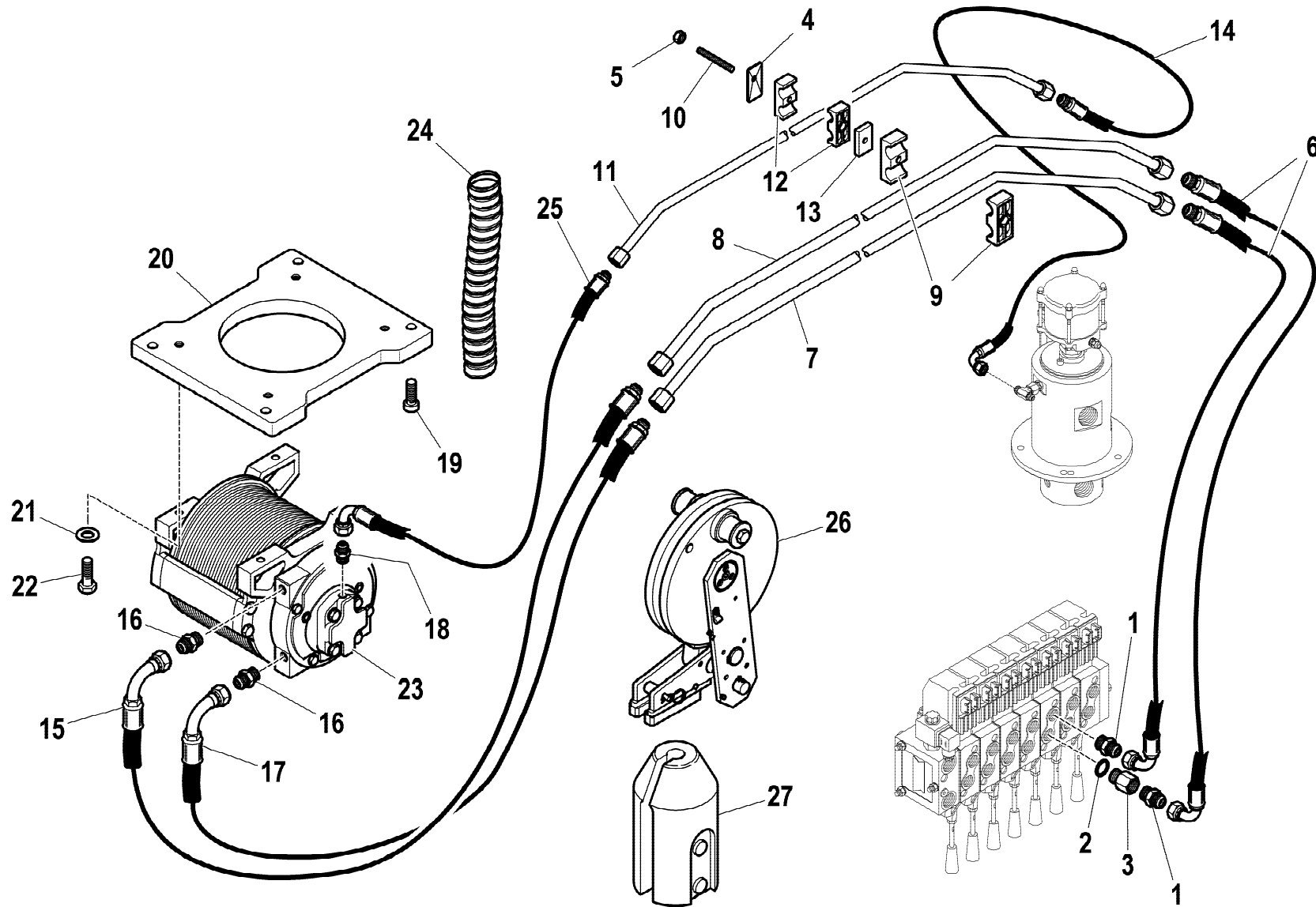


**Solo per versione 10S  
10S version only**

rif.	codice	Q.tà
1	5.09.1179	1
2	3.06.0750	2
3	5.15.0894	1
4	3.19.0010	1
5	5.15.0893	1
6	3.06.0704	1
7	3.04.0090	2

rif.	codice	Q.tà
1	5.09.1103	1
2	5.14.1022	2
3	5.15.0851	2
4	3.19.0188	2
5	5.14.1052	4
6	3.06.0753	2
7	3.01.0402	2
8	3.06.0009	2
9	3.04.0306	2

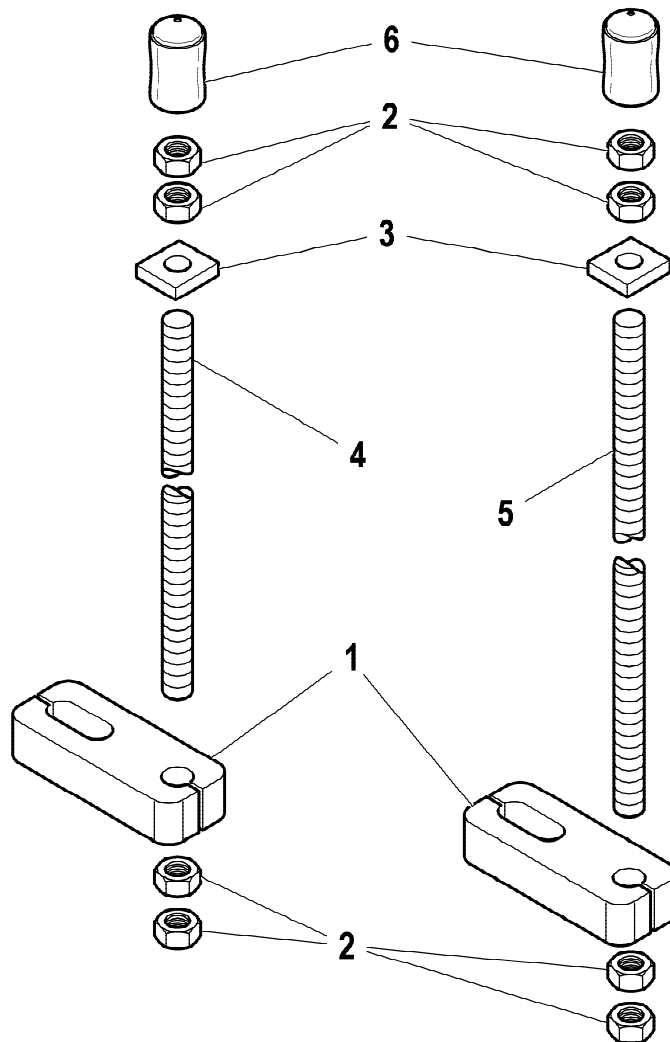




rif.	codice	Q.tà
1	3.10.1058	2
2	3.06.0145	1
3	3.11.0113	1
4	3.19.0204	3
5	3.04.0303	3
6	5.29.0193	2
7	5.39.2364	1
8	5.39.2363	1
9	3.19.0222	6
10	2.51.0005	3
11	5.39.2365	1
12	3.19.0172	6
13	5.14.1057	3
14	5.28.0855	1
15	5.29.0183	1
16	3.10.1057	2
17	5.29.0182	1
18	3.10.1051	1
19	3.02.0315	4
20	5.00.1817	1
21	3.06.0019	4
22	3.01.0424	4
23	5.72.0153	1
24	3.19.0288	1
25	5.28.0736	1
26	5.73.0081	1
27	5.73.0080	1



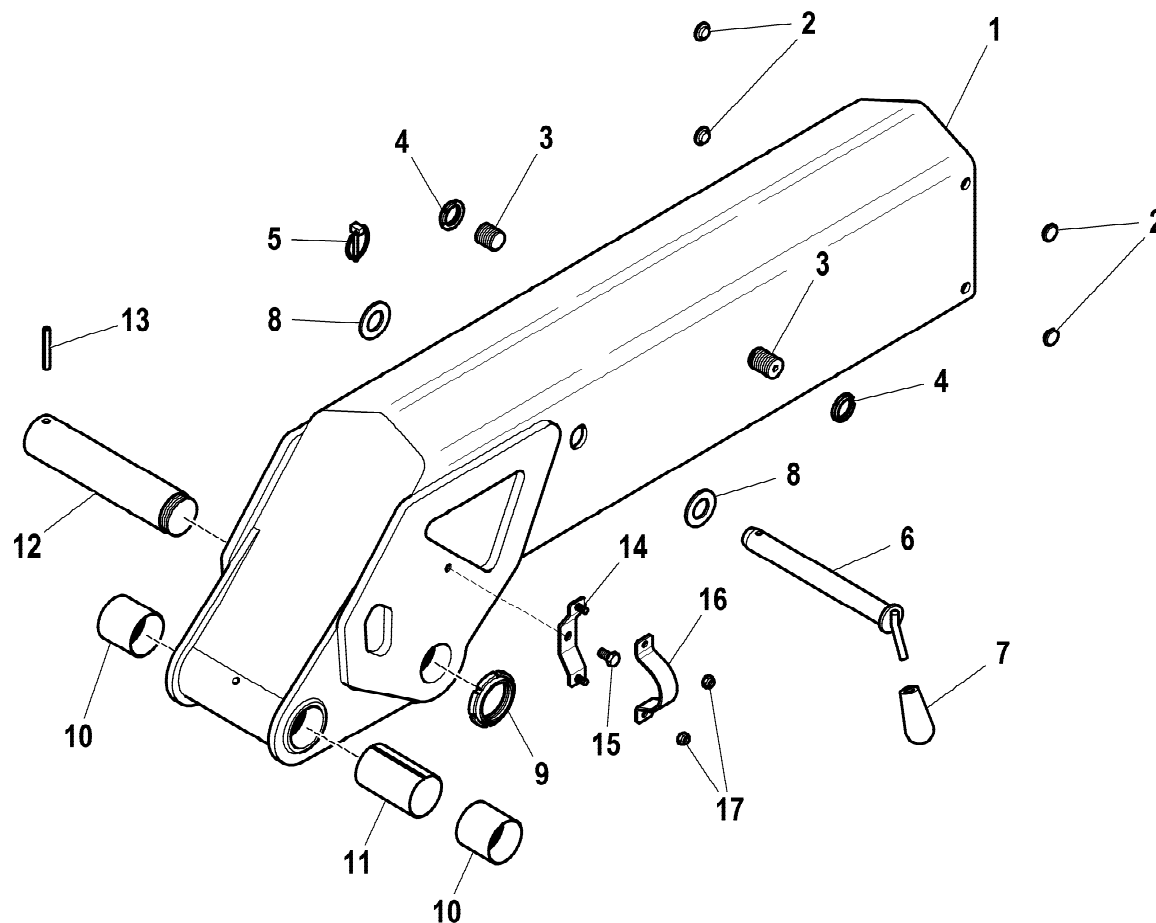
rif.	codice	Q.tà
1	5.00.1767	4
2	3.04.0532	32
3	5.00.1766	16
4	5.15.0869	4
5	5.15.0868	4
6	3.19.0293	8

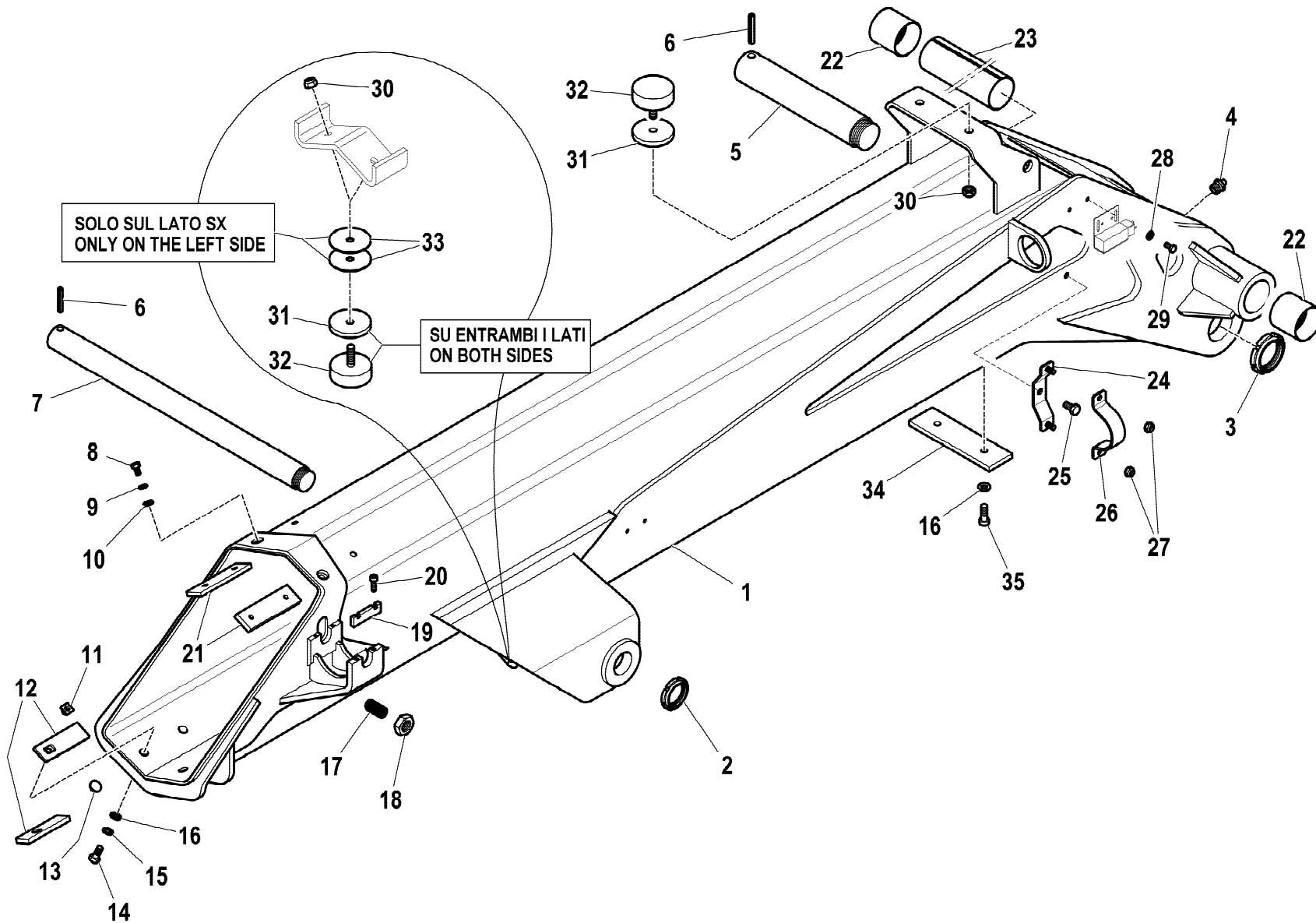




**HC801 JIB 6S**

rif.	codice	Q.tà
1	5.09.1110	1
2	5.14.0681	4
3	5.00.1582	2
4	3.04.0529	2
5	3.06.0753	1
6	5.15.0900	1
7	3.19.0010	1
8	3.06.0016	2
9	3.04.0508	1
10	5.14.0060	2
11	5.00.1815	1
12	5.15.0877	1
13	3.06.0939	1
14	5.00.0614	1
15	3.01.0354	1
16	5.00.0037	1
17	3.04.0303	2





rif.	codice	Q.tà
1	5.03.0292	1
2	3.04.0500	1
3	3.04.0508	1
4	3.08.0501	1
5	5.15.0878	1
6	3.06.0939	2
7	5.15.0876	1
8	3.01.0336	4
9	3.06.0918	4
10	3.06.0006	4
11	5.00.0827	2
12	5.14.0743	2
13	5.00.1253	2
14	3.01.0353	2
15	3.06.0920	2
16	3.06.0914	4
17	5.00.0771	2
18	3.04.0089	2
19	5.00.1109	2
20	3.02.0037	4
21	5.14.0757	2
22	5.14.0060	2
23	5.00.1816	1
24	5.00.0614	1
25	3.01.0354	1
26	5.00.0037	1
27	3.04.0303	2
28	3.06.0030	2
29	3.01.0323	2
30	3.04.0305	4
31	5.00.1112	4

1/2

**HYVA** CRANE

**HC801**

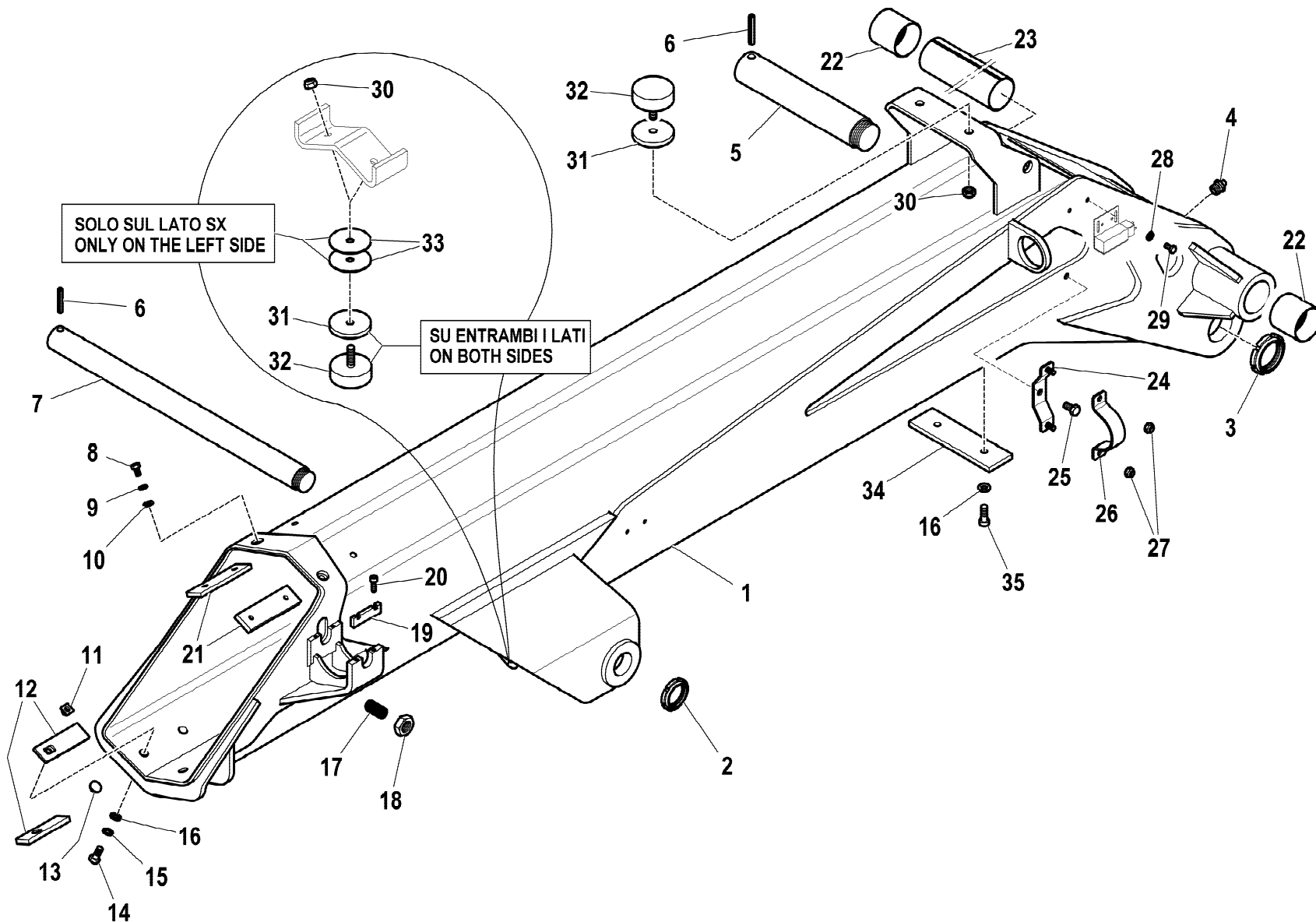
BRACCIO JIB  
JIB ARM  
BRAS JIB  
JIB ARM  
BRAZO

Tavola

**5.63.0009-1-0**

Data pag.  
aprile 2008 110.1

rif.	codice	Q.tà
32	3.19.0100	4
33	5.00.1111	2
34	5.00.1935	1
35	3.02.0073	2



2/2

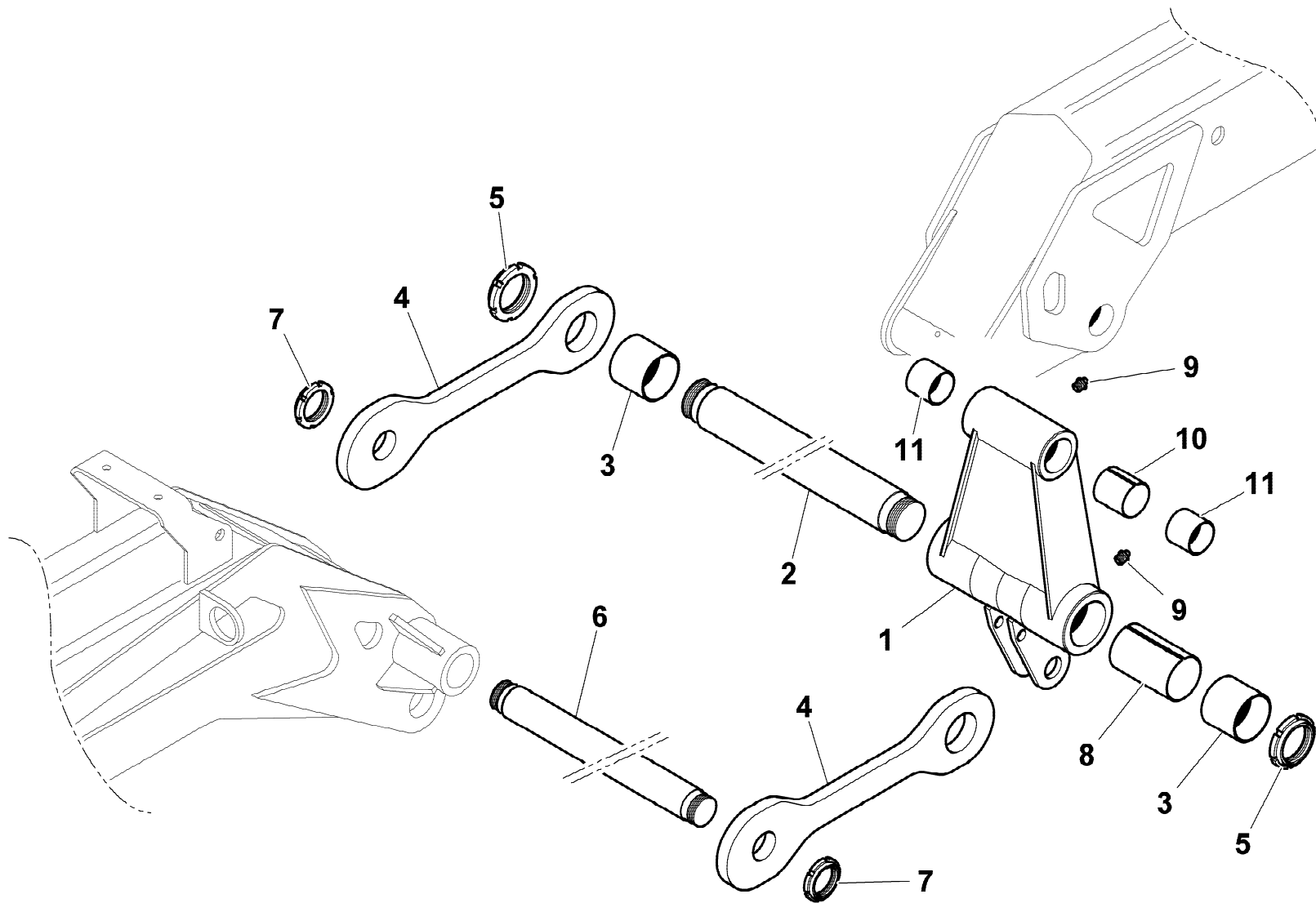
**HYVA** CRANE

**HC801**

BRACCIO JIB  
JIB ARM  
BRAS JIB  
JIB ARM  
BRAZO

Tavola  
**5.63.0009-1-0**

Data pag.  
aprile 2008 110.2



rif.	codice	Q.tà
1	5.09.1112	1
2	5.15.0875	1
3	5.14.1043	2
4	5.09.1113	2
5	3.04.0503	2
6	5.15.0874	1
7	3.04.0507	2
8	5.00.1814	1
9	3.08.0501	2
10	5.00.1813	1
11	5.14.0060	2

1/1

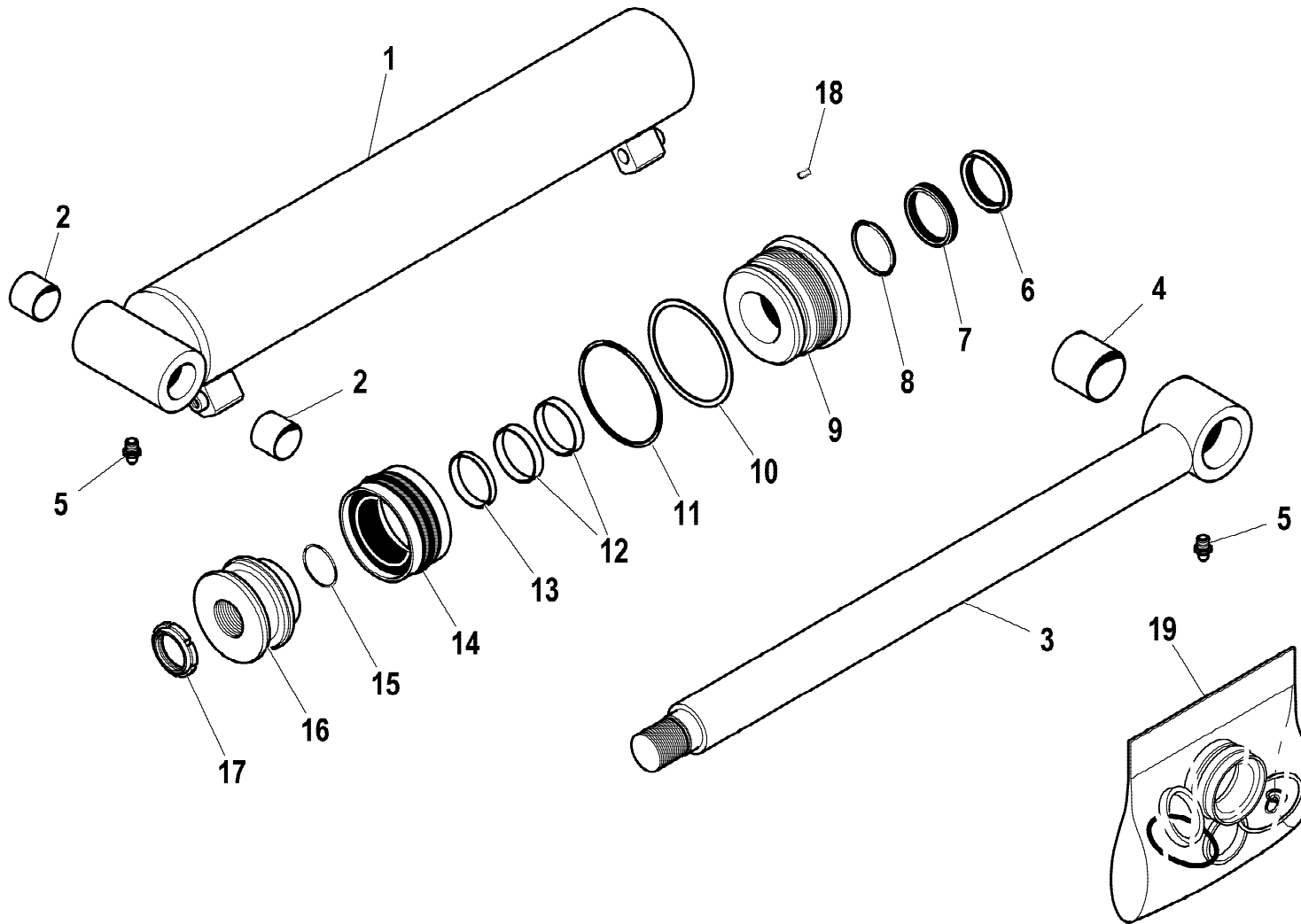
**HYVA** CRANE

**HC801**

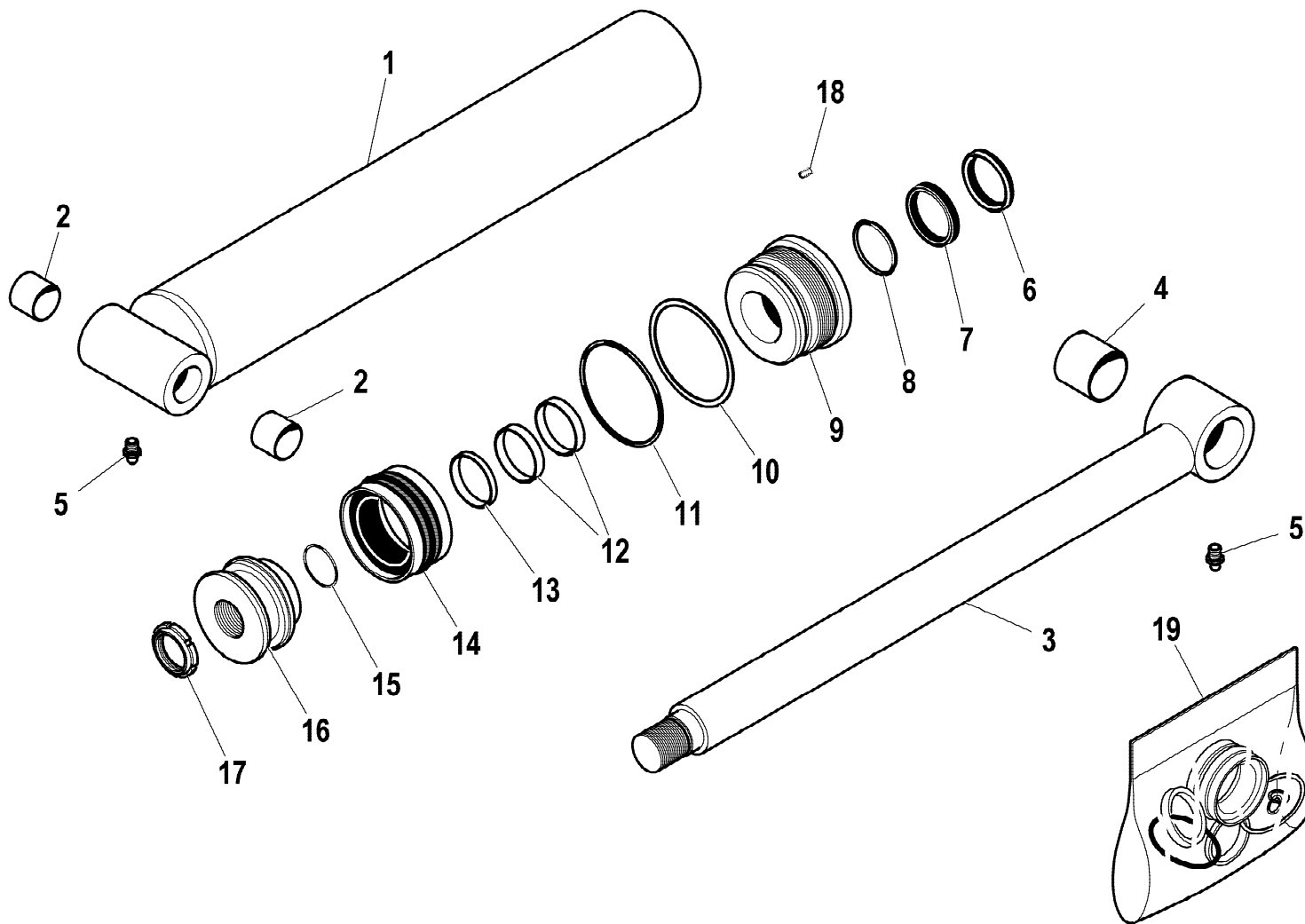
KIT BIELLE JIB  
 KIT CONNECTING ROD JIB  
 KIT BIELLE JIB  
 KIT PLEUEL JIB  
 KIT BIELA JIB

Tavola  
**5.36.0020-1-0**

Data pag.  
 aprile 2008 111



rif.	codice	Q.tà
1	6.07.0579	1
2	5.14.0124	2
3	6.03.0840	1
4	5.14.1043	1
5	3.08.0501	2
6	3.37.0500	1
7	3.37.0151	1
8	3.38.0700	1
9	6.04.0268	1
10	3.46.0229	1
11	3.45.0229	1
12	3.36.1010	2
13	3.36.1009	1
14	3.40.0522	1
15	3.45.0127	1
16	6.05.0274	1
17	3.04.0507	1
18	3.06.0226	1
19	5.55.0741	1



rif.	codice	Q.tà
1	6.07.0599	1
2	5.14.0124	2
3	6.03.0840	1
4	5.14.1043	1
5	3.08.0501	2
6	3.37.0500	1
7	3.37.0151	1
8	3.38.0700	1
9	6.04.0268	1
10	3.46.0229	1
11	3.45.0229	1
12	3.36.1010	2
13	3.36.1009	1
14	3.40.0522	1
15	3.45.0127	1
16	6.05.0274	1
17	3.04.0507	1
18	3.06.0226	1
19	5.55.0741	1

1/1

**HYVA** CRANE

**HC801**

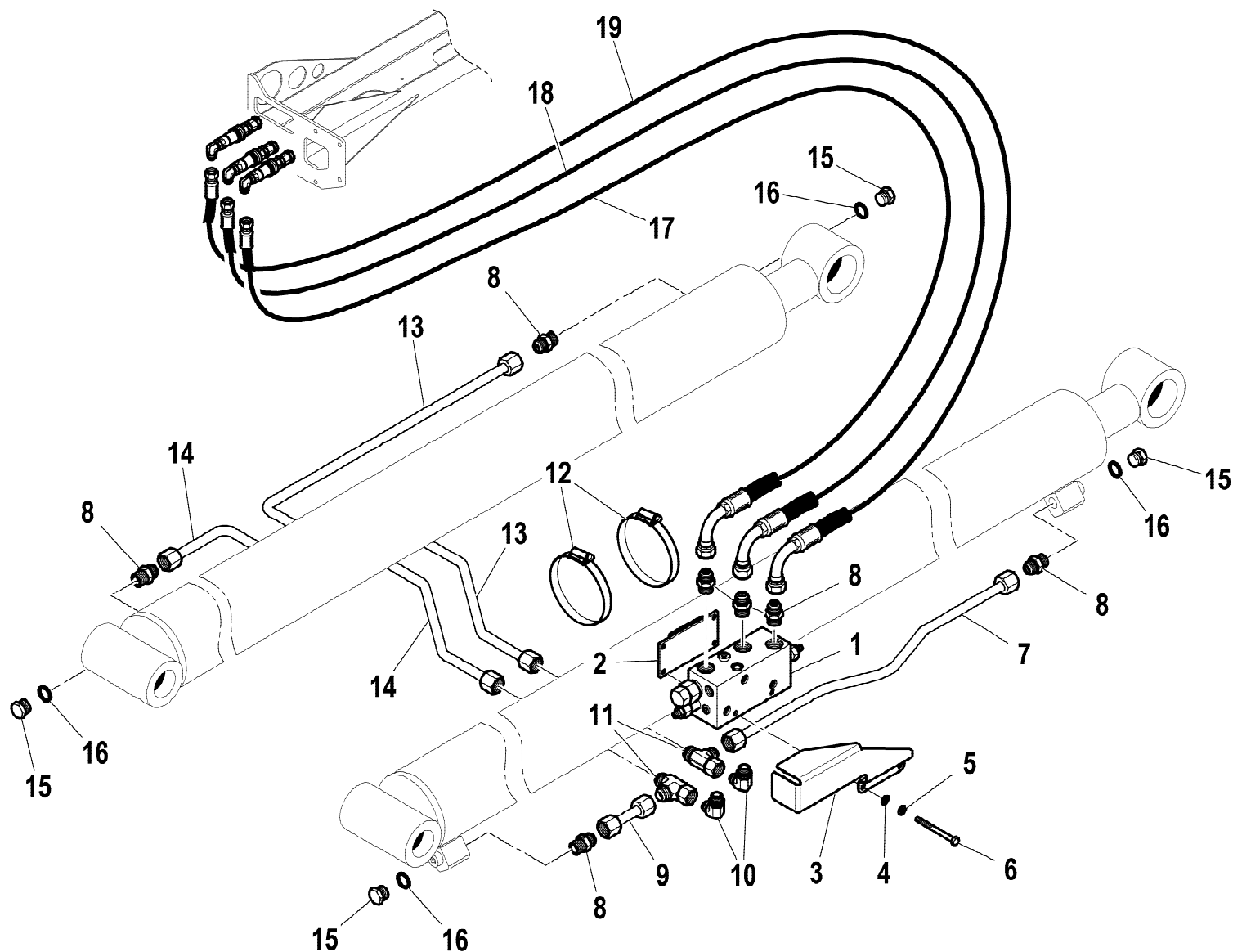
MARTINETTO ARTICOLAZIONE (ESTERNO) JIB6S  
 ARTICULATION HYDRAULIC JACK (EXTERNAL) JIB6S  
 VERIN D'ARTICULATION (EXTERNE) JIB6S  
 GELENKSHEBEBOCK (EXTERN) JIB6S  
 GATO ARTICULACION (EXTERNO) JIB6S

Tavola

**6.43.0184-1-0**

Data pag.  
 aprile 2008 113





rif.	codice	Q.tà
1	5.22.0964	1
2	5.00.0694	1
3	5.00.1927	1
4	3.06.0055	2
5	3.06.0006	2
6	3.01.0414	2
7	5.39.0065	1
8	3.10.1051	7
9	5.39.0064	1
10	3.10.1131	2
11	3.12.0008	2
12	3.19.0026	2
13	5.39.0067	1
14	5.39.0066	1
15	3.11.0062	4
16	3.06.0143	4
17	5.28.0864	1
18	5.28.0862	1
19	5.28.0865	1

1/1

**HYVA** CRANE

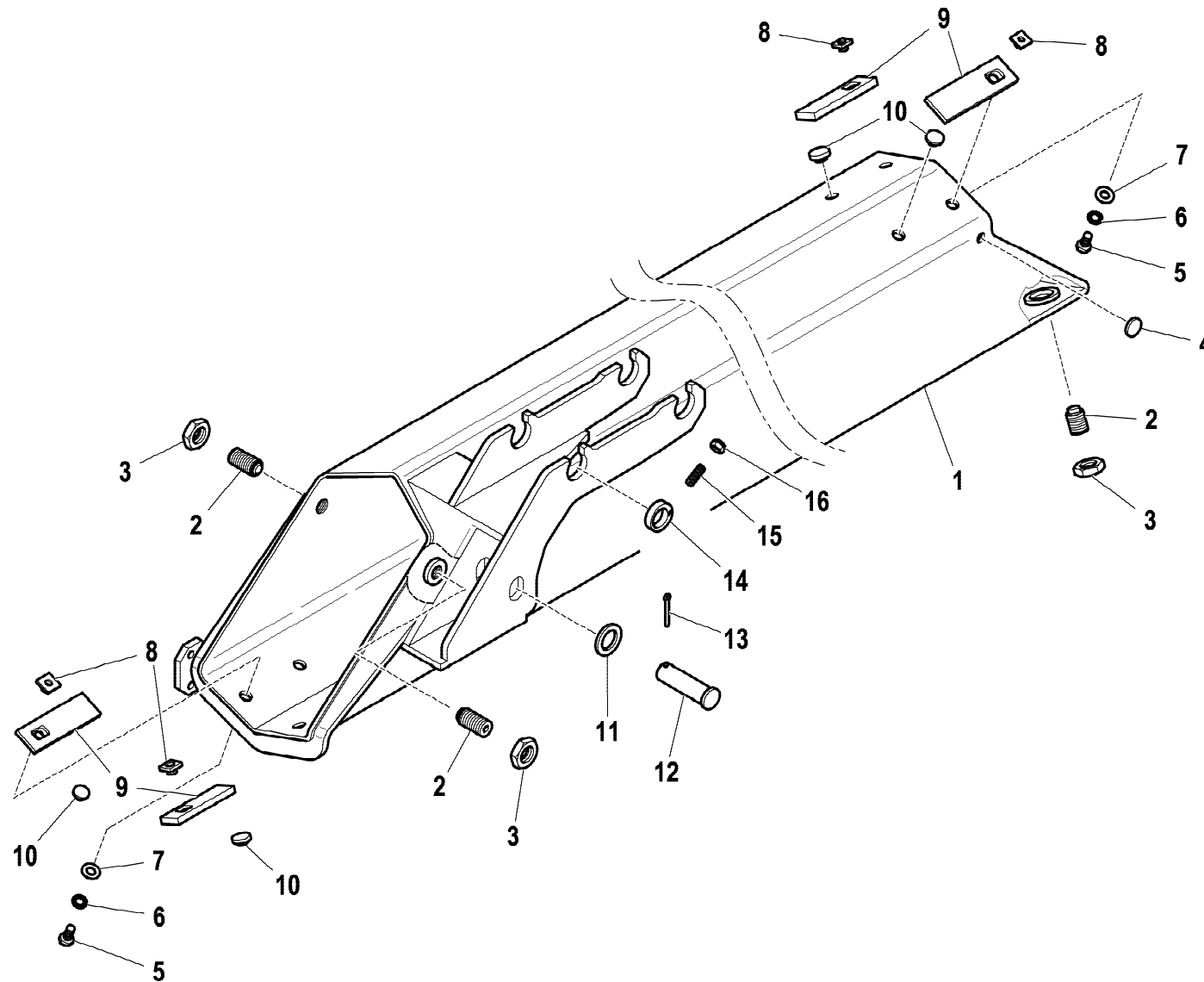
**HC801**

IMPIANTO IDRAULICO (MARTINETTO ARTICOLAZIONE) JIB6S  
 HYDRAULIC SYSTEM (ARTICULATION HYDRAULIC JACK) JIB6S  
 INSTALLATION HYDRAULIQUE (VERIN D' ARTICULATION) JIB6S  
 HYDRAULIKANLAGE (GELENKSZYLINDER) JIB6S  
 INSTALACION HIDRAULICA (GATO DE ARTICULACION) JIB6S

Tavola

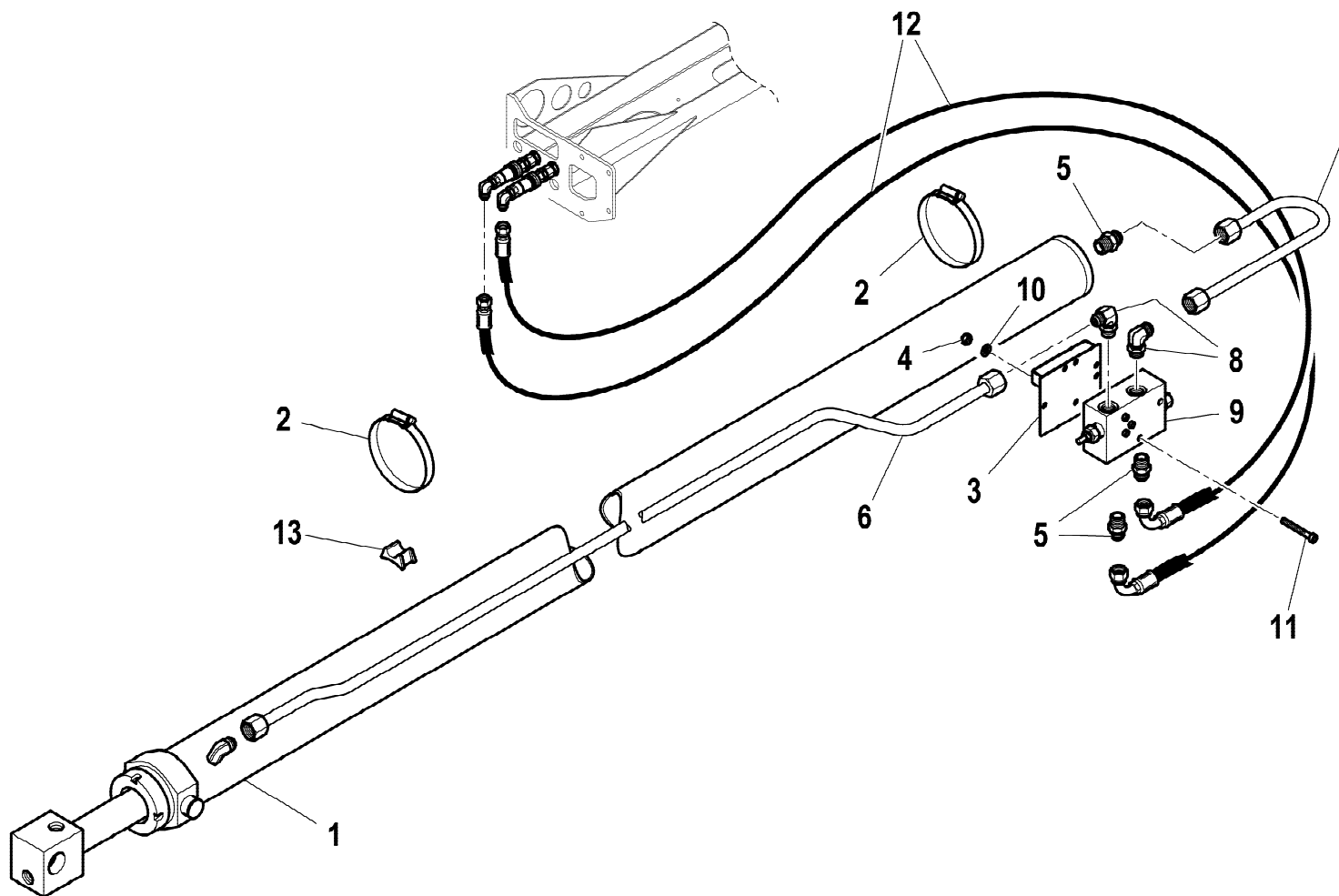
**5.41.1056-1-0**

Data pag.  
 aprile 2008 114



rif.	codice	Q.tà
1	5.02.0520	1
2	5.00.0771	4
3	3.04.0089	4
4	W.37.04.007.00	4
5	3.01.0353	4
6	3.06.0920	4
7	3.06.0914	4
8	5.00.0827	4
9	5.14.0743	4
10	5.00.1253	4
11	3.06.0938	1
12	5.15.0649	1
13	3.06.0911	1
14	5.00.1105	4
15	3.06.0941	4
16	3.04.0519	4

rif.	codice	Q.tà
1	6.41.0385	1
2	3.19.0023	4
3	5.00.1196	1
4	3.04.0303	2
5	3.10.1051	3
6	5.39.0069	1
7	5.39.0068	1
8	3.10.1131	2
9	5.22.0654	1
10	3.06.0006	2
11	3.02.0901	2
12	5.28.0863	2
13	5.14.0133	2



1/1

**HYVA** CRANE

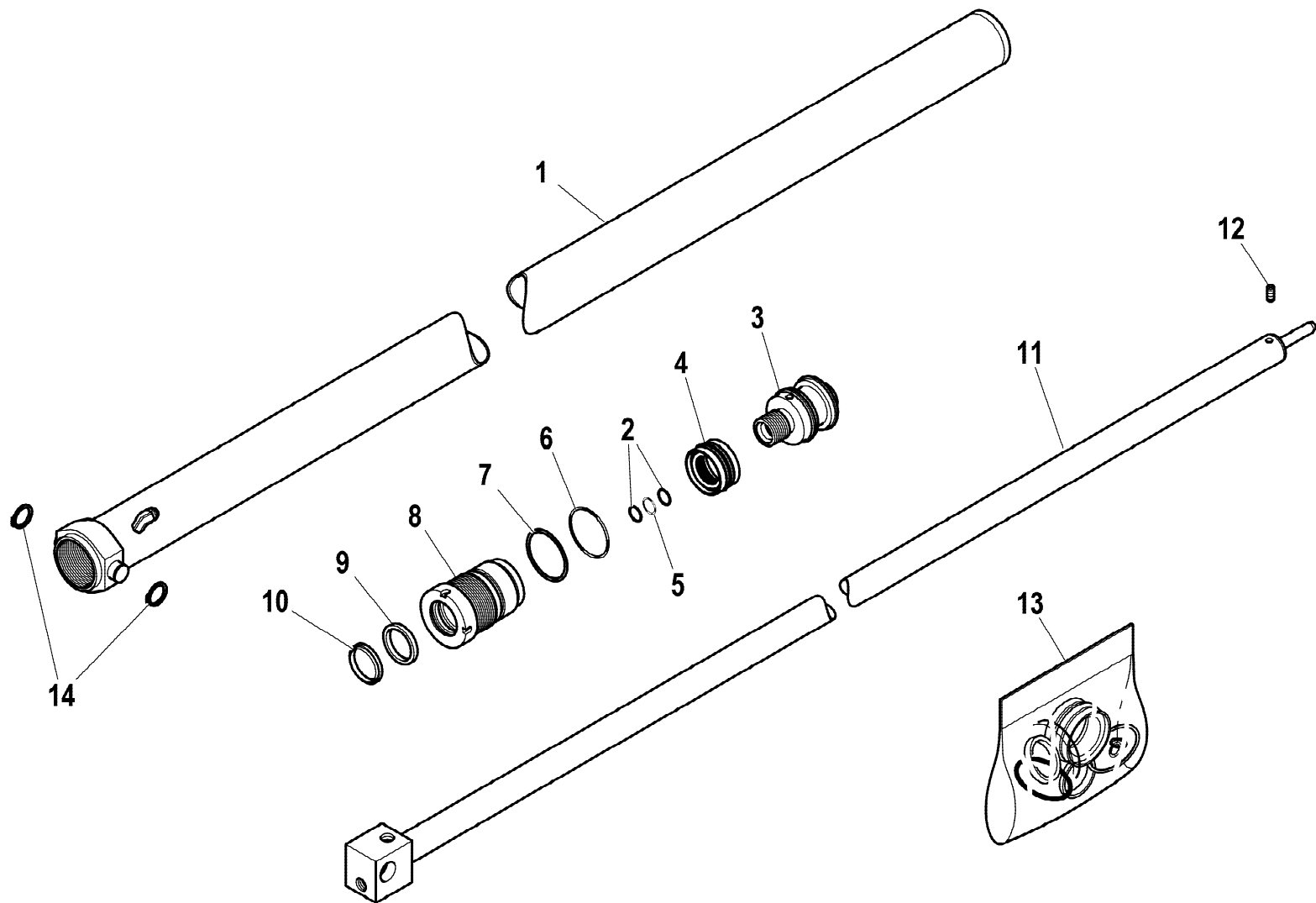
**HC801**

MARTINETTO 1° SFILLO (IMPIANTO OLEODINAMICO) JIB6S  
 1ST EXSTENSION HYDRAULIC (HYDRAULIC SYSTEM) JIB6S  
 VÉRIN 1ÈRE RALLONGE (INSTALLATION HYDRAULIQUE) JIB6S  
 1. SCHUBZYLINDER (HYDRAULIKANLAGE) JIB6S  
 GATO 1ª EXTENSIÓN (INSTALACION HIDRAULICA) JIB6S

Tavola

**6.21.0385-1-0**

Data pag.  
 maggio 2008 116



rif.	codice	Q.tà
1	6.07.0580	1
2	3.46.0047	2
3	6.05.0255	1
4	3.40.0510	1
5	3.45.0047	1
6	3.45.0136	1
7	3.46.0136	1
8	6.04.0258	1
9	3.37.0135	1
10	3.42.0023	1
11	6.03.0842	1
12	3.06.0232	1
13	5.55.0780	1
14	3.07.0150	2

1/1

**HYVA** CRANE

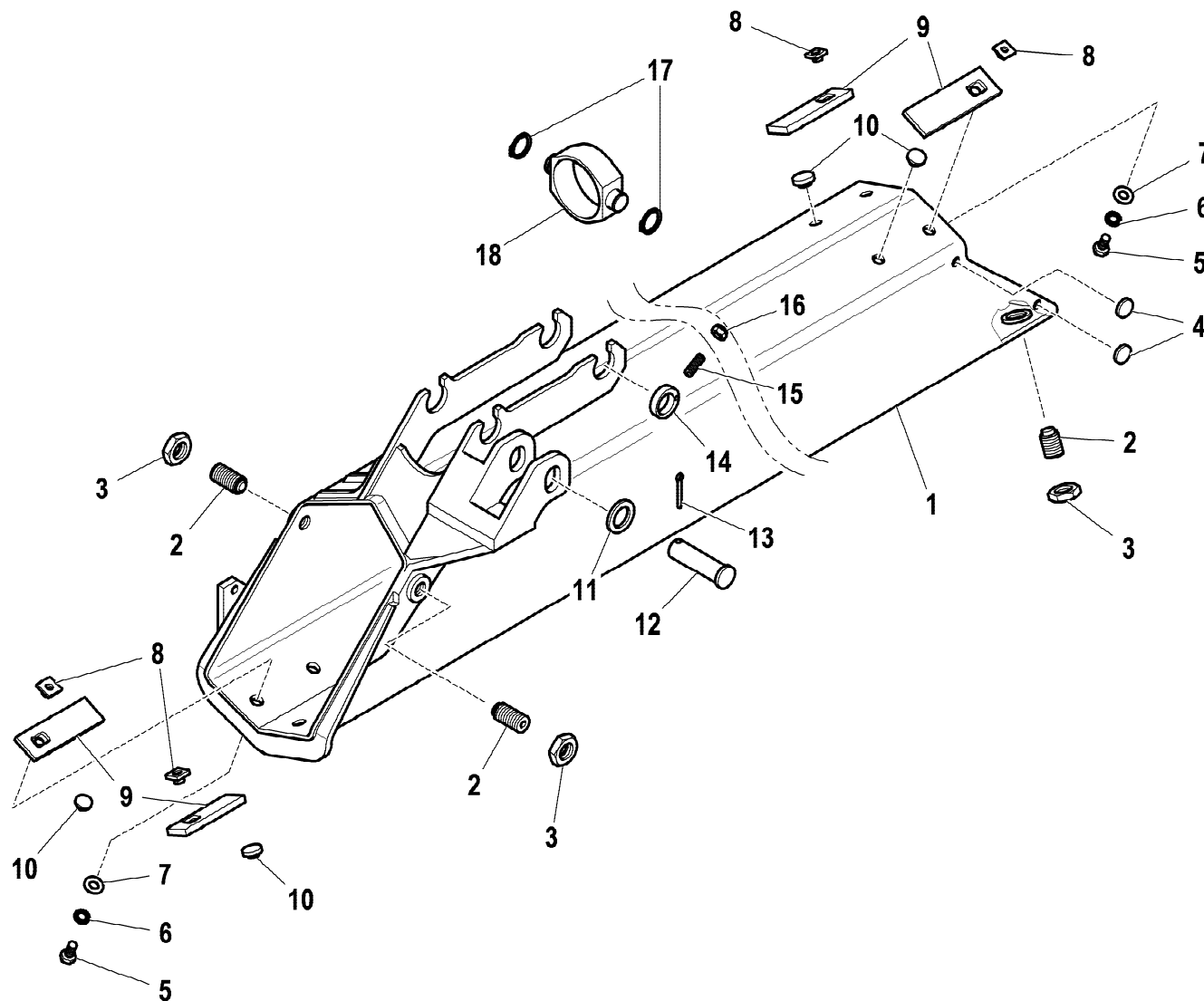
**HC801**

MARTINETTO 1° E 2° SFILLO  
 1TH AND 2ND EXTENSION HYDRAULIC CYLINDER  
 VERIN 1ERE AT 2EME RALLONGE  
 1. UNT 2. VERLAENGERUNGSWINDE  
 1° Y 2° GATO DE PROLONGACION

Tavola

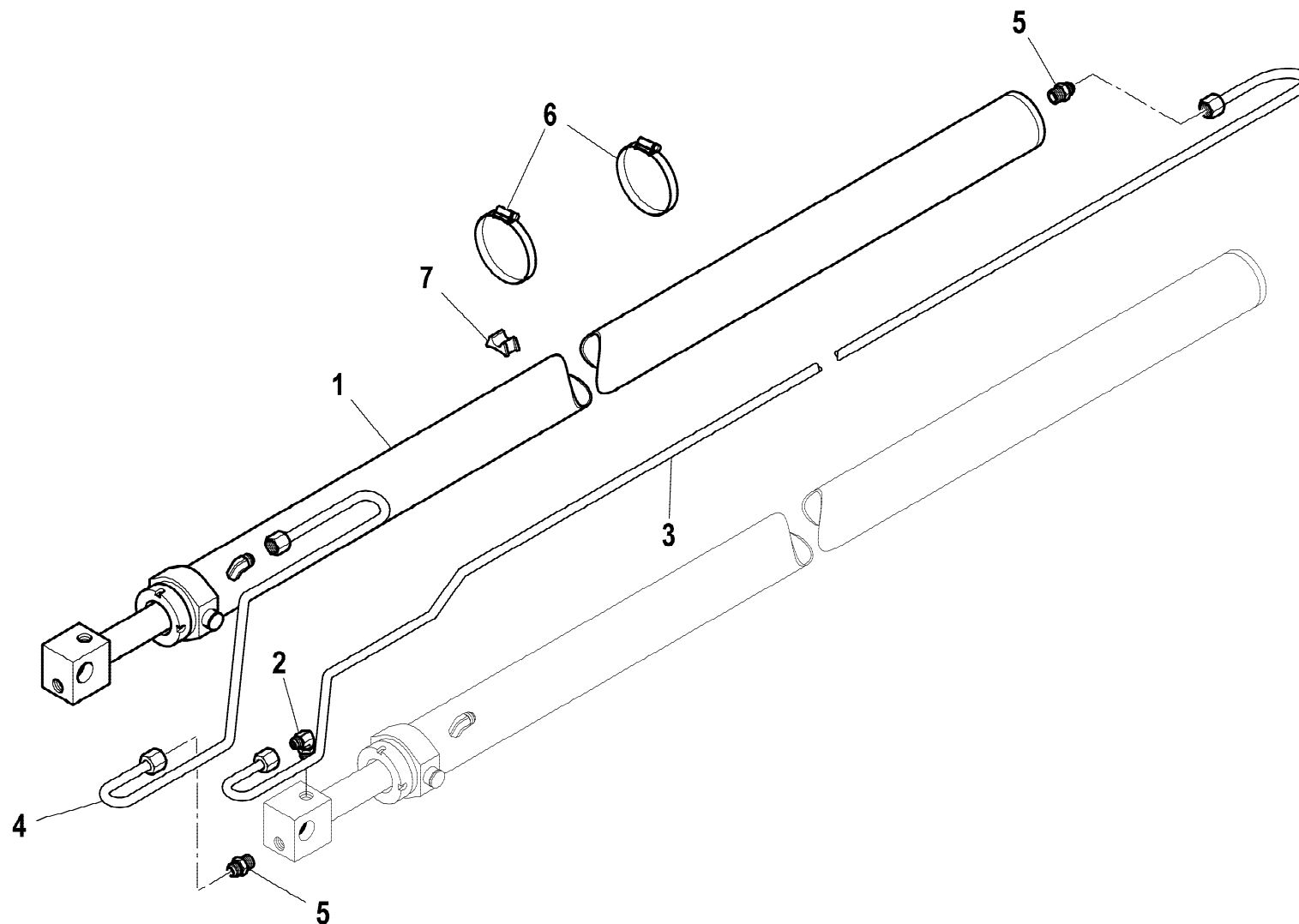
**6.41.0385-1-0**

Data pag.  
 aprile 2008 117



rif.	codice	Q.tà
1	5.02.0521	1
2	5.00.0771	4
3	3.04.0089	4
4	W.37.04.007.00	4
5	3.01.0353	4
6	3.06.0920	4
7	3.06.0914	4
8	5.00.0827	4
9	5.14.0743	4
10	5.00.1253	4
11	3.06.0938	1
12	5.15.0649	1
13	3.06.0911	1
14	5.00.1105	4
15	3.06.0941	4
16	3.04.0519	4
17	3.07.0150	2
18	5.00.1897	1

rif.	codice	Q.tà
1	6.41.0385	1
2	3.10.1131	1
3	5.39.0070	1
4	5.39.0071	1
5	3.10.1051	2
6	3.19.0023	2
7	5.14.0133	2



1/1

**HYVA** CRANE

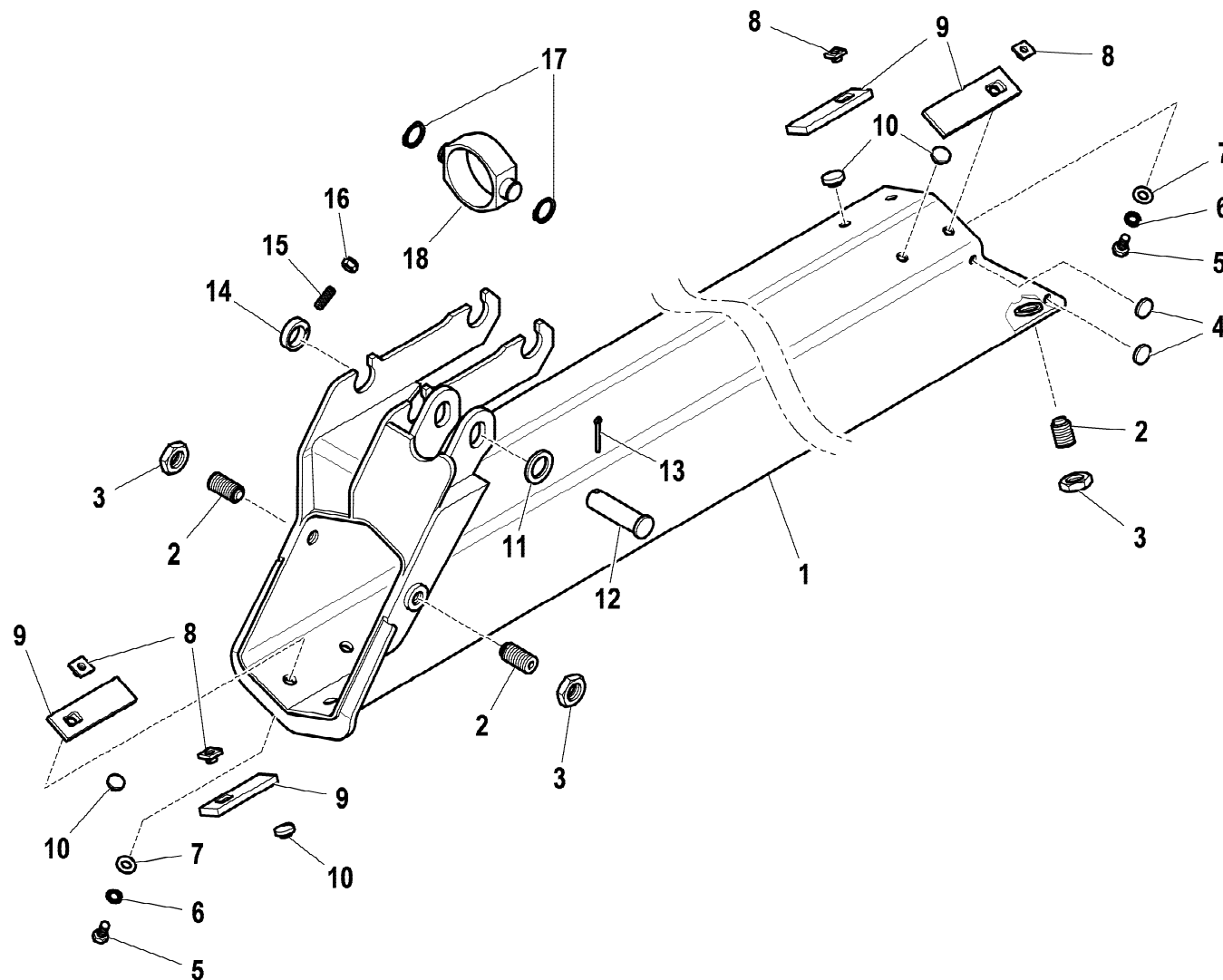
**HC801**

MARTINETTO 2° SFILO (IMPIANTO OLEODINAMICO) JIB6S  
 2ND EXTENSION HYDRAULIC CYLINDER (HYDRAULIC SYSTEM) JIB6S  
 VERIN 2EME RALLONGE (INSTALLATION HYDRAULIQUE) JIB6S  
 2. VERLAENGERUNGSWINDE (HYDRAULIKANLAGE) JIB6S  
 2° GATO DE PROLONGACION (INSTALACION HIDRAULICA) JIB6S

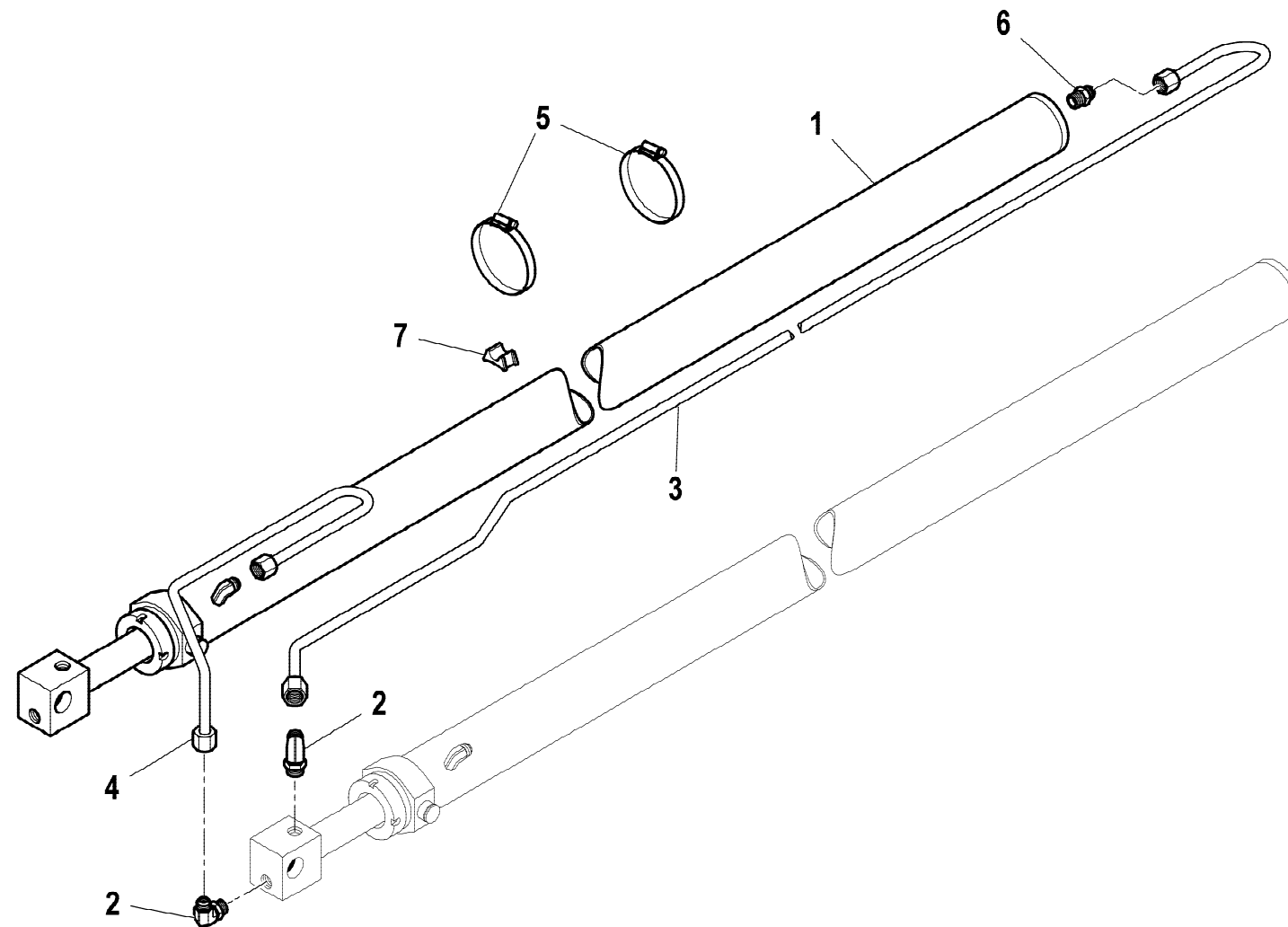
Tavola

**6.21.0386-1-0**

Data pag.  
 maggio 2008 119



rif.	codice	Q.tà
1	5.02.0522	1
2	5.00.0771	4
3	3.04.0089	4
4	W.37.04.007.00	4
5	3.01.0353	4
6	3.06.0920	4
7	3.06.0914	4
8	5.00.0827	4
9	5.14.0743	4
10	5.00.1253	4
11	3.06.0938	1
12	5.15.0649	1
13	3.06.0911	1
14	5.00.1105	4
15	3.06.0941	4
16	3.04.0519	4
17	3.07.0150	2
18	5.00.1161	1



rif.	codice	Q.tà
1	6.41.0387	1
2	3.10.1131	2
3	5.39.0072	1
4	5.39.0073	1
5	3.19.0023	2
6	3.10.1051	1
7	5.14.0133	2

1/1

**HYVA** CRANE

**HC801**

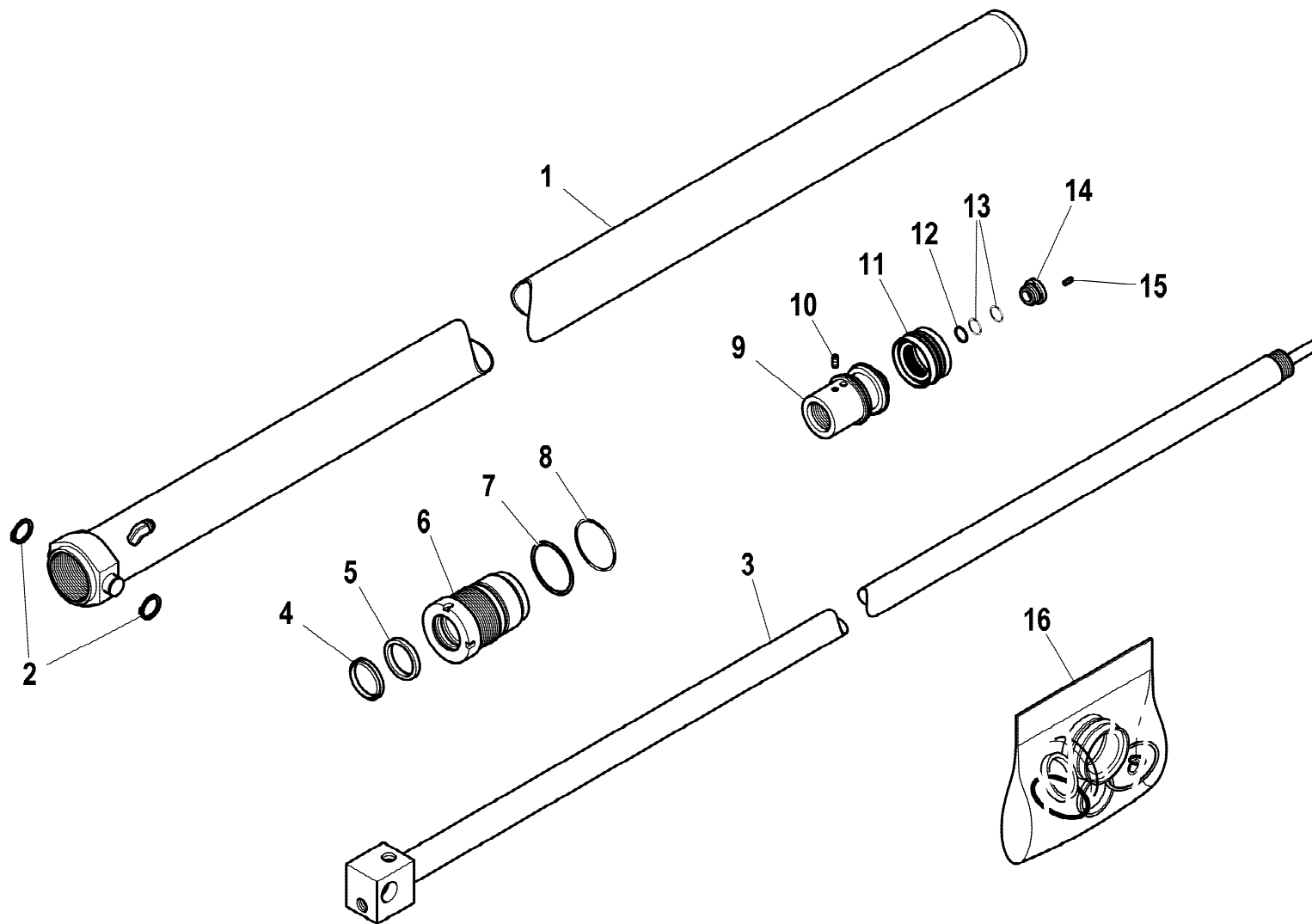
MARTINETTO 3° SFILO (IMPIANTO OLEODINAMICO) JIB6S  
 3RD EXTENSION HYDRAULIC JACK (HYDRAULIC SYSTEM) JIB6S  
 VÉRIN 3ÈME RALLONGE (INSTALLATION HYDRAULIQUE) JIB6S  
 3. SCHUBZYLINDER (HYDRAULIKANLAGE) JIB6S  
 GATO 3ª EXTENSIÓN (INSTALACION HIDRAULICA) JIB6S

Tavola

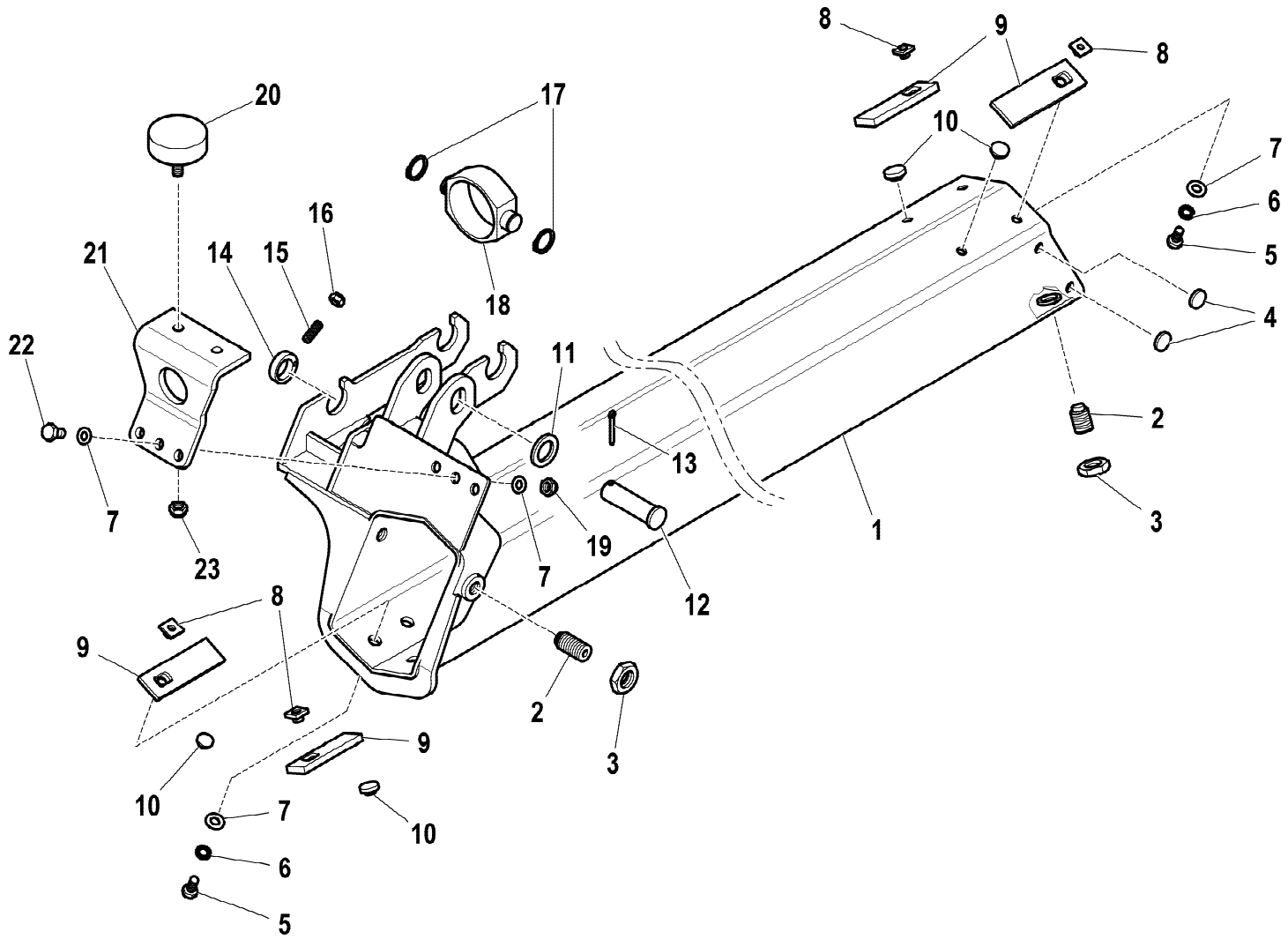
**6.21.0387-1-0**

Data pag.  
 maggio 2008 121





rif.	codice	Q.tà
1	6.07.0581	1
2	3.07.0150	2
3	6.03.0844	1
4	3.42.0021	1
5	3.37.0136	1
6	6.04.0259	1
7	3.46.0132	1
8	3.45.0132	1
9	6.05.0275	1
10	3.06.0232	1
11	3.40.0509	1
12	3.45.0047	1
13	3.46.0047	2
14	6.04.0269	1
15	3.06.0248	1
16	5.55.0781	1



rif.	codice	Q.tà
1	5.02.0523	1
2	5.00.0771	4
3	3.04.0089	4
4	W.37.04.007.00	4
5	3.01.0353	4
6	3.06.0920	4
7	3.06.0914	10
8	5.00.0827	4
9	5.14.0733	4
10	5.00.1253	4
11	3.06.0938	1
12	5.15.0649	1
13	3.06.0911	1
14	5.00.1105	4
15	3.06.0941	4
16	3.04.0519	4
17	3.07.0150	2
18	5.00.1161	1
19	3.04.0304	3
20	3.19.0100	2
21	5.00.1905	1
22	3.01.0044	3
23	3.04.0305	2

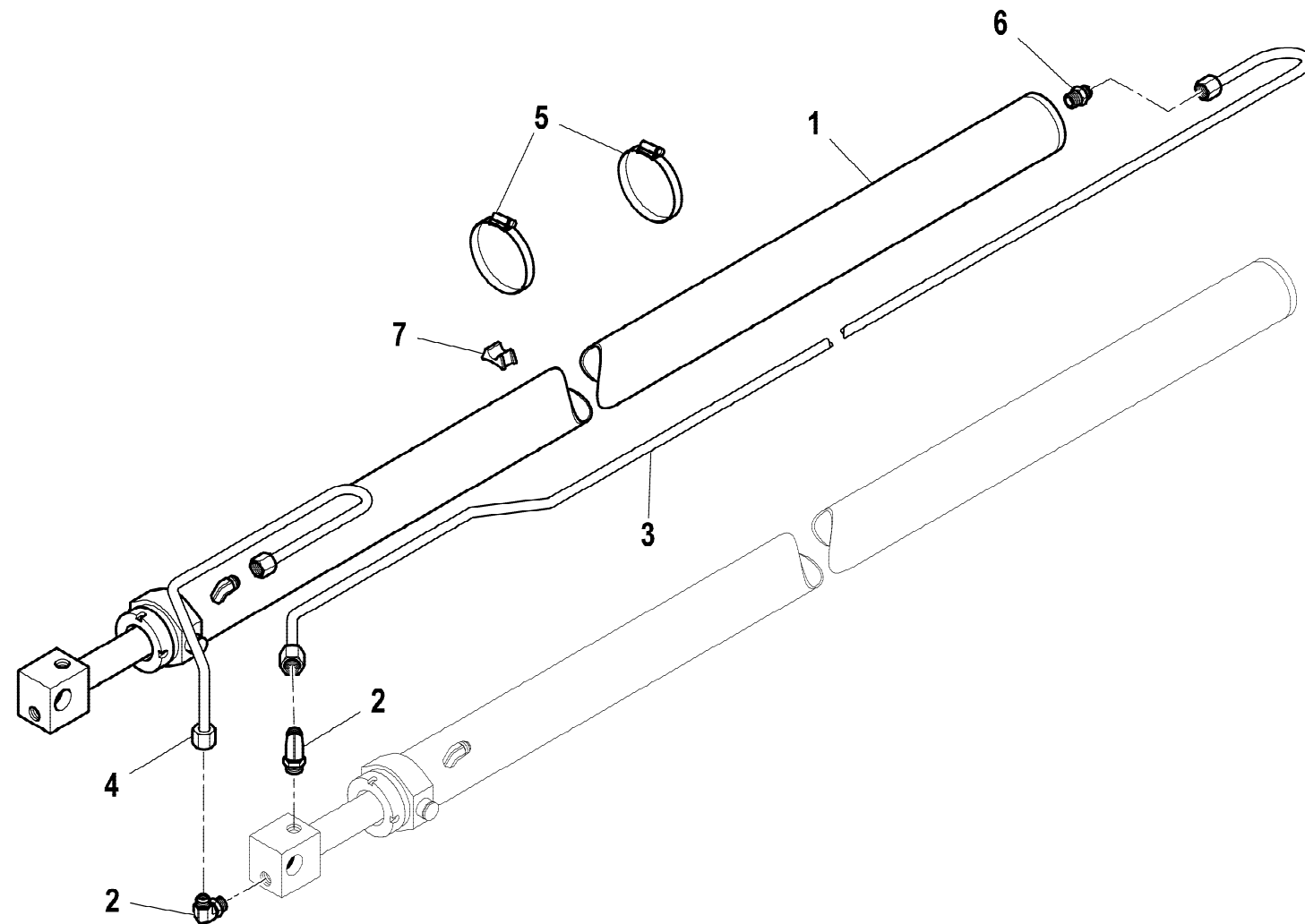


HC801

4° SFILO JIB6  
 4TH EXTENSION JIB6  
 4EME RALLONGE JIB6  
 4. VERLAENGERUNG JIB6  
 4° PROLONGACION JIB6

Tavola  
**5.34.0011-1-0**

Data pag.  
 aprile 2008 123



rif.	codice	Q.tà
1	6.41.0387	1
2	3.10.1131	2
3	5.39.0074	1
4	5.39.0075	1
5	3.19.0023	2
6	3.10.1051	1
7	5.14.0133	2

1/1

**HYVA** CRANE

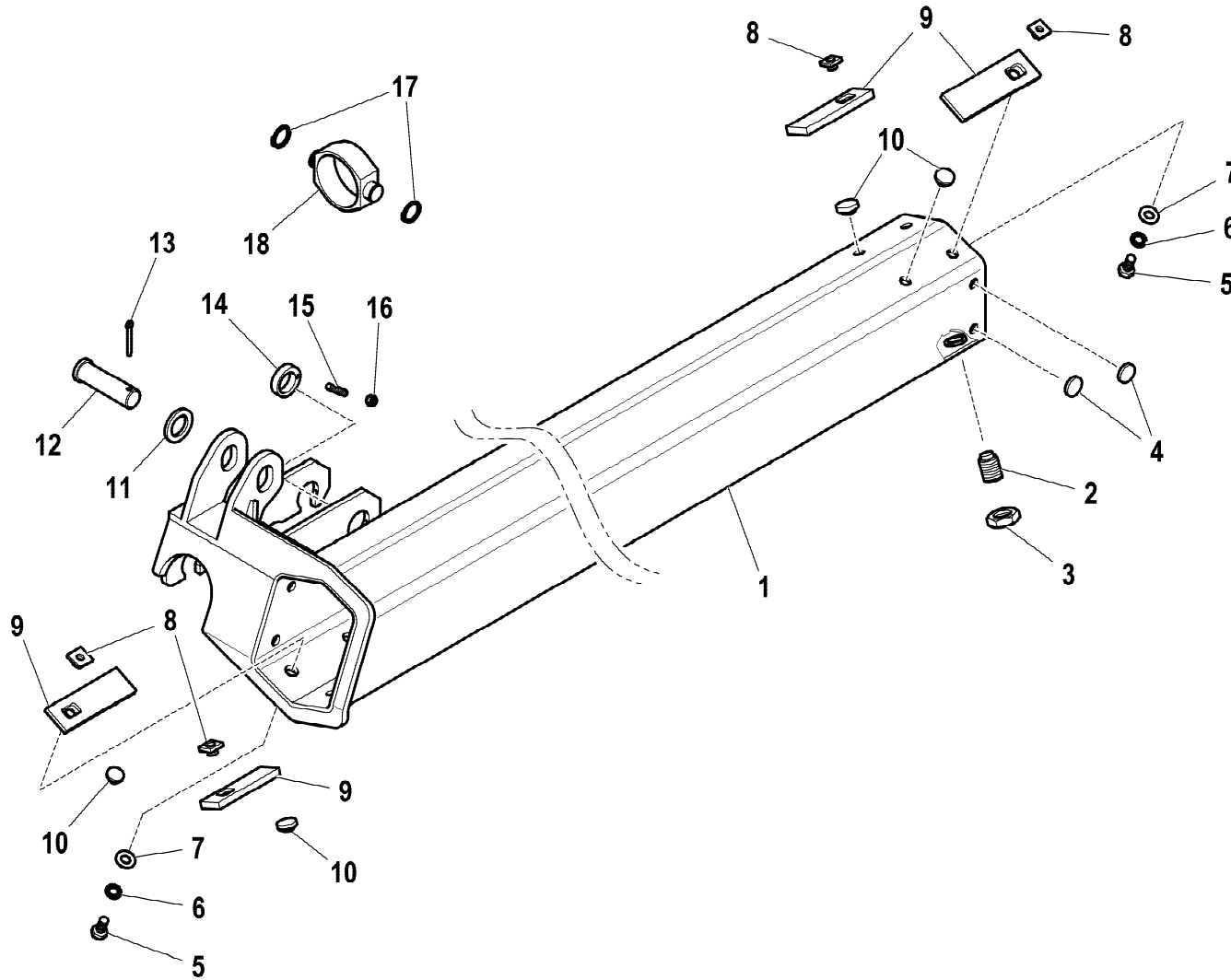
**HC801**

MARTINETTO 4° SFILO (IMPIANTO OLEODINAMICO) JIB6S  
 4TH EXTENSION HYDRAULIC JACK (HYDRAULIC SYSTEM) JIB6S  
 VÉRIN 4ÈME RALLONGE (INSTALLATION HYDRAULIQUE) JIB6S  
 4. SCHUBZYLINDER (HYDRAULIKANLAGE) JIB6S  
 GATO 4ª EXTENSIÓN (INSTALACION HIDRAULICA) JIB6S

Tavola

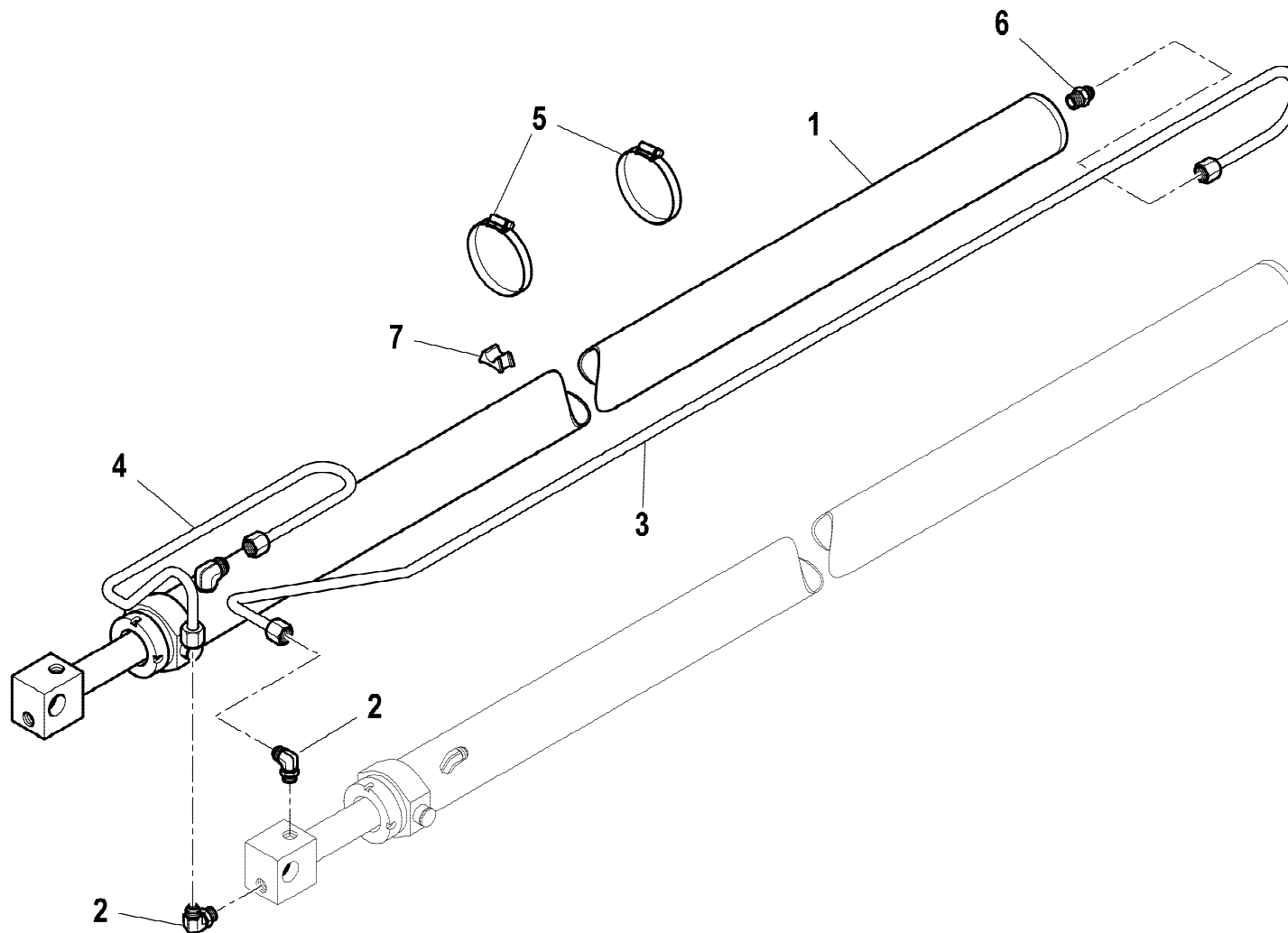
**6.21.0388-1-0**

Data pag.  
 maggio 2008 124



rif.	codice	Q.tà
1	5.02.0524	1
2	5.00.0771	2
3	3.04.0089	2
4	W.37.04.007.00	4
5	3.01.0353	4
6	3.06.0920	4
7	3.06.0914	4
8	5.00.0827	4
9	5.14.0733	4
10	5.00.1253	4
11	3.06.0938	1
12	5.15.0649	1
13	3.06.0911	1
14	5.00.1105	4
15	3.06.0941	4
16	3.04.0519	4
17	3.07.0150	2
18	5.00.1106	1

rif.	codice	Q.tà
1	6.41.0388	1
2	3.10.1131	2
3	5.39.0076	1
4	5.39.0077	1
5	3.19.0023	2
6	3.10.1051	1
7	5.14.0133	2



1/1

**HYVA** CRANE

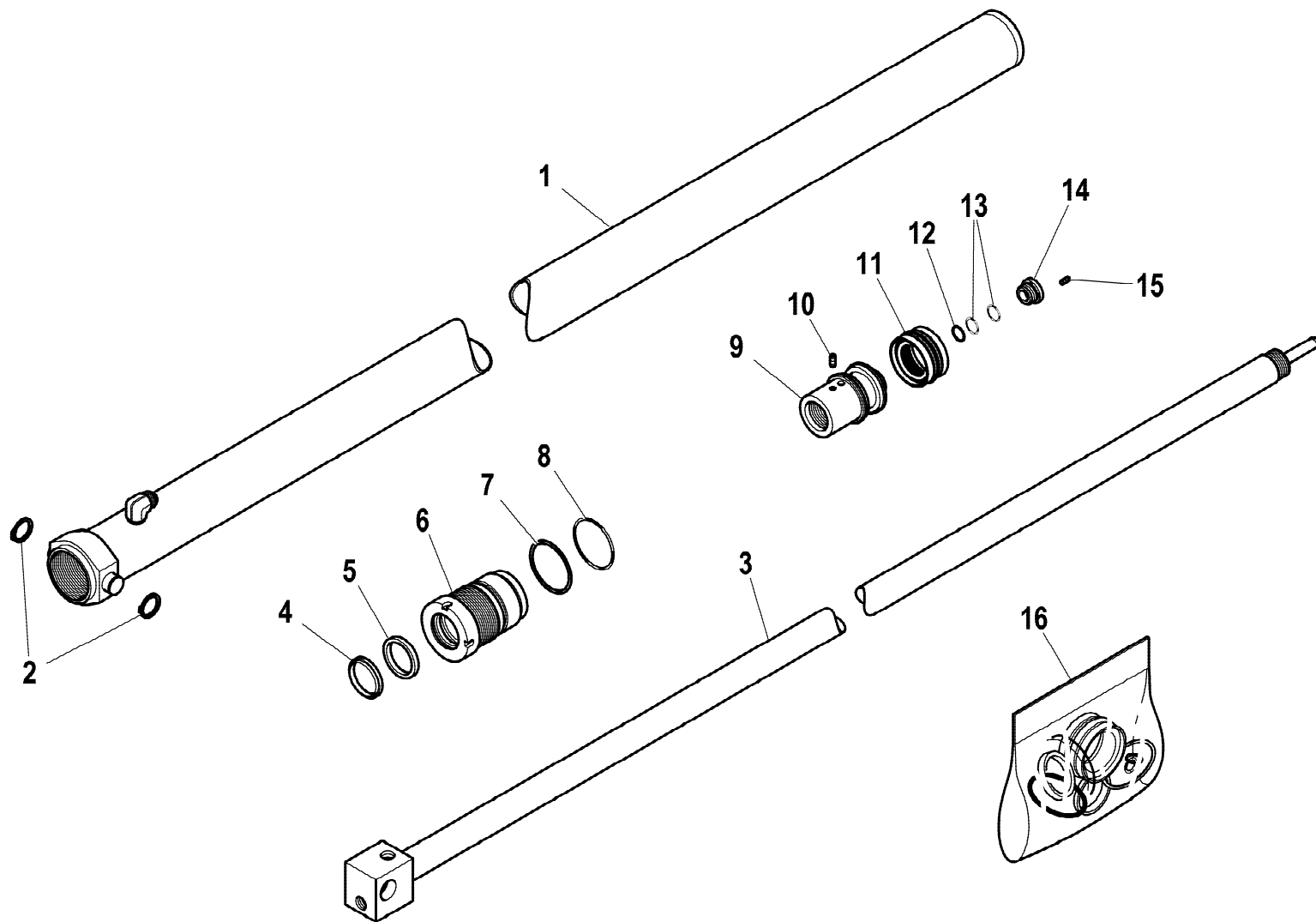
**HC801**

MARTINETTO 5° SFILO (IMPIANTO OLEODINAMICO) JIB6S  
 5TH EXTENSION HYDRAULIC JACK (HYDRAULIC SYSTEM) JIB6S  
 VÉRIN 5ÈME RALLONGE (INSTALLATION HYDRAULIQUE) JIB6S  
 5. SCHUBZYLINDER (HYDRAULIKANLAGE) JIB6S  
 GATO 5ª EXTENSIÓN (INSTALACION HIDRAULICA) JIB6S

Tavola

**6.21.0389-1-0**

Data pag.  
 maggio 2008 126



rif.	codice	Q.tà
1	6.07.0459	1
2	3.07.0150	2
3	6.03.0846	1
4	3.42.0018	1
5	3.37.0137	1
6	6.04.0254	1
7	3.46.0126	1
8	3.45.0126	1
9	6.05.0290	1
10	3.06.0232	1
11	3.40.0507	1
12	3.45.0047	1
13	3.46.0047	2
14	6.04.0269	1
15	3.06.0248	1
16	5.55.0783	1

1/1

**HYVA** CRANE

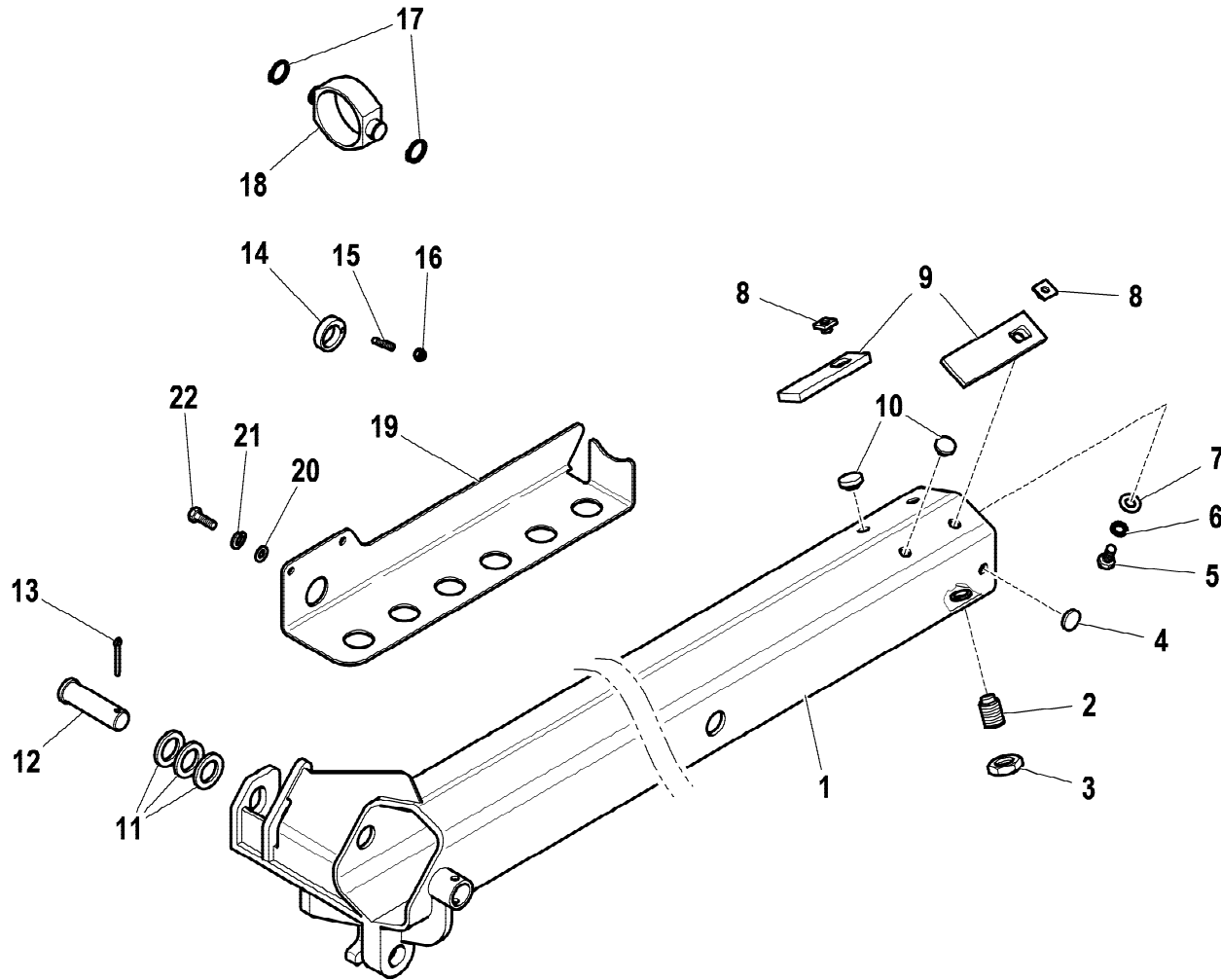
**HC801**

MARTINETTO 5° SFILLO  
 5TH EXTENSION HYDRAULIC JACK  
 VÉRIN 5ÈME RALLONGE  
 5. SCHUBZYLINDER  
 GATO 5ª EXTENSIÓN

Tavola

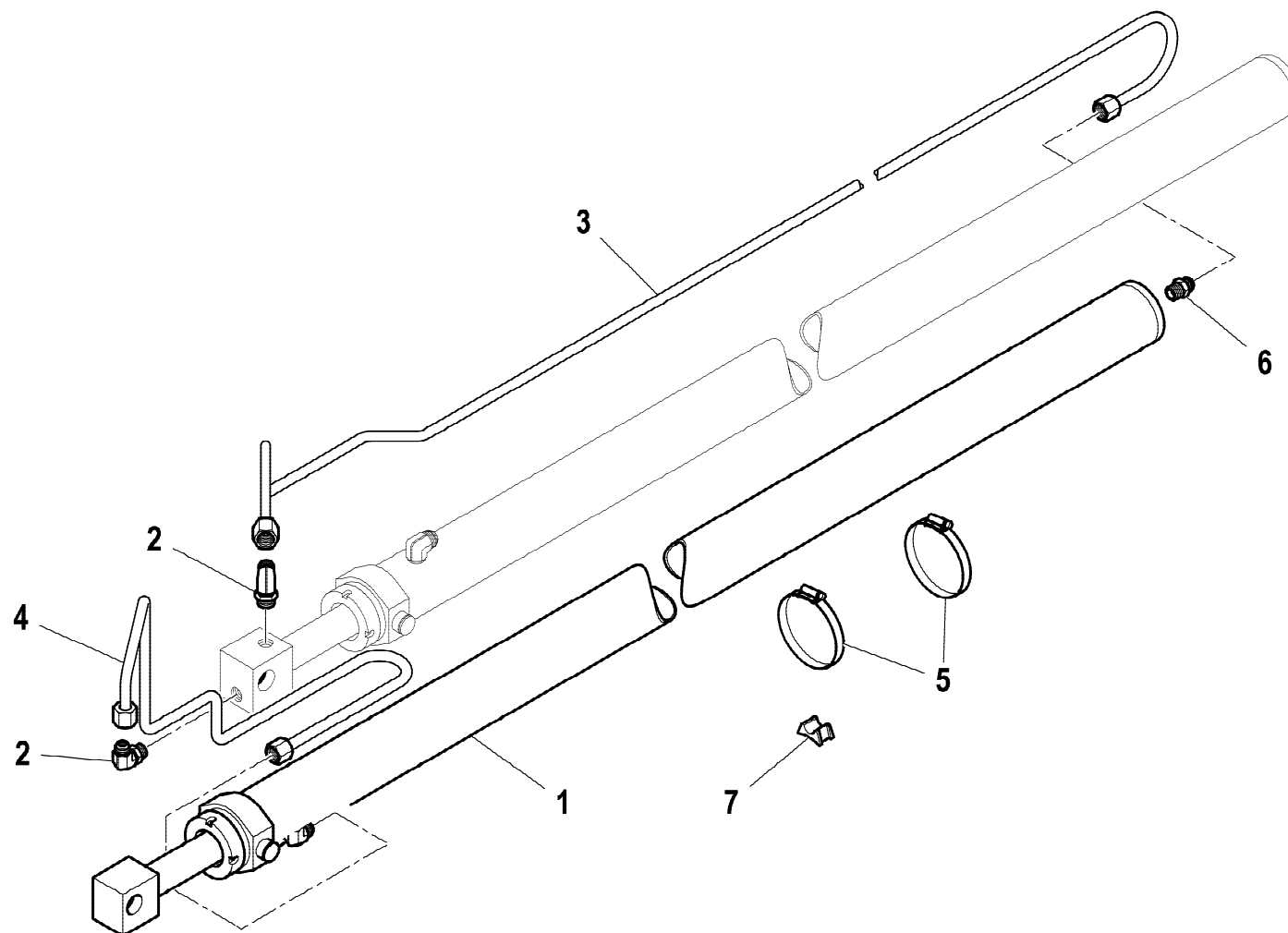
**6.41.0388-1-0**

Data pag.  
 maggio 2008 127



rif.	codice	Q.tà
1	5.02.0525	1
2	5.00.0771	2
3	3.04.0089	2
4	W.37.04.007.00	2
5	3.01.0353	2
6	3.06.0920	2
7	3.06.0914	2
8	5.00.0827	2
9	5.14.0733	2
10	5.00.1253	2
11	3.06.0938	3
12	5.15.0649	1
13	3.06.0911	1
14	5.00.1105	4
15	3.06.0941	4
16	3.04.0519	4
17	3.07.0150	2
18	5.00.1106	1
19	5.00.1925	1
20	3.06.0006	2
21	3.06.0055	2
22	3.01.0027	2

rif.	codice	Q.tà
1	6.41.0245	1
2	3.10.1131	2
3	5.39.0078	1
4	5.39.0079	1
5	3.19.0023	2
6	3.10.1051	1
7	5.14.0133	2



1/1

**HYVA** CRANE

**HC801**

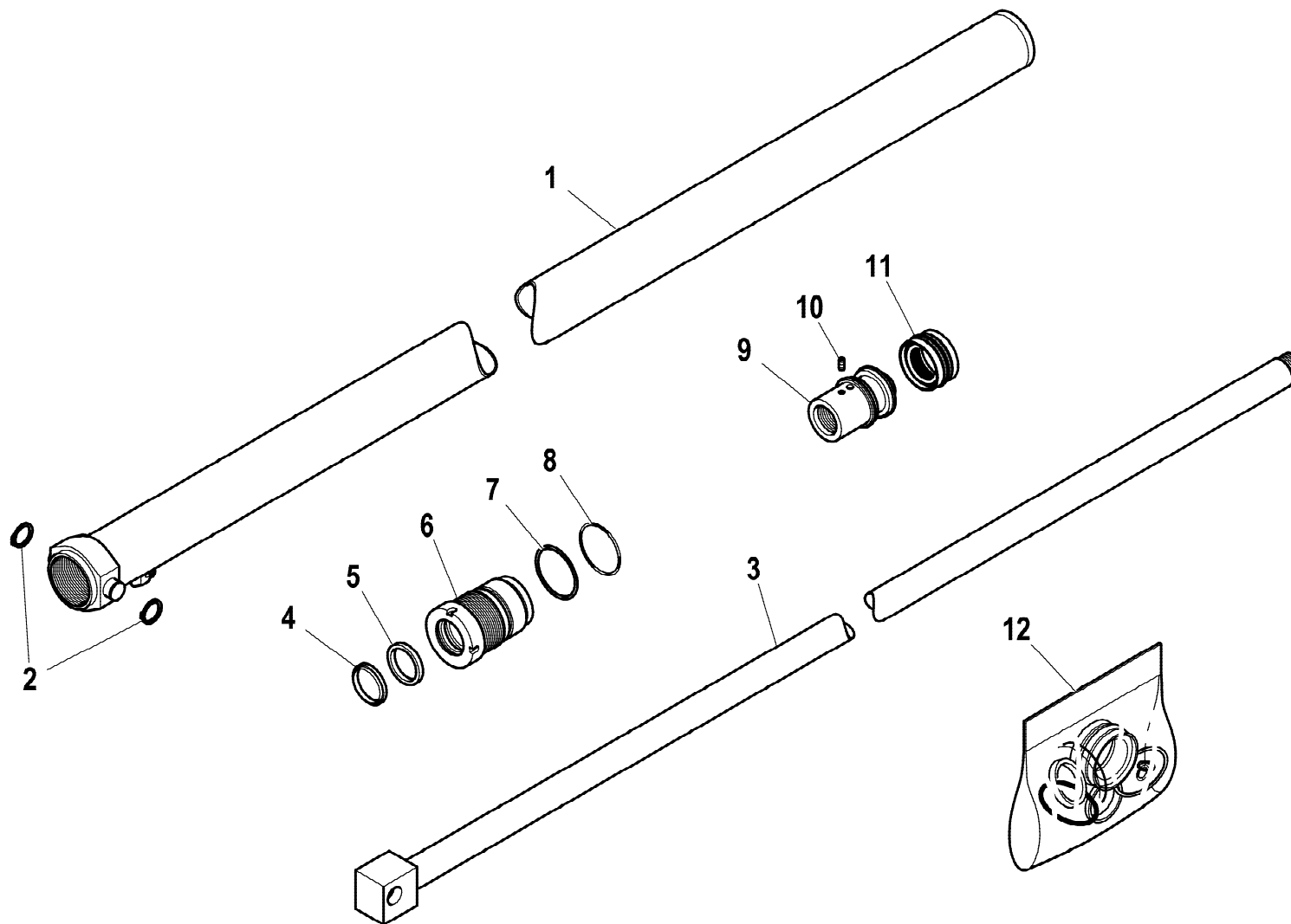
MARTINETTO 6° SFILO (IMPIANTO OLEODINAMICO) JIB6S  
 6TH EXTENSION HYDRAULIC JACK (HYDRAULIC SYSTEM) JIB6S  
 VÉRIN 6ÈME RALLONGE (INSTALLATION HYDRAULIQUE) JIB6S  
 6. SCHUBZYLINDER (HYDRAULIKANLAGE) JIB6S  
 GATO 6ª EXTENSIÓN (INSTALACION HIDRAULICA) JIB6S

Tavola

**6.21.0390-1-0**

Data pag.  
 maggio 2008 129





rif.	codice	Q.tà
1	6.07.0460	1
2	3.07.0150	2
3	6.03.0618	1
4	3.42.0015	1
5	3.37.0138	1
6	6.04.0270	1
7	3.46.0126	1
8	3.45.0126	1
9	6.05.0289	1
10	3.06.0232	1
11	3.40.0507	1
12	5.55.0784	1

1/1

**HYVA** CRANE

**HC801**

MARTINETTO 6° SFIL  
 6TH EXTENSION HYDRAULIC JACK  
 VÉRIN 6ÈME RALLONGE  
 6. SCHUBZYLINDER  
 GATO 6ª EXTENSIÓN

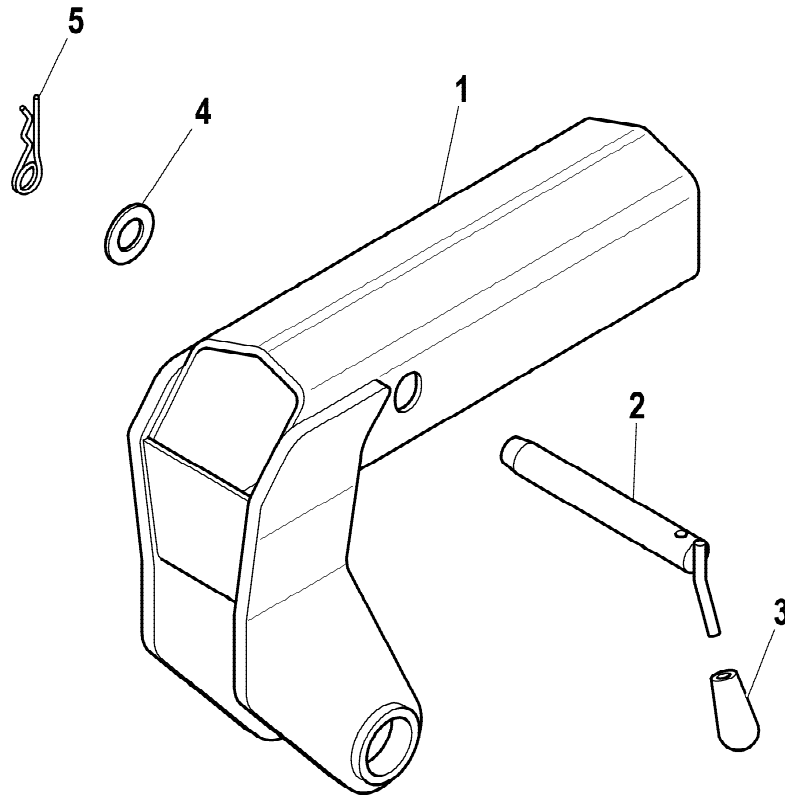
Tavola

**6.41.0245-2-0**

Data pag.  
 maggio 2008 130

**Solo per versione J6S**  
**J6S version only**

<u>rif.</u>	<u>codice</u>	<u>Q.tà</u>
1	5.09.1184	1
2	5.15.0905	1
3	3.19.0010	1
4	3.06.0014	1
5	3.06.0924	1



1/1

**HYVA** CRANE

**HC801**

INGAMBONATURA PER ARGANO JIB6S  
ATTACHEMENT FOR WINCH JIB6S  
CONNEXION POUR TREUIL JIB6S  
KUPPLUNG FÜR WINDE JIB6S  
CONEXIÓN PARA CABRESTANTE JIB6S

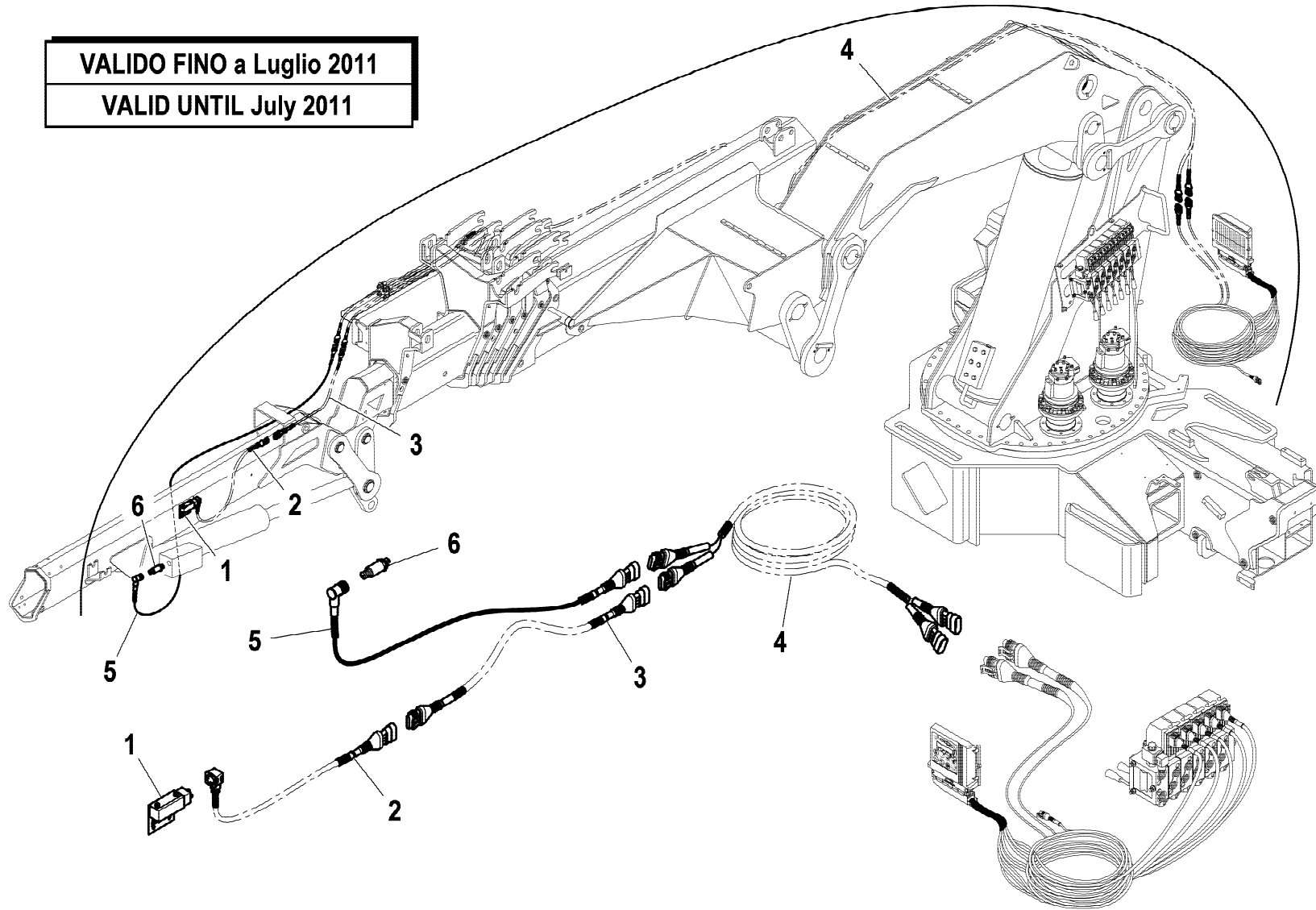
Tavola

**7.90.0326-1-0**

Data pag.  
aprile 2008 131

VALIDO FINO a Luglio 2011

VALID UNTIL July 2011



rif.	codice	Q.tà
1	3.31.0751	1
2	5.16.0042	1
3	5.16.0016	1
4	5.16.0015	1
5	5.16.0001	1
6	3.31.0612	1

1/1

**HYVA** CRANE

**HC801**

COMANDI EBB  
CONTROLS EBB  
COMMANDES EBB  
STEUERUGEN EBB  
MANDOS EBB

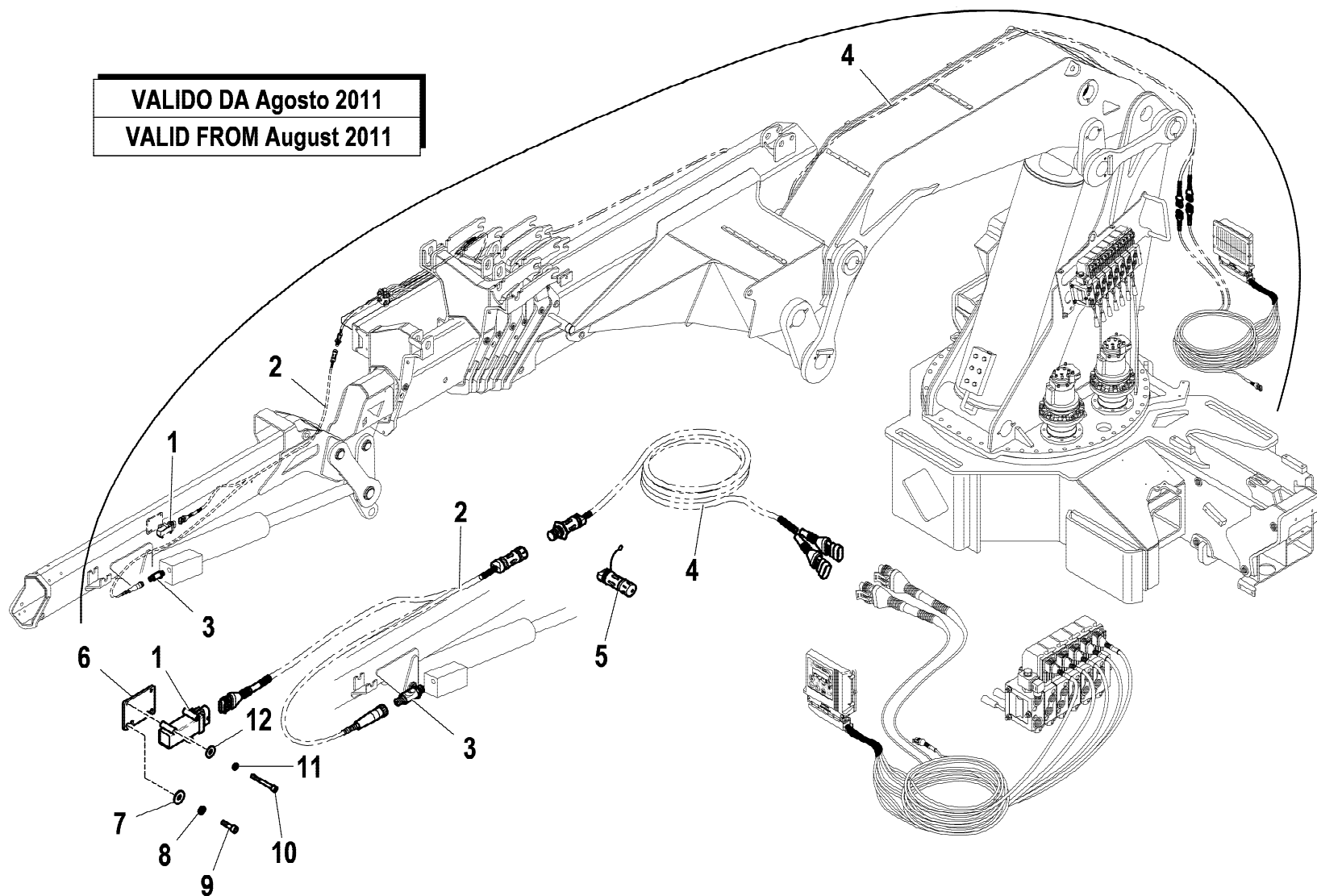
Tavola

**5.40.0925-5-0**

Data pag.  
marzo 2008 132

VALIDO DA Agosto 2011

VALID FROM August 2011



rif.	codice	Q.tà
1	3.31.1150	1
2	5.16.0079	1
3	3.31.0612	1
4	5.16.0096	1
5	5.16.0080	1
6	5.00.2108	1
7	3.06.0005	2
8	3.06.0053	2
9	3.02.0033	2
10	3.02.0018	2
11	3.06.0065	2
12	3.06.0003	2

1/1

**HYVA** CRANE

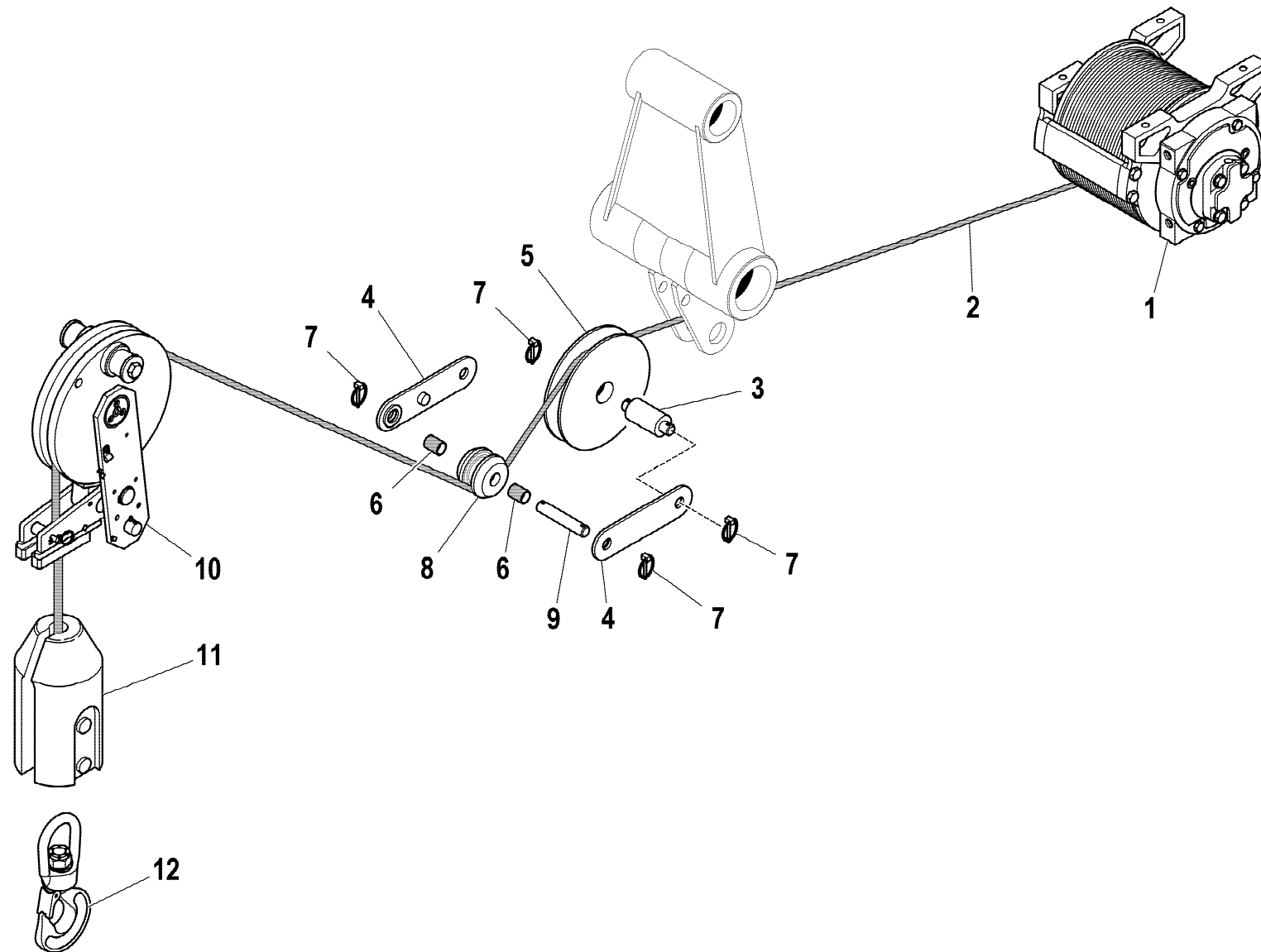
**HC801**

COMANDI (RDC EBB-X TCU-ECM4) EN12999-A3  
 CONTROLS (RDC EBB-X TCU-ECM4) EN12999-A3  
 COMMANDES (RDC EBB-X TCU-ECM4) EN12999-A3  
 STEUERUGEN (RDC EBB-X TCU-ECM4) EN12999-A3  
 MANDOS (RDC EBB-X TCU-ECM4) EN12999-A3

Tavola

**5.40.1704-4-0**

Data pag.  
 settembre 2012 133



rif.	codice	Q.tà
1	5.72.0159	1
2	5.73.0094	1
3	5.15.0907	1
4	5.00.1924	2
5	5.73.0093	1
6	5.14.1052	2
7	3.06.0753	4
8	5.14.1022	1
9	5.15.0908	1
10	5.73.0069	1
11	5.73.0076	1
12	3.20.0007	1

1/1

**HYVA** CRANE

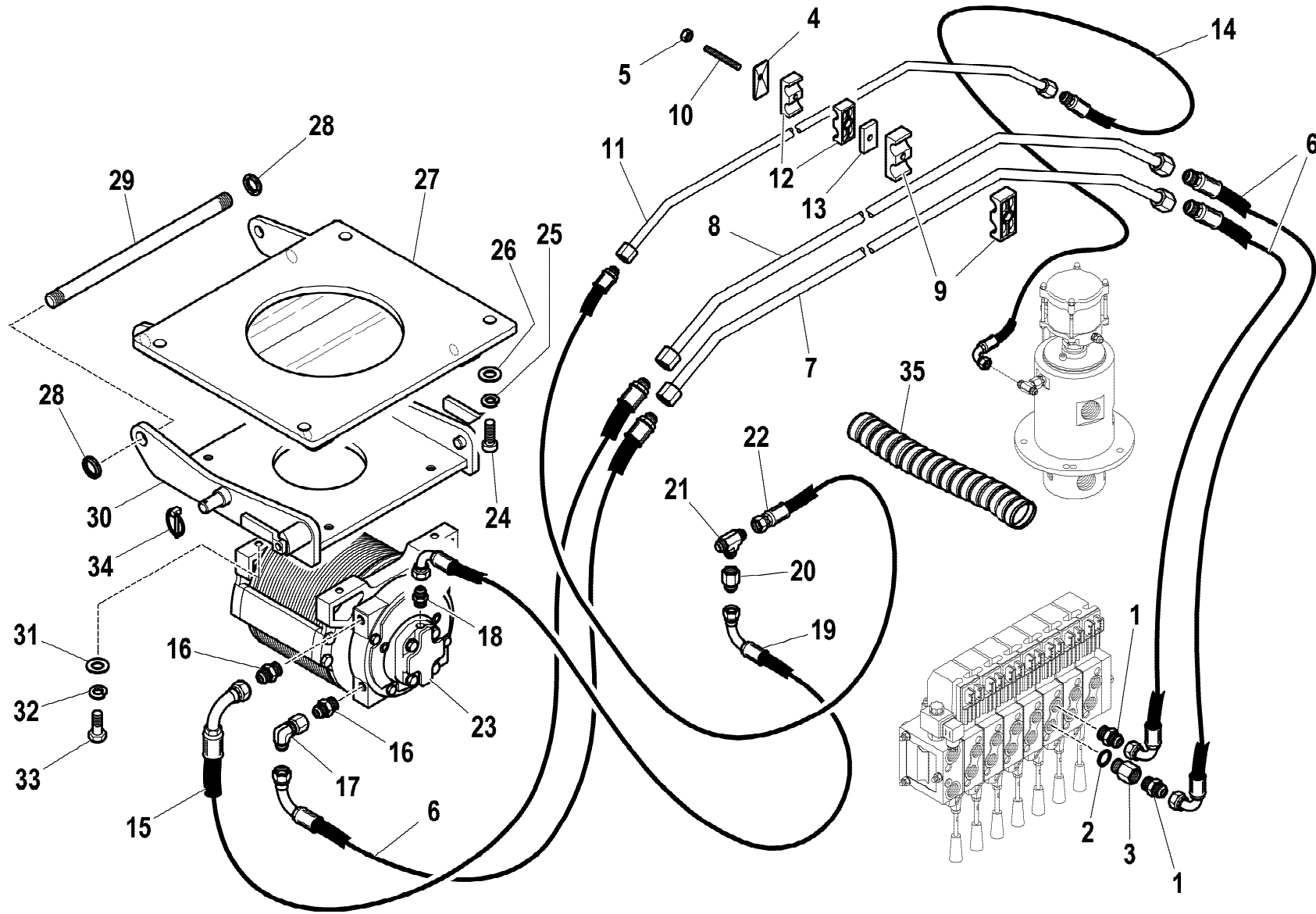
**HC801**

KIT ARGANO  
 WINCH KIT  
 KIT TREUIL  
 KIT WINDE  
 KIT TORNO

Tavola

**7.83.4222-1-0**

Data pag.  
 aprile 2008 134



rif.	codice	Q.tà
1	3.10.1058	2
2	3.06.0145	1
3	3.11.0113	1
4	3.19.0204	3
5	3.04.0303	3
6	5.29.0193	3
7	5.39.2364	1
8	5.39.2363	1
9	3.19.0222	6
10	2.51.0005	3
11	5.39.2365	1
12	3.19.0172	6
13	5.14.1057	3
14	5.28.0855	1
15	5.29.0203	1
16	3.10.1056	2
17	3.12.0336	1
18	3.10.1039	1
19	5.27.1889	1
20	3.12.0209	1
21	3.12.0315	1
22	5.28.0852	1
23	5.72.0159	1
24	3.02.0315	4
25	3.06.0061	4
26	3.06.0019	4
27	5.09.1182	1
28	3.04.0502	2
29	5.15.0897	1
30	5.09.1183	1
31	3.06.0010	4

1/2



HC801

ARGANO (IMPIANTO IDRAULICO)  
 WINCH (HYDRAULIC SYSTEM)  
 TREUIL (INSTALLATION HYDRAULIQUE)  
 WINDE (HYDRAULIKANLAGE)  
 CABRESTANTE (INSTALACION HIDRAULICA)

Tavola  
**5.74.0233-1-0**

Data pag.  
 aprile 2008 135.1

rif.	codice	Q.tà
32	3.06.0059	4
33	3.01.0463	4
34	3.06.0753	1
35	3.19.0288	1

