



GRU - GRUAS - CRANES - GRUES - KRANE

Catalogo parti di ricambio

Catalogue des pieces detachees

HC501

Catalogo de piezas de repuestos

Ersatzteilkatalog

Spare parts book

1 5.50.2000-3-0

KIT TARGHETTE (GRU) GENERIC
 PLATE KIT (CRANES) GENERIC
 KIT DE PLAQUETTES (GRUES) GENERIC
 SCHILD (KRANE) GENERIC
 KIT PLACAS (GRUAS) GENERIC

2 5.50.0773-1-0

KIT TARGHETTE (VERSIONE) GRU
 PLATE KIT (VERSION) GRU
 KIT DE PLAQUETTES (VERSION) GRU
 SCHILD (VERSION) GRU
 KIT PLACAS (VERSION) GRU

3 5.42.0059-1-0

BASAMENTO
 BASE
 SOLLE
 UNTERBAU
 BASE

4 5.42.0059-1-1

BASAMENTO
 BASE
 SOLLE
 UNTERBAU
 BASE

5 5.42.0059-1-2

BASAMENTO
 BASE
 SOLLE
 UNTERBAU
 BASE

6 6.24.0106-1-0

GRUPPO ROTAZIONE
 SLEWING ASS'Y
 GROUPE ROTATION
 DREHVORRICHTUNG
 GRUPO ROTACION

7 6.24.0106-2-0

IMPIANTO IDRAULICO (MARTINETTO ROTAZIONE)
 HYDRAULIC SYSTEM (SLEWING HYDRAULIC JACK)
 INSTALLATION HYDRAULIQUE (VERIN ROTATION)
 HYDRAULIKANLAGE (DREH SCHUBZYLINDER)
 INSTALACION HIDRAULICA (GATO ROTACION)

8 5.40.0596-1-0

KIT INGRASSAGGIO
 GREASING KIT
 KIT GRAISSAGE
 FETTSATZ
 JUNTA DE ENGRASE

9 5.41.1204-1-0

CONTROLLO STABILITA' EN-12999-A3
 STABILITY CONTROL EN-12999-A3
 CONTRÔLE DE LA STABILITE' EN-12999-A3
 STABILITÄTSKONTROLLE EN-12999-A3
 CONTROL DE LA ESTABILIDAD EN-12999-A3

10 5.41.1385-5-0

CONTROLLO STABILITA' EN-12999-A3
 STABILITY CONTROL EN-12999-A3
 CONTRÔLE DE LA STABILITE' EN-12999-A3
 STABILITÄTSKONTROLLE EN-12999-A3
 CONTROL DE LA ESTABILIDAD EN-12999-A3

11 5.41.1209-1-0

CONTROLLO ROTAZIONE EN-12999-A3
 ROTATION CONTROL EN-12999-A3
 CONTRÔLE ROTATION EN-12999-A3
 KONTROLLE ROTATION EN-12999-A3
 CONTROL ROTACION EN-12999-A3

12 5.41.1402-1-0

CONTROLLO ROTAZIONE EN-12999-A3
 ROTATION CONTROL EN-12999-A3
 CONTRÔLE ROTATION EN-12999-A3
 KONTROLLE ROTATION EN-12999-A3
 CONTROL ROTACION EN-12999-A3

13 5.41.1204-2-0

KIT CONTROLLO CHIUSURA ASTE STAB. MANUALI EN-12999-A3
 CONTROL DEVICES LOCKING FOR OUTRIGGERS LEGS EN-12999-A3
 KIT DE CONTRÔLE DE FERMETURE TIGES STABILISATEURS MANUELS EN-12999-A3
 KIT SCHLUSSKONTROLLE FÜR MANUELLEN ABSTÜTZSTANGEN EN-12999-A3
 KIT CONTROL CIERRE VASTAGO ESTABILIZADORES EN-12999-A3

14 5.41.1204-2-1

KIT CONTROLLO CHIUSURA ASTE STAB. MANUALI EN-12999-A3
 CONTROL DEVICES LOCKING FOR OUTRIGGERS LEGS EN-12999-A3
 KIT DE CONTRÔLE DE FERMETURE TIGES STABILISATEURS MANUELS EN-12999-A3
 KIT SCHLUSSKONTROLLE FÜR MANUELLEN ABSTÜTZSTANGEN EN-12999-A3
 KIT CONTROL CIERRE VASTAGO ESTABILIZADORES EN-12999-A3

15 5.40.0403-1-0

COMANDI (STABILIZZATORI STANDARD)
CONTROLS (STABILIZERS STANDARD)
COMMANDES (NORNE STABILISATEURS)
STEUERUGEN (STABILISATOREN STANDARD)
MANDOS (ESTÁNDAR ESTABILIZADORES)

16 5.22.0346-1-0

DISTRIBUTORE STABILIZZATORI
STABILIZER CONTROL VALVE
DISTRIBUTEUR STABILISATEURS
BEDIENUNG DEN ABSTÜTZUNGEN
DISTRIBUDOR ESTABILIZADORE

17 5.40.0403-2-0

DEVIATORE (STABILIZZATORI STANDARD)
SWITCH (STABILIZERS STANDARD)
COMMUTATEUR DE DEVIATION (NORNE STABILISATEURS)
ABWEISER (STABILISATOREN STANDARD)
DESVIADOR (ESTÁNDAR ESTABILIZADORES)

18 5.40.0403-3-0

IMPIANTO IDRAULICO (DISTRIBUTORE SFILO ASTE)
HYDRAULIC SYSTEM (ROD EXTENSION VALVE BANK)
INSTALLATION HYDRAULIQUE (DISTRIBUTEUR POUR RALLONGE TIGES)
HYDRAULIKANLAGE (STUEBERBLOCK FÜR AUSFAHREN DER STÜTZEN)
INSTALACION HIDRAULICA (DISTRIBUIDOR POR BRAZO ESTABILIZADOR)

19 5.44.0103-1-0

IMPIANTO IDRAULICO ELETTROVALVOLA EN-12999-A3
HYDRAULIC SYSTEM SOLENOID VALVE EN-12999-A3
INSTALLATION HYDRAULIQUE ELECTROVALVE EN-12999-A3
HYDRAULISCHE ANLAGE ELEKTROVENTIL EN-12999-A3
INSTALACION HIDRAULICA ELECTROVALVULA EN-12999-A3

20 3.18.0159-1-0

FILTRO AD ALTA PRESSIONE
HIGH PRESSURE FILTER
FILTRE HAUTE PRESSION
HOCHDRUCKFILTER
FILTRÓ DE ALTA PRESION

21 5.76.0123-1-0

ASTE STABILIZZATRICI
STABILIZER ROD
TIGES DE STABILISATION
STÜTZSTANGEN
BARRAS ESTABILIZADORAS

22 5.40.0403-6-0

IMPIANTO IDRAULICO (MARTINETTO SFILO ASTE)
HYDRAULIC SYSTEM (ROD EXTENSION HYDRAULIC CYLINDER)
INSTALLATION HYDRAULIQUE (VERIN RALLONGE TIGES)
HYDRAULIKANLAGE (STANGENVERLAENGERUNGSWINDE)
INSTALACION HIDRAULICA (GATO DE PROLONGACION VASTAGOS)

23 5.76.0123-3-0

IMPIANTO IDRAULICO (STABILIZZATORI STANDARD)
HYDRAULIC SYSTEM (STABILIZERS STANDARD)
INSTALLATION HYDRAULIQUE (NORNE STABILISATEURS)
HYDRAULIKANLAGE (STABILISATOREN STANDARD)
INSTALACION HIDRAULICA (ESTÁNDAR ESTABILIZADORES)

24 5.76.0123-4-0

IMPIANTO IDRAULICO (STABILIZZATORI STANDARD)
HYDRAULIC SYSTEM (STABILIZERS STANDARD)
INSTALLATION HYDRAULIQUE (NORNE STABILISATEURS)
HYDRAULIKANLAGE (STABILISATOREN STANDARD)
INSTALACION HIDRAULICA (ESTÁNDAR ESTABILIZADORES)

25 5.76.0088-1-0

ASTE STABILIZZATRICI EXTRA ESTENDIBILI (ALLARGAMENTO IDRAULICO)
STABILIZER CONNECTING RODS EXTRA-EXTENSIBLE (HYDRAULIC LENGTHENING)
EXTENSION DES STABILISATEURS EXTRA-EXTENSIBLE (RALLONGEANTE HYDRAULIQUE)
STÜTZSTANGEN EXTRA-AUSDEHNBARE (HYDRAULISCHER VERLÄNGERNDER)
VARILLAS ESTABILIZADORES EXTRA-EXTENSIBLE (ALARGA HIDRÁULICO)

26 5.76.0088-2-0

ASTE STABILIZZATRICI EXTRA ESTENDIBILI (ALLARGAMENTO IDRAULICO)
STABILIZER CONNECTING RODS EXTRA-EXTENSIBLE (HYDRAULIC LENGTHENING)
EXTENSION DES STABILISATEURS EXTRA-EXTENSIBLE (RALLONGEANTE HYDRAULIQUE)
STÜTZSTANGEN EXTRA-AUSDEHNBARE (HYDRAULISCHER VERLÄNGERNDER)
VARILLAS ESTABILIZADORES EXTRA-EXTENSIBLE (ALARGA HIDRÁULICO)

27 5.76.0088-3-0

IMPIANTO IDRAULICO EXTRA ESTENDIBILI (MARTINETTO STABILIZZATORE)
HYDRAULIC SYSTEM EXTRA-EXTENSIBLE (STABILISER RAM)
INSTALLATION HYDRAULIQUE EXTRA-EXTENSIBLE (VERIN STABILISATEUR)
HYDRAULIKANLAGE EXTRA-AUSDEHNBARE (STABILISATOR SCHUBZYLINDER)
INSTALACION HIDRAULICA EXTRA-EXTENSIBLE (GATO ESTABILIZADOR)

28 5.76.0088-4-0

IMPIANTO IDRAULICO EXTRA ESTENDIBILI (MARTINETTO STABILIZZATORE)
HYDRAULIC SYSTEM EXTRA-EXTENSIBLE (STABILISER RAM)
INSTALLATION HYDRAULIQUE EXTRA-EXTENSIBLE (VERIN STABILISATEUR)
HYDRAULIKANLAGE EXTRA-AUSDEHNBARE (STABILISATOR SCHUBZYLINDER)
INSTALACION HIDRAULICA EXTRA-EXTENSIBLE (GATO ESTABILIZADOR)

29 5.40.0403-4-0

IMPIANTO IDRAULICO (COMANDI PER STABILIZZATORI)
HYDRAULIC SYSTEM (CONTROLS FOR STABILIZERS)
INSTALLATION HYDRAULIQUE (COMMANDES POUR STABILISATEURS)
HYDRAULIKANLAGE (STEUERUNG FÜR ABSTÜTZUNGEN)
INSTALACION HIDRAULICA (MANDOS POR ESTABILIZADORES)

30 5.38.0022-1-0

IMPIANTO IDRAULICO (MARTINETTO SFILO ASTE EXTRA ESTENDIBILI)
HYDRAULIC SYSTEM (ROD EXTENSION HYDRAULIC CYLINDER EXTRA-EXTENSIBLE)
INSTALLATION HYDRAULIQUE (VERIN RALLONGE TIGE SEXTRA-EXTENSIBLE)
HYDRAULIKANLAGE (STANGENVERLAENGERUNGSWINDE EXTRA-AUSDEHNBARE)
INSTALACION HIDRAULICA (GATO DE PROLONGACION VASTAGOS EXTRA-EXTENSIBLE)

31 6.40.0221-1-0

MARTINETTO SFILO ASTE
ROD EXSTENSION HYDRAULIC CYLINDER
VERIN RALLONGE TIGES
STANGENVERLAENGERUNGSWINDE
GATO DE PROLONGACION VASTAGOS

32 6.40.0219-1-0

MARTINETTO SFILO ASTE
ROD EXSTENSION HYDRAULIC CYLINDER
VERIN RALLONGE TIGES
STANGENVERLAENGERUNGSWINDE
GATO DE PROLONGACION VASTAGOS

33 5.76.0156-1-0

ASTE STABILIZZATRICI EXTRA ESTENDIBILI (ALLARGAMENTO IDRAULICO)
STABILIZER CONNECTING RODS EXTRA-EXTENSIBLE (HYDRAULIC LENGTHENING)
EXTENSION DES STABILISATEURS EXTRA-EXTENSIBLE (RALLONGEANTE HYDRAULIQUE)
STÜTZSTANGEN EXTRA-AUSDEHNBARE (HYDRAULISCHER VERLÄNGERNDER)
VARILLAS ESTABILIZADORES EXTRA-EXTENSIBLE (ALARGA HIDRAULICO)

34 5.41.1060-1-0

GRUPPO ROTAZIONE (MARTINETTO STABILIZZATORE) GIR.AUT.
SLEWING ASS'Y (STABILISER RAM) GIR.AUT.
GROUPE ROTATION (VERIN STABILISATEUR) GIR.AUT.
DREHVORRICHTUNG (STABILISATOR SCHUBZYLINDER) GIR.AUT.
GRUPO ROTACION (GATO ESTABILIZADOR) GIR.AUT.

35 5.41.1060-2-0

GRUPPO ROTAZIONE (MARTINETTO STABILIZZATORE) GIR.AUT.
SLEWING ASS'Y (STABILISER RAM) GIR.AUT.
GROUPE ROTATION (VERIN STABILISATEUR) GIR.AUT.
DREHVORRICHTUNG (STABILISATOR SCHUBZYLINDER) GIR.AUT.
GRUPO ROTACION (GATO ESTABILIZADOR) GIR.AUT.

36 5.41.1042-1-0

GRUPPO ROTAZIONE (MARTINETTO STABILIZZATORE) GIR.AUT.
SLEWING ASS'Y (STABILISER RAM) GIR.AUT.
GROUPE ROTATION (VERIN STABILISATEUR) GIR.AUT.
DREHVORRICHTUNG (STABILISATOR SCHUBZYLINDER) GIR.AUT.
GRUPO ROTACION (GATO ESTABILIZADOR) GIR.AUT.

37 5.41.1042-2-0

GRUPPO ROTAZIONE (MARTINETTO STABILIZZATORE) GIR.AUT.
SLEWING ASS'Y (STABILISER RAM) GIR.AUT.
GROUPE ROTATION (VERIN STABILISATEUR) GIR.AUT.
DREHVORRICHTUNG (STABILISATOR SCHUBZYLINDER) GIR.AUT.
GRUPO ROTACION (GATO ESTABILIZADOR) GIR.AUT.

38 6.20.0220-1-0

IMPIANTO IDRAULICO (MARTINETTO STABILIZZATORE)
HYDRAULIC SYSTEM (STABILISER RAM)
INSTALLATION HYDRAULIQUE (VERIN STABILISATEUR)
HYDRAULIKANLAGE (STABILISATOR SCHUBZYLINDER)
INSTALACION HIDRAULICA (GATO ESTABILIZADOR)

39 6.40.0220-1-0

MARTINETTO STABILIZZATORE
STABILIZER HYDRAULIC JACK
VERIN STABILISATEUR
STABILISATOR SCHUBZYLINDER
GATO ESTABILIZADOR

40 5.41.0936-1-0

CODOLO SNODATO (MARTINETTO STABILIZZATORE)
ARTICULATED JOINT TANG (STABILISER RAM)
JOINT SPHERIQUE QUEUE (VERIN STABILISATEUR)
SCHAFT KUGELGELENK (STABILISATOR SCHUBZYLINDER)
JUNTA ESFERICA MANGÓ (GATO ESTABILIZADOR)

41 6.20.0258-1-0

IMPIANTO IDRAULICO (MARTINETTO STABILIZZATORE) GIR. AUT.
HYDRAULIC SYSTEM (STABILISER RAM) GIR. AUT.
INSTALLATION HYDRAULIQUE (VERIN STABILISATEUR) GIR. AUT.
HYDRAULIKANLAGE (STABILISATOR SCHUBZYLINDER) GIR. AUT.
INSTALACION HIDRAULICA (GATO ESTABILIZADOR) GIR. AUT.

42 6.40.0258-1-0

MARTINETTO STABILIZZATORE GIR. AUT.
STABILIZER HYDRAULIC JACK GIR. AUT.
VERIN STABILISATEUR GIR. AUT.
STABILISATOR SCHUBZYLINDER GIR. AUT.
GATO ESTABILIZADOR GIR. AUT.

43 5.41.1078-1-0

CODOLO SNODATO (MARTINETTO STABILIZZATORE)
ARTICULATED JOINT TANG (STABILISER RAM)
JOINT SPHERIQUE QUEUE (VERIN STABILISATEUR)
SCHAFT KUGELGELENK (STABILISATOR SCHUBZYLINDER)
JUNTA ESFERICA MANGO (GATO ESTABILIZADOR)

44 5.40.0399-1-0

SERBATOIO OLIO IDRAULICO
HYDRAULIC OIL TANK
RESERVOIR HUILE HYDRAULIQUE
HYDRAULIKÖLBEHALTER
DEPOSITO ACEITE HIDRAULICA

45 3.18.0176-1-0

FILTRO OLIO
OIL FILTER
FILTRE A HUILE
OELFILTER
FILTRO DE ACEITE

46 7.88.8008-1-0

SCAMBIATORE DI CALORE
HEAT EXCHANGE UNIT
ECHANGEUR DE CHALEUR
WÄRMEAUSTAUSCHER
INTERCAMBIADOR DE CALOR

47 7.88.8008-2-0

SCAMBIATORE DI CALORE
HEAT EXCHANGE UNIT
ECHANGEUR DE CHALEUR
WÄRMEAUSTAUSCHER
INTERCAMBIADOR DE CALOR

48 7.88.8008-3-0

SCAMBIATORE DI CALORE
HEAT EXCHANGE UNIT
ECHANGEUR DE CHALEUR
WÄRMEAUSTAUSCHER
INTERCAMBIADOR DE CALOR

49 5.46.0051-1-0

COLONNA
COLUMN
COLONNE
SAEULE
COLUMNNA

50 5.36.0014-1-0

BIELLE COLONNA
COLUMN CONNECTING RODS
TRINGLERIE COLONNE
PLEUELWERK AN SAULE
ACOPLAMIENTO COLUMNA

51 6.23.0149-1-0

MARTINETTO SOLLEVAMENTO (IMPIANTO OLEODINAMICO)
LIFTING HYDRAULIC CYLINDER (HYDRAULIC SYSTEM)
VERIN DE LEVAGE (INSTALLATION HYDRAULIQUE)
HUBZYLINDER (HYDRAULIKANLAGE)
GATO DE ELEVACION (INSTALACION HIDRAULICA)

52 6.43.0149-1-0

MARTINETTO SOLLEVAMENTO
LIFTING HYDRAULIC CYLINDER
VERIN DE LEVAGE
HUBZYLINDER
GATO DE ELEVACION

53 5.47.0071-1-0

1° BRACCIO
1ST BOOM
1ERE BRAS
1. ARM
1° BRAZO

54 5.36.0015-1-0

BIELLE 1° E 2° BRACCIO
LINKAGE 1TH E 2ND BOOM
COLONNE DE TRINGLERIE 1ERE ET 2EME BRAS
PLEUELSTANGEN AN DEN 1TEN UNT 2.TEN GELENKARM
COLUMNNA DEL ACOPLAMENTO 1° Y 2° BRAZO

55 6.23.0153-1-0

MARTINETTO ARTICOLAZIONE (IMPIANTO OLEODINAMICO)
ARTICULATION HYDRAULIC JACK (HYDRAULIC SYSTEM)
VERIN D'ARTICULATION (INSTALLATION HYDRAULIQUE)
GELENKSHEBEBOCK (HYDRAULIKANLAGE)
GATO ARTICULACION (INSTALACION HIDRAULICA)

56 6.43.0153-1-0

MARTINETTO ARTICOLAZIONE
ARTICULATION HYDRAULIC JACK
VERIN D'ARTICULATION
GELENKSHEBEBOCK
GATO ARTICULACION

57 5.48.0074-1-0

2° BRACCIO
 2ND BOOM
 2EME BRAS
 2. ARM
 2° BRAZO

58 5.49.0075-1-0

1° SFILO
 1ST EXTENSION
 1ERE RALLONGE
 1. VERLAENGERUNG
 1°PROLONGACION

59 6.21.0327-1-0

MARTINETTO 1° SFILO (IMPIANTO OLEODINAMICO)
 1ST EXSTENSION HYDRAULIC (HYDRAULIC SYSTEM)
 VÉRIN 1ÈRE RALLONGE (INSTALLATION HYDRAULIQUE)
 1. SCHUBZYLINDER (HYDRAULIKANLAGE)
 GATO 1ª EXTENSIÓN (INSTALACION HIDRAULICA)

60 6.21.0018-2-0

MARTINETTO 1° SFILO (IMPIANTO OLEODINAMICO)
 1ST EXSTENSION HYDRAULIC (HYDRAULIC SYSTEM)
 VÉRIN 1ÈRE RALLONGE (INSTALLATION HYDRAULIQUE)
 1. SCHUBZYLINDER (HYDRAULIKANLAGE)
 GATO 1ª EXTENSIÓN (INSTALACION HIDRAULICA)

61 6.41.0327-1-0

MARTINETTO 1° SFILO
 1ST EXSTENSION HYDRAULIC
 VÉRIN 1ÈRE RALLONGE
 1. SCHUBZYLINDER
 GATO 1ª EXTENSIÓN

62 5.37.0033-1-0

2° SFILO
 2ND EXTENSION
 2EME RALLONGE
 2. VERLAENGERUNG
 2° PROLONGACION

63 5.75.0303-1-0

INNESTO (GANCIO)
 COUPLING (HOOK)
 EMBRAYAGE (CROCHET)
 KUPPLUNG (HAKEN)
 ACOPLAMIENTO (GANCHO)

64 6.21.0328-1-0

MARTINETTO 2° SFILO (IMPIANTO OLEODINAMICO)
 2ND EXTENSION HYDRAULIC JACK (HYDRAULIC SYSTEM)
 VÉRIN 2ÈME RALLONGE (INSTALLATION HYDRAULIQUE)
 2. SCHUBZYLINDER (HYDRAULIKANLAGE)
 GATO 2ª EXTENSIÓN (INSTALACION HIDRAULICA)

65 6.41.0328-1-0

MARTINETTO 2° SFILO
 2ND EXTENSION HYDRAULIC JACK
 VÉRIN 2ÈME RALLONGE
 2. SCHUBZYLINDER
 GATO 2ª EXTENSIÓN

66 5.54.0042-1-0

3° SFILO
 3RD EXTENSION
 3EME RALLONGE
 3. VERLAENGERUNG
 3° PROLONGACION

67 5.75.0302-1-0

INNESTO (GANCIO)
 COUPLING (HOOK)
 EMBRAYAGE (CROCHET)
 KUPPLUNG (HAKEN)
 ACOPLAMIENTO (GANCHO)

68 6.21.0329-1-0

MARTINETTO 3° SFILO (IMPIANTO OLEODINAMICO)
 3RD EXTENSION HYDRAULIC JACK (HYDRAULIC SYSTEM)
 VÉRIN 3ÈME RALLONGE (INSTALLATION HYDRAULIQUE)
 3. SCHUBZYLINDER (HYDRAULIKANLAGE)
 GATO 3ª EXTENSIÓN (INSTALACION HIDRAULICA)

69 6.41.0329-1-0

MARTINETTO 3° E 4° SFILO
 3RD AND 4TH EXTENSION HYDRAULIC CYLINDER
 VERIN 3ÈME ET 4ÈME RALLONGE
 3. UNT 4. VERLAENGERUNGSWINDE
 3° Y 4° GATO DE PROLONGACION

70 5.56.0034-1-0

4° SFILO
 4TH EXTENSION
 4EME RALLONGE
 4. VERLAENGERUNG
 4° PROLONGACION

71 7.88.0891-1-0
 INNESTO (GANCIO)
 COUPLING (HOOK)
 EMBRAYAGE (CROCHET)
 KUPPLUNG (HAKEN)
 ACOPLAMIENTO (GANCHO)

72 6.21.0333-1-0
 MARTINETTO 4° SFILO (IMPIANTO OLEODINAMICO)
 4TH EXTENSION HYDRAULIC JACK (HYDRAULIC SYSTEM)
 VÉRIN 4ÈME RALLONGE (INSTALLATION HYDRAULIQUE)
 4. SCHUBZYLINDER (HYDRAULIKANLAGE)
 GATO 4ª EXTENSIÓN (INSTALACION HIDRAULICA)

73 5.57.0014-1-0
 5° SFILO
 5TH EXTENSION
 5ÈME RALLONGE
 5. VERLAENGERUNG
 5° PROLONGACION

74 5.75.0300-1-0
 INNESTO (GANCIO)
 COUPLING (HOOK)
 EMBRAYAGE (CROCHET)
 KUPPLUNG (HAKEN)
 ACOPLAMIENTO (GANCHO)

75 6.21.0330-1-0
 MARTINETTO 5° SFILO (IMPIANTO OLEODINAMICO)
 5TH EXTENSION HYDRAULIC JACK (HYDRAULIC SYSTEM)
 VÉRIN 5ÈME RALLONGE (INSTALLATION HYDRAULIQUE)
 5. SCHUBZYLINDER (HYDRAULIKANLAGE)
 GATO 5ª EXTENSIÓN (INSTALACION HIDRAULICA)

76 6.41.0330-1-0
 MARTINETTO 5° E 6° SFILO
 5TH AND 6TH EXTENSION HYDRAULIC CYLINDER
 VÉRIN 5ÈME ET 6ÈME RALLONGE
 5. UND 6. VERLAENGERUNSWINDE
 5° Y 6° GATO DE PROLONGACION

77 5.58.0009-1-0
 6° SFILO
 6TH EXTENSION
 6ÈME RALLONGE
 6. VERLAENGERUNG
 6° PROLONGACION

78 5.58.0010-1-0
 6° SFILO
 6TH EXTENSION
 6ÈME RALLONGE
 6. VERLAENGERUNG
 6° PROLONGACION

79 5.75.0299-1-0
 INNESTO (GANCIO)
 COUPLING (HOOK)
 EMBRAYAGE (CROCHET)
 KUPPLUNG (HAKEN)
 ACOPLAMIENTO (GANCHO)

80 6.21.0334-1-0
 MARTINETTO 6° SFILO (IMPIANTO OLEODINAMICO)
 6TH EXTENSION HYDRAULIC JACK (HYDRAULIC SYSTEM)
 VÉRIN 6ÈME RALLONGE (INSTALLATION HYDRAULIQUE)
 6. SCHUBZYLINDER (HYDRAULIKANLAGE)
 GATO 6ª EXTENSIÓN (INSTALACION HIDRAULICA)

81 5.33.0005-1-0
 7° SFILO
 7TH EXTENSION
 7ÈME RALLONGE
 7. VERLAENGERUNG
 7° PROLONGACION

82 6.21.0331-1-0
 MARTINETTO 7° SFILO (IMPIANTO OLEODINAMICO)
 7TH EXTENSION HYDRAULIC JACK (HYDRAULIC SYSTEM)
 VÉRIN 7ÈME RALLONGE (INSTALLATION HYDRAULIQUE)
 7. SCHUBZYLINDER (HYDRAULIKANLAGE)
 GATO 7ª EXTENSIÓN (INSTALACION HIDRAULICA)

83 6.21.0019-1-0
 MARTINETTO 7° SFILO (IMPIANTO OLEODINAMICO)
 7TH EXTENSION HYDRAULIC JACK (HYDRAULIC SYSTEM)
 VÉRIN 7ÈME RALLONGE (INSTALLATION HYDRAULIQUE)
 7. SCHUBZYLINDER (HYDRAULIKANLAGE)
 GATO 7ª EXTENSIÓN (INSTALACION HIDRAULICA)

84 6.41.0331-1-0
 MARTINETTO 7° SFILO
 7TH EXTENSION HYDRAULIC JACK
 VÉRIN 7ÈME RALLONGE
 7. SCHUBZYLINDER
 GATO 7ª EXTENSIÓN

85 5.32.0004-1-0

8° SFILO
8TH EXTENSION
8EME RALLONGE
8. VERLAENGERUNG
8° PROLONGACION

86 6.21.0332-1-0

MARTINETTO 8° SFILO (IMPIANTO OLEODINAMICO)
8TH EXTENSION HYDRAULIC JACK (HYDRAULIC SYSTEM)
VÉRIN 8EME RALLONGE (INSTALLATION HYDRAULIQUE)
8. SCHUBZYLINDER (HYDRAULIKANLAGE)
GATO 8ª EXTENSIÓN (INSTALACION HIDRAULICA)

87 6.41.0332-1-0

MARTINETTO 8° SFILO
8TH EXTENSION HYDRAULIC JACK
VÉRIN 8EME RALLONGE
8. SCHUBZYLINDER
GATO 8ª EXTENSIÓN

88 7.80.0344-1-0

PROLUNGA MANUALE (1°)
MANUAL EXTENSION (1ST)
RALLONGE MANUELLE (1ERE)
MANUAL-VERLÄNGERUNG (1.)
PROLONGACION MANUAL (1°)

89 7.80.0343-1-0

PROLUNGA MANUALE (2°)
MANUAL EXTENSION (2ND)
RALLONGE MANUELLE (2EME)
MANUAL-VERLÄNGERUNG (2.)
PROLONGACION MANUAL (2°)

90 7.80.0341-1-0

PROLUNGA MANUALE (3°)
MANUAL EXTENSION (3 RD)
RALLONGE MANUELLE (3 EME)
MANUAL-VERLÄNGERUNG (3.)
PROLONGACION MANUAL (3°)

91 7.80.0342-1-0

PROLUNGA MANUALE (1°)
MANUAL EXTENSION (1ST)
RALLONGE MANUELLE (1ERE)
MANUAL-VERLÄNGERUNG (1.)
PROLONGACION MANUAL (1°)

92 7.80.0340-1-0

PROLUNGA MANUALE (2°)
MANUAL EXTENSION (2ND)
RALLONGE MANUELLE (2EME)
MANUAL-VERLÄNGERUNG (2.)
PROLONGACION MANUAL (2°)

93 7.80.0338-1-0

PROLUNGA MANUALE (3°)
MANUAL EXTENSION (3 RD)
RALLONGE MANUELLE (3 EME)
MANUAL-VERLÄNGERUNG (3.)
PROLONGACION MANUAL (3°)

94 7.80.0339-1-0

PROLUNGA MANUALE (1°)
MANUAL EXTENSION (1ST)
RALLONGE MANUELLE (1ERE)
MANUAL-VERLÄNGERUNG (1.)
PROLONGACION MANUAL (1°)

95 7.80.0337-1-0

PROLUNGA MANUALE (2°)
MANUAL EXTENSION (2ND)
RALLONGE MANUELLE (2EME)
MANUAL-VERLÄNGERUNG (2.)
PROLONGACION MANUAL (2°)

96 7.80.0335-1-0

PROLUNGA MANUALE (3°)
MANUAL EXTENSION (3 RD)
RALLONGE MANUELLE (3 EME)
MANUAL-VERLÄNGERUNG (3.)
PROLONGACION MANUAL (3°)

97 7.80.0336-1-0

PROLUNGA MANUALE (1°)
MANUAL EXTENSION (1ST)
RALLONGE MANUELLE (1ERE)
MANUAL-VERLÄNGERUNG (1.)
PROLONGACION MANUAL (1°)

98 7.80.0334-1-0

PROLUNGA MANUALE (2°)
MANUAL EXTENSION (2ND)
RALLONGE MANUELLE (2EME)
MANUAL-VERLÄNGERUNG (2.)
PROLONGACION MANUAL (2°)

99 7.80.0332-1-0
 PROLUNGA MANUALE (3°)
 MANUAL EXTENSION (3 RD)
 RALLONGE MANUELLE (3 EME)
 MANUAL-VERLÄNGERUNG (3.)
 PROLONGACION MANUAL (3°)

100 7.80.0333-1-0
 PROLUNGA MANUALE (1°)
 MANUAL EXTENSION (1ST)
 RALLONGE MANUELLE (1ERE)
 MANUAL-VERLÄNGERUNG (1.)
 PROLONGACION MANUAL (1°)

101 7.80.0331-1-0
 PROLUNGA MANUALE (2°)
 MANUAL EXTENSION (2ND)
 RALLONGE MANUELLE (2EME)
 MANUAL-VERLÄNGERUNG (2.)
 PROLONGACION MANUAL (2°)

102 7.80.0330-1-0
 PROLUNGA MANUALE (1°)
 MANUAL EXTENSION (1ST)
 RALLONGE MANUELLE (1ERE)
 MANUAL-VERLÄNGERUNG (1.)
 PROLONGACION MANUAL (1°)

103 7.88.1785-1-0
 KIT CELLA DI CARICO LIS/RLC (RDC)
 LOAD INDICATION SYSTEM LIS/RLC (RDC)
 SYSTÈME D'INDICATION DE CHARGE LIS/RLC (RDC)
 LADEANZEIGE SYSTEM LIS/RLC (RDC)
 SISTEMA DE INDICACIÓN DE CARGA LIS/RLC (RDC)

104 5.74.1003-1-0
 ATTIVAZIONE PER 6S
 ACTUATIONS FOR 6S
 ACTIVATIONS POUR 6S
 AKTIVIERUNGEN FÜR 6S
 AACTIVACIONES PARA 6S

105 5.74.1003-2-0
 1^ ATTIVAZIONE PER 6S
 1ST ACTIVATION FOR 6S
 1ERE ACTIVATION POUR 6S
 1. AKTIVIERUNG FÜR 6S
 1°ACTIVACION PARA 6S

106 7.88.0377-1-0
 KIT MONTAGGIO
 ASSEMBLY KIT
 KIT MONTAGE
 EINBAUSATZ
 KIT MONTAJE

107 5.74.0193-1-0
 ARGANO (IMPIANTO OLEODINAMICO)
 WINCH (HYDRAULIC SYSTEM)
 TREUIL (INSTALLATION HYDRAULIQUE)
 WINDE (HYDRAULIKANLAGE)
 CABRESTANTE (INSTALACION HIDRAULICA)

108 7.90.0276-1-0
 KIT SUPPORTO PULEGGIA ARGANO ROTZLER
 SUPPORT FOR WINCH'S PULLEY KIT ROTZLER
 SUPPORT POUR POULIE DU TREUIL ROTZLER
 LAGER FÜR RIEMENSCHLEIBE DER WINDE ROTZLER
 SOPORTE PARA LA POLEA TORNO ROTZLER

109 7.90.0291-1-0
 KIT SUPPORTO PULEGGIA ARGANO ROTZLER
 SUPPORT FOR WINCH'S PULLEY KIT ROTZLER
 SUPPORT POUR POULIE DU TREUIL ROTZLER
 LAGER FÜR RIEMENSCHLEIBE DER WINDE ROTZLER
 SOPORTE PARA LA POLEA TORNO ROTZLER

HC 501 F

111 5.42.0073-1-0
 BASAMENTO F
 BASE F
 SOLLE F
 UNTERBAU F
 BASE F

112 5.42.0073-1-1
 BASAMENTO F
 BASE F
 SOLLE F
 UNTERBAU F
 BASE F

113 6.24.0120-1-0

GRUPPO ROTAZIONE
SLEWING ASS'Y
GROUPE ROTATION
DREHVORRICHTUNG
GRUPO ROTACION

114 6.24.0120-2-0

IMPIANTO IDRAULICO (MARTINETTO ROTAZIONE)
HYDRAULIC SYSTEM (SLEWING HYDRAULIC JACK)
INSTALLATION HYDRAULIQUE (VERIN ROTATION)
HYDRAULIKANLAGE (DREH SCHUBZYLINDER)
INSTALACION HIDRAULICA (GATO ROTACION)

115 5.40.2001-1-0

KIT INGRASSAGGIO
GREASING KIT
KIT GRAISSAGE
FETTSATZ
JUNTA DE ENGRASE

116 5.40.0642-1-0

FILTRO AD ALTA PRESSIONE RDC
HIGH PRESSURE FILTER RDC
FILTRE HAUTE PRESSION RDC
HOCHDRUCKFILTER RDC
FILTRO DE ALTA PRESION RDC

117 7.89.2053-1-0

KIT RADIOCOMANDO RDC 24V
WIRELESS CONTROL KIT RDC 24V
KIT RADIOTELECOMMANDE RDC 24V
FUNKSTEUERUNG-SATZ RDC 24V
KIT RADIOMANDO RDC 24V

118 5.40.0914-1-0

COMANDI EBB
CONTROLS EBB
COMMANDES EBB
STEUERUGEN EBB
MANDOS EBB

119 5.40.0914-2-0

COMANDI EBB
CONTROLS EBB
COMMANDES EBB
STEUERUGEN EBB
MANDOS EBB

120 5.40.0914-3-0

COMANDI EBB
CONTROLS EBB
COMMANDES EBB
STEUERUGEN EBB
MANDOS EBB

121 6.23.0168-1-0

MARTINETTO SOLLEVAMENTO (IMPIANTO OLEODINAMICO)
LIFTING HYDRAULIC CYLINDER (HYDRAULIC SYSTEM)
VERIN DE LEVAGE (INSTALLATION HYDRAULIQUE)
HUBZYLINDER (HYDRAULIKANLAGE)
GATO DE ELEVACION (INSTALACION HIDRAULICA)

122 6.43.0168-1-0

MARTINETTO SOLLEVAMENTO
LIFTING HYDRAULIC CYLINDER
VERIN DE LEVAGE
HUBZYLINDER
GATO DE ELEVACION

HC 501 M

124 6.24.0125-1-0

GRUPPO ROTAZIONE
SLEWING ASS'Y
GROUPE ROTATION
DREHVORRICHTUNG
GRUPO ROTACION

125 6.24.0125-2-0

IMPIANTO IDRAULICO (MARTINETTO ROTAZIONE)
HYDRAULIC SYSTEM (SLEWING HYDRAULIC JACK)
INSTALLATION HYDRAULIQUE (VERIN ROTATION)
HYDRAULIKANLAGE (DREH SCHUBZYLINDER)
INSTALACION HIDRAULICA (GATO ROTACION)

126 6.23.0175-1-0

MARTINETTO SOLLEVAMENTO (IMPIANTO OLEODINAMICO)
LIFTING HYDRAULIC CYLINDER (HYDRAULIC SYSTEM)
VERIN DE LEVAGE (INSTALLATION HYDRAULIQUE)
HUBZYLINDER (HYDRAULIKANLAGE)
GATO DE ELEVACION (INSTALACION HIDRAULICA)

127 6.43.0175-1-0
 MARTINETTO SOLLEVAMENTO
 LIFTING HYDRAULIC CYLINDER
 VERIN DE LEVAGE
 HUBZYLINDER
 GATO DE ELEVACION

128 6.23.0176-1-0
 MARTINETTO ARTICOLAZIONE (IMPIANTO OLEODINAMICO)
 ARTICULATION HYDRAULIC JACK (HYDRAULIC SYSTEM)
 VERIN D'ARTICULATION (INSTALLATION HYDRAULIQUE)
 GELENKSHEBEBOCK (HYDRAULIKANLAGE)
 GATO ARTICULACION (INSTALACION HIDRAULICA)

129 6.43.0176-1-0
 MARTINETTO ARTICOLAZIONE
 ARTICULATION HYDRAULIC JACK
 VERIN D'ARTICULATION
 GELENKSHEBEBOCK
 GATO ARTICULACION

130 6.21.0391-1-0
 MARTINETTO 1° SFILO (IMPIANTO OLEODINAMICO)
 1ST EXTENSION HYDRAULIC (HYDRAULIC SYSTEM)
 VERIN 1ÈRE RALLONGE (INSTALLATION HYDRAULIQUE)
 1. SCHUBZYLINDER (HYDRAULIKANLAGE)
 GATO 1ª EXTENSION (INSTALACION HIDRAULICA)

131 6.41.0391-1-0
 MARTINETTO 1° SFILO
 1ST EXTENSION HYDRAULIC
 VERIN 1ÈRE RALLONGE
 1. SCHUBZYLINDER
 GATO 1ª EXTENSION

132 6.21.0392-1-0
 MARTINETTO 2° SFILO (IMPIANTO OLEODINAMICO)
 2ND EXTENSION HYDRAULIC JACK (HYDRAULIC SYSTEM)
 VERIN 2ÈME RALLONGE (INSTALLATION HYDRAULIQUE)
 2. SCHUBZYLINDER (HYDRAULIKANLAGE)
 GATO 2ª EXTENSION (INSTALACION HIDRAULICA)

133 6.41.0392-1-0
 MARTINETTO 2° SFILO
 2ND EXTENSION HYDRAULIC JACK
 VERIN 2ÈME RALLONGE
 2. SCHUBZYLINDER
 GATO 2ª EXTENSION

134 6.21.0393-1-0
 MARTINETTO 3° SFILO (IMPIANTO OLEODINAMICO)
 3RD EXTENSION HYDRAULIC JACK (HYDRAULIC SYSTEM)
 VERIN 3ÈME RALLONGE (INSTALLATION HYDRAULIQUE)
 3. SCHUBZYLINDER (HYDRAULIKANLAGE)
 GATO 3ª EXTENSION (INSTALACION HIDRAULICA)

135 6.41.0393-1-0
 MARTINETTO 3° E 4° SFILO
 3RD AND 4TH EXTENSION HYDRAULIC CYLINDER
 VERIN 3ÈME ET 4ÈME RALLONGE
 3. UNT 4. VERLAENGERUNGSWINDE
 3° Y 4° GATO DE PROLONGACION

136 6.21.0394-1-0
 MARTINETTO 4° SFILO (IMPIANTO OLEODINAMICO)
 4TH EXTENSION HYDRAULIC JACK (HYDRAULIC SYSTEM)
 VERIN 4ÈME RALLONGE (INSTALLATION HYDRAULIQUE)
 4. SCHUBZYLINDER (HYDRAULIKANLAGE)
 GATO 4ª EXTENSION (INSTALACION HIDRAULICA)

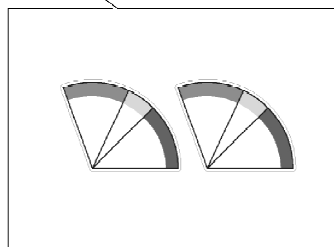
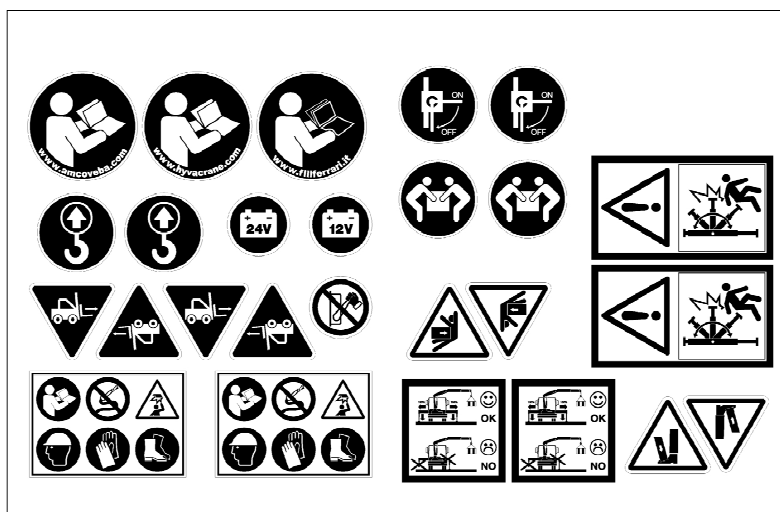
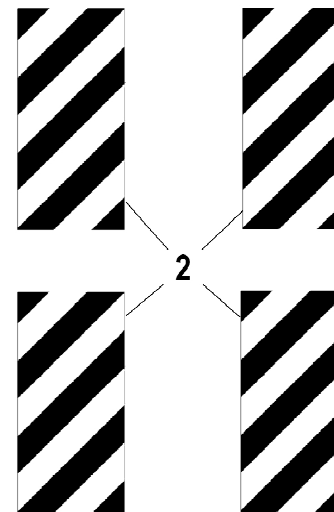
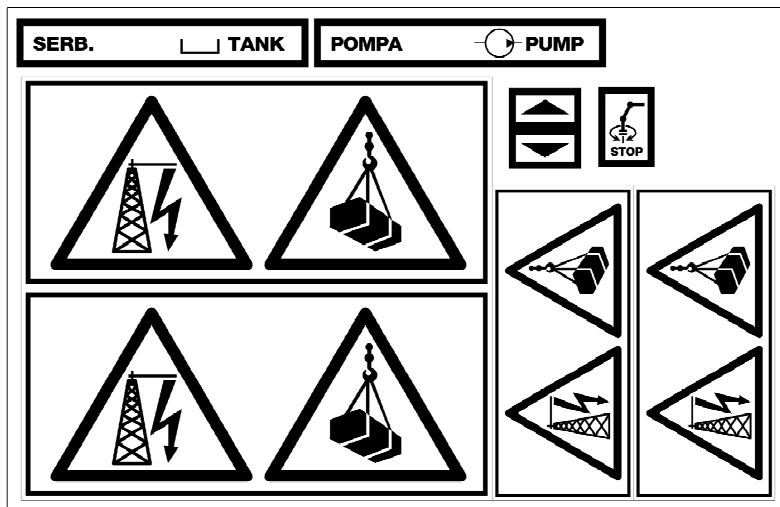
137 6.21.0395-1-0
 MARTINETTO 5° SFILO (IMPIANTO OLEODINAMICO)
 5TH EXTENSION HYDRAULIC JACK (HYDRAULIC SYSTEM)
 VERIN 5ÈME RALLONGE (INSTALLATION HYDRAULIQUE)
 5. SCHUBZYLINDER (HYDRAULIKANLAGE)
 GATO 5ª EXTENSION (INSTALACION HIDRAULICA)

138 6.41.0395-1-0
 MARTINETTO 5° E 6° SFILO
 5TH AND 6TH EXTENSION HYDRAULIC CYLINDER
 VERIN 5ÈME ET 6ÈME RALLONGE
 5. UND 6. VERLAENGERUNGSWINDE
 5° Y 6° GATO DE PROLONGACION

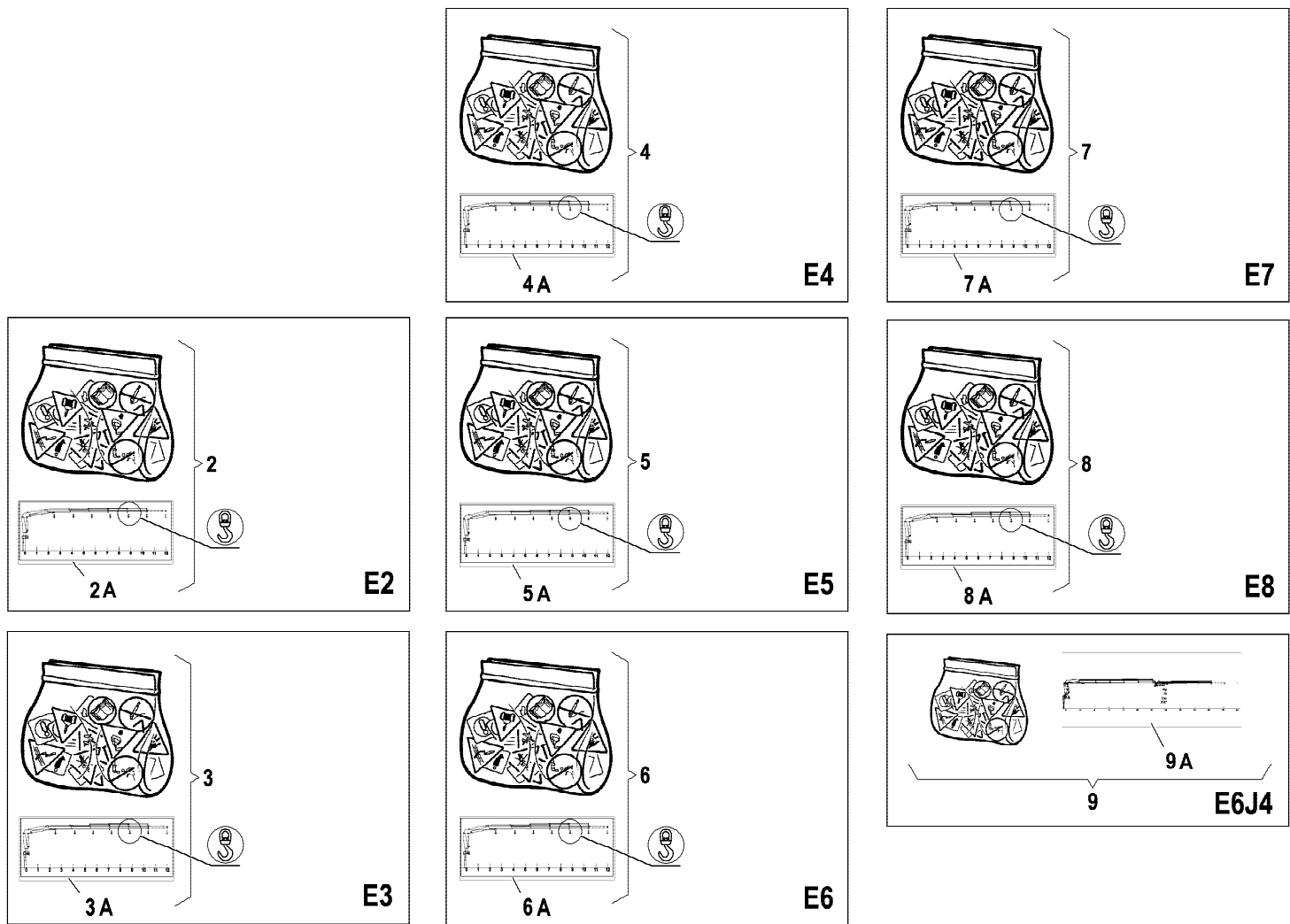
139 6.21.0396-1-0
 MARTINETTO 6° SFILO (IMPIANTO OLEODINAMICO)
 6TH EXTENSION HYDRAULIC JACK (HYDRAULIC SYSTEM)
 VERIN 6ÈME RALLONGE (INSTALLATION HYDRAULIQUE)
 6. SCHUBZYLINDER (HYDRAULIKANLAGE)
 GATO 6ª EXTENSION (INSTALACION HIDRAULICA)

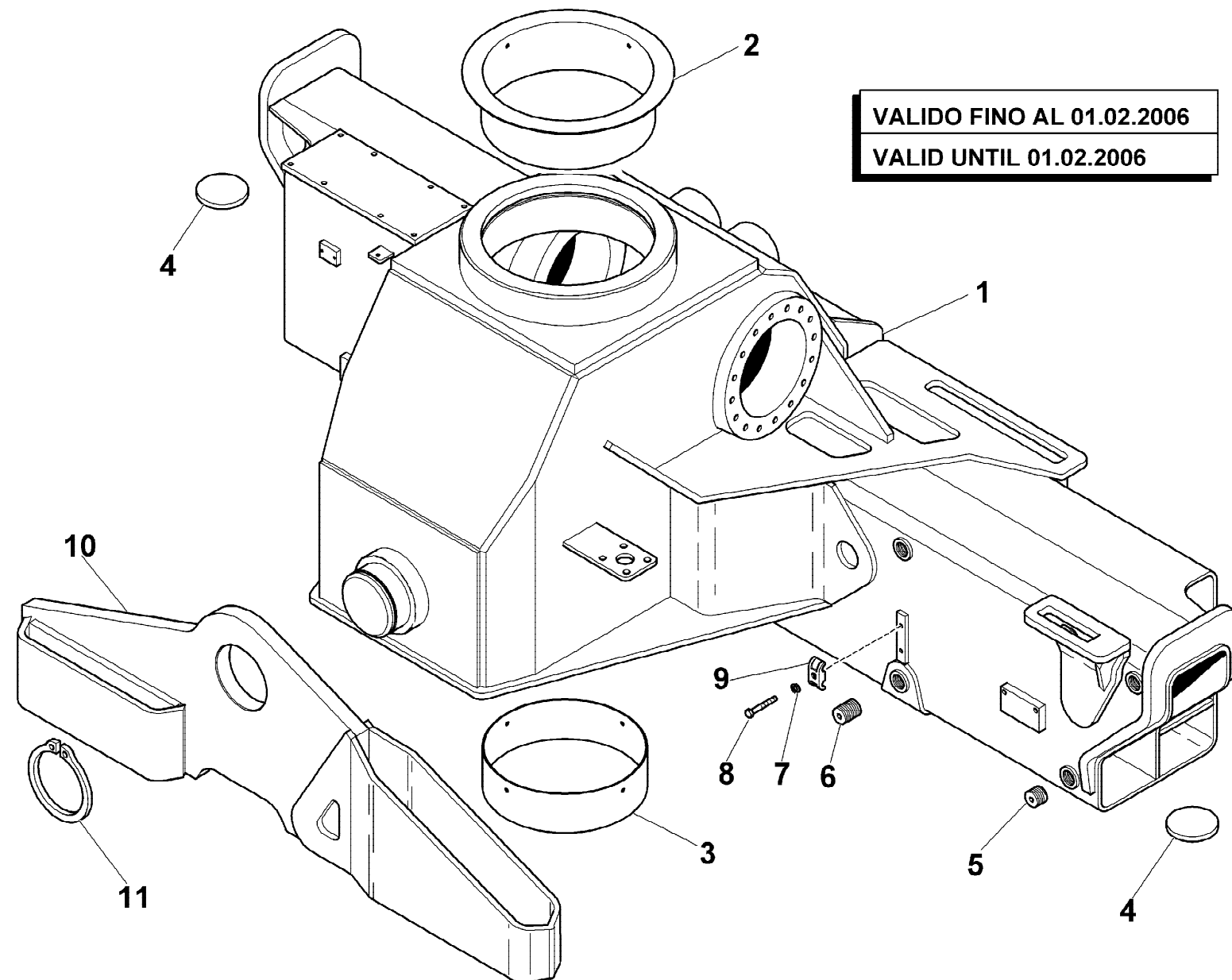
140 5.74.0218-1-0
 ARGANO (IMPIANTO OLEODINAMICO)
 WINCH (HYDRAULIC SYSTEM)
 TREUIL (INSTALLATION HYDRAULIQUE)
 WINDE (HYDRAULIKANLAGE)
 CABRESTANTE (INSTALACION HIDRAULICA)

rif.	codice	Q.tà
1	5.50.2000	1
2	5.81.3851	4



rif.	codice	Q.tà
2	5.50.0773	1
2 A	5.81.0816	2
3	5.50.0774	1
3 A	5.81.0817	2
4	5.50.0775	1
4 A	5.81.0818	2
5	5.50.0776	1
5 A	5.81.0819	2
6	5.50.0777	1
6 A	5.81.0820	2
7	5.50.0778	1
7 A	5.81.0821	2
8	5.50.0779	1
8 A	5.81.0822	2
9	5.50.1424	1
9 A	5.81.0823	2





rif.	codice	Q.tà
1	5.06.0155	1
2	5.14.0785	1
3	5.14.0786	1
4	5.14.0795	2
5	5.00.1444	7
6	5.00.1582	1
7	3.06.0055	4
8	3.01.0339	4
9	5.00.0077	4
10	5.09.0891	1
11	3.07.0083	1

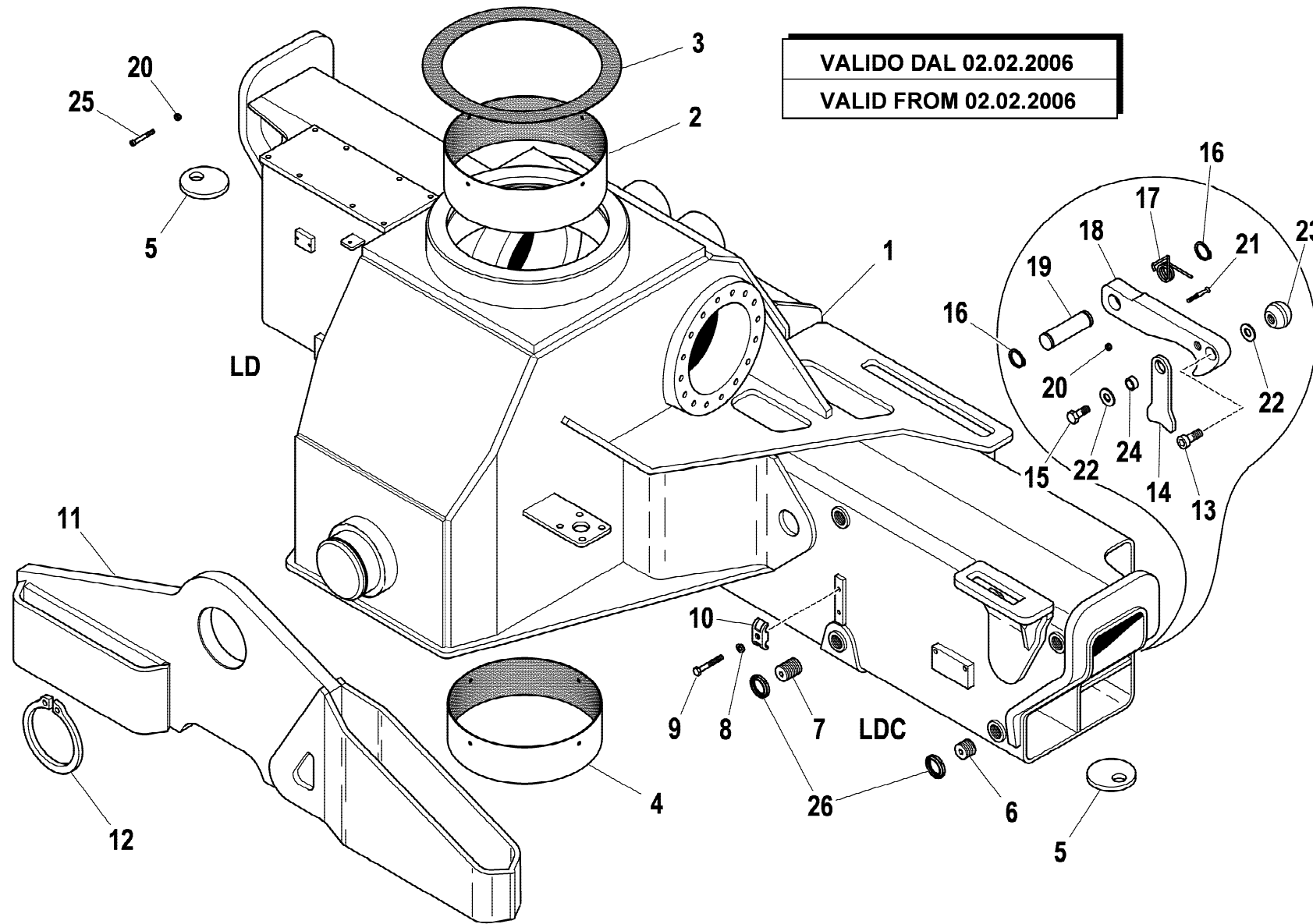
1/1

HYVA[®] CRANE
HC501

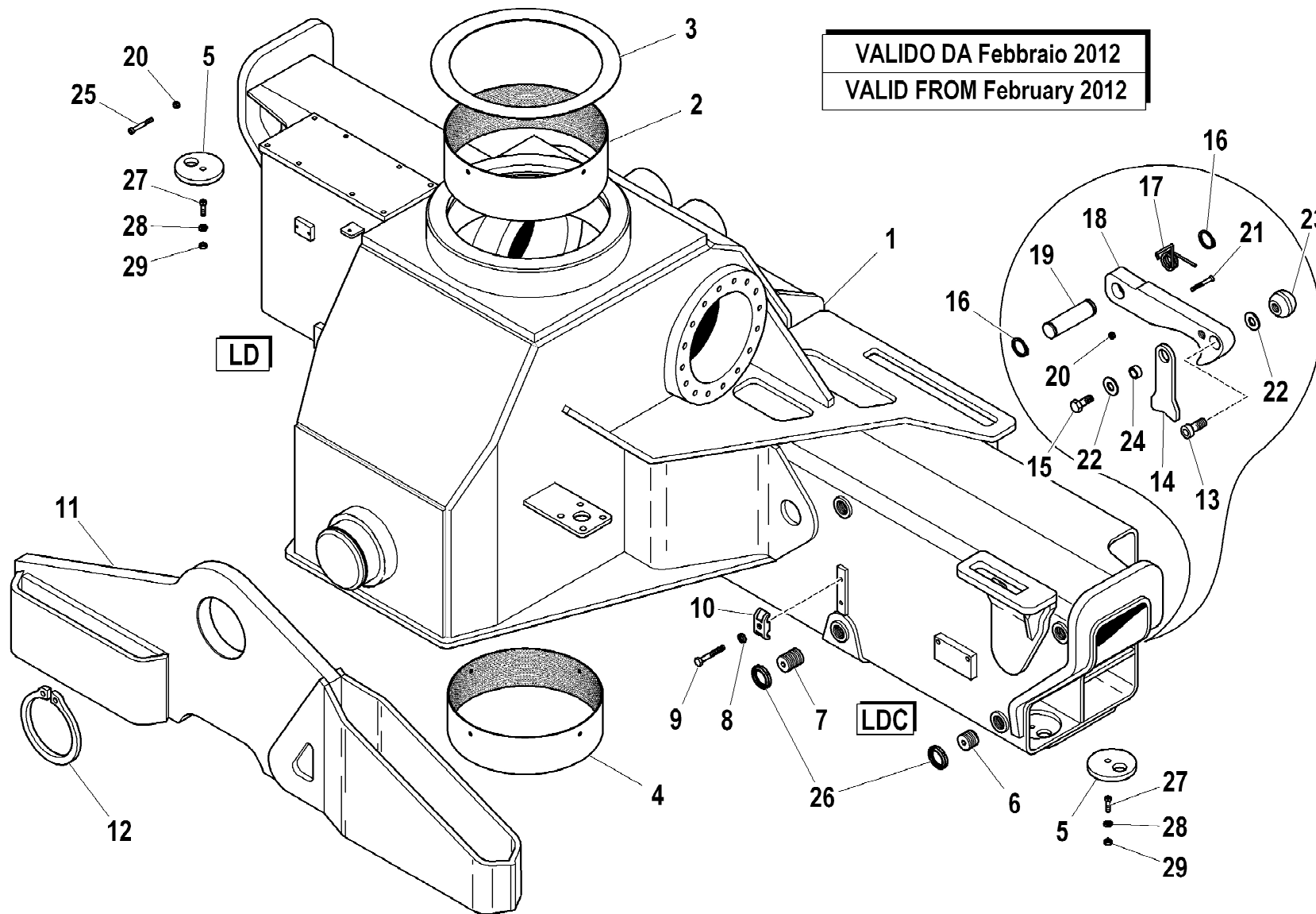
BASAMENTO
 BASE
 SOLLE
 UNTERBAU
 BASE

Tavola
5.42.0059-1-0

Data pag.
 giugno 2006 3

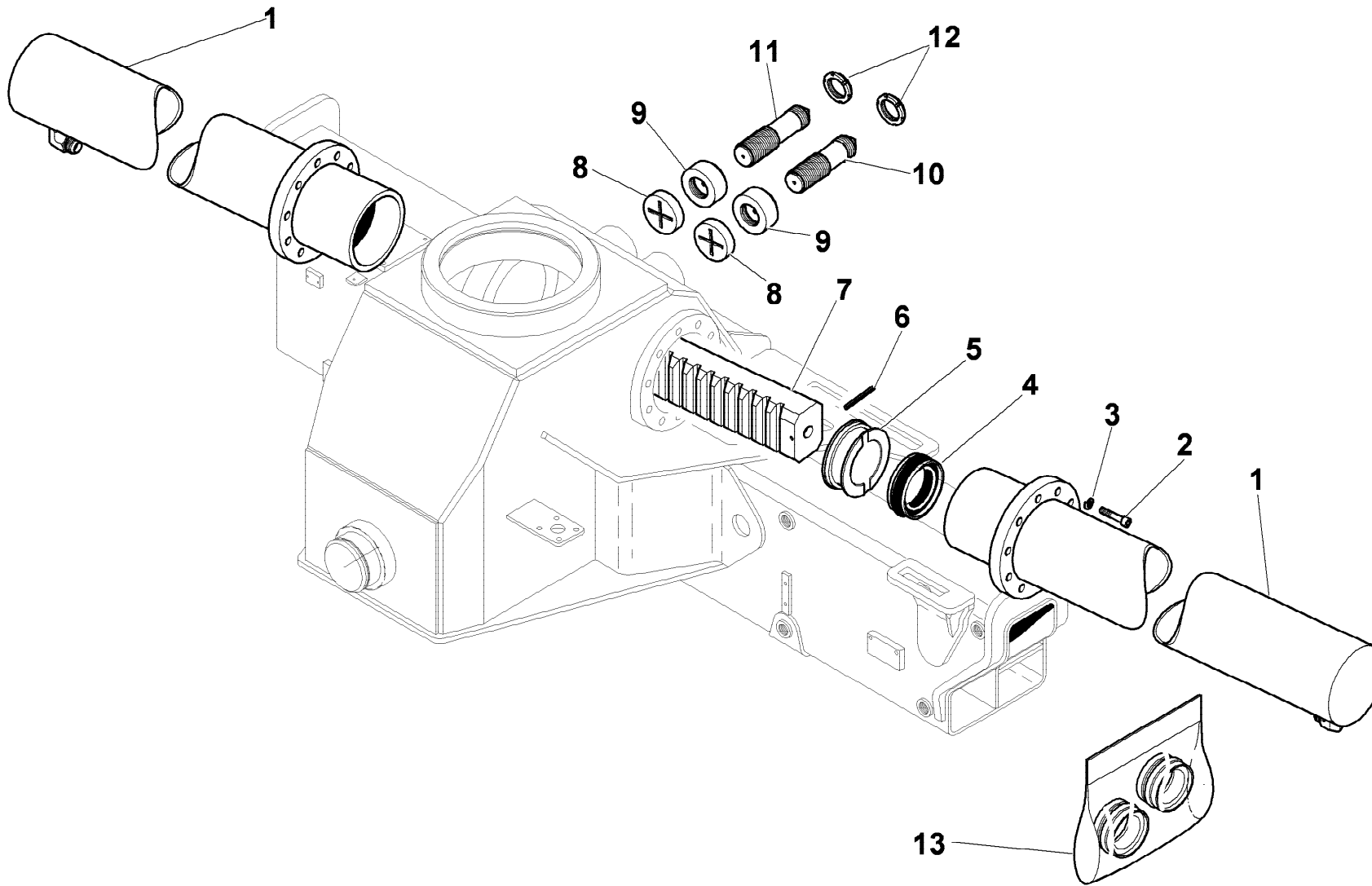


rif.	codice	Q.tà
1	5.06.0155	1
2	5.14.1018	1
3	5.14.1019	1
4	5.14.0786	1
5	5.14.0795	2
6	5.00.1444	7
7	5.00.1582	1
8	3.06.0055	4
9	3.01.0339	4
10	5.00.0077	4
11	5.09.0891	1
12	3.07.0083	1
13	3.02.0875	2
14	5.00.1681	2
15	3.01.0337	2
16	3.07.0148	4
17	3.06.0932	2
18	5.00.0966	2
19	5.15.0601	2
20	3.04.0519	2
21	3.02.0925	1
22	3.06.0006	2
23	3.19.0283	2
24	W.102.116	2
25	3.02.0898	1
26	3.04.0529	8



VALIDO DA Febbraio 2012
VALID FROM February 2012

rif.	codice	Q.tà
1	5.06.0155	1
2	5.14.1018	1
3	5.14.1136	1
4	5.14.0786	1
5	5.14.0795	2
6	5.00.1444	7
7	5.00.1582	1
8	3.06.0055	4
9	3.01.0339	4
10	5.00.0077	4
11	5.09.0891	1
12	3.07.0083	1
13	3.02.0875	2
14	5.00.1681	2
15	3.01.0337	2
16	3.07.0148	4
17	3.06.0932	2
18	5.00.0966	2
19	5.15.0601	2
20	3.04.0519	2
21	3.02.0925	1
22	3.06.0006	2
23	3.19.0283	2
24	W.102.116	2
25	3.02.0898	1
26	3.04.0529	8
27	3.02.0034	2
28	3.06.0053	2
29	3.04.0081	2



rif.	codice	Q.tà
1	6.07.0522	2
2	3.02.0129	20
3	3.06.0059	20
4	3.40.0528	2
5	6.05.0302	2
6	3.06.0625	2
7	5.05.0102	1
8	5.14.0787	2
9	4.16.0409	2
10	5.00.1418	1
11	5.00.1417	1
12	3.04.0507	2
13	5.55.0789	1

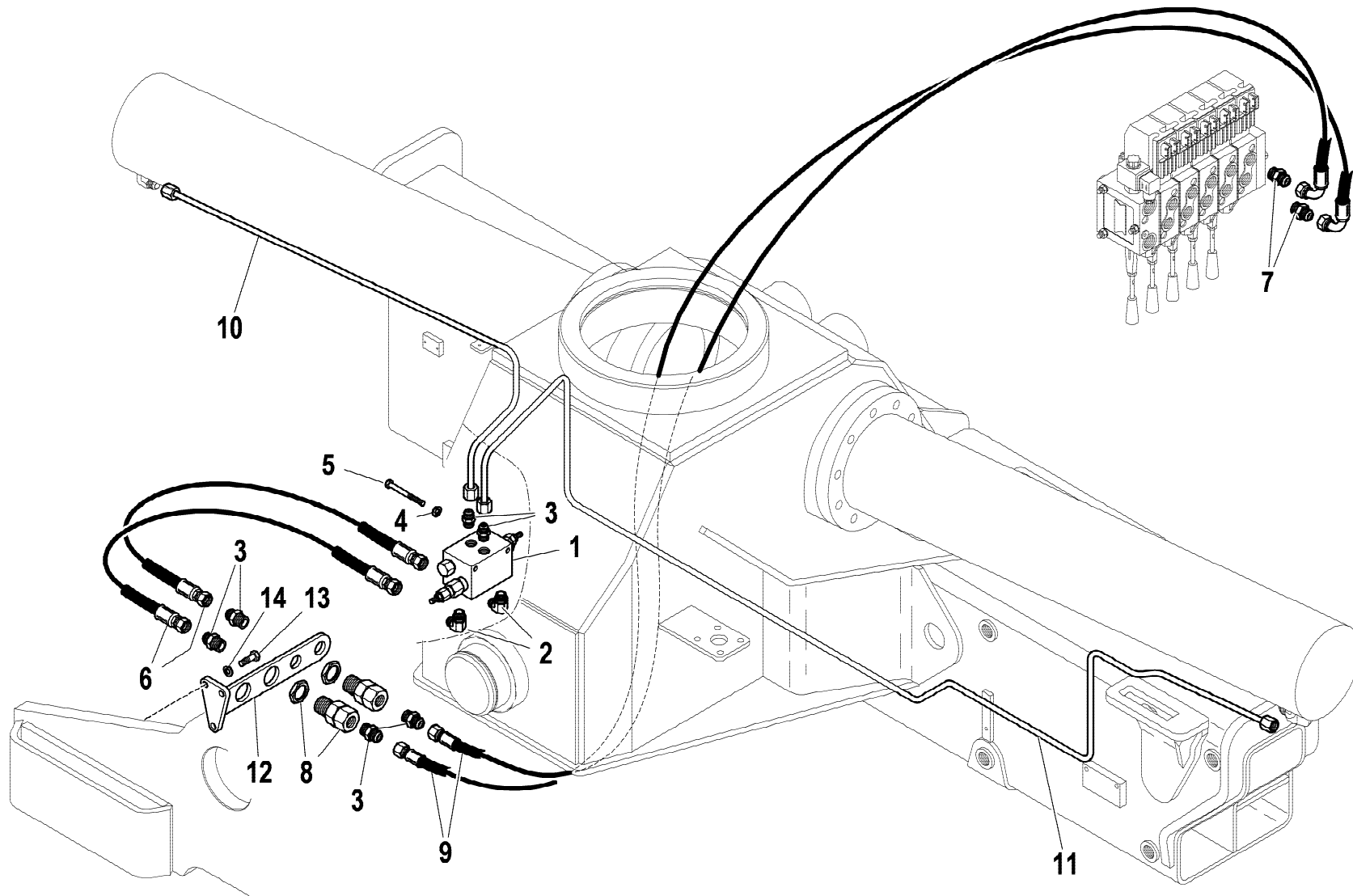
1/1

HYVA[®] CRANE
HC501

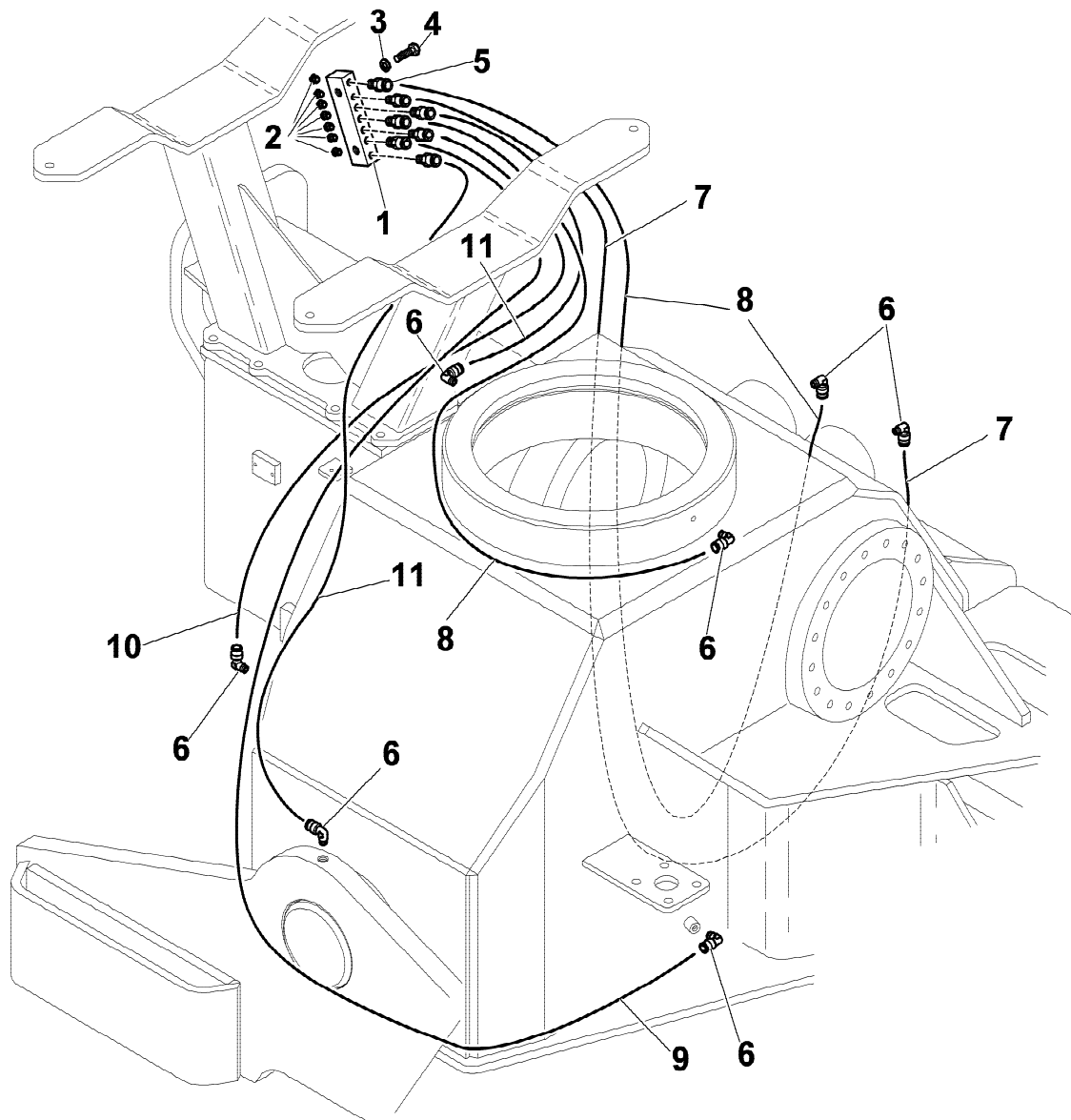
GRUPPO ROTAZIONE
 SLEWING ASS'Y
 GROUPE ROTATION
 DREHVORRICHTUNG
 GRUPO ROTACION

Tavola
6.24.0106-1-0

Data pag.
 dicembre 2006 6



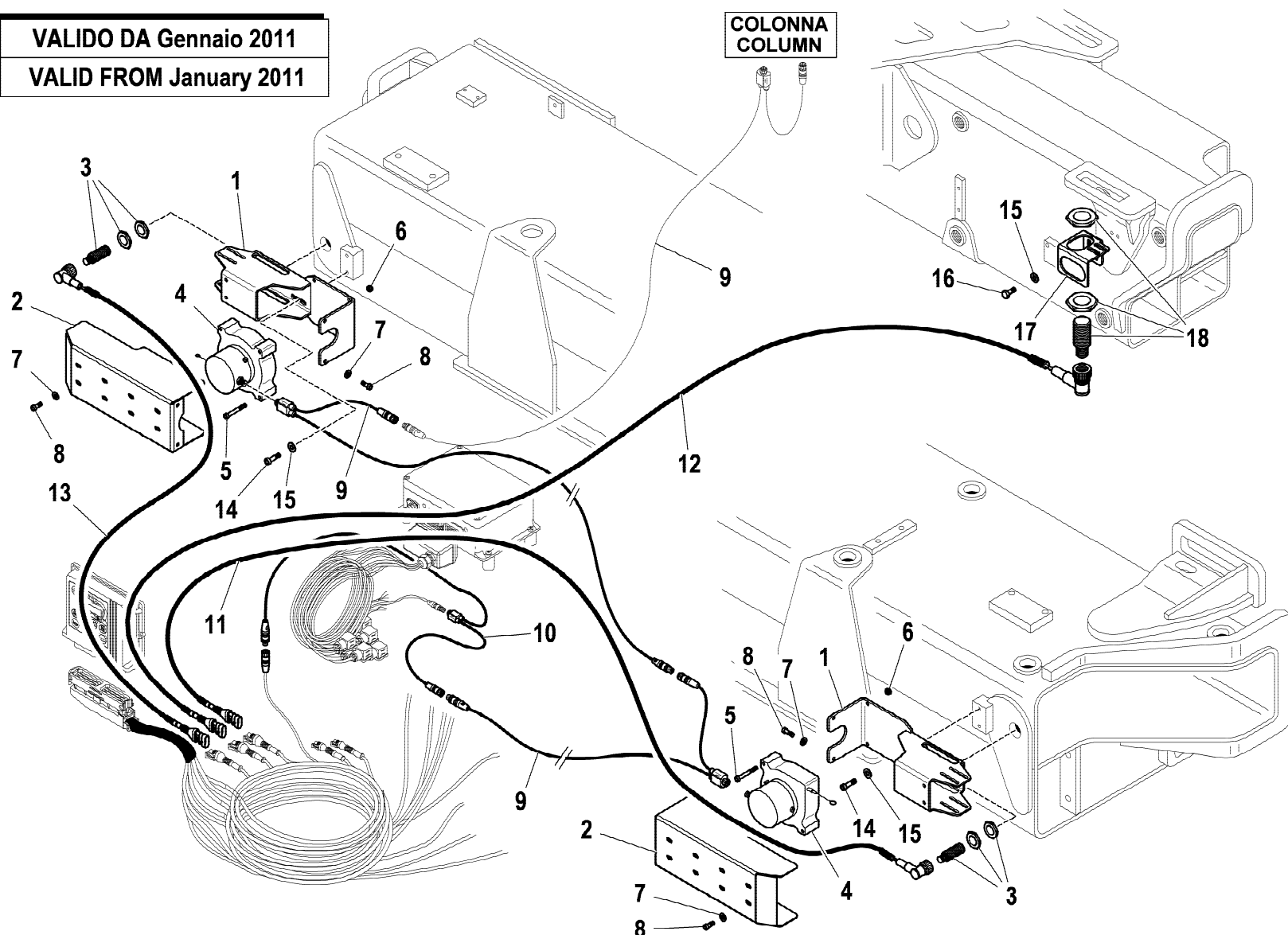
rif.	codice	Q.tà
1	5.22.0707	1
2	3.10.1127	2
3	3.10.1043	6
4	3.06.0053	2
5	3.01.0026	2
6	5.27.1733	2
7	3.10.1044	2
8	5.22.0185	2
9	5.27.1732	2
10	5.39.2126	1
11	5.39.2127	1
12	5.09.1017	1
13	3.01.0349	3
14	3.06.0056	3



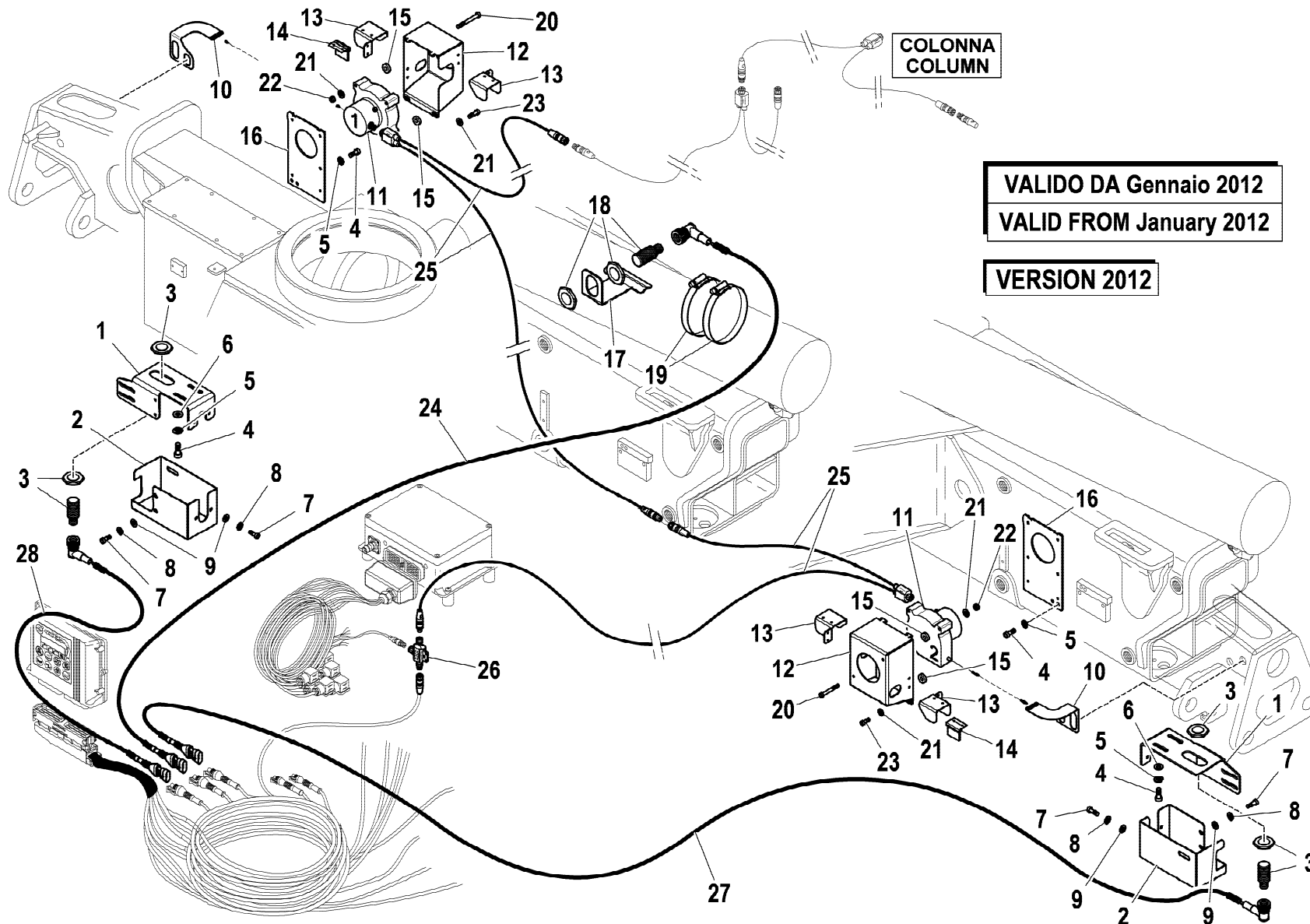
rif.	codice	Q.tà
1	5.00.1441	1
2	3.08.0015	7
3	3.06.0005	2
4	3.02.0039	2
5	3.08.0004	7
6	3.08.0012	7
7	3.08.0028	1
8	3.08.0027	2
9	3.08.0025	1
10	3.08.0024	1
11	3.08.0026	2

VALIDO DA Gennaio 2011
 VALID FROM January 2011

COLONNA
 COLUMN



rif.	codice	Q.tà
1	5.09.1299	2
2	5.00.2060	2
3	3.31.1311	2
4	3.31.1313	2
5	3.02.0019	6
6	3.04.0518	6
7	3.06.0004	8
8	3.02.0022	8
9	3.31.1325	2
10	3.31.1398	1
11	3.31.1377	1
12	3.31.1372	1
13	3.31.1332	1
14	3.02.0034	4
15	3.06.0030	6
16	3.01.0323	2
17	5.00.2051	1
18	3.31.1312	1



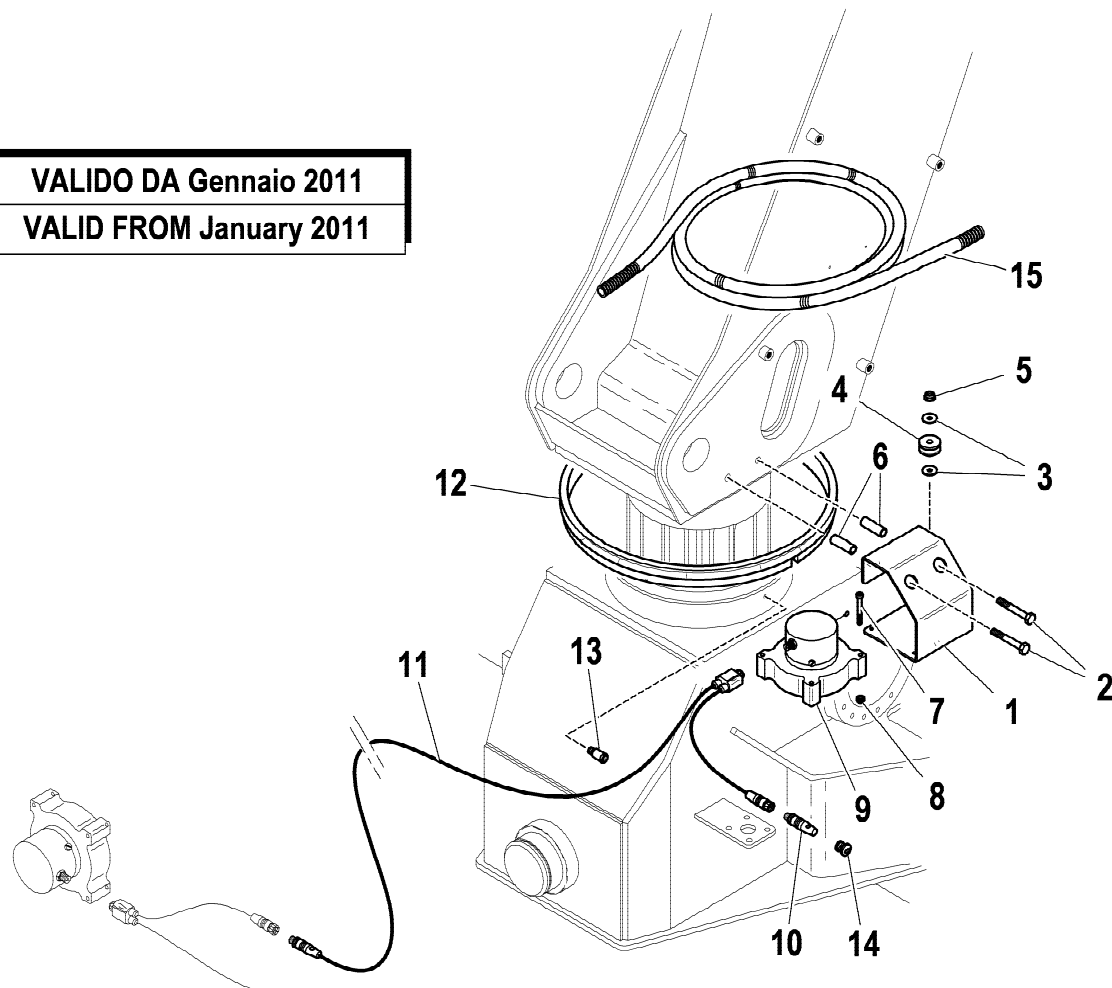
COLONNA
COLUMN

VALIDO DA Gennaio 2012
VALID FROM January 2012

VERSION 2012

rif.	codice	Q.tà
1	5.09.1395	2
2	5.00.2189	2
3	3.31.1311	2
4	3.02.0034	8
5	3.06.0053	8
6	3.06.0030	4
7	3.02.0022	8
8	3.06.0052	8
9	3.06.0004	8
10	5.00.2210	2
11	3.31.1313	2
12	5.09.1392	2
13	5.00.2181	4
14	5.00.2175	2
15	3.19.0039	4
16	5.00.2182	2
17	5.00.2185	1
18	3.31.1312	1
19	3.19.0027	2
20	3.02.0019	4
21	3.06.0003	8
22	3.04.0518	4
23	3.02.0895	4
24	3.31.1372	1
25	3.31.1325	2
26	3.31.1323	1
27	3.31.1377	1
28	3.31.1332	1

VALIDO DA Gennaio 2011
VALID FROM January 2011



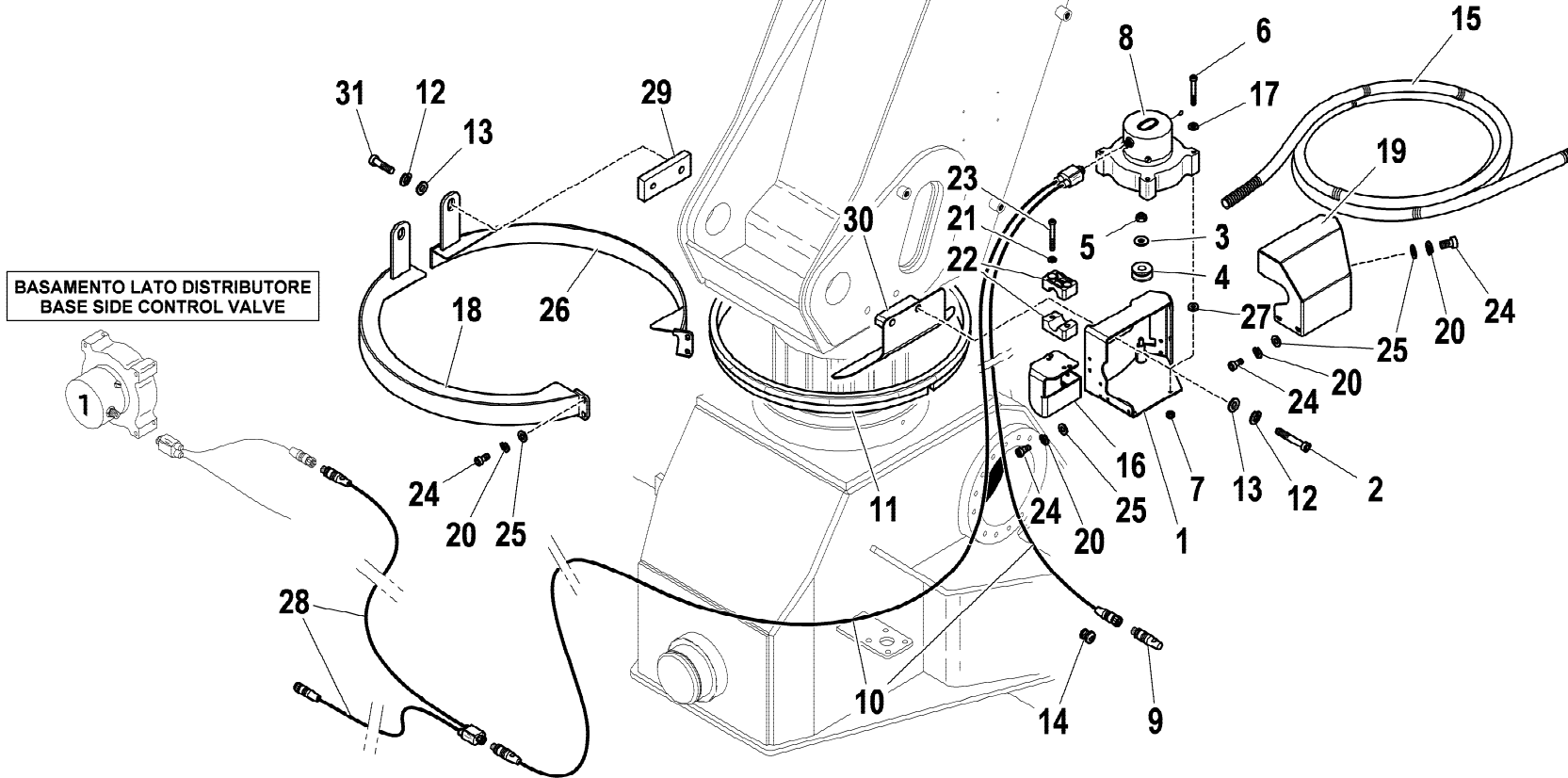
rif.	codice	Q.tà
1	5.09.1301	1
2	3.01.0033	2
3	3.06.0030	2
4	5.14.1080	1
5	3.04.0372	1
6	2.01.2440	2
7	3.02.0019	3
8	3.04.0518	3
9	3.31.1313	1
10	3.31.1327	1
11	3.31.1325	1
12	5.14.1088	1
13	5.00.2022	2
14	3.31.1326	1
15	3.19.0295	mt2.5

BASAMENTO LATO DISTRIBUTORE
BASE SIDE CONTROL VALVE

VERSION 2012

VALIDO DA Gennaio 2012

VALID FROM January 2012



rif.	codice	Q.tà
1	5.09.1398	1
2	3.02.0058	2
3	3.06.0030	1
4	5.14.1135	1
5	3.04.0372	1
6	3.02.0019	2
7	3.04.0518	2
8	3.31.1313	1
9	3.31.1327	1
10	3.31.1325	1
11	5.14.1088	1
12	3.06.0055	4
13	3.06.0029	4
14	3.31.1326	1
15	3.19.0295	mt2.5
16	5.00.2193	1
17	3.06.0003	2
18	5.09.1411	1
19	5.00.2177	1
20	3.06.0052	10
21	3.19.0178	2
22	3.19.0185	2
23	3.02.0039	2
24	3.02.0022	12
25	3.06.0004	12
26	5.09.1410	1
27	3.19.0039	2
28	3.31.1398	1
29	5.14.1170	1
30	5.09.1412	1
31	3.02.0875	2

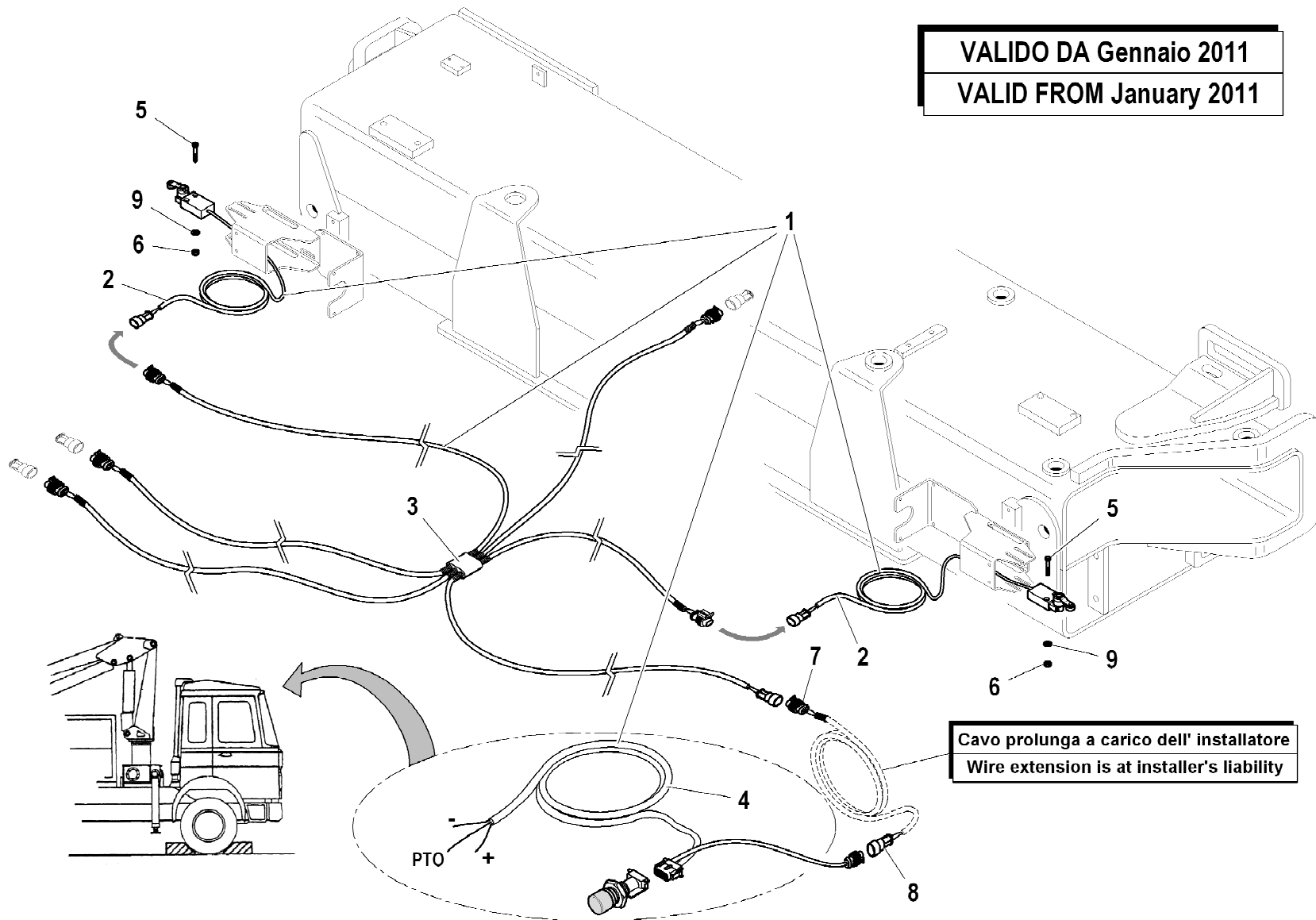
1/1

HYVA[®] CRANE
HC501

CONTROLLO ROTAZIONE EN-12999-A3
 ROTATION CONTROL EN-12999-A3
 CONTRÔLE ROTATION EN-12999-A3
 KONTROLLE ROTATION EN-12999-A3
 CONTROL ROTACIÓN EN-12999-A3

Tavola
5.41.1402-1-0

Data pag.
giugno 2013 12



VALIDO DA Gennaio 2011
VALID FROM January 2011

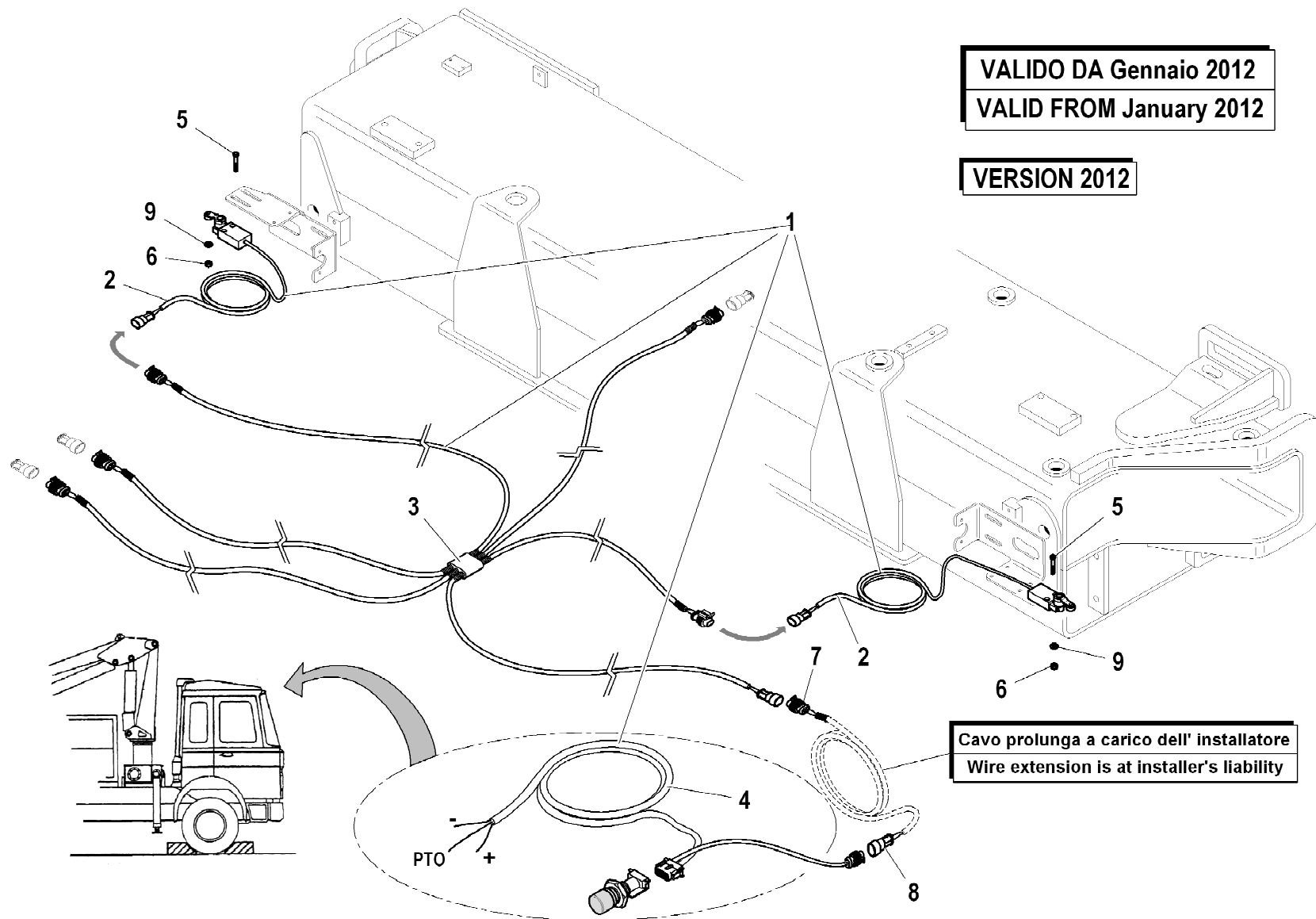
rif.	codice	Q.tà
1	3.31.1352	1
2	3.31.1356	2
3	3.31.1353	1
4	3.31.1354	1
5	3.02.0014	4
6	3.04.0518	4
7	3.31.0431	1
8	3.31.0432	1
9	3.06.0003	4

Cavo prolunga a carico dell' installatore
Wire extension is at installer's liability

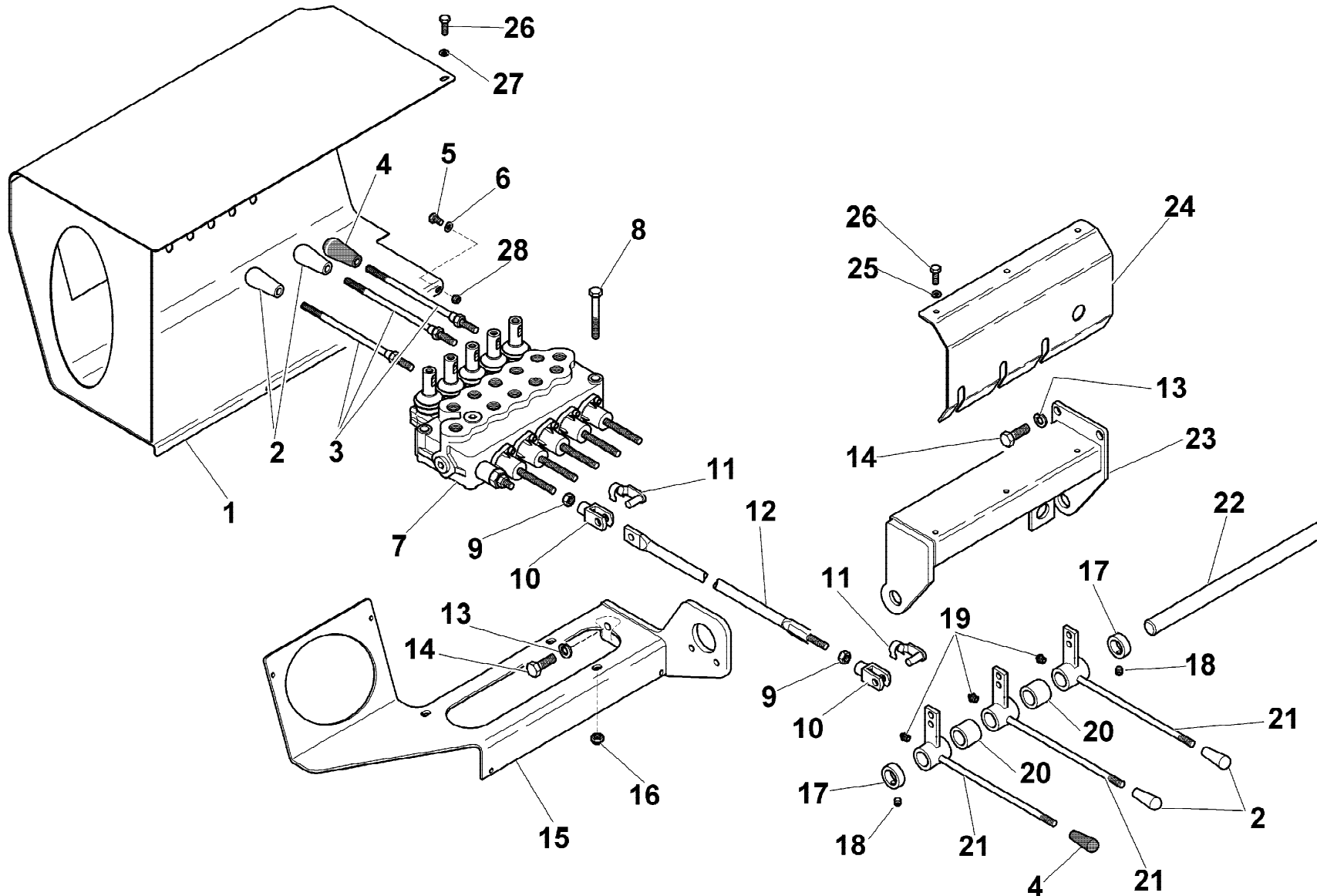
rif.	codice	Q.tà
1	3.31.1352	1
2	3.31.1356	2
3	3.31.1353	1
4	3.31.1354	1
5	3.02.0014	4
6	3.04.0518	4
7	3.31.0431	1
8	3.31.0432	1
9	3.06.0003	4

VALIDO DA Gennaio 2012
VALID FROM January 2012

VERSION 2012

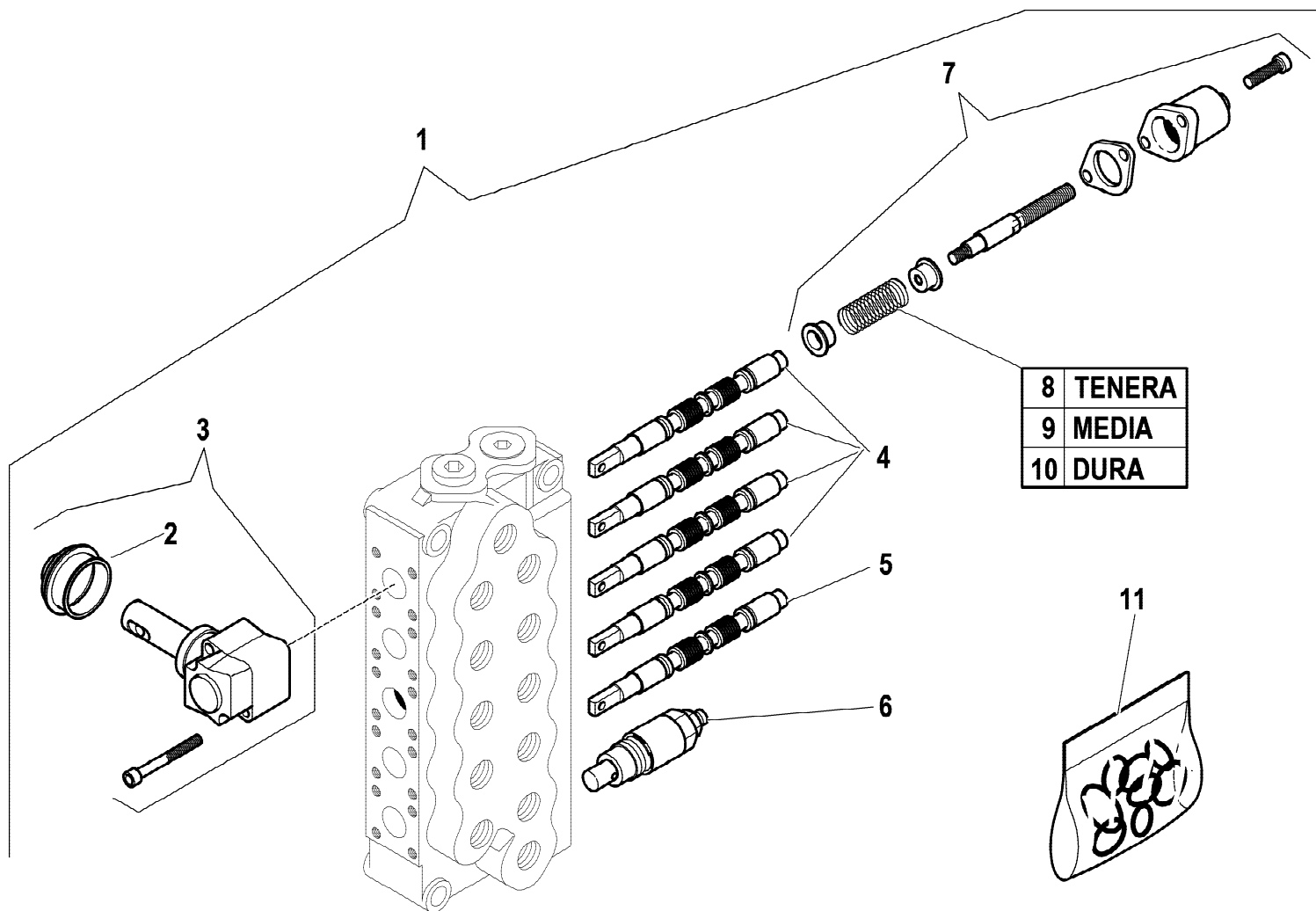


Cavo prolunga a carico dell' installatore
Wire extension is at installer's liability



rif.	codice	Q.tà
1	5.09.0959	1
2	3.19.0197	4
3	5.22.0209	3
4	3.19.0217	2
5	3.02.0022	2
6	3.06.0005	2
7	5.22.0346	1
8	3.01.0035	3
9	3.04.0045	6
10	3.30.0431	6
11	3.30.0451	6
12	5.09.0956	3
13	3.06.0056	4
14	3.01.0355	4
15	5.09.0952	1
16	3.04.0303	3
17	5.00.0670	2
18	3.06.0233	2
19	3.08.0500	3
20	5.14.0737	2
21	5.09.0433	3
22	5.15.0787	1
23	5.09.0957	1
24	5.09.0958	1
25	3.06.0053	3
26	3.01.0325	4
27	3.06.0030	1
28	3.04.0372	1

rif.	codice	Q.tà
1	5.22.0346	1
2	5.22.5022	5
3	5.22.5261	5
4	5.22.5258	4
5	5.22.5480	1
6	5.22.5257	1
7	5.22.5268	5
8	5.22.5479	5
9	5.22.5281	5
10	5.22.5285	5
11	5.22.5263	1



8	TENERA
9	MEDIA
10	DURA

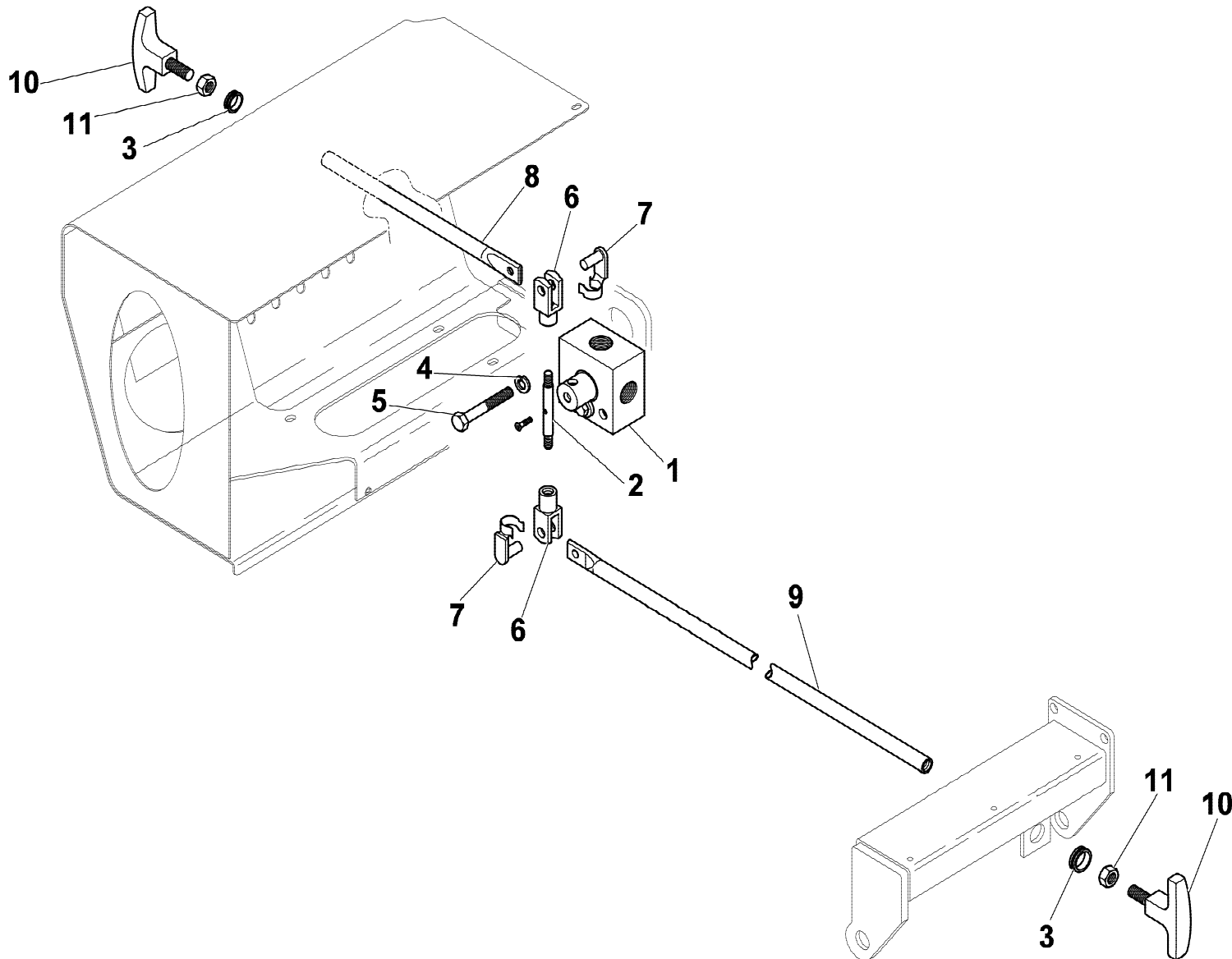
1/1

HYVA[®] CRANE
HC501

DISTRIBUTORE STABILIZZATORI
STABILIZER CONTROL VALVE
DISTRIBUTEUR STABILISATEURS
BEDIENUNG DEN ABSTÜTZUNGEN
DISTRIBUDOR ESTABILIZADORE

Tavola
5.22.0346-1-0

Data pag.
gennaio 2007 16



rif.	codice	Q.tà
1	5.22.0599	1
2	5.00.1170	1
3	3.19.0214	2
4	3.06.0056	2
5	3.01.0415	2
6	3.30.0433	2
7	3.30.0453	2
8	5.09.0954	1
9	5.09.0955	1
10	3.19.0213	2
11	3.04.0047	2

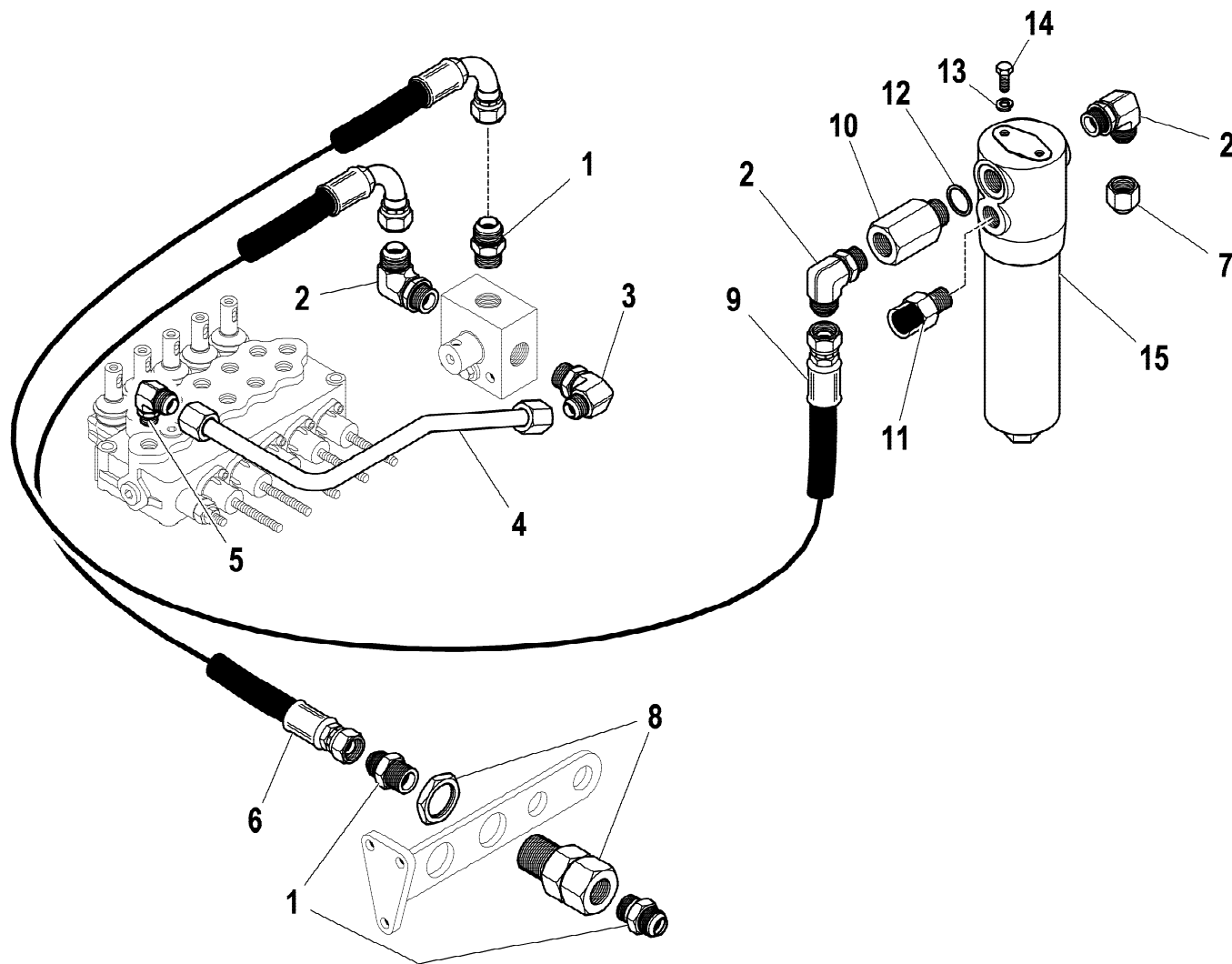
1/1

HYVA[®] CRANE
HC501

DEVIATORE (STABILIZZATORI STANDARD)
 SWITCH (STABILIZERS STANDARD)
 COMMUTEUR DE DEVIATION (NORNE STABILISATEURS)
 ABWEISER (STABILISATOREN STANDARD)
 DESVIADOR (ESTÁNDAR ESTABILIZADORES)

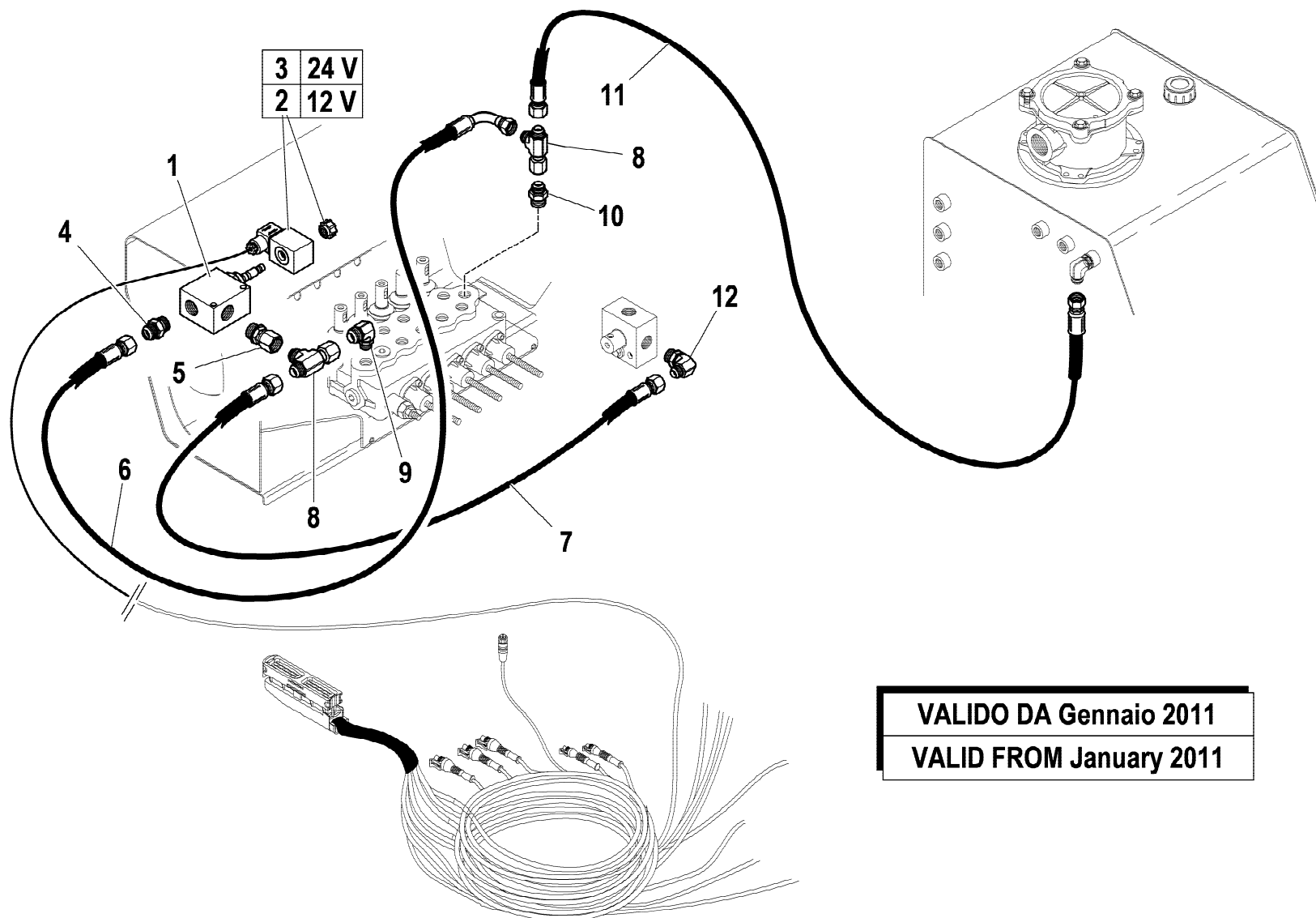
Tavola
5.40.0403-2-0

Data pag.
 giugno 2006 17



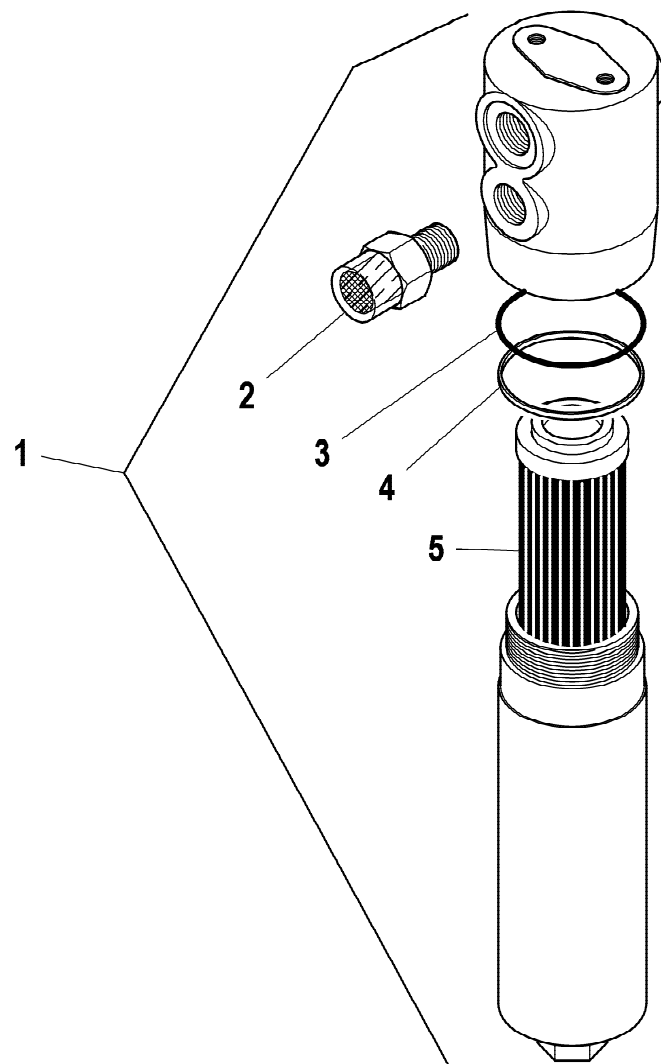
rif.	codice	Q.tà
1	3.10.1056	3
2	3.10.1133	3
3	3.10.1134	1
4	5.39.2145	1
5	3.12.0012	1
6	5.29.0128	1
7	3.11.0046	1
8	5.22.0186	1
9	5.29.0127	1
10	3.11.1525	1
11	3.18.0192	1
12	3.06.0146	1
13	3.06.0055	2
14	3.01.0027	2
15	3.18.0159	1

rif.	codice	Q.tà
1	5.22.0642	1
2	3.31.0238	1
3	3.31.0242	1
4	3.10.1051	1
5	3.12.0067	1
6	5.28.0805	1
7	5.28.0953	1
8	3.12.0008	2
9	3.12.0012	1
10	3.10.1213	1
11	5.27.1731	1
12	3.10.1134	1

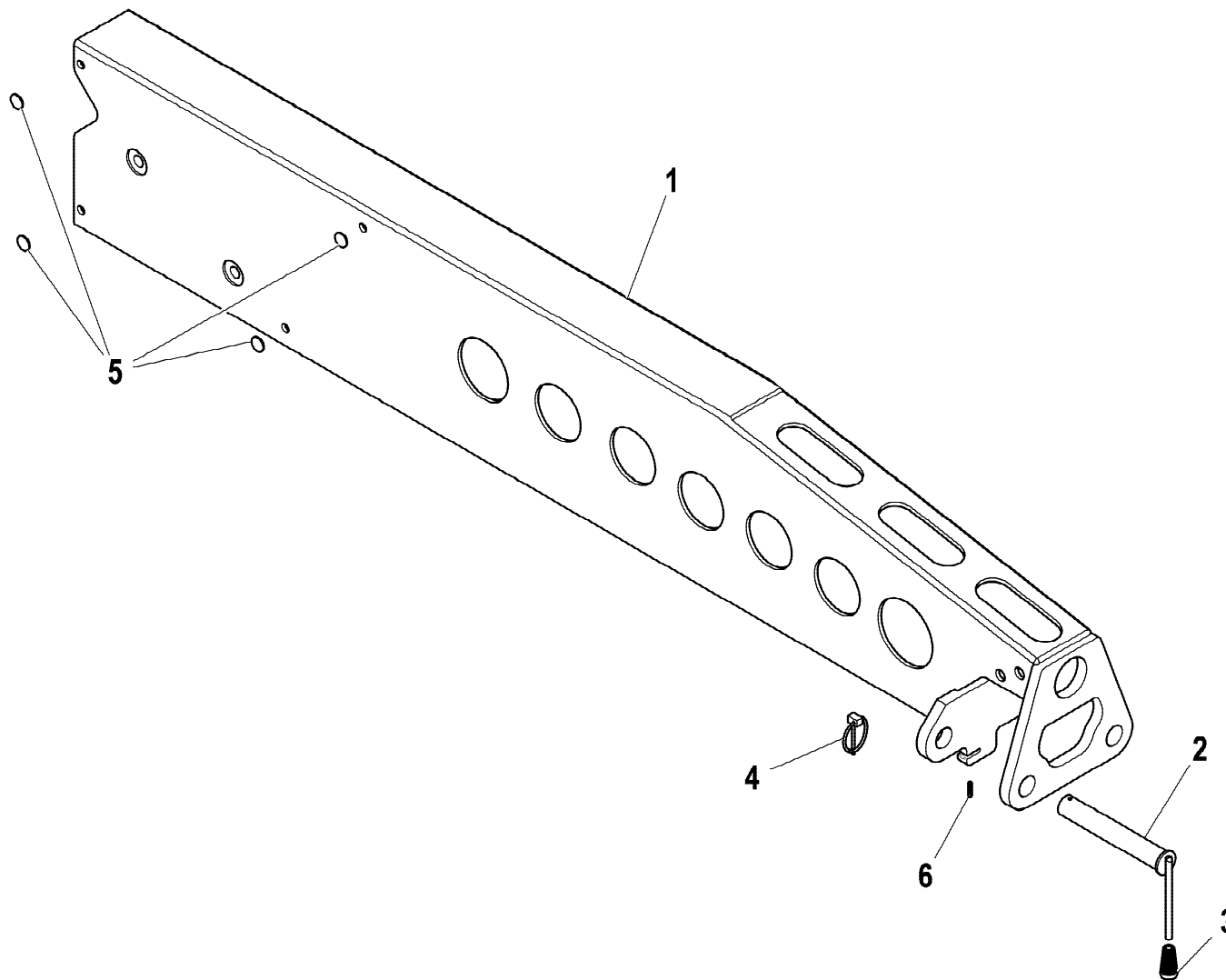


VALIDO DA Gennaio 2011
VALID FROM January 2011

rif.	codice	Q.tà
1	3.18.0159	1
2	3.18.0192	1
3	3.45.0080	1
4	3.46.0080	1
5	3.18.0160	1



rif.	codice	Q.tà
1	5.07.0349	1
2	5.15.0770	2
3	3.19.0189	2
4	3.06.0703	2
5	5.14.0777	8
6	3.06.0226	1



1/1

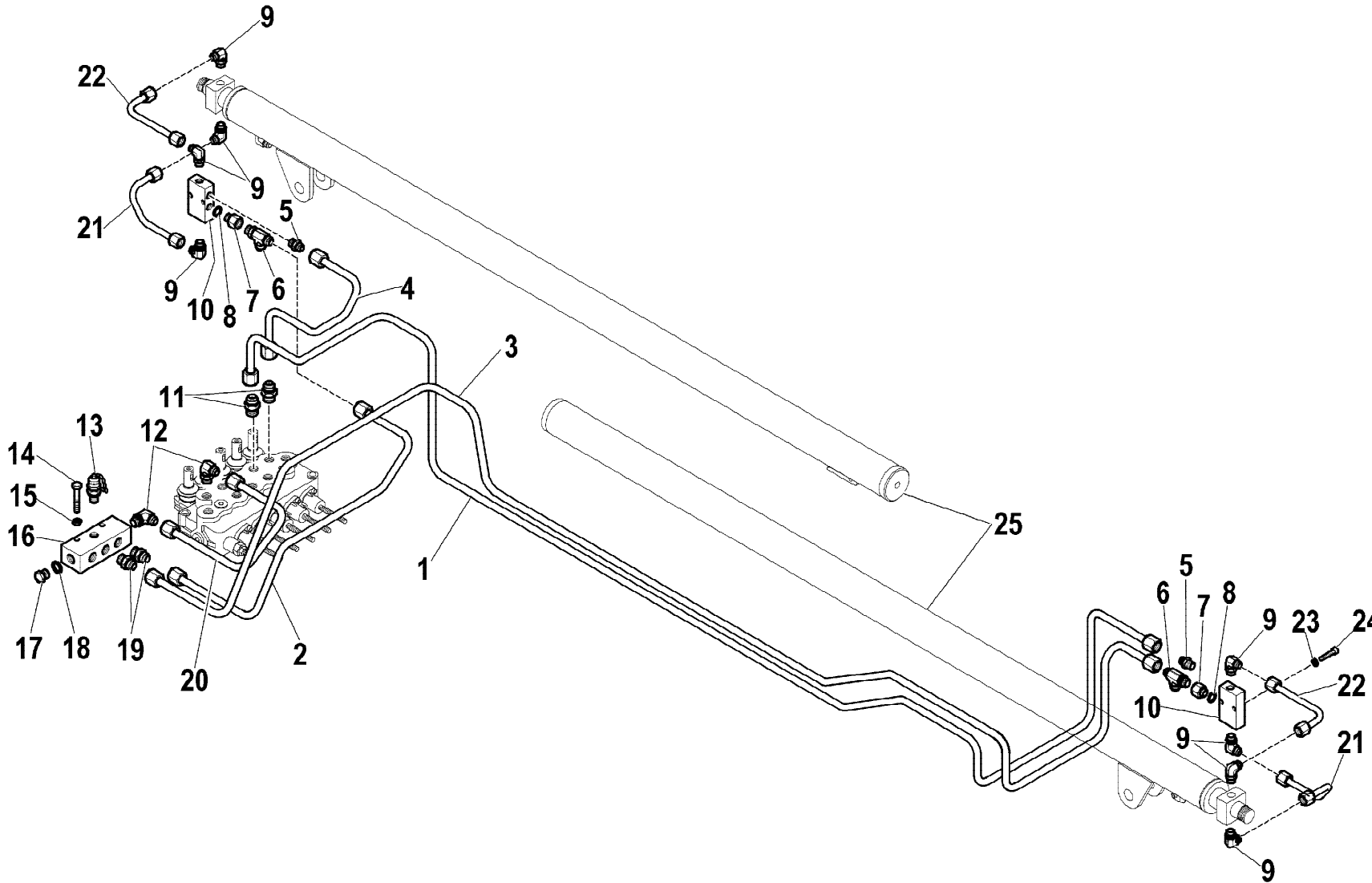
HYVA[®] CRANE

HC501

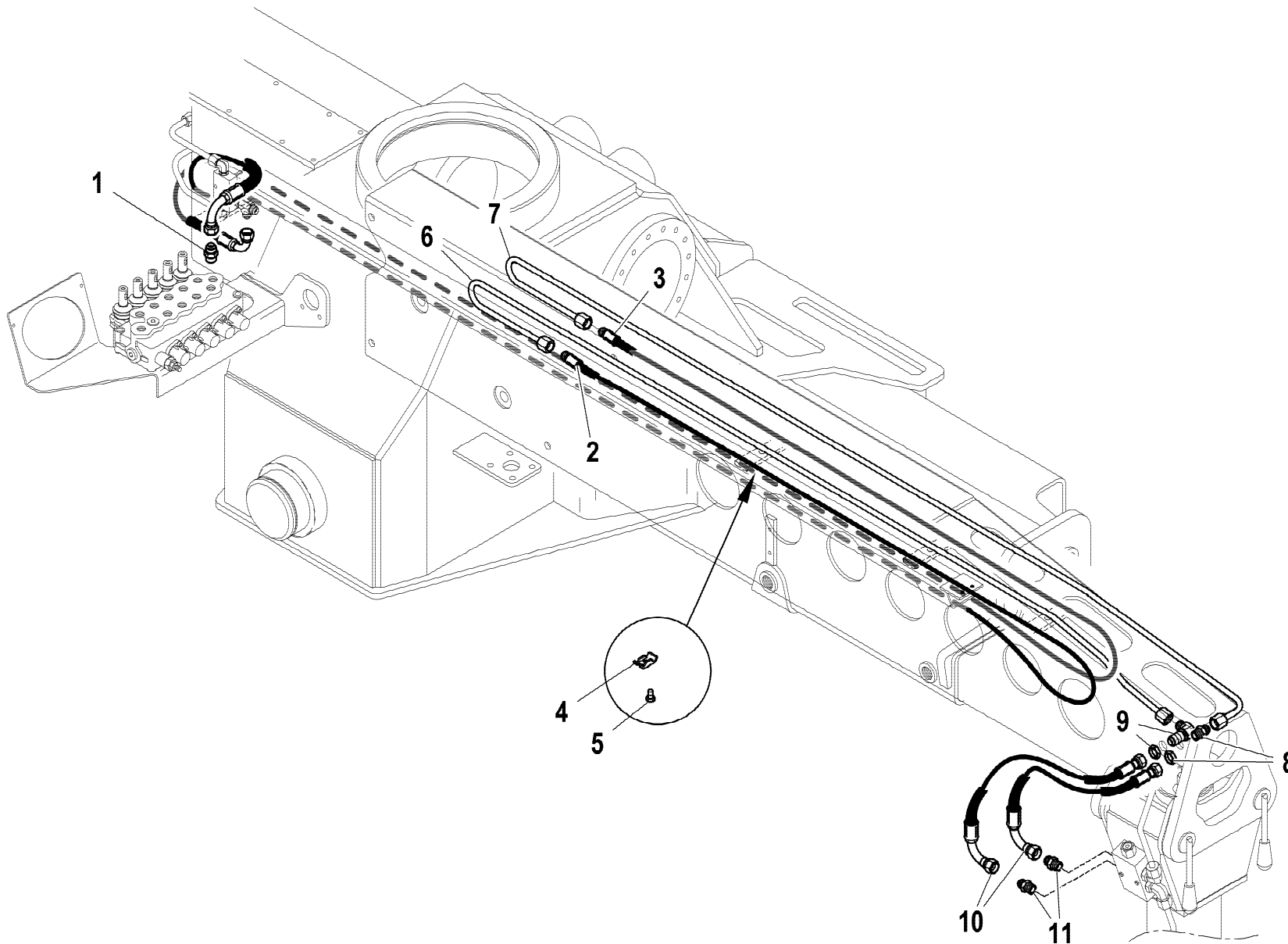
ASTE STABILIZZATRICI
 STABILIZER ROD
 TIGES DE STABILISATION
 STÜTZSTANGEN
 BARRAS ESTABILIZADORAS

Tavola
5.76.0123-1-0

Data pag.
 giugno 2007 21



rif.	codice	Q.tà
1	5.39.2118	1
2	5.39.2117	1
3	5.39.2119	1
4	5.39.2115	1
5	3.10.1039	2
6	3.10.1176	2
7	3.11.0108	2
8	3.06.0143	2
9	3.10.1124	8
10	W.470.076	2
11	3.10.1040	2
12	3.10.1127	2
13	3.11.1523	1
14	3.01.0032	2
15	3.06.0055	2
16	5.00.1159	1
17	3.11.0061	1
18	3.06.0144	1
19	3.10.1043	2
20	5.39.2114	1
21	5.39.2111	2
22	5.39.2110	2
23	3.06.0004	4
24	3.02.0029	4
25	6.20.0221	2



rif.	codice	Q.tà
1	3.10.1044	1
2	5.27.1744	1
3	5.27.1745	1
4	5.00.0077	3
5	3.01.0029	3
6	5.39.2162	1
7	5.39.2163	1
8	3.12.0310	1
9	3.12.0323	1
10	5.27.1738	2
11	3.10.1043	2

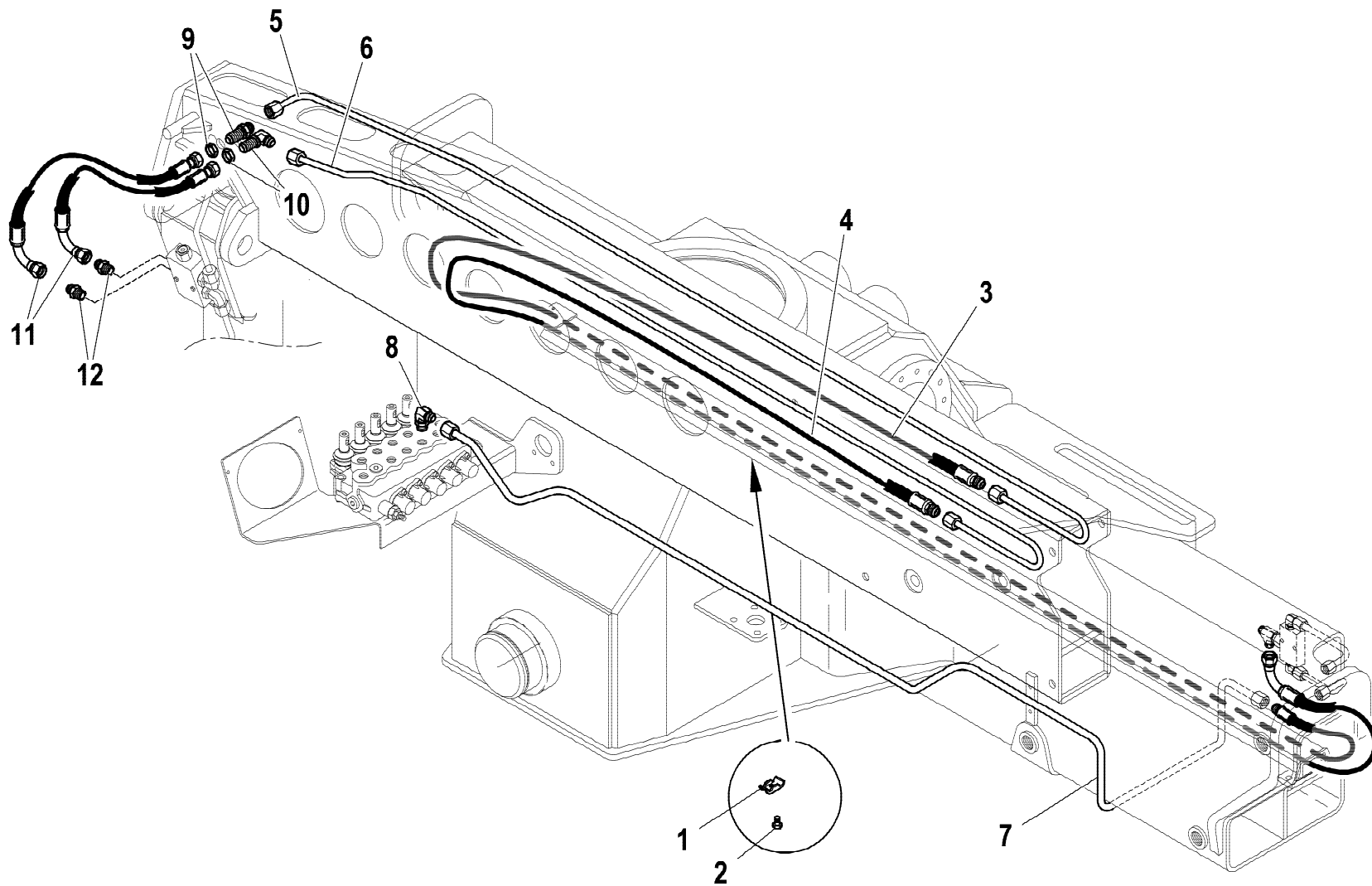
1/1

HYVA[®] CRANE
HC501

IMPIANTO IDRAULICO (STABILIZZATORI STANDARD)
 HYDRAULIC SYSTEM (STABILIZERS STANDARD)
 INSTALLATION HYDRAULIQUE (NORNE STABILISATEURS)
 HYDRAULIKANLAGE (STABILISATOREN STANDARD)
 INSTALACION HIDRAULICA (ESTÁNDAR ESTABILIZADORES)

Tavola
5.76.0123-3-0

Data pag.
 ottobre 2006 23



rif.	codice	Q.tà
1	5.00.0077	3
2	3.01.0029	3
3	5.27.1735	1
4	5.27.1734	1
5	5.39.2163	1
6	5.39.2162	1
7	5.39.2116	1
8	3.10.1127	1
9	3.12.0310	1
10	3.12.0323	1
11	5.27.1738	2
12	3.10.1043	1

1/1

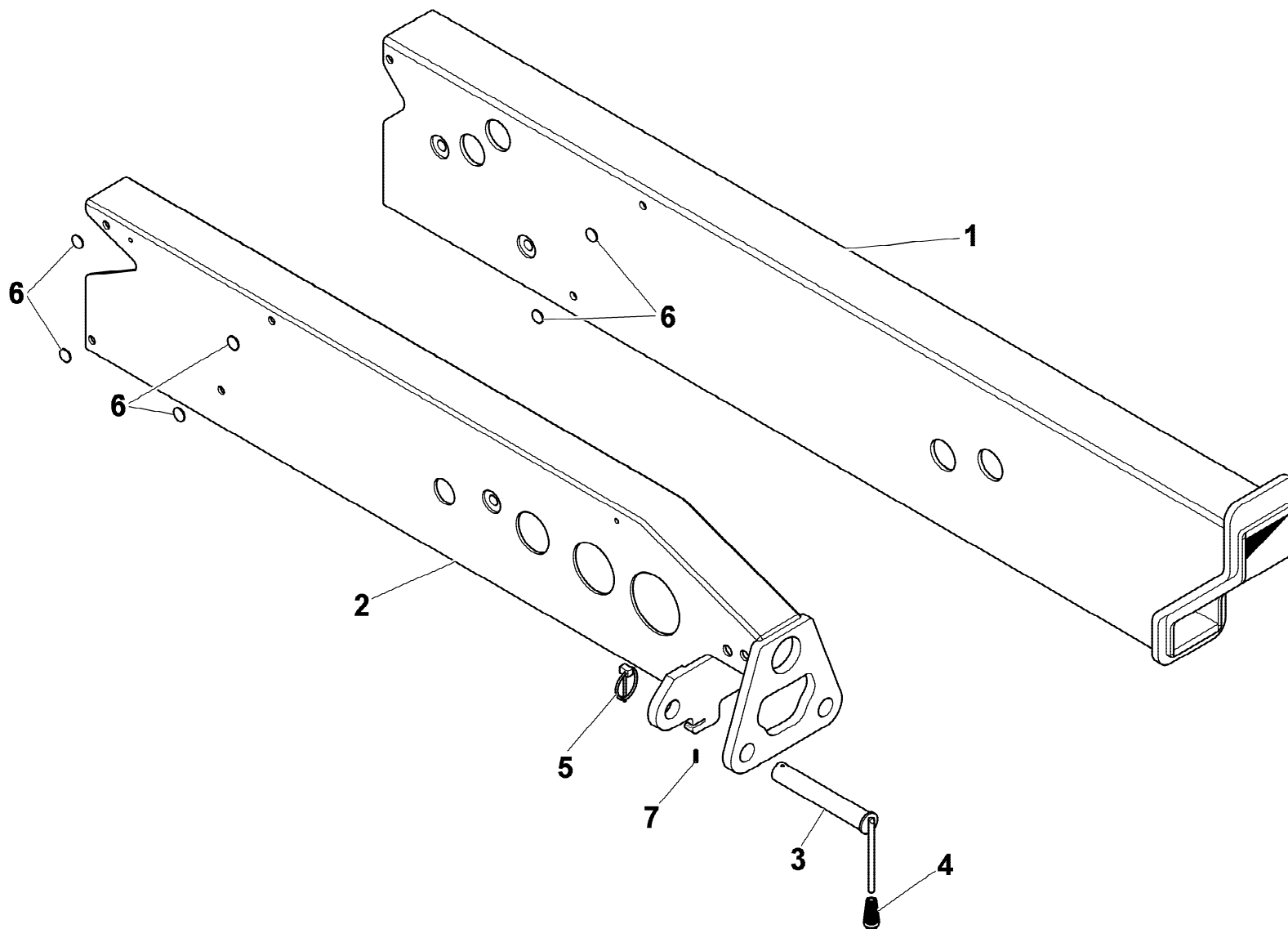
HYVA[®] CRANE
HC501

IMPIANTO IDRAULICO (STABILIZZATORI STANDARD)
 HYDRAULIC SYSTEM (STABILIZERS STANDARD)
 INSTALLATION HYDRAULIQUE (NORNE STABILISATEURS)
 HYDRAULIKANLAGE (STABILISATOREN STANDARD)
 INSTALACION HIDRAULICA (ESTÁNDAR ESTABILIZADORES)

Tavola
5.76.0123-4-0

Data pag.
 gennaio 2007 24

rif.	codice	Q.tà
1	5.07.0344	1
2	5.07.0345	1
3	5.15.0770	2
4	3.19.0189	2
5	3.06.0703	2
6	5.14.0777	12
7	3.06.0226	1



1/1

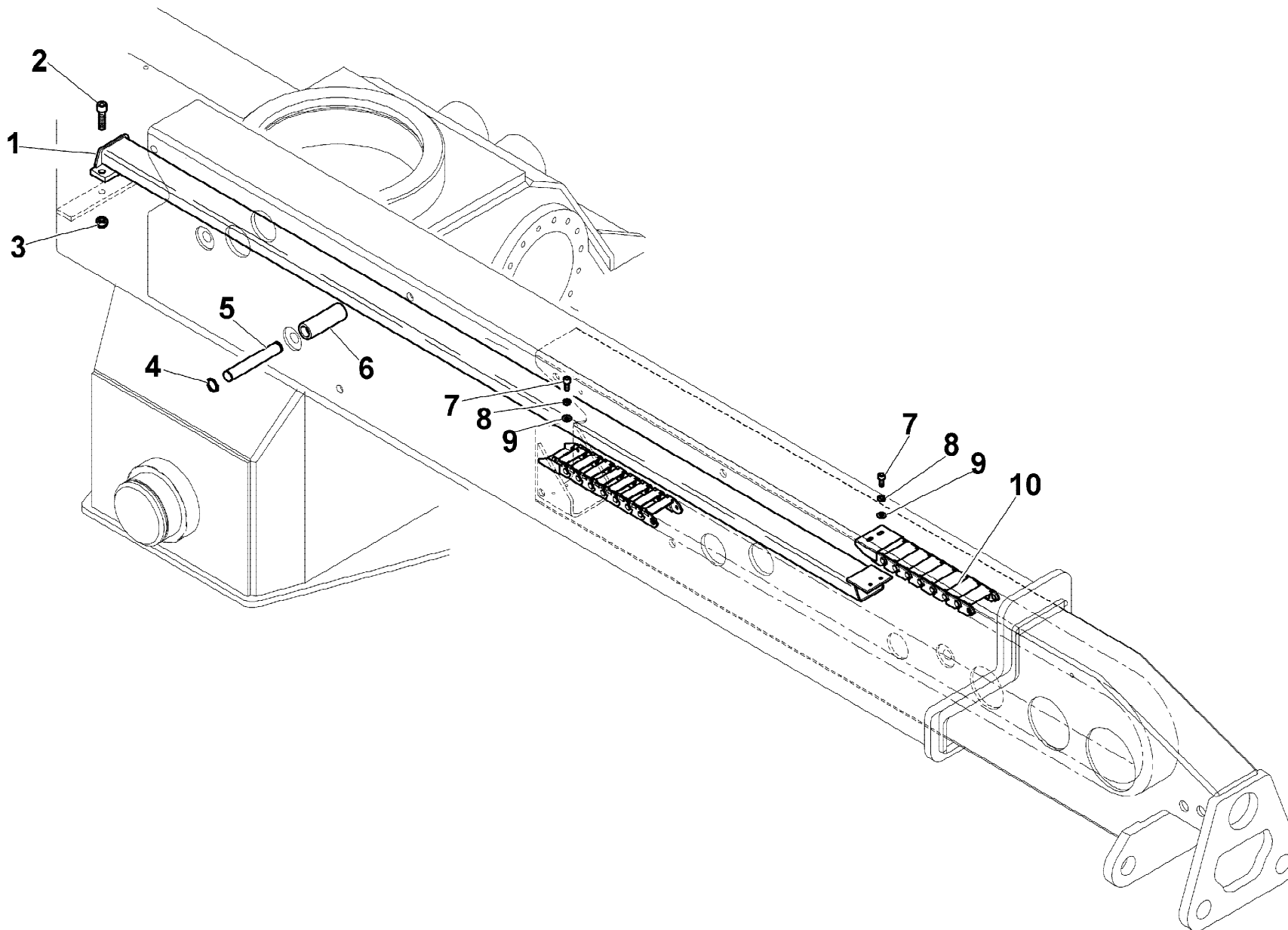
HYVA[®] CRANE
HC501

ASTE STABILIZZATRICI EXTRA ESTENDIBILI (ALLARGAMENTO IDRAULICO)
 STABILIZER CONNECTING RODS EXTRA-EXTENSIBLE (HYDRAULIC LENGTHENING)
 EXTENSION DES STABILISATEURS EXTRA-EXTENSIBLE (RALLONGEANTE HYDRAULIQUE)
 STÜTZSTANGEN EXTRA-AUSDEHNBARE (HYDRAULISCHER VERLÄNGERNDER)
 VARILLAS ESTABILIZADORES EXTRA-EXTENSIBLE (ALARGA HIDRÁULICO)

Tavola

5.76.0088-1-0

Data pag.
 ottobre 2006 25



rif.	codice	Q.tà
1	5.09.1013	1
2	3.02.0081	2
3	3.04.0304	2
4	3.07.0017	2
5	5.15.0784	1
6	5.14.0999	1
7	3.02.0021	4
8	3.06.0052	4
9	3.06.0004	4
10	3.31.0752	1

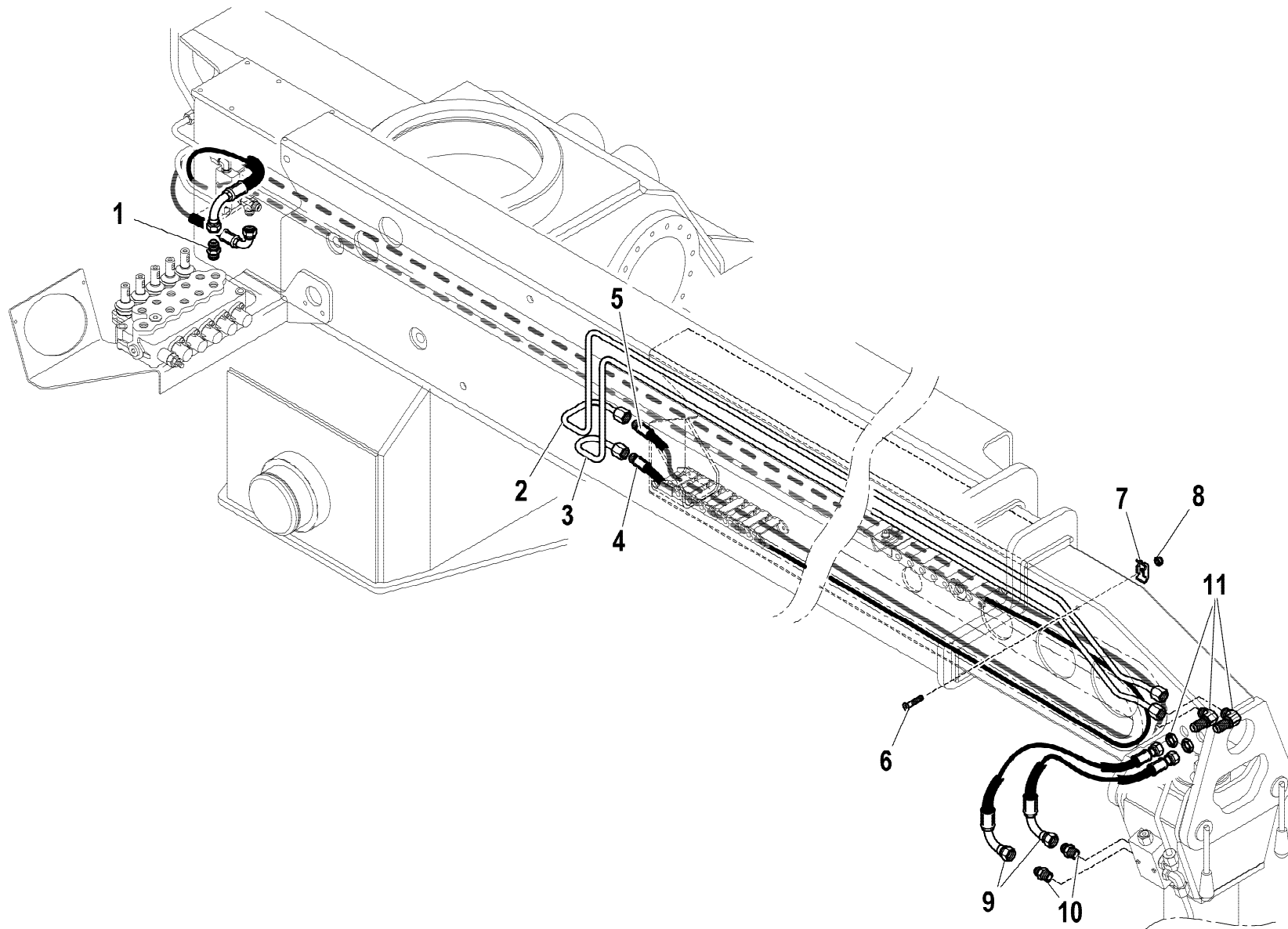
1/1

HYVA[®] CRANE
HC501

ASTE STABILIZZATRICI EXTRA ESTENDIBILI (ALLARGAMENTO IDRAULICO)
 STABILIZER CONNECTING RODS EXTRA-EXTENSIBLE (HYDRAULIC LENGTHENING)
 EXTENSION DES STABILISATEURS EXTRA-EXTENSIBLE (RALLONGEANTE HYDRAULIQUE)
 STÜTZSTANGEN EXTRA-AUSDEHNBARE (HYDRAULISCHER VERLÄNGERNDER)
 VARILLAS ESTABILIZADORES EXTRA-EXTENSIBLE (ALARGA HIDRÁULICO)

Tavola
5.76.0088-2-0

Data pag.
 ottobre 2007 26



rif.	codice	Q.tà
1	3.10.1044	2
2	5.39.2147	1
3	5.39.2146	1
4	5.27.1736	1
5	5.27.1734	1
6	3.02.0914	4
7	5.00.0077	4
8	3.04.0303	4
9	5.27.1738	2
10	3.10.1043	4
11	3.12.0323	4

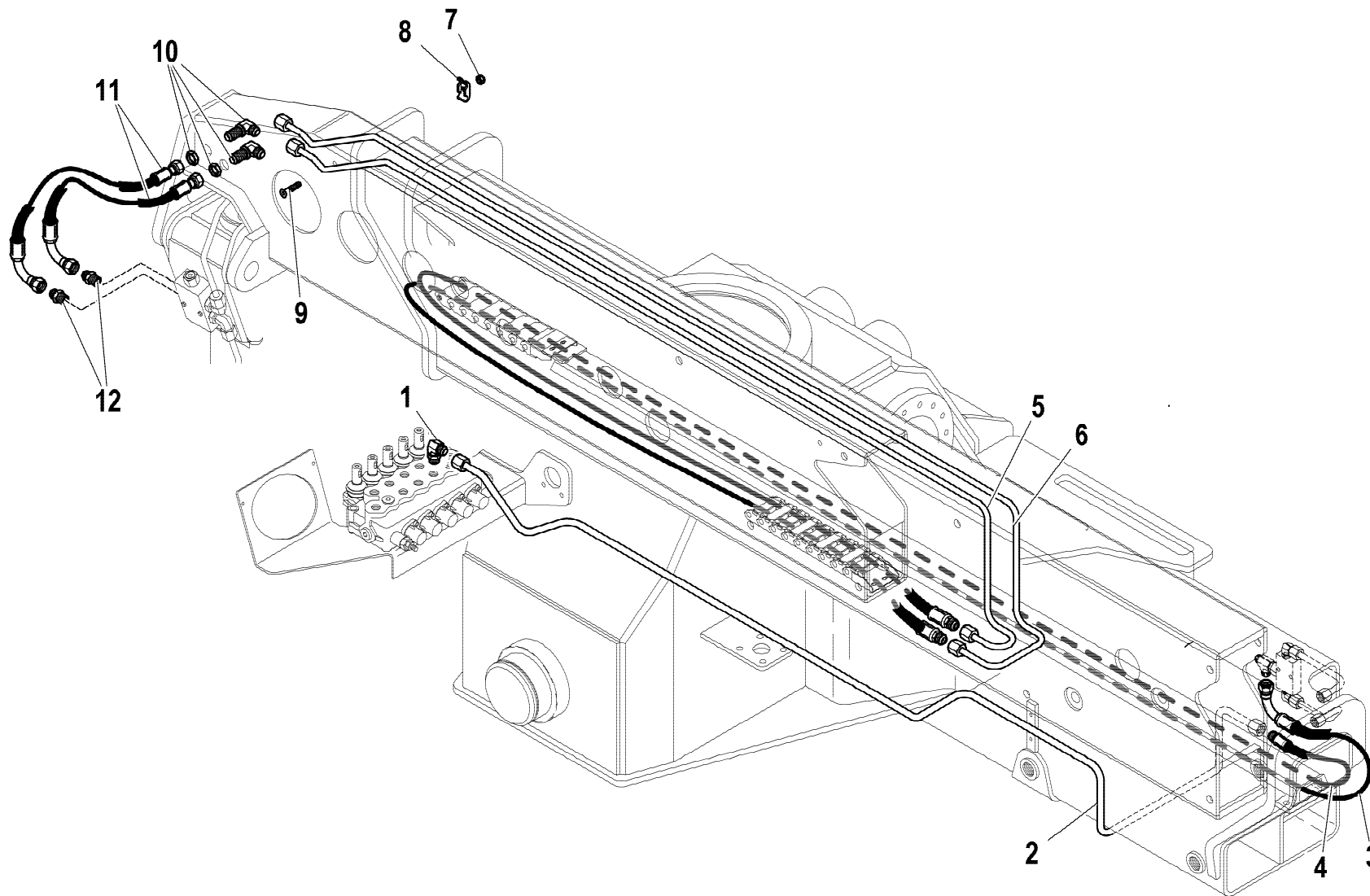
1/1

HYVA[®] CRANE
HC501

IMPIANTO IDRAULICO EXTRA ESTENDIBILI (MARTINETTO STABILIZZATORE)
 HYDRAULIC SYSTEM EXTRA-EXTENSIBLE (STABILISER RAM)
 INSTALLATION HYDRAULIQUE EXTRA-EXTENSIBLE (VERIN STABILISATEUR)
 HYDRAULIKANLAGE EXTRA-AUSDEHNBARE (STABILISATOR SCHUBZYLINDER)
 INSTALACION HIDRAULICA EXTRA-EXTENSIBLE (GATO ESTABILIZADOR)

Tavola
5.76.0088-3-0

Data pag.
 ottobre 2007 27



rif.	codice	Q.tà
1	3.10.1128	1
2	5.39.2116	1
3	5.27.1734	1
4	5.27.1735	1
5	5.39.2146	1
6	5.39.2147	1
7	3.04.0303	4
8	5.00.0077	4
9	3.02.0914	4
10	3.12.0323	4
11	5.27.1738	2
12	3.10.1043	4

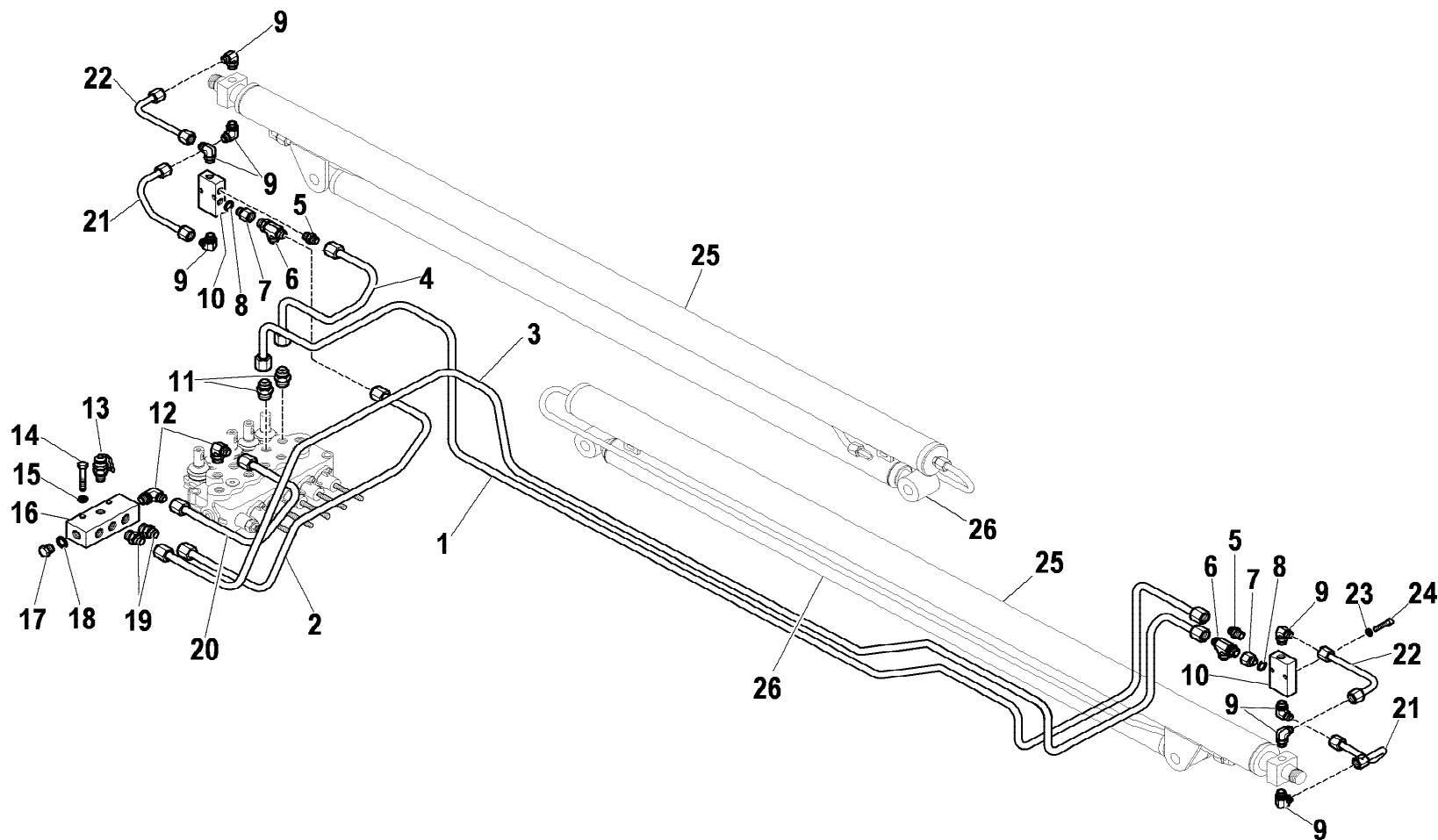
1/1

HYVA[®] CRANE
HC501

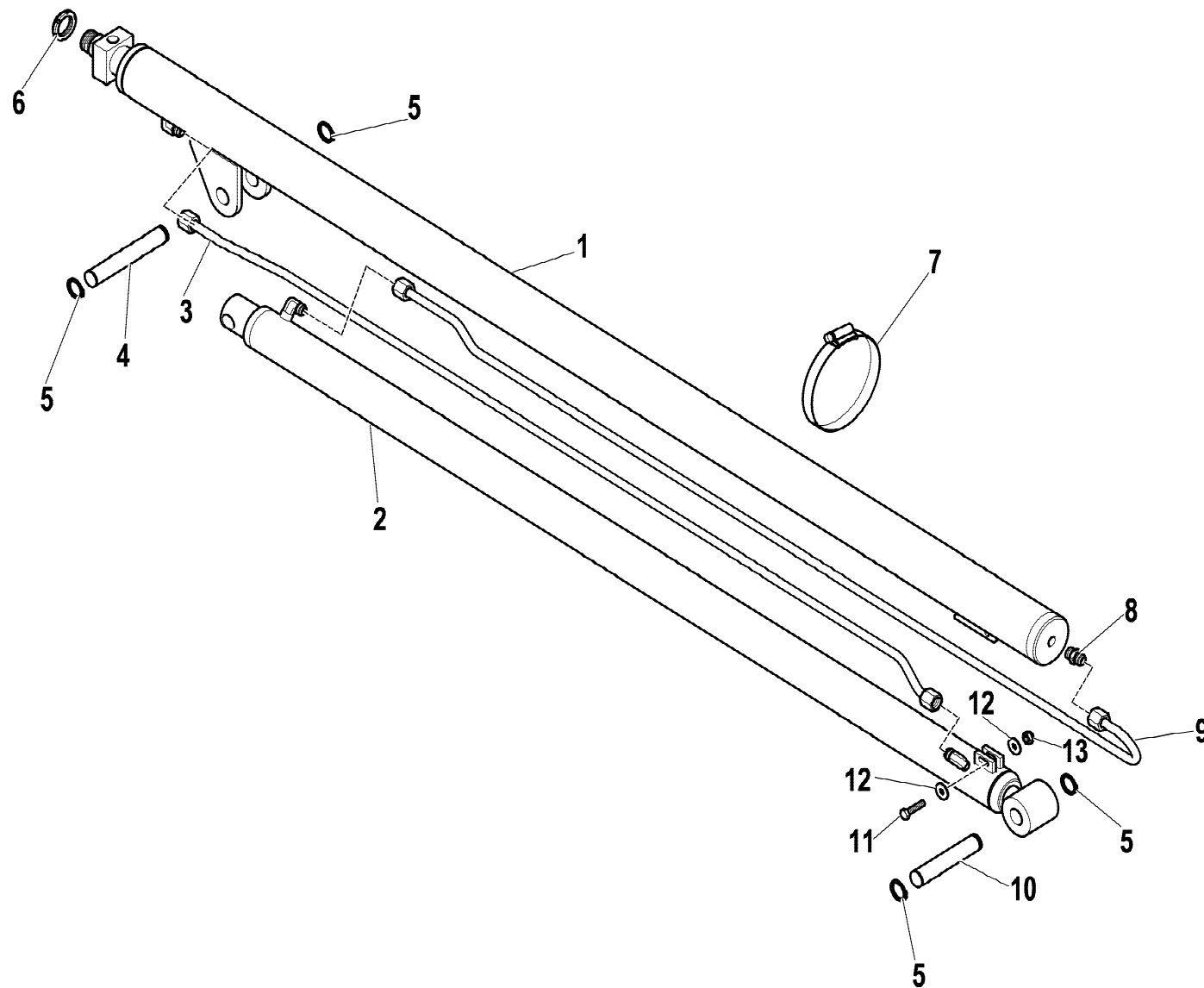
IMPIANTO IDRAULICO EXTRA ESTENDIBILI (MARTINETTO STABILIZZATORE)
 HYDRAULIC SYSTEM EXTRA-EXTENSIBLE (STABILISER RAM)
 INSTALLATION HYDRAULIQUE EXTRA-EXTENSIBLE (VERIN STABILISATEUR)
 HYDRAULIKANLAGE EXTRA-AUSDEHNBARE (STABILISATOR SCHUBZYLINDER)
 INSTALACION HIDRAULICA EXTRA-EXTENSIBLE (GATO ESTABILIZADOR)

Tavola
5.76.0088-4-0

Data pag.
 ottobre 2007 28



rif.	codice	Q.tà
1	5.39.2118	1
2	5.39.2117	1
3	5.39.2119	1
4	5.39.2115	1
5	3.10.1039	2
6	3.10.1176	2
7	3.11.0108	2
8	3.06.0143	2
9	3.10.1124	8
10	W.470.076	2
11	3.10.1040	2
12	3.10.1127	2
13	3.11.1523	1
14	3.01.0032	2
15	3.06.0055	2
16	5.00.1159	1
17	3.11.0061	1
18	3.06.0144	1
19	3.10.1043	2
20	5.39.2114	1
21	5.39.2111	2
22	5.39.2110	2
23	3.06.0004	4
24	3.02.0029	4
25	6.20.0221	2
26	6.20.0219	2



rif.	codice	Q.tà
1	6.20.0221	1
2	6.20.0219	1
3	5.39.2113	1
4	5.15.0784	1
5	3.07.0017	4
6	3.04.0502	1
7	3.19.0025	2
8	3.10.1039	1
9	5.39.2112	1
10	5.15.0785	1
11	3.01.0016	1
12	3.06.0030	2
13	3.04.0372	1

1/1

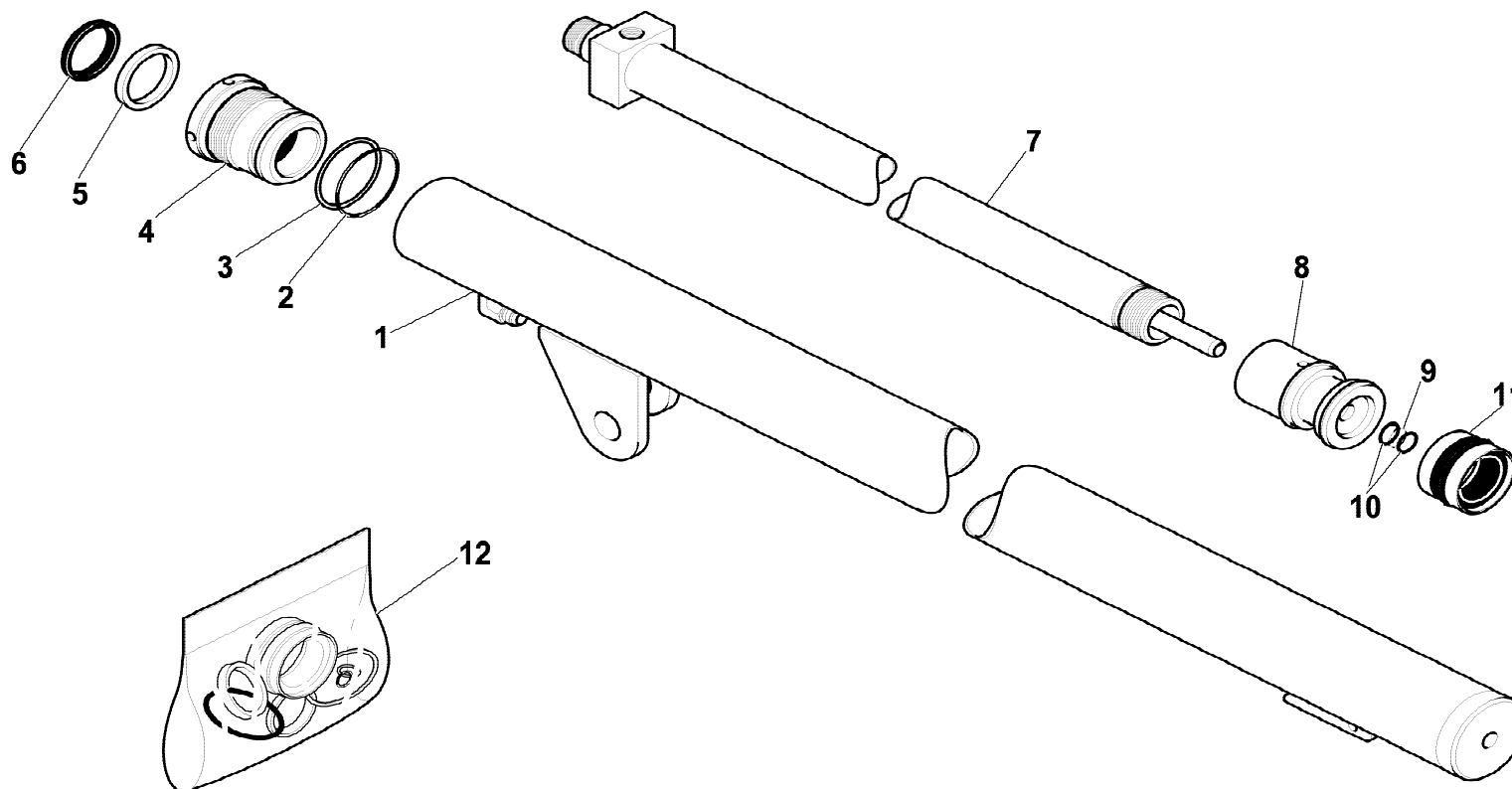
HYVA[®] CRANE
HC501

IMPIANTO IDRAULICO (MARTINETTO SFILLO ASTE EXTRA ESTENDIBILI)
HYDRAULIC SYSTEM (ROD EXTENSION HYDRAULIC CYLINDER EXTRA-EXTENSIBLE)
INSTALLATION HYDRAULIQUE (VERIN RALLONGE TIGE SEXTRA-EXTENSIBLE)
HYDRAULIKANLAGE (STANGENVERLAENGERUNGSWINDE EXTRA-AUSDEHNBARE)
INSTALACION HIDRAULICA (GATO DE PROLONGACIO VASTAGOS EXTRA-EXTENSIBLE)

Tavola
5.38.0022-1-0

Data pag.
giugno 2007 30

rif.	codice	Q.tà
1	6.07.0538	1
2	3.45.0117	1
3	3.46.0255	1
4	6.04.0298	1
5	3.40.0055	1
6	3.42.0018	1
7	6.03.0744	1
8	6.05.0312	1
9	3.45.0078	1
10	3.46.0078	2
11	3.40.0505	1
12	5.55.0772	1



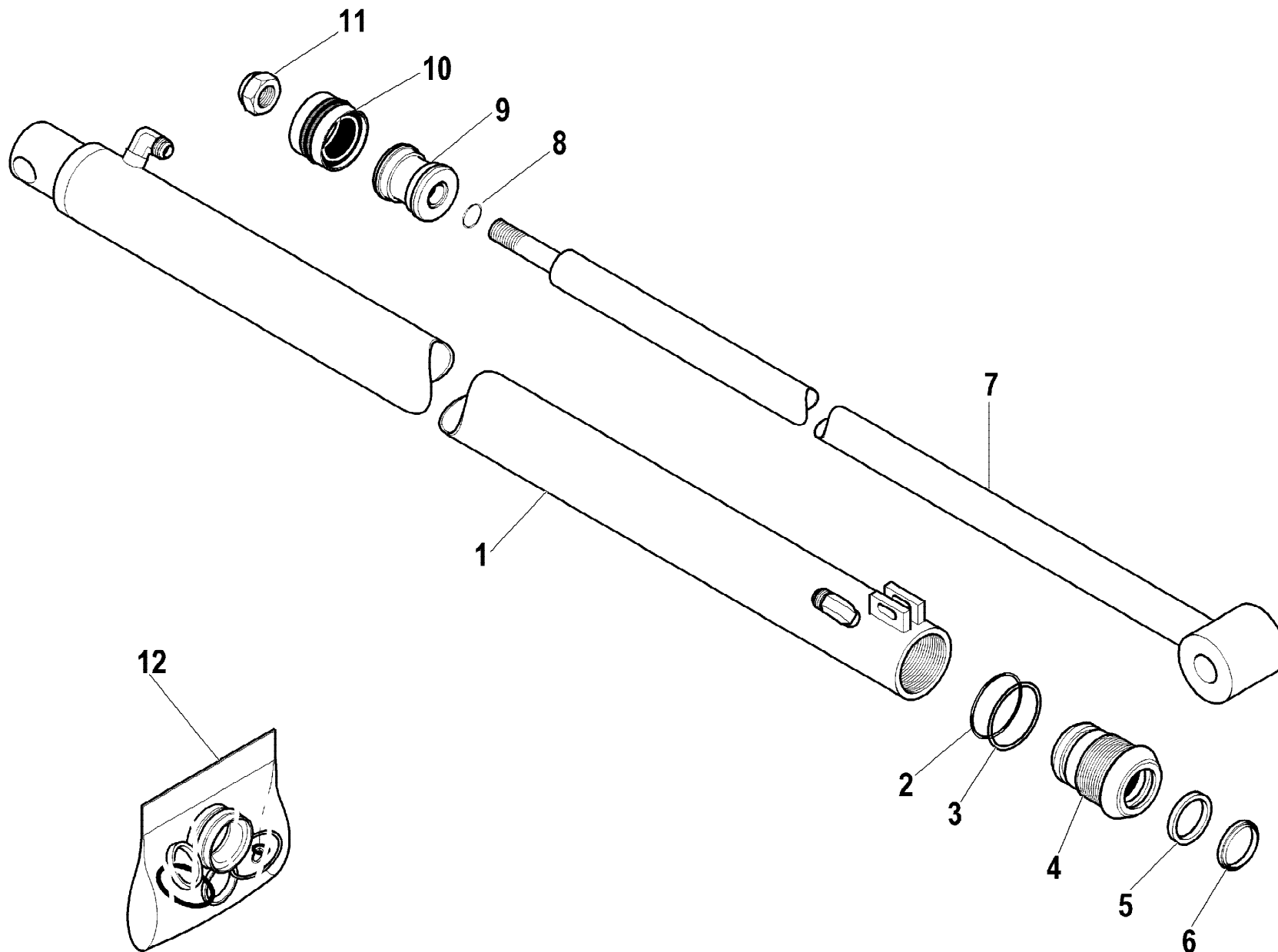
1/1

HYVA[®] CRANE
HC501

MARTINETTO SFILLO ASTE
 ROD EXSTENSION HYDRAULIC CYLINDER
 VERIN RALLONGE TIGES
 STANGENVERLAENGERUNGSWINDE
 GATO DE PROLONGACION VASTAGOS

Tavola
6.40.0221-1-0

Data pag.
 giugno 2006 31



rif.	codice	Q.tà
1	6.07.0537	1
2	3.45.0067	1
3	3.46.0067	1
4	6.04.0302	1
5	3.40.0029	1
6	3.42.0011	1
7	6.03.0740	1
8	3.45.0006	1
9	6.05.0142	1
10	3.40.0503	1
11	3.04.0306	1
12	5.55.0709	1

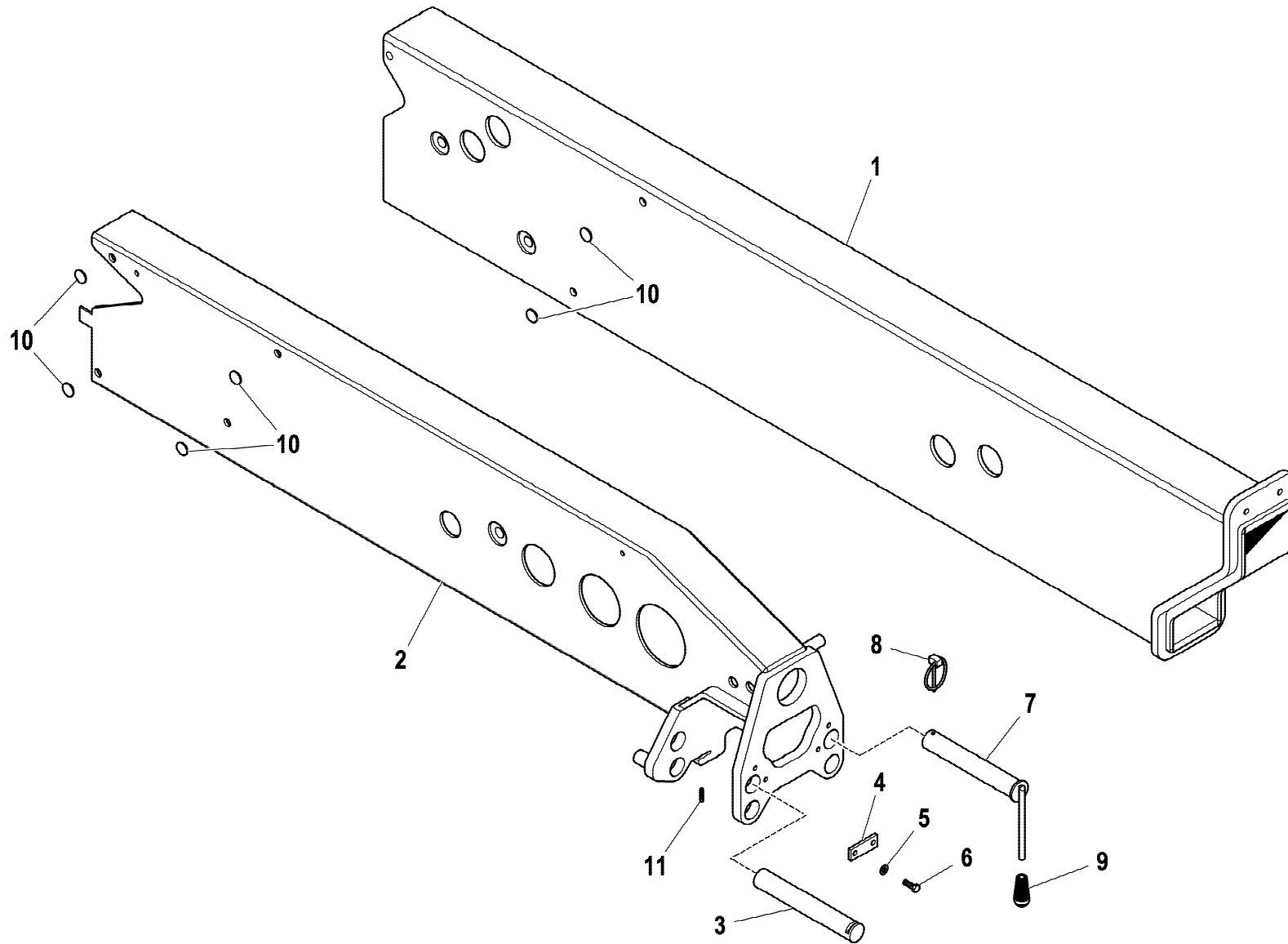
1/1

HYVA[®] CRANE
HC501

MARTINETTO SFILLO ASTE
 ROD EXSTENSION HYDRAULIC CYLINDER
 VERIN RALLONGE TIGES
 STANGENVERLAENGERUNGSWINDE
 GATO DE PROLONGACION VASTAGOS

Tavola
6.40.0219-1-0

Data pag.
 giugno 2006 32



rif.	codice	Q.tà
1	5.07.0399	1
2	5.07.0388	1
3	5.15.0833	1
4	5.00.0674	1
5	3.06.0006	2
6	3.01.0027	2
7	5.15.0770	1
8	3.06.0703	1
9	3.19.0189	1
10	5.14.0777	12
11	3.06.0226	1

1/1

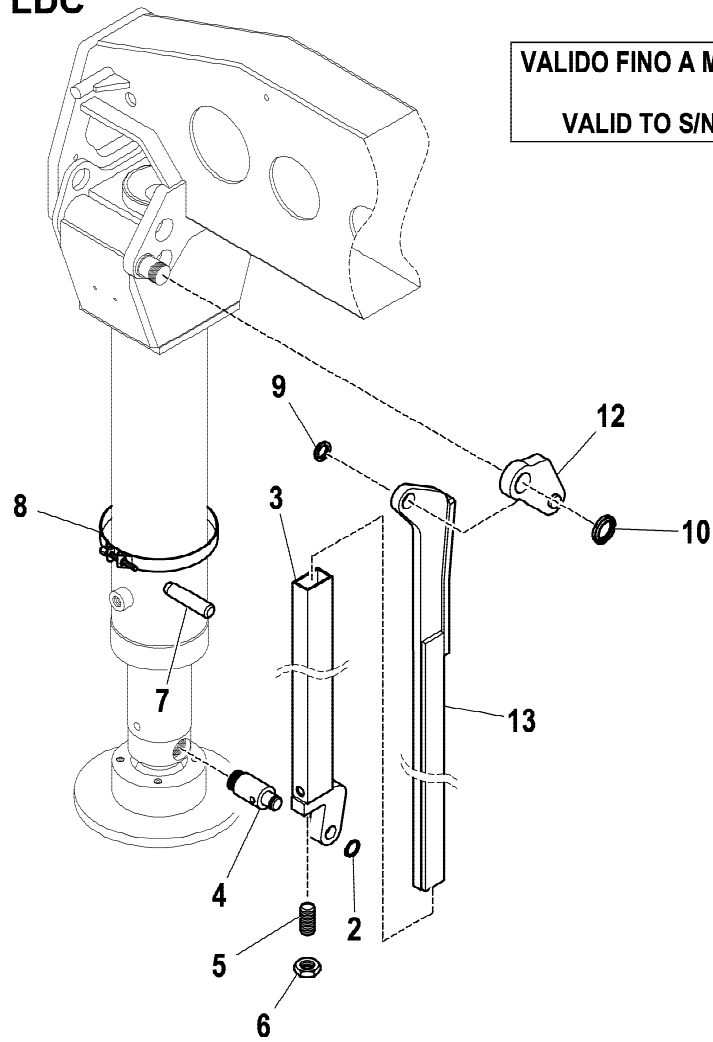
HYVA[®] CRANE
HC501

ASTE STABILIZZATRICI EXTRA ESTENDIBILI (ALLARGAMENTO IDRAULICO)
 STABILIZER CONNECTING RODS EXTRA-EXTENSIBLE (HYDRAULIC LENGTHENING)
 EXTENSION DES STABILISATEURS EXTRA-EXTENSIBLE (RALLONGEANTE HYDRAULIQUE)
 STÜTZSTANGEN EXTRA-AUSDEHNBARE (HYDRAULISCHER VERLÄNGERNDER)
 VARILLAS ESTABILIZADORES EXTRA-EXTENSIBLE (ALARGA HIDRÁULICO)

Tavola
5.76.0156-1-0

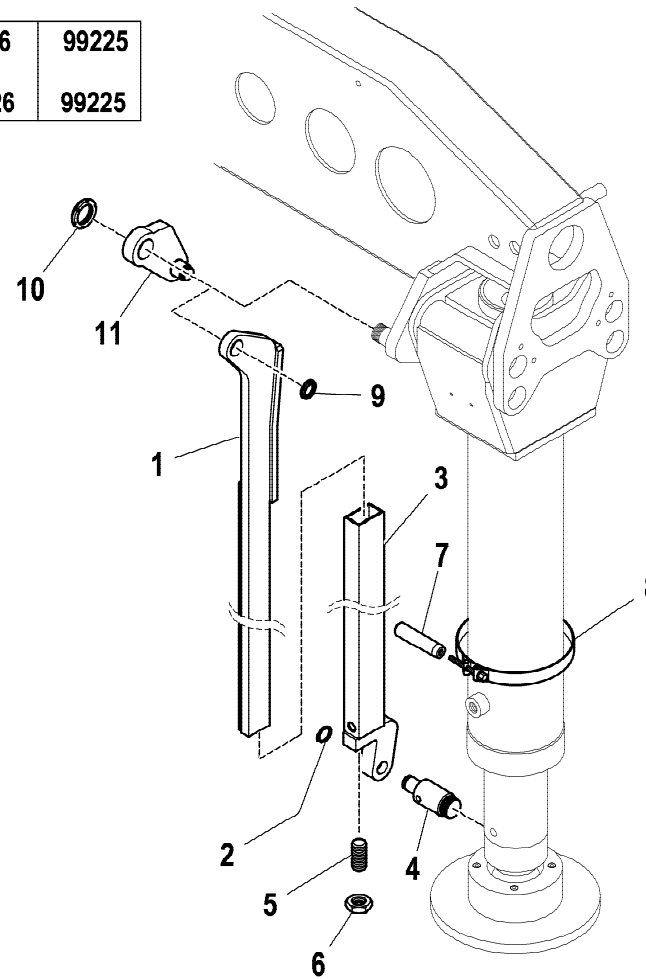
Data pag.
giugno 2011 33

LDC



VALIDO FINO A MAT.	25026	99225
VALID TO S/N	25026	99225

LD



rif.	codice	Q.tà
1	5.09.1237	1
2	3.07.0017	2
3	5.09.1163	2
4	5.15.0902	2
5	3.06.0996	2
6	3.04.0089	2
7	5.00.1851	2
8	3.19.0284	2
9	3.04.0534	2
10	3.04.0505	2
11	5.00.1939	1
12	5.00.1938	1
13	5.09.1238	1

1/1

HYVA® CRANE
HC501

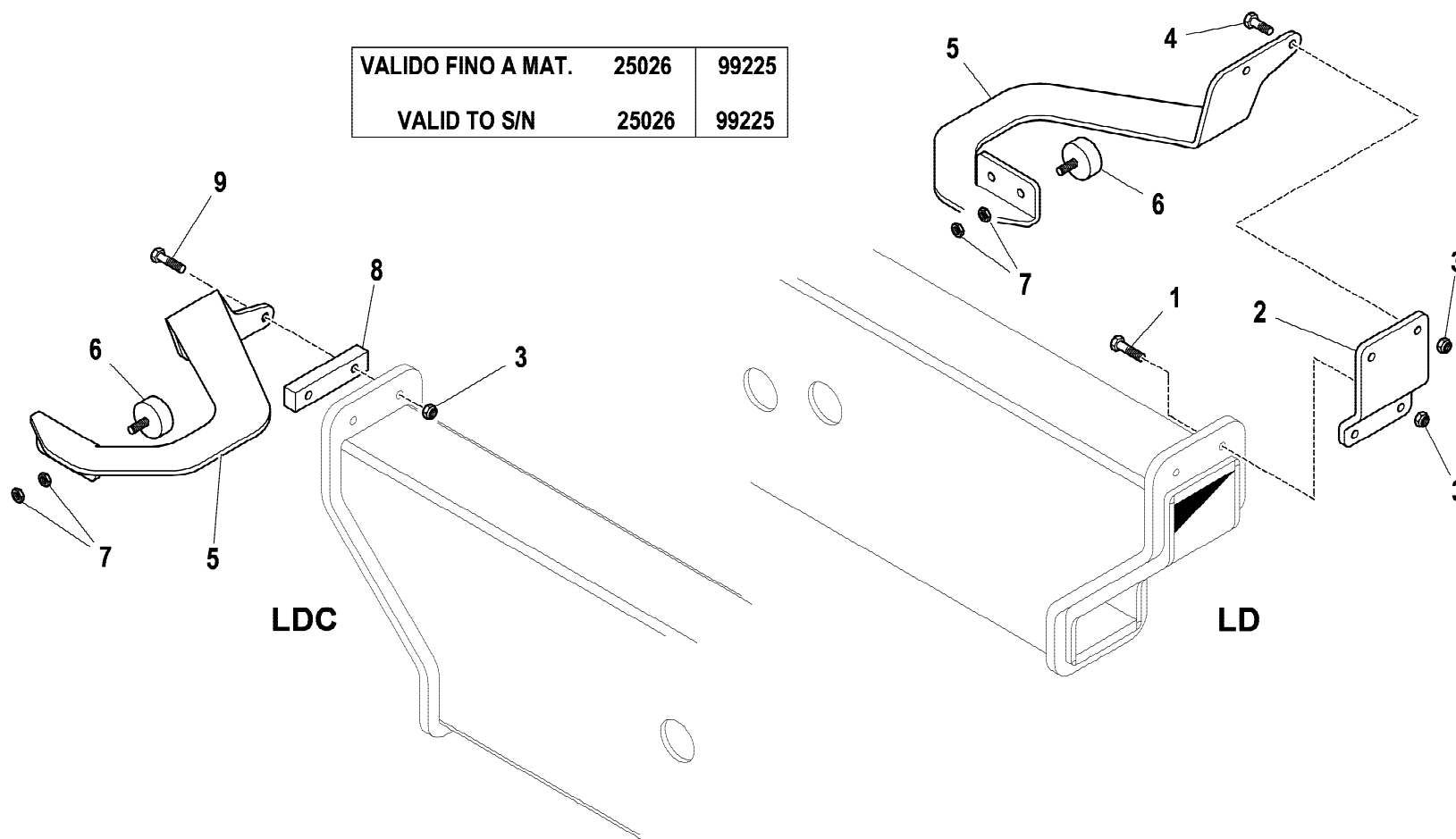
GRUPPO ROTAZIONE (MARTINETTO STABILIZZATORE) GIR.AUT.
SLEWING ASS'Y (STABILISER RAM) GIR.AUT.
GROUPE ROTATION (VERIN STABILISATEUR) GIR.AUT.
DREHVORRICHTUNG (STABILISATOR SCHUBZYLINDER) GIR.AUT.
GRUPO ROTACION (GATO ESTABILIZADOR) GIR.AUT.

Tavola
5.41.1060-1-0

Data pag.
gennaio 2008 34

rif.	codice	Q.tà
1	3.01.0356	2
2	5.00.1850	1
3	3.04.0304	6
4	3.01.0355	2
5	5.00.1834	2
6	3.19.0210	4
7	3.04.0084	8
8	5.00.1849	1
9	3.01.0358	2

VALIDO FINO A MAT.	25026	99225
VALID TO S/N	25026	99225



HYVA[®] CRANE
HC501

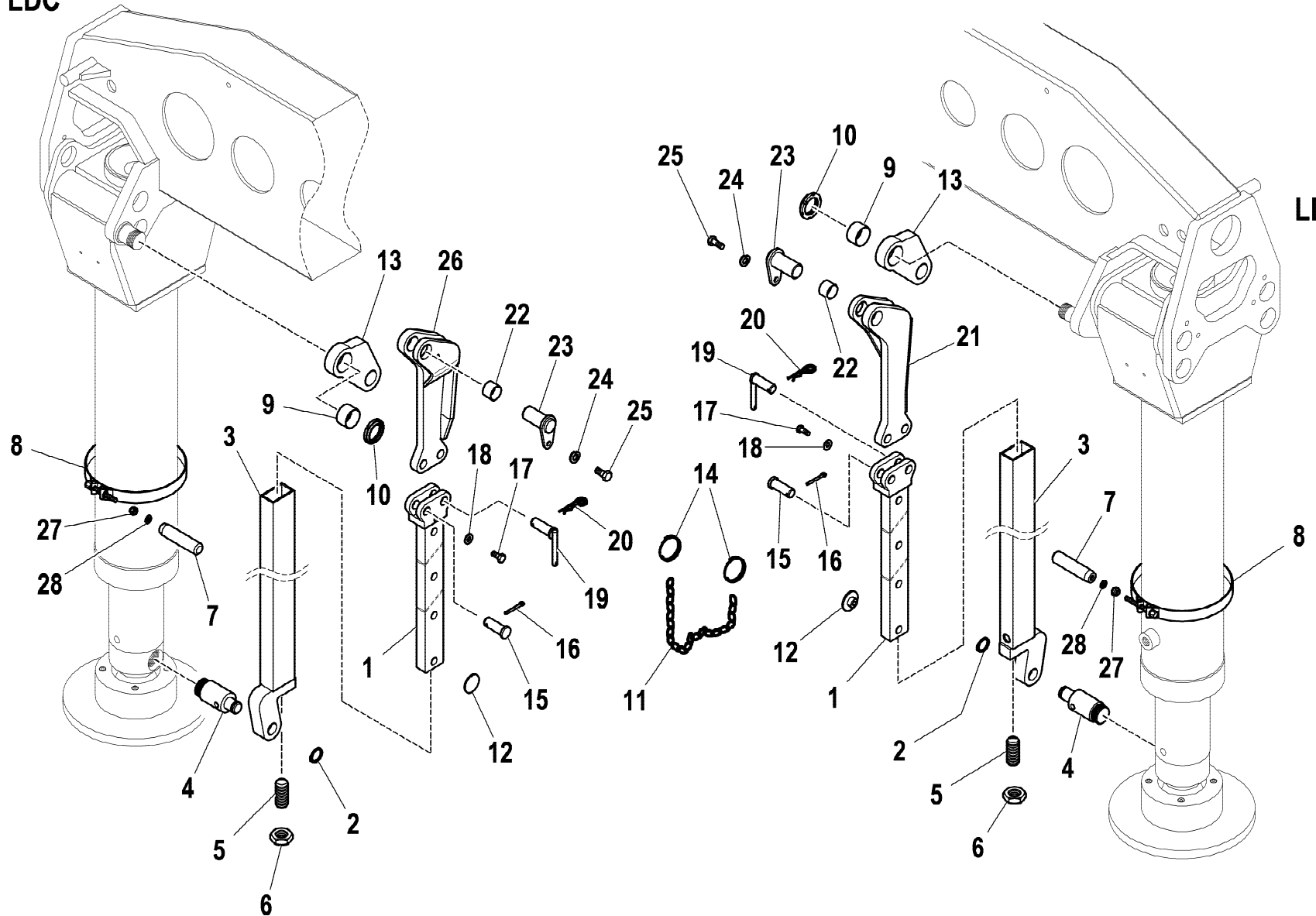
GRUPPO ROTAZIONE (MARTINETTO STABILIZZATORE) GIR.AUT.
SLEWING ASS'Y (STABILISER RAM) GIR.AUT.
GROUPE ROTATION (VERIN STABILISATEUR) GIR.AUT.
DREHVORRICHTUNG (STABILISATOR SCHUBZYLINDER) GIR.AUT.
GRUPO ROTACION (GATO ESTABILIZADOR) GIR.AUT.

1/1

Tavola
5.41.1060-2-0

Data pag.
maggio 2008 35

LDC

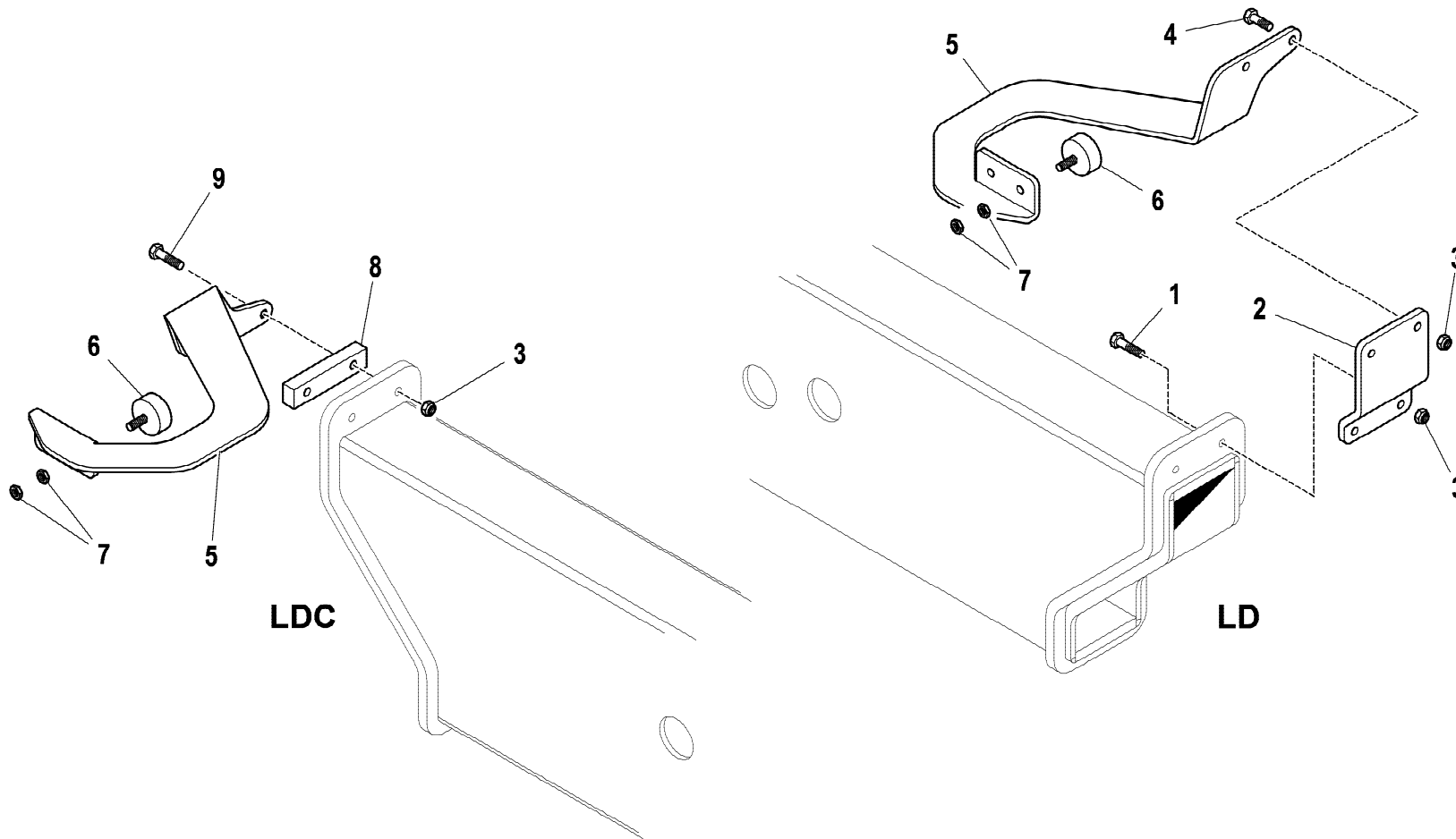


LD

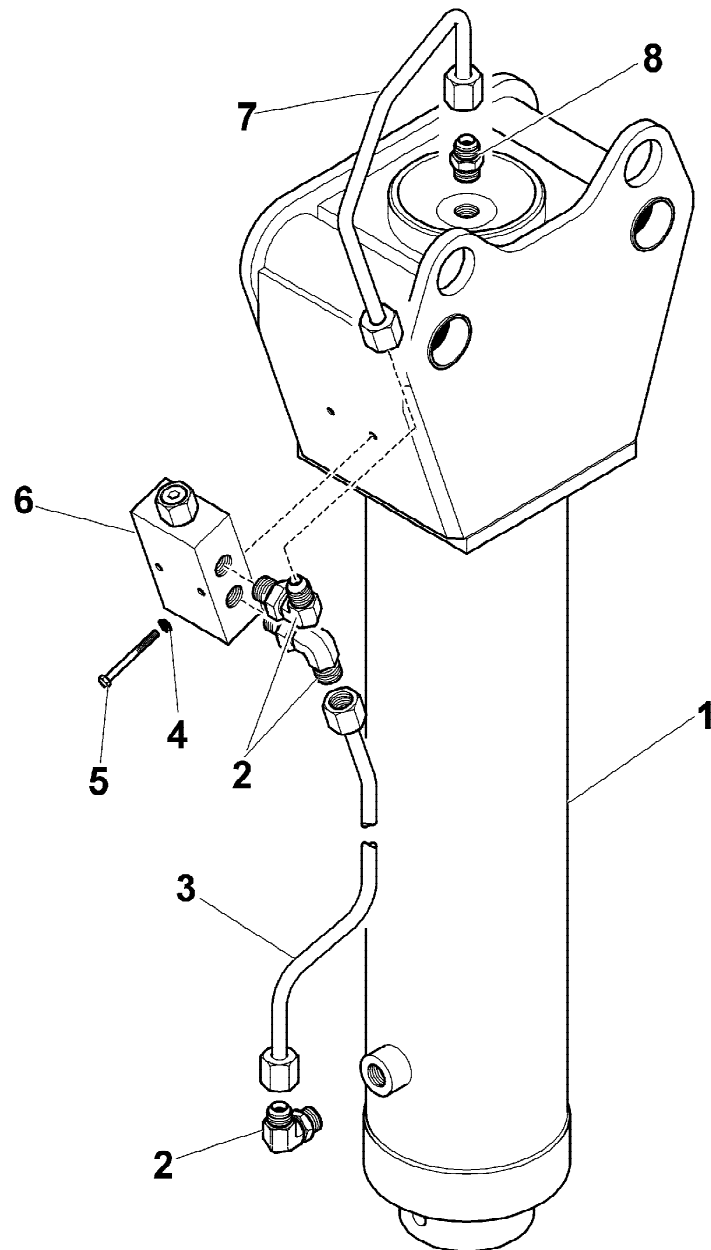
rif.	codice	Q.tà
1	5.09.1240	2
2	3.07.0017	2
3	5.09.1241	2
4	5.15.0902	2
5	3.06.0996	2
6	3.04.0089	2
7	5.00.1851	2
8	3.19.0284	2
9	5.14.1065	2
10	3.04.0505	2
11	W.27.04.011.03	2
12	5.14.0989	8
13	5.00.1969	2
14	3.06.0929	2
15	5.15.0912	2
16	3.06.0908	2
17	3.01.0325	2
18	3.06.0030	2
19	5.15.0913	2
20	3.06.0706	2
21	5.09.1250	1
22	5.14.1066	2
23	5.15.0921	2
24	3.06.0055	2
25	3.01.0337	2
26	5.09.1251	2
27	3.04.0303	2
28	3.06.0006	2



GRUPPO ROTAZIONE (MARTINETTO STABILIZZATORE) GIR.AUT.
 SLEWING ASS'Y (STABILISER RAM) GIR.AUT.
 GROUPE ROTATION (VERIN STABILISATEUR) GIR.AUT.
 DREHVORRICHTUNG (STABILISATOR SCHUBZYLINDER) GIR.AUT.
 GRUPO ROTACION (GATO ESTABILIZADOR) GIR.AUT.



rif.	codice	Q.tà
1	3.01.0356	2
2	5.00.1850	1
3	3.04.0304	6
4	3.01.0355	2
5	5.00.1834	2
6	3.19.0210	4
7	3.04.0084	8
8	5.00.1849	1
9	3.01.0358	2



rif.	codice	Q.tà
1	6.40.0220	1
2	3.10.1127	2
3	5.39.2124	1
4	3.06.0053	2
5	3.01.0019	2
6	5.22.0653	1
7	5.39.2123	1
8	3.10.1043	1

1/1

HYVA[®] CRANE

HC501

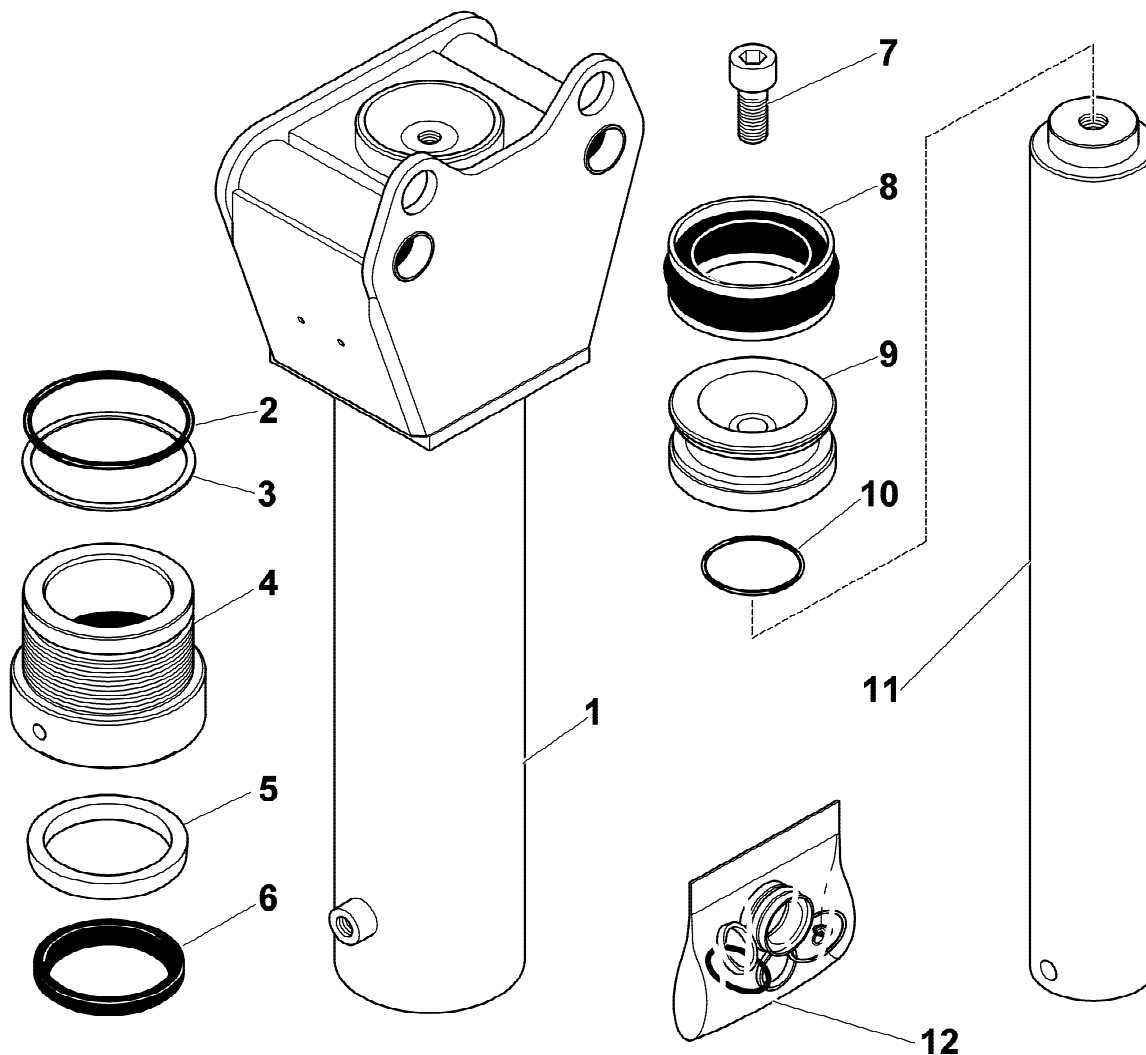
IMPIANTO IDRAULICO (MARTINETTO STABILIZZATORE)
 HYDRAULIC SYSTEM (STABILISER RAM)
 INSTALLATION HYDRAULIQUE (VERIN STABILISATEUR)
 HYDRAULIKANLAGE (STABILISATOR SCHUBZYLINDER)
 INSTALACION HIDRAULICA (GATO ESTABILIZADOR)

Tavola

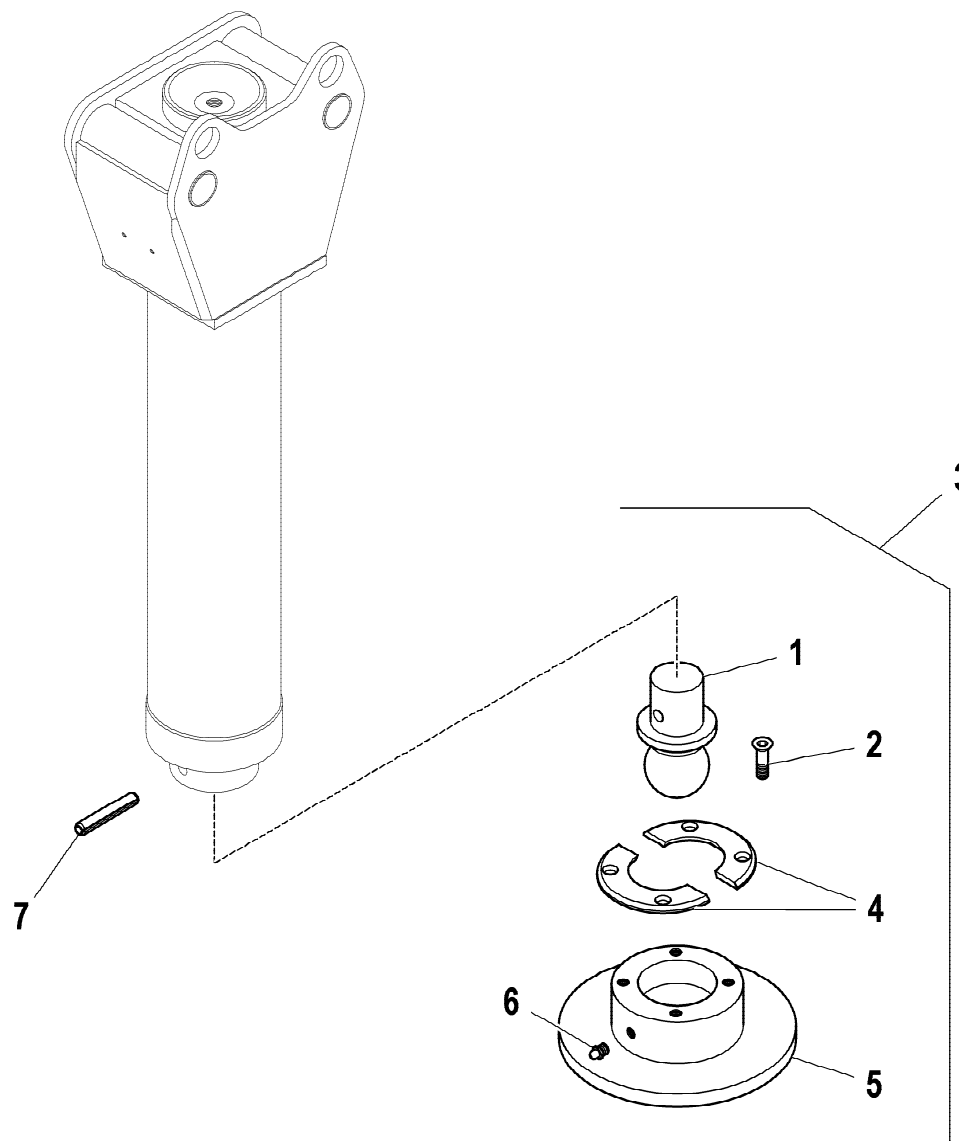
6.20.0220-1-0

Data pag.
 giugno 2007 38

rif.	codice	Q.tà
1	6.07.0534	1
2	3.40.0228	1
3	3.45.0229	1
4	6.04.0297	1
5	3.40.0169	1
6	3.42.0046	1
7	3.02.0315	1
8	3.40.0521	1
9	6.05.0311	1
10	3.45.0208	1
11	6.03.0737	1
12	5.55.0771	1



rif.	codice	Q.tà
1	4.16.0489	1
2	3.02.0899	4
3	5.92.0004	1
4	4.16.0490	1
5	5.09.1207	1
6	3.08.0512	1
7	3.06.0627	1



1/1

HYVA® CRANE

HC501

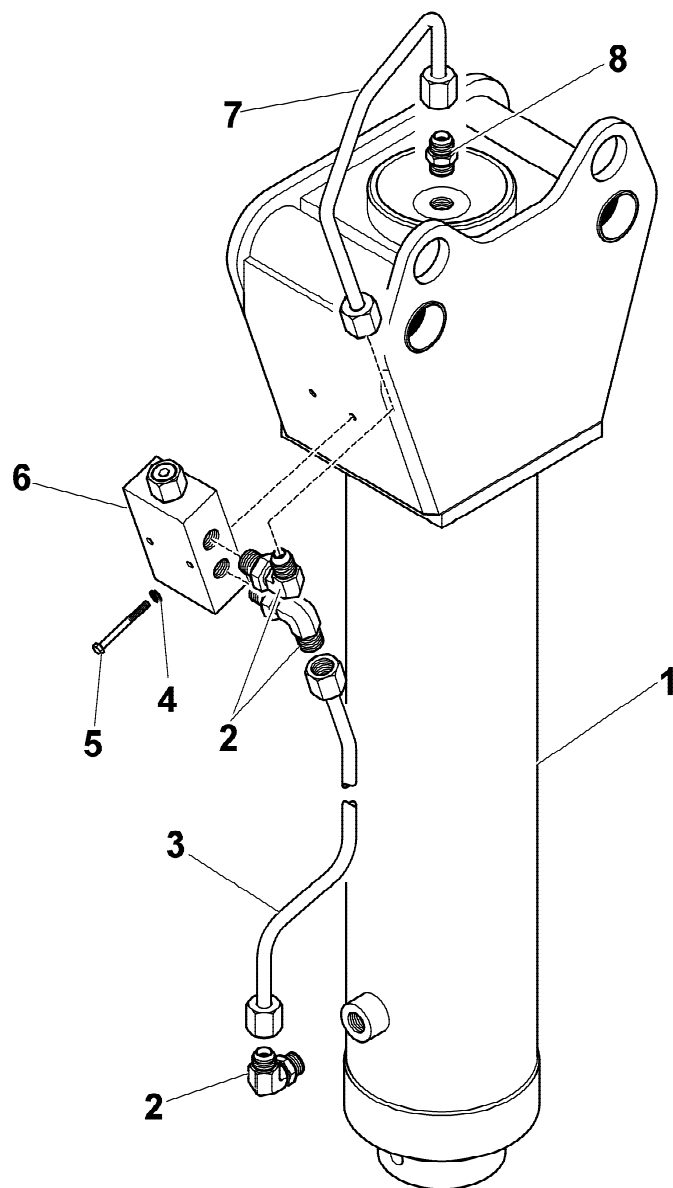
CODOLO SNODATO (MARTINETTO STABILIZZATORE)
 ARTICULATED JOINT TANG (STABILISER RAM)
 JOINT SPHERIQUE QUEUE (VERIN STABILISATEUR)
 SCHAFT KUGELGELENK (STABILISATOR SCHUBZYLINDER)
 JUNTA ESFERICA MANGO (GATO ESTABILIZADOR)

Tavola

5.41.0936-1-0

Data pag.
 dicembre 2008 40

rif.	codice	Q.tà
1	6.40.0258	1
2	3.10.1127	2
3	5.39.2329	1
4	3.06.0053	2
5	3.01.0019	2
6	5.22.0653	1
7	5.39.2123	1
8	3.10.1043	1



LATO COLONNA	Mod. 950
COLUMN SIDE	Mod. 950
CÔTE COLONNE	Mod. 950
SAEULE SEITE	Mod. 950
LADO COLUMNA	Mod. 950

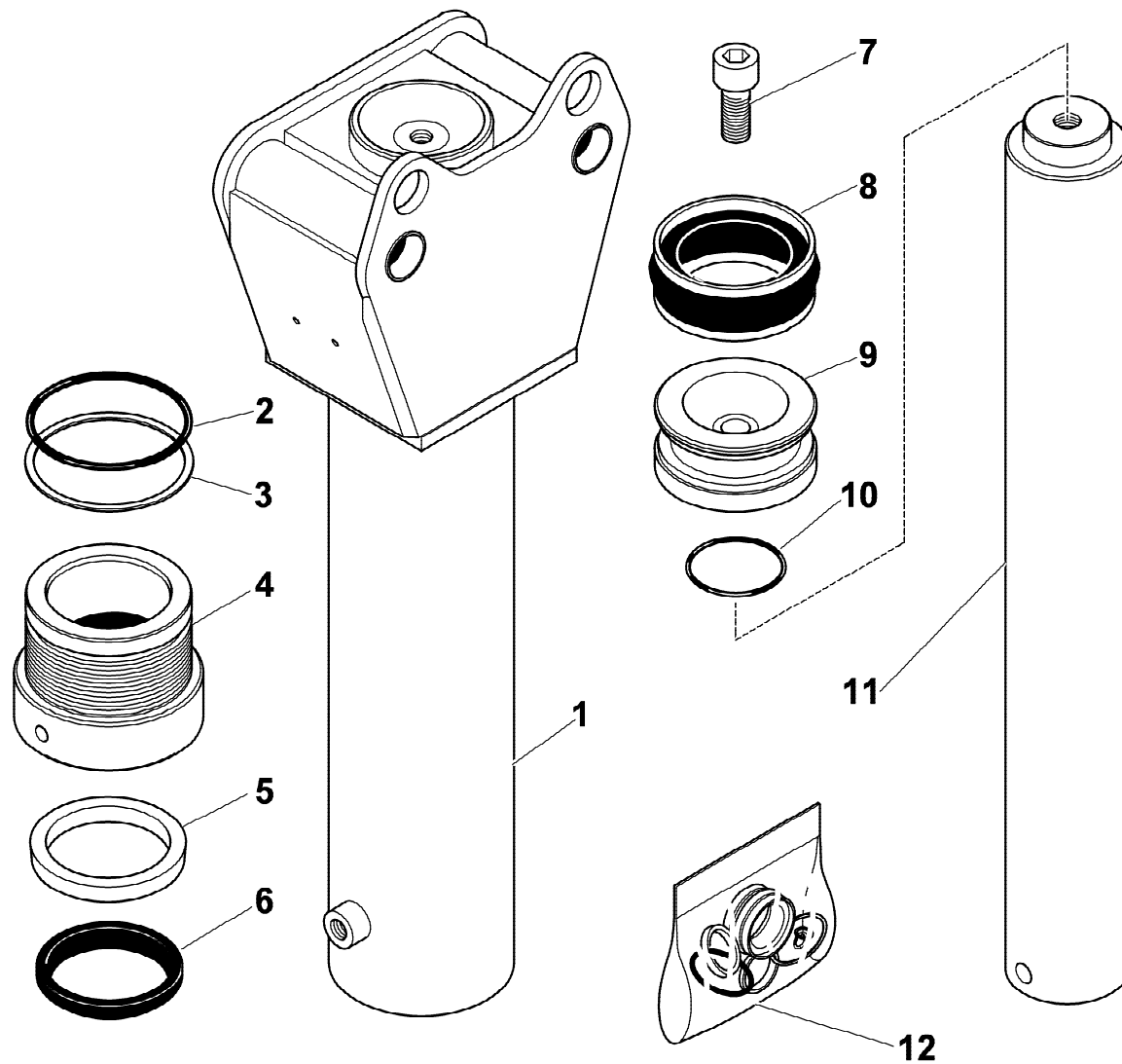
1/1

HYVA® CRANE
HC501

IMPIANTO IDRAULICO (MARTINETTO STABILIZZATORE) GIR. AUT.
HYDRAULIC SYSTEM (STABILISER RAM) GIR. AUT.
INSTALLATION HYDRAULIQUE (VERIN STABILISATEUR) GIR. AUT.
HYDRAULIKANLAGE (STABILISATOR SCHUBZYLINDER) GIR. AUT.
INSTALACION HIDRAULICA (GATO ESTABILIZADOR) GIR. AUT.

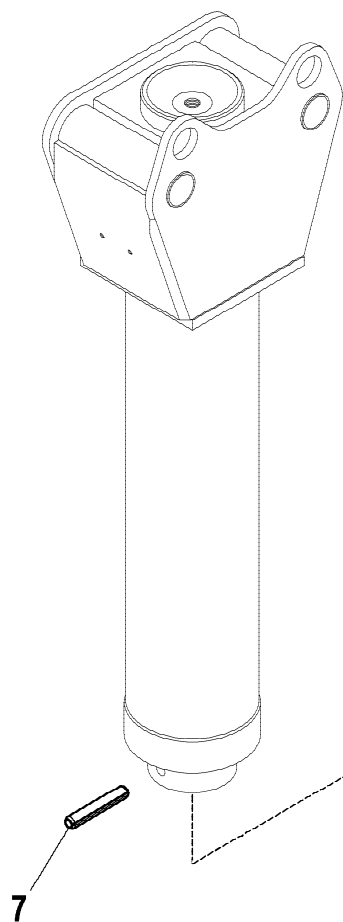
Tavola
6.20.0258-1-0

Data pag.
gennaio 2008 41

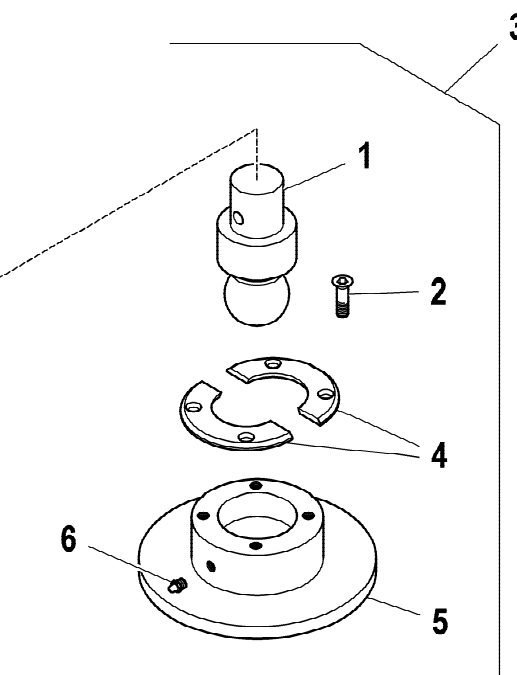


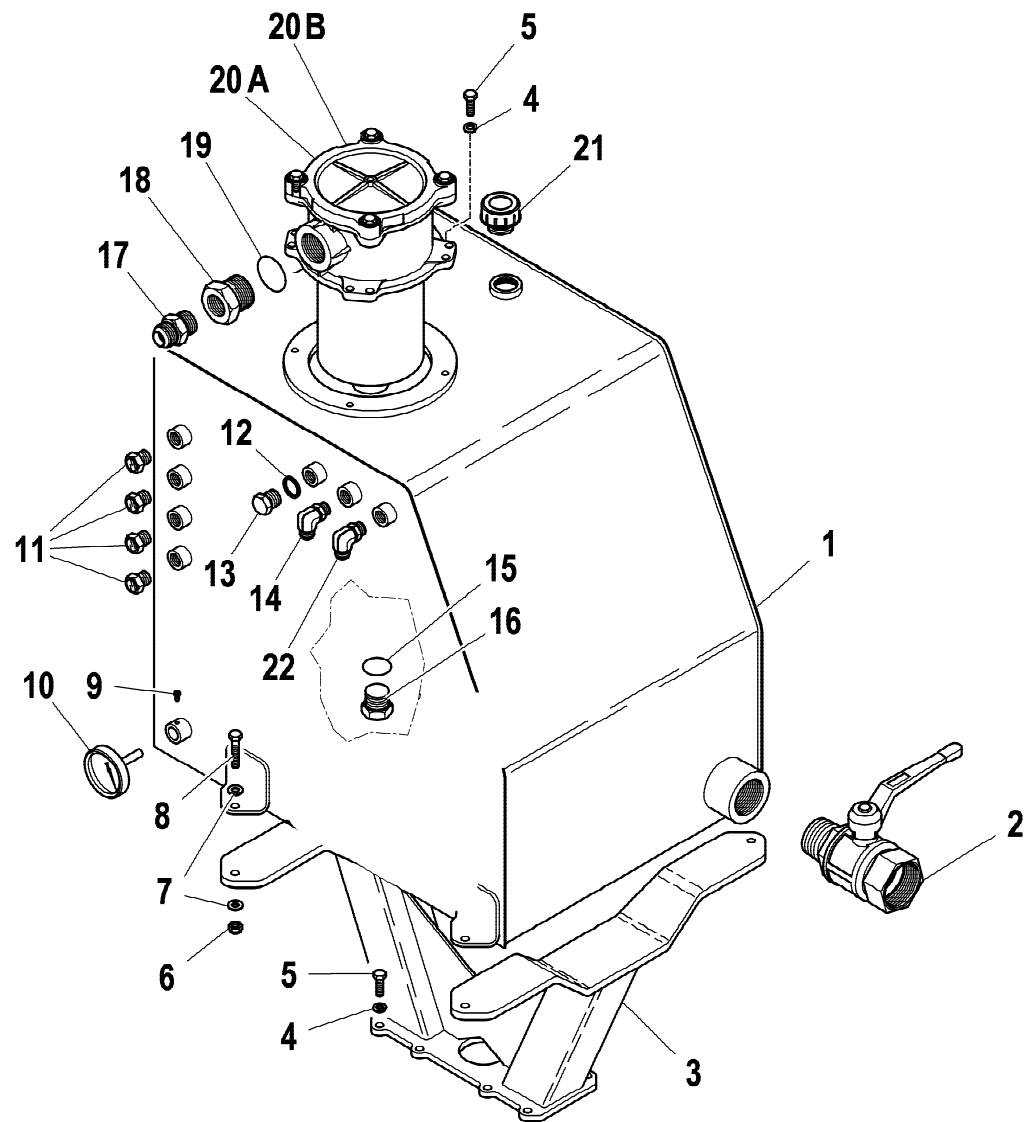
rif.	codice	Q.tà
1	6.07.0595	1
2	3.40.0228	1
3	3.45.0229	1
4	6.04.0297	1
5	3.40.0169	1
6	3.42.0046	1
7	3.02.0315	1
8	3.40.0521	1
9	6.05.0311	1
10	3.45.0208	1
11	6.03.0737	1
12	5.55.0771	1

rif.	codice	Q.tà
1	4.16.0511	1
2	3.02.0899	4
3	5.92.0009	1
4	4.16.0490	1
5	5.09.1207	1
6	3.08.0512	1
7	3.06.0627	1

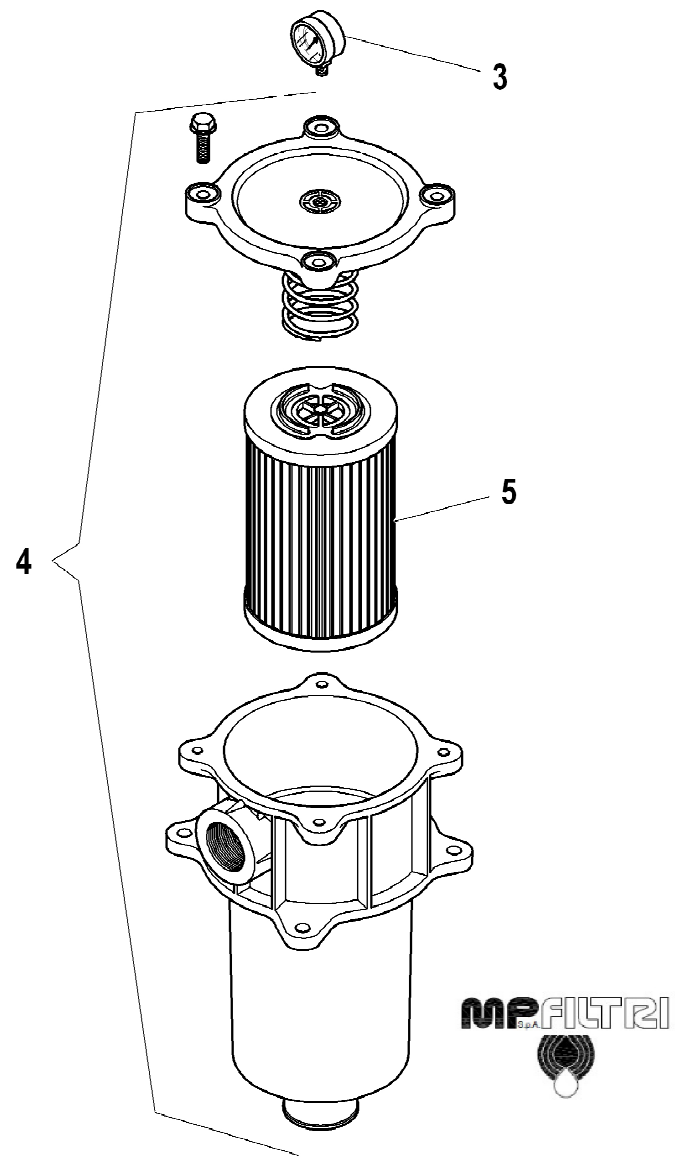
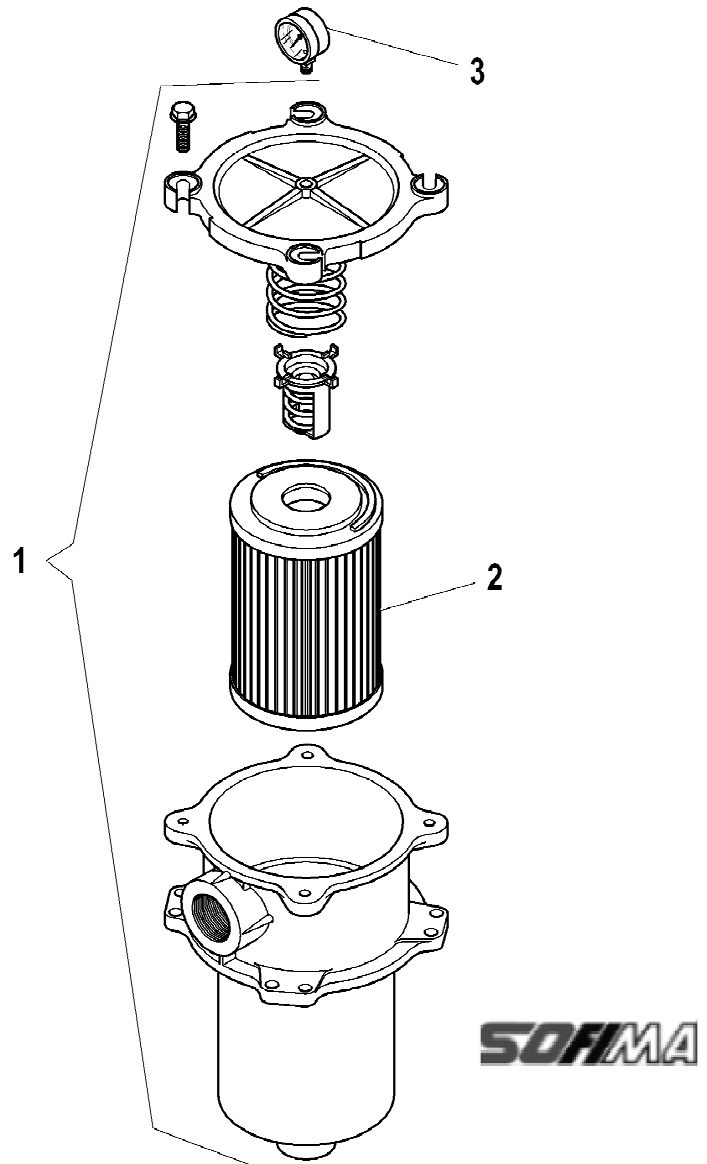


**VERSIONE STAB. GIREVOLE AUTOMATICO
STABILISER VERSION GIR. AUT.**





rif.	codice	Q.tà
1	5.09.0916	1
2	5.22.0710	1
3	5.09.0914	1
4	3.06.0056	12
5	3.01.0355	12
6	3.04.0304	4
7	3.06.0007	8
8	3.02.0077	4
9	3.02.0881	1
10	3.18.0221	1
11	3.18.0099	4
12	3.06.0145	1
13	3.11.0065	1
14	3.10.1119	1
15	3.06.0150	1
16	3.11.0064	1
17	3.10.1223	1
18	3.11.0507	1
19	3.06.0153	1
20 A	3.18.0176	1
20 B	3.18.0070	1
21	3.18.0102	1
22	3.10.1131	1



rif.	codice	Q.tà
1	3.18.0176	1
2	3.18.0203	1
3	3.18.0147	1
4	3.18.0070	1
5	3.18.0071	1

1/1

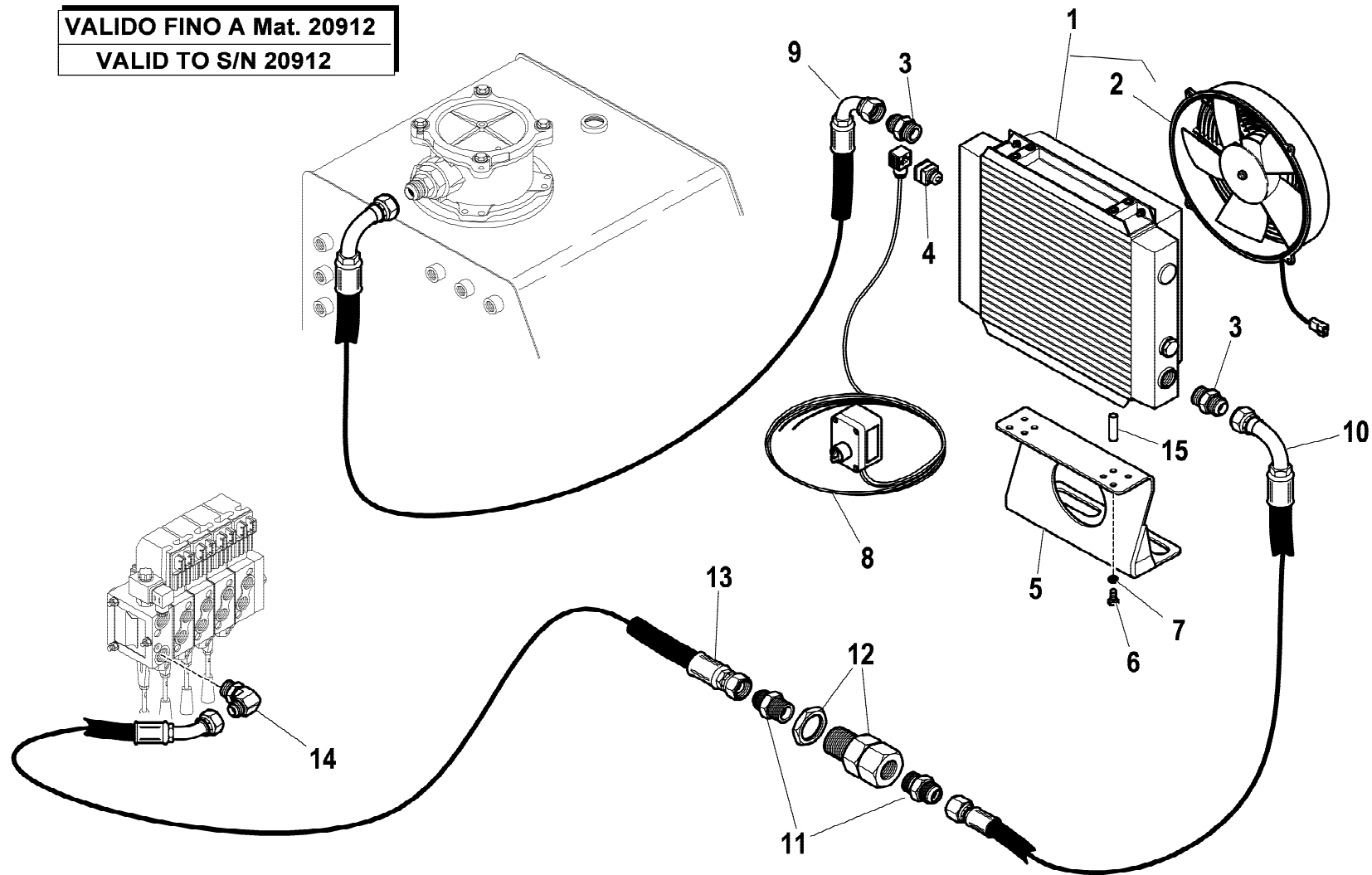
HYVA[®] CRANE
HC501

FILTRO OLIO
 OIL FILTER
 FILTRE A HUILE
 OELFILTER
 FILTRO DE ACEITE

Tavola
3.18.0176-1-0

Data pag.
 aprile 2010 45

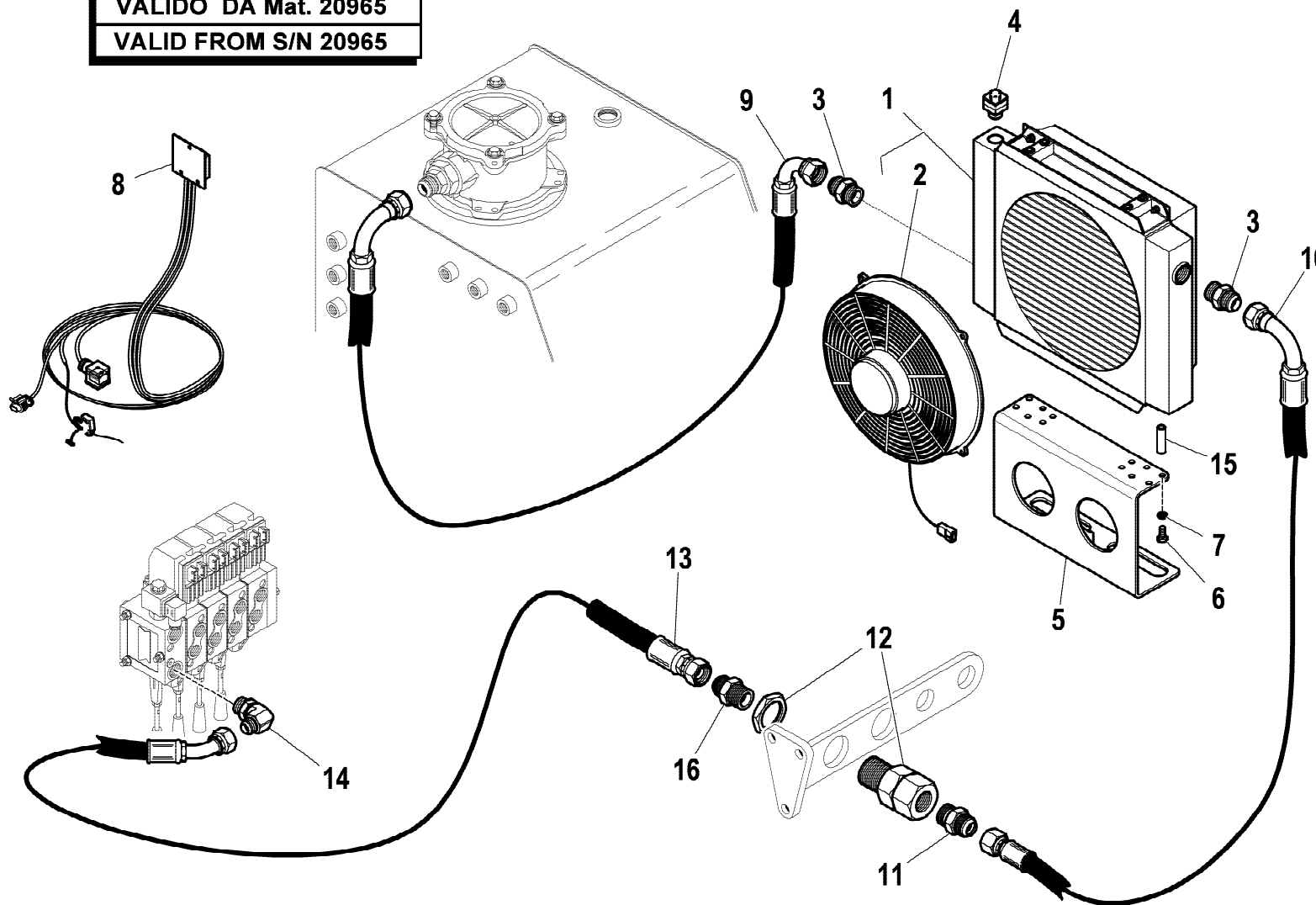
VALIDO FINO A Mat. 20912
VALID TO S/N 20912



rif.	codice	Q.tà
1	5.71.0063	1
2	5.71.0069	1
3	3.10.1223	2
4	3.31.0556	1
5	5.00.1229	1
6	3.01.0027	4
7	3.06.0055	4
8	3.31.0508	1
9	5.29.0134	1
10	5.29.0135	1
11	3.10.1232	2
12	5.22.0186	1
13	5.29.0131	1
14	3.10.1133	1
15	2.09.1326	4

VALIDO DA Mat. 20965

VALID FROM S/N 20965



rif.	codice	Q.tà
1	W.437.003	1
2	5.71.0095	1
3	3.10.1223	2
4	W.437.101	1
5	5.00.1715	1
6	3.01.0027	4
7	3.06.0055	4
8	W.437.005	1
9	5.29.0134	1
10	5.29.0135	1
11	3.10.1232	1
12	5.22.0186	1
13	5.29.0131	1
14	3.10.1133	1
15	2.09.1326	4
16	3.10.1056	1

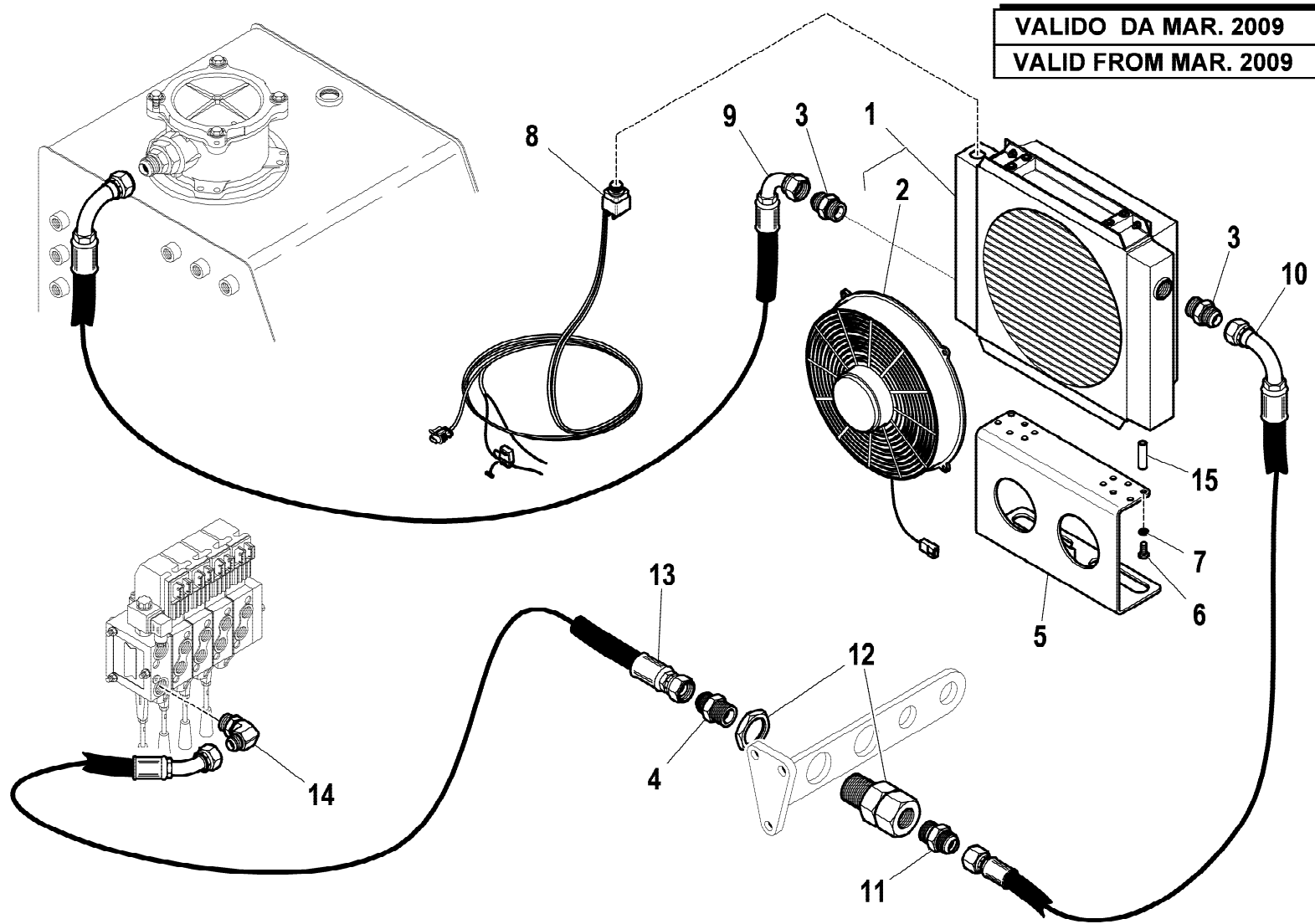
1/1

HYVA® CRANE
HC501

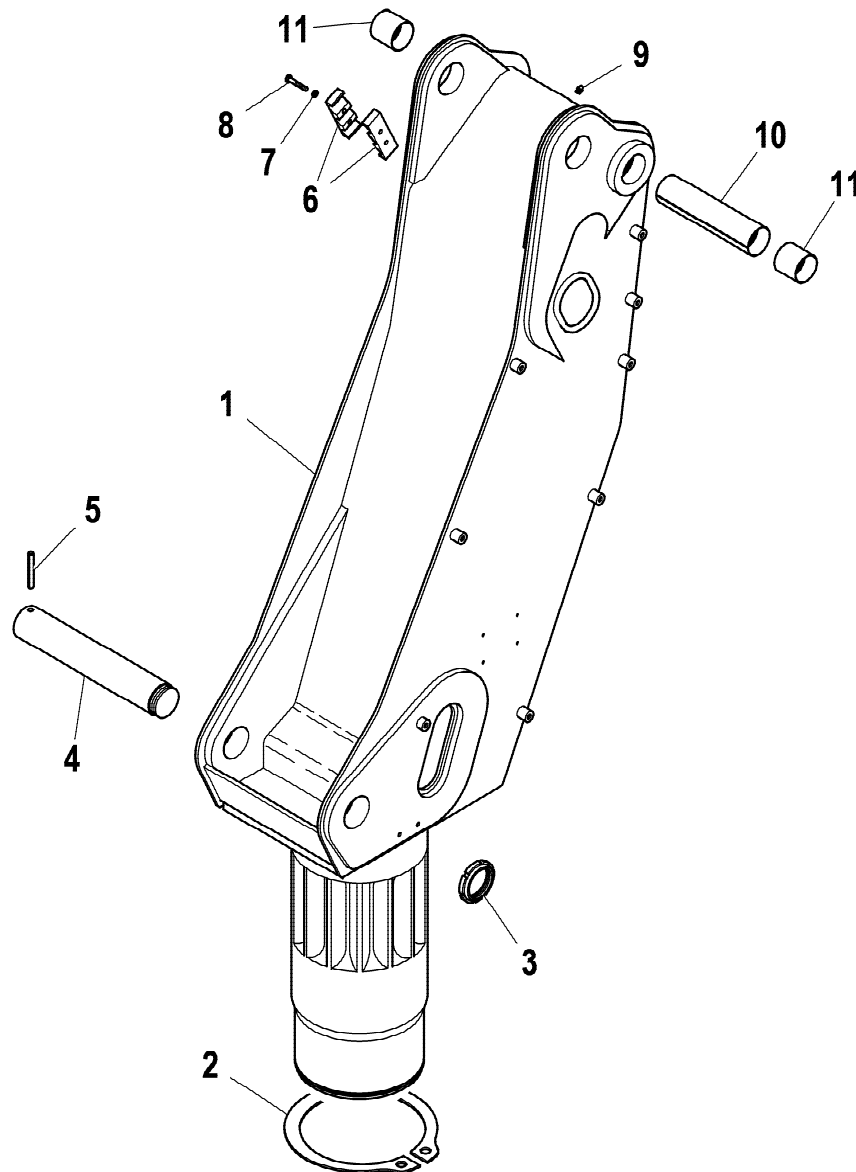
SCAMBIATORE DI CALORE
HEAT EXCHANGE UNIT
ECHANGEUR DE CHALEUR
WÄRMEAUSTAUSCHER
INTERCAMBIADOR DE CALOR

Tavola
7.88.8008-2-0

Data pag.
ottobre 2007 47



rif.	codice	Q.tà
1	W.437.003	1
2	5.71.0095	1
3	3.10.1223	2
4	3.10.1056	1
5	5.00.1715	1
6	3.01.0027	4
7	3.06.0055	4
8	3.31.0062	1
9	5.29.0134	1
10	5.29.0135	1
11	3.10.1232	1
12	5.22.0186	1
13	5.29.0131	1
14	3.10.1133	1
15	2.09.1326	4



rif.	codice	Q.tà
1	5.04.0097	1
2	3.07.0111	1
3	3.04.0503	1
4	5.15.0761	1
5	3.06.0631	1
6	5.14.0973	2
7	3.06.0055	2
8	3.01.0414	2
9	3.08.0501	1
10	5.00.1451	1
11	5.14.0793	2

1/1

HYVA[®] CRANE

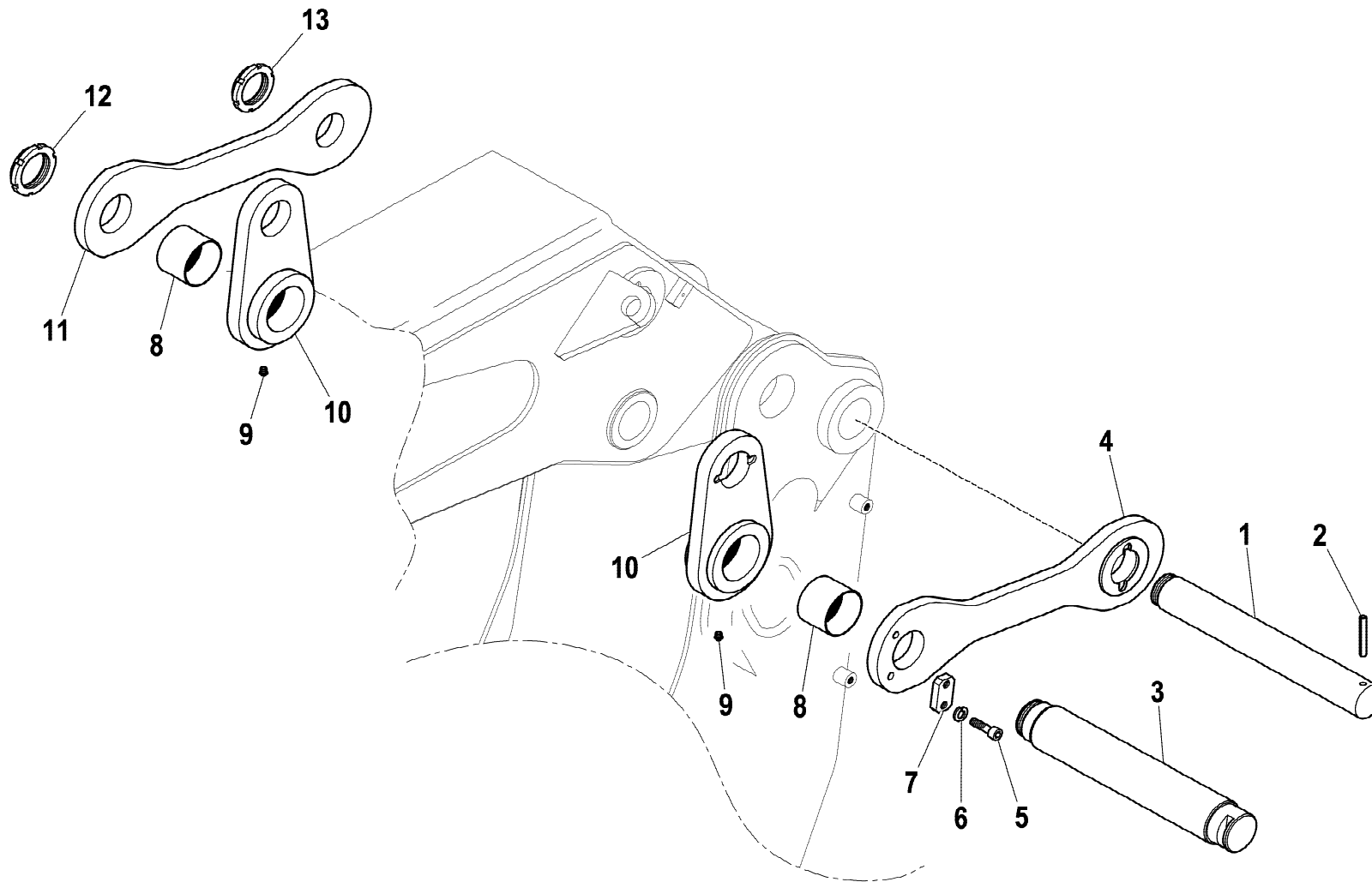
HC501

COLONNA
COLUMN
COLONNE
SAEULE
COLUMNNA

Tavola

5.46.0051-1-0

Data pag.
giugno 2006 49



rif.	codice	Q.tà
1	5.15.0762	1
2	3.06.0631	1
3	5.15.0767	1
4	5.09.0895	1
5	3.02.0110	2
6	3.06.0050	2
7	5.00.1456	1
8	5.14.0979	2
9	3.08.0501	2
10	5.09.0897	2
11	5.09.0896	1
12	3.04.0511	1
13	3.04.0510	1

1/1

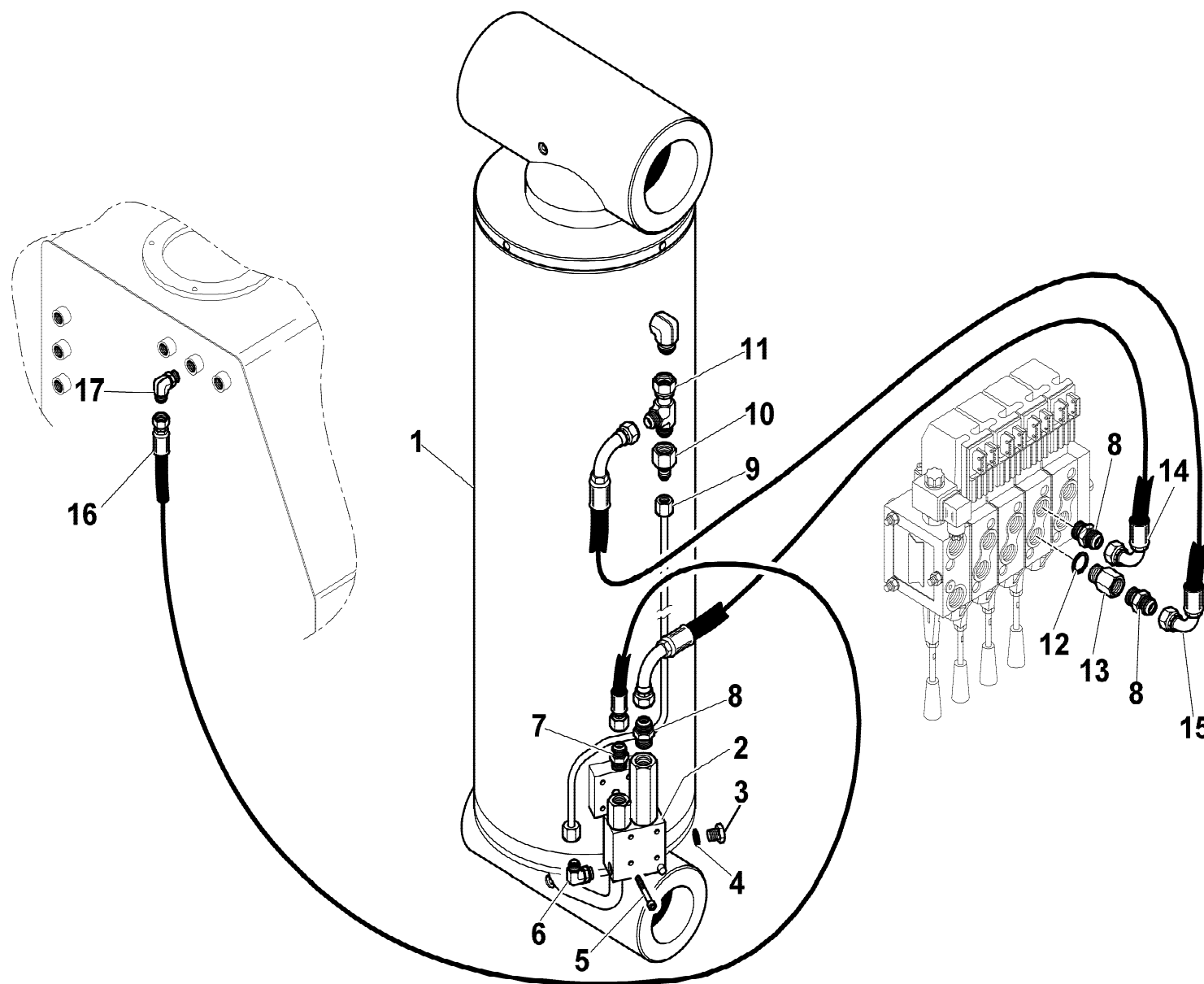
HYVA® CRANE
HC501

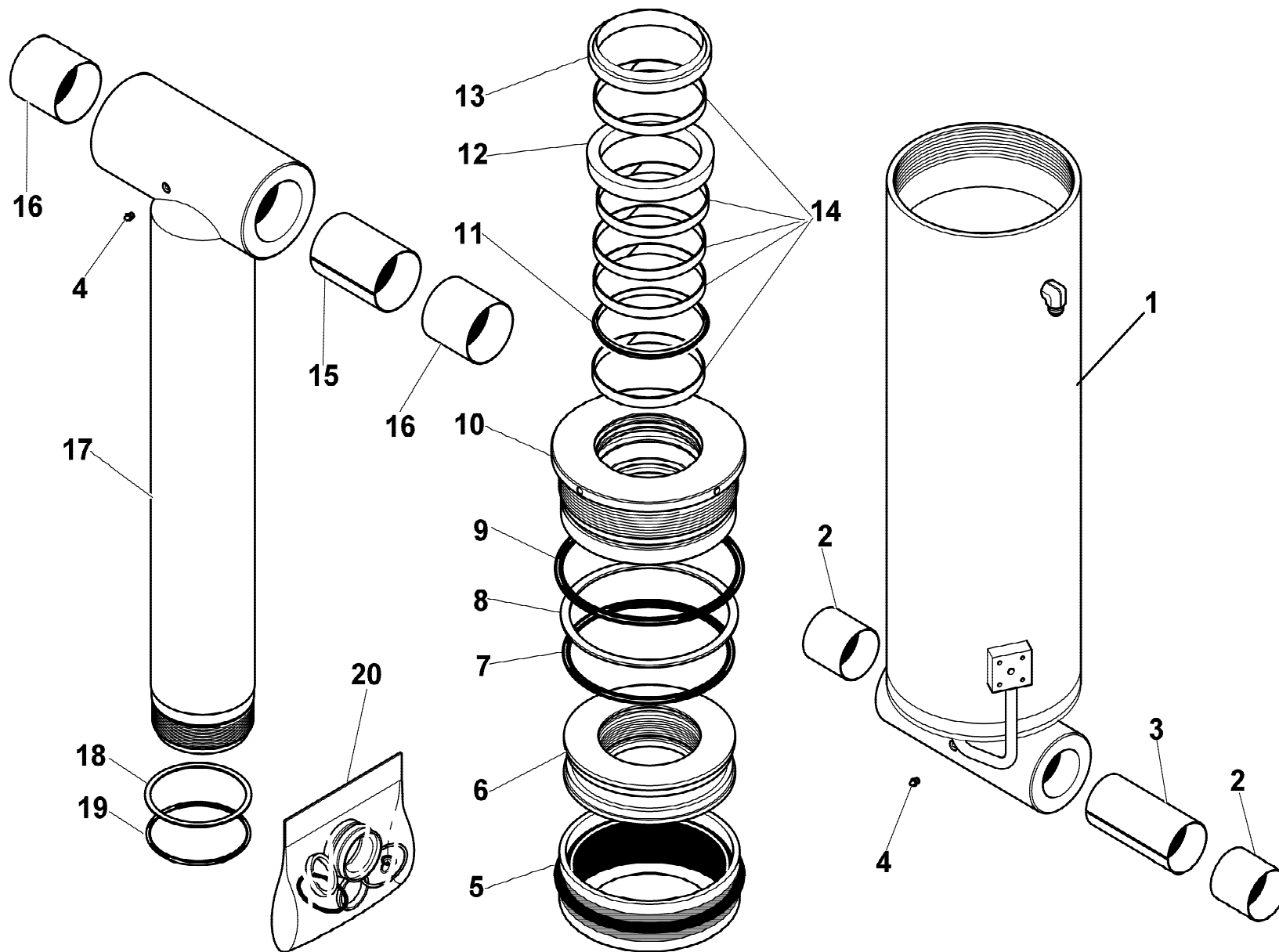
BIELLE COLONNA
 COLUMN CONNECTING RODS
 TRINGLERIE COLONNE
 PLEUELWERK AN SÄULE
 ACOPLAMIENTO COLUMNA

Tavola
5.36.0014-1-0

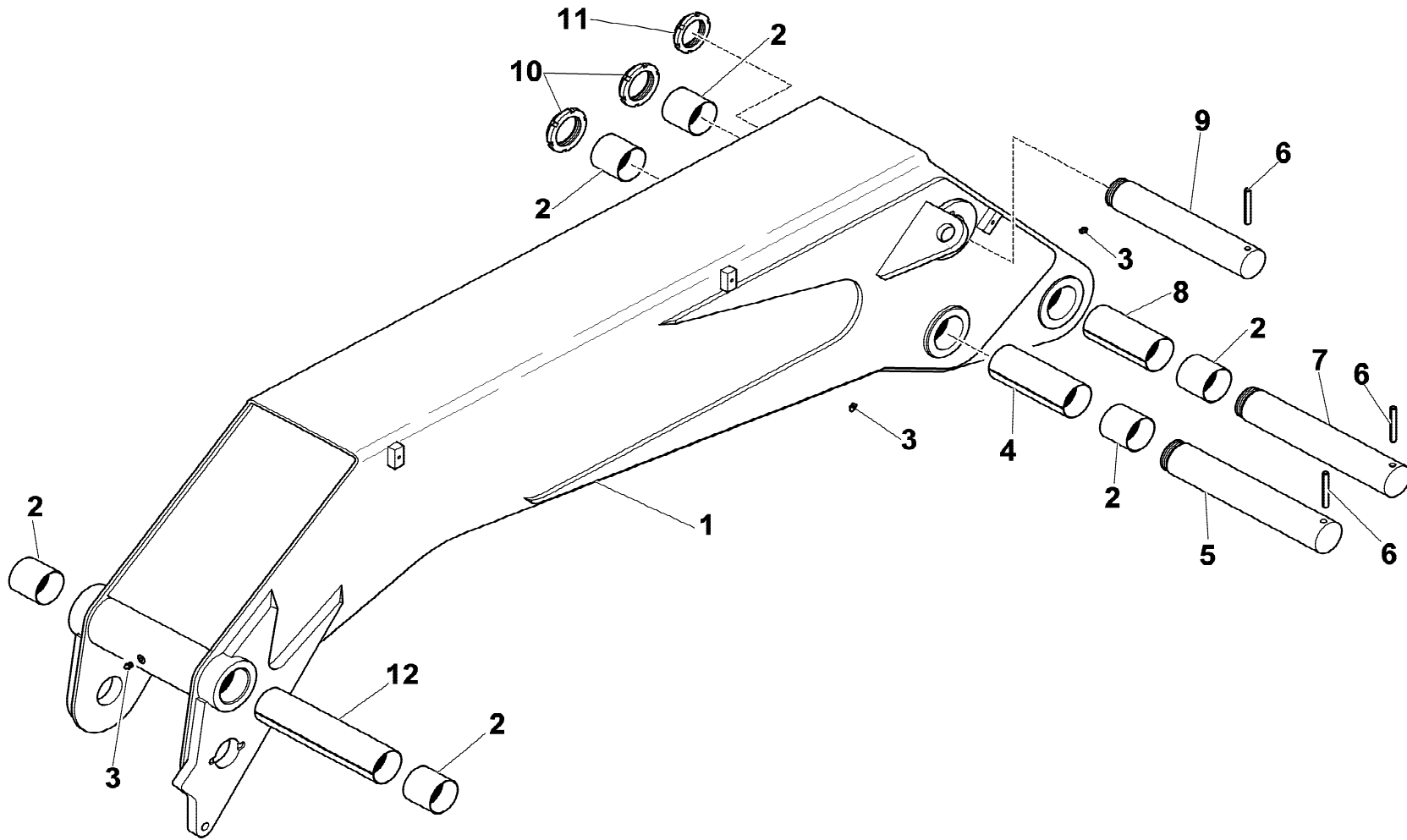
Data pag.
 giugno 2006 50

rif.	codice	Q.tà
1	6.43.0149	1
2	5.22.0670	1
3	3.11.0062	1
4	3.06.0143	1
5	3.02.0898	4
6	3.10.1124	1
7	3.10.1040	1
8	3.10.1051	1
9	5.39.2125	1
10	3.12.0209	1
11	3.12.0008	1
12	3.06.0145	1
13	3.11.0113	1
14	5.28.0726	1
15	5.28.0727	1
16	5.26.0858	1
17	3.10.1119	1





rif.	codice	Q.tà
1	6.07.0525	1
2	5.14.0794	2
3	5.00.1458	1
4	3.08.0501	2
5	3.40.0545	1
6	6.05.0303	1
7	3.45.0412	1
8	3.46.0412	1
9	3.45.0187	1
10	6.04.0292	1
11	3.38.1500	1
12	3.39.0500	1
13	3.42.0308	1
14	3.36.1028	5
15	5.00.1457	1
16	5.14.0975	2
17	6.03.0710	1
18	3.46.0170	1
19	3.45.0170	1
20	5.55.0764	1



rif.	codice	Q.tà
1	5.03.0277	1
2	5.14.0794	6
3	3.08.0501	2
4	5.00.1453	1
5	5.15.0763	1
6	3.06.0631	3
7	5.15.0850	1
8	5.00.1452	1
9	5.15.0764	1
10	3.04.0503	2
11	3.04.0510	1
12	5.00.1454	1

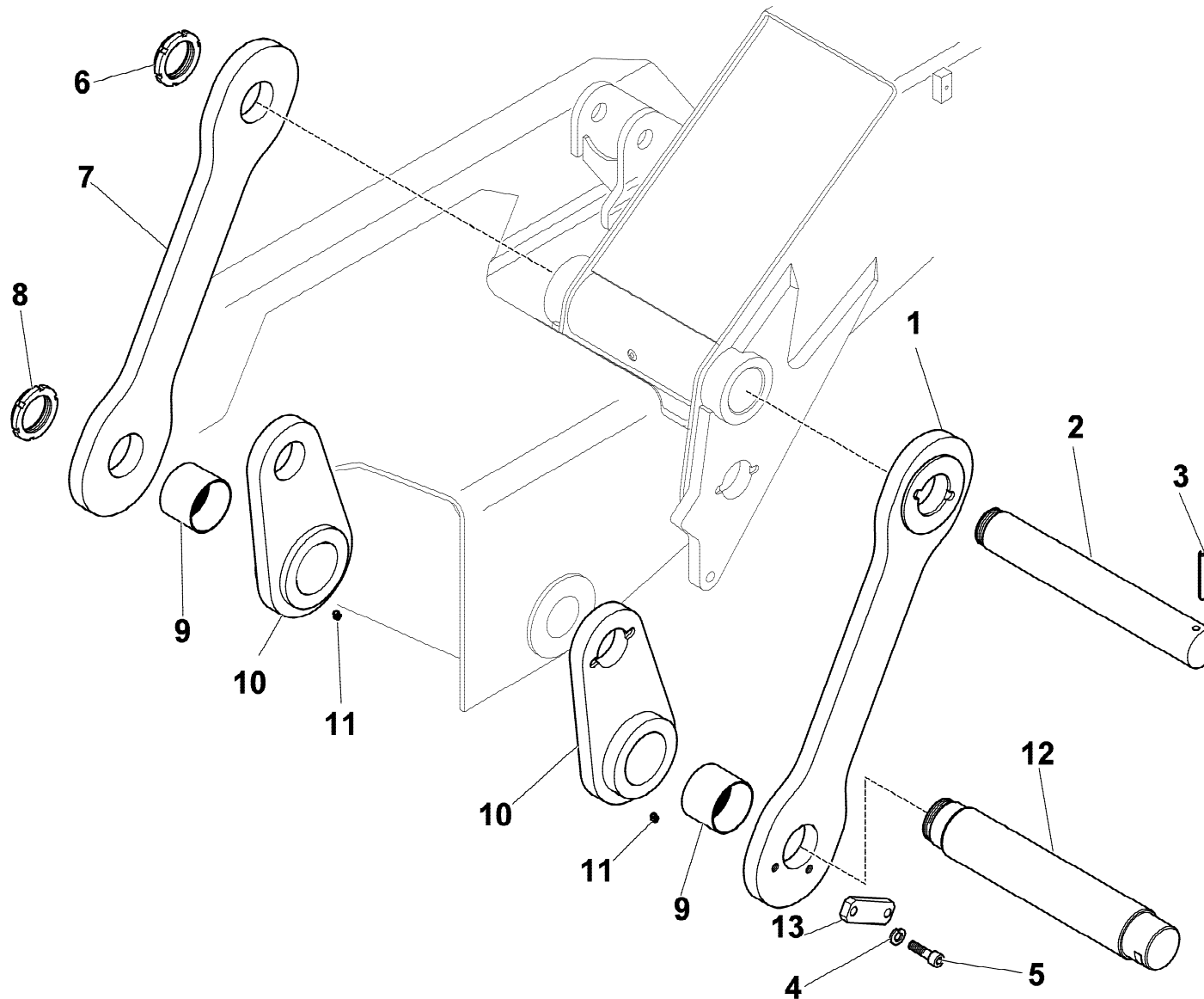


HC501

1° BRACCIO
1ST BOOM
1ERE BRAS
1. ARM
1° BRAZO

Tavola
5.47.0071-1-0

Data pag.
giugno 2006 53



rif.	codice	Q.tà
1	5.09.0899	1
2	5.15.0765	1
3	3.06.0631	1
4	3.06.0050	2
5	3.02.0110	2
6	3.04.0503	1
7	5.09.0900	1
8	3.04.0511	1
9	5.14.0979	2
10	5.09.0898	2
11	3.08.0501	2
12	5.15.0768	1
13	5.00.1456	1

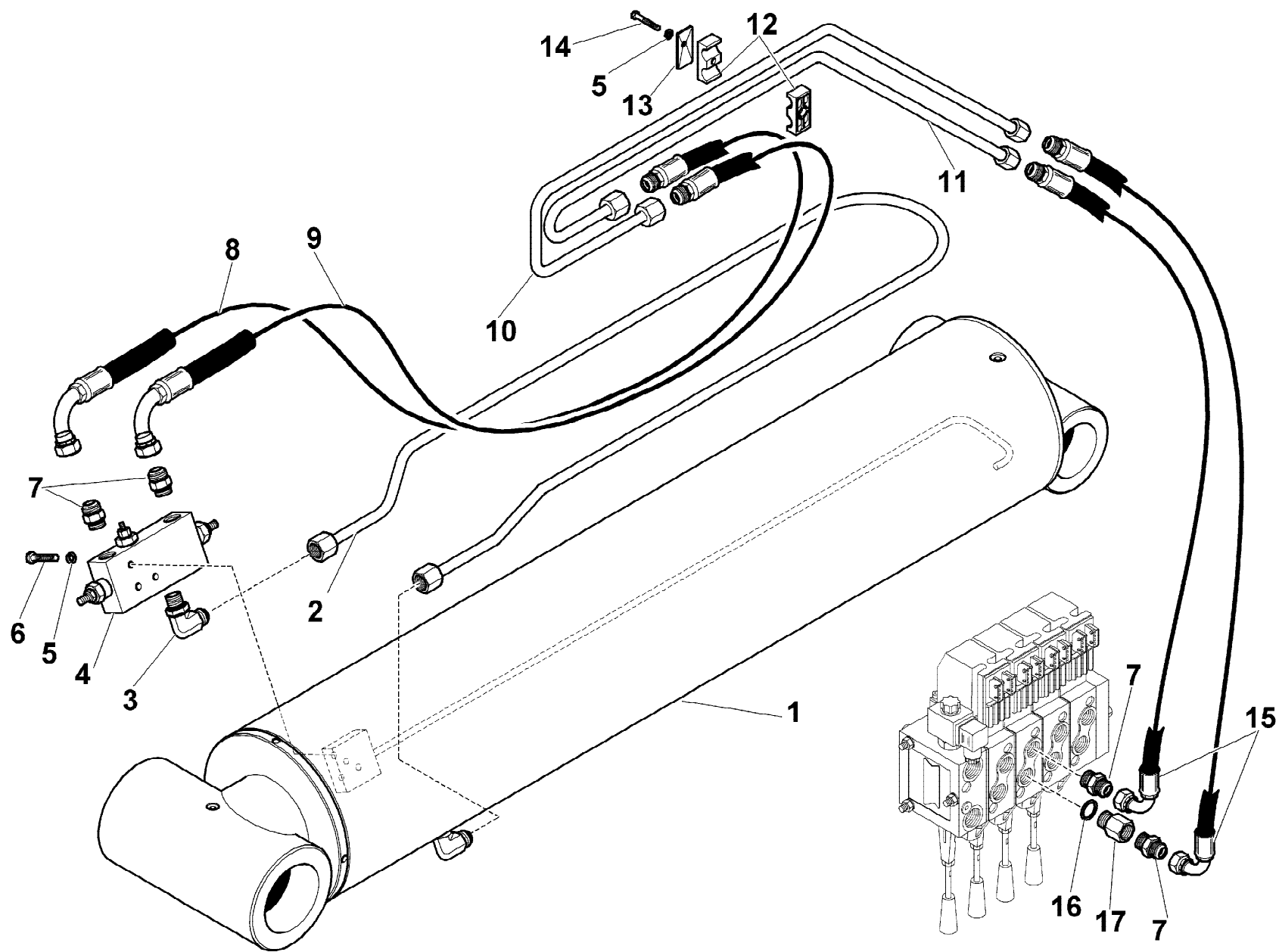
1/1

HYVA[®] CRANE
HC501

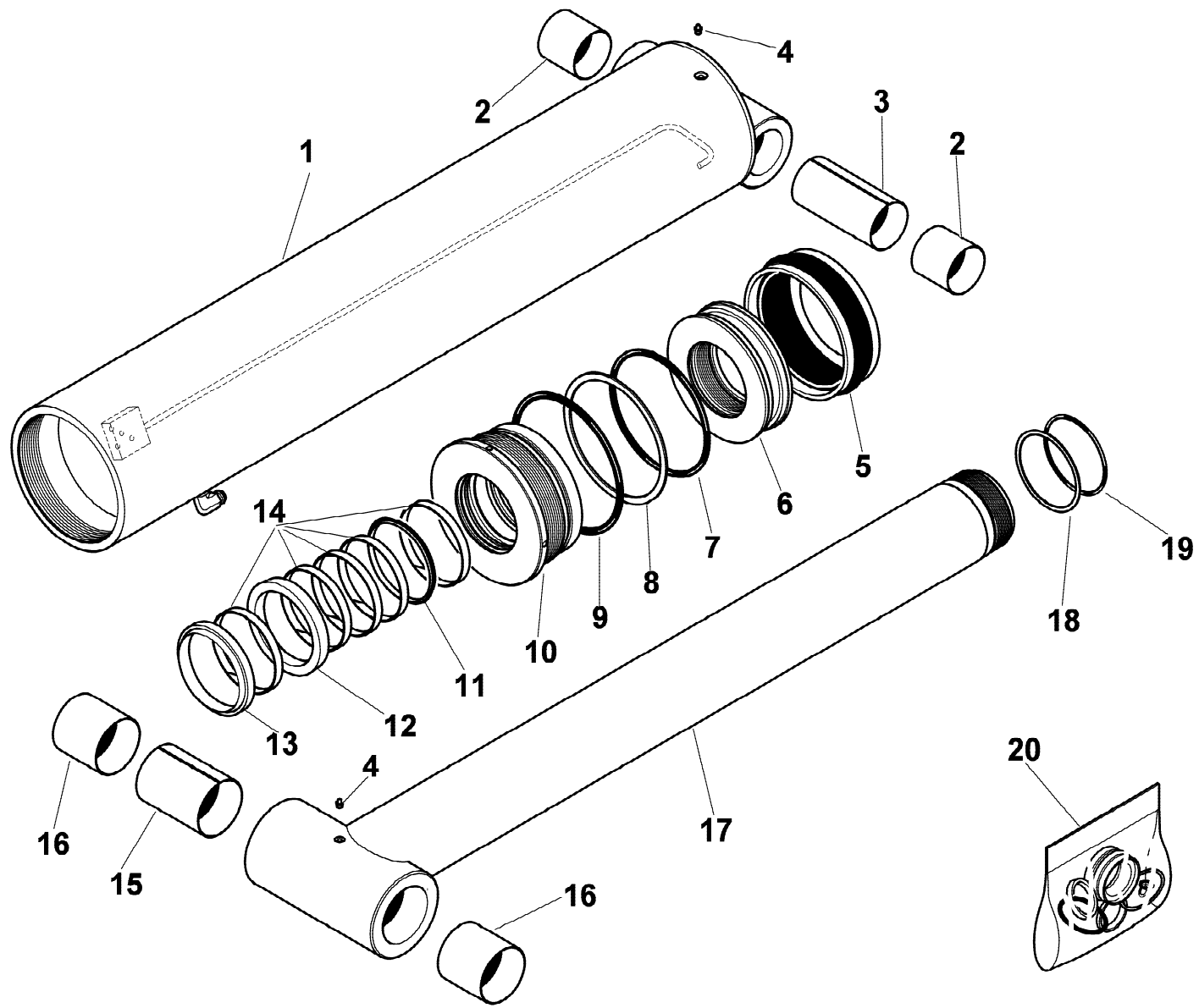
BIELLE 1° E 2° BRACCIO
 LINKAGE 1TH E 2ND BOOM
 COLONNE DE TRINGLERIE 1ERE ET 2EME BRAS
 PLEUELSTANGEN AN DEN 1TEN UNT 2.TEN GELENKARM
 COLUMNA DEL ACOPLAMENTO 1° Y 2° BRAZO

Tavola
5.36.0015-1-0

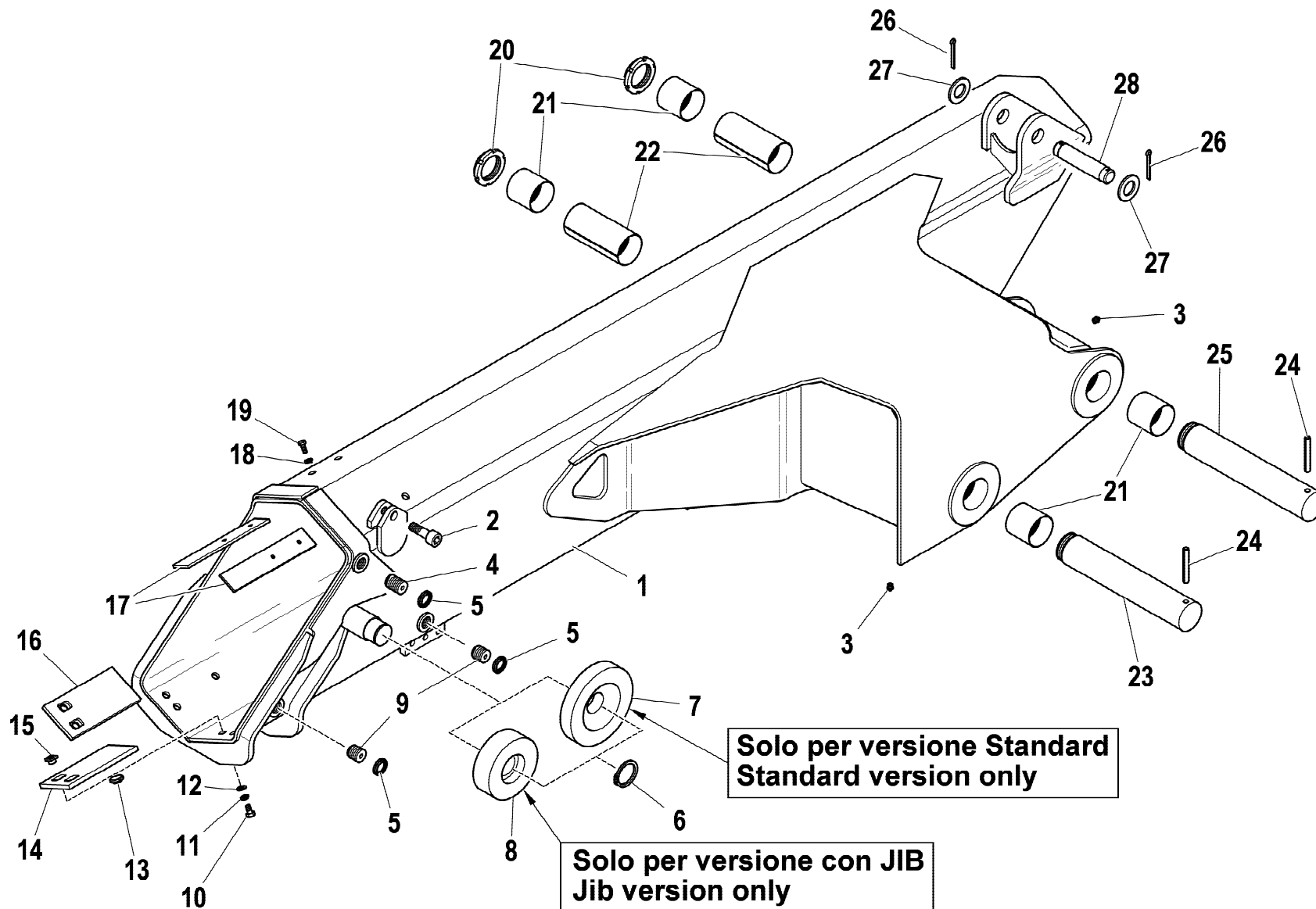
Data pag.
 giugno 2006 54



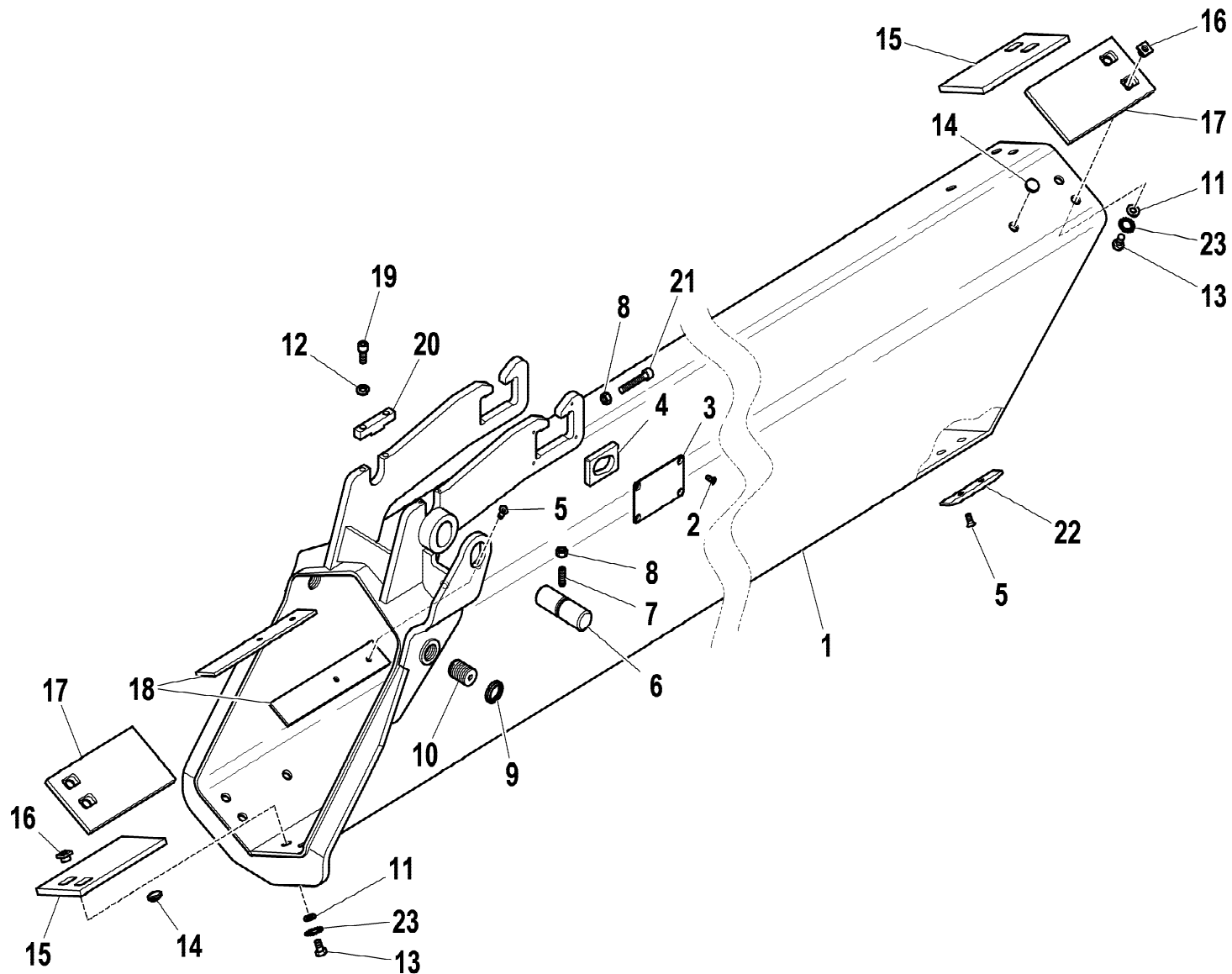
rif.	codice	Q.tà
1	6.43.0153	1
2	5.39.2122	1
3	3.10.1131	1
4	5.22.0665	1
5	3.06.0055	6
6	3.01.0032	3
7	3.10.1051	2
8	5.28.0729	1
9	5.28.0728	1
10	5.39.2134	1
11	5.39.2121	1
12	3.19.0172	6
13	3.19.0204	3
14	3.01.0414	3
15	5.28.0730	2
16	3.06.0145	1
17	3.11.0113	1



rif.	codice	Q.tà
1	6.07.0528	1
2	5.14.0793	2
3	5.00.1463	1
4	3.08.0501	2
5	3.40.0541	1
6	6.05.0305	1
7	3.45.0406	1
8	3.46.0406	1
9	3.45.0181	1
10	6.04.0293	1
11	3.38.1300	1
12	3.39.0501	1
13	3.42.0060	1
14	3.36.1021	5
15	5.00.1464	1
16	5.14.0975	2
17	6.03.0719	1
18	3.46.0164	1
19	3.45.0164	1
20	5.55.0765	1



rif.	codice	Q.tà
1	5.03.0278	1
2	3.02.0141	1
3	3.08.0501	2
4	5.00.1582	2
5	3.04.0529	6
6	3.07.0045	1
7	5.00.1445	1
8	5.00.1503	1
9	5.00.1444	4
10	3.01.0353	4
11	3.06.0920	4
12	3.06.0914	4
13	5.00.1253	2
14	5.14.1015	1
15	5.00.0827	4
16	5.14.1014	1
17	5.14.0974	2
18	3.06.0055	4
19	3.01.0337	4
20	3.04.0510	2
21	5.14.0793	4
22	5.00.1455	2
23	5.15.0766	1
24	3.06.0627	2
25	5.15.0764	1
26	W.559.005	2
27	3.06.0962	2
28	5.15.0828	1



rif.	codice	Q.tà
1	5.02.0465	1
2	3.02.0439	8
3	5.00.1446	2
4	5.00.1450	2
5	3.02.0450	8
6	5.15.0769	1
7	3.06.0956	1
8	3.04.0046	3
9	3.04.0529	2
10	5.00.1582	2
11	3.06.0914	4
12	3.06.0056	4
13	3.01.0353	4
14	5.00.1253	4
15	5.14.1015	2
16	5.00.0827	8
17	5.14.1014	2
18	5.14.0974	2
19	3.02.0071	4
20	5.00.1443	2
21	3.02.0079	2
22	5.00.1442	2
23	3.06.0920	8

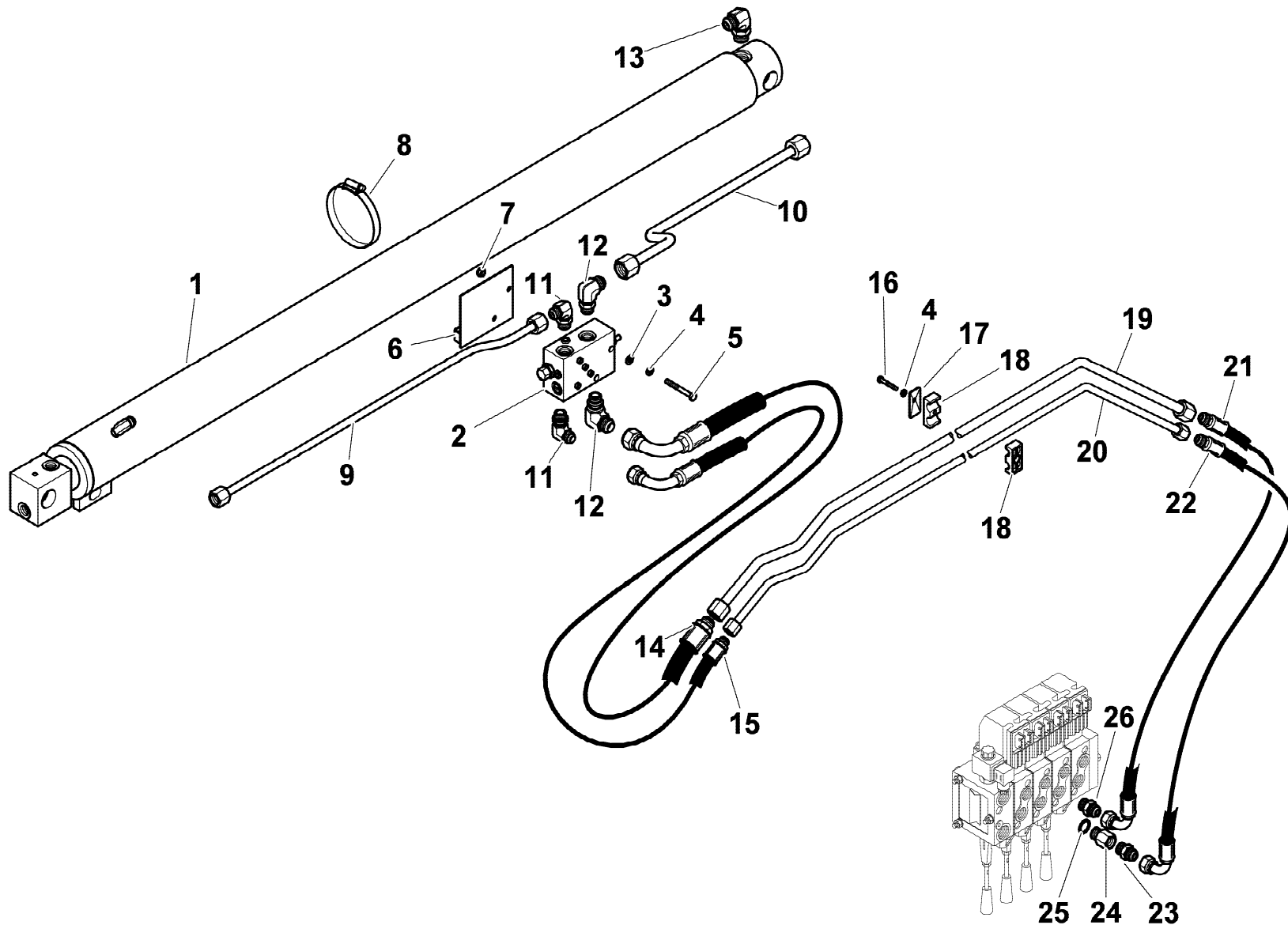
1/1

HYVA® CRANE
HC501

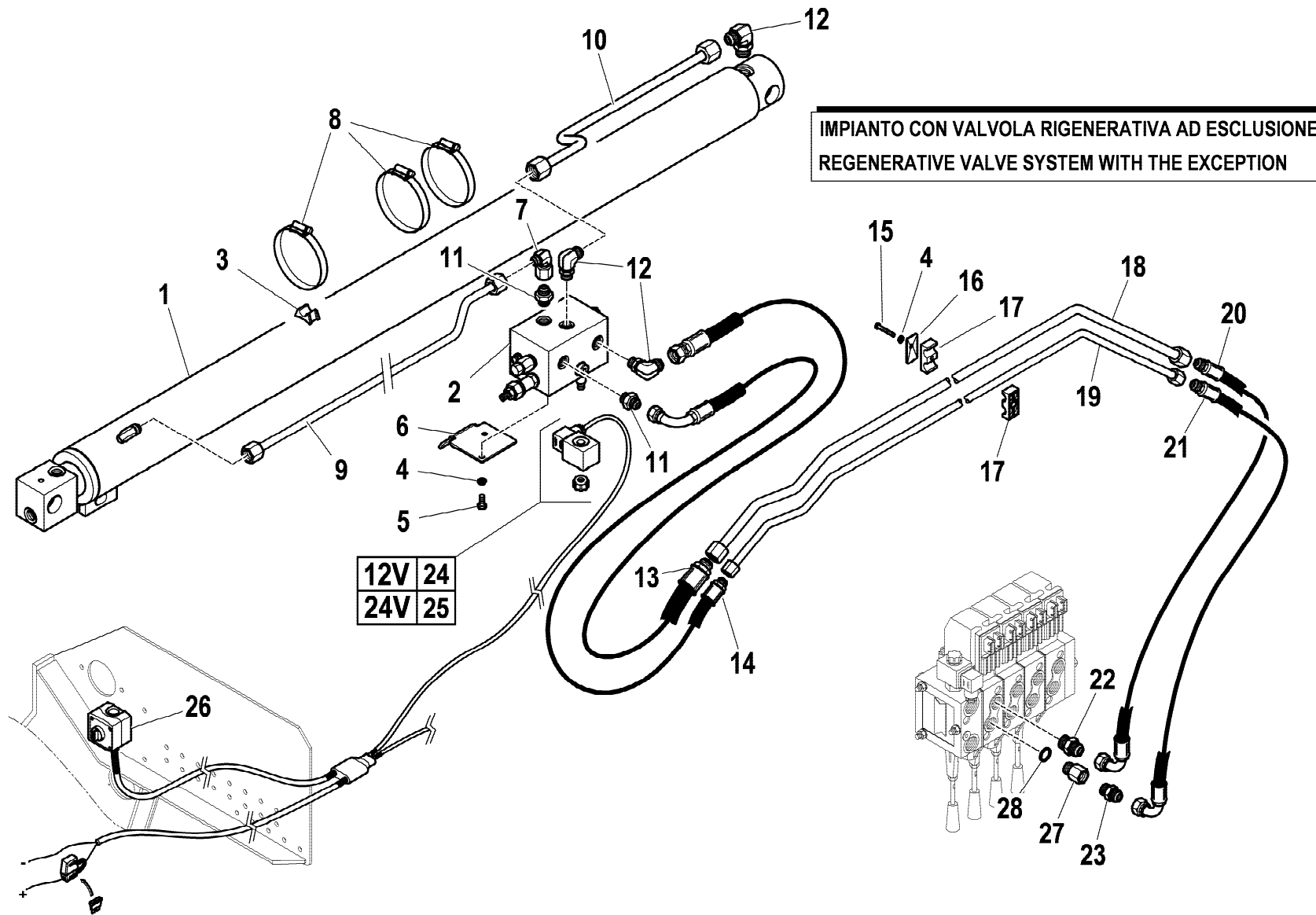
1° SFILLO
 1ST EXTENSION
 1ERE RALLONGE
 1. VERLAENGERUNG
 1°PROLONGACION

Tavola
5.49.0075-1-0

Data pag.
 giugno 2006 58



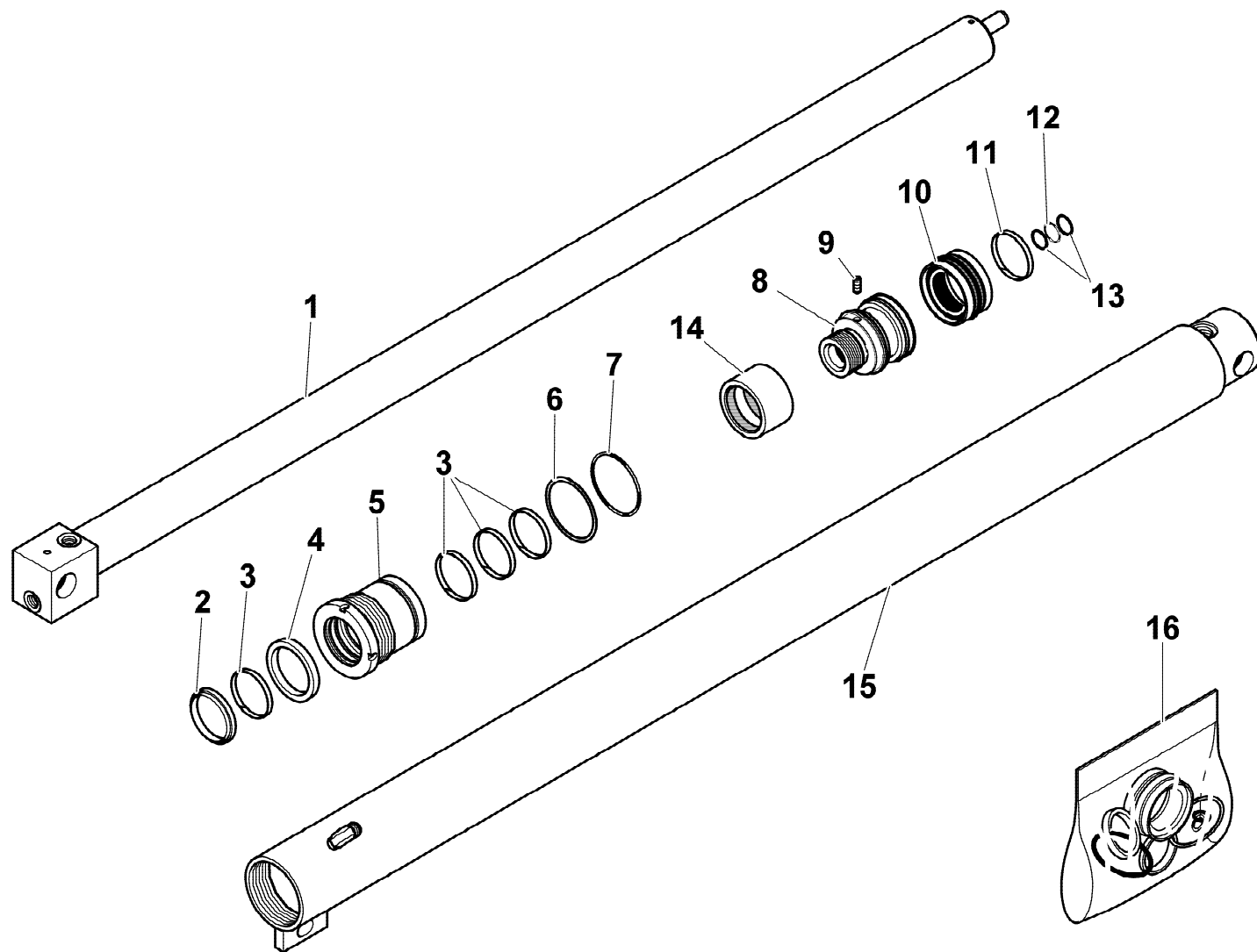
rif.	codice	Q.tà
1	6.41.0327	1
2	5.22.0755	1
3	3.06.0006	2
4	3.06.0055	2
5	3.01.0036	2
6	5.00.1196	1
7	3.04.0303	2
8	3.19.0024	2
9	5.39.2139	1
10	5.39.2138	1
11	3.10.1131	1
12	3.10.1132	1
13	3.10.1133	1
14	5.29.0133	1
15	5.28.0731	1
16	3.01.0414	3
17	3.19.0221	3
18	3.19.0222	6
19	5.39.2350	1
20	5.39.2351	1
21	5.29.0132	1
22	5.28.0730	1
23	3.10.1051	1
24	3.11.0113	1
25	3.06.0145	1
26	3.10.1058	1



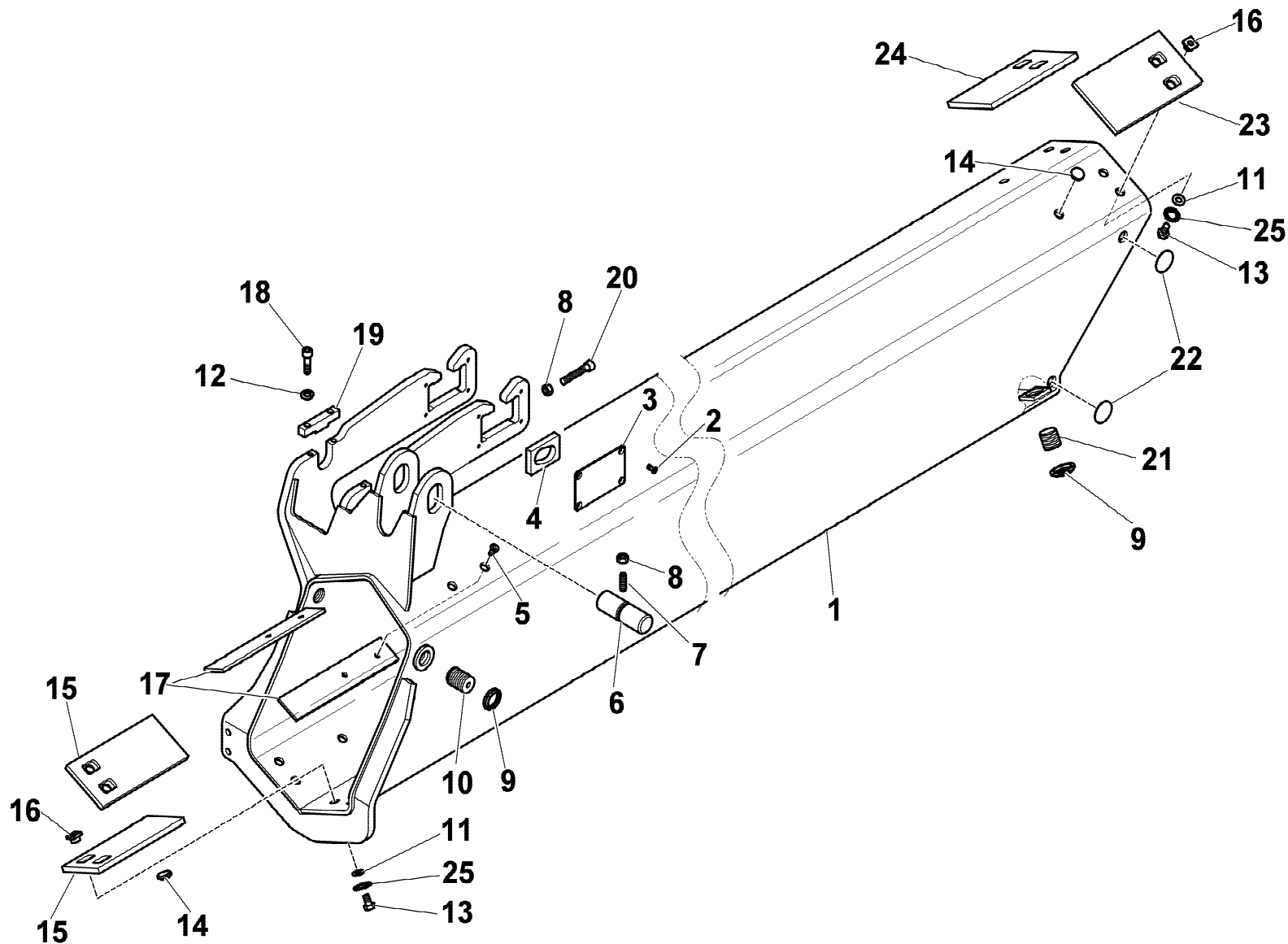
IMPIANTO CON VALVOLA RIGENERATIVA AD ESCLUSIONE
 REGENERATIVE VALVE SYSTEM WITH THE EXCEPTION

12V	24
24V	25

rif.	codice	Q.tà
1	6.41.0327	1
2	5.22.0699	1
3	5.14.0133	1
4	3.06.0055	5
5	3.01.0027	2
6	5.00.2048	1
7	3.12.0034	1
8	3.19.0024	3
9	5.39.2435	1
10	5.39.2138	1
11	3.12.0073	2
12	3.10.1133	3
13	5.29.0232	1
14	5.28.0946	1
15	3.01.0414	3
16	3.19.0221	3
17	3.19.0222	6
18	5.39.2350	1
19	5.39.2351	1
20	5.29.0132	1
21	5.28.0730	1
22	3.10.1058	1
23	3.10.1051	1
24	3.31.0238	1
25	3.31.0242	1
26	3.31.1273	1
27	3.11.0113	1
28	3.06.0145	1



rif.	codice	Q.tà
1	6.03.0721	1
2	3.42.0032	1
3	3.36.1008	1
4	3.37.0144	1
5	6.04.0294	1
6	3.46.0253	1
7	3.45.0150	1
8	6.05.0306	1
9	3.06.0232	1
10	3.40.0514	1
11	3.36.0012	1
12	3.45.0049	1
13	3.46.0049	2
14	5.00.1572	1
15	6.07.0529	1
16	5.55.0766	1



rif.	codice	Q.tà
1	5.02.0466	1
2	3.02.0439	8
3	5.00.1446	2
4	5.00.1450	2
5	3.02.0450	4
6	5.15.0769	1
7	3.06.0956	1
8	3.04.0046	3
9	3.04.0529	4
10	5.00.1582	2
11	3.06.0914	8
12	3.06.0056	4
13	3.01.0353	8
14	5.00.1253	4
15	5.14.0995	2
16	5.00.0827	8
17	5.14.0994	2
18	3.02.0071	4
19	5.00.1443	2
20	3.02.0079	2
21	5.00.1444	2
22	5.14.0789	4
23	5.14.1014	1
24	5.14.1015	1
25	3.06.0920	8

1/1

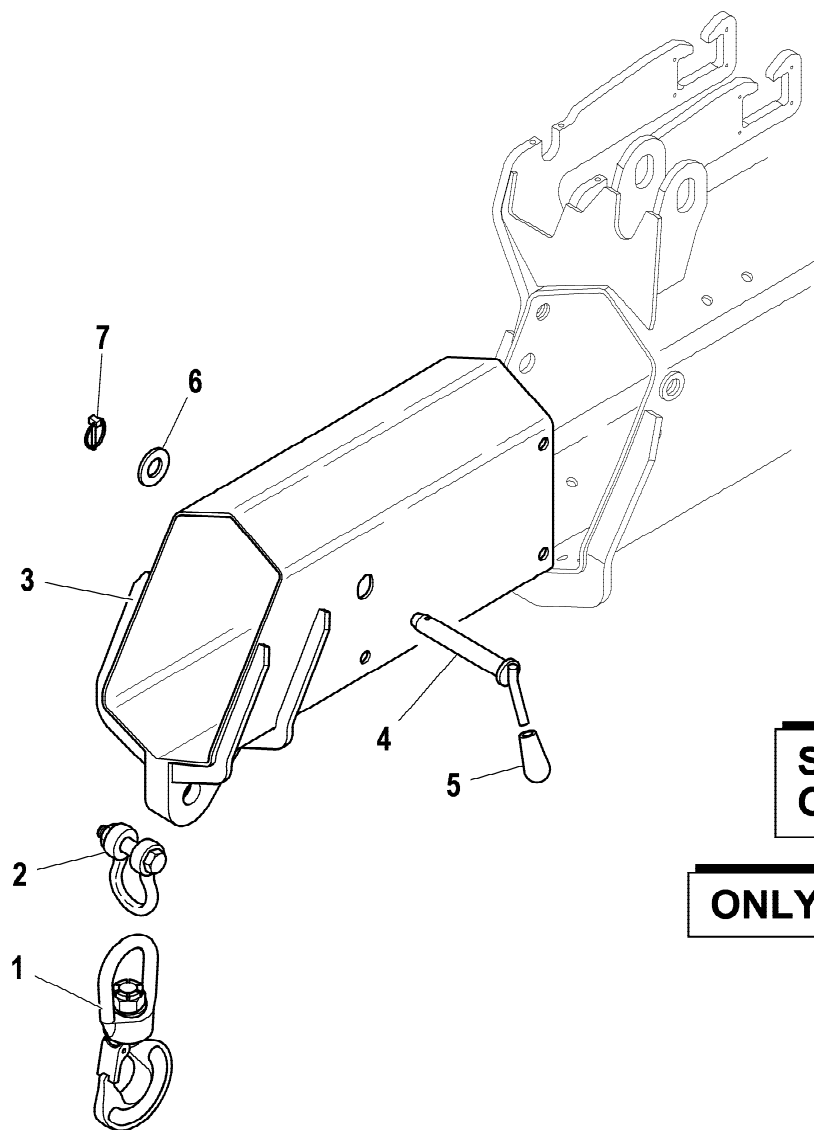
HYVA[®] CRANE
HC501

2° SFILLO
 2ND EXTENSION
 2EME RALLONGE
 2. VERLAENGERUNG
 2° PROLONGACION

Tavola
5.37.0033-1-0

Data pag.
 giugno 2006 62

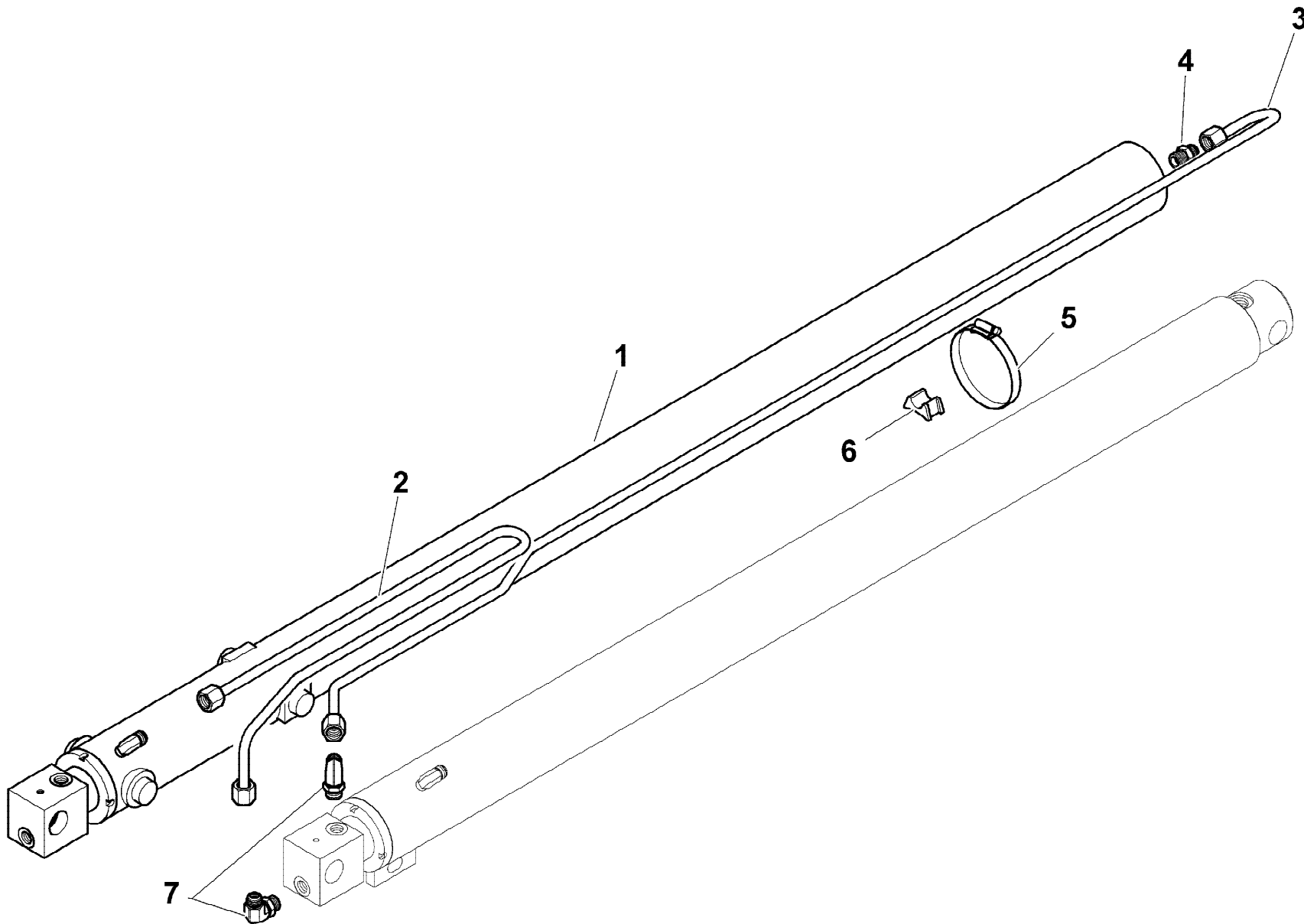
rif.	codice	Q.tà
1	3.20.0009	1
2	3.20.0070	1
3	5.02.0474	1
4	5.15.0830	1
5	3.19.0010	1
6	3.06.0016	1
7	3.06.0753	1



**SOLO PER 2S
ONLY FOR 2S**

**SOLO PER A2
ONLY FOR A2**

ONLY FOR E2



rif.	codice	Q.tà
1	6.41.0328	1
2	5.39.2140	1
3	5.39.2141	1
4	3.12.0073	1
5	3.19.0024	2
6	5.14.0133	2
7	3.10.1131	2

1/1

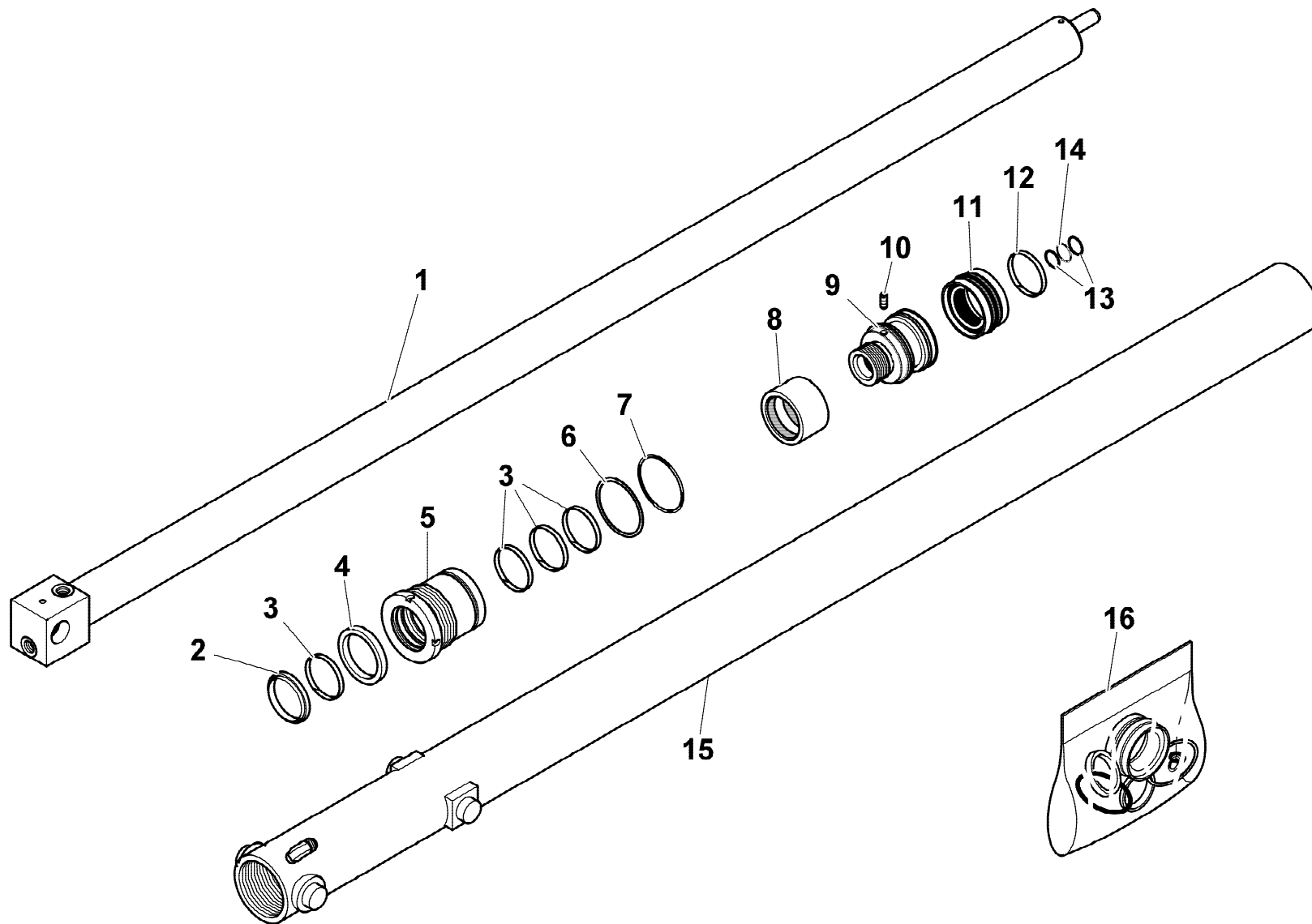
HYVA[®] CRANE
HC501

MARTINETTO 2° SFILLO (IMPIANTO OLEODINAMICO)
 2ND EXTENSION HYDRAULIC JACK (HYDRAULIC SYSTEM)
 VÉRIN 2ÈME RALLONGE (INSTALLATION HYDRAULIQUE)
 2. SCHUBZYLINDER (HYDRAULIKANLAGE)
 GATO 2ª EXTENSIÓN (INSTALACION HIDRAULICA)

Tavola

6.21.0328-1-0

Data pag.
 giugno 2006 64



rif.	codice	Q.tà
1	6.03.0723	1
2	3.42.0032	1
3	3.36.1008	1
4	3.37.0144	1
5	6.04.0294	1
6	3.46.0253	1
7	3.45.0150	1
8	5.00.1572	1
9	6.05.0306	1
10	3.06.0232	1
11	3.40.0514	1
12	3.36.0012	1
13	3.45.0049	1
14	3.46.0049	2
15	6.07.0530	1
16	5.55.0766	1

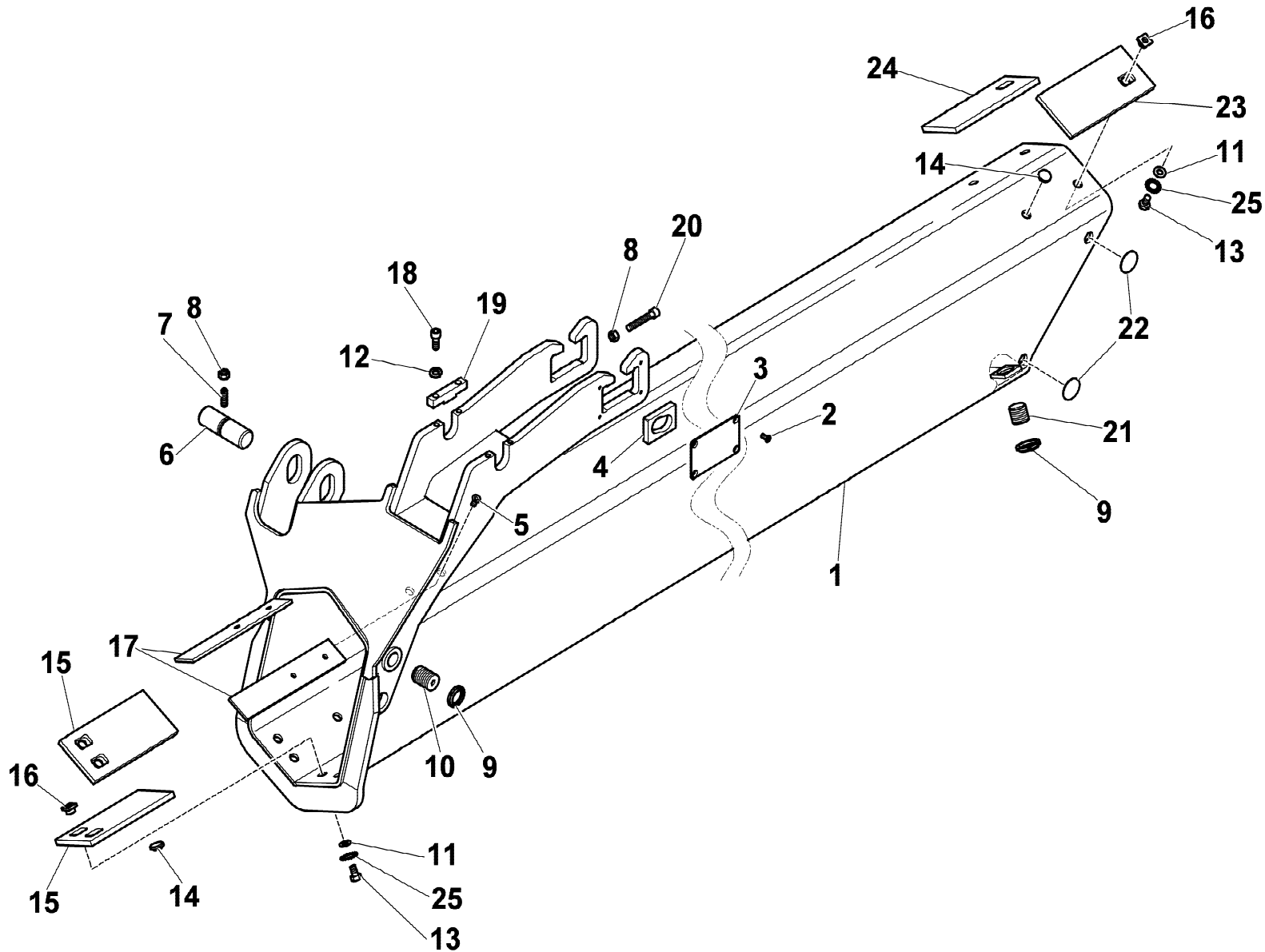
1/1

HYVA[®] CRANE
HC501

MARTINETTO 2° SFILLO
 2ND EXTENSION HYDRAULIC JACK
 VÉRIN 2ÉME RALLONGE
 2. SCHUBZYLINDER
 GATO 2ª EXTENSIÓN

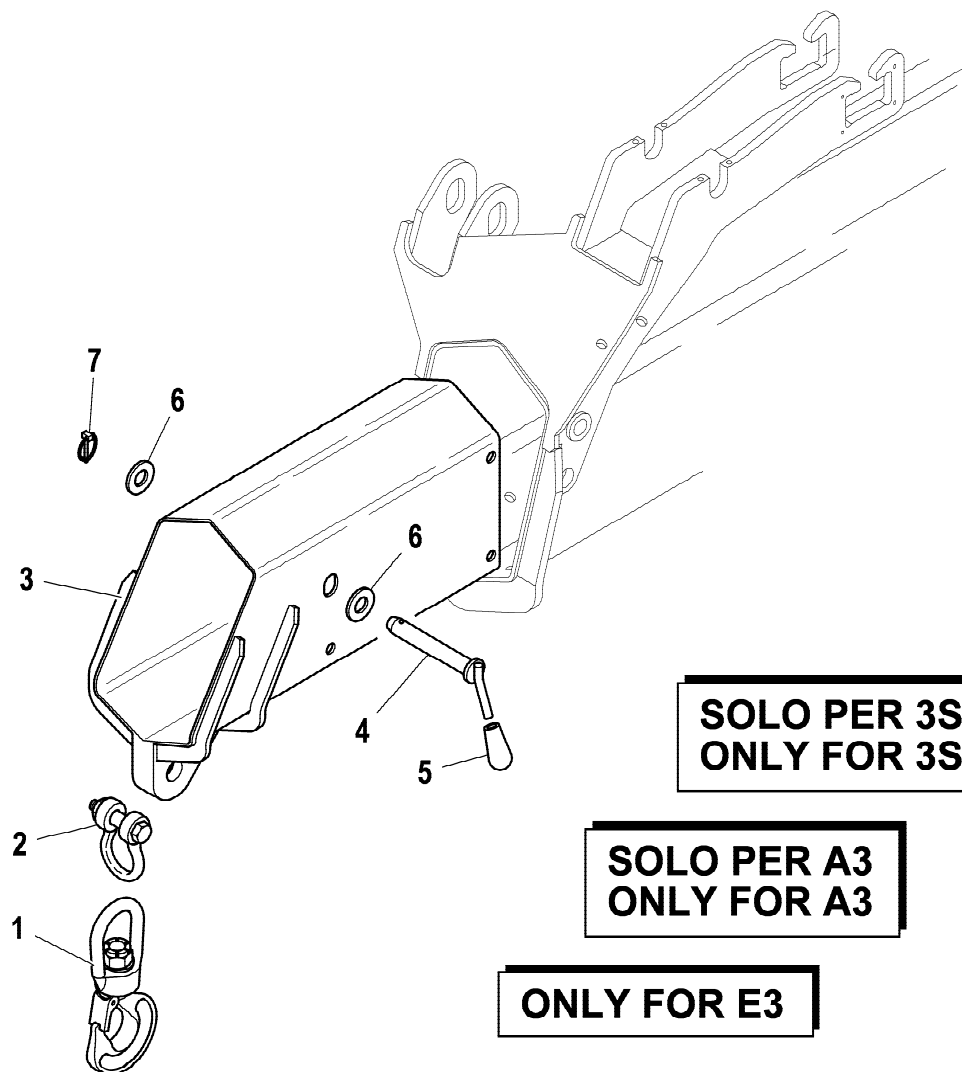
Tavola
6.41.0328-1-0

Data pag.
 giugno 2006 65



rif.	codice	Q.tà
1	5.02.0467	1
2	3.02.0439	8
3	5.00.1446	2
4	5.00.1450	2
5	3.02.0450	4
6	5.15.0769	1
7	3.06.0956	1
8	3.04.0046	3
9	3.04.0529	2
10	5.00.1582	2
11	3.06.0914	6
12	3.06.0056	4
13	3.01.0353	6
14	5.00.1253	4
15	5.14.0995	2
16	5.00.0827	6
17	5.14.0994	2
18	3.02.0071	4
19	5.00.1443	2
20	3.02.0079	2
21	5.00.1444	2
22	5.14.0789	4
23	5.14.1016	1
24	5.14.1017	1
25	3.06.0920	6

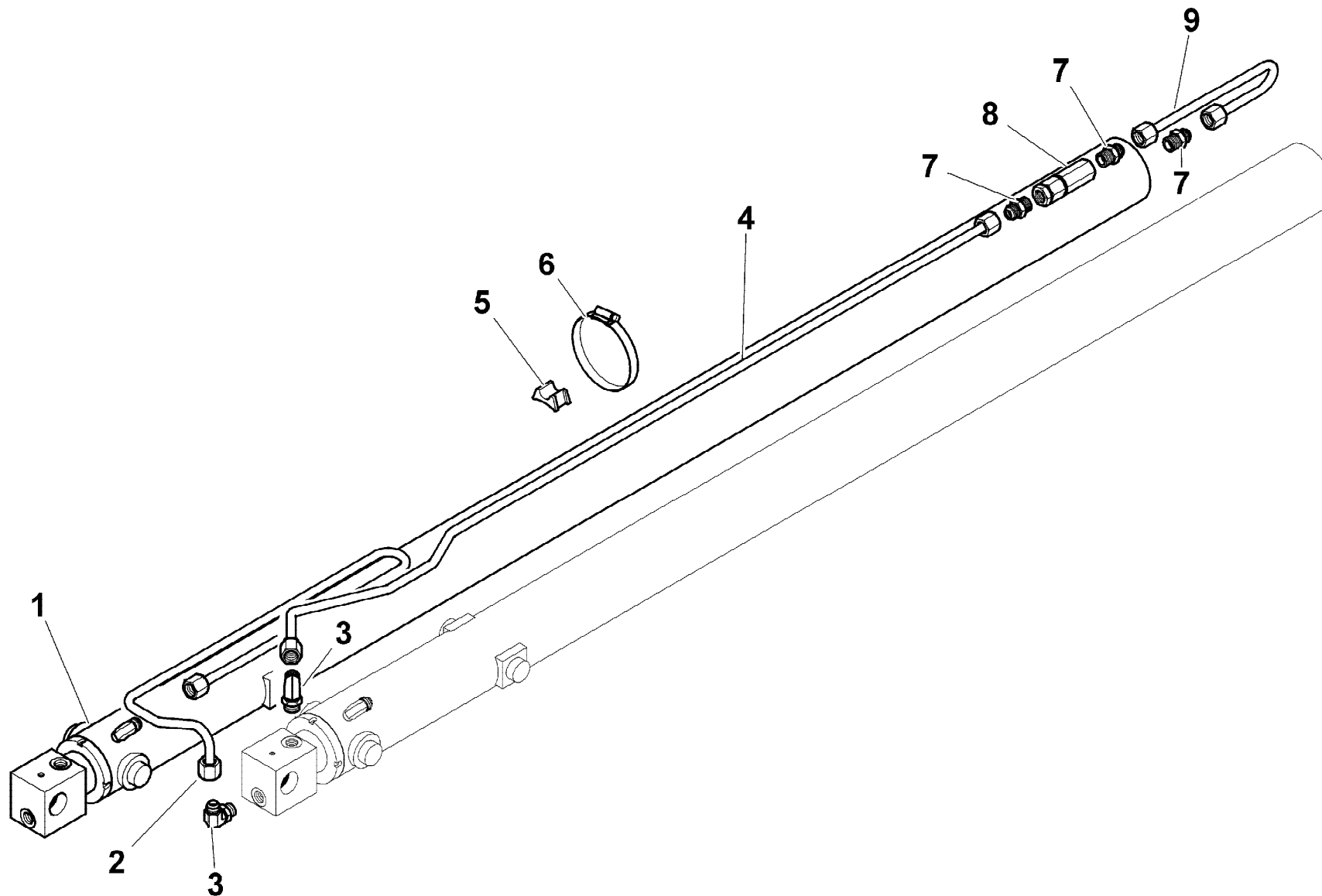
rif.	codice	Q.tà
1	3.20.0009	1
2	3.20.0070	1
3	5.02.0476	1
4	5.15.0830	1
5	3.19.0010	1
6	3.06.0016	2
7	3.06.0753	1



**SOLO PER 3S
ONLY FOR 3S**

**SOLO PER A3
ONLY FOR A3**

ONLY FOR E3



rif.	codice	Q.tà
1	6.41.0329	1
2	5.39.2128	1
3	3.10.1131	2
4	5.23.2129	1
5	5.14.0133	2
6	3.19.0024	2
7	3.10.1051	2
8	5.22.0688	1
9	5.39.2130	1

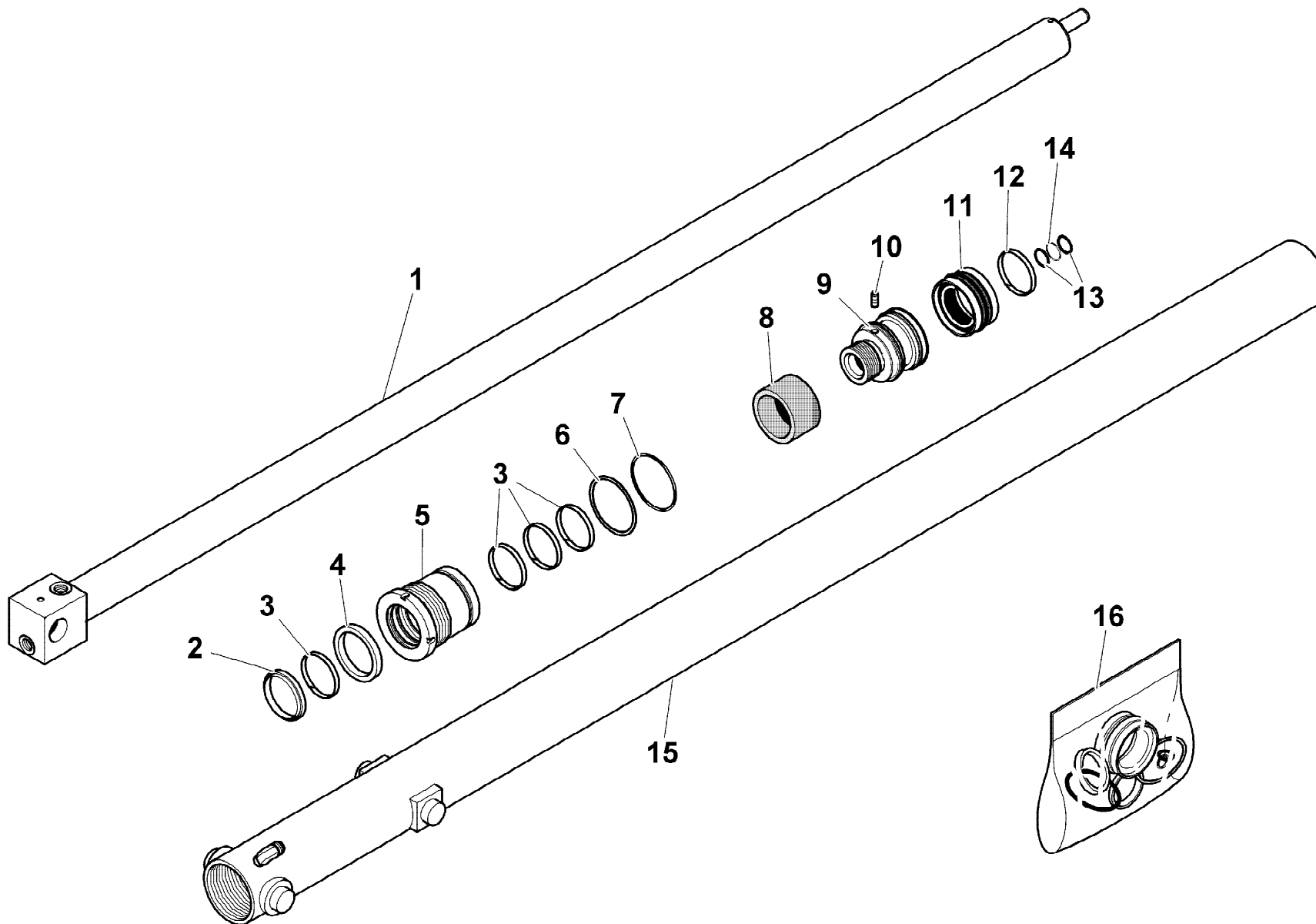
1/1

HYVA[®] CRANE
HC501

MARTINETTO 3° SFILLO (IMPIANTO OLEODINAMICO)
 3RD EXTENSION HYDRAULIC JACK (HYDRAULIC SYSTEM)
 VÉRIN 3ÈME RALLONGE (INSTALLATION HYDRAULIQUE)
 3. SCHUBZYLINDER (HYDRAULIKANLAGE)
 GATO 3ª EXTENSIÓN (INSTALACION HIDRAULICA)

Tavola
6.21.0329-1-0

Data pag.
 giugno 2006 68



rif.	codice	Q.tà
1	6.03.0725	1
2	3.42.0030	1
3	3.36.1006	4
4	3.39.0502	1
5	6.04.0299	1
6	3.46.0149	1
7	3.45.0149	1
8	5.00.1683	1
9	6.05.0307	1
10	3.06.0249	1
11	3.40.0513	1
12	3.36.1011	1
13	3.46.0049	2
14	3.45.0049	1
15	6.07.0531	1
16	5.55.0767	1

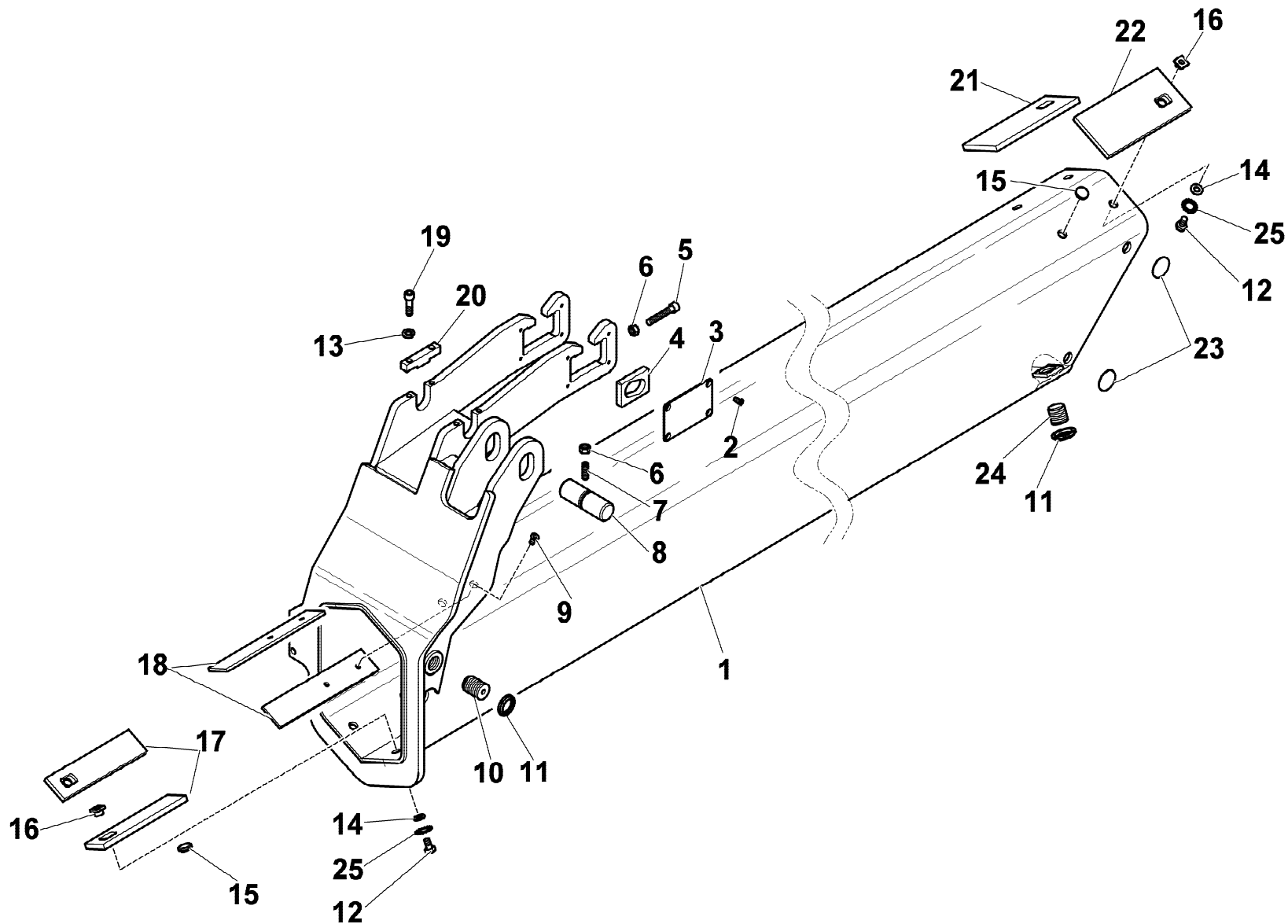
1/1

HYVA[®] CRANE
HC501

MARTINETTO 3° E 4° SFILLO
 3RD AND 4TH EXTENSION HYDRAULIC CYLINDER
 VERIN 3ÈME ET 4ÈME RALLONGE
 3. UNT 4. VERLAENGERUNGSWINDE
 3° Y 4° GATO DE PROLONGACION

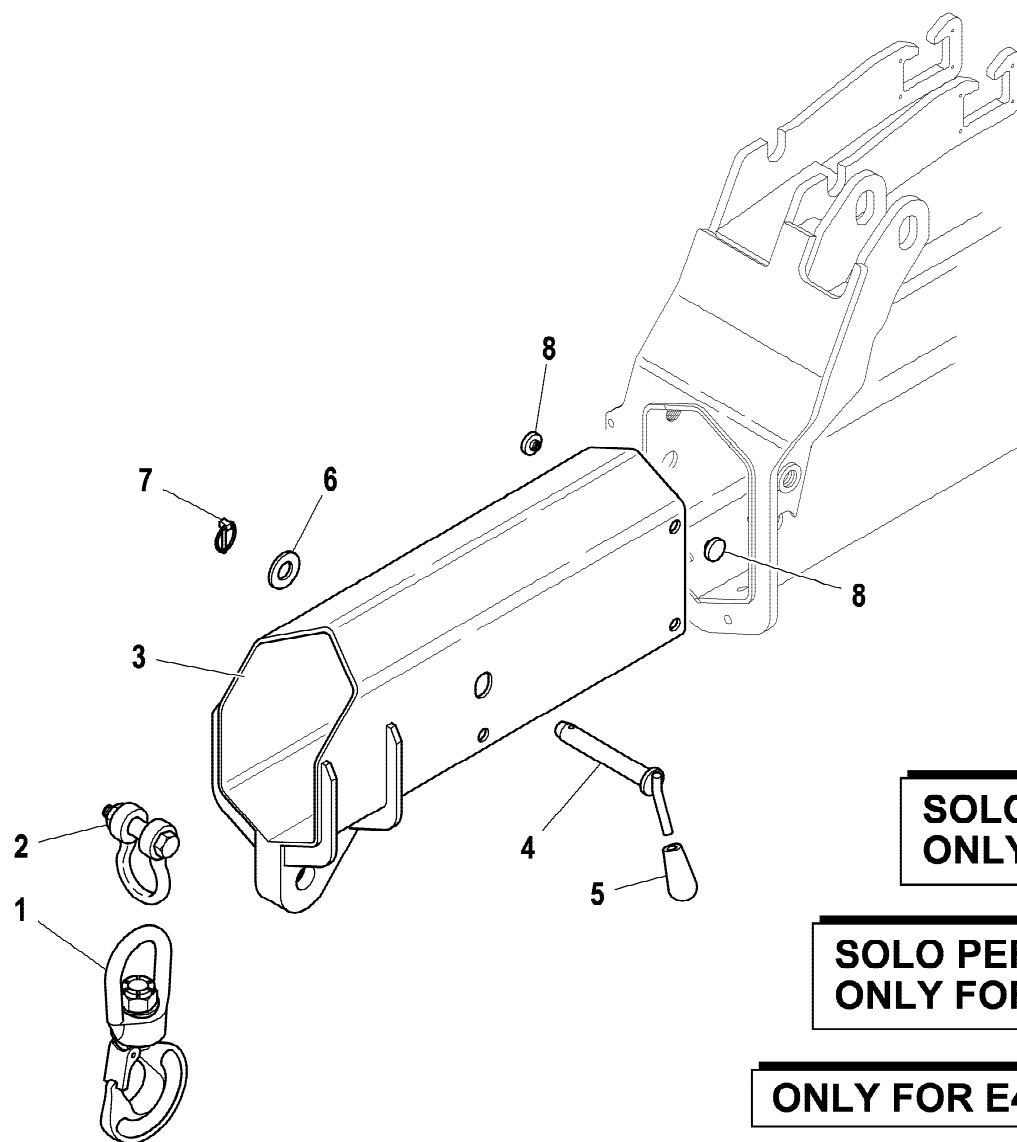
Tavola
6.41.0329-1-0

Data pag.
 giugno 2006 69



rif.	codice	Q.tà
1	5.02.0468	1
2	3.02.0439	8
3	5.00.1446	2
4	5.00.1450	2
5	3.02.0079	2
6	3.04.0046	2
7	3.06.0956	1
8	5.15.0769	1
9	3.02.0450	4
10	5.00.1582	2
11	3.04.0529	2
12	3.01.0353	4
13	3.06.0056	4
14	3.06.0914	4
15	5.00.1253	4
16	5.00.0827	4
17	5.14.0996	2
18	5.14.0993	2
19	3.02.0071	4
20	5.00.1443	2
21	5.14.1016	1
22	5.14.1017	1
23	5.14.0789	4
24	5.00.1444	2
25	3.06.0920	4

rif.	codice	Q.tà
1	3.20.0007	1
2	3.20.0067	1
3	5.02.0477	1
4	5.15.0838	1
5	3.19.0010	1
6	3.06.0016	1
7	3.06.0750	1
8	W.37.04.007.00	6

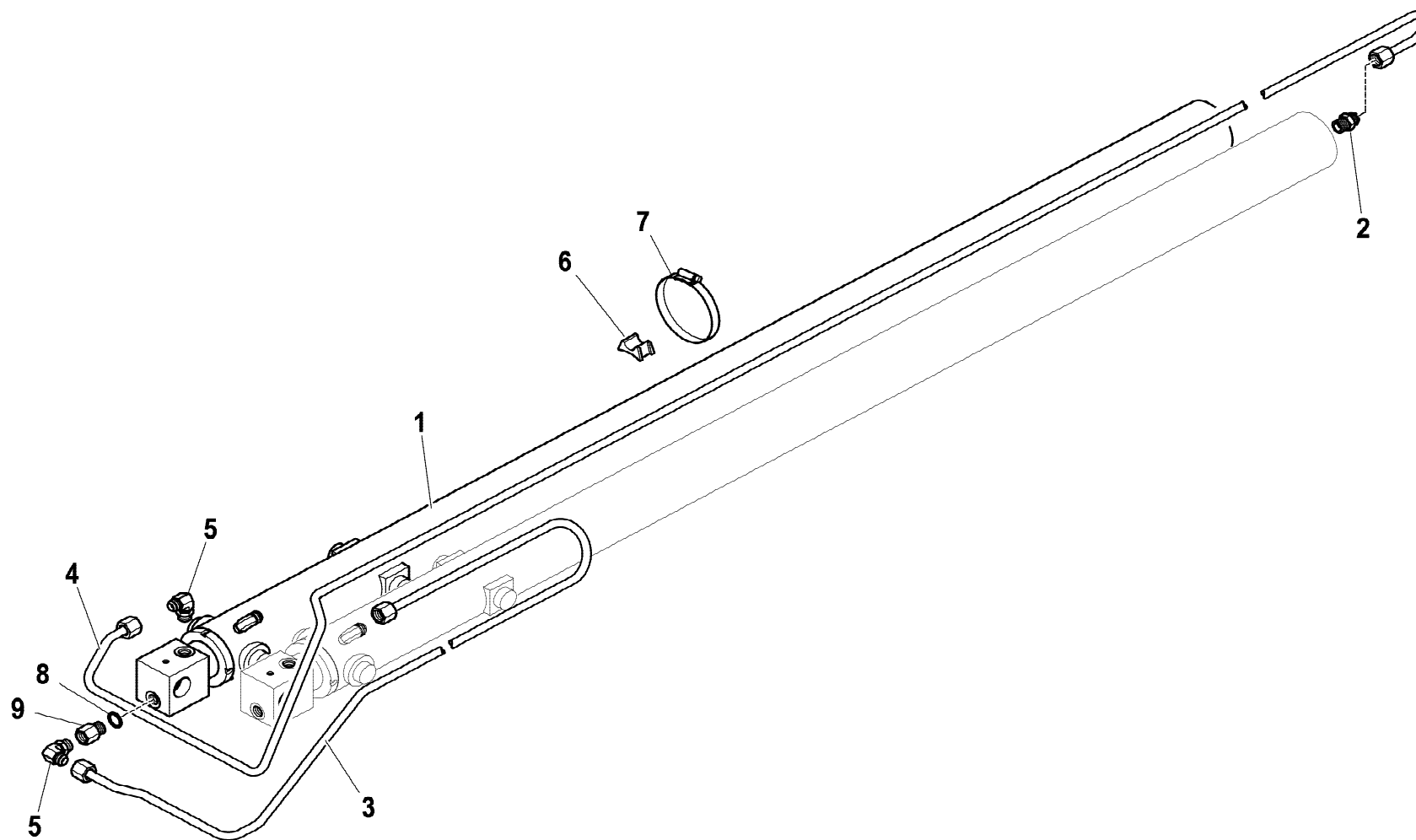


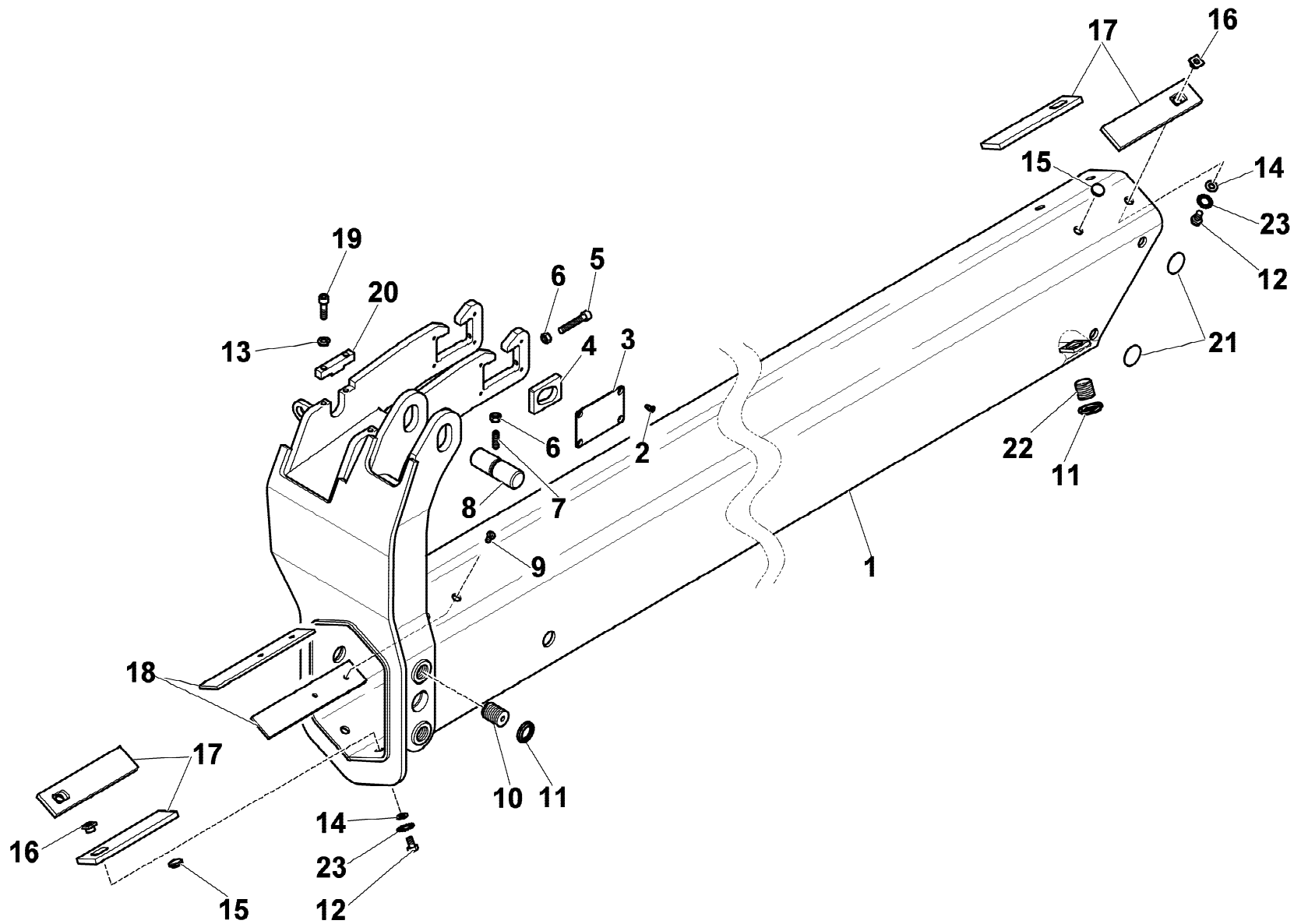
**SOLO PER 4S
ONLY FOR 4S**

**SOLO PER A4
ONLY FOR A4**

ONLY FOR E4

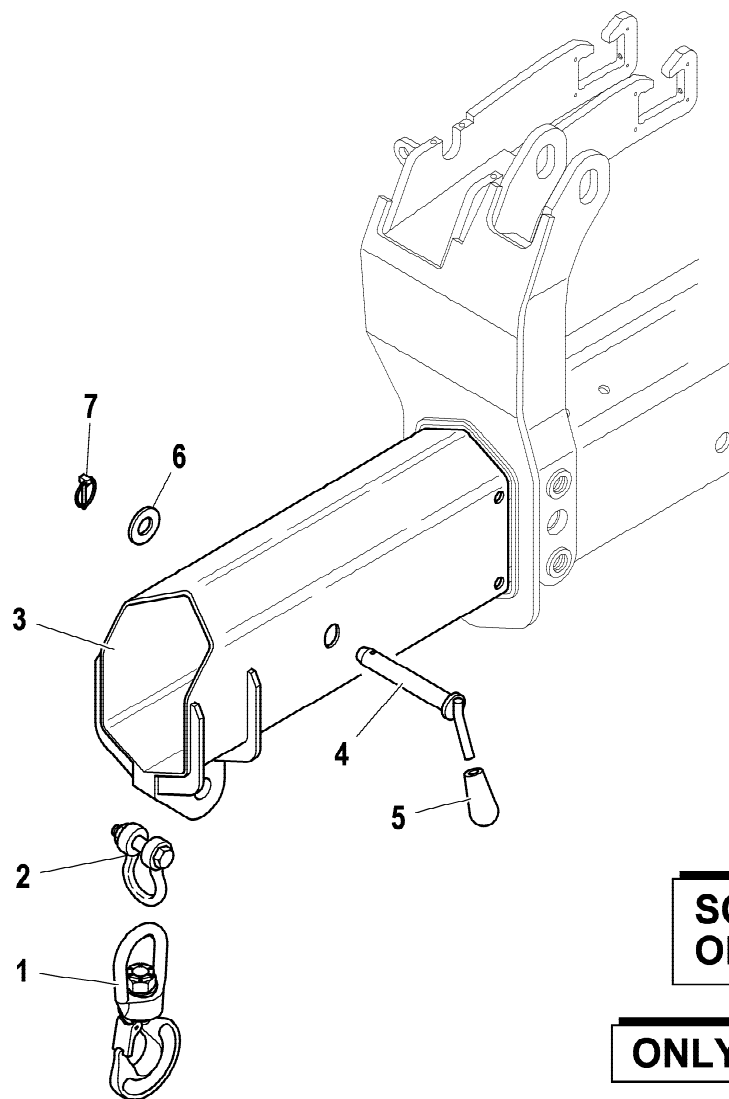
rif.	codice	Q.tà
1	6.41.0329	1
2	3.10.1051	1
3	5.39.2436	1
4	5.39.2132	1
5	3.10.1131	2
6	5.14.0133	2
7	3.19.0024	2
8	3.06.0145	1
9	3.11.0103	1





rif.	codice	Q.tà
1	5.02.0469	1
2	3.02.0439	8
3	5.00.1446	2
4	5.00.1450	2
5	3.02.0079	2
6	3.04.0046	2
7	3.06.0956	1
8	5.15.0769	1
9	3.02.0450	4
10	5.00.1582	4
11	3.04.0529	4
12	3.01.0353	4
13	3.06.0056	4
14	3.06.0914	4
15	5.00.1253	4
16	5.00.0827	4
17	5.14.0996	4
18	5.14.0993	2
19	3.02.0071	4
20	5.00.1443	2
21	5.14.0789	4
22	5.00.1444	2
23	3.06.0920	4

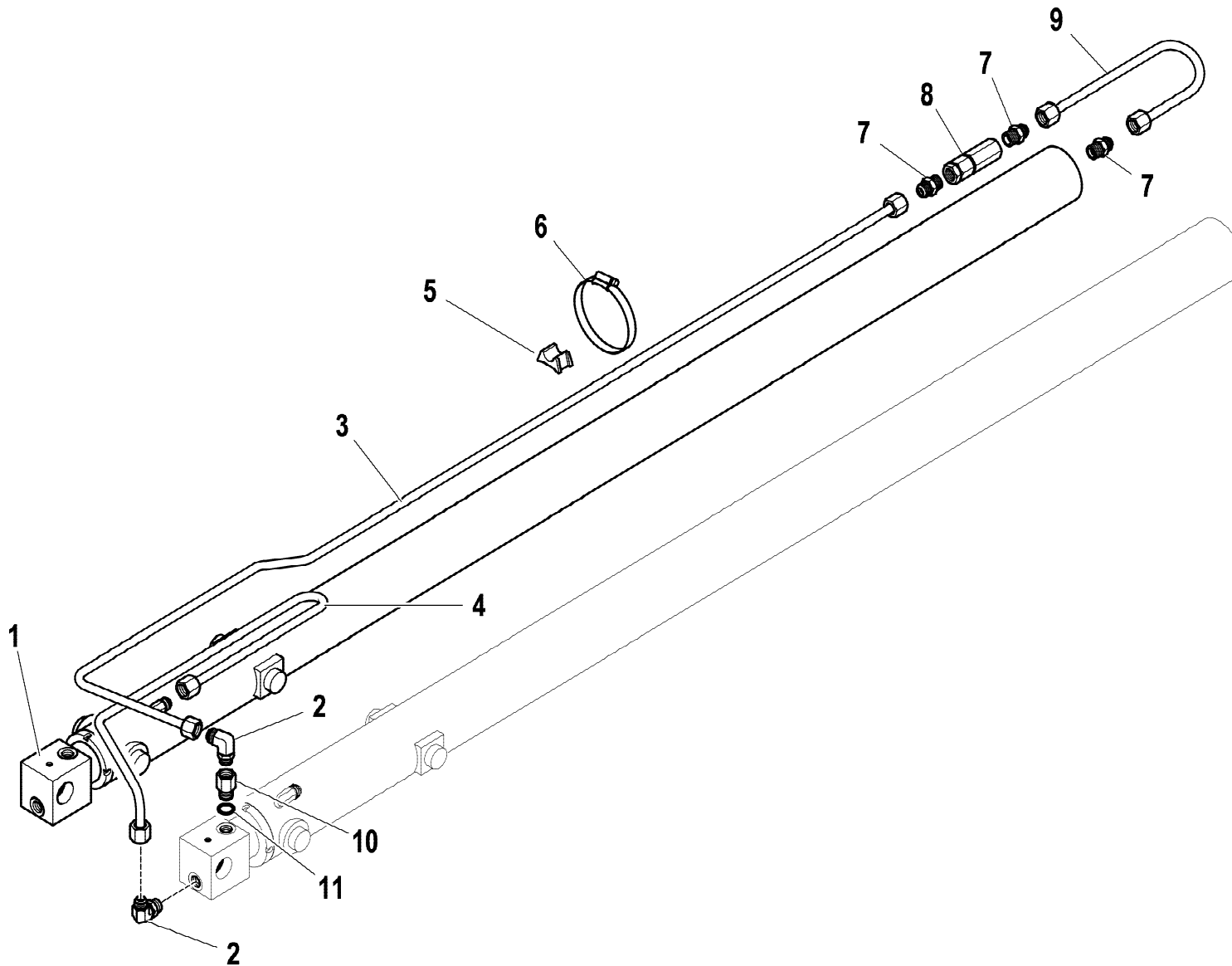
rif.	codice	Q.tà
1	3.20.0009	1
2	3.20.0070	1
3	5.02.0478	1
4	5.15.0829	1
5	3.19.0010	1
6	3.06.0016	1
7	3.06.0753	1



**SOLO PER 5S
ONLY FOR 5S**

**SOLO PER A5
ONLY FOR A5**

ONLY FOR E5



rif.	codice	Q.tà
1	6.41.0330	1
2	3.10.1131	2
3	5.39.2380	1
4	5.39.2135	1
5	5.14.0133	2
6	3.19.0024	2
7	3.10.1051	1
8	5.22.0688	1
9	5.39.2130	1
10	3.11.0117	1
11	3.06.0145	1

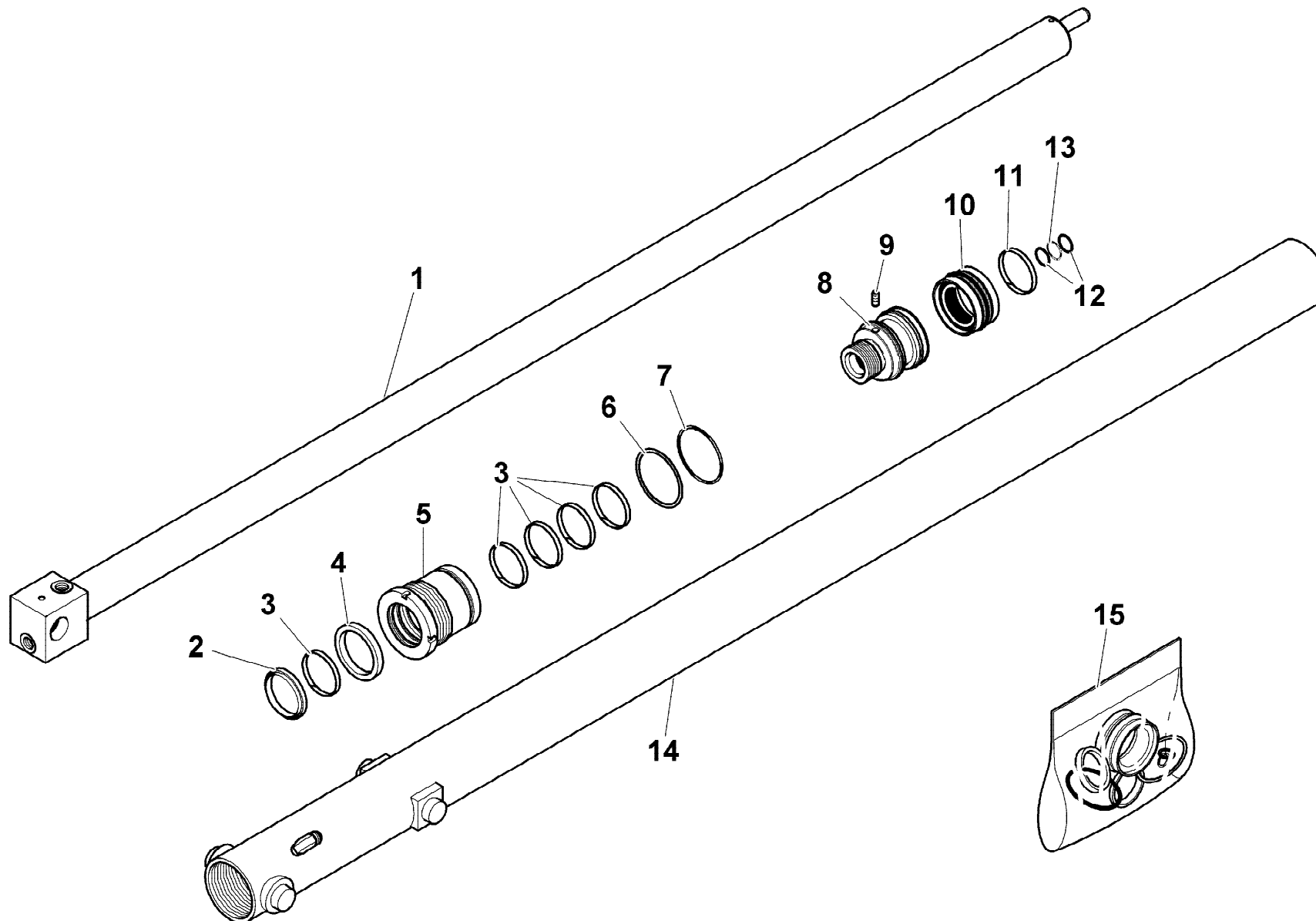
1/1

HYVA[®] CRANE
HC501

MARTINETTO 5° SFILÒ (IMPIANTO OLEODINAMICO)
 5TH EXTENSION HYDRAULIC JACK (HYDRAULIC SYSTEM)
 VÉRIN 5ÈME RALLONGE (INSTALLATION HYDRAULIQUE)
 5. SCHUBZYLINDER (HYDRAULIKANLAGE)
 GATO 5ª EXTENSIÓN (INSTALACION HIDRAULICA)

Tavola
6.21.0330-1-0

Data pag.
 giugno 2006 75



rif.	codice	Q.tà
1	6.03.0727	1
2	3.42.0028	1
3	3.36.1004	5
4	3.37.0132	1
5	6.04.0295	1
6	3.46.0142	1
7	3.45.0142	1
8	6.05.0308	1
9	3.06.0232	1
10	3.40.0511	1
11	3.36.1009	1
12	3.46.0049	2
13	3.45.0049	1
14	6.07.0532	1
15	5.55.0768	1

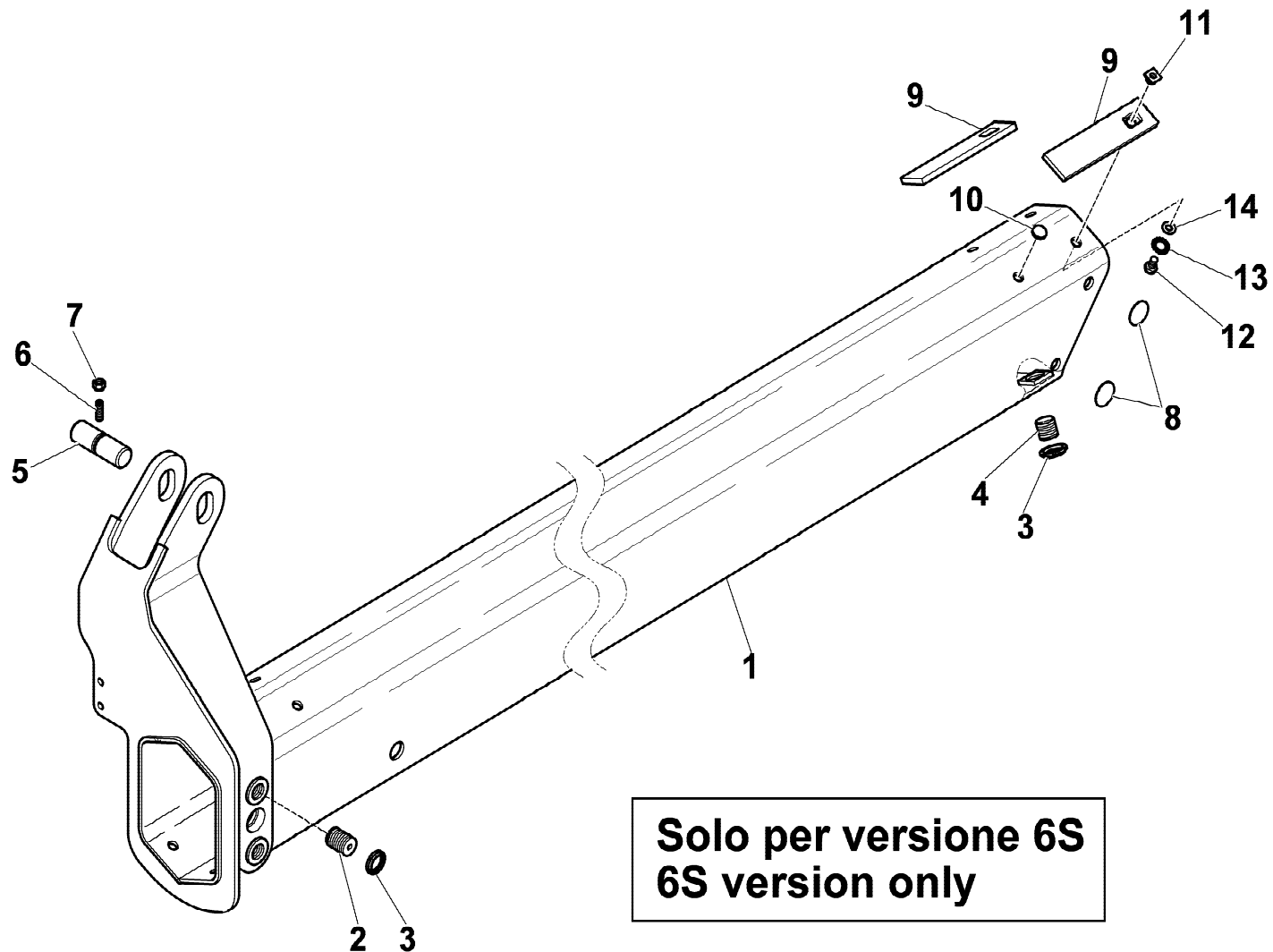
1/1

HYVA[®] CRANE
HC501

MARTINETTO 5° E 6° SFILLO
 5TH AND 6TH EXTENSION HYDRAULIC CYLINDER
 VERIN 5ÈME ET 6ÈME RALLONGE
 5. UND 6. VERLAENGERUNSWINDE
 5° Y 6° GATO DE PROLONGACION

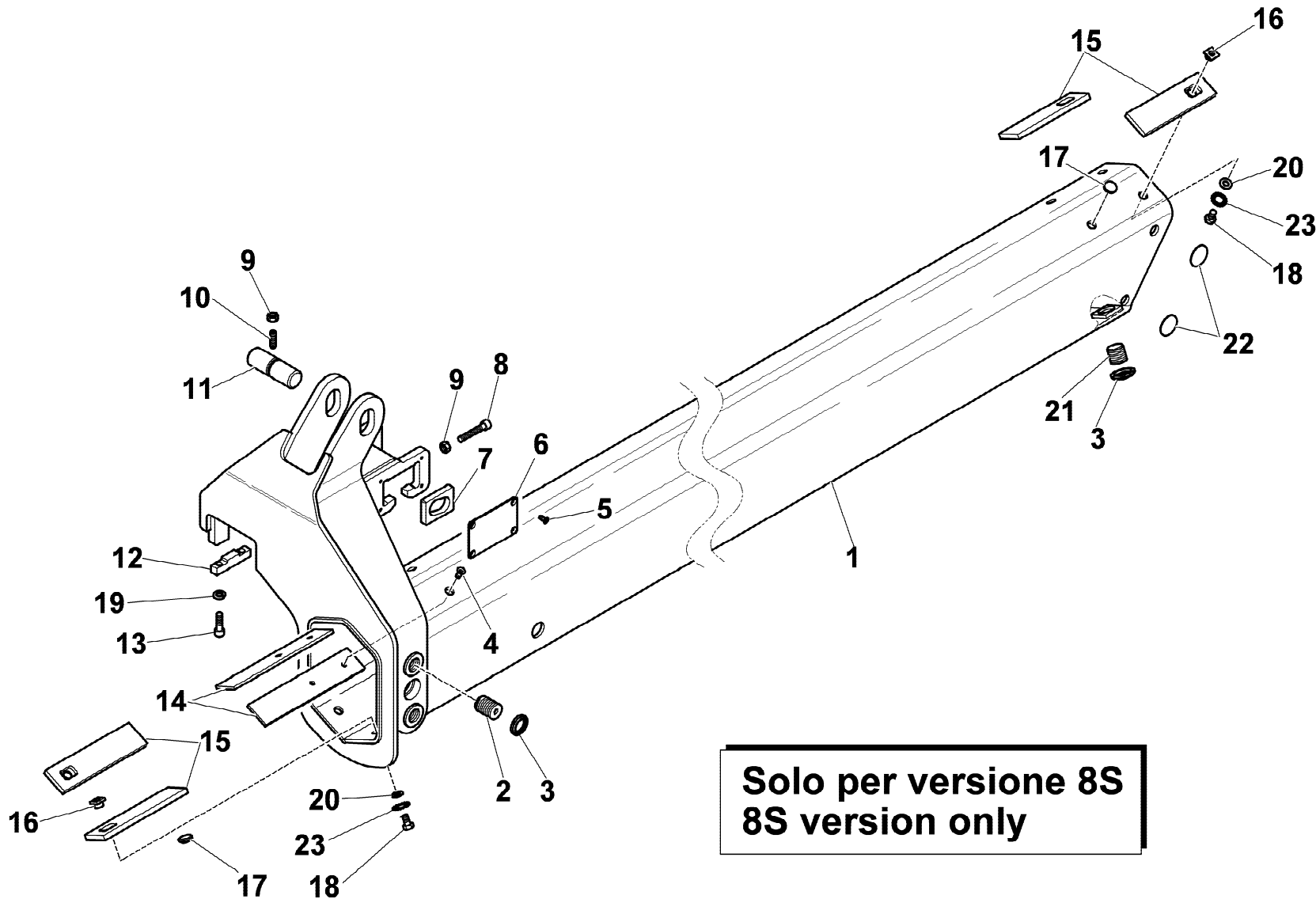
Tavola
6.41.0330-1-0

Data pag.
 giugno 2006 76



rif.	codice	Q.tà
1	5.02.0475	1
2	5.00.1582	4
3	3.04.0529	4
4	5.00.1444	2
5	5.15.0769	1
6	3.06.0956	1
7	3.04.0046	1
8	5.14.0789	4
9	5.14.0998	2
10	5.00.1253	2
11	5.00.0827	2
12	3.01.0353	2
13	3.06.0920	2
14	3.06.0914	2

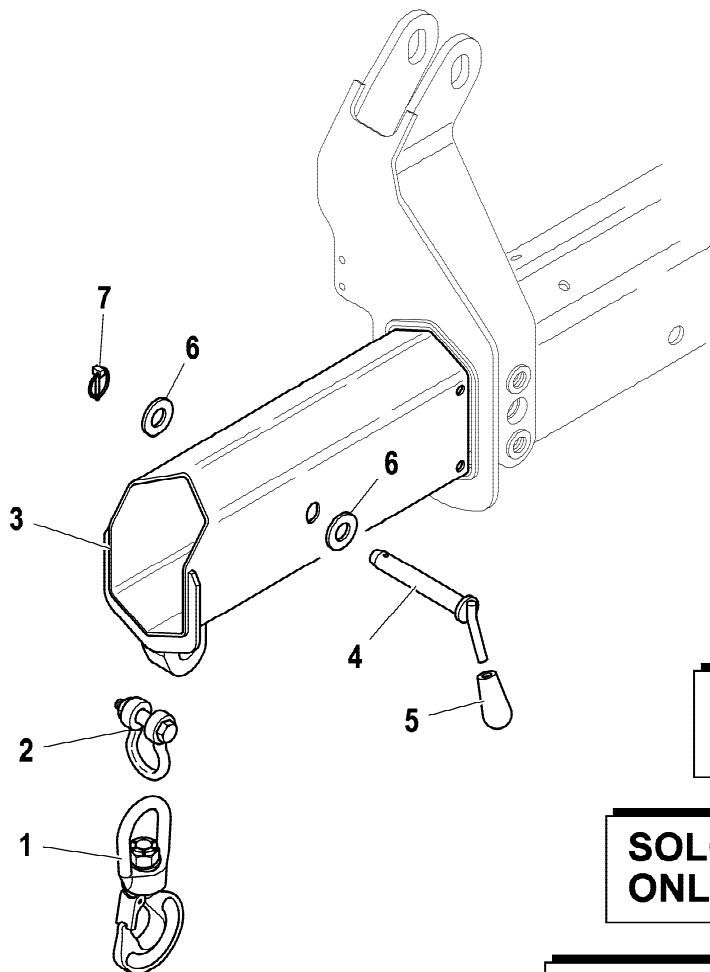
Solo per versione 6S
6S version only



**Solo per versione 8S
8S version only**

rif.	codice	Q.tà
1	5.02.0470	1
2	5.00.1582	4
3	3.04.0529	4
4	3.02.0450	4
5	3.02.0439	8
6	5.00.1446	2
7	5.00.1450	2
8	3.02.0079	2
9	3.04.0046	2
10	3.06.0956	1
11	5.15.0769	1
12	5.00.1443	2
13	3.02.0071	4
14	5.14.0974	2
15	5.14.0998	4
16	5.00.0827	4
17	5.00.1253	4
18	3.01.0353	4
19	3.06.0056	4
20	3.06.0914	4
21	5.00.1444	2
22	5.14.0789	4
23	3.06.0920	4

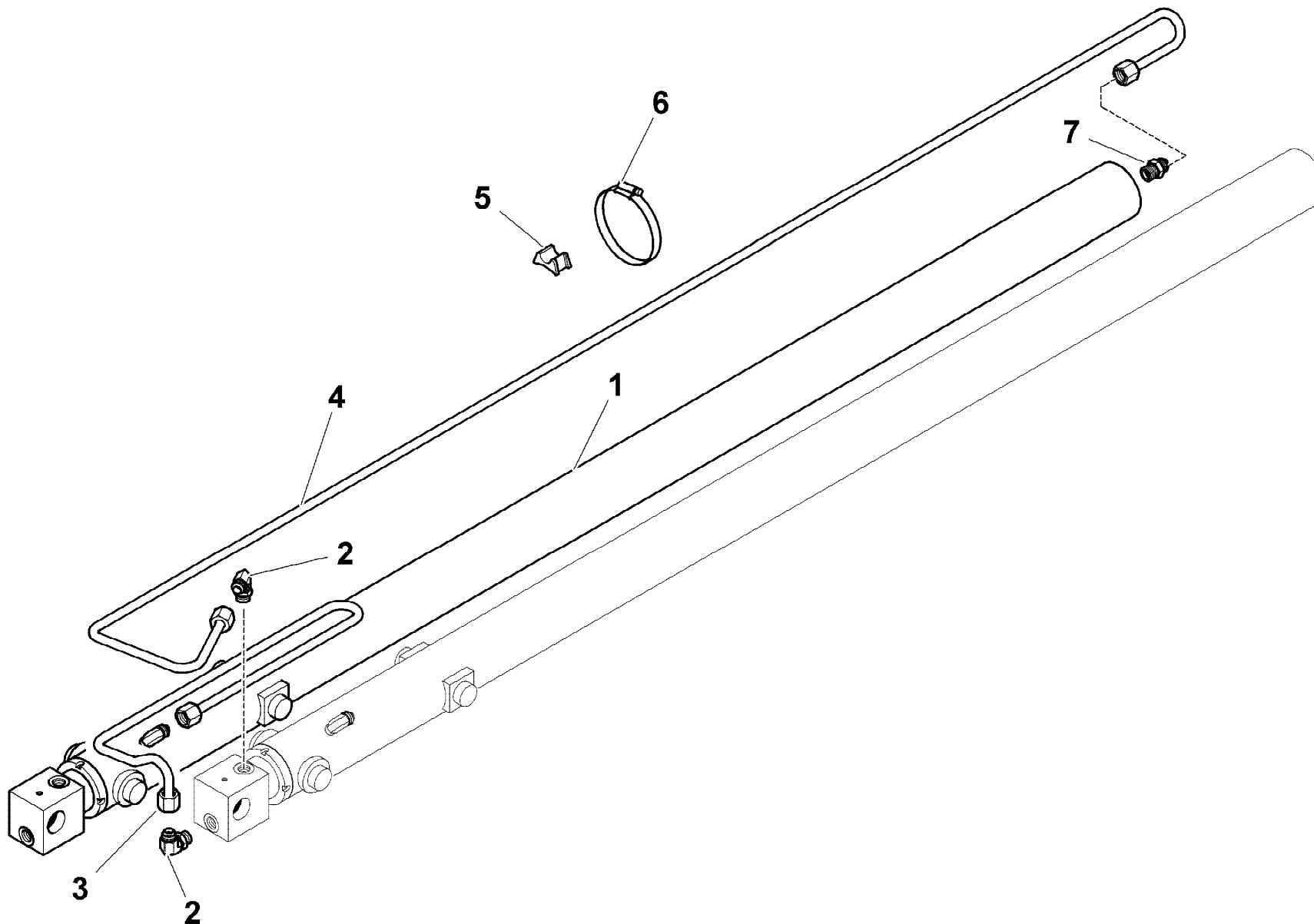
rif.	codice	Q.tà
1	3.20.0009	1
2	3.20.0070	1
3	5.02.0479	1
4	5.15.0034	1
5	3.19.0010	1
6	3.06.0016	2
7	3.06.0753	1



**SOLO PER 6S
ONLY FOR 6S**

**SOLO PER A6
ONLY FOR A6**

ONLY FOR E6



rif.	codice	Q.tà
1	6.41.0330	1
2	3.10.1131	2
3	5.39.2136	1
4	5.39.2137	1
5	5.14.0133	2
6	3.19.0024	2
7	3.10.1051	1

1/1

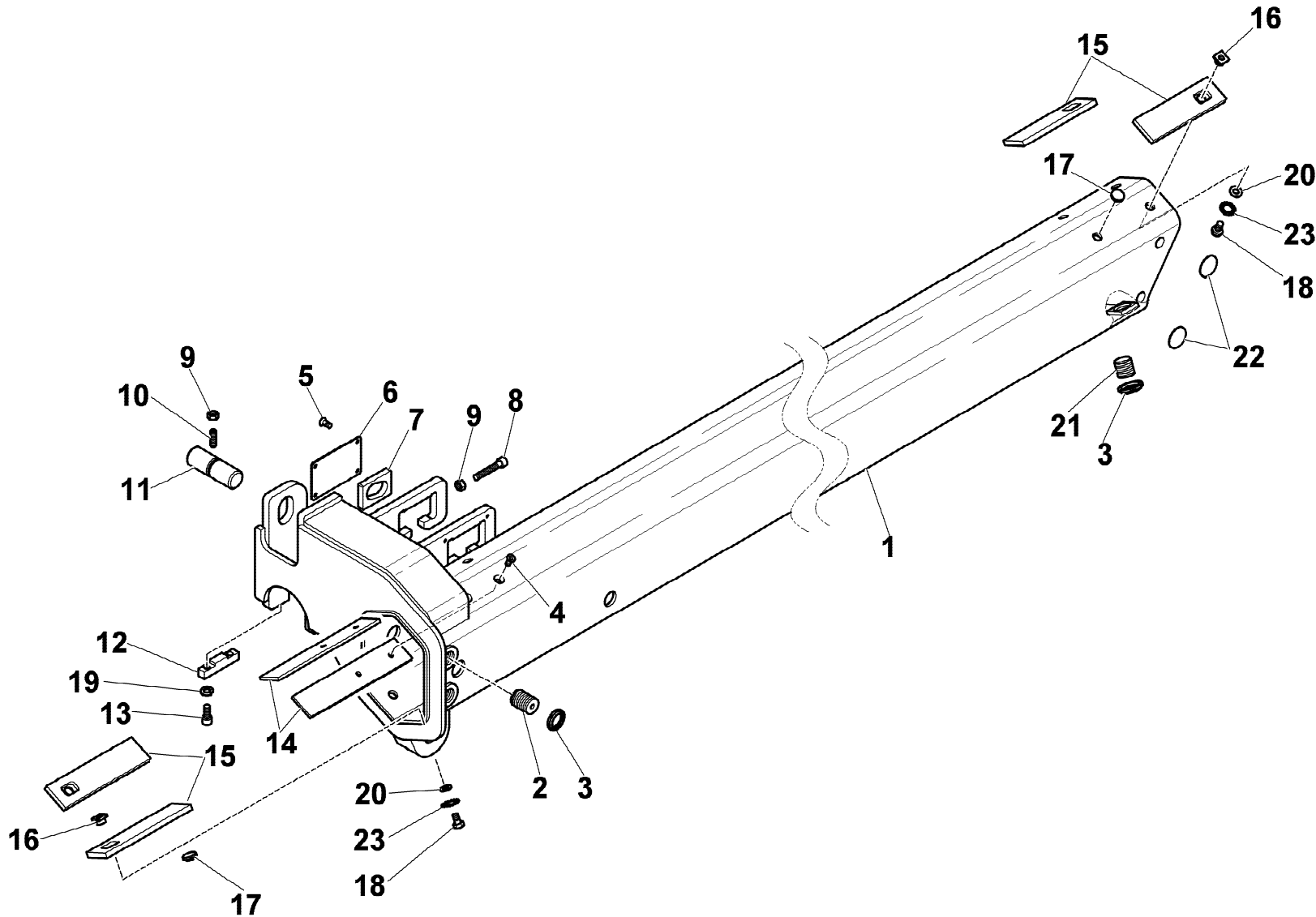
HYVA[®] CRANE
HC501

MARTINETTO 6° SFILO (IMPIANTO OLEODINAMICO)
6TH EXTENSION HYDRAULIC JACK (HYDRAULIC SYSTEM)
VÉRIN 6ÈME RALLONGE (INSTALLATION HYDRAULIQUE)
6. SCHUBZYLINDER (HYDRAULIKANLAGE)
GATO 6ª EXTENSIÓN (INSTALACION HIDRAULICA)

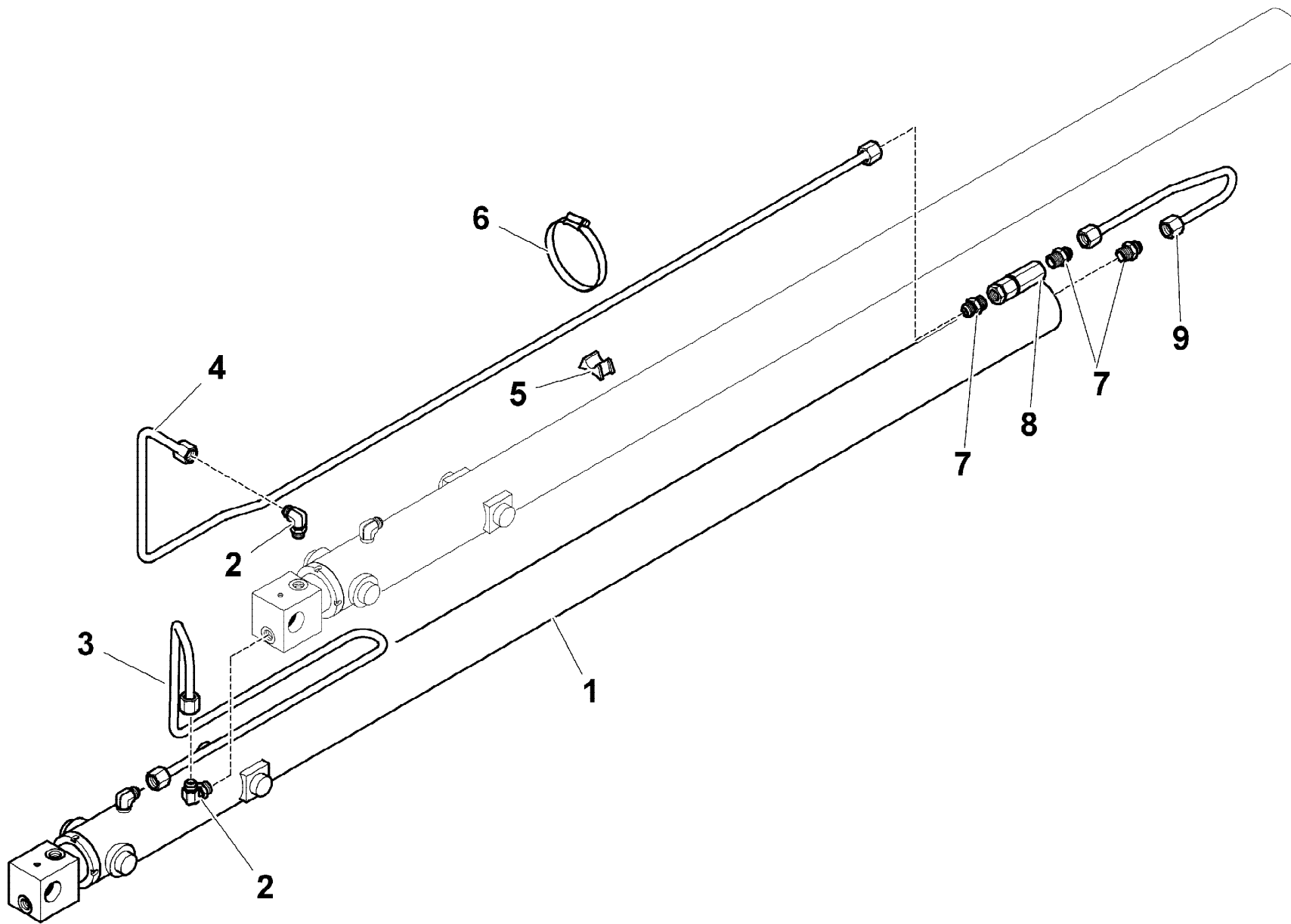
Tavola

6.21.0334-1-0

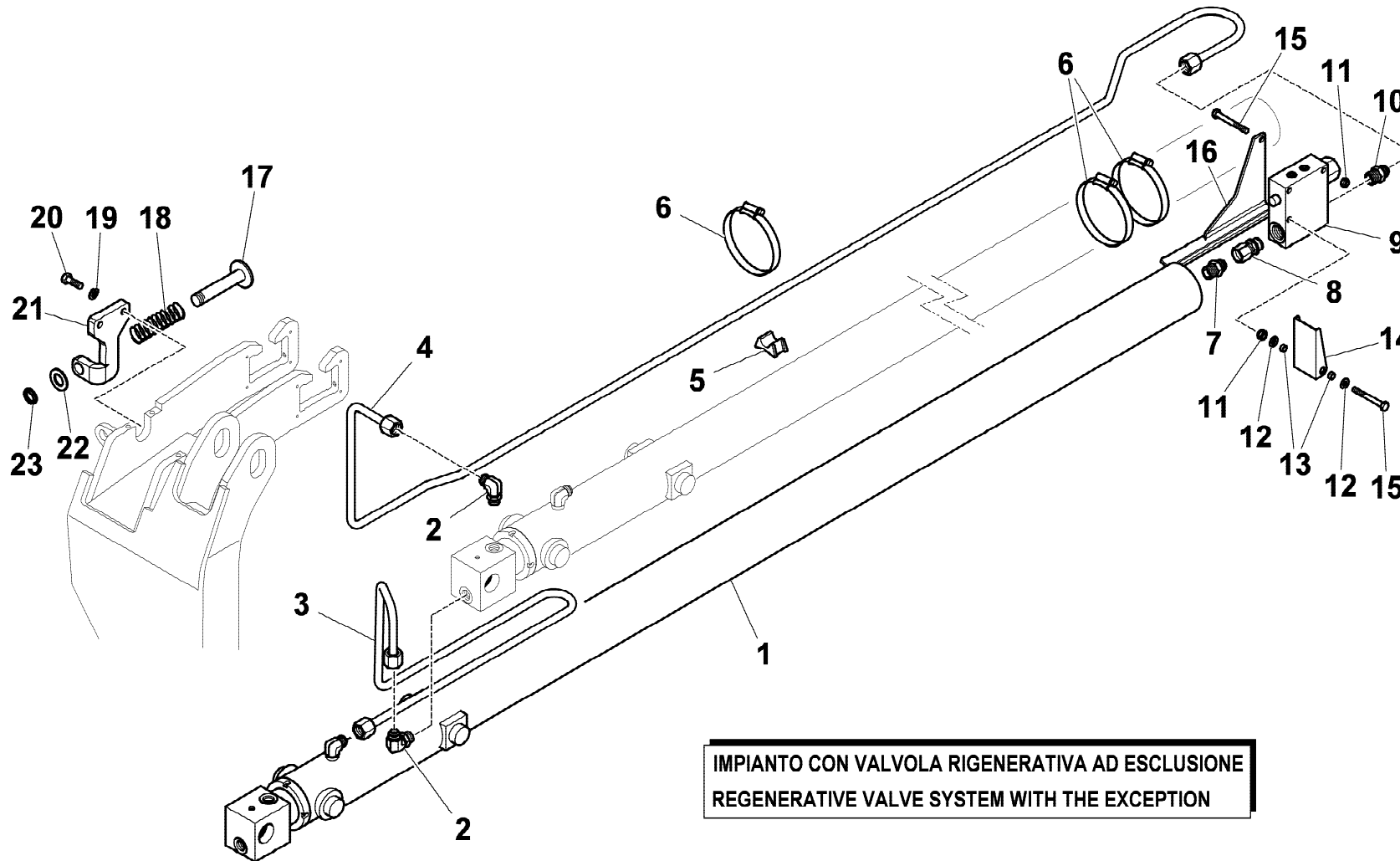
Data pag.
giugno 2006 80



rif.	codice	Q.tà
1	5.02.0471	1
2	5.00.1582	4
3	3.04.0529	4
4	3.02.0450	4
5	3.02.0439	8
6	5.00.1446	4
7	5.00.1450	2
8	3.02.0079	2
9	3.04.0046	3
10	3.06.0956	1
11	5.15.0679	1
12	5.00.1443	2
13	3.02.0071	4
14	5.14.0974	2
15	5.14.0998	4
16	5.00.0827	4
17	5.00.1253	4
18	3.01.0353	4
19	3.06.0056	4
20	3.06.0914	4
21	5.00.1444	2
22	5.14.0789	4
23	3.06.0920	4

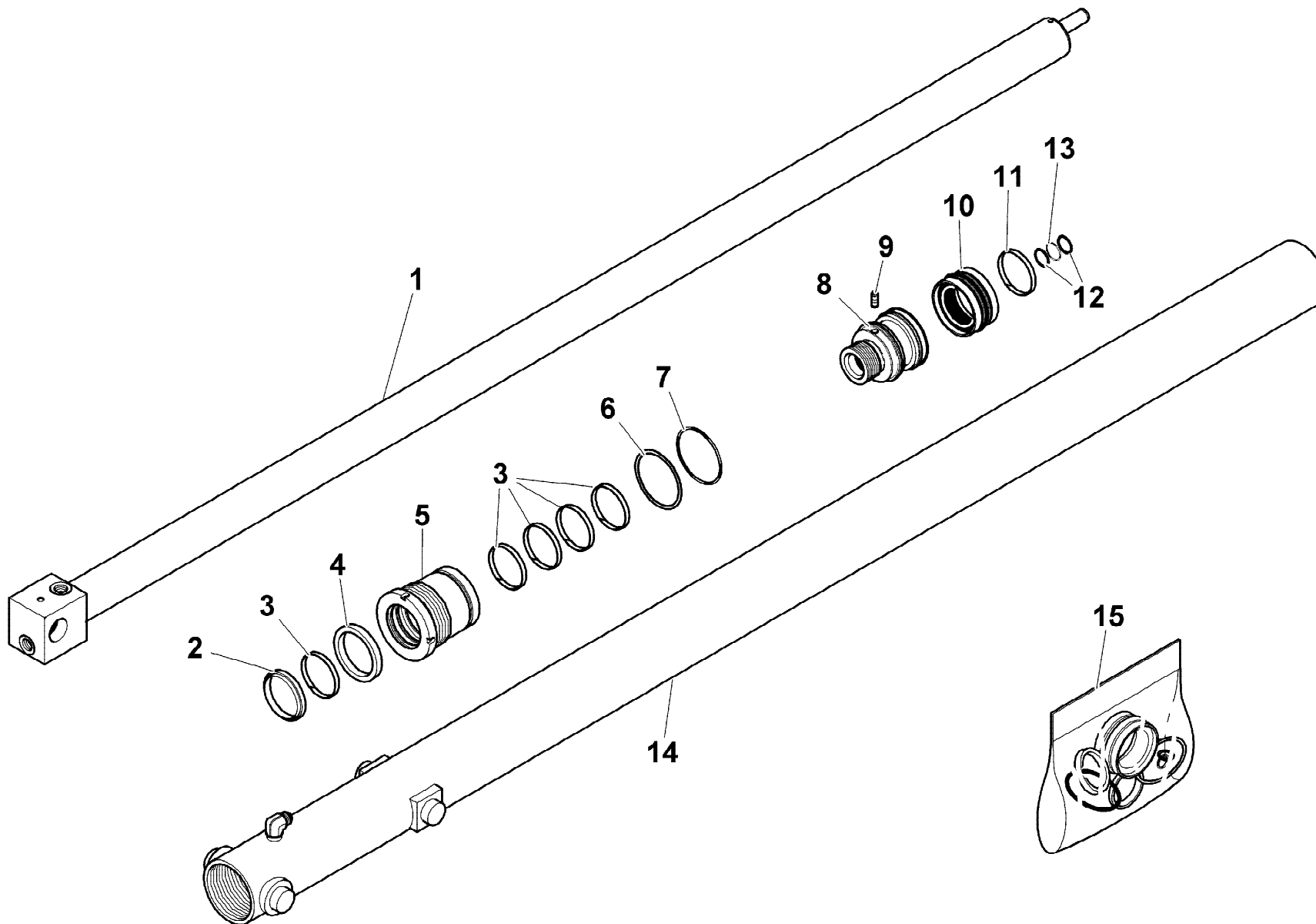


rif.	codice	Q.tà
1	6.41.0331	1
2	3.10.1131	2
3	5.39.2168	1
4	5.39.2167	1
5	5.14.0133	2
6	3.19.0024	2
7	3.10.1051	3
8	5.22.0693	1
9	5.39.2130	1



ref.	codice	Q.tà
1	6.41.0331	1
2	3.10.1131	2
3	5.39.2168	1
4	5.39.0609	1
5	5.14.0133	2
6	3.19.0024	4
7	3.10.1058	1
8	3.12.0333	1
9	5.22.0960	1
10	3.12.0073	1
11	3.04.0303	2
12	3.06.0006	2
13	W.102.116	2
14	5.00.1807	1
15	3.01.0037	2
16	5.00.0196	1
17	5.15.0870	1
18	3.06.1001	1
19	3.06.0056	2
20	3.01.0356	2
21	5.00.0195	1
22	3.06.0012	1
23	3.04.0504	1

IMPIANTO CON VALVOLA RIGENERATIVA AD ESCLUSIONE
 REGENERATIVE VALVE SYSTEM WITH THE EXCEPTION



rif.	codice	Q.tà
1	6.03.0729	1
2	3.42.0026	1
3	3.36.1003	5
4	5.39.0503	1
5	6.04.0296	1
6	3.46.0142	1
7	3.45.0142	1
8	6.05.0309	1
9	3.06.0232	1
10	3.40.0511	1
11	3.36.1009	1
12	3.46.0382	2
13	3.45.0050	1
14	6.07.0533	1
15	5.55.0769	1

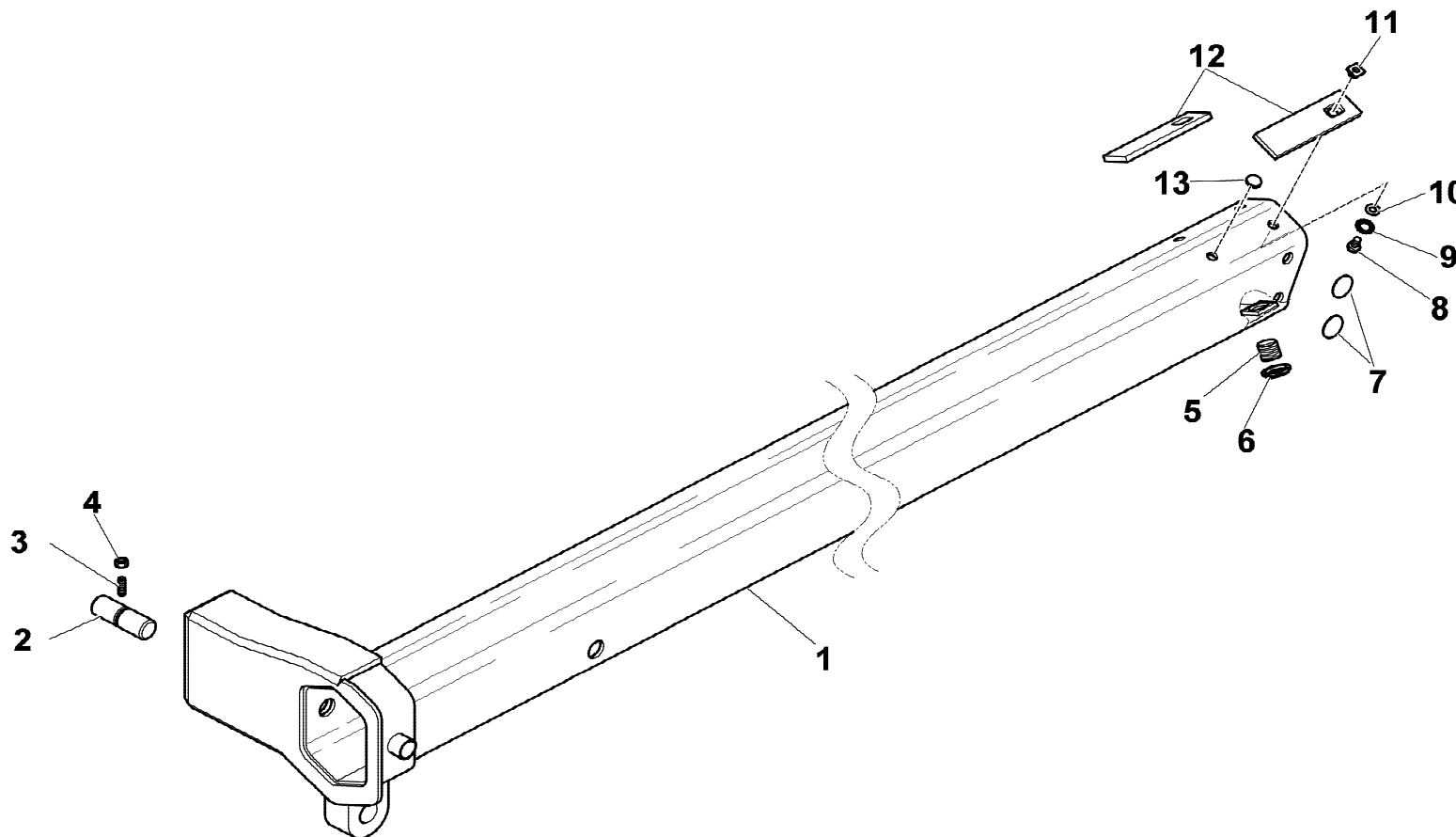
1/1

HYVA[®] CRANE
HC501

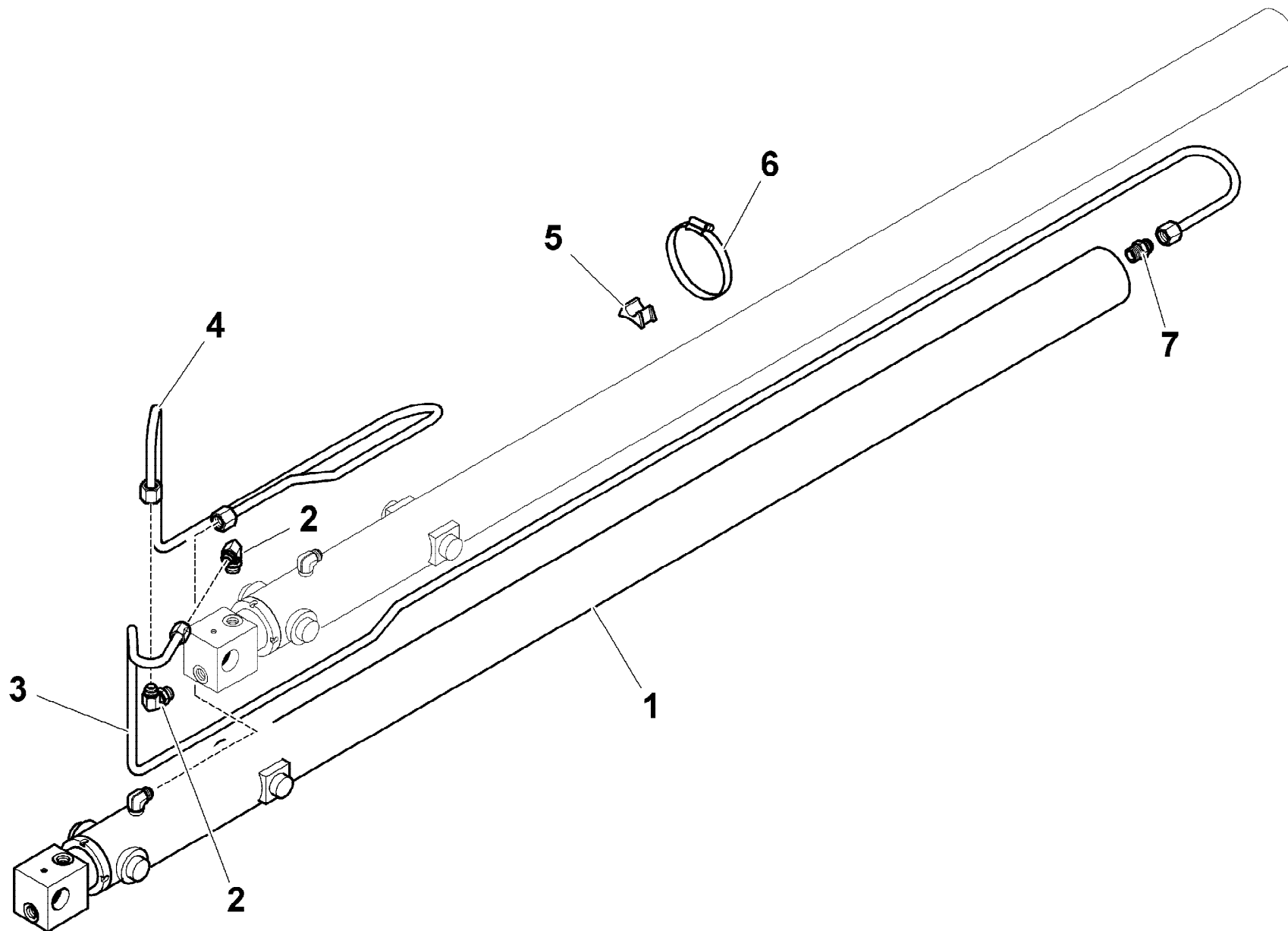
MARTINETTO 7° SFILLO
 7TH EXTENSION HYDRAULIC JACK
 VÉRIN 7ÈME RALLONGE
 7. SCHUBZYLINDER
 GATO 7ª EXTENSIÓN

Tavola
6.41.0331-1-0

Data pag.
 giugno 2006 84



rif.	codice	Q.tà
1	5.02.0472	1
2	5.15.0769	1
3	3.06.0956	1
4	3.04.0046	1
5	5.00.1444	2
6	3.04.0529	2
7	5.14.0789	4
8	3.01.0353	2
9	3.06.0920	2
10	3.06.0914	2
11	5.00.0827	2
12	5.14.0998	2
13	5.00.1253	2



rif.	codice	Q.tà
1	6.41.0332	1
2	3.10.1131	2
3	5.39.2169	1
4	5.39.2170	1
5	5.14.0133	2
6	3.19.0024	2
7	3.10.1051	1

1/1

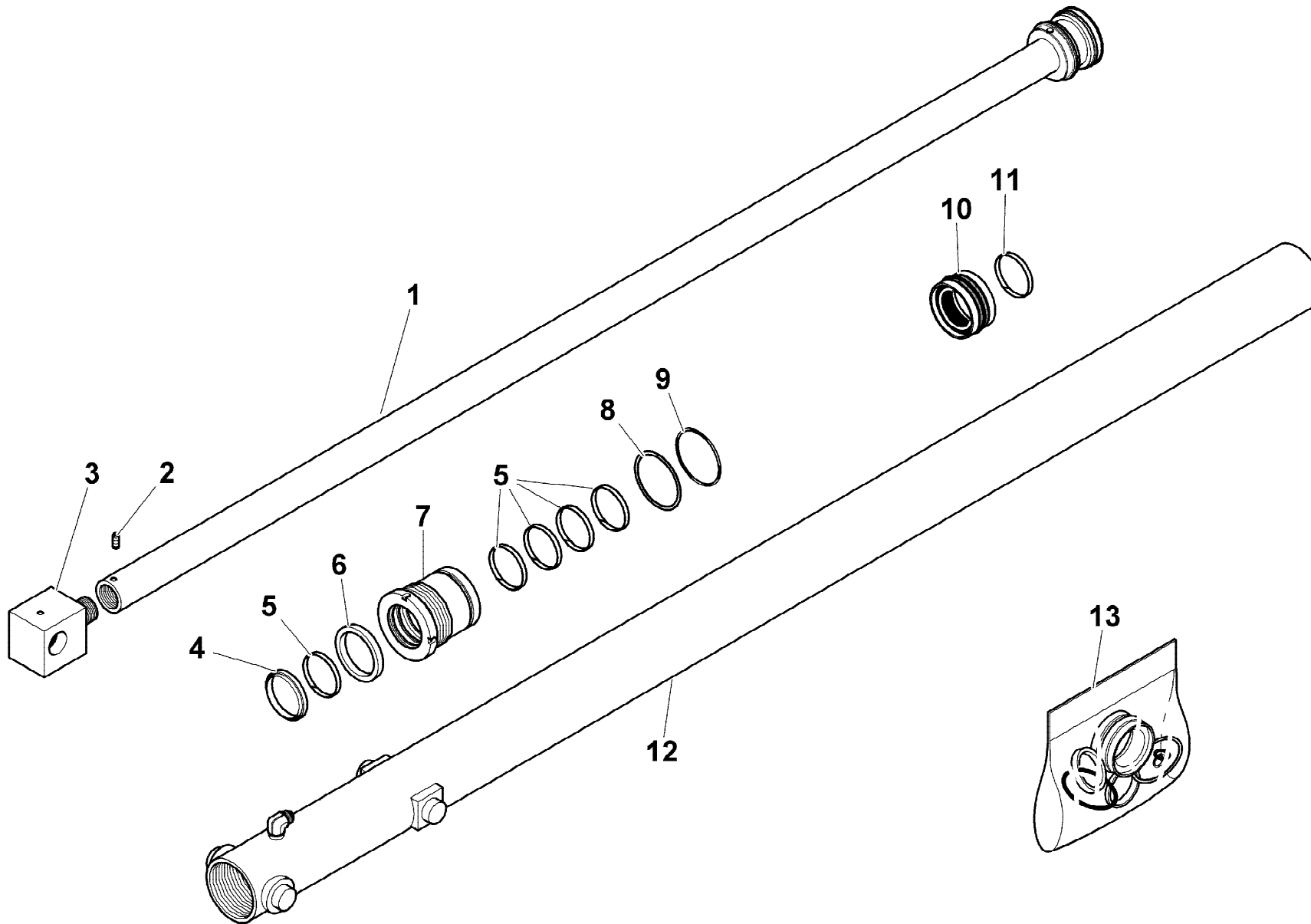
HYVA[®] CRANE
HC501

MARTINETTO 8° SFILO (IMPIANTO OLEODINAMICO)
 8TH EXTENSION HYDRAULIC JACK (HYDRAULIC SYSTEM)
 VÉRIN 8ÈME RALLONGE (INSTALLATION HYDRAULIQUE)
 8. SCHUBZYLINDER (HYDRAULIKANLAGE)
 GATO 8ª EXTENSIÓN (INSTALACION HIDRAULICA)

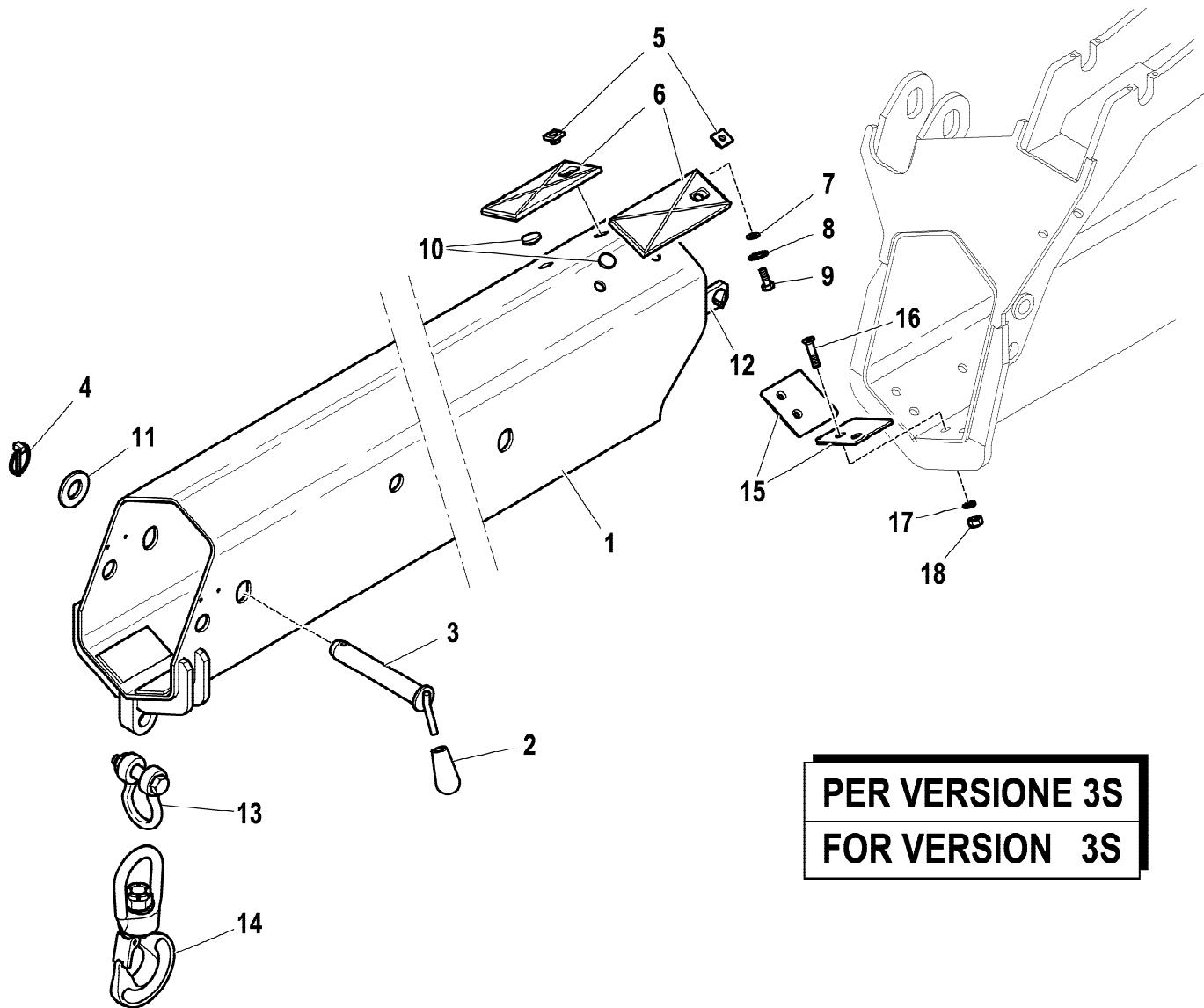
Tavola

6.21.0332-1-0

Data pag.
 giugno 2006 86



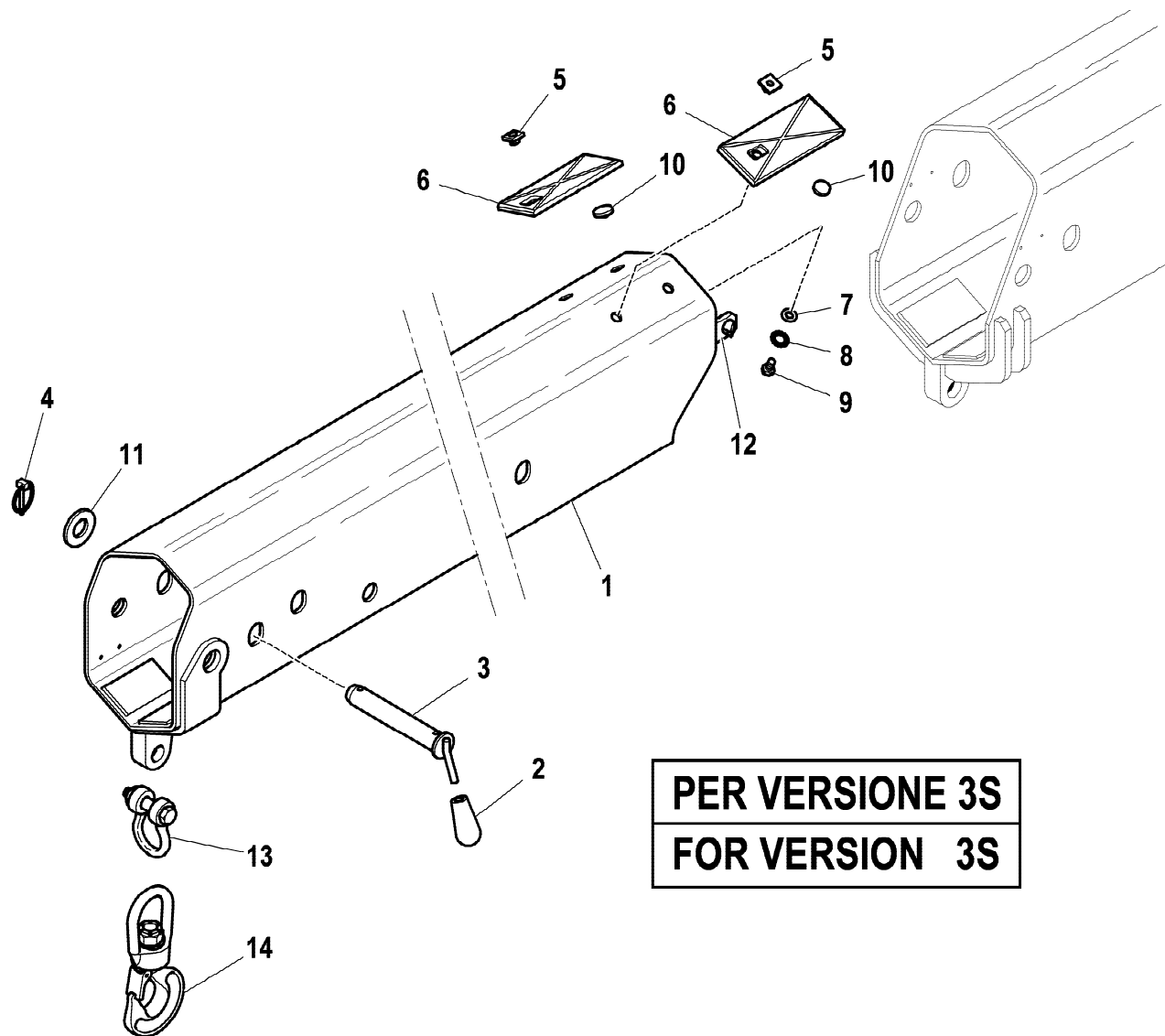
rif.	codice	Q.tà
1	6.03.0731	1
2	3.06.0249	1
3	5.00.1491	1
4	3.42.0026	1
5	3.36.1003	5
6	3.39.0503	1
7	6.04.0296	1
8	3.46.0142	1
9	3.45.0142	1
10	3.40.0511	1
11	3.36.1009	1
12	6.07.0533	1
13	5.55.0770	1



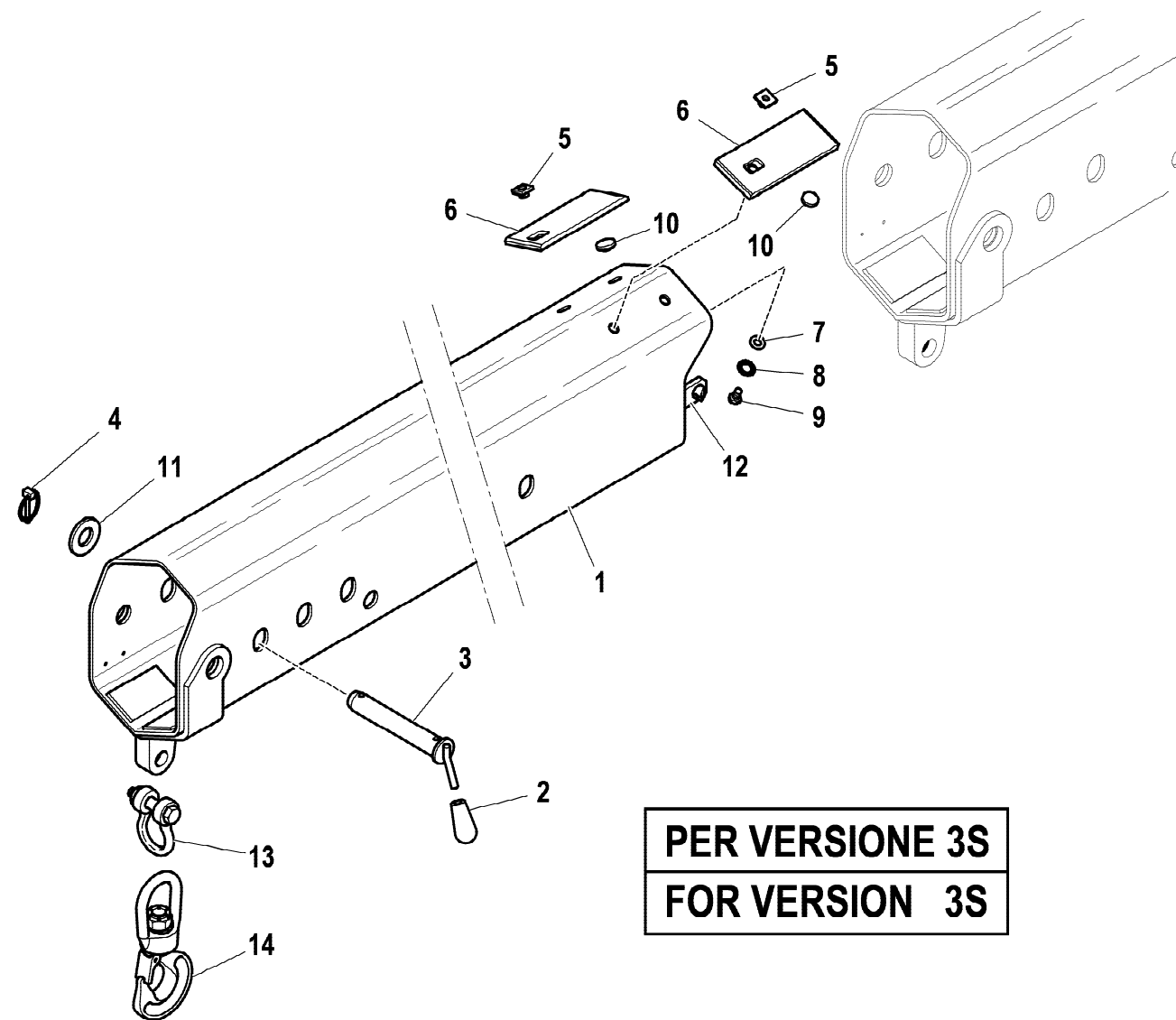
PER VERSIONE 3S
FOR VERSION 3S

rif.	codice	Q.tà
1	5.01.0335	1
2	3.19.0010	1
3	5.15.0830	1
4	3.06.0750	1
5	5.00.0827	2
6	5.14.0996	2
7	3.06.0914	2
8	3.06.0920	2
9	3.01.0353	2
10	5.00.1253	2
11	3.06.0016	1
12	5.00.0640	1
13	3.20.0067	1
14	3.20.0007	1
15	5.00.2256	2
16	3.02.0455	4
17	3.06.0918	4
18	3.04.0045	4

rif.	codice	Q.tà
1	5.01.0334	1
2	3.19.0010	1
3	5.15.0838	1
4	3.06.0750	1
5	5.00.0827	2
6	5.14.0996	2
7	3.06.0914	2
8	3.06.0920	2
9	3.01.0353	2
10	5.00.1253	2
11	3.06.0016	1
12	5.00.0640	1
13	3.20.0067	1
14	3.20.0007	1

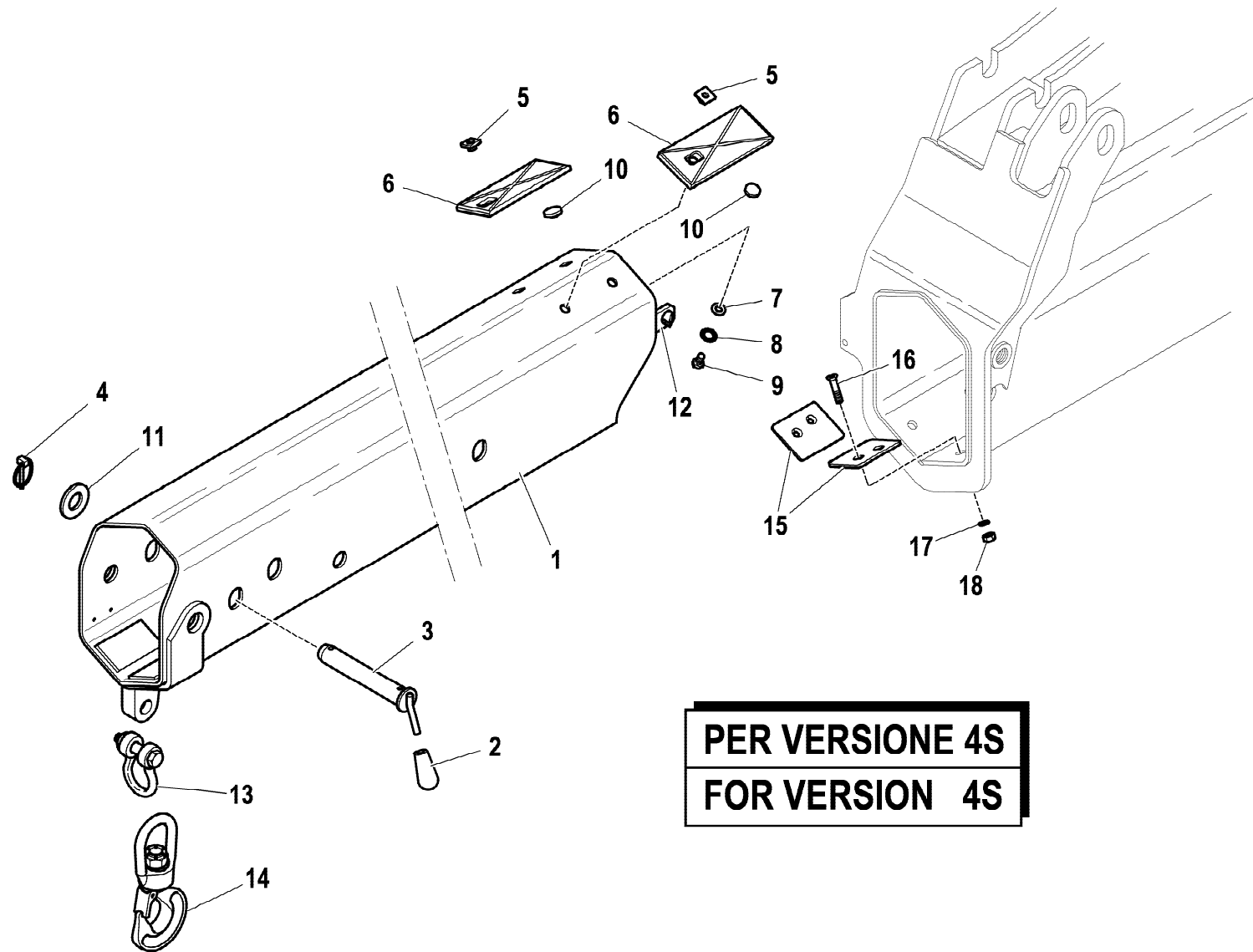


PER VERSIONE 3S
FOR VERSION 3S



rif.	codice	Q.tà
1	5.01.0333	1
2	3.19.0010	1
3	5.15.0838	1
4	3.06.0750	1
5	5.00.0827	2
6	5.14.0998	2
7	3.06.0914	2
8	3.06.0920	2
9	3.01.0353	2
10	5.00.1253	2
11	3.06.0016	1
12	5.00.0640	1
13	3.20.0067	1
14	3.20.0007	1

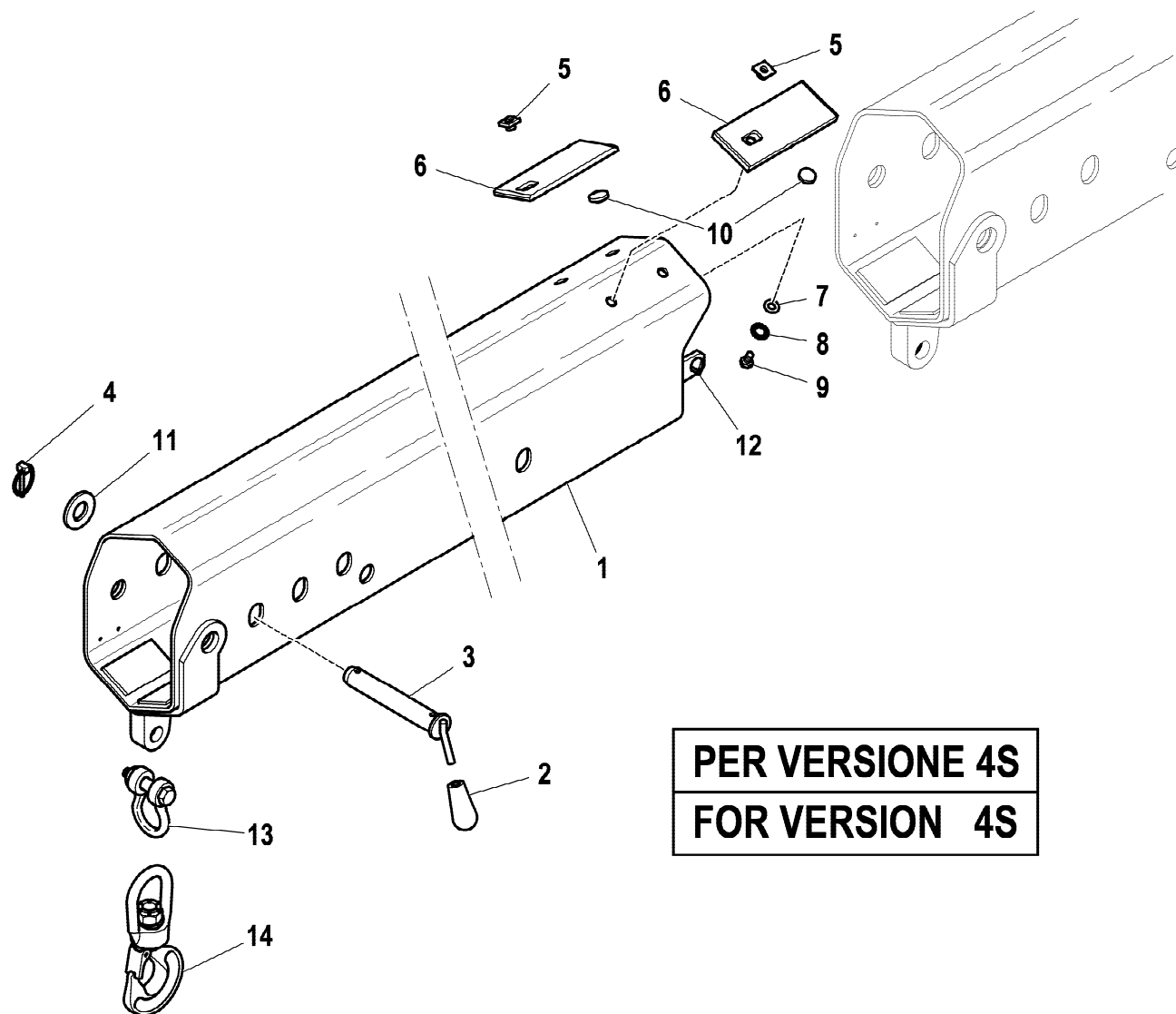
PER VERSIONE 3S
FOR VERSION 3S



PER VERSIONE 4S
FOR VERSION 4S

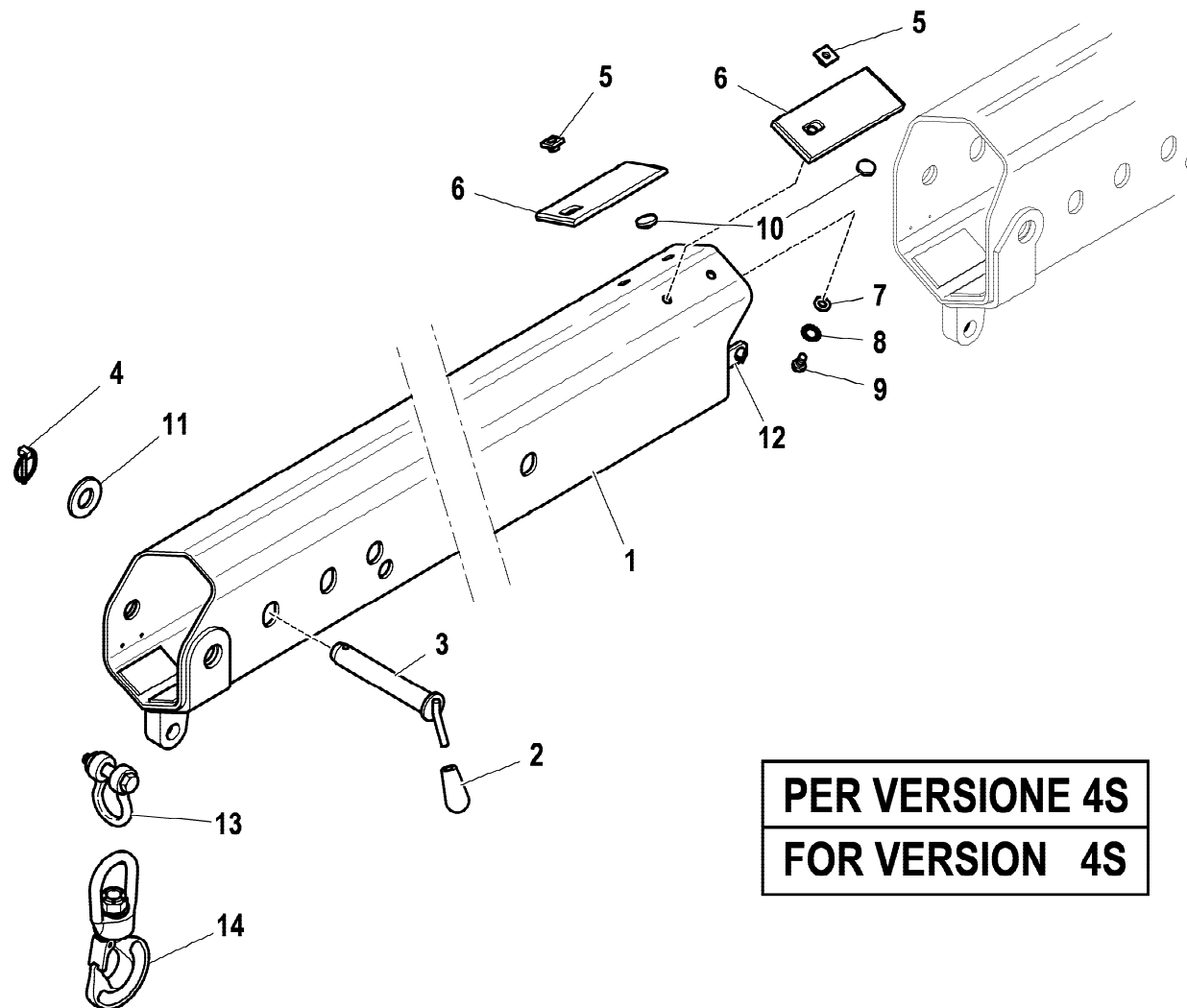
rif.	codice	Q.tà
1	5.01.0334	1
2	3.19.0010	1
3	5.15.0838	1
4	3.06.0750	1
5	5.00.0827	2
6	5.14.0996	2
7	3.06.0914	2
8	3.06.0920	2
9	3.01.0353	2
10	5.00.1253	2
11	3.06.0016	1
12	5.00.0640	1
13	3.20.0067	1
14	3.20.0007	1
15	5.00.2255	2
16	3.02.0455	2
17	3.06.0918	2
18	3.04.0045	2

rif.	codice	Q.tà
1	5.01.0333	1
2	3.19.0010	1
3	5.15.0838	1
4	3.06.0750	1
5	5.00.0827	2
6	5.14.0998	2
7	3.06.0914	2
8	3.06.0920	2
9	3.01.0353	2
10	5.00.1253	2
11	3.06.0016	1
12	5.00.0640	1
13	3.20.0067	1
14	3.20.0007	1

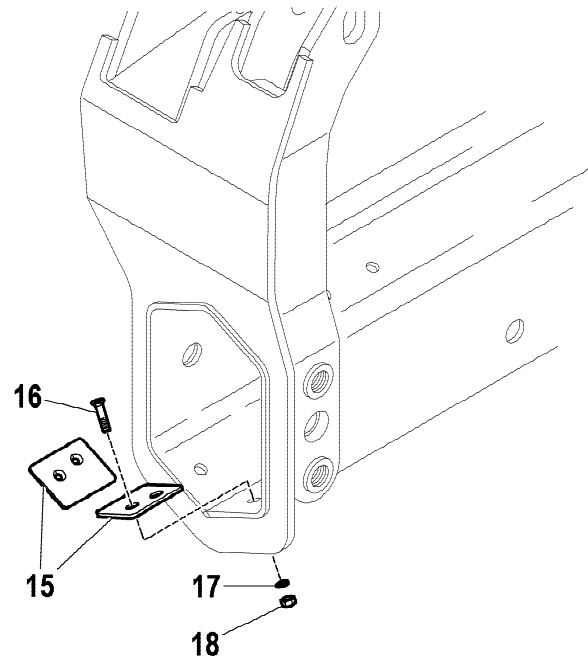
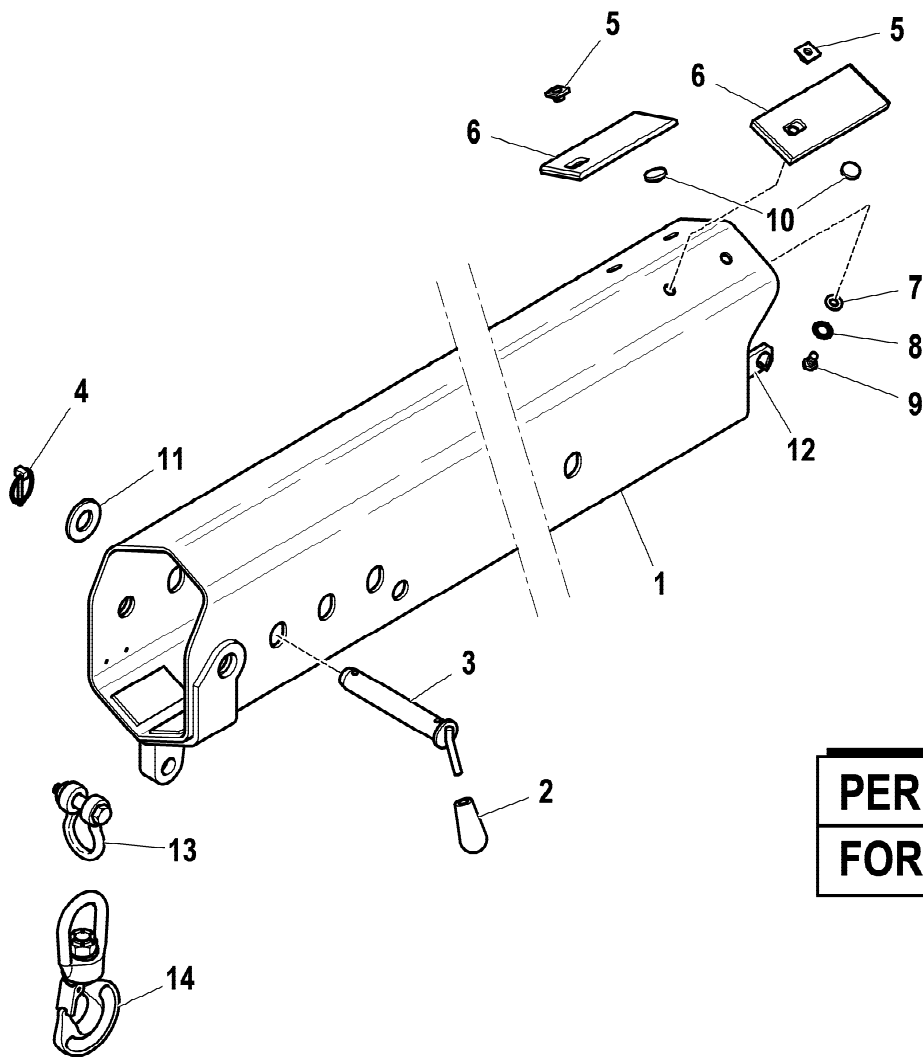


PER VERSIONE 4S
FOR VERSION 4S

rif.	codice	Q.tà
1	5.01.0332	1
2	3.19.0010	1
3	5.15.0610	1
4	3.06.0750	1
5	5.00.0827	2
6	5.14.0998	2
7	3.06.0914	2
8	3.06.0920	2
9	3.01.0353	2
10	5.00.1253	2
11	3.06.0016	1
12	5.00.0640	1
13	3.20.0067	1
14	3.20.0007	1



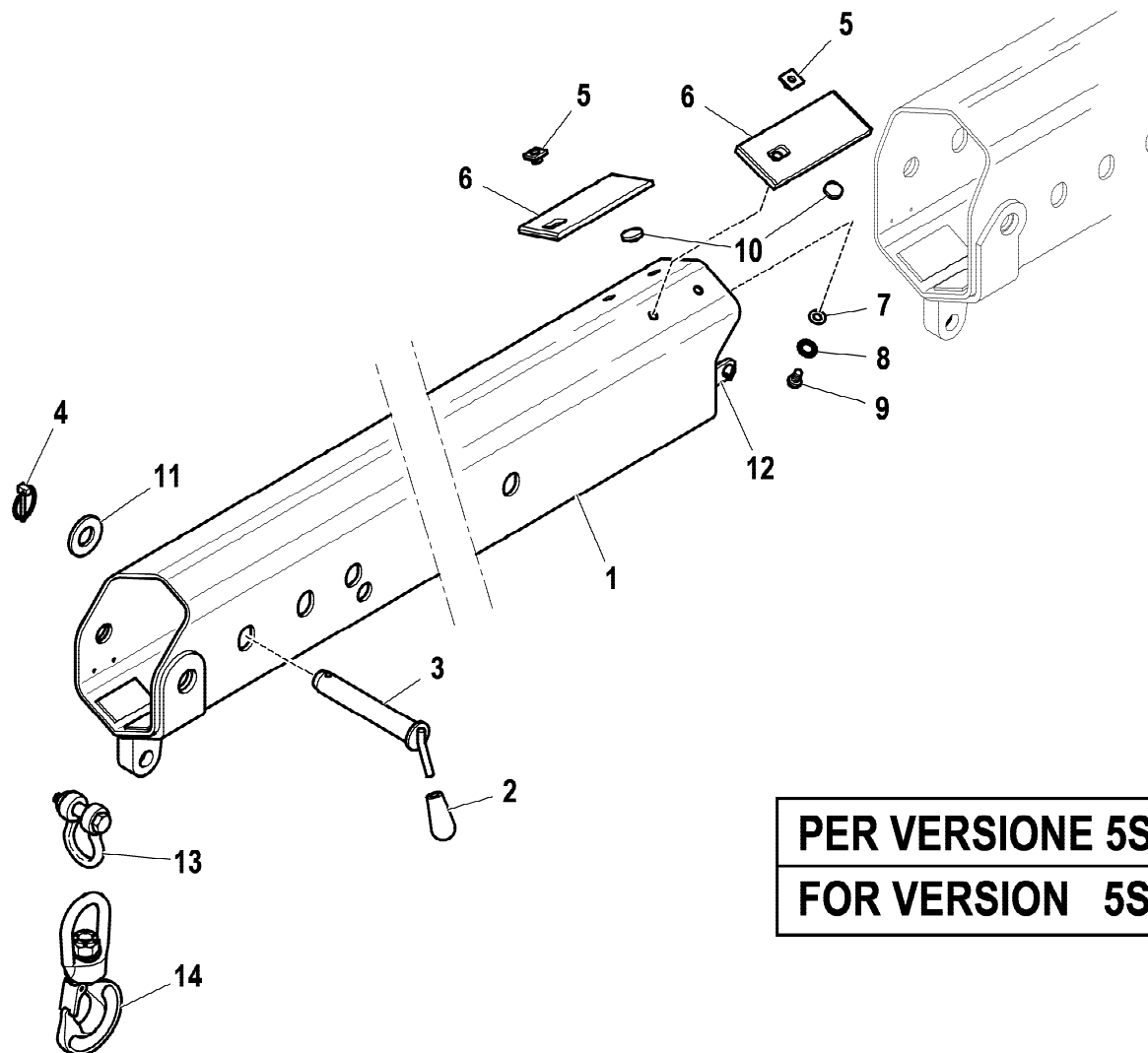
PER VERSIONE 4S
FOR VERSION 4S



PER VERSIONE 5S
FOR VERSION 5S

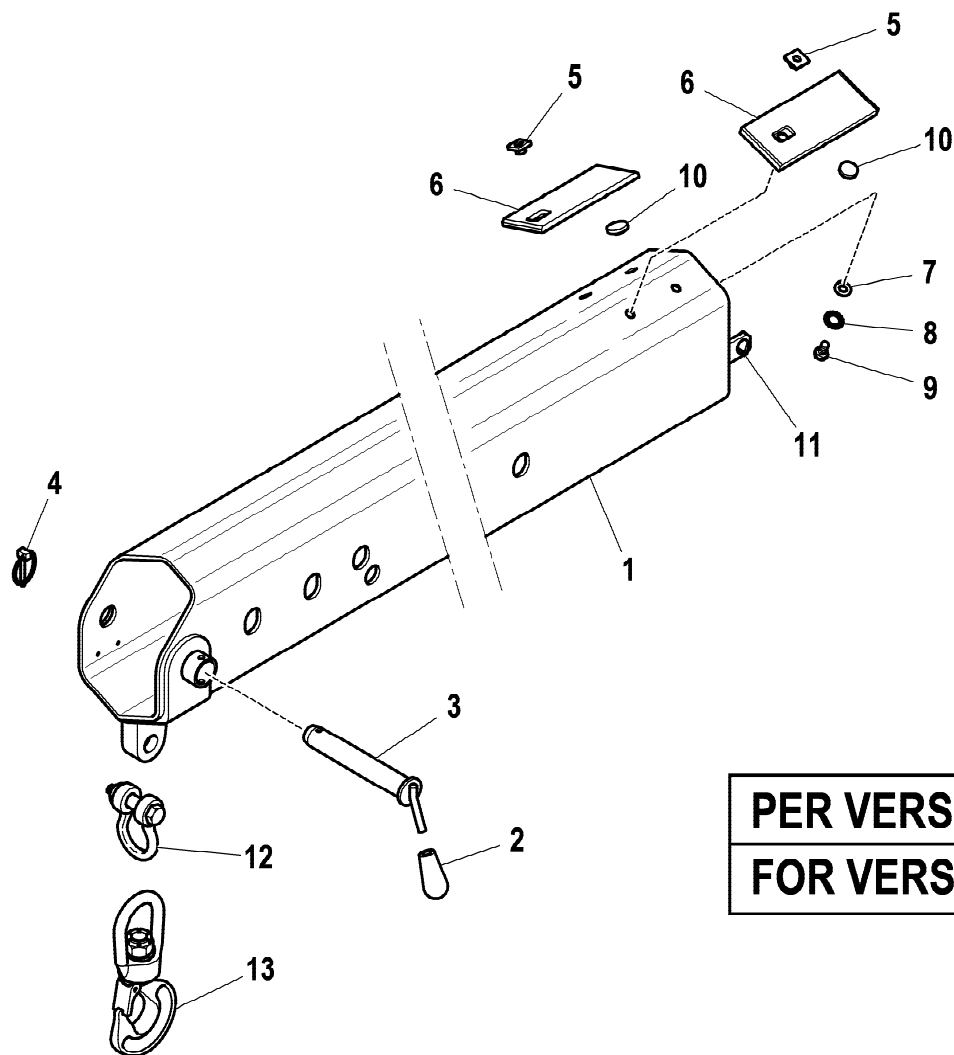
rif.	codice	Q.tà
1	5.01.0333	1
2	3.19.0010	1
3	5.15.0838	1
4	3.06.0750	1
5	5.00.0827	2
6	5.14.0998	2
7	3.06.0914	2
8	3.06.0920	2
9	3.01.0353	2
10	5.00.1253	2
11	3.06.0016	1
12	5.00.0640	1
13	3.20.0067	1
14	3.20.0007	1
15	5.00.2255	2
16	3.02.0455	2
17	3.06.0918	2
18	3.04.0045	2

rif.	codice	Q.tà
1	5.01.0332	1
2	3.19.0010	1
3	5.15.0610	1
4	3.06.0750	1
5	5.00.0827	2
6	5.14.0998	2
7	3.06.0914	2
8	3.06.0920	2
9	3.01.0353	2
10	5.00.1253	2
11	3.06.0016	1
12	5.00.0640	1
13	3.20.0067	1
14	3.20.0007	1

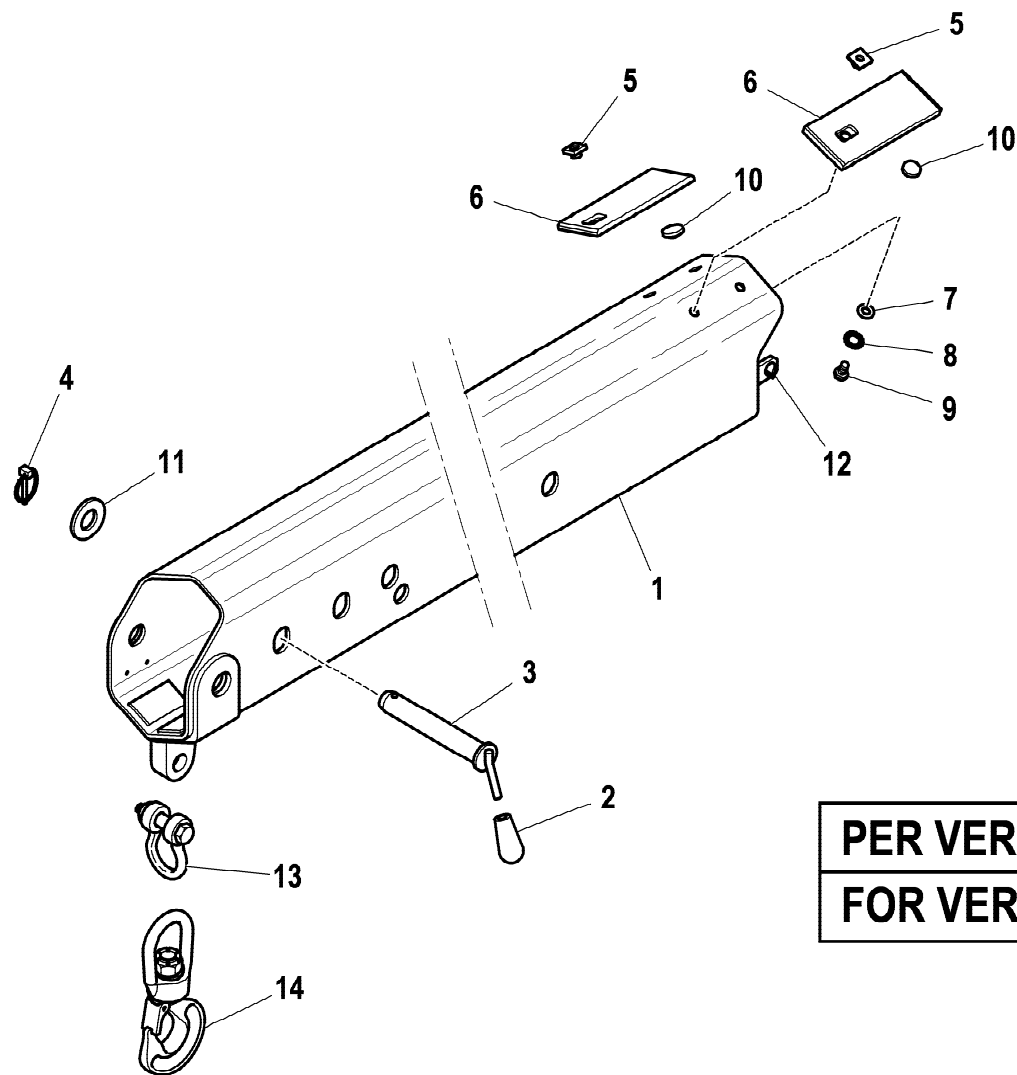


PER VERSIONE 5S
FOR VERSION 5S

rif.	codice	Q.tà
1	5.01.0331	1
2	3.19.0010	1
3	5.15.0238	1
4	3.06.0750	1
5	5.00.0827	2
6	5.14.0998	2
7	3.06.0914	2
8	3.06.0920	2
9	3.01.0353	2
10	5.00.1253	2
11	5.00.0640	1
12	3.20.0067	1
13	3.20.0007	1



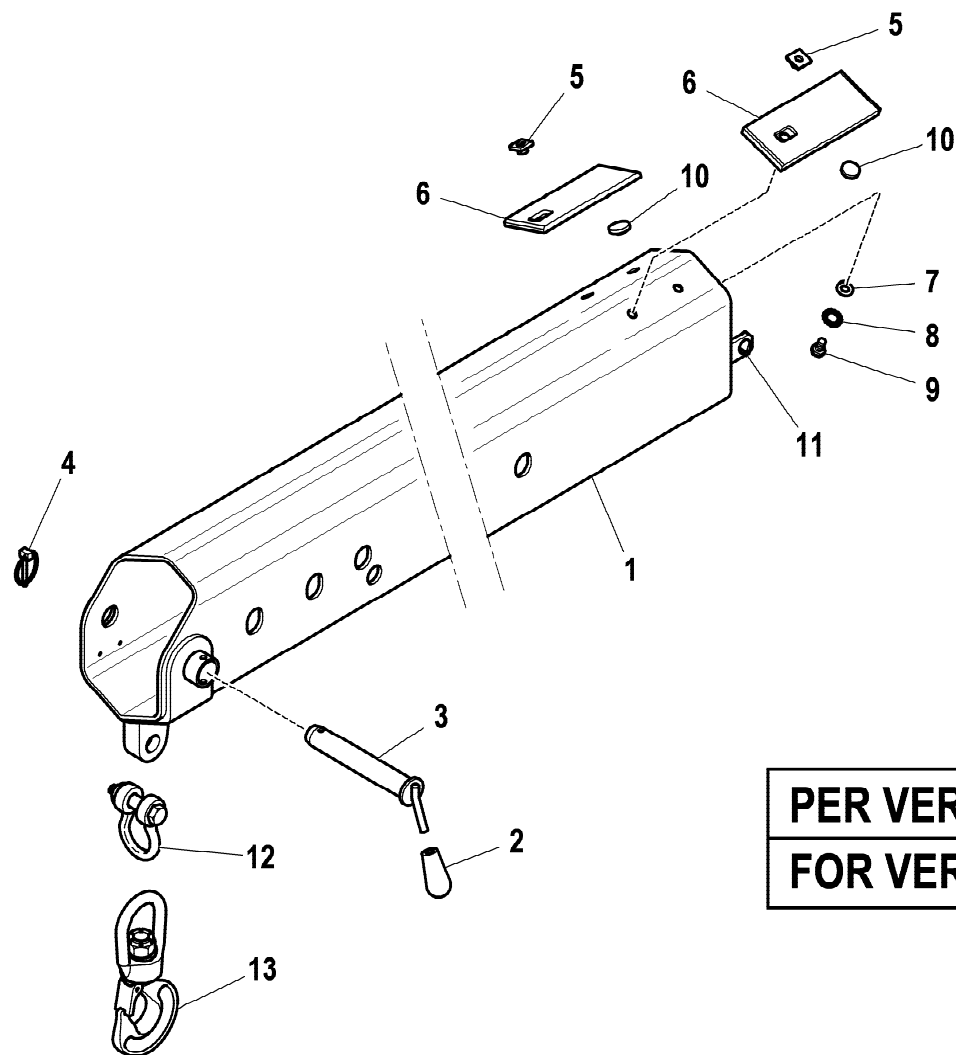
PER VERSIONE 5S
FOR VERSION 5S



PER VERSIONE 6S
FOR VERSION 6S

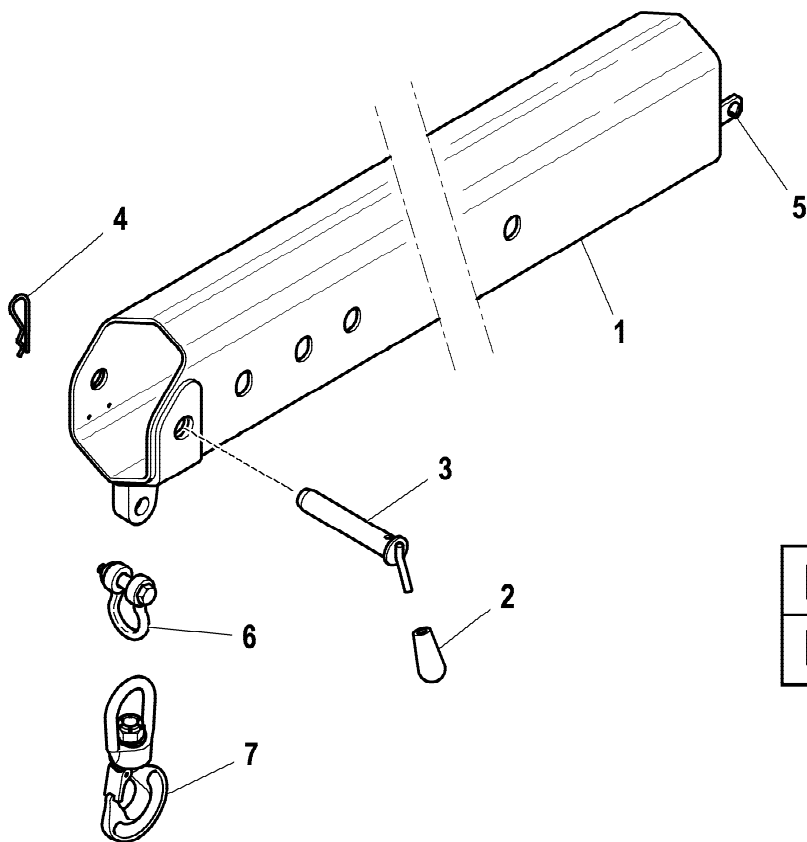
rif.	codice	Q.tà
1	5.01.0332	1
2	3.19.0010	1
3	5.15.0610	1
4	3.06.0750	1
5	5.00.0827	2
6	5.14.0998	2
7	3.06.0914	2
8	3.06.0920	2
9	3.01.0353	2
10	5.00.1253	2
11	3.06.0016	1
12	5.00.0640	1
13	3.20.0067	1
14	3.20.0007	1

rif.	codice	Q.tà
1	5.01.0331	1
2	3.19.0010	1
3	5.15.0238	1
4	3.06.0750	1
5	5.00.0827	2
6	5.14.0998	2
7	3.06.0914	2
8	3.06.0920	2
9	3.01.0353	2
10	5.00.1253	2
11	5.00.0640	1
12	3.20.0067	1
13	3.20.0007	1



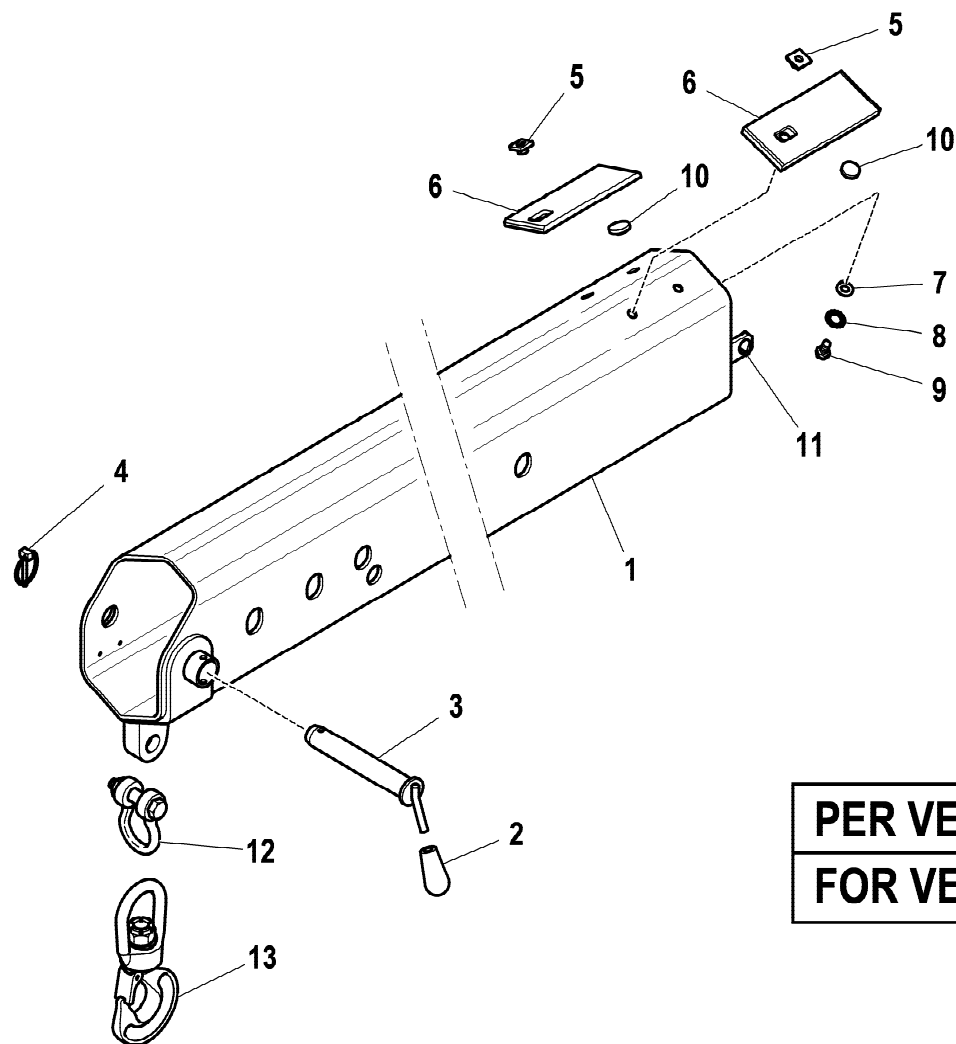
PER VERSIONE 6S
FOR VERSION 6S

rif.	codice	Q.tà
1	5.01.0330	1
2	3.19.0010	1
3	5.15.0837	1
4	3.06.0704	1
5	5.00.0640	1
6	3.20.0067	1
7	3.20.0007	1



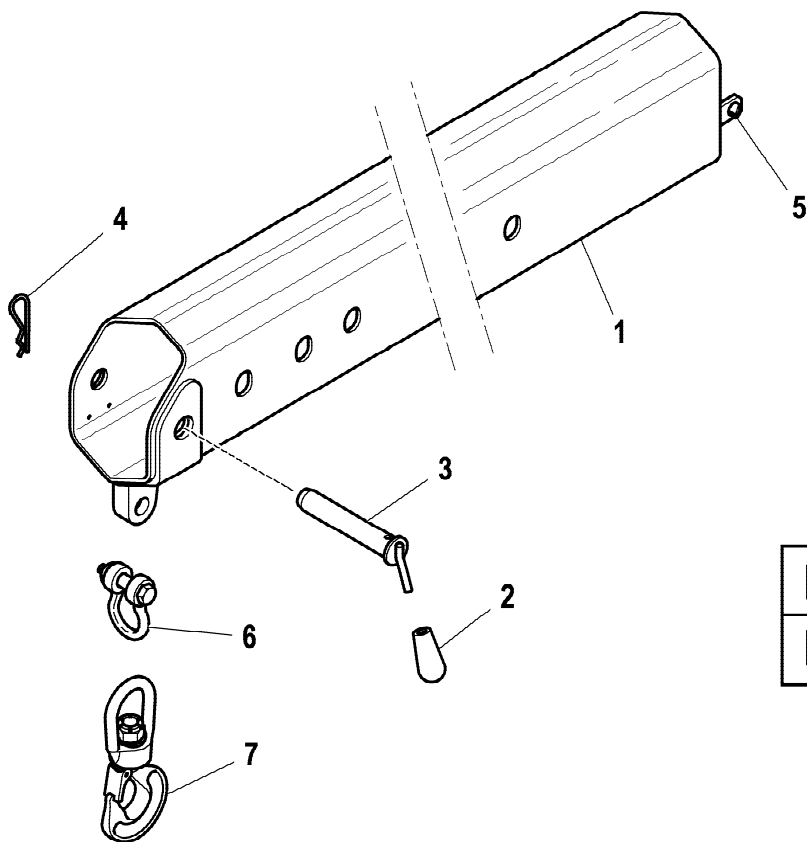
PER VERSIONE 6S
FOR VERSION 6S

rif.	codice	Q.tà
1	5.01.0331	1
2	3.19.0010	1
3	5.15.0238	1
4	3.06.0750	1
5	5.00.0827	2
6	5.14.0998	2
7	3.06.0914	2
8	3.06.0920	2
9	3.01.0353	2
10	5.00.1253	2
11	5.00.0640	1
12	3.20.0067	1
13	3.20.0007	1



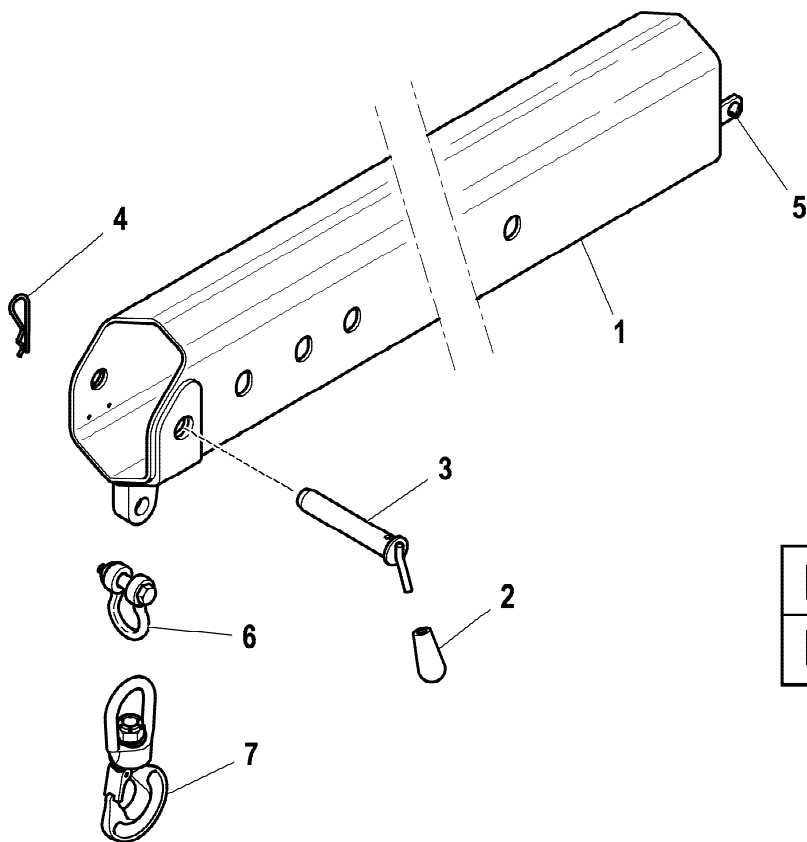
PER VERSIONE 7S
FOR VERSION 7S

rif.	codice	Q.tà
1	5.01.0330	1
2	3.19.0010	1
3	5.15.0837	1
4	3.06.0704	1
5	5.00.0640	1
6	3.20.0067	1
7	3.20.0007	1



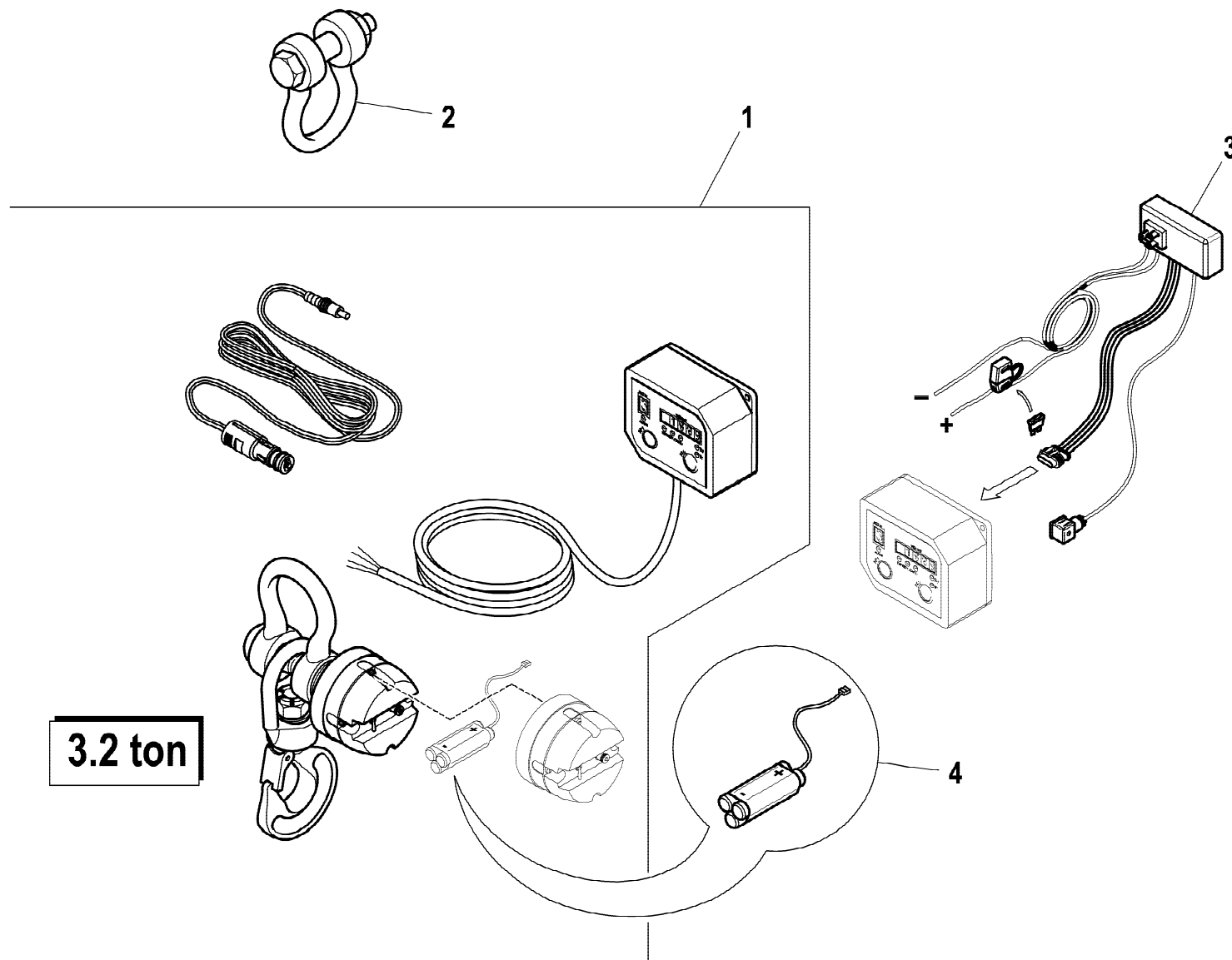
PER VERSIONE 7S
FOR VERSION 7S

rif.	codice	Q.tà
1	5.01.0330	1
2	3.19.0010	1
3	5.15.0837	1
4	3.06.0707	1
5	5.00.0640	1
6	3.20.0067	1
7	3.20.0007	1

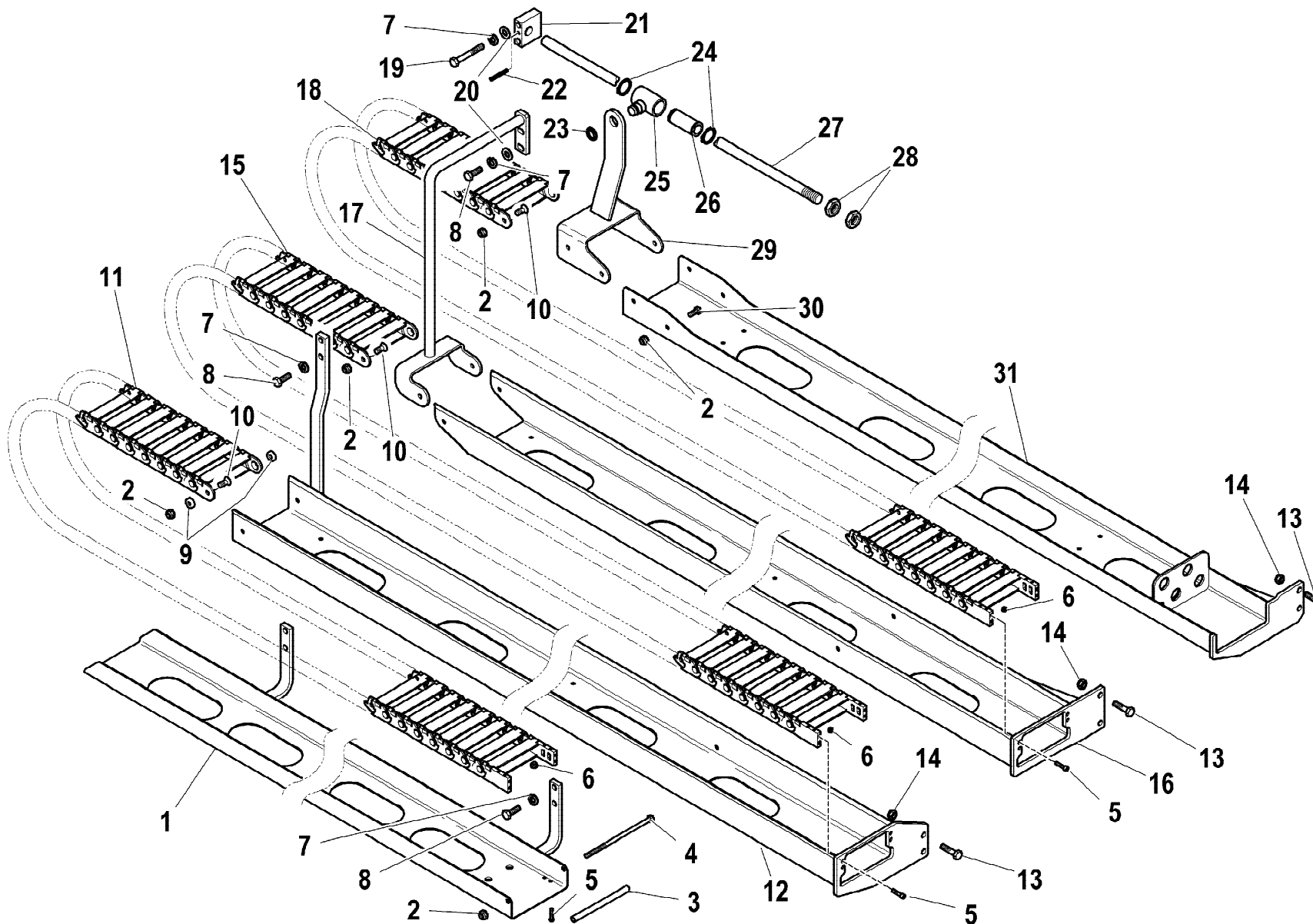


PER VERSIONE 8S
FOR VERSION 8S

rif.	codice	Q.tà
1	5.73.0507	1
2	3.20.0050	1
3	W.236.508	1
4	3.31.1542	1



3.2 ton



rif.	codice	Q.tà
1	5.09.0940	1
2	3.04.0303	4
3	5.00.1676	1
4	3.01.0067	1
5	3.02.0030	12
6	3.04.0392	12
7	3.06.0056	6
8	3.01.0355	6
9	5.14.0980	2
10	3.02.0903	6
11	3.31.0633	1
12	5.09.0941	1
13	3.01.0358	4
14	3.04.0304	2
15	3.31.0634	1
16	5.09.0942	1
17	5.09.0944	1
18	3.31.0635	1
19	3.01.0346	1
20	3.06.0914	1
21	5.00.1645	1
22	3.06.0608	1
23	3.04.0504	1
24	3.07.0153	2
25	5.09.1034	1
26	5.14.1005	1
27	5.00.1646	1
28	3.04.0089	2
29	5.09.1033	1
30	3.01.0027	2
31	5.09.0943	1

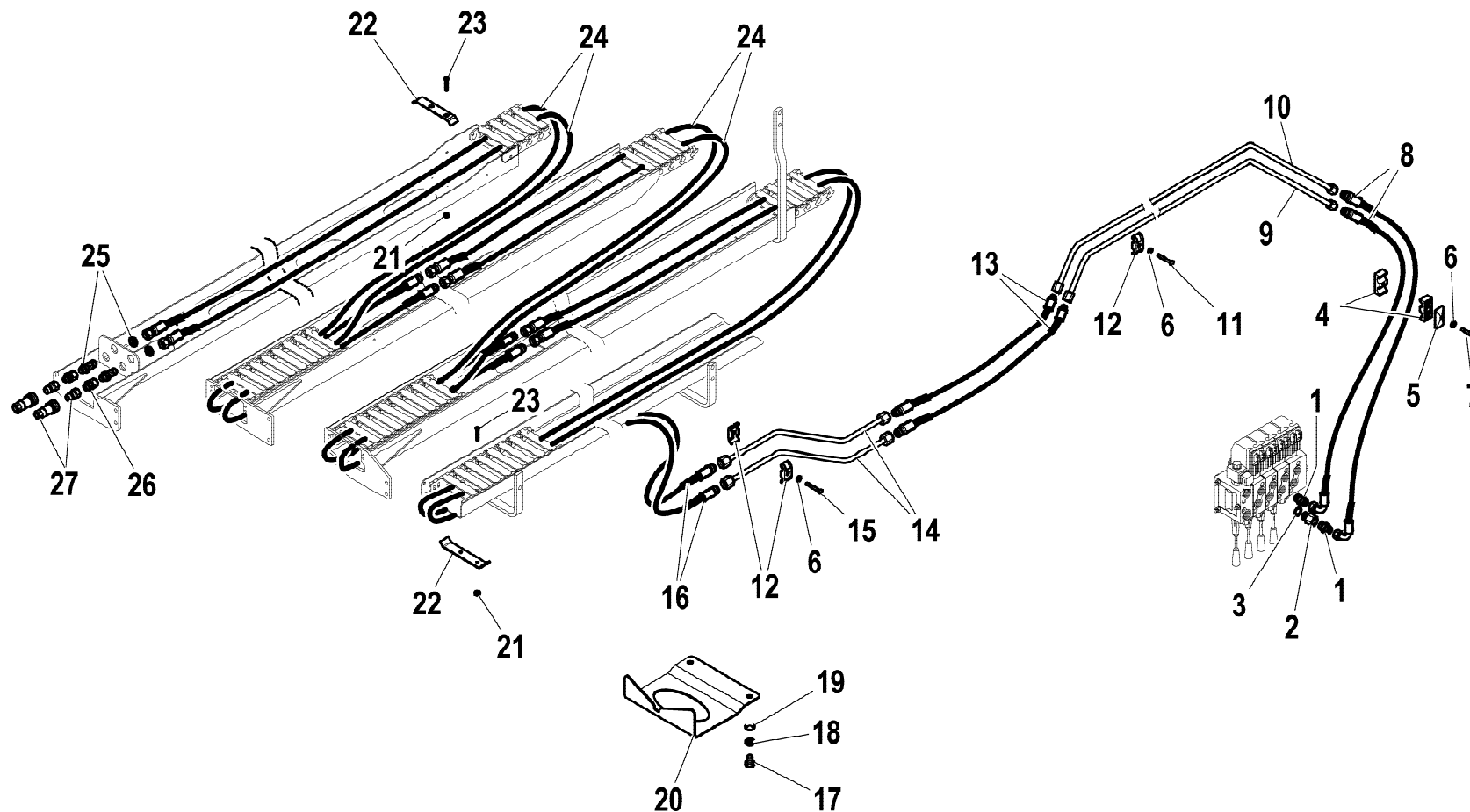
1/1

HYVA[®] CRANE
HC501

ATTIVAZIONE PER 6S
 ACTUATIONS FOR 6S
 ACTIVATIONS POUR 6S
 AKTIVIERUNGEN FÜR 6S
 AACTIVACIONES PARA 6S

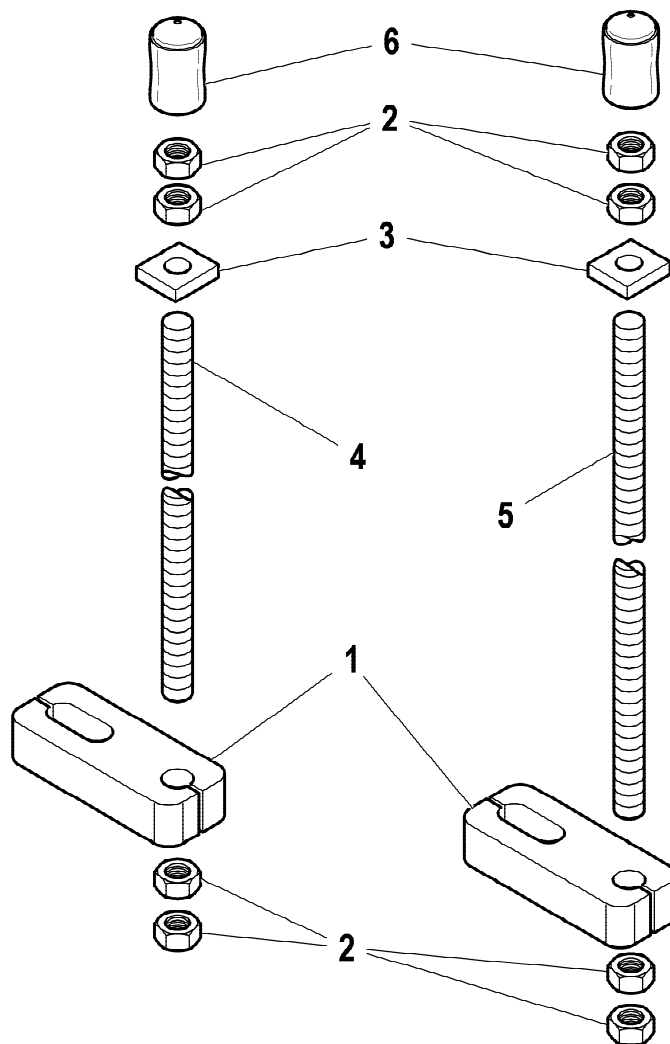
Tavola
5.74.1003-1-0

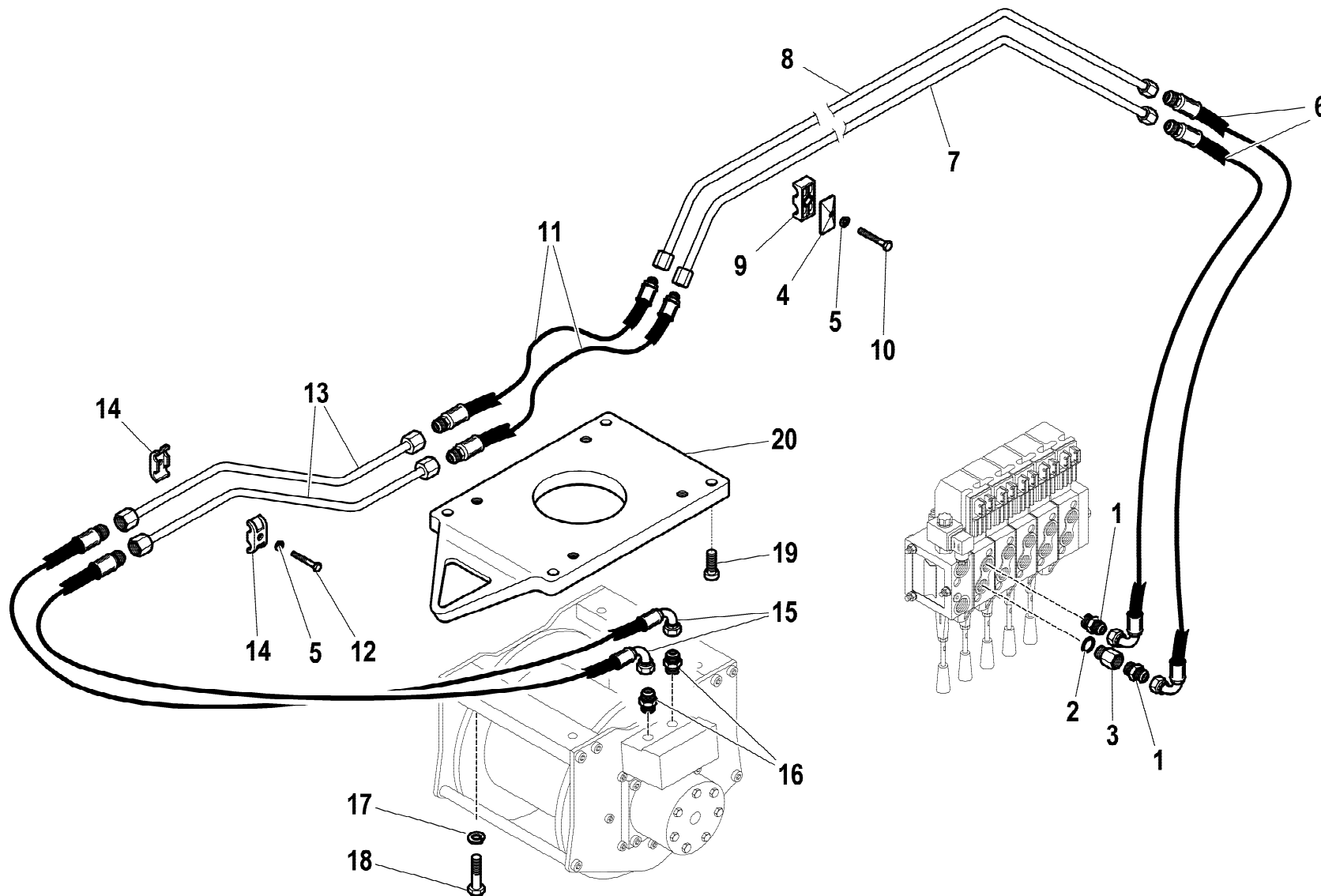
Data pag.
 giugno 2011 104



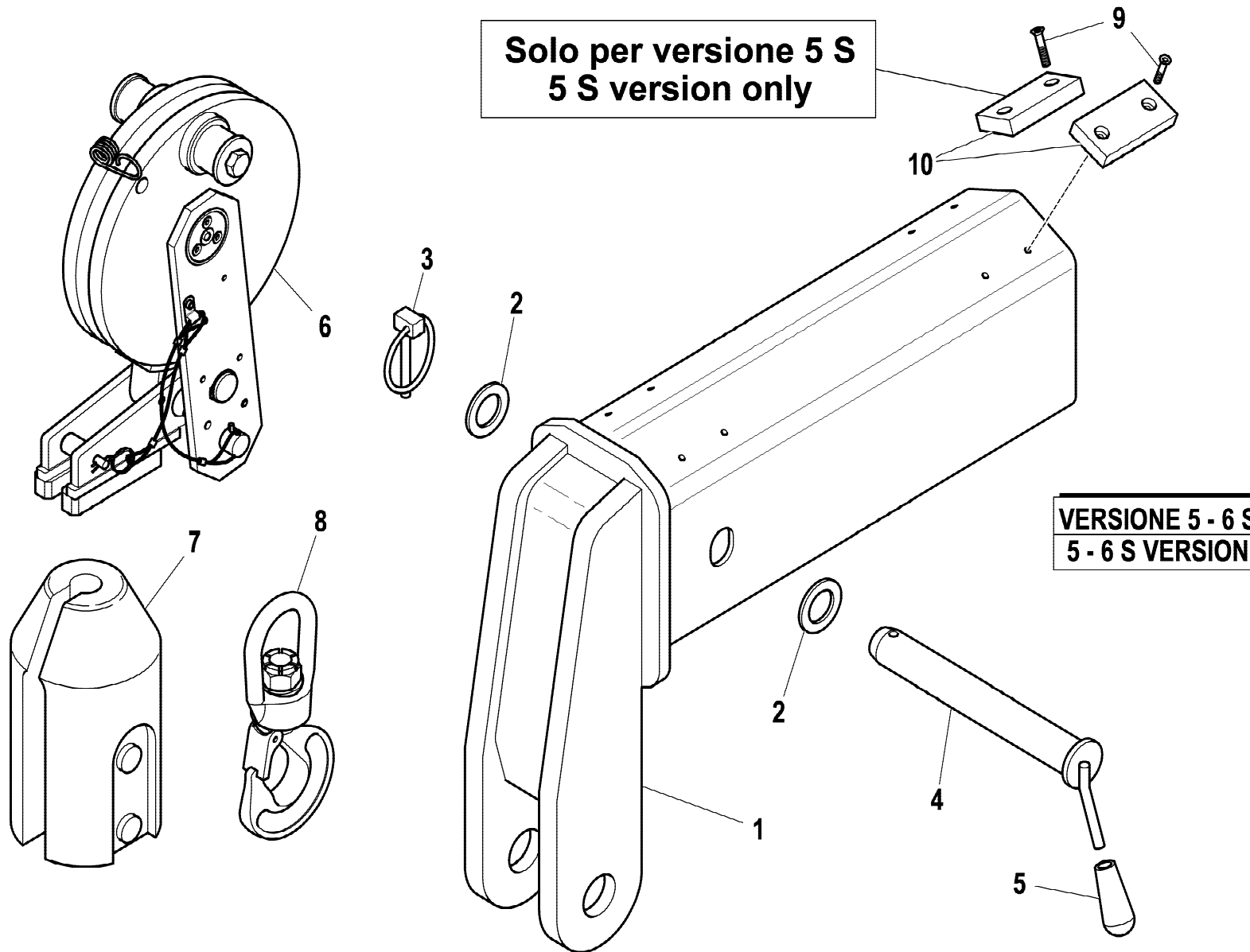
rif.	codice	Q.tà
1	3.10.1051	2
2	3.11.0113	2
3	3.06.0145	1
4	3.19.0222	2
5	3.19.0221	1
6	3.06.0055	1
7	3.01.0041	1
8	5.28.0736	2
9	5.39.2353	1
10	5.39.2352	1
11	3.01.0414	3
12	5.00.0047	7
13	5.28.0735	2
14	5.39.2143	2
15	3.01.0038	1
16	5.28.0749	2
17	3.01.0450	2
18	3.06.0058	2
19	3.06.0009	2
20	5.00.1634	1
21	3.04.0372	2
22	5.00.1502	8
23	3.02.0915	18
24	5.28.0750	4
25	3.12.0313	2
26	3.12.0067	2
27	3.11.0541	2

rif.	codice	Q.tà
1	5.00.1204	4
2	3.04.0190	32
3	5.00.0090	16
4	5.15.0659	2
5	5.15.0661	6
6	3.19.0292	8





rif.	codice	Q.tà
1	3.10.1051	2
2	3.06.0145	2
3	3.11.0113	1
4	3.19.0204	3
5	3.06.0055	7
6	5.28.0738	2
7	5.39.2353	1
8	5.39.2352	1
9	3.19.0172	6
10	3.01.0032	3
11	5.28.0735	2
12	3.01.0038	2
13	5.39.2143	2
14	5.00.0047	4
15	5.28.0638	2
16	3.12.0073	2
17	3.06.0058	4
18	3.01.0402	4
19	3.02.0110	4
20	5.00.1692	1

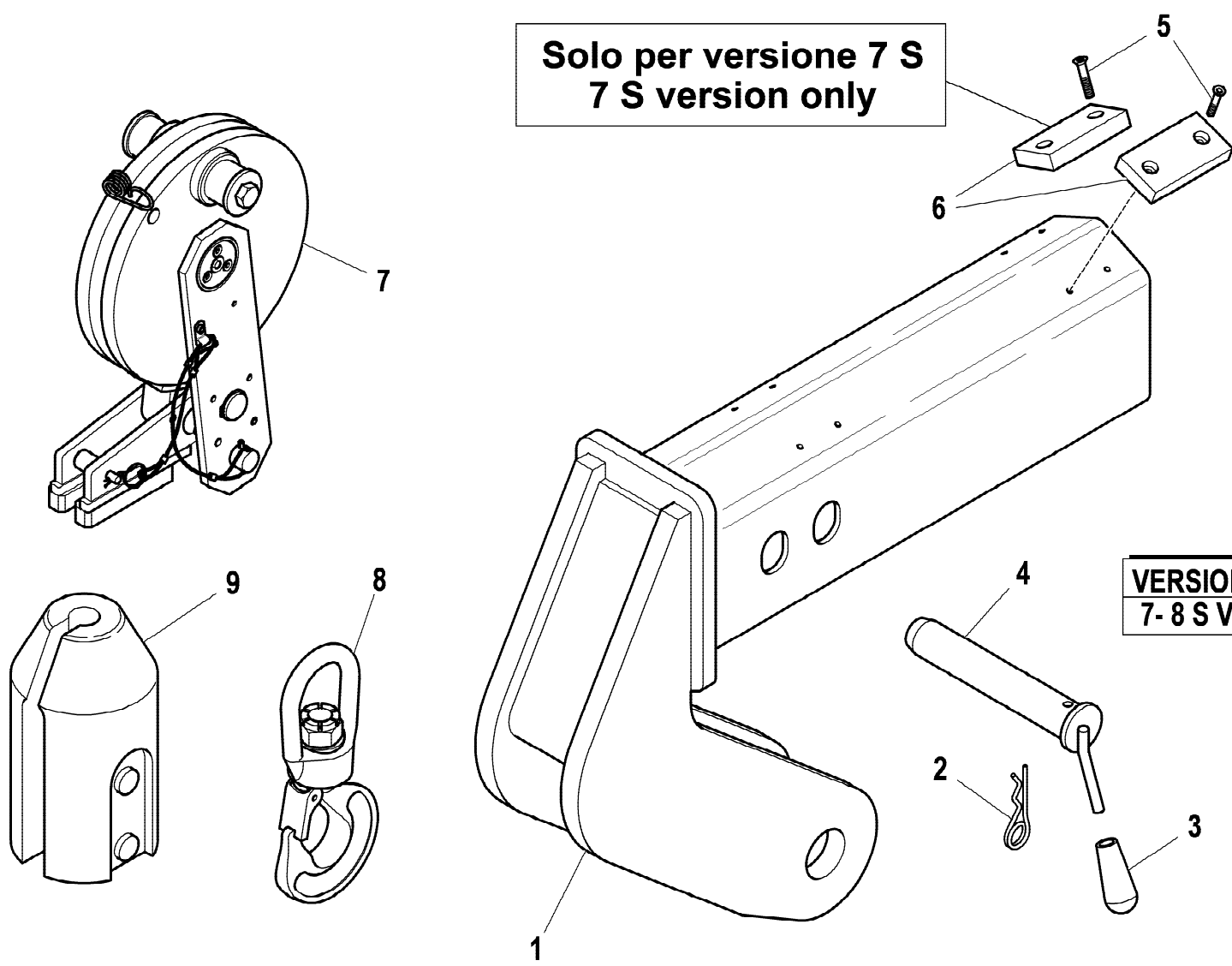


rif.	codice	Q.tà
1	5.09.1015	1
2	3.06.0016	2
3	3.06.0750	1
4	5.15.0610	1
5	3.19.0010	1
6	5.73.0069	1
7	5.73.0076	1
8	3.20.0009	1
9	3.02.0907	16
10	5.14.0770	8

1/1

rif.	codice	Q.tà
1	5.09.1053	1
2	3.06.0707	1
3	3.19.0010	1
4	5.15.0837	1
5	3.02.0907	16
6	5.14.0770	8
7	5.73.0069	1
8	3.20.0009	1
9	5.73.0076	1

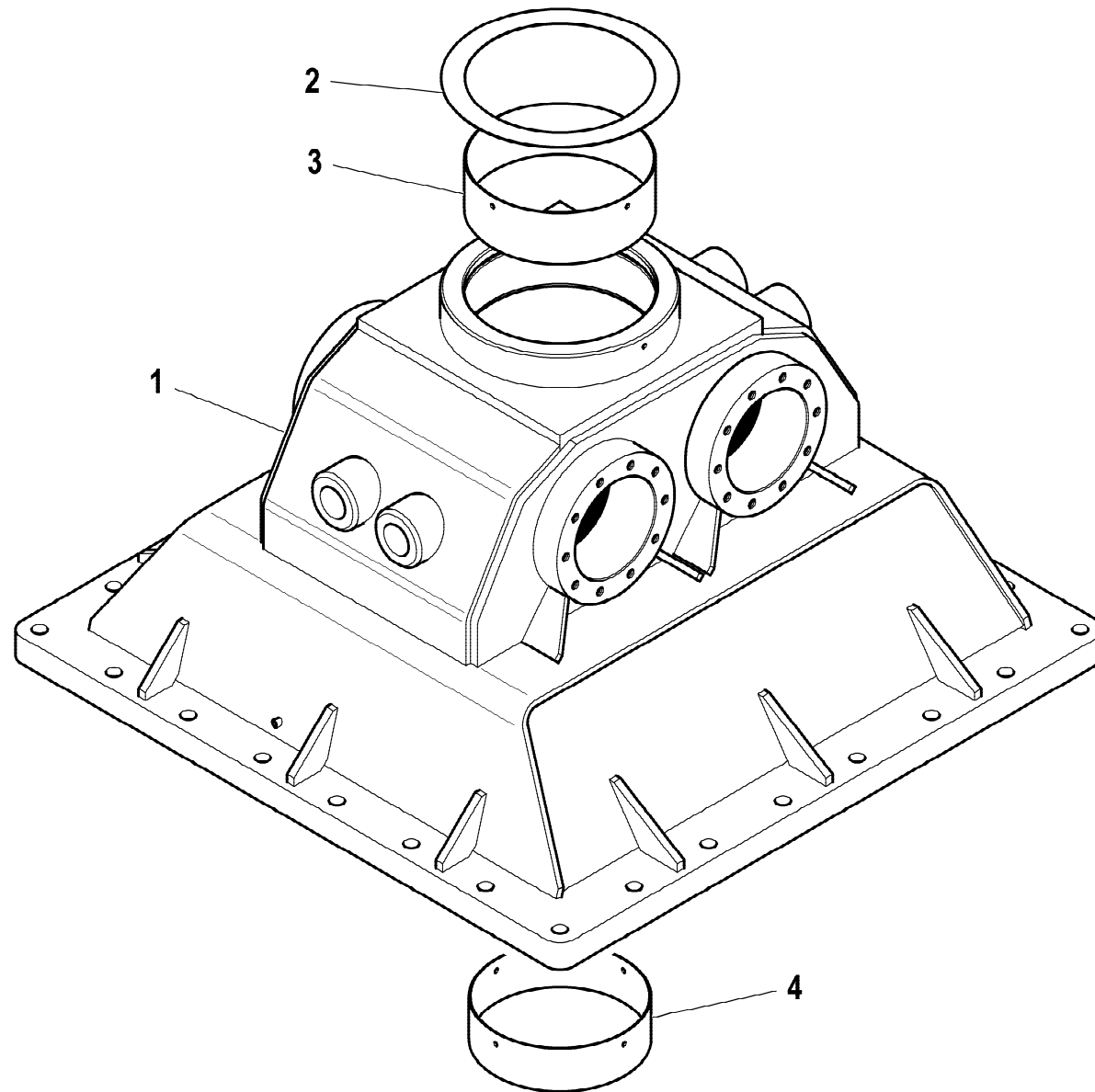
**Solo per versione 7 S
7 S version only**



**VERSIONE 7-8 S
7-8 S VERSION**



HC 501 F



rif.	codice	Q.tà
1	5.06.0165	1
2	5.14.1019	1
3	5.14.1018	1
4	5.14.0786	1

1/1

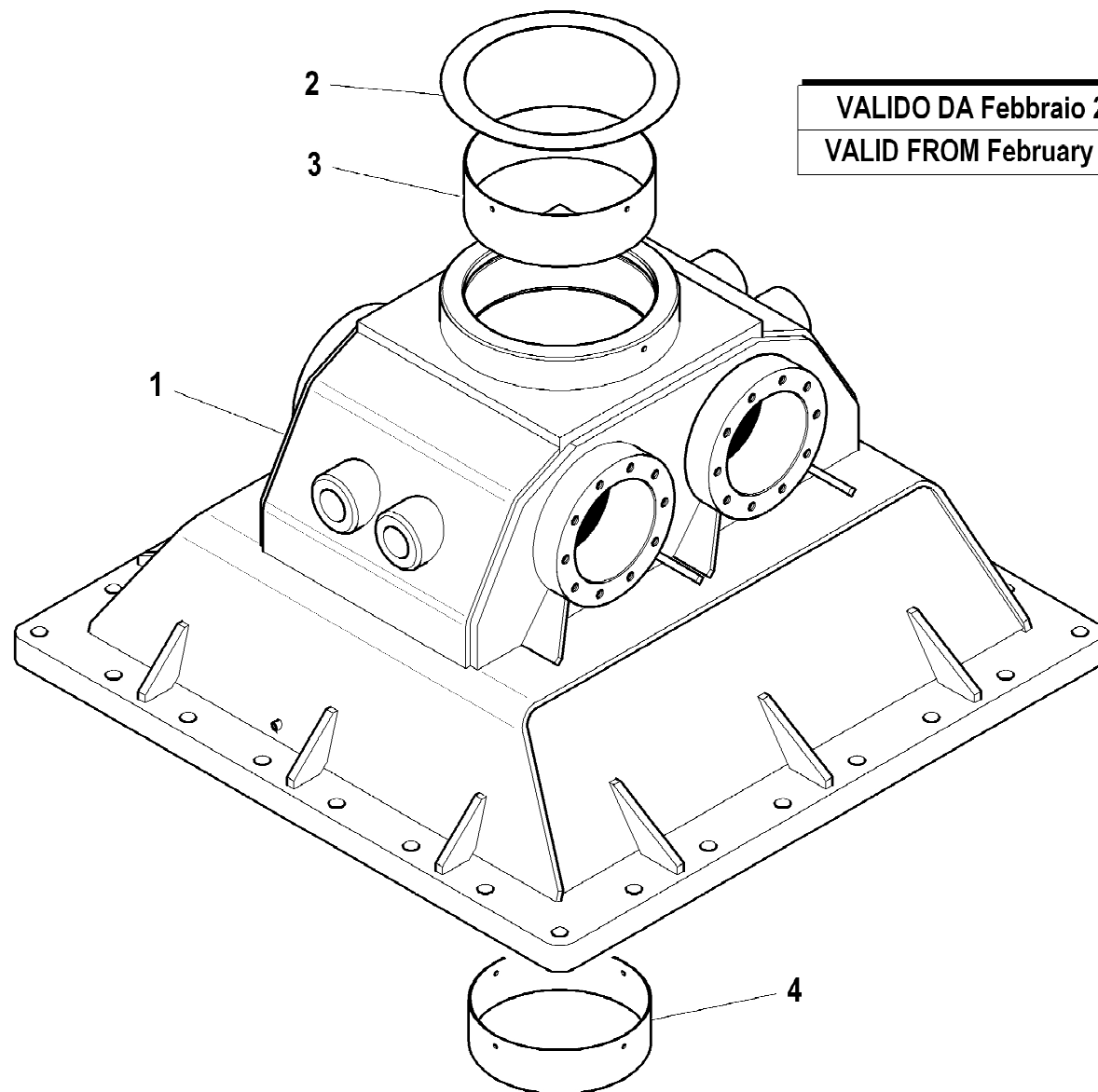
HYVA[®] CRANE
HC501

BASAMENTO F
 BASE F
 SOLLE F
 UNTERBAU F
 BASE F

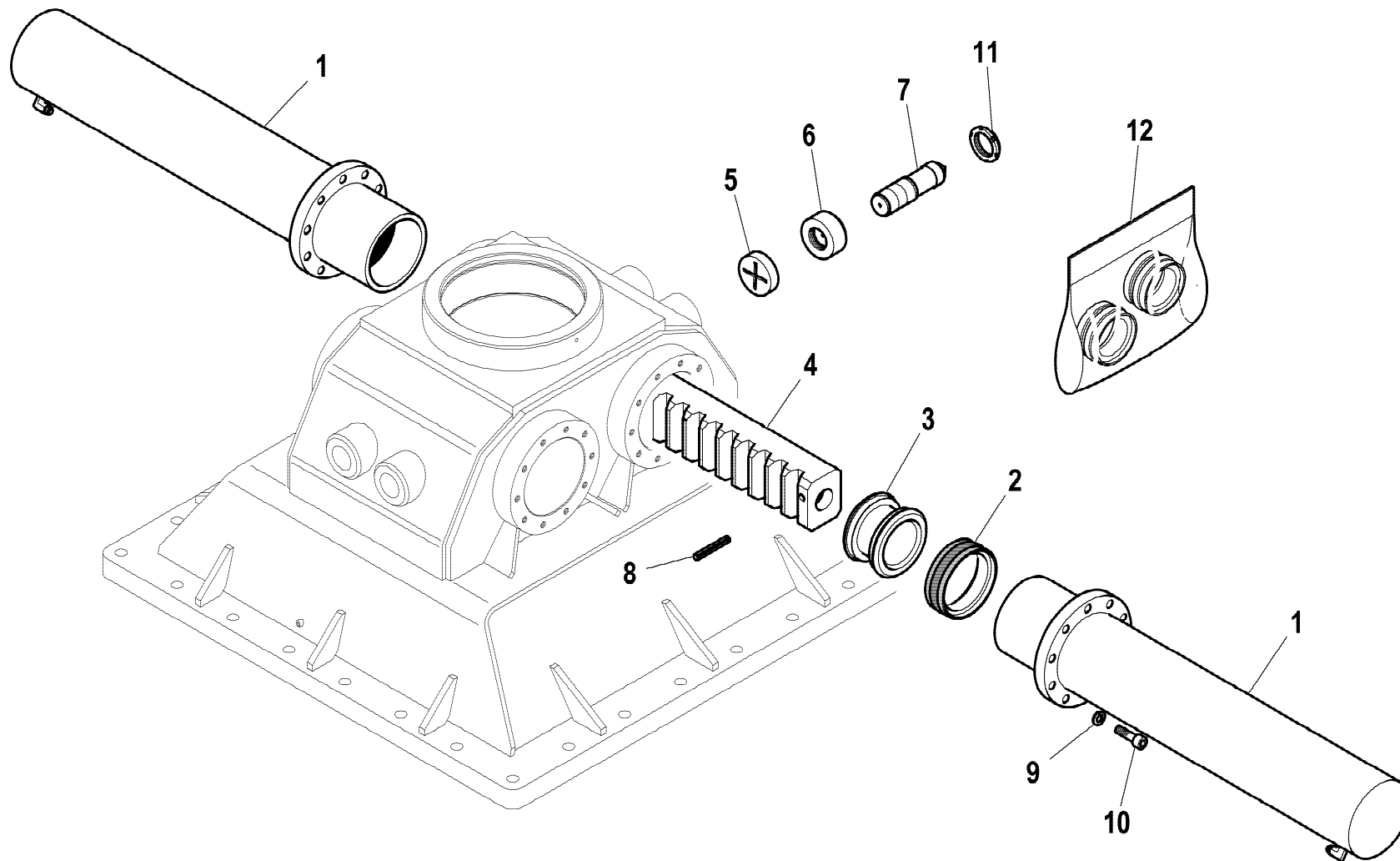
Tavola
5.42.0073-1-0

Data pag.
 dicembre 2007 111

rif.	codice	Q.tà
1	5.06.0165	1
2	5.14.1136	1
3	5.14.1018	1
4	5.14.0786	1



VALIDO DA Febbraio 2012
VALID FROM February 2012



rif.	codice	Q.tà
1	6.07.0522	2
2	3.40.0528	1
3	6.05.0302	2
4	5.05.0102	1
5	5.14.0787	2
6	4.16.0409	2
7	5.00.1418	2
8	3.06.0625	2
9	3.06.0059	20
10	3.02.0129	20
11	3.04.0507	2
12	5.55.0789	1

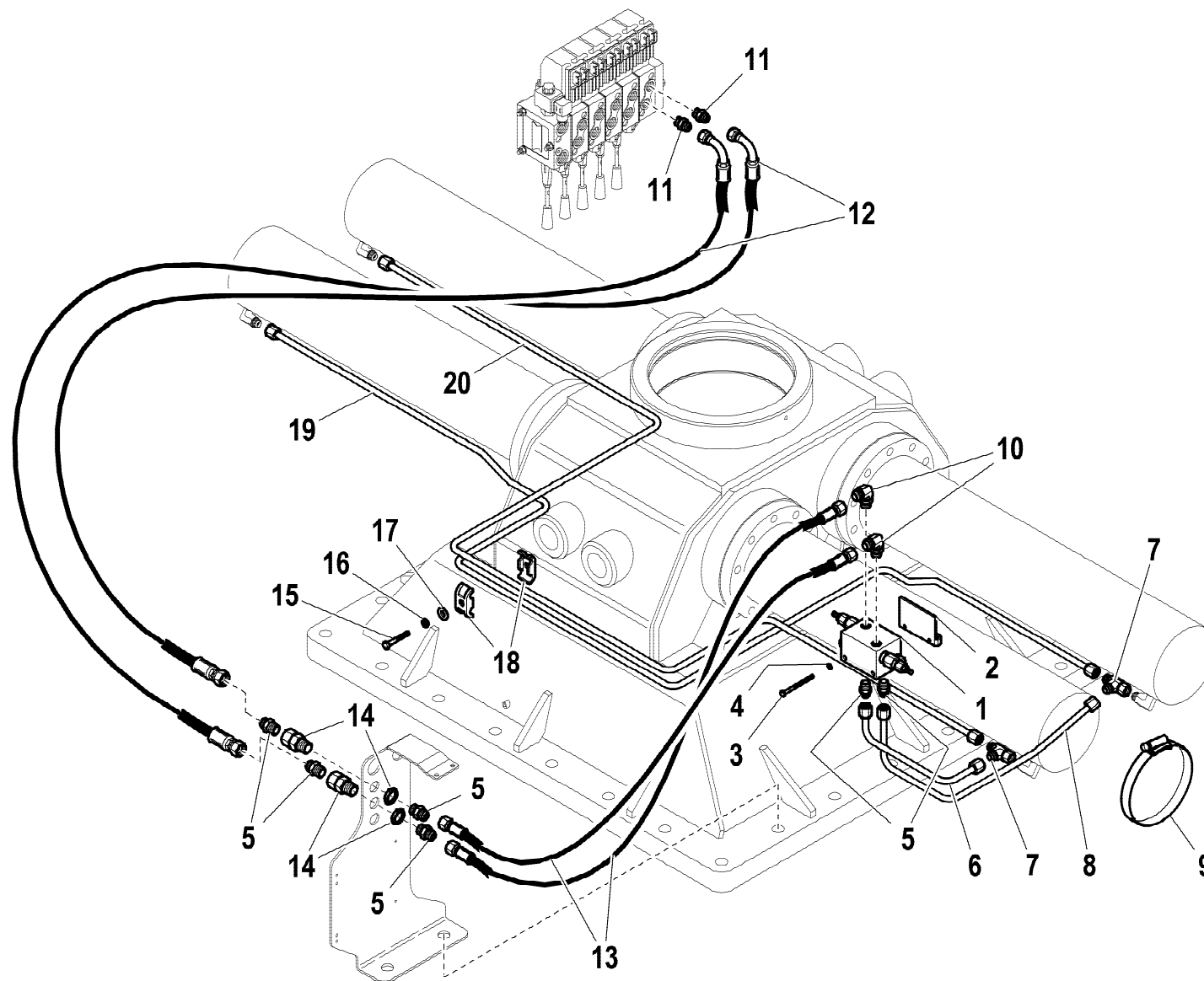
1/1

HYVA[®] CRANE
HC501

GRUPPO ROTAZIONE
 SLEWING ASS'Y
 GROUPE ROTATION
 DREHVORRICHTUNG
 GRUPO ROTACION

Tavola
6.24.0120-1-0

Data pag.
 novembre 2007 113



rif.	codice	Q.tà
1	5.22.0707	1
2	5.00.1707	1
3	3.01.0026	2
4	3.06.0053	2
5	3.10.1043	6
6	5.39.2193	1
7	3.12.0004	2
8	5.39.2192	1
9	3.19.0027	2
10	3.10.1127	2
11	3.10.1044	2
12	5.27.1760	2
13	5.27.1733	2
14	5.22.0185	2
15	3.01.0029	2
16	3.06.0055	2
17	3.06.0029	2
18	5.00.0077	4
19	5.39.2194	1
20	5.39.2195	1

1/1

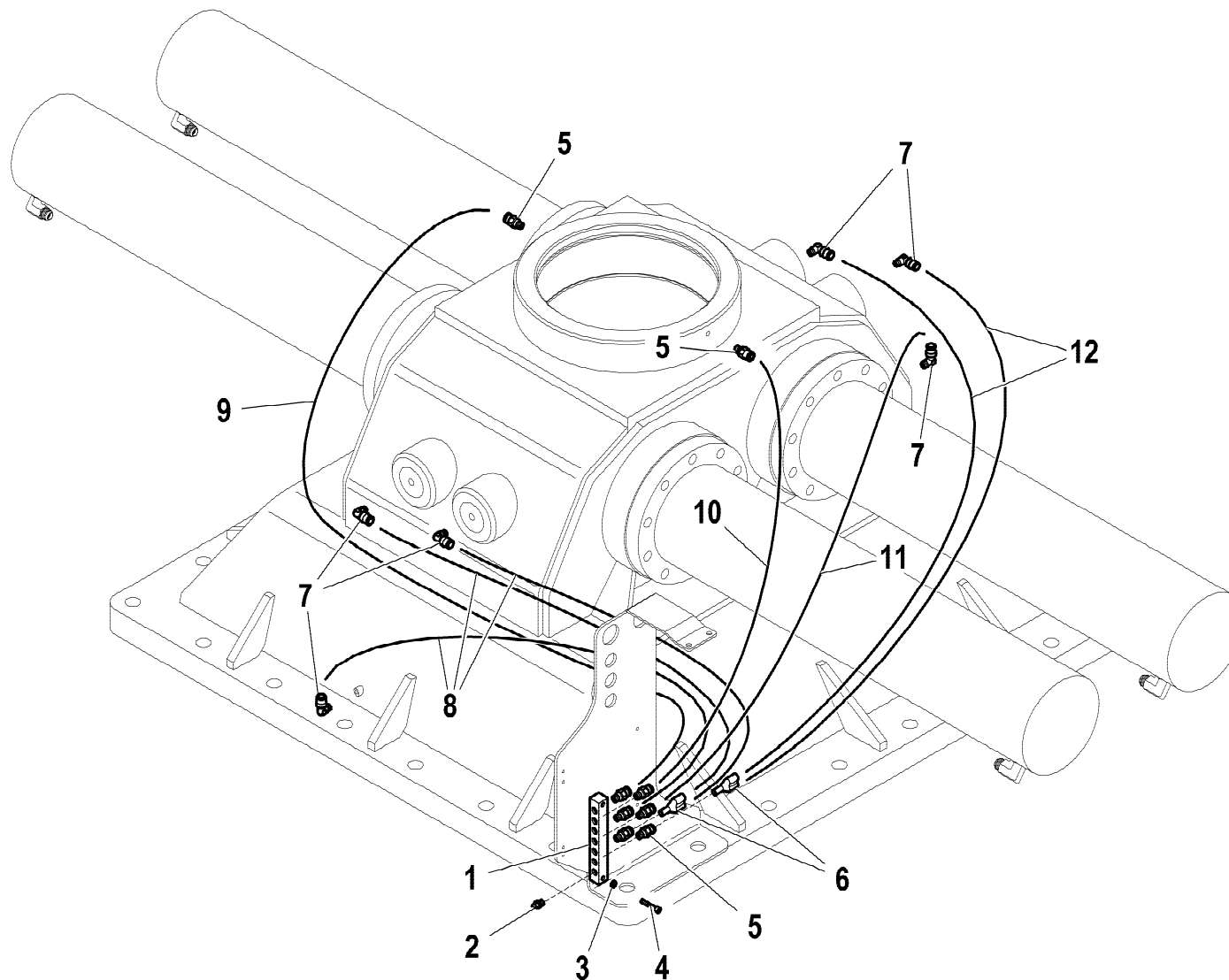
HYVA[®] CRANE
HC501

IMPIANTO IDRAULICO (MARTINETTO ROTAZIONE)
 HYDRAULIC SYSTEM (SLEWING HYDRAULIC JACK)
 INSTALLATION HYDRAULIQUE (VERIN ROTATION)
 HYDRAULIKANLAGE (DREH SCHUBZYLINDER)
 INSTALACION HIDRAULICA (GATO ROTACION)

Tavola
6.24.0120-2-0

Data pag.
 novembre 2007 114

rif.	codice	Q.tà
1	5.00.1441	1
2	3.08.0015	6
3	3.06.0005	2
4	3.02.0039	2
5	3.08.0004	8
6	3.08.0034	2
7	3.08.0012	6
8	3.08.0032	3
9	3.08.0009	1
10	3.08.0028	1
11	3.08.0008	1
12	3.08.0031	2



1/1

HYVA[®] CRANE

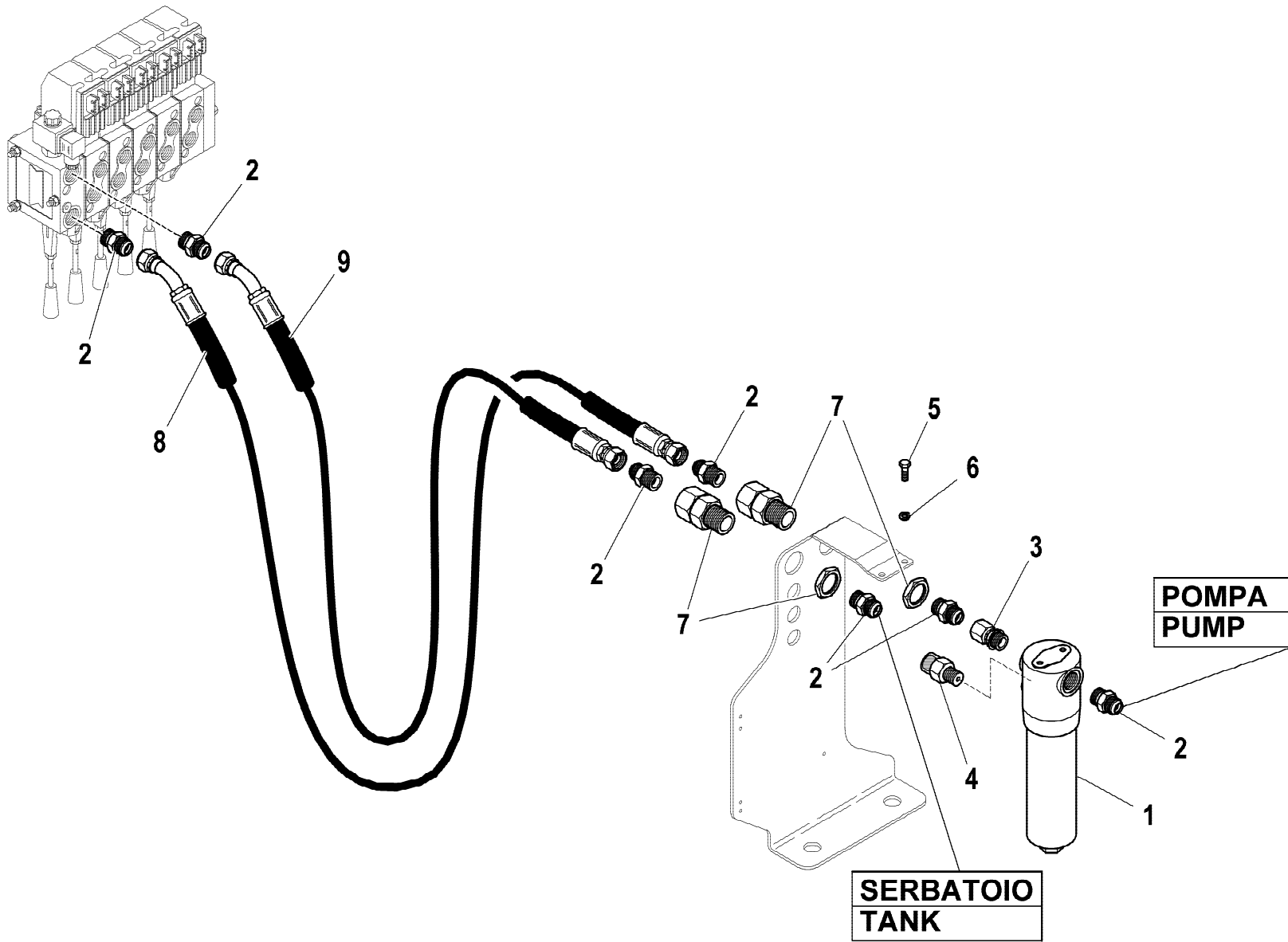
HC501

KIT INGRASSAGGIO
 GREASING KIT
 KIT GRAISSAGE
 FETTSATZ
 JUNTA DE ENGRASE

Tavola

5.40.2001-1-0

Data pag.
 novembre 2007 115



rif.	codice	Q.tà
1	3.18.0159	1
2	3.10.1056	7
3	3.12.0333	1
4	3.18.0192	1
5	3.01.0027	2
6	3.06.0055	2
7	5.22.0186	2
8	5.29.0147	1
9	5.29.0148	1

1/1

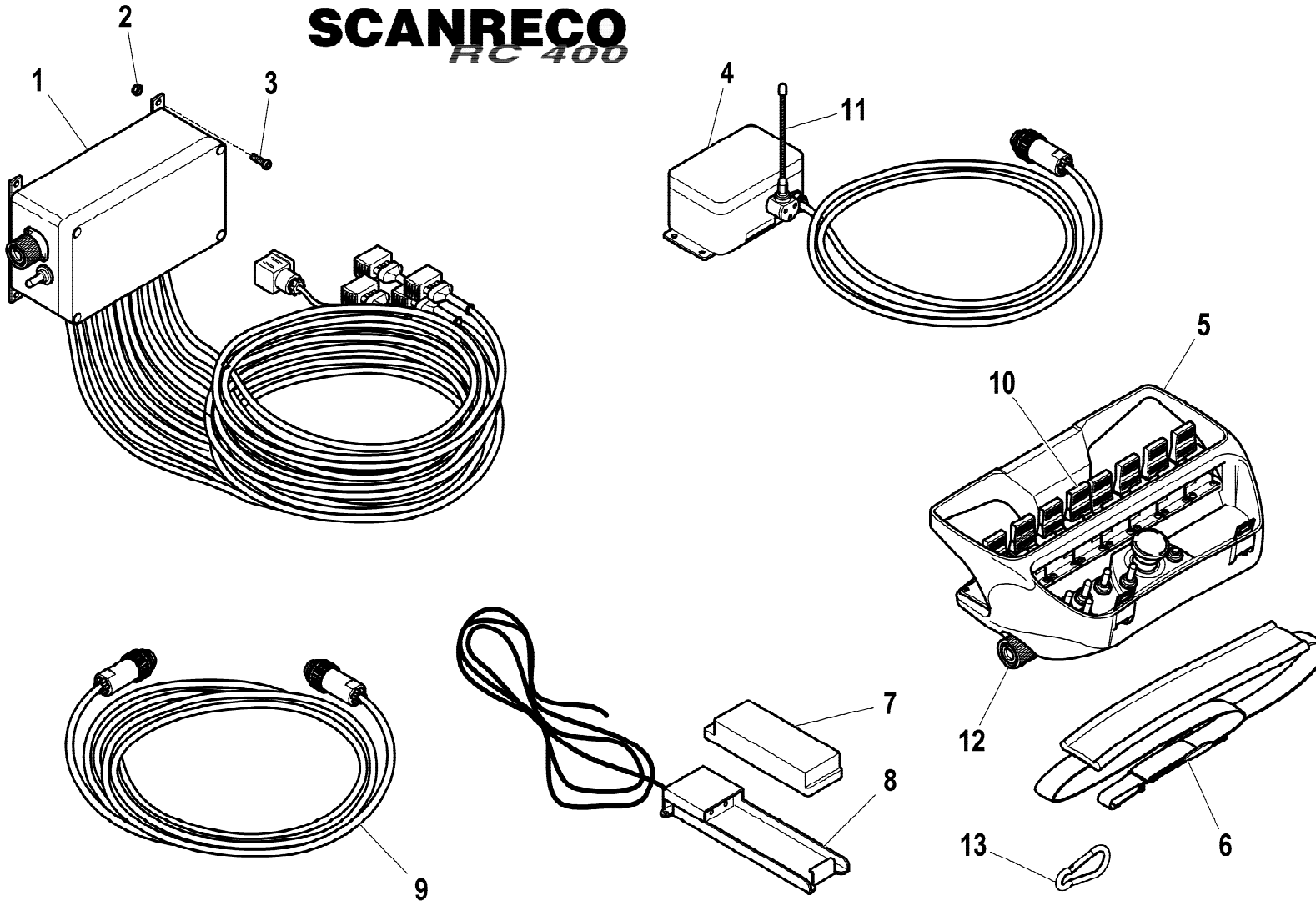
HYVA[®] CRANE
HC501

FILTRO AD ALTA PRESSIONE RDC
 HIGH PRESSURE FILTER RDC
 FILTRE HAUTE PRESSION RDC
 HOCHDRUCKFILTER RDC
 FILTRO DE ALTA PRESION RDC

Tavola
5.40.0642-1-0

Data pag.
 novembre 2007 116

SCANRECO RC 400



rif.	codice	Q.tà
1	3.31.0534	1
2	3.04.0392	4
3	3.02.0023	4
4	3.31.0535	1
5	3.32.0026	1
6	3.19.0226	1
7	3.31.0483	2
8	3.31.0471	1
9	3.31.0536	1
10	3.31.0445	8
11	3.31.0683	1
12	3.31.0850	1
13	3.19.0259	1

1/1

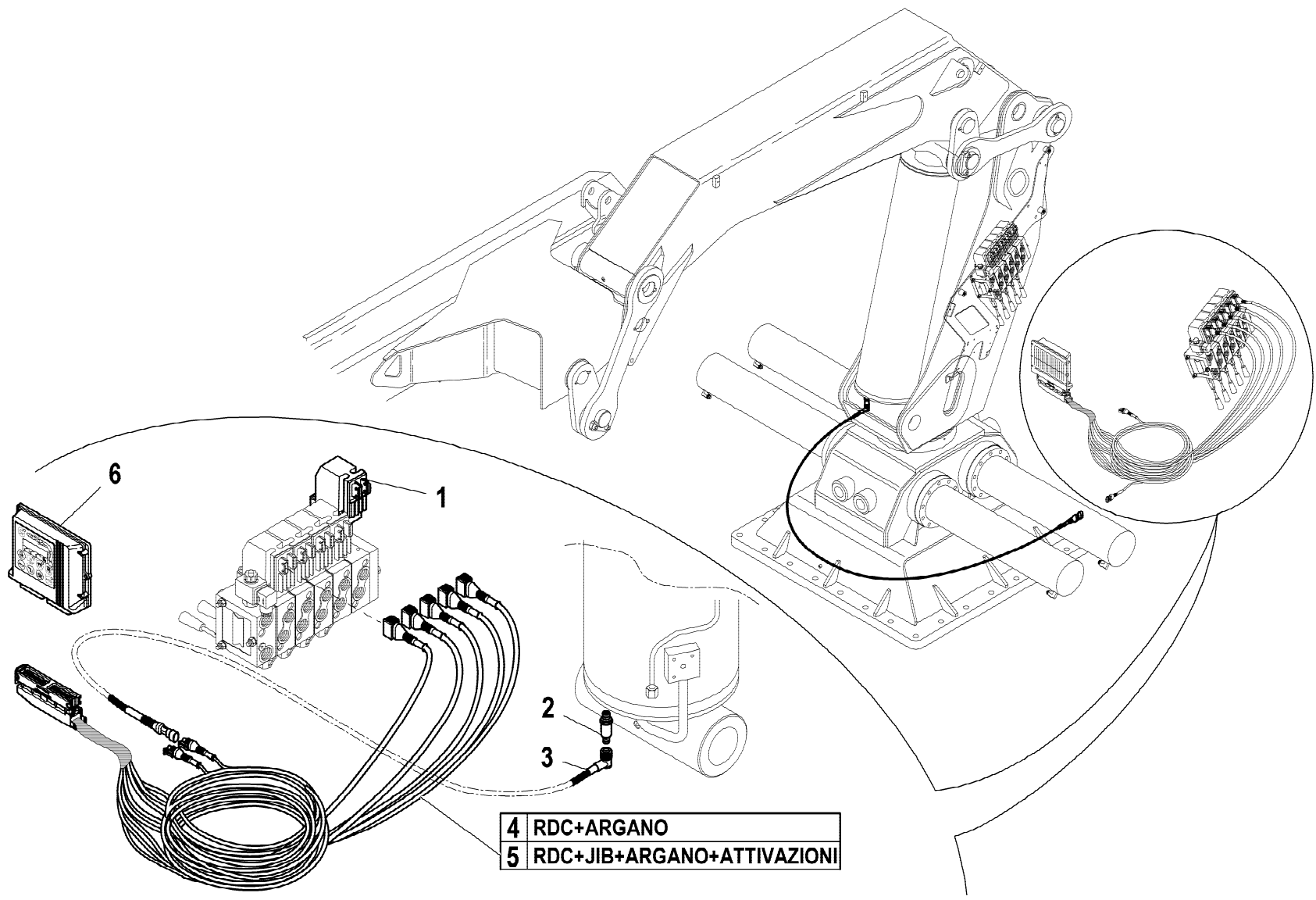
HYVA[®] CRANE
HC501

KIT RADIOCOMANDO RDC 24V
WIRELESS CONTROL KIT RDC 24V
KIT RADIOTELECOMMANDE RDC 24V
FUNKSTEUERUNG-SATZ RDC 24V
KIT RADIOMANDO RDC 24V

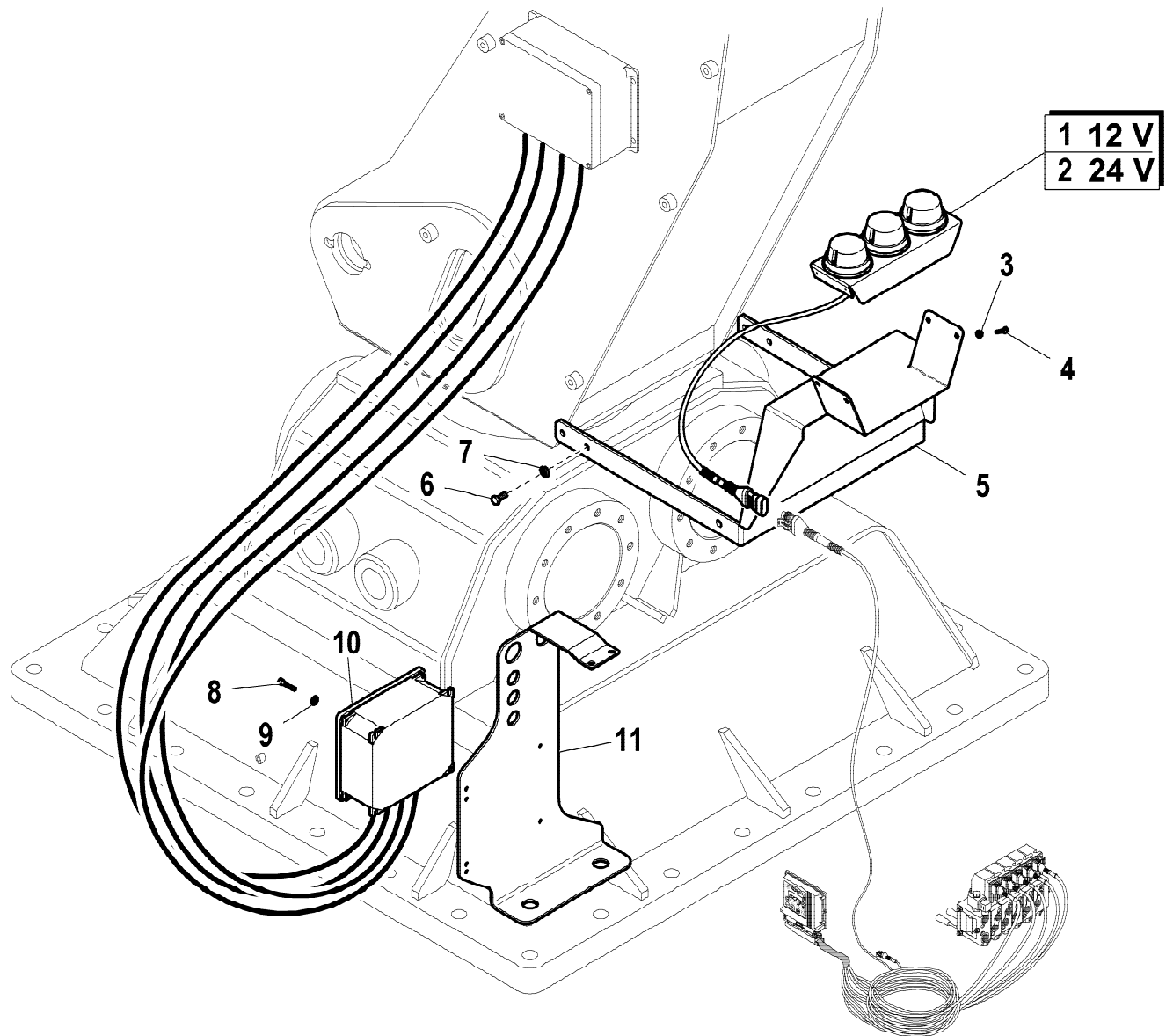
Tavola
7.89.2053-1-0

Data pag.
giugno 2008 117

rif.	codice	Q.tà
1	5.22.5534	4
2	3.31.0612	1
3	5.16.0001	1
4	5.16.0029	1
5	5.16.0043	1
6	3.31.0606	1



4	RDC+ARGANO
5	RDC+JIB+ARGANO+ATTIVAZIONI

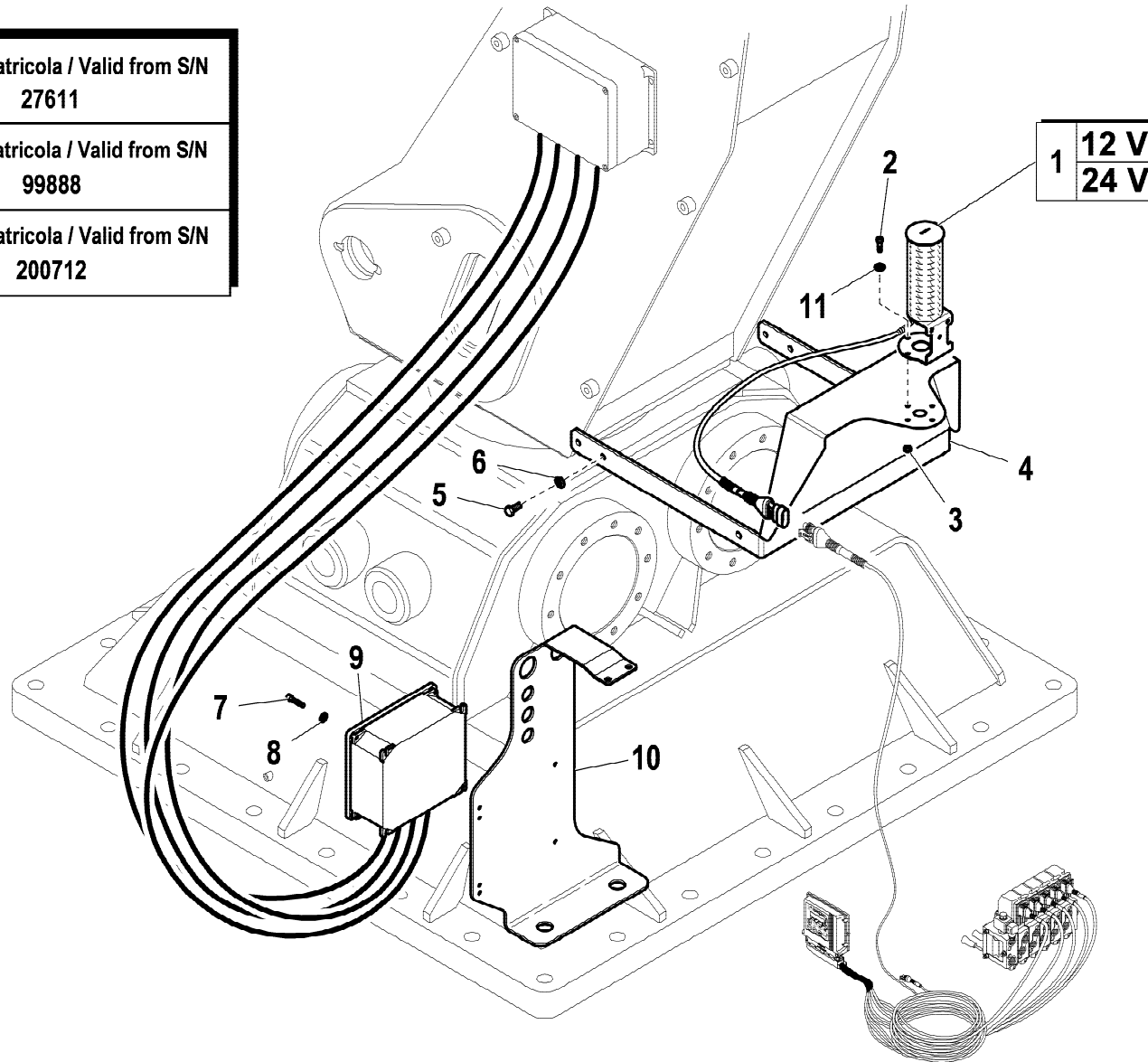


rif.	codice	Q.tà
1	3.31.0819	1
2	3.31.0809	1
3	3.06.0003	4
4	3.02.0885	4
5	5.00.1682	1
6	3.01.0027	4
7	3.06.0055	4
8	3.02.0023	4
9	3.06.0004	4
10	3.31.0853	1
11	5.00.1720	1

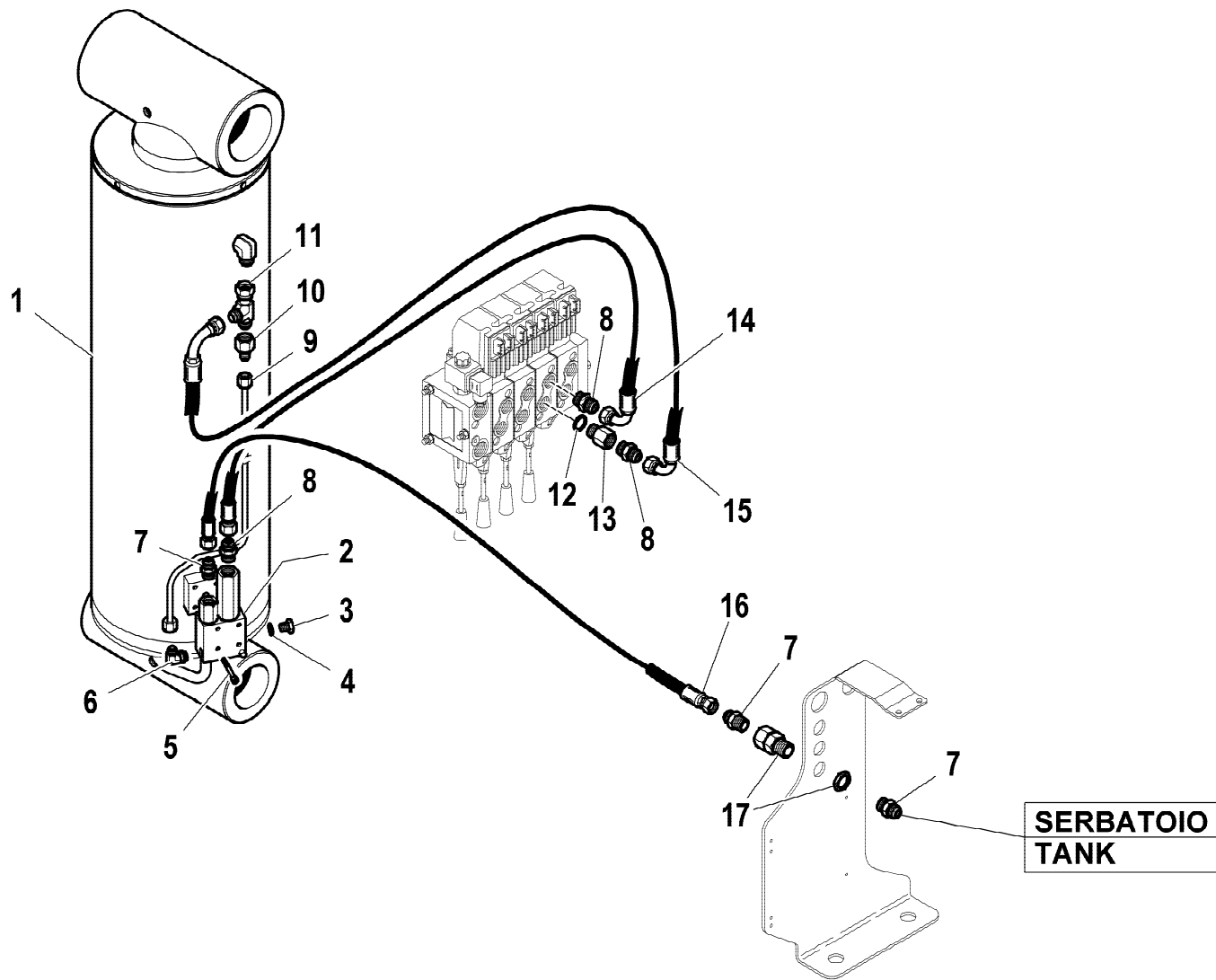
Valido da Matricola / Valid from S/N
27611

Valido da Matricola / Valid from S/N
99888

Valido da Matricola / Valid from S/N
200712



rif.	codice	Q.tà
1	3.31.1159	1
2	3.02.0023	2
3	3.04.0392	2
4	5.00.1718	1
5	3.01.0027	4
6	3.06.0055	4
7	3.02.0885	4
8	3.06.0003	4
9	3.31.0853	1
10	5.00.1720	1
11	3.06.0004	2



rif.	codice	Q.tà
1	6.43.0168	1
2	5.22.0670	1
3	3.11.0062	1
4	3.06.0143	1
5	3.02.0898	4
6	3.10.1124	1
7	3.10.1040	3
8	3.10.1051	1
9	5.39.2125	1
10	3.12.0209	1
11	3.12.0008	1
12	3.06.0145	1
13	3.11.0113	1
14	5.28.0727	1
15	5.28.0726	1
16	5.26.0217	1
17	5.22.0185	1

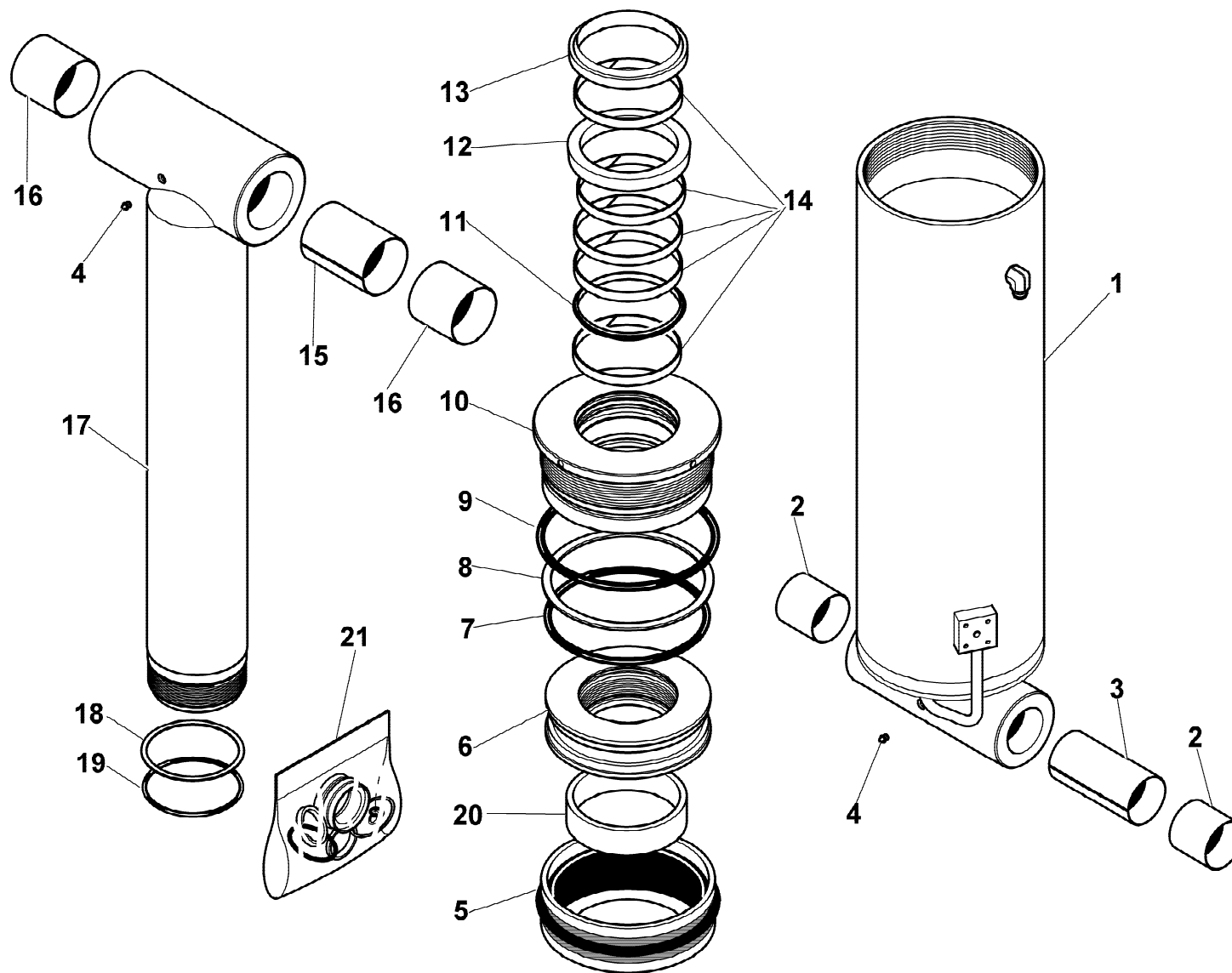


HC501

MARTINETTO SOLLEVAMENTO (IMPIANTO OLEODINAMICO)
 LIFTING HYDRAULIC CYLINDER (HYDRAULIC SYSTEM)
 VERIN DE LEVAGE (INSTALLATION HYDRAULIQUE)
 HUBZYLINDER (HYDRAULIKANLAGE)
 GATO DE ELEVACION (INSTALACION HIDRAULICA)

Tavola
6.23.0168-1-0

Data pag.
 novembre 2007 121



rif.	codice	Q.tà
1	6.07.0525	1
2	5.14.0794	2
3	5.00.1458	1
4	3.08.0501	1
5	3.40.0545	1
6	6.05.0303	1
7	3.45.0412	1
8	3.46.0412	1
9	3.45.0187	1
10	6.04.0292	1
11	3.38.1500	1
12	3.39.0500	1
13	3.42.0308	1
14	3.36.1028	1
15	5.00.1457	1
16	5.14.0975	1
17	6.03.0710	1
18	3.46.0170	1
19	3.45.0170	1
20	5.00.1705	1
21	5.55.0764	1

1/1

HYVA[®] CRANE
HC501

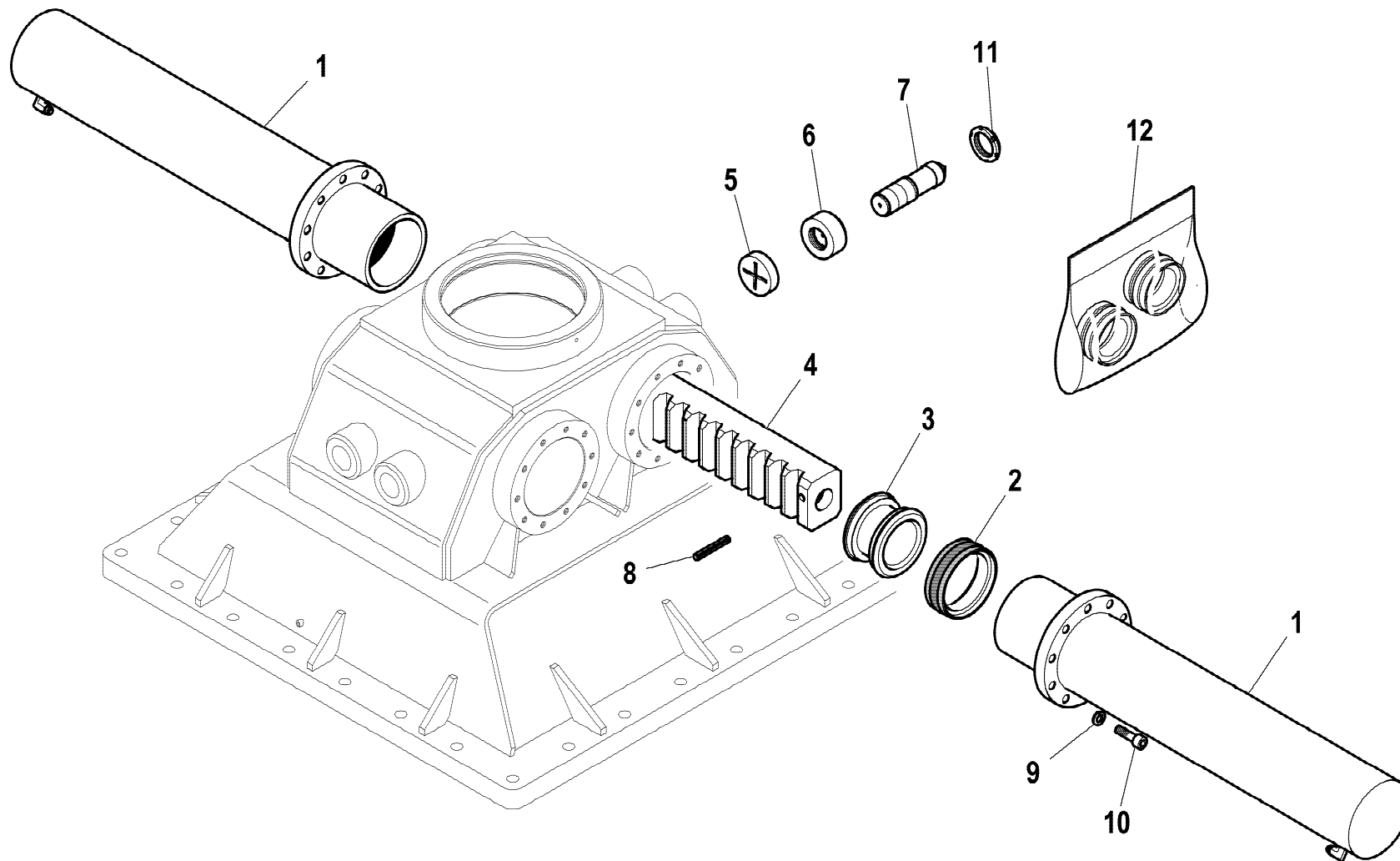
MARTINETTO SOLLEVAMENTO
 LIFTING HYDRAULIC CYLINDER
 VERIN DE LEVAGE
 HUBZYLINDER
 GATO DE ELEVACION

Tavola
6.43.0168-1-0

Data pag.
 novembre 2007 122



HC 501 M



rif.	codice	Q.tà
1	6.07.0582	2
2	3.40.0528	1
3	6.05.0302	2
4	5.05.0102	1
5	5.14.0787	2
6	4.16.0409	2
7	5.00.1418	2
8	3.06.0625	2
9	3.06.0059	20
10	3.02.0129	20
11	3.04.0507	2
12	5.55.0789	1

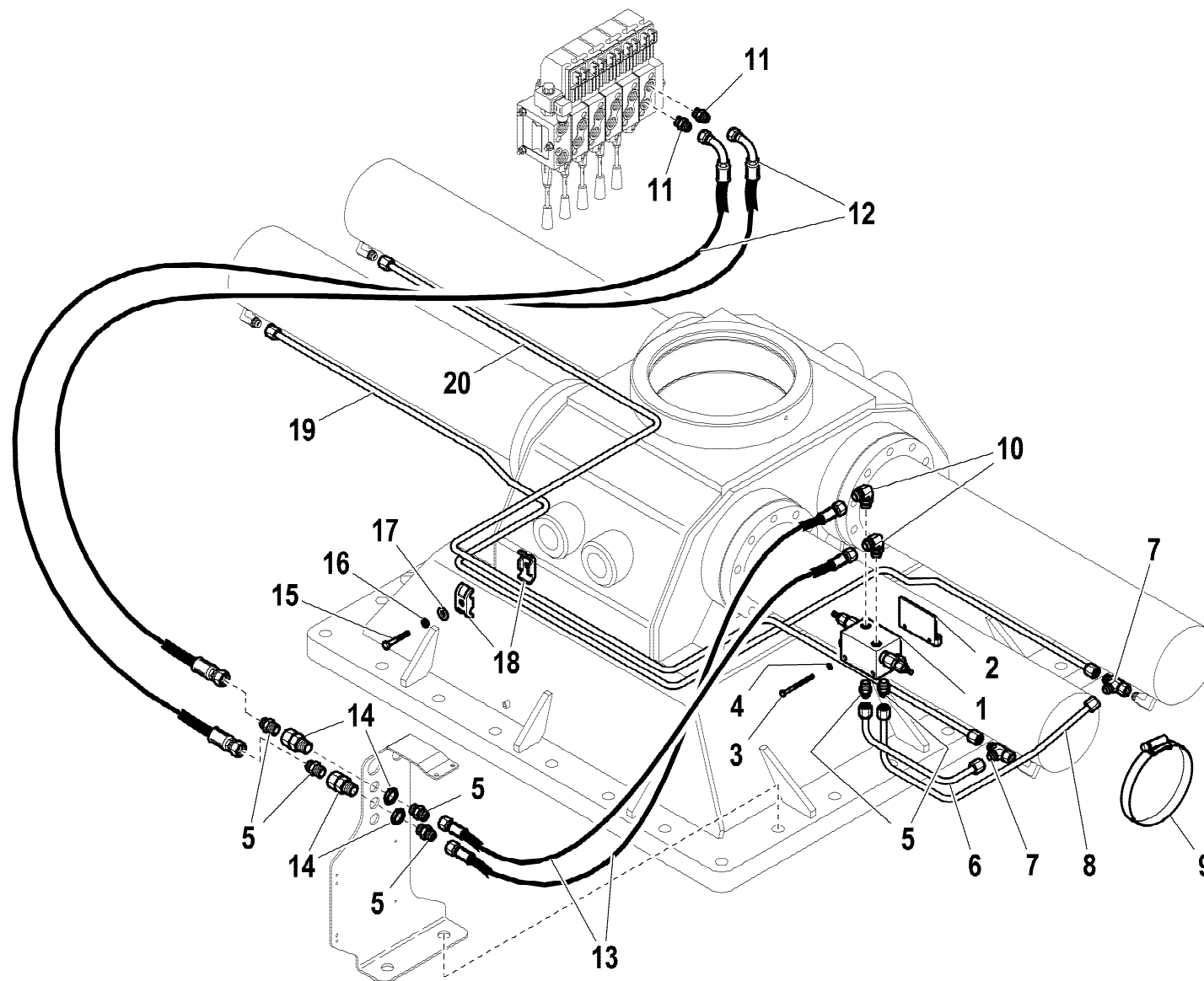
1/1

HYVA[®] CRANE
HC501

GRUPPO ROTAZIONE
 SLEWING ASS'Y
 GROUPE ROTATION
 DREHVORRICHTUNG
 GRUPO ROTACION

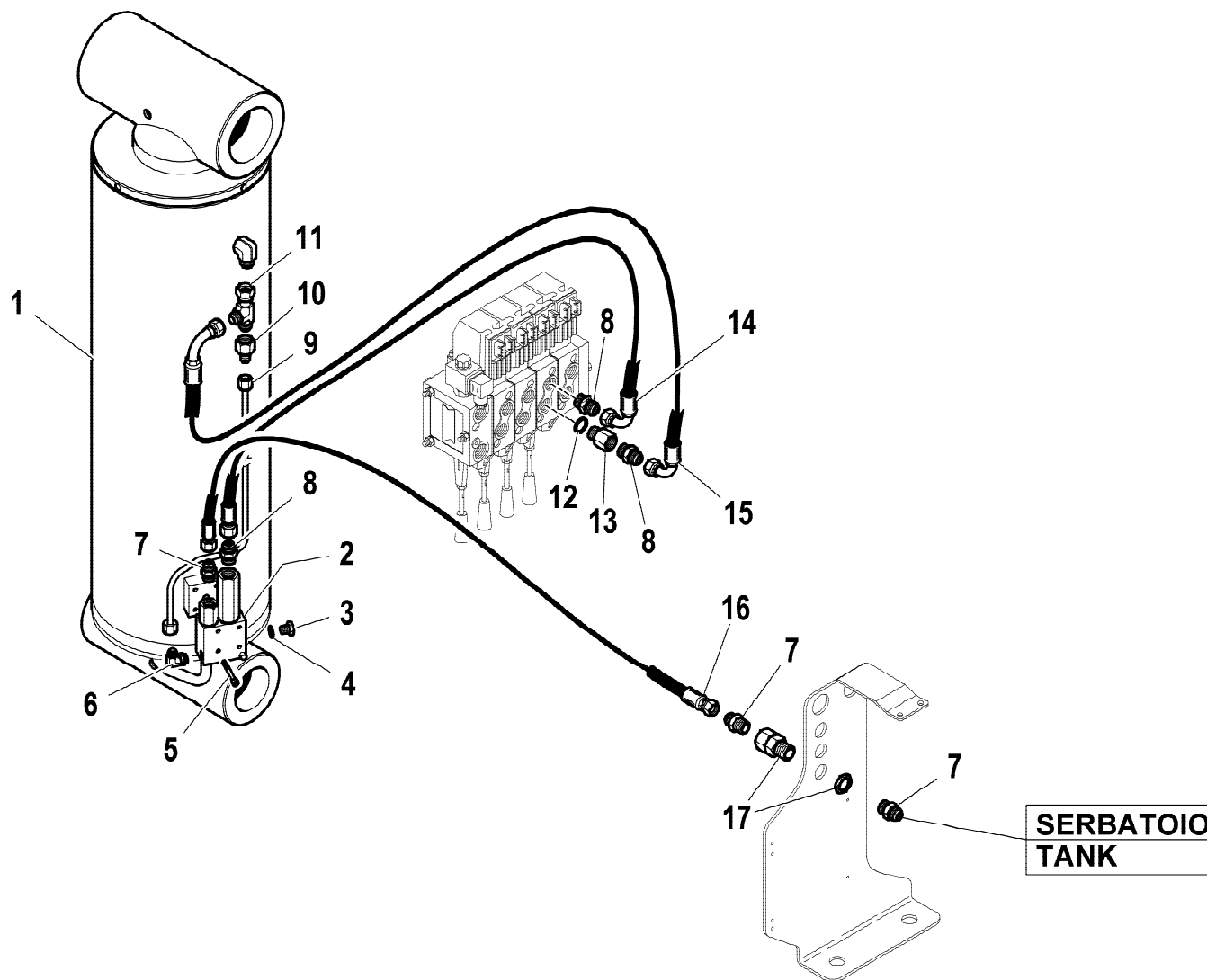
Tavola
6.24.0125-1-0

Data pag.
 novembre 2007 124



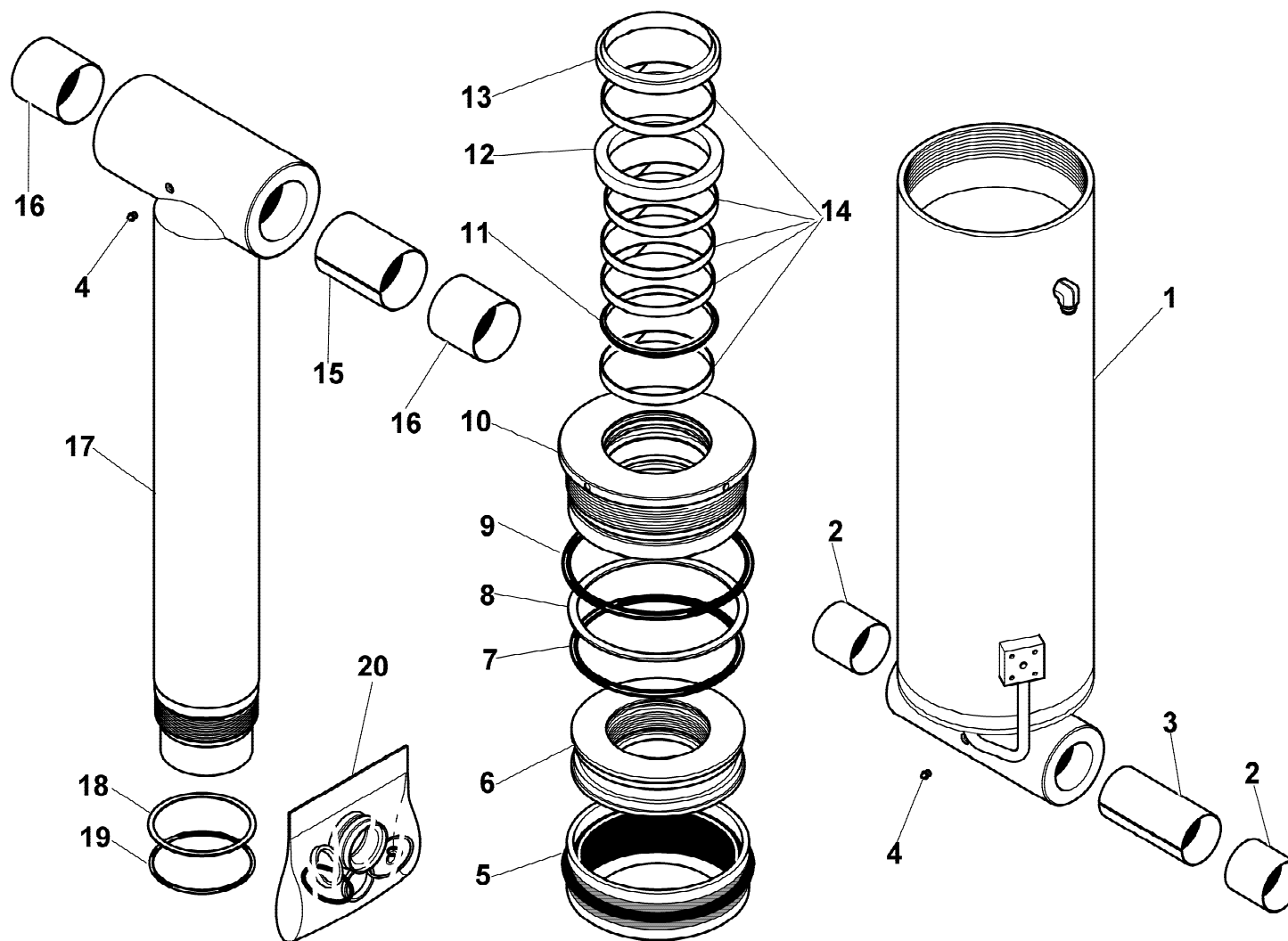
rif.	codice	Q.tà
1	5.22.0707	1
2	5.00.1707	1
3	3.01.0026	2
4	3.06.0053	2
5	3.10.1043	6
6	5.39.2193	1
7	3.12.0004	2
8	5.39.2192	1
9	3.19.0027	2
10	3.10.1127	2
11	3.10.1044	2
12	5.27.1813	2
13	5.27.1812	2
14	5.22.0185	2
15	3.01.0029	2
16	3.06.0055	2
17	3.06.0029	2
18	5.00.0077	4
19	5.39.2194	1
20	5.39.2195	1

rif.	codice	Q.tà
1	6.43.0175	1
2	5.22.0670	1
3	3.11.0062	1
4	3.06.0143	1
5	3.02.0898	4
6	3.10.1124	1
7	3.10.1040	3
8	3.10.1051	1
9	5.39.2125	1
10	3.12.0209	1
11	3.12.0008	1
12	3.06.0145	1
13	3.11.0113	1
14	5.28.1102	1
15	5.28.1101	1
16	5.26.1043	1
17	5.22.0185	1



**SERBATOIO
TANK**

rif.	codice	Q.tà
1	6.07.0525	1
2	5.14.0794	2
3	5.00.1458	1
4	3.08.0501	1
5	3.40.0545	1
6	6.05.0303	1
7	3.45.0412	1
8	3.46.0412	1
9	3.45.0187	1
10	6.04.0292	1
11	3.38.1500	1
12	3.39.0500	1
13	3.42.0308	1
14	3.36.1028	1
15	5.00.1457	1
16	5.14.0975	1
17	6.03.0848	1
18	3.46.0170	1
19	3.45.0170	1
20	5.55.0764	1



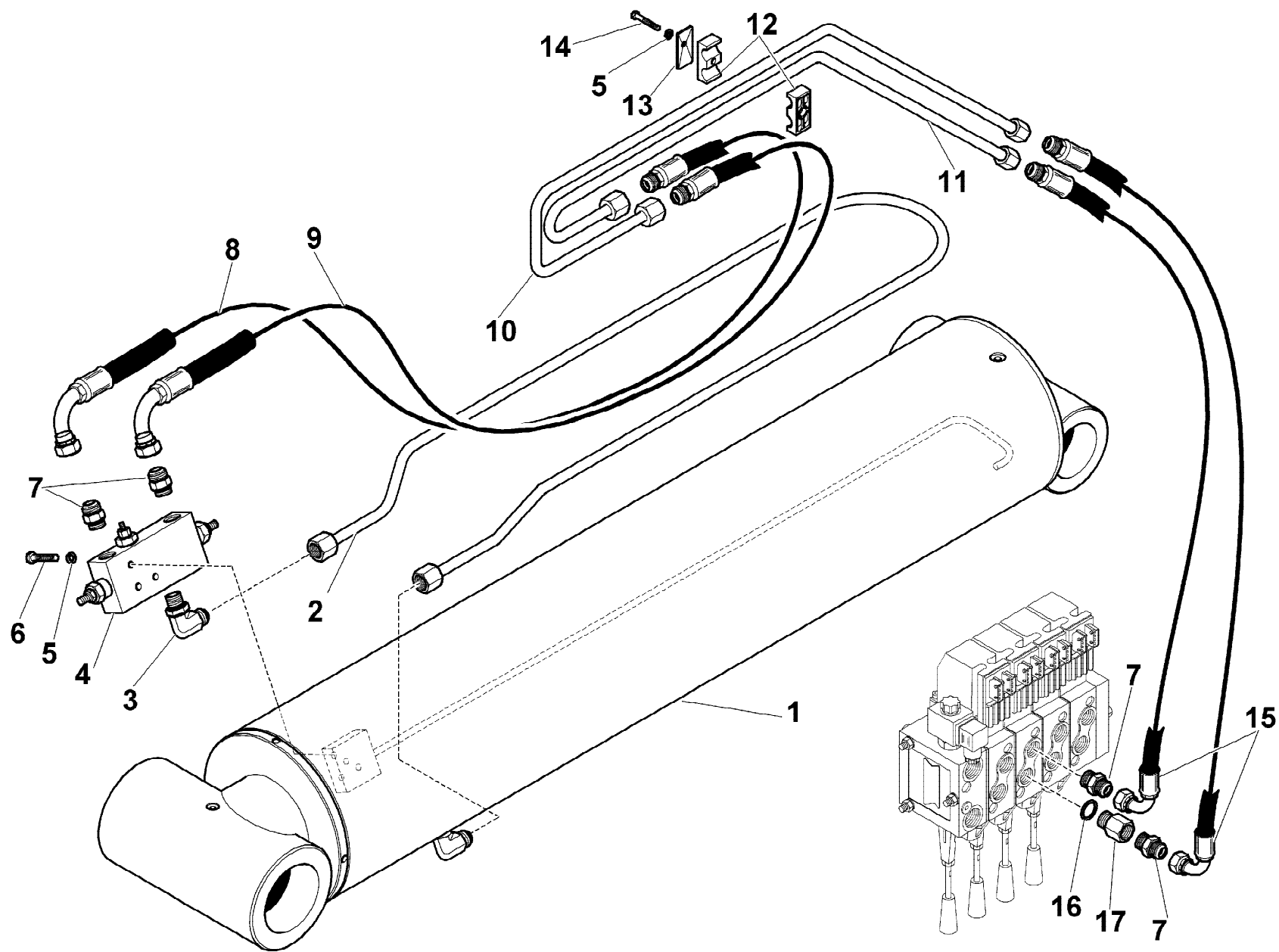
1/1

HYVA[®] CRANE
HC501

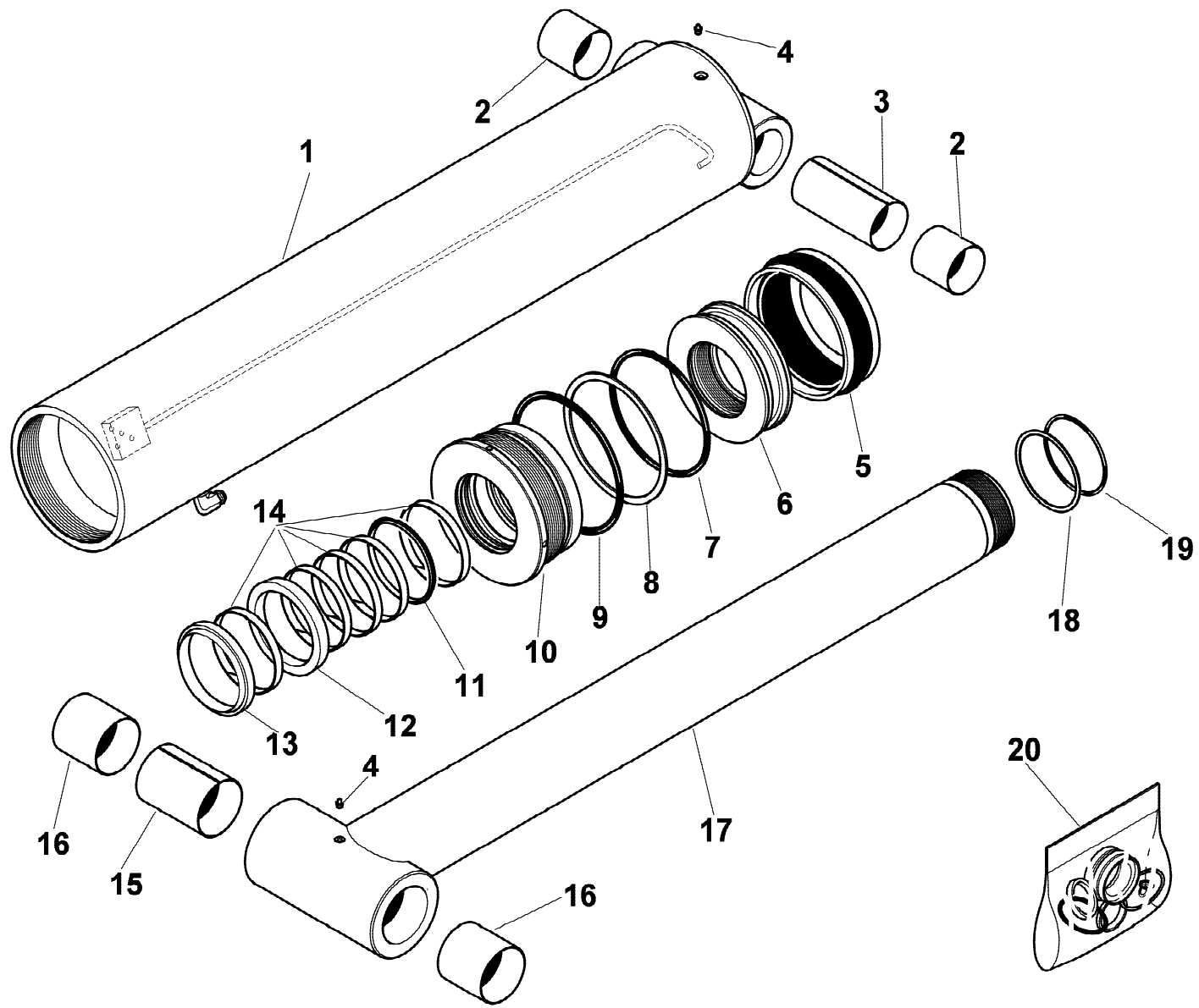
MARTINETTO SOLLEVAMENTO
LIFTING HYDRAULIC CYLINDER
VERIN DE LEVAGE
HUBZYLINDER
GATO DE ELEVACION

Tavola
6.43.0175-1-0

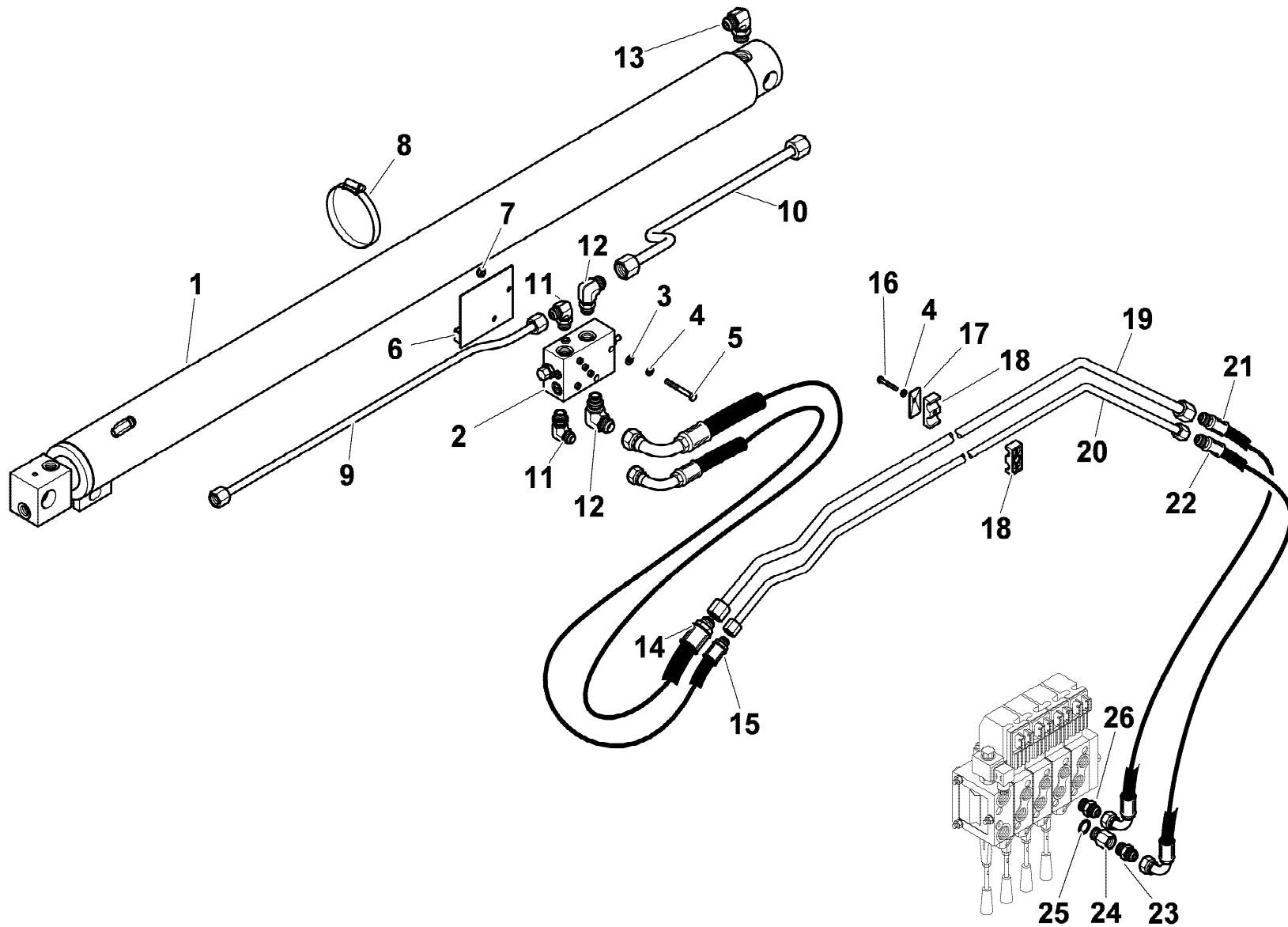
Data pag.
novembre 2007 127



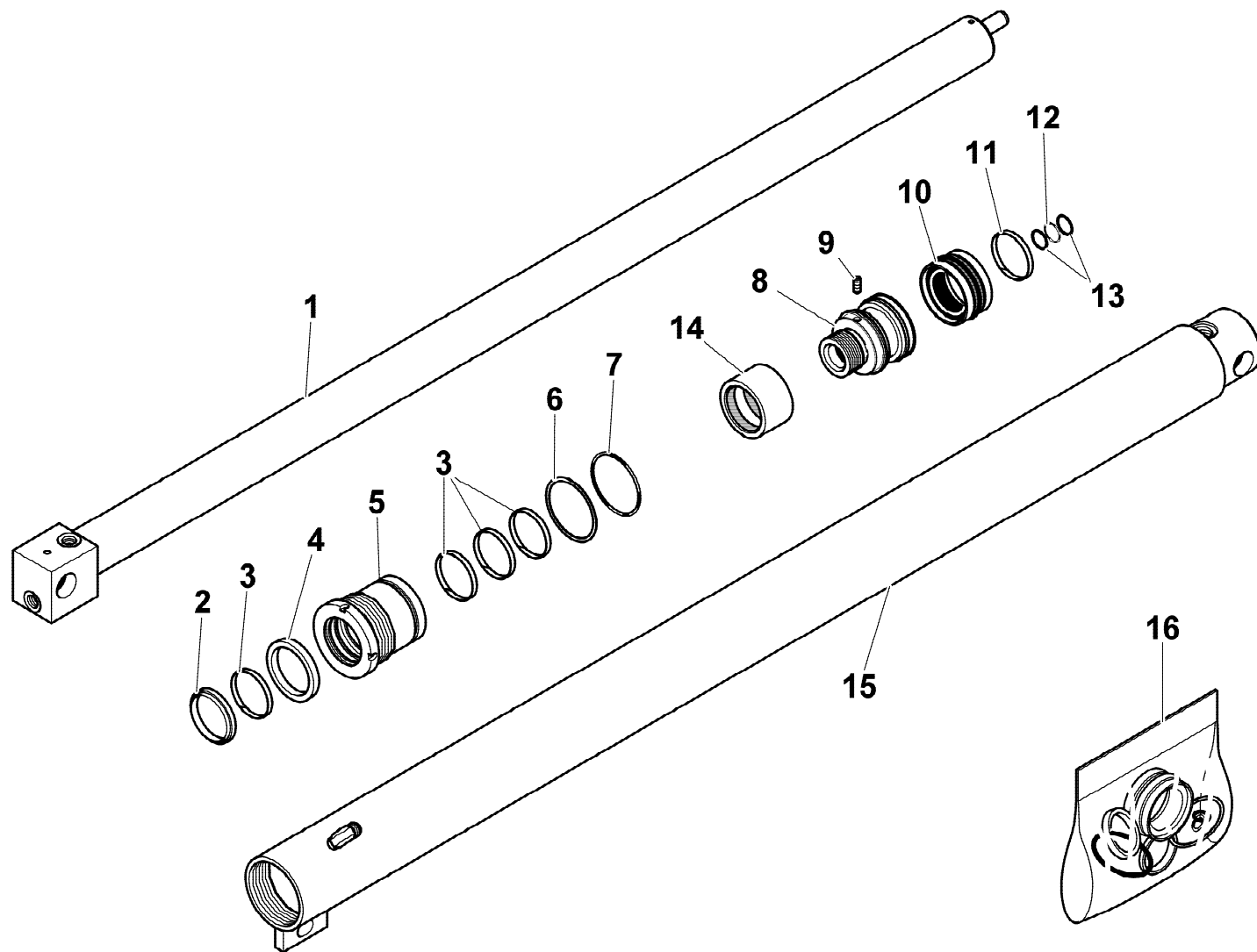
rif.	codice	Q.tà
1	6.43.0176	1
2	5.39.2122	1
3	3.10.1131	1
4	5.22.0665	1
5	3.06.0055	6
6	3.01.0032	3
7	3.10.1051	2
8	5.28.1104	1
9	5.28.1103	1
10	5.39.2134	1
11	5.39.2121	1
12	3.19.0172	6
13	3.19.0204	3
14	3.01.0414	3
15	5.28.1105	2
16	3.06.0145	1
17	3.11.0113	1



rif.	codice	Q.tà
1	6.07.0528	1
2	5.14.0793	2
3	5.00.1463	1
4	3.08.0501	2
5	3.40.0541	1
6	6.05.0305	1
7	3.45.0406	1
8	3.46.0406	1
9	3.45.0181	1
10	6.04.0293	1
11	3.38.1300	1
12	3.39.0501	1
13	3.42.0060	1
14	3.36.1021	5
15	5.00.1464	1
16	5.14.0975	2
17	6.03.0850	1
18	3.46.0164	1
19	3.45.0164	1
20	5.55.0765	1



rif.	codice	Q.tà
1	6.41.0391	1
2	5.22.0755	1
3	3.06.0006	2
4	3.06.0055	2
5	3.01.0036	2
6	5.00.1196	1
7	3.04.0303	2
8	3.19.0024	2
9	5.39.2139	1
10	5.39.2138	1
11	3.10.1131	1
12	3.10.1132	1
13	3.10.1133	1
14	3.10.1056	1
15	5.29.0160	1
16	5.28.1106	1
17	3.01.0414	3
18	3.19.0221	3
19	3.19.0222	6
20	5.39.2350	1
21	5.39.2351	1
22	5.29.0159	1
23	5.28.1105	1
24	3.10.1051	1
25	3.11.0113	1
26	3.06.0145	1
27	3.10.1058	1



rif.	codice	Q.tà
1	6.03.0852	1
2	3.42.0032	1
3	3.36.1008	1
4	3.37.0144	1
5	6.04.0294	1
6	3.46.0253	1
7	3.45.0150	1
8	6.05.0306	1
9	3.06.0232	1
10	3.40.0514	1
11	3.36.0012	1
12	3.45.0049	1
13	3.46.0049	2
14	5.00.1572	1
15	6.07.0529	1
16	5.55.0766	1

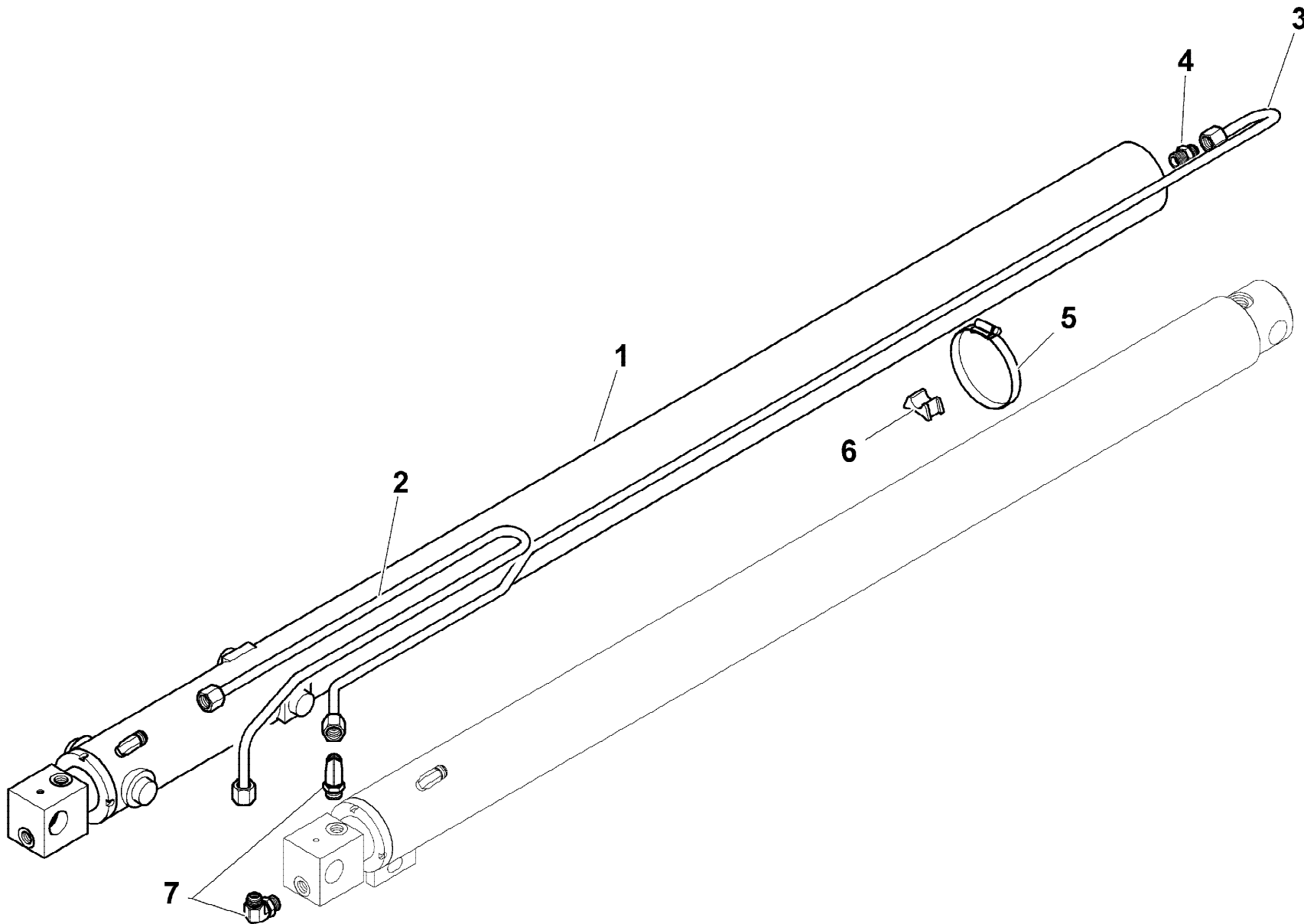
1/1

HYVA[®] CRANE
HC501

MARTINETTO 1° SFILLO
 1ST EXSTENSION HYDRAULIC
 VÉRIN 1ÈRE RALLONGE
 1. SCHUBZYLINDER
 GATO 1ª EXTENSIÓN

Tavola
6.41.0391-1-0

Data pag.
 novembre 2007 131



rif.	codice	Q.tà
1	6.41.0392	1
2	5.39.2140	1
3	5.39.2141	1
4	3.12.0073	1
5	3.19.0024	2
6	5.14.0133	2
7	3.10.1131	2

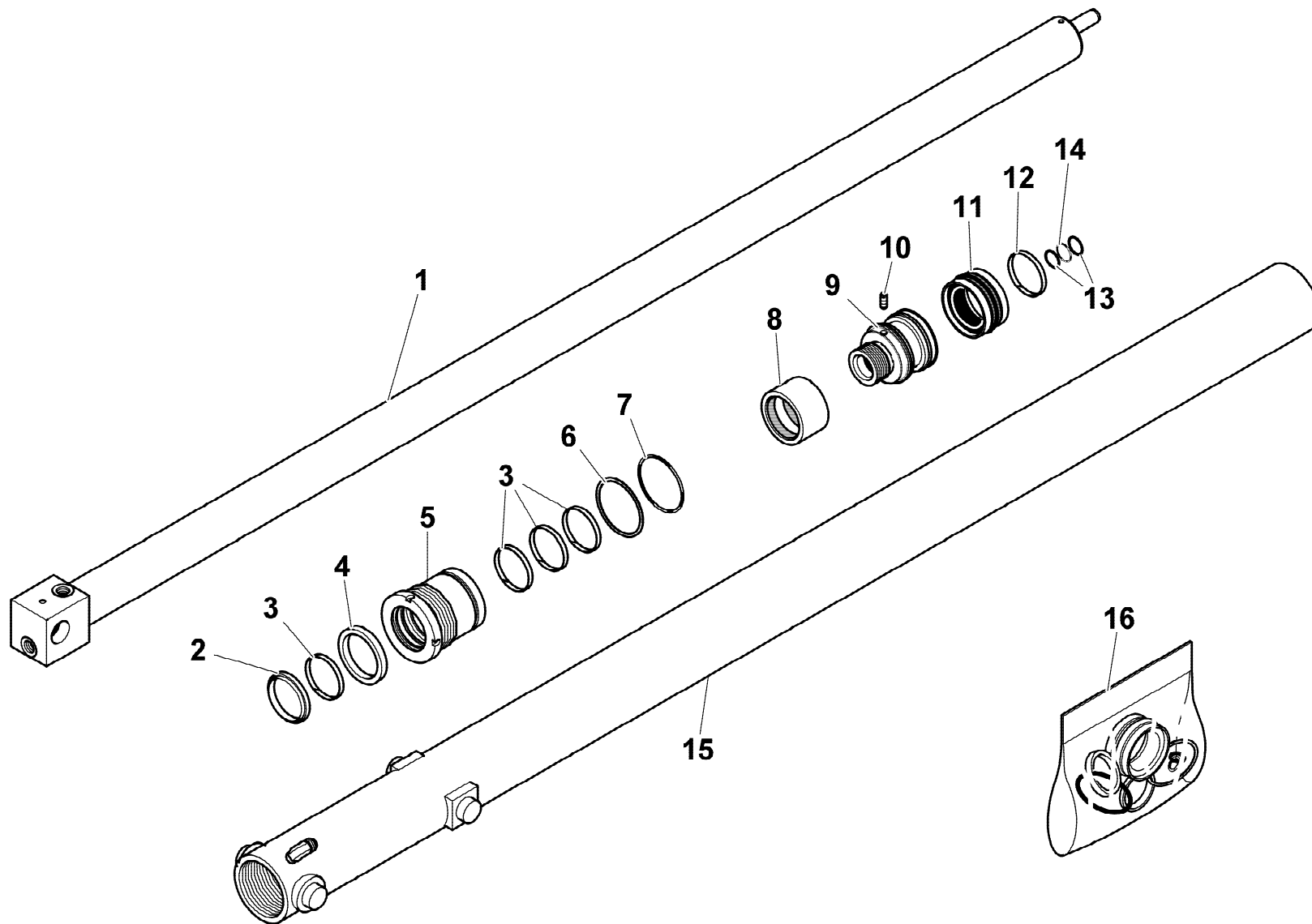
1/1

HYVA[®] CRANE
HC501

MARTINETTO 2° SFILLO (IMPIANTO OLEODINAMICO)
 2ND EXTENSION HYDRAULIC JACK (HYDRAULIC SYSTEM)
 VÉRIN 2ÈME RALLONGE (INSTALLATION HYDRAULIQUE)
 2. SCHUBZYLINDER (HYDRAULIKANLAGE)
 GATO 2ª EXTENSIÓN (INSTALACION HIDRAULICA)

Tavola
6.21.0392-1-0

Data pag.
 novembre 2007 132



rif.	codice	Q.tà
1	6.03.0854	1
2	3.42.0032	1
3	3.36.1008	1
4	3.37.0144	1
5	6.04.0294	1
6	3.46.0253	1
7	3.45.0150	1
8	5.00.1572	1
9	6.05.0306	1
10	3.06.0232	1
11	3.40.0514	1
12	3.36.0012	1
13	3.45.0049	1
14	3.46.0049	2
15	6.07.0530	1
16	5.55.0766	1

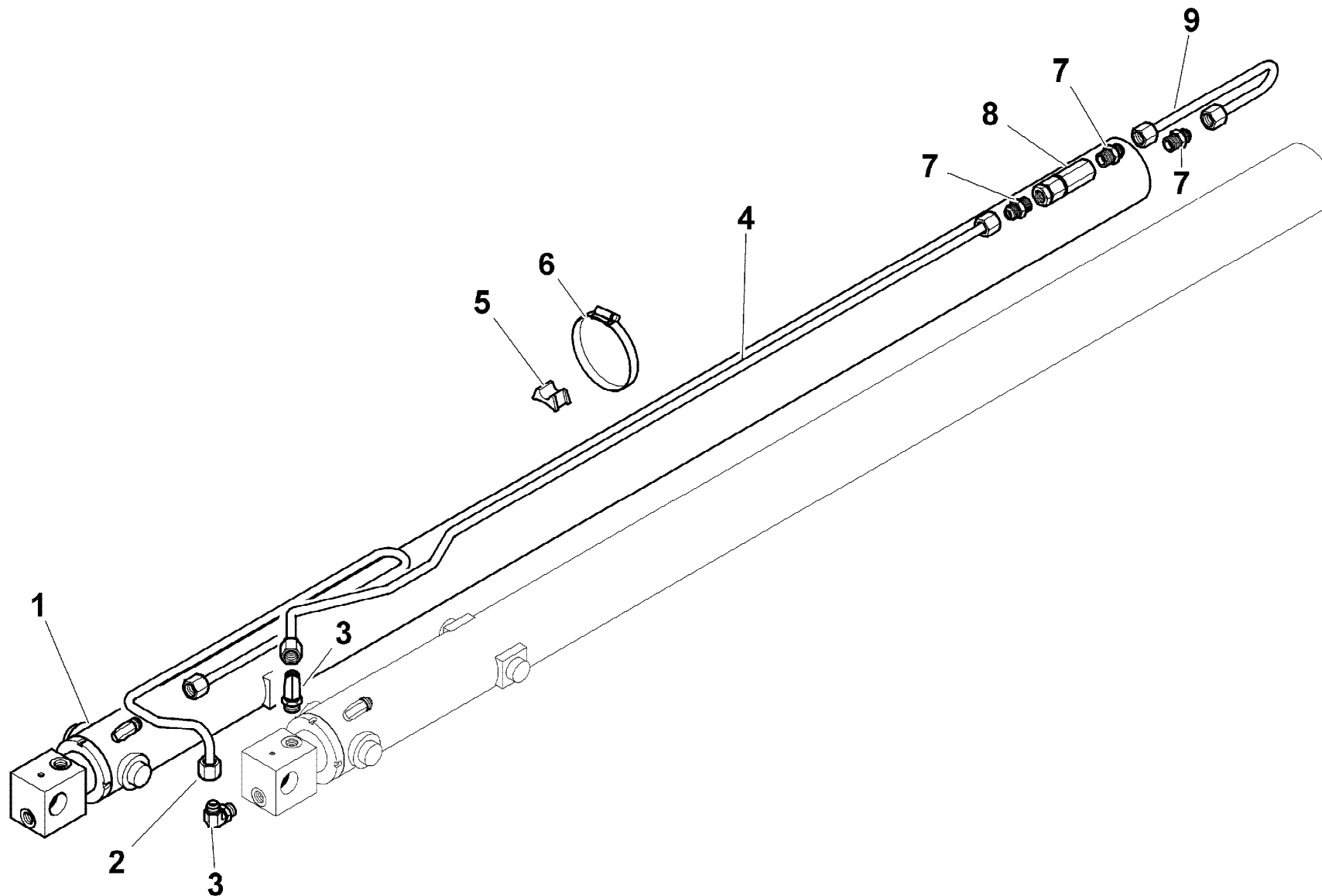
1/1

HYVA[®] CRANE
HC501

MARTINETTO 2° SFILLO
 2ND EXTENSION HYDRAULIC JACK
 VÉRIN 2ÉME RALLONGE
 2. SCHUBZYLINDER
 GATO 2ª EXTENSIÓN

Tavola
6.41.0392-1-0

Data pag.
 novembre 2007 133



rif.	codice	Q.tà
1	6.41.0393	1
2	5.39.2128	1
3	3.10.1131	2
4	5.23.2129	1
5	5.14.0133	2
6	3.19.0024	2
7	3.10.1051	2
8	5.22.0688	1
9	5.39.2130	1

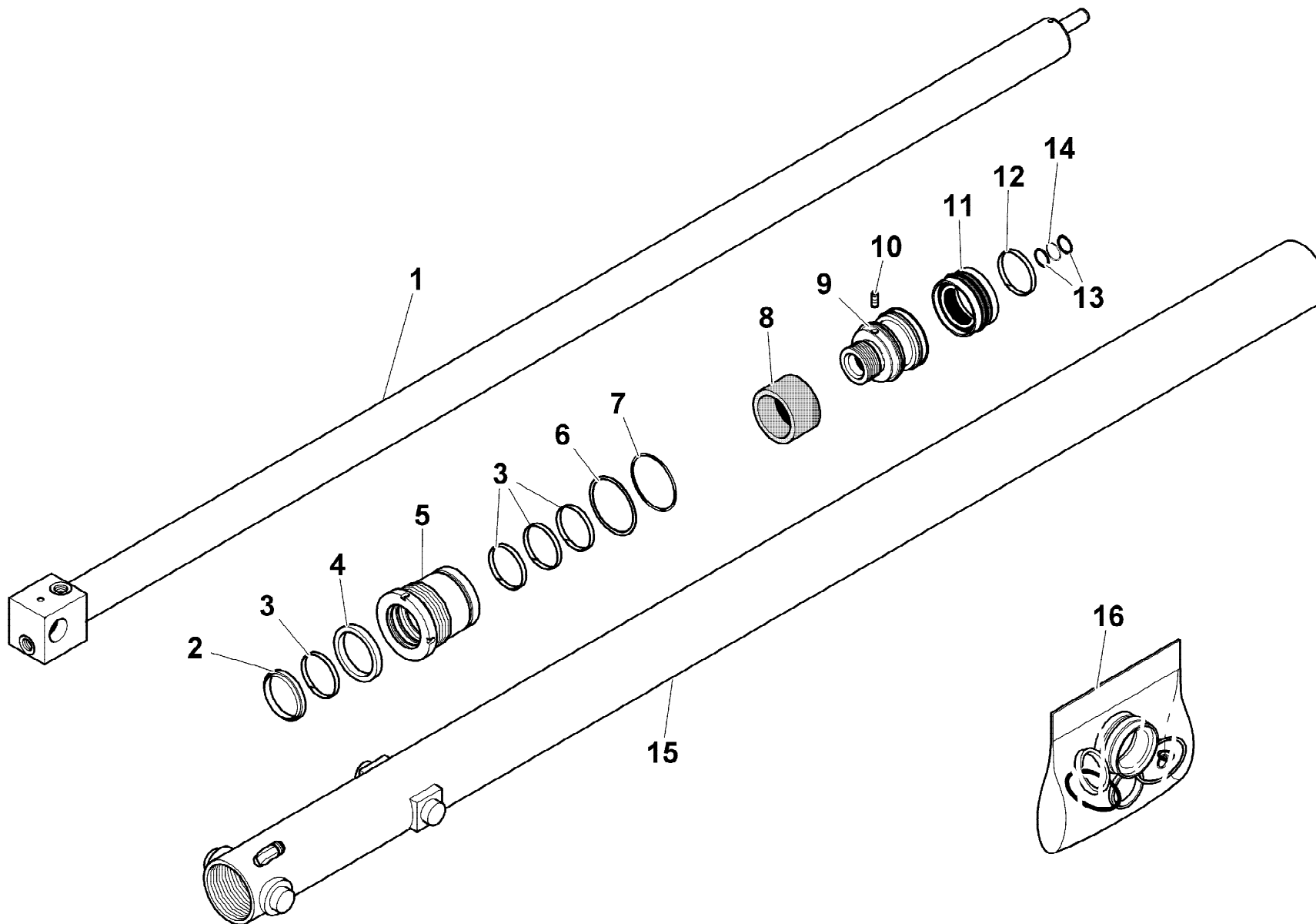
1/1

HYVA[®] CRANE
HC501

MARTINETTO 3° SFILLO (IMPIANTO OLEODINAMICO)
 3RD EXTENSION HYDRAULIC JACK (HYDRAULIC SYSTEM)
 VÉRIN 3ÈME RALLONGE (INSTALLATION HYDRAULIQUE)
 3. SCHUBZYLINDER (HYDRAULIKANLAGE)
 GATO 3ª EXTENSIÓN (INSTALACION HIDRAULICA)

Tavola
6.21.0393-1-0

Data pag.
 novembre 2007 134



rif.	codice	Q.tà
1	6.03.0856	1
2	3.42.0030	1
3	3.36.1006	4
4	3.39.0502	1
5	6.04.0299	1
6	3.46.0149	1
7	3.45.0149	1
8	5.00.1683	1
9	6.05.0307	1
10	3.06.0249	1
11	3.40.0513	1
12	3.36.1011	1
13	3.46.0049	2
14	3.45.0049	1
15	6.07.0531	1
16	5.55.0767	1

1/1

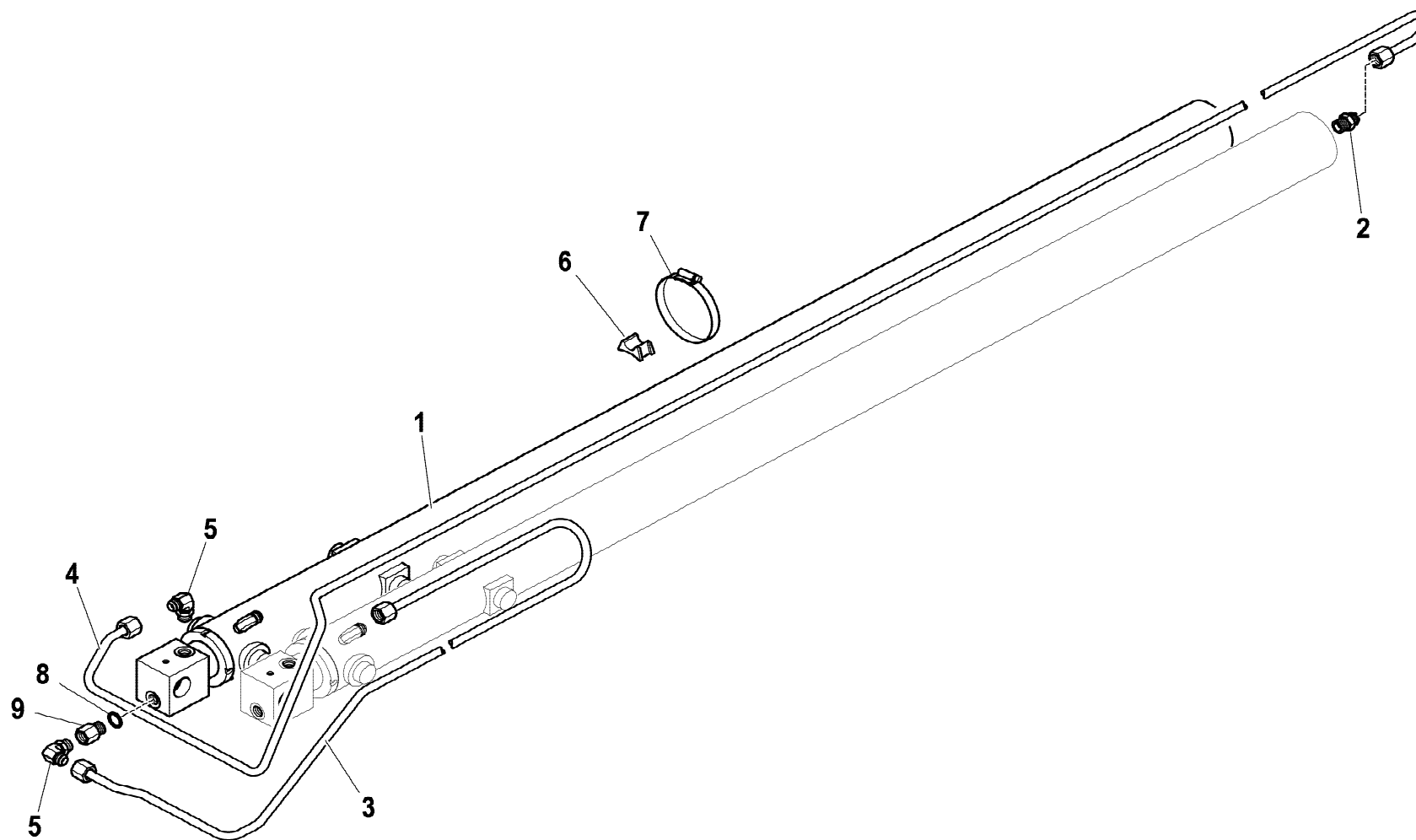
HYVA® CRANE
HC501

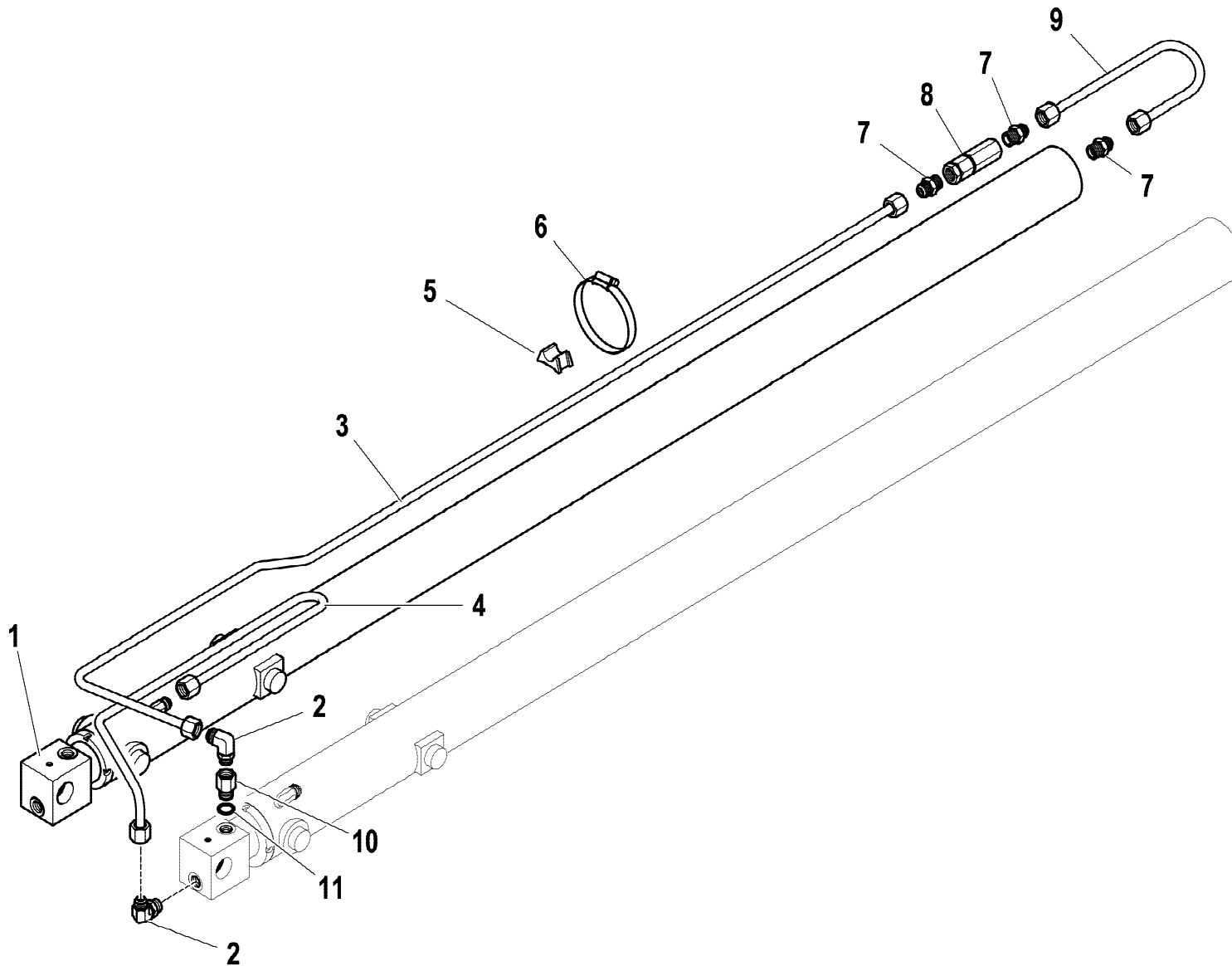
MARTINETTO 3° E 4° SFILLO
3RD AND 4TH EXTENSION HYDRAULIC CYLINDER
VERIN 3ÈME ET 4ÈME RALLONGE
3. UNT 4. VERLAENGERUNGSWINDE
3° Y 4° GATO DE PROLONGACION

Tavola
6.41.0393-1-0

Data pag.
novembre 2007 135

rif.	codice	Q.tà
1	6.41.0393	1
2	3.10.1051	2
3	5.39.2131	1
4	5.39.2132	1
5	3.10.1131	1
6	5.14.0133	2
7	3.19.0024	2





rif.	codice	Q.tà
1	6.41.0395	1
2	3.10.1131	2
3	5.39.2380	1
4	5.39.2135	1
5	5.14.0133	2
6	3.19.0024	2
7	3.10.1051	1
8	5.22.0688	1
9	5.39.2130	1

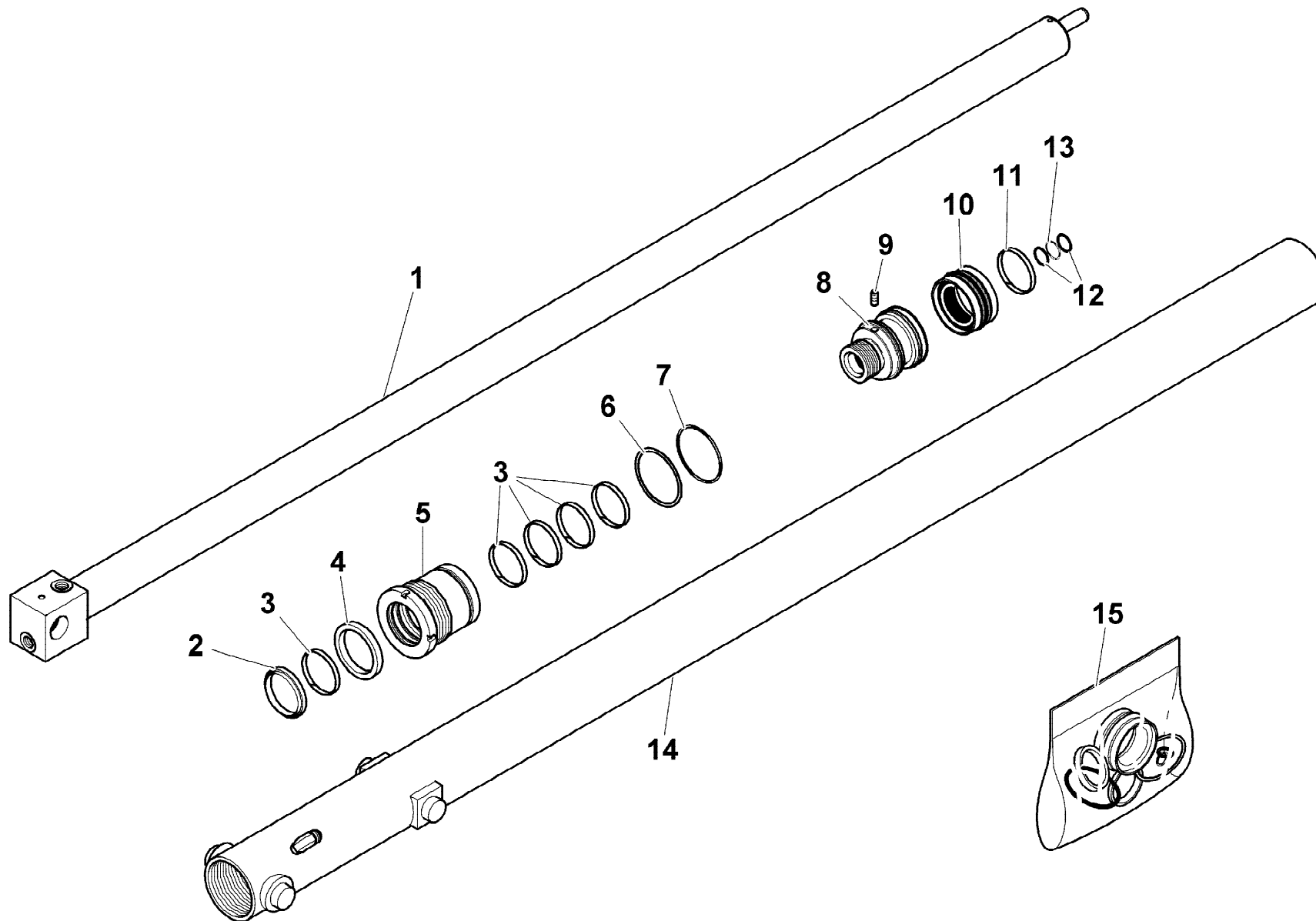
1/1

HYVA[®] CRANE
HC501

MARTINETTO 5° SFILLO (IMPIANTO OLEODINAMICO)
 5TH EXTENSION HYDRAULIC JACK (HYDRAULIC SYSTEM)
 VÉRIN 5ÈME RALLONGE (INSTALLATION HYDRAULIQUE)
 5. SCHUBZYLINDER (HYDRAULIKANLAGE)
 GATO 5ª EXTENSIÓN (INSTALACION HIDRAULICA)

Tavola
6.21.0395-1-0

Data pag.
 novembre 2007 137



rif.	codice	Q.tà
1	6.03.0858	1
2	3.42.0028	1
3	3.36.1004	5
4	3.37.0132	1
5	6.04.0295	1
6	3.46.0142	1
7	3.45.0142	1
8	6.05.0308	1
9	3.06.0232	1
10	3.40.0511	1
11	3.36.1009	1
12	3.46.0049	2
13	3.45.0049	1
14	6.07.0532	1
15	5.55.0768	1

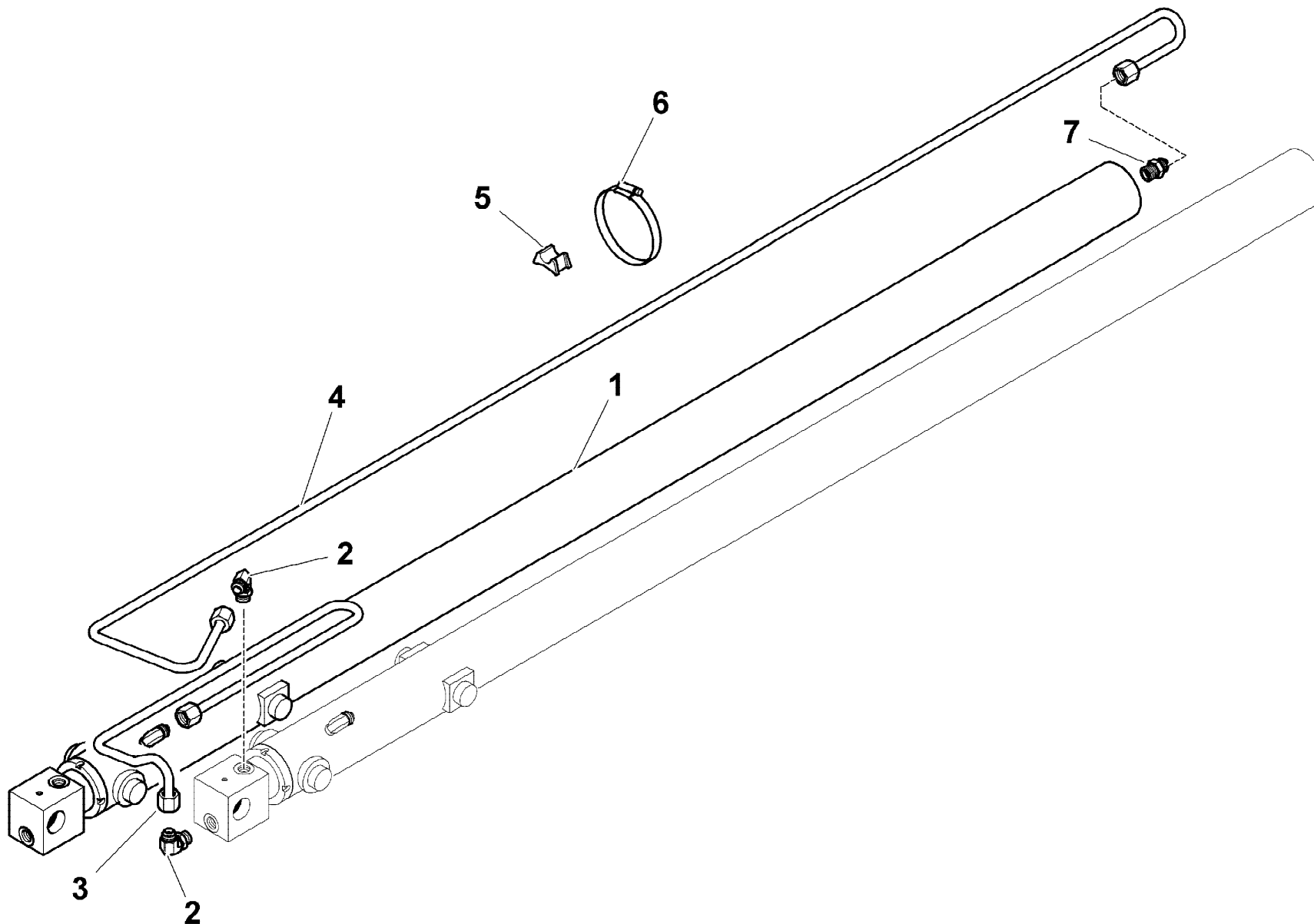
1/1

HYVA[®] CRANE
HC501

MARTINETTO 5° E 6° SFILLO
 5TH AND 6TH EXTENSION HYDRAULIC CYLINDER
 VERIN 5ÈME ET 6ÈME RALLONGE
 5. UND 6. VERLAENGERUNSWINDE
 5° Y 6° GATO DE PROLONGACION

Tavola
6.41.0395-1-0

Data pag.
 novembre 2007 138



rif.	codice	Q.tà
1	6.41.0395	1
2	3.10.1131	2
3	5.39.2136	1
4	5.39.2137	1
5	5.14.0133	2
6	3.19.0024	2
7	3.10.1051	1

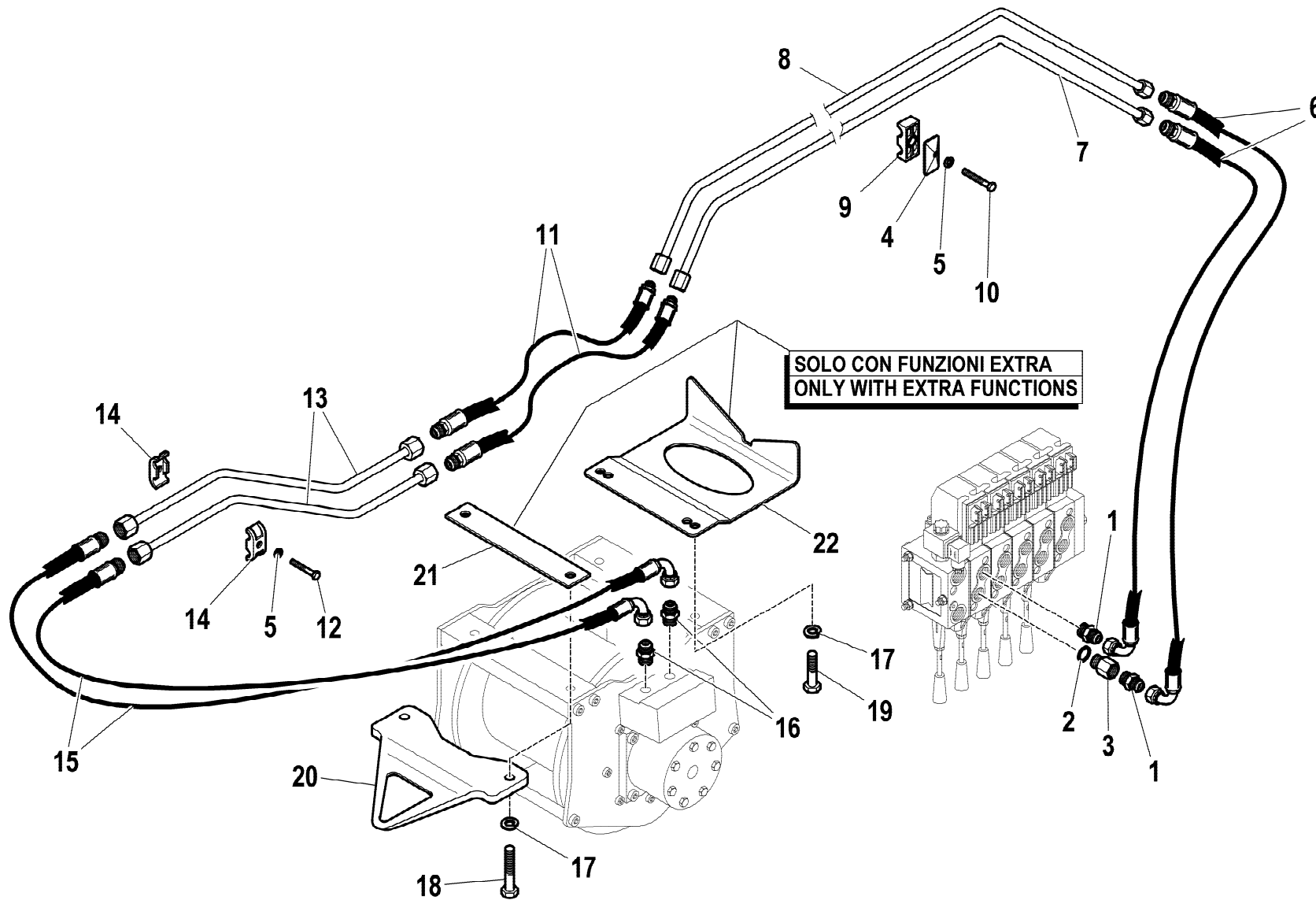
1/1

HYVA[®] CRANE
HC501

MARTINETTO 6° SFILO (IMPIANTO OLEODINAMICO)
 6TH EXTENSION HYDRAULIC JACK (HYDRAULIC SYSTEM)
 VÉRIN 6ÈME RALLONGE (INSTALLATION HYDRAULIQUE)
 6. SCHUBZYLINDER (HYDRAULIKANLAGE)
 GATO 6ª EXTENSIÓN (INSTALACION HIDRAULICA)

Tavola
6.21.0396-1-0

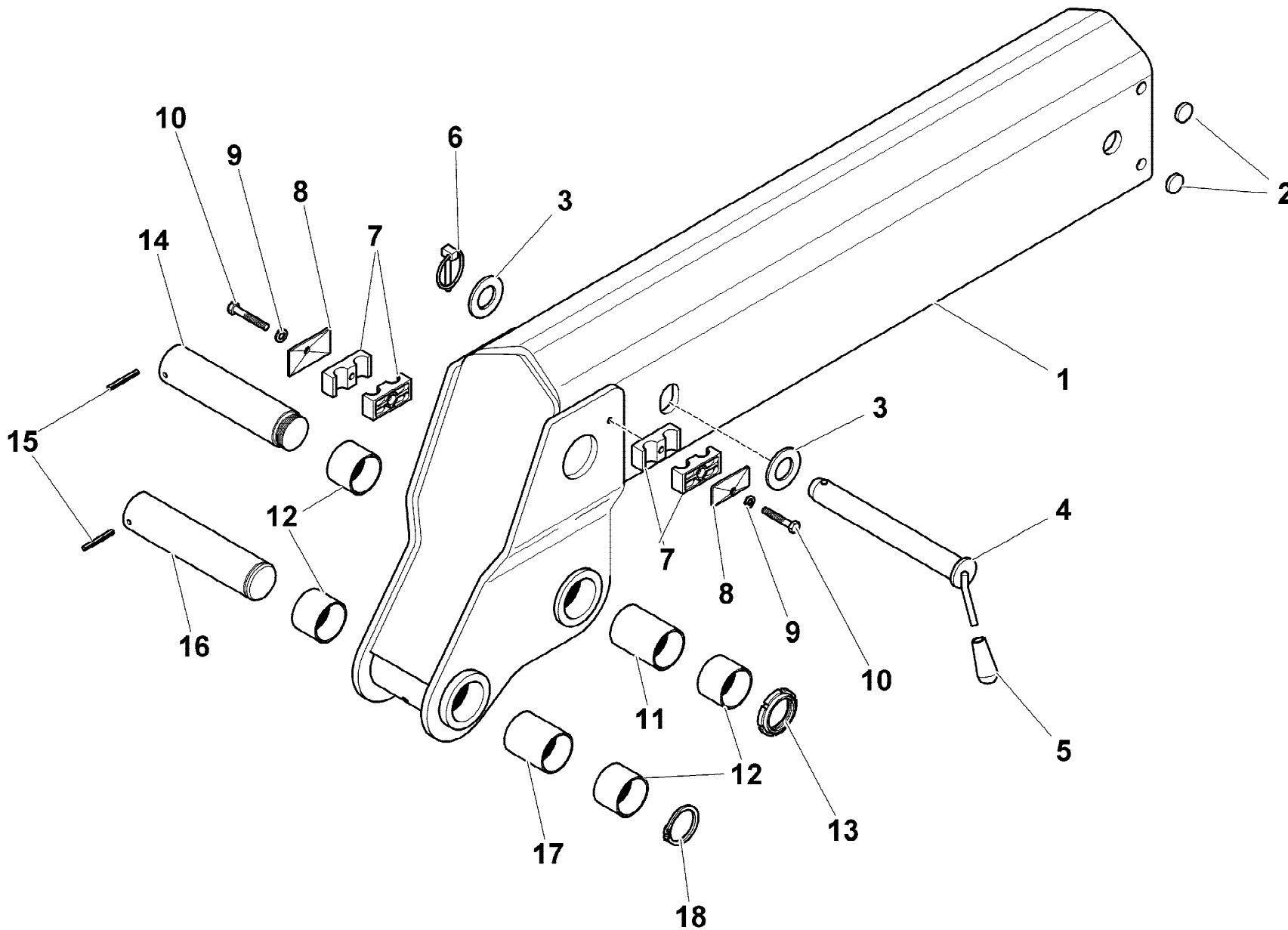
Data pag.
 novembre 2007 139



rif.	codice	Q.tà
1	3.10.1051	2
2	3.06.0145	2
3	3.11.0113	1
4	3.19.0204	3
5	3.06.0055	7
6	5.28.1100	2
7	5.39.2353	1
8	5.39.2352	1
9	3.19.0172	6
10	3.01.0032	3
11	5.28.1099	2
12	3.01.0038	2
13	5.39.2143	2
14	5.00.0047	4
15	5.28.1104	2
16	3.12.0073	2
17	3.06.0058	4
18	3.01.0402	2
19	3.01.0404	3
20	5.00.1633	1
21	5.00.1638	1
22	5.00.1634	1

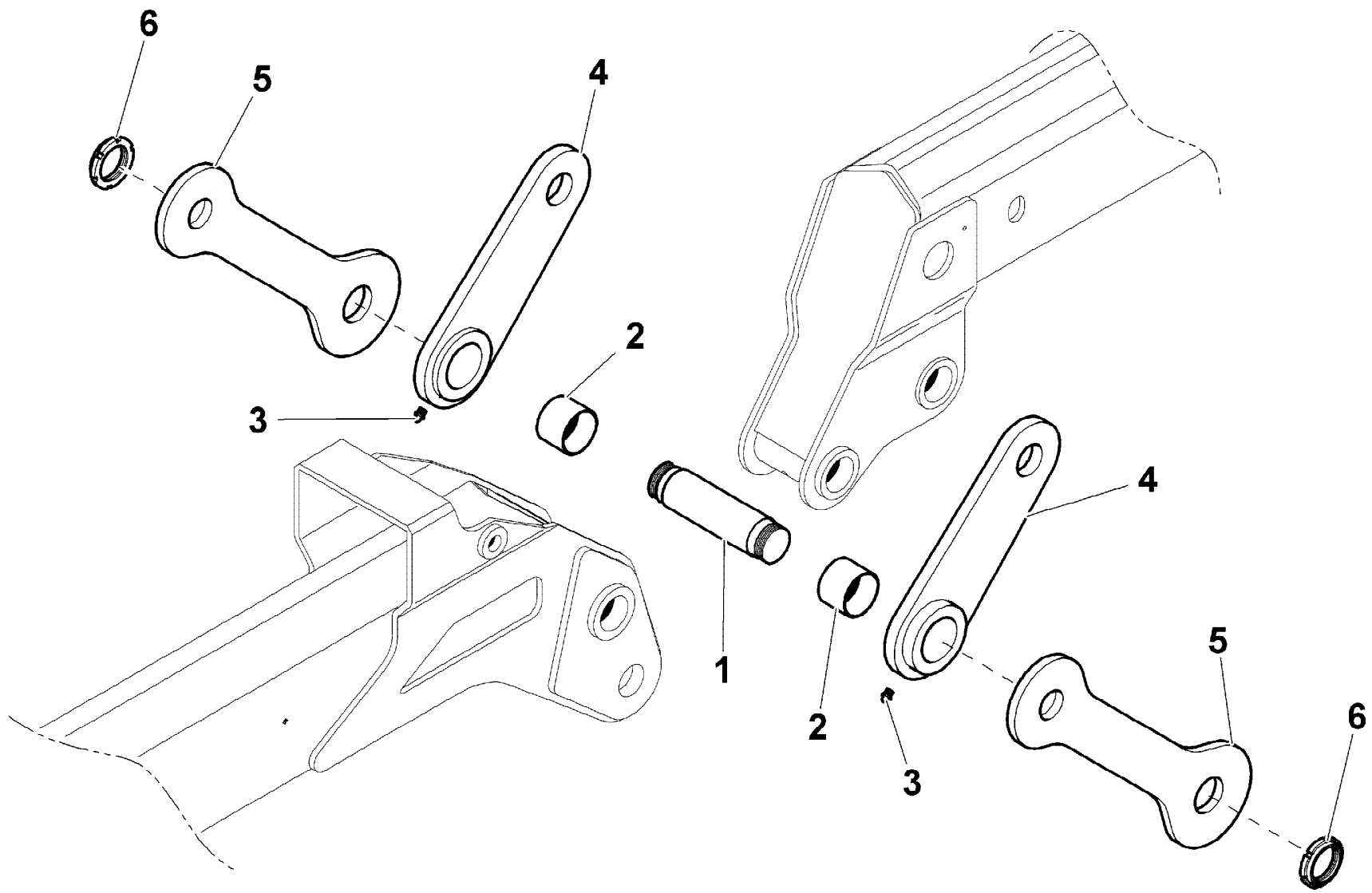


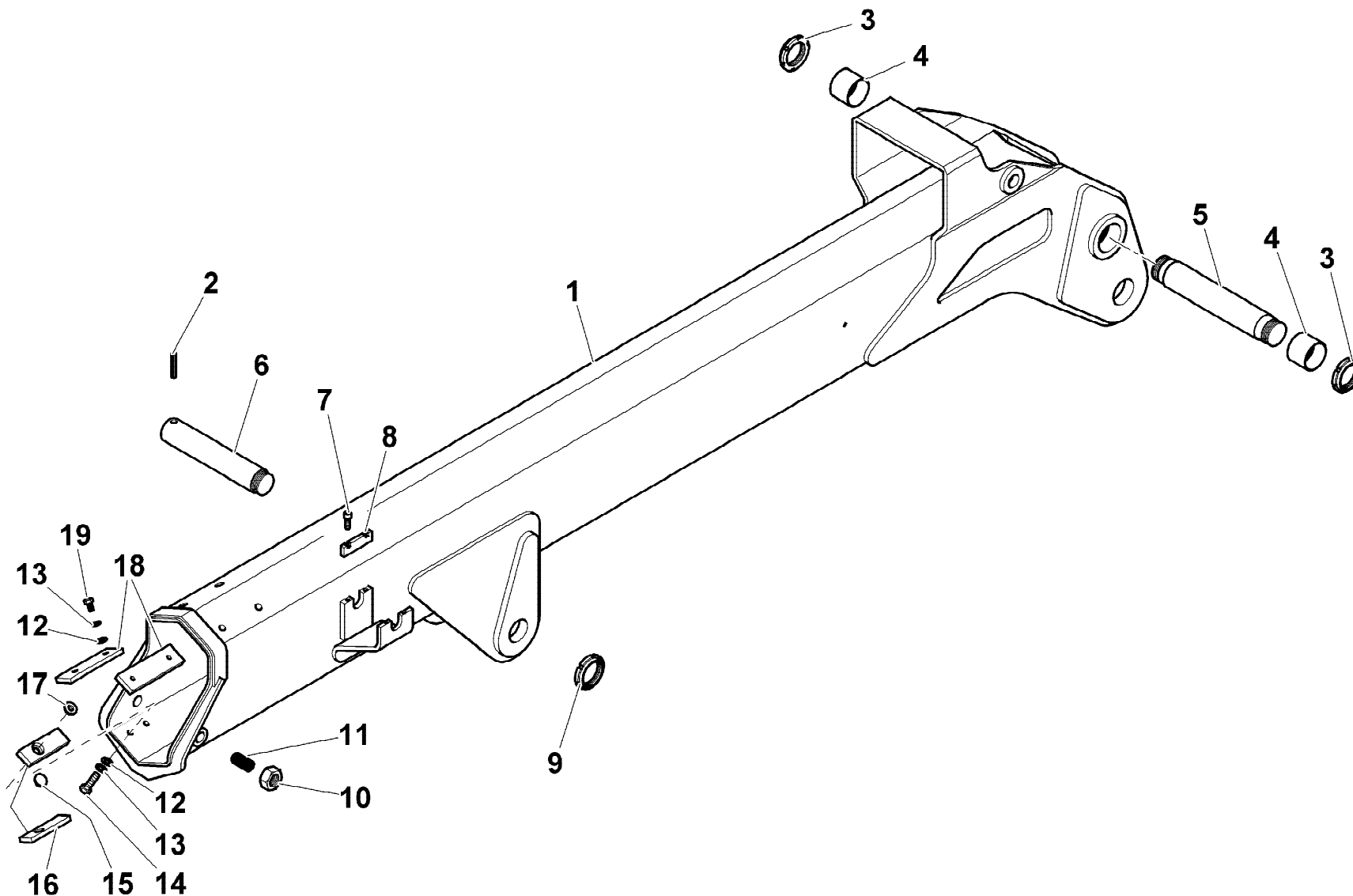
HC501 E6J4



rif.	codice	Q.tà
1	5.09.0948	1
2	5.14.0681	4
3	3.06.0016	2
4	5.15.0610	1
5	3.19.0010	1
6	3.06.0753	1
7	3.19.0172	4
8	3.19.0204	2
9	3.06.0055	2
10	3.01.0031	2
11	5.00.1505	1
12	5.14.0695	4
13	3.04.0506	1
14	5.15.0626	1
15	3.06.0632	2
16	5.15.0627	1
17	5.00.1504	1
18	3.07.0045	1

rif.	codice	Q.tà
1	5.15.0625	1
2	5.14.0723	2
3	3.08.0501	2
4	5.09.0652	2
5	5.09.0653	2
6	3.04.0508	3





rif.	codice	Q.tà
1	5.03.0276	1
2	3.06.0632	1
3	3.04.0506	2
4	5.14.0695	4
5	5.15.0628	1
6	5.15.0520	1
7	3.02.0037	4
8	5.00.1109	4
9	3.04.0500	1
10	3.04.0089	2
11	5.00.0771	2
12	3.06.0006	6
13	3.06.0918	6
14	3.01.0337	2
15	5.14.0656	2
16	5.14.0783	2
17	5.00.1087	2
18	5.14.0609	2
19	3.01.0336	4

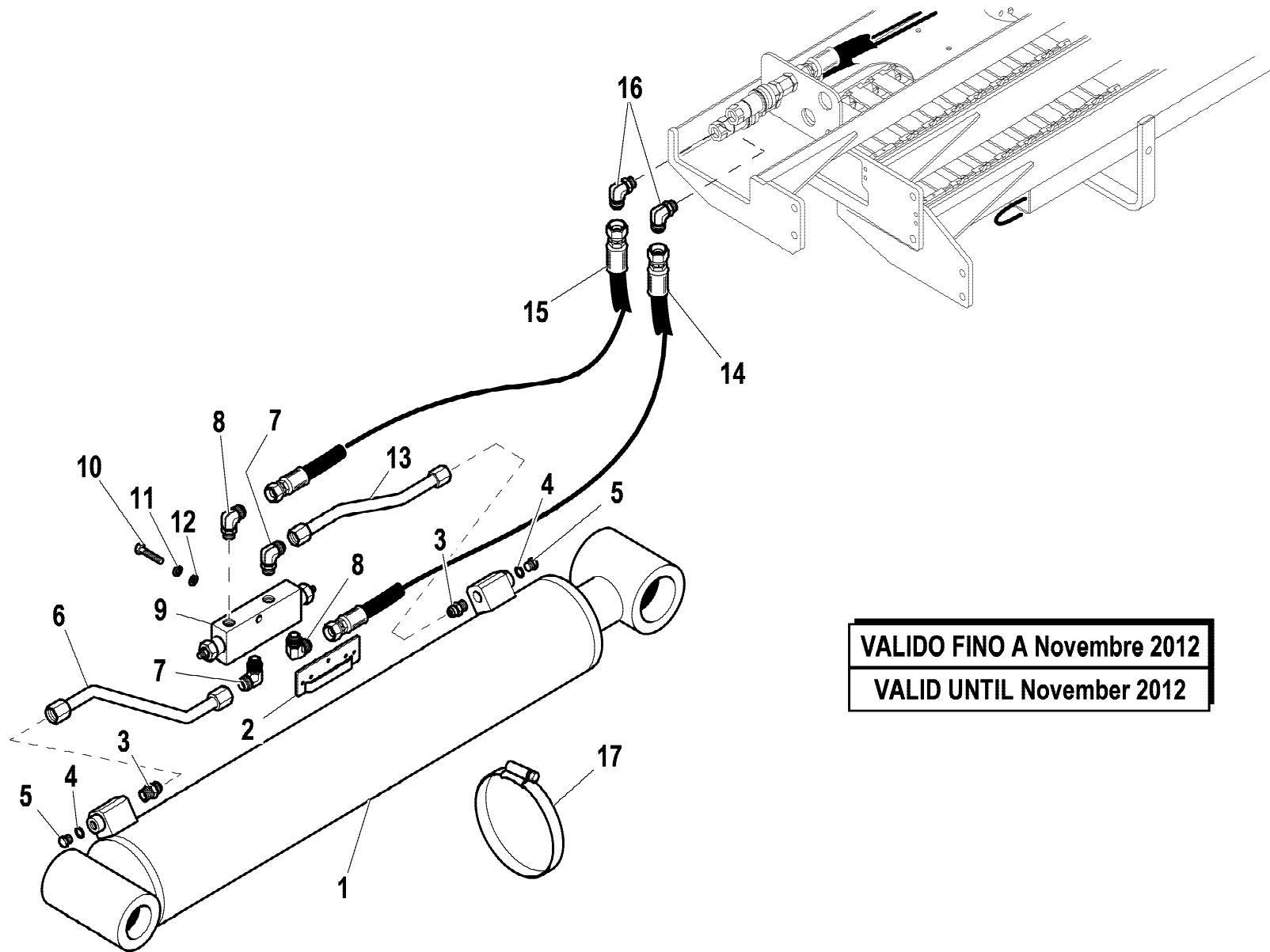
1/1

HYVA[®] CRANE
HC501

BRACCIO JIB
 JIB ARM
 BRAS JIB
 JIB ARM
 BRAZO

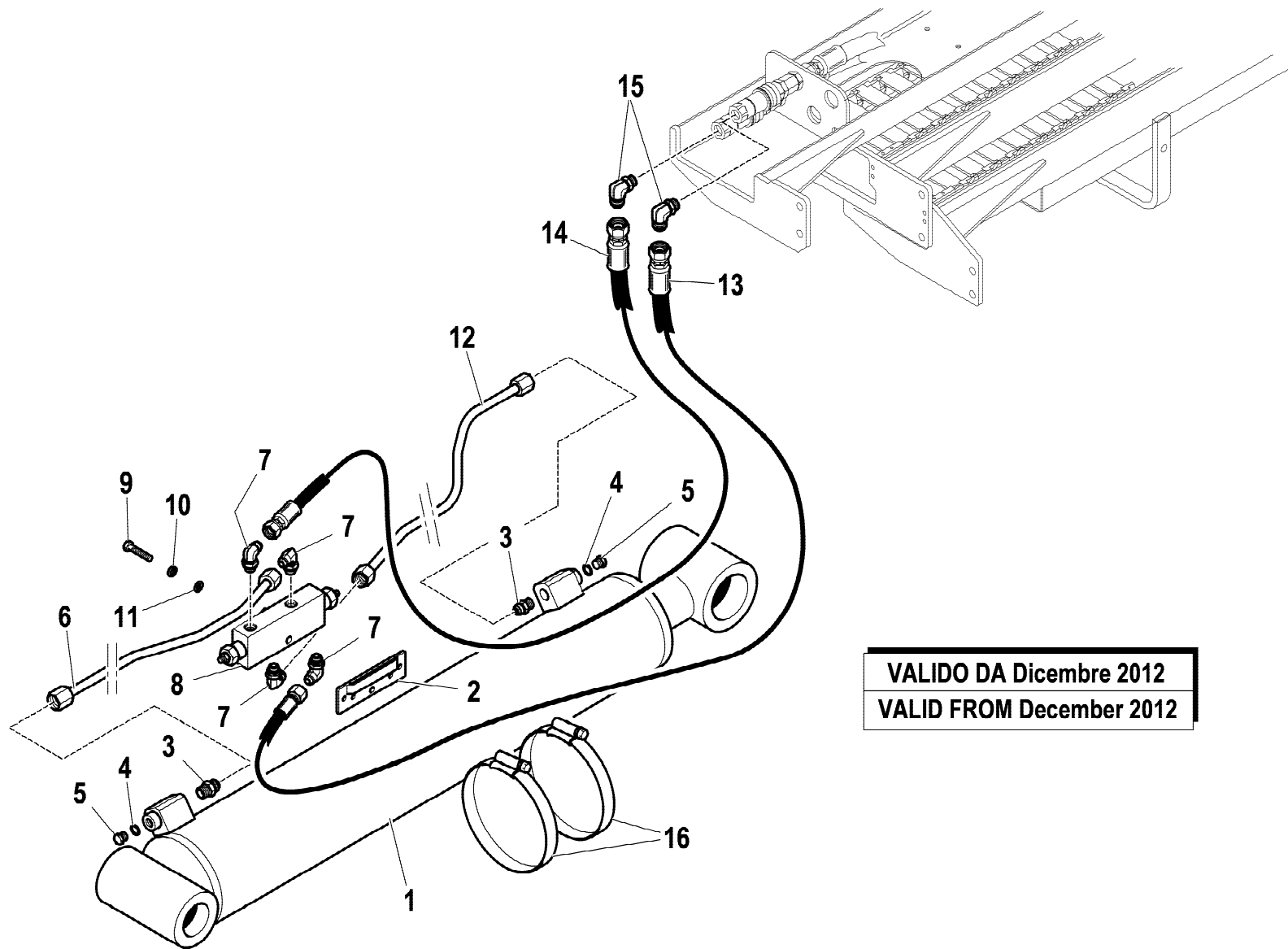
Tavola
5.63.0005-1-0

Data pag.
 dicembre 2006 144



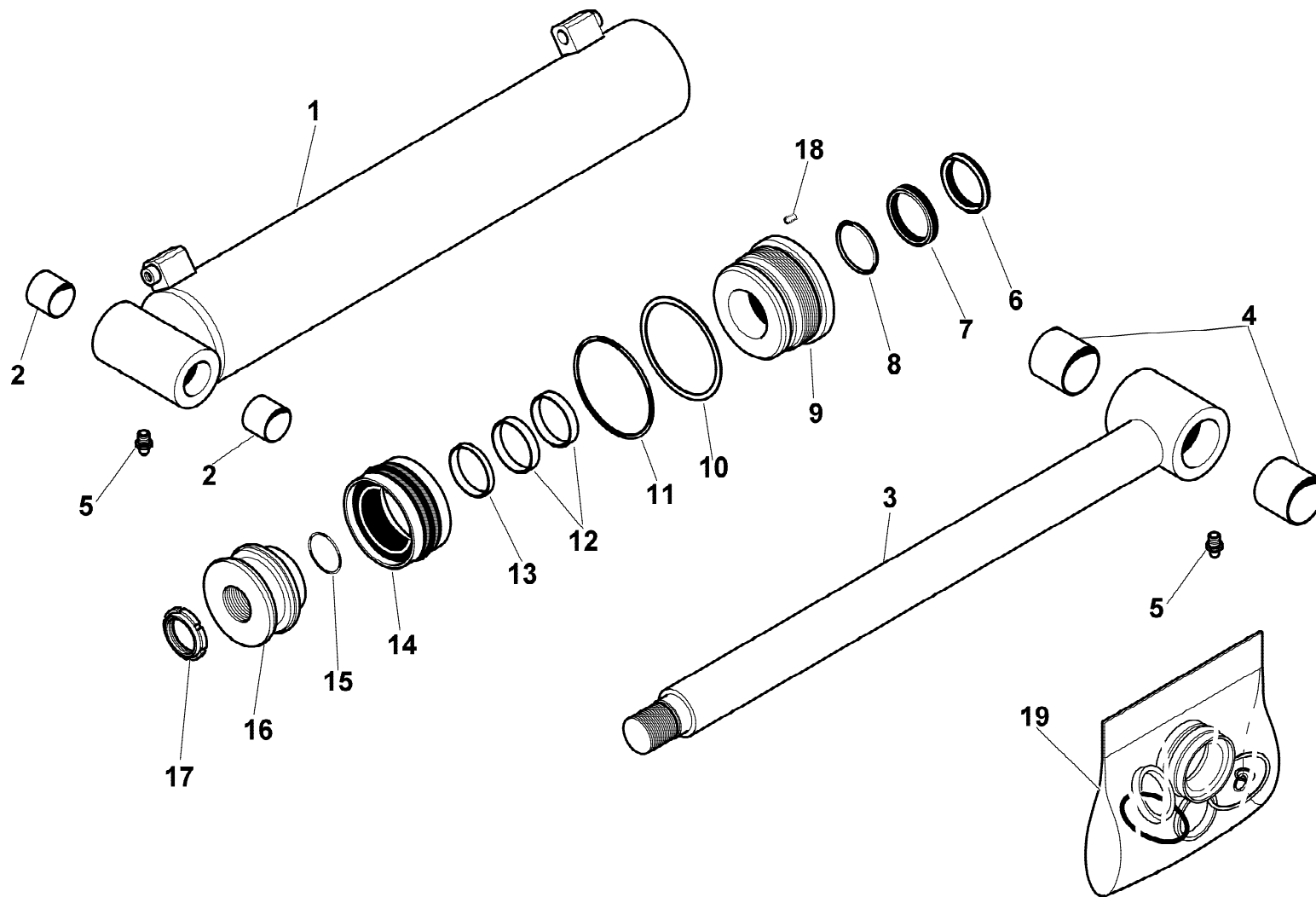
VALIDO FINO A Novembre 2012
VALID UNTIL November 2012

rif.	codice	Q.tà
1	6.43.0154	1
2	5.00.0693	1
3	3.10.1051	2
4	3.06.0143	2
5	3.11.0062	2
6	5.39.1797	1
7	3.12.0012	2
8	3.10.1127	2
9	5.22.0646	1
10	3.01.0031	1
11	3.06.0055	1
12	3.06.0006	1
13	5.39.2176	1
14	5.27.1432	1
15	5.27.1433	1
16	3.10.1128	2
17	3.19.0026	2

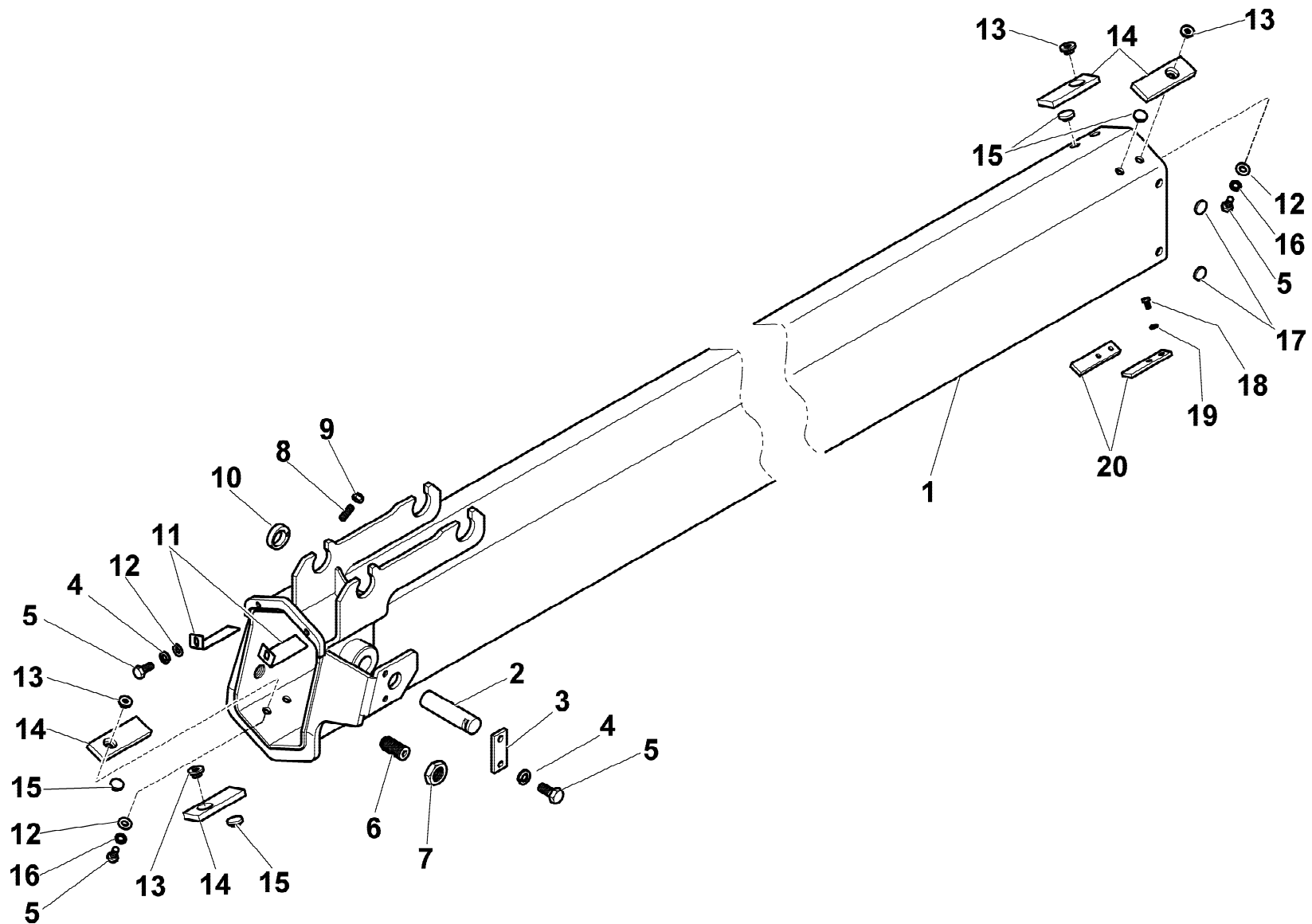


VALIDO DA Dicembre 2012
VALID FROM December 2012

rif.	codice	Q.tà
1	6.43.0154	1
2	5.00.0693	1
3	3.10.1044	2
4	3.06.0143	2
5	3.11.0062	2
6	5.39.2457	1
7	3.10.1127	4
8	5.22.0646	1
9	3.01.0031	1
10	3.06.0055	1
11	3.06.0006	1
12	5.39.0604	1
13	5.27.1432	1
14	5.27.1433	1
15	3.10.1128	2
16	3.19.0026	2

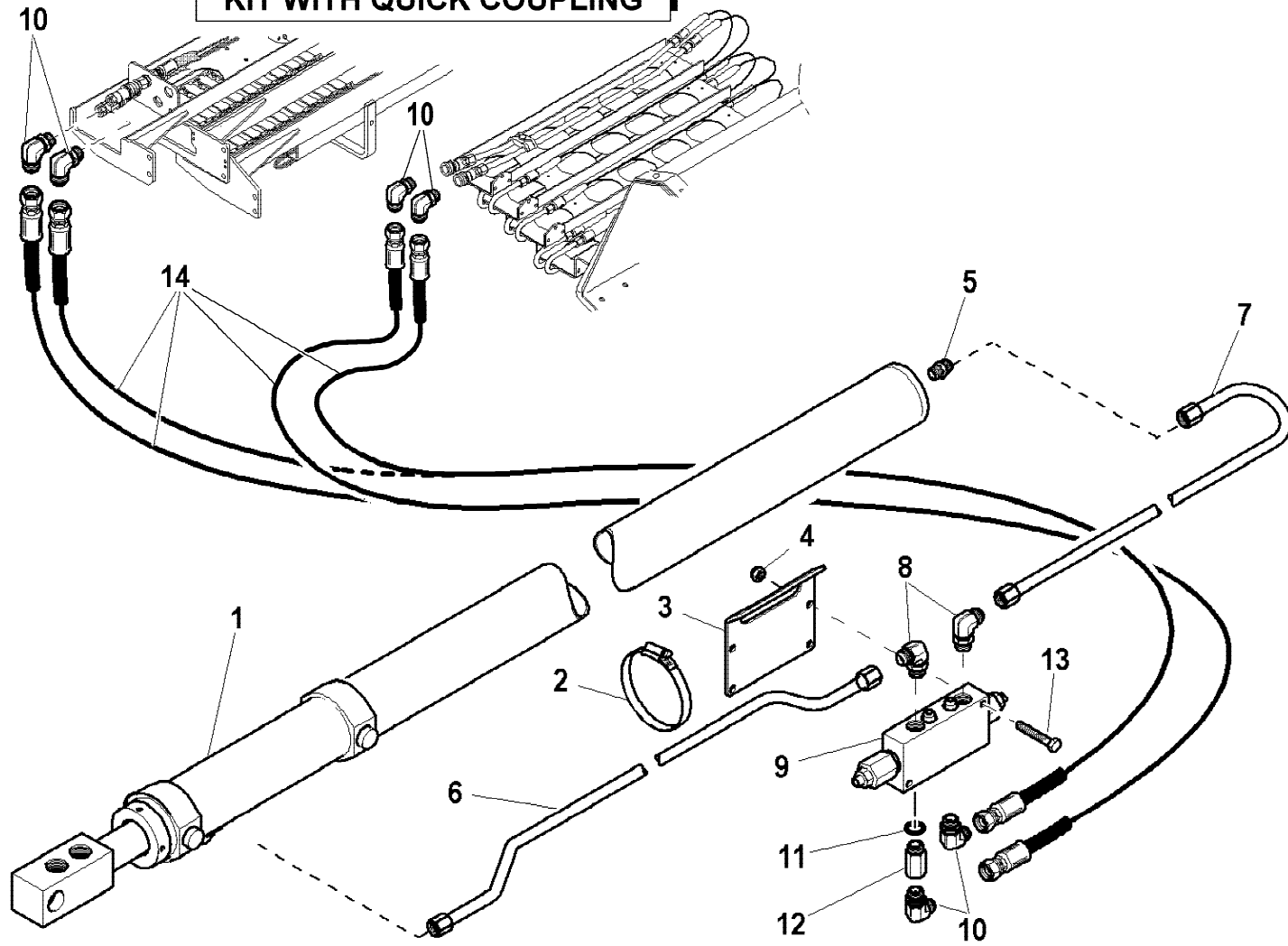


rif.	codice	Q.tà
1	6.07.0539	1
2	5.14.0124	2
3	6.03.0703	1
4	5.14.0689	2
5	3.08.0501	2
6	3.37.0500	1
7	3.37.0151	1
8	3.38.0700	1
9	6.04.0268	1
10	3.46.0228	1
11	3.45.0229	1
12	3.36.1010	2
13	3.36.1009	1
14	3.40.0522	1
15	3.45.0127	1
16	6.05.0274	1
17	3.04.0507	1
18	3.06.0226	1
19	5.55.0741	1

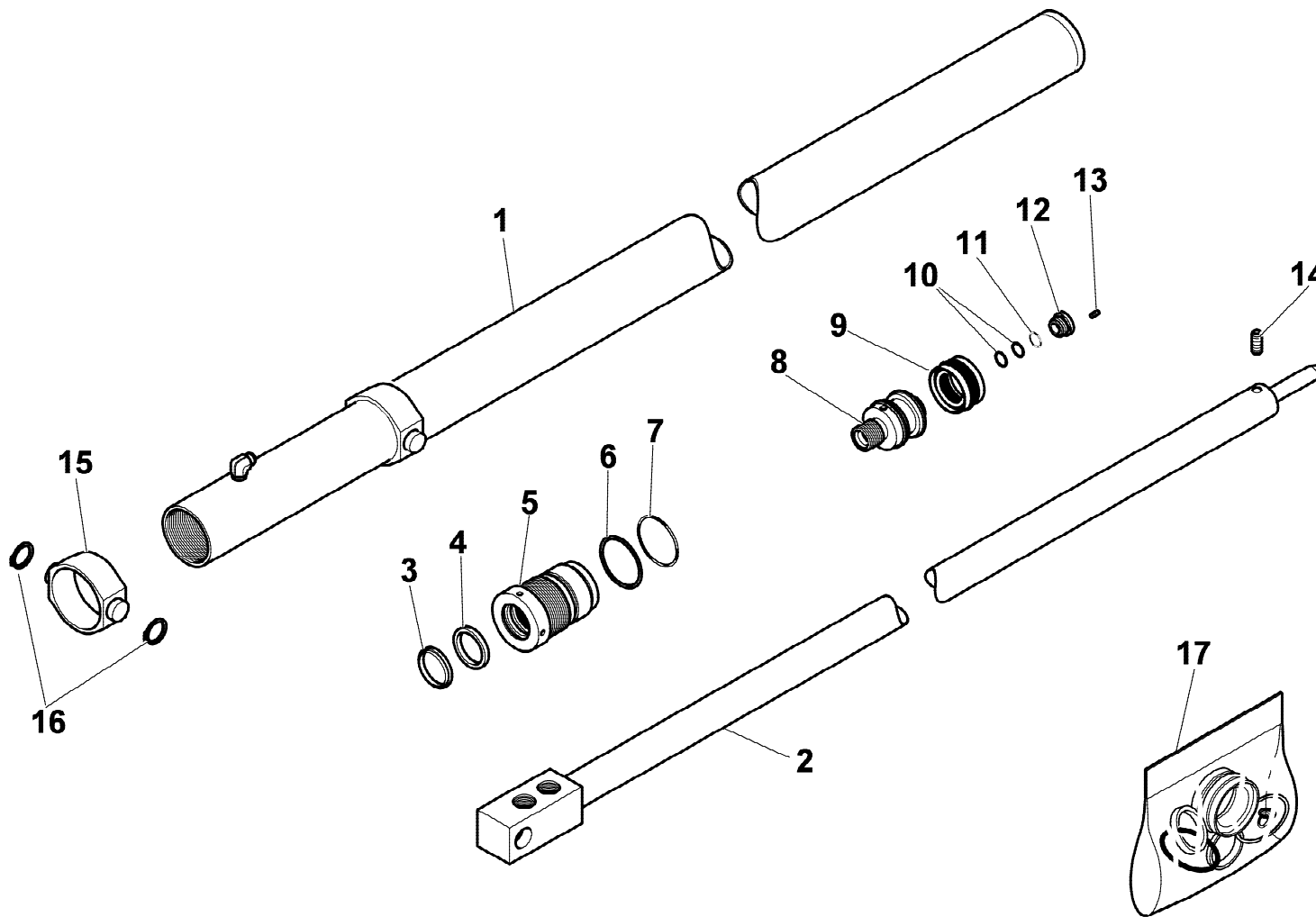


rif.	codice	Q.tà
1	5.02.0399	1
2	5.15.0443	1
3	5.00.0674	1
4	3.06.0055	6
5	3.01.0337	8
6	5.00.0771	2
7	3.04.0089	2
8	3.04.0519	4
9	3.06.0941	4
10	5.00.1105	4
11	5.00.0685	4
12	3.06.0006	6
13	5.00.1087	4
14	5.14.0783	4
15	5.14.0656	4
16	3.06.0918	4
17	5.14.1037	4
18	3.01.0324	4
19	3.06.0101	4
20	5.00.1738	2

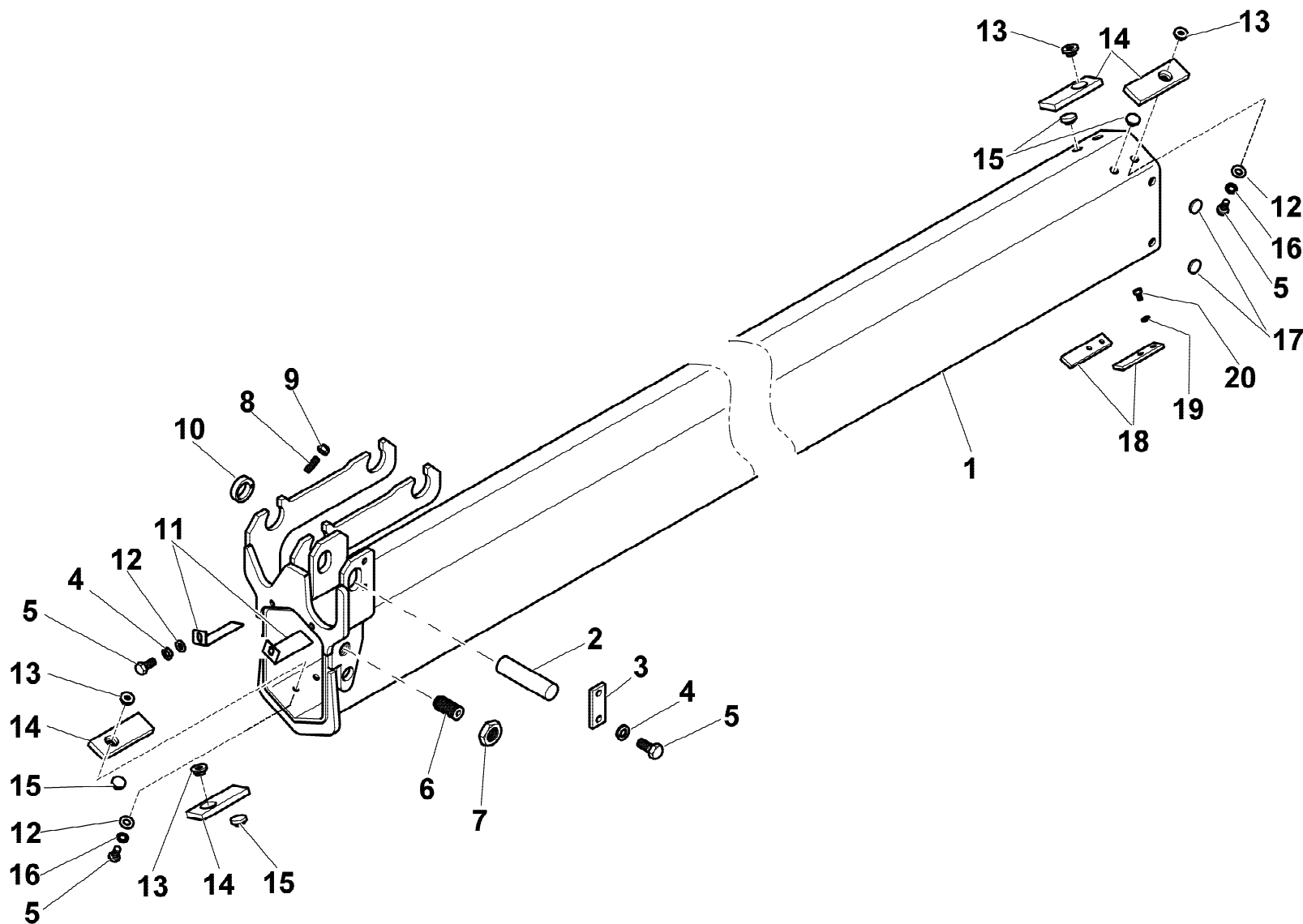
**CON KIT INNESTO RAPIDO
KIT WITH QUICK COUPLING**



rif.	codice	Q.tà
1	6.41.0242	1
2	3.19.0022	2
3	5.00.0694	1
4	3.04.0303	2
5	3.10.1051	3
6	5.39.1702	1
7	5.39.1703	1
8	3.10.1131	2
9	5.22.0641	1
10	3.10.1128	4
11	3.06.0145	1
12	3.11.0113	1
13	3.01.0033	2
14	5.27.1434	2

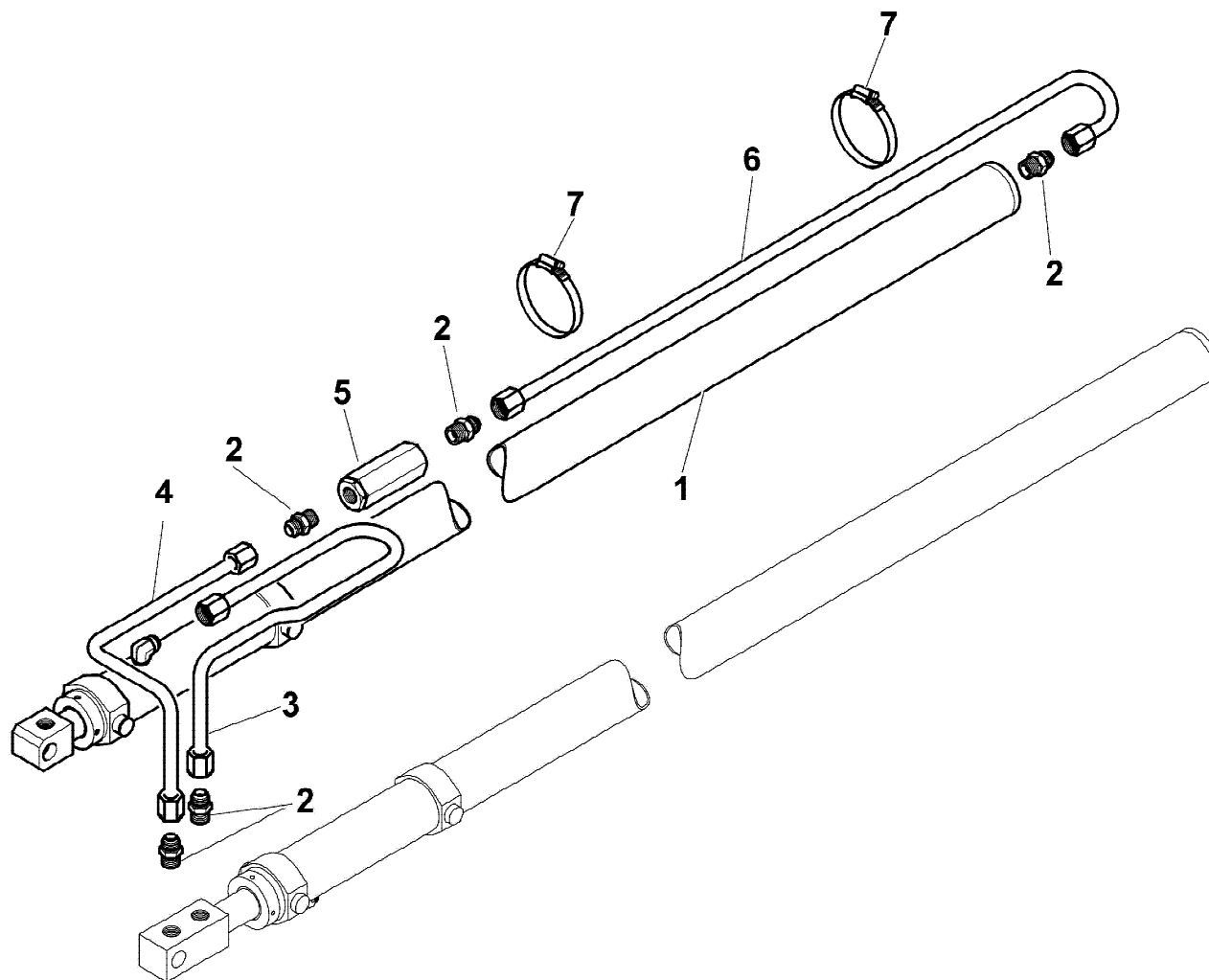


rif.	codice	Q.tà
1	6.07.0458	1
2	6.03.0549	1
3	3.42.0021	1
4	3.37.0136	1
5	6.04.0259	1
6	3.46.0132	1
7	3.45.0132	1
8	6.05.0275	1
9	3.40.0509	1
10	3.46.0047	2
11	3.45.0047	1
12	6.04.0269	1
13	3.06.0248	1
14	3.06.0232	1
15	5.00.1106	1
16	3.07.0150	1
17	5.55.0781	1



rif.	codice	Q.tà
1	5.02.0400	1
2	5.15.0443	1
3	5.00.0674	1
4	3.06.0055	6
5	3.01.0337	8
6	5.00.0771	2
7	3.04.0089	2
8	3.04.0519	4
9	3.06.0941	4
10	5.00.1105	4
11	5.00.0685	4
12	3.06.0006	6
13	5.00.1087	4
14	5.14.0783	4
15	5.14.0656	4
16	3.06.0918	4
17	5.14.1037	4
18	5.00.1738	2
19	3.06.0101	4
20	3.01.0324	4

rif.	codice	Q.tà
1	6.41.0243	1
2	3.10.1051	5
3	5.39.1818	1
4	5.39.1704	1
5	5.22.0629	1
6	5.39.1705	1
7	3.19.0022	2



1/1

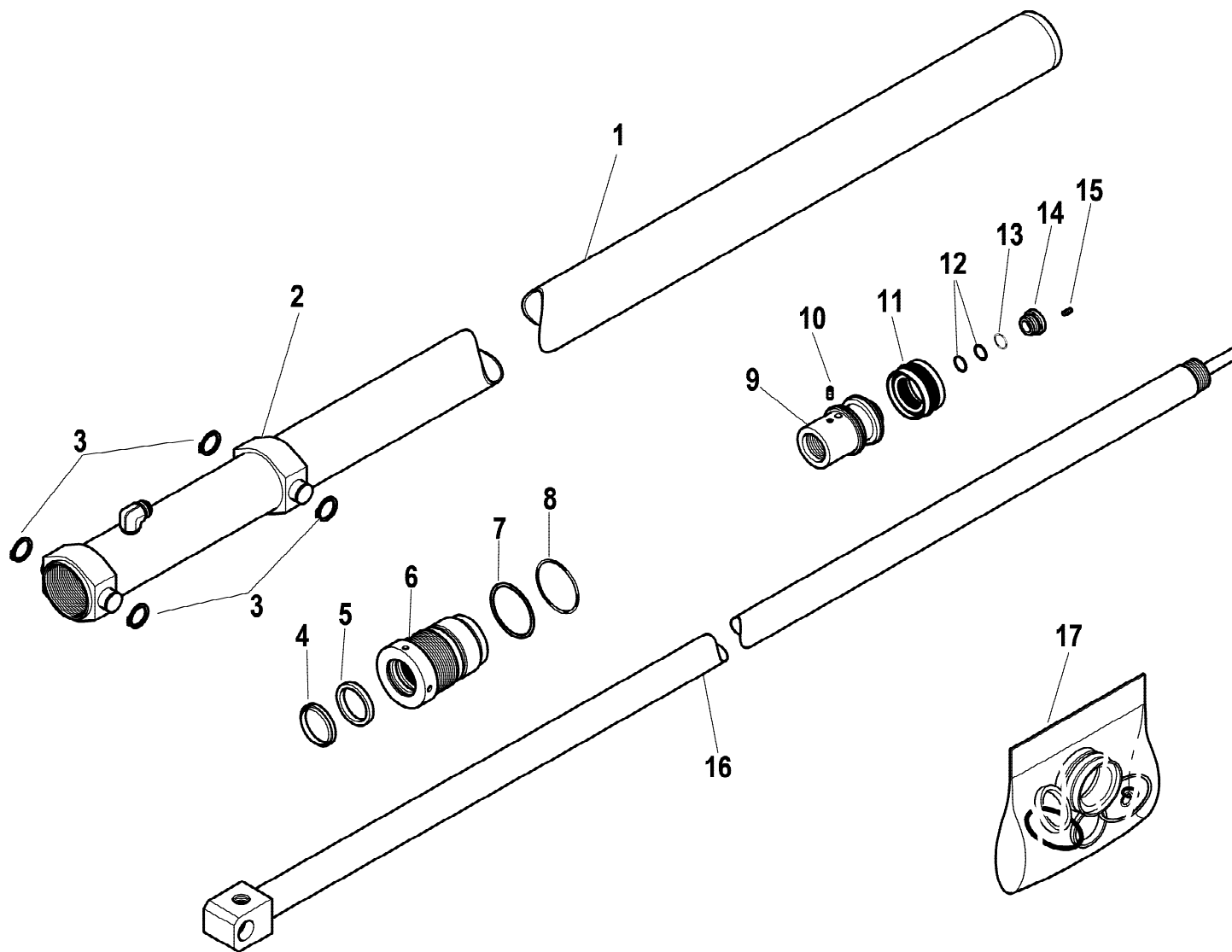
HYVA[®] CRANE
HC501

IMPIANTO IDRAULICO (MARTINETTO 2° SFILO) JIB
HYDRAULIC SYSTEM (2ND EXTENSION HYDRAULIC CYLINDER) JIB
INSTALLATION HYDRAULIQUE (VERIN 2EME RALLONGE) JIB
HYDRAULIKANLAGE (2. VERLAENGERUNGSWINDE) JIB
INSTALACION HIDRAULICA (2° GATO DE PROLONGACION) JIB

Tavola

6.21.0243-1-0

Data pag.
dicembre 2006 152



rif.	codice	Q.tà
1	6.07.0459	1
2	5.00.1106	1
3	3.07.0150	4
4	3.42.0018	1
5	3.37.0137	1
6	6.04.0254	1
7	3.46.0126	1
8	3.45.0126	1
9	6.05.0290	1
10	3.06.0232	1
11	3.40.0507	1
12	3.46.0047	2
13	3.45.0047	1
14	6.04.0269	1
15	3.06.0248	1
16	6.03.0623	1
17	5.55.0783	1

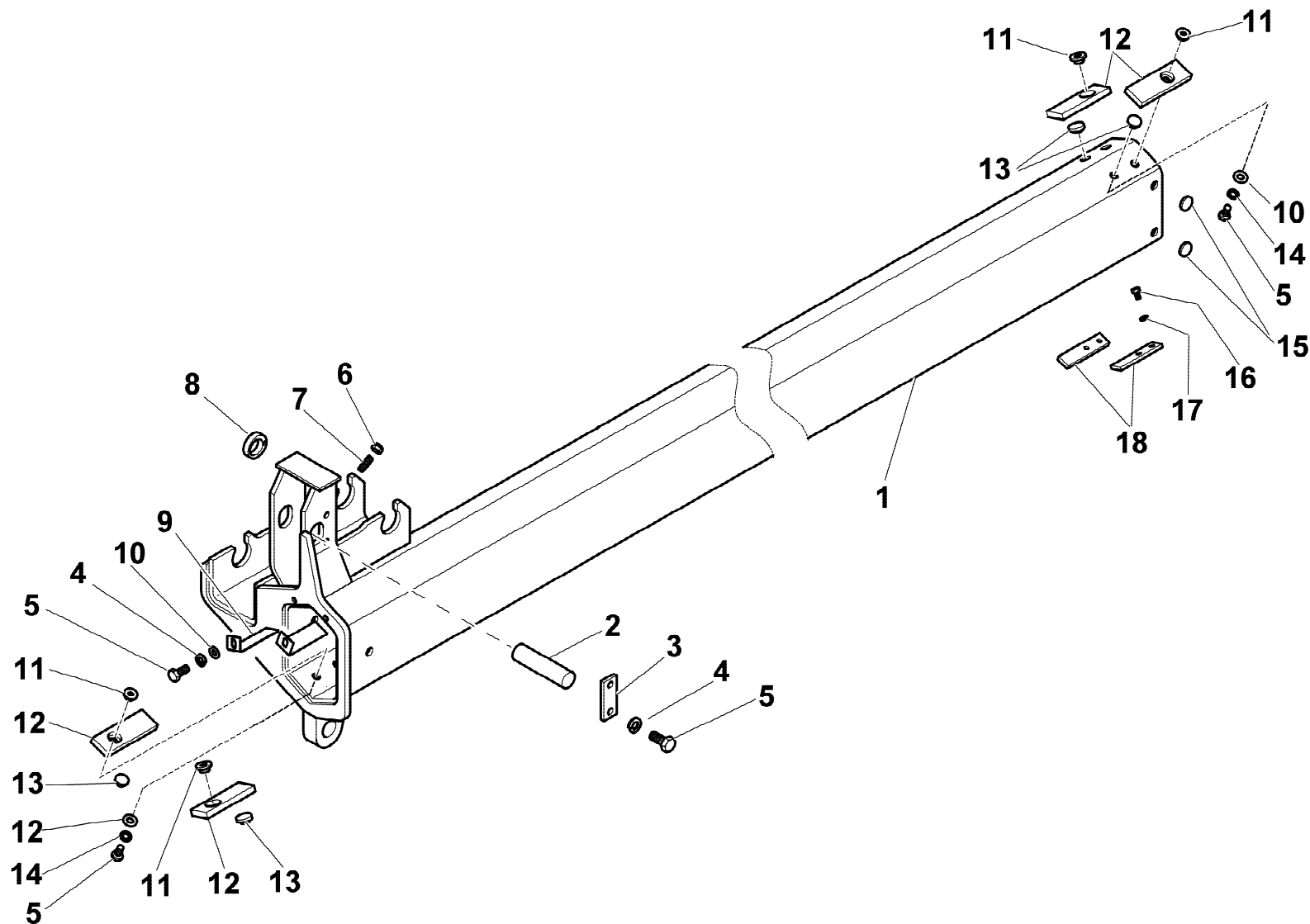
1/1

HYVA[®] CRANE
HC501

MARTINETTO 2° E 3° SFILLO
 2ND AND 3RD EXTENSION HYDRAULIC CYLINDER
 VERIN 2EME ET 3EME RALLONGE
 2. UNT 3. VERLAENGERUNGSWINDE
 2° Y 3° GATO DE PROLONGACION

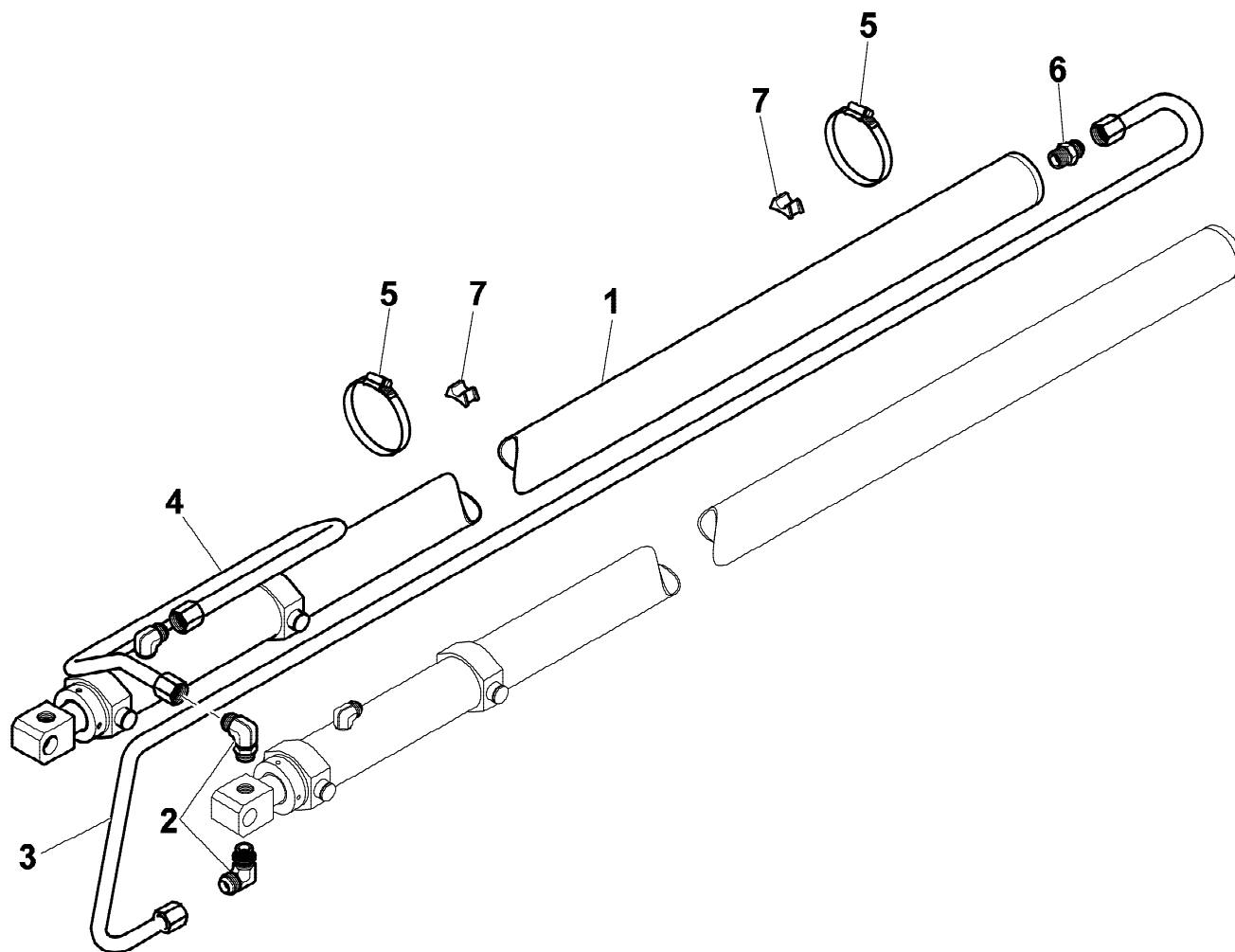
Tavola
6.41.0243-1-0

Data pag.
 giugno 2010 153



rif.	codice	Q.tà
1	5.02.0401	1
2	5.15.0443	1
3	5.00.0674	1
4	3.06.0055	6
5	3.01.0337	8
6	3.04.0519	4
7	3.06.0941	4
8	5.00.1105	4
9	5.00.0685	4
10	3.06.0006	6
11	5.00.1087	4
12	5.14.0783	4
13	5.14.0656	4
14	3.06.0918	4
15	5.14.1037	4
16	3.01.0324	4
17	3.06.0101	4
18	5.00.1738	2

rif.	codice	Q.tà
1	6.41.0243	1
2	3.10.1131	2
3	5.39.1707	1
4	5.39.1706	1
5	3.19.0022	2
6	3.10.1051	1
7	5.14.0133	2



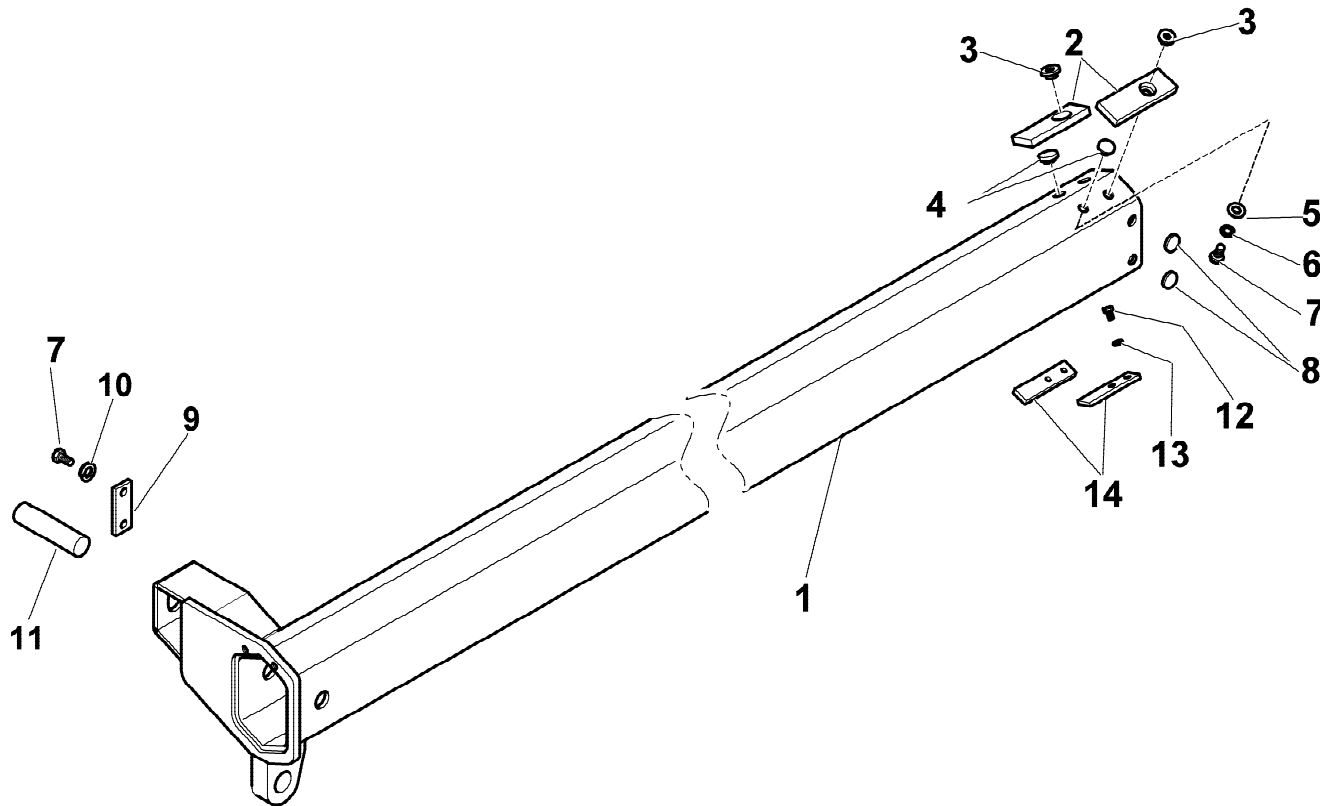
1/1

HYVA[®] CRANE
HC501

MARTINETTO 3° SFILLO (IMPIANTO OLEODINAMICO)
 3RD EXTENSION HYDRAULIC JACK (HYDRAULIC SYSTEM)
 VÉRIN 3ÈME RALLONGE (INSTALLATION HYDRAULIQUE)
 3. SCHUBZYLINDER (HYDRAULIKANLAGE)
 GATO 3ª EXTENSIÓN (INSTALACION HIDRAULICA)

Tavola
6.21.0244-1-0

Data pag.
 giugno 2010 155



rif.	codice	Q.tà
1	5.02.0402	1
2	5.14.0783	2
3	5.00.1087	2
4	5.14.0656	2
5	3.06.0006	2
6	3.06.0918	2
7	3.01.0337	2
8	5.14.1037	4
9	5.00.0674	1
10	3.06.0055	2
11	5.15.0443	1
12	3.01.0324	4
13	3.06.0101	4
14	5.00.1738	2

1/1

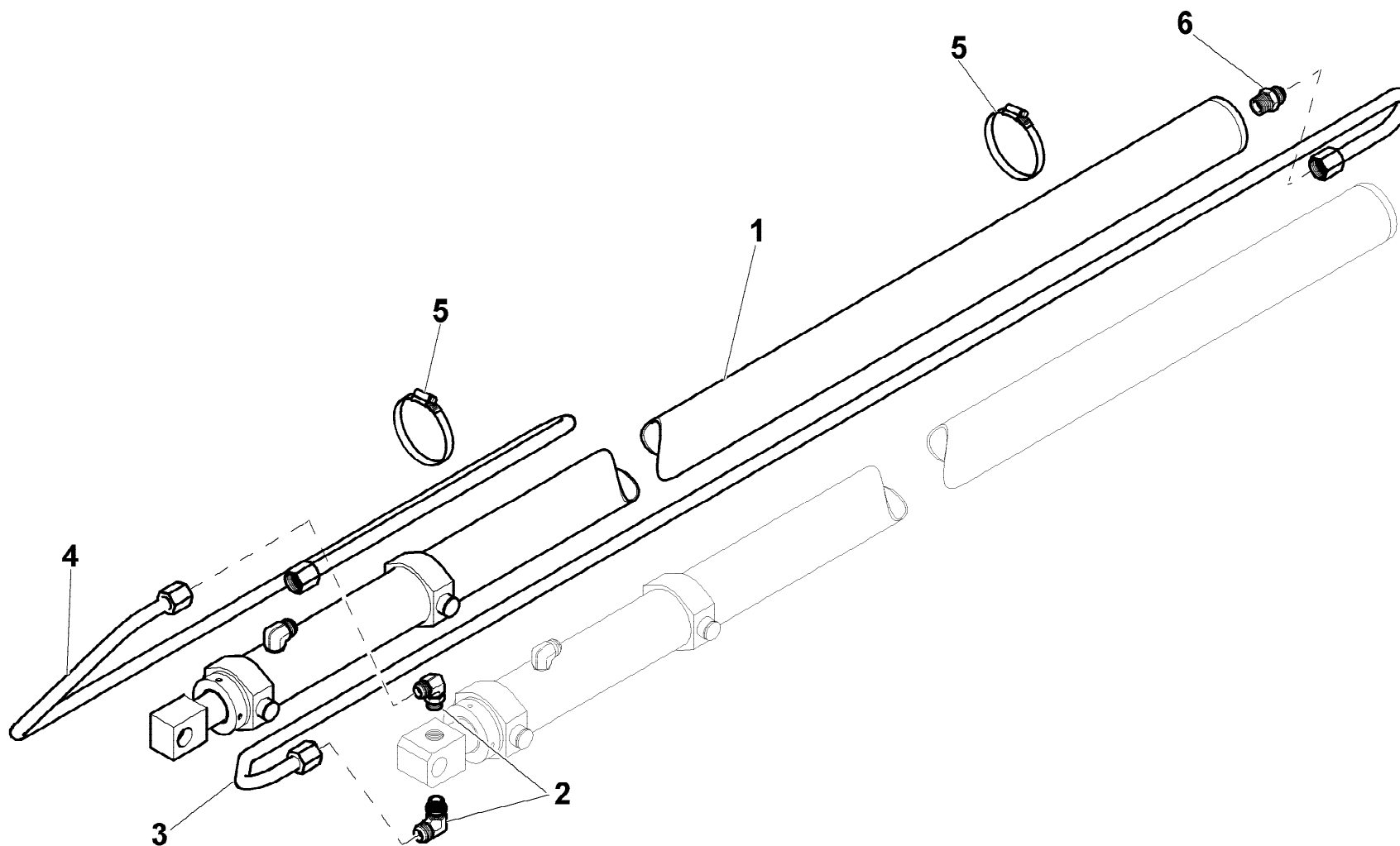
HYVA[®] CRANE
HC501

4° SFILO (PROLUNGA ARTICOLATA)
 4TH EXTENSION (ARTICULATED EXTENSION)
 4EME RALLONGE (RALLONGE ARTICULEE)
 4. VERLAENGERUNG (GELENKVERLANGERUNG)
 4° PROLONGACION (PROLONGACION ARTICULADA)

Tavola
5.56.0013-1-0

Data pag.
 giugno 2006 156

rif.	codice	Q.tà
1	6.41.0245	1
2	3.10.1131	2
3	5.39.1709	1
4	5.39.1708	1
5	3.19.0022	2
6	3.10.1051	1



1/1

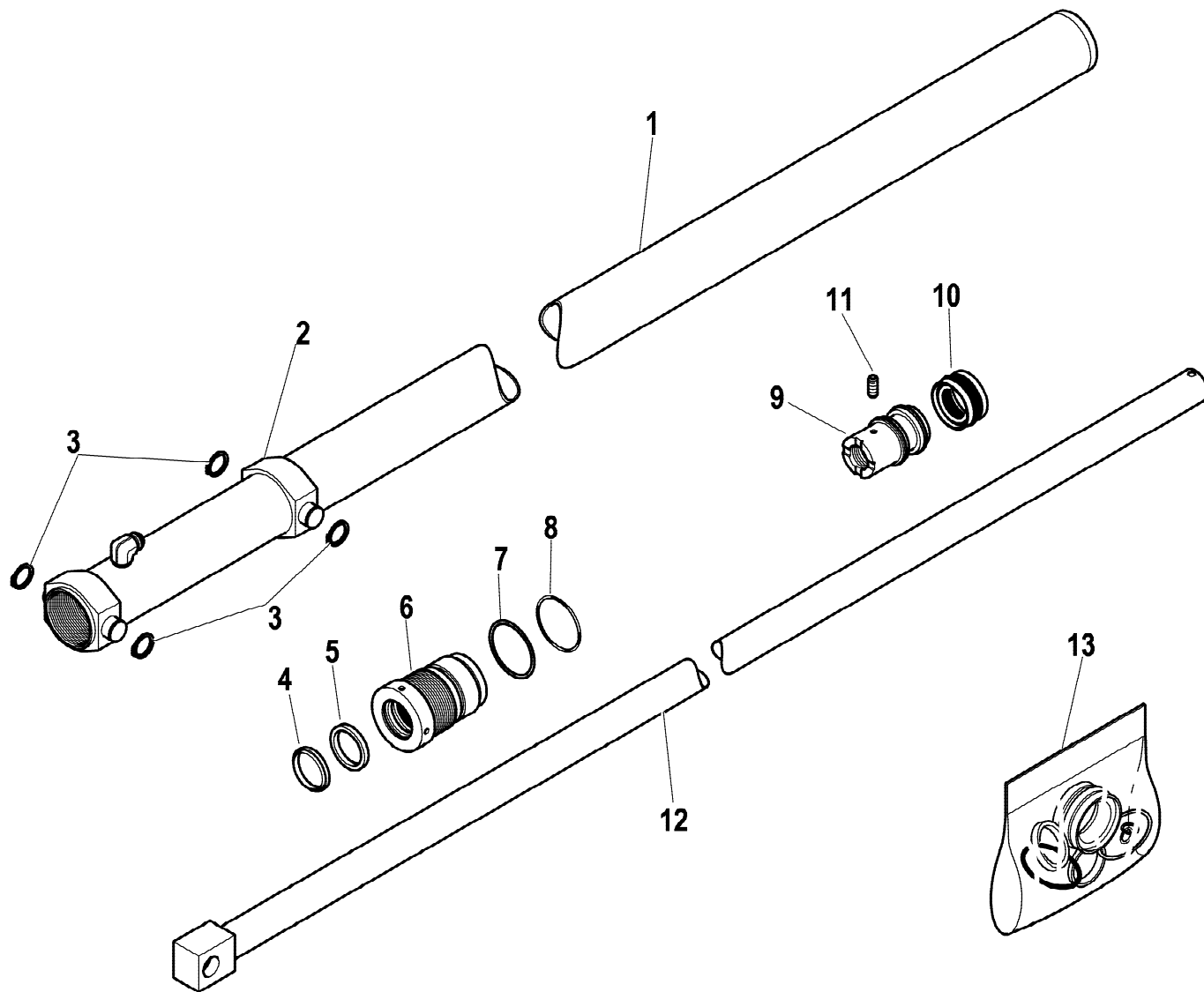
HYVA[®] CRANE
HC501

MARTINETTO 4° SFILO (IMPIANTO OLEODINAMICO) JIB
 4TH EXTENSION HYDRAULIC JACK (HYDRAULIC SYSTEM) JIB
 VÉRIN 4ÈME RALLONGE (INSTALLATION HYDRAULIQUE) JIB
 4. SCHUBZYLINDER (HYDRAULIKANLAGE) JIB
 GATO 4ª EXTENSIÓN (INSTALACION HIDRAULICA) JIB

Tavola

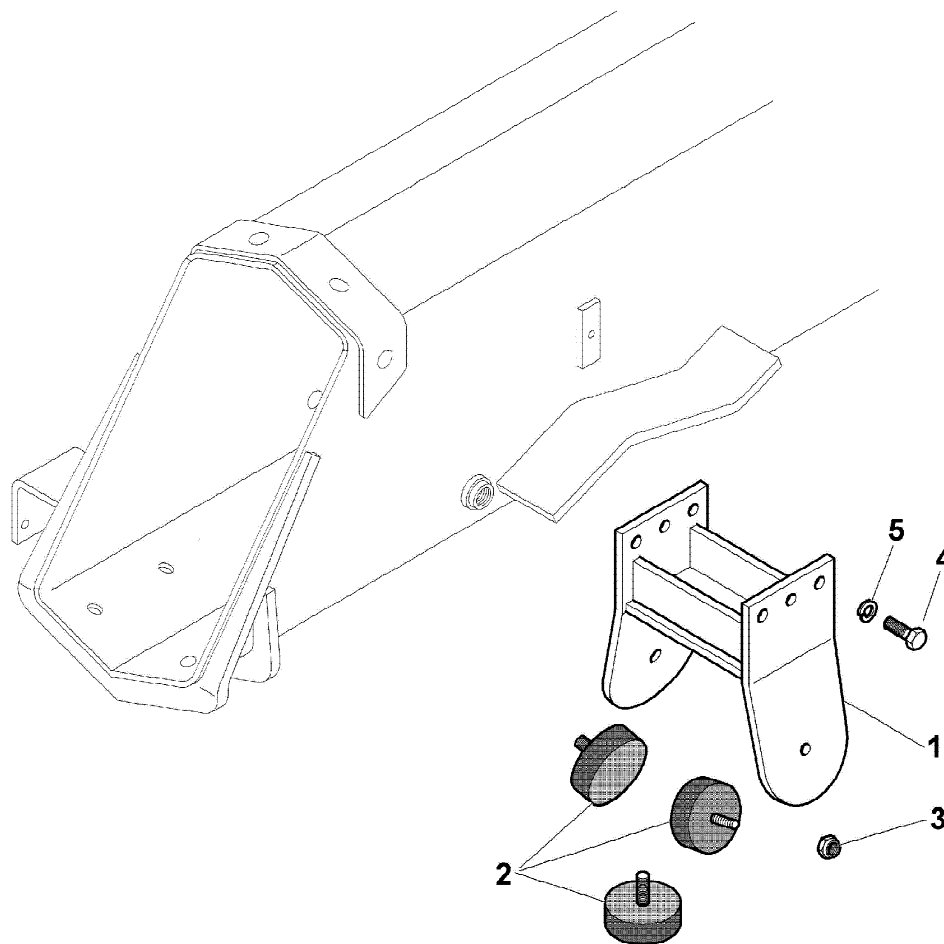
6.21.0245-1-0

Data pag.
 giugno 2006 157



rif.	codice	Q.tà
1	6.07.0460	1
2	5.00.1106	1
3	3.07.0150	4
4	3.42.0015	1
5	3.37.0138	1
6	6.04.0270	1
7	3.46.0126	1
8	3.45.0126	1
9	6.05.0289	1
10	3.40.0507	1
11	3.06.0232	1
12	6.03.0618	1
13	5.55.0784	1

rif.	codice	Q.tà
1	5.09.0655	1
2	3.19.0100	3
3	3.04.0305	6
4	3.01.0394	6
5	3.06.0057	6



1/1

HYVA[®] CRANE

HC501

SUPPORTO (PROLUNGA ARTICOLATA)
 SUPPORT (ARTICULATED EXTENSION)
 SUPPORT (RALLONGE ARTICULEE)
 LAGER (GELENKVERLANGERUNG)
 SOPORTE (PROLONGACION ARTICULADA)

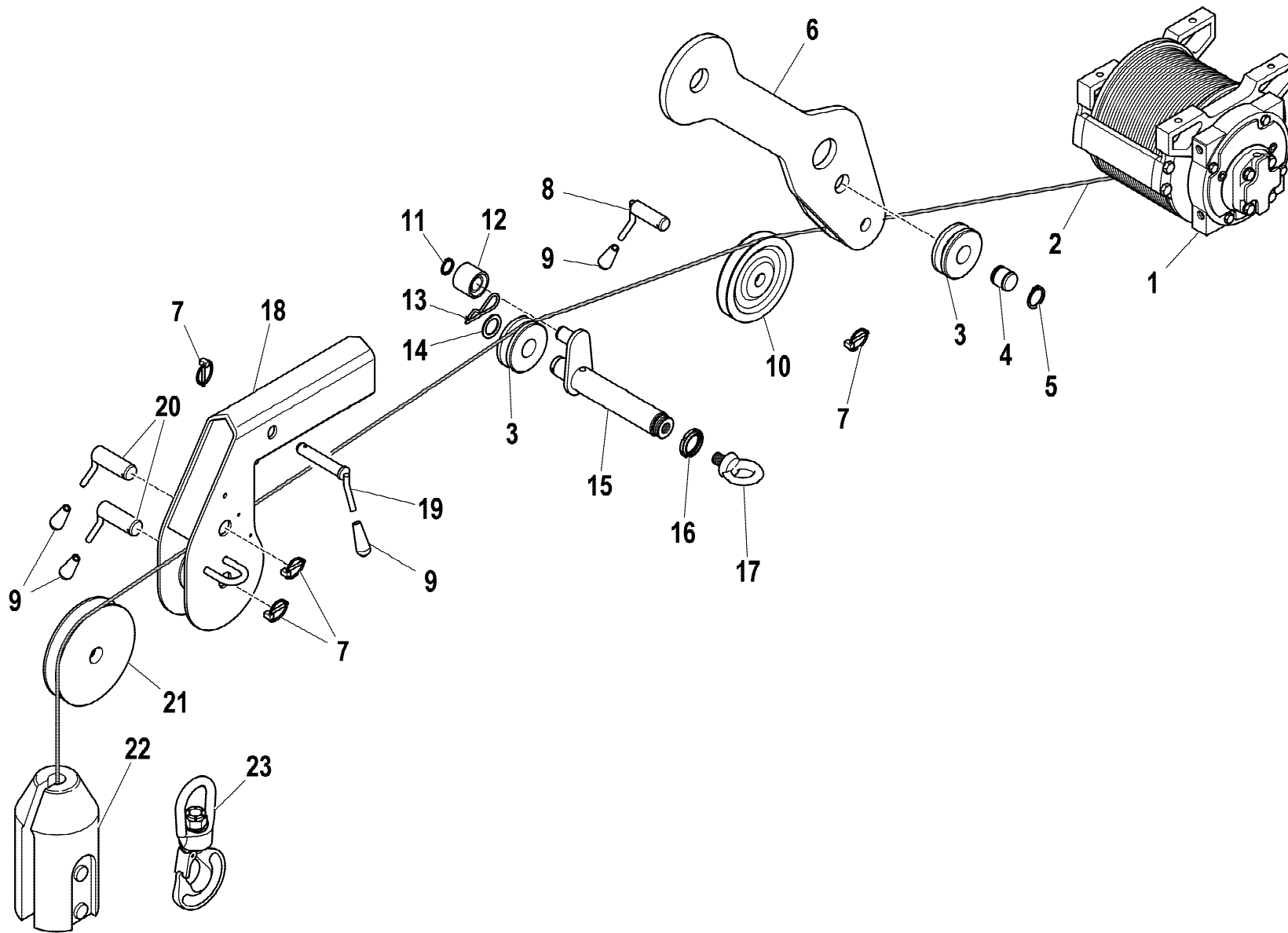
Tavola

5.40.0328-1-0

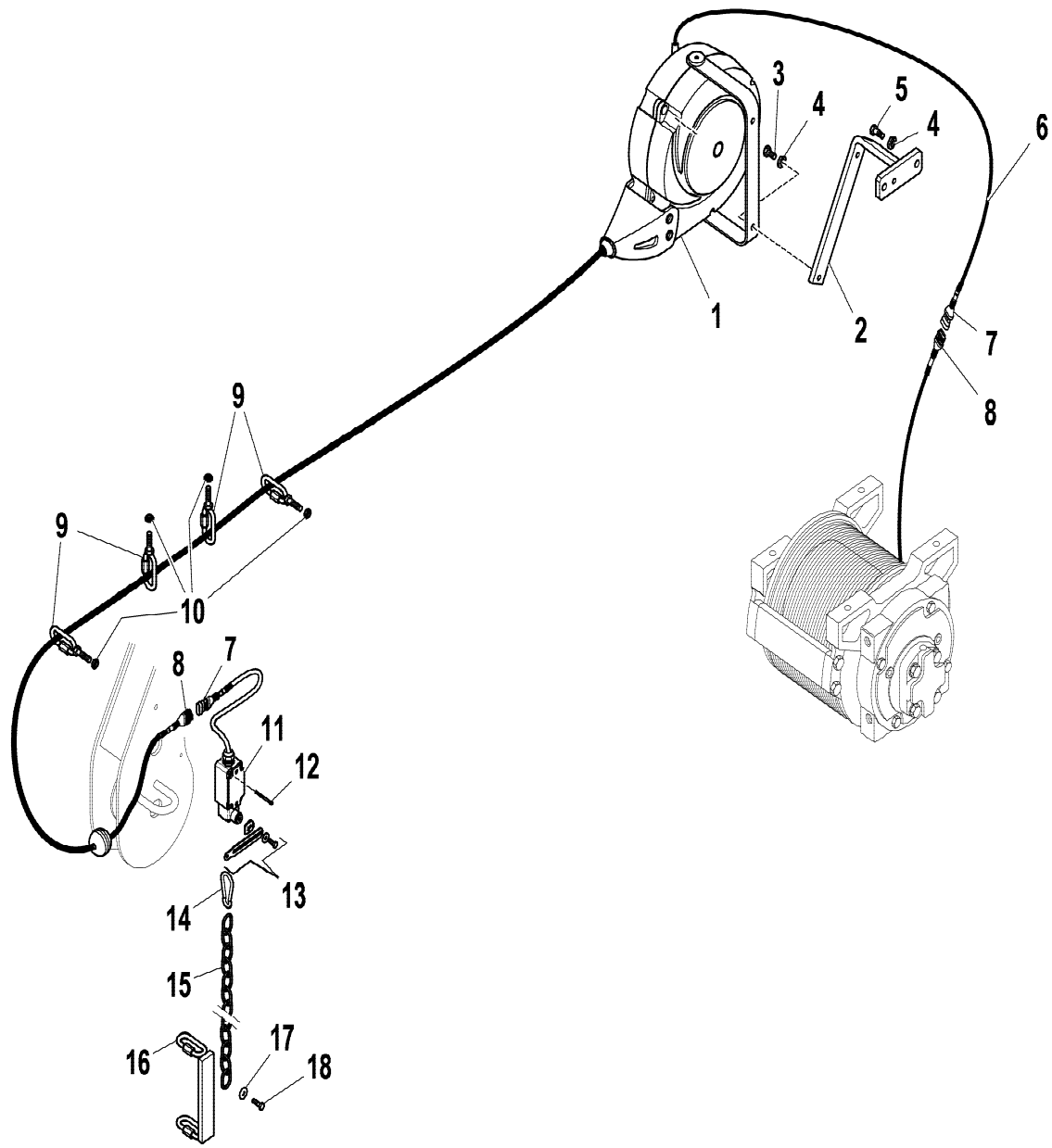
Data pag.
 giugno 2006 159



ARGANO IN PUNTA AL JIB / WINCH IN THE JIB TIP
WINCH KIT
KIT TREUIL
KIT WINDE
KIT TORNO



rif.	codice	Q.tà
1	5.72.0149	1
2	5.73.0128	1
3	5.14.0760	1
4	5.15.0663	1
5	3.07.0151	2
6	5.09.0726	1
7	3.06.0753	4
8	5.15.0840	1
9	W.664.019	4
10	5.73.0044	1
11	3.07.0150	1
12	5.14.1034	1
13	3.06.0703	1
14	3.06.0997	1
15	5.15.0841	1
16	3.04.0500	1
17	3.20.0100	1
18	5.09.1043	1
19	5.15.0193	1
20	5.15.0842	2
21	W.317.004	1
22	5.73.0066	1
23	3.20.0009	1



rif.	codice	Q.tà
1	3.31.0090	1
2	5.09.0836	1
3	3.01.0337	2
4	3.06.0055	2
5	3.01.0027	2
6	236.010	1
7	3.31.0432	2
8	3.31.0431	2
9	5.00.1769	4
10	3.04.0045	4
11	3.31.0321	1
12	3.02.0025	2
13	3.31.0396	1
14	3.06.0931	1
15	3.00.0007	1
16	5.00.1770	1
17	3.06.0030	1
18	3.01.0325	1

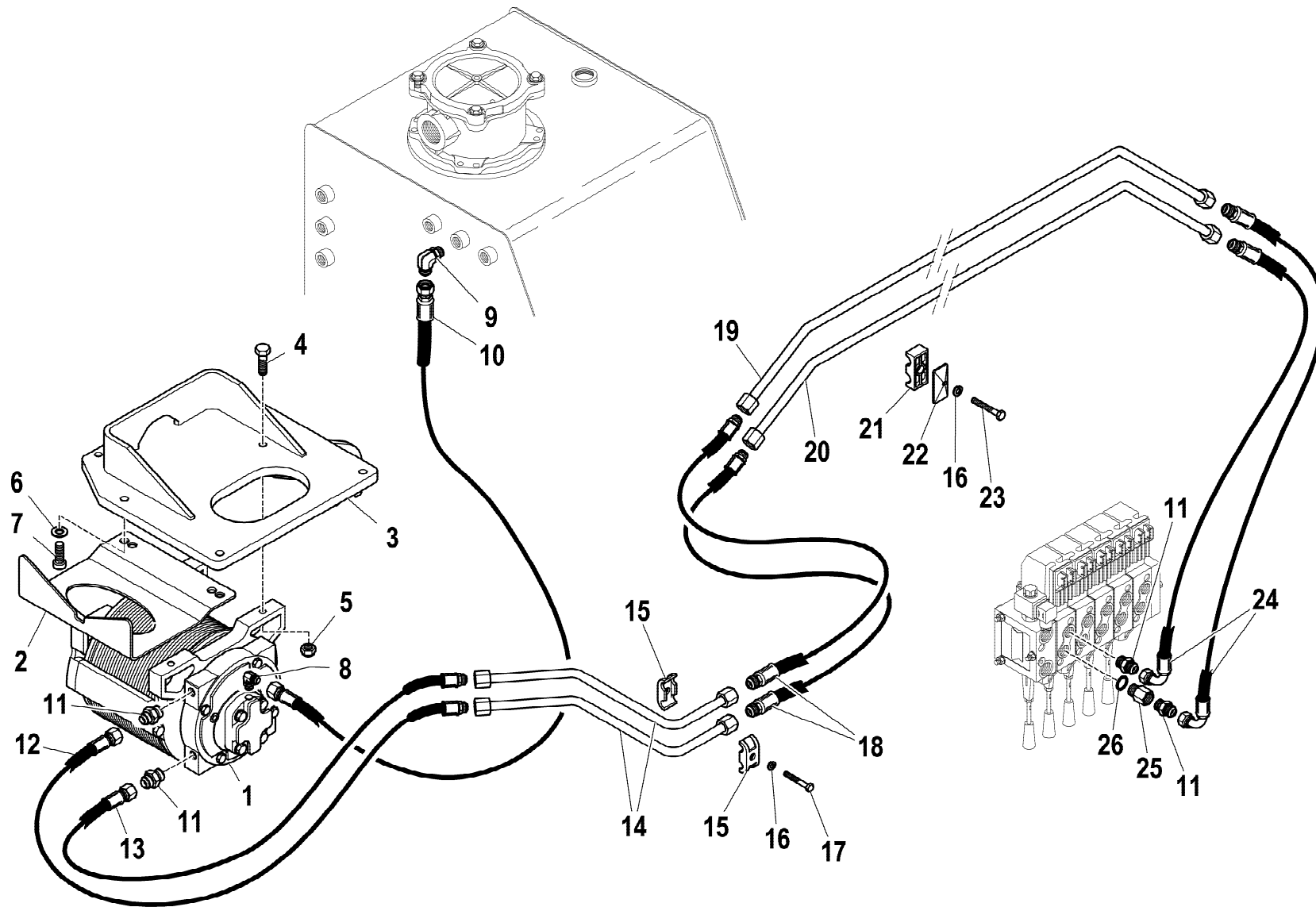


HC501

ARGANO (IMPIANTO ELETTRICO)
 WINCH (ELECTRICAL EQUIPMENT)
 TREUIL (INSTALLATION ELECTRIQUE)
 WINDE (ELEKTRISCHANLAGE)
 CABRESTANTE (SISTEMA ELECTRICO)

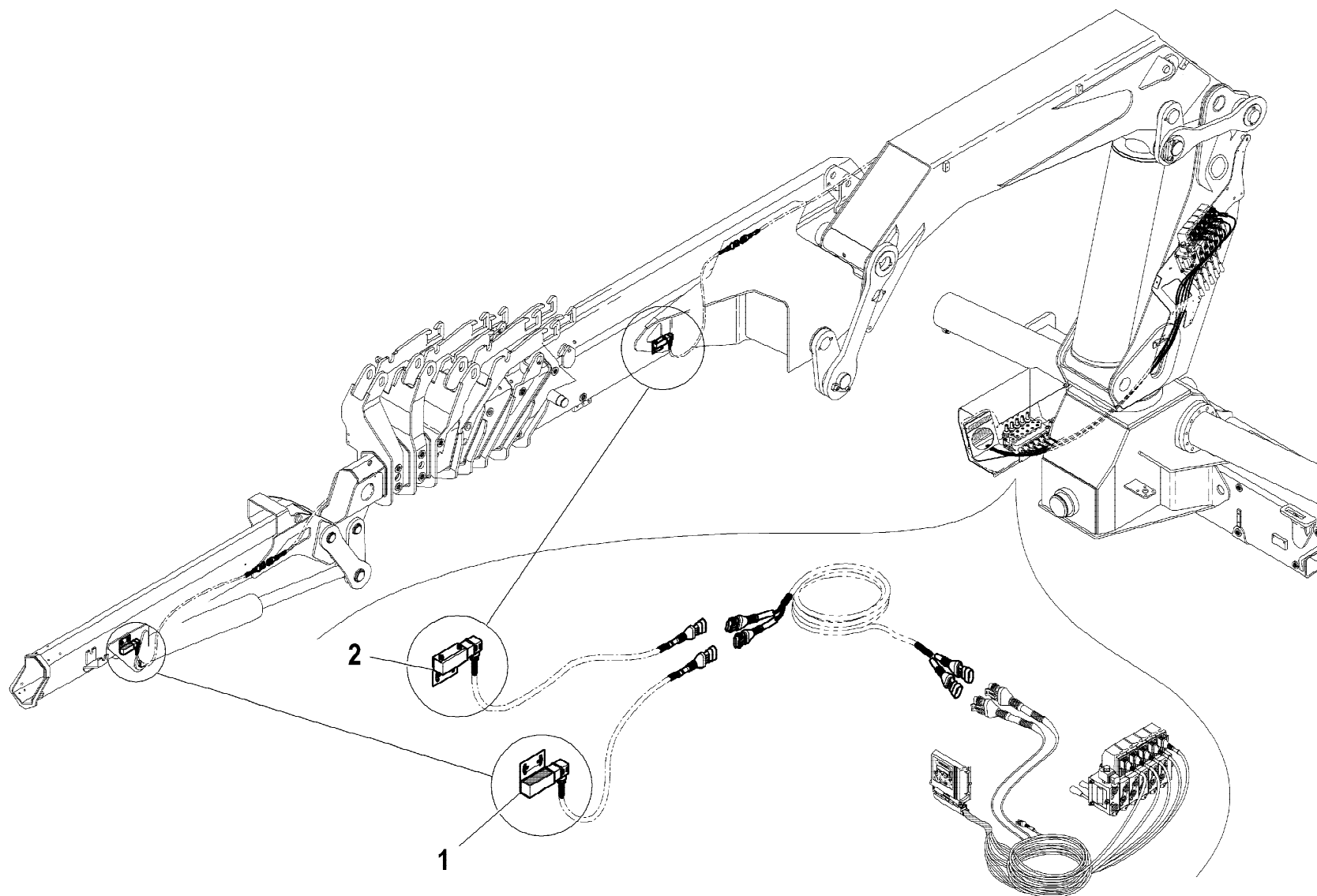
Tavola
7.83.4173-2-0

Data pag.
 giugno 2006 162



rif.	codice	Q.tà
1	5.72.0149	1
2	5.00.1634	1
3	5.09.1042	1
4	3.01.0065	4
5	3.04.0305	4
6	3.06.0050	4
7	3.02.0110	4
8	3.10.1124	1
9	3.10.1119	1
10	5.26.0863	1
11	3.10.1051	4
12	5.28.0787	1
13	5.28.0788	1
14	5.39.2143	2
15	5.00.0047	4
16	3.06.0055	4
17	3.01.0038	2
18	5.28.0735	2
19	5.39.2142	1
20	5.39.2120	1
21	3.19.0173	2
22	3.19.0204	2
23	3.01.0032	2
24	5.28.0738	2
25	3.11.0113	1
26	3.06.0145	1

rif.	codice	Q.tà
1	3.31.0751	1
2	3.31.0662	1



1/1

HYVA[®] CRANE
HC501

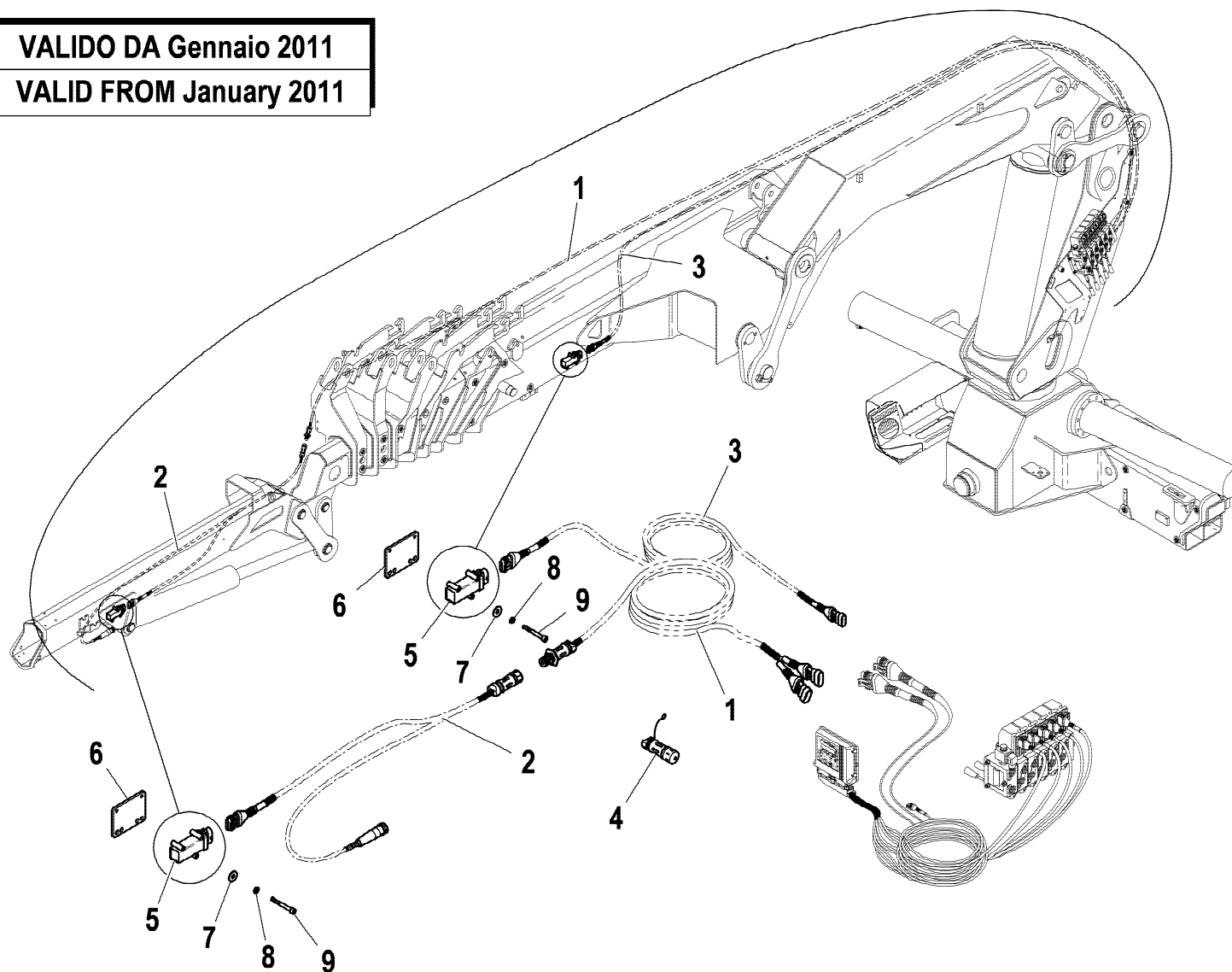
ARGANO (IMPIANTO ELETTRICO)
 WINCH (ELECTRICAL EQUIPMENT)
 TREUIL (INSTALLATION ELECTRIQUE)
 WINDE (ELEKTRISCHANLAGE)
 CABRESTANTE (SISTEMA ELECTRICO)

Tavola
7.83.4173-4-0

Data pag.
 dicembre 2006 164

VALIDO DA Gennaio 2011

VALID FROM January 2011



rif.	codice	Q.tà
1	5.16.0077	1
2	5.16.0079	1
3	5.16.0076	1
4	5.16.0080	1
5	3.31.1150	2
6	5.00.2108	2
7	3.06.0003	4
8	3.06.0065	4
9	3.02.0018	4

1/1

HYVA® CRANE
HC501

ARGANO (IMPIANTO ELETTRICO) EN12999-A3
WINCH (ELECTRICAL EQUIPMENT) EN12999-A3
TREUIL (INSTALLATION ELECTRIQUE) EN12999-A3
WINDE (ELEKTRISCHANLAGE) EN12999-A3
CABRESTANTE (SISTEMA ELECTRICO) EN12999-A3

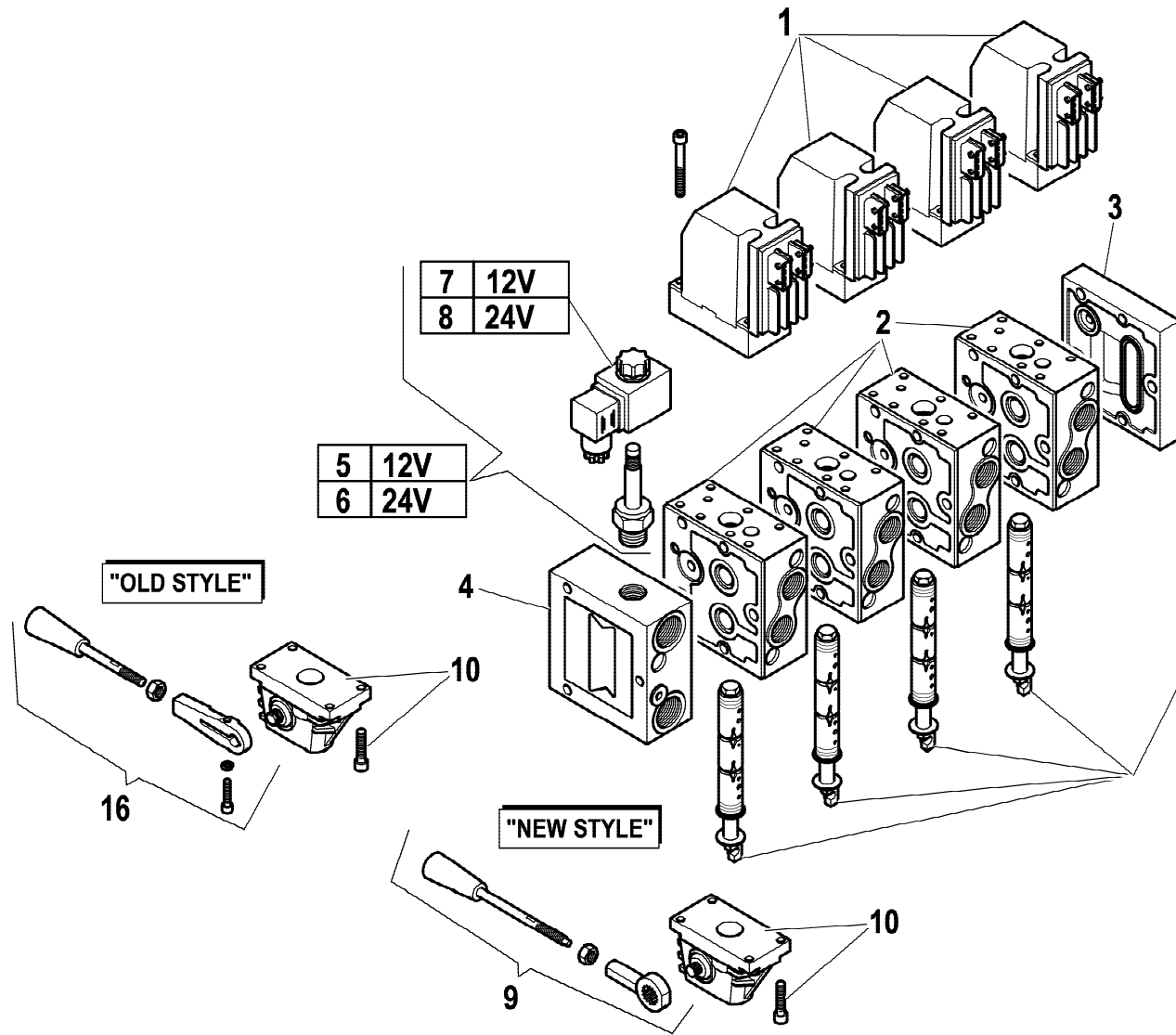
Tavola

7.83.4173-5-0

Data pag.
novembre 2010 165

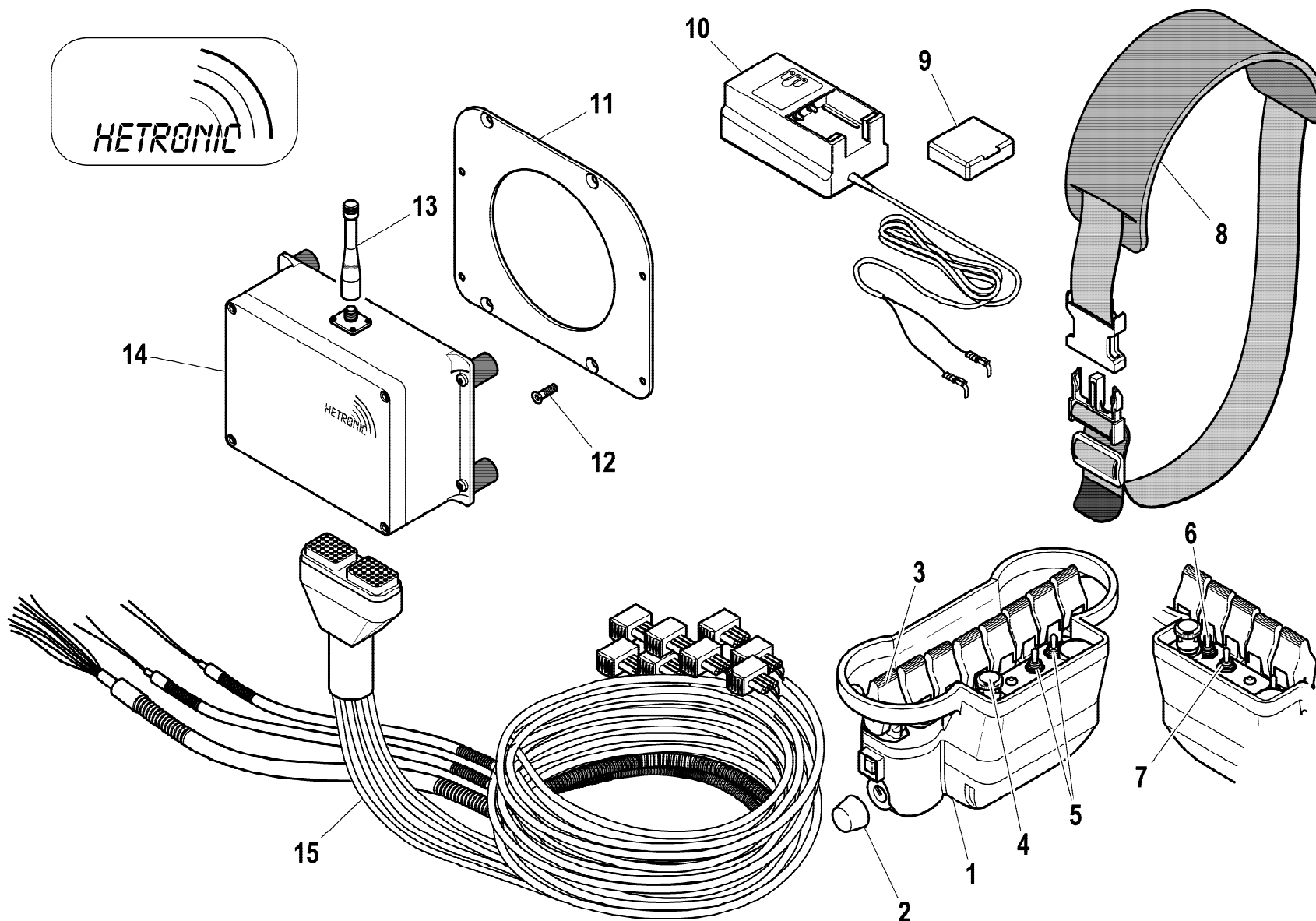
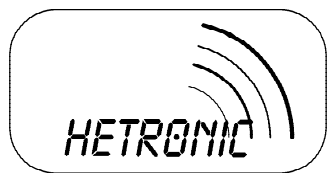


HC 501 X

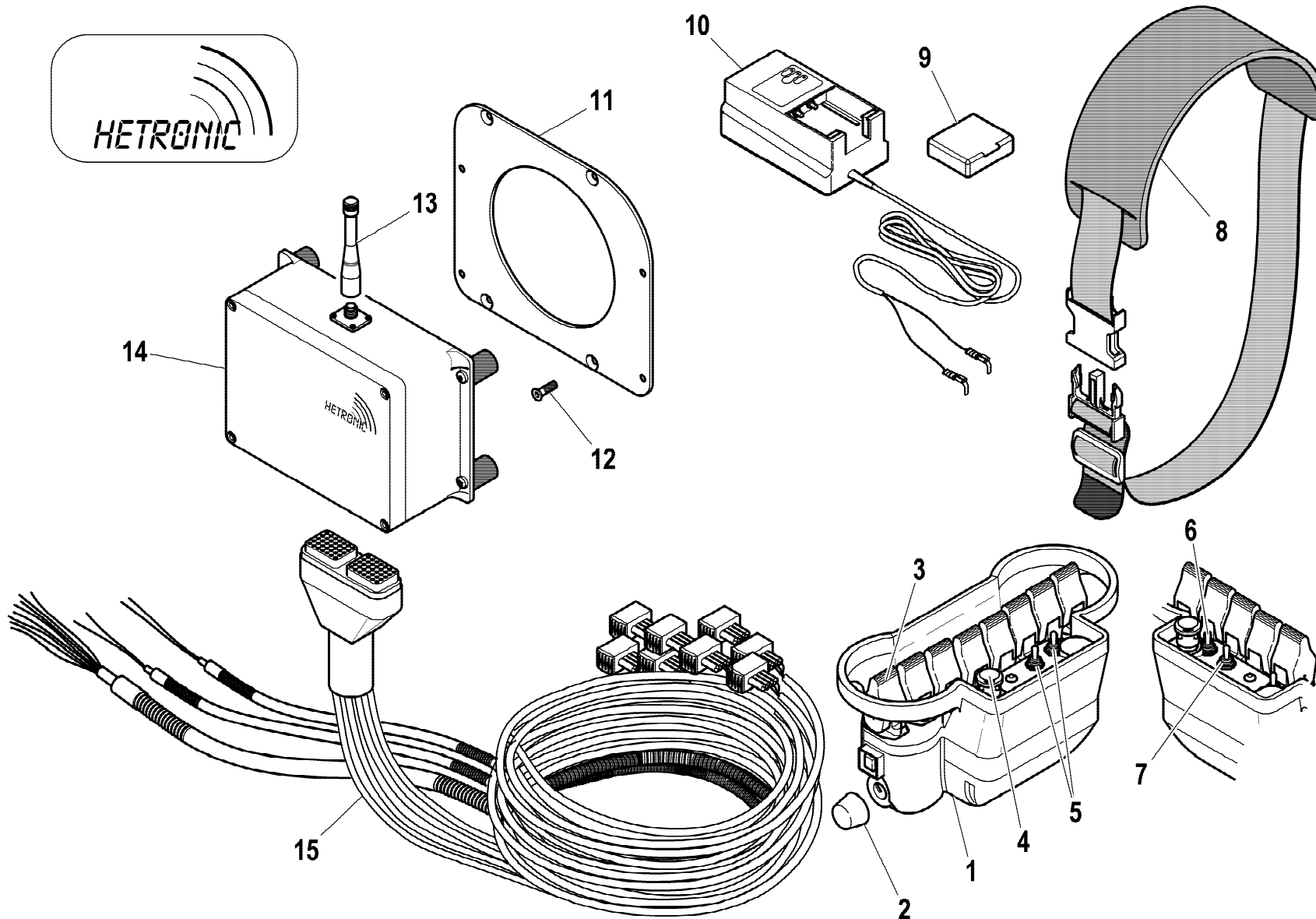
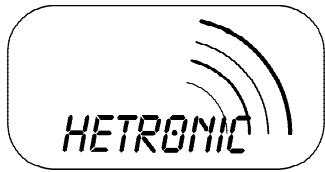


	11
	12
	13
	14
	13
	14
	15
	15
	13

rif.	codice	Q.tà
1	5.22.5534	4
2	5.22.5398	4
3	5.22.5512	1
4	5.22.5511	1
5	5.22.5533	1
6	5.22.5510	1
7	3.31.0238	1
8	3.31.0242	1
9	5.22.5859	4
10	WDNF157B3173	4
11	5.22.5558	1
12	5.22.5536	1
13	5.22.5368	1
14	5.22.5340	1
15	5.22.5508	1
16	5.22.5858	4

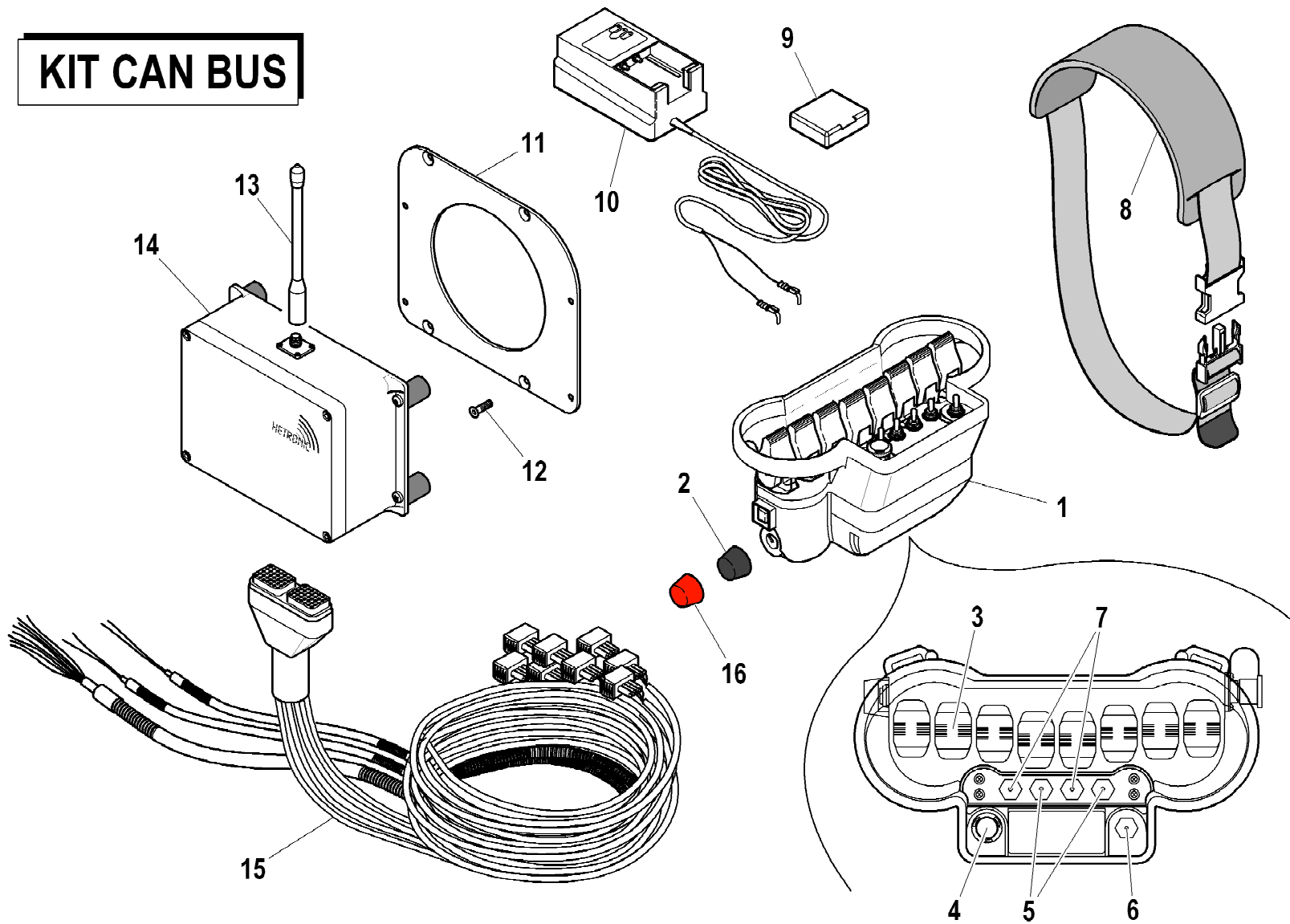


rif.	codice	Q.tà
1	3.31.0772	1
2	3.31.0795	1
3	3.31.0796	8
4	3.31.0788	1
5	3.31.0786	2
6	3.31.0785	1
7	3.31.1029	1
8	3.31.0799	1
9	3.31.0641	2
10	3.31.0797	1
11	5.00.1699	1
12	3.02.0405	4
13	3.31.0775	1
14	3.31.0771	1
15	3.31.0875	1



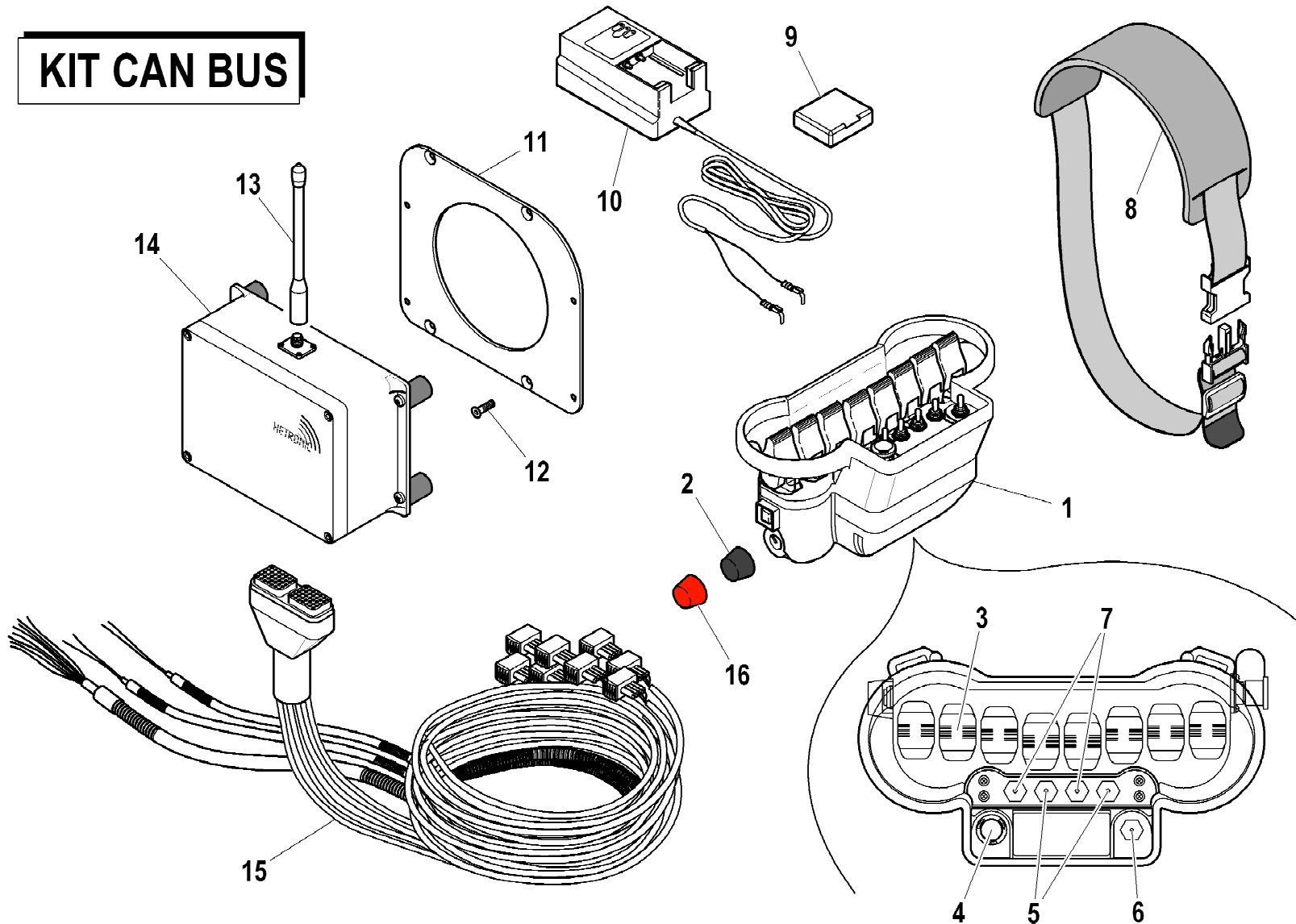
rif.	codice	Q.tà
1	3.31.0808	1
2	3.31.0795	1
3	3.31.0796	8
4	3.31.0788	1
5	3.31.0786	2
6	3.31.0785	1
7	3.31.1029	1
8	3.31.0799	1
9	3.31.0641	2
10	3.31.0797	1
11	5.00.1699	1
12	3.02.0405	4
13	3.31.0775	1
14	3.31.0807	1
15	3.31.0875	1

KIT CAN BUS

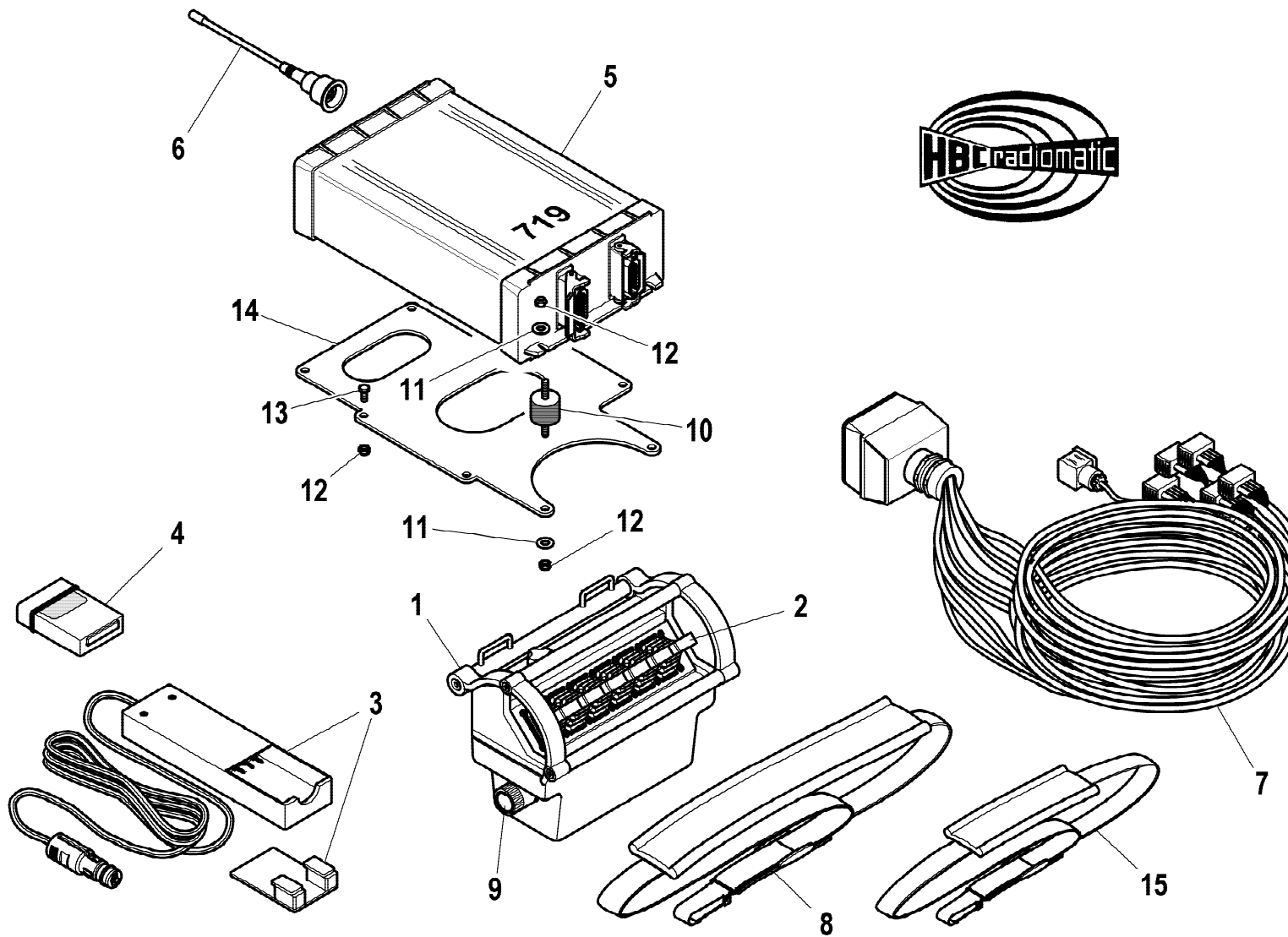


rif.	codice	Q.tà
1	3.31.1057	1
2	3.31.0795	1
3	3.31.0796	8
4	3.31.0788	1
5	3.31.0786	2
6	3.31.0785	1
7	3.31.0787	2
8	3.31.1031	1
9	3.31.0641	2
10	3.31.0797	1
11	5.00.1699	1
12	3.02.0405	4
13	3.31.0861	1
14	3.31.0057	1
15	3.31.1382	1
16	3.31.0924	1

KIT CAN BUS

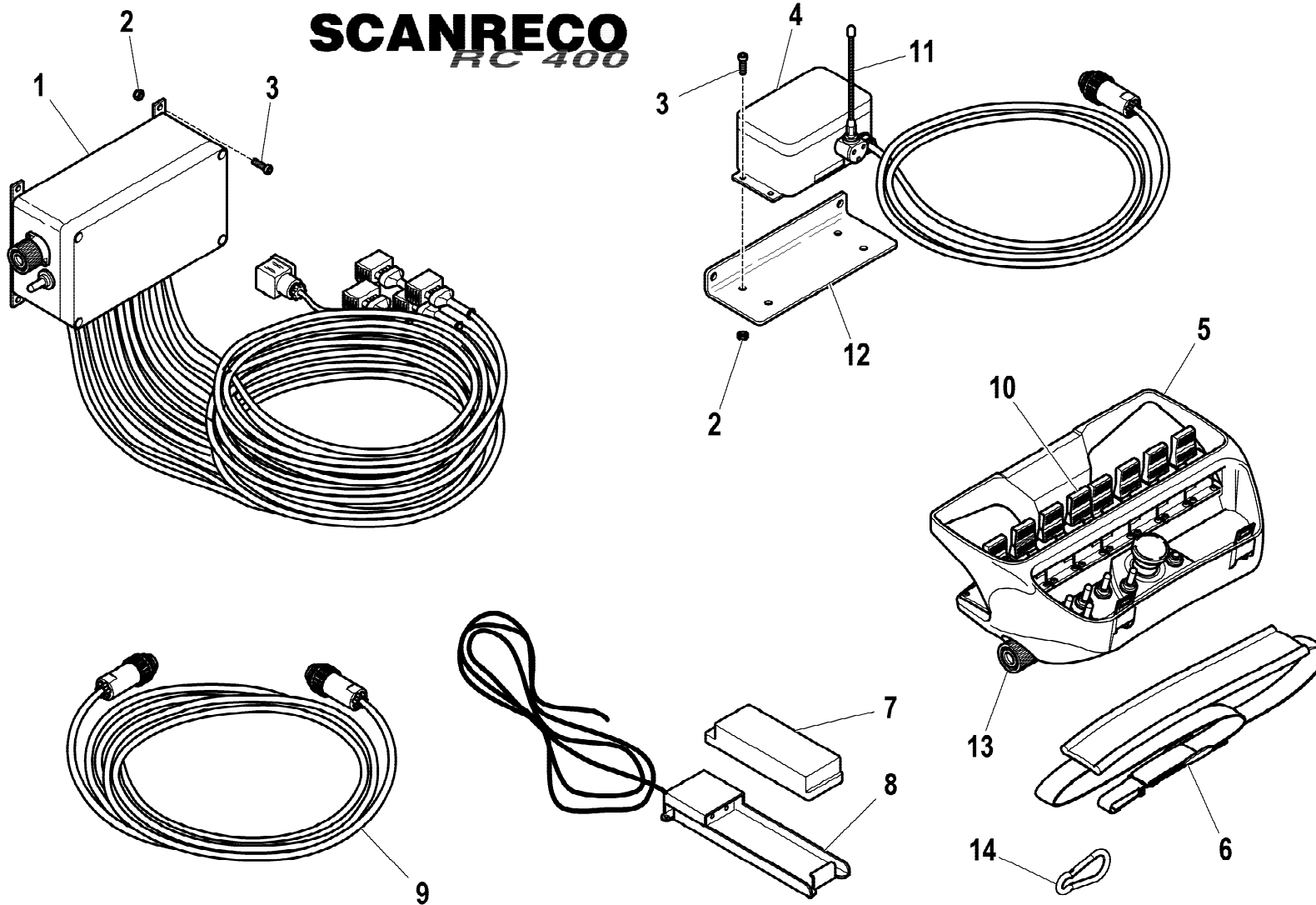


rif.	codice	Q.tà
1	3.31.1030	1
2	3.31.0795	1
3	3.31.0796	8
4	3.31.0788	1
5	3.31.0786	2
6	3.31.0785	1
7	3.31.0787	2
8	3.31.1031	1
9	3.31.0641	2
10	3.31.0797	1
11	5.00.1699	1
12	3.02.0405	4
13	3.31.0861	1
14	3.31.0056	1
15	3.31.1382	1
16	3.31.0924	1



rif.	codice	Q.tà
1	3.31.0578	1
2	3.31.0581	6
3	3.31.0455	1
4	3.31.0454	2
5	3.31.0836	1
6	3.31.0583	1
7	3.31.0766	1
8	3.19.0105	1
9	3.31.0582	2
10	3.19.0102	4
11	3.06.0005	8
12	3.04.0372	12
13	3.01.0015	4
14	5.00.1826	1
15	3.19.0106	1

SCANRECO RC 400



rif.	codice	Q.tà
1	3.31.0534	1
2	3.04.0392	8
3	3.02.0028	8
4	3.31.0535	1
5	3.32.0026	1
6	3.19.0226	1
7	3.31.0483	2
8	3.31.0471	1
9	3.31.0536	1
10	3.31.0445	8
11	3.31.0683	1
12	5.00.1680	1
13	3.31.0850	1
14	3.19.0259	1

1/1

HYVA® CRANE
HC501

KIT RADIOCOMANDO RDC 24V
WIRELESS CONTROL KIT RDC 24V
KIT RADIOTELECOMMANDE RDC 24V
FUNKSTEUERUNG-SATZ RDC 24V
KIT RADIOMANDO RDC 24V

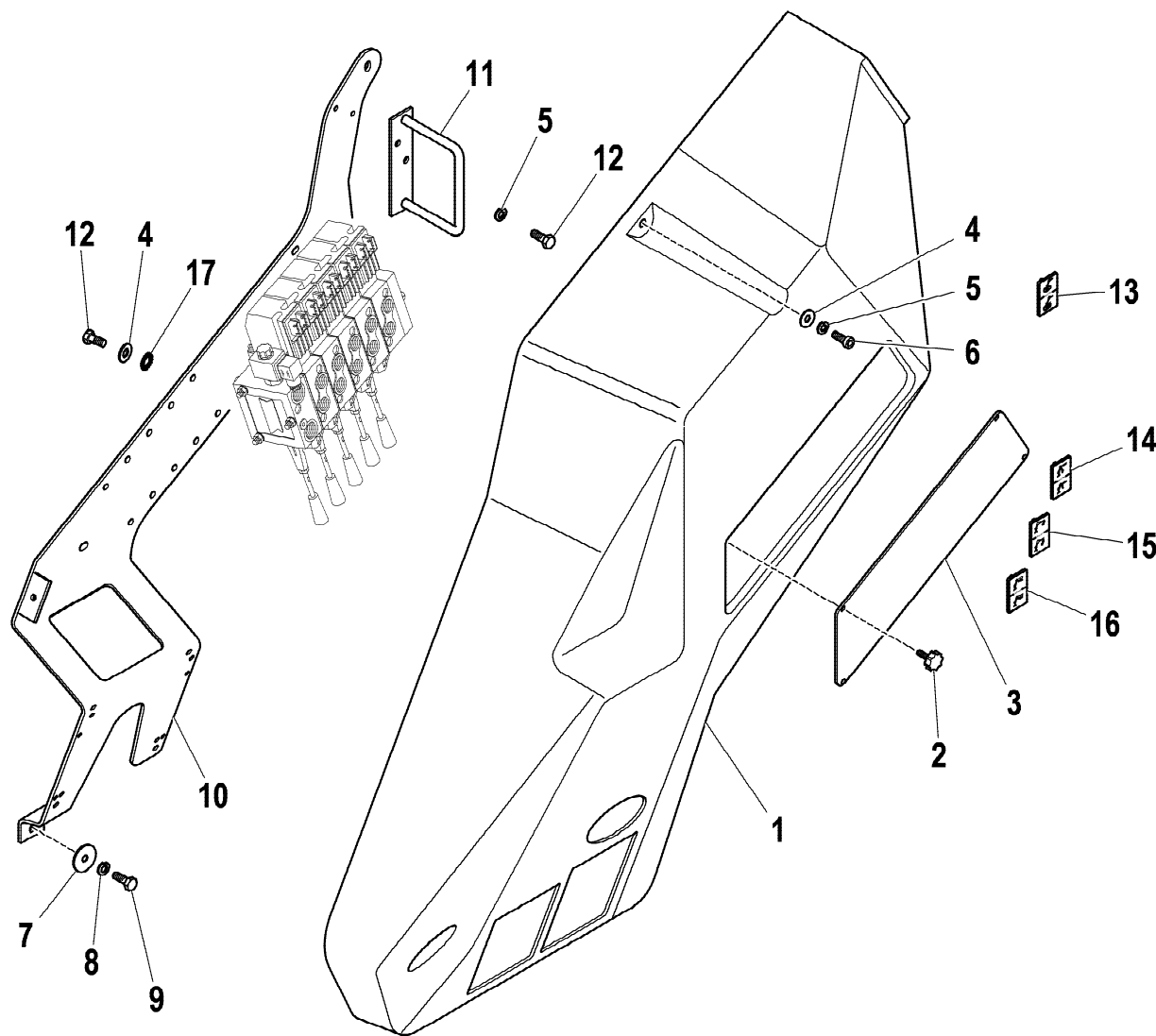
Tavola
7.89.2087-1-0

Data pag.
giugno 2008 173



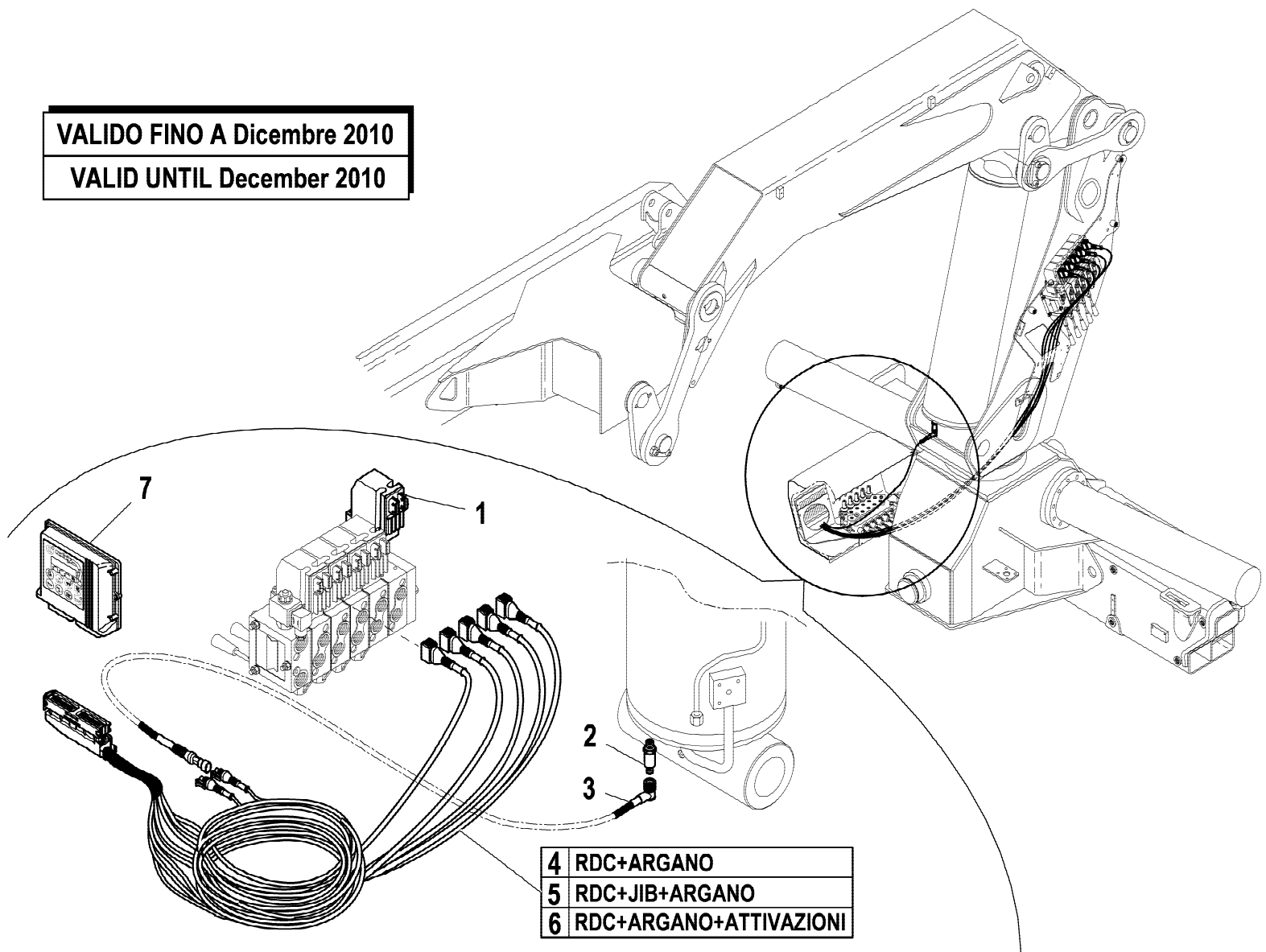
HC 501 TCU

rif.	codice	Q.tà
1	5.09.1046	1
2	3.01.1000	4
3	5.09.1059	1
4	3.06.0029	9
5	3.06.0055	7
6	3.02.0875	5
7	3.06.0007	4
8	3.06.0056	4
9	3.01.0349	4
10	5.00.1679	1
11	5.00.1719	1
12	3.01.0027	6
13	5.81.2785	1
14	5.81.2786	1
15	5.81.2787	1
16	5.81.2788	1
17	3.06.0918	4



rif.	codice	Q.tà
1	5.22.5534	4
2	3.31.0612	1
3	5.16.0001	1
4	5.16.0011	1
5	5.16.0018	1
6	5.16.0017	1
7	3.31.0606	1

VALIDO FINO A Dicembre 2010
VALID UNTIL December 2010

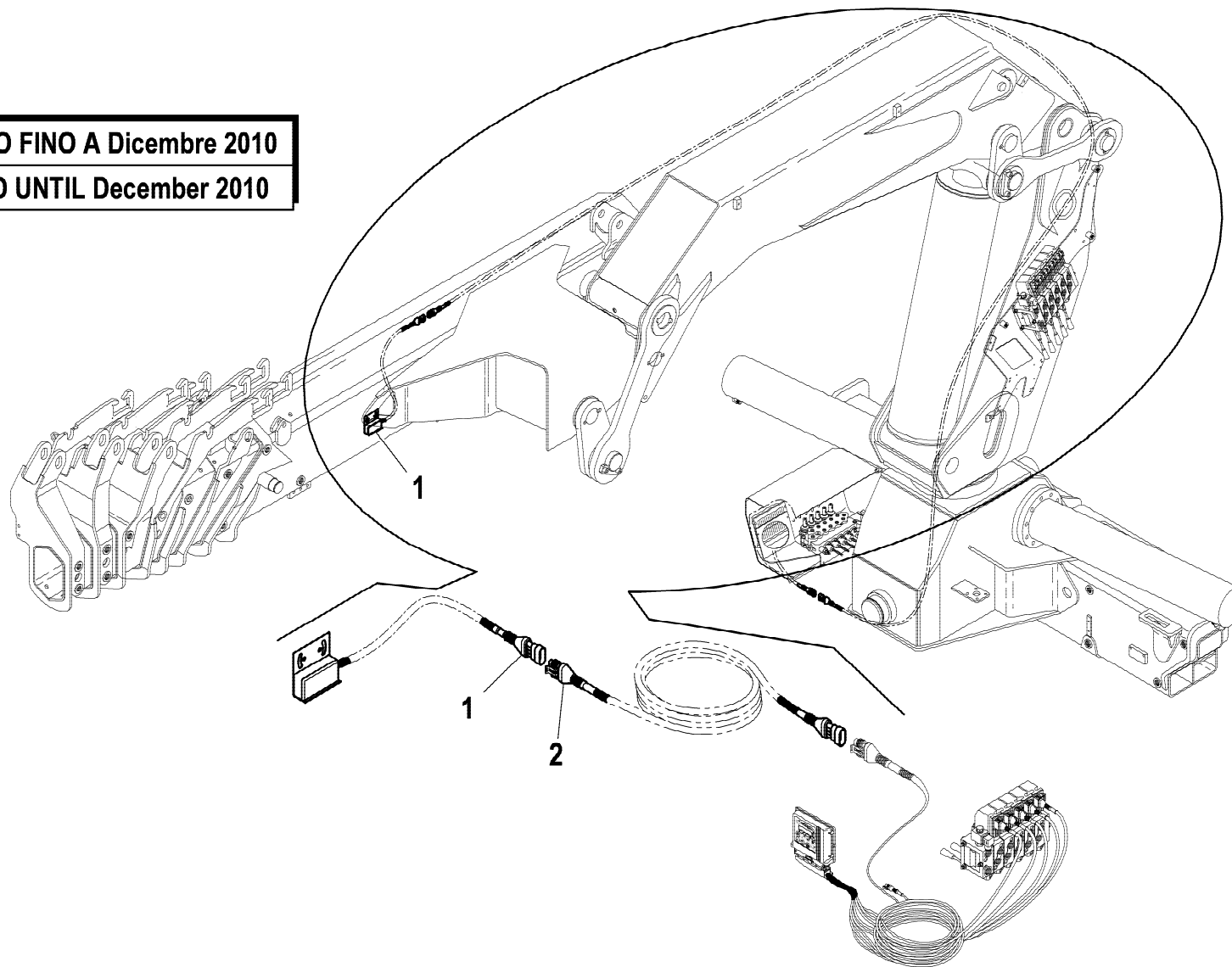


- | | |
|---|------------------------|
| 4 | RDC+ARGANO |
| 5 | RDC+JIB+ARGANO |
| 6 | RDC+ARGANO+ATTIVAZIONI |

rif.	codice	Q.tà
1	3.31.0541	1
2	5.16.0002	1

VALIDO FINO A Dicembre 2010

VALID UNTIL December 2010



1/1

HYVA[®] CRANE

HC501

COMANDI (ECM4 EBB - X TCU)
 CONTROLS (ECM4 EBB - X TCU)
 COMMANDES (ECM4 EBB - X TCU)
 STEUERUGEN (ECM4 EBB - X TCU)
 MANDOS (ECM4 EBB - X TCU)

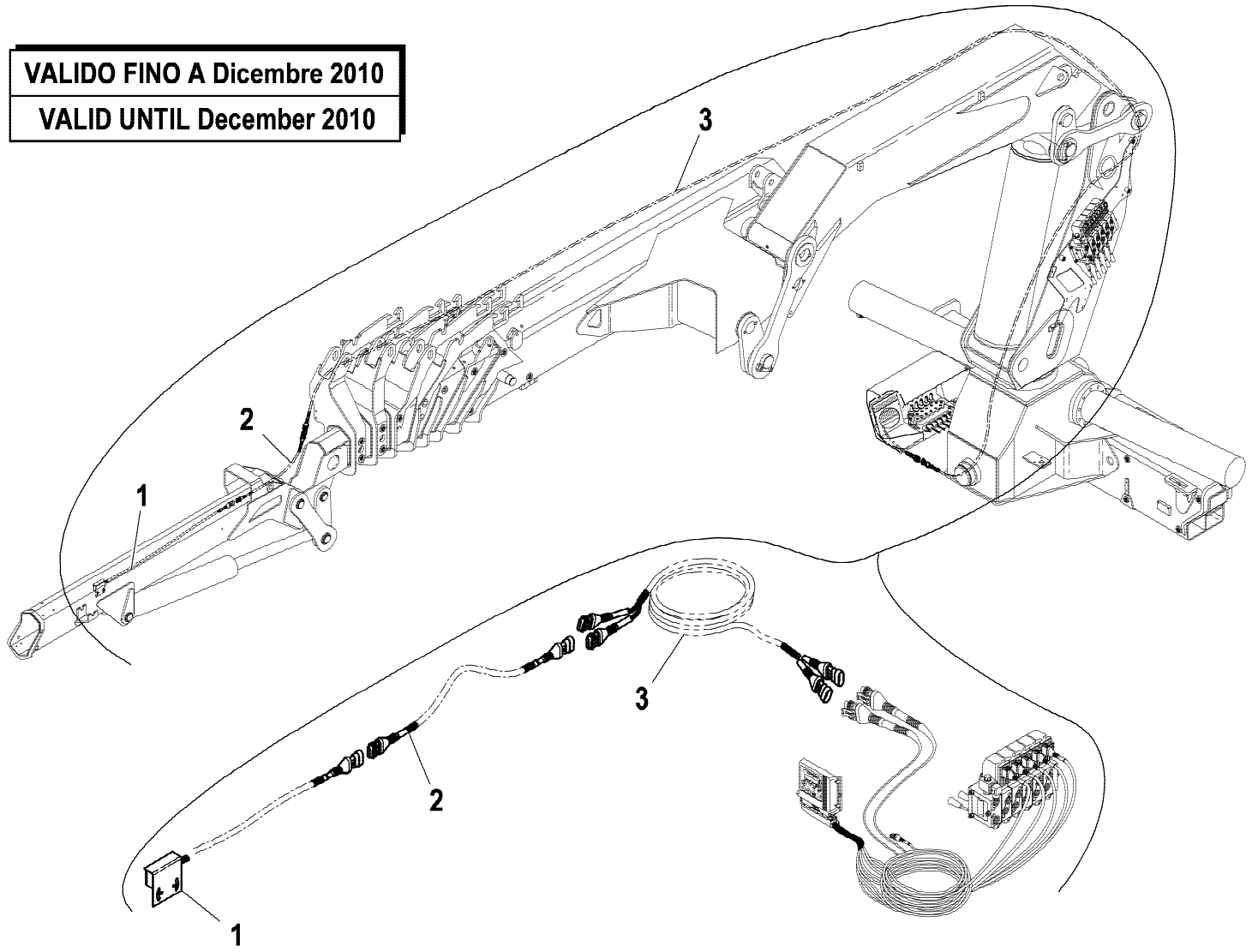
Tavola

5.40.0602-2-0

Data pag.
 giugno 2011 177

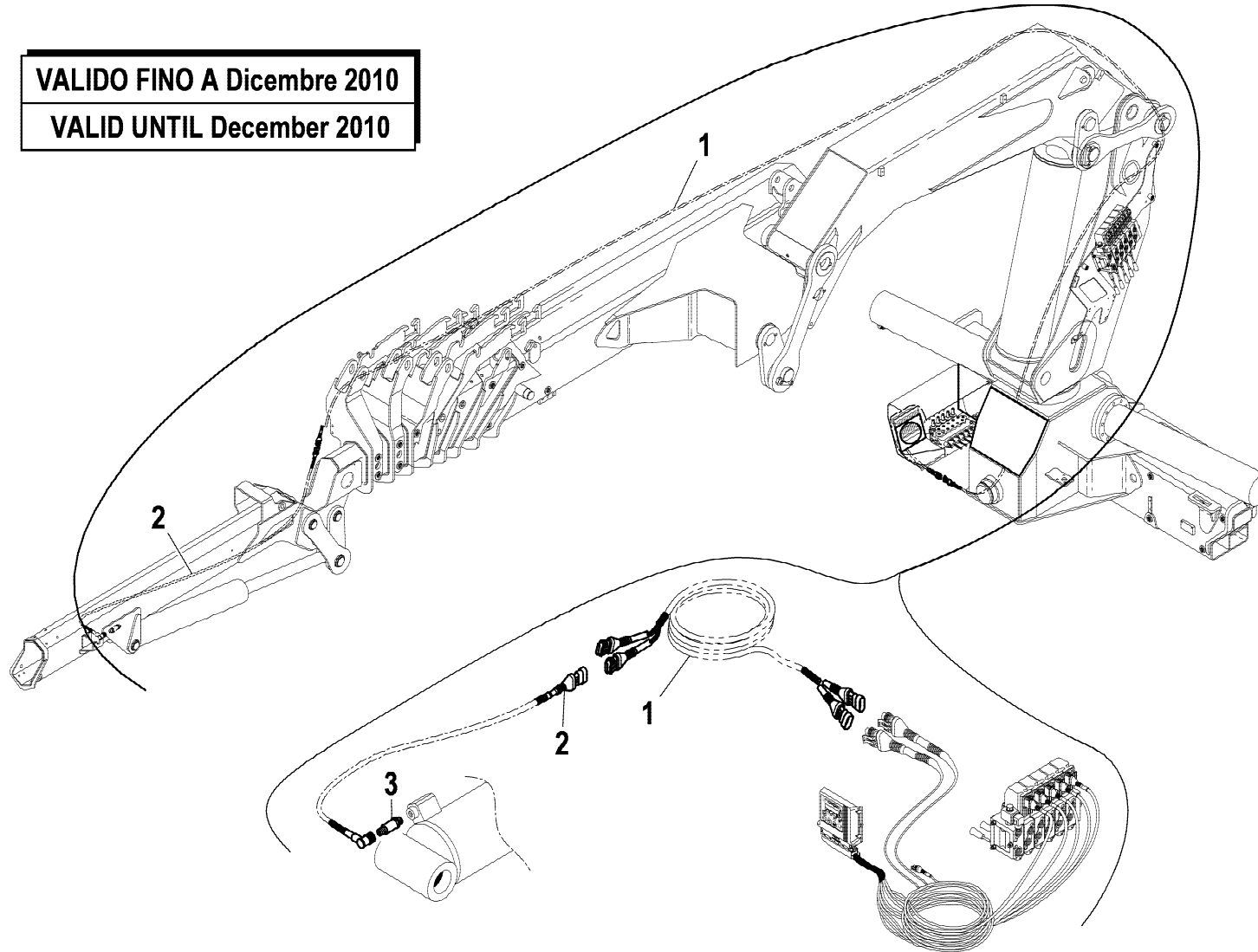
VALIDO FINO A Dicembre 2010
VALID UNTIL December 2010

rif.	codice	Q.tà
1	3.31.0541	1
2	5.16.0016	1
3	5.16.0015	1

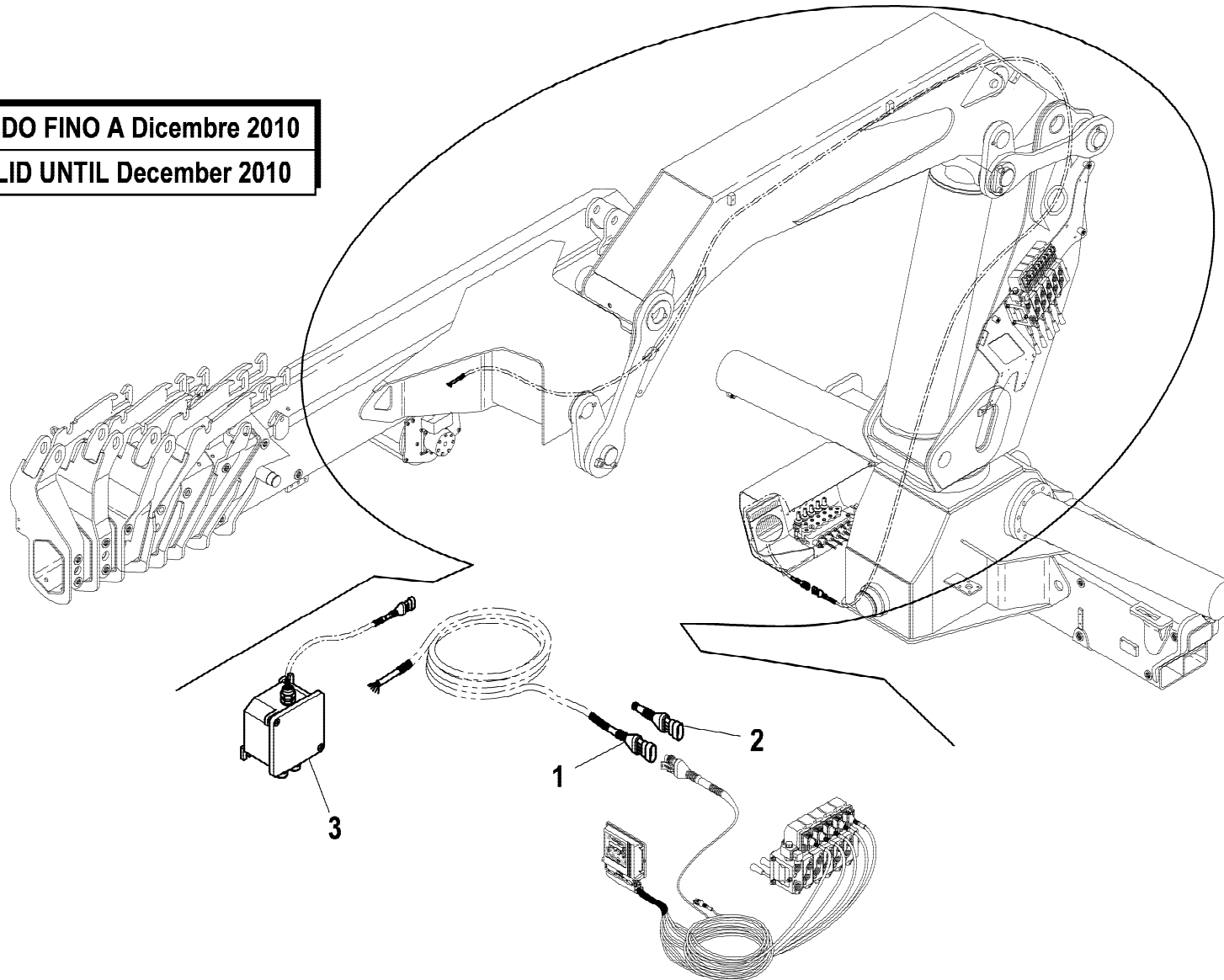


VALIDO FINO A Dicembre 2010
VALID UNTIL December 2010

rif.	codice	Q.tà
1	5.16.0015	1
2	5.16.0001	1
3	3.31.0612	1



VALIDO FINO A Dicembre 2010
VALID UNTIL December 2010



rif.	codice	Q.tà
1	5.16.0004	1
2	5.16.0013	1
3	3.31.0663	1

1/1

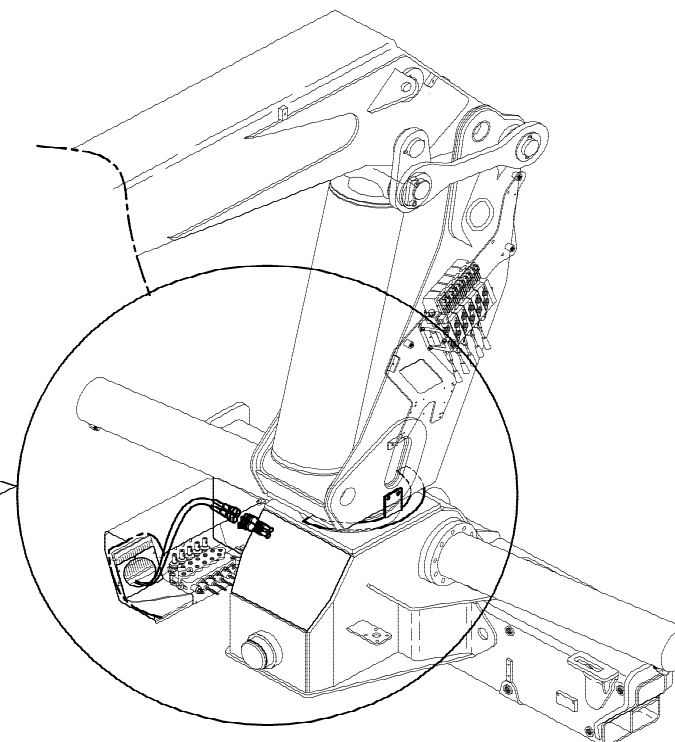
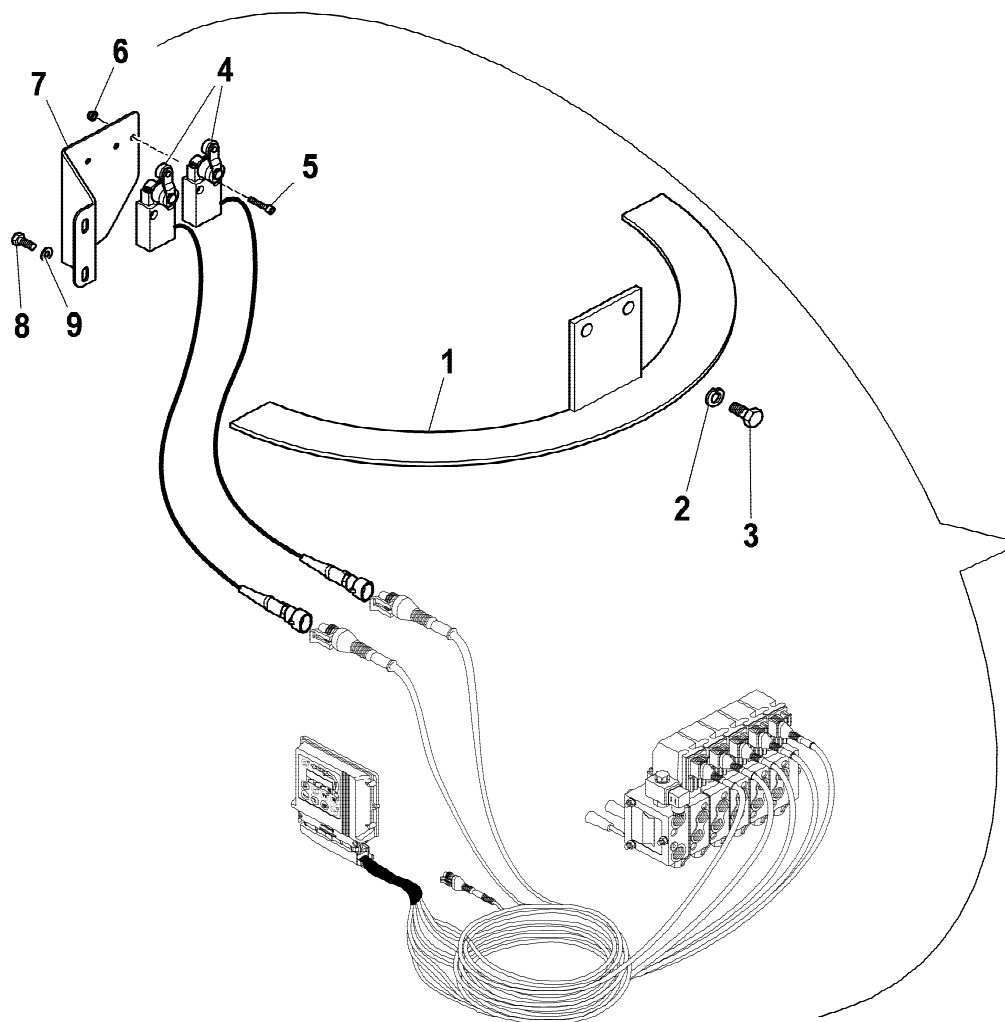
HYVA[®] CRANE
HC501

COMANDI (ECM4 EBB - X TCU)
 CONTROLS (ECM4 EBB - X TCU)
 COMMANDES (ECM4 EBB - X TCU)
 STEUERUGEN (ECM4 EBB - X TCU)
 MANDOS (ECM4 EBB - X TCU)

Tavola
5.40.0602-5-0

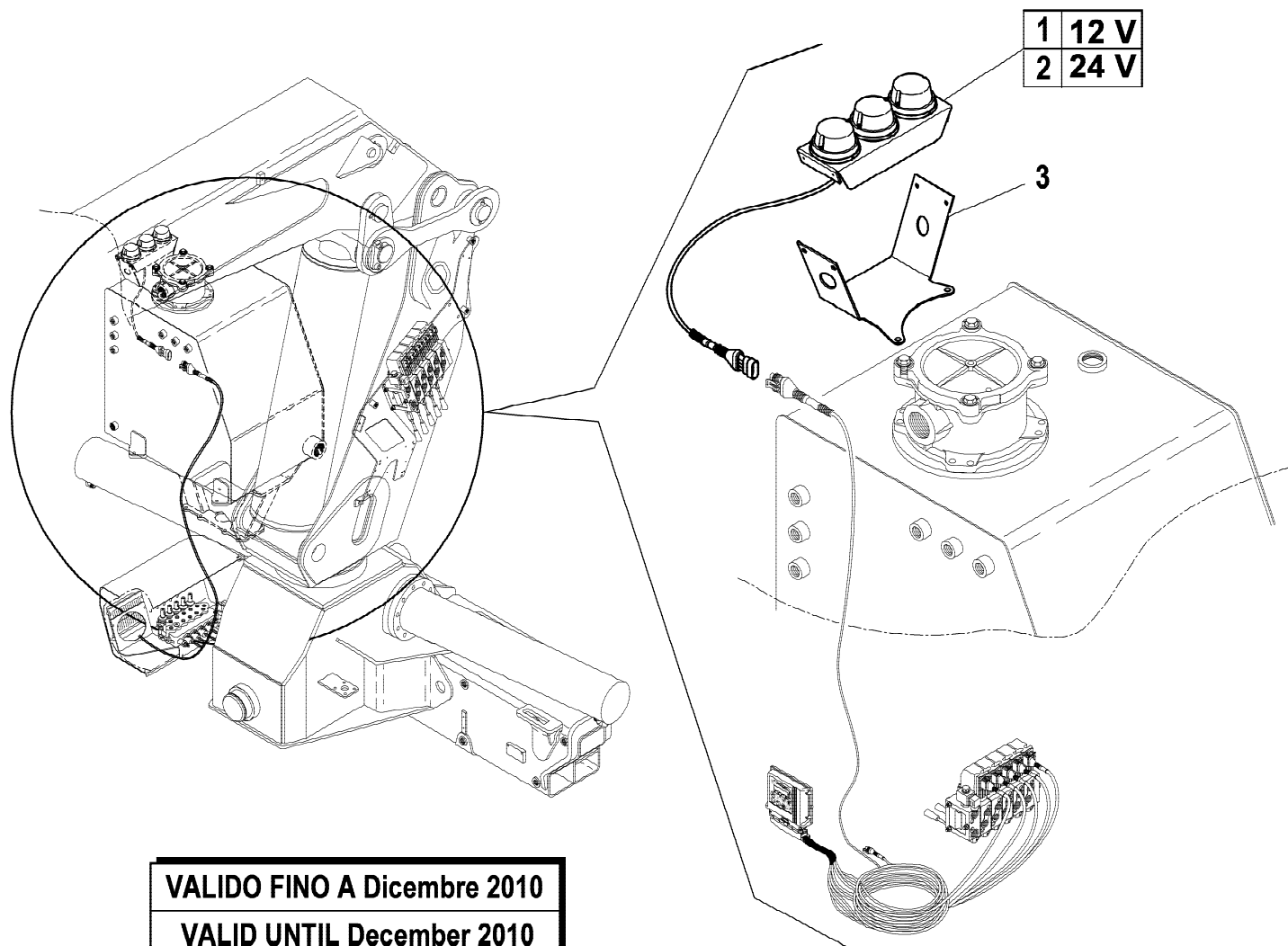
Data pag.
 giugno 2011 180

rif.	codice	Q.tà
1	5.00.1643	1
2	3.06.0055	2
3	3.01.0027	2
4	251.012	2
5	3.02.0961	2
6	3.04.0518	2
7	5.00.1642	1
8	3.01.0325	2
9	3.06.0030	2



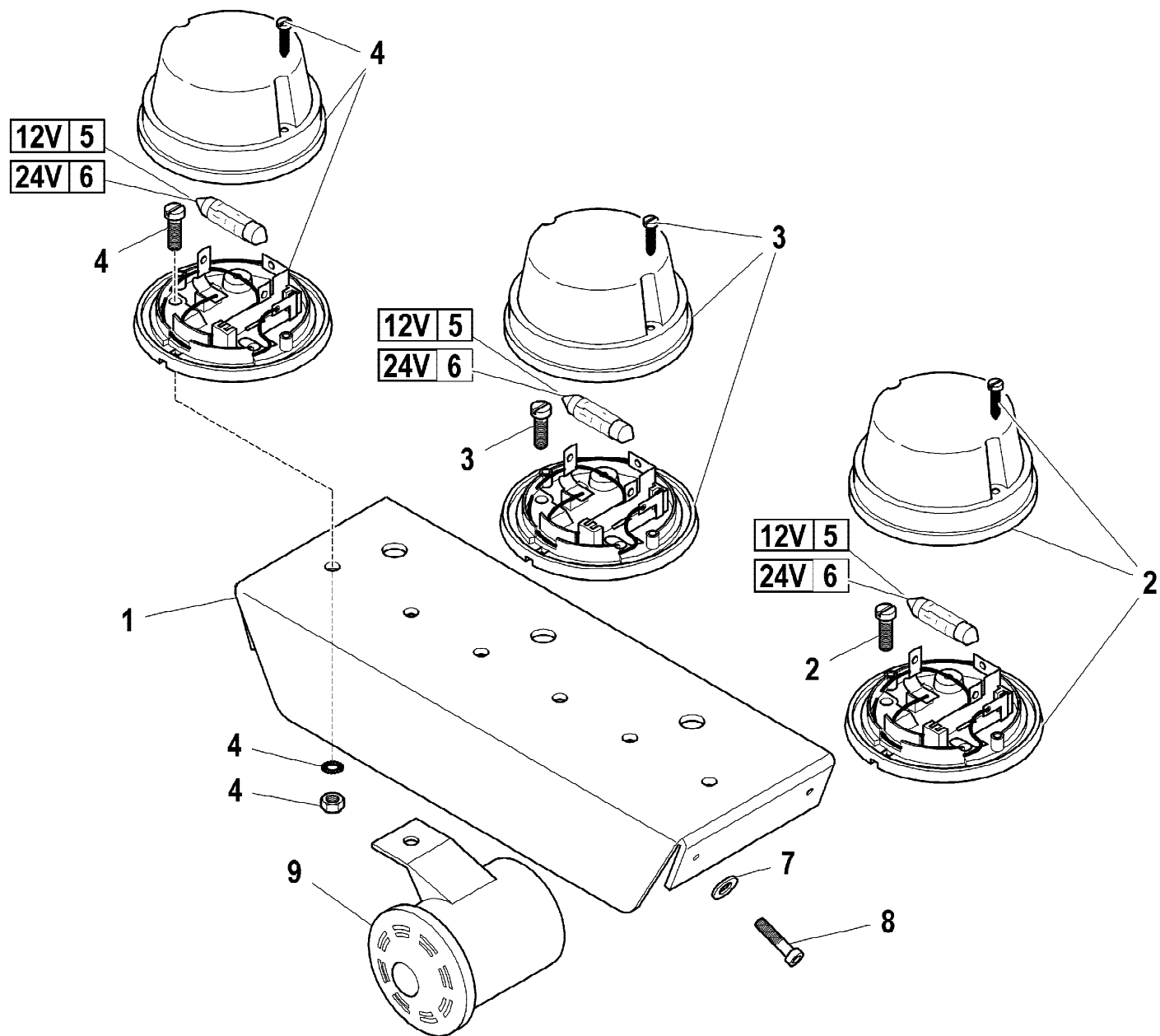
VALIDO FINO A Dicembre 2010
VALID UNTIL December 2010

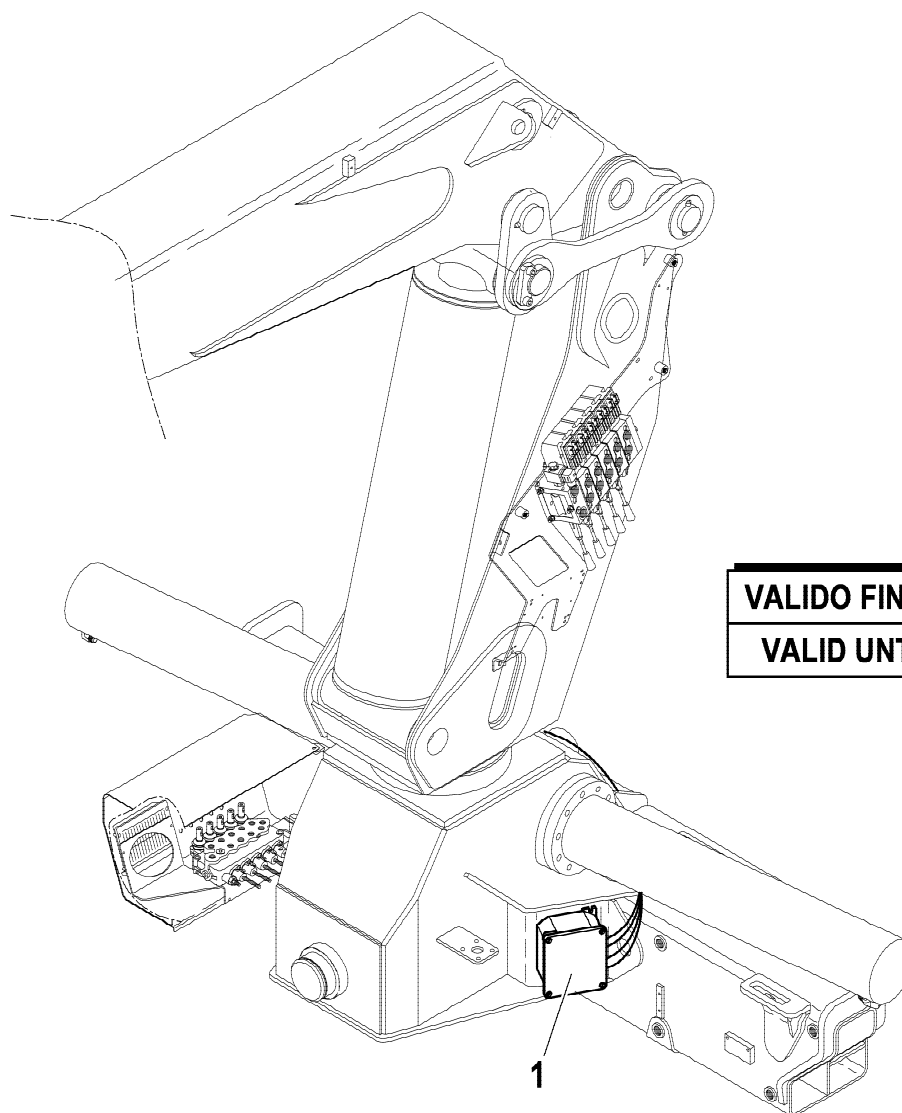
rif.	codice	Q.tà
1	3.31.0819	1
2	3.31.0809	1
3	5.00.1682	1

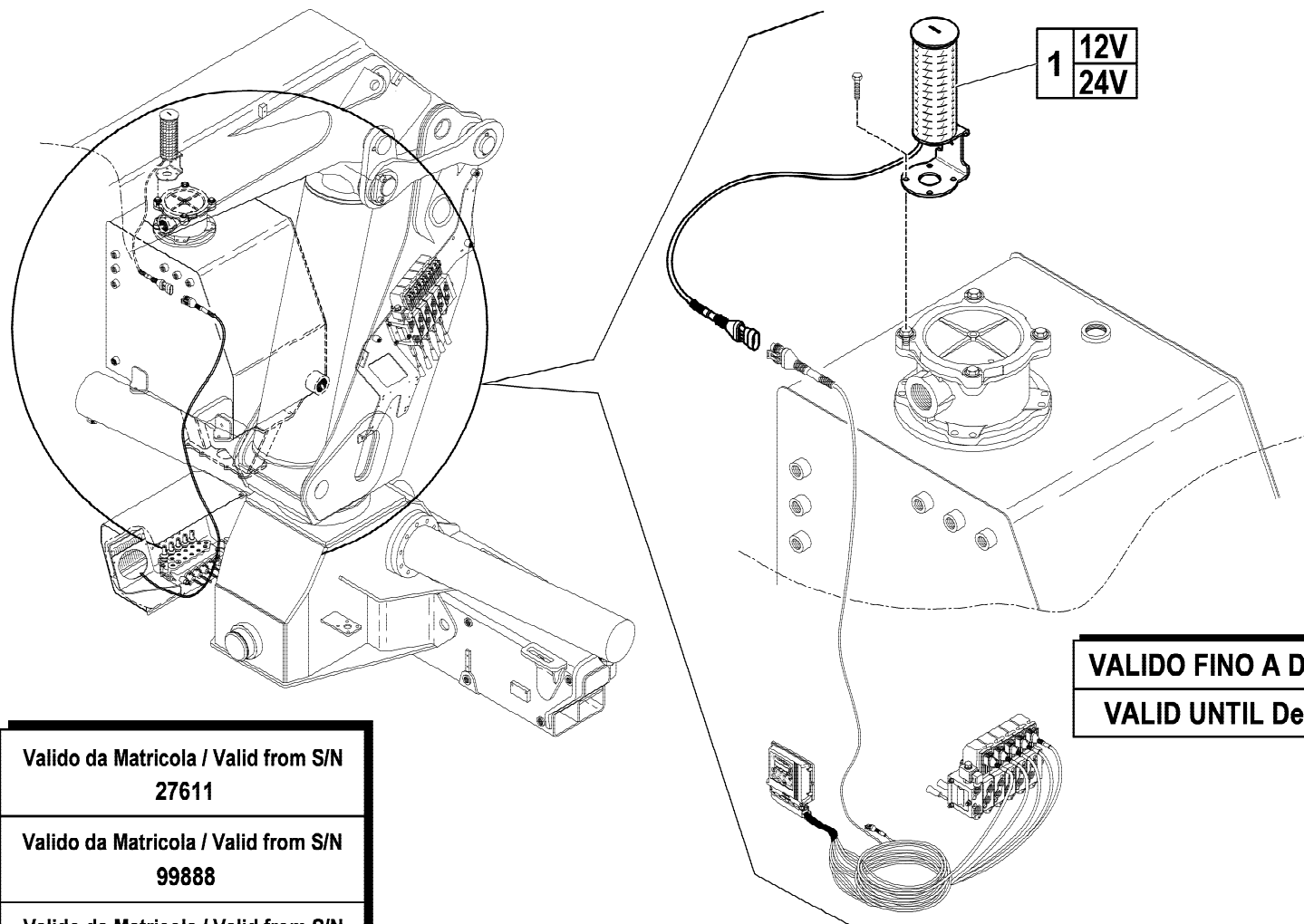


VALIDO FINO A Dicembre 2010
VALID UNTIL December 2010

rif.	codice	Q.tà
1	5.00.1662	1
2	3.31.0811	1
3	3.31.0812	1
4	3.31.0810	1
5	3.31.0818	3
6	3.31.0813	3
7	3.06.0003	4
8	3.02.0885	4
9	3.31.0911	1







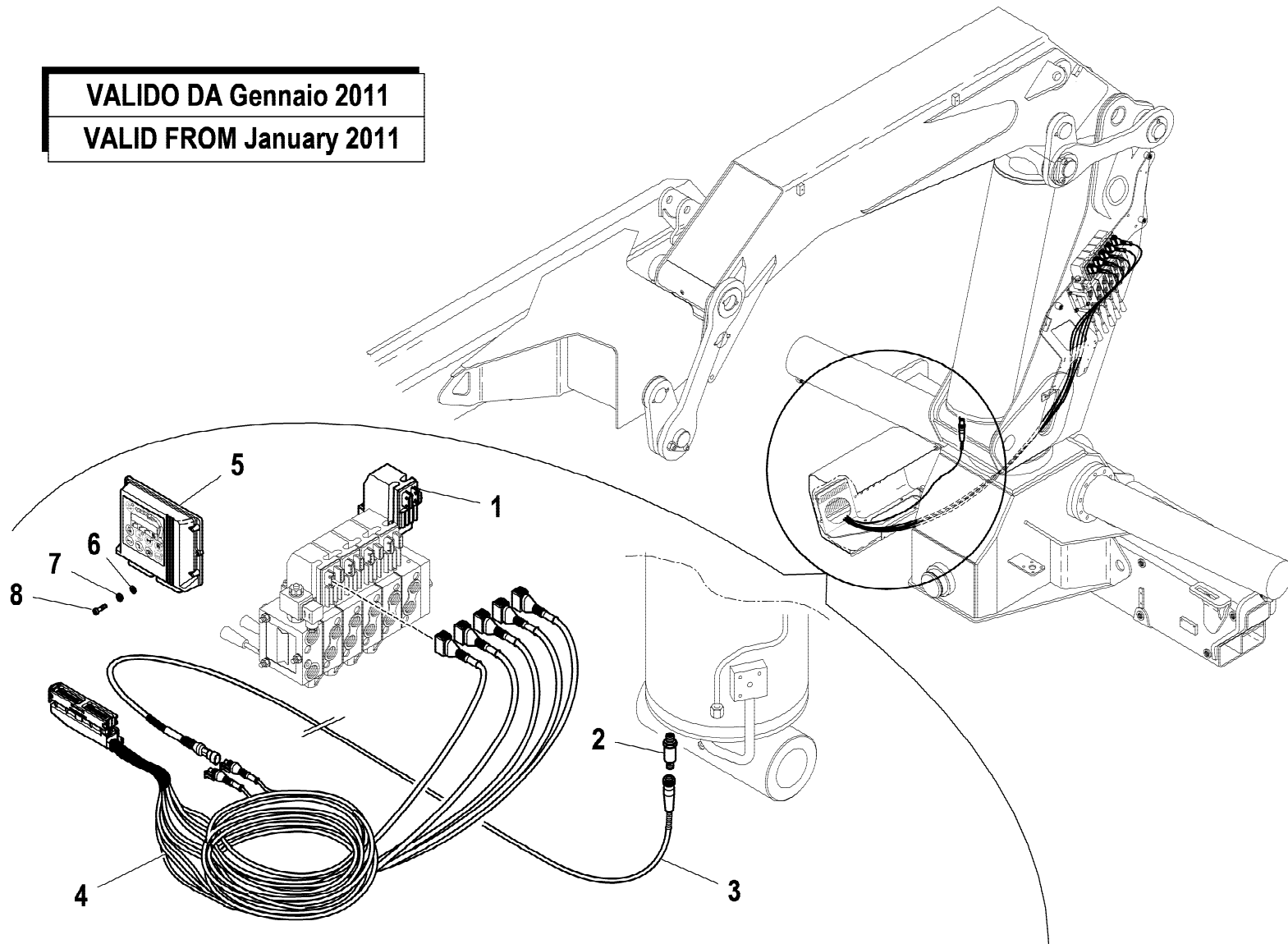
Valido da Matricola / Valid from S/N 27611
Valido da Matricola / Valid from S/N 99888
Valido da Matricola / Valid from S/N 200712

VALIDO FINO A Dicembre 2010
VALID UNTIL December 2010



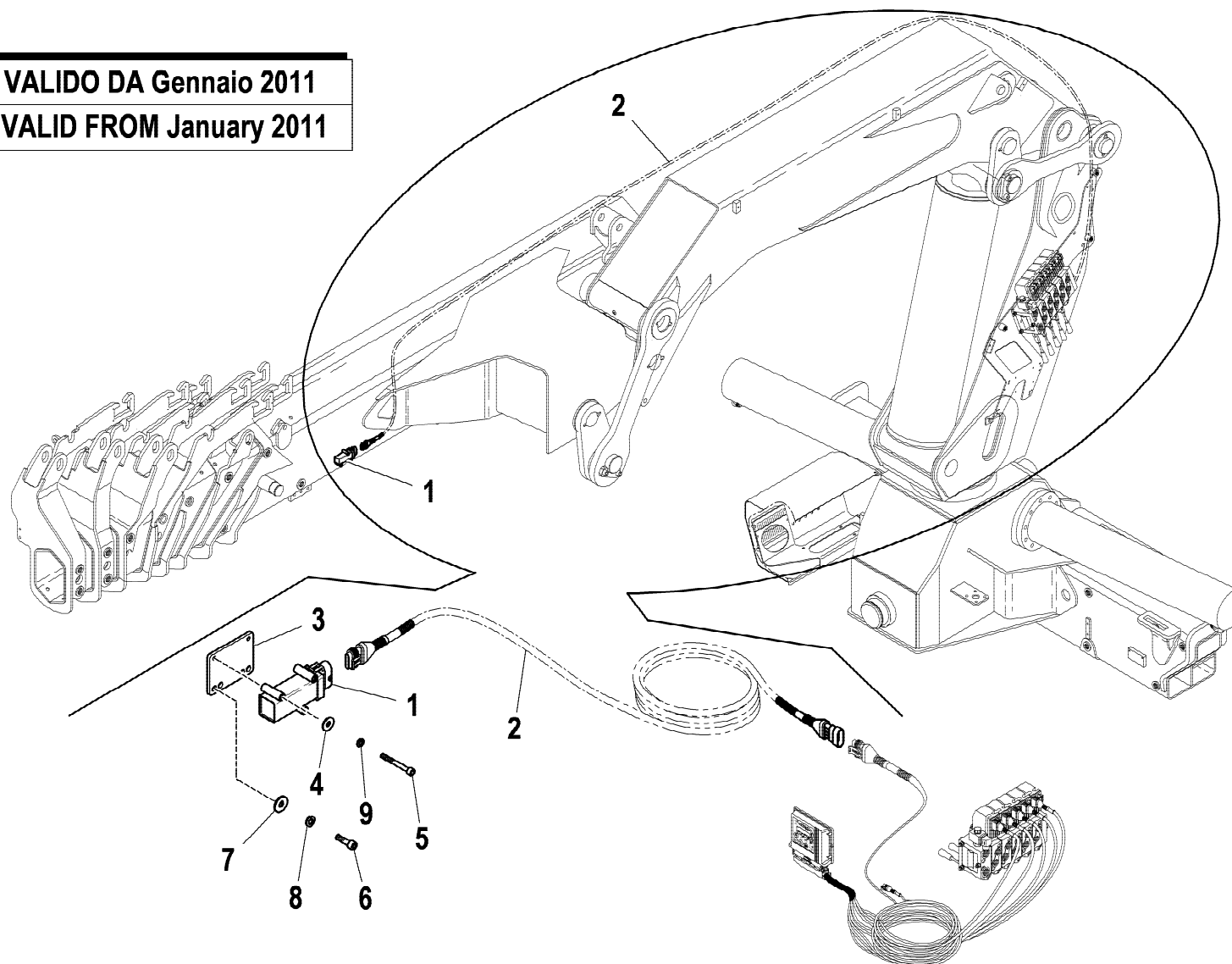
HC 501 TCU - EN12999-A3

VALIDO DA Gennaio 2011
VALID FROM January 2011



rif.	codice	Q.tà
1	5.22.5534	4
2	3.31.0612	1
3	5.16.0084	1
4	5.16.0071	1
5	3.31.1423	1

VALIDO DA Gennaio 2011
VALID FROM January 2011



rif.	codice	Q.tà
1	3.31.1150	1
2	5.16.0076	1
3	5.00.2108	1
4	3.06.0003	2
5	3.02.0018	2
6	3.02.0033	2
7	3.06.0005	2
8	3.06.0053	2
9	3.06.0065	2

1/1

HYVA[®] CRANE
HC501

COMANDI (RDC EBB-X TCU-ECM4) EN12999-A3
 CONTROLS (RDC EBB-X TCU-ECM4) EN12999-A3
 COMMANDES (RDC EBB-X TCU-ECM4) EN12999-A3
 STEUERUGEN (RDC EBB-X TCU-ECM4) EN12999-A3
 MANDOS (RDC EBB-X TCU-ECM4) EN12999-A3

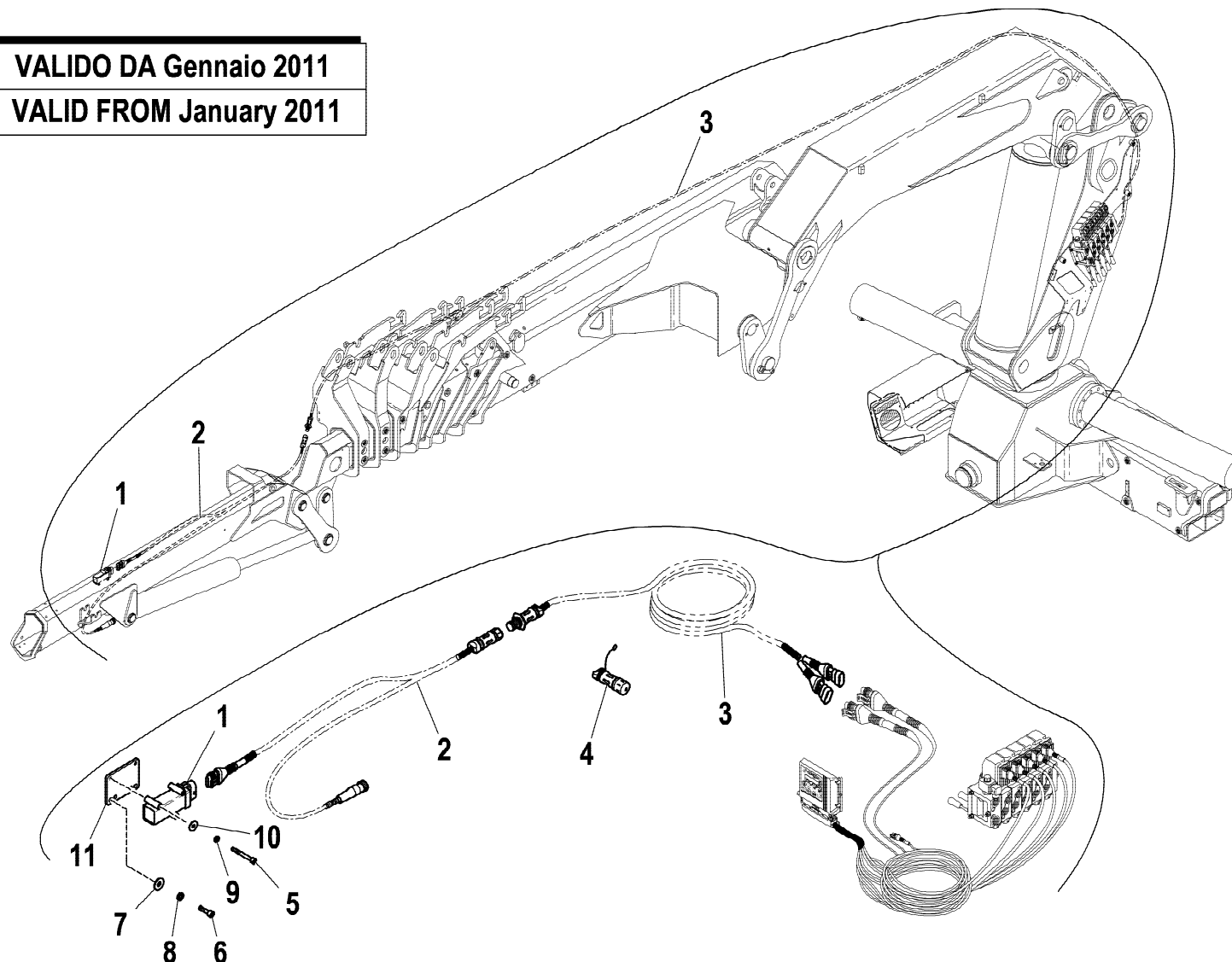
Tavola

5.40.1258-2-0

Data pag.
 novembre 2010 188

VALIDO DA Gennaio 2011

VALID FROM January 2011



rif.	codice	Q.tà
1	3.31.1150	1
2	5.16.0079	1
3	5.16.0077	1
4	5.16.0080	1
5	3.02.0018	2
6	3.02.0033	2
7	3.06.0005	2
8	3.06.0053	2
9	3.06.0065	2
10	3.06.0003	2
11	5.00.2108	1

1/1

HYVA® CRANE

HC501

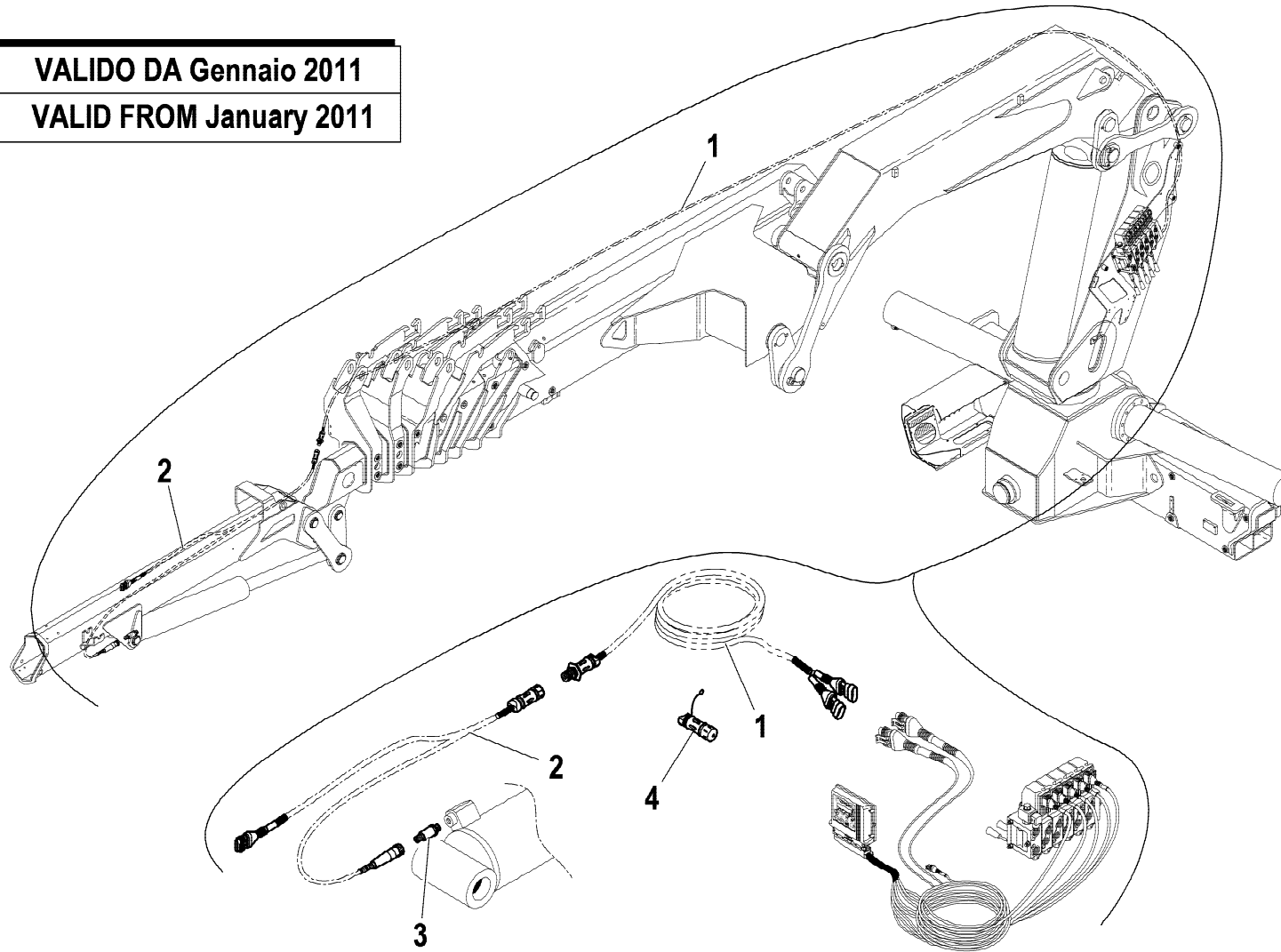
COMANDI (RDC EBB-X TCU-ECM4) EN12999-A3
CONTROLS (RDC EBB-X TCU-ECM4) EN12999-A3
COMMANDES (RDC EBB-X TCU-ECM4) EN12999-A3
STEUERUGEN (RDC EBB-X TCU-ECM4) EN12999-A3
MANDOS (RDC EBB-X TCU-ECM4) EN12999-A3

Tavola

5.40.1258-3-0

Data pag.
novembre 2010 189

VALIDO DA Gennaio 2011
VALID FROM January 2011



rif.	codice	Q.tà
1	5.16.0077	1
2	5.16.0079	1
3	3.31.0612	1
4	5.16.0080	1

1/1

HYVA[®] CRANE
HC501

COMANDI (RDC EBB-X TCU-ECM4) EN12999-A3
 CONTROLS (RDC EBB-X TCU-ECM4) EN12999-A3
 COMMANDES (RDC EBB-X TCU-ECM4) EN12999-A3
 STEUERUGEN (RDC EBB-X TCU-ECM4) EN12999-A3
 MANDOS (RDC EBB-X TCU-ECM4) EN12999-A3

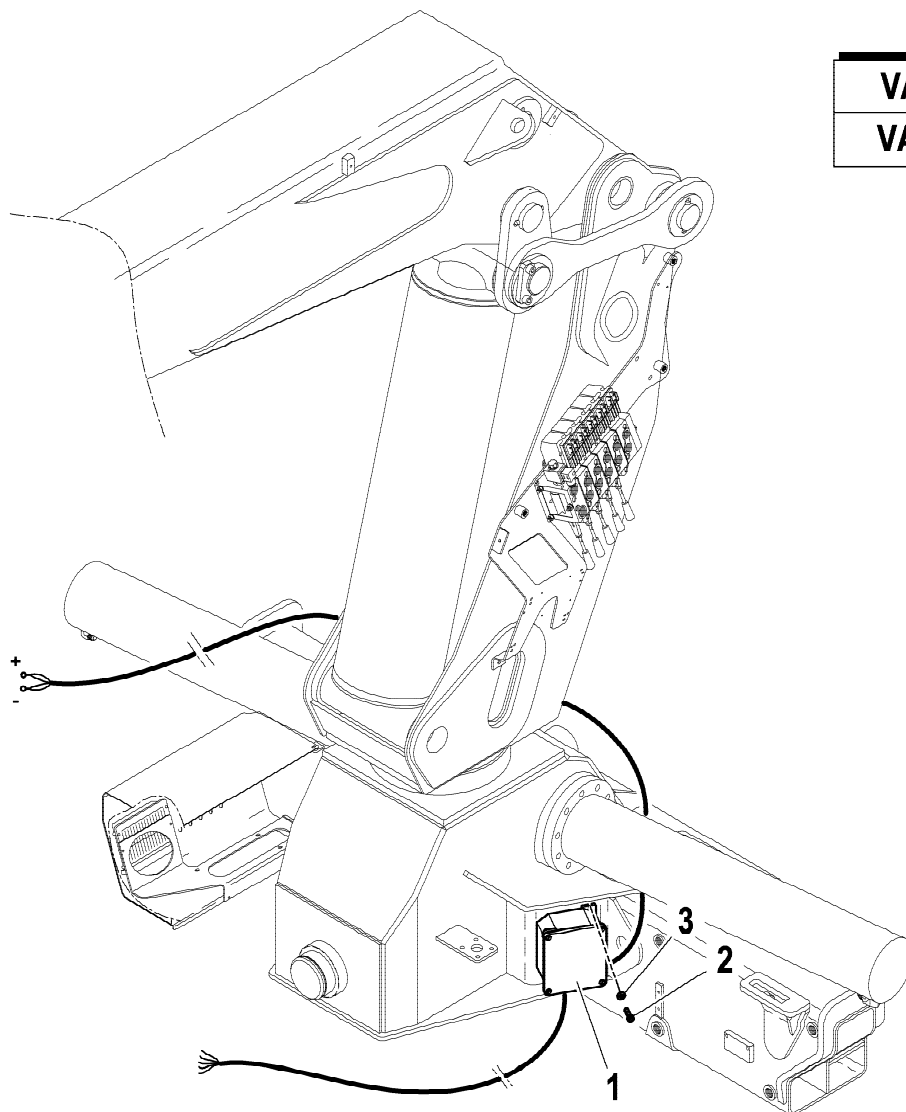
Tavola
5.40.1258-4-0

Data pag.
 novembre 2010 190

rif.	codice	Q.tà
1	3.31.1405	1
2	3.02.0023	2
3	3.06.0004	2

VALIDO DA Gennaio 2011

VALID FROM January 2011



1/1

HYVA[®] CRANE

HC501

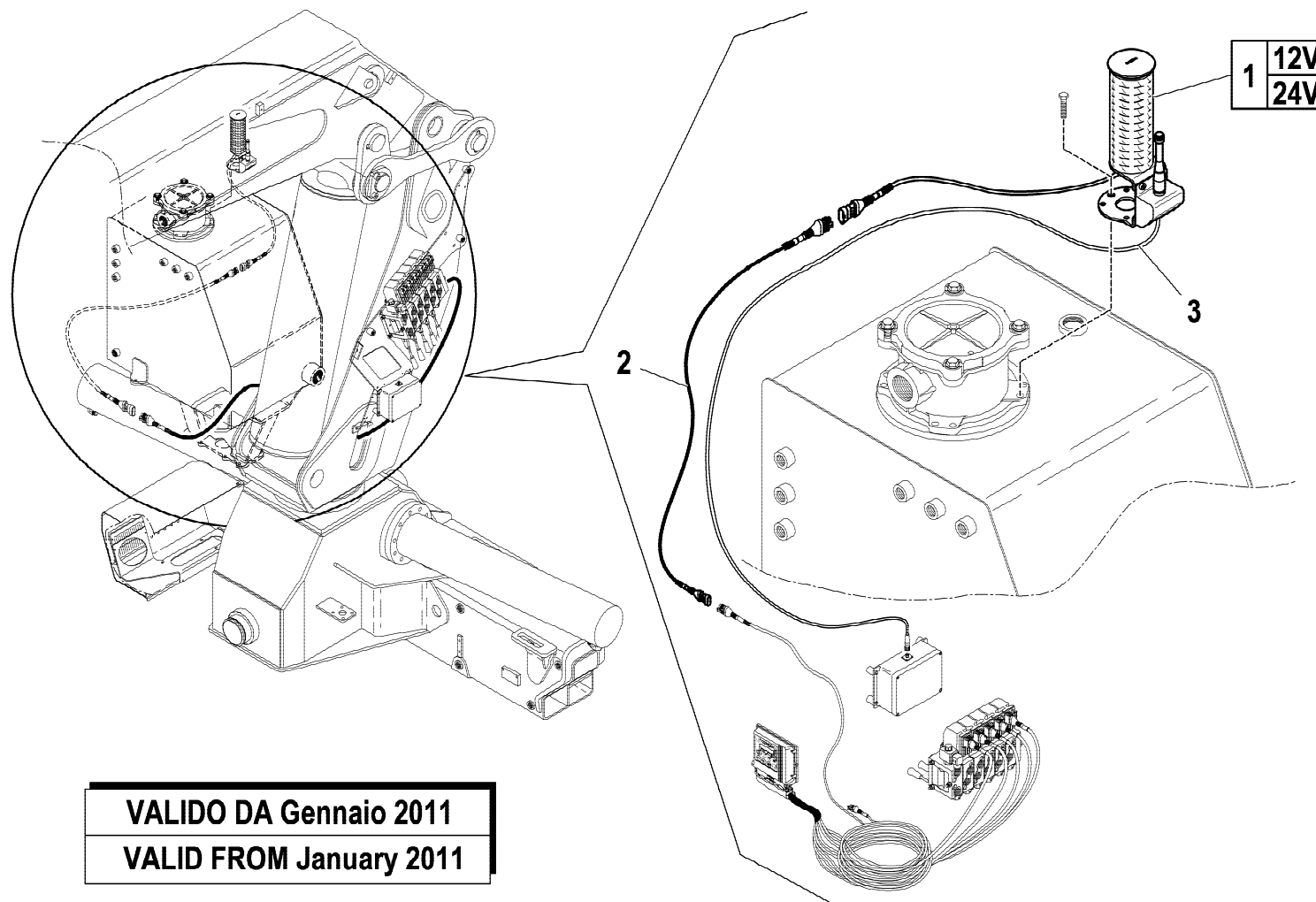
COMANDI (RDC EBB-X TCU-ECM4) EN12999-A3
 CONTROLS (RDC EBB-X TCU-ECM4) EN12999-A3
 COMMANDES (RDC EBB-X TCU-ECM4) EN12999-A3
 STEUERUGEN (RDC EBB-X TCU-ECM4) EN12999-A3
 MANDOS (RDC EBB-X TCU-ECM4) EN12999-A3

Tavola

5.40.1258-6-0

Data pag.
 novembre 2010 191

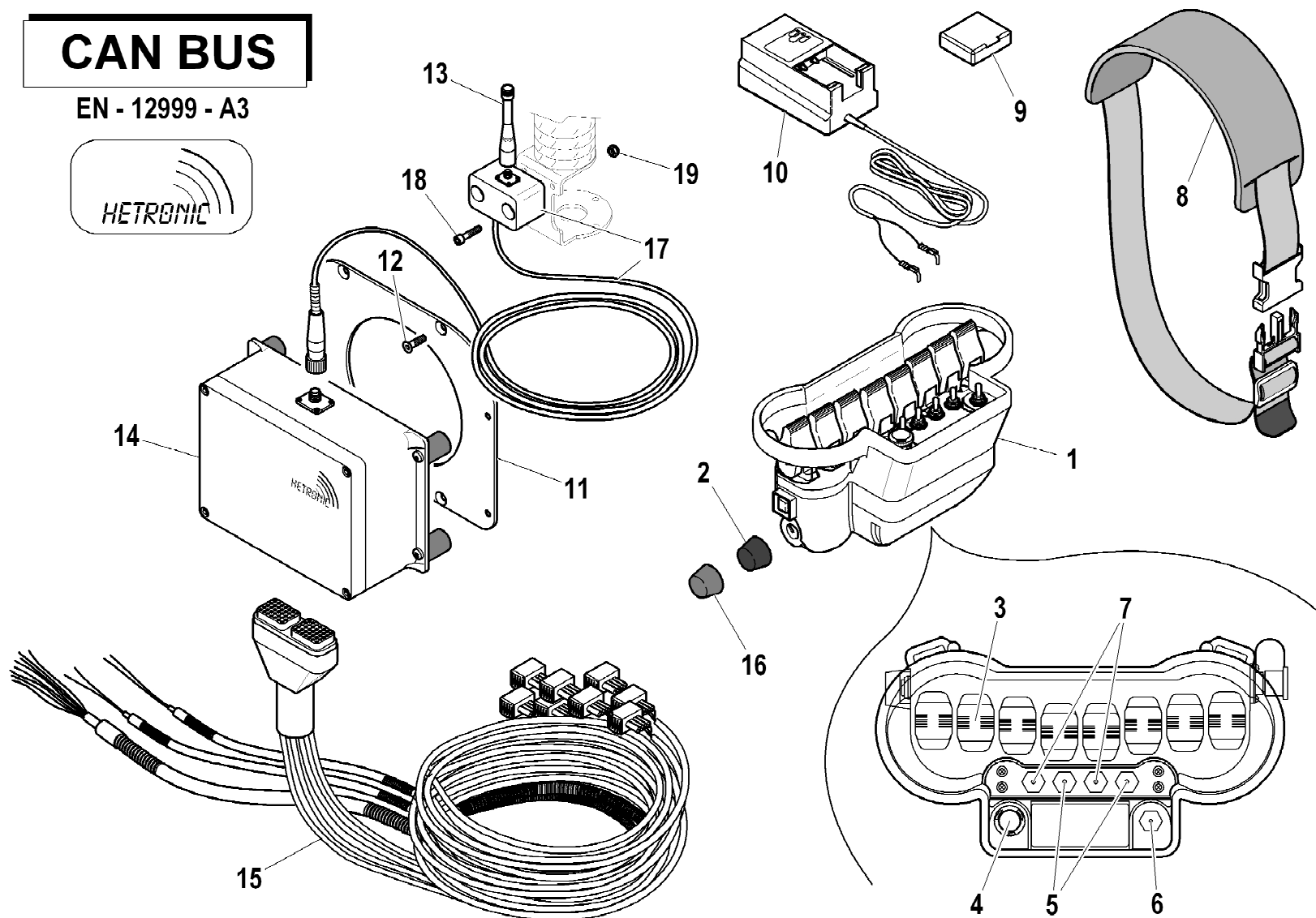
rif.	codice	Q.tà
1	3.31.1159	1
2	5.16.0003	1
3	3.31.1131	1



VALIDO DA Gennaio 2011
VALID FROM January 2011

CAN BUS

EN - 12999 - A3



rif.	codice	Q.tà
1	3.31.1429	1
2	3.31.0795	1
3	3.31.0796	8
4	3.31.0788	1
5	3.31.0786	2
6	3.31.0785	1
7	3.31.0787	2
8	3.31.1031	1
9	3.31.0641	2
10	3.31.0797	1
11	5.00.1699	1
12	3.02.0405	4
13	3.31.0861	1
14	3.31.1433	1
15	3.31.1432	1
16	3.31.0924	1
17	3.31.1131	1
18	3.02.0024	2
19	3.04.0392	2

1/1

HYVA® CRANE
HC501

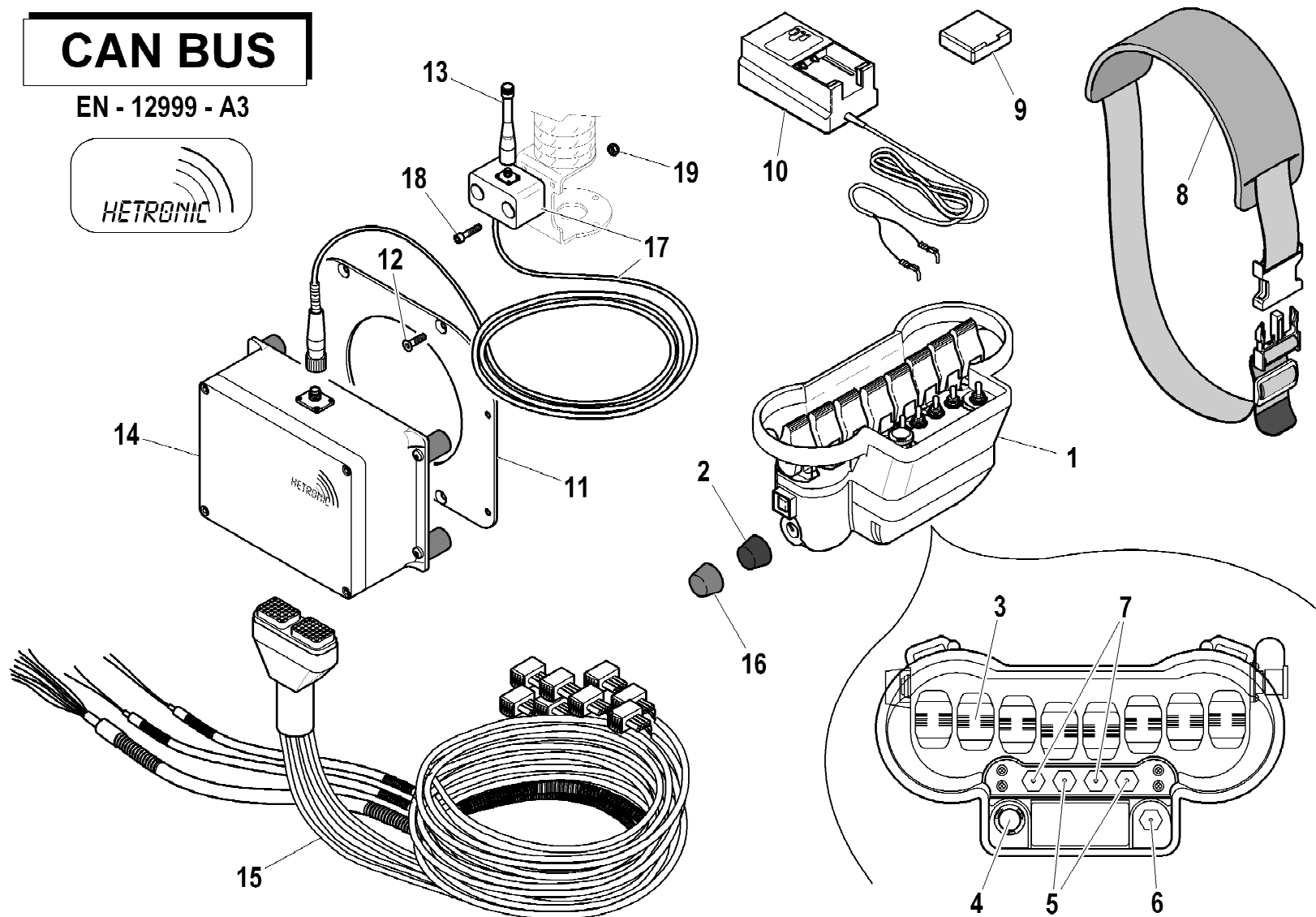
KIT RADIOCOMANDO (CAN BUS) EU. EN12999-A3
 WIRELESS CONTROL KIT (CAN BUS) EU. EN12999-A3
 KIT RADIOTELECOMMANDE (CAN BUS) EU. EN12999-A3
 FUNKSTEUERUNG-SATZ (CAN BUS) EU. EN12999-A3
 KIT RADIOMANDO (CAN BUS) EU. EN12999-A3

Tavola
7.89.2191-1-0

Data pag.
luglio 2011 193

CAN BUS

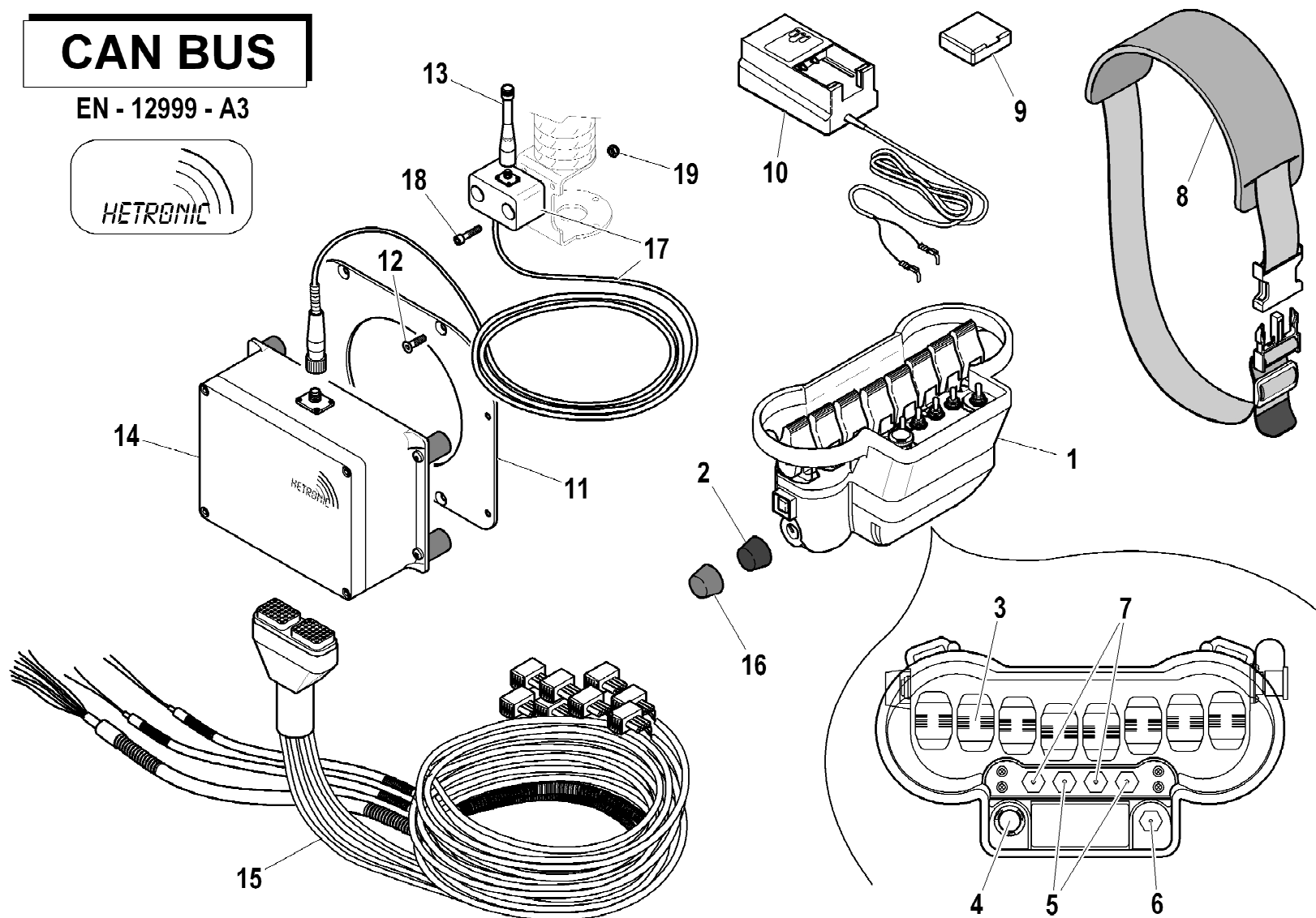
EN - 12999 - A3



rif.	codice	Q.tà
1	3.31.1431	1
2	3.31.0795	1
3	3.31.0796	8
4	3.31.0788	1
5	3.31.0786	2
6	3.31.0785	1
7	3.31.0787	2
8	3.31.1031	1
9	3.31.0641	2
10	3.31.0797	1
11	5.00.1699	1
12	3.02.0405	4
13	3.31.0861	1
14	3.31.1435	1
15	3.31.1432	1
16	3.31.0924	1
17	3.31.1131	1
18	3.02.0024	2
19	3.04.0392	2

CAN BUS

EN - 12999 - A3



rif.	codice	Q.tà
1	3.31.1430	1
2	3.31.0795	1
3	3.31.0796	8
4	3.31.0788	1
5	3.31.0786	2
6	3.31.0785	1
7	3.31.0787	2
8	3.31.1031	1
9	3.31.0641	2
10	3.31.0797	1
11	5.00.1699	1
12	3.02.0405	4
13	3.31.0861	1
14	3.31.1434	1
15	3.31.1432	1
16	3.31.0924	1
17	3.31.1131	1

1/1

HYVA® CRANE
HC501

KIT RADIOCOMANDO (CAN BUS) AUS. EN12999-A3
 WIRELESS CONTROL KIT (CAN BUS) AUS. EN12999-A3
 KIT RADIOTELECOMMANDE (CAN BUS) AUS. EN12999-A3
 FUNKSTEUERUNG-SATZ (CAN BUS) AUS. EN12999-A3
 KIT RADIOMANDO (CAN BUS) AUS. EN12999-A3

Tavola
7.89.2205-1-0

Data pag.
luglio 2011 195